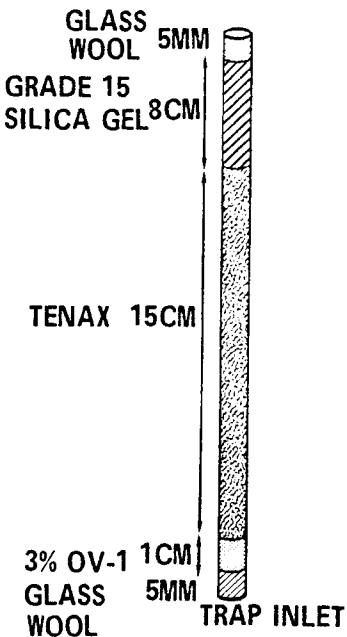


## PACKING PROCEDURE



## CONSTRUCTION

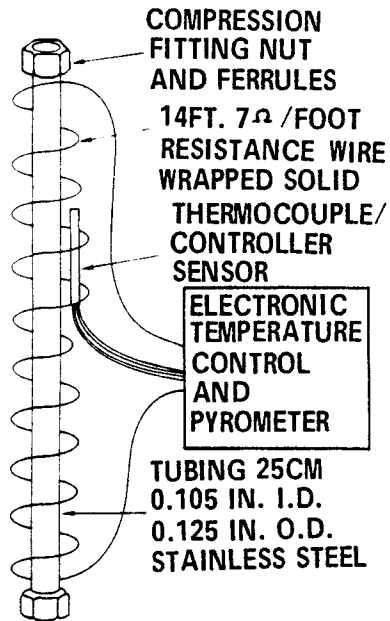


Figure 2. Trap packings and construction to include desorb capability.