

PACKING PROCEDURE

CONSTRUCTION

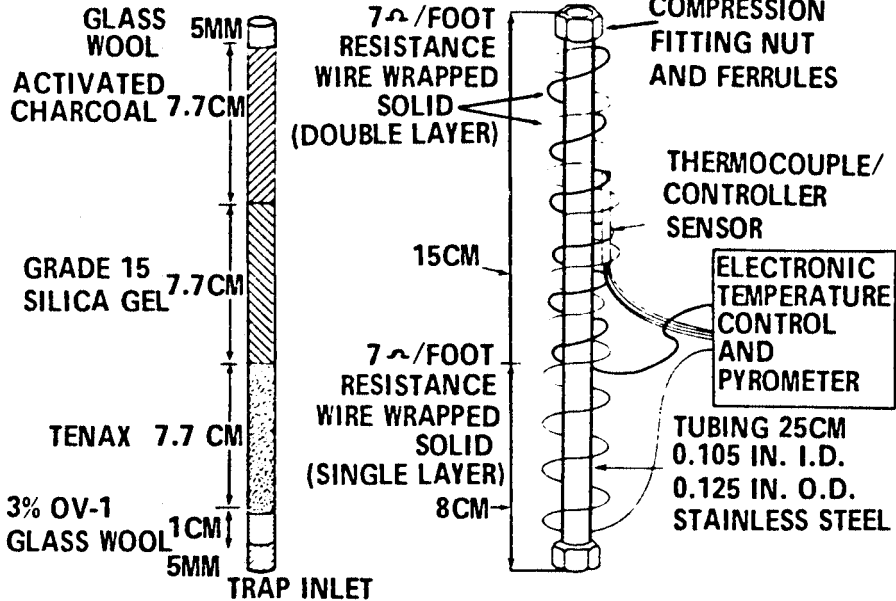


Figure 2. Trap packings and construction to include desorb capability