

This is not the same barrier as tested in the original references listed in the caption title.

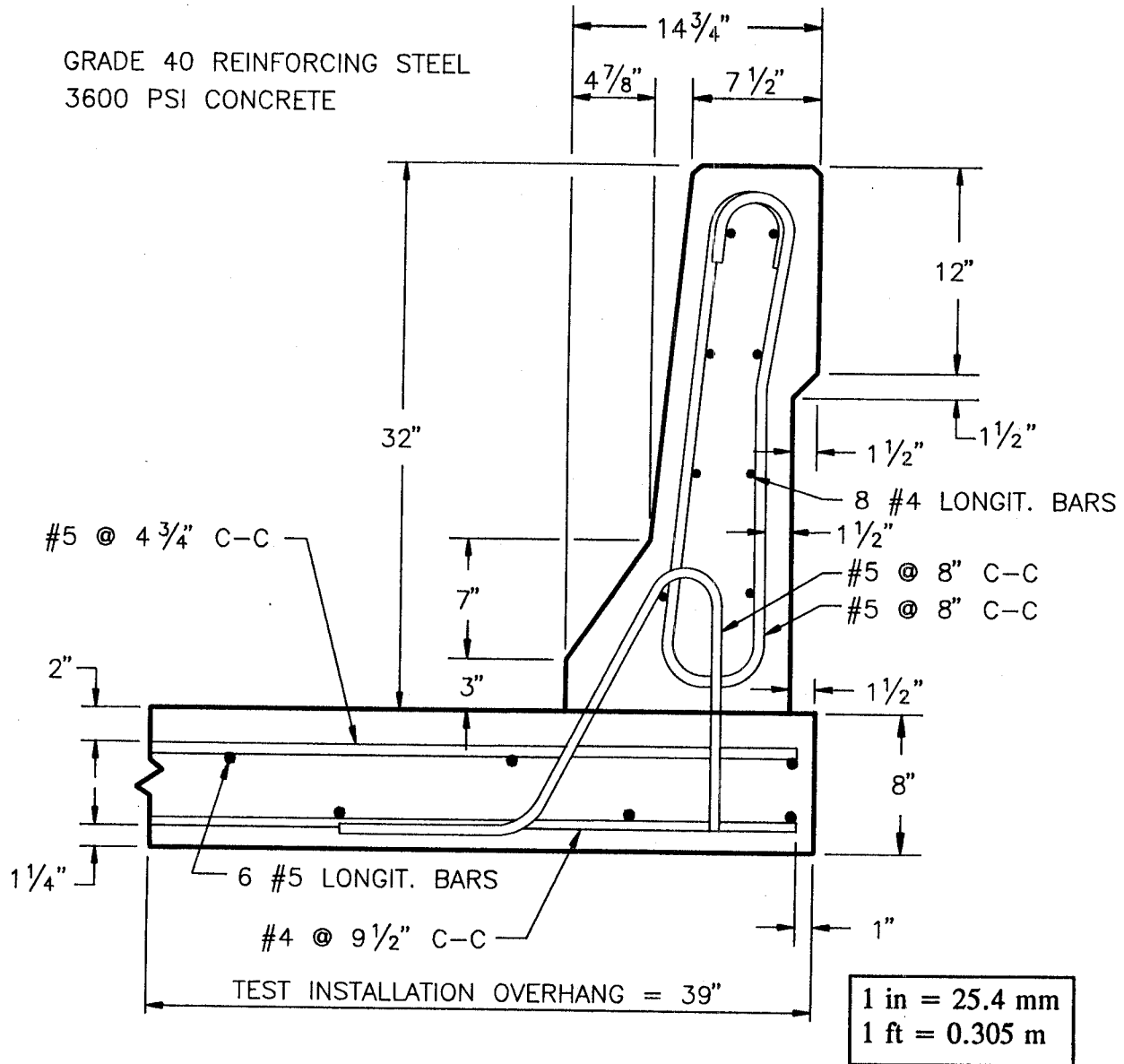


Figure B7.62. F-Profile Bridge Railing (67,73).

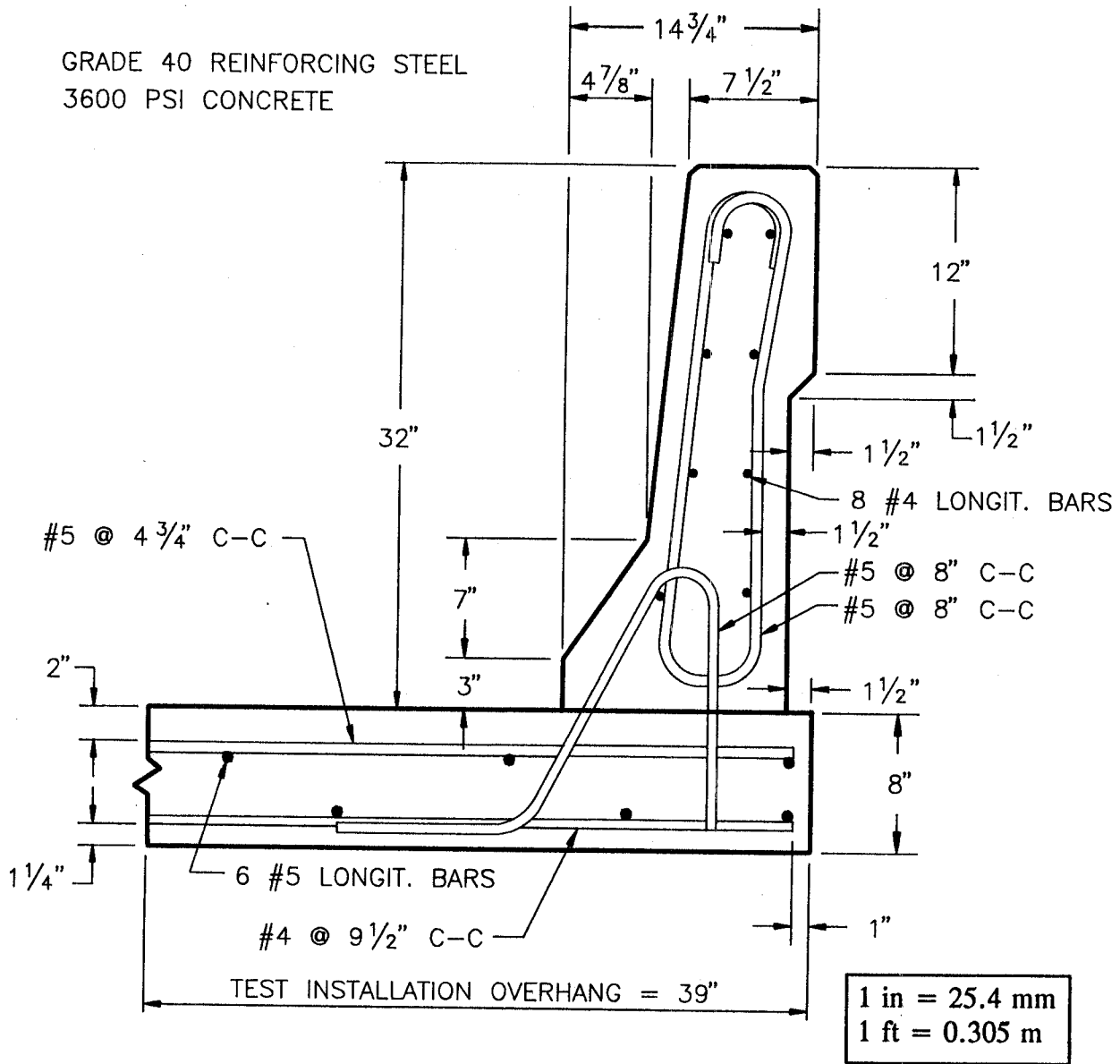


Figure B7.63. 32-in (813-mm) F-Shape Bridge Railing (8,87,88,89,90,91,15).

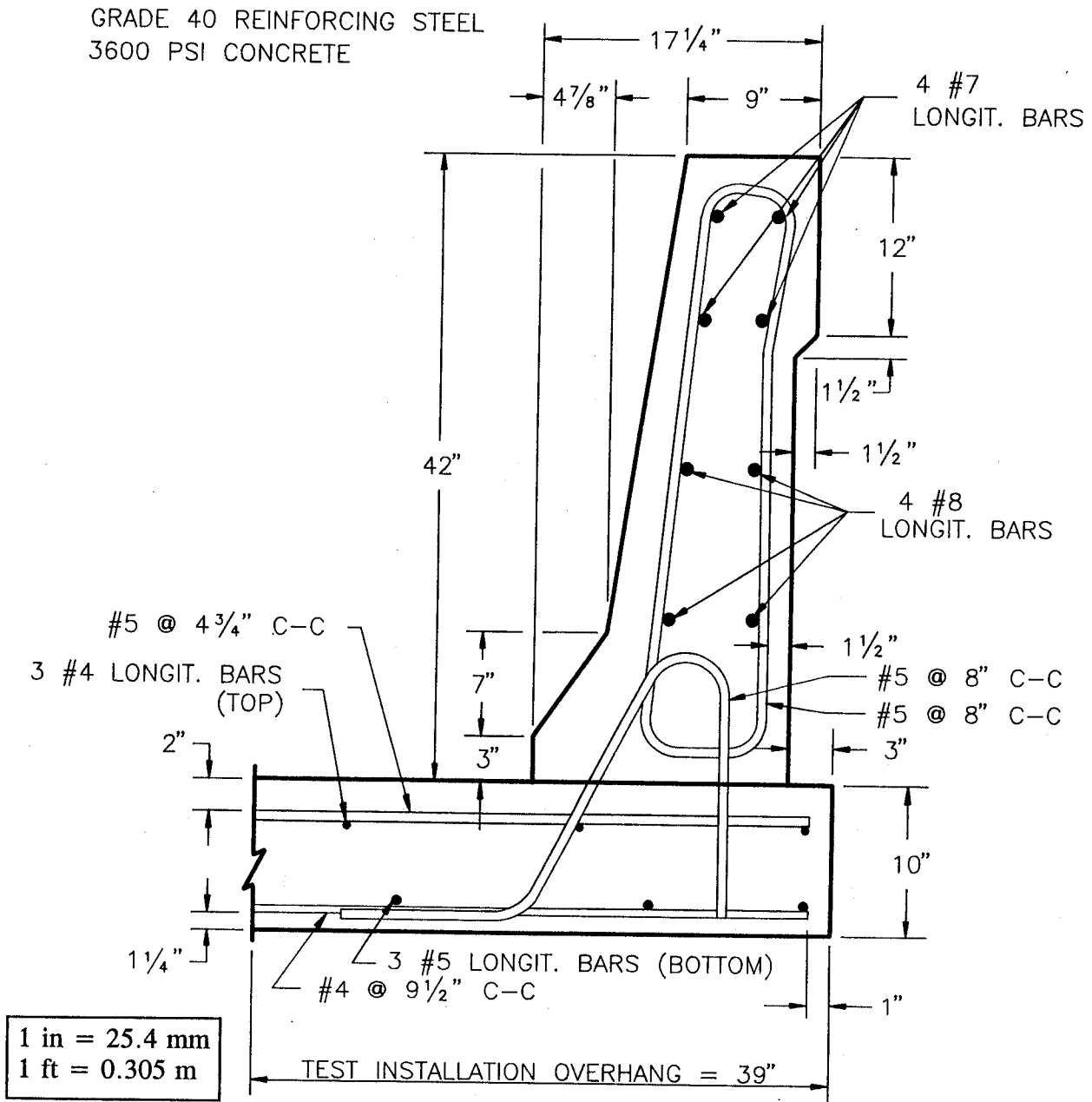
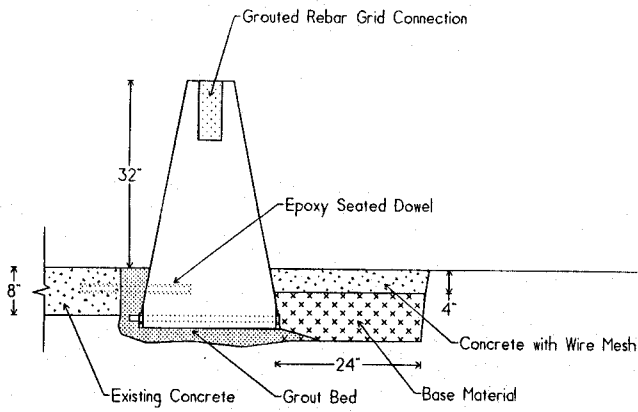
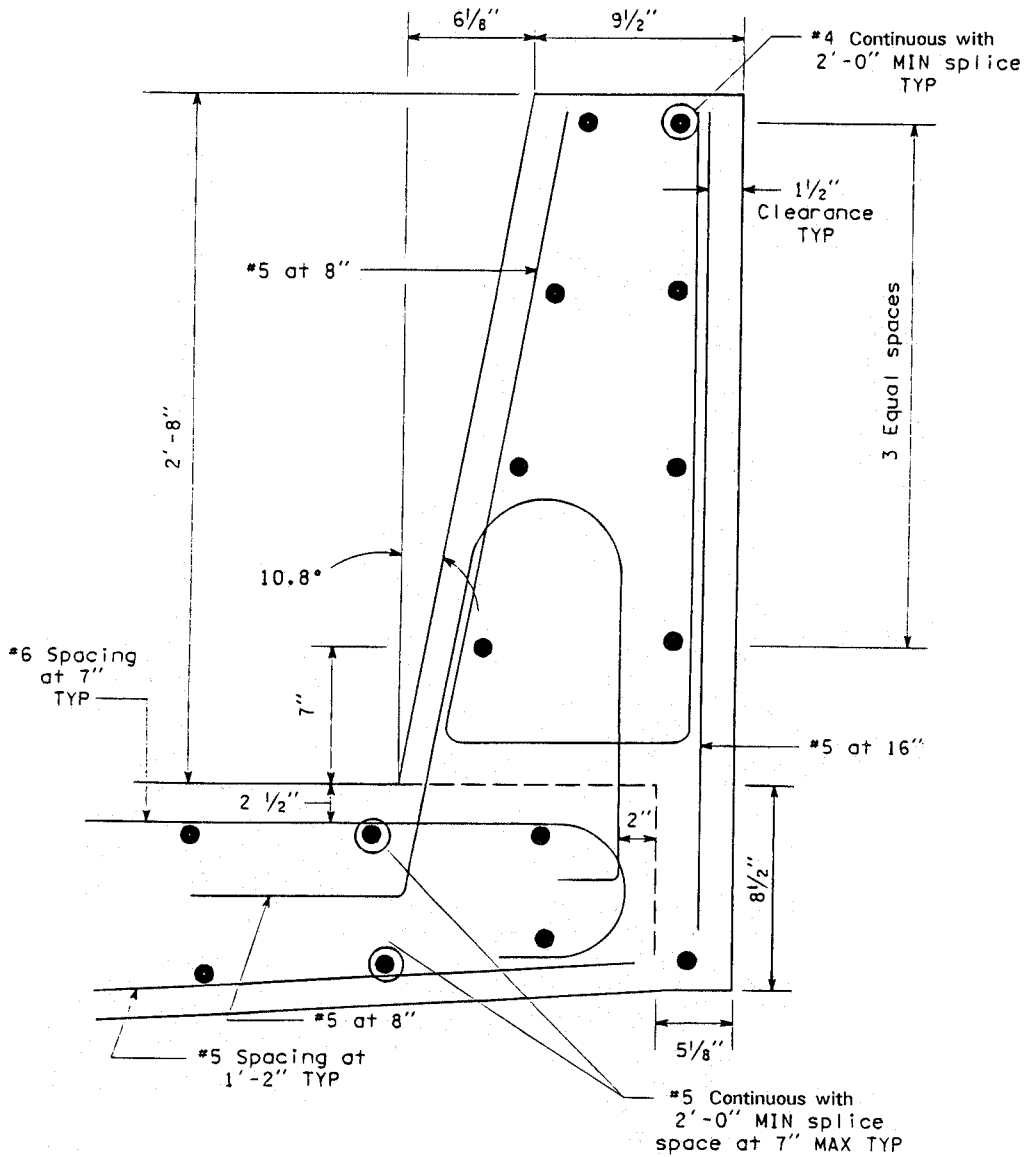


Figure B7.64. 42-in (1.07-m) F-Shape Bridge Rail (8,92,93,64).



**FIGURE 1 Single-slope concrete bridge rail test installation.**



**Figure B7.65. Single-Slope Concrete Bridge Rail (94,36,95,96).**