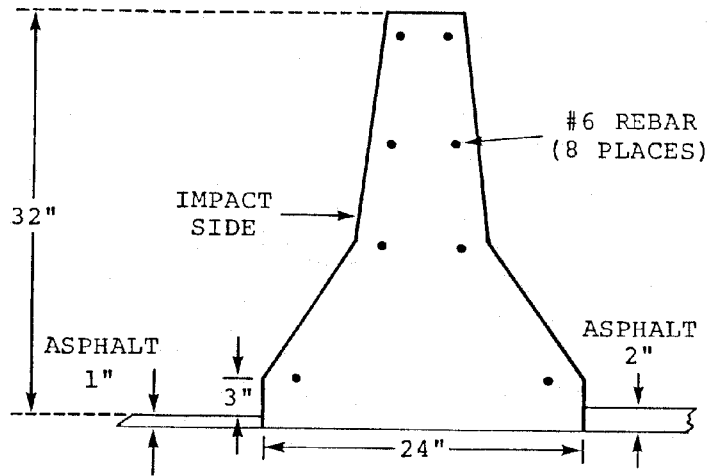


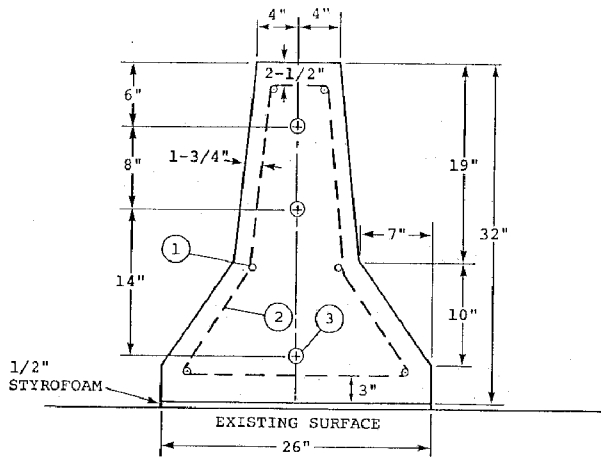
TYPE 25

Figure B7.52. California Type 25 Bridge Railing (67,68,69,13,70).



MULTIPLY INCHES BY 25.4 TO OBTAIN MM

FIGURE 23. NEW JERSEY PROFILE MEDIAN BARRIER USED IN TEST 8307-1.



- ① NO. 5 REBAR CONTINUOUS - 6 REQUIRED AS SHOWN
- ② NO. 4 REBAR, THREE AT EACH END, 6" OFF CENTER AND 18" SPACING OVER LENGTH

NOTE: BARRIER MADE UP OF EIGHT 20' (6.1 M) LONG SECTIONS

FIGURE 59. CONCRETE BARRIER CONFIGURATION.

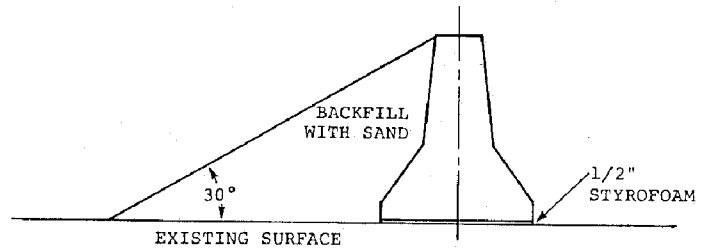


FIGURE 60. CONCRETE BARRIER INSTALLATION SUPPORT.

Figure B7.53. New Jersey Concrete Safety Shape (71,72,67,73,74).

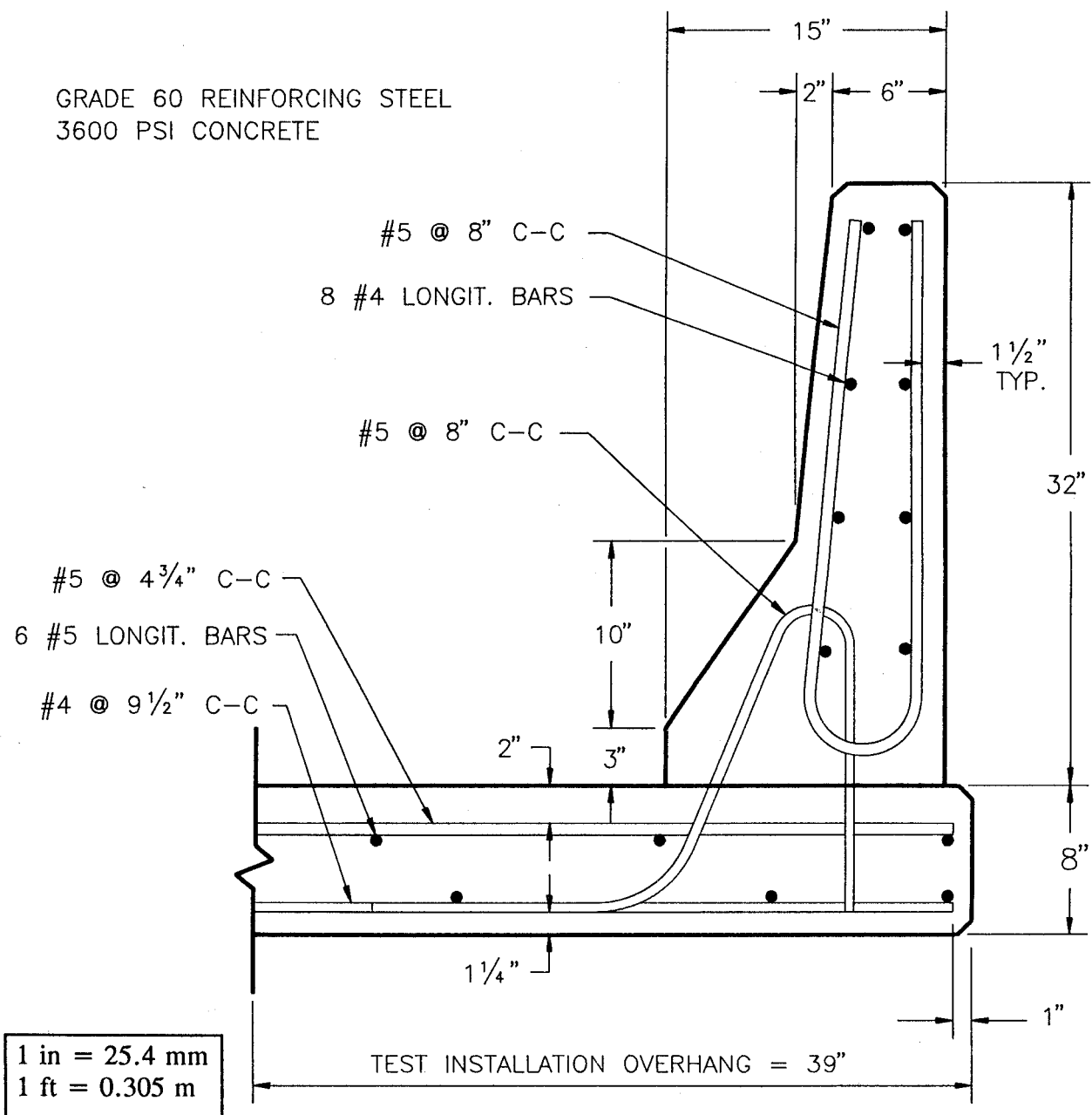


Figure B7.54. 32-in (813-mm) Concrete New Jersey Safety Shape Bridgerail (8,75,76,48,15).

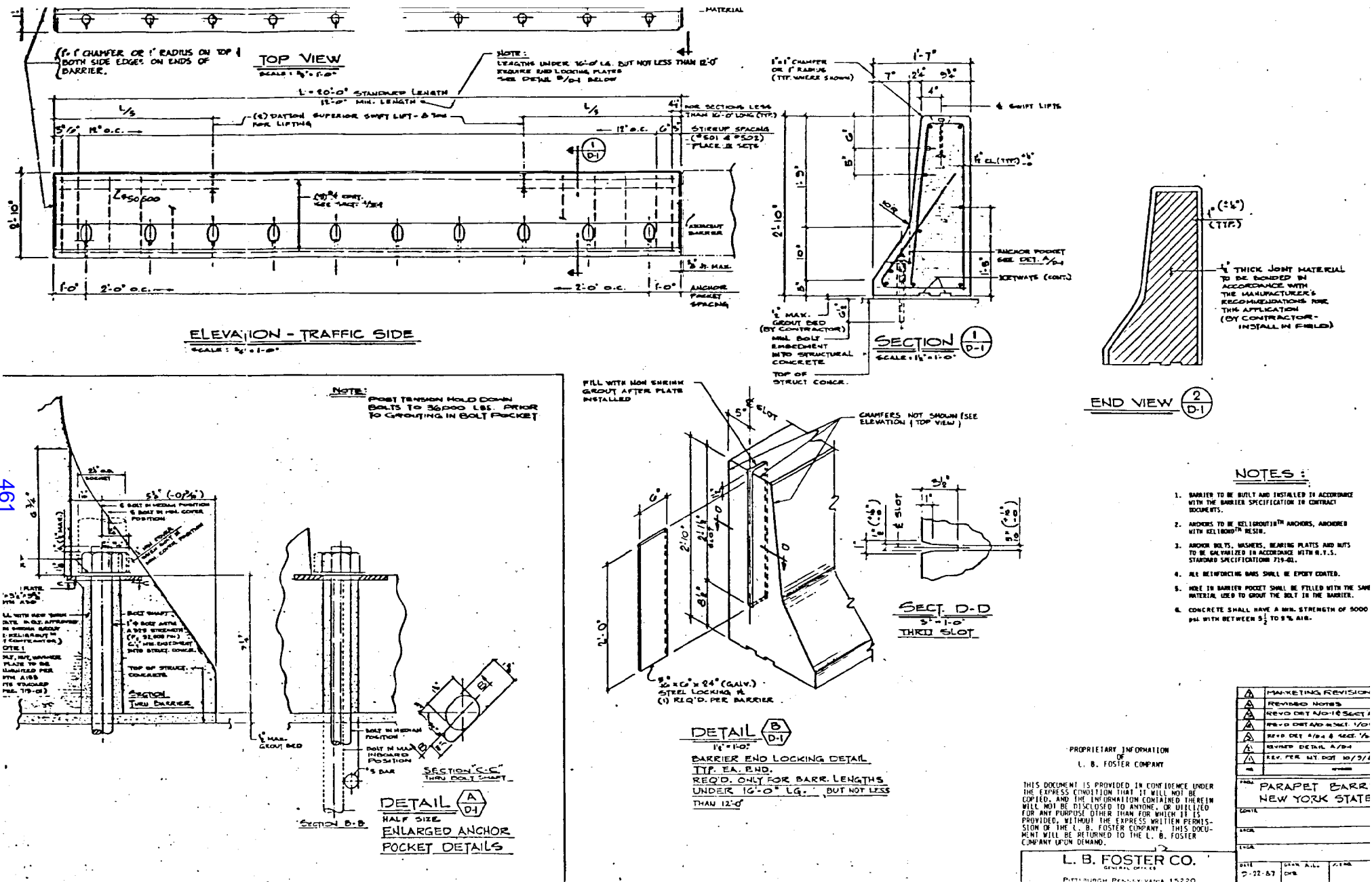


Figure B7.55. L.B. Foster Precast NJ-Shape, Bolted Down with Kelkin-Gold Polyester Resin Bolts (77).

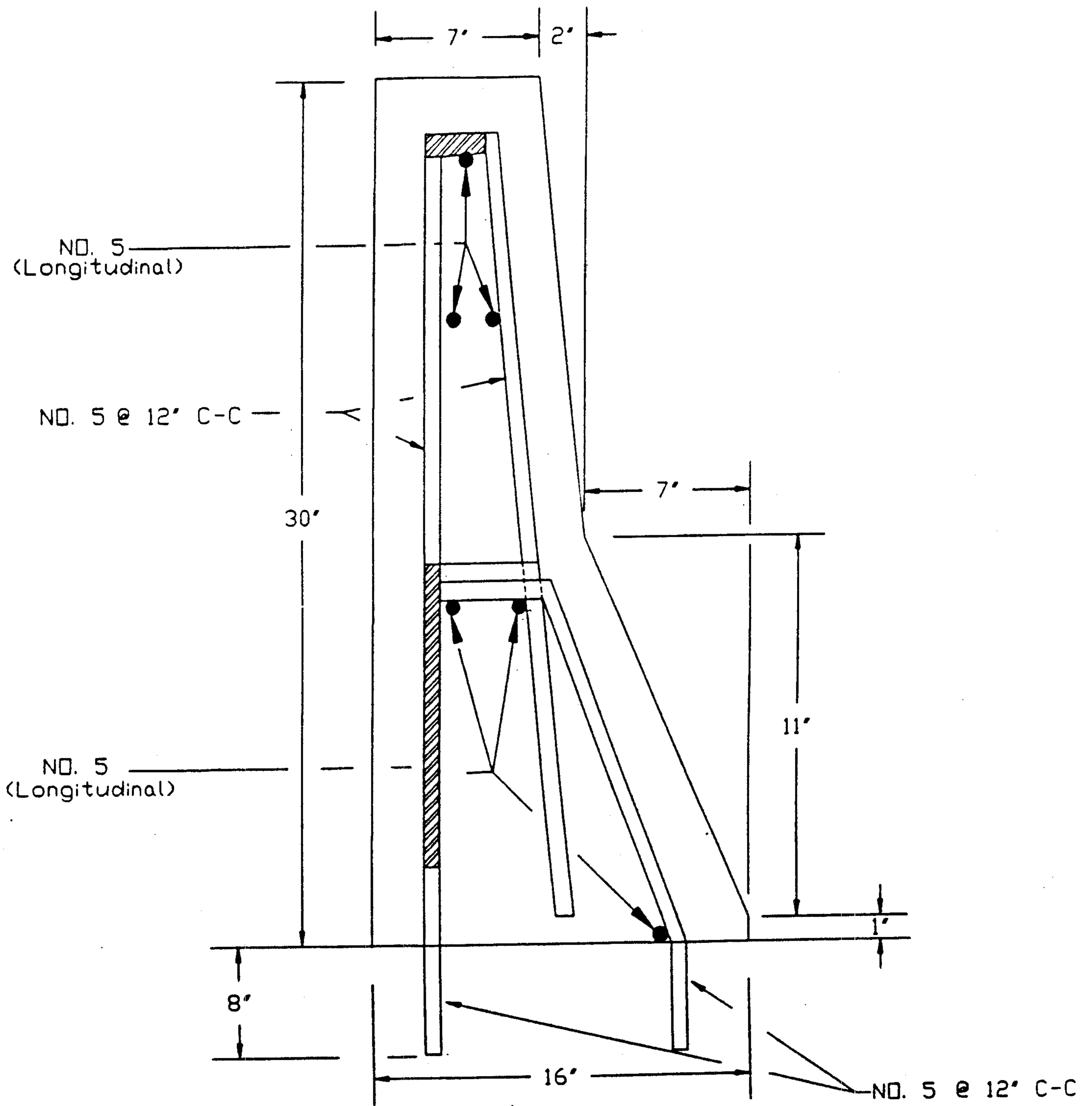


Figure B7.56. Missouri 30" New Jersey Concrete Barrier (78,72).