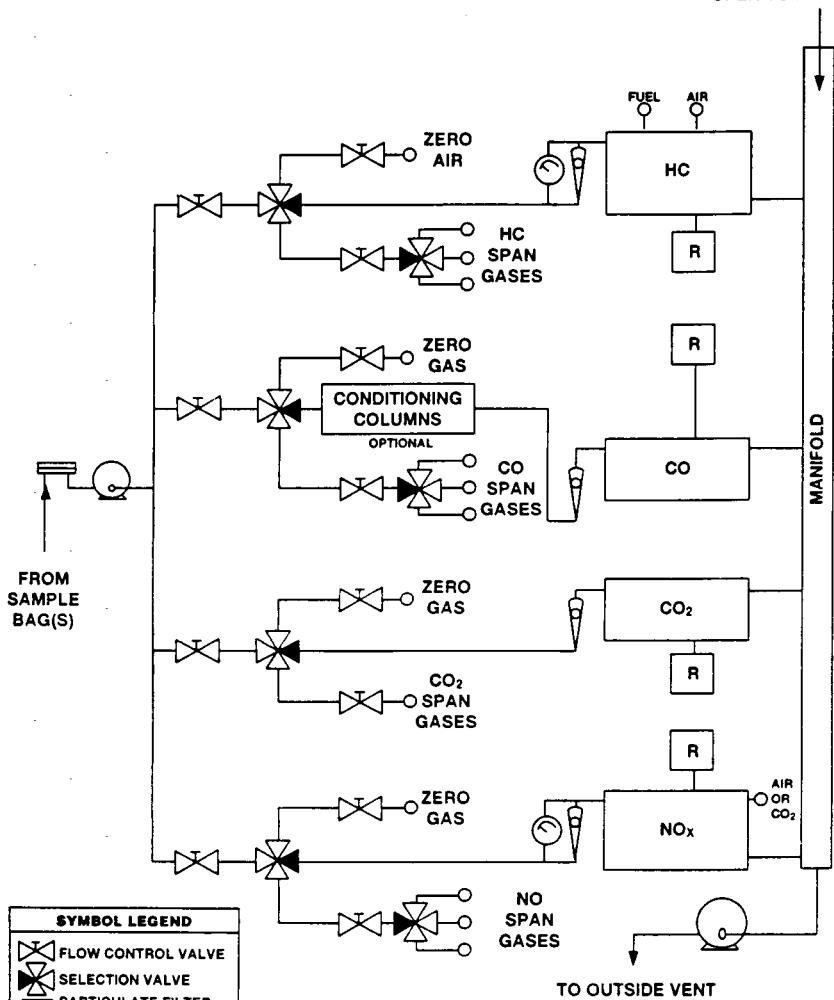


OPEN TO ATMOSPHERE



**SYMBOL LEGEND**

	FLOW CONTROL VALVE
	SELECTION VALVE
	PARTICULATE FILTER
	PUMP
	FLOWMETER
	PRESSURE GAUGE
	RECORDER
	TEMPERATURE SENSOR

**Figure 4. — Exhaust Gas Analytical System, Grab Bag sampling**