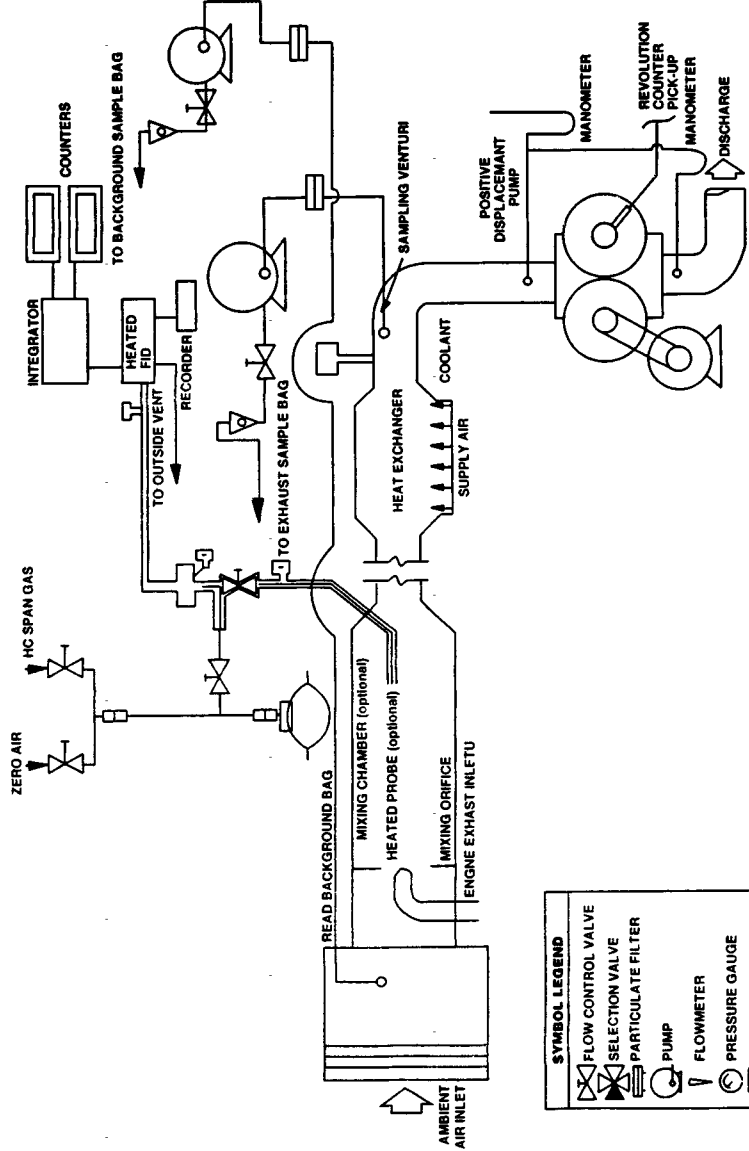


OPTIONAL FOR PARTICULATE BACKGROUND READING



| SYMBOL LEGEND | |
|---------------|--------------------|
| | FLOW CONTROL VALVE |
| | SELECTION VALVE |
| | PARTICULATE FILTER |
| | PUMP |
| | FLOWMETER |
| | PRESSURE GAUGE |
| | RECORDER |
| | TEMPERATURE SENSOR |

Figure 2 — Gaseous Emissions Sampling System (PDP-CVS) Showing both grab bag sampling and continuous sampling