

announcing the general course of action that the Commission intends to follow. This policy statement does not constitute an agency regulation requiring notice of proposed rulemaking, opportunities for public participation, prior publication, and delay in effective date under 5 U.S.C. 553 of the Administrative Procedure Act ("APA"). As such, it does not bind the Commission or any member of the general public. The provisions of the Regulatory Flexibility Act, which apply when notice and comment are required by the APA or another statute, are not applicable.

Dated: December 27, 2006.

**Robert D. Lenhard,**

*Vice Chairman, Federal Election Commission.*

[FR Doc. E7-65 Filed 1-8-07; 8:45 am]

BILLING CODE 6715-01-P

## DEPARTMENT OF TRANSPORTATION

### Federal Aviation Administration

#### 14 CFR Part 39

[Docket No. FAA-2005-22696; Directorate Identifier 2005-SW-22-AD; Amendment 39-14877; AD 2007-01-06]

RIN 2120-AA64

#### **Airworthiness Directives; Bell Helicopter Textron Canada Model 206A, B, L, L-1, L-3, and L-4 Helicopters**

**AGENCY:** Federal Aviation Administration, DOT.

**ACTION:** Final rule.

**SUMMARY:** This amendment supersedes an existing airworthiness directive (AD) for the specified Bell Helicopter Textron Canada (BHTC) model helicopters. The existing AD currently requires certain inspections and checks of the tail rotor blade (blade) for a deformation, a crack, and a bent or deformed tail rotor weight (weight). Also, that AD requires, before further flight, replacing each blade with an airworthy blade if a deformation, a crack, or a bent or deformed weight is found. This action contains the same actions as the existing AD and also adds to the applicability certain serial-numbered blades inadvertently omitted from the current AD. This action also requires replacing each affected blade, which is a terminating action. This amendment is prompted by three reports of skin cracks originating near the blade trailing edge balance weight. The actions specified by this AD are intended to prevent blade failure and subsequent loss of control of the helicopter.

**DATES:** Effective February 13, 2007.

**ADDRESSES:** You may get the service information identified in this AD from Bell Helicopter Textron Canada, 12,800 Rue de l'Avenir, Mirabel, Quebec J7J1R4, telephone (450) 437-2862 or (800) 363-8023, fax (450) 433-0272.

#### **Examining the Docket**

You may examine the docket that contains this AD, any comments, and other information on the Internet at <http://dms.dot.gov>, or at the Docket Management System (DMS), U.S. Department of Transportation, 400 Seventh Street, SW., Room PL-401, on the plaza level of the Nassif Building, Washington, DC.

#### **FOR FURTHER INFORMATION CONTACT:**

Sharon Miles, Aviation Safety Engineer, FAA, Rotorcraft Directorate, Regulations and Guidance Group, Fort Worth, Texas 76193-0111, telephone (817) 222-5122, fax (817) 222-5961.

#### **SUPPLEMENTARY INFORMATION:**

A proposal to amend 14 CFR part 39 by superseding AD 2004-24-08, Amendment 39-13884 (69 FR 69810, December 1, 2004), for the specified BHTC model helicopters was published in the **Federal Register** on October 17, 2005 (70 FR 60246). This action contains the same actions as the existing AD. Also, when we issued AD 2004-24-08, we intentionally did not include the long-term requirement (no later than April 27, 2007) for removing and sending the affected blades to Rotor Blades, Inc. as specified by the manufacturer. We are including a long-term requirement in this AD that the affected blades be replaced on or before April 27, 2007, as terminating action. Additionally, in AD 2004-24-08, we inadvertently omitted blade serial numbers 10102 through 10114 from the applicability. We are correcting that oversight with this action.

Since issuing AD 2004-24-08, BHTC has issued Alert Service Bulletin 206-04-100 for Bell Model 206A and B helicopters, and 206L-04-127 for Bell Model 206L series helicopters, both Revision C, both dated March 5, 2005 (ASB). These ASBs add two warnings in the compliance section specifying returning the blade for balancing to Rotor Blades, Inc., and introduce new skin damage limits that supersede the previous damage limits. The ASB also gives a new address for Rotor Blades Inc.

Transport Canada, the airworthiness authority for Canada, notified the FAA that an unsafe condition may exist on these helicopter models. Transport Canada advises of three reports of skin cracks originating near the blade trailing

edge balance weight. Two of the occurrences caused a loss of the weight and a strip of material along the trailing edge leading to an imbalance, which caused the fracture of three of the four tail rotor gearbox attachments. One of these occurrences resulted in the gearbox shifting that caused failure of the drive shaft and resulting loss of yaw control. Transport Canada issued AD No. CF-2004-05R1, dated June 28, 2004, to ensure the continued airworthiness of these helicopters in Canada.

These helicopter models are manufactured in Canada and are type certificated for operation in the United States under the provisions of 14 CFR 21.29 and the applicable bilateral agreement. Pursuant to the applicable bilateral agreement, Transport Canada has kept the FAA informed of the situation described above. The FAA has examined the findings of Transport Canada, reviewed all available information, and determined that AD action is necessary for products of these type designs that are certificated for operation in the United States.

Interested persons have been afforded an opportunity to participate in the making of this amendment. No comments were received on the proposal or the FAA's determination of the cost to the public. The FAA has determined that air safety and the public interest require the adoption of the rule as proposed, except for a change in paragraph (f) of the AD to add additional contact information. This change will neither increase the economic burden on any operator nor increase the scope of the AD.

The FAA estimates that this AD will:

- Affect 2194 helicopters of U.S. registry,
- Take about ¼ work hour for a blade check or inspection, and
- Take 3 work hours to replace a blade at an average labor rate of \$65 per work hour.
- Cost about \$5848 per helicopter. (In its ASB, the manufacturer states it will give warranty credit based on hour usage on the blade with remaining life hours and other restrictions.)

Based on these figures, we estimate the total cost impact of the AD on U.S. operators to be \$19,989,973. Costs assume—200 pilot checks, 26 mechanic inspections, and one blade replacement for 90 percent of the fleet with a nonconforming blade.

#### **Regulatory Findings**

We have determined that this AD will not have federalism implications under Executive Order 13132. This AD will not have a substantial direct effect on

the States, on the relationship between the national Government and the States, or on the distribution of power and responsibilities among the various levels of government.

For the reasons discussed above, I certify that the regulation:

1. Is not a “significant regulatory action” under Executive Order 12866;
2. Is not a “significant rule” under the DOT Regulatory Policies and Procedures (44 FR 11034, February 26, 1979); and
3. Will not have a significant economic impact, positive or negative, on a substantial number of small entities under the criteria of the Regulatory Flexibility Act.

We prepared an economic evaluation of the estimated costs to comply with this AD. See the DMS to examine the economic evaluation.

**Authority for This Rulemaking**

Title 49 of the United States Code specifies the FAA’s authority to issue rules on aviation safety. Subtitle I, Section 106, describes the authority of the FAA Administrator. Subtitle VII, Aviation Programs, describes in more

detail the scope of the Agency’s authority.

We are issuing this rulemaking under the authority described in Subtitle VII, Part A, Subpart III, Section 44701, “General requirements.” Under that section, Congress charges the FAA with promoting safe flight of civil aircraft in air commerce by prescribing regulations for practices, methods, and procedures the Administrator finds necessary for safety in air commerce. This regulation is within the scope of that authority because it addresses an unsafe condition that is likely to exist or develop on products identified in this rulemaking action.

**List of Subjects in 14 CFR Part 39**

Air transportation, Aircraft, Aviation safety, Safety.

**Adoption of the Amendment**

■ Accordingly, pursuant to the authority delegated to me by the Administrator, the Federal Aviation Administration amends part 39 of the Federal Aviation Regulations (14 CFR part 39) as follows:

**PART 39—AIRWORTHINESS DIRECTIVES**

■ 1. The authority citation for part 39 continues to read as follows:

**Authority:** 49 U.S.C. 106(g), 40113, 44701.

**§ 39.13 [Amended]**

■ 2. Section 39.13 is amended by removing Amendment 39–13884 (69 FR 69810, December 1, 2004) and by adding a new airworthiness directive (AD), Amendment 39–14877, to read as follows:

**2007–01–06 Bell Helicopter Textron Canada:**

Amendment 39–14877. Docket No. FAA–2005–22696; Directorate Identifier 2005–SW–22–AD. Supersedes AD 2004–24–08, Amendment 39–13884, Docket No. 2004–SW–12–AD.

**Applicability**

Model 206A, B, L, L–1, L–3, and L–4 helicopters, with a tail rotor blade (blade) with the following part number (P/N) and serial number (S/N) installed, certificated in any category.

Model 206A & B; Blade, P/N 206–016–201–133, S/N with prefix “CS” and no “V” suffix	Model 206A, B, L, L–1, L–3, & L–4; Blade, P/N 206–016–201–131, S/N with prefix “CS” and no “V” suffix	
1381 through 1442	7000 through 7018	10174 through 10218
1492 through 1517	7020 through 7043	10220
1520 through 1542	7045 through 7050	10232
1550	7052 through 7132	10235
1556	7134 through 7246	10237 through 10241
1560	7248 through 7270	10244
1562	7272 through 7277	10245
1564 through 1567	7279 through 7339	10248
1569 through 1606	7342 through 7368	10250 through 10264
1609	7784	10266 through 10268
1611	7786	10270 through 10274
1612	7788	10276 through 10278
1614 through 1631	7790 through 7796	10280 through 10282
1633 through 1675	7798 through 7819	10284 through 10292
1677	7821 through 7833	10296
1678	7835 through 7839	10300 through 10330
1680 through 1682	7841 through 8001	10332
1684 through 1787	8003 through 8026	10333
1789 through 1803	8029 through 8061	10335 through 10347
1810 through 1812	8064 through 8117	10349
1814	8119	10351 through 10359
1816	8121 through 8139	10363 through 10365
1820	8142 through 8176	10367
1823 through 1831	8178 through 8262	10373
1834 through 1836	8264 through 8294	10374
1838	8298 through 8368	10377 through 10385
1840 through 1844	8370 through 8375	10387 through 10408
1846	8378 through 8416	10410
1848 through 1882	8419	10414 through 10417
1884 through 1887	8421	10419 through 10427
1889 through 1893	8425 through 8428	10430
1896 through 1898	8430 through 8438	10432
1900	8440	10437
1904	8441	10438
1909 through 1912	8443	10442 through 10445
1915	8445 through 8447	10458 through 10466
1916	8449 through 8606	10469
1919 through 1921	8608 through 8622	10470

1924	8624 through 8626	10474
1928 through 1931	8628 through 8632	10476 through 10478
1933	8635 through 8653	10480 through 10487
1934 through 1939	8655 through 8686	10489 through 10491
1943	8690	10493 through 10495
1945	8692 through 8700	10497 through 10503
1947	8703 through 8715	10505 through 10588
1948	8717 through 8722	10591 through 10606
1952 through 1957	8724 through 8742	10608 through 10610
1960	8745 through 8828	10612 through 10620
1962 through 1965	8830 through 8835	10623
	8838 through 8840	10624
	8842 through 8881	10631 through 10655
	8883 through 9032	10657 through 10669
	9034 through 9139	10672
	9141 through 9198	10673
	9200	10676 through 10678
	9202 through 9302	10680 through 10683
	9304 through 9339	10685
	9341 through 9371	10687
	9373 through 9411	10689 through 10702
	9413	10707
	9415 through 9417	10712
	9419 through 9496	10715
	9498 through 9585	10730
	9587 through 9594	10732 through 10734
	9596 through 9618	10736
	9621 through 9629	10738
	9632 through 9642	10739
	9645 through 9651	10746
	9653 through 9673	10750
	9675 through 9707	10756
	9709 through 9724	10760
	9727 through 9731	10761
	9733 through 9735	10765
	9737 through 9739	10770
	9741 through 9748	10774 through 10776
	9751 through 9785	10778
	9787	10781
	9788	10783 through 10785
	9790 through 9792	10792
	9795 through 9847	10794
	9849 through 9928	10798
	9930 through 9937	10799
	9940 through 9942	10806 through 10808
	9944 through 9952	10811
	9955 through 9972	10814 through 10822
	9974 through 9989	10824
	9991 through 9995	10825
	9997 through 10004	10829
	10006 through 10009	10831
	10011	10917
	10013 through 10018	10923
	10021 through 10030	10931
	10034	10936
	10036 through 10057	10937
	10061 through 10082	10940
	10090 through 10092	10943
	10094 through 10100	10945
	10102 through 10114	10947
	10116	10948
	10119	10964
	10121	10965
	10123 through 10134	10973
	10136 through 10140	10982
	10142 through 10144	10985
	10146 through 10172	10986

**Compliance**

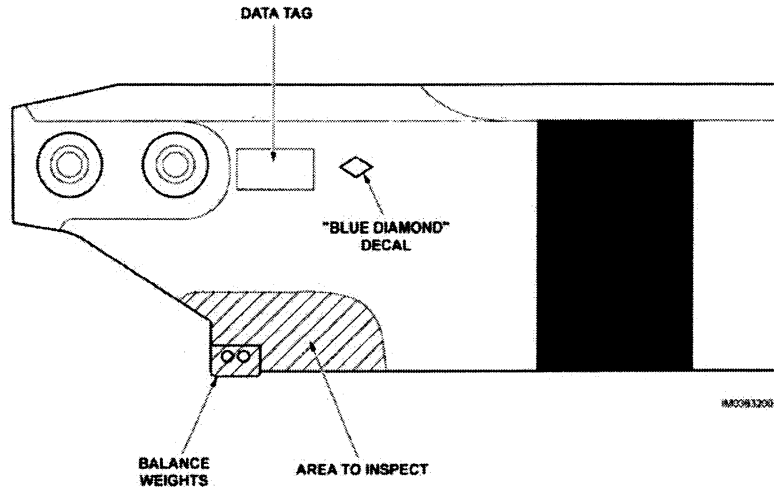
Required as indicated.

To prevent blade failure and subsequent loss of control of the helicopter, do the following:

(a) Before further flight, unless accomplished previously, and before installing any blade with a P/N and S/N listed in the applicability section of this AD, clean the blade. Using a 10X or higher magnifying glass, inspect both sides of each

blade for a deformation, a crack, and a bent or deformed weight in the area shown in Figure 1 of this AD.

**Note 1:** Paint irregularities on the blade may indicate a crack.



**Figure 1. Tail rotor blade inspection.**

(b) After doing paragraph (a) of this AD, at the following intervals, clean both sides of each blade and do either paragraph (1) or (2) as follows:

(1) At intervals not to exceed 12 hours time-in-service (TIS), using a 10X or higher magnifying glass, inspect both sides of each blade for a deformation, a crack, and a bent or deformed weight in the area shown in Figure 1 of this AD, or

(2) Inspect and check both sides of each blade for a deformation, a crack, and a bent or deformed weight in the area shown in Figure 1 of this AD as follows:

(i) Using a 10X or higher magnifying glass, inspect at intervals not to exceed 24 hours TIS, and

(ii) Check at intervals not to exceed 3 hours TIS between the inspections required by paragraph (b)(2)(i) of this AD. An owner/operator (pilot), holding at least a private pilot certificate, may perform this visual check and must enter compliance with this paragraph into the helicopter maintenance records by following 14 CFR sections 43.11 and 91.417(a)(2)(v).

(c) Before further flight, replace any blade that has a deformation, a crack, or a bent or deformed weight with an airworthy blade.

**Note 2:** Bell Helicopter Textron Alert Service Bulletin No. 206-04-100 for Model 206A and B and No. 206L-04-127 for Model 206L series, both Revision C, both dated March 5, 2005, pertain to the subject of this AD.

(d) On or before April 27, 2007, for any affected part-numbered blade with a S/N listed in the applicability section of this AD:

(1) Replace the blade with a blade that has a S/N other than one listed in the applicability section of this AD, or

(2) Replace the blade with a blade that has a S/N listed in the applicability section of this AD and also has a "V" suffix.

(e) Replacing each blade with an airworthy blade as required by paragraph (d) of this AD constitutes terminating action for the requirements of this AD.

(f) To request a different method of compliance or a different compliance time for this AD, follow the procedures in 14 CFR 39.19. Contact the Safety Management Group, Rotorcraft Directorate, FAA, ATTN: Sharon Miles, Aviation Safety Engineer, Regulations and Guidance Group, Fort Worth, Texas 76193-0111, telephone (817) 222-5122, fax (817) 222-5961, for information about previously approved alternative methods of compliance.

(g) This amendment becomes effective on February 13, 2007.

**Note 3:** The subject of this AD is addressed in Transport Canada (Canada) AD No. CF-2004-05R1, dated June 28, 2004.

Issued in Fort Worth, Texas, on December 26, 2006.

**David A. Downey,**

*Manager, Rotorcraft Directorate, Aircraft Certification Service.*

[FR Doc. E7-39 Filed 1-8-07; 8:45 am]

**BILLING CODE 4910-13-P**

## DEPARTMENT OF TRANSPORTATION

### Federal Aviation Administration

#### 14 CFR Part 39

[FAA-2006-26518; Directorate Identifier 2006-CE-84-AD; Amendment 39-14874; AD 2007-01-03]

RIN 2120-AA64

**Airworthiness Directives; Stemme GmbH & Co. KG Model S10-VT Gliders**

**AGENCY:** Federal Aviation Administration (FAA), DOT.

**ACTION:** Final rule; request for comments.

**SUMMARY:** We are adopting a new airworthiness directive (AD) for the products listed above. This AD results from mandatory continuing airworthiness information (MCAI)