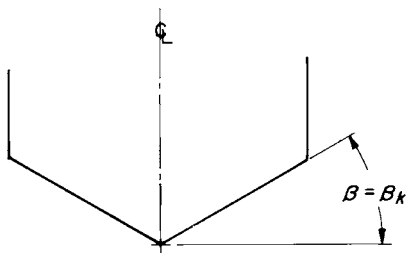
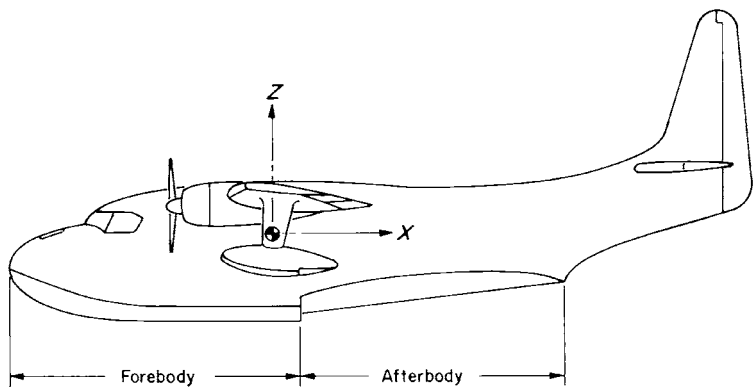
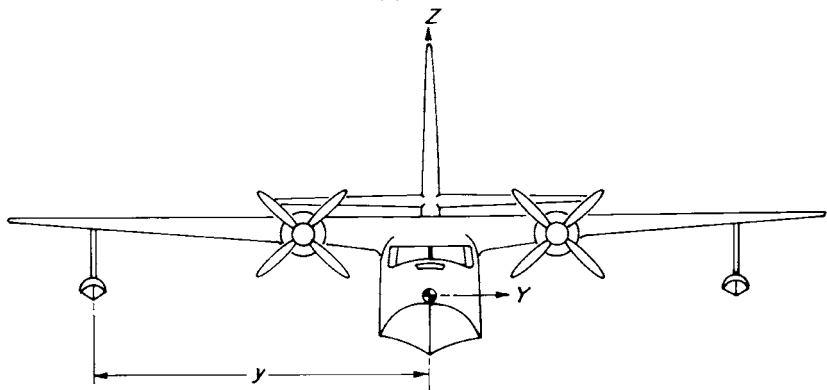
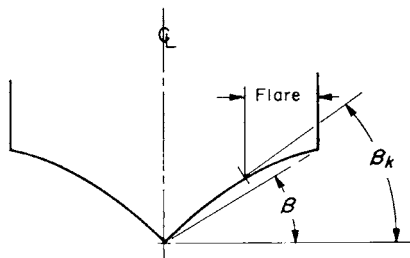


# Appendix I



Unflared Bottom



Flared Bottom

FIGURE 1. Pictorial definition of angles, dimensions, and directions on a seaplane.