

TOP VIEW

NOTE: BRACKET IS CLAMPED TO TEST STAND WITH CALORIMETER CENTERED OVER BURNER CONE.

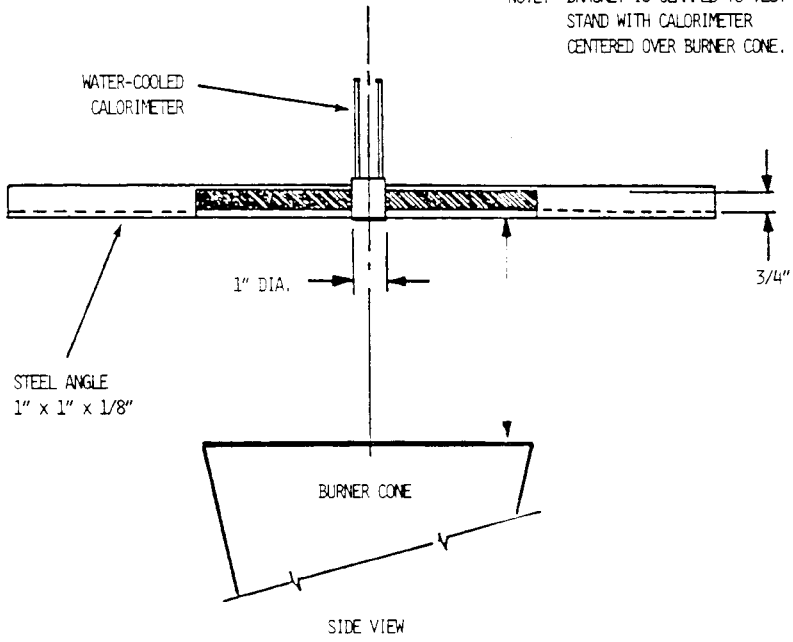


FIGURE 2. CALORIMETER BRACKET