

**WKMI**  
**MINE RESCUE CONTEST**  
**MAY 24, 2006**

**SUPERINTENDENT STATEMENT**

I am \_\_\_\_\_, Superintendent of the D & N No. 2 Mine. You are located at the fresh air base on West Mains. Looking into the M1 Crossover, the Nos. 1 and 2 entries are intake, the No. 3 entry is the belt entry and Nos 4 and 5 entries are return. These three crossover entries were driven between 1 Left and West Mains due to adverse conditions and future considerations. Air movement in the belt entries is outby from the faces and is coursed into the West Mains Return outby 1 Left.

A four main crew entered the M1 Crossover Entries to build overcasts in the No. 2 belt in this area due to unsafe roof and water conditions. At the completion of the shift, the crew failed to return to the surface and could not be reached by mine phone.

The mine is ventilated by an exhaust fan on the surface. The fan must remain on, cannot be reversed and a path from the 1 Left or West Mains to the fan must remain open to prevent the fan from stalling.

Rescue Team A has explored 1 Left but was unable to enter M1 Crossover Entries due to unsafe conditions in all three entries. Rescue Team B has explored West Mains but was also unable to enter M1 Crossover Entries due to unsafe roof conditions and water. All areas of unsafe roof encountered by Rescue Teams A and B has been posted and explored. Rescue Teams C and D are available to build and/or remove ventilation structures in areas that have been explored by Rescue Teams A and B. You may request assistance from them through the Superintendent. Rescue Teams A and B will serve as backup while you are working. Maps of the areas explored were prepared by both "A" and "B" teams.

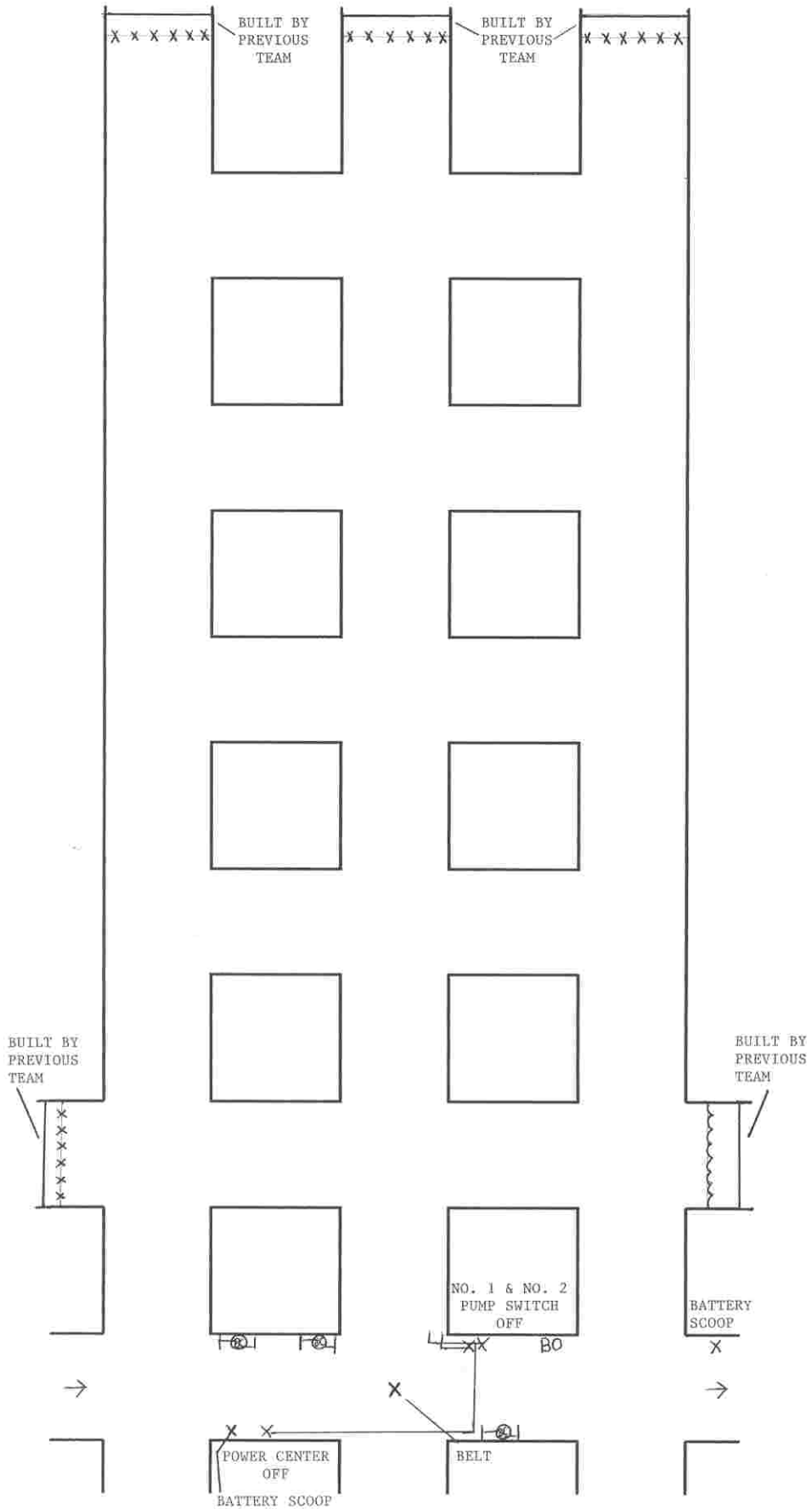
A fresh air base has been set up in No. 2 entry of the West Mains. Temporary stoppings were built in No. 1 entry of West Mains when Rescue Team B encountered impassable conditions. Pumps have been brought in and are ready for your use. Equipment outby the fresh air base cannot be moved.

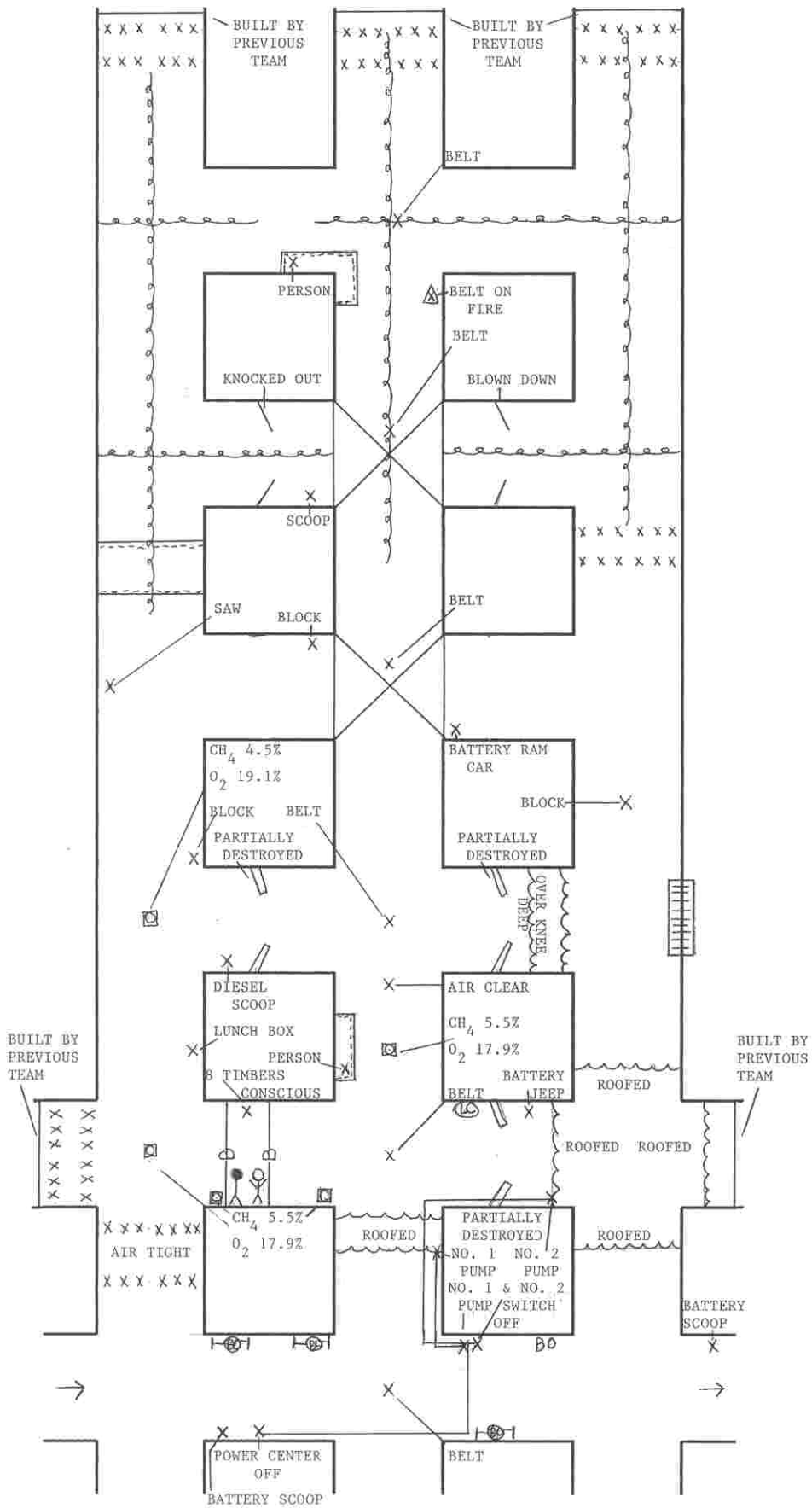
All electrical circuits inby the fresh air base have been de-energized. The coal seam is walking height and the roof is supported by roof bolts. Water and explosive gases have been encountered at this mine. The mine maps are up-to-date. We have a competent lifeline person to give and return signals.

Written instructions and the following mine map will be provided when you are ready to work:

1. Two blank maps
2. Two maps indicating the ventilation prior to incident
3. Two maps indicating the ventilation after the incident and the areas explored by the previous teams

Good Luck!



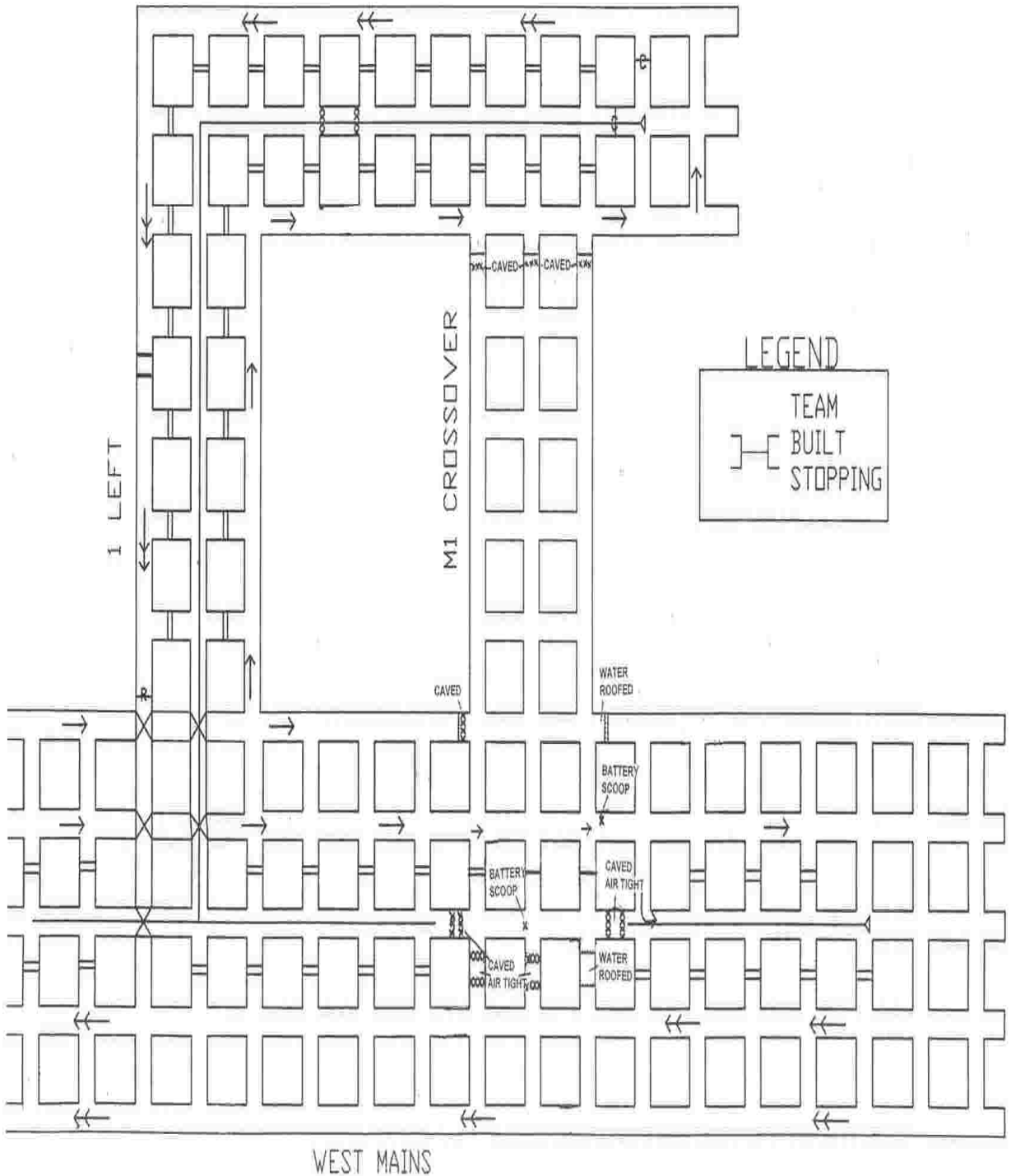


## **PROBLEM**

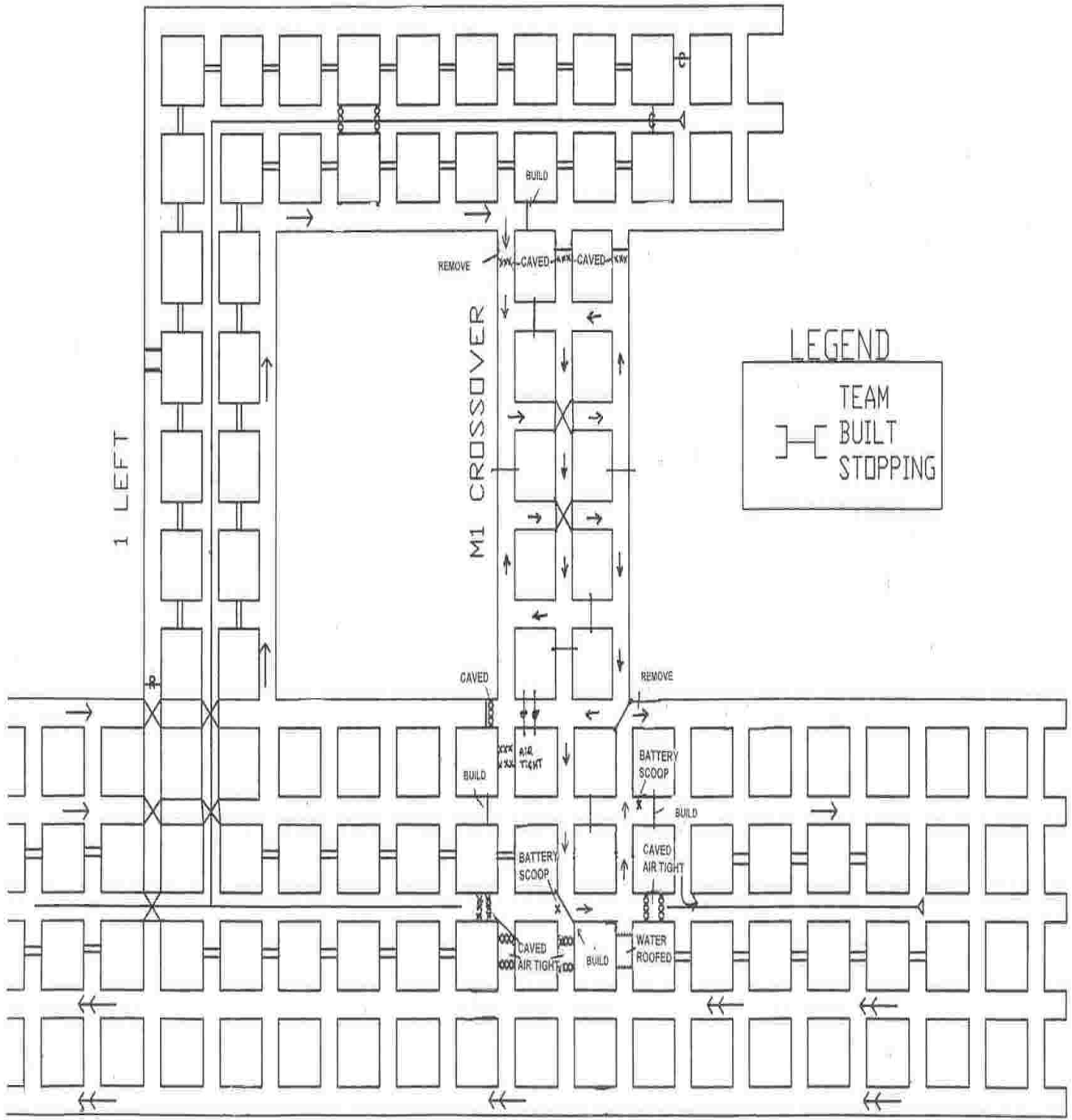
**Account for all missing persons.**

**Explore all areas of the mine that can be safely examined.**

# Ventilation After and Area Explored



OUTBY AND INBY BUILDS FOR VENTILATION



WEST MAINS



