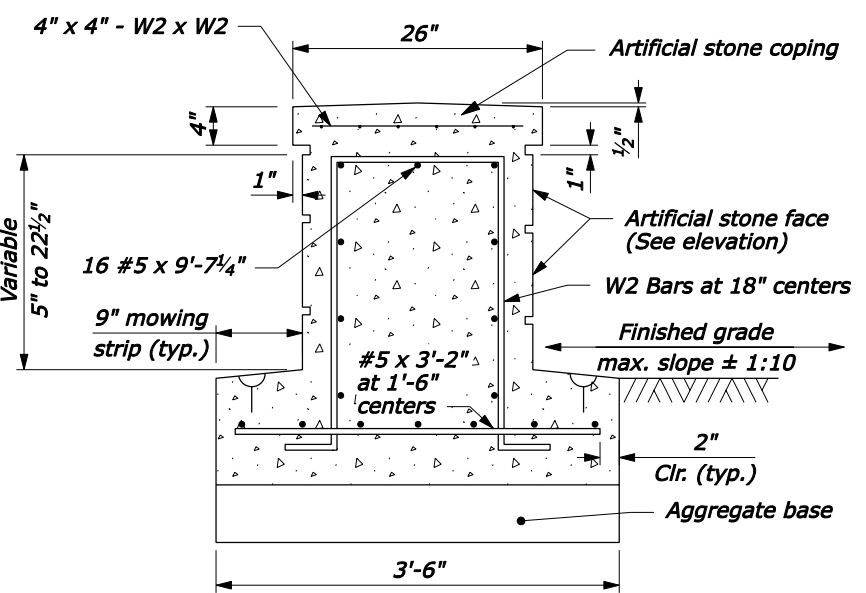
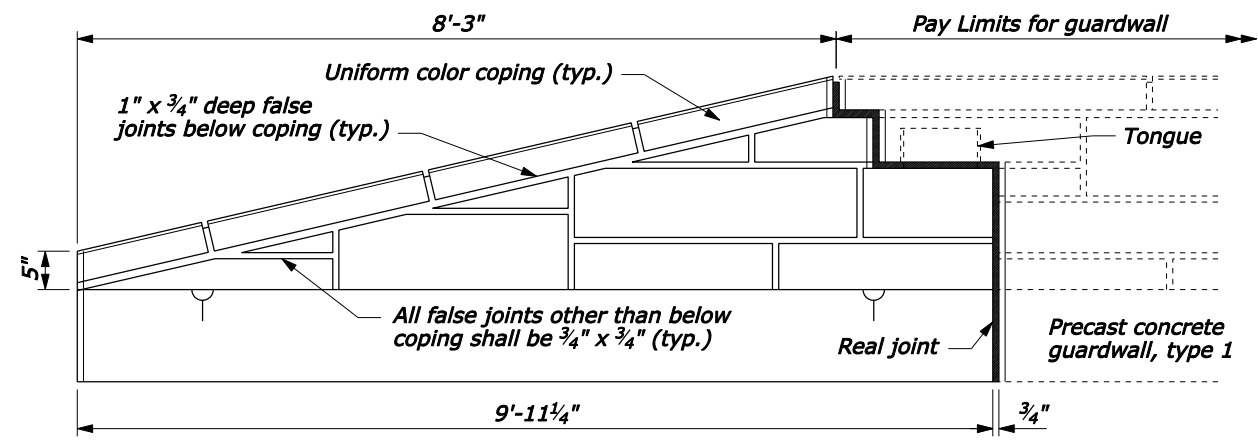


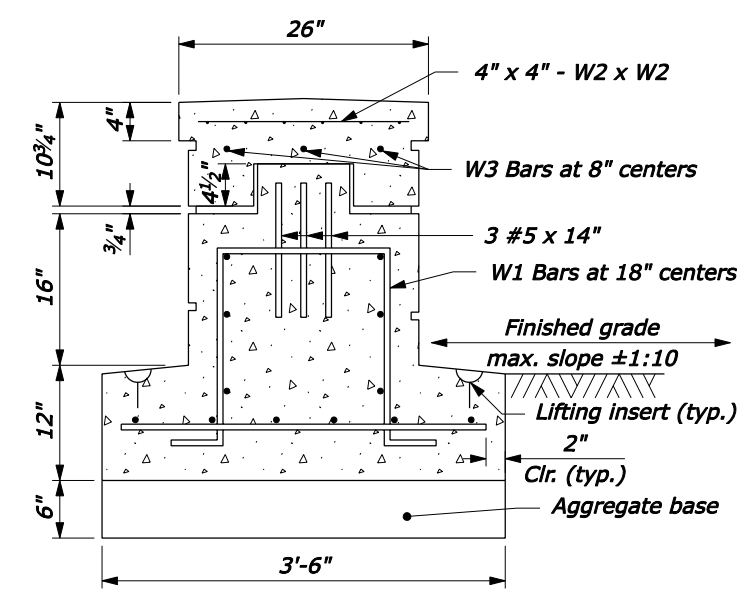
TYPE A



SECTION A-A

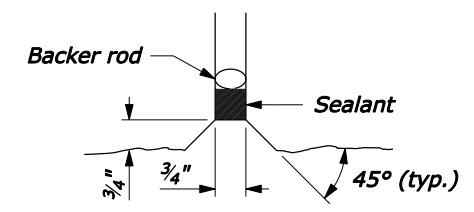


TYPE B

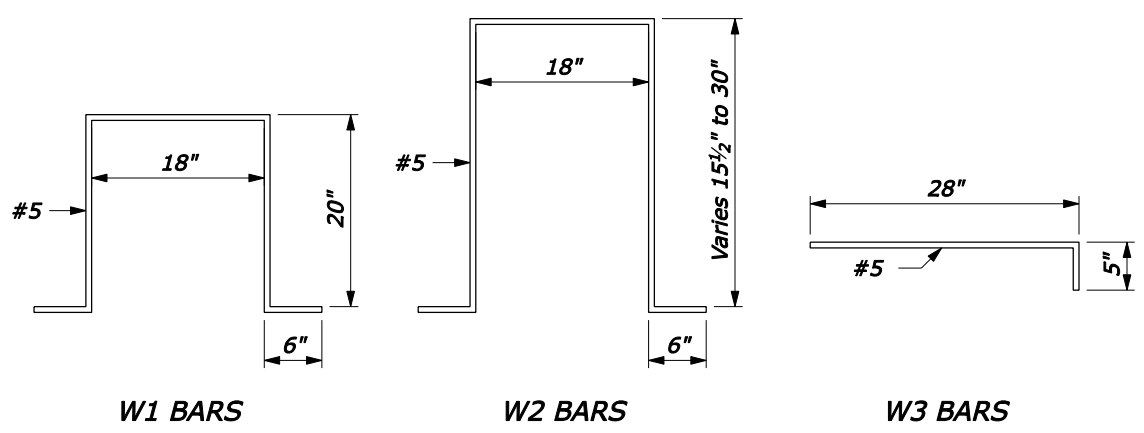


SECTION B-B

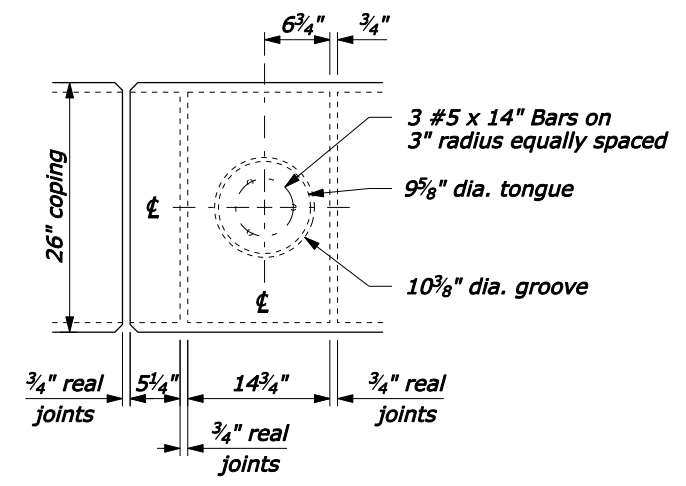
- NOTE:**
- Terminal sections, Type A and Type B, are to interlock with any of the precast concrete guardwall segments.
  - Sealant for the real joint covers the perimeter joint of the capstone, sides, and top and sides of the footing.
  - Precast the entire wall section, no cast-in-place is allowed.
  - Minimum concrete cover 2" unless shown otherwise.
  - Ensure guardwall terminal section is outside the clear zone by using appropriate flare rate in guardwall layout (see Standard 618-2) and as directed by CO.



REAL JOINTS DETAIL



BENDING DIAGRAMS



SECTION C-C

NO SCALE

U.S. DEPARTMENT OF TRANSPORTATION FEDERAL HIGHWAY ADMINISTRATION FEDERAL LANDS HIGHWAY	
U.S. CUSTOMARY STANDARD <b>PRECAST CONCRETE GUARDWALL, TYPE 1, TERMINAL SECTIONS, TYPE A AND B</b>	
STANDARD APPROVED FOR USE 3/1990 REVISED: 4/1994 6/2005	STANDARD 618-3

F:\StdDraw\std1803.dgn [US Customary] 16-Jun-2005 02:34 PM