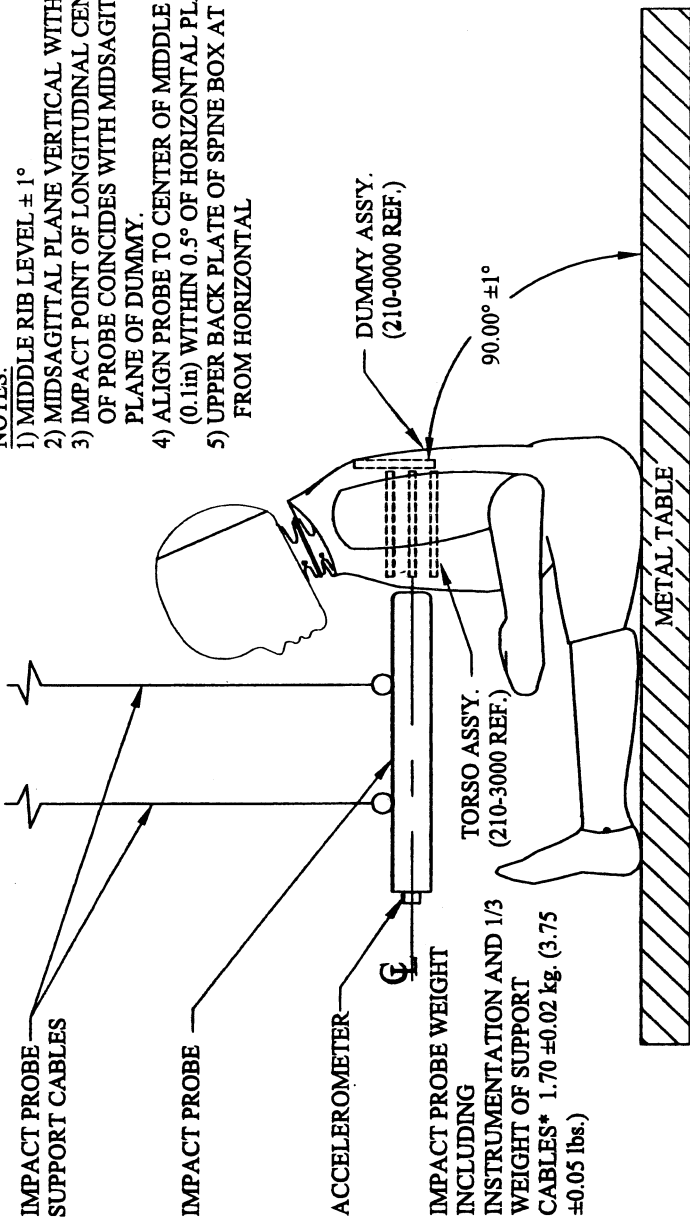


Figure P4

THORAX IMPACT TEST SET-UP SPECIFICATIONS

NOTES:

- 1) MIDDLE RIB LEVEL $\pm 1^\circ$
- 2) MIDSAGITTAL PLANE VERTICAL WITHIN $\pm 1^\circ$
- 3) IMPACT POINT OF LONGITUDINAL CENTERLINE OF PROBE COINCIDES WITH MIDSAGITTAL PLANE OF DUMMY.
- 4) ALIGN PROBE TO CENTER OF MIDDLE RIB $\pm 2.5\text{mm}$ (0.1in) WITHIN 0.5° OF HORIZONTAL PLANE.
- 5) UPPER BACK PLATE OF SPINE BOX AT $90^\circ \pm 1^\circ$ FROM HORIZONTAL



* 1/3 WEIGHT OF PROBE SUPPORT CABLES AND THEIR ATTACHMENTS TO THE IMPACT PROBE NOT TO EXCEED 5% OF THE TOTAL IMPACT PROBE WEIGHT