

FIGURE NO. 3  
NECK COMPONENT TEST

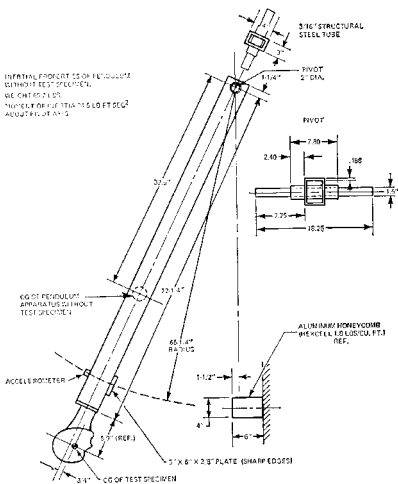


FIGURE NO. 4  
NECK COMPONENT TEST