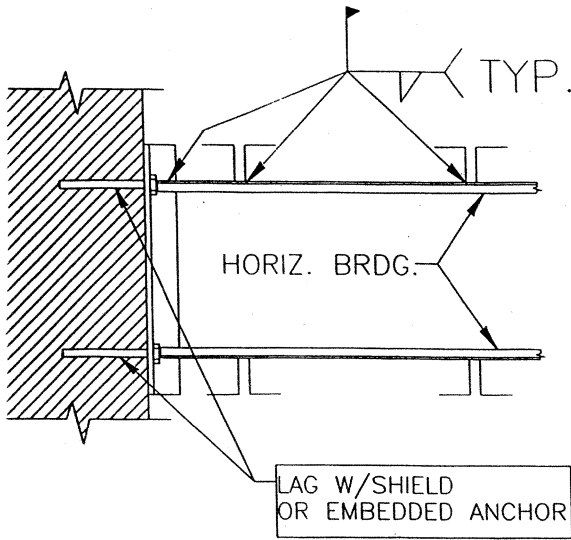
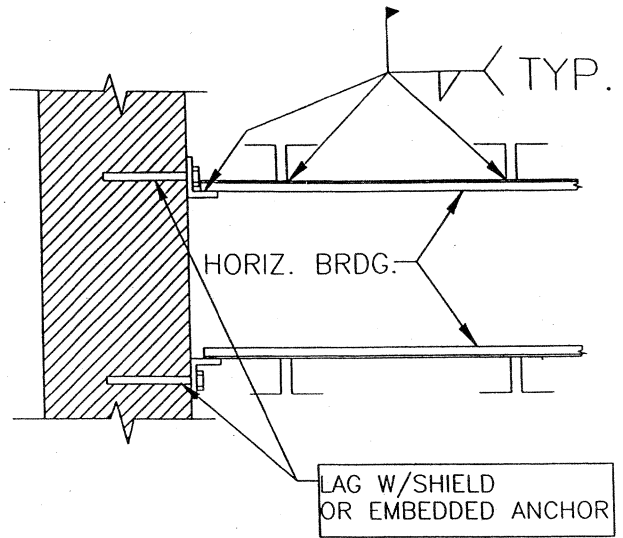


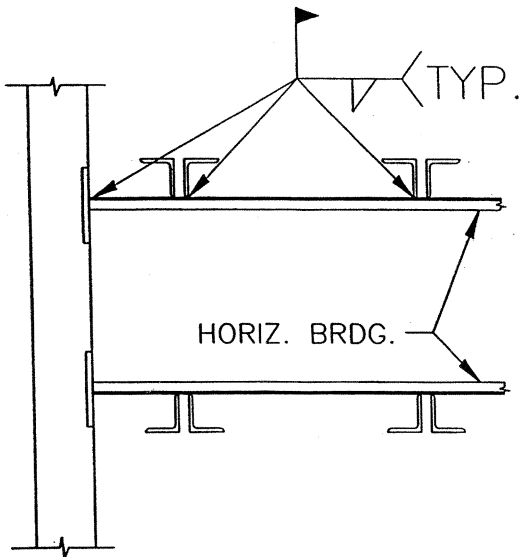
Guidelines for Complying with §§1926.757(a)(10) and 1926.757(c)(5).



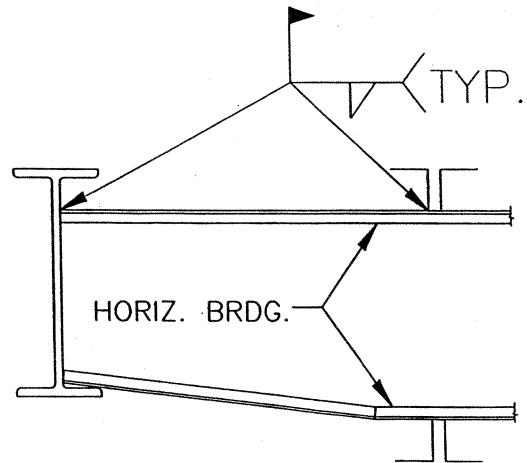
HORIZONTAL BRIDGING  
TERMINUS AT WALL



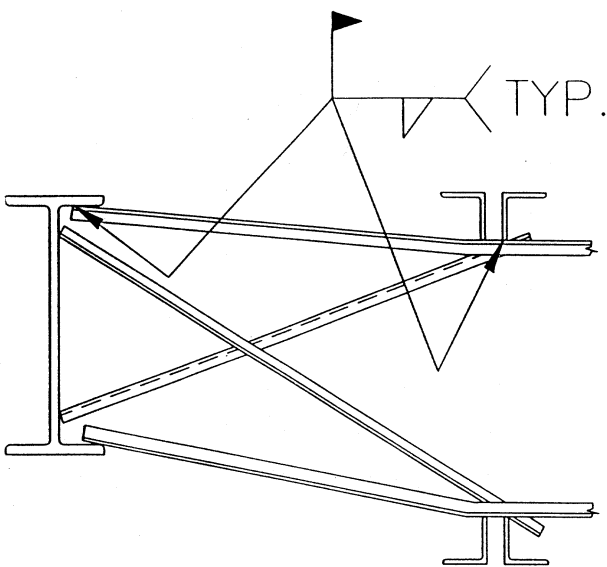
HORIZONTAL BRIDGING  
TERMINUS AT WALL



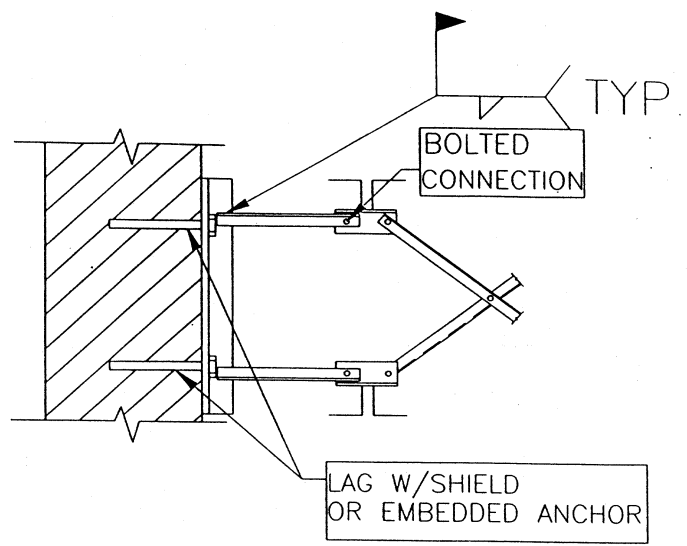
HORIZONTAL BRIDGING  
TERMINUS AT PANEL WALL



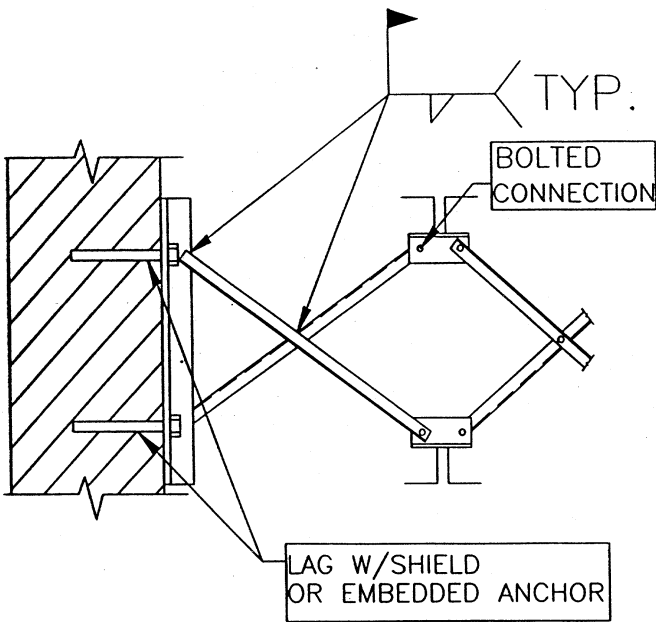
HORIZONTAL BRIDGING  
TERMINUS AT  
STRUCTURAL SHAPE



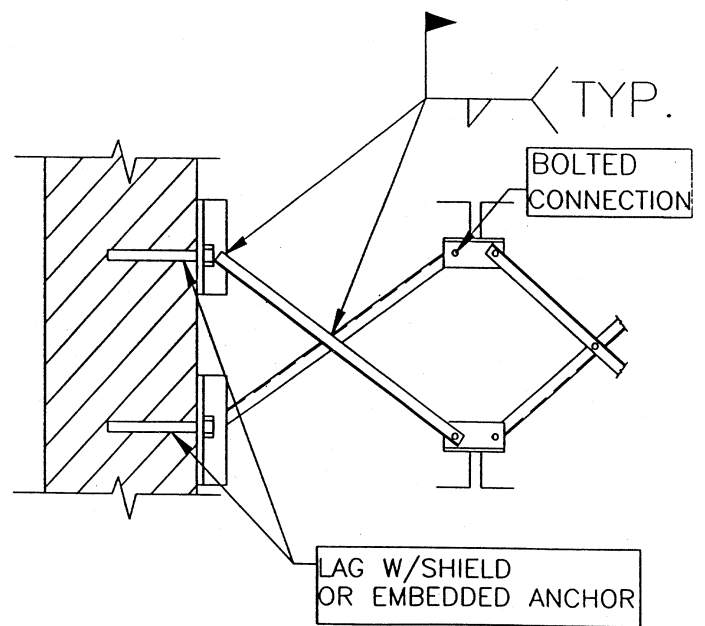
HORIZONTAL BRIDGING  
TERMINUS AT STRUCTURAL  
SHAPE WITH OPTIONAL  
"X-BRIDGING"



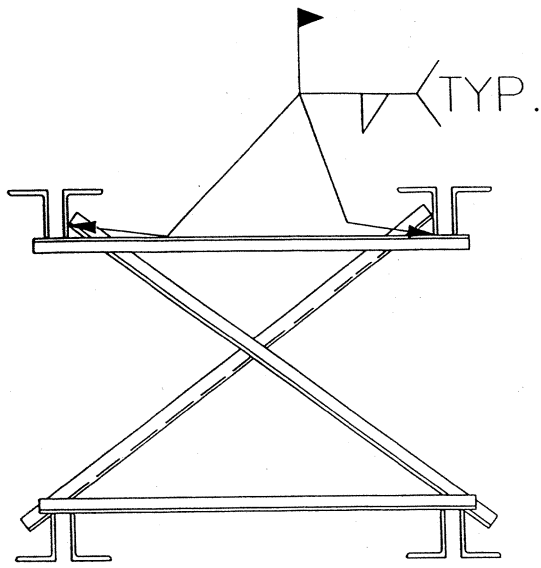
BOLTED DIAGONAL BRIDGING  
TERMINUS AT WALL



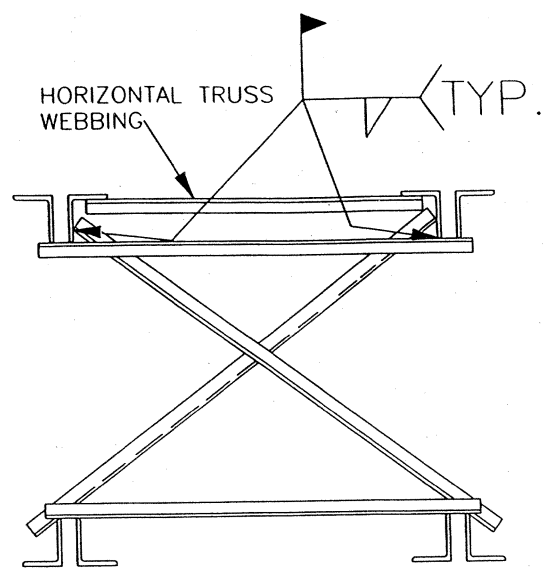
BOLTED DIAGONAL BRIDGING  
TERMINUS AT WALL



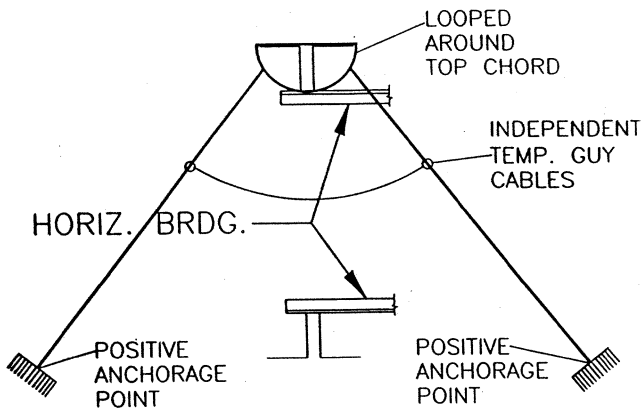
BOLTED DIAGONAL BRIDGING  
TERMINUS AT WALL



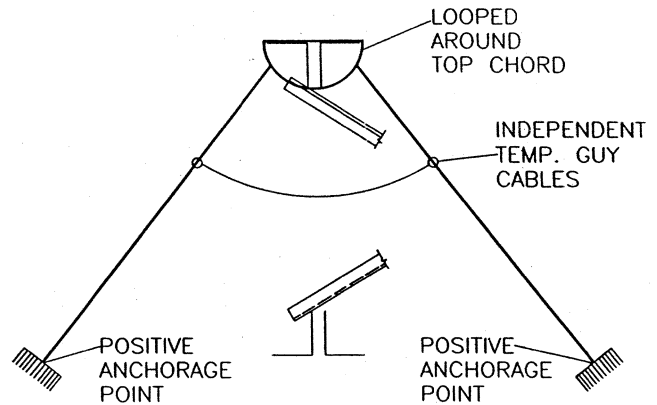
JOISTS PAIR BRIDGING  
TERMINUS POINT



JOISTS PAIR BRIDGING  
TERMINUS POINT  
W/HORIZ. TRUSS



HORIZONTAL BRIDGING  
TERMINUS POINT  
SECURED BY TEMP.  
GUY CABLES



DIAGONAL BRIDGING  
TERMINUS POINT  
SECURED BY TEMP.  
GUY CABLES