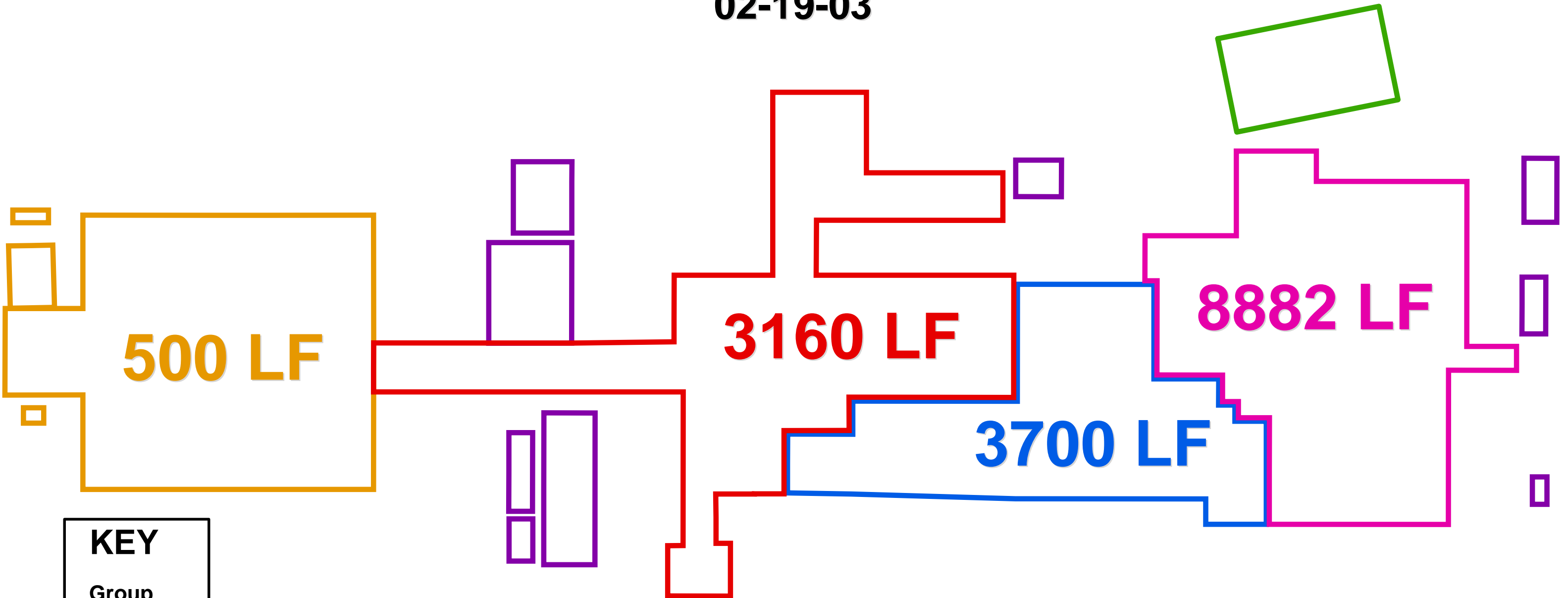
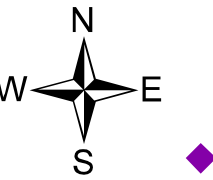


LINEAR FEET OF PIPE REMOVED

-Hudson Superfund Site-

02-19-03



KEY	
Group	
	1
	3
	4
	5
	6
	7

TOTAL = 16242 LF

