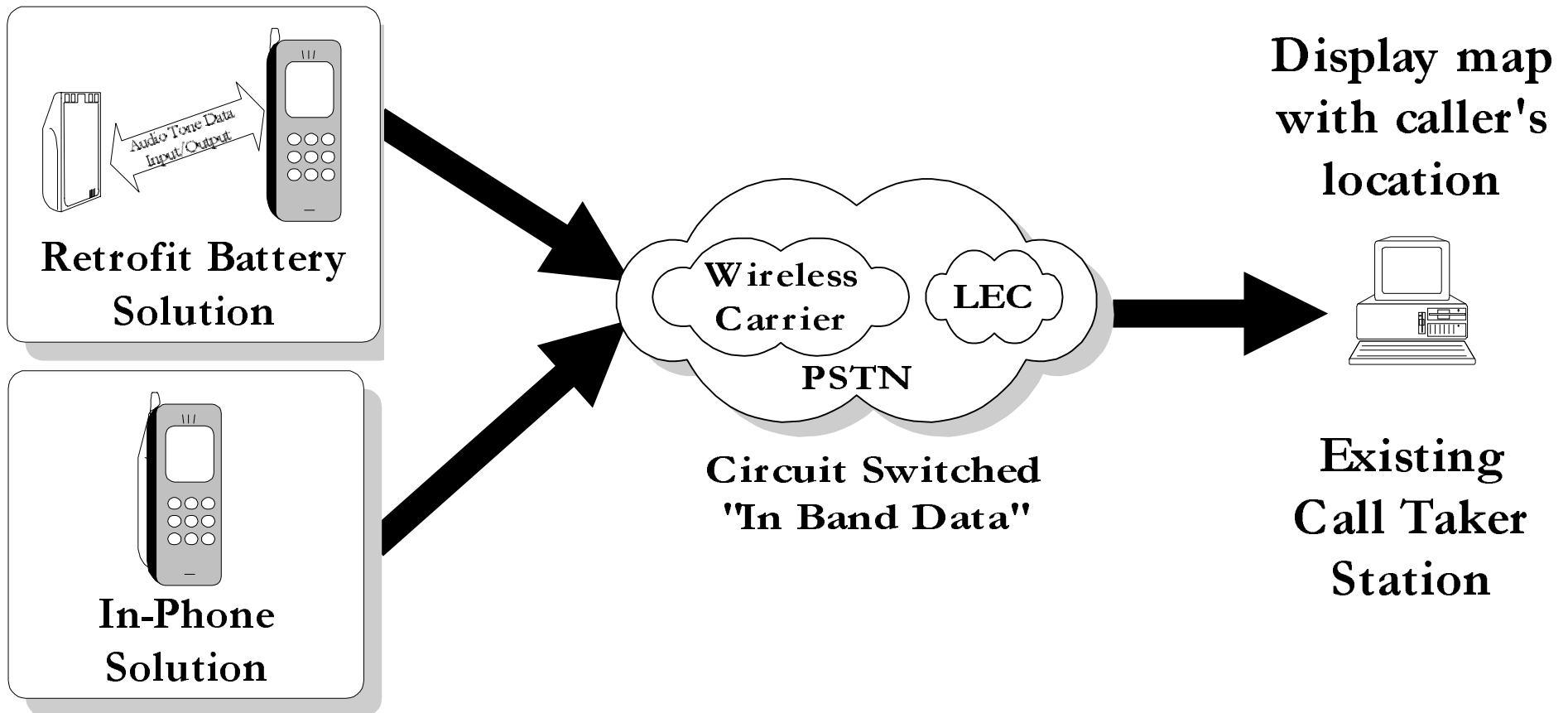


Who is Integrated Data Communications?

- **IDC: Location technology enabling company**
 - “*L-commercesm*”
 - Unique approach
 - Handset-based, in the call path
 - GPS supported
- End-to-end solution
- Field proven with King County, Washington trial
- Developing products for 4Q ‘99 release

IDC Handset-To-Headset Location SolutionSM



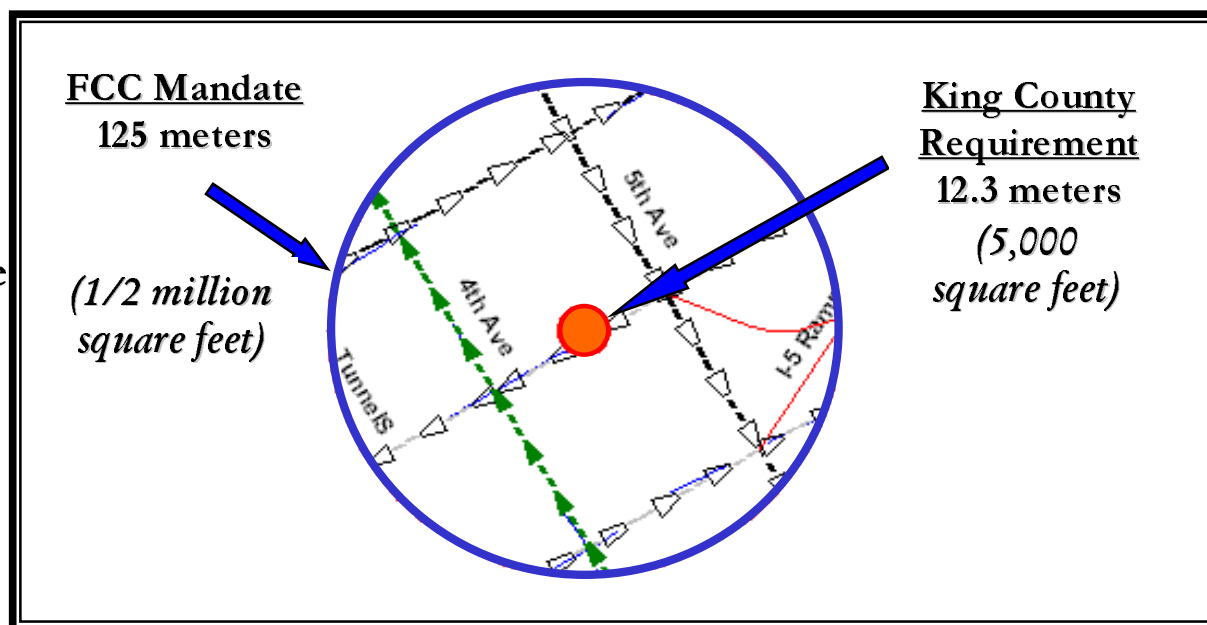
LITTLE OR NO MODIFICATION TO NETWORKS

FCC Technical Presentation

Location Technology Trial: Seattle, WA



- 6 month trial with King County 911 Program Office
- Requirements set by public safety
 - Minimal modifications to equipment
 - Locate to within 40 feet
 - Route calls to appropriate PSAP
 - Refresh (location) and transfer (the call)
 - Find 90% of all callers
- 3 PSAPs
- Cooperation from landline carriers, vendors, and public safety



FCC Technical Presentation

Trial Test Locations



- Real-world calling areas throughout the Greater Seattle area



Rural



Forest Canopy



Urban Canyon



Suburban



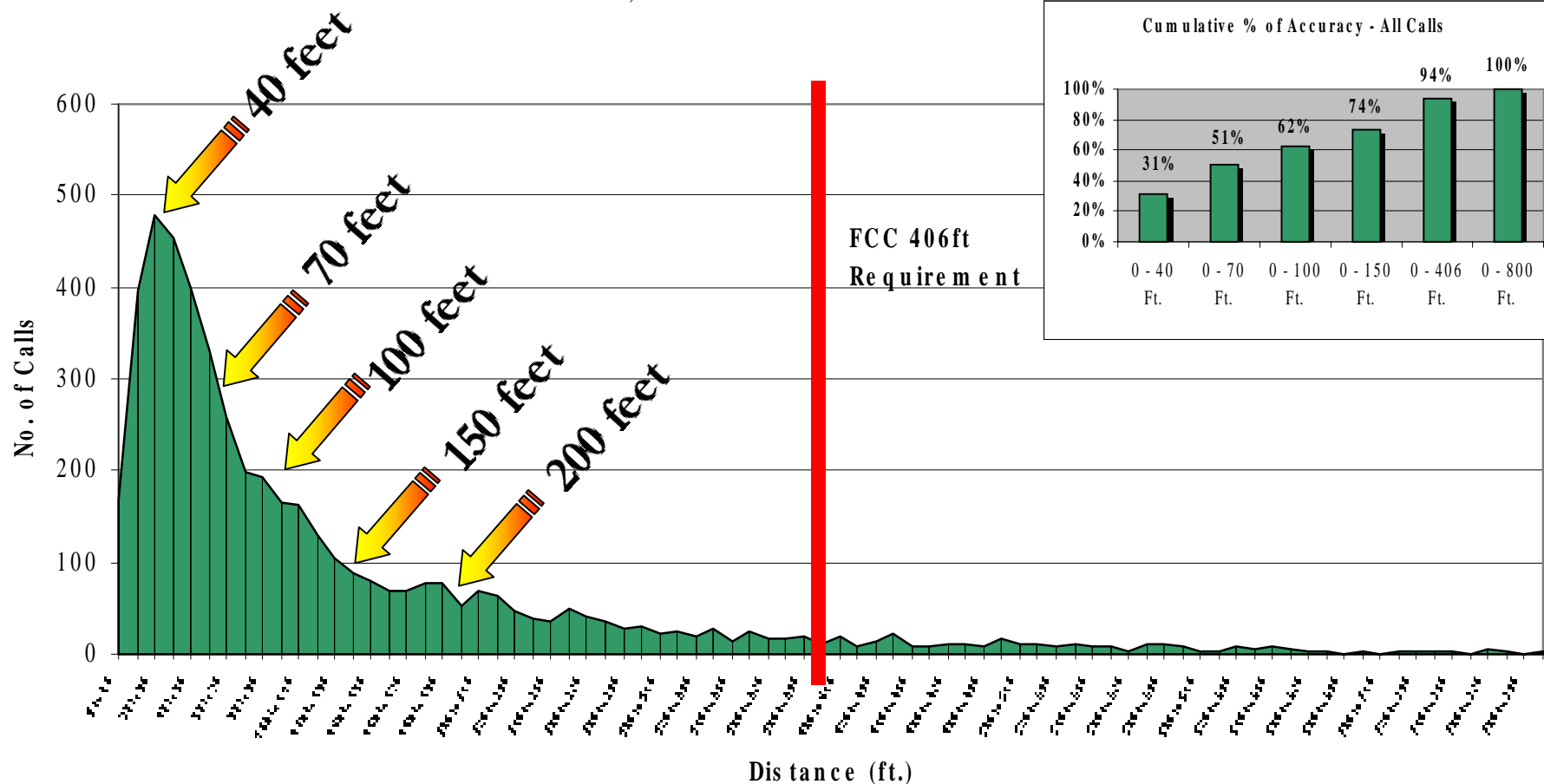
Mountains

FCC Technical Presentation

Results: Call Accuracy Distribution



Summary Trial Data Distribution
4,870 Calls - All Venues

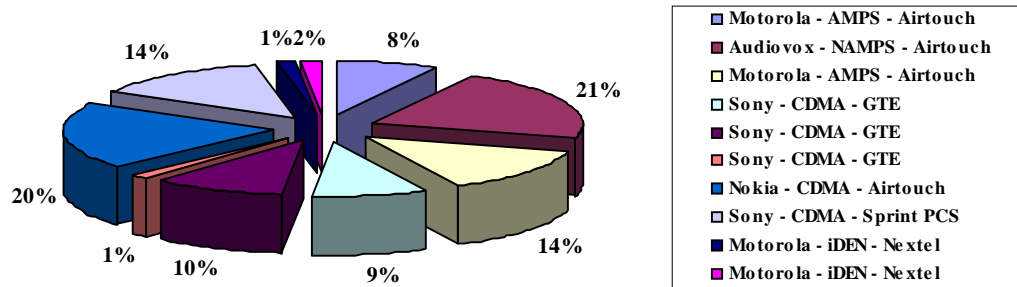


FCC Technical Presentation

Results: Handsets and Air Interfaces



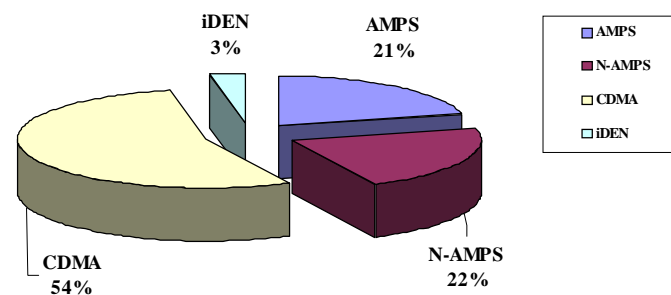
Breakdown of Calls by Phone Types
(10 phones used during trial)



- Multiple air interfaces

- Numerous handsets

% of Calls by Air Interface



What is driving Location Technology Demand ?



- **Commercial public safety**
 - Roadside assistance
 - Personal security
 - “Telematics” for automobiles
- **Commercial convenience services**
 - Concierge services, AVL, asset tracking, etc.
- **Consumer applications via the Internet**
 - Panic buttons, “family finders”, etc.
- *The call centers and hosting infrastructure are being built today for this demand*

What is the state of Handset Technology?



- **GPS technology evolving rapidly**
- **Handset technology is available today**
- **Commercial products are months away**
- **Commercial goal**
 - **Wireless coverage available = location is available**
 - **Rapid TTFF**
- **Assist as SPT requires**
- **Our approach is proven to work**

Technical Features of Solution

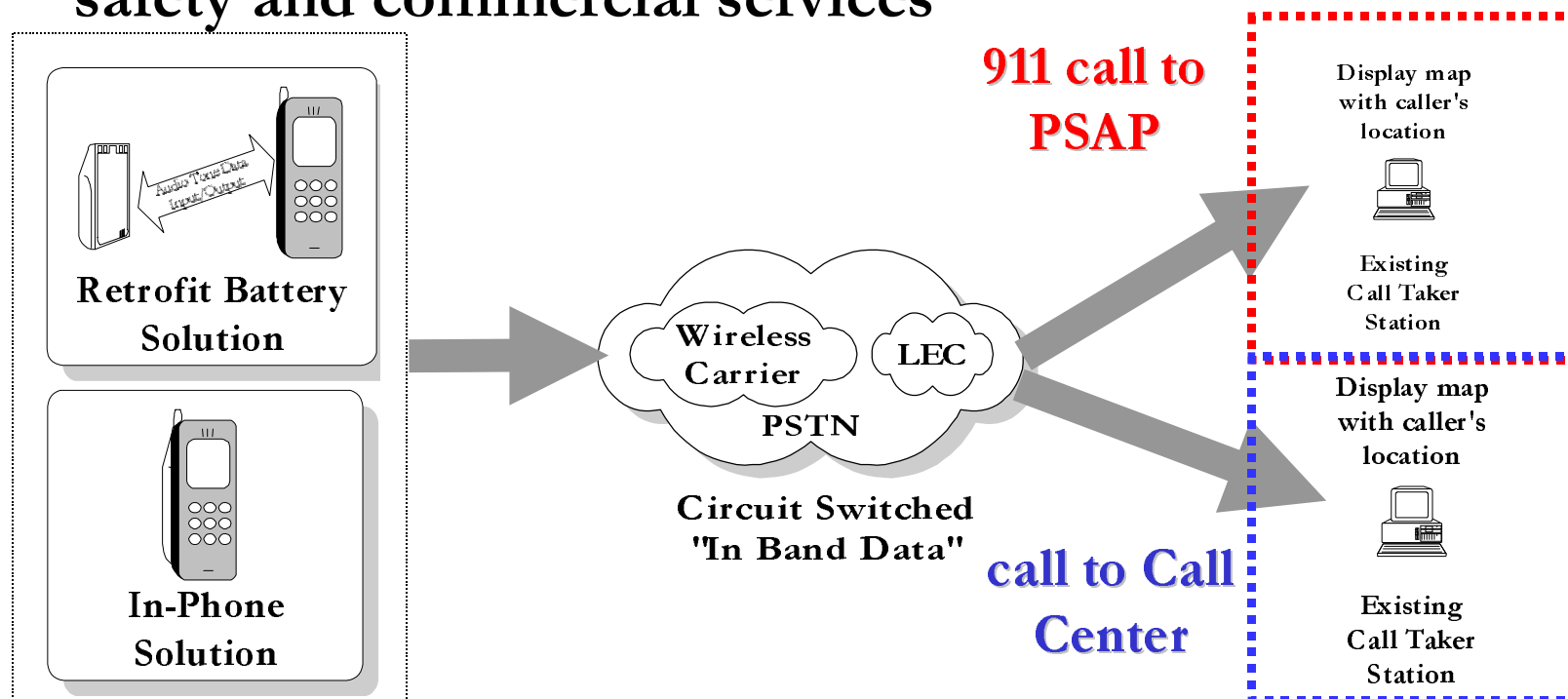


- Scalability
- Universal application and deployment
- Retrofit-ability
- Simplicity of implementation
- Division of costs
- Location: controlled by the *user*
- *Find all callers*

Who pays?



- Handset solution offer clear division of costs and liability
 - Handset: only common denominator between public safety and commercial services



FCC Technical Presentation

Questions to consider....



- What are the rights to privacy?
- How fast can each kind of solution be implemented?
- How much is each going to cost, and who pays?
- How many lives can be saved by implementing this technology immediately?

THANK YOU FOR THIS OPPORTUNITY

[Http://www.placethecall.com](http://www.placethecall.com)

FCC Technical Presentation