

APPENDIX A

PERMANENTLY MOUNTED CONTAINERS

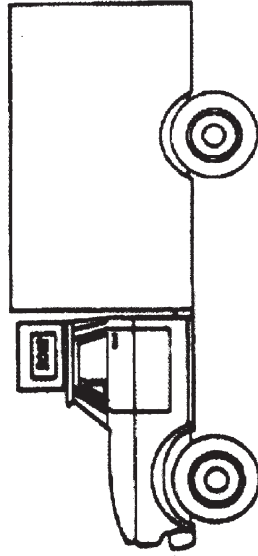


Figure 1

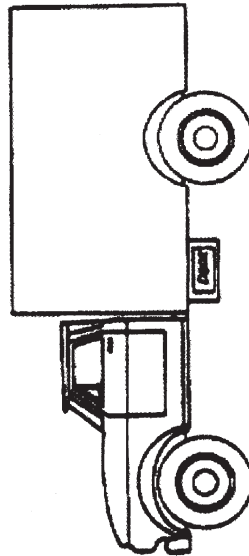


Figure 2

NOTE: The configurations shown in Figures 1 and 2 are equally applicable to multi-axle and "cab-over" vehicles.

[Diagrams: Courtesy of IME]

APPENDIX B

COMPARTMENTS

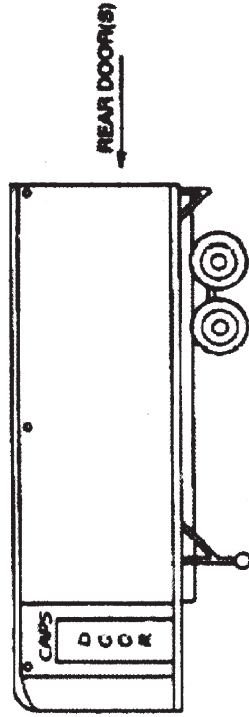


Figure 1

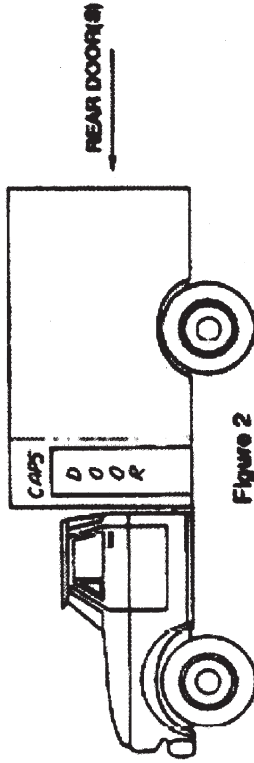


Figure 2

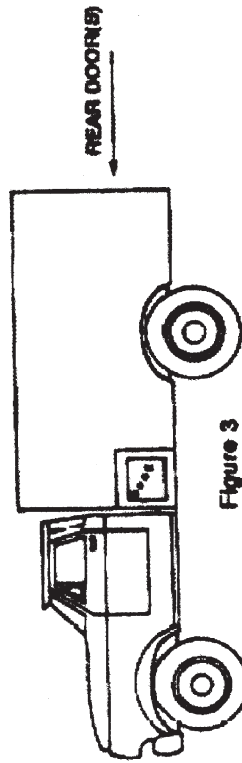
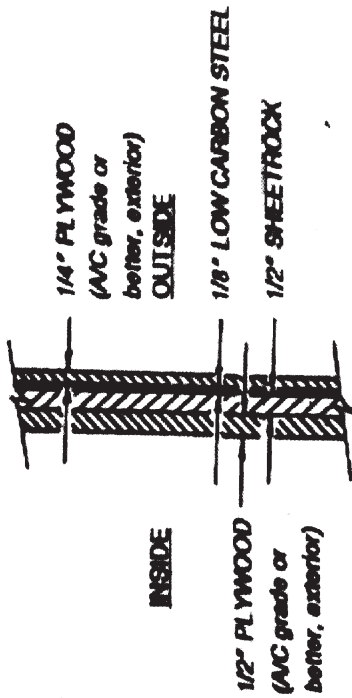


Figure 3

NOTE: The configurations shown in Figures 1 and 2 are equally applicable to multi-axle and "cab-over" vehicles.

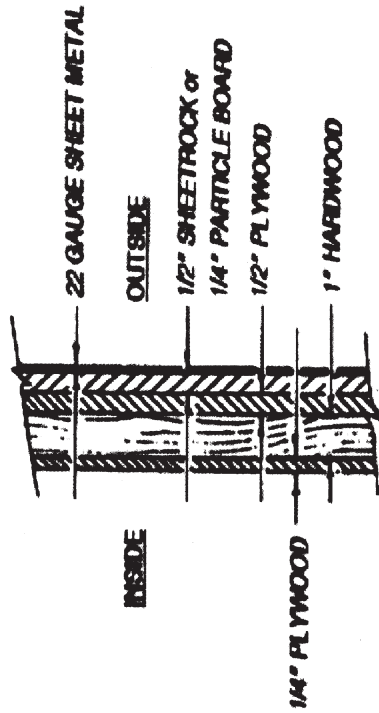
[Diagrams: Courtesy of IME]

APPENDIX C



Sketch of laminate construction for container or compartment for electric blasting caps use, as illustrated in Appendix A, B, and E.

APPENDIX D



Sketch of laminate construction for container or compartment for electric blasting caps; restricted to use as illustrated in Appendix A.

(Diagrams: Courtesy of IME)

ATF Rul. 77-24, Appendix C - E

APPENDIX E

PORTABLE WHEELED TRAILERS

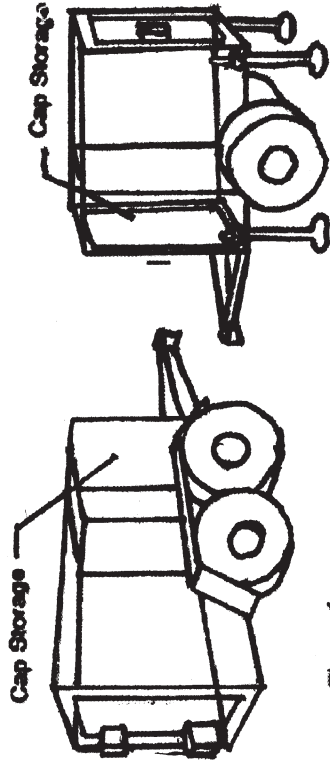


Figure 1

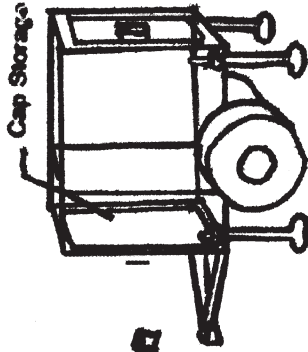


Figure 3

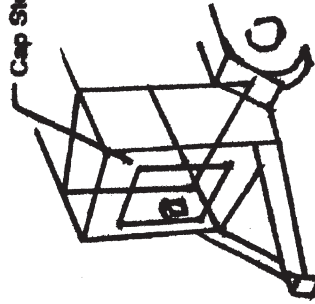


Figure 2

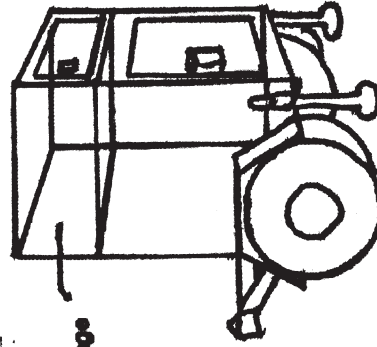


Figure 4