



**SUMMARY OF PROJECT**  
**2008 Brookhaven National Laboratory**  
**Elementary School Science Fair**

**This form is to be completed by the student and prominently displayed on the project. Do not put your name or school name on this page. This form must be signed on the reverse by a school representative certifying that the project was the work of the student.**

Registration Number: \_\_\_\_\_

Title of Project: \_\_\_\_\_

Objective (what I intended to accomplish): \_\_\_\_\_

\_\_\_\_\_  
\_\_\_\_\_  
\_\_\_\_\_

Procedure (what steps I followed to prepare): \_\_\_\_\_

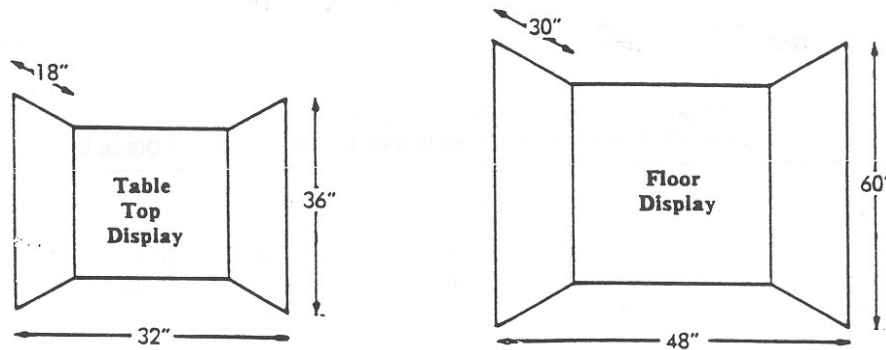
\_\_\_\_\_  
\_\_\_\_\_  
\_\_\_\_\_  
\_\_\_\_\_  
\_\_\_\_\_  
\_\_\_\_\_  
\_\_\_\_\_  
\_\_\_\_\_

Conclusion (what I learned): \_\_\_\_\_

\_\_\_\_\_  
\_\_\_\_\_  
\_\_\_\_\_

## Project Requirement Checklist:

- Projects must follow the scientific method.
- Nothing on the project may identify the child, child's gender or school. This is including, but not limited to, photos, journals, labels or titles. Journals are encouraged providing they do not identify the student.
- Size of project:



- Students will not be present during judging. Any project having moving parts must either run continuously or have a "start" mechanism that can be easily activated by a judge.
- BNL will not provide facilities or outlets for electricity, running water, drainage, gas or compressed air. Dangerous chemicals, open flames and explosives may not be exhibited. All projects must be durable and safe. Moveable parts must be firmly attached.
- Any project deemed to be unsafe or inhumane in any way will not be displayed at the BNL Science Fair and will not be judged. Live animals cannot be exhibited at the BNL Science Fair, but photographs are acceptable.
- Each project must include a completed Summary of Project form prominently displayed with the project.
- The project must clearly reflect the students' own efforts. If adult support is given, it should be acknowledged on the display.
- This form must be signed by a school official who will interview the students and certify that the student completed the work and understands the project.

**This student was able to explain each step of their project clearly.**

---

**School Representative:** Print name and sign. In so doing you verify that the above statement is true.