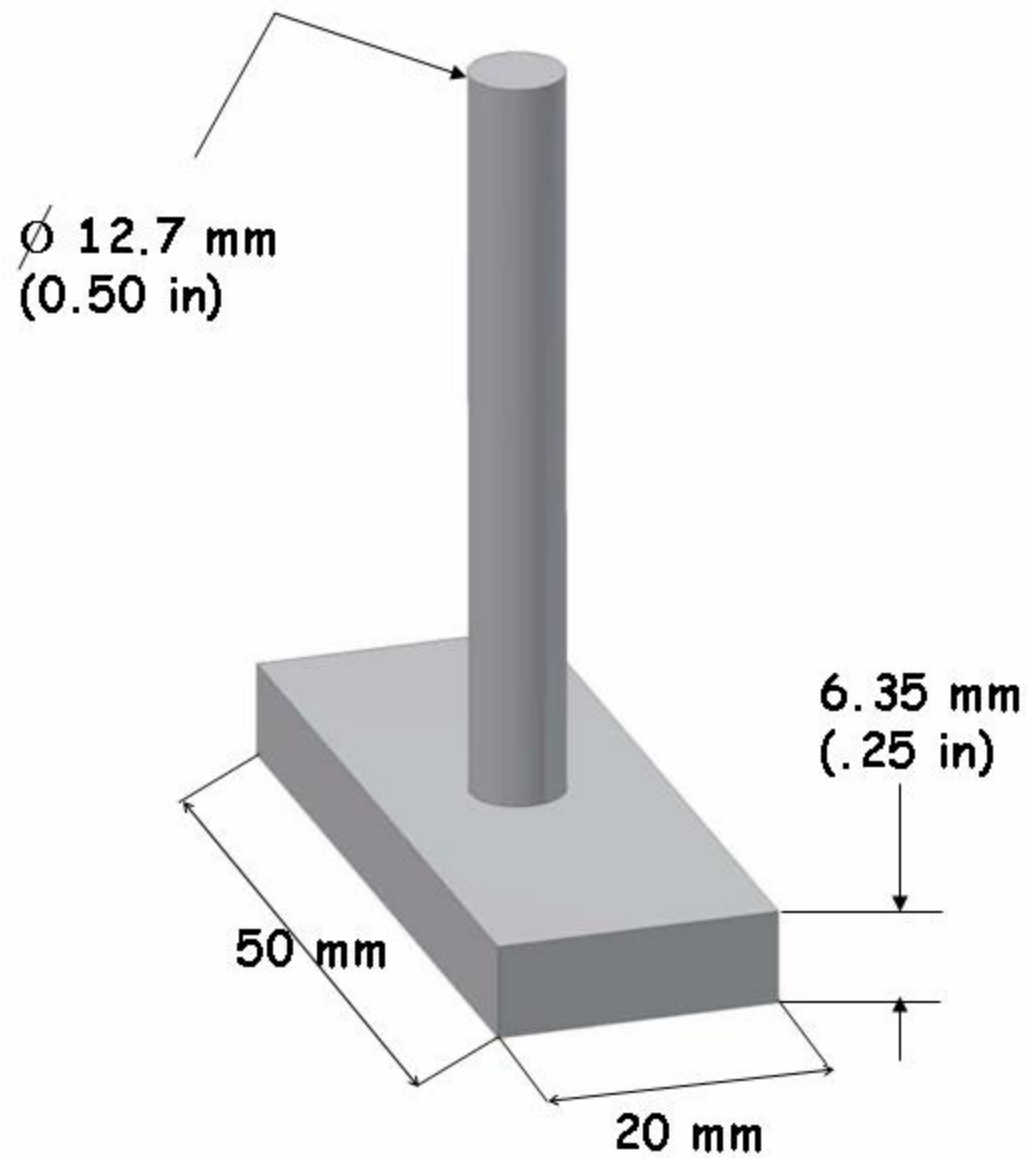
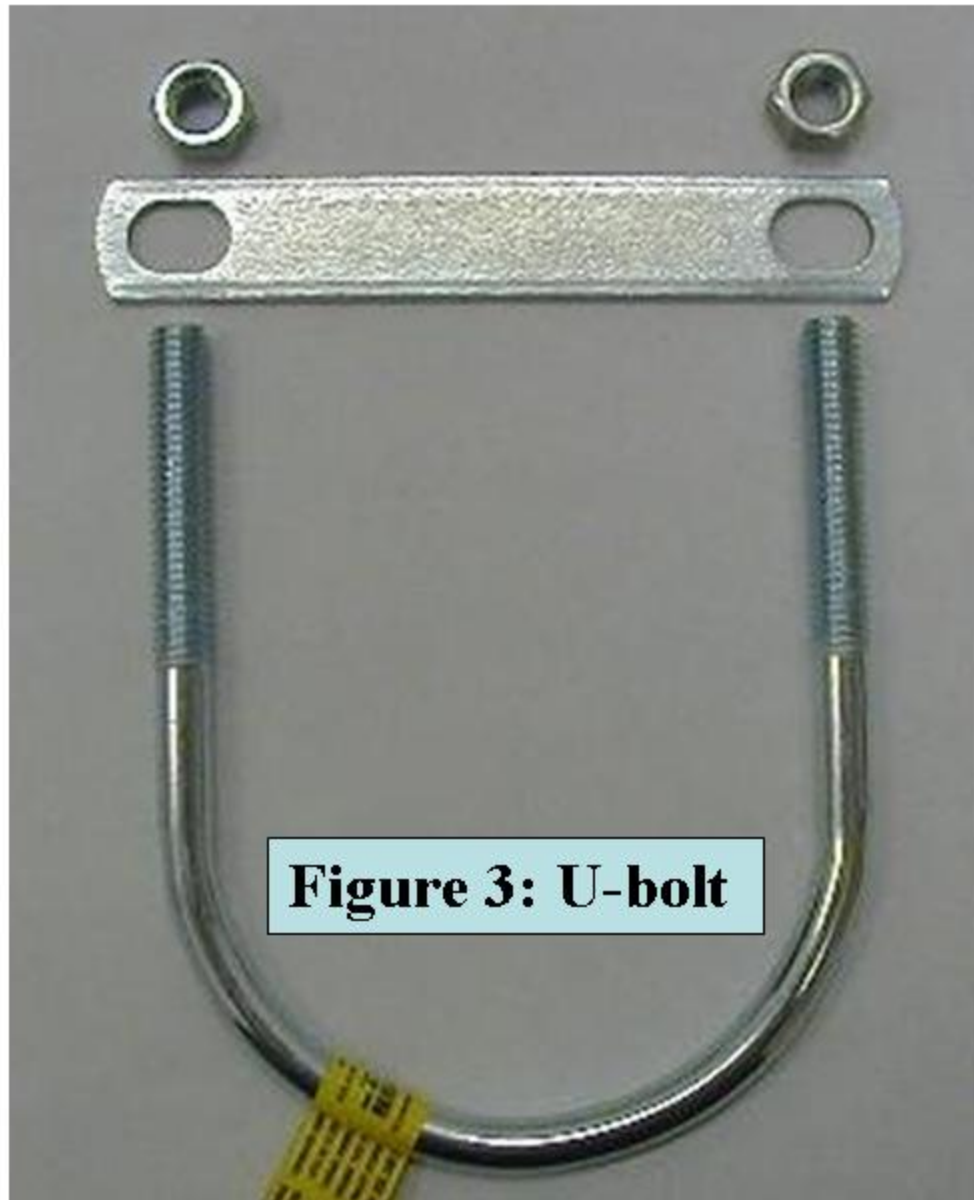


Figure 1: Bridge Schematic (not to scale)



**Figure 2: Loading Plate (Not To Scale)**



**Figure 3: U-bolt**