

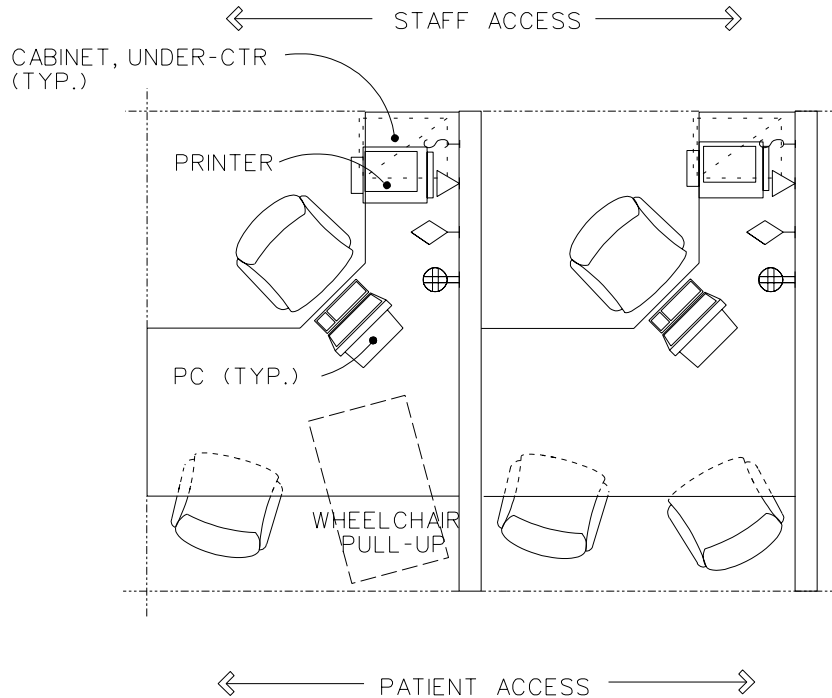
**Section 5**

**Design Guide Plates  
and Data Sheets:  
Outpatient Pharmacy**

Guide Plate Series	Plate Number
Prescription Receiving	
Equipment & Utility Plan .....	5-1
Reflected Ceiling Plan.....	5-1
Design Standards .....	5-1
Equipment Guide List .....	5-1
Filing and Assembly	
Equipment & Utility Plan .....	5-2
Reflected Ceiling Plan.....	5-2
Design Standards .....	5-2
Equipment Guide List .....	5-2
Dispensing	
Equipment & Utility Plan .....	5-3
Reflected Ceiling Plan.....	5-3
Design Standards .....	5-3
Equipment Guide List .....	5-3
Prepacking & Extemporaneous Compounding	
Equipment & Utility Plan .....	5-4
Reflected Ceiling Plan.....	5-4
Design Standards .....	5-4
Equipment Guide List .....	5-4

# Equipment & Utility Plan Prescription Receiving

FINAL DRAFT 11-30-95  
REVISED MARCH 1997

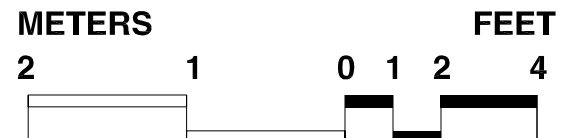


NOTES:  
AT LEAST ONE STATION MUST  
COMPLY WITH PREVAILING BARRIER-  
FREE REQUIREMENTS

EACH STATION-70 NSF/6.5 NSM

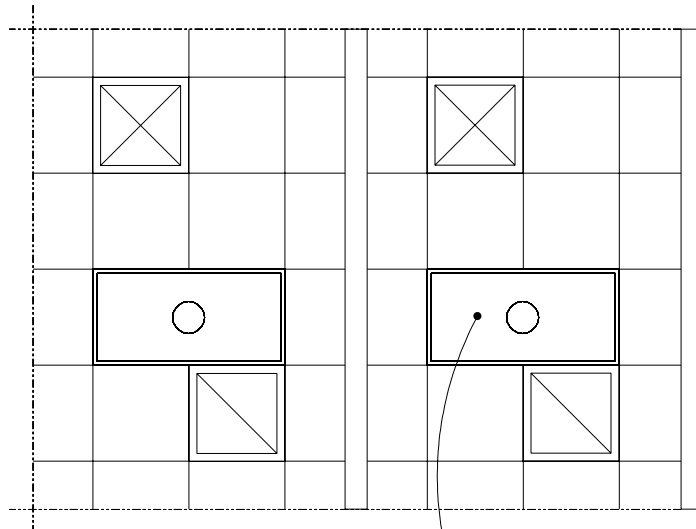
OPEN PHARMACY CONCEPT SHOWN.  
VAMC MAY PREFER SECURE RECEIVING  
AREA.

**13.0 NSM**  
**140 NSF**

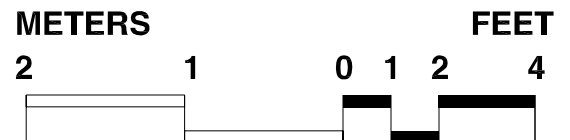


# Reflected Ceiling Plan Prescription Receiving

FINAL DRAFT 11-30-95  
REVISED MARCH 1997



SEE: DESIGN STDS.  
LIGHTING-NOTE 2. (TYP.)



# Design Standards

## Prescription Receiving

### ARCHITECTURAL

Ceiling:	Acoustic lay-in ceiling tile
Ceiling Ht:	2740 mm (9'-0")
Wall Finish:	Fabric (Tackboard Wall Surface)
Wainscot:	--
Base:	Resilient base
Floor Finish:	Carpet
Slab Depr:	--
Notes:	

### SPECIAL EQUIPMENT

None

### LIGHTING

General:	50 FC
Special:	--
Notes:	<ol style="list-style-type: none"> <li>1. Single switch per station controls station lighting. As an alternate, lighting may be controlled by area with switch(es) located at room entrance.</li> <li>2. 600mm x 1200mm (2' x 4') recessed fluorescent light fixture, parabolic louver, W/2-F32T8 lamps, 3500°K, CRI=75 (minimum)</li> </ol>

### POWER

General:	1000W (receptacles)
Emergency:	--
Notes:	

### COMMUNICATION

ADP:	Yes
Radio:	--
Telephone:	Yes
Intercom:	--
Pub. Addr:	--
Notes:	1. Nurse Call/Code One/EMS recorder.

### HEATING, VENTILATING AND AIR CONDITIONING

Dry Bulb Temp Cooling:	25°C (78°F)
Dry Bulb Temp Heating:	22°C (72°F)
Minimum % Outside Air:	15
100% Exhaust Air:	--
Noise Criteria:	NC-40
Steam:	--
Relative Humidity/Cooling:	50%
Relative Humidity/Heating:	30%
Minimum Air Changes/Hr.:	4
Room Pressure:	0
AC Load Lighting:	22 w/sm (2 w/sf)
AC Load-Equipment:	54 w/sm (w/sf)
Number of People:	3
Special Exhaust:	--
Notes:	

### PLUMBING AND MEDICAL GASES

Cold Water:	--
Hot Water:	--
Laboratory Air:	--
Laboratory Vacuum:	--
Sanitary Drain:	--
Reagent Grade Water:	--
Medical Air:	--
Medical Vacuum:	--
Oxygen:	--
Notes:	--

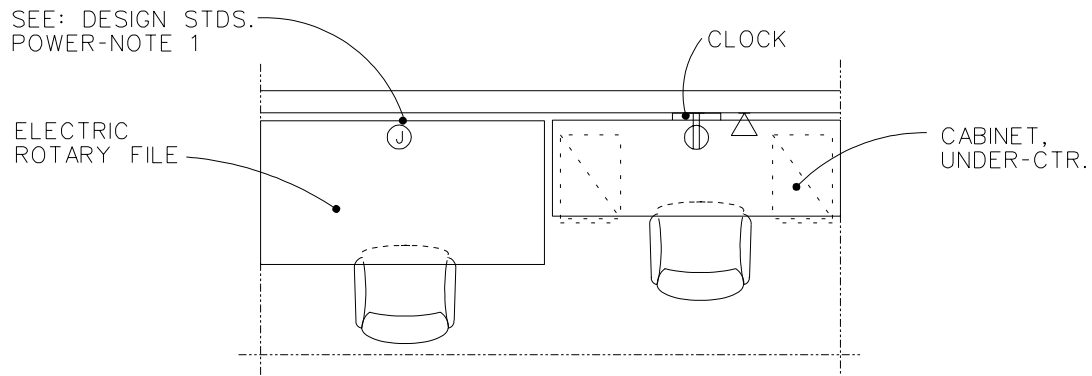
## Equipment Guide List

### Prescription Receiving

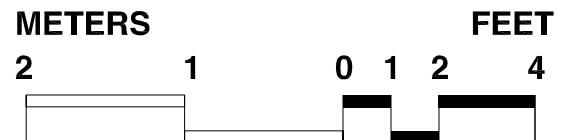
SYMBOL	QTY	AI	DESCRIPTION
AR		CF	CABINET, UNDER COUNTER, 3 DRAWER, 395mm W x 55mm D x 760mm H (15"W X 22"D X 30"H)
AR		CF	COUNTER TOP, HIGH PRESSURE PLASTIC LAMINATE DECORATIVE
AR		VV	CHAIR, ROTARY, WITH ARMS
AR		VV	CHAIR, STRAIGHT, WITH ARMS
AR		VV	COMPUTER, PRINTER
AR		VV	PC, COMPUTER SYSTEM, WITH KEYBOARD

# Equipment & Utility Plan Filing and Assembly

FINAL DRAFT 11-30-95  
REVISED MARCH 1997



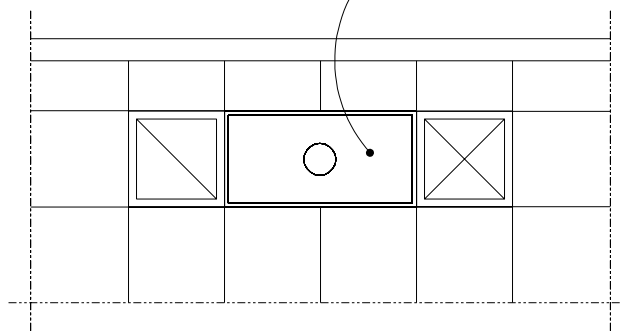
**5.57 NSM**  
**60 NSF**



# Reflected Ceiling Plan Filing and Assembly

**FINAL DRAFT 11-30-95**  
REVISED MARCH 1997

SEE: DESIGN STDS.  
LIGHTING-NOTE 2. (TYP.)



**METERS**

2 1

**FEET**

0 1 2 4



## Design Standards Filing and Assembly

### ARCHITECTURAL

Ceiling:	Acoustic lay-in ceiling Tile
Ceiling Ht:	2740 mm (9'-0")
Wall Finish:	Painted Gypsum Wallboard
Wainscot:	--
Base:	Resilient base
Floor Finish:	Carpet
Slab Depr:	--
Notes:	--

### SPECIAL EQUIPMENT

None

### LIGHTING

General:	30 FC (ambient)
Special:	--
Notes:	<ol style="list-style-type: none"> <li>1. Lighting control by area; switch(es) at room entrance.</li> <li>2. 600mm x 1200mm (2' x 4') recessed fluorescent light fixture, acrylic prismatic lens, w/2-F32T8 lamps, 4100°k, CRI=75 (minimum)</li> <li>3. Coordinate height of rotary file with lighting layout.</li> </ol>

### POWER

General:	200 W (receptacles)
Emergency:	--
Notes:	1. Junction box for 120V power connection to electric rotary file

### COMMUNICATION

ADP:	--
Radio:	--
Telephone:	--
Intercom:	--
Pub. Addr:	--
Notes:	--

### HEATING, VENTILATING AND AIR CONDITIONING

Dry Bulb Temp Cooling:	25°C (78°F)
Dry Bulb Temp Heating:	22°C (72°F)
Minimum % Outside Air:	15
100% Exhaust Air:	--
Noise Criteria:	NC-40
Steam:	--
Relative Humidity/Cooling:	50%
Relative Humidity/Heating:	30%
Minimum Air Changes/Hr.:	4
Room Pressure:	0
AC Load Lighting:	18 w/sm (1.7w/sf)
AC Load-Equipment:	32 w/sm (3 w/sf)
Number of People:	2
Special Exhaust:	--
Notes:	

### PLUMBING AND MEDICAL GASES

Cold Water:	--
Hot Water:	--
Laboratory Air:	--
Laboratory Vacuum:	--
Sanitary Drain:	--
Reagent Grade Water:	--
Medical Air:	--
Medical Vacuum:	--
Oxygen:	--
Notes:	



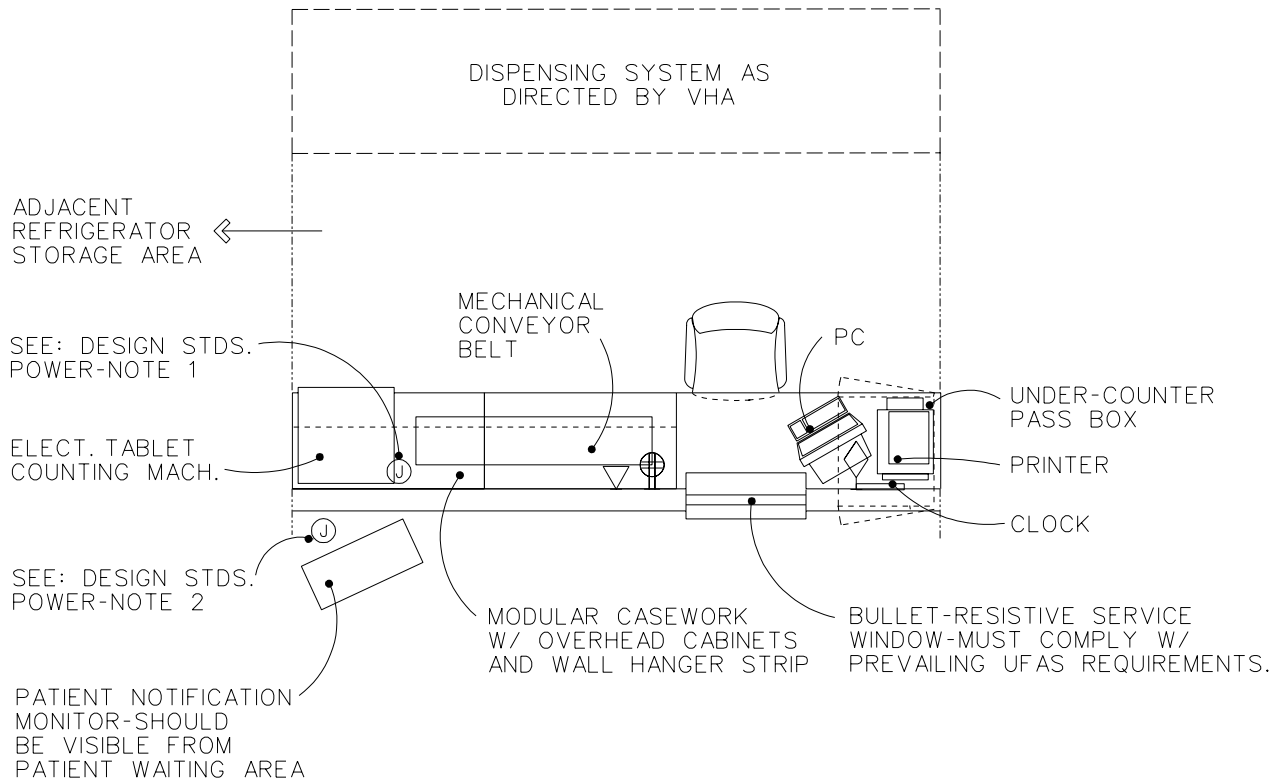
# Equipment Guide List

## Filing and Assembly

SYMBOL	QTY	AI	DESCRIPTION
AR	CF		CABINET, UNDER COUNTER, 3 DRAWER, 395mm W x 555mm D x 760mm H) 15"W X 22"D X 30"H
AR	CF		COUNTER TOP, HIGH PRESSURE PLASTIC LAMINATE DECORATIVE
AR	VV		CHAIR, ROTARY, WITH ARMS
AR	VV		CLOCK, BATTERY OPERATED
AR	VV		FILE, ROTARY, MECHANICAL POWER, ELECTRIC, 120 VOLTS, 20 AMPS ( See 5-2 Lighting Note # 3)

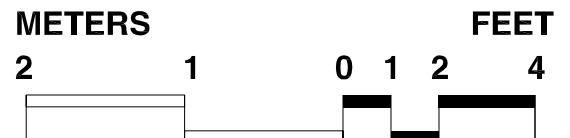
# Equipment & Utility Plan Dispensing

FINAL DRAFT 11-30-95  
REVISED MARCH 1997



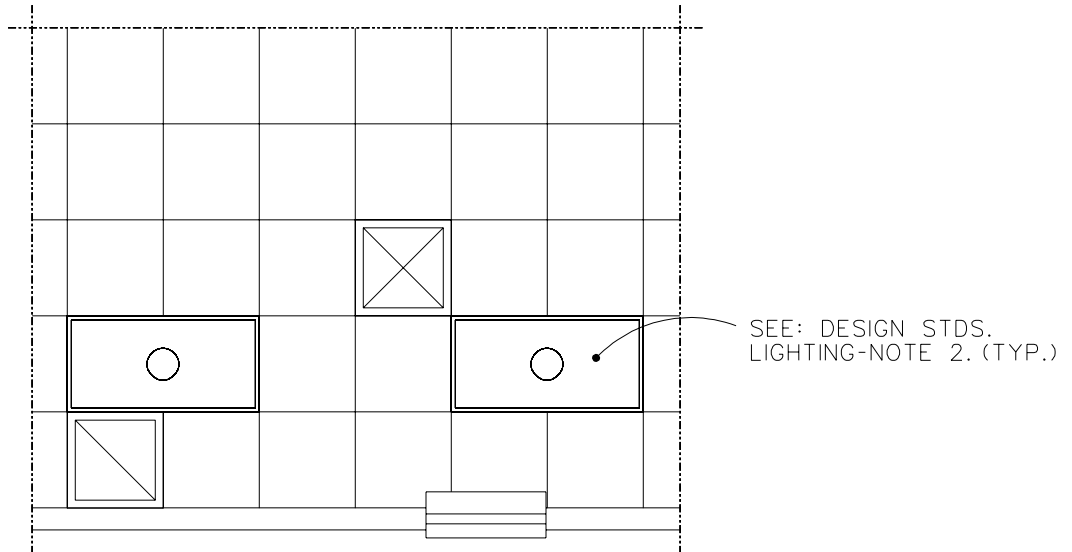
NOTE:  
DISPENSING SHELF ALTERNATIVE SYSTEMS:  
-MOBILE SHELVES  
-DISPENSING SYSTEM  
-CASEWK/COUNTERS W/ GRAVITY FEED CABINETS  
-PERIMETER WALL MUST BE FULL HEIGHT AND BULLET PROOF.

**12.5 NSM**  
**135 NSF**

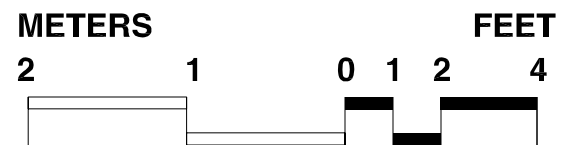


# Reflected Ceiling Plan Dispensing

FINAL DRAFT 11-30-95  
REVISED MARCH 1997



SEE: DESIGN STDS.  
LIGHTING-NOTE 2. (TYP.)



# Design Standards

## Dispensing

### ARCHITECTURAL

Ceiling:	Acoustic lay-in Ceiling Tile
Ceiling Ht:	2740 mm (9'-0")
Wall Finish:	Painted Gypsum Wallboard on reinforced masonry sub-wall.
Wainscot:	--
Base:	Resilient base
Floor Finish:	Carpet
Slab Depr:	--
Notes:	1. Refer to VA Construction Standard CD-49 for security criteria

### SPECIAL EQUIPMENT

None

### LIGHTING

General:	100 FC
Special:	--
Notes:	1. Lighting controlled by area; switch(es) located at room entrance. 2. 600 x 1200 mm (2'x4') recessed fluorescent light fixture, acrylic prismatic lens, W/3-F32T8 lamps, 4100°K, CRI=85 (Minimum)

### POWER

General:	500W (receptacles)
Emergency:	--
Notes:	1. Junction box for 120V power connection to electronic tablet counting machine. 2. Junction box(es) for 120V power and signal connections to patient notification monitor.

### COMMUNICATION

ADP:	Yes
Radio:	--
Telephone:	Yes
Intercom:	--
Pub. Addr	--
Notes:	1. Conduit and junction boxes required for patient notification monitor system.

### HEATING, VENTILATING AND AIR CONDITIONING

Dry Bulb Temp Cooling:	22°C (72°F)
Dry Bulb Temp Heating:	22°C (72°F)
Minimum % Outside Air:	15
100% Exhaust Air:	--
Noise Criteria:	NC-40
Steam:	--
Relative Humidity/Cooling:	50%
Relative Humidity/Heating:	30%
Minimum Air Changes/Hr.:	4
Room Pressure:	0
AC Load Lighting:	32 w/sm (3 w/sf)
AC Load-Equipment:	54 w/hr (5 w/hr)
Number of People:	3
Special Exhaust:	--
Notes:	

### PLUMBING AND MEDICAL GASES

Cold Water:	--
Hot Water:	--
Laboratory Air:	--
Laboratory Vacuum:	--
Sanitary Drain:	--
Reagent Grade Water:	--
Medical Air:	--
Medical Vacuum:	--
Oxygen:	--
Notes:	

## Equipment Guide List

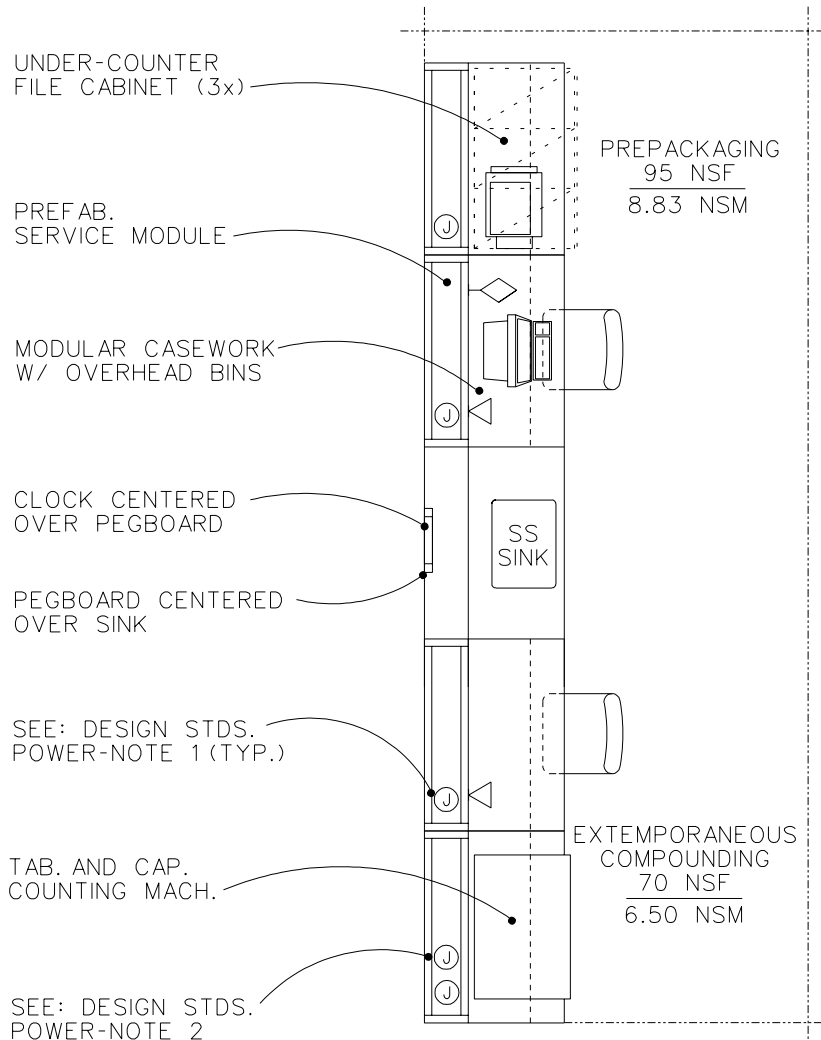
### Dispensing

SYMBOL	QTY	AI	DESCRIPTION
AR		CC	SERVICE WINDOW, BULLET RESISTIVE, ONE WINDOW AT WHEELCHAIR HEIGHT AND ONE CONVENTIONAL HEIGHT WITH PACKAGE TRANSFER BOX (PG-18-1, MCS 11022; PG-18-4, SD 67B)
AR		CF	BELT, CONVEYOR, 1 TO 5 BELTS AS REQUIRED (WHEN APPROVED BY VHA)
AR		CF	MODULAR CASEWORK, W/ OVERHEAD CABINETS AND WALL HANGER STRIP
		CF	NOTE: DISPENSING SYSTEMS SHALL BE AS DIRECTED BY VHA
AR		VV	CHAIR, ROTARY, WITH ARMS
AR		VV	CLOCK, BATTERY OPERATED
AR		VV	COMPUTER, PRINTER
AR		VV	CRT, COMPUTER SYSTEM, WITH KEYBOARD
AR		VV	MACHINE, COUNTING TABLET, ELECTRONIC, 120 VOLTS, 20 AMPS, 600mm W x 600mm D (24"W X 24"D)
AR		VV	MONITORS, HIGH RESOLUTION, PATIENT NOTIFICATION SYSTEM, BLACK AND WHITE, 685mm (27")

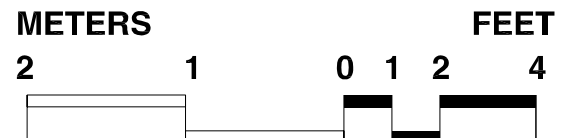
# Equipment & Utility Plan

FINAL DRAFT 11-30-95  
REVISED MARCH 1997

## Prepackaging & Extemporaneous Compounding



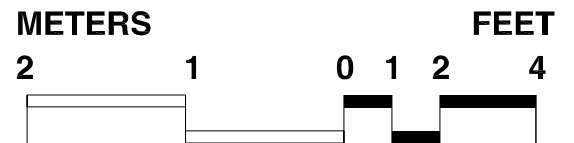
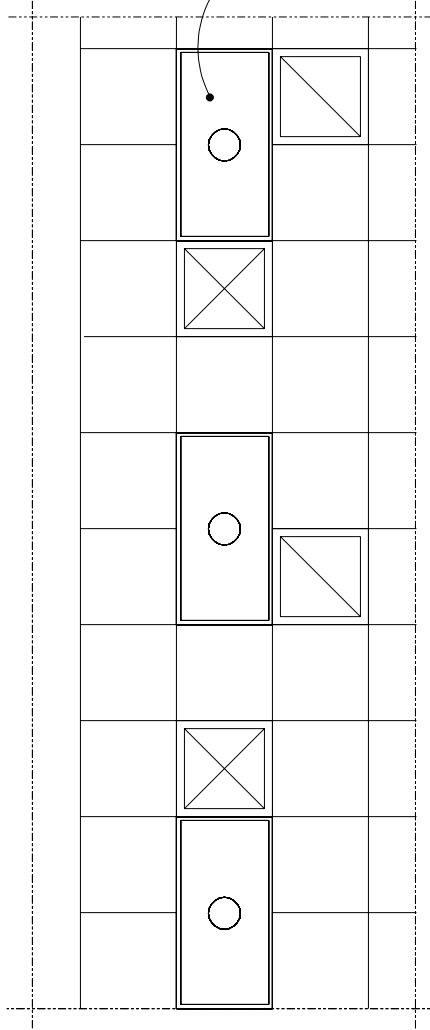
**15.3 NSM**  
**165 NSF**



# Reflected Ceiling Plan Prepackaging & Extemporaneous Compounding

FINAL DRAFT 11-30-95  
REVISED MARCH 1997

SEE: DESIGN STDS.  
LIGHTING-NOTE 2. (TYP.)



# Design Standards

## Prepacking & Extemporaneous Compounding

### ARCHITECTURAL

Ceiling:	Acoustic Lay-In Ceiling Tile
Ceiling Ht:	2740 mm (9'-0")
Wall Finish:	Painted Gypsum Wallboard
Wainscot:	--
Base:	Resilient Base
Floor Finish:	Vinyl Composition Tile or Carpet
Slab Depr:	--
Notes:	

### SPECIAL EQUIPMENT

None

### LIGHTING

General:	100 FC
Special:	--
Notes:	<ol style="list-style-type: none"> <li>1. Lighting control by area; switch(es) at room entrance.</li> <li>2. 600mm x 1200mm (2' x 4') recessed fluorescent light fixture, acrylic prismatic lens, W/3-F32T8 lamps, 3500°K, CRI=75 (minimum)</li> </ol>

### POWER

General:	1000W (receptacles on electrical strip mold on modular casework).
Emergency:	--
Notes:	<ol style="list-style-type: none"> <li>1. Junction box for 120V power connection to electrical strip mold on modular casework.</li> <li>2. Junction box for 120V power connection to tablet and capsule counting machine.</li> <li>3. Junction box for 120V power connection to unit dose packer.</li> </ol>

### COMMUNICATION

ADP:	--
Radio:	--
Telephone:	Yes
Intercom:	--
Pub. Addr:	--
Notes:	<ol style="list-style-type: none"> <li>1. Communications cabling routed via modular case-work utility access lab module to outlets on casework.</li> </ol>

### HEATING, VENTILATING AND AIR CONDITIONING

Dry Bulb Temp Cooling:	22°C (72°F)
Dry Bulb Temp Heating:	22°C (72°F)
Minimum % Outside Air:	15
100% Exhaust Air:	--
Noise Criteria:	NC-40
Steam:	--
Relative Humidity/Cooling:	50%
Relative Humidity/Heating:	30%
Minimum Air Changes/Hr.:	4
Room Pressure:	0
AC Load Lighting:	32 w/sm (3 w/sf)
AC Load-Equipment:	54 w/sm (3 w/sf)
Number of People:	3
Special Exhaust:	--
Notes:	

### PLUMBING AND MEDICAL GASES

Cold Water:	Yes
Hot Water:	Yes
Laboratory Air:	--
Laboratory Vacuum:	--
Sanitary Drain:	Yes
Reagent Grade Water:	--
Medical Air:	--
Medical Vacuum:	--
Oxygen:	--
Notes:	<ol style="list-style-type: none"> <li>1. Sanitary drain and vent need to be chemical resistant type.</li> </ol>



## Equipment Guide List

### Prepacking & Extemporaneous Compounding

SYMBOL	QTY	AI	DESCRIPTION
AR	CF		MODULAR CASEWORK , W/ OVERHEAD BINS, UTILITY ACCESS MODULE AND WALL HANGER STRIP
AR	CF		SINK, CORROSION RESISTING STEEL, 555mm x 405mm x 205mm (22" X 16" X 8")
AR	CF		PEGBOARD, 405mm W x 600mm H (16"W X 24"H)
AR	VV		CABINET, FILING, UNDER COUNTER, 380mm W x 635mm D (15"W X 25"D)
AR	VV		CHAIR, ROTARY, WITH ARMS
AR	VV		CLOCK, BATTERY OPERATED
AR	VV		MACHINE, COUNTING, TABLET AND CAPSULE, 910mm W x 610mm D (36"W X 24"D)
AR	VV		MACHINE, UNIT DOSE PACKER, STRIP PACKAGING, 910mm W x 610mm D (36"W x 24"D)
AR	VV		COMPUTER, PRINTER
AR	VV		PC, COMPUTER SYSTEM, WITH KEYBOARD