

Section 5

Design Guide Plates and Data Sheets

Areas Specific to VMU

GUIDE PLATE SERIES

5-1 Animal Receiving and Examination Room
Reflected Ceiling Plan
Equipment and Utility Plan
Design Standards
Equipment Guide List

5-2 Diagnostic Laboratory
Equipment and Utility Plan
Design Standards
Equipment Guide List

5-3 Animal Treatment Room
Reflected Ceiling Plan
Equipment and Utility Plan
Design Standards
Equipment Guide List

5-4 Quarantine Room
Equipment and Utility Plan
Design Standards
Equipment Guide List

GUIDE PLATE SERIES

5-5 Animal Room (Cubicle Housing)
Reflected Ceiling Plan
Equipment and Utility Plan
Design Standards
Equipment Guide List

5-6 Animal Room (Large Animal Conventional
Housing)
Equipment and Utility Plan
Design Standards
Equipment Guide List

5-7 Animal Room (Small Animal Conventional
Housing)
Equipment and Utility Plan
Design Standards

5-8 Procedural Laboratory (Standard)
Equipment and Utility Plan
Design Standards
Equipment Guide List

GUIDE PLATE
SERIES

5-9..... Dry Feed and Bedding Storage
Equipment and Utility Plan
Design Standards
Equipment Guide List

5-10..... Necropsy
Reflected Ceiling Plan
Equipment and Utility Plan
Design Standards
Equipment Guide List

5-11..... Carcass and Waste Storage
Equipment and Utility Plan
Design Standards
Equipment Guide List

5-12..... Cage Wash Room
Reflected Ceiling Plan
Equipment and Utility Plan
Design Standards
Equipment Guide List

GUIDE PLATE
SERIES

5-13Cage Wash Room (with Tunnel Washer)
Reflected Ceiling Plan
Equipment and Utility Plan
Design Standards

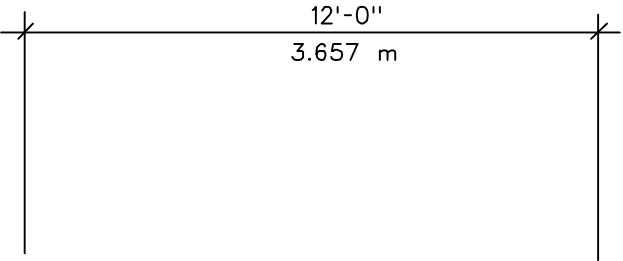
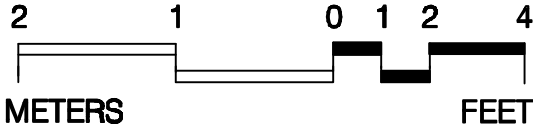
5-14Clean Cage Storage Room
Equipment and Utility Plan
Design Standards
Equipment Guide List

5-15Diet Kitchen
Equipment and Utility Plan
Design Standards
Equipment Guide List

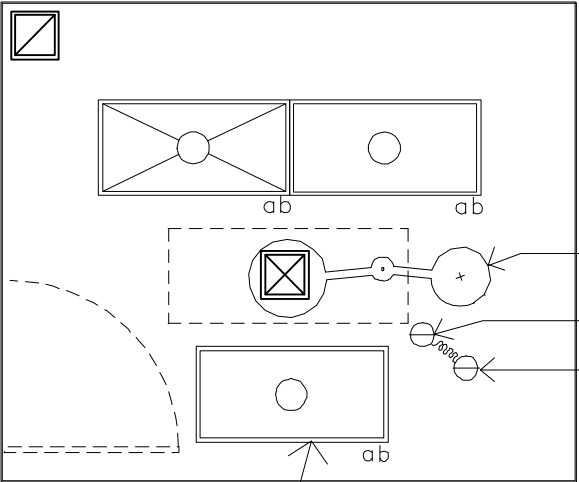
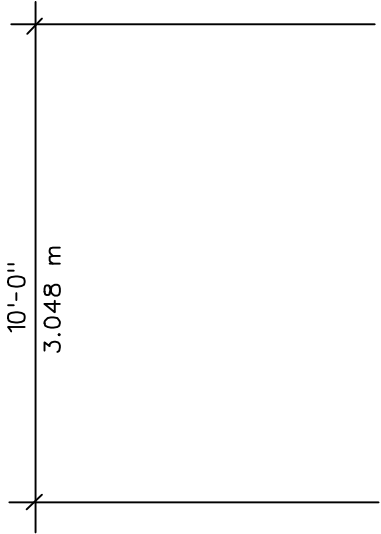
5-16Environmental Laboratory
Equipment and Utility Plan
Design Standards
Equipment Guide List

Animal Receiving and Examination Room

Reflected Ceiling Plan



120 NSF
11.148 m²

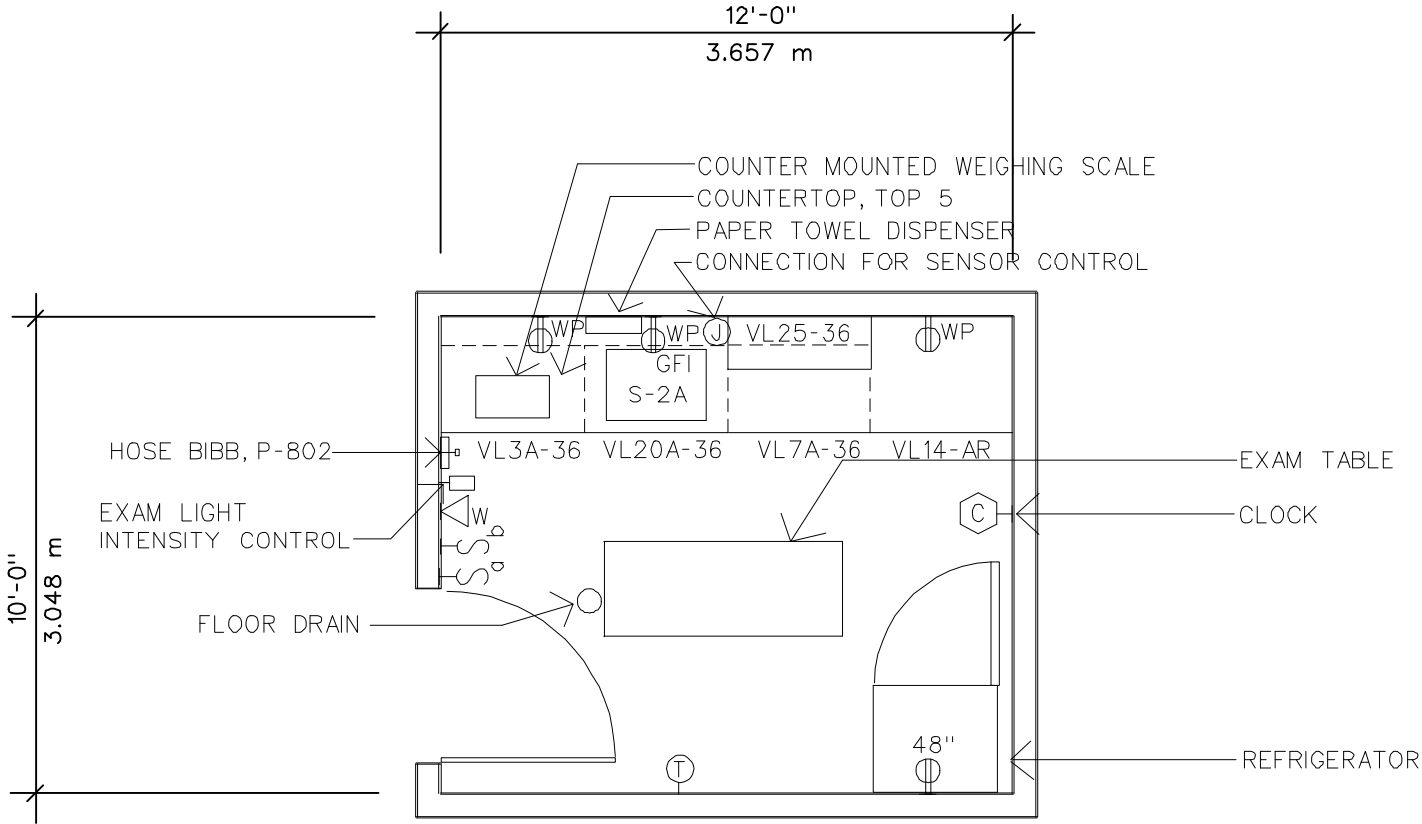


- EXAM LIGHT, CEILING MOUNTED
- RETRACTABLE CEILING CORD
- OUTLET, DUPLEX CEILING MOUNTED

SEE SD-E-F-27 (TYPE B)
IN H-08-04 VOL.4

NOTE: RETRACTABLE CEILING CORD TAKE UP REEL NEEDS TO BE STRUCTURALLY SUPPORTED AT CEILING.

26 February 1993



NOTE: OUTLETS AT COUNTER LOCATION ARE 48" ABOVE FINISHED FLOOR

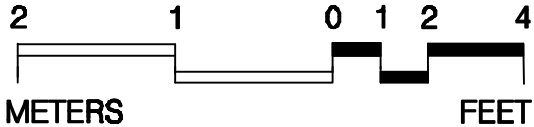
NOTE: FOR ALL VL AND S EQUIPMENT SEE H-08-06

NOTE: BATH TUB AND FLOOR MOUNTED SCALE ONLY APPLICABLE WHEN MORE THAN 120 NSF IS PROVIDED.

NOTE: FOR ALL P EQUIPMENT SEE H-08-04 VOL.1

120 NSF
11.148 m²

Animal Receiving and Examination Room



Equipment & Utility Plan

Animal Receiving and Examination Room

Design Standards

ARCHITECTURAL

Floor Area	120 NSF	Wall Finish	CMU (SC)
Ceiling	PCP	Wainscot	-
Ceiling Height	9'-0"	Base	ERF
Slab Depression	-	Floor Finish	ERF
Notes:		Lead Lining	-

SPECIAL EQUIPMENT

NONE

ELECTRICAL

Lighting

General	70 FC, 3.5 W/SF*
Special	**
Emergency	33% GEN FLUOR

Notes:
 *FLUOR LAMPS COLOR CORRECTED
 **(1) SURGICAL LIGHT, ONE HEAD

Power

General	720 W
Special	CLG CORD 180 W
Emergency	-

COMMUNICATIONS

Telephone	WALL MTD	ADP	EMPTY CONDUIT
Intercom	PART OF TELEPHONE	Radio	-
Public Address	-	Other	-
Notes:			

HEATING, VENTILATING AND AIR CONDITIONING

AC Load Lights	5.0 W/SF
AC Load Equipment	12.9 W/SF*
Number of People	2
Noise Criteria	NC-40
Room Pressure	POSITIVE
Dry Bulb Temp Cooling (F)	78
Dry Bulb Temp Heating (F)	72
Minimum Air Changes per Hour	15 (SA)
Minimum % Outside Air	100
100% Exhaust Air	YES
Special Exhaust	-
Steam	-
Relative Humidity - Cooling	50 %
Relative Humidity - Heating	30 %

Notes:
 *EXAM LIGHT INCLUDED IN EQUIPMENT LOAD

PLUMBING AND MEDICAL GASES

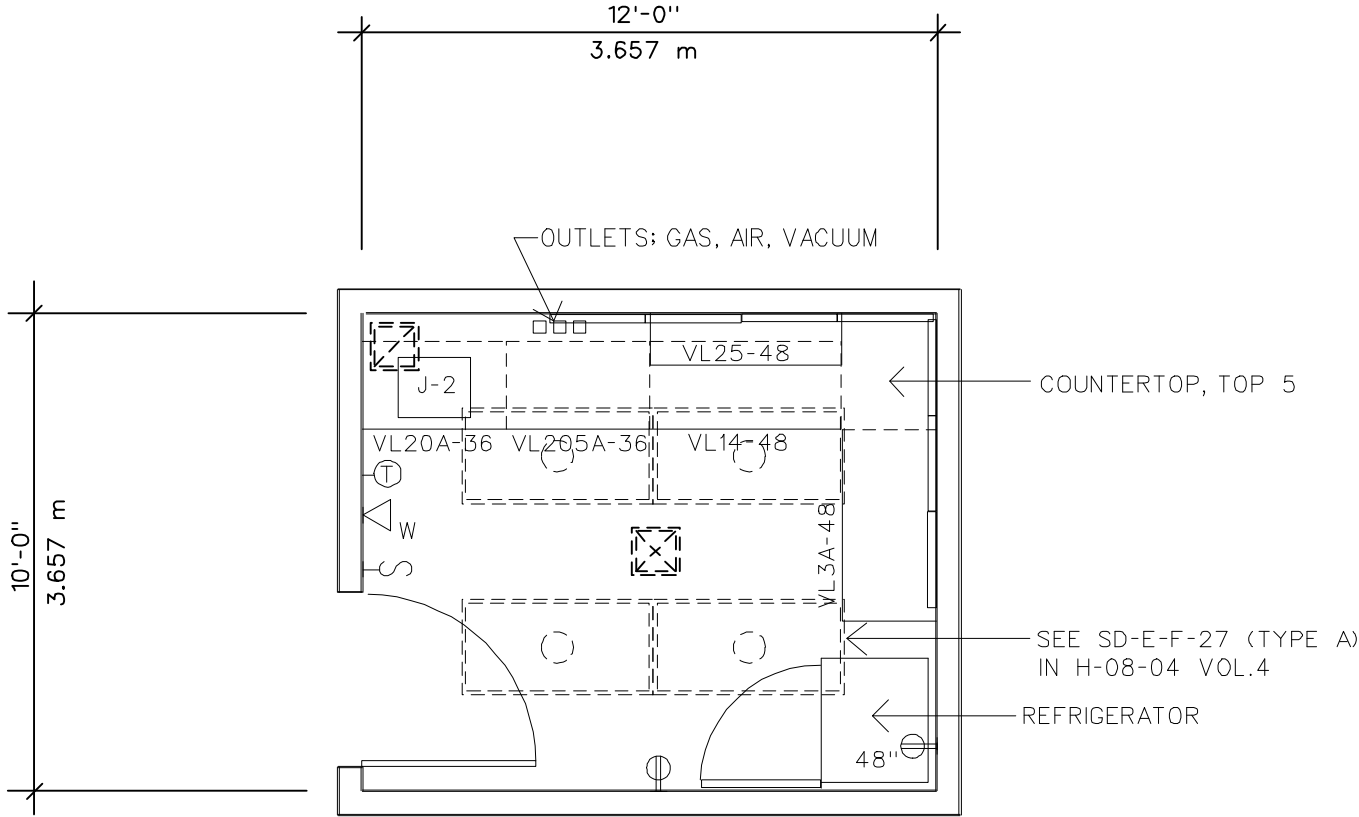
Sanitary Drain	YES	Cold Water	YES
Acid Waste	-	Hot Water	YES
Silver Recovery	-	Reagent Water	-
Medical Air	-	Laboratory Air	-
Medical Vacuum	-	Laboratory Vacuum	-
Oxygen	-	Fuel Gas	-
Nitrous Oxide	-	Anesthesia Evac	-

Notes:

Animal Receiving and Examination Room

Equipment Guide List

SYMBOL	QTY	AI	DESCRIPTION
TOP 5	1	CF	COUNTERTOP, CORROSION RESISTING (STAINLESS) STEEL, RAISED RIM, WITH INTEGRAL SINK AND SPLASHBACKS (H-08-1 & H-08-6, MCS 11602)
S-2A	1	CF	SINK, CORROSION RESISTING (STAINLESS) STEEL, WITH END OR CORNER DRAIN OUTLET, WITH OR WITHOUT DRAINBOARD AND SENSOR CONTROL, 25" X 18" X 16" DEEP (H-08-1 & H-08-6, MCS 11602)
	1	VV	DISPENSER, PAPER TOWEL, SURFACE MOUNTED
VL20/20A	1	CF	CABINET, UNDERCOUNTER, SINK UNIT, 2 HINGED PANEL DOORS, AVAILABLE WIDTHS 30", 36", 42", 48"; DEPTH 22"; HEIGHTS 31", 25", FOR FLOOR MOUNTED ADD 5" TOE BASE (H-08-1 & H-08-6, MCS 12345)
VL3/3A	AR	CF	CABINET, UNDERCOUNTER, WITH 5/4 DRAWERS, AVAILABLE WIDTHS 18", 24", 36", 48"; DEPTH 22"; HEIGHTS 31", 25", FOR FLOOR MOUNTED ADD 5" TOE BASE (H-08-1 & H-08-6, MCS 12345)
VL7/7A	AR	CF	CABINET, UNDERCOUNTER, WITH 2 HINGED DOORS AND 2/1 ADJUSTABLE SHELVES, AVAILABLE WIDTHS 36", 48"; DEPTH 22"; HEIGHTS 31", 25", FOR FLOOR MOUNTED ADD 5" TOE BASE (H-08-1 & H-08-6, MCS 12345)
VL14	AR	CF	TABLE FRAME, WITH DRAWER(S), KNEE SPACE UNIT, AVAILABLE WIDTHS 18", 24", 30", 36", 42", 48"; DEPTH 22"; HEIGHT 31" (H-08-1 & H-08-6, MCS 12345)
VL25	AR	CF	CABINET, WALL, WITH SLOPING TOP, 2 GLAZED SLIDING DOORS AND 2 ADJUSTABLE SHELVES, AVAILABLE WIDTHS 30", 36", 42", 48"; DEPTH 13"; HEIGHT 30" (H-08-1 & H-08-6, MCS 12345)
P-802	1	CC	HOSE BIBB, COMBINATION FAUCET, 24" OFF FLOOR, WALL MOUNTED, CONCEALED SUPPLY PIPES (H-08-1, MCS 15450; H-08-4, SD 4.2)
	1	CC	DRAIN, FLOOR (H-08-1, MCS 15400)
	1	VV	REFRIGERATOR, DOMESTIC TYPE, 15 CU. FT., APPROX. 31"W X 28"D X 66"H, 120 VOLT, 20 AMP
	1	VV	SCALE, ANIMAL WEIGHING, ELECTRONIC, COUNTER MOUNTED, 1000 GRAM CAPACITY
	1	VV	TABLE, EXAMINATION, STAINLESS STEEL, 24" X 60"
	1	CF	LIGHT, EXAM, SINGLE LIGHTHEAD, CEILING MOUNTED, SWIVEL ARM, ADJUSTABLE INTENSITY, 120 VOLT, 20 AMP (H-08-1, MCS 16515)
	1	VV	CLOCK, BATTERY OPERATED
	1	CC	RETRACTABLE CEILING CORD, (NEAR EXAM LIGHT) 120 VOLT, 20 AMP (H-08-1, MCS 16140; H-08-3, CS 801-3)
	1	CC	OUTLET, ELECTRICAL, DUPLEX, 120 VOLT, 20 AMP, CEILING MOUNTED, FOR RETRACTABLE CEILING CORD (H-08-1, MCS 16140)
	AR	CC	RECEPTACLE, ELECTRICAL, DUPLEX, 120 VOLT, 20 AMP, WITH WEATHERPROOF COVER PLATE (H-08-1, MCS 16140; H-08-3, CS 801-3)
			THE FOLLOWING EQUIPMENT IS ONLY APPLICABLE WHEN MORE THAN THE MINIMUM SPACE (120 NSF) IS PROVIDED.
	1	VV	TUB, BATH
	1	VV	SCALE, ANIMAL WEIGHING, ELECTRONIC, FLOOR MODEL, 300 LB. CAPACITY
	1	CC	RECEPTACLE, ELECTRICAL, DUPLEX, 120 VOLT, 20 AMP, WITH GROUND FAULT INTERRUPTER (H-08-1, MCS, 16140; H-08-3, CS 801-3)

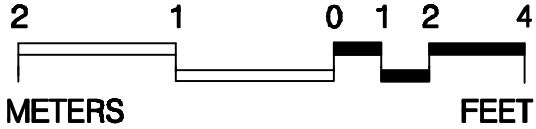


NOTE: OUTLETS AT COUNTER LOCATION ARE 48" ABOVE FINISHED FLOOR

NOTE: FOR ALL VL AND J EQUIPMENT SEE H-08-06 VOL.1

120 NSF
11.148 m²

Diagnostic Laboratory



Equipment & Utility Plan

Diagnostic Laboratory

Design Standards

ARCHITECTURAL

Floor Area	120 NSF	Wall Finish	CMU (SC)
Ceiling	PCP	Wainscot	-
Ceiling Height	9'-0"	Base	ERF
Slab Depression	-	Floor Finish	ERF
Notes:		Lead Lining	-

SPECIAL EQUIPMENT

NONE

ELECTRICAL

Lighting

General	70 FC, 3.5 W/SF
Special	-
Emergency	-
Notes:	

Power

General	STRIP MOLD 900 W
Special	REFRIGERATOR
Emergency	REFRIGERATOR

COMMUNICATIONS

Telephone	WALL MTD	ADP	-
Intercom	PART OF TELEPHONE	Radio	-
Public Address	-	Other	-
Notes:			

HEATING, VENTILATING AND AIR CONDITIONING

AC Load Lights	5.4 W/SF
AC Load Equipment	9.5 W/SF
Number of People	2
Noise Criteria	NC-40
Room Pressure	NEGATIVE
Dry Bulb Temp Cooling (F)	78
Dry Bulb Temp Heating (F)	72
Minimum Air Changes per Hour	15 (SA)
Minimum % Outside Air	100
100% Exhaust Air	YES
Special Exhaust	-
Steam	-
Relative Humidity - Cooling	50 %
Relative Humidity - Heating	30 %
Notes:	

PLUMBING AND MEDICAL GASES

Sanitary Drain	YES	Cold Water	YES
Acid Waste	-	Hot Water	YES
Silver Recovery	-	Reagent Water	-
Medical Air	-	Laboratory Air	YES
Medical Vacuum	-	Laboratory Vacuum	YES
Oxygen	-	Fuel Gas	YES
Nitrous Oxide	-	Anesthesia Evac	-
Notes:			

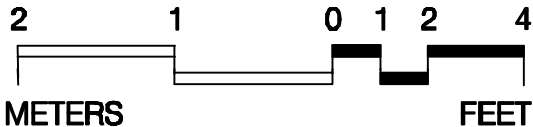
Diagnostic Laboratory

Equipment Guide List

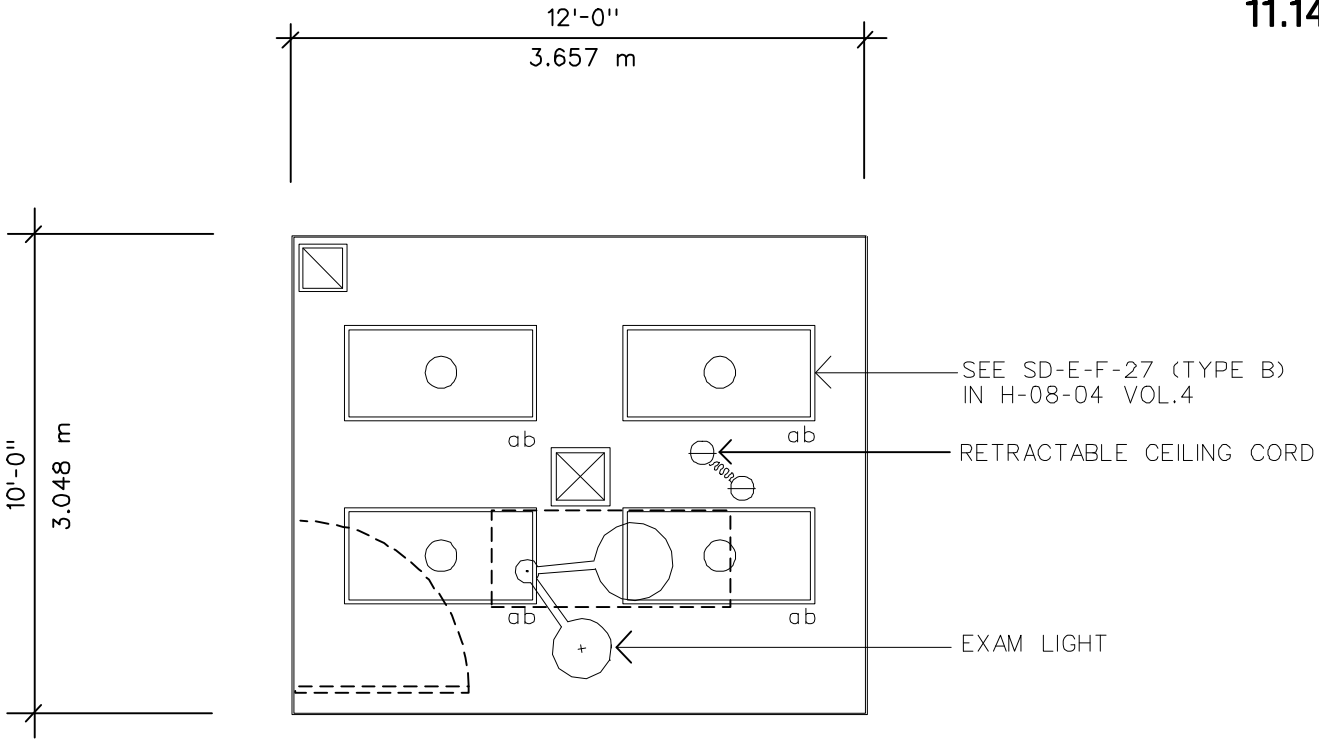
SYMBOL	QTY	AI	DESCRIPTION
TOP 5	AR	CF	COUNTERTOP, CORROSION RESISTING (STAINLESS) STEEL, RAISED RIM, WITH INTEGRAL SINK AND SPLASHBACKS (H-08-1 & H-08-6, MCS 11602)
VL20/20A	1	CF	CABINET, UNDERCOUNTER, SINK UNIT, 2 HINGED PANEL DOORS, AVAILABLE WIDTHS 30", 36", 42", 48"; DEPTH 22"; HEIGHTS 31", 25", FOR FLOOR MOUNTED ADD 5" TOE BASE (H-08-1 & H-08-6, MCS 12345)
J-2	1	CF	SINK, CORROSION RESISTING STEEL, WITH CENTER DRAIN OUTLET, 18" X 15" X 8" DEEP (H-08-1 & H-08-6, MCS 11602)
VL205/205A	1	CF	CABINET, UNDERCOUNTER, 6/5 DRAWERS, AVAILABLE WIDTHS 36", 48"; DEPTH 22"; HEIGHTS 31", 25", FOR FLOOR MOUNTED ADD 5" TOE BASE (H-08-1 & H-08-6, MCS 12345)
VL3/3A	1	CF	CABINET, UNDERCOUNTER, WITH 5/4 DRAWERS, AVAILABLE WIDTHS 18", 24", 36", 48"; DEPTH 22"; HEIGHTS 31", 25", FOR FLOOR MOUNTED ADD 5" TOE BASE (H-08-1 & H-08-6, MCS 12345)
	1	VV	REFRIGERATOR, DOMESTIC TYPE, 15 CU. FT., APPROX. 31"W X 28"D X 66"H, 120 VOLT, 20 AMP
VL25	1	CF	CABINET, WALL, WITH SLOPING TOP, 2 GLAZED SLIDING DOORS AND 2 ADJUSTABLE SHELVES, AVAILABLE WIDTHS 30", 36", 42", 48"; DEPTH 13"; HEIGHT 30" (H-08-1 & H-08-6, MCS 12345)
VL14	AR	CF	TABLE FRAME, WITH DRAWER(S), KNEE SPACE UNIT, AVAILABLE WIDTHS 18", 24", 30", 36", 42", 48"; DEPTH 22"; HEIGHT 31" (H-08-1 & H-08-6, MCS 12345)
	1	CC	OUTLETS, ONE EACH, AIR, GAS AND VACUUM GROUPED OVER COUNTER (H-08-1 & H-08-6, MCS 11602)
	AR	CC	RECEPTACLE, ELECTRICAL, DUPLEX, 120 VOLT, 20 AMP, STRIP MOLD WITH OUTLETS ON 24" CENTERS, 9" ABOVE COUNTER (H-08-1, MCS 16140; H-08-3, CS 801-3)
	AR	CC	RECEPTACLE, ELECTRICAL, DUPLEX, 120 VOLT, 20 AMP (H-08-1, MCS 16140; H-08-3, CS 801-3)

Animal Treatment Room

Reflected Ceiling Plan

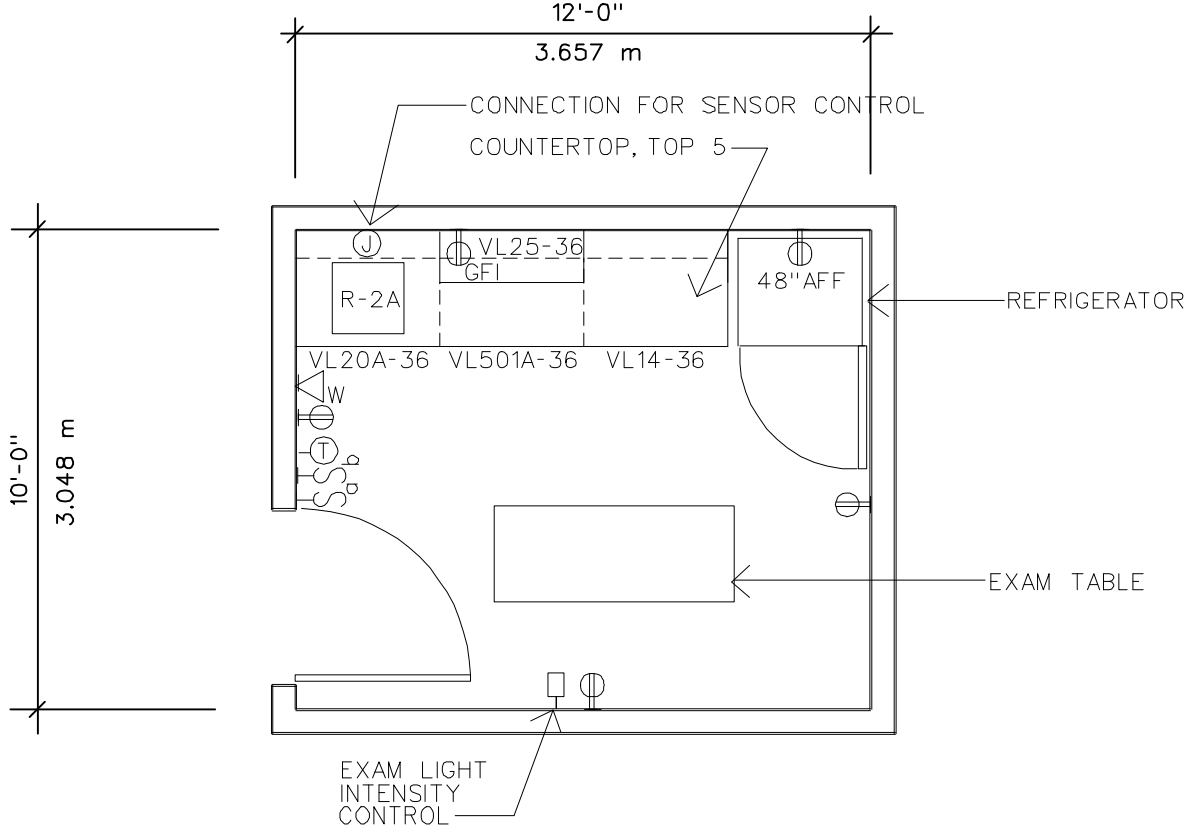


120 NSF
11.148 m²



NOTE: RETRACTABLE CEILING CORD TAKE UP REEL NEEDS TO BE STRUCTURALLY SUPPORTED AT CEILING.

26 February 1993

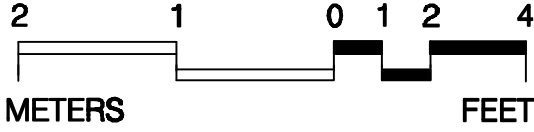


NOTE: FOR ALL VL AND R EQUIPMENT SEE H-08-06 VOL.1

NOTE: OUTLETS AT COUNTER LOCATION ARE 48" ABOVE FINISHED FLOOR

120 NSF
11.148 m²

Animal Treatment Room



Equipment & Utility Plan

Animal Treatment Room

Design Standards

ARCHITECTURAL

Floor Area	120 NSF	Wall Finish	CMU (SC)
Ceiling	PCP	Wainscot	-
Ceiling Height	9'-0"	Base	ERF
Slab Depression	-	Floor Finish	ERF
Notes:		Lead Lining	-

SPECIAL EQUIPMENT

NONE

ELECTRICAL

Lighting

General	100 FC, 5.0 W/SF*
Special	**
Emergency	-

Notes:

*FLUOR LAMPS COLOR CORRECTED TO MATCH EXAM LIGHT

**EXAM LIGHT, (1) HEAD AT 120 W

***RETRACTABLE CLG CORD

Power

General	900 W
Special	500 W***
Emergency	-

COMMUNICATIONS

Telephone	WALL MTD HAND FREE	ADP	-
Intercom	PART OF TELEPHONE	Radio	-
Public Address	-	Other	-

Notes:

HEATING, VENTILATING AND AIR CONDITIONING

AC Load Lights	6.6 W/SF
AC Load Equipment	12.9 W/SF*
Number of People	2
Noise Criteria	NC-40
Room Pressure	POSITIVE
Dry Bulb Temp Cooling (F)	78
Dry Bulb Temp Heating (F)	72
Minimum Air Changes per Hour	15 (SA)
Minimum % Outside Air	100
100% Exhaust Air	YES
Special Exhaust	-
Steam	-
Relative Humidity - Cooling	50 %
Relative Humidity - Heating	30 %

Notes:

*EXAM LIGHT INCLUDED IN EQUIPMENT LOAD

PLUMBING AND MEDICAL GASES

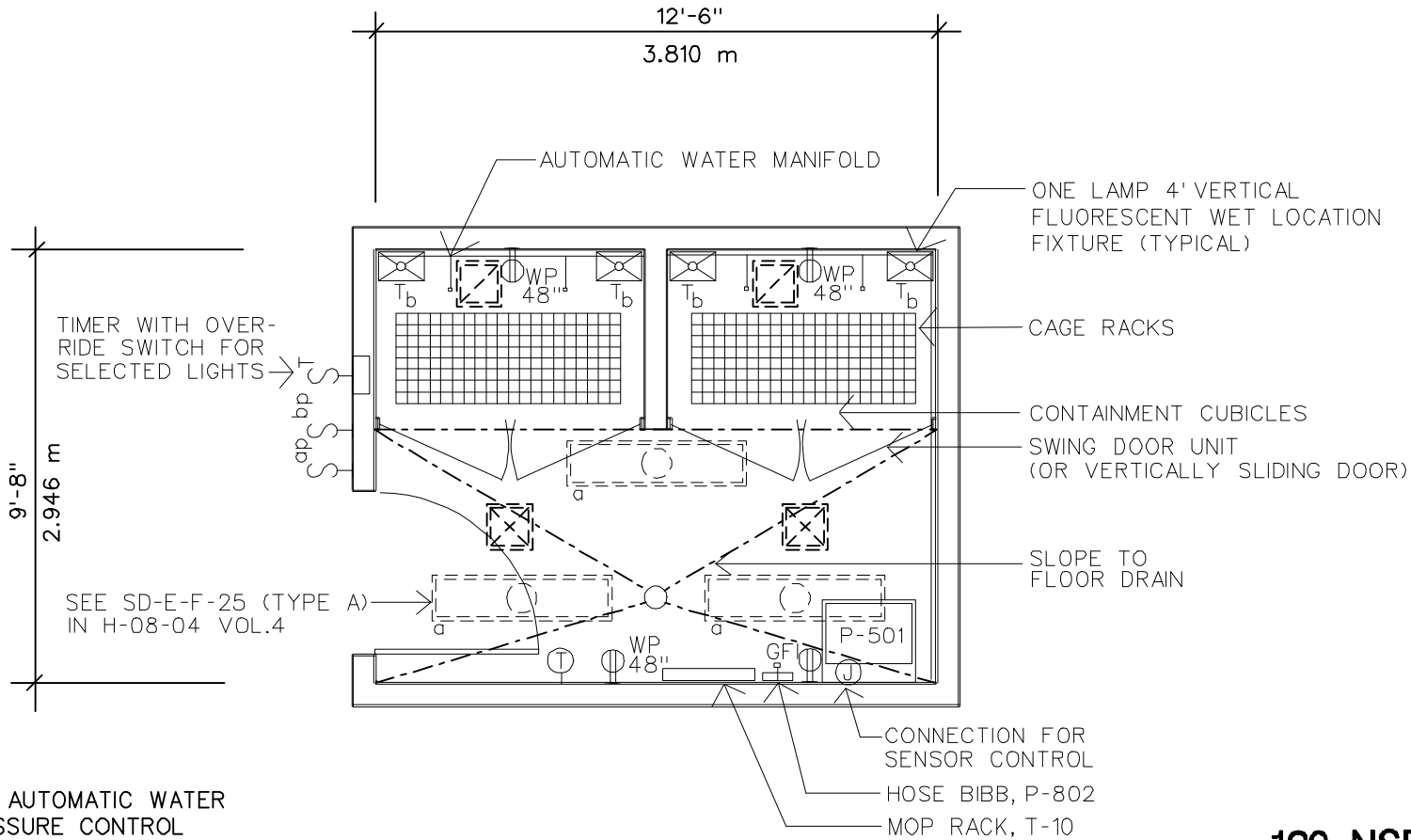
Sanitary Drain	YES	Cold Water	YES
Acid Waste	-	Hot Water	YES
Silver Recovery	-	Reagent Water	-
Medical Air	-	Laboratory Air	-
Medical Vacuum	-	Laboratory Vacuum	-
Oxygen	-	Fuel Gas	-
Nitrous Oxide	-	Anesthesia Evac	-

Notes:

Animal Treatment Room

Equipment Guide List

SYMBOL	QTY	AI	DESCRIPTION
TOP 5	1	CF	COUNTERTOP, CORROSION RESISTING (STAINLESS) STEEL, RAISED RIM, WITH INTEGRAL SINK AND SPLASHBACKS (H-08-1 & H-08-6, MCS 11602)
R-2A	1	CF	SINK, CORROSION RESISTING (STAINLESS) STEEL, WITH END OR CORNER DRAIN OUTLET, WITH OR WITHOUT DRAINBOARD AND SENSOR CONTROL, 18" X 18" X 16" DEEP (H-08-1 & H-08-6, MCS 11602)
VL20/20A	1	CF	CABINET, UNDERCOUNTER, SINK UNIT, 2 HINGED PANEL DOORS, AVAILABLE WIDTHS 30", 36", 42", 48"; DEPTH 22"; HEIGHTS 31", 25", FOR FLOOR MOUNTED ADD 5" TOE BASE (H-08-1 & H-08-6, MCS 12345)
VL501/501A	1	CF	CABINET, UNDERCOUNTER, 6/5 DRAWERS WITH LOCKS, 1 DOOR AND 1 ADJUSTABLE SHELF, AVAILABLE WIDTHS 36", 48"; DEPTH 22"; HEIGHTS 31", 25", FOR FLOOR MOUNTED ADD 5" TOE BASE (H-08-1 & H-08-6, MCS 12345)
VL14	AR	CF	TABLE FRAME, WITH DRAWER(S), KNEE SPACE UNIT, AVAILABLE WIDTHS 18", 24", 30", 36", 42", 48"; DEPTH 22"; HEIGHT 31" (H-08-1 & H-08-6, MCS 12345)
	1	VV	REFRIGERATOR, DOMESTIC TYPE, 15 CU. FT., APPROX. 31"W X 28"D X 66"H, 120 VOLT, 20 AMP
VL25	1	CF	CABINET, WALL, WITH SLOPING TOP, 2 GLAZED SLIDING DOORS AND 2 ADJUSTABLE SHELVES, AVAILABLE WIDTHS 30", 36", 42", 48"; DEPTH 13"; HEIGHT 30" (H-08-1 & H-08-6, MCS 12345)
	1	VV	TABLE, EXAMINATION, STAINLESS STEEL, 24" X 60"
	1	CF	LIGHT, EXAM, SINGLE LIGHTHEAD, CEILING MOUNTED, SWIVEL ARM, ADJUSTABLE INTENSITY, 120 VOLT, 20 AMP (H-08-1, MCS 16515)
	1	CC	RETRACTABLE CEILING CORD, (NEAR EXAM LIGHT) 120 VOLT, 20 AMP (H-08-1, MCS 16140; H-08-3, CS 801-3)
	1	CC	OUTLET, ELECTRICAL, DUPLEX, 120 VOLT, 20 AMP, CEILING MOUNTED, FOR RETRACTABLE CEILING CORD (H-08-1, MCS 16140)
	AR	CC	RECEPTACLE, ELECTRICAL, DUPLEX, 120 VOLT, 20 AMP (H-08-1, MCS 16140; H-08-3, CS 801-3)
	1	CC	RECEPTACLE, ELECTRICAL, DUPLEX, 120 VOLT, 20 AMP, WITH GROUND FAULT INTERRUPTER (H-08-1, MCS, 16140; H-08-3, CS 801-3)

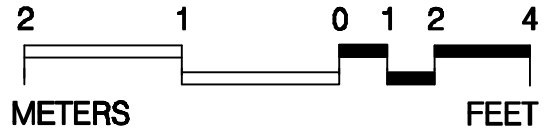


NOTE: CONNECT THE AUTOMATIC WATER MANIFOLD TO A PRESSURE CONTROL PANEL OUTSIDE THE ROOM

NOTE: FOR ALL P AND T EQUIPMENT SEE H-08-04 VOL.1

120 NSF
11.148 m²

Quarantine Room



Equipment & Utility Plan

Quarantine Room

Design Standards

ARCHITECTURAL

Floor Area	120 NSF	Wall Finish	CMU (SC)
Ceiling	PCP	Wainscot	-
Ceiling Height	9'-0"	Base	ERF
Slab Depression	-	Floor Finish	ERF
Notes:		Lead Lining	-

SPECIAL EQUIPMENT

NONE

ELECTRICAL

Lighting

General	20-60 FC, 3.0 W/SF
Special	CUBICLE LIGHT*
Emergency	-

Notes:

*ON TIMER WITH OVERRIDE SWITCH & PILOT LIGHT IN CORRIDOR

Power

General	720 W
Special	-
Emergency	-

COMMUNICATIONS

Telephone	-	ADP	-
Intercom	-	Radio	-
Public Address	-	Other	-

Notes:

HEATING, VENTILATING AND AIR CONDITIONING

AC Load Lights	2.1 W/SF
AC Load Equipment	1.5 W/SF
Number of People	1 + ANIMALS
Noise Criteria	NC-40
Room Pressure	NEGATIVE
Dry Bulb Temp Cooling (F)	65
Dry Bulb Temp Heating (F)	85
Minimum Air Changes per Hour	15 (SA)
Minimum % Outside Air	100
100% Exhaust Air	YES
Special Exhaust	-
Steam	-
Relative Humidity - Cooling	60* %
Relative Humidity - Heating	30* %

Notes:

*PLUS/MINUS 5%

PLUMBING AND MEDICAL GASES

Sanitary Drain	YES	Cold Water	YES
Acid Waste	-	Hot Water	YES
Silver Recovery	-	Reagent Water	-
Medical Air	-	Laboratory Air	-
Medical Vacuum	-	Laboratory Vacuum	-
Oxygen	-	Fuel Gas	-
Nitrous Oxide	-	Anesthesia Evac	-

Notes:

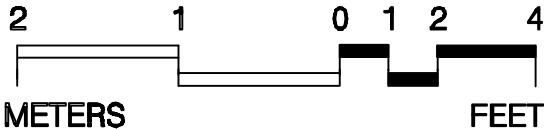
Quarantine Room

Equipment Guide List

SYMBOL	QTY	AI	DESCRIPTION
P-501	1	CC	SINK, SERVICE, REGULAR (H-08-1, MCS 15450; H-08-4, SD 4.1)
P-802	1	CC	HOSE BIBB, COMBINATION FAUCET, 24" OFF FLOOR, WALL MOUNTED, CONCEALED SUPPLY PIPES (H-08-1, MCS 15450; H-08-4, SD 4.2)
T-10	1	VV	HOSE REEL (IF ROOM IS OVER 120 NSF)
	1	CC	RACK, MOP, WALL MOUNTED (H-08-1, MCS 10360; H-08-4, SD 64B & 66)
	AR	CC	DRAIN, FLOOR (H-08-1, MCS 15400)
	AR	CC	RECEPTACLE, ELECTRICAL, DUPLEX, 120 VOLT, 20 AMP, WITH WEATHERPROOF COVER PLATE (H-08-1, MCS 16140; H-08-3, CS 801-3)
	1	CC	RECEPTACLE, ELECTRICAL, DUPLEX, 120 VOLT, 20 AMP, WITH GROUND FAULT INTERRUPTER (H-08-1, MCS, 16140; H-08-3, CS 801-3)
	AR	VV	CAGES -OR- THE FOLLOWING EQUIPMENT ACCOMMODATES LARGE ANIMALS KEPT IN RUNS/PENS OR CAGES. THE FOLLOWING ENCLOSURE FOR RUNS/PENS IS MODIFIABLE TO ACCOMMODATE VARIATIONS IN ANIMAL POPULATION (MUST BE 24 - 30 SF). FOR QUARANTINE OF SMALL ANIMALS, SEE EQUIPMENT FOR ANIMAL ROOM CUBICLE CONCEPT. ALUMINUM OR STAINLESS STEEL ANIMAL ENCLOSURE COMPONENTS:
	AR	VV	FRONT PANELS, WITH HORIZONTALLY SLIDING GATES, 4' WIDE X 7' HIGH
	AR	VV	DIVIDER PANELS, LOWER PORTION SHEET AND UPPER PORTION ROD, WITH ADJUSTABLE LEGS, 6' LONG X 7' HIGH
	AR	VV	END PANELS, ALL SHEET CONSTRUCTION, WITH ADJUSTABLE LEGS, 4' LONG X 7' HIGH
	AR	VV	FLOORS, 3/4" WIDE FLOOR MEMBER SPACED, 3/4" APART, 2 (4' WIDE X 4' WIDE SECTIONS) REST ON ANGLES WELDED TO DIVIDER PANELS, REMOVABLE NOTE: FLOOR MEMBERS SHOULD BE HEAVY DUTY EXPANDED METAL, PLASTIC COATED, MOUNTED ON CROSS MEMBERS, 6" ABOVE FLOOR.
AR	VV	FEEDERS, STAINLESS STEEL, FOR SLIDING GATES	
AR	VV	RESTING BOARDS, 3/4" POLYPROPYLENE BOARD TRIMMED IN A SUITABLE MATERIAL TO PREVENT ANIMALS FROM CHEWING ON THE BOARDS, I.E., ALUMINUM, APPROXIMATELY, 16" WIDE X 48" LONG, MOUNT IN REAR OF EACH RUN	
AR	VV	AUTOMATIC WATER MANIFOLD, STAINLESS STEEL PIPE WITH ADJUSTABLE VALVE HEIGHT	

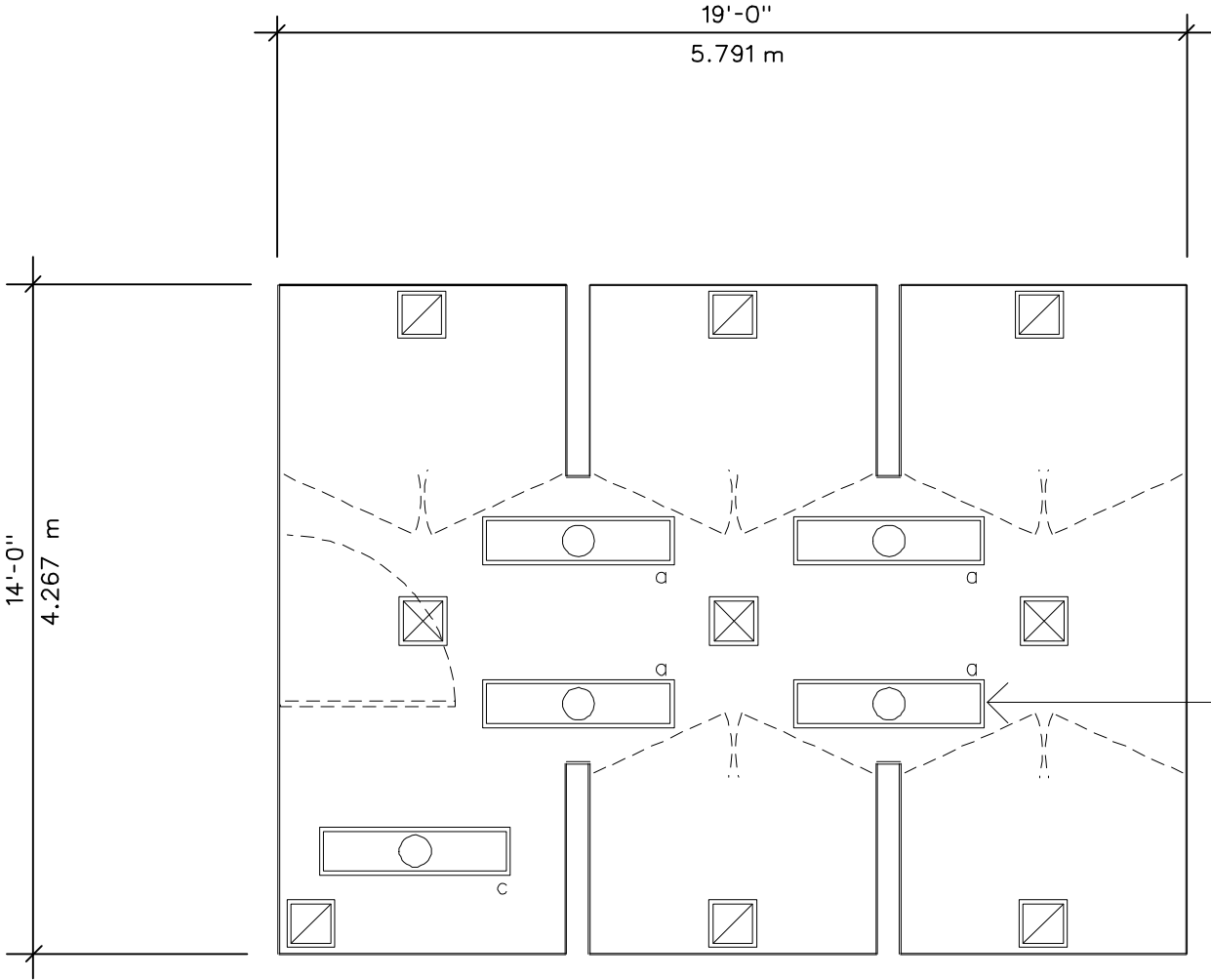
26 February 1993

Animal Room (Cubicle Housing)



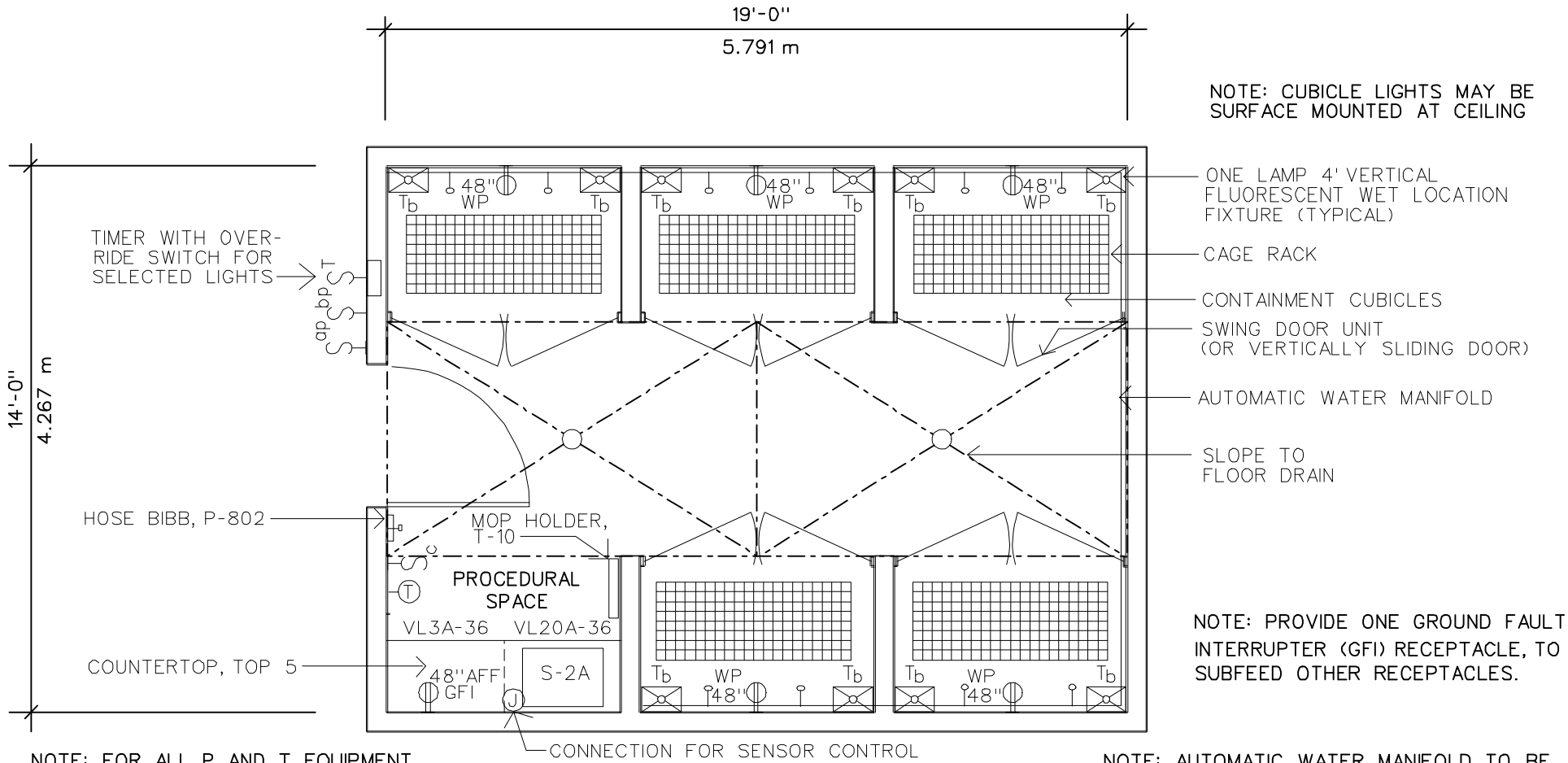
Reflected Ceiling Plan

266 NSF
 24.712 m²



NOTE: THIS PLAN IS THE SAME FOR CUBICLE ROOMS
 IN THE CHEMICAL/RADIOISOTOPE SUITE, THE BARRIER
 SUITE, AND THE INFECTIOUS DISEASE SUITE

26 February 1993



NOTE: FOR ALL P AND T EQUIPMENT SEE H-08-04 VOL.1

NOTE: FOR ALL VL AND S EQUIPMENT SEE H-08-06

NOTE: IF PREFAB CUBICLES ARE SELECTED, DO NOT INSTALL MASONRY PARTITIONS

NOTE: 1/4" PER FOOT FLOOR SLOPE MAXIMUM AVOID SLOPING FLOORS INSIDE CUBICLES

NOTE: THIS PLAN IS THE SAME FOR CUBICLE IN THE CHEMICAL/RADIOISOTOPE SUITE, THE BARRIER SUITE, AND THE INFECTIOUS DISEASE SUITE

NOTE: HOSE BIBB TO BE LOCATED 24" ABOVE FINISH FLOOR

NOTE: CUBICLE LIGHTS MAY BE SURFACE MOUNTED AT CEILING

ONE LAMP 4' VERTICAL FLUORESCENT WET LOCATION FIXTURE (TYPICAL)

CAGE RACK

CONTAINMENT CUBICLES

SWING DOOR UNIT (OR VERTICALLY SLIDING DOOR)

AUTOMATIC WATER MANIFOLD

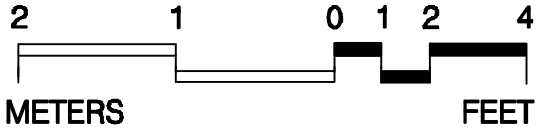
SLOPE TO FLOOR DRAIN

NOTE: PROVIDE ONE GROUND FAULT INTERRUPTER (GFI) RECEPTACLE, TO SUBFEED OTHER RECEPTABLES.

NOTE: AUTOMATIC WATER MANIFOLD TO BE LOCATED ABOVE VERTICAL LIGHTS ON WALL

NOTE: CONNECT THE AUTOMATIC WATER MANIFOLD TO A PRESSURE CONTROL PANEL OUTSIDE THE ROOM. ONE PANEL CAN SERVE SEVERAL ANIMAL ROOMS.

Animal Room (Cubicle Housing)



266 NSF
24.712 m²

Equipment & Utility Plan

Animal Room (Cubicle Housing)

Design Standards

ARCHITECTURAL

Floor Area	266 NSF	Wall Finish	CMU (SC)
Ceiling	PCP	Wainscot	-
Ceiling Height	9'-0"	Base	ERF
Slab Depression	-	Floor Finish	ERF
Notes:		Lead Lining	-

SPECIAL EQUIPMENT

NONE

ELECTRICAL

Lighting

General	20-60 FC, 3.0 W/SF
Special	-
Emergency	*

Notes:

*TIMER CONTROLLED LIGHTS

Power

General	1000 W
Special	-
Emergency	180 W

COMMUNICATIONS

Telephone	-	ADP	-
Intercom	-	Radio	-
Public Address	-	Other	-

Notes:

HEATING, VENTILATING AND AIR CONDITIONING

AC Load Lights	3.8 W/SF
AC Load Equipment	2.1 W/SF
Number of People	1 + ANIMALS
Noise Criteria	NC-40
Room Pressure	NEGATIVE
Dry Bulb Temp Cooling (F)	65
Dry Bulb Temp Heating (F)	85
Minimum Air Changes per Hour	15 (SA)
Minimum % Outside Air	100
100% Exhaust Air	YES
Special Exhaust	-
Steam	-
Relative Humidity - Cooling	60* %
Relative Humidity - Heating	30* %

Notes:

*PLUS/MINUS 5%

SEE NARRATIVE "CUBICLES" FOR HEPA FILTERS; "ENVIRONMENTAL MONITORING" FOR ALARMS
MODIFY SUPPLY/EXHAUST AS REQUIRED FOR REVERSE AIRFLOW OR PREFABRICATED CUBICLES

PLUMBING AND MEDICAL GASES

Sanitary Drain	YES	Cold Water	YES
Acid Waste	-	Hot Water	YES
Silver Recovery	-	Reagent Water	-
Medical Air	-	Laboratory Air	-
Medical Vacuum	-	Laboratory Vacuum	-
Oxygen	-	Fuel Gas	-
Nitrous Oxide	-	Anesthesia Evac	-

Notes:

Animal Rooms (Cubicle Housing)

Equipment Guide List

SYMBOL	QTY	AI	DESCRIPTION
			NOTE: THE USE OF PREFABRICATED CUBICLES REQUIRES THE APPROVAL OF THE ASSOCIATE CHIEF MEDICAL DIRECTOR FOR RESEARCH AND DEVELOPMENT.
TOP 5	1	CF	COUNTERTOP, CORROSION RESISTING (STAINLESS) STEEL, RAISED RIM, WITH INTEGRAL SINK AND SPLASHBACKS (H-08-1 & H-08-6, MCS 11602)
S-2A	1	CF	SINK, CORROSION RESISTING (STAINLESS) STEEL, WITH END OR CORNER DRAIN OUTLET, WITH OR WITHOUT DRAINBOARD AND SENSOR CONTROL, 25" X 18" X 16" DEEP (H-08-1 & H-08-6, MCS 11602)
	1	VV	DISPENSER, PAPER TOWEL, SURFACE MOUNTED
VL20/20A	1	CF	CABINET, UNDERCOUNTER, SINK UNIT, 2 HINGED PANEL DOORS, AVAILABLE WIDTHS 30", 36", 42", 48"; DEPTH 22"; HEIGHTS 31", 25", FOR FLOOR MOUNTED ADD 5" TOE BASE (H-08-1 & H-08-6, MCS 12345)
VL3/3A	1	CF	CABINET, UNDERCOUNTER, WITH 5/4 DRAWERS, AVAILABLE WIDTHS 18", 24", 36", 48"; DEPTH 22"; HEIGHTS 31", 25", FOR FLOOR MOUNTED ADD 5" TOE BASE (H-08-1 & H-08-6, MCS 12345)
		AR	CC DRAIN, FLOOR (H-08-1, MCS 15400)
P-802	1	CC	HOSE BIBB, COMBINATION FAUCET, 24" OFF FLOOR, WALL MOUNTED, CONCEALED SUPPLY PIPES (H-08-1, MCS 15450; H-08-4, SD 4.2)
T-10	1	CC	RACK, MOP, WALL MOUNTED (H-08-1, MCS 10360; H-08-4, SD 64B & 66)
		AR	VV CAGES
		AR	VV RACK, CAGE WITH CASTERS, BRAKES, AUTOMATIC WATERING
	1	VV	CART, UTILITY, CORROSION RESISTING STEEL, 36"W X 18"D X 30"H
		AR	CC RECEPTACLE, ELECTRICAL, DUPLEX, 120 VOLT, 20 AMP, WEATHERPROOF COVER PLATE, 48" ABOVE FINISH FLOOR, ONE PER CUBICLE (H-08-1, MCS 16140; H-08-3, CS 801-3)
	1	CC	RECEPTACLE, ELECTRICAL, DUPLEX, 120 VOLT, 20 AMP, WITH GROUND FAULT INTERRUPTER (H-08-1, MCS, 16140; H-08-3, CS 801-3)
			NOTE: PROVIDE ONE GROUND FAULT INTERRUPTER (GFI) RECEPTACLE, TO SUBFEED OTHER RECEPTACLES.
			THE FOLLOWING EQUIPMENT IS TO BE PROVIDED FOR EACH CUBICLE WITHIN THE ROOM:
	1	CC	DOOR UNIT, VERTICALLY STACKING, MULTIPLE GLASS PANELS (WINDOWS)
			-OR-
	1	CC	DOOR UNIT, TWO, 3' WIDE, HINGED WITH, 180 DEGREE SWING INTO AISLE
			THE FOLLOWING EQUIPMENT IS OPTIONAL FOR EACH CUBICLE:
	1	CC	AIR HANDLING UNIT (H-08-1, MCS 15763)
	1	CC	DIVIDER PANELS (PROVIDED ONLY IN LIEU OF PRECONSTRUCTED WALLS OF CONVENTIONAL CONSTRUCTION MATERIALS)
		AR	VV AUTOMATIC WATER MANIFOLD, STAINLESS STEEL PIPE WITH QUICK DISCONNECT
			NOTE: IF PREFABRICATED CUBICLES ARE USED THE FOLLOWING EQUIPMENT IS TO BE INCLUDED IN THE WORK SPACE:
			CABINETS, COUNTERTOP, SINK, DRAIN, HOSE BIBB, OUTLETS, POWER TO EACH CUBICLE UNIT