



Specialty Signs

- Freestanding Stanchion Sign
- Freestanding Informational
- Card or Paper Holder
- Chart, File or Binder Holder
- Door Knob Hanger
- Frangible Room Number sign

This section of the Sign & Graphic Design Guide is comprised of two basic types of signs. The first group of sign types IN-21, are freestanding signs which can be used to display a variety of information. For example, they can be used to display queuing directions for lines or changeable menu boards.

The second group of sign types IN-22, is an assortment of card and file holders, door knob hangers and frangible room number signs. Each of these sign types have a range of uses and can be multipurpose.

The text on each sign can be adapted to specific conditions and is open to modification. Placement of the signs is also specifically directed in the Policy Directive.

Specialty Sign Designations

Each sign in the program guide has been given a specific sign type number designation. This designation provides a common description that can be referenced when programming a site and ordering signs. The following explains how the sign type designations are derived.

IN - 21 .03 A

I Designates an interior sign.

N Identifies that the sign is non-illuminated.

21 Two digit numbers identify a particular sign type family like the “signs for use in identifying Specialty Signs”.

.03 The two digit number following the period identifies a specific sign within the sign family.

A The letter designates a specific sign configuration, version and/or layout for graphics.

Sign Type IN-21

Specialty Signs

IN-21.01

Freestanding Stanchion Sign

IN-21.02

Freestanding Informational Sign

IN-21.03

Freestanding Informational Sign

IN-21.04

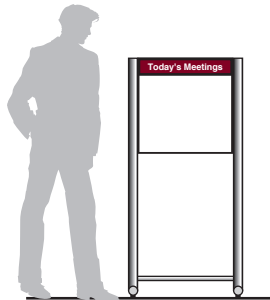
Freestanding Informational Sign



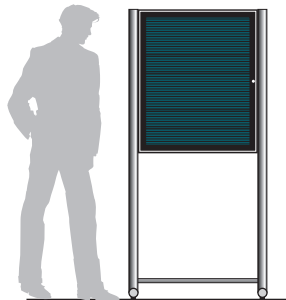
IN-21.01



IN-21.02



IN-21.03



IN-21.04

Sign Type IN-22

Specialty Signs

IN-22.01

Card or Paper Holder

IN-22.02

Chart, or File Holder

IN-22.03

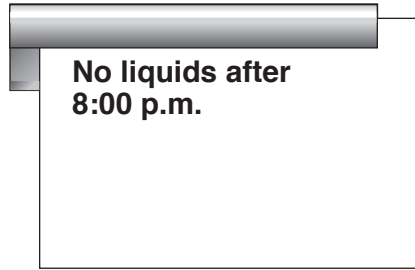
Binder Holder

IN-22.04

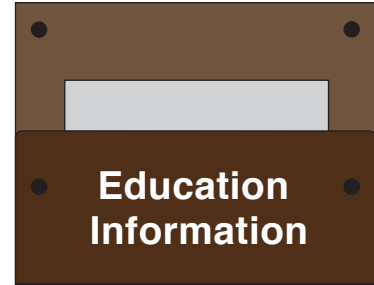
Door Knob Hanger

IN-22.05

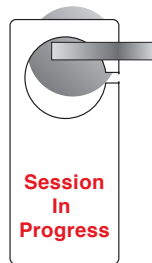
Frangible Room Number Sign



IN-22.01



IN-22.02 / IN-22.03



IN-22.04



IN-22.05

Freestanding Stanchion Sign**Size**

Sign Face:
457 mm H x 457 mm W
(18" H x 18" W)

Description

Small freestanding identification, information, & directional sign to provide temporary information or queuing for lines.

Message Configuration

(Refer to message layout drawing for dimensions.)

Sign Components

Acrylic Plaque and polished aluminum tube stanchion post and weighted base.

Graphic Process

Surface applied vinyl

Colors

For background & type colors, refer to Color Chart.
Post & Base: P1, P2, P4

Typography

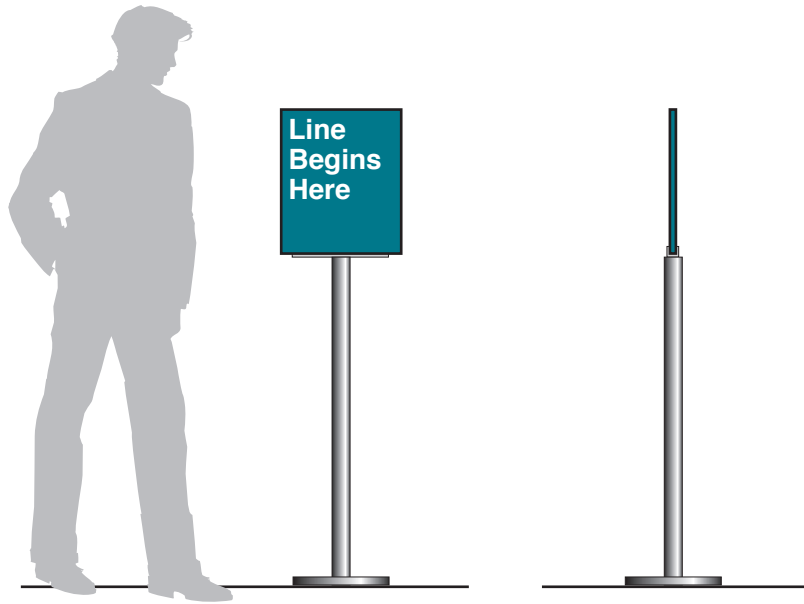
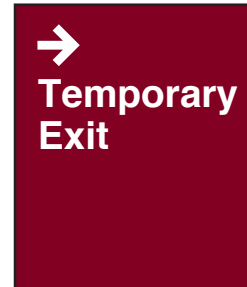
Helvetica Medium

Mounting

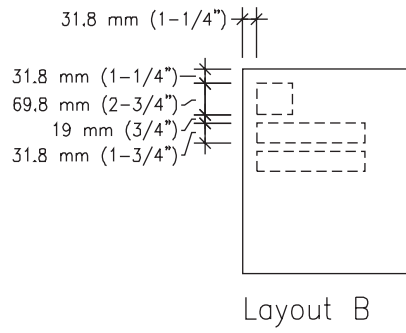
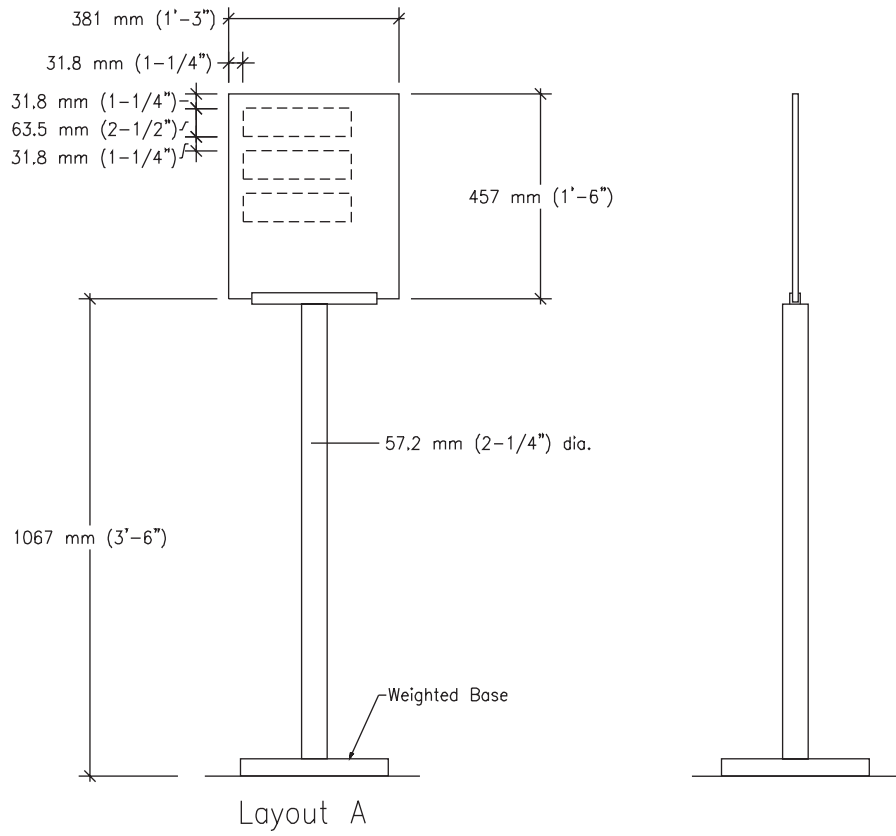
Movable, weighted base

Installation

Use for aiding in temporary directions, designating waiting areas or directing people needing to line up for a service.

**Layout A****Layout B**

Freestanding Stanchion Sign



IN-21.02

Specialty Signs

Freestanding Informational Sign

Size

Sign Face:
610 mm H x 610 mm W
(24" H x 24" W)

Description

Freestanding identification, information and directional sign to provide temporary information.

Message Configuration

(Refer to message layout drawing for dimensions.) Layout A is for bold, short information. Layout B is for titles and text information.

Sign Components

Acrylic sign plaque on metal frame:
Polished aluminum tube frame and weighted base.

Graphic Process

Surface applied vinyl

Colors

For background & type colors, refer to Color Chart.
Post & Base: P1, P2, P4

Typography

Helvetica Medium

Mounting

Movable, weighted base

Installation

Use for aiding in temporary information and directions, designating waiting or directing people needing to line up for a service.



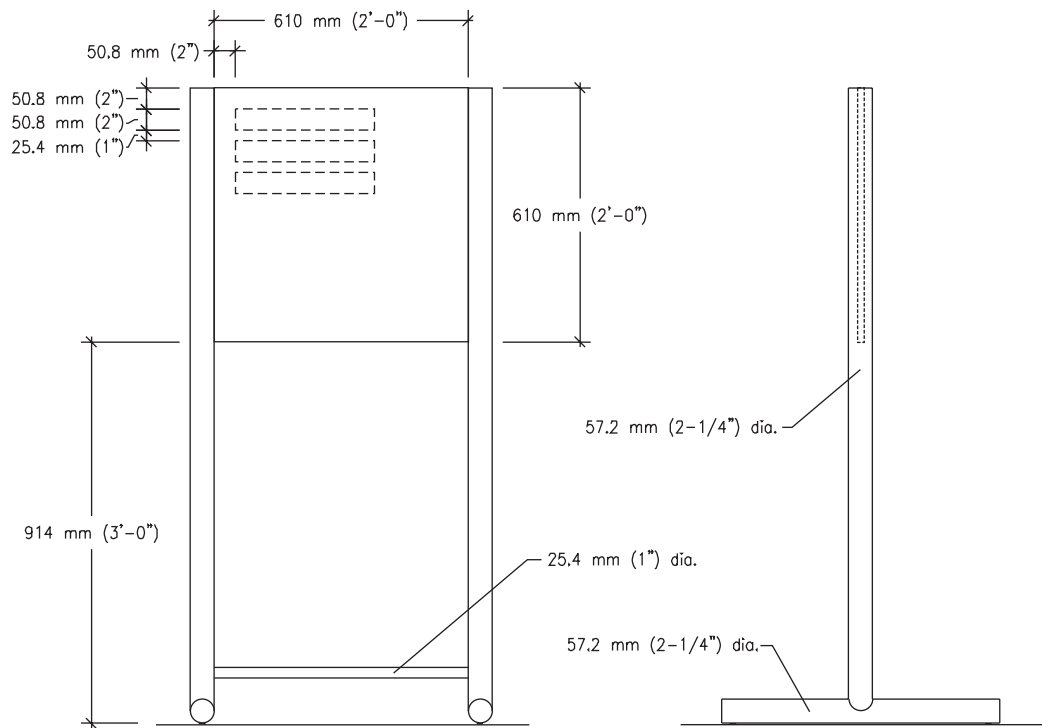
Layout A

**This entrance
is closed
temporarily**

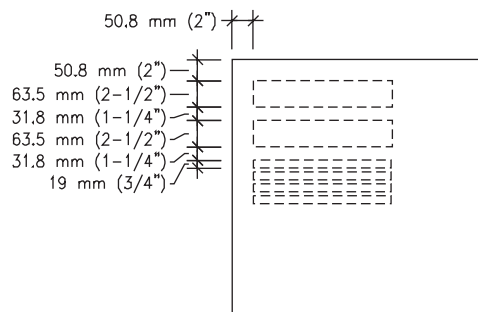
Layout B

**New
Patients**

For your laboratory work you may receive two bills. One for tests performed here and one for those tests performed at a reference lab.
If office is empty, press button once.



Layout A



Layout B

Freestanding Informational Sign

Size

Sign Face:
610 mm H x 610 mm W
(24" H x 24" W)

Description

Small freestanding information sign to provide temporary information.

Message Configuration

(Refer to message layout drawing for dimensions.)

Layout A is changeable letters.
Layout B is a tackboard with a title header.

Sign Components

Polished aluminum case with glass locking door. Interior surface is a grooved felt covered changeable letterboard or a vinyl impregnated tackboard. Polished aluminum tube frame with weighted base.

Graphic Process

Surface applied vinyl to header above tack board.

Colors

For header background and type colors, refer to Color Chart.

Post, Base and Case: P1, P2, P4
Changeable Letterboard Felt:
Select from manufacturer's list.

Typography

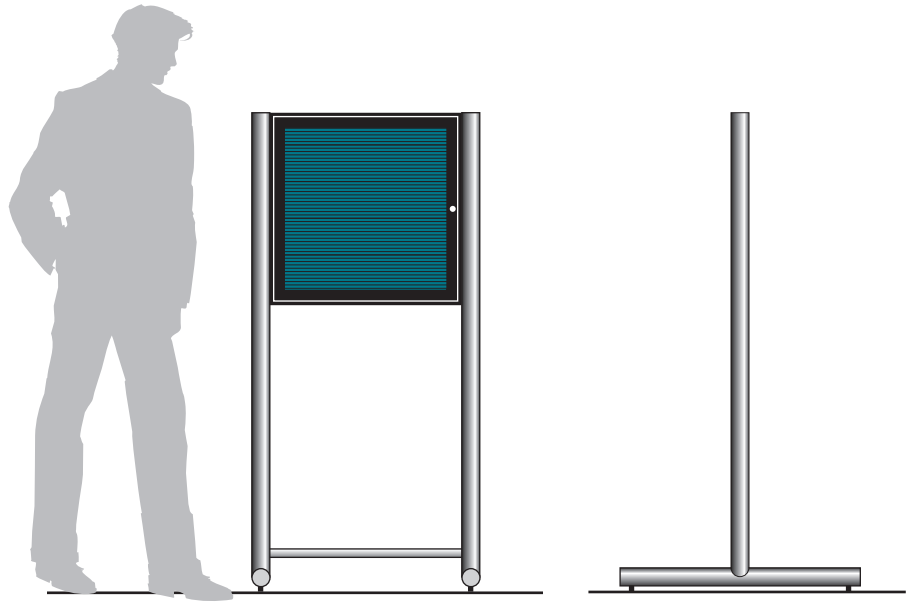
Helvetica Medium

Mounting

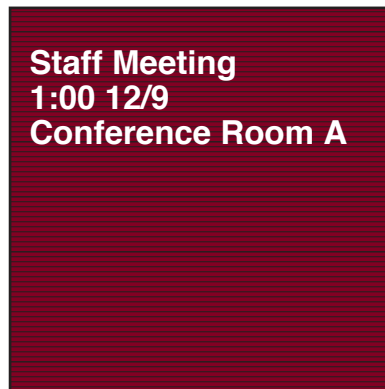
Movable, weighted base

Recommendations

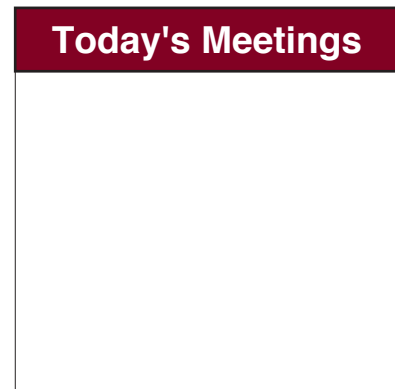
Use for aiding in temporary information and announcing events and meetings.

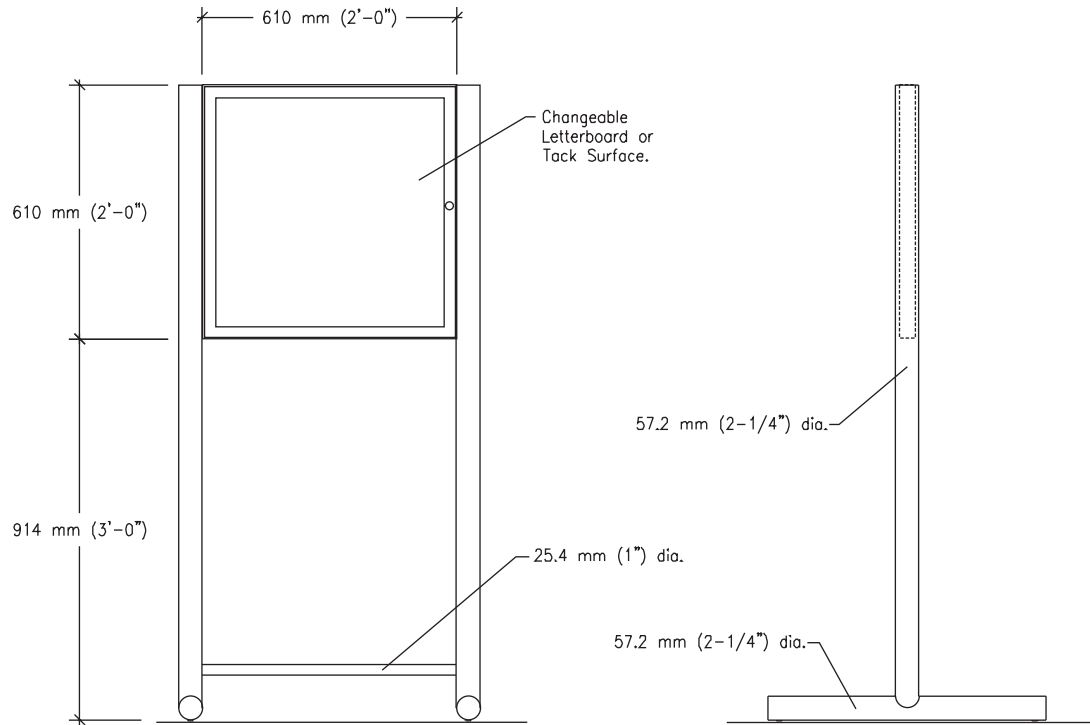


**Layout A
(Changeable Letter Board)**



**Layout B
(Tack Surface)**





IN-21.04

Specialty Signs

Freestanding Informational Sign

Size

Sign Face:
915 mm H x 762 mm W
(36" H x 30" W)

Description

Freestanding Information Sign to provide temporary information.

Message Configuration

(Refer to message layout drawing for dimensions.)

Layout A is changeable letters.
Layout B is a tackboard with a title header.

Sign Components

Polished aluminum case with glass locking door. Interior surface is a grooved felt covered changeable letterboard or a vinyl impregnated tackboard. Polished aluminum tube frame with weighted base.

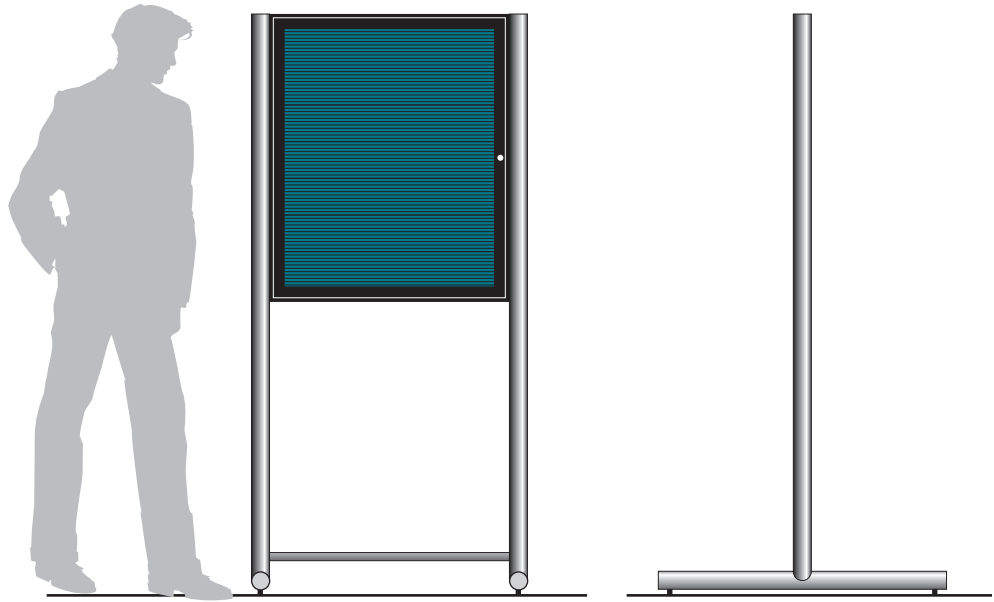
Graphic Process

Surface applied vinyl to header above tack board.

Colors

For header background colors, refer to Color Chart.

Post, Base & Case: P1, P2, P4
Changeable Letter Board Felt: Select from manufacturer's list



Typography

Helvetica Medium

Mounting

Movable, weighted base

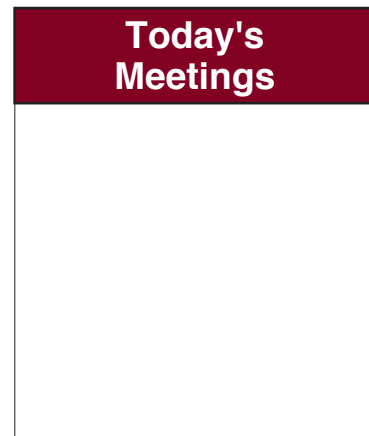
Recommendations

Use for aiding in temporary information and announcing events and meetings.

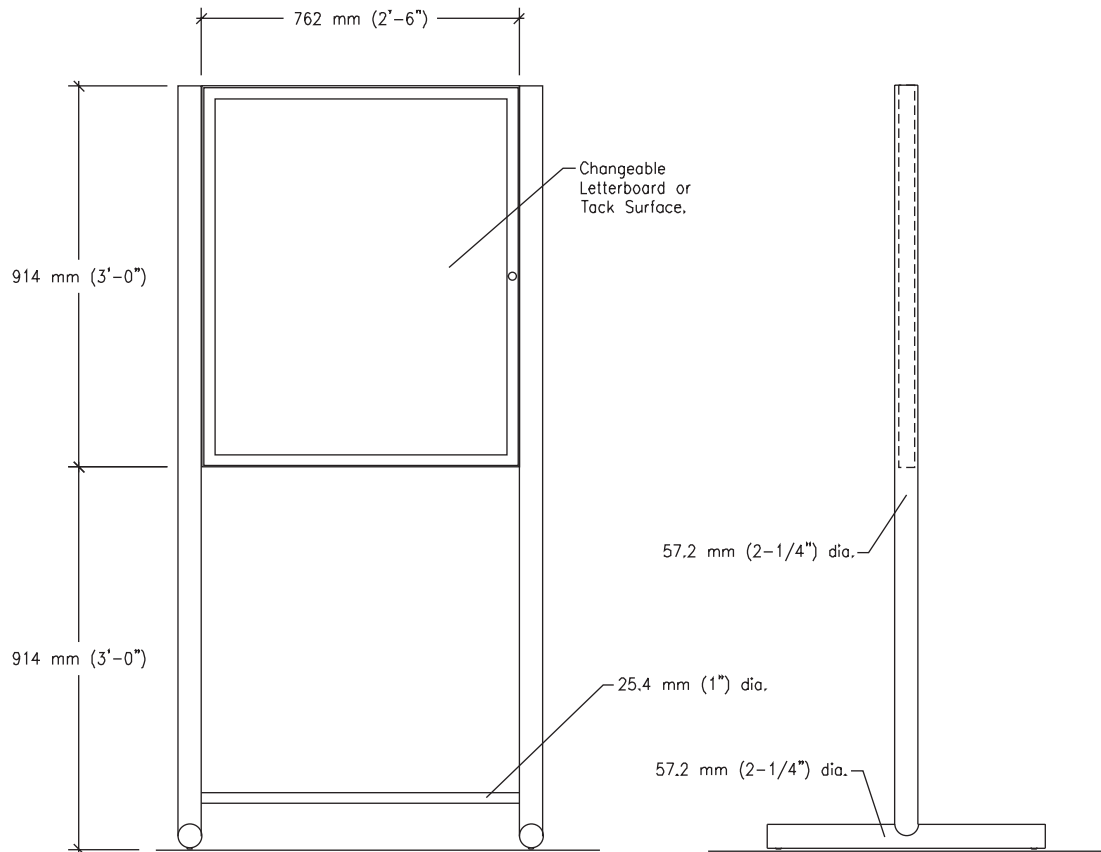
Layout A (Changeable Letter Board)

TODAY'S MENU	
Ham Sandwich	\$2.50
Turkey Sandwich	\$2.75
Cheese Pizza	\$2.00
Macaroni & Cheese	\$1.70
Garden Salad	\$1.10
Tomato Soup	\$1.00
Vanilla Pudding	\$0.50
Ice Cream Sandwich	\$0.75
Chocolate Cookie	\$0.75

Layout B (Tack Surface)



Freestanding Informational Sign



Card or Paper Holder

Size

Holder Size:
229 mm
(9" W)

Description

Card or Paper Holder to temporarily hold paper or notices.

Sign Components

Aluminum extrusion with ball or cylinder pinch roller.

Colors

Holder: P1 or P2

Mounting

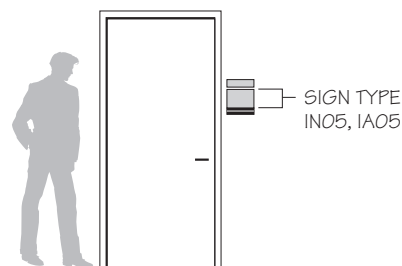
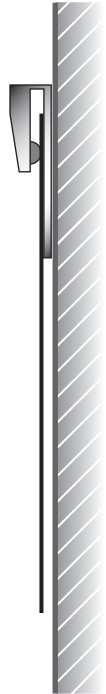
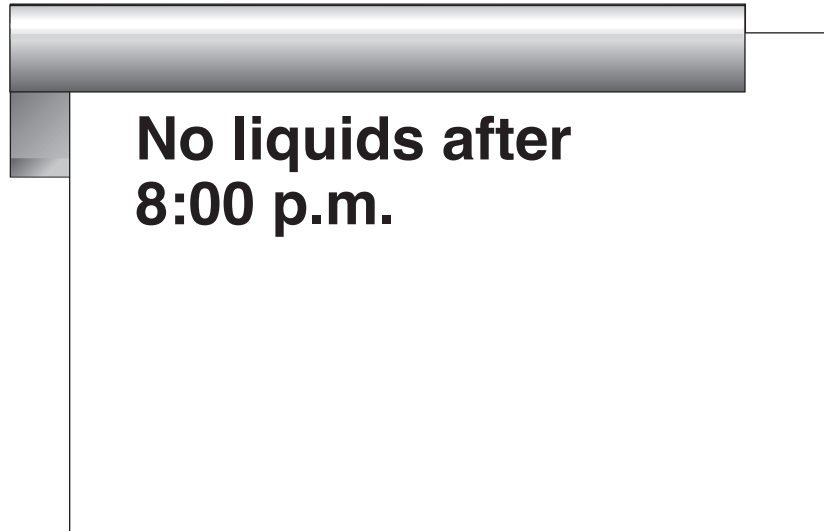
Double sided foam tape or silastic adhesive.

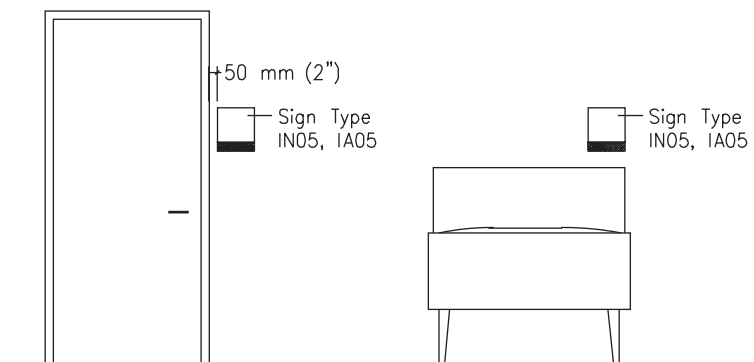
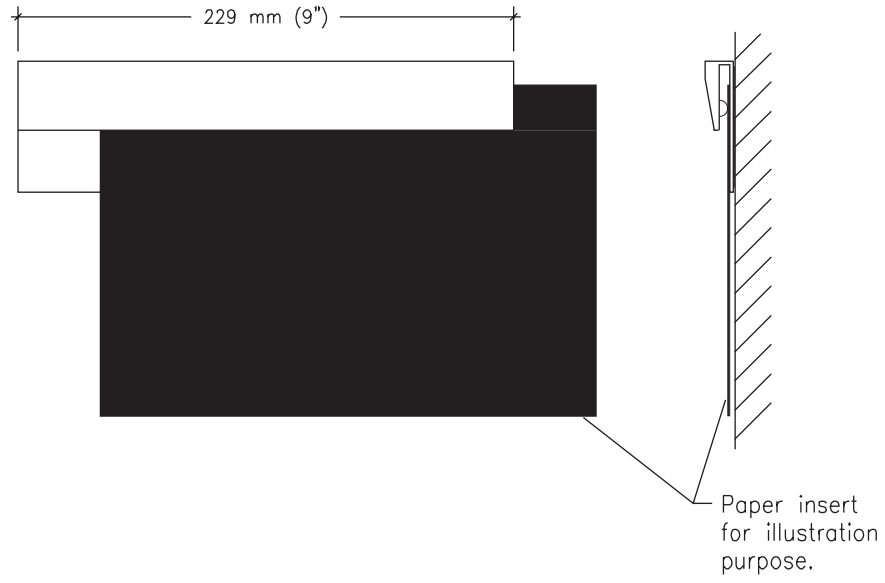
Installation

On wall directly under sign.

Recommendations

Can be installed under a patient room sign or a patient bed sign to hold miscellaneous pieces of paper. Can be installed under office sign for use as a message placement holder or used at conference rooms to hold room schedules, etc.





IN-22.02, IN-22.03

Specialty Signs

Chart, File, or Binder Holder

Size

Holder Size:

IN22.02

298 mm x 381 mm x 64mm
(11 3/4" x 15" x 2 1/2")

IN22.03

298 mm x 381 mm x 102 mm
(11 3/4" x 15" x 4")

Description

Chart, File or Binder Holder to hold charts, files or binders.

Sign Components

Painted, formed metal

Colors

For background & type colors, refer to Color Chart.

Mounting

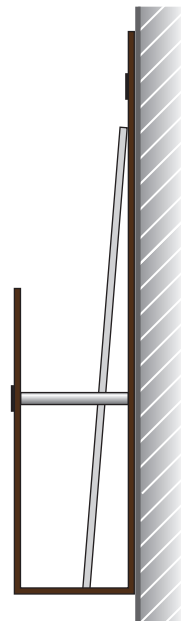
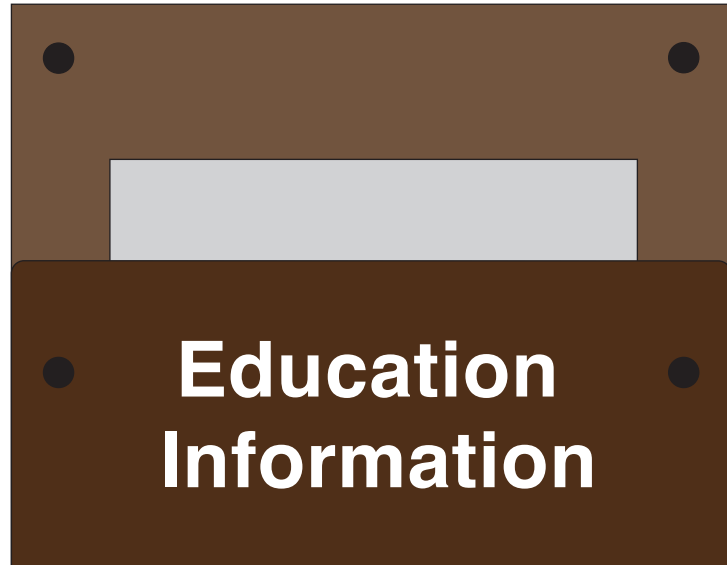
Mechanical fasteners

Installation

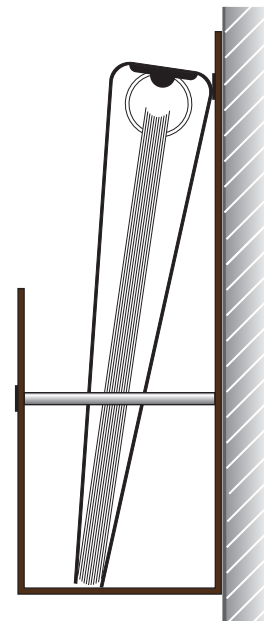
On wall

Recommendations

Multipurpose

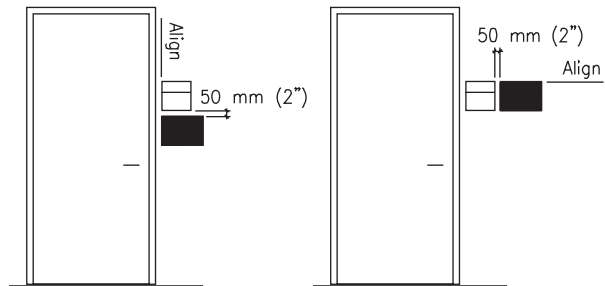
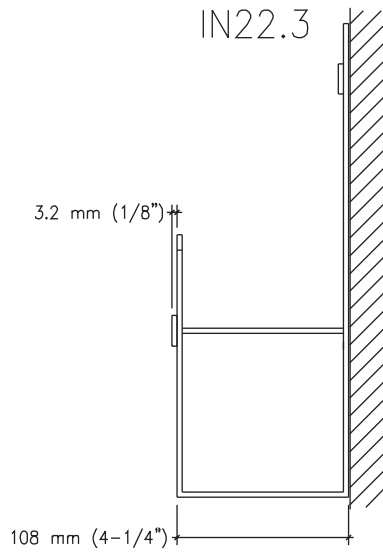
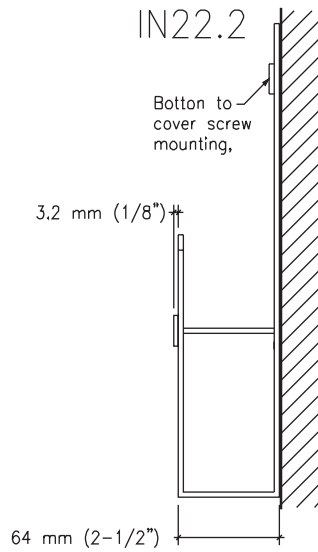
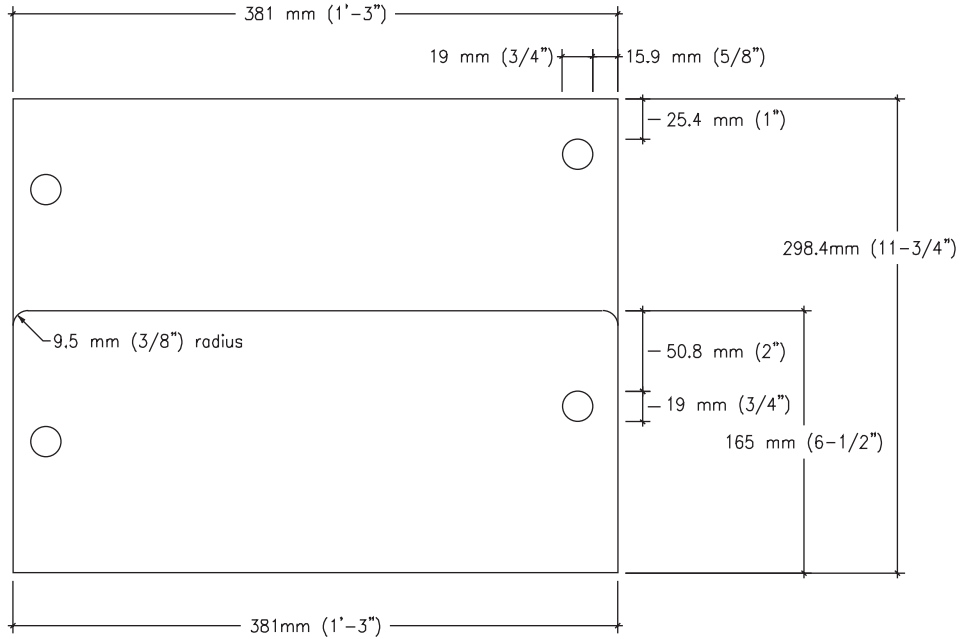


IN22.2



IN22.3

Single Post Parking Notice



Size

Sign Face:
267 mm H x 115 mm W
(10" H x 4 1/2" W)

Description

Door Knob Hanger used to indicate room is in use.

Graphic Process

Silkscreened on styrene

Colors

Background: B (White)
Text: T6

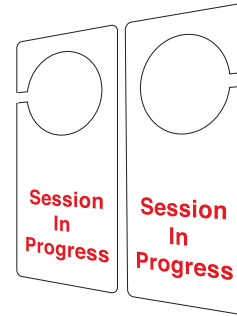
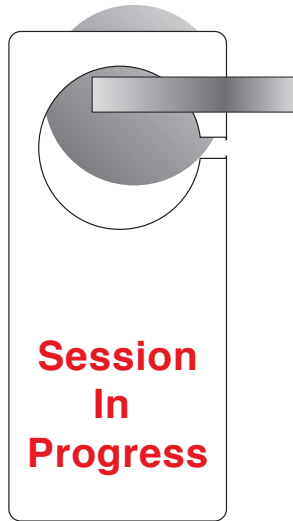
Mounting

Hang over door handle.

Installation

Temporary

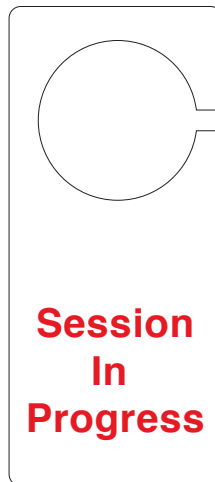
Door Knob Hanger



Front

Back

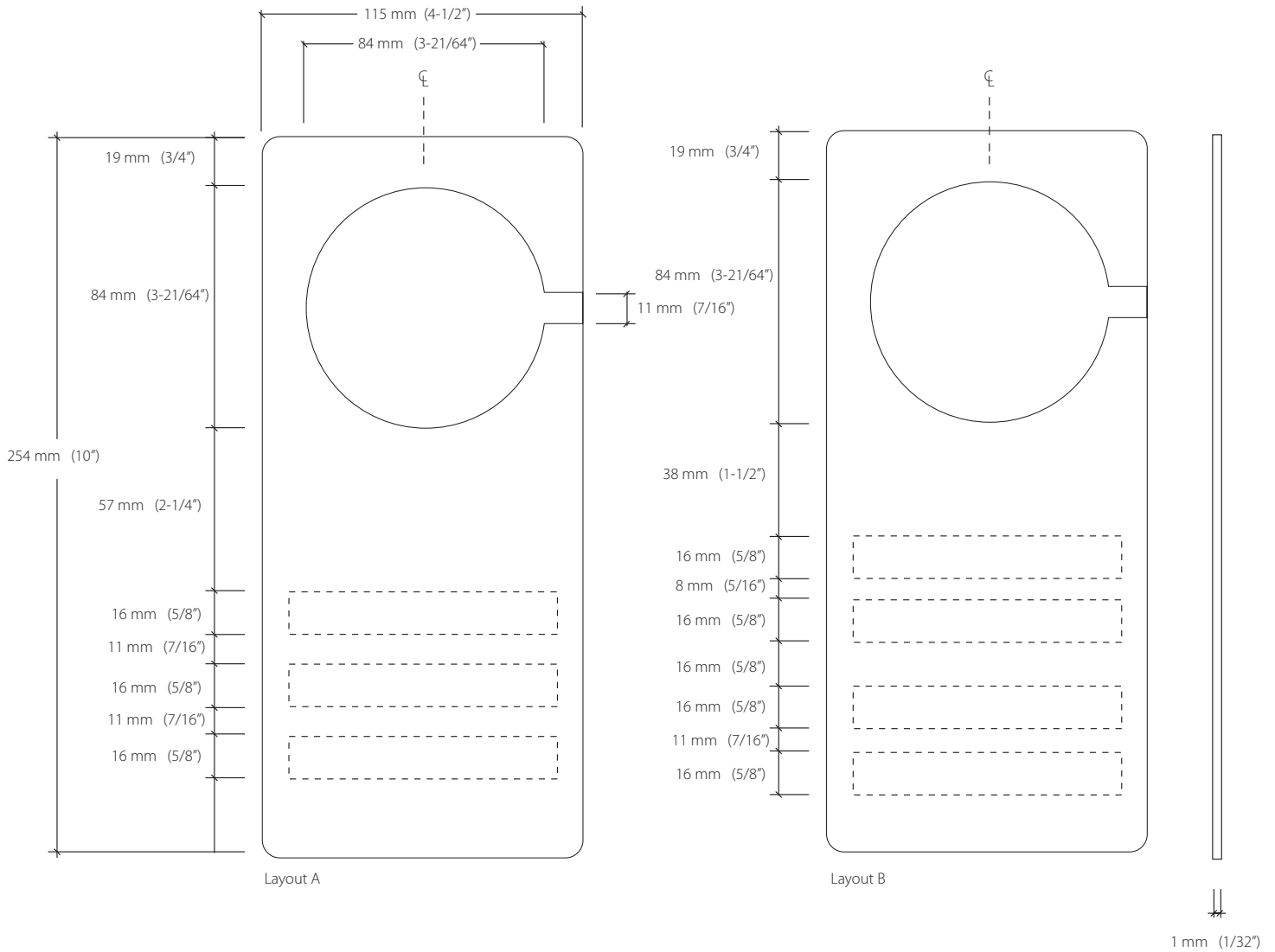
Layout A



Layout B



Door Knob Hanger



Frangible Room Number Sign**Size**

Sign Face:
76 mm H x 229 mm W
(3" H x 9" W)

Description

Room number sign to be placed on all rooms that require identification.

Sign Construction

Polymer sign face laminated to polyester backing plate with full coverage application of VHB tape.

Graphic Process

Tactile room number with accompanying Braille.

Colors

Text: Refer to Color Chart
Background: Refer to Color chart

Mounting

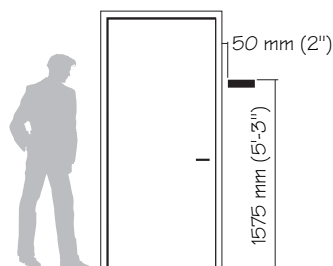
Double sided foam tape or silastic adhesive.

Installation

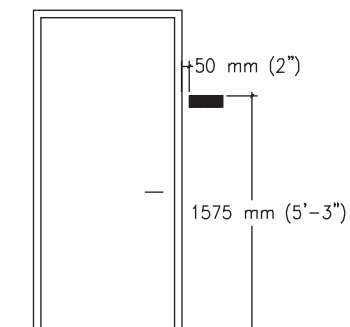
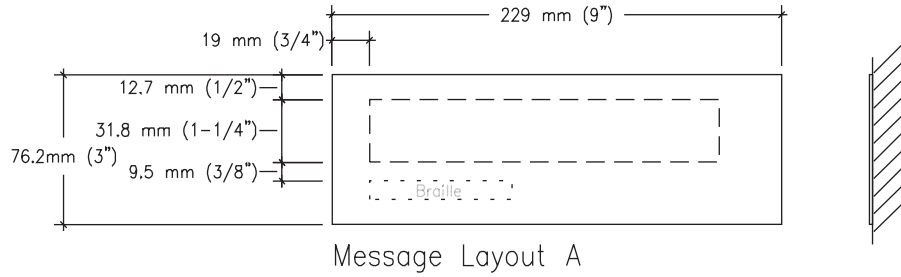
Knob side of door, 1575 mm (63") to top of sign and 50 mm (2") over from door frame.

Recommendations

This sign is to be used for psychiatric areas or other secured areas where signs are required for license compliance and in which signs can not be used as a weapon.



Frangible Room Number Sign



Size

Correct placement of signs will usually mean that fewer signs are required. Too many signs can create a cluttered appearance and increase the difficulty for a viewer to find the particular information they are seeking.

Detail 1

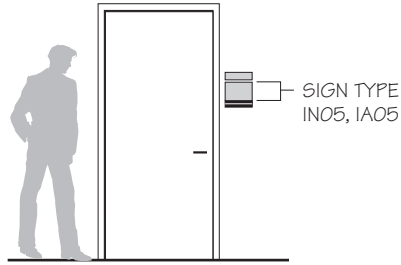
Installation detail sign type IN-22.01

Detail 2

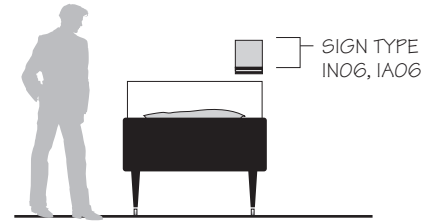
Installation detail sign type IN-22.01

Detail 3

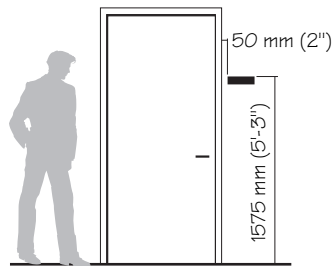
Installation detail sign type IN-22.05



Detail: 1



Detail: 2



Detail: 3