



Code & Life Safety Signs

- Fire
- Evacuation
- Elevator
- Exit
- Door
- Caution
- Warning

Section 5: Code & Life Safety Signs

| | |
|---------------------------------------|----------------------------|
| ▪ Planning | Pages 5-2-1 through 5-2-2 |
| ▪ Helpful Hints | Pages 5-3-1 |
| ▪ Overview | Pages 5-4-1 through 5-4-4 |
| ▪ Code & Life Safety Signs | Pages 5-5-1 through 5-5-70 |
| ▪ Specification | Pages 5-6-1 |
| ▪ Construction | Pages 5-7-1 |
| ▪ Installation | Pages 5-8-1 through 5-8-5 |

Planning a Life Safety and Code Sign Program

The development of an effective working Life Safety and Code sign program requires the coordination of several interlaced criteria.

For an effective interior sign program you have to take in to account to the following:

1. Location of building entrances, exits and elevators.
2. Character and configuration of the corridor system.
3. How do visitors currently walk around the building(s).
4. What is the desired path of emergency egress travel within the building for visitors, patients and employees.
5. Location of emergency equipment.
6. Placement of signs in locations where people are expecting them to be or the code requires to be.
7. OSHA and other regulatory agency sign requirements
8. Which signs can have permanent messages and which ones need to be changeable.

These elements help establish the basis of a clear sign program that communicates and informs in a direct and simple manner.

Types of Signs

Life Safety and Code signs have been identified, on each page, with description of use and application. Life Safety and Code signs are in the color, size and shape to conform with their respective functioning and application requirement.

regulations are constantly changing so new and updated signs may be required for current conformance.

Consult with your facility Safety Officer for any revised sign requirements.

This section covers the known required signs at the time of publication, but

Sizes of Signs & Lettering

Life Safety and Code sign sizes that are illustrated in this section have been determined to work in most situations and conform to regulations.

The text and its size, as shown, has been determined to conform to regulations.

Placement of Signs

Correct placement of signs is required for Life Safety and Code signs. Refer to the detailed drawings and instructions covered in the Installation Section for each sign type showing the placement position required for its use.

so they are not obscured by furniture or equipment is critical.

Care needs to be taken to place Life Safety and Code signs in a manner that allow clear viewing. Placement of signs

Coordination needs to take place with things like chart holders, bulletin boards, pictures and art work as these types of items will have to be relocated to meet the installation requirements of Life Safety and Code signs.

Existing Sign Program

Before implementing a new Life Safety and Code sign program, perform a through evaluation of the demolition requirements of the current Life Safety and Code sign program and the effects and impact on the facilities walls, doors and ceilings.

Check to see what is required to patch, seal and repair the building surfaces exposed as a result of removal of old signs. Repairs should be planned to match adjoining surface. Evaluate if tile or stone surfaces going to require repair

or refurbishment. Are doors going to need to be refinished or painted.

Make sure the sign demolition scope of work requires the contractor to close off any live electrical connections. Make sure to have existing conductors and conduit removed to the nearest junction box and made it safe.

Do not remove any Life Safety and Code signs without having the replacement signs available and installed at the same time the old signs are removed.

The following are some general “Do’s & Don’ts” guidelines that one can refer to when developing a Life Safety & Code sign program.

This is not intended to be a training

section of the guide, but to provide key information or instructions that will hopefully reduce some common errors that are made when working out a Life Safety & Code sign program.

General Guidelines

- Some Life Safety & Code signs have specific color requirements and they are not to be changed.
- When selecting a background color for the signs that don’t have a specific color requirement, seek a complementary color to the building wall colors and a color that conforms to the master sign program color.
- Signs do require maintenance. Cleaning will extend the life of a sign program.

Message Content

- Life Safety & Code signs have specific text requirements and should not be altered.
- There are other signs that have to have specific text developed for each sign location. Refer to the sign type drawings.

Message Layout

- Some Life Safety & Code signs have specific text layout requirements and they are not to be changed.

Size of Sign to Use

- Some Life Safety & Code signs have specific size requirements and they are not to be changed.

Placement of Signs

- Some Life Safety & Code signs have specific placement and location requirements and they are not to be changed.
- Be careful to coordinate ceiling mounted signs so they do not obstruct or block fire sprinkler systems.

This section of the Environmental Graphic Sign Handbook provides interior sign guides for all the types of Life Safety & Code signs that are necessary to sign any individual building, regardless of size or type of use.

The following Overview illustrates the various types of signs in this section. The individual pages on each Sign Type provide more specific information and detailed layouts.

Interior Sign Designations

Each sign in the program guide has been given a specific sign type number designation. This designation provides a common description that can be referenced when programming a site and ordering signs. The following explains how the sign type designations are derived.

IN-01.01.03C

IN Designates an interior sign.

-01 Two digit numbers identifies the Life Safety & Code sign family.

.28 The two digit number following the period identifies a specific sign type within the sign family.

.03 The two digit number following the period identifies a specific sub-group of sign within the sign family.

C The letter designates a specific sign configuration and/or layout for graphics or symbols.

Example: IN-01.01.02B

IN - Interior sign
01 - Life safety and code required signs
.01 - Specific sign
.02 - Sign sub-group
B - Specific type size layout

Overview

Code & Life Safety Signs

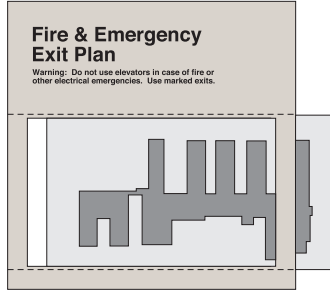
IN-01.01.01
Large Emergency Exit Plan

IN-01.01.02
Medium Emergency Exit Plan

IN-01.01.03
Small Emergency Exit Plan,
Hoptel Room Emergency Exit Plan

IN-01.02
Fire Equipment Identification Sign

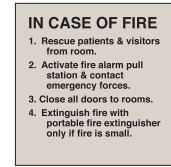
IN-01.03
Fire Procedure Sign



IN-01.01.01, .02, & .03



IN-01.02



IN-01.03

IN-01.04
Elevator Call Button

IN-01.05
Fire Door Sign

IN-01.06
No Exit Sign



IN-01.04



IN-01.05



IN-01.06

IN-01.07.01
Exit Sign

IN-01.07.02
Exit Sign (Right Arrow)

IN-01.07.03
Exit Sign (Left Arrow)

IN-01.07.04
Exit Sign (Left & Right Arrows)

IN-01.08
Automatic Fire Door (Hinged) Sign

IN-01.09
Automatic Fire Door (Roll Up) Sign



IN-01.07.01, .02, .03 & .04



IN-01.08

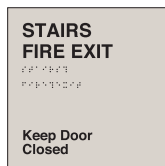


IN-01.09

IN-01.10
Stair Identification Sign

IN-01.11
Stairwell Identification Sign

IN-01.12
Area of Refuge (Evacuation Assistance)



IN-01.10



IN-01.11



IN-01.12

Overview

Code & Life Safety Signs

IN-01.13
Push Alarm Identification Sign

PUSH UNTIL
ALARM SOUNDS
DOOR CAN BE
OPENED IN 15
SECONDS

IN-01.13

THIS DOOR TO REMAIN
UNLOCKED WHEN THE
BUILDING IS OCCUPIED

IN-01.14

IN-01.15
Hazard Material Information Sign



IN-01.15

IN-01.16
Oxygen In Use Warning Sign

**CAUTION
OXYGEN IN USE**
NO SMOKING
NO OPEN FLAMES
Any material that can burn in air will burn more rapidly in the presence of oxygen. No electrical equipment is allowed within an oxygen enclosure or within 5 ft. (1.5 m) of it.

IN-01.16

Warning
The following gases in compressed cylinders are present in this laboratory:
Acetylene Helium
Nitrogen Nitric Oxide
Argon Hydrogen

IN-01.17

IN-01.18
Nonflammable Anesthesia Restriction Sign

RESTRICTED TO
NONFLAMMABLE
INHALATION
ANESTHETIC
AGENTS

IN-01.18

IN-01.19
Radioactive Material Warning Sign



IN-01.19



IN-01.20

IN-01.20
Radioactive Area Warning Sign

IN-01.21
High Voltage Warning Sign



IN-01.21

IN-01.22
Biohazard Warning Sign



IN-01.22

IN-01.23
Laser Warning Sign



IN-01.23

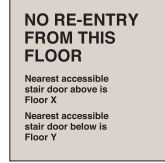
Overview

Code & Life Safety Signs

IN-01.24
Occupational Exposure Area
Warning Sign



IN-01.24



IN-01.25



IN-01.26

IN-01.27
Emergency Push to Open Sign

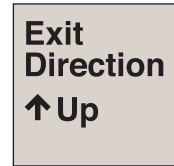


IN-01.27

IN-01.28
Emergency Slide to Open Sign



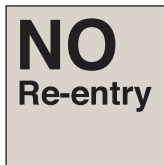
IN-01.28



IN-01.29

IN-01.29
Direction of Exit Sign

IN-01.30
No Re-entry Sign



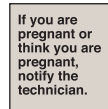
IN-01.30

IN-01.31
Fire Equipment Identification Sign



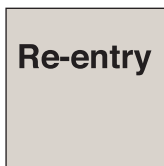
IN-01.31

IN-01.32
Pregnancy Notification Sign



IN-01.32

IN-01.33
Re-entry Sign



IN-01.33

Emergency Exit Plan

Sign

508 mm H x 508 mm W
(20" H x 20" W)

Description & Use

Evacuation Map/Fire Exit Plan with pocket to accept map insert is to be placed at points of exit and transition in a building. All elevators, nurses stations and adjacent to stairwell doors. Other locations as needed. Evacuation maps (11" x 17" tabloid paper) can be created by the medical center and inserted in to the sign in accord with the evacuation plan relative to the specific location of the sign.

Message Configuration

(Refer to layout drawing for lettering sizes and dimensions)

Sign Components

Face: Clear 1.5 mm (1/16") non-glare acrylic with subsurface background color creating a clear window.

Spacer to receive a clear .4 mm (1/64") insert with vinyl letters.

Backing Plaque: Surface painted 6 mm (1/4") acrylic.

Graphic Process

Sign: Silk-screened.

Insert: Printed

Colors

Type: Refer to Color Chart.

Background: Refer to Color Chart

Typography

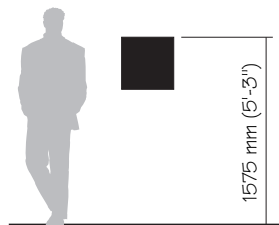
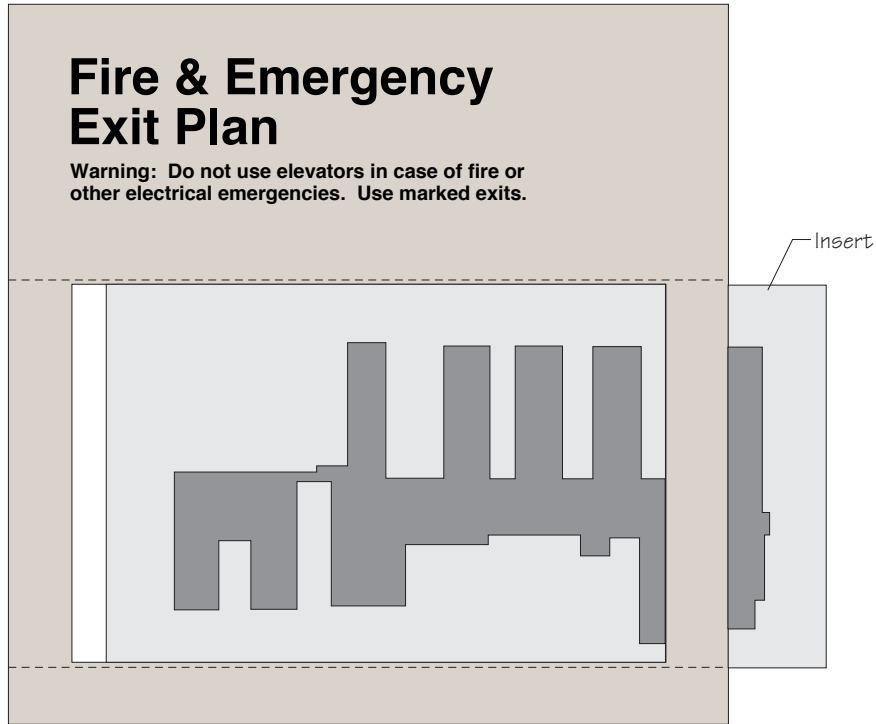
Helvetica Medium

Mounting

Double sided foam tape or silastic adhesive.

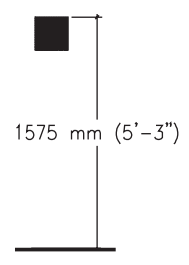
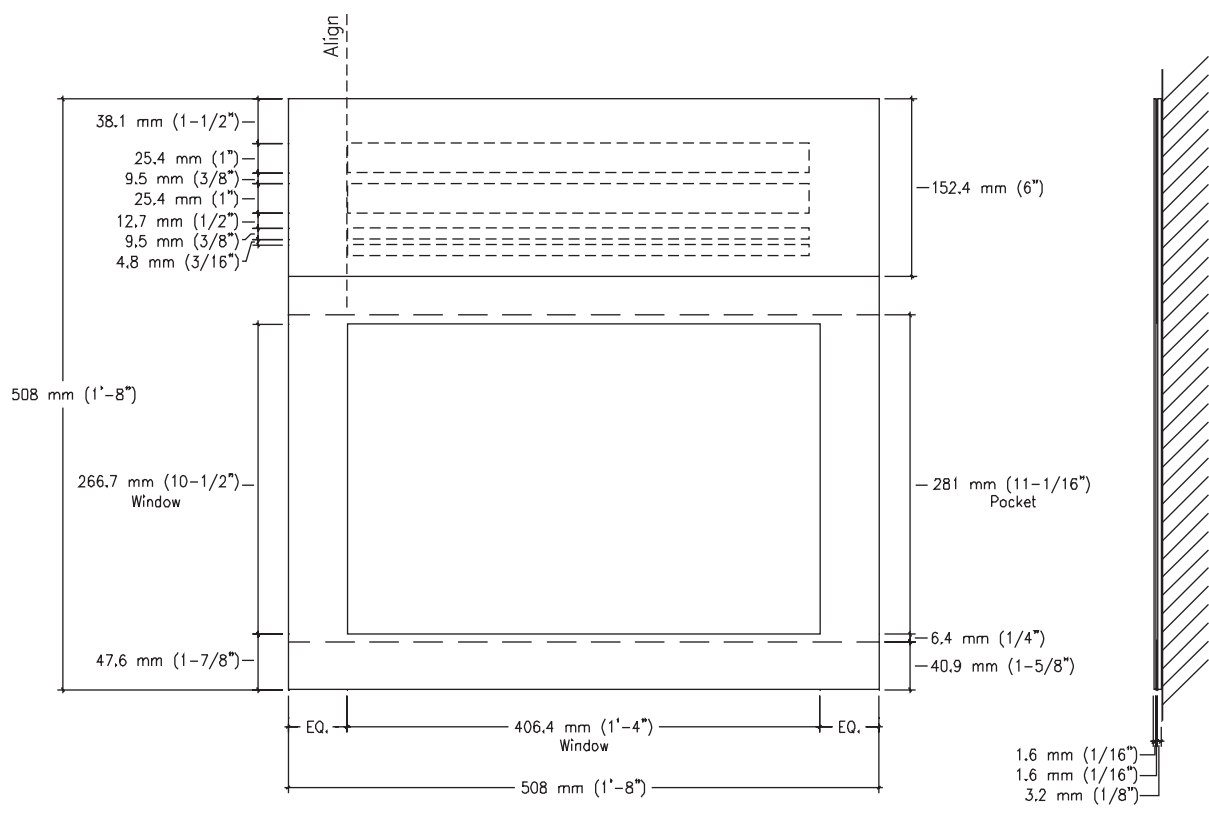
Installation

In wall, 1575 mm (63") to center of sign.



IN-01.01.01 Code & Life Safety Signs

Emergency Exit Plan



Emergency Exit Plan

Sign

406 mm H x 406 mm W
(16" H x 16" W)

Description & Use

Evacuation Map/Fire Exit Plan with pocket to accept map insert is to be placed at points of exit and transition in a building. All elevators, nurses stations and adjacent to stairwell doors. Other locations as needed. Evacuation maps (8 1/2" x 14" paper) can be created by the medical center and inserted in to the sign in accord with the evacuation plan relative to the specific location of the sign.

Message Configuration

(Refer to layout drawing for lettering sizes and dimensions)

Sign Components

Face: Clear 1.5 mm (1/16") non-glare acrylic with subsurface background color creating a clear window.

Spacer to receive a clear .4 mm (1/64") insert with vinyl letters.

Backing Plaque: Surface painted 6 mm (1/4") acrylic.

Graphic Process

Sign: Silk-screened.

Insert: Printed

Colors

Type: Refer to Color Chart.

Background: Refer to Color Chart

Typography

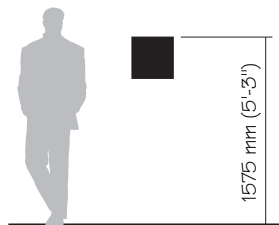
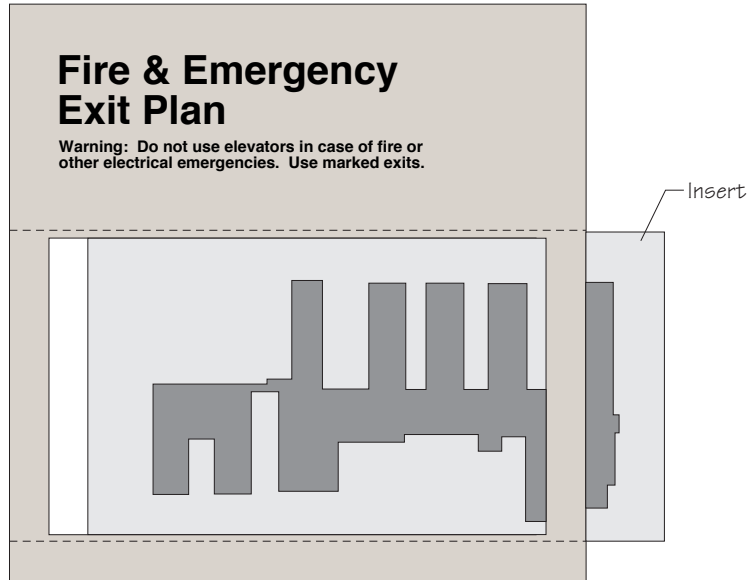
Helvetica Medium

Mounting

Double sided foam tape or silastic adhesive.

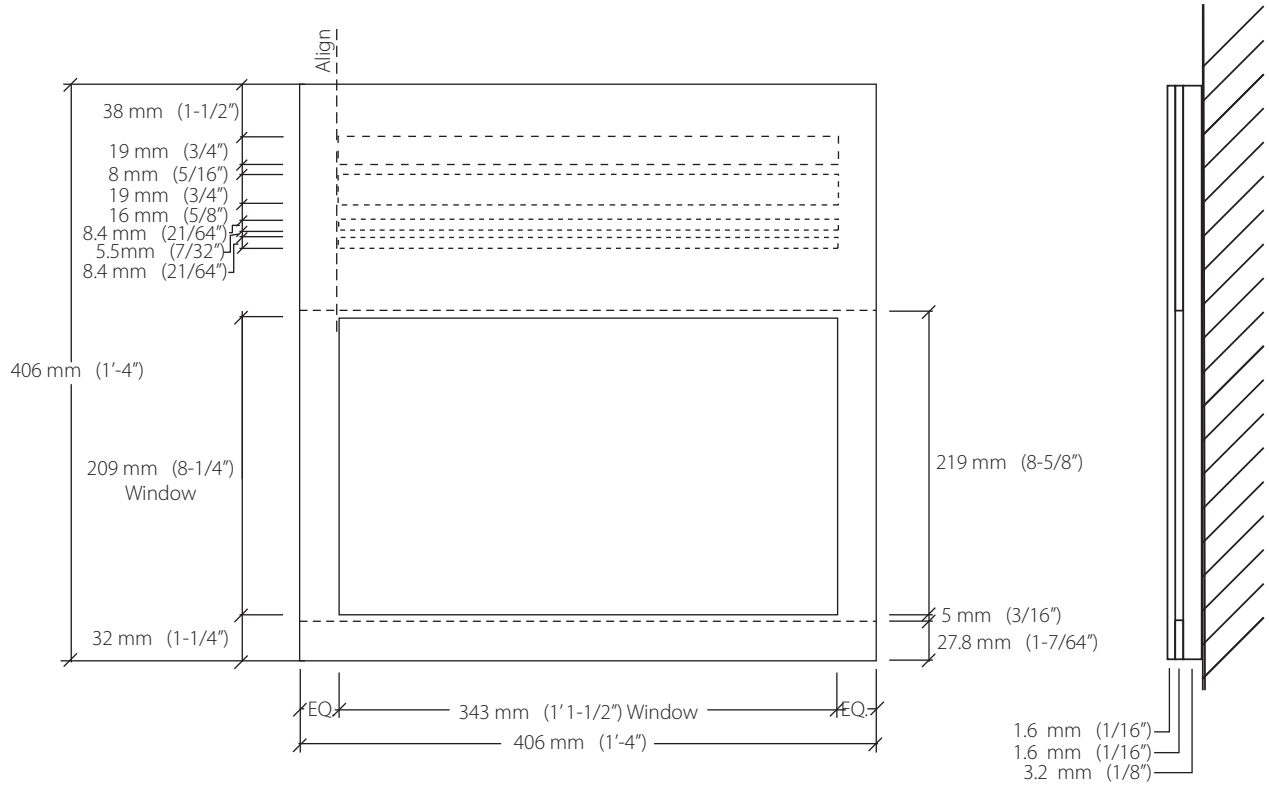
Installation

In wall, 1575 mm (63") to center of sign.



IN-01.01.02 Code & Life Safety Signs

Emergency Exit Plan



Emergency Exit Plan & Hoptel Door Emergency Exit Plan

Sign

330 mm H x 330 mm W
13" H x 13" W

Description & Use

Evacuation Map/Fire Exit Plan with pocket to accept map insert is to be placed at points of exit and transition in a building. All elevators, nurses stations and adjacent to stairwell doors. Other locations as needed. Evacuation maps (8 1/2" x 11" paper) can be created by the medical center and inserted in to the sign in accord with the evacuation plan relative to the specific location of the sign.

For Hoptel use. Install on door inside every patient room with map insert to correspond with each location.

Message Configuration

(Refer to layout drawing for lettering sizes and dimensions)

Sign Components

Face: Clear 1.5 mm (1/16") non-glare acrylic with subsurface background color creating a clear window.

Spacer to receive a clear .4 mm (1/64") insert with vinyl letters.

Backing Plaque: Surface painted 6 mm (1/4") acrylic.

Graphic Process

Sign: Silk-screened.

Insert: Printed

Colors

Text: Refer to Color Chart.

Background: Refer to Color Chart

Typography

Helvetica Medium

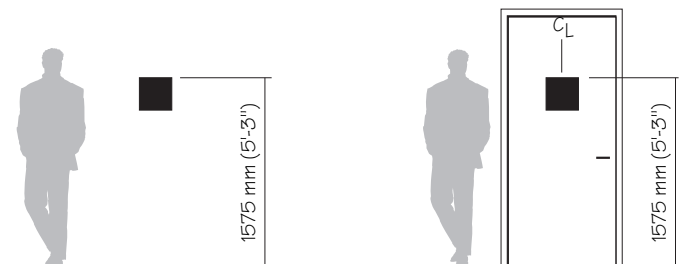
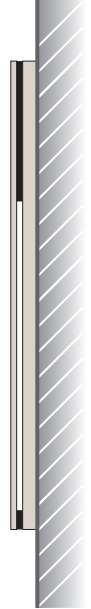
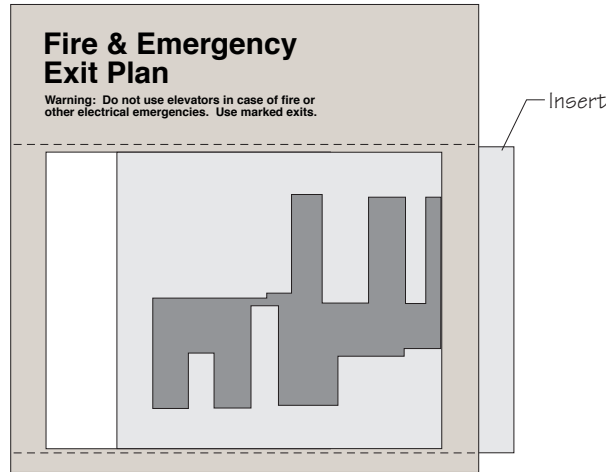
Mounting

Double sided foam tape or silastic adhesive.

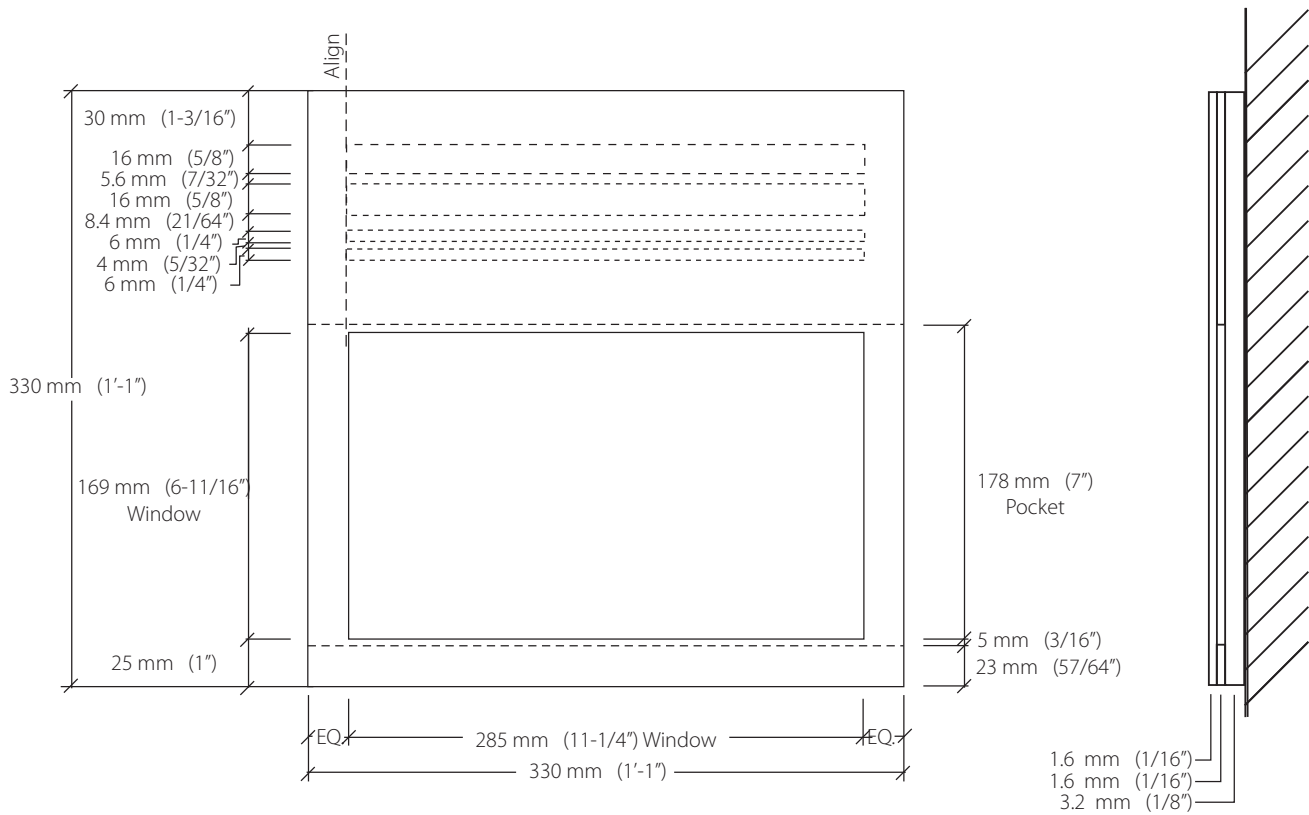
Installation

In wall, 1575 mm (63") to center of sign.

For Hoptel: On back of door inside room, 1575 mm (63") to center of sign.



Hoptel Installation Only



Fire Equipment Identification Sign

Sign

229 mm H x 229 mm W
(9" H x 9" W)

Description & Use

Fire Equipment Identification Sign is used to locate and identify fire equipment cabinets.

Message Configuration

(Refer to layout drawing for lettering sizes and dimensions)

Sign Components

Acrylic Plaque

Graphic Process

Silk-screened.

Colors

Text & Symbol: White - T1
Background: Red - B3

Typography

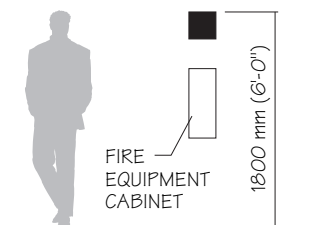
Helvetica Medium

Mounting

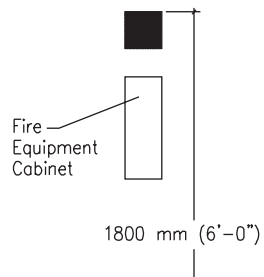
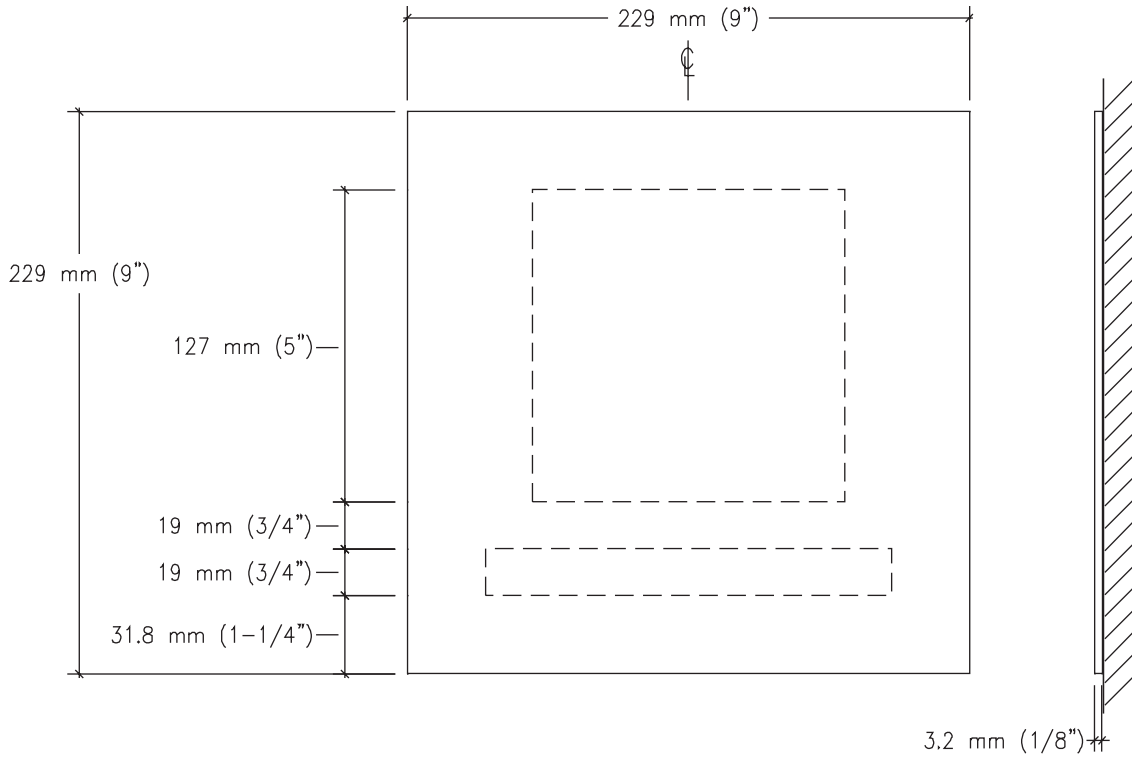
Double sided foam tape or silastic adhesive.

Installation

In wall, 1575 mm (63") to top of sign.



Fire Equipment Identification Sign



Sign

229 mm H x 229 mm W
(9" H x 9" W)

Description & Use

Fire procedure sign to be installed at elevators, adjacent to stairwell doors, nurse stations, and other locations as needed.

Message Configuration

(Refer to layout drawing for lettering sizes and dimensions)

Sign Components

Acrylic Plaque

Graphic Process

Silk-screened.

Colors

Text: Refer to Color Chart.
Background: Refer to Color Chart

Typography

Helvetica Medium

Mounting

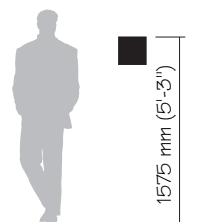
Double sided foam tape or silastic adhesive.

Installation

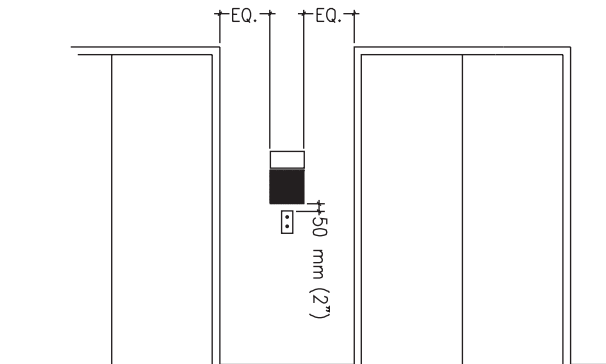
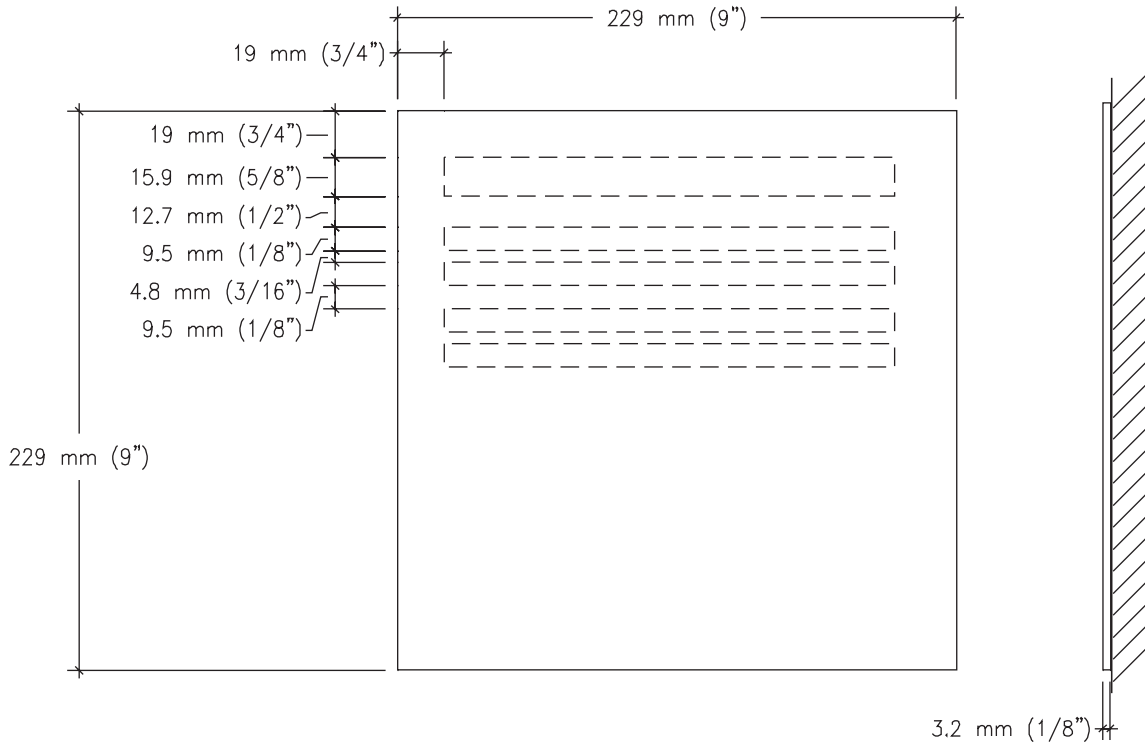
In wall, 1575 mm (63") to top of sign.

Fire Procedure Sign**IN CASE OF FIRE**

- 1. Rescue patients & visitors from room.**
- 2. Activate fire alarm pull station & contact emergency forces.**
- 3. Close all doors to rooms.**
- 4. Extinguish fire with portable fire extinguisher only if fire is small.**



Fire Procedure Sign



Elevator Call Button

Sign

152 mm H x 229 mm W
(6" H x 9" W)

Description & Use

Elevator Call Button Fire procedure sign to be installed at elevators. Position above Type IN01.3.

Message Configuration

(Refer to layout drawing for lettering sizes and dimensions)

Sign Components

Acrylic Plaque

Graphic Process

Silk-screened

Colors

Text & Symbols: White - T1
Background: Red - B3

Typography

Helvetica Medium

Mounting

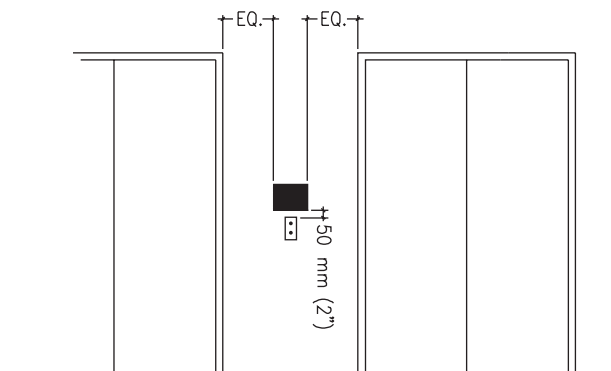
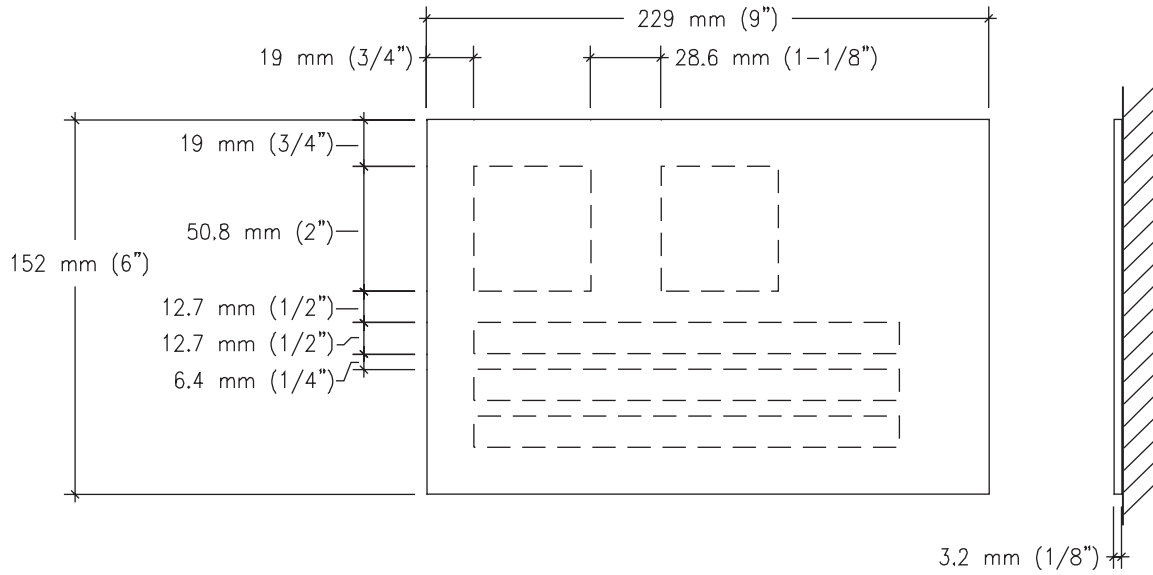
Double sided foam tape or silastic adhesive.

Installation

Centered 50mm (2") directly above elevator call button.



Elevator Call Button



Fire Door Sign

Sign

229 mm H x 229 mm W
(9" H x 9" W)

Description & Use

Fire Door Sign is used to identify a fire door. Exception: doors held open by automatic devices.

Message Configuration

(Refer to layout drawing for lettering sizes and dimensions)

Sign Components

Acrylic Plaque

Graphic Process

Silk-screened

Colors

Text: White - T1
Background: Red - B3

Typography

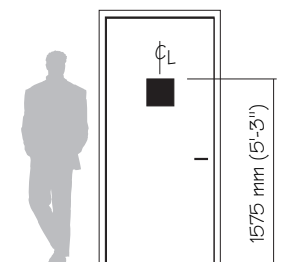
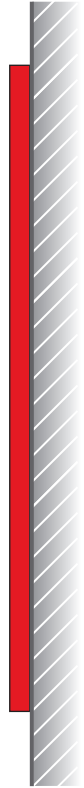
Helvetica Medium

Mounting

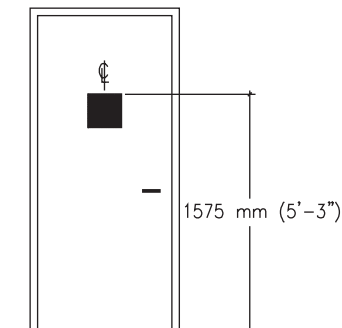
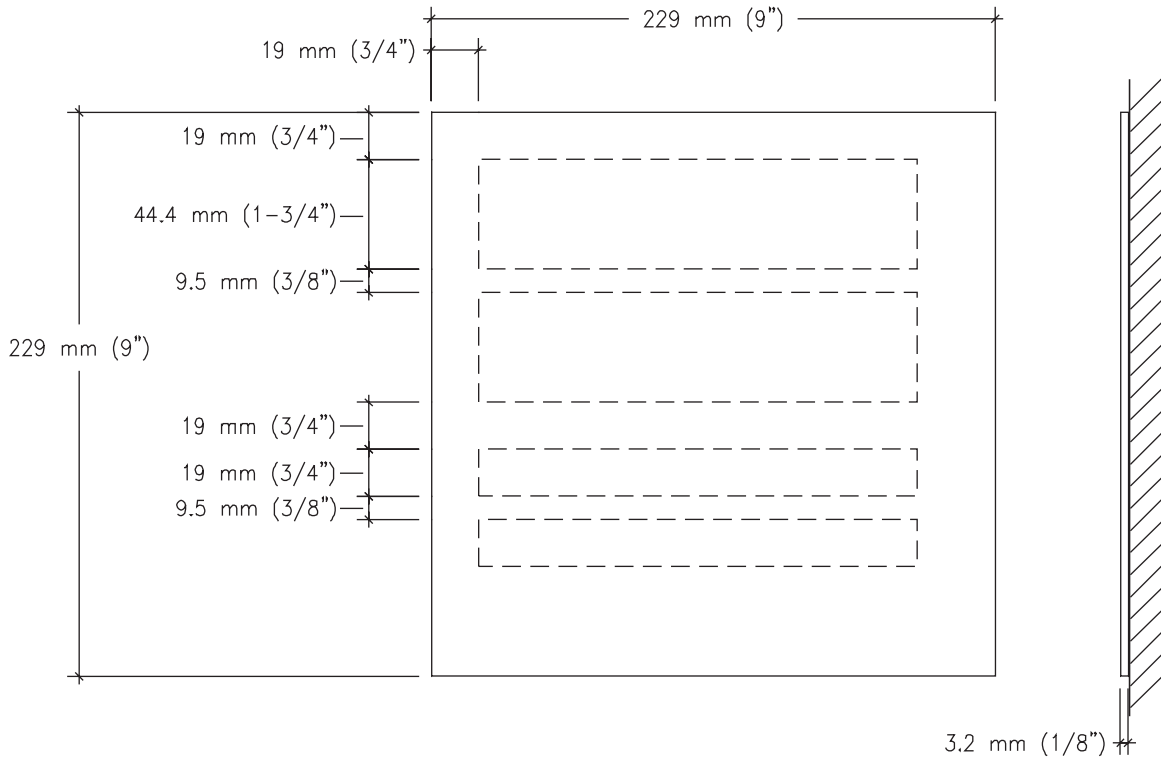
Double sided foam tape or silastic adhesive.

Installation

On door, centered, 1575 mm (63") to top of sign.



Fire Door Sign



No Exit Sign**Sign**

229 mm H x 229 mm W
(9" H x 9" W)

Description & Use

No Exit Sign used to identify a door in a stairwell or other locations, that are not fire exits.

Message Configuration

(Refer to layout drawing for lettering sizes and dimensions)

Sign Components

Acrylic Plaque

Graphic Process

Silk-screened

Colors

Text: Refer to Color Chart.

Background: Refer to Color Chart.

Typography

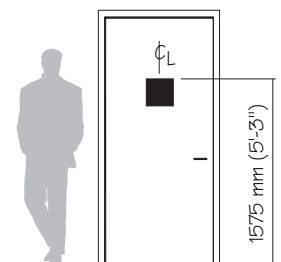
Helvetica Medium

Mounting

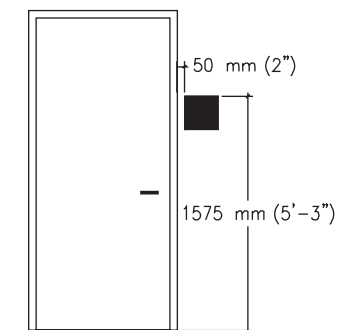
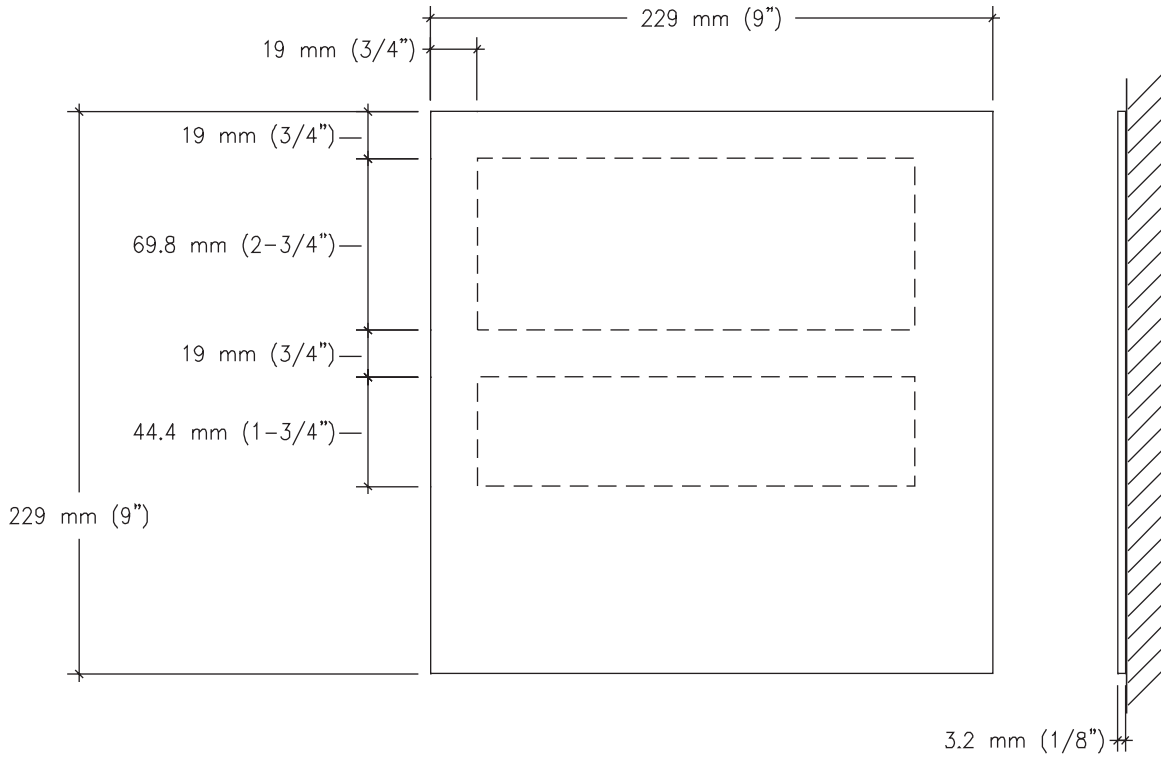
Double sided foam tape or silastic adhesive.

Installation

Centered on door, 1575 mm (63")
to top of sign



No Exit Sign



Exit Sign

Size

IN-01.07.01
229 mm x 559 mm
(9" x 22")

IN-01.07.02
229 mm x 559 mm
(9" x 22")

IN-01.07.03
229 mm x 559 mm
(9" x 22")

IN-01.07.04
229 mm x 712 mm
(9" x 28")

Description & Use

Non illuminated exit sign used to identify exit or direction to exit.

Message Configuration

(Refer to layout drawing for lettering sizes and dimensions)
Principle stroke of letters not less than 3/4" wide. Each letter must have a width of no less than 2" except the letter "i". Minimum spacing between letters no less than 3/8".

Sign Components

Acrylic Plaque

Graphic Process

Silk-screened.

Colors

Text: Refer to Color Chart.
Background: Refer to Color Chart.

Typography

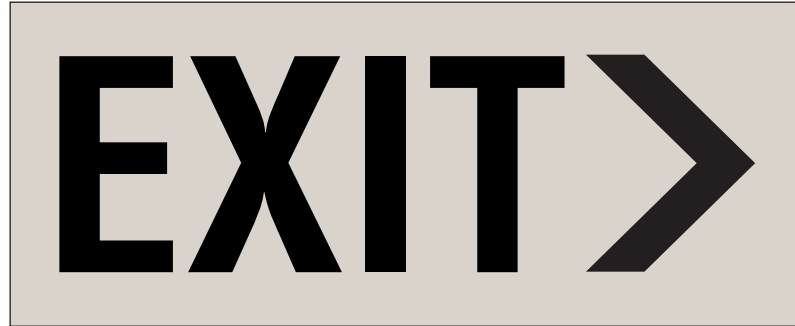
Helvetica Condensed Medium

Mounting

Double sided foam tape or silastic adhesive.

Installation

Center on soffit area directly above door frame.



IN-01.07.01



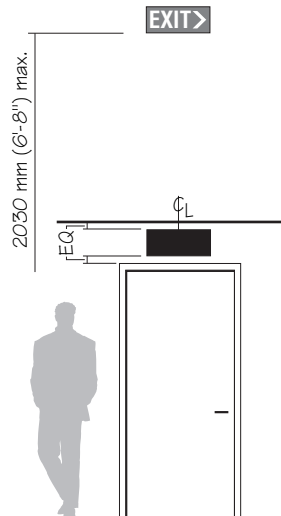
IN-01.07.02



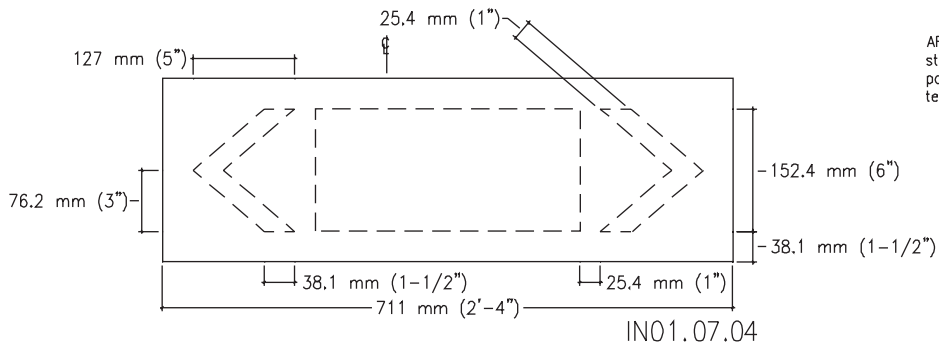
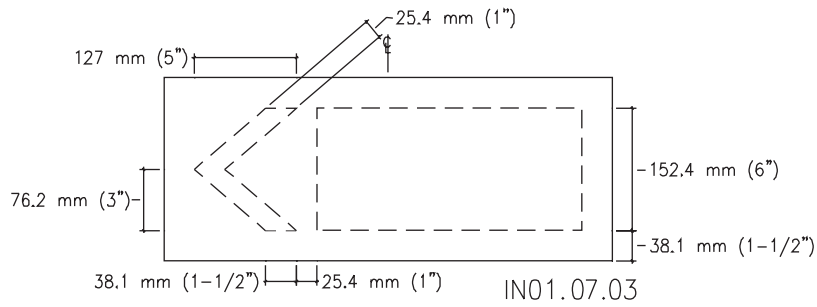
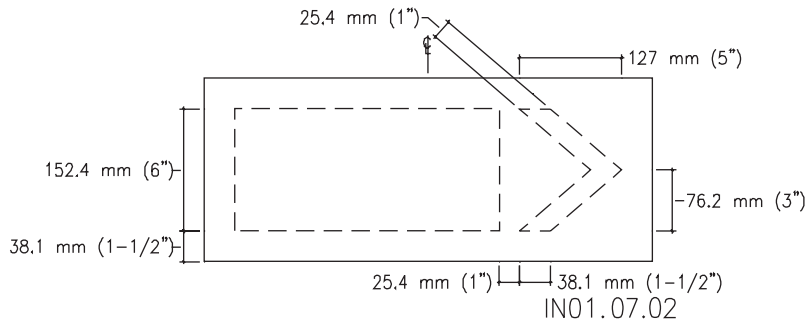
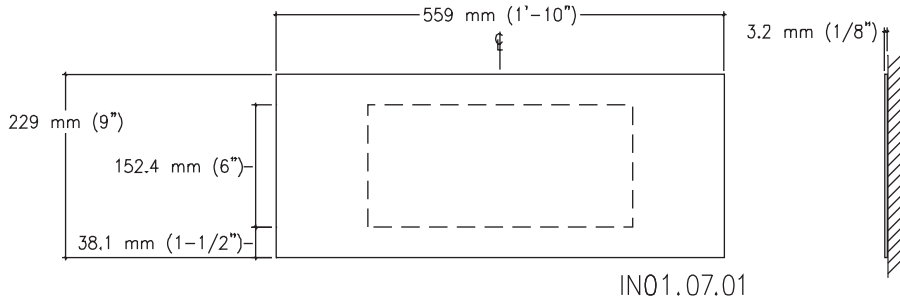
IN-01.07.03



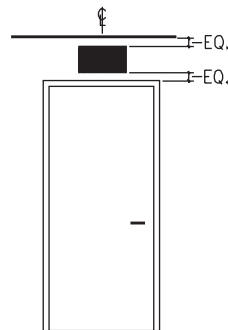
IN-01.07.04



Exit Sign



ARROW: Refer to standards for arrow positioning relative to text.



Automatic Fire Door Sign - Hinged

Size

229 mm H x 229 mm W
(9" H x 9" W)

Description & Use

Prohibit/Do Not Block information to be communicated at hinged fire doors held open by automatic devices.

Message Configuration

(Refer to layout drawing for lettering sizes and dimensions)

Sign Components

Acrylic Plaque

Graphic Process

Silk-screened.

Colors

Text: Refer to Color Chart.
Background: Refer to Color Chart.

Typography

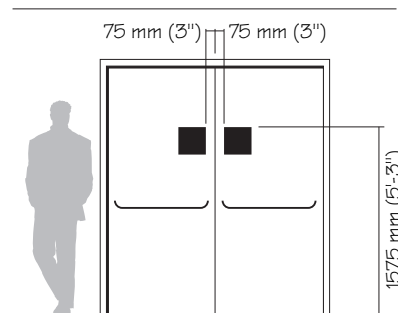
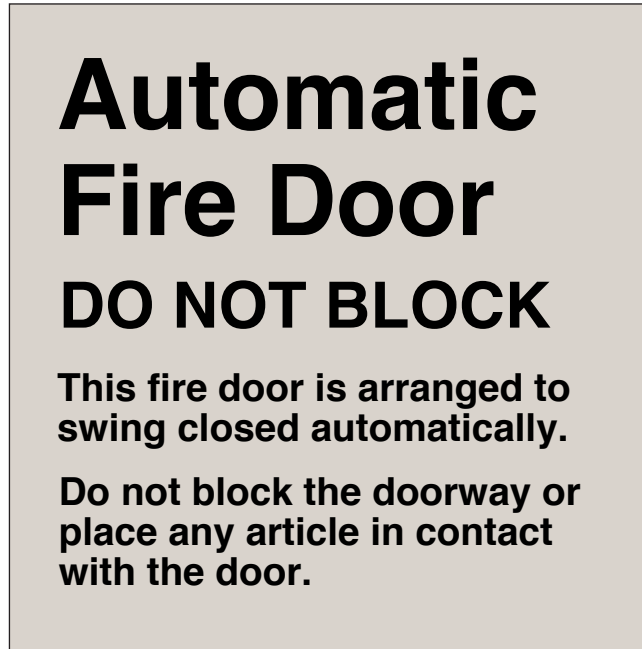
Helvetica Medium

Mounting

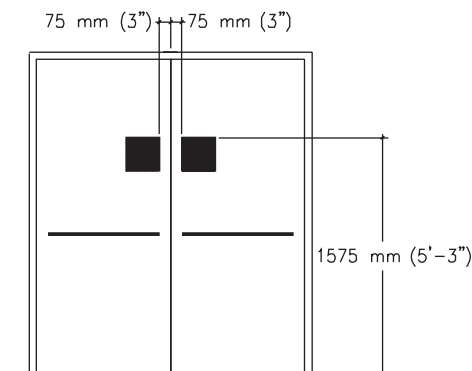
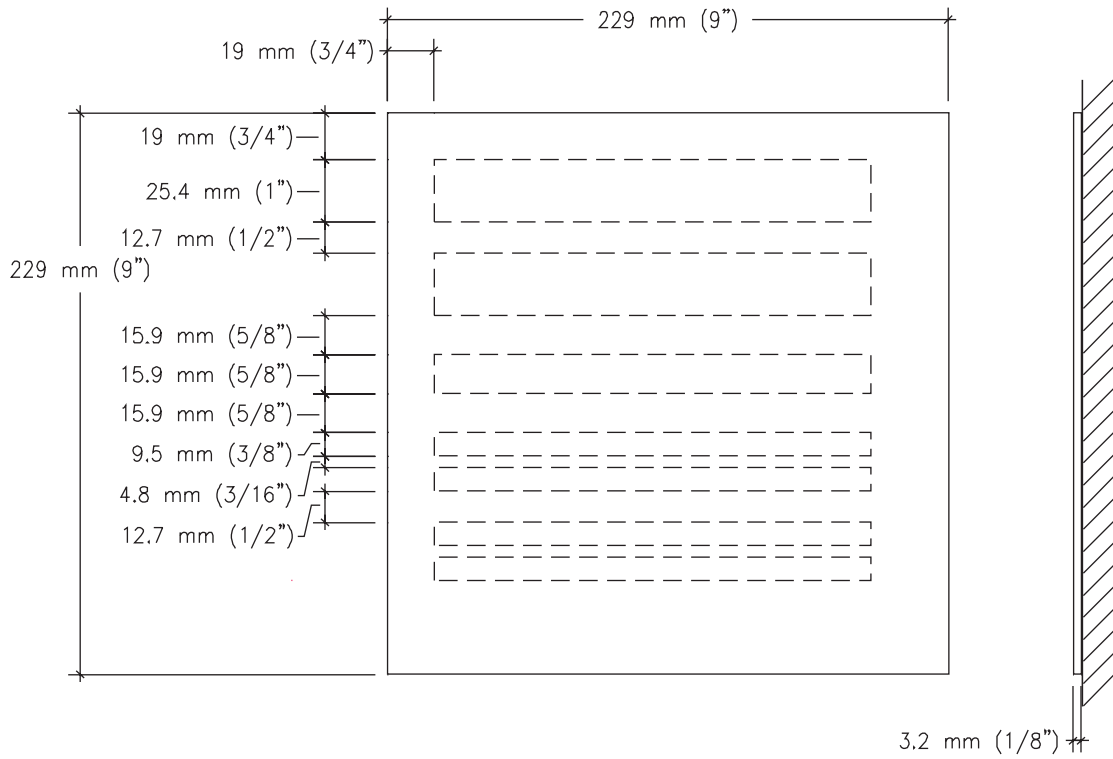
Double sided foam tape or silastic adhesive.

Installation

On door, 1575 mm (63") to top of sign and 75 mm (3") over from door edge.



Automatic Fire Door (Hinged) Sign



Automatic Fire Door Sign - Roll Up

Size

229 mm H x 229 mm W
(9" H x 9" W)

Description & Use

Prohibit/Do Not Block information to be communicated at roll down fire doors held open by automatic devices.

Message Configuration

(Refer to layout drawing for lettering sizes and dimensions)

Sign Components

Acrylic Plaque

Graphic Process

Silk-screened.

Colors

Text: Refer to Color Chart.
Background: Refer to Color Chart.

Typography

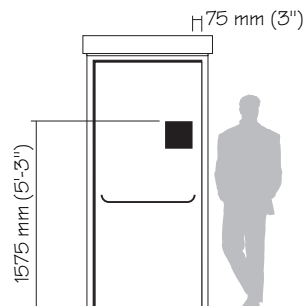
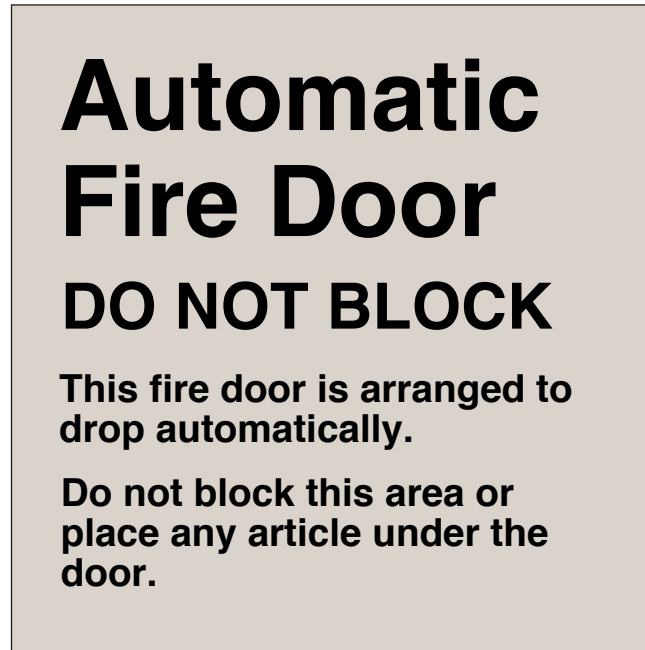
Helvetica Medium

Mounting

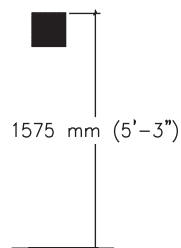
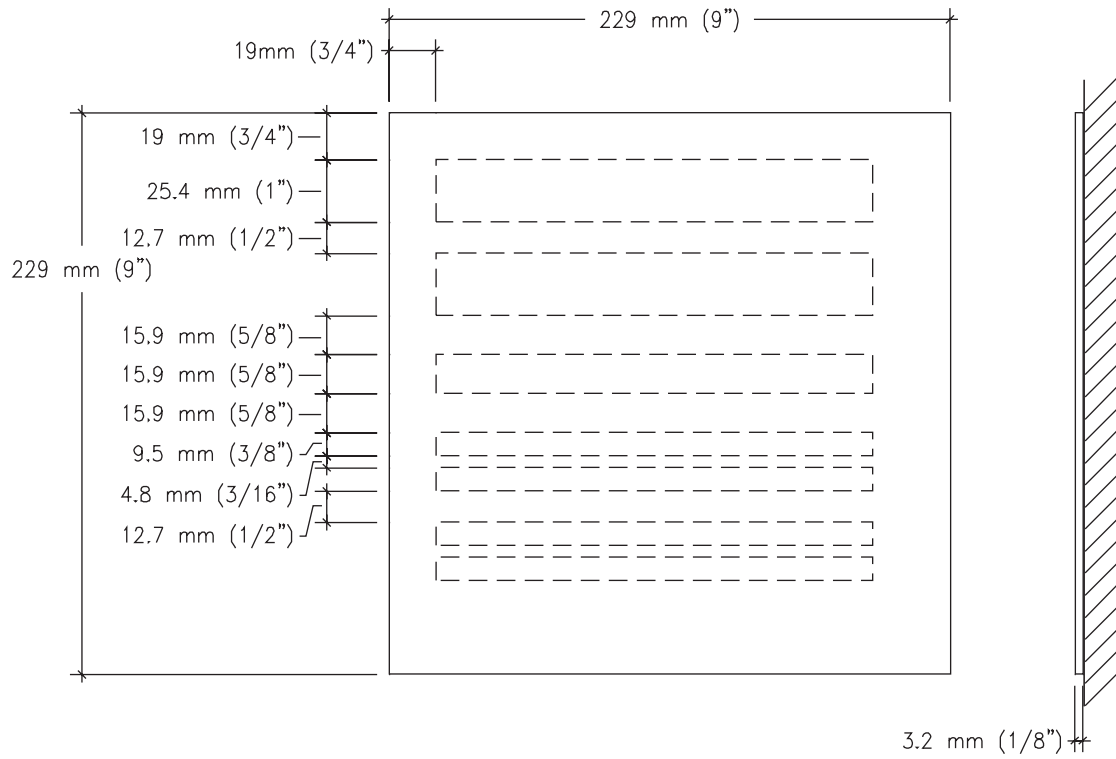
Double sided foam tape or silastic adhesive.

Installation

On wall, adjacent to door, 1575 mm (63") to top of sign.



Automatic Fire Door (Roll Up)



Stair Identification Sign

Size

229 mm H x 229 mm W
(9" H x 9" W)

Description & Use

To identify stairwell doors that are fire exits.

Message Configuration

(Refer to layout drawing for lettering sizes and dimensions)

Sign Components

Etched sign face laminated to acrylic backing plaque.

Graphic Process

Tactile text with accompanying Braille.

Colors

Text: Refer to Color Chart.
Background: Refer to Color Chart.

Typography

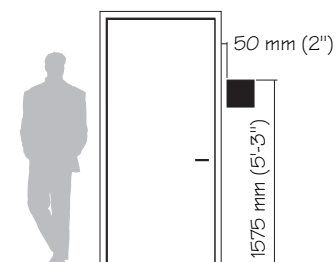
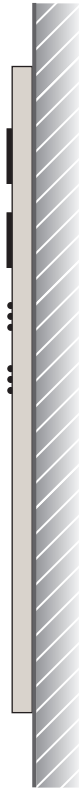
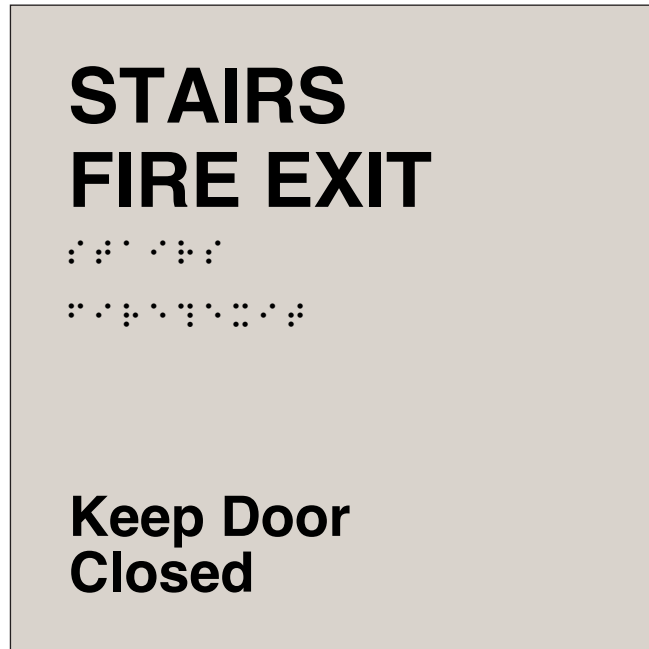
Helvetica Medium
Grade 2 Braille

Mounting

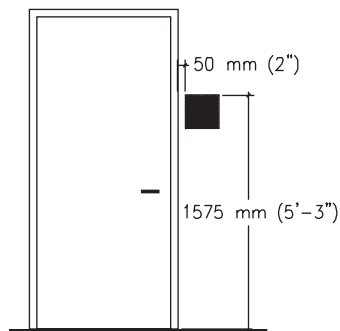
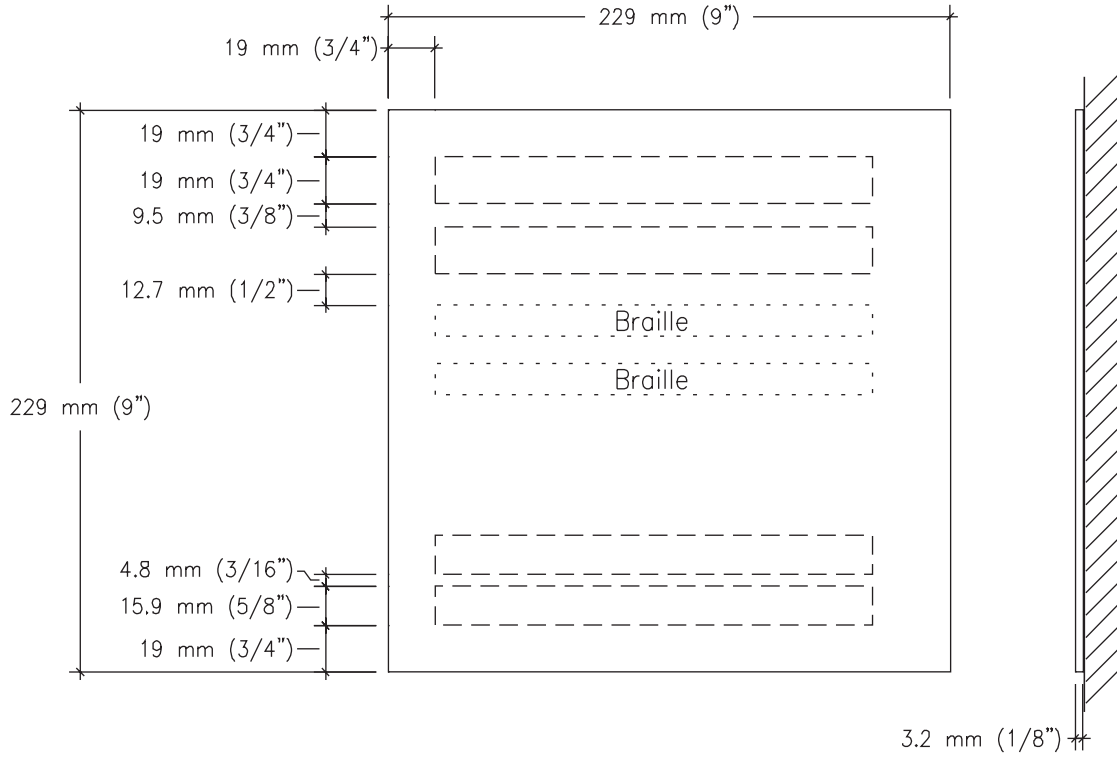
Double sided foam tape or silastic adhesive.

Installation

Knob side of door, 1575 mm (63") to top of sign and 50 mm (2") over from door frame.



Stair Identification Sign



Stairwell Identification Sign

Size

457 mm H x 457 mm W
(18" H x 18" W)

Description & Use

Stairwell, floor level and egress information. Sign is located within the stair enclosure at each floor landing and must be readily visible when stair door is in open or closed position.

Message Configuration

(Refer to layout drawing for lettering sizes and dimensions)

Sign Components

Etched sign face laminated to acrylic backing plaque.

Graphic Process

Silk-screened text. Dimensional floor number. Tactile text with accompanying Braille.

Colors

Text: Refer to Color Chart.
Background: Refer to Color Chart.

Typography

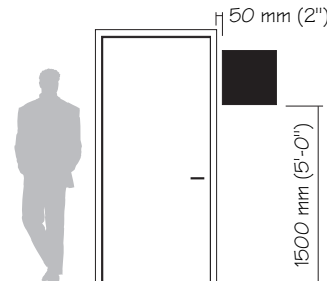
Helvetica Medium
Grade 2 Braille

Mounting

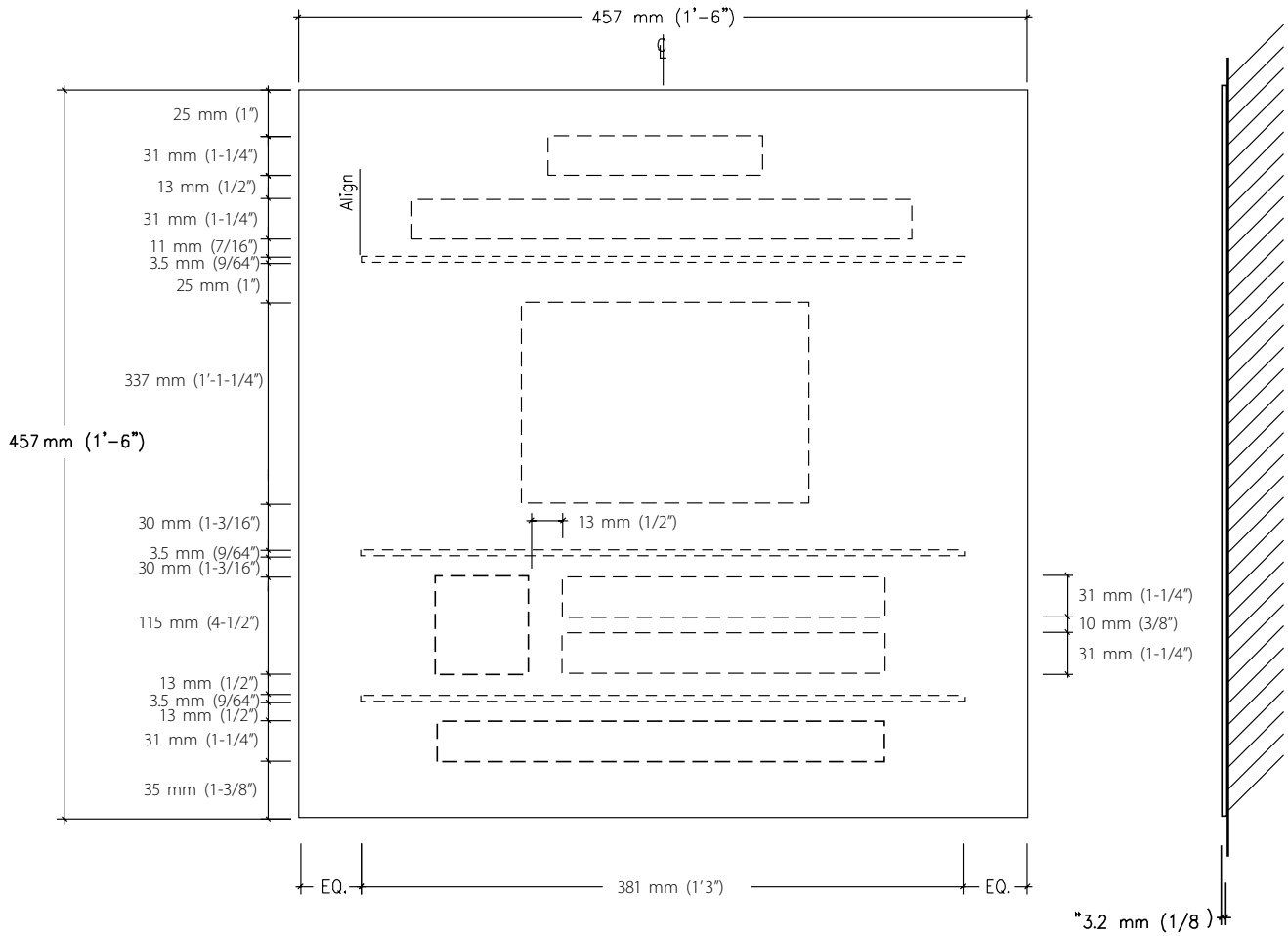
Double sided foam tape or silastic adhesive.

Installation

Knob side of door, 1500 mm (60") to bottom of sign and 50 mm (2") over from door frame.

Message Layout A**Message Layout B****Message Layout C**

Stairwell Identification Sign



Area of Refuge (Evacuation Assistance)

Size

152 mm H x 229 mm W
(6" H x 9" W)

Description & Use

Handicapped evacuation assistance directional sign indicating area of refuge for evacuation assistance.

Message Configuration

(Refer to layout drawing for lettering sizes and dimensions)
Position arrow to communicate direction in relation to the placement of the sign in the building.

Sign Components

Etched sign face laminated to acrylic backing plaque.

Graphic Process

Tactile text with accompanying Braille.

Colors

Text: Refer to Color Chart.
Background: Refer to Color Chart.

Typography

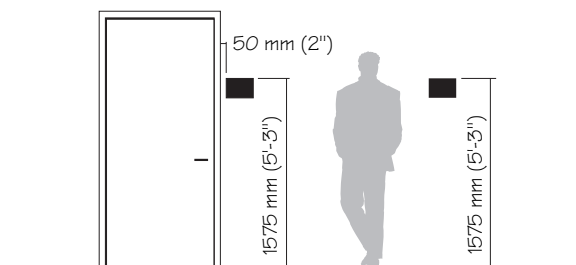
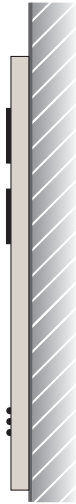
Helvetica Medium
Grade 2 Braille

Mounting

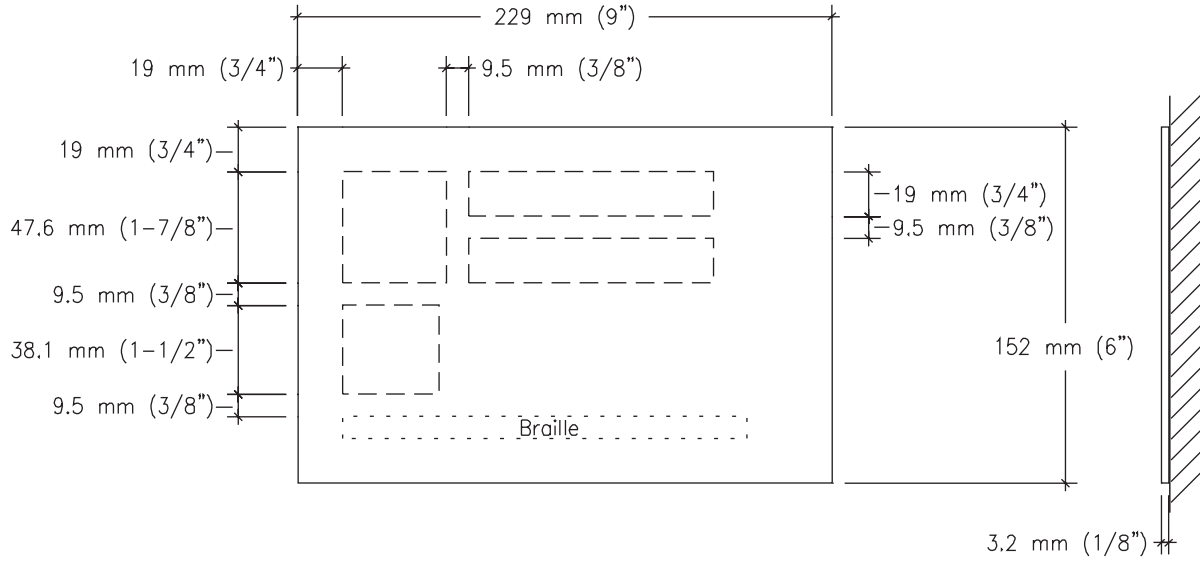
Double sided foam tape or silastic adhesive.

Installation

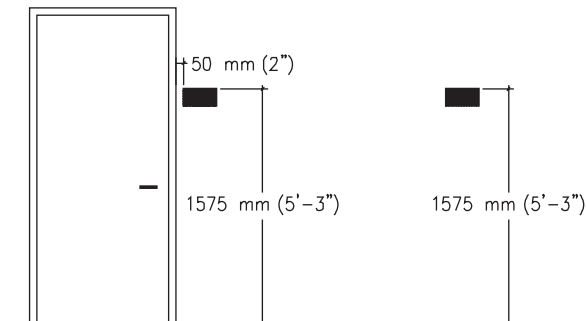
Knob side of door, 1575 mm (63") to top of sign and 50 mm (2") over from door frame or on wall
1575 mm (63") to top of sign.



Area of Refuge (Evacuation Assistance)



ARROW: Refer to standards for arrow positioning relative to text.



Push Alarm Identification Sign

Size

229 mm H x 381 mm W
(9" H x 15" W)

Description & Use

Push Alarm Identification Sign is an instructional sign for push alarmed doors.

Message Configuration

(Refer to layout drawing for lettering sizes and dimensions)

Sign Components

Acrylic Plaque

Graphic Process

Silk-screened.

Colors

Text: Refer to Color Chart.
Background: Refer to Color Chart.

Typography

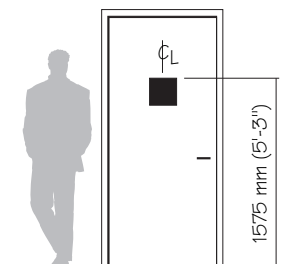
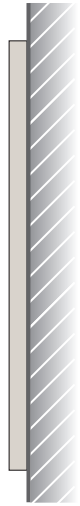
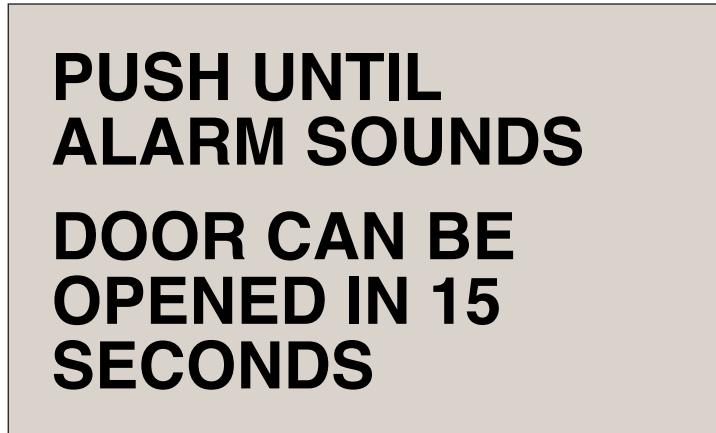
Helvetica Medium

Mounting

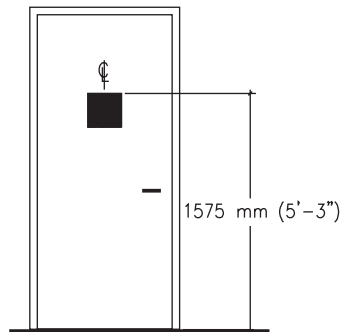
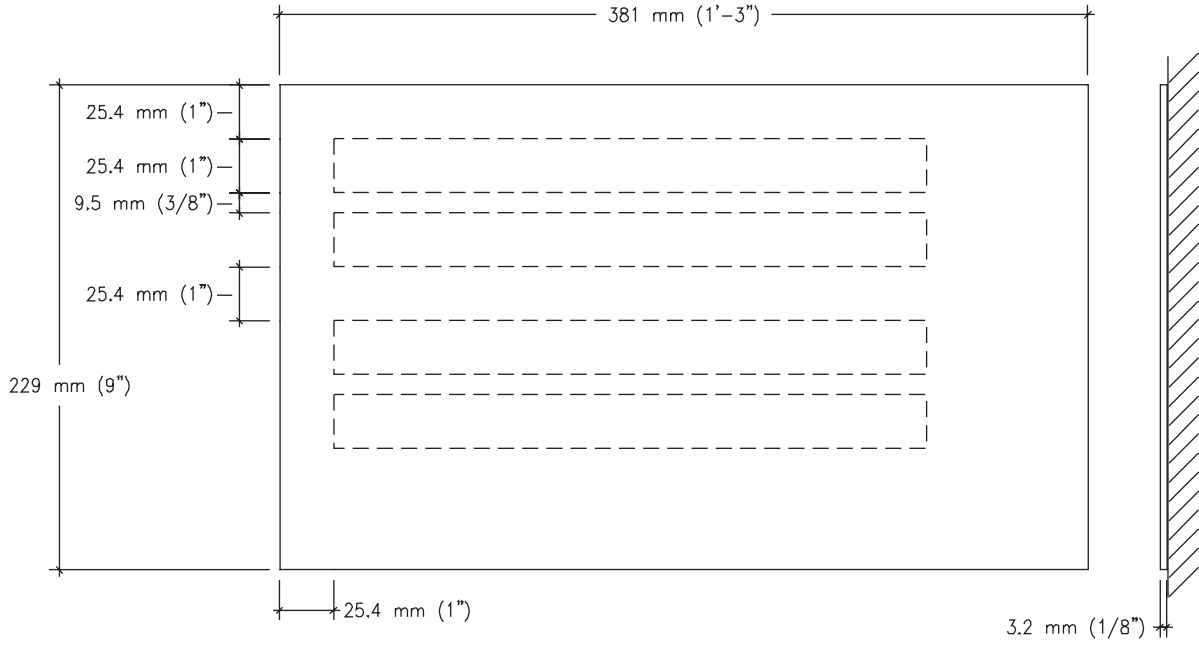
Double sided foam tape or silastic adhesive.

Installation

Centered on door, 1575 mm (63")
to top of sign.



Push Alarm Identification Sign



Open Door Fire Safety Sign

Size

152 mm H x 308 mm W
(6" H x 20" W)

Description & Use

Open Door Fire Safety Sign is used to identify that a particular door is a fire safety door and is to remain open at certain times.

Message Configuration

(Refer to layout drawing for lettering sizes and dimensions)

Sign Components

Acrylic Plaque

Graphic Process

Silk-screened.

Colors

Text: Refer to Color Chart.

Background: Refer to Color Chart.

Typography

Helvetica Medium

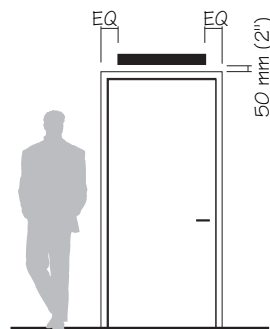
Mounting

Double sided foam tape or silastic adhesive.

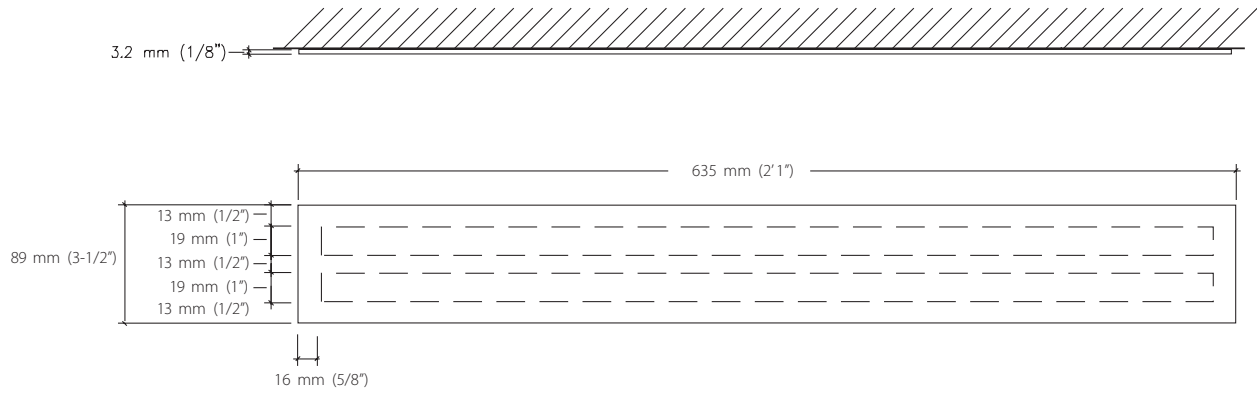
Installation

Centered above door and 50 mm (2") above door frame.

**THIS DOOR TO REMAIN UNLOCKED
WHEN THE BUILDING IS OCCUPIED**



Open Door Fire Safety Sign



IN-01.15

Code & Life Safety Signs

Hazardous Material Information Sign

Size

305 mm H x 305 mm W
(12" H x 12" W)

Description & Use

Hazardous Materials Information Sign used to easily identify specific hazards within room, storage cabinet or area.

Message Configuration

(Refer to layout drawing for lettering sizes and dimensions)
Numbers shown on this drawing are for illustration purposes only. Provide correct numbers, text and colors to correctly identify the hazardous materials within a room. Refer to NFPA (National Fire Protection Association) or material data sheet relating to materials for more information regarding message.

- A Identifies Specific Hazard
- B Identifies Health Hazard
- C Identifies Fire Hazard
- D Identifies Reactivity

Sign Components

Acrylic Plaque

Graphic Process

Silk-screened.

Colors

Text: Black - T4

Background:

- A White
- B Safety Blue (OSHA)
- C Safety Red (OSHA)
- D Safety Yellow (OSHA)

Typography

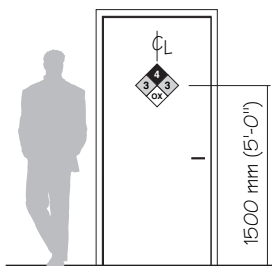
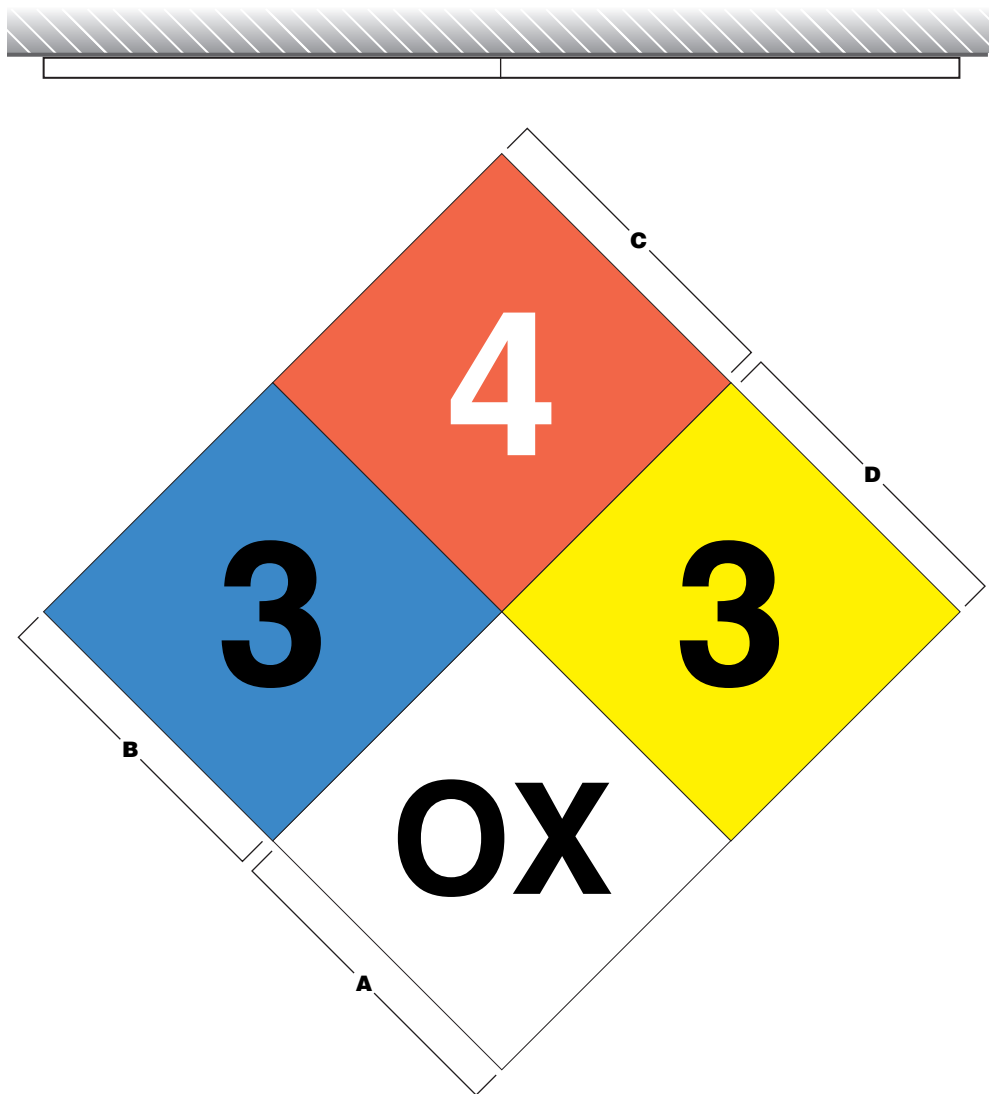
Helvetica Medium

Mounting

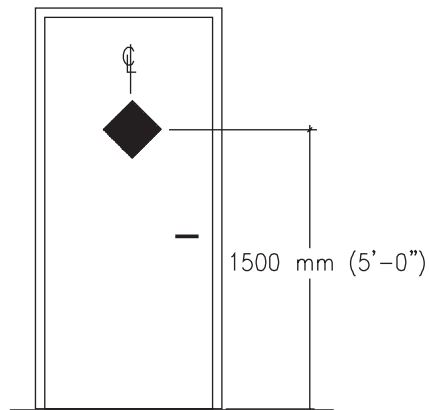
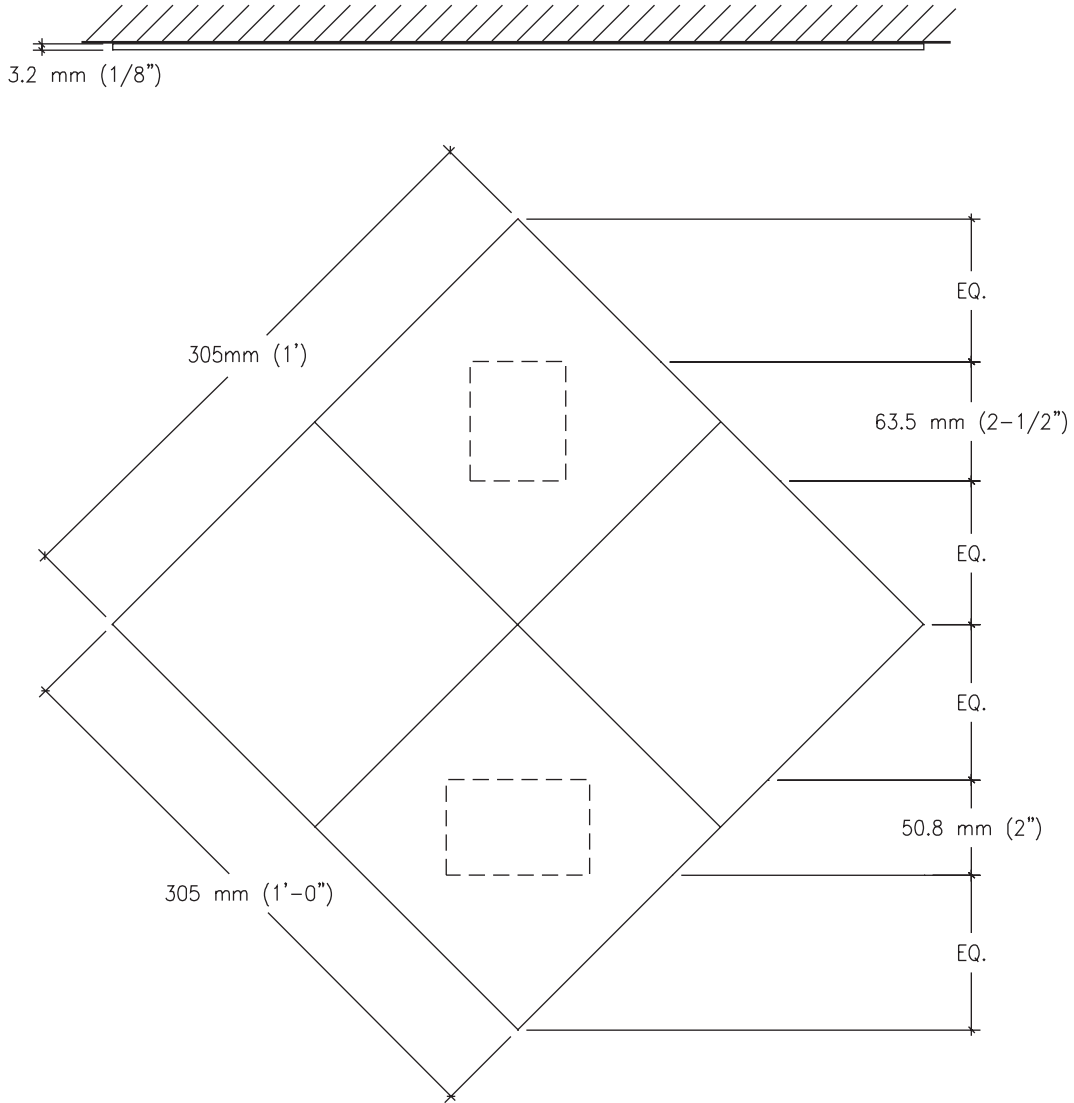
Double sided foam tape or silastic adhesive.

Installation

Centered on door and 1500 mm (60") to center of sign.



Material Fire Identification Sign



Oxygen In Use Warning Sign

Size

229 mm H x 229 mm W
(9" H x 9" W)

Description & Use

Caution information regarding oxygen in use. Sign is to be installed on all doors to rooms that contain oxygen in use.

Message Configuration

(Refer to layout drawing for lettering sizes and dimensions)

Sign Components

Acrylic Plaque

Graphic Process

Silk-screened.

Colors

Text: Refer to Color Chart.
Background: Refer to Color Chart.

Typography

Helvetica Medium

Mounting

Double sided foam tape or silastic adhesive.

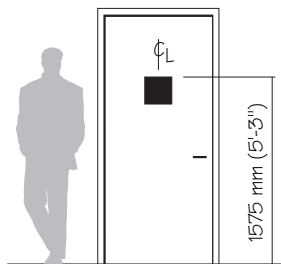
Installation

Centered on door, 1575 mm (63")
to top of sign.

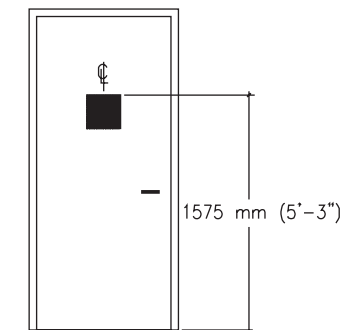
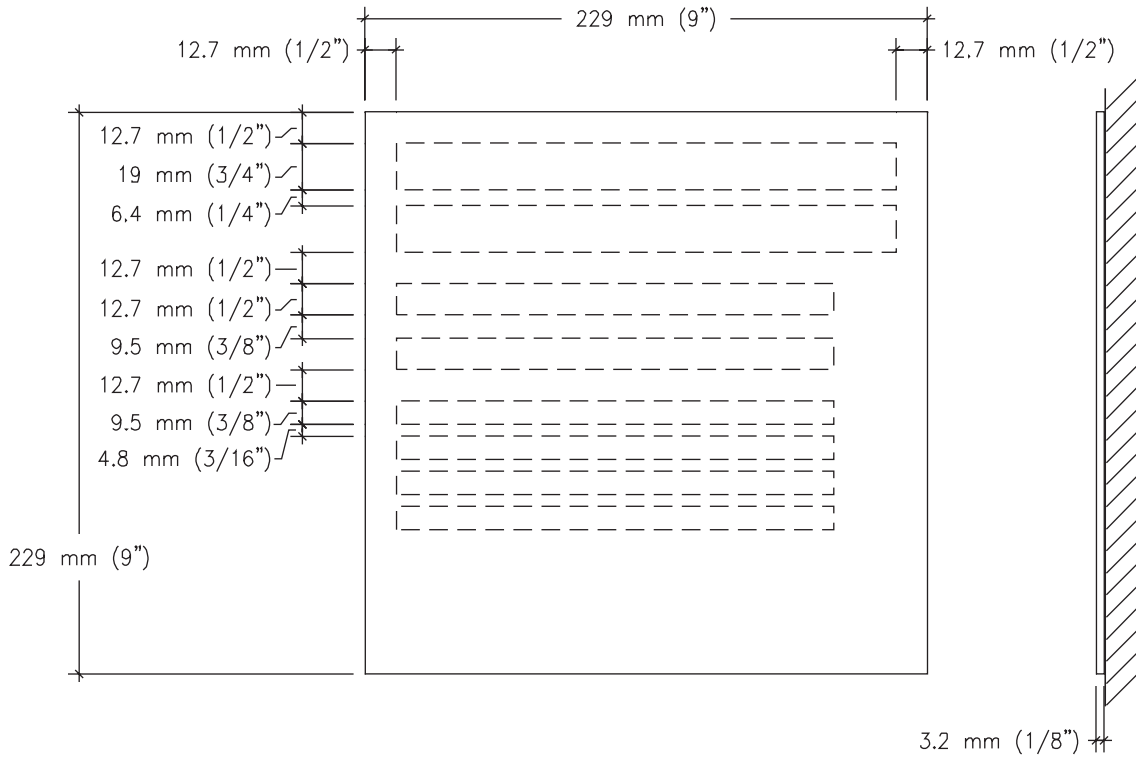
**CAUTION
OXYGEN IN USE**

**NO SMOKING
NO OPEN FLAMES**

**Any material that can burn in
air will burn more rapidly in the
presence of oxygen. No
electrical equipment is allowed
within an oxygen enclosure or
within 5 ft. (1.5 m) of it.**



Oxygen In Use Warning Sign



Compressed Gas Warning Sign**Size**

229 mm H x 229 mm W
(9" H x 9" W)

Description & Use

Caution information regarding gases in use. Sign is to be installed on all doors to rooms that contain the listed gases. Adjust the listing of gases to reflect the actual gases being used in the laboratory.

Message Configuration

(Refer to layout drawing for lettering sizes and dimensions)

Sign Components

Acrylic Plaque

Graphic Process

Silk-screened.

Colors

Text: Refer to Color Chart.
Background: Refer to Color Chart.

Typography

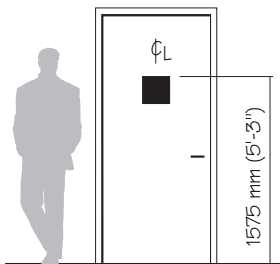
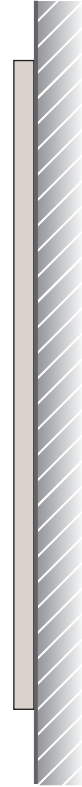
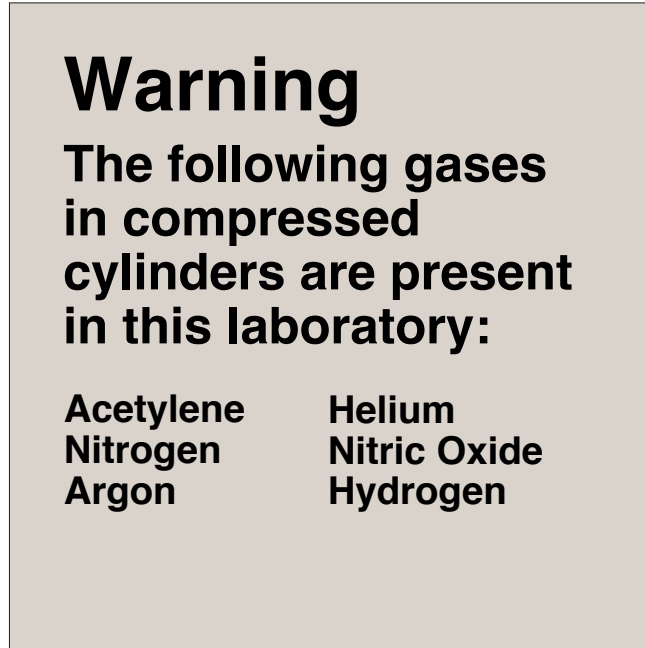
Helvetica Medium

Mounting

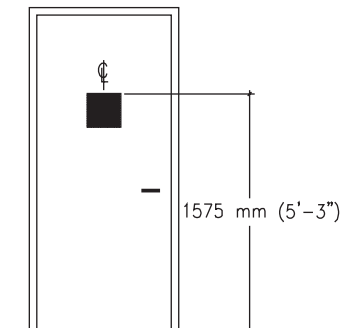
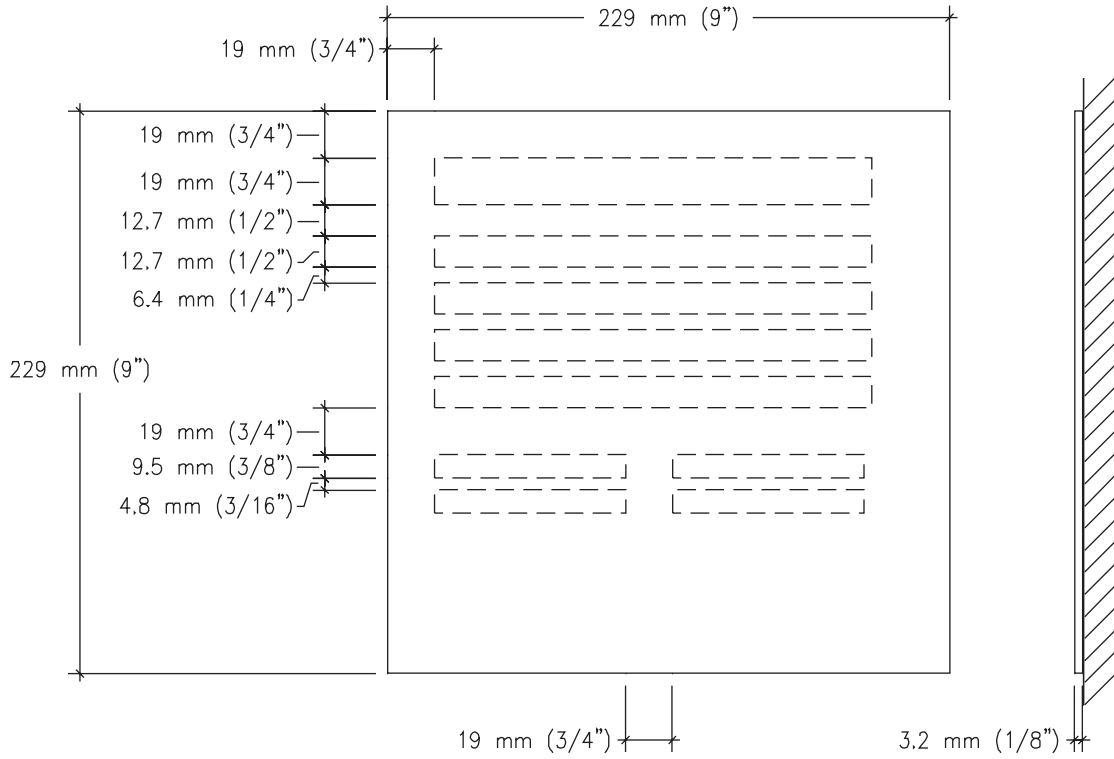
Double sided foam tape or silastic adhesive.

Installation

Centered on door, 1575 mm (63") to top of sign.



Compressed Gas Warning Sign



Nonflammable Anesthesia Restriction Sign

Size

229 mm H x 229 mm W
(9" H x 9" W)

Description & Use

Caution information regarding anesthetic agents in use. Sign is to be installed on the doors to all operating rooms.

Message Configuration

(Refer to layout drawing for lettering sizes and dimensions)

Sign Components

Acrylic Plaque

Graphic Process

Silk-screened.

Colors

Text: Refer to Color Chart.
Background: Refer to Color Chart.

Typography

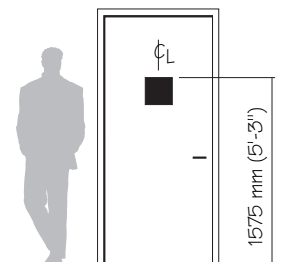
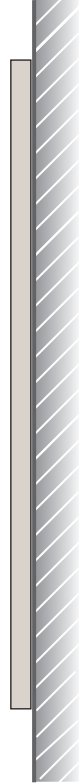
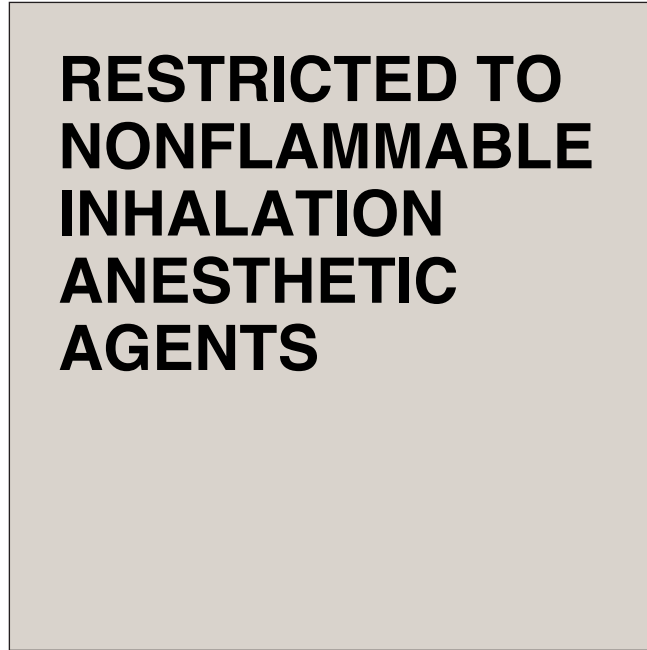
Helvetica Medium

Mounting

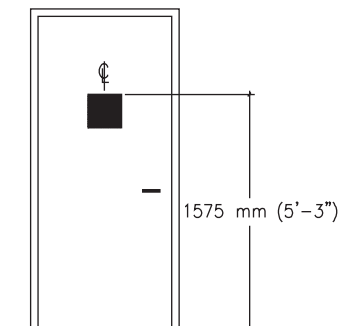
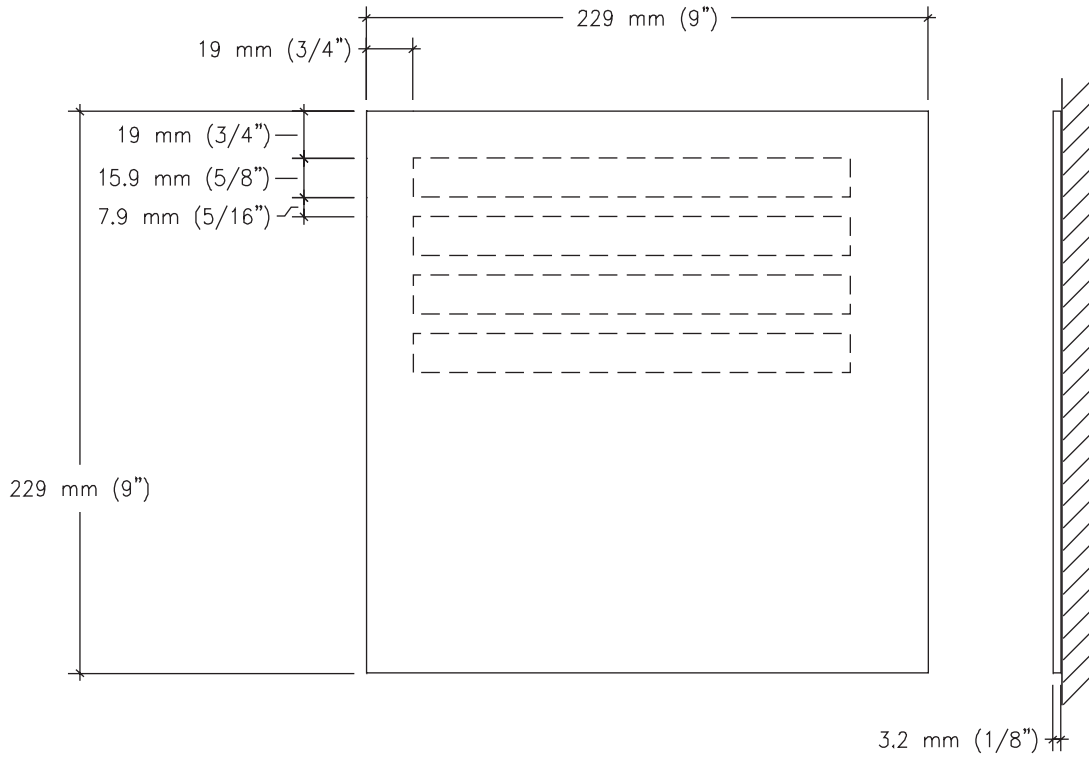
Double sided foam tape or silastic adhesive.

Installation

Centered on door, 1575 mm (63") to top of sign.



Nonflammable Anesthesia Restriction Sign



Radioactive Material Warning Sign

Size

229 mm H x 229 mm W
(9" H x 9" W)

Description & Use

Caution information regarding radioactive material. Sign is to be installed on the doors to all rooms where radioactive material are in use or stored.

Message Configuration

(Refer to layout drawing for lettering sizes and dimensions)

Sign Components

Acrylic Plaque

Graphic Process

Silk-screened.

Colors

Text & Symbol: Purple - T7
Background: Yellow - B8

Typography

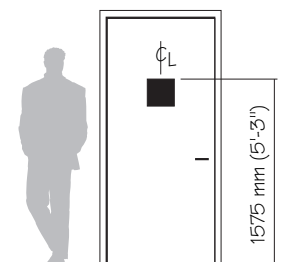
Helvetica Medium

Mounting

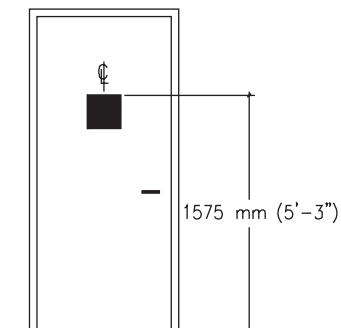
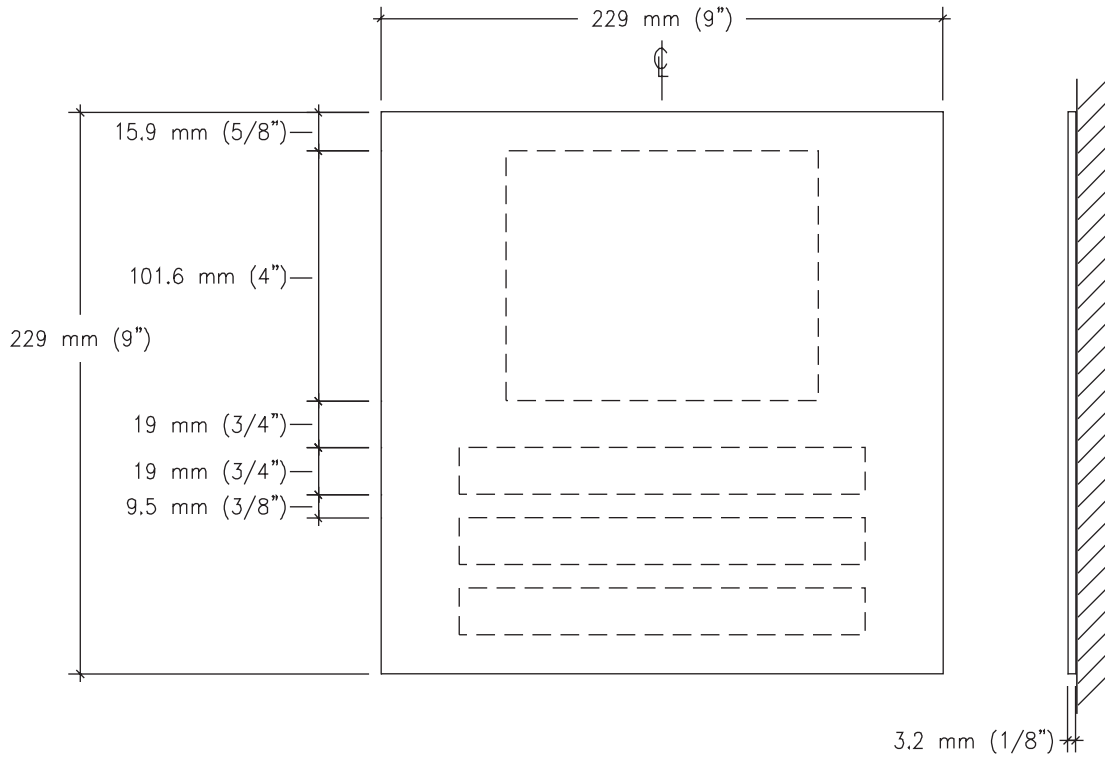
Double sided foam tape or silastic adhesive.

Installation

Centered on door, 1575 mm (63") to top of sign.



Radioactive Material Warning Sign



Radioactive Area Warning Sign

Size

229 mm H x 229 mm W
(9" H x 9" W)

Description & Use

Caution information regarding area with radioactive material. Sign is to be installed in areas where radioactive material are in use or stored.

Message Configuration

(Refer to layout drawing for lettering sizes and dimensions)

Sign Components

Acrylic Plaque

Graphic Process

Silk-screened.

Colors

Text & Symbol: Purple - T7
Background: Yellow - B8

Typography

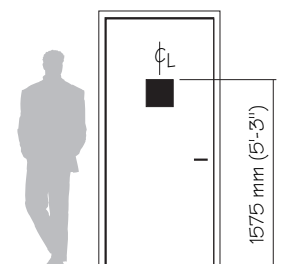
Helvetica Medium

Mounting

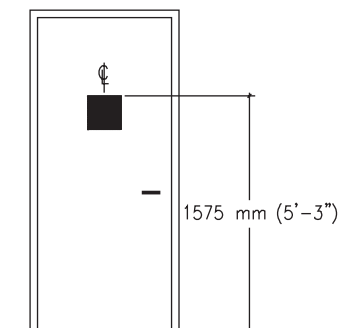
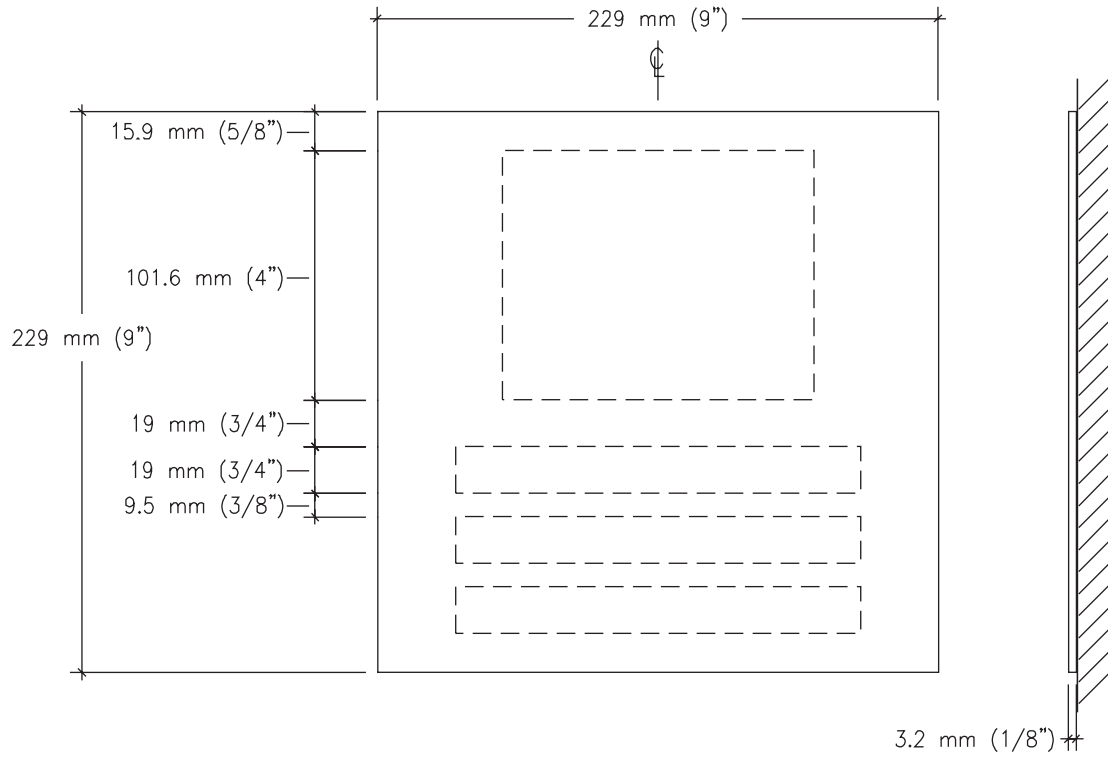
Double sided foam tape or silastic adhesive.

Installation

Centered on door, 1575 mm (63") to top of sign.



Radioactive Area Warning Sign



High Voltage Warning Sign

Size

229 mm H x 229 mm W
(9" H x 9" W)

Description & Use

Caution information regarding high electrical voltage. Sign is to be installed on the doors to all rooms where there is high voltage.

Message Configuration

(Refer to layout drawing for lettering sizes and dimensions)

Sign Components

Acrylic Plaque

Graphic Process

Silk-screened.

Colors

Text & Symbol: Black - T4
Background: Yellow - B8

Typography

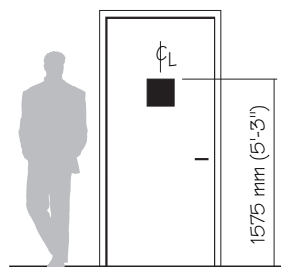
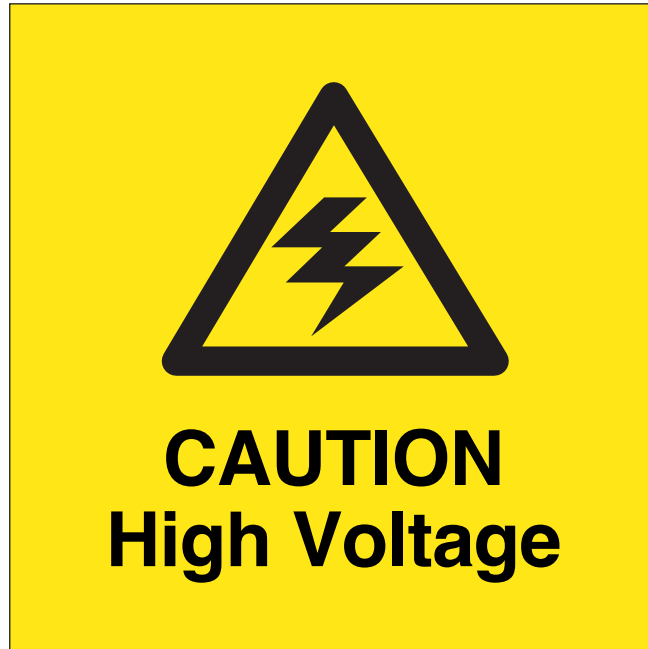
Helvetica Medium

Mounting

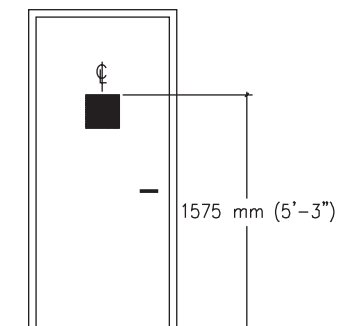
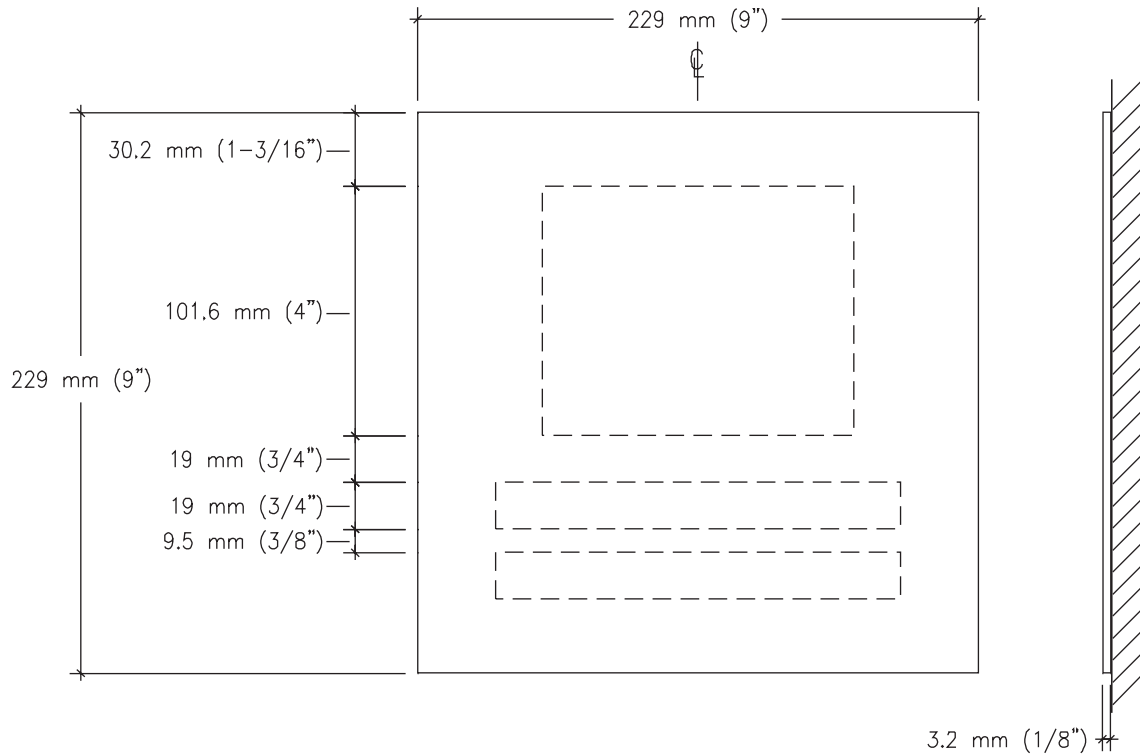
Double sided foam tape or silastic adhesive.

Installation

Centered on door, 1575 mm (63")
to top of sign.



High Voltage Warning Sign



Biohazard Warning Sign

Size

229 mm H x 229 mm W
(9" H x 9" W)

Description & Use

Caution information regarding biohazard materials. Sign is to be installed on the doors to all rooms where there is biohazard materials.

Message Configuration

(Refer to layout drawing for lettering sizes and dimensions)

Sign Components

Acrylic Plaque

Graphic Process

Silk-screened.

Colors

Text & Symbol: Black - T4
Background: Yellow - B8

Typography

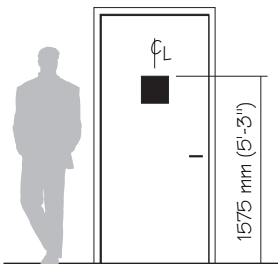
Helvetica Medium

Mounting

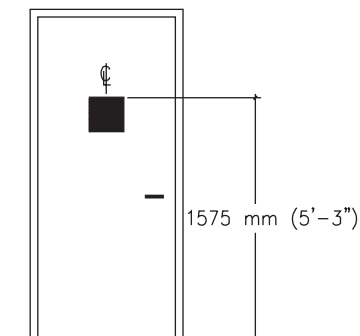
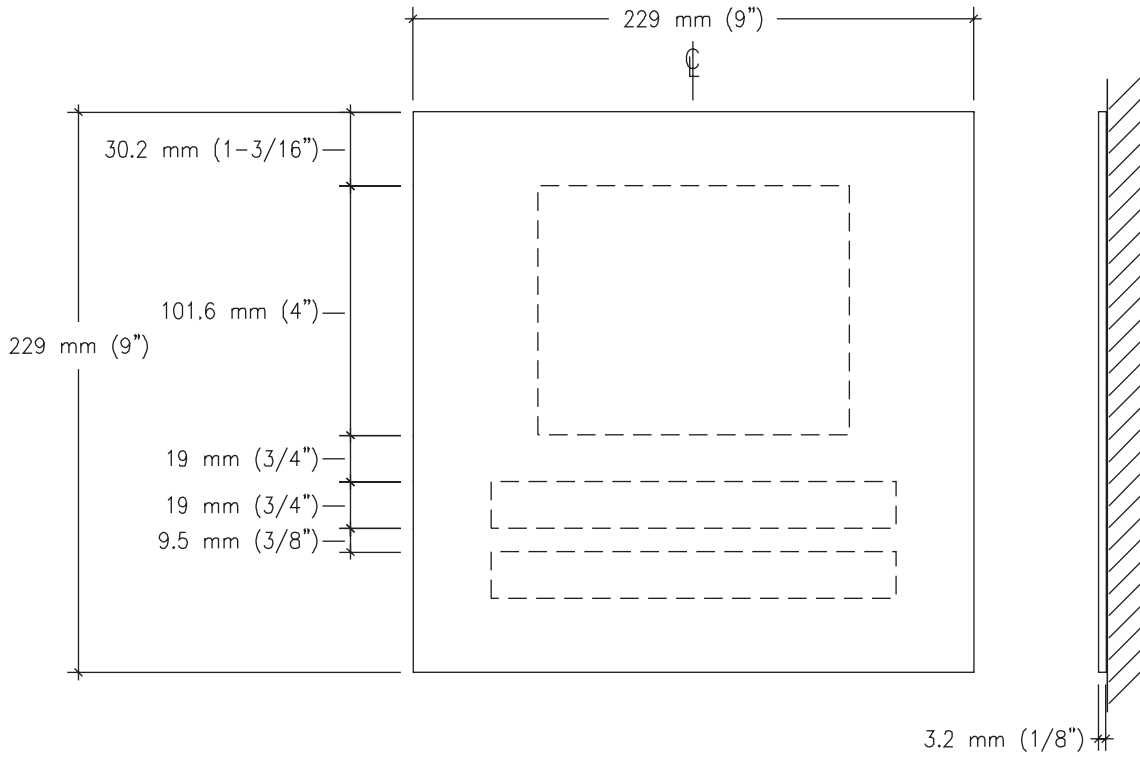
Double sided foam tape or silastic adhesive.

Installation

Centered on door, 1575 mm (63")
to top of sign



Biohazard Warning Sign



Laser Warning Sign

Size

229 mm H x 229 mm W
(9" H x 9" W)

Description & Use

Caution information regarding lasers. Sign is to be installed on the doors to all rooms where lasers are used.

Message Configuration

(Refer to layout drawing for lettering sizes and dimensions)

Sign Components

Acrylic Plaque

Graphic Process

Silk-screened.

Colors

Text & Symbol: Black - T4
Background: Yellow - B8

Typography

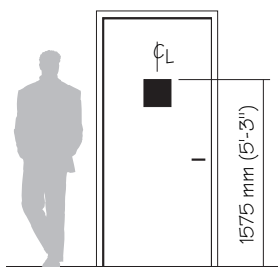
Helvetica Medium

Mounting

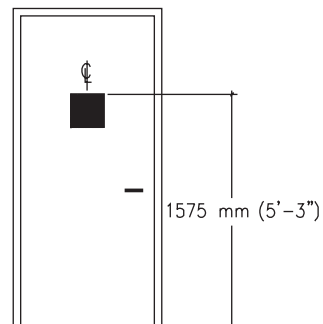
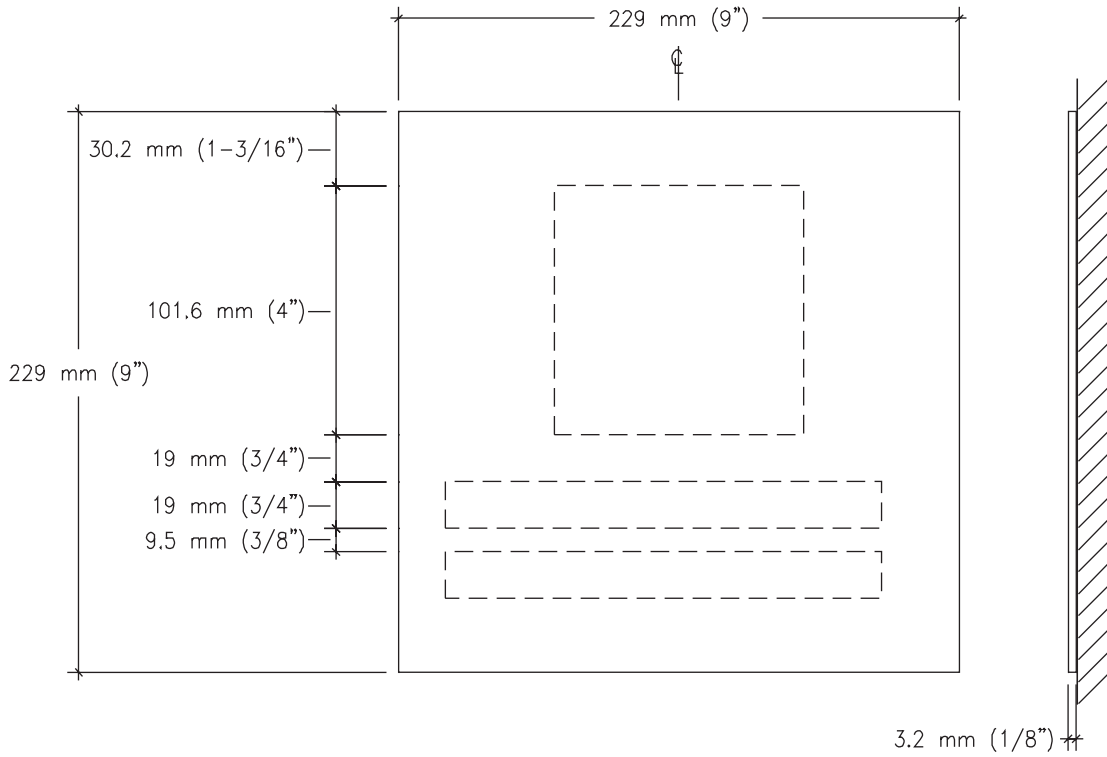
Double sided foam tape or silastic adhesive.

Installation

Centered on door, 1575 mm (63")
to top of sign



Laser Warning Sign



Occupational Exposure Area Warning Sign

Size

229 mm H x 229 mm W
(9" H x 9" W)

Description & Use

Caution information regarding occupational exposure. Sign is to be installed on doors to all rooms where there is occupational exposure.

Message Configuration

(Refer to layout drawing for lettering sizes and dimensions)

Sign Components

Acrylic Plaque

Graphic Process

Silk-screened.

Colors

Text: Black - T4
Background: Yellow - B8

Typography

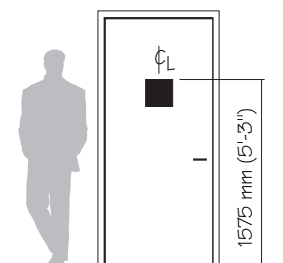
Helvetica Medium

Mounting

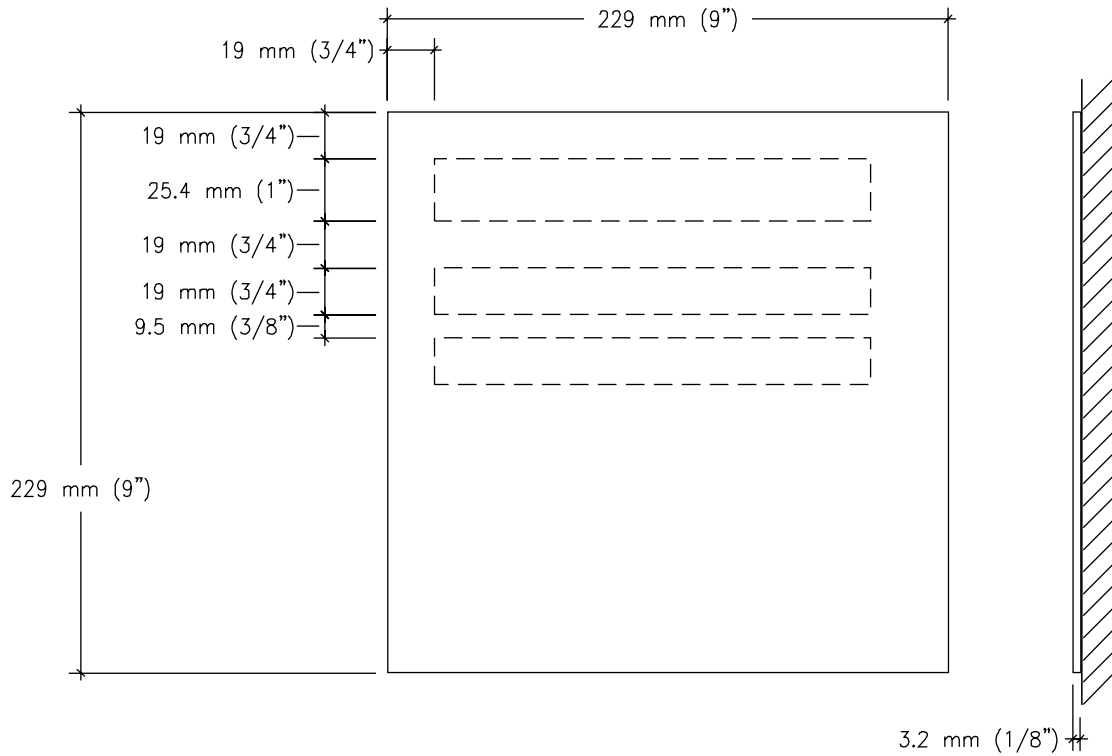
Double sided foam tape or silastic adhesive.

Installation

Centered on door, 1575 mm (63")
to top of sign.



Occupational Exposure Area Warning Sign



No Re-Entry Floor Sign**Sign Size**

229 mm H x 229 mm W
(9" H x 9" W)

Description & Use

No Re-Entry Floor Sign is used to identify a door to a stairwell or other locations, which when used will not allow re-entry.

Message Configuration

(Refer to layout drawing for lettering sizes and dimensions)

Sign Components

Acrylic Plaque

Graphic Process

Silk-screened

Colors

Text: Refer to Color Chart.
Background: Refer to Color Chart.

Typography

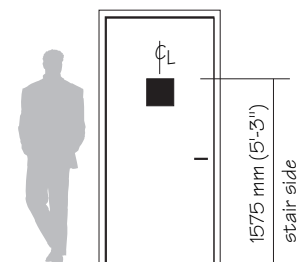
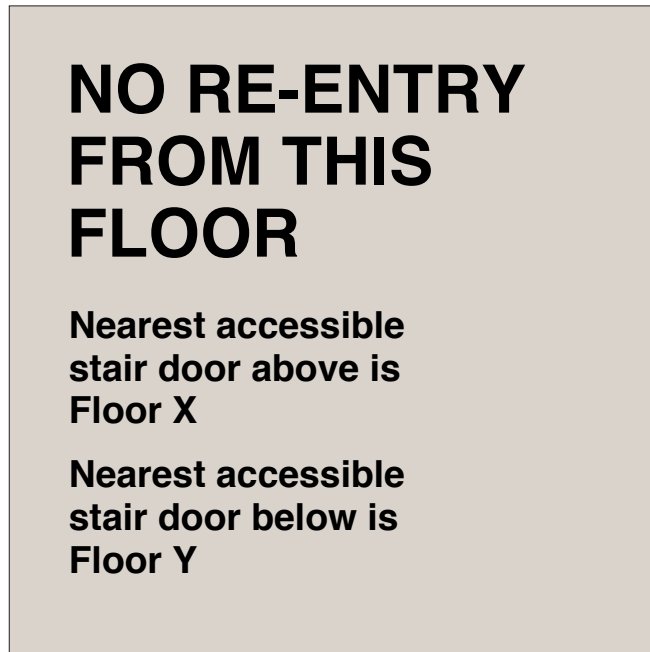
Helvetica Medium

Mounting

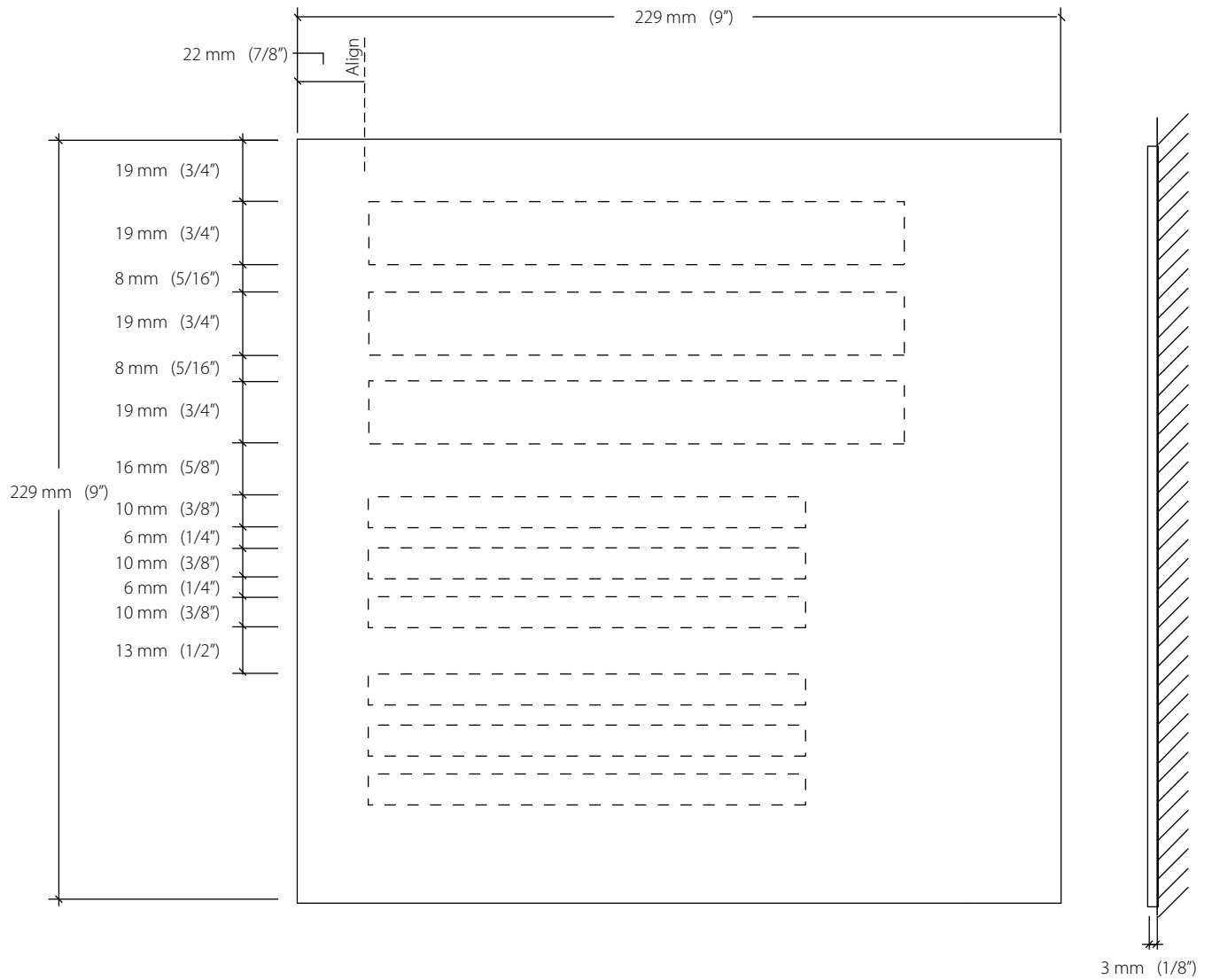
Double sided foam tape or silastic adhesive.

Installation

Centered on door, 1575 mm (63") to top of sign



No Re-Entry Floor Sign



Push To Exit Sign**Size**

152 mm H x 152 mm W
(6" H x 6" W)

Description & Use

Push To Exit Sign is used to inform type of action needed to activate door. Sign is to be installed on doors to all exits where push motion is needed to activate door.

Message Configuration

(Refer to layout drawing for lettering sizes and dimensions)

Sign Components

Acrylic Plaque

Graphic Process

Silk-screened.

Colors

Text: Refer to Color Chart.

Background: Refer to Color Chart.

Typography

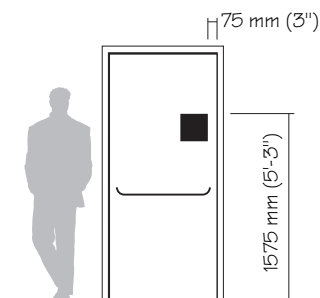
Helvetica Medium

Mounting

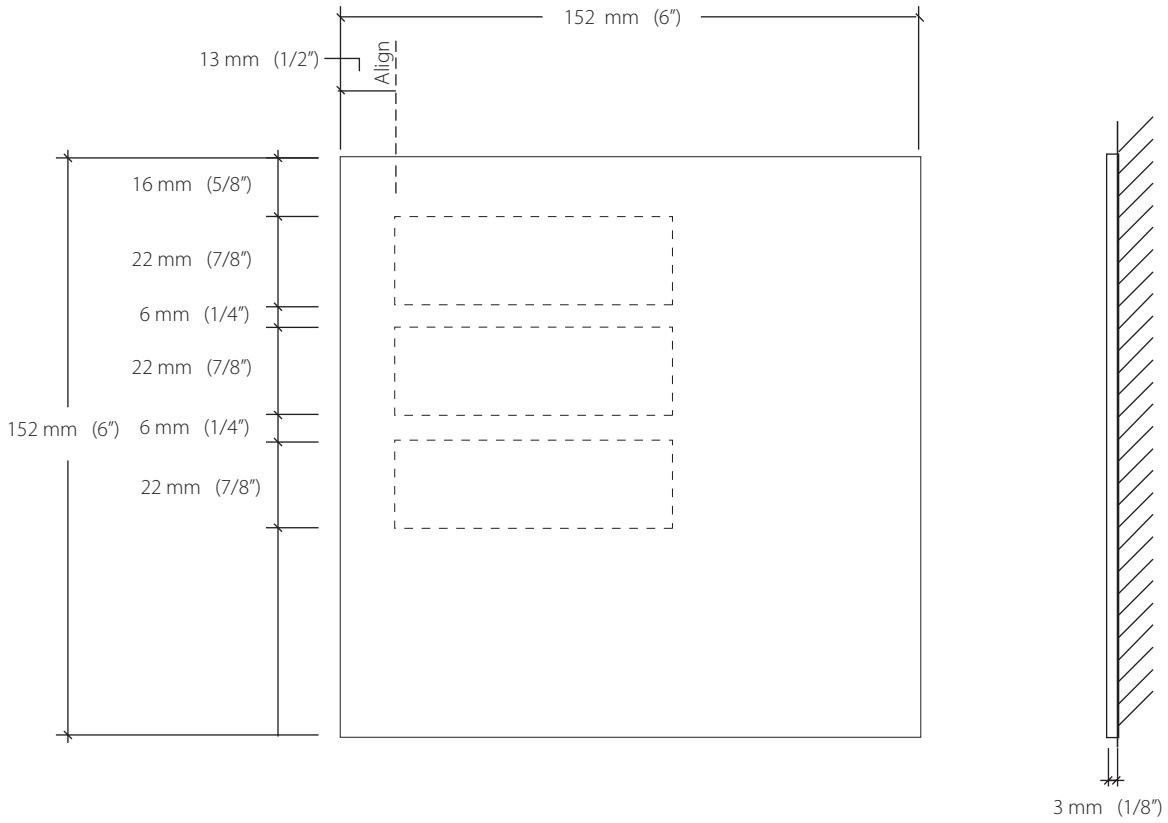
Double sided foam tape or silastic adhesive.

Installation

Knob side of door, 1575 mm (63") to top of sign and 50 mm (2") over from door frame.



Push To Exit Sign



Emergency Push To Open Sign**Size**

76 mm H x 229 mm W
(3" H x 9" W)

Description & Use

Emergency Push To Open Sign is used to inform type of action needed to activate door in case of an emergency. Sign is to be installed next to doors at all exits where push motion is needed to activate door.

Message Configuration

(Refer to layout drawing for lettering sizes and dimensions)

Sign Components

Acrylic Plaque

Graphic Process

Silk-screened.

Colors

Text: Refer to Color Chart.

Background: Refer to Color Chart.

Typography

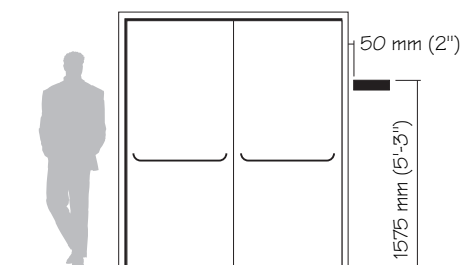
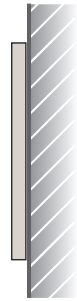
Helvetica Condensed Bold

Mounting

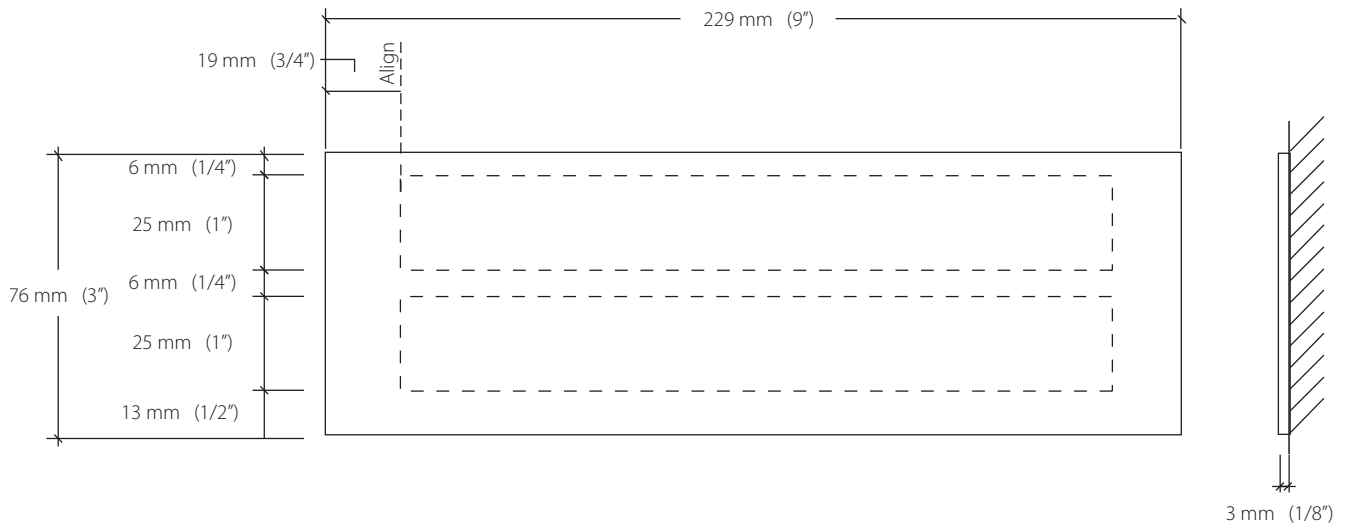
Double sided foam tape or silastic adhesive.

Installation

Knob side of door, 1575 mm (63") to top of sign and 50 mm (2") over from door frame.



Push To Exit Sign



Emergency Slide To Open Sign**Size**

76 mm H x 229 mm W
(3" H x 9" W)

Description & Use

Emergency Slide To Open Sign is used to inform type of action needed to activate door in case of an emergency. Sign is to be installed next to doors at all exits where slide motion is needed to activate door.

Message Configuration

(Refer to layout drawing for lettering sizes and dimensions)

Sign Components

Acrylic Plaque

Graphic Process

Silk-screened.

Colors

Text: Refer to Color Chart.

Background: Refer to Color Chart.

Typography

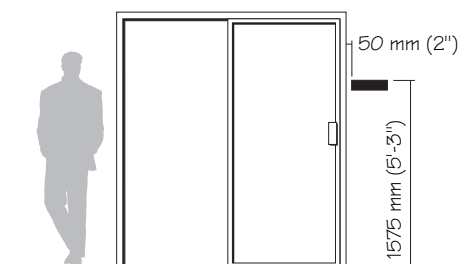
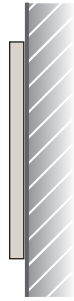
Helvetica Condensed Bold

Mounting

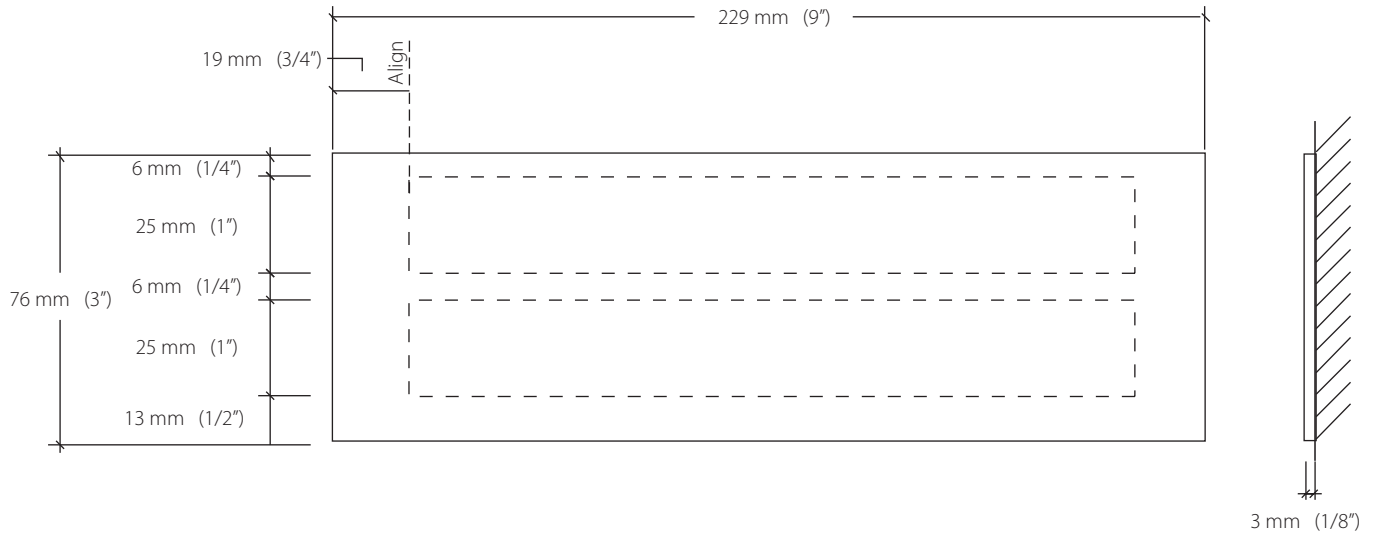
Double sided foam tape or silastic adhesive.

Installation

Knob side of door, 1575 mm (63") to top of sign and 50 mm (2") over from door frame.



Emergency Slide To Open Sign



Size

229 mm H x 229 mm W
(9" H x 9" W)

Description & Use

Direction of Exit Sign used to indicate direction egress. Sign is to be installed next to doors at all exits where direction is needed to exit.

Message Configuration

(Refer to layout drawing for lettering sizes and dimensions)

Sign Components

Acrylic Plaque

Graphic Process

Silk-screened.

Colors

Text: Refer to Color Chart.
Background: Refer to Color Chart.

Typography

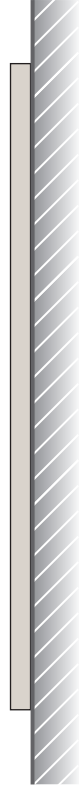
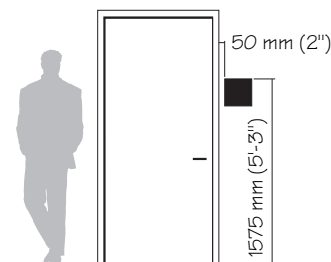
Helvetica Medium

Mounting

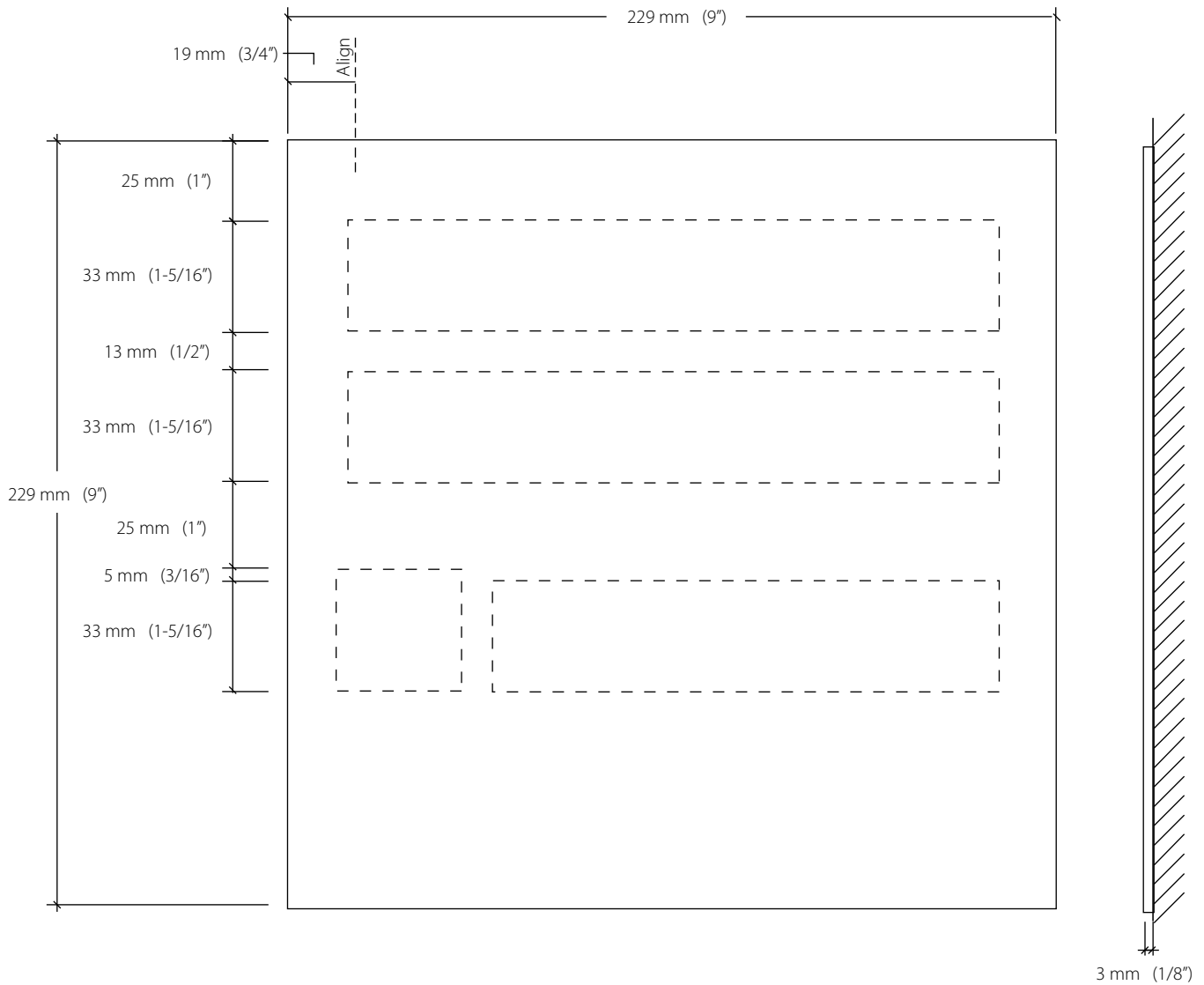
Double sided foam tape or silastic adhesive.

Installation

Knob side of door, 1575 mm (63") to top of sign and 50 mm (2") over from door frame.

Direction Of Exit Sign**Message Layout A****Message Layout B**

Direction Of Exit Sign



No Re-entry Sign**Sign Size**

229 mm H x 229 mm W
(9" H x 9" W)

Description & Use

No Re-entry Sign is used to identify an exit door which when used will not allow re-entry into room, floor or building.

Message Configuration

(Refer to layout drawing for lettering sizes and dimensions)

Sign Components

Acrylic Plaque

Graphic Process

Silk-screened

Colors

Text: Refer to Color Chart.
Background: Refer to Color Chart.

Typography

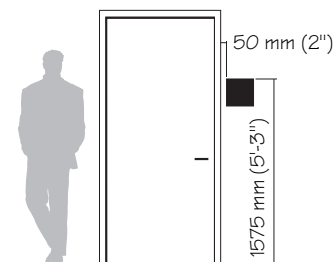
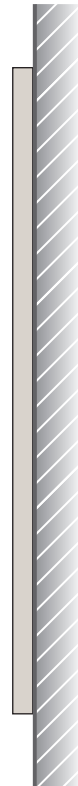
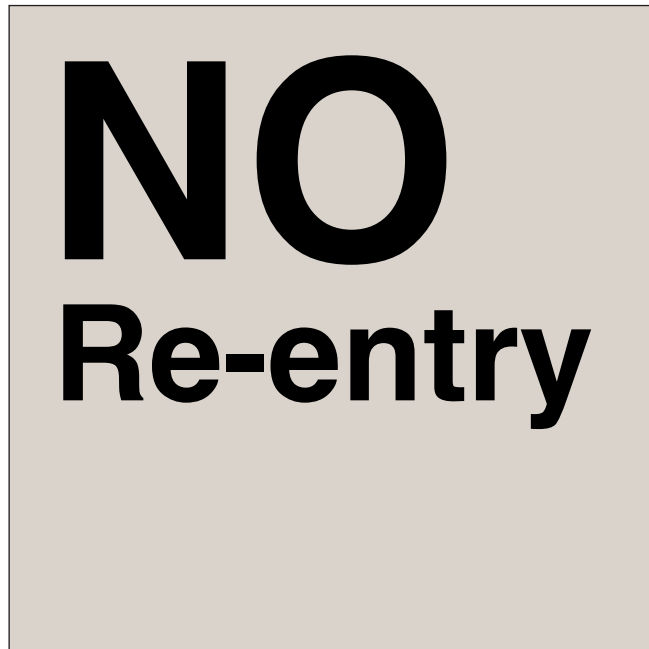
Helvetica Medium

Mounting

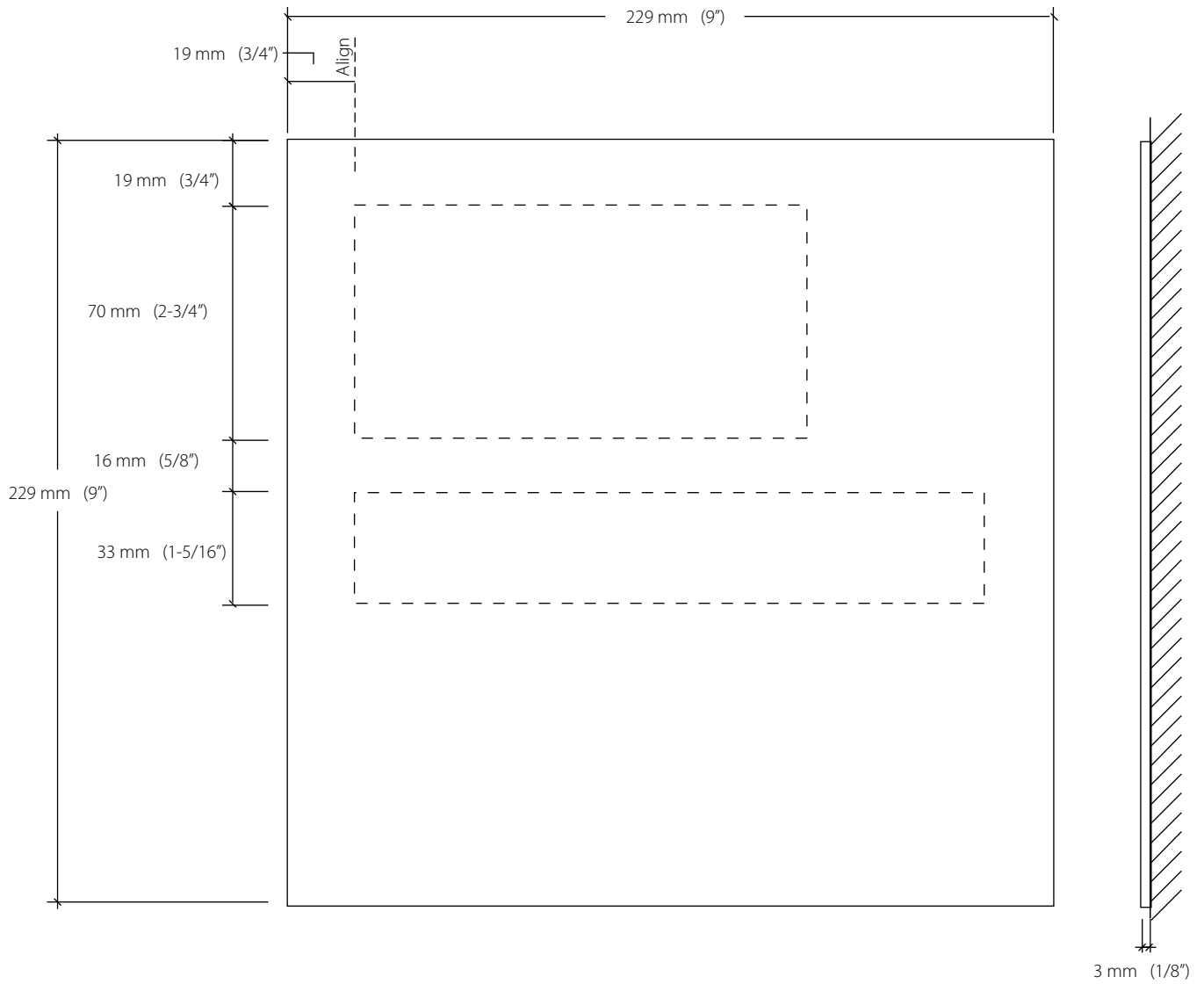
Double sided foam tape or silastic adhesive.

Installation

Centered on door, 1575 mm (63")
to top of sign



No Re-entry Sign



IN-01.31

Code & Life Safety Signs

Fire Equipment Identification Sign

Sign Size

229 mm H x 229 mm W
(9" H x 9" W)

Description & Use

Fire Equipment Identification Sign is a flag sign used to locate fire equipment cabinet.

Message Configuration

(Refer to layout drawing for lettering sizes and dimensions)

Sign Components

Acrylic Plaque with aluminum bracket for flag mounting

Graphic Process

Silk-screened

Colors

Text & Symbol: White - T1
Background: Red - B3
Bracket: Aluminum - P2

Typography

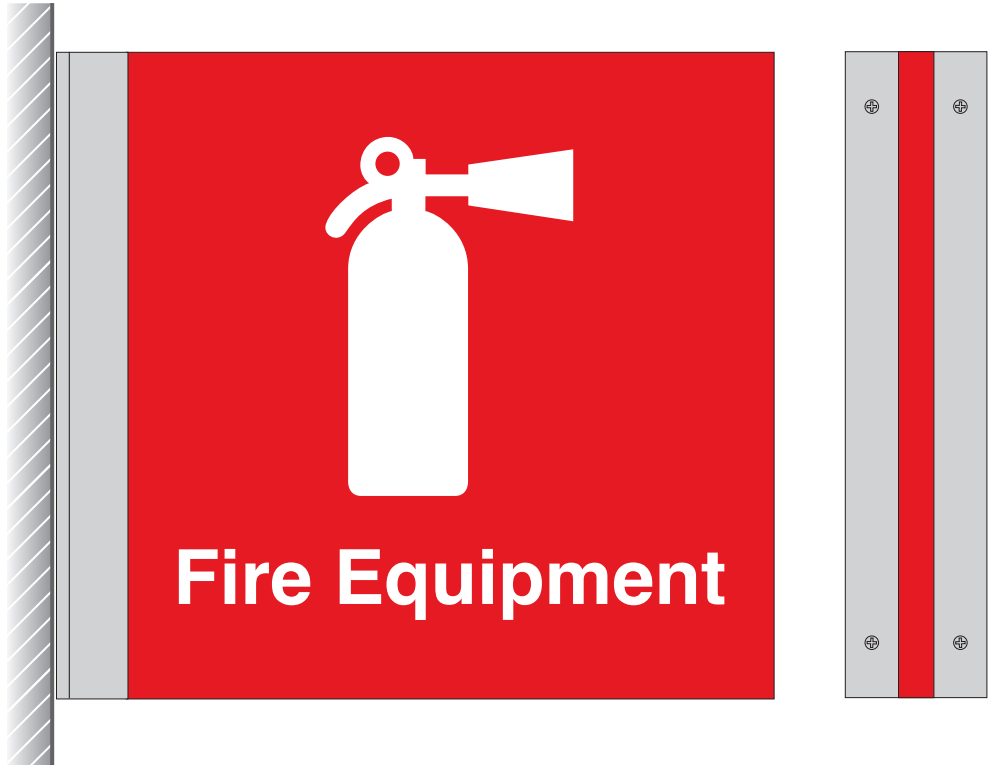
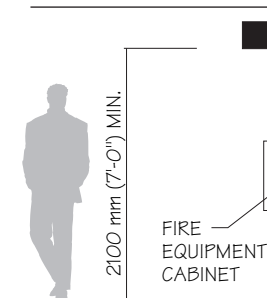
Helvetica Medium

Mounting

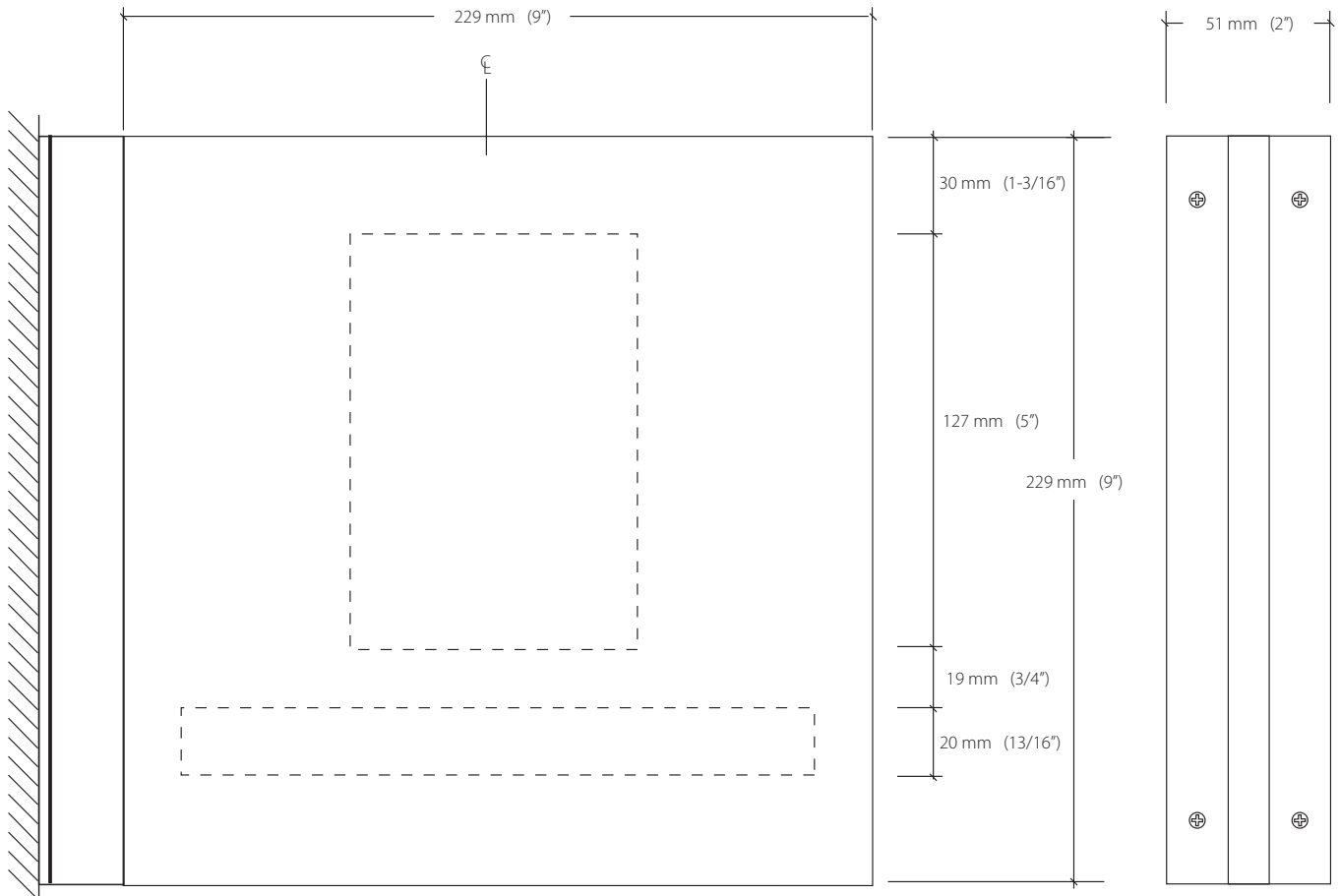
Double sided foam tape or silastic adhesive and mechanical fasteners with anchors.

Installation

Centered above fire equipment cabinet a 2100mm (7'-0") to bottom of sign, mechanically fastened to wall with expandable anchors as needed for wall type.

**Side A****Side B**

Fire Equipment Identification Sign



Pregnancy Notification Sign

Sign Size

152 mm H x 152 mm W
(6" H x 6" W)

Description & Use

Pregnant notification sign is use convey a request for patient information. Sign is placed in patient waiting areas and treatment rooms.

Message Configuration

(Refer to layout drawing for lettering sizes and dimensions)

Sign Components

Acrylic Plaque

Graphic Process

Silk-screened

Colors

Text: Refer to Color Chart.

Background: Refer to Color Chart.

Typography

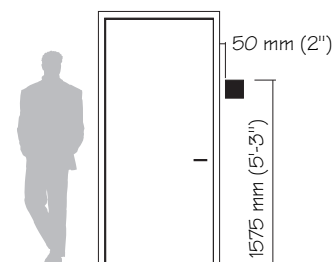
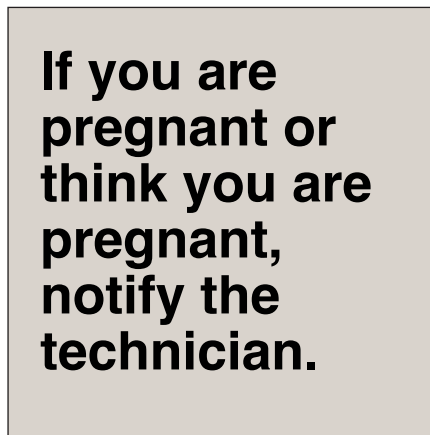
Helvetica Medium

Mounting

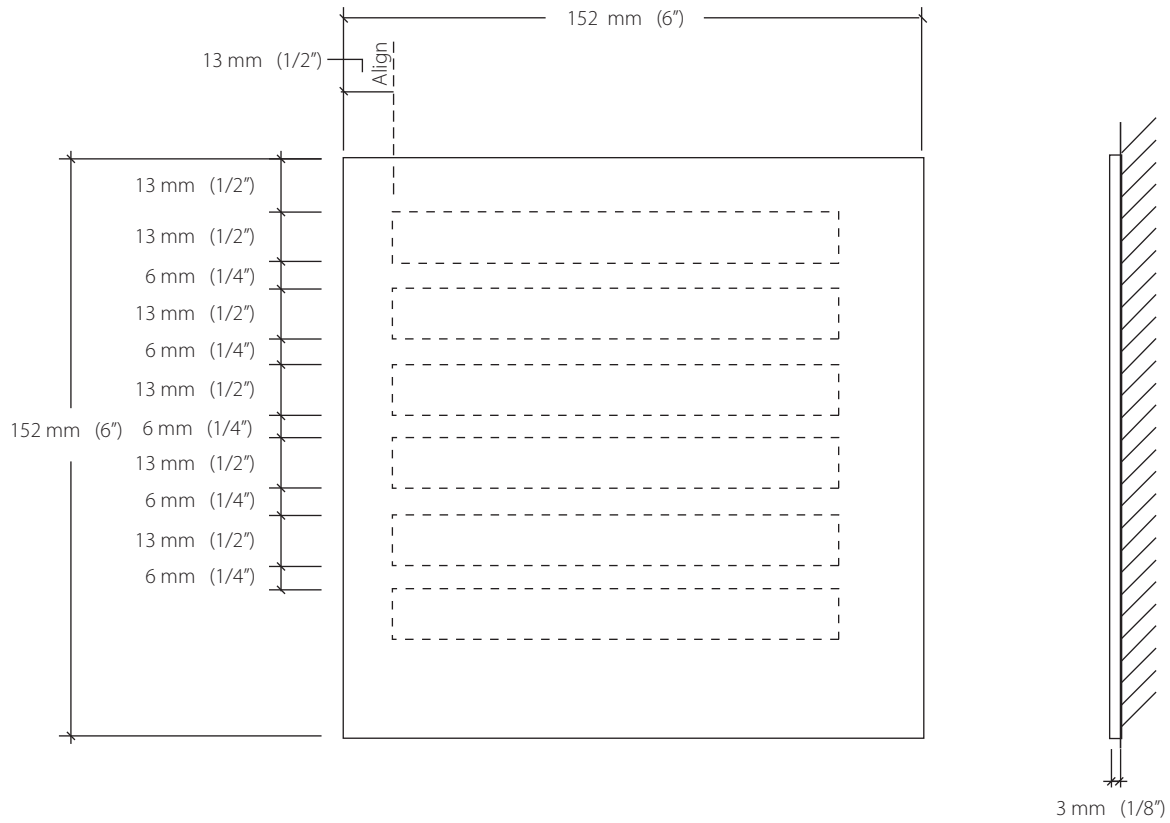
Double sided foam tape or silastic adhesive.

Installation

Centered on door, 1575 mm (63") to top of sign



Pregnant Notification Sign



Re-entry Sign

Sign Size

229 mm H x 229 mm W
(9" H x 9" W)

Description & Use

Re-entry Sign is used to identify an entry door which when used will allow re-entry into room, floor or building.

Message Configuration

(Refer to layout drawing for lettering sizes and dimensions)

Sign Components

Acrylic Plaque

Graphic Process

Silk-screened

Colors

Text: Refer to Color Chart.
Background: Refer to Color Chart.

Typography

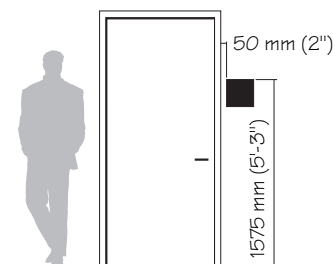
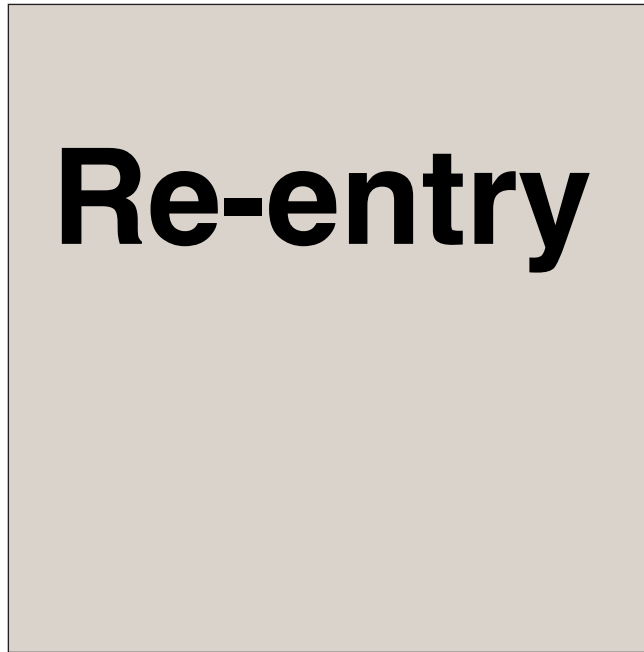
Helvetica Medium

Mounting

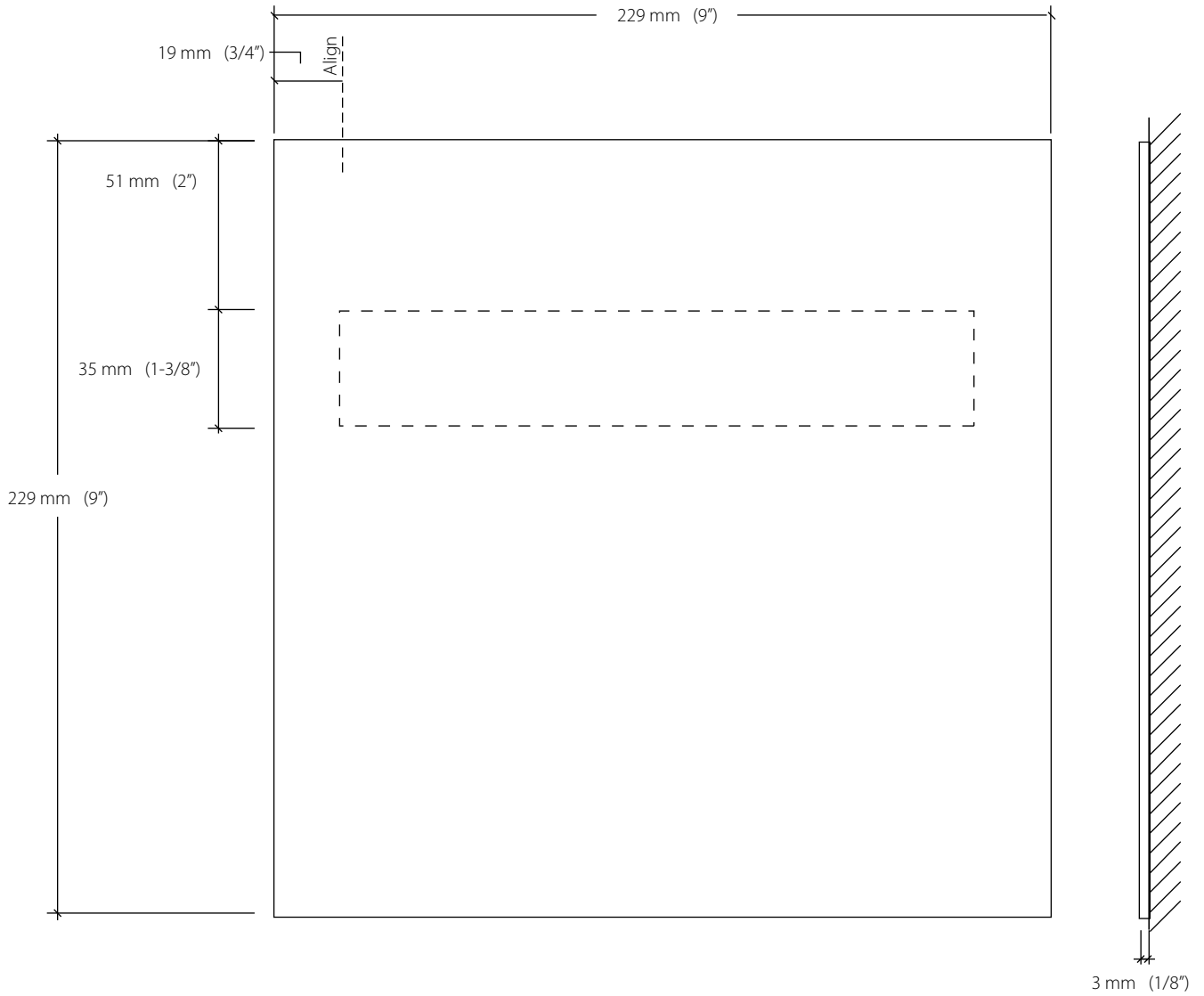
Double sided foam tape or silastic adhesive.

Installation

Centered on door, 1575 mm (63")
to top of sign



Re-entry Sign



The specifications for interior signs are available in the Master Construction Specifications area of the VA Technical Information Library.

http://www.va.gov/facmgt/standard/spec_10.asp

Refer to Specification 10440.

For more information regarding specifications, contact the Office of Facilities Management, Standards Service.

The specifications will require editing to eliminate signs that are not needed and to adapt the specifications to the specific project for which they are intended.

The specifications require close coordination taking into account the existing sign program at a medical center, sign maintenance and future signing needs.

The sign message schedule is considered a part of the specifications and would comprise the last section. Configuration of the message schedule may vary according to project requirements.

The sign message schedule form, illustrated in the Programming Section of this Handbook, lists the typical information that a sign manufacturer and installer will require.

The sign message schedule needs to be coordinated with a sign location plan drawing showing where signs are to be placed within a building or on the site. See the example in the Programming Section of this Handbook.

The Life Safety & Code sign types are constructed from painted acrylic panels with screened arrows, symbols and copy

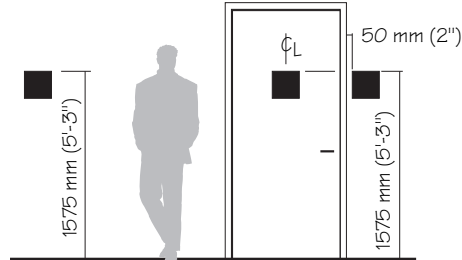
For Braille and assembled signs see Construction section from the Interior Signs portion of the manual for more information.

Placement: Wall & Door Mounted Signs

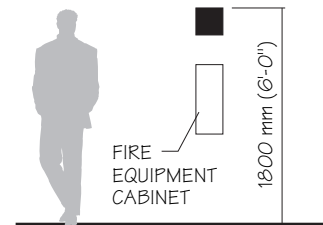
The location and placement of Life Safety & Code signs are very specific and based upon its use, function and code requirements.

Each type of sign should be installed as show in the following illustration, with out deviation. This may require that furniture be moved, bulletin boards be relocated, etc to insure that the Life Safety & Code sign is installed in its correct location.

Refer to interior sign section for installation method and materials.



Detail: 1



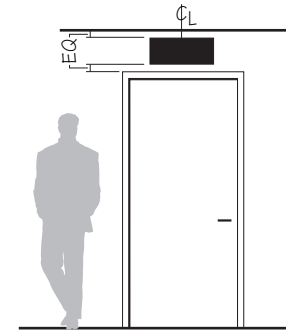
Detail: 2

LS Intallation Detail 1

Sign types: IN-01.01, IN-01.03, IN-01.05, IN-01.10, IN-01.12, IN-01.16, IN-01.17, IN-01.18, IN-01.19, IN-01.20, IN-01.21, IN-01.22, IN-01.23, IN-01.24, IN-01.25, IN-01.32, IN-01.33



Detail: 3



Detail: 4

LS Intallation Detail 2

Sign type: IN-01.02

LS Intallation Detail 3

Sign type: IN-01.04

LS Intallation Detail 4

Sign type: IN-01.07

LS Intallation Detail 5

Sign type: IN-01.08

LS Intallation Detail 6

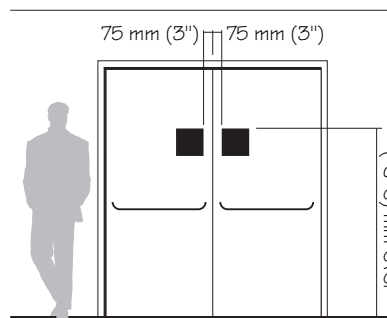
Sign type: IN-01.09

LS Intallation Detail 7

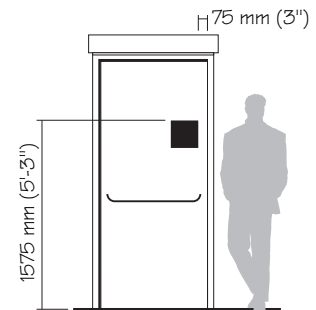
Sign type: IN-01.11

LS Intallation Detail 8

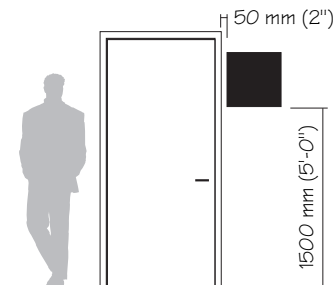
Sign type: IN-01.14



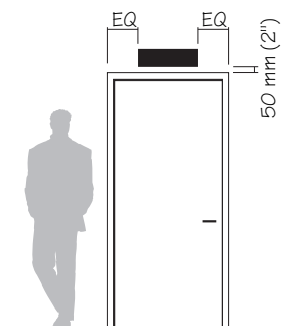
Detail: 5



Detail: 6



Detail: 7



Detail: 8

LS Installation Detail 9

Sign type: IN-01.15

LS Installation Detail 10

Sign type: IN-01.26

LS Installation Detail 11

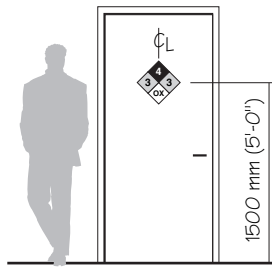
Sign type: IN-01.27

LS Installation Detail 12

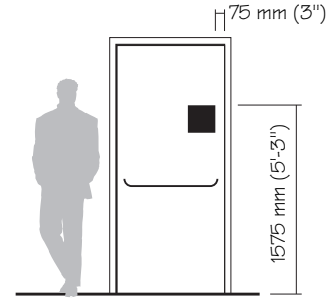
Sign type: IN-01.28

LS Installation Detail 13

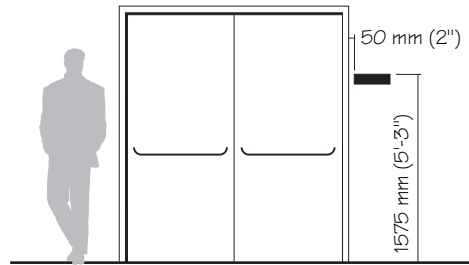
Sign type: IN-01.31



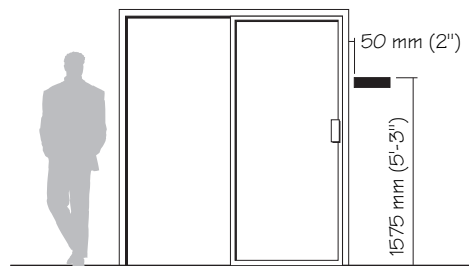
Detail: 9



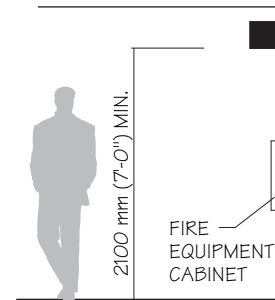
Detail: 10



Detail: 11



Detail: 12



Detail: 13

Glass Back Up

Certain signs may require that they be installed on glass because there is no available wall surface.

When this situation occurs, a blank glass back up is required to be placed on the opposite side of the glass exactly behind sign being installed.

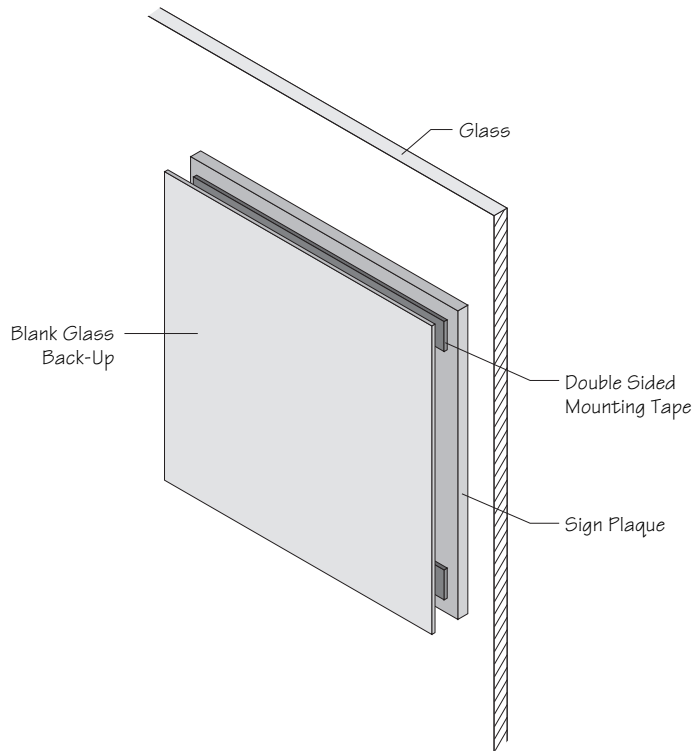
This blank opaque glass back up is to be the same size and color as the sign being installed so it effectively covers and hides the mounting of the sign to the glass.

Glass Back Up

Certain signs may require that they be installed on glass because there is no available wall surface.

When this situation occurs, a blank glass back up is required to be placed on the opposite side of the glass exactly behind sign being installed.

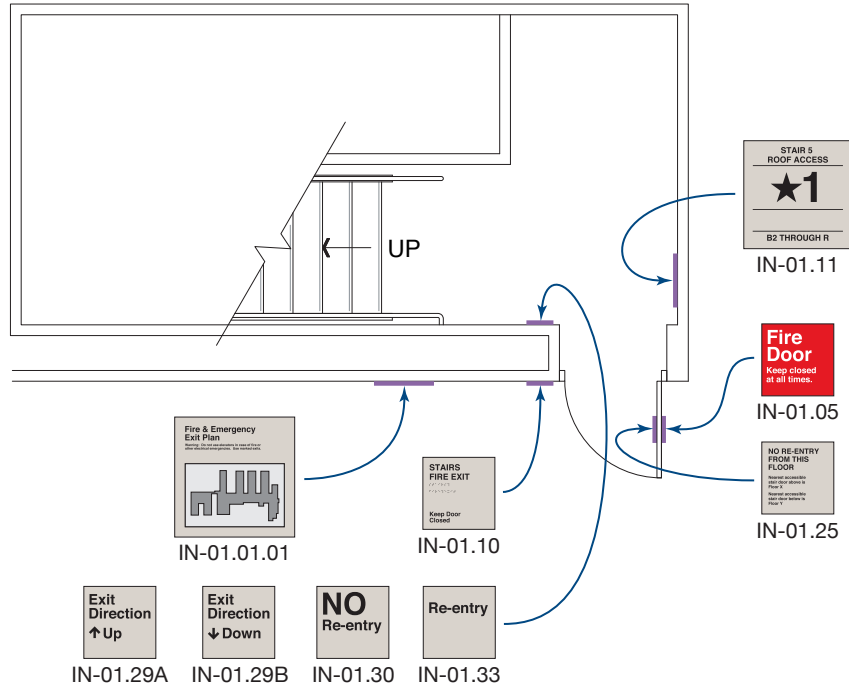
This blank opaque glass back up is to be the same size and color as the sign being installed so it effectively covers and hides the mounting of the sign to the glass.



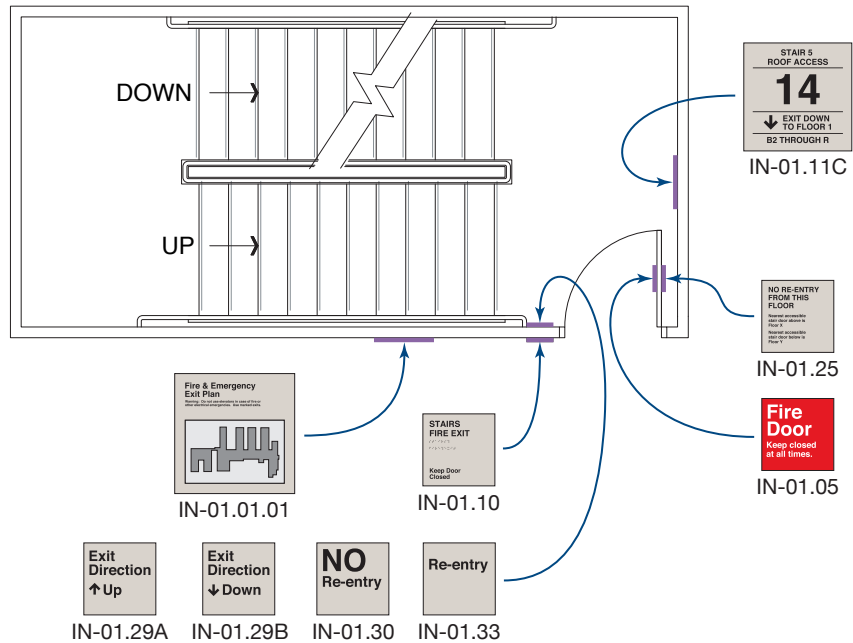
Stairwell Guide

Certain signs relating to stairs require that they be installed at specific locations as defined by what floor they are located on.

Ground Level



Intermediate Floor Levels



Roof Level

