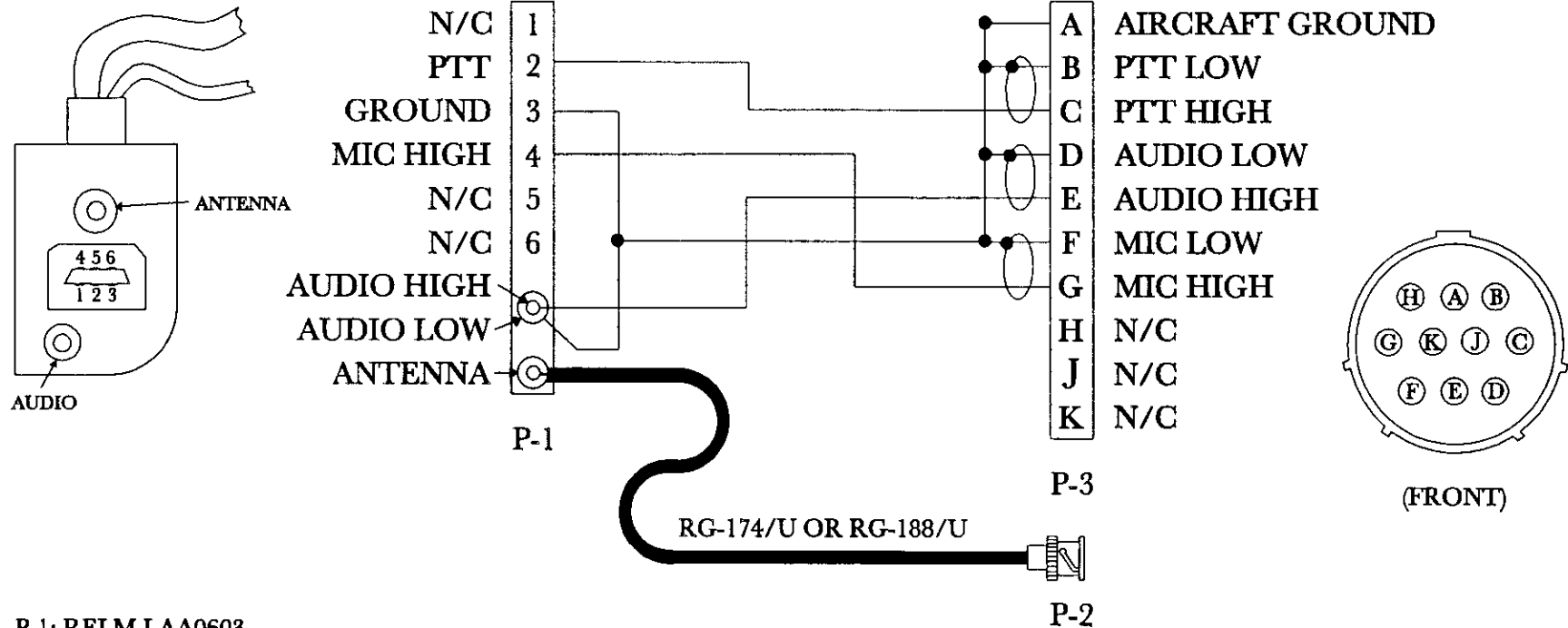


**TO RELM (KING)
RADIO**

**TO AUX-FM
CONNECTOR**



P-1: RELM LAA0603

P-2: BNC MALE (AMP 225395-7)

P-3: MS3116F12-10P (M/W MS3112E12-10S)

CONTROL CABLE: BELDEN 88777 (3 PAIR SHIELDED)

AUDIO HIGH MUST BE SHIELDED FROM MIC HIGH.

LENGTH OF ADAPTER CABLE NO LESS THAN 18 INCHES.

PRE-BUILT ADAPTER CABLES AVAILABLE FROM: NIFC (AVIONICS) OR AIR COMM (ACS 988-1).

PARTS SOURCES

RELM & B/K RADIO (KING) (800) 821-2900

ELECTRONIC CONNECTORS CORP. (800) 742-3262

SPACECRAFT COMPONENTS CORP. (310) 973-6400

NEWARK ELECTRONICS (800) 463-9275

AIR COMM SYSTEMS (909) 824-8860

RevNo	Revision note	Date	Initials	Checked	National Interagency Fire Center (NIFC)				Avionics (208) 387-5643	
A	Updated Drawing	Unknown	EK	BC	Designed by UNKNOWN	Checked by UNKNOWN	Approved by - date UNKNOWN	Filename 110101C	Date 07/07/1999	Scale NONE
B	Clarified Drawing	01/16/1997	KS	BC						
C	Clarified & Updated Drawing	06/29/1999	FAS	BC						
U.S.D.A FOREST SERVICE					AUX-FM ADAPTER FOR RELM (KING)					
					FS/OAS A-15				Revision C	Sheet 1/1