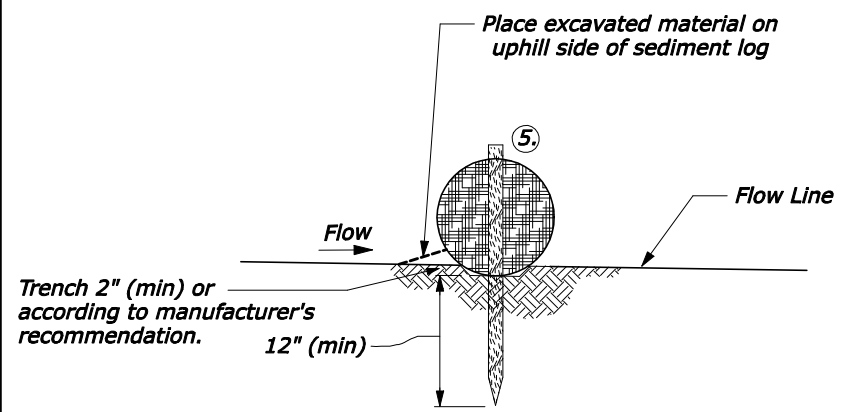
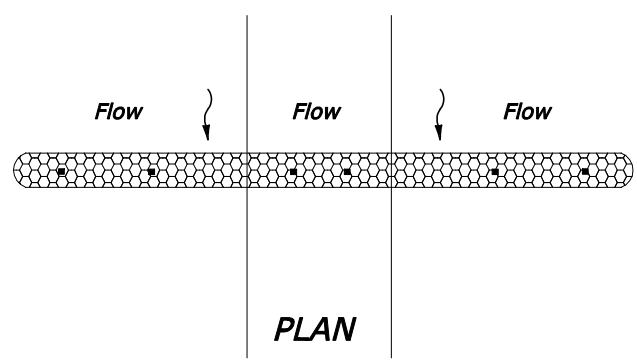


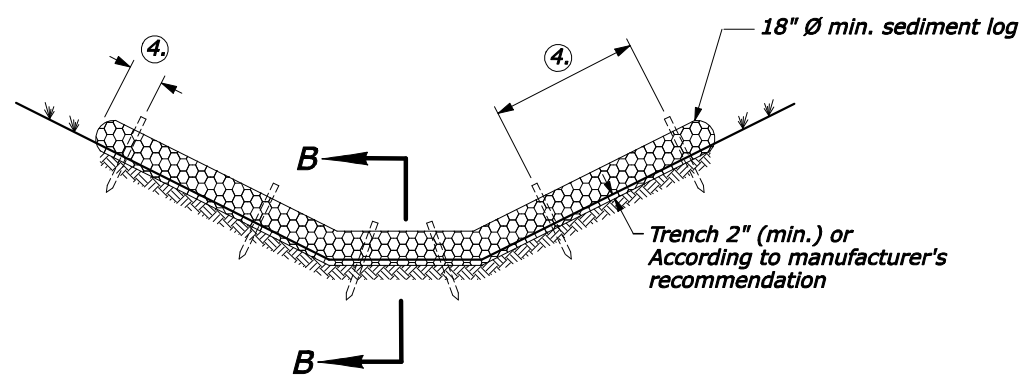
REG	STATE	PROJECT	SHEET NO.	TOTAL SHEETS



**SECTION B-B
STAKE DETAIL**

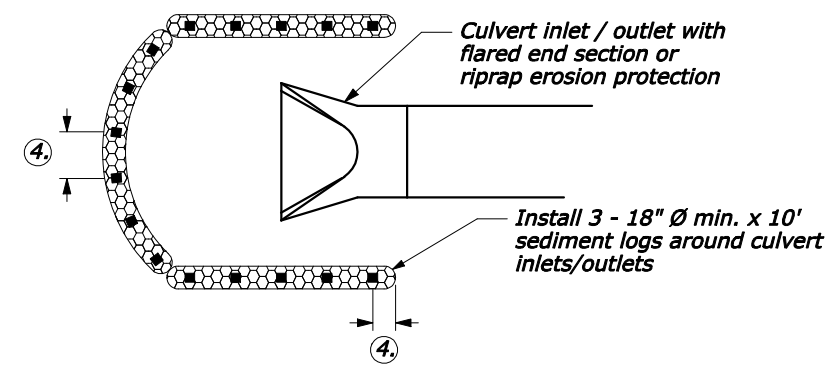


PLAN

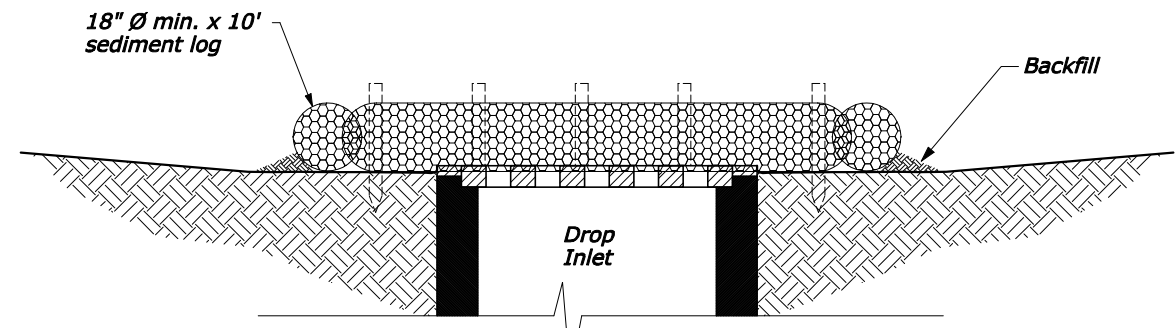


ELEVATION

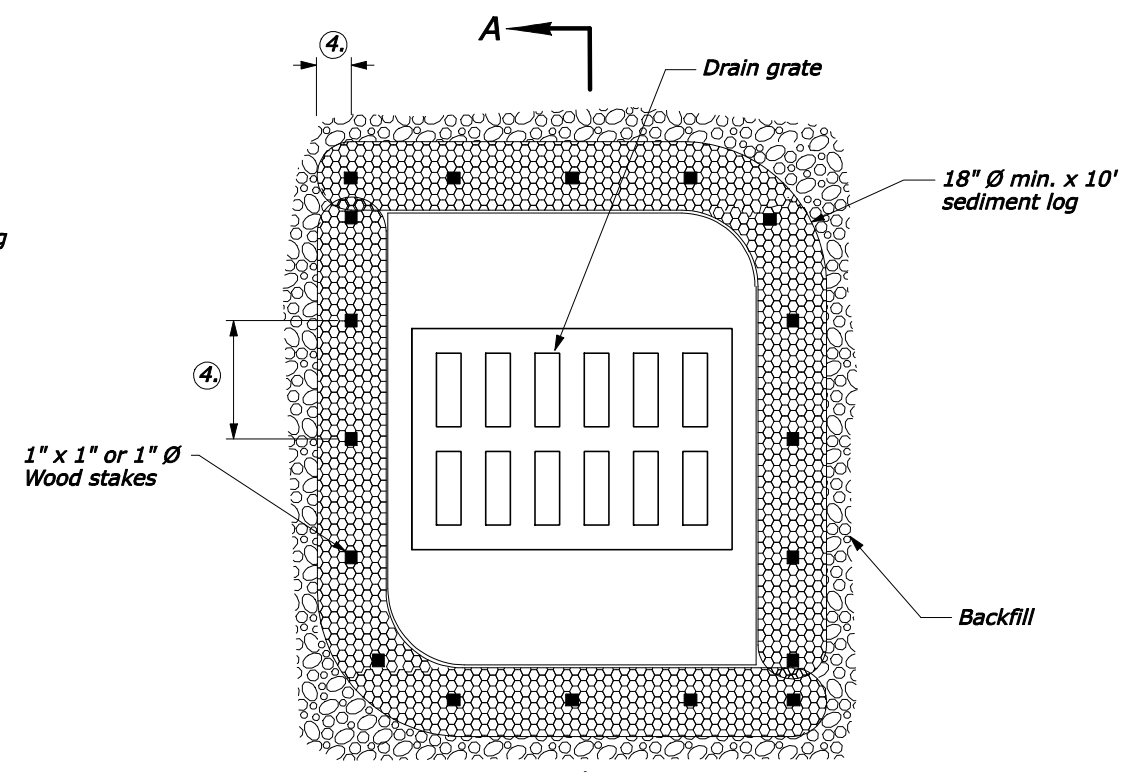
SEDIMENT LOG IN DITCH



SEDIMENT LOG AT CULVERT INLET/OUTLET



SECTION A-A



PLAN

SEDIMENT LOG AT DROP INLET

- NOTES:**
1. Install and maintain sediment logs according to the manufacturer's recommendations.
 2. Repair any rills or gullies prior to installation.
 3. Alternate stakes may be used with the approval of the CO.
 4. Stake sediment logs in place with 1" x 1" or 1" Ø wood stakes spaced no more than 24" apart, and no more than 6" from log ends, or according to manufacturer's recommendations.
 5. Drive stakes into undisturbed soil of trench bottom 12" minimum. Expose stakes 2" minimum above top of log.
 6. For culvert and drop inlet sediment barrier: Install sediment logs directly on the ground. Ensure the bottom of the log is in full contact with the ground. Do not trench below the elevation of the inlet.
 7. For sediment logs in ditch: Construct trenches parallel to the contour. Place sediment logs in continuous contact with trench bottom and sides. Tamp soil backfill against upstream side of log to ensure storm water is forced flow through log rather than under it.

**SEDIMENT LOG
SPACING IN DITCHES**

Ditch grade	Spacing
0 - 5%	50'
> 5%	30'

NO SCALE

U.S. DEPARTMENT OF TRANSPORTATION
FEDERAL HIGHWAY ADMINISTRATION
CENTRAL FEDERAL LANDS HIGHWAY DIVISION

U.S. CUSTOMARY SPECIAL

SEDIMENT LOG

DETAIL APPROVED FOR USE: _____ SPECIAL
REVISED: _____ C157-50A

4/3/2008 8:19:23 AM L:\DESIGN\WAD2\CFL Details Team\New Details - In Progress\C15750.dgn