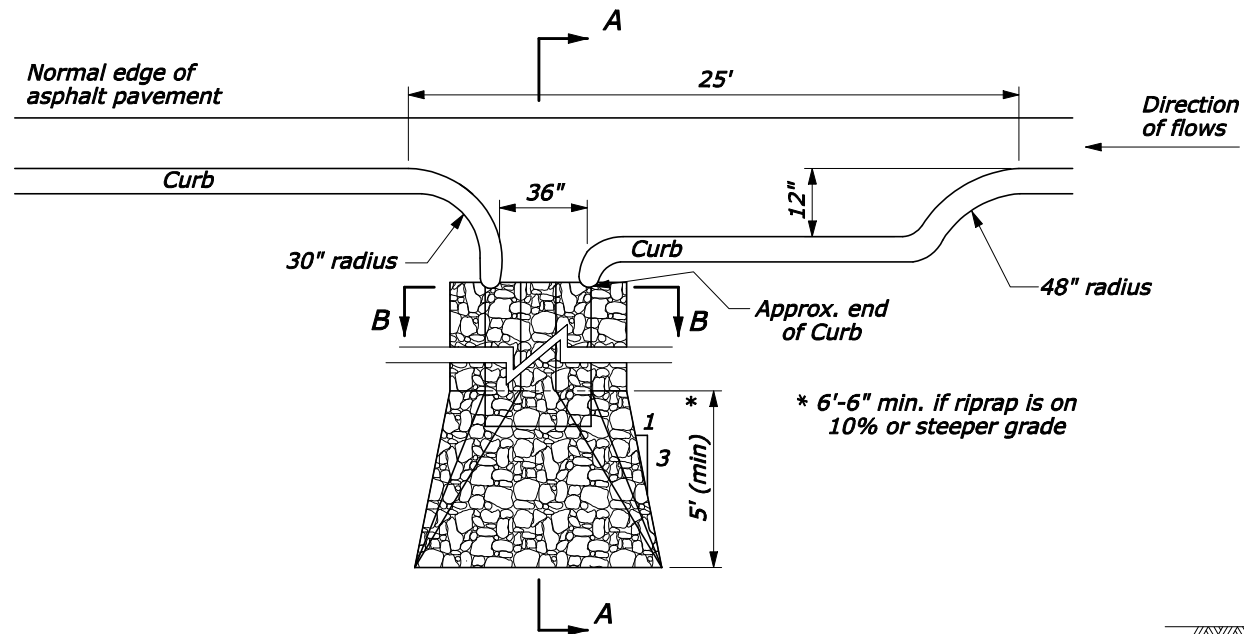
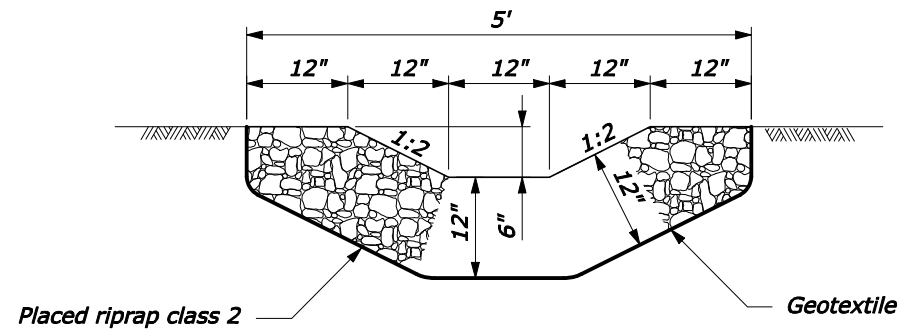


REG	STATE	PROJECT	SHEET NO.	TOTAL SHEETS



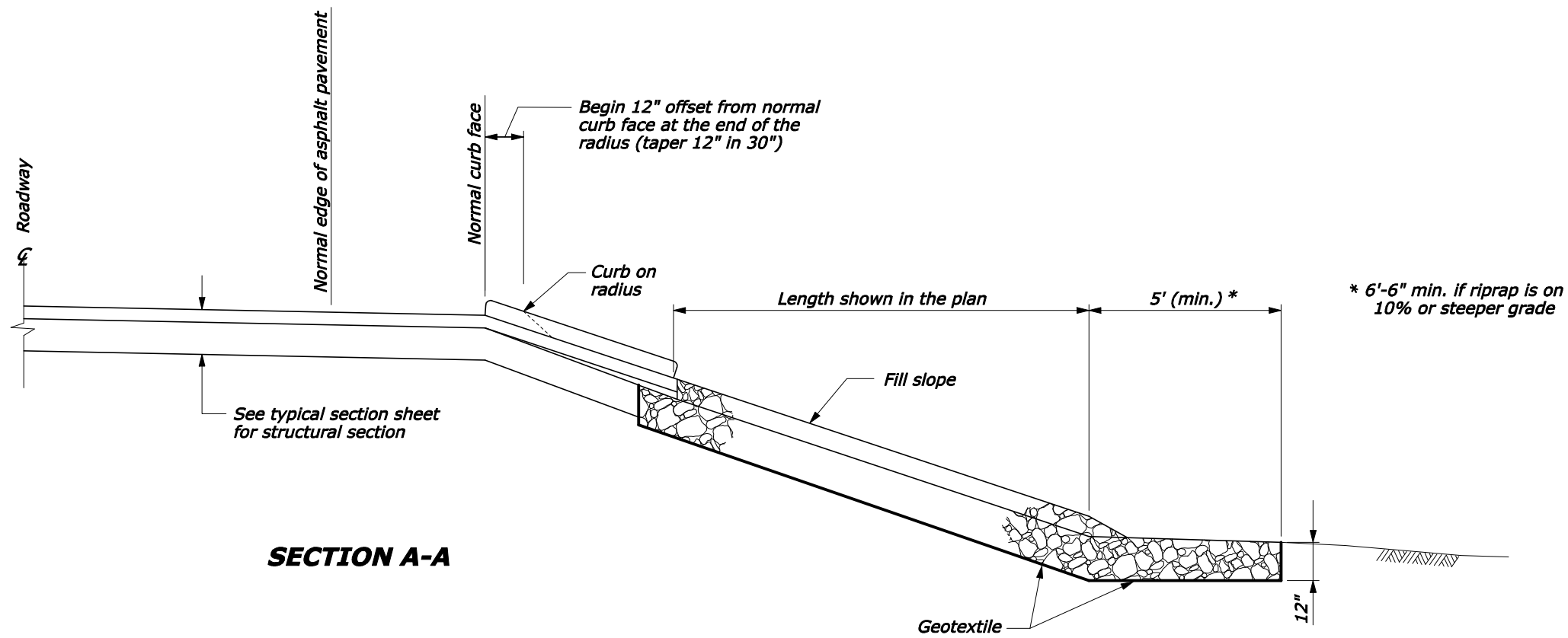
PLAN VIEW



**SECTION B-B
RIPRAP WATERWAY**

NOTE:

1. Excavation for placement of riprap waterway will not be measured for payment.
2. Material for geotextile shall conform to the requirements of subsection 714.01.
3. Furnish geotextile conforming to subsection 714.01(a), Type IV-E.



SECTION A-A

NO SCALE

U.S. DEPARTMENT OF TRANSPORTATION FEDERAL HIGHWAY ADMINISTRATION CENTRAL FEDERAL LANDS HIGHWAY DIVISION	
U.S. CUSTOMARY DETAIL	
RIPRAP WATERWAY IN CURB CUT	
DETAIL APPROVED FOR USE 07/2004	DETAIL
REVISED: 08/2006	C608-50