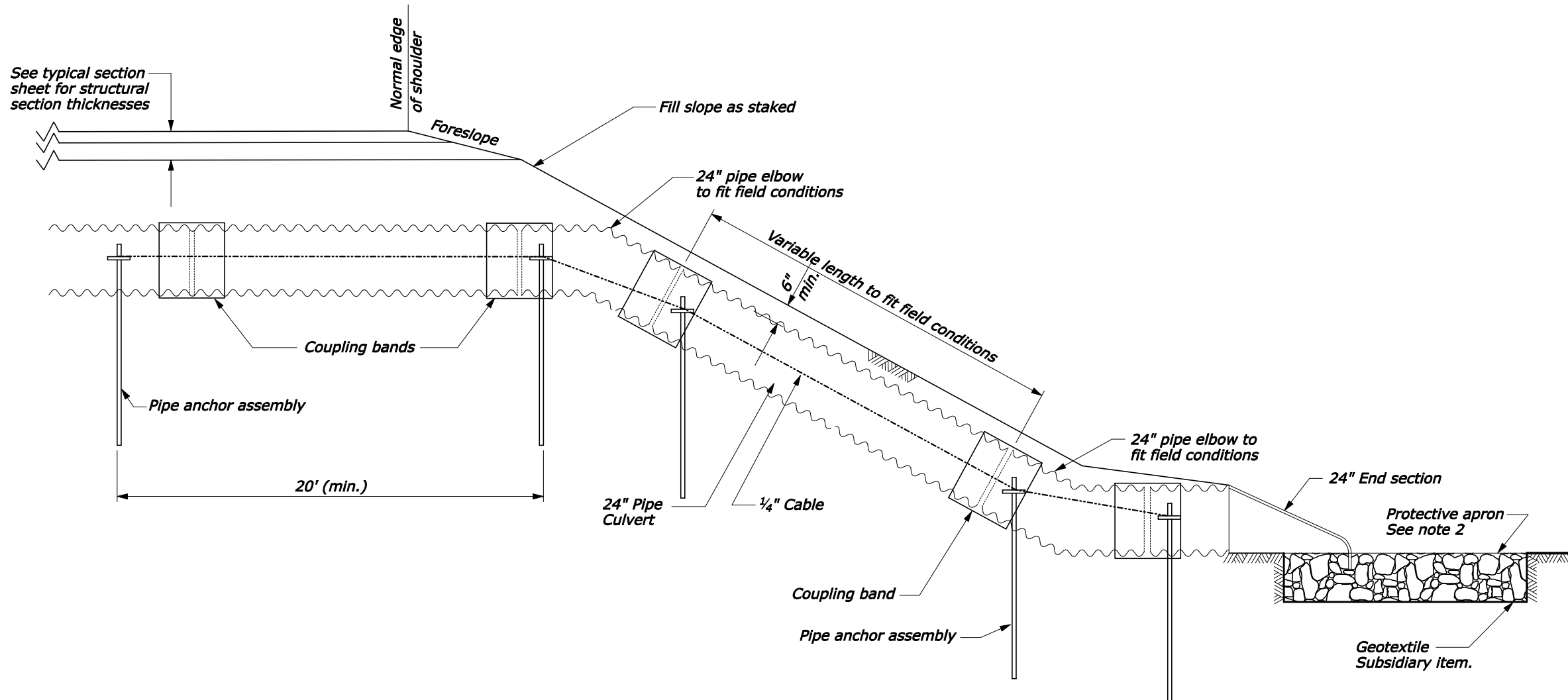
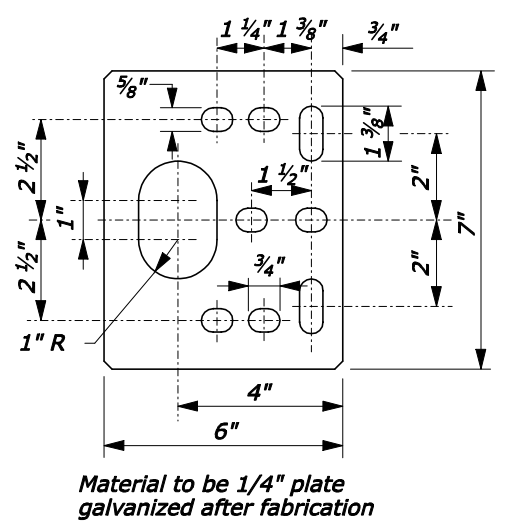
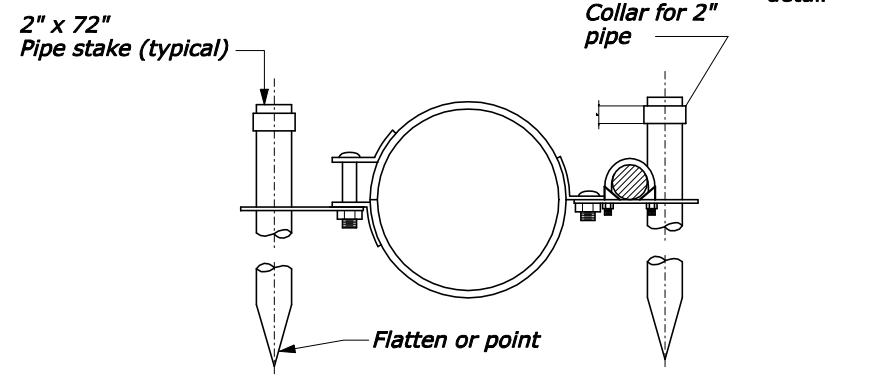
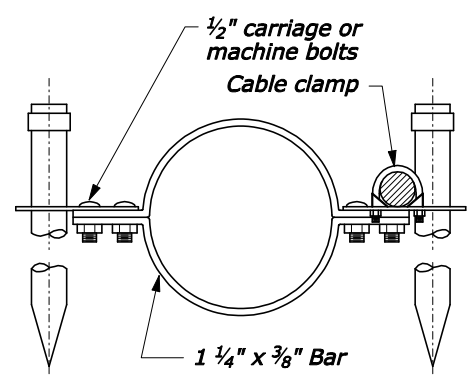
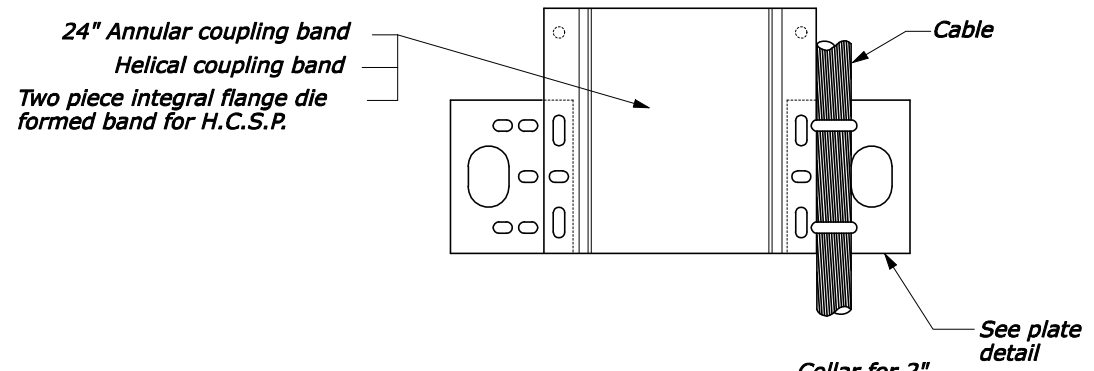
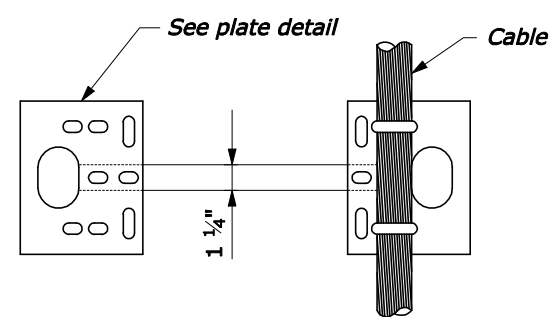


REG	STATE	PROJECT	SHEET NO.	TOTAL SHEETS



- NOTE:**
1. Furnish metal pipe culvert, elbows, and coupling bands according to section 602.
  2. Furnish riprap for protective apron according to Section 251.
  3. Furnish hardware galvanized according to AASHTO M111.
  4. Place pipe anchor assemblies at approximately 20' intervals along rundown portion of drain pipe.
  5. Other suitable pipe anchor assemblies may be used upon approval in writing by the CO.
  6. The use of the hugger band is restricted to welded spiral pipe with annular end corrugations or riveted annularly corrugated pipe.
  7. Metal pipe shown is typical. Steel, aluminum, and concrete pipes as indicated on the drainage summary sheet, may be used.
  8. Join concrete pipe in accordance with section 602 or other methods approved by the CO.
  9. Use alternate A anchor assembly only with annular corrugations. May be placed on annular or preformed end HCSP coupling band if securely fastened on downstream side of joint. Alternate B anchor assembly to be fastened to pipe sections and not to band coupler used to join sections.
  10. Use gaskets on all joints along the rundown portion of drain pipe.
  11. Pipe anchor assemblies will be paid for under Section 606.



**PIPE ANCHOR ASSEMBLY DETAILS**

PLATE DETAIL NO SCALE

U.S. DEPARTMENT OF TRANSPORTATION  
 FEDERAL HIGHWAY ADMINISTRATION  
 CENTRAL FEDERAL LANDS HIGHWAY DIVISION

U.S. CUSTOMARY DETAIL

**24" BURIED RUN DOWN AND PIPE ANCHOR ASSEMBLY**

DETAIL APPROVED FOR USE 07/2004  
 REVISIONS: 08/2006

DETAIL C602-51

8/6/2006 9:09:31 AM L:\DESIGN\42\CFL Details Team\Web Ready\C602-51.dgn