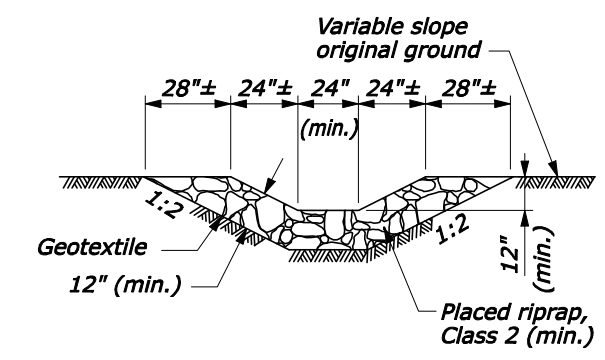
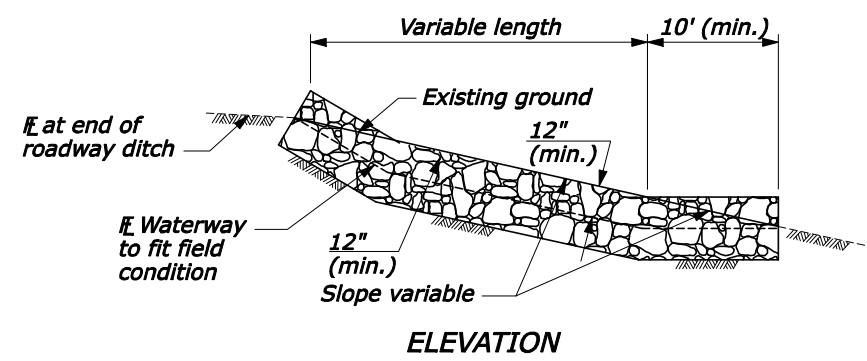
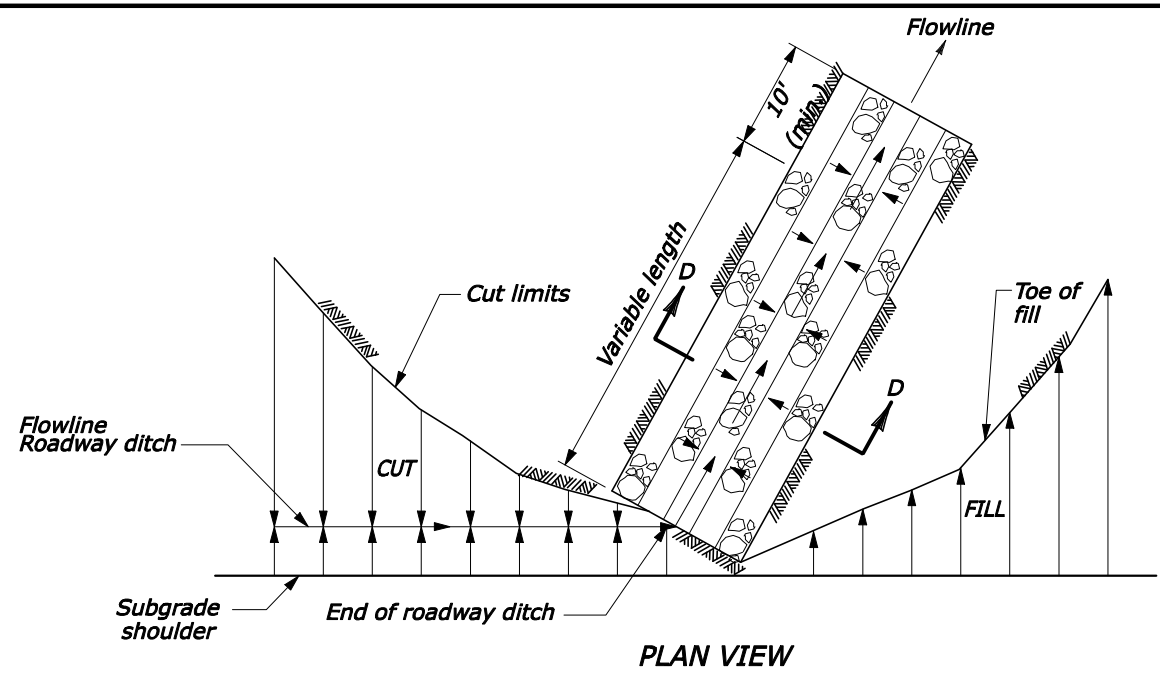


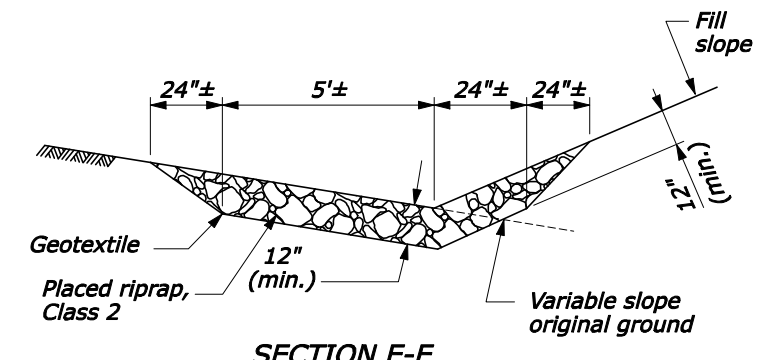
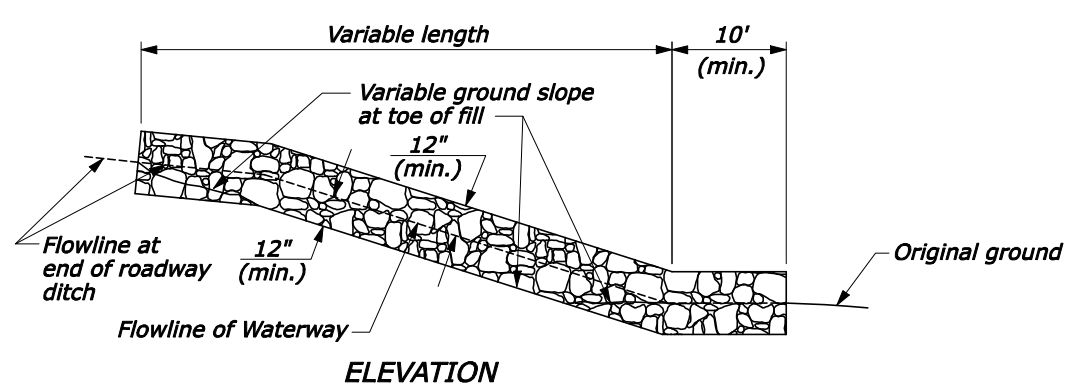
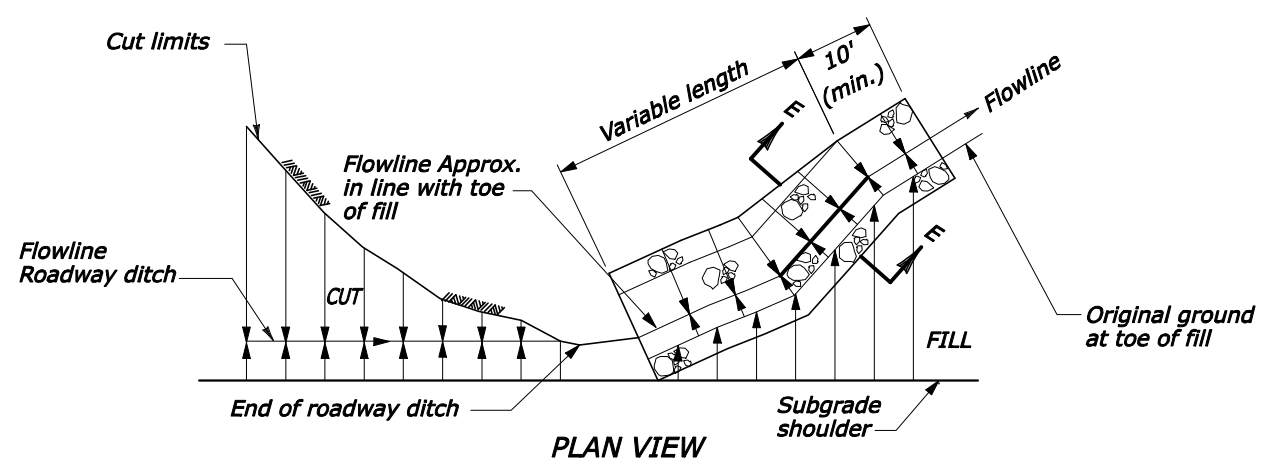
REG	STATE	PROJECT	SHEET NO.	TOTAL SHEETS

NOTE:

1. Excavation for placement of riprap will not be measured for payment.
2. Furnish geotextile materials conforming to subsection 714.01 (a), type IV-E.



TYPE 1 - NOT CONTIGUOUS TO FILL SLOPE



TYPE 2 - CONTIGUOUS TO FILL SLOPE

NO SCALE

U.S. DEPARTMENT OF TRANSPORTATION
 FEDERAL HIGHWAY ADMINISTRATION
 CENTRAL FEDERAL LANDS HIGHWAY DIVISION

U.S. CUSTOMARY DETAIL

**PLACED RIPRAP
 BETWEEN CUT AND FILL**

DETAIL APPROVED FOR USE 07/2004
 REVISIONS: 08/2006

DETAIL
 C251-51