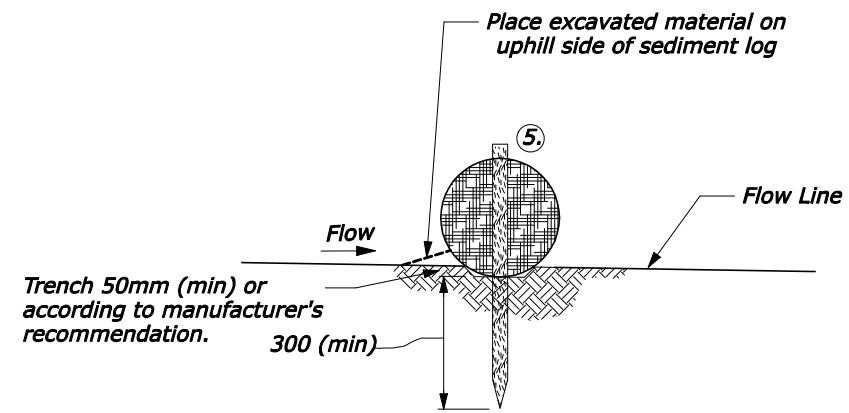
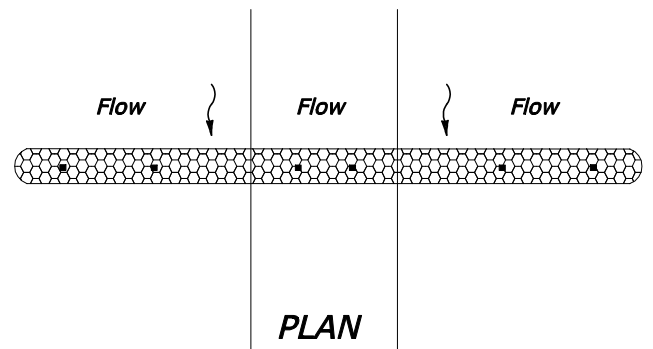


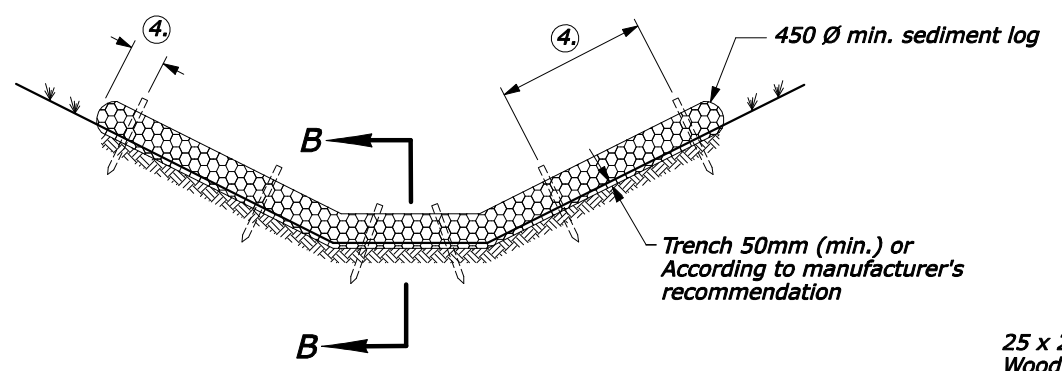
REG	STATE	PROJECT	SHEET NO.	TOTAL SHEETS



**SECTION B-B  
STAKE DETAIL**

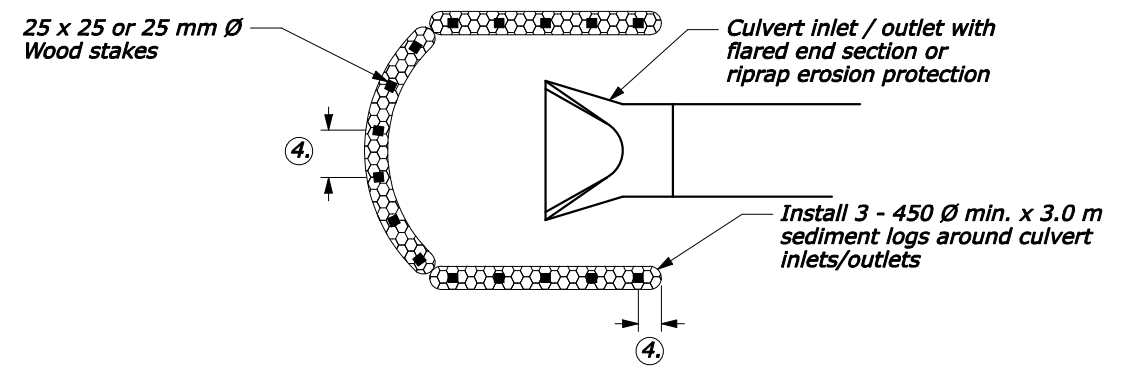


**PLAN**

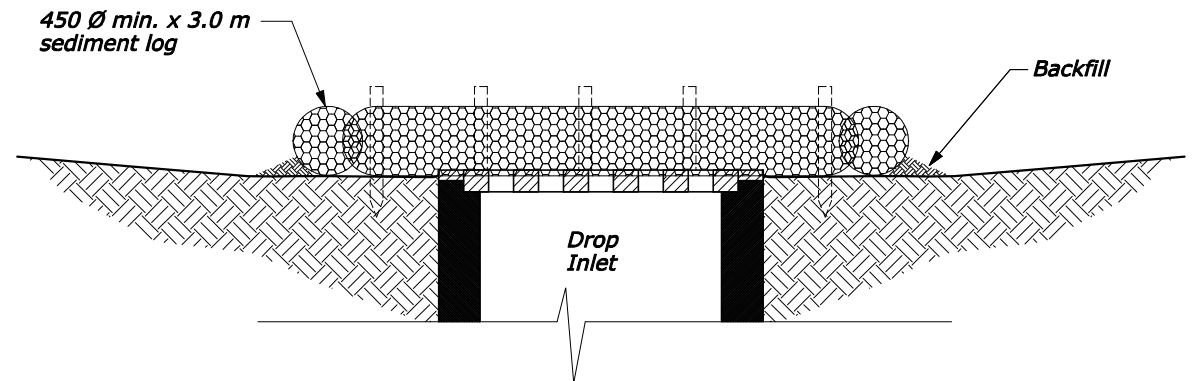


**ELEVATION**

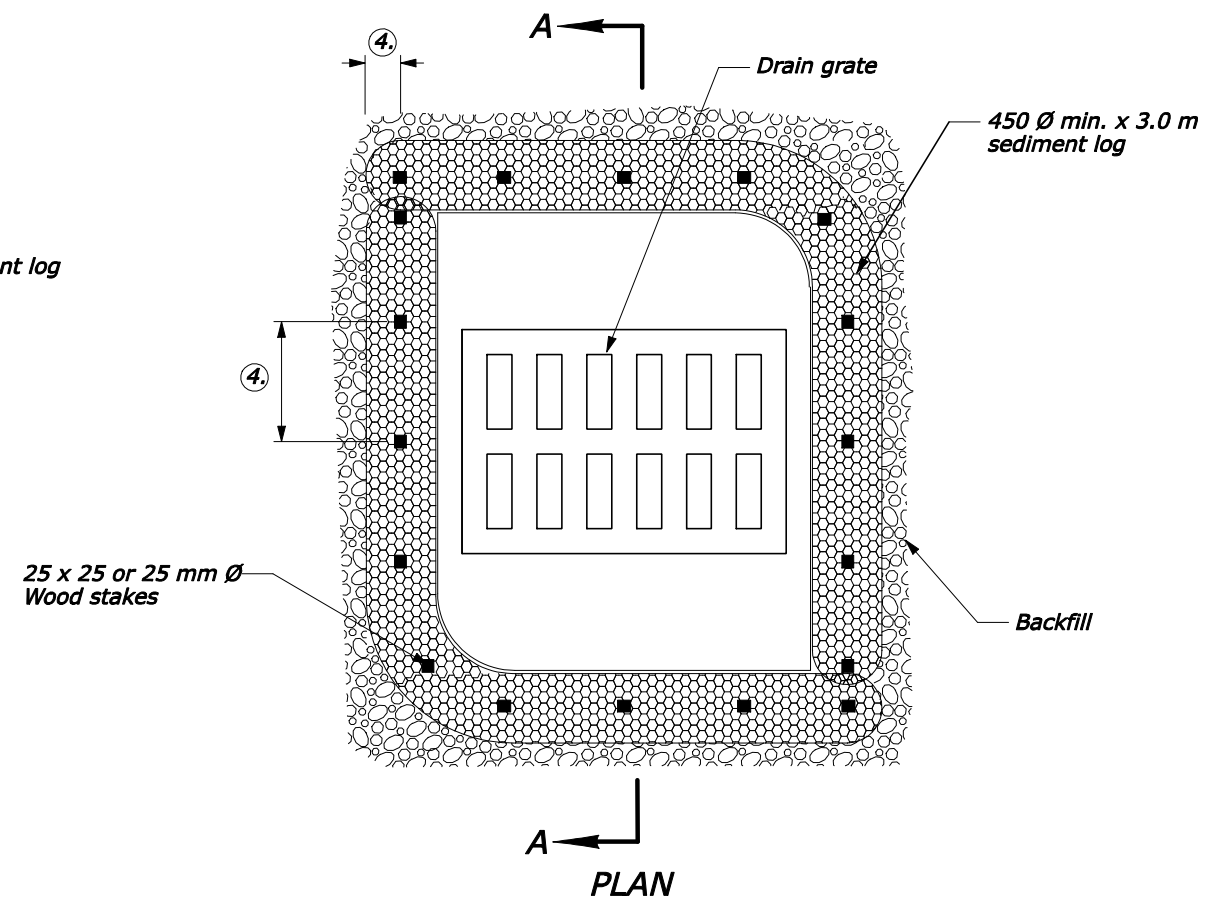
**SEDIMENT LOG IN DITCH**



**SEDIMENT LOG AT CULVERT INLET/OUTLET**



**SECTION A-A**



**SEDIMENT LOG AT DROP INLET**

- NOTES:**
1. Install and maintain sediment logs according to the manufacturer's recommendations.
  2. Repair any rills or gullies prior to installation.
  3. Dimensions not labeled are in millimeters
  4. Stake sediment logs in place with 25 x 25 or 25 mm Ø wood stakes spaced no more than 600 mm apart, and no more than 150 mm from log ends, or according to manufacturer's recommendations.
  5. Drive stakes into undisturbed soil of trench bottom 300 mm minimum. Expose stakes 50 mm minimum above top of log.
  6. Alternative stakes may be used with the approval of the CO.
  7. For culvert and drop inlet sediment barrier: Install sediment logs directly on the ground. Ensure the bottom of the log is in full contact with the ground. Do not trench below the elevation of the inlet.
  8. For sediment logs in ditch: Construct trenches parallel to the contours. Place sediment logs in continuous contact with trench bottom and sides. Tamp soil backfill against upstream side of log to ensure storm water is forced flow through log rather than under it.

**SEDIMENT LOG SPACING IN DITCHES**

Ditch grade	Spacing (meters)
0 - 5%	15
> 5%	9

NO SCALE

U.S. DEPARTMENT OF TRANSPORTATION  
FEDERAL HIGHWAY ADMINISTRATION  
CENTRAL FEDERAL LANDS HIGHWAY DIVISION  
METRIC SPECIAL

**SEDIMENT LOG**

DETAIL APPROVED FOR USE:	SPECIAL
REVISED:	M157-50A

4/3/2008 8:17:15 AM L:\DESIGN\AD2\CFL Details Team\New Details - In Progress\C15750.dgn