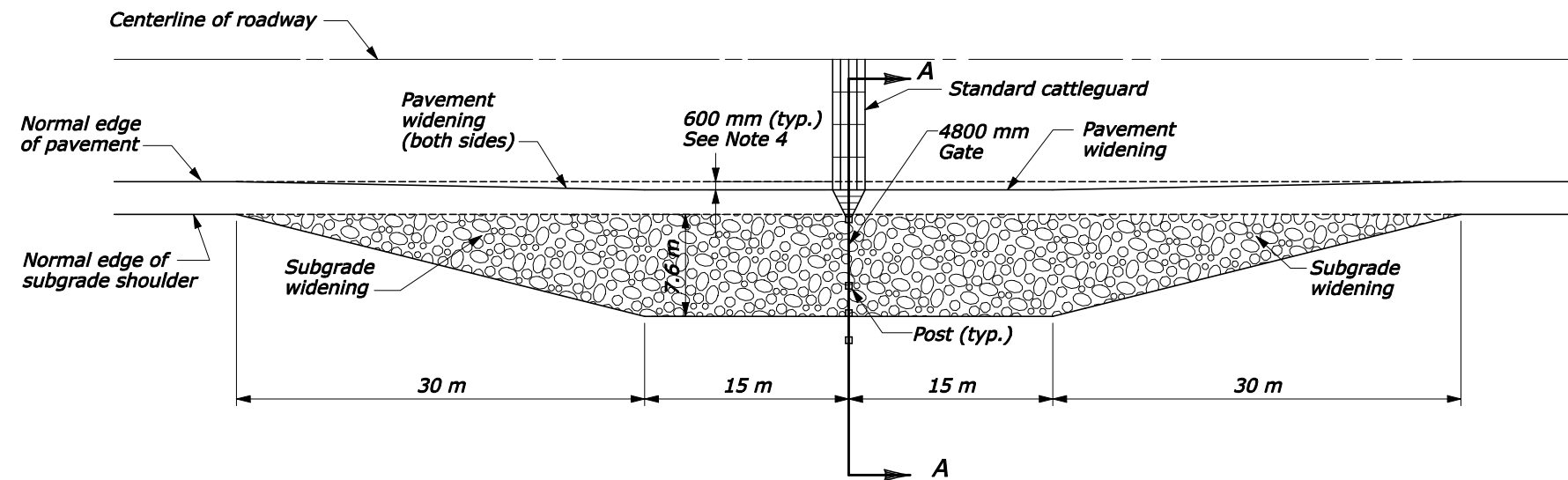


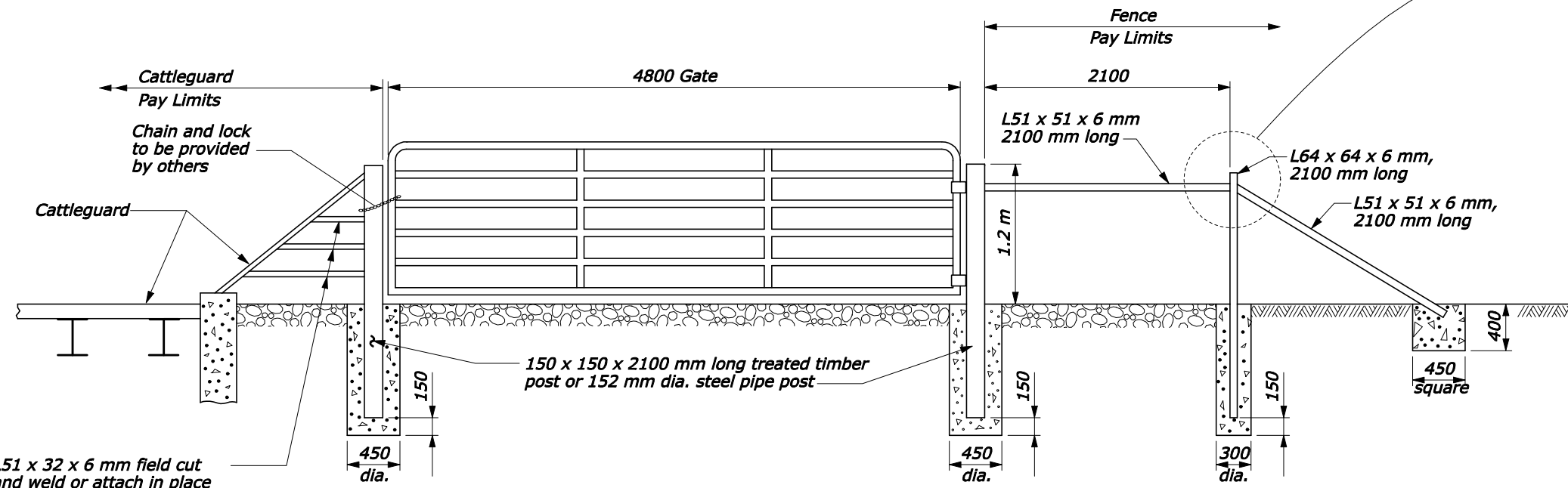
REG	STATE	PROJECT	SHEET NO.	TOTAL SHEETS

NOTE:

1. Install gate post and brace panel as shown. Use M12 x 25 mm machine bolts and nuts.
2. Paint all of the fence posts and braces the same color as the gate.
3. Furnish concrete conforming to Section 601.
4. At a minimum, cattleguard widths are shoulder-to-shoulder, or traveled way widths plus 2.4 m, whichever is greater.



PLAN



SECTION A-A

L51 x 32 x 6 mm field cut and weld or attach in place as directed when angle iron wing guard is installed. Use appropriate fencing material when wood wing guard or aluminum tubing wing guard is installed.

NO SCALE

U.S. DEPARTMENT OF TRANSPORTATION FEDERAL HIGHWAY ADMINISTRATION CENTRAL FEDERAL LANDS HIGHWAY DIVISION METRIC DETAIL	
CATTLEGUARD GATE AND WIDENING	
DETAIL APPROVED FOR USE 07/2004 REVISED: 08/2006 03/2008	DETAIL CM619-52