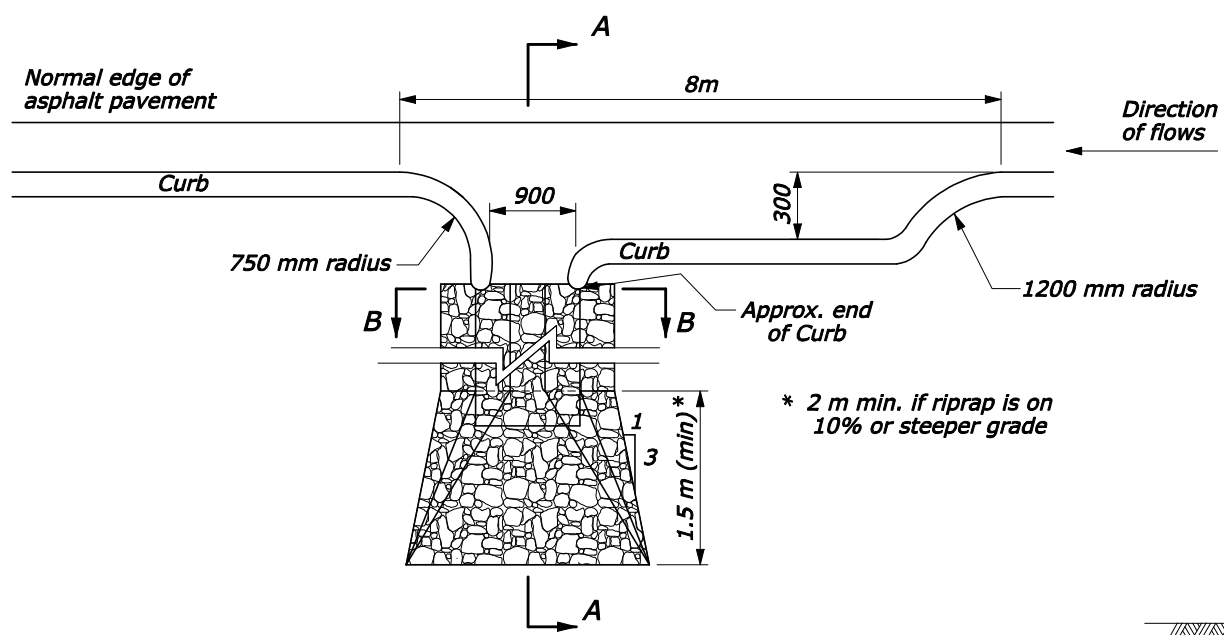
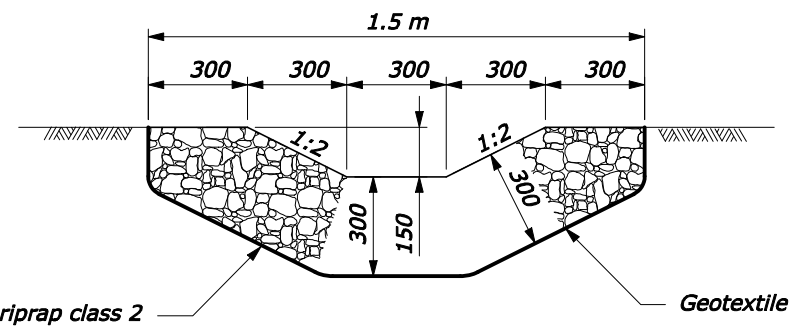


| REG | STATE | PROJECT | SHEET NO. | TOTAL SHEETS |
|-----|-------|---------|-----------|--------------|
|     |       |         |           |              |



**PLAN VIEW**

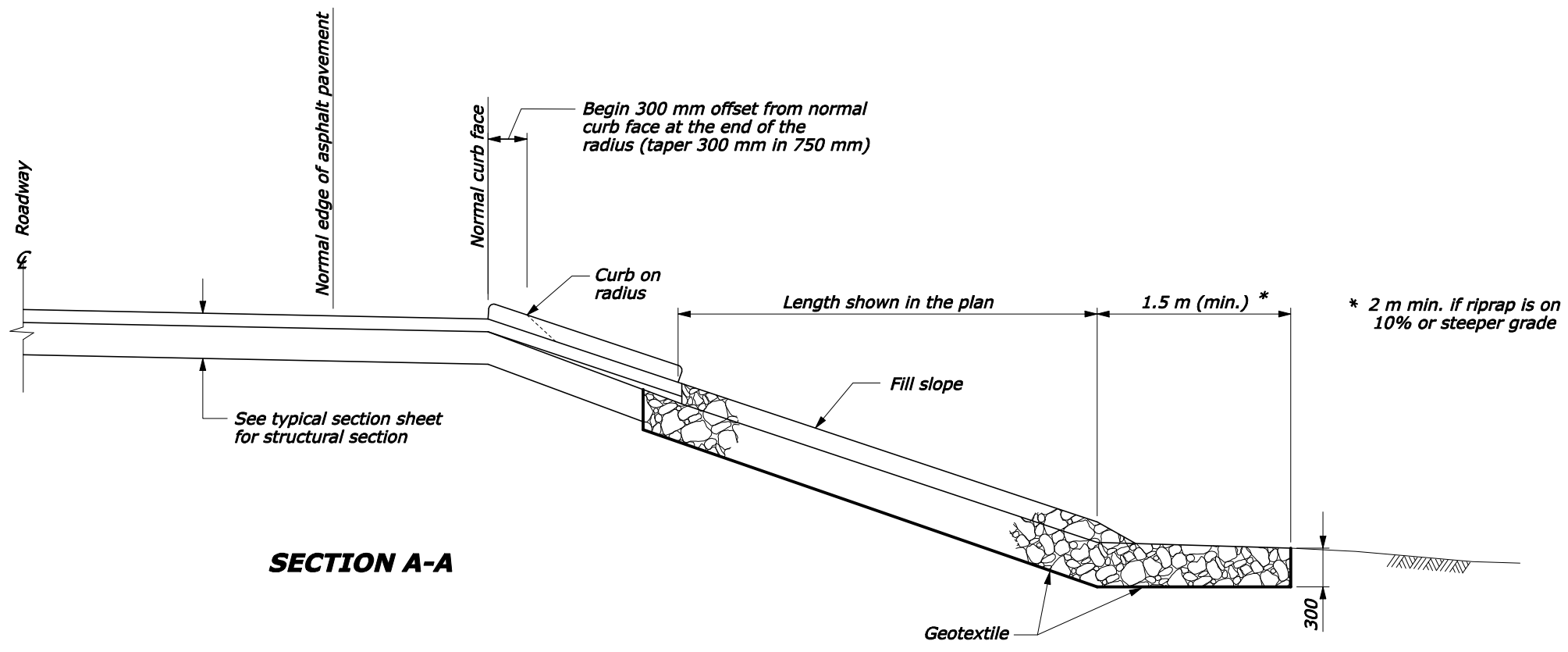
\* 2 m min. if riprap is on 10% or steeper grade



**SECTION B-B  
RIPRAP WATERWAY**

**NOTE:**

1. Excavation for placement of riprap waterway will not be measured for payment.
2. Material for geotextile shall conform to the requirements of subsection 714.01.
3. Furnish geotextile conforming to subsection 714.01(a), Type IV-E.
4. Dimensions not labeled are in millimeters.



**SECTION A-A**

See typical section sheet for structural section

NO SCALE

|   |                    |
|---|--------------------|
| U.S. DEPARTMENT OF TRANSPORTATION<br>FEDERAL HIGHWAY ADMINISTRATION<br>CENTRAL FEDERAL LANDS HIGHWAY DIVISION |                    |
| METRIC DETAIL   |                    |
| <b>RIPRAP WATERWAY<br/>IN CURB CUT</b>  |                    |
| DETAIL APPROVED FOR USE 07/2004<br>REVISED: 08/2006   | DETAIL<br>CM608-50 |