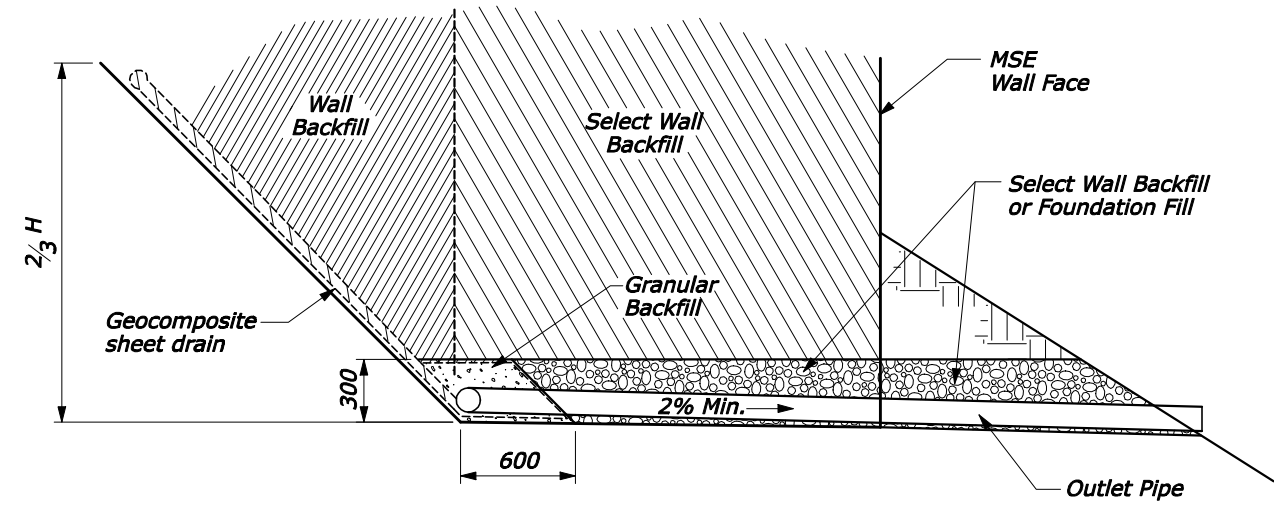
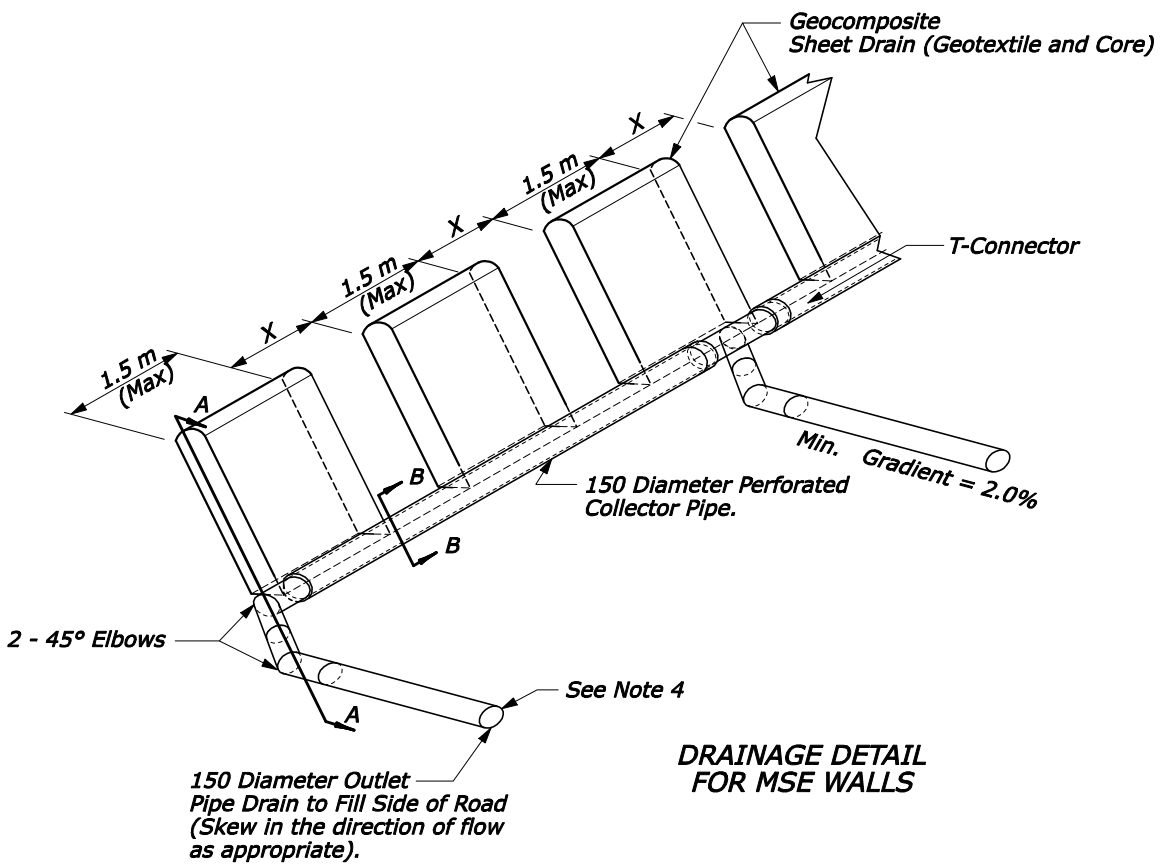
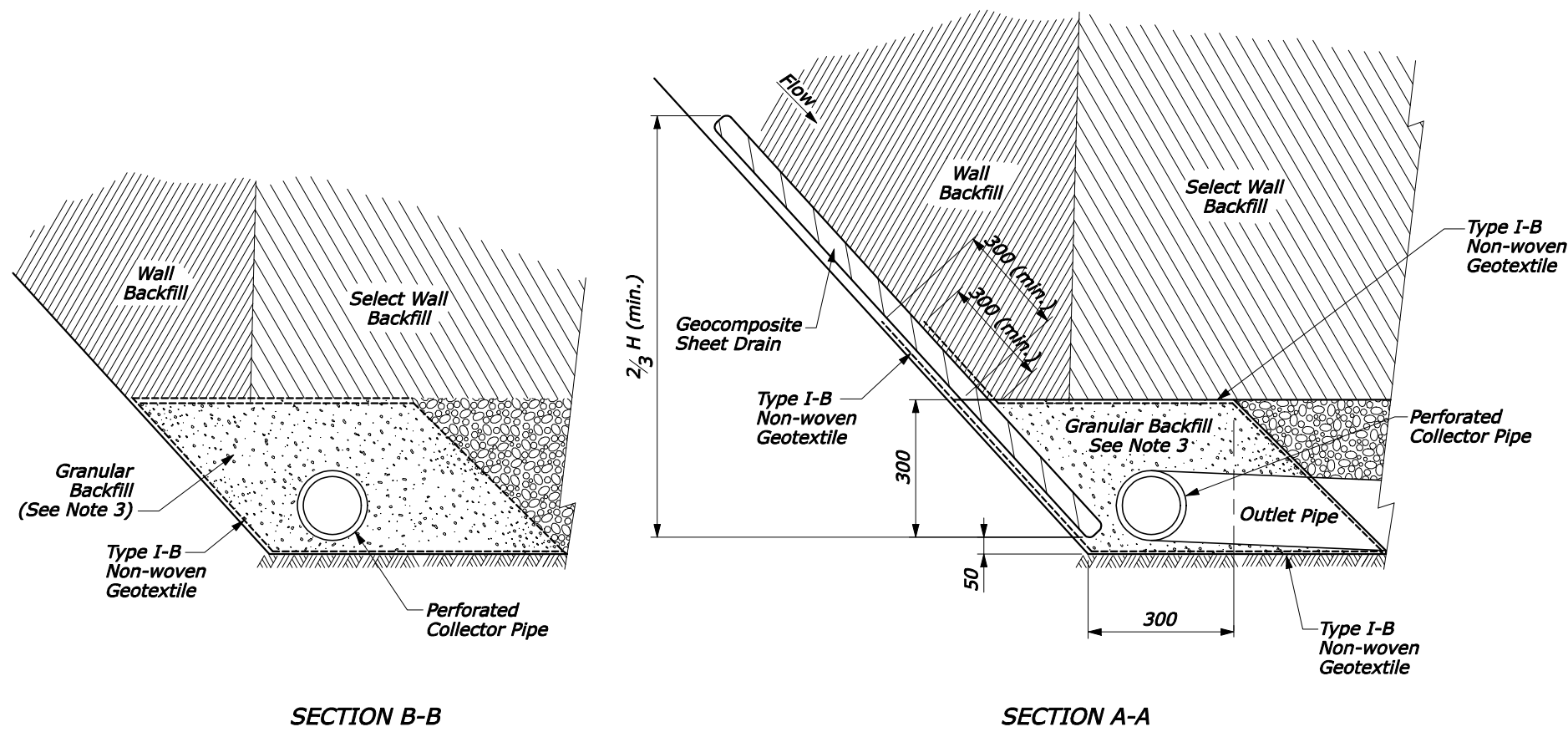


REG	STATE	PROJECT	SHEET NO.	TOTAL SHEETS

NOTE:

1. Outlet underdrains at low points of wall subexcavation and at 15.0 m (max) spacing.
2. Place Geocomposite Sheet Drains in 1.5 m (Max.) wide strips with spacing X to achieve a 30% ± 5% coverage (Example; X = 3.5 m for a 1.5 m wide strip).
3. Furnish granular backfill meeting the requirements of subsection 703.03(a).
4. Cover the end of the outlet pipe with screen according to Subsection 605.03. Hold the screen securely in place with standard coupling bands or by other approved means.
5. Mark the outlet of the underdrain with a delineator post or other suitable marker.
6. See Metric Detail CM255-50 for MSE Wall Typical Section and Details.
7. Furnish Geocomposite Sheet Drain meeting the requirements of subsection 714.02(b).
8. Furnish Collector Pipe, Outlet Pipe, and Fittings meeting the requirements of Subsection 706.08(d).
9. Dimensions not labeled are in millimeters.



GEOCOMPOSITE SHEET DRAIN FOR MSE WALLS

NO SCALE

U.S. DEPARTMENT OF TRANSPORTATION FEDERAL HIGHWAY ADMINISTRATION CENTRAL FEDERAL LANDS HIGHWAY DIVISION	
METRIC DETAIL	
MSE WALL DRAINAGE	
DETAIL APPROVED FOR USE 04/2000	DETAIL
REVISED: 08/2006	CM255-51

8/8/2006 9:17:59 AM L:\DESIGN\AD2\CFL Details Team\Web Ready\CM255-51.dgn