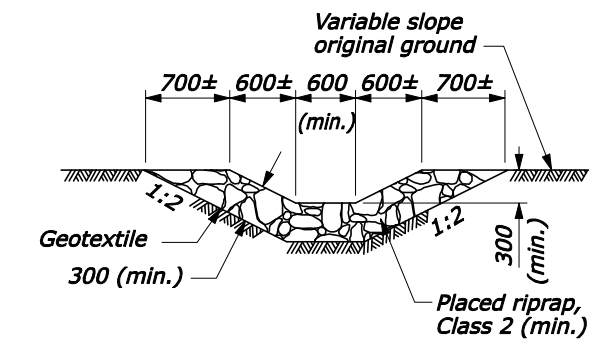
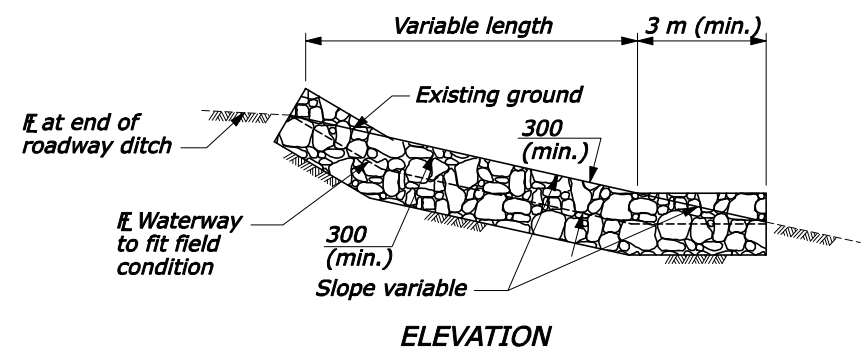
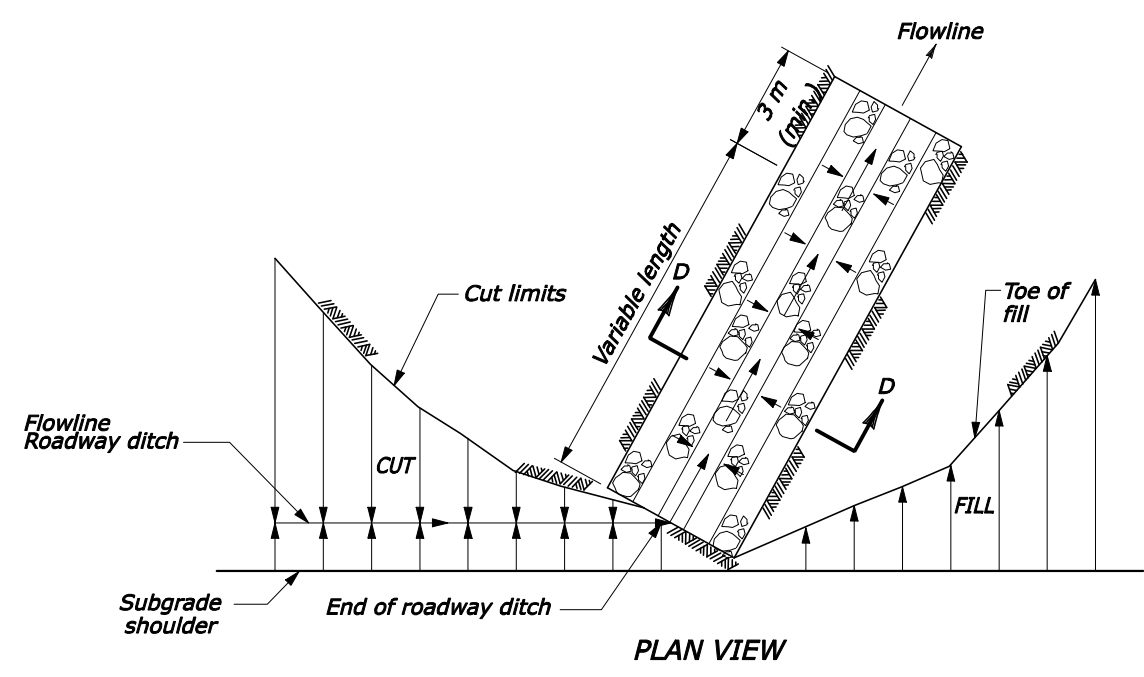


REG	STATE	PROJECT	SHEET NO.	TOTAL SHEETS

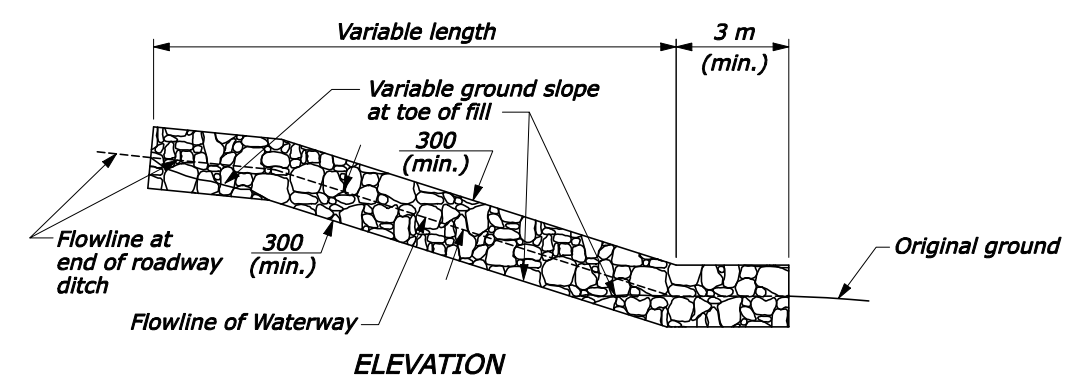
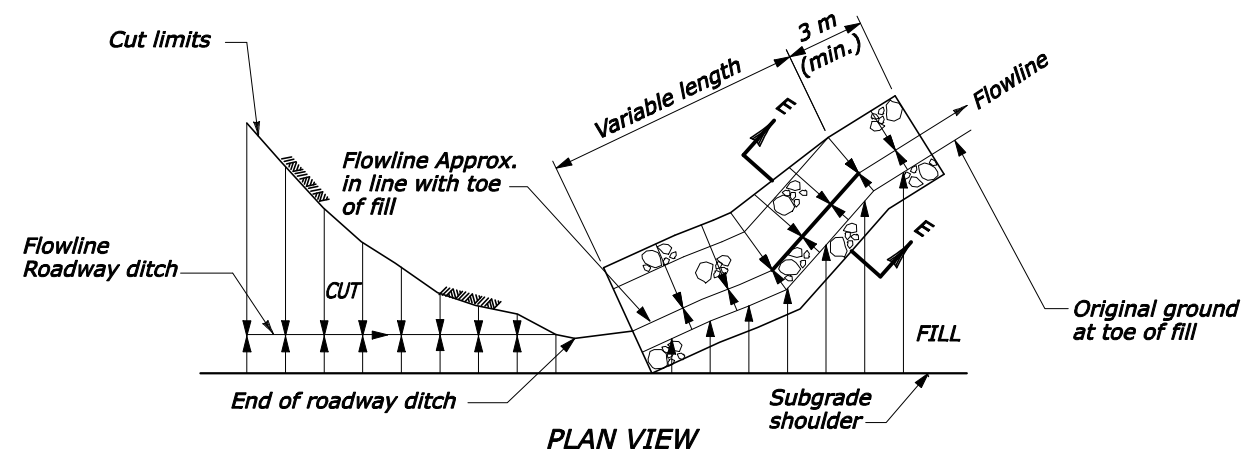
**NOTE:**

1. Excavation for placement of riprap will not be measured for payment.
2. Furnish geotextile materials conforming to subsection 714.01 (a), type IV-E.
3. Dimensions not labeled are in millimeters.

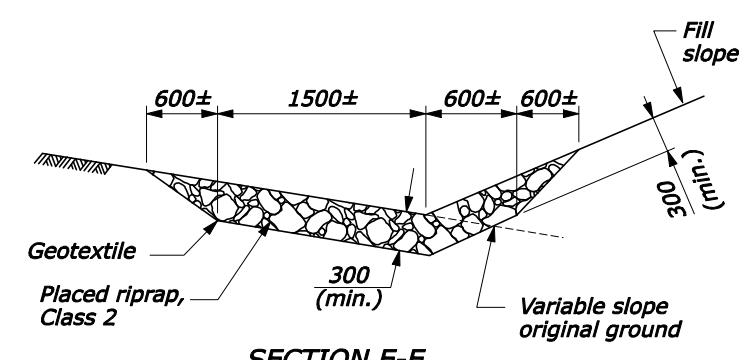


**TYPE 1 - NOT CONTIGUOUS TO FILL SLOPE**

**SECTION D-D**



**TYPE 2 - CONTIGUOUS TO FILL SLOPE**



**SECTION E-E**

**NO SCALE**

U.S. DEPARTMENT OF TRANSPORTATION FEDERAL HIGHWAY ADMINISTRATION CENTRAL FEDERAL LANDS HIGHWAY DIVISION	
METRIC DETAIL	
<b>PLACED RIPRAP BETWEEN CUT AND FILL</b>	
DETAIL APPROVED FOR USE 07/2004	DETAIL
REVISED: 08/2006	CM251-51