

## **SECTION 1**

### **STATEWIDE SUMMARY**

This section presents an overview of Statewide Statistics relating to criminal Offenses and Arrests for 2000.

This page is intentionally blank.

## **SUMMARY**

### **CRIME IN OREGON**

Crime in Oregon increased 1.1% in 2000 when compared to 1999. Crime increased in 22 of the 36 counties in Oregon.

Crime in the five major populated counties is depicted in this summary as a visual overview of crime in Oregon. The counties of Clackamas, Lane, Marion, Multnomah and Washington represent 60.0% of the State's population. These 5 counties reported 61.3% of the total crime in Oregon and 65.0% of the total Crimes Against Persons.

### **OREGON POPULATION**

Population estimates for Oregon are provided by the Center of Population Research and Census, Portland State University. Total Oregon population for 2000 statistics is 3,436,750.

### **CRIMES AGAINST PERSONS**

Crimes Against Persons decreased 2.0% from 1999 to 2000.

#### **DECREASES REPORTED:**

Willful Homicide, Other Sex Crimes, Robbery, Aggravated Assault and Simple Assault all showed decreases.

#### **INCREASES REPORTED:**

Negligent Homicide, Rape and Kidnapping showed increases.

### **CRIMES AGAINST PROPERTY**

Crimes Against Property increased 2.1% from 1999 to 2000.

#### **DECREASES REPORTED:**

Burglary and Stolen Property Offenses (Possession, buy, sell) showed decreases.

#### **INCREASES REPORTED:**

Larceny, Motor Vehicle Theft, Arson, Forgery/Counterfeit Fraud, Embezzlement and Vandalism showed increases.

## **BEHAVIORAL CRIMES**

Behavioral Crimes increased 0.5% from 1999 to 2000.

### **DECREASES REPORTED:**

Weapons Offenses, Drug Laws, Liquor Laws, and Curfew showed decreases.

### **INCREASES REPORTED:**

Prostitution, Gambling, Offenses Against Family, D.U.I.I., Disorderly Conduct, "All Other" and Runaway all showed increases.

## **INDEX CRIME RATE**

The Index Crime Rate for 2000 was 490.2 crimes per 10,000 population. This is a 4.1% decrease from the rate of 511.2 for 1999. These rates are based on estimated population of 3,436,750 for 2000 and 3,300,800 for 1999.

## **ARRESTS IN OREGON**

Arrests = 172,227 (This excludes arrests for Traffic Crime, Fish & Game, or Marine)

The total number of arrests increased 3.8%.

Arrests of Adults (persons 18 years and older) increased 6.2%.

Arrests of Juveniles (persons 17 years and younger) decreased 3.8%.

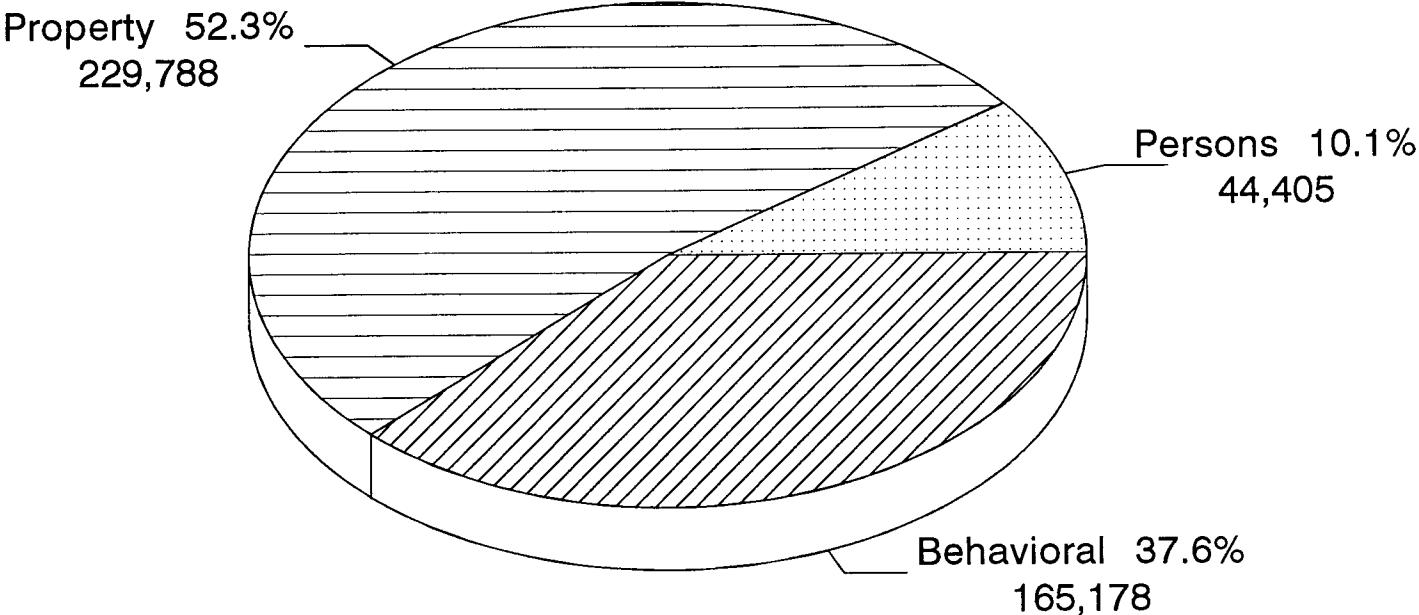
## **2000 CRIMINAL OFFENSES by POPULATION CENTER**

The cities of Portland, Salem and Eugene, combined have 23.5% of the Oregon population and reported 37.4% of the Crimes Against Persons, 34.7% of the Crimes Against Property, 28.0% of Behavioral Crimes and 32.4% of the Crime Total.

Multnomah, Clackamas, Washington, Marion and Lane Counties contain 60.0% of the State's population and reported 61.3% of the Crime Total.

**TOTAL REPORTED OFFENSES**  
**January through December 2000**

---



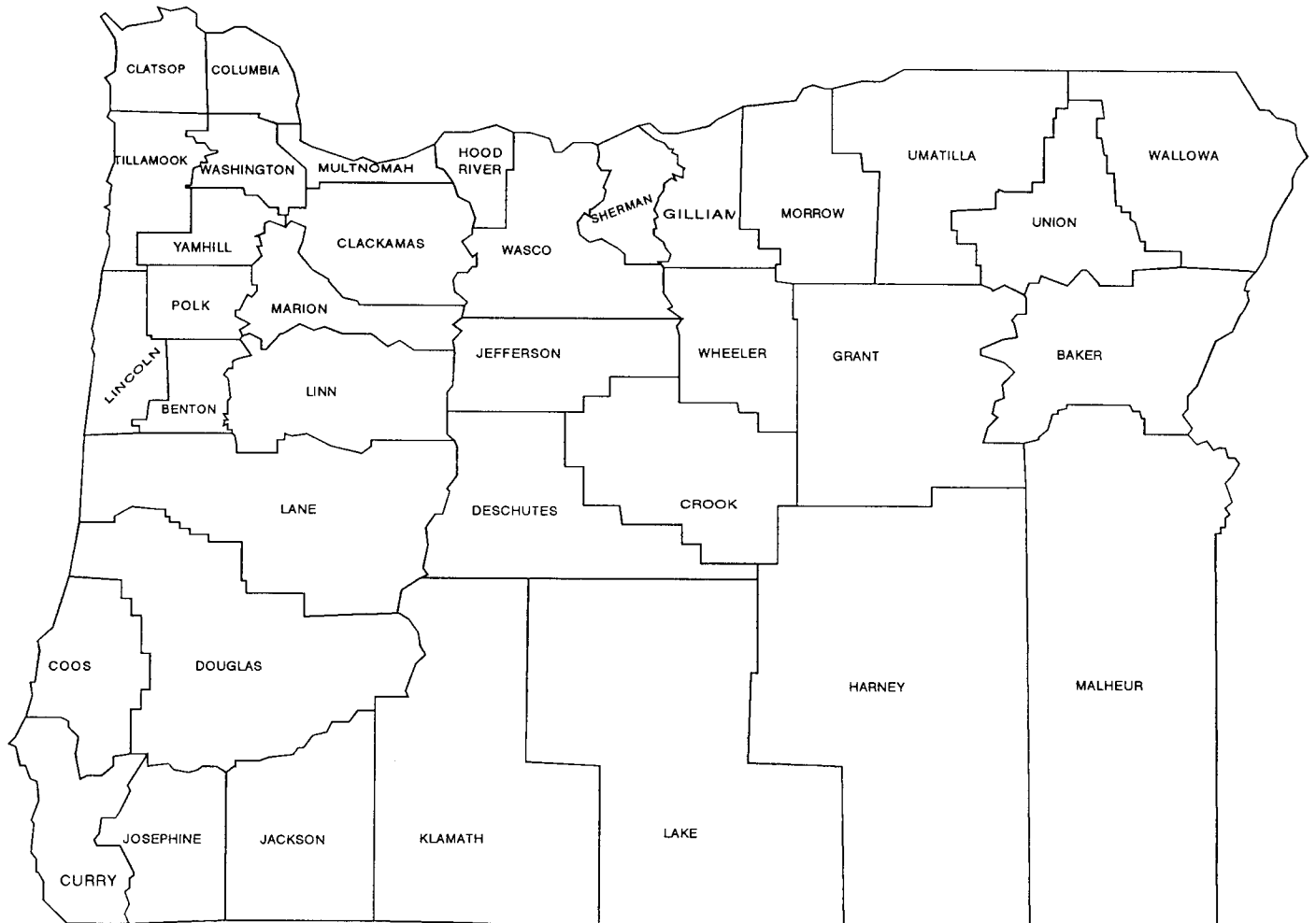
Total Offenses = 439,371

## REPORTED OFFENSES

			PERCENT	RATE PER 10,000	
	1999	2000	CHANGE	1999	2000
<b>CRIMES AGAINST PERSONS</b>					
Willful Murder *	86	67	-22.1%	0.3	0.2
Negligent Homicide (1)	5	6	20.0%	0.0	0.0
Forcible Rape *	1,244	1,282	3.1%	3.8	3.7
Other Sex Offenses	6,041	5,896	-2.4%	18.3	17.2
Kidnapping	631	654	3.6%	1.9	1.9
Robbery *	2,949	2,906	-1.5%	8.9	8.5
Aggravated Assault *	8,416	7,746	-8.0%	25.5	22.5
Simple Assault	25,944	25,848	-0.4%	78.6	75.2
<b>TOTAL</b>	<b>45,316</b>	<b>44,405</b>	<b>-2.0%</b>	<b>137.3</b>	<b>129.2</b>
<b>CRIMES AGAINST PROPERTY</b>					
Burglary *	26,854	25,582	-4.7%	81.4	74.4
Larceny *	113,602	114,948	1.2%	344.2	334.5
Motor Vehicle Theft *	14,012	14,248	1.7%	42.5	41.5
Arson *	1,561	1,700	8.9%	4.7	4.9
Forgery/Counterfeiting	12,831	13,316	3.8%	38.9	38.7
Fraud	10,950	12,621	15.3%	33.2	36.7
Embezzlement	766	807	5.4%	2.3	2.3
Stolen Property	830	787	-5.2%	2.5	2.3
Vandalism	43,690	45,779	4.8%	132.4	133.2
<b>TOTAL</b>	<b>225,096</b>	<b>229,788</b>	<b>2.1%</b>	<b>681.9</b>	<b>668.6</b>
<b>BEHAVIORAL CRIMES</b>					
Weapon Laws	3,508	3,355	-4.4%	10.6	9.8
Prostitution	815	861	5.6%	2.5	2.5
Drug Laws	23,609	23,572	-0.2%	71.5	68.6
Gambling	23	25	8.7%	0.1	0.1
Crimes Against Family	2,462	2,715	10.3%	7.5	7.9
D.U.I.I.	25,091	25,349	1.0%	76.0	73.8
Liquor Laws	16,296	15,809	-3.0%	49.4	46.0
Disorderly Conduct	16,183	16,942	4.7%	49.0	49.3
All Other (Except Traffic)	59,066	59,381	0.5%	178.9	172.8
Curfew	5,606	4,909	-12.4%	17.0	14.3
Runaway Juveniles	11,667	12,260	5.1%	35.3	35.7
<b>TOTAL</b>	<b>164,326</b>	<b>165,178</b>	<b>0.5%</b>	<b>497.8</b>	<b>480.6</b>
<b>GRAND TOTAL</b>	<b>434,738</b>	<b>439,371</b>	<b>1.1%</b>	<b>1317.1</b>	<b>1278.4</b>
* Index Total	168,724	168,479	-0.1%	511.2	490.2
Traffic Crime	22,864	24,533	7.3%	69.3	71.4
Fish & Game Violations	4,829	5,148	6.6%	14.6	15.0
Marine Violations	881	795	-9.8%	2.7	2.3

(1) Negligent Homicide offenses do not include vehicular deaths

# OREGON COUNTY MAP



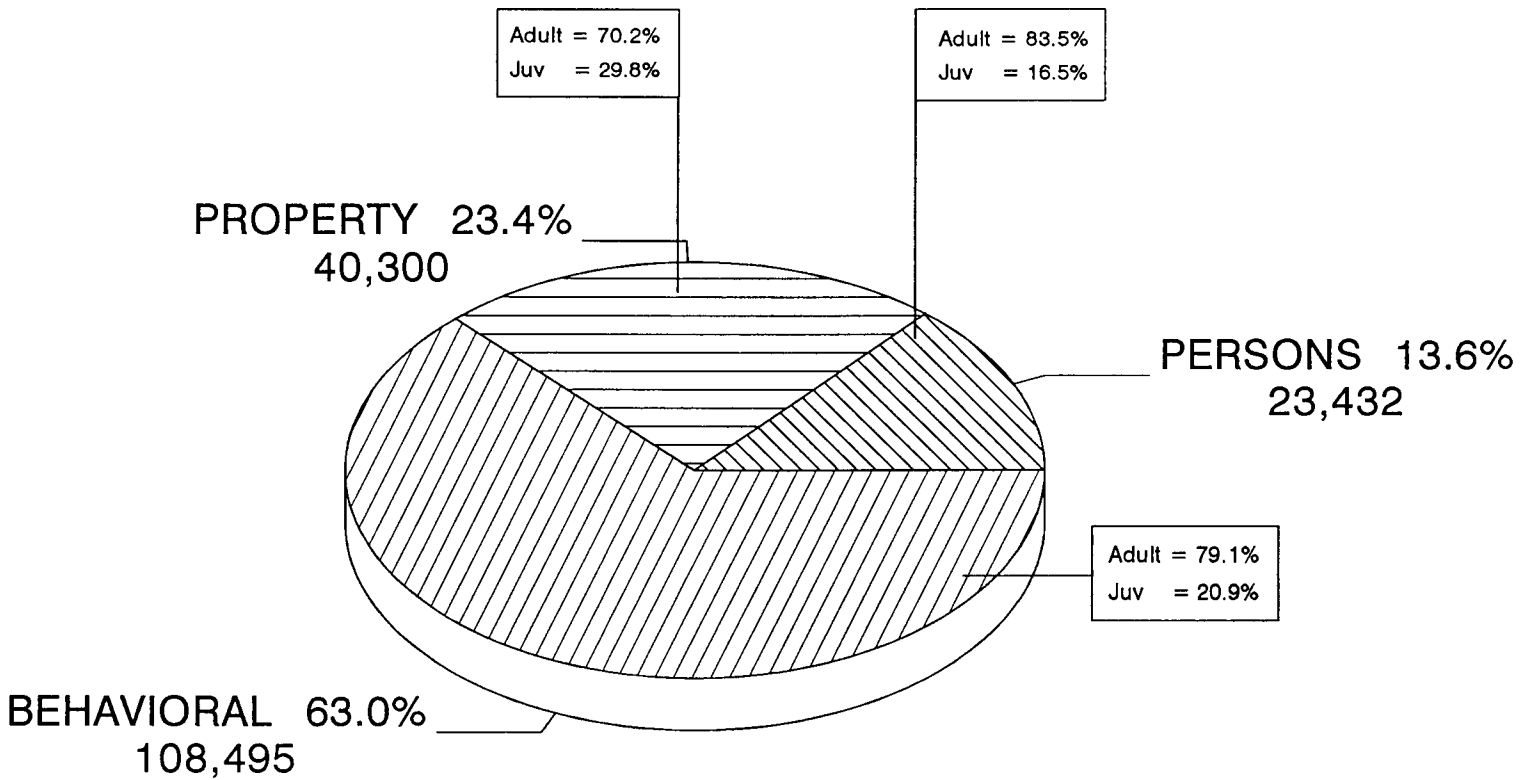


**COUNTY FIVE YEAR PROFILE OF TOTAL CRIMES**

	1996	1997	1998	1999	2000
BAKER	2,584	2,888	3,452	2,171	2,019
BENTON	9,883	9,072	9,691	8,760	9,352
CLACKAMAS	33,079	35,053	34,355	32,986	34,212
CLATSOP	6,781	6,089	6,181	5,932	6,623
COLUMBIA	4,350	4,333	4,215	4,564	4,449
COOS	12,370	10,577	11,316	9,246	6,440
CROOK	2,373	2,705	2,951	2,270	2,424
CURRY	2,230	1,913	1,777	1,528	1,528
DESCHUTES	13,836	13,893	15,196	14,590	14,050
DOUGLAS	13,466	13,870	13,708	11,746	11,820
GILLIAM	124	164	156	241	163
GRANT	708	666	649	757	442
HARNEY	572	694	1,013	657	681
HOOD RIVER	1,947	1,984	2,128	2,013	1,773
JACKSON	22,835	26,639	29,032	25,349	26,768
JEFFERSON	2,664	2,558	2,531	2,386	2,414
JOSEPHINE	8,481	8,584	10,119	8,622	8,623
KLAMATH	6,928	5,977	6,612	5,337	5,828
LAKE	522	447	508	391	561
LANE	45,532	45,884	49,498	43,585	44,460
LINCOLN	7,169	6,905	6,827	6,523	6,257
LINN	20,087	18,611	19,708	15,273	16,388
MALHEUR	4,703	4,915	4,517	3,930	4,584
MARION	51,394	46,652	49,254	42,400	43,677
MORROW	1,099	1,233	1,178	1,355	1,333
MULTNOMAH	117,532	111,094	118,636	108,890	108,845
POLK	9,139	8,944	9,050	7,880	8,127
SHERMAN	193	188	160	162	182
TILLAMOOK	2,629	2,503	2,458	2,498	2,696
UMATILLA	10,397	9,505	10,469	10,059	9,416
UNION	2,237	2,166	2,508	2,002	1,977
WALLOWA	514	507	505	254	283
WASCO	3,841	3,235	3,627	3,439	3,228
WASHINGTON	37,112	36,245	39,317	37,327	38,005
WHEELER	128	148	130	99	102
YAMHILL	12,076	10,691	10,668	9,516	9,641
<b>TOTAL</b>	<b>471,515</b>	<b>457,532</b>	<b>484,100</b>	<b>434,738</b>	<b>439,371</b>

**TOTAL REPORTED ARRESTS**  
**January through December 2000**

---



**Total Arrests = 172,227**

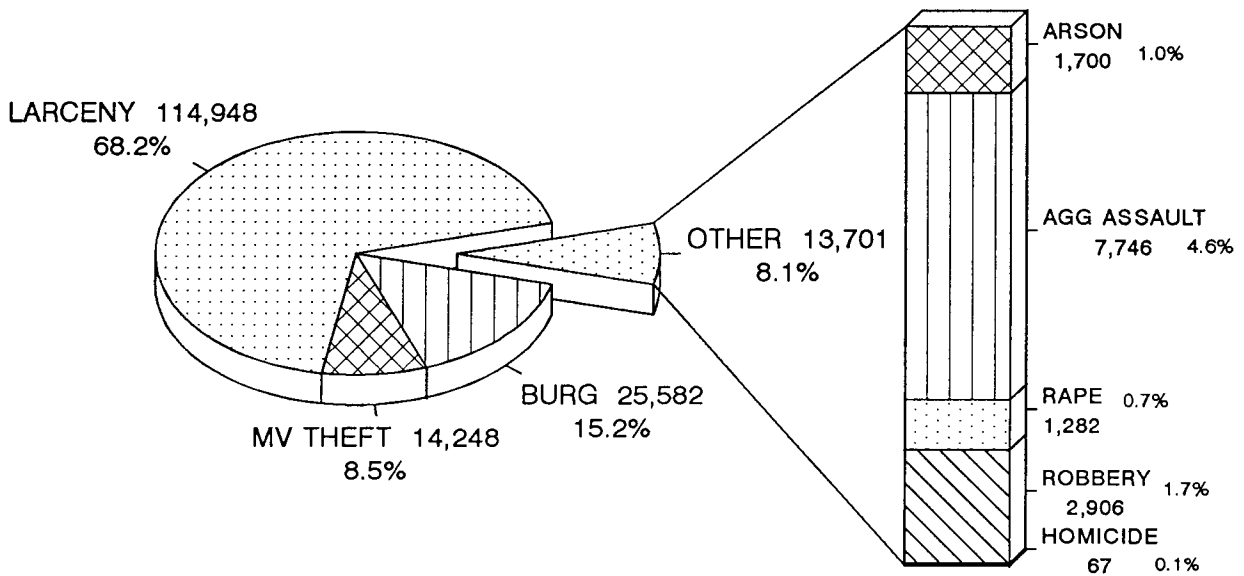
REPORTED ARRESTS							
	1999			2000			TOTAL
	ADULT	JUVENILE	TOTAL	ADULT	JUVENILE	TOTAL	PERCENT CHANGE
<b>CRIMES AGAINST PERSONS</b>							
Willful Murder *	99	12	111	101	10	111	0.0%
Negligent Homicide (1)	10	1	11	12	2	14	27.3%
Forcible Rape *	214	43	257	258	46	304	18.3%
Other Sex Offenses	1,232	303	1,535	1,317	359	1,676	9.2%
Kidnapping	123	9	132	150	13	163	23.5%
Robbery *	916	238	1,154	901	246	1,147	-0.6%
Aggravated Assault *	1,852	527	2,379	1,878	410	2,288	-3.8%
Simple Assault	14,567	2,746	17,313	14,959	2,770	17,729	2.4%
<b>TOTAL</b>	<b>19,013</b>	<b>3,879</b>	<b>22,892</b>	<b>19,576</b>	<b>3,856</b>	<b>23,432</b>	<b>2.4%</b>
<b>CRIMES AGAINST PROPERTY</b>							
Burglary *	2,264	1,397	3,661	2,168	1,318	3,486	-4.8%
Larceny *	16,777	7,752	24,529	16,071	7,021	23,092	-5.9%
Motor Vehicle Theft *	1,857	760	2,617	1,994	710	2,704	3.3%
Arson *	202	265	467	300	267	567	21.4%
Forgery/Counterfeiting	2,847	197	3,044	2,907	190	3,097	1.7%
Fraud	1,333	134	1,467	1,506	117	1,623	10.6%
Embezzlement	85	4	89	81	4	85	-4.5%
Stolen Property	416	152	568	456	112	568	0.0%
Vandalism	2,717	2,205	4,922	2,824	2,254	5,078	3.2%
<b>TOTAL</b>	<b>28,498</b>	<b>12,866</b>	<b>41,364</b>	<b>28,307</b>	<b>11,993</b>	<b>40,300</b>	<b>-2.6%</b>
<b>BEHAVIORAL CRIMES</b>							
Weapon Laws	1,800	385	2,185	1,973	363	2,336	6.9%
Prostitution	601	8	609	816	13	829	36.1%
Drug Laws	14,852	2,058	16,910	18,237	2,556	20,793	23.0%
Gambling	13		13	12	7	19	46.2%
Crimes Against Family	710	19	729	920	24	944	29.5%
D.U.I.I.	23,091	373	23,464	23,325	319	23,644	0.8%
Liquor Laws	13,471	6,022	19,493	14,189	5,507	19,696	1.0%
Disorderly Conduct	4,701	1,474	6,175	5,115	1,543	6,658	7.8%
All Other (Except Traffic)	19,164	6,021	25,185	21,202	5,917	27,119	7.7%
Curfew		3,907	3,907		3,529	3,529	-9.7%
Runaway Juveniles		3,055	3,055		2,928	2,928	-4.2%
<b>TOTAL</b>	<b>78,403</b>	<b>23,322</b>	<b>101,725</b>	<b>85,789</b>	<b>22,706</b>	<b>108,495</b>	<b>6.7%</b>
<b>GRAND TOTAL</b>	<b>125,914</b>	<b>40,067</b>	<b>165,981</b>	<b>133,672</b>	<b>38,555</b>	<b>172,227</b>	<b>3.8%</b>
* Index Total	24,181	10,994	35,175	23,671	10,028	33,699	-4.2%
Traffic Crime	13,886	549	14,435	14,647	679	15,326	6.2%
Fish & Game Violations	4,572	231	4,803	4,870	257	5,127	6.7%
Marine Violations	809	24	833	747	13	760	-8.8%

(1) Negligent Homicide arrests include both vehicular and non-vehicular circumstances.

# INDEX CRIME OFFENSES

INDEX	1999	2000	PERCENT CHANGE	RATE PER 10,000	
				1999	2000
Willful Murder	86	67	-22.1%	0.3	0.2
Forcible Rape	1,244	1,282	3.1%	3.8	3.7
Robbery	2,949	2,906	-1.5%	8.9	8.5
Aggravated Assault	8,416	7,746	-8.0%	25.5	22.5
<b>Total Violent Index</b>	<b>12,695</b>	<b>12,001</b>	<b>-5.5%</b>	<b>38.5</b>	<b>34.9</b>
Burglary	26,854	25,582	-4.7%	81.4	74.4
Larceny	113,602	114,948	1.2%	344.2	334.5
Motor Vehicle Theft	14,012	14,248	1.7%	42.5	41.5
Arson	1,561	1,700	8.9%	4.7	4.9
<b>Total Property Index</b>	<b>156,029</b>	<b>156,478</b>	<b>0.3%</b>	<b>472.7</b>	<b>455.3</b>
<b>INDEX TOTAL</b>	<b>168,724</b>	<b>168,479</b>	<b>-0.1%</b>	<b>511.2</b>	<b>490.2</b>

## TOTAL REPORTED INDEX CRIME OFFENSES January through December 2000

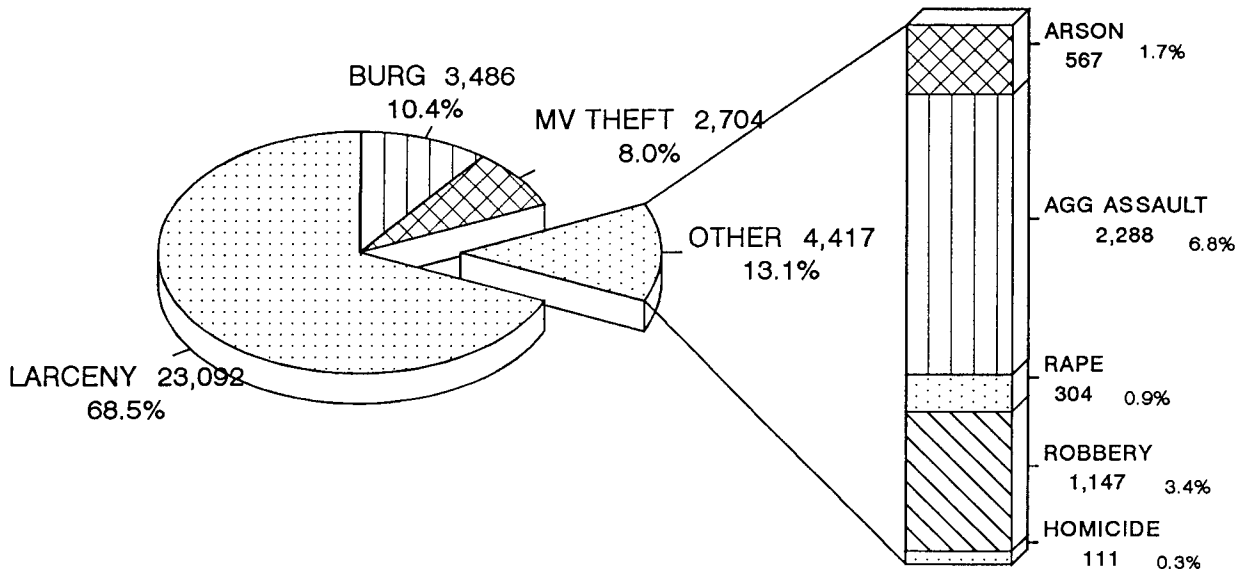


Total Index Crime = 168,479

## INDEX CRIME ARRESTS

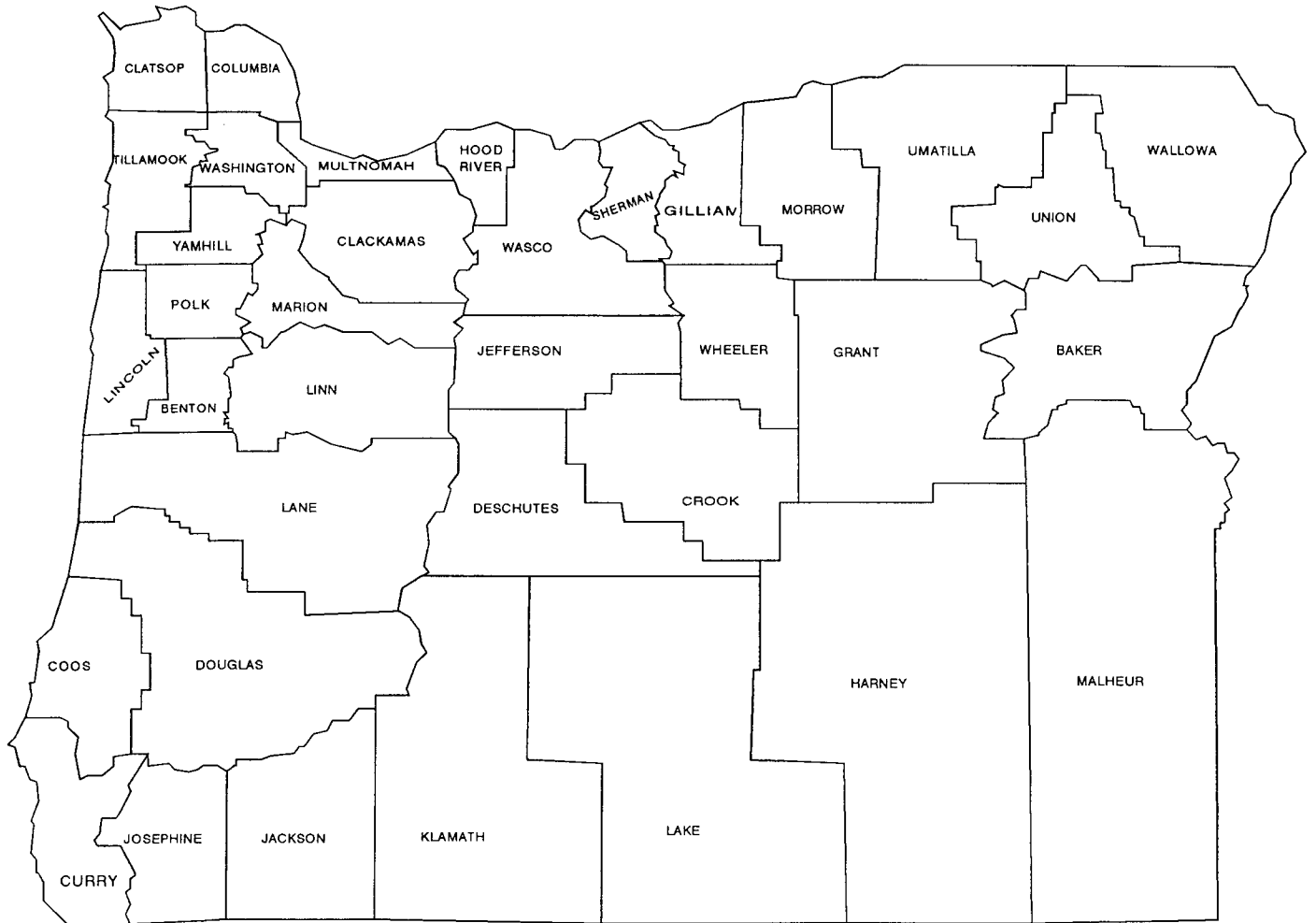
INDEX	1999			2000			PERCENT CHANGE
	ADULT	JUVENILE	TOTAL	ADULT	JUVENILE	TOTAL	
Willful Murder	99	12	111	101	10	111	0.0%
Forcible Rape	214	43	257	258	46	304	18.3%
Robbery	916	238	1,154	901	246	1,147	-0.6%
Aggravated Assault	1,852	527	2,379	1,878	410	2,288	-3.8%
Total Violent Index	3,081	820	3,901	3,138	712	3,850	-1.3%
Burglary	2,264	1,397	3,661	2,168	1,318	3,486	-4.8%
Larceny	16,777	7,752	24,529	16,071	7,021	23,092	-5.9%
Motor Vehicle Theft	1,857	760	2,617	1,994	710	2,704	3.3%
Arson	202	265	467	300	267	567	21.4%
Total Property Index	21,100	10,174	31,274	20,533	9,316	29,849	-4.6%
<b>INDEX TOTAL</b>	<b>24,181</b>	<b>10,994</b>	<b>35,175</b>	<b>23,671</b>	<b>10,028</b>	<b>33,699</b>	<b>-4.2%</b>

### TOTAL REPORTED INDEX CRIME ARRESTS January through December 2000



Total Index Crime = 33,699

# OREGON COUNTY MAP



## COUNTY FIVE YEAR PROFILE OF INDEX CRIMES

	1996	1997	1998	1999	2000
BAKER	995	1,151	959	774	633
BENTON	3,375	3,735	3,063	3,120	3,318
CLACKAMAS	16,142	16,637	16,259	15,196	15,243
CLATSOP	1,988	1,752	1,823	1,517	1,783
COLUMBIA	1,121	1,163	1,217	920	1,242
COOS	2,962	3,251	2,807	2,182	1,826
CROOK	745	957	630	497	543
CURRY	619	540	565	470	431
DESCHUTES	5,878	6,540	5,120	5,276	5,187
DOUGLAS	4,396	4,202	3,917	3,255	3,266
GILLIAM	33	34	56	24	26
GRANT	189	213	100	97	124
HARNEY	191	253	205	217	220
HOOD RIVER	643	837	751	671	563
JACKSON	9,177	10,181	9,663	8,220	8,332
JEFFERSON	851	772	599	635	635
JOSEPHINE	3,369	3,984	3,717	3,298	3,043
KLAMATH	2,522	2,618	2,405	1,829	2,022
LAKE	194	181	163	142	184
LANE	21,840	23,536	21,367	19,067	18,703
LINCOLN	2,277	2,496	2,647	2,497	2,360
LINN	6,202	7,084	6,126	5,335	5,486
MALHEUR	1,444	1,355	1,218	910	1,199
MARION	18,530	19,529	18,484	16,192	16,613
MORROW	461	425	463	432	379
MULTNOMAH	57,837	61,608	54,182	49,969	49,389
POLK	2,370	2,351	2,292	2,077	2,169
SHERMAN	66	59	56	48	59
TILLAMOOK	692	648	809	642	742
UMATILLA	2,895	3,099	3,253	2,620	2,701
UNION	831	1,056	804	582	529
WALLOWA	158	160	130	80	46
WASCO	1,132	1,231	1,239	1,007	940
WASHINGTON	16,977	18,320	17,428	15,807	15,455
WHEELER	46	44	27	23	21
YAMHILL	3,748	3,969	3,425	3,096	3,067
<b>TOTAL</b>	192,896	205,971	187,969	168,724	168,479

**STATEWIDE OFFENSES by DAY OF WEEK, 2000**  
 (Includes offenses which were later unfounded)

OFFENSE SUMMARY BY DAY OF WEEK									
CLASSIFICATION OF OFFENSES	OFFENSE COUNT	SUNDAY	MONDAY	TUESDAY	WEDNESDAY	THURSDAY	FRIDAY	SATURDAY	UNKNOWN
PART 1 & PART 2									
01. HOMICIDE									
1. WILLFUL MURDER	56	12	5	9	4	10	9	7	-
2. AGGRAVATED MURDER	10	3	1	3	-	2	1	-	-
3. NEGL. NON-TRAFFIC	5	-	1	2	1	1	-	-	-
TOTAL	71	15	7	14	5	13	10	7	-
02. RAPE (FORCIBLE)									
1. FORCIBLE	1,171	154	131	131	121	125	168	180	161
2. ATTEMPT RAPE-FORCE	142	29	18	12	16	18	13	29	7
TOTAL	1,313	183	149	143	137	143	181	209	168
03. ROBBERY									
1. HIGHWAY	911	121	138	133	109	137	139	123	11
2. BUSINESS	834	143	122	110	112	97	114	126	10
3. SERVICE STATION	69	10	10	8	9	12	3	17	-
4. CONVENIENCE STORE	189	32	17	31	24	29	23	29	4
5. RESIDENCE	259	39	42	37	36	25	40	35	5
6. BANK	146	3	27	28	24	26	32	6	-
9. OTHER	451	57	71	55	60	62	60	79	7
TOTAL	2,859	405	427	402	374	388	411	415	37
04. AGGRAVATED ASSAULT									
1. AGGRAVATED	7,524	1,129	957	1,029	976	926	1,087	1,268	152
3. ATTEMPTED MURDER	177	17	32	14	20	18	32	39	5
TOTAL	7,701	1,146	989	1,043	996	944	1,119	1,307	157
05. BURGLARY									
1. RESIDENCE	15,341	1,724	2,015	1,973	2,056	1,942	2,157	1,870	1,604
2. BUSINESS	5,747	798	736	668	664	653	761	765	702
3. OTHER STRUCTURE	3,956	469	471	462	404	420	553	513	664
TOTAL	25,044	2,991	3,222	3,103	3,124	3,015	3,471	3,148	2,970
06. LARCENY									
1. PICKPOCKET	221	39	26	24	32	23	40	31	6
2. PURSES/NATCH	248	31	37	39	28	30	41	37	5
3. SHOPLIFT	16,574	2,061	2,002	2,367	2,433	2,387	2,597	2,629	98
4. FROM MOTOR VEHICLE	33,416	4,451	4,573	4,460	4,435	4,312	4,282	4,448	2,455
5. MOTOR VEH. PART/ACC.	10,492	1,267	1,396	1,372	1,383	1,291	1,393	1,288	1,102
6. BICYCLES	6,768	792	952	888	944	903	973	828	488
7. FROM PUBLIC BUILDING	8,625	810	1,174	1,174	1,198	1,242	1,322	1,066	639
8. FROM COIN-OP MACHINE	373	59	40	35	42	53	49	42	53
9. ALL OTHERS	35,404	3,571	4,564	4,475	4,477	4,419	4,988	4,405	4,505
TOTAL	112,121	13,081	14,764	14,834	14,972	14,660	15,685	14,774	9,351
07. MOTOR VEHICLE THEFT									
1. AUTOMOBILES	8,714	1,158	1,145	1,163	1,091	1,088	1,163	1,218	688
2. TRUCKS AND BUSES	4,517	572	613	569	576	530	651	611	395
3. MOTORCYCLES	634	81	74	68	70	90	79	95	77
4. SNOWMOBILES	56	4	8	10	11	4	8	8	3
9. OTHER VEHICLES	563	71	74	68	70	64	83	78	55
TOTAL	14,484	1,886	1,914	1,878	1,818	1,776	1,984	2,010	1,218
08. SIMPLE ASSAULT	25,427	3,906	3,281	3,387	3,405	3,327	3,507	4,188	426
09. ARSON	1,650	238	256	227	201	200	241	222	65
10. FORGERY/COUNTERFEIT	12,864	1,281	1,909	1,946	1,855	1,736	1,833	1,249	1,055
11. FRAUD	12,347	1,218	1,700	1,792	1,618	1,608	1,688	1,280	1,443
12. EMBEZZLEMENT	816	56	84	87	86	70	91	89	253
13. STOLEN PROPERTY	718	69	91	108	94	100	112	115	29
14. VANDALISM	44,298	5,817	5,617	5,715	5,344	5,393	6,469	6,761	3,182
15. WEAPON LAWS	3,228	407	464	417	450	417	518	505	50
16. PROSTITUTION	855	106	42	64	112	72	207	240	12
17. SEX CRIMES	5,976	561	702	714	754	684	771	838	952
18. DRUG LAWS	22,664	2,640	2,687	3,048	3,376	3,674	3,709	3,263	267
19. GAMBLING	25	2	4	5	5	5	1	2	1
20. OFF. AGAINST FAMILY	2,940	352	395	405	415	395	482	358	138
21. DRIVING UNDER INFLUENCE	18,117	3,715	1,597	1,572	1,755	2,001	2,880	4,595	2
22. LIQUOR LAWS	14,885	2,058	1,238	1,479	1,558	1,789	2,917	3,696	150
24. DISORDERLY CONDUCT	16,969	2,368	2,137	2,114	2,331	2,180	2,574	2,833	432
25. KIDNAPPING	637	105	87	89	89	63	88	100	16
26. ALL OTHER	58,054	7,138	8,162	8,403	8,275	8,344	8,763	8,193	776
28. CURFEW	4,701	917	500	561	572	572	599	978	2
29. RUNAWAY	11,632	1,459	1,777	1,645	1,622	1,600	1,891	1,493	145
GRAND TOTAL	422,396	54,120	54,202	55,195	55,343	55,169	62,202	62,868	23,297

Does not include data from Douglas County Sheriff's Office, Roseburg Police Department or Hillsboro Police Department. Does not include D.U.I. offenses from Oregon State Police.



OFFENSES BY MONTH OF OCCURANCE

CLASSIFICATION OF OFFENSES	JAN	FEB	MAR	APR	MAY	JUN	JUL	AUG	SEP	OCT	NOV	DEC	TOTAL
PART 1 & PART 2													
01. HOMICIDE													
1. WILLFUL MURDER	4	2	5	2	2	2	5	7	8	6	4	8	55
2. AGGRAVATED MURDER	-	1	1	-	-	3	2	-	1	1	1	-	10
3. NEGL. NON-TRAFFIC	-	-	-	1	-	-	-	-	3	-	1	-	5
4. TRAFFIC DEATH ARRESTS													
TOTAL	4	3	6	3	2	5	7	7	12	7	6	8	70
02. RAPE (FORCIBLE)													
1. FORCIBLE	79	76	101	112	104	101	96	101	92	105	78	76	1,121
2. ATTEMPT RAPE-FORCE	10	3	12	14	12	15	17	13	13	12	12	5	138
TOTAL	89	79	113	126	116	116	113	114	105	117	90	81	1,259
03. ROBBERY													
1. HIGHWAY	59	58	45	69	77	73	82	96	109	96	70	70	904
2. BUSINESS	62	63	71	63	107	56	72	71	56	59	64	87	831
3. SERVICE STATION	6	8	2	5	9	3	8	6	-	7	8	7	69
4. CONVENIENCE STORE	12	19	18	12	16	15	17	20	11	15	16	16	187
5. RESIDENCE	26	13	28	20	21	15	22	28	21	19	20	25	258
6. BANK	17	15	10	17	9	10	9	13	16	9	8	13	146
9. OTHER	35	31	37	29	44	37	41	43	36	41	32	39	445
TOTAL	217	207	211	215	283	209	251	277	249	246	218	257	2,840
04. AGGRAVATED ASSAULT													
1. AGGRAVATED	639	595	703	732	702	689	733	619	578	569	459	449	7,467
3. ATTEMPTED MURDER	12	11	19	28	23	11	14	4	17	12	8	17	176
TOTAL	651	606	722	760	725	700	747	623	595	581	467	466	7,643
05. BURGLARY													
1. RESIDENCE	1,237	1,197	1,265	1,192	1,276	1,126	1,351	1,425	1,285	1,247	1,236	1,351	15,188
2. BUSINESS	541	487	470	479	429	426	434	490	401	491	458	623	5,729
3. OTHER STRUCTURE	354	336	341	343	335	334	308	368	306	329	282	304	3,940
TOTAL	2,132	2,020	2,076	2,014	2,040	1,886	2,093	2,283	1,992	2,067	1,976	2,278	24,857
06. LARCENY													
1. PICKPOCKET	17	19	15	23	17	16	13	24	24	6	18	26	218
2. PURSES/NATCH	20	11	16	24	25	17	23	20	18	16	22	30	242
3. SHOPLIFT	1,330	1,444	1,494	1,333	1,360	1,194	1,321	1,410	1,308	1,428	1,408	1,507	16,557
4. FROM MOTOR VEHICLE	2,751	2,584	2,485	2,351	2,550	2,618	2,830	3,062	2,932	3,220	2,936	3,006	33,325
5. MOTOR VEH. PART/ACC.	830	784	843	792	894	807	964	913	868	977	883	911	10,466
6. BICYCLES	328	363	416	529	567	598	761	823	711	770	501	342	6,709
7. FROM PUBLIC BUILDING	732	743	738	710	714	667	656	683	662	725	745	789	8,564
8. FROM COIN-OP MACHINE	30	36	30	12	27	59	34	30	32	35	23	25	373
9. ALL OTHERS	2,803	2,621	2,966	2,850	3,073	2,909	3,101	3,054	2,830	2,971	2,693	3,046	34,917
TOTAL	8,841	8,605	9,003	8,624	9,247	8,885	9,703	10,019	9,385	10,148	9,229	9,682	111,371
07. MOTOR VEHICLE THEFT													
1. AUTOMOBILES	726	656	694	647	688	641	625	711	624	763	752	833	8,360
2. TRUCKS AND BUSES	388	380	364	351	284	315	357	335	340	411	418	414	4,357
3. MOTORCYCLES	49	30	30	55	54	45	79	63	56	57	51	58	627
4. SNOWMOBILES	8	5	3	6	5	4	2	3	1	9	4	5	55
9. OTHER VEHICLES	19	29	32	36	31	41	69	49	63	60	51	60	540
TOTAL	1,190	1,100	1,123	1,095	1,062	1,046	1,132	1,161	1,084	1,300	1,276	1,370	13,939
08. SIMPLE ASSAULT	1,948	1,955	2,130	2,189	2,307	2,190	2,130	2,187	2,105	2,060	1,797	1,934	24,932
09. ARSON	84	110	117	138	139	161	207	195	139	137	125	90	1,642
10. FORGERY/COUNTERFEIT	1,232	1,032	1,201	967	1,127	859	891	1,046	1,100	1,085	1,096	1,194	12,830
11. FRAUD	989	1,113	1,126	889	1,014	1,034	907	1,041	930	1,062	1,094	1,019	12,218
12. EMBEZZLEMENT	58	64	72	59	60	85	65	64	77	70	72	68	814
13. STOLEN PROPERTY	45	57	67	73	55	67	62	61	62	52	57	57	715
14. VANDALISM	3,381	3,271	3,802	3,591	3,916	3,702	4,055	3,764	3,395	3,907	3,542	3,746	44,072
15. WEAPON LAWS	246	270	307	289	265	254	291	257	231	295	239	265	3,209
16. PROSTITUTION	30	80	70	103	59	103	79	62	95	69	62	41	853
17. SEX CRIMES	444	479	455	509	530	496	483	495	497	490	430	389	5,697
18. DRUG LAWS	1,415	1,612	2,229	2,187	1,938	1,910	1,931	1,874	1,938	1,974	1,739	1,898	22,645
19. GAMBLING	1	1	2	2	3	2	6	2	5	1	-	-	25
20. OFF. AGAINST FAMILY	206	234	209	248	259	248	213	231	177	166	222	253	2,666
21. DRIVING UNDER INFLUENCE	1,104	970	1,521	1,636	1,743	1,787	1,654	1,498	1,604	1,497	1,468	1,635	18,117
22. LIQUOR LAWS	929	922	1,406	1,343	1,445	1,437	1,575	1,400	1,345	1,267	878	911	14,858
24. DISORDERLY CONDUCT	1,217	1,235	1,429	1,389	1,497	1,445	1,538	1,413	1,488	1,469	1,216	1,320	16,656
25. KIDNAPPING	44	42	51	63	55	42	74	62	50	46	49	44	622
26. ALL OTHER	4,077	4,354	4,943	5,042	5,100	4,980	5,356	5,019	4,761	4,845	4,090	4,092	56,659
28. CURFEW	225	225	318	334	486	489	611	647	412	351	285	318	4,701
29. RUNAWAY	742	1,979	938	984	1,070	845	835	785	828	952	848	730	11,536
GRAND TOTAL	31,541	32,625	35,647	34,872	36,543	34,983	37,009	36,587	34,661	36,261	32,571	34,146	417,446

STATEWIDE OFFENSES by MONTH, 2000  
(Includes offenses which were later unfounded)

Does not include data from Douglas County Sheriff's Office, Roseburg Police Department or Hillsboro Police Department. Does not include D.U.I. offenses from Oregon State Police.

**STATEWIDE OFFENSES by TYPE OF LOCATION, 2000**  
(Includes offenses which were later unfounded)

	01 HOM	02 - 17 SEX	03 ROBB	04 - 08 ASLT	05 BURG	06 LARC	07 MVT	09 ARSON	10 - 11 - 12 F/F/E	14 VAND	18 DRUGS	22 - 24 LQ/DC	26 OTHER	TOTAL
10 SINGLE FAMILY RESID.	27	3,206	122	10,159	9,954	10,807	919	168	2,076	5,784	2,935	5,167	19,471	70,795
11 APT/PLEX/CONDOMINIUM	10	1,027	108	4,851	2,994	3,265	293	71	423	1,522	1,167	2,558	5,637	23,926
12 CLUB/DORMITORY	-	48	9	304	203	304	18	33	26	171	46	103	381	1,646
13 CABIN	-	3	-	6	60	11	1	4	1	8	9	5	9	117
14 HOTEL/MOTEL	-	88	30	224	169	662	44	6	243	242	316	252	425	2,701
20 PUBLIC SAFETY FACIL.	-	77	-	393	25	137	13	6	67	198	340	114	1,181	2,551
21 GOVT. OFFICE/SERVICE	-	33	1	98	92	347	30	13	161	280	124	141	460	1,780
22 PUB.SCHOOL/COLLEGE	-	176	14	1,187	442	2,736	34	143	89	1,952	710	1,205	1,920	10,608
23 AUDITORIUM	-	7	2	20	21	84	2	-	5	43	9	60	37	290
24 AIRPORT/DEPOT	-	12	15	34	19	406	8	2	23	62	51	68	229	929
25 CHURCH	-	20	-	19	238	213	14	4	19	277	8	26	100	938
26 PVT.SCHOOL/COLLEGE	-	31	-	90	39	213	5	12	9	129	45	70	172	815
27 HOSPITAL	-	24	3	54	21	279	9	3	27	49	35	81	138	723
30 RESTAURANT	-	37	96	241	547	1,571	24	7	1,088	526	75	290	528	5,010
31 THEATER	-	-	1	6	7	107	9	2	11	28	3	16	20	210
32 B ALLEY/RINK/ARCADE	-	4	-	40	15	160	4	-	35	54	14	60	63	449
33 NIGHT CLUB/TAVERN	-	13	43	619	129	748	26	3	255	174	71	986	559	3,626
34 FINANCIAL	-	4	82	9	37	433	9	-	2,074	123	30	25	119	2,945
35 SERVICES	-	18	66	138	323	1,504	71	7	1,559	394	69	135	327	4,611
36 MEDICAL/DENTAL	-	10	1	25	111	220	2	3	59	110	20	15	71	647
37 PHARMACY/DRUGSTORE	-	-	6	7	48	187	2	-	164	25	189	10	31	669
38 GROCERY	-	13	180	154	134	5,935	24	9	2,270	204	131	642	726	10,422
39 CONVENIENCE STORE	-	8	131	106	177	1,924	18	-	486	174	54	267	507	3,852
40 DEPARTMENT/VARIETY	-	34	156	106	158	6,043	29	9	1,236	237	222	124	672	9,026
41 APPAREL	-	7	18	16	45	634	3	1	213	54	13	15	43	1,062
42 JEWELRY/CAMERA	-	1	1	2	18	120	-	-	44	16	-	3	8	213
43 FURNITURE/APPLIANCE	-	1	-	5	47	60	3	1	67	52	-	5	16	257
44 HARDWARE/SPORT.GOODS	-	-	10	5	70	304	4	-	174	46	9	10	25	657
45 MOTOR VEHICLE SALES	-	19	14	83	182	4,332	398	12	326	2,075	79	39	225	7,784
46 MARINE	-	1	-	3	18	38	2	-	4	9	5	5	4	89
47 CONSTRUCTION	-	2	-	8	251	345	11	5	45	118	4	6	49	844
48 LIQUOR/BEVERAGE	-	1	1	3	30	64	3	-	44	11	-	15	12	184
49 OTHER BUSINESS	-	110	91	324	1,909	4,422	243	31	2,674	2,124	146	660	1,702	14,436
50 FACTORY/WAREHOUSE	-	5	18	45	457	920	30	3	549	195	15	10	148	2,395
51 OTH.RESIDENCE BLDGS.	-	14	1	74	1,233	394	83	13	10	162	16	28	133	2,161
52 OTHER FARM BLDGS.	-	5	-	1	298	129	35	5	2	40	5	5	32	557
53 DOCK/PIER/WHARF	-	-	-	6	9	59	5	-	-	8	5	16	19	127
59 OTHER BUILDINGS	-	13	3	23	506	287	36	17	80	258	13	28	102	1,366
60 STREET/ALLEY/SIDEWLK	6	345	468	3,379	75	13,138	3,894	160	456	8,185	5,109	5,365	10,143	50,723
61 FREEWAY	-	9	-	120	2	52	41	62	37	47	492	149	319	1,330
62 OTHER ROAD	-	45	13	347	6	452	181	122	63	503	1,357	898	1,689	5,676
63 BRIDGE/VIADUCT/TUNNL	-	-	2	11	5	21	1	2	2	50	12	24	63	193
64 PARKING LOT/DRIVEWAY	1	148	166	1,466	114	21,973	5,651	103	172	8,417	915	1,395	2,471	42,992
70 GOLF COURSE	-	1	-	5	24	83	16	-	5	78	1	6	17	236
71 PARK/CAMPGROUND/BEACH	-	141	59	349	49	785	53	51	40	849	411	738	847	4,372
72 WATER/SHORELINE	1	15	4	59	3	228	3	4	7	58	84	179	168	813
73 CEMETARY	-	3	-	1	6	14	1	4	-	47	7	7	15	105
74 YARDS/RELATED AREA	2	90	17	548	48	5,115	189	94	54	2,305	95	420	3,836	12,813
75 DEV.FARMLAND/PASTURE	-	12	1	11	5	140	12	14	3	120	4	15	217	554
76 LOGGING SITE	-	-	-	3	-	44	4	-	-	20	-	6	7	84
77 WOODS/FOREST/MTS.	2	32	5	32	6	270	20	33	4	133	144	80	461	1,222
79 OTHER AREA	2	314	43	706	201	3,872	1,084	48	611	1,674	497	399	2,404	11,855
UNKNOWN	22	883	893	6,846	3,857	17,283	564	404	8,426	4,681	7,187	9,393	43,778	104,217
TOTAL	73	7,110	2,894	33,371	25,437	113,874	14,178	1,694	26,498	45,101	23,298	32,339	102,736	428,603

Does not include data from Douglas County Sheriff's Office, Roseburg Police Department or Hillsboro Police Department. Does not include D.U.I. offenses from Oregon State Police.

OFFENSES BY PREMISE TYPE

**STATEWIDE OFFENSES by TIME OF OCCURRENCE, 2000**  
 (Includes offenses which were later unfounded)

CLASSIFICATION OF OFFENSES	OFFENSE COUNT	MID	2 AM	4 AM	6 AM	8 AM	10 AM	12 N	2 PM	4 PM	6 PM	8 PM	10 PM	DAY	NIGHT	UNKNOWN
		TO 2 AM	TO 4 AM	TO 6 AM	TO 8 AM	TO 10 AM	TO 12 N	TO 2 PM	TO 4 PM	TO 6 PM	TO 8 PM	TO 10 PM	TO 12 MID			
PART 1 & PART 2																
01. HOMICIDE																
1. WILLFUL MURDER	56	6	3	3	1	2	5	5	4	3	1	9	6	22	29	5
2. AGGRAVATED MURDER	10	1	-	-	1	1	2	-	2	-	2	-	-	6	3	1
3. NEGL. NON-TRAFFIC	5	2	-	-	-	-	-	-	-	-	-	-	-	-	4	1
TOTAL	71	9	3	3	2	3	7	5	6	3	3	11	6	28	36	7
02. RAPE (FORCIBLE)																
1. FORCIBLE	1,171	91	58	34	12	45	50	50	65	48	54	60	90	323	520	328
2. ATTEMPT RAPE-FORCE	142	16	7	7	3	5	7	10	7	5	7	4	12	40	74	27
TOTAL	1,313	107	70	41	15	51	57	60	71	52	61	64	102	363	595	355
03. ROBBERY																
1. HIGHWAY	911	104	69	29	19	22	20	56	54	89	92	119	134	279	802	30
2. BUSINESS	834	56	46	18	10	15	39	65	98	122	113	94	73	392	423	19
3. SERVICE STATION	69	6	9	4	3	3	-	1	-	5	9	9	14	12	55	2
4. CONVENIENCE STORE	189	38	24	12	3	3	6	7	4	12	12	30	22	38	142	9
5. RESIDENCE	259	34	13	12	3	8	9	14	17	20	20	26	35	81	160	18
6. BANK	146	1	-	-	-	8	4	22	30	25	4	-	2	137	8	1
9. OTHER	451	35	20	11	10	13	12	26	38	36	43	71	66	157	280	14
TOTAL	2,859	274	181	87	49	72	127	192	242	309	294	350	347	1,095	1,671	94
04. AGGRAVATED ASSAULT																
1. AGGRAVATED	7,524	699	504	175	157	278	370	450	598	728	775	924	919	2,828	4,336	360
3. ATTEMPTED MURDER	177	17	17	6	4	7	8	11	15	13	11	20	28	62	108	7
TOTAL	7,701	716	522	181	161	285	378	461	613	741	786	944	946	2,890	4,444	367
05. BURGLARY																
1. RESIDENCE	15,341	518	329	250	317	519	555	675	680	660	618	529	496	5,748	4,123	5,470
2. BUSINESS	5,747	323	347	299	218	248	155	122	108	163	160	176	205	1,218	2,570	1,959
3. OTHER STRUCTURE	3,956	197	71	47	54	143	114	143	127	133	120	105	89	999	1,233	1,724
TOTAL	25,044	1,038	747	596	589	910	824	940	915	956	898	810	790	7,965	7,926	9,153
06. LARCENY																
1. PICKPOCKET	221	8	2	1	3	7	16	21	22	26	13	20	12	120	76	25
2. PURSES/NATCH	248	10	4	1	2	7	19	29	47	23	28	27	12	140	85	23
3. SHOPLIFT	16,574	516	335	124	106	323	1,022	2,142	2,906	3,051	2,099	1,424	732	10,537	5,591	446
4. FROM MOTOR VEHICLE	33,416	1,108	679	526	792	1,230	1,105	1,125	1,124	1,301	1,122	1,133	1,154	10,029	11,946	11,441
5. MOTOR VEH. PART/ACC.	10,492	361	209	105	150	249	217	23	211	263	245	244	272	2,582	4,366	3,543
6. BICYCLES	6,768	248	60	48	96	260	284	418	476	542	455	354	271	2,639	2,098	2,032
7. FROM PUBLIC BUILDING	8,625	269	93	40	78	275	423	544	601	496	389	309	224	4,278	2,180	2,167
8. FROM COIN-OP MACHINE	373	16	15	9	6	11	22	11	17	19	17	14	110	143	121	
9. ALL OTHERS	35,404	1,664	380	281	570	1,877	2,138	2,640	2,491	2,278	1,662	1,269	941	15,204	8,285	11,915
TOTAL	112,121	4,201	1,777	1,135	1,802	4,240	5,247	6,953	7,896	8,009	6,030	4,796	3,632	45,638	34,771	31,712
07. MOTOR VEHICLE THEFT																
1. AUTOMOBILES	8,714	315	225	184	227	285	291	309	269	301	284	288	305	2,611	3,683	2,420
2. TRUCKS AND BUSES	4,517	145	92	74	115	165	117	136	118	140	127	118	136	1,334	1,783	1,400
3. MOTORCYCLES	634	34	16	12	11	19	22	24	25	26	36	26	24	180	221	233
4. SNOWMOBILES	56	2	1	0	1	5	2	0	3	4	1	3	0	24	14	18
9. OTHER VEHICLES	563	32	18	10	21	52	39	47	33	36	37	36	21	236	165	162
TOTAL	14,484	527	353	280	376	526	470	516	448	508	485	472	486	4,384	5,867	4,233
08. SIMPLE ASSAULT	25,428	2,061	1,273	510	509	1,024	1,439	1,786	2,203	2,503	2,761	3,270	2,903	10,440	13,889	1,099
09. ARSON	1,650	167	126	82	46	100	86	107	112	125	113	127	175	625	868	157
10. FORGERY/COUNTERFEIT	12,864	802	121	46	96	521	954	1,266	1,446	1,412	741	522	336	6,517	2,798	3,550
11. FRAUD	12,347	853	140	90	133	639	920	1,093	1,117	899	605	373	401	5,428	2,553	4,366
12. EMBEZZLEMENT	816	47	6	3	6	28	43	39	33	50	38	28	24	254	201	361
13. STOLEN PROPERTY	718	46	25	16	21	47	61	66	79	73	43	52	34	375	241	102
14. VANDALISM	44,298	2,833	1,576	747	1,092	2,217	2,132	2,068	2,304	2,494	2,338	2,442	2,785	14,717	18,188	11,393
15. WEAPON LAWS	3,228	352	214	85	65	225	212	242	329	293	274	299	395	1,436	1,703	89
16. PROSTITUTION	855	148	35	4	2	6	7	31	61	88	132	185	137	196	642	17
17. SEX CRIMES	5,977	429	116	79	79	371	381	407	491	430	329	335	329	2,358	1,842	1,777
18. DRUG LAWS	22,666	2,570	1,597	591	428	1,319	1,603	1,897	2,135	2,352	2,101	2,418	2,692	10,015	12,225	427
19. GAMBLING	25	2	0	0	0	1	0	3	4	3	1	6	2	12	12	1
20. OFF. AGAINST FAMILY	2,940	112	53	23	54	221	273	265	325	350	325	265	190	1,589	1,022	330
21. DRIVING UNDER INFLUENCE	18,117	3,793	3,559	482	125	1,111	352	353	470	817	1,315	2,287	3,427	3,228	14,863	26
22. LIQUOR LAWS	14,886	2,898	1,209	315	92	428	506	722	874	1,193	1,386	2,011	2,886	3,854	10,841	191
24. DISORDERLY CONDUCT	16,969	1,621	924	287	307	752	1,045	1,395	1,506	1,616	1,911	2,052	2,119	7,004	9,225	740
25. KIDNAPPING	637	46	43	24	11	30	27	32	35	45	41	69	61	214	357	66
26. ALL OTHER	58,055	4,528	2,024	953	1,471	4,154	5,299	5,681	5,987	6,400	5,825	5,807	4,885	30,353	25,200	2,502
28. CURFEW	4,701	2,037	1,287	208	19	508	80	167	18	2	9	21	340	794	3,906	1
29. RUNAWAY	11,632	614	155	110	594	921	724	781	1,212	1,348	1,318	1,314	1,051	5,993	4,908	731
GRAND TOTAL	422,404	30,770	16,862	6,468	7,634	19,687	21,824	25,721	28,727	30,566	27,403	28,060	28,569	157,324	166,904	72,748

Does not include data from Douglas County Sheriff's Office, Roseburg Police Department or Hillsboro Police Department. Does not include D.U.I. offenses from Oregon State Police.

This page is intentionally blank.

**REPORT OF CRIMINAL OFFENSES**  
**MOTIVATED BY PREJUDICE**  
**JANUARY through DECEMBER, 2000**

This page is intentionally blank.

## **OREGON BIAS CRIME STATISTICS SUMMARY**

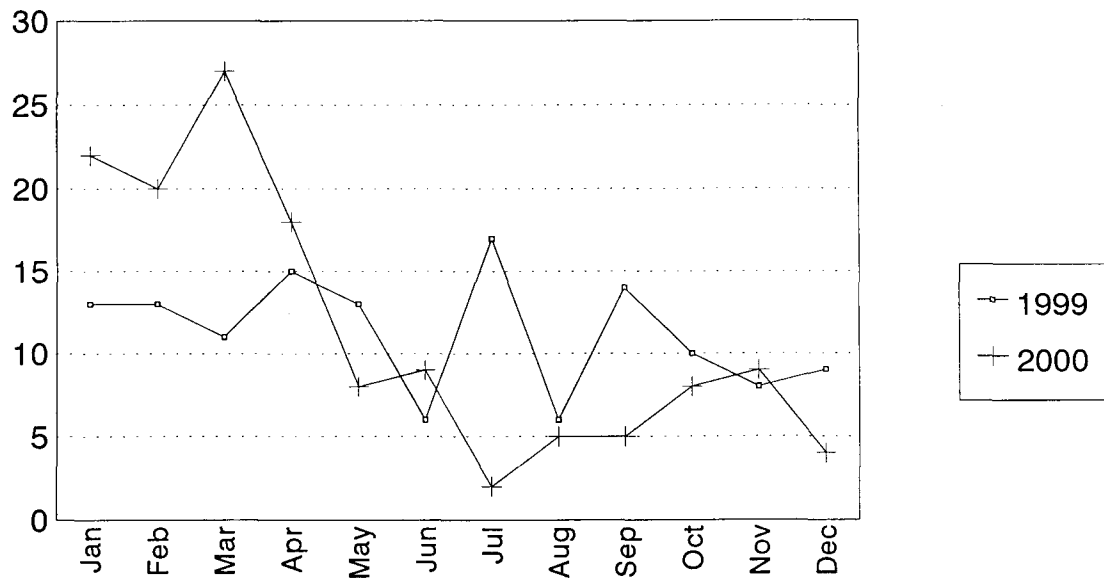
### **January through December 2000**

The 1989 Oregon Legislature passed Senate Bill 606, amending ORS 181.550, requiring law enforcement agencies to report crimes motivated by prejudice to the State Executive Department, Law Enforcement Data System (LEDS). Law Enforcement agencies report these Bias Crime incidents by sending a copy of the police report to LEDS. The 1995 legislature passed Senate Bill 1044 which moved the Law Enforcement Data System from the Executive Department to the Department of Oregon State Police. This transfer included the Uniform Crime Reporting and Bias Crime Reporting Programs.

The number of bias crimes reported for 2000 increased 1.5% from the number reported for 1999.

# Bias Crime

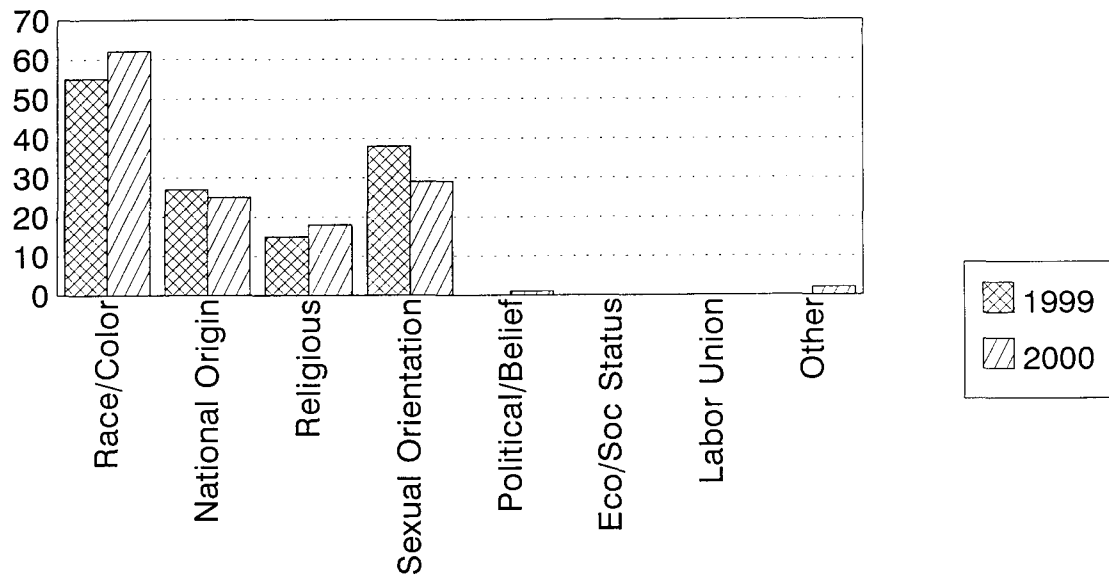
Totals By Month Jan-Dec 2000 Compared to Jan-Dec 1999



1999	13	13	11	15	13	6	17	6	14	10	8	9
2000	22	20	27	18	8	9	2	5	5	8	9	4

## By Type of Prejudice

Jan-Dec 2000 Compared to Jan-Dec 1999



1999	55	27	15	38	0	0	0	0
2000	62	25	18	29	1	0	0	2



<b>A. Reported incidents by month:</b>	<b>January through December</b>	<b>January through December</b>
	<b>1999</b>	<b>2000</b>
January	13	22
February	13	20
March	11	27
April	15	18
May	13	8
June	6	9
July	17	2
August	6	5
September	14	5
October	10	8
November	8	9
December	9	4

TOTAL	135	137
-------	-----	-----

**B. Reported incidents by type of crime:**

Aggravated Assault	13	13
Burglary-Larceny	1	2
Forcible Rape		
Intimidation	53	56
Motor Vehicle Theft		
Murder		
Robbery	1	1
Simple Assault	23	18
Vandalism	42	47
Other	2	

TOTAL	135	137
-------	-----	-----

**C. Reported incidents by type of prejudice:**

Race/Color	55	62
National Origin	27	25
Religious	15	18
Sexual Orientation	38	29
Political/Beliefs		1
Labor Union		
Economic/Social Status		
Handicap		2

TOTAL	135	137
-------	-----	-----

This page is intentionally blank.

D. Number and description of victims:	January	January
	through	through
	December	December
	1999	2000
Asian Male	7	5
Asian Female	3	3
Black Male	25	22
Black Female	19	14
Hispanic Male	17	23
Hispanic Female	7	15
Indian Male		
Indian Female		
White Male	57	44
White Female	24	24
	<hr/>	
<b>VICTIM TOTAL</b>	159	150
Male Victim Total	106	94
Female Victim Total	53	56

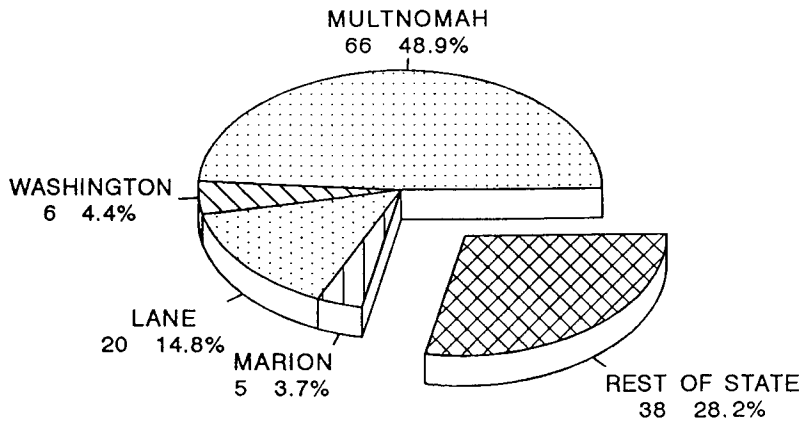
**E. Number and description of offenders:**

Asian Male		1
Asian Female		
Black Male	13	9
Black Female	6	1
Hispanic Male	2	5
Hispanic Female		6
Indian Male		
Indian Female		
White Male	122	85
White Female	8	14
	<hr/>	
<b>OFFENDER TOTAL</b>	151	121
Male Offender Total	137	100
Female Offender Total	14	21

**CRIMES MOTIVATED BY PREJUDICE  
BY COUNTY JANUARY through DECEMBER 1999 and 2000**

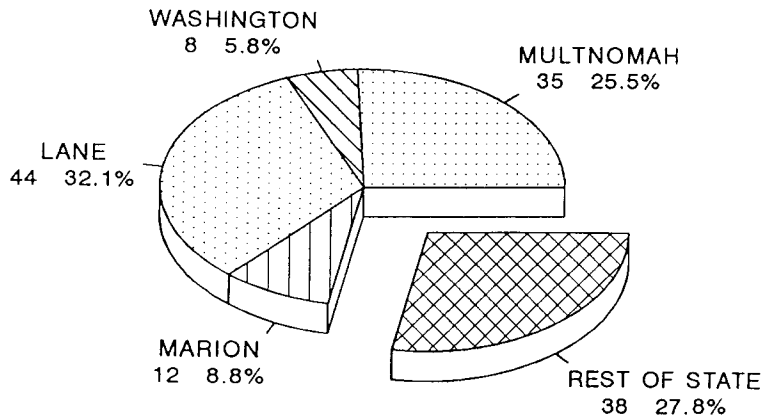
---

1999



1999 Total = 135

2000



2000 Total = 137

F. Reported incidents by county of occurrence

COUNTY	January through December 1999	January through December 2000	January through December 2000					
			Race	National Origin	Sexual Orientation	Religion	Other	
Baker								
Benton	11	5	3	1			1	
Clackamas	6	17	8	4	2		2	1
Clatsop	1	1	1					
Columbia								
Coos	1	1	1					
Crook				1				
Curry								
Deschutes	7	5	1	4				
Douglas	3	3	1	1			1	
Gilliam								
Grant								
Harney								
Hood River								
Jackson	2	3	1		2			
Jefferson								
Josephine	1							
Klamath								
Lake								
Lane	20	44	13	5	14		11	1
Lincoln	2							
Linn								
Malheur								
Marion	5	12	7	2	2			1
Morrow								
Multnomah	66	35	18	6	9		2	
Polk								
Sherman								
Tillamook	4	1	1					
Umatilla								
Union			1					
Wallowa								
Wasco								
Washington	6	8	6	1			1	
Wheeler								
Yamhill								
<b>TOTAL</b>	135	137	62	25	29		18	3

This page is intentionally blank.

**DOMESTIC DISTURBANCE REPORTING**  
**JANUARY through DECEMBER 2000**

This page is intentionally blank.



## **DOMESTIC DISTURBANCE REPORTING SUMMARY JANUARY through DECEMBER 2000**

ORS 181.550 directs all Oregon law enforcement agencies to report all statistics regarding incidents arising out of Domestic Disturbances under ORS 133.055 (2) and 133.310 (3) to the Department of State Police. An interim program of manual reporting has been implemented on a quarterly basis beginning with the last quarter of 1994.

The county summary on the following pages represents the results of reports from 173 agencies, covering 99.4% of Oregon's population.

**OREGON DOMESTIC DISTURBANCE REPORTING**

January through December 2000

COUNTY		CRIME TOTAL	CRIME TYPE THAT OCCURRED IN THE CONTEXT OF DOMESTIC INCIDENT									Domestic Restraining Order Violations	Non-Criminal Domestic Disturbance		
			Homicide	Rape	Agg. Assault	Burglary	Simple Assault	Vandalism	Other Sex Crimes	Disorderly Conduct	Trespass			Criminal Threat	All Other
BAKER	Incidents	84			4	1	62	1		11		1	4	28	22
	Arrests	71			4	1	52	1		10		1	2	12	
BENTON	Incidents	128	1		12	1	83	1	2	3	1		24	21	154
	Arrests	121	1		12	1	75	1		3	2		26	15	
CLACKAMAS	Incidents	1,500	3	9	187	17	878	28	7	35	34	127	175	479	545
	Arrests	1,221	2	5	105	14	773	25	4	26	24	116	127	379	
CLATSOP	Incidents	147			16		65	1	2	29	7		27	33	293
	Arrests	136			11		97		2	12	1		13	19	
COLUMBIA	Incidents	238	1		3		173			40	2	7	12	69	90
	Arrests	189			3		138			29	2	7	10	49	
COOS	Incidents	279			22		129			83	9	10	26	54	290
	Arrests	173			18		114			11	3	9	18	26	
CROOK	Incidents	104			6		60	1		22	4	8	3	23	53
	Arrests	92			5		55	1		17	3	8	3	15	
CURRY	Incidents	71			2		63					5	1	30	182
	Arrests	70			2		62					5	1	11	
DESCHUTES	Incidents	728			15		460	2	1	129	22	70	29	215	307
	Arrests	529	1		14		391	2	1	55	15	41	9	132	
DOUGLAS	Incidents	184			4	1	95	1		37	2	2	42	58	268
	Arrests	97			4	1	71	1		14	2		4	27	
GILLIAM	Incidents	5					5							1	10
	Arrests	3					3								
GRANT	Incidents	23			1		19	1		2				1	19
	Arrests	18					17			1					
HARNEY	Incidents	13			9					1	3			2	3
	Arrests	6					6							1	
HOOD RIVER	Incidents	50			1		48			1				17	33
	Arrests	44			1		43							4	
JACKSON	Incidents	1,012		3	360	1	185	17		175	5	1	265	415	1,649
	Arrests	586		2	279	5	174	11	2	36	4		73	36	
JEFFERSON	Incidents	158			1		122			28	1	4	2	48	48
	Arrests	218			1		191			21	1	2	2	37	
JOSEPHINE	Incidents	156			5		119			4			28	177	198
	Arrests	123			5		93						25	26	
KLAMATH	Incidents	567		1	22	7	287	15		144	5	49	37	164	152
	Arrests	442		1	15	4	230	10		113	3	40	26	111	
LAKE	Incidents	46			1		27			15			3	8	1
	Arrests	43			4		24			13			2	8	

**OREGON DOMESTIC DISTURBANCE REPORTING**

January through December 2000

COUNTY		CRIME TOTAL	CRIME TYPE THAT OCCURRED IN THE CONTEXT OF DOMESTIC INCIDENT										Domestic Restraining Order Violations	Non-Criminal Domestic Disturbance	
			Homicide	Rape	Agg. Assault	Burglary	Simple Assault	Vandalism	Other Sex Crimes	Disorderly Conduct	Trespass	Criminal Threat			All Other
LANE	Incidents	1,035	1		128		817				50	28	11	560	2,848
	Arrests	950	1		121		752			38	27	11	309		
LINCOLN	Incidents	203			8		130	1		10	41	13	197	308	
	Arrests	181			6		121	1		8	33	12	80		
LINN	Incidents	502			17		288			181	2	14	293	874	
	Arrests	269			11		244			7	1	6	99		
MALHEUR	Incidents	255			13		100	1		124	10	6	63	188	
	Arrests	199			12		70			100	10	6	18		
MARION	Incidents	1,519	2	3	75	22	703	41	7	16	15	635	474	3,432	
	Arrests	1,491	1	4	65	20	659	33	3	13	11	682	283		
MORROW	Incidents	115			33	1	41	4		12	9	15	31	33	
	Arrests	71			23	1	19	2		9	7	10	6		
MULTNOMAH	Incidents	8,212		26	1,398	138	3,568	292	7	1,395	966	18	404	195	14
	Arrests	4,115		9	724	27	2,338	77	8	489	360	12	71	83	
POLK	Incidents	148	1		5	2	84	8		4	1	43	69	345	
	Arrests	149			4	2	82	9		4	1	47	31		
SHERMAN	Incidents	15					13			2				3	
	Arrests	13					11			2					
TILLAMOOK	Incidents	141			8	2	82	4		28	5	12	31	63	
	Arrests	109			6	1	63	2		28	5	4	17		
UMATILLA	Incidents	297			4	1	219	1		21	9	41	95	318	
	Arrests	360			4	1	266	1		24	13	49	69		
UNION	Incidents	89			2		63				24		16	150	
	Arrests	80			2		58				20		12		
WALLOWA	Incidents	35					20	1		5		9	9	14	
	Arrests	26					18			2		6	6		
WASCO	Incidents	117			11	29	57			18		2	38	188	
	Arrests	95			4		65	3		16		7	30		
WASHINGTON	Incidents	798		5	53	3	635	3	1	50	1	10	219	1,372	
	Arrests	712		3	49	3	588	4		41	1	9	101		
WHEELER	Incidents	3			3								1		
	Arrests	2			2								1		
YAMHILL	Incidents	142	1	1	14		22	1	1	1		101	158	345	
	Arrests	159		2	13		22	1		1		120	45		
<b>TOTAL Incidents</b>		<b>19,119</b>	<b>10</b>	<b>48</b>	<b>2,443</b>	<b>226</b>	<b>9,722</b>	<b>425</b>	<b>28</b>	<b>2,676</b>	<b>1,113</b>	<b>452</b>	<b>1,976</b>	<b>4,292</b>	<b>14,812</b>
<b>Arrests</b>		<b>13,163</b>	<b>5</b>	<b>27</b>	<b>1,529</b>	<b>81</b>	<b>7,985</b>	<b>185</b>	<b>20</b>	<b>1,143</b>	<b>469</b>	<b>385</b>	<b>1,334</b>	<b>2,098</b>	

This page is intentionally blank.