

SECTION 1

STATEWIDE SUMMARY

This section presents an overview of Statewide Statistics
relating to criminal Offenses and Arrests for 1997.

This page is intentionally blank.

SUMMARY

CRIME IN OREGON

Crime in Oregon increased 5.6% in 1997 when compared to 1996. Crime increased in 21 of the 36 counties in Oregon

Crime in the five major populated counties is depicted in this summary as a visual overview of crime in Oregon. The counties of Clackamas, Lane, Marion, Multnomah and Washington represent 59.6% of the State's population. These 5 counties reported 60.3% of the total crime in Oregon and 64.7% of the total Crimes Against Persons.

OREGON POPULATION

Population estimates for Oregon are provided by the Center of Population Research and Census, Portland State University. Total Oregon population for 1997 Statistics is 3,217,000.

CRIMES AGAINST PERSONS

Crimes Against Persons decreased 1.2% from 1996 to 1997.

DECREASES REPORTED:

Willful Homicide, Other Sex Crimes, Robbery and Aggravated Assault all reported decreases.

INCREASES REPORTED:

Negligent Homicide, Rape and Kidnapping reported increases.

Simple Assault showed no change.

CRIMES AGAINST PROPERTY

Crimes Against Property increased 6.3% from 1996 to 1997.

INCREASES REPORTED:

Burglary, Larceny, Motor Vehicle Theft, Arson, Forgery/Counterfeiting, Fraud, Embezzlement and Stolen Property Offenses (Possession, buy, sell) all reported increases.

DECREASES REPORTED:

Vandalism reported a decrease.

BEHAVIORAL CRIMES

Behavioral Crimes increased 6.5% from 1996 to 1997.

INCREASES REPORTED:

Weapons Offenses, Drug Laws, Offenses Against Family, Liquor Laws, Disorderly Conduct, "All Other" and Runaway all reported increases.

DECREASES REPORTED:

Prostitution, Gambling, D.U.I.I. and curfew reported decreases.

INDEX CRIME RATE

The Index Crime Rate for 1997 was 639.9 crimes per 10,000 population. This is a 5.5% increase from the rate of 606.4 for 1996. These rates are based on estimated population of 3,217,000 for 1997 and 3,181,000 for 1996.

ARRESTS IN OREGON

Arrests = 178,945 (This excludes arrests for Traffic Crime, Fish & Game, or Marine)

The total number of arrests increased 1.8%.

Arrests of Adults (persons 18 years and older) increased 4.5%

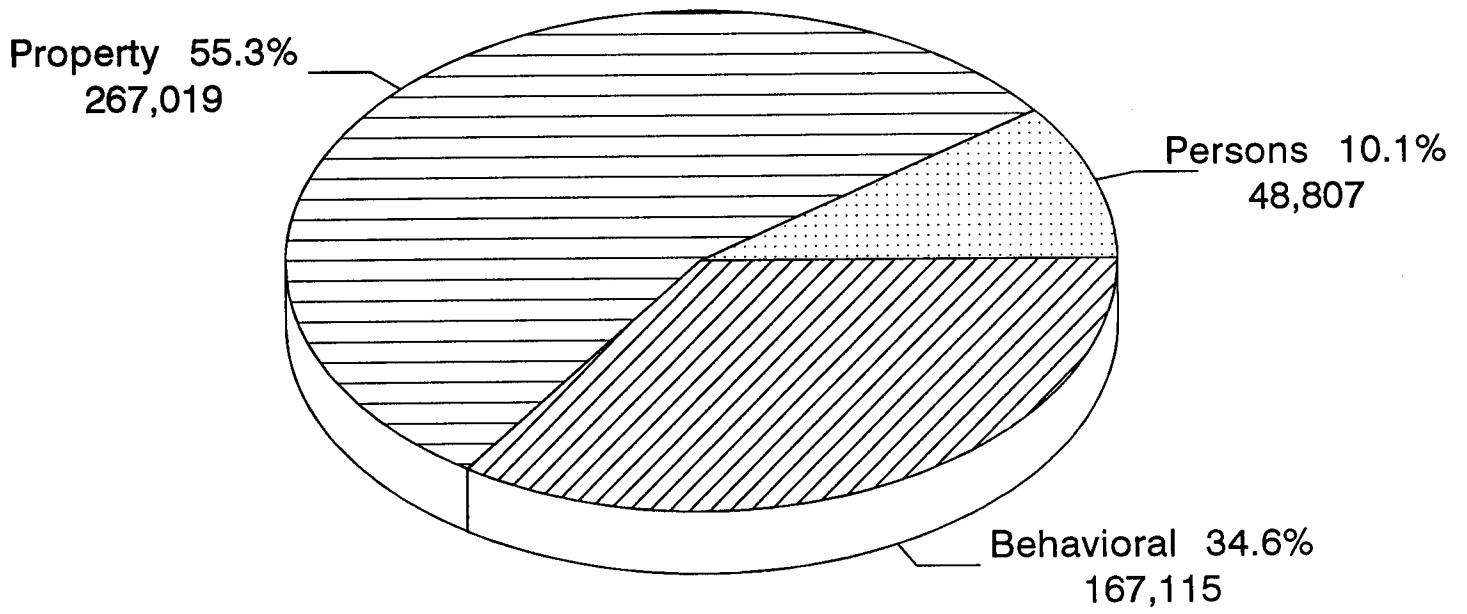
Arrests of Juveniles (persons 17 years and younger) decreased 4.8%

1997 CRIMINAL OFFENSES by POPULATION CENTER

The cities of Portland, Salem and Eugene, combined have 23.6% of the Oregon population and reported 37.9% of the Crimes Against Persons, 34.2% of the Crimes Against Property, 26.6% of Behavioral Crimes and 31.9% of the Crime Total.

Multnomah, Clackamas, Washington, Marion and Lane Counties contain 59.6% of the State's population and reported 60.3% of the Crime Total.

TOTAL REPORTED OFFENSES
January through December 1997



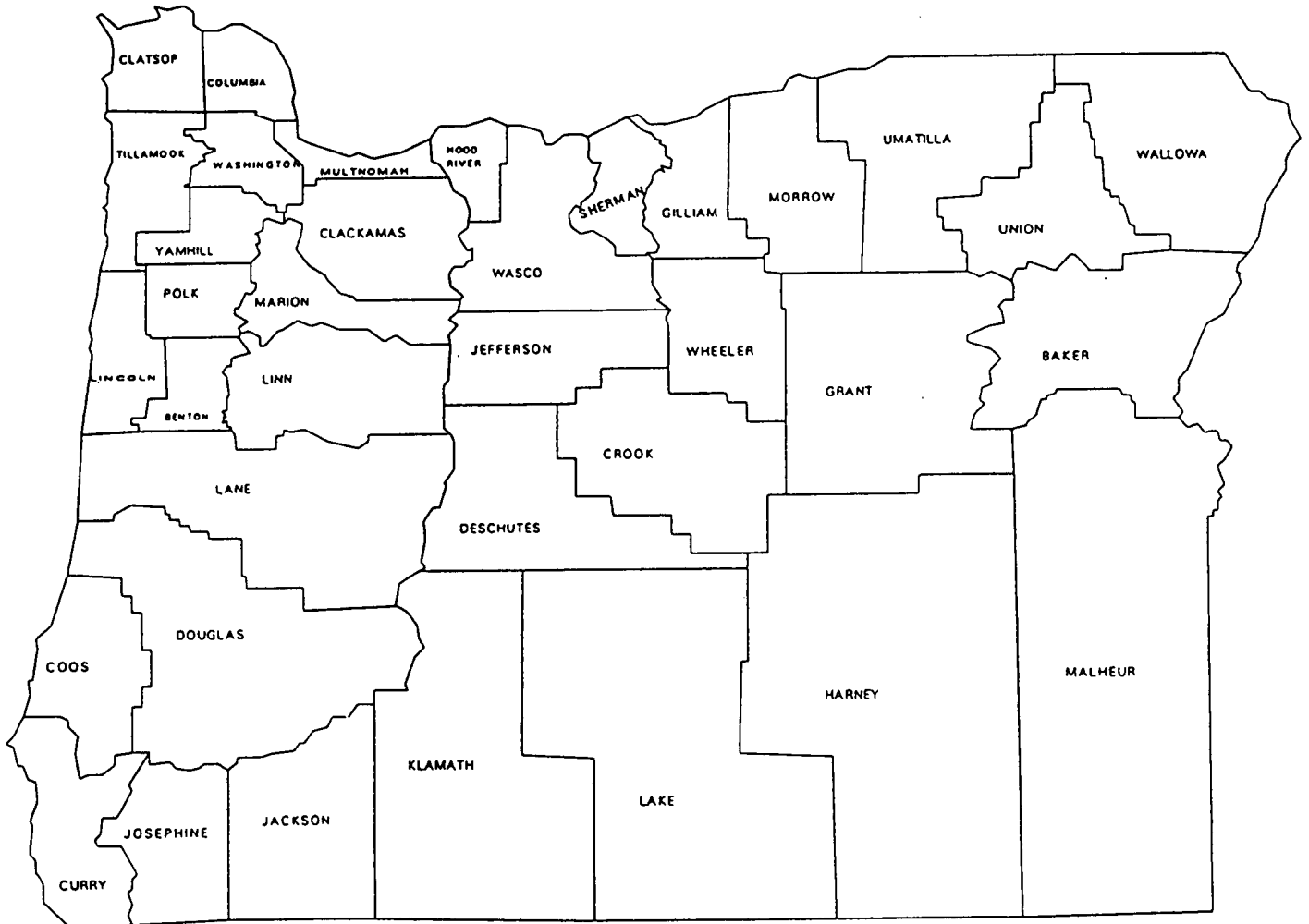
Total Offenses = 482,941

REPORTED OFFENSES

			PERCENT	RATE PER 10,000	
	1996	1997	CHANGE	1996	1997
CRIMES AGAINST PERSONS					
Willful Murder *	119	101	-15.1%	0.4	0.3
Negligent Homicide (1)	10	16	60.0%	0.03	0.05
Forcible Rape *	1,262	1,285	1.8%	4.0	4.0
Other Sex Offenses	6,021	5,662	-6.0%	18.9	17.6
Kidnapping	597	654	9.5%	1.9	2.0
Robbery *	3,933	3,798	-3.4%	12.4	11.8
Aggravated Assault *	9,440	9,275	-1.7%	29.7	28.8
Simple Assault	28,023	28,016	0.0%	88.1	87.1
TOTAL	49,405	48,807	-1.2%	155.3	151.7
CRIMES AGAINST PROPERTY					
Burglary *	31,537	33,518	6.3%	99.1	104.2
Larceny *	127,685	136,375	6.8%	401.4	423.9
Motor Vehicle Theft *	17,340	19,882	14.7%	54.5	61.8
Arson *	1,580	1,613	2.1%	5.0	5.0
Forgery/Counterfeiting	10,237	13,160	28.6%	32.2	40.9
Fraud	10,326	11,349	9.9%	32.5	35.3
Embezzlement	675	737	9.2%	2.1	2.3
Stolen Property	712	1,225	72.1%	2.2	3.8
Vandalism	51,049	49,160	-3.7%	160.5	152.8
TOTAL	251,141	267,019	6.3%	789.5	830.0
BEHAVIORAL CRIMES					
Weapon Laws	3,845	4,063	5.7%	12.1	12.6
Prostitution	889	848	-4.6%	2.8	2.6
Drug Laws	18,021	20,967	16.3%	56.7	65.2
Gambling	37	16	-56.8%	0.1	0.0
Crimes Against Family	2,386	2,451	2.7%	7.5	7.6
D.U.I.I.	23,985	22,721	-5.3%	75.4	70.6
Liquor Laws	13,772	14,531	5.5%	43.3	45.2
Disorderly Conduct	17,256	17,393	0.8%	54.2	54.1
All Other (Except Traffic)	54,243	61,492	13.4%	170.5	191.1
Curfew	7,961	7,284	-8.5%	25.0	22.6
Runaway Juveniles	14,591	15,349	5.2%	45.9	47.7
TOTAL	156,986	167,115	6.5%	493.5	519.5
GRAND TOTAL	457,532	482,941	5.6%	1438.3	1501.2
* Index Total	192,896	205,847	6.7%	606.4	639.9
Traffic Crime	26,656	26,927	1.0%	83.8	83.7
Fish & Game Violations	5,309	5,033	-5.2%	16.7	15.6
Marine Violations	720	719	-0.1%	2.3	2.2

(1) Negligent Homicide offenses do not include vehicular deaths

OREGON COUNTY MAP

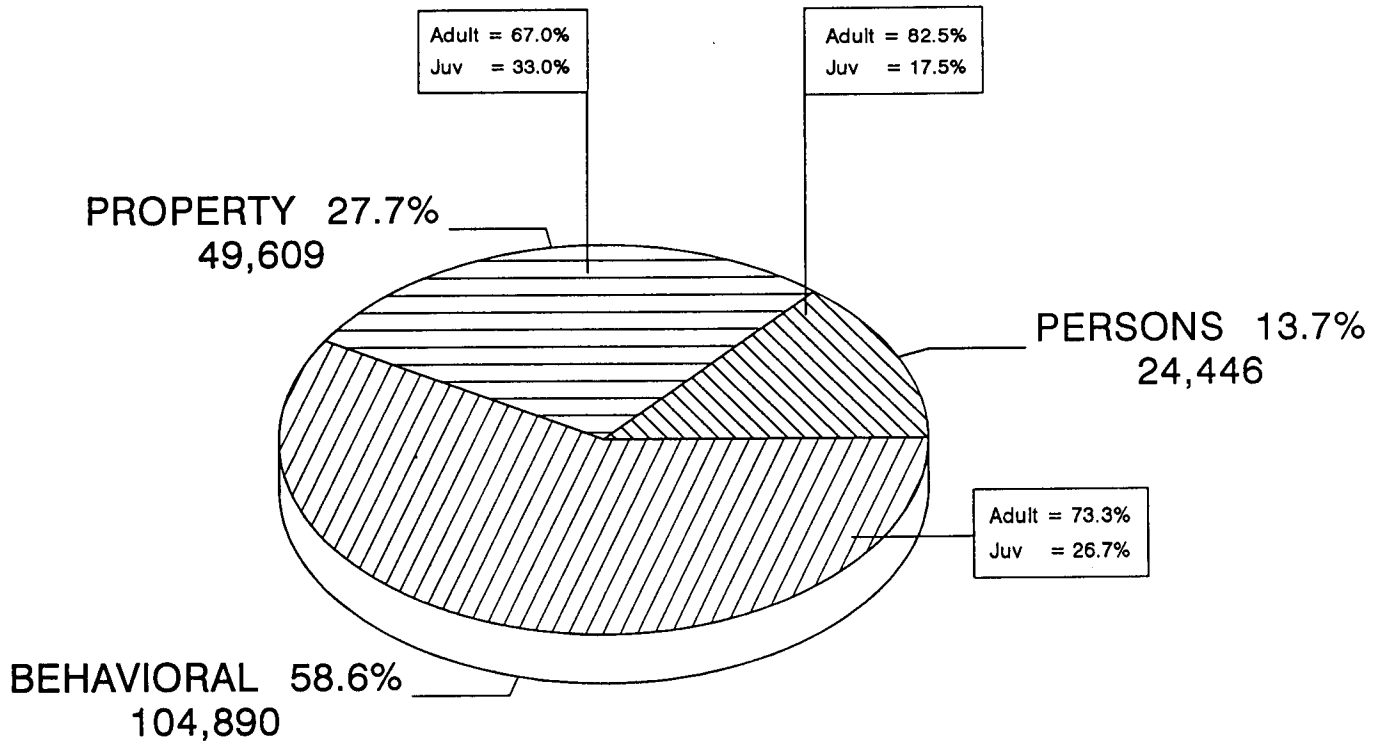


COUNTY FIVE YEAR PROFILE OF TOTAL CRIMES

	1993	1994	1995	1996	1997
BAKER	2,200	2,513	2,584	2,888	3,452
BENTON	9,116	10,518	9,883	9,072	9,691
CLACKAMAS	29,544	30,868	33,079	35,053	34,355
CLATSOP	6,340	6,470	6,781	6,089	6,181
COLUMBIA	4,166	3,795	4,350	4,333	4,215
COOS	10,705	11,014	12,370	10,577	11,316
CROOK	1,960	2,025	2,373	2,705	2,951
CURRY	1,937	1,976	2,230	1,913	1,777
DESCHUTES	10,454	12,063	13,836	13,893	15,196
DOUGLAS	13,026	14,752	13,466	13,870	12,549
GILLIAM	82	112	124	164	156
GRANT	693	720	708	666	649
HARNEY	514	518	572	694	1,013
HOOD RIVER	1,703	1,767	1,947	1,984	2,128
JACKSON	24,398	24,897	22,835	26,639	29,032
JEFFERSON	1,786	2,105	2,664	2,558	2,531
JOSEPHINE	10,421	8,515	8,481	8,584	10,119
KLAMATH	4,990	5,781	6,928	5,977	6,612
LAKE	445	460	522	447	508
LANE	36,595	42,471	45,532	45,884	49,498
LINCOLN	6,529	7,455	7,169	6,905	6,827
LINN	18,552	18,400	20,087	18,611	19,708
MALHEUR	3,775	4,745	4,703	4,915	4,517
MARION	43,388	49,041	51,394	46,652	49,254
MORROW	897	1,044	1,099	1,233	1,178
MULTNOMAH	109,092	114,855	117,532	111,094	118,636
POLK	8,234	9,630	9,139	8,944	9,050
SHERMAN	169	156	193	188	160
TILLAMOOK	2,118	2,482	2,629	2,503	2,458
UMATILLA **	5,844	6,155	10,397	9,505	10,469
UNION	2,090	2,190	2,237	2,166	2,508
WALLOWA	638	458	514	507	505
WASCO	3,143	3,906	3,841	3,235	3,627
WASHINGTON	31,511	33,932	37,112	36,245	39,317
WHEELER	109	115	128	148	130
YAMHILL	10,666	12,119	12,076	10,691	10,668
TOTAL	417,830	450,023	471,515	457,532	482,941

** Umatilla County - Pendleton Police Department submitted no reports for 1993 or 1994 but resumed reporting in 1995.

TOTAL REPORTED ARRESTS
January through December 1997



Total Arrests = 178,945

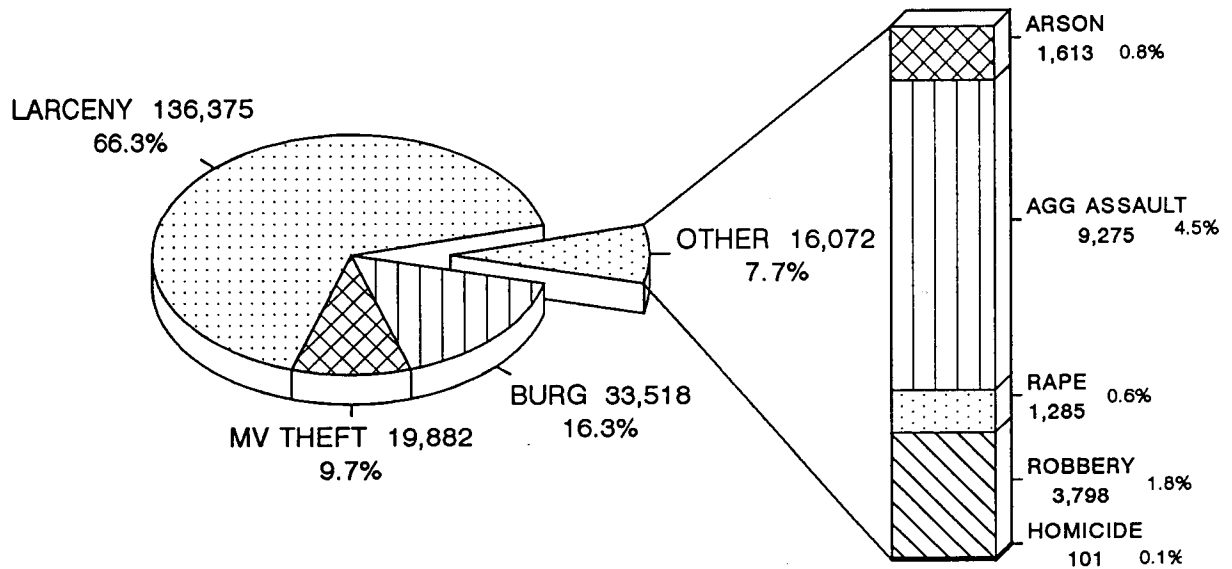
REPORTED ARRESTS

	1996			1997			TOTAL PERCENT CHANGE
	ADULT	JUVENILE	TOTAL	ADULT	JUVENILE	TOTAL	
CRIMES AGAINST PERSONS							
Willful Murder *	132	20	152	99	13	112	-26.3%
Negligent Homicide (1)	17		17	16	7	23	35.3%
Forcible Rape *	259	58	317	257	68	325	2.5%
Other Sex Offenses	1,183	344	1,527	1,137	318	1,455	-4.7%
Kidnapping	115	12	127	105	16	121	-4.7%
Robbery *	1,079	369	1,448	1,004	304	1,308	-9.7%
Aggravated Assault *	2,078	693	2,771	2,067	613	2,680	-3.3%
Simple Assault	15,468	3,128	18,596	15,496	2,926	18,422	-0.9%
TOTAL	20,331	4,624	24,955	20,181	4,265	24,446	-2.0%
CRIMES AGAINST PROPERTY							
Burglary *	2,479	1,887	4,366	2,721	1,882	4,603	5.4%
Larceny *	18,821	10,945	29,766	19,428	9,615	29,043	-2.4%
Motor Vehicle Theft *	2,286	1,226	3,512	2,847	1,109	3,956	12.6%
Arson *	202	302	504	179	283	462	-8.3%
Forgery/Counterfeiting	1,922	179	2,101	3,047	243	3,290	56.6%
Fraud	1,438	178	1,616	1,435	152	1,587	-1.8%
Embezzlement	82	2	84	81	6	87	3.6%
Stolen Property	472	177	649	594	181	775	19.4%
Vandalism	2,799	3,094	5,893	2,905	2,901	5,806	-1.5%
TOTAL	30,501	17,990	48,491	33,237	16,372	49,609	2.3%
BEHAVIORAL CRIMES							
Weapon Laws	1,945	527	2,472	2,167	554	2,721	10.1%
Prostitution	913	20	933	741	15	756	-19.0%
Drug Laws	14,209	2,638	16,847	15,864	2,415	18,279	8.5%
Gambling	20	4	24	9	4	13	-45.8%
Crimes Against Family	741	21	762	720	17	737	-3.3%
D.U.I.I.	21,569	275	21,844	20,796	304	21,100	-3.4%
Liquor Laws	10,429	6,108	16,537	10,802	5,848	16,650	0.7%
Disorderly Conduct	4,091	1,319	5,410	4,305	1,343	5,648	4.4%
All Other (Except Traffic)	19,849	7,906	27,755	21,424	8,089	29,513	6.3%
Curfew		5,451	5,451		5,117	5,117	-6.1%
Runaway Juveniles		4,287	4,287		4,356	4,356	1.6%
TOTAL	73,766	28,556	102,322	76,828	28,062	104,890	2.5%
GRAND TOTAL	124,598	51,170	175,768	130,246	48,699	178,945	1.8%
* Index Total	27,336	15,500	42,836	28,602	13,887	42,489	-0.8%
Traffic Crime	16,143	693	16,836	16,298	707	17,005	1.0%
Fish & Game Violations	4,623	226	4,849	4,443	573	5,016	3.4%
Marine Violations	657	28	685	653	31	684	-0.1%

INDEX CRIME OFFENSES

INDEX			PERCENT CHANGE	RATE PER 10,000	
	1996	1997		1996	1997
INDEX					
Willful Murder	119	101	-15.1%	0.4	0.3
Forcible Rape	1,262	1,285	1.8%	4.0	4.0
Robbery	3,933	3,798	-3.4%	12.4	11.8
Aggravated Assault	9,440	9,275	-1.7%	29.7	28.8
Total Violent Index	14,754	14,459	-2.0%	46.4	44.9
Burglary	31,537	33,518	6.3%	99.1	104.2
Larceny	127,685	136,375	6.8%	401.4	423.9
Motor Vehicle Theft	17,340	19,882	14.7%	54.5	61.8
Arson	1,580	1,613	2.1%	5.0	5.0
Total Property Index	178,142	191,388	7.4%	560.0	594.9
INDEX TOTAL	192,896	205,847	6.7%	606.4	639.9

TOTAL REPORTED INDEX CRIME OFFENSES January through December 1997

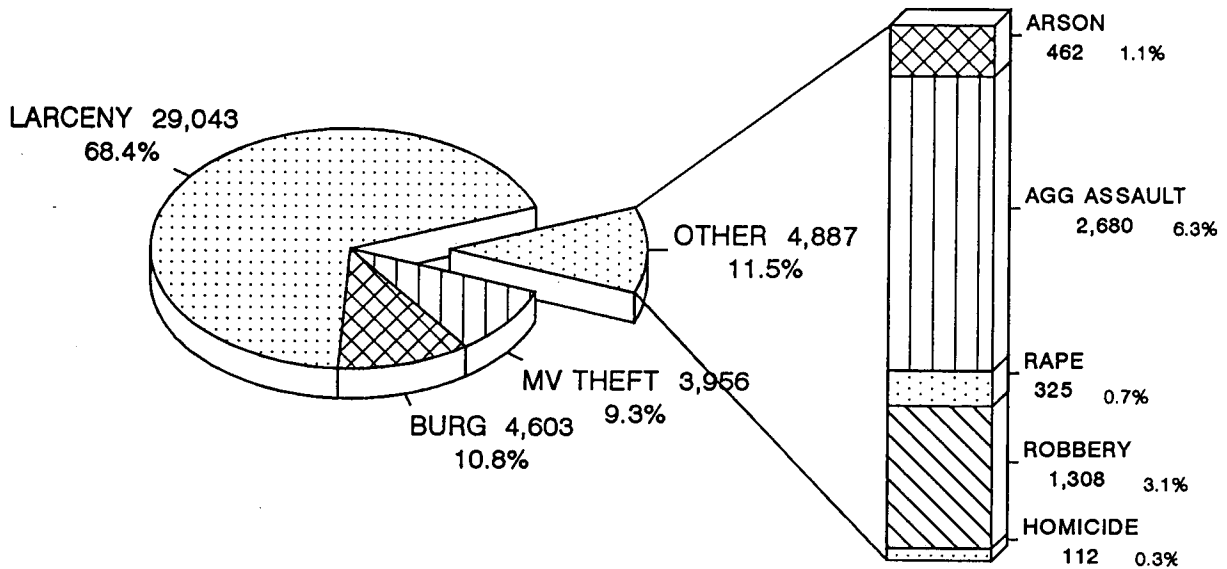


Total Index Crime = 205,847

INDEX CRIME ARRESTS

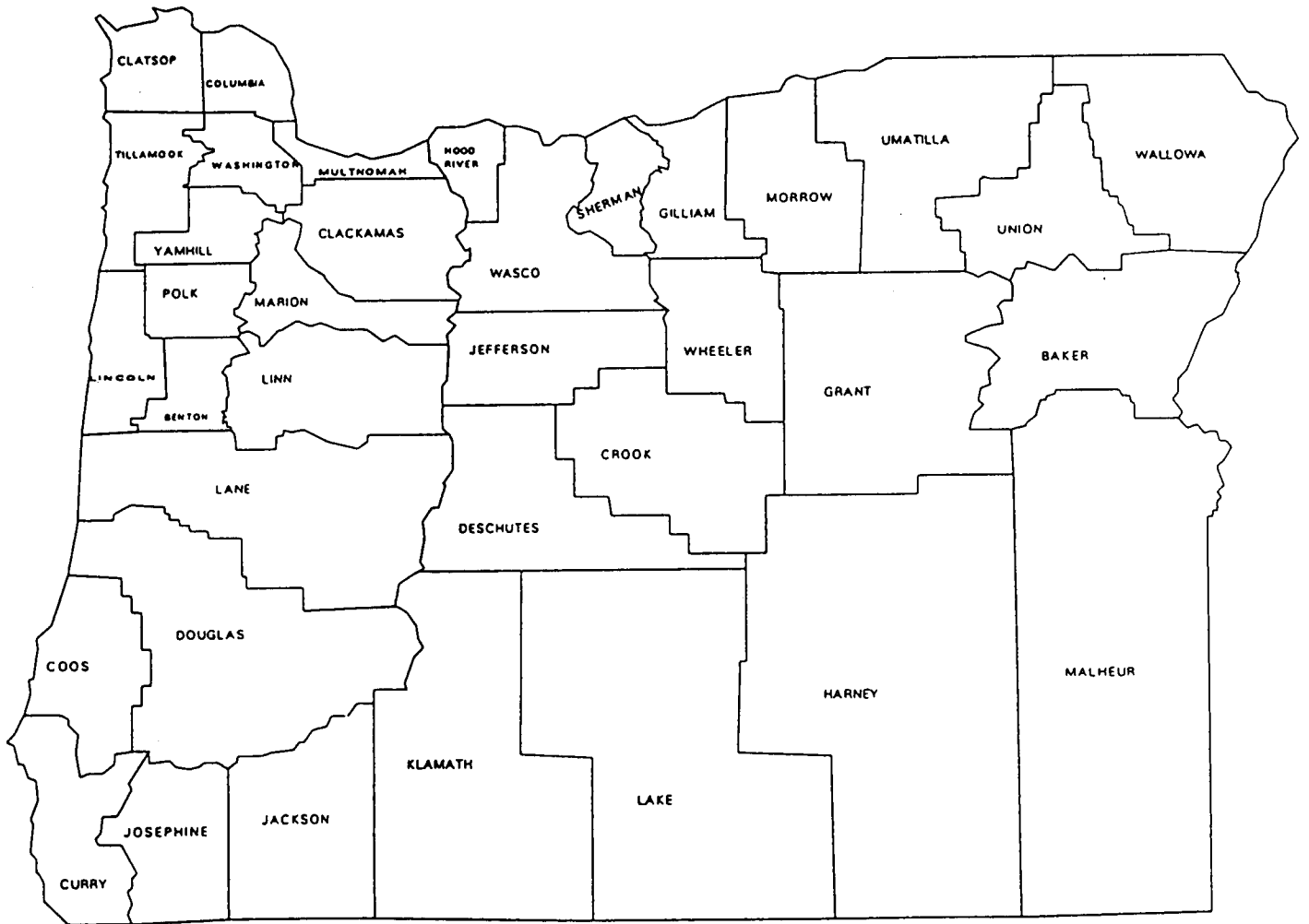
INDEX	1996			1997			PERCENT CHANGE
	ADULT	JUVENILE	TOTAL	ADULT	JUVENILE	TOTAL	
Willful Murder	132	20	152	99	13	112	-26.3%
Forcible Rape	259	58	317	257	68	325	2.5%
Robbery	1,079	369	1,448	1,004	304	1,308	-9.7%
Aggravated Assault	2,078	693	2,771	2,067	613	2,680	-3.3%
Total Violent Index	3,548	1,140	4,688	3,427	998	4,425	-5.6%
Burglary	2,479	1,887	4,366	2,721	1,882	4,603	5.4%
Larceny	18,821	10,945	29,766	19,428	9,615	29,043	-2.4%
Motor Vehicle Theft	2,286	1,226	3,512	2,847	1,109	3,956	12.6%
Arson	202	302	504	179	283	462	-8.3%
Total Property Index	23,788	14,360	38,148	25,175	12,889	38,064	-0.2%
INDEX TOTAL	27,336	15,500	42,836	28,602	13,887	42,489	-0.8%

TOTAL REPORTED INDEX CRIME ARRESTS January through December 1997



Total Index Arrests = 42,489

OREGON COUNTY MAP



COUNTY FIVE YEAR PROFILE OF INDEX CRIMES

	1993	1994	1995	1996	1997
BAKER	752	801	945	995	1,151
BENTON	3,156	3,930	3,868	3,375	3,735
CLACKAMAS	14,096	15,165	16,183	16,142	16,637
CLATSOP	1,742	1,675	1,895	1,988	1,752
COLUMBIA	1,175	1,048	1,162	1,121	1,163
COOS	3,250	3,442	3,821	2,962	3,251
CROOK	483	630	769	745	957
CURRY	669	558	680	619	540
DESCHUTES	4,329	4,954	6,020	5,878	6,540
DOUGLAS	3,815	4,724	4,747	4,396	4,078
GILLIAM	26	37	31	33	34
GRANT	250	261	230	189	213
HARNEY	236	181	219	191	253
HOOD RIVER	603	676	685	643	837
JACKSON	9,111	9,975	10,748	9,177	10,181
JEFFERSON	525	569	832	851	772
JOSEPHINE	3,357	3,562	3,825	3,369	3,984
KLAMATH	1,954	2,440	3,160	2,522	2,618
LAKE	162	151	180	194	181
LANE	16,550	20,428	22,418	21,840	23,536
LINCOLN	2,208	2,696	2,601	2,277	2,496
LINN	5,984	7,080	7,297	6,202	7,084
MALHEUR	1,233	1,647	1,517	1,444	1,355
MARION	16,425	19,242	21,549	18,530	19,529
MORROW	318	408	363	461	425
MULTNOMAH	60,353	63,071	63,355	57,837	61,608
POLK	1,990	2,763	2,559	2,370	2,351
SHERMAN	53	44	70	66	59
TILLAMOOK	691	879	820	692	648
UMATILLA **	2,114	2,009	3,021	2,895	3,099
UNION	690	788	752	831	1,056
WALLOWA	180	136	149	158	160
WASCO	1,176	1,662	1,469	1,132	1,231
WASHINGTON	13,740	15,023	17,051	16,977	18,320
WHEELER	26	46	54	46	44
YAMHILL	2,834	3,437	3,714	3,748	3,969
TOTAL	176,256	196,138	208,759	192,896	205,847

** Umatilla County - Pendleton Police Department submitted no reports for 1993 or 1994, but resumed reporting in 1995.

This page is intentionally blank.

STATEWIDE OFFENSES by TYPE OF LOCATION, 1997
 (Includes offenses which were later unfounded)

	01	02 - 17	03	04 - 08	05	06	07	09	10 - 11 - 12	14	18	22 - 24	26	TOTAL
	HOM	SEX	ROBB	ASLT	BURGL	LARC	MVT	ARSON	F/F/E	VAND	DRUGS	LQ/DC	OTHER	
10 SINGLE FAMILY RESID.	34	3,296	134	12,523	14,199	12,884	1,233	208	1,343	6,330	2,349	6,107	22,123	82,763
11 APT/PLEX/CONDOMINIUM	11	1,100	90	5,695	3,711	4,022	423	79	291	1,809	761	2,432	5,431	25,855
12 CLUB/DORMITORY		62	8	315	289	403	29	28	20	182	28	94	463	1,921
13 CABIN		2		12	99	16	5	1	1	26	2	4	45	213
14 HOTEL/MOTEL	1	118	76	348	223	856	52	8	352	284	244	229	476	3,267
20 PUBLIC SAFETY FACIL.		65		360	21	180	16	2	51	247	464	108	1,367	2,881
21 GOVT. OFFICE/SERVICE		38	5	96	174	410	13	5	153	327	122	95	524	1,962
22 PUB.SCHOOL/COLLEGE		167	25	1,251	565	2,909	33	152	44	1,973	598	894	2,198	10,809
23 AUDITORIUM			1	39	38	97	4	2	11	52	6	105	46	401
24 AIRPORT/DEPOT		5	11	32	14	376	8	4	16	70	29	36	157	758
25 CHURCH		12	1	22	316	264	13	8	13	343	6	32	157	1,187
26 PVT.SCHOOL/COLLEGE		17	1	92	82	276	7	11	18	167	50	80	185	986
27 HOSPITAL	1	22	4	66	20	304	4		28	44	25	61	136	715
30 RESTAURANT	1	39	186	316	623	1,773	39	9	1,364	581	65	313	668	5,977
31 THEATER		5	1	12	16	77	9		1	36	2	14	34	207
32 B ALLEY/RINK/ARCADE		2	4	53	35	192	9		68	64	6	51	43	527
33 NIGHT CLUB/TAVERN	2	16	85	812	171	864	68	5	388	230	89	702	565	3,997
34 FINANCIAL		4	183	11	94	299	5		1,988	120	34	30	103	2,871
35 SERVICES	3	10	113	167	475	1,549	103	8	1,624	446	48	145	416	5,107
36 MEDICAL/DENTAL		11	3	16	239	213	6	3	57	140	14	24	84	810
37 PHARMACY/DRUGSTORE		2	13	10	27	266	2	2	187	35	170	16	43	773
38 GROCERY	1	17	291	225	175	7,940	49	7	3,651	307	155	698	944	14,460
39 CONVENIENCE STORE	1	15	254	196	187	3,060	24	5	607	273	66	353	587	5,628
40 DEPARTMENT/VARIETY		32	235	180	174	8,210	53	7	1,762	247	236	142	830	12,108
41 APPAREL		2	29	12	79	972		1	292	55	10	17	46	1,515
42 JEWELRY/CAMERA		1	9	1	25	108			64	18	2	1	6	235
43 FURNITURE/APPLIANCE			2	7	47	94	1	1	113	62	1	3	13	344
44 HARDWARE/SPORT.GOODS		6	6	7	99	425	4		211	55	4	15	52	884
45 MOTOR VEHICLE SALES		22	17	144	337	4,417	638	14	407	2,005	75	75	263	8,414
46 MARINE				9	10	40	5	1	6	7	1	1	10	90
47 CONSTRUCTION			5	15	357	414	24	4	107	144	2	6	46	1,124
48 LIQUOR/BEVERAGE		1	3	2	34	50		1	52	16		14	9	182
49 OTHER BUSINESS	3	82	124	385	2,937	5,399	247	34	2,198	2,449	152	663	2,167	16,840
50 FACTORY/WAREHOUSE		7	19	51	559	1,216	35	11	229	225	7	7	147	2,513
51 OTH.RESIDENCE BLDGS.		19	1	70	2,041	529	122	19	5	276	17	12	114	3,225
52 OTHER FARM BLDGS.		6	2	4	437	151	44	8	4	47	3	6	47	759
53 DOCK/PIER/WHARF		5	3	10	18	87	3	1		14	3	12	23	179
59 OTHER BUILDINGS		12	5	33	704	386	30	19	70	361	17	24	159	1,820
60 STREET/ALLEY/SIDEWALK	17	409	789	5,112	91	18,354	6,321	189	512	9,209	4,666	5,884	11,901	63,454
61 FREEWAY		5		124	2	39	31	17	12	49	105	62	90	536
62 OTHER ROAD	5	47	20	362	7	600	214	38	31	595	646	642	1,493	4,700
63 BRIDGE/VIADUCT/TUNNL		2	4	19		15	1	1	2	69	6	28	94	241
64 PARKING LOT/DRIVEWAY	2	165	265	2,056	145	26,675	8,096	104	197	9,351	915	1,949	3,809	53,729
70 GOLF COURSE		1	2	6	30	90	13	2	5	60		4	33	246
71 PARK/CAMPGROUND/BEACH	1	146	63	500	37	879	55	57	52	951	329	909	1,086	5,065
72 WATER/ShORELINE	2	29	3	50	3	242	12	2	2	78	62	181	272	938
73 CEMETARY		2	1		6	24	2			55	14	6	35	145
74 YARDS/RELATED AREA	1	118	24	745	53	7,691	268	86	57	2,757	120	602	4,765	17,287
75 DEV.FARMLAND/PASTURE		7		22	30	278	23	12	8	213	9	16	458	1,076
76 LOGGING SITE				2	2	47	3	1		14	1	1	35	106
77 WOODS/FOREST/MTS.	1	26	4	46	5	273	13	15	6	107	161	53	430	1,140
79 OTHER AREA		362	57	971	278	4,415	1,027	69	291	1,688	542	941	3,181	13,822
UNKNOWN	27	678	593	3,522	2,572	13,200	641	342	5,846	2,636	6,745	6,608	70,006	113,416
TOTAL	114	7,217	3,774	37,136	32,912	134,550	20,080	1,603	24,817	47,899	20,184	31,507	138,415	500,208

Does not include data from Douglas County Sheriff's Department or Hillsboro Police Department

This page is intentionally blank.

REPORT OF CRIMINAL OFFENSES
MOTIVATED BY PREJUDICE
JANUARY through DECEMBER, 1997

This page is intentionally blank.

OREGON BIAS CRIME STATISTICS SUMMARY

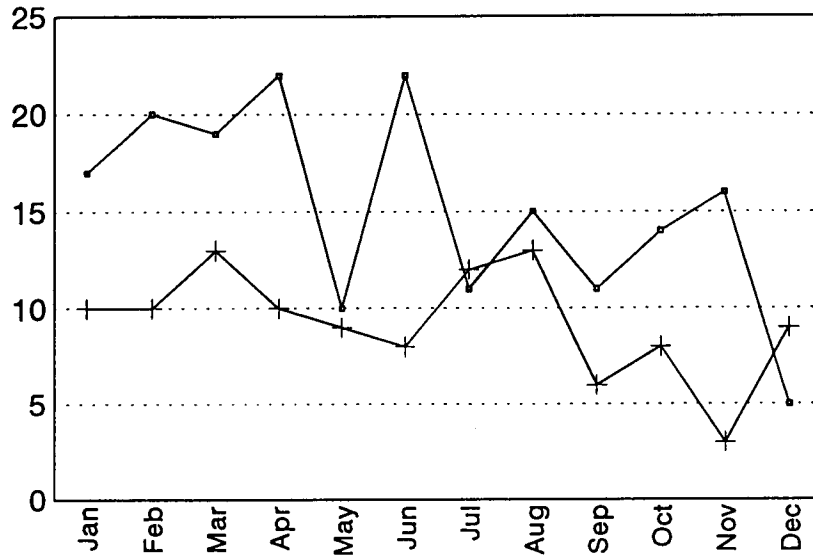
January through December 1997

The 1989 Oregon Legislature passed Senate Bill 606, amending ORS 181.550, requiring law enforcement agencies to report crimes motivated by prejudice to the State Executive Department, Law Enforcement Data System (LEDS). Law Enforcement agencies report these Bias Crime incidents by sending a copy of the police report to LEDS. The 1995 legislature passed Senate Bill 1044 which moved the Law Enforcement Data System from the Executive Department to the Department of Oregon State Police. This transfer included the Uniform Crime Reporting and Bias Crime Reporting Programs.

The number of bias crimes reported for 1997 decreased 39.0% from the number reported for 1996.

Bias Crime

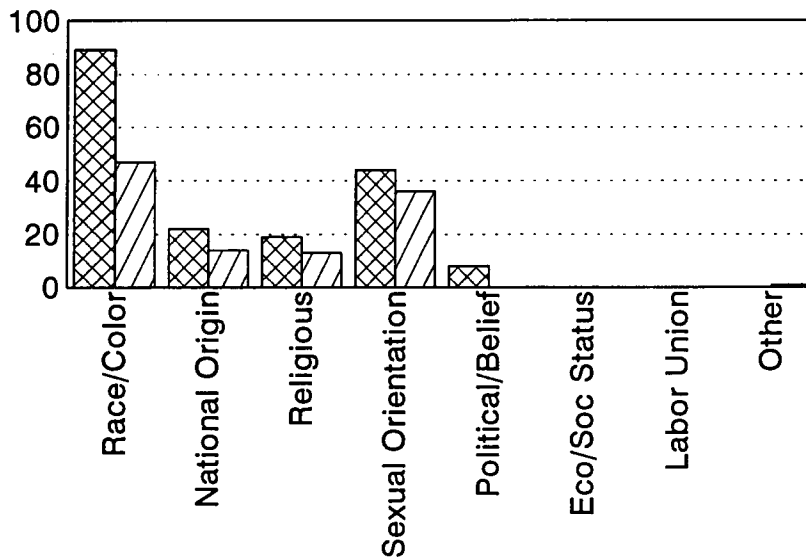
Totals By Month Jan-Dec 1997 Compared to Jan-Dec 1996



1996	17	20	19	22	10	22	11	15	11	14	16	5
1997	10	10	13	10	9	8	12	13	6	8	3	9

By Type of Prejudice

Jan-Dec 1997 Compared to Jan-Dec 1996



1996	89	22	19	44	8	0	0	0
1997	47	14	13	36	0	0	0	1

A. Reported incidents by month:	January through December 1996	January through December 1997
January	17	10
February	20	10
March	19	13
April	22	10
May	10	9
June	22	8
July	11	12
August	15	13
September	11	6
October	14	8
November	16	3
December	5	9
TOTAL	182	111

B. Reported incidents by type of crime:		
Aggravated Assault	22	18
Burglary-Larceny	6	5
Forcible Rape		
Intimidation	87	50
Motor Vehicle Theft		
Murder		
Robbery		2
Simple Assault	22	18
Vandalism	41	18
Other	4	
TOTAL	182	111

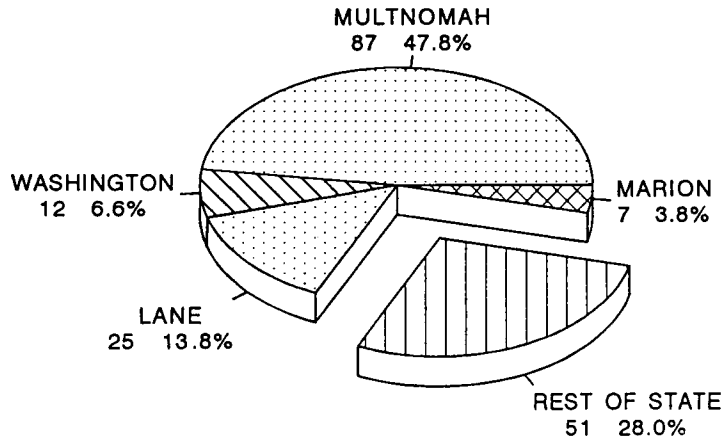
C. Reported incidents by type of prejudice:		
Race/Color	89	47
National Origin	22	14
Religious	19	13
Sexual Orientation	44	36
Political/Beliefs	8	
Labor Union		
Economic/Social Status		
Handicap		1
TOTAL	182	111

This page is intentionally blank.

D. Number and description of victims:	January through December 1996	January through December 1997
Asian Male	8	2
Asian Female	3	2
Black Male	40	17
Black Female	16	13
Hispanic Male	16	13
Hispanic Female	4	3
Indian Male	1	
Indian Female	1	1
White Male	58	41
White Female	26	29
	<hr/>	
VICTIM TOTAL	173	121
Male Victim Total	123	73
Female Victim Total	50	48
E.		
Number and description of offenders:		
Asian Male	2	
Asian Female		
Black Male	12	6
Black Female	13	6
Hispanic Male	9	2
Hispanic Female	1	
Indian Male		
Indian Female	4	
White Male	130	88
White Female	19	14
	<hr/>	
OFFENDER TOTAL	190	116
Male Offender Total	153	96
Female Offender Total	37	20

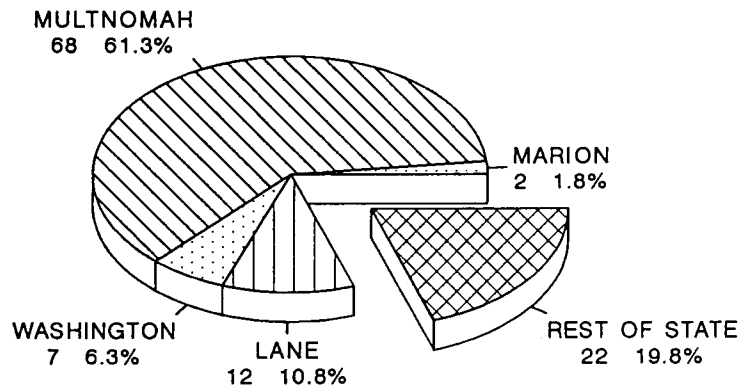
CRIMES MOTIVATED BY PREJUDICE by County Jan-Dec 1996 and 1997

1996



1996 Total = 182

1997



1997 Total = 111

F. Reported incidents by county of occurrence

COUNTY	January through December 1996	January through December 1997	January through December 1997					
			Race	National Origin	Sexual Orientation	Religion	Other	
Baker								
Benton	19	8	2		5		1	
Clackamas	9	4	2	1			1	
Clatsop	2							
Columbia								
Coos		1		1				
Crook								
Curry	1	1		1				
Deschutes	1	3	1	1	1			
Douglas	5	2		1	1			
Gilliam								
Grant								
Harney								
Hood River								
Jackson	6	1	1					
Jefferson								
Josephine	2	1					1	
Klamath	2							
Lake								
Lane	25	12	1	2	7		2	
Lincoln								
Linn	2							
Malheur								
Marion	7	2			1		1	
Morrow								
Multnomah	87	68	32	7	21		7	1
Polk								
Sherman								
Tillamook								
Umatilla								
Union	1	1		1				
Wallowa								
Wasco								
Washington	12	7	6	1				
Wheeler								
Yamhill	1							
TOTAL	182	111	45	16	36		13	1

This page is intentionally blank.

DOMESTIC DISTURBANCE REPORTING
JANUARY through DECEMBER 1997

This page is intentionally blank.

DOMESTIC DISTURBANCE REPORTING SUMMARY JANUARY through DECEMBER 1997

ORS 181.550 directs all Oregon law enforcement agencies to report all statistics regarding incidents arising out of Domestic Disturbances under ORS 133.055 (2) and 133.310 (3) to the Department of State Police. An interim program of manual reporting has been implemented on a quarterly basis beginning with the last quarter of 1994.

The county summary on the following pages represents the results of reports from 152 agencies, covering 85.9% of Oregon's population.

OREGON DOMESTIC DISTURBANCE REPORTING

January through December 1997

COUNTY		CRIME TOTAL	CRIME TYPE THAT OCCURRED IN THE CONTEXT OF DOMESTIC INCIDENT										Domestic Restraining Order Violations	Non-Criminal Domestic Disturbance	
			Homicide	Rape	Agg. Assault	Burglary	Simple Assault	Vandalism	Other Sex Crimes	Disorderly Conduct	Trespass	Criminal Threat			All Other
BAKER	Incidents	88			1	2	71	2			1	5	6	15	60
	Arrests	70			1	2	58	2				4	3	11	
BENTON	Incidents	228			3	2	128	6	3	1	6	33	46	21	254
	Arrests	167			3	2	100	5		1	5	5	46	9	
CLACKAMAS	Incidents	1,638	2	4	75	26	996	20	2	19		56	438	101	581
	Arrests	1,093	1	3	60	13	713	16	2	15		38	232	45	
CLATSOP	Incidents	170		2	6		123	1		23	8	3	4	57	287
	Arrests	132		2	6		109			4	5	1	5	35	
COLUMBIA	Incidents	352			1		153		7	123	18	38	12	39	139
	Arrests	194			1		133		2	33	8	12	5	20	
COOS	Incidents	380		1	2	2	201			79	3	32	60	120	289
	Arrests	261		1	2	3	167			28	1	22	37	56	
CROOK	Incidents	229			5		108	15		69	16	8	8	40	84
	Arrests	185			1		92	11		56	8	5	12	17	
CURRY	Incidents	51					45			1		3	2	45	
	Arrests	51					45			1		3	2	27	
DESCHUTES	Incidents	590		2	9		419	12		105	7	30	6	202	717
	Arrests	431		1	8		323	8		54	6	25	6	98	
DOUGLAS	Incidents	674			63		349	5	7	129	29	26	66	309	467
	Arrests	560			79		293	8	2	53	31	21	73	137	
GILLIAM	Incidents	7					5					1	1	1	8
	Arrests	6					4					1	1		
GRANT	Incidents	41			17	1	18			2		2	1	7	49
	Arrests	40			17	1	17			2		2	1	3	
HARNEY	Incidents	40			1		38			1				3	48
	Arrests	58			11		15			8			24	2	
HOOD RIVER	Incidents	69			2		56	4				3	4	25	32
	Arrests	57			1		46	3				3	4	15	
JACKSON	Incidents	717	1	1	169	2	323	9	1	137	8	44	22	10	867
	Arrests	436		1	140	2	256	3	1	9	1	14	9	6	
JEFFERSON	Incidents	138	0	2	11		103			16	2	4		32	63
	Arrests	106	0	2	6		87			9	1	1		20	
JOSEPHINE	Incidents	228	0	1	13	4	190			2		2	16	171	146
	Arrests	176	0	1	10	4	148			2		2	9	39	
KLAMATH	Incidents	977			2		695			275		5		178	169
	Arrests	828			1		701			122		4		86	
LAKE	Incidents	12					11			1				10	7
	Arrests	13					12			1				10	

OREGON DOMESTIC DISTURBANCE REPORTING

January through December 1997

COUNTY		CRIME TOTAL	CRIME TYPE THAT OCCURRED IN THE CONTEXT OF DOMESTIC INCIDENT										Domestic Restraining Order Violations	Non-Criminal Domestic Disturbance	
			Homicide	Rape	Agg. Assault	Burglary	Simple Assault	Vandalism	Other Sex Crimes	Disorderly Conduct	Trespass	Criminal Threat			All Other
LANE	Incidents	824	1		16		678	3		37	1	81	7	462	315
	Arrests	800	1		16		655	2		40		81	5	246	
LINCOLN	Incidents	200			14		121	1		7	3	24	30	132	415
	Arrests	177			10		101	1		5	3	24	33	23	
LINN	Incidents	365			40	4	281			23	2		15	184	887
	Arrests	352			35	1	299			8	2		7	68	
MALHEUR	Incidents	359	0	1	1		161	46	2	108	12	27	1	42	238
	Arrests	212	0	1	1		100	7	2	74	10	17		8	
MARION	Incidents	1,492		7	36	16	854	64	5	7	23	2	478	497	3,778
	Arrests	1,401		3	32	7	776	48	3	7	20	2	503	232	
MORROW	Incidents	93			34		57			2				11	45
	Arrests	58			32		26							2	
MULTNOMAH	Incidents	7,225	4	24	1,685	138	2,977	238	3	1,093	651	201	211	151	9
	Arrests	3,373	2	8	1,007	39	1,729	30	2	241	162	44	109	52	
POLK	Incidents	218		2	2	2	137	8	1	2	5		59	79	495
	Arrests	213			3	3	130	7		1	5		64	30	
SHERMAN	Incidents	5			1		3			1				1	
	Arrests	4			1		2			1					
TILLAMOOK	Incidents	160			6	1	118	4		18	7	6		84	85
	Arrests	152			6	1	116	3		17	3	6		46	
UMATILLA	Incidents	362			6		284			51	4	16	1	71	325
	Arrests	261			5		217			22	3	13	1	24	
UNION	Incidents	135			12		89			7		27		39	258
	Arrests	117			12		82			3		20		23	
WALLOWA	Incidents	50					44					2	4	14	27
	Arrests	27					26					1		11	
WASCO	Incidents	110					93	1		16				58	135
	Arrests	90					75	3		12				38	
WASHINGTON	Incidents	1,221	1	2	180	5	926			45	3	7	52	299	1,181
	Arrests	1,087		1	150	5	857		1	32	4	7	30	165	
WHEELER	Incidents	6				2	1		1				2	3	2
	Arrests	0												1	
YAMHILL	Incidents	347			42	3	128	12	2	9	6		145	172	468
	Arrests	337			40	1	110	5	1	11	4		165	60	
TOTAL	Incidents	19,801	9	49	2,455	210	10,984	451	34	2,410	814	688	1,697	3,685	12,930
	Arrests	13,525	4	24	1,697	84	8,620	162	16	872	282	378	1,386	1,665	0

This page is intentionally blank.