

SECTION 1
STATEWIDE SUMMARY

This section presents an overview of Statewide Statistics
relating to criminal Offenses and Arrests for 1995

SUMMARY

CRIME IN OREGON

Crime in Oregon increased 4.8% in 1995 when compared to 1994. Crime increased in 26 of the 36 counties in Oregon

Crime in the five major populated counties is depicted in this summary as a visual overview of crime in Oregon. The counties of Clackamas, Lane, Marion, Multnomah and Washington represent 59.5% of the State's population. These 5 counties reported 60.3% of the total crime in Oregon and 64.3% of the total Crimes Against Persons.

OREGON POPULATION

Population estimates for Oregon are provided by the Center of Population Research and Census, Portland State University. Total Oregon population for 1995 Statistics is 3,132,000.

CRIMES AGAINST PERSONS

Crimes Against Persons increased 0.3% from 1994 to 1995.

INCREASES REPORTED:

Robbery, Aggravated Assault and Simple Assault all reported increases.

DECREASES REPORTED:

Willful Homicide, Negligent Homicide, Rape, Other Sex Crimes, and Kidnapping all reported decreases.

There were 6 fewer Bank Robberies reported in 1995 compared to 1994.

CRIMES AGAINST PROPERTY

Crimes Against Property increased 5.9% from 1994 to 1995.

INCREASES REPORTED:

Burglary, Larceny, Motor Vehicle Theft, Arson, Forgery/Counterfeiting, Fraud, Embezzlement, and Stolen Property Offenses (Possession, buy, sell) and Vandalism all reported increases.

BEHAVIORAL CRIMES

Behavioral Crimes increased 4.4% from 1994 to 1995.

INCREASES REPORTED:

Weapons Offenses, Prostitution, Drug Laws, Gambling, Offenses Against Family, DUII, "All Other", and Curfew, all reported increases.

DECREASES REPORTED:

Liquor Laws, Disorderly Conduct, and Runaway all reported decreases.

INDEX CRIME RATE

The Index Crime Rate for 1995 was 666.5 crimes per 10,000 population. This is a 4.7% increase from the rate of 636.4 for 1994. These rates are based on estimated population of 3,132,000 for 1995 and 3,082,000 for 1994.

ARRESTS IN OREGON

Arrests = 163,925 (This excludes arrests for Traffic Crime, Fish & Game, or Marine)

The total number of arrests increased 6.4%

Arrests of Males increased 4.8%

Arrests of Females increased 10.4%

Arrests of Adults (persons 18 years and older) increased 7.4%

Arrests of Juveniles (persons 17 years and younger) increased 3.8%

The increase in arrests of juveniles is reflected in all categories of crime and most geographical areas of the state.

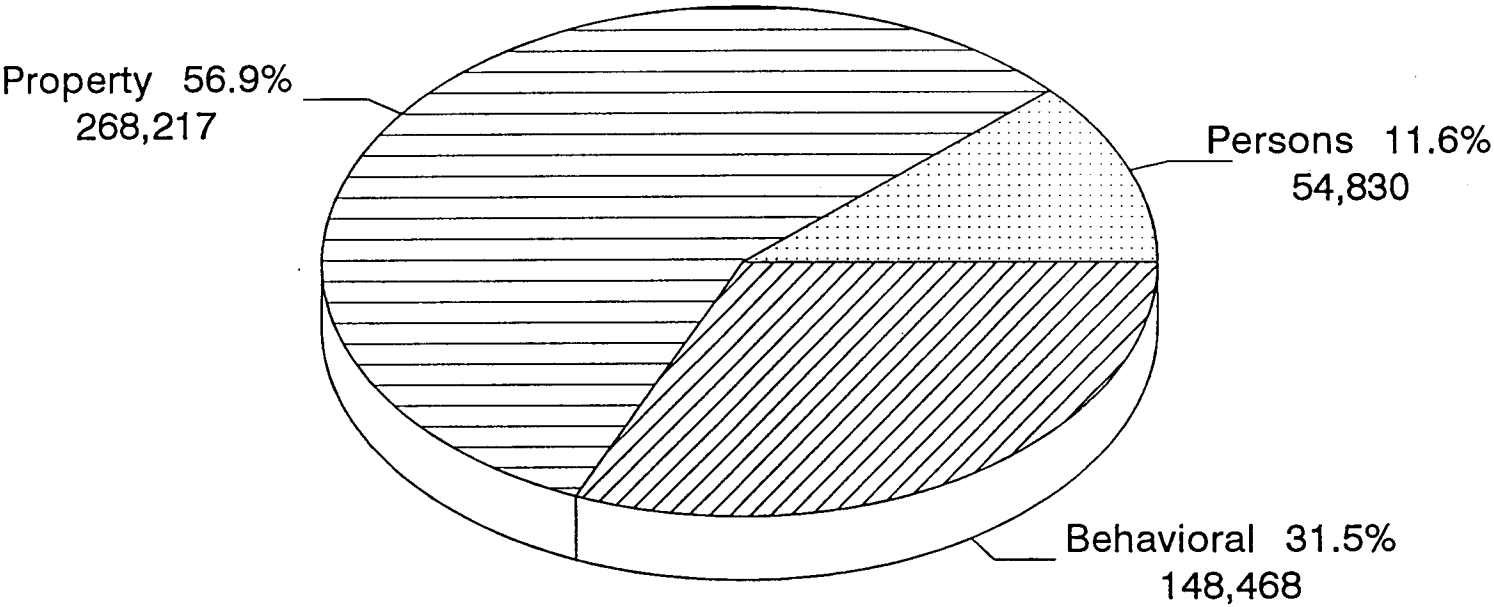
The increase in arrests of adults is reflected in all categories of crime.

1995 CRIMINAL OFFENSES by POPULATION CENTER

The cities of Portland, Salem and Eugene, combined have 23.4% of the Oregon population and reported 38.0% of the Crimes Against Persons, 34.5% of the Crimes Against Property, 25.3% of Behavioral Crimes and 32.0% of the Crime Total.

Multnomah, Clackamas, Washington, Marion and Lane Counties contain 59.5% of the State's population and reported 60.3% of the Crime Total.

TOTAL REPORTED OFFENSES
January through December 1995

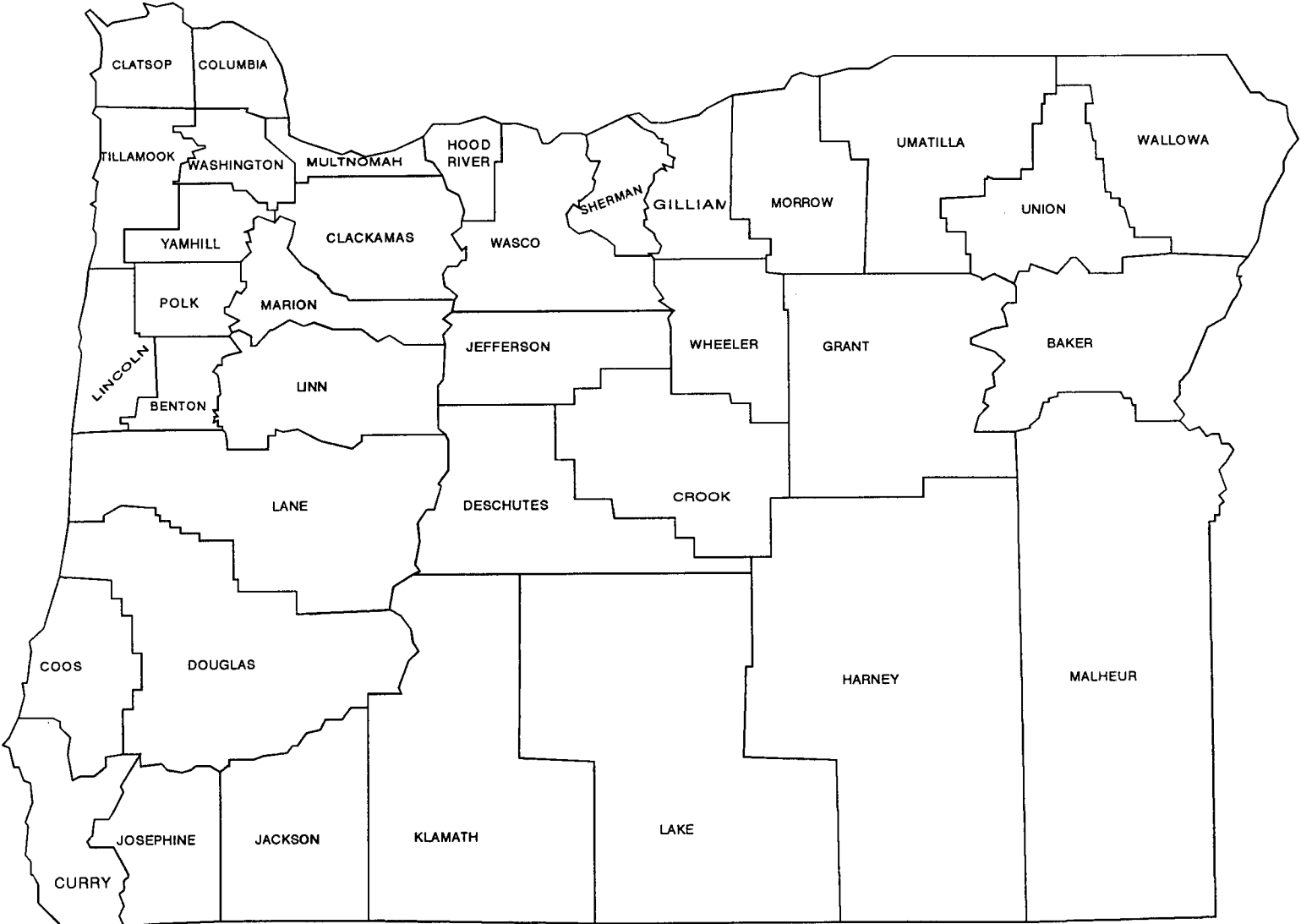


Total Offenses = 471,515

REPORTED OFFENSES					
	1994	1995	PERCENT CHANGE	RATE PER 10,000	
				1994	1995
CRIMES AGAINST PERSONS					
Willful Murder *	148	129	-12.8%	0.5	0.4
Negligent Homicide (1)	16	13	-18.8%	0.1	0.0
Forcible Rape *	1,348	1,312	-2.7%	4.4	4.2
Other Sex Offenses	7,138	6,463	-9.5%	23.2	20.6
Kidnapping	678	652	-3.8%	2.2	2.1
Robbery *	4,272	4,400	3.0%	13.9	14.0
Aggravated Assault *	10,445	10,568	1.2%	33.9	33.7
Simple Assault	30,611	31,293	2.2%	99.3	99.9
TOTAL	54,656	54,830	0.3%	177.3	175.1
CRIMES AGAINST PROPERTY					
Burglary *	33,914	34,739	2.4%	110.0	110.9
Larceny *	122,059	133,202	9.1%	396.0	425.3
Motor Vehicle Theft *	22,247	22,642	1.8%	72.2	72.3
Arson *	1,705	1,767	3.6%	5.5	5.6
Forgery/Counterfeiting	10,147	11,634	14.7%	32.9	37.1
Fraud	11,363	11,683	2.8%	36.9	37.3
Embezzlement	514	558	8.6%	1.7	1.8
Stolen Property	631	821	30.1%	2.0	2.6
Vandalism	50,589	51,171	1.2%	164.1	163.4
TOTAL	253,169	268,217	5.9%	821.4	856.4
BEHAVIORAL CRIMES					
Weapon Laws	4,756	5,139	8.1%	15.4	16.4
Prostitution	706	780	10.5%	2.3	2.5
Drug Laws	16,226	18,831	16.1%	52.6	60.1
Gambling	23	35	52.2%	0.1	0.1
Crimes Against Family	2,114	2,605	23.2%	6.9	8.3
D.U.I.I.	20,095	20,241	0.7%	65.2	64.6
Liquor Laws	11,009	10,534	-4.3%	35.7	33.6
Disorderly Conduct	20,326	19,095	-6.1%	66.0	61.0
All Other (Except Traffic)	44,785	49,079	9.6%	145.3	156.7
Curfew	6,478	6,869	6.0%	21.0	21.9
Runaway Juveniles	15,680	15,260	-2.7%	50.9	48.7
TOTAL	142,198	148,468	4.4%	461.4	474.0
GRAND TOTAL	450,023	471,515	4.8%	1460.2	1505.5
* Index Total	196,138	208,759	6.4%	636.4	666.5
Traffic Crime	25,347	26,623	5.0%	82.2	85.0
Fish & Game Violations	7,284	5,716	-21.5%	23.6	18.3
Marine Violations	1,036	722	-30.3%	3.4	2.3

(1) Negligent Homicide offenses do not include vehicular deaths

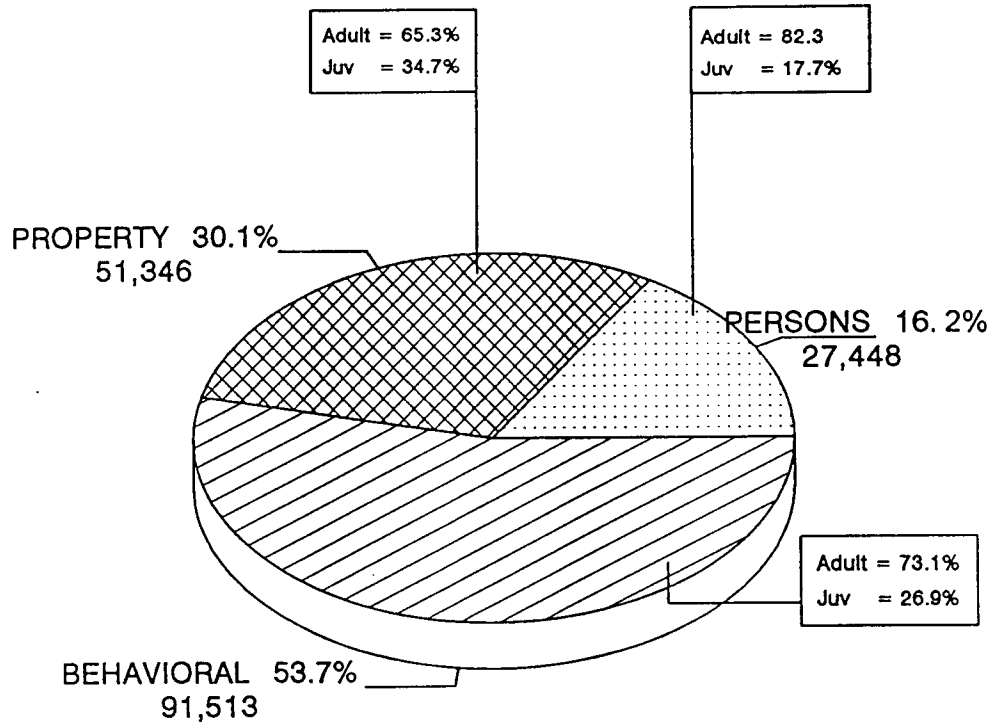
OREGON COUNTY MAP



COUNTY FIVE YEAR PROFILE OF TOTAL CRIMES					
	1991	1992	1993	1994	1995
BAKER	2,419	2,184	2,200	2,513	2,584
BENTON	8,382	9,431	9,116	10,518	9,883
CLACKAMAS	27,157	29,597	29,544	30,868	33,079
CLATSOP	5,481	6,192	6,340	6,470	6,781
COLUMBIA	4,038	4,015	4,166	3,795	4,350
COOS	10,285	11,048	10,705	11,014	12,370
CROOK	1,917	1,796	1,960	2,025	2,373
CURRY	2,131	2,192	1,937	1,976	2,230
DESCHUTES	10,435	10,052	10,454	12,063	13,836
DOUGLAS	11,419	12,141	13,026	14,752	13,466
GILLIAM	114	93	82	112	124
GRANT	803	673	693	720	708
HARNEY	463	- 432	514	518	572
HOOD RIVER	1,904	1,937	1,703	1,767	1,947
JACKSON	19,979	21,634	24,398	24,897	22,835
JEFFERSON	1,909	1,912	1,786	2,105	2,664
JOSEPHINE	10,570	11,458	10,421	8,515	8,481
KLAMATH	6,105	4,504	4,990	5,781	6,928
LAKE	429	462	445	460	522
LANE	38,752	36,101	36,595	42,471	45,532
LINCOLN	6,591	6,755	6,529	7,455	7,169
LINN	18,015	17,102	18,552	18,400	20,087
MALHEUR	3,486	3,478	3,775	4,745	4,703
MARION	39,605	42,371	43,388	49,041	51,394
MORROW	923	753	897	1,044	1,099
MULTNOMAH	110,244	109,681	109,092	114,855	117,532
POLK	7,304	7,677	8,234	9,630	9,139
SHERMAN	138	120	169	156	193
TILLAMOOK	2,127	2,380	2,118	2,482	2,629
UMATILLA **	5,799	6,232	5,844	6,155	10,397
UNION	2,749	2,473	2,090	2,190	2,237
WALLOWA	454	510	638	458	514
WASCO	3,429	3,339	3,143	3,906	3,841
WASHINGTON	29,502	31,441	31,511	33,932	37,112
WHEELER	73	110	109	115	128
YAMHILL	10,518	10,887	10,666	12,119	12,076
TOTAL	405,649	413,163	417,830	450,023	471,515

** Umatilla County - Pendleton Police Department submitted no reports for 1991, 1992, 1993 or 1994, but resumed reporting for 1995.

TOTAL REPORTED ARRESTS January through December 1995



Total Arrests = 170,307

REPORTED ARRESTS

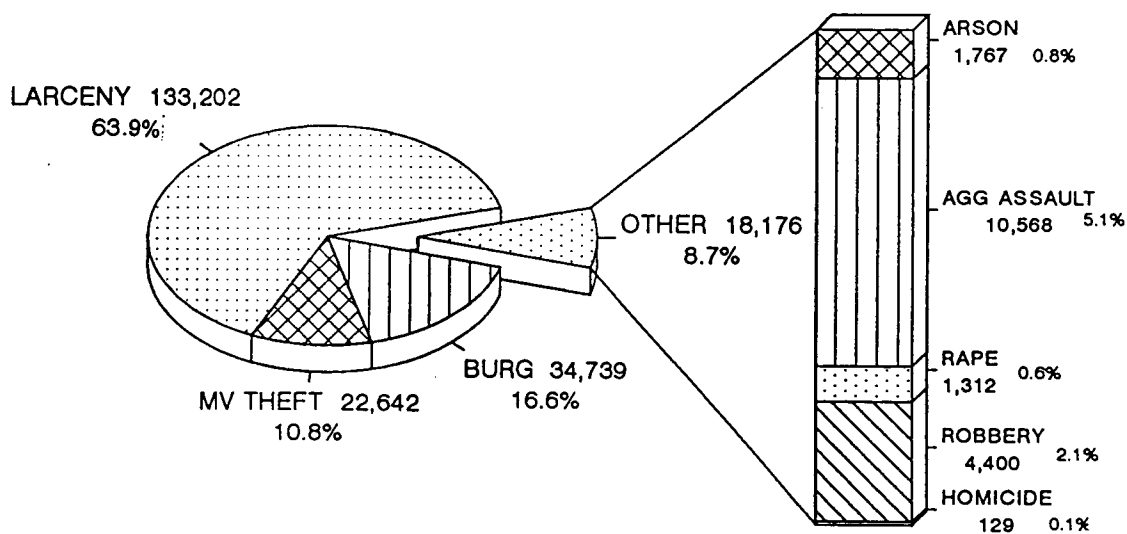
	1994			1995			TOTAL PERCENT CHANGE
	ADULT	JUVENILE	TOTAL	ADULT	JUVENILE	TOTAL	
CRIMES AGAINST PERSONS							
Willful Murder *	169	35	204	148	26	174	-14.7%
Negligent Homicide (1)	24	1	25	28	1	29	16.0%
Forcible Rape *	335	50	385	289	62	351	-8.8%
Other Sex Offenses	1,206	362	1,568	1,149	309	1,458	-7.0%
Kidnapping	85	10	95	141	19	160	68.4%
Robbery *	1,058	421	1,479	1,215	448	1,663	12.4%
Aggravated Assault *	2,188	753	2,941	2,312	776	3,088	5.0%
Simple Assault	17,651	3,456	21,107	17,306	3,219	20,525	-2.8%
TOTAL	22,716	5,088	27,804	22,588	4,860	27,448	-1.3%
CRIMES AGAINST PROPERTY							
Burglary *	2,558	1,973	4,531	2,747	1,907	4,654	2.7%
Larceny *	17,961	10,560	28,521	19,723	10,738	30,461	6.8%
Motor Vehicle Theft *	2,759	1,560	4,319	3,309	1,466	4,775	10.6%
Arson *	146	410	556	238	333	571	2.7%
Forgery/Counterfeiting	1,910	227	2,137	2,447	208	2,655	24.2%
Fraud	1,318	123	1,441	1,540	154	1,694	17.6%
Embezzlement	63	1	64	122	3	125	95.3%
Stolen Property	464	224	688	531	195	726	5.5%
Vandalism	2,790	3,313	6,103	2,847	2,838	5,685	-6.8%
TOTAL	29,969	18,391	48,360	33,504	17,842	51,346	6.2%
BEHAVIORAL CRIMES							
Weapon Laws	2,534	715	3,249	2,745	650	3,395	4.5%
Prostitution	758	13	771	807	11	818	6.1%
Drug Laws	12,418	1,662	14,080	14,390	2,125	16,515	17.3%
Gambling	29	5	34	23	9	32	-5.9%
Crimes Against Family	332	7	339	669	12	681	100.9%
D.U.I.I.	18,492	191	18,683	18,330	212	18,542	-0.8%
Liquor Laws	8,862	3,927	12,789	8,243	4,514	12,757	-0.3%
Disorderly Conduct	3,927	1,133	5,060	4,193	1,266	5,459	7.9%
All Other (Except Traffic)	14,450	5,129	19,579	17,458	6,271	23,729	21.2%
Curfew		4,838	4,838		5,066	5,066	4.7%
Runaway Juveniles		4,532	4,532		4,519	4,519	-0.3%
TOTAL	61,802	22,152	83,954	66,858	24,655	91,513	9.0%
GRAND TOTAL	114,487	45,631	160,118	122,950	47,357	170,307	6.4%
* Index Total	27,174	15,762	42,936	29,981	15,756	45,737	6.5%
Traffic Crime	15,602	682	16,284	16,362	638	17,000	4.4%
Fish & Game Violations	6,379	259	6,638	5,062	244	5,306	-20.1%
Marine Violations	927	32	959	645	28	673	-29.8%

(1) Negligent Homicide arrests include both vehicular and non-vehicular circumstances.

INDEX CRIME OFFENSES

INDEX			PERCENT CHANGE	RATE PER 10,000	
	1994	1995		1994	1995
Willful Murder	148	129	-12.8%	0.5	0.4
Forcible Rape	1,348	1,312	-2.7%	4.3	4.2
Robbery	4,272	4,400	3.0%	13.6	14.0
Aggravated Assault	10,445	10,568	1.2%	33.3	33.7
Total Violent Index	<u>16,213</u>	<u>16,409</u>	1.2%	<u>51.8</u>	<u>52.4</u>
Burglary	33,914	34,739	2.4%	108.3	110.9
Larceny	122,059	133,202	9.1%	389.7	425.3
Motor Vehicle Theft	22,247	22,642	1.8%	71.0	72.3
Arson	1,705	1,767	3.6%	5.4	5.6
Total Property Index	<u>179,925</u>	<u>192,350</u>	6.9%	<u>574.5</u>	<u>614.1</u>
INDEX TOTAL	196,138	208,759	6.4%	626.2	666.5

TOTAL REPORTED INDEX CRIME OFFENSES January through December 1995

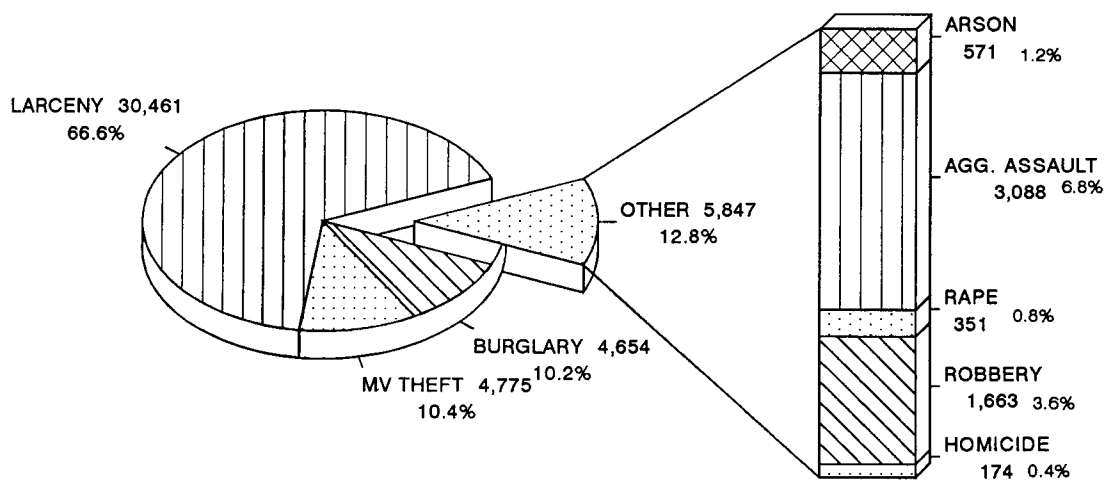


Total Index Crime = 208,759

INDEX CRIME ARRESTS

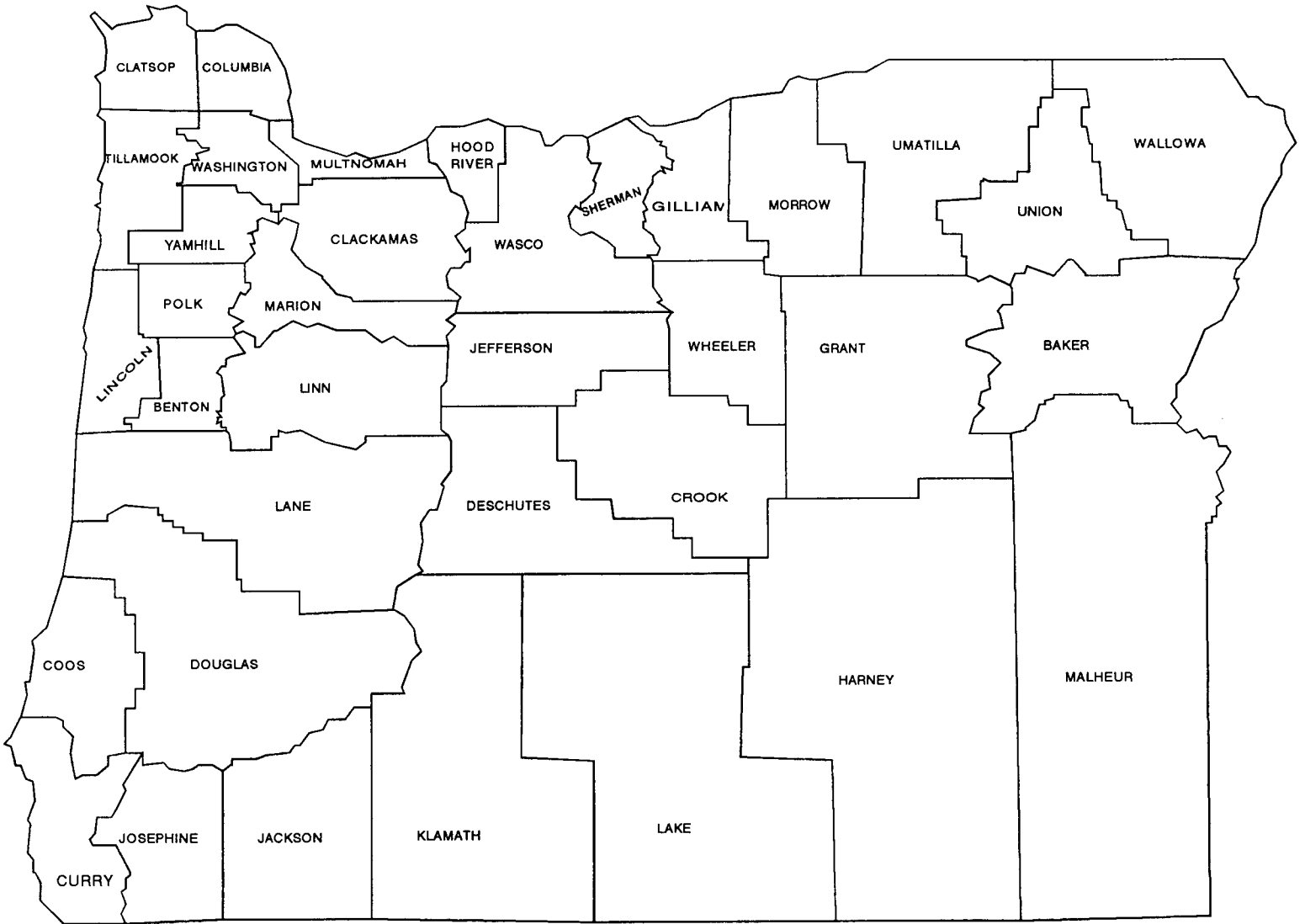
INDEX	1994			1995			PERCENT CHANGE
	ADULT	JUVENILE	TOTAL	ADULT	JUVENILE	TOTAL	
Willful Murder	169	35	204	148	26	174	-14.7%
Forcible Rape	335	50	385	289	62	351	-8.8%
Robbery	1,058	421	1,479	1,215	448	1,663	12.4%
Aggravated Assault	2,188	753	2,941	2,312	776	3,088	5.0%
Total Violent Index	3,750	1,259	5,009	3,964	1,312	5,276	5.3%
Burglary	2,558	1,973	4,531	2,747	1,907	4,654	2.7%
Larceny	17,961	10,560	28,521	19,723	10,738	30,461	6.8%
Motor Vehicle Theft	2,759	1,560	4,319	3,309	1,466	4,775	10.6%
Arson	146	410	556	238	333	571	2.7%
Total Property Index	23,424	14,503	37,927	26,017	14,444	40,461	6.7%
INDEX TOTAL	27,174	15,762	42,936	29,981	15,756	45,737	6.5%

TOTAL REPORTED INDEX CRIME ARRESTS January through December 1995



Total Index Arrests = 45,737

OREGON COUNTY MAP



COUNTY FIVE YEAR PROFILE OF INDEX CRIMES					
	1991	1992	1993	1994	1995
BAKER	719	717	752	801	945
BENTON	2,992	3,232	3,156	3,930	3,868
CLACKAMAS	12,909	14,074	14,096	15,165	16,183
CLATSOP	1,471	1,609	1,742	1,675	1,895
COLUMBIA	1,079	1,060	1,175	1,048	1,162
COOS	2,855	2,889	3,250	3,442	3,821
CROOK	543	488	483	630	769
CURRY	774	817	669	558	680
DESCHUTES	4,685	4,442	4,329	4,954	6,020
DOUGLAS	3,779	3,730	3,815	4,724	4,747
GILLIAM	38	30	26	37	31
GRANT	243	232	250	261	230
HARNEY	181	148	236	181	219
HOOD RIVER	721	754	603	676	685
JACKSON	7,319	7,940	9,111	9,975	10,748
JEFFERSON	411	527	525	569	832
JOSEPHINE	2,944	3,429	3,357	3,562	3,825
KLAMATH	2,552	1,723	1,954	2,440	3,160
LAKE	138	129	162	151	180
LANE	16,417	15,847	16,550	20,428	22,418
LINCOLN	2,313	2,368	2,208	2,696	2,601
LINN	5,321	5,576	5,984	7,080	7,297
MALHEUR	1,227	1,131	1,233	1,647	1,517
MARION	15,636	16,445	16,425	19,242	21,549
MORROW	285	286	318	408	363
MULTNOMAH	59,423	60,680	60,353	63,071	63,355
POLK	2,061	2,026	1,990	2,763	2,559
SHERMAN	29	35	53	44	70
TILLAMOOK	659	782	691	879	820
UMATILLA **	2,044	2,310	2,114	2,009	3,021
UNION	870	767	690	788	752
WALLOWA	148	198	180	136	149
WASCO	1,305	1,239	1,176	1,662	1,469
WASHINGTON	13,005	13,720	13,740	15,023	17,051
WHEELER	31	32	26	46	54
YAMHILL	2,723	3,026	2,834	3,437	3,714
TOTAL	169,850	174,438	176,256	196,138	208,759

** Umatilla County - Pendleton Police Department submitted no reports for 1991, 1992, 1993 or 1994, but resumed reporting for 1995.

OUCR ACTUAL OFFENSE VOLUME BY MONTH

CLASSIFICATION OF OFFENSES	JAN	FEB	MAR	APR	MAY	JUN	JUL	AUG	SEP	OCT	NOV	DEC	PRIOR UNF	TOTAL ACTUAL
PART 1 & PART 2														
01. HOMICIDE														111
1. WILLFUL MURDER	9	6	7	9	7	10	2	7	18	9	12	15		16
2. AGGRAVATED MURDER	2				2		1		1	1		9		12
3. NEGL. NON TRAFFIC	4	1	3		2					1	1			
4. TRAFFIC DEATH ARRESTS														
TOTAL	15	7	10	9	11	10	3	7	19	11	13	24		139
02. RAPE (FORCIBLE)													21	1099
1. FORCIBLE	88	81	89	76	105	102	101	115	100	92	91	59	5	199
2. ATTEMPT RAPE-FORCE	12	14	16	19	23	18	17	9	22	18	18	13	26	1298
TOTAL	100	95	105	95	128	120	118	124	122	110	109	72		
03. ROBBERY													3	1606
1. HIGHWAY	137	122	121	103	122	123	141	150	170	149	136	132	1	1135
2. BUSINESS	114	87	105	88	85	91	81	81	92	98	118	95		94
3. SERVICE STATION	7	6	7	8	2	1	3	8	10	9	17	16		332
4. CONVENIENCE STORE	37	43	22	27	13	21	28	27	30	29	33	22		360
5. RESIDENCE	35	35	29	32	34	28	29	26	32	31	19	30		213
6. BANK	14	13	18	14	20	20	23	14	23	18	23	13	6	572
9. OTHER	48	47	44	44	28	50	44	46	59	65	56	41	10	4312
TOTAL	392	353	346	316	304	334	349	352	416	399	402	349		
04. AGGRAVATED ASSAULT													21	10179
1. AGGRAVATED	827	749	800	800	976	857	957	967	946	887	724	689		272
3. ATTEMPTED MURDER	30	18	14	19	25	24	27	34	21	26	17	17	21	10451
TOTAL	857	767	814	819	1001	881	984	1001	967	913	741	706		
05. BURGLARY													33	20802
1. RESIDENCE	1801	1509	1719	1549	1798	1765	1902	1988	1843	1695	1664	1569	5	7590
2. BUSINESS	703	685	786	543	502	626	725	592	579	624	589	636	4	5424
3. OTHER STRUCTURE	590	471	532	512	518	439	467	442	358	390	357	348	42	33816
TOTAL	3094	2665	3037	2604	2818	2830	3094	3022	2780	2709	2610	2553		
06. LARCENY														208
1. PICKPOCKET	15	20	21	12	12	22	12	18	19	14	18	25		321
2. PURSES/NATCH	27	33	30	21	20	26	29	19	31	26	30	29		22721
3. SHOPLIFT	1789	1662	1937	1820	1772	1920	1794	1879	1858	2050	2013	2227	17	34499
4. FROM MOTOR VEHICLES	3203	2633	2836	2620	2692	2673	2779	3085	2863	3003	3137	2975	2	14157
5. MOTOR VEH. PART/ACC.	1318	1064	1124	1068	1057	1108	1240	1350	1043	1174	1366	1245	11	10929
6. BICYCLES	661	651	716	811	955	1152	1340	1475	1151	988	649	380	16	8961
7. FROM PUBLIC BUILDING	858	773	904	796	811	697	619	649	670	756	664	764		533
8. FROM COIN-OP MACHINE	68	42	33	34	27	29	54	27	78	49	43	49	76	38653
9. ALL OTHERS	3257	3070	3353	3104	3432	3477	3522	3561	3243	3049	2696	2889	1231	30982
TOTAL	11196	9948	10954	10286	10778	11104	11389	12063	10956	11109	10616	10583		
07. MOTOR VEHICLE THEFT													45	14525
1. AUTOMOBILES	1557	1253	1479	1279	1145	1084	1274	1179	1073	1150	1056	996	26	6447
2. TRUCKS AND BUSES	624	528	576	588	529	518	498	550	522	490	531	493	3	1010
3. MOTORCYCLES	82	65	67	72	104	92	109	123	91	71	78	56		36
4. SNOWMOBILES	3	7	3	1	2	3	1	2	3	2	4	5		247
9. OTHER VEHICLES	30	22	26	17	25	28	21	26	15	9	13	15	74	22265
TOTAL	2296	1875	2151	1957	1805	1725	1903	1880	1704	1722	1682	1565	46	28626
08. SIMPLE ASSAULT	2456	2332	2298	2438	2691	2570	2824	2579	2462	2150	1953	1873	1	1732
09. ARSON	110	98	123	105	214	158	200	194	200	139	99	92	5	11349
10. FORGERY/COUNTERFEIT	966	1025	1244	953	1044	878	884	1023	926	891	701	814	10	11523
11. FRAUD	1086	1013	1141	921	1074	839	922	1064	1007	843	849	764		557
12. EMBEZZLEMENT	48	36	41	39	40	56	46	37	48	52	60	54	3	788
13. STOLEN PROPERTY	70	79	69	59	68	75	66	46	56	89	63	48	15	49627
14. VANDALISM	4495	3993	4403	3780	3968	3932	4196	4381	3797	4247	4414	4021	6	4967
15. WEAPON LAWS	436	381	409	417	489	412	464	409	411	434	374	331	2	776
16. PROSTITUTION	29	45	105	55	65	81	46	92	97	57	82	22	109	6441
17. SEX CRIMES	544	448	523	609	671	523	662	634	510	492	483	342	6	18339
18. DRUG LAWS	1529	1387	1522	1718	1977	1687	1631	1475	1511	1421	1246	1235		33
19. GAMBLING	2			4	3	9	8	2	1	3		1	23	2583
20. OFF AGAINST FAMILY	205	211	236	239	279	274	234	198	218	189	144	156		19639
21. DRIVING UNDER INFLU	1508	1361	1505	1506	1452	1449	1608	1589	1856	1941	1735	2129		9985
22. LIQUOR LAWS	622	622	699	762	932	913	1029	1079	1040	889	697	701	21	18938
24. DISORDERLY CONDUCT	1633	1537	1654	1468	1699	1723	1819	1763	1615	1531	1251	1245	4	622
25. KIDNAPPING	58	55	52	43	50	64	53	51	60	57	44	35	44	47901
26. ALL OTHER	3759	3514	3828	3766	3926	3989	4459	4381	4772	4342	3685	3480		6586
28. CURFEW	351	409	478	376	508	670	820	1161	550	434	357	472	1	14888
29. RUNAWAY	1467	1349	1424	1259	1399	1115	1123	1095	1311	1348	1146	852		

STATEWIDE OFFENSES by MONTH, 1995
(Includes offenses which were later unfounded)

Does not include data from Douglas County Sheriffs Department or Hillsboro Police Department

OFFENSE SUMMARY BY DAY OF WEEK

CLASSIFICATION OF ACTIVITY	OFFENSE COUNT	SUNDAY	MONDAY	TUESDAY	WEDNESDAY	THURSDAY	FRIDAY	SATURDAY	UNKNOWN
PART 1 & PART 2									
01. HOMICIDE									
1. WILLFUL MURDER	120	17	16	20	9	10	20	23	5
2. AGGRAVATED MURDER	16	1	1	3	2	3	2	4	
3. NEGL. NON TRAFFIC	12	3	1		1			2	
TOTAL	148	21	18	23	12	13	22	29	5
02. RAPE (FORCIBLE)									
1. FORCIBLE	1136	177	104	123	127	131	134	180	160
2. ATTEMPT RAPE-FORCE	203	28	16	25	33	25	23	32	21
TOTAL	1339	205	120	148	160	156	157	212	181
03. ROBBERY									
1. HIGHWAY	1614	253	226	223	219	216	237	236	4
2. BUSINESS	1140	160	161	145	171	161	167	174	1
3. SERVICE STATION	94	12	16	16	15	9	13	13	
4. CONVENIENCE STORE	332	55	48	43	55	36	38	56	1
5. RESIDENCE	369	52	37	69	47	59	46	53	6
6. BANK	213		54	29	41	37	45	7	
9. OTHER	584	69	74	81	73	92	45	7	
TOTAL	4346	601	616	606	621	610	638	639	15
04. AGGRAVATED ASSAULT									
1. AGGRAVATED	10293	1670	1362	1327	1285	1361	1463	1745	80
3. ATTEMPTED MURDER	276	57	23	32	36	26	62	39	1
TOTAL	10569	1727	1385	1359	1321	1387	1525	1784	81
05. BURGLARY									
1. RESIDENCE	21126	2315	2714	2664	2717	2752	2833	2417	2714
2. BUSINESS	7640	947	993	968	937	925	972	1002	896
3. OTHER STRUCTURE	5448	684	650	546	601	576	629	599	1163
TOTAL	34214	3946	4357	4178	4255	4253	4434	4018	4773
06. LARCENY									
1. PICKPOCKET	211	25	22	26	18	26	53	40	1
2. PURSES/NATCH	326	36	47	50	54	44	51	44	
3. SHOPLIFT	22773	2891	2926	3048	3225	3369	3553	3633	128
4. FROM MOTOR VEHICLES	34649	4534	4677	4437	4369	4366	4687	4666	2913
5. MOTOR VEH. PART/ACC.	14195	1690	1811	1820	1861	1759	1847	1792	1615
6. BICYCLES	11015	1288	1501	1563	1537	1508	1563	1357	698
7. FROM PUBLIC BUILDING	9038	883	1190	1216	1309	1197	1367	982	894
8. FROM COIN-OP MACHINE	533	63	72	78	77	58	77	63	45
9. ALL OTHERS	39363	3749	4937	4764	4909	4851	5250	4631	6272
TOTAL	132103	15159	17183	17002	17359	17178	18448	17208	12566
07. MOTOR VEHICLE THEFT									
1. AUTOMOBILES	15028	1903	1903	1934	1977	1917	2088	2065	1241
2. TRUCKS AND BUSES	6620	749	817	810	844	804	934	841	821
3. MOTORCYCLES	1024	128	116	134	115	116	102	130	183
4. SNOWMOBILES	37	5	6		2	2	2	4	16
9. OTHER VEHICLES	249	21	28	35	25	28	15	24	73
TOTAL	22958	2806	2870	2913	2963	2867	3141	3064	2334
08. SIMPLE ASSAULT									
09. ARSON	1747	241	230	238	236	270	234	259	39
10. FORGERY/COUNTERFEIT	11378	1060	1594	1660	1749	1704	1714	1197	700
11. FRAUD	11635	1086	1592	1695	1577	1536	1603	1468	1078
12. EMBEZZLEMENT	557	56	69	54	64	45	67	56	146
13. STOLEN PROPERTY	792	68	95	126	124	121	140	82	36
14. VANDALISM	49941	6622	6235	6158	6006	5962	6985	7376	4597
15. WEAPON LAWS	4997	711	631	632	690	753	813	715	52
16. PROSTITUTION	778	81	63	83	144	112	160	133	2
17. SEX CRIMES	6751	759	694	684	769	756	760	668	1661
18. DRUG LAWS	18399	2158	2306	2482	2678	2843	2978	2542	412
19. GAMBLING	33	5	4	4	3	6	5	6	
20. OFF AGAINST FAMILY	2876	331	369	383	427	448	468	320	130
21. DRIVING UNDER INFLU	19639	4062	1862	1814	1839	2199	3037	4825	1
22. LIQUOR LAWS	10049	1695	849	851	969	1130	2068	2404	83
24. DISORDERLY CONDUCT	19453	2811	2530	2536	2498	2511	2880	3091	596
25. KIDNAPPING	648	102	81	91	74	80	97	102	21
26. ALL OTHER	49008	6124	6563	6931	7241	6959	7436	6597	1157
28. CURFEW	6586	1194	717	681	825	846	898	1425	
29. RUNAWAY	14996	1859	2114	2214	2158	2020	2411	1834	386

STATEWIDE OFFENSES BY DAY OF WEEK, 1995
(Includes offenses which were later unfounded)

Does not include data from Douglas County Sheriffs Department or Hillsboro Police Department

OFFENSES BY PREMISE TYPE

STATEWIDE OFFENSES by TYPE OF LOCATION, 1995
(Includes offenses which were later unfounded)

	01 HOM	02-17 SEX	03 ROBB	04-08 ASLT	05 BURG	06 LARC	07 MVT	09 ARSON	10-11-12 F/F/E	14 VAND	18 DRUGS	22-24 LQ/DC	OTHER	TOTAL
10 SINGLE FAMILY RESID.	33	3824	228	14317	15795	13066	1649	262	1147	7706	2256	7132	20628	88043
11 APT/PLEX/CONDOMINIUM	12	1206	150	6593	4283	4464	659	95	301	2112	684	2857	5302	28718
12 CLUB/DORMITORY		60	19	407	327	375	95	12	15	196	16	106	617	2245
13 CABIN		3		11	133	19	3	1		13		7	12	202
14 HOTEL/MOTEL	2	111	55	386	284	974	80	11	412	308	264	229	475	3591
20 PUBLIC SAFETY FACIL.		40	2	320	30	184	11	8	57	213	397	127	1047	2436
21 GOVT.OFFICE/SERVICE		37	1	100	178	417	19	18	118	342	99	92	1212	2633
22 PUB. SCHOOL/COLLEGE		256	40	1426	625	3133	85	191	53	2203	722	877	1979	11590
23 AUDITORIUM		5		42	34	138	2	2	7	53	7	62	73	425
24 AIRPORT/DEPOT		2	7	19	20	291	14		27	46	20	28	108	582
25 CHURCH		23	1	23	381	280	10	25	5	398	3	38	158	1345
26 PVT. SCHOOL/COLLEGE		22	3	92	87	306	10	5	6	165	47	56	199	998
27 HOSPITAL	1	13	3	75	16	412	28	4	18	61	28	59	199	917
30 RESTAURANT	2	54	164	372	806	1768	60	25	1157	747	77	405	744	6381
31 THEATER		5	3	10	17	82	14		3	47	2	11	18	212
32 B ALLEY/RINK/ARCADE		6	8	53	25	220	12		70	66	7	41	68	576
33 NIGHT CLUB/TAVERN	3	16	59	979	197	844	61	10	384	262	130	795	672	4412
34 FINANCIAL		2	208	20	90	358	15	1	2090	186	41	44	127	3182
35 SERVICES	1	22	125	179	448	1533	96	17	1735	440	51	129	325	5101
36 MEDICAL/DENTAL		14	2	23	288	267	8	2	57	165	9	34	91	960
37 PHARMACY/DRUGSTORE		3	11	8	22	457	7	1	129	32	110	7	38	825
38 GROCERY		26	371	266	208	9662	132	8	4216	284	216	361	1072	16822
39 CONVENIENCE STORE		21	372	215	187	2917	33	3	572	275	56	316	601	5568
40 DEPARTMENT/VARIETY		39	278	156	242	9559	100	4	1797	269	265	132	912	13753
41 APPAREL		7	27	19	90	837			354	60	16	14	56	1480
42 JEWELRY/CAMERA			5		43	113	1		58	18	1	5	16	260
43 FURNITURE/APPLIANCE		1	1	6	66	100	1	3	113	71	2	2	21	387
44 HARDWARE/SPORT.GOODS			10	8	145	449	8		230	85	3	4	182	1124
45 MOTOR VEHICLE SALES		14	15	93	375	3315	732	11	393	1731	81	67	237	7064
46 MARINE		2		3	16	53	2		7	8		2	11	104
47 CONSTRUCTION		2	2	16	266	401	19	3	57	132	7	9	41	955
48 LIQUOR/BEVERAGE		1	5	2	29	57	3		44	14	4	13	11	183
49 OTHER BUSINESS	3	120	141	428	3222	6290	316	52	2367	2802	142	740	1923	18546
50 FACTORY/WAREHOUSE		4	23	53	634	1417	88	6	131	210	18	14	127	2725
51 OTH.RESIDENCE BLDGS.		19	1	45	2137	663	150	17	6	260	14	29	117	3458
52 OTHER FARM BLDGS.		6	2	9	447	180	49	7	3	84	6	1	49	843
53 DOCK/PIER/WHARF		2		10	22	105	9			25	4	7	28	212
59 OTHER BUILDINGS		13	5	32	897	401	25	34	46	420	21	25	115	2034
60 STREET/ALLEY/SIDEWLK	24	540	1281	6484	98	19443	7190	213	446	9952	4336	5356	9831	65194
61 FREEWAY		12	3	195	1	65	66	32	23	61	257	103	296	1114
62 OTHER ROAD	2	59	26	452	15	542	223	91	41	733	1033	699	1692	5608
63 BRIDGE/VIADUCT/TUNNL	1	8	9	19	1	21	8	4	3	58	21	33	93	279
64 PARKING LOT/DRIVEWAY	6	188	365	2409	137	28531	8872	168	219	9916	925	1670	3135	56541
70 GOLF COURSE			1	8	28	89	11	3	11	52		5	22	230
71 PARK/CAMPGRND/BEACH	2	246	100	626	48	1009	68	66	28	1211	344	783	916	5447
72 WATER/SHORELINE	3	42	13	68	5	263	7	3	6	69	78	147	254	958
73 CEMETERY		5	3	3	12	27		1		56	5	8	20	140
74 YARDS/RELATED AREA	3	135	19	927	48	8005	306	87	42	2985	133	539	4171	17400
75 DEV. FARMLAND/PASTURE	1	11		30	16	274	35	15	1	174	16	23	428	1024
76 LOGGING SITE		1		1		73	5		1	26	6	2	16	131
77 WOODS/FOREST/MTS.	10	27	2	46	16	317	18	29	1	92	103	49	430	1140
79 OTHER AREA	3	298	62	643	223	3355	1019	78	328	1204	311	755	2305	10584
UNKNOWN	36	517	115	1043	454	3982	524	119	4235	844	5005	4453	77478	98805
TOTAL	148	8090	4346	39770	34214	32103	22958	1747	23570	49942	18399	29502	40698	5487

Does not include data from Douglas County Sheriffs Department or Hillsboro Police Department

OFFENSE SUMMARY BY TIME OF OCCURRENCE

CLASSIFICATION OF ACTIVITY	OFFENSE COUNT	MID	2 AM	4 AM	6 AM	8 AM	10 AM	12 N	2 PM	4 PM	6 PM	8 PM	10 PM	DAY	NIGHT	UNKNOWN
		TO 2 AM	TO 4 AM	TO 6 AM	TO 8 AM	TO 10AM	TO 12 N	TO 2 PM	TO 4 PM	TO 6 PM	TO 8 PM	TO 10PM	TO 12MID			
PART 1 & PART 2																
01. HOMICIDE																
1.WILLFUL MURDER	120	17	10	8	3	1	3	7	6	6	10	17	10	30	77	13
2.AGGRAVATED MURDER	16	4		2				1	3		1		3	4	12	
3.NEGL. NON TRAFFIC	12			1				1		1	2		1	2	4	6
TOTAL	148	21	10	11	3	1	3	9	9	7	13	17	14	36	93	19
02. RAPE (FORCIBLE)																
1.FORCIBLE	1136	104	76	46	18	36	38	45	52	45	40	59	56	272	520	344
2.ATTEMPT RAPE-FORCE	203	20	24	6	2	2	7	11	11	11	13	16	21	52	115	36
TOTAL	1339	124	100	52	20	38	45	56	63	56	53	75	77	324	635	380
03. ROBBERY																
1.HIGHWAY	1614	187	102	50	29	28	55	71	127	166	187	249	231	509	1074	31
2.BUSINESS	1140	57	37	12	23	38	49	126	129	159	171	147	99	569	558	13
3.SERVICE STATION	94	7	20	7	1	2	1	2		7	10	17	14	15	79	
4.CONVENIENCE STORE	332	51	50	41	6	8	5	11	8	14	27	42	49	56	273	3
5.RESIDENCE	369	36	37	15	12	9	20	12	28	26	40	29	41	122	228	19
6.BANK	213					6	48	43	52	46	2	1		209	3	1
9.OTHER	584	48	38	14	16	14	28	33	61	65	63	73	68	230	338	16
TOTAL	4346	386	284	139	87	105	206	298	405	483	500	558	502	1710	2553	83
04. AGGRAVATED ASSAULT																
1.AGGRAVATED	10293	987	705	226	170	309	510	656	830	1062	1160	1314	1381	3824	6170	299
3.ATTEMPTED MURDER	276	41	16	9	11	7	6	11	18	9	27	36	56	66	200	10
TOTAL	10569	1028	721	235	181	316	516	667	848	1071	1187	1350	1437	3890	6370	309
05. BURGLARY																
1.RESIDENCE	21126	650	405	274	319	638	699	812	849	883	728	733	620	7984	5562	7580
2.BUSINESS	7640	491	475	391	249	277	148	136	144	236	181	192	307	1347	3686	2607
3.OTHER STRUCTURE	5448	209	91	57	90	187	175	178	138	203	129	147	104	1268	1475	2705
TOTAL	34214	1350	971	722	658	1102	1022	1126	1131	1322	1038	1072	1031	10599	10723	12892
06. LARCENY																
1.PICKPOCKET	211	20	13	1	2	4	14	20	21	25	17	15	17	111	90	10
2.PURSES/NATCH	326	14	4	3	10	13	14	35	49	52	46	41	20	179	133	14
3.SHOPLIFT	22773	688	440	162	155	513	1614	3144	4318	4381	3149	1903	924	14843	7570	360
4.FROM MOTOR VEHICLES	34649	1226	745	520	790	1194	1186	1239	1245	1364	1283	1197	1103	9996	13352	11301
5.MOTOR VEH. PART/ACC.	14195	538	346	187	199	336	283	327	313	386	408	381	404	3192	6686	4317
6.BICYCLES	11015	387	135	86	133	355	400	564	753	896	689	584	384	4007	3374	3634
7.FROM PUBLIC BUILDING	9038	251	89	49	75	264	458	557	625	527	394	311	227	4339	2277	2422
8.FROM COIN-OP MACHINE	533	27	10	9	12	25	29	20	28	30	20	19	24	170	206	157
9.ALL OTHERS	39363	1567	441	302	569	1868	2278	2492	2773	2515	1881	1488	1047	15784	9521	14058
TOTAL	132103	4718	2223	1319	1945	4572	6276	8398	10125	10176	7887	5939	4150	52621	43209	36273
07. MOTOR VEHICLE THEFT																
1.AUTOMOBILES	15028	528	389	240	305	406	418	485	489	547	460	501	527	4538	7039	3451
2.TRUCKS AND BUSES	6620	170	114	102	130	190	158	179	191	215	174	172	184	1940	2684	1996
3.MOTORCYCLES	1024	39	22	19	21	32	24	36	32	25	27	34	35	254	334	436
4.SNOWMOBILES	37							4			1			7	10	20
9.OTHER VEHICLES	249	10		1	7	15	9	10	4	10	7	4	2	77	40	132
TOTAL	22958	747	525	362	463	643	609	714	716	797	669	711	748	6816	10107	6035
08. SIMPLE ASSAULT	29201	2503	1599	599	518	1116	1653	2070	2581	2979	3346	3730	3420	11687	16385	1129
09. ARSON	1747	161	142	83	53	74	91	112	111	124	128	143	177	614	973	160
10. FORGERY/COUNTERFEIT	11378	476	66	30	114	448	861	1251	1177	1146	709	588	314	5513	2313	3552
11. FRAUD	11635	622	145	104	130	608	808	1087	1027	967	822	490	324	5353	2658	3624
12. EMBEZZLEMENT	557	42	2	1	11	21	17	26	29	32	36	27	22	164	168	225
13. STOLEN PROPERTY	792	33	34	25	16	55	64	87	99	94	60	46	44	444	252	96
14. VANDALISM	49941	3152	1697	787	1119	2398	2281	2217	2418	2883	2749	3124	3341	15458	22048	12435
15. WEAPON LAWS	4997	568	411	138	93	249	402	448	465	466	411	479	580	2184	2684	129
16. PROSTITUTION	778	64	36	16	3	8	21	43	64	102	96	153	164	242	530	6
17. SEX CRIMES	6751	300	139	83	84	341	374	388	453	449	315	327	267	2312	1705	2734
18. DRUG LAWS	18399	2104	1543	618	436	957	1520	1636	1794	1654	1698	1890	1926	8145	9941	313
19. GAMBLING	33	2			1	4		5	7	1	6	4	2	18	14	1
20. OFF AGAINST FAMILY	2876	99	34	19	43	202	275	296	376	451	306	227	143	1714	893	269
21. DRIVING UNDER INFLU	19639	4898	3878	501	138	244	383	395	544	887	1651	2443	3662	2591	17034	14
22. LIQUOR LAWS	10049	1870	949	181	71	168	293	436	581	728	908	1416	2071	2318	7604	127
24. DISORDERLY CONDUCT	19453	1755	1035	296	291	811	1184	1433	1785	1910	2175	2488	2423	7809	10548	1096
25. KIDNAPPING	648	43	36	16	20	22	28	37	52	65	49	62	63	258	327	63
26. ALL OTHER	49008	3367	1731	874	1281	3554	4333	4705	5110	5252	4752	4685	4142	25460	20726	2822
28. CURFEW	6586	3411	2039	388	22	18	50	75	20	8	11	7	527	193	6383	10
29. RUNAWAY	14996	597	192	132	739	1096	1012	1200	1604	1755	1855	1615	1277	7847	6039	1110

STATEWIDE OFFENSES by TIME OF OCCURRENCE, 1995
(Includes offenses which were later unfounded)

Does not include data from Douglas County Sheriffs Department or Hillsboro Police Department

REPORT OF CRIMINAL OFFENSES
MOTIVATED BY PREJUDICE
JANUARY through DECEMBER, 1995

OREGON BIAS CRIME STATISTICS SUMMARY

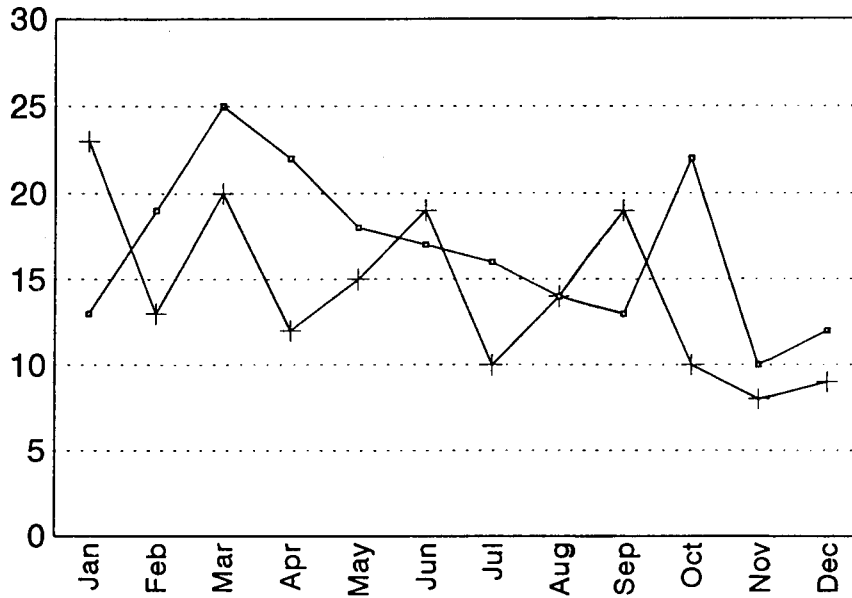
January through December 1995

The 1989 Oregon Legislature passed Senate Bill 606, amending ORS 181.550, requiring law enforcement agencies to report crimes motivated by prejudice to the State Executive Department, Law Enforcement Data System (LEDS). Law Enforcement agencies report these Bias Crime incidents by sending a copy of the police report to LEDS. The 1994 legislature passed Senate Bill 1044 which moved the Law Enforcement Data System from the Executive Department to the Department of Oregon State Police. This transfer included the Uniform Crime Reporting and Bias Crime Reporting Programs.

The number of bias crimes reported for 1995 decreased 14.4% from the number reported for 1994.

Bias Crime

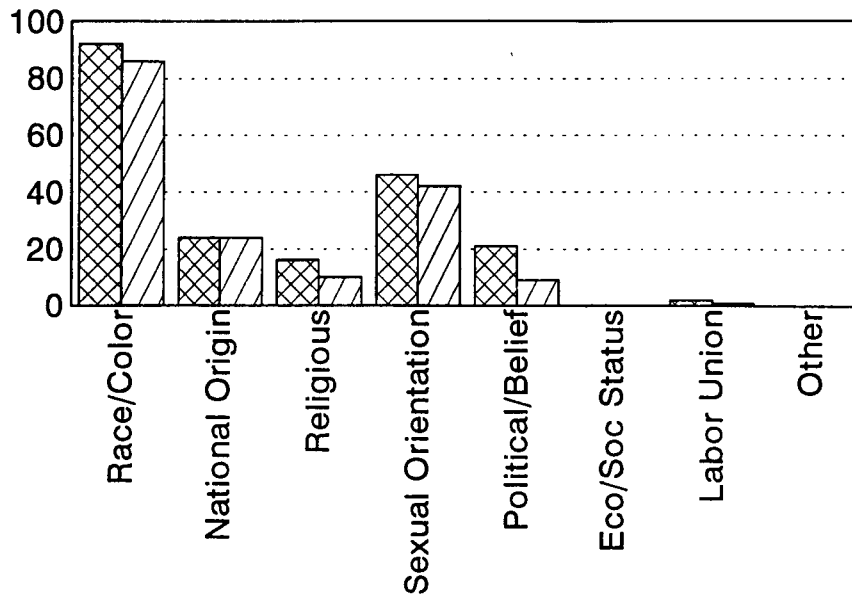
Totals By Month Jan-Dec 1994 Compared to Jan-Dec 1995



1994	13	19	25	22	18	17	16	14	13	22	10	12
1995	23	13	20	12	15	19	10	14	19	10	8	9

By Type of Prejudice

Jan-Dec 1994 Compared to Jan-Dec 1995



1994	92	24	16	46	21	0	2	0
1995	86	24	10	42	9	0	1	0

A. Reported incidents by month:	January	January
	through	through
	December	December
	1994	1995
January	13	23
February	19	13
March	25	20
April	22	12
May	18	15
June	17	19
July	16	10
August	14	14
September	13	19
October	22	10
November	10	8
December	12	9

TOTAL 201 172

B. Reported incidents by type of crime:

Aggravated Assault	35	37
Burglary-Larceny	4	1
Forcible Rape		
Intimidation	91	76
Motor Vehicle Theft		
Murder		
Robbery	7	1
Simple Assault	24	25
Vandalism	35	30
Other	5	2

TOTAL 201 172

C. Reported incidents by type of prejudice:

Race/Color	92	86
National Origin	24	24
Religious	16	10
Sexual Orientation	46	42
Political/Beliefs	21	9
Labor Union	2	1
Economic/Social Status		
Handicap		

TOTAL 201 172

D. Number and description of victims:	January through December 1994	January through December 1995
	<hr/>	
Asian Male	8	11
Asian Female		2
Black Male	40	43
Black Female	16	22
Hispanic Male	16	18
Hispanic Female	3	6
Indian Male	4	4
Indian Female	5	
White Male	89	56
White Female	54	25

VICTIM TOTAL	235	187
---------------------	------------	------------

Male Victim Total	157	132
Female Victim Total	78	55

E. Number and description of offenders:

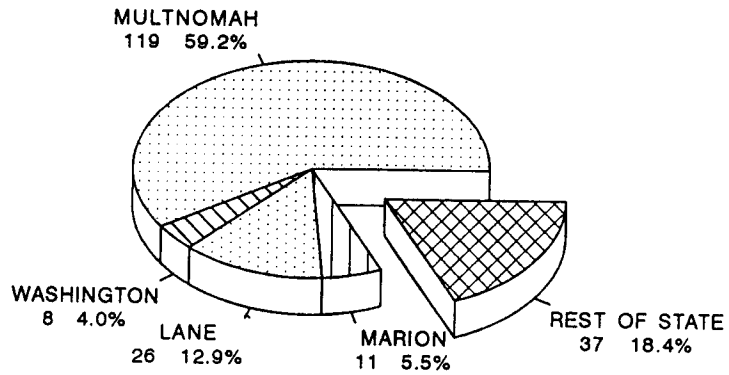
Asian Male		3
Asian Female		
Black Male	45	20
Black Female	8	4
Hispanic Male	19	19
Hispanic Female		
Indian Male		
Indian Female	1	
White Male	138	141
White Female	25	8

OFFENDER TOTAL	236	192
-----------------------	------------	------------

Male Offender Total	202	183
Female Offender Total	34	12

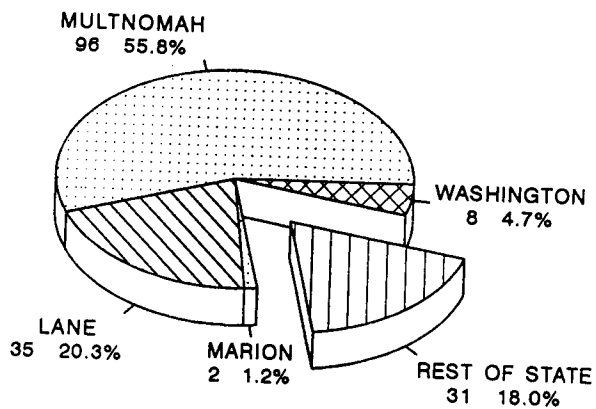
CRIMES MOTIVATED BY PREJUDICE by County Jan-Dec 1994-1995

1994



1994 Total = 201

1995



1995 Total = 172

F. Reported incidents by county of occurrence

COUNTY	January through December 1994	January through December 1995	January through September 1995					
			Race	National Origin	Sexual Orientation	Religion	Other	
Baker								
Benton	4	3	2	1				
Clackamas	4	8	1	4	1	1	1	1
Clatsop	1	1		1				
Columbia		1			1			
Coos	6							
Crook								
Curry	1							
Deschutes	1	3	1	1	1			
Douglas	6	6	4	1		1		
Gilliam								
Grant								
Harney								
Hood River								
Jackson	7	5	4	1				
Jefferson	2							
Josephine	1							
Klamath								
Lake								
Lane	26	35	23	3	6	3		
Lincoln		1		1				
Linn		1			1			
Malheur	1							
Marion	11	2	2					
Morrow								
Multnomah	119	96	43	8	31	5	9	
Polk	1	1			1			
Sherman								
Tillamook	1							
Umatilla								
Union								
Wallowa								
Wasco		1		1				
Washington	8	8	6	2				
Wheeler								
Yamhill	1							
TOTAL	201	172	86	24	42	10	10	

DOMESTIC DISTURBANCE REPORTING

JANUARY through DECEMBER 1995

DOMESTIC DISTURBANCE REPORTING SUMMARY OCTOBER through DECEMBER 1995

ORS 181.550 directs all Oregon law enforcement agencies to report all statistics regarding incidents arising out of Domestic Disturbances under ORS 133.055 (2) and 133.310 (3) to the Department of State Police. An interim program of manual reporting has been implemented on a quarterly basis beginning with the last quarter of 1994.

The county summary on the following pages represents the results of reports from 161 agencies, covering 96.8% of Oregon's population.

OREGON DOMESTIC DISTURBANCE REPORTING

January through December 1995

COUNTY		CRIME TOTAL	CRIME TYPE THAT OCCURRED IN THE CONTEXT OF DOMESTIC INCIDENT										Domestic Restraining Order Violations	Non-Criminal Domestic Disturbance	
			Homicide	Rape	Agg. Assault	Burglary	Simple Assault	Vandalism	Other Sex Crimes	Disorderly Conduct	Trespass	Criminal Threat			All Other
BAKER	Incidents	104			1		74	3	1	22	1		2	7	73
	Arrests	72			1		64	3		2			2	4	
BENTON	Incidents	686		1	15	27	105	36	1	3	23		475	98	395
	Arrests	578		1	17	15	59	9	3	3	22		449	43	
CLACKAMAS	Incidents	1,453	2	2	694	20	350	25	20	19	21	252	48	96	1,157
	Arrests	409			76		276	6		5	14	16	16	39	
CLATSOP	Incidents	266			10	2	160	17		61	9	1	6	75	348
	Arrests	182			10	2	131	9		26	3		1	21	
COLUMBIA	Incidents	399			8	6	182	1	1	167		30	4	71	162
	Arrests	226			6		152	2		48		16	2	34	
COOS	Incidents	649			18	4	396	3	1	128	25	40	34	130	572
	Arrests	504			17	4	365		1	50	3	32	32	93	
CROOK	Incidents	104			4		81			14	2	3		26	6
	Arrests	98			4		78			11	2	3		19	
CURRY	Incidents	93			2		87			4				44	
	Arrests	93			2		87			4				24	
DESCHUTES	Incidents	561			11	1	421	19		64	11	23	11	300	596
	Arrests	437			7	1	364	8		34	6	11	6	77	
DOUGLAS	Incidents	401		5	42	2	244		2	79		20	7	504	355
	Arrests	365			47	2	237		1	55		14	9	115	
GILLIAM	Incidents	5					4					1			11
	Arrests	5					4					1			
GRANT	Incidents	35			20	1	9	1		1	1	1	1	5	16
	Arrests	33			20	1	8	1		1	1		1	4	
HARNEY	Incidents	58					45			13				2	26
	Arrests	28					24			4				2	
HOOD RIVER	Incidents	115				3	104	1		6			1	20	33
	Arrests	84					80			3			1	9	
JACKSON	Incidents	705	1	2	264	3	311	5		50	6	29	34	81	2,106
	Arrests	518		1	227	2	234	3		14	4	6	27	42	
JEFFERSON	Incidents	217			24	1	117	4		66	2		3	58	62
	Arrests	192			21	1	103	2		60	2		3	40	
JOSEPHINE	Incidents	105			9		82	1					13	56	105
	Arrests	89			8		73						8	10	
KLAMATH	Incidents	961			1		906			33		21		102	26
	Arrests	477			1		456			20				52	
LAKE	Incidents	22			7	1	9			4		1		20	7
	Arrests	22			7	1	9			4		1		19	

OREGON DOMESTIC DISTURBANCE REPORTING

January through December 1995

COUNTY		CRIME TOTAL	CRIME TYPE THAT OCCURRED IN THE CONTEXT OF DOMESTIC INCIDENT										Domestic Restraining Order Violations	Non-Criminal Domestic Disturbance	
			Homicide	Rape	Agg. Assault	Burglary	Simple Assault	Vandalism	Other Sex Crimes	Disorderly Conduct	Trespass	Criminal Threat			All Other
LANE	Incidents	953			14	1	847	1		54	1	31	4	840	40
	Arrests	942			15		836	1		54	1	27	8	349	
LINCOLN	Incidents	264			5	2	156	4		39	33	7	18	103	540
	Arrests	252		1	5		141	3		50	28	8	16	48	
LINN	Incidents	501			33	3	426			31	1		7	256	1,064
	Arrests	311			31	3	258			16	1		2	75	
MALHEUR	Incidents	224			3		116	12		51	11	30	1	19	15
	Arrests	152			2		81	6		36	9	17	1	3	
MARION	Incidents	1,292		1	30	54	364	37	11	17	26		752	563	4,498
	Arrests	1,032			22	10	330	32	2	19	26		591	221	
MORROW	Incidents	39			16		23							6	40
	Arrests	25			10		15							4	
MULTNOMAH	Incidents	7,132	2	39	1,753	119	3,385	188	20	733	528	11	354	245	306
	Arrests	3,724		18	1,112	32	2,045	37	12	146	163	7	152	81	
POLK	Incidents	677		2	6	38	86	44	9	9	14		469	66	495
	Arrests	569			7		86	21	1	17	19		418	24	
SHERMAN	Incidents	11					11							1	
	Arrests	10					10								
TILLAMOOK	Incidents	93			4		70	2		16			1	29	93
	Arrests	93			4		73			15			1	16	
UMATILLA	Incidents	411		1	7	1	331	2		57	9	2	1	85	474
	Arrests	303			5	1	250	2		37	7		1	46	
UNION	Incidents	152			7		126			6	2	9	2	35	232
	Arrests	140			5		116			7	2	8	2	25	
WALLOWA	Incidents	28			1		22			5				3	13
	Arrests	24			2		18			4				2	
WASCO	Incidents	100					84			13	1		2	22	151
	Arrests	82					66			14	1		1	18	
WASHINGTON	Incidents	952		1	46	3	787	6		36	14	23	36	397	1,416
	Arrests	808		1	39		696	6		18	5	12	31	147	
WHEELER	Incidents	5					3				1		1		1
	Arrests	1					1								
YAMHILL	Incidents	1,641		5	20	91	124	147	21	9	45	3	1,176	139	686
	Arrests	1,120			11	29	117	50	1	24	68	2	818	48	
TOTAL Incidents		21,414	5	59	3,075	383	10,648	559	87	1,810	787	538	3,463	4,504	16,120
Arrests		14,000	0	22	1,741	104	7,943	201	21	801	387	181	2,599	1,754	

