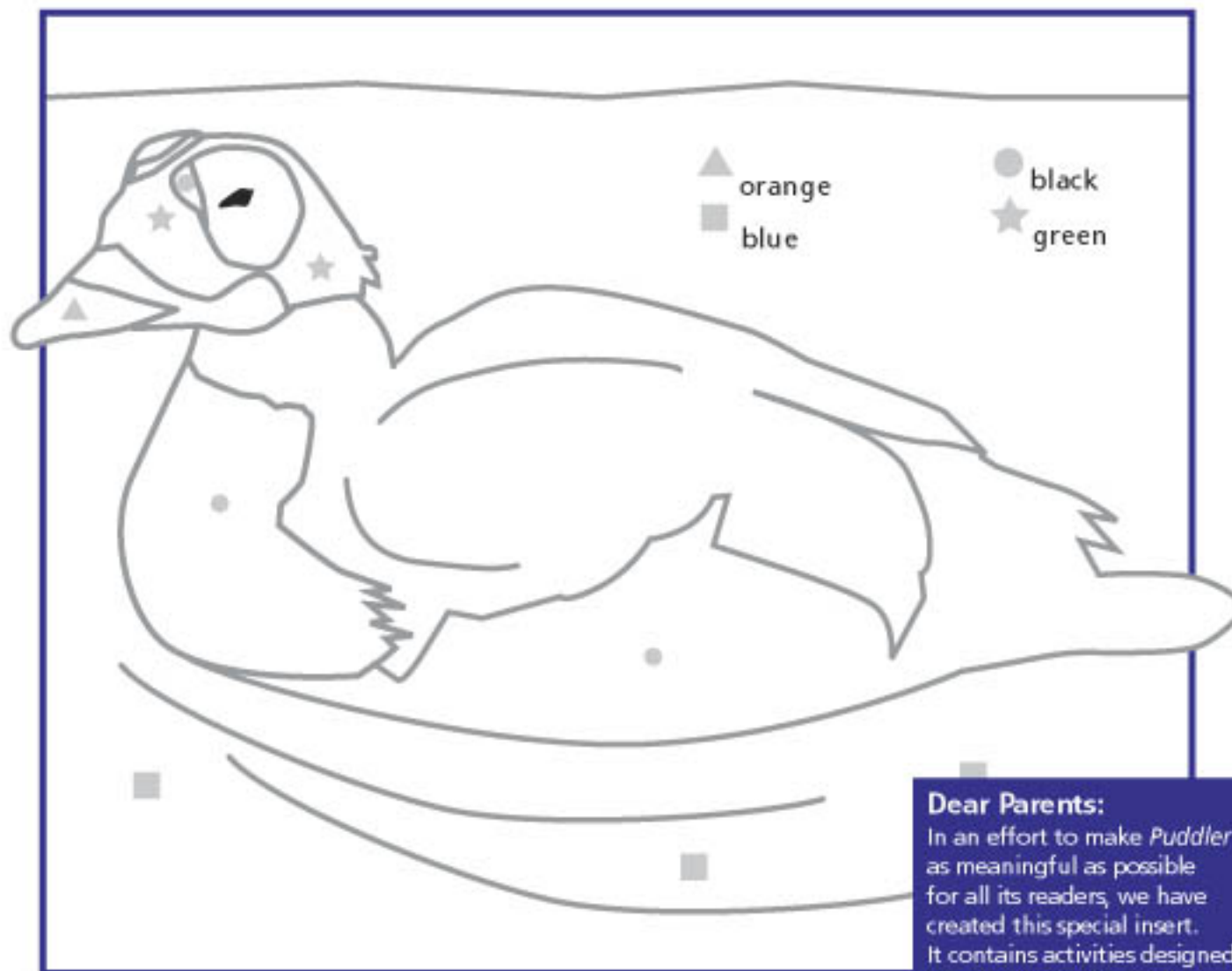


For Ducks Unlimited Greenwings

Fun Zone

P R E S C H O O L A C T I V I T I E S

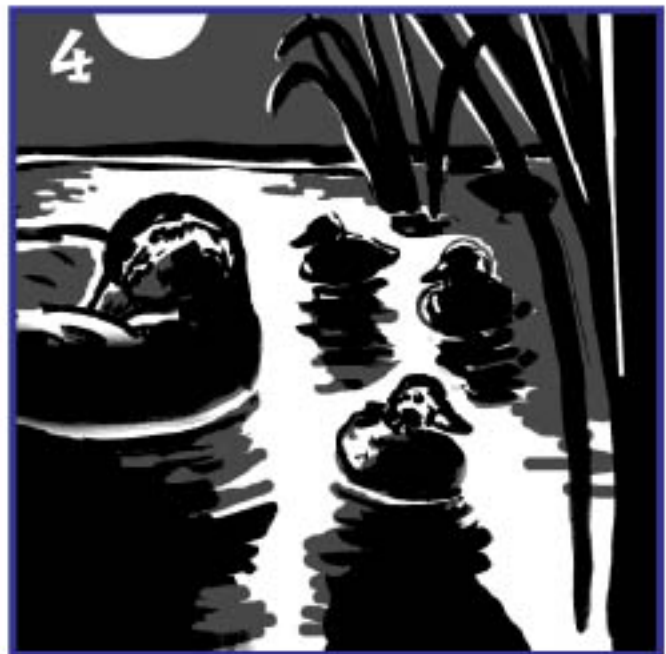


Dear Parents:

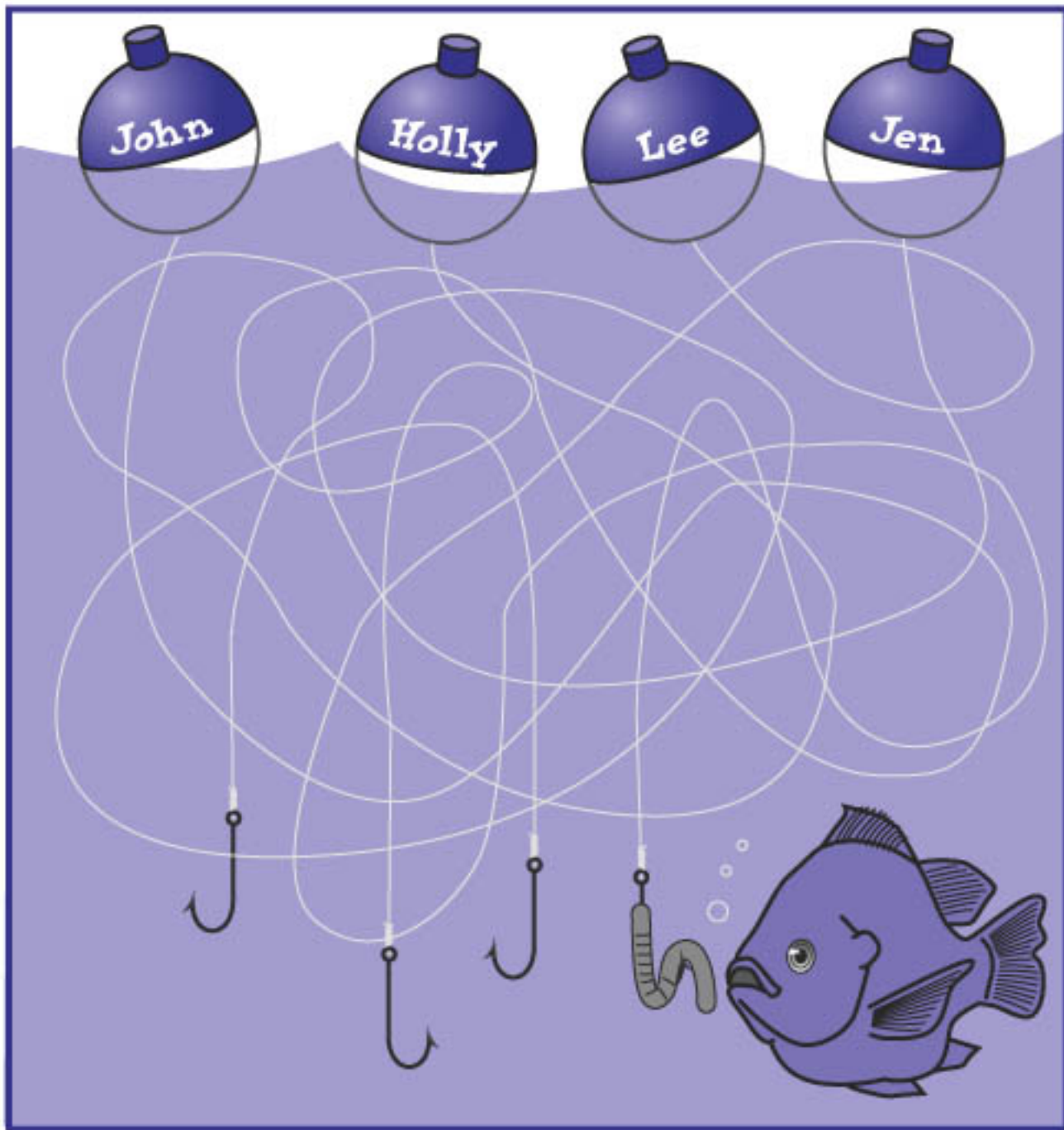
In an effort to make *Puddler* as meaningful as possible for all its readers, we have created this special insert. It contains activities designed specifically for your child's age group. Read this issue of *Puddler* together, then share these related activities with your child. We've also included suggestions for further reading and discussion.

Color the spectacled eider.
Use the symbols to help you choose the colors.
Leave unmarked areas white.





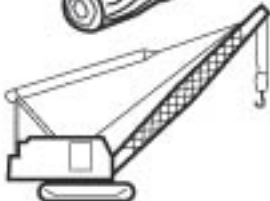
Parents/teachers: Find more activities on



Look at the pictures. Can you tell a story about them?



Whose line is about to get a bite?
Trace the fishing line to find out if it's John, Holly, Lee or Jen.

	+	FLY	-----
	+	FLY	-----
	+	FLY	-----
	+	FLY	-----
	+	FLY	-----



Can you guess the five insect names listed above? Each name ends in "fly." Use the picture clues to discover each name.

Going Further

Suggested Reading

Stellaluna by Janell Cannon

Sammy Wakes His Dad by Chip Emmors

Discussion Ideas

- Nature has designed ducks for a life on land, in water and in air. Talk about your favorite land, air and water animals.
- The bat is just one animal that comes out after dark in summer. What other animals do you see at night? What else is fun to see and do after dark in summer?

Answers:

Lee is about to get a bite.

crane fly
firefly
horsefly
horsefly
butterfly