



Pinellas County Sheriff's Office

Sheriff Jim Coats

Electronic Monitoring & Crime Correlation Essentials

Leading The Way For A
Safer Pinellas



Pinellas County Sheriff's Office

Strategic Planning Division

The "Whys" of Electronic Monitoring

Leading The Way For A
Safer Pinellas



Pinellas County Sheriff's Office



Leading The Way For A
Safer Pinellas



Pinellas County Sheriff's Office

DECEASED



Carlia Burcia

DECEASED



Jessica Lunsford

DECEASED



Sarah Lunde

ARRESTED



CONVICTED



**& SENTENCED
TO DEATH**

ARRESTED



Leading The Way For A



Pinellas County Sheriff's Office

Jail Overcrowding



' IT'S THE NUMBER OF PEOPLE WHO SHARE THIS CELL '



Pinellas County Sheriff's Office

Probation



& Parole

Leading The Way For A
Safer Pinellas



Pinellas County Sheriff's Office

saving Money!!!



Leading The Way For A
Safer Pinellas



Pinellas County Sheriff's Office

Crime Correlation

Legend



72nd Ave

Copyright ©
rights reserved
2005 Tele Atlas

ame
PM
PM
neframe
:45 PM
1:30 AM
ts
nts
meframe
PM
PM
ack





Pinellas County Sheriff's Office

CORRELATION CORRELATION ESSENTIALS ESSENTIALS

Leading The Way For A
Safer Pinellas



Pinellas County Sheriff's Office

- Electronic Monitoring Plan

Leading The Way For A
Safer Pinellas



Pinellas County Sheriff's Office

Pinellas Sheriff's Alternative Sentencing Unit

- **Offender enrollment and orientation**
- **Fitting the Offender with the “Ankle Bracelet”, the MTD/PTD and Base Unit are activated and GPS will be acquired**
- **Inspecting the offenders residence to ensure the electronic equipment is installed properly**
- **Weekly home and job visits to each offender under his/her supervision**
- **Ensuring the offenders compliance with requirements such as work /school attendance, abstinence from alcohol, and involvement in treatment programs or Court ordered activities**
- **Reviewing violation reports**



Pinellas County Sheriff's Office

Pinellas Sheriff's Alternative Sentencing Unit

- Responding to violations
- During field checks or job visits, inspections are conducted of the equipment for signs of tampering
- Maintaining accurate records of all work with offenders, including all attempts to follow up on alerts, any false alerts generated by the monitoring system



Pinellas County Sheriff's Office

- Electronic Monitoring Plan
- Data Correlation Services or Software

Leading The Way For A
Safer Pinellas



Pinellas County Sheriff's Office



Hit Report Summary

Administrating Agency: Pinellas County Sheriff's Office

Run Date: 3/27/2007 10:30:09 AM

Agency Name	Incidents Uploaded	Number of Hits	Number of Errors	Do Not Report
Pinellas County Sheriff's Office	215	61	8	60
Pinellas Park Police Department	141	37	14	54
Tarpon Springs Police Department	131	16	18	74
Totals:	487	114	40	188



Crime Summary Report

Administrating Agency: Pinellas County Sheriff's Office

Run Date: 3/26/2007 10:30:14 AM

Agency Name Pinellas Park Police Department

Case Number Primary Offense

20070007559 06C SHOPLIFTING/RETAIL THEFT <300

Address 8001 US 19

City PINELLAS PARK

St FL

Zip Code 33781

Start Time 3/11/2007 12:01:00 PM

End Time 3/11/2007 12:05:00 PM

Offender Name	Number of Points	Hit Duration	Seconds at Rest	Closest Distance	Speed in Zone	Supervision Violation	Offense
Willie Mingo	1	00:00:00	0	811	38	N	

Case Number Primary Offense

20070007570 06C SHOPLIFTING/RETAIL THEFT <300

Address 3770 PARK BL

City PINELLAS PARK

St FL

Zip Code 33781

Start Time 3/11/2007 2:15:00 PM

End Time 3/11/2007 2:42:00 PM

Offender Name	Number of Points	Hit Duration	Seconds at Rest	Closest Distance	Speed in Zone	Supervision Violation	Offense
Jeremy Martin	3	00:02:00	0	304	0	N	
Freddie Harvey	7	00:24:02	0	820	0	N	L & L u 16; Failure to Register
Chad Hoel	12	01:03:28	28	153	0	N	



Pinellas County Sheriff's Office

Agency:	Pinellas Park Police Department	Crime Scene:	3770 PARK BL PINELLAS PARK, FL 33781	Crime Timeframe
Crime:	(06C) SHOPLIFTING/RETAIL THEFT <300			From: 3/11/2007 2:15 PM
Distance (feet):	1000			To: 3/11/2007 2:42 PM

Point Search Timeframe

From:	3/11/2007	1:45 PM
To:	3/11/2007	11:30 AM

- Show Hits
- Show Tracks

Refresh Points

Point Display Timeframe

From:	3/11/2007	1:45 PM
To:	3/11/2007	3:12 PM

Point Playback

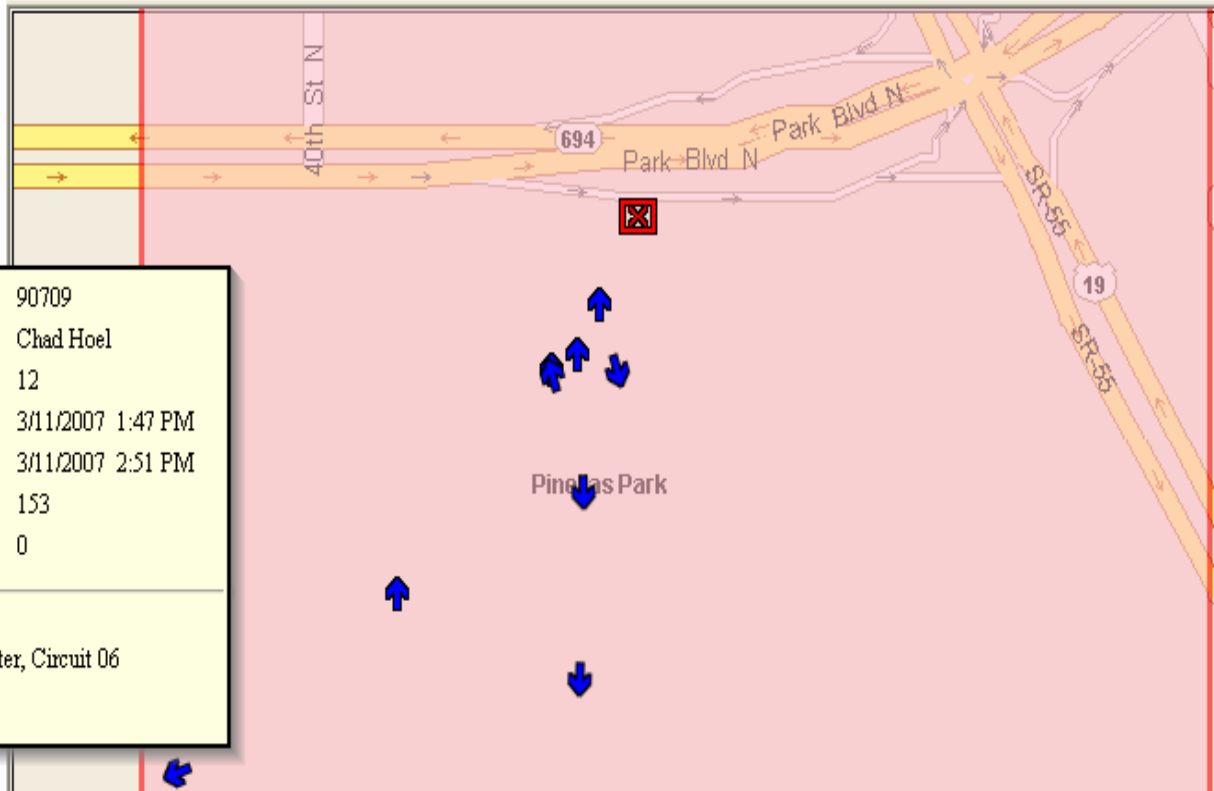
- By Date/Time
- By Offender

Legend



DemographicID: 90709
Offender: Chad Hoel
of Points: 12
Entered Zone: 3/11/2007 1:47 PM
Exit Zone: 3/11/2007 2:51 PM
Closest Distance: 153
Minimum Speed: 0

Contact Info:
FL DOC, Clearwater, Circuit 06
Jon Herendeen
(727)893-2511





Pinellas County Sheriff's Office

- Electronic Monitoring Plan
- Data Correlation Services or Software
- Electronic RMS or Method for Input of Data

Leading The Way For A
Safer Pinellas



Pinellas County Sheriff's Office

A C I S S S Y S T E M S



Delivering the right information...when and where it is needed.

Leading The Way For A
Safer Pinellas

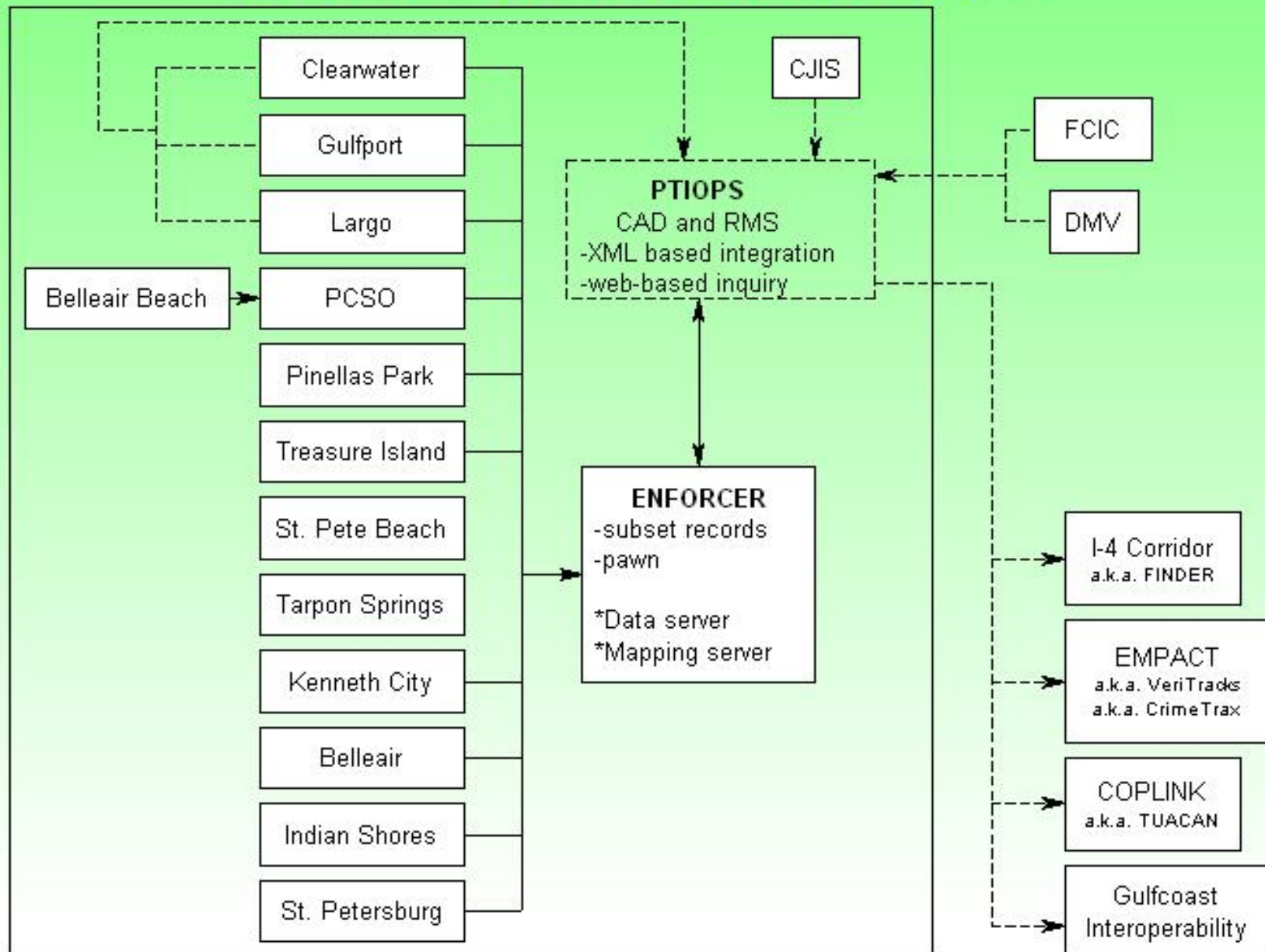


Pinellas County Sheriff's Office

- Electronic Monitoring Plan
- Data Correlation Services or Software
- Electronic RMS or Method for Input of Data
- Data Sharing – County, Regional, State or National

Leading The Way For A
Safer Pinellas

REGIONAL INFORMATION SHARING MODEL





Pinellas County Sheriff's Office

- Electronic Monitoring Plan
- Data Correlation Services or Software
- Electronic RMS or Method for Input of Data
- Data Sharing – County, Regional, State or National
- Crime Analysis Function

Leading The Way For A
Safer Pinellas



Pinellas County Sheriff's Office



westbrookjim Coats, Sheriff

PINELLAS COUNTY SHERIFF'S OFFICE

10750 Ulmerton Road, Largo, Florida 33778

Leading The Way For A Safer Pinellas

CRIME ANALYSIS BULLETIN

January 30, 2007



ABSCONDER ALTERNATIVE SENTENCING



SUBJECT: MANCINI, Frank J.; **D.O.B.:** 06/06/1981; W/M, 5'11", 160 pounds, Brown curly hair, Hazel eyes, "Hot Boy" tattoo on his arms & "Tiffany and Jasmine" tattoo on his neck; **SSN:** 591-56-0937

LKA: 12104 71st Way N., Largo

✦ **MANCINI's** original charges are Agg. Assault w/Deadly Weapon and 2 cts. DWLSR.

If contact is made with **MANCINI**, take into custody and notify Cpl. C. Myers, Alternative Sentencing, at (727) 453-7529.

*****FOR LAW ENFORCEMENT PURPOSES ONLY*****
Prepared by Melissa Swenton, Crime Analyst, 727-582-6138



Pinellas County Sheriff's Office

Electronic Monitoring In Pinellas County

Leading The Way For A
Safer Pinellas



Pinellas County Sheriff's Office

In today's world of budget reductions and increased demands for accountability in spending, we are forced to look for non-traditional solutions.



Source: Federal Block grant to the Law Enforcement Assistance Administration reported in US News & World Report 3/27/95

The Federal Government spent \$27,000.00 to determine why inmates want to escape from prison.

Leading The Way For A
Safer Pinellas



Pinellas County Sheriff's Office

- Average “cost per day” of housing inmates in the Pinellas County Jail (Largo, Florida) exceeds \$455, 890.
- Average inmate population exceeds 3800.
- Jail modified for capacity of 3,119 inmates.
- Annual cost to operate the Pinellas County Jail in FY 2008 is estimated in excess of:

\$166.4 M





Pinellas County Sheriff's Office

- **Average number of inmates in Electronic Monitoring Program in 2006 – 230**
- **Current Deputy/Electronic Monitoring Ratio – 1:35**
- **Average Daily Cost to house inmate - \$79.40**
(Actual is closer to \$120 per day)
- **Cost of Alternative Sentencing Unit - \$1.3 M**

Net Cost Savings
Approximately \$5.4 M



Pinellas County Sheriff's Office

The Future

- **Expansion of Program**
- **Technology Changes**
- **Better Data Sharing Systems**
- **Increased Global Participation**

Leading The Way For A
Safer Pinellas



Pinellas County Sheriff's Office

Sheriff Jim

10750 U.S. 1 Road, Largo, FL 33778

Terry Sterling, Lieutenant

Strategic Planning Division

727.582.6411

tsterling@pcsonet.com

Michael Castine, Captain

Support Services Division

727.464.6321

mcastine@pcsonet.com

Kristin Preston, Programmer Analyst

Strategic Planning Division

727.582.6584

kpreston@pcsonet.com

Marian Garret,

Supervisor

Inmate Records Section

727.464.6347

mgarret@pcsonet.com

Harrietta Pinckney, Supervisor

Alternative Sentencing Unit

727.453.7499

hpinkney@pcsonet.com

Leading The Way For A
Safer Pinellas