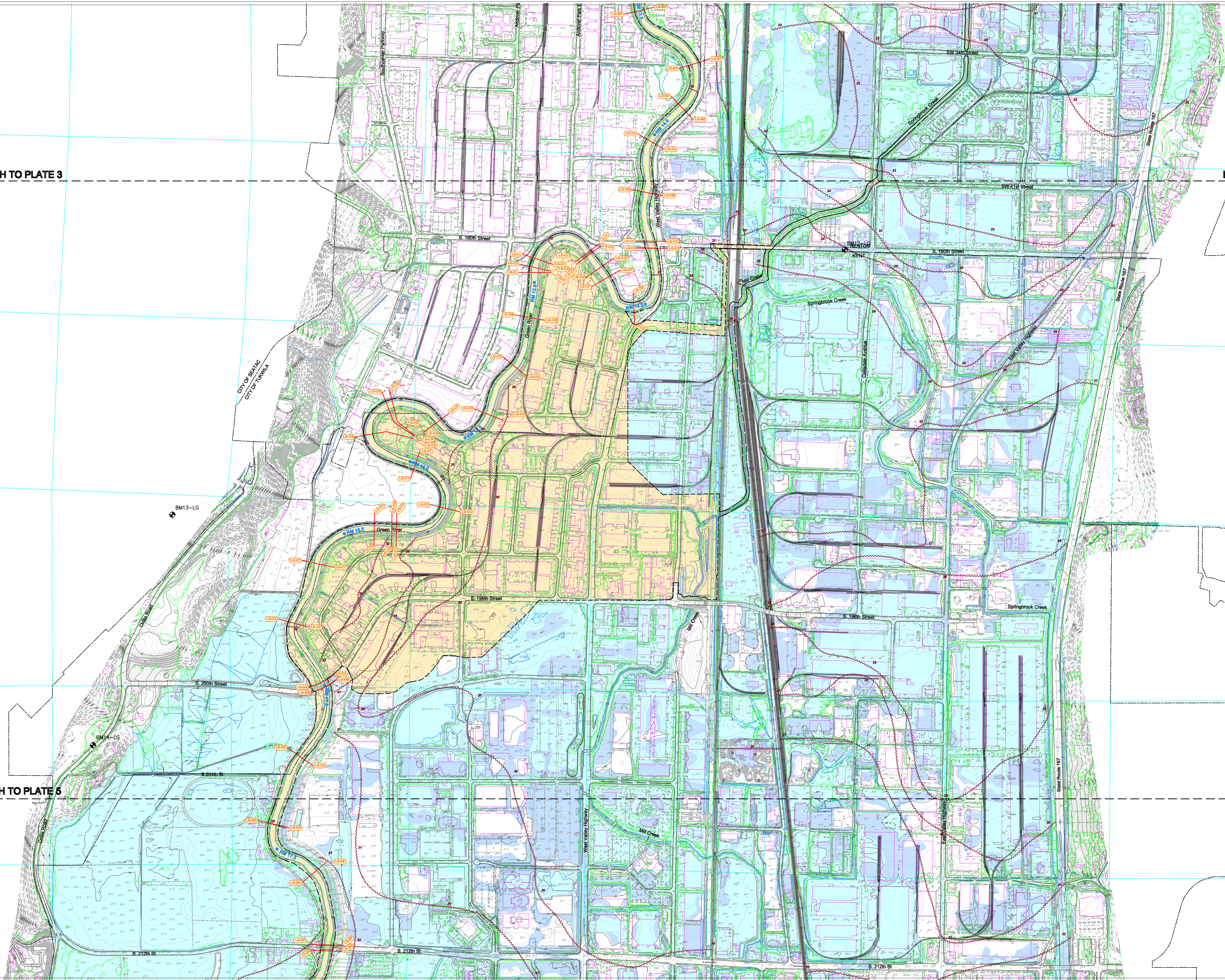


MATCH TO PLATE 3

MATCH TO PLATE 3

MATCH TO PLATE 5

MATCH TO PLATE 5



Legend

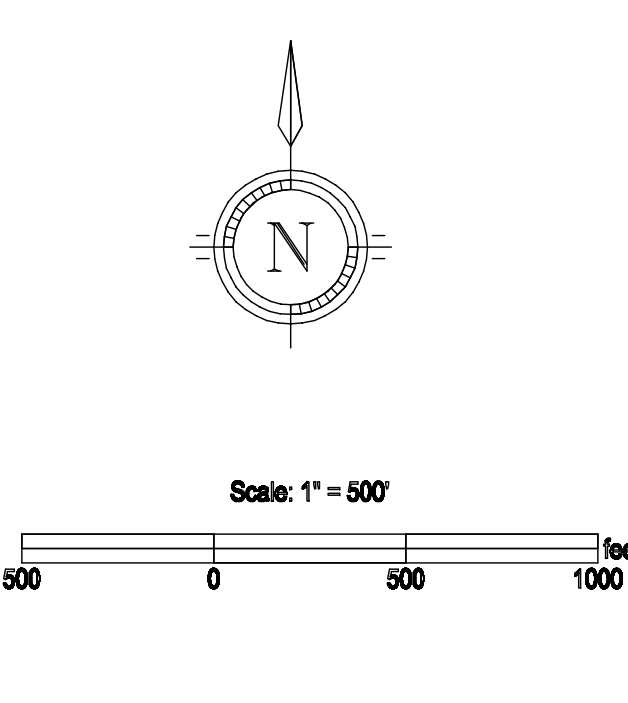
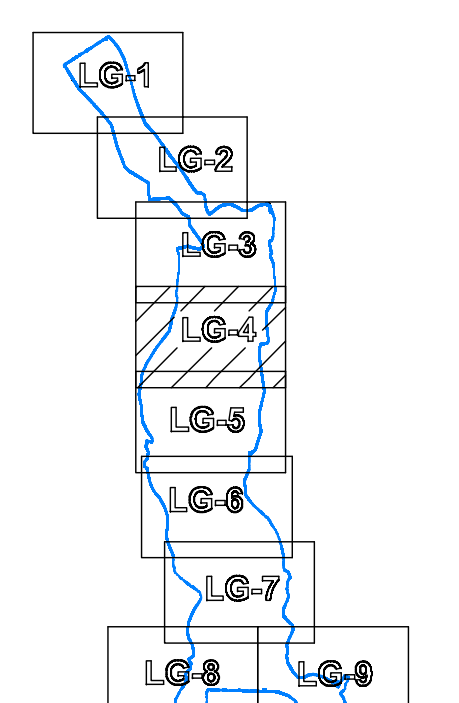
- Major Contours - 10 foot
- Minor Contours - 2 foot
- Major Contours Obscured - 10 foot
- Minor Contours Obscured - 2 foot
- Spot Elevations
- Vegetation Lines
- Corporate Boundary
- River Mile Marker and Number
- Railroad
- PLSS Grid
- Elevation Reference Mark and Number
- Structures
- Fence Lines
- Edge of Water
- Matchlines
- FEMA Floodway
- FEMA Zone AE
- FEMA Shaded Zone X
- Cross-Section
- Base Flood Elevation

Name	Elevation	Description
BM13-LG	24.47	PK
BM14-LG	26.28	CP-WSDOT-HDT-0
BM15-LG	21.28	CPR

This map has been photogrammetrically compiled from 1"=500' scale, 152,862 mm C.T.L. aerial photos to meet National Standard for Spatial Data Accuracy (NSDA) at a map scale of 1"=100' or 1:1200. Publication or use at any larger scale will void any implied or stipulated accuracy standards. This map has not been comprehensively verified by field checks. Note: Field verification of map accuracy should occur prior to design level tasks that are dependent upon the map. Obscured areas are indicated by dashed contour lines, accuracy within these areas may vary in accordance with NSDA standards.

Topography created by 3D West of Eugene, Oregon
 Topography based upon February 2008 Photogrammetry (3D West GeoTerra Inc.),
 Horizontal/Vertical control (Orion Inc.) and Ground and Bathymetric Surveys (Minister-Greaser Surveying). Contour Interval: 2ft
 Vertical Datum: NAVD 88, Horizontal Datum: NAD 83 / 91 (NAD 83)
 Coordinate System: Washington State Plane North Zone - feet
 Vertical Datum Conversion Equation for Plate LG-4: NGVD29 = NAVD88 - 3.53
 (Conversion adjustments estimated for the center point of Plate LG-4 using Corpecon 6.0.1 - U.S. Army Corps of Engineers datum conversion program)

Plate Index



Lower Green River Flood Boundary Work Map

King County, Washington

DRAFT

nhc
 northwest hydraulic consultants
 16300 Christensen Road, Suite 350
 Seattle, Washington 98188
 (206) 241-8000 www.nhcweb.com

King County
 River and Floodplain Management Unit

Date: 3/18/2008

Plate LG-4