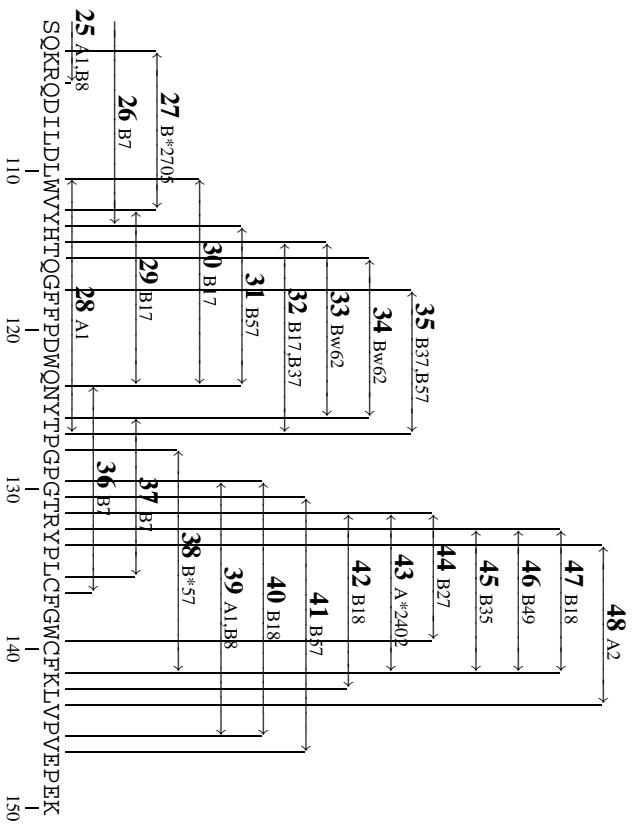
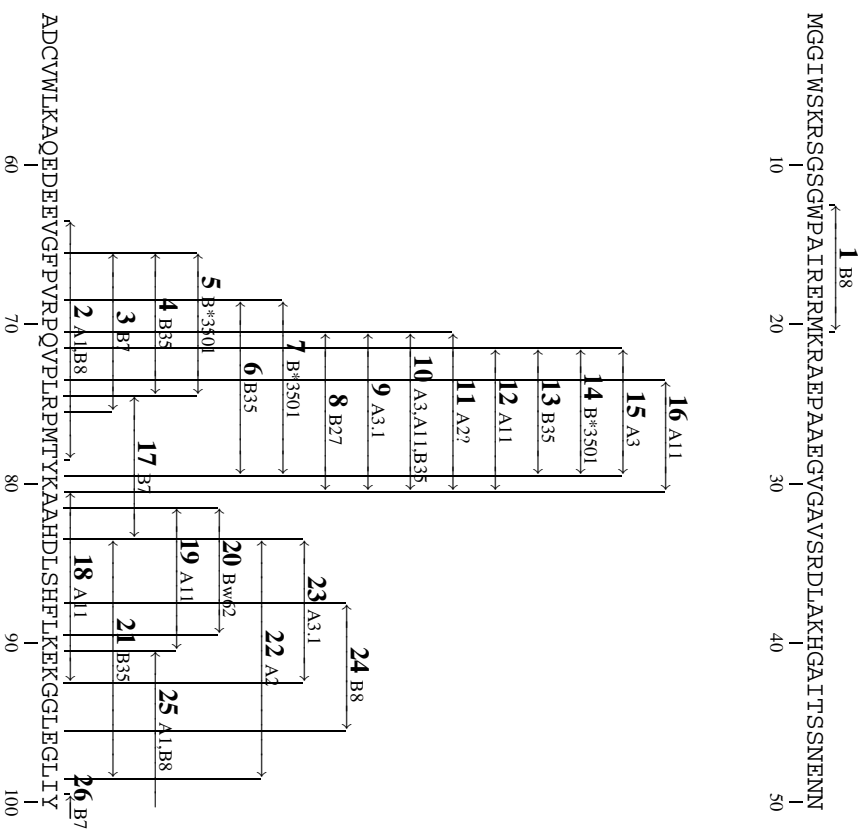
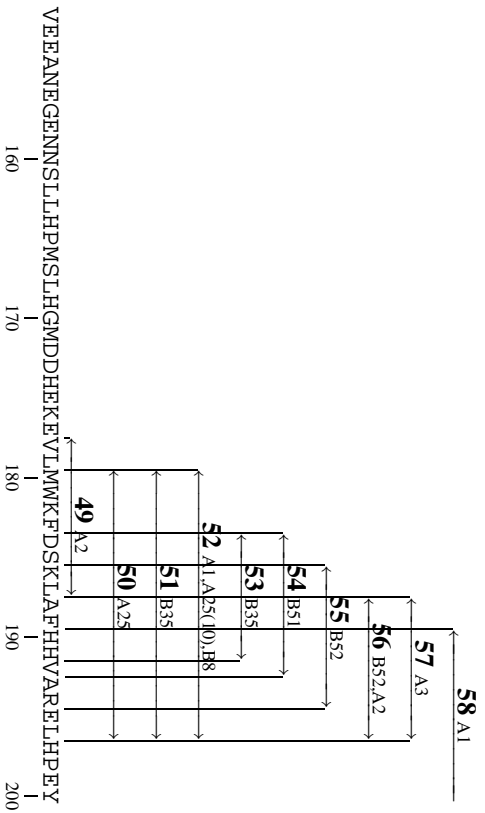


# Nef CTL Map



HIV CTL Protein Maps



58 A1  
FKDC