

HIV Molecular Immunology 2006/2007

Editors

Bette T. M. Korber
Theoretical Division
Los Alamos National
Laboratory

Richard Koup
Vaccine Research Center
National Institutes of Health

Christian Brander
Infectious Disease Unit
Massachusetts General
Hospital

John P. Moore
Weill Medical College
Cornell University

Barton F. Haynes
Duke Center for AIDS
Research
Duke University

Bruce D. Walker
Infectious Disease Unit
Massachusetts General
Hospital

David I. Watkins
Wisconsin Regional Primate
Research Center

Database Administrator

James J. Szinger
Los Alamos National Laboratory

Staff

Werner Abfalterer, Charles Calef, Elizabeth-Sharon Fung, Robert Funkhouser,
Kristina Kommander, Lynne Johnson, Irina Maljkovic, Karina Yusim
Los Alamos National Laboratory

Project Officer

Geetha Bansal
Division of AIDS
National Institute of Allergy and Infectious Diseases

This publication is funded by the U.S. Department of Health and Human Services and the National Institutes of Health (Division of AIDS, National Institute of Allergy and Infectious Diseases) through an interagency agreement with the U.S. Department of Energy.



Published by
Theoretical Biology and Biophysics
Group T-10, Mail Stop K710
Los Alamos National Laboratory
Los Alamos, New Mexico 87545 U.S.A.

LA-UR 07-4752

<http://www.hiv.lanl.gov/immunology>



HIV Molecular Immunology 2006/2007

Published by
Theoretical Biology and Biophysics
Group T-10, Mail Stop K710
Los Alamos National Laboratory
Los Alamos, New Mexico 87545 U.S.A

LA-UR 07-4752

Approved for public release; distribution is unlimited.

Los Alamos National Laboratory, an affirmative action/equal opportunity employer, is operated by Los Alamos National Security, LLC, for the National Nuclear Security Administration of the U.S. Department of Energy under contract DE-AC52-06NA25396.

This report was prepared as an account of work sponsored by an agency of the U.S. Government. Neither Los Alamos National Security, LLC, the U.S. Government nor any agency thereof, nor any of their employees make any warranty, express or implied, or assume any legal liability or responsibility for the accuracy, completeness, or usefulness of any information, apparatus, product, or process disclosed, or represent that its use would not infringe privately owned rights. Reference herein to any specific commercial product, process, or service by trade name, trademark, manufacturer, or otherwise does not necessarily constitute or imply its endorsement, recommendation, or favoring by Los Alamos National Security, LLC, the U.S. Government, or any agency thereof. The views and opinions of authors expressed herein do not necessarily state or reflect those of Los Alamos National Security, LLC, the U.S. Government, or any agency thereof.

Los Alamos National Laboratory strongly supports academic freedom and a researcher's right to publish; as an institution, however, the Laboratory does not endorse the viewpoint of a publication or guarantee its technical correctness.

Contents

Contents	iii		
Preface	vii		
Scope and purpose of the HIV molecular immunology database	vii	I-B-6	Indian rhesus macaques: MHC class II molecules and CD4+ T cell epitopes 32
Citing the database	vii	I-B-7	Alternatives to the SIV-infected Indian rhesus macaque animal model 32
About the cover	vii	I-B-8	Burmese rhesus macaques 33
About the PDF	viii	I-B-9	Pigtail macaques 33
Genome maps	ix	I-B-10	Mauritian cynomolgus macaques 33
HIV/SIV proteins	x	I-B-11	Advances in MHC genotyping methods 34
Abbreviations	xi	I-B-12	Concluding remarks 35
Amino Acid Codes	xii	I-B-13	Table of SIV epitopes 36
		I-B-14	Map of SIV epitopes 43
		I-B-15	References 46
Part I. Review Articles	1		
I-A Identification of HIV-Derived, HLA Class I Restricted CTL Epitopes: Insights into TCR Repertoire, CTL Escape and Viral Fitness	3	Part II. HIV CTL CD8+ Epitopes	53
<i>Nicole Frahm, Caitlyn Linde, Christian Brander</i>		II-A Summary	55
I-A-1 The importance of well-defined T cell epitopes in understanding host immunity to HIV	3	II-A-1 Epitope tables	55
I-A-2 Escape pathways of dominant CTL epitopes	3	II-A-2 HIV protein epitope maps	56
I-A-3 Inclusion of epitopes in the optimal list	4	II-A-3 Alignments	56
I-A-4 Table of optimal HIV-1 CTL epitopes	5	II-B HIV CTL/CD8+ Epitope Tables	57
I-A-5 Map of optimal HIV-1 CTL epitopes	16	II-B-1 Gag p17 CTL/CD8+ epitopes	57
I-A-6 Acknowledgments	21	II-B-2 Gag p17-p24 CTL/CD8+ epitopes	124
I-A-7 References	21	II-B-3 Gag p24 CTL/CD8+ epitopes	125
I-B Beyond <i>Mamu-A*01+</i> Indian Rhesus Macaques: Continued Discovery of New MHC Class I Molecules that Bind Epitopes from the Simian AIDS Viruses	29	II-B-4 Gag p24-p2p7p1p6 CTL/CD8+ epitopes	248
<i>John T. Loffredo, Laura E. Valentine, David I. Watkins</i>		II-B-5 Gag p2p7p1p6 CTL/CD8+ epitopes	250
I-B-1 Introduction	29	II-B-6 Gag CTL/CD8+ epitopes	258
I-B-2 Indian rhesus macaques: MHC class I molecules and CD8+ T cell epitopes	30	II-B-7 Gag/Pol CTL/CD8+ epitopes	269
I-B-3 Indian rhesus macaques: web-based immunogenetics resources	30	II-B-8 Gag/Pol TF CTL/CD8+ epitopes	270
I-B-4 Indian rhesus macaques: viral evolution and epitope cross-reactivity	31	II-B-9 Gag/Pol TF-Protease CTL/CD8+ epitopes	270
I-B-5 Indian rhesus macaques: natural containment of pathogenic SIV replication	31	II-B-10 Protease CTL/CD8+ epitopes	270
		II-B-11 Protease-RT CTL/CD8+ epitopes	279
		II-B-12 RT CTL/CD8+ epitopes	280
		II-B-13 RT-Integrase CTL/CD8+ epitopes	376
		II-B-14 Integrase CTL/CD8+ epitopes	376
		II-B-15 Pol CTL/CD8+ epitopes	390
		II-B-16 Vif CTL/CD8+ epitopes	396
		II-B-17 Vpr CTL/CD8+ epitopes	409
		II-B-18 Tat CTL/CD8+ epitopes	421
		II-B-19 Rev CTL/CD8+ epitopes	431
		II-B-20 Vpu CTL/CD8+ epitopes	442
		II-B-21 gp160 CTL/CD8+ epitopes	443
		II-B-22 Env CTL/CD8+ epitopes	544
		II-B-23 Nef CTL/CD8+ epitopes	556
		II-B-24 HIV-1 CTL/CD8+ epitopes	660

Contents

II-C Maps of CTL/CD8+ Epitope Locations Plotted by Protein 673

II-C-1	p17 CTL/CD8+ Epitope Map	673
II-C-2	p24 CTL/CD8+ Epitope Map	674
II-C-3	p2p7p1p6 CTL/CD8+ Epitope Map	676
II-C-4	Gag/Pol TF CTL/CD8+ Epitope Map	676
II-C-5	Protease CTL/CD8+ Epitope Map	676
II-C-6	RT CTL/CD8+ Epitope Map	677
II-C-7	Integrase CTL/CD8+ Epitope Map	678
II-C-8	Vif CTL/CD8+ Epitope Map	679
II-C-9	Vpr CTL/CD8+ Epitope Map	679
II-C-10	Tat CTL/CD8+ Epitope Map	680
II-C-11	Rev CTL/CD8+ Epitope Map	680
II-C-12	Vpu CTL/CD8+ Epitope Map	680
II-C-13	gp160 CTL/CD8+ Epitope Map	681
II-C-14	Nef CTL/CD8+ Epitope Map	684

Part III. HIV Helper CD4+ T-Cell Epitopes 687

III-A Summary 689

III-A-1	Epitope tables	689
III-A-2	HIV protein epitope maps	690
III-A-3	Alignments	690

III-B HIV Helper/CD4+ T-Cell Epitope Tables 691

III-B-1	Gag p17 Helper/CD4+ T-cell epitopes	691
III-B-2	Gag p24 Helper/CD4+ T-cell epitopes	696
III-B-3	Gag p2p7p1p6 Helper/CD4+ T-cell epitopes	719
III-B-4	Gag Helper/CD4+ T-cell epitopes	722
III-B-5	RT Helper/CD4+ T-cell epitopes	731
III-B-6	RT-Integrase Helper/CD4+ T-cell epitopes	739
III-B-7	Integrase Helper/CD4+ T-cell epitopes	739
III-B-8	Pol Helper/CD4+ T-cell epitopes	741
III-B-9	Vif Helper/CD4+ T-cell epitopes	742
III-B-10	Vpr Helper/CD4+ T-cell epitopes	743
III-B-11	Tat Helper/CD4+ T-cell epitopes	743
III-B-12	Rev Helper/CD4+ T-cell epitopes	746
III-B-13	Vpu Helper/CD4+ T-cell epitopes	748
III-B-14	gp160 Helper/CD4+ T-cell epitopes	748
III-B-15	Env Helper/CD4+ T-cell epitopes	806
III-B-16	Nef Helper/CD4+ T-cell epitopes	814
III-B-17	HIV-1 Helper/CD4+ T-cell epitopes	824

III-C Maps of T-Helper/CD4+ Epitope Locations Plotted by Protein 831

III-C-1	p17 T-Helper/CD4+ Epitope Map	831
III-C-2	p24 T-Helper/CD4+ Epitope Map	831
III-C-3	p2p7p1p6 T-Helper/CD4+ Epitope Map	832
III-C-4	Gag/Pol TF T-Helper/CD4+ Epitope Map	833
III-C-5	Protease T-Helper/CD4+ Epitope Map	833

III-C-6	RT T-Helper/CD4+ Epitope Map	833
III-C-7	Integrase T-Helper/CD4+ Epitope Map	834
III-C-8	Vif T-Helper/CD4+ Epitope Map	834
III-C-9	Vpr T-Helper/CD4+ Epitope Map	834
III-C-10	Tat T-Helper/CD4+ Epitope Map	834
III-C-11	Rev T-Helper/CD4+ Epitope Map	834
III-C-12	Vpu T-Helper/CD4+ Epitope Map	835
III-C-13	gp160 T-Helper/CD4+ Epitope Map	835
III-C-14	Nef T-Helper/CD4+ Epitope Map	837

Part IV. HIV Antibody Binding Sites 839

IV-A Summary 841

IV-A-1	Indices	841
IV-A-2	Tables	841
IV-A-3	HIV protein binding site maps	842
IV-A-4	Alignments	842

IV-B Cross Reference Listing of MAbs 843

IV-B-1	MAbs by binding type	843
IV-B-2	Alphabetical listing of MAbs	848
IV-B-3	MAbs by order of appearance in tables	854

IV-C HIV Antibodies Tables 861

IV-C-1	Gag p17 Antibodies	861
IV-C-2	Gag p17-p24 Antibodies	866
IV-C-3	Gag p24 Antibodies	866
IV-C-4	Gag p24-p2p7p1p6 Antibodies	877
IV-C-5	Gag p2p7p1p6 Antibodies	878
IV-C-6	Gag Antibodies	879
IV-C-7	Protease Antibodies	886
IV-C-8	RT Antibodies	887
IV-C-9	Integrase Antibodies	891
IV-C-10	Pol Antibodies	895
IV-C-11	Vif Antibodies	899
IV-C-12	Vpr Antibodies	900
IV-C-13	Tat Antibodies	900
IV-C-14	Rev Antibodies	909
IV-C-15	Vpu Antibodies	911
IV-C-16	gp160 Antibodies	911
IV-C-17	Env Antibodies	1049
IV-C-18	Nef Antibodies	1206
IV-C-19	HIV-1 Antibodies	1215

IV-D Maps of MAb Locations Plotted by Protein 1227

IV-D-1	p17 Ab Epitope Map	1227
IV-D-2	p24 Ab Epitope Map	1228
IV-D-3	p2p7p1p6 Ab Epitope Map	1229
IV-D-4	Gag/Pol TF Ab Epitope Map	1229
IV-D-5	Protease Ab Epitope Map	1229
IV-D-6	RT Ab Epitope Map	1229
IV-D-7	Integrase Ab Epitope Map	1230
IV-D-8	Vif Ab Epitope Map	1230

IV-D-9 Vpr Ab Epitope Map 1230
IV-D-10 Tat Ab Epitope Map 1230
IV-D-11 Rev Ab Epitope Map 1231
IV-D-12 Vpu Ab Epitope Map 1231
IV-D-13 gp160 Ab Epitope Map 1231
IV-D-14 Nef Ab Epitope Map 1238

Part V. HIV Immunology References 1239

Preface

Scope and purpose of the HIV molecular immunology database

HIV Molecular Immunology is a companion volume to *HIV Sequence Compendium*. This publication, the 2006/2007 edition, is the printed version of the web-based HIV Immunology Database (<http://www.hiv.lanl.gov/content/immunology/>). The web interface for this relational database has many search options, as well as interactive tools to help immunologists design reagents and interpret their results.

In the HIV Immunology Database, HIV-specific B-cell and T-cell responses are summarized and annotated. Immunological responses are divided into three parts, CTL, T helper, and antibody. Within these parts, defined epitopes are organized by protein and binding sites within each protein, moving from left to right through the coding regions spanning the HIV genome. We include human responses to natural HIV infections, as well as vaccine studies in a range of animal models and human trials. Responses that are not specifically defined, such as responses to whole proteins or monoclonal antibody responses to discontinuous epitopes, are summarized at the end of each protein section. Studies describing general HIV responses to the virus, but not to any specific protein, are included at the end of each part.

The annotation includes information such as cross-reactivity, escape mutations, antibody sequence, TCR usage, functional domains that overlap with an epitope, immune response associations with rates of progression and therapy, and how specific epitopes were experimentally defined. Basic information such as HLA specificities for T-cell epitopes, isotypes of monoclonal antibodies, and epitope sequences are included whenever possible. All studies that we can find that incorporate the use of a specific monoclonal antibody are included in the entry for that antibody. A single T-cell epitope can have multiple entries, generally one entry per study.

Finally, maps of all defined linear epitopes relative to the HXB2 reference proteins are provided. Alignments of CTL, helper T-cell, and antibody epitopes are available through the search interface on our web site at <http://www.hiv.lanl.gov/content/immunology>.

Only responses to HIV-1 and HIV-2 are included in the database. CTL responses to SIVs are periodically summarized in our review section by Dr. David Watkins and colleagues. (A review is included in this edition). Dr. Christian Brander and colleagues annually provide a concise listing of optimal CTL epitopes. Additional

reviews that our editorial board deems of general interest to the HIV research immunology community are solicited each year. This year's reviews are printed in the first part of this database; reviews from previous years can be found at <http://www.hiv.lanl.gov/content/hiv-db/REVIEWS/reviews.html>.

Comments on the database or requests for the hard copy can be sent via email to immuno@lanl.gov.

Citing the database

This publication may be cited as

HIV Molecular Immunology 2006/2007. Bette T. M. Korber, Christian Brander, Barton F. Haynes, Richard Koup, John P. Moore, Bruce D. Walker, and David I. Watkins, editors. Publisher: Los Alamos National Laboratory, Theoretical Biology and Biophysics, Los Alamos, New Mexico.

About the cover

This year's cover illustrates the number of defined epitopes included in the database that span each position in the HIV proteome. The data are also plotted in Figure 1, which is shown on the next page. For T-cell epitopes, this density reflects the density of defined epitopes in the database, which in turn roughly reflects the density of responses detected against the whole genome by Elispots in natural infection. Both CD8+ T-cell (or cytotoxic T lymphocyte, maroon) and CD4+ T-cell (or Helper T cell, green) responses are most commonly detected in Gag and Nef, and we also have the highest density of database epitopes captured from the literature in these regions. In contrast, the antibody epitope database density in different locations (blue) is less meaningfully captured in this graph, because only continuous epitopes are included. Many antibody responses defined in the database are to discontinuous epitopes, or are defined regionally or by competition experiments, and other database entries are polyclonal responses with multiple antibodies binding to multiple regions; these not included in this map. The database entries have other biases in frequency. For example, the database is based on retrieval of information from the literature, and so a region like the V3 loop of HIV-1, which is of particular interest to many investigators, has been studied with great intensity, and this high level of interest accounts for the large spike of nearly 120 different antibody entries in gp120.

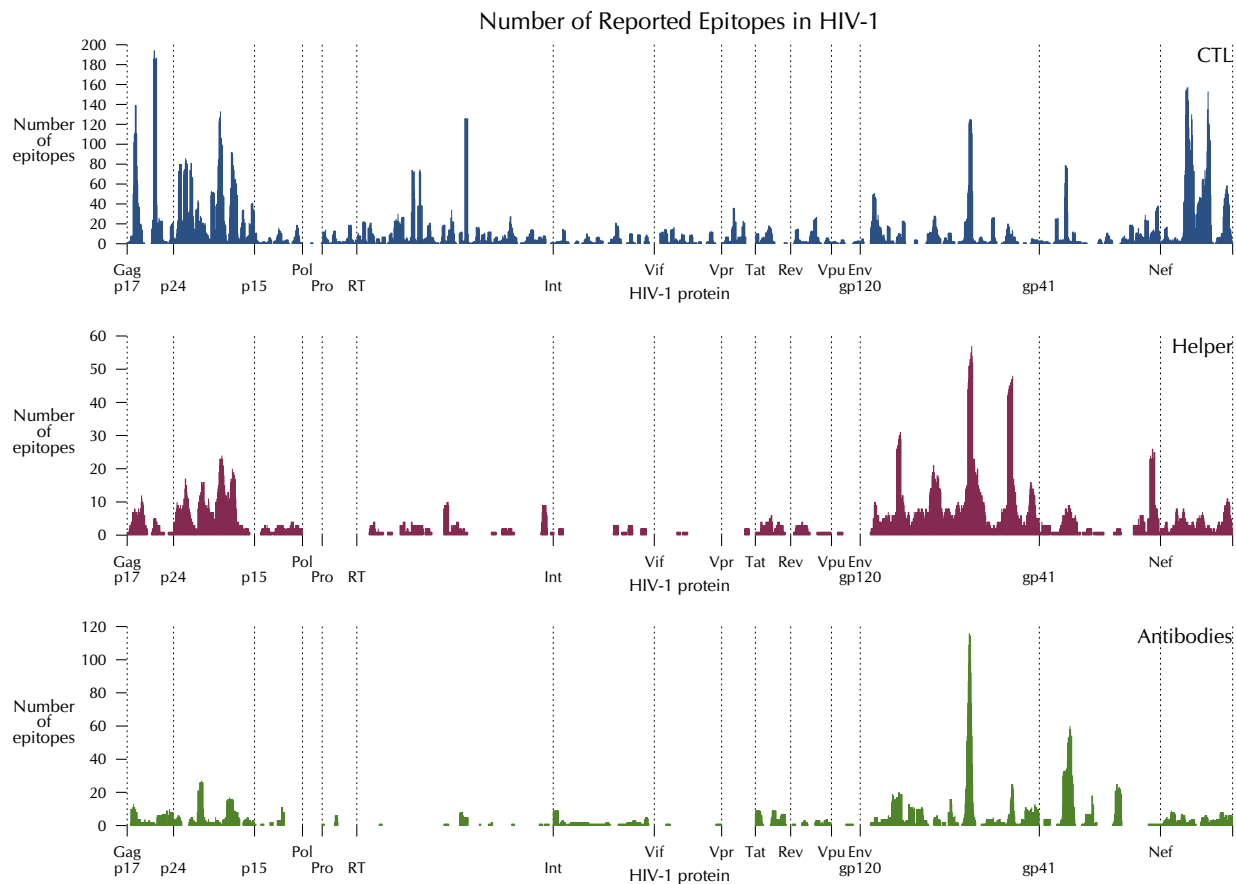


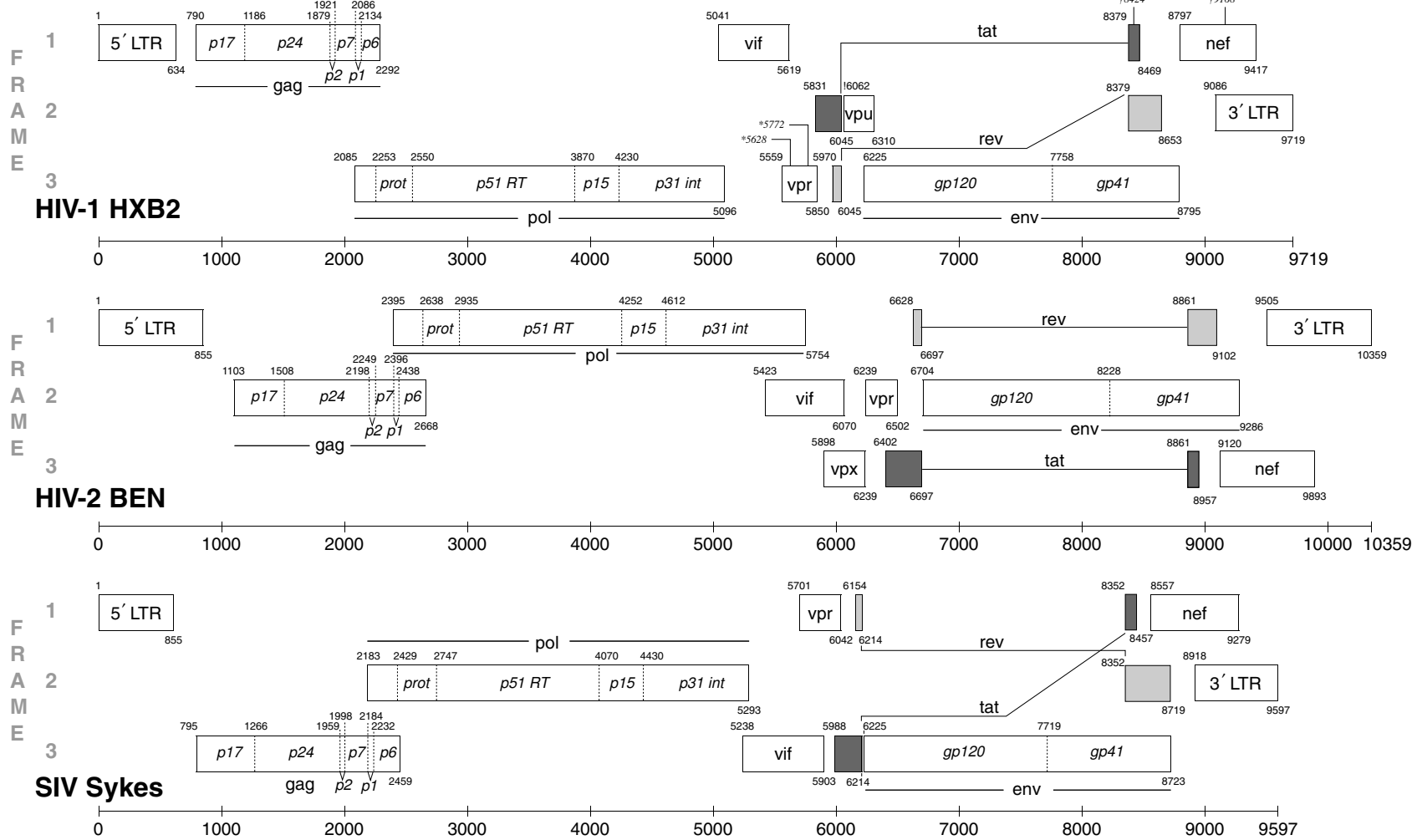
Figure 1: The number of defined epitopes included in the database that span each position in the HIV proteome.

About the PDF

The complete *HIV Molecular Immunology 2006/2007* is available in Adobe Portable Document Format (PDF) from our website, <http://www.hiv.lanl.gov/content/immunology>. The PDF version is hypertext enabled and features 'clickable' table-of-contents, indexes, references and links to external web sites.

This volume is typeset using \LaTeX . The immunology data tables and epitope maps are produced automatically from the SQL database by a series of Perl programs.

Genome maps



Landmarks of the HIV-1, HIV-2, and SIV genomes. The gene start, indicated by the small number in the upper left corner of each rectangle, normally records the position of the a in the atg start codon for that gene while the number in the lower right records the last position of the stop codon. For *pol*, the start is taken to be the first t in the sequence ttttttag which forms part of the stem loop that potentiates ribosomal slippage on the RNA and a resulting -1 frameshift and the translation of the Gag-Pol polyprotein. The *tat* and *rev* spliced exons are shown as shaded rectangles. In HXB2, *5628 and *5772 mark positions of frameshifts in the *vpr* gene; !6062 indicates a defective acg start codon in *vpu*; †8424 and †9168 mark premature stop codons in *tat* and *nef*. See Korber *et al.*, Numbering Positions in HIV Relative to HXB2CG, in *Human Retroviruses and AIDS*, 1998, p. 102. Available from <http://www.hiv.lanl.gov/content/hiv-db/REVIEWS/HXB2.html>

HIV/SIV proteins

Name	Size	Function	Localization
Gag MA	p17	membrane anchoring; env interaction; nuclear transport of viral core (myristylated protein)	virion
CA	p24	core capsid	virion
NC	p7	nucleocapsid, binds RNA	virion
	p6	binds Vpr	virion
Protease (PR)	p15	gag/pol cleavage and maturation	virion
Reverse Transcriptase (RT)	p66, p51	reverse transcription	virion
RNase H	(heterodimer)	RNase H activity	virion
Integrase (IN)		DNA provirus integration	virion
Env	gp120/gp41	external viral glycoproteins bind to CD4 and chemokine co-receptors	plasma membrane, virion envelope
Tat	p16/p14	viral transcriptional transactivator	primarily in nucleolus/nucleus
Rev	p19	RNA transport, stability and utilization factor (phosphoprotein)	primarily in nucleolus/nucleus shuttling between nucleolus and cytoplasm
Vif	p23	viral infectivity factor, inhibits minus-strand viral DNA hypermutation	cytoplasm (cytosol, membranes), virion
Vpr	p10-15	promotes nuclear localization of preintegration complex, inhibits cell division, arrests infected cells at G2/M	virion nucleus (nuclear membrane?)
Vpu	p16	promotes extracellular release of viral particles; degrades CD4 in the ER; (phosphoprotein only in HIV-1 and SIVcpz)	integral membrane protein
Nef	p27-p25	CD4 and class I downregulation (myristylated protein)	plasma membrane, cytoplasm, (virion?)
Vpx	p12-16	Vpr homolog present in HIV-2 and some SIVs, absent in HIV-1	virion (nucleus?)
Tev	p28	tripartite tat-env-rev protein (also named Tnv)	primarily in nucleolus/nucleus

Abbreviations

Common abbreviations and acronyms used in this database.

Abbrev.	Meaning
AA	amino acid
AAV	adeno-associated virus
Ab	antibody
ACTG	AIDS clinical trial group
ADC	AIDS dementia complex
ADCC	antibody-dependent cell-mediated cytotoxicity
ADE	antibody-dependent enhancement
ADRA	Antiviral Drug Resistance Analysis: a program that analyzes your sequences for mutations known to confer drug resistance and links to the records in the database
AIDS	acquired immunodeficiency syndrome
ANN	artificial neural networks
anti MHC	anti major histocompatibility complex
APC	antigen presenting cell
ARC	AIDS related complex
ART	anti-retroviral therapy
AZT	azidothymidine
BIMAS	BioInformatics and Molecular Analysis Section
BIV	bovine immunodeficiency virus
BLAST	Basic Local Alignment Search Tool
CAEV	caprine arthritis/encephalitis virus
CD4BS	CD4 binding site
CD4i	antibody that has enhanced binding to gp120 in the presence of SCD4 (CD4 induced)
CDC	Centers for Disease Control and Prevention
CDR	complementary determining regions
CFA	complete Freund's adjuvant
CHI	Center for HIV Information
CMI	cell-mediated immunity
CMV	cytomegaliovirus
CNS	central nervous system
CP	canary pox
CRF	circulating recombinant form
CsA	cyclosporine A
CSF	cerebrospinal fluid
CTL	cytotoxic T lymphocyte
CTL _e	CTL effector
CTL _p	CTL precursor
CyPA	cyclophilin A
DC	dendritic cell
DDDP	DNA-dependent DNA polymerase
DHH	U. S. Department of Health and Human Services
dMM	deopymannojirimycin
dpc	days post challenge
DTT	dithiothrietol
EIA	enzyme immuno assay
EIAV	equine infectious anemia virus
ELF	Epitope Location Finder
ELISA	Enzyme Linked ImmunoSorbent Assay
ER	endoplasmic reticulum
Fabs	fragment antigen binding-univalent antibody fragment
FATT-CTL	Fluorescent antigen-transfected target cell-CTL
FIV	feline immunodeficiency virus
FP	fowl pox
FSW	female sex worker
GALT	gut-associated lymphoid tissues
GDE format	Genetic Data Environment
gp	glycoprotein
GRIV	genetic resistance to HIV
HAART	highly-active anti-retroviral therapy
HCV	hepatitis C virus
HEPS	HIV-exposed persistently seronegative
HIV	human immunodeficiency virus
HIVD	HIV-1 dementia
HLA	human leukocyte antigens
HLA-MHC	human leukocyte antigens-major histocompatibility complex
HMM	hidden Markov models
IAVI	International AIDS Vaccine Initiative
IDE	immunodominant epitope
IE genes	immediate early genes
IFA	incomplete Freund's adjuvant
IFN	interferon
IG format	IntelliGenetics format
Ig	immunoglobulin
IL	interleukin
INHI	immunologically normal HIV-infected
iscom	immunostimulating complex
KLH	keyhole limpet hemocyanin
LANL	Los Alamos National Laboratory
LDA	limiting dilution assay
LN	lymph node
LPR	lymphoproliferative response
LT	labile enterotoxin
LTNP	long-term non-progressor
LTR	long terminal repeat
LTS	long term survivor
mAb	monoclonal antibody
MBL	mannose-binding lectin
MCMC	Markov chain Monte Carlo
MDP	muramyl dipeptide
MEI	multiple epitope immunogen
MHC	major histocompatibility complex
MHR	major homology region
ML	maximum likelihood
MLV	murine leukemia virus

Abbrev.	Meaning
MP	maximum parsimony
mpc	months post challenge
MPER	membrane-proximal external region
MRC	Medical Research Council, UK
MSF	multiple sequence alignment format of the GCG sequence analysis package
MV	measles vector
MVA vector	modified vaccinia virus Ankara
Nab	neutralizing antibody
NCBI	National Center for Biotechnology Information
NIAID	National Institute of Allergies and Infectious Diseases
NIBSC	National Institute for Biological Standards and Control, UK
NIH	National Institutes of Health
NIST	National Institute of Standards and Technology
NJ	neighbor joining
NLS	nuclear localization signal
NRP	non-rapid progressor
NSI	non-synctium-inducing protein
p	protein
PB	peripheral blood
PBL	peripheral blood lymphocyte
PBMC	peripheral blood mononuclear cell
PCOORD	principal coordinate analysis
PCR	polymerase chain reaction
PERV	porcine endogenous retrovirus
PHYLP	Phylogeny Inference Package
PL	proteoliposome
RAC	ricin A chain
RDDP	RNA-dependent DNA polymerase
rec/r	recombinant
RIP	Recombinant Identification Program: a program for detecting evidence of inter-subtype recombination
RIPA	Radio Immuno Precipitation Assay
RP	rapid progressor
RRE	Rev-responsive element
rsgp160	recombinant soluble gp160
RSV	Rous sarcoma virus
SAM	Sequence Alignment and Modeling program
SAP	sequential antigen panning
sCD4	soluble CD4
scFv	single-chain variable fragment
SDS	sodium dodecyl sulfate
SFV	Semliki Forest virus
SI	synctium inducing
SIV	simian immunodeficiency virus

Abbrev.	Meaning
SIVE	SIV encephalitis
SLE	systemic lupus erythematosis
SNAP	synonymous-nonsynonymous analysis program
STI	supervised treatment interruption (also seen as structured treatment interruption and standard treatment interruption)
TCLA	T cell line adapted
TCR	T-cell receptor
Th	T-helper cell
TNF	tumor necrosis factor
VEE	Venezuelan equine encephalitis
VESPA	Viral Epidemiology Signature Pattern Analysis
VIP	vasoactive intestinal peptide
VL	viral load
VLP	virus like particle, assembled from p55 gag
VSV	vesicular stomatitis virus
VV	vaccinia virus
WB	Western Blot

Amino Acid Codes

A	Alanine
B	Aspartic Acid or Asparagine
C	Cysteine
D	Aspartic Acid
E	Glutamic Acid
F	Phenylalanine
G	Glycine
H	Histidine
I	Isoleucine
K	Lysine
L	Leucine
M	Methionine
N	Asparagine
P	Proline
Q	Glutamine
R	Arginine
S	Serine
T	Threonine
V	Valine
W	Tryptophan
X	unknown or "other" amino acid
Y	Tyrosine
Z	Glutamic Acid or Glutamine
.	gap
-	identity
\$	stop codon
#	frameshift

Part I
Review Articles

I-A

Identification of HIV-Derived, HLA Class I Restricted CTL Epitopes: Insights into TCR Repertoire, CTL Escape and Viral Fitness

Nicole Frahm^a, Caitlyn Linde^a, Christian Brander^a

studies that focus on less well studied human populations with diverse HLA backgrounds [Kiepiela *et al.*, 2004].

I-A-1 The importance of well-defined T cell epitopes in understanding host immunity to HIV

A detailed understanding of T cell immunity to HIV infection will be required for the design and development of an effective HIV vaccine. Over the last few years, it has become clear that the mere breadth and magnitude of T cell responses directed against the entire viral proteome are not associated with immune control and that a more in-depth look at T cell specificity, effector functions and viral diversity will be needed to define true correlates of immune protection [Zuñiga *et al.*, 2006; Frahm *et al.*, 2004; Kiepiela *et al.*, 2004; Betts *et al.*, 2006; Masemola *et al.*, 2004a]. In particular, the relationship between targeting specific regions of the viral genome, T cell escape and, as a consequence, changes in viral replicative fitness has become a focus of much debate [Zuñiga *et al.*, 2006; Masemola *et al.*, 2004a; Martinez-Picado *et al.*, 2006; Bailey *et al.*, 2006; Li *et al.*, 2007; Liu *et al.*, 2006; Yeh *et al.*, 2006; Ganusov & De Boer, 2006]. In addition, studies on both the transmission and reversion of CTL escape variants, the induction of T cell specificities against effective viral escape variants as well as work addressing the role of subdominant T cell responses in the control of HIV have provided a better understanding of the complex dynamics between host immune response and viral adaptation to immune pressure [Leslie *et al.*, 2004, 2005; Friedrich *et al.*, 2004; Allen *et al.*, 2005b,a; Frahm *et al.*, 2006a]. For most of these studies, the identification of precisely defined HLA class I-restricted CTL epitopes has been key and will continue to be a central prerequisite, especially in

I-A-2 Escape pathways of dominant CTL epitopes

Despite the increasing appreciation for the role of subdominant CTL responses in viral control, much of the current knowledge on immune driven viral evolution and CTL escape is based on the study of a few, well defined, dominant T cell targets [Bailey *et al.*, 2006; Leslie *et al.*, 2004, 2005; Frahm *et al.*, 2006a; Brander *et al.*, 1998; Iversen *et al.*, 2006; Migueles *et al.*, 2003; Yu *et al.*, 2006]. In some of these cases, for instance the dominant HLA-B27-restricted epitope KK10 in HIV Gag p24 (KRWIIIGLNK), CTL escape from a single epitope can result in elevated viral loads and accelerated disease progression [Goulder *et al.*, 1997c; Feeney *et al.*, 2004]. However, for other epitopes and alleles, the relationship between CTL escape and disease progression may be more complex. For instance, in the case of the HLA-B57-restricted KF11 epitope (KAFSPEV-IPMF), a number of studies have found intact viral epitope sequences and significant epitope-specific responses even in individuals with seemingly uncontrolled viral replication [Migueles *et al.*, 2003]. On the other hand, others have reported “escape” mutations in the KF11 epitope in individuals with elite control of viral replication [Bailey *et al.*, 2006], indicating that additional factors are likely crucially involved in shaping an effective T cell response to this virus. Indeed, recent data generated by multi-color flow cytometric analyses highlight the importance of poly-functional effector cells in the control of HIV. These poly-functional T cells may be impaired in some individuals with progressive disease, although these subjects may have conserved epitope sequences and strong, epitope-specific T cell responses as assessed by interferon- γ secretion [Betts *et al.*, 2006].

A number of reports have now also begun to address the kinetics of compensatory mutations that are either required for effective T cell escape or for the maintenance of viral replicative fitness [Yeh *et al.*, 2006; Iversen *et al.*, 2006; Kelleher *et al.*, 2001; Peyerl *et al.*, 2004]. Recent

^aPartners AIDS Research Center, Massachusetts General Hospital, Boston, Mass., USA

In *HIV Molecular Immunology 2006/2007*. Bette T. M. Korber, Christian Brander, Barton F. Haynes, Richard Koup, John P. Moore, Bruce D. Walker, and David I. Watkins, editors. Publisher: Los Alamos National Laboratory, Theoretical Biology and Biophysics, Los Alamos, New Mexico. p. 3–28.

analyses by Iversen *et al.* [2006] have addressed viral escape pathways in the context of the dominant HLA-A2 restricted epitope SLYNTVATL in HIV Gag p17, showing that effective viral escape was only achieved after serial mutations in three positions within the optimal epitope. These changes were required for escape from TCR recognition, indicating that simple reduction of epitope binding affinity to the presenting HLA class I molecule does not necessarily allow the virus to evade immune control. Rather, effective escape may occur only when there is a profoundly diminished interaction between TCR and the HLA/peptide complex, to which the epitope binding affinity will only partially contribute. This highlights the need to expand the analyses of HIV-specific immune responses to include detailed assessments of functional avidity of these responses as well as to consider the impact that the T cell receptor repertoire diversity may have on the emergence of CTL escape variants. Thus, a number of studies have started to shed some light on the factors that define a broadly cross-reactive and highly avid T cell response, which may be especially well suited to prevent viral escape. Of note, a number of recent analyses have indicated that a more narrow T cell receptor repertoire, mediating T cell responses of high functional avidity, may be particularly effective in controlling viral replication [Yu *et al.*, 2006; Price *et al.*, 2004; Frahm *et al.*, 2006b; Ahlers *et al.*, 2001; Alexander-Miller *et al.*, 1996a]. Although one might expect a broader epitope-specific TCR repertoire to provide more possible candidate TCR to effectively recognize emerging escape variants, our own data and studies from other laboratories indicate that an increased breadth of the TCR repertoire may be associated with reduced functional avidity of the total epitope-specific T cell population [Yu *et al.*, 2006; Price *et al.*, 2004; Frahm *et al.*, 2006b; Mes-saoudi *et al.*, 2002]. This is highlighted in a recent analysis of the TCR usage in T cells directed against the dominant HIV Gag KF11 (KAFSPEVIPMF) epitope, which can be restricted by the two closely related alleles HLA-B*5701 and B*5703. In the context of HLA-B*5701, the KF11 specific response is characterized by a TCR repertoire that is highly conserved among HLA-B*5701-expressing individuals and that efficiently cross-reacts with viral epitope variants [Yu *et al.*, 2006]. In contrast, in the context of HLA-B*5703, the KF11 epitope induces an entirely different, more heterogeneous TCR repertoire that fails to recognize the most frequently occurring epitope variants, indicating that extensive TCR diversity may not effectively prevent the emergence of epitope escape variants. How the immune system may control the emergence of highly avid rather than broad TCR repertoires may at least partly depend on antigen availability and competition of expanding T cell populations [Kim *et al.*, 2006; Price *et al.*, 2005]. Studies that address these factors in HIV and other viral infections will have obviously important implications for vaccine design, which may need to consider different lev-

els of antigen availability during the induction phase of responses and aim to specifically drive the expansion of high avidity T cell responses of limited TCR diversity and (thus) superior ability to recognize epitope variants.

I-A-3 Inclusion of epitopes in the optimal list

As every year, the present listing is based on the inclusion of epitopes that fulfill a number of stringent criteria intended to ensure reliable description of the optimal length epitope and correct assignment of the restricting HLA class I allele(s) [Hunziker *et al.*, 1998; Brander & Walker, 1995]. Nevertheless, there may still be occasions where the data reported here conflict with data in other laboratories and we to encourage any investigators who observe discrepancies in their own data and what is reported here to bring this to our attention. The selection of inclusion criteria itself is obviously subject to potential disagreement, too. In particular, a number of epitopes have been described over the last year where binding motif algorithms have been used to predict the optimal epitope length, or for which the restricting HLA class I alleles have been inferred by statistical associations or binding assays [Kawashima *et al.*, 2005; Satoh *et al.*, 2005]. Although in some large cohort analyses, a number of associations have reached statistically highly significant associations, the optimal epitope was often inferred based on previously published motif data [Kiepiela *et al.*, 2004; Honeyborne *et al.*, 2006]. We have thus opted not include these epitopes even though a number of them are likely to be accurately described. However, as binding motif predictions are only as good as the quality of the described epitopes for a given allele, care must be taken to not further “confirm” existing binding motifs by data that were generated based on the original training set defining the motifs in the first place. Thus, at least some of the inferred optimal epitope lengths should ideally be confirmed experimentally to ensure that sometimes only loosely defined allele-specific binding motifs are indeed correct. Thus, while newly identified epitopes may violate known HLA binding motifs, these extensively mapped epitopes may help to refine currently incompletely defined allele-specific binding motifs. The expansion of binding motifs to include less frequently used amino acids will not only facilitate work in the HIV field, but also in other viral infections, cancer and autoimmunity.

I-A-4 Table of optimal HIV-1 CTL epitopes

Table I-A.1: Best defined HIV CTL epitopes.

HLA	Protein	AA	Sequence	Reference
A*0101 (A1)	gp160	787–795	RRGWEVLKY	Cao, 2002
A2	RT	127–135	YTAFTIPSV	Draenert, 2004
A*0201 (A2)			2 6 C	Falk <i>et al.</i> , 1991; Barouch <i>et al.</i> , 1995
		1° anchor	L L	
			M V	
		2° anchor	V	
A*0201 (A2)	p17	77–85	SLYNTVATL	Johnson <i>et al.</i> , 1991; Parker <i>et al.</i> , 1992, 1994
A*0201 (A2)	p2p7p1p6	70–79	FLGKIWPSYK	Yu <i>et al.</i> , 2002b
A*0201 (A2)	Protease	76–84	LVGPTPVNI	Karlsson <i>et al.</i> , 2003
A*0201 (A2)	RT	33–41	ALVEICTEM	Haas <i>et al.</i> , 1998; Haas, 1999
A*0201 (A2)	RT	179–187	VIYQYRDDL	Harrer <i>et al.</i> , 1996a
A*0201 (A2)	RT	309–317	ILKEPVHGV	Walker <i>et al.</i> , 1989; Tsomides <i>et al.</i> , 1991
A*0201 (A2)	Vpr	59–67	AIIRILQQL	Altfeld <i>et al.</i> , 2001a,b
A*0201 (A2)	gp160	311–320	RGPGRAFVTI	Alexander-Miller <i>et al.</i> , 1996b
A*0201 (A2)	gp160	813–822	SLLNATDIAV	Dupuis <i>et al.</i> , 1995
A*0201 (A2)	Nef	136–145	PLTFGWQYKL	Haas <i>et al.</i> , 1996; Maier & Autran, 1999
A*0201 (A2)	Nef	180–189	VLEWRFDLRL	Haas <i>et al.</i> , 1996; Maier & Autran, 1999
A*0202 (A2)			2 C	Barouch <i>et al.</i> , 1995
			L L	
			V	
A*0202 (A2)	p17	77–85	SLYNTVATL	Goulder, 1999
A*0205 (A2)	p17	77–85	SLYNTVATL	Goulder, 1999
A*0205 (A2)	gp160	846–854	RIRQGLERA	Sabbaj <i>et al.</i> , 2003
A*0205 (A2)	Nef	83–91	GAFDLSFFL	Rathod, 2006
A*0207 (A2)	p24	164–172	YVDRFYKTL	Currier <i>et al.</i> , 2002

Table I-A.1: Best defined HIV CTL epitopes (cont.).

HLA	Protein	AA	Sequence	Reference
A*0301 (A3)			2 C	Marsh <i>et al.</i> , 2000
			L K	
			V Y	
			M	
			I F	
			A R	
			S T	
A*0301 (A3)	p17	18–26	KIRLRPGGK	Harrer <i>et al.</i> , 1996b
A*0301 (A3)	p17	20–28	RLRPGGKKK	Goulder <i>et al.</i> , 1997b; Culmann, 1999; Lewinson & Riddell, 1999; Wilkes & Ruhl, 1999
A*0301 (A3)	p17	20–29	RLRPGGKKKY	Goulder <i>et al.</i> , 2000b
A*0301 (A3)	RT	33–43	ALVEICTEMEK	Haas <i>et al.</i> , 1998; Haas, 1999
A*0301 (A3)	RT	73–82	KLVDFRELNK	Yu <i>et al.</i> , 2002a
A*0301 (A3)	RT	93–101	GIPHPAGLK	Yu <i>et al.</i> , 2002a
A*0301 (A3)	RT	158–166	AIFQSSMTK	Threlkeld <i>et al.</i> , 1997
A*0301 (A3)	RT	269–277	QIYPGIKVR	Yu <i>et al.</i> , 2002a
A*0301 (A3)	RT	356–366	RMRGAHTNDVK	Yu <i>et al.</i> , 2002a
A*0301 (A3)	Integrase	179–188	AVFIHNFKRK	Yu <i>et al.</i> , 2002a
A*0301 (A3)	Vif	17–26	RIRTWKSLVK	Altfeld <i>et al.</i> , 2001a; Yu <i>et al.</i> , 2002a
A*0301 (A3)	Vif	28–36	HMYISKKAK	Yu <i>et al.</i> , 2002a
A*0301 (A3)	Vif	158–168	KTKPPLPSVKK	Yu <i>et al.</i> , 2002a
A*0301 (A3)	Rev	57–66	ERILSTYLGR	Addo, 2002; Yu <i>et al.</i> , 2002a
A*0301 (A3)	gp160	37–46	TVYYGVPVWK	Johnson <i>et al.</i> , 1994
A*0301 (A3)	gp160	770–780	RLRDLLLVTR	Takahashi <i>et al.</i> , 1991
A*0301 (A3)	Nef	73–82	QVPLRPMTYK	Koenig <i>et al.</i> , 1990; Culmann <i>et al.</i> , 1991
A*0301 (A3)	Nef	84–92	AVDLSHFLK	Yu <i>et al.</i> , 2002a
A*1101 (A11)			2 C	Zhang <i>et al.</i> , 1993; Rammensee <i>et al.</i> , 1995
			V K	
			I	
			F	
			Y	
A*1101 (A11)	p17	84–92	TLYCVHQRI	Harrer <i>et al.</i> , 1998
A*1101 (A11)	p24	217–227	ACQGVGGPGHK	Sipsas <i>et al.</i> , 1997
A*1101 (A11)	RT	158–166	AIFQSSMTK	Johnson & Walker, 1994; Zhang <i>et al.</i> , 1993; Threlkeld <i>et al.</i> , 1997
A*1101 (A11)	RT	341–350	IYQEPFKNLK	Culmann, 1999
A*1101 (A11)	RT	520–528	QIIEQLIKK	Fukada <i>et al.</i> , 1999
A*1101 (A11)	Integrase	179–188	AVFIHNFKRK	Fukada <i>et al.</i> , 1999
A*1101 (A11)	gp160	199–207	SVITQACPK	Fukada <i>et al.</i> , 1999
A*1101 (A11)	Nef	73–82	QVPLRPMTYK	Buseyne, 1999
A*1101 (A11)	Nef	75–82	PLRPMTYK	Culmann <i>et al.</i> , 1991
A*1101 (A11)	Nef	84–92	AVDLSHFLK	Culmann <i>et al.</i> , 1991
A23	gp160	585–593	RYLKDQQLL	Cao <i>et al.</i> , 2003

Table I-A.1: Best defined HIV CTL epitopes (cont.).

HLA	Protein	AA	Sequence	Reference
A*2402 (A24)			2 C Y I L F	Maier <i>et al.</i> , 1994
A*2402 (A24)	p17	28–36	KYKLVKHIW	Ikeda-Moore <i>et al.</i> , 1998; Lewinsohn, 1999
A*2402 (A24)	p24	162–172	RDYVDRFFKTL	Dorrell <i>et al.</i> , 1999; Rowland-Jones, 1999
A*2402 (A24)	gp160	52–61	LFCASDAKAY	Lieberman <i>et al.</i> , 1992; Shankar <i>et al.</i> , 1996
A*2402 (A24)	gp160	585–593	RYLKDQQLL	Dai <i>et al.</i> , 1992
A*2402 (A24)	Nef	134–141	RYPLTFGW	Goulder <i>et al.</i> , 1997a; Ikeda-Moore <i>et al.</i> , 1998
A*2501 (A25)	p24	13–23	QAISPRTLNAW	Kurane & West, 1999
A*2501 (A25)	p24	71–80	ETINEEAAEW	Klenerman <i>et al.</i> , 1996; van Baalen <i>et al.</i> , 1996
A*2501 (A25)	gp160	703–712	EIIFDIRQAY	Liu <i>et al.</i> , 2006
A*2601 (A26)			12 6 C V Y T F I L F D I E L V	Dumrese <i>et al.</i> , 1998
A*2601 (A26)	p24	35–43	EVIPMFSAL	Goulder <i>et al.</i> , 1996a
A*2601 (A26)	RT	449–457	ETKLGKAGY	Sabbaj <i>et al.</i> , 2003
A29	Nef	120–128	YFPDWQNYT	Draenert <i>et al.</i> , 2004
A*2902 (A29)	p17	78–86	LYNTVATLY	Masemola <i>et al.</i> , 2004b
A*2902 (A29)	gp160	209–217	SFEPIPIHY	Altfeld, 2000
A30	p17	34–44	LVWASRELERF	Masemola <i>et al.</i> , 2004b
A*3002 (A30)			12 C Y Y F L V R	Rammensee <i>et al.</i> , 1999
A*3002 (A30)	p17	76–86	RSLYNTVATLY	Goulder <i>et al.</i> , 2001
A*3002 (A30)	RT	173–181	KQNPDIYIY	Goulder <i>et al.</i> , 2001
A*3002 (A30)	RT	263–271	KLNWASQIY	Goulder <i>et al.</i> , 2001
A*3002 (A30)	RT	356–365	RMRGAHTNDV	Sabbaj <i>et al.</i> , 2003
A*3002 (A30)	Integrase	219–227	KIQNFRVYY	Sabbaj <i>et al.</i> , 2003; Rodriguez <i>et al.</i> , 2004
A*3002 (A30)	gp160	310–318	HIGPGRIFY	Sabbaj <i>et al.</i> , 2003
A*3002 (A30)	gp160	704–712	IVNRNRQGY	Goulder <i>et al.</i> , 2001
A*3002 (A30)	gp160	794–802	KYCWNLLQY	Goulder <i>et al.</i> , 2001

Table I-A.1: Best defined HIV CTL epitopes (cont.).

HLA	Protein	AA	Sequence	Reference
A*3101 (A31)			2 C R	Falk <i>et al.</i> , 1994; Rammensee <i>et al.</i> , 1999
			L	
			V	
			Y	
			F	
A*3101 (A31)	gp160	770–780	RLRDLLLIVTR	Safrit <i>et al.</i> , 1994a,b
A*3201 (A32)	RT	392–401	PIQKETWETW	Harrer <i>et al.</i> , 1996b
A*3201 (A32)	gp160	419–427	RIKQIINMW	Harrer <i>et al.</i> , 1996b
A33	Nef	133–141	TRYPLTFGW	Cao, 2002
A*3303 (A33)	gp160	698–707	VFAVLSIVNR	Hossain <i>et al.</i> , 2001
A*3303 (A33)	gp160	831–838	EVAQRAYR	Hossain <i>et al.</i> , 2001
A*3303 (A33)	Vpu	29–37	EYRKILRQR	Addo <i>et al.</i> , 2002
A66	RT	438–448	ETFYVDGAANR	Rathod, 2006
A*6801 (A68)	Tat	39–49	ITKGLGISYGR	Oxenius <i>et al.</i> , 2002
A*6801 (A68)	Vpr	52–62	DTWAGVEAIIR	Sabbaj <i>et al.</i> , 2004
A*6802 (A68)	RT	436–445	GAETFYVDGA	Rathod & Kiepiela, 2005
A*6802 (A68)	Protease	3–11	ITLWQRPLV	Rowland-Jones, 1999
A*6802 (A68)	Protease	30–38	DTVLEEWNL	Rowland-Jones, 1999
A*6802 (A68)	Vpr	48–57	ETYGDTWTGV	Rathod & Kiepiela, 2005
A*6802 (A68)	gp160	777–785	IVTRIVELL	Wilkes, 1999
A*7401 (A19)	Protease	3–11	ITLWQRPLV	Rowland-Jones, 1999

Table I-A.1: Best defined HIV CTL epitopes (cont.).

HLA	Protein	AA	Sequence	Reference
B7	p24	84–92	HPVHAGPIA	Yu <i>et al.</i> , 2002a
B7	RT	156–164	SPAIFQSSM	Linde & Faircloth, 2006
B7	Rev	41–50	RPAEPVPLQL	Yang, 2006
B*0702 (B7)			123 C P L A R F R K	Englehard <i>et al.</i> , 1993; Rammensee <i>et al.</i> , 1999
B*0702 (B7)	p24	16–24	SPRTLNAWV	Lewinsohn, 1999
B*0702 (B7)	p24	48–56	TPQDLNTML	Wilson, 1999; Wilkes <i>et al.</i> , 1999; Jin <i>et al.</i> , 2000; Wilson <i>et al.</i> , 1997
B*0702 (B7)	p24	223–231	GPGHKARVL	Goulder, 1999
B*0702 (B7)	Vpr	34–42	FPRIWLHGL	Altfeld <i>et al.</i> , 2001a
B*0702 (B7)	Vif	48–57	HPRVSEVHI	Altfeld <i>et al.</i> , 2001a
B*0702 (B7)	gp160	298–307	RPNNNTRKSI	Safrit <i>et al.</i> , 1994b
B*0702 (B7)	gp160	843–851	IPRRIRQGL	Wilkes & Ruhl, 1999
B*0702 (B7)	Nef	68–77	FPVTPQVPLR	Haas <i>et al.</i> , 1996; Maier & Autran, 1999
B*0702 (B7)	Nef	68–76	FPVTPQVPL	Bauer <i>et al.</i> , 1997; Frahm & Goulder, 2002
B*0702 (B7)	Nef	71–79	TPQVPLRPM	Goulder, 1999
B*0702 (B7)	Nef	77–85	RPMTYKAAL	Bauer <i>et al.</i> , 1997
B*0702 (B7)	Nef	106–115	RQDILDWIIY	Goulder, 1999
B*0702 (B7)	Nef	128–137	TPGPGVRYPL	Culmann-Penciolelli <i>et al.</i> , 1994; Haas <i>et al.</i> , 1996
B8	gp160	848–856	RQGLERALL	Cao, 2002
B*0801 (B8)			23 5 C K K L R PR L	Hill <i>et al.</i> , 1992; Sutton <i>et al.</i> , 1993; DiBrino <i>et al.</i> , 1994b
B*0801 (B8)	p17	24–32	GGKKKYKLLK	Reid <i>et al.</i> , 1996; Goulder <i>et al.</i> , 1997d
B*0801 (B8)	p17	74–82	ELRSLYNTV	Goulder <i>et al.</i> , 1997d
B*0801 (B8)	p24	128–135	EIYKRWII	Sutton <i>et al.</i> , 1993; Goulder <i>et al.</i> , 1997d
B*0801 (B8)	p24	197–205	DCKTILKAL	Sutton <i>et al.</i> , 1993
B*0801 (B8)	RT	18–26	GPKVKQWPL	Walker <i>et al.</i> , 1989; Sutton <i>et al.</i> , 1993
B*0801 (B8)	gp160	2–10	RVKEYQHL	Sipsas <i>et al.</i> , 1997
B*0801 (B8)	gp160	586–593	YLDKQQLL	Johnson <i>et al.</i> , 1992; Shankar <i>et al.</i> , 1996
B*0801 (B8)	Nef	13–20	WPTVRERM	Goulder <i>et al.</i> , 1997d
B*0801 (B8)	Nef	90–97	FLKEKGGL	Culmann-Penciolelli <i>et al.</i> , 1994; Price <i>et al.</i> , 1997
B13	p24	3–11	VQNLQGMV	Honeyborne <i>et al.</i> , 2007
B13	p24	94–104	QGMREPRGSDI	Honeyborne <i>et al.</i> , 2007
B13	p2p7p1p6	66–74	RQANFLGKI	Honeyborne <i>et al.</i> , 2007
B13	Protease	57–66	RQYDQILIEI	Honeyborne <i>et al.</i> , 2007
B13	RT	333–341	GQGQWYQI	Honeyborne <i>et al.</i> , 2007
B13	Nef	106–114	RQDILDWII	Harrer <i>et al.</i> , 2005
B13	Nef	106–114	RQDILDWV	Honeyborne <i>et al.</i> , 2007

Table I-A.1: Best defined HIV CTL epitopes (cont.).

HLA	Protein	AA	Sequence	Reference
B14	p2p7p1p6	42–50	CRAPRKKGK	Yu <i>et al.</i> , 2002b
B*1401 (B14)	RT	142–149	IRYQYNVL	Rathod, 2006
B*1402 (B14)			23 5 C R R L K H L Y F	DiBrino <i>et al.</i> , 1994a
B*1402 (B14)	p24	166–174	DRFYKTLRA	Harrer <i>et al.</i> , 1996b
B*1402 (B14)	gp160	584–592	ERYLKDQQL	Johnson <i>et al.</i> , 1992
B*1501 (B62)			2 C Q Y L F M	Barber <i>et al.</i> , 1997 Barber <i>et al.</i> , 1997 Barber <i>et al.</i> , 1997
B*1501 (B62)	p24	137–145	GLNKIVRMV	Johnson <i>et al.</i> , 1991; Goulder, 1999
B*1501 (B62)	RT	260–271	LVGKLNWASQIY	Johnson, 1999
B*1501 (B62)	RT	309–318	ILKEPVHGVY	Johnson <i>et al.</i> , 1991; Johnson, 1999
B*1501 (B62)	Nef	117–127	TQGYFPDWQNY	Culmann, 1999
B*1503 (B72)	p24	24–32	VKVIEEKAF	Honeyborne & Kiepiela, 2005
B*1503 (B72)	p24	164–172	YVDRFFKTL	Masemola <i>et al.</i> , 2004b
B*1503 (B72)	Protease	68–76	GKKAIGTVL	Rathod & Bishop, 2006
B*1503 (B72)	RT	496–505	VTDSQYALGI	Sabbaj <i>et al.</i> , 2003
B*1503 (B72)	Integrase	135–143	IQQEFGIPY	Honeyborne & Kiepiela, 2005
B*1503 (B72)	Integrase	185–194	FKRKGIGGY	Honeyborne, 2003
B*1503 (B72)	Integrase	263–271	RKAKIIRDY	Cao <i>et al.</i> , 2003
B*1503 (B72)	Tat	38–47	FQTKGLGISY	Novitsky <i>et al.</i> , 2001
B*1503 (B72)	Nef	183–191	WRFDSRLAF	Cao, 2002
B*1510 (B71)	p24	12–20	HQAISPRTL	Day, 2005
B*1510 (B71)	p24	61–69	GHQAAMQML	Day, 2003
B*1510 (B71)	Integrase	66–74	THLEGKIIIL	Kiepiela <i>et al.</i> , 2007
B*1510 (B71)	Vif	79–87	WHLGHVSI	Honeyborne, 2003
B*1516 (B63)			2 9 T Y S I V F	Barber <i>et al.</i> , 1997; Seeger <i>et al.</i> , 1998
B*1516 (B63)	gp160	375–383	SFNCGGEFF	Wilson <i>et al.</i> , 1997; Wilson, 1999

Table I-A.1: Best defined HIV CTL epitopes (cont.).

HLA	Protein	AA	Sequence	Reference
B18	RT	137–146	NETPGIRYQY	Rathod & Bishop, 2006
B18	RT	175–183	NPEIVYQY	Rathod, 2006
B18	Nef	105–115	RRQDILDLWVY	Yang, 2006
B*1801 (B18)	p24	161–170	FRDYVDRFYK	Ogg <i>et al.</i> , 1998
B*1801 (B18)	Vif	102–111	LADQLIHLHY	Altfeld <i>et al.</i> , 2001a
B*1801 (B18)	gp160	31–39	AENLWTVY	Liu <i>et al.</i> , 2006
B*1801 (B18)	gp160	61–69	YETE VHNW	Liu <i>et al.</i> , 2006
B*1801 (B18)	Nef	135–143	YPLTFGWY	Culmann <i>et al.</i> , 1991; Culmann-Penciolelli <i>et al.</i> , 1994
B27	Vpr	31–39	VRHFPRIWL	Addo & Rathod, 2004
B*2703 (B27)	p24	131–140	RRWIQLGLQK	Rowland-Jones <i>et al.</i> , 1998; Rowland-Jones, 1999
B*2705 (B27)			12 C R L K F K K R R G I A	Jardetzky <i>et al.</i> , 1991; Rammensee <i>et al.</i> , 1995
B*2705 (B27)	p17	19–27	IRLRPGGKK	McKinney <i>et al.</i> , 1999; Lewinsohn, 1999
B*2705 (B27)	p24	131–140	KRWIILGLNK	Nixon <i>et al.</i> , 1988; Buseyne <i>et al.</i> , 1993; Goulder <i>et al.</i> , 1997c
B*2705 (B27)	gp160	786–795	GRRGWEALKY	Lieberman <i>et al.</i> , 1992; Lieberman, 1999
B*2705 (B27)	Nef	105–114	RRQDILDLWI	Goulder <i>et al.</i> , 1997b
B*3501 (B35)			2 C P Y A F V M S L I	Hill <i>et al.</i> , 1992; Rammensee <i>et al.</i> , 1999
B*3501 (B35)	p17	36–44	WASRELERF	Goulder <i>et al.</i> , 1997a
B*3501 (B35)	p17	124–132	NSSKVSQNY	Rowland-Jones <i>et al.</i> , 1995
B*3501 (B35)	p24	122–130	PPIPVGDIY	Rowland-Jones <i>et al.</i> , 1995
B*3501 (B35)	p24	122–130	NPVPVGNIY	Rowland-Jones <i>et al.</i> , 1995
B*3501 (B35)	RT	107–115	TVLDVGDAY	Wilkes & Ruhl, 1999; Wilson <i>et al.</i> , 1999
B*3501 (B35)	RT	118–127	VPLDEDFRKY	Sipsas <i>et al.</i> , 1997; Shiga <i>et al.</i> , 1996
B*3501 (B35)	RT	175–183	NPDIVYQY	Sipsas <i>et al.</i> , 1997; Shiga <i>et al.</i> , 1996
B*3501 (B35)	RT	175–183	HPDIVYQY	Rowland-Jones <i>et al.</i> , 1995
B*3501 (B35)	gp160	42–52	VPVWKEATTTL	Wilkes & Ruhl, 1999
B*3501 (B35)	gp160	78–86	DPNPQEVVL	Shiga <i>et al.</i> , 1996
B*3501 (B35)	gp160	606–614	TAVPWNASW	Johnson <i>et al.</i> , 1994
B*3501 (B35)	Nef	74–81	VPLRPMTY	Culmann <i>et al.</i> , 1991; Culmann-Penciolelli <i>et al.</i> , 1994

Table I-A.1: Best defined HIV CTL epitopes (cont.).

HLA	Protein	AA	Sequence	Reference
B*3701 (B37)			2 C D F E M L I	Falk <i>et al.</i> , 1993
B*3701 (B37)	Nef	120–128	YFPDWQNYT	Culmann <i>et al.</i> , 1991; Culmann, 1999
B*3801 (B38)	Vif	79–87	WHLGQGVSI	Sabbaj <i>et al.</i> , 2004
B*3801 (B38)	gp160	104–112	MHEDIISLW	Cao, 2002
B*3901 (B39)			2 C R L H	Falk <i>et al.</i> , 1995a
B*3901 (B39)	p24	61–69	GHQAAMQML	Kurane & West, 1999
B*3910 (B39)	p24	48–56	TPQDLNTML	Honeyborne & Kiepiela, 2005
B*4001 (B60)			2 C E L	Falk <i>et al.</i> , 1995b
B*4001 (B60)	p17	92–101	IEIKDTKEAL	Altfeld <i>et al.</i> , 2000
B*4001 (B60)	p24	44–52	SEGATPQDL	Altfeld <i>et al.</i> , 2000
B*4001 (B60)	p2p7p1p6	118–126	KELYPLTSL	Yu <i>et al.</i> , 2002b
B*4001 (B60)	RT	5–12	IETVPVKL	Draenert, 2004
B*4001 (B60)	RT	202–210	IEELRQHLL	Altfeld <i>et al.</i> , 2000
B*4001 (B60)	gp160	805–814	QELKNSAVSL	Altfeld <i>et al.</i> , 2000
B*4001 (B60)	Nef	37–45	LEKHGAITS	Draenert, 2004
B*4001 (B60)	Nef	92–100	KEKGGLEGL	Altfeld <i>et al.</i> , 2000
B*4002 (B61)	p17	11–19	GELDRWEKI	Sabbaj <i>et al.</i> , 2003
B*4002 (B61)	p24	70–78	KETINEEAA	Sabbaj <i>et al.</i> , 2003
B*4002 (B61)	p24	78–86	AEWDRVHPV	Sabbaj <i>et al.</i> , 2003
B*4002 (B61)	p2p7p1p6	64–71	TERQANFL	Sabbaj <i>et al.</i> , 2003
B*4002 (B61)	Nef	92–100	KEKGGLEGL	Sabbaj <i>et al.</i> , 2003; Altfeld <i>et al.</i> , 2000
B42	Integrase	28–36	LPPIVAKEI	Kiepiela <i>et al.</i> , 2007
B42	Integrase	260–268	VPRRKAKII	Kiepiela & Goulder, 2002
B*4201 (B42)	p24	48–56	TPQDLNTML	Goulder <i>et al.</i> , 2000a
B*4201 (B42)	RT	271–279	YPGIKVRQL	Wilkes & Ruhl, 1999
B*4201 (B42)	Nef	71–79	RPQVPLRPM	Honeyborne, 2006
B*4201 (B42)	Nef	128–137	TPGPGVRYPL	Goulder, 1999
B44	Protease	34–42	EEMNLPGRW	Rodriguez <i>et al.</i> , 2004
B44	gp160	31–39	AENLWTVY	Borrow <i>et al.</i> , 1997b
B*4402 (B44)			2 C E F Y	Rammensee <i>et al.</i> , 1999
B*4402 (B44)	p24	162–172	RDYVDRFYKTL	Ogg <i>et al.</i> , 1998
B*4402 (B44)	p24	174–184	AEQASQDVKNW	Lewinsohn, 1999
B*4402 (B44)	gp160	31–40	AENLWTVYY	Borrow <i>et al.</i> , 1997a

Table I-A.1: Best defined HIV CTL epitopes (cont.).

HLA	Protein	AA	Sequence	Reference
B*4403 (B44)	p17	78–86	LYNTVATLY	Masemola <i>et al.</i> , 2004b
B*4415 (B12)	p24	28–36	EEKAFSPEV	Bird <i>et al.</i> , 2002
B*4501 (B45)	p2p7p1p6	1–10	AEAMSQVTNS	Sabbaj <i>et al.</i> , 2004
B50	Nef	37–45	LEKHGAITS	Draenert, 2004
B51	Vif	57–66	IPLGDAKLII	Bansal <i>et al.</i> , 2004
B51	Vpr	29–37	EAVRHFPRI	Cao <i>et al.</i> , 2003
B*5101 (B51)			2 C A F P I G	Falk <i>et al.</i> , 1995a
B*5101 (B51)	RT	42–50	EKEGKISKI	Haas <i>et al.</i> , 1998; Haas, 1999
B*5101 (B51)	RT	128–135	TAFTIPSI	Sipsas <i>et al.</i> , 1997
B*5101 (B51)	gp160	416–424	LPCRKIQII	Tomiyama <i>et al.</i> , 1999
B*5201 (B52)			2 C I V Q	Rammensee <i>et al.</i> , 1999
B*5201 (B52)	p24	143–150	RMYSPTSII	Wilkes & Ruhl, 1999; Wilson <i>et al.</i> , 1997
B53	Nef	135–143	YPLTFGWCF	Kiepiela & Goulder, 2002
B*5301 (B53)			2 C P L	Hill <i>et al.</i> , 1992
B*5301 (B53)	p24	48–56	TPYDINQML	Gotch <i>et al.</i> , 1993
B*5301 (B53)	p24	176–184	QASQEVKNW	Buseyne <i>et al.</i> , 1996, 1997; Buseyne, 1999
B*5301 (B53)	Tat	2–11	EPVDPRLPEW	Addo <i>et al.</i> , 2001
B*5301 (B53)	Nef	135–143	YPLTFGWCY	Sabbaj <i>et al.</i> , 2003
B*5501 (B55)			2 C P A	Barber <i>et al.</i> , 1995
B*5501 (B55)	gp160	42–51	VPVWKEATTT	Shankar <i>et al.</i> , 1996; Lieberman, 1999
B57	p24	32–40	FSPEVIPMF	Frahm <i>et al.</i> , 2005
B57	Protease	70–77	KAIGTVLV	Frahm <i>et al.</i> , 2005
B57	Integrase	123–132	STTVKAACWW	Rodriguez <i>et al.</i> , 2004; Addo & Rathod, 2004
B57	Nef	116–124	HTQGYFPDW	Draenert, 2002
B57	Nef	127–135	YTPGPGIRY	Frahm <i>et al.</i> , 2005
B57	Nef	137–145	LTFGWCFKL	Frahm <i>et al.</i> , 2005

Table I-A.1: Best defined HIV CTL epitopes (cont.).

HLA	Protein	AA	Sequence	Reference
B*5701 (B57)			12 C A F T W S K Y	Barber <i>et al.</i> , 1997
B*5701 (B57)	p24	15–23	ISPRTLNAW	Johnson <i>et al.</i> , 1991; Goulder <i>et al.</i> , 1996b
B*5701 (B57)	p24	30–40	KAFSPEVIPMF	Goulder <i>et al.</i> , 1996b
B*5701 (B57)	p24	108–118	TSTLQEIQGW	Goulder <i>et al.</i> , 1996b
B*5701 (B57)	p24	176–184	QASQEVKNW	Goulder <i>et al.</i> , 1996b
B*5701 (B57)	RT	244–252	IVLPEKDSW	van der Burg <i>et al.</i> , 1997; Hay, 1999
B*5701 (B57)	Integrase	173–181	KTAVQMAVF	Goulder <i>et al.</i> , 1996b; Hay, 1999
B*5701 (B57)	Vpr	30–38	AVRHFPRIW	Altfeld <i>et al.</i> , 2001a
B*5701 (B57)	Vif	31–39	ISKKAKGWF	Altfeld <i>et al.</i> , 2001a
B*5701 (B57)	Rev	14–23	KAVRLIKFLY	Addo <i>et al.</i> , 2001
B*5701 (B57)	Nef	116–125	HTQGYFPDWQ	Culmann <i>et al.</i> , 1991
B*5701 (B57)	Nef	120–128	YFPDWQNYT	Culmann <i>et al.</i> , 1991
B*5703 (B57)	p24	30–37	KAFSPEVI	Goulder <i>et al.</i> , 2000b
B*5703 (B57)	p24	30–40	KAFSPEVIPMF	Goulder <i>et al.</i> , 2000b
B58	p17	76–86	RSLYNTVATLY	Frahm <i>et al.</i> , 2005
B58	Tat	2–11	EPVDPRLPEW	Frahm & Brander, 2005
B58	gp160	59–69	KAYETEVHNVW	Rathod & Bishop, 2006
B*5801 (B58)			12 C A F T W S K V I	Barber <i>et al.</i> , 1997; Falk <i>et al.</i> , 1995b
B*5801 (B58)	p24	108–117	TSTVEEQIWI	Bertoletti <i>et al.</i> , 1998
B*5801 (B58)	p24	108–117	TSTLQEIQGW	Goulder <i>et al.</i> , 1996b
B*5801 (B58)	RT	375–383	IAMESIVIWI	Kiepiela & Goulder, 2002
B*5801 (B58)	Rev	14–23	KAVRLIKFLY	Addo <i>et al.</i> , 2001
B62	Nef	19–27	RMRAEPAA	Cao, 2002
B63	p17	76–86	RSLYNTVATLY	Frahm <i>et al.</i> , 2005
B63	p24	15–23	ISPRTLNAW	Frahm <i>et al.</i> , 2005
B63	p24	30–40	KAFSPEVIPMF	Frahm <i>et al.</i> , 2005
B63	Rev	14–23	KAVRLIKFLY	Frahm <i>et al.</i> , 2005
B63	Nef	127–135	YTPGPGIRY	Frahm <i>et al.</i> , 2005
B63	Nef	137–145	LTFGWCFKL	Frahm <i>et al.</i> , 2005
B81	Protease	80–90	TPVNIIGRNML	Honeyborne <i>et al.</i> , 2006
B81	RT-Integrase	560–8	LFLDGIDKA	Addo, 2002
B*8101 (B81)	p24	48–56	TPQDLNTML	Goulder <i>et al.</i> , 2000a
B*8101 (B81)	Vpr	34–42	FPRIWLHGL	Altfeld <i>et al.</i> , 2001a

Table I-A.1: Best defined HIV CTL epitopes (cont.).

HLA	Protein	AA	Sequence	Reference
Cw*0102 (Cw1)			23 C A L L P	Barber <i>et al.</i> , 1997
Cw*0102 (Cw1)	p24	36–43	VIPMFSAI	Goulder <i>et al.</i> , 1997a
Cw*0102 (Cw1)	Gag-Pol TF	24–31	NSPTRREL	Liu <i>et al.</i> , 2006
Cw3	Nef	83–91	AALDLSHFL	Draenert, 2004
Cw*0303 (Cw9)	p24	164–172	YVDRFFKTL	Honeyborne, 2003
Cw*0304 (Cw10)	p24	164–172	YVDRFFKTL	Honeyborne, 2003
Cw*0304 (Cw10)	gp160	557–565	RAIEAQQHL	Currier <i>et al.</i> , 2002; Trocha, 2002
Cw*0401 (Cw4)			2 6 C Y L P F F M V I L	Falk <i>et al.</i> , 1994
Cw*0401 (Cw4)	gp160	375–383	SFNCGGEFF	Wilson <i>et al.</i> , 1997; Johnson <i>et al.</i> , 1993
Cw5	p24	174–185	AEQASQEVDKWM	Draenert, 2004
Cw*0501	Rev	67–75	SAEPVPLQL	Addo <i>et al.</i> , 2001
Cw6	Nef	120–128	YFPDWQNYT	Frahm & Brander, 2005
Cw7	Nef	105–115	KRQEILDLWVY	Kiepiela & Goulder, 2002
Cw7	Nef	105–115	RRQDILDLWIY	Yu <i>et al.</i> , 2002a
Cw8	gp160	557–565	RAIEAQQHM	Bishop & Honeyborne, 2006
Cw8	Nef	82–91	KAAVDLSHFL	Harrer <i>et al.</i> , 1996c
Cw*0802 (Cw8)	p24	48–56	TPQDLNMTL	Goulder <i>et al.</i> , 2000a; Honeyborne & Kiepiela, 2005
Cw*0802 (Cw8)	RT	495–503	IVTDSQYAL	Rathod & Honeyborne, 2006
Cw*0802 (Cw8)	Nef	83–91	AAVDLSHFL	Cao <i>et al.</i> , 2003
Cw*0802 (Cw8)	Nef	83–91	GAFDLSFFL	Rathod & Honeyborne, 2006
Cw*0804 (Cw8)	p17	33–41	HLVWASREL	Masemola <i>et al.</i> , 2004b
Cw12	Tat	30–37	CCFHCQVC	Cao <i>et al.</i> , 2003; Nixon <i>et al.</i> , 1999
Cw14	p17	78–85	LYNTVATL	Horton & Havenar-Daughton, 2005
Cw15	gp160	557–565	RAIEAQQHL	Trocha, 2002
Cw18	p24	142–150	VRMYSVPSI	Honeyborne, 2006
Cw18	p24	161–169	FRDYVDRFF	Honeyborne & Kiepiela, 2005
Cw18	Integrase	165–172	VRDQAEHL	Rathod & Honeyborne, 2006
Cw18	gp160	511–519	YRLGVGALI	Honeyborne, 2006

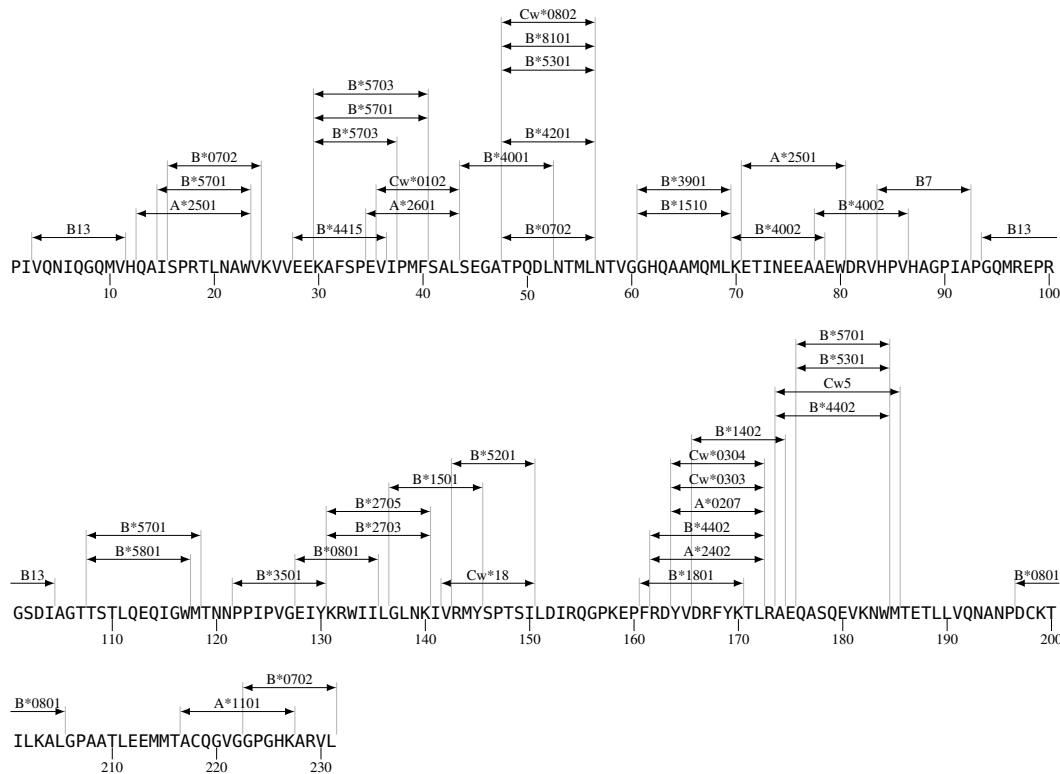
I-A-5 Map of optimal HIV-1 CTL epitopes

The location and HLA restriction elements of CTL epitopes are indicated on protein sequences of HXB2. These maps are meant to provide the relative location of defined epitopes on a given protein, but the HXB2 sequence may not actually carry the epitope of interest, as it may vary relative to the sequence for which the epitope was defined.

p17 Optimal CTL Epitope Map

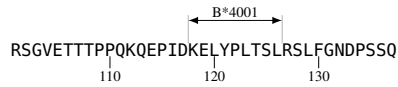


p24 Optimal CTL Epitope Map

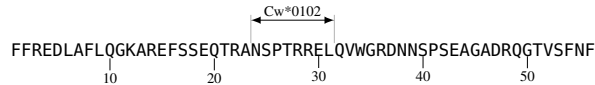


p2p7p1p6 Optimal CTL Epitope Map

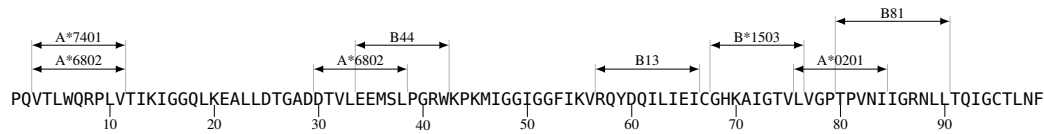




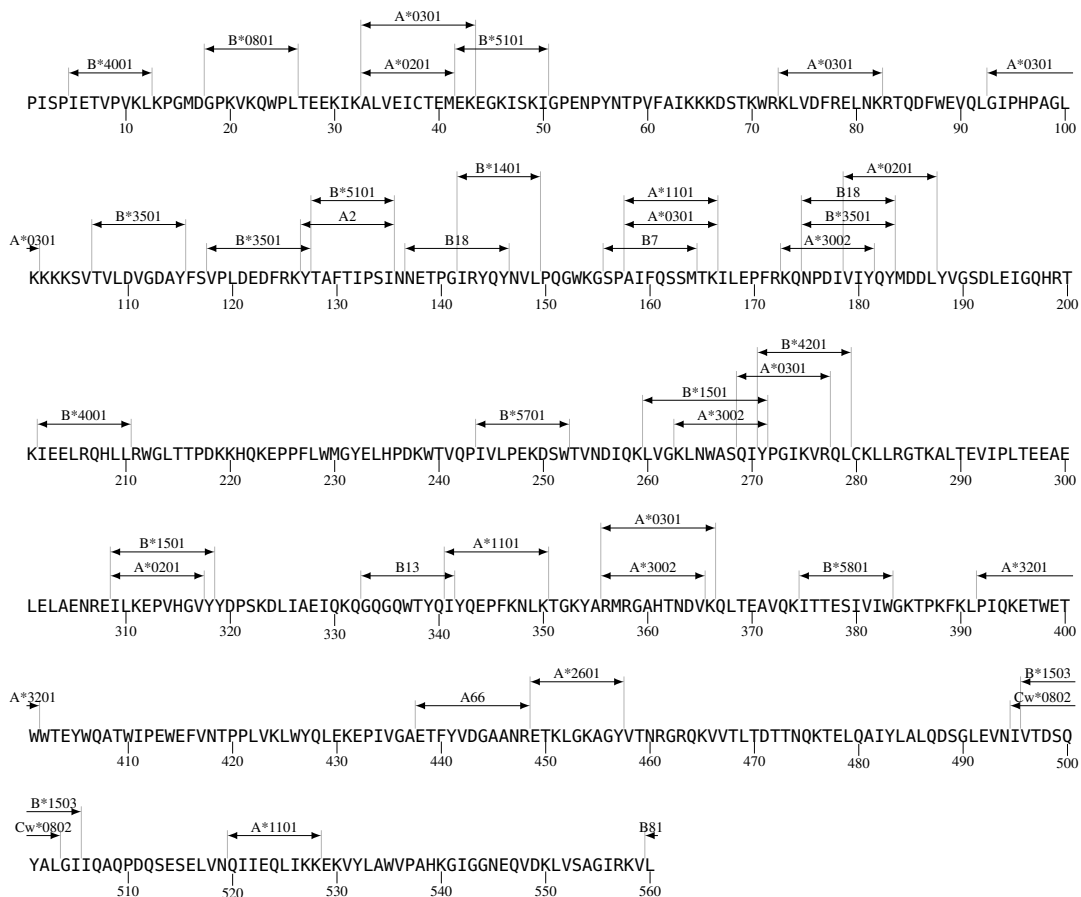
Gag/Pol TF Optimal CTL Epitope Map



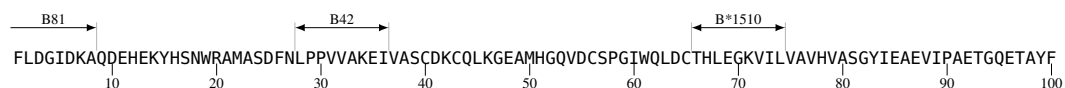
Protease Optimal CTL Epitope Map

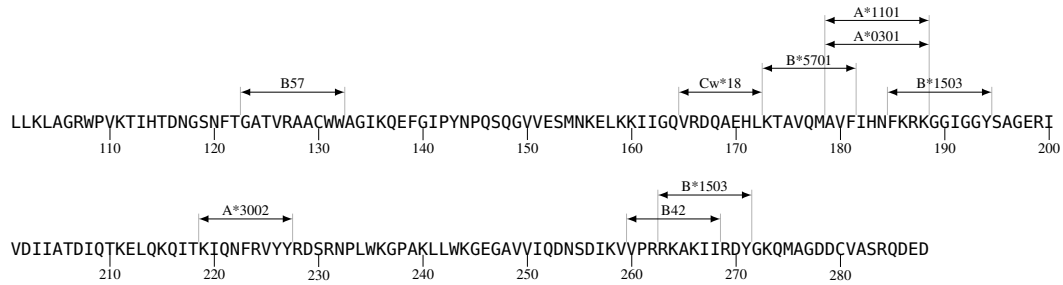


RT Optimal CTL Epitope Map

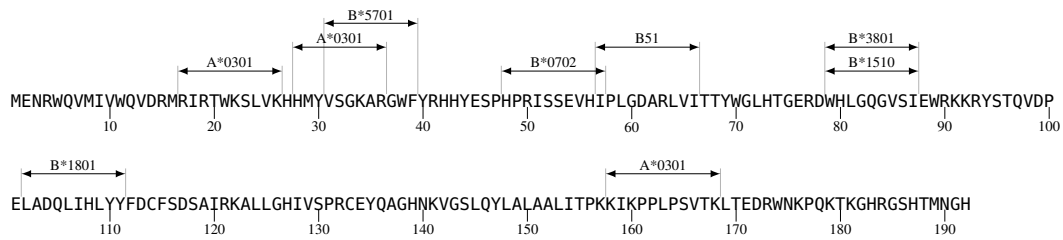


Integrase Optimal CTL Epitope Map

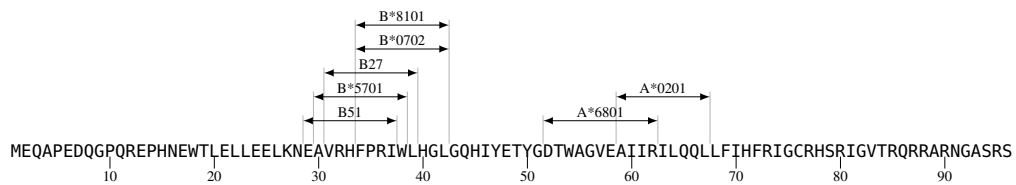




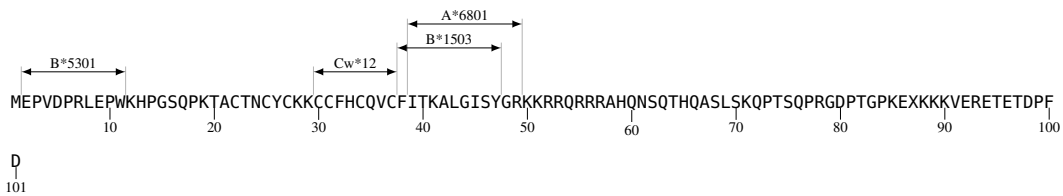
Vif Optimal CTL Epitope Map



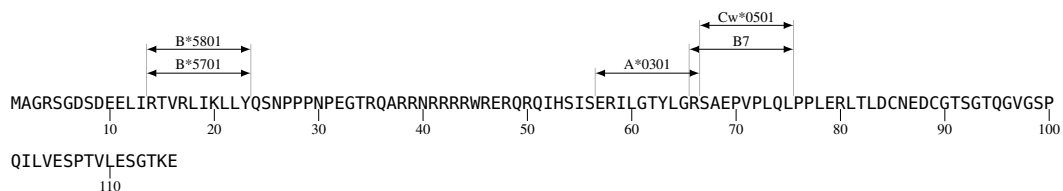
Vpr Optimal CTL Epitope Map



Tat Optimal CTL Epitope Map



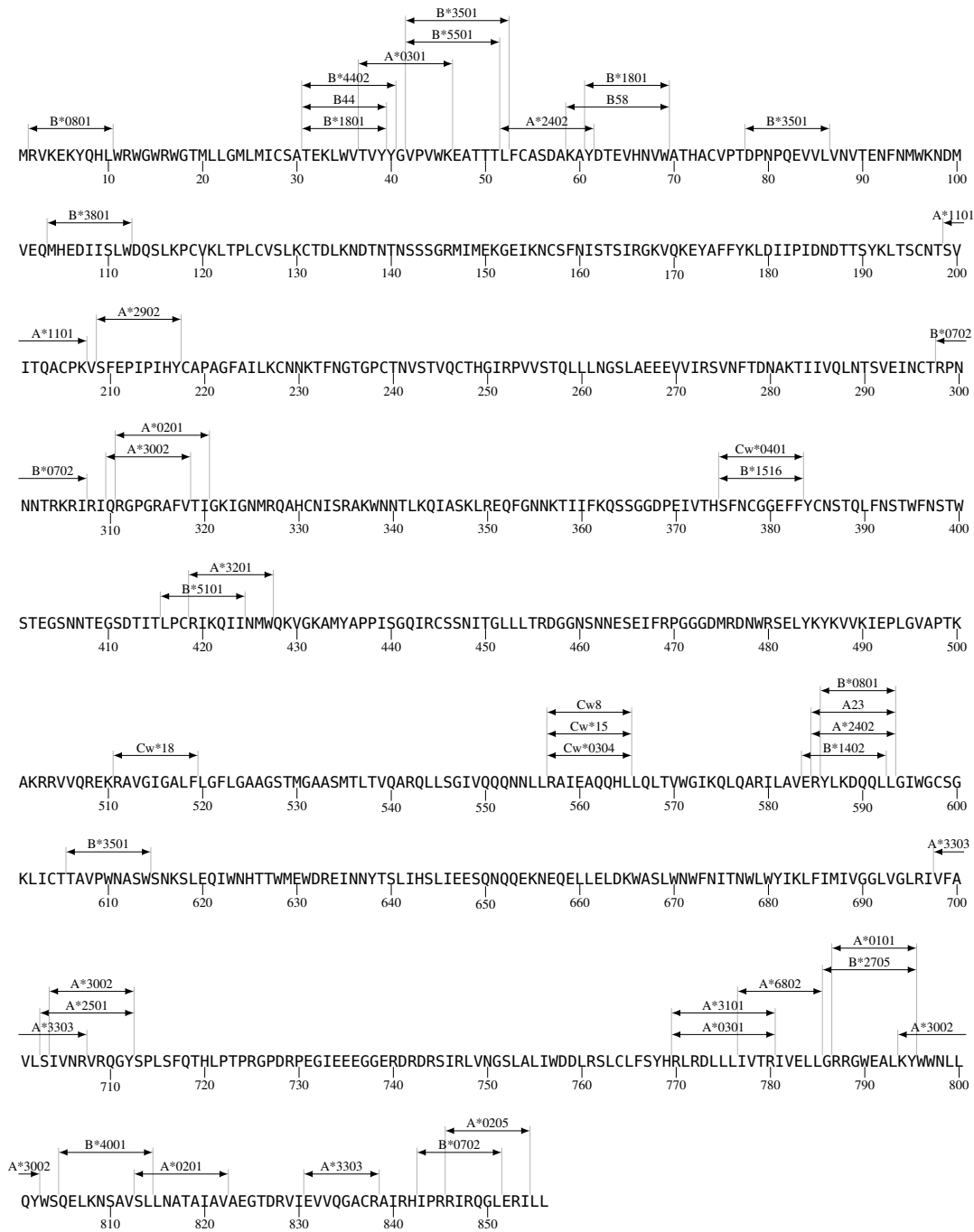
Rev Optimal CTL Epitope Map



Vpu Optimal CTL Epitope Map



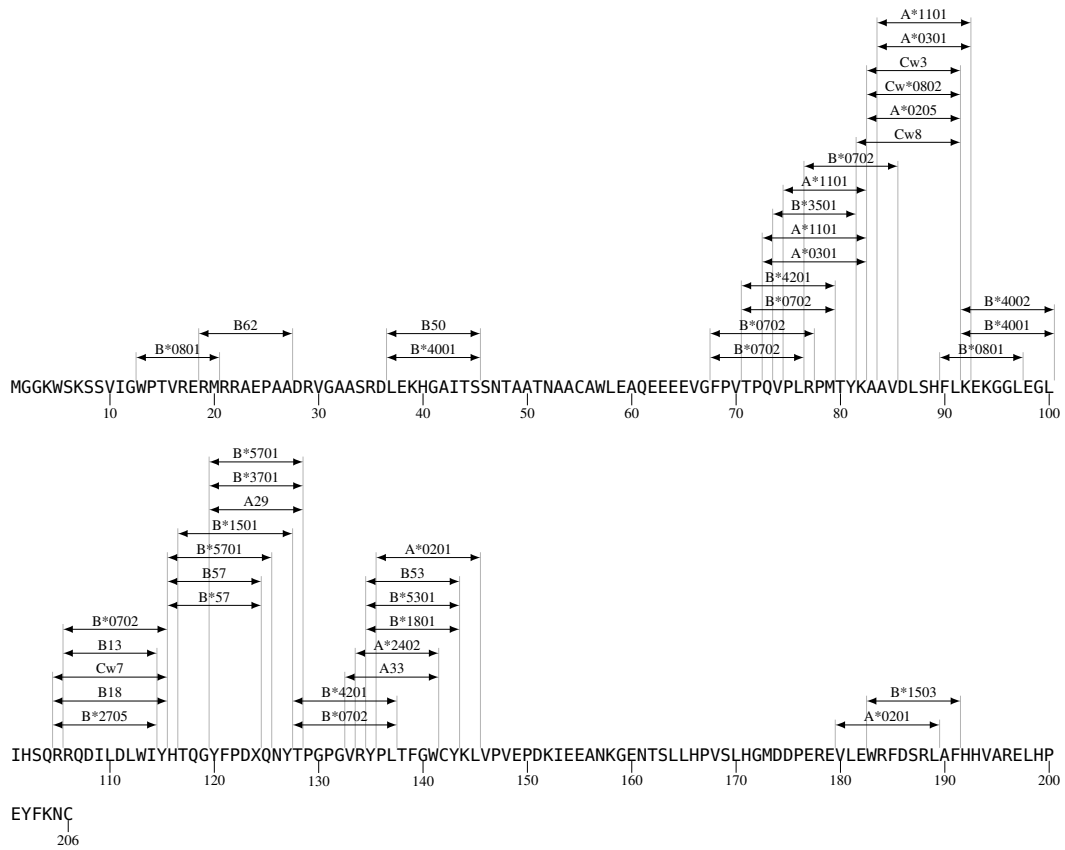
gp160 Optimal CTL Epitope Map



Reviews

Nef Optimal CTL Epitope Map

Reviews



I-A-6 Acknowledgments

We would like to express our gratitude to those researchers in the field who continuously contribute to this database. The mostly unpublished data added to this year's update stemming from the AIDS Research Center at Mass. General Hospital were largely funded by two NIH contracts (NO1-A1-15442, NO1-A1-30024) supporting HLA typing and HIV CTL epitope definition in non-Caucasian populations and non-clade-B HIV infection as well as R01-A1-067077 assessing the promiscuous presentation of HLA class I restricted epitopes.

We very much welcome any criticism, comments and additions to this list since we are sure that some epitopes will unintentionally escape our attention, despite close monitoring of the literature. Please write or call us with any comments you may have.

Nicole Frahm

phone: +1 (617) 726-2648
FAX: +1 (617) 726-5411
nfrahm@partners.org

Caitlyn Linde

phone: +1 (617) 726-4961
FAX: +1 (617) 726-5411
clinde1@partners.org

Christian Brander

phone: (617) 724-5789
FAX: (617) 726-5345
cbrander@partners.org

I-A-7 References

- [Addo, 2002] M. Addo, 2002. Personal communication. On pp. 6 & 14.
- [Addo *et al.*, 2002] M. M. Addo, M. Altfeld, A. Rathod, M. Yu, X. G. Yu, P. J. R. Goulder, E. S. Rosenberg, & B. D. Walker, 2002. HIV-1 Vpu represents a minor target for cytotoxic T lymphocytes in HIV-1-infection. *AIDS* **16**(7):1071–1073. On p. 8.
- [Addo *et al.*, 2001] M. M. Addo, M. Altfeld, E. S. Rosenberg, R. L. Eldridge, M. N. Phillips, K. Habeeb, A. Khatri, C. Brander, G. K. Robbins, G. P. Mazzara, P. J. Goulder, & B. D. Walker, 2001. The HIV-1 regulatory proteins Tat and Rev are frequently targeted by cytotoxic T lymphocytes derived from HIV-1-infected individuals. *Proc Natl Acad Sci USA* **98**(4):1781–1786. On pp. 13, 14 & 15.
- [Addo & Rathod, 2004] M. M. Addo & A. Rathod, 2004. Personal communication. On pp. 11 & 13.
- [Ahlens *et al.*, 2001] J. D. Ahlens, I. M. Belyakov, E. K. Thomas, & J. A. Berzofsky, 2001. High-affinity T helper epitope induces complementary helper and APC polarization, increased CTL, and protection against viral infection. *J Clin Invest* **108**(11):1677–1685. On p. 4.
- [Alexander-Miller *et al.*, 1996a] M. A. Alexander-Miller, G. R. Leggatt, & J. A. Berzofsky, 1996a. Selective expansion of high- or low-avidity cytotoxic T lymphocytes and efficacy for adoptive immunotherapy. *Proc Natl Acad Sci USA* **93**(9):4102–4107. On p. 4.
- [Alexander-Miller *et al.*, 1996b] M. A. Alexander-Miller, K. C. Parker, T. Tsukui, C. D. Pendleton, J. E. Coligan, & J. A. Berzofsky, 1996b. Molecular analysis of presentation by HLA-A2.1 of a promiscuously binding V3 loop peptide from the HIV-1 Envelope protein to human cytotoxic T lymphocytes. *Int Immunol* **8**(5):641–649. On p. 5.
- [Allen *et al.*, 2005a] T. M. Allen, M. Altfeld, S. C. Geer, E. T. Kalife, C. Moore, K. M. O'Sullivan, I. DeSouza, M. E. Feeney, R. L. Eldridge, E. L. Maier, D. E. Kaufmann, M. P. Lahaie, L. Reyor, G. Tanzi, M. N. Johnston, C. Brander, R. Draenert, J. K. Rockstroh, H. Jessen, E. S. Rosenberg, S. A. Mallal, & B. D. Walker, 2005a. Selective escape from CD8+ T-cell responses represents a major driving force of human immunodeficiency virus type 1 (HIV-1) sequence diversity and reveals constraints on HIV-1 evolution. *J Virol* **79**(21):13239–13249. On p. 3.
- [Allen *et al.*, 2005b] T. M. Allen, X. G. Yu, E. T. Kalife, L. L. Reyor, M. Lichterfeld, M. John, M. Cheng, R. L. Allgaier, S. Mui, N. Frahm, G. Alter, N. V. Brown, M. N. Johnston, E. S. Rosenberg, S. A. Mallal, C. Brander, B. D. Walker, & M. Altfeld, 2005b. De novo generation of escape variant-specific CD8+ T-cell responses following cytotoxic T-lymphocyte escape in chronic human immunodeficiency virus type 1 infection. *J Virol* **79**(20):12952–12960. On p. 3.
- [Altfeld *et al.*, 2001a] M. Altfeld, M. M. Addo, R. L. Eldridge, X. G. Yu, S. Thomas, A. Khatri, D. Strick, M. N. Phillips, G. B. Cohen, S. A. Islam, S. A. Kalams, C. Brander, P. J. Goulder, E. S. Rosenberg, & B. D. Walker, 2001a. Vpr is preferentially targeted by CTL during HIV-1 infection. *J Immunol* **167**(5):2743–2752. On pp. 5, 6, 9, 11 & 14.
- [Altfeld, 2000] M. A. Altfeld, 2000. Personal communication. On p. 7.
- [Altfeld *et al.*, 2001b] M. A. Altfeld, B. Livingston, N. Reshamwala, P. T. Nguyen, M. M. Addo, A. Shea, M. Newman, J. Fikes, J. Sidney, P. Wentworth, R. Chesnut, R. L. Eldridge, E. S. Rosenberg, G. K. Robbins, C. Brander, P. E. Sax, S. Boswell, T. Flynn, S. Buchbinder, P. J. Goulder, B. D. Walker, A. Sette, & S. A. Kalams, 2001b. Identification of novel HLA-A2-restricted human 7 immunodeficiency virus type 1-specific cytotoxic T-lymphocyte epitopes predicted by the HLA-A2 supertype peptide-binding motif. *J Virol* **75**(3):1301–1311. On p. 5.
- [Altfeld *et al.*, 2000] M. A. Altfeld, A. Trocha, R. L. Eldridge, E. S. Rosenberg, M. N. Phillips, M. M. Addo, R. P. Sekaly, S. A. Kalams, S. A. Burchett, K. McIntosh, B. D. Walker, & P. J. Goulder, 2000. Identification of dominant optimal HLA-B60- and HLA-B61-restricted cytotoxic T-lymphocyte (CTL) epitopes: Rapid characterization of CTL responses by enzyme-linked immunospot assay. *J Virol* **74**(18):8541–8549. On p. 12.
- [Bailey *et al.*, 2006] J. R. Bailey, T. M. Williams, R. F. Siliciano, & J. N. Blankson, 2006. Maintenance of viral suppression in HIV-1-infected HLA-B*57+ elite suppressors despite CTL escape mutations. *J Exp Med* **203**(5):1357–1369. On p. 3.
- [Bansal *et al.*, 2004] A. Bansal, P. Goepfert, *et al.*, 2004. Personal communication. On p. 13.
- [Barber *et al.*, 1995] L. D. Barber, B. Gillece-Castro, L. Percival, X. Li, C. Clayberger, & P. Parham, 1995. Overlap in the repertoires of peptides bound in vivo by a group of related class I HLA-B allotypes. *Curr Biol* **5**:179–190. On p. 13.
- [Barber *et al.*, 1997] L. D. Barber, L. Percival, K. L. Arnett, J. E. Gumperz, L. Chen, & P. Parham, 1997. Polymorphism in the α 1 helix of the HLA-B heavy chain can have an overriding influence on peptide-binding specificity. *J Immunol* **158**:1660–1669. On pp. 10, 14 & 15.
- [Barouch *et al.*, 1995] D. Barouch, T. Friede, S. Stevanovic, L. Tussey, K. Smith, S. Rowland-Jones, V. Braud, A. McMichael, & H. G. Ramnensee, 1995. HLA-A2 subtypes are functionally distinct in peptide binding and presentation. *J Exp Med* **182**:1847–1856. On p. 5.
- [Bauer *et al.*, 1997] M. Bauer, M. Lucchiari-Hartz, R. Maier, G. Haas, B. Autran, K. Eichmann, R. Frank, B. Maier, & A. Meyerhans, 1997. Structural constraints of HIV-1 Nef may curtail escape from HLA-B7-restricted CTL recognition. *Immunol Lett* **55**:119–122. On p. 9.

- [Bertoletti *et al.*, 1998] A. Bertoletti, F. Cham, S. McAdam, T. Rostron, S. Rowland-Jones, S. Sabally, T. Corrah, K. Ariyoshi, & H. Whittle, 1998. Cytotoxic T cells from human immunodeficiency virus type 2-infected patients frequently cross-react with different human immunodeficiency virus type 1 clades. *J Virol* **72**:2439–2448. On p. 14.
- [Betts *et al.*, 2006] M. R. Betts, M. C. Nason, S. M. West, S. C. De Rosa, S. A. Migueles, J. Abraham, M. M. Lederman, J. M. Benito, P. A. Goepfert, M. Connors, M. Roederer, & R. A. Koup, 2006. HIV nonprogressors preferentially maintain highly functional HIV-specific CD8+ T cells. *Blood* **107**(12):4781–4789. On p. 3.
- [Bird *et al.*, 2002] T. G. Bird, R. Kaul, T. Rostron, J. Kimani, J. Embree, P. P. Dunn, J. J. Bwayo, F. A. Plummer, S. L. Rowland-Jones, & T. Dong, 2002. HLA typing in a Kenyan cohort identifies novel class I alleles that restrict cytotoxic T-cell responses to local HIV-1 clades. *AIDS* **16**(14):1899–1904. On p. 13.
- [Bishop & Honeyborne, 2006] K. Bishop & I. Honeyborne, 2006. Personal communication. On p. 15.
- [Borrow *et al.*, 1997a] P. Borrow, H. Lewicki, X. Wei, M. S. Horwitz, N. Peffer, H. Meyers, J. A. Nelson, J. E. Gairin, B. H. Hahn, M. B. Oldstone, & G. M. Shaw, 1997a. Anti-viral pressure exerted by HIV-1-specific cytotoxic T lymphocytes (CTLs) during primary infection demonstrated by rapid selection of CTL escape virus. *Nat Med* **3**:205–211. On p. 12.
- [Borrow *et al.*, 1997b] P. Borrow, H. Lewicki, X. Wei, M. S. Horwitz, N. Peffer, H. Meyers, J. A. Nelson, J. E. Gairin, B. H. Hahn, M. B. Oldstone, & G. M. Shaw, 1997b. Antiviral pressure exerted by HIV-1-specific cytotoxic T lymphocytes (CTLs) during primary infection demonstrated by rapid selection of CTL escape virus. *Nat Med* **3**(2):205–211. On p. 12.
- [Brander *et al.*, 1998] C. Brander, K. E. Hartman, A. K. Trocha, N. G. Jones, R. P. Johnson, B. Korber, P. Wentworth, S. P. Buchbinder, S. Wolinsky, B. D. Walker, & S. A. Kalams, 1998. Lack of strong immune selection pressure by the immunodominant, HLA-A*0201-restricted cytotoxic T lymphocyte response in chronic human immunodeficiency virus-1 infection. *J Clin Invest* **101**(11):2559–2566. On p. 3.
- [Brander & Walker, 1995] C. Brander & B. D. Walker, 1995. The HLA class I restricted CTL response in HIV infection: Identification of optimal epitopes. In *HIV Molecular Immunology Database 1995*. Los Alamos National Laboratory. On p. 4.
- [Buseyne, 1999] F. Buseyne, 1999. Personal communication. On pp. 6 & 13.
- [Buseyne *et al.*, 1993] F. Buseyne, S. Blanche, D. Schmitt, C. Griscelli, & Y. Riviere, 1993. Gag-specific cytotoxic T lymphocytes from human immunodeficiency virus type 1-infected individuals: Gag epitopes are clustered in three regions of the p24 gag protein. *J Virol* **67**:694–702. On p. 11.
- [Buseyne *et al.*, 1996] F. Buseyne, M. Fevrier, S. Garcia, M. L. Gougeon, & Y. Riviere, 1996. Dual function of a human immunodeficiency virus (HIV)-specific cytotoxic T-lymphocyte clone: Inhibition of HIV replication by noncytolytic mechanisms and lysis of HIV-infected CD4+ cells. *Virology* **225**:248–53. On p. 13.
- [Buseyne *et al.*, 1997] F. Buseyne, M. Fevrier, S. Garcia, M. L. Gougeon, & Y. Riviere, 1997. Characterization of an HIV-1 p24 gag epitope recognized by a CD8+ cytotoxic T-cell clone. *Immunol Lett* **55**(3):145–149. On p. 13.
- [Cao, 2002] J. Cao, 2002. Personal communication. On pp. 5, 8, 9, 10, 12 & 14.
- [Cao *et al.*, 2003] J. Cao, J. McNeven, S. Holte, L. Fink, L. Corey, & M. J. McElrath, 2003. Comprehensive analysis of human immunodeficiency virus type 1 (HIV-1)-specific gamma interferon-secreting CD8+ T cells in primary HIV-1 infection. *J Virol* **77**(12):6867–6878. On pp. 6, 10, 13 & 15.
- [Culmann, 1999] B. Culmann, 1999. Personal communication. On pp. 6, 10 & 12.
- [Culmann *et al.*, 1991] B. Culmann, E. Gomard, M.-P. Kieny, B. Guy, F. Dreyfus, A.-D. Saimot, D. Sereni, D. Sicard, & J.-P. Levy, 1991. Six epitopes with human cytotoxic CD8+ cells in the central region of the HIV-1 Nef protein. *J Immunol* **146**:1560–1565. On pp. 6, 11, 12 & 14.
- [Culmann-Penciolelli *et al.*, 1994] B. Culmann-Penciolelli, S. Lamhamedi-Cherradi, I. Couillin, N. Guegan, J. P. Levy, J. G. Guillet, & E. Gomard, 1994. Identification of multirestricted immunodominant regions recognized by cytolytic T lymphocytes in the human immunodeficiency virus type 1 Nef protein. *J Virol* **68**:7336–7343. See comments in *J Virol* 1995 Jan;69(1):618. On pp. 9 & 11.
- [Currier *et al.*, 2002] J. R. Currier, M. deSouza, P. Chanbancherd, W. Bernstein, D. L. Birk, & J. H. Cox, 2002. Comprehensive screening for human immunodeficiency virus type 1 subtype-specific CD8 cytotoxic T lymphocytes and definition of degenerate epitopes restricted by HLA-A0207 and -Cw0304 alleles. *J Virol* **76**(10):4971–4986. On pp. 5 & 15.
- [Dai *et al.*, 1992] L. C. Dai, K. West, R. Littau, K. Takahashi, & F. A. Ennis, 1992. Mutation of human immunodeficiency virus type 1 at amino acid 585 on gp41 results in loss of killing by CD8+ A24-restricted cytotoxic T lymphocytes. *J Virol* **66**:3151–3154. On p. 7.
- [Day, 2003] C. Day, 2003. Personal communication. On p. 10.
- [Day, 2005] C. Day, 2005. Personal communication. On p. 10.
- [DiBrino *et al.*, 1994a] M. DiBrino, K. C. Parker, D. H. Margulies, J. Shiloach, R. V. Turner, M. Garfield, W. E. B. WE, & J. E. Coligan, 1994a. Endogenous peptides with distinct amino acid anchor residue motifs bind to HLA-A1 and HLA-B8. *J Immunol* **152**:620–631. On p. 10.
- [DiBrino *et al.*, 1994b] M. DiBrino, K. C. Parker, D. H. Margulies, J. Shiloach, R. V. Turner, M. Garfield, W. E. B. WE, & J. E. Coligan, 1994b. The HLA-B14 peptide binding site can accommodate peptides with different combinations of anchor residues. *J Biol Chem* **269**. On p. 9.
- [Dorrell *et al.*, 1999] L. Dorrell, T. Dong, G. S. Ogg, S. Lister, S. McAdam, T. Rostron, C. Conlon, A. J. McMichael, & S. L. Rowland-Jones, 1999. Distinct recognition of non-clade B human immunodeficiency virus type 1 epitopes by cytotoxic T lymphocytes generated from donors infected in Africa. *J Virol* **73**:1708–1714. On p. 7.
- [Draenert, 2002] R. Draenert, 2002. Personal communication. On p. 13.
- [Draenert, 2004] R. Draenert, 2004. Personal communication. On pp. 5, 12, 13 & 15.
- [Draenert *et al.*, 2004] R. Draenert, C. Brander, X. G. Yu, M. Altfeld, C. L. Verrill, M. E. Feeney, B. D. Walker, & P. J. Goulder, 2004. Impact of intrapeptide epitope location on CD8 T cell recognition: Implications for design of overlapping peptide panels. *AIDS* **18**:871–876. On p. 7.
- [Dumrese *et al.*, 1998] T. Dumrese, S. Stevanovic, F. H. Seeger, N. Yamada, Y. Ishikawa, K. Tokunaga, M. Takiguchi, & H. Rammensee, 1998. HLA-A26 subtype A pockets accommodate acidic N-termini of ligands. *Immunogenetics* **48**:350–353. On p. 7.

- [Dupuis *et al.*, 1995] M. Dupuis, S. K. Kundu, & T. C. Merigan, 1995. Characterization of HLA-A*0201-restricted cytotoxic T-cell epitopes in conserved regions of the HIV type 1 gp160 protein. *J Immunol* **155**:2232–2239. On p. 5.
- [Englehard *et al.*, 1993] V. H. Englehard, E. L. Huczko, W. Bodner, *et al.*, 1993. Peptides bound to HLA-B7 determined by mass spectrometry. *J Cell Biochem Suppl* **1993** **17C**:56. On p. 9.
- [Falk *et al.*, 1994] K. Falk, O. Rotzschke, & B. Grahovac, 1994. Allele-specific peptide motifs of HLA-C molecules. *Proc Natl Acad Sci USA* **90**:12005–12009. On pp. 8 & 15.
- [Falk *et al.*, 1993] K. Falk, O. Rotzschke, B. Grahovac, D. Schendel, S. Stevanovic, G. Jung, & H.-G. Rammensee, 1993. Peptide motifs of HLA-B35 and -B37 molecules. *Immunogenetics* **38**:161–162. Erratum in *Immunogenetics* **1994**;39(5):379. On p. 12.
- [Falk *et al.*, 1991] K. Falk, O. Rotzschke, S. Stevanovic, G. Jung, & H.-G. Rammensee, 1991. Allele-specific motifs revealed by sequencing of self-peptides eluted from MHC molecules. *Nature* **351**:290–296. On p. 5.
- [Falk *et al.*, 1995a] K. Falk, O. Rotzschke, M. Takiguchi, V. Gnau, S. Stevanovic, G. Jung, & H. Rammensee, 1995a. Peptide motifs of HLA-B38 and B39 molecules. *Immunogenetics* **41**:162–164. On pp. 12 & 13.
- [Falk *et al.*, 1995b] K. Falk, O. Rotzschke, M. Takiguchi, V. Gnau, S. Stevanovic, G. Jung, & H. Rammensee, 1995b. Peptide motifs of HLA-b58, b60, b61, and b62 molecules. *Immunogenetics* **41**:165–168. On pp. 12 & 14.
- [Feeny *et al.*, 2004] M. E. Feeny, Y. Tang, K. A. Roosevelt, A. J. Leslie, K. McIntosh, N. Karthas, B. D. Walker, & P. J. R. Goulder, 2004. Immune escape precedes breakthrough human immunodeficiency virus type 1 viremia and broadening of the cytotoxic T-lymphocyte response in an HLA-B27-positive long-term-nonprogressing child. *J Virol* **78**(16):8927–8930. On p. 3.
- [Frahm *et al.*, 2005] N. Frahm, S. Adams, P. Kiepiela, C. H. Linde, H. S. Hewitt, M. Lichterfeld, K. Sango, N. V. Brown, E. Pae, A. G. Wurcel, M. Altfeld, M. E. Feeny, T. M. Allen, T. Roach, M. A. St. John, E. S. Daar, E. Rosenberg, B. Korber, F. Marincola, B. D. Walker, P. J. R. Goulder, & C. Brander, 2005. HLA-B63 presents HLA-B57/B58-restricted cytotoxic T-lymphocyte epitopes and is associated with low human immunodeficiency virus load. *J Virol* **79**(16):10218–10225. On pp. 13 & 14.
- [Frahm & Brander, 2005] N. Frahm & C. Brander, 2005. Personal communication. On pp. 14 & 15.
- [Frahm & Goulder, 2002] N. Frahm & P. J. R. Goulder, 2002. Personal communication. On p. 9.
- [Frahm *et al.*, 2006a] N. Frahm, P. Kiepiela, S. Adams, C. H. Linde, H. S. Hewitt, K. Sango, M. E. Feeny, M. M. Addo, M. Lichterfeld, M. P. Lahaie, E. Pae, A. G. Wurcel, T. Roach, M. A. St. John, M. Altfeld, F. M. Marincola, C. Moore, S. Mallal, M. Carrington, D. Heckerman, T. M. Allen, J. I. Mullins, B. T. Korber, P. J. R. Goulder, B. D. Walker, & C. Brander, 2006a. Control of human immunodeficiency virus replication by cytotoxic T lymphocytes targeting subdominant epitopes. *Nat Immunol* **7**(2):173–181. On p. 3.
- [Frahm *et al.*, 2004] N. Frahm, B. T. Korber, C. M. Adams, J. J. Szinger, R. Draenert, M. M. Addo, M. E. Feeny, K. Yusim, K. Sango, N. V. Brown, D. SenGupta, A. Piechocka-Trocha, T. Simonis, F. M. Marincola, A. G. Wurcel, D. R. Stone, C. J. Russell, P. Adolf, D. Cohen, T. Roach, A. StJohn, A. Khatri, K. Davis, J. Mullins, P. J. R. Goulder, B. D. Walker, & C. Brander, 2004. Consistent CTL targeting of immunodominant regions in HIV across multiple ethnicities. *J Virol* **78**(5):2187–2200. On p. 3.
- [Frahm *et al.*, 2006b] N. Frahm, D. A. Price, H. S. Hewitt, C. H. Linde, J. M. Benchley, T. E. Asher, L. E. Ruff, K. L. Faircloth, D. C. Douek, & C. Brander, 2006b. Narrow T cell receptor repertoire of virus-specific CD8+ T lymphocytes is associated with HIV control. In *Keystone Symposia: HIV Vaccines*, X6. Keystone, CO. On p. 4.
- [Friedrich *et al.*, 2004] T. C. Friedrich, E. J. Dodds, L. J. Yant, L. Vojnov, R. Rudersdorf, C. Cullen, D. T. Evans, R. C. Desrosiers, B. R. Mothé, J. Sidney, A. Sette, K. Kunstman, S. Wolinsky, M. Piatak, J. Lifson, A. L. Hughes, N. Wilson, D. H. O'Connor, & D. I. Watkins, 2004. Reversion of CTL escape-variant immunodeficiency viruses in vivo. *Nat Med* **10**(3):275–281. On p. 3.
- [Fukada *et al.*, 1999] K. Fukada, Y. Chujoh, H. Tomiyama, K. Miwa, Y. Kaneko, S. Oka, & M. Takiguchi, 1999. HLA-A*1101-restricted cytotoxic T lymphocyte recognition of HIV-1 Pol protein. *AIDS* **13**:1413–1414. On p. 6.
- [Ganusov & De Boer, 2006] V. V. Ganusov & R. J. De Boer, 2006. Estimating costs and benefits of CTL escape mutations in SIV/HIV infection. *PLoS Comput Biol* **2**(3):e24. On p. 3.
- [Gotch *et al.*, 1993] F. Gotch, S. N. McAdam, C. E. Allsopp, *et al.*, 1993. Cytotoxic T-cells in HIV-2 seropositive Gambians. identification of a virus specific MHC-restricted peptide epitope. *J Immunol* **151**:3361–3369. On p. 13.
- [Goulder *et al.*, 1996a] P. Goulder, C. Conlon, K. McIntyre, & A. McMichael, 1996a. Identification of a novel human leukogen antigen A26-restricted epitope in a conserved region of Gag. *AIDS* **10**(12):1441–1443. On p. 7.
- [Goulder *et al.*, 2001] P. J. Goulder, M. M. Addo, M. A. Altfeld, E. S. Rosenberg, Y. Tang, U. Govender, N. Mngqundaniso, K. Annamalai, T. U. Vogel, M. Hammond, M. Bunce, H. M. Coovadia, & B. D. Walker, 2001. Rapid definition of five novel HLA-A*3002-restricted human immunodeficiency virus-specific cytotoxic T-lymphocyte epitopes by elispot and intracellular cytokine staining assays. *J Virol* **75**(3):1339–1347. On p. 7.
- [Goulder *et al.*, 2000a] P. J. Goulder, C. Brander, K. Annamalai, N. Mngqundaniso, U. Govender, Y. Tang, S. He, K. E. Hartman, C. A. O'Callaghan, G. S. Ogg, M. A. Altfeld, E. S. Rosenberg, H. Cao, S. A. Kalam, M. Hammond, M. Bunce, S. I. Pelton, S. A. Burchett, K. McIntosh, H. M. Coovadia, & B. D. Walker, 2000a. Differential narrow focusing of immunodominant human immunodeficiency virus gag-specific cytotoxic T-lymphocyte responses in infected African and caucasoid adults and children. *J Virol* **74**:5679–5690. On pp. 12, 14 & 15.
- [Goulder *et al.*, 1997a] P. J. Goulder, M. Bunce, G. Luzzi, R. E. Phillips, & A. J. McMichael, 1997a. Potential underestimation of HLA-C-restricted cytotoxic T-lymphocyte responses. *AIDS* **11**(15):1884–1886. On pp. 7, 11 & 15.
- [Goulder *et al.*, 1997b] P. J. Goulder, A. K. Sewell, D. G. Lalloo, D. A. Price, J. A. Whelan, J. Evans, G. P. Taylor, G. Luzzi, P. Giangrande, R. E. Phillips, & A. J. McMichael, 1997b. Patterns of immunodominance in HIV-1-specific cytotoxic T lymphocyte responses in two human histocompatibility leukocyte antigens (HLA)-identical siblings with HLA-A*0201 are influenced by epitope mutation. *J Exp Med* **8**:1423–1433. On pp. 6 & 11.
- [Goulder *et al.*, 2000b] P. J. Goulder, Y. Tang, S. I. Pelton, & B. D. Walker, 2000b. HLA-B57-restricted CTL activity in a single infected subject towards two optimal HIV epitopes, one of which is entirely contained within the other. *J Virol* **74**:5291–5299. On pp. 6 & 14.
- [Goulder, 1999] P. J. R. Goulder, 1999. Personal communication. On pp. 5, 9, 10 & 12.

- [Goulder *et al.*, 1996b] P. J. R. Goulder, M. Bunce, P. Krausa, K. McIntyre, S. Crowley, B. Morgan, A. Edwards, P. Giangrande, R. E. Phillips, & A. J. McMichael, 1996b. Novel, cross-restricted, conserved and immunodominant cytotoxic T lymphocyte epitopes in slow HIV type 1 infection. *AIDS Res and Hum Retroviruses* **12**:1691–1698. On p. 14.
- [Goulder *et al.*, 1997c] P. J. R. Goulder, R. E. Phillips, R. A. Colbert, S. McAdam, G. Ogg, M. A. Nowak, P. Giangrande, G. Luzzi, B. Morgan, A. Edwards, A. McMichael, & S. Rowland-Jones, 1997c. Late escape from an immunodominant cytotoxic T-lymphocyte response associated with progression to AIDS. *Nature Med* **3**:212–216. On pp. 3 & 11.
- [Goulder *et al.*, 1997d] P. J. R. Goulder, S. W. Reid, D. A. Price, C. A. O'Callaghan, A. J. McMichael, R. E. Phillips, & E. Y. Jones, 1997d. Combined structural and immunological refinement of HIV-1 HLA-B8 restricted cytotoxic T lymphocyte epitopes. *Eur J Immunol* **27**:1515–1521. On p. 9.
- [Haas, 1999] G. Haas, 1999. Personal communication. On pp. 5, 6 & 13.
- [Haas *et al.*, 1996] G. Haas, U. Plikat, P. Debré, M. Lucchiari, C. Katlama, Y. Dudoit, O. Bonduelle, M. Bauer, H.-G. Ihlenfeldt, G. Jung, B. Maier, A. Meyerhans, & B. Autran, 1996. Dynamics of viral variants in HIV-1 Nef and specific cytotoxic T lymphocytes in vivo. *J Immunol* **157**(9):4212–4221. On pp. 5 & 9.
- [Haas *et al.*, 1998] G. Haas, A. Samri, E. Gomard, A. Hosmalin, J. Duntze, J. M. Bouley, H. G. Ihlenfeldt, C. Katlama, & B. Autran, 1998. Cytotoxic T cell responses to HIV-1 reverse transcriptase, integrase and protease. *AIDS* **12**(12):1427–36. On pp. 5, 6 & 13.
- [Harrer *et al.*, 1996a] E. Harrer, T. Harrer, P. Barbosa, M. Feinberg, R. P. Johnson, S. Buchbinder, & B. D. Walker, 1996a. Recognition of the highly conserved YMDD region in the human immunodeficiency virus type 1 reverse transcriptase by HLA-A2-restricted cytotoxic T lymphocytes from an asymptomatic long-term nonprogresser. *J Inf Dis* **173**:476–479. On p. 5.
- [Harrer *et al.*, 2005] E. G. Harrer, S. Bergmann, K. Eismann, M. Rittmaier, A. Goldwisch, S. M. Müller, B. M. Spriewald, & T. Harrer, 2005. A conserved HLA B13-restricted cytotoxic T lymphocyte epitope in Nef is a dominant epitope in HLA B13-positive HIV-1-infected patients. *AIDS* **19**(7):734–735. On p. 9.
- [Harrer *et al.*, 1998] T. Harrer, E. Harrer, P. Barbosa, F. Kaufmann, R. Wagner, S. Bruggemann, J. R. Kalden, M. Feinberg, R. P. Johnson, S. Buchbinder, & B. D. Walker, 1998. Recognition of two overlapping CTL epitopes in HIV-1 p17 by CTL from a long-term nonprogressing HIV-1-infected individual. *J Immunol* **161**:4875–81. On p. 6.
- [Harrer *et al.*, 1996b] T. Harrer, E. Harrer, S. A. Kalams, P. Barbosa, A. Trocha, R. P. Johnson, T. Elbeik, M. B. Feinberg, S. P. Buchbinder, & B. D. Walker, 1996b. Cytotoxic T lymphocytes in asymptomatic long-term nonprogressing HIV-1 infection. breadth and specificity of the response and relation to in vivo viral quasispecies in a person with prolonged infection and low viral load. *J Immunol* **156**:2616–2623. On pp. 6, 8 & 10.
- [Harrer *et al.*, 1996c] T. Harrer, E. Harrer, S. A. Kalams, P. Barbosa, A. Trocha, R. P. Johnson, T. Elbeik, M. B. Feinberg, S. P. Buchbinder, & B. D. Walker, 1996c. Cytotoxic T lymphocytes in asymptomatic long-term nonprogressing HIV-1 infection. *J Immunol* **156**(7):2616–2623. On p. 15.
- [Hay, 1999] C. Hay, 1999. Personal communication. On p. 14.
- [Hill *et al.*, 1992] A. V. Hill, J. Elvin, A. C. Willis, M. Aidoo, C. E. Allsopp, F. M. Gotch, X. M. Gao, M. Takiguchi, B. M. Greenwood, A. R. Townsend, *et al.*, 1992. Molecular analysis of the association of HLA-B53 and resistance to severe malaria (see comments). *Nature* **360**:434–439. On pp. 9, 11 & 13.
- [Honeyborne, 2003] I. Honeyborne, 2003. Personal communication. On pp. 10 & 15.
- [Honeyborne, 2006] I. Honeyborne, 2006. Personal communication. On pp. 12 & 15.
- [Honeyborne & Kiepiela, 2005] I. Honeyborne & P. Kiepiela, 2005. Personal communication. On pp. 10, 12 & 15.
- [Honeyborne *et al.*, 2007] I. Honeyborne, A. Prendergast, F. Pereyra, A. Leslie, H. Crawford, R. Payne, S. Reddy, K. Bishop, E. Moodley, K. Nair, M. van der Stok, N. McCarthy, C. M. Rousseau, M. Addo, J. I. Mullins, C. Brander, P. Kiepiela, B. D. Walker, & P. J. R. Goulder, 2007. Control of HIV-1 is associated with HLA-B*13 and targeting of multiple Gag-specific CD8+ T cell epitopes. *J Virol*. On p. 9.
- [Honeyborne *et al.*, 2006] I. Honeyborne, A. Rathod, R. Buchli, D. Ramduth, E. Moodley, P. Rathnavalu, S. Chetty, C. Day, C. Brander, W. Hildebrand, B. D. Walker, P. Kiepiela, & P. J. R. Goulder, 2006. Motif inference reveals optimal CTL epitopes presented by HLA class I alleles highly prevalent in southern Africa. *J Immunol* **176**(8):4699–4705. On pp. 4 & 14.
- [Horton & Havenar-Daughton, 2005] H. Horton & C. Havenar-Daughton, 2005. Personal communication. On p. 15.
- [Hossain *et al.*, 2001] M. S. Hossain, H. Tomiyama, T. Inagawa, B. Sriwanthana, S. Oka, & M. Takiguchi, 2001. HLA-A*3303-restricted cytotoxic T lymphocyte recognition for novel epitopes derived from the highly variable region of the HIV-1 Env protein. *AIDS* **15**(16):2199–2201. On p. 8.
- [Hunziker *et al.*, 1998] I. P. Hunziker, A. Cerny, & W. J. Pichler, 1998. Who is right? or, how to judge the disagreement about HLA restriction of Nef peptides. *AIDS Res Hum Retroviruses* **14**(11):921–924. On p. 4.
- [Ikeda-Moore *et al.*, 1998] Y. Ikeda-Moore, H. Tomiyama, M. Ibe, S. Oka, K. Miwa, Y. Kaneko, & M. Takiguchi, 1998. Identification of a novel HLA-A24-restricted cytotoxic T-lymphocyte epitope derived from HIV-1 Gag protein. *AIDS* **12**:2073–2074. On p. 7.
- [Iversen *et al.*, 2006] A. K. N. Iversen, G. Stewart-Jones, G. H. Learn, N. Christie, C. Sylvester-Hviid, A. E. Armitage, R. Kaul, T. Beattie, J. K. Lee, Y. Li, P. Chotiarnwong, T. Dong, X. Xu, M. A. Luscher, K. MacDonald, H. Ullum, B. Klarlund-Pedersen, P. Skinhoj, L. Fugger, S. Buus, J. I. Mullins, E. Y. Jones, P. A. van der Merwe, & A. J. McMichael, 2006. Conflicting selective forces affect T cell receptor contacts in an immunodominant human immunodeficiency virus epitope. *Nat Immunol* **7**(2):179–189. On pp. 3 & 4.
- [Jardetzky *et al.*, 1991] T. S. Jardetzky, W. S. Lane, R. A. Robinson, D. R. Madden, & D. C. Wiley, 1991. Identification of self peptides bound to purified HLA-B27. *Nature* **353**:326–329. On p. 11.
- [Jin *et al.*, 2000] X. Jin, C. G. Roberts, D. F. Nixon, J. T. Safritz, L. Q. Zhang, Y. X. Huang, N. Bhardwaj, B. Jesdale, A. S. DeGroot, & R. A. Koup, 2000. Identification of subdominant cytotoxic T lymphocyte epitopes encoded by autologous HIV type 1 sequences, using dendritic cell stimulation and computer-driven algorithm. *AIDS Res Hum Retroviruses* **16**:67–76. On p. 9.
- [Johnson, 1999] R. P. Johnson, 1999. Personal communication. On p. 10.
- [Johnson *et al.*, 1994] R. P. Johnson, S. A. Hammond, A. Trocha, R. F. Siliciano, & B. D. Walker, 1994. Induction of a major histocompatibility complex class I-restricted cytotoxic T-lymphocyte response to a highly conserved region of human immunodeficiency virus type 1 (HIV-1) gp120 in seronegative humans immunized with a candidate HIV-1 vaccine. *J Virol* **68**:3145–3153. On pp. 6 & 11.

- [Johnson *et al.*, 1992] R. P. Johnson, A. Trocha, T. M. Buchanan, & B. D. Walker, 1992. Identification of overlapping HLA class I-restricted cytotoxic T cell epitopes in a conserved region of the human immunodeficiency virus type 1 envelope glycoprotein: Definition of minimum epitopes and analysis of the effects of sequence variation. *J Exp Med* **175**:961–971. On pp. 9 & 10.
- [Johnson *et al.*, 1993] R. P. Johnson, A. Trocha, T. M. Buchanan, & B. D. Walker, 1993. Recognition of a highly conserved region of human immunodeficiency virus type 1 gp120 by an HLA-Cw4-restricted cytotoxic T-lymphocyte clone. *J Virol* **67**:438–445. On p. 15.
- [Johnson *et al.*, 1991] R. P. Johnson, A. Trocha, L. Yang, G. P. Mazzara, D. L. Panicali, T. M. Buchanan, & B. D. Walker, 1991. HIV-1 gag-specific cytotoxic T lymphocytes recognize multiple highly conserved epitopes. fine specificity of the gag-specific response defined by using unstimulated peripheral blood mononuclear cells and cloned effector cells. *J Immunol* **147**:1512–1521. On pp. 5, 10 & 14.
- [Johnson & Walker, 1994] R. P. Johnson & B. D. Walker, 1994. CTL in HIV-1 infection: Responses to structural proteins. *Curr Topics Microbiol Immunol* **189**:35–63. On p. 6.
- [Karlsson *et al.*, 2003] A. C. Karlsson, S. G. Deeks, J. D. Barbour, B. D. Heiken, S. R. Younger, R. Hoh, M. Lane, M. Sällberg, G. M. Ortiz, J. F. Demarest, T. Liegler, R. M. Grant, J. N. Martin, & D. F. Nixon, 2003. Dual pressure from antiretroviral therapy and cell-mediated immune response on the human immunodeficiency virus type 1 protease gene. *J Virol* **77**(12):6743–6752. On p. 5.
- [Kawashima *et al.*, 2005] Y. Kawashima, M. Satoh, S. Oka, & M. Takiguchi, 2005. Identification and characterization of HIV-1 epitopes presented by HLA-A*2603: Comparison between HIV-1 epitopes presented by A*2601 and A*2603. *Hum Immunol* **66**(11):1155–1166. On p. 4.
- [Kelleher *et al.*, 2001] A. D. Kelleher, C. Long, E. C. Holmes, R. L. Allen, J. Wilson, C. Conlon, C. Workman, S. Shaunak, K. Olson, P. Goulder, C. Brander, G. Ogg, J. S. Sullivan, W. Dyer, I. Jones, A. J. McMichael, S. Rowland-Jones, & R. E. Phillips, 2001. Clustered mutations in HIV-1 gag are consistently required for escape from HLA-B27-restricted cytotoxic T lymphocyte responses. *J Exp Med* **193**(3):375–386. On p. 3.
- [Kiepiela & Goulder, 2002] P. Kiepiela & P. Goulder, 2002. Personal communication. On pp. 12, 13, 14 & 15.
- [Kiepiela *et al.*, 2004] P. Kiepiela, A. J. Leslie, I. Honeyborne, D. Ramduth, C. Thobakgale, S. Chetty, P. Rathnavalu, C. Moore, K. J. Pfafferott, L. Hilton, P. Zimbwa, S. Moore, T. Allen, C. Brander, M. M. Addo, M. Altfeld, I. James, S. Mallal, M. Bunce, L. D. Barber, J. Szinger, C. Day, P. Klenerman, J. Mullins, B. Korber, H. M. Coovadia, B. D. Walker, & P. J. R. Goulder, 2004. Dominant influence of HLA-B in mediating the potential co-evolution of HIV and HLA. *Nature* **432**(7018):769–775. LA-UR 04-5920. On pp. 3 & 4.
- [Kiepiela *et al.*, 2007] P. Kiepiela, K. Ngumbela, C. Thobakgale, D. Ramduth, I. Honeyborne, E. Moodley, S. Reddy, C. de Pierres, Z. Mncube, N. Mkhwanazi, K. Bishop, M. van der Stok, K. Nair, N. Khan, H. Crawford, R. Payne, A. Leslie, J. Prado, A. Prendergast, J. Frater, N. McCarthy, C. Brander, G. H. Learn, D. Nickle, C. Rousseau, H. Coovadia, J. I. Mullins, D. Heckerman, B. D. Walker, & P. Goulder, 2007. CD8+ T-cell responses to different HIV proteins have discordant associations with viral load. *Nat Med* **13**(1):46–53. On pp. 10 & 12.
- [Kim *et al.*, 2006] M. Kim, H.-B. Moon, K. Kim, & K.-Y. Lee, 2006. Antigen dose governs the shaping of CTL repertoires in vitro and in vivo. *Int Immunol* **18**(3):435–44. On p. 4.
- [Klenerman *et al.*, 1996] P. Klenerman, G. Luzzi, K. McIntyre, R. Phillips, & A. McMichael, 1996. Identification of a novel HLA-A25 restricted epitope in a conserved region of p24 gag (positions 71–80). *AIDS* **10**:348–350. On p. 7.
- [Koenig *et al.*, 1990] S. Koenig, T. R. Fuerst, L. V. Wood, R. M. Woods, J. A. Suzich, G. M. Jones, V. F. de la Cruz, R. T. Davey, Jr., S. Venkatesan, B. Moss, W. E. Biddison, & A. S. Fauci, 1990. Mapping the fine specificity of a cytotoxic T cell response to HIV-1 Nef protein. *J Immunol* **145**:127–135. On p. 6.
- [Kurane & West, 1999] I. Kurane & K. West, 1999. Personal communication. On pp. 7 & 12.
- [Leslie *et al.*, 2005] A. Leslie, D. Kavanagh, I. Honeyborne, K. Pfafferott, C. Edwards, T. Pillay, L. Hilton, C. Thobakgale, D. Ramduth, R. Draenert, S. Le Gall, G. Luzzi, A. Edwards, C. Brander, A. K. Sewell, S. Moore, J. Mullins, C. Moore, S. Mallal, N. Bhardwaj, K. Yusim, R. Phillips, P. Klenerman, B. Korber, P. Kiepiela, B. Walker, & P. Goulder, 2005. Transmission and accumulation of CTL escape variants drive negative associations between HIV polymorphisms and HLA. *J Exp Med* **201**(6):891902. On p. 3.
- [Leslie *et al.*, 2004] A. J. Leslie, K. J. Pfafferott, P. Chetty, R. Draenert, M. M. Addo, M. Feeney, Y. Tang, E. C. Holmes, T. Allen, J. G. Prado, M. Altfeld, C. Brander, C. Dixon, D. Ramduth, P. Jeena, S. A. Thomas, A. St. John, T. A. Roach, B. Kupfer, G. Luzzi, A. Edwards, G. Taylor, H. Lyall, G. Tudor-Williams, V. Novelli, J. Martinez-Picado, P. Kiepiela, B. D. Walker, & P. J. R. Goulder, 2004. HIV evolution: CTL escape mutation and reversion after transmission. *Nat Med* **10**(3):282–289. On p. 3.
- [Lewinsohn, 1999] D. Lewinsohn, 1999. Personal communication. On pp. 7, 9, 11 & 12.
- [Lewinsohn & Riddell, 1999] D. Lewinsohn & S. Riddell, 1999. Personal communication. On p. 6.
- [Li *et al.*, 2007] B. Li, A. D. Gladden, M. Altfeld, J. M. Kaldor, D. A. Cooper, A. D. Kelleher, & T. M. Allen, 2007. Rapid reversion of sequence polymorphisms dominates early human immunodeficiency virus type 1 evolution. *J Virol* **81**(1):193–201. On p. 3.
- [Lieberman, 1999] J. Lieberman, 1999. Personal communication. On pp. 11 & 13.
- [Lieberman *et al.*, 1992] J. Lieberman, J. A. Fabry, M.-C. Kuo, P. Earl, B. Moss, & P. R. Skolnik, 1992. Cytotoxic T lymphocytes from HIV-1 seropositive individuals recognize immunodominant epitopes in gp160 and reverse transcriptase. *J Immunol* **148**:2738–2747. On pp. 7 & 11.
- [Linde & Faircloth, 2006] C. Linde & K. Faircloth, 2006. Personal communication. On p. 9.
- [Liu *et al.*, 2006] Y. Liu, J. McNevin, J. Cao, H. Zhao, I. Genowati, K. Wong, S. McLaughlin, M. D. McSweyn, K. Diem, C. E. Stevens, J. Maenza, H. He, D. C. Nickle, D. Shriner, S. E. Holte, A. C. Collier, L. Corey, M. J. McElrath, & J. I. Mullins, 2006. Selection on the human immunodeficiency virus type 1 proteome following primary infection. *J Virol* **80**(19):9519–9529. On pp. 3, 7, 11 & 15.
- [Maier & Autran, 1999] B. Maier & B. Autran, 1999. Personal communication. On pp. 5 & 9.
- [Maier *et al.*, 1994] R. Maier, K. Falk, O. Rotzschke, B. Maier, V. Gnau, S. Stevanovic, G. Jung, H.-G. Rammensee, & A. Meyerhans, 1994. Peptide motifs of HLA-A3, -A24, and -B7 molecules as determined by pool sequencing. *Immunogenetics* **40**:306–308. On p. 7.
- [Marsh *et al.*, 2000] S. G. E. Marsh, P. Parham, & L. D. Barber, 2000. *The HLA FactsBook*. Academic Press, San Diego. On p. 6.
- [Martinez-Picado *et al.*, 2006] J. Martinez-Picado, J. G. Prado, E. E. Fry, K. Pfafferott, A. Leslie, S. Chetty, C. Thobakgale, I. Honeyborne, H. Crawford, P. Matthews, T. Pillay, C. Rousseau, J. I. Mullins, C. Brander, B. D. Walker, D. I. Stuart, P. Kiepiela, & P. Goulder, 2006. Fitness cost of escape mutations in p24 Gag in association with control of human immunodeficiency virus type 1. *J Virol* **80**(7):3617–3623. On p. 3.

- [Masemola *et al.*, 2004a] A. Masemola, T. Mashishi, G. Khoury, P. Mhube, P. Mokgotho, E. Vardas, M. Colvin, L. Zijenah, D. Katzenstein, R. Musonda, S. Allen, N. Kumwenda, T. Taha, G. Gray, J. McIntyre, S. A. Karim, H. W. Sheppard, & C. M. Gray, 2004a. Hierarchical targeting of subtype C human immunodeficiency virus type 1 proteins by CD8+ T cells: Correlation with viral load. *J Virol* **78**(7):3233–3243. On p. 3.
- [Masemola *et al.*, 2004b] A. M. Masemola, T. N. Mashishi, G. Khoury, H. Bredell, M. Paximadis, T. Mathebula, D. Barkhan, A. Puren, E. Vardas, M. Colvin, L. Zijenah, D. Katzenstein, R. Musonda, S. Allen, N. Kumwenda, T. Taha, G. Gray, J. McIntyre, S. A. Karim, H. W. Sheppard, C. M. Gray, & HIVNET 028 Study Team, 2004b. Novel and promiscuous CTL epitopes in conserved regions of Gag targeted by individuals with early subtype C HIV type 1 infection from southern Africa. *J Immunol* **173**(7):4607–4617. On pp. 7, 10, 13 & 15.
- [McKinney *et al.*, 1999] D. McKinney, D. Lewinson, S. Riddell, P. Greenberg, & D. Mosier, 1999. The antiviral activity of HIV-specific CD8+ CTL clones is limited by elimination due to encounter with HIV-infected targets. *J Immunol* **163**:861–867. On p. 11.
- [Messaoudi *et al.*, 2002] I. Messaoudi, J. A. Guevara Patiño, R. Dyall, J. LeMaout, & J. Nikolich-Zugich, 2002. Direct link between MHC polymorphism, T cell avidity, and diversity in immune defense. *Science* **298**(5599):1797–1800. On p. 4.
- [Migueles *et al.*, 2003] S. A. Migueles, A. C. Laborico, H. Imamichi, W. L. Shupert, C. Royce, M. McLaughlin, L. Ehler, J. Metcalf, S. Liu, C. W. Hallahan, & M. Connors, 2003. The differential ability of HLA B*5701+ long-term nonprogressors and progressors to restrict human immunodeficiency virus replication is not caused by loss of recognition of autologous viral gag sequences. *J Virol* **77**(12):6889–6898. On p. 3.
- [Nixon *et al.*, 1999] D. F. Nixon, D. Douek, P. J. Kuebler, X. Jin, M. Vesanen, S. Bonhoeffer, Y. Cao, R. A. Koup, D. D. Ho, & M. Markowitz, 1999. Molecular tracking of an human immunodeficiency virus nef specific cytotoxic T cell clone shows persistence of clone-specific T cell receptor DNA but not mRNA following early combination antiretroviral therapy. *Immunol Lett* **66**:219–28. On p. 15.
- [Nixon *et al.*, 1988] D. F. Nixon, A. R. M. Townsend, J. G. Elvin, C. R. Rizza, J. Gallwey, & A. J. McMichael, 1988. HIV-1 gag-specific cytotoxic T lymphocytes defined with recombinant vaccinia virus and synthetic peptides. *Nature* **336**:484–487. On p. 11.
- [Novitsky *et al.*, 2001] V. Novitsky, N. Rybak, M. F. McLane, P. Gilbert, P. Chigwedere, I. Klein, S. Gaolekwe, S. Y. Chang, T. Peter, I. Thior, T. Ndung'u, F. Vannberg, B. T. Foley, R. Marlink, T. H. Lee, & M. Essex, 2001. Identification of human immunodeficiency virus type 1 subtype C Gag-, Tat-, Rev-, and Nef-specific elispot-based cytotoxic T-lymphocyte responses for AIDS vaccine design. *J Virol* **75**(19):9210–9228. On p. 10.
- [Ogg *et al.*, 1998] G. S. Ogg, X. Jin, S. Bonhoeffer, P. R. Dunbar, M. A. Nowak, S. Monard, J. P. Segal, Y. Cao, S. L. Rowland-Jones, V. Cerundolo, A. Hurley, M. Markowitz, D. D. Ho, D. F. Nixon, & A. J. McMichael, 1998. Quantitation of HIV-1-specific cytotoxic T lymphocytes and plasma load of viral RNA. *Science* **279**:2103–6. On pp. 11 & 12.
- [Oxenius *et al.*, 2002] A. Oxenius, B. K. Jakobsen, P. J. Easterbrook, J. M. Boulter, T. Tun, A. Waters, J. Agudelo, M. Barnardo, R. E. Phillips, & D. A. Price, 2002. Complete mapping of a novel HLA A*6801-restricted HIV-1 Tat epitope directly with a rapid modified enzyme-linked immunospot assay. *AIDS* **16**(9):1285–1287. On p. 8.
- [Parker *et al.*, 1994] K. C. Parker, M. A. Bednarek, & J. E. Coligan, 1994. Scheme for ranking potential HLA-A2 binding peptides based on independent binding of individual peptide side-chains. *J Immunol* **152**. On p. 5.
- [Parker *et al.*, 1992] K. C. Parker, M. A. Bednarek, L. K. Hull, U. Utz, B. C. H. J. Zweerink, W. E. Biddison, & J. E. Coligan, 1992. Sequence motifs important for peptide binding to the human MHC class I molecule, HLA-A2. *J Immunol* **149**. On p. 5.
- [Peyerl *et al.*, 2004] F. W. Peyerl, H. S. Bazick, M. H. Newberg, D. H. Barouch, J. Sodroski, & N. L. Letvin, 2004. Fitness costs limit viral escape from cytotoxic T lymphocytes at a structurally constrained epitope. *J Virol* **78**(24):13901–13910. On p. 3.
- [Price *et al.*, 2005] D. A. Price, J. M. Brenchley, L. E. Ruff, M. R. Betts, B. J. Hill, M. Roederer, R. A. Koup, S. A. Migueles, E. Gostick, L. Wooldridge, A. K. Sewell, M. Connors, & D. C. Douek, 2005. Avidity for antigen shapes clonal dominance in CD8+ T cell populations specific for persistent DNA viruses. *J Exp Med* **202**(10):1349–1361. On p. 4.
- [Price *et al.*, 1997] D. A. Price, P. J. Goulder, P. Klenerman, A. K. Sewell, P. J. Easterbrook, M. Troop, C. R. Bangham, & R. E. Phillips, 1997. Positive selection of HIV-1 cytotoxic T lymphocyte escape variants during primary infection. *Proc Natl Acad Sci USA* **94**:1890–1895. On p. 9.
- [Price *et al.*, 2004] D. A. Price, S. M. West, M. R. Betts, L. E. Ruff, J. M. Brenchley, D. R. Ambrozak, Y. Edghill-Smith, M. J. Kuroda, D. Bogdan, K. Kunstman, N. L. Letvin, G. Franchini, S. M. Wolinsky, R. A. Koup, & D. C. Douek, 2004. T cell receptor recognition motifs govern immune escape patterns in acute SIV infection. *Immunity* **21**(6):793–803. On p. 4.
- [Rammensee *et al.*, 1999] H.-G. Rammensee, J. Bachmann, N. P. N. Emmerich, O. A. Bachor, & S. Stevanović, 1999. SYFPEITHI: Database for MHC ligands and peptide motifs. *Immunogenetics* **50**(3-4):213–219. On pp. 7, 8, 9, 11, 12 & 13.
- [Rammensee *et al.*, 1995] H.-G. Rammensee, T. Friede, & S. Stevanovic, 1995. MHC ligands and peptide motifs: First listing. *Immunogenetics* **41**:178–228. On pp. 6 & 11.
- [Rathod, 2006] A. Rathod, 2006. Personal communication. On pp. 5, 8, 10 & 11.
- [Rathod & Bishop, 2006] A. Rathod & K. Bishop, 2006. Personal communication. On pp. 10, 11 & 14.
- [Rathod & Honeyborne, 2006] A. Rathod & I. Honeyborne, 2006. Personal communication. On p. 15.
- [Rathod & Kiepiela, 2005] A. Rathod & P. Kiepiela, 2005. Personal communication. On p. 8.
- [Reid *et al.*, 1996] S. W. Reid, S. McAdam, K. J. Smith, P. Klenerman, C. A. O'Callaghan, K. Harlos, B. K. Jakobsen, A. J. McMichael, J. I. Bell, D. I. Stuart, & E. Y. Jones, 1996. Antagonist HIV-1 Gag peptides induce structural changes in HLA B8. *J Exp Med* **184**(6):2279–2286. On p. 9.
- [Rodriguez *et al.*, 2004] W. R. Rodriguez, M. M. Addo, A. Rathod, C. A. Fitzpatrick, X. G. Yu, B. Perkins, E. S. Rosenberg, M. Altfeld, & B. D. Walker, 2004. CD8+ T lymphocyte responses target functionally important regions of Protease and Integrase in HIV-1 infected subjects. *J Transl Med* **2**(1). On pp. 7, 12 & 13.
- [Rowland-Jones, 1999] S. Rowland-Jones, 1999. Personal communication. On pp. 7, 8 & 11.
- [Rowland-Jones *et al.*, 1998] S. L. Rowland-Jones, T. Dong, K. R. Fowke, J. Kimani, P. Krausa, H. Newell, T. Blanchard, K. Ariyoshi, J. Oyugi, E. Ngugi, J. Bwayo, K. S. MacDonald, A. J. McMichael, & F. A. Plummer, 1998. Cytotoxic T cell responses to multiple conserved HIV epitopes in HIV-resistant prostitutes in Nairobi. *J Clin Invest* **102**(9):1758–1765. On p. 11.

- [Rowland-Jones *et al.*, 1995] S. L. Rowland-Jones, J. Sutton, K. Ariyoshi, T. Dong, F. Gotch, S. McAdam, D. Whitby, S. Sably, A. Gallimore, T. Corrah, M. Takiguchi, T. Schultz, A. McMichael, & H. Whittle, 1995. HIV-specific cytotoxic T cells in HIV-exposed but uninfected Gambian women. *Nature Medicine* **1**:59–64. On p. 11.
- [Sabbaj *et al.*, 2003] S. Sabbaj, A. Bansal, G. D. Ritter, C. Perkins, B. H. Edwards, E. Gough, J. Tang, J. J. Szinger, B. Korber, C. M. Wilson, R. A. Kaslow, M. J. Mulligan, & P. A. Goepfert, 2003. Cross-reactive CD8+ T cell epitopes identified in US adolescent minorities. *J Acquir Immune Defic Syndr* **33**(4):426–438. On pp. 5, 7, 10, 12 & 13.
- [Sabbaj *et al.*, 2004] S. Sabbaj, D. Ritter, P. Goepfert, *et al.*, 2004. Personal communication. On pp. 8, 12 & 13.
- [Safrit *et al.*, 1994a] J. T. Safrit, C. A. Andrews, T. Zhu, D. D. Ho, & R. A. Koup, 1994a. Characterization of human immunodeficiency virus type 1-specific cytotoxic T lymphocyte clones isolated during acute seroconversion: Recognition of autologous virus sequences within a conserved immunodominant epitope. *J Exp Med* **179**:463–472. On p. 8.
- [Safrit *et al.*, 1994b] J. T. Safrit, A. Y. Lee, C. A. Andrews, & R. A. Koup, 1994b. A region of the third variable loop of HIV-1 gp120 is recognized by HLA-B7-restricted CTLs from two acute seroconversion patients. *J Immunol* **153**:3822–3830. On pp. 8 & 9.
- [Satoh *et al.*, 2005] M. Satoh, Y. Takamiya, S. Oka, K. Tokunaga, & M. Takiguchi, 2005. Identification and characterization of HIV-1-specific CD8+ T cell epitopes presented by HLA-A*2601. *Vaccine* **23**(29):3783–3790. On p. 4.
- [Seeger *et al.*, 1998] F. H. Seeger, D. Arnold, T. Dumrese, H. de la Salle, D. Fricker, H. Schild, H. G. Rammensee, & S. Stevanovic, 1998. The HLA-B*1516 motif demonstrates HLA-B-specific P2 pocket characteristics. *Immunogenetics* **48**:156–160. On p. 10.
- [Shankar *et al.*, 1996] P. Shankar, J. A. Fabry, D. M. Fong, & J. Lieberman, 1996. Three regions of HIV-1 gp160 contain clusters of immunodominant CTL epitopes. *Immunol Lett* **52**:23–30. On pp. 7, 9 & 13.
- [Shiga *et al.*, 1996] H. Shiga, T. Shioda, H. Tomiyama, Y. Takamiya, S. Oka, S. Kimura, Y. Yamaguchi, T. Goujoubori, H. G. Rammensee, K. Miwa, & M. Takiguchi, 1996. Identification of multiple HIV-1 cytotoxic T cell epitopes presented by human leukocyte antigen B35 molecule. *AIDS* **10**:1075–1083. On p. 11.
- [Sipsas *et al.*, 1997] N. V. Sipsas, S. A. Kalams, A. Trocha, S. He, W. A. Blattner, B. D. Walker, & R. P. Johnson, 1997. Identification of type-specific cytotoxic T lymphocyte responses to homologous viral proteins in laboratory workers accidentally infected with HIV-1. *J Clin Invest* **99**:752–62. On pp. 6, 9, 11 & 13.
- [Sutton *et al.*, 1993] J. Sutton, S. Rowland-Jones, W. Rosenberg, D. Nixon, F. Gotch, X.-M. Gao, N. Murray, A. Spoonas, P. Driscoll, M. Smith, A. Willis, & A. McMichael, 1993. A sequence pattern for peptides presented to cytotoxic T lymphocytes by HLA B8 revealed by analysis of epitopes and eluted peptides. *Eur J Immunol* **23**:447–453. On p. 9.
- [Takahashi *et al.*, 1991] K. Takahashi, L.-C. Dai, T. R. Fuerst, W. E. Bidison, P. L. Earl, B. Moss, & F. A. Ennis, 1991. Specific lysis of human immunodeficiency virus type 1-infected cells by a HLA-A3.1-restricted CD8+ cytotoxic T-lymphocyte clone that recognizes a conserved peptide sequence within the gp41 subunit of the envelope protein. *Proc Natl Acad Sci USA* **88**:10277–10281. On p. 6.
- [Threlkeld *et al.*, 1997] S. C. Threlkeld, P. A. Wentworth, S. A. Kalams, B. M. Wilkes, D. J. Ruhl, E. Kepgh, J. Sidney, S. Southwood, B. D. Walker, & A. Sette, 1997. Degenerate and promiscuous recognition by CTL of peptides presented by the MHC class I A3-like superfamily. *J Immunol* **159**(4):1648–1657. On p. 6.
- [Tomiyama *et al.*, 1999] H. Tomiyama, T. Sakaguchi, K. Miwa, S. Oka, A. Iwamoto, Y. Kaneko, & M. Takiguchi, 1999. Identification of multiple HIV-1 CTL epitopes presented by HLA-B*5101. *Hum Immunol* **60**:177–186. On p. 13.
- [Trocha, 2002] A. Trocha, 2002. Personal communication. On p. 15.
- [Tsomides *et al.*, 1991] T. J. Tsomides, B. D. Walker, & H. N. Eisen, 1991. An optimal viral peptide recognized by CD8+ T cells binds very tightly to the restricting class I major histocompatibility complex protein on intact cells but not to the purified class I protein. *Proc Natl Acad Sci USA* **88**:11276–11280. On p. 5.
- [van Baalen *et al.*, 1996] C. A. van Baalen, M. R. Klein, R. C. Huisman, M. E. Dings, S. R. K. Garde, A. M. Geretti, R. Gruters, C. A. van Els, F. Miedema, & A. D. Osterhaus, 1996. Fine-specificity of cytotoxic T lymphocytes which recognize conserved epitopes of the Gag protein of human immunodeficiency virus type 1. *J Gen Virol* **77**:1659–1665. On p. 7.
- [van der Burg *et al.*, 1997] S. H. van der Burg, M. R. Klein, O. Ponte-silli, A. M. Holwerda, J. Drijfhout, W. M. Kast, F. Miedema, & C. J. M. Melief, 1997. HIV-1 reverse transcriptase-specific CTL against conserved epitopes do not protect against progression to AIDS. *J Immunol* **159**:3648–3654. On p. 14.
- [Walker *et al.*, 1989] B. D. Walker, C. Flexner, K. Birch-Limberger, L. Fisher, T. J. Paradis, A. Aldovini, R. Young, B. Moss, & R. T. Schooley, 1989. Long-term culture and fine specificity of human cytotoxic T-lymphocyte clones reactive with human immunodeficiency virus type 1. *Proc Natl Acad Sci USA* **86**:9514–9518. On pp. 5 & 9.
- [Wilkes, 1999] B. M. Wilkes, 1999. Personal communication. On p. 8.
- [Wilkes & Ruhl, 1999] B. M. Wilkes & D. J. Ruhl, 1999. Personal communication. On pp. 6, 9, 11, 12 & 13.
- [Wilkes *et al.*, 1999] B. M. Wilkes, D. J. Ruhl, & P. J. Goulder, 1999. Personal communication. On p. 9.
- [Wilson, 1999] C. C. Wilson, 1999. Personal communication. On pp. 9 & 10.
- [Wilson *et al.*, 1999] C. C. Wilson, R. C. Brown, B. T. Korber, B. M. Wilkes, D. J. Ruhl, D. Sakamoto, K. Kunstman, K. Luzuriaga, I. C. Hanson, S. M. Widmayer, A. Wiznia, S. Clapp, A. J. Ammann, R. A. Koup, S. M. Wolinsky, & B. D. Walker, 1999. Frequent detection of escape from cytotoxic T-lymphocyte recognition in perinatal human immunodeficiency virus (HIV) type 1 transmission: The ariel project for the prevention of transmission of HIV from mother to infant. *J Virol* **73**:3975–3985. On p. 11.
- [Wilson *et al.*, 1997] C. C. Wilson, S. A. Kalams, B. M. Wilkes, D. J. Ruhl, F. Gao, B. H. Hahn, I. C. Hanson, K. Luzuriaga, S. Wolinsky, R. Koup, S. P. Buchbinder, R. P. Johnson, & B. D. Walker, 1997. Overlapping epitopes in human immunodeficiency virus type 1 gp120 presented by HLA A, B, and C molecules: Effects of viral variation on cytotoxic T-lymphocyte recognition. *J Virol* **71**:1256–1264. On pp. 9, 10, 13 & 15.
- [Yang, 2006] O. Yang, 2006. Personal communication. On pp. 9 & 11.
- [Yeh *et al.*, 2006] W. W. Yeh, E. M. Cale, P. Jaru-Ampornpan, C. I. Lord, F. W. Peyerl, & N. L. Letvin, 2006. Compensatory substitutions restore normal core assembly in simian immunodeficiency virus isolates with Gag epitope cytotoxic T-lymphocyte escape mutations. *J Virol* **80**(16):8168–8177. On p. 3.
- [Yu *et al.*, 2002a] X. G. Yu, M. M. Addo, E. S. Rosenberg, W. R. Rodriguez, P. K. Lee, C. A. Fitzpatrick, M. N. Johnston, D. Strick, P. J. R. Goulder, B. D. Walker, & M. Altfeld, 2002a. Consistent patterns in the development and immunodominance of human immunodeficiency virus type 1 (HIV-1)-specific CD8+ T-cell responses following acute HIV-1 infection. *J Virol* **76**(17):8690–8701. On pp. 6, 9 & 15.

[Yu *et al.*, 2006] X. G. Yu, M. Lichterfeld, S. Chetty, K. L. Williams, S. K. Mui, T. Miura, N. Frahm, M. E. Feeney, Y. Tang, F. Pereyra, M. X. LaBute, K. Pfafferott, A. Leslie, H. Crawford, R. Allgaier, W. Hildebrand, R. Kaslow, C. Brander, T. M. Allen, E. S. Rosenberg, P. Kiepiela, M. Vajpayee, P. A. Goepfert, M. Altfeld, P. J. R. Goulder, & B. D. Walker, 2006. Mutually exclusive T cell receptor induction and differential susceptibility to HIV-1 mutational escape associated with a two amino acid difference between HLA class I subtypes. *J Virol* pp. JVI.01580–06. On pp. 3 & 4.

[Yu *et al.*, 2002b] X. G. Yu, H. Shang, M. M. Addo, R. L. Eldridge, M. N. Phillips, M. E. Feeney, D. Strick, C. Brander, P. J. R. Goulder, E. S. Rosenberg, B. D. Walker, & M. Altfeld, 2002b. Important contribution of p15 Gag-specific responses to the total Gag-specific CTL responses. *AIDS* **16**(3):321–328. On pp. 5, 10 & 12.

[Zhang *et al.*, 1993] Q.-I. Zhang, R. Gavioli, G. Klein, & M. G. Masucci, 1993. An HLA-A11-specific motif in nonamer peptides derived from viral and cellular proteins. *Proc Natl Acad Sci USA* **90**:2217–2221. On p. 6.

[Zuñiga *et al.*, 2006] R. Zuñiga, A. Lucchetti, P. Galvan, S. Sanchez, C. Sanchez, A. Hernandez, H. Sanchez, N. Frahm, C. H. Linde, H. S. Hewitt, W. Hildebrand, M. Altfeld, T. M. Allen, B. D. Walker, B. T. Korber, T. Leitner, J. Sanchez, & C. Brander, 2006. Relative dominance of Gag p24-specific cytotoxic T lymphocytes is associated with human immunodeficiency virus control. *J Virol* **80**(6):3122–3125. On p. 3.

I-B

Beyond *Mamu-A*01* + Indian Rhesus Macaques: Continued Discovery of New MHC Class I Molecules that Bind Epitopes from the Simian AIDS Viruses

John T. Loffredo^a, Laura E. Valentine^a, David I. Watkins^{a,b}

I-B-1 Introduction

Developing an effective vaccine against HIV is a global public health priority. Nonhuman primate research will play a critical role in such development as simian immunodeficiency virus (SIV) infection of nonhuman primates is the best animal model available for AIDS, and nonhuman primates are used for testing of vaccination strategies. In the past decade, substantial progress has been made in defining and characterizing T cell responses for this animal model.

Accumulating evidence suggests that cellular immune responses play a major role in controlling HIV and SIV replication, directing recent efforts to vaccine regimens that elicit CD8+ T lymphocyte responses [McMichael & Rowland-Jones, 2001]. A variety of studies have shown associations between certain MHC class I alleles in both slow and rapid HIV/SIV disease progression [Carrington & O'Brien, 2003; Bontrop & Watkins, 2005]. Of particular interest are "elite controllers" (ECs), rare individuals who spontaneously control HIV/SIV viremia to very low levels (<50 vRNA copies/ml of plasma for HIV-infected humans [Pereyra *et al.*, 2007], <1,000 vRNA copies/ml of plasma for SIV-infected macaques [Yant *et al.*, 2006; Loffredo *et al.*, 2007b]). Understanding this natural control may aid in the development of an effective HIV vaccine.

There are, unfortunately, many difficulties inherent to studying HIV-infected humans. Viral control appears to be mediated during resolution of acute phase viremia, with the

appearance of CD8+ T cell responses in both HIV-infected humans and SIV-infected macaques [Borrow *et al.*, 1994; Koup *et al.*, 1994; Reimann *et al.*, 1994; Yasutomi *et al.*, 1993; Kuroda *et al.*, 1999]. HIV is rarely diagnosed during acute infection however [Weintrob *et al.*, 2003; Kuo *et al.*, 2005; Mayben *et al.*, 2007], making the study of immune responses involved in initial control of HIV replication extremely difficult. This is further complicated by the diversity of HIV isolates with which individuals might be infected.

AIDS research with nonhuman primates provides an animal model to complement human studies. Nonhuman primates can provide examples of successful immune containment of pathogenic immunodeficiency virus replication, and researchers have direct control over key variables such as virus strain, host genotype, and route of infection. Perhaps most importantly, the immunology and pathogenesis of acute infection can easily be studied in macaques. Overall, studying immune responses to SIV in macaques is simpler than studying immune responses to HIV in humans. All macaques can be infected with a known, often clonal, viral stock. Infection with a defined viral stock enables complete and accurate immunological tracking of early immune responses by the use of corresponding peptides in *ex vivo* immunological assays. Moreover, the timing of immune responses after infection, the associated viral sequence evolution, and plasma virus concentrations may be closely monitored.

Most published studies of CD8+ T cell responses in Indian rhesus macaques have used animals which express the common MHC class I allele *Mamu-A*01*. This allele was found to be associated with lower set-point viremia in vaccinated and non-vaccinated macaques in several studies [Mao *et al.*, 2005; Mühl *et al.*, 2002; Pal *et al.*, 2002; Zhang *et al.*, 2002]. Such animals have been used largely because their CD8+ T cell responses were the first to be exhaustively identified, and *Mamu-A*01* can be readily identified using sequence-specific PCR primers [Knapp *et al.*, 1997]. The *Mamu-A*01* peptide binding motif has been defined, and a comprehensive scan of the SIVmac239

^aWisconsin National Primate Research Center, University of Wisconsin-Madison, Madison, Wis., USA

^bDepartment of Pathology and Laboratory Medicine, University of Wisconsin-Madison, Madison, Wis., USA

In *HIV Molecular Immunology 2006/2007*. Bette T. M. Korber, Christian Brander, Barton F. Haynes, Richard Koup, John P. Moore, Bruce D. Walker, and David I. Watkins, editors. Publisher: Los Alamos National Laboratory, Theoretical Biology and Biophysics, Los Alamos, New Mexico. p. 29–51.

proteome yielded fourteen epitopes restricted by this MHC class I molecule [Allen *et al.*, 1998, 2001]. Tetramers are available for several of these epitopes, facilitating detailed vaccine and pathogenesis studies [Kuroda *et al.*, 1998; Allen *et al.*, 2001; Mothé *et al.*, 2002a; Egan *et al.*, 1999; Allen *et al.*, 2000].

As described in the previous compendium update and elsewhere, this focus on *Mamu-A*01+* macaques has created a bottleneck in AIDS vaccine research due to a shortage of animals expressing this allele [O'Connor *et al.*, 2002b; Cohen, 2000]. Compared to the human system, only a small fraction of macaque MHC class I alleles have been characterized at this time [Bontrop & Watkins, 2005]. Since the publication of the last SIV compendium review in 2001 [O'Connor *et al.*, 2002b], significant advances have been made in understanding nonhuman primate immunogenetics. Two MHC class I alleles, *Mamu-B*17* and *Mamu-B*08*, were found to be enriched in EC cohorts and associated with reduced SIV replication in the chronic phase of infection [Yant *et al.*, 2006; Loffredo *et al.*, 2007b]. The binding motifs of four additional Indian rhesus macaque MHC class I alleles have been defined, and the SIVmac239 epitopes presented by these alleles identified [Mothé *et al.*, 2002b; Loffredo *et al.*, 2004; Sette *et al.*, 2005; Loffredo *et al.*, 2005]. Knowledge of the minimal-optimal epitopes restricted by these alleles should allow the use of many more Indian rhesus macaques in studies of CD8+ T cell dynamics following SIV infection, as well as a fuller understanding of the immune responses generated against SIV. Additionally, several other species of macaques are now being used in AIDS research, and their cellular immune responses are beginning to be defined.

This review highlights recent advances in AIDS research using nonhuman primate models and provides a comprehensive list of the published MHC class I and class II epitopes (Table I-B.1 and Table I-B.2). A summary of the peptide-binding motifs of several macaque MHC alleles is also presented (Table I-B.3).

I-B-2 Indian rhesus macaques: MHC class I molecules and CD8+ T cell epitopes

The Indian rhesus macaque (*Macaca mulatta*) remains the best characterized and most commonly studied nonhuman primate AIDS model. At this time, the peptide binding motifs of five MHC class I molecules (*Mamu-A*01*, *-A*02*, *-A*11*, *-B*01*, and *-B*17*) have been fully defined in the SIV-infected rhesus macaque model (Table I-B.3), enabling the identification of 43 of the 66 known SIV-specific CD8+ T cell epitopes (Table I-B.1) [Allen *et al.*, 1998, 2001; Mothé *et al.*, 2002b; Loffredo *et al.*, 2004; Sette *et al.*, 2005; Loffredo *et al.*, 2005]. As described

above, *Mamu-A*01* has been intensely investigated, as it was the first MHC class I molecule studied in detail [Allen *et al.*, 1998; Furchner *et al.*, 1999; Allen *et al.*, 2001, 2000; Egan *et al.*, 1999; Barouch *et al.*, 2002; Mothé *et al.*, 2002a; O'Connor *et al.*, 2002a; Zhang *et al.*, 2002; Pal *et al.*, 2002; Mühl *et al.*, 2002; O'Connor *et al.*, 2004; Friedrich *et al.*, 2004b; Knapp *et al.*, 1997; Peyerl *et al.*, 2003; Kuroda *et al.*, 1998; Loffredo *et al.*, 2007a]. The addition of four well-characterized MHC class I molecules significantly broadens the repertoire of immune responses that researchers may effectively monitor in animal studies. *Mamu-A*02* and *Mamu-B*17* are particularly helpful with twenty [Vogel *et al.*, 2002a; Loffredo *et al.*, 2004; Robinson *et al.*, 2001; Watanabe *et al.*, 1994] and twelve [Evans *et al.*, 1999, 2000; Dzuris *et al.*, 2000; Mothé *et al.*, 2002b; Horton *et al.*, 2001] epitopes, respectively, known to be restricted by these two alleles. In addition, each is present at a high frequency (>10%), in most captive rhesus macaque colonies [Kaizu *et al.*, 2007].

*Mamu-B*01*, another high frequency allele, is unusual in that it does not appear to be involved in the immune response directed against SIVmac239 [Loffredo *et al.*, 2005], although previous published reports had described six *Mamu-B*01*-restricted CD8+ T cell epitopes [Yasutomi *et al.*, 1995; Su *et al.*, 2005]. However, the MHC restriction of these six putative *Mamu-B*01*-restricted epitopes was not verified with MHC class I transfection of 721.221 cells [Yasutomi *et al.*, 1995; Su *et al.*, 2005]. In a subsequent study, it was found that the putative epitopes did not bind to *Mamu-B*01* with biologically relevant affinities [Loffredo *et al.*, 2005], nor were CD8+ responses to these peptides detected in eight *Mamu-B*01+* SIV-infected Indian rhesus macaques. Hence, vaccine immunogenicity studies in *Mamu-B*01+* macaques may not yield useful results.

I-B-3 Indian rhesus macaques: web-based immunogenetics resources

Based on the identified SIV-specific CD8+ T cell epitopes and the peptide binding profiles of their corresponding Indian rhesus macaque MHC class I alleles, a computational algorithm was developed to predict the peptide binding and potential T cell epitopes restricted by the MHC class I molecules *Mamu-A*01*, *-A*02*, *-A*11*, *-B*01*, and *-B*17* [Peters *et al.*, 2005a]. This can be accessed at the website <http://www.mamu.liai.org/>. Previous studies defined detailed peptide binding motifs, aiding discovery of the majority of identified SIVmac239 epitopes [Allen *et al.*, 1998, 2001; Mothé *et al.*, 2002b; Loffredo *et al.*, 2004; Sette *et al.*, 2005; Loffredo *et al.*, 2005]. However, it is possible that epitope screens done in chronically infected macaques failed to detect some subdominant responses restricted by these alleles. Identification and characterization

of additional subdominant responses may be aided by using the website's search engine to find the predictive binding values of peptides within regions of novel responses of unknown restriction. In addition, this resource may be of use to researchers studying other viral pathogens in the Indian rhesus macaque, expediting CD8+ T cell epitope identification. The Immune Epitope Database and Analysis Resource (IEDB) [Peters *et al.*, 2005b], located at <http://www.immuneepitope.org/>, is another useful resource recently made available. The IEDB project is hosted at the La Jolla Institute for Allergy and Immunology (LIAI), and one of its foci is the compilation of known immune (antibody and T cell) epitopes and MHC binding data. These two resources provide useful information regarding the epitopes and alleles discussed in this review, in addition to covering humans, rodents, and various other animal species.

I-B-4 Indian rhesus macaques: viral evolution and epitope cross-reactivity

As more epitopes restricted by different Indian rhesus macaque alleles have been identified and followed over the course of SIV infection, sequencing of viral RNA has revealed selection of variation by CD8+ T cells. Escape mutations are detected in many epitopes targeted by CD8+ T cells, and variation is found in epitopes restricted by each of the alleles discussed previously in the review [Evans *et al.*, 1999; Allen *et al.*, 2000; O'Connor *et al.*, 2002a, 2004; Barouch *et al.*, 2002, 2003; Peyerl *et al.*, 2003; Friedrich *et al.*, 2004b; Loffredo *et al.*, 2004; Vogel *et al.*, 2002a]. This variation is selected for with varying kinetics following infection, though for a given epitope the same escape mutation is often found in multiple animals. Recent studies have also shown that viral escape from CD8+ T cell pressures can exact a fitness cost to the virus via fitness assays and reversion experiments [Friedrich *et al.*, 2004a; Peyerl *et al.*, 2003; Friedrich *et al.*, 2004b; Barouch *et al.*, 2005].

Reactivity to escape variant peptides is frequently detectable in enzyme-linked immunospot or intracellular cytokine staining assays. However, this putative "cross-reactivity" may be an artifact of the non-physiological antigen presentation that occurs when high concentrations of exogenous antigen are used to stimulate T cells. For at least two SIVmac239 epitopes, Mamu-A*01-restricted Gag₁₈₁₋₁₈₉CM9 and Tat₂₈₋₃₅SL8, consistent reactivity to escape variant peptides has been observed, albeit with reduced functional avidity. By contrast, cells infected with corresponding escape variant viruses were not recognized by CD8+ T cell lines specific for the wild-type epitope [Loffredo *et al.*, 2007a; Valentine *et al.*, 2007]. Whether *de novo* responses specific for escape variant sequences

are generated has not been rigorously studied.

I-B-5 Indian rhesus macaques: natural containment of pathogenic SIV replication

The most interesting, recent studies of Indian rhesus macaque immunogenetics involved the characterization of two MHC class I alleles associated with slow disease progression in SIV-infected macaques. Both *Mamu-B*17* and *Mamu-B*08*, unlike *Mamu-A*01*, are MHC class I alleles significantly enriched in elite controller (EC) cohorts [Yant *et al.*, 2006; Loffredo *et al.*, 2007b]. Fourteen of the sixteen (88%) EC macaques identified from a cohort of 196 SIVmac239-infected macaques expressed either *Mamu-B*17* or *Mamu-B*08*. This percentage is similar to a previous study that demonstrated the overrepresentation of *HLA-B*5701* (11 of 13, 85%) in a cohort of long term nonprogressors / ECs with normal CD4+ T cells counts and HIV replication less than 50 vRNA copies/ml [Migueles *et al.*, 2000]. *Mamu-B*17+* and *Mamu-B*08+* macaques also exhibit a greater reduction in SIV viremia compared to *Mamu-A*01+* macaques in a cohort of 196 SIVmac239-infected macaques [Yant *et al.*, 2006; Loffredo *et al.*, 2007b].

Intriguingly, the peptide binding motif of *Mamu-B*17* is broadly similar to that of *HLA-B57*, while the *Mamu-B*08* motif resembles that of *HLA-B27*. *HLA-B57* and *-B27* are associated with lower plasma virus concentrations in HIV-infected individuals [Carrington & O'Brien, 2003]. Although *Mamu-B*17* seems to tolerate a wider array of residues at position two than *HLA-B57*, both molecules require W, F, or Y at the C-terminal anchor position [Mothé *et al.*, 2002b; Rammensee *et al.*, 1999; Marsh *et al.*, 2000]. A previous study demonstrated that another macaque MHC class I molecule, *Mamu-B*03*, binds peptides conforming to the *HLA-B27* binding motif [Dzuris *et al.*, 2000]. This allele was also associated with slow SIV disease progression [Evans *et al.*, 1999], but additional studies were hindered by the low frequency of this allele in captive rhesus macaques (overall < 1%; Kaizu *et al.* [2007]). *Mamu-B*03* and *Mamu-B*08* are almost identical in amino acid sequence [Boyson *et al.*, 1996], with only two amino acid differences between *Mamu-B*03* and *Mamu-B*08* in regions that influence peptide binding and antigen recognition [Bjorkman *et al.*, 1987; Garrett *et al.*, 1989]. Both differences reside in the alpha-1 domain (exon two). Therefore, it is likely that *Mamu-B*08* also shares this *HLA-B27* binding profile. This hypothesis is supported by the fact that all seven *Mamu-B*08*-restricted CD8+ T cell epitopes currently described (Table I-B.1) fit the peptide-binding motif for *HLA-B27* of an R at position two and an L at the C-terminus [Loffredo *et al.*, 2007c]. Studies to completely define the *Mamu-B*08* peptide bind-

ing motif are ongoing, and should help to identify the complete repertoire of SIVmac239-specific CD8+ T cell epitopes restricted by Mamu-B*08.

The discovery of Mamu-B*17 and Mamu-B*08 now provide us with a unique opportunity not previously available due to technological and assay limitations. Currently, we have found that about 20–25% of Mamu-B*17+ and about 50% of Mamu-B*08+ SIV-infected Indian rhesus macaques are elite controllers [Yant *et al.*, 2006; Loffredo *et al.*, 2007b]. With peptide binding motifs similar to the analogous human EC alleles *HLA-B57* and *HLA-B27*, respectively, and definition of at least seven SIV epitopes for each macaque allele (Table I-B.1), investigators now have the resources to study successful immune responses against AIDS viruses in the SIV-infected macaque model.

I-B-6 Indian rhesus macaques: MHC class II molecules and CD4+ T cell epitopes

As with HIV, mapping of CD4+ T cell epitopes in SIV has lagged behind studies of CD8+ T cell epitopes. This is due in part to the difficulty in maintaining such responses in the face of ongoing viral replication, as HIV-specific CD4+ T cells are preferentially infected [Douek *et al.*, 2002]. Initially, studies focused on identifying Env-specific CD4+ T cell responses in SHIV-infected macaques [Lekutis & Letvin, 1997; Dzuris *et al.*, 2001; Lekutis *et al.*, 1997]. Two MHC class II molecules, Mamu-DRB1*0406 and Mamu-DRB*w201, presented three Env-specific CD4+ T cell responses, enabling an Env-specific MHC class II tetramer to be constructed [Kuroda *et al.*, 2000]. Later, peptide binding motifs for these two alleles were generated, and used to identify other SIV-derived peptides that Mamu-DRB1*0406 and Mamu-DRB*w201 might present [Dzuris *et al.*, 2001]. This investigation also discussed two new novel CD4+ T cell responses against Gag and Rev that were restricted by Mamu-DRB*w201. Unpublished data from Giraldo Vela *et al.* describe five additional MHC class II alleles that restrict CD4+ T cell responses in Gag, Rev, Nef, and Vpx, thereby doubling the number of known SIV/SHIV epitopes (Table I-B.2). Numerous other regions of SIV have been documented to contain CD4+ T cell epitopes [Mills *et al.*, 1991; Sarkar *et al.*, 2002; Vogel *et al.*, 2002b]. However, the MHC class II restriction of the majority of these responses remains undefined.

I-B-7 Alternatives to the SIV-infected Indian rhesus macaque animal model

The demand for Indian rhesus macaques has lessened somewhat with a growing interest in alternative nonhuman

primate models for AIDS. Currently, pigtail macaques (*Macaca nemestrina*) are being used in epitope identification and vaccine/pathogenesis studies. In addition, vaccine-induced immune responses have been effective at controlling SIVmac239 replication in Burmese macaques (*Macaca mulatta*), while the simple MHC genetics of Mauritian cynomolgus macaques (*Macaca fascicularis*) may offer unique opportunities for future SIV studies. There are, however, some key differences between these groups of animals, which are pertinent to SIV research.

All of these macaques, of the genus *Macaca*, are native to Asia and are non-natural hosts for SIV. Burmese-origin rhesus macaques, while the same species as Indian-origin rhesus macaques, are from a geographically separate population and possess divergent MHC class I alleles. Different subpopulations of rhesus macaques (Indian, Burmese, and Chinese origin) can be readily distinguished by mitochondrial DNA sequencing [Smith & McDonough, 2005], and by single nucleotide polymorphism analysis [Ferguson *et al.*, 2007; Malhi *et al.*, 2007], tools that may be useful for determining ancestry of animals with unknown origin. The most recent common ancestor of the rhesus macaque species is estimated to have lived about 1.9 million years ago, around the time rhesus macaques diverged from cynomolgus macaques [Hernandez *et al.*, 2007]. Pig-tailed macaques are somewhat more distantly related, having separated from the rhesus macaque lineage about 3.5 million years ago [Morales & Melnick, 1998].

These different groups of macaques experience varying degrees of pathogenicity following infection with commonly used SIV isolates. A comparative study by Reimann *et al.* [2005] found no significant difference in the acute-phase peak of viremia in SIVmac251-infected Indian rhesus, Chinese rhesus, and cynomolgus macaques, while a separate study of SIVmac251-infected pigtail macaques measured a very similar acute-phase viral peak [Batten *et al.*, 2006]. Differences in plasma virus concentrations emerge after acute infection, the timing of which suggests a determinative role for the adaptive immune response, rather than an inherent difference in the replicative capacity of SIV in these animals. Overall, rhesus macaques of Indian descent consistently have the highest viral set-points. In comparison, it appears that the chronic-phase plasma viremia of SIVmac239 in Burmese rhesus macaques (geometric mean of 65,000 vRNA copies/ml in one small study [Yamamoto *et al.*, 2007]) is similar, or perhaps slightly lower than that observed in a large cohort of Indian rhesus macaques (geometric mean 223,800 vRNA copies/ml, [Loffredo *et al.*, 2007b]). However, a direct comparison of these animals has not been published. Meanwhile, cynomolgus macaques have significantly reduced plasma virus concentrations (approximately two-logs) compared to Indian-origin rhesus macaques, with a large proportion of these cynomolgus macaques becoming ECs after SIVmac251 challenge [Reimann *et al.*, 2005].

Pigtail macaques are also productively infected with SIVmac251, with substantial variability in their viral set-point having been documented [Batten *et al.*, 2006].

Why different macaque species/subspecies have different disease courses following infection with the same virus has not been defined, but it is notable that SIV isolates used in the majority of studies (SIVmac239, SIVmac251, and SHIV-89.6P) have been passaged in rhesus macaques of Indian origin. One study has shown that passaging SIV in rhesus macaques of Chinese origin resulted in increased viral loads in subsequently infected Chinese macaques [Burdo *et al.*, 2005]. While the mutations acquired were not characterized, this study suggests that species-specific adaptations might play a role in determining viral set-point for different groups of animals.

I-B-8 Burmese rhesus macaques

Several interesting vaccine experiments have utilized SIV-infected Burmese rhesus macaques. A Gag-expressing DNA-prime/Sendai virus vector boost vaccination led to control of SIVmac239 replication in five of eight vaccinated Burmese macaques [Matano *et al.*, 2004]. By week five, the successful vaccinees had undetectable plasma virus concentrations. Interestingly, viruses from these five animals had escape mutations in Gag that appeared to have occurred at a high fitness cost to the virus [Matano *et al.*, 2004; Kobayashi *et al.*, 2005]. The escape analysis demonstrated that three vaccinees shared an MHC class I haplotype (90-120-Ia), which restricted some of the Gag-specific CD8+ T cell responses (Table I-B.1). Follow-up studies in these animals have shown that multiple Gag-specific CD8+ T lymphocyte responses were involved in the vaccine-induced control [Kawada *et al.*, 2006], and additional viral mutations associated with this MHC class I haplotype (90-120-Ia) accumulated. At this time, responses have not been mapped to specific MHC class I alleles.

Additionally, SIV-specific CD4 responses in the Burmese macaques are being investigated and appear to be associated with viral control [Lun *et al.*, 2004]. SIV-specific CD8+ T cells that are not directed against Gag also appear to be important in Burmese macaques, although responses have not yet been mapped [Kawada *et al.*, 2007].

I-B-9 Pigtail macaques

Until recently, research with pigtail macaques had been hampered by a lack of defined viral epitopes and limited characterization of pigtail macaque MHC class I alleles. However, over the past several years considerable effort has been directed toward understanding the immunogenetics of pigtail macaques, widening the resources available to researchers. Importantly, many *Macaca nemestrina* MHC

class I alleles (*Mane*) have now been characterized from more than 100 pigtail macaques [Lafont *et al.*, 2003; Pratt *et al.*, 2006; Smith *et al.*, 2005a].

Immunogenetic analyses of these animals have identified several defined minimal-optimal epitopes in Gag (Table I-B.1). Of particular interest is an immunodominant response, Gag₁₆₄₋₁₇₂KP9, restricted by the high frequency allele, Mane-A*10 (and later Mane-A*16, an MHC class I allele of similar sequence) [Smith *et al.*, 2005a,b]. This SIV epitope Gag₁₆₄₋₁₇₂KP9 has been studied extensively and parallels can be drawn to the Mamu-A*01-restricted CD8+ T cell epitope Gag₁₈₁₋₁₈₉CM9. Viral escape at position two of this epitope leads to loss of epitope recognition [Fernandez *et al.*, 2005]. Viral fitness was also impaired by this mutation, as evidenced by sequence reversion when the selective pressure of the Gag₁₆₄₋₁₇₂KP9-specific immune responses was removed [Fernandez *et al.*, 2005; Loh *et al.*, 2007; Fernandez *et al.*, 2007]. In addition, unvaccinated pigtail macaques infected with SIVmac251 that directed a response against Gag₁₆₄₋₁₇₂KP9 have significantly reduced plasma viremia compared to Gag₁₆₄₋₁₇₂KP9 non-responders [Smith *et al.*, 2005a].

Additional research has also identified three subdominant Gag responses in pigtail macaques restricted by various other MHC class I alleles (Table I-B.1) [Smith *et al.*, 2005a; Fernandez *et al.*, 2005; Pratt *et al.*, 2006]. Furthermore, several other Gag-specific CD8 and CD4 responses are currently being mapped, and their restriction elements determined [Fernandez *et al.*, 2005]. Finally, another study provided a comparative virological and immunological analysis of a variety of primate lentiviruses showing the variable pathogenicity of a variety of SIV/SHIVs that are available for use in pigtail macaques [Batten *et al.*, 2006].

I-B-10 Mauritian cynomolgus macaques

Research with cynomolgus macaques has not been as common as research with rhesus macaques because many SIV and SHIV strains are less pathogenic in the cynomolgus species [Reimann *et al.*, 2005]. However, lately there has been renewed interest in studying the SIV-specific immune responses in these animals, largely due to the unique immunogenetics of cynomolgus macaques from the Indian Ocean island of Mauritius. During the definition of 66 MHC class I alleles in cynomolgus macaques of Chinese, Vietnamese, and Mauritian origin, it was discovered that most MHC class I alleles could be divided by geographic origin, with few alleles shared by animals descended from geographically distinct populations [Krebs *et al.*, 2005]. This is similar to findings in Chinese and Indian rhesus macaques, which do not express the same MHC class I alleles [Ling *et al.*, 2002; Trichel *et al.*, 2002]. These data highlight the point that macaques from different origins are not interchangeable in studies of cellular immunity.

However, also of great interest was the finding that more than 50% of Mauritian cynomolgus macaques shared a combination of three MHC class I alleles. In contrast, the most frequent Indian rhesus macaque alleles are present at a frequency of only 25-30% in any given population [Kaizu *et al.*, 2007].

Follow-up analysis using microsatellite markers revealed that the Mauritian cynomolgus macaques have extremely simple MHC genetics, with six distinct chromosomal haplotypes accounting for almost all of the MHC class I and class II diversity in this population, likely due to these animals being recently descended from a small founder population [Lawler *et al.*, 1995]. Remarkably, 39% of Mauritian cynomolgus macaques carry at least one copy of the most frequent MHC haplotype, with 8% being homozygous for this haplotype [Wiseman *et al.*, 2007]. This extensive sharing of MHC haplotypes is unprecedented among macaques [Otting *et al.*, 2005; Penedo *et al.*, 2005; Krebs *et al.*, 2005; Wiseman *et al.*, 2007] and could expand the scope of SIV studies undertaken in non-human primates by allowing greater control over genetic variability. Studies are now possible in which entire MHC class I haplotypes are matched, rather than a single MHC class I molecule, as is typical in Indian rhesus macaque studies. This may simplify studying cellular immune responses by eliminating unknown influences of unmatched MHC class I alleles. In addition, adoptive lymphocyte transfers that are possible in inbred mouse strains might now be technically feasible with MHC-identical macaques. Recently, the MHC class II alleles for the six common haplotypes were characterized in these animals, enabling researchers to generate useful molecular reagents for CD4+ T cell studies [O'Connor *et al.*, 2007].

At this point, SIV epitopes restricted by these high frequency MHC class I alleles have not been mapped in Mauritian cynomolgus macaques. However, a recent study defined a single Gag minimal-optimal epitope of unknown MHC class I restriction [Negri *et al.*, 2006]. In addition, a similar breadth of cellular immune responses in Gag, Pol, Tat, Env, Rev, and Nef was identified in two MHC class I-identical SIVmac239-infected macaques. Corresponding viral variation was seen in Tat, Rev, and Nef that may prove to be escape from CD8+ T cell pressures [Wiseman *et al.*, 2007].

I-B-11 Advances in MHC genotyping methods

To support efficient utilization of limited nonhuman primate resources and maximize the understanding of SIV-specific immune responses in vaccine and viral pathogenesis studies, accurate and efficient MHC genotyping technologies are needed.

PCR amplification with sequence specific primers (PCR-

SSP) is currently the preferred method for MHC genotyping at allelic-level resolution in many human clinical laboratories [Olerup & Zetterquist, 1991, 1992] because this technique is specific, robust, and straightforward. The PCR-SSP platform enables rapid, high throughput analysis, yet it is cost effective and requires inexpensive equipment. These benefits have made it a productive choice for MHC class I genotyping of Indian rhesus macaques. Initial investigations designed PCR-SSP primers for a single MHC class I allele of interest, with unique PCR amplification conditions [Knapp *et al.*, 1997; Vogel *et al.*, 2002a; Horton *et al.*, 2001; Loffredo *et al.*, 2005; Robinson *et al.*, 2001; Schramm *et al.*, 2001; Su *et al.*, 2005]. However, recent technological improvements have allowed the use of unified PCR conditions, allowing simultaneous PCR amplification of eight Indian rhesus macaque MHC class I alleles [Kaizu *et al.*, 2007]. These alleles were selected since they have been implicated in the restriction of SIV-specific CD8+ T cell epitopes. Molecular genotyping of *Mamu-A*01*, *-A*02*, *-A*08*, *-A*11*, *-B*01*, *-B*03*, *-B*04*, and *-B*17* can now be conducted in a high throughput fashion, using genomic DNA as a template.

Although the importance of defining the complete MHC class I repertoire of a given macaque is well recognized, development of a simple, comprehensive molecular genotyping method for rhesus macaque MHC class I alleles has been difficult. During the evolution of this species, the *Mamu-A* and *Mamu-B* loci were duplicated [Bontrop & Watkins, 2005; Otting *et al.*, 2005; Daza-Vamenta *et al.*, 2004; Boyson *et al.*, 1996; Kulski *et al.*, 2004]. Therefore, macaques express a variable number of MHC class I alleles per haplotype.

The complexity of the nonhuman primate MHC is problematic for PCR-SSP-based genotyping since this technique can only detect known MHC alleles. Moreover, it is difficult to develop allele-specific primers in the absence of a reasonably complete allele database. The established methods to identify all of the alleles in a given macaque involve PCR cloning and sequencing, or generating macaque-derived cDNA libraries. While cDNA libraries are the gold standard in identifying MHC alleles, the process is very time consuming and expensive. PCR cloning and sequencing is a less time consuming alternative and requires less starting material. However, this technique may introduce PCR artifacts or provide incomplete MHC coverage due to primer mismatches. Therefore, alternative genotyping methods for rapid identification of all of the alleles in a given animal are being investigated.

The most developed of these techniques is reference strand-mediated conformational analysis, or RSCA. RSCA is a modified heteroduplex assay capable of characterizing complex gene families [Argüello & Madrigal, 1999; Argüello *et al.*, 2003; Kennedy *et al.*, 2005; Krebs *et al.*, 2005]. Heteroduplexes are created by hybridization between fluorescently labeled reference strands and individ-

ual MHC alleles. RSCA can resolve individual MHC alleles because each MHC/reference strand heteroduplex produces a characteristic and reproducible mobility profile when electrophoresed in a nondenaturing polyacrylamide gel. The mobility profile of each MHC allele can be further resolved for higher degrees of sensitivity with the addition of alternative reference strands. RSCA, unlike conventional genotyping techniques (i.e. PCR-SSP), can detect multiple known and unknown MHC alleles in a single reaction, enabling the researcher to define the full complement of expressed class I alleles in a given animal.

RSCA has been used in several nonhuman primate studies, including the SIV models summarized in this review. These applications include MHC genotyping, allele discovery, epitope restriction determination, and identifying haplotype inheritance patterns [Krebs *et al.*, 2005; Smith *et al.*, 2005a,b; Pratt *et al.*, 2006; Baquero *et al.*, 2006; Wiseman *et al.*, 2007; Tanaka-Takahashi *et al.*, 2007]. Current RSCA platforms can be easily expanded to incorporate newly discovered alleles once a mobility profile is established. However, RSCA is best utilized in tandem with other MHC genotyping techniques due to limited sensitivity in some circumstances [Pratt *et al.*, 2006; Tanaka-Takahashi *et al.*, 2007]. In addition, this technique is still technically demanding [Krebs *et al.*, 2005; Pratt *et al.*, 2006; Smith *et al.*, 2005a,b], so genotyping via capillary electrophoresis is currently being explored for higher throughput and increased sensitivity.

Another alternative for rapid MHC genotyping is microsatellite analysis, also known as short tandem repeat (STR) genotyping. For years, microsatellite genotyping has been applied for tissue matching and donor screening in human transplantation [Carrington & Wade, 1996; Foisac *et al.*, 2001]. MHC genotyping using microsatellite markers has become more common because the method is sensitive, accurate, and cost effective. With the recent publication of the genomic sequence of the entire rhesus macaque MHC [Daza-Vamenta *et al.*, 2004], and more recently the complete genome of an Indian-origin rhesus macaque [Gibbs *et al.*, 2007], additional microsatellite sites have been identified for use in nonhuman primate studies. Microsatellite maps of the macaque MHC were recently published [Wojcechowskyj *et al.*, 2007; Wiseman *et al.*, 2007] in addition to a core marker set of four multiplex PCR panels comprising fifteen autosomal STR loci for genetic managements of rhesus macaque colonies [Kanthaswamy *et al.*, 2006].

Microsatellite genotyping has already been utilized in rhesus macaque breeding groups to help define MHC haplotypes, track descent, and to differentiate chromosome configurations that would appear identical based on more limited allele-specific genotyping [Penedo *et al.*, 2005]. More recently, microsatellite analysis was instrumental in characterizing the simple genetics of Mauritian cynomolgus macaques [Wiseman *et al.*, 2007]. In order to define

MHC haplotypes in these animals, a panel of eighteen microsatellite markers, spanning the entire 5-Mb MHC region was utilized. The majority of the primers used to amplify these microsatellite markers were adapted from rhesus genomic sequences [Daza-Vamenta *et al.*, 2004; Gourraud *et al.*, 2004; Penedo *et al.*, 2005]. In a cohort of more than 100 feral Mauritian cynomolgus macaques, this analysis was applied to identify the six common haplotypes that account for two-thirds of the MHC haplotypes in these animals, as described above [Wiseman *et al.*, 2007]. Microsatellite genotyping can also be used for direct genotyping for a specific MHC class allele if a tightly linked microsatellite marker is identified. For example, the H11-9268 microsatellite marker has shown exceptional linkage to *Mamu-B*17* in a cohort of 75 Indian rhesus macaques [Wojcechowskyj *et al.*, 2007]. In the future, this technology may assist in selective breeding of nonhuman primates by identifying homozygous animals, something that is not possible with current PCR-SSP strategies.

Identification of single nucleotide polymorphisms (SNPs) has also been aided by the completion of the rhesus macaque genome. Recently, 23,000 candidate SNPs were identified throughout the rhesus macaque genome and compiled into a web resource called *MamuSNP* that is housed at <http://mamusnp.ucdavis.edu> [Malhi *et al.*, 2007]. Two other studies identified and applied SNPs to population genetic analyses between Indian-origin and Chinese-origin rhesus macaques to understand the demographic history and genetic divergence of these two groups [Ferguson *et al.*, 2007; Hernandez *et al.*, 2007]. Like microsatellite analysis, genetic studies using SNPs will play an important role in establishing ancestry, directing macaque breeding programs, and helping to map and identify genes involved in complex diseases in the future.

I-B-12 Concluding remarks

Nonhuman primate AIDS research is critical to HIV vaccine development and pathogenesis studies. A great deal of progress has been made in improving the nonhuman primate model in the last decade. The cellular immune responses of Indian rhesus macaques are far better defined, and additional macaque models, Burmese rhesus, pigtail, and cynomolgus, which are useful for AIDS research have been identified. However, despite this progress, our understanding of macaque immunogenetics is still rudimentary. Much work remains to be done in identifying MHC class I and class II alleles in these macaques, in mapping immune responses, and in characterizing which responses are effective against immunodeficiency viruses. Understanding these basic issues may then facilitate pathogenesis studies, and the rational design and testing of T cell-based vaccination strategies.

I-B-13 Table of SIV epitopes

Table I-B.1: Known MHC class I epitopes and restricting molecules

Virus	Species ^a	Protein	Amino acid positions ^b	Short name	Sequence	Restricting molecule ^c	GenBank Acc. No. ^d	Reference
SIV _{mac239}	Rhesus	Gag	149-157	LW9	LSPRTLNAW	Mamu-A*01 ^e	U50836	Allen <i>et al.</i> , 2001
SIV _{mac239} , SIV _{smE660} , SIV _{smH4}	Rhesus	Gag	181-189	CM9	CTPYDINQM	Mamu-A*01 ^e	U50836	Allen <i>et al.</i> , 2001, 1998; Furchner <i>et al.</i> , 1999
SIV _{mac239}	Rhesus	Gag	254-262	QI9	QNPIPVGNI	Mamu-A*01 ^e	U50836	Allen <i>et al.</i> , 2001
SIV _{mac239}	Rhesus	Gag	372-379	LF8	LAPVPIPF	Mamu-A*01 ^e	U50836	Allen <i>et al.</i> , 2001
SIV _{mac239}	Rhesus	Pol	147-156	LV10	LGPHYTPKIV	Mamu-A*01 ^e	U50836	Allen <i>et al.</i> , 2001
SIV _{mac239}	Rhesus	Pol	592-600	QV9	QVPKFHLPV	Mamu-A*01 ^e	U50836	Allen <i>et al.</i> , 2001
SIV _{mac239} , SIV _{mac251} , SHIV-89.6, SHIV-HXBc2	Rhesus	Pol	625-633	SV9	STPPLVRLV	Mamu-A*01 ^e	U50836	Allen <i>et al.</i> , 2001; Egan <i>et al.</i> , 1999
SIV _{mac251}	Rhesus	Pol	692-700	SV9	SGPKTNIIV ^f	Mamu-A*01 ^e	U50836	Allen <i>et al.</i> , 2001; O'Connor <i>et al.</i> , 2004
SIV _{mac239}	Rhesus	Pol	696-704	SV9	SGPKANIIV ^f	Mamu-A*01 ^e	U50836	Allen <i>et al.</i> , 2001
SIV _{mac239}	Rhesus	Env	233-240	CL8	CAPPGYAL	Mamu-A*01 ^e	U50836	Allen <i>et al.</i> , 2001
SIV _{mac239} , SIV _{smE660} , (SIV _{smH4})	Rhesus	Env	233-241 (234-242)	CL9	CAPPGYALL	Mamu-A*01 ^e	U50836	Allen <i>et al.</i> , 2001; Furchner <i>et al.</i> , 1999
SHIV-89.6, SHIV-HXBc2	Rhesus	Env	397-405	YI9	YAPPISGQI	Mamu-A*01 ^e	U50836	Egan <i>et al.</i> , 1999
SIV _{mac239}	Rhesus	Env	620-628	TL9	TVPWPNASL ^g	Mamu-A*01 ^e	U50836	Allen <i>et al.</i> , 2001
SIV _{smH4} , SIV _{smE660}	Rhesus	Env	626-634	TL9	TVPWNETL ^g	Mamu-A*01 ^e	U50836	Furchner <i>et al.</i> , 1999
SIV _{mac239}	Rhesus	Env	726-735	ST10	SSPPSYFQQT	Mamu-A*01 ^e	U50836	Allen <i>et al.</i> , 2001; O'Connor <i>et al.</i> , 2004
SIV _{mac251}	Rhesus	Env	729-738	ST10	SPPSYFQHT	Mamu-A*01 ^e	U50836	Allen <i>et al.</i> , 2001
SIV _{mac239}	Rhesus	Tat	28-35	SL8	STPESANL ^h	Mamu-A*01 ^e	U50836	Allen <i>et al.</i> , 2001, 2000
SIV _{mac251}	Rhesus	Tat	28-35	TL8	TTPESANL ^h	Mamu-A*01 ^e	U50836	Allen <i>et al.</i> , 2001
SIV _{mac239}	Rhesus	Vif	144-152	QA9	QVPSLQYLA	Mamu-A*01 ^e	U50836	Allen <i>et al.</i> , 2001
SIV _{mac239}	Rhesus	Vpx	8-18	II11	IPPGNSGEETI	Mamu-A*01 ^e	U50836	Allen <i>et al.</i> , 2001

Table I-B.1: Known MHC class I epitopes and restricting molecules (cont.)

Virus	Species ^a	Protein	Amino acid positions ^b	Short name	Sequence	Restricting molecule ^c	GenBank Acc. No. ^d	Reference
SIVmac239	Rhesus	Gag	71-79	GY9	GSENLKSLY	Mamu-A*02 ⁱ	U50837	Loffredo <i>et al.</i> , 2004; Vogel <i>et al.</i> , 2002a
SIVmac239	Rhesus	Pol	324-332	FF9	FSIPLDEEF	Mamu-A*02 ^{i,j}	U50837	Loffredo <i>et al.</i> , 2004
SIVmac239	Rhesus	Pol	518-526	LY9	LSQEQEGCY	Mamu-A*02 ⁱ	U50837	Loffredo <i>et al.</i> , 2004
SIVmac239	Rhesus	Env	296-304	RY9	RTIISLNKY	Mamu-A*02 ⁱ	U50837	Loffredo <i>et al.</i> , 2004
SIVmac251	Rhesus	Env	306-313	YR8	YNLTMKCR	Mamu-A*02 ⁱ	U50837	Watanabe <i>et al.</i> , 1994
SIVmac239	Rhesus	Env	317-325	KM9	KTVLPVTIM	Mamu-A*02 ⁱ	U50837	Loffredo <i>et al.</i> , 2004
SIVmac239	Rhesus	Env	359-367	QY9	QTIVKHPRY	Mamu-A*02 ^{i,j}	U50837	Loffredo <i>et al.</i> , 2004
SIVmac239	Rhesus	Env	519-528	GF10	GTSRNKRGVF	Mamu-A*02 ⁱ	U50837	Loffredo <i>et al.</i> , 2004
SIVmac239	Rhesus	Env	760-768	SY9	SSWPWQIEY	Mamu-A*02 ⁱ	U50837	Loffredo <i>et al.</i> , 2004
SIVmac239	Rhesus	Env	788-795	RY8	RTLRSRVY	Mamu-A*02 ⁱ	U50837	Loffredo <i>et al.</i> , 2004
SIVmac239	Rhesus	Nef	20-28	LY9	LLRARGETY	Mamu-A*02 ^{i,j}	U50837	Loffredo <i>et al.</i> , 2004
SIVmac239	Rhesus	Nef	110-119	TM10	TMSYKLAIDM	Mamu-A*02 ⁱ	U50837	Loffredo <i>et al.</i> , 2004
SIVmac239, SIVmac251, SHIV-89.6(P)	Rhesus	Nef	159-167	YY9	YTSGPGIRY	Mamu-A*02 ⁱ	U50837	Loffredo <i>et al.</i> , 2004; Robinson <i>et al.</i> , 2001; Vogel <i>et al.</i> , 2002a
SIVmac239	Rhesus	Nef	169-177	KL9	KTFGWLWKL	Mamu-A*02 ⁱ	U50837	Loffredo <i>et al.</i> , 2004
SIVmac239	Rhesus	Nef	221-229	YY9	YTYEAYVRY	Mamu-A*02 ⁱ	U50837	Loffredo <i>et al.</i> , 2004
SIVmac239	Rhesus	Nef	248-256	LM9	LTARGLLNM	Mamu-A*02 ⁱ	U50837	Loffredo <i>et al.</i> , 2004
SIVmac239	Rhesus	Vif	89-97	IW9	ITWYSKNFW	Mamu-A*02 ⁱ	U50837	Loffredo <i>et al.</i> , 2004
SIVmac239	Rhesus	Vif	97-104	WY8	WTDVTPNY	Mamu-A*02 ⁱ	U50837	Loffredo <i>et al.</i> , 2004
SIVmac239	Rhesus	Vif	104-113	YY10	YADILLHSTY	Mamu-A*02 ⁱ	U50837	Loffredo <i>et al.</i> , 2004
SIVmac239	Rhesus	Vpr	63-71	RM9	RILQRALFM	Mamu-A*02 ⁱ	U50837	Loffredo <i>et al.</i> , 2004
SIVmac239	Rhesus	Pol	782-789	YL8	YHSNVKEL	Mamu-A*07	AF161324	Sacha <i>et al.</i> , 2007
SHIV-HXBc2	Rhesus	Env	117-124	KP8	KPCVKLTP	Mamu-A*08	AF243179	Voss & Letvin, 1996
SIVmac239	Rhesus	Gag	178-186	SI9	SEGCTPYDI	Mamu-A*11	AF199357	Sette <i>et al.</i> , 2005
SIVmac239	Rhesus	Pol	92-100	AL9	AERKQREAL	Mamu-A*11	AF199357	Sette <i>et al.</i> , 2005
SIVmac239	Rhesus	Pol	507-517	AI11	AEAEEENKII	Mamu-A*11	AF199357	Sette <i>et al.</i> , 2005
SIVmac239, (SIVppm)	Rhesus	Env	495-502 (497-504)	GI8	GDYKLVEI	Mamu-A*11	AF199357	Dzuris <i>et al.</i> , 2000; Evans <i>et al.</i> , 2000, 1999; Sette <i>et al.</i> , 2005
SIVmac239	Rhesus	Nef	124-132	KI9	KEKGGLEGI	Mamu-A*11	AF199357	Sette <i>et al.</i> , 2005
SIVmac239	Rhesus	Vpr	13-21	RV9	REPWDEWVV	Mamu-A*11	AF199357	Sette <i>et al.</i> , 2005

Table I-B.1: Known MHC class I epitopes and restricting molecules (cont.)

Virus	Species ^a	Protein	Amino acid positions ^b	Short name	Sequence	Restricting molecule ^c	GenBank Acc. No. ^d	Reference
SIVppm	Rhesus	Env	575-583	KL9	KRQQELLRL	Mamu-B*03	U41825	Evans <i>et al.</i> , 1999, 2000
SIVppm	Rhesus	Nef	136-146	AL11	ARRHRILD ^I YL ^k	Mamu-B*03	U41825	Dzuris <i>et al.</i> , 2000; Evans <i>et al.</i> , 2000, 1999
SIVppm	Rhesus	Nef	136-146	AL11	ARRHRILD ^M YL ^k	Mamu-B*03	U41825	Dzuris <i>et al.</i> , 2000; Evans <i>et al.</i> , 2000, 1999
SIVppm	Rhesus	Nef	62-69 (62-70)	QP8 (QW9)	QGQYMNTP(W)	Mamu-B*04	U41826	Dzuris <i>et al.</i> , 2000; Evans <i>et al.</i> , 2000, 1999
SIVmac239	Rhesus	Rev	12-20	KL9	KRLRLIHLL	Mamu-B*08	U41830	Loffredo <i>et al.</i> , 2007c
SIVmac239	Rhesus	Rev	44-51	RL8	RRRWQQLL	Mamu-B*08	U41830	Loffredo <i>et al.</i> , 2007c
SIVmac239	Rhesus	Nef	8-16	RL9	RRSRPSGDL	Mamu-B*08	U41830	Loffredo <i>et al.</i> , 2007c
SIVmac239	Rhesus	Nef	137-146	RL10	RRHRILD ^I YL	Mamu-B*08	U41830	Loffredo <i>et al.</i> , 2007c
SIVmac239	Rhesus	Nef	246-254	RL9	RRLTARGLL	Mamu-B*08	U41830	Loffredo <i>et al.</i> , 2007c
SIVmac239	Rhesus	Vif	123-131	RL9	RRAIRGEQL	Mamu-B*08	U41830	Loffredo <i>et al.</i> , 2007c
SIVmac239	Rhesus	Vif	172-179	RL8	RRDNRRLGL	Mamu-B*08	U41830	Loffredo <i>et al.</i> , 2007c
SHIV-HXBc2	Rhesus	Env	553-561	NA9	NNLLRAIEA	Mamu-B*12	AF243178	Voss & Letvin, 1996
SIVmac239	Rhesus	Pol	372-379	MF8	MRHVLEPF	Mamu-B*17	AF199358	Mothé <i>et al.</i> , 2002b
SIVmac239	Rhesus	Pol	435-443	FW9	FQWMGYELW	Mamu-B*17	AF199358	Mothé <i>et al.</i> , 2002b
SIVmac239	Rhesus	Pol	604-613	VW10	VWEQWTDYW	Mamu-B*17	AF199358	Mothé <i>et al.</i> , 2002b
SIVmac239	Rhesus	Env	241-251	LF11	LRCNDTNYSGF	Mamu-B*17	AF199358	Mothé <i>et al.</i> , 2002b
SIVmac239	Rhesus	Env	816-825	LY10	LRTELTYLQY	Mamu-B*17	AF199358	Mothé <i>et al.</i> , 2002b
SIVmac239	Rhesus	Env	830-838	FW9	FHEAVQAVW	Mamu-B*17	AF199358	Mothé <i>et al.</i> , 2002b
SIVmac239	Rhesus	Nef	165-173	IW9	IRYPKTFGW ^l	Mamu-B*17	AF199358	Horton <i>et al.</i> , 2001; Mothé <i>et al.</i> , 2002b
SIVppm	Rhesus	Nef	165-173	IW9	IRFPKTFGW ^l	Mamu-B*17	AF199358	Dzuris <i>et al.</i> , 2000; Evans <i>et al.</i> , 2000, 1999
SIVmac239	Rhesus	Nef	195-203	MW9	MHPAQTSQW	Mamu-B*17	AF199358	Mothé <i>et al.</i> , 2002b
SIVmac239	Rhesus	Nef	199-207	QW9	QTSQWDDPW	Mamu-B*17	AF199358	Mothé <i>et al.</i> , 2002b
SIVmac239	Rhesus	Vif	44-52	HW9	HFKVGAWW	Mamu-B*17	AF199358	Mothé <i>et al.</i> , 2002b
SIVmac239	Rhesus	Vif	66-73	HW8	HLEVQGYW	Mamu-B*17	AF199358	Mothé <i>et al.</i> , 2002b
SIVmac239	Rhesus	Vif	135-143	CY9	CRFPRAHKY	Mamu-B*17	AF199358	Mothé <i>et al.</i> , 2002b
SIVmac239	Burmese rhesus	Gag	206-216	IL11	IINEEAADWDL	90-120-Ia (haplotype) ^m		Matano <i>et al.</i> , 2004
SIVmac239	Burmese rhesus	Gag	241-249	SW9	SSVDEQIQW	90-120-Ia (haplotype) ^m		Kawada <i>et al.</i> , 2006; Matano <i>et al.</i> , 2004

Table I-B.1: Known MHC class I epitopes and restricting molecules (cont.)

Virus	Species ^a	Protein	Amino acid positions ^b	Short name	Sequence	Restricting molecule ^c	GenBank Acc. No. ^d	Reference
SIVmac239	Burmese rhesus	Gag	373-380	AA8	APVPIPFA	90-120-Ia (haplotype) ^m		Kawada <i>et al.</i> , 2006; Matano <i>et al.</i> , 2004
SIVmac239, SIVmac251, SHIVmn229, SHIV-SF162P3	Pigtail	Gag	164-172	KP9	KKFGAEEVVP	Mane-A*10 ⁿ Mane-A*16	AY557348 AY557354	Fernandez <i>et al.</i> , 2005; Smith <i>et al.</i> , 2005a,b
SIVmac239, SHIVmn229, SHIV-SF162P3	Pigtail	Gag	251-258	YP8	YRQQNPIP	Mane-A*11 Mane-A*12	AY557349 AY557350	Fernandez <i>et al.</i> , 2005; Smith <i>et al.</i> , 2005a
SIVmac239, SHIVmn229, SHIV-SF162P3	Pigtail	Gag	371-379	AF9	ALAPVPIPF	Mane-A*17	DQ886026	Fernandez <i>et al.</i> , 2005; Loh <i>et al.</i> , 2007; Pratt <i>et al.</i> , 2006
SIVmac239, SHIVmn229, SHIV-SF162P3	Pigtail	Gag	28-36	KW9	KYMLKHVVW	Mane-B*10	AY557355	Fernandez <i>et al.</i> , 2005; Loh <i>et al.</i> , 2007; Smith <i>et al.</i> , 2005a
SIVmac32H-J5	Cynomolgus	Gag	242-250	SM9	SVDEQIQWM	Mafa-A*02	AB154761	Geretti <i>et al.</i> , 1997

Notes:

^a Unless specified, rhesus designation implies rhesus macaques of Indian descent.

^b Positions indicated for SIVmac239 or first virus listed for each epitope unless otherwise specified. Epitopes in Pol are numbered from the open reading frame.

^c MHC class I molecule designations: rhesus macaque (*Macaca mulatta*; *Mamu*); cynomolgus macaque (*Macaca fascicularis*; *Mafa*); pigtail macaque (*Macaca nemestrina*; *Mane*).

^d The GenBank Acc. No. listed for each MHC class I restricting allele contains the most complete nucleotide sequence for that corresponding allele. Multiple entries were marked if several full length sequences were available.

^e The following GenBank Acc. No. are also listed for Mamu-A*01: AJ539307 and NM 001048246.

^f This CD8+ T cell epitope, with an amino acid substitution at position 5, has been identified in both SIVmac239- and SIVmac251-infected macaques.

^g This CD8+ T cell epitope, with amino acid substitutions at position 7 and 8, has been identified in both SIVmac239- and SIVsmE660-infected macaques.

^h This CD8+ T cell epitope, with an amino acid substitution at position 1, has been identified in both SIVmac239- and SIVmac251-infected macaques.

- ⁱ The following GenBank Acc. No. is also listed for Mamu-A*02: AJ539308.
- ^j Epitopes may also be restricted by Mamu-A*01 in addition to Mamu-A*02.
- ^k SIVppm is a heterogenous virus stock that contained both sequences of this Nef epitope.
- ^l This CD8+ T cell epitope, with an amino acid substitution at position 3, has been identified in both SIVmac239- and SIVppm-infected macaques.
- ^m MHC class I restriction unknown but mapped to a single MHC class I haplotype, 90-120-Ia. This haplotype consists of three *Mamu-A* alleles, (*Mamu-A120-1*, *Mamu-A120-4*, and *Mamu-A120-5*) and four *Mamu-B* alleles (*Mamu-B120-1*, *Mamu-B120-6*, *Mamu-B120-8*, and *Mamu-B120-9*).
- ⁿ The following GenBank Acc. No. is also listed for Mamu-A*10: EF010518.

Table I-B.2: Known MHC class II epitopes and restricting molecules

Virus	Species ^a	Protein	Amino acid positions ^b	Short name	Sequence	Restricting molecule ^c	GenBank Acc. No.	Reference
SIVmac239	Rhesus	Gag	102-111 (103-112)	QE10 (IT10)	QIVQRHLVVE (IVQRHLVVET)	DRBw*606	AJ601370	Giraldo-Vela <i>et al.</i> , 2007
SIVmac239	Rhesus	Gag	184-193	YV10	YDINQMLNCV	DRBw*2104	AJ601362	Giraldo-Vela <i>et al.</i> , 2007
SIVmac239	Rhesus	Gag	197-211	GA15	QAAMQIIRDIINEEA	DRB1*0306	L27740	Giraldo-Vela <i>et al.</i> , 2007
SIVmac239	Rhesus	Gag	260-274	GC15	GNIYRRWIQLGLQKC	DRB*w201	L27742	Dzuris <i>et al.</i> , 2001
SHIV-89.6	Rhesus	Env	172-191	EY20	EYAFFYKLDIIPIDNDTTSY	DRB*w201	L27742	Lekutis & Letvin, 1997; Lekutis <i>et al.</i> , 1997
SHIV-HXBc2	Rhesus	Env	242-261	VL20	VSTVQCTHG IRPVVSTQLLL ^d	DRB1*0406	AJ601355	Dzuris <i>et al.</i> , 2001; Lekutis & Letvin, 1997
SHIV-89.6	Rhesus	Env	486-494	YL9	YKVKIEPL ^d	DRB*w201	L27742	Dzuris <i>et al.</i> , 2001; Lekutis & Letvin, 1997; Lekutis <i>et al.</i> , 1997
SIVmac239	Rhesus	Rev	11-23	RT13	RKRLRLIHLHQT	DRB*w201	L27742	Dzuris <i>et al.</i> , 2001
SIVmac239	Rhesus	Rev	13-23	RT11	RLRLIHLHQT	DPB1*06	EF490966	Giraldo-Vela <i>et al.</i> , 2007
SIVmac239	Rhesus	Nef	138-152	RI15	RHRILDIYLEKEEGI	DRBw*606	AJ601370	Giraldo-Vela <i>et al.</i> , 2007
SIVmac239	Rhesus	Vpx	31-40 (32-41)	EL10 (IP10)	EINREAVNHL (INREAVNHLP)	DRB1*1003	AJ601356	Giraldo-Vela <i>et al.</i> , 2007

Notes:

^a Unless specified, rhesus designation implies rhesus macaques of Indian descent.

^b Positions indicated for SIVmac239 or first virus listed for each epitope unless otherwise specified.

^c MHC class I molecule designation: rhesus macaque (*Macaca mulatta*; Mamu).

^d The core binding region is shown in bold [Dzuris *et al.*, 2001].

Table I-B.3: Peptide-binding motifs of macaque MHC molecules

MHC molecule	Primary anchor positions	Preferred amino acids	Tolerated amino acids	References
Mamu-A*01 ^a	2 ^b 3 ^b C-terminus ^b	S T P F L I V M	F W Y N A G P L I V M T A C W Y T A	Allen <i>et al.</i> , 1998; Sidney <i>et al.</i> , 2000
Mamu-A*02 ^a	2 C-terminus	T S V Y F M L W V I	L I V M A A	Loffredo <i>et al.</i> , 2004
Mamu-A*11 ^a	2 C-terminus	E I	D M F W L M V	Sette <i>et al.</i> , 2005
Mamu-B*01 ^a	2 C-terminus	D E I F L V W	A S N G I Q L T V M Y M	Loffredo <i>et al.</i> , 2005
Mamu-B*03 (preliminary motif)	2 C-terminus	R L		Dzuris <i>et al.</i> , 2000
Mamu-B*04 (preliminary motif)	2	G		Dzuris <i>et al.</i> , 2000
Mamu-B*08 (preliminary motif)	2 C-terminus	R L I V		Loffredo <i>et al.</i> , 2007c
Mamu-B*17 ^a	2 C-terminus	H A M R F W	L P Q K S C W Y T G F Y	Mothé <i>et al.</i> , 2002b
Mamu class II DR supermotif ^c	1 6 9	L I V M A F Y L I V M F Y S T Q A L I V M F Q		Dzuris <i>et al.</i> , 2001

Notes:

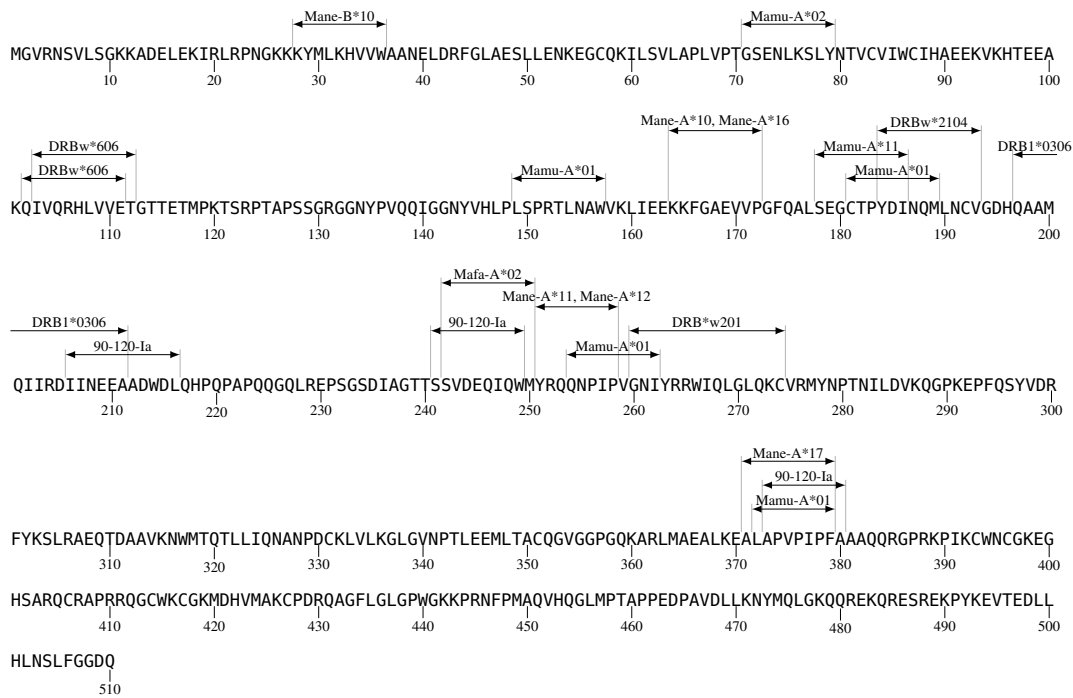
^a A quantitative algorithm is also available for this allele at <http://www.mamu.liai.org/> [Peters *et al.*, 2005a].

^b The Mamu-A*01 peptide-binding motif requires the presence of two of the three anchor positions for binding. Peptides can bind using P2/C-terminus or P3/C-terminus anchoring spacing.

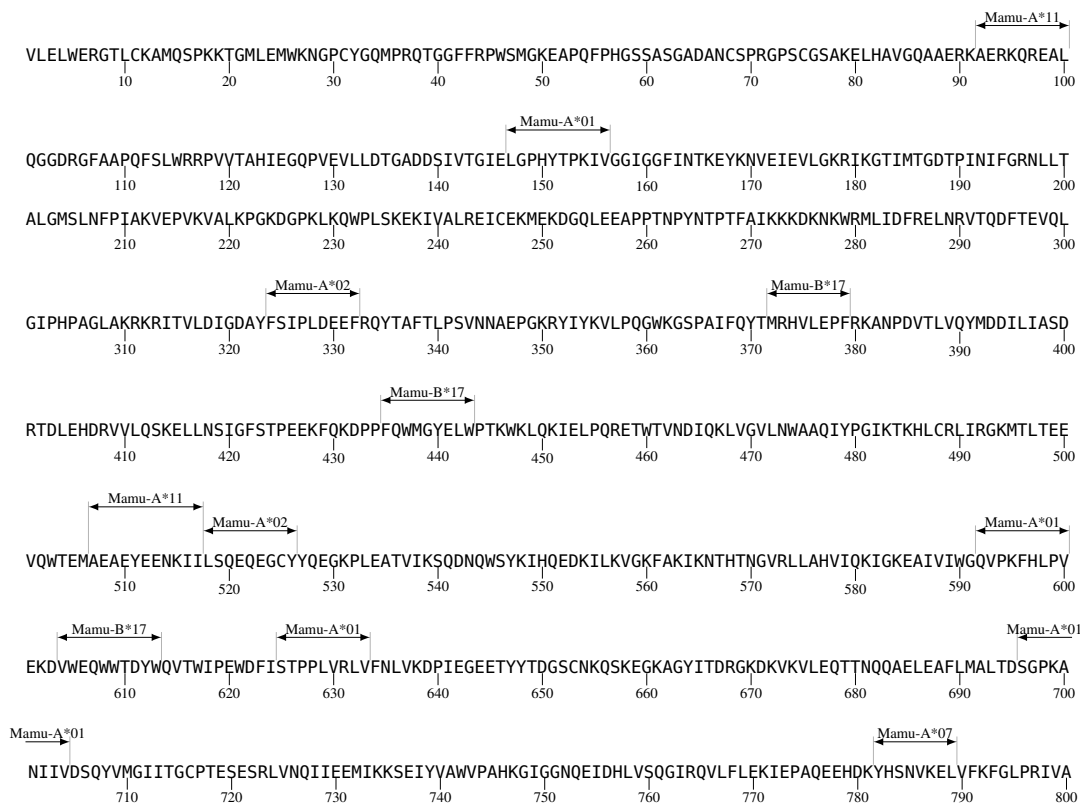
^c Mamu class II DR supermotif is based on data from Mamu-DRB1*0406 and Mamu-DRB*w201 [Dzuris *et al.*, 2001].

I-B-14 Map of SIV epitopes

Gag SIV Epitope Map



Pol SIV Epitope Map



Reviews

RQIVDTCDKCHQKGEAIGHQANSDLGTWQMDCTHLEGGKIIIVAVHVASGFIEAEVIPQETGRQTALFLLKLAGRWPITHLHTDNGANFAQSEVKMVAWVA
 810 820 830 840 850 860 870 880 890 900
 GIEHTFGVPYYPNPSQGVVEAMNHHLKNQIDRIREQANSVETIVLMAVHCMNFKRGGIGDMTPAERLINMITTEQEIQFQSKNSKFNFRVYYREGRDQ
 910 920 930 940 950 960 970 980 990 1000
 LWKGPCELLWKGEAVILKYGTDIKVVPRRKAKI IKDYGGGKEVDSSSHMEDTGEAREVA
 1010 1020 1030 1040 1050 1060

Vif SIV Epitope Map

MEEEKRWIAVPTWRIPERLERWHSLIKYLKYKTKDLQKVCYVPHFKVGVAVWWTCSRVIFFPLQEGSHLEVQGYWHLTPEKGLWSTYAVRITWYSKNFWDV
 10 20 30 40 50 60 70 80 90 100
 Mamu-A*02 Mamu-B*17 Mamu-B*17 Mamu-A*02
 TPNYADILLHSTYFPCFTAGEVRRAIRGEQLLSCCRFPRAHKYQVPSLOYLALKVVSVDVRSQGENPTWKQWRRDNRRGLRMAKQNSRGDKQRGGKPPPTKG
 110 120 130 140 150 160 170 180 190 200
 ANFPGLAKVLGILA
 210

Vpx SIV Epitope Map

MSDPRERIPPGNSGEETIGEAFEWLNRTVVEEINREAVNHLPRELIFQVWQORSWEYWHDEQGMSPSYVKYRYLCLIQKALFMHCKKGCRCLEGEHGAGGWR
 10 20 30 40 50 60 70 80 90 100
 Mamu-A*01 DRB1*1003 DRB1*1003
 PGPPPPPPPLA
 110

Vpr SIV Epitope Map

MEERPPENEGPQREPWDEWVVEVLEELKEEALKHFDPRLLTALGNHIYNRHGDTLEGAGELIRILQRALFMHFRGGCISHRIGQPGGNPLSAIPPSRSM
 10 20 30 40 50 60 70 80 90 100
 Mamu-A*11 Mamu-A*02
 L
 101

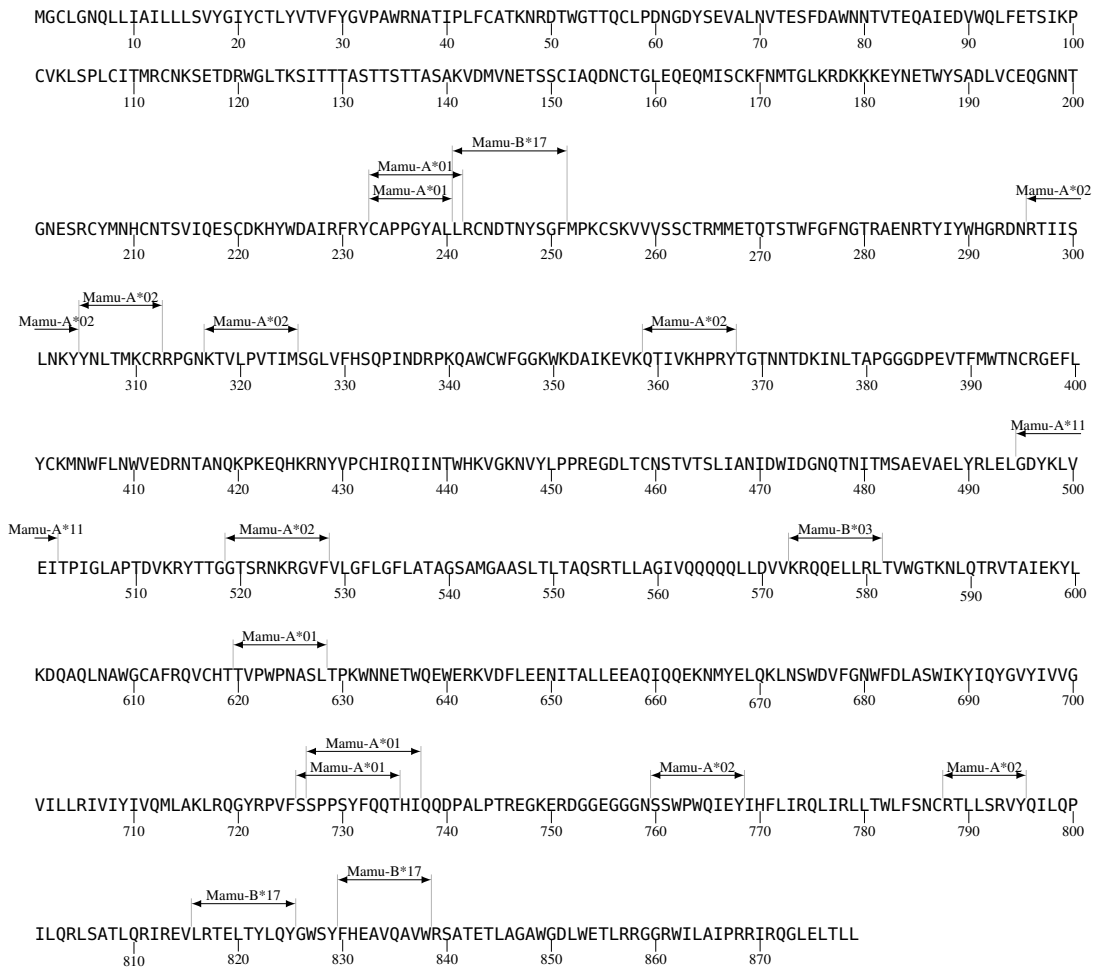
Tat SIV Epitope Map

METPLREQENSLESSNERSSCISEADASTPESANLGEEILSQLYRPLEACYNTCYCKCCYHCQFCFLKKGLGICYEQSRKRRRTPKKAKANTSSASNKP
 10 20 30 40 50 60 70 80 90 100
 ISNRTRHCQPEKAKKETVEKAVATAPGLGR
 110 120 130

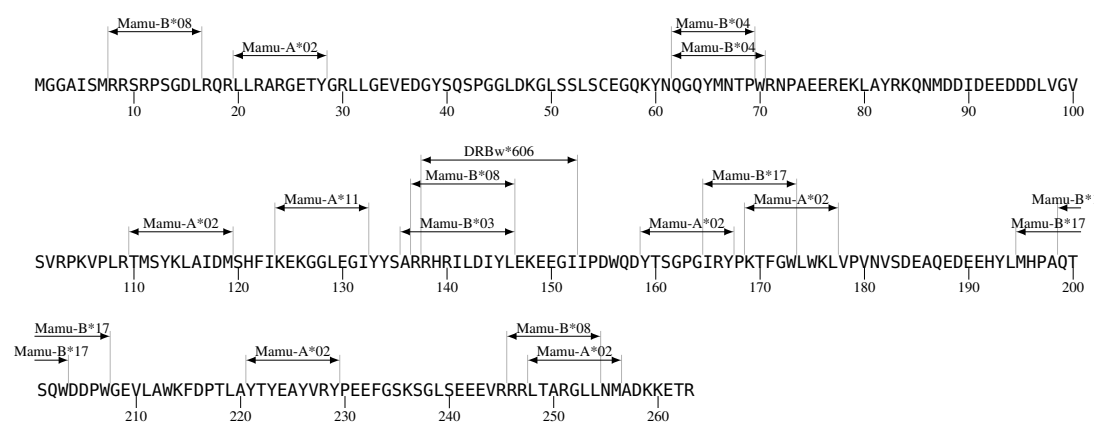
Rev SIV Epitope Map

MSNHEREEELRKRLRLIHLHQTNPYPTGPGTANQRRQRKRRWRRRWQQLLALADRIYSFPDPPTDPLDLAIQQLQNLAIIESIPDPPTNTPEALCDPTE
 10 20 30 40 50 60 70 80 90 100
 DPB1*06 DRB*w201 Mamu-B*08 Mamu-B*08
 DSRSPQD
 107

Env SIV Epitope Map



Nef SIV Epitope Map



I-B-15 References

- [Allen *et al.*, 2001] T. M. Allen, B. R. Mothé, J. Sidney, P. Jing, J. L. Dzuris, M. E. Liebl, T. U. Vogel, D. H. O'Connor, X. Wang, M. C. Wussow, J. A. Thomson, J. D. Altman, D. I. Watkins, & A. Sette, 2001. CD8+ lymphocytes from simian immunodeficiency virus-infected rhesus macaques recognize 14 different epitopes bound by the major histocompatibility complex class I molecule Mamu-A*01: Implications for vaccine design and testing. *J Virol* **75**(2):738–749. On pp. 30 & 36.
- [Allen *et al.*, 2000] T. M. Allen, D. H. O'Connor, P. Jing, J. L. Dzuris, B. R. Mothé, T. U. Vogel, E. Dunphy, M. E. Liebl, C. Emerson, N. Wilson, K. J. Kunstman, X. Wang, D. B. Allison, A. L. Hughes, R. C. Desrosiers, J. D. Altman, S. M. Wolinsky, A. Sette, & D. I. Watkins, 2000. Tat-specific cytotoxic T lymphocytes select for SIV escape variants during resolution of primary viraemia. *Nature* **407**(6802):386–390. On pp. 30, 31 & 36.
- [Allen *et al.*, 1998] T. M. Allen, J. Sidney, M.-F. del Guercio, R. L. Glickman, G. L. Lensmeyer, D. A. Wiebe, R. DeMars, C. D. Pauza, R. P. Johnson, A. Sette, & D. I. Watkins, 1998. Characterization of the peptide binding motif of a rhesus MHC class I molecule (Mamu-A*01) that binds an immunodominant CTL epitope from simian immunodeficiency virus. *J Immunol* **160**(12):6062–6071. On pp. 30, 36 & 42.
- [Argüello & Madrigal, 1999] J. R. Argüello & J. A. Madrigal, 1999. HLA typing by Reference Strand Mediated Conformation Analysis (RSCA). *Rev Immunogenet* **1**(2):209–219. On p. 34.
- [Argüello *et al.*, 2003] J. R. Argüello, M. Pérez-Rodríguez, A. Pay, G. Fisher, A. McWhinnie, & J. A. Madrigal, 2003. HLA typing with reference strand-mediated conformation analysis. *Methods Mol Biol* **210**:173–189. On p. 34.
- [Baquero *et al.*, 2006] J. E. Baquero, S. Miranda, O. Murillo, H. Mateus, E. Trujillo, C. Suarez, M. E. Patarroyo, & C. Parra-López, 2006. Reference strand conformational analysis (RSCA) is a valuable tool in identifying MHC-DRB sequences in three species of Aotus monkeys. *Immunogenetics* **58**(7):590–597. On p. 35.
- [Barouch *et al.*, 2002] D. H. Barouch, J. Kunstman, M. J. Kuroda, J. E. Schmitz, S. Santra, F. W. Peyerl, G. R. Krivulka, K. Beaudry, M. A. Lifton, D. A. Gorgone, D. C. Montefiori, M. G. Lewis, S. M. Wolinsky, & N. L. Letvin, 2002. Eventual AIDS vaccine failure in a rhesus monkey by viral escape from cytotoxic T lymphocytes. *Nature* **415**(6869):335–229. On pp. 30 & 31.
- [Barouch *et al.*, 2003] D. H. Barouch, J. Kunstman, J. Glowczwskie, K. J. Kunstman, M. A. Egan, F. W. Peyerl, S. Santra, M. J. Kuroda, J. E. Schmitz, K. Beaudry, G. R. Krivulka, M. A. Lifton, D. A. Gorgone, S. M. Wolinsky, & N. L. Letvin, 2003. Viral escape from dominant simian immunodeficiency virus epitope-specific cytotoxic T lymphocytes in DNA-vaccinated rhesus monkeys. *J Virol* **77**(13):7367–7375. On p. 31.
- [Barouch *et al.*, 2005] D. H. Barouch, J. Powers, D. M. Truitt, M. G. Kishko, J. C. Arthur, F. W. Peyerl, M. J. Kuroda, D. A. Gorgone, M. A. Lifton, C. I. Lord, V. M. Hirsch, D. C. Montefiori, A. Carville, K. G. Mansfield, K. J. Kunstman, S. M. Wolinsky, & N. L. Letvin, 2005. Dynamic immune responses maintain cytotoxic T lymphocyte epitope mutations in transmitted simian immunodeficiency virus variants. *Nat Immunol* **6**(3):247–252. On p. 31.
- [Batten *et al.*, 2006] C. J. Batten, R. De Rose, K. M. Wilson, M. B. Agy, S. Chea, I. Stratov, D. C. Montefiori, & S. J. Kent, 2006. Comparative evaluation of simian, simian-human, and human immunodeficiency virus infections in the pigtail macaque (*Macaca nemestrina*) model. *AIDS Res Hum Retroviruses* **22**(6):580–588. On pp. 32 & 33.
- [Bjorkman *et al.*, 1987] P. J. Bjorkman, M. A. Saper, B. Samraoui, W. S. Bennett, J. L. Strominger, & D. C. Wiley, 1987. The foreign antigen binding site and T cell recognition regions of class I histocompatibility antigens. *Nature* **329**(6139):512–518. On p. 31.
- [Bontrop & Watkins, 2005] R. E. Bontrop & D. I. Watkins, 2005. MHC polymorphism: AIDS susceptibility in non-human primates. *Trends Immunol* **26**(4):227–233. On pp. 29, 30 & 34.
- [Borrow *et al.*, 1994] P. Borrow, H. Lewicki, B. H. Hahn, G. M. Shaw, & M. B. Oldstone, 1994. Virus-specific CD8+ cytotoxic T-lymphocyte activity associated with control of viremia in primary human immunodeficiency virus type 1 infection. *J Virol* **68**(9):6103–6110. On p. 29.
- [Boyson *et al.*, 1996] J. E. Boyson, C. Shufflebotham, L. F. Cadavid, J. A. Urvater, L. A. Knapp, A. L. Hughes, & D. I. Watkins, 1996. The MHC class I genes of the rhesus monkey: Different evolutionary histories of MHC class I and II genes in primates. *J Immunol* **156**(12):4656–4665. On pp. 31 & 34.
- [Burdo *et al.*, 2005] T. H. Burdo, M. C. G. Marcondes, C. M. S. Lanigan, M. C. T. Penedo, & H. S. Fox, 2005. Susceptibility of Chinese rhesus monkeys to SIV infection. *AIDS* **19**(15):1704–1706. On p. 33.
- [Carrington & O'Brien, 2003] M. Carrington & S. J. O'Brien, 2003. The influence of HLA genotype on AIDS. *Annu Rev Med* **54**:535–551. On pp. 29 & 31.
- [Carrington & Wade, 1996] M. Carrington & J. Wade, 1996. Selection of transplant donors based on MHC microsatellite data. *Hum Immunol* **51**(2):106–109. On p. 35.
- [Cohen, 2000] J. Cohen, 2000. AIDS research. vaccine studies stymied by shortage of animals. *Science* **287**(5455):959–960. On p. 30.
- [Daza-Vamenta *et al.*, 2004] R. Daza-Vamenta, G. Glusman, L. Rowen, B. Guthrie, & D. E. Geraghty, 2004. Genetic divergence of the rhesus macaque major histocompatibility complex. *Genome Res* **14**(8):1501–1515. On pp. 34 & 35.
- [Douek *et al.*, 2002] D. C. Douek, J. M. Brenchley, M. R. Betts, D. R. Ambrozak, B. J. Hill, Y. Okamoto, J. P. Casazza, J. Kuruppu, K. Kunstman, S. Wolinsky, Z. Grossman, M. Dybul, A. Oxenius, D. A. Price, M. Connors, & R. A. Koup, 2002. HIV preferentially infects HIV-specific CD4+ T cells. *Nature* **417**(6884):95–98. On p. 32.
- [Dzuris *et al.*, 2001] J. L. Dzuris, J. Sidney, H. Horton, R. Correa, D. Carter, R. W. Chesnut, D. I. Watkins, & A. Sette, 2001. Molecular determinants of peptide binding to two common rhesus macaque major histocompatibility complex class II molecules. *J Virol* **75**(22):10958–10968. On pp. 32, 41 & 42.
- [Dzuris *et al.*, 2000] J. L. Dzuris, J. Sidney, E. Appella, R. W. Chesnut, D. I. Watkins, & A. Sette, 2000. Conserved MHC class I peptide binding motif between humans and rhesus macaques. *J Immunol* **164**(1):283–291. On pp. 30, 31, 37, 38 & 42.
- [Egan *et al.*, 1999] M. A. Egan, M. J. Kuroda, G. Voss, J. E. Schmitz, W. A. Charini, C. I. Lord, M. A. Forman, & N. L. Letvin, 1999. Use of major histocompatibility complex class I/peptide/beta2M tetramers to quantitate CD8+ cytotoxic T lymphocytes specific for dominant and nondominant viral epitopes in simian-human immunodeficiency virus-infected rhesus monkeys. *J Virol* **73**(7):5466–5472. On pp. 30 & 36.
- [Evans *et al.*, 2000] D. T. Evans, P. Jing, T. M. Allen, D. H. O'Connor, H. Horton, J. E. Venham, M. Piekarczyk, J. Dzuris, M. Dykhuzen, J. Mitchem, R. A. Rudersdorf, C. D. Pauza, A. Sette, R. E. Bontrop, R. DeMars, & D. I. Watkins, 2000. Definition of five new simian immunodeficiency virus cytotoxic T-lymphocyte epitopes and their restricting major histocompatibility complex class I molecules: Evidence for an influence on disease progression. *J Virol* **74**(16):7400–7410. On pp. 30, 37 & 38.
- [Evans *et al.*, 1999] D. T. Evans, D. H. O'Connor, P. Jing, J. L. Dzuris, J. Sidney, J. da Silva, T. M. Allen, H. Horton, J. E. Venham, R. A. Rudersdorf, T. Vogel, C. D. Pauza, R. E. Bontrop, R. DeMars, A. Sette, A. L.

- Hughes, & D. I. Watkins, 1999. Virus-specific cytotoxic T-lymphocyte responses select for amino-acid variation in simian immunodeficiency virus Env and Nef. *Nat Med* **5**(11):1270–1276. On pp. 30, 31, 37 & 38.
- [Ferguson *et al.*, 2007] B. Ferguson, S. L. Street, H. Wright, C. Pearson, Y. Jia, S. L. Thompson, P. Allibone, C. J. Dubay, E. Spindel, & R. B. Norgren, Jr., 2007. Single nucleotide polymorphisms (SNPs) distinguish Indian-origin and Chinese-origin rhesus macaques (*Macaca mulatta*). *BMC Genomics* **8**:43. On pp. 32 & 35.
- [Fernandez *et al.*, 2007] C. S. Fernandez, M. Z. Smith, C. J. Batten, R. De Rose, J. C. Reece, E. Rollman, V. Venturi, M. P. Davenport, & S. J. Kent, 2007. Vaccine-induced T cells control reversion of AIDS virus immune escape mutants. *J Virol* **81**(8):4137–4144. On p. 33.
- [Fernandez *et al.*, 2005] C. S. Fernandez, I. Stratov, R. De Rose, K. Walsh, C. J. Dale, M. Z. Smith, M. B. Agy, S.-I. Hu, K. Krebs, D. I. Watkins, D. H. O'Connor, M. P. Davenport, & S. J. Kent, 2005. Rapid viral escape at an immunodominant simian-human immunodeficiency virus cytotoxic T-lymphocyte epitope exacts a dramatic fitness cost. *J Virol* **79**(9):5721–5731. On pp. 33 & 39.
- [Foissac *et al.*, 2001] A. Foissac, M. Fort, J. Clayton, M. Abbal, C. Raffoux, A. Moine, J. C. Bensa, J. D. Bignon, P. Mercier, & A. Cambon-Thomsen, 2001. Microsatellites in the HLA region: HLA prediction and strategies for bone marrow donor registries. *Transplant Proc* **33**(1-2):491–492. On p. 35.
- [Friedrich *et al.*, 2004a] T. C. Friedrich, E. J. Dodds, L. J. Yant, L. Vojnov, R. Rudersdorf, C. Cullen, D. T. Evans, R. C. Desrosiers, B. R. Mothé, J. Sidney, A. Sette, K. Kunstman, S. Wolinsky, M. Piatak, J. Lifson, A. L. Hughes, N. Wilson, D. H. O'Connor, & D. I. Watkins, 2004a. Reversion of CTL escape-variant immunodeficiency viruses in vivo. *Nat Med* **10**(3):275–281. On p. 31.
- [Friedrich *et al.*, 2004b] T. C. Friedrich, C. A. Frye, L. J. Yant, D. H. O'Connor, N. A. Kriewaldt, M. Benson, L. Vojnov, E. J. Dodds, C. Cullen, R. Rudersdorf, A. L. Hughes, N. Wilson, & D. I. Watkins, 2004b. Extraepitopic compensatory substitutions partially restore fitness to simian immunodeficiency virus variants that escape from an immunodominant cytotoxic-T-lymphocyte response. *J Virol* **78**(5):2581–2585. On pp. 30 & 31.
- [Furchner *et al.*, 1999] M. Furchner, A. L. Erickson, T. Allen, D. I. Watkins, A. Sette, P. R. Johnson, & C. M. Walker, 1999. The simian immunodeficiency virus envelope glycoprotein contains two epitopes presented by the Mamu-A*01 class I molecule. *J Virol* **73**(10):8035–8039. On pp. 30 & 36.
- [Garrett *et al.*, 1989] T. P. J. Garrett, M. A. Saper, P. J. Bjorkman, J. L. Strominger, & D. C. Wiley, 1989. Specificity pockets for the side chains of peptide antigens in HLA-Aw68. *Nature* **342**(6250):692–696. On p. 31.
- [Geretti *et al.*, 1997] A.-M. Geretti, E. G. J. Hulskotte, M. E. M. Dings, C. A. van Baalen, G. van Amerongen, & A. D. M. E. Osterhaus, 1997. CD8+ cytotoxic T lymphocytes of a cynomolgus macaque infected with simian immunodeficiency virus (SIV) mac32H-J5 recognize a nine amino acid epitope in SIV Gag p26. *J Gen Virol* **78**(4):821–824. On p. 39.
- [Gibbs *et al.*, 2007] Rhesus Macaque Genome Sequencing and Analysis Consortium: R. A. Gibbs, J. Rogers, M. G. Katze, R. Bumgarner, G. M. Weinstock, E. R. Mardis, K. A. Remington, R. L. Strausberg, J. C. Venter, R. K. Wilson, M. A. Batzer, C. D. Bustamante, E. E. Eichler, M. W. Hahn, R. C. Hardison, K. D. Makova, W. Miller, A. Milosavljevic, R. E. Palermo, A. Siepel, J. M. Sikela, T. Attaway, S. Bell, K. E. Bernard, C. J. Buhay, M. N. Chandrabose, M. Dao, C. Davis, K. D. Delehaunty, Y. Ding, H. H. Dinh, S. Dugan-Rocha, L. A. Fulton, R. A. Gabisi, T. T. Garner, J. Godfrey, A. C. Hawes, J. Hernandez, S. Hines, M. Holder, J. Hume, S. N. Jhangiani, V. Joshi, Z. M. Khan, E. F. Kirkness, A. Cree, R. G. Fowler, S. Lee, L. R. Lewis, Z. Li, Y.-s. Liu, S. M. Moore, D. Muzny, L. V. Nazareth, D. N. Ngo, G. O. Okwuonu, G. Pai, D. Parker, H. A. Paul, C. Pfannkoch, C. S. Pohl, Y.-H. Rogers, S. J. Ruiz, A. Sabo, J. Santibanez, B. W. Schneider, S. M. Smith, E. Sodergren, A. F. Svatek, T. R. Utterback, S. Vattathil, W. Warren, C. S. White, A. T. Chinwalla, Y. Feng, A. L. Halpern, L. W. Hillier, X. Huang, P. Minx, J. O. Nelson, K. H. Pepin, X. Qin, G. G. Sutton, E. Venter, B. P. Walenz, J. W. Wallis, K. C. Worley, S.-P. Yang, S. M. Jones, M. A. Marra, M. Rocchi, J. E. Schein, R. Baertsch, L. Clarke, M. Csürös, J. Glasscock, R. A. Harris, P. Havlak, A. R. Jackson, H. Jiang, Y. Liu, D. N. Messina, Y. Shen, H. X.-Z. Song, T. Wylie, L. Zhang, E. Birney, K. Han, M. K. Konkel, J. Lee, A. F. A. Smit, B. Ullmer, H. Wang, J. Xing, R. Burhans, Z. Cheng, J. E. Karro, J. Ma, B. Raney, X. She, M. J. Cox, J. P. Demuth, L. J. Dumas, S.-G. Han, J. Hopkins, A. Karimpour-Fard, Y. H. Kim, J. R. Pollack, T. Vinar, C. Addo-Quaye, J. Degenhardt, A. Denby, M. J. Hubisz, A. Indap, C. Kosiol, B. T. Lahn, H. A. Lawson, A. Marklein, R. Nielsen, E. J. Vallender, A. G. Clark, B. Ferguson, R. D. Hernandez, K. Hirani, H. Kehrer-Sawatzki, J. Kolb, S. Patil, L.-L. Pu, Y. Ren, D. G. Smith, D. A. Wheeler, I. Schenck, E. V. Ball, R. Chen, D. N. Cooper, B. Giardine, F. Hsu, W. J. Kent, A. Lesk, D. L. Nelson, W. E. O'Brien, K. Prüfer, P. D. Stenson, J. C. Wallace, H. Ke, X.-M. Liu, P. Wang, A. P. Xiang, F. Yang, G. P. Barber, D. Haussler, D. Karolchik, A. D. Kern, R. M. Kuhn, K. E. Smith, & A. S. Zwing, 2007. Evolutionary and biomedical insights from the rhesus macaque genome. *Science* **316**(5822):222–234. On p. 35.
- [Giraldo-Vela *et al.*, 2007] Giraldo-Vela *et al.*, 2007. manuscript submitted. On p. 41.
- [Gourraud *et al.*, 2004] P. A. Gourraud, S. Mano, T. Barnette, M. Carrington, H. Inoko, & A. Cambon-Thomsen, 2004. Integration of microsatellite characteristics in the MHC region: A literature and sequence based analysis. *Tissue Antigens* **64**(5):543–555. On p. 35.
- [Hernandez *et al.*, 2007] R. D. Hernandez, M. J. Hubisz, D. A. Wheeler, D. G. Smith, B. Ferguson, J. Rogers, L. Nazareth, A. Indap, T. Bourquin, J. McPherson, D. Muzny, R. Gibbs, R. Nielsen, & C. D. Bustamante, 2007. Demographic histories and patterns of linkage disequilibrium in Chinese and Indian rhesus macaques. *Science* **316**(5822):240–243. On pp. 32 & 35.
- [Horton *et al.*, 2001] H. Horton, W. Rehrauer, E. C. Meek, M. A. Shultz, M. S. Piekarczyk, P. Jing, D. K. Carter, S. R. Steffen, B. Calore, J. A. Urvater, T. U. Vogel, N. A. Wilson, & D. I. Watkins, 2001. A common rhesus macaque MHC class I molecule which binds a cytotoxic T-lymphocyte epitope in Nef of simian immunodeficiency virus. *Immunogenetics* **53**(5):423–426. On pp. 30, 34 & 38.
- [Kaizu *et al.*, 2007] M. Kaizu, G. J. Borchardt, C. E. Glidden, D. L. Fisk, J. T. Loffredo, D. I. Watkins, & W. M. Rehrauer, 2007. Molecular typing of major histocompatibility complex class I alleles in the Indian rhesus macaque which restricts SIV CD8+ T cell epitopes. *Immunogenetics* In press. On pp. 30, 31 & 34.
- [Kanthaswamy *et al.*, 2006] S. Kanthaswamy, A. von Dollen, J. D. Kurushima, O. Alminas, J. Rogers, B. Ferguson, N. W. Lerce, P. C. Allen, & D. G. Smith, 2006. Microsatellite markers for standardized genetic management of captive colonies of rhesus macaques (*Macaca mulatta*). *Am J Primatol* **68**(1):73–95. On p. 35.
- [Kawada *et al.*, 2006] M. Kawada, H. Igarashi, A. Takeda, T. Tsukamoto, H. Yamamoto, S. Dohki, M. Takiguchi, & T. Matano, 2006. Involvement of multiple epitope-specific cytotoxic T-lymphocyte responses in vaccine-based control of simian immunodeficiency virus replication in rhesus macaques. *J Virol* **80**(4):1949–1958. On pp. 33, 38 & 39.
- [Kawada *et al.*, 2007] M. Kawada, T. Tsukamoto, H. Yamamoto, A. Takeda, H. Igarashi, D. I. Watkins, & T. Matano, 2007. Long-term control of simian immunodeficiency virus replication with central memory CD4+ T-cell preservation after nonsterile protection by a cytotoxic T-lymphocyte-based vaccine. *J Virol* **81**(10):5202–5211. On p. 33.

- [Kennedy *et al.*, 2005] L. J. Kennedy, S. Quarmby, N. Fretwell, A. J. Martin, P. G. Jones, C. A. Jones, & W. E. R. Ollier, 2005. High-resolution characterization of the canine DLA-DRB1 locus using reference strand-mediated conformational analysis. *J Hered* **96**(7):836–842. On p. 34.
- [Knapp *et al.*, 1997] L. A. Knapp, E. Lehmann, M. S. Piekarczyk, J. A. Urvater, & D. I. Watkins, 1997. A high frequency of Mamu-A*01 in the rhesus macaque detected by polymerase chain reaction with sequence-specific primers and direct sequencing. *Tissue Antigens* **50**(6):657–661. On pp. 29, 30 & 34.
- [Kobayashi *et al.*, 2005] M. Kobayashi, H. Igarashi, A. Takeda, M. Kato, & T. Matano, 2005. Reversion in vivo after inoculation of a molecular proviral DNA clone of simian immunodeficiency virus with a cytotoxic-T-lymphocyte escape mutation. *J Virol* **79**(17):11529–11532. On p. 33.
- [Koup *et al.*, 1994] R. A. Koup, J. T. Safrit, Y. Cao, C. A. Andrews, G. McLeod, W. Borkowsky, C. Farthing, & D. D. Ho, 1994. Temporal association of cellular immune responses with the initial control of viremia in primary human immunodeficiency virus type 1 syndrome. *J Virol* **68**(7):4650–4655. On p. 29.
- [Krebs *et al.*, 2005] K. C. Krebs, Z. Jin, R. Rudersdorf, A. L. Hughes, & D. H. O'Connor, 2005. Unusually high frequency MHC class I alleles in Mauritian origin cynomolgus macaques. *J Immunol* **175**(8):5230–5239. On pp. 33, 34 & 35.
- [Kulski *et al.*, 2004] J. K. Kulski, T. Anzai, T. Shiina, & H. Inoko, 2004. Rhesus macaque class I duplcon structures, organization, and evolution within the alpha block of the major histocompatibility complex. *Mol Biol Evol* **21**(11):2079–2091. On p. 34.
- [Kuo *et al.*, 2005] A. M. Kuo, J. S. Haukoos, M. D. Witt, M. L. Babaie, & R. J. Lewis, 2005. Recognition of undiagnosed HIV infection: An evaluation of missed opportunities in a predominantly urban minority population. *AIDS Patient Care STDs* **19**(4):239–246. On p. 29.
- [Kuroda *et al.*, 1998] M. J. Kuroda, J. E. Schmitz, D. H. Barouch, A. Craiu, T. M. Allen, A. Sette, D. I. Watkins, M. A. Forman, & N. L. Letvin, 1998. Analysis of Gag-specific cytotoxic T lymphocytes in simian immunodeficiency virus-infected rhesus monkeys by cell staining with a tetrameric major histocompatibility complex class I-peptide complex. *J Exp Med* **187**(9):1373–1381. On p. 30.
- [Kuroda *et al.*, 1999] M. J. Kuroda, J. E. Schmitz, W. A. Charini, C. E. Nickerson, M. A. Lifton, C. I. Lord, M. A. Forman, & N. L. Letvin, 1999. Emergence of CTL coincides with clearance of virus during primary simian immunodeficiency virus infection in rhesus monkeys. *J Immunol* **162**(9):5127–5133. On p. 29.
- [Kuroda *et al.*, 2000] M. J. Kuroda, J. E. Schmitz, C. Lekutis, C. E. Nickerson, M. A. Lifton, G. Franchini, J. M. Harouse, C. Cheng-Mayer, & N. L. Letvin, 2000. Human immunodeficiency virus type 1 envelope epitope-specific CD4+ T lymphocytes in simian/human immunodeficiency virus-infected and vaccinated rhesus monkeys detected using a peptide-major histocompatibility complex class II tetramer. *J Virol* **74**(18):8751–8756. On p. 32.
- [Lafont *et al.*, 2003] B. A. P. Lafont, A. Buckler-White, R. Plishka, C. Buckler, & M. A. Martin, 2003. Characterization of pig-tailed macaque classical MHC class I genes: Implications for MHC evolution and antigen presentation in macaques. *J Immunol* **171**(2):875–885. On p. 33.
- [Lawler *et al.*, 1995] S. H. Lawler, R. W. Sussman, & L. L. Taylor, 1995. Mitochondrial DNA of the Mauritian macaques (*Macaca fascicularis*): An example of the founder effect. *Am J Phys Anthropol* **96**(2):133–141. On p. 34.
- [Lekutis & Letvin, 1997] C. Lekutis & N. L. Letvin, 1997. HIV-1 envelope-specific CD4+ T helper cells from simian/human immunodeficiency virus-infected rhesus monkeys recognize epitopes restricted by MHC class II DRB1*0406 and DRB*W201 molecules. *J Immunol* **159**(4):2049–2057. On pp. 32 & 41.
- [Lekutis *et al.*, 1997] C. Lekutis, J. W. Shiver, M. A. Liu, & N. L. Letvin, 1997. HIV-1 env DNA vaccine administered to rhesus monkeys elicits MHC class II-restricted CD4+ T helper cells that secrete IFN-gamma and TNF-alpha. *J Immunol* **158**(9):4471–4477. On pp. 32 & 41.
- [Ling *et al.*, 2002] B. Ling, R. S. Veazey, A. Luckay, C. Penedo, K. Xu, J. D. Lifson, & P. A. Marx, 2002. SIVmac pathogenesis in rhesus macaques of Chinese and Indian origin compared with primary HIV infections in humans. *AIDS* **16**(11):1489–1496. On p. 33.
- [Loffredo *et al.*, 2007a] J. T. Loffredo, B. J. Burwitz, E. G. Rakasz, S. P. Spencer, J. J. Stephany, J. P. G. Vela, S. R. Martin, J. Reed, S. M. Piaskowski, J. Furlott, K. L. Weisgrau, D. S. Rodrigues, T. Soma, G. Napoé, T. C. Friedrich, N. A. Wilson, E. G. Kallas, & D. I. Watkins, 2007a. The antiviral efficacy of simian immunodeficiency virus-specific CD8+ T cells is unrelated to epitope specificity and is abrogated by viral escape. *J Virol* **81**(6):2624–2634. On pp. 30 & 31.
- [Loffredo *et al.*, 2007b] J. T. Loffredo, J. Maxwell, Y. Qi, C. E. Glidden, G. J. Borchardt, T. Soma, A. T. Bean, D. R. Beal, N. A. Wilson, W. M. Rehrauer, J. D. Lifson, M. Carrington, & D. I. Watkins, 2007b. Mamu-B*08-positive macaques control simian immunodeficiency virus replication. *J Virol* pp. JVI.00895–07. On pp. 29, 30, 31 & 32.
- [Loffredo *et al.*, 2005] J. T. Loffredo, J. Sidney, S. Piaskowski, A. Szymanski, J. Furlott, R. Rudersdorf, J. Reed, B. Peters, H. D. Hickman-Miller, W. Bardet, W. M. Rehrauer, D. H. O'Connor, N. A. Wilson, W. H. Hildebrand, A. Sette, & D. I. Watkins, 2005. The high frequency Indian rhesus macaque MHC class I molecule, Mamu-B*01, does not appear to be involved in CD8+ T lymphocyte responses to SIVmac239. *J Immunol* **175**(9):5986–5997. On pp. 30, 34 & 42.
- [Loffredo *et al.*, 2004] J. T. Loffredo, J. Sidney, C. Wojewoda, E. Dodds, M. R. Reynolds, G. Napoé, B. R. Mothé, D. H. O'Connor, N. A. Wilson, D. I. Watkins, & A. Sette, 2004. Identification of seventeen new simian immunodeficiency virus-derived CD8+ T cell epitopes restricted by the high frequency molecule, Mamu-A*02, and potential escape from CTL recognition. *J Immunol* **173**(8):5064–5076. On pp. 30, 31, 37 & 42.
- [Loffredo *et al.*, 2007c] J. T. Loffredo *et al.*, 2007c. manuscript submitted. On pp. 31, 38 & 42.
- [Loh *et al.*, 2007] L. Loh, C. J. Batten, J. Petravic, M. P. Davenport, & S. J. Kent, 2007. In vivo fitness costs of different Gag CD8 T-cell escape mutant simian-human immunodeficiency viruses for macaques. *J Virol* **81**(10):5418–5422. On pp. 33 & 39.
- [Lun *et al.*, 2004] W.-H. Lun, A. Takeda, H. Nakamura, M. Kano, K. Mori, T. Sata, Y. Nagai, & T. Matano, 2004. Loss of virus-specific CD4+ T cells with increases in viral loads in the chronic phase after vaccine-based partial control of primary simian immunodeficiency virus replication in macaques. *J Gen Virol* **85**:1955–1963. On p. 33.
- [Malhi *et al.*, 2007] R. S. Malhi, B. Sickler, D. Lin, J. Satkoski, R. Y. Tito, D. George, S. Kanthaswamy, & D. G. Smith, 2007. MamuSNP: A resource for rhesus macaque (*Macaca mulatta*) genomics. *PLoS ONE* **2**:e438. On pp. 32 & 35.
- [Mao *et al.*, 2005] H. Mao, B. A. P. Lafont, T. Igarashi, Y. Nishimura, C. Brown, V. Hirsch, A. Buckler-White, R. Sadjadpour, & M. A. Martin, 2005. CD8+ and CD20+ lymphocytes cooperate to control acute simian immunodeficiency virus/human immunodeficiency virus chimeric virus infections in rhesus monkeys: Modulation by major histocompatibility complex genotype. *J Virol* **79**(23):14887–14898. On p. 29.
- [Marsh *et al.*, 2000] S. G. E. Marsh, P. Parham, & L. D. Barber, 2000. *The HLA FactsBook*. Academic Press, San Diego. On p. 31.
- [Matano *et al.*, 2004] T. Matano, M. Kobayashi, H. Igarashi, A. Takeda, H. Nakamura, M. Kano, C. Sugimoto, K. Mori, A. Iida, T. Hirata, M. Hasegawa, T. Yuasa, M. Miyazawa, Y. Takahashi, M. Yasunami,

- A. Kimura, D. H. O'Connor, D. I. Watkins, & Y. Nagai, 2004. Cytotoxic T lymphocyte-based control of simian immunodeficiency virus replication in a preclinical AIDS vaccine trial. *J Exp Med* **199**(12):1709–1718. On pp. 33, 38 & 39.
- [Mayben *et al.*, 2007] J. K. Mayben, J. R. Kramer, M. A. Kallen, L. Franzini, D. R. Lairson, & T. P. Giordano, 2007. Predictors of delayed HIV diagnosis in a recently diagnosed cohort. *AIDS Patient Care STDs* **21**(3):195–204. On p. 29.
- [McMichael & Rowland-Jones, 2001] A. J. McMichael & S. L. Rowland-Jones, 2001. Cellular immune responses to HIV. *Nature* **410**(6831):980–987. On p. 29.
- [Migueles *et al.*, 2000] S. A. Migueles, M. S. Sabbaghian, W. L. Shupert, M. P. Bettinotti, F. M. Marincola, L. Martino, C. W. Hallahan, S. M. Selig, D. Schwartz, J. Sullivan, & M. Connors, 2000. HLA B*5701 is highly associated with restriction of virus replication in a subgroup of HIV-infected long term nonprogressors. *Proc Natl Acad Sci USA* **97**(6):2709–2714. On p. 31.
- [Mills *et al.*, 1991] K. H. G. Mills, A. L. Barnard, M. Williams, M. Page, C. Ling, E. J. Stott, P. Silvera, F. Taffs, A. S. Kingsman, S. E. Adams, N. Almond, K. P. A., & W. C. Jones, 1991. Vaccine-induced CD4+ T cells against the simian immunodeficiency virus gag protein: Epitope specificity and relevance to protective immunity. *J Immunol* **147**(10):3560–3567. On p. 32.
- [Morales & Melnick, 1998] J. C. Morales & D. J. Melnick, 1998. Phylogenetic relationships of the macaques (Cercopithecoidea: Macaca), as revealed by high resolution restriction site mapping of mitochondrial ribosomal genes. *J Hum Evol* **34**(1):1–23. On p. 32.
- [Mothé *et al.*, 2002a] B. R. Mothé, H. Horton, D. K. Carter, T. M. Allen, M. E. Liebl, P. Skinner, T. U. Vogel, S. Fuenger, K. Viellhuber, W. Rehrauer, N. Wilson, G. Franchini, J. D. Altman, A. Haase, L. J. Picker, D. B. Allison, & D. I. Watkins, 2002a. Dominance of CD8 responses specific for epitopes bound by a single major histocompatibility complex class I molecule during the acute phase of viral infection. *J Virol* **76**(2):875–884. On p. 30.
- [Mothé *et al.*, 2002b] B. R. Mothé, J. Sidney, J. L. Dzuris, M. E. Liebl, S. Fuenger, D. I. Watkins, & A. Sette, 2002b. Characterization of the peptide-binding specificity of Mamu-B*17 and identification of Mamu-B*17-restricted epitopes derived from simian immunodeficiency virus proteins. *J Immunol* **169**(1):210–219. On pp. 30, 31, 38 & 42.
- [Mühl *et al.*, 2002] T. Mühl, M. Krawczak, P. ten Haaf, G. Hunsmann, & U. Saueremann, 2002. MHC class I alleles influence set-point viral load and survival time in simian immunodeficiency virus-infected rhesus monkeys. *J Immunol* **169**(6):3438–3446. On pp. 29 & 30.
- [Negri *et al.*, 2006] D. R. M. Negri, M. Borghi, S. Baroncelli, I. Macchia, V. Buffa, L. Sernicola, P. Leone, F. Titti, & A. Cara, 2006. Identification of a cytotoxic T-lymphocyte (CTL) epitope recognized by Gag-specific CTLs in cynomolgus monkeys infected with simian/human immunodeficiency virus. *J Gen Virol* **87**(11):3385–3392. On p. 34.
- [O'Connor *et al.*, 2002a] D. H. O'Connor, T. M. Allen, T. U. Vogel, P. Jing, I. P. DeSouza, E. Dodds, E. J. Dunphy, C. Melsaether, B. Mothé, H. Yamamoto, H. Horton, N. Wilson, A. L. Hughes, & D. I. Watkins, 2002a. Acute phase cytotoxic T lymphocyte escape is a hallmark of simian immunodeficiency virus infection. *Nat Med* **8**(5):493–499. On pp. 30 & 31.
- [O'Connor *et al.*, 2002b] D. H. O'Connor, T. M. Allen, & D. I. Watkins, 2002b. Where have all the monkeys gone? evaluating SIV-specific CTL in the post Mamu-A*01 era. In B. Korber, C. Brander, B. Haynes, R. Koup, C. Kuiken, J. P. Moore, B. D. Walker, & D. I. Watkins, eds., *HIV Molecular Immunology 2001*, pp. 1–26–I–39. Los Alamos National Laboratory, Theoretical Biology & Biophysics, Los Alamos, New Mexico. LA-UR 02-4663. On p. 30.
- [O'Connor *et al.*, 2004] D. H. O'Connor, A. B. McDermott, K. C. Krebs, E. J. Dodds, J. E. Miller, E. J. Gonzalez, T. J. Jacoby, L. Yant, H. Piontkivska, R. Pantophlet, D. R. Burton, W. M. Rehrauer, N. Wilson, A. L. Hughes, & D. I. Watkins, 2004. A dominant role for CD8+ T-lymphocyte selection in simian immunodeficiency virus sequence variation. *J Virol* **78**(24):14012–14022. On pp. 30, 31 & 36.
- [O'Connor *et al.*, 2007] S. L. O'Connor, A. J. Blasky, C. J. Pendley, E. A. Becker, R. W. Wiseman, J. A. Karl, A. L. Hughes, & D. H. O'Connor, 2007. Comprehensive characterization of MHC class II haplotypes in Mauritian cynomolgus macaques. *Immunogenetics* **59**(6):449–462. On p. 34.
- [Olerup & Zetterquist, 1991] O. Olerup & H. Zetterquist, 1991. HLA-DRB1*01 subtyping by allele-specific PCR amplification: A sensitive, specific and rapid technique. *Tissue Antigens* **37**(5):197–204. On p. 34.
- [Olerup & Zetterquist, 1992] O. Olerup & H. Zetterquist, 1992. HLA-DR typing by PCR amplification with sequence-specific primers (PCR-SSP) in 2 hours: An alternative to serological DR typing in clinical practice including donor-recipient matching in cadaveric transplantation. *Tissue Antigens* **39**(5):225–235. On p. 34.
- [Otting *et al.*, 2005] N. Otting, C. M. C. Heijmans, R. C. Noort, N. G. de Groot, G. G. M. Doxiadis, J. J. van Rood, D. I. Watkins, & R. E. Bontrop, 2005. Unparalleled complexity of the MHC class I region in rhesus macaques. *Proc Natl Acad Sci USA* **102**(5):1626–1631. On p. 34.
- [Pal *et al.*, 2002] R. Pal, D. Venzon, N. L. Letvin, S. Santra, D. C. Montefiori, N. R. Miller, E. Trynieszewska, M. G. Lewis, T. C. VanCott, V. Hirsch, R. Woodward, A. Gibson, M. Grace, E. Dobratz, P. D. Markham, Z. Hel, J. Nacsa, M. Klein, J. Tartaglia, & G. Franchini, 2002. ALVAC-SIV-gag-pol-env-based vaccination and macaque major histocompatibility complex class I (A*01) delay simian immunodeficiency virus SIVmac-induced immunodeficiency. *J Virol* **76**(1):292–302. On pp. 29 & 30.
- [Penedo *et al.*, 2005] M. C. T. Penedo, R. E. Bontrop, C. M. C. Heijmans, N. Otting, R. Noort, A. J. M. Rouweler, N. de Groot, N. G. de Groot, T. Ward, & G. G. M. Doxiadis, 2005. Microsatellite typing of the rhesus macaque MHC region. *Immunogenetics* **57**(3-4):198–209. On pp. 34 & 35.
- [Pereyra *et al.*, 2007] F. Pereyra, T. Miura, H. Chen, R. Rosenberg, P. Padilla, B. Baker, A. Rothschild, B. Block, A. Trocha, & B. D. Walker, 2007. Elite control of HIV infection: Implications for vaccine design. In *HIV Vaccines: From Basic Research to Clinical Trials (X7)*. Keystone Symposia, Whistler Resort, Whistler, British Columbia. On p. 29.
- [Peters *et al.*, 2005a] B. Peters, H.-H. Bui, J. Sidney, Z. Weng, J. T. Loffredo, D. I. Watkins, B. R. Mothé, & A. Sette, 2005a. A computational resource for the prediction of peptide binding to Indian rhesus macaque MHC class I molecules. *Vaccine* **23**(45):5212–5224. On pp. 30 & 42.
- [Peters *et al.*, 2005b] B. Peters, J. Sidney, P. Bourne, H.-H. Bui, S. Buus, G. Doh, W. Fleri, M. Kronenberg, R. Kubo, O. Lund, D. Nemazee, J. V. Ponomarenko, M. Sathiamurthy, S. Schoenberger, S. Stewart, P. Surko, S. Way, S. Wilson, & A. Sette, 2005b. The immune epitope database and analysis resource: From vision to blueprint. *PLoS Biol* **3**(3):e91. On p. 31.
- [Peyerl *et al.*, 2003] F. W. Peyerl, D. H. Barouch, W. W. Yeh, H. S. Bazick, J. Kunstman, K. J. Kunstman, S. M. Wolinsky, & N. L. Letvin, 2003. Simian-human immunodeficiency virus escape from cytotoxic T-lymphocyte recognition at a structurally constrained epitope. *J Virol* **77**(23):12572–12578. On pp. 30 & 31.
- [Pratt *et al.*, 2006] B. F. Pratt, D. H. O'Connor, B. A. P. Lafont, J. L. Mankowski, C. S. Fernandez, R. Triastuti, A. G. Brooks, S. J. Kent, & M. Z. Smith, 2006. MHC class I allele frequencies in pigtail macaques of diverse origin. *Immunogenetics* **58**(12):995–1001. On pp. 33, 35 & 39.

- [Rammensee *et al.*, 1999] H.-G. Rammensee, J. Bachmann, N. P. N. Emmerich, O. A. Bachor, & S. Stevanović, 1999. SYFPEITHI: Database for MHC ligands and peptide motifs. *Immunogenetics* **50**(3-4):213–219. On p. 31.
- [Reimann *et al.*, 2005] K. A. Reimann, R. A. Parker, M. S. Seaman, K. Beaudry, M. Beddall, L. Peterson, K. C. Williams, R. S. Veazey, D. C. Montefiori, J. R. Mascola, G. J. Nabel, & N. L. Letvin, 2005. Pathogenicity of simian-human immunodeficiency virus SHIV-89.6P and SIVmac is attenuated in cynomolgus macaques and associated with early T-lymphocyte responses. *J Virol* **79**(14):8878–8885. On pp. 32 & 33.
- [Reimann *et al.*, 1994] K. A. Reimann, K. Tenner-Racz, P. Racz, D. C. Montefiori, Y. Yasutomi, W. Lin, B. J. Ransil, & N. L. Letvin, 1994. Immunopathogenic events in acute infection of rhesus monkeys with simian immunodeficiency virus of macaques. *J Virol* **68**(4):2362–2370. On p. 29.
- [Robinson *et al.*, 2001] S. Robinson, W. A. Charini, M. H. Newberg, M. J. Kuroda, C. I. Lord, & N. L. Letvin, 2001. A commonly recognized simian immunodeficiency virus Nef epitope presented to cytotoxic T lymphocytes of Indian-origin rhesus monkeys by the prevalent major histocompatibility complex class I allele Mamu-A*02. *J Virol* **75**(21):10179–10186. On pp. 30, 34 & 37.
- [Sacha *et al.*, 2007] Sacha *et al.*, 2007. manuscript submitted. On p. 37.
- [Sarkar *et al.*, 2002] S. Sarkar, V. Kalia, M. Murphey-Corb, & R. C. Montelaro, 2002. Detailed analysis of CD4+ Th responses to Envelope and Gag proteins of simian immunodeficiency virus reveals an exclusion of broadly reactive Th epitopes from the glycosylated regions of envelope. *J Immunol* **168**(8):4001–4011. On p. 32.
- [Schramm *et al.*, 2001] R. D. Schramm, A. M. Paprocki, & D. I. Watkins, 2001. Birth of MHC-defined rhesus monkeys produced by assisted reproductive technology. *Vaccine* **20**(3-4):603–607. On p. 34.
- [Sette *et al.*, 2005] A. Sette, J. Sidney, H.-H. Bui, M.-F. del Guercio, J. Alexander, J. Loffredo, D. I. Watkins, & B. R. Mothé, 2005. Characterization of the peptide-binding specificity of Mamu-A*11 results in the identification of SIV-derived epitopes and interspecies cross-reactivity. *Immunogenetics* **57**(1-2):53–68. On pp. 30, 37 & 42.
- [Sidney *et al.*, 2000] J. Sidney, J. L. Dzuris, M. J. Newman, R. P. Johnson, K. Amitinder, C. M. Walker, E. Appella, B. Mothe, D. I. Watkins, & A. Sette, 2000. Definition of the Mamu A*01 peptide binding specificity: Application to the identification of wild-type and optimized ligands from simian immunodeficiency virus regulatory proteins. *J Immunol* **165**(11):3687–3699. On p. 42.
- [Smith & McDonough, 2005] D. G. Smith & J. McDonough, 2005. Mitochondrial DNA variation in Chinese and Indian rhesus macaques (*Macaca mulatta*). *Am J Primatol* **65**(1):1–25. On p. 32.
- [Smith *et al.*, 2005a] M. Z. Smith, C. J. Dale, R. De Rose, I. Stratov, C. S. Fernandez, A. G. Brooks, J. Weinfurter, K. Krebs, C. Riek, D. I. Watkins, D. H. O'connor, & S. J. Kent, 2005a. Analysis of pigtail macaque major histocompatibility complex class I molecules presenting immunodominant simian immunodeficiency virus epitopes. *J Virol* **79**(2):684–695. On pp. 33, 35 & 39.
- [Smith *et al.*, 2005b] M. Z. Smith, C. S. Fernandez, A. Chung, C. J. Dale, R. De Rose, J. Lin, A. G. Brooks, K. C. Krebs, D. I. Watkins, D. H. O'connor, M. P. Davenport, & S. J. Kent, 2005b. The pigtail macaque MHC class I allele Mane-A*10 presents an immunodominant SIV Gag epitope: Identification, tetramer development and implications of immune escape and reversion. *J Med Primatol* **34**(5-6):282–293. On pp. 33, 35 & 39.
- [Su *et al.*, 2005] J. Su, M. A. Luscher, Y. Xiong, T. Rustam, R. R. Amara, E. Rakasz, H. L. Robinson, & K. S. MacDonald, 2005. Novel simian immunodeficiency virus CTL epitopes restricted by MHC class I molecule Mamu-B*01 are highly conserved for long term in DNA/MVA-vaccinated, SHIV-challenged rhesus macaques. *Int Immunol* **17**(5):637–648. On pp. 30 & 34.
- [Tanaka-Takahashi *et al.*, 2007] Y. Tanaka-Takahashi, M. Yasunami, T. Naruse, K. Hinohara, T. Matano, K. Mori, M. Miyazawa, M. Honda, Y. Yasutomi, Y. Nagai, & A. Kimura, 2007. Reference strand-mediated conformation analysis-based typing of multiple alleles in the rhesus macaque MHC class I Mamu-A and Mamu-B loci. *Electrophoresis* **28**(6):918–924. On p. 35.
- [Trichel *et al.*, 2002] A. M. Trichel, P. A. Rajakumar, & M. Murphey-Corb, 2002. Species-specific variation in SIV disease progression between Chinese and Indian subspecies of rhesus macaque. *J Med Primatol* **31**(4-5):171–178. On p. 33.
- [Valentine *et al.*, 2007] Valentine *et al.*, 2007. manuscript submitted. On p. 31.
- [Vogel *et al.*, 2002a] T. U. Vogel, T. C. Friedrich, D. H. O'Connor, W. Rehrauer, E. J. Dodds, H. Hickman, W. Hildebrand, J. Sidney, A. Sette, A. Hughes, H. Horton, K. Vielhuber, R. Rudersdorf, I. P. de Souza, M. R. Reynolds, T. M. Allen, N. Wilson, & D. I. Watkins, 2002a. Escape in one of two cytotoxic T-lymphocyte epitopes bound by a high-frequency major histocompatibility complex class I molecule, Mamu-A*02: A paradigm for virus evolution and persistence? *J Virol* **76**(22):11623–11636. On pp. 30, 31, 34 & 37.
- [Vogel *et al.*, 2002b] T. U. Vogel, H. Horton, D. H. Fuller, D. K. Carter, K. Vielhuber, D. H. O'Connor, T. Shipley, J. Fuller, G. Sutter, V. Erfle, N. Wilson, L. J. Picker, & D. I. Watkins, 2002b. Differences between T cell epitopes recognized after immunization and after infection. *J Immunol* **169**(8):4511–4521. On p. 32.
- [Voss & Letvin, 1996] G. Voss & N. L. Letvin, 1996. Definition of human immunodeficiency virus type 1 gp120 and gp41 cytotoxic T-lymphocyte epitopes and their restricting major histocompatibility complex class I alleles in simian-human immunodeficiency virus-infected rhesus monkeys. *J Virol* **70**(10):7335–7340. On pp. 37 & 38.
- [Watanabe *et al.*, 1994] N. Watanabe, S. N. McAdam, J. E. Boyson, M. S. Piekarczyk, Y. Yasutomi, D. I. Watkins, & N. L. Letvin, 1994. A simian immunodeficiency virus envelope V3 cytotoxic T-lymphocyte epitope in rhesus monkeys and its restricting major histocompatibility complex class I molecule Mamu-A*02. *J Virol* **68**(10):6690–6696. On pp. 30 & 37.
- [Weintrob *et al.*, 2003] A. C. Weintrob, J. Giner, P. Menezes, E. Patrick, D. K. Benjamin, Jr., J. Lennox, C. D. Pilcher, J. J. Eron, & C. B. Hicks, 2003. Infrequent diagnosis of primary human immunodeficiency virus infection: Missed opportunities in acute care settings. *Arch Intern Med* **163**(17):2097–2100. On p. 29.
- [Wiseman *et al.*, 2007] R. W. Wiseman, J. A. Wojcechowskyj, J. M. Greene, A. J. Blasky, T. Goapon, T. Soma, T. C. Friedrich, S. L. O'Connor, & D. H. O'Connor, 2007. Simian immunodeficiency virus SIVmac239 infection of major histocompatibility complex-identical cynomolgus macaques from Mauritius. *J Virol* **81**(1):349–361. On pp. 34 & 35.
- [Wojcechowskyj *et al.*, 2007] J. A. Wojcechowskyj, L. J. Yant, R. W. Wiseman, S. L. O'Connor, & D. H. O'Connor, 2007. Control of simian immunodeficiency virus SIVmac239 is not predicted by inheritance of Mamu-B*17-containing haplotypes. *J Virol* **81**(1):406–410. On p. 35.
- [Yamamoto *et al.*, 2007] H. Yamamoto, M. Kawada, A. Takeda, H. Igarashi, & T. Matano, 2007. Post-infection immunodeficiency virus control by neutralizing antibodies. *PLoS ONE* **2**(6):e540. On p. 32.

[Yant *et al.*, 2006] L. J. Yant, T. C. Friedrich, R. C. Johnson, G. E. May, N. J. Maness, A. M. Enz, J. D. Lifson, D. H. O'Connor, M. Carrington, & D. I. Watkins, 2006. The high-frequency major histocompatibility complex class I allele Mamu-B*17 is associated with control of simian immunodeficiency virus SIVmac239 replication. *J Virol* **80**(10):5074–5077. On pp. 29, 30, 31 & 32.

[Yasutomi *et al.*, 1995] Y. Yasutomi, S. N. McAdam, J. E. Boyson, M. S. Piekarczyk, D. I. Watkins, & N. L. Letvin, 1995. A MHC class I B locus allele-restricted simian immunodeficiency virus envelope CTL epitope in rhesus monkeys. *J Immunol* **154**(5):2516–2522. On p. 30.

[Yasutomi *et al.*, 1993] Y. Yasutomi, K. A. Reimann, C. I. Lord, M. D. Miller, & N. L. Letvin, 1993. Simian immunodeficiency virus-specific CD8+ lymphocyte response in acutely infected rhesus monkeys. *J Virol* **67**(3):1707–1711. On p. 29.

[Zhang *et al.*, 2002] Z.-Q. Zhang, T.-M. Fu, D. R. Casimiro, M.-E. Davies, X. Liang, W. A. Schleif, L. Handt, L. Tussey, M. Chen, A. Tang, K. A. Wilson, W. L. Trigona, D. C. Freed, C. Y. Tan, M. Horton, E. A. Emini, & J. W. Shiver, 2002. Mamu-A*01 allele-mediated attenuation of disease progression in simian-human immunodeficiency virus infection. *J Virol* **76**(24):12845–12854. On pp. 29 & 30.

Part II

HIV CTL/CD8 + Epitopes

CTL CD8+

II-A

Summary

This part includes tables, maps, and associated references of HIV-specific CTL epitopes arranged sequentially according to the location of the proteins in the HIV-1 genome. We attempted to make this part as comprehensive as possible, requiring that the epitope be contained within a defined region of a maximum of 30 amino acids, but not that the optimal boundaries be defined. Studies that were based on the analysis of whole proteins are described at the end of each protein section. The same epitope can have multiple entries, as each entry represents a single publication in this part of the database. For more recent updates, epitope sequence alignments, and useful search capabilities, please see our web site: <http://www.hiv.lanl.gov/content/immunology>. For a concise listing of the best defined CTL epitopes, see the summary by Nicole Frahm, Caitlyn Linde and Christian Brander on page 3 in Part I of this compendium. CTL responses to proteins with no defined epitopes are listed at the end of each protein section.

Recent studies utilize multiple functions attributed to T cells to define responses, and the simple distinctions of cytotoxic T-cell and helper T-cells have become blurred as more is learned about the range of responses triggered in CD4 and CD8 positive T-cells responding to antigenic stimulus. When adding the most recent studies to the database, we have tried to place T cell responses in a reasonable manner into our traditional helper T cell and CTL parts, and to specify the assay used to measure the response in each study.

II-A-1 Epitope tables

Each CTL reference has a multi-part basic entry:

HXB2 location: The viral strain HXB2 (GenBank Accession Number K03455) is used as a reference strain throughout this publication. The position of the defined epitope location relative to the sequence of the HXB2 protein is indicated. The numbering in this table corresponds to the protein maps. Because of HIV-1 variation the epitope may not actually be present in HXB2; rather, the position in HXB2 indicates the position aligned to the epitope. HXB2 was selected as the reference strain because so many studies use HXB2, and because crystal structures for HXB2-related proteins are often available. The precise positions of an epitope on the HXB2 reference strain can be readily

obtained using the interactive position locator at our web site: <http://www.hiv.lanl.gov/content/hiv-db/LOCATE/locate.html>.

Author location: The amino acid positions of the epitope boundaries and the reference sequence are listed as given in the primary publication. Frequently, these positions as published are imprecise, and do not truly correspond to the numbering of the sequence, but they provide a reasonable guide to the peptide's approximate location in the protein. Also, in many cases the reference sequence identification was not provided, and in such cases it is not possible to use these numbers to specify precise locations.

Epitope: The amino acid sequence of the epitope of interest as defined in the reference, based on the reference strain used in the study defining the epitope. On occasions when only the position numbers and not the actual peptide sequence were specified in the original publication, we tried to fill in the peptide sequence based on the position numbers and reference strain. If the sequences were numbered inaccurately by the primary authors, or if we made a mistake in this process, we may have misrepresented the binding site's amino acid sequence. Because of this uncertainty, epitopes that were not explicitly written in the primary publication, that we determined by looking up the reference strain and the numbered location, are followed by a question mark in the table.

Epitope name: If the epitope has a name attributed by the publication, it is recorded here, e.g. "SL9".

Subtype: The subtype under study, generally not specified for B subtype.

Immunogen: The antigenic stimulus of the CTL response. Often this is an HIV-1 infection. If a vaccine was used as the original antigenic stimulation, not a natural infection, this is noted separately, and additional information about the vaccine antigen is provided as available.

Species (MHC): The species responding and MHC or HLA specificity of the epitope.

Donor MHC: The HLA genotype of the individual that responded to the epitope.

Country: The country where the samples were obtained—generally not specified if the study was conducted in the United States.

Assay type: Assay used to characterize the response.

Keywords: Keywords are a searchable field for the web interface that is included in the T-cell sections of the

printed version to help identify entries of particular interest.

Reference: The primary reference (sometimes two or more directly related studies are included). Details for some of the earlier references are in Part V.

Following the entry for a given CTL epitope brief comments explain the context in which the epitope was studied and what was learned about the epitope in a given study.

II-A-2 HIV protein epitope maps

All HIV CTL epitopes mapped to within a region of 14 amino acids or less are indicated on the HIV protein epitope maps. The location and HLA restriction elements of CTL epitopes are indicated on protein sequences of HXB2. These maps are meant to provide the relative location of defined epitopes on a given protein, but the HXB2 sequence may not actually carry the epitope of interest, as it may vary relative to the sequence for which the epitope was defined. Epitopes with identical boundaries and HLA fields are included in the maps only once. If one laboratory determines HLA presenting molecules at the serotype level (example: A2) and another at the genotype level (example: A*0201) both will be included in the map. MHC specificities are indicative of the host species; when no MHC presenting molecule is defined, the host species is noted.

II-A-3 Alignments

To conserve space, no epitope alignments are provided in this book, but they can be generated using the CTL epitope search tool at <http://www.hiv.lanl.gov/content/immunology>. The master alignment files from which the epitope alignments were created are available at our web site at http://www.hiv.lanl.gov/content/hiv-db/ALIGN_CURRENT/ALIGN-INDEX.html.

II-B

HIV CTL/CD8+ Epitope Tables

All HIV CTL epitopes are arranged by protein position. The table entries are sorted in a nested way—first by protein, then by HXB2 start location, and finally by HLA presenting molecule. CTL reactions against proteins with undefined epitopes are listed at the end of the protein that stimulated the response.

II-B-1 Gag p17 CTL/CD8+ epitopes

HXB2 Location p17 (5–13)
Author Location Gag (5–13 SUMA)
Epitope ASVLSGGEL
Epitope name Gag AL9
Subtype B
Immunogen HIV-1 infection
Species (MHC) human
Donor MHC A*1103, A*2402, B*1402, B*1501, Cw*0802
Country United States.
Assay type CD8 T-cell Elispot - IFN γ , Chromium-release assay
Keywords dynamics, acute/early infection, characterizing CD8+ T cells
References Jones *et al.* 2004

- Primary CD8+ T-cell response to Env, Tat and Gag and the extent, kinetics and mechanisms of viral escape were examined in three patients. Rapid escape, within weeks from infection, from HIV specific CTL responses was observed in all three patients, but the kinetics and extent of the escape differed depending on the breadth and co-dominant distribution of CTL-mediated pressure. The two patients that rapidly declined had more focused immunodominant responses, while the single patient that had low viral load and stable CD4 counts for seven years had a broad co-dominant response and less escape.
- The patient SUMA maintained low viral loads and stable CD4 T-cell counts through 7 years of followup. In contrast to more rapid progressors WEAU and BORI, SUMA had a broad response to 24 epitopes, with little immunodominance. Two peptides were somewhat more intensely recognized in acute infection, but this response leveled out early on.
- Only 4 epitopes acquired escape mutations in SUMA over time, and this was 1 of the 20 that remained invariant. A low level response was detected at acute infection that persisted through early infection.

HXB2 Location p17 (8–18)
Author Location Gag (8–18)
Epitope LSGGELDRWEK
Epitope name Gag I.2
Immunogen vaccine

Vector/Type: DNA prime with modified vaccinia Ankara (MVA) boost **Strain:** B clade
HIV component: Env, Gag, Protease, Rev, RT, Tat, Vpu

Species (MHC) macaque

Assay type T-cell Elispot, Intracellular cytokine staining

Keywords subtype comparisons, variant cross-recognition or cross-neutralization, memory cells

References Amara *et al.* 2005

- A clade B DNA/MVA HIV vaccine was shown to raise a broad cross-reactive cellular immune response for peptides based on the CRF02_AG consensus Gag in macaques. The activity was better conserved for CD8 than CD4 T cells.
- All 5 CD8 and 4/8 of the CD4 epitopes that were recognized in vaccinated macaques have also been reported for human infections, indicating cross-species conservation. The similar reported human epitope in this case is GELDRWEKI. HLA restriction: B*4002, B62
- Conservation across other clades: none. The form that is most common in CRF02, LSGGkLDaWEK, does not cross-react with the B clade elicited response.

HXB2 Location p17 (11–19)

Author Location

Epitope GELDRWEKI

Epitope name Gag-GI9

Subtype B

Immunogen HIV-1 infection

Species (MHC) human (B*4002)

Donor MHC 01RCH46: A*0201, A*0217, B*0801, B*4002, Cw*0303, Cw*0701

Keywords HAART, ART

References Sabbaj *et al.* 2003

- This study monitored epitope responses in HIV-1 infected minority women living in the United States.
- 24 epitopes were described – 8 were novel, 8 used new restricting elements but were previously defined epitopes, and 8 were previously described.
- Serial peptide truncations were used to define optimal epitopes for CTL cell lines isolated from 12 individuals, assayed by a Cr-release.
- This epitope was newly defined in this study.
- Patient 01RCH46 was Hispanic, on HAART, and had a viral load of 21000 and CD4 count of 623 – she also recognized KETINEEAA p24(70-78), HLA B*4002, and TAFTIPSI, RT(128-135), HLA A*0217.
- Among HIV+ individuals who carried HLA B40, 2/5 (40%) recognized this epitope.

HXB2 Location p17 (11–19)

Author Location p17 (11–19)
Epitope GELDRWEKI
Immunogen HIV-1 infection
Species (MHC) human (B*4002)
Keywords optimal epitope
References Frahm *et al.* 2007

HXB2 Location p17 (11–19)

Author Location p17 (11–19)
Epitope GELDRWEKI
Epitope name GI9
Subtype B
Immunogen HIV-1 infection
Species (MHC) human (B40)
Donor MHC A*30, B*18, B*40, Cw*02, Cw*05
Country United States.
Assay type CD8 T-cell Elispot - IFN γ
Keywords responses in children, mother-to-infant transmission, escape, acute/early infection, reversion, viral fitness
References Sanchez-Merino *et al.* 2005

- CD8 T-cell responses were examined in mother-infant pairs. Escape variants were commonly detected in maternal plasma. Early infant plasma viruses showed heterogeneity of gag and nef gene sequences as well as mother-to-child transmission of CD8 T-cell escape variants. The stability of escape mutants in the infant over time was determined by infant HLA haplotype and viral fitness. Sequential plasma specimens from infants showed changes in CD8 T-cell epitope sequences, suggesting that infants are capable of generating virus-specific CD8 T-cell responses.
- The escape variant geldrWkKi was detected in 10/10 maternal clones from a B40-positive mother, but was absent in all sequences from her B40-negative infant, sampled at months 2, 4, and 11, suggesting either transmission of a minority wild-type variant, or rapid reversion in the absence of continued CTL pressure.
- geldrWkKi elicited lower responder cell frequencies than GELDRWEKI.

HXB2 Location p17 (11–30)

Author Location Gag (11–30)
Epitope GELDRWEKIRLRPGGKKKYK
Subtype B
Immunogen HIV-1 infection
Species (MHC) human (B62)
Donor MHC A2, A32, B27, B62
Assay type Chromium-release assay
Keywords genital and mucosal immunity
References Musey *et al.* 2003

- CTL clones from blood, semen, cervix and rectum samples from 12 individuals were compared. CTL clones derived from blood and mucosal samples had similar high lysis efficiency, primarily perforin dependent, and TCRbeta VDJ region sequencing revealed cases of expansion of the same clone in different compartments.
- CD8+ T cell clones directed at this epitope were derived from blood and semen.

HXB2 Location p17 (12–21)

Author Location p17
Epitope ELDRWEKIRL
Subtype B, C
Immunogen HIV-1 infection
Species (MHC) human (B63)
Assay type CD8 T-cell Elispot - IFN γ
Keywords rate of progression
References Frahm *et al.* 2005

- HLA-B63-positive subjects were shown to be able to generate CTL responses early in acute HIV infection and to control HIV replication in the absence of antiretroviral treatment. Since HLA-B63 shares the epitope binding motif of HLA-B57 and -B58, it was shown that HLA-B63-positive individuals mounted CTL responses to previously identified B57-restricted epitopes, as well as novel, B63-restricted epitopes. Moreover, these novel B63-restricted epitopes can also be presented by HLA-B57 and -B58.
- This is a putative HLA B63 epitope containing the B58 super-type binding motif embedded in a reactive peptide. There is no evidence for B57/B58 cross-presentation of this epitope.

HXB2 Location p17 (16–30)

Author Location p17 (16–30 HXB2)
Epitope WEKIRLRPGGKKKYK
Subtype B
Immunogen HIV-1 infection
Species (MHC) human
Assay type T-cell Elispot
Keywords immunodominance, early treatment
References Addo *et al.* 2003

- Comprehensive Elispot screening of 504 overlapping peptides that spanned all HIV-1 proteins in 57 HIV-1 infected individuals. Four groups of patients were compared: 23 were untreated; 12 patients were chronically infected and treated; 22 started treatment during acute infection, 11 continuously treated and 11 with STI.
- 63% of the peptides were recognized - the most frequent responses were directed against Nef (95%) and p24-Gag (88%). p17 was the most frequently recognized protein after correction for protein length. A median of 18 peptides (range 2–42) were recognized per person. The most frequently (>20%) recognized peptides were located in conserved regions within clade B sequences. Vpu was rarely recognized.
- Responses to this peptide were detected in 19% of the study subjects, and it was one of the 25 most frequently recognized peptides.

HXB2 Location p17 (18–26)

Author Location p17 (18–26 IIIB)
Epitope KIRLRPGGK
Immunogen
Species (MHC) human (A*0301)
Keywords optimal epitope
References Frahm *et al.* 2007

- C. Brander notes that this is an A*0301 epitope.

HXB2 Location p17 (18–26)

Author Location
Epitope KIRLRPGGK
Immunogen HIV-1 infection

Species (MHC) human (A*0301)

Keywords acute/early infection

References Wilson *et al.* 2000a

- Three individuals with highly focused HIV-specific CTL responses were studied during acute infection using tetramers – high frequencies of HIV-1-specific CD8+ T cells were found prior to seroconversion, and there was a close temporal relationship between the number of circulating HIV-specific T cells and viral load was also found.
- All three patients were B*2705, with HLA alleles: A1, A30/31, B*2705, B35; A1, A*0301, B7, B2705; and A*0201, A*0301, B2705, B39.
- ELISPOT was used to test a panel of CTL epitopes that had been defined earlier and were appropriate for the HLA haplotypes of the study subjects – 3/3 subjects showed a dominant response to the B*2705 epitope KRWILGGLNK.
- The subject with A*0201 had a moderately strong response to SLYNTVATL.
- Weak responses were observed to A*301-RLRPGGKKK, A*301-QVPLRPMYK, and B7-TPGPGVRYPL in the subject who has HLA A1, A*0301, B7, B*2705.
- No acute response was detected to the following epitopes: A*201-ILKEPVHGV, A*301-KIRLRPGGK, A*301-AIFQSSMTK, A*301-TVYYGVPVWK, B35-EPIVGAETF, B35-HPDIVIYQY, B35-PIPVGEIY, B35-NSSKVSQNY, B35-VPLRPMY, B35-DPNPQEVVL.

HXB2 Location p17 (18–26)

Author Location p17 (18–26 SF2)

Epitope KIRLRPGGK

Immunogen HIV-1 infection

Species (MHC) human (A*0301)

References Altfeld *et al.* 2001a

- HIV+ individual AC-06 was tested for reactive overlapping peptides spanning all HIV-1 proteins in an ELISPOT and was found to react with 12 peptides from 7 proteins, suggesting that the breadth of CTL responses are underestimated if accessory proteins are not included in the study.
- The reactive peptide p17 gag WEKIRLRPGGKKKYK contained two A*0301-restricted epitopes, KIRLRPGGK and RLRPGGKKK A*0301.

HXB2 Location p17 (18–26)

Author Location p17 (18–26)

Epitope KIRLRPGGK

Subtype B

Immunogen HIV-1 infection

Species (MHC) human (A*0301)

Assay type CD8 T-cell Elispot - IFN γ , CD8 T-cell Elispot granzyme B

Keywords Th1, characterizing CD8+ T cells

References Kleen *et al.* 2004

- Only 20% of CD8+ T-cells produce IFN-gamma and granzyme B simultaneously (Tc1a). Two additional subpopulations of HIV specific CD8+ cells are found, each one constituting 30–40% of the CD8+ cell pool. One of these (Tc1b) secretes IFN-gamma only, and the other one (Tc1c) secretes GzB only.
- Two of seven patients responded to this peptide with GzB producing cells, while none of the patients responded with IFN-gamma producing cells.

HXB2 Location p17 (18–26)

Author Location p17

Epitope KIRLRPGGK

Subtype A

Immunogen HIV-1 infection

Species (MHC) human (A*0301)

Donor MHC A*0101, A*0301, B*0801; A*0201, A*3101, B*3501, B*3905

Country United Kingdom.

Assay type CD8 T-cell Elispot - IFN γ , HLA binding

Keywords escape, acute/early infection, variant cross-recognition or cross-neutralization

References Milicic *et al.* 2005

- CTL responses and escape were analyzed in 4 homosexual couples where blood samples were available within weeks of estimated transmission. CTL escape variants were often transmitted. When the recipient had the same HLA type as the donor, CTL escape variants prevented a CTL response to those epitopes in the recipient. Even when the HLA alleles were different in the transmitting couple, a single escape mutation in one epitope can abolish CTL recognition of an overlapping epitope of distinct restriction in the recipient.
- A*0301 epitopes RLRPGGKKK and KIRLRPGGK, and B*0801 epitope GGKKKYRL, overlap. In 1 donor, the transmitted virus carried the escape form for 2 of these epitopes. The double substitution kirlrpggR results in escape from response in the donor. Similarly, the double substitution ggRkkyKl results in escape for this epitope.
- The escape mutation kirlrpggR in this epitope resulted in 74% reduction in HLA binding affinity. The other variant tested, kirlrQggR, resulted in 90% reduction.

HXB2 Location p17 (18–26)

Author Location p17 (18–26 IIIB)

Epitope KIRLRPGGK

Immunogen HIV-1 infection

Species (MHC) human (A3)

Keywords responses in children, mother-to-infant transmission, escape

References Wilson *et al.* 1996

- Epitope defined in the context of the Pediatric AIDS Foundation ARIEL Project, a mother-infant HIV transmission study.
- KIRLRPGGR and RIRLRPGGR, naturally occurring variants, were found in mother and are escape mutants.

HXB2 Location p17 (18–26)

Author Location p17 (18–26)

Epitope KIRLRPGGK

Immunogen in vitro stimulation or selection

Species (MHC) human (A3)

Keywords dendritic cells

References Zarling *et al.* 1999

- This study compares the ability of macrophages and dendritic cells to stimulate primary responses in CD8+ lymphocytes isolated from HLA-appropriate HIV-uninfected donors using peptide-pulsed APC – the dendritic cells performed better as APC for the stimulation of primary responses.

- Strong CTL responses were elicited by the epitopes DRFYK-TLRA and GEIYKRWII when presented by either immature or mature dendritic cells – macrophages were not able to prime a CTL response against DRFYKTLRA.
- A weak response to KLTPLCVSL was stimulated using macrophages as the APC.
- No detectable response was observed for the following previously-defined HIV epitopes: KIRLRPGGK, ILKEPVHGV, IRLRPGGK, GPKVKQWPL.

HXB2 Location p17 (18–26)

Author Location Gag (18–26)

Epitope KIRLRPGGK

Immunogen HIV-1 infection

Species (MHC) human (A3)

References Brodie *et al.* 1999

- The ability of CTL effector cells was studied by expanding autologous HIV-1 Gag-specific CTL *in vitro*, and adoptive transfer.
- The transferred CTLs migrated to the lymph nodes and transiently reduced circulating productively-infected CD4+ T cells, showing that CTL move to appropriate target sites and mediate anti-viral effects.

HXB2 Location p17 (18–26)

Author Location (18–26)

Epitope KIRLRPGGK

Immunogen HIV-1 infection

Species (MHC) human (A3)

References Brodie *et al.* 2000

- Study tracks and quantifies *in vivo* migration of neo-marked CD8+ HIV-specific CTL.
- Adoptively transferred gene-marked HIV-specific CTL homed to specific lymph node sites, colocalizing within the parafollicular regions of the lymph node adjacent to cells expressing HIV tat-fusion transcripts, indicative of viral replication.
- The CTL clones expressed CCR5 and localized among HIV-1 infected cells expressing MIP-1alpha and MIP-1beta, CC-chemokines produced at sites of viral replication, suggesting a possible homing mechanism.
- This study provides a methodology for tracking and studying antigen specific CTL *in vivo*.

HXB2 Location p17 (18–26)

Author Location p17 (18–26 IIIB)

Epitope KIRLRPGGK

Immunogen HIV-1 infection

Species (MHC) transgenic mouse (A3)

Keywords responses in children, mother-to-infant transmission, escape

References Wilson *et al.* 1999a

- This study describes maternal CTL responses in the context of mother-to-infant transmission.
- Detection of CTL escape mutants in the mother was associated with transmission, but the CTL-susceptible forms of the virus tended to be found in infected infants.
- KIRLRPGGR and RIRLRPGGR were escape mutants.
- This epitope was recognized and many escape mutants were detected in an HLA A3 transmitting mother, and was recognized but invariant in an HLA A3 non-transmitting mother.

HXB2 Location p17 (18–26)

Author Location p17 (18–26 IIIB)

Epitope KIRLRPGGK

Immunogen HIV-1 infection

Species (MHC) human (A3)

Keywords review, escape

References Goulder *et al.* 1997e; Goulder *et al.* 1997a

- HLA-identical sibling hemophiliac brothers were both infected with the same batch of factor VIII. Goulder *et al.* [1997e] is a review of immune escape that summarizes this study.
- One had a response to this epitope, the other did not. They were tested 6-8 years after infection.

HXB2 Location p17 (18–26)

Author Location p17 (subtype B)

Epitope KIRLRPGGK

Subtype B

Immunogen HIV-1 exposed seronegative

Species (MHC) human (A3)

References Kaul *et al.* 2000

- 11 of 16 heavily HIV exposed but persistently seronegative sex-workers in Nairobi had HIV-specific CD8+ gamma-IFN responses in the cervix – systemic CD8+ T-cell responses tended to be to the same epitopes but at generally lower levels than cervical CD8+ T-cell responses.
- Low risk individuals did not have such CD8+ cells.
- CD8+ T-cell epitopes: DTVLEDINL (3 individuals), SLYNT-VATL (4 individuals), LSPRTLNAW (3 individuals) and YPLT-FGWCF (4 individuals) were most commonly recognized by the HIV-resistant women.

HXB2 Location p17 (18–26)

Author Location p17 (SF2)

Epitope KIRLRPGGK

Immunogen HIV-1 infection

Species (MHC) human (A3)

Keywords subtype comparisons, immunodominance

References Goulder *et al.* 2000a

- WEKIRLRPGGKKKYKLIK was the target of the dominant response in Caucasoids (38%) more frequently than non-Caucasoids (12%) – 7/10 that had a dominant response to this epitope were A3, and 5/7 targeted RLRPGGKKK while 2/7 targeted KIRLRPGGK.
- Three peptides GSEELRSLYNTVATL (p17 residues 71-85), SALSEGATPQDLNMLNTVG (p24 41-60), and WEKIRLRPGGKKKYKLIK (p17 16-30) contained the dominant Gag-specific epitope in 31/44 B-clade infected individuals from Boston who showed Gag-CTL responses.
- Five peptides RLRPGGKKHYMIKHLVW (p17 20-36), ELRSLYNTVATLYCV (p17Gag 74-88), SALSEGATPQDLNMLNTVG (p24 41-60), FRDYVDRFFKTLRAEQA (p24 161-177), and SILDIKQGKEPFRDY (p24 149-164) contained dominant Gag-specific epitopes in 32/37 C-clade infected subjects from South Africa.

HXB2 Location p17 (18–26)

Author Location p17

Epitope KIRLRPGGK

Immunogen HIV-1 infection

Species (MHC) human (A3)

Keywords HAART, ART

References Seth *et al.* 2001

- CTL responses were studied by tetramer staining in 41 patients with combination therapy – activated CD8+ T-cells decline as the viral load drops in response to therapy, but the overall level of antigen-specific cells capable of differentiating into effectors stays constant and new epitopes may be recognized.

HXB2 Location p17 (18–26)

Author Location p17 (18–26 SF2)

Epitope KIRLRPGGK

Immunogen HIV-1 infection

Species (MHC) human (A3)

Keywords HAART, ART, acute/early infection

References Altfeld *et al.* 2001b

- Therapy provided during acute infection resulted in a narrower CTL response, stronger T help response, and a less diverse viral population than was seen in individuals treated during chronic infection.
- The breadth and specificity of the response was determined using ELISPOT by studying 19 individuals with pre-seroconversion therapy (Group 1), 11 individuals with primary infection but post-seroconversion therapy (Group 2), and 10 individuals who responded to HAART given during chronic infection (Group 3), using 259 overlapping peptides spanning p17, p24, RT, gp41, gp120 and Nef.
- Previously described and newly defined optimal epitopes were tested for CTL response.
- Number of HLA-A3+ individuals that had a CTL response to this epitope broken down by group: 3/7 group 1, 0/4 group 2, and 2/2 group 3.

HXB2 Location p17 (18–26)

Author Location p17 (18–26)

Epitope KIRLRPGGK

Immunogen HIV-1 infection, HIV-1 exposed seronegative

Species (MHC) human (A3)

Keywords HIV exposed persistently seronegative (HEPS)

References Kaul *et al.* 2001a

- KIRLRPGGK is cross-reactive for A, B, and D clades.
- ELISPOT was used to study CTL responses to a panel of 54 predefined HIV-1 epitopes in 91 HIV-1-exposed, persistently seronegative (HEPS) and 87 HIV-1-infected female Nairobi sex workers.

HXB2 Location p17 (18–26)

Author Location p17 (JRCSF)

Epitope KIRLRPGGK

Subtype B

Immunogen HIV-1 infection

Species (MHC) human (A3)

References Severino *et al.* 2000

- Primary HLA-A3+ CD4+ and HLA-mismatched lymphocytes from uninfected donors were infected with JRCSF after isolation then cocultured with the A3-restricted CTL clone 11504/A7 specific for KIRLRPGGK, and viral inhibition was MHC-restricted.

- Primary monocytes and monocyte-derived DC were generated from the same donors, replication of HIV-1 in these cell types was less efficient than in lymphocytes and could also be inhibited by MHC-restricted CTL.
- DC-lymphocyte cluster cultures allowed vigorous viral replication and MHC-restricted CTL viral inhibition was blunted or lost depending on the ratio of DC to CD4+ lymphocyte in the culture.

HXB2 Location p17 (18–26)

Author Location p17 (18–26)

Epitope KIRLRPGGK

Immunogen HIV-1 infection

Species (MHC) human (A3)

Keywords rate of progression, acute/early infection

References Day *et al.* 2001

- The CTL response to optimally defined CTL epitopes restricted by HLA class I A and B alleles in individuals who coexpressed HLA A2, A3, and B7 was studied in eight HIV-1-infected subjects, two with acute infection, five with chronic, and one long-term non-progressor (LTNP).
- 2 to 17 epitopes were recognized in a given individual, A2-restricted CTL response tended to be narrow and never dominated the response, and 25/27 epitopes were targeted by at least one person.
- All patients recognized at least 1 A3 epitope, up to 8 A3 epitopes, but none was clearly dominant.

HXB2 Location p17 (18–26)

Author Location p17

Epitope KIRLRPGGK

Immunogen HIV-1 infection

Species (MHC) human (A3)

Keywords dendritic cells

References Ostrowski *et al.* 2000

- The role of CD4+ T-cell help in expansion of virus-specific memory CTL was studied through co-culture *ex vivo*.
- Optimal expansion of HIV-1-specific memory CTL depended on CD4+ T cell help in 9 of 10 patients – CD40 ligand trimer (CD40LT) could enhance CTL in the absence of CD4+ T cell help to a variable degree in most of patients.
- Those CTL that didn't respond to CD40LT could expand with IL2 present, and IL15 produced by dendritic cells also contributes.
- The T-helper epitope used for CD4+ T-cell stimulation was the universal tetanus helper epitope TET830-843 (QYIKANSK-FIGITE)

HXB2 Location p17 (18–26)

Author Location p17 (18–26)

Epitope KIRLRPGGK

Epitope name A3-KK9

Subtype B

Immunogen HIV-1 infection

Species (MHC) human (A3)

Donor MHC A3, B7, Cw7

Keywords dynamics, supervised treatment interruptions (STI), immunodominance, acute/early infection

References Yu *et al.* 2002a

- CTL responses in 18 acutely HIV-infected HLA-A3 (n=7) or -B7 (n=4) or both -A3 and B7 (n=7) positive individuals were studied.
- One individual, AC-06, was homozygous at all three class I alleles (A3, B7, Cw7), was treated during acute infection and had supervised treatment interruptions (STI). He had only two detectable CTL responses during acute infection, but after STI this broadened to 27 distinct epitopes including 15 restricted by HLA-A3, 11 by HLA-B7, and 1 by HLA-Cw7.
- 8/14 HLA-A3 positive individuals had detectable A3-restricted responses during acute infection. Only 5/15 of HLA-A3 epitopes tested were targeted during acute infection. 7/8 individuals with acute responses had specific responses for this epitope.
- KIRLRPGGK and RLRPGGKKK were the most commonly recognized HLA-A3 epitopes during acute infection, after 1 year of treatment, and after STI. RLRPGGKKK was immunodominant.

HXB2 Location p17 (18–26)

Author Location p17 (18–26)

Epitope KIRLRPGGK

Immunogen HIV-1 infection

Species (MHC) human (A3)

Donor MHC A03, A32, B51, B15, Cw03, Cw06, DR4, DR8, DQ7

Country Netherlands.

Assay type CD8 T-cell Elispot - IFN γ , Flow cytometric T-cell cytokine assay

Keywords rate of progression, escape

References Geels *et al.* 2003

- Both stable potential epitopes and epitopes with escape mutations were found in a patient with increasing viral load over a time period of 4 years. Fixation of escape mutations occurred sequentially and correlated with the rise in viral load and with the increased number of productively infected cells.
- This is one of 17 potential epitopes from this individual, defined based on previously identified epitopes presented by appropriate HLA molecules. Full length genome sequence did not reveal changes in time in any of these epitopes over a four year period. Peptide pools initially revealed very little response to these epitopes, but this increased over time.

HXB2 Location p17 (18–26)

Author Location p17 (18–26 B consensus)

Epitope KIRLRPGGK

Epitope name KK9

Subtype B

Immunogen HIV-1 infection

Species (MHC) human (A3)

Country United States.

Assay type CD8 T-cell Elispot - IFN γ , Flow cytometric T-cell cytokine assay

Keywords epitope processing, immunodominance, escape, acute/early infection, characterizing CD8+ T cells, reversion, viral fitness

References Allen *et al.* 2004

- KK9 and RK9 overlap, are presented by HLA-A3, and are frequently immunodominant and involved in acute-phase primary responses. A mutation in the C-terminal flanking residue of KK9 (K to Q) (kirlrpkkq-Q) inhibits processing of the immunodominant gag KK9 epitope, resulting in rapid decline in the KK9 specific CD8+ T-cell response. At the same time it abrogates the response to RK9 through the embedded mutation rlrpggkQk. Transmission of this mutation to patients expressing HLA-A3 prevents acute-phase response to these epitopes, although the mutation can eventually revert to wild-type allowing a delayed response to the epitope.

HXB2 Location p17 (18–26)

Author Location p17

Epitope KIRLRPGGK

Epitope name KK9

Immunogen HIV-1 infection

Species (MHC) human (A3)

Keywords review, epitope processing, escape

References Goulder & Watkins 2004

- This paper is a review of the role of CTL in HIV infection, and it uses KK9 as an example of an epitope that escapes due to a mutation beyond the epitope on the C-terminal side that probably affects proteasomal processing.

HXB2 Location p17 (18–26)

Author Location (B consensus)

Epitope KIRLRPGGK

Epitope name KK9

Subtype B

Immunogen HIV-1 infection

Species (MHC) human (A3)

Donor MHC A03, B14, B60, Cw3, Cw7

Country United States.

Assay type Cytokine production, Intracellular cytokine staining, Chromium-release assay, Flow cytometric T-cell cytokine assay

Keywords assay standardization/improvement, memory cells, characterizing CD8+ T cells

References Lichterfeld *et al.* 2004c

- Using a flow-cytometric cytotoxicity assay based on caspase-3 activation in dying target cells, it was shown that the subset of HIV-1-specific CD8+ T cells secreting both IFN-gamma and TNF-alpha exhibit stronger cytotoxic activity than those secreting only IFN-gamma. These cells also exhibited stronger intracellular perforin expression. No association between HIV-1-specific CD8+ T-cell maturation phenotypes and intracellular perforin expression was found.
- One of nine individuals recognized this epitope.

HXB2 Location p17 (18–26)

Author Location p17

Epitope KIRLRPGGK

Immunogen HIV-1 exposed seronegative

Species (MHC) human (A3)

Donor MHC A01, A03, B39, B44, Cw4, Cw6

Assay type T-cell Elispot

Keywords HIV exposed persistently seronegative (HEPS)

References Missale *et al.* 2004

- HIV-specific T-cell response was tested in patients exposed to blood from a patient with highly replicating HIV; these patients were nosocomially infected with HBV, but uninfected with HIV. HIV-specific T-cell responses were directed to structural and non-structural HIV proteins in 2 patients, suggesting that the virus replicated in these patients sufficiently to prime a cell-mediated immune response that protected them from HIV infection.
- This patient responded to 3/11 HIV epitopes tested in an IFN γ EliSpot assay. Responses were detected 16 and 20 weeks after exposure, but were lost by week 80.

HXB2 Location p17 (18–26)

Author Location Gag (18–26)

Epitope KIRLRPGGK

Subtype B

Immunogen HIV-1 infection

Species (MHC) human (A3)

Donor MHC A1, A3, B7, B57, Cw6, Cw7

Country United States.

Assay type CD8 T-cell Elispot - IFN γ

References Allen *et al.* 2005a

- Two-thirds of all mutations arising in nonenvelope proteins during the transition from acute to chronic infection were found to be due to either CD8 T-cell-associated selective pressures or reversion of HLA-I-associated mutations selected in a previous host. The predominance of escape mutations at highly polymorphic sites was observed across different HIV-1 clades.
- This epitope was reactive, but escape mutations did not accrue in it over time.

HXB2 Location p17 (18–26)

Author Location p24

Epitope KIRLRPGGK

Epitope name KK9

Immunogen

Species (MHC) (A3)

Keywords review, immunodominance, escape, acute/early infection, early-expressed proteins, kinetics, reversion, viral fitness

References Lichterfeld *et al.* 2005

- This review discusses the importance of 3 factors that impact the selection of immunodominant epitopes in acute HIV infection: i) the kinetics of viral protein expression, ii) the HLA class I background of the infected individual, and iii) the autologous sequence of the infecting virus. This is 1 of 12 peptides listed as immunodominant in acute HIV-1 infection.

HXB2 Location p17 (18–26)

Author Location p17 (18–26)

Epitope KIRLRPGGK

Epitope name KR9

Subtype B

Immunogen HIV-1 infection

Species (MHC) human (A3)

Donor MHC A*03, A*31, B*08, B*15, Cw*04, Cw*07

Country United States.

Assay type CD8 T-cell Elispot - IFN γ

Keywords responses in children, mother-to-infant transmission, escape, acute/early infection, reversion, viral fitness

References Sanchez-Merino *et al.* 2005

- CD8 T-cell responses were examined in mother-infant pairs. Escape variants were commonly detected in maternal plasma. Early infant plasma viruses showed heterogeneity of gag and nef gene sequences as well as mother-to-child transmission of CD8 T-cell escape variants. The stability of escape mutants in the infant over time was determined by infant HLA haplotype and viral fitness. Sequential plasma specimens from infants showed changes in CD8 T-cell epitope sequences, suggesting that infants are capable of generating virus-specific CD8 T-cell responses.
- The escape variant kirlrpggR was present in 10/10 clones from an A3+ mother, was transmitted to her infant, and present in 10/10 clones at months 2 and 4, but decreased to 0/10 clones by 15 months of age in her A3- child.

HXB2 Location p17 (18–26)

Author Location p17 (18–26)

Epitope KIRLRPGGK

Immunogen HIV-1 infection

Species (MHC) human (A3, A*0301, B27)

References Ferrari *et al.* 2000

- One of the 51 HIV-1 epitopes selected by Ferrari *et al.* as good candidate CTL epitopes for vaccines by virtue of being conserved and presented by common HLA alleles.

HXB2 Location p17 (18–26)

Author Location p17 (18–26)

Epitope KIRLRPGGK

Epitope name A3-KK9 Gag

Subtype B

Immunogen HIV-1 infection

Species (MHC) human (B7)

Country United States.

Assay type CD8 T-cell Elispot - IFN γ

Keywords epitope processing, supervised treatment interruptions (STI), escape, early treatment, superinfection

References Altfeld *et al.* 2002a

- An HIV+ individual given acute ARV and undergoing STI developed a strong CTL immune response, but despite this was shown to be superinfected with second B clade virus. Some epitope variants of the second infecting virus were resistant to the initial CTL response. This epitope did not vary, although the response declined over time. The authors suggest this might be due to a downstream Arg \rightarrow Thr substitution at C+2 that may impair processing.

HXB2 Location p17 (18–27)

Author Location (C consensus)

Epitope KIRLRPGGKK

Subtype C

Immunogen HIV-1 infection

Species (MHC) human (A*0301)

Country South Africa.

Assay type CD8 T-cell Elispot - IFN γ

Keywords characterizing CD8+ T cells

References Kiepiela *et al.* 2004

- HLA class I restricted CD8+ T-cell responses against HIV-1 were analyzed in African patients. Significantly more responses were shown to be HLA-B restricted. Viral load, CD4 count, and thus rate of disease progression were also associated with HLA-B alleles. In addition, the selection pressure imposed on HIV-1 by HLA-B alleles was shown to be substantially greater than by other alleles.
- This epitope was suggested to be the epitope within a longer reactive peptide based on correspondence with a known epitope in the HIV database. Also, a significantly higher frequency of people in the Durban cohort who reacted with the peptide had this HLA type.

HXB2 Location p17 (18–27)**Author Location** Gag**Epitope** KIRLRPGGKK**Epitope name** 1272**Subtype** multiple**Immunogen** HIV-1 infection**Species (MHC)** human (A11)**Country** United States.**Assay type** T-cell Elispot**Keywords** binding affinity, computational epitope prediction, cross-presentation by different HLA**References** De Groot *et al.* 2003

- Epitopes defined using sequence parsing and matching algorithm Conservatrix, and epitope prediction tool EpiMatrix, were shown to be conserved in a broad range of HIV-1 sequences derived from different parts of the world. 31 novel highly conserved HIV-1 epitopes were found, among which four were recognized as promiscuous epitopes and five as MHC supertypes.
- Estimated binding probability for KIRLRPGGKK: 36%. This epitope has been previously reported to be presented by A3, B27, B62, Bw62 and is an A11 binder, but was not confirmed as a CTL target in this study.

HXB2 Location p17 (18–27)**Author Location** p17 (18–27)**Epitope** KIRLRPGGKK**Immunogen** HIV-1 infection**Species (MHC)** human (A3)**Country** Spain.**Assay type** proliferation, CD8 T-cell Elispot - IFN γ , Flow cytometric T-cell cytokine assay**Keywords** HAART, ART, supervised treatment interruptions (STI), immune dysfunction**References** Plana *et al.* 2004

- Structured treatment interruption (STI) alone is not able to control viral replication in chronically infected patients, probably due to lack of strong T-helper cell responses. Only patients starting with moderately high viral load (VL) were able to reduce the VL set point. HIV-1 specific CD8+ T-cell responses were shown to increase significantly until the end of the follow up.
- 8/14 patients recognized this epitope.

HXB2 Location p17 (18–27)**Author Location** p17 (18–27 LAI)**Epitope** KIRLRPGGKK**Subtype** B**Immunogen****Species (MHC)** human (B27)**References** Brander & Walker 1996

- D. Lewinsohn, pers. comm.

HXB2 Location p17 (18–27)**Author Location** p17 (18–27)**Epitope** KIRLRPGGKK**Immunogen** HIV-1 infection**Species (MHC)** human (B27)**References** Birk *et al.* 1998b

- A study of p17 variation considering known p17 epitopes and individuals with known HLA types revealed that p17 evolution is influenced by immune pressure from CTLs.

HXB2 Location p17 (18–27)**Author Location** Gag**Epitope** KIRLRPGGKK**Epitope name** KK10**Immunogen** HIV-1 infection**Species (MHC)** human (B27)**Assay type** Other**Keywords** rate of progression, escape**References** Gao *et al.* 2005

- Three distinct HLA alleles known to alter the rate of AIDS progression were studied. B*57-mediated protection occurs early in infection and the protective effect of this allele subsides after CD4 cell count drops. In contrast, B*27 shows no protection against progression to CD4<200, but rather delays progression to an AIDS-defining illness after the CD4 counts have dropped. B*35-mediated rapid progression to AIDS is probably a function of early decline in CD4 counts.
- KK10 escape occurs late and was shown to precede a sharp increase in viral load. The authors hypothesize the B27 benefit may arise due to enduring HLA restriction after escape from many other allotype responses has occurred.

HXB2 Location p17 (18–31)**Author Location** p17 (18–31)**Epitope** KIRLRPGGKKKYKL**Immunogen** HIV-1 infection**Species (MHC)** human (A3)**References** Birk *et al.* 1998b

- A study of p17 variation considering known p17 epitopes and individuals with known HLA types revealed that p17 evolution is influenced by immune pressure from CTLs.

HXB2 Location p17 (18–31)**Author Location** p17 (18–31)**Epitope** KIRLRPGGKKKYKL**Immunogen** HIV-1 infection**Species (MHC)** human (B62)**References** Lubaki *et al.* 1997

- 82 HIV-1-specific CTL clones from 5 long-term non-progressors were isolated and analyzed for breadth of CTL response.

- A sustained Gag, Env and Nef response was observed, and clones were restricted by multiple HLA epitopes, indicating a polyclonal response.
- A subject who was HLA-B62+ had CTL that recognized this peptide, and p24 LGLNKIVRMYS, and one additional unknown epitope.

HXB2 Location p17 (18–42)
Author Location p17 (18–42 IIIB)
Epitope KIRLRPGGKKKYKLVASRELE
Immunogen HIV-1 infection
Species (MHC) human (A3)
References Jassoy *et al.* 1992

- Epitope recognized by CTL clone derived from CSF.

HXB2 Location p17 (18–42)
Author Location p17 (18–42 PV22)
Epitope KIRLRPGGKKKYKLVASRELE
Immunogen HIV-1 infection
Species (MHC) human (A3)
References Jassoy *et al.* 1993

- HIV-1 specific CTLs release γ -IFN, and α - and β -TNF.

HXB2 Location p17 (18–42)
Author Location p17 (18–42 BH10)
Epitope KIRLRPGGKKKYKLVASRELE
Immunogen HIV-1 infection
Species (MHC) human (B62)
References Johnson *et al.* 1991

- Gag CTL response was studied in three individuals.

HXB2 Location p17 (19–27)
Author Location p17 (19–27 JRCSF)
Epitope IRLRPGGKK
Subtype B
Immunogen HIV-1 infection
Species (MHC) human (B*2705)
Keywords optimal epitope
References Frahm *et al.* 2007

- Noted by Brander to be B*2705.

HXB2 Location p17 (19–27)
Author Location p17 (19–27 LAI)
Epitope IRLRPGGKK
Subtype B
Immunogen
Species (MHC) human (B27)
References Brander & Walker 1996

HXB2 Location p17 (19–27)
Author Location p17 (19–27 JRCSF)
Epitope IRLRPGGKK
Subtype B
Immunogen HIV-1 infection
Species (MHC) scid-hu mouse (B27)
Keywords escape
References McKinney *et al.* 1999

- Epitope-specific CTL were infused in infected human PBL-SCID mice, and transient decreases in viral load were observed, however virus was not eradicated and the HIV-specific CTL rapidly disappeared.

- No escape mutants were observed.
- Control CTL were long lived in both infected and uninfected mice, showing the rapid loss of CTL was due to target interaction.

HXB2 Location p17 (19–27)
Author Location p17 (SF2)
Epitope IRLRPGGKK
Immunogen HIV-1 infection
Species (MHC) human (B27)
Keywords subtype comparisons, immunodominance
References Goulder *et al.* 2000a

- WEKIRLRPGGKKKYKLVASRELE was the target of the dominant response in Caucasoids (38%) more frequently than non-Caucasoids (12%) – 2/3 individuals that were B27+ had a dominant response to this epitope.
- Three peptides GSEELRSLYNTVATL (p17 residues 71–85), SALSEGATPQDLNTMLNTVVG (p24 41–60), and WEKIRLRPGGKKKYKLVASRELE (p17 16–30) contained the dominant Gag-specific epitope in 31/44 B-clade infected individuals from Boston who showed Gag-CTL responses.
- Five peptides RLRPGGKKHYMIKHLVW (p17 20–36), ELRSLYNTVATLYCV (p17Gag 74–88), SALSEGATPQDLNTMLNTVVG (p24 41–60), FRDYVDRFFKTLRAEQA (p24 161–177), and SILDIKQGKEPFRDY (p24 149–164) contained dominant Gag-specific epitopes in 32/37 C-clade infected subjects from South Africa.

HXB2 Location p17 (19–27)
Author Location p17 (19–27)
Epitope IRLRPGGKK
Immunogen HIV-1 infection
Species (MHC) human (B27)
References Day *et al.* 2001

HXB2 Location p17 (19–27)
Author Location p17 (19–27)
Epitope IRLRPGGKK
Epitope name IK9
Immunogen HIV-1 infection
Species (MHC) human (B27)
Keywords immunodominance, escape
References Goulder *et al.* 2001b

- This B27 epitope is generally recognized only if there is escape in the B27 dominant epitope, p24 KRWILGLNK.

HXB2 Location p17 (19–27)
Author Location Gag
Epitope IRLRPGGKK
Epitope name IK9
Immunogen HIV-1 infection
Species (MHC) human (B27)
Donor MHC A26, B27
Assay type CD8 T-cell Elispot - IFN γ
Keywords responses in children, rate of progression, immunodominance, escape
References Feeney *et al.* 2004

- Viral load in a perinatally infected child remained low until emergence of an escape variant (kTwiiIglNk) in the immunodominant CTL epitope KRWIIIGLNK when the child was 7.4 years old. The emergence of this escape mutation was followed by an increase in viremia and an increase in the number of targeted CTL epitopes, measured again when the child was 9.2 years old. A low level response to IK9 was the only other epitope recognized prior to the loss of immune control and broadening of the response, and was detected in the 7.4 year sample.

HXB2 Location p17 (19–27)

Author Location p17 (19–27)

Epitope IRLRPGGKK

Immunogen HIV-1 infection

Species (MHC) human (B27)

Donor MHC A1, A3, B8, B35

Country United States.

Assay type Intracellular cytokine staining, Flow cytometric T-cell cytokine assay

Keywords HAART, ART, escape, variant cross-recognition or cross-neutralization

References Casazza *et al.* 2005

- Evidence of continued viral evolution during HAART therapy despite low viral load was found in 1/5 patients studied.
- The dominant viral sequence was irlrpggRk, found in 12/15 clones, while the screening sequence IRLRPGGKK was found in 3/15 clones. The least frequent variant stimulated the strongest response.
- IRLRPGGKK was previously characterized as a B27 optimized epitope, which is a mismatch with patient's HLA.

HXB2 Location p17 (19–28)

Author Location Gag

Epitope IRLRPGGKKK

Epitope name 1271

Subtype multiple

Immunogen HIV-1 infection

Species (MHC) human (A11, A3, B62)

Donor MHC A03, A11, B14, B51, Cw08, Cw13

Country United States.

Assay type T-cell Elispot

Keywords binding affinity, computational epitope prediction, cross-presentation by different HLA

References De Groot *et al.* 2003

- Epitopes defined using sequence parsing and matching algorithm Conservatrix, and epitope prediction tool EpiMatrix, were shown to be conserved in a broad range of HIV-1 sequences derived from different parts of the world. 31 novel highly conserved HIV-1 epitopes were found, among which four were recognized as promiscuous epitopes and five as MHC supertypes.
- Estimated binding probability for IRLRPGGKKK:43% Promiscuous epitope binding to A03, B62, Bw62 and A11.

HXB2 Location p17 (20–28)

Author Location p17 (20–28)

Epitope RLRPGGKKK

Immunogen HIV-1 infection

Species (MHC) human (A*03)

Keywords review, escape

References Goulder *et al.* 1997e; Goulder *et al.* 1997a

- HLA-identical sibling hemophiliac brothers were both infected with the same batch of factor VIII.
- They were tested 6–8 years after infection. One had a response to gag A3 epitope RLRPGGKKK, the other non-responder carried the sequence RLRPGGKKC.
- Goulder *et al.* [1997a] is a review of immune escape that summarizes this study.

HXB2 Location p17 (20–28)

Author Location p17 (20–28)

Epitope RLRPGGKKK

Immunogen HIV-1 infection

Species (MHC) human (A*0301)

Keywords optimal epitope

References Frahm *et al.* 2007

- C. Brander notes that this is an A*0301.

HXB2 Location p17 (20–28)

Author Location p17

Epitope RLRPGGKKK

Immunogen HIV-1 infection

Species (MHC) human (A*0301)

Keywords acute/early infection

References Wilson *et al.* 2000a

- Three individuals with highly focused HIV-specific CTL responses were studied during acute infection using tetramers – high frequencies of HIV-1-specific CD8+ T cells were found prior to seroconversion, and there was a close temporal relationship between the number of circulating HIV-specific T cells and viral load was also found.
- All three patients were B*2705, with HLA alleles: A1, A30/31, B*2705, B35; A1, A*0301, B7, B2705; and A*0201, A*0301, B2705, B39.
- ELISPOT was used to test a panel of CTL epitopes that had been defined earlier and were appropriate for the HLA haplotypes of the study subjects – 3/3 subjects showed a dominant response to the B*2705 epitope KRWIIIGLNK.
- The subject with A*0201 had a moderately strong response to SLYNTVATL.
- Weak responses were observed to A*301-RLRPGGKKK, A*301-QVPLRPMTYK, and B7-TPGPGVRYPL in the subject who was HLA A1, A*0301, B7, B*2705.
- No acute response was detected to the following epitopes: A*201-ILKEPVHGV, A*301-KIRLRPGGK, A*301-AIFQSSMTK, A*301-TVYYGVPVWK, B35-EPIVGAETF, B35-HPDIVIYQY, B35-PPIPVGEIY, B35-NSSKVSQNY, B35-VPLRPMTY, B35-DPNPQEVVL.

HXB2 Location p17 (20–28)

Author Location p17 (20–28 SF2)

Epitope RLRPGGKKK

Immunogen HIV-1 infection

Species (MHC) human (A*0301)

References Altfeld *et al.* 2001a

- HIV+ individual AC-06 was tested for reactive overlapping peptides spanning all HIV-1 proteins in an ELISPOT and was found to react with 12 peptides from 7 proteins, suggesting that the breadth of CTL responses are underestimated if accessory proteins are not included in the study.
- The reactive peptide p17 gag WEKIRLRPGGKKKYK contained two A*0301-restricted epitopes, KIRLRPGGK and RLRPGGKKK A*0301.

HXB2 Location p17 (20–28)

Author Location p17 (20–28)

Epitope RLRPGGKKK

Epitope name RK9

Subtype B

Immunogen HIV-1 infection

Species (MHC) human (A*0301)

Donor MHC A3, A11, B35, B51

Keywords mother-to-infant transmission

References Sabbaj *et al.* 2002

- IFN γ T-cell responses in breast milk of 5 HIV-1 infected women from the US and 6 from Zambia were tested using Elispot. 11/11 women responded to Gag, 8/11 responded to Pol, 7/11 women to Nef, and 2/5 women to Env peptide pools. These responses were shown to be primarily due to CD8+ T-cells in one woman, and another woman had cytolytic responses measured by Cr-release.
- Tetramer analysis of breast milk and peripheral blood samples of one volunteer showed responses to RLRPGGKKK in both compartments, 0.65% of CD3+/CD8+ cells in breast milk, and 0.22% of CD3+/CD8+ cells in peripheral blood cells.
- The frequencies of responses in the two compartments differed, and 2/4 women who responded to epitopes in Nef 101-205 and Pol 601-710 showed responses in breast milk but no detectable responses in peripheral blood cells.

HXB2 Location p17 (20–28)

Author Location Gag (20–28)

Epitope RLRPGGKKK

Epitope name RK9

Subtype B

Immunogen HIV-1 infection

Species (MHC) human (A*0301)

Donor MHC A*0201, A*0301, B*3501, B*51, Cw*04, Cw*06

Country United States.

Assay type CD8 T-cell Elispot - IFN γ , Intracellular cytokine staining, Chromium-release assay

Keywords escape, acute/early infection, characterizing CD8+ T cells

References Bansal *et al.* 2005

- Patients with acute or early infection were shown to preferentially target variable peptides with higher entropy while those with chronic infection showed responses towards more conserved peptides with lower entropy. In longitudinally followed subjects, responses to variable proteins declined over time while responses to conserved proteins increased. The decline is suggested to be due to CTL escape.
- rlrpggkkQ escape mutant showed drastically reduced avidity. The response to this peptide was not apparent until month 20, by month 32 the escape variant was present.

HXB2 Location p17 (20–28)

Author Location p17

Epitope RLRPGGKKK

Subtype A

Immunogen HIV-1 infection

Species (MHC) human (A*0301)

Donor MHC A*0101, A*0301, B*0801; A*0201, A*3101, B*3501, B*3905

Country United Kingdom.

Assay type CD8 T-cell Elispot - IFN γ , HLA binding

Keywords escape, acute/early infection, variant cross-recognition or cross-neutralization

References Milicic *et al.* 2005

- CTL responses and escape were analyzed in 4 homosexual couples where blood samples were available within weeks of estimated transmission. CTL escape variants were often transmitted. When the recipient had the same HLA type as the donor, CTL escape variants prevented a CTL response to those epitopes in the recipient. Even when the HLA alleles were different in the transmitting couple, a single escape mutation in one epitope can abolish CTL recognition of an overlapping epitope of distinct restriction in the recipient.
- Certain escape mutations in RLRPGGKKK, rlrpggkkQ, rlrpggkkR and rlrpggkkT, resulted in nearly complete reduction in binding affinity for A*0301. The form that was transmitted in one of the donor pairs was rlrpggRkk, and it binds to A*0301 with comparable affinity to RLRPGGKKK. However, an escape variant was on the rise in the donor near the time of transmission, rlrpggRkT, which eventually came to fixation in the donor, illustrating the importance of the timing of transmission regarding which variant is transmitted.
- A*0301 epitopes RLRPGGKKK and KIRLRPGGK, and B*0801 epitope GGKKKYRL, overlap. In 1 donor, the transmitted virus carried the escape form for 2 of these epitopes. The double substitution kirlrpggR results in escape from response in the donor. Similarly, the double substitution ggRkkyKl results in escape for this epitope.

HXB2 Location p17 (20–28)

Author Location p17 (20–28)

Epitope RLRPGGKKK

Immunogen HIV-1 infection

Species (MHC) human (A3)

References Goulder *et al.* 2000c

- Two clonal CTL responses were generated in donor 021-BMC (HLA A3/3001, B42/-, Cw17/-) against different optimal versions of this epitope, one nine amino acids long, one ten.
- A previously described optimal A3 epitope overlapping this region, KIRLRPGGK, was not recognized by CTL from 021-BMC.

HXB2 Location p17 (20–28)

Author Location p17 (20–28)

Epitope RLRPGGKKK

Immunogen HIV-1 infection

Species (MHC) human (A3)

References Goulder *et al.* 1997f

- A control CTL line that reacts with this peptide was included in the study.

HXB2 Location p17 (20–28)**Author Location** p17 (20–28)**Epitope** RLRPGGKKK**Immunogen** HIV-1 infection**Species (MHC)** human (A3)**Keywords** subtype comparisons**References** Cao *et al.* 1997a

- The consensus peptide of A, B, and D clade viruses is RLRPGGKKK.
- The consensus peptide of C clade viruses is RLRPGGKKH and is equally reactive.

HXB2 Location p17 (20–28)**Author Location** p17 (SF2)**Epitope** RLRPGGKKK**Immunogen** HIV-1 infection**Species (MHC)** human (A3)**Keywords** subtype comparisons, immunodominance**References** Goulder *et al.* 2000a

- WEKIRLRPGGKKKYKLLK was the target of the dominant response in Caucasoids (38%) more frequently than non-Caucasoids (12%) – 7/10 that had a dominant response to this epitope were A3, and 5/7 targeted RLRPGGKKK while 2/7 targeted KIRLRPGGK.
- Three peptides GSEELRSLYNTVATL (p17 residues 71-85), SALSEGATPQDLNLTMLNTVG (p24 41-60), and WEKIRLRPGGKKKYKLLK (p17 16-30) contained the dominant Gag-specific epitope in 31/44 B-clade infected individuals from Boston who showed Gag-CTL responses.
- Five peptides RLRPGGKKHYMIKHLVW (p17 20-36), ELRSLYNTVATLYCV (p17Gag 74-88), SALSEGATPQDLNLTMLNTVG (p24 41-60), FRDYVDRFFKTLRAEQA (p24 161-177), and SILDIKQGKEPFRDY (p24 149-164) contained dominant Gag-specific epitopes in 32/37 C-clade infected subjects from South Africa.

HXB2 Location p17 (20–28)**Author Location** p17 (20–28 SF2)**Epitope** RLRPGGKKK**Immunogen** HIV-1 infection**Species (MHC)** human (A3)**Keywords** HAART, ART, acute/early infection**References** Altfeld *et al.* 2001b

- Therapy provided during acute infection resulted in a narrower CTL response, stronger T help response, and a less diverse viral population than was seen in individuals treated during chronic infection.
- The breadth and specificity of the response was determined using ELISPOT by studying 19 individuals with pre-seroconversion therapy (Group 1), 11 individuals with primary infection but post-seroconversion therapy (Group 2), and 10 individuals who responded to HAART given during chronic infection (Group 3), using 259 overlapping peptides spanning p17, p24, RT, gp41, gp120 and Nef.
- Previously described and newly defined optimal epitopes were tested for CTL response.
- Number of HLA-A3+ individuals that had a CTL response to this epitope broken down by group: 5/7 group 1, 2/4 group 2, and 2/2 group 3.

HXB2 Location p17 (20–28)**Author Location** p17 (20–28)**Epitope** RLRPGGKKK**Immunogen** HIV-1 infection**Species (MHC)** human (A3)**Keywords** rate of progression, acute/early infection**References** Day *et al.* 2001

- The CTL response to optimally defined CTL epitopes restricted by HLA class I A and B alleles in individuals who coexpressed HLA A2, A3, and B7 was studied in eight HIV-1-infected subjects, two with acute infection, five with chronic, and one long-term non-progressor (LTNP)
- 2 to 17 epitopes were recognized in a given individual, A2-restricted CTL response tended to be narrow and never dominated the response, and 25/27 epitopes were targeted by at least one person.
- All patients recognized at least 1 A3 epitope, up to 8 A3 epitopes, but none was clearly dominant.

HXB2 Location p17 (20–28)**Author Location** p17 (20–28)**Epitope** RLRPGGKKK**Epitope name** RK9**Immunogen** HIV-1 infection**Species (MHC)** human (A3)**Keywords** acute/early infection**References** Goulder *et al.* 2001b

- Responses to this dominant A3-restricted Gag epitope are present during the time of decreasing viral load in acute infection.
- Mutations in this epitope were observed in autologous clones of subjects who were A3-positive with a higher frequency than those who were A3-negative ($P = 0.0002$)
- These mutations are being sexually transmitted in adult infections.

HXB2 Location p17 (20–28)**Author Location****Epitope** RLRPGGKKK**Epitope name** Gag-RK9**Subtype** B**Immunogen** HIV-1 infection**Species (MHC)** human (A3)**References** Sabbaj *et al.* 2003

- Among HIV+ individuals who carried HLA A03, 7/20 (35%) recognized this epitope.

HXB2 Location p17 (20–28)**Author Location** p17 (20–28)**Epitope** RLRPGGKKK**Epitope name** A3-RK9**Subtype** B**Immunogen** HIV-1 infection**Species (MHC)** human (A3)**Donor MHC** A3, B7, Cw7**Keywords** dynamics, supervised treatment interruptions (STI), immunodominance, acute/early infection**References** Yu *et al.* 2002a

- CTL responses in 18 acutely HIV-infected HLA-A3 (n=7) or -B7 (n=4) or both -A3 and B7 (n=7) positive individuals were studied.
- One individual, AC-06 was homozygous at all three class I alleles (A3, B7, Cw7), was treated during acute infection and had supervised treatment interruptions (STI). He had only two detectable CTL responses during acute infection, but after STI this broadened to 27 distinct epitopes including 15 restricted by HLA-A3, 11 by HLA-B7, and 1 by HLA-Cw7.
- 8/14 HLA-A3 positive individuals had detectable A3-restricted responses during acute infection. Only 5/15 of HLA-A3 epitopes tested were targeted during acute infection. 7/8 individuals with acute responses had specific responses for this epitope.
- KIRLRPGGK and RLRPGGKKK were the most commonly recognized HLA-A3 epitopes during acute infection, after 1 year of treatment, and after STI. RLRPGGKKK was immunodominant during acute infection and throughout the study period in the 5/6 individuals who targeted it.

HXB2 Location p17 (20–28)

Author Location Gag (LAI)

Epitope RLRPGGKKK

Subtype B

Immunogen HIV-1 infection

Species (MHC) human (A3)

Keywords class I down-regulation by Nef

References Lewinsohn *et al.* 2002

- CTL kill targets through releasing perforin, that forms pores in the plasma membrane, and granzymes, that induce apoptosis.
- Vpr is capable of arresting infected cells in the G2 phase, and it was hypothesized that Vpr may inhibit CTL-mediated apoptosis because it interacts with the granzyme B molecular complex.
- Vpr expression in the target cell did not inhibit epitope specific lysis – neither perforin or granzyme mediated events were inhibited, as measured by a Chromium release assay and a TUNEL assay.
- In contrast, deletion of Nef, which is thought to protect primary HIV infected cells by down-regulating cell-surface expression of MHC class I complexes, increased the susceptibility of HIV-1 infected cells to CTL mediated killing 2-fold using the TUNEL assay.

HXB2 Location p17 (20–28)

Author Location p17

Epitope RLRPGGKKK

Subtype B

Immunogen HIV-1 infection

Species (MHC) human (A3)

Donor MHC A3, A11, B35, B51

Keywords mother-to-infant transmission

References Sabbaj *et al.* 2002

- IFN γ T-cell responses in breast milk of 5 HIV-1 infected women from the US and 6 from Zambia were tested with using Elispot. 11/11 women responded to Gag, 8/11 responded to Pol, 7/11 women to Nef, and 2/5 women to Env peptide pools. These responses were shown to be primarily due to CD8+ T-cells in one woman, and another woman had cytolytic responses measured by Cr-release.

- T-cells in breast milk from a volunteer who was HLA A3, A11, B35, B51 induced IFN γ after stimulation with a peptide that carries known A3 epitope RLRPGGKKK.
- The frequencies of responses in the two compartments differed, and 2/4 women that responded to epitopes in Nef 101-205 and Pol 601-710 showed responses in breast milk but no detectable responses in peripheral blood cells.

HXB2 Location p17 (20–28)

Author Location p17 (20–28)

Epitope RLRPGGKKK

Subtype B

Immunogen HIV-1 infection

Species (MHC) human (A3)

Donor MHC A*0201, A3, B44, B57, Cw5, Cw6; A1, A3, B7, B14, Cw*0702, Cw*0802; A1, A3, B8, B35; A1, A3, B8, B62, Cw3, Cw7

Assay type CD8 T-cell Elispot - IFN γ

Keywords acute/early infection, early-expressed proteins

References Cao *et al.* 2003

- All proteins were scanned and optimal epitopes were mapped in a study of CD8+ gamma IFN T-cell responses in 21 men within 15-92 days post-HIV-1 infection. Subjects initially showed narrow immune responses with a mean of 2.3 epitopes recognized per patient. The immune response broadened later in infection. No correlation between the plasma viral load and the number of recognized epitopes or the frequency of IFN- γ secreting cells was observed, and there was no correlation between the functional avidity of responses and the abundance of IFN-secreting cells that recognized the epitope. The first epitopes to be recognized did not tend to be the most avid, and earliest responses tended to be directed against Nef, Tat, Vpr, and Env.
- This epitope was recognized in four individuals during early infection, each time presented by A3.
- All HIV-1 proteins except Vpu were recognized, and responses to a total of 41 optimal epitopes were characterized; 24 had been identified previously. 48% of the total T-cell responses were directed against Nef and 43% were directed against Gag.
- More common HLA alleles were less frequently used in primary infection than less common alleles, for example A3, B35, B57, and B62 were more frequently utilized than A1, A2, A30, and A44.

HXB2 Location p17 (20–28)

Author Location p17 (20–28)

Epitope RLRPGGKKK

Epitope name A3-RK9 Ga9

Subtype B

Immunogen HIV-1 infection

Species (MHC) human (A3)

Assay type CD8 T-cell Elispot - IFN γ

Keywords supervised treatment interruptions (STI), escape, early treatment, superinfection

References Altfeld *et al.* 2002a

- An HIV+ individual given acute ARV and undergoing STI developed a strong CTL immune response, but despite this was shown to be superinfected with second B clade virus. Some epitope variants of the second infecting virus were resistant to the initial CTL response.

- The second infecting strain had the variant rlrpggkKT. The CTL response declined over time, and the response to the second variant was lower than to the first one throughout.

HXB2 Location p17 (20–28)

Author Location p17 (20–28)

Epitope RLRPGGKKK

Immunogen HIV-1 infection

Species (MHC) human (A3)

Donor MHC A03, A32, B51, B15, Cw03, Cw06, DR4, DR8, DQ7

Country Netherlands.

Assay type CD8 T-cell Elispot - IFN γ

Keywords rate of progression, escape

References Geels *et al.* 2003

- Both stable potential epitopes and epitopes with escape mutations were found in a patient with increasing viral load over a time period of 4 years. Fixation of escape mutations occurred sequentially and correlated with the rise in viral load and with the increased number of productively infected cells.
- This is one of 5 epitopes from this individual that varied over time where the internal mutations became fixed; 4/5 epitopes (all except p17 RLRPGGKKK, this epitope) showed a dramatic decrease in CTL activity against the wild type epitope as the mutation arose. The rlrpggkR variant was found at 47 and 120 months post-seroconversion.

HXB2 Location p17 (20–28)

Author Location Gag

Epitope RLRPGGKKK

Immunogen HIV-1 infection

Species (MHC) human (A3)

Country Netherlands.

Assay type CD8 T-cell Elispot - IFN γ

Keywords HIV exposed persistently seronegative (HEPS)

References Koning *et al.* 2004

- A high-risk seronegative group of 29 homosexual men showed reduced cellular in vitro susceptibility for HIV infection and enhanced production of RANTES compared to 15 men who went on to seroconvert. Significantly higher frequencies of HLA A*11, A*31 and Cw*15 were also found in the high risk seronegative men. Both groups of men had low frequencies of HIV-1 specific CD8+ T-cells, which may signify exposure more than protection from infection.
- 0/5 HLA A3+ infection-resistant men, and 0/3 pre-seroconversion men who went on to become infected, reacted to this epitope.

HXB2 Location p17 (20–28)

Author Location Gag (20–28)

Epitope RPRPGGKKK

Immunogen HIV-1 infection

Species (MHC) human (A3)

Assay type Cytokine production, proliferation, CD8 T-cell Elispot - IFN γ , Tetramer binding, Intracellular cytokine staining, Flow cytometric T-cell cytokine assay

Keywords HAART, ART, memory cells, characterizing CD8+ T cells

References Daniel *et al.* 2004

- CD4+ and CD8+ responses in chronically HIV-1 infected patients on HAART were weak with decreased polyclonality. Only 33% of patients had CD4+ T-cells that could proliferate, and only 22% had HIV-specific CD8+ T-cell responses, and those rare responses showed low perforin levels and persistent expression of CD27, indicating incomplete differentiation and loss of lytic function.

HXB2 Location p17 (20–28)

Author Location p17 (20–28 B consensus)

Epitope RLRPGGKKK

Epitope name RK9

Subtype B

Immunogen HIV-1 infection

Species (MHC) human (A3)

Country United States.

Assay type CD8 T-cell Elispot - IFN γ , Flow cytometric T-cell cytokine assay

Keywords immunodominance, escape, acute/early infection, characterizing CD8+ T cells, reversion, viral fitness

References Allen *et al.* 2004

- KK9 and RK9 overlap, are presented by HLA-A3, and are frequently immunodominant and involved in acute-phase primary responses. A mutation in the C-terminal flanking residue of KK9 (K to Q) (kirlpkkg-Q) inhibits processing of the immunodominant gag KK9 epitope, resulting in rapid decline in the KK9 specific CD8+ T-cell response. At the same time it abrogates the response to RK9 through the embedded mutation rlrpggkQk. Transmission of this mutation to patients expressing HLA-A3 prevents acute-phase response to these epitopes, although the mutation can eventually revert to wild-type allowing a delayed response to the epitope.

HXB2 Location p17 (20–28)

Author Location (B consensus)

Epitope RLRPGGKKK

Epitope name RK9

Subtype B

Immunogen HIV-1 infection

Species (MHC) human (A3)

Donor MHC A02, A03, B08, B62, Cw7, Cw10; A01, A03, B08, B14, Cw7, Cw8

Country United States.

Assay type Cytokine production, Intracellular cytokine staining, Chromium-release assay, Flow cytometric T-cell cytokine assay

Keywords assay standardization/improvement, memory cells, characterizing CD8+ T cells

References Lichterfeld *et al.* 2004c

- Using a flow-cytometric cytotoxicity assay based on caspase-3 activation in dying target cells, it was shown that the subset of HIV-1-specific CD8+ T cells secreting both IFN-gamma and TNF-alpha exhibit stronger cytotoxic activity than those secreting only IFN-gamma. These cells also exhibited stronger intracellular perforin expression. No association between HIV-1-specific CD8+ T-cell maturation phenotypes and intracellular perforin expression was found.
- 2/9 individuals recognized this epitope, presented by HLA-A3.

HXB2 Location p17 (20–28)
Author Location Gag
Epitope RLRPGGKKK
Epitope name RK9
Subtype B
Immunogen HIV-1 infection
Species (MHC) human (A3)
Assay type CD8 T-cell Elispot - IFN γ
Keywords subtype comparisons, escape, characterizing CD8+ T cells, reversion, viral fitness
References Allen *et al.* 2005a

- Two-thirds of all mutations arising in nonenvelope proteins during the transition from acute to chronic infection were found to be due to either CD8 T-cell-associated selective pressures or reversion of HLA-I-associated mutations selected in a previous host. The predominance of escape mutations at highly polymorphic sites was observed across different HIV-1 clades.
- One escape mutation, at position 9, rrlpggkR, was found in the most polymorphic residue in the epitope. This was shared between clades B and C.

HXB2 Location p17 (20–28)
Author Location Gag (20–28 BRU)
Epitope RLRPGGKKK
Subtype B, CRF02_AG
Immunogen HIV-1 infection
Species (MHC) human (A3)
Country Cote D'Ivoire.
Assay type CD8 T-cell Elispot - IFN γ
Keywords subtype comparisons
References Inwoley *et al.* 2005

- CD8+ T-cells from HIV-1 CRF02_AG-infected Ivorians could recognize clade B epitopes. No difference was observed in the number of recognized peptide pools between nine French subtype B infected study subjects, and nine CRF02_AG infected Ivorian subjects.
- This epitope was recognized by 0/9 CRF02_AG-infected Ivorians, and 2/9 B-infected French subjects.

HXB2 Location p17 (20–28)
Author Location p24
Epitope RLRPGGKKK
Epitope name RK9
Immunogen
Species (MHC) (A3)
Keywords review, immunodominance, escape, acute/early infection, early-expressed proteins, kinetics, reversion, viral fitness
References Lichterfeld *et al.* 2005

- This review discusses the importance of 3 factors that impact the selection of immunodominant epitopes in acute HIV infection: i) the kinetics of viral protein expression, ii) the HLA class I background of the infected individual, and iii) the autologous sequence of the infecting virus. This is 1 of 12 peptides listed as immunodominant in acute HIV-1 infection.

HXB2 Location p17 (20–28)
Author Location Gag
Epitope RLRPGGKKK
Epitope name 1332

Subtype multiple
Immunogen HIV-1 infection
Species (MHC) human (A3, A*0301, B62, B42)
Donor MHC A03, A23, B49, B57; A03, A24, B27, B57, Cw13, Cw18; A03, A26, B08, B52
Country United States.
Assay type T-cell Elispot
Keywords binding affinity, computational epitope prediction, immunodominance, cross-presentation by different HLA
References De Groot *et al.* 2003

- Epitopes defined using sequence parsing and matching algorithm Conservatrix, and epitope prediction tool EpiMatrix, were shown to be conserved in a broad range of HIV-1 sequences derived from different parts of the world. 31 novel highly conserved HIV-1 epitopes were found, among which four were recognized as promiscuous epitopes and five as MHC supertypes.
- Estimated binding probability for RLRPGGKKK: 34% Promiscuous epitope binding to A03, A0301, B62, Bw62, B42. Immunodominant epitope.

HXB2 Location p17 (20–28)
Author Location p17 (20–28)
Epitope RLRPGGKKK
Immunogen HIV-1 infection
Species (MHC) human (A3, A30, B42, B62)
Donor MHC A2, A31, B51, B58w4
Country United States.
Assay type Intracellular cytokine staining, Flow cytometric T-cell cytokine assay
Keywords HAART, ART, escape, variant cross-recognition or cross-neutralization
References Casazza *et al.* 2005

- Evidence of continued viral evolution during HAART therapy despite low viral load was found in 1/5 patients studied.
- The majority of viral sequences prior to therapy were rrlpggkQ. At week 14 of therapy a major change in the viral quasispecies occurred: the variants present were found to be rrlpggkK (14/16 clones) and rrlpggkR (2/16 clones), both well recognized by HIV-specific CD8 T cells. At week 19, the quasispecies reverted back to the less well-recognized rrlpggkQ variant.

HXB2 Location p17 (20–28)
Author Location p17 (20–28)
Epitope RLRPGGKKK
Immunogen HIV-1 infection
Species (MHC) human
Keywords immunodominance
References Betts *et al.* 2000

- Only 4/11 HLA-A2+ HIV+ individuals had CTL that reacted to SLYNTVATL, calling into question whether it is immunodominant.
- 95 optimally-defined peptides from this database were used to screen for INF γ responses to other epitopes.
- Three of the four individuals that responded to SLYNTVATL recognized HIV epitopes, and one individual who was A*0201, A31 and B51 and B58w4 recognized this epitope (previously described as HLA A3.1), as well as one other.

HXB2 Location p17 (20–29)
Author Location p17 (20–29)
Epitope RLRPGGKKKY
Immunogen HIV-1 infection
Species (MHC) human (A*0301)
References Brander & Walker 1995
 • Unpublished, C. Jassoy and Beatrice Culman, pers. comm.

HXB2 Location p17 (20–29)
Author Location p17 (20–29 LAI)
Epitope RLRPGGKKKY
Subtype B
Immunogen HIV-1 infection
Species (MHC) human (A*0301)
References Wilkens & Ruhl 1999
 • Pers. comm., B. Wilkens and D. Ruhl.

HXB2 Location p17 (20–29)
Author Location p17 (20–29 LAI)
Epitope RLRPGGKKKY
Subtype B
Immunogen HIV-1 infection
Species (MHC) human (A*0301)
Keywords optimal epitope
References Frahm *et al.* 2007
 • C. Brander notes this is an A*0301 epitope.

HXB2 Location p17 (20–29)
Author Location (C consensus)
Epitope RLRPGGKKHY
Subtype C
Immunogen HIV-1 infection
Species (MHC) human (A*3002)
Country South Africa.
Assay type CD8 T-cell Elispot - IFN γ
Keywords rate of progression, optimal epitope
References Kiepiela *et al.* 2007
 • A comprehensive analysis of 160 class I T cell responses in 578 individuals from KwaZulu-Natal, South Africa was performed. Gag-specific responses were associated with lowering viremia, while Env, accessory and regulatory protein-specific responses were associated with higher viremia.
 • RLRPGGKKHY is an optimal epitope.

HXB2 Location p17 (20–29)
Author Location p17 (20–29)
Epitope RLRPGGKKKY
Immunogen HIV-1 infection
Species (MHC) human (A3)
References Goulder *et al.* 2000c
 • Two clonal CTL responses were generated in donor 021-BMC (HLA A3/3001, B42/-, Cw17/-) against different optimal versions of this epitope, one nine amino acids long, one ten.
 • A previously described optimal A3 epitope overlapping this region, KIRLRPGGK, was not recognized by CTL from 021-BMC.

HXB2 Location p17 (20–29)
Author Location p17 (20–29)
Epitope RLRPGGKKKY

Immunogen HIV-1 infection
Species (MHC) human (A3, A30, B42, B62)
Donor MHC A2, A3, B7, B44
Country United States.
Assay type Intracellular cytokine staining, Flow cytometric T-cell cytokine assay
Keywords HAART, ART, escape, variant cross-recognition or cross-neutralization
References Casazza *et al.* 2005

- Evidence of continued viral evolution during HAART therapy despite low viral load was found in 1/5 patients studied.
- The epitope RLRPGGKKKY was invariant (18/18 sequences) prior to therapy in the patient that recognized it.

HXB2 Location p17 (20–29)
Author Location p17 (20–29)
Epitope RLRPGGKKKY
Epitope name RY10
Immunogen HIV-1 infection
Species (MHC) human (A30)
Donor MHC A*24, A*30, B*39, B*47, Cw*12, Cw*17; A*30, B*18, B*40, Cw*02, Cw*05
Assay type CD8 T-cell Elispot - IFN γ
Keywords responses in children, mother-to-infant transmission, escape, acute/early infection, reversion, viral fitness
References Sanchez-Merino *et al.* 2005

- CD8 T-cell responses were examined in mother-infant pairs. Escape variants were commonly detected in maternal plasma. Early infant plasma viruses showed heterogeneity of gag and nef gene sequences as well as mother-to-child transmission of CD8 T-cell escape variants. The stability of escape mutants in the infant over time was determined by infant HLA haplotype and viral fitness. Sequential plasma specimens from infants showed changes in CD8 T-cell epitope sequences, suggesting that infants are capable of generating virus-specific CD8 T-cell responses.
- RLRPGGKKKY was recognized in 2 mothers, and is an A*30 epitope. The variant RLRPGGKKqY was found in 9/10 of 1 mother's sequences. This form was transmitted to her child, and 10/10 clones were this variant at months 2 and 6 in the infant; by month 12, 9/10 were RLRPGGKKqY. RLRPGGKKrY was the form found in the other mother. The variant gradually diminished in frequency in her child, 10/10 sequences at 2 months, 9/10 at 4 months, and 6/10 at 12 months.

HXB2 Location p17 (20–29)
Author Location p17 (20–29)
Epitope RLRPGGKKKY
Immunogen HIV-1 infection
Species (MHC) human (A30, A*0301)
Keywords immunodominance
References Betts *et al.* 2000
 • Only 4/11 HLA-A2+ HIV+ individuals had CTL that reacted to SLYNTVATL, calling into question whether it is immunodominant.
 • 95 optimally-defined peptides from this database were used to screen for INF γ responses to other epitopes.
 • 1/11 of the A2+ individuals was A30, and one was A3, and both responded to RLRPGGKKKY.

- The A2+ A3 individual also reacted with two other A3.1 epitopes.

HXB2 Location p17 (20–29)

Author Location p17 (20–29 IIIB)

Epitope RLRPGGKKKY

Immunogen HIV-1 infection

Species (MHC) human (B42)

Keywords responses in children, mother-to-infant transmission

References Wilson *et al.* 1996

- Epitope defined in the context of the Pediatric AIDS Foundation ARIEL Project, a mother-infant HIV transmission study.
- RLRPGGKKRY, a naturally occurring variant, was found in non-transmitting mother and is recognized.
- Binds HLA-A3 and Bw62 as well.

HXB2 Location p17 (20–29)

Author Location p17 (20–29)

Epitope RLRPGGKKKY

Immunogen HIV-1 infection

Species (MHC) human (B42, B62)

References Ferrari *et al.* 2000

- One of the 51 HIV-1 epitopes selected by Ferrari *et al.* as good candidate CTL epitopes for vaccines by virtue of being conserved and presented by common HLA alleles.

HXB2 Location p17 (20–29)

Author Location p17 (20–29 LAI)

Epitope RLRPGGKKKY

Subtype B

Immunogen

Species (MHC) human (B62)

Keywords review

References McMichael & Walker 1994

- Review of HIV CTL epitopes.
- Also P. Johnson, pers. comm.

HXB2 Location p17 (20–29)

Author Location p17 (20–29)

Epitope RLRPGGKKKY

Immunogen HIV-1 infection

Species (MHC) human (B62)

References Brodie *et al.* 2000

- Study tracks and quantifies *in vivo* migration of neo-marked CD8+ HIV-specific CTL.
- Adoptively transferred gene-marked HIV-specific CTL homed to specific lymph node sites, colocalizing within the parafollicular regions of the lymph node adjacent to cells expressing HIV tat-fusion transcripts, indicative of viral replication.
- The CTL clones expressed CCR5 and localized among HIV-1 infected cells expressing MIP-1 α and MIP-1 β , CC-chemokines produced at sites of viral replication, suggesting a possible homing mechanism.
- This study provides a methodology for tracking and studying antigen specific CTL *in vivo*.

HXB2 Location p17 (20–29)

Author Location Gag (20–29)

Epitope RLRPGGKKKY

Epitope name RY10

Subtype B

Immunogen HIV-1 infection

Species (MHC) human (B62)

Donor MHC A*01, A*11, B*08, B*15, Cw*04, Cw*07

Country United States.

Assay type CD8 T-cell Elispot - IFN γ , Chromium-release assay, Flow cytometric T-cell cytokine assay

Keywords escape, variant cross-recognition or cross-neutralization

References Koibuchi *et al.* 2005

- HIV-1-specific CD8 T-cell responses were shown to be persistent in the chronic phase of HIV-1 infection, although the responses to some of the epitopes were declining despite the persistence of the targeted sequences *in vivo*. Only 4/14 epitopes were potential CTL escape variants, although strong responses to these epitopes persisted for 6 years. This indicates limited viral evolution within targeted CD8 T-cell epitopes during the chronic phase of infection.
- The RY10 variant RLRPGGrKKY was the only form of the epitope detected over a 5 year time period in this person. Elispot reactions were stronger to the autologous form than to RLRPGGKKKY, the B clade consensus form.

HXB2 Location p17 (20–30)

Author Location p17 (SF2)

Epitope RLRPGGKKKYK

Immunogen HIV-1 infection

Species (MHC) human

Keywords subtype comparisons, immunodominance

References Goulder *et al.* 2000a

- WEKIRLRPGGKKKYKLYK was the target of the dominant response in Caucasoids (38%) more frequently than non-Caucasoids (12%) – the dominant response in a Haitian immigrant living in Boston who was HLA A24/29 B7/B44 Cw6/7 was to this epitope, although the restricting element was not determined.
- Three peptides GSEELRSLYNTVATL (p17 residues 71–85), SALSEGATPQDLNMLNTVG (p24 41–60), and WEKIRLRPGGKKKYKLYK (p17 16–30) contained the dominant Gag-specific epitope in 31/44 B-clade infected individuals from Boston who showed Gag-CTL responses.
- Five peptides RLRPGGKKHYMIKHLVW (p17 20–36), ELRSLYNTVATLYCV (p17Gag 74–88), SALSEGATPQDLNMLNTVG (p24 41–60), FRDYVDRFFKTLRAEQA (p24 161–177), and SILDIKQGKEPFRDY (p24 149–164) contained dominant Gag-specific epitopes in 32/37 C-clade infected subjects from South Africa.

HXB2 Location p17 (20–35)

Author Location p17 (90–105 SF2)

Epitope CLRPGGKKKYKLVIV

Immunogen HIV-1 infection

Species (MHC) human

References Lieberman *et al.* 1997a

- Of 25 patients, most had CTL specific for more than 1 HIV-1 protein.
- Twelve subjects had CTL that could recognize vaccinia-expressed LAI gag.
- One of these 12 had CTL response to this peptide.

- The responding subject was HLA A-2, A-24, B-13, B-35.

HXB2 Location p17 (21–35)
Author Location Gag
Epitope LRPGGKKKYKLGKLV
Immunogen HIV-1 infection
Species (MHC) human (A3)
Keywords TCR usage
References Weekes *et al.* 1999b

- Peptide 703.3: Almost all CD8+ T cells are CD28+ at birth, and the proportion of CD28-CD8+ cells increases with age – this study examines the contribution of CD8+CD28- cells to CTL memory pools for CTL clones specific for two persistent human viruses, CMV and HIV – clones were found to be similarly distributed in the CD28 depleted cell population.
- HIV CTL responses to 3 Env and 2 Gag peptides were studied.
- The clonal composition of the TCR V β responses was studied and was found to be highly focused, with one TCR beta-chain sequence tending to dominate the peptide-specific response – clones to this epitope were V β 13.1 and V β 5.2.

HXB2 Location p17 (21–35)
Author Location p17 (21–35)
Epitope LRPGGKKKYKLGKLV
Immunogen
Species (MHC) human (B8)
References Nixon & McMichael 1991
 • Two CTL epitopes defined (see also p24(191-205))

HXB2 Location p17 (21–35)
Author Location p17 (21–35)
Epitope LRPGGKKKYKLGKLV
Immunogen HIV-1 infection
Species (MHC) human (not B8)
References van Baalen *et al.* 1996
 • Unknown HLA specificity, but not B8.

HXB2 Location p17 (21–35)
Author Location Gag
Epitope LRPGGKKKYKLGKLV
Immunogen HIV-1 infection
Species (MHC) human
References Weekes *et al.* 1999a
 • Peptide 703.3: Memory CTL specific for HIV-1 may contribute to oligoclonal expansions within the CD57+ CD28- CD8+ CTL populations.

HXB2 Location p17 (21–35)
Author Location p17 (91–105 SF2)
Epitope LRPGGKKKYKLGKLV
Immunogen HIV-1 infection
Species (MHC) human
References Lieberman *et al.* 1997a
 • Of 25 patients, most had CTL specific for more than 1 HIV-1 protein.
 • Twelve subjects had CTL that could recognize vaccinia-expressed LAI gag.
 • One of these 12 had CTL response to this peptide.
 • The responding subject was HLA-A1, A2, B50, B57.

HXB2 Location p17 (21–35)

Author Location p17 (24–31)
Epitope LRPGGKKKYRLKHLV
Subtype A, D
Immunogen HIV-1 infection
Species (MHC) human
Donor MHC A*6601, A*6801, B*5301, B*5802; A*3002, A*6801, B*5703, B*5802
Country Uganda.
Assay type CD8 T-cell Elispot - IFN γ
Keywords subtype comparisons, variant cross-recognition or cross-neutralization
References Barugahare *et al.* 2005

- T-cell immune responses were examined in HIV-1 infected Ugandans. Similar levels of cross-clade responses for Gag, Env and Nef were observed. Higher frequencies of responses in conserved regions were found for Gag within a single clade, while areas with higher viral sequence variation had fewer detectable responses. Differential interclade sequence homologies between the Gag regions did not affect the respective level of cross-clade recognition.
- The sequence contains a known B8 epitope, but the subjects recognizing it were B8-negative. The autologous viral sequence was lrpggkkykklhvl, and the peptide was recognized.

HXB2 Location p17 (21–40)
Author Location p17 (21–40 subtype A)
Epitope LRPGGKKKYRLKHLVWASRE
Subtype A
Immunogen HIV-1 infection
Species (MHC) human (Cw4)
Keywords subtype comparisons
References Dorrell *et al.* 1999

- CTL responses in three individuals with non-clade B infections were studied, 2 with subtype A infections, 1 with subtype C – their infections all originated in East Africa.
- This epitope was defined in an A subtype infection – the B clade variant (LRPGGKKKYKLGKLVWASRE) has two mutations relative to the A subtype form, and the CTLs from this patient were not A-B cross-reactive.

HXB2 Location p17 (22–30)
Author Location p17 (22–30)
Epitope RPPGKKRYM
Subtype C
Immunogen HIV-1 infection
Species (MHC) human (B*35, Cw*0602)
Country India.
Assay type CD8 T-cell Elispot - IFN γ
Keywords subtype comparisons, computational epitope prediction, immunodominance
References Thakar *et al.* 2005

- PBMCs from HIV-1 infected Indian subjects were tested for HIV-1 Gag (with C clade peptides), Nef (with B clade peptides), and Env (clade unspecified) specific T-cell responses. 5 immunodominant regions conserved across clades were identified in Gag and Nef. 3 antigenic regions were found to be recognized by CTLs in the Indian subjects; these regions were not identified as immunodominant in studies from Africa. 26 epitopes were predicted within reactive peptides, of which 90% were clustered in the conserved immunodominant regions of

Gag and Nef. 3 of the epitopes were highly conserved across clades, and 7 novel epitopes were found.

- This is a novel epitope that may be subtype C-specific.

HXB2 Location p17 (22–31)

Author Location Gag (22–31)

Epitope RPPGGKKRYKL

Immunogen HIV-1 infection

Species (MHC) human (B7)

References Jin *et al.* 2000b

- This B7 epitope is one of three subdominant CTL responses detected in a long-term non-progressor.
- A dominant B7 epitope was defined using conventional methods, and three additional sub-dominant HLA B7 epitopes were defined by first using a non-anchor based strategy, EpiMatrix, to identify 2078 possible epitopes in the autologous HIV-1, followed by B7 anchor residue prediction to narrow the set to 55 peptides for experimental testing.

HXB2 Location p17 (22–31)

Author Location p17

Epitope RPPGGKKRYKL

Subtype B, D

Immunogen HIV-1 infection

Species (MHC) human (Cw4)

Donor MHC A23, A34, B44, B53, Cw4, Cw6

Country Democratic Republic of the Congo.

Assay type CD8 T-cell Elispot - IFN γ

Keywords subtype comparisons, variant cross-recognition or cross-neutralization

References Geels *et al.* 2005

- Cross-clade CTL responses in 10 non-B HIV-1 infected individuals were evaluated. T-cell reactivity was tested against peptide pools of clade B Gag, Pol, Nef, Rev and Tat. Nine individuals demonstrated cross-reactive T-cell responses to clade A, B, and C Gag pools; 6/7 patients that responded to Nef-B also reacted to clade A and C Nef pools. An inverse correlation was observed between the sequence divergence of the HLA class I restricted epitopes and the height of the T-cell responses, which in Gag could be explained through variations in the HLA-anchor residues. 42% of the responses were directed to regions containing new epitopes.
- This previously described epitope was embedded in a B clade peptide that was recognized by T-cells from an infected person carrying subtype D Gag. The autologous epitope sequence had an K5N change, RPPGGnKRYKL.

HXB2 Location p17 (24–31)

Author Location p17

Epitope GGKKKYKL

Epitope name GL8

Subtype A

Immunogen HIV-1 infection

Species (MHC) human (B*0801)

Donor MHC A*0101, A*0301, B*0801; A*0201, A*3101, B*3501, B*3905

Country United Kingdom.

Assay type CD8 T-cell Elispot - IFN γ , HLA binding

Keywords escape, acute/early infection, variant cross-recognition or cross-neutralization

References Milicic *et al.* 2005

- Escape mutation ggRkkyKI in this epitope, GGKKKYRL, resulted in failure of recognition by CTLs, and the ggkkQyRI mutations resulted in 82% reduction in HLA binding affinity.
- A*0301 epitopes RLRPPGGKKK and KIRLRPPGGK, and B*0801 epitope GGKKKYRL, overlap. In 1 donor, the transmitted virus carried the escape form for 2 of these epitopes. The double substitution kirlrppgR results in escape from response in the donor. Similarly, the double substitution ggRkkyKI results in escape for this epitope.

HXB2 Location p17 (24–31)

Author Location p17 (24–31)

Epitope GGKKKYKL

Immunogen

Species (MHC) human (B8)

References Goulder *et al.* 1997g

- The crystal structure of this peptide bound to HLA-B8 was used to predict new epitopes and the consequences of epitope variation.
- The predictions were experimentally confirmed.
- The anchors for HLA-B8 epitopes, as defined by peptide elution data, are P3 (K), P5 (K/R), and P8 (L).
- Structural data suggests that a positive charge at P5 is essential, but that the constraints on P3 may be less severe.
- Small hydrophobic residues at P2 may be favorable for binding.
- A spacious F-pocket favors mid-sized hydrophobic residues in the C-term anchor.

HXB2 Location p17 (24–31)

Author Location p17 (24–31 SF2)

Epitope GGKKKYKL

Immunogen HIV-1 infection

Species (MHC) human (B8)

Keywords subtype comparisons

References McAdam *et al.* 1998

- CTL from a patient infected with clade B virus did not recognize Ugandan variants of this epitope.

HXB2 Location p17 (24–31)

Author Location p17 (24–31 LAI)

Epitope GGKKKYKL

Subtype B

Immunogen HIV-1 infection

Species (MHC) human (B8)

Keywords TCR usage

References Reid *et al.* 1996

- The variants 7R: GGKKKYRL, 7Q: GGKKKYQL, 5R: GGKKRYKL, and 3R: GGRKKYKL, were studied.
- Crystal structures were obtained to study these peptides in the context of HLA-B8, and CTL binding and activity were determined.
- 3R has been detected in 3 patients, and it abolishes recognition causing extensive conformational changes upon binding including MHC main chain movement.
- 7Q and 7R alter the TCR exposed surface, and retain some recognition.
- Reactivity of 5R depends on the T cell clone, this amino acid is embedded in the C pocket of B8 when the peptide is bound.

- Optimal peptide is 8-mer, not 9-mer, and positions 3, 5, and 8 are the anchor residues.

HXB2 Location p17 (24–31)

Author Location p17 (24–31 LAI)

Epitope GGKKKYKL

Subtype B

Immunogen HIV-1 infection

Species (MHC) human (B8)

References Price *et al.* 1997

- A weak CTL response to the index peptide was observed in an HLA-B8+ infected individual.
- Sequences from the earliest available time point showed that a variant at position 5, an anchor residue, GGKKQYKL, was present.

HXB2 Location p17 (24–31)

Author Location p17

Epitope GGKKKYKLL

Immunogen HIV-1 infection

Species (MHC) human (B8)

Keywords HAART, ART

References Seth *et al.* 2001

- CTL responses were studied by tetramer staining in 41 patients with combination therapy – activated CD8+ T-cells decline as the viral load drops in response to therapy, but the overall level of antigen-specific cells capable of differentiating into effectors stays constant and new epitopes may be recognized.

HXB2 Location p17 (24–31)

Author Location p17 (24–31 SF2)

Epitope GGKKKYKL

Immunogen HIV-1 infection

Species (MHC) human (B8)

Keywords HAART, ART, acute/early infection

References Altfeld *et al.* 2001b

- Therapy provided during acute infection resulted in a narrower CTL response, stronger T help response, and a less diverse viral population than was seen in individuals treated during chronic infection.
- The breadth and specificity of the response was determined using ELISPOT by studying 19 individuals with pre-seroconversion therapy (Group 1), 11 individuals with primary infection but post-seroconversion therapy (Group 2), and 10 individuals who responded to HAART given during chronic infection (Group 3), using 259 overlapping peptides spanning p17, p24, RT, gp41, gp120 and Nef.
- Previously described and newly defined optimal epitopes were tested for CTL response.
- Number of HLA-B8+ individuals that had a CTL response to this epitope broken down by group: 0/3 group 1, 1/3 group 2, and 2/2 group 3.

HXB2 Location p17 (24–31)

Author Location p17 (24–31)

Epitope GGKKKYRL

Immunogen HIV-1 infection, HIV-1 exposed seronegative

Species (MHC) human (B8)

Keywords HIV exposed persistently seronegative (HEPS)

References Kaul *et al.* 2001a

- ELISPOT was used to study CTL responses to a panel of 54 predefined HIV-1 epitopes in 91 HIV-1-exposed, persistently seronegative (HEPS) and 87 HIV-1-infected female Nairobi sex workers.

HXB2 Location p17 (24–31)

Author Location p17 (24–31)

Epitope GGKKKYKL

Immunogen HIV-1 infection

Species (MHC) human (B8)

References Day *et al.* 2001

- B8-restricted CTL accounted for about 1/3 of the total CTL response in one individual.

HXB2 Location p17 (24–31)

Author Location p17

Epitope GGKKKYKL

Immunogen HIV-1 infection

Species (MHC) human (B8)

Keywords binding affinity, review, subtype comparisons, epitope processing, escape

References McMichael & Hanke 2002

- CTL response-eliciting vaccines are reviewed. The natural epitope interactions with the HLA class I presenting molecules and T-cell receptors are described, using the structure of this epitope, taken from Reid *et al.* [1996], as an example.

HXB2 Location p17 (24–31)

Author Location (B consensus)

Epitope GGKKKYKL

Epitope name GL8

Subtype B

Immunogen HIV-1 infection

Species (MHC) human (B8)

Donor MHC A01, A03, B08, B14, Cw7, Cw8

Country United States.

Assay type Cytokine production, Intracellular cytokine staining, Chromium-release assay, Flow cytometric T-cell cytokine assay

Keywords assay standardization/improvement, memory cells, characterizing CD8+ T cells

References Lichterfeld *et al.* 2004c

- Using a flow-cytometric cytotoxicity assay based on caspase-3 activation in dying target cells, it was shown that the subset of HIV-1-specific CD8+ T cells secreting both IFN-gamma and TNF-alpha exhibit stronger cytotoxic activity than those secreting only IFN-gamma. These cells also exhibited stronger intracellular perforin expression. No association between HIV-1-specific CD8+ T-cell maturation phenotypes and intracellular perforin expression was found.
- 1/9 individuals recognized this epitope.

HXB2 Location p17 (24–31)

Author Location p17

Epitope GGKKKYKL

Subtype B, D

Immunogen HIV-1 infection

Species (MHC) human (B8)

Donor MHC A1, A1, B8, B55, Cw3, Cw7

- Country** Democratic Republic of the Congo.
Assay type CD8 T-cell Elispot - IFN γ
Keywords subtype comparisons
References Geels *et al.* 2005
- Cross-clade CTL responses in 10 non-B HIV-1 infected individuals were evaluated. T-cell reactivity was tested against peptide pools of clade B Gag, Pol, Nef, Rev and Tat. Nine individuals demonstrated cross-reactive T-cell responses to clade A, B, and C Gag pools; 6/7 patients that responded to Nef-B also reacted to clade A and C Nef pools. An inverse correlation was observed between the sequence divergence of the HLA class I restricted epitopes and the height of the T-cell responses, which in Gag could be explained through variations in the HLA-anchor residues. 42% of the responses were directed to regions containing new epitopes.
 - This previously described epitope was embedded in a B clade peptide that was recognized by T-cells from an infected person carrying subtype D Gag. The autologous epitope sequence had an L8M change, GGKKKYKm.
- HXB2 Location** p17 (24–31)
Author Location Gag (24–31 BRU)
Epitope GGKKKYKL
Subtype B, CRF02_AG
Immunogen HIV-1 infection
Species (MHC) human (B8)
Country Cote D'Ivoire.
Assay type CD8 T-cell Elispot - IFN γ
Keywords subtype comparisons
References Inwoley *et al.* 2005
- CD8+ T-cells from HIV-1 CRF02_AG-infected Ivoirians could recognize clade B epitopes. No difference was observed in the number of recognized peptide pools between nine French subtype B infected study subjects, and nine CRF02_AG infected Ivoirian subjects.
 - This epitope was recognized by 1/9 CRF02_AG-infected Ivoirians, and 0/9 B-infected French subjects.
- HXB2 Location** p17 (24–31)
Author Location p17 (24–31)
Epitope GGKKKYKL
Epitope name GL8
Subtype B
Immunogen HIV-1 infection
Species (MHC) human (B8)
Donor MHC A*03, A*31, B*08, B*15, Cw*04, Cw*07
Country United States.
Assay type CD8 T-cell Elispot - IFN γ
Keywords responses in children, mother-to-infant transmission, escape, characterizing CD8+ T cells, reversion, viral fitness
References Sanchez-Merino *et al.* 2005
- CD8 T-cell responses were examined in mother-infant pairs. Escape variants were commonly detected in maternal plasma. Early infant plasma viruses showed heterogeneity of gag and nef gene sequences as well as mother-to-child transmission of CD8 T-cell escape variants. The stability of escape mutants in the infant over time was determined by infant HLA haplotype and viral fitness. Sequential plasma specimens from infants showed changes in CD8 T-cell epitope sequences, suggesting

that infants are capable of generating virus-specific CD8 T-cell responses.

- Variant sequence ggRkkykl was present in 10/10 clones from a B8-positive mother, but decreased to 0/10 clones by 15 months of age in her B8-negative child.
- The variant ggRkkykl was present in 10/10 clones from a B8+ mother, was transmitted to her infant, and present in 10/10 clones at months 2 and 4, but decreased to 0/10 clones by 15 months of age in her B8- child.

HXB2 Location p17 (24–31)
Author Location p17 (24–31 HXB2)
Epitope GGKKKYKL
Epitope name GL8
Subtype B
Immunogen HIV-1 infection
Species (MHC) human (B8)
Donor MHC A*0101, A*0201, B*0801, B*50, Cw*0602, Cw*0701
Assay type CD8 T-cell Elispot - IFN γ
Keywords escape, immune evasion, reversion, viral fitness, optimal epitope, HIV-1
References Liu *et al.* 2006

- T-cell immunity and the impact of selection were longitudinally studied in a patient from the time of transmission. New epitopes were detected at sites that were shown to be under positive selection. Env was found to be the major target of CTLs and most of the new epitopes were found here. One third of the sites examined were associated with epitope escape mutations from CTL. Acquisition of mutations found at high frequency in the database was suggested to be a result of reversion of CTL epitopes in the absence of immune targeting.
- GGKKKYKf presumed escape variant was transmitted to an HLA-B8 negative recipient from an HLA-B8 positive donor. Reversions were found later, with loss of CTL pressure and hypothesized gain of replicative fitness.

HXB2 Location p17 (24–32)
Author Location p17 (24–32 LAI)
Epitope GGKKKYKlK
Subtype B
Immunogen HIV-1 infection
Species (MHC) human (B*0801)
Keywords optimal epitope
References Frahm *et al.* 2007

- C. Brander notes epitope to be presented by B*0801.

HXB2 Location p17 (24–32)
Author Location p17 (24–32 LAI)
Epitope GGKKKYKlK
Subtype B
Immunogen HIV-1 infection
Species (MHC) human (B8)
References Sutton *et al.* 1993

- Exploration of HLA-B8 binding motif through peptide elution.

HXB2 Location p17 (24–32)
Author Location p17 (24–32 LAI)
Epitope GGKKKYKlK
Subtype B

Immunogen HIV-1 infection

Species (MHC) human (B8)

Keywords epitope processing

References Rowland-Jones *et al.* 1993

- Study of an individual with partially defective antigen processing.

HXB2 Location p17 (24–32)

Author Location p17 (24–32)

Epitope GGKKKYKLLK

Immunogen HIV-1 infection

Species (MHC) human (B8)

References Klenerman *et al.* 1994

- Naturally occurring variants GGKKKYQLK and GGKKRYRLK may act as antagonists.

HXB2 Location p17 (24–32)

Author Location p17 (24–32)

Epitope GGKKKYKLLK

Immunogen HIV-1 infection

Species (MHC) human (B8)

References Klenerman *et al.* 1995

- Naturally occurring antagonist GGKKKYQLK found in viral PBMC DNA and RNA.

HXB2 Location p17 (24–32)

Author Location p17 (24–32)

Epitope GGKKKYKLLK

Immunogen HIV-1 infection

Species (MHC) human (B8)

Keywords escape

References Nowak *et al.* 1995

- Longitudinal study of CTL response and immune escape – the variant GGRKKYKLLK binds to HLA-B8 but is not reactive.

HXB2 Location p17 (24–32)

Author Location p17 (24–32)

Epitope GGKKKYKLLK

Immunogen HIV-1 infection

Species (MHC) human (B8)

References Dyer *et al.* 1999

- CTL specific responses were measured over a 1.3 to 1.5 year period in members of the Sydney Blood Bank Cohort (SBBC) who had been infected with a natural attenuated strain of HIV-1 that was Nef-defective.
- Some of these patients had prolonged high levels of CTL effector and memory cells despite low viral load.

HXB2 Location p17 (24–32)

Author Location p17

Epitope GGKKKYKLLK

Immunogen

Species (MHC) human (B8)

References Rowland-Jones *et al.* 1999

- CTL responses in seronegative highly HIV-exposed African female sex workers in Gambia and Nairobi were studied – these women had no delta 32 deletion in CCR5.
- In Gambia there is exposure to both HIV-1 and HIV-2, CTL responses to B35 epitopes in exposed, uninfected women are cross-reactive, and the B35 allele seems to be protective.

- HIV-2 sequence: GGKKKYKMK – no cross-reactivity Phillips *et al.* [1991].

HXB2 Location p17 (24–32)

Author Location p17 (24–32)

Epitope GGKKKYKLLK

Epitope name GGK

Immunogen HIV-1 infection

Species (MHC) human (B8)

Keywords HAART, ART, supervised treatment interruptions (STI), immunodominance, acute/early infection

References Oxenius *et al.* 2000

- Patients who started therapy at acute HIV-1 infection (three with sustained therapy, two with limited therapy upon early infection) had strong HIV specific CD4 proliferative responses and were able to maintain a CTL response even with undetectable viral load – three patients that had delayed initiation of HAART had no HIV specific CD4 proliferative responses and lost their CTL responses when HAART was eventually given and their viral loads became undetectable.
- This epitope was recognized by 1/7 study subjects that were HLA-B8+.
- Patient SC12(HLA A1, B8/39, Cw0701/0702, DR2/3, DR51/52, DQ2/6) had sustained therapy started during acute infection and maintained an immunodominant response to FLKEKGGL throughout and minor responses to GEIYKR-WII, DCKTILKAL, GGKKKYKLLK – GEIYKRWII and GGKKKYKLLK responses were stimulated by a brief period off therapy.

HXB2 Location p17 (24–32)

Author Location p17

Epitope GGKKKYKLLK

Epitope name GGK

Immunogen HIV-1 infection

Species (MHC) human (B8)

Keywords HAART, ART, supervised treatment interruptions (STI)

References Oxenius *et al.* 2002b

- Using previously defined epitopes Oxenius *et al.* [2000, 2001a] in an IFN γ elispot assay, 13 chronically HIV-1 infected patients were studied over a period including therapy with standard treatment interruptions (STI).
- STIs induced increased recognition of CTL epitopes, but there was no correlation between CTL responses with viral rebound rates, plateau viral loads, or clearance rates.

HXB2 Location p17 (24–35)

Author Location p17 (25–35 SF2)

Epitope GGKKKYKLLKHIV

Immunogen HIV-1 infection

Species (MHC) human (B8)

Keywords review, immunodominance, escape

References Goulder *et al.* 1997a; Phillips *et al.* 1991

- Longitudinal study of CTL escape mutants in people with the appropriate HLA types – little variation was observed in the immunodominant B27 epitope, relative to B8 epitopes, which varied over time.

- Goulder *et al.* [1997a] is a review of immune escape that points out that there may be a protective effect associated with B27, and that HLA-B8 individuals tend to progress more rapidly than HLA-B27 patients.

HXB2 Location p17 (24–35)
Author Location p17 (25–35)
Epitope GGKKKYKCLKHIV
Immunogen HIV-1 infection
Species (MHC) human (B8)
References Birk *et al.* 1998b

- A study of p17 variation considering known p17 epitopes and individuals with known HLA types revealed that p17 evolution is influenced by immune pressure from CTLs.

HXB2 Location p17 (27–35)
Author Location p17 (27–35)
Epitope KRYMEKHLV
Subtype C
Immunogen HIV-1 infection
Species (MHC) human (Cw*0602)
Country India.
Assay type CD8 T-cell Elispot - IFN γ
Keywords subtype comparisons, computational epitope prediction, immunodominance
References Thakar *et al.* 2005

- PBMCs from HIV-1 infected Indian subjects were tested for HIV-1 Gag (with C clade peptides), Nef (with B clade peptides), and Env (clade unspecified) specific T-cell responses. 5 immunodominant regions conserved across clades were identified in Gag and Nef. 3 antigenic regions were found to be recognized by CTLs in the Indian subjects; these regions were not identified as immunodominant in studies from Africa. 26 epitopes were predicted within reactive peptides, of which 90% were clustered in the conserved immunodominant regions of Gag and Nef. 3 of the epitopes were highly conserved across clades, and 7 novel epitopes were found.

HXB2 Location p17 (28–36)
Author Location (C consensus)
Epitope HYMLKHIVW
Subtype C
Immunogen HIV-1 infection
Species (MHC) human (A*2301)
Country South Africa.
Assay type CD8 T-cell Elispot - IFN γ
Keywords rate of progression, optimal epitope
References Kiepiela *et al.* 2007

- A comprehensive analysis of 160 class I T cell responses in 578 individuals from KwaZulu-Natal, South Africa was performed. Gag-specific responses were associated with lowering viremia, while Env, accessory and regulatory protein-specific responses were associated with higher viremia.
- Mutational patterns in the M in the third residue HYMLKHIVW are associated with the presence of the HLA presenting molecule in the host.

HXB2 Location p17 (28–36)
Author Location (C consensus)
Epitope HYMLKHLVW

Subtype C

Immunogen HIV-1 infection
Species (MHC) human (A*2301, A*2402)
Country South Africa.
Assay type CD8 T-cell Elispot - IFN γ
Keywords cross-presentation by different HLA, characterizing CD8+ T cells
References Kiepiela *et al.* 2004

- HLA class I restricted CD8+ T-cell responses against HIV-1 were analyzed in African patients. Significantly more responses were shown to be HLA-B restricted. Viral load, CD4 count, and thus rate of disease progression were also associated with HLA-B alleles. In addition, the selection pressure imposed on HIV-1 by HLA-B alleles was shown to be substantially greater than by other alleles.
- This epitope was suggested to be the epitope within a longer reactive peptide based on correspondence with a known epitope in the HIV database. Also, a significantly higher frequency of people in the Durban cohort who reacted with the peptide had this HLA type.

HXB2 Location p17 (28–36)
Author Location p17 (28–36 LAI)
Epitope KYKCLKHIVW
Subtype B

Immunogen
Species (MHC) human (A*2402)
Keywords optimal epitope
References Frahm *et al.* 2007

- C. Brander notes that this is an A*2402 epitope.

HXB2 Location p17 (28–36)
Author Location p17 (28–36 SF2)
Epitope KYKCLKHIVW
Immunogen HIV-1 infection
Species (MHC) human (A*2402)
References Ikeda-Moore *et al.* 1998

- Strong CTL activity to this peptide was detected in 2/3 HIV-infected individuals who were HLA A24+.
- HLA A24 is very common in Japanese (70% carry it) and is common globally.
- This epitope was detected by looking for peptides with appropriate A24 anchor residues (Y at position 2, carb-term ILF or W) – 16/17 such peptides bound to A24 – KYKCLKHIVW was found to be a naturally processed epitope that elicits a strong CTL response.

HXB2 Location p17 (28–36)
Author Location (28–36)
Epitope HYMLKHLVW
Subtype C
Immunogen HIV-1 infection
Species (MHC) human (A*2402)
Assay type Other
Keywords HLA associated polymorphism
References Boutwell & Essex 2007

- All HIV-1 subtype C protein sequences were analysed, and 94 HLA-associated amino acid polymorphisms were found that were well distributed throughout the proteome. These sequences were compiled from publicly available databases and originated in South Africa and Botswana. Many polymorphisms were associated with multiple HLA allele classes. 12% of negative associations were found as well, where there was an association of virus expression of the consensus amino acid with a specific HLA allele. HLA-B alleles were involved in most of the associations. 19 HLA-associated polymorphisms were embedded in previously defined epitopes presented by an appropriate HLA restricting molecule.
- HYMLKHLVW was a previously defined A*2402 presented epitope that encompassed an A*24 associated polymorphism, HYmLKHLVW, in the third position.

HXB2 Location p17 (28–36)
Author Location p17 (28–36 LAI)
Epitope KYLKHIVW
Subtype B
Immunogen
Species (MHC) human (A23)
References Goulder & Walker 1999
 • P. Goulder, pers. comm.

HXB2 Location p17 (28–36)
Author Location p17 (28–36 LAI)
Epitope KYLKHIVW
Subtype B
Immunogen
Species (MHC) human (A24)
References Brander & Walker 1996
 • D. Lewinsohn, pers. comm.

- HXB2 Location** p17 (28–36)
Author Location p17 (28–36 SF2)
Epitope KYLKHIVW
Immunogen HIV-1 infection
Species (MHC) human (A24)
Keywords HAART, ART, acute/early infection
References Altfeld *et al.* 2001b
- Therapy provided during acute infection resulted in a narrower CTL response, stronger T help response, and a less diverse viral population than was seen in individuals treated during chronic infection.
 - The breadth and specificity of the response was determined using ELISPOT by studying 19 individuals with pre-seroconversion therapy (Group 1), 11 individuals with primary infection but post-seroconversion therapy (Group 2), and 10 individuals who responded to HAART given during chronic infection (Group 3), using 259 overlapping peptides spanning p17, p24, RT, gp41, gp120 and Nef.
 - Previously described and newly defined optimal epitopes were tested for CTL response.
 - Number of HLA-A24+ individuals that had a CTL response to this epitope broken down by group: 0/0 group 1, 2/3 group 2, and 0/0 group 3.

HXB2 Location p17 (28–36)
Author Location p17 (28–36 93TH253 subtype CRF01)

Epitope KYLKHIVW
Subtype CRF01_AE
Immunogen HIV-1 infection
Species (MHC) human (A24)
Keywords subtype comparisons
References Bond *et al.* 2001

- More than half of a cohort of HIV+ female sex workers (FSW) from Northern Thailand were HLA-A11 positive, and this study concentrated on A11 epitopes in this group, although E clade versions of previously defined B-clade A2 and A24 epitopes were also tested.
- The only HLA-A24 FSWs tested did not recognize the E clade version of this epitope KYKMKHLVW, which differs from the previously defined B clade version by two amino acids, KYLKHIVW.

HXB2 Location p17 (28–36)
Author Location p17
Epitope KYLKHIVW
Epitope name KW9
Immunogen HIV-1 infection
Species (MHC) human (A24)
Donor MHC A2, A24 B38, B60, Cw2, Cw12
Assay type CD8 T-cell Elispot - IFN γ
Keywords supervised treatment interruptions (STI), acute/early infection
References Montefiori *et al.* 2003

- HIV-1 + patient AC10 underwent early HAART treatment, which was discontinued 1.5 years later. At this timepoint potent NAb responses against autologous virus were detected. Treatment interruption initially induced weak CD8+ responses directed against 5 epitopes. By days 873d and 923d the CTL response had broadened to target 22 epitopes; of these six were fully characterized. Eventually the virus escaped the NAb response, but escape was not accompanied by a rise in viral load, and the authors suggest the virus was contained by the CTL response.

HXB2 Location p17 (28–36)
Author Location p17 (28–36)
Epitope KYLKHIVW
Immunogen HIV-1 infection
Species (MHC) human (A24)
Donor MHC A*0201, A*2402, B*52, B75, Cw*03; A*0207, A*2402, B*46, B*52, Cw*01; A*2402, A*26, B*07, B*5101, Cw*07
Country Japan.
Assay type Chromium-release assay
Keywords epitope processing, escape
References Yokomaku *et al.* 2004

- Epitope variants escaped from being killed by CTLs in an endogenous expression system although they were recognized when corresponding synthetic peptides were exogenously loaded onto the cells. Escape is thus probably due to changes that occur during the processing and the presentation of epitopes in infected cells.
- Epitope variants recognized when added exogenously but not when processed endogenously were: kyRlkhLvw, RyRlkhLvw and QyRlkhivw.

HXB2 Location p17 (28–36)
Author Location p17 (28–36)
Epitope KYLKLHIVW
Epitope name QW9
Immunogen HIV-1 infection
Species (MHC) human (A24)
Donor MHC A*24, A*30, B*39, B*47, Cw*12, Cw*17;
 A*24, A*23, B*39, B*07, Cw*12, Cw*17
Country United States.
Assay type CD8 T-cell Elispot - IFN γ
Keywords responses in children, mother-to-infant transmission, escape, acute/early infection, reversion, viral fitness
References Sanchez-Merino *et al.* 2005

- CD8 T-cell responses were examined in mother-infant pairs. Escape variants were commonly detected in maternal plasma. Early infant plasma viruses showed heterogeneity of gag and nef gene sequences as well as mother-to-child transmission of CD8 T-cell escape variants. The stability of escape mutants in the infant over time was determined by infant HLA haplotype and viral fitness. Sequential plasma specimens from infants showed changes in CD8 T-cell epitope sequences, suggesting that infants are capable of generating virus-specific CD8 T-cell responses.
- qYKLLKHIVW is an escape variant of the A*24 epitope KYLKLHIVW, found in 9/10 clones from the mother. It was transmitted to her infant, and persisted for 15 months. Both the mother and child are A*24+.
- qYKLLKHIVW elicited lower responder cell frequencies than KYLKLHIVW.

HXB2 Location p17 (28–36)
Author Location p17 (728–736 subtype A)
Epitope KYRLKHLVW
Subtype A
Immunogen HIV-1 infection, HIV-1 exposed seronegative
Species (MHC) human (Cw4)
Keywords HIV exposed persistently seronegative (HEPS), immunodominance
References Kaul *et al.* 2001a

- ELISPOT was used to study CTL responses to a panel of 54 predefined HIV-1 epitopes in 91 HIV-1-exposed, persistently seronegative (HEPS) and 87 HIV-1-infected female Nairobi sex workers.
- Responses in HEPS women tended to be lower, and focused on different epitopes with HLA presenting molecules that have previously been associated with reduced risk of infection, and there was a shift in the response in the HEPS women upon late seroconversion to epitopes recognized by the HIV-1 infected women.
- 43/91 HEPS women had CD8+ responses and detection of HIV-1-specific CTL in HEPS women increased with the duration of viral exposure.
- Among HLA-Cw4 women, 2/2 HEPS and 7/11 HIV-1 infected women recognized this epitope.
- The dominant response to this HLA allele was to this epitope in both of the 2/2 HEPS cases and in 3 of the 7/11 HIV-1 infected women.

HXB2 Location p17 (28–36)

Author Location p17 (28–36)
Epitope KYRLKHLVW
Immunogen HIV-1 infection
Species (MHC) human (Cw4)
References Appay *et al.* 2000

- This epitope is newly defined in this study.
- Combined tetramer and intracellular cytokine staining was used to study the function of circulating CD8+ T cells specific for HIV and CMV.
- HIV-specific CD8+ T cells expressed lower levels of perforin than CMV-specific CD8+ T cells from the same donor, and this was associated with persistent CD27 expression on HIV-specific cells, suggesting impaired maturation.
- In most donors, between 50% and 95% of the activated virus-specific CD8+ T cells produced IFN- γ and MIP-1 β with a distinct subset that failed to produce TNF- α .

HXB2 Location p17 (28–36)
Author Location
Epitope KYRLKHLVW
Immunogen HIV-1 infection
Species (MHC) human
Keywords HIV exposed persistently seronegative (HEPS)
References Kaul *et al.* 2001c

- This study examines CTL responses in HIV exposed, persistently seronegative individuals, HEPS, who eventually seroconverted – 11/114 HEPS Nairobi sex workers eventually seroconverted, and for six of these HIV CTL reactive epitopes had been defined while seronegative.
- The epidemiological factor associated with seroconversion was stopping sex work. HIV-specific CTL activity declined when HEPS sex workers stopped working for a period or retired.
- This epitope was recognized in 1/22 HEPS sex worker controls (ML1573).

HXB2 Location p17 (33–41)
Author Location p17 (33–41)
Epitope HLVWASREL
Subtype C

Immunogen HIV-1 infection
Species (MHC) human (Cw*0602)
Country India.
Assay type CD8 T-cell Elispot - IFN γ
Keywords subtype comparisons, computational epitope prediction, immunodominance
References Thakar *et al.* 2005

- PBMCs from HIV-1 infected Indian subjects were tested for HIV-1 Gag (with C clade peptides), Nef (with B clade peptides), and Env (clade unspecified) specific T-cell responses. 5 immunodominant regions conserved across clades were identified in Gag and Nef. 3 antigenic regions were found to be recognized by CTLs in the Indian subjects; these regions were not identified as immunodominant in studies from Africa. 26 epitopes were predicted within reactive peptides, of which 90% were clustered in the conserved immunodominant regions of Gag and Nef. 3 of the epitopes were highly conserved across clades, and 7 novel epitopes were found.
- This is a novel predicted epitope.

HXB2 Location p17 (33–41)**Author Location** p17**Epitope** HLVWASREL**Epitope name** HL-9**Subtype** C**Immunogen** HIV-1 infection**Species (MHC)** human (Cw*0804)**Country** South Africa.**Assay type** CD8 T-cell Elispot - IFN γ , CD4 T-cell Elispot - IFN γ , Intracellular cytokine staining, Chromium-release assay**Keywords** subtype comparisons, epitope processing, immunodominance, cross-presentation by different HLA**References** Masemola *et al.* 2004b

- Highly targeted regions in Gag for CD8+ T-cells were defined for individuals with C clade infections in South Africa. 9 specific epitopes within the most reactive regions were characterized. This is 1 of 5 novel epitopes that were found among subtype C HIV-1 from African patients who hadn't previously been identified in B clade infections. Some epitopes were shown to be promiscuous, presented by multiple class I restricting alleles.
- HLVWASREL was presented by Cw*08 and newly identified in this study; Cw*08 is slightly more common in Zulus than Caucasians (0.066 versus 0.038).

HXB2 Location p17 (33–41)**Author Location****Epitope** HLVWASREL**Immunogen****Species (MHC)** human (Cw*0804)**Keywords** optimal epitope**References** Frahm *et al.* 2007

- C. Brander notes that this is an Cw*0804 epitope.

HXB2 Location p17 (34–44)**Author Location** p17**Epitope** LVWASRELERF**Epitope name** LF-11**Subtype** C**Immunogen** HIV-1 infection**Species (MHC)** human (A*3002, B*570301)**Country** South Africa.**Assay type** CD8 T-cell Elispot - IFN γ , CD4 T-cell Elispot - IFN γ , Intracellular cytokine staining, Chromium-release assay**Keywords** subtype comparisons, epitope processing, immunodominance, cross-presentation by different HLA**References** Masemola *et al.* 2004b

- Highly targeted regions in Gag for CD8+ T-cells were defined for individuals with C clade infections in South Africa. 9 specific epitopes within the most reactive regions were characterized. This is 1 of 5 novel epitopes that were found among subtype C HIV-1 from African patients who hadn't previously been identified in B clade infections. Some epitopes were shown to be promiscuous, presented by multiple class I restricting alleles.

- LVWASRELERF was clearly presented by both A*3002 and B*570301, it might also be cross-presented by A*3001, but not as effectively. A*30 is 10-fold more common among Zulus than Caucasians (allele frequency 0.195 versus 0.019), while B*57 is similar (0.051 versus 0.043).

HXB2 Location p17 (34–44)**Author Location** p17 (34–44)**Epitope** LVWRELERF**Immunogen****Species (MHC)** human (A30)**Keywords** optimal epitope**References** Frahm *et al.* 2007

- C. Brander notes that this is an A30 epitope.

HXB2 Location p17 (34–44)**Author Location** (C consensus)**Epitope** LVWASRELERF**Subtype** C**Immunogen** HIV-1 infection**Species (MHC)** human (B*5703)**Country** South Africa.**Assay type** CD8 T-cell Elispot - IFN γ **Keywords** rate of progression, optimal epitope**References** Kiepiela *et al.* 2007

- A comprehensive analysis of 160 class I T cell responses in 578 individuals from KwaZulu-Natal, South Africa was performed. Gag-specific responses were associated with lowering viremia, while Env, accessory and regulatory protein-specific responses were associated with higher viremia.
- LVWASRELERF is an optimal epitope.

HXB2 Location p17 (34–44)**Author Location** (C consensus)**Epitope** LVWASRELERF**Subtype** C**Immunogen** HIV-1 infection**Species (MHC)** human (B57)**Country** South Africa.**Assay type** CD8 T-cell Elispot - IFN γ **Keywords** characterizing CD8+ T cells**References** Kiepiela *et al.* 2004

- HLA class I restricted CD8+ T-cell responses against HIV-1 were analyzed in African patients. Significantly more responses were shown to be HLA-B restricted. Viral load, CD4 count, and thus rate of disease progression were also associated with HLA-B alleles. In addition, the selection pressure imposed on HIV-1 by HLA-B alleles was shown to be substantially greater than by other alleles.
- This epitope was suggested to be the epitope within a longer reactive peptide based on correspondence with a known epitope in the HIV database. Also, a significantly higher frequency of people in the Durban cohort who reacted with the peptide had this HLA type.

HXB2 Location p17 (36–44)**Author Location** p17 (35–43 LAI)**Epitope** WASRELERF**Subtype** B**Immunogen** HIV-1 infection

Species (MHC) human (B*3501)

References Goulder *et al.* 1997d

- Optimal epitope defined from within p17(30-44), LKHIVWAS-RELERFA.
- Dominant CTL response in an HIV+ asymptomatic donor was to this epitope.
- The Phe in the C-term anchor is distinct from the previously-defined Tyr for B*3501 C-term anchors.

HXB2 Location p17 (36–44)

Author Location p17 (36–44 LAI)

Epitope WASRELERF

Subtype B

Immunogen

Species (MHC) human (B*3501)

Keywords optimal epitope

References Frahm *et al.* 2007; Goulder *et al.* 1997b

- C. Brander notes this is a B*3501 epitope.

HXB2 Location p17 (36–44)

Author Location p17 (36–44)

Epitope WASRELERF

Immunogen HIV-1 infection

Species (MHC) human (B35)

References Birk *et al.* 1998b

- A study of p17 variation considering known p17 epitopes and individuals with known HLA types revealed that p17 evolution is influenced by immune pressure from CTLs.

HXB2 Location p17 (36–44)

Author Location p17 (36–44)

Epitope WASRELERF

Immunogen HIV-1 infection

Species (MHC) human (B35)

References Ferrari *et al.* 2000

- One of the 51 HIV-1 epitopes selected by Ferrari *et al.* as good candidate CTL epitopes for vaccines by virtue of being conserved and presented by common HLA alleles.

HXB2 Location p17 (36–44)

Author Location p17 (36–44 SF2)

Epitope WASRELERF

Immunogen HIV-1 infection

Species (MHC) human (B35)

Keywords HAART, ART, acute/early infection

References Altfeld *et al.* 2001b

- Therapy provided during acute infection resulted in a narrower CTL response, stronger T help response, and a less diverse viral population than was seen in individuals treated during chronic infection.
- The breadth and specificity of the response was determined using ELISPOT by studying 19 individuals with pre-seroconversion therapy (Group 1), 11 individuals with primary infection but post-seroconversion therapy (Group 2), and 10 individuals who responded to HAART given during chronic infection (Group 3), using 259 overlapping peptides spanning p17, p24, RT, gp41, gp120 and Nef.
- Previously described and newly defined optimal epitopes were tested for CTL response.

- Number of HLA-B35+ individuals that had a CTL response to this epitope broken down by group: 0/2 group 1, 0/2 group 2, and 1/1 group 3.

HXB2 Location p17 (36–44)

Author Location

Epitope WASRELERF

Epitope name Gag-WF9

Subtype B

Immunogen HIV-1 infection

Species (MHC) human (B35)

References Sabbaj *et al.* 2003

- Among HIV+ individuals who carried HLA B35, 1/21 (5%) recognized this epitope.

HXB2 Location p17 (36–44)

Author Location Gag

Epitope WASRELERF

Immunogen HIV-1 infection

Species (MHC) human (B35)

Country Netherlands.

Assay type CD8 T-cell Elispot - IFN γ

Keywords HIV exposed persistently seronegative (HEPS)

References Koning *et al.* 2004

- A high-risk seronegative group of 29 homosexual men showed reduced cellular in vitro susceptibility for HIV infection and enhanced production of RANTES compared to 15 men who went on to seroconvert. Significantly higher frequencies of HLA A*11, A*31 and Cw*15 were also found in the high risk seronegative men. Both groups of men had low frequencies of HIV-1 specific CD8+ T-cells, which may signify exposure more than protection from infection.
- No one, 0/3 HLA B35+ infection-resistant men, and 0/5 pre-seroconversion men who went on to become infected, reacted to this epitope.

HXB2 Location p17 (36–44)

Author Location p17 (36–44)

Epitope WASRELERF

Subtype C

Immunogen HIV-1 infection

Species (MHC) human (Cw*0602)

Country India.

Assay type CD8 T-cell Elispot - IFN γ

Keywords subtype comparisons, computational epitope prediction, immunodominance

References Thakar *et al.* 2005

- PBMCs from HIV-1 infected Indian subjects were tested for HIV-1 Gag (with C clade peptides), Nef (with B clade peptides), and Env (clade unspecified) specific T-cell responses. 5 immunodominant regions conserved across clades were identified in Gag and Nef. 3 antigenic regions were found to be recognized by CTLs in the Indian subjects; these regions were not identified as immunodominant in studies from Africa. 26 epitopes were predicted within reactive peptides, of which 90% were clustered in the conserved immunodominant regions of Gag and Nef. 3 of the epitopes were highly conserved across clades, and 7 novel epitopes were found.

HXB2 Location p17 (36–44)**Author Location** p17 (SF2)**Epitope** WASRELERF**Immunogen** HIV-1 infection**Species (MHC)** human**Keywords** subtype comparisons, immunodominance**References** Goulder *et al.* 2000a

- The dominant response in an African American who was HLA A3/33 B35/B53 Cw4/7 was to this epitope, although the restricting element was not determined – this epitope fell outside the most recognized peptides in the study.
- Three peptides GSEELRSLYNTVATL (p17 residues 71–85), SALSEGATPQDLNLTMLNTVG (p24 41–60), and WEKIRL-RPGGKKKYK (p17 16–30) contained the dominant Gag-specific epitope in 31/44 B-clade infected individuals from Boston who showed Gag-CTL responses.
- Five peptides RLRPGGKKHYMIKHLVW (p17 20–36), ELRSLYNTVATLYCV (p17 Gag 74–88), SALSEGATPQDLNLTMLNTVG (p24 41–60), FRDYVDRFFKTLRAEQA (p24 161–177), and SILDIKQGKEPFRDY (p24 149–164) contained dominant Gag-specific epitopes in 32/37 C-clade infected subjects from South Africa.

HXB2 Location p17 (43–51)**Author Location** p17**Epitope** RFAVNPGLL**Subtype** B, C**Immunogen** HIV-1 infection**Species (MHC)** human (B63)**Assay type** CD8 T-cell Elispot - IFN γ **Keywords** rate of progression, cross-presentation by different HLA**References** Frahm *et al.* 2005

- HLA-B63-positive subjects were shown to be able to generate CTL responses early in acute HIV infection and to control HIV replication in the absence of antiretroviral treatment. Since HLA-B63 shares the epitope binding motif of HLA-B57 and -B58, it was shown that HLA-B63-positive individuals mounted CTL responses to previously identified B57-restricted epitopes, as well as novel, B63-restricted epitopes. Moreover, these novel B63-restricted epitopes can also be presented by HLA-B57 and -B58.
- This is a putative HLA-B63 epitope is contained within a reactive peptide containing the B58 supertype binding motif. There is no evidence for B57/B58 cross-presentation of this epitope.

HXB2 Location p17 (69–93)**Author Location** p17 (69–93 BH10)**Epitope** QTGSEELRSLYNTVATLYCVHQRIE**Immunogen** HIV-1 infection**Species (MHC)** human (A2)**References** Johnson *et al.* 1991

- Gag CTL response studied in three individuals.

HXB2 Location p17 (71–79)**Author Location** p17**Epitope** GTEELRSLY**Subtype** A**Immunogen** HIV-1 infection**Species (MHC)** human (A*0101)**Donor MHC** A*0101, A*0301, B*0801; A*0201, A*3101, B*3501, B*3905**Country** United Kingdom.**Assay type** CD8 T-cell Elispot - IFN γ , HLA binding**Keywords** escape, acute/early infection, characterizing CD8+ T cells**References** Milicic *et al.* 2005

- CTL responses and escape were analyzed in 4 homosexual couples where blood samples were available within weeks of estimated transmission. When the recipient had the same HLA type as the donor, CTL escape variants prevented a CTL response to those epitopes in the recipient. Even when the HLA alleles were different in the transmitting couple, a single escape mutation in one epitope can abolish CTL recognition of an overlapping epitope of distinct restriction in the recipient. In an early acute infection of the donor, the precise timing of transmission determines the viral variants transmitted.
- Escape mutation gteelrslf in this epitope resulted in 98% reduction in HLA binding affinity, and was the transmitted variant.

HXB2 Location p17 (71–79)**Author Location** p17**Epitope** GSEELRSLY**Subtype** B**Immunogen** HIV-1 infection**Species (MHC)** human (A*0101)**Donor MHC** A*0101, A*0301, B*0801, B*5101; A*0101, B*0801**Country** United Kingdom.**Assay type** CD8 T-cell Elispot - IFN γ , HLA binding**Keywords** escape, acute/early infection, characterizing CD8+ T cells**References** Milicic *et al.* 2005

- CTL responses and escape were analyzed in 4 homosexual couples where blood samples were available within weeks of estimated transmission. CTL escape variants were often transmitted. When the recipient had the same HLA type as the donor, CTL escape variants prevented a CTL response to those epitopes in the recipient. Even when the HLA alleles were different in the transmitting couple, a single escape mutation in one epitope can abolish CTL recognition of an overlapping epitope of distinct restriction in the recipient.
- The second donor in the study shares A*0101 and B*0801 with his partner. Escape mutations gseeIKsly in GSEELRSLY resulted in 44% reduction in HLA binding affinity and no response in an Elispot assay, and gseeIKsly was the transmitted form.

HXB2 Location p17 (71–79)**Author Location** p17 (71–79 LAI)**Epitope** GSEELRSLY**Subtype** B**Immunogen****Species (MHC)** human (A1)**References** Brander & Walker 1996

- P. Goulder, pers. comm.

HXB2 Location p17 (71–79)**Author Location** p17 (71–79)**Epitope** GSEELRSLY

- Immunogen** HIV-1 infection
Species (MHC) human (A1)
References Birk *et al.* 1998b
- A study of p17 variation considering known p17 epitopes and individuals with known HLA types revealed that p17 evolution is influenced by immune pressure from CTLs.
- HXB2 Location** p17 (71–79)
Author Location p17 (71–79 HXB2)
Epitope GSEELRSLY
Epitope name GSE
Subtype B
Immunogen HIV-1 infection
Species (MHC) human (A1)
Keywords HAART, ART, supervised treatment interruptions (STI), immunodominance, acute/early infection
References Oxenius *et al.* 2000
 - Patients who started therapy at acute HIV-1 infection (three with sustained therapy, two with limited therapy upon early infection) had strong HIV specific CD4 proliferative responses and were able to maintain a CTL response even with undetectable viral load – three patients that had delayed initiation of HAART had no HIV specific CD4 proliferative responses and lost their CTL responses when HAART was eventually given and their viral loads became undetectable.
 - This epitope was not recognized by the 6/8 study subjects that were HLA-A1.

HXB2 Location p17 (71–79)
Author Location p17 (71–79)
Epitope GSEELRSLY
Immunogen HIV-1 infection, HIV-1 exposed seronegative
Species (MHC) human (A1)
Keywords HIV exposed persistently seronegative (HEPS)
References Kaul *et al.* 2001a
 - ELISPOT was used to study CTL responses to a panel of 54 predefined HIV-1 epitopes in 91 HIV-1-exposed, persistently seronegative (HEPS) and 87 HIV-1-infected female Nairobi sex workers.
 - Responses in HEPS women tended to be lower, and focused on different epitopes with HLA presenting molecules that have previously been associated with reduced risk of infection, and there was a shift in the response in the HEPS women upon late seroconversion to epitopes recognized by the HIV-1 infected women.
 - 43/91 HEPS women had CD8+ responses and detection of HIV-1-specific CTL in HEPS women increased with the duration of viral exposure.
 - Among HLA-A1 women, 1/1 HEPS and 3/3 HIV-1 infected women recognized this epitope, and the response was the dominant HLA-A1 response in all cases.

HXB2 Location p17 (71–79)
Author Location p17
Epitope GSEELRSLY
Epitope name GSE
Immunogen HIV-1 infection
Species (MHC) human (A1)

- Keywords** HAART, ART, supervised treatment interruptions (STI)
References Oxenius *et al.* 2002b
- Using previously defined epitopes Oxenius *et al.* [2000, 2001a] in an IFN γ Elispot assay, 13 chronically HIV-1 infected patients were studied over a period including therapy with supervised treatment interruptions (STI).
 - STIs induced increased recognition of CTL epitopes, but there was no correlation between CTL responses with viral rebound rates, plateau viral loads, or clearance rates.
- HXB2 Location** p17 (71–79)
Author Location p17 (71–79)
Epitope GSEELRSLY
Immunogen HIV-1 infection
Species (MHC) human (A1)
Country Spain.
Assay type proliferation, CD8 T-cell Elispot - IFN γ , Flow cytometric T-cell cytokine assay
Keywords HAART, ART, supervised treatment interruptions (STI), immune dysfunction
References Plana *et al.* 2004
 - Structured treatment interruption (STI) alone is not able to control viral replication in chronically infected patients, probably due to lack of strong, maintained T-helper cell responses. HIV-1 specific CD8+ T-cell responses were shown to increase significantly until the end of the follow up, but were not correlated with viral load.
 - 3/13 patients recognized this epitope.

HXB2 Location p17 (71–79)
Author Location (71–79 B consensus)
Epitope GSEELRSLY
Epitope name GY9
Subtype B
Immunogen HIV-1 infection
Species (MHC) human (A1)
Country United States.
Assay type CD8 T-cell Elispot - IFN γ , Flow cytometric T-cell cytokine assay
Keywords characterizing CD8+ T cells
References Allen *et al.* 2004
 - This study characterizes an escape mutation in a C-terminal flanking residue of the HLA-A3 gag p17 KK9 epitope that inhibits processing, and is embedded in the overlapping HLA-A3 RK9 epitope.
 - The immune response was tracked in subject AC-38. The acute immunodominant response was to the B57 TW10 epitope; this response declined following viral escape (tsNlqeqigw) by day 64. The p17 KK9 and RK9 became immunodominant, but then declined as the escape mutation arose. Three other strong responses that persisted were detected, along with 1 sub-dominant response to GY9.

HXB2 Location p17 (71–79)
Author Location Gag
Epitope GSEELRSLY
Epitope name GL9
Subtype B
Immunogen HIV-1 infection

Species (MHC) human (A1)
Donor MHC A1, A3, B7, B57, Cw6, Cw7
Country United States.
Assay type CD8 T-cell Elispot - IFN γ
Keywords subtype comparisons, escape, characterizing CD8+ T cells, reversion, viral fitness
References Allen *et al.* 2005a

- Two-thirds of all mutations arising in nonenvelope proteins during the transition from acute to chronic infection were found to be due to either CD8 T-cell-associated selective pressures or reversion of HLA-I-associated mutations selected in a previous host. The predominance of escape mutations at highly polymorphic sites was observed across different HIV-1 clades.
- One escape mutation, at position 9, gseelrslF, was found in the most polymorphic residue in the epitope. These were shared between clades B and C.

HXB2 Location p17 (71–79)
Author Location p17
Epitope GSEELRSLY
Subtype B
Immunogen HIV-1 infection
Species (MHC) human (A1)
Donor MHC A1, A1, B8, B55, Cw3, Cw7
Country Democratic Republic of the Congo.
Assay type CD8 T-cell Elispot - IFN γ
Keywords subtype comparisons
References Geels *et al.* 2005

- Cross-clade CTL responses in 10 non-B HIV-1 infected individuals were evaluated. T-cell reactivity was tested against peptide pools of clade B Gag, Pol, Nef, Rev and Tat. Nine individuals demonstrated cross-reactive T-cell responses to clade A, B, and C Gag pools; 6/7 patients that responded to Nef-B also reacted to clade A and C Nef pools. An inverse correlation was observed between the sequence divergence of the HLA class I restricted epitopes and the height of the T-cell responses, which in Gag could be explained through variations in the HLA-anchor residues. 42% of the responses were directed to regions containing new epitopes.
- This previously described epitope was embedded in a B clade peptide that was recognized by T-cells from an infected person carrying subtype D Gag. The autologous epitope sequence had dramatic changes, the epitope GSEELRSLY peptide was GtegikSLh, and so likely not the actual reactive epitope in the larger peptide.

HXB2 Location p17 (71–85)
Author Location p17 (71–85 SF2)
Epitope GSEELRSLYNTVATL
Immunogen HIV-1 infection
Species (MHC) human
References Lieberman *et al.* 1997a

- Of 25 patients, most had CTL specific for more than 1 HIV-1 protein.
- Twelve subjects had CTL that could recognize vaccinia-expressed LAI gag.
- One of these 12 had CTL response to this peptide.
- The responding subject was HLA-A1, A11, B8, B27.

HXB2 Location p17 (71–85)

Author Location p17 (71–85 HXB2)
Epitope GSEELRSLYNTVATL
Subtype B
Immunogen HIV-1 infection
Species (MHC) human
Assay type T-cell Elispot
Keywords supervised treatment interruptions (STI), immunodominance, early treatment
References Addo *et al.* 2003

- Comprehensive Elispot screening of 504 overlapping peptides that spanned all HIV-1 proteins in 57 HIV-1 infected individuals. Four groups of patients were compared: 23 were untreated; 12 were chronically infected and treated; 22 started treatment during acute infection; 11 continuously treated and 11 with STI.
- 63% of the peptides were recognized - the most frequent responses were directed against Nef (95%) and p24-Gag (88%). p17 was the most frequently recognized protein after correction for protein length. A median of 18 peptides (range 2–42) were recognized per person. The most frequently (>20%) recognized peptides were located in conserved regions within clade B sequences. Vpu was rarely recognized.
- A decrease in the total magnitude and in the breadth of CTL responses was detected in patients with treated acute infection in comparison to chronically infected treated or untreated individuals. No correlation between plasma viral load and HIV-1 specific T-cell responses was observed.
- Responses to this peptide were detected in 16% of the study subjects, and it was one of the 25 most frequently recognized peptides.

HXB2 Location p17 (71–90)
Author Location Gag (HXB2)
Epitope GSEELRSLYNTVATLYCVHQ
Subtype B
Immunogen HIV-1 infection
Species (MHC) human
Donor MHC A2
Assay type CD8 T-cell Elispot - IFN γ
Keywords assay standardization/improvement, HAART, ART
References Chitnis *et al.* 2003

- 17 perinatally HIV-1 infected children (0.08–16 years) were evaluated for HLA-A2-restricted IFN-gamma CD8+ CTL responses against 4 immunodominant peptides that carry HLA-A2 epitopes. Two peptides were from gp120 (one at position 112, one from the V3 loop), and one each was from gp41 and Gag. 15/17 patients responded to the Gag peptide, 13/17 to the gp41 and the non-V3 gp120 peptides, and 11/17 responded to the V3 loop. 4 children recognized all 4 peptides.
- In 10/14 children, addition of exogenous IL-15 induced increased frequencies of SFCs to the Gag peptide. IL-2 and IL-7 did not increase SFCs, however IL-2, IL-7 and IL 15 could all increase the intensity of the spots in some patients. In 4 children, IL-15 addition brought the SFC response up to the level of detection.

HXB2 Location p17 (73–82)
Author Location p17 (73–82)
Epitope EELRSLYNTV

- Subtype C**
Immunogen HIV-1 infection
Species (MHC) human (B*4006)
Country India.
Assay type CD8 T-cell Elispot - IFN γ
Keywords subtype comparisons, computational epitope prediction, immunodominance
References Thakar *et al.* 2005
- PBMCs from HIV-1 infected Indian subjects were tested for HIV-1 Gag (with C clade peptides), Nef (with B clade peptides), and Env (clade unspecified) specific T-cell responses. 5 immunodominant regions conserved across clades were identified in Gag and Nef. 3 antigenic regions were found to be recognized by CTLs in the Indian subjects; these regions were not identified as immunodominant in studies from Africa. 26 epitopes were predicted within reactive peptides, of which 90% were clustered in the conserved immunodominant regions of Gag and Nef. 3 of the epitopes were highly conserved across clades, and 7 novel epitopes were found.
- HXB2 Location** p17 (74–82)
Author Location p17
Epitope ELRSLYNTV
Immunogen
Species (MHC) human (B*0801)
Keywords optimal epitope
References Frahm *et al.* 2007
- Noted by Brander to be a B*0801 epitope.
- HXB2 Location** p17 (74–82)
Author Location p17
Epitope ELRSLYNTV
Immunogen
Species (MHC) human (B8)
References Goulder *et al.* 1997g
- Defined in a study of the B8 binding motif.
- HXB2 Location** p17 (74–82)
Author Location p17 (74–82)
Epitope ELRSLYNTV
Immunogen HIV-1 infection
Species (MHC) human (B8)
References Birk *et al.* 1998b
- A study of p17 variation considering known p17 epitopes and individuals with known HLA types revealed that p17 evolution is influenced by immune pressure from CTLs.
- HXB2 Location** p17 (74–82)
Author Location p17 (74–82)
Epitope ELRSLYNTV
Immunogen HIV-1 infection
Species (MHC) human (B8)
References Ferrari *et al.* 2000
- One of the 51 HIV-1 epitopes selected by Ferrari *et al.* as good candidate CTL epitopes for vaccines by virtue of being conserved and presented by common HLA alleles.
- HXB2 Location** p17 (74–82)
Author Location p17 (74–82)
Epitope ELRSLYNTV

- Immunogen** HIV-1 infection
Species (MHC) human (B8)
References Day *et al.* 2001
- B8-restricted CTL accounted for about 1/3 of the total CTL response in one individual.
- HXB2 Location** p17 (74–82)
Author Location (B consensus)
Epitope ELRSLYNTV
Epitope name EV9
Subtype B
Immunogen HIV-1 infection
Species (MHC) human (B8)
Donor MHC A11, A29, B08, B44, Cw4, Cw7
Country United States.
Assay type Cytokine production, Intracellular cytokine staining, Chromium-release assay, Flow cytometric T-cell cytokine assay
Keywords assay standardization/improvement, memory cells, characterizing CD8+ T cells
References Lichterfeld *et al.* 2004c
- Using a flow-cytometric cytotoxicity assay based on caspase-3 activation in dying target cells, it was shown that the subset of HIV-1-specific CD8+ T cells secreting both IFN-gamma and TNF-alpha exhibit stronger cytotoxic activity than those secreting only IFN-gamma. These cells also exhibited stronger intracellular perforin expression. No association between HIV-1-specific CD8+ T-cell maturation phenotypes and intracellular perforin expression was found.
 - 1/9 individuals recognized this epitope.
- HXB2 Location** p17 (74–82)
Author Location p17
Epitope ELRSLYNTV
Subtype B
Immunogen HIV-1 infection
Species (MHC) human (B8)
Donor MHC A1, A1, B8, B55, Cw3, Cw7
Country Democratic Republic of the Congo.
Assay type CD8 T-cell Elispot - IFN γ
Keywords subtype comparisons
References Geels *et al.* 2005
- Cross-clade CTL responses in 10 non-B HIV-1 infected individuals were evaluated. T-cell reactivity was tested against peptide pools of clade B Gag, Pol, Nef, Rev and Tat. Nine individuals demonstrated cross-reactive T-cell responses to clade A, B, and C Gag pools; 6/7 patients that responded to Nef-B also reacted to clade A and C Nef pools. An inverse correlation was observed between the sequence divergence of the HLA class I restricted epitopes and the height of the T-cell responses, which in Gag could be explained through variations in the HLA-anchor residues. 42% of the responses were directed to regions containing new epitopes.
 - This previously described epitope was embedded in a B clade peptide that was recognized by T-cells from an infected person carrying subtype D Gag. The autologous epitope sequence ELRSLYNTV had dramatic changes, the epitope peptide was gikSLhNTV, and so likely not the actual reactive epitope in the larger peptide.

HXB2 Location p17 (74–83)
Author Location Gag
Epitope ELRSLYNTVA
Epitope name 1241
Subtype multiple
Immunogen HIV-1 infection
Species (MHC) human (A2)
Country United States.
Assay type T-cell Elispot
Keywords binding affinity, computational epitope prediction

References De Groot *et al.* 2003

- Epitopes defined using sequence parsing and matching algorithm Conservatrix, and epitope prediction tool EpiMatrix, were shown to be conserved in a broad range of HIV-1 sequences derived from different parts of the world. 31 novel highly conserved HIV-1 epitopes were found, among which four were recognized as promiscuous epitopes and five as MHC supertypes.
- Estimated binding probability for ELRSLYNTVA: 71%. This epitope was previously identified in the literature, but was not confirmed in this study.

HXB2 Location p17 (76–86)
Author Location p17 (74–86 LAI)
Epitope RSLYNTVATLY
Subtype B
Immunogen
Species (MHC) human (A*3002)
Keywords optimal epitope
References Frahm *et al.* 2007
 • C. Brander notes this is an A*3002 epitope.

HXB2 Location p17 (76–86)
Author Location p17 (SF2)
Epitope RSLYNTVATLY
Immunogen HIV-1 infection
Species (MHC) human (A*3002)
Keywords subtype comparisons, immunodominance
References Goulder *et al.* 2000a

- The CTL-dominant response was focused on this epitope in a single HIV+ individual from Boston – this epitope fell outside the most recognized peptides in the study.
- Three peptides GSEELRSLYNTVATL (p17 residues 71–85), SALSEGATPQDLNMLNTVG (p24 41–60), and WEKIRLRPGGKKKYKLG (p17 16–30) contained the dominant Gag-specific epitope in 31/44 B-clade infected individuals from Boston who showed Gag-CTL responses.
- Five peptides RLRPGGKKHYMIKHLVW (p17 20–36), ELRSLYNTVATLYCV (p17Gag 74–88), SALSEGATPQDLNMLNTVG (p24 41–60), FRDYVDRFFKTLRAEQA (p24 161–177), and SILDIKQKGEPPFRDY (p24 149–164) contained dominant Gag-specific epitopes in 32/37 C-clade infected subjects from South Africa.

HXB2 Location p17 (76–86)
Author Location Gag (96ZM651.8)
Epitope RLSYNTVATLY
Immunogen
Species (MHC) human (A*3002)

References Novitsky *et al.* 2001

- This study provides a survey of CTL responses and full length HIV-1 genome sequences from a C subtype infected Botswanan cohort.
- Only 3/13 (23.1%) A*3002-positive subjects demonstrated moderate CTL responses to the peptide GTEELRSLYNTVATLYCVHE (residues 71 to 90), which contains the previously described A*3002 epitope RLSYNTVATLY.

HXB2 Location p17 (76–86)
Author Location p17 (76–86)
Epitope RSLYNTVATLY

Epitope name RY11 (p17)
Immunogen HIV-1 infection

Species (MHC) human (A*3002)
References Goulder *et al.* 2001a

- HLA-A*3002 is very common in African populations, 50% of Zimbabweans express HLA-A30, 44% in African Zulu, so five new HIV epitopes were characterized that are presented by this HLA molecule.
- A rapid method was developed combining ELISPOT with intracellular IFN- γ staining of PBMCs to map optimal epitopes, then HLA presenting molecules were defined – this method was completed within 48 to 72 hours of receipt of blood.
- Two individuals were studied: Subject 199 (HLA A*0201/*3002 B*4402/51 Cw2/5), a Caucasian, and Subject 6007 (HLA A*3002/ B53/*5801 Cw4/7) an African-Caribbean.
- In both HLA-A*3002 individuals the response to RSLYNTVATLY was dominant.
- Three quantitative assays, ELISPOT, precursor frequency and chromium release, confirmed a hierarchy of response: RY11 (p17) > KY9 (gp41) > KY9 (RT-53) > IY9 (gp41).
- HLA-A*3001-positive targets do not present RSLYNTVATLY.

HXB2 Location p17 (76–86)
Author Location
Epitope RSLYNTVATLY
Epitope name Gag-RY11
Subtype B

Immunogen HIV-1 infection
Species (MHC) human (A*3002)
Donor MHC A*3002 A*3201 B*4501 B*5301 Cw*0401 Cw*1202
Keywords HAART, ART
References Sabbaj *et al.* 2003

- This study monitored epitope responses in HIV-1 infected minority women living in the United States.
- 24 epitopes were described – 8 were novel, 8 used new restricting elements but were previously defined epitopes, and 8 were previously described.
- Serial peptide truncations were used to define optimal epitopes for CTL cell lines isolated from 12 individuals, assayed by a Cr-release.
- Subject 00RCH33 was on HAART had a viral load of 2900 and CD4 count of 727 and also recognized the epitopes YPLTFGWCY, Nef(135–143), HLA B*5301; AETFYVDGA, RT(437–445), HLA B*4501; and HIGPGRIFY, gp160(310–318), HLA A*3002.

- Among HIV+ individuals who carried HLA B30, 3/16 (19%) recognized this epitope.

HXB2 Location p17 (76–86)

Author Location (C consensus)

Epitope RSLYNTVATLY

Subtype C

Immunogen HIV-1 infection

Species (MHC) human (A*3002)

Country South Africa.

Assay type CD8 T-cell Elispot - IFN γ

Keywords characterizing CD8+ T cells

References Kiepiela *et al.* 2004

- HLA class I restricted CD8+ T-cell responses against HIV-1 were analyzed in African patients. Significantly more responses were shown to be HLA-B restricted. Viral load, CD4 count, and thus rate of disease progression were also associated with HLA-B alleles. In addition, the selection pressure imposed on HIV-1 by HLA-B alleles was shown to be substantially greater than by other alleles.
- This epitope was suggested to be the epitope within a longer reactive peptide based on correspondence with a known epitope in the HIV database. Also, a significantly higher frequency of people in the Durban cohort who reacted with the peptide had this HLA type.

HXB2 Location p17 (76–86)

Author Location (C consensus)

Epitope RSLYNTVATLY

Subtype C

Immunogen HIV-1 infection

Species (MHC) human (A*3002)

Country South Africa.

Assay type CD8 T-cell Elispot - IFN γ

Keywords rate of progression, optimal epitope

References Kiepiela *et al.* 2007

- A comprehensive analysis of 160 class I T cell responses in 578 individuals from KwaZulu-Natal, South Africa was performed. Gag-specific responses were associated with lowering viremia, while Env, accessory and regulatory protein-specific responses were associated with higher viremia.
- RSLYNTVATLY is an optimal epitope.

HXB2 Location p17 (76–86)

Author Location p17 (74–86 SF2)

Epitope RSLYNTVATLY

Immunogen HIV-1 infection

Species (MHC) human (A30)

Keywords HAART, ART, acute/early infection

References Altfeld *et al.* 2001b

- Therapy provided during acute infection resulted in a narrower CTL response, stronger T help response, and a less diverse viral population than was seen in individuals treated during chronic infection.
- The breadth and specificity of the response was determined using ELISPOT by studying 19 individuals with pre-seroconversion therapy (Group 1), 11 individuals with primary infection but post-seroconversion therapy (Group 2), and 10 individuals who responded to HAART given during chronic

infection (Group 3), using 259 overlapping peptides spanning p17, p24, RT, gp41, gp120 and Nef.

- Previously described and newly defined optimal epitopes were tested for CTL response.
- Number of HLA-A30+ individuals that had a CTL response to this epitope broken down by group: 0/1 group 1, 0/0 group 2, and 1/1 group 3.

HXB2 Location p17 (76–86)

Author Location p17

Epitope RSLYNTVATLY

Epitope name A30-RY11(p17)

Subtype B

Immunogen HIV-1 infection

Species (MHC) human (A30)

Donor MHC A30, A32, B18, B27

Keywords HAART, ART, supervised treatment interruptions (STI)

References Altfeld *et al.* 2002b

- Peripheral blood (PB) and lymph node (LN) CD8+ T-cell responses were compared in 15 asymptomatic HIV-1 infected patients using all known optimal CTL epitopes (<http://hiv-web.lanl.gov/content/hiv-db/REVIEWS/brander2001.html>) for each person's class I HLA alleles.
- 60 epitope responses were detected in both PB and LN samples of the 15 patients, and an additional 8 responses were detected only in LN. The total magnitude of the response was similar in LN and PB, but the percentage of CD8+ T cells in the LN is lower so the number of HIV-specific cells per million CD8+ T-cells is higher in the LN.
- 1 year post-HAART treatment in five patients studied, the magnitude of the CD8+ T-cell response was decreased in both LN and PB, but more dramatically in PB, and 13/25 epitope responses in the PB became undetectable, in contrast to 5/26 in the LN.
- Treatment interruption following HAART resulted in increased viremia accompanied by the restoration of the detection of 13 epitopes that had become undetectable in the PB, and the addition of 9 novel epitope responses.
- Breakdowns of epitope responses were shown for 4 individuals. Patient D displayed the greatest response to B27-KK10 (p24), and also responded to A30-RY11(p17), A32-PW10(RT), A30-KY11(RT), A32-RW10(gp120), and B18-YY9(Nef).

HXB2 Location p17 (76–86)

Author Location p17

Epitope RSLYNTVATLY

Epitope name RY-11

Subtype C

Immunogen HIV-1 infection

Species (MHC) human (A30)

Assay type CD8 T-cell Elispot - IFN γ , CD4 T-cell Elispot - IFN γ , Intracellular cytokine staining, Chromium-release assay

Keywords subtype comparisons, epitope processing, immunodominance, cross-presentation by different HLA

References Masemola *et al.* 2004b

- Highly targeted regions in Gag for CD8+ T-cells were defined for individuals with C clade infections in South Africa. 9 specific epitopes within the most reactive regions were characterized.
- RSLYNTVATLY was presented by A*30, which is more common in Zulus than Caucasians (0.195 versus 0.019). This epitope had previously identified in B clade infections.

HXB2 Location p17 (76–86)

Author Location p17

Epitope RSLYNTATLY

Immunogen HIV-1 exposed seronegative

Species (MHC) human (A30)

Donor MHC A*02, A*30, B*4402, B*15

Assay type T-cell Elispot

Keywords HIV exposed persistently seronegative (HEPS)

References Missale *et al.* 2004

- HIV-specific T-cell response was tested in patients exposed to blood from a patient with highly replicating HIV; these patients were nosocomially infected with HBV, but uninfected with HIV. HIV-specific T-cell responses were directed to structural and non-structural HIV proteins in 2 patients, suggesting that the virus replicated in these patients sufficiently to prime a cell-mediated immune response that protected them from HIV infection.
- This patient responded to 4/8 HIV epitopes tested in an IFN γ Elispot assay or tetramer assay. Responses were detected 8 and 28 weeks after exposure, this particular epitope was only tested with Elispot.

HXB2 Location p17 (76–86)

Author Location

Epitope RSLYNTVATLY

Immunogen

Species (MHC) human (B58)

Keywords optimal epitope

References Frahm *et al.* 2007

- C. Brander notes that this is an B58 epitope.

HXB2 Location p17 (76–86)

Author Location

Epitope RSLYNTVATLY

Immunogen

Species (MHC) human (B63)

Keywords optimal epitope

References Frahm *et al.* 2007

- C. Brander notes that this is an B63 epitope.

HXB2 Location p17 (76–86)

Author Location p17

Epitope RSLYNTVATLY

Epitope name RY11

Subtype B, C

Immunogen HIV-1 infection

Species (MHC) human (B63, B57, B58)

Donor MHC A*02, A*24, B*1517, B*58, Cw*03, Cw*07

Assay type CD8 T-cell Elispot - IFN γ

Keywords rate of progression, cross-presentation by different HLA, optimal epitope

References Frahm *et al.* 2005

- HLA-B63-positive subjects were shown to be able to generate CTL responses early in acute HIV infection and to control HIV replication in the absence of antiretroviral treatment. Since HLA-B63 shares the epitope binding motif of HLA-B57 and -B58, it was shown that HLA-B63-positive individuals mounted CTL responses to previously identified B57-restricted epitopes, as well as novel, B63-restricted epitopes. Moreover, these novel B63-restricted epitopes can also be presented by HLA-B57 and -B58.
- This is a putative HLA-B63/57/58 epitope containing the B58 supertype binding motif. Peptide reactivity was enriched for those that carry B63, with a trend for those that carry B57/B58. Optimal epitope was defined in an individual that was B*1517(B63)/B58 positive.

HXB2 Location p17 (77–85)

Author Location p17 (77–85)

Epitope SLYNTVATL

Immunogen HIV-1 infection

Species (MHC) human (A*02)

Keywords HAART, ART

References Huang *et al.* 2000

- The single cell ELISPOT assay was optimized and highly specific, and found to work well even after the primary cells had been frozen and thawed.
- Increases in gamma IFN producing cells were observed in response to anti-retroviral therapy using single cell IFN-gamma-production ELISPOT.
- 4/8 A*02 subjects had a positive response to this epitope indicating that it is a major epitope for CD8+ gamma IFN production.
- In 3/3 HLA A*02, B*27 individuals, the dominant response in gag measured by both gamma IFN production and T-cell lysis was a B27 epitope, p24(263-272), not the A2 SLYNTVATL epitope.

HXB2 Location p17 (77–85)

Author Location p17 (77–85)

Epitope SLYNTVATL

Epitope name SL9

Immunogen HIV-1 infection

Species (MHC) human (A*02)

Keywords HAART, ART

References Rinaldo *et al.* 2000

- Administration of triple-drug antiretroviral therapy (IDV, 3TC and ZDV) sometimes showed a transient increase and other times failed to increase CTL responses in patients with advanced HIV disease, but there is a stable population of tetramer stained HIV-specific CD8+ CD45RO+ cells that can persist after therapy and long periods of virus being below the level of detection.

HXB2 Location p17 (77–85)

Author Location p17

Epitope SLYNTVATL

Epitope name SL9

Immunogen HIV-1 infection

Species (MHC) human (A*02)

Keywords HAART, ART, immunodominance

References Scott-Algara *et al.* 2001

- This study examined with CTL response in HLA A*02+ children by tetramer staining for HLA-A2 immunodominant epitopes SLYNTVATL and ILKEPVHGV.
- 71% of the 28 HIV-1 infected HLA-A*02 positive children recognized both epitopes, with cells from 26 children stained positive by the gag tetramer (SLYNTVATL) and 21 children by the pol tetramer (ILKEPVHGV)
- There were no differences observed in children that had therapy versus those that did not.
- Tetramer-binding cells were memory activated CD28-, CD45RO+, CD45RA- HLADR+, CD69-, CD8+ T-cells.

HXB2 Location p17 (77–85)**Author Location** p17**Epitope** SLYNTVATL**Epitope name** GAG**Immunogen** HIV-1 infection**Species (MHC)** human (A*02)**Country** France.**Assay type** Cytokine production, Tetramer binding, Intracellular cytokine staining, Flow cytometric T-cell cytokine assay**Keywords** responses in children, characterizing CD8+ T cells**References** Scott-Algara *et al.* 2005

- Only a fraction of HIV-1-specific CD8 T-cells detected in the PBMC of 17 infected children (ages 2-18) were able to produce cytokines (IFN-gamma, TNF-alpha) or chemokines (CCL4, CCL5) after stimulation with the cognate peptide. A negative correlation was found between the plasma viral load and the percentage of CD8+ Gag-specific T-cells secreting IFN-gamma. Tetramers used in this study were SLYNTVATL-HLA-A*02 and ILKEPVHGV-HLA-A*02.

HXB2 Location p17 (77–85)**Author Location** p17 (77–85 HXB2)**Epitope** SLYNTVATL**Epitope name** SL9**Subtype** B**Immunogen** HIV-1 infection**Species (MHC)** human (A*0201)**Keywords** epitope processing, immunodominance, escape**References** Brander *et al.* 1999

- Multiple natural variations in the SL9 flanking regions of the immunodominant epitope SLYNTVATL were tested and found not to adversely affect CTL recognition or prevent epitope processing, suggesting that viral escape from the HLA-A*0201-restricted CTL response against SLYNTVATL is probably not linked to variations in the flanking regions of this epitope.
- The substitution Y79F was an escape mutation in that it interfered with CTL recognition by one CTL clone from an A*0201 infected individual, clone 13010.B17, but it was still recognized by another CTL clone, 115.D4.

HXB2 Location p17 (77–85)**Author Location** p17**Epitope** SLYNTVATL**Immunogen** HIV-1 infection**Species (MHC)** human (A*0201)**Keywords** acute/early infection**References** Wilson *et al.* 2000a

- Three individuals with highly focused HIV-specific CTL responses were studied during acute infection using tetramers – high frequencies of HIV-1-specific CD8+ T cells were found prior to seroconversion, and there was a close temporal relationship between the number of circulating HIV-specific T-cells and viral load was also found.
- All three patients were B*2705, with HLA alleles: A1, A30/31, B*2705, B35; A1, A*0301, B7, B2705; and A*0201, A*0301, B2705, B39.
- ELISPOT was used to test a panel of CTL epitopes that had been defined earlier and were appropriate for the HLA haplotypes of the study subjects – 3/3 subjects showed a dominant response to the B*2705 epitope KRWILGGLNK.
- The subject with A*0201 had a moderately strong response to SLYNTVATL.
- Weak responses were observed to A*301-RLRPGGKKK, A*301-QVPLRPMTYK, and B7-TPGPGVRYPL in the subject who was HLA A1, A*0301, B7, B*2705.
- No acute response was detected to the following epitopes: A*201-ILKEPVHGV, A*301-KIRLRPGGK, A*301-AIFQSSMTK, A*301-TVYYGVPVWK, B35-EPIVGAETF, B35-HPDIVIYQY, B35-PPIPVGEIY, B35-NSSKVSQNY, B35-VPLRPMTY, B35-DPNPQEVVL.

HXB2 Location p17 (77–85)**Author Location** Gag**Epitope** SLYNTVATL**Immunogen** HIV-1 infection**Species (MHC)** human (A*0201)**References** Tan *et al.* 1999

- Adoptive transfer of two autologous *in vitro*-expanded CTL clones against the A*0201 restricted epitopes SLYNTVATL and VIYQYMDDL were infused into a patient – they were well tolerated, but the SLYNTVATL clone was shown by tetramer staining to be rapidly eliminated through apoptosis, and the treatment had no impact upon viral load and CD4 and CD8 cell counts.

HXB2 Location p17 (77–85)**Author Location** p17 (77–85)**Epitope** SLYNTVATL**Immunogen** HIV-1 infection**Species (MHC)** human (A*0201)**Keywords** immunodominance**References** Betts *et al.* 2000

- Only 4/11 HLA-A2+ HIV+ individuals had CTL that reacted to SLYNTVATL, calling into question whether it is immunodominant.
- 95 optimally-defined peptides from this database were used to screen for INF γ responses to other epitopes.
- Individuals who did not respond to SLYNTVATL recognized other HIV epitopes, and 2/4 SLYNTVATL responders had stronger responses to epitopes restricted by other class I alleles.
- SLYNTVATL was the only response detected in a one individual that was HLA A*0201, B44, B70.

HXB2 Location p17 (77–85)

Author Location p17 (77–85)

Epitope SLYNTVATL

Epitope name SL9

Immunogen HIV-1 infection

Species (MHC) human (A*0201)

Keywords HAART, ART

References Ogg *et al.* 1999

- CTL effector levels were measured after potent ARV therapy using HLA-tetramer complexes for the A*0201 epitopes SLYNTVATL and ILKEPVHGV in seven patients, and the B*3501 epitope DPNPQEVVL in one additional patient.
- Levels of CTL effectors typically decline for 5-7 days and then rebound, fluctuating during the first two weeks of therapy.
- After the early fluctuation, there was a steady exponential decay with a median half-life of 45 days.

HXB2 Location p17 (77–85)

Author Location p17 (77–85)

Epitope SLYNTVATL

Epitope name SL9

Immunogen HIV-1 infection

Species (MHC) human (A*0201)

References Altman *et al.* 1996

- This paper introduces the tetramer methodology that permits quantification of specific CTL based on expression of specific TCRs – HLA-A2 tetramers were prepared that can stain CTL lines specific for ILKEPVHGV and SLYNTVATL, and quantify HIV-specific CD8+ cell lines in freshly isolated PBMCs.
- Three patients only stained the Gag epitope SLYNTVATL, one patient had the highest frequency of tetramer staining to the Pol epitope (0.77%), less to the Gag epitope (0.28%).

HXB2 Location p17 (77–85)

Author Location Gag

Epitope SLYNTVATL

Immunogen HIV-1 infection

Species (MHC) human (A*0201)

Keywords HAART, ART

References Gray *et al.* 1999

- Administration of highly active antiretroviral therapy (HAART) reduced CD8+ cell frequency, and the CD8+ cells detected by tetramer staining were likely to be memory cells, indicating that persistently replicating viral populations are needed to maintain high frequencies of HIV-1 specific CTL.

HXB2 Location p17 (77–85)

Author Location p17 (77–85 SF2)

Epitope SLYNTVATL

Epitope name SL9

Immunogen HIV-1 infection

Species (MHC) human (A*0201)

Keywords subtype comparisons

References McAdam *et al.* 1998

- CTL from a patient infected with clade B virus did not recognize the clade A analog of this epitope.

HXB2 Location p17 (77–85)

Author Location p17 (77–85)

Epitope SLYNTVATL

Epitope name SL9

Immunogen HIV-1 infection

Species (MHC) human (A*0201)

Keywords TCR usage

References Wilson *et al.* 1998a

- HIV+ individuals were followed longitudinally using MHC tetramers in combination with 14 anti-BV chain MAbs, and clonal expansion of HIV-specific T cells was followed *in vivo*.
- Seven HIV+ people were studied, and all showed expansions of particular TCR BV clones, often several, relative to uninfected controls.
- Three patients were followed in detail, TCR VB expansions persisted for 2 to 3 years, with occasional transient increases.
- An A2-Gag specific line from one patient was found to be BV8, and at its highest level represented 17.5% of the patient's CD8+ T cells.

HXB2 Location p17 (77–85)

Author Location p17 (77–85)

Epitope SLYNTVATL

Epitope name SL9

Immunogen HIV-1 infection

Species (MHC) human (A*0201)

References Ogg *et al.* 1998b

- HLA-tetrameric complexes were used in a cross-sectional study of 14 untreated HLA A*0201 positive individuals, revealing an inverse relationship between HIV Gag and Pol specific CTL effector cells (CTLe) and viral load.
- Inclusion of both the p17 SLYNTVATL and RT ILKEPVHGV epitopes gives a good representation of HLA A*0201-restricted activity.
- No correlation was observed between the CTLe and CD4 count or clearance rate of productively infected cells.

HXB2 Location p17 (77–85)

Author Location p17 (77–85)

Epitope SLYNTVATL

Epitope name SL9

Immunogen in vitro stimulation or selection

Species (MHC) human (A*0201)

Keywords epitope processing

References Walter *et al.* 1997

- HLA-A2 heavy chain and β 2-microglobulin expressed in *E. coli* were refolded in the presence of this peptide.
- The HLA-A2-peptide complex elicited HLA-A2 peptide-specific CTL response in cells lacking HLA-A2.
- Suggests that preformed HLA-peptide complexes could provide an alternate to intracellular processing for immunogens.

HXB2 Location p17 (77–85)

Author Location p17 (77–85)

Epitope SLYNTVATL

Epitope name SL9

Immunogen HIV-1 infection

Species (MHC) human (A*0201)

References Lalvani *et al.* 1997

- A peptide-based protocol was optimized for restimulation of CTLp using optimized peptide and IL-7 concentrations – importantly this protocol does not stimulate a primary response, only secondary – peptide-specific CTLp counts could be obtained via staining with peptide-Class I tetramers.

- This peptide was one of the test peptides for optimizing the protocol.

HXB2 Location p17 (77–85)

Author Location p17 (76–84)

Epitope SLYNTVATL

Epitope name SL9

Immunogen *in vitro* stimulation or selection

Species (MHC) human (A*0201)

References van der Burg *et al.* 1996

- Slow dissociation rate is associated with immunogenicity.
- CTL generated by *in vitro* stimulation of PBMC derived from uninfected individual.

HXB2 Location p17 (77–85)

Author Location p17 (77–85)

Epitope SLYNTVATL

Epitope name SL9

Immunogen HIV-1 infection

Species (MHC) human (A*0201)

Keywords review, escape

References Goulder *et al.* 1997e; Goulder *et al.* 1997a

- HLA-identical siblings, hemophiliac brothers, were both infected with the same batch of factor VIII.
- One had a response to gag A2 epitope SLYNTVATL, the other to pol A2 epitope ILKEPVHGV. They were tested 6-8 years after infection.
- Viral sequencing from the twin that had no response to SLYNTVATL indicated his virus had the substituted form SLH-NAVAVL.
- 71% of an additional set of 22 HIV-1 infected HLA-A*0201 positive donors preferentially responded to gag SLYNTVATL.
- Those individuals with a pol ILKEPVHGV response tended to have mutations in or around SLYNTVATL.
- An additional subject went from SLYNTVATL responder to non-responder coincident with a switch to the variant SLFNTVATL.
- Goulder *et al.* [1997a] is a review of immune escape that summarizes this study.

HXB2 Location p17 (77–85)

Author Location p17 (77–85)

Epitope SLYNTVATL

Epitope name SL9

Immunogen HIV-1 infection

Species (MHC) human (A*0201)

Keywords review

References Goulder *et al.* 1997a

- This paper is a review of CTL and immune evasion, but it presents a study of a shift from an HLA-A*0201 response to SLYNTVATL, to a B62 response to GLNKIVRMY.
- As long as a strong CTL response to SLYNTVATL was evident, the epitope variants SLFNTVATL or SLYNTIATL dominated the viral population – eventually the CTL response to the index peptide became undetectable, the CTL response shifted to a focus on GLNKIVRMY, and the index peptide SLYNTVATL once again established itself as the dominant form.

HXB2 Location p17 (77–85)

Author Location Gag (77–85)

Epitope SLYNTVATL

Epitope name SL9

Immunogen HIV-1 infection

Species (MHC) human (A*0201)

Keywords HAART, ART

References Gray *et al.* 1999

- Peptide-tetramer complexes of A*0201 and SLYNTVATL or ILKEPVHGV were used to study individuals receiving HAART to determine the frequency of Class I HLA-restricted anti-HIV CD8+ T cells.
- 17/18 asymptomatic patients had a CTL response to one or both epitopes – 72% had a CTL response to SLYNTVATL.
- After HAART, the majority of the epitope-specific CTL were apparently memory cells.

HXB2 Location p17 (77–85)

Author Location p17 (77–85 subtype A)

Epitope SLFNTVATL

Epitope name SL9

Subtype A

Immunogen HIV-1 infection

Species (MHC) human (A*0201)

Keywords subtype comparisons

References Dorrell *et al.* 1999

- CTL responses in three individuals with non-clade B infections were studied, two with subtype A infections, one with subtype C – their infections all originated in East Africa.
- This epitope is most commonly SLYNTVATL in B subtype, and CTL from the C subtype infection did not recognize B clade gag or the 3Y form of the epitope, but did recognize the predominant A and C clade form, SLFNTVATL.

HXB2 Location p17 (77–85)

Author Location p17 (77–85)

Epitope SLYNTVATL

Epitope name SL9

Immunogen HIV-1 infection

Species (MHC) human (A*0201)

Keywords immunodominance

References Brander *et al.* 1998a

- Of 17 infected HLA A*0201 subjects, 13 had CTL responses against the p17 SLYNTVATL epitope, six recognized ILKEPVHGV and five recognized VIYQYMDDL, and there was no correlation between viral load and recognition of a specific epitope.
- Only one subject had CTL against all three epitopes.
- There was significant heterogeneity in the CTL response to this immunodominant epitope.
- The overall variation in this epitope among the 17 who had a CTL response and 11 non-HLA A*0201 HIV-1 + individuals was similar, suggesting a lack of immune pressure.
- Subjects were part of the San Francisco City Clinic Cohort, the ARIEL project and from the Boston area.

HXB2 Location p17 (77–85)

Author Location p17 (77–85 HXB2)

Epitope SLYNTVATL

Epitope name SL9

Subtype B

Immunogen HIV-1 infection

Species (MHC) human (A*0201)

Keywords rate of progression, immunodominance

References Hay *et al.* 1999

- CTL response to IPRRIRQGL was the immunodominant response in a rapid progressor – there was a subdominant response to SPAIFQSSM in Pol, and interestingly, no response to commonly immunodominant HLA A*0201 epitope SLYNTVATL, although this individual was HLA A*0201.
- The individual showed a strong initial CTL response at the time of the initial drop in viremia, but it was quickly lost, although memory cells persisted.
- Despite the initial narrow response to two epitopes, no other CTL responses developed.
- No HIV-specific lymphoproliferative responses were detected in this patient, and neutralizing antibody response was weak.
- A variant of this epitope was observed *in vivo* (–F—V–), but this mutation is recognized by SLYNTVATL-specific CTL, and in this case the patient's cells could present the peptide to SLYNTVATL-specific CTL.

HXB2 Location p17 (77–85)

Author Location p17 (77–85)

Epitope SLYNTVATL

Immunogen HIV-1 infection

Species (MHC) human (A*0201)

Keywords HAART, ART

References Kalams *et al.* 1999b

- Two patients were followed before and after HAART – reduced plasma HIV-1 RNA levels resulted in a decline in HIV-specific *in-vivo* activated CTL such that by day 260 CTL activities were undetectable.
- ERYLKDQQL was the dominant response in one of the individuals, SLYNTVATL subdominant.
- Sporadic breakthrough in viremia resulted in transient increases in CTLp.
- Memory CTL frequency directed against Vac-Gag, Vac-RT, Vac-Env, and Vac-Nef initially increased with HAART and then decreased with the decline of the viral load.

HXB2 Location p17 (77–85)

Author Location Gag (77–85)

Epitope SLYNTVATL

Immunogen HIV-1 infection

Species (MHC) human (A*0201)

References Spiegel *et al.* 2000

- High levels of CD8+ HIV-1 specific and cytomegalovirus specific CTL were detected by HLA-A*0201-peptide tetramers in 3 infected subjects with very low CD4 counts, but CD8 T cell mediated effector activity was not seen.
- Thus HIV-1 specific CD8+ cells may be present but may lack direct effector activity in late disease, suggesting that overcoming antigen unresponsiveness may be a useful therapeutic strategy.

HXB2 Location p17 (77–85)

Author Location Gag (77–85)

Epitope SLYNTVATL

Immunogen HIV-1 infection

Species (MHC) human (A*0201)

References Larsson *et al.* 1999

- ELISPOT was used to assay the CD8+ T-cell response to the HIV-1 proteins Gag, Pol, Nef or Env expressed in vaccinia vectors in 19 HIV+ people.
- The highest CTL frequency was directed at epitopes Pol.
- In A*0201 individuals, higher numbers of spot-forming T cells were directed against HIV-1 proteins expressed in vaccinia than to peptides SLYNTVATL and ILKEPVHGV presented by A2.

HXB2 Location p17 (77–85)

Author Location p17 (SF2)

Epitope SLYNTVATL

Immunogen HIV-1 infection

Species (MHC) human (A*0201)

Keywords subtype comparisons, immunodominance

References Goulder *et al.* 2000a

- The CTL-dominant response was focused on this epitope in 11/25 HLA A2 (A*0201 or A*0202) HIV+ individuals from Boston and in 1/8 HLA A2 HIV+ individuals from Durban.
- Three peptides GSEELRSLYNTVATL (p17 residues 71-85), SALSEGATPQDLNMLNTVG (p24 41-60), and WEKIRL-RPGGKKKYK (p17 16-30) contained the dominant Gag-specific epitope in 31/44 B-clade infected individuals from Boston who showed Gag-CTL responses.
- Five peptides RLRPGGKKHYMIKHLVW (p17 20-36), ELRSLYNTVATLYCV (p17Gag 74-88), SALSEGATPQDLNMLNTVG (p24 41-60), FRDYVDRFFKTLRAEQA (p24 161-177), and SILDIKQGKEPFRDY (p24 149-164) contained dominant Gag-specific epitopes in 32/37 C-clade infected subjects from South Africa.

HXB2 Location p17 (77–85)

Author Location p17 (77–85 LAI)

Epitope SLYNTVATL

Subtype B

Immunogen

Species (MHC) human (A*0201)

Keywords optimal epitope

References Frahm *et al.* 2007

- C. Brander notes this is an A*0201 epitope.

HXB2 Location p17 (77–85)

Author Location p17 (77–85 SF2)

Epitope SLYNTVATL

Epitope name SL9

Immunogen HIV-1 infection

Species (MHC) human (A*0201)

Keywords escape, acute/early infection

References Goulder *et al.* 2001a

- This epitope is targeted by 75% of HLA-A*0201, HIV+ adults, and the magnitude of the response is inversely correlated with viral load.
- CTL responses to SL9 and autologous SL9 variants were not detected in 11 HLA-A*0201 positive subjects during acute infection.
- Longitudinal studies of two individuals (AC13 and PI004) showed that the initial control of viremia was independent of the SL9 CTL response.
- Low Gag expression levels did not correlate with the delayed CTL response to this epitope.

- Autologous SL9 variants SLYNTIAVL, SLYNTVAVL, SLFNTVATL, SLFNTVATL, and SLFNTVATL are each capable of inducing a range of CTL responses, sometimes strong, sometimes diminished, and sometimes complete escape relative to the wild type variant SLYNTVATL in patients with chronic HIV-1 infection – the ability to cross-react with a particular variant was patient dependent.

HXB2 Location p17 (77–85)

Author Location p17

Epitope SLYNTVATL

Epitope name p17 SL9

Immunogen HIV-1 infection

Species (MHC) human (A*0201)

Keywords subtype comparisons, supertype, computational epitope prediction

References Altfeld *et al.* 2001c

- HIV was scanned for all peptides which carried the A2-supermotif pattern conserved in more than 50% of B clade sequences – 233 peptides met this criteria, and 30 of these bound to HLA-A*0201 – 20/30 bound to at least 3/5 of HLA-A2 supertype alleles tested.
- Three additional previously described HLA-A2 epitopes were added to the set of 20, including p17 SL9, and 18/22 chronically infected HLA-A2 individuals had CTL that recognized at least one of the 23 peptides (median of 2 and maximum of 6), while 6/12 acute infected individuals recognized at least 1 (median of 1 and maximum of 2).
- p17 SL9 was recognized in 12/22 patients with chronic HIV-1 infection.
- Only 1/13 patients with acute HIV-1 infection recognized p17 SL9.

HXB2 Location p17 (77–85)

Author Location Gag

Epitope SLYNTVATL

Epitope name (SL9)

Immunogen HIV-1 infection

Species (MHC) human (A*0201)

References Goepfert *et al.* 2000

- This paper describes a comparison of results of different CTL assays, a SL9 tetramer assay and IFN-gamma ELISPOT, using 7 HIV-positive patients.
- The IFN-gamma ELISPOT assay was compared using the single SL9, a pool of overlapping 20 mers, and recombinant vaccinia encoding Gag as antigen – pooled peptides gave the highest number of spot forming cells, vaccinia gave high background.
- A correlation with results of the tetramer assay was found only for ELISPOT using the Gag epitope as antigen, but the tetramer assay detected a 10-fold higher number of cells than could produce IFN-gamma in the ELISPOT assay – the authors suggest not all tetramer-positive cells may produce IFN-gamma, some may be undergoing apoptosis, some may be producing other cytokines.
- The tetramer assay could detect a reaction to SLYNTVATL in most of the HLA-A*0201 chronically HIV-1 infected study subjects.

HXB2 Location p17 (77–85)

Author Location Gag (77–85)

Epitope SLYNTVATL

Immunogen

Species (MHC) human (A*0201)

Keywords binding affinity

References Sandberg *et al.* 2000

- This epitope served as a positive control in a study comparing peptide binding affinity to HLA-A201 to CTL responses upon vaccination with a nef DNA vaccine.

HXB2 Location p17 (77–85)

Author Location Gag (LAI)

Epitope SLYNTVATL

Subtype B

Immunogen in vitro stimulation or selection

Species (MHC) human (A*0201)

Keywords dendritic cells

References Engelmayer *et al.* 2001

- Recombinant canarypox virus vector containing HIV-1 sequences, upon infection of mature dendritic cells, can trigger specific lysis through *in vitro* by T-cells from HIV-1 infected individuals at levels comparable to the response seen to HIV carried in vaccinia vectors.
- Recombinant canarypox virus vector containing HIV-1 sequences can also stimulate HIV-specific CD4+ helper T-cell responses.

HXB2 Location p17 (77–85)

Author Location p17 (77–85 LAI)

Epitope SLYNTVATL

Epitope name G3

Subtype B

Immunogen HIV-1 infection

Species (MHC) human (A*0201)

Keywords HAART, ART

References Mollet *et al.* 2000

- A panel of 16 epitopes covering 15 class I alleles was tested in 14 HIV+ patients from an unselected Caucasian population treated with HAART, using tetramer staining or CD8+ cell IFN-gamma production to measure responses.
- In general, during the first month of treatment viral load decreased and frequencies of HIV-specific CTL tripled and broadened – eight new HIV specificities that were not previously detectable were newly detected, as were CMV specific CD8+ PBL – but with continued viral suppression, HIV-specific responses diminished.
- Viral rebounds gave different patterns of response: increases or decreases in pre-existing response, new specificities, or no change.

HXB2 Location p17 (77–85)

Author Location Gag

Epitope SLYNTVATL

Immunogen HIV-1 infection

Species (MHC) human (A*0201)

References Gea-Banacloche *et al.* 2000

- In a study including many long-term non-progressors, no correlation between plasma virus levels and number of HIV-specific CD8+ T-cells was found.

- High frequencies of circulating CD8+ T-cells were HIV-1 specific, and the majority of these responses were to gag-pol gene products.
- 4/21 subjects were HLA-(A*0201), and of these only 2 subjects (patient 3 and 19) tested positive to this epitope.

HXB2 Location p17 (77–85)

Author Location p17 (77–85 SF2)

Epitope SLYNTVATL

Immunogen HIV-1 infection

Species (MHC) human (A*0201)

Keywords supertype, rate of progression

References Propato *et al.* 2001

- Long-term nonprogressors (LTNPs) had strong memory resting CD8+ T-cell responses against the majority of epitopes tested, (18 for the A2 supertype, 16 for the A3 supertype) while the effector cells of long-term nonprogressors recognized far fewer epitopes.
- Progressors had memory resting CD8+ T-cells that recognized far fewer epitopes than LTNPs.
- A positive correlation between effector CD8+ T-cells and plasma viremia and a negative correlation between CD8+ effector T-cells and CD4+ T-cells was observed, which may contribute to the inability of LTNPs to clear virus.
- Tetramer staining with A2, beta2microglobulin, and either SLYNTVATL, KLVGKLNWA, or LTFGWCFKL revealed that tetramers detected more HIV-specific cells in LTNP than in progressors, activated effector cells were the minority population, and ELISPOT correlated better with the effector cell subpopulation than the total tetramer stained population.

HXB2 Location p17 (77–85)

Author Location Gag (77–85)

Epitope SLYNTVATL

Immunogen HIV-1 infection

Species (MHC) human (A*0201)

Keywords HAART, ART, rate of progression

References Jin *et al.* 2000a

- The CTL effector levels (CTLe) were compared in long term non-progressors (LTNP) with low viral load and in patients whose virus was well-suppressed by therapy, using a tetramer assay.
- LTNPs have high memory CTLe numbers and low viral load, while HAART patients had low CTLe numbers and low viral load.

HXB2 Location p17 (77–85)

Author Location p17 (77–85)

Epitope SLYNTVATL

Immunogen HIV-1 infection

Species (MHC) human (A*0201)

References Appay *et al.* 2000

- Combined tetramer and intracellular cytokine staining was used to study the function of circulating CD8+ T cells specific for HIV and CMV.
- HIV-specific CD8+ T cells expressed lower levels of perforin than CMV-specific CD8+ T cells from the same donor, and this was associated with persistent CD27 expression on HIV-specific cells, suggesting impaired maturation.

- In most donors, between 50% and 95% of the activated virus-specific CD8+ T cells produced IFN- γ and MIP-1 β with a distinct subset that failed to produce TNF- α .

HXB2 Location p17 (77–85)

Author Location p17 (77–85)

Epitope SLYNTVATL

Immunogen HIV-1 infection

Species (MHC) human (A*0201)

References Goulder *et al.* 2000b

- Tetramer assays were compared with three functional assays in 42 people with chronic HIV infection: ELISPOT, intracellular cytokine staining, and precursor frequency (limiting dilution assay [LDA]).
- HIV-specific tetramer staining CTLs appeared to be active, and inert CTL were not found to play a significant role in chronic pediatric or adult HIV infection.

HXB2 Location p17 (77–85)

Author Location p17

Epitope SLYNTVATL

Immunogen HIV-1 infection

Species (MHC) human (A*0201)

Keywords dendritic cells

References Ostrowski *et al.* 2000

- The role of CD4+ T-cell help in expansion of virus-specific memory CTL was studied through co-culture *ex vivo*.
- Optimal expansion of HIV-1-specific memory CTL depended on CD4+ T cell help in 9/10 patients – CD40 ligand trimer (CD40LT) could enhance CTL in the absence of CD4+ T cell help to a variable degree in most of patients.
- Those CTL that didn't respond to CD40LT could expand with IL2 present, and IL15 produced by dendritic cells also contributes.
- The T-helper epitope used for CD4+ T cell stimulation was the universal tetanus helper epitope TET830-843 (QYIKANSK-FIGITE).

HXB2 Location p17 (77–85)

Author Location

Epitope SLYNTVATL

Subtype B

Immunogen vaccine

Vector/Type: canarypox prime with gp120 boost, canarypox prime with gp160 boost
Strain: B clade LAI, B clade MN, B clade SF2
HIV component: Gag, gp120, gp41, Nef, Pol

Species (MHC) human (A*0201)

Keywords vaccine-specific epitope characteristics

References Ferrari *et al.* 2001

- Different HIV strains were used for different regions: gp41 LAI, Gag LAI, gp120 MN, gp120 SF2.
- Two vaccinees with Gag responses were HLA-A*0201+, but neither made SLYNTVATL responses to the Gag vaccine, in contrast to its frequent recognition in natural infections. No HLA-A*0201 responses were observed to an Env vaccine.

HXB2 Location p17 (77–85)

Author Location

Epitope SLYNTVATL
Subtype B
Immunogen HIV-1 infection
Species (MHC) human (A*0201)
Keywords rate of progression, immunodominance
References Migueles & Connors 2001

- CTL activity was monitored in 27 individuals, including 10 LTNP with an over-expression of HLA B*5701 – these individuals have viral loads below the threshold of infection without therapy, and their immune response tends to be focused on peptides that contain B*5701 epitopes ISPRTLNAW, KAF-SPEVIPMF, TSTLQEIQGW, and QASQEVKNW.
- CTL responses are broader in B*5701+ individuals with progressive viremia than those that control viremia.
- The HLA-A*0201 SLYNTVATL epitope response was not as strong in individuals that carried both A2 and B57.

HXB2 Location p17 (77–85)
Author Location Gag (77–85)
Epitope SLYNTVATL
Subtype B
Immunogen HIV-1 infection
Species (MHC) human (A*0201)
Keywords epitope processing, immunodominance
References Sewell *et al.* 2002

- Epitope processing of three different HLA-A*0201 HIV epitopes was shown to use different pathways, which might influence patterns of immunodominance. 174 cells were used that lack TAP1 and TAP2 genes, as well as the LMP2 and LMP7 genes that encode the beta-subunits of the immunoproteasome. These genes could be added back through transfection to study processing.
- ILKEPVHGV was efficiently presented in TAP-1 and -2 transfected cells while VIYQYMDDL and SLYNTVATL were not. VIYQYMDDL was destroyed by the MB1 subunit of the protease, and could be expressed in the presence of the proteasome inhibitor lactacystin, but SLYNTVATL expression was not restored. SLYNTVATL expression was unaltered by lactacystin in a wild type cell line.

HXB2 Location p17 (77–85)
Author Location Gag (ADA)
Epitope SLYNTVATL
Epitope name SL-9
Subtype B
Immunogen HIV-1 infected monocyte-derived
Species (MHC) mouse (A*0201)
References Poluektova *et al.* 2002

- Nonobese diabetic NOD-C.B-17 SCID mice were reconstituted with HLA-A*0201 positive human PBL and injected with HIV-1 infected monocyte-derived macrophages MDM in the basal ganglia to provide a mouse model of HIV-1 encephalitis.
- HLA-A*0201 CTL responses were detected by tetramer staining in the spleen in seven days, increased through day 14, and the numbers of productively infected were reduced >85% in the second week.

HXB2 Location p17 (77–85)
Author Location p17 (77–85 LAI)
Epitope SLYNTVATL

Epitope name LR23
Subtype B
Immunogen vaccine
Vector/Type: peptide *Strain:* B clade LAI
Adjuvant: Incomplete Freund's Adjuvant (IFA), Montanide (ISA 720), P30, PLG

Species (MHC) mouse (A*0201)
Keywords binding affinity, vaccine-specific epitope characteristics, immunodominance

References Peter *et al.* 2001

- The stability of peptide binding to HLA-A2.1 was determined for six HLA-A2.1 peptides included in this vaccine study – ILKEPVHGV (RT), SLYNTVATL (p17), SLLNATDIAV (gp41) and LLWKGEGAV (RT) all bound with high affinity comparable to a influenza epitope reference (GILGFVFTL), while RGPGRAFTI and VIYQYMDDL bound with a lower affinity (relative binding activity = 0.01).
- The four high-affinity peptides formed stable complexes with half-lives ranging between 8 and 32 hours, while the low affinity peptides had half lives of less than an hour.
- HLA-A2.1 transgenic mice were immunized with the six HIV-1 peptides and P30, as a universal T-helper epitope, with IFA or Montanide or microspheres as adjuvants.
- All peptides except VIYQYMDDL induced a strong CTL response in Cr-release assays - stronger responses were observed when peptides were delivered alone, indicating immunodominance when the combination was used.

HXB2 Location p17 (77–85)
Author Location p17 (77–85 LAI)
Epitope SLYNTVATL
Epitope name LR23
Subtype B
Immunogen vaccine
Vector/Type: peptide *Strain:* B clade LAI
Adjuvant: Incomplete Freund's Adjuvant (IFA), IL-12, P30

Species (MHC) mouse (A*0201)
Keywords vaccine-specific epitope characteristics, immunodominance
References Peter *et al.* 2002

- When HIV-1 peptides were used to vaccinate HLA-A2.1 transgenic A2-Kb mice, strong responses to five peptides were observed when the peptides were given individually, but immunodominance limited the response to some of the peptides when they were given in combination Peter *et al.* [2001]. IL-12 can counteract immunodominance in BALB/c mice, so it was given with the multiple epitope vaccination, and was instead found to specifically eliminate the HLA-A2.1-epitope CTL responses, but not Kb CTL responses. This was possibly a consequence of transient depletion of T-cells, B cells and macrophages in the spleen.

HXB2 Location p17 (77–85)
Author Location p17 (77–85)
Epitope SLYNTVATL
Immunogen computer prediction
Species (MHC) (A*0201)

Keywords subtype comparisons, computational epitope prediction, vaccine-specific epitope characteristics, escape

References Schönbach *et al.* 2002

- Computational methods (artificial neural networks [ANN], hidden Markov models [HMM], binding matrices based on HLA association rates BIMAS) were used to identify HLA-A*0201 and HLA-B*3501 HIV T-cell epitope candidates from 533 Gag, Env and Pol sequences of which 374 were derived from HIV-1, 97 were derived from HIV-2 and 62 from SIV. Comparisons to known epitopes and between clades were made.
- The SLYNTVATL epitope received focused discussion. SLYNTVATL, sIFntvatl, slyntvaVI, and slyntIaVI are all recognized variants, ANN predicts all four variants would be recognized, while BIMAS only predicts SLYNTVATL and sIFntvatl would be recognized. However, Sewell *et al.* [1997] suggested certain substitutions may be antagonistic, including sIFntvatl, and vaccines do not stimulate SLYNTVATL responses as well as natural infections. The authors note these kinds of issues complicate the application of computational predictions of epitopes to vaccine design.

HXB2 Location p17 (77–85)

Author Location Gag (76–84)

Epitope SLYNTVATL

Subtype B

Immunogen vaccine

Vector/Type: DNA *HIV component:* HIV-1

Species (MHC) mouse (A*0201)

Keywords epitope processing, vaccine-specific epitope characteristics, immunodominance

References Singh *et al.* 2002; Sykes & Johnston 1999

- C3H (H-2k) transgenic mice carrying a fused HLA-A*0201 alpha1 and alpha2 and H-2Dk alpha3 hybrid class I molecule were immunized using an epidermal gene gun with an ubiquitin expression library of 32 plasmids that spanned the HIV-1 genome. Ubiquitin targets the expressed HIV-1 peptides to the proteasome.
- A single immunization with the UB-HIV-1 library vaccine induced potent, stable and multivalent CTL responses against all library members.
- Immunodominant epitopes SLYNTVATL (Gag), ILKEPVGHV (Pol), RIQRGPGRAFVTIGK (Env) and AFHHVAREK (Nef) elicited strong CD8+/IFN- responses and stimulated CTL that were functional in a Cr-release assay and against wild type antigen.
- The presence of multiple plasmids HLA-A*0201-restricted CTL epitopes did not decrease CTL immunogenicity, and CTL responses to single peptide immunizations were comparable to responses based on mixtures of either 16 or 32 peptides.

HXB2 Location p17 (77–85)

Author Location

Epitope SLYNTVATL

Subtype B

Immunogen HIV-1 infection

Species (MHC) human (A*0201)

Donor MHC A*0202, A*2501, B*1801, B62, Cw10, Cw*1203, DRB1*1501, DQB1*8

Keywords rate of progression, Th1, Th2

References Imami *et al.* 2002b

- 70 patients with chronic disease progression, 10 clinical non-progressors, and 3 immunologically discordant progressors (individuals who controlled viremia but had progressive CD4+ T-cell decline) were analyzed for their T-helper cell responses to p24 and cytokine profile. Long term non-progressors had much stronger Th responses, particularly to p24 peptides, and they tended to be balanced between Th1, IL-2 producing and Th2, IL-4 producing responses.
- One of the immunologically discordant progressors became symptomatic during the course of the study, and he had a rapid drop in proliferative response to all antigens and also a shift from a Th1 to a Th2 response. To find out if the CD8 response also shifted in cytokine production, the CD8+ T-cell response to SLYNTVATL in this patient was also tested. It too was found to shift, from IFNgamma to IL-4 producing in Elispot, and using a bioassay of indicator lines, from IL-2 to IL-4 production.

HXB2 Location p17 (77–85)

Author Location p17 (77–85)

Epitope SLYNTVATL

Immunogen HIV-1 infection

Species (MHC) human (A*0201)

Donor MHC A*0201, A11, B51, B61, Cw2, Cw*14

Assay type CD8 T-cell Elispot - IFN γ

Keywords binding affinity, acute/early infection, early-expressed proteins

References Cao *et al.* 2003

- CTL epitope responses were mapped in 21 men within 15-92 days post-HIV-1 infection. Subjects initially showed narrow immune responses with a mean of 2.3 epitopes recognized per patient. The immune response broadened later in infection. No correlation between the plasma viral load and the number of recognized epitopes or the frequency of IFN-gamma secreting cells was observed, and there was no correlation between the functional avidity of responses and the abundance of IFN-secreting cells that recognized the epitope. The first epitopes to be recognized tended not to be the most avid, and earliest responses tended to be directed against Nef, Tat, Vpr, and Env.
- Only 1/10 HLA A*02 carrying individuals in this study recognized SLYNTVATL.
- All HIV-1 proteins except Vpu were recognized, and responses to a total of 41 optimal epitopes were characterized; 24 had been identified previously. 48% of the total T-cell responses were directed against Nef and 43% were directed against Gag.
- More common HLA alleles were less frequently used in primary infection than less common alleles, for example A3, B35, B57, and B62 were more frequently recognized than A1, A2, A30, and A44.

HXB2 Location p17 (77–85)

Author Location

Epitope SLYNTVATL

Subtype B

Immunogen HIV-1 infection

Species (MHC) human (A*0201)

Assay type Cytokine production, proliferation, Tetramer binding, Intracellular cytokine staining, Chromium-release assay

References Dagarag *et al.* 2003

- Telomere length is short in the CD8+ T-cell compartment of HIV-1 infected people, indicating excessive CTL activation and premature senescence. Here human telomerase RT (hTERT) transduction of HIV-1-specific CTL was used to study the functional impact of telomerase. Telomerase expression enhanced proliferative capacity, as well as cytolytic and antiviral capabilities; cytokine production was unchanged. hTERT transduced CTLs were 10-fold more efficient in controlling HIV-1 replication in culture. Thus telomerase transduction can restore CTL mediated cytotoxicity, and may have therapeutic potential.
- Three polyclonal CD8+ T-cell lines derived from an HIV-1, HLA A*0201 positive patient were used in this study, including one specific for this epitope.

HXB2 Location p17 (77–85)
Author Location p17 (77–85)
Epitope SLYNTVATL
Subtype B
Immunogen vaccine
Vector/Type: peptide *HIV component:* p24 Gag
Species (MHC) mouse (A*0201)
Donor MHC A2.1
Assay type Cytokine production, Chromium-release assay
Keywords binding affinity, vaccine-induced epitopes
References Okazaki *et al.* 2003

- Alanine substitutions of VIYQYMDDL were tested for importance of each amino acid for HLA-A2.1 binding. Peptide variant (vLyqymddV) showed an 8 fold higher MHC binding affinity than wild type. YLyqymddV had an even higher binding affinity, but the Y at position one blocked TCR recognition. The higher affinity form of vLyqymddV induced CTL *in vivo* that could protect against a vaccinia virus expressing RT and the wild type epitope.
- SLYNTVATL was included as a control.

HXB2 Location p17 (77–85)
Author Location Gag (77–85)
Epitope SLYNTVATL
Epitope name SL9
Immunogen HIV-1 infection
Species (MHC) human (A*0201)
Assay type Tetramer binding
Keywords genital and mucosal immunity
References Shacklett *et al.* 2003

- Lymphocytes from rectal biopsies were used to characterize the CD8+ T cell response to HIV in GALT, Gut-associated lymphoid tissues. Patients were selected on the basis of being HLA-A2+ and having detectable SLYNTVATL and ILKEPVHGV tetramer responses in PBMC. SLYNTVATL frequency was increased in GALT relative to PBMC in 6/7 patients studied, while a control response to a CMV-peptide was diminished in GALT. Only two patients had ILKEPVHGV CD8+ T cell responses, and both had slightly higher frequencies in GALT than PBMC.
- HIV may perturb lymphocyte retention in GALT, suggested by an overall reduction of GALT CD8+ cells expressing alphaE-beta7. GALT HIV-specific CD8+ T cells expressed alphaE-beta7, suggesting mucosal priming.

HXB2 Location p17 (77–85)
Author Location
Epitope SLYNTVATL
Epitope name SL9
Subtype B
Immunogen HIV-1 infection
Species (MHC) human (A*0201)
Country United States.
Assay type CD8 T-cell Elispot - IFN γ , Tetramer binding, T-cell Elispot, Intracellular cytokine staining, Flow cytometric T-cell cytokine assay
Keywords epitope processing, escape, variant cross-recognition or cross-neutralization
References Jamieson *et al.* 2003

- Epitope escape mutations in chronically infected individuals developed over several years indicating selective advantage of escape mutants. The maturation state of CTLs appear to affect the rate of epitope mutation and CTL decay.
- In two patients, SL9-specific CTL peaked at 2–4 years post-infection; at that point the escape mutations began to dominate followed by CTL decline with a 6 month lag, suggesting CTL decline resulted as a consequence of escape. In a third patient, the initial response was 1/2 as strong and mutations did not arise until 6–7 years post-infection; in that case the decline in SL9 CTL preceded epitope mutation.
- Two patients HLA-A*0201 started out with a non-consensus sequence, sLFntvatl. In one of the patients, a transient reversion to the consensus was observed after 4 years, that did not reappear until the 11th year, suggesting the possibility that a reversion to the consensus form occurred, but a CTL response may have limited it so that this more fit form could not re-assert itself until the patient had a more severely compromised immune response.

HXB2 Location p17 (77–85)
Author Location Gag
Epitope SLYNTVATL
Epitope name SL9
Subtype B
Immunogen in vitro stimulation or selection
Species (MHC) human (A*0201)
Country United States.
Assay type Cytokine production, Tetramer binding, Intracellular cytokine staining, Chromium-release assay, Flow cytometric T-cell cytokine assay
Keywords epitope processing, rate of progression, immunodominance, acute/early infection, dendritic cells, TCR usage, memory cells
References Kan-Mitchell *et al.* 2004

- SL9-specific CTLs were shown to be primed by immature DCs and independent of help from CD4+ or exogenous IL2, and sensitive to paracrine IL-2 induced apoptosis. The authors suggest that the reason SL9 responses are not seen during acute infection is the high level of innate immune responses resulting in cytokine-induced apoptosis, but that these CD8+ T-cells would come to dominate later infection when CD4 help is diminished.

HXB2 Location p17 (77–85)
Author Location p17 (77–85)

Epitope SLYNTVATL**Immunogen** HIV-1 infection**Species (MHC)** human (A*0201)**Donor MHC** A*0201, A*2402, B*52, B75, Cw*03;
A*0201, A*31, B*27, B*5101, Cw*02;
A*0207, A*2402, B*46, B*52, Cw*01**Country** Japan.**Assay type** Chromium-release assay**Keywords** epitope processing, escape**References** Yokomaku *et al.* 2004

- Epitope variants escaped from being killed by CTLs in an endogenous expression system although they were recognized when corresponding synthetic peptides were exogenously loaded onto the cells. Escape is thus probably due to changes that occur during the processing and the presentation of epitopes in infected cells.
- Endogenously expressed wild type epitope and slyntIatl variants were recognized by CTL clones while slynLvatl, sIFntvaVI and sVyntvatl variants were not. sVyntvatl and sIFntvaVI variants were, however, recognized when added exogenously to the cells.

HXB2 Location p17 (77–85)**Author Location** p17 (77–85 LAI)**Epitope** SLYNTVATL**Epitope name** SL9**Subtype** B**Immunogen** vaccine*Vector/Type:* canarypox prime with gp120 boost, vaccinia prime DNA boost *Strain:* B clade LAI, B clade MN *HIV component:* Gag, gp120, gp41, Protease *Adjuvant:* GM-CSF**Species (MHC)** human (A*0201)**Assay type** Cytokine production, CD8 T-cell Elispot - IFN γ , Tetramer binding, Chromium-release assay, Flow cytometric T-cell cytokine assay**Keywords** vaccine-specific epitope characteristics, immunodominance, characterizing CD8+ T cells**References** Ferrari *et al.* 2004

- Thirteen HLA-A*0201 vaccines with anti-Gag CD8+ CTL reactivities were tested in uninfected HIV vaccine recipients to examine the pattern of SL9 epitope immunodominance. None of the vaccines had a detectable anti-SL9 response, in contrast to 75% of HLA A*0201 chronically infected HIV+ individuals that respond to this epitope.

HXB2 Location p17 (77–85)**Author Location** p17**Epitope** SLYNTVATL**Epitope name** SL9**Immunogen** HIV-1 infection**Species (MHC)** human (A*0201)**Keywords** review, rate of progression, escape, acute/early infection**References** Goulder & Watkins 2004

- This paper is a review of the role of CTL in HIV infection, and it uses SL9 as an example of an epitope that is not responded to early in infection, yet 75% of HIV+ people respond to SL9 during chronic infection. Despite the delay in response, strong SL9 responses have been associated with lower viral loads, and escape mutations arise.

HXB2 Location p17 (77–85)**Author Location** (C consensus)**Epitope** SLYNTVATL**Subtype** C**Immunogen** HIV-1 infection**Species (MHC)** human (A*0201)**Country** South Africa.**Assay type** CD8 T-cell Elispot - IFN γ **Keywords** characterizing CD8+ T cells**References** Kiepiela *et al.* 2004

- HLA class I restricted CD8+ T-cell responses against HIV-1 were analyzed in African patients. Significantly more responses were shown to be HLA-B restricted. Viral load, CD4 count, and thus rate of disease progression were also associated with HLA-B alleles. In addition, the selection pressure imposed on HIV-1 by HLA-B alleles was shown to be substantially greater than by other alleles.
- This epitope was suggested to be the epitope within a longer reactive peptide based on correspondence with a known epitope in the HIV database. Also, a significantly higher frequency of people in the Durban cohort who reacted with the peptide had this HLA type.

HXB2 Location p17 (77–85)**Author Location** Gag (77–85)**Epitope** SLYNTIATL**Epitope name** SL9**Subtype** B**Immunogen** HIV-1 infection**Species (MHC)** human (A*0201)**Donor MHC** A*0201, A*0301, B*3501, B*51, Cw*04, Cw*06**Country** United States.**Assay type** CD8 T-cell Elispot - IFN γ , Intracellular cytokine staining, Chromium-release assay**Keywords** escape, acute/early infection, characterizing CD8+ T cells**References** Bansal *et al.* 2005

- Patients with acute or early infection were shown to preferentially target variable peptides with higher entropy while those with chronic infection showed responses towards more conserved peptides with lower entropy. In longitudinally followed subjects, responses to variable proteins declined over time while responses to conserved proteins increased. The decline is suggested to be due to CTL escape.
- The response to this peptide was not apparent until month 20, by month 32 a T to V change was dominant, but the slyntiVI mutant showed comparable avidity.

HXB2 Location p17 (77–85)**Author Location** Gag (77–85)**Epitope** SLYNTVATL**Epitope name** SL9

- Immunogen** HIV-1 infection, peptide-HLA interaction, vaccine
Vector/Type: peptide **Strain:** multiple epitope immunogen **HIV component:** mimotopes **Adjuvant:** Incomplete Freund's Adjuvant (IFA)
- Species (MHC)** human, transgenic mouse (A*0201)
Assay type CD8 T-cell Elispot - IFN γ , Chromium-release assay, HLA binding
Keywords vaccine-specific epitope characteristics, immunodominance, escape, TCR usage, variant cross-recognition or cross-neutralization, vaccine antigen design, mimics
References Boggiano *et al.* 2005
- A combinatorial library was used to identify epitope mimics of HLA-A2 restricted CTL epitope SL9.
 - 19 HIV+ HLA-A*0201 subjects were tested for their ability to bind to peptide variants. 11/19 could bind to SLYNTVATL. Nine epitope mimics were recognized by more than a third of the subjects, and 1 subject recognized 17/20 variants tested. Some SL9 mimics were up to an order of magnitude better at stimulating CTL responses in PBMC than was SL9.
 - Compared to the original SL9 sequence, some SL9 variants recognized by HLA-A*0201 patients induced superior SL9 immune responses in HLA-A*0201 transgenic mice.
- HXB2 Location** p17 (77–85)
Author Location p17 (77–85)
Epitope SLYNTVATL
Epitope name SL9
Immunogen HIV-1 infection
Species (MHC) human (A*0201)
Assay type CD8 T-cell Elispot - IFN γ
Keywords assay standardization/improvement, TCR usage, characterizing CD8+ T cells
References Killian *et al.* 2005
- A novel technique for subtractive analysis of HIV-1 specific CTLs was developed, including depletion of peptide-specific CTLs by stimulating PBMCs with the specific peptide in the presence of 5-FU, followed by TCR spectratyping for clonal breadth analysis. In analysis of infected individuals using this technique, it was found that HIV-1 specific responses range from two to 10 different T-cell clones per epitope.
 - The SL9 responses in one individual were complex, with TCR in multiple families, including: Vbeta12.2, Vbeta17, Vbeta23.3 and Vbeta22.
 - This paper provides further evidence for the polyclonal nature of epitope-specific responses. Polyclonal responses may be able to better inhibit escape and may play a beneficial role in progression.
- HXB2 Location** p17 (77–85)
Author Location Gag
Epitope SLYNTVATL
Epitope name S9L
Immunogen vaccine
Vector/Type: measles virus (MV) **Strain:** multiple epitope immunogen **HIV component:** gp140, gp140 Δ V3
Species (MHC) transgenic mouse (A*0201)
- Assay type** Chromium-release assay, Flow cytometric T-cell cytokine assay
Keywords memory cells, vaccine antigen design, antibody generation, characterizing CD8+ T cells
References Lorin *et al.* 2005
- A recombinant measles MVSchw virus expressing an HIV-1-derived polyepitope effectively primed HLA-A*0201-restricted CTL responses against multiple conserved HIV-1 epitopes in HLA-A*0201 transgenic mice. Also, a recombinant MVSchw virus expressing gp140 with deleted V1, V2, and V3 loops successfully induces neutralizing antibodies against HIV-1. A live attenuated measles vaccine could provide a safe and efficient pediatric vaccination vector for simultaneous vaccination against HIV and measles.
- HXB2 Location** p17 (77–85)
Author Location (C consensus)
Epitope SLYNTVATL
Subtype C
Immunogen HIV-1 infection
Species (MHC) human (A*0201)
Country South Africa.
Assay type CD8 T-cell Elispot - IFN γ
Keywords rate of progression, optimal epitope
References Kiepiela *et al.* 2007
- A comprehensive analysis of 160 class I T cell responses in 578 individuals from KwaZulu-Natal, South Africa was performed. Gag-specific responses were associated with lowering viremia, while Env, accessory and regulatory protein-specific responses were associated with higher viremia.
 - SLYNTVATL is an optimal epitope.
- HXB2 Location** p17 (77–85)
Author Location p17 (77–85)
Epitope SLYNTVATL
Immunogen
Species (MHC) human (A*0202)
Keywords optimal epitope
References Frahm *et al.* 2007
- C. Brander notes that this epitope can be presented by A*0201 and A*0202.
- HXB2 Location** p17 (77–85)
Author Location p17 (SF2)
Epitope SLYNTVATL
Immunogen HIV-1 infection
Species (MHC) human (A*0202)
Keywords subtype comparisons, immunodominance
References Goulder *et al.* 2000a
- The CTL-dominant response was focused on this epitope in 11/25 HLA A2 (A*0201 or A*0202) HIV+ individuals from Boston and in 1/8 HLA A2 HIV+ individuals from Durban.
 - Three peptides GSEELRSLYNTVATL (p17 residues 71–85), SALSEGATPQDLNNTMLNTVG (p24 41–60), and WEKIRLRPGGKKKYKLLK (p17 16–30) contained the dominant Gag-specific epitope in 31/44 B-clade infected individuals from Boston who showed Gag-CTL responses.

- Five peptides RLRPGGKKHYMIKHLVW (p17 20-36), ELRSLYNTVATLYCV (p17Gag 74-88), SALSEGATPQDLNTMLNTVG (p24 41-60), FRDYVDRFFKTLRAEQA (p24 161-177), and SILDIKQGKEPFRDY (p24 149-164) contained dominant Gag-specific epitopes in 32/37 C-clade infected subjects from South Africa.

HXB2 Location p17 (77–85)
Author Location p17 (77–85 LAI)
Epitope SLYNTVATL
Subtype B
Immunogen
Species (MHC) human (A*0205)
Keywords optimal epitope
References Frahm *et al.* 2007

- C. Brander notes that this epitope can be presented by A*0201 and A*0202.

HXB2 Location p17 (77–85)
Author Location p17 (subtype A)
Epitope SLYNTVATL
Subtype A
Immunogen HIV-1 exposed seronegative
Species (MHC) human (A*0214, A*0201)
References Kaul *et al.* 2000

- 11/16 heavily HIV exposed but persistently seronegative sex-workers in Nairobi had HIV-specific CD8⁺ gamma-IFN responses in the cervix – systemic CD8⁺ T cell responses tended to be to the same epitopes but at generally lower levels than cervical CD8⁺ T cell responses.
- Low risk individuals did not have such CD8⁺ cells.
- CD8⁺ T cell epitopes: DTVLEDINL (3 individuals), SLYNTVATL (4 individuals), LSPRTLNAW (3 individuals) and YPLTFGWCF (4 individuals) were most commonly recognized by the HIV-resistant women.
- The epitope variants SLYNTVATL and SLFNTVATL were both recognized.

HXB2 Location p17 (77–85)
Author Location Gag (77–85)
Epitope SLYNTVATL
Immunogen vaccinia
Vector/Type: vaccinia
Species (MHC) human (A2)
References Woodberry *et al.* 1999

- A polyepitope vaccine was generated in a vaccinia construct that contiguously encoded seven epitopes, all presented by HLA A-2.
- HHD mice have a transgene of HLA A2 linked to the transmembrane and cytotoxic domains of H-2D^d – this transgene is the only MHC molecule expressed in the mice.
- CTL responses to Gag (77-85) SLYNTVATL, Pol (476-484) ILKEPVHGV, gp120 (120-128) KLTPLCVTL, and Nef (190-198) AFHHVAREL were observed in HIV polytope HHD-vaccinated mice, and these responses were enhanced with vaccinia boost.
- No CTL immune responses were generated against HLA A2-restricted HIV epitopes Nef 157-166 (PLTFGWICYKL), Pol 346-354 (VIYQYMDDL), and Nef 180-189 (VLEWRFD-SRL).

- Sixteen HLA A2+ patients were tested for their ability to make CTL responses by peptide restimulation in culture with the epitopes selected for inclusion in the polytope – one individual recognized all seven of these epitopes; 7 patients had CTL cultures able to recognize at least one of the epitopes, and 6 of those 7 recognized more than one epitope, but they were not able to test all peptides for all patients; many patients only had three peptides tested.
- SLYNTVATL was recognized by 5/16 HLA-A2 patients.

HXB2 Location p17 (77–85)
Author Location p17 (77–85)
Epitope SLYNTVATL
Immunogen vaccine
Vector/Type: canarypox *Strain:* B clade LAI, B clade MN *HIV component:* Gag, gp120, gp41, Protease
Species (MHC) human (A2)
Keywords immunodominance
References Carruth *et al.* 1999

- The vaccine used was a live recombinant canarypox (CP) virus vaccine containing multiple HIV-1 genes (HIV-1 MN gp120, HIV-1 LAI gp41, HIV-1 LAI Gag, HIV-1 LAI protease).
- CD4⁺ and CD8⁺ Gag and Env specific CTL responses were detected in only 1/5 vaccinated volunteers, and were not detectable 1 year after vaccination.
- CTL responses to epitopes SLYNTVATL and TVYYGVPVWK from HIV+ control patients were used as positive controls.
- The study explored why vaccinees were non-responsive – non-response was not due to inherent defects or differences in the ability of these individuals to process and present antigen.
- Lack of response to SLYNTVATL led the authors to speculate that the immunodominance of this epitope in natural infections may not be recapitulated by vaccine antigen.

HXB2 Location p17 (77–85)
Author Location p17 (77–85)
Epitope SLYNTVATL
Epitope name SL9
Immunogen HIV-1 infection
Species (MHC) human (A2)
References Birk *et al.* 1998b

- A study of p17 variation considering known p17 epitopes and individuals with known HLA types revealed that p17 evolution is influenced by immune pressure from CTLs.

HXB2 Location p17 (77–85)
Author Location p17 (77–85)
Epitope SLYNTVATL
Epitope name SL9
Immunogen HIV-1 infection
Species (MHC) human (A2)
References Callan *et al.* 1998

- Included as a negative control in a tetramer study of A2-EBV CTL response.

HXB2 Location p17 (77–85)
Author Location p17
Epitope SLYNTVATL
Epitope name SL9

- Immunogen** HIV-1 infection
Species (MHC) human (A2)
References Wagner *et al.* 1998a
- CTL specific for HIV epitopes were used to show that the mediators of both the cytolytic (granzyme A was used as the marker) and non-cytolytic (HIV-1 inhibitory chemokines MIP-1 α and RANTES were used as markers) anti-viral responses are localized within the CTL's cytotoxic granules.
- HXB2 Location** p17 (77–85)
Author Location p17 (77–85 HXB2)
Epitope SLYNTVATL
Epitope name SL9
Subtype B
Immunogen HIV-1 infection
Species (MHC) human (A2)
References Collins *et al.* 1998
 - Two CTL clones recognize this epitope, but not the NL4-3 form of the epitope SLYNTIAVL.
 - Nef down-regulates MHC class I molecules, which inhibits CTL killing, and this down-regulation can be partially compensated for by adding excess soluble peptide.

HXB2 Location p17 (77–85)
Author Location p17 (77–85)
Epitope SLYNTVATL
Epitope name SL9
Immunogen HIV-1 infection
Species (MHC) human (A2)
Keywords subtype comparisons
References Durali *et al.* 1998
 - Cross-clade CTL response was studied by determining the CTL activity in seven patients from Bangui, (6 A subtype, and 1 AG recombinant infections) and one A subtype infection from a person living in France originally from Togo, to different antigens expressed in vaccinia.
 - Pol reactivity: 8/8 had CTL to A subtype, and 7/8 to B subtype, and HIV-2 Pol was not tested.
 - Gag reactivity: 7/8 reacted with A or B subtype gag, 3/8 with HIV-2 Gag.
 - Nef reactivity: 7/8 reacted with A subtype, and 5/8 with B subtype, none with HIV-2 Nef.
 - Env reactivity: 3/8 reacted with A subtype, 1/8 with B subtype, none with HIV-2 Env.
 - Patient B18 had the greatest breadth and diversity of response, and recognized Gag SLYNTVATL and Nef PLTFGWCFKL.

HXB2 Location p17 (77–85)
Author Location p17 (77–85)
Epitope SLYNTVATL
Epitope name SL9
Immunogen HIV-1 infection
Species (MHC) human (A2)
Keywords dendritic cells
References Kundu *et al.* 1998b
 - Allogeneic dendritic cells (DCs) were obtained from HLA-identical siblings, pulsed with rgp160 MN or A2-restricted HIV-1 epitope peptides, and infused monthly into six HIV-infected patients.

- 1/6 showed increased env-specific CTL and increased lympho-proliferative responses, 2/6 showed increase only in proliferative responses, and 3/6 showed no change – pulsed DCs were well tolerated.
- SLYNTVATL is a conserved HLA-A2 epitope included in this study – 3/6 patients had this sequence as their HIV direct sequence, one had the form SLYNTVAVL and all four of these had a detectable CTL response – the other two had either the sequence SLFSAVAVL or SLFSAVAAL and no detectable CTL response.

HXB2 Location p17 (77–85)
Author Location p17 (77–85 IIIB)
Epitope SLYNTVATL
Epitope name SL9
Immunogen HIV-1 infection
Species (MHC) human (A2)
References Sipsas *et al.* 1997

- HIV IIIB proteins were used to define the range of CTL epitopes recognized by 3 lab workers accidentally infected with HIV-1 IIIB.
- SLYNTVAVL, a variant found in HIV-1 MANC, was also recognized.
- SLFNTVAVL, a variant found in HIV-1 NY5CG, was also recognized.

HXB2 Location p17 (77–85)
Author Location p17
Epitope SLYNTVATL
Epitope name SL9
Immunogen HIV-1 infection
Species (MHC) human (A2)
Keywords subtype comparisons, HIV exposed persistently seronegative (HEPS)
References Rowland-Jones *et al.* 1998a

- A CTL response was found in exposed but uninfected prostitutes from Nairobi using previously-defined B clade epitopes that tended to be conserved in A and D clades – such cross-reactivity could protect against both A and D and confer protection in Nairobi where both subtypes are circulating.
- The A subtype consensus is SLFntvatL.
- The D subtype consensus is SLyNTvATL.

HXB2 Location p17 (77–85)
Author Location p17
Epitope SLYNTVATL
Epitope name SL9
Immunogen HIV-1 infection
Species (MHC) human (A2)
Keywords binding affinity
References Sewell *et al.* 1997

- Naturally occurring variants of this epitope escaped killing and acted as antagonists.
- The following variants were found in HIV-1 infected patients who mounted a strong response against this epitope: –F—, –F—V—, –S—, –SF—, –L—, —I—, —I—V—, –F—I—, –F—I—V—, –F—A—
- All variants bound to A2 with at least half the affinity of SLYNTVATL except the triple mutant: –F—I—V—

- Antagonism could be observed at low concentrations, abrogating lysis at an antagonist:agonist ratio of 1:10 – the antagonism was observed in one SLYNTVATL-specific CTL line but not another.

HXB2 Location p17 (77–85)

Author Location p17 (77–85 HXB2)

Epitope SLYNTVATL

Epitope name SL9

Subtype B

Immunogen HIV-1 infection

Species (MHC) human (A2)

Keywords kinetics

References Yang *et al.* 1997b

- A chimeric universal T cell receptor was created by linking CD4 or an HIV-specific anti-gp41 Ig sequence to the signaling domain of the T cell receptor chain ζ , and transduced into CD8+ cells.
- The response using universal-receptor-bearing CD8+ cells to lyse infected cells *in vitro* was comparable to the natural occurring responses of CTL-clones from HIV+ individuals in terms of kinetics and efficiency.
- A CTL clone specific for this epitope was used for the comparison.

HXB2 Location p17 (77–85)

Author Location p17 (77–85)

Epitope SLYNTVATL

Epitope name SL9

Immunogen *in vitro* stimulation or selection

Species (MHC) human (A2)

References Stuhler & Schlossman 1997

- Keyhole limpet hemocyanin or tetanus toxoid Th epitope co-expression with peptide CTL epitopes on the same APC was required for induction of peptide-specific CTL.

HXB2 Location p17 (77–85)

Author Location p17 (77–85)

Epitope SLYNTVATL

Epitope name SL9

Immunogen HIV-1 infection

Species (MHC) human (A2)

References Yang *et al.* 1996

- CD4+ cell lines acutely infected with HIV were studied to determine their susceptibility to lysis by CTL.
- Clones specific for RT lysed HIV-1 infected cells at lower levels than Env or Gag specific clones.
- The distinction was thought to be due to lower expression of RT relative to Env and Gag.
- CTL can lyse infected cells early after infection, possibly prior to viral production.

HXB2 Location p17 (77–85)

Author Location p17 (77–85)

Epitope SLYNTVATL

Epitope name SL9

Immunogen HIV-1 infection

Species (MHC) human (A2)

Assay type CTL suppression of replication

References Yang *et al.* 1997a

- CTL inhibit HIV-1 replication at effector cell concentrations comparable to those found *in vivo*.
- CTL produced HIV-1-suppressive soluble factors – MIP-1 α , MIP-1 β , RANTES, after antigen-specific activation.
- CTL suppress HIV replication more efficiently in HLA-matched cells.

HXB2 Location p17 (77–85)

Author Location p17 (77–85 LAI)

Epitope SLYNTVATL

Epitope name SL9

Subtype B

Immunogen HIV-1 infection

Species (MHC) human (A2)

References Parker *et al.* 1992; Parker *et al.* 1994

- Examined in the context of motifs important for HLA-A2 binding.

HXB2 Location p17 (77–85)

Author Location p17 (77–85 LAI)

Epitope SLYNTVATL

Epitope name SL9

Subtype B

Immunogen HIV-1 infection

Species (MHC) human (A2)

Keywords review

References McMichael & Walker 1994

- Review of HIV CTL epitopes.

HXB2 Location p17 (77–85)

Author Location p17 (77–85)

Epitope SLYNTVATL

Epitope name SL9

Immunogen HIV-1 infection

Species (MHC) human (A2)

References Tsomides *et al.* 1994

- CTL clones recognize naturally processed peptide.

HXB2 Location p17 (77–85)

Author Location p17 (77–85)

Epitope SLYNTVATL

Epitope name SL9

Immunogen *in vitro* stimulation or selection

Species (MHC) human (A2)

References Stuhler & Schlossman 1997

- A three cell-type cluster consisting of APCs, Th, and CTLs is the minimal regulatory unit required for Th cell-dependent induction of CTLs.

HXB2 Location p17 (77–85)

Author Location p17 (77–85)

Epitope SLYNTVATL

Epitope name SL9

Immunogen HIV-1 infection

Species (MHC) human (A2)

Keywords subtype comparisons

References Cao *et al.* 1997a

- The consensus peptides of B and D clade viruses and some Cs have the sequence SLYNTVATL.

- The consensus peptide of A, and some C strains have SLFNT-VATL, a form that is cross-reactive.

HXB2 Location p17 (77–85)

Author Location Gag (77–85)

Epitope SLYNTVATL

Epitope name SL9

Immunogen HIV-1 infection

Species (MHC) human (A2)

References Dyer *et al.* 1999

- CTL specific responses were measured over a 1.3 to 1.5 year period in members of the Sydney Blood Bank Cohort (SBBC) who had been infected with a natural attenuated strain of HIV-1 which was Nef-defective.
- Some of these patients had prolonged high levels of CTL effector and memory cells despite low viral load.

HXB2 Location p17 (77–85)

Author Location p17 (77–85)

Epitope SLYNTVATL

Epitope name SL9

Immunogen HIV-1 infection

Species (MHC) human (A2)

Keywords escape

References Harrer *et al.* 1998

- Two overlapping epitopes were recognized in a long-term survivor, restricted by two different HLA molecules, HLA-A11(TLYCVHQR) and -A2 (SLYNTVATL)
- Viral sequence substitutions were present in this individual which did not affect viral replication and did not alter CTL-recognition of the A2 epitope, but reduced recognition of the A11 epitope, indicative of immune escape.

HXB2 Location p17 (77–85)

Author Location p17 (77–85 SF2)

Epitope SLYNTVATL

Immunogen HIV-1 infection

Species (MHC) human (A2)

Keywords acute/early infection

References Altfeld *et al.* 2001a

- The relative contribution of CTL responses against HIV-1 Vpr, Vpu, and Vif were analyzed in multiple HIV-1-infected individuals.
- Individuals with long-term nonprogressive and treated chronic HIV-1 infection targeted Vpr more frequently than individuals with treated acute infection.
- Vpr is a frequent target of HIV-1 specific CD8+ T-cells – a response was detected in 45% of individuals tested and Vpr and p17 were the most preferentially targeted proteins per unit length by CD8+ T-cells.
- The A2 epitopes Vpr AIIRLLQQL and p17 SLYNTVATL do not account for the dominance of Vpr and p17, the result holds even when HLA-A2+ individuals are excluded.

HXB2 Location p17 (77–85)

Author Location p17 (BRU)

Epitope SLYNTVATL

Epitope name SL9

Immunogen in vitro stimulation or selection

Species (MHC) human (A2)

Keywords epitope processing, dendritic cells

References Buseyne *et al.* 2001

- Exogenous presentation or cross-presentation of epitopes by antigen presenting cells (APC) without protein synthesis is an alternative pathway for CTL epitope processing that may be important in the initial generation of viral specific CTL.
- Dendritic cells treated with AZT to inhibit protein synthesis were able to elicit a strong specific CTL response in SLYNTVATL specific CTL line EM71-1 without protein synthesis, while macrophages demonstrated a decreased presentation efficiency.
- Exogenous Gag epitope presentation was Env-dependent and required receptor-dependent fusion.

HXB2 Location p17 (77–85)

Author Location p17

Epitope SLYNTVATL

Immunogen HIV-1 infection

Species (MHC) human (A2)

References Kostense *et al.* 2001

- HLA tetramers to six epitopes were used to study HLA-A2, B8 and B57 CTL in 54 patients – HIV-specific tetramer positive cells were inversely correlated with viral load in patients with high CD4, but in patients with CD4 T-cells below 400 high tetramer frequencies were found despite high viral load.
- Most patients have high levels of HIV-specific T-cell expansions, but many of these cells aren't functional.
- In 15 of the patients, the proportion of IFN gamma producing tetramer cells correlated with AIDS-free survival.
- In one patient with a SLYNTVATL response, no SLYNTVATL mutations were found among 21 clones despite high viral load (260,000 RNA copies/ml serum), suggesting low *in vivo* efficacy of the SLYNTVATL response.

HXB2 Location p17 (77–85)

Author Location p17 (77–85)

Epitope SLYNTVATL

Immunogen HIV-1 infection

Species (MHC) human (A2)

References Ferrari *et al.* 2000

- One of the 51 HIV-1 epitopes selected by Ferrari *et al.* as good candidate CTL epitopes for vaccines by virtue of being conserved and presented by common HLA alleles.

HXB2 Location p17 (77–85)

Author Location p17

Epitope SLYNTVATL

Immunogen HIV-1 infection

Species (MHC) human (A2)

Keywords HAART, ART, immunodominance

References Seth *et al.* 2001

- CTL responses were studied by tetramer staining in 41 patients with combination therapy – activated CD8+ T-cells decline as the viral load drops in response to therapy, but the overall level of antigen-specific cells capable of differentiating into effectors stays constant and new epitopes may be recognized.
- 6/10 A*0201+ individuals had HIV-specific tetramer staining cells, and 5 of these declined upon successful therapy.
- 4/10 A*0201+ individuals with chronic HIV-1 infection recognized this epitope.

- Prior to therapy, the mean percentage of CD8+ cells that recognized the immunodominant epitope SLYNTVATL was six-fold greater than the percentage recognizing the epitope ILKEPVHGV.

HXB2 Location p17 (77–85)

Author Location p17 (77–85)

Epitope SLYNTVATL

Epitope name SL9

Immunogen HIV-1 infection

Species (MHC) human (A2)

Keywords HAART, ART, TCR usage

References Islam *et al.* 2001

- Transcript frequencies were followed for four CTL clones from patient 115, with a chronic and stable HIV-1 infection, and tracked in a longitudinal study of samples collected 6–11 years post infection: clone M21 and E15 recognize ERYLKDQQL, and clone D87 recognizes variant ERYLQDQQL, and clone p175b recognizes the A2 epitope SLYNTVATL.
- This epitope sequence from clone p175b uses the V β 5, CDR3 (FDS), J β 2.7 TCR beta gene.
- Responses were stable even through HAART with undetectable viral loads, but frequencies varied over time by 100-fold, ranging from 0.012% of the total population for SLYNTVATL at its lowest point to 3.78% for M21, with the relative frequencies of clones shifting over time.

HXB2 Location p17 (77–85)

Author Location p17 (77–85 SF2)

Epitope SLYNTVATL

Immunogen HIV-1 infection

Species (MHC) human (A2)

Keywords HAART, ART, acute/early infection

References Altfeld *et al.* 2001b

- Therapy provided during acute infection resulted in a narrower CTL response, stronger T help response, and a less diverse viral population than was seen in individuals treated during chronic infection.
- The breadth and specificity of the response was determined using ELISPOT by studying 19 individuals with pre-seroconversion therapy (Group 1), 11 individuals with primary infection but post-seroconversion therapy (Group 2), and 10 individuals who responded to HAART given during chronic infection (Group 3), using 259 overlapping peptides spanning p17, p24, RT, gp41, gp120 and Nef.
- Previously described and newly defined optimal epitopes were tested for CTL response.
- Number of HLA-A2+ individuals that had a CTL response to this epitope broken down by group: 1/10 group 1, 2/6 group 2, and 2/4 group 3.

HXB2 Location p17 (77–85)

Author Location p17 (77–85)

Epitope SLFNTVATL

Immunogen HIV-1 infection, HIV-1 exposed seronegative

Species (MHC) human (A2)

Keywords subtype comparisons, HIV exposed persistently seronegative (HEPS), immunodominance

References Kaul *et al.* 2001a

- Variants SL(F/Y)NTVATL are A/B clade specific.
- ELISPOT was used to study CTL responses to a panel of 54 predefined HIV-1 epitopes in 91 HIV-1-exposed, persistently seronegative (HEPS) and 87 HIV-1-infected female Nairobi sex workers.
- Responses in HEPS women tended to be lower, and focused on different epitopes with HLA presenting molecules that have previously been associated with reduced risk of infection, and there was a shift in the response in the HEPS women upon late seroconversion to epitopes recognized by the HIV-1 infected women.
- 43/91 HEPS women had CD8+ responses and detection of HIV-1-specific CTL in HEPS women increased with the duration of viral exposure.
- Among HLA-A2 women, 1/10 HEPS and 22/26 HIV-1 infected women recognized this epitope, likelihood ratio 18.3, p value < 0.003, and ILK(D/E)PVHGV tended to be more reactive in HEPS women, SL(F/Y)NTVATL in infected women.
- The dominant response to this HLA allele was to this epitope in the 1/10 HEPS case and in 18 of the 22/26 HIV-1 infected women that responded.
- Differences in epitope specificity were only seen for responses restricted by class I HLA alleles A2, A24, A*6802, B14, and B18, previously shown to be associated with resistance to HIV-1 in this cohort.
- Subject ML 1250 had an A2 response to ILK(D/E)PVHGV prior to seroconversion, which switched to SL(F/Y)NTVATL post-seroconversion.
- Subjects ML 1575 and ML 1592 had no response to SL(F/Y)NTVATL prior to seroconversion, but made responses post-seroconversion.
- Subject ML 1760 had an A2 response to ILK(D/E)PVHGV prior to seroconversion, and gained responses to epitopes A2 SL(F/Y)NTVATL and B27 KRWII(L/M)GLNK post-seroconversion.

HXB2 Location p17 (77–85)

Author Location p17 (77–85 93TH253 subtype CRF01)

Epitope SLYNTIATL

Epitope name G77-85

Subtype CRF01_AE

Immunogen HIV-1 infection

Species (MHC) human (A2)

Keywords HIV exposed persistently seronegative (HEPS)

References Sriwanthana *et al.* 2001

- This was a study of HIV-1 exposed persistently seronegative (HEPS) female sex workers in Chiang Mai, northern Thailand.
- HLA-A11 is very common in this population, and was enriched among the HEPS sexworkers – weak CTL responses were detected in 4/7 HEPS women, and CTL responses were found in 8/8 HIV positive controls, and 0/9 HIV negative women that were not exposed.
- This epitope was reactive in HIV+ control study subjects 125 and 144 who carried HLA-A2.

HXB2 Location p17 (77–85)

Author Location p17 (77–85 93TH253 subtype CRF01)

Epitope SLYNTIATL

Subtype CRF01_AE

- Immunogen** HIV-1 infection
Species (MHC) human (A2)
Keywords subtype comparisons
References Bond *et al.* 2001
- More than half of a cohort of HIV+ female sex workers (FSW) from Northern Thailand were HLA-A11 positive, and this study concentrated on A11 epitopes in this group, although E clade versions of previously defined B-clade A2 and A24 epitopes were also tested.
 - 2/4 tested FSWs recognized the E clade version of this epitope, SLYNTIATL, the B clade version is SLYNTVATL.
 - This epitope was only conserved in CRF01 and subtypes B and D, and exact matches were uncommon.
- HXB2 Location** p17 (77–85)
Author Location p17 (77–85)
Epitope SLYNTVATL
Immunogen HIV-1 infection
Species (MHC) human (A2)
Keywords rate of progression, acute/early infection
References Day *et al.* 2001
- The CTL response to optimally defined CTL epitopes restricted by HLA class I A and B alleles in individuals who coexpressed HLA A2, A3, and B7 was studied in eight HIV-1-infected subjects, two with acute infection, five with chronic, and one long-term non-progressor (LTNP)
 - 2 to 17 epitopes were recognized in a given individual, A2-restricted CTL response tended to be narrow and never dominated the response, and 25/27 epitopes were targeted by at least one person.
 - SLYNTVATL was the dominant A2 epitope recognized in patients with chronic infection, except for Subject 11841 who recognized 5/8 epitopes.
 - Three subjects had an A2 response only to SLYNTVATL.
 - The two subjects with acute infection did not respond to SLYNTVATL.
- HXB2 Location** p17 (77–85)
Author Location p17 (77–85)
Epitope SLYNTVATL
Epitope name SL9
Immunogen HIV-1 infection
Species (MHC) human (A2)
Keywords mother-to-infant transmission, escape
References Goulder *et al.* 2001c
- Immune escape variants in this epitope were transmitted both horizontally and vertically in two families.
 - Eight transmitting mothers and 14 non-transmitting mothers were studied and variation within the SL9 epitope was associated carrying HLA-A2 (P=0.04), but no link between variation from the SL9 consensus and vertical transmission was established.
- HXB2 Location** p17 (77–85)
Author Location p17 (SF2)
Epitope SLYNTVATL
Immunogen HIV-1 infection
Species (MHC) human (A2)
References Altfeld *et al.* 2000
- This epitope was mapped by ELISPOT in a study identifying new HLA-B60 epitopes, and was one of the epitopes presented by another HLA molecule in an HLA-B60 individual.
 - The response to the peptide was CD8 dependent, but the HLA presenting molecule and optimal epitope were not determined.
- HXB2 Location** p17 (77–85)
Author Location p17 (77–85 LAI)
Epitope SLYNTVATL
Subtype B
Immunogen HIV-1 infection
Species (MHC) human (A2)
References Sabbaj *et al.* 2003
- Among HIV+ individuals who carried HLA A02, 17/30 (57%) recognized this epitope.
- HXB2 Location** p17 (77–85)
Author Location p17 (77–85 LAI)
Epitope SLYNTVATL
Subtype B
Immunogen HIV-1 infection
Species (MHC) human (A2)
Keywords HAART, ART, epitope processing, immunodominance
References Kelleher *et al.* 2001a
- Ritonavir (RTV) inhibits chymotryptic activity in the 20S proteasome *in vitro*, as does Saquinavir (SQV) to a lesser extent; Indinavir (IDV) does not. Thus there is concern protease inhibitors may adversely effect CTL epitope processing, but this paper indicates that processing is not inhibited at therapeutically relevant concentrations of RTV when the proteasome is functioning in an intracellular context.
 - RTV did not reduce antigen presentation and concentration of the two immunodominant Gag CTL epitopes (KRWIIMGLNK (B27) and SLYNTVATL (A2)).
 - RTV did not inhibit the processing and assembly of HLA-B35 or -A2, which are assembled with a rapid and moderate time course, respectively, or of HLA-A3, -B27 and -B39.
- HXB2 Location** p17 (77–85)
Author Location p17
Epitope SLYNTVATL
Immunogen HIV-1 infection
Species (MHC) human (A2)
Keywords HIV exposed persistently seronegative (HEPS)
References Kaul *et al.* 2002
- Neisseria gonorrhea cervicitis in 9 HIV+ Kenyan sex workers caused a functional deficiency in IFN-gamma production in HIV-1 epitope-specific CD8+ T-cells, detected by intracellular cytokine production and tetramer assays, while not affecting the total number of epitope-specific CTLs.
 - Ghonorrhea caused the weaker HIV-1 specific CTL responses in 4 HIV-1 exposed persistently seronegative (HEPS) women to become undetectable by Elispot and tetramer assays, and CMV-specific CTL in 2 HEPS subjects were shown to have impaired function with regard to IFN-gamma production.
- HXB2 Location** p17 (77–85)

Author Location p17 (77–85 NL43)

Epitope SLYNTVATL

Subtype B

Immunogen HIV-1 infection

Species (MHC) human (A2)

Keywords class I down-regulation by Nef

References Yang *et al.* 2002

- Nef down-modulates class I protein expression, and this study demonstrates directly that Nef-deleted HIV-1 NL-43 can be more effectively killed *in vitro* than NL-43 with an intact Nef. The effect was shown to be specific for class I presentation of epitopes, and unlike Nef, deleting Vpr did not alter CTL susceptibility of NL-43. The CTL clone 18030D23, specific for the class I A2 presented SLYNTVATL epitope, was one of four used in this study.

HXB2 Location p17 (77–85)

Author Location p17 (77–85 BRU)

Epitope SLYNTVATL

Immunogen HIV-1 infection

Species (MHC) human (A2)

Keywords epitope processing

References Cohen *et al.* 2002

- The antigen presentation of two A2-restricted epitopes was compared, SLYNTVATL (p17) and ILKEPVHGV (RT). HIV-1 infected cells were more sensitive to lysis by SLYNTVATL-specific CTL than by ILKEPVHGV-specific CTL, because of a higher density of SLYNTVATL-A2 resulting from differences in processing.
- Incubation with a T1-cell proteolytic extract showed that by four hours, 25% of a p17 peptide had a C-term Leu-85 and were SLYNTVATL-precursors, while ILKEPVHGV-precursors were far less frequent (6.8%) even with four times more proteolytic extract after 30 hours.
- p17 was preferentially cleaved between Leu85 and Tyr86, while appropriate Val484 and Tyr485 cleavage was minor for RT.
- In a competition experiment, RSLYNTVATL bound TAP 3.7-fold more efficiently than RT peptides.
- No difference in CTL avidity was detected in six patients with HLA-A2-restricted responses to these epitopes.
- No significant difference in HLA-A2 binding to p17 or RT epitopes was observed.

HXB2 Location p17 (77–85)

Author Location p17 (77–85)

Epitope SLYNTVATL

Immunogen vaccine

Strain: B clade IIIB *HIV component:* Gag,

Pol Adjuvant: IL-12

Species (MHC) mouse (A2)

References Kmiecik *et al.* 2001

- Transgenic mice expressing a HLA-A2/Kb chimeric protein were vaccinated with either a p17-p24-p51 fusion protein (vG/P-92) or the Gag-Pol precursor protein (vVK1).
- Compared to vVK1, vG/P-92 induced a significant increase in Gag and Pol induced IFN γ production and CTL responses, and to the epitopes SLYNTVATL and ILKEPVHGV, as determined by Elispot and 51Cr-release assays.

HXB2 Location p17 (77–85)

Author Location Gag (77–85)

Epitope SLYNTVATL

Immunogen HIV-1 infection

Species (MHC) human (A2)

Donor MHC A2, A3, B7, Bw6

Keywords HAART, ART

References Appay *et al.* 2002

- Four HIV patients with prolonged clinically successful anti-viral therapy but with ongoing evidence of replication and Nef mRNA transcription, showed specific T-cell responses by Elispot and Tetramer staining, maintained for 2-4 years after initiation of HAART.
- Nef epitope recognition was detected in all 4 subjects, gp120, Pol and Gag-specific in 1 or 2 subjects.
- The HIV-specific CD8+ T-cells had an intermediate maturation phenotype characterized by low levels of perforin and high levels of CD27 expression.

HXB2 Location p17 (77–85)

Author Location p17 (77–85 NL-43)

Epitope SLYNTVATL

Subtype B

Immunogen HIV-1 infection

Species (MHC) human (A2)

Keywords class I down-regulation by Nef, escape

References Ali *et al.* 2003

- NL43 was passaged in the presence of Nef KEKGGLEGL-specific CTL clones STD11 and KM3, giving rise to rapid selection of escape mutations, including E93G, E93K, K94N+G99R, G95R+G99R, E98K, E98D, G99R, G99E, L100P, and L100I; insertions, deletions, frameshifts and an early stop codon. 34/36 (94%) of sequences carried mutations in the epitope by seven days, 36/36 (100%) by 14 days.
- Several mutations selected by KEKGGLEGL-specific CTL were shown to impair the down regulation of class I MHC by Nef, in particular E93G, E93K, and a truncation mutation at position 51.
- Nef deletion mutants increased 100-fold NL-43 susceptibility to inhibition by CTL specific for epitopes in other proteins, the A2 epitopes ILKEPVHGV in RT and SLYNTVATL in p17 Gag.

HXB2 Location p17 (77–85)

Author Location Gag

Epitope SLYNTVATL

Epitope name SL9

Immunogen HIV-1 infection

Species (MHC) human (A2)

Assay type Chromium-release assay, Flow cytometric T-cell cytokine assay

Keywords class I down-regulation by Nef

References Bobbitt *et al.* 2003

- Nef, through Nef-mediated MHC-I down-regulation, is not the only viral protein to influence levels of HIV-specific CTL recognition. The Rev L60F mutation, a common natural variant, can decrease CTL recognition of late gene products. The Rev mutation impacts the early to late gene switch, reducing late gene product production (Gag, Pol, Env, Vpu, Vpr and Vif), while increasing Nef production, both of which reduce the impact CTL recognition of late gene products. As expected,

Rev L60F rendered HIV infected cells more resistant to CTL that recognized epitopes from the late proteins Env and Gag. Gag expression is reduced more than Env, and Gag-specific CTL were more profoundly affected. Conversely CTL against an epitope in an early gene product, Tat, were more efficiently recognized when infected with viruses carrying the Rev L60F mutation.

- Patients in the asymptomatic phase with active immune responses had more CTL resistant viruses, with lower Rev activity, lower Gag expression and greater resistance to Gag-specific CTL killing, while viruses isolated from people with AIDS were more sensitive to CTL killing.

HXB2 Location p17 (77–85)

Author Location Gag (77–)

Epitope SLYNTVATL

Epitope name Gag77

Immunogen HIV-1 infection, vaccine

Vector/Type: peptide *HIV component:* Gag
Adjuvant: Incomplete Freund's Adjuvant (IFA)

Species (MHC) human, transgenic mouse (A2)

Assay type CD8 T-cell Elispot - IFN γ , Chromium-release assay, Flow cytometric T-cell cytokine assay

Keywords binding affinity, subtype comparisons, computational epitope prediction

References Corbet *et al.* 2003

- HLA-A2-restricted HIV-1 CTL epitopes were computationally predicted. Binding affinities for HLA-A*0204, immunogenicity in HLA-A*0201 transgenic mice, and responses to the peptides in 17 HIV-1 infected patients were tested. 31 novel conserved A2 epitopes were detected. An average of 4 epitopes were recognized per patient.
- This epitope was one of the previously identified HLA-A2 epitopes studied.
- 10/17 HIV-infected HLA-A2+ people in this study recognized this epitope, and CTL and CD8+ T cells responses were elicited by immunization of transgenic mice with this peptide.

HXB2 Location p17 (77–85)

Author Location p17

Epitope SLYNTVATL

Immunogen HIV-1 infection

Species (MHC) human (A2)

Assay type Intracellular cytokine staining

Keywords immunodominance, genital and mucosal immunity

References Kaul *et al.* 2003

- Predefined immunodominant peptide responses were used to compare CD8+ T-cell responses in the blood and cervix of 16 HIV+ Kenyan sex workers. Cervical responses were detected in 8/10 women from whom adequate samples could be obtained. The frequency of the CD8+ T-cell response in the genital tract was comparable to the blood, with a trend toward being slightly higher.
- The immunodominant response was to this epitope in the PBMC of 1/16 patients (Kaul *et al.* 2001, AIDS, 107:1303).

HXB2 Location p17 (77–85)

Author Location p17

Epitope SLYNTVATL

Epitope name SL9

Immunogen HIV-1 infection

Species (MHC) human (A2)

Donor MHC A2, A24, B38, B60, Cw2, Cw12

Assay type CD8 T-cell Elispot - IFN γ

Keywords supervised treatment interruptions (STI), early treatment

References Montefiori *et al.* 2003

- HIV-1 + patient AC10 underwent early HAART treatment, which was discontinued 1.5 years later. At this timepoint potent NAb responses against autologous virus were detected. Treatment interruption initially induced weak CD8+ responses directed against 5 epitopes. By days 873d and 923d the CTL response had broadened to target 22 epitopes; of these six were fully characterized. Eventually the virus escaped the NAb response, but escape was not accompanied by a rise in viral load, and the authors suggest the virus was contained by the CTL response.

HXB2 Location p17 (77–85)

Author Location Gag (77–85)

Epitope SLYNTAVTL

Immunogen HIV-1 infection

Species (MHC) human (A2)

Assay type CD8 T-cell Elispot - IFN γ , Tetramer binding, Flow cytometric T-cell cytokine assay

Keywords responses in children

References Sandberg *et al.* 2003

- 65 vertically HIV-1 infected children, ages 1-16, the majority undergoing ART, were analyzed in regard to their plasma viremia and CD4+ and CD8+ T-cell counts, and CD8+ T-cell responses.
- Using vaccina expressed Gag, Pol, Env, Rev, Nef in target cells in an Elispot assay, 85% of the children recognized at least one HIV antigen. Strong CD8+ T-cell responses were directed against Pol, followed by Gag and Nef. Children younger than 4 had significantly weaker responses (7/14 had no response) than older children (only 1/32 had no response, and responses were greater in magnitude).
- SLYNTVATL and ILKEPVHGV tetramers were used to quantify specific responses. 49 children in an expanded cohort carried HLA-A2. 1/11 children under 3 years of age had detectable CD8+ T-cell responses to SLYNTVATL, 2/11 to ILKEPVHGV. Among children over 3, 11/38 recognized SLYNTVATL and 9/38 recognized ILKEPVHGV.
- Older children that maintained a CD4 count greater than 400 cells/ul tended to have stronger CTL responses.

HXB2 Location p17 (77–85)

Author Location Gag (77–85)

Epitope SLYNTVATL

Immunogen HIV-1 infection

Species (MHC) (A2)

Donor MHC A2, A3, B27, B51; A2, A3, B27, B57; A2, A23, B57

Assay type Cytokine production, CD8 T-cell Elispot - IFN γ , Tetramer binding, Intracellular cytokine staining

Keywords assay standardization/improvement, memory cells

References Sun *et al.* 2003

- This study compares assay methods for testing CTL responses using samples from 20 HIV+ patients. The study compares ELISpot, tetramer-binding, and intracellular IFN γ . Tetramer-binding analysis was performed with Gag (SLYNTVATL) or Pol (ILKEPVHGV) tetramers. Antigen presentation using recombinant vaccinia viruses (rVVs) encoding HIV-LAI Gag, Pol, Env, Nef, Tat and Vif proteins was compared to peptide panels. HIV antigen recognition in memory CTLs was measured by chromium release assay and compared to effector/memory CD8+ T-cells in an IFN- γ ELISpot assay.
- Results: IFN γ Elispot and flow cytometry gave similar frequencies of HIV specific CD8+ T-cells. Tetramer-binding analysis was most sensitive. Pools of peptides and the sum of frequencies of individual peptides were comparable. Elispot assays using peptides were more sensitive than assays using vaccinia expressed proteins. Cr release and Elispot against rVVs gave comparable memory cell responses 2/3s of the time.
- 3/7 HLA-A2+ patients recognized this epitope.

HXB2 Location p17 (77–85)

Author Location p17 (77–85 NL43)

Epitope SLYNTVATL

Epitope name SL9

Subtype B

Immunogen HIV-1 infection

Species (MHC) human (A2)

Assay type Chromium-release assay, CTL suppression of replication

Keywords escape, TCR usage

References Yang *et al.* 2003a

- Virus was cultured in the presence of CTL lines specific for 5 different epitopes (SLYNTVATL, ILKEPVHGV, IEIKDTKEAL, SEGATPQDL, and KEKGGLEGL) to study the emergence of escape mutations. Escape varied between clones for the same epitope, and between different epitopes. Gag and RT epitope escape, if it occurred at all, tended to be monoclonal and within the epitope, indicating strong fitness constraints, while the Nef epitope escape was rapid, polyclonal, and sometimes the result of upstream frameshifts.
- Three CTL clones were studied that recognized SLYNTVATL, 161JxA14, 18030D23, and 115DEC4. The different TCR usage on the CTL clones resulted in different patterns of recognition and escape. 161JxA14 suppressed the variant sIFntvatl, 18030D23 did not; conversely the variants sIFntIaVI and sIFntIatl were suppressed by 18030D23, but not 161JxA14.
- After two weeks of passage the predominant escape mutant from 161JxA14 was slyntlatl. Amino acid residues flanking SL9 were unchanged. Escape mutations did not occur within two weeks for the two additional SL9-specific CTL clones 18030D23 and 115DEC4.

HXB2 Location p17 (77–85)

Author Location p17 (43)

Epitope SLYNTVATL

Epitope name SL9

Subtype B

Immunogen in vitro stimulation or selection

Species (MHC) human (A2)

Assay type CTL suppression of replication

Keywords class I down-regulation by Nef, early-expressed proteins, kinetics

References Ali *et al.* 2004

- Translocation of the gag SLYNTVATL epitope into the early expressed Nef protein resulted in increased antiviral efficiency of SL9 specific CTLs in culture and the loss of MHC-I down-regulation by Nef, indicating that both the timing of epitope expression and reduction of MHC-I affect the ability of CTLs to suppress HIV-1.

HXB2 Location p17 (77–85)

Author Location Gag (77–85 B con)

Epitope SLYNTVATL

Epitope name SL9

Immunogen HIV-1 infection

Species (MHC) human (A2)

Country United States.

Assay type CD8 T-cell Elispot - IFN γ

Keywords variant cross-recognition or cross-neutralization

References Draenert *et al.* 2004c

- CD8+ T-cell responses that persisted in individuals with advanced disease were studied; most of the optimal epitopes defined were recognized with intermediate to high avidity. On average 13 (range, 2–39) epitopic regions were targeted in an average of 6 proteins (range, 1–8). HAART resulted in decrease in antigen and reduction in gamma IFN EliSpot responses, suggesting active responses to autologous virus. The lack of mutations within most viral epitopes suggest that persistent CTL through late disease do not exert strong immune selection pressure, yet the Elispot assays show robust responses, suggesting to the authors that gamma IFN-based screening methods may not reveal functional CD8+ T-cell impairment in patients with AIDS.
- 3 subjects recognized this epitope with high functional avidity. Relative to consensus, 2 individuals that had the SLYNTVATL epitope carried a R -> K mutation proximal to but outside the epitope; possible processing implications were not studied here.

HXB2 Location p17 (77–85)

Author Location Gag

Epitope SLYNTVATL

Immunogen HIV-1 infection

Species (MHC) human (A2)

Country Netherlands.

Assay type CD8 T-cell Elispot - IFN γ

Keywords HIV exposed persistently seronegative (HEPS)

References Koning *et al.* 2004

- A high-risk seronegative group of 29 patients showed reduced in vitro susceptibility for HIV infection and enhanced production of RANTES compared to 15 men who went on to seroconvert. Significantly higher frequencies of HLA A*11, A*31 and Cw*15 were also found in the high risk seronegative men. Both groups of men had low frequencies of HIV-1 specific CD8+ T-cells, which may signify exposure more than protection from infection.

- 2/11 HLA A2+ infection-resistant men, compared to 7/9 men pre-seroconversion who went on to become infected, reacted to this epitope.

HXB2 Location p17 (77–85)

Author Location p17 (77–85)

Epitope SLYNTVATL

Immunogen HIV-1 infection

Species (MHC) human (A2)

Country Spain.

Assay type proliferation, CD8 T-cell Elispot - IFN γ , Flow cytometric T-cell cytokine assay

Keywords HAART, ART, supervised treatment interruptions (STI), immune dysfunction

References Plana *et al.* 2004

- Structured treatment interruption (STI) alone is not able to control viral replication in chronically infected patients, probably due to lack of strong, maintained T-helper cell responses. HIV-1 specific CD8+ T-cell responses were shown to increase significantly until the end of the follow up, but were not correlated with viral load.
- 14/19 patients recognized this epitope, it was the most commonly recognized of 9 HLA A*02 epitopes tested.

HXB2 Location p17 (77–85)

Author Location p17 (77–85)

Epitope SLYNTVATL

Epitope name SL9

Subtype B

Immunogen HIV-1 infection

Species (MHC) human (A2)

Assay type Chromium-release assay

Keywords binding affinity, TCR usage, characterizing CD8+ T cells

References Yang *et al.* 2003b

- Killing efficiency of CTLs and their ability to suppress viral replication is shown to depend more on epitope specificity than to antigenic avidity. Different clones recognizing the same epitope had similar killing efficiency despite their variation in avidity. Nef specific CTL clones tended to be most inhibitory, followed by Gag, then by RT specific clones, regardless of avidity.
- 3/14 CTL T-cell clones tested were specific for Gag/p17-SL9. Under conditions of excess peptide (100 μ g/ml), there was no difference in their lytic potential; all possessed similar effector capacity. Avidity was measured as the sensitizing dose of peptide required for 50% of maximal killing (SD50), which varied from 20 pg/ml to 100 ng/ml, over four orders of magnitude for all 14 epitopes. The SD50 range for Gag/p17-SL9 was 1,000 - 20,000 pg/ml.

HXB2 Location p17 (77–85)

Author Location Gag (77–85)

Epitope SLYNTVATL

Immunogen HIV-1 infection

Species (MHC) human (A2)

Assay type Cytokine production, proliferation, CD8 T-cell Elispot - IFN γ , Tetramer binding, CD4 T-cell Elispot - IFN γ , Intracellular cytokine staining, Flow cytometric T-cell cytokine assay

Keywords HAART, ART, memory cells, characterizing CD8+ T cells

References Daniel *et al.* 2004

- CD4+ and CD8+ responses in chronically HIV-1 infected patients on HAART were weak with decreased polyclonality. Only 33% of patients had CD4+ T-cells that could proliferate, and only 22% had HIV-specific CD8+ T-cell responses, and those rare responses showed low perforin levels and persistent expression of CD27, indicating incomplete differentiation and loss of lytic function.

HXB2 Location p17 (77–85)

Author Location p17

Epitope SLYNTVATL

Epitope name SL9

Immunogen HIV-1 infection

Species (MHC) human (A2)

Country United States.

Assay type proliferation, Tetramer binding, T-cell Elispot

Keywords acute/early infection, characterizing CD8+ T cells, immune dysfunction

References Lichterfeld *et al.* 2004a

- HIV-1 specific CD8+ T-cells in acute and long-term nonprogressive HIV-1 infection show strong ex-vivo proliferative capacities which are rapidly lost in chronic HIV-1 infection. The loss of CD8+ T-cell function is closely linked with the loss of HIV-1 specific, IL2 secreting CD4+ T-cells. The function can be rescued in vitro and in vivo by restoring the specific CD4+ T-cell help.
- Despite being detectable at high frequencies, CD8+ T-cells specific for SL9 epitope were shown to entirely lose their proliferative capacity in chronic HIV-1 infection. This activity could be restored by co-stimulation with CD4+ T cells isolated from acute infection in an IL-2 dependent manner.

HXB2 Location p17 (77–85)

Author Location Gag (77–85)

Epitope SLYNTVATL

Epitope name gag 77-85

Subtype B

Immunogen HIV-1 infection, HIV-2 infection

Species (MHC) human (A2)

Country Gambia.

Assay type Tetramer binding, Intracellular cytokine staining

Keywords escape, TCR usage, variant cross-recognition or cross-neutralization, characterizing CD8+ T cells

References Lopes *et al.* 2003

- CD8+ T cells from HIV-2 infected patients had more polyclonal TCR responses than HIV-1 infected patients, who tended to have oligoclonal responses. This results in limited plasticity of T cell responses to amino acid substitutions within epitopes in HIV-1 infections. HIV-2-specific CD8+ T-cells showed a more diverse TCR usage associated with enhanced CD8 expansion

and IFN-gamma production on cross-recognition of variant epitopes.

- Responses to this epitope were characterized in detail. One patient's response to SL9 A2-SLYNTVATL tetramers was shown to have only Vbeta5.1 clonotypes. The naturally occurring HIV-2 variant: sIFntvCVI, was not recognized well by this response or by the SLYNTVATL reactive CD8+ T cells in four additional A2+ HIV infected asymptomatic individuals. The subtype A variant, sIFntvatl was also poorly recognized, and 4/5 Ala substitutions abrogated responses. All variants bound to HLA-A2 with higher affinity than the index peptide except slyntAatl, which was slightly reduced, so the lack of cross-reactivity must have been due to the TCR.

HXB2 Location p17 (77–85)

Author Location p17 (77–85)

Epitope SLYNTVATL

Immunogen HIV-1 infection

Species (MHC) human (A2)

Assay type Chromium-release assay

Keywords assay standardization/improvement

References Lubong *et al.* 2004

- Using IL7 or IL15 in culturing of HIV-1-specific CTL clones was inferior to using IL-2 alone; the addition of these cytokines to IL-2 did not show any advantage. Neither proliferation, survival, nor lytic capacity of HIV-1-specific CTLs was significantly enhanced by addition of IL7 or IL15.

HXB2 Location p17 (77–85)

Author Location p17

Epitope SLYNTVATL

Immunogen HIV-1 exposed seronegative

Species (MHC) human (A2)

Donor MHC A*02, A*30, B*4402, B*15

Assay type Tetramer binding, T-cell Elispot

Keywords HIV exposed persistently seronegative (HEPS)

References Missale *et al.* 2004

- HIV-specific T-cell response was tested in patients exposed to blood from a patient with highly replicating HIV; these patients were nosocomially infected with HBV, but uninfected with HIV. HIV-specific T-cell responses were directed to structural and non-structural HIV proteins in 2 patients, suggesting that the virus replicated in these patients sufficiently to prime a cell-mediated immune response that protected them from HIV infection.
- This patient responded to 4/8 HIV epitopes tested in an IFNgamma EliSpot assay or tetramer assay. Responses were detected 8 and 28 weeks after exposure. No response to SLYNTVATL was detected by either assay.

HXB2 Location p17 (77–85)

Author Location p17

Epitope SLYNTVATL

Subtype B

Immunogen HIV-1 infection

Species (MHC) human (A2)

Country United Kingdom.

Assay type Tetramer binding, T-cell Elispot, Intracellular cytokine staining

Keywords rate of progression, acute/early infection, characterizing CD8+ T cells, immune dysfunction

References Papagno *et al.* 2004

- Acute HIV-1 infection induces massive activation of HIV-specific and non-HIV-specific CD8+ T-cells resulting in differentiation of these cells. High differentiation of CD8+ T-cells is correlated with disease progression. Differentiation is a natural process but it can be driven by elevated immune activation, such as in HIV infection.

HXB2 Location p17 (77–85)

Author Location p17 (77–85)

Epitope SLFNTVATL

Epitope name SLF

Immunogen HIV-1 infection

Species (MHC) human (A2)

Donor MHC A2, A68.1, B*07, B*3503, Cw*0401, Cw*0702, DR17, DR15, DR51, DR52, DQ2, DQ6

Assay type CD8 T-cell Elispot - IFN γ , Tetramer binding, CD4 T-cell Elispot - IFN γ

Keywords rate of progression, immunodominance, escape

References Oxenius *et al.* 2004b

- The increase in plasma viral load in a patient that progressed rapidly was preceded by positive selection of viral escape mutations in epitopes targeted by dominant HIV-1-specific CD8+ T-cell responses, and a decrease in HIV-1-specific CD4+ and CD8+ T-cell frequencies. Overall, escape variant epitopes were recognized 0-80% as efficiently as the index peptide, and the relatively efficiency of the variant epitopes increased using PBLs collected after their appearance. No changes were found in viral tropism, replication kinetics and neutralizing antibody titers, so the rapid decline of the patient was attributed to loss of HIV containment due to CTL escape.
- This epitope was one of six epitopes found to be under positive selection for escape mutations and was completely replaced by escape variants between days 327 and 635 (sLYntvatl and sLYnAvatl).

HXB2 Location p17 (77–85)

Author Location Gag

Epitope SLYNTVATL

Epitope name SL9

Subtype B

Immunogen HIV-1 infection

Species (MHC) human (A2)

Assay type CD8 T-cell Elispot - IFN γ

Keywords subtype comparisons, escape, characterizing CD8+ T cells, reversion, viral fitness

References Allen *et al.* 2005a

- Two-thirds of all mutations arising in nonenvelope proteins during the transition from acute to chronic infection were found to be due to either CD8 T-cell-associated selective pressures or reversion of HLA-I-associated mutations selected in a previous host. The predominance of escape mutations at highly polymorphic sites was observed across different HIV-1 clades.

- Two escape mutations, at positions 3 and 8, sIFntvatl and slyntvaV1, were found in the most polymorphic residues in the epitope. These were shared between clades B and C. One escape mutation, at position 6, slyntlatl, was found not to correspond to the most polymorphic residue in the epitope.

HXB2 Location p17 (77–85)
Author Location p17 (77–85)
Epitope SLYNTVATL
Subtype B
Immunogen HIV-1 infection
Species (MHC) human (A2)
Country United States.
Assay type CD8 T-cell Elispot - IFN γ , Chromium-release assay, HLA binding
Keywords acute/early infection, optimal epitope
References Altfeld *et al.* 2005

- The most frequently targeted HLA-A2-restricted CD8+ T-cell epitopes in chronic infection were significantly less frequently recognized during primary infection. This is the most commonly recognized A2 epitope in chronic infection, recognized in 62% of 74 A2+ people, but it is rarely recognized in acute infection (in only 1/14 cases).

HXB2 Location p17 (77–85)
Author Location p17 (77–85 HXB2)
Epitope SLYNTVATL
Epitope name 17A
Subtype B
Immunogen vaccine
Vector/Type: DNA *Strain:* multiple epitope immunogen *HIV component:* p17/p24 Gag, Pol *Adjuvant:* IL-12
Species (MHC) transgenic mouse (A2)
Assay type Cytokine production, CD8 T-cell Elispot - IFN γ , Chromium-release assay
Keywords vaccine-specific epitope characteristics, vaccine antigen design
References Bolesta *et al.* 2005

- Immunization of transgenic mice with a codon-optimized hGagp17p24-Polp51 DNA plasmid, consisting of clusters of highly conserved CTL epitopes presented by multiple MHC class I alleles, induced 2- to 5-fold higher CD8+ T-cell responses than the corresponding full-length proteins. The modified proteins had the ribosomal frameshift deleted, as well as the potentially immunosuppressive p15, and protease and integrase. This correlated with higher protection against challenge with Gag and Pol expressing recombinant vaccinia virus. Mice immunized with the hGagp17p24-Polp51 also showed an elevated level of type 1 cytokine production as well as an increased titer of p24- and RT-specific IgG2 antibody responses.
- This was 1 of 4 A2 gag/pol epitopes tested. Transgenic mice immunized with the deleted construct induced more potent EliSpot reactions to this epitope than those immunized with full length Gag/Pol.

HXB2 Location p17 (77–85)
Author Location p17 (77–85)
Epitope SLYNTVATL
Immunogen HIV-1 infection

Species (MHC) human (A2)
Donor MHC A2, A2, B44, B70; A2, A31, B51, B58w4
Country United States.
Assay type Intracellular cytokine staining, Flow cytometric T-cell cytokine assay
Keywords HAART, ART, escape, variant cross-recognition or cross-neutralization
References Casazza *et al.* 2005

- Evidence of continued viral evolution during HAART therapy despite low viral load was found in 1/5 patients studied.
- This epitope was recognized in 2 individuals and was invariant in both prior to HAART (20/20 clones in each).

HXB2 Location p17 (77–85)
Author Location
Epitope SLYNTVATL
Immunogen HIV-1 infection
Species (MHC) human (A2)
Country Germany.
Assay type CD8 T-cell Elispot - IFN γ
Keywords rate of progression, escape, variant cross-recognition or cross-neutralization, optimal epitope
References Harrer *et al.* 2005

- An HLA-B13-restricted optimal epitope was defined in Nef, RI9. The frequency of CTLs specific for this epitope in B13-positive patients exceeded the number of CTLs against other epitopes, indicating that this is a dominant epitope in B13-positive subjects. Three B13-positive patients who had an immunodominant response to this epitope were good controllers of their infection, with low viral loads over long periods.
- Five A2+ B13+ patients were found to make an immunodominant response to the B13 epitope RI9. 0/5 recognized ILKEPVHGV, and only 1/5 recognized SLYNTAVTL, with a much lower frequency than the B13 response.

HXB2 Location p17 (77–85)
Author Location Gag (77–85 BRU)
Epitope SLYNTVATL
Subtype B, CRF02_AG
Immunogen HIV-1 infection
Species (MHC) human (A2)
Country Cote D'Ivoire.
Assay type CD8 T-cell Elispot - IFN γ
Keywords subtype comparisons
References Inwoley *et al.* 2005

- CD8+ T-cells from HIV-1 CRF02_AG-infected Ivorians could recognize clade B epitopes. No difference was observed in the number of recognized peptide pools between nine French subtype B infected study subjects, and nine CRF02_AG infected Ivorian subjects.
- This epitope was recognized by 3/9 CRF02_AG-infected patients, and by 2/9 B-infected patients.

HXB2 Location p17 (77–85)
Author Location Gag
Epitope SLYNTVATL
Immunogen HIV-1 infection
Species (MHC) human (A2)
Country Netherlands.

Assay type Tetramer binding, Flow cytometric T-cell cytokine assay

Keywords binding affinity, rate of progression, escape, characterizing CD8+ T cells

References Jansen *et al.* 2005

- HLA-B57 has been associated with long term non-progression in HIV+ people. The number and responsiveness of CD8 T-cells directed to different Gag peptides presented by HLA-A2, -B8 and B57 were compared. T cells specific for the HLA-B57 epitope KAFSPEVIPMF responded to a higher extent and more readily to antigenic stimulation than those specific for the A2 epitope SLYNTVATL and the B8 epitope EIYKRWII.
- In 3/4 A2 subjects that were sequenced, epitope variants dominated: 2 subjects carried sIFntvatl, and the other slyntlatl.
- Tetramer decay experiments indicate that the HLA-B57 peptide has a higher half-life than the A2 and B8 peptides. The authors point out that CD8+ T cells with high binding affinity may require less help.

HXB2 Location p17 (77–85)

Author Location Gag (77–85)

Epitope SLYNTVATL

Epitope name SL9

Subtype B

Immunogen HIV-1 infection

Species (MHC) human (A2)

Donor MHC A*02, A*68, B*14, B*52, Cw*08, Cw*12

Country United States.

Assay type CD8 T-cell ELISPOT - IFN γ , Chromium-release assay, Flow cytometric T-cell cytokine assay

Keywords escape, optimal epitope

References Koibuchi *et al.* 2005

- HIV-1-specific CD8 T-cell responses were shown to be persistent in the chronic phase of HIV-1 infection, although the responses to some of the epitopes were declining despite the persistence of the targeted sequences in vivo. Only 4/14 epitopes were potential CTL escape variants, although strong responses to these epitopes persisted for 6 years. This indicates limited viral evolution within targeted CD8 T-cell epitopes during the chronic phase of infection.
- ELISPOT responses to the consensus form of this epitope, SLYNTVATL, were much more intense than to the most common variants of the epitope found over time in this individual, SLfN-TiATL and SLfNTVAvL; these may be escape variants. The strong response to the consensus form persisted, despite the fact it was not observed among the autologous sequences during 6 years of chronic infection.

HXB2 Location p17 (77–85)

Author Location p17 (77–85)

Epitope SLYNTVATL

Epitope name SL9

Subtype B

Immunogen HIV-1 infection, HIV-1 exposed seronegative

Species (MHC) human (A2)

Country Canada.

Assay type CD8 T-cell ELISPOT - IFN γ

Keywords HIV exposed persistently seronegative (HEPS), immunodominance, genital and mucosal immunity, characterizing CD8+ T cells

References Makedonas *et al.* 2005

- CD8 T-cell responses were studied in individuals who remained seronegative in spite of being mucosally (group 1) or intravenously (group 2) exposed to HIV-1. A similar proportion of subjects from each group recognized at least 1 HIV peptide, and they recognized peptides with similar cumulative intensity. The proportion of responding individuals in both groups was significantly greater than in a low-risk, negative control group. One exposed uninfected subject recognized 7 epitopes.
- HLA-A*0201 epitopes that are immunodominant in chronically infected individuals were rarely stimulatory in exposed uninfected individuals. SLYNTVATL was recognized by one HLA A2+ individual in each group (1/11 vs 1/5), while none of the exposed uninfected individuals tested responded to ILKEPVHGV. In contrast, chronically infected subjects recognized these epitopes at a frequency of 69% and 31%, respectively.

HXB2 Location p17 (77–85)

Author Location p17 (77–85)

Epitope SLYNTVATL

Epitope name SL9

Immunogen HIV-1 infection

Species (MHC) human (A2)

Country Germany.

Assay type CD8 T-cell ELISPOT - IFN γ , Chromium-release assay

Keywords HAART, ART, characterizing CD8+ T cells, optimal epitope

References Schmitt-Haendle *et al.* 2005

- CTL responses to 3 HLA-A2-restricted epitopes were investigated in 51 HIV-1 infected HLA-A2+ individuals. The most prevalent response was seen for IV9, followed by SL9. The VL9 epitope was not recognized. There was a significant correlation of CTL activity to the CD8 counts in peripheral blood, but no correlation to CD4 counts, viral load, or antiviral therapy.
- SL9 was only recognized in 13.7% of the individuals tested.

HXB2 Location p17 (77–85)

Author Location p17

Epitope SLYNTVATL

Epitope name SL9

Immunogen HIV-1 exposed seronegative

Species (MHC) human (A2, A*0202)

Keywords subtype comparisons

References Rowland-Jones *et al.* 1998b

- HIV-specific CTL were found in exposed seronegative prostitutes from Nairobi – these CTL may confer protection.
- Seroprevalence in this cohort is 90-95% and their HIV-1 exposure is among the highest in the world.
- Most isolated HIV strains are clade A in Nairobi, although clades C and D are also found – B clade epitopes are often cross-reactive, however stronger responses are frequently observed using A or D clade versions of epitopes.
- This epitope is conserved among B and D clade viruses.

- The Clade A version of the epitope, SLFNTVATL, was preferentially recognized by CTL.
- This epitope was recognized by two different exposed seronegative prostitutes.

HXB2 Location p17 (77–85)

Author Location p17

Epitope SLYNTVATL

Immunogen HIV-1 infection

Species (MHC) human

Keywords review, escape

References Sewell *et al.* 2000

- Review of the impact of CTL on viral immunity and escape that notes that SLYNTVATL-tetramer binding cells in individuals that react to this epitope inversely correlate with plasma viral load.

HXB2 Location p17 (77–85)

Author Location (SF2, HXBc2/Bal chimeric)

Epitope SLYNTVATL

Epitope name SL9

Subtype B

Immunogen HIV-1 infection

Species (MHC)

Keywords rate of progression, escape

References Douek *et al.* 2002

- Seven HIV-positive subjects tended to make their strongest CD8+ T-cell response against Gag; these responses had varying breadth and magnitude that were unrelated to disease progression.
- Patient TX7 primarily recognized SL9 during a three year study period and used six T-cell clonotypes for this recognition.
- SLYNTVATL was the only form of the epitope found initially, but three alternate forms eventually appeared: SLYNTVAVL, SLYNTIATL, and most commonly SLYNTIAVL. These distinct forms bind A2, but have distinct abilities to stimulate different T-cell clonotypes.
- In subject TX7, the observed mutations of SL9 failed to escape overall CTL recognition, presumably because the six T-cell clonotypes allowed a more flexible response.
- The BV17 T-cell clone recognized SL9 but not SLYNTIAVL, and BV17 became undetectable at week 20 when SLYNTIAVL predominated. Subsequently BV17 became the second most common clone. Thus the relative frequency of the T-cell clonotypes varied with respect to each other and to epitope variation.

HXB2 Location p17 (77–85)

Author Location p17 (77–85 LAI)

Epitope SLYNTVATL

Subtype B

Immunogen HIV-1 infection

Species (MHC) human

Donor MHC A*0201

Keywords HAART, ART, responses in children

References Luzuriaga *et al.* 2000

- Longitudinal study of 8 infants with prolonged viral suppression due to combination antiretroviral therapy showed no HIV-1 specific CTL responses in peripheral blood cells. 6/8 were studied using a Chromium release assay and no response was detected using Gag expressed in vaccinia in the target cells. Three HLA-A*0201 children were tested using SLYNTVATL or ILKEPVHGV HLA A*0201 tetramers and again no HIV-specific response was detected, either using PBMC specimens, or PBMC which had been stimulated *in vitro* for a week.
- In contrast, one of the children with therapy suppressed HIV viral replication who was co-infected with HIV and EBV, while HIV-tetramer negative, had EBV-tetramer staining cells at a frequency of 0.14% in the PBMC.

HXB2 Location p17 (77–86)

Author Location Gag

Epitope SLYNTVATLY

Epitope name 1261

Subtype multiple

Immunogen HIV-1 infection

Species (MHC) human (A2)

Donor MHC A01, A02, B08, Cw16; A02, A30, B35, B49, Cw04, Cw07; A02, A03, B7, B58, Cw07; A02, A03, B08, B51, Cw01, Cw07

Country United States.

Assay type T-cell Elispot

Keywords binding affinity, computational epitope prediction

References De Groot *et al.* 2003

- Epitopes defined using sequence parsing and matching algorithm Conservatrix, and epitope prediction tool EpiMatrix, were shown to be conserved in a broad range of HIV-1 sequences derived from different parts of the world. 31 novel highly conserved HIV-1 epitopes were found, among which four were recognized as promiscuous epitopes and five as MHC supertypes.
- Estimated binding probability for SLYNTVATLY: 78%

HXB2 Location p17 (77–91)

Author Location p17 (77–85)

Epitope SLYNTVATLYCVHQR

Subtype A, D

Immunogen HIV-1 infection

Species (MHC) human (A*3002, A*0201)

Donor MHC A*3002, A*6801, B*5703, B*5802; A*0201, A*2902, B*1402, B*1503

Country Uganda.

Assay type CD8 T-cell Elispot - IFN γ

Keywords subtype comparisons, variant cross-recognition or cross-neutralization

References Barugahare *et al.* 2005

- T-cell immune responses were examined in HIV-1 infected Ugandans. Similar levels of cross-clade responses for Gag, Env and Nef were observed. Higher frequencies of responses in conserved regions were found for Gag within a single clade, while areas with higher viral sequence variation had fewer detectable responses. Differential interclade sequence homologies between the Gag regions did not affect the respective level of cross-clade recognition.

- The sequence contains a known A2 epitope and a known A*3002 epitope, and the subjects recognizing it each carry an HLA with a previously-defined restriction. The viral sequence isolated from the subjects was sIFntvatlycvhqr, and was reactive.

HXB2 Location p17 (78–85)

Author Location p17

Epitope LYNTVATL

Subtype D

Immunogen HIV-1 infection

Species (MHC) human (A24)

Donor MHC A23, A24, B35, B58, Cw4, Cw7

Country Democratic Republic of the Congo.

Assay type CD8 T-cell Elispot - IFN γ

Keywords subtype comparisons, computational epitope prediction

References Geels *et al.* 2005

- Cross-clade CTL responses in 10 non-B HIV-1 infected individuals were evaluated. T-cell reactivity was tested against peptide pools of clade B Gag, Pol, Nef, Rev and Tat. Nine individuals demonstrated cross-reactive T-cell responses to clade A, B, and C Gag pools; 6/7 patients that responded to Nef-B also reacted to clade A and C Nef pools. An inverse correlation was observed between the sequence divergence of the HLA class I restricted epitopes and the height of the T-cell responses, which in Gag could be explained through variations in the HLA-anchor residues. 42% of the responses were directed to regions containing new epitopes.
- Predicted epitope based on a patient with an HLA motif embedded in a reactive peptide from a person carrying a D clade Gag.

HXB2 Location p17 (78–85)

Author Location

Epitope LYNTVATL

Immunogen

Species (MHC) human (Cw*14)

Keywords optimal epitope

References Frahm *et al.* 2007

- C. Brander notes that this is an Cw14 epitope.

HXB2 Location p17 (78–86)

Author Location (C consensus)

Epitope LYNTVATLY

Subtype C

Immunogen HIV-1 infection

Species (MHC) human (A*29)

Country South Africa.

Assay type CD8 T-cell Elispot - IFN γ

Keywords rate of progression, optimal epitope

References Kiepiela *et al.* 2007

- A comprehensive analysis of 160 class I T cell responses in 578 individuals from KwaZulu-Natal, South Africa was performed. Gag-specific responses were associated with lowering viremia, while Env, accessory and regulatory protein-specific responses were associated with higher viremia.
- Mutational patterns in the Y2 residue of LYNTVATLY are associated with the presence of the HLA presenting molecule in the host.

HXB2 Location p17 (78–86)

Author Location p17 (78–86)

Epitope LYNTVATLY

Immunogen

Species (MHC) human (A*2902)

Keywords optimal epitope

References Frahm *et al.* 2007

- C. Brander notes that this is an A*2902 epitope.

HXB2 Location p17 (78–86)

Author Location (78–86)

Epitope LFNTVATLY

Subtype C

Immunogen HIV-1 infection

Species (MHC) human (A*2902)

Assay type Other

Keywords HLA associated polymorphism

References Boutwell & Essex 2007

- All HIV-1 subtype C protein sequences were analysed, and 94 HLA-associated amino acid polymorphisms were found that were well distributed throughout the proteome. These sequences were compiled from publicly available databases and originated in South Africa and Botswana. Many polymorphisms were associated with multiple HLA allele classes. 12% of negative associations were found as well, where there was an association of virus expression of the consensus amino acid with a specific HLA allele. HLA-B alleles were involved in most of the associations. 19 HLA-associated polymorphisms were embedded in previously defined epitopes presented by an appropriate HLA restricting molecule.
- LFNTVATLY was a previously defined A*2902 presented epitope that encompassed an A*29 associated polymorphism, LFNTVATLY, in the second position.

HXB2 Location p17 (78–86)

Author Location p17

Epitope LYNTVATLY

Epitope name LY-9

Subtype C

Immunogen HIV-1 infection

Species (MHC) human (A*2902, B*4403)

Country South Africa.

Assay type CD8 T-cell Elispot - IFN γ , CD4 T-cell Elispot - IFN γ , Intracellular cytokine staining, Chromium-release assay

Keywords subtype comparisons, epitope processing, immunodominance, cross-presentation by different HLA

References Masemola *et al.* 2004b

- Highly targeted regions in Gag for CD8+ T-cells were defined for individuals with C clade infections in South Africa. 9 specific epitopes within the most reactive regions were characterized. This is 1 of 5 novel epitopes that were found among subtype C HIV-1 from African patients who hadn't previously been identified in B clade infections. Some epitopes were shown to be promiscuous, presented by multiple class I restricting alleles.

- LYNTVATLY was presented by A*2902 and B*4403. B*44 is more common among Caucasians than Zulus (allele frequency 0.149 versus 0.107), while A*29 is more common in Zulus (0.045 versus 0.125).

HXB2 Location p17 (78–86)

Author Location (C consensus)

Epitope LYNTVATLY

Subtype C

Immunogen HIV-1 infection

Species (MHC) human (A29)

Country South Africa.

Assay type CD8 T-cell Elispot - IFN γ

Keywords characterizing CD8+ T cells

References Kiepiela *et al.* 2004

- HLA class I restricted CD8+ T-cell responses against HIV-1 were analyzed in African patients. Significantly more responses were shown to be HLA-B restricted. Viral load, CD4 count, and thus rate of disease progression were also associated with HLA-B alleles. In addition, the selection pressure imposed on HIV-1 by HLA-B alleles was shown to be substantially greater than by other alleles.
- This epitope was suggested to be the epitope within a longer reactive peptide based on correspondence with a known epitope in the HIV database. Also, a significantly higher frequency of people in the Durban cohort who reacted with the peptide had this HLA type.

HXB2 Location p17 (78–86)

Author Location

Epitope LYNTVATLY

Immunogen

Species (MHC) human (B*4403)

Keywords optimal epitope

References Frahm *et al.* 2007

- C. Brander notes that this is an B*4403 epitope.

HXB2 Location p17 (80–88)

Author Location Gag (80–)

Epitope NTVATLYCV

Epitope name Gag80

Immunogen HIV-1 infection, vaccine

Vector/Type: peptide *HIV component:* p17
Gag *Adjuvant:* Incomplete Freund's Adjuvant (IFA)

Species (MHC) human, transgenic mouse (A2)

Assay type CD8 T-cell Elispot - IFN γ , Chromium-release

assay, Flow cytometric T-cell cytokine assay

Keywords binding affinity, subtype comparisons, computational epitope prediction

References Corbet *et al.* 2003

- HLA-A2-restricted HIV-1 CTL epitopes were computationally predicted. Binding affinities for HLA-A*0204, immunogenicity in HLA-A*0201 transgenic mice, and responses to the peptides in 17 HIV-1 infected patients were tested. 31 novel conserved A2 epitopes were detected. An average of 4 epitopes were recognized per patient.
- This peptide was an intermediate A2 binder, and induced CTL and CD8+ T-cell IFN gamma responses in mice. Responses were detected in 1/17 HIV+ HLA-A2 subjects.

HXB2 Location p17 (82–91)

Author Location p17 (82–91 93TH253 subtype CRF01)

Epitope IATLWCVHQR

Epitope name G82-91

Subtype CRF01_AE

Immunogen HIV-1 infection, HIV-1 exposed seronegative

Species (MHC) human (A11)

Keywords HIV exposed persistently seronegative (HEPS)

References Sriwanthana *et al.* 2001

- This was a study of HIV-1 exposed persistently seronegative (HEPS) female sex workers in Chiang Mai, northern Thailand.
- HLA-A11 is very common in this population, and was enriched among the HEPS sexworkers – weak CTL responses were detected in 4/7 HEPS women, and CTL responses were found in 8/8 HIV+ controls, and 0/9 HIV- women that were not exposed.
- This epitope was weakly reactive in the HEPS study subject 265 who was HLA A2/A11.
- This epitope was strongly reactive in HIV+ study subject 053 who carried HLA-A11.

HXB2 Location p17 (82–91)

Author Location p17 (82–91 93TH253 subtype CRF01)

Epitope IATLWCVHQR

Subtype CRF01_AE

Immunogen HIV-1 infection

Species (MHC) human (A11)

Keywords subtype comparisons

References Bond *et al.* 2001

- HLA-A11 CRF01 (called subtype E in Bond *et al.*) epitopes were identified that stimulated CTL from HIV+ female sex workers (FSW) from Northern Thailand, of whom more than half were HLA-A11 positive.
- 77 possible HLA-A11 epitopes were first defined using EpiMatrix, these were screened for binding to A11 finding and 26 bound, and 12 of these were epitopes for CTL responses from 8 HLA-A11 positive FSWs, six were novel, six were previously identified.
- This epitope was predicted by the EpiMatrix method to be likely to bind to A11, and it served as an epitope in the FSWs, it was one of the six A11 epitopes that had been previously defined.
- 3/8 tested FSWs recognized this epitope.
- This epitope was not conserved in other subtypes, and exact matches were uncommon.

HXB2 Location p17 (84–91)

Author Location Gag (83–90)

Epitope TLYCVHQR

Subtype B

Immunogen HIV-1 infection

Species (MHC) human (A*1101)

Keywords subtype comparisons, TCR usage

References Fukada *et al.* 2002

- Counterparts for eight known clade B HLA A*1101 epitopes were generated for clade E (CRF01). Three epitopes, identical among clade A-E, were cross-reactive and recognized by clade E infected individuals. The clade E and B analogs to three more HLA A*1101 epitopes was recognized in a clade specific manner. Two other HLA A*1101 clade B defined epitopes were found not to have stimulated a response in clade E infected individuals.
- TLYCVHQQR was found to elicit clade-specific responses in clade B (TLYCVHQQR is most common, and is also common in clade A – the variant tlycvhqK is common in clade B) and clade E (tlWcvhqr is most common). TLYCVHQQR was not recognized by any CTL, tlycvhqK was recognized by CTL from 1/5 B clade infected Japanese subjects, and tlWcvhqr was not recognized by CTL from infected Thai subjects, so this seems to be a B clade exclusive epitope.
- The binding of the variant peptides to HLA A*1101 was comparable, but CTL that recognized tlycvhqK did not cross-recognize the other forms, implicating TCR interaction differences.

HXB2 Location p17 (84–91)

Author Location p17 (83–91)

Epitope TLYCVHQQR

Immunogen HIV-1 infection

Species (MHC) human (A11)

Keywords escape

References Harrer *et al.* 1998

- Two overlapping epitopes were recognized in a long-term survivor, restricted by two different HLA molecules, HLA-A11(TLYCVHQQR) and HLA-A2 (SLYNTVATL)
- Viral sequence substitutions were present in this individual which did not affect viral replication and did not alter CTL-recognition of the A2 epitope, but reduced recognition of the A11 epitope, indicative of immune escape.
- A Q90E substitution resulted in a loss of the ability of the peptide to induce lysis, a R91K substitution was still reactive, and a R91Q substitution showed a reduced ability to stimulate lysis.

HXB2 Location p17 (84–92)

Author Location p17 (84–92)

Epitope TLYCVHQRI

Immunogen HIV-1 infection

Species (MHC) human (A*1101)

Keywords optimal epitope

References Frahm *et al.* 2007

- C. Brander notes that this is an A*1101 epitope.

HXB2 Location p17 (84–92)

Author Location Gag (83–91 SUMA)

Epitope TLYCVHQKI

Epitope name Gag TI9

Subtype B

Immunogen HIV-1 infection

Species (MHC) human (A*1103)

Donor MHC A*1103, A*2402, B*1402, B*1501, Cw*0802

Country United States.

Assay type CD8 T-cell Elispot - IFN γ , Chromium-release assay

Keywords dynamics, acute/early infection, characterizing CD8+ T cells

References Jones *et al.* 2004

- Primary CD8+ T-cell response to Env, Tat and Gag and the extent, kinetics and mechanisms of viral escape were examined in three patients. Rapid escape, within weeks from infection, from HIV specific CTL responses was observed in all three patients, but the kinetics and extent of the escape differed depending on the breadth and co-dominant distribution of CTL-mediated pressure. The two patients that rapidly declined had more focused immunodominant responses, while the single patient that had low viral load and stable CD4 counts for seven years had a broad co-dominant response and less escape.
- The patient SUMA maintained low viral loads and stable CD4 T-cell counts through seven years of follow up. In contrast to more rapid progressors, WEAU and BORI, SUMA a broad response to 24 epitopes, with little immunodominance. Two peptides were somewhat more intensely recognized in acute infection, but this response leveled out early on.
- Only four epitopes were found to acquire escape mutations in SUMA over time, and this was one of the 20 that remained invariant. A low level response was detected at acute infection that persisted through early infection.

HXB2 Location p17 (84–92)

Author Location p17 (84–92)

Epitope TLYCVHQRI

Immunogen HIV-1 infection

Species (MHC) human (A11)

Keywords responses in children, mother-to-infant transmission

References Brander & Walker 1995

- Epitope defined in the context of the Pediatric AIDS Foundation ARIEL Project, a mother-infant HIV transmission study.

HXB2 Location p17 (84–92)

Author Location p17 (84–92)

Epitope TLYCVHQRI

Immunogen HIV-1 infection

Species (MHC) human (A11)

References Birk *et al.* 1998b

- A study of p17 variation considering known p17 epitopes and individuals with known HLA types revealed that p17 evolution is influenced by immune pressure from CTLs.

HXB2 Location p17 (84–92)

Author Location p17 (84–92)

Epitope TLYCVHQRI

Immunogen HIV-1 infection

Species (MHC) human (A11)

References Ferrari *et al.* 2000

- One of the 51 HIV-1 epitopes selected by Ferrari *et al.* as good candidate CTL epitopes for vaccines by virtue of being conserved and presented by common HLA alleles.

HXB2 Location p17 (84–92)

Author Location p17 (84–92 SF2)

Epitope TLYCVHQRI

- Immunogen** HIV-1 infection
Species (MHC) human (A11)
Keywords HAART, ART, acute/early infection
References Altfeld *et al.* 2001b
- Therapy provided during acute infection resulted in a narrower CTL response, stronger T help response, and a less diverse viral population than was seen in individuals treated during chronic infection.
 - The breadth and specificity of the response was determined using ELISPOT by studying 19 individuals with pre-seroconversion therapy (Group 1), 11 individuals with primary infection but post-seroconversion therapy (Group 2), and 10 individuals who responded to HAART given during chronic infection (Group 3), using 259 overlapping peptides spanning p17, p24, RT, gp41, gp120 and Nef.
 - Previously described and newly defined optimal epitopes were tested for CTL response.
 - Number of HLA-A11+ individuals that had a CTL response to this epitope broken down by group: 0/3 group 1, 0/0 group 2, and 1/2 group 3.
- HXB2 Location** p17 (84–92)
Author Location p17 (84–92)
Epitope TLYCVHQRI
Immunogen HIV-1 infection, HIV-1 exposed seronegative
Species (MHC) human (A11)
Keywords HIV exposed persistently seronegative (HEPS)
References Kaul *et al.* 2001a
- ELISPOT was used to study CTL responses to a panel of 54 predefined HIV-1 epitopes in 91 HIV-1-exposed, persistently seronegative (HEPS) and 87 HIV-1-infected female Nairobi sex workers.
- HXB2 Location** p17 (85–92)
Author Location p17
Epitope LYCVHQKI
Subtype D
Immunogen HIV-1 infection
Species (MHC) human (A24)
Donor MHC A23, A24, B35, B58, Cw4, Cw7
Country Democratic Republic of the Congo.
Assay type CD8 T-cell Elispot - IFN γ
Keywords subtype comparisons, computational epitope prediction
References Geels *et al.* 2005
- Cross-clade CTL responses in 10 non-B HIV-1 infected individuals were evaluated. T-cell reactivity was tested against peptide pools of clade B Gag, Pol, Nef, Rev and Tat. Nine individuals demonstrated cross-reactive T-cell responses to clade A, B, and C Gag pools; 6/7 patients that responded to Nef-B also reacted to clade A and C Nef pools. An inverse correlation was observed between the sequence divergence of the HLA class I restricted epitopes and the height of the T-cell responses, which in Gag could be explained through variations in the HLA-anchor residues. 42% of the responses were directed to regions containing new epitopes.
 - Predicted epitope based on a patient with an HLA motif embedded in a reactive peptide from a person carrying a D clade Gag.
- HXB2 Location** p17 (86–101)
Author Location p17 (SF2)
Epitope YCVHQRIEIKDTKEAL
Immunogen HIV-1 infection
Species (MHC) human
References Altfeld *et al.* 2000
- This epitope was mapped by ELISPOT in a study identifying new HLA-B60 epitopes, and was one of the epitopes presented by another HLA molecule in an HLA-B60 individual.
 - The response to the peptide was CD8 dependent, but the HLA presenting molecule and optimal epitope were not determined.
- HXB2 Location** p17 (86–101)
Author Location p17 (SF2)
Epitope YCVHQRIEIKDTKEAL
Immunogen HIV-1 infection
Species (MHC) human
References Altfeld *et al.* 2000
- This epitope was mapped by ELISPOT in a study identifying new HLA-B60 epitopes, and was one of the epitopes presented by another HLA molecule in an HLA-B60 individual.
 - The response to the peptide was CD8 dependent, but the HLA presenting molecule and optimal epitope were not determined.
- HXB2 Location** p17 (87–105)
Author Location p17 (91–105 SF2)
Epitope CRIDVKDTKEALEKIE
Immunogen HIV-1 infection
Species (MHC) human
References Lieberman *et al.* 1997b
- CTL expanded *ex vivo* were later infused into HIV-1 infected patients.
- HXB2 Location** p17 (88–115)
Author Location p17 (88–115 ARV)
Epitope VHQRIEIKDTKEALDKIEEQNKSKKKA
Immunogen HIV-1 infection
Species (MHC) human (A2)
References Achour *et al.* 1990
- B cell epitope HGP-30 also serves as a CTL epitope.
- HXB2 Location** p17 (88–115)
Author Location p17 (88–115 ARV)
Epitope VHQRIEIKDTKEALDKIEEQNKSKKKA
Immunogen vaccine
Vector/Type: peptide *HIV component:* CD4BS, HPG30, V3 *Adjuvant:* IL-12
Species (MHC) mouse (H-2^d)
References Hamajima *et al.* 1997
- B cell epitope HGP-30 also serves as a CTL epitope.
 - Vaccine combined HGP-30, V3 loop peptide variants, and CD4 binding site peptide.
 - IL-12 expression plasmid included with the vaccination enhanced the CTL response.
- HXB2 Location** p17 (91–101)
Author Location p17 (SF2)
Epitope RIDVKDTKEAL
Immunogen HIV-1 infection
Species (MHC) human

Keywords subtype comparisons, immunodominance

References Goulder *et al.* 2000a

- The CTL-dominant response was focused on this epitope in an HIV+ Haitian living in Boston, who was A23/68 B45/72 Cw2/16 – this epitope fell outside the most recognized peptides in the study.
- Three peptides GSEELRSLYNTVATL (p17 residues 71-85), SALSEGATPQDLNMLNTVG (p24 41-60), and WEKIRLRPGGKKKYKLLK (p17 16-30) contained the dominant Gag-specific epitope in 31/44 B-clade infected individuals from Boston who showed Gag-CTL responses.
- Five peptides RLRPGGKKHYMIKHLVW (p17 20-36), ELRSLYNTVATLYCV (p17Gag 74-88), SALSEGATPQDLNMLNTVG (p24 41-60), FRDYVDRFFKTLRAEQA (p24 161-177), and SILDIKQGKEPFRDY (p24 149-164) contained dominant Gag-specific epitopes in 32/37 C-clade infected subjects from South Africa.

HXB2 Location p17 (91–105)

Author Location p17 (91–105 SF2)

Epitope RIDVKDTKEALEKIE

Immunogen HIV-1 infection

Species (MHC) human

References Lieberman *et al.* 1997a

- Of 25 patients, most had CTL specific for more than 1 HIV-1 protein.
- Twelve subjects had CTL that could recognize vaccinia-expressed LAI gag.
- One of these 12 had CTL response to this peptide.
- The responding subject was HLA-A3, A24, B8, B55.

HXB2 Location p17 (92–101)

Author Location p17 (92–101)

Epitope IEIKDTKEAL

Immunogen HIV-1 infection

Species (MHC) human (B*4001)

Keywords optimal epitope

References Frahm *et al.* 2007

- C. Brander notes this is a B*4001 epitope.

HXB2 Location p17 (92–101)

Author Location p17

Epitope IEIKDTKEAL

Immunogen HIV-1 infection

Species (MHC) human (B60)

References Wagner *et al.* 1998a

- CTL specific for HIV epitopes were used to show that the mediators of both the cytolytic (granzyme A was used as the marker) and non-cytolytic (HIV-1 inhibitory chemokines MIP-1 α and RANTES were used as markers) anti-viral responses are localized within the CTL's cytotoxic granules.

HXB2 Location p17 (92–101)

Author Location p17 (92–101 SF2)

Epitope IEIKDTKEAL

Immunogen HIV-1 infection

Species (MHC) human (B60)

Keywords HAART, ART, acute/early infection

References Altfeld *et al.* 2001b

- Therapy provided during acute infection resulted in a narrower CTL response, stronger T help response, and a less diverse viral population than was seen in individuals treated during chronic infection.
- The breadth and specificity of the response was determined using ELISPOT by studying 19 individuals with pre-seroconversion therapy (Group 1), 11 individuals with primary infection but post-seroconversion therapy (Group 2), and 10 individuals who responded to HAART given during chronic infection (Group 3), using 259 overlapping peptides spanning p17, p24, RT, gp41, gp120 and Nef.
- Previously described and newly defined optimal epitopes were tested for CTL response.
- Number of HLA-B60+ individuals that had a CTL response to this epitope broken down by group: 0/2 group 1, 1/1 group 2, and 0/0 group 3.

HXB2 Location p17 (92–101)

Author Location p17 (SF2)

Epitope IEIKDTKEAL

Immunogen HIV-1 infection

Species (MHC) human (B60)

References Altfeld *et al.* 2000

- This epitope was mapped by ELISPOT in a study identifying new HLA-B60 epitopes.
- B60 is present in 10-20% of the Caucoid and very common in Asian populations.

HXB2 Location p17 (92–101)

Author Location Gag (92–101)

Epitope IEIKDTKEAL

Immunogen HIV-1 infection

Species (MHC) human (B60)

Keywords class I down-regulation by Nef

References Yang *et al.* 2002

- Nef down-modulates class I protein expression, and this study demonstrates directly that Nef-deleted HIV-1 NL-43 can be more effectively killed *in vitro* than NL-43 with an intact Nef. The effect was shown to be specific for class I presentation of epitopes, and unlike Nef, deleting Vpr did not alter CTL susceptibility of NL43 infected cells. The CTL clone 161JD27, specific for the class I B60 presented epitope IEIKDTKEAL, was one of four used in this study.

HXB2 Location p17 (92–101)

Author Location p17 (92–101 NL43)

Epitope IEIKDTKEAL

Epitope name IL10

Subtype B

Immunogen HIV-1 infection

Species (MHC) human (B60)

Assay type Chromium-release assay, CTL suppression of replication

Keywords escape

References Yang *et al.* 2003a

- Virus was cultured in the presence of CTL lines specific for 5 different epitopes (SLYNTVATL, ILKEPVHGV, IEIKDTKEAL, SEGATPQDL, and KEKGGLEGL) to study the emergence of escape mutations. Escape varied between clones for the same epitope, and between different epitopes.

Gag and RT epitope escape, if it occurred at all, tended to be monoclonal and within the epitope, indicating strong fitness constraints, while the Nef epitope escape was rapid, polyclonal, and sometimes the result of upstream frameshifts.

- There was one cloned cell line that recognized IEIKDTKEAL, 161JD27. After 2 weeks of passaging HIV-1 in the presence of 161JD27, no mutations were observed within the epitope in 10 sequences; one of the 10 had a single E → K substitution 6 amino acids beyond the C-terminal end of the epitope.

HXB2 Location p17 (92–101)

Author Location Gag (92–101 B consensus)

Epitope IEIKDTKEAL

Epitope name IL10

Subtype B

Immunogen vaccine

Vector/Type: adeno-associated virus (AAV)

HIV component: gp120

Species (MHC) human (B60)

Assay type Chromium-release assay, Flow cytometric T-cell cytokine assay

Keywords dynamics, immune evasion

References Brainard *et al.* 2004

- HIV-1 gp120 is shown to suppress the ability of antigen-specific CTLs to migrate or remain at sites of high viral replication by concentration-dependent chemotaxis and fugetaxis. Directional T-cell movement is shown to depend on the interaction of the V2 and V3 loops with the CXCR4 receptor. X4 HIV-1 gp120 causes the migration of T-cells, including HIV-1 specific CTL, away from infected target cells, another potential mechanism for immune evasion.

HXB2 Location p17 (92–101)

Author Location p17 (92–101)

Epitope IEIKDTKEAL

Epitope name Gag/p17-IL10

Subtype B

Immunogen HIV-1 infection

Species (MHC) human (B60)

Assay type Chromium-release assay

Keywords binding affinity, epitope processing, TCR usage, characterizing CD8+ T cells

References Yang *et al.* 2003b

- Killing efficiency of CTLs and their ability to suppress viral replication is shown to depend more on epitope specificity than to antigenic avidity. Different clones recognizing the same epitope had similar killing efficiency despite their variation in avidity. Nef specific CTL clones tended to be most inhibitory, followed by Gag, then by RT specific clones, regardless of avidity.
- 1/14 CTL T-cell clones tested were specific for Gag/p17-IL10. Under conditions of excess peptide (100ug/ml), there was no difference in their lytic potential; all possessed similar effector capacity. Avidity was measured as the sensitizing dose of peptide required for 50% of maximal killing (SD50), which varied from 20 pg/ml to 100 ng/ml, over four orders of magnitude for all 14 epitopes. The SD50 value for the Gag/p17-IL10 clone was 8,000 pg/ml.

HXB2 Location p17 (92–101)

Author Location p17 (92–101)

Epitope IEIKDTKEAL

Immunogen HIV-1 infection

Species (MHC) human (B60, B61)

Keywords immunodominance

References Day *et al.* 2001

- No immunodominant responses were detected to five B61-restricted epitopes tested.
- All five B60-restricted epitopes were reactive in another subject, and the B60-restricted responses together contributed over one-third of the total CTL response.

HXB2 Location p17 (93–101)

Author Location Gag (99–107 WEAU)

Epitope EVKDTKEAL

Epitope name Gag EVL9

Subtype B

Immunogen HIV-1 infection

Species (MHC) human (B*0801)

Donor MHC A*2902, B*4403, B*0801

Country United States.

Assay type CD8 T-cell Elispot - IFN γ , Chromium-release assay

Keywords dynamics, immunodominance, acute/early infection, kinetics, characterizing CD8+ T cells, reversion, viral fitness

References Jones *et al.* 2004

- Primary CD8+ T-cell response to Env, Tat and Gag and the extent, kinetics and mechanisms of viral escape were examined in three patients. Rapid escape, within weeks from infection, from HIV specific CTL responses was observed in all three patients, but the kinetics and extent of the escape differed depending on the breadth and co-dominant distribution of CTL-mediated pressure. The two patients that rapidly declined had more focused immunodominant responses, while the single patient that had low viral load and stable CD4 counts for seven years had a broad co-dominant response and less escape.
- The patient WEAU had high viral loads and rapid CD4 decline. WEAU mounted 14 detected CTL responses, with distinct patterns of immunodominance. WEAU did not control viral replication well, and escape mutations occurred early and 4/14 had changes that could have resulted in escape, and two were confirmed as escape.
- There was a weak response to this epitope during acute and early infection, and the epitope sequence did not vary during the first year of the infection.

HXB2 Location p17 (93–101)

Author Location p17

Epitope EVKDTKEAL

Subtype B

Immunogen HIV-1 infection

Species (MHC) human (B*0801)

Donor MHC A*0101, A*0301, B*0801, B*5101; A*0101, B*0801

Country United Kingdom.

Assay type CD8 T-cell Elispot - IFN γ , HLA binding

Keywords escape, acute/early infection, variant cross-recognition or cross-neutralization

References Milicic *et al.* 2005

- CTL responses and escape were analyzed in 4 homosexual couples where blood samples were available within weeks of estimated transmission. When the recipient had the same HLA type as the donor, CTL escape variants prevented a CTL response to those epitopes in the recipient. Even when the HLA alleles were different in the transmitting couple, a single escape mutation in one epitope can abolish CTL recognition of an overlapping epitope of distinct restriction in the recipient. In an early acute infection of the donor, the precise timing of transmission determines the viral variants transmitted.
- The second donor in the study shares A*0101 and B*0801 with his partner. The epitope EVKDTKEAL has an escape variant in the donor that does not react in an Elispot assay, DvkGtkeal, but the Dvkdtkeal form was the transmitted variant. The transmitted form and EVKDTKEAL bind with equal affinity to B*0801.
- The recipient mounted a response to the Dvkdtkeal form of the epitope. The variant DvRdtkeal was detected by 32 weeks post infection.

HXB2 Location p17 (93–101)

Author Location p17 (93–101)

Epitope EIKDTKEAL

Immunogen peptide-HLA interaction

Species (MHC) human (B8)

References DiBrino *et al.* 1994b

- Examined in the context of motifs important for HLA-B8 binding, predicted epitope based on Achour *et al.*

HXB2 Location p17 (93–101)

Author Location p17 (93–101)

Epitope EIKDTKEAL

Immunogen HIV-1 infection

Species (MHC) human (B8)

References Birk *et al.* 1998b

- A study of p17 variation considering known p17 epitopes and individuals with known HLA types revealed that p17 evolution is influenced by immune pressure from CTLs.

HXB2 Location p17 (93–101)

Author Location p17 (93–101 LAI)

Epitope EIKDTKEAL

Subtype B

Immunogen

Species (MHC) human (B8, B60)

References Brander & Walker 1997

- Pers. comm. from A. Trocha and S. Kalams to C. Brander and B. Walker.

HXB2 Location p17 (93–101)

Author Location p17 (SF2)

Epitope DVKDTKEAL

Immunogen HIV-1 infection

Species (MHC) human

Keywords subtype comparisons, immunodominance

References Goulder *et al.* 2000a

- The CTL-dominant response was focused on this epitope in a HIV+ Caucasian from Boston, who was A1/*0201 B8/63 Cw7/- – this epitope fell outside the most recognized peptides in the study.

- Three peptides GSEELRSLYNTVATL (p17 residues 71–85), SALSEGATPQDLNMLNTVVG (p24 41–60), and WEKIRLRPGGKKKYKLLK (p17 16–30) contained the dominant Gag-specific epitope in 31/44 B-clade infected individuals from Boston who showed Gag-CTL responses.

- Five peptides RLRPGGKKHYMIKHLVW (p17 20–36), ELRSLYNTVATLYCV (p17Gag 74–88), SALSEGATPQDLNMLNTVVG (p24 41–60), FRDYVDRFFKTLRAEQA (p24 161–177), and SILDIKQGKEPFRDY (p24 149–164) contained dominant Gag-specific epitopes in 32/37 C-clade infected subjects from South Africa.

HXB2 Location p17 (119–127)

Author Location Gag (119–127 BORI)

Epitope AADTGNSSQ

Epitope name Gag AQ9

Subtype B

Immunogen HIV-1 infection

Species (MHC) human

Donor MHC A*2902, B*1402, Cw*0802

Country United States.

Assay type CD8 T-cell Elispot - IFN γ , Chromium-release assay

Keywords dynamics, immunodominance, escape, acute/early infection, characterizing CD8+ T cells, reversion, viral fitness

References Jones *et al.* 2004

- Primary CD8+ T-cell response to Env, Tat and Gag and the extent, kinetics and mechanisms of viral escape were examined in three patients. Rapid escape, within weeks from infection, from HIV specific CTL responses was observed in all three patients, but the kinetics and extent of the escape differed depending on the breadth and co-dominant distribution of CTL-mediated pressure. The two patients that rapidly declined had more focused immunodominant responses, while the single patient that had low viral load and stable CD4 counts for seven years had a broad co-dominant response and less escape.
- The patient BORI had high viral loads and rapid CD4 decline. BORI mounted 8 detected responses. BORI did not control viral replication well, and escape mutations occurred early and in most epitopes, 6/7 that were precisely identified.
- 20 variants in the AADTGNSSQ epitope were found in the patient BORI, the first appearing at day 35 with new variants continuing to arise through day 556. This is an extremely variable epitope, and changed not only by base substitution but by insertion and deletion. All variants tested conferred escape, at high concentrations of peptide.

HXB2 Location p17 (121–132)

Author Location p17 (121–132 HXB2R)

Epitope DTGHSNQVSQNY

Immunogen HIV-1 infection

Species (MHC) human (A33)

References Buseyne *et al.* 1993b

- Clustering of Gag p24 CTL epitopes recognized in 29 HIV-infected people.

HXB2 Location p17 (121–132)

Author Location Gag (121–132 LAI)

Epitope DTGHSNQVSQNY

Subtype B**Immunogen** HIV-1 infection**Species (MHC)** human (A33)**References** Buseyne *et al.* 1993a

- Vertical transmission of HIV ranges from 13% to 39%.
- Primary assays showed that cytotoxic activity against at least one HIV protein was detected in 70% of infected children.
- Epitopes recognized in five children were mapped using synthetic peptides and secondary cultures.
- Patient EM17 (CDC P2A+C+D2) had a CTL response to two epitopes in Gag.

HXB2 Location p17 (123–132)**Author Location** Gag**Epitope** GNSSQVSQNY**Epitope name** GY10**Subtype B****Immunogen** HIV-1 infection**Species (MHC)** human**Donor MHC** A28, A29, B14, B44, Cw8**Country** United States.**Assay type** CD8 T-cell Elispot - IFN γ **Keywords** subtype comparisons, escape, characterizing CD8+ T cells, reversion, viral fitness**References** Allen *et al.* 2005a

- Two-thirds of all mutations arising in nonenvelope proteins during the transition from acute to chronic infection were found to be due to either CD8 T-cell-associated selective pressures or reversion of HLA-I-associated mutations selected in a previous host. The predominance of escape mutations at highly polymorphic sites was observed across different HIV-1 clades.
- One escape mutation, at position 2, gKssqvsqny, was found not to correspond to the most polymorphic residues in the epitope. This is a novel partially mapped epitope.

HXB2 Location p17 (124–132)**Author Location** p17 (124–132 LAI)**Epitope** NSSKVSQNY**Subtype B****Immunogen** HIV-1 or HIV-2 infection**Species (MHC)** human (B*3501)**Keywords** optimal epitope**References** Frahm *et al.* 2007

- Noted by Brander to be B*3501 epitope.

HXB2 Location p17 (124–132)**Author Location** p17**Epitope** NSSQVSQNY**Immunogen** HIV-1 infection**Species (MHC)** human (B*3501)**Keywords** binding affinity**References** Dorrell *et al.* 2001

- The crystal structure of this epitope bound to HLA-B*3501 shows that a serine can fit into the B pocket, which is shared between B35 and B53, with the hydroxyl group of the P2 serine occupying a position almost identical to the P2 proline that was previously considered the anchor motif.

- Novel B53 epitopes (DTINEEAAEW and QATQEVKNNM) were defined in this study that showed that A and T can also serve as P2 anchor residues for the B pocket of HLA-B35 and B53 – while S, T, and P could all fit into the B pocket and form a hydrogen bond, A would not form a bond, so the authors propose compensatory interactions account for the high affinity of QATQEVKNNM for B53.

HXB2 Location p17 (124–132)**Author Location** p17 (124–132 LAI)**Epitope** NSSKVSQNY**Subtype B****Immunogen** HIV-1 infection**Species (MHC)** human (B35)**Keywords** review**References** McMichael & Walker 1994

- Review of HIV CTL epitopes.

HXB2 Location p17 (124–132)**Author Location****Epitope** NSSKVSQNY**Immunogen** HIV-1 infection**Species (MHC)** human (B35)**Keywords** dynamics, acute/early infection**References** Wilson *et al.* 2000a

- Three individuals with highly focused HIV-specific CTL responses were studied during acute infection using tetramers – high frequencies of HIV-1-specific CD8+ T cells were found prior to seroconversion, and there was a close temporal relationship between the number of circulating HIV-specific T cells and viral load.
- All three patients were B*2705, with HLA alleles: A1, A30/31, B*2705, B35; A1, A*0301, B7, B2705; and A*0201, A*0301, B2705, B39.
- ELISPOT was used to test a panel of CTL epitopes that had been defined earlier and were appropriate for the HLA haplotypes of the study subjects – 3/3 subjects showed a dominant response to the B*2705 epitope KRWIILGGLNK.
- The subject with A*0201 had a moderately strong response to SLYNTVATL.
- Weak responses were observed to A*301-RLRPGGKKK, A*301-QVPLRPMTYK, and B7-TPGPGVRYPL in the subject who was HLA A1, A*0301, B7, B*2705.
- No acute response was detected to the following epitopes: A*201-ILKEPVHGV, A*301-KIRLRPGGK, A*301-AIFQSSMTK, A*301-TVYYGVPVWK, B35-EPIVGAETF, B35-HPDIVIYQY, B35-PPIPVGEIY, B35-NSSKVSQNY, B35-VPLRPMTY, B35-DPNPQEVVL.

HXB2 Location p17 (124–132)**Author Location** p17 (124–132)**Epitope** NSSKVSQNY**Immunogen** HIV-1 infection**Species (MHC)** human (B35)**References** Birk *et al.* 1998b

- A study of p17 variation considering known p17 epitopes and individuals with known HLA types revealed that p17 evolution is influenced by immune pressure from CTLs.

HXB2 Location p17 (124–132)

Author Location p17 (124–132 LAI)

Epitope NSSKVSQNY

Subtype B

Immunogen HIV-1 or HIV-2 infection

Species (MHC) human (B35)

References Rowland-Jones *et al.* 1995

- Established by titration.

HXB2 Location p17 (124–132)

Author Location p17 (124–132 LAI)

Epitope NSSKVSQNY

Subtype B

Immunogen in vitro stimulation or selection

Species (MHC) human (B35)

References Lalvani *et al.* 1997

- A peptide-based protocol was optimized for restimulation of CTLp using optimized peptide and IL-7 concentrations – importantly this protocol does not stimulate a primary response, only secondary – peptide-specific CTLp counts could be obtained via staining with peptide-Class I tetramers.
- This peptide was one of the B35 presented test peptides used in control experiments showing that the assay gave no activity using lymphocytes from 21 healthy B35 seronegative donors.

HXB2 Location p17 (124–132)

Author Location p17

Epitope NSSKVSQNY

Immunogen

Species (MHC) human (B35)

References Rowland-Jones *et al.* 1999

- CTL responses in seronegative highly HIV-exposed African female sex workers in Gambia and Nairobi were studied – these women had no delta 32 deletion in CCR5.
- In Gambia there is exposure to both HIV-1 and HIV-2, CTL responses to B35 epitopes in exposed, uninfected women are cross-reactive.
- HIV-2 version of this epitope is not conserved: PPSGKGGNY, but the CTLs are cross-reactive – this is one of five B35 CTL epitopes that are cross-reactive, see also Rowland-Jones *et al.* [1995].

HXB2 Location p17 (124–132)

Author Location p17

Epitope NSSKVSQNY

Immunogen HIV-1 infection

Species (MHC) human (B35)

Keywords HAART, ART

References Seth *et al.* 2001

- CTL responses were studied by tetramer staining in 41 patients with combination therapy – activated CD8+ T-cells decline as the viral load drops in response to therapy, but the overall level of antigen-specific cells capable of differentiating into effectors stays constant and new epitopes may be recognized.

HXB2 Location p17 (124–132)

Author Location p17 (124–132 SF2)

Epitope NSSKVSQNY

Immunogen HIV-1 infection

Species (MHC) human (B35)

Keywords HAART, ART, acute/early infection

References Altfeld *et al.* 2001b

- Therapy provided during acute infection resulted in a narrower CTL response, stronger T help response, and a less diverse viral population than was seen in individuals treated during chronic infection.
- The breadth and specificity of the response was determined using ELISPOT by studying 19 individuals with pre-seroconversion therapy (Group 1), 11 individuals with primary infection but post-seroconversion therapy (Group 2), and 10 individuals who responded to HAART given during chronic infection (Group 3), using 259 overlapping peptides spanning p17, p24, RT, gp41, gp120 and Nef.
- Previously described and newly defined optimal epitopes were tested for CTL response.
- Number of HLA-B35+ individuals that had a CTL response to this epitope broken down by group: 0/2 group 1, 0/2 group 2, and 1/1 group 3.

HXB2 Location p17 (124–132)

Author Location

Epitope NSSKVSQNY

Epitope name Gag-NY9

Subtype B

Immunogen HIV-1 infection

Species (MHC) human (B35)

References Sabbaj *et al.* 2003

- Among HIV+ individuals who carried HLA B35, 1/21 (5%) recognized this epitope.

HXB2 Location p17 (124–132)

Author Location p17 (124–132)

Epitope NSSKVSQNY

Immunogen HIV-1 infection

Species (MHC) human (B35)

Country Spain.

Assay type proliferation, CD8 T-cell Elispot - IFN γ , Flow cytometric T-cell cytokine assay

Keywords HAART, ART, supervised treatment interruptions (STI), immune dysfunction

References Plana *et al.* 2004

- Structured treatment interruption (STI) alone is not able to control viral replication in chronically infected patients, probably due to lack of strong, maintained T-helper cell responses. HIV-1 specific CD8+ T-cell responses were shown to increase significantly until the end of the follow up, but were not correlated with viral load.
- Less than 2/9 patients recognized this epitope.

II-B-2 Gag p17-p24 CTL/CD8+ epitopes

HXB2 Location p17-p24 (124–1)

Author Location Gag (124–133 BORI)

Epitope NSSQVSQNYP

Epitope name Gag NP10

Subtype B

Immunogen HIV-1 infection

Species (MHC) human

Donor MHC A*2902, B*1402, Cw*0802

- Country** United States.
Assay type CD8 T-cell Elispot - IFN γ , Chromium-release assay
Keywords dynamics, immunodominance, escape, acute/early infection, characterizing CD8+ T cells, reversion, viral fitness
References Jones *et al.* 2004
- Primary CD8+ T-cell response to Env, Tat and Gag and the extent, kinetics and mechanisms of viral escape were examined in three patients. Rapid escape, within weeks from infection, from HIV specific CTL responses was observed in all three patients, but the kinetics and extent of the escape differed depending on the breadth and co-dominant distribution of CTL-mediated pressure. The two patients that rapidly declined had more focused immunodominant responses, while the single patient that had low viral load and stable CD4 counts for seven years had a broad co-dominant response and less escape.
 - The patient BORI had high viral loads and rapid CD4 decline. BORI mounted 8 detected responses. BORI did not control viral replication well, and escape mutations occurred early and in most epitopes, 6/7 that were precisely identified.
 - 10 variants in the NSSQVSNYP epitope were found in the patient BORI, the first appearing at day 35, NgSQVSNYP, with new variants continuing to arise through day 556. This is an extremely variable epitope, and changed not only by base substitution but by insertion and deletion. All variants tested conferred some degree of escape by diminishing the CTL response.

- HXB2 Location** p17-p24 (126–11)
Author Location (C consensus)
Epitope GKVSQNYPIVQNLQGQMV
Subtype C
Immunogen HIV-1 infection
Species (MHC) human (B13)
Country South Africa.
Assay type CD8 T-cell Elispot - IFN γ
Keywords rate of progression
References Kiepiela *et al.* 2007
- A comprehensive analysis of 160 class I T cell responses in 578 individuals from KwaZulu-Natal, South Africa was performed. Gag-specific responses were associated with lowering viremia, while Env, accessory and regulatory protein-specific responses were associated with higher viremia.

- HXB2 Location** p17-p24 (127–3)
Author Location p17-p24 (127–135 subtype D)
Epitope QVSQNYPIV
Subtype D
Immunogen
Species (MHC) human (A*6802)
References Dong 1998
- Epitope starts in p17 and ends in p24.
 - Predicted on binding motif, no truncations analyzed.

- HXB2 Location** p17-p24 (129–7)
Author Location Gag (129–139)
Epitope SQNYPIVQNIQ
Epitope name Gag 7.3
Immunogen vaccine

Vector/Type: DNA prime with modified vaccinia Ankara (MVA) boost **Strain:** B clade
HIV component: Env, Gag, Protease, Rev, RT, Tat, Vpu

- Species (MHC)** macaque
Assay type T-cell Elispot, Intracellular cytokine staining
Keywords subtype comparisons, variant cross-recognition or cross-neutralization, memory cells
References Amara *et al.* 2005
- A clade B DNA/MVA HIV vaccine was shown to raise a broad cross-reactive cellular immune response for peptides based on the CRF02_AG consensus Gag in macaques. The activity was better conserved for CD8 than CD4 T cells.
 - All 5 CD8 and 4/8 of the CD4 epitopes that were recognized in vaccinated macaques have also been reported for human infections, indicating cross-species conservation of a CD8 T cell epitope previously reported for humans as NYPIVQNL. HLA restriction: A*2402.
 - The response elicited to the B clade epitope SQNYPIVQNIQ does not cross-react with the CRF02 form SQNYPIVQNaQ. Other clades either most commonly carry an A or L in this position, SQNYPIVQN[a/l]Q.

- HXB2 Location** p17-p24 (131–6)
Author Location p17-p24 (132–140 SF2)
Epitope NYPIVQNL
Immunogen HIV-1 infection
Species (MHC) human (A*2402)
References Ikeda-Moore *et al.* 1997
- The epitope starts in p17 and ends in p24.
 - Defined using reverse immunogenetics – 59 HLA-A*2402 binding peptides were predicted by searching for A*2402 anchors in HIV proteins (Tyr at 2, and Phe, Leu or Ile at the C term) – 53 of the 59 peptides bound A*2402.
 - This peptide induced CTL in 1/4 HIV-1 + people tested.
 - NYPIVQNL bound to A*2402 with medium strength, and the epitope can be processed in a vaccinia construct and presented – no CTL clone was obtained.

II-B-3 Gag p24 CTL/CD8+ epitopes

- HXB2 Location** p24 (3–11)
Author Location
Epitope VQNLQGQMV
Epitope name VV9
Immunogen
Species (MHC) human (B13)
Keywords optimal epitope
References Frahm *et al.* 2007
- C. Brander notes this is a B13 epitope.

- HXB2 Location** p24 (8–17)
Author Location p24 (140–149)
Epitope GQMVHQAIISP
Immunogen HIV-1 infection
Species (MHC) human (B57)
Keywords immunodominance

References Betts *et al.* 2000

- Only 4/11 HLA-A2+ HIV+ individuals had CTL that reacted to SLYNTVATL, calling into question whether it is immunodominant.
- 95 optimally-defined peptides from this database were used to screen for INF γ responses to other epitopes.
- 1/11 of the A2+ individuals was HLA A*0201, A1, B57 and responded to four B57 epitopes and two others.

HXB2 Location p24 (8–20)**Author Location** p24 (140–152 IIIB)**Epitope** GQMVHQAI SPRTL**Immunogen** HIV-1 infection**Species (MHC)** human (Cw3)**References** Littau *et al.* 1991

- Fine specificity of human Cw3 restricted Gag CTL epitope.

HXB2 Location p24 (8–20)**Author Location** p24 (8–20)**Epitope** GQMVHQAI SPRTL**Immunogen** HIV-1 infection**Species (MHC)** human (Cw3)**Donor MHC** A03, A32, B51, B15, Cw03, Cw06, DR4, DR8, DQ7**Country** Netherlands.**Assay type** CD8 T-cell Elispot - IFN γ , Flow cytometric T-cell cytokine assay**Keywords** rate of progression, escape**References** Geels *et al.* 2003

- Both stable potential epitopes and epitopes with escape mutations were found in a patient with increasing viral load over a time period of 4 years. Fixation of escape mutations occurred sequentially and correlated with the rise in viral load and with the increased number of productively infected cells.
- This is one of 17 potential epitopes from this individual, defined based on previously identified epitopes presented by appropriate HLA molecules. Full length genome sequence did not reveal changes in time in any of these epitopes over a four year period. Peptide pools initially revealed very little response to these epitopes, but this increased over time.

HXB2 Location p24 (8–27)**Author Location** p24 (140–159)**Epitope** GQMVHQAI SPRTLNAWVKVV**Immunogen** HIV-1 infection**Species (MHC)** human (B14)**References** Musey *et al.* 1997

- CTL specific for this epitope were found in the peripheral blood but not in the cervical mucosa of one donor.

HXB2 Location p24 (9–18)**Author Location** Gag (173–182)**Epitope** QMVHQAI SPR**Immunogen** HIV-1 infection**Species (MHC)** human (A3 supertype)**Keywords** supertype, rate of progression**References** Propato *et al.* 2001

- Long-term nonprogressors (LTNPs) had strong memory resting CD8+ T-cell responses against the majority of epitopes tested, (18 for the A2 supertype, 16 for the A3 supertype) while the effector cells of long-term nonprogressors recognized far fewer epitopes.
- Progressors had memory resting CD8+ T-cells that recognized far fewer epitopes than LTNPs.
- A positive correlation between effector CD8+ T-cells and plasma viremia and a negative correlation between CD8+ effector T-cells and CD4+ T-cells was observed, which may contribute to the inability of LTNPs to clear virus.
- This epitope can bind 3/5 HLA-A3 supertype alleles (A*0301, A*1101, A*3101, A*3301 and A*6801).

HXB2 Location p24 (9–23)**Author Location** p24 (16–24)**Epitope** QMVHQSL SPRTLNAW**Subtype** A, D**Immunogen** HIV-1 infection**Species (MHC)** human**Donor MHC** A*3002, A*6801, B*5703, B*5802; A*3001, A*6601, B*5801, B*5802**Country** Uganda.**Assay type** CD8 T-cell Elispot - IFN γ **Keywords** subtype comparisons, variant cross-recognition or cross-neutralization**References** Barugahare *et al.* 2005

- T-cell immune responses were examined in HIV-1 infected Ugandans. Similar levels of cross-clade responses for Gag, Env and Nef were observed. Higher frequencies of responses in conserved regions were found for Gag within a single clade, while areas with higher viral sequence variation had fewer detectable responses. Differential interclade sequence homologies between the Gag regions did not affect the respective level of cross-clade recognition.
- The sequence contains a known B7/B8 epitope, but the subjects recognizing it are B7- and B8-negative. The viral sequences isolated from the subjects were qmThqNlsprtlaw and qmvhqAlsprtlaw, and the peptide was recognized.

HXB2 Location p24 (10–18)**Author Location** Gag (144–152 SF2)**Epitope** MVHQAI SPR**Subtype** B**Immunogen** HIV-1 infection, computer prediction**Species (MHC)** human (A*3303)**Assay type** Chromium-release assay**Keywords** binding affinity, computational epitope prediction**References** Hossain *et al.* 2003

- HLA-A*3303 is a common HLA allele in east and southeast Asia. Pol, Gag and Nef SF2 proteins were scanned for potential A*3303 epitopes. 99 potential epitopes were synthesized, and 52/99 bound to A*3303. Six of these served as peptide-targets for lysis by PBMC from infected individual, and clones derived from 4 of these 6 could lyse HIV-vaccinia infected target cells, indicating proper processing.
- This epitope is one of the 4 that are properly processed.

HXB2 Location p24 (10–18)

Author Location Gag (174–182)

Epitope MVHQAI SPR

Immunogen HIV-1 infection

Species (MHC) human (A3 supertype)

Keywords supertype, rate of progression

References Propato *et al.* 2001

- Long-term nonprogressors (LTNPs) had strong memory resting CD8+ T-cell responses against the majority of epitopes tested, (18 for the A2 supertype, 16 for the A3 supertype) while the effector cells of long-term nonprogressors recognized far fewer epitopes.
- Progressors had memory resting CD8+ T-cells that recognized far fewer epitopes than LTNPs.
- A positive correlation between effector CD8+ T-cells and plasma viremia and a negative correlation between CD8+ effector T-cells and CD4+ T-cells was observed, which may contribute to the inability of LTNPs to clear virus.
- This epitope can bind 5/5 HLA-A3 supertype alleles (A*0301, A*1101, A*3101, A*3301 and A*6801).

HXB2 Location p24 (11–20)

Author Location (C consensus)

Epitope VHQAISPRTL

Subtype C

Immunogen HIV-1 infection

Species (MHC) human (B*1510)

Country South Africa.

Assay type CD8 T-cell Elispot - IFN γ

Keywords characterizing CD8+ T cells

References Kiepiela *et al.* 2004

- HLA class I restricted CD8+ T-cell responses against HIV-1 were analyzed in African patients. Significantly more responses were shown to be HLA-B restricted. Viral load, CD4 count, and thus rate of disease progression were also associated with HLA-B alleles. In addition, the selection pressure imposed on HIV-1 by HLA-B alleles was shown to be substantially greater than by other alleles.
- This epitope was suggested to be the epitope within a longer reactive peptide based on correspondence with a known epitope in the HIV database. Also, a significantly higher frequency of people in the Durban cohort who reacted with the peptide had this HLA type.

HXB2 Location p24 (11–20)

Author Location (C consensus)

Epitope VHQAISPRTL

Subtype C

Immunogen HIV-1 infection

Species (MHC) human (B*1510)

Country South Africa.

Assay type CD8 T-cell Elispot - IFN γ

Keywords rate of progression, optimal epitope

References Kiepiela *et al.* 2007

- A comprehensive analysis of 160 class I T cell responses in 578 individuals from KwaZulu-Natal, South Africa was performed. Gag-specific responses were associated with lowering viremia, while Env, accessory and regulatory protein-specific responses were associated with higher viremia.
- VHQAISPRTL is an optimal epitope.

HXB2 Location p24 (11–24)

Author Location p24 (SF2)

Epitope VQHAISPRTLNAWV

Immunogen HIV-1 infection

Species (MHC) human

Keywords subtype comparisons, immunodominance

References Goulder *et al.* 2000a

- The CTL-dominant response was focused on this epitope in an HIV+ Haitian living in Boston, who was A34/68 B57/71 Cw3/7 – this epitope fell outside the most recognized peptides in the study.
- Three peptides GSEELRSLYNTVATL (p17 residues 71–85), SALSEGATPQDLNTMLNTVG (p24 41–60), and WEKIRL-RPGGKKKYKLLK (p17 16–30) contained the dominant Gag-specific epitope in 31/44 B-clade infected individuals from Boston who showed Gag-CTL responses.
- Five peptides RLRPGGKKHYMIKHLVW (p17 20–36), ELRSLYNTVATLYCV (p17Gag 74–88), SALSEGATPQDLNTMLNTVG (p24 41–60), FRDYVDRFFKTLRAEQA (p24 161–177), and SILDIKQGKEPFRDY (p24 149–164) contained dominant Gag-specific epitopes in 32/37 C-clade infected subjects from South Africa.

HXB2 Location p24 (11–25)

Author Location p24 (11–25 HXB2)

Epitope VHQAISPRTLNAWVK

Subtype B

Immunogen HIV-1 infection

Species (MHC) human

Assay type T-cell Elispot

Keywords supervised treatment interruptions (STI), immunodominance, early treatment

References Addo *et al.* 2003

- Comprehensive Elispot screening of 504 overlapping peptides that spanned all HIV-1 proteins in 57 HIV-1 infected individuals. Four groups of patients were compared: 23 were untreated; 12 patients were chronically infected and treated; 22 started treatment during acute infection, 11 continuously treated and 11 with STI.
- 63% of the peptides were recognized - the most frequent responses were directed against Nef (95%) and p24-Gag (88%). p17 was the most frequently recognized protein after correction for protein length. A median of 18 peptides (range 2–42) were recognized per person. The most frequently (>20%) recognized peptides were located in conserved regions within clade B sequences. Vpu was rarely recognized.
- A decrease in the total magnitude and in the breadth of CTL responses was detected in patients with treated acute infection in comparison to chronically infected treated or untreated individuals. No correlation between plasma viral load and HIV-1 specific T-cell responses was observed.
- The authors did not note the reference strain, but based on the peptide sequences provided it appears to be HXB2.
- Responses to this peptide were detected in 29% of the study subjects, and it was the third most frequently recognized peptide.

HXB2 Location p24 (11–32)

Author Location p24 (143–164 BH10)

Epitope VHQAISPRTLNAWVKVVEEKAF

- Immunogen** HIV-1 infection
Species (MHC) human (B57)
References Johnson *et al.* 1991
- Gag CTL response studied in three individuals.
- HXB2 Location** p24 (12–20)
Author Location
Epitope HQAISPRTL
- Immunogen**
Species (MHC) human (B*1510)
Keywords optimal epitope
References Frahm *et al.* 2007
- C. Brander notes that this is an B*1510 epitope.
- HXB2 Location** p24 (12–20)
Author Location Gag (146–154)
Epitope HQAISPRTL
- Immunogen** HIV-1 infection
Species (MHC) chimpanzee (Patr-B*02)
References Balla-Jhaghihoorsingh *et al.* 1999b
- Certain HLA-alleles have been associated with long-term survival – among them are HLA-B*27 and HLA-B*57.
 - Of more than 150 chimpanzees that have been reported to be infected with HIV-1, only one has developed AIDS.
 - CTL responses were studied in two HIV-1 infected chimpanzees that have strong CTL responses, and they were found to respond to highly conserved epitopes that are recognized in humans in the context of HLA-B*27 and HLA-B*57.
 - The human HLA protein which presents this Patr-B*02 epitope is HLA-B*5701 but the amino acid sequences in the binding pockets of HLA-B*5701 and Patr-B*02 are distinctive.
- HXB2 Location** p24 (13–20)
Author Location p24 (145–152)
Epitope QAISPRTL
- Immunogen** HIV-1 infection, HIV-1 exposed seronegative
Species (MHC) human (Cw3)
Keywords HIV exposed persistently seronegative (HEPS)
References Kaul *et al.* 2001a
- ELISPOT was used to study CTL responses to a panel of 54 predefined HIV-1 epitopes in 91 HIV-1-exposed, persistently seronegative (HEPS) and 87 HIV-1-infected female Nairobi sex workers.
- HXB2 Location** p24 (13–23)
Author Location p24 (145–155 LAI)
Epitope QAISPRTLNAW
Subtype B
- Immunogen**
Species (MHC) human (A*2501)
Keywords optimal epitope
References Frahm *et al.* 2007
- C. Brander notes that this is an A*2501 epitope.
- HXB2 Location** p24 (13–23)
Author Location p24 (13–23 HXB2)
Epitope QAISPRTLNAW
Epitope name QW11
Subtype B

- Immunogen** HIV-1 infection
Species (MHC) human (A*2501)
Donor MHC A*0201, A*2501, B*1801, B*5101, Cw*0102, Cw*1203
Assay type CD8 T-cell Elispot - IFN γ
Keywords escape, immune evasion, optimal epitope, HIV-1
References Liu *et al.* 2006
- T-cell immunity and the impact of selection were longitudinally studied in a patient from the time of transmission. New epitopes were detected at sites that were shown to be under positive selection. Env was found to be the major target of CTLs and most of the new epitopes were found here. One third of the sites examined were associated with epitope escape mutations from CTL. Acquisition of mutations found at high frequency in the database was suggested to be a result of reversion of CTL epitopes in the absence of immune targeting.
 - Amino acid site in the third position potentially experienced positive selection. QAISPRTLNAW CTL escape mutant was found.
- HXB2 Location** p24 (13–23)
Author Location p24 (145–155 LAI)
Epitope QAISPRTLNAW
Subtype B
- Immunogen**
Species (MHC) human (A25)
References Kurane & West 1998
- HXB2 Location** p24 (13–23)
Author Location p24 (145–155 SF2)
Epitope QAISPRTLNAV
Immunogen HIV-1 infection
Species (MHC) human (A25)
Keywords HAART, ART, acute/early infection
References Altfeld *et al.* 2001b
- Therapy provided during acute infection resulted in a narrower CTL response, stronger T help response, and a less diverse viral population than was seen in individuals treated during chronic infection.
 - The breadth and specificity of the response was determined using ELISPOT by studying 19 individuals with pre-seroconversion therapy (Group 1), 11 individuals with primary infection but post-seroconversion therapy (Group 2), and 10 individuals who responded to HAART given during chronic infection (Group 3), using 259 overlapping peptides spanning p17, p24, RT, gp41, gp120 and Nef.
 - Previously described and newly defined optimal epitopes were tested for CTL response.
 - Number of HLA-A25+ individuals that had a CTL response to this epitope broken down by group: 0/0 group 1, 0/2 group 2, and 1/3 group 3.
- HXB2 Location** p24 (13–23)
Author Location Gag (145–155 IIIB)
Epitope QAISPRTLNAW
Subtype B
- Immunogen** HIV-1 infection
Species (MHC) human (A25)
Assay type Chromium-release assay

References Kurane *et al.* 2003

- Three CD8+ CTL cell clones were derived from 2 HIV-1 positive asymptomatic patients, and their epitope specificities and HLA presenting proteins were defined.

HXB2 Location p24 (13–23)**Author Location** p24 (145–155)**Epitope** QAISPRTLNAW**Immunogen** HIV-1 infection**Species (MHC)** human**Keywords** immunodominance**References** Betts *et al.* 2000

- Only 4/11 HLA-A2+ HIV+ individuals had CTL that reacted to SLYNTVATL, calling into question whether it is immunodominant.
- 95 optimally-defined peptides from this database were used to screen for INF γ responses to other epitopes.
- 1/11 of the A2+ individuals was HLA A*0201, A1, B57 and responded to QAISPRTLNAW noted previously to be A25.

HXB2 Location p24 (14–23)**Author Location** Gag**Epitope** AISPRTLNAW**Epitope name** IW9**Subtype** B**Immunogen** HIV-1 infection**Species (MHC)** human (B57)**Assay type** CD8 T-cell Elispot - IFN γ **Keywords** subtype comparisons, escape, characterizing CD8+ T cells, reversion, viral fitness**References** Allen *et al.* 2005a

- Two-thirds of all mutations arising in nonenvelope proteins during the transition from acute to chronic infection were found to be due to either CD8 T-cell-associated selective pressures or reversion of HLA-I-associated mutations selected in a previous host. The predominance of escape mutations at highly polymorphic sites was observed across different HIV-1 clades.
- Two escape mutations, at positions 1 (A146P) and 2 (I147L), were found in the most polymorphic residue in the epitope. Both were shared between clades B and C. Both were significantly more variable in persons expressing HLA-B57.

HXB2 Location p24 (14–23)**Author Location** p24**Epitope** AISPRTLNAW**Subtype** B, C**Immunogen** HIV-1 infection**Species (MHC)** human (B57, B63)**Assay type** CD8 T-cell Elispot - IFN γ **Keywords** rate of progression, cross-presentation by different HLA, optimal epitope**References** Frahm *et al.* 2005

- HLA-B63-positive subjects were shown to be able to generate CTL responses early in acute HIV infection and to control HIV replication in the absence of antiretroviral treatment. Since HLA-B63 shares the epitope binding motif of HLA-B57 and -B58, it was shown that HLA-B63-positive individuals mounted CTL responses to previously identified B57-restricted epitopes, as well as novel, B63-restricted epitopes. Moreover, these novel

B63-restricted epitopes can also be presented by HLA-B57 and -B58.

- This epitope was recognized by 30% of B63-positive subjects and 29% of B57/58-positive subjects.

HXB2 Location p24 (15–23)**Author Location** p24**Epitope** LSPRTLNAW**Immunogen** HIV-1 infection**Species (MHC)** human (B*57)**Keywords** HIV exposed persistently seronegative (HEPS)**References** Kaul *et al.* 2002

- Neisseria gonorrhoea cervicitis in 9 HIV+ Kenyan sex workers caused a functional deficiency in IFN-gamma production in HIV-1 epitope-specific CD8+ T-cells, detected by intracellular cytokine production and tetramer assays, while not affecting the total number of epitope-specific CTLs.
- Ghonorrhea caused the weaker HIV-1 specific CTL responses in 4 HIV-1 exposed persistently seronegative (HEPS) women to become undetectable by Elispot and tetramer assays, and CMV-specific CTL in 2 HEPS subjects were shown to have impaired function with regard to IFN-gamma production.

HXB2 Location p24 (15–23)**Author Location** p24 (147–155 IIIB)**Epitope** ISPRTLNAW**Immunogen** HIV-1 infection**Species (MHC)** human (B*5701)**Keywords** optimal epitope**References** Frahm *et al.* 2007

- C. Brander notes this is a B*5701 epitope.

HXB2 Location p24 (15–23)**Author Location****Epitope** ISPRTLNAW**Subtype** B**Immunogen** HIV-1 infection**Species (MHC)** human (B*5701)**Keywords** rate of progression, immunodominance**References** Migueles & Connors 2001

- HLA B*5701 was found in a very high frequency in HIV-1 infected non-progressors, 11/13 (85%) versus 19/200 (9.5%) of progressors. Non-progressors tended to have an immune response that was highly focused on four p24 epitopes that were presented by B*5701, ISPRTLNAW, KAQSPEVIPMF, TSTLQEQIGW, and QASQEVKNW.

HXB2 Location p24 (15–23)**Author Location****Epitope** ISPRTLNAW**Subtype** B**Immunogen** HIV-1 infection**Species (MHC)** human (B*5701)**Keywords** rate of progression, immunodominance**References** Migueles & Connors 2001

- CTL activity was monitored in 27 individuals, including 10 LTNP with an over-expression of HLA B*5701 – these individuals have viral loads below the threshold of infection without therapy, and their immune response tends to be focused on peptides that contain B*5701 epitopes ISPRTLNAW, KAFSPEVIPMF, TSTLQEIQGW, and QASQEVKNW.
- CTL responses are broader in B*5701+ individuals with progressive viremia than those that control viremia.
- The HLA-A*0201 SLYNTVATL epitope response was not as strong in individuals that carried both A2, B57.

HXB2 Location p24 (15–23)

Author Location

Epitope ISPRTLNAW

Subtype B

Immunogen HIV-1 infection

Species (MHC) human (B*5701)

Assay type Intracellular cytokine staining, Flow cytometric T-cell cytokine assay

Keywords rate of progression, escape

References Migueles *et al.* 2003

- cDNA Gag sequences from a set of 17 HLA-B*5701+ progressors and 10 LTNPs were obtained, and the variation in four p24 B*5701 epitopes examined. Sequence variants were more common ($p < 0.01$) in the epitopes in the progressors (median 3, range 1-7) than LTNPs (median 2, range 0-4).
- In general use of the autologous protein in a target cell did not diminish the overall CD8+ T-cell responses.

HXB2 Location p24 (15–23)

Author Location Gag (147–155 LAI)

Epitope ISPRTLNAW

Subtype B

Immunogen HIV-1 infection

Species (MHC) human (B*5701, B*5801)

Keywords rate of progression

References Klein *et al.* 1998

- B57 has been associated with long-term non-progression in the Amsterdam cohort.
- The most pronounced CTL responses in HLA B*5701 LTS were to RT and Gag.

HXB2 Location p24 (15–23)

Author Location p24 (15–23)

Epitope LSPRTLNAW

Subtype C

Immunogen HIV-1 infection

Species (MHC) human (B*5801)

Country India.

Assay type CD8 T-cell Elispot - IFN γ

Keywords subtype comparisons, computational epitope prediction, immunodominance

References Thakar *et al.* 2005

- PBMCs from HIV-1 infected Indian subjects were tested for HIV-1 Gag (with C clade peptides), Nef (with B clade peptides), and Env (clade unspecified) specific T-cell responses. 5 immunodominant regions conserved across clades were identified in Gag and Nef. 3 antigenic regions were found to be recognized by CTLs in the Indian subjects; these regions were not identified as immunodominant in studies from Africa. 26

epitopes were predicted within reactive peptides, of which 90% were clustered in the conserved immunodominant regions of Gag and Nef. 3 of the epitopes were highly conserved across clades, and 7 novel epitopes were found.

HXB2 Location p24 (15–23)

Author Location p24 (147–155)

Epitope ISPRTLNAW

Immunogen HIV-1 infection

Species (MHC) human (B57)

Keywords immunodominance

References Betts *et al.* 2000

- Only 4/11 HLA-A2+ HIV+ individuals had CTL that reacted to SLYNTVATL, calling into question whether it is immunodominant.
- 95 optimally-defined peptides from this database were used to screen for INF γ responses to other epitopes.
- 1/11 of the A2+ individuals was HLA A*0201, A1, B57 and responded to four B57 epitopes and two others, but not SLYNTVATL.

HXB2 Location p24 (15–23)

Author Location Gag (SF2)

Epitope ISPRTLNAW

Epitope name IW9

Immunogen HIV-1 infection

Species (MHC) human (B57)

Keywords acute/early infection

References Goulder *et al.* 2001a

- This epitope elicited the second strongest CTL response in patient PI004 during acute infection, and maintained the response.
- Three CTL responses, to epitopes TSTLQEIQGW, ISPRTLNAW, and KAFSPEVIPMF, were evident early after infection; CTL responses to SLYNTVATL, QASQEVKNW, ELYKRWII, and FLKEKGGL were detectable at 5 months post-infection and beyond.

HXB2 Location p24 (15–23)

Author Location p24 (147–155)

Epitope ISPRTLNAW

Epitope name ISP

Immunogen HIV-1 infection

Species (MHC) human (B57)

Keywords HAART, ART, acute/early infection

References Oxenius *et al.* 2000

- Patients who started therapy at acute HIV-1 infection (three with sustained therapy, two with limited therapy upon early infection) had strong HIV specific CD4 proliferative responses and were able to maintain a CTL response even with undetectable viral load – three patients that had delayed initiation of HAART had no HIV specific CD4 proliferative responses and lost their CTL responses when HAART was eventually given and their viral loads became undetectable.
- None of the 8 study subjects recognized this epitope but none were HLA B57+.

HXB2 Location p24 (15–23)

Author Location p24 (15–23)

Epitope ISPRTLNAW

- Immunogen** HIV-1 infection
Species (MHC) human (B57)
References Ferrari *et al.* 2000
- One of the 51 HIV-1 epitopes selected by Ferrari *et al.* as good candidate CTL epitopes for vaccines by virtue of being conserved and presented by common HLA alleles.
- HXB2 Location** p24 (15–23)
Author Location p24 (147–155 SF2)
Epitope ISPRTLNAW
Immunogen HIV-1 infection
Species (MHC) human (B57)
Keywords HAART, ART, acute/early infection
References Altfeld *et al.* 2001b
- Therapy provided during acute infection resulted in a narrower CTL response, stronger T help response, and a less diverse viral population than was seen in individuals treated during chronic infection.
 - The breadth and specificity of the response was determined using ELISPOT by studying 19 individuals with pre-seroconversion therapy (Group 1), 11 individuals with primary infection but post-seroconversion therapy (Group 2), and 10 individuals who responded to HAART given during chronic infection (Group 3), using 259 overlapping peptides spanning p17, p24, RT, gp41, gp120 and Nef.
 - Previously described and newly defined optimal epitopes were tested for CTL response.
 - Number of HLA-B57+ individuals that had a CTL response to this epitope broken down by group: 0/0 group 1, 0/0 group 2, and 2/2 group 3.
- HXB2 Location** p24 (15–23)
Author Location
Epitope ISPRTLNAW
Epitope name Gag-IW9
Subtype B
Immunogen HIV-1 infection
Species (MHC) human (B57)
References Sabbaj *et al.* 2003
- Among HIV+ individuals who carried HLA B57, 2/5 (40%) recognized this epitope.
 - Among HIV+ individuals who carried HLA B58, 0/4 (0%) recognized this epitope.
- HXB2 Location** p24 (15–23)
Author Location
Epitope ISPRTLNAW
Epitope name ISP
Immunogen HIV-1 infection
Species (MHC) human (B57)
Keywords HAART, ART, supervised treatment interruptions (STI)
References Oxenius *et al.* 2002b
- Using previously defined epitopes Oxenius *et al.* [2000, 2001a] in an IFN γ Elispot assay, 13 chronically HIV-1 infected patients were studied over a period including therapy with standard treatment interruptions (STI).
 - STIs induced increased recognition of CTL epitopes, but there was no correlation between CTL responses with viral rebound rates, plateau viral loads, or clearance rates.

- HXB2 Location** p24 (15–23)
Author Location Gag (147–155)
Epitope ISPRTLNAW
Immunogen HIV-1 infection
Species (MHC) human (B57)
Donor MHC A3, A28, B53, B57; A31, B7, B57
Assay type Chromium-release assay
Keywords TCR usage, genital and mucosal immunity
References Musey *et al.* 2003
- CTL clones from blood, semen, cervix and rectum samples from 12 individuals were compared. CTL clones derived from blood and mucosal samples had similar high lysis efficiency, primarily perforin dependent, and TCR γ VDJ region sequencing revealed cases of expansion of the same clone in different compartments.
 - CD8+ T cell clones directed at this epitope were derived from blood and semen of one male subject, and blood and cervix of one female subject.
 - From the male patient, six clones that recognized this epitope had three different patterns of TCR γ usage: 2 from the blood and 1 from the semen used V β 6S2DJ2S2; 1 from the blood and 1 from the semen used V β 6S2DJ1.1; and 1 from the semen used V β 7S1DJ2.3.
 - From the female patient, five clones that recognized this epitope had different TCR γ usage. Blood derived clones were B γ 6S7DJ2.7, B γ 6.4DJ2.3, and B γ 6S3DJ2.1. Cervix derived clones were B γ 6S3DJ1.4 and B γ 6S5DJ2.5.
- HXB2 Location** p24 (15–23)
Author Location Gag (147–155)
Epitope ISPRTLNAW
Epitope name ISW9
Subtype B, C
Immunogen HIV-1 infection
Species (MHC) human (B57)
Assay type CD8 T-cell Elispot - IFN γ , Chromium-release assay
Keywords epitope processing, escape
References Draenert *et al.* 2004b
- The A146P mutation flanking the ISW9 epitope (Pisprtl naw) is positively selected in HLA-B57+ persons and it prevents trimming of the optimal epitope by the endoplasmic reticulum aminopeptidase I. The A146P processing escape mutation does not influence replicative capacity of the virus in vitro and is accumulated over time in the human population.
- HXB2 Location** p24 (15–23)
Author Location p24 (15–23)
Epitope ISPRTLNAW
Immunogen HIV-1 infection
Species (MHC) human (B57)
Country Spain.
Assay type proliferation, CD8 T-cell Elispot - IFN γ , Flow cytometric T-cell cytokine assay
Keywords HAART, ART, supervised treatment interruptions (STI), immune dysfunction
References Plana *et al.* 2004

- Structured treatment interruption (STI) alone is not able to control viral replication in chronically infected patients, probably due to lack of strong, maintained T-helper cell responses. HIV-1 specific CD8+ T-cell responses were shown to increase significantly until the end of the follow up, but were not correlated with viral load.
- 3/7 patients recognized this epitope.

HXB2 Location p24 (15–23)
Author Location (147–155 B consensus)
Epitope ISPRTLNAW
Epitope name IW9
Subtype B
Immunogen HIV-1 infection
Species (MHC) human (B57)
Country United States.
Assay type CD8 T-cell Elispot - IFN γ , Flow cytometric T-cell cytokine assay
Keywords characterizing CD8+ T cells
References Allen *et al.* 2004

- This study characterizes an escape mutation in a C-terminal flanking residue of the HLA-A3 gag p17 KK9 epitope that inhibits processing, and is embedded in the overlapping HLA-A3 RK9 epitope.
- The immune response was tracked in subject AC-38. The acute immunodominant response was to the B57 TW10 epitope; this response declined following viral escape (tsNlqeqigw) by day 64. The p17 KK9 and RK9 became immunodominant, but then declined as the escape mutation arose. IW9 is 1 of 3 other strong responses that persisted, along with 1 sub-dominant response.

HXB2 Location p24 (15–23)
Author Location p24
Epitope ISPRTLNAW
Epitope name ISW9
Immunogen HIV-1 infection
Species (MHC) human (B57)
Keywords review, epitope processing, escape
References Goulder & Watkins 2004

- This paper is a review of the role of CTL in HIV infection, and it uses the ISW9 epitope as an example of an epitope that escapes due to a mutation before the N-terminal end of the epitope. The insertion of a proline prevents the aminopeptidase ERAAP from cleaving the glutamine from the precursor, qPisrptlnaw, preventing processing of ISRPTLNAW.

HXB2 Location p24 (15–23)
Author Location Gag
Epitope ISPRTLNAW
Subtype B
Immunogen HIV-1 infection
Species (MHC) human (B57)
Donor MHC A1, A3, B7, B57, Cw6, Cw7
Country United States.
Assay type CD8 T-cell Elispot - IFN γ
Keywords subtype comparisons, epitope processing, escape, characterizing CD8+ T cells, reversion, viral fitness
References Allen *et al.* 2005a

- Two-thirds of all mutations arising in nonenvelope proteins during the transition from acute to chronic infection were found to be due to either CD8 T-cell-associated selective pressures or reversion of HLA-I-associated mutations selected in a previous host. The predominance of escape mutations at highly polymorphic sites was observed across different HIV-1 clades.
- Characteristic changes in B57 epitopes in B57+ people were mapped: ISPRTLNAW often has the substitution Lsprtlnaw, as well as the proximal A->P substitution PispRTLNAW.

HXB2 Location p24 (15–23)
Author Location p24 (147–155)
Epitope ISPRTLNAW
Epitope name IW9
Subtype C
Immunogen HIV-1 infection
Species (MHC) human (B57)
Country Ethiopia.
Assay type CD8 T-cell Elispot - IFN γ
Keywords immunodominance, escape, variant cross-recognition or cross-neutralization
References Currier *et al.* 2005

- Epitope sequence variation and CD8 T-cell responses were analyzed in C subtype infected HLA-B57-positive individuals from Ethiopia. KF11 was the immunodominant response.
- ISPRTLNAW had a variant ISPRTLNAW in 7/10 B57+ subjects, and 4/9 B57- subjects; 2 other variants were observed, but there was no apparent sequence selection in this epitope.

HXB2 Location p24 (15–23)
Author Location Gag (147–155)
Epitope LSPRTLNAW
Immunogen HIV-1 infection
Species (MHC) human (B57)
Country Canada.
Assay type CD8 T-cell Elispot - IFN γ , Chromium-release assay, Flow cytometric T-cell cytokine assay
Keywords mimics
References Mason *et al.* 2005

- CTL responses against the human IP-30 signal peptide sequence LLDVPTAAV were shown to be elicited by stimulation of PBMCs from HIV-1 infected individuals with HIV protease peptide 76-84, LVGPTPVNI. In vitro stimulation with HIV PR 76-84 or the IP-30 signal peptide was shown to activate a comparable population of cross-reactive effector cells. None of the peptides activated CTL in non-HIV-infected individuals. IP-30 signal peptide was shown to have lower avidity T-cell interactions than the HIV peptide.
- As a control, responses to A2-restricted HIV epitopes ALVE-ICTEM, EELRQHLLRW, and LSPRTLNAW were shown not to give IP-30 responses.

HXB2 Location p24 (15–23)
Author Location Gag (147–155)
Epitope ISPRTLNAW
Subtype C
Immunogen HIV-1 infection
Species (MHC) human (B57)

- Donor MHC** A*3001, A*66, B*4201, B*5802, Cw*0602, Cw*1701; A*68, A*66, B*57, B*5802, Cw*0602, Cw*0701
- Country** South Africa.
- Assay type** CD8 T-cell Elispot - IFN γ
- Keywords** epitope processing, responses in children, mother-to-infant transmission, escape, acute/early infection
- References** Pillay *et al.* 2005
- HIV-specific CTLs in infants were shown to be able to select for viral escape variants early in life, despite a lack of escape with the same CTL specificity in the mother. Infant CTL responses may be compromised by transmission of escape variants that arose in the mother and also those that arose in the father, if the father was the source of the mother's infection.
 - ISPRTLNAW is the C consensus form of the epitope and was the autologous form in the mother, and was transmitted to her infant. By 33 weeks a new dominant form of the epitope had emerged in the infant, mSPRTLNAW, and two additional variants had arisen, one with a substitution proximal to the epitope, pISPRTLNAW, and ISPRTLNAW.
- HXB2 Location** p24 (15–23)
- Author Location** p24 (147–155 IIIB)
- Epitope** ISPRTLNAW
- Immunogen** HIV-1 infection
- Species (MHC)** human (B57, B*5801)
- Keywords** rate of progression
- References** Goulder *et al.* 1996b
- Five slow progressors made a response to this epitope, and in two it was the dominant response.
 - Peptide defined on the basis of B*5801 binding motif, yet not cross-restricted except at high concentrations.
- HXB2 Location** p24 (15–23)
- Author Location** Gag
- Epitope** ISPRTLNAW
- Epitope name** ISW9
- Immunogen** HIV-1 infection
- Species (MHC)** human (B57, B*5801)
- Assay type** CD8 T-cell Elispot - IFN γ , Chromium-release assay
- Keywords** epitope processing, responses in children, mother-to-infant transmission, escape
- References** Feeney *et al.* 2005
- Escape mutations in TW10 and other B57-restricted epitopes were shown to arise early in infants following perinatal infection. Some escape variants were likely to have been transmitted vertically, from HLA-B57/5801 positive HIV-1 infected mothers, while others arose during infancy in cases where the children inherited the B57/5801 allele paternally. In contrast to adults, the majority of children showed a robust response to the escape variants, suggesting that infants are able to mount functional immune responses and drive immune escape and that a developing immune system may exhibit greater plasticity in recognizing viral variants.
 - ISPRTLNAW was recognized more often in children than in adults, and was the most frequently recognized B57 epitope in children. Escape variants of this epitope arose in 2 children: an A->P change proximal to the epitope, pISPRTLNAW, and and IIL change, ISPRTLNAW. In both cases the mother carried AISPRTLNAW.
- HXB2 Location** p24 (15–23)
- Author Location** p24 (subtype A)
- Epitope** LSPRTLNAW
- Subtype** A
- Immunogen** HIV-1 exposed seronegative
- Species (MHC)** human (B57, B58)
- References** Kaul *et al.* 2000
- 11/16 heavily HIV exposed but persistently seronegative sex-workers in Nairobi had HIV-specific CD8 gamma-IFN responses in the cervix – systemic CD8+ T cell responses tended to be to the same epitopes but at generally lower levels than cervical CD8+ T cell responses.
 - Low risk individuals did not have such CD8+ cells.
 - CD8+ T cell epitopes: DTVLEDINL (3 individuals), SLYNT-VATL (4 individuals), LSPRTLNAW (3 individuals) and YPLT-FGWCF (4 individuals) were most commonly recognized by the HIV-resistant women.
- HXB2 Location** p24 (15–23)
- Author Location** p24 (147–155)
- Epitope** LSPRTLNAW
- Immunogen** HIV-1 infection, HIV-1 exposed seronegative
- Species (MHC)** human (B57, B58)
- Keywords** HIV exposed persistently seronegative (HEPS), immunodominance
- References** Kaul *et al.* 2001a
- Variants (L/I)SPRTLNAW are specific for the A/B clades.
 - ELISPOT was used to study CTL responses to a panel of 54 predefined HIV-1 epitopes in 91 HIV-1-exposed, persistently seronegative (HEPS) and 87 HIV-1-infected female Nairobi sex workers.
 - Responses in HEPS women tended to be lower, and focused on different epitopes with HLA presenting molecules that have previously been associated with reduced risk of infection, and there was a shift in the response in the HEPS women upon late seroconversion to epitopes recognized by the HIV-1 infected women.
 - 43/91 HEPS women had CD8+ responses and detection of HIV-1-specific CTL in HEPS women increased with the duration of viral exposure.
 - Among HLA-B57/B58 women, 4/6 HEPS and 14/17 HIV-1 infected women recognized this epitope.
 - The dominant response to this HLA allele was to this epitope in 2 of the 4/6 HEPS cases and in 7 of the 14/17 responsive HIV-1 infected women.
- HXB2 Location** p24 (15–23)
- Author Location** p24
- Epitope** ISPRTLNAW
- Subtype** B, D
- Immunogen** HIV-1 infection
- Species (MHC)** human (B58)
- Donor MHC** A23, A24, B35, B58, Cw4, Cw7
- Country** Democratic Republic of the Congo.
- Assay type** CD8 T-cell Elispot - IFN γ
- Keywords** subtype comparisons, variant cross-recognition or cross-neutralization

References Geels *et al.* 2005

- Cross-clade CTL responses in 10 non-B HIV-1 infected individuals were evaluated. T-cell reactivity was tested against peptide pools of clade B Gag, Pol, Nef, Rev and Tat. Nine individuals demonstrated cross-reactive T-cell responses to clade A, B, and C Gag pools; 6/7 patients that responded to Nef-B also reacted to clade A and C Nef pools. An inverse correlation was observed between the sequence divergence of the HLA class I restricted epitopes and the height of the T-cell responses, which in Gag could be explained through variations in the HLA-anchor residues. 42% of the responses were directed to regions containing new epitopes.
- This previously described epitope was embedded in a B clade peptide that was recognized by T-cells from an infected person carrying subtype D Gag. The autologous epitope sequence had an ILL change, ISPRTLNAW.

HXB2 Location p24 (15–23)**Author Location****Epitope** ISPRTLNAW**Immunogen****Species (MHC)** human (B63)**Keywords** optimal epitope**References** Frahm *et al.* 2007

- C. Brander notes that this is an B63 epitope.

HXB2 Location p24 (15–23)**Author Location****Epitope** KAFSPEVIMPF**Immunogen****Species (MHC)** human (B63)**Keywords** optimal epitope**References** Frahm *et al.* 2007

- C. Brander notes that this is an B63 epitope.

HXB2 Location p24 (15–23)**Author Location** Gag**Epitope** ISPRTLNAW**Subtype** B**Immunogen** HIV-1 infection**Species (MHC)** human (Cw*0602)**Donor MHC** A1, A3, B7, B57, Cw6, Cw7**Country** United States.**Assay type** CD8 T-cell Elispot - IFN γ **Keywords** subtype comparisons, escape, characterizing CD8+ T cells, reversion, viral fitness**References** Allen *et al.* 2005a

- Two-thirds of all mutations arising in nonenvelope proteins during the transition from acute to chronic infection were found to be due to either CD8 T-cell-associated selective pressures or reversion of HLA-I-associated mutations selected in a previous host. The predominance of escape mutations at highly polymorphic sites was observed across different HIV-1 clades.
- I->L (Lsprtlhaw) is associated with HLA C*0602.

HXB2 Location p24 (15–23)**Author Location****Epitope** LSPRTLNAW**Immunogen** HIV-1 infection, HIV-1 exposed seronegative**Species (MHC)** human**Keywords** HIV exposed persistently seronegative (HEPS)**References** Kaul *et al.* 2001c

- This study examines CTL responses in HIV exposed, persistently seronegative individuals, HEPS, who eventually seroconverted – 11/114 HEPS Nairobi sex workers eventually seroconverted, and for six of these HIV CTL reactive epitopes had been defined while seronegative.
- The epidemiological factor associated with seroconversion was stopping sex work. HIV-specific CTL activity declined when HEPS sex workers stopped working for a period or retired.
- ISPRTLNAW was consistently recognized by 1/22 HEPS sex worker controls (ML1250), and LSPRTLNAW was recognized by 2 additional HEPS sex worker controls (ML1693 and ML1589).

HXB2 Location p24 (16–24)**Author Location** p24 (148–156)**Epitope** SPRTLNAWV**Immunogen****Species (MHC)** human (B*0702)**Keywords** optimal epitope**References** Frahm *et al.* 2007

- C. Brander notes this is a B*0702 epitope.
- Optimal peptide mapped by titration.

HXB2 Location p24 (16–24)**Author Location** p24 (148–156)**Epitope** SPRTLNAWV**Immunogen****Species (MHC)** human (B7)**References** Brander & Walker 1997

- Optimal peptide mapped by titration, pers. comm. from D. Lewinsohn to C. Brander and B. Walker.

HXB2 Location p24 (16–24)**Author Location** p24 (148–156)**Epitope** SPRTLNAWV**Immunogen** HIV-1 infection**Species (MHC)** human (B7)**References** Brodie *et al.* 2000

- Study tracks and quantifies *in vivo* migration of neo-marked CD8 HIV-specific CTL.
- Adoptively transferred gene-marked HIV-specific CTL homed to specific lymph node sites, colocalizing within the parafollicular regions of the lymph node adjacent to cells expressing HIV tat-fusion transcripts, indicative of viral replication.
- The CTL clones expressed CCR5 and localized among HIV-1 infected cells expressing MIP-1alpha and MIP-1beta, CC-chemokines produced at sites of viral replication, suggesting a possible homing mechanism.
- This study provides a methodology for tracking and studying antigen specific CTL *in vivo*.

HXB2 Location p24 (16–24)**Author Location** p24 (148–156)**Epitope** SPRTLNAWV**Immunogen** HIV-1 infection, HIV-1 exposed seronegative**Species (MHC)** human (B7)

Keywords HIV exposed persistently seronegative (HEPS)

References Kaul *et al.* 2001a

- ELISPOT was used to study CTL responses to a panel of 54 predefined HIV-1 epitopes in 91 HIV-1-exposed, persistently seronegative (HEPS) and 87 HIV-1-infected female Nairobi sex workers.
- Responses in HEPS women tended to be lower, and focused on different epitopes with HLA presenting molecules that have previously been associated with reduced risk of infection, and there was a shift in the response in the HEPS women upon late seroconversion to epitopes recognized by the HIV-1 infected women.
- 43/91 HEPS women had CD8+ responses and detection of HIV-1-specific CTL in HEPS women increased with the duration of viral exposure.
- Subject ML 1203 started with CTL responses to A*6802 DTVLEDINL and to B7 FPVTPQVPLR prior to seroconversion, and upon seroconversion acquired additional responses to A*6802 ETAYFILKL which became dominant, B7 TPGPGVIRYPL, B7 IPRRIRQGL, and B7 SPRTLNAWV.

HXB2 Location p24 (16–24)

Author Location p24 (16–24)

Epitope SPRTLNAWV

Immunogen HIV-1 infection

Species (MHC) human (B7)

Keywords rate of progression, acute/early infection

References Day *et al.* 2001

- The CTL response to optimally defined CTL epitopes restricted by HLA class I A and B alleles in individuals who coexpressed HLA A2, A3, and B7 was studied in eight HIV-1-infected subjects, two with acute infection, five with chronic, and one long-term non-progressor (LTNP).
- 2 to 17 epitopes were recognized in a given individual, A2-restricted CTL response tended to be narrow and never dominated the response, and 25/27 epitopes were targeted by at least one person.
- Subjects with chronic HIV-1 infection recognized between 2-8 out of 11 B7-restricted epitopes.
- An acute seroconverter homozygous for the B7 allele recognized five B7-restricted epitopes.
- The other acute seroconverter failed to recognize any of the 11 B7-restricted epitopes tested.
- The B7-restricted CTL response was highly variable and there was no clearly dominant epitope.

HXB2 Location p24 (16–24)

Author Location

Epitope SPRTLNAWV

Epitope name Gag-SW9

Subtype B

Immunogen HIV-1 infection

Species (MHC) human (B7)

References Sabbaj *et al.* 2003

- Among HIV+ individuals who carried HLA B07, 1/9 (11%) recognized this epitope.
- Among HIV+ individuals who carried HLA B81, 1/6 (17%) recognized this epitope.

HXB2 Location p24 (16–24)

Author Location p24 (16–24)

Epitope SPRTLNAWV

Epitope name B7-SV9

Subtype B

Immunogen HIV-1 infection

Species (MHC) human (B7)

Donor MHC A3, B7, Cw7

Keywords dynamics, supervised treatment interruptions (STI), acute/early infection

References Yu *et al.* 2002a

- CTL responses in 18 acutely HIV-infected HLA-A3 (n=7) or -B7 (n=4) or both -A3 and B7 (n=7) positive individuals were studied.
- One individual, AC-06, was homozygous at all three class I alleles (A3, B7, Cw7), was treated during acute infection and had supervised treatment interruptions (STI). He had only two detectable CTL responses during acute infection, but after STI this broadened to 27 distinct epitopes including 15 restricted by HLA-A3, 11 by HLA-B7, and 1 by HLA-Cw7.
- 1/11 HLA-B7 positive individuals had detectable B7-restricted responses to this epitope during acute infection – 10/15 of HLA-B7 epitopes tested were targeted by at least one person during acute infection. 1/4 individuals had detectable responses to this epitope after STI.

HXB2 Location p24 (16–24)

Author Location p24 (16–24)

Epitope SPRTLNAWV

Epitope name B7-SV9 Gag

Subtype B

Immunogen HIV-1 infection

Species (MHC) human (B7)

Assay type CD8 T-cell Elispot - IFN γ

Keywords supervised treatment interruptions (STI), escape, early treatment, superinfection

References Altfeld *et al.* 2002a

- An HIV+ individual given acute ARV and undergoing STI developed a strong CTL immune response, but despite this was shown to be superinfected with second B clade virus. Some epitope variants of the second infecting virus were resistant to the initial CTL response, but in this case the epitope did not vary.

HXB2 Location p24 (16–24)

Author Location p24 (148–156)

Epitope SPRTLNAWV

Subtype B

Immunogen HIV-1 infection

Species (MHC) human (B7)

Country United States.

Assay type CD8 T-cell Elispot - IFN γ , CD8 T-cell Elispot granzyme B

Keywords characterizing CD8+ T cells

References Kleen *et al.* 2004

- Only 20% of CD8+ T-cells produce IFN-gamma and granzyme B simultaneously (Tc1a). Two additional subpopulations of HIV specific CD8 cells are found, each one constituting 30-40% of the CD8 cell pool. One of these (Tc1b) secretes IFN-gamma only, and the other one (Tc1c) secretes GzB only.

- None of seven patients responded to this peptide with GzB producing cells or IFN-gamma producing cells.
- The authors describe the epitope as SPRTLNNQWV – the double N's may be a typo or an unusual form of the epitope; it is atypical and may be why there was no response.

HXB2 Location p24 (16–24)

Author Location p24 (16–24)

Epitope SPRTLNAWV

Immunogen HIV-1 infection

Species (MHC) human (B7)

Country Spain.

Assay type proliferation, CD8 T-cell Elispot - IFN γ , Flow cytometric T-cell cytokine assay

Keywords HAART, ART, supervised treatment interruptions (STI), immune dysfunction

References Plana *et al.* 2004

- Structured treatment interruption (STI) alone is not able to control viral replication in chronically infected patients, probably due to lack of strong, maintained T-helper cell responses. HIV-1 specific CD8+ T-cell responses were shown to increase significantly until the end of the follow up, but were not correlated with viral load.
- Less than 2 of 7 patients recognized this epitope.

HXB2 Location p24 (16–24)

Author Location p24 (subtype B)

Epitope SPRTLNAWV

Subtype B

Immunogen HIV-1 exposed seronegative

Species (MHC) human (B7, B*8101)

References Kaul *et al.* 2000

- 11/16 heavily HIV exposed but persistently seronegative sex-workers in Nairobi had HIV-specific CD8 gamma-IFN responses in the cervix – systemic CD8+ T cell responses tended to be to the same epitopes but at generally lower levels than cervical CD8+ T cell responses.
- Low risk individuals did not have such CD8+ cells.
- CD8+ T cell epitopes: DTVLEDINL (3 individuals), SLYNT-VATL (4 individuals), LSPRTLNAW (3 individuals) and YPLT-FGWCF (4 individuals) were most commonly recognized by the HIV-resistant women.

HXB2 Location p24 (16–24)

Author Location Gag (subtype B)

Epitope SPRTLNAWV

Subtype B

Immunogen HIV-1 exposed seronegative

Species (MHC) human (B7, B*8101)

Keywords subtype comparisons

References Rowland-Jones *et al.* 1998b

- HIV-specific CTL were found in exposed seronegative prostitutes from Nairobi – these CTL may confer protection.
- Seroprevalence in this cohort is 90-95% and their HIV-1 exposure is among the highest in the world.
- Most isolated HIV strains are clade A in Nairobi, although clades C and D are also found – B clade epitopes are often cross-reactive, however stronger responses are frequently observed using A or D clade versions of epitopes.
- This epitope is conserved among A, B, and D clade viruses.

HXB2 Location p24 (16–24)

Author Location p24

Epitope SPRTLNAWV

Immunogen HIV-1 infection

Species (MHC) chimpanzee

References Santra *et al.* 1999

- 3/4 animals displayed HIV-1 Gag-specific CTL activity.
- Effector cells from two chimpanzees were able to recognize epitopes also recognized by human HIV-1 Gag-specific CTL (SPRTLNAWV, HLA-B7, and DLNTMLNTV, HLA-B14)
- No chimpanzee CTL were detected to the following human HIV-1 specific Gag epitopes, although they were embedded within 20mer peptides that contained a reactive epitope: ISPRTLNAW, HLA-B57; KRWILGLNK, HLA-B27; and DRFYKTLRA, HLA-B14.

HXB2 Location p24 (16–25)

Author Location Rev

Epitope QIRSLSGWIL

Epitope name QL10

Subtype B

Immunogen HIV-1 infection

Species (MHC) human

Donor MHC A2, B7, B44, Cw5, Cw7

Country United States.

Assay type CD8 T-cell Elispot - IFN γ

Keywords subtype comparisons, escape, characterizing CD8+ T cells, reversion, viral fitness

References Allen *et al.* 2005a

- Two-thirds of all mutations arising in nonenvelope proteins during the transition from acute to chronic infection were found to be due to either CD8 T-cell-associated selective pressures or reversion of HLA-I-associated mutations selected in a previous host. The predominance of escape mutations at highly polymorphic sites was observed across different HIV-1 clades.
- One escape mutation, at position 7, QIRSLSeWIL was found not to correspond to the most polymorphic residue in the epitope. This is a novel unmapped epitope.

HXB2 Location p24 (18–26)

Author Location Gag (150–)

Epitope RTLNAWVKV

Epitope name Gag150

Immunogen HIV-1 infection, vaccine

Vector/Type: peptide *HIV component:* p24 Gag *Adjuvant:* Incomplete Freund's Adjuvant (IFA)

Species (MHC) human, transgenic mouse (A2)

Assay type CD8 T-cell Elispot - IFN γ , Chromium-release assay, Flow cytometric T-cell cytokine assay

Keywords binding affinity, subtype comparisons, computational epitope prediction

References Corbet *et al.* 2003

- HLA-A2-restricted HIV-1 CTL epitopes were computationally predicted. Binding affinities for HLA-A*0204, immunogenicity in HLA-A*0201 transgenic mice, and responses to the peptides in 17 HIV-1 infected patients were tested. 31 novel conserved A2 epitopes were detected. An average of 4 epitopes were recognized per patient.

- This peptide was an intermediate A2 binder, and induced CTL responses in mice. Responses were detected in 1/17 HIV+ HLA-A2 subjects.

HXB2 Location p24 (19–26)

Author Location Gag

Epitope TLNAWVKW

Epitope name T9V

Immunogen vaccine

Vector/Type: measles virus (MV) *Strain:* multiple epitope immunogen *HIV component:* gp140, gp140ΔV3

Species (MHC) transgenic mouse (A*0201)

Assay type Chromium-release assay, Flow cytometric T-cell cytokine assay

Keywords memory cells, vaccine antigen design, antibody generation, characterizing CD8+ T cells

References Lorin *et al.* 2005

- A recombinant measles MVSchw virus expressing an HIV-1-derived polyepitope effectively primed HLA-A*0201-restricted CTL responses against multiple conserved HIV-1 epitopes in HLA-A*0201 transgenic mice. Also, a recombinant MVSchw virus expressing gp140 with deleted V1, V2, and V3 loops successfully induces neutralizing antibodies against HIV-1. A live attenuated measles vaccine could provide a safe and efficient pediatric vaccination vector for simultaneous vaccination against HIV and measles.

HXB2 Location p24 (19–27)

Author Location p24 (151–159)

Epitope TLNAWVKV

Immunogen HIV-1 infection

Species (MHC) human (A*02)

Keywords HAART, ART, immunodominance

References Huang *et al.* 2000

- The single cell ELISPOT assay was optimized and highly specific, and found to work well even after the primary cells had been frozen and thawed.
- Increases in gamma interferon producing cells were observed in response to anti-retroviral therapy using single cell IFN-gamma-production ELISPOT.
- In 3/3 HLA-A*02, -B*27 subjects the immunodominant epitope was against HLA B*27 Gag p24 epitope KRWILGL, not A2 Gag epitopes.

HXB2 Location p24 (19–27)

Author Location p24 (151–159)

Epitope TLNAWVKV

Immunogen HIV-1 infection

Species (MHC) human (A*02)

Keywords HAART, ART

References Rinaldo *et al.* 2000

- Administration of triple-drug antiretroviral therapy (IDV, 3TC and ZDV) sometimes showed a transient increase and other times failed to increase CTL responses in patients with advanced HIV disease, but there is a stable population of tetramer stained HIV-specific CD8+ CD45RO+ cells that can persist after therapy and long periods of virus being below the level of detection.

HXB2 Location p24 (19–27)

Author Location p24 (151–159)

Epitope TLNAWVKV

Immunogen HIV-1 infection

Species (MHC) human (A2)

References Parker *et al.* 1992; Parker *et al.* 1994

- Study of sequence motifs preferred for peptide binding to class I HLA-A2.

HXB2 Location p24 (19–27)

Author Location p24 (19–27)

Epitope TLNAWVKV

Immunogen HIV-1 infection

Species (MHC) human (A2)

References Ferrari *et al.* 2000

- One of the 51 HIV-1 epitopes selected by Ferrari *et al.* as good candidate CTL epitopes for vaccines by virtue of being conserved and presented by common HLA alleles.

HXB2 Location p24 (19–27)

Author Location p24 (150–159)

Epitope TLNAWVKVI

Immunogen HIV-1 infection, HIV-1 exposed seronegative

Species (MHC) human (A2)

Keywords subtype comparisons, HIV exposed persistently seronegative (HEPS)

References Kaul *et al.* 2001a

- Variants TLNAWVKV(I/V) are A/B clade specific.
- ELISPOT was used to study CTL responses to a panel of 54 predefined HIV-1 epitopes in 91 HIV-1-exposed, persistently seronegative (HEPS) and 87 HIV-1-infected female Nairobi sex workers.

HXB2 Location p24 (19–27)

Author Location p24 (A02, A30, B4402, B15)

Epitope TLNAWVKV

Immunogen HIV-1 exposed seronegative

Species (MHC) human (A2)

Assay type CD8 T-cell Elispot - IFN γ , Intracellular cytokine staining

Keywords HIV exposed persistently seronegative (HEPS), characterizing CD8+ T cells

References Missale *et al.* 2004

- HIV-specific T-cell response was tested in patients exposed to blood from a patient with highly replicating HIV; these patients were nosocomially infected with HBV, but uninfected with HIV. HIV-specific T-cell responses were directed to structural and non-structural HIV proteins in 2 patients, suggesting that the virus replicated in these patients sufficiently to prime a cell-mediated immune response that protected them from HIV infection.
- This patient responded to 4/8 HIV epitopes tested in an IFN γ EliSpot assay or tetramer assay. Responses were detected to this peptide 8 and 28 weeks after exposure with EliSpot, but not by tetramer binding.

HXB2 Location p24 (19–27)

Author Location p24 (19–27 HXB2)

Epitope TLNAWVKVI

Epitope name 24D

Subtype B**Immunogen** vaccine*Vector/Type:* DNA *Strain:* multiple epitope immunogen *HIV component:* p17/p24 Gag, Pol *Adjuvant:* IL-12**Species (MHC)** transgenic mouse (A2)**Assay type** Cytokine production, CD8 T-cell Elispot - IFN γ , Chromium-release assay**Keywords** vaccine-specific epitope characteristics, vaccine antigen design**References** Bolesta *et al.* 2005

- Immunization of transgenic mice with a codon-optimized hGagp17p24-Polp51 DNA plasmid, consisting of clusters of highly conserved CTL epitopes presented by multiple MHC class I alleles, induced 2- to 5-fold higher CD8+ T-cell responses than the corresponding full-length proteins. The modified proteins had the ribosomal frameshift deleted, as well as the potentially immunosuppressive p15, and protease and integrase. This correlated with higher protection against challenge with Gag and Pol expressing recombinant vaccinia virus. Mice immunized with the hGagp17p24-Polp51 also showed an elevated level of type I cytokine production as well as an increased titer of p24- and RT-specific IgG2 antibody responses.
- This was 1 of 4 A2 gag/pol epitopes tested. Transgenic mice immunized with the deleted construct induced more potent EliSpot reactions to this epitope than those immunized with full length Gag/Pol.

HXB2 Location p24 (19–27)**Author Location** p24 (subtype B)**Epitope** TLNAWVKVV**Subtype B****Immunogen** HIV-1 exposed seronegative**Species (MHC)** human (A2, A*0202)**Keywords** subtype comparisons**References** Rowland-Jones *et al.* 1998b

- HIV-specific CTL were found in exposed seronegative prostitutes from Nairobi – these CTL may confer protection.
- Seroprevalence in this cohort is 90-95% and their HIV-1 exposure is among the highest in the world.
- Most isolated HIV strains are clade A in Nairobi, although clades C and D are also found – B clade epitopes are often cross-reactive, however stronger responses are frequently observed using A or D clade versions of epitopes.
- This epitope is conserved among A, B and D clade viruses.

HXB2 Location p24 (21–30)**Author Location** Gag (153–162 WEAU)**Epitope** NAWVKIEEK**Epitope name** Gag NK9**Subtype B****Immunogen** HIV-1 infection**Species (MHC)** human**Donor MHC** A*2902, B*4403, B*0801**Country** United States.**Assay type** CD8 T-cell Elispot - IFN γ , Chromium-release assay**Keywords** dynamics, immunodominance, acute/early infection, kinetics, characterizing CD8+ T cells, reversion, viral fitness**References** Jones *et al.* 2004

- Primary CD8+ T-cell response to Env, Tat and Gag and the extent, kinetics and mechanisms of viral escape were examined in three patients. Rapid escape, within weeks from infection, from HIV specific CTL responses was observed in all three patients, but the kinetics and extent of the escape differed depending on the breadth and co-dominant distribution of CTL-mediated pressure. The two patients that rapidly declined had more focused immunodominant responses, while the single patient that had low viral load and stable CD4 counts for seven years had a broad co-dominant response and less escape.
- The patient WEAU had high viral loads and rapid CD4 decline. WEAU mounted 14 detected CTL responses, with distinct patterns of immunodominance. WEAU did not control viral replication well, and escape mutations occurred early and 4/14 had changes that could have resulted in escape, and two were confirmed as escape.
- There was a weak response to this epitope during acute and early infection, and the epitope sequence did not vary during the first year of the infection.

HXB2 Location p24 (21–31)**Author Location** Gag (129–139)**Epitope** NAWVKVVEEKA**Epitope name** Gag 8.4**Immunogen** vaccine*Vector/Type:* DNA prime with modified vaccinia Ankara (MVA) boost *Strain:* B clade *HIV component:* Env, Gag, Protease, Rev, RT, Tat, Vpu**Species (MHC)** macaque**Assay type** T-cell Elispot, Intracellular cytokine staining**Keywords** subtype comparisons, memory cells**References** Amara *et al.* 2005

- A clade B DNA/MVA HIV vaccine was shown to raise a broad cross-reactive cellular immune response for peptides based on the CRF02_AG consensus Gag in macaques. The activity was better conserved for CD8 than CD4 T cells.
- All 5 CD8 and 4/8 of the CD4 epitopes that were recognized in vaccinated macaques have also been reported for human infections, indicating cross-species conservation. The similar reported human epitope in this case is NAWVKVVEEKAF-SPEVIPMF, HLA restriction: A2, B21, B57.
- The B clade immune response to NAWVKVVEEKA gives a diminished response to the CRF02 variant NAWVKViEEKA, but does cross-react. The M group clades are about evenly split between the 2 variants.

HXB2 Location p24 (21–40)**Author Location** Gag (153–172)**Epitope** NAWVKVVEEKAFSPEVIPMF**Immunogen** HIV-1 infection**Species (MHC)** human (B57)**References** Brodie *et al.* 1999

- The ability of CTL effector cells was studied by expanding autologous HIV-1 Gag-specific CTL *in vitro*, and adoptively transferring them.

- The transferred CTLs migrated to the lymph nodes and transiently reduced circulating productively infected CD4+ T cells, showing that CTL move to appropriate target sites and mediate anti-viral effects.

HXB2 Location p24 (21–40)

Author Location p24 (153–172)

Epitope NAWKVVVEEKAFSPEVIPMF

Immunogen HIV-1 infection

Species (MHC) human (B57)

References Brodie *et al.* 2000

- Study tracks and quantifies *in vivo* migration of neo-marked CD8+ HIV-specific CTL.
- Adoptively transferred gene-marked HIV-specific CTL homed to specific lymph node sites, colocalizing within the parafollicular regions of the lymph node adjacent to cells expressing HIV tat-fusion transcripts, indicative of viral replication.
- The CTL clones expressed CCR5 and localized among HIV-1 infected cells expressing MIP-1 β and MIP-1 α , CC-chemokines produced at sites of viral replication, suggesting a possible homing mechanism.
- This study provides a methodology for tracking and studying antigen specific CTL *in vivo*.

HXB2 Location p24 (21–40)

Author Location p24 (153–172 SF2)

Epitope NAWKVVVEEKAFSPEVIPMF

Immunogen HIV-1 infection

Species (MHC) human

References Lieberman *et al.* 1997a

- Of 25 patients, most had CTL specific for more than 1 HIV-1 protein.
- Twelve subjects had CTL that could recognize vaccinia-expressed LAI gag.
- One of these 12 had CTL response to this peptide.
- The responding subject was HLA-A2, -B21.

HXB2 Location p24 (21–40)

Author Location p24 (153–172 SF2)

Epitope NAWKVVVEEKAFSPEVIPMF

Immunogen vaccine

Vector/Type: virus-like particle (VLP) *HIV component:* CD4BS, Gag, gp120, V3

Species (MHC) macaque

References Wagner *et al.* 1998b

- A VLP is a non-infectious virus-like particle self-assembled from HIV Pr55 gag – macaques were immunized with VLPs bound to either gp120 or V3+CD4 linear domains Gag and Env specific CTL were stimulated in each case, and Ab response to gag and gp120 was elicited, but the gp120 neutralizing response occurred only with whole gp120, not V3+CD4 – despite the CTL and Ab response, immunized macaques were infected by intervenous challenge with SHIV chimeric challenge stock Wagner *et al.* [1998b]
- CTL specific for this epitope could be found both before and after SHIV challenge.

HXB2 Location p24 (21–42)

Author Location p24 (153–174 BH10)

Epitope NAWKVVVEEKAFSPEVIPMFA

Immunogen HIV-1 infection

Species (MHC) human (B57)

References Johnson *et al.* 1991

- Gag CTL response studied in three individuals.

HXB2 Location p24 (24–32)

Author Location (C consensus)

Epitope VKVIEEKAF

Subtype C

Immunogen HIV-1 infection

Species (MHC) human (B*1503)

Country South Africa.

Assay type CD8 T-cell Elispot - IFN γ

Keywords characterizing CD8+ T cells

References Kiepiela *et al.* 2004

- HLA class I restricted CD8+ T-cell responses against HIV-1 were analyzed in African patients. Significantly more responses were shown to be HLA-B restricted. Viral load, CD4 count, and thus rate of disease progression were also associated with HLA-B alleles. In addition, the selection pressure imposed on HIV-1 by HLA-B alleles was shown to be substantially greater than by other alleles.
- This epitope was suggested to be the epitope within a longer reactive peptide based on correspondence with a known epitope in the HIV database. Also, a significantly higher frequency of people in the Durban cohort who reacted with the peptide had this HLA type.

HXB2 Location p24 (24–32)

Author Location (C consensus)

Epitope VKVIEEKAF

Subtype C

Immunogen HIV-1 infection

Species (MHC) human (B*1503)

Country South Africa.

Assay type CD8 T-cell Elispot - IFN γ

Keywords rate of progression, optimal epitope

References Kiepiela *et al.* 2007

- A comprehensive analysis of 160 class I T cell responses in 578 individuals from KwaZulu-Natal, South Africa was performed. Gag-specific responses were associated with lowering viremia, while Env, accessory and regulatory protein-specific responses were associated with higher viremia.
- VKVIEEKAF is an optimal epitope.

HXB2 Location p24 (24–32)

Author Location

Epitope VKVIEEKAF

Immunogen

Species (MHC) human (B*1503)

Keywords optimal epitope

References Frahm *et al.* 2007

- C. Brander notes that this is an B*1503 epitope.

HXB2 Location p24 (27–36)

Author Location p24 (27–36)

Epitope IEEKAFSPEV

Subtype C

Immunogen HIV-1 infection

Species (MHC) human (B*4006)

Country India.

Assay type CD8 T-cell Elispot - IFN γ

Keywords subtype comparisons, computational epitope prediction, immunodominance

References Thakar *et al.* 2005

- PBMCs from HIV-1 infected Indian subjects were tested for HIV-1 Gag (with C clade peptides), Nef (with B clade peptides), and Env (clade unspecified) specific T-cell responses. 5 immunodominant regions conserved across clades were identified in Gag and Nef. 3 antigenic regions were found to be recognized by CTLs in the Indian subjects; these regions were not identified as immunodominant in studies from Africa. 26 epitopes were predicted within reactive peptides, of which 90% were clustered in the conserved immunodominant regions of Gag and Nef. 3 of the epitopes were highly conserved across clades, and 7 novel epitopes were found.

HXB2 Location p24 (27–37)

Author Location (C consensus)

Epitope IEEKAFSPEVI

Subtype C

Immunogen HIV-1 infection

Species (MHC) human (B*4501)

Country South Africa.

Assay type CD8 T-cell Elispot - IFN γ

Keywords rate of progression, optimal epitope

References Kiepiela *et al.* 2007

- A comprehensive analysis of 160 class I T cell responses in 578 individuals from KwaZulu-Natal, South Africa was performed. Gag-specific responses were associated with lowering viremia, while Env, accessory and regulatory protein-specific responses were associated with higher viremia.
- IEEKAFSPEVI is an optimal epitope.

HXB2 Location p24 (28–36)

Author Location p24

Epitope EEKAFSPEV

Subtype A

Immunogen HIV-1 infection

Species (MHC) human (B*4415)

Keywords HIV exposed persistently seronegative (HEPS)

References Bird *et al.* 2002

- 5/233, (4 HIV-1 positive, 1 HEPS) (2.1%) Kenyan female sex workers carried the novel HLA allele B*4415.
- Residues forming the B pocket of HLA B*4415 were identical to HLA B*4001, B*4402 and B*4403. These alleles preferred E, an acidic residue, at the P2 position.
- The amino acid residues forming the F pocket of allele B*4415 were not correlated with other known HLA molecules, but analogy suggests a binding preference for small, neutral amino acids.
- Based on the binding motif x[DE]xxxxxx[VILA], 19 potential B*4415 epitopes were identified, and 1/19 was reactive in an Elispot, EEKAFSPEV.

HXB2 Location p24 (28–36)

Author Location p24 (28–36)

Epitope EEKAFSPEV

Immunogen

Species (MHC) human (B*4415)

Keywords optimal epitope

References Frahm *et al.* 2007

HXB2 Location p24 (28–36)

Author Location (C consensus)

Epitope EEKAFSPEV

Subtype C

Immunogen HIV-1 infection

Species (MHC) human (B*4501)

Country South Africa.

Assay type CD8 T-cell Elispot - IFN γ

Keywords characterizing CD8+ T cells

References Kiepiela *et al.* 2004

- HLA class I restricted CD8+ T-cell responses against HIV-1 were analyzed in African patients. Significantly more responses were shown to be HLA-B restricted. Viral load, CD4 count, and thus rate of disease progression were also associated with HLA-B alleles. In addition, the selection pressure imposed on HIV-1 by HLA-B alleles was shown to be substantially greater than by other alleles.
- This epitope was suggested to be the epitope within a longer reactive peptide based on correspondence with a known epitope in the HIV database. Also, a significantly higher frequency of people in the Durban cohort who reacted with the peptide had this HLA type.

HXB2 Location p24 (28–47)

Author Location p24 (160–179)

Epitope EEKAFSPEVIPMFALSSEGA

Immunogen HIV-1 infection

Species (MHC) human (B27)

References Musey *et al.* 1997

- Cervical and peripheral blood derived CTL clones from an HIV-infected woman recognized this epitope.

HXB2 Location p24 (29–36)

Author Location p24 (28–36)

Epitope EKAFSPEV

Subtype C

Immunogen HIV-1 infection

Species (MHC) human (Cw*0602)

Country India.

Assay type CD8 T-cell Elispot - IFN γ

Keywords subtype comparisons, computational epitope prediction, immunodominance

References Thakar *et al.* 2005

- PBMCs from HIV-1 infected Indian subjects were tested for HIV-1 Gag (with C clade peptides), Nef (with B clade peptides), and Env (clade unspecified) specific T-cell responses. 5 immunodominant regions conserved across clades were identified in Gag and Nef. 3 antigenic regions were found to be recognized by CTLs in the Indian subjects; these regions were not identified as immunodominant in studies from Africa. 26 epitopes were predicted within reactive peptides, of which 90% were clustered in the conserved immunodominant regions of Gag and Nef. 3 of the epitopes were highly conserved across clades, and 7 novel epitopes were found.

HXB2 Location p24 (29–39)

Author Location Gag (161–171)

Epitope EKAFSPEVIPM

Epitope name Gag 8.5

Immunogen vaccine

Vector/Type: DNA prime with modified vaccinia Ankara (MVA) boost *Strain:* B clade
HIV component: Env, Gag, Protease, Rev, RT, Tat, Vpu

Species (MHC) macaque

Assay type T-cell Elispot, Intracellular cytokine staining

Keywords subtype comparisons, variant cross-recognition or cross-neutralization, memory cells

References Amara *et al.* 2005

- A clade B DNA/MVA HIV vaccine was shown to raise a broad cross-reactive cellular immune response for peptides based on the CRF02_AG consensus Gag in macaques. The activity was better conserved for CD8 than CD4 T cells.
- All 5 CD8 and 4/8 of the CD4 epitopes that were recognized in vaccinated macaques have also been reported for human infections, indicating cross-species conservation. The similar reported human epitope in this case is EEKAFSPEVIPMF-SALSEGA, HLA restriction: B27
- This epitope is conserved in all HIV-1 clades except CRF01, and is identical in B and CRF02.

HXB2 Location p24 (29–48)

Author Location Gag (161–180 C consensus)

Epitope EKAFSPEVPMFTALSEGAT

Subtype C

Immunogen HIV-1 infection

Species (MHC) human

Keywords subtype comparisons

References Novitsky *et al.* 2002

- HLA, viral sequence, and Elispot data was obtained from 105 HIV-1 positive Botswanans; Elispot data was obtained from between 55 and 64 subjects for each HIV protein.
- Nef and p24 had the highest percentage of reactive peptides, and p24 had the highest magnitude of HIV-1 responses.
- This peptide was among the 28 most reactive C clade peptides from among over 350 tested spanning all HIV proteins.

HXB2 Location p24 (30–37)

Author Location p24 (162–170 LAI)

Epitope KAFSPEVI

Subtype B

Immunogen HIV-1 infection

Species (MHC) human (B*5703)

Keywords optimal epitope

References Frahm *et al.* 2007

- C. Brander notes this is a B*5703 epitope.

HXB2 Location p24 (30–37)

Author Location p24 (30–37)

Epitope KAFSPEVI

Immunogen HIV-1 infection

Species (MHC) human (B57)

References Goulder *et al.* 2000c

- Two strong clonal CTL responses were generated in donor 026-BMC (HLA A3/-, B42/B57, Cw7/17) against different optimal versions of this epitope, one 8 amino acids long, one 11.
- Improved stabilization of the B57-peptide complex was demonstrated by the 11 mer which fits the B57 binding motif, relative to the 8 mer, which does not.
- B57 tolerates marked difference in optimal peptide length – and B57 is associated with non-progressive infection.

HXB2 Location p24 (30–37)

Author Location

Epitope KAFSPEVI

Epitope name Gag-KI8

Subtype B

Immunogen HIV-1 infection

Species (MHC) human (B57)

References Sabbaj *et al.* 2003

- Among HIV+ individuals tested who carried HLA B57, 0/5 (0%) recognized this epitope.

HXB2 Location p24 (30–40)

Author Location p24

Epitope KAFSPEVIPMF

Immunogen HIV-1 infection

Species (MHC) human (B*57)

Keywords HAART, ART

References Spiegel *et al.* 1999

- Study examines the effect of highly active antiretroviral therapy (HAART) on HIV-1 plasma viral load, CTLp and CTLc frequencies in 8 infected children.
- CTLp (precursors) were measured by stimulating in culture and assaying using ⁵¹Cr release, against vaccinia expressed IIIb Env, Gag, Pol, Nef, and CTLc were measured by ELISPOT.
- CTL against B*57-KAFSPEVIPMF was a de novo response observed in one of the children when viral load increased as a result of stopping therapy.
- HIV-1 specific CTL responses initially increased in children with complete viral suppression, but then decreased, suggesting viral replication is needed to maintain CTL responses.

HXB2 Location p24 (30–40)

Author Location Gag

Epitope KAFSPEVIPMF

Epitope name KF11

Subtype B, C

Immunogen HIV-1 infection

Species (MHC) human (B*57)

Assay type CD8 T-cell Elispot - IFN γ , Chromium-release assay, HLA binding

Keywords subtype comparisons, escape, reversion, viral fitness, optimal epitope

References Leslie *et al.* 2005

- An escape mutation, A2G (KgFSPEVIPMF), is suggested to be a result of selection pressure from the HLA-B*57 allele, and can be transmitted and stable in the absence of HLA-B*57. Evidence indicated that the mechanism of escape was an increased off-rate.

HXB2 Location p24 (30–40)

Author Location p24 (162–172 LAI)

Epitope KAFSPEVIPMF**Subtype** B**Immunogen** HIV-1 infection**Species (MHC)** human (B*5701)**Keywords** rate of progression**References** Goulder *et al.* 1996b

- This peptide was recognized by CTL from five slow progressors.
- Peptide defined on the basis of B*5801 binding motif, yet not cross-restricted except at high concentrations.
- This epitope is highly conserved.

HXB2 Location p24 (30–40)**Author Location** p24 (162–172 LAI)**Epitope** KAFSPEVIPMF**Subtype** B**Immunogen** HIV-1 infection**Species (MHC)** human (B*5701)**Keywords** optimal epitope**References** Frahm *et al.* 2007

- C. Brander notes this is a B*5701 epitope.

HXB2 Location p24 (30–40)**Author Location****Epitope** KAFSPEVIPMF**Subtype** B**Immunogen** HIV-1 infection**Species (MHC)** human (B*5701)**Keywords** rate of progression, immunodominance**References** Migueles & Connors 2001

- HLA B*5701 was found in a very high frequency in HIV-1 infected non-progressors, 11/13 (85%) versus 19/200 (9.5%) of progressors. Non-progressors tended to have an immune response that was highly focused on four p24 epitopes that were presented by B*5701, ISPRTLNAW, KAFSPEVIPMF, TSTLQEQIGW, and QASQEVKNW.
- Attempts to make all for HLA B*5701-epitope tetramers were made, but only the HLA B*5701-KAFSPEVIPMF tetramer folded properly. The percentage of CD8+ T cells staining with this HLA B*57 gag tetramer and the fraction of CD69+IFN- γ cells responding to autologous B cells pulsed with KAFSPEVIPMF was highly correlated ($r = 0.84$; $P = 0.005$). The percent of CD8+ T cells that stain with the A*2 gag SLYNTVATL tetramer was low (0–0.31%) in a A2+ B57+ LTNP, emphasizing the focus of the immune response on the B*5701 epitopes.

HXB2 Location p24 (30–40)**Author Location****Epitope** KAFSPEVIPMF**Subtype** B**Immunogen** HIV-1 infection**Species (MHC)** human (B*5701)**Keywords** rate of progression, immunodominance**References** Migueles & Connors 2001

- CTL activity was monitored in 27 individuals, including 10 LTNP with an over-expression of HLA B*5701 – these individuals have viral loads below the threshold of infection without therapy, and their immune response tends to be focused on peptides that contain B*5701 epitopes ISPRTLNAW, KAFSPEVIPMF, TSTLQEQIGW, and QASQEVKNW.

- CTL responses are broader in B*5701+ individuals with progressive viremia than those that control viremia.
- The HLA-A*0201 SLYNTVATL epitope response was not as strong in individuals that carried both A2 and B57.

HXB2 Location p24 (30–40)**Author Location** Gag (162–172)**Epitope** KAFSPEVIPMF**Epitope name** KAF11**Subtype** B**Immunogen** HIV-1 infection**Species (MHC)** human (B*5701)**Assay type** Intracellular cytokine staining, Flow cytometric T-cell cytokine assay**Keywords** rate of progression, escape**References** Migueles *et al.* 2003

- cDNA Gag sequences from a set of 17 HLA-B*5701+ progressors and 10 LTNPs were obtained, and the variation in four p24 B*5701 epitopes examined. Sequence variants were more common ($p < 0.01$) in the epitopes in the progressors (median 3, range 1–7) than LTNPs (median 2, range 0–4).
- In general, use of the autologous protein in a target cell did not diminish the overall CD8+ T-cell responses.
- This epitope tends to be quantitatively immunodominant in B57+ people, including in some of the individuals in this study. It was extremely well conserved in the sequences obtained here, despite strong immune pressure, suggesting fitness constraints.

HXB2 Location p24 (30–40)**Author Location** p24 (30–40)**Epitope** KAFSPEVIPMF**Epitope name** KAFS**Subtype** A, B**Immunogen** HIV-1 infection**Species (MHC)** human (B*5701, B*5703)**Keywords** subtype comparisons, rate of progression**References** Gillespie *et al.* 2002

- CTL responses of eight HIV+ slow progressors from Nairobi Kenya or Oxford, UK who were B*5701 or B*5703 were studied, as B*57 is associated with slow progression.
- This epitope is located between the structurally conserved alpha-helix 1 and alpha-helix 2 (H1–H2) region of the p24 capsid protein, and tends to elicit strong reactions in B*57 individuals.
- Broad heterogeneous cross-clade reactivity to 6 clade variants of the KAFS peptide sequence were observed in one B*5701 and 5 B*5703 HLA-restricted patients, measured by IFN γ production Elispot assays as well as tetramer binding. The clade variants were: KAFSPEVIPMF (clades A and B), kGfNpevipmf (clades A/AC); kaLspevipmf (clade A); kafspevipVf (clade A); kafNpeIipmf (group O); kafspeIipmf (A/C); kafsQevipmf (A/C); and kaLspevipmf KNFSPEVIPMF A/G). Not all variants were well recognized in all patients, for example kafsQevipmf was not able to induce IFN gamma production in 3/6 tested, and had a diminished capacity to sensitize target cells for lysis.

HXB2 Location p24 (30–40)**Author Location** p24 (162–172 LAI)**Epitope** KAFSPEVIPMF

Subtype B**Immunogen** HIV-1 infection**Species (MHC)** human (B*5703)**Keywords** optimal epitope**References** Frahm *et al.* 2007

- C. Brander notes this is a B*5703 epitope.

HXB2 Location p24 (30–40)**Author Location****Epitope** KAFSPEVIPMF**Epitope name** Gag-KF11**Subtype** B**Immunogen** HIV-1 infection**Species (MHC)** human (B*5703)**Donor MHC** A*3402 A*7401 B*0801 B*5703 Cw*0302 Cw*0701**Keywords** HAART, ART**References** Sabbaj *et al.* 2003

- This study monitored epitope responses in HIV-1 infected minority women living in the United States.
- 24 epitopes were described – 8 were novel, 8 used new restricting elements but were previously defined epitopes, and 8 were previously described.
- Serial peptide truncations were used to define optimal epitopes for CTL cell lines isolated from 12 individuals, assayed by a Cr-release.
- Subject 00RCH59 was African American, on HAART, viral load 170, CD4 count 477.
- Among HIV+ individuals who carried HLA-B57, 6/6 (100%) recognized this epitope.

HXB2 Location p24 (30–40)**Author Location** p24 (162–172)**Epitope** KAFSPEVIPMF**Epitope name** KF11**Subtype** C**Immunogen** HIV-1 infection**Species (MHC)** human (B*5703)**Country** Ethiopia.**Assay type** CD8 T-cell Elispot - IFN γ **Keywords** rate of progression, immunodominance, escape, variant cross-recognition or cross-neutralization**References** Currier *et al.* 2005

- HLA-B57 is associated with slow progression. Epitope sequence variation and CD8 T-cell responses were analyzed in HLA-B*5703-positive individuals from Ethiopia. KF11 epitope and its variants were found to be immunodominant in these subjects. Two HLA-B*5702 subjects did not respond to the KF11 epitope or its variants.
- 5 variants of the epitope were observed: KAFSPEVIPMF, KnFSPEVIPMF, rAFSPEVIPMF, KgFnPEVIPMF, and KAFSPEVIPMI. Depending on the subject, different versions of these variants were more or less susceptible to their CD8+ T cells, i.e., one person's escape form was another person's susceptible form.

HXB2 Location p24 (30–40)**Author Location** (C consensus)**Epitope** KAFSPEVIPMF**Subtype C****Immunogen** HIV-1 infection**Species (MHC)** human (B*5703)**Country** South Africa.**Assay type** CD8 T-cell Elispot - IFN γ **Keywords** rate of progression, optimal epitope**References** Kiepiela *et al.* 2007

- A comprehensive analysis of 160 class I T cell responses in 578 individuals from KwaZulu-Natal, South Africa was performed. Gag-specific responses were associated with lowering viremia, while Env, accessory and regulatory protein-specific responses were associated with higher viremia.
- Mutational patterns in the A2 and S4 residues of KAFSPEVIPMF are associated with the presence of the HLA presenting molecule in the host.

HXB2 Location p24 (30–40)**Author Location** p24 (30–40)**Epitope** KAFSPEVIPMF**Immunogen** HIV-1 infection**Species (MHC)** human (B57)**References** Goulder *et al.* 2000c

- Two strong clonal CTL responses were generated in donor 026-BMC (HLA A3/-, B42/B57, Cw7/17) against different optimal versions of this epitope, one 8 amino acids long, one 11.
- Improved stabilization of the B57-peptide complex was demonstrated by the 11mer which fits the B57 binding motif, relative to the 8 mer, which does not.
- B57 tolerates marked difference in optimal peptide length – and B57 is associated with non-progressive infection.

HXB2 Location p24 (30–40)**Author Location** p24 (162–172)**Epitope** KAFSPEVIPMF**Immunogen** HIV-1 infection**Species (MHC)** human (B57)**Keywords** immunodominance**References** Betts *et al.* 2000

- Only 4/11 HLA-A2+ HIV+ individuals had CTL that reacted to SLYNTVATL, calling into question whether it is immunodominant.
- 95 optimally-defined peptides from this database were used to screen for INF γ responses to other epitopes.
- 1/11 of the A2+ individuals was HLA A*0201, A1, B57 and responded to four B57 epitopes and two others.

HXB2 Location p24 (30–40)**Author Location** p24 (SF2)**Epitope** KAFSPEVIPMF**Immunogen** HIV-1 infection**Species (MHC)** human (B57)**Keywords** subtype comparisons, immunodominance**References** Goulder *et al.* 2000a

- The CTL-dominant response was focused on this epitope in a HIV+ Caucasian living in Boston – this epitope is not among the most recognized peptides in the study.

- Three peptides GSEELRSLYNTVATL (p17 residues 71-85), SALSEGATPQDLNTMLNTVG (p24 41-60), and WEKIRLRPGGKKKYKLLK (p17 16-30) contained the dominant Gag-specific epitope in 31/44 B-clade infected individuals from Boston who showed Gag-CTL responses.
- Five peptides RLRPGGKKHYMIKHLVW (p17 20-36), ELRSLYNTVATLYCV (p17Gag 74-88), SALSEGATPQDLNTMLNTVG (p24 41-60), FRDYVDRFFKTLRAEQA (p24 161-177), and SILDIKQGKEPFRDY (p24 149-164) contained dominant Gag-specific epitopes in 32/37 C-clade infected subjects from South Africa.

HXB2 Location p24 (30–40)

Author Location Gag (SF2)

Epitope KAFSPEVIPMF

Epitope name KF11

Immunogen HIV-1 infection

Species (MHC) human (B57)

References Goulder *et al.* 2001a

- Three CTL responses in patient PI004, to epitopes TSTLQE-QIGW, ISPRTLNAW, and KAFSPEVIPMF, were evident early after infection; CTL responses to SLYNTVATL, QASQEVKNW, EIYKRWII, and FLKEKGGL were detectable at 5 months post-infection and beyond.

HXB2 Location p24 (30–40)

Author Location p24 (162–172)

Epitope KAFSPEVIPMF

Epitope name KAF

Immunogen HIV-1 infection

Species (MHC) human (B57)

Keywords HAART, ART, acute/early infection

References Oxenius *et al.* 2000

- Patients who started therapy at acute HIV-1 infection (three with sustained therapy, two with limited therapy upon early infection) had strong HIV specific CD4 proliferative responses and were able to maintain a CTL response even with undetectable viral load – three patients that had delayed initiation of HAART had no HIV specific CD4 proliferative responses and lost their CTL responses when HAART was eventually given and their viral loads became undetectable.
- None of the 8 study subjects recognized this epitope but none were HLA B57+.

HXB2 Location p24 (30–40)

Author Location p24

Epitope KAFSPEVIPMF

Immunogen HIV-1 infection

Species (MHC) human (B57)

References Kostense *et al.* 2001

- HLA tetramers to six epitopes were used to study HLA-A2, B8 and B57 CTL in 54 patients – HIV-specific tetramer positive cells were inversely correlated with viral load in patients with high CD4, but in patients with CD4 T-cells below 400 high tetramer frequencies were found despite high viral load.
- Most patients have high levels of HIV-specific T-cell expansions, but many of these cells aren't functional.
- In 15 of the patients, the proportion of IFN gamma producing tetramer cells correlated with AIDS-free survival.

HXB2 Location p24 (30–40)

Author Location p24 (162–172 SF2)

Epitope KAFSPEVIPMF

Immunogen HIV-1 infection

Species (MHC) human (B57)

Keywords HAART, ART, acute/early infection

References Altfeld *et al.* 2001b

- Therapy provided during acute infection resulted in a narrower CTL response, stronger T help response, and a less diverse viral population than was seen in individuals treated during chronic infection.
- The breadth and specificity of the response was determined using ELISPOT by studying 19 individuals with pre-seroconversion therapy (Group 1), 11 individuals with primary infection but post-seroconversion therapy (Group 2), and 10 individuals who responded to HAART given during chronic infection (Group 3), using 259 overlapping peptides spanning p17, p24, RT, gp41, gp120 and Nef.
- Previously described and newly defined optimal epitopes were tested for CTL response.
- Number of HLA-B57+ individuals that had a CTL response to this epitope broken down by group: 0/0 group 1, 0/0 group 2, and 2/2 group 3.

HXB2 Location p24 (30–40)

Author Location p24 (163–174)

Epitope KAFSPEVIPMF

Immunogen HIV-1 infection

Species (MHC) human (B57)

References Appay *et al.* 2000

- Combined tetramer and intracellular cytokine staining was used to study the function of circulating CD8+ T cells specific for HIV and CMV.
- HIV-specific CD8+ T cells expressed lower levels of perforin than CMV-specific CD8+ T cells from the same donor, and this was associated with persistent CD27 expression on HIV-specific cells, suggesting impaired maturation.
- In most donors, between 50% and 95% of the activated virus-specific CD8+ T cells produced IFN- γ and MIP-1 β with a distinct subset that failed to produce TNF- α .

HXB2 Location p24 (30–40)

Author Location

Epitope KAFSPEVIPMF

Subtype B

Immunogen HIV-1 infection

Species (MHC) human (B57)

References Sabbaj *et al.* 2003

- Among HIV+ individuals who carried HLA B57, 1/5 (20%) recognized this epitope.

HXB2 Location p24 (30–40)

Author Location p24

Epitope KAFSPEVIPMF

Epitope name KAF

Immunogen HIV-1 infection

Species (MHC) human (B57)

Keywords HAART, ART, supervised treatment interruptions (STI)

References Oxenius *et al.* 2002b

- Using previously defined epitopes Oxenius *et al.* [2000, 2001a] in an IFN γ Elispot assay, 13 chronically HIV-1 infected patients were studied over a period including therapy with standard treatment interruptions (STI).
- STIs induced increased recognition of CTL epitopes, but there was no correlation between CTL responses with viral rebound rates, plateau viral loads, or clearance rates.

HXB2 Location p24 (30–40)
Author Location p24 (30–40)
Epitope KAFSPEVIPMF
Subtype B
Immunogen HIV-1 infection
Species (MHC) human (B57)
Donor MHC A*0201, A3, B44, B57, Cw5, Cw6
Assay type CD8 T-cell Elispot - IFN γ
Keywords acute/early infection, early-expressed proteins
References Cao *et al.* 2003

- All proteins were scanned and optimal epitopes were mapped in a study of CD8+ gamma IFN T-cell responses in 21 men within 15–92 days post-HIV-1 infection. Subjects initially showed narrow immune responses with a mean of 2.3 epitopes recognized per patient. The immune response broadened later in infection. No correlation between the plasma viral load and the number of recognized epitopes or the frequency of IFN-gamma secreting cells was observed, and there was no correlation between the functional avidity of responses and the abundance of IFN-secreting cells that recognized the epitope. The first epitopes to be recognized did not tend to be the most avid, and earliest responses tended to be directed against Nef, Tat, Vpr, and Env.
- All HIV-1 proteins except Vpu were recognized, and responses to a total of 41 optimal epitopes were characterized; 24 had been identified previously. 48% of the total T-cell responses were directed against Nef and 43% were directed against Gag.
- Alleles A3, B35, B57, and B62 were more frequently recognized than alleles A1, A2, A30, and A44 e.g., during primary infection. 2/10 patients, 1372 and 1397, recognized A2-restricted epitopes. The common A2-restricted epitopes Gag SL9 and Pol IV9 were not recognized in peptide tetramer-binding assays.

HXB2 Location p24 (30–40)
Author Location p24
Epitope KAFSPEVIPMF
Immunogen HIV-1 infection
Species (MHC) human (B57)
Assay type Intracellular cytokine staining
Keywords immunodominance, genital and mucosal immunity
References Kaul *et al.* 2003

- Predefined immunodominant peptide responses were used to compare CD8+ T-cell responses in the blood and cervix of 16 HIV+ Kenyan sex workers. Cervical responses were detected in 8/10 women from whom adequate samples could be obtained. The frequency of the CD8+ T-cell response in the genital tract was comparable to the blood, with a trend toward being slightly higher.
- The immunodominant response was to this epitope in the PBMC of 10/16 patients (Kaul *et al.* 2001, AIDS, 107:1303).

HXB2 Location p24 (30–40)
Author Location p24 (163–174)
Epitope KAFSPEVIPMF
Subtype B
Immunogen HIV-1 infection
Species (MHC) human (B57)
Donor MHC A*0201, A3, B57, Cw*06, Cw*07; A*01, A*0201, B*08, B*57, Cw6, Cw7
Country United States.
Assay type Cytokine production, Tetramer binding, Intracellular cytokine staining, Degranulation, CD107a and b cell surface mobilization
Keywords TCR usage
References Betts *et al.* 2004

- Both cytokine production and degranulation in HIV-1 specific and CMV specific CD8+ T-cells occurs at high peptide concentrations together with TCR downregulation. Only degranulation is observed at lower peptide concentrations with no observed TCR downregulation. Thus the nature of CTL response depends not on the specific T cell clonotype or antigen, but on the concentration of Ag presented on APCs.

HXB2 Location p24 (30–40)
Author Location p24
Epitope KAFSPEVIPMF
Epitope name TW10
Subtype C
Immunogen HIV-1 infection
Species (MHC) human (B57)
Assay type CD8 T-cell Elispot - IFN γ , Chromium-release assay
Keywords epitope processing, escape
References Draenert *et al.* 2004b

- This study characterizes the N-terminal flanking position of the epitope ISPRTLNAW, and mutations in this position are thought to impact processing. The B57 epitope KAFSPEVIPMF was used as a positive control in this study.

HXB2 Location p24 (30–40)
Author Location Gag (155–172 B con)
Epitope KAFSPEVIPMF
Epitope name KF11
Subtype B
Immunogen HIV-1 infection
Species (MHC) human (B57)
Country United States.
Assay type CD8 T-cell Elispot - IFN γ
Keywords variant cross-recognition or cross-neutralization
References Draenert *et al.* 2004c

- CD8+ T-cell responses that persisted in individuals with advanced disease were studied; most of the optimal epitopes defined were recognized with intermediate to high avidity. On average 13 (range, 2–39) epitopic regions were targeted in an average of 6 proteins (range, 1–8). HAART resulted in decrease in antigen and reduction in gamma IFN Elispot responses, suggesting active responses to autologous virus. The lack of mutations within most viral epitopes suggest that persistent CTL through late disease do not exert strong immune selection

pressure, yet the Elispot assays show robust responses, suggesting to the authors that gamma IFN-based screening methods may not reveal functional CD8+ T-cell impairment in patients with AIDS.

- 2 subjects recognized this epitope, 1 with high functional avidity, 1 with intermediate. Autologous sequence revealed no substitutions in this epitope compared to the B consensus.

HXB2 Location p24 (30–40)

Author Location Gag

Epitope KAFSPEVIPMF

Immunogen HIV-1 infection

Species (MHC) human (B57)

Country Netherlands.

Assay type CD8 T-cell Elispot - IFN γ

Keywords HIV exposed persistently seronegative (HEPS)

References Koning *et al.* 2004

- A high-risk seronegative group of 29 homosexual men showed reduced cellular in vitro susceptibility for HIV infection and enhanced production of RANTES compared to 15 men who went on to seroconvert. Significantly higher frequencies of HLA A*11, A*31 and Cw*15 were also found in the high risk seronegative men. Both groups of men had low frequencies of HIV-1 specific CD8+ T-cells, which may signify exposure more than protection from infection.
- 1/2 HLA B57+ infection-resistant men, compared to 0/1 pre-seroconversion men who went on to become infected, reacted to this epitope.

HXB2 Location p24 (30–40)

Author Location p24 (30–40)

Epitope KAFSPEVIPMF

Immunogen HIV-1 infection

Species (MHC) human (B57)

Country Spain.

Assay type proliferation, CD8 T-cell Elispot - IFN γ , Flow cytometric T-cell cytokine assay

Keywords HAART, ART, supervised treatment interruptions (STI)

References Plana *et al.* 2004

- Structured treatment interruption (STI) alone is not able to control viral replication in chronically infected patients, probably due to lack of strong, maintained T-helper cell responses. HIV-1 specific CD8+ T-cell responses were shown to increase significantly until the end of the follow up, but were not correlated with viral load.
- 7/7 patients recognized this epitope.

HXB2 Location p24 (30–40)

Author Location (162–172 B consensus)

Epitope KAFSPEVIPMF

Epitope name KF11

Subtype B

Immunogen HIV-1 infection

Species (MHC) human (B57)

Country United States.

Assay type CD8 T-cell Elispot - IFN γ , Flow cytometric T-cell cytokine assay

Keywords immunodominance, characterizing CD8+ T cells

References Allen *et al.* 2004

- This study characterizes an escape mutation in a C-terminal flanking residue of the HLA-A3 gag p17 KK9 epitope that inhibits processing, and is embedded in the overlapping HLA-A3 RK9 epitope.
- The immune response was tracked in subject AC-38. The acute immunodominant response was to the B57 TW10 epitope; this response declined following viral escape (tsNlqeqigw) by day 64. The p17 KK9 and RK9 became immunodominant, but then declined as the escape mutation arose. FK11 is 1 of 3 other strong responses that persisted, along with 1 sub-dominant response.

HXB2 Location p24 (30–40)

Author Location (C consensus)

Epitope KAFSPEVIPMF

Subtype C

Immunogen HIV-1 infection

Species (MHC) human (B57)

Country South Africa.

Assay type CD8 T-cell Elispot - IFN γ

Keywords characterizing CD8+ T cells

References Kiepiela *et al.* 2004

- HLA class I restricted CD8+ T-cell responses against HIV-1 were analyzed in African patients. Significantly more responses were shown to be HLA-B restricted. Viral load, CD4 count, and thus rate of disease progression were also associated with HLA-B alleles. In addition, the selection pressure imposed on HIV-1 by HLA-B alleles was shown to be substantially greater than by other alleles.
- This epitope was suggested to be the epitope within a longer reactive peptide based on correspondence with a known epitope in the HIV database. Also, a significantly higher frequency of people in the Durban cohort who reacted with the peptide had this HLA type.

HXB2 Location p24 (30–40)

Author Location p24

Epitope KAFSPEVIPMF

Subtype B

Immunogen HIV-1 infection

Species (MHC) human (B57)

Country United Kingdom.

Assay type Tetramer binding, T-cell Elispot, Intracellular cytokine staining

Keywords rate of progression, acute/early infection, characterizing CD8+ T cells, immune dysfunction

References Papagno *et al.* 2004

- Acute HIV-1 infection induces massive activation of HIV-specific and non-HIV-specific CD8+ T-cells resulting in differentiation of these cells. High differentiation of CD8+ T-cells is correlated with disease progression. Differentiation is a natural process but it can be driven by elevated immune activation, such as in HIV infection.

HXB2 Location p24 (30–40)

Author Location Gag

Epitope KAFSPEVIPMF

Epitope name KF11
Subtype B
Immunogen HIV-1 infection
Species (MHC) human (B57)
Assay type CD8 T-cell Elispot - IFN γ
Keywords subtype comparisons, escape, characterizing CD8+ T cells, reversion, viral fitness
References Allen *et al.* 2005a

- Two-thirds of all mutations arising in nonenvelope proteins during the transition from acute to chronic infection were found to be due to either CD8 T-cell-associated selective pressures or reversion of HLA-I-associated mutations selected in a previous host. The predominance of escape mutations at highly polymorphic sites was observed across different HIV-1 clades.
- This epitope was quite conserved in people carrying B57, but two substitutions were found in 11 B57+ individuals tested: kNfspevipmf and kafspeipmf.

HXB2 Location p24 (30–40)
Author Location Gag (162–172)
Epitope KAFSPEVIPMF
Subtype B
Immunogen HIV-1 infection
Species (MHC) human (B57)
Donor MHC A1, A3, B7, B57, Cw6, Cw7
Country United States.
Assay type CD8 T-cell Elispot - IFN γ
References Allen *et al.* 2005a

- Two-thirds of all mutations arising in nonenvelope proteins during the transition from acute to chronic infection were found to be due to either CD8 T-cell-associated selective pressures or reversion of HLA-I-associated mutations selected in a previous host. The predominance of escape mutations at highly polymorphic sites was observed across different HIV-1 clades.
- This epitope was reactive, but escape mutations did not accrue in it over time.

HXB2 Location p24 (30–40)
Author Location Gag (162–172 BRU)
Epitope KAFSPEVIPMF
Subtype B, CRF02_AG
Immunogen HIV-1 infection
Species (MHC) human (B57)
Country Cote D'Ivoire.
Assay type CD8 T-cell Elispot - IFN γ
Keywords subtype comparisons
References Inwoley *et al.* 2005

- CD8+ T-cells from HIV-1 CRF02_AG-infected Ivorians could recognize clade B epitopes. No difference was observed in the number of recognized peptide pools between nine French subtype B infected study subjects, and nine CRF02_AG infected Ivorian subjects.
- This epitope was recognized by 1/9 CRF02_AG-infected Ivorians, and 1/9 B-infected French subjects.

HXB2 Location p24 (30–40)
Author Location Gag
Epitope KAFSPEVIPMF
Epitope name KAF
Immunogen HIV-1 infection

Species (MHC) human (B57)
Country Netherlands.
Assay type Tetramer binding, Flow cytometric T-cell cytokine assay
Keywords binding affinity, rate of progression, escape, characterizing CD8+ T cells
References Jansen *et al.* 2005

- HLA-B57 has been associated with long term non-progression in HIV+ people. The number and responsiveness of CD8 T-cells directed to different Gag peptides presented by HLA-A2, -B8 and B57 were compared. T cells specific for the HLA-B57 epitope KAFSPEVIPMF responded to a higher extent and more readily to antigenic stimulation than those specific for the A2 epitope SLYNTVATL and the B8 epitope EIYKRWII.
- Tetramer decay experiments indicate that the HLA-B57 peptide has a higher half-life than the A2 and B8 peptides. The authors point out that CD8+ T cells with high binding affinity may require less help.
- Variant forms of the HLA-B57 epitope KAFSPEVIPMF were found in the 3/5 HLA B57+ individuals sequenced, but the variants were always a minor form.

HXB2 Location p24 (30–40)
Author Location
Epitope KAFSPEVIPMF
Immunogen HIV-1 infection
Species (MHC) human (B57, B*5801)
Assay type CD8 T-cell Elispot - IFN γ , Chromium-release assay
Keywords responses in children, mother-to-infant transmission, escape, characterizing CD8+ T cells
References Feeney *et al.* 2005

- Escape mutations in TW10 and other B57-restricted epitopes were shown to arise early in infants following perinatal infection. Some escape variants were likely to have been transmitted vertically, from HLA-B57/5801 positive HIV-1 infected mothers, while others arose during infancy in cases where the children inherited the B57/5801 allele paternally. In contrast to adults, the majority of children showed a robust response to the escape variants, suggesting that infants are able to mount functional immune responses and drive immune escape and that a developing immune system may exhibit greater plasticity in recognizing viral variants.
- KAFSPEVIPMF was frequently recognized in children and in adults.

HXB2 Location p24 (30–40)
Author Location p24 (153–164)
Epitope KAFSPEVIPMF
Immunogen HIV-1 infection, HIV-1 exposed seronegative
Species (MHC) human (B57, B58)
Keywords HIV exposed persistently seronegative (HEPS), immunodominance
References Kaul *et al.* 2001a

- ELISPOT was used to study CTL responses to a panel of 54 predefined HIV-1 epitopes in 91 HIV-1-exposed, persistently seronegative (HEPS) and 87 HIV-1-infected female Nairobi sex workers.

- Responses in HEPS women tended to be lower, and focused on different epitopes with HLA presenting molecules that have previously been associated with reduced risk of infection, and there was a shift in the response in the HEPS women upon late seroconversion to epitopes recognized by the HIV-1 infected women.
- 43/91 HEPS women had CD8+ responses and detection of HIV-1-specific CTL in HEPS women increased with the duration of viral exposure.
- Among HLA-B57/B58 women, 4/6 HEPS and 12/17 HIV-1 infected women recognized this epitope.
- The dominant response to this HLA allele was to this epitope in 2 of the 4/6 HEPS cases and in 7 of the 12/17 HIV-1 infected women.

HXB2 Location p24 (30–40)

Author Location p24 (30–40)

Epitope KAFSPEVIPMF

Immunogen HIV-1 infection

Species (MHC) human (B57, B58)

Keywords HIV exposed persistently seronegative (HEPS)

References Kaul *et al.* 2002

- *Neisseria gonorrhoea* cervicitis in 9 HIV+ Kenyan sex workers caused a functional deficiency in IFN-gamma production in HIV-1 epitope-specific CD8+ T-cells, detected by intracellular cytokine production and tetramer assays, while not affecting the total number of epitope-specific CTLs.
- Ghonorrhea caused the weaker HIV-1 specific CTL responses in 4 HIV-1 exposed persistently seronegative (HEPS) women to become undetectable by Elispot and tetramer assays, and CMV-specific CTL in 2 HEPS subjects were shown to have impaired function with regard to IFN-gamma production.

HXB2 Location p24 (30–40)

Author Location p24

Epitope KAFSPEVIPMF

Subtype B, C

Immunogen HIV-1 infection

Species (MHC) human (B57, B63)

Assay type CD8 T-cell Elispot - IFN γ

Keywords rate of progression, cross-presentation by different HLA, optimal epitope

References Frahm *et al.* 2005

- HLA-B63-positive subjects were shown to be able to generate CTL responses early in acute HIV infection and to control HIV replication in the absence of antiretroviral treatment. Since HLA-B63 shares the epitope binding motif of HLA-B57 and -B58, it was shown that HLA-B63-positive individuals mounted CTL responses to previously identified B57-restricted epitopes, as well as novel, B63-restricted epitopes. Moreover, these novel B63-restricted epitopes can also be presented by HLA-B57 and -B58.
- This epitope was recognized by 60% of B63-positive subjects and 33% of B57/58-positive subjects.

HXB2 Location p24 (30–40)

Author Location p24 (30–40)

Epitope KAFSPEVIPMF

Immunogen HIV-1 infection

Species (MHC) human (B58)

References Ferrari *et al.* 2000

- One of the 51 HIV-1 epitopes selected by Ferrari *et al.* as good candidate CTL epitopes for vaccines by virtue of being conserved and presented by common HLA alleles.

HXB2 Location p24 (30–40)

Author Location p24

Epitope KAFSPEVIPMF

Subtype B, G

Immunogen HIV-1 infection

Species (MHC) human (B58)

Donor MHC A2, A36, B45, B58, Cw3, Cw6

Country Nigeria.

Assay type CD8 T-cell Elispot - IFN γ

Keywords subtype comparisons

References Geels *et al.* 2005

- Cross-clade CTL responses in 10 non-B HIV-1 infected individuals were evaluated. T-cell reactivity was tested against peptide pools of clade B Gag, Pol, Nef, Rev and Tat. Nine individuals demonstrated cross-reactive T-cell responses to clade A, B, and C Gag pools; 6/7 patients that responded to Nef-B also reacted to clade A and C Nef pools. An inverse correlation was observed between the sequence divergence of the HLA class I restricted epitopes and the height of the T-cell responses, which in Gag could be explained through variations in the HLA-anchor residues. 42% of the responses were directed to regions containing new epitopes.
- This previously described epitope was embedded in a B clade peptide that was recognized by T-cells from an infected person carrying subtype G Gag. The autologous epitope sequence in this person matched the known epitope.

HXB2 Location p24 (30–40)

Author Location

Epitope KAVRLIKFLY

Immunogen

Species (MHC) human (B63)

Keywords optimal epitope

References Frahm *et al.* 2007

- C. Brander notes that this is an B63 epitope.

HXB2 Location p24 (30–40)

Author Location p24

Epitope KAFSPEVIPMF

Immunogen HIV-1 infection, HIV-1 exposed seronegative

Species (MHC) human

Keywords HIV exposed persistently seronegative (HEPS)

References Kaul *et al.* 2001c

- This study examines CTL responses in HIV exposed, persistently seronegative individuals, HEPS, who eventually seroconverted – 11/114 HEPS Nairobi sex workers eventually seroconverted, and for six of these HIV CTL reactive epitopes had been defined while seronegative.
- The epidemiological factor associated with seroconversion was stopping sex work. HIV-specific CTL activity declined when HEPS sex workers stopped working for a period or retired.
- This epitope was recognized by 1/22 HEPS sex worker controls, ML1250.

HXB2 Location p24 (31–44)
Author Location p24 (31–44 HXB2)
Epitope AFSPEVIPMFSALS
Subtype B

Immunogen HIV-1 infection

Species (MHC) human

Assay type T-cell Elispot

Keywords supervised treatment interruptions (STI), immunodominance, early treatment

References Addo *et al.* 2003

- Comprehensive Elispot screening of 504 overlapping peptides that spanned all HIV-1 proteins in 57 HIV-1 infected individuals. Four groups of patients were compared: 23 were untreated; 12 patients were chronically infected and treated; 22 started treatment during acute infection, 11 continuously treated and 11 with STI.
- 63% of the peptides were recognized - the most frequent responses were directed against Nef (95%) and p24-Gag (88%). p17 was the most frequently recognized protein after correction for protein length. A median of 18 peptides (range 2-42) were recognized per person. The most frequently (>20%) recognized peptides were located in conserved regions within clade B sequences. Vpu was rarely recognized.
- A decrease in the total magnitude and in the breadth of CTL responses was detected in patients with treated acute infection in comparison to chronically infected treated or untreated individuals. No correlation between plasma viral load and HIV-1 specific T-cell responses was observed.
- The authors did not note the reference strain, but based on the peptide sequences provided, it appears to be HXB2.
- Responses to this peptide were detected in 22% of the study subjects, and it was one of the 25 most frequently recognized peptides.

HXB2 Location p24 (31–50)
Author Location p24 (163–182)
Epitope AFSPEVIPMFSALSEGATPQ

Immunogen HIV-1 infection

Species (MHC) human

References Lieberman *et al.* 1995

- HIV-specific CTL lines developed by *ex vivo* stimulation with peptide.

HXB2 Location p24 (31–50)
Author Location p24 (163–182 SF2)
Epitope AFSPEVIPMFSALSEGATPQ

Immunogen HIV-1 infection

Species (MHC) human

References Lieberman *et al.* 1997a

- Of 25 patients, most had CTL specific for more than 1 HIV-1 protein.
- Twelve subjects had CTL that could recognize vaccinia-expressed LAI gag.
- One of these 12 had CTL response to this peptide.
- The responding subject was HLA-A2, B21.

HXB2 Location p24 (31–50)
Author Location p24 (163–182 SF2)
Epitope AFSPEVIPMFSALSEGATPQ
Immunogen HIV-1 infection

Species (MHC) human

References Lieberman *et al.* 1997b

- CTL expanded *ex vivo* were later infused into HIV-1 infected patients.

HXB2 Location p24 (31–50)
Author Location p24 (SF2)
Epitope AFSPEVIPMFSALSEGATPQ

Immunogen HIV-1 infection

Species (MHC) human

References Altfeld *et al.* 2000

- This epitope was mapped by ELISPOT in a study identifying new HLA-B60 epitopes, and was one of the epitopes presented by another HLA molecule in an HLA-B60 individual.
- The response to the peptide was CD4 dependent, but the HLA presenting molecule and optimal epitope were not determined.

HXB2 Location p24 (32–40)
Author Location Gag (164–172)

Epitope FSPEVIPMF

Immunogen HIV-1 infection

Species (MHC) human (B57)

Donor MHC A3, A28, B53, B57

Assay type Chromium-release assay

Keywords TCR usage, genital and mucosal immunity

References Musey *et al.* 2003

- CTL clones from blood, semen, cervix and rectum samples from 12 individuals were compared. CTL clones derived from blood and mucosal samples had similar high lysis efficiency, primarily perforin dependent, and TCR γ VDJ region sequencing revealed cases of expansion of the same clone in different compartments.
- CD8+ T cell clones directed at this epitope were derived from blood and semen.
- The TCR γ VDJ rearrangement of a CTL clone from the blood was V β 21S3DJ1.2, and a clone from the semen used V β 7S1DJ2.3.

HXB2 Location p24 (32–40)
Author Location

Epitope FSPEVIPMF

Immunogen

Species (MHC) human (B57)

Keywords optimal epitope

References Frahm *et al.* 2007

- C. Brander notes that this is an B57 epitope.

HXB2 Location p24 (32–40)
Author Location p24

Epitope FSPEVIPMF

Epitope name FF9

Subtype B, C

Immunogen HIV-1 infection

Species (MHC) human (B63, B57, B58)

Donor MHC A*74, A*8001, B*18, B*57, Cw*02, Cw*07

Assay type CD8 T-cell Elispot - IFN γ

Keywords cross-presentation by different HLA, optimal epitope

References Frahm *et al.* 2005

- HLA-B63-positive subjects were shown to be able to generate CTL responses early in acute HIV infection and to control HIV replication in the absence of antiretroviral treatment. Since HLA-B63 shares the epitope binding motif of HLA-B57 and -B58, it was shown that HLA-B63-positive individuals mounted CTL responses to previously identified B57-restricted epitopes, as well as novel, B63-restricted epitopes. Moreover, these novel B63-restricted epitopes can also be presented by HLA-B57 and -B58.
- This is a putative HLA-B63/57/58 epitope containing the B58 supertype binding motif. Significantly more often recognized by B63+ and B57/58+ subjects than by negative subjects. Optimal epitope defined.

HXB2 Location p24 (33–40)

Author Location p24 (33–40)

Epitope SPEVIPMF

Subtype C

Immunogen HIV-1 infection

Species (MHC) human (B*35)

Country India.

Assay type CD8 T-cell Elispot - IFN γ

Keywords subtype comparisons, computational epitope prediction, immunodominance

References Thakar *et al.* 2005

- PBMCs from HIV-1 infected Indian subjects were tested for HIV-1 Gag (with C clade peptides), Nef (with B clade peptides), and Env (clade unspecified) specific T-cell responses. 5 immunodominant regions conserved across clades were identified in Gag and Nef. 3 antigenic regions were found to be recognized by CTLs in the Indian subjects; these regions were not identified as immunodominant in studies from Africa. 26 epitopes were predicted within reactive peptides, of which 90% were clustered in the conserved immunodominant regions of Gag and Nef. 3 of the epitopes were highly conserved across clades, and 7 novel epitopes were found.

HXB2 Location p24 (34–49)

Author Location p24

Epitope PEVIPMFSALSEGATP

Immunogen in vitro stimulation or selection

Species (MHC)

Assay type Other

Keywords assay standardization/improvement, characterizing CD8+ T cells

References Stone *et al.* 2005

- A new microarray technique was developed to screen small samples of T cells for specific peptide-MHC binding and functional responses. Each array element acts as an artificial antigen-presenting cell, consisting of immobilized recombinant MHC-peptide complex, costimulatory molecules, and cytokine-capture antibodies. The elements specifically elicit T-cell responses such as adhesion, secretion of cytokines, and modulation of surface markers.

HXB2 Location p24 (35–43)

Author Location p24 (167–175 LAI)

Epitope EVIPMFSAL

Subtype B

Immunogen

Species (MHC) human (A*2601)

Keywords subtype comparisons

References Goulder *et al.* 1996a

- Identified as optimal epitope within Gag sequence AFSPEVIPMFSALSEGATPQ.
- Relatively conserved epitope within B clade and in other clades.
- Suspected binding motif for HLA-A26 includes T or V anchor at position 2, negative charge at position 1.
- C. Brander notes that this is an A*2601 epitope in the 1999 database.

HXB2 Location p24 (35–43)

Author Location p24 (167–175 LAI)

Epitope EVIPMFSAL

Subtype B

Immunogen

Species (MHC) human (A*2601)

Keywords optimal epitope

References Frahm *et al.* 2007

- C. Brander notes that this is an A*2601.

HXB2 Location p24 (35–43)

Author Location Gag (169–177)

Epitope EVIPMFSAL

Subtype B

Immunogen HIV-1 infection

Species (MHC) human (A*2601)

Country Japan.

Assay type Chromium-release assay, Flow cytometric T-cell cytokine assay, Other, HLA binding

Keywords subtype comparisons, immunodominance, optimal epitope

References Satoh *et al.* 2005

- Reverse immunogenetics was used to identify HIV-1 epitopes presented by HLA-A*2601. 110 peptides were predicted to bind to HLA-A*2601. 24 of these were demonstrated to bind through a HLA-A*2601 stabilization assay. Four of these, including this one, were shown to be epitopes endogenously presented by this allele, that can induce peptide-specific CD8 T-cells. HLA-A*2601 is common in Asia.
- Immunodominant epitope recognized in 5/7 HIV-infected individuals with HLA-A*2601. This epitope is highly conserved in clade B and E (CRF01).

HXB2 Location p24 (35–43)

Author Location (C consensus)

Epitope EVIPMFTAL

Subtype C

Immunogen HIV-1 infection

Species (MHC) human (A*2601)

Country South Africa.

Assay type CD8 T-cell Elispot - IFN γ

Keywords rate of progression, optimal epitope

References Kiepiela *et al.* 2007

- A comprehensive analysis of 160 class I T cell responses in 578 individuals from KwaZulu-Natal, South Africa was performed. Gag-specific responses were associated with lowering viremia, while Env, accessory and regulatory protein-specific responses were associated with higher viremia.
- EVIPMFTAL is an optimal epitope.

HXB2 Location p24 (35–43)
Author Location Gag (169–177 SF2)
Epitope EVIPMF^SAL
Subtype A, B, C, CRF01_AE, D
Immunogen HIV-1 infection
Species (MHC) human (A*2601, A*2603)
Country Japan.
Assay type Chromium-release assay, Flow cytometric T-cell cytokine assay, HLA binding
Keywords binding affinity, subtype comparisons, rate of progression, immunodominance, escape, cross-presentation by different HLA, variant cross-recognition or cross-neutralization
References Kawashima *et al.* 2005

- A*26 is associated with slow progression to disease and is common in Asian populations (about 20%). 31/110 HIV peptides that carried the A*2603 motif ([VTILP] at P2, [ML] at the C-terminus) bound to HLA-A*2603. Only 2 of these were epitopes and could induce specific CD8 T-cell responses in PBMC from HLA-A*2603 positive subjects.
- This epitope induced specific CD8+ T cells in chronically infected individuals with either A*2603 or A*2601. It is an immunodominant epitope.
- 3 common B clade variants were synthesized. EVIPMF^aAL and EVIPMF^tAL bound to A*2603 with equal affinity as the consensus form, EVIPMF^sAL, but could not be recognized by an EVIPMF^sAL-specific T-cell clone so may mediate TCR escape. The other common variant, kVIPMF^sAL, did not bind to A*2603.
- EVIPMF^sAL is the most common form in clades A, B, D, and E (CRF01), but EVIPMF^tAL is the most common form in clade C.

HXB2 Location p24 (35–43)
Author Location p24 (167–175)
Epitope EVIPMF^SAL
Immunogen HIV-1 infection
Species (MHC) human (A26)
Keywords immunodominance
References Betts *et al.* 2000

- Only 4/11 HLA-A2+ HIV+ individuals had CTL that reacted to SLYNTVATL, calling into question whether it is immunodominant.
- 95 optimally-defined peptides from this database were used to screen for INF γ responses to other epitopes.
- 1/11 of the A2+ individuals that didn't respond to SLYNTVATL reacted with seven other epitopes including this epitope.

HXB2 Location p24 (35–43)
Author Location Gag
Epitope EVIPMF^SAL
Epitope name EL9
Immunogen HIV-1 infection
Species (MHC) human (A26)
Donor MHC A26, B27
Assay type CD8 T-cell Elispot - IFN γ
Keywords responses in children, rate of progression, immunodominance, escape
References Feeny *et al.* 2004

- Viral load in a perinatally infected child remained low until emergence of an escape variant (kTwilglnk) in the immunodominant CTL epitope KRWILGLNK when the child was 7.4 years old. The emergence of this escape mutation was followed by an increase in viremia and an increase in the number of targeted CTL epitopes, measured again when the child was 9.2 years old. The EL9 response was not observed until after the escape mutation occurred in the immunodominant epitope, and was detected in the 9.2 year sample for the first time.

HXB2 Location p24 (35–49)
Author Location p24 (35–48 HXB2)
Epitope EVIPMF^SALSEGATP
Subtype B
Immunogen HIV-1 infection
Species (MHC) human
Assay type T-cell Elispot
Keywords supervised treatment interruptions (STI), immunodominance, early treatment
References Addo *et al.* 2003

- Comprehensive Elispot screening of 504 overlapping peptides that spanned all HIV-1 proteins in 57 HIV-1 infected individuals. Four groups of patients were compared: 23 were untreated; 12 patients were chronically infected and treated; 22 started treatment during acute infection, 11 continuously treated and 11 with STI.
- 63% of the peptides were recognized - the most frequent responses were directed against Nef (95%) and p24-Gag (88%). p17 was the most frequently recognized protein after correction for protein length. A median of 18 peptides (range 2-42) were recognized per person. The most frequently (>20%) recognized peptides were located in conserved regions within clade B sequences. Vpu was rarely recognized.
- A decrease in the total magnitude and in the breadth of CTL responses was detected in patients with treated acute infection in comparison to chronically infected treated or untreated individuals. No correlation between plasma viral load and HIV-1 specific T-cell responses was observed.
- Responses to this peptide were detected in 16% of the study subjects, and it was one of the 25 most frequently recognized peptides.

HXB2 Location p24 (36–43)
Author Location p24 (168–175 LAI)
Epitope VIPMF^SAL
Subtype B
Immunogen
Species (MHC) human (Cw*0102)
Keywords optimal epitope
References Frahm *et al.* 2007

- C. Brander notes this is a C*0102(Cw1) epitope.

HXB2 Location p24 (36–43)
Author Location p24 (36–43 HXB2)
Epitope VIPMF^SAL
Epitope name VL8
Subtype B
Immunogen HIV-1 infection
Species (MHC) human (Cw*0102)

Donor MHC A*0201, A*2501, B*1801, B*5101, Cw*0102, Cw*1203

Assay type CD8 T-cell Elispot - IFN γ

Keywords escape, immune evasion, optimal epitope, HIV-1

References Liu *et al.* 2006

- T-cell immunity and the impact of selection were longitudinally studied in a patient from the time of transmission. New epitopes were detected at sites that were shown to be under positive selection. Env was found to be the major target of CTLs and most of the new epitopes were found here. One third of the sites examined were associated with epitope escape mutations from CTL. Acquisition of mutations found at high frequency in the database was suggested to be a result of reversion of CTL epitopes in the absence of immune targeting.

HXB2 Location p24 (36–43)

Author Location p24 (168–175 LAI)

Epitope VIPMFSAL

Subtype B

Immunogen

Species (MHC) human (Cw*0102, Cw1)

References Goulder *et al.* 1997b

HXB2 Location p24 (36–43)

Author Location p24 (168–175)

Epitope VIPMFSAL

Immunogen HIV-1 infection

Species (MHC) human (Cw1, Cw2)

Keywords immunodominance

References Betts *et al.* 2000

- Only 4/11 HLA-A2+ HIV+ individuals had CTL that reacted to SLYNTVATL, calling into question whether it is immunodominant.
- 95 optimally-defined peptides from this database were used to screen for INF γ responses to other epitopes.
- 1/11 of the A2+ individuals that didn't respond to SLYNTVATL reacted with seven other epitopes including this epitope.

HXB2 Location p24 (37–52)

Author Location Gag (169–184 LAI)

Epitope IPMFSALSEGATPQDL

Subtype B

Immunogen HIV-1 infection

Species (MHC) human (B12)

References Buseyne *et al.* 1993a

- Vertical transmission of HIV ranges from 13% to 39%
- Primary assays showed that cytotoxic activity against at least one HIV protein was detected in 70% of infected children.
- Epitopes recognized in five children were mapped using synthetic peptides and secondary cultures.
- Patient EM17 (CDC P2A+C+D2) had a CTL response to two epitopes in Gag.

HXB2 Location p24 (37–52)

Author Location p24 (169–184 LAI)

Epitope IPMFSALSEGATPQDL

Subtype B

Immunogen HIV-1 infection

Species (MHC) human (B44)

References Buseyne *et al.* 1993b

- Clustering of Gag p24 CTL epitopes recognized in 29 HIV-infected people.

HXB2 Location p24 (37–52)

Author Location p24 (37–52)

Epitope IPMFSALSEGATPQDL

Immunogen HIV-1 infection

Species (MHC) human (B44)

References Ferrari *et al.* 2000

- One of the 51 HIV-1 epitopes selected by Ferrari *et al.* as good candidate CTL epitopes for vaccines by virtue of being conserved and presented by common HLA alleles.

HXB2 Location p24 (39–58)

Author Location Gag (171–190)

Epitope MFTALSEGTPQDLNTMLNT

Subtype C

Immunogen HIV-1 infection

Species (MHC) human

Keywords subtype comparisons

References Novitsky *et al.* 2002

- HLA, viral sequence, and Elispot data was obtained from 105 HIV-1 positive Botswanans; Elispot data was obtained from between 55 and 64 subjects for each HIV protein.
- Nef and p24 had the highest percentage of reactive peptides, and p24 had the highest magnitude of HIV-1 responses.
- This peptide was among the 8 most reactive C clade peptides from among over 350 tested spanning all HIV proteins.

HXB2 Location p24 (41–60)

Author Location p24 (179–188 subtype A)

Epitope SALSEGATPQDLNMLNIVG

Subtype A

Immunogen HIV-1 infection

Species (MHC) human (B*8101)

Keywords subtype comparisons

References Dorrell *et al.* 1999

- CTL responses in three individuals with non-clade B infections were studied, 2 with subtype A infections, 1 with subtype C – their infections all originated in East Africa.
- This CTL epitope is presented by B*8101 in one of the patients with an A subtype infection – B*8101 is a newly discovered HLA allele found in Africans, and the epitope has yet to be mapped precisely.
- This epitope is distinct in subtype A relative to subtypes B, C, and D which share the dominant sequence: SALSEGATPQDLNMLNIVG.

HXB2 Location p24 (41–60)

Author Location p24 (173–192 SF2)

Epitope SALSEGATPQDLNMLNIVG

Immunogen HIV-1 infection

Species (MHC) human

References Lieberman *et al.* 1997a

- Of 25 patients, most had CTL specific for more than 1 HIV-1 protein.
- Twelve subjects had CTL that could recognize vaccinia-expressed LAI gag.
- Three of these 12 had CTL response to this peptide.

- The responding subjects were HLA-A3, A32, B7, B14; and HLA-A2, A3, B14, B44.

HXB2 Location p24 (41–60)

Author Location p24 (173–192 SF2)

Epitope SALSEGATPQDLNMLNTVG

Immunogen HIV-1 infection

Species (MHC) human

References Lieberman *et al.* 1997b

- CTL expanded *ex vivo* were later infused into HIV-1 infected patients.

HXB2 Location p24 (41–60)

Author Location p24 (SF2)

Epitope SALSEGATPQDLNMLNTVG

Immunogen HIV-1 infection

Species (MHC) human

References Altfeld *et al.* 2000

- This epitope was mapped by ELISPOT in a study identifying new HLA-B60 epitopes, and was one of the epitopes presented by another HLA molecule in an HLA-B60 individual.
- The response to the peptide was CD8 dependent, but the HLA presenting molecule and optimal epitope were not determined.

HXB2 Location p24 (41–62)

Author Location p24 (173–194 BH10)

Epitope SALSEGATPQDLNMLNTVGGH

Immunogen HIV-1 infection

Species (MHC) human (B14)

References Johnson *et al.* 1991

- Gag CTL response studied in three individuals.

HXB2 Location p24 (43–52)

Author Location Gag (175–184 WEAU)

Epitope LSEGATPQDL

Epitope name Gag LL10

Subtype B

Immunogen HIV-1 infection

Species (MHC) human (B*4403)

Donor MHC A*2902, B*4403, B*0801

Country United States.

Assay type CD8 T-cell Elispot - IFN γ , Chromium-release assay

Keywords dynamics, immunodominance, escape, kinetics, characterizing CD8+ T cells, reversion, viral fitness

References Jones *et al.* 2004

- Primary CD8+ T-cell response to Env, Tat and Gag and the extent, kinetics and mechanisms of viral escape were examined in three patients. Rapid escape, within weeks from infection, from HIV specific CTL responses was observed in all three patients, but the kinetics and extent of the escape differed depending on the breadth and co-dominant distribution of CTL-mediated pressure. The two patients that rapidly declined had more focused immunodominant responses, while the single patient that had low viral load and stable CD4 counts for seven years had a broad co-dominant response and less escape.

- The patient WEAU had high viral loads and rapid CD4 decline. WEAU mounted 14 detected CTL responses, with distinct patterns of immunodominance. WEAU did not control viral replication well, and escape mutations occurred early and 4/14 had changes that could have resulted in escape, and two were confirmed as escape.

- There was a weak response to this epitope during acute and early infection, and the epitope sequence did not vary during the first year of the infection.

HXB2 Location p24 (43–52)

Author Location p24 (subtype A)

Epitope LSEGATPQDL

Subtype A

Immunogen HIV-1 infection

Species (MHC) human (B42, B44)

Keywords subtype comparisons

References Cao *et al.* 2000

- HIV-1 subtypes A and D dominate the Ugandan epidemic, and a vaccine trial using B clade antigen is underway – this study addresses relative levels of cross-reactive CTL responses in Ugandans to A, D, and B clade recombinant vaccinia viruses expressing Gag, Env, Pol, RT or Nef from HIV-1 clades A, B, and D.
- Proteins corresponding to the subtype of the infecting strains tended to trigger higher levels of CTL response measured by percent specific lysis, but there was extensive inter-subtype cross-reactivity with B clade proteins and the co-circulating subtype.
- This optimal epitope sequence, recognized by CTL derived from a Ugandan with an A subtype infection (patient SP 511), is cross-reactive with subtypes A, B and D peptides.

HXB2 Location p24 (44–52)

Author Location p24 (176–184)

Epitope SEGATPQDL

Immunogen

Species (MHC) human (B*4001)

Keywords optimal epitope

References Frahm *et al.* 2007

- C. Brander notes this is a B*4001, B60 epitope.

HXB2 Location p24 (44–52)

Author Location Gag (178–186 BRU)

Epitope SEGATPQDL

Subtype B, CRF02_AG

Immunogen HIV-1 infection

Species (MHC) human (B44)

Country Cote D'Ivoire.

Assay type CD8 T-cell Elispot - IFN γ

Keywords subtype comparisons

References Inwoley *et al.* 2005

- CD8+ T-cells from HIV-1 CRF02_AG-infected Ivorians could recognize clade B epitopes. No difference was observed in the number of recognized peptide pools between nine French subtype B infected study subjects, and nine CRF02_AG infected Ivorian subjects.

- This epitope was recognized by 1/9 CRF02_AG-infected Ivorians, and 1/9 B-infected French subjects.

HXB2 Location p24 (44–52)
Author Location p24 (SF2)
Epitope SEGATPQDL
Immunogen HIV-1 infection
Species (MHC) human (B60)
References Altfeld *et al.* 2000

- This epitope was mapped by ELISPOT in a study identifying new HLA-B60 epitopes.
- B60 is present in 10–20% of the Caucasoid and very common in Asian populations.

HXB2 Location p24 (44–52)
Author Location p24
Epitope SEGATPQDL
Epitope name SL9
Immunogen HIV-1 infection
Species (MHC) human (B60)
Donor MHC A2, A24, B38, B60, Cw2, Cw12
Assay type CD8 T-cell Elispot - IFN γ
Keywords HAART, ART, supervised treatment interruptions (STI), acute/early infection, early treatment
References Montefiori *et al.* 2003

- HIV-1 + patient AC10 underwent early HAART treatment, which was discontinued 1.5 years later. At this timepoint potent NAb responses against autologous virus were detected. Treatment interruption initially induced weak CD8+ responses directed against 5 epitopes. By days 873d and 923d the CTL response had broadened to target 22 epitopes; of these six were fully characterized. Eventually the virus escaped the NAb response, but escape was not accompanied by a rise in viral load, and the authors suggest the virus was contained by the CTL response.

HXB2 Location p24 (44–52)
Author Location p24 (44–52 NL43)
Epitope SEGATPQDL
Subtype B
Immunogen HIV-1 infection
Species (MHC) human (B60)
Assay type Chromium-release assay, CTL suppression of replication
Keywords escape
References Yang *et al.* 2003a

- Virus was cultured in the presence of CTL lines specific for 5 different epitopes (SLYNTVATL, ILKEPVHGV, IEIKDTKEAL, SEGATPQDL, and KEKGGLEGL) to study the emergence of escape mutations. Escape varied between clones for the same epitope, and between different epitopes. Gag and RT epitope escape, if it occurred at all, tended to be monoclonal and within the epitope, indicating strong fitness constraints, while the Nef epitope escape was rapid, polyclonal, and sometimes the result of upstream frameshifts.
- One CTL clone, 161Jx12, recognized this epitope, and apparently no resistance mutations were selected by this clone, although the data was not shown in the paper.

HXB2 Location p24 (44–52)
Author Location p24 (176–184)
Epitope SEGATPQDL

Epitope name Gag/p24-SL9
Subtype B
Immunogen HIV-1 infection
Species (MHC) human (B60)
Assay type Chromium-release assay
Keywords binding affinity, TCR usage, characterizing CD8+ T cells
References Yang *et al.* 2003b

- Killing efficiency of CTLs and their ability to suppress viral replication is shown to depend more on epitope specificity than to antigenic avidity. Different clones recognizing the same epitope had similar killing efficiency despite their variation in avidity. Nef specific CTL clones tended to be most inhibitory, followed by Gag, then by RT specific clones, regardless of avidity.
- 1/14 CTL T-cell clones tested were specific for Gag/p24-SL9. Under conditions of excess peptide (100ug/ml), there was no difference in their lytic potential; all possessed similar effector capacity. Avidity was measured as the sensitizing dose of peptide required for 50% of maximal killing (SD50), which varied from 20 pg/ml to 100 ng/ml, over four orders of magnitude for all 14 epitopes. The SD50 value for Gag/p24-SL9 was 30 pg/ml, it was among the peptides with the highest avidity.

HXB2 Location p24 (44–52)
Author Location p24 (HXB2)
Epitope SEGATPQDL
Subtype B
Immunogen in vitro stimulation or selection
Species (MHC) human (B60)
Assay type CD8 T-cell Elispot - IFN γ , Chromium-release assay
Keywords epitope processing, vaccine antigen design, characterizing CD8+ T cells
References SenGupta *et al.* 2004

- Multiple HLA class I-restricted and class II-restricted T-cell epitopes were shown to be processed and presented from an exogenously added HIV-1 gag-p24 peptide complexed to a heat shock protein. T-cell recognition of the complex was shown to be inhibited by brefeldin A indicating an endoplasmic reticulum-dependent pathway.

HXB2 Location p24 (44–52)
Author Location p24 (44–52)
Epitope SEGATPQDL
Immunogen HIV-1 infection
Species (MHC) human (B60, B61)
Keywords immunodominance
References Day *et al.* 2001

- No immunodominant responses were detected to five B61-restricted epitopes tested.
- All five B60-restricted epitopes were reactive in another subject, the strongest CTL response directed against the B60-epitope p24 SEGATPQDL, and the B60-restricted responses together contributed over one-third of the total CTL response.

HXB2 Location p24 (46–59)
Author Location p24 (SF2)
Epitope GATPQDLNMLNTV
Immunogen HIV-1 infection

Species (MHC) human

Keywords subtype comparisons, immunodominance

References Goulder *et al.* 2000a

- The CTL-dominant response was focused on this epitope in a HIV+ African American living in Boston with HLA A*3002/68 B14/*5802 Cw6/8 – this epitope fell within the most recognized peptides in the study.
- Three peptides GSEELRSLYNTVATL (p17 residues 71-85), SALSEGATPQDLNMLNTVG (p24 41-60), and WEKIRL-RPGGKKKYKLG (p17 16-30) contained the dominant Gag-specific epitope in 31/44 B-clade infected individuals from Boston who showed Gag-CTL responses.
- Five peptides RLRPGGKKHYMIKHLVW (p17 20-36), ELRSLYNTVATLYCV (p17Gag 74-88), SALSEGATPQDLNMLNTVG (p24 41-60), FRDYVDRFFKTLRAEQA (p24 161-177), and SILDIKQGKEPFRDY (p24 149-164) contained dominant Gag-specific epitopes in 32/37 C-clade infected subjects from South Africa.

HXB2 Location p24 (47–55)

Author Location p24 (47–55)

Epitope ATPQDLNTM

Immunogen HIV-1 infection

Species (MHC) human (B7)

References Ferrari *et al.* 2000

- One of the 51 HIV-1 epitopes selected by Ferrari *et al.* as good candidate CTL epitopes for vaccines by virtue of being conserved and presented by common HLA alleles.

HXB2 Location p24 (47–56)

Author Location p24 (subtype A)

Epitope ATPQDLNMML

Subtype A

Immunogen HIV-1 exposed seronegative

Species (MHC) human (B53)

References Kaul *et al.* 2000

- 11/16 heavily HIV exposed but persistently seronegative sex-workers in Nairobi had HIV-specific CD8 gamma-IFN responses in the cervix – systemic CD8+ T-cell responses tended to be to the same epitopes but at generally lower levels than cervical CD8+ T-cell responses.
- Low risk individuals did not have such CD8+ cells.
- CD8+ T-cell epitopes: DTVLEDINL (3 individuals), SLYNTVATL (4 individuals), LSPRTLNAW (3 individuals) and YPLTFGWCF (4 individuals) were most commonly recognized by the HIV-resistant women.

HXB2 Location p24 (47–58)

Author Location p24 (181–192)

Epitope CTPYDINQMLNC

Immunogen HIV-2 infection

Species (MHC) human (B58)

References Bertoletti 1998

- HIV-2 epitope defined from an infection in Gambia, Bertoletti, pers. comm.

HXB2 Location p24 (47–58)

Author Location p24

Epitope ATPQDLNMLNT

Subtype B, D

Immunogen HIV-1 infection

Species (MHC) human (B58)

Donor MHC A23, A24, B35, B58, Cw4, Cw7

Country Democratic Republic of the Congo.

Assay type CD8 T-cell Elispot - IFN γ

Keywords subtype comparisons

References Geels *et al.* 2005

- Cross-clade CTL responses in 10 non-B HIV-1 infected individuals were evaluated. T-cell reactivity was tested against peptide pools of clade B Gag, Pol, Nef, Rev and Tat. Nine individuals demonstrated cross-reactive T-cell responses to clade A, B, and C Gag pools; 6/7 patients that responded to Nef-B also reacted to clade A and C Nef pools. An inverse correlation was observed between the sequence divergence of the HLA class I restricted epitopes and the height of the T-cell responses, which in Gag could be explained through variations in the HLA-anchor residues. 42% of the responses were directed to regions containing new epitopes.
- This previously described epitope was embedded in a B clade peptide that was recognized by T-cells from an infected person carrying subtype D Gag. The autologous epitope sequence in this person matched the known epitope.

HXB2 Location p24 (48–55)

Author Location p24 (48–55)

Epitope TPQDLNTM

Immunogen HIV-1 infection

Species (MHC) human (B7)

Country Spain.

Assay type proliferation, CD8 T-cell Elispot - IFN γ , Flow cytometric T-cell cytokine assay

Keywords HAART, ART, supervised treatment interruptions (STI), immune dysfunction

References Plana *et al.* 2004

- Structured treatment interruption (STI) alone is not able to control viral replication in chronically infected patients, probably due to lack of strong, maintained T-helper cell responses. HIV-1 specific CD8+ T-cell responses were shown to increase significantly until the end of the follow up, but were not correlated with viral load.
- Less than 2 of 7 patients recognized this epitope.

HXB2 Location p24 (48–56)

Author Location p24 (180–188 IIIB)

Epitope TPQDLNTML

Immunogen HIV-1 infection

Species (MHC) human (B*0702)

Keywords optimal epitope

References Frahm *et al.* 2007

- C. Brander notes this is a B*0702 epitope.

HXB2 Location p24 (48–56)

Author Location (C consensus)

Epitope TPQDLNTML

Subtype C

Immunogen HIV-1 infection

Species (MHC) human (B*3910)

Country South Africa.

Assay type CD8 T-cell Elispot - IFN γ

Keywords rate of progression, optimal epitope

References Kiepiela *et al.* 2007

- A comprehensive analysis of 160 class I T cell responses in 578 individuals from KwaZulu-Natal, South Africa was performed. Gag-specific responses were associated with lowering viremia, while Env, accessory and regulatory protein-specific responses were associated with higher viremia.
- Mutational patterns in the L9 residue of TPQDLNTML are associated with the presence of the HLA presenting molecule in the host.
- TPQDLNTML is cross-presented by B*8101 and B*3901.

HXB2 Location p24 (48–56)**Author Location****Epitope** TPQDLNTML**Immunogen****Species (MHC)** human (B*3910)**Keywords** optimal epitope**References** Frahm *et al.* 2007

- C. Brander notes that this is an B*3910 epitope.

HXB2 Location p24 (48–56)**Author Location** p24 (179–187 LAI)**Epitope** TPQDLNTML**Subtype** B**Immunogen****Species (MHC)** human (B*4201)**Keywords** optimal epitope**References** Frahm *et al.* 2007

- C. Brander notes this is a B*4201 epitope.

HXB2 Location p24 (48–56)**Author Location** (C consensus)**Epitope** TPQDLNTML**Subtype** C**Immunogen** HIV-1 infection**Species (MHC)** human (B*4201)**Country** South Africa.**Assay type** CD8 T-cell Elispot - IFN γ **Keywords** rate of progression, optimal epitope**References** Kiepiela *et al.* 2007

- A comprehensive analysis of 160 class I T cell responses in 578 individuals from KwaZulu-Natal, South Africa was performed. Gag-specific responses were associated with lowering viremia, while Env, accessory and regulatory protein-specific responses were associated with higher viremia.
- TPQDLNTML is an optimal epitope.

HXB2 Location p24 (48–56)**Author Location** Gag (96ZM651.8)**Epitope** TPQDLNTML**Epitope name** G180-TL9**Immunogen****Species (MHC)** human (B*4201, B*8101)**Keywords** subtype comparisons, immunodominance**References** Novitsky *et al.* 2001

- This study provides a survey of CTL responses and full length HIV-1 genome sequences from a C subtype infected Botswana cohort.

- 19/46 (41.3%) had CTL responses to one or more peptides within the first immunodominant region of Gag (peptides TLNAWVKVIEEKAFSPEVIP, EKAFSPEVIMFTALSEGAT, and MFTALSEGATPQDLNTMLNT), with magnitudes of response with ELISPOT results median and range 495 (103 to 1,447) SFC/10⁶ PBMC
- 7/11 HLA-A*4201+ subjects (64%) responded to peptide MFTALSEGATPQDLNTMLNT.
- TPQDLNTML is a A*4201 epitope within TLNAWVKVIEEKAFSPEVIP.

HXB2 Location p24 (48–56)**Author Location** p24**Epitope** TPQDLNTML**Epitope name** TL-9**Subtype** C**Immunogen** HIV-1 infection**Species (MHC)** human (B*4201, B*8101)**Country** South Africa.**Assay type** CD8 T-cell Elispot - IFN γ , CD4 T-cell Elispot - IFN γ , Intracellular cytokine staining, Chromium-release assay**Keywords** subtype comparisons, epitope processing, immunodominance, cross-presentation by different HLA**References** Masemola *et al.* 2004b

- Highly targeted regions in Gag for CD8+ T-cells were defined for individuals with C clade infections in South Africa. 9 specific epitopes within the most reactive regions were characterized. Some epitopes were shown to be promiscuous, presented by multiple class I restricting alleles.
- TPQDLNTML was presented by B*4201 and B*8101. B*44 is more common among Caucasians than Zulus (allele frequency 0.149 versus 0.107), while A*29 is more common in Zulus (0.045 versus 0.125). This epitope had previously identified in B clade infections.

HXB2 Location p24 (48–56)**Author Location** Gag (173–181 HIV-2)**Epitope** TPYDINQML**Immunogen** HIV-2 infection**Species (MHC)** human (B*5301)**Keywords** optimal epitope**References** Frahm *et al.* 2007

- C. Brander notes this is a B*5301 epitope.

HXB2 Location p24 (48–56)**Author Location** (48–56)**Epitope** TPQDLNTML**Subtype** C**Immunogen** HIV-1 infection**Species (MHC)** human (B*81)**Assay type** Other**Keywords** epitope processing, HLA associated polymorphism**References** Boutwell & Essex 2007

- All HIV-1 subtype C protein sequences were analysed, and 94 HLA-associated amino acid polymorphisms were found that were well distributed throughout the proteome. These sequences were compiled from publicly available databases and originated in South Africa and Botswana. Many polymorphisms were associated with multiple HLA allele classes. 12% of negative associations were found as well, where there was an association of virus expression of the consensus amino acid with a specific HLA allele. HLA-B alleles were involved in most of the associations. 19 HLA-associated polymorphisms were embedded in previously defined epitopes presented by an appropriate HLA restricting molecule.
- TPQDLNTML was a previously defined B*81 presented epitope that encompassed associated polymorphisms, SeGAI/TPQDLNtML, in the seventh position of as well in the third position before the known epitope.

HXB2 Location p24 (48–56)

Author Location p24 (180–188 LAI)

Epitope TPQDLNTML

Subtype B

Immunogen HIV-1 infection

Species (MHC) human (B*8101)

Keywords optimal epitope

References Frahm *et al.* 2007

- C. Brander notes this is a B*8101 epitope.

HXB2 Location p24 (48–56)

Author Location (C consensus)

Epitope TPQDLNTML

Subtype C

Immunogen HIV-1 infection

Species (MHC) human (B*8101)

Country South Africa.

Assay type CD8 T-cell Elispot - IFN γ

Keywords rate of progression, optimal epitope

References Kiepiela *et al.* 2007

- A comprehensive analysis of 160 class I T cell responses in 578 individuals from KwaZulu-Natal, South Africa was performed. Gag-specific responses were associated with lowering viremia, while Env, accessory and regulatory protein-specific responses were associated with higher viremia.
- Mutational patterns in the T7 residue of TPQDLNTML are associated with the presence of the HLA presenting molecule in the host.
- TPQDLNTML is cross-presented by B*8101 and B*3901.

HXB2 Location p24 (48–56)

Author Location

Epitope TPQDLNTML

Epitope name Gag-TL9

Subtype B

Immunogen HIV-1 infection

Species (MHC) human (B*8101, B*5301, B7)

Donor MHC A*3402 A*7401 B*5301 B*8101 Cw*0401 Cw*0802

Keywords HAART, ART

References Sabbaj *et al.* 2003

- This study monitored epitope responses in HIV-1 infected minority women living in the United States.

- 24 epitopes were described – 8 were novel, 8 used new restricting elements but were previously defined epitopes, and 8 were previously described.
- Serial peptide truncations were used to define optimal epitopes for CTL cell lines isolated from 12 individuals, assayed by a Cr-release.
- Subjects 00RCH86 and 03RCH59 both recognized this epitope, both restricted by HLA B*8101.
- Subject 00RCH86 was African American, not on HAART, viral load 51000, CD4 count 520.
- Subject 03RCH59 was African American, male, on HAART, viral load 22000, CD4 count 769.
- Among HIV+ individuals who carried HLA B07, 2/9 (22%) recognized this epitope.
- Among HIV+ individuals who carried HLA B*5301, 3/15 (20%) recognized this epitope.
- Among HIV+ individuals who carried HLA B81, 4/6 (67%) recognized this epitope.

HXB2 Location p24 (48–56)

Author Location (C consensus)

Epitope TPQDLNTML

Subtype C

Immunogen HIV-1 infection

Species (MHC) human (B39, B*4201, B*8101, Cw*0802)

Country South Africa.

Assay type CD8 T-cell Elispot - IFN γ

Keywords cross-presentation by different HLA, characterizing CD8+ T cells

References Kiepiela *et al.* 2004

- HLA class I restricted CD8+ T-cell responses against HIV-1 were analyzed in African patients. Significantly more responses were shown to be HLA-B restricted. Viral load, CD4 count, and thus rate of disease progression were also associated with HLA-B alleles. In addition, the selection pressure imposed on HIV-1 by HLA-B alleles was shown to be substantially greater than by other alleles.
- This epitope was suggested to be the epitope within a longer reactive peptide based on correspondence with a known epitope in the HIV database. Also, a significantly higher frequency of people in the Durban cohort who reacted with the peptide had this HLA type.

HXB2 Location p24 (48–56)

Author Location p24 (C consensus)

Epitope TPQDLNTML

Immunogen HIV-1 infection

Species (MHC) human (B42)

Keywords subtype comparisons, immunodominance

References Goulder *et al.* 2000a

- B42 and B81 are very similar, and both can present this epitope to B42-positive effector cells – this epitope is almost certainly optimal for B81 as well – B42 and or B81 are expressed in 40-45% of Zulu and Xhosa infected individuals in South Africa, and in 14/18 B42 or B81+ individuals, the dominant gag response was to TPQDLNTML.

- Three peptides GSEELRSLYNTVATL (p17 residues 71-85), SALSEGATPQDLNNTMLNTVG (p24 41-60), and WEKIRLRPGGKKKYKLLK (p17 16-30) contained the dominant Gag-specific epitope in 31/44 B-clade infected individuals from Boston who showed Gag-CTL responses.
- Five peptides RLRPGGKKHYMIKHLVW (p17 20-36), ELRSLYNTVATLYCV (p17Gag 74-88), SALSEGATPQDLNNTMLNTVG (p24 41-60), FRDYVDRFFKTLRAEQA (p24 161-177), and SILDIKQGKEPFRDY (p24 149-164) contained dominant Gag-specific epitopes in 32/37 C-clade infected subjects.

HXB2 Location p24 (48–56)

Author Location Gag

Epitope TPQDLNNTML

Immunogen HIV-1 infection

Species (MHC) human (B42)

References Goulder *et al.* 2000b

- Tetramer assays were compared with three functional assays in 42 people with chronic HIV infection: ELISPOT, intracellular cytokine staining, and precursor frequency (limiting dilution assay [LDA]).
- HIV-specific tetramer staining CTLs appeared to be active, and inert CTL were not found to play a significant role in chronic pediatric or adult HIV infection.

HXB2 Location p24 (48–56)

Author Location p24

Epitope TPQDLNQML

Immunogen

Species (MHC) human (B53)

References Rowland-Jones *et al.* 1999

- CTL responses in seronegative highly HIV-exposed African female sex workers in Gambia and Nairobi were studied – these women had no delta 32 deletion in CCR5.
- In Gambia there is exposure to both HIV-1 and HIV-2, CTL responses to B35 epitopes in exposed, uninfected women are cross-reactive, and the B35 allele seems to be protective.
- HIV-2 sequence: TPYDINQML, no cross-reactivity, Gotch *et al.* [1993]

HXB2 Location p24 (48–56)

Author Location Gag (173–181 HIV-2)

Epitope TPYDINQML

Immunogen HIV-2 infection

Species (MHC) human (B53)

References Gotch *et al.* 1993

HXB2 Location p24 (48–56)

Author Location Gag (180–188 subtype A)

Epitope TPQDLNMML

Subtype A

Immunogen HIV-1 infection, in vitro stimulation or selection

Species (MHC) human (B53)

Keywords subtype comparisons

References Dorrell *et al.* 2001

- In vitro restimulation of CTL specific for dominant epitopes from infected individuals is possible using recombinant modified vaccinia virus Ankara (MVA) carrying A or D subtype HIV-1 Gag proteins.

HXB2 Location p24 (48–56)

Author Location p24 (180–188 subtype A consensus)

Epitope TPQDLNMML

Subtype A

Immunogen HIV-1 infection

Species (MHC) human (B53)

Keywords subtype comparisons, immunodominance, TCR usage

References Dorrell *et al.* 2001

- In clade A infected Gambians, three HLA-B53 epitopes were defined in Gag p24 using ELISPOT, tetramer, and cytotoxicity assays.
- This optimal epitope was identified within the 20 mer reactive peptide that carried it by homology with a B53 epitope from HIV-2, a B subtype B7 peptide that corresponds to it, as B53 is part of the B7 superfamily, and by the proline in the anchor at position 2.
- TPQDLNMML was recognized in 6/7 HLA-B53 subjects and was immunodominant in most subjects.
- TPQDLNMML was A subtype-specific with no cross-recognition of the subtype B, C, and D variant, TPQDLNNTML, although the B/C/D variant bound more efficiently to B53 – position 7 show great positional variation in crystal structures of two HLA-B53 complexes, suggesting variation here might significantly alter the position of the peptide in the binding groove and thus affect TCR interactions.
- Only one subject might have had a cross-reactive response with the HIV-2 and Mamu-A*01 variant CTPYDINQML, and this subject might have been dual infected with HIV-2.

HXB2 Location p24 (48–56)

Author Location p24

Epitope TPQDLNMML

Immunogen HIV-1 infection

Species (MHC) human (B53)

Assay type Intracellular cytokine staining

Keywords immunodominance, genital and mucosal immunity

References Kaul *et al.* 2003

- Predefined immunodominant peptide responses were used to compare CD8+ T cells responses in the blood and cervix of 16 HIV+ Kenyan sex workers. Cervical responses were detected in 8/10 women from whom adequate samples could be obtained. The frequency of the CD8+ T cell response in the genital tract was comparable to the blood, with a trend toward being slightly higher.
- The immunodominant response was to this epitope in the PBMC of 2/16 patients (Kaul *et al.* 2001, AIDS, 107:1303).

HXB2 Location p24 (48–56)

Author Location Gag (180–188)

Epitope TPQDLNMML

Epitope name TPQ

Immunogen HIV-1 infection, HIV-2 infection

Species (MHC) human (B53)

- Country** Gambia.
Assay type CD8 T-cell Elispot - IFN γ , Tetramer binding, Flow cytometric T-cell cytokine assay
Keywords characterizing CD8+ T cells
References Gillespie *et al.* 2005
- CD8 T-cell responses were evaluated and compared in HIV-1 and HIV-2 infected individuals living in the Gambia. A significantly greater magnitude and breadth of Gag-specific responses were found in HIV-1 infected individuals, possibly because of low or undetectable viral loads in HIV-2 infected individuals. This finding suggests that responses in HIV-2 infection reflect antigen load in plasma, as is the case in HIV-1 infection. No correlation was found between immune control of HIV-2 and the frequency of perforin-expressing virus-specific CD8 T-cells.
 - 3/3 HIV-2-infected B53-positive subjects responded to the TPY-DINQML HIV-2 version of the epitope.
 - 5/7 HIV-1-infected B53-positive subjects recognized both the HIV-1 equivalent epitope, TPQDLNMML, and also the QAS epitope.
- HXB2 Location** p24 (48–56)
Author Location Gag (180–188)
Epitope TPYDINQML
Epitope name TPY
Subtype HIV-2
Immunogen HIV-1 infection, HIV-2 infection
Species (MHC) human (B53)
Country Gambia.
Assay type CD8 T-cell Elispot - IFN γ , Tetramer binding, Flow cytometric T-cell cytokine assay
Keywords characterizing CD8+ T cells
References Gillespie *et al.* 2005
- CD8 T-cell responses were evaluated and compared in HIV-1 and HIV-2 infected individuals living in the Gambia. A significantly greater magnitude and breadth of Gag-specific responses were found in HIV-1 infected individuals, possibly because of low or undetectable viral loads in HIV-2 infected individuals. This finding suggests that responses in HIV-2 infection reflect antigen load in plasma, as is the case in HIV-1 infection. No correlation was found between immune control of HIV-2 and the frequency of perforin-expressing virus-specific CD8 T-cells.
 - 3/3 HIV-2-infected B53-positive subjects responded to the TPY-DINQML HIV-2 version of the epitope.
 - 5/7 HIV-1-infected B53-positive subjects recognized both the HIV-1 equivalent epitope, TPQDLNMML, and also the QAS epitope.
- HXB2 Location** p24 (48–56)
Author Location p24 (180–188 IIIB)
Epitope TPQDLNTML
Immunogen HIV-1 infection
Species (MHC) human (B7)
Keywords responses in children, mother-to-infant transmission, escape
References Wilson *et al.* 1999a
- This study describes maternal CTL responses in the context of mother-to-infant transmission.

- Detection of CTL escape mutants in the mother was associated with transmission, but the CTL-susceptible forms of the virus tended to be found in infected infants.
- No variants of this epitope were found in a non-transmitting mother that had a CTL response to this epitope.

HXB2 Location p24 (48–56)
Author Location p24 (180–188)
Epitope TPQDLNTML
Immunogen HIV-1 infection
Species (MHC) human (B7)
Keywords immunodominance
References Jin *et al.* 2000b

- This is the optimal epitope for the immunodominant response defined using a conventional approach in an HLA B7+ long-term non-progressor.
- Three additional sub-dominant HLA B7 epitopes were defined using EpiMatrix, a non-anchor based strategy for defining potential epitopes, which highlighted 2078 possible epitopes in the autologous HIV-1 derived from the study subject – this was followed by B7 anchor residue prediction which narrowed the set to 55 peptides, three of which could serve as functional CTL epitopes.

HXB2 Location p24 (48–56)
Author Location p24 (SF2)
Epitope TPQDLNTML
Epitope name TL9
Immunogen HIV-1 infection
Species (MHC) human (B7)
References Goulder *et al.* 2001a

- Recognized by patient 9354 during chronic infection, used as a positive control in a study of the SLYNTVATL epitope.

HXB2 Location p24 (48–56)
Author Location p24 (48–56)
Epitope TPQDLNTML
Immunogen HIV-1 infection
Species (MHC) human (B7)
Keywords rate of progression, acute/early infection
References Day *et al.* 2001

- The CTL response to optimally defined CTL epitopes restricted by HLA class I A and B alleles in individuals who coexpressed HLA A2, A3, and B7 was studied in eight HIV-1-infected subjects, two with acute infection, five with chronic, and one long-term non-progressor (LTNP)
- 2 to 17 epitopes were recognized in a given individual, A2-restricted CTL response tended to be narrow and never dominated the response, and 25/27 epitopes were targeted by at least one person.
- Subjects with chronic HIV-1 infection recognized between 2–8 out of 11 B7-restricted epitopes.
- An acute seroconverter homozygous for the B7 allele recognized five B7-restricted epitopes.
- The other acute seroconverter failed to recognize any of the 11 B7-restricted epitopes tested.
- The B7-restricted CTL response was highly variable and there was no clearly dominant epitope.

HXB2 Location p24 (48–56)

- Author Location** p24 (48–56)
Epitope TPQDLNTML
Epitope name B7-TL9
Subtype B
Immunogen HIV-1 infection
Species (MHC) human (B7)
Donor MHC A3, B7, Cw7
Keywords dynamics, supervised treatment interruptions (STI), acute/early infection
References Yu *et al.* 2002a
- CTL responses in 18 acutely HIV-infected HLA-A3 (n=7) or -B7 (n=4) or both -A3 and B7 (n=7) positive individuals were studied.
 - One individual, AC-06, was homozygous at all three class I alleles (A3, B7, Cw7), was treated during acute infection and had supervised treatment interruptions (STI). He had only two detectable CTL responses during acute infection, but after STI this broadened to 27 distinct epitopes including 15 restricted by HLA-A3, 11 by HLA-B7, and 1 by HLA-Cw7.
 - 1/11 HLA-B7 individuals had detectable B7-restricted responses to this epitope during acute infection – 10/15 of HLA-B7 epitopes tested were targeted by at least one person during acute infection. 1/4 individuals had detectable responses to this epitope after STI.

- HXB2 Location** p24 (48–56)
Author Location p24
Epitope TPQDLNTML
Epitope name B7-TL9(p24)
Subtype B
Immunogen HIV-1 infection
Species (MHC) human (B7)
Donor MHC A32, B7, B14
Keywords HAART, ART, supervised treatment interruptions (STI)
References Altfeld *et al.* 2002b
- Peripheral blood (PB) and lymph node (LN) CD8+ T-cell responses were compared in 15 asymptomatic HIV-1 infected patients using all known optimal CTL epitopes (<http://hiv-web.lanl.gov/content/hiv-db/REVIEWS/brander2001.html>) for each person's class I HLA alleles.
 - 60 epitope responses were detected in both PB and LN samples of the 15 patients, and an additional 8 responses were detected only in LN. The total magnitude of the response was similar in LN and PB, but the percentage of CD8+ T cells in the LN is lower so the number of HIV-specific cells per million CD8+ T-cells is higher in the LN.
 - 1 year post-HAART treatment in five patients studied, the magnitude of the CD8+ T-cell response was decreased in both LN and PB, but more dramatically in PB, and 13/25 epitope responses in the PB became undetectable, in contrast to 5/26 in the LN.
 - Treatment interruption following HAART induced resulted in increased viremia accompanied by the restoration of the detection of 13 epitopes that had become undetectable in the PB, and the addition of 9 novel epitope responses.
 - Breakdowns of epitope responses were shown for 4 individuals. Patient A displayed the greatest response to epitope B14-EL9(gp41), a strong response to B7-TL9(p24), and responses to B7-TM9(Nef) and A32-PW10(RT).

- HXB2 Location** p24 (48–56)
Author Location p24 (48–56)
Epitope TPQDLNTML
Epitope name B7-TL9 Gag
Subtype B
Immunogen HIV-1 infection
Species (MHC) human (B7)
Assay type CD8 T-cell Elispot - IFN γ
Keywords supervised treatment interruptions (STI), escape, early treatment, superinfection
References Altfeld *et al.* 2002a
- An HIV+ individual given acute ARV and undergoing STI developed a strong CTL immune response, but despite this was shown to be superinfected with second B clade virus. Some epitope variants of the second infecting virus were resistant to the initial CTL response, but in this case the epitope did not vary.

- HXB2 Location** p24 (48–56)
Author Location (B consensus)
Epitope TPQDLNTML
Epitope name TL9
Subtype B
Immunogen HIV-1 infection
Species (MHC) human (B7)
Donor MHC A03, B07, Cw7
Assay type Cytokine production, Intracellular cytokine staining, Chromium-release assay, Flow cytometric T-cell cytokine assay
Keywords assay standardization/improvement, memory cells, characterizing CD8+ T cells
References Lichterfeld *et al.* 2004c
- Using a flow-cytometric cytotoxicity assay based on caspase-3 activation in dying target cells, it was shown that the subset of HIV-1-specific CD8+ T cells secreting both IFN-gamma and TNF-alpha exhibit stronger cytotoxic activity than those secreting only IFN-gamma. These cells also exhibited stronger intracellular perforin expression. No association between HIV-1-specific CD8+ T-cell maturation phenotypes and intracellular perforin expression was found.
 - 1/9 individuals recognized this epitope

- HXB2 Location** p24 (48–56)
Author Location p24 (HXB2)
Epitope TPQDLNTML
Subtype B
Immunogen in vitro stimulation or selection
Species (MHC) human (B7, Cw8, B42)
Assay type CD8 T-cell Elispot - IFN γ , Chromium-release assay
Keywords epitope processing, vaccine antigen design, characterizing CD8+ T cells
References SenGupta *et al.* 2004
- Multiple HLA class I-restricted and class II-restricted T-cell epitopes were shown to be processed and presented from an exogenously added HIV-1 gag-p24 peptide complexed to a heat shock protein. T-cell recognition of the complex was shown to be inhibited by brefeldin A indicating an endoplasmic reticulum-dependent pathway.

HXB2 Location p24 (48–56)
Author Location p24 (180–188 LAI)
Epitope TPQDLNTML
Subtype B
Immunogen HIV-1 infection
Species (MHC) human (Cw*0802)
Keywords optimal epitope
References Frahm *et al.* 2007

- C. Brander notes this is a C*0802(Cw8) epitope.

HXB2 Location p24 (48–56)
Author Location (C consensus)
Epitope TPQDLNTML
Subtype C
Immunogen HIV-1 infection
Species (MHC) human (Cw*0802)
Country South Africa.
Assay type CD8 T-cell Elispot - IFN γ
Keywords rate of progression, optimal epitope
References Kiepiela *et al.* 2007

- A comprehensive analysis of 160 class I T cell responses in 578 individuals from KwaZulu-Natal, South Africa was performed. Gag-specific responses were associated with lowering viremia, while Env, accessory and regulatory protein-specific responses were associated with higher viremia.
- TPQDLNTML is an optimal epitope.

HXB2 Location p24 (48–56)
Author Location Gag (180–188)
Epitope TPQDLNTML
Epitope name TL9
Subtype B
Immunogen HIV-1 infection
Species (MHC) human (Cw8)
Donor MHC A*02, A*68, B*14, B*52, Cw*08, Cw*12
Country United States.
Assay type CD8 T-cell Elispot - IFN γ , Chromium-release assay, Flow cytometric T-cell cytokine assay
Keywords escape, optimal epitope
References Koibuchi *et al.* 2005

- HIV-1-specific CD8 T-cell responses were shown to be persistent in the chronic phase of HIV-1 infection, although the responses to some of the epitopes were declining despite the persistence of the targeted sequences in vivo. Only 4/14 epitopes were potential CTL escape variants, although strong responses to these epitopes persisted for 6 years. This indicates limited viral evolution within targeted CD8 T-cell epitopes during the chronic phase of infection.
- The B consensus form of this epitope, TPQDLNTML, persisted throughout 6 years of chronic infection in 1 individual.

HXB2 Location p24 (48–56)
Author Location Gag
Epitope TPQDLNTML
Immunogen HIV-1 infection
Species (MHC) human
Assay type CD8 T-cell Elispot - IFN γ
Keywords assay standardization/improvement, epitope processing, characterizing CD8+ T cells
References Beattie *et al.* 2004

- This study compared CD8+ T-cell EliSpot responses to 58 Gag peptides that were optimal epitopes, with responses to overlapping 15 mers that spanned Gag. When screening for HIV-1-specific CD8+ T-cell responses from 49 HIV+ people, overlapping 15-mer peptide pools revealed several novel responses that would have been missed using predefined CD8 epitopes. However, the 15-mer pools often missed low-level responses to predefined epitopes, especially when the epitope was located centrally in the 15-mer peptide, and the overall level of response to the 15 mers was generally lower (mean 1.4 five fold dilutions lower, range 0-3).
- The response to TPQDLNTML was used as an example of a titration curve. When comparing the peptide TPQDLNTML to the 15 mer EGATPQDLNTMLNTV, the 15 mer had a diminished response to the same amount of peptide.

HXB2 Location p24 (48–57)
Author Location Gag
Epitope TPQDLNMLLN

Immunogen
Species (MHC) human (B7)
References De Groot *et al.* 2001

- The program Epimatrix was used in conjunction with the program Conservatrix to identify conserved regions of HIV that might serve as epitopes.
- A subset of the potential epitopes was identified that could bind to the appropriate HLA-allele, and 15 predicted B7 superfamily (HLA B7, B8, and B58) epitopes were identified that could stimulate IFN γ production in an ELISPOT assay.
- TPQDLNMLLN was newly defined as an HLA-B7 epitope in this study, although it was previously published as a B*8101 epitope.
- TPQDLNMLLN was shown to stimulate an ELISPOT response, but could not be shown to bind to HLA-B7.
- The variant TPQDLNTMLN was cross-reactive, had previously been identified as a HLA-B14 epitope, and could bind to HLA-B7.

HXB2 Location p24 (48–57)
Author Location Gag
Epitope TPQDLNMLLN

Epitope name 1309
Subtype multiple
Immunogen HIV-1 infection
Species (MHC) human (B7)

Donor MHC A03, A24, B07, B38, Cw07, Cw12/13
Country United States.
Assay type T-cell Elispot
Keywords binding affinity, computational epitope prediction
References De Groot *et al.* 2003

- Epitopes defined using sequence parsing and matching algorithm Conservatrix, and epitope prediction tool EpiMatrix, were shown to be conserved in a broad range of HIV-1 sequences derived from different parts of the world. 31 novel highly conserved HIV-1 epitopes were found, among which four were recognized as promiscuous epitopes and five as MHC supertypes.
- Estimated binding probability for TPQDLNMLLN: 31%.

HXB2 Location p24 (48–57)
Author Location Gag
Epitope TPQDLNTMLN
Epitope name 1308
Subtype multiple
Immunogen HIV-1 infection
Species (MHC) human (B7, B14)
Country United States.
Assay type T-cell Elispot
Keywords binding affinity, computational epitope prediction, cross-presentation by different HLA
References De Groot *et al.* 2003

- Epitopes defined using sequence parsing and matching algorithm Conservatrix, and epitope prediction tool EpiMatrix, were shown to be conserved in a broad range of HIV-1 sequences derived from different parts of the world. 31 novel highly conserved HIV-1 epitopes were found, among which four were recognized as promiscuous epitopes and five as MHC supertypes.
- Estimated binding probability for TPQDLNTMLN: 31%. This epitope was not confirmed in this study, but has been reported to be a B14 epitope.

HXB2 Location p24 (48–59)
Author Location p24
Epitope TPQDLNQMLNTV
Subtype B, G
Immunogen HIV-1 infection
Species (MHC) human (B58)
Donor MHC A2, A36, B45, B58, Cw3, Cw6
Country Nigeria.
Assay type CD8 T-cell Elispot - IFN γ
Keywords subtype comparisons, variant cross-recognition or cross-neutralization
References Geels *et al.* 2005

- Cross-clade CTL responses in 10 non-B HIV-1 infected individuals were evaluated. T-cell reactivity was tested against peptide pools of clade B Gag, Pol, Nef, Rev and Tat. Nine individuals demonstrated cross-reactive T-cell responses to clade A, B, and C Gag pools; 6/7 patients that responded to Nef-B also reacted to clade A and C Nef pools. An inverse correlation was observed between the sequence divergence of the HLA class I restricted epitopes and the height of the T-cell responses, which in Gag could be explained through variations in the HLA-anchor residues. 42% of the responses were directed to regions containing new epitopes.
- This previously described epitope was embedded in a B clade peptide that was recognized by T-cells from an infected person carrying subtype G Gag. The autologous epitope sequence in this person differed from the known epitope in one position, Q7T, TPQDLNtMLNTV

HXB2 Location p24 (48–62)
Author Location p24 (48–56)
Epitope TPQDLNMMLNIVGGH
Subtype A, D
Immunogen HIV-1 infection
Species (MHC) human
Donor MHC A*0201, A*2902, B*1402, B*1503; A*0101, A*7401, B*5801

Country Uganda.
Assay type CD8 T-cell Elispot - IFN γ
Keywords subtype comparisons, variant cross-recognition or cross-neutralization
References Barugahare *et al.* 2005

- T-cell immune responses were examined in HIV-1 infected Ugandans. Similar levels of cross-clade responses for Gag, Env and Nef were observed. Higher frequencies of responses in conserved regions were found for Gag within a single clade, while areas with higher viral sequence variation had fewer detectable responses. Differential interclade sequence homologies between the Gag regions did not affect the respective level of cross-clade recognition.
- This sequence contains a known B7 and B53 epitope, but the subjects recognizing it are B7- and B53-negative. It was conserved in the two people that recognized the peptide.

HXB2 Location p24 (49–57)
Author Location p24 (181–189 LAI)
Epitope PQLNTMLN
Subtype B
Immunogen HIV-1 infection
Species (MHC) human (B14, Cw8)
References Lubaki *et al.* 1997

- Eighty two HIV-1-specific CTL clones from 5 long-term non-progressors were isolated and analyzed for breadth of response.
- A sustained Gag, Env and Nef response was observed, and clones were restricted by multiple HLA epitopes, indicating a polyclonal response.
- Despite this being a well defined conserved epitope, none of the 11 gag-specific clones from a B-14 positive subject could recognize either it or p24 RAEQASQEV.
- Christian Brander notes that B14 and Cw8 are in linkage disequilibrium, and that this epitope may be Cw8.

HXB2 Location p24 (51–59)
Author Location p24 (subtype A)
Epitope DLNMMMLNIV
Subtype A
Immunogen HIV-1 exposed seronegative
Species (MHC) human (B14)
References Kaul *et al.* 2000

- 11/16 heavily HIV exposed but persistently seronegative sex-workers in Nairobi had HIV-specific CD8 gamma-IFN responses in the cervix – systemic CD8+ T-cell responses tended to be to the same epitopes but at generally lower levels than cervical CD8+ T-cell responses.
- Low risk individuals did not have such CD8+ cells.
- CD8+ T-cell epitopes: DTVLEDINL (3 individuals), SLYNT-VATL (4 individuals), LSPRTLNAW (3 individuals) and YPLT-FGWCF (4 individuals) were most commonly recognized by the HIV-resistant women.

HXB2 Location p24 (51–59)
Author Location p24
Epitope DLNMMMLNIV
Immunogen HIV-1 infection
Species (MHC) human (B14)
Keywords HIV exposed persistently seronegative (HEPS)

References Kaul *et al.* 2001c

- This study examines CTL responses in HIV exposed, persistently seronegative individuals, HEPS, who eventually seroconverted – 11/114 HEPS Nairobi sex workers eventually seroconverted, and for six of these HIV CTL reactive epitopes had been defined while seronegative.
- The epidemiological factor associated with seroconversion was stopping sex work. HIV-specific CTL activity declined when HEPS sex workers stopped working for a period or retired.
- This epitope was recognized in 1/22 HEPS sex worker controls, ML1792.

HXB2 Location p24 (51–59)**Author Location** p24 (183–191 LAI)**Epitope** DLNTMLNTV**Epitope name** G5**Subtype** B**Immunogen** HIV-1 infection**Species (MHC)** human (B14)**Keywords** HAART, ART**References** Mollet *et al.* 2000

- A panel of 16 epitopes covering 15 class I alleles was tested in 14 HIV+ patients from an unselected Caucasian population treated with HAART, using CD8+ cell IFN γ production to measure responses.
- In general, during the first month of treatment viral load decreased and frequencies of HIV-specific CTL tripled and broadened – eight new HIV specificities that were not previously detectable were newly detected, as were CMV specific CD8+ PBL – but with continued viral suppression, HIV-specific responses diminished.
- Viral rebounds gave different patterns of response: increases or decreases in pre-existing response, new specificities, or no change.

HXB2 Location p24 (51–59)**Author Location** p24 (183–191)**Epitope** DLNMMLNIV**Immunogen** HIV-1 infection, HIV-1 exposed seronegative**Species (MHC)** human (B14)**Keywords** HIV exposed persistently seronegative (HEPS), immunodominance**References** Kaul *et al.* 2001a

- Variants DLNMMLNIV/DLNTMLNVV are specific for clades A/B.
- ELISPOT was used to study CTL responses to a panel of 54 predefined HIV-1 epitopes in 91 HIV-1-exposed, persistently seronegative (HEPS) and 87 HIV-1-infected female Nairobi sex workers.
- Responses in HEPS women tended to be lower, and focused on different epitopes with HLA presenting molecules that have previously been associated with reduced risk of infection, and there was a shift in the response in the HEPS women upon late seroconversion to epitopes recognized by the HIV-1 infected women.
- 43/91 HEPS women had CD8+ responses and detection of HIV-1-specific CTL in HEPS women increased with the duration of viral exposure.

- Among HLA-B14 women, 4/4 HEPS and 3/7 HIV-1 infected women recognized this epitope, likelihood ratio 4.8, p value 0.1, and HEPS women tended to respond to DLNMMLNIV/DLNTMLNVV, while infected women tended to respond to DRF(F/W)KTLRA.
- The dominant response to this HLA allele was to this epitope for all 4/4 HEPS cases and in only one of the 3/7 HIV-1 infected women.
- Differences in epitope specificity were only seen for responses restricted by class I HLA alleles A2, A24, A*6802, B14, and B18, previously shown to be associated with resistance to HIV-1 in this cohort.
- Four epitopes were considered to be “resistant epitopes”, as they were preferentially reactive in HEPS women and so may confer resistance, and these were found in three different proteins: A2 ILK(D/E)PVHGV in RT, A*6802 DTVLEDINL in Protease, B14 DLN(M/T)LN(I/V)V in p24 and B18 FRDYV-DRF(Y/F)K also in p24.

HXB2 Location p24 (51–59)**Author Location** p24**Epitope** DLNMMLNIV**Immunogen** HIV-1 infection**Species (MHC)** human (B14)**Keywords** HIV exposed persistently seronegative (HEPS)**References** Kaul *et al.* 2002

- Neisseria gonorrhoea cervicitis in 9 HIV+ Kenyan sex workers caused a functional deficiency in IFN- γ production in HIV-1 epitope-specific CD8+ T-cells, detected by intracellular cytokine production and tetramer assays, while not affecting the total number of epitope-specific CTLs.
- Ghonorrhoea caused the weaker HIV-1 specific CTL responses in 4 HIV-1 exposed persistently seronegative (HEPS) women to become undetectable by Elispot and tetramer assays, and CMV-specific CTL in 2 HEPS subjects were shown to have impaired function with regard to IFN- γ production.

HXB2 Location p24 (51–59)**Author Location** p24 (183–191 LAI)**Epitope** DLNTMLNTV**Subtype** B**Immunogen** HIV-1 infection**Species (MHC)** human (B14, Cw8)**References** Johnson *et al.* 1992; Nixon *et al.* 1988

- Recent evidence indicates this is a Cw8 epitope; B14 and Cw8 are in linkage disequilibrium and the HLA presenting molecule is hard to distinguish (P. Goulder, personal communication).

HXB2 Location p24 (51–59)**Author Location** p24**Epitope** DLNTMLNTV**Immunogen** HIV-1 exposed seronegative**Species (MHC)** human (B14, Cw8)**Keywords** subtype comparisons, HIV exposed persistently seronegative (HEPS)**References** Rowland-Jones *et al.* 1998a

- A CTL response was found in exposed but uninfected prostitutes from Nairobi using previously-defined B clade epitopes that tended to be conserved in A and D clades – such cross-reactivity could protect against both A and D and confer protection in Nairobi where both subtypes are circulating.
- The A subtype consensus is identical to the B clade epitope.
- The D subtype consensus is dLNmMLNiV.
- Recent evidence indicates this is a Cw8 epitope; B14 and Cw8 are in linkage disequilibrium and the HLA presenting molecule is hard to distinguish (P. Goulder, personal communication).

HXB2 Location p24 (51–59)

Author Location p24 (183–191 LAI)

Epitope DLNTMLNTV

Subtype B

Immunogen HIV-1 infection

Species (MHC) human (Cw8)

Keywords review

References McMichael & Walker 1994

- Review of HIV CTL epitopes – defined by B14 motif found within a larger peptide.
- Recent evidence indicates this is a Cw8 epitope; B14 and Cw8 are in linkage disequilibrium and the HLA presenting molecule is hard to distinguish (P. Goulder, personal communication).

HXB2 Location p24 (51–59)

Author Location p24 (subtype B)

Epitope DLNTMLNTV

Subtype B

Immunogen HIV-1 exposed seronegative

Species (MHC) human (Cw8, B*1402)

Keywords subtype comparisons

References Rowland-Jones *et al.* 1998b

- HIV-specific CTL were found in exposed seronegative prostitutes from Nairobi – these CTL may confer protection.
- Seroprevalence in this cohort is 90-95% and their HIV-1 exposure is among the highest in the world.
- Most isolated HIV strains are clade A in Nairobi, although clades C and D are also found – B clade epitopes are often cross-reactive, however stronger responses are frequently observed using A or D clade versions of epitopes.
- This epitope is conserved among B and D clade viruses.
- The Clade A version of the epitope, DLNNMLNIV, was preferentially recognized by CTL.
- Recent evidence indicates this is a Cw8 epitope; B14 and Cw8 are in linkage disequilibrium and the HLA presenting molecule is hard to distinguish (P. Goulder, personal communication).

HXB2 Location p24 (51–59)

Author Location p24

Epitope DLNTMLNTV

Immunogen HIV-1 infection

Species (MHC) chimpanzee

References Santra *et al.* 1999

- 3/4 animals displayed HIV-1 Gag-specific CTL activity.
- Effector cells from two chimpanzees were able to recognize two epitopes also recognized by human HIV-1 Gag-specific CTL (SPRTLNAWV, HLA-B7, and DLNTMLNTV, HLA-B14).

- No chimpanzee CTL were detected to the following human HIV-1 specific Gag epitopes, although they were embedded within 20mer peptides that contained a reactive epitope: ISPRTLNAW, HLA-B57; KRWILGLNK, HLA-B27; and DRFYKTLRA, HLA-B14.

HXB2 Location p24 (51–60)

Author Location Gag

Epitope DLNTMLNTVG

Epitope name 1238

Subtype multiple

Immunogen HIV-1 infection

Species (MHC) human (A2, B14)

Country United States.

Assay type T-cell Elispot

Keywords binding affinity, computational epitope prediction, cross-presentation by different HLA

References De Groot *et al.* 2003

- Epitopes defined using sequence parsing and matching algorithm Conservatrix, and epitope prediction tool EpiMatrix, were shown to be conserved in a broad range of HIV-1 sequences derived from different parts of the world. 31 novel highly conserved HIV-1 epitopes were found, among which four were recognized as promiscuous epitopes and five as MHC supertypes.
- Estimated binding probability for DLNTMLNTVG: 65%. This epitope was not confirmed in this study, but was previously reported to be presented by B14.

HXB2 Location p24 (51–70)

Author Location p24 (183–202 SF2)

Epitope DLNTMLNTVGGHQAMQMLK

Immunogen HIV-1 infection

Species (MHC) human

References Lieberman *et al.* 1997a

- Of 25 patients, most had CTL specific for more than 1 HIV-1 protein.
- Twelve subjects had CTL that could recognize vaccinia-expressed LAI gag.
- One of these 12 had CTL response to this peptide.
- The responding subject was HLA-A26, A30, B38.

HXB2 Location p24 (51–82)

Author Location Gag (183–214 LAI)

Epitope DLNTMLNTVGGHQAMQMLKETINEEAAEWDR

Subtype B

Immunogen vaccine

Vector/Type: lipopeptide

Species (MHC) human

References Gahery-Segard *et al.* 2000

- Anti-HIV lipopeptide vaccine consisting of six long amino acid peptides derived from Nef, Gag and Env HIV-1 proteins modified by a palmitoyl chain was administered in a phase I trial.
- A CD4+ T cell proliferative response to at least one of the six peptides was observed in 9/10 vaccinees – 2/10 reacted to this peptide.
- 9/12 tested mounted a CTL response to at least one of the six peptides; each of the six peptides elicited a CTL response in at least one individual.

- None of the 12 tested had an IgG response to this peptide.

HXB2 Location p24 (61–69)
Author Location p24 (61–69)
Epitope GHQAAMQML
Immunogen HIV-1 infection
Species (MHC) human (B*1510)
Keywords optimal epitope
References Frahm *et al.* 2007

HXB2 Location p24 (61–69)
Author Location (C consensus)
Epitope GHQAAMQML
Subtype C
Immunogen HIV-1 infection
Species (MHC) human (B*1510)
Country South Africa.
Assay type CD8 T-cell Elispot - IFN γ
Keywords characterizing CD8+ T cells
References Kiepiela *et al.* 2004

- HLA class I restricted CD8+ T-cell responses against HIV-1 were analyzed in African patients. Significantly more responses were shown to be HLA-B restricted. Viral load, CD4 count, and thus rate of disease progression were also associated with HLA-B alleles. In addition, the selection pressure imposed on HIV-1 by HLA-B alleles was shown to be substantially greater than by other alleles.
- This epitope was suggested to be the epitope within a longer reactive peptide based on correspondence with a known epitope in the HIV database. Also, a significantly higher frequency of people in the Durban cohort who reacted with the peptide had this HLA type.

HXB2 Location p24 (61–69)
Author Location (C consensus)
Epitope GHQAAMQML
Subtype C
Immunogen HIV-1 infection
Species (MHC) human (B*1510)
Country South Africa.
Assay type CD8 T-cell Elispot - IFN γ
Keywords rate of progression, optimal epitope
References Kiepiela *et al.* 2007

- A comprehensive analysis of 160 class I T cell responses in 578 individuals from KwaZulu-Natal, South Africa was performed. Gag-specific responses were associated with lowering viremia, while Env, accessory and regulatory protein-specific responses were associated with higher viremia.
- GHQAAMQML is an optimal epitope.

HXB2 Location p24 (61–69)
Author Location p24 (193–201 LAI)
Epitope GHQAAMQML
Subtype B
Immunogen
Species (MHC) human (B*3901)
Keywords optimal epitope
References Frahm *et al.* 2007

- C. Brander notes this is a B*3901 epitope.

HXB2 Location p24 (61–69)
Author Location Gag (193–201 IIIB)
Epitope GHQAAMQML
Subtype B
Immunogen HIV-1 infection
Species (MHC) human (B38)
Assay type Chromium-release assay
References Kurane *et al.* 2003

- Three CD8+ CTL cell clones were derived from 2 HIV-1 positive asymptomatic patients, and their epitope specificities and HLA presenting proteins were defined.

HXB2 Location p24 (61–69)
Author Location p24 (193–201 LAI)
Epitope GHQAAMQML
Subtype B
Immunogen
Species (MHC) human (B39)
References Kurane & West 1998

- Optimal peptide defined by titration.

HXB2 Location p24 (61–71)
Author Location p24 (193–203 BRU)
Epitope GHQAAMQMLKE
Immunogen HIV-1 infection
Species (MHC) human (A2)
References Claverie *et al.* 1988

- One of 4 epitopes first predicted, then shown to stimulate HLA-A2 restricted CTL line.

HXB2 Location p24 (61–71)
Author Location p24 (61–70)
Epitope GHQAAMQMLKE
Immunogen HIV-1 infection
Species (MHC) human (A2)
Country Spain.
Assay type proliferation, CD8 T-cell Elispot - IFN γ , Flow cytometric T-cell cytokine assay
Keywords HAART, ART, supervised treatment interruptions (STI), immune dysfunction
References Plana *et al.* 2004

- Structured treatment interruption (STI) alone is not able to control viral replication in chronically infected patients, probably due to lack of strong, maintained T-helper cell responses. HIV-1 specific CD8+ T-cell responses were shown to increase significantly until the end of the follow up, but were not correlated with viral load.
- 7/19 patients recognized this epitope.

HXB2 Location p24 (61–80)
Author Location p24 (193–212 SF2)
Epitope GHQAAMQMKETINEEAAEW
Immunogen HIV-1 infection
Species (MHC) human
References Lieberman *et al.* 1997a

- Of 25 patients, most had CTL specific for more than 1 HIV-1 protein.
- Twelve subjects had CTL that could recognize vaccinia-expressed LAI gag.
- One of these 12 had CTL response to this peptide.

- The responding subject was HLA-A26, A30, B38.

HXB2 Location p24 (61–82)
Author Location p24 (193–214 BH10)
Epitope GHQAAMQMLKETINEEAAEWDR
Immunogen HIV-1 infection
Species (MHC) human (B52)
References Johnson *et al.* 1991

- Gag CTL response studied in three individuals.

HXB2 Location p24 (62–70)
Author Location p24 (194–202 LAI)
Epitope HQAAMQMLK
Subtype B
Immunogen
Species (MHC) human (B52)
References Brander & Walker 1996

- P. Goulder, pers. comm.

HXB2 Location p24 (64–80)
Author Location p24 (63–80 HXB2)
Epitope AAMQMLKETINEEAAEW
Subtype B
Immunogen HIV-1 infection
Species (MHC) human
Assay type T-cell Elispot
Keywords supervised treatment interruptions (STI), immunodominance, early treatment
References Addo *et al.* 2003

- Comprehensive Elispot screening of 504 overlapping peptides that spanned all HIV-1 proteins in 57 HIV-1 infected individuals. Four groups of patients were compared: 23 were untreated; 12 patients were chronically infected and treated; 22 started treatment during acute infection, 11 continuously treated and 11 with STI.
- 63% of the peptides were recognized - the most frequent responses were directed against Nef (95%) and p24-Gag (88%). p17 was the most frequently recognized protein after correction for protein length. A median of 18 peptides (range 2–42) were recognized per person. The most frequently (>20%) recognized peptides were located in conserved regions within clade B sequences. Vpu was rarely recognized.
- A decrease in the total magnitude and in the breadth of CTL responses was detected in patients with treated acute infection in comparison to chronically infected treated or untreated individuals. No correlation between plasma viral load and HIV-1 specific T-cell responses was observed.
- The authors did not note the reference strain, but based on the peptide sequences provided it appears to be HXB2.
- Responses to this peptide were detected in 22% of the study subjects, and it was one of the 25 most frequently recognized peptides.

HXB2 Location p24 (65–72)
Author Location p24
Epitope AMQMLKETI
Epitope name A9I
Immunogen vaccine
Vector/Type: DNA *HIV component:* Gag
Species (MHC) mouse (H-2^d)

Assay type Chromium-release assay

References Bojak *et al.* 2002b

- Codon-optimized gag gene DNA vaccines were compared to wild type by vaccination of BALB/c mice. Codon optimized DNA gave a Th1 polarized Th response, a strong antibody response that persisted from more than 20 weeks, and CTL responses, while wild-type DNA induced weak and inconsistent immune responses.

HXB2 Location p24 (65–73)
Author Location Gag (197–205 BRU)
Epitope AMQMLKETI
Subtype B, CRF02_AG
Immunogen HIV-1 infection
Species (MHC) human (A2)
Country Cote D'Ivoire.
Assay type CD8 T-cell Elispot - IFN γ
Keywords subtype comparisons
References Inwoley *et al.* 2005

- CD8+ T-cells from HIV-1 CRF02_AG-infected Ivoirians could recognize clade B epitopes. No difference was observed in the number of recognized peptide pools between nine French subtype B infected study subjects, and nine CRF02_AG infected Ivoirian subjects.
- This epitope was recognized by 1/9 CRF02_AG-infected Ivoirians, and 1/9 B-infected French subjects.

HXB2 Location p24 (65–73)
Author Location Gag (199–207 HXB2)
Epitope AMQMLKETI
Subtype B
Immunogen vaccine
Vector/Type: DNA *Strain:* B clade HXB2
HIV component: Gag
Species (MHC) mouse (H-2^d)
References Qiu *et al.* 1999

- Different expression vectors were tested to increase Gag expression in cell lines and create suitable vectors for DNA vaccines.
- Stable Gag expression was achieved in murine p815 cells, using a Gag gene that had mutated silent base positions that disrupt inhibitory RNA sequences which promote RNA degradation.
- Silent mutations were more effective than introduction of the D retrovirus cis-acting posttranscriptional control element (CTE) for enhancing Gag expression.
- The gag vector with silent mutations given as a vaccine to BALB/c mice gave CTL responses in splenic mononuclear cells, using peptide pulsed cells as targets.

HXB2 Location p24 (65–73)
Author Location p24 (199–207 SF2)
Epitope AMQMLKETI
Epitope name p7g
Immunogen vaccine
Vector/Type: protein, vaccinia *Strain:* B clade SF2 *HIV component:* Gag, Gag-Pol
Adjuvant: E. coli mutant heat labile enterotoxin (LT-R72)
Species (MHC) mouse (H-2^d)
References Neidleman *et al.* 2000

- Intranasal immunization of CB6F1 (H2bxd) mice with soluble gag p55 with LT ADP-ribosyltransferase mutants (LTK63 and LTK73) from *Escherichia coli* as adjuvants was tested.
- Intranasal and intramucosal immunization of p55 gag protein with LTK63 or LTK72 adjuvant induced a CTL response comparable to intramuscular immunization responses.
- Oral co-administration of LTR72, with residual ADP-ribosyltransferase activity, induced systemic CTL responses, but LTK63 with no ADP-ribosyltransferase activity did not.

HXB2 Location p24 (65–73)

Author Location p24 (66–74)

Epitope AMQMLKETI

Immunogen vaccine

Vector/Type: DNA *HIV component:* Gag
Adjuvant: vesicular stomatitis virus glycoprotein (VSV-G)

Species (MHC) mouse (H-2^d)

References Marsac *et al.* 2002

- BALB/c mice were injected with plasmids expressing HIV-1 Gag with or without coinjection of a plasmid expressing vesicular stomatitis virus glycoprotein (VSV-G). The combination encodes VSV-G pseudotyped Gag particles that can be taken up by cells for presentation in either the class I or class II pathways, while exogenous Gag alone can only be taken into the class II pathway.
- Vaccination with DNA expressing VSV-G pseudotyped Gag particles rather than just Gag increase Gag-specific CTL responses generally as well as the specific H-2d restricted anti-AMQMLKETI response.

HXB2 Location p24 (65–73)

Author Location Gag

Epitope ANQMLKDTI

Subtype C

Immunogen vaccine

Vector/Type: DNA with CMV promotor
HIV component: Gag, Protease

Species (MHC) mouse (H-2^d)

Country India.

Assay type Cytokine production, CD8 T-cell Elispot - IFN γ , CD4 T-cell Elispot - IFN γ , Cytolytic LDH release assay

Keywords subtype comparisons, vaccine-induced epitopes, Th1

References Chugh & Seth 2004

- A gag-protease gene construct from HIV-1 subtype C Indian strain has been shown to be successful in evoking immune responses to gag epitopes from both CD4+ and CD8+ T-cells in BALB/c mice. The immune response was of TH1 type. Recognition of seven Gag peptides carrying multiple epitopes indicates a broad-based immune response.
- A cross-clade response to the C clade epitope ANQMLKDTI was observed to the B clade version of this epitope, aNqmlkEti. 66% lysis was observed to the peptide carrying the C clade epitope, only 33% to the B clade variant.

HXB2 Location p24 (65–73)

Author Location p24 (199–207 SF2)

Epitope AMQMLKETI

Epitope name p7G

Immunogen vaccine

Vector/Type: protein *Strain:* B clade SF2
HIV component: Gag *Adjuvant:* DDA, DOTAP, CpG immunostimulatory sequence (ISS), MF59, PLG, urea

Species (MHC) mouse (H-2^{kd})

Keywords dendritic cells

References O'Hagan *et al.* 2002

- Intramuscular or intraperitoneal immunization of BALB/c or CB6F1 mice with urea-solubilized, emulsified, or PLG-microparticle associated p55 Gag was studied in conjunction with the adjuvant CpG. CpG did not enhance CTL immunity when combined with urea solubilized p55, but did when combined with emulsions and PLG-microparticle antigen.
- CpG shifted the Ab response towards a IgG2a, and CpG was shown to upregulate CD86 on mouse bone-marrow derived dendritic cells.

HXB2 Location p24 (65–73)

Author Location p24 (199–207 SF2)

Epitope AMQMLKETI

Subtype B

Immunogen vaccine

Vector/Type: DNA with CMV promotor
Strain: B clade SF2 *HIV component:* Gag, gp120

Species (MHC) mouse (H-2D^d)

Assay type Chromium-release assay

Keywords epitope processing, vaccine-induced epitopes

References Doe *et al.* 1996

- Spleen cells from mice with distinct MHC types were infused into HIV vaccinated scid mice, to study the antigen presenting cells used by CTL induced in intramuscular injections. Bone marrow derived cells are used for presentation, but DNA infection is not required for priming, rather APCs can present proteins synthesized in other host cells.

HXB2 Location p24 (65–73)

Author Location p24 (199–207 SF2)

Epitope AMQMLKETI

Immunogen vaccine

Vector/Type: vaccinia *HIV component:* Gag, Pol

Species (MHC) mouse (H-2K^d)

Keywords immunodominance

References Doe & Walker 1996

- Immunodominant murine CTL response to this peptide observed after immunization with vaccine VVgagpol.
- Optimal peptide was defined.

HXB2 Location p24 (65–73)

Author Location Gag (197–205)

Epitope AMQMLKETI

Immunogen vaccine

Vector/Type: *Listeria monocytogenes* *HIV component:* Gag

Species (MHC) mouse (H-2K^d)

References Rayevskaya & Frankel 2001

- BALB/c mice were immunized with a highly attenuated recombinant *Listeria monocytogenes*, Lmdaldat, that can grow only when supplemented with D-alanine, and that expresses HIV-1 HXB2 Gag.
- Parenteral immunization provided protection against systemic and mucosal challenges with a recombinant vaccinia virus expressing HIV-1 gag, and a long lasting memory CTL response against Gag in spleen, mesenteric lymph nodes, and Peyer's patches directed against the gag protein.
- Oral immunization gave protection only against mucosal virus challenge and was associated with a transient CTL response in the three lymphoid tissues examined.
- *L. monocytogenes* is a gram-positive bacteria that enters the macrophage on phagocytosis and lives in the cytoplasm – secreted *L. monocytogenes* antigens are processed and presented by both class I and class II pathways.

HXB2 Location p24 (65–73)

Author Location Gag (197–205 SF2)

Epitope AMQMLKETI

Immunogen vaccine

Vector/Type: *Listeria monocytogenes*
Strain: B clade HXB2 *HIV component:*
Gag

Species (MHC) mouse (H-2K^d)

Keywords immunodominance

References Mata *et al.* 1998

- BALB/c mice were immunized with recombinant *Listeria monocytogenes* (Lm-Gag) expressing HIV-1 HXB2 Gag.
- *L. monocytogenes* is a gram-positive bacteria that enters the macrophage on phagocytosis and lives in the cytoplasm – secreted *L. monocytogenes* antigens are processed and presented by both class I and class II pathways.
- This is the immunodominant CTL epitope in Gag in BALB/c mice.
- AMQMLKETI does not contain established Kd anchoring residue in position 2, tyrosine or phenylalanine, thus deviating from the typical Kd anchoring motif – the lack of the aromatic anchor residue is compensated for by interaction of the glutamine at P3 with pocket D of Kd.

HXB2 Location p24 (65–73)

Author Location Gag (HXB2)

Epitope AMQMLKETI

Subtype B

Immunogen vaccine

Vector/Type: vaccinia, vesicular stomatitis virus (VSV) *Strain:* B clade HXB2, B clade IIIB *HIV component:* Env, Gag

Species (MHC) mouse (H-2K^d)

Keywords immunodominance

References Haglund *et al.* 2002a

- Different HIV strains were used for different regions: Env IIIIB, Gag HXB2.
- BALB/c mice were vaccinated with rec vesicular stomatitis virus (rVSV) expressing either HIV-1 Gag, Env, or both, and compared to using rec Env and Gag in vaccinia virus (rVVs). The primary response was determined by cell lysis, cytokine production and tetramer staining.

- Primary CTL responses to the immunodominant Gag (AMQMLKETI) epitope peaked in 7 days for GAG-rVSV, 3% of the cells were tetramer positive, and this response was 8-fold higher than for Gag-rVV.
- Vaccinating with GagEnv-rVSV carrying both Gag and Env allowed recognition of both HIV-1 proteins, but at reduced levels compared to either Gag-rVSV or Env-rVSV alone.
- Intranasal immunization with Env-rVSV yielded CTL responses that were strong but reduced compared to an intraperitoneal route.

HXB2 Location p24 (65–73)

Author Location Gag (HXB2)

Epitope AMQMLKETI

Subtype B

Immunogen vaccine

Vector/Type: vaccinia, vesicular stomatitis virus (VSV) *Strain:* B clade HXB2, B clade IIIIB *HIV component:* Env, Gag

Species (MHC) mouse (H-2K^d)

Keywords immunodominance

References Haglund *et al.* 2002b

- Different HIV strains were used for different regions: Env IIIIB, Gag HXB2.
- BALB/c mice were vaccinated with rec vesicular stomatitis virus (rVSV) expressing either HIV-1 Gag or Env, or both, and retention of memory responses and recall responses were studied by tetramer staining and IFN- γ production.
- Seven months after vaccination with Env-rVSV, 6% of the CD8+ cells were tetramer positive for the immunodominant Env epitope; these cells had a memory phenotype, CD44-Hi positive.
- Env in rec vaccinia virus (Env-rVV) elicited a strong recall response, with up to 45% to the CD8+ T-cell population tetramer positive and activated (expressing CD62L-Lo), and capable of IFN- γ production.
- A prime with Env-rVSV and heterologous boost of Env-rVV gave remarkably high levels of memory cells, with approximately 1/3 of the CD8+ splenocytes being Env specific memory cells 150 days after the boost.
- A Gag-rVSV or EnvGag-rVSV prime and with a heterologous Gag-rVV or EnvGag-rVV boost combination gave 40% tetramer positive CD8+ cells, but the fraction of IFN- γ producing cells was only about 25%. Still the heterologous vector prime-boost combination showed a profound benefit.
- A HIV-1 protein rVSV prime, rVV boost was a more potent combination than a vector reversal of a rVV prime and rVSV boost.

HXB2 Location p24 (65–73)

Author Location Gag

Epitope AMQMLKETI

Subtype B

Immunogen vaccine

Vector/Type: *Listeria monocytogenes* *HIV component:* Gag

Species (MHC) mouse (H-2K^d)

Donor MHC H-2d

Assay type Tetramer binding, Intracellular cytokine staining

Keywords genital and mucosal immunity

References Peters *et al.* 2003

- Intravenous, rectal, and oral vaccination of recombinant L. monocytogenes expressing HIV-1 Gag antigen were compared for their ability to stimulate a mucosal CTL response; mucosal administration of this vaccine gave strong mucosal response that was readily boosted.
- This CTL epitope is the immunodominant epitope in Gag for BALB/c mice, and was used to characterize the vaccine responses.

HXB2 Location p24 (65–73)

Author Location Gag (197–205)

Epitope AMQMLKETI

Subtype B

Immunogen vaccine

Vector/Type: vaccinia, Listeria monocytogenes *HIV component:* Gag, Nef

Species (MHC) mouse (H-2K^d)

Donor MHC H-2d

Assay type Cytokine production, proliferation, Tetramer binding, Intracellular cytokine staining, Chromium-release assay

Keywords memory cells

References Rayevskaya *et al.* 2003

- Splenocytes derived from BALB/c mice immunized and boosted with Lmdd-gag were stimulated with gag-peptide specific antigen *in vitro*. In culture, CTL activity against this epitope reached a maximum at 9 days, then declined. Peptide restimulation gave a delayed (18 hours) but potent response, and growth was IL-2 or IL-15 dependent. Adoptive transfer of 5000 of the sorting purified cells could protect recipient BALB/c against vaccinia-gag challenge up to 3 months after transfer.

HXB2 Location p24 (65–73)

Author Location

Epitope AMQMLKETI

Epitope name A9I

Immunogen vaccine

Vector/Type: DNA, virus-like particle (VLP), polyepitope *HIV component:* Gag, p24 Gag, V3

Species (MHC) mouse (H-2K^d)

Assay type Cytokine production, Chromium-release assay

Keywords epitope processing, vaccine-specific epitope characteristics, immunodominance, vaccine antigen design

References Wild *et al.* 2004

- A codon optimized gag DNA vaccine was compared to a myristylation defective gag and p24 alone, both of which lack signals for secretion from transfected cells. Gag-derived immunogens that were secreted as VLPs and those that remained intracellular (p24) each produced strong CTL responses, and neither the size of antigen nor cellular trafficking and localization significantly influenced the strength of humoral and cellular immune activation. The formation and release of VLPs was not essential for eliciting strong CTL. BALB/c mice were

given the DNA vaccine by i.m. administration of plasmid DNA for the prime and boost.

- Linking the region encoding the V3 immunodominant epitope to the gag gene did not diminish the response to the Gag p24 epitope A9I, but did enable a response to the V3 epitope.
- Minigenes were made incorporating just 1 epitope, minitopes, carrying 1 of 3 murine class I epitopes linked to the Ad2-E3 protein-derived signal peptide to allow access of the epitope to the ER. Weak induction of cellular immune responses was observed, in contrast to the complex polyprotein.

HXB2 Location p24 (65–73)

Author Location Gag (197–205)

Epitope AMQMLKETI

Immunogen vaccine

Vector/Type: vaccinia *Strain:* B clade HXB2 *HIV component:* Gag

Species (MHC) mouse (H-2K^d)

Country United States.

Assay type proliferation, T-cell Elispot

Keywords vaccine antigen design

References Kwak *et al.* 2004

- A recombinant vaccinia virus with HIV-1 Gag replacing the cytoplasmic domain of the B5R protein was shown to induce better primary CD4 response than recombinant vaccinia virus expressing Gag from the TK-locus; CD8 responses were less specific. When immunized BALB/c mice were challenged with a recombinant Listeria that expresses HIV-Gag, lower colony counts of Listeria were found in the liver and spleen of mice immunized with virus expressing B5R-Gag fusion protein.

HXB2 Location p24 (65–73)

Author Location Gag (199–207)

Epitope AMQMLKETI

Epitope name p7g

Subtype B

Immunogen vaccine

Vector/Type: vaccinia, Sindbis *HIV component:* Gag

Species (MHC) mouse

Assay type CD8 T-cell Elispot - IFN γ

Keywords genital and mucosal immunity

References Vajdy *et al.* 2001

- Nasal, vaginal, rectal and i.m. immunization was performed with Sindbis virus expressing HIV-1 Gag (SIN-Gag), followed by intravaginal or intrarectal challenge with vaccinia virus expressing either Gag (VV-Gag) or gp160 (VV-gp160) as a control.
- Intranasal and intramuscular immunization followed by intravaginal challenge induced HIV-1 Gag specific, IFN- γ producing CD8+ T-cells in the vaginal/uterine mucosal tissue, as well as in the draining iliac lymph nodes and in the spleen, but could not protect against a VV-Gag infection of the ovaries. Local vaginal or rectal immunization, despite lower CD8+ T-cell responses, did provide protection.

HXB2 Location p24 (65–73)

Author Location Gag (Du422)

Epitope AMQMLKDTI

Subtype C

Immunogen vaccine

Vector/Type: DNA *Strain:* C clade Du422
HIV component: Gag

Species (MHC) mouse**Donor MHC** H-2d**Assay type** Chromium-release assay**Keywords** subtype comparisons, variant cross-recognition or cross-neutralization**References** van Harmelen *et al.* 2003

- The pTHgagC DNA vaccine employed in this study expressed the gag gene derived from the South African isolate Du422, which was selected on the basis of being the natural strain most similar to the South African subtype C consensus sequence (aa distance of 1.8%).
- A E7D mutation was introduced into the epitope to match the gag subtype C sequence in the vaccine. Mice vaccinated with the gag DNA made strong CTL responses against AMQM-LKDTI, boosting enhanced the response, and memory cells persisted for 15 weeks.

HXB2 Location p24 (65–73)**Author Location** p24 (197–205)**Epitope** AMQMLKETI?**Immunogen** vaccine

Vector/Type: protein *HIV component:* Gag
Adjuvant: Cholera toxin (CT)

Species (MHC) mouse**Donor MHC** H-2d**Assay type** CD8 T-cell Elispot - IFN γ , Intracellular cytokine staining, Chromium-release assay**Keywords** TCR usage, genital and mucosal immunity**References** Yoshizawa *et al.* 2003

- Intranasal immunization triggered CTL response in the nasal-associated lymphoid tissue (NALT), posterior cervical lymph nodes (pCLNs) and the spleen, but not in the mesenteric lymph nodes (MLNs). Rectal immunization elicited CTL responses only in the MLNs. By immunizing mice nasally following rectal immunization, CTL responses were detected in NALT, pCLNs, spleen and MLNs. Epitope-specific CD8+ T-cells were primarily located in NALT after 6 days and in pCLNs after 2 months.
- The strongest specific lysis was induced by NALT-specific CTL clones. pCLNs derived memory CTL clones originated from NALT CTL clones, as determined by T-cell receptor V β usage.

HXB2 Location p24 (69–86)**Author Location** (C consensus)**Epitope** LKDTINEEAAEWDRHPV**Subtype** C**Immunogen** HIV-1 infection**Species (MHC)** human (A*6801)**Country** South Africa.**Assay type** CD8 T-cell Elispot - IFN γ **Keywords** rate of progression**References** Kiepiela *et al.* 2007

- A comprehensive analysis of 160 class I T cell responses in 578 individuals from KwaZulu-Natal, South Africa was performed. Gag-specific responses were associated with lowering viremia, while Env, accessory and regulatory protein-specific responses were associated with higher viremia.

HXB2 Location p24 (69–86)**Author Location** Gag (201–218 LAI)**Epitope** LKETINEEAAEWDRVPV**Subtype** B**Immunogen** HIV-1 infection**Species (MHC)** human**References** Buseyne *et al.* 1993a

- Vertical transmission of HIV ranges from 13% to 39%.
- Primary assays showed that cytotoxic activity against at least one HIV protein detected in 70% of infected children.
- Epitopes recognized in five children were mapped using synthetic peptides and secondary cultures.
- Patient EM28 (CDC P2A) had a CTL response to four epitopes in Gag.

HXB2 Location p24 (70–78)**Author Location****Epitope** KETINEEAA**Epitope name** Gag-KA9**Subtype** B**Immunogen** HIV-1 infection**Species (MHC)** human (B*4002)**Donor MHC** 01RCH46: A*0201, A*0217, B*0801, B*4002, Cw*0303, Cw*0701**Keywords** HAART, ART**References** Sabbaj *et al.* 2003

- This study monitored epitope responses in HIV-1 infected minority women living in the United States.
- 24 epitopes were described – 8 were novel, 8 used new restricting elements but were previously defined epitopes, and 8 were previously described.
- Serial peptide truncations were used to define optimal epitopes for CTL cell lines isolated from 12 individuals, assayed by a Cr-release.
- This epitope was newly defined in this study.
- Patient 01RCH46 was Hispanic, on HAART, and had a viral load of 21000 and CD4 count of 623 – she also recognized GELDRWEKI, p17(11-19), HLA B*4002, and TAFTIPSI, RT(128-135), HLA A*0217.
- Among HIV+ individuals who carried HLA B40, 3/5 (60%) recognized this epitope.

HXB2 Location p24 (70–78)**Author Location** p24 (70–78)**Epitope** KETINEEAA**Immunogen** HIV-1 infection**Species (MHC)** human (B*4002)**Keywords** optimal epitope**References** Frahm *et al.* 2007**HXB2 Location** p24 (71–80)**Author Location** p24 (203–212)**Epitope** ETINEEAAEW**Immunogen** HIV-1 infection**Species (MHC)** human (A*2501)**Keywords** subtype comparisons**References** Klenerman *et al.* 1996

- The epitope was defined through direct stimulation of PBMC with 20-mer peptides.

- It is in a conserved region, ETINEEAAEW is found in most B, D, and E subtype isolates.
- DTINEEAAEW is found in A and some D subtype sequences.

HXB2 Location p24 (71–80)
Author Location p24 (203–212)
Epitope ETINEEAAEW
Immunogen HIV-1 infection
Species (MHC) human (A*2501)
Keywords optimal epitope
References Frahm *et al.* 2007

- C. Brander notes this is an A*2501 epitope.

HXB2 Location p24 (71–80)
Author Location p24 (203–212)
Epitope ETINEEAAEW
Immunogen HIV-1 infection
Species (MHC) human (A*2501)
References van Baalen *et al.* 1996

- Conserved between B and D subtypes, variable in other clades; a consensus of clades A, C, F, G, and H and a peptide of HIV-2ROD over this region were not recognized by CTL recognizing the index peptide.
- C. Brander notes that this is an A*2501 epitope in the 1999 database.

HXB2 Location p24 (71–80)
Author Location p24 (71–80 HXB2)
Epitope ETINEEAAEW
Epitope name EW10
Subtype B
Immunogen HIV-1 infection
Species (MHC) human (A*2501)
Donor MHC A*0201, A*2501, B*1801, B*5101, Cw*0102, Cw*1203
Assay type CD8 T-cell Elispot - IFN γ
Keywords escape, immune evasion, optimal epitope, HIV-1
References Liu *et al.* 2006

- T-cell immunity and the impact of selection were longitudinally studied in a patient from the time of transmission. New epitopes were detected at sites that were shown to be under positive selection. Env was found to be the major target of CTLs and most of the new epitopes were found here. One third of the sites examined were associated with epitope escape mutations from CTL. Acquisition of mutations found at high frequency in the database was suggested to be a result of reversion of CTL epitopes in the absence of immune targeting.
- ETINdEAAEW CTL escape mutant elicited a reduced CTL response.

HXB2 Location p24 (71–80)
Author Location p24
Epitope ETINEEAAEW
Immunogen
Species (MHC) human (A25)
References Rowland-Jones *et al.* 1999

- CTL responses in seronegative highly HIV-exposed African female sex workers in Gambia and Nairobi were studied – these women had no delta 32 deletion in CCR5.

- In Gambia there is exposure to both HIV-1 and HIV-2, CTL responses to B35 epitopes in exposed, uninfected women are cross-reactive, and the B35 allele seems to be protective.
- HIV-2 sequence: EIINEEAAEW, no cross-reactivity van Baalen *et al.* [1996]

HXB2 Location p24 (71–80)
Author Location p24 (203–212 SF2)
Epitope ETINEEAAEW
Immunogen HIV-1 infection
Species (MHC) human (A25)
Keywords HAART, ART, acute/early infection
References Altfeld *et al.* 2001b

- Therapy provided during acute infection resulted in a narrower CTL response, stronger T help response, and a less diverse viral population than was seen in individuals treated during chronic infection.
- The breadth and specificity of the response was determined using ELISPOT by studying 19 individuals with pre-seroconversion therapy (Group 1), 11 individuals with primary infection but post-seroconversion therapy (Group 2), and 10 individuals who responded to HAART given during chronic infection (Group 3), using 259 overlapping peptides spanning p17, p24, RT, gp41, gp120 and Nef.
- Previously described and newly defined optimal epitopes were tested for CTL response.
- Number of HLA-A25+ individuals that had a CTL response to this epitope broken down by group: 0/0 group 1, 0/2 group 2, and 1/3 group 3.

HXB2 Location p24 (71–80)
Author Location p24 (202–211)
Epitope ETINEEAAEW
Subtype B
Immunogen HIV-1 infection
Species (MHC) human (A25)
Country United States.
Assay type CD8 T-cell Elispot - IFN γ , CD8 T-cell Elispot granzyme B
Keywords Th1, characterizing CD8+ T cells
References Kleen *et al.* 2004

- Only 20% of CD8+ T-cells produce IFN-gamma and granzyme B simultaneously (Tc1a). Two additional subpopulations of HIV specific CD8+ cells are found, each one constituting 30–40% of the CD8+ cell pool. One of these (Tc1b) secretes IFN-gamma only, and the other one (Tc1c) secretes GzB only.
- 1/3 patients responded to this peptide with GzB producing cells, and the other two responded with IFN-gamma producing cells.

HXB2 Location p24 (71–80)
Author Location
Epitope DTINEEAAEW
Epitope name Gag-DW10
Subtype B
Immunogen HIV-1 infection
Species (MHC) human (B*5301)
References Sabbaj *et al.* 2003

- Among HIV+ individuals who carried HLA B*5301, 2/15 (13%) recognized this epitope.

HXB2 Location p24 (71–80)
Author Location
Epitope ETINEEAAEW
Epitope name Gag-EW10
Subtype B
Immunogen HIV-1 infection
Species (MHC) human (B*5301)
References Sabbaj *et al.* 2003

- Among HIV+ individuals who carried HLA B*5301, 2/15 (13%) recognized this epitope.

HXB2 Location p24 (71–80)
Author Location p24 (71–80)
Epitope DTINEEAAEW
Subtype C
Immunogen HIV-1 infection
Species (MHC) human (B*5801)
Country India.
Assay type CD8 T-cell Elispot - IFN γ
Keywords subtype comparisons, computational epitope prediction, immunodominance
References Thakar *et al.* 2005

- This epitope is highly conserved across clades.
- PBMCs from HIV-1 infected Indian subjects were tested for HIV-1 Gag (with C clade peptides), Nef (with B clade peptides), and Env (clade unspecified) specific T-cell responses. 5 immunodominant regions conserved across clades were identified in Gag and Nef. 3 antigenic regions were found to be recognized by CTLs in the Indian subjects; these regions were not identified as immunodominant in studies from Africa. 26 epitopes were predicted within reactive peptides, of which 90% were clustered in the conserved immunodominant regions of Gag and Nef. 3 of the epitopes were highly conserved across clades, and 7 novel epitopes were found.

HXB2 Location p24 (71–80)
Author Location p24 (203–212)
Epitope DTINEEAAEW
Immunogen HIV-1 infection, HIV-1 exposed seronegative
Species (MHC) human (B53)
Keywords HIV exposed persistently seronegative (HEPS)
References Kaul *et al.* 2001a

- ELISPOT was used to study CTL responses to a panel of 54 predefined HIV-1 epitopes in 91 HIV-1-exposed, persistently seronegative (HEPS) and 87 HIV-1-infected female Nairobi sex workers.
- Responses in HEPS women tended to be lower, and focused on different epitopes with HLA presenting molecules that have previously been associated with reduced risk of infection, and there was a shift in the response in the HEPS women upon late seroconversion to epitopes recognized by the HIV-1 infected women.
- 43/91 HEPS women had CD8+ responses and detection of HIV-1-specific CTL in HEPS women increased with the duration of viral exposure.
- Among HLA-B53 women, 0/2 HEPS and 7/9 HIV-1 infected women recognized this epitope.
- The dominant response to this HLA allele was to this epitope in 4 of the 7/9 responsive HIV-1 infected women.

HXB2 Location p24 (71–80)
Author Location p24 (203–212 subtype A consensus)
Epitope DTINEEAAEW
Subtype A
Immunogen HIV-1 infection
Species (MHC) human (B53)
Keywords binding affinity, subtype comparisons, epitope processing
References Dorrell *et al.* 2001

- In clade A infected Gambians, three HLA-B53 epitopes were defined in Gag p24 using ELISPOT, tetramer, and cytotoxicity assays.
- Two of the new epitopes lacked the predicted P2 anchors, DTINEEAAEW and QATQEVKNM, and bound to B53 with high affinity, thus extending the anchor residue motif for B53 and the related B35.
- Two overlapping 20 mer peptides carry this complete epitope, but only one stimulates recognition, which could be due to different peptide processing.
- DTINEEAAEW was recognized in only 2/7 HLA-B53 subjects.
- DTINEEAAEW was not A subtype specific and there was cross-recognition although diminished, of the subtype B, C, and D variant, ETINEEAAEW.
- In one of the two subjects there was cross-recognition of the HIV-2 version of the epitope, EIINEEAADW.

HXB2 Location p24 (71–80)
Author Location p24
Epitope ETINEEAAEW
Subtype A, B, D
Immunogen HIV-1 infection
Species (MHC) human (B53, B58)
Donor MHC A36, A74, B53, B58, Cw4, Cw6; A23, A34, B44, B53, Cw4, Cw6; A23, A24, B35, B58, Cw4, Cw7;
Country Democratic Republic of the Congo.
Assay type CD8 T-cell Elispot - IFN γ
Keywords subtype comparisons, variant cross-recognition or cross-neutralization
References Geels *et al.* 2005

- Cross-clade CTL responses in 10 non-B HIV-1 infected individuals were evaluated. T-cell reactivity was tested against peptide pools of clade B Gag, Pol, Nef, Rev and Tat. Nine individuals demonstrated cross-reactive T-cell responses to clade A, B, and C Gag pools; 6/7 patients that responded to Nef-B also reacted to clade A and C Nef pools. An inverse correlation was observed between the sequence divergence of the HLA class I restricted epitopes and the height of the T-cell responses, which in Gag could be explained through variations in the HLA-anchor residues. 42% of the responses were directed to regions containing new epitopes.
- This previously described B53 epitope was embedded in a B clade peptide that was recognized by T-cells from an infected person carrying subtype A Gag. The autologous epitope sequence in this person differed from the known epitope by one amino acid, E1D, dTINEEAAEW. It was also recognized in a person carrying a subtype D gag, and in this case the autologous sequence matched the epitope. This was also predicted to possibly be a B58 cross-presented epitope in another subtype

D Gag infected person based on peptide reactivity and a known B58 motif.

- HXB2 Location** p24 (71–90)
Author Location p24 (203–222 SF2)
Epitope ETINEEAAEWDRVHPVVHAGP
Immunogen HIV-1 infection
Species (MHC) human
References Lieberman *et al.* 1997a
- Of 25 patients, most had CTL specific for more than 1 HIV-1 protein.
 - Twelve subjects had CTL that could recognize vaccinia-expressed LAI gag.
 - One of these 12 had CTL response to this peptide.
 - The responding subject was HLA-A2, B21.

- HXB2 Location** p24 (75–83)
Author Location Gag (207–215)
Epitope EEAAEWDRV
Subtype B
Immunogen HIV-1 infection
Species (MHC) human (B*40)
Donor MHC A*03, A*24, B*35, B*40
Country United States.
Assay type CD8 T-cell Elispot - IFN γ
Keywords acute/early infection, variant cross-recognition or cross-neutralization, superinfection
References Yang *et al.* 2005b
- An individual infected with a drug-resistant strain of HIV-1 subtype B with controlled viremia became superinfected with another subtype B strain. The second strain outgrew the first despite lower replication capacity and the same viral phenotype. The strains showed differences in their epitope sequences. The CTL responses to the first strain declined after superinfection, followed by some adaptation of targeting to the new epitopes of the second strain. Differences in the recognized epitopes were suggested to have contributed to the poor immune containment of the second strain.
 - The response to the epitope EEAAEWDRV was found in the patient before superinfection and diminished afterwards; the initial infecting and superinfecting strain carried EEAAEWDR1.

- HXB2 Location** p24 (78–86)
Author Location p24 (78–86)
Epitope AEWDRLHPV
Epitope name AEW
Immunogen HIV-1 infection
Species (MHC) human (A2)
Donor MHC A2, A68.1, B*07, B*3503, Cw*0401, Cw*0702, DR17, DR15, DR51, DR52, DQ2, DQ6
Assay type CD8 T-cell Elispot - IFN γ , CD4 T-cell Elispot - IFN γ
Keywords rate of progression, escape
References Oxenius *et al.* 2004b

- The increase in plasma viral load in a patient that progressed rapidly was preceded by positive selection of viral escape mutations in epitopes targeted by dominant HIV-1-specific CD8+ T-cell responses, and a decrease in HIV-1-specific CD4+ and CD8+ T-cell frequencies. Overall, escape variant epitopes were recognized 0–80% as efficiently as the index peptide, and the relative efficiency of the variant epitopes increased using PBLs collected after their appearance. No changes were found in viral tropism, replication kinetics and neutralizing antibody titers, so the rapid decline of the patient was attributed to loss of HIV containment due to CTL escape.
- This was one of 8 reactive epitopes found not to vary over time.

- HXB2 Location** p24 (78–86)
Author Location Gag (210–218)
Epitope AEWDRVHPV
Subtype B
Immunogen HIV-1 infection
Species (MHC) human (B*40)
Donor MHC A*03, A*24, B*35, B*40
Country United States.
Assay type CD8 T-cell Elispot - IFN γ
Keywords acute/early infection, variant cross-recognition or cross-neutralization, superinfection
References Yang *et al.* 2005b

- An individual infected with a drug-resistant strain of HIV-1 subtype B with controlled viremia became superinfected with another subtype B strain. The second strain outgrew the first despite lower replication capacity and the same viral phenotype. The strains showed differences in their epitope sequences. The CTL responses to the first strain declined after superinfection, followed by some adaptation of targeting to the new epitopes of the second strain. Differences in the recognized epitopes were suggested to have contributed to the poor immune containment of the second strain.
- The epitope AEWDRVHPV was recognized in the patient before superinfection and diminished afterwards. The initial and superinfecting strains had the variant AEWDRIHPV.

- HXB2 Location** p24 (78–86)
Author Location
Epitope AEWDRVHPV
Epitope name Gag-AV9
Subtype B
Immunogen HIV-1 infection
Species (MHC) human (B*4002)
Donor MHC A*0201, A*3201, B*4002, B*5301, Cw*0202, Cw*0401
Keywords HAART, ART
References Sabbaj *et al.* 2003

- This study monitored epitope responses in HIV-1 infected minority women living in the United States.
- 24 epitopes were described – 8 were novel, 8 used new restricting elements but were previously defined epitopes, and 8 were previously described.
- Serial peptide truncations were used to define optimal epitopes for CTL cell lines isolated from 12 individuals, assayed by a Cr-release.
- This epitope was newly defined in this study.

- Patient 01RCH59 was Hispanic, not on HAART, and had a viral load of 5100 and CD4 count of 349 – she also recognized TERQANFL, p2p7p1p6(64-71), HLA-B*4002, and KEKG-GLEGL, Nef(92-100), HLA-B*4002.
- Among HIV+ individuals who carried HLA B40, 4/5 (80%) recognized this epitope.

HXB2 Location p24 (78–86)
Author Location p24 (78–86)
Epitope AEWDRVHPV
Immunogen HIV-1 infection
Species (MHC) human (B*4002)
Keywords optimal epitope
References Frahm *et al.* 2007

HXB2 Location p24 (78–86)
Author Location p24 (78–86)
Epitope AEWDRLHPV
Subtype C
Immunogen HIV-1 infection
Species (MHC) human (B*4006)
Country India.
Assay type CD8 T-cell Elispot - IFN γ
Keywords subtype comparisons, computational epitope prediction, immunodominance
References Thakar *et al.* 2005

- PBMCs from HIV-1 infected Indian subjects were tested for HIV-1 Gag (with C clade peptides), Nef (with B clade peptides), and Env (clade unspecified) specific T-cell responses. 5 immunodominant regions conserved across clades were identified in Gag and Nef. 3 antigenic regions were found to be recognized by CTLs in the Indian subjects; these regions were not identified as immunodominant in studies from Africa. 26 epitopes were predicted within reactive peptides, of which 90% were clustered in the conserved immunodominant regions of Gag and Nef. 3 of the epitopes were highly conserved across clades, and 7 novel epitopes were found.
- >50% conservation across clades.

HXB2 Location p24 (81–91)
Author Location Gag (213–223)
Epitope DRVHPVHAGPI
Epitope name Gag 11.4
Immunogen vaccine
Vector/Type: DNA prime with modified vaccinia Ankara (MVA) boost *Strain:* B clade
HIV component: Env, Gag, Protease, Rev, RT, Tat, Vpu
Species (MHC) macaque
Assay type T-cell Elispot, Intracellular cytokine staining
Keywords subtype comparisons, variant cross-recognition or cross-neutralization, memory cells
References Amara *et al.* 2005

- A clade B DNA/MVA HIV vaccine was shown to raise a broad cross-reactive cellular immune response for peptides based on the CRF02_AG consensus Gag in macaques. The activity was better conserved for CD8 than CD4 T cells.

- All 5 CD8 and 4/8 of the CD4 epitopes that were recognized in vaccinated macaques have also been reported for human infections, indicating cross-species conservation. The similar reported human epitope in this case is VHPVHAGPIA, restricted by HLA B55.
- 3 of 5 CD8 epitopes and 2 of 8 CD4 epitopes were conserved across multiple HIV-1 clades. DRVHPVHAGPI is identical in HXB2 and the CRF02 consensus. It is relatively conserved across other clades, but usually has an L in the third position: DRIHPVHAGPI.

HXB2 Location p24 (81–100)
Author Location p24 (81–100)
Epitope DRLHPVHAGPAAPGQMREPR
Epitope name DRL
Immunogen HIV-1 infection
Species (MHC) human
Donor MHC A2, A68.1, B*07, B*3503, Cw*0401, Cw*0702, DR17, DR15, DR51, DR52, DQ2, DQ6
Assay type CD8 T-cell Elispot - IFN γ , CD4 T-cell Elispot - IFN γ
Keywords rate of progression, immunodominance, escape
References Oxenius *et al.* 2004b

- The increase in plasma viral load in a patient that progressed rapidly was preceded by positive selection of viral escape mutations in epitopes targeted by dominant HIV-1-specific CD8+ T-cell responses, and a decrease in HIV-1-specific CD4+ and CD8+ T-cell frequencies. Overall, escape variant epitopes were recognized 0-80% as efficiently as the index peptide, and the relative efficiency of the variant epitopes increased using PBLs collected after their appearance. No changes were found in viral tropism, replication kinetics and neutralizing antibody titers, so the rapid decline of the patient was attributed to loss of HIV containment due to CTL escape.
- This epitope was not precisely defined, but was one of six epitopes found to be under positive selection for escape mutations and was completely replaced by escape variants between days 66 and 327 (drlhphvaggplapqgmrepr).

HXB2 Location p24 (83–92)
Author Location p24 (215–223 IIIB)
Epitope VHPVHAGPIA
Immunogen HIV-1 infection
Species (MHC) human (B55)
References Sipsas *et al.* 1997

- HIV IIIB proteins were used to define the range of CTL epitopes recognized by 3 lab workers accidentally infected with HIV-1 IIIB.
- LHPVHAGPVA, a variant found in HIV-1 PH136, was also recognized.
- LHPVHAGPIA, a variant found in HIV-1 RF, was also recognized.
- LHPVHAGPIT, a variant found in HIV-1 MN, was also recognized.
- LHPAQAGPIA, a variant found in HIV-1 JH3, was recognized at high peptide concentrations.

HXB2 Location p24 (84–91)

Author Location p24**Epitope** HPVHAGPI**Subtype** D**Immunogen** HIV-1 infection**Species (MHC)** human (B35)**Donor MHC** A23, A24, B35, B58, Cw4, Cw7**Country** Democratic Republic of the Congo.**Assay type** CD8 T-cell Elispot - IFN γ **Keywords** subtype comparisons, computational epitope prediction**References** Geels *et al.* 2005

- Cross-clade CTL responses in 10 non-B HIV-1 infected individuals were evaluated. T-cell reactivity was tested against peptide pools of clade B Gag, Pol, Nef, Rev and Tat. Nine individuals demonstrated cross-reactive T-cell responses to clade A, B, and C Gag pools; 6/7 patients that responded to Nef-B also reacted to clade A and C Nef pools. An inverse correlation was observed between the sequence divergence of the HLA class I restricted epitopes and the height of the T-cell responses, which in Gag could be explained through variations in the HLA-anchor residues. 42% of the responses were directed to regions containing new epitopes.
- Predicted epitope based on an HLA motif embedded in a reactive peptide from a person carrying a D clade Gag.

HXB2 Location p24 (84–92)**Author Location** (C consensus)**Epitope** HPVHAGPIA**Subtype** C**Immunogen** HIV-1 infection**Species (MHC)** human (B*3910)**Country** South Africa.**Assay type** CD8 T-cell Elispot - IFN γ **Keywords** rate of progression, optimal epitope**References** Kiepiela *et al.* 2007

- A comprehensive analysis of 160 class I T cell responses in 578 individuals from KwaZulu-Natal, South Africa was performed. Gag-specific responses were associated with lowering viremia, while Env, accessory and regulatory protein-specific responses were associated with higher viremia.
- HPVHAGPIA is an optimal epitope.

HXB2 Location p24 (84–92)**Author Location** (C consensus)**Epitope** HPVHAGPIA**Subtype** C**Immunogen** HIV-1 infection**Species (MHC)** human (B35)**Country** South Africa.**Assay type** CD8 T-cell Elispot - IFN γ **Keywords** characterizing CD8+ T cells**References** Kiepiela *et al.* 2004

- HLA class I restricted CD8+ T-cell responses against HIV-1 were analyzed in African patients. Significantly more responses were shown to be HLA-B restricted. Viral load, CD4 count, and thus rate of disease progression were also associated with HLA-B alleles. In addition, the selection pressure imposed on HIV-1 by HLA-B alleles was shown to be substantially greater than by other alleles.

- This epitope was suggested to be the epitope within a longer reactive peptide based on correspondence with a known epitope in the HIV database. Also, a significantly higher frequency of people in the Durban cohort who reacted with the peptide had this HLA type.

HXB2 Location p24 (84–92)**Author Location** (C consensus)**Epitope** HPVHAGPIA**Subtype** C**Immunogen** HIV-1 infection**Species (MHC)** human (B35)**Country** South Africa.**Assay type** CD8 T-cell Elispot - IFN γ **Keywords** rate of progression, optimal epitope**References** Kiepiela *et al.* 2007

- A comprehensive analysis of 160 class I T cell responses in 578 individuals from KwaZulu-Natal, South Africa was performed. Gag-specific responses were associated with lowering viremia, while Env, accessory and regulatory protein-specific responses were associated with higher viremia.
- HPVHAGPIA is an optimal epitope.

HXB2 Location p24 (84–92)**Author Location** p24 (84–92)**Epitope** HPVHAGPIA**Epitope name** B7-HA9**Subtype** B**Immunogen** HIV-1 infection**Species (MHC)** human (B7)**Donor MHC** A3, B7, Cw7**Keywords** dynamics, supervised treatment interruptions (STI), acute/early infection**References** Yu *et al.* 2002a

- CTL responses in 18 acutely HIV-infected HLA-A3 (n=7) or -B7 (n=4) or both -A3 and B7 (n=7) positive individuals were studied.
- One individual, AC-06, was homozygous at all three class I alleles (A3, B7, Cw7), was treated during acute infection and had supervised treatment interruptions (STI). He had only two detectable CTL responses during acute infection, but after STI this broadened to 27 distinct epitopes including 15 restricted by HLA-A3, 11 by HLA-B7, and 1 by HLA-Cw7.
- 1/11 HLA-B7 individuals had detectable B7-restricted responses to this epitope during acute infection—10/15 of HLA-B7 epitopes tested were targeted by at least one person during acute infection. 3/4 individuals had detectable responses to this epitope after STI.

HXB2 Location p24 (84–92)**Author Location** p24 (84–92)**Epitope** HPVHAGPIA**Immunogen** HIV-1 infection**Species (MHC)** human (B7)**Keywords** optimal epitope**References** Frahm *et al.* 2007**HXB2 Location** p24 (84–92)**Author Location** p24 (84–92)**Epitope** HPVHAGPVA

Epitope name B7-HA9 Gag
Subtype B
Immunogen HIV-1 infection
Species (MHC) human (B7)
Assay type CD8 T-cell Elispot - IFN γ
Keywords supervised treatment interruptions (STI), escape, early treatment, superinfection
References Altfeld *et al.* 2002a

- An HIV+ individual given acute ARV and undergoing STI developed a strong CTL immune response, but despite this was shown to be superinfected with second B clade virus. Some epitope variants of the second infecting virus were resistant to the initial CTL response.
- The first infecting strain had the variant hpvhagpIa. The CTL response was higher to the second superinfecting variant, HPVHAGPVA.

HXB2 Location p24 (84–92)
Author Location (B consensus)
Epitope HPVHAGPVA

Epitope name HA9
Subtype B
Immunogen HIV-1 infection
Species (MHC) human (B7)
Donor MHC A03, B07, Cw7

Assay type Cytokine production, Intracellular cytokine staining, Chromium-release assay, Flow cytometric T-cell cytokine assay

Keywords assay standardization/improvement, memory cells, characterizing CD8+ T cells

References Lichterfeld *et al.* 2004c

- Using a flow-cytometric cytotoxicity assay based on caspase-3 activation in dying target cells, it was shown that the subset of HIV-1-specific CD8+ T cells secreting both IFN-gamma and TNF-alpha exhibit stronger cytotoxic activity than those secreting only IFN-gamma. These cells also exhibited stronger intracellular perforin expression. No association between HIV-1-specific CD8+ T-cell maturation phenotypes and intracellular perforin expression was found.
- 1/9 individuals recognized this epitope.

HXB2 Location p24 (84–92)
Author Location Gag (216–224)

Epitope HPVHAGPIA
Subtype B

Immunogen HIV-1 infection
Species (MHC) human (B7)
Donor MHC A1, A3, B7, B57, Cw6, Cw7
Country United States.

Assay type CD8 T-cell Elispot - IFN γ
References Allen *et al.* 2005a

- Two-thirds of all mutations arising in nonenvelope proteins during the transition from acute to chronic infection were found to be due to either CD8 T-cell-associated selective pressures or reversion of HLA-I-associated mutations selected in a previous host. The predominance of escape mutations at highly polymorphic sites was observed across different HIV-1 clades.
- This epitope was reactive, but escape mutations did not accrue in it over time.

HXB2 Location p24 (87–101)
Author Location p24 (219–233 BRU)
Epitope HAGPIAPGMREPRG

Immunogen HIV-1 infection
Species (MHC) human (A2)
References Claverie *et al.* 1988

- One of 4 epitopes predicted then shown to stimulate HLA-A2 restricted CTL line.

HXB2 Location p24 (87–101)
Author Location p24 (87–101)
Epitope HAGPIAPGMREPRG

Immunogen HIV-1 infection
Species (MHC) human (A2)
Country Spain.

Assay type proliferation, CD8 T-cell Elispot - IFN γ , Flow cytometric T-cell cytokine assay

Keywords HAART, ART, supervised treatment interruptions (STI), immune dysfunction

References Plana *et al.* 2004

- Structured treatment interruption (STI) alone is not able to control viral replication in chronically infected patients, probably due to lack of strong, maintained T-helper cell responses. HIV-1 specific CD8+ T-cell responses were shown to increase significantly until the end of the follow up, but were not correlated with viral load.
- Less than 2 of 19 patients recognized this epitope.

HXB2 Location p24 (87–101)
Author Location Gag (219–233 LAI)
Epitope HAGPIAPGMREPRG

Subtype B
Immunogen HIV-1 infection
Species (MHC) human

References Buseyne *et al.* 1993a

- Vertical transmission of HIV ranges from 13% to 39%.
- Primary assays showed that cytotoxic activity against at least one HIV protein detected in 70% of infected children.
- Epitopes recognized in five children were mapped using synthetic peptides and secondary cultures.
- Patient EM28 (CDC P2A) had a CTL response to four epitopes in Gag.

HXB2 Location p24 (89–96)
Author Location p24 (89–97)

Epitope GPIAPGQM
Subtype C

Immunogen HIV-1 infection
Species (MHC) human (B*35)
Country India.

Assay type CD8 T-cell Elispot - IFN γ

Keywords subtype comparisons, computational epitope prediction, immunodominance, optimal epitope

References Thakar *et al.* 2005

- PBMCs from HIV-1 infected Indian subjects were tested for HIV-1 Gag (with C clade peptides), Nef (with B clade peptides), and Env (clade unspecified) specific T-cell responses. 5 immunodominant regions conserved across clades were identified in Gag and Nef. 3 antigenic regions were found to be recognized by CTLs in the Indian subjects; these regions were not identified as immunodominant in studies from Africa. 26 epitopes were predicted within reactive peptides, of which 90% were clustered in the conserved immunodominant regions of Gag and Nef. 3 of the epitopes were highly conserved across clades, and 7 novel epitopes were found.
- This was a novel epitope.

HXB2 Location p24 (89–96)
Author Location p24
Epitope GPIAPGQM
Subtype D
Immunogen HIV-1 infection
Species (MHC) human (B35)
Donor MHC A23, A24, B35, B58, Cw4, Cw7
Country Democratic Republic of the Congo.
Assay type CD8 T-cell Elispot - IFN γ
Keywords subtype comparisons, computational epitope prediction
References Geels *et al.* 2005

- Cross-clade CTL responses in 10 non-B HIV-1 infected individuals were evaluated. T-cell reactivity was tested against peptide pools of clade B Gag, Pol, Nef, Rev and Tat. Nine individuals demonstrated cross-reactive T-cell responses to clade A, B, and C Gag pools; 6/7 patients that responded to Nef-B also reacted to clade A and C Nef pools. An inverse correlation was observed between the sequence divergence of the HLA class I restricted epitopes and the height of the T-cell responses, which in Gag could be explained through variations in the HLA-anchor residues. 42% of the responses were directed to regions containing new epitopes.
- Predicted epitope based on an HLA motif embedded in a reactive peptide from a person carrying a D clade Gag.

HXB2 Location p24 (91–105)
Author Location (C consensus)
Epitope IAPGQMREPRGSDIA
Subtype C
Immunogen HIV-1 infection
Species (MHC) human (B*13)
Country South Africa.
Assay type CD8 T-cell Elispot - IFN γ
Keywords rate of progression
References Kiepiela *et al.* 2007

- A comprehensive analysis of 160 class I T cell responses in 578 individuals from KwaZulu-Natal, South Africa was performed. Gag-specific responses were associated with lowering viremia, while Env, accessory and regulatory protein-specific responses were associated with higher viremia.

HXB2 Location p24 (91–110)
Author Location p24 (223–242 SF2)
Epitope IAPGQMREPRGSDIAGTTST
Immunogen HIV-1 infection
Species (MHC) human

References Lieberman *et al.* 1997a

- Of 25 patients, most had CTL specific for more than 1 HIV-1 protein.
- Twelve subjects had CTL that could recognize vaccinia-expressed LAI gag.
- One of these 12 had CTL response to this peptide.
- The responding subject was HLA-A2, A24, B13, B35.

HXB2 Location p24 (93–107)
Author Location Gag (225–239)
Epitope PGQMREPRGSDIAGT
Subtype B
Immunogen HIV-1 infection
Species (MHC) human
Donor MHC A*03, A*24, B*35, B*40
Country United States.
Assay type CD8 T-cell Elispot - IFN γ
Keywords acute/early infection, superinfection, characterizing CD8+ T cells
References Yang *et al.* 2005b

- An individual infected with a drug-resistant strain of HIV-1 subtype B with controlled viremia became superinfected with another subtype B strain. The second strain outgrew the first despite lower replication capacity and the same viral phenotype. The strains showed differences in their epitope sequences. The CTL responses to the first strain declined after superinfection, followed by some adaptation of targeting to the new epitopes of the second strain. Differences in the recognized epitopes were suggested to have contributed to the poor immune containment of the second strain.
- An early response to this peptide was detected that waned prior to superinfection. The embedded epitope and HLA presenting molecule were not resolved. The initial and superinfecting strains carried a perfect match to the peptide sequence.

HXB2 Location p24 (94–104)
Author Location
Epitope GQMREPRGSDI
Epitope name GI11
Immunogen
Species (MHC) human (B13)
Keywords optimal epitope
References Frahm *et al.* 2007
 • C. Brander notes this is a B13 epitope.

HXB2 Location p24 (101–120)
Author Location p24 (233–252 SF2)
Epitope GSDIAGTTSTLQEQIGWMTN
Immunogen HIV-1 infection
Species (MHC) human
References Lieberman *et al.* 1997a

- Of 25 patients, most had CTL specific for more than 1 HIV-1 protein.
- Twelve subjects had CTL that could recognize vaccinia-expressed LAI gag.
- One of these 12 had CTL response to this peptide.
- The responding subject was HLA-A26, A30, B38.

HXB2 Location p24 (107–115)
Author Location Gag (239–247 SF2)

Epitope TTSTLQEIQI**Immunogen** vaccine*Vector/Type:* Listeria monocytogenes*Strain:* B clade HXB2 *HIV component:* Gag**Species (MHC)** mouse (H-2K^d)**References** Mata *et al.* 1998

- BALB/c mice were immunized with recombinant Listeria monocytogenes (Lm-Gag) expressing HIV-1 HXB2 Gag.
- L. monocytogenes is a gram-positive bacteria that enters the macrophage on phagocytosis and lives in the cytoplasm – secreted L. monocytogenes antigens are processed and presented by both class I and class II pathways.

HXB2 Location p24 (108–117)**Author Location****Epitope** TSTLQEIQIGW**Subtype** B**Immunogen** HIV-1 infection**Species (MHC)** human (B*5701)**Keywords** rate of progression, immunodominance**References** Migueles & Connors 2001

- HLA B*5701 was found in a very high frequency in HIV-1 infected non-progressors, 11/13 (85%) versus 19/200 (9.5%) of progressors. Non-progressors tended to have an immune response that was highly focused on four p24 epitopes that were presented by B*5701, ISPRTLNAW, KAFSPEVIPMF, TSTLQEIQIGW, and QASQEVKNW.

HXB2 Location p24 (108–117)**Author Location****Epitope** TSTLQEIQIGW**Subtype** B**Immunogen** HIV-1 infection**Species (MHC)** human (B*5701)**Keywords** rate of progression, immunodominance**References** Migueles & Connors 2001

- CTL activity was monitored in 27 individuals, including 10 LTNP with an over-expression of HLA B*5701 – these individuals have viral loads below the threshold of infection without therapy, and their immune response tends to be focused on peptides that contain B*5701 epitopes ISPRTLNAW, KAFSPEVIPMF, TSTLQEIQIGW, and QASQEVKNW.
- CTL responses are broader in B*5701+ individuals with progressive viremia than those that control viremia.
- The HLA-A*0201 SLYNTVATL epitope response was not as strong in individuals that carried both A2, B57.

HXB2 Location p24 (108–117)**Author Location****Epitope** TSTLQEIQIGN**Subtype** B**Immunogen** HIV-1 infection**Species (MHC)** human (B*5701)**Assay type** Intracellular cytokine staining, Flow cytometric T-cell cytokine assay**Keywords** rate of progression, escape**References** Migueles *et al.* 2003

- cDNA Gag sequences from a set of 17 HLA-B*5701+ progressors and 10 LTNPs were obtained, and the variation in four p24 B*5701 epitopes examined. Sequence variants were more common ($p < 0.01$) in the epitopes in the progressors (median 3, range 1-7) than LTNPs (median 2, range 0-4).
- In general, use of the autologous protein in a target cell did not diminish the overall CD8+ T-cell responses.

HXB2 Location p24 (108–117)**Author Location** (108–117)**Epitope** TSTLQEIQIAW**Subtype** C**Immunogen** HIV-1 infection**Species (MHC)** human (B*5701, B*5801)**Assay type** Other**Keywords** HLA associated polymorphism**References** Boutwell & Essex 2007

- HIV-1 subtype C proteins were analysed and 94 HLA-associated amino acid polymorphisms were found. Many polymorphisms were associated with multiple HLA allele classes. 12% of negative associations were found as well, where there was an association of virus expression of the consensus amino acid with a specific HLA allele. HLA-B alleles were involved in most of the associations. 88% of CTL immunodominant regions had same HLA-associations as found polymorphisms. In 19 studied CTL epitopes, the epitope-restricting allele was same as the polymorphism-restricting allele for 7, and in 12 the alleles differed by specificity.
- TSTLQEIQIAW was a previously defined B*5701/B*5801 presented epitope that encompassed a B*57/B*5801 associated polymorphism, TStLQEIQIAW, in the third position.

HXB2 Location p24 (108–117)**Author Location** (C consensus)**Epitope** TSTLQEIQIAW**Subtype** C**Immunogen** HIV-1 infection**Species (MHC)** human (B*5703)**Country** South Africa.**Assay type** CD8 T-cell Elispot - IFN γ **Keywords** rate of progression, optimal epitope**References** Kiepiela *et al.* 2007

- A comprehensive analysis of 160 class I T cell responses in 578 individuals from KwaZulu-Natal, South Africa was performed. Gag-specific responses were associated with lowering viremia, while Env, accessory and regulatory protein-specific responses were associated with higher viremia.
- Mutational patterns in the T3 and A9 residues of TSTLQEIQIAW are associated with the presence of the HLA presenting molecule in the host.
- TSTLQEIQIAW is cross presented by both B*5801 and B*5703.

HXB2 Location p24 (108–117)**Author Location** p24 (241–250 LAI)**Epitope** TSTVEEQIWI**Subtype** B**Immunogen** HIV-2 infection**Species (MHC)** human (B*5801)**Keywords** optimal epitope

- References** Frahm *et al.* 2007
- C. Brander notes this is a B*5801 epitope.

HXB2 Location p24 (108–117)
Author Location p24 (240–249 LAI)
Epitope TSTLQEQIGW
Subtype B

- Immunogen** HIV-1 infection
Species (MHC) human (B*5801)
Keywords optimal epitope
References Frahm *et al.* 2007
- C. Brander notes this is a B*5801 epitope.

HXB2 Location p24 (108–117)
Author Location Gag (240–249)
Epitope TSTVEEQIQW

- Epitope name** TSTV
Subtype HIV-2
Immunogen HIV-1 infection, HIV-2 infection
Species (MHC) human (B*5801)
Country Gambia.
Assay type CD8 T-cell Elispot - IFN γ , Tetramer binding, Flow cytometric T-cell cytokine assay
Keywords characterizing CD8+ T cells
References Gillespie *et al.* 2005
- CD8 T-cell responses were evaluated and compared in HIV-1 and HIV-2 infected individuals. A significantly greater magnitude and breadth of Gag-specific responses were found in HIV-1 infected individuals, possibly because of undetectable viral load in HIV-2 infected individuals. This finding suggests that responses in HIV-2 infection reflect antigen load in plasma, as is the case in HIV-1 infection. No correlation was found between immune control of HIV-2 and the frequency of perforin-expressing virus-specific CD8 T-cells.

- The HIV-2 epitope TSTVEEQIQW was evaluated in HIV-2 infected individuals, and 4/5 HIV-2-infected B*5801-positive subjects recognized the TSTV epitope.
- 0/4 HIV-1-infected B*5801-positive subjects responded to the equivalent TSTLQEQIGW, TSTL epitope.

HXB2 Location p24 (108–117)
Author Location Gag (240–249)
Epitope TSTLQEQIGW

- Epitope name** TSTL
Immunogen HIV-1 infection, HIV-2 infection
Species (MHC) human (B*5801)
Country Gambia.
Assay type CD8 T-cell Elispot - IFN γ , Tetramer binding, Flow cytometric T-cell cytokine assay
Keywords characterizing CD8+ T cells
References Gillespie *et al.* 2005

- CD8 T-cell responses were evaluated and compared in HIV-1 and HIV-2 infected individuals. A significantly greater magnitude and breadth of Gag-specific responses were found in HIV-1 infected individuals, possibly because of undetectable viral load in HIV-2 infected individuals. This finding suggests that responses in HIV-2 infection reflect antigen load in plasma, as is the case in HIV-1 infection. No correlation was found between immune control of HIV-2 and the frequency of perforin-expressing virus-specific CD8 T-cells.

- The HIV-2 epitope TSTVEEQIQW was evaluated in HIV-2 infected individuals, and 4/5 HIV-2-infected B*5801-positive subjects recognized the TSTV epitope.
- 0/4 HIV-1-infected B*5801-positive subjects responded to the equivalent TSTLQEQIGW, TSTL epitope.

HXB2 Location p24 (108–117)
Author Location (C consensus)
Epitope TSTLQEQIAW
Subtype C

- Immunogen** HIV-1 infection
Species (MHC) human (B*5801)
Country South Africa.
Assay type CD8 T-cell Elispot - IFN γ
Keywords rate of progression, optimal epitope
References Kiepiela *et al.* 2007

- A comprehensive analysis of 160 class I T cell responses in 578 individuals from KwaZulu-Natal, South Africa was performed. Gag-specific responses were associated with lowering viremia, while Env, accessory and regulatory protein-specific responses were associated with higher viremia.
- Mutational patterns in the T3 residue of TSTLQEQIAW are associated with the presence of the HLA presenting molecule in the host.
- TSTLQEQIAW is cross presented by both B*5801 and B*5703.

HXB2 Location p24 (108–117)
Author Location (C consensus)
Epitope TSTLQEQIAW
Subtype C

- Immunogen** HIV-1 infection
Species (MHC) human (B*5801, B57)
Country South Africa.
Assay type CD8 T-cell Elispot - IFN γ
Keywords cross-presentation by different HLA, characterizing CD8+ T cells
References Kiepiela *et al.* 2004

- HLA class I restricted CD8+ T-cell responses against HIV-1 were analyzed in African patients. Significantly more responses were shown to be HLA-B restricted. Viral load, CD4 count, and thus rate of disease progression were also associated with HLA-B alleles. In addition, the selection pressure imposed on HIV-1 by HLA-B alleles was shown to be substantially greater than by other alleles.
- This epitope was suggested to be the epitope within a longer reactive peptide based on correspondence with a known epitope in the HIV database. Also, a significantly higher frequency of people in the Durban cohort who reacted with the peptide had this HLA type.

HXB2 Location p24 (108–117)
Author Location p24 (233–252)
Epitope TSTLQEQIGW

- Immunogen** HIV-1 infection
Species (MHC) human (B57)
References Bernard *et al.* 1998

- This study focuses on six rare long-term survivor HIV-infected people who were infected for many years without exhibiting immune dysregulation – such immunologically normal HIV-infected (INHI) cases occur at a frequency between 0.1 and 1% in the infected population.
- No direct CTL were found in any of the six INHIs, but above background CTLp activity was found in 3/6 INHIs.
- Epitope sequences were deduced from larger reactive peptides based on HLA binding motifs – XSXXXXXXXXW is a B57 binding motif, and CTL activity against TSTLQEQIGW has been found in two other B57 long-term non-progressors.

HXB2 Location p24 (108–117)

Author Location Gag (SF2)

Epitope TSTLQEQIGW

Epitope name TW10

Immunogen HIV-1 infection

Species (MHC) human (B57)

Keywords HAART, ART, acute/early infection

References Goulder *et al.* 2001a

- Dominant epitope in acute infection in patient PI004, who did not receive any antiviral therapy.
- 1-2 months post seroconversion, subject PI004 displayed a significant decrease in TW10 peptide recognition, followed by an increased CTL response against epitope SL9, SLYNTVATL and other epitopes.
- Three CTL responses, to epitopes TSTLQEQIGW, ISPRTLNAW, and KAFSPEVIPMF were evident early after infection; CTL responses to SLYNTVATL, QASQEVKNW, EIYKRWII, and FLKEKGGL were detectable at 5 months post-infection and beyond.

HXB2 Location p24 (108–117)

Author Location p24 (108–117)

Epitope TSTLQEQIGW

Epitope name TST

Immunogen HIV-1 infection

Species (MHC) human (B57)

Keywords HAART, ART, acute/early infection

References Oxenius *et al.* 2000

- Patients who started therapy at acute HIV-1 infection (three with sustained therapy, two with limited therapy upon early infection) had strong HIV specific CD4 proliferative responses and were able to maintain a CTL response even with undetectable viral load – three patients that had delayed initiation of HAART had no HIV specific CD4 proliferative responses and lost their CTL responses when HAART was eventually given and their viral loads became undetectable.
- None of the 8 study subjects recognized this epitope but none were HLA B57+.

HXB2 Location p24 (108–117)

Author Location p24 (108–117)

Epitope TSTLQEQIGW

Immunogen HIV-1 infection

Species (MHC) human (B57)

References Ferrari *et al.* 2000

- One of the 51 HIV-1 epitopes selected by Ferrari *et al.* as good candidate CTL epitopes for vaccines by virtue of being conserved and presented by common HLA alleles.

HXB2 Location p24 (108–117)

Author Location p24

Epitope TSTLQEQIGW

Immunogen HIV-1 infection

Species (MHC) human (B57)

Keywords HIV exposed persistently seronegative (HEPS)

References Kaul *et al.* 2002

- *Neisseria gonorrhoea* cervicitis in 9 HIV+ Kenyan sex workers caused a functional deficiency in IFN-gamma production in HIV-1 epitope-specific CD8+ T-cells, detected by intracellular cytokine production and tetramer assays, while not affecting the total number of epitope-specific CTLs.
- Ghonorrhea caused the weaker HIV-1 specific CTL responses in 4 HIV-1 exposed persistently seronegative (HEPS) women to become undetectable by Elispot and tetramer assays, and CMV-specific CTL in 2 HEPS subjects were shown to have impaired function with regard to IFN-gamma production.

HXB2 Location p24 (108–117)

Author Location p24

Epitope TSTLQEQIGW

Epitope name TST

Immunogen HIV-1 infection

Species (MHC) human (B57)

Keywords HAART, ART, supervised treatment interruptions (STI)

References Oxenius *et al.* 2002b

- Using previously defined epitopes Oxenius *et al.* [2000, 2001a] in an IFN γ Elispot assay, 13 chronically HIV-1 infected patients were studied over a period including therapy with standard treatment interruptions (STI).
- STIs induced increased recognition of CTL epitopes, but there was no correlation between CTL responses with viral rebound rates, plateau viral loads, or clearance rates.

HXB2 Location p24 (108–117)

Author Location Gag (147–155)

Epitope TSTLQEQIAW

Epitope name TW10

Subtype C

Immunogen HIV-1 infection

Species (MHC) human (B57)

Assay type CD8 T-cell Elispot - IFN γ , Chromium-release assay

Keywords epitope processing, escape

References Draenert *et al.* 2004b

- 174 people who have C clade infections were studied – those who carried B57 have 2 positions in which their HIV Gag consensus is different than the C consensus. One mutation is within this epitope, TW10, at position 3, and is believed to be an anchor residue. The other is in the N-terminal flanking position of the epitope ISPRTLNAW and is thought to impact processing.

HXB2 Location p24 (108–117)

Author Location Gag (240–249)

Epitope TSTLQEQIAW

Epitope name TW10

Subtype B, C

- Immunogen** HIV-1 infection
Species (MHC) human (B57)
Keywords escape, reversion, viral fitness
References Leslie *et al.* 2004
- TSTLQEIQAW (the consensus form in the C clade) responses dominate the immune response in HLA-B57 individuals, and this epitope is also recognized in HLA-B5801 individuals. TSnlQEIQAW is shown to be an escape mutant correlated with HLA-B57 and HLA-B5801 alleles. The variant can be transmitted to HLA-B57/B5801 negative individuals, but reverts to wild-type in those. A second escape mutation within the epitope is, however, maintained after transmission; TSNLQEIQIGW is the most common form of the epitope in the B clade, and a G substitution to some other amino acid, often A, was frequently noted in B57+ individuals; transmission of these variants persist in the new host.
- HXB2 Location** p24 (108–117)
Author Location p24 (108–117)
Epitope TSTLQEIQIGW
Immunogen HIV-1 infection
Species (MHC) human (B57)
Country Spain.
Assay type proliferation, CD8 T-cell Elispot - IFN γ , Flow cytometric T-cell cytokine assay
Keywords HAART, ART, supervised treatment interruptions (STI), immune dysfunction
References Plana *et al.* 2004
- Structured treatment interruption (STI) alone is not able to control viral replication in chronically infected patients, probably due to lack of strong, maintained T-helper cell responses. HIV-1 specific CD8+ T-cell responses were shown to increase significantly until the end of the follow up, but were not correlated with viral load.
 - Less than 2 of 7 patients recognized this epitope.
- HXB2 Location** p24 (108–117)
Author Location (B consensus)
Epitope TSTLQEIQIGW
Epitope name TW10
Subtype B
Immunogen HIV-1 infection
Species (MHC) human (B57)
Country United Kingdom.
Assay type CD8 T-cell Elispot - IFN γ , Flow cytometric T-cell cytokine assay
Keywords immunodominance, escape, characterizing CD8+ T cells
References Allen *et al.* 2004
- This study characterizes an escape mutation in a C-terminal flanking residue of the HLA-A3 gag p17 KK9 epitope that inhibits processing, and is embedded in the overlapping HLA-A3 RK9 epitope.
 - The immune response was tracked in subject AC-38. The acute immunodominant response was to the B57 TW10 epitope; this response declined following viral escape (tsNlqeqigw) by day 64. The p17 KK9 and RK9 became immunodominant, but then declined as the escape mutation arose. TW10 is 1 of 3 other strong responses that persisted, along with 1 sub-dominant response.
- HXB2 Location** p24 (108–117)
Author Location Gag
Epitope TSTLQEIQIGW
Epitope name TW10
Subtype B
Immunogen HIV-1 infection
Species (MHC) human (B57)
Assay type CD8 T-cell Elispot - IFN γ
Keywords subtype comparisons, escape, characterizing CD8+ T cells, reversion, viral fitness
References Allen *et al.* 2005a
- Two-thirds of all mutations arising in nonenvelope proteins during the transition from acute to chronic infection were found to be due to either CD8 T-cell-associated selective pressures or reversion of HLA-I-associated mutations selected in a previous host. The predominance of escape mutations at highly polymorphic sites was observed across different HIV-1 clades.
 - Two escape mutations, at positions 3 (T242N) and 9 (G248A), were found in the most polymorphic residues in the epitope. Both were shared between clades B and C. Both were significantly more variable in persons expressing HLA-B57.
- HXB2 Location** p24 (108–117)
Author Location p24 (240–249)
Epitope TSTLQEIQIAW
Epitope name TW10
Subtype C
Immunogen HIV-1 infection
Species (MHC) human (B57)
Country Ethiopia.
Assay type CD8 T-cell Elispot - IFN γ
Keywords immunodominance, escape, variant cross-recognition or cross-neutralization
References Currier *et al.* 2005
- Epitope sequence variation and CD8 T-cell responses were analyzed in C subtype infected HLA-B57-positive individuals from Ethiopia. KF11 was the immunodominant response.
 - 9/10 B57 subjects had the T3N TSnlQEIQIAW substitution relative to the C consensus, while this form was found in only 2/9 B57- subjects, so it appears to be selected and an immune escape form ($p=0.001$). Both forms of the TW10 epitope (TSTLQEIQIAW and TSnlQEIQIAW) were tested in 2 B57-positive subjects; neither responded. The authors suggest this may be due to the dominance of the TW10 response in acute infection, as the response may have been lost by the time of sampling.
- HXB2 Location** p24 (108–117)
Author Location Gag
Epitope TSTLQEIQIGW
Epitope name TW10
Immunogen HIV-1 infection
Species (MHC) human (B57)
Assay type Other
Keywords rate of progression, escape
References Gao *et al.* 2005

- Three distinct HLA alleles known to alter the rate of AIDS progression were studied. B*57-mediated protection occurs early in infection and the protective effect of this allele subsides after CD4 cell count drops. In contrast, B*27 shows no protection against progression to CD4<200, but rather delays progression to an AIDS-defining illness after the CD4 counts have dropped. B*35-mediated rapid progression to AIDS is probably a function of early decline in CD4 counts.
- TW10 is typically the immunodominant B57 epitope. TW10 responses are rapid, and escape occurs but presumably with a fitness cost, because reversion occurs after the escape variant is transmitted to a B57- person. High CD4 counts may be maintained in individuals because of immune selection for a less fit form of the virus.

HXB2 Location p24 (108–117)
Author Location Gag (240–249)
Epitope TSTLQEIQIAW
Subtype C
Immunogen HIV-1 infection
Species (MHC) human (B57)
Donor MHC A*3001, A*66, B*4201, B*5802, Cw*0602, Cw*1701; A*68, A*66, B*57, B*5802, Cw*0602, Cw*0701
Country South Africa.
Assay type CD8 T-cell Elispot - IFN γ
Keywords responses in children, mother-to-infant transmission, escape, acute/early infection
References Pillay *et al.* 2005

- HIV-specific CTLs in infants were shown to be able to select for viral escape variants early in life, despite a lack of escape with the same CTL specificity in the mother. Infant CTL responses may be compromised by transmission of escape variants that arose in the mother and also those that arose in the father, if the father was the source of the mother's infection.
- TSTLQEIQIAW is the C consensus form of the epitope and the autologous form in the mother was TSTLQEIQItW, and this was the form transmitted to her infant. The mother does not carry B57, and the B57 escape footprint was inherited paternally. By 33 weeks a new dominant form of the epitope had emerged in the infant, TSnLQEIQIAW, and the consensus form was also present in the infant.

HXB2 Location p24 (108–117)
Author Location p24
Epitope TSTLQEIQIGW
Epitope name TW10
Immunogen HIV-1 infection
Species (MHC) human (B57, B*5801)
Keywords review, rate of progression, immunodominance, escape, acute/early infection, reversion, viral fitness
References Goulder & Watkins 2004

- This paper is a review of the role of CTL in HIV infection, and it uses the TW10 epitope as an example. HLA B*57 and B*5801 both can present this epitope, and are associated with successful containment of HIV infection. The early response to TW10 is immunodominant, and often followed by rapid escape due to the T->N substitution, tsNlqeqigw. Some long term survivors do not carry the escape form, possibly because

the CTL response to this epitope is able to suppress viremia. Others do carry the N escape form, and presumably control viremia due to viral attenuation; in support of this the N rapidly back mutates to T in a new host, so there is likely to be a high fitness cost. In contrast, the epitope sometimes contains a G->A substitution at position 9, and the A can persist in a new host after transmission.

HXB2 Location p24 (108–117)
Author Location Gag
Epitope TSTLQEIQIGW
Epitope name TW10
Immunogen HIV-1 infection
Species (MHC) human (B57, B*5801)
Assay type CD8 T-cell Elispot - IFN γ , Chromium-release assay
Keywords responses in children, mother-to-infant transmission, escape
References Feeney *et al.* 2005

- Escape mutations in TW10 and other B57-restricted epitopes were shown to arise early in infants following perinatal infection. Some escape variants were likely to have been transmitted vertically, from HLA-B57/5801 positive HIV-1 infected mothers, while others arose during infancy in cases where the children inherited the B57/5801 allele paternally. In contrast to adults, the majority of children did not respond to TSTLQEIQIGW but showed a robust response to the escape variants, suggesting that infants are able to mount functional immune responses and drive immune escape and that a developing immune system may exhibit greater plasticity in recognizing viral variants.
- TW10 was found to be more frequently recognized by adults than by children. Among B57-positive subjects, TW10 was recognized by 10 out of 12 acutely infected adults, 11/22 chronically infected adults, and only 1/14 infected children. All 14 children carried mutations of this epitope, commonly T3N and G9A (TSnLQEIQIAW), but the children were able to recognize the autologous variant. These mutations were rare in adults. One child carried T3N, Q5A, and G9A, and also recognized the autologous variant, TSnLaEQIAW.

HXB2 Location p24 (108–117)
Author Location p24
Epitope TSTLQEIQIGW
Epitope name TW10
Immunogen
Species (MHC) (B57, B*5801)
Keywords review, immunodominance, escape, acute/early infection, early-expressed proteins, kinetics, reversion, viral fitness
References Lichterfeld *et al.* 2005

- This review discusses the importance of 3 factors that impact the selection of immunodominant epitopes in acute HIV infection: i) the kinetics of viral protein expression, ii) the HLA class I background of the infected individual, and iii) the autologous sequence of the infecting virus. This is 1 of 12 peptides listed as immunodominant in acute HIV-1 infection.

HXB2 Location p24 (108–117)
Author Location p24 (235–243)

Epitope TSTLQEQIGW**Immunogen** HIV-1 infection, HIV-1 exposed seronegative**Species (MHC)** human (B57, B58)**Keywords** HIV exposed persistently seronegative (HEPS)**References** Kaul *et al.* 2001a

- TSTLQEQIGW cross reacts with both A and B clades.
- ELISPOT was used to study CTL responses to a panel of 54 predefined HIV-1 epitopes in 91 HIV-1-exposed, persistently seronegative (HEPS) and 87 HIV-1-infected female Nairobi sex workers.

HXB2 Location p24 (108–117)**Author Location** p24 (108–117)**Epitope** TSTLQEQIGW**Immunogen** HIV-1 infection**Species (MHC)** human (B57, B58)**Donor MHC** A1, A26, B35, B57, Cw4, Cw*0601; A1, A30, B42, B52, Cw7, Cw17; A1, A*0201, B44, B57, Cw5, Cw6**Assay type** CD8 T-cell Elispot - IFN γ **Keywords** binding affinity, acute/early infection, early-expressed proteins, cross-presentation by different HLA**References** Cao *et al.* 2003

- All proteins were scanned and optimal epitopes were mapped in a study of CD8+ gamma IFN T-cell responses in 21 men within 15-92 days post-HIV-1 infection. Subjects initially showed narrow immune responses with a mean of 2.3 epitopes recognized per patient. The immune response broadened later in infection. No correlation between the plasma viral load and the number of recognized epitopes or the frequency of IFN-gamma secreting cells was observed, and there was no correlation between the functional avidity of a responses and the abundance of IFN-secreting cells that recognized the epitope. The first epitopes to be recognized did not tend to be the most avid, and earliest responses tended to be directed against Nef, Tat, Vpr, and Env.
- This epitope was recognized in three of the acutely infected individuals and was presented by both HLA-B57 and B58.
- More common HLA alleles were less frequently used in primary infection than less common alleles, for example A3, B35, B57, and B62 were more frequently utilized than A1, A2, A30, and A44.
- All HIV-1 proteins except Vpu were recognized, and a responses to a total of 41 optimal epitopes were characterized; 24 had been identified previously. 48% of the total T-cell responses were directed against Nef and 43% were directed against Gag.

HXB2 Location p24 (108–117)**Author Location** Gag (240–249)**Epitope** TSTLQEQIGW**Epitope name** gag 240-9**Immunogen** HIV-1 infection, HIV-2 infection**Species (MHC)** human (B57, B58)**Country** Gambia.**Assay type** Intracellular cytokine staining**Keywords** escape, TCR usage, variant cross-recognition or cross-neutralization, characterizing CD8+ T cells**References** Lopes *et al.* 2003

- CD8+ T cells from HIV-2 infected patients had more polyclonal TCR responses than HIV-1 infected patients, who tended to have oligoclonal responses. This results in limited plasticity of T cell responses to amino acid substitutions within epitopes in HIV-1 infections. HIV-2-specific CD8+ T-cells showed a more diverse TCR usage associated with enhanced CD8 expansion and IFN-gamma production on cross-recognition of variant epitopes.
- This peptide was recognized by a CD8+ T-cell clonotype with Vbeta5.1 usage in one HIV-1 infected patient, and all HIV-1 patients had narrow TCR usage, while HIV-2 patients used multiple TCR Vbeta chains. The HIV-2 variant of this peptide is: tstVEeqiQw. 5/6 HIV-2 infected individuals could recognize both the HIV-1 and HIV-2 peptides, while 0/5 HIV-1 infected patients that could react with the HIV-1 peptide could also react with the HIV-2 peptide.

HXB2 Location p24 (108–117)**Author Location** p24**Epitope** TSTLQEQIGW**Subtype** B, C**Immunogen** HIV-1 infection**Species (MHC)** human (B57, B58, B63)**Assay type** CD8 T-cell Elispot - IFN γ **Keywords** rate of progression, cross-presentation by different HLA, optimal epitope**References** Frahm *et al.* 2005

- HLA-B63-positive subjects were shown to be able to generate CTL responses early in acute HIV infection and to control HIV replication in the absence of antiretroviral treatment. Since HLA-B63 shares the epitope binding motif of HLA-B57 and -B58, it was shown that HLA-B63-positive individuals mounted CTL responses to previously identified B57-restricted epitopes, as well as novel, B63-restricted epitopes. Moreover, these novel B63-restricted epitopes can also be presented by HLA-B57 and -B58.
- This epitope was recognized by 30% of B63-positive subjects and 22% of B57/58-positive subjects.

HXB2 Location p24 (108–117)**Author Location** p24 (241–250)**Epitope** TSTVEEQIHW**Immunogen** HIV-2 infection**Species (MHC)** human (B58)**References** Bertoletti 1998

- HIV-2 epitope defined from an infection in Gambia, Bertoletti, pers. comm.
- All HIV-2 sequences from the database are TSTVEEQIQW in this region, not TSTVEEQW as in the paper.

HXB2 Location p24 (108–117)**Author Location** p24**Epitope** TSTLQEQIGW**Immunogen** HIV-1 exposed seronegative**Species (MHC)** human (B58)**References** Rowland-Jones *et al.* 1999

- CTL responses in seronegative highly HIV-exposed African female sex workers in Gambia and Nairobi were studied – these women had no delta 32 deletion in CCR5.
- In Gambia there is exposure to both HIV-1 and HIV-2, CTL responses to B35 epitopes in exposed, uninfected women are cross-reactive, and the B35 allele seems to be protective.
- HIV-2 sequence: TSTVEEQIQW, CTL are cross-reactive, Bertoletti *et al.* [1998]

HXB2 Location p24 (108–117)

Author Location p24 (240–249)

Epitope TSTLQEQIGW

Immunogen HIV-2 infection

Species (MHC) human (B58)

Keywords subtype comparisons, rate of progression, immunodominance

References Bertoletti *et al.* 1998

- CTL responses in HLA-B*5801 positive HIV-2 infected individuals have a dominant response to Gag and tolerate extensive substitution, thus HLA-B*5801+ individuals may have an enhanced potential for cross-protection between HIV-1 and HIV-2.
- This can be an immunodominant epitope in HLA-B57 and B*5801 infected individuals, and is associated with long-term non-progression Goulder *et al.* [1996b]
- HIV-2 sequence: HIV-2 ROD has the epitope sequence TSTVEEQIQW, and the CTL from a person infected with HIV-2 was cross-reactive with HIV-1 epitopes.
- The epitope is TSTLQEQIGW in HIV-1 B clade, and TSTVEEQIQW in HIV-2 ROD.
- HLA B*5801 and B35 may preferentially select HIV-1 and HIV-2 cross-reactive epitopes.

HXB2 Location p24 (108–117)

Author Location p24 (240–249 SF2)

Epitope TSTLQEQIGW

Immunogen HIV-1 infection

Species (MHC) human (B58)

Keywords HAART, ART, acute/early infection

References Altfeld *et al.* 2001b

- Therapy provided during acute infection resulted in a narrower CTL response, stronger T help response, and a less diverse viral population than was seen in individuals treated during chronic infection.
- The breadth and specificity of the response was determined using ELISPOT by studying 19 individuals with pre-seroconversion therapy (Group 1), 11 individuals with primary infection but post-seroconversion therapy (Group 2), and 10 individuals who responded to HAART given during chronic infection (Group 3), using 259 overlapping peptides spanning p17, p24, RT, gp41, gp120 and Nef.
- Previously described and newly defined optimal epitopes were tested for CTL response.
- Number of HLA-B58+ individuals that had a CTL response to this epitope broken down by group: 0/0 group 1, 1/1 group 2, and 0/0 group 3.

HXB2 Location p24 (108–117)

Author Location p24 (108–117)

Epitope TSTLQEQIGW

Epitope name TW10

Immunogen HIV-1 infection

Species (MHC) human (B58)

Keywords acute/early infection

References Goulder *et al.* 2001c

- Responses to this dominant A3-restricted Gag epitope are present during the time of decreasing viral load in acute infection.
- Mutations in this epitope were observed in autologous clones of subjects who were B58-positive with a higher frequency than those who were B58-negative (P = 0.02)
- These mutations are being sexually transmitted in adult infections.

HXB2 Location p24 (108–117)

Author Location

Epitope TSTLQRQIGW

Immunogen HIV-1 infection

Species (MHC) human

Keywords HIV exposed persistently seronegative (HEPS)

References Kaul *et al.* 2001c

- This study examines CTL responses in HIV exposed, persistently seronegative individuals, HEPS, who eventually seroconverted – 11/114 HEPS Nairobi sex workers eventually seroconverted, and for six of these HIV CTL reactive epitopes had been defined while seronegative.
- The epidemiological factor associated with seroconversion was stopping sex work. HIV-specific CTL activity declined when HEPS sex workers stopped working for a period or retired.
- This epitope was recognized in 1/22 HEPS sex worker controls (ML1250).

HXB2 Location p24 (108–117)

Author Location Gag (B57)

Epitope TSNLQEQIGW

Epitope name TW10

Subtype B

Immunogen HIV-1 infection

Species (MHC) human

Donor MHC A1, A3, B7, B57, Cw6, Cw7

Country United States.

Assay type CD8 T-cell Elispot - IFN γ

Keywords subtype comparisons, escape, characterizing CD8+ T cells, reversion, viral fitness

References Allen *et al.* 2005a

- Two-thirds of all mutations arising in nonenvelope proteins during the transition from acute to chronic infection were found to be due to either CD8 T-cell-associated selective pressures or reversion of HLA-I-associated mutations selected in a previous host. The predominance of escape mutations at highly polymorphic sites was observed across different HIV-1 clades.
- Characteristic changes in B57 epitopes in B57+ people were mapped: TSNLQEQIGW often has one or both of the substitutions: tsNlqeqygw, tsslqeqy[A/G]w.

HXB2 Location p24 (108–118)

Author Location p24 (240–249 LAI)

Epitope TSTLQEQIGWF

Subtype B

Immunogen HIV-1 infection
Species (MHC) human (B*57, B*5801)
Keywords rate of progression
References Goulder *et al.* 1996b

- Response to this epitope was found in 4 slow progressing HLA-B*57 individuals, in 2 it was dominant or very strong.
- For one donor (from Zimbabwe) this was defined as the optimal peptide.
- This epitope can be presented in the context of the closely related HLA molecules B*5801 and B*57.

HXB2 Location p24 (108–118)
Author Location p24 (240–249 LAI)
Epitope TSTLQEQIGWF
Subtype B

Immunogen HIV-1 infection
Species (MHC) human (B*5701)
Keywords optimal epitope
References Frahm *et al.* 2007

- C. Brander notes this is a B*5701 epitope.

HXB2 Location p24 (108–118)
Author Location
Epitope TSTLQEQIGWF
Epitope name Gag-TF11
Subtype B

Immunogen HIV-1 infection
Species (MHC) human (B57)
References Sabbaj *et al.* 2003

- Among HIV+ individuals who carried HLA B57, 2/5 (40%) recognized this epitope.

HXB2 Location p24 (109–117)
Author Location Gag (241–249 LAI)
Epitope STLQEQIGW
Subtype B

Immunogen HIV-1 infection
Species (MHC) human (B*5701, B*5801)
Keywords rate of progression
References Klein *et al.* 1998

- B57 has been associated with long-term non-progression in the Amsterdam cohort.
- The most pronounced CTL responses in HLA B*5701 LTS were to RT and Gag.

HXB2 Location p24 (109–117)
Author Location
Epitope STLQEQIGW
Epitope name Gag-SW9
Subtype B

Immunogen HIV-1 infection
Species (MHC) human (B57)
References Sabbaj *et al.* 2003

- Among HIV+ individuals who carried HLA B57, 1/5 (20%) recognized this epitope.
- Among HIV+ individuals who carried HLA B58, 1/4 (25%) recognized this epitope.

HXB2 Location p24 (109–117)
Author Location p24

Epitope STLQEQIGW
Subtype B, D
Immunogen HIV-1 infection
Species (MHC) human (B58)
Donor MHC A23, A24, B35, B58, Cw4, Cw7
Country Democratic Republic of the Congo.
Assay type CD8 T-cell Elispot - IFN γ
Keywords subtype comparisons, variant cross-recognition or cross-neutralization

References Geels *et al.* 2005

- Cross-clade CTL responses in 10 non-B HIV-1 infected individuals were evaluated. T-cell reactivity was tested against peptide pools of clade B Gag, Pol, Nef, Rev and Tat. Nine individuals demonstrated cross-reactive T-cell responses to clade A, B, and C Gag pools; 6/7 patients that responded to Nef-B also reacted to clade A and C Nef pools. An inverse correlation was observed between the sequence divergence of the HLA class I restricted epitopes and the height of the T-cell responses, which in Gag could be explained through variations in the HLA-anchor residues. 42% of the responses were directed to regions containing new epitopes.
- This previously described epitope was embedded in a B clade peptide that was recognized by T-cells from an infected person carrying subtype D Gag. The epitope sequence in this person had a single G8A change, STLQEQIaW.

HXB2 Location p24 (110–118)
Author Location Gag (242–)
Epitope TLQEQIGWM

Epitope name Gag242
Immunogen HIV-1 infection, vaccine
Vector/Type: peptide *HIV component:* p24 Gag *Adjuvant:* Incomplete Freund's Adjuvant (IFA)

Species (MHC) human (A2)
Assay type CD8 T-cell Elispot - IFN γ , Chromium-release assay, Flow cytometric T-cell cytokine assay
Keywords binding affinity, subtype comparisons, computational epitope prediction

References Corbet *et al.* 2003

- HLA-A2-restricted HIV-1 CTL epitopes were computationally predicted. Binding affinities for HLA-A*0204, immunogenicity in HLA-A*0201 transgenic mice, and responses to the peptides in 17 HIV-1 infected patients were tested. 31 novel conserved A2 epitopes were detected. An average of 4 epitopes were recognized per patient.
- This peptide was an intermediate A2 binder that did not induce CTL and CD8+ T-cell IFN gamma responses in mice. Responses were detected in 2/17 HIV+ HLA-A2 subjects.

HXB2 Location p24 (118–126)
Author Location Gag
Epitope MTSNPPIPV
Epitope name Gag 271
Subtype M

Immunogen vaccine, in vitro stimulation or selection
Vector/Type: DNA, peptide *Adjuvant:* Incomplete Freund's Adjuvant (IFA)
Species (MHC) human, mouse (A*0201)
Assay type Cytokine production, T-cell Elispot

Keywords subtype comparisons, computational epitope prediction, escape, TCR usage, variant cross-recognition or cross-neutralization

References McKinney *et al.* 2004

- This study examined variant recognition of epitopes presented by A*0201 and A*1101. Numerous amino acid substitutions can be introduced into epitopes without disrupting their recognition by CTLs, although epitopes with multiple substitutions were less recognized. An algorithm was constructed for prediction of epitopes capable of inducing responses to a great number of variant epitopes.
- MTSNPPIPV form is most common in subtype C while MTnNPPIPV form is mostly found in subtype B.
- A total of 14 variant forms of Gag 271 were identified. Immunization with MTSNPPIPV form induced CTLs recognizing 11 of the variant forms while MTnNPPIPV form induced CTLs recognizing only 3 of the epitope variants.

HXB2 Location p24 (118–126)

Author Location p24 (118–126)

Epitope MTNNPPIPV

Epitope name MV9

Immunogen HIV-1 infection

Species (MHC) human (A2)

Donor MHC A*02, A*23, B*07, B*51, Cw*15

Country United States.

Assay type CD8 T-cell Elispot - IFN γ

Keywords responses in children, mother-to-infant transmission, escape, acute/early infection, reversion, viral fitness

References Sanchez-Merino *et al.* 2005

- CD8 T-cell responses were examined in mother-infant pairs. Escape variants were commonly detected in maternal plasma. Early infant plasma viruses showed heterogeneity of gag and nef gene sequences as well as mother-to-child transmission of CD8 T-cell escape variants. The stability of escape mutants in the infant over time was determined by infant HLA haplotype and viral fitness. Sequential plasma specimens from infants showed changes in CD8 T-cell epitope sequences, suggesting that infants are capable of generating virus-specific CD8 T-cell responses.
- The mother was A02- and carried a variant form of the epitope, MThNPPIPV, which she passed to her A02+ child. This form persisted in her child for 12 months.

HXB2 Location p24 (118–126)

Author Location Gag (282–290)

Epitope MTNNPPIPV

Immunogen HIV-1 infection

Species (MHC) human (A2 supertype)

Keywords supertype, rate of progression

References Propato *et al.* 2001

- Long-term nonprogressors (LTNPs) had strong memory resting CD8+ T-cell responses against the majority of epitopes tested, (18 for the A2 supertype, 16 for the A3 supertype) while the effector cells of long-term nonprogressors recognized far fewer epitopes
- Progressors had memory resting CD8+ T-cells that recognized far fewer epitopes than LTNPs.

- A positive correlation between effector CD8+ T-cells and plasma viremia and a negative correlation between CD8+ effector T-cells and CD4+ T-cells was observed, which may contribute to the inability of LTNPs to clear virus.
- This epitope can bind three of the five HLA-A2 supertypes alleles (A*0201, A*0202, A*0203, A*0206 and A*6802).

HXB2 Location p24 (121–135)

Author Location p24 (253–267)

Epitope NPPIPVGGEIYKRWII

Immunogen HIV-1 infection

Species (MHC) human (B8)

References Gotch *et al.* 1990

- High frequency of memory and effector Gag-specific CTL.

HXB2 Location p24 (121–135)

Author Location p24 (255–274 SF2)

Epitope NPPIPVGGEIYKRWII

Immunogen HIV-1 infection

Species (MHC) human (B8)

Keywords review, immunodominance, escape

References Goulder *et al.* 1997a; Phillips *et al.* 1991

- Longitudinal study of CTL escape mutants in people with the appropriate HLA types – little variation was observed in the immunodominant B27 epitope, relative to B8 epitopes, which varied over time.
- Goulder *et al.* [1997a] is a review of immune escape that points out that there may be a protective effect associated with B27, and that HLA-B8 individuals tend to progress more rapidly than HLA B27 patients.

HXB2 Location p24 (121–135)

Author Location p24 (121–135)

Epitope NPPIPVGGEIYKRWII

Immunogen HIV-1 infection

Species (MHC) human (B8)

References Ferrari *et al.* 2000

- One of the 51 HIV-1 epitopes selected by Ferrari *et al.* as good candidate CTL epitopes for vaccines by virtue of being conserved and presented by common HLA alleles.

HXB2 Location p24 (121–135)

Author Location p24 (121–135 HXB2)

Epitope NPPIPVGGEIYKRWII

Subtype B

Immunogen HIV-1 infection

Species (MHC) human

Assay type T-cell Elispot

Keywords supervised treatment interruptions (STI), immunodominance, early treatment

References Addo *et al.* 2003

- Comprehensive Elispot screening of 504 overlapping peptides that spanned all HIV-1 proteins in 57 HIV-1 infected individuals. Four groups of patients were compared: 23 were untreated; 12 patients were chronically infected and treated; 22 started treatment during acute infection, 11 continuously treated and 11 with STI.

- 63% of the peptides were recognized - the most frequent responses were directed against Nef (95%) and p24-Gag (88%). p17 was the most frequently recognized protein after correction for protein length. A median of 18 peptides (range 2-42) were recognized per person. The most frequently (>20%) recognized peptides were located in conserved regions within clade B sequences. Vpu was rarely recognized.
- A decrease in the total magnitude and in the breadth of CTL responses was detected in patients with treated acute infection in comparison to chronically infected treated or untreated individuals. No correlation between plasma viral load and HIV-1 specific T-cell responses was observed.
- The authors did not note the reference strain, but based on the peptide sequences provided it appears to be HXB2.
- Responses to this peptide were detected in 19% of the study subjects, and it was one of the 25 most frequently recognized peptides.

HXB2 Location p24 (121–140)

Author Location p24 (253–272)

Epitope NPPIPVGGEIYKRWIILGLNK

Immunogen HIV-1 infection

Species (MHC) human

References Lieberman *et al.* 1995

- HIV-specific CTL lines developed by *ex vivo* stimulation with peptide.

HXB2 Location p24 (121–140)

Author Location p24 (253–272 SF2)

Epitope NPPIPVGGEIYKRWIILGLNK

Immunogen HIV-1 infection

Species (MHC) human

References Lieberman *et al.* 1997a

- Of 25 patients, most had CTL specific for more than 1 HIV-1 protein.
- Twelve subjects had CTL that could recognize vaccinia-expressed LAI gag.
- Two of these 12 had CTL response to this peptide.
- The responding subjects were HLA-A2, A3, B8, B62, and HLA-A1, B8, B18.

HXB2 Location p24 (121–140)

Author Location p24 (253–272 SF2)

Epitope NPPIPGEIKRWIILGNIK

Immunogen HIV-1 infection

Species (MHC) human

References Lieberman *et al.* 1997b

- CTL expanded *ex vivo* were later infused into HIV-1 infected patients.

HXB2 Location p24 (121–140)

Author Location p24 (255–274 SF2)

Epitope NPPIPVGGEIYKRWIILGLNK

Immunogen HIV-1 infection

Species (MHC) human

References van Baalen *et al.* 1993

- Gag CTL epitope precursor frequencies were estimated and peptide mapping was performed.

HXB2 Location p24 (121–142)

Author Location p24 (253–274 BH10)

Epitope NPPIPVGGEIYKRWIILGLNKIV

Immunogen HIV-1 infection

Species (MHC) human (B8)

References Johnson *et al.* 1991

- Gag CTL response studied in three individuals.

HXB2 Location p24 (121–152)

Author Location Gag

Epitope NPPIPVGGEIYKRWIILGLNKIVRMYSPTSILD

Immunogen HIV-1 infection, vaccine

Vector/Type: lipopeptide *HIV component:*

Gag

Species (MHC) human (A*0201)

References Seth *et al.* 2000

- Immunization of 2/4 HIV seropositive HLA selected individuals with a 32 amino acid Gag lipopeptide that contains CTL epitopes restricted by HLA A33, B8, B27, B35, and Bw62 gave a transient increase in peptide-specific bulk CTL response, but they did not decrease plasma viral load.
- Placebo and HLA mis-matched controls showed no change in CTL.
- The responders carried HLA Bw62 and B35 – the two HLA-matched that did not respond carried B35 and B8.

HXB2 Location p24 (121–152)

Author Location Gag (183–214 LAI)

Epitope NPPIPVGGEIYKRWIILGLNKIVRMYSPTSILD

Subtype B

Immunogen vaccine

Vector/Type: lipopeptide

Species (MHC) human

References Gahery-Segard *et al.* 2000

- Anti-HIV lipopeptide vaccine consisting of six long amino acid peptides derived from Nef, Gag and Env HIV-1 proteins modified by a palmitoyl chain was administered in a phase I trial.
- A CD4+ T cell proliferative response to at least one of the six peptides was observed in 9/10 vaccinees – 9/10 reacted to this peptide.
- 9/12 tested mounted a CTL response to at least one of the six peptides; each of the six peptides elicited a CTL response in at least one individual – this peptide was particularly immunogenic, eliciting a CTL response in four vaccinees.
- All of the 12 tested had an IgG response to this peptide.

HXB2 Location p24 (122–130)

Author Location (C consensus)

Epitope PPIPVGDIY

Subtype C

Immunogen HIV-1 infection

Species (MHC) human (B*35)

Country South Africa.

Assay type CD8 T-cell Elispot - IFN γ

Keywords rate of progression, optimal epitope

References Kiepiela *et al.* 2007

- A comprehensive analysis of 160 class I T cell responses in 578 individuals from KwaZulu-Natal, South Africa was performed. Gag-specific responses were associated with lowering viremia, while Env, accessory and regulatory protein-specific responses were associated with higher viremia.
- Mutational patterns in the D7 residue of PPIPVGDIY are associated with the presence of the HLA presenting molecule in the host.

HXB2 Location p24 (122–130)

Author Location (C consensus)

Epitope PPVPVGDIY

Subtype C

Immunogen HIV-1 infection

Species (MHC) human (B*35)

Country South Africa.

Assay type CD8 T-cell ELISPOT - IFN γ

Keywords rate of progression, optimal epitope

References Kiepiela *et al.* 2007

- A comprehensive analysis of 160 class I T cell responses in 578 individuals from KwaZulu-Natal, South Africa was performed. Gag-specific responses were associated with lowering viremia, while Env, accessory and regulatory protein-specific responses were associated with higher viremia.
- PPVPVGDIY is an optimal epitope.

HXB2 Location p24 (122–130)

Author Location p24 (260–268 LAI)

Epitope PPIPVGDIY

Subtype B

Immunogen HIV-1 or HIV-2 infection

Species (MHC) human (B*3501)

Keywords optimal epitope

References Frahm *et al.* 2007

- C. Brander notes this is a B*3501 epitope.

HXB2 Location p24 (122–130)

Author Location p24 (245–253 HIV-2)

Epitope NPVPVGNIY

Immunogen HIV-1 infection

Species (MHC) human (B*3501)

References Rowland-Jones *et al.* 1995

HXB2 Location p24 (122–130)

Author Location p24 (245–253 HIV-2)

Epitope NPVPVGNIY

Immunogen HIV-1 infection

Species (MHC) human (B*3501)

Keywords optimal epitope

References Frahm *et al.* 2007

- C. Brander notes this is a B*3501 epitope.

HXB2 Location p24 (122–130)

Author Location p24 (260–268 LAI)

Epitope PPIPVGDIY

Subtype B

Immunogen HIV-1 or HIV-2 infection

Species (MHC) human (B35)

References Rowland-Jones *et al.* 1995

- Defined as minimal peptide by titration curve, PPIPVGDIY and HIV-2 form NPVPVGNIY are also recognized.

HXB2 Location p24 (122–130)

Author Location p24 (260–268 LAI)

Epitope PPIPVGDIY

Subtype B

Immunogen in vitro stimulation or selection

Species (MHC) human (B35)

References Lalvani *et al.* 1997

- A peptide-based protocol was optimized for restimulation of CTLp using optimized peptide and IL-7 concentrations – importantly this protocol does not stimulate a primary response, only secondary – peptide-specific CTLp counts could be obtained via staining with peptide-Class I tetramers.
- This peptide was one of the B35 presented test peptides used in control experiments showing that the assay gave no activity using lymphocytes from 21 healthy B35 seronegative donors.

HXB2 Location p24 (122–130)

Author Location p24 (260–268 LAI)

Epitope PPIPVGDIY

Subtype B

Immunogen HIV-1 infection

Species (MHC) human (B35)

Keywords review

References McMichael & Walker 1994

- Review of HIV CTL epitopes.

HXB2 Location p24 (122–130)

Author Location p24 (subtype B)

Epitope PPIPVGDIY

Subtype B

Immunogen HIV-1 exposed seronegative

Species (MHC) human (B35)

Keywords subtype comparisons

References Rowland-Jones *et al.* 1998b

- HIV-specific CTL were found in exposed seronegative prostitutes from Nairobi – these CTL may confer protection.
- Seroprevalence in this cohort is 90-95% and their HIV-1 exposure is among the highest in the world.
- Most isolated HIV strains are clade A in Nairobi, although clades C and D are also found – B clade epitopes are often cross-reactive, however stronger responses are frequently observed using A or D clade versions of epitopes.
- This epitope is conserved among B and D clade viruses.
- The Clade A version of the epitope, PPIPVGDIY, was preferentially recognized by CTL.

HXB2 Location p24 (122–130)

Author Location

Epitope PPIPVGDIY

Immunogen HIV-1 infection

Species (MHC) human (B35)

Keywords acute/early infection

References Wilson *et al.* 2000a

- Three individuals with highly focused HIV-specific CTL responses were studied during acute infection using tetramers—high frequencies of HIV-1-specific CD8+ T cells were found prior to seroconversion, and there was a close temporal relationship between the number of circulating HIV-specific T cells and viral load.
- All three patients were B*2705, with HLA alleles: A1, A30/31, B*2705, B35; A1, A*0301, B7, B2705; and A*0201, A*0301, B2705, B39.
- ELISPOT was used to test a panel of CTL epitopes that had been defined earlier and were appropriate for the HLA haplotypes of the study subjects – 3/3 subjects showed a dominant response to the B*2705 epitope KRWILGGLNK.
- The subject with A*0201 had a moderately strong response to SLYNTVATL.
- Weak responses were observed to A*301-RLRPGGKKK, A*301-QVPLRPMTYK, and B7-TPGPGVRYPL in the subject who was HLA A1, A*0301, B7, B*2705.
- No acute response was detected to the following epitopes: A*201-ILKEPVHGV, A*301-KIRLRPGGK, A*301-AIFQSSMTK, A*301-TVYYGVPVWK, B35-EPIVGAETF, B35-HPDIVIYQY, B35-PPIPVGDIY, B35-NSSKVSQNY, B35-VPLRPMTY, B35-DPNPQEVVL.

HXB2 Location p24 (122–130)

Author Location p24

Epitope PPIPVGDIY

Immunogen

Species (MHC) human (B35)

References Rowland-Jones *et al.* 1999

- CTL responses in seronegative highly HIV-exposed African female sex workers in Gambia and Nairobi were studied – these women had no delta 32 deletion in CCR5.
- In Gambia there is exposure to both HIV-1 and HIV-2, CTL responses to B35 epitopes in exposed, uninfected women are cross-reactive, and the B35 allele seems to be protective.
- HIV-2 version of this epitope is not conserved: NPVPVGNIIY, but the CTLs are cross-reactive – one of five B35 CTL epitopes that are cross-reactive, see also Rowland-Jones *et al.* [1995]

HXB2 Location p24 (122–130)

Author Location p24 (260–268)

Epitope PPIPVGDIY

Epitope name PPI

Immunogen HIV-1 infection

Species (MHC) human (B35)

Keywords HAART, ART, acute/early infection

References Oxenius *et al.* 2000

- Patients who started therapy at acute HIV-1 infection (three with sustained therapy, two with limited therapy upon early infection) had strong HIV specific CD4 proliferative responses and were able to maintain a CTL response even with undetectable viral load – three patients that had delayed initiation of HAART had no HIV specific CD4 proliferative responses and lost their CTL responses when HAART was eventually given and their viral loads became undetectable.
- One of two HLA B35+ among the eight study subjects recognized this epitope.

- Patient SC15 (HLA A1/68, B8/35, Bw4/6, Cw4/0704) was given acute and sustained therapy and recognized epitopes PPIPVGDIY and VPLRPMTY during 331 days of HAART treatment.

HXB2 Location p24 (122–130)

Author Location p24 (122–130)

Epitope PPIPVGDIY

Immunogen HIV-1 infection

Species (MHC) human (B35)

References Ferrari *et al.* 2000

- One of the 51 HIV-1 epitopes selected by Ferrari *et al.* as good candidate CTL epitopes for vaccines by virtue of being conserved and presented by common HLA alleles.

HXB2 Location p24 (122–130)

Author Location p24 (254–262 SF2)

Epitope PPIPVGDIY

Immunogen HIV-1 infection

Species (MHC) human (B35)

Keywords HAART, ART, acute/early infection

References Altfeld *et al.* 2001b

- Therapy provided during acute infection resulted in a narrower CTL response, stronger T help response, and a less diverse viral population than was seen in individuals treated during chronic infection.
- The breadth and specificity of the response was determined using ELISPOT by studying 19 individuals with pre-seroconversion therapy (Group 1), 11 individuals with primary infection but post-seroconversion therapy (Group 2), and 10 individuals who responded to HAART given during chronic infection (Group 3), using 259 overlapping peptides spanning p17, p24, RT, gp41, gp120 and Nef.
- Previously described and newly defined optimal epitopes were tested for CTL response.
- Number of HLA-B35+ individuals that had a CTL response to this epitope broken down by group: 0/2 group 1, 0/2 group 2, and 1/1 group 3.

HXB2 Location p24 (122–130)

Author Location p24 (260–268)

Epitope PPIPVGDIY

Immunogen HIV-1 infection, HIV-1 exposed seronegative

Species (MHC) human (B35)

Keywords HIV exposed persistently seronegative (HEPS), immunodominance

References Kaul *et al.* 2001a

- ELISPOT was used to study CTL responses to a panel of 54 predefined HIV-1 epitopes in 91 HIV-1-exposed, persistently seronegative (HEPS) and 87 HIV-1-infected female Nairobi sex workers.
- Responses in HEPS women tended to be lower, and focused on different epitopes with HLA presenting molecules that have previously been associated with reduced risk of infection, and there was a shift in the response in the HEPS women upon late seroconversion to epitopes recognized by the HIV-1 infected women.
- 43/91 HEPS women had CD8+ responses and detection of HIV-1-specific CTL in HEPS women increased with the duration of viral exposure.

- Among HLA-B35 women, 1/3 HEPS and 3/4 HIV-1 infected women recognized this epitope.
- The dominant response to this HLA allele was to this epitope in the 1/3 HEPS case and in the all 3/4 responsive HIV-1 infected women.
- Subject ML 857 shifted from a A*6802 DTVLEDINL and B35 (H/N)PDIVYQY response prior to seroconversion to a B35 PPIPVGDIY and B35 VPLRPMTY response post-seroconversion.

HXB2 Location p24 (122–130)

Author Location

Epitope PPIPVGDIY

Epitope name Gag-PY9

Subtype B

Immunogen HIV-1 infection

Species (MHC) human (B35)

References Sabbaj *et al.* 2003

- Among HIV+ individuals who carried HLA B35, 2/21 (10%) recognized this epitope.
- Among HIV+ individuals who carried HLA B*5301, 0/11 (0%) recognized this epitope.

HXB2 Location p24 (122–130)

Author Location p24

Epitope PPIPVGIEY

Subtype A, B, C, D

Immunogen HIV-1 infection, vaccine

Vector/Type: DNA prime with modified vaccinia Ankara (MVA) boost *Strain:* A clade HIV component: p17 Gag, p24 Gag

Species (MHC) human (B35)

Keywords subtype comparisons, epitope processing, vaccine-specific epitope characteristics, immunodominance

References Hanke & McMichael 2000; Wee *et al.* 2002

- The HIV-1 subtype A focused vaccine HIVA contains p24 and p17, in a reversed order relative to the Gag polyprotein to prevent myristylation of p17, which could direct the protein to the cell membrane and inhibit efficient peptide processing and class I presentation, as well as a polyepitope string of conserved, often immunodominant epitopes that were selected to have particularly good cross-reactive potential for the A-clade epidemic in Nairobi, Kenya. A DNA and MVA prime-boost vaccination protocol using the HIVA antigen will be used in a phase III clinical trial in Kenya. This epitope is included in the polyepitope string Hanke & McMichael [2000].
- Multiple CD4+ or CD8+ T-cell vaccine-induced responses to peptide pools were detected using intracellular cytokine staining and IFN γ Elispot assays after vaccination of 5 macaques. The response to the Mamu A*01 SIV p27 epitope p11C (CTPYDINQM), included in the polyepitope region, was not immunodominant in the Mamu A*01 vaccinated macaques, possibly because of processing limitations in context of the artificial polyepitope string Wee *et al.* [2002].

HXB2 Location p24 (122–130)

Author Location p24 (260–268)

Epitope PPIPVGDIY

Subtype B

Immunogen HIV-1 infection

Species (MHC) human (B35)

Country United States.

Assay type CD8 T-cell Elispot - IFN γ , CD8 T-cell Elispot granzyme B

Keywords characterizing CD8+ T cells

References Kleen *et al.* 2004

- Only 20% of CD8+ T-cells produce IFN-gamma and granzyme B simultaneously (Tc1a). Two additional subpopulations of HIV specific CD8 cells are found, each one constituting 30-40% of the CD8 cell pool. One of these (Tc1b) secretes IFN-gamma only, and the other one (Tc1c) secretes GzB only.
- None of three patients responded to this peptide with GzB producing cells and one of the patients responded with IFN-gamma producing cells.

HXB2 Location p24 (122–130)

Author Location Gag

Epitope PPIPVGIEY

Immunogen HIV-1 infection

Species (MHC) human (B35)

Country Netherlands.

Assay type CD8 T-cell Elispot - IFN γ

Keywords HIV exposed persistently seronegative (HEPS)

References Koning *et al.* 2004

- A high-risk seronegative group of 29 homosexual men showed reduced cellular in vitro susceptibility for HIV infection and enhanced production of RANTES compared to 15 men who went on to seroconvert. Significantly higher frequencies of HLA A*11, A*31 and Cw*15 were also found in the high risk seronegative men. Both groups of men had low frequencies of HIV-1 specific CD8+ T-cells, which may signify exposure more than protection from infection.
- No one, 0/3 HLA B35+ infection-resistant men, and 0/5 pre-seroconversion men who went on to become infected, reacted to this epitope.

HXB2 Location p24 (122–130)

Author Location p24 (122–130)

Epitope PPIPVGDIY

Immunogen HIV-1 infection

Species (MHC) human (B35)

Assay type proliferation, CD8 T-cell Elispot - IFN γ , Flow cytometric T-cell cytokine assay

Keywords HAART, ART, supervised treatment interruptions (STI), immune dysfunction

References Plana *et al.* 2004

- Structured treatment interruption (STI) alone is not able to control viral replication in chronically infected patients, probably due to lack of strong, maintained T-helper cell responses. HIV-1 specific CD8+ T-cell responses were shown to increase significantly until the end of the follow up, but were not correlated with viral load.
- 4/9 patients recognized this epitope.

HXB2 Location p24 (122–130)

Author Location (C consensus)

Epitope PPVPVGDIY

Subtype C

- Immunogen** HIV-1 infection
Species (MHC) human (B35)
Country South Africa.
Assay type CD8 T-cell Elispot - IFN γ
Keywords characterizing CD8+ T cells
References Kiepiela *et al.* 2004
- HLA class I restricted CD8+ T-cell responses against HIV-1 were analyzed in African patients. Significantly more responses were shown to be HLA-B restricted. Viral load, CD4 count, and thus rate of disease progression were also associated with HLA-B alleles. In addition, the selection pressure imposed on HIV-1 by HLA-B alleles was shown to be substantially greater than by other alleles.
 - This epitope was suggested to be the epitope within a longer reactive peptide based on correspondence with a known epitope in the HIV database. Also, a significantly higher frequency of people in the Durban cohort who reacted with the peptide had this HLA type.
- HXB2 Location** p24 (122–130)
Author Location p24
Epitope PPIPVGDIH
Subtype B, D
Immunogen HIV-1 infection
Species (MHC) human (B35, B53)
Donor MHC A23, A24, B35, B58, Cw4, Cw7
Country Democratic Republic of the Congo.
Assay type CD8 T-cell Elispot - IFN γ
Keywords subtype comparisons
References Geels *et al.* 2005
- Cross-clade CTL responses in 10 non-B HIV-1 infected individuals were evaluated. T-cell reactivity was tested against peptide pools of clade B Gag, Pol, Nef, Rev and Tat. Nine individuals demonstrated cross-reactive T-cell responses to clade A, B, and C Gag pools; 6/7 patients that responded to Nef-B also reacted to clade A and C Nef pools. An inverse correlation was observed between the sequence divergence of the HLA class I restricted epitopes and the height of the T-cell responses, which in Gag could be explained through variations in the HLA-anchor residues. 42% of the responses were directed to regions containing new epitopes.
 - This previously described epitope was embedded in a B clade peptide that was recognized by T-cells from an infected person carrying subtype D Gag. The autologous epitope sequence in this person matched the known epitope. In another D subtype infected individual, it was predicted to be a B53 epitope based on HLA typing of the individual and motifs within the reactive peptide.
- HXB2 Location** p24 (122–130)
Author Location Gag (254–262)
Epitope PPIPVGDIH
Subtype B
Immunogen vaccine
Vector/Type: lipopeptide *Strain:* B clade LAI *HIV component:* Env, Gag, Nef *Adjuvant:* QS21
Species (MHC) human (B7 supertype)
Assay type proliferation, CD8 T-cell Elispot - IFN γ , Chromium-release assay
- Keywords** vaccine-induced epitopes, variant cross-recognition or cross-neutralization
References Gahéry-Ségard *et al.* 2003
- After injection of an anti-HIV-1 lipopeptide vaccine and the booster injections, a response was observed in >85% of 28 volunteers, and a long-term immune response was observed in >50% of the volunteers. A positive effect of QS21 adjuvant was found for B- and CD4+T-cell responses. A higher number of CD8+ T-cell epitopes was induced after a fourth boost injection. This epitope was one of the 31 epitopes that the vaccinated volunteers responded to.
- HXB2 Location** p24 (122–130)
Author Location p24
Epitope PPIPVGDIH
Immunogen HIV-1 infection
Species (MHC) human
Keywords HIV exposed persistently seronegative (HEPS)
References Kaul *et al.* 2001c
- This study examines CTL responses in HIV exposed, persistently seronegative individuals, HEPS, who eventually seroconverted – 11/114 HEPS Nairobi sex workers eventually seroconverted, and for six of these HIV CTL reactive epitopes had been defined while seronegative.
 - The epidemiological factor associated with seroconversion was stopping sex work. HIV-specific CTL activity declined when HEPS sex workers stopped working for a period or retired.
 - This epitope was recognized in 1/22 HEPS sex worker controls, ML887.
- HXB2 Location** p24 (124–138)
Author Location p24 (256–270 LAI)
Epitope IPVGEIYKRWIILGL
Subtype B
Immunogen HIV-1 infection
Species (MHC) human (B8)
References Buseyne *et al.* 1993b
- Clustering of Gag p24 CTL epitopes recognized in 29 HIV-infected people.
- HXB2 Location** p24 (124–138)
Author Location Gag (256–270 LAI)
Epitope IPVGEIYKRWIILGL
Subtype B
Immunogen HIV-1 infection
Species (MHC) human (B8)
References Buseyne *et al.* 1993a
- Vertical transmission of HIV ranges from 13% to 39%.
 - Primary assays showed that cytotoxic activity against at least one HIV protein was detected in 70% of infected children.
 - Epitopes recognized in five children were mapped using synthetic peptides and secondary cultures.
 - Two children, EM16 (CDC P2A+D2) and EM18 (CDC P2A), had a CTL response to this epitope, and it was shown to be presented by B8 in EM18.
- HXB2 Location** p24 (126–140)
Author Location p24 (126–140 HXB2)
Epitope VGEIYKRWIIGLNK

Subtype B**Immunogen** HIV-1 infection**Species (MHC)** human**Assay type** T-cell Elispot**Keywords** supervised treatment interruptions (STI), immunodominance, early treatment**References** Addo *et al.* 2003

- Comprehensive Elispot screening of 504 overlapping peptides that spanned all HIV-1 proteins in 57 HIV-1 infected individuals. Four groups of patients were compared: 23 were untreated; 12 patients were chronically infected and treated; 22 started treatment during acute infection, 11 continuously treated and 11 with STI.
- 63% of the peptides were recognized - the most frequent responses were directed against Nef (95%) and p24-Gag (88%). p17 was the most frequently recognized protein after correction for protein length. A median of 18 peptides (range 2-42) were recognized per person. The most frequently (>20%) recognized peptides were located in conserved regions within clade B sequences. Vpu was rarely recognized.
- A decrease in the total magnitude and in the breadth of CTL responses was detected in patients with treated acute infection in comparison to chronically infected treated or untreated individuals. No correlation between plasma viral load and HIV-1 specific T-cell responses was observed.
- The authors did not note the reference strain, but based on the peptide sequences provided it appears to be HXB2.
- Responses to this peptide were detected in 19% of the study subjects, and it was one of the 25 most frequently recognized peptides.

HXB2 Location p24 (127-135)**Author Location** p24 (259-267 SF2)**Epitope** GDIYKRWII**Immunogen** HIV-1 infection**Species (MHC)** human (B*0801)**References** McAdam *et al.* 1998

- GDIYKRWII specific CTL clone also recognized GEIYKRWII.

HXB2 Location p24 (127-135)**Author Location** p24 (261-269)**Epitope** GEIYKRWII**Immunogen** HIV-1 infection**Species (MHC)** human (B8)**References** Sutton *et al.* 1993

- Predicted epitope based on B8-binding motifs, from larger peptide NPPIPVGGEIYKRWII.

HXB2 Location p24 (127-135)**Author Location** p24 (259-267)**Epitope** GEIYKRWII**Immunogen** in vitro stimulation or selection**Species (MHC)** human (B8)**Keywords** dendritic cells**References** Zarling *et al.* 1999

- This study compares the ability of macrophages and dendritic cells to stimulate primary responses in CD8+ lymphocytes isolated from HLA-appropriate HIV-uninfected donors using peptide-pulsed APC – the dendritic cells performed better as APC for the stimulation of primary responses.
- Strong CTL responses were elicited by the epitopes DRFYK-TLRA and GEIYKRWII when presented by either immature or mature dendritic cells – macrophages were not able to prime a CTL response against DRFYKTLRA.
- A weak response to KLTPLCVSL was stimulated using macrophages as the APC.
- No detectable response was observed for the following previously-defined HIV epitopes: KIRLRPGGK, ILKEPVHGV, IRLRPGGK, GPKVKQWPL.

HXB2 Location p24 (127-135)**Author Location** p24 (259-267 LAI)**Epitope** GEIYKRWII**Subtype** B**Immunogen** HIV-1 infection**Species (MHC)** human (B8)**References** Klenerman *et al.* 1994

- Naturally occurring variant GDIYKRWII may act as antagonist.

HXB2 Location p24 (127-135)**Author Location** p24 (259-267)**Epitope** GEIYKRWII**Immunogen** HIV-1 infection**Species (MHC)** human (B8)**Keywords** immunodominance**References** Betts *et al.* 2000

- Only 4/11 HLA-A2+ HIV+ individuals had CTL that reacted to SLYNTVATL, calling into question whether it is immunodominant.
- 95 optimally-defined peptides from this database were used to screen for INF γ responses to other epitopes.
- 1/11 of the HLA A2+ was HLA A*0201, A31, B8, B51 and responded to this epitope as well as seven others.

HXB2 Location p24 (127-135)**Author Location** p24 (259-267)**Epitope** GEIYKRWII**Immunogen** HIV-1 infection**Species (MHC)** human (B8)**Keywords** dynamics, escape**References** Nowak *et al.* 1995

- Longitudinal study of CTL response and study of immune escape – GDIYKRWII could also stimulate CTL, reactivity fluctuated.

HXB2 Location p24 (127-135)**Author Location** p24 (259-267)**Epitope** GEIYKRWII**Immunogen** HIV-1 infection**Species (MHC)** human (B8)**References** McAdam *et al.* 1995

- Equivalent sequence GDIYKRWII also recognized by CTL from some donors.

HXB2 Location p24 (127–135)
Author Location p24 (259–267)
Epitope GEIYKRWII
Epitope name GEI
Immunogen HIV-1 infection
Species (MHC) human (B8)
Keywords HAART, ART, supervised treatment interruptions (STI), immunodominance, escape, acute/early infection

References Oxenius *et al.* 2000

- Patients who started therapy at acute HIV-1 infection (three with sustained therapy, two with limited therapy upon early infection) had strong HIV specific CD4 proliferative responses and were able to maintain a CTL response even with undetectable viral load – three patients that had delayed initiation of HAART had no HIV specific CD4 proliferative responses and lost their CTL responses when HAART was eventually given and their viral loads became undetectable.
- Six of the 7/8 study subjects that were HLA B8 recognized this epitope.
- Patient SC2 (HLA A1, B7/8, Cw0701/0702, DR4/53, DQ7) had CTL responsiveness against epitopes FLKEKGGL, GP-KVKQWPL, and GEIYKRWII peptides – FLKEKGGL tetramer staining steadily declined and at day 1340 the FLKEKGGL stained cells were no longer detected and the escape mutant FLKENGGI was found in 8/10 clones.
- Patient SC9 (HLA A1/2, B8/13, Cw0/0701, DR2/11, DQ6/7) had a CTL response against epitopes FLKEKGGL, ILKEPVHGV, SQRRQDILDLDWIYHTQGYFPDWQNY, and GEIYKRWII and all responses declined during therapy initiated at day 390 but were restored when therapy become intermittent.
- Patient SC19 (HLA A11/12, B8/44, Cw06/0701, DR3/7, DR52/53, DQ 2/8) had a CTL response to epitopes FLKEKGGL, GEIYKRWII, ACQGVGGPGHK, AVDLSH-FLK, and FNCGGEFFY that declined during therapy initiated at day 197.
- Patient SC10 (HLA A1/3, B8/35, DR1/8, DQ 4/5) had sustained therapy started during acute infection and maintained an immunodominant response to FLKEKGGL and a response to GEIYKRWII through day 1088.
- Patient SC12 (HLA A1, B8/39, Cw0701/0702, DR2/3, DR51/52, DQ2/6) had sustained therapy started during acute infection and maintained an immunodominant response to FLKEKGGL throughout and minor responses to GEIYKRWII, DCKTILKAL, GGKKKYKLG – GEIYKRWII and GGKKKYKLG responses were stimulated by a brief period off therapy.
- Patient SC11 (HLA A1, B8, Cw0201, DR3/11, DR52, DQ2/7) started therapy early, remained on therapy for 40 days, then reinitiated HAART at day 640 had a CTL response to FLKEKGGL, GPKVKQWPL, and GEIYKRWII throughout and received a benefit from the early limited course therapy.

HXB2 Location p24 (127–135)
Author Location p24 (259–267 SF2)
Epitope GEIYKRWII
Immunogen HIV-1 infection
Species (MHC) human (B8)
Keywords HAART, ART, acute/early infection

References Altfeld *et al.* 2001b

- Therapy provided during acute infection resulted in a narrower CTL response, stronger T help response, and a less diverse viral population than was seen in individuals treated during chronic infection.
- The breadth and specificity of the response was determined using ELISPOT by studying 19 individuals with pre-seroconversion therapy (Group 1), 11 individuals with primary infection but post-seroconversion therapy (Group 2), and 10 individuals who responded to HAART given during chronic infection (Group 3), using 259 overlapping peptides spanning p17, p24, RT, gp41, gp120 and Nef.
- Previously described and newly defined optimal epitopes were tested for CTL response.
- Number of HLA-B8+ individuals that had a CTL response to this epitope broken down by group: 2/3 group 1, 2/3 group 2, and 2/2 group 3.

HXB2 Location p24 (127–135)
Author Location p24

Epitope GEIYKRWII
Epitope name GEI
Immunogen HIV-1 infection
Species (MHC) human (B8)
Keywords HAART, ART, supervised treatment interruptions (STI)

References Oxenius *et al.* 2002b

- Using previously defined epitopes Oxenius *et al.* [2000, 2001a] in an IFN γ Elispot assay, 13 chronically HIV-1 infected patients were studied over a period including therapy with standard treatment interruptions (STI).
- STIs induced increased recognition of CTL epitopes, but there was no correlation between CTL responses with viral rebound rates, plateau viral loads, or clearance rates.

HXB2 Location p24 (127–135)
Author Location p24

Epitope GEIYKRWII
Subtype A, B, C, D
Immunogen HIV-1 infection, vaccine

Vector/Type: DNA prime with modified vaccinia Ankara (MVA) boost *Strain:* A clade
HIV component: p17 Gag, p24 Gag

Species (MHC) human (B8)
Keywords subtype comparisons, epitope processing, vaccine-specific epitope characteristics, immunodominance

References Hanke & McMichael 2000; Wee *et al.* 2002

- The HIV-1 subtype A focused vaccine HIVA contains p24 and p17, in a reversed order relative to the Gag polyprotein to prevent myristylation of p17, which could direct the protein to the cell membrane and inhibit efficient peptide processing and class I presentation, as well as a polypeptide string of conserved, often immunodominant epitopes that were selected to have particularly good cross-reactive potential for the A-clade epidemic in Nairobi, Kenya. A DNA and MVA prime-boost vaccination protocol using the HIVA antigen will be used in a phase III clinical trial in Kenya. This epitope is included in the polypeptide string Hanke & McMichael [2000].

- Multiple CD4+ or CD8+ T-cell vaccine-induced responses to peptide pools were detected using intracellular cytokine staining and IFN γ Elispot assays after vaccination of 5 macaques. The response to the Mamu A*01 SIV p27 epitope p11C (CTPYDINQM), included in the polyepitope region, was not immunodominant in the Mamu A*01 vaccinated macaques, possibly because of processing limitations in context of the artificial polyepitope string Wee *et al.* [2002].

HXB2 Location p24 (127–135)

Author Location Gag (259–267)

Epitope GEIYKRWII

Subtype B

Immunogen vaccine

Vector/Type: lipopeptide *Strain:* B clade LAI *HIV component:* Env, Gag, Nef *Adjuvant:* QS21

Species (MHC) human (B8)

Assay type proliferation, CD8 T-cell Elispot - IFN γ , Chromium-release assay

Keywords vaccine-induced epitopes, variant cross-recognition or cross-neutralization

References Gahéry-Ségard *et al.* 2003

- After injection of an anti-HIV-1 lipopeptide vaccine and the booster injections, a response was observed in >85% of 28 volunteers, and a long-term immune response was observed in >50% of the volunteers. A positive effect of QS21 adjuvant was found for B- and CD4+ T-cell responses. A higher number of CD8+ T-cell epitopes was induced after a fourth boost injection. This epitope was one of the most frequently recognized of the 31 epitopes that the vaccinated volunteers responded to.

HXB2 Location p24 (127–135)

Author Location p24 (259–267)

Epitope GEIYKRWII

Subtype B

Immunogen HIV-1 infection

Species (MHC) human (B8)

Country United States.

Assay type CD8 T-cell Elispot - IFN γ , CD8 T-cell Elispot granzyme B

Keywords Th1, characterizing CD8+ T cells

References Kleen *et al.* 2004

- Only 20% of CD8+ T-cells produce IFN- γ and granzyme B simultaneously (Tc1a). Two additional subpopulations of HIV specific CD8 cells are found, each one constituting 30–40% of the CD8 cell pool. One of these (Tc1b) secretes IFN- γ only, and the other one (Tc1c) secretes GzB only.
- None of three patients responded to this peptide with GzB producing cells and one of the patients responded with IFN- γ producing cells.

HXB2 Location p24 (127–135)

Author Location p24

Epitope GEIYKRWII

Subtype B, D

Immunogen HIV-1 infection

Species (MHC) human (B8)

Donor MHC A1, A1, B8, B55, Cw3, Cw7

Country Democratic Republic of the Congo.

Assay type CD8 T-cell Elispot - IFN γ

Keywords subtype comparisons

References Geels *et al.* 2005

- Cross-clade CTL responses in 10 non-B HIV-1 infected individuals were evaluated. T-cell reactivity was tested against peptide pools of clade B Gag, Pol, Nef, Rev and Tat. Nine individuals demonstrated cross-reactive T-cell responses to clade A, B, and C Gag pools; 6/7 patients that responded to Nef-B also reacted to clade A and C Nef pools. An inverse correlation was observed between the sequence divergence of the HLA class I restricted epitopes and the height of the T-cell responses, which in Gag could be explained through variations in the HLA-anchor residues. 42% of the responses were directed to regions containing new epitopes.
- This previously described epitope was embedded in a B clade peptide that was recognized by T-cells from an infected person carrying subtype D Gag. The autologous epitope sequence matched the peptide.

HXB2 Location p24 (127–135)

Author Location Gag (259–267 BRU)

Epitope GEIYKRWII

Subtype B, CRF02_AG

Immunogen HIV-1 infection

Species (MHC) human (B8)

Country Cote D'Ivoire.

Assay type CD8 T-cell Elispot - IFN γ

Keywords subtype comparisons

References Inwoley *et al.* 2005

- CD8+ T-cells from HIV-1 CRF02_AG-infected Ivorians could recognize clade B epitopes. No difference was observed in the number of recognized peptide pools between nine French subtype B infected study subjects, and nine CRF02_AG infected Ivorian subjects.
- This epitope was recognized by 1/9 CRF02_AG-infected Ivorians, and 2/9 B-infected French subjects.

HXB2 Location p24 (127–136)

Author Location

Epitope GEIYKRWII

Epitope name Gag-GL10

Subtype B

Immunogen HIV-1 infection

Species (MHC) human (B*0801)

Donor MHC A*0101 A*0301 B*0801 B*5802 Cw*0602 Cw*0701

Assay type Chromium-release assay

Keywords HAART, ART

References Sabbaj *et al.* 2003

- This study monitored epitope responses in HIV-1 infected minority women living in the United States.
- 24 epitopes were described – 8 were novel, 8 used new restricting elements but were previously defined epitopes, and 8 were previously described.
- Serial peptide truncations were used to define optimal epitopes for CTL cell lines isolated from 12 individuals, assayed by a Cr-release.
- Among HIV+ individuals who carried HLA B08, 3/6 (50%) recognized this epitope.

HXB2 Location p24 (128–135)
Author Location p24 (260–267 LAI)
Epitope EIYKRWII
Subtype B

Immunogen
Species (MHC) human (B*0801)
Keywords optimal epitope
References Frahm *et al.* 2007
 • C. Brander notes this is a B*0801 epitope.

HXB2 Location p24 (128–135)
Author Location (C consensus)
Epitope DIYKRWII
Subtype C
Immunogen HIV-1 infection
Species (MHC) human (B*0801)
Country South Africa.
Assay type CD8 T-cell Elispot - IFN γ
Keywords characterizing CD8+ T cells
References Kiepiela *et al.* 2004

- HLA class I restricted CD8+ T-cell responses against HIV-1 were analyzed in African patients. Significantly more responses were shown to be HLA-B restricted. Viral load, CD4 count, and thus rate of disease progression were also associated with HLA-B alleles. In addition, the selection pressure imposed on HIV-1 by HLA-B alleles was shown to be substantially greater than by other alleles.
- This epitope was suggested to be the epitope within a longer reactive peptide based on correspondence with a known epitope in the HIV database. Also, a significantly higher frequency of people in the Durban cohort who reacted with the peptide had this HLA type.

HXB2 Location p24 (128–135)
Author Location (C consensus)
Epitope DIYKRWII
Subtype C
Immunogen HIV-1 infection
Species (MHC) human (B*0801)
Country South Africa.
Assay type CD8 T-cell Elispot - IFN γ
Keywords rate of progression, optimal epitope
References Kiepiela *et al.* 2007

- A comprehensive analysis of 160 class I T cell responses in 578 individuals from KwaZulu-Natal, South Africa was performed. Gag-specific responses were associated with lowering viremia, while Env, accessory and regulatory protein-specific responses were associated with higher viremia.
- DIYKRWII is an optimal epitope.

HXB2 Location p24 (128–135)
Author Location p24 (260–267 LAI)
Epitope EIYKRWII
Subtype B
Immunogen
Species (MHC) human (B8)
References Goulder *et al.* 1997g
 • Defined in a study of the B8 binding motif.

HXB2 Location p24 (128–135)

Author Location p24 (SF2)
Epitope EIYKRWII
Immunogen HIV-1 infection
Species (MHC) human (B8)

- Keywords** subtype comparisons, immunodominance
References Goulder *et al.* 2000a
- The CTL-dominant response was focused on this epitope in an HIV+ Caucasian living in Boston – this epitope did not fall within the three most recognized peptides in the study.
 - Three peptides GSEELRSLYNTVATL (p17 residues 71-85), SALSEGATPQDLNTMLNTVG (p24 41-60), and WEKIRL-RPGGKKKYK (p17 16-30) contained the dominant Gag-specific epitope in 31 out of 44 B-clade infected individuals from Boston who showed Gag-CTL responses.
 - Five peptides RLRPGGKKHYMIKHLVW (p17 20-36), ELRSLYNTVATLYCV (p17Gag 74-88), SALSEGATPQDLNTMLNTVG (p24 41-60), FRDYVDRFFKTLRAEQA (p24 161-177), and SILDIKQGKEPFRDY (p24 149-164) contained dominant Gag-specific epitopes in 32 out of 37 C-clade infected subjects from South Africa.

HXB2 Location p24 (128–135)
Author Location p24 (C consensus)
Epitope DIYKRWII
Immunogen HIV-1 infection
Species (MHC) human (B8)

- Keywords** subtype comparisons, immunodominance
References Goulder *et al.* 2000a
- The CTL-dominant response was focused on this epitope in an HIV+ South African – this epitope did not fall within the five most recognized peptides in the study.
 - Three peptides GSEELRSLYNTVATL (p17 residues 71-85), SALSEGATPQDLNTMLNTVG (p24 41-60), and WEKIRL-RPGGKKKYK (p17 16-30) contained the dominant Gag-specific epitope in 31 out of 44 B-clade infected individuals from Boston who showed Gag-CTL responses.
 - Five peptides RLRPGGKKHYMIKHLVW (p17 20-36), ELRSLYNTVATLYCV (p17Gag 74-88), SALSEGATPQDLNTMLNTVG (p24 41-60), FRDYVDRFFKTLRAEQA (p24 161-177), and SILDIKQGKEPFRDY (p24 149-164) contained dominant Gag-specific epitopes in 32 out of 37 C-clade infected subjects from South Africa.

HXB2 Location p24 (128–135)
Author Location p24 (SF2)
Epitope EIYKRWII

- Epitope name** EI8
Immunogen HIV-1 infection
Species (MHC) human (B8)
References Goulder *et al.* 2001a
- This peptide elicited a weak CTL response during acute HIV-1 infection in patient PI004.
 - Three CTL responses to epitopes, TSTLQEIQGW, ISPRTL-NAW, and KAFSPEVIPMF, were evident early after infection; CTL responses to SLYNTVATL, QASQEVKNW, EIYKRWII, and FLKEKGGL were detectable at 5 months post-infection and beyond.

HXB2 Location p24 (128–135)
Author Location p24

Epitope EIYKRWII**Immunogen** HIV-1 infection**Species (MHC)** human (B8)**Keywords** rate of progression**References** Kostense *et al.* 2001

- HLA tetramers to six epitopes were used to study HLA-A2, B8 and B57 CTL in 54 patients – HIV-specific tetramer positive cells were inversely correlated with viral load in patients with high CD4, but in patients with CD4 T-cells below 400 high tetramer frequencies were found despite high viral load.
- Most patients have high levels of HIV-specific T-cell expansions, but many of these cells aren't functional.
- In 15 of the patients, the proportion of IFN gamma producing tetramer cells correlated with AIDS-free survival.
- 4/13 patients that reacted with EIYKRWII displayed epitope mutations in a minority of sequences, which did not correlate with disease progression or viral load – these mutations were: Patient 156 (KIYKRWMI), Patient 36 (EIYKRRII), Patient 656 (KIYKRWII, EIYERWMI), and Patient 159 (EIYKRWVI).
- Stimulation with HLA-B8 p24 and Nef epitopes significantly increased Nef-specific T-cell numbers in 2 patients (748 and 1113)
- There were more functional IFN-gamma producing Nef-specific T-cells within the T-cell population than there were active p24 Gag-specific T-cells.

HXB2 Location p24 (128–135)**Author Location** p24 (259–267)**Epitope** DIYKRWII**Immunogen** HIV-1 infection**Species (MHC)** human (B8)**References** Appay *et al.* 2000

- Combined tetramer and intracellular cytokine staining was used to study the function of circulating CD8+ T cells specific for HIV and CMV.
- HIV-specific CD8+ T cells expressed lower levels of perforin than CMV-specific CD8+ T cells from the same donor, and this was associated with persistent CD27 expression on HIV-specific cells, suggesting impaired maturation.
- In most donors, between 50% and 95% of the activated virus-specific CD8+ T cells produced IFN- γ and MIP-1 β with a distinct subset that failed to produce TNF- α

HXB2 Location p24 (128–135)**Author Location** p24 (128–135)**Epitope** EIYKRWII**Immunogen** HIV-1 infection**Species (MHC)** human (B8)**References** Day *et al.* 2001

- B8-restricted CTL accounted for about 1/3 of the total CTL response in one individual.

HXB2 Location p24 (128–135)**Author Location** Gag**Epitope** EIYKRWII**Immunogen** HIV-1 infection**Species (MHC)** human (B8)**References** Goulder *et al.* 2000b

- Tetramer assays were compared with three functional assays in 42 people with chronic HIV infection: ELISPOT, intracellular cytokine staining, and precursor frequency (limiting dilution assay [LDA])
- HIV-specific tetramer staining CTLs appeared to be active, and inert CTL were not found to play a significant role in chronic pediatric or adult HIV infection.

HXB2 Location p24 (128–135)**Author Location** p24**Epitope** DIYKRWII**Immunogen** HIV-1 infection**Species (MHC)** human (B8)**Donor MHC** A2, A11, B8, B60, Bw6**Keywords** HAART, ART**References** Appay *et al.* 2002

- Four HIV patients with prolonged clinically successful anti-viral therapy but with ongoing evidence of replication and Nef mRNA transcription, showed specific T-cell responses by Elispot and Tetramer staining, maintained for 2-4 years after initiation of HAART.
- Nef epitope recognition was detected in all 4 subjects, gp120, Pol and Gag-specific in 1 or 2 subjects.
- The HIV-specific CD8+ T-cells had an intermediate maturation phenotype characterized by low levels of perforin and high levels of CD27 expression.

HXB2 Location p24 (128–135)**Author Location** Gag (260–267 IIIB)**Epitope** EIYKRWII**Subtype** B**Immunogen** HIV-1 infection**Species (MHC)** human (B8)**Assay type** Chromium-release assay**References** Kurane *et al.* 2003

- Three CD8+ CTL cell clones were derived from 2 HIV-1 positive asymptomatic patients, and their epitope specificities and HLA presenting proteins were defined.

HXB2 Location p24 (128–135)**Author Location** Gag (B con)**Epitope** EIYKRWII**Epitope name** E18**Subtype** B**Immunogen** HIV-1 infection**Species (MHC)** human (B8)**Country** United States.**Assay type** CD8 T-cell Elispot - IFN γ **Keywords** variant cross-recognition or cross-neutralization**References** Draenert *et al.* 2004c

- CD8+ T-cell responses that persisted in individuals with advanced disease were studied; most of the optimal epitopes defined were recognized with intermediate to high avidity. On average 13 (range, 2-39) epitopic regions were targeted in an average of 6 proteins (range, 1-8). HAART resulted in decrease in antigen and reduction in gamma IFN EliSpot responses, suggesting active responses to autologous virus. The lack of mutations within most viral epitopes suggest that persistent CTL through late disease do not exert strong immune selection

pressure, yet the Elispot assays show robust responses, suggesting to the authors that gamma IFN-based screening methods may not reveal functional CD8+ T-cell impairment in patients with AIDS.

- 3 subjects recognized this epitope with intermediate functional avidity. Autologous sequence revealed one substitution, Diyrkwil, in 1 of the 3; this version of the epitope also had intermediate functional avidity with the donor's cells.

HXB2 Location p24 (128–135)

Author Location Gag

Epitope EIYKRWII

Immunogen HIV-1 infection

Species (MHC) human (B8)

Country Netherlands.

Assay type CD8 T-cell Elispot - IFN γ

Keywords HIV exposed persistently seronegative (HEPS)

References Koning *et al.* 2004

- A high-risk seronegative group of 29 homosexual men showed reduced cellular in vitro susceptibility for HIV infection and enhanced production of RANTES compared to 15 men who went on to seroconvert. Significantly higher frequencies of HLA A*11, A*31 and Cw*15 were also found in the high risk seronegative men. Both groups of men had low frequencies of HIV-1 specific CD8+ T-cells, which may signify exposure more than protection from infection.
- 3/9 HLA B8+ infection-resistant men, compared to 1/3 pre-seroconversion men who went on to become infected, reacted to this epitope.

HXB2 Location p24 (128–135)

Author Location (B consensus)

Epitope EIYKRWII

Epitope name EI8

Subtype B

Immunogen HIV-1 infection

Species (MHC) human (B8)

Donor MHC A02, A03, B08, B62, Cw7, Cw10; A11, A29, B08, B44, Cw4, Cw7; A25, A32, B08, B14, Cw7, Cw8; A01, A03, B08, B14, Cw7, Cw8

Country United States.

Assay type Cytokine production, Intracellular cytokine staining, Chromium-release assay, Flow cytometric T-cell cytokine assay

Keywords assay standardization/improvement, memory cells, characterizing CD8+ T cells

References Lichterfeld *et al.* 2004c

- Using a flow-cytometric cytotoxicity assay based on caspase-3 activation in dying target cells, it was shown that the subset of HIV-1-specific CD8+ T cells secreting both IFN-gamma and TNF-alpha exhibit stronger cytotoxic activity than those secreting only IFN-gamma. These cells also exhibited stronger intracellular perforin expression. No association between HIV-1-specific CD8+ T-cell maturation phenotypes and intracellular perforin expression was found.
- 4/9 individuals recognized this epitope, presented by HLA-B8.

HXB2 Location p24 (128–135)

Author Location p24

Epitope DIYKRWII

Subtype B

Immunogen HIV-1 infection

Species (MHC) human (B8)

Country United Kingdom.

Assay type Tetramer binding, T-cell Elispot, Intracellular cytokine staining

Keywords rate of progression, acute/early infection, characterizing CD8+ T cells, immune dysfunction

References Papagno *et al.* 2004

- Acute HIV-1 infection induces massive activation of HIV-specific and non-HIV-specific CD8+ T-cells resulting in differentiation of these cells. High differentiation of CD8+ T-cells is correlated with disease progression. Differentiation is a natural process but it can be driven by elevated immune activation, such as in HIV infection.

HXB2 Location p24 (128–135)

Author Location p24 (128–135)

Epitope EIYKRWII

Subtype B

Immunogen HIV-1 infection

Species (MHC) human (B8)

Donor MHC A1, A3, B8, B35

Country United States.

Assay type Intracellular cytokine staining, Flow cytometric T-cell cytokine assay

Keywords HAART, ART, escape, variant cross-recognition or cross-neutralization

References Casazza *et al.* 2005

- Evidence of continued viral evolution during HAART therapy despite low viral load was found in 1/5 patients studied.
- Diyrkwii sequence was found in 12/17 clones after the initiation of therapy, while eVykrwii sequence was found in 5/17, and the peptide used to initially detect the response was not found, EIYKRWII. The less frequent clone was most often recognized. No dramatic shift towards escape was observed after the initiation of therapy.

HXB2 Location p24 (128–135)

Author Location Gag

Epitope EIYKRWII

Immunogen HIV-1 infection

Species (MHC) human (B8)

Country Netherlands.

Assay type Tetramer binding, Flow cytometric T-cell cytokine assay

Keywords binding affinity, rate of progression, escape, characterizing CD8+ T cells

References Jansen *et al.* 2005

- Number and responsiveness of CD8 T-cells directed to different Gag peptides presented by HLA-A2, -B8 and B57 were compared. It was shown that T-cells specific for an HLA-B57 peptide responded to a higher extent and more readily to antigenic stimulation than those specific for HLA-A2 and -B8 peptides did. Moreover, it was shown that the higher functionality of B57-restricted T-cells was not correlated to higher number of epitope escape mutations in A2- and B8-restricted T-cells.

- Tetramer decay experiments indicate that the HLA-B57 peptide has a higher half-life than the A2 and B8 peptides. The authors point out that CD8+ T cells with high binding affinity may require less help.
- In 1/2 B8+ individuals that were sequenced, 2 epitope variants were present: EfYRKWII and rIYRKWII, but the form EIYRKWII was found most often.

HXB2 Location p24 (128–135)
Author Location Gag (260–267 B consensus)
Epitope EIYKRWII
Epitope name EI8
Subtype B
Immunogen HIV-1 infection
Species (MHC) human (B8)
Donor MHC A*01, A*11, B*08, B*15, Cw*04, Cw*07
Country United States.
Assay type CD8 T-cell Elispot - IFN γ , Chromium-release assay, Flow cytometric T-cell cytokine assay
Keywords escape, variant cross-recognition or cross-neutralization, optimal epitope
References Koibuchi *et al.* 2005

- HIV-1-specific CD8 T-cell responses were shown to be persistent in the chronic phase of HIV-1 infection, although the responses to some of the epitopes were declining despite the persistence of the targeted sequences in vivo. Only 4/14 epitopes were potential CTL escape variants, although strong responses to these epitopes persisted for 6 years. This indicates limited viral evolution within targeted CD8 T-cell epitopes during the chronic phase of infection.
- The EI8 variant dIYKRWII was the only form of the epitope detected over a 5 year time period in this person. Elispot reactions were comparable between the autologous form and the B clade consensus form, EIYKRWII .

HXB2 Location p24 (128–136)
Author Location Gag (260–268 SUMA)
Epitope EIYKRWIIL
Epitope name Gag EIL9
Subtype B
Immunogen HIV-1 infection
Species (MHC) human (A*2402)
Donor MHC A*1103, A*2402, B*1402, B*1501, Cw*0802
Country United States.
Assay type CD8 T-cell Elispot - IFN γ , Chromium-release assay
Keywords dynamics, acute/early infection, characterizing CD8+ T cells
References Jones *et al.* 2004

- Primary CD8+ T-cell response to Env, Tat and Gag and the extent, kinetics and mechanisms of viral escape were examined in three patients. Rapid escape, within weeks from infection, from HIV specific CTL responses was observed in all three patients, but the kinetics and extent of the escape differed depending on the breadth and co-dominant distribution of CTL-mediated pressure. The two patients that rapidly declined had more focused immunodominant responses, while the single patient that had low viral load and stable CD4 counts for seven years had a broad co-dominant response and less escape.

- The patient SUMA maintained low viral loads and stable CD4 T cell counts through seven years of follow up. In contrast to more rapid progressors, WEAU and BORI, SUMA a broad response to 24 epitopes, with little immunodominance. Two peptides were somewhat more intensely recognized in acute infection, but this response leveled out early on.
- Only four epitopes were found to acquire escape mutations in SUMA over time, and this was one of the 20 that remained invariant. A low level response was detected at acute infection that persisted through early infection.

HXB2 Location p24 (128–136)
Author Location Gag (260–268)
Epitope EIYKRWIIL
Subtype B
Immunogen vaccine
Vector/Type: lipopeptide *Strain:* B clade LAI *HIV component:* Env, Gag, Nef *Adjuvant:* QS21
Species (MHC) human (A2)
Assay type proliferation, CD8 T-cell Elispot - IFN γ , Chromium-release assay
Keywords vaccine-induced epitopes, variant cross-recognition or cross-neutralization
References Gahéry-Ségard *et al.* 2003

- After injection of an anti-HIV-1 lipopeptide vaccine and the booster injections, a response was observed in >85% of 28 volunteers, and a long-term immune response was observed in >50% of the volunteers. A positive effect of QS21 adjuvant was found for B- and CD4+T-cell responses. A higher number of CD8+ T-cell epitopes was induced after a fourth boost injection. This epitope was one of the most frequently recognized of the 31 epitopes that the vaccinated volunteers responded to.

HXB2 Location p24 (128–136)
Author Location p24
Epitope EIYKRWIIL
Subtype B, D
Immunogen HIV-1 infection
Species (MHC) human (A24)
Donor MHC A23, A24, B35, B58, Cw4, Cw7
Country Democratic Republic of the Congo.
Assay type CD8 T-cell Elispot - IFN γ
Keywords subtype comparisons
References Geels *et al.* 2005

- Cross-clade CTL responses in 10 non-B HIV-1 infected individuals were evaluated. T-cell reactivity was tested against peptide pools of clade B Gag, Pol, Nef, Rev and Tat. Nine individuals demonstrated cross-reactive T-cell responses to clade A, B, and C Gag pools; 6/7 patients that responded to Nef-B also reacted to clade A and C Nef pools. An inverse correlation was observed between the sequence divergence of the HLA class I restricted epitopes and the height of the T-cell responses, which in Gag could be explained through variations in the HLA-anchor residues. 42% of the responses were directed to regions containing new epitopes.
- This previously described epitope was embedded in a B clade peptide that was recognized by T-cells from an infected person carrying subtype D Gag. The autologous epitope sequence in this person matched the known epitope.

- HXB2 Location** p24 (129–136)
Author Location p24 (263–270 SF2)
Epitope IYKRWIIL
Immunogen HIV-1 infection
Species (MHC) human (A*2402)
References Ikeda-Moore *et al.* 1997
- Defined using reverse immunogenetics – 59 HLA-A*2402 binding peptides were predicted by searching for A*2402 anchors in HIV proteins (Tyr at 2, and Phe, Leu or Ile at the C term) – 53 of the 59 peptides bound A*2402.
 - This peptide induced CTL in 1/4 HIV-1 + people tested.
 - IYKRWIIL bound to A*2402 with medium strength, the epitope can be processed in a vaccinia construct and presented – two specific CTL clones were obtained.
- HXB2 Location** p24 (129–138)
Author Location p24 (263–272 SF2)
Epitope IYKRWIILGL
Immunogen HIV-1 infection
Species (MHC) human (A*2402)
References Ikeda-Moore *et al.* 1997
- Defined using reverse immunogenetics – 59 HLA-A*2402 binding peptides were predicted by searching for A*2402 anchors in HIV proteins (Tyr at 2, and Phe, Leu or Ile at the C term) – 53 of the 59 peptides bound A*2402.
 - This peptide induced CTL in 1/4 HIV-1 + people tested.
 - IYKRWIILGL bound to A*2402 with medium strength, the epitope can be processed in a vaccinia construct and presented – two specific CTL clones were obtained.
- HXB2 Location** p24 (129–138)
Author Location Gag (261–270)
Epitope IYKRWIILGL
Subtype B
Immunogen vaccine
Vector/Type: lipopeptide *Strain:* B clade LAI *HIV component:* Env, Gag, Nef *Adjuvant:* QS21
Species (MHC) human (A24)
Assay type proliferation, CD8 T-cell Elispot - IFN γ , Chromium-release assay
Keywords vaccine-induced epitopes, variant cross-recognition or cross-neutralization
References Gahéry-Ségard *et al.* 2003
- After injection of an anti-HIV-1 lipopeptide vaccine and the booster injections, a response was observed in >85% of 28 volunteers, and a long-term immune response was observed in >50% of the volunteers. A positive effect of QS21 adjuvant was found for B- and CD4+T-cell responses. A higher number of CD8+ T-cell epitopes was induced after a fourth boost injection. This epitope was one of the 31 epitopes that the vaccinated volunteers responded to.
- HXB2 Location** p24 (129–138)
Author Location p24
Epitope IYKRWIILGL
Subtype B, D
Immunogen HIV-1 infection
Species (MHC) human (A24)
Donor MHC A23, A24, B35, B58, Cw4, Cw7

- Country** Democratic Republic of the Congo.
Assay type CD8 T-cell Elispot - IFN γ
Keywords subtype comparisons
References Geels *et al.* 2005
- Cross-clade CTL responses in 10 non-B HIV-1 infected individuals were evaluated. T-cell reactivity was tested against peptide pools of clade B Gag, Pol, Nef, Rev and Tat. Nine individuals demonstrated cross-reactive T-cell responses to clade A, B, and C Gag pools; 6/7 patients that responded to Nef-B also reacted to clade A and C Nef pools. An inverse correlation was observed between the sequence divergence of the HLA class I restricted epitopes and the height of the T-cell responses, which in Gag could be explained through variations in the HLA-anchor residues. 42% of the responses were directed to regions containing new epitopes.
 - This previously described epitope was embedded in a B clade peptide that was recognized by T-cells from an infected person carrying subtype D Gag. The autologous epitope sequence in this person matched the known epitope.
- HXB2 Location** p24 (129–138)
Author Location p24 (263–272)
Epitope IYKRWIILGL
Immunogen HIV-1 infection
Species (MHC) human (B27)
Keywords immunodominance
References Betts *et al.* 2000
- Only 4/11 HLA-A2+ HIV+ individuals had CTL that reacted to SLYNTVATL, calling into question whether it is immunodominant.
 - 95 optimally-defined peptides from this database were used to screen for INF γ responses to other epitopes.
 - 1/11 of the A2+ individuals was B27 and responded to IYKRWIILGL.
- HXB2 Location** p24 (129–148)
Author Location Gag (261–280)
Epitope IYKLWIILGLNKIVRMYSPT
Subtype B
Immunogen HIV-1 infection
Species (MHC) human (B27, B62)
Donor MHC A3, A31, B27, B38; A24, B27, B62
Assay type Chromium-release assay
Keywords genital and mucosal immunity
References Musey *et al.* 2003
- CTL clones from blood, semen, cervix and rectum samples from 12 individuals were compared. CTL clones derived from blood and mucosal samples had similar high lysis efficiency, were primarily perforin dependent, and TCRbeta VDJ region sequencing revealed cases of expansion of the same clone in different compartments.
 - CD8+ T cell clones directed at this epitope were derived from blood and rectum of one individual, and blood and semen of another. Both individuals are HLA-B27 positive, and within the peptide there is a B27 epitope that was recognized in the blood and rectum of the first patient, and in the blood of the second. A HLA-B62 epitope is also recognized in this peptide in the second individual, and the CD8+ T cells clones from both the blood and semen recognized this epitope.

HXB2 Location p24 (130–148)
Author Location p24 (265–280 BRU)
Epitope YKRWIILGLNKIVRMYSPT
Immunogen HIV-1 infection
Species (MHC) human (B27)
References Dadaglio *et al.* 1991
 • Used as a positive control for HLA specificity.

HXB2 Location p24 (131–139)
Author Location Gag (265–273)
Epitope KRWIILGLN
Immunogen HIV-1 infection
Species (MHC) chimpanzee (Patr-B*03)
References Balla-Jhaghhoorsingh *et al.* 1999b
 • Certain HLA-alleles have been associated with long-term survival – among them are HLA-B*27 and HLA-B*57.
 • Of more than 150 chimpanzees that have been reported to be infected with HIV-1, only one has developed AIDS.
 • CTL responses were studied in two HIV-1 infected chimpanzees that have strong CTL responses, and they were found to respond to highly conserved epitopes that are recognized in humans in the context of HLA-B*27 and HLA-B*57.
 • The human HLA protein which presents this Patr-B*03 epitope is HLA B*2705 but the amino acid sequences in the binding pockets of HLA-B*2705 and Patr-B*03 are distinctive.

HXB2 Location p24 (131–140)
Author Location p24 (263–272)
Epitope KRWIILGLNK
Immunogen HIV-1 infection
Species (MHC) human (B*27)
Keywords HAART, ART
References Huang *et al.* 2000
 • The single cell ELISPOT assay was optimized and highly specific, and found to work well even after the primary cells had been frozen and thawed.
 • Increases in gamma interferon producing cells were observed in response to anti-retroviral therapy using single cell IFN-gamma-production ELISPOT.
 • In 3/3 HLA A*02, B*27 individuals, the dominant response in gag measured by both gamma IFN production and T cell lysis was to the B27 epitope, KRWIILGLNK, not the A2 SLYNTVATL epitope.

HXB2 Location p24 (131–140)
Author Location p24 (263–272 SF2)
Epitope KRWIILGLNK
Immunogen HIV-1 infection
Species (MHC) human (B*27)
References McAdam *et al.* 1998
 • Epitope invariant across clades A, B, C, and D.

HXB2 Location p24 (131–140)
Author Location p24 (260–269 HIV-2)
Epitope RRWQLGLQK
Immunogen
Species (MHC) human (B*2703)
Keywords optimal epitope
References Frahm *et al.* 2007
 • C. Brander notes this is a B*2703 epitope.

HXB2 Location p24 (131–140)
Author Location p24
Epitope KRWIILGLNK
Immunogen HIV-1 infection
Species (MHC) human (B*2705)
Keywords dynamics, acute/early infection
References Wilson *et al.* 2000a

• Three individuals with highly focused HIV-specific CTL responses were studied during acute infection using tetramers – high frequencies of HIV-1-specific CD8+ T cells were found prior to seroconversion, and there was a close temporal relationship between the number of circulating HIV-specific T cells and viral load was also found.
 • All three patients were B*2705, with HLA alleles: A1, A30/31, B*2705, B35; A1, A*0301, B7, B2705; and A*0201, A*0301, B2705, B39.
 • Tetramers with peptide variants KRWIILGGLNK and KRWIIMGGLNK were used – CTL from most B27 donors recognize both variants, although one of the three subjects recognized only KRWIILGGLNK.
 • ELISPOT was used to test a panel of CTL epitopes that had been defined earlier and were appropriate for the HLA haplotypes of the study subjects – 3/3 subjects showed a dominant response to the B*2705 epitope KRWIILGGLNK.
 • The subject with A*0201 had a moderately strong response to SLYNTVATL.
 • Weak responses were observed to A*301-RLRPGGKKK, A*301-QVPLRPMTYK, and B7-TPGPGVRYPL in the subject who was HLA A1, A*0301, B7, B*2705.
 • No acute response was detected to the following epitopes: A*201-ILKEPVHGV, A*301-KIRLRPGGK, A*301-AIFQSSMTK, A*301-TVYYGVPVWK, B35-EPIVGAETF, B35-HPDIVIYQY, B35-PPIVGGEIY, B35-NSSKVSQNY, B35-VPLRPMTY, B35-DPNPQEVVL.

HXB2 Location p24 (131–140)
Author Location p24 (263–272 LAI)
Epitope KRWIILGLNK
Subtype B
Immunogen HIV-1 infection
Species (MHC) human (B*2705)
Keywords optimal epitope
References Frahm *et al.* 2007
 • C. Brander notes this is a B*2705 epitope.

HXB2 Location p24 (131–140)
Author Location p24 (263–272)
Epitope KRWIILGLNK
Immunogen HIV-1 infection
Species (MHC) human (B*2705)
Keywords escape
References Kelleher *et al.* 2001b
 • A mutation in 4/5 B*2705 patients had substitution to lysine (K) at HIV-1 gag residue 264 (R264K), in three the change occurred late in infection – in one patient a substitution of glycine at HIV-1 gag residue 264 (R264G) was detected – these substitutions reduce binding to B27.
 • The R264K mutations were associated with a L268M mutation that may be compensatory, and R264G occurred in conjunction with E260D.

- Positions 260, 264, and 268 all lie along one aspect of helix seven of the capsid protein, a region that is important for capsid self-association and assembly.
- R264G and R264K escape mutation outgrowth occurred in conjunction with high viral loads.

HXB2 Location p24 (131–140)

Author Location p24 (263–272)

Epitope KRWIIMGLNK

Immunogen HIV-1 infection

Species (MHC) human (B*2705)

References Appay *et al.* 2000

- Combined tetramer and intracellular cytokine staining was used to study the function of circulating CD8+ T cells specific for HIV and CMV.
- HIV-specific CD8+ T cells expressed lower levels of perforin than CMV-specific CD8+ T cells from the same donor, and this was associated with persistent CD27 expression on HIV-specific cells, suggesting impaired maturation.
- In most donors, between 50% and 95% of the activated virus-specific CD8+ T cells produced IFN- γ and MIP-1 β with a distinct subset that failed to produce TNF- α

HXB2 Location p24 (131–140)

Author Location p24

Epitope KRWIILGLNK

Subtype A, B, C, D

Immunogen HIV-1 infection, vaccine

Vector/Type: DNA prime with modified vaccinia Ankara (MVA) boost *Strain:* A clade
HIV component: p17 Gag, p24 Gag

Species (MHC) human (B*2705)

Keywords subtype comparisons, epitope processing, vaccine-specific epitope characteristics, immunodominance

References Hanke & McMichael 2000; Wee *et al.* 2002

- The HIV-1 subtype A focused vaccine HIVA contains p24 and p17, in a reversed order relative to the Gag polyprotein to prevent myristylation of p17, which could direct the protein to the cell membrane and inhibit efficient peptide processing and class I presentation, as well as a polyepitope string of conserved, often immunodominant epitopes that were selected to have particularly good cross-reactive potential for the A-clade epidemic in Nairobi, Kenya. A DNA and MVA prime-boost vaccination protocol using the HIVA antigen will be used in a phase III clinical trial in Kenya. This epitope is included in the polyepitope string Hanke & McMichael [2000].
- Multiple CD4+ or CD8+ T-cell vaccine-induced responses to peptide pools were detected using intracellular cytokine staining and IFN γ ELISPOT assays after vaccination of 5 macaques. The response to the Mamu A*01 SIV p27 epitope p11C (CTPYDINQM), included in the polyepitope region, was not immunodominant in the Mamu A*01 vaccinated macaques, possibly because of processing limitations in context of the artificial polyepitope string Wee *et al.* [2002].

HXB2 Location p24 (131–140)

Author Location Gag (263–272)

Epitope KRWIILGLNK

Epitope name KK10

Subtype B

Immunogen HIV-1 infection, vaccine

Vector/Type: canarypox *Strain:* B clade LAI, B clade MN *HIV component:* Gag, gp120, gp41, Protease

Species (MHC) human (B*2705)

Donor MHC A2, B27, B44, Cw2, Cw5

Country United States.

Assay type CD8 T-cell ELISPOT - IFN γ , Tetramer binding, Intracellular cytokine staining, Chromium-release assay, Flow cytometric T-cell cytokine assay, Degranulation, CD107a and b cell surface mobilization

Keywords vaccine-specific epitope characteristics, vaccine-induced epitopes, immunodominance, escape, TCR usage, characterizing CD8+ T cells

References Betts *et al.* 2005

- A vaccinated HIV-negative individual exhibited features predicted to be necessary for vaccine-induced protection: killing ability, cytokine production, multifunctionality, proliferative capacity, polyclonality, memory phenotype, and a CD8 T-cell response directed against a highly immunodominant epitope correlated with long-term nonprogression. In spite of this, the subject became infected with HIV through homosexual contact. The subject progressed more rapidly than expected for an HLA-B27-positive individual.
- After infection, CD4+ and CD8+ T cells acquired functional characteristics typical of chronic HIV infection. The infecting virus escaped the vaccine-induced T-cell response with an R264G substitution, KgWIILGLNK, which diminishes binding to B27, between the second and third year of infection.

HXB2 Location p24 (131–140)

Author Location p24 (263–272 LAI)

Epitope KRWIILGLNK

Subtype B

Immunogen HIV-1 infection

Species (MHC) human (B*2705, B27)

Keywords review, rate of progression, immunodominance, escape

References Goulder *et al.* 1997c; Goulder *et al.* 1997a

- HLA-B*2705 is associated with slow HIV disease progression.
- 11/11 HLA-B*2705 donors make a response to this epitope, usually an immunodominant response.
- This is a highly conserved epitope.
- The HLA-B*2705 binding motif includes R at position 2, and L in the C-term position.
- Goulder *et al.* [1997a] is a review on CTL immune escape that discusses this epitope in the context of the difficulty in detection of immune escape – KRWIILGLNK and an R2K change, KKWIILGLNK, show little difference in titration curves, yet the K2 variants fail to bind to targets for more than 1 hour, while the R2 form can sensitize lysis by CTL for over 24 hours – minigene transfection experiments confirmed the importance of this for the CTL response.

HXB2 Location p24 (131–140)

Author Location p24 (260–269 HIV-2)

Epitope RRWQLGLQK

Immunogen**Species (MHC)** human (B27)**References** Brander & Walker 1996

- HIV-2, HLA-B*2703, S. Rowland-Jones, pers. comm.

HXB2 Location p24 (131–140)**Author Location** p24 (263–272 LAI)**Epitope** KRWIILGLNK**Subtype** B**Immunogen** HIV-1 infection**Species (MHC)** human (B27)**Keywords** dendritic cells**References** Fan *et al.* 1997

- The capacity of dendritic cells to process and present antigen and stimulate anti-HIV-1 CTL memory responses was studied.

HXB2 Location p24 (131–140)**Author Location** Gag (263–272)**Epitope** KRWIILGLNK**Immunogen** HIV-1 infection**Species (MHC)** human (B27)**Keywords** epitope processing, dendritic cells**References** Zheng *et al.* 1999

- Protein delivery (gp160 LAV, p66 LAV, and p24 NY5) to human dendritic cells (DC) with liposomes provides enhanced memory CTL response relative to delivery of protein alone.
- Chloroquine administration enhanced epitope presentation, and brefeldin A and peptide aldehyde inhibitors inhibited antigen presentation, suggesting epitopes were processed by classical proteasome pathway.
- The CTL response to p24 was measured in individuals with a response to B27-KRWIILGLNK.

HXB2 Location p24 (131–140)**Author Location** p24 (263–272 LAI)**Epitope** KRWIILGLNK**Subtype** B**Immunogen** HIV-1 infection**Species (MHC)** human (B27)**Keywords** dynamics, TCR usage**References** Wilson *et al.* 1998a

- HIV+ individuals were followed longitudinally using MHC tetramers in combination with 14 anti-BV chain MABs, and clonal expansion of HIV-specific T cells was followed *in vivo*.
- Seven HIV+ people were studied, and all showed expansions of particular TCR BV clones, often several, relative to uninfected controls.
- Three patients were followed in detail, TCR VB expansions persisted for 2 to 3 years, with occasional transient increases.

HXB2 Location p24 (131–140)**Author Location** p24**Epitope** KRWIILGLNK**Immunogen** HIV-1 infection**Species (MHC)** human (B27)**Keywords** review**References** Rowland-Jones *et al.* 1997

- Described in this review as the first identified HIV CTL epitope.

HXB2 Location p24 (131–140)**Author Location** p24 (263–272 LAI)**Epitope** KRWIILGLNK**Subtype** B**Immunogen** HIV-1 infection**Species (MHC)** human (B27)**References** Buseyne *et al.* 1993b

- Clustering of Gag p24 CTL epitopes recognized in 29 HIV-infected people.

HXB2 Location p24 (131–140)**Author Location** p24 (263–272 LAI)**Epitope** KRWIILGLNK**Subtype** B**Immunogen** HIV-1 infection**Species (MHC)** human (B27)**Keywords** review**References** McMichael & Walker 1994

- Review of HIV CTL epitopes.

HXB2 Location p24 (131–140)**Author Location** p24 (263–272)**Epitope** KRWIIMGLNK**Immunogen** HIV-1 infection**Species (MHC)** human (B27)**References** Klenerman *et al.* 1994

- Naturally occurring variant KRWIILGLNK may act as antagonist.

HXB2 Location p24 (131–140)**Author Location** p24 (263–272)**Epitope** KRWIIMGLNK**Immunogen** HIV-1 infection**Species (MHC)** human (B27)**References** Klenerman *et al.* 1995

- Naturally occurring variant KRWIILGLNK may act as antagonist.

HXB2 Location p24 (131–140)**Author Location** p24 (265–274)**Epitope** KRWIILGLNK**Immunogen** HIV-1 infection**Species (MHC)** human (B27)**Keywords** dynamics, TCR usage**References** Moss *et al.* 1995

- In one individual, TCR usage changed over time indicating that new populations of CTL can be recruited.
- TCR usage showed a CTL clonal response to this epitope that persisted over 5 years.
- CTL clones specific for HIV epitopes may represent between 0.2 and 1% of the total CD8+ population of T cells.

HXB2 Location p24 (131–140)**Author Location** p24 (265–276)**Epitope** KRWIILGLNK**Immunogen****Species (MHC)** human (B27)**References** Carreno *et al.* 1992

- Included in HLA-B27 binding peptide competition study.

HXB2 Location p24 (131–140)**Author Location** p24 (265–274 SF2)

- Epitope** KRWILGLNK
Immunogen HIV-1 infection
Species (MHC) human (B27)
Keywords dynamics, review, immunodominance, escape
References Goulder *et al.* 1997a; Phillips *et al.* 1991
- Longitudinal study of CTL escape mutants – little variation was observed in the immunodominant B27 epitope, relative to B8 epitope.
 - Goulder *et al.* [1997a] is a review of immune escape that points out that there may be a protective effect associated with B27, and that HLA-B8 individuals tend to progress more rapidly than HLA B27 patients.
- HXB2 Location** p24 (131–140)
Author Location p24 (263–272)
Epitope KRWILGLNK
Immunogen HIV-1 infection
Species (MHC) human (B27)
Keywords review, escape
References Goulder *et al.* 1997a; Nietfeld *et al.* 1995
- Single point mutations were introduced and viral viability and CTL recognition tested – an Arg to Lys change at anchor position P2 abrogates binding to B27, but doesn't change viral viability *in vitro*.
 - Goulder *et al.* [1997a] is a review of immune escape that summarizes this study.
- HXB2 Location** p24 (131–140)
Author Location p24 (263–272)
Epitope KRWIIMGNK
Immunogen HIV-1 infection
Species (MHC) human (B27)
Keywords escape
References Nowak *et al.* 1995
- Longitudinal study of CTL response and immune escape – the form KRWILGNK was also found, and both forms stimulate CTL.
- HXB2 Location** p24 (131–140)
Author Location p24 (263–272)
Epitope KRWILGNK
Immunogen HIV-1 infection
Species (MHC) human (B27)
Keywords subtype comparisons
References Durali *et al.* 1998
- Cross-clade CTL response was studied by determining the CTL activity in seven patients from Bangui, (6 A subtype, and 1 AG recombinant infections) and one A subtype infection from a person living in France originally from Togo, to different antigens expressed in vaccinia.
 - Pol reactivity: 8/8 had CTL to A subtype, and 7/8 to B subtype, and HIV-2 Pol was not tested.
 - Gag reactivity: 7/8 reacted with A or B subtype gag, 3/8 with HIV-2 Gag.
 - Nef reactivity: 7/8 reacted with A subtype, and 5/8 with B subtype, none with HIV-2 Nef.
 - Env reactivity: 3/8 reacted with A subtype, 1/8 with B subtype, none with HIV-2 Env.
 - One of the patients was shown to react to this epitope: KRWILGNK.

- HXB2 Location** p24 (131–140)
Author Location p24 (263–272)
Epitope KRWIIMGLNK
Immunogen HIV-1 infection
Species (MHC) human (B27)
Keywords review, immunodominance, escape
References Goulder *et al.* 1997f; Goulder *et al.* 1997a
- Six HLA-B27 donors studied make a strong response to this epitope.
 - In 4/6 cases, this was the immunodominant or only CTL response.
 - Two of the cases had an epitope switch to the form KKWIIMGLNK during a period of rapid decline to AIDS, following their asymptomatic period.
 - The arginine to lysine switch is in an anchor residue, and results in immune escape due to severely diminished binding to the B27 molecule.
 - Goulder *et al.* [1997a] is a review of immune escape that summarizes this study in the context of CTL escape to fixation.
- HXB2 Location** p24 (131–140)
Author Location p24
Epitope KRWILGLNK
Immunogen
Species (MHC) human (B27)
References Rowland-Jones *et al.* 1999
- CTL responses in seronegative highly HIV-exposed African female sex workers in Gambia and Nairobi were studied – these women had no delta 32 deletion in CCR5.
 - In Gambia there is exposure to both HIV-1 and HIV-2, CTL responses to B35 epitopes in exposed, uninfected women are cross-reactive, and the B35 allele seems to be protective.
 - HIV-2 sequence: RRWQLGLQK – this epitope was not HIV-1 and HIV-2 cross-reactive.
- HXB2 Location** p24 (131–140)
Author Location Gag (263–)
Epitope KRWILGLNK
Immunogen computer prediction
Species (MHC) (B27)
Keywords subtype comparisons
References Schafer *et al.* 1998
- This study uses EpiMatrix for T cell epitope prediction to identify possible HLA-B27 and A-2 CTL epitopes in HIV.
 - Based on EpiMatrix predictions, 28 peptides were synthesized and tested using T2 binding assays for potential HLA A2 or B27 binding, and 12 of these were shown to bind to the predicted HLA molecule.
 - Two of these 12 peptides had been previously identified as CTL epitopes: HLA-B27 KRWILGLNK and HLA-A2 ILKEPVHGV.
 - This peptide sequence is not conserved between clades, but is found in most B clade isolates.
- HXB2 Location** p24 (131–140)
Author Location p24 (263–282)
Epitope KRWILGLNK
Immunogen HIV-1 infection
Species (MHC) human (B27)
References Bernard *et al.* 1998

- This study focuses on six rare long-term survivor HIV-infected people who were infected for many years without exhibiting immune dysregulation – such immunologically normal HIV-infected (INHI) cases occur at a frequency between 0.1 and 1% in the infected population.
- No direct CTL were found in any of the six INHIs, but above background CTLp activity was founded in 3/6 INHIs.
- Epitope sequences were deduced from larger reactive peptides based on HLA binding motifs – XRXXXXXXXXK is a B*2705 binding motif.

HXB2 Location p24 (131–140)

Author Location p24 (265–274 SF2)

Epitope KRWIILGLNK

Immunogen HIV-1 infection

Species (MHC) human (B27)

Keywords HAART, ART, acute/early infection

References Altfeld *et al.* 2001b

- Therapy provided during acute infection resulted in a narrower CTL response, stronger T help response, and a less diverse viral population than was seen in individuals treated during chronic infection.
- The breadth and specificity of the response was determined using ELISPOT by studying 19 individuals with pre-seroconversion therapy (Group 1), 11 individuals with primary infection but post-seroconversion therapy (Group 2), and 10 individuals who responded to HAART given during chronic infection (Group 3), using 259 overlapping peptides spanning p17, p24, RT, gp41, gp120 and Nef.
- Previously described and newly defined optimal epitopes were tested for CTL response.
- Number of HLA-B27+ individuals that had a CTL response to this epitope broken down by group: 0/0 group 1, 0/0 group 2, and 1/1 group 3.

HXB2 Location p24 (131–140)

Author Location p24 (263–272)

Epitope KRWIILGLNK

Immunogen HIV-1 infection, HIV-1 exposed seronegative

Species (MHC) human (B27)

Keywords HIV exposed persistently seronegative (HEPS)

References Kaul *et al.* 2001a

- ELISPOT was used to study CTL responses to a panel of 54 predefined HIV-1 epitopes in 91 HIV-1-exposed, persistently seronegative (HEPS) and 87 HIV-1-infected female Nairobi sex workers.
- Responses in HEPS women tended to be lower, and focused on different epitopes with HLA presenting molecules that have previously been associated with reduced risk of infection, and there was a shift in the response in the HEPS women upon late seroconversion to epitopes recognized by the HIV-1 infected women.
- 43/91 HEPS women had CD8+ responses and detection of HIV-1-specific CTL in HEPS women increased with the duration of viral exposure.
- Subject ML 1760 had an A2 response to ILK(D/E)PVHGV prior to seroconversion, and gained responses to epitopes A2 SL(F/Y)NTVATL and B27 KRWI(L/M)GLNK post-seroconversion.

HXB2 Location p24 (131–140)

Author Location p24 (131–140)

Epitope KRWIILGLNK

Immunogen HIV-1 infection

Species (MHC) human (B27)

References Day *et al.* 2001

HXB2 Location p24 (131–140)

Author Location p24 (260–299)

Epitope RRWIQLGLQK

Immunogen HIV-1 infection

Species (MHC) human (B27)

References Day *et al.* 2001

HXB2 Location p24 (131–140)

Author Location p24 (131–140)

Epitope KRWIILGLNK

Epitope name KK10

Immunogen HIV-1 infection

Species (MHC) human (B27)

Keywords responses in children, mother-to-infant transmission, immunodominance, escape, acute/early infection

References Goulder *et al.* 2001b

- 85% of B27+ adults have CTL that recognize this epitope, but only 2/6 children did.
- Responses to this dominant B27-restricted Gag epitope are present during the time of decreasing viral load in acute infection.
- Three children who shared B27 with their mothers did not respond to this epitope and inherited escape mutations from their mothers.
- A transmitted R132T anchor residue mutation abrogated binding to B27.
- In the three children infected with the non-binding KK10 variants, the dominant CTL specificity was still HLA-B27-restricted, but it was directed against an epitope in p17, IRL-RPGGKK, only rarely recognized in adults when KRWIILGLNK is the dominant response.
- Mutations in this epitope were observed in autologous clones of subjects who were B27-positive with a higher frequency than those who were B27-negative (P = 0.0005)
- These mutations are being sexually transmitted in adult infections.

HXB2 Location p24 (131–140)

Author Location

Epitope KRWIILGLNK

Epitope name Gag-KK10

Subtype B

Immunogen HIV-1 infection

Species (MHC) human (B27)

References Sabbaj *et al.* 2003

- Among HIV+ individuals who carried HLA B27, 2/3 (66%) recognized this epitope.

HXB2 Location p24 (131–140)

Author Location p24 (263–272 LAI)

Epitope KRWIIMGLNK

Subtype B

- Immunogen** HIV-1 infection
Species (MHC) human (B27)
Keywords HAART, ART, epitope processing, immunodominance
References Kelleher *et al.* 2001a
- Ritonavir (RTV) inhibits chymotryptic activity in the 20S proteasome *in vitro*, as does Saquinavir (SQV) to a lesser extent; Indinavir (IDV) does not. Thus there is concern protease inhibitors may adversely effect CTL epitope processing, but this paper indicates that processing is not inhibited at therapeutically relevant concentrations of RTV when the proteasome is functioning in an intracellular context.
 - RTV did not reduce antigen presentation and concentration of the two immunodominant Gag CTL epitopes (KRWIIMGLNK (B27) and SLYNTVATL (A2)).
 - RTV did not inhibit the processing and assembly of HLA-B35 or -A2, which are assembled with a rapid and moderate time course, respectively, or of HLA-A3, -B27 and -B39.

HXB2 Location p24 (131–140)

Author Location p24

Epitope KRWIILGLNK

Epitope name B27-KK10(p24)

Subtype B

Immunogen HIV-1 infection

Species (MHC) human (B27)

Donor MHC A24, B7, B27; A30, A32, B18, B27

Keywords HAART, ART, supervised treatment interruptions (STI)

References Altfeld *et al.* 2002b

- Peripheral blood (PB) and lymph node (LN) CD8+ T-cell responses were compared in 15 asymptomatic HIV-1 infected patients using all known optimal CTL epitopes (<http://hiv-web.lanl.gov/content/hiv-db/REVIEWS/brander2001.html>) for each person's class I HLA alleles.
- 60 epitope responses were detected in both PB and LN samples of the 15 patients, and an additional 8 responses were detected only in LN. The total magnitude of the response was similar in LN and PB, but the percentage of CD8+ T cells in the LN is lower so the number of HIV-specific cells per million CD8+ T-cells is higher in the LN.
- 1 year post-HAART treatment in five patients studied, the magnitude of the CD8 T-cell response was decreased in both LN and PB, but more dramatically in PB, and 13/25 epitope responses in the PB became undetectable, in contrast to 5/26 in the LN.
- Treatment interruption following HAART induced resulted in increased viremia accompanied by the restoration of the detection of 13 epitopes that had become undetectable in the PB, and the addition of 9 novel epitope responses.
- Breakdowns of epitope responses were shown for 4 individuals. Patient C displayed the greatest response to B27-KK10(p24), and in decreasing order also responded to A24-RW8(Nef), B7-IL9(gp41), A24-RL9(gp41), A24-YL8(gp41), and B7-TM9(Nef). Patient D also displayed the greatest response to B27-KK10(p24), and also responded to A30-RY11(p17), A32-PW10(RT), A30-KY11(RT), A32-RW10(gp120), and B18-YY9(Nef).

HXB2 Location p24 (131–140)

Author Location Gag (263–272)

Epitope KRWIILGLNK

Subtype CRF01_AE

Immunogen HIV-1 infection

Species (MHC) human (B27)

Donor MHC B27

Keywords subtype comparisons

References Currier *et al.* 2002a

- Cross-reactive responses were found in PBMC isolated from individuals infected with either B or CRF01_AE clade viruses, as determined by Elispot assays of target cells expressing recombinant vaccinia viruses expressing HIV-1 gag, env, nef and pol from many clades.
- Subject AIHP-6 (Thai, CDF01-AE infected) recognized this epitope. This subject showed cross-subtype CTL responses to gag constructs derived from subtypes A, B, C, D, F, G, and H, and this epitope was perfectly preserved in all of these but subtype A which had the sequence KRWMILGLNK.
- This subject didn't respond to a Gag CRF01 sequence which had a R->K mutation in position 2.

HXB2 Location p24 (131–140)

Author Location Gag

Epitope KRWIILGLNK

Epitope name KK10

Immunogen HIV-1 infection

Species (MHC) human (B27)

Donor MHC A26, B27

Assay type CD8 T-cell Elispot - IFN γ

Keywords responses in children, rate of progression, immunodominance, escape

References Feeney *et al.* 2004

- Viral load in a perinatally infected child remained low until emergence of an escape variant (kTwilglnk) in the immunodominant CTL epitope KRWIILGLNK when the child was 7.4 years old. The emergence of this escape mutation was followed by an increase in viremia and an increase in the number of targeted CTL epitopes, measured again when the child was 9.2 years old. The timing suggests that the loss of recognition of this epitope may have resulted in the subsequent loss of immune control.
- The mutation krwillMglnk has been suggested to be compensatory and required for the emergence of the previously described escape mutation kKwillMglnk (Kelleher 2001). The L136M mutation does appear in this child, but not in conjunction with the R132T escape mutation.

HXB2 Location p24 (131–140)

Author Location

Epitope KRWIIMGLNK

Epitope name KK10

Immunogen HIV-1 infection

Species (MHC) human (B27)

Keywords review, responses in children, vaccine-specific epitope characteristics, rate of progression, escape

References Goulder & Watkins 2004

- This paper is a review of the role of CTL in HIV infection, and it uses KK10 as an example of an epitope that has late escape mutations associated with loss of immune control of the virus and decline to AIDS.
- A study where a vaccine response to KK10 was stimulated in a individual who subsequently got infected and had rapid escape from the KK10 response and an unexpectedly high steady state viral load for a B27+ person is recounted as a cautionary note regarding the delicate balance of effects that might contribute to CTL mediated immune control.

HXB2 Location p24 (131–140)

Author Location Gag

Epitope KRWIIILGLNK

Epitope name KK10

Subtype B

Immunogen HIV-1 infection

Species (MHC) human (B27)

Assay type CD8 T-cell Elispot - IFN γ

Keywords subtype comparisons, escape, characterizing CD8+ T cells, reversion, viral fitness

References Allen *et al.* 2005a

- Two-thirds of all mutations arising in nonenvelope proteins during the transition from acute to chronic infection were found to be due to either CD8 T-cell-associated selective pressures or reversion of HLA-I-associated mutations selected in a previous host. The predominance of escape mutations at highly polymorphic sites was observed across different HIV-1 clades.
- One escape mutation, at position 6, krwiiMglnk, was found in the most polymorphic residue in the epitope. This was shared between clades B and C. One escape mutation, at position 2, kTwiilglnk, was found not to correspond to the most polymorphic residue in the epitope.

HXB2 Location p24 (131–140)

Author Location Gag (263–272 BRU)

Epitope KRWIIILGLNK

Subtype B, CRF02_AG

Immunogen HIV-1 infection

Species (MHC) human (B27)

Country Cote D'Ivoire.

Assay type CD8 T-cell Elispot - IFN γ

Keywords subtype comparisons

References Inwoley *et al.* 2005

- CD8+ T-cells from HIV-1 CRF02_AG-infected Ivorians could recognize clade B epitopes. No difference was observed in the number of recognized peptide pools between nine French subtype B infected study subjects, and nine CRF02_AG infected Ivorian subjects.
- This epitope was recognized by 0/9 CRF02_AG-infected Ivorians, and 3/9 B-infected French subjects.

HXB2 Location p24 (131–140)

Author Location p24

Epitope KRWIIILGLNK

Epitope name KK10

Immunogen

Species (MHC) (B27)

Keywords review, immunodominance, escape, acute/early infection, early-expressed proteins, kinetics, reversion, viral fitness

References Lichterfeld *et al.* 2005

- This review discusses the importance of 3 factors that impact the selection of immunodominant epitopes in acute HIV infection: i) the kinetics of viral protein expression, ii) the HLA class I background of the infected individual, and iii) the autologous sequence of the infecting virus. This is 1 of 12 peptides listed as immunodominant in acute HIV-1 infection.

HXB2 Location p24 (131–140)

Author Location Gag (263–272)

Epitope KRWIIILGLNK

Subtype B

Immunogen HIV-1 infection

Species (MHC) human (B27)

Country Barbados.

Assay type CD8 T-cell Elispot - IFN γ

Keywords responses in children, mother-to-infant transmission, escape, acute/early infection

References Pillay *et al.* 2005

- HIV-specific CTLs in infants were shown to be able to select for viral escape variants early in life, despite a lack of escape with the same CTL specificity in the mother. Infant CTL responses may be compromised by transmission of escape variants that arose in the mother and also those that arose in the father, if the father was the source of the mother's infection.
- A B27 escape footprint was passed from a B27+ father to his partner, who then passed the variant to their child. KRWIIILGLNK is the B consensus form of this epitope, the paternal form was KqWIIiGLNK, the maternal form, KqWvImGLNK, and this was the form passed on to the child.

HXB2 Location p24 (131–140)

Author Location Gag (263–272)

Epitope KRWIIILGLNK

Immunogen HIV-1 infection

Species (MHC) human (B27)

Country Australia.

Assay type CD8 T-cell Elispot - IFN γ , HLA binding

Keywords binding affinity, rate of progression, immunodominance, escape

References Ammaranond *et al.* 2005

- B27-positive subjects have an immunodominant response to Gag epitope KRWIIILGLNK, with R264 KrWIIILGLNK being a crucial anchor residue. Among a group of 20 long-term non-progressive B27-positive subjects, 14 carried wild-type sequence, 5 carried known escape mutants (K264 or G264), and 1 carried a novel Q264 mutant. This mutant was also shown to be a likely escape mutation. These escape mutations all lower the affinity for B27 binding; the Q264 variant has 30-fold lower binding affinity.

HXB2 Location p24 (131–140)

Author Location Gag (263–272 LAI)

Epitope KRWILLGLNK

Subtype B

Immunogen HIV-1 infection

Species (MHC) human

- References** Buseyne *et al.* 1993a
- Vertical transmission of HIV ranges from 13% to 39%.
 - Primary assays showed that cytotoxic activity against at least one HIV protein was detected in 70% of infected children.
 - Epitopes recognized in five children were mapped using synthetic peptides and secondary cultures.
 - Patient EM28 (CDC P2A) had a CTL response to four epitopes in Gag.

HXB2 Location p24 (131–142)

Author Location p24 (265–276)

Epitope KRWIIILGLNKIV

Immunogen peptide-HLA interaction

Species (MHC) human (B27)

References Jardetzky *et al.* 1991

- Epitope examined in the context of peptide binding to HLA-B27.

HXB2 Location p24 (131–142)

Author Location p24 (263–274 LAI)

Epitope KRWIIILGLNKIV

Subtype B

Immunogen HIV-1 infection

Species (MHC) human (B27)

Keywords dendritic cells

References Fan *et al.* 1997

- The capacity of dendritic cells to process and present antigen and stimulate anti-HIV-1 CTL memory responses was studied.

HXB2 Location p24 (131–142)

Author Location p24 (131–142)

Epitope KRWIIILGLNKIV

Immunogen HIV-1 infection

Species (MHC) human (B27)

References Ferrari *et al.* 2000

- One of the 51 HIV-1 epitopes selected by Ferrari *et al.* as good candidate CTL epitopes for vaccines by virtue of being conserved and presented by common HLA alleles.

HXB2 Location p24 (131–145)

Author Location p24 (263–277 LAI)

Epitope KRWIIILGLNKIVRMRY

Subtype B

Immunogen HIV-1 infection

Species (MHC) human (A33)

References Buseyne *et al.* 1993b

- Clustering of Gag p24 CTL epitopes recognized in 29 HIV-1 infected people.

HXB2 Location p24 (131–145)

Author Location p24 (266–277)

Epitope KRWIIILGLNKIVRMRY

Immunogen vaccine

Vector/Type: vaccinia *HIV component:* Gag

Species (MHC) human (B27)

References Nixon *et al.* 1988

- Gag CTL epitope mapped with rec gag-vaccinia and synthetic peptides.
- This was the first HIV-1 epitope to be mapped.

HXB2 Location p24 (131–145)

Author Location p24 (266–277 LAI)

Epitope KRWIIILGLNKIVRMRY

Subtype B

Immunogen HIV-1 infection

Species (MHC) human (B27)

References Meyerhans *et al.* 1991

- Longitudinal study showing persistence of epitope despite CTL activity.

HXB2 Location p24 (131–145)

Author Location p24 (265–279)

Epitope KRWIIILGLNKIVRMRY

Immunogen HIV-1 infection

Species (MHC) human (B27)

References Nixon *et al.* 1990; Rowland-Jones *et al.* 1999

- HIV-1 and HIV-2 cross-reactive CTL clone, highly conserved epitope.
- Reviewed in Rowland-Jones99, notes that it did not appear cross-reactive with HIV-2 in Rowland-Jones98, HIV-2 form: RRWQLGLQK.

HXB2 Location p24 (131–145)

Author Location p24 (SF2)

Epitope KRWIIILGLNKIVRMRY

Immunogen HIV-1 infection

Species (MHC) human

Keywords subtype comparisons, immunodominance

References Goulder *et al.* 2000a

- The CTL-dominant response was focused on this epitope in a HIV+ African American living in Boston with unknown HLA – this epitope did not fall within the three most recognized peptides in the study.
- Three peptides GSEELRSLYNTVATL (p17 residues 71–85), SALSEGATPQDLNNTMLNTVG (p24 41–60), and WEKIRL-RPGGKKKYKCLK (p17 16–30) contained the dominant Gag-specific epitope in 31 out of 44 B-clade infected individuals from Boston who showed Gag-CTL responses.
- Five peptides RLRPGGKKHYMIKHLVW (p17 20–36), ELRSLYNTVATLYCV (p17Gag 74–88), SALSEGATPQDLNNTMLNTVG (p24 41–60), FRDYVDRFFKTLRAEQA (p24 161–177), and SILDIKQGKEPFRDY (p24 149–164) contained dominant Gag-specific epitopes in 32 out of 37 C-clade infected subjects from South Africa.

HXB2 Location p24 (131–145)

Author Location p24 (131–145 HXB2)

Epitope KRWIIILGLNKIVRMRY

Subtype B

Immunogen HIV-1 infection

Species (MHC) human

Assay type CD8 T-cell Elispot - IFN γ

Keywords supervised treatment interruptions (STI), immunodominance, early treatment

References Addo *et al.* 2003

- Comprehensive Elispot screening of 504 overlapping peptides that spanned all HIV-1 proteins in 57 HIV-1 infected individuals. Four groups of patients were compared: 23 were untreated; 12 patients were chronically infected and treated; 22 started treatment during acute infection, 11 continuously treated and 11 with STI.

- 63% of the peptides were recognized - the most frequent responses were directed against Nef (95%) and p24-Gag (88%). p17 was the most frequently recognized protein after correction for protein length. A median of 18 peptides (range 2-42) were recognized per person. The most frequently (>20%) recognized peptides were located in conserved regions within clade B sequences. Vpu was rarely recognized.
- A decrease in the total magnitude and in the breadth of CTL responses was detected in patients with treated acute infection in comparison to chronically infected treated or untreated individuals. No correlation between plasma viral load and HIV-1 specific T-cell responses was observed.
- Responses to this peptide were detected in 16% of the study subjects, and it was one of the 25 most frequently recognized peptides.

HXB2 Location p24 (131–146)

Author Location p24 (265–279)

Epitope KRWIIILGLNKIVRMYC

Immunogen HIV-1 infection

Species (MHC) human (B27)

References Bouillot *et al.* 1989

- HLA-B27 restricted epitope also binds to HLA-A2 and HLA-B37 in solid phase assay.

HXB2 Location p24 (131–150)

Author Location p24 (265–284 SF2)

Epitope KRWIIILGLNKIVRMYSPSTSI

Immunogen HIV-1 infection

Species (MHC) human (B62?)

References van Baalen *et al.* 1993

- Gag CTL epitope precursor frequencies estimated.

HXB2 Location p24 (131–150)

Author Location p24 (263–282 SF2)

Epitope KRWIIILGLNKIVRMYSPSTSI

Immunogen HIV-1 infection

Species (MHC) human

References Lieberman *et al.* 1997a

- Of 25 patients, most had CTL specific for more than 1 HIV-1 protein.
- Twelve subjects had CTL that could recognize vaccinia-expressed LAI gag.
- One of these 12 A-2 had CTL response to this peptide.
- The responding subject was HLA-A3, A32, B51, B62.

HXB2 Location p24 (131–152)

Author Location p24 (263–284 BH10)

Epitope KRWIIILGLNKIVRMYSPSTSIILD

Immunogen HIV-1 infection

Species (MHC) human (B62)

References Johnson *et al.* 1991

- Gag CTL response studied in three individuals.

HXB2 Location p24 (132–140)

Author Location Gag (261–280)

Epitope RWIIILGLNK

Subtype B

Immunogen HIV-1 infection

Species (MHC) human (B27)

Donor MHC A24, A33, B14, B27; A2, A32, B27, B62

Assay type Chromium-release assay

Keywords genital and mucosal immunity

References Musey *et al.* 2003

- CTL clones from blood, semen, cervix and rectum samples from 12 individuals were compared. CTL clones derived from blood and mucosal samples had similar high lysis efficiency, primarily perforin dependent, and TCRbeta VDJ region sequencing revealed cases of expansion of the same clone in different compartments.
- CD8+ T cell clones that recognize this epitope were derived from both blood and cervix from a woman, and the blood and semen from a man.

HXB2 Location p24 (132–145)

Author Location Gag

Epitope KWILGLNKIVRMY

Immunogen HIV-1 infection

Species (MHC) human (B27)

Keywords TCR usage

References Weekes *et al.* 1999b

- Peptide 728: Almost all CD8+ T cells are CD28+ at birth, and the proportion of CD28-CD8+ cells increases with age – this study examines the contribution of CD8+CD28- cells to CTL memory pools for CTL clones specific for two persistent human viruses, CMV and HIV – clones were found to be similarly distributed the CD28 depleted cell population.
- HIV CTL responses to 3 Env and 2 Gag peptides were studied.
- The clonal composition of the TCR V β responses were studied and was found to be highly focused, with one TCR beta-chain sequence tending to dominate the peptide-specific response – clones to this epitope were V β 22.1.

HXB2 Location p24 (132–145)

Author Location Gag

Epitope KWILGLNKIVRMY

Immunogen HIV-1 infection

Species (MHC) human

References Weekes *et al.* 1999a

- Peptide 728: Memory CTL specific for HIV-1 may contribute to oligoclonal expansions within the CD57+ CD28- CD8+ CTLp populations.

HXB2 Location p24 (134–143)

Author Location Gag (266–275)

Epitope IILGLNKIVR

Subtype B

Immunogen vaccine

Vector/Type: lipopeptide *Strain:* B clade

LAI *HIV component:* Env, Gag, Nef *Ad-*

juvant: QS21

Species (MHC) human (A3, A11)

Assay type proliferation, CD8 T-cell Elispot - IFN γ , Chromium-release assay

Keywords vaccine-induced epitopes, variant cross-recognition or cross-neutralization

References Gahéry-Ségard *et al.* 2003

- After injection of an anti-HIV-1 lipopeptide vaccine and the booster injections, a response was observed in >85% of 28 volunteers, and a long-term immune response was observed in >50% of the volunteers. A positive effect of QS21 adjuvant was found for B- and CD4+T-cell responses. A higher number of CD8+ T-cell epitopes was induced after a fourth boost injection. This epitope was one of the 31 epitopes that the vaccinated volunteers responded to.

HXB2 Location p24 (134–143)

Author Location p24 (subtype B)

Epitope IILGLNKIVR

Subtype B

Immunogen HIV-1 exposed seronegative

Species (MHC) human (A33)

Keywords subtype comparisons

References Rowland-Jones *et al.* 1998b

- HIV-specific CTL were found in exposed seronegative prostitutes from Nairobi – these CTL may confer protection.
- Seroprevalence in this cohort is 90-95% and their HIV-1 exposure is among the highest in the world.
- Most isolated HIV strains are clade A in Nairobi, although clades C and D are also found – B clade epitopes are often cross-reactive, however stronger responses are frequently observed using A or D clade versions of epitopes.
- This epitope is conserved among A, B and D clade viruses.

HXB2 Location p24 (135–142)

Author Location p24 (135–142)

Epitope ILGLNKIV

Subtype C

Immunogen HIV-1 infection

Species (MHC) human (A*0201)

Country India.

Assay type CD8 T-cell Elispot - IFN γ

Keywords subtype comparisons, computational epitope prediction, immunodominance

References Thakar *et al.* 2005

- PBMCs from HIV-1 infected Indian subjects were tested for HIV-1 Gag (with C clade peptides), Nef (with B clade peptides), and Env (clade unspecified) specific T-cell responses. 5 immunodominant regions conserved across clades were identified in Gag and Nef. 3 antigenic regions were found to be recognized by CTLs in the Indian subjects; these regions were not identified as immunodominant in studies from Africa. 26 epitopes were predicted within reactive peptides, of which 90% were clustered in the conserved immunodominant regions of Gag and Nef. 3 of the epitopes were highly conserved across clades, and 7 novel epitopes were found.
- This epitope is highly conserved across clades.

HXB2 Location p24 (135–142)

Author Location Gag (267–274)

Epitope ILGLNKIV

Subtype B

Immunogen vaccine

Vector/Type: lipopeptide *Strain:* B clade LAI *HIV component:* Env, Gag, Nef *Adjuvant:* QS21

Species (MHC) human (A2)

Assay type proliferation, CD8 T-cell Elispot - IFN γ , Chromium-release assay

Keywords vaccine-induced epitopes, variant cross-recognition or cross-neutralization

References Gahéry-Ségard *et al.* 2003

- After injection of an anti-HIV-1 lipopeptide vaccine and the booster injections, a response was observed in >85% of 28 volunteers, and a long-term immune response was observed in >50% of the volunteers. A positive effect of QS21 adjuvant was found for B- and CD4+T-cell responses. A higher number of CD8+ T-cell epitopes was induced after a fourth boost injection. This epitope was one of the most frequently recognized of the 31 epitopes that the vaccinated volunteers responded to.

HXB2 Location p24 (135–142)

Author Location Gag (267–274 HXB2)

Epitope ILGLNKIV

Subtype B, CRF01_AE

Immunogen HIV-1 infection

Species (MHC) human (A2, A3)

Country Viet Nam.

Assay type HLA binding

Keywords subtype comparisons, computational epitope prediction, vaccine antigen design

References Lazaro *et al.* 2005

- The most common HLA-alleles in the Vietnamese population were found to be HLA-A11, A02, A33, B75, B46, and B62. Several epitopes cluster in short regions in Gag and Nef that are presented by these HLA molecules; these epitopes may be useful targets for vaccine antigens. In a comparison of CRF01_AE sequences to HXB2, 14 mutations were found in epitopes in these Gag and Nef pluriepitopic regions; 7 did not affect the HLA binding score, 3 increased it, and 4 reduced it.
- ILGLNKIV is the epitope in the HXB2 reference strain sequence, and is also the most common form in CRF01.

HXB2 Location p24 (135–143)

Author Location Gag (267–275)

Epitope ILGLNKIVR

Subtype B

Immunogen vaccine

Vector/Type: lipopeptide *Strain:* B clade LAI *HIV component:* Env, Gag, Nef *Adjuvant:* QS21

Species (MHC) human (A3, A11)

Assay type proliferation, CD8 T-cell Elispot - IFN γ , Chromium-release assay

Keywords vaccine-induced epitopes, variant cross-recognition or cross-neutralization

References Gahéry-Ségard *et al.* 2003

- After injection of an anti-HIV-1 lipopeptide vaccine and the booster injections, a response was observed in >85% of 28 volunteers, and a long-term immune response was observed in >50% of the volunteers. A positive effect of QS21 adjuvant was found for B- and CD4+T-cell responses. A higher number of CD8+ T-cell epitopes was induced after a fourth boost injection. This epitope was one of the 31 epitopes that the vaccinated volunteers responded to.

HXB2 Location p24 (135–145)

Author Location Gag (267–277)**Epitope** ILGLNKIVRMVY**Subtype** B**Immunogen** vaccine*Vector/Type:* lipopeptide *Strain:* B clade LAI *HIV component:* Env, Gag, Nef *Adjuvant:* QS21**Species (MHC)** human (B7 supertype)**Assay type** proliferation, CD8 T-cell Elispot - IFN γ , Chromium-release assay**Keywords** vaccine-induced epitopes, variant cross-recognition or cross-neutralization**References** Gahéry-Ségard *et al.* 2003

- After injection of an anti-HIV-1 lipopeptide vaccine and the booster injections, a response was observed in >85% of 28 volunteers, and a long-term immune response was observed in >50% of the volunteers. A positive effect of QS21 adjuvant was found for B- and CD4+T-cell responses. A higher number of CD8+ T-cell epitopes was induced after a fourth boost injection. This epitope was one of the most frequently recognized of the 31 epitopes that the vaccinated volunteers responded to.
- A response to this peptide was induced in three patients after immunization with lipopeptides alone (no adjuvant) after the third and the fourth boost, and induced in two patients after immunization with lipopeptides and QS21 adjuvant after the third boost. Variant IyGLNKIVRMVY was also recognized in two patients.

HXB2 Location p24 (136–145)**Author Location** p24 (268–277 LAI)**Epitope** LGLNKIVRMVY**Subtype** B**Immunogen** HIV-1 infection**Species (MHC)** human (B62)**Keywords** review**References** McMichael & Walker 1994

- Predicted from larger peptide.
- Review of HIV CTL epitopes.
- Also P. Johnson, pers. comm.

HXB2 Location p24 (136–146)**Author Location** p24 (271–281)**Epitope** LGLNKIVRMYS**Immunogen** HIV-1 infection**Species (MHC)** human (B62)**Keywords** TCR usage**References** Lubaki *et al.* 1997

- Eighty two HIV-1-specific CTL clones from 5 long-term non-progressors were isolated and analyzed for breadth of response.
- A sustained Gag, Env and Nef response was observed, and clones were restricted by multiple HLA molecules, indicating a polyclonal response.
- A subject who was B62+ had CTL that recognized this peptide, p17 KIRLRPGGKKKYKL, and one additional unknown epitope.
- The two clones that recognized this epitope used two different V β genes, further demonstrating a polyclonal response.

HXB2 Location p24 (136–146)**Author Location** p24 (136–146)**Epitope** LGLNKIVRMYS**Immunogen** HIV-1 infection**Species (MHC)** human (B62)**References** Ferrari *et al.* 2000

- One of the 51 HIV-1 epitopes selected by Ferrari *et al.* as good candidate CTL epitopes for vaccines by virtue of being conserved and presented by common HLA alleles.

HXB2 Location p24 (136–150)**Author Location** p24 (136–150 HXB2)**Epitope** LGLNKIVRMYSPTSI**Subtype** B**Immunogen** HIV-1 infection**Species (MHC)** human**Assay type** T-cell Elispot**Keywords** supervised treatment interruptions (STI), immunodominance, early treatment**References** Addo *et al.* 2003

- Comprehensive Elispot screening of 504 overlapping peptides that spanned all HIV-1 proteins in 57 HIV-1 infected individuals. Four groups of patients were compared: 23 were untreated; 12 patients were chronically infected and treated; 22 started treatment during acute infection, 11 continuously treated and 11 with STI.
- 63% of the peptides were recognized—the most frequent responses were directed against Nef (95%) and p24-Gag (88%). p17 was the most frequently recognized protein after correction for protein length. A median of 18 peptides (range 2–42) were recognized per person. The most frequently (>20%) recognized peptides were located in conserved regions within clade B sequences. Vpu was rarely recognized. A decrease in the total magnitude and in the breadth of CTL responses was detected in patients with treated acute infection in comparison to chronically infected treated or untreated individuals. No correlation between plasma viral load and HIV-1 specific T-cell responses was observed.
- Responses to this peptide were detected in 16% of the study subjects, and it was one of the 25 most frequently recognized peptides.

HXB2 Location p24 (137–145)**Author Location** p24 (272–280 LAI)**Epitope** GLNKIVRMVY**Subtype** B**Immunogen** HIV-1 infection**Species (MHC)** human (B*1501)**Keywords** optimal epitope**References** Frahm *et al.* 2007

- C. Brander notes this is a B*1501 epitope.

HXB2 Location p24 (137–145)**Author Location** Gag (269–277 SUMA)**Epitope** GLNKIVRMVY**Epitope name** Gag GY9**Subtype** B**Immunogen** HIV-1 infection**Species (MHC)** human (B*1501)**Donor MHC** A*1103, A*2402, B*1402, B*1501, Cw*0802**Country** United States.

Assay type CD8 T-cell Elispot - IFN γ , Chromium-release assay

Keywords dynamics, acute/early infection, characterizing CD8+ T cells

References Jones *et al.* 2004

- Primary CD8+ T-cell response to Env, Tat and Gag and the extent, kinetics and mechanisms of viral escape were examined in three patients. Rapid escape, within weeks from infection, from HIV specific CTL responses was observed in all three patients, but the kinetics and extent of the escape differed depending on the breadth and co-dominant distribution of CTL-mediated pressure. The two patients that rapidly declined had more focused immunodominant responses, while the single patient that had low viral load and stable CD4 counts for seven years had a broad co-dominant response and less escape.
- The patient SUMA maintained low viral loads and stable CD4 T cell counts through seven years of follow up. In contrast to more rapid progressors, WEAU and BORI, SUMA a broad response to 24 epitopes, with little immunodominance. Two peptides were somewhat more intensely recognized in acute infection, but this response leveled out early on.
- Only four epitopes were found to acquire escape mutations in SUMA over time, and this was one of the 20 that remained invariant. A low level response was detected at acute infection that persisted through early infection.

HXB2 Location p24 (137–145)

Author Location Gag (B con)

Epitope GLNKIVRMY

Epitope name GY9

Subtype B

Immunogen HIV-1 infection

Species (MHC) human (B15)

Country United States.

Assay type CD8 T-cell Elispot - IFN γ

Keywords variant cross-recognition or cross-neutralization

References Draenert *et al.* 2004c

- CD8+ T-cell responses that persisted in individuals with advanced disease were studied; most of the optimal epitopes defined were recognized with intermediate to high avidity. On average 13 (range, 2–39) epitopic regions were targeted in an average of 6 proteins (range, 1–8). HAART resulted in decrease in antigen and reduction in gamma IFN EliSpot responses, suggesting active responses to autologous virus. The lack of mutations within most viral epitopes suggest that persistent CTL through late disease do not exert strong immune selection pressure, yet the Elispot assays show robust responses, suggesting to the authors that gamma IFN-based screening methods may not reveal functional CD8+ T-cell impairment in patients with AIDS.
- 1 subject recognized this epitope with intermediate functional avidity. The autologous sequence matched the B consensus.

HXB2 Location p24 (137–145)

Author Location p24 (272–280 LAI)

Epitope GLNKIVRMY

Subtype B

Immunogen HIV-1 infection

Species (MHC) human (B62)

Keywords review, escape

References Goulder *et al.* 1997a

- This paper is a review of CTL and immune evasion, but it presents a study of a shift from an HLA-A*0201 response to SLYNTVATL, to a B62 response to GLNKIVRMY.
- As long as a strong CTL response to SLYNTVATL was evident, the epitope variants SLFNTVATL or SLYNTIATL dominated the viral population – eventually the CTL response to the index peptide became undetectable, the CTL response shifted to a focus on GLNKIVRMY, and the index peptide SLYNTVATL once again established itself as the dominant form.

HXB2 Location p24 (137–145)

Author Location p24 (SF2)

Epitope GLNKIVRMY

Immunogen HIV-1 infection

Species (MHC) human (B62)

Keywords subtype comparisons, immunodominance

References Goulder *et al.* 2000a

- The CTL-dominant response was focused on this epitope in a HIV+ African American living in Boston – this epitope did not fall within the three most recognized peptides in the study.
- Three peptides GSEELRSLYNTVATL (p17 residues 71–85), SALSEGATPQDLNNTMLNTVG (p24 41–60), and WEKIRL-RPGGKKKYK (p17 16–30) contained the dominant Gag-specific epitope in 31 out of 44 B-clade infected individuals from Boston who showed Gag-CTL responses.
- Five peptides RLRPGGKKHYMIKHLVW (p17 20–36), ELRSLYNTVATLYCV (p17Gag 74–88), SALSEGATPQDLNNTMLNTVG (p24 41–60), FRDYVDRFFKTLRAEQA (p24 161–177), and SILDIKQGKEPFRDY (p24 149–164) contained dominant Gag-specific epitopes in 32 out of 37 C-clade infected subjects from South Africa.

HXB2 Location p24 (137–145)

Author Location p24 (267–277 SF2)

Epitope GLNKIVRMY

Immunogen HIV-1 infection

Species (MHC) human (B62)

Keywords HAART, ART, acute/early infection

References Altfeld *et al.* 2001b

- Therapy provided during acute infection resulted in a narrower CTL response, stronger T help response, and a less diverse viral population than was seen in individuals treated during chronic infection.
- The breadth and specificity of the response was determined using ELISPOT by studying 19 individuals with pre-seroconversion therapy (Group 1), 11 individuals with primary infection but post-seroconversion therapy (Group 2), and 10 individuals who responded to HAART given during chronic infection (Group 3), using 259 overlapping peptides spanning p17, p24, RT, gp41, gp120 and Nef.
- Previously described and newly defined optimal epitopes were tested for CTL response.
- Number of HLA-B62+ individuals that had a CTL response to this epitope broken down by group: 0/1 group 1, 0/1 group 2, and 1/1 group 3.

HXB2 Location p24 (137–145)

Author Location p24 (137–145)

Epitope GLNKIVRMY**Immunogen** HIV-1 infection**Species (MHC)** human (B62)**Keywords** immunodominance**References** Day *et al.* 2001

- No immunodominant responses were detected to four B62-restricted epitopes tested.

HXB2 Location p24 (137–145)**Author Location** p24 (137–145)**Epitope** GLNKIVRMY**Subtype** B**Immunogen** HIV-1 infection**Species (MHC)** human (B62)**Donor MHC** A1, A3, B8, B62, Cw3, Cw7**Assay type** CD8 T-cell Elispot - IFN γ **Keywords** binding affinity, acute/early infection, early-expressed proteins**References** Cao *et al.* 2003

- CTL epitope responses were mapped in 21 men within 15-92 days post-HIV-1 infection. Subjects initially showed narrow immune responses with a mean of 2.3 epitopes recognized per patient. The immune response broadened later in infection. No correlation between the plasma viral load and the number of recognized epitopes or the frequency of IFN-gamma secreting cells was observed, and there was no correlation between the functional avidity of a response and the abundance of IFN-secreting cells that recognized the epitope. The first epitopes to be recognized tended not to be the most avid, and earliest responses tended to be directed against Nef, Tat, Vpr, and Env.
- More common HLA alleles were less frequently used in primary infection than less common alleles, for example A3, B35, B57, and B62 were more frequently recognized than A1, A2, A30, and A44.
- All HIV-1 proteins except Vpu were recognized, and a response to a total of 41 optimal epitopes were characterized; 24 had been identified previously. 48% of the total T-cell responses were directed against Nef and 43% were directed against Gag.
- More common HLA alleles were less frequently used in primary infection than less common alleles, for example A3, B35, B57, and B62 were more frequently recognized than A1, A2, A30, and A44.

HXB2 Location p24 (137–145)**Author Location** Gag (269–277)**Epitope** GLNKIVRMY**Subtype** B**Immunogen** HIV-1 infection**Species (MHC)** human (B62)**Donor MHC** A2, A24, B27, B62**Assay type** Chromium-release assay**Keywords** TCR usage, genital and mucosal immunity**References** Musey *et al.* 2003

- CTL clones from blood, semen, cervix and rectum samples from 12 individuals were compared. CTL clones derived from blood and mucosal samples had similar high lysis efficiency, primarily perforin dependent, and TCRbeta VDJ region sequencing revealed cases of expansion of the same clone in different compartments.

- CD8+ T cell clones directed at this epitope were derived from blood, rectum and semen.
- The TCRbeta VDJ rearrangement of the CTL clones was V β 22S1DJ1.2, demonstrating expansion of CTL clones in all three compartments from the same progenitor cell.

HXB2 Location p24 (137–145)**Author Location** Gag (269–277)**Epitope** GLNKIVRMY**Epitope name** GY9**Subtype** B**Immunogen** HIV-1 infection**Species (MHC)** human (B62)**Donor MHC** A*01, A*11, B*08, B*15, Cw*04, Cw*07**Country** United States.**Assay type** CD8 T-cell Elispot - IFN γ , Chromium-release assay, Flow cytometric T-cell cytokine assay**Keywords** escape, optimal epitope**References** Koibuchi *et al.* 2005

- HIV-1-specific CD8 T-cell responses were shown to be persistent in the chronic phase of HIV-1 infection, although the responses to some of the epitopes were declining despite the persistence of the targeted sequences in vivo. Only 4/14 epitopes were potential CTL escape variants, although strong responses to these epitopes persisted for 6 years. This indicates limited viral evolution within targeted CD8 T-cell epitopes during the chronic phase of infection.
- The autologous form of the GY9 matched the B clade consensus form of the epitope, GLNKIVRMY, throughout the 5 years of study.

HXB2 Location p24 (137–145)**Author Location** Gag (269–277 HXB2)**Epitope** GLNKVRMY**Subtype** B, CRF01_AE**Immunogen** HIV-1 infection**Species (MHC)** human (B62)**Country** Viet Nam.**Assay type** HLA binding**Keywords** subtype comparisons, computational epitope prediction, vaccine antigen design**References** Lazaro *et al.* 2005

- The most common HLA-alleles in the Vietnamese population were found to be HLA-A11, A02, A33, B75, B46, and B62. Several epitopes cluster in short regions in Gag and Nef that are presented by these HLA molecules; these epitopes may be useful targets for vaccine antigens. In a comparison of CRF01_AE sequences to HXB2, 14 mutations were found in epitopes in these Gag and Nef pluriepitopic regions; 7 did not affect the HLA binding score, 3 increased it, and 4 reduced it.
- GLNKVRMY is the epitope in the HXB2 reference strain sequence, and is also the most common form in CRF01.

HXB2 Location p24 (137–145)**Author Location** p24 (C consensus)**Epitope** GLNKIVRMY**Immunogen** HIV-1 infection**Species (MHC)** human**Donor MHC** A2, B*5802, B62, Cw4, Cw6**Keywords** subtype comparisons, immunodominance

References Goulder *et al.* 2000a

- The CTL-dominant response was focused on this epitope in a HIV+ South African living in Durban, HLA A2/- B5802/62 Cw4/6 – this epitope did not fall within the three most recognized peptides in the study.
- Three peptides GSEELRSLYNTVATL (p17 residues 71-85), SALSEGATPQDLNLTMLNTVG (p24 41-60), and WEKIRL-RPGGKKKYKLLK (p17 16-30) contained the dominant Gag-specific epitope in 31 out of 44 B-clade infected individuals from Boston who showed Gag-CTL responses.
- Five peptides RLRPGGKKHYMIKHLVW (p17 20-36), ELRSLYNTVATLYCV (p17Gag 74-88), SALSEGATPQDLNLTMLNTVG (p24 41-60), FRDYVDRFFKTLRAEQA (p24 161-177), and SILDIKQGKEPFRDY (p24 149-164) contained dominant Gag-specific epitopes in 32 out of 37 C-clade infected subjects from South Africa.

HXB2 Location p24 (142–150)**Author Location****Epitope** VRMYSPVSI**Epitope name** VI9**Immunogen****Species (MHC)** human (Cw*18)**Keywords** optimal epitope**References** Frahm *et al.* 2007

- C. Brander notes this is a Cw18 epitope.

HXB2 Location p24 (142–150)**Author Location** (C consensus)**Epitope** VRMYSPVSI**Subtype** C**Immunogen** HIV-1 infection**Species (MHC)** human (Cw*1801)**Country** South Africa.**Assay type** CD8 T-cell Elispot - IFN γ **Keywords** rate of progression, optimal epitope**References** Kiepiela *et al.* 2007

- A comprehensive analysis of 160 class I T cell responses in 578 individuals from KwaZulu-Natal, South Africa was performed. Gag-specific responses were associated with lowering viremia, while Env, accessory and regulatory protein-specific responses were associated with higher viremia.
- VRMYSPVSI is an optimal epitope.

HXB2 Location p24 (143–150)**Author Location** p24 (273–283 IIIB)**Epitope** RMYSPTSI**Immunogen** HIV-1 infection**Species (MHC)** human (B*5201)**Keywords** optimal epitope**References** Frahm *et al.* 2007

- C. Brander notes this is a B*5201 epitope.

HXB2 Location p24 (143–150)**Author Location** p24 (273–283 IIIB)**Epitope** RMYSPTSI**Epitope name** SL9**Immunogen** HIV-1 infection**Species (MHC)** human (B52)**Keywords** epitope processing, immunodominance, escape**References** Brander *et al.* 1999

- Multiple natural variations in the SL9 flanking regions of the immunodominant epitope SLYNTVATL were tested and found not to adversely affect CTL recognition or prevent epitope processing, suggesting that viral escape from the HLA-A*0201-restricted CTL response against SLYNTVATL is probably not linked to variations in the flanking regions of this epitope.
- The CTL response to RMYSPTSI was used as a control.

HXB2 Location p24 (143–150)**Author Location** p24 (273–283 IIIB)**Epitope** RMYSPTSI**Immunogen** HIV-1 infection**Species (MHC)** human (B52)**Keywords** responses in children, mother-to-infant transmission, escape**References** Wilson *et al.* 1999a

- This study describes maternal CTL responses in the context of mother-to-infant transmission.
- Detection of CTL escape mutants in the mother was associated with transmission, but the CTL-susceptible forms of the virus tended to be found in infected infants.
- No variants of this epitope were found in a non-transmitting mother that had a CTL response to this epitope.

HXB2 Location p24 (143–150)**Author Location** p24 (143–150)**Epitope** RMYSPTSI**Immunogen** HIV-1 infection**Species (MHC)** human (B52)**References** Ferrari *et al.* 2000

- One of the 51 HIV-1 epitopes selected by Ferrari *et al.* as good candidate CTL epitopes for vaccines by virtue of being conserved and presented by common HLA alleles.

HXB2 Location p24 (143–150)**Author Location** Gag (275–282)**Epitope** RMYSPTSI**Epitope name** RI8**Subtype** B**Immunogen** HIV-1 infection**Species (MHC)** human (B52)**Donor MHC** A*02, A*68, B*14, B*52, Cw*08, Cw*12**Country** United States.**Assay type** CD8 T-cell Elispot - IFN γ , Chromium-release assay, Flow cytometric T-cell cytokine assay**Keywords** escape, optimal epitope**References** Koibuchi *et al.* 2005

- HIV-1-specific CD8 T-cell responses were shown to be persistent in the chronic phase of HIV-1 infection, although the responses to some of the epitopes were declining despite the persistence of the targeted sequences *in vivo*. Only 4/14 epitopes were potential CTL escape variants, although strong responses to these epitopes persisted for 6 years. This indicates limited viral evolution within targeted CD8 T-cell epitopes during the chronic phase of infection.

- A form of this epitope that elicited a diminished Elispot response, RMYSPvSI, dominated the viral sequence for several years, and then reverted back to the B consensus form, RMYSPvTSI.

HXB2 Location p24 (143–151)

Author Location p24 (143–151)

Epitope RMYSPVSIIL

Subtype C

Immunogen HIV-1 infection

Species (MHC) human (A*0201)

Country India.

Assay type CD8 T-cell Elispot - IFN γ

Keywords subtype comparisons, computational epitope prediction, immunodominance

References Thakar *et al.* 2005

- PBMCs from HIV-1 infected Indian subjects were tested for HIV-1 Gag (with C clade peptides), Nef (with B clade peptides), and Env (clade unspecified) specific T-cell responses. 5 immunodominant regions conserved across clades were identified in Gag and Nef. 3 antigenic regions were found to be recognized by CTLs in the Indian subjects; these regions were not identified as immunodominant in studies from Africa. 26 epitopes were predicted within reactive peptides, of which 90% were clustered in the conserved immunodominant regions of Gag and Nef. 3 of the epitopes were highly conserved across clades, and 7 novel epitopes were found.
- This epitope is highly conserved across clades.

HXB2 Location p24 (143–151)

Author Location Gag (275–283)

Epitope RMYSPvTSIL

Subtype B

Immunogen vaccine

Vector/Type: lipopeptide *Strain:* B clade LAI *HIV component:* Env, Gag, Nef *Adjuvant:* QS21

Species (MHC) human (A2)

Assay type proliferation, CD8 T-cell Elispot - IFN γ , Chromium-release assay

Keywords vaccine-induced epitopes, variant cross-recognition or cross-neutralization

References Gahéry-Ségard *et al.* 2003

- After injection of an anti-HIV-1 lipopeptide vaccine and the booster injections, a response was observed in >85% of 28 volunteers, and a long-term immune response was observed in >50% of the volunteers. A positive effect of QS21 adjuvant was found for B- and CD4+T-cell responses. A higher number of CD8+ T-cell epitopes was induced after a fourth boost injection. This epitope was one of the 31 epitopes that the vaccinated volunteers responded to.

HXB2 Location p24 (143–151)

Author Location Gag (275–283 BRU)

Epitope RMYSPvTSIL

Subtype B, CRF02_AG

Immunogen HIV-1 infection

Species (MHC) human (A2)

Country Cote D'Ivoire.

Assay type CD8 T-cell Elispot - IFN γ

Keywords subtype comparisons

References Inwoley *et al.* 2005

- CD8+ T-cells from HIV-1 CRF02_AG-infected Ivoirians could recognize clade B epitopes. No difference was observed in the number of recognized peptide pools between nine French subtype B infected study subjects, and nine CRF02_AG infected Ivoirian subjects
- This epitope was recognized by 1/9 CRF02_AG-infected Ivoirians, and 0/9 B-infected French subjects.

HXB2 Location p24 (143–151)

Author Location Gag (275–283 HXB2)

Epitope RMYSPvTSIL

Subtype B, CRF01_AE

Immunogen HIV-1 infection

Species (MHC) human (A2)

Country Viet Nam.

Assay type HLA binding

Keywords subtype comparisons, computational epitope prediction, escape, variant cross-recognition or cross-neutralization, vaccine antigen design

References Lazaro *et al.* 2005

- The most common HLA-alleles in the Vietnamese population were found to be HLA-A11, A02, A33, B75, B46, and B62. Several epitopes cluster in short regions in Gag and Nef that are presented by these HLA molecules; these epitopes may be useful targets for vaccine antigens. In a comparison of CRF01_AE sequences to HXB2, 14 mutations were found in epitopes in these Gag and Nef pluriepitopic regions; 7 did not affect the HLA binding score, 3 increased it, and 4 reduced it.
- The most common CRF01_AE variant rmyspVsiil had a higher HLA-binding score than the HXB2 epitope. The rare variant, rmyspVsiW was predicted not to bind to A2.

HXB2 Location p24 (144–151)

Author Location Gag (276–283)

Epitope MYSPTSIL

Subtype B

Immunogen vaccine

Vector/Type: lipopeptide *Strain:* B clade LAI *HIV component:* Env, Gag, Nef *Adjuvant:* QS21

Species (MHC) human (A24)

Assay type proliferation, CD8 T-cell Elispot - IFN γ , Chromium-release assay

Keywords vaccine-induced epitopes, variant cross-recognition or cross-neutralization

References Gahéry-Ségard *et al.* 2003

- After injection of an anti-HIV-1 lipopeptide vaccine and the booster injections, a response was observed in >85% of 28 volunteers, and a long-term immune response was observed in >50% of the volunteers. A positive effect of QS21 adjuvant was found for B- and CD4+T-cell responses. A higher number of CD8+ T-cell epitopes was induced after a fourth boost injection. This epitope was one of the most frequently recognized of the 31 epitopes that the vaccinated volunteers responded to.

HXB2 Location p24 (151–170)

Author Location p24 (283–302 SF2)

- Epitope** LDIRQGPKEPFRDYVDRFYK
Immunogen HIV-1 infection
Species (MHC) human
References McAdam *et al.* 1998
- HXB2 Location** p24 (155–177)
Author Location p24 (287–309)
Epitope QGPKPEPFRDYVDRFYKTLRAEQA
Immunogen vaccine
Vector/Type: peptide *HIV component:* p24 Gag
Species (MHC) mouse
References Nakamura *et al.* 1997
- Mice immunized with this synthetic peptide generated specific CTLs, a proliferative response, and antibodies.
 - The amino acids shown in the epitope field were based on the numbering provided by Nakamura *et al.*, and may not be correct.
 - The CTL epitope was shown to be located in positions 291–300.
- HXB2 Location** p24 (157–178)
Author Location p24 (290–309)
Epitope PKEPFRDYVDRFYKTLRAEQAS
Immunogen HIV-1 infection
Species (MHC) human (B14)
References Musey *et al.* 1997
- Cervical and peripheral blood derived CTL clones from an HIV-infected woman recognized this epitope.
- HXB2 Location** p24 (159–168)
Author Location p24 (159–168)
Epitope EPFRDYVDRF
Subtype C
Immunogen HIV-1 infection
Species (MHC) human (A*0201)
Country India.
Assay type CD8 T-cell Elispot - IFN γ
Keywords subtype comparisons, computational epitope prediction, immunodominance
References Thakar *et al.* 2005
- PBMCs from HIV-1 infected Indian subjects were tested for HIV-1 Gag (with C clade peptides), Nef (with B clade peptides), and Env (clade unspecified) specific T-cell responses. 5 immunodominant regions conserved across clades were identified in Gag and Nef. 3 antigenic regions were found to be recognized by CTLs in the Indian subjects; these regions were not identified as immunodominant in studies from Africa. 26 epitopes were predicted within reactive peptides, of which 90% were clustered in the conserved immunodominant regions of Gag and Nef. 3 of the epitopes were highly conserved across clades, and 7 novel epitopes were found.
- HXB2 Location** p24 (159–168)
Author Location Gag (291–300)
Epitope EPFRDYVDRF
Immunogen vaccine
Vector/Type: DNA, DNA with protein boost
Strain: B clade LAI *HIV component:* Gag, Nef, Tat *Adjuvant:* IL-18
Species (MHC) mouse (H-2^d)

Keywords Th1**References** Billaut-Mulot *et al.* 2001

- DNA vaccinated BALB/c mice primed and boosted with the multiepitopic vaccine with IL18 showed lymphoproliferative responses 7 weeks post immunization.
- Strong but non-lasting HIV-specific CTL responses were detected by a Cr-release assay and DNA prime/DNA boost was more effective than DNA prime protein boost.
- Immunization with either the multiepitopic DNA or with the mixed DNA vaccine induced HIV-1 specific Th1 cytokines (IL-2 and IFN-gamma)
- Co-administration of IL18 increased T-cell responses but decreased anti-HIV antibody levels.

HXB2 Location p24 (159–168)**Author Location** p24**Epitope** EPFRDYVDRF**Epitope name** E10F**Immunogen** vaccine*Vector/Type:* DNA *HIV component:* Gag**Species (MHC)** mouse (H-2^d)**Assay type** Chromium-release assay**References** Bojak *et al.* 2002b

- Codon-optimized gag gene DNA vaccines were compared to wild type by vaccination of BALB/c mice. Codon optimized DNA gave a Th1 polarized Th response, a strong antibody response that persisted from more than 20 weeks, and CTL responses, while wild-type DNA induced weak and inconsistent immune responses.

HXB2 Location p24 (159–168)**Author Location****Epitope** EPFRDYVDRF**Epitope name** E10F**Immunogen** vaccine*Vector/Type:* DNA, virus-like particle (VLP), polyepitope *HIV component:* Gag, p24 Gag, V3**Species (MHC)** mouse (H-2L^d)**Assay type** Cytokine production, Chromium-release assay**Keywords** epitope processing, vaccine-specific epitope characteristics, immunodominance**References** Wild *et al.* 2004

- A codon optimized gag DNA vaccine was compared to a myristylation defective gag and p24 alone, both of which lack signals for secretion from transfected cells. Gag-derived immunogens that were secreted as VLPs and those that remained intracellular (p24) each produced strong CTL responses, and neither the size of antigen nor cellular trafficking and localization significantly influenced the strength of humoral and cellular immune activation. The formation and release of VLPs was not essential for eliciting strong CTL. BALB/c mice were given the DNA vaccine by i.m. administration of plasmid DNA for the prime and boost.
- Minigenes were made incorporating just 1 epitope, minitopes, carrying 1 of 3 murine class I epitopes linked to the Ad2-E3 protein-derived signal peptide to allow access of the epitope to the ER. Weak induction of cellular immune responses was

observed, in contrast to the complex polyprotein. The E10F minigene did not produce a detectable CTL response.

HXB2 Location p24 (159–178)

Author Location Gag (96ZM651.8)

Epitope EPFRDYVDRFFKTLRAEQAT

Immunogen

Species (MHC) human (B*440301)

Keywords subtype comparisons, immunodominance

References Novitsky *et al.* 2001

- This study provides a survey of CTL responses and full length HIV-1 genome sequences from a C subtype infected Botswanan cohort.
- 16 of 46 (34.8%) had CTL responses to one or more peptides within the second immunodominant region of Gag (peptides SILDIKQGPKPEFRDYVDRF, EPFRDYVDRFFKTLRAEQAT, and FKLTLRAEQATQEVKNWMTDT) with ELISPOT results median and range 500 (100 to 1,250) SFC/10⁶ PBMC
- 3 of 6 (50%) carriers of HLA-B*44031 showed CTL responses to the peptide EPFRDYVDRFFKTLRAEQAT.

HXB2 Location p24 (159–178)

Author Location Gag (291–310)

Epitope EPFRDYVDRFFKTLRAEQAT

Subtype C

Immunogen HIV-1 infection

Species (MHC) human

Keywords subtype comparisons

References Novitsky *et al.* 2002

- HLA, viral sequence, and Elispot data was obtained from 105 HIV-1 positive Botswanans; Elispot data was obtained from between 55 and 64 subjects for each HIV protein.
- Nef and p24 had the highest percentage of reactive peptides, and p24 had the highest magnitude of HIV-1 responses.
- This peptide was among the 8 most reactive C clade peptides from among over 350 tested spanning all HIV proteins.

HXB2 Location p24 (160–169)

Author Location p24

Epitope PFRDYVDRFF

Epitope name PF-10

Subtype C

Immunogen HIV-1 infection

Species (MHC) human

Country South Africa.

Assay type CD8 T-cell Elispot - IFN γ , CD4 T-cell Elispot - IFN γ , Intracellular cytokine staining, Chromium-release assay

Keywords subtype comparisons, epitope processing, immunodominance, cross-presentation by different HLA

References Masemola *et al.* 2004b

- Highly targeted regions in Gag for CD8+ T-cells were defined for individuals with C clade infections in South Africa. 9 specific epitopes within the most reactive regions were characterized. This is 1 of 5 novel epitopes that were found among subtype C HIV-1 from African patients who hadn't previously been identified in B clade infections. Some epitopes were

shown to be promiscuous, presented by multiple class I restricting alleles. The HLA restricting element for this optimal epitope was not determined due to limited material.

HXB2 Location p24 (161–169)

Author Location

Epitope FRDYVDRFF

Immunogen

Species (MHC) human (Cw*18)

Keywords optimal epitope

References Frahm *et al.* 2007

- C. Brander notes that this is an Cw18 epitope.

HXB2 Location p24 (161–169)

Author Location (C consensus)

Epitope FRDYVDRFF

Subtype C

Immunogen HIV-1 infection

Species (MHC) human (Cw*1801)

Country South Africa.

Assay type CD8 T-cell Elispot - IFN γ

Keywords characterizing CD8+ T cells

References Kiepiela *et al.* 2004

- HLA class I restricted CD8+ T-cell responses against HIV-1 were analyzed in African patients. Significantly more responses were shown to be HLA-B restricted. Viral load, CD4 count, and thus rate of disease progression were also associated with HLA-B alleles. In addition, the selection pressure imposed on HIV-1 by HLA-B alleles was shown to be substantially greater than by other alleles.
- This epitope was suggested to be the epitope within a longer reactive peptide based on correspondence with a known epitope in the HIV database. Also, a significantly higher frequency of people in the Durban cohort who reacted with the peptide had this HLA type.

HXB2 Location p24 (161–169)

Author Location (C consensus)

Epitope FRDYVDRFF

Subtype C

Immunogen HIV-1 infection

Species (MHC) human (Cw*1801)

Country South Africa.

Assay type CD8 T-cell Elispot - IFN γ

Keywords rate of progression, optimal epitope

References Kiepiela *et al.* 2007

- A comprehensive analysis of 160 class I T cell responses in 578 individuals from KwaZulu-Natal, South Africa was performed. Gag-specific responses were associated with lowering viremia, while Env, accessory and regulatory protein-specific responses were associated with higher viremia.
- FRDYVDRFF is an optimal epitope.

HXB2 Location p24 (161–170)

Author Location p24 (subtype B, D)

Epitope FRDYVDRFYK

Subtype B, D

Immunogen HIV-1 infection

Species (MHC) human (B*1801)

References Ogg *et al.* 1998a

- Noted in Brander 1999, this database, to be B*1801, FRDYVDRFY.

HXB2 Location p24 (161–170)
Author Location p24 (subtype B, D)
Epitope FRDYVDRFYK
Subtype B, D
Immunogen HIV-1 infection
Species (MHC) human (B*1801)
Keywords optimal epitope
References Frahm *et al.* 2007

- C. Brander notes this is a B*1801 epitope.

HXB2 Location p24 (161–170)
Author Location p24 (161–170 HXB2)
Epitope FRDYVDRFYK
Epitope name FK10
Subtype B
Immunogen HIV-1 infection
Species (MHC) human (B*1801)
Donor MHC A*0201, A*2501, B*1801, B*5101, Cw*0102, Cw*1203
Assay type CD8 T-cell Elispot - IFN γ
Keywords escape, immune evasion, optimal epitope, HIV-1
References Liu *et al.* 2006

- T-cell immunity and the impact of selection were longitudinally studied in a patient from the time of transmission. New epitopes were detected at sites that were shown to be under positive selection. Env was found to be the major target of CTLs and most of the new epitopes were found here. One third of the sites examined were associated with epitope escape mutations from CTL. Acquisition of mutations found at high frequency in the database was suggested to be a result of reversion of CTL epitopes in the absence of immune targeting.

HXB2 Location p24 (161–170)
Author Location p24 (161–170)
Epitope FRDYVDRFYK
Immunogen HIV-1 infection
Species (MHC) human (B18)
References Ferrari *et al.* 2000

- One of the 51 HIV-1 epitopes selected by Ferrari *et al.* as good candidate CTL epitopes for vaccines by virtue of being conserved and presented by common HLA alleles.

HXB2 Location p24 (161–170)
Author Location p24 (293–302)
Epitope FRDYVDRFYK
Immunogen HIV-1 infection, HIV-1 exposed seronegative
Species (MHC) human (B18)
Keywords HIV exposed persistently seronegative (HEPS)
References Kaul *et al.* 2001a

- Variants FRDYVDRF(Y/F)K are specific for the B,D/A,C clades.
- ELISPOT was used to study CTL responses to a panel of 54 predefined HIV-1 epitopes in 91 HIV-1-exposed, persistently seronegative (HEPS) and 87 HIV-1-infected female Nairobi sex workers.

- Responses in HEPS women tended to be lower, and focused on different epitopes with HLA presenting molecules that have previously been associated with reduced risk of infection, and there was a shift in the response in the HEPS women upon late seroconversion to epitopes recognized by the HIV-1 infected women.
- 43/91 HEPS women had CD8+ responses and detection of HIV-1-specific CTL in HEPS women increased with the duration of viral exposure.
- Among HLA-B18 women, 3/4 HEPS and 1/9 HIV-1 infected women recognized this epitope, likelihood ratio 5.3, p value 0.04, and HEPS women tended to respond to FRDYVDRFY/FK, while infected women tended to respond to YPLT-FGWCY/F.
- The dominant response to this HLA allele was to this epitope for all 3/4 HEPS cases and for the single HIV-1 infected women that responded to this epitope.
- Four epitopes were considered to be “resistant epitopes”, as they were preferentially reactive in HEPS women and so may confer resistance, and these were found in three different proteins: A2 ILK(D/E)PVHGV in RT, A*6802 DTVLEDINL in Protease, B14 DLNM/TLN(I/V)V in p24 and B18 FRDYVDRF(Y/F)K also in p24.
- Differences in epitope specificity were only seen for responses restricted by class I HLA alleles A2, A24, A*6802, B14, and B18, previously shown to be associated with resistance to HIV-1 in this cohort.

HXB2 Location p24 (161–170)
Author Location p24
Epitope FRDYVDRFYK
Subtype B, D

Immunogen HIV-1 infection, vaccine

Vector/Type: DNA prime with modified vaccinia Ankara (MVA) boost *Strain:* A clade
HIV component: p17 Gag, p24 Gag

Species (MHC) human, macaque (B18)

Keywords subtype comparisons, epitope processing, vaccine-specific epitope characteristics, immunodominance

References Hanke & McMichael 2000; Wee *et al.* 2002

- The HIV-1 subtype A focused vaccine HIVA contains p24 and p17, in a reversed order relative to the Gag polyprotein to prevent myristylation of p17, which could direct the protein to the cell membrane and inhibit efficient peptide processing and class I presentation, as well as a polyepitope string of conserved, often immunodominant epitopes that were selected to have particularly good cross-reactive potential for the A-clade epidemic in Nairobi, Kenya. A DNA and MVA prime-boost vaccination protocol using the HIVA antigen will be used in a phase III clinical trial in Kenya. This epitope is included in the polyepitope string Hanke & McMichael [2000].
- Multiple CD4+ or CD8+ T-cell vaccine-induced responses to peptide pools were detected using intracellular cytokine staining and IFN γ Elispot assays after vaccination of 5 macaques. The response to the Mamu A*01 SIV p27 epitope p11C (CTPYDINQM), included in the polyepitope region, was not immunodominant in the Mamu A*01 vaccinated macaques, possibly because of processing limitations in context of the artificial polyepitope string Wee *et al.* [2002].

HXB2 Location p24 (161–170)**Author Location****Epitope** FRDYVDRFFK**Immunogen** HIV-1 infection**Species (MHC)** human**Keywords** HIV exposed persistently seronegative (HEPS)**References** Kaul *et al.* 2001c

- This study examines CTL responses in HIV exposed, persistently seronegative individuals, HEPS, who eventually seroconverted – 11/114 HEPS Nairobi sex workers eventually seroconverted, and for six of these HIV CTL reactive epitopes had been defined while seronegative.
- The epidemiological factor associated with seroconversion was stopping sex work. HIV-specific CTL activity declined when HEPS sex workers stopped working for a period or retired.
- This epitope was recognized in 1/22 HEPS sex worker controls, ML1732.

HXB2 Location p24 (161–174)**Author Location** p24 (161–174 HXB2)**Epitope** FRDYVDRFYKTLRA**Subtype** B**Immunogen** HIV-1 infection**Species (MHC)** human**Assay type** T-cell Elispot**Keywords** supervised treatment interruptions (STI), immunodominance, early treatment**References** Addo *et al.* 2003

- Comprehensive Elispot screening of 504 overlapping peptides that spanned all HIV-1 proteins in 57 HIV-1 infected individuals. Four groups of patients were compared: 23 were untreated; 12 patients were chronically infected and treated; 22 started treatment during acute infection, 11 continuously treated and 11 with STI.
- 63% of the peptides were recognized - the most frequent responses were directed against Nef (95%) and p24-Gag (88%). p17 was the most frequently recognized protein after correction for protein length. A median of 18 peptides (range 2-42) were recognized per person. The most frequently (>20%) recognized peptides were located in conserved regions within clade B sequences. Vpu was rarely recognized.
- A decrease in the total magnitude and in the breadth of CTL responses was detected in patients with treated acute infection in comparison to chronically infected treated or untreated individuals. No correlation between plasma viral load and HIV-1 specific T-cell responses was observed.
- Responses to this peptide were detected in 16% of the study subjects, and it was one of the 25 most frequently recognized peptides.

HXB2 Location p24 (161–175)**Author Location** p24 (161–170)**Epitope** FRDYVDRFYKTLRAE**Subtype** A, D**Immunogen** HIV-1 infection**Species (MHC)** human**Donor MHC** A*0101, A*7401, B*5801**Country** Uganda.**Assay type** CD8 T-cell Elispot - IFN γ **Keywords** subtype comparisons, variant cross-recognition or cross-neutralization**References** Barugahare *et al.* 2005

- T-cell immune responses were examined in HIV-1 infected Ugandans. Similar levels of cross-clade responses for Gag, Env and Nef were observed. Higher frequencies of responses in conserved regions were found for Gag within a single clade, while areas with higher viral sequence variation had fewer detectable responses. Differential interclade sequence homologies between the Gag regions did not affect the respective level of cross-clade recognition.
- The sequence contains a known epitope (FRDYVDRFYKTL), but the subject recognizing it does not carry HLAs of the previously-defined restriction. The isolated viral sequence was frdyvdrfykVlrae, from the patient that could recognize the peptide.

HXB2 Location p24 (161–180)**Author Location** p24 (293–312 SF2)**Epitope** FRDYVDRFYKTLRAEQASQD**Immunogen** HIV-1 infection**Species (MHC)** human (B71)**References** McAdam *et al.* 1998**HXB2 Location** p24 (161–180)**Author Location** p24 (293–312 SF2)**Epitope** FRDYVDRFYKTLRAEQASQD**Immunogen** HIV-1 infection**Species (MHC)** human**References** Lieberman *et al.* 1997a

- Of 25 patients, most had CTL specific for more than 1 HIV-1 protein.
- Twelve subjects had CTL that could recognize vaccinia-expressed LAI gag.
- One of these 12 had CTL response to this peptide.
- The responding subject was HLA-A2, A3, B8, B62.

HXB2 Location p24 (161–180)**Author Location** p24 (293–312 SF2)**Epitope** FRDYVDRFYKTLRAEQASQD**Immunogen** HIV-1 infection**Species (MHC)** human**References** Lieberman *et al.* 1997b

- CTL expanded *ex vivo* were later infused into HIV-1 infected patients.

HXB2 Location p24 (162–172)**Author Location** p24 (296–306 subtype A)**Epitope** RDYVDRFFKTL**Subtype** A**Immunogen** HIV-1 infection**Species (MHC)** human (A*2402)**Keywords** subtype comparisons**References** Dorrell *et al.* 1999

- CTL responses in three individuals with non-clade B infections were studied, 2 with subtype A infections, 1 with subtype C – their infections all originated in East Africa.

- This epitope is similar to the A24 DYVDRYFKT epitope found for B subtype, but CTL from this A subtype infection required the additional Arg – the B clade sequence change from F to Y diminished CTL reactivity.
- C. Brander notes that this is an A*2402 epitope in the 1999 database.

HXB2 Location p24 (162–172)
Author Location p24 (296–306 subtype A)
Epitope RDYVDRFFKTL
Subtype A

Immunogen HIV-1 infection
Species (MHC) human (A*2402)
Keywords optimal epitope
References Frahm *et al.* 2007

- C. Brander notes this is an A*2402 epitope.

HXB2 Location p24 (162–172)
Author Location p24 (296–306)
Epitope RDYVDRFFKTL
Immunogen HIV-1 infection, HIV-1 exposed seronegative
Species (MHC) human (A24)
Keywords HIV exposed persistently seronegative (HEPS)
References Kaul *et al.* 2001a

- ELISPOT was used to study CTL responses to a panel of 54 predefined HIV-1 epitopes in 91 HIV-1-exposed, persistently seronegative (HEPS) and 87 HIV-1-infected female Nairobi sex workers.
- Responses in HEPS women tended to be lower, and focused on different epitopes with HLA presenting molecules that have previously been associated with reduced risk of infection, and there was a shift in the response in the HEPS women upon late seroconversion to epitopes recognized by the HIV-1 infected women.
- 43/91 HEPS women had CD8+ responses and detection of HIV-1-specific CTL in HEPS women increased with the duration of viral exposure.
- Among HLA-A24 women, 0/4 HEPS and 6/10 HIV-1 infected women recognized this epitope, likelihood ratio 7.2, p value 0.03, and (R)YL(R/K)DQQLL tended to be reactive in HEPS and infected women, RDYVDRFFKTL in infected women only.
- The dominant response to this HLA allele was to this epitope in all of the 6/10 HIV-1 infected women.
- Differences in epitope specificity were only seen for responses restricted by class I HLA alleles A2, A24, A*6802, B14, and B18, previously shown to be associated with resistance to HIV-1 in this cohort.
- Subject ML 1707 started with a CTL response to A*6802 DTVLEDINL prior to seroconversion, and switched to A*6802 ETAYFILKL and A24 RDYVDRFFKTL post-seroconversion.

HXB2 Location p24 (162–172)
Author Location p24 (293–312 LAI)
Epitope RDYVDRFYKTL
Subtype B

Immunogen HIV-1 infection
Species (MHC) human (B*4402)
Keywords optimal epitope

- References** Frahm *et al.* 2007
- C. Brander notes this is a B*4402 epitope.

HXB2 Location p24 (162–172)
Author Location p24 (162–172)
Epitope RDYVDRFYKTL

Immunogen HIV-1 infection
Species (MHC) human (B44)
References Ferrari *et al.* 2000

- One of the 51 HIV-1 epitopes selected by Ferrari *et al.* as good candidate CTL epitopes for vaccines by virtue of being conserved and presented by common HLA alleles.

HXB2 Location p24 (162–172)
Author Location p24 (162–172)
Epitope RDYVDRFYKTL

Immunogen HIV-1 infection
Species (MHC) human (B44)
References Day *et al.* 2001

HXB2 Location p24 (162–172)
Author Location p24
Epitope RDYVDRFYKTL
Subtype B, D

Immunogen HIV-1 infection, vaccine
Vector/Type: DNA prime with modified vaccinia Ankara (MVA) boost *Strain:* A clade HIV component: p17 Gag, p24 Gag
Species (MHC) human, macaque (B44)

- Keywords** subtype comparisons, epitope processing, vaccine-specific epitope characteristics, immunodominance

- References** Hanke & McMichael 2000; Wee *et al.* 2002
- The HIV-1 subtype A focused vaccine HIVA contains p24 and p17, in a reversed order relative to the Gag polyprotein to prevent myristylation of p17, which could direct the protein to the cell membrane and inhibit efficient peptide processing and class I presentation, as well as a polyepitope string of conserved, often immunodominant epitopes that were selected to have particularly good cross-reactive potential for the A-clade epidemic in Nairobi, Kenya. A DNA and MVA prime-boost vaccination protocol using the HIVA antigen will be used in a phase III clinical trial in Kenya. This epitope is included in the polyepitope string Hanke & McMichael [2000].
 - Multiple CD4+ or CD8+ T-cell vaccine-induced responses to peptide pools were detected using intracellular cytokine staining and IFN γ Elispot assays after vaccination of 5 macaques. The response to the Mamu A*01 SIV p27 epitope p11C (CTPYDINQM), included in the polyepitope region, was not immunodominant in the Mamu A*01 vaccinated macaques, possibly because of processing limitations in context of the artificial polyepitope string Wee *et al.* [2002].

HXB2 Location p24 (162–172)
Author Location Gag (B con)
Epitope RDYVDRFYKTL

Epitope name RL11
Subtype B
Immunogen HIV-1 infection
Species (MHC) human (B44)

Country United States.

Assay type CD8 T-cell Elispot - IFN γ

Keywords variant cross-recognition or cross-neutralization

References Draenert *et al.* 2004c

- CD8+ T-cell responses that persisted in individuals with advanced disease were studied; most of the optimal epitopes defined were recognized with intermediate to high avidity. On average 13 (range, 2-39) epitopic regions were targeted in an average of 6 proteins (range, 1-8). HAART resulted in decrease in antigen and reduction in gamma IFN EliSpot responses, suggesting active responses to autologous virus. The lack of mutations within most viral epitopes suggest that persistent CTL through late disease do not exert strong immune selection pressure, yet the Elispot assays show robust responses, suggesting to the authors that gamma IFN-based screening methods may not reveal functional CD8+ T-cell impairment in patients with AIDS.
- 1 subject recognized this epitope with low functional avidity. The autologous sequence matched the B consensus.

HXB2 Location p24 (162-172)

Author Location p24 (293-312 LAI)

Epitope RDYVDRFYKTL

Subtype B

Immunogen HIV-1 infection

Species (MHC) human (B44, A26, B70)

References Ogg *et al.* 1998a

HXB2 Location p24 (163-171)

Author Location Gag (295-303 SUMA)

Epitope DYVDRFYKT

Epitope name Gag DT9

Subtype B

Immunogen HIV-1 infection

Species (MHC) human (A*2402)

Donor MHC A*1103, A*2402, B*1402, B*1501, Cw*0802

Country United States.

Assay type CD8 T-cell Elispot - IFN γ , Chromium-release assay

Keywords dynamics, acute/early infection, characterizing CD8+ T cells

References Jones *et al.* 2004

- Primary CD8+ T-cell response to Env, Tat and Gag and the extent, kinetics and mechanisms of viral escape were examined in three patients. Rapid escape, within weeks from infection, from HIV specific CTL responses was observed in all three patients, but the kinetics and extent of the escape differed depending on the breadth and co-dominant distribution of CTL-mediated pressure. The two patients that rapidly declined had more focused immunodominant responses, while the single patient that had low viral load and stable CD4 counts for seven years had a broad co-dominant response and less escape.
- The patient SUMA maintained low viral loads and stable CD4 T cell counts through seven years of follow up. In contrast to more rapid progressors, WEAU and BORI, SUMA a broad response to 24 epitopes, with little immunodominance. Two peptides were somewhat more intensely recognized in acute infection, but this response leveled out early on.

- Only four epitopes were found to acquire escape mutations in SUMA over time, and this was one of the 20 that remained invariant. A low level response was detected at acute infection that persisted through early infection.

HXB2 Location p24 (163-172)

Author Location p24 (163-172)

Epitope DYVDRFYKTL

Immunogen HIV-1 infection

Species (MHC) human (A24)

References Ferrari *et al.* 2000

- One of the 51 HIV-1 epitopes selected by Ferrari *et al.* as good candidate CTL epitopes for vaccines by virtue of being conserved and presented by common HLA alleles.

HXB2 Location p24 (163-173)

Author Location Gag (297-307 SF2)

Epitope DYVDRFYKTLR

Subtype B

Immunogen HIV-1 infection, computer prediction

Species (MHC) human (A*3303)

Assay type Chromium-release assay

Keywords binding affinity, computational epitope prediction

References Hossain *et al.* 2003

- HLA-A*3303 is a common HLA allele in east and southeast Asia. Pol, Gag and Nef SF2 proteins were scanned for potential A*3303 epitopes. 99 potential epitopes were synthesized, and 52/99 bound to A*3303. Six of these served as peptide-targets for lysis by PBMC from infected individual, and clones derived from 4 of these 6 could lyse HIV-vaccinia infected target cells, indicating proper processing.
- This epitope is one of the 2/6 peptides that could induce CTL responses in the PBMC of infected individuals, but was not properly processed in a vaccinia-HIV infected target cell.

HXB2 Location p24 (164-172)

Author Location Gag (296-304)

Epitope YVDRFYKTL

Subtype B

Immunogen HIV-1 infection

Species (MHC) human (A*0207)

Donor MHC A*0207

Keywords subtype comparisons

References Currier *et al.* 2002a

- Cross-reactive responses were found in PBMC isolated from individuals infected with either B or CRF01_AE clade viruses, as determined by Elispot assays of target cells expressing recombinant vaccinia viruses expressing HIV-1 gag, env, nef and pol from many clades.
- The Thai subject VAIP-4 demonstrated broad CTL cross-reactivity towards gag constructs derived from subtypes A, B, C, D, F, G, H, and CRF-01_AE. Sequence alignments of this epitope showed conservation for clades B and D, and Y->F substitutions at position 6 for subtypes A, C, CDR01-AE, F, G, and H. YVDRFYKTL and the variant epitope YVDRFFKTL are recognized equally well.

HXB2 Location p24 (164-172)

Author Location p24 (164-172)

- Epitope** YVDRFYKTL
Immunogen HIV-1 infection
Species (MHC) human (A*0207)
Keywords optimal epitope
References Frahm *et al.* 2007
- HXB2 Location** p24 (164–172)
Author Location p24 (298–306 subtype A)
Epitope YVDRFFKTL
Subtype A
Immunogen HIV-1 infection
Species (MHC) human (A26, B70)
Keywords subtype comparisons
References Dorrell *et al.* 1999
- CTL responses in three individuals with non-clade B infections were studied, 2 with subtype A infections, 1 with subtype C – their infections all originated in East Africa.
 - This CTL epitope is conserved in A and C subtype, and B clade sequences tend to have a change from F to Y, YVDRFYKTL – both variants showed strong CTL reactivity.
 - CTL reacted with targets presenting either in the context A26 or B70 – the epitope has the HLA-26 motif of Val at position 2 and Leu at the carboxy terminus, and the B70 anchor residue motif is unknown.
- HXB2 Location** p24 (164–172)
Author Location Gag (298–306 subtype A)
Epitope YVDRFFKTL
Subtype A
Immunogen HIV-1 infection, in vitro stimulation or selection
Species (MHC) human (A26, B70)
Keywords subtype comparisons
References Dorrell *et al.* 2001
- In vitro restimulation of CTL specific for dominant epitopes from infected individuals is possible using recombinant modified vaccinia virus Ankara (MVA) carrying A or D subtype HIV-1 Gag proteins.
- HXB2 Location** p24 (164–172)
Author Location p24
Epitope YVDRFFKTL
Epitope name YL-9
Subtype C
Immunogen HIV-1 infection
Species (MHC) human (B*1503)
Country South Africa.
Assay type CD8 T-cell Elispot - IFN γ , CD4 T-cell Elispot - IFN γ , Intracellular cytokine staining, Chromium-release assay
Keywords subtype comparisons, epitope processing, immunodominance, cross-presentation by different HLA
References Masemola *et al.* 2004b
- Highly targeted regions in Gag for CD8+ T-cells were defined for individuals with C clade infections in South Africa. 9 specific epitopes within the most reactive regions were characterized.
- YVDRFFKTL was presented by B*15, which is more common in Zulus than Caucasians (0.153 versus 0.079). This epitope had previously identified in B clade infections.
- HXB2 Location** p24 (164–172)
Author Location p24 (164–172)
Epitope YVDRFFKTL
Immunogen HIV-1 infection
Species (MHC) human (B*1503)
Keywords optimal epitope
References Frahm *et al.* 2007
- C. Brander notes that this is an B*1503 epitope.
- HXB2 Location** p24 (164–172)
Author Location Gag (296–304 96ZM651.8)
Epitope YVDRFFKRL
Immunogen HIV-1 infection
Species (MHC) human (B*1510, B70)
Keywords subtype comparisons
References Novitsky *et al.* 2001
- This study provides a survey of CTL responses and full length HIV-1 genome sequences from a C subtype infected Botswanan cohort.
 - 4 subjects who responded to the CTL epitope YVDRFFKTL – all were HLA-B*1510 and also shared HLA-Cw03, suggesting linkage disequilibrium.
 - An HIV-1 B variant of the epitope YVDRFYKTL has been described, and was recognized by CTL from an HIV-1 subtype A-infected patient, and the HLA restriction of the epitope was suggested to be A26 or B70 – HLA-B*1510 is equivalent to the serological specificity HLA B70.
- HXB2 Location** p24 (164–172)
Author Location p24 (164–172)
Epitope YVDRFYKTL
Immunogen HIV-1 infection
Species (MHC) human (B70)
References Ferrari *et al.* 2000
- One of the 51 HIV-1 epitopes selected by Ferrari *et al.* as good candidate CTL epitopes for vaccines by virtue of being conserved and presented by common HLA alleles.
- HXB2 Location** p24 (164–172)
Author Location p24 (164–172)
Epitope YVDRFFKTL
Immunogen HIV-1 infection
Species (MHC) human (Cw*0303)
Keywords optimal epitope
References Frahm *et al.* 2007
- HXB2 Location** p24 (164–172)
Author Location p24 (164–172)
Epitope YVDRFFKTL
Immunogen HIV-1 infection
Species (MHC) human (Cw*0304)
Keywords optimal epitope
References Frahm *et al.* 2007
- HXB2 Location** p24 (164–172)
Author Location (C consensus)
Epitope YVDRFFKTL

Epitope name YL9**Subtype** C**Immunogen** HIV-1 infection**Species (MHC)** human (Cw*0304)**Donor MHC** A*3402, B*0801, B*4403, Cw*0304, Cw*0401**Country** South Africa.**Assay type** CD8 T-cell Elispot - IFN γ **Keywords** characterizing CD8+ T cells**References** Kiepiela *et al.* 2004

- HLA class I restricted CD8+ T-cell responses against HIV-1 were analyzed in African patients. Significantly more responses were shown to be HLA-B restricted. Viral load, CD4 count, and thus rate of disease progression were also associated with HLA-B alleles. In addition, the selection pressure imposed on HIV-1 by HLA-B alleles was shown to be substantially greater than by other alleles.
- This epitope was one of two used to illustrate how specific epitopes were characterized with regard to defining the optimal epitope and the HLA restricting element. HLA allelic associations in the population with peptide recognition was highly predictive of the epitope within the 15 mer.

HXB2 Location p24 (164–172)**Author Location** (C consensus)**Epitope** YVDRFFKTL**Subtype** C**Immunogen** HIV-1 infection**Species (MHC)** human (Cw*0304)**Country** South Africa.**Assay type** CD8 T-cell Elispot - IFN γ **Keywords** rate of progression, optimal epitope**References** Kiepiela *et al.* 2007

- A comprehensive analysis of 160 class I T cell responses in 578 individuals from KwaZulu-Natal, South Africa was performed. Gag-specific responses were associated with lowering viremia, while Env, accessory and regulatory protein-specific responses were associated with higher viremia.
- Mutational patterns in the T8 residue of YVDRFFKTL are associated with the presence of the HLA presenting molecule in the host.

HXB2 Location p24 (165–178)**Author Location** p24 (165–177 HXB2)**Epitope** VDRFYKTLRAEQAS**Subtype** B**Immunogen** HIV-1 infection**Species (MHC)** human**Assay type** T-cell Elispot**Keywords** supervised treatment interruptions (STI), immunodominance, early treatment**References** Addo *et al.* 2003

- Comprehensive Elispot screening of 504 overlapping peptides that spanned all HIV-1 proteins in 57 HIV-1 infected individuals. Four groups of patients were compared: 23 were untreated; 12 patients were chronically infected and treated; 22 started treatment during acute infection, 11 continuously treated and 11 with STI.

- 63% of the peptides were recognized - the most frequent responses were directed against Nef (95%) and p24-Gag (88%). p17 was the most frequently recognized protein after correction for protein length. A median of 18 peptides (range 2–42) were recognized per person. The most frequently (>20%) recognized peptides were located in conserved regions within clade B sequences. Vpu was rarely recognized.
- A decrease in the total magnitude and in the breadth of CTL responses was detected in patients with treated acute infection in comparison to chronically infected treated or untreated individuals. No correlation between plasma viral load and HIV-1 specific T-cell responses was observed.
- The authors did not note the reference strain, but based on the peptide sequences provided it appears to be HXB2.
- Responses to this peptide were detected in 19% of the study subjects, and it was one of the 25 most frequently recognized peptides.

HXB2 Location p24 (166–174)**Author Location** (C consensus)**Epitope** DRFFKTLRA**Subtype** C**Immunogen** HIV-1 infection**Species (MHC)** human (B*1401)**Country** South Africa.**Assay type** CD8 T-cell Elispot - IFN γ **Keywords** rate of progression, optimal epitope**References** Kiepiela *et al.* 2007

- A comprehensive analysis of 160 class I T cell responses in 578 individuals from KwaZulu-Natal, South Africa was performed. Gag-specific responses were associated with lowering viremia, while Env, accessory and regulatory protein-specific responses were associated with higher viremia.
- DRFFKTLRA is an optimal epitope.

HXB2 Location p24 (166–174)**Author Location** p24 (298–306 LAI)**Epitope** DRFYKTLRA**Subtype** B**Immunogen** HIV-1 infection**Species (MHC)** human (B*1402)**Keywords** optimal epitope**References** Frahm *et al.* 2007

- C. Brander notes this is a B*1402 epitope.

HXB2 Location p24 (166–174)**Author Location** (167–175)**Epitope** DRFFKTLRA**Subtype** C**Immunogen** HIV-1 infection**Species (MHC)** human (B*1402)**Assay type** Other**Keywords** HLA associated polymorphism**References** Boutwell & Essex 2007

- All HIV-1 subtype C protein sequences were analysed, and 94 HLA-associated amino acid polymorphisms were found that were well distributed throughout the proteome. These sequences were compiled from publicly available databases and originated in South Africa and Botswana. Many polymorphisms were associated with multiple HLA allele classes. 12%

of negative associations were found as well, where there was an association of virus expression of the consensus amino acid with a specific HLA allele. HLA-B alleles were involved in most of the associations. 19 HLA-associated polymorphisms were embedded in previously defined epitopes presented by an appropriate HLA restricting molecule.

- DRFFKTLRA was a previously defined B*1402 presented epitope that encompassed a B*14/B*1401 associated polymorphism, DRFFkTLRA, in the fifth position. This epitope is embedded in a previously determined CTL immunodominant region.

HXB2 Location p24 (166–174)
Author Location p24
Epitope DRFFKTLRA
Epitope name DA-9
Subtype C
Immunogen HIV-1 infection
Species (MHC) human (B*1403)
Country South Africa.
Assay type CD8 T-cell Elispot - IFN γ , CD4 T-cell Elispot - IFN γ , Intracellular cytokine staining, Chromium-release assay
Keywords subtype comparisons, epitope processing, immunodominance, cross-presentation by different HLA
References Masemola *et al.* 2004b

- Highly targeted regions in Gag for CD8+ T-cells were defined for individuals with C clade infections in South Africa. 9 specific epitopes within the most reactive regions were characterized.
- DRFFKTLRA was presented by B*14, which is more common in Zulus than Caucasians (0.066 versus 0.038). This epitope had previously identified in B clade infections.

HXB2 Location p24 (166–174)
Author Location p24 (298–306 IIIB)
Epitope DRFYKTLRA
Immunogen HIV-1 infection
Species (MHC) human (B14)
Keywords responses in children, mother-to-infant transmission
References Wilson *et al.* 1996

- Epitope defined in the context of the Pediatric AIDS Foundation ARIEL Project, a mother-infant HIV transmission study.
- DRFYKILRA, a naturally occurring variant, was found in mother, and is recognized although less reactive.
- DQFYKTLRA, a naturally occurring variant, was found in infant and is not recognized.

HXB2 Location p24 (166–174)
Author Location p24 (298–306 IIIB)
Epitope DRFYKTLRA
Immunogen HIV-1 infection
Species (MHC) human (B14)
References Cao *et al.* 1997a

- The consensus peptide for clades B and D is DRFYKTLRA.
- The consensus peptide for clades A and C is DRFFKTLRA and it is equally reactive.

HXB2 Location p24 (166–174)
Author Location p24 (298–306 HXB2)
Epitope DRFYKTLRA
Subtype B
Immunogen HIV-1 infection
Species (MHC) human (B14)
Keywords kinetics
References Yang *et al.* 1997b

- A chimeric universal T cell receptor was created by linking CD4 or an HIV-specific anti-gp41 Ig sequence to the signaling domain of the T cell receptor chain ζ , and transducing into CD8+ cells.
- The response using universal-receptor-bearing CD8+ cells to lyse infected cells *in vitro* was comparable to the natural occurring responses of CTL-clones from HIV+ individuals in terms of kinetics and efficiency.
- A CTL clone specific for this epitope was used for the comparison.

HXB2 Location p24 (166–174)
Author Location p24
Epitope DRFWKTLRA
Immunogen HIV-1 exposed seronegative
Species (MHC) human (B14)
Keywords subtype comparisons, HIV exposed persistently seronegative (HEPS)
References Rowland-Jones *et al.* 1998a

- A CTL response was found in exposed but uninfected prostitutes from Nairobi using previously-defined B clade epitopes that tended to be conserved in A and D clades – such cross-reactivity could protect against both A and D and confer protection in Nairobi where both subtypes are circulating.
- The D subtype consensus is identical to the B clade epitope.
- The A subtype consensus is drFfKTLRA.

HXB2 Location p24 (166–174)
Author Location p24 (298–306 LAI)
Epitope DRFYKTLRA
Subtype B
Immunogen HIV-1 infection
Species (MHC) human (B14)
References Harrer *et al.* 1996b

HXB2 Location p24 (166–174)
Author Location p24 (298–306)
Epitope DRFYKTLRA
Immunogen HIV-1 infection
Species (MHC) human (B14)
References Yang *et al.* 1996

- CD4+ cell lines acutely infected with HIV were studied to determine their susceptibility to lysis by CTL.
- Clones specific for RT lysed HIV-1 infected cells at lower levels than Env or Gag specific clones.
- The distinction was thought to be due to lower expression of RT relative to Env and Gag.
- CTL can lyse infected cells early after infection, possibly prior to viral production.

HXB2 Location p24 (166–174)
Author Location p24 (298–306)

Epitope DRFYKTLRA**Immunogen** HIV-1 infection**Species (MHC)** human (B14)**Assay type** CTL suppression of replication**References** Yang *et al.* 1997a

- CTL inhibit HIV-1 replication at effector cell concentrations comparable to those found *in vivo*.
- CTL produced HIV-1-suppressive soluble factors – MIP-1 α , MIP-1 β , RANTES, after antigen-specific activation.
- CTL suppress HIV replication more efficiently in HLA-matched cells.

HXB2 Location p24 (166–174)**Author Location** p24 (298–306)**Epitope** DRFYKTLRA**Immunogen** *in vitro* stimulation or selection**Species (MHC)** human (B14)**Keywords** dendritic cells**References** Zarling *et al.* 1999

- This study compares the ability of macrophages and dendritic cells to stimulate primary responses in CD8+ lymphocytes isolated from HLA-appropriate HIV-uninfected donors using peptide-pulsed APC – the dendritic cells performed better as APC for the stimulation of primary responses.
- Strong CTL responses were elicited by the epitopes DRFYKTLRA and GEIYKRWII when presented by either immature or mature dendritic cells – macrophages were not able to prime a CTL response against DRFYKTLRA.
- A weak response to KLTPLCVSL was stimulated using macrophages as the APC.
- No detectable response was observed for the following previously-defined HIV epitopes: KIRLRPGGK, ILKEPVHGV, IRLRPGGK, GPKVKQWPL.

HXB2 Location p24 (166–174)**Author Location** p24**Epitope** DRFYKTLRA**Immunogen****Species (MHC)** human (B14)**References** Rowland-Jones *et al.* 1999

- CTL responses in seronegative highly HIV-exposed African female sex workers in Gambia and Nairobi were studied – these women had no delta 32 deletion in CCR5.
- In Gambia there is exposure to both HIV-1 and HIV-2, CTL responses to B35 epitopes in exposed, uninfected women are cross-reactive, and the B35 allele seems to be protective.
- HIV-2 sequence: DRFYKSLRA is cross-reactive, Harrer *et al.* [1993]

HXB2 Location p24 (166–174)**Author Location** p24 (298–306 IIIB)**Epitope** DRFYKTLRA**Immunogen** HIV-1 infection**Species (MHC)** human (B14)**Keywords** responses in children, mother-to-infant transmission, escape**References** Wilson *et al.* 1999a

- This study describes maternal CTL responses in the context of mother-to-infant transmission.

- Detection of CTL escape mutants in the mother was associated with transmission, but the CTL-susceptible forms of the virus tended to be found in infected infants.
- DRFYKILRA and DQFYKTLRA were escape mutants.

HXB2 Location p24 (166–174)**Author Location** p24 (SF2)**Epitope** DRFYKTLRA**Immunogen** HIV-1 infection**Species (MHC)** human (B14)**Keywords** subtype comparisons, immunodominance**References** Goulder *et al.* 2000a

- The CTL-dominant response was focused on this epitope in 2/5 HIV+ individuals who were HLA B14 living in Boston – this epitope did not fall within the three most recognized peptides in the study.
- Three peptides GSEELRSLYNTVATL (p17 residues 71–85), SALSEGATPQDLNMLNTVVG (p24 41–60), and WEKIRLRPGGKKKYKCLK (p17 16–30) contained the dominant Gag-specific epitope in 31 out of 44 B-clade infected individuals from Boston who showed Gag-CTL responses.
- Five peptides RLRPGGKKHYMIKHLVW (p17 20–36), ELRSLYNTVATLYCV (p17Gag 74–88), SALSEGATPQDLNMLNTVVG (p24 41–60), FRDYVDRFFKTLRAEQA (p24 161–177), and SILDIKQGKEPFRDY (p24 149–164) contained dominant Gag-specific epitopes in 32 out of 37 C-clade infected subjects from South Africa.

HXB2 Location p24 (166–174)**Author Location** p24 (SF2)**Epitope** DRFYKTLRA**Epitope name** DA9**Immunogen** HIV-1 infection**Species (MHC)** human (B14)**Keywords** acute/early infection**References** Goulder *et al.* 2001a

- Data from patient AC13 suggest a role for this epitope in initial control of viremia in acute infection, as it is one of several subdominant CTL epitopes recognized during the initial decline in viremia.
- A CTL response to SL9, SLYNTVATL, was not evident until 18 months post-presentation.

HXB2 Location p24 (166–174)**Author Location** p24 (166–174)**Epitope** DRFYKTLRA**Immunogen** HIV-1 infection**Species (MHC)** human (B14)**References** Ferrari *et al.* 2000

- One of the 51 HIV-1 epitopes selected by Ferrari *et al.* as good candidate CTL epitopes for vaccines by virtue of being conserved and presented by common HLA alleles.

HXB2 Location p24 (166–174)**Author Location** p24 (298–306 SF2)**Epitope** DRFYKTLRA**Immunogen** HIV-1 infection**Species (MHC)** human (B14)**Keywords** HAART, ART, acute/early infection**References** Altfeld *et al.* 2001b

- Therapy provided during acute infection resulted in a narrower CTL response, stronger T help response, and a less diverse viral population than was seen in individuals treated during chronic infection.
- The breadth and specificity of the response was determined using ELISPOT by studying 19 individuals with pre-seroconversion therapy (Group 1), 11 individuals with primary infection but post-seroconversion therapy (Group 2), and 10 individuals who responded to HAART given during chronic infection (Group 3), using 259 overlapping peptides spanning p17, p24, RT, gp41, gp120 and Nef.
- Previously described and newly defined optimal epitopes were tested for CTL response.
- Number of HLA-B14+ individuals that had a CTL response to this epitope broken down by group: 3/3 group 1, 1/2 group 2, and 0/0 group 3.

HXB2 Location p24 (166–174)

Author Location p24 (298–306)

Epitope DRFFKTLRA

Immunogen HIV-1 infection, HIV-1 exposed seronegative

Species (MHC) human (B14)

Keywords HIV exposed persistently seronegative (HEPS)

References Kaul *et al.* 2001a

- Variants DRF(F/W)KTLRA are specific for clades A/B.
- ELISPOT was used to study CTL responses to a panel of 54 predefined HIV-1 epitopes in 91 HIV-1-exposed, persistently seronegative (HEPS) and 87 HIV-1-infected female Nairobi sex workers.
- Responses in HEPS women tended to be lower, and focused on different epitopes with HLA presenting molecules that have previously been associated with reduced risk of infection, and there was a shift in the response in the HEPS women upon late seroconversion to epitopes recognized by the HIV-1 infected women.
- 43/91 HEPS women had CD8+ responses and detection of HIV-1-specific CTL in HEPS women increased with the duration of viral exposure.
- Among HLA-B14 women, 0/4 HEPS and 6/7 HIV-1 infected women recognized this epitope, likelihood ratio 14.4, p value 0.004 and HEPS women tended to respond to DLNMMML-NIV/DLNTMLNVV, while infected women tended to respond to DRF(F/W)KTLRA.
- The dominant response to this HLA allele was to this epitope for all of the 6/7 HIV-1 infected women.
- Differences in epitope specificity were only seen for responses restricted by class I HLA alleles A2, A24, A*6802, B14, and B18, previously shown to be associated with resistance to HIV-1 in this cohort.

HXB2 Location p24 (166–174)

Author Location p24 (SF2)

Epitope DRFYKTLRA

Immunogen HIV-1 infection

Species (MHC) human (B14)

References Altfeld *et al.* 2000

- This epitope was mapped by ELISPOT in a study identifying new HLA-B60 epitopes, and was one of the epitopes presented by another HLA molecule in an HLA-B60 individual.

HXB2 Location p24 (166–174)

Author Location p24

Epitope DRFYKTLRA

Immunogen HIV-1 infection

Species (MHC) human (B14)

Keywords epitope processing

References Cao *et al.* 2002

- AC13 is a B14 restricted CTL clone that recognizes DRFYKTLRA.
- CTL could be activated by a fusion protein of an HIV protein and anthrax lethal factor (LFn-HIV) that promotes antigen presenting cell uptake of exogenous protein and allows processing through the MHC class I pathway. This strategy for CTL detection could allow antigen presentation without generation of cells by the standard methods of using live viral vectors carrying a protein, or by loading the cells with peptides and by-passing processing.

HXB2 Location p24 (166–174)

Author Location p24

Epitope DRFWKTLRA

Immunogen HIV-1 infection

Species (MHC) human (B14)

Keywords HIV exposed persistently seronegative (HEPS)

References Kaul *et al.* 2002

- Neisseria gonorrhoea cervicitis in 9 HIV+ Kenyan sex workers caused a functional deficiency in IFN-gamma production in HIV-1 epitope-specific CD8+ T-cells, detected by intracellular cytokine production and tetramer assays, while not affecting the total number of epitope-specific CTLs.
- Ghonorrhea caused the weaker HIV-1 specific CTL responses in 4 HIV-1 exposed persistently seronegative (HEPS) women to become undetectable by Elispot and tetramer assays, and CMV-specific CTL in 2 HEPS subjects were shown to have impaired function with regard to IFN-gamma production.

HXB2 Location p24 (166–174)

Author Location p24

Epitope DRFYKTLRA

Subtype B, D

Immunogen HIV-1 infection, vaccine

Vector/Type: DNA prime with modified vaccinia Ankara (MVA) boost *Strain:* A clade
HIV component: p17 Gag, p24 Gag

Species (MHC) human (B14)

Keywords subtype comparisons, epitope processing, vaccine-specific epitope characteristics, immunodominance

References Hanke & McMichael 2000; Wee *et al.* 2002

- The HIV-1 subtype A focused vaccine HIVA contains p24 and p17, in a reversed order relative to the Gag polyprotein to prevent myristylation of p17, which could direct the protein to the cell membrane and inhibit efficient peptide processing and class I presentation, as well as a polyepitope string of conserved, often immunodominant epitopes that were selected to have particularly good cross-reactive potential for the A-clade epidemic in Nairobi, Kenya. A DNA and MVA prime-boost vaccination protocol using the HIVA antigen will be used

in a phase III clinical trial in Kenya. This epitope is included in the polyepitope string Hanke & McMichael [2000].

- Multiple CD4+ or CD8+ T-cell vaccine-induced responses to peptide pools were detected using intracellular cytokine staining and IFN γ Elispot assays after vaccination of 5 macaques. The response to the Mamu A*01 SIV p27 epitope p11C (CTPYDINQM), included in the polyepitope region, was not immunodominant in the Mamu A*01 vaccinated macaques, possibly because of processing limitations in context of the artificial polyepitope string Wee *et al.* [2002].

HXB2 Location p24 (166–174)

Author Location p24 (166–174)

Epitope DRFYKTLRA

Subtype B

Immunogen HIV-1 infection

Species (MHC) human (B14)

Donor MHC A1, A3, B7, B14, Cw*0702, Cw*0802; A1, A1, B8, B14, Cw7, Cw8

Assay type CD8 T-cell Elispot - IFN γ

Keywords acute/early infection, early-expressed proteins

References Cao *et al.* 2003

- All proteins were scanned and optimal epitopes were mapped in a study of CD8+ gamma IFN T-cell responses in 21 men within 15-92 days post-HIV-1 infection. Subjects initially showed narrow immune responses with a mean of 2.3 epitopes recognized per patient. The immune response broadened later in infection. No correlation between the plasma viral load and the number of recognized epitopes or the frequency of IFN-gamma secreting cells was observed, and there was no correlation between the functional avidity of a responses and the abundance of IFN-secreting cells that recognized the epitope. The first epitopes to be recognized did not tend to be the most avid, and earliest responses tended to be directed against Nef, Tat, Vpr, and Env.
- This epitope was recognized in two subjects early in infection, presented by B14 in each case.
- All HIV-1 proteins except Vpu were recognized, and a responses to a total of 41 optimal epitopes were characterized; 24 had been identified previously. 48% of the total T-cell responses were directed against Nef and 43% were directed against Gag.
- More common HLA alleles were less frequently used in primary infection than less common alleles, for example A3, B35, B57, and B62 were more frequently utilized than A1, A2, A30, and A44.

HXB2 Location p24 (166–174)

Author Location p24 (166–174)

Epitope DRFYKTLRA

Epitope name Gag/p24-DA9

Subtype B

Immunogen HIV-1 infection

Species (MHC) human (B14)

Assay type Chromium-release assay

Keywords binding affinity, TCR usage, characterizing CD8+ T cells

References Yang *et al.* 2003b

- Killing efficiency of CTLs and their ability to suppress viral replication is shown to depend more on epitope specificity than to antigenic avidity. Different clones recognizing the same epitope had similar killing efficiency despite their variation in avidity. Nef specific CTL clones tended to be most inhibitory, followed by Gag, then by RT specific clones, regardless of avidity.

- 1/14 CTL T-cell clones tested were specific for Gag/p24-DA9. Under conditions of excess peptide (100ug/ml), there was no difference in their lytic potential; all possessed similar effector capacity. Avidity was measured as the sensitizing dose of peptide required for 50% of maximal killing (SD50), which varied from 20 pg/ml to 100 ng/ml, over four orders of magnitude for all 14 epitopes. The SD50 value for Gag/p24-DA9 was 100,000 pg/ml, it had the lowest avidity of the 14 tested.

HXB2 Location p24 (166–174)

Author Location (C consensus)

Epitope DRFFKTLRA

Subtype C

Immunogen HIV-1 infection

Species (MHC) human (B14)

Country South Africa.

Assay type CD8 T-cell Elispot - IFN γ

Keywords characterizing CD8+ T cells

References Kiepiela *et al.* 2004

- HLA class I restricted CD8+ T-cell responses against HIV-1 were analyzed in African patients. Significantly more responses were shown to be HLA-B restricted. Viral load, CD4 count, and thus rate of disease progression were also associated with HLA-B alleles. In addition, the selection pressure imposed on HIV-1 by HLA-B alleles was shown to be substantially greater than by other alleles.
- This epitope was suggested to be the epitope within a longer reactive peptide based on correspondence with a known epitope in the HIV database. Also, a significantly higher frequency of people in the Durban cohort who reacted with the peptide had this HLA type.

HXB2 Location p24 (166–174)

Author Location (B consensus)

Epitope DRFYKTLRA

Epitope name DA9

Subtype B

Immunogen HIV-1 infection

Species (MHC) human (B14)

Donor MHC A28, A29, B14, B44, Cw8; A25, A32, B08, B14, Cw7, Cw8; A03, B14, B60, Cw3, Cw7

Country United States.

Assay type Cytokine production, Intracellular cytokine staining, Chromium-release assay, Flow cytometric T-cell cytokine assay

Keywords assay standardization/improvement, memory cells, characterizing CD8+ T cells

References Lichterfeld *et al.* 2004c

- Using a flow-cytometric cytotoxicity assay based on caspase-3 activation in dying target cells, it was shown that the subset of HIV-1-specific CD8+ T cells secreting both IFN-gamma and

TNF-alpha exhibit stronger cytotoxic activity than those secreting only IFN-gamma. These cells also exhibited stronger intracellular perforin expression. No association between HIV-1-specific CD8+ T-cell maturation phenotypes and intracellular perforin expression was found.

- 3/9 individuals recognized this epitope, presented by HLA-B14.

HXB2 Location p24 (166–174)

Author Location Gag (298–306)

Epitope DRFYKTLRA

Subtype B

Immunogen HIV-1 infection

Species (MHC) human (B14)

Donor MHC A28, A29, B14, B44, Cw8

Country United States.

Assay type CD8 T-cell Elispot - IFN γ

References Allen *et al.* 2005a

- Two-thirds of all mutations arising in nonenvelope proteins during the transition from acute to chronic infection were found to be due to either CD8 T-cell-associated selective pressures or reversion of HLA-I-associated mutations selected in a previous host. The predominance of escape mutations at highly polymorphic sites was observed across different HIV-1 clades.
- This epitope was reactive, but escape mutations did not accrue in it over time.

HXB2 Location p24 (166–174)

Author Location Gag (298–306)

Epitope DRFYKTLRA

Epitope name DA9

Subtype B

Immunogen HIV-1 infection

Species (MHC) human (B14)

Donor MHC A*02, A*68, B*14, B*52, Cw*08, Cw*12

Country United States.

Assay type CD8 T-cell Elispot - IFN γ , Chromium-release assay, Flow cytometric T-cell cytokine assay

Keywords escape, optimal epitope

References Koibuchi *et al.* 2005

- HIV-1-specific CD8 T-cell responses were shown to be persistent in the chronic phase of HIV-1 infection, although the responses to some of the epitopes were declining despite the persistence of the targeted sequences in vivo. Only 4/14 epitopes were potential CTL escape variants, although strong responses to these epitopes persisted for 6 years. This indicates limited viral evolution within targeted CD8 T-cell epitopes during the chronic phase of infection.
- A form of this epitope that elicited a diminished Elispot response, DRFYrTLRA, dominated the viral sequence for several years, and then reverted back to the B consensus form, DRFYKTLRA.

HXB2 Location p24 (166–174)

Author Location p24

Epitope DRFYKTLRA

Epitope name DA9

Immunogen

Species (MHC) (B14)

Keywords review, immunodominance, escape, acute/early infection, early-expressed proteins, kinetics, reversion, viral fitness

References Lichterfeld *et al.* 2005

- This review discusses the importance of 3 factors that impact the selection of immunodominant epitopes in acute HIV infection: i) the kinetics of viral protein expression, ii) the HLA class I background of the infected individual, and iii) the autologous sequence of the infecting virus. This is 1 of 12 peptides listed as immunodominant in acute HIV-1 infection.

HXB2 Location p24 (166–174)

Author Location p24 (subtype B)

Epitope DRFYKTLRA

Subtype B

Immunogen HIV-1 exposed seronegative

Species (MHC) human (B14, B*1402)

Keywords subtype comparisons

References Rowland-Jones *et al.* 1998b

- HIV-specific CTL were found in exposed seronegative prostitutes from Nairobi – these CTL may confer protection.
- Seroprevalence in this cohort is 90-95% and their HIV-1 exposure is among the highest in the world.
- Most isolated HIV strains are clade A in Nairobi, although clades C and D are also found – B clade epitopes are often cross-reactive, however stronger responses are frequently observed using A or D clade versions of epitopes.
- This epitope is conserved among B and D clade viruses.
- The Clade A version of the epitope, DRFFKLTRA, was preferentially recognized by CTL.
- This epitope was recognized by two different exposed and uninfected prostitutes.

HXB2 Location p24 (166–175)

Author Location p24 (298–306 HX10)

Epitope DRFYKTLRAE

Immunogen HIV-1 infection

Species (MHC) human (B14)

Keywords immunodominance

References Wagner *et al.* 1999

- The immunodominant CTL response in a long-term survivor was to this highly conserved and functionally relevant epitope.
- By testing mutations in an HXB2 background, it was found that all mutations within the epitope that abrogated CTL recognition also abolished viral infectivity.
- The epitope in this study overlaps the major homology region for which highly conserved residues exist in all known lentiviral and onco-viruses and yeast transposons.
- Patient was part of the study in Harrer *et al.* [1996a]

HXB2 Location p24 (166–175)

Author Location Gag (298–307)

Epitope DRFYKTRA E

Immunogen HIV-1 infection

Species (MHC) human (B14)

Donor MHC A24, A33, B14, B27

Assay type Chromium-release assay

Keywords TCR usage, genital and mucosal immunity

References Musey *et al.* 2003

- CTL clones from blood, semen, cervix and rectum samples from 12 individuals were compared. CTL clones derived from blood and mucosal samples had similar high lysis efficiency, primarily perforin dependent, and TCRbeta VDJ region sequencing revealed cases of expansion of the same clone in different compartments.
- CD8+ T cell clones directed at this epitope were derived from blood and cervix.

HXB2 Location p24 (166–176)

Author Location Gag (295–305 BORI)

Epitope DRFYKTLRAEQ

Epitope name Gag DQ11

Subtype B

Immunogen HIV-1 infection

Species (MHC) human (B*1402)

Donor MHC A*2902, B*1402, Cw*0802

Country United States.

Assay type CD8 T-cell Elispot - IFN γ , Chromium-release assay

Keywords dynamics, immunodominance, acute/early infection, characterizing CD8+ T cells, reversion, viral fitness

References Jones *et al.* 2004

- Primary CD8+ T-cell response to Env, Tat and Gag and the extent, kinetics and mechanisms of viral escape were examined in three patients. Rapid escape, within weeks from infection, from HIV specific CTL responses was observed in all three patients, but the kinetics and extent of the escape differed depending on the breadth and co-dominant distribution of CTL-mediated pressure. The two patients that rapidly declined had more focused immunodominant responses, while the single patient that had low viral load and stable CD4 counts for seven years had a broad co-dominant response and less escape.
- The patient BORI had high viral loads and rapid CD4 decline. BORI mounted 8 detected responses. BORI did not control viral replication well, and escape mutations occurred early and in most epitopes, 6/7 that were precisely identified.
- DRFYKTLRAEQ didn't vary. There was no response in acute infection to this epitope, but the response was detectable by early infection.

HXB2 Location p24 (169–185)

Author Location p24 (169–184 HXB2)

Epitope YKTLRAEQASQDVKNWN

Subtype B

Immunogen HIV-1 infection

Species (MHC) human

Assay type T-cell Elispot

Keywords supervised treatment interruptions (STI), immunodominance, early treatment

References Addo *et al.* 2003

- Comprehensive Elispot screening of 504 overlapping peptides that spanned all HIV-1 proteins in 57 HIV-1 infected individuals. Four groups of patients were compared: 23 were untreated; 12 patients were chronically infected and treated; 22 started treatment during acute infection, 11 continuously treated and 11 with STI.

- 63% of the peptides were recognized - the most frequent responses were directed against Nef (95%) and p24-Gag (88%). p17 was the most frequently recognized protein after correction for protein length. A median of 18 peptides (range 2–42) were recognized per person. The most frequently (>20%) recognized peptides were located in conserved regions within clade B sequences. Vpu was rarely recognized.
- Responses to this peptide were detected in 17% of the study subjects, and it was one of the 25 most frequently recognized peptides.

HXB2 Location p24 (169–188)

Author Location Gag (301–320)

Epitope YKTLRAEQASQEVKNWMTET

Immunogen HIV-1 infection

Species (MHC) human (B57)

Donor MHC A1, A66, B52, B57

Assay type Chromium-release assay

Keywords TCR usage, genital and mucosal immunity

References Musey *et al.* 2003

- CTL clones from blood, semen, cervix and rectum samples from 12 individuals were compared. CTL clones derived from blood and mucosal samples had similar high lysis efficiency, primarily perforin dependent, and TCRbeta VDJ region sequencing revealed cases of expansion of the same clone in different compartments.
- CD8+ T cell clones directed at this epitope were derived from blood and rectum.

HXB2 Location p24 (169–188)

Author Location Gag (301–320)

Epitope FKTLRAEQATQDVKNWMTDT

Subtype C

Immunogen HIV-1 infection

Species (MHC) human

Keywords subtype comparisons

References Novitsky *et al.* 2002

- HLA, viral sequence, and Elispot data was obtained from 105 HIV-1 positive Botswanans; Elispot data was obtained from between 55 and 64 subjects for each HIV protein.
- Nef and p24 had the highest percentage of reactive peptides, and p24 had the highest magnitude of HIV-1 responses.
- This peptide was among the 8 most reactive C clade peptides from among over 350 tested spanning all HIV proteins.

HXB2 Location p24 (171–180)

Author Location p24

Epitope TLRAEQATQD

Epitope name TD-10

Subtype C

Immunogen HIV-1 infection

Species (MHC) human (Cw*0304)

Country South Africa.

Assay type CD8 T-cell Elispot - IFN γ , CD4 T-cell Elispot - IFN γ , Intracellular cytokine staining, Chromium-release assay

Keywords subtype comparisons, epitope processing, immunodominance, cross-presentation by different HLA

References Masemola *et al.* 2004b

- Highly targeted regions in Gag for CD8+ T-cells were defined for individuals with C clade infections in South Africa. 9 specific epitopes within the most reactive regions were characterized. This is 1 of 5 novel epitopes that were found among subtype C HIV-1 from African patients who hadn't previously been identified in B clade infections. Some epitopes were shown to be promiscuous, presented by multiple class I restricting alleles.
- TLRAEQATQD was presented by Cw*03 and newly identified in this study; Cw*03 is more common in Zulus than Caucasians (0.157 versus 0.101).

HXB2 Location p24 (173–181)

Author Location Gag (305–313 SUMA)

Epitope RAEQASQEV

Epitope name Gag RV9

Subtype B

Immunogen HIV-1 infection

Species (MHC) human (Cw*0802)

Donor MHC A*1103, A*2402, B*1402, B*1501, Cw*0802

Country United States.

Assay type CD8 T-cell Elispot - IFN γ , Chromium-release assay

Keywords dynamics, acute/early infection, characterizing CD8+ T cells

References Jones *et al.* 2004

- Primary CD8+ T-cell response to Env, Tat and Gag and the extent, kinetics and mechanisms of viral escape were examined in three patients. Rapid escape, within weeks from infection, from HIV specific CTL responses was observed in all three patients, but the kinetics and extent of the escape differed depending on the breadth and co-dominant distribution of CTL-mediated pressure. The two patients that rapidly declined had more focused immunodominant responses, while the single patient that had low viral load and stable CD4 counts for seven years had a broad co-dominant response and less escape.
- The patient SUMA maintained low viral loads and stable CD4 T cell counts through seven years of follow up. In contrast to more rapid progressors, WEAU and BORI, SUMA a broad response to 24 epitopes, with little immunodominance. Two peptides were somewhat more intensely recognized in acute infection, but this response leveled out early on.
- Only four epitopes were found to acquire escape mutations in SUMA over time, and this was one of the 20 that remained invariant. A low level response was detected at acute infection that persisted through early infection.

HXB2 Location p24 (173–181)

Author Location p24 (305–313)

Epitope RAEQASQEV

Immunogen HIV-1 infection

Species (MHC) human (Cw8)

References Johnson *et al.* 1991

- Originally reported as HLA-B14 restricted, but subsequently found not to be presented by cells transfected with B14.
- Thought to be HLA-Cw8 restricted (C. Brander and B. Walker)

HXB2 Location p24 (173–181)

Author Location p24

Epitope RAEQASQEV

Immunogen HIV-1 exposed seronegative

Species (MHC) human (Cw8)

Keywords subtype comparisons, HIV exposed persistently seronegative (HEPS)

References Rowland-Jones *et al.* 1998a

- A CTL response was found in exposed but uninfected prostitutes from Nairobi using previously-defined B clade epitopes that tended to be conserved in A and D clades – such cross-reactivity could protect against both A and D and confer protection in Nairobi where both subtypes are circulating.
- The A subtype consensus is RAeQAtQeV.
- The D subtype consensus is RAEQsQdV.
- Thought to be HLA-Cw8 restricted, not B14 as originally reported (C. Brander, B. Walker, and S. Rowland-Jones, personal communication)

HXB2 Location p24 (173–181)

Author Location p24 (305–313)

Epitope RAEQASQEV

Immunogen HIV-1 infection

Species (MHC) human (Cw8)

References Price *et al.* 1995

- Study of cytokines released by HIV-1 specific activated CTL.
- Thought to be HLA-Cw8 restricted, not B14 as originally reported (C. Brander, B. Walker, and S. Rowland-Jones, personal communication)

HXB2 Location p24 (173–181)

Author Location p24 (305–313)

Epitope RAEQASQEV

Immunogen HIV-1 infection

Species (MHC) human (Cw8)

References Lubaki *et al.* 1997

- Eighty two HIV-1-specific CTL clones from 5 long-term non-progressors were isolated and analyzed for breadth of response.
- A sustained Gag, Env and Nef response was observed, and clones were restricted by multiple HLA epitopes, indicating a polyclonal response.
- Despite this being a well defined conserved epitope, and thought to be presented by B14, none of the 11 gag-specific clones from a B-14 positive subject could recognize either it or p24 PQDLNTMLN.
- Thought to be HLA-Cw8 restricted, not B14 as originally reported (C. Brander, B. Walker, and S. Rowland-Jones, personal communication)

HXB2 Location p24 (173–181)

Author Location p24 (305–313)

Epitope RAEQASQEV

Immunogen HIV-1 infection, HIV-1 exposed seronegative

Species (MHC) human (Cw8)

Keywords HIV exposed persistently seronegative (HEPS)

References Kaul *et al.* 2001a

- ELISPOT was used to study CTL responses to a panel of 54 predefined HIV-1 epitopes in 91 HIV-1-exposed, persistently seronegative (HEPS) and 87 HIV-1-infected female Nairobi sex workers.

- HXB2 Location** p24 (173–181)
Author Location Gag (305–313)
Epitope RAEQASQEV
Epitope name RV9
Subtype B
Immunogen HIV-1 infection
Species (MHC) human (Cw8)
Donor MHC A*02, A*68, B*14, B*52, Cw*08, Cw*12
Country United States.
Assay type CD8 T-cell Elispot - IFN γ , Chromium-release assay, Flow cytometric T-cell cytokine assay
Keywords escape, optimal epitope
References Koibuchi *et al.* 2005
- HIV-1-specific CD8 T-cell responses were shown to be persistent in the chronic phase of HIV-1 infection, although the responses to some of the epitopes were declining despite the persistence of the targeted sequences *in vivo*. Only 4/14 epitopes were potential CTL escape variants, although strong responses to these epitopes persisted for 6 years. This indicates limited viral evolution within targeted CD8 T-cell epitopes during the chronic phase of infection.
 - Elispot responses to the consensus form of this epitope, RAEQASQEV, were much more intense than to the most common variants of the epitope found over time in this individual, RAEQASStEV and RAEQASQdV. There was a diminished response to RAEQASStEV and no response to RAEQASQdV, so these appear to be escape variants. The strong response to the consensus form persisted, despite the fact it was not observed among the autologous sequences until it surfaced as a minor variant (5/13 sequences) after 6 years of chronic infection.

- HXB2 Location** p24 (173–181)
Author Location
Epitope RAEQASQEV
Immunogen HIV-1 infection
Species (MHC) human
Keywords HIV exposed persistently seronegative (HEPS)
References Kaul *et al.* 2001c
- This study examines CTL responses in HIV exposed, persistently seronegative individuals, HEPS, who eventually seroconverted – 11/114 HEPS Nairobi sex workers eventually seroconverted, and for six of these HIV CTL reactive epitopes had been defined while seronegative.
 - The epidemiological factor associated with seroconversion was stopping sex work. HIV-specific CTL activity declined when HEPS sex workers stopped working for a period or retired.
 - This epitope was recognized in 1/22 HEPS sex worker controls ML1792.

- HXB2 Location** p24 (174–184)
Author Location p24 (306–316 LAI)
Epitope AEQASQDVKNW
Subtype B
Immunogen
Species (MHC) human (B*4402)
Keywords optimal epitope
References Frahm *et al.* 2007
- C. Brander notes this is a B*4402 epitope.

- HXB2 Location** p24 (174–184)
Author Location p24 (306–316 LAI)
Epitope AEQASQDVKNW
Subtype B
Immunogen
Species (MHC) human (B*4402, B44)
References Brander & Walker 1997
- Pers. comm. from D. Lewinsohn to C. Brander and B. Walker, C Brander *et al.*, this database, 1999.

- HXB2 Location** p24 (174–184)
Author Location Gag (306–316)
Epitope AEQASQEVKNW
Immunogen HIV-1 infection
Species (MHC) human (B44)
References Brodie *et al.* 1999
- The ability of CTL effector cells was studied by expanding autologous HIV-1 Gag-specific CTL *in vitro*, and adoptively transferring them.
 - The transferred CTLs migrated to the lymph nodes and transiently reduced circulating productively infected CD4+ T cells, showing that CTL move to appropriate target sites and mediate anti-viral effects.

- HXB2 Location** p24 (174–184)
Author Location p24 (306–316)
Epitope AEQASQEVKNW
Immunogen HIV-1 infection
Species (MHC) human (B44)
References Brodie *et al.* 2000
- Study tracks and quantifies *in vivo* migration of neo-marked CD8 HIV-specific CTL.
 - Adoptively transferred gene-marked HIV-specific CTL homed to specific lymph node sites, colocalizing within the parafollicular regions of the lymph node adjacent to cells expressing HIV tat-fusion transcripts, indicative of viral replication.
 - The CTL clones expressed CCR5 and localized among HIV-1 infected cells expressing MIP-1alpha and MIP-1beta, CC-chemokines produced at sites of viral replication, suggesting a possible homing mechanism.
 - This study provides a methodology for tracking and studying antigen specific CTL *in vivo*

- HXB2 Location** p24 (174–184)
Author Location p24 (306–316 LAI)
Epitope AEQASQDVKNW
Epitope name G3
Subtype B
Immunogen HIV-1 infection
Species (MHC) human (B44)
Keywords HAART, ART
References Mollet *et al.* 2000
- A panel of 16 epitopes covering 15 class I alleles was tested in 14 HIV+ patients from an unselected Caucasian population treated with HAART, using CD8+ cell IFN γ production to measure responses.

- In general, during the first month of treatment viral load decreased and frequencies of HIV-specific CTL tripled and broadened – eight new HIV specificities that were not previously detectable were newly detected, as were CMV specific CD8+ PBL – but with continued viral suppression, HIV-specific responses diminished.
- Viral rebounds gave different patterns of response: increases or decreases in pre-existing response, new specificities, or no change.

HXB2 Location p24 (174–184)

Author Location p24 (174–184)

Epitope AEQASQDVKNW

Immunogen HIV-1 infection

Species (MHC) human (B44)

References Day *et al.* 2001

- B44-restricted CTL response was strongest to this epitope in one individual.

HXB2 Location p24 (174–184)

Author Location p24

Epitope AEQASQDVKNW

Epitope name B44-AW11(p24)

Subtype B

Immunogen HIV-1 infection

Species (MHC) human (B44)

Donor MHC A32, B44

Keywords HAART, ART, supervised treatment interruptions (STI)

References Altfeld *et al.* 2002b

- Peripheral blood (PB) and lymph node (LN) CD8+ T-cell responses were compared in 15 asymptomatic HIV-1 infected patients using all known optimal CTL epitopes (<http://hiv-web.lanl.gov/content/hiv-db/REVIEWS/brander2001.html>) for each person's class I HLA alleles.
- 60 epitope responses were detected in both PB and LN samples of the 15 patients, and an additional 8 responses were detected only in LN. The total magnitude of the response was similar in LN and PB, but the percentage of CD8+ T cells in the LN is lower so the number of HIV-specific cells per million CD8+ T-cells is higher in the LN.
- 1 year post-HAART treatment in five patients studied, the magnitude of the CD8 T-cell response was decreased in both LN and PB, but more dramatically in PB, and 13/25 epitope responses in the PB became undetectable, in contrast to 5/26 in the LN.
- Treatment interruption following HAART induced resulted in increased viremia accompanied by the restoration of the detection of 13 epitopes that had become undetectable in the PB, and the addition of 9 novel epitope responses.
- Breakdowns of epitope responses were shown for 4 individuals. Patient B displayed the greatest response to epitope B44-AW11(p24) and also responded to A32-PW10(RT) in both PB and LN samples, while a third response against epitope A32-RW10(gp120) was only detected in the LN sample.

HXB2 Location p24 (174–184)

Author Location Gag (B con)

Epitope AEQASQEVKNW

Epitope name AW11

Subtype B

Immunogen HIV-1 infection

Species (MHC) human (B44)

Country United States.

Assay type CD8 T-cell Elispot - IFN γ

Keywords variant cross-recognition or cross-neutralization

References Draenert *et al.* 2004c

- CD8+ T-cell responses that persisted in individuals with advanced disease were studied; most of the optimal epitopes defined were recognized with intermediate to high avidity. On average 13 (range, 2-39) epitopic regions were targeted in an average of 6 proteins (range, 1-8). HAART resulted in decrease in antigen and reduction in gamma IFN EliSpot responses, suggesting active responses to autologous virus. The lack of mutations within most viral epitopes suggest that persistent CTL through late disease do not exert strong immune selection pressure, yet the Elispot assays show robust responses, suggesting to the authors that gamma IFN-based screening methods may not reveal functional CD8+ T-cell impairment in patients with AIDS.
- 1 subject recognized this epitope with low functional avidity. The autologous sequence matched the B consensus.

HXB2 Location p24 (174–184)

Author Location (B consensus)

Epitope AEQASQDVKNW

Epitope name AW11

Subtype B

Immunogen HIV-1 infection

Species (MHC) human (B44)

Donor MHC A02, A11, B18, B44, Cw5, Cw12; A28, A29, B14, B44, Cw8

Country United States.

Assay type Cytokine production, Intracellular cytokine staining, Chromium-release assay, Flow cytometric T-cell cytokine assay

Keywords assay standardization/improvement, memory cells, characterizing CD8+ T cells

References Lichterfeld *et al.* 2004c

- Using a flow-cytometric cytotoxicity assay based on caspase-3 activation in dying target cells, it was shown that the subset of HIV-1-specific CD8+ T cells secreting both IFN-gamma and TNF-alpha exhibit stronger cytotoxic activity than those secreting only IFN-gamma. These cells also exhibited stronger intracellular perforin expression. No association between HIV-1-specific CD8+ T-cell maturation phenotypes and intracellular perforin expression was found.
- 2/9 individuals recognized this epitope, presented by HLA-B44.

HXB2 Location p24 (174–184)

Author Location Gag (306–316)

Epitope AEQASQDVKNW

Epitope name AW11

Subtype B

Immunogen HIV-1 infection

Species (MHC) human (B44)

Donor MHC A2, A11, B18, B44, Cw5, Cw12

Country United States.

Assay type CD8 T-cell Elispot - IFN γ , Intracellular cytokine staining, Flow cytometric T-cell cytokine assay

Keywords optimal epitope

References Allen *et al.* 2005b

- 4/14 optimal HIV-1 T-cell epitopes in a subject underwent mutation associated with dramatic loss of the original CD8 response. For 1 of the escape variants, a novel CD8 T-cell response equal in magnitude to the wildtype, was generated. CD8 T-cell recognizing the variant epitope utilized a distinct T-cell receptor and did not exhibit any cross-reactivity against the wildtype.
- This epitope did not vary.

HXB2 Location p24 (174–184)

Author Location Gag (306–316)

Epitope AEQASQDVKNW

Subtype B

Immunogen HIV-1 infection

Species (MHC) human (B44)

Donor MHC A2, A11, B18, B44, Cw5, Cw12

Country United States.

Assay type CD8 T-cell Elispot - IFN γ

References Allen *et al.* 2005a

- Two-thirds of all mutations arising in nonenvelope proteins during the transition from acute to chronic infection were found to be due to either CD8 T-cell-associated selective pressures or reversion of HLA-I-associated mutations selected in a previous host. The predominance of escape mutations at highly polymorphic sites was observed across different HIV-1 clades.
- This epitope was reactive, but escape mutations did not accrue in it over time.

HXB2 Location p24 (174–184)

Author Location Gag (306–316)

Epitope AEQASADVKNW

Subtype B

Immunogen HIV-1 infection

Species (MHC) human (B44)

Donor MHC A28, A29, B14, B44, Cw8

Country United States.

Assay type CD8 T-cell Elispot - IFN γ

References Allen *et al.* 2005a

- Two-thirds of all mutations arising in nonenvelope proteins during the transition from acute to chronic infection were found to be due to either CD8 T-cell-associated selective pressures or reversion of HLA-I-associated mutations selected in a previous host. The predominance of escape mutations at highly polymorphic sites was observed across different HIV-1 clades.
- This epitope was reactive, but escape mutations did not accrue in it over time.

HXB2 Location p24 (174–184)

Author Location p24

Epitope AEQASQDVKNW

Subtype B, D

Immunogen HIV-1 infection

Species (MHC) human (B44)

Donor MHC A23, A34, B44, B53, Cw4, Cw6

Country Democratic Republic of the Congo.

Assay type CD8 T-cell Elispot - IFN γ

Keywords subtype comparisons, variant cross-recognition or cross-neutralization

References Geels *et al.* 2005

- Cross-clade CTL responses in 10 non-B HIV-1 infected individuals were evaluated. T-cell reactivity was tested against peptide pools of clade B Gag, Pol, Nef, Rev and Tat. Nine individuals demonstrated cross-reactive T-cell responses to clade A, B, and C Gag pools; 6/7 patients that responded to Nef-B also reacted to clade A and C Nef pools. An inverse correlation was observed between the sequence divergence of the HLA class I restricted epitopes and the height of the T-cell responses, which in Gag could be explained through variations in the HLA-anchor residues. 42% of the responses were directed to regions containing new epitopes.
- This previously described epitope was embedded in a B clade peptide that was recognized by T-cells from an infected person carrying subtype D Gag. The autologous epitope sequence had an D7E change, AEQASQeVKNW.

HXB2 Location p24 (174–185)

Author Location p24 (174–185)

Epitope AEQASQEVKNWM

Immunogen

Species (MHC) human (Cw5)

Keywords optimal epitope

References Frahm *et al.* 2007

HXB2 Location p24 (175–186)

Author Location p24 (307–318)

Epitope EQASQEVKNWMT

Immunogen HIV-1 infection

Species (MHC) human (B44)

References Quayle *et al.* 1998

- HIV is found in semen both as cell-associated and cell-free forms, and HIV-specific CTL could be found in the semen of 5/5 men with CD4 greater than 500 – 3 of the men were analyzed in detail and had broad CTL to gag, env and pol.
- Two CTL lines from one donor recognized this epitope.
- Isolation of CTLs specific to HIV in both male and female urinal tracts provide evidence that virus-specific lymphocytes come from the urogenital mucosa, and the authors speculate that CTL in mucosal tissues may be correlated with lower viral load in semen and reduced transmission.

HXB2 Location p24 (176–184)

Author Location p24 (308–316 LAI)

Epitope QASQEVKNW

Subtype B

Immunogen HIV-1 infection

Species (MHC) human (B*5301)

Keywords optimal epitope

References Frahm *et al.* 2007

- C. Brander notes this is a B*5301 epitope.

HXB2 Location p24 (176–184)

Author Location (C consensus)

Epitope QATQDVKNW

Subtype C

Immunogen HIV-1 infection

Species (MHC) human (B*5301)

Country South Africa.

Assay type CD8 T-cell Elispot - IFN γ

Keywords rate of progression, optimal epitope

References Kiepiela *et al.* 2007

- A comprehensive analysis of 160 class I T cell responses in 578 individuals from KwaZulu-Natal, South Africa was performed. Gag-specific responses were associated with lowering viremia, while Env, accessory and regulatory protein-specific responses were associated with higher viremia.
- QATQDVKNW is an optimal epitope.

HXB2 Location p24 (176–184)

Author Location

Epitope QASQEVKNW

Epitope name Gag-QW9

Subtype B

Immunogen HIV-1 infection

Species (MHC) human (B*5301, B57)

Donor MHC 01RCH59: A*0201, A*3201, B*4002, B*5301, Cw*0202, Cw*0401

Keywords HAART, ART

References Sabbaj *et al.* 2003

- This study monitored epitope responses in HIV-1 infected minority women living in the United States.
- 24 epitopes were described – 8 were novel, 8 used new restricting elements but were previously defined epitopes, and 8 were previously described.
- Serial peptide truncations were used to define optimal epitopes for CTL cell lines isolated from 12 individuals, assayed by a Cr-release.
- Subject 01RCH59 was Hispanic, was not on HAART, viral load 5100, CD4 count 349, and she also recognized PIQKETWETW, RT(392-401), A*3201.
- Among HIV+ individuals who carried HLA B*5301, 11/15 (73%) recognized this epitope.
- Among HIV+ individuals who carried HLA B57, 3/6 (60%) recognized this epitope.

HXB2 Location p24 (176–184)

Author Location p24 (309–317 LAI)

Epitope QASQEVKNW

Subtype B

Immunogen HIV-1 infection

Species (MHC) human (B*5701)

References Goulder *et al.* 1996b

- Recognition of this peptide by two long-term non-progressors.
- Peptide defined on the basis of B*5801 binding motif, yet not cross-restricted except at high concentrations.
- Described as B*5701 in C. Brander *et al.*, this database, 1999.

HXB2 Location p24 (176–184)

Author Location p24 (311–319 LAI)

Epitope QASQEVKNW

Subtype B

Immunogen HIV-1 infection

Species (MHC) human (B*5701)

Keywords optimal epitope

References Frahm *et al.* 2007

- C. Brander notes this is a B*5701 epitope.

HXB2 Location p24 (176–184)

Author Location

Epitope QASQEVKNW

Subtype B

Immunogen HIV-1 infection

Species (MHC) human (B*5701)

Keywords rate of progression, immunodominance

References Migueles & Connors 2001

- HLA B*5701 was found in a very high frequency in HIV-1 infected non-progressors, 11/13 (85%) versus 19/200 (9.5%) of progressors. Non-progressors tended to have an immune response that was highly focused on four p24 epitopes that were presented by B*5701, ISPRTLNAW, KAFSPEVIPMF, TSTLQEQIGW, and QASQEVKNW.
- Only QASQEVKNW was recognized in all of the LTNP's tested.

HXB2 Location p24 (176–184)

Author Location

Epitope QASQEVKNW

Subtype B

Immunogen HIV-1 infection

Species (MHC) human (B*5701)

Keywords rate of progression, immunodominance

References Migueles & Connors 2001

- CTL activity was monitored in 27 individuals, including 10 LTNP with an over-expression of HLA B*5701 – these individuals have viral loads below the threshold of infection without therapy, and their CD8+ T-cell response tends to be focused on peptides that contain B*5701 epitopes ISPRTLNAW, KAFSPEVIPMF, TSTLQEQIGW, or QASQEVKNW.
- CTL responses are broader in B*5701+ individuals with progressive viremia than those that control viremia.
- The HLA-A*0201 SLYNTVATL epitope response was not as strong in individuals that carried both A2, B57.

HXB2 Location p24 (176–184)

Author Location Gag (308–316)

Epitope QASQEVKNW

Epitope name QW9

Subtype B

Immunogen HIV-1 infection

Species (MHC) human (B*5701)

Assay type Intracellular cytokine staining, Flow cytometric T-cell cytokine assay

Keywords rate of progression, escape

References Migueles *et al.* 2003

- cDNA Gag sequences from a set of 17 HLA-B*5701+ progressors and 10 LTNPs were obtained, and the variation in four p24 B*5701 epitopes examined. Sequence variants were more common ($p < 0.01$) in the epitopes in the progressors (median 3, range 1-7) than LTNPs (median 2, range 0-4).
- In general use of the autologous protein in a target cell did not diminish the overall CD8+ T-cell responses.
- The substitution E312D (qasqDvknw) was common in progressors (8/17) and rare in LTNP (1/8) ($p = 0.06$). qasqDvknw and qasqEvknw peptides were made; this mutation does not affect binding to B*57. 2/4 progressors that carried only the D variant could not recognize the D variant peptide, but could recognize the E variant peptide, demonstrating immune escape.

HXB2 Location p24 (176–184)**Author Location** (C consensus)**Epitope** QATQDVKNW**Subtype** C**Immunogen** HIV-1 infection**Species (MHC)** human (B*5801)**Country** South Africa.**Assay type** CD8 T-cell Elispot - IFN γ **Keywords** characterizing CD8+ T cells**References** Kiepiela *et al.* 2004

- HLA class I restricted CD8+ T-cell responses against HIV-1 were analyzed in African patients. Significantly more responses were shown to be HLA-B restricted. Viral load, CD4 count, and thus rate of disease progression were also associated with HLA-B alleles. In addition, the selection pressure imposed on HIV-1 by HLA-B alleles was shown to be substantially greater than by other alleles.
- This epitope was suggested to be the epitope within a longer reactive peptide based on correspondence with a known epitope in the HIV database. Also, a significantly higher frequency of people in the Durban cohort who reacted with the peptide had this HLA type.

HXB2 Location p24 (176–184)**Author Location** Gag (308–316)**Epitope** QASQEVKNW**Epitope name** QAS**Immunogen** HIV-1 infection, HIV-2 infection**Species (MHC)** human (B*5801, B53)**Country** Gambia.**Assay type** CD8 T-cell Elispot - IFN γ , Flow cytometric T-cell cytokine assay**Keywords** cross-presentation by different HLA, characterizing CD8+ T cells**References** Gillespie *et al.* 2005

- CD8 T-cell responses were evaluated and compared in HIV-1 and HIV-2 infected individuals. A significantly greater magnitude and breadth of Gag-specific responses were found in HIV-1 infected individuals, possibly because undetectable viral load in HIV-2 infected individuals. This study suggests that responses in HIV-2 infection reflect antigen load in plasma, as is the case in HIV-1 infection. No correlation was found between immune control of HIV-2 and the frequency of perforin-expressing virus-specific CD8 T-cells.
- QASQEVKNW is cross-presented by B53 and B*5801. It was recognized in 4/4 B*5801+ HIV-1 infected individuals, and 7/7 B53+ HIV-1 infected individuals. HIV-2 infected individuals preferentially recognized the B58 HIV-2 epitope TSTVEE-QIQW, and B53 epitope TPYDINQML.

HXB2 Location p24 (176–184)**Author Location** p24 (308–316 LAI)**Epitope** QASQEVKNW**Subtype** B**Immunogen** HIV-1 infection**Species (MHC)** human (B53)**References** Buseyne *et al.* 1997

- Minimal sequence determined through epitope mapping.
- This is a relatively conserved epitope.

- HLA-Cw*0401 was defined as the restricting element, but cells that carry Cw*0401 varied in their ability to present this epitope – this could be the result of diminished cell-surface expression of Cw*0401 in some cells.

- The HLA presenting molecule for this epitope was originally described as Cw*0401, but subsequent experiments with an HLA B53+ C4- cell line and with C1R cells transfected with HLA-B53 have shown that the HLA restricting element is HLA-B53 (F. Buseyne, pers. comm. 2000)

HXB2 Location p24 (176–184)**Author Location** p24 (NL43)**Epitope** QASQEVKNW**Epitope name** QW9**Immunogen** in vitro stimulation or selection**Species (MHC)** human (B53)**Keywords** epitope processing, dendritic cells**References** Buseyne *et al.* 2001

- Exogenous presentation or cross-presentation of epitopes by antigen presenting cells (APC) without protein synthesis is an alternative pathway for CTL epitope processing that may be important in the initial generation of viral specific CTL.
- Dendritic cells treated with AZT to inhibit protein synthesis were able to elicit a strong specific CTL response in QASQEVKNW specific CTL clone 141 without protein synthesis, while macrophages demonstrated a decreased presentation efficiency.
- Exogenous Gag epitope presentation was Env-dependent and required receptor-dependent fusion.

HXB2 Location p24 (176–184)**Author Location** p24 (308–316)**Epitope** QATQEVKNW**Immunogen** HIV-1 infection, HIV-1 exposed seronegative**Species (MHC)** human (B53)**Keywords** HIV exposed persistently seronegative (HEPS)**References** Kaul *et al.* 2001a

- ELISPOT was used to study CTL responses to a panel of 54 predefined HIV-1 epitopes in 91 HIV-1-exposed, persistently seronegative (HEPS) and 87 HIV-1-infected female Nairobi sex workers.
- Responses in HEPS women tended to be lower, and focused on different epitopes with HLA presenting molecules that have previously been associated with reduced risk of infection, and there was a shift in the response in the HEPS women upon late seroconversion to epitopes recognized by the HIV-1 infected women.
- 43/91 HEPS women had CD8+ responses and detection of HIV-1-specific CTL in HEPS women increased with the duration of viral exposure.
- Among HLA-B53 women, 1/2 HEPS and 7/9 HIV-1 infected women recognized this epitope.

HXB2 Location p24 (176–184)**Author Location** p24 (308–316 subtype A consensus)**Epitope** QATQEVKNM**Subtype** A**Immunogen** HIV-1 infection**Species (MHC)** human (B53)

Keywords binding affinity, subtype comparisons

References Dorrell *et al.* 2001

- In clade A infected Gambians, three HLA-B53 epitopes were defined in Gag p24 using ELISPOT, tetramer, and cytotoxicity assays.
- Two of the new epitopes lacked the predicted P2 anchors, DTI-NEEAAEW and QATQEVKNNM, and bound to B53 with high affinity, thus extending the anchor residue motif for B53 and the related B35.
- While S, T, and P could all fit into the HLA-B35 or HLA-B53 B pocket and form a hydrogen bond, A would not form a bond, so the authors propose compensatory interactions account for the high affinity of QATQEVKNNM for B53.
- QATQEVKNNM was recognized in 6/7 HLA-B53 subjects.
- Cross-recognition of QATQEVKNNM was not studied here, but it was noted that both the A, QATQEVKNNM, and B, QASQDVKNW, subtype version of this epitope, are also presented by HLA-B57 and B58, common HLA alleles in Africans.

HXB2 Location p24 (176–184)

Author Location Gag (304–321 B con)

Epitope QASQEVKNNW

Epitope name QW9

Subtype B

Immunogen HIV-1 infection

Species (MHC) human (B53, B58)

Country United States.

Assay type CD8 T-cell Elispot - IFN γ

Keywords variant cross-recognition or cross-neutralization

References Draenert *et al.* 2004c

- CD8+ T-cell responses that persisted in individuals with advanced disease were studied; most of the optimal epitopes defined were recognized with intermediate to high avidity. On average 13 (range, 2–39) epitopic regions were targeted in an average of 6 proteins (range, 1–8). HAART resulted in decrease in antigen and reduction in gamma IFN Elispot responses, suggesting active responses to autologous virus. The lack of mutations within most viral epitopes suggest that persistent CTL through late disease do not exert strong immune selection pressure, yet the Elispot assays show robust responses, suggesting to the authors that gamma IFN-based screening methods may not reveal functional CD8+ T-cell impairment in patients with AIDS.
- 2 subjects recognized this epitope with high functional avidity. Autologous sequence revealed no substitutions in this epitope compared to the B consensus.

HXB2 Location p24 (176–184)

Author Location Gag (SF2)

Epitope QASQEVKNNW

Epitope name QW9

Immunogen HIV-1 infection

Species (MHC) human (B57)

Keywords acute/early infection

References Goulder *et al.* 2001a

- This peptide elicited a weak CTL response during acute infection of patient P1004.

- Three CTL responses, to epitopes TSTLQEIQGW, ISPRTL-NAW, and KAFSPEVIPMF, were evident early after infection; CTL responses to SLYNTVATL, QASQEVKNNW, EYKRWII, and FLKEKGGL were detectable at 5 months post-infection and beyond.

HXB2 Location p24 (176–184)

Author Location p24 (176–184)

Epitope QASQEVKNNW

Immunogen HIV-1 infection

Species (MHC) human (B57)

Country Spain.

Assay type proliferation, CD8 T-cell Elispot - IFN γ , Flow cytometric T-cell cytokine assay

Keywords HAART, ART, supervised treatment interruptions (STI), immune dysfunction

References Plana *et al.* 2004

- Structured treatment interruption (STI) alone is not able to control viral replication in chronically infected patients, probably due to lack of strong, maintained T-helper cell responses. HIV-1 specific CD8+ T-cell responses were shown to increase significantly until the end of the follow up, but were not correlated with viral load.
- 6/7 patients recognized this epitope.

HXB2 Location p24 (176–184)

Author Location Gag

Epitope QASQEVKNNW

Epitope name QW9

Subtype B

Immunogen HIV-1 infection

Species (MHC) human (B57)

Assay type CD8 T-cell Elispot - IFN γ

Keywords subtype comparisons, escape, characterizing CD8+ T cells, reversion, viral fitness

References Allen *et al.* 2005a

- Two-thirds of all mutations arising in nonenvelope proteins during the transition from acute to chronic infection were found to be due to either CD8 T-cell-associated selective pressures or reversion of HLA-I-associated mutations selected in a previous host. The predominance of escape mutations at highly polymorphic sites was observed across different HIV-1 clades.
- One escape mutation, at position 5, qasqDvknw, was found in the most polymorphic residue in the epitope. This was shared between clades B and C. The most common substitution in people carrying B57 was in position 3, qaTqevknw.

HXB2 Location p24 (176–184)

Author Location p24 (308–316)

Epitope QATQDVKNNW

Epitope name QW9

Subtype C

Immunogen HIV-1 infection

Species (MHC) human (B57)

Country Ethiopia.

Assay type CD8 T-cell Elispot - IFN γ

Keywords immunodominance, escape, variant cross-recognition or cross-neutralization

References Currier *et al.* 2005

- Epitope sequence variation and CD8 T-cell responses were analyzed in C subtype infected HLA-B57-positive individuals from Ethiopia. KF11 was the immunodominant response.
- QATQDVKNW had a single variant, D5E (QATQEVKNW) in 1 subject; there was no apparent immune selection in this epitope. The QW9 peptide was tested in 2 B57-positive subjects; neither responded.

HXB2 Location p24 (176–184)

Author Location

Epitope QASQEVKNW

Immunogen HIV-1 infection

Species (MHC) human (B57, B*5801)

Assay type CD8 T-cell Elispot - IFN γ , Chromium-release assay

Keywords responses in children, mother-to-infant transmission

References Feeney *et al.* 2005

- Escape mutations in TW10 and other B57-restricted epitopes were shown to arise early in infants following perinatal infection. Some escape variants were likely to have been transmitted vertically, from HLA-B57/5801 positive HIV-1 infected mothers, while others arose during infancy in cases where the children inherited the B57/5801 allele paternally. In contrast to adults, the majority of children showed a robust response to the escape variants, suggesting that infants are able to mount functional immune responses and drive immune escape and that a developing immune system may exhibit greater plasticity in recognizing viral variants.

HXB2 Location p24 (176–184)

Author Location (LAI)

Epitope QASQEVKNW

Subtype B

Immunogen

Species (MHC) human (Cw4)

References Buseyne 1999

HXB2 Location p24 (176–184)

Author Location p24 (176–184)

Epitope QASGEVKNW

Immunogen HIV-1 infection, HIV-1 exposed seronegative

Species (MHC) human (Cw4)

Keywords HIV exposed persistently seronegative (HEPS)

References Kaul *et al.* 2001a

- ELISPOT was used to study CTL responses to a panel of 54 predefined HIV-1 epitopes in 91 HIV-1-exposed, persistently seronegative (HEPS) and 87 HIV-1-infected female Nairobi sex workers.

HXB2 Location p24 (176–184)

Author Location p24

Epitope QASQEVKNW

Subtype B, D

Immunogen HIV-1 infection

Species (MHC) human (Cw4, B53)

Donor MHC A23, A24, B35, B58, Cw4, Cw7; A23, A34, B44, B53, Cw4, Cw6

Country Democratic Republic of the Congo.

Assay type CD8 T-cell Elispot - IFN γ

Keywords subtype comparisons, variant cross-recognition or cross-neutralization

References Geels *et al.* 2005

- Cross-clade CTL responses in 10 non-B HIV-1 infected individuals were evaluated. T-cell reactivity was tested against peptide pools of clade B Gag, Pol, Nef, Rev and Tat. Nine individuals demonstrated cross-reactive T-cell responses to clade A, B, and C Gag pools; 6/7 patients that responded to Nef-B also reacted to clade A and C Nef pools. An inverse correlation was observed between the sequence divergence of the HLA class I restricted epitopes and the height of the T-cell responses, which in Gag could be explained through variations in the HLA-anchor residues. 42% of the responses were directed to regions containing new epitopes.
- This previously described epitope was embedded in a B clade peptide that was recognized by T-cells from two infected people carrying subtype D Gag. The epitope sequence in one person matched the peptide, in the other had an E5D change, QASQdVKNW.

HXB2 Location p24 (176–184)

Author Location Gag

Epitope QASQEVKNW

Immunogen HIV-1 infection

Species (MHC) human

Assay type CD8 T-cell Elispot - IFN γ

Keywords assay standardization/improvement, epitope processing, characterizing CD8+ T cells

References Beattie *et al.* 2004

- This study compared CD8+ T cell EliSpot responses to 58 Gag peptides that were optimal epitopes, with responses to overlapping 15 mers that spanned Gag. When screening for HIV-1-specific CD8 T-cell responses from 49 HIV+ people, overlapping 15-mer peptide pools revealed several novel responses that would have been missed using predefined CD8 epitopes. However, the 15-mer pools often missed low-level responses to predefined epitopes, especially when the epitope was located centrally in the 15-mer peptide, and the overall level of response to the 15 mers was generally lower (mean 1.4 five fold dilutions lower, range 0-3).
- In one individual, a response to QASQEVKNW could be detected at a concentration of 0.2 ug/ml, while a response to RAEQASQEVKNWMTE required 25 ug/ml for detection.

HXB2 Location p24 (176–185)

Author Location p24 (311–319 SF2)

Epitope QASKEVKNW

Immunogen HIV-1 infection

Species (MHC) human (B57)

Keywords HAART, ART, acute/early infection

References Altfeld *et al.* 2001b

- Therapy provided during acute infection resulted in a narrower CTL response, stronger T help response, and a less diverse viral population than was seen in individuals treated during chronic infection.
- The breadth and specificity of the response was determined using ELISPOT by studying 19 individuals with pre-seroconversion therapy (Group 1), 11 individuals with primary infection but post-seroconversion therapy (Group 2), and 10

individuals who responded to HAART given during chronic infection (Group 3), using 259 overlapping peptides spanning p17, p24, RT, gp41, gp120 and Nef.

- Previously described and newly defined optimal epitopes were tested for CTL response.
- Number of HLA-B57+ individuals that had a CTL response to this epitope broken down by group: 0/0 group 1, 0/0 group 2, and 1/2 group 3.

HXB2 Location p24 (177–185)

Author Location p24 (177–185)

Epitope ATQEVKNWM

Immunogen HIV-1 infection, HIV-1 exposed seronegative

Species (MHC) human (B53)

Keywords HIV exposed persistently seronegative (HEPS), immunodominance

References Kaul *et al.* 2001a

- Variants A(T/S)QEVKNWM are specific for the A/B clades.
- ELISPOT was used to study CTL responses to a panel of 54 predefined HIV-1 epitopes in 91 HIV-1-exposed, persistently seronegative (HEPS) and 87 HIV-1-infected female Nairobi sex workers.
- Responses in HEPS women tended to be lower, and focused on different epitopes with HLA presenting molecules that have previously been associated with reduced risk of infection, and there was a shift in the response in the HEPS women upon late seroconversion to epitopes recognized by the HIV-1 infected women.
- 43/91 HEPS women had CD8+ responses and detection of HIV-1-specific CTL in HEPS women increased with the duration of viral exposure.
- Among HLA-B53 women, 1/2 HEPS and 5/9 HIV-1 infected women recognized this epitope.
- The dominant response to this HLA allele was to this epitope in the 1/2 HEPS case and in only one of the 5/9 HIV-1 infected women.

HXB2 Location p24 (180–189)

Author Location p24 (313–322)

Epitope EVKNWMTETL

Immunogen HIV-1 infection, HIV-1 exposed seronegative

Species (MHC) human (B53)

Keywords HIV exposed persistently seronegative (HEPS), immunodominance

References Kaul *et al.* 2001a

- ELISPOT was used to study CTL responses to a panel of 54 predefined HIV-1 epitopes in 91 HIV-1-exposed, persistently seronegative (HEPS) and 87 HIV-1-infected female Nairobi sex workers.

HXB2 Location p24 (181–190)

Author Location p24 (313–322 LAI)

Epitope VKNWMETLL

Subtype B

Immunogen

Species (MHC) human (B8)

References Brander & Walker 1996

- P. Johnson, pers. comm.

HXB2 Location p24 (185–202)

Author Location (C consensus)

Epitope MTDLLVQNPDPCKTIL

Subtype C

Immunogen HIV-1 infection

Species (MHC) human (B*0801)

Country South Africa.

Assay type CD8 T-cell Elispot - IFN γ

Keywords rate of progression

References Kiepiela *et al.* 2007

- A comprehensive analysis of 160 class I T cell responses in 578 individuals from KwaZulu-Natal, South Africa was performed. Gag-specific responses were associated with lowering viremia, while Env, accessory and regulatory protein-specific responses were associated with higher viremia.

HXB2 Location p24 (191–205)

Author Location p24 (191–205)

Epitope VQNPDPCKTILKAL

Immunogen HIV-1 infection

Species (MHC) human (B51)

References Ferrari *et al.* 2000

- One of the 51 HIV-1 epitopes selected by Ferrari *et al.* as good candidate CTL epitopes for vaccines by virtue of being conserved and presented by common HLA alleles.

HXB2 Location p24 (191–205)

Author Location p24 (323–337)

Epitope VQNPDPCKTILKAL

Immunogen HIV-1 infection

Species (MHC) human (B8)

References Nixon & McMichael 1991

- Two CTL epitopes defined (see also p17(21-35))

HXB2 Location p24 (191–205)

Author Location p24 (325–339 SF2)

Epitope VQNPDPCKTILKAL

Immunogen HIV-1 infection

Species (MHC) human (B8)

Keywords review, immunodominance, escape

References Goulder *et al.* 1997a; Phillips *et al.* 1991

- Longitudinal study of CTL escape mutants in people with the appropriate HLA types – little variation was observed in the immunodominant B27 epitope, relative to the B8 epitopes, which varied over time.
- Goulder *et al.* [1997a] is a review of immune escape that points out that there may be a protective effect associated with B27, and that HLA-B8 individuals tend to progress more rapidly than HLA B27 patients.

HXB2 Location p24 (191–205)

Author Location Gag (320–328 BH10, LAI)

Epitope VQNPDPCKTILKAL

Immunogen HIV-1 infection

Species (MHC) human

References Maksiutov *et al.* 2002

- This study employs an antigenic similarity matrix to compare HIV-1 antigenic determinants with human proteins.

- This CTL epitope (the HIV-1 LAI fragment with high similarity to a human protein overlapping this epitope is TLLVQANP) has similarity with growth differentiation factor 11, fragment THLVQQANP.

HXB2 Location p24 (191–210)

Author Location p24 (323–342 SF2)

Epitope VQANPDKTILKALGPAAT

Immunogen HIV-1 infection

Species (MHC) human

References Lieberman *et al.* 1997a

- Of 25 patients, most had CTL specific for more than 1 HIV-1 protein.
- Twelve subjects had CTL that could recognize vaccinia-expressed LAI gag.
- Three of these 12 had CTL response to this peptide.
- The responding subjects were HLA-A3, A24, B8, B55; HLA-A1, A11, B8, B27.

HXB2 Location p24 (191–210)

Author Location p24 (323–342 SF2)

Epitope VQANPDKTILKALGPAAT

Immunogen HIV-1 infection

Species (MHC) human

References Lieberman *et al.* 1997b

- CTL expanded *ex vivo* were later infused into HIV-1 infected patients.

HXB2 Location p24 (193–201)

Author Location Gag (327–335 SF2)

Epitope NANPDCKTI

Immunogen HIV-1 infection

Species (MHC) human (B*5101)

Keywords subtype comparisons, rate of progression

References Tomiyama *et al.* 1999

- HLA-B27, -B51, and -B57 are associated with slow progression to AIDS, while HLA-B35, -B8, -B24 are associated with a rapid progression to AIDS (Nat. Med. 2:405, 1996; Lancet 22:1187, 1986; Hum Immunol 22:73, 1988; Hum Immunol 44:156, 1995)
- 15% of Japanese populations carry HLA-B51 while HLA-B27 and -B57 are detected in less than 0.3%
- Of the 172 HIV-1 peptides with HLA-B*5101 anchor residues, 33 bound to HLA-B*5101, seven of these peptides were reactive with CTL from 3 B*5101 positive individuals, and six were properly processed.
- Four of the six epitopes were highly conserved among B subtype sequences, NANPDCKTI is conserved.

HXB2 Location p24 (193–201)

Author Location p24 (193–201)

Epitope NANPDCKTI

Immunogen HIV-1 infection

Species (MHC) human (B*5101)

Donor MHC A*0201, A*31, B*27, B*5101, Cw*02; A*2402, A*26, B*07, B*5101, Cw*07

Country Japan.

Assay type Chromium-release assay

Keywords epitope processing, escape

References Yokomaku *et al.* 2004

- Epitope variants escaped from being killed by CTLs in an endogenous expression system although they were recognized when corresponding synthetic peptides were exogenously loaded onto the cells. Escape is thus probably due to changes that occur during the processing and the presentation of epitopes in infected cells.

- Epitope variant nSnpdckNi was not recognized when added exogenously or when processed endogenously, but the mutations were in anchor residues and presumably inhibited binding to B*5101.

HXB2 Location p24 (193–201)

Author Location p24 (325–333)

Epitope NANPDCKTI?

Immunogen HIV-1 infection

Species (MHC) human (B51)

Keywords immunodominance

References Betts *et al.* 2000

- Only 4/11 HLA-A2+ HIV+ individuals had CTL that reacted to SLYNTVATL, calling into question whether it is immunodominant.
- 95 optimally-defined peptides from this database were used to screen for INF γ responses to other epitopes.
- 3/11 of the HLA A2+ individuals were HLA B51 and two of these responded to this epitope as well as to other epitopes.

HXB2 Location p24 (193–201)

Author Location p24 (324–335 IIIB)

Epitope NANPDCKTI

Immunogen HIV-1 infection

Species (MHC) human (B51)

Keywords responses in children, mother-to-infant transmission, escape

References Wilson *et al.* 1999a

- This study describes maternal CTL responses in the context of mother-to-infant transmission.
- Detection of CTL escape mutants in the mother was associated with transmission, but the CTL-susceptible forms of the virus tended to be found in infected infants.
- No variants of this epitope were found in a non-transmitting mother that had a CTL response to this epitope.

HXB2 Location p24 (193–201)

Author Location p24 (323–333)

Epitope NANPDCKTI

Epitope name NAN

Immunogen HIV-1 infection

Species (MHC) human (B51)

Keywords HAART, ART, acute/early infection

References Oxenius *et al.* 2000

- Patients who started therapy at acute HIV-1 infection (three with sustained therapy, two with limited therapy upon early infection) had strong HIV specific CD4 proliferative responses and were able to maintain a CTL response even with undetectable viral load – three patients that had delayed initiation of HAART had no HIV specific CD4 proliferative responses and lost their CTL responses when HAART was eventually given and their viral loads became undetectable.
- None of the 8 study subjects recognized this epitope but none were HLA B51+

- HXB2 Location** p24 (193–201)
Author Location p24 (193–201)
Epitope NANPDCKTI
Immunogen HIV-1 infection
Species (MHC) human (B51)
Donor MHC A03, A32, B51, B15, Cw03, Cw06, DR4, DR8, DQ7
Country Netherlands.
Assay type CD8 T-cell Elispot - IFN γ , Flow cytometric T-cell cytokine assay
Keywords rate of progression, escape
References Geels *et al.* 2003
- Both stable potential epitopes and epitopes with escape mutations were found in a patient with increasing viral load over a time period of 4 years. Fixation of escape mutations occurred sequentially and correlated with the rise in viral load and with the increased number of productively infected cells.
 - This is one of 17 potential epitopes from this individual, defined based on previously identified epitopes presented by appropriate HLA molecules. Full length genome sequence did not reveal changes in time in any of these epitopes over a four year period. Peptide pools initially revealed very little response to these epitopes, but this increased over time.

- HXB2 Location** p24 (193–201)
Author Location p24 (193–201)
Epitope NANPDSKTI
Immunogen HIV-1 infection
Species (MHC) human (B51)
Donor MHC A*3101, A68, B*4403, B51
Keywords supervised treatment interruptions (STI)
References Arnedo-Valero *et al.* 2004
- T cell immune responses following STI were monitored in two chronically HIV-1 infected partners (A and B) who had contracted HIV-1 in 1992. STI induced strong transitory CD4+ and CD8+ T cell responses in both patients. Patient A displayed broad CD8+ T cell responses directed against Env, Pol, Gag, and Nef HIV-1 antigens. CTL responses in patient B were directed against two epitopes: Gag(p24)NANPDSKTI and Pol(RT)EELRQHLLRW.

- HXB2 Location** p24 (193–201)
Author Location p24
Epitope NANPDCKTI
Immunogen HIV-1 infection
Species (MHC) human (B51)
Donor MHC A01, A32, B*1410, B15; A*3101, A68, B*4403, B51
Country Spain.
Assay type CD8 T-cell Elispot - IFN γ
Keywords HAART, ART, supervised treatment interruptions (STI)
References Arnedo-Valero *et al.* 2004
- T cell immune responses following STI were monitored in two chronically HIV-1 infected partners (A and B) who had contracted HIV-1 during 1992. STI induced strong transitory CD4+ and CD8+ T cell responses in both patients. The viruses remained very closely related over 10 years, despite the two individuals having different HLA types; the authors suggest the maintained similarity does not support a strong role for

HLA driven HIV diversity as has been claimed in Moore *et al.* (Science 2002).

- During the second treatment stop, patient A developed a strong proliferative response to p24, and multiple strong CD8+ T cell responses to Env, Pol, Gag and Nef. This patient was able to control viral load for two years follow up without therapy. Patient B developed a very weak CD4+ T cell response against p24 during breaks in therapy, and had CD8+ responses to two epitopes. Patient A: A01, A32, B*1410, B15; Patient B: A*3101, A68, B*4403, B51.

- HXB2 Location** p24 (193–201)
Author Location p24 (191–205)
Epitope NANPDCKTI
Immunogen HIV-1 infection
Species (MHC) human (B8)
References Ferrari *et al.* 2000

- One of the 51 HIV-1 epitopes selected by Ferrari *et al.* as good candidate CTL epitopes for vaccines by virtue of being conserved and presented by common HLA alleles.

- HXB2 Location** p24 (194–202)
Author Location p24 (194–202)
Epitope ANPDCKTIL
Epitope name ANP
Immunogen HIV-1 infection
Species (MHC) human (B7)
Donor MHC A2, A68.1, B*07, B*3503, Cw*0401, Cw*0702, DR17, DR15, DR51, DR52, DQ2, DQ6
Assay type CD8 T-cell Elispot - IFN γ , CD4 T-cell Elispot - IFN γ
Keywords rate of progression, escape
References Oxenius *et al.* 2004b

- The increase in plasma viral load in a patient that progressed rapidly was preceded by positive selection of viral escape mutations in epitopes targeted by dominant HIV-1-specific CD8+ T-cell responses, and a decrease in HIV-1-specific CD4+ and CD8+ T-cell frequencies. Overall, escape variant epitopes were recognized 0-80% as efficiently as the index peptide, and the relatively efficiency of the variant epitopes increased using PBLs collected after their appearance. No changes were found in viral tropism, replication kinetics and neutralizing antibody titers, so the rapid decline of the patient was attributed to loss of HIV containment due to CTL escape.
- This was one of 8 reactive epitopes found not to vary over time.

- HXB2 Location** p24 (195–202)
Author Location (C consensus)
Epitope NPDCCKTIL
Subtype C
Immunogen HIV-1 infection
Species (MHC) human (B*0801)
Country South Africa.
Assay type CD8 T-cell Elispot - IFN γ
Keywords rate of progression, optimal epitope
References Kiepiela *et al.* 2007

- A comprehensive analysis of 160 class I T cell responses in 578 individuals from KwaZulu-Natal, South Africa was performed. Gag-specific responses were associated with lowering viremia, while Env, accessory and regulatory protein-specific responses were associated with higher viremia.
- Mutational patterns in the T6 residue of NPDCCKTIL are associated with the presence of the HLA presenting molecule in the host.

HXB2 Location p24 (195–202)

Author Location p24 (323–342)

Epitope NPDCCKTIL

Immunogen HIV-1 infection

Species (MHC) human (B35)

References Bernard *et al.* 1998

- This study focuses on six rare long-term survivor HIV-infected people who were infected for many years without exhibiting immune dysregulation – such immunologically normal HIV-infected (INHI) cases occur at a frequency between 0.1 and 1% in the infected population.
- No direct CTL were found in any of the six INHIs, but above background CTLp activity was founded in 3/6 INHIs.
- Epitope sequences were deduced from larger reactive peptides based on HLA binding motifs – XPXXXXXL is a B35 binding motif.

HXB2 Location p24 (195–202)

Author Location

Epitope NPDCCKTIL

Epitope name Gag-NL8

Subtype B

Immunogen HIV-1 infection

Species (MHC) human (B35)

References Sabbaj *et al.* 2003

- Among HIV+ individuals who carried HLA B35, 3/17 (18%) recognized this epitope.

HXB2 Location p24 (195–205)

Author Location (C consensus)

Epitope NPDCCKTILRAL

Subtype C

Immunogen HIV-1 infection

Species (MHC) human (B*3910)

Country South Africa.

Assay type CD8 T-cell Elispot - IFN γ

Keywords rate of progression, optimal epitope

References Kiepiela *et al.* 2007

- A comprehensive analysis of 160 class I T cell responses in 578 individuals from KwaZulu-Natal, South Africa was performed. Gag-specific responses were associated with lowering viremia, while Env, accessory and regulatory protein-specific responses were associated with higher viremia.
- NPDCCKTILRAL is an optimal epitope.

HXB2 Location p24 (197–205)

Author Location p24 (329–337 LAI)

Epitope DCKTILKAL

Subtype B

Immunogen

Species (MHC) human (B*0801)

Keywords optimal epitope

References Frahm *et al.* 2007

- C. Brander notes this is a B*0801 epitope.

HXB2 Location p24 (197–205)

Author Location p24 (329–337 LAI)

Epitope DCKTILKAL

Subtype B

Immunogen

Species (MHC) human (B8)

References Sutton *et al.* 1993

- Predicted epitope based on B8-binding motifs, from larger peptide VQNANPDCKTILKAL.

HXB2 Location p24 (197–205)

Author Location p24 (329–337)

Epitope DCKTILKAL

Immunogen HIV-1 infection

Species (MHC) human (B8)

Keywords escape

References Nowak *et al.* 1995

- In a longitudinal study of CTL response and immune escape – the variant DCRTILKAL was also found, binds to B8, but is not recognized.

HXB2 Location p24 (197–205)

Author Location p24 (329–337)

Epitope DCKTILKAL

Immunogen

Species (MHC) human (B8)

References McAdam *et al.* 1995

- Defined as minimal epitope by titration and binding studies.

HXB2 Location p24 (197–205)

Author Location p24 (197–205)

Epitope DCKTILKAL

Immunogen

Species (MHC) human (B8)

References Goulder *et al.* 1997g

- Included in a study of the B8 binding motif.

HXB2 Location p24 (197–205)

Author Location p24 (329–337)

Epitope DCKTILKAL

Epitope name DCK

Immunogen HIV-1 infection

Species (MHC) human (B8)

Keywords HAART, ART, supervised treatment interruptions (STI), immunodominance, acute/early infection

References Oxenius *et al.* 2000

- Patients who started therapy at acute HIV-1 infection (three with sustained therapy, two with limited therapy upon early infection) had strong HIV specific CD4 proliferative responses and were able to maintain a CTL response even with undetectable viral load – three patients that had delayed initiation of HAART had no HIV specific CD4 proliferative responses and lost their CTL responses when HAART was eventually given and their viral loads became undetectable.

- This epitope was recognized at a low level by only 1 of the 7/8 study subjects that were HLA B8.
- Patient SC12(HLA A1, B8/39, Cw0701/0702, DR2/3, DR51/52, DQ2/6) had sustained therapy started during acute infection and maintained an immunodominant response to FLKEKGGGL throughout and minor responses to GEIYKRWII, DCKTILKAL, GGKKKYKLLK – GEIYKRWII and GGKKKYKLLK responses were stimulated by a brief period off therapy.

HXB2 Location p24 (197–205)

Author Location p24 (197–205)

Epitope DCKTILKAL

Immunogen HIV-1 infection

Species (MHC) human (B8)

References Ferrari *et al.* 2000

- One of the 51 HIV-1 epitopes selected by Ferrari *et al.* as good candidate CTL epitopes for vaccines by virtue of being conserved and presented by common HLA alleles.

HXB2 Location p24 (197–205)

Author Location p24 (197–205)

Epitope DCKTILKAL

Immunogen HIV-1 infection

Species (MHC) human (B8)

References Day *et al.* 2001

- B8-restricted CTL accounted for about 1/3 of the total CTL response in one individual.

HXB2 Location p24 (197–205)

Author Location p24

Epitope DCKTILKAL

Epitope name DCK

Immunogen HIV-1 infection

Species (MHC) human (B8)

Keywords HAART, ART, supervised treatment interruptions (STI)

References Oxenius *et al.* 2002b

- Using previously defined epitopes Oxenius *et al.* [2000, 2001a] in an IFN γ Elispot assay, 13 chronically HIV-1 infected patients were studied over a period including therapy with standard treatment interruptions (STI).
- STIs induced increased recognition of CTL epitopes, but there was no correlation between CTL responses with viral rebound rates, plateau viral loads, or clearance rates.

HXB2 Location p24 (197–205)

Author Location Gag (329–337)

Epitope DCKTILKAL

Immunogen HIV-1 infection

Species (MHC) humanized rabbit (B8)

Donor MHC A03, A28, B07, B08

Country Canada.

Assay type proliferation, Chromium-release assay, Flow cytometric T-cell cytokine assay

Keywords HAART, ART, memory cells, immune dysfunction

References Gamberg *et al.* 2004a

- HAART restores HIV specific immunity after advanced infection by increase of CD4+ and CD8+ T cell numbers after suppression of viral replication. However, HIV specific CTLs emerged only with detectable viral replication breakthroughs and were short-lived while CD4+ T-cell responses remained compromised, suggesting failure of generating stable CD8+ memory T-cells in the absence of HIV-specific T-helper responses.

HXB2 Location p24 (197–205)

Author Location (B consensus)

Epitope DCKTILKAL

Epitope name DL9

Subtype B

Immunogen HIV-1 infection

Species (MHC) human (B8)

Donor MHC A01, A03, B08, B14, Cw7, Cw8

Country United States.

Assay type Cytokine production, Intracellular cytokine staining, Chromium-release assay, Flow cytometric T-cell cytokine assay

Keywords assay standardization/improvement, memory cells, characterizing CD8+ T cells

References Lichterfeld *et al.* 2004c

- Using a flow-cytometric cytotoxicity assay based on caspase-3 activation in dying target cells, it was shown that the subset of HIV-1-specific CD8+ T cells secreting both IFN- γ and TNF- α exhibit stronger cytotoxic activity than those secreting only IFN- γ . These cells also exhibited stronger intracellular perforin expression. No association between HIV-1-specific CD8+ T-cell maturation phenotypes and intracellular perforin expression was found.
- 1/9 individuals recognized this epitope.

HXB2 Location p24 (199–218)

Author Location Gag (331–350)

Epitope KTIILRALGPGATLEEMMTAC

Subtype C

Immunogen HIV-1 infection

Species (MHC) human

Keywords subtype comparisons

References Novitsky *et al.* 2002

- HLA, viral sequence, and Elispot data was obtained from 105 HIV-1 positive Botswanans; Elispot data was obtained from between 55 and 64 subjects for each HIV protein.
- Nef and p24 had the highest percentage of reactive peptides, and p24 had the highest magnitude of HIV-1 responses.
- This peptide was among the 28 most reactive C clade peptides from among over 350 tested spanning all HIV proteins.

HXB2 Location p24 (203–211)

Author Location Gag (335–343 SUMA)

Epitope KALGPAATL

Epitope name Gag KL9

Subtype B

Immunogen HIV-1 infection

Species (MHC) human

Donor MHC A*1103, A*2402, B*1402, B*1501, Cw*0802

Country United States.

Assay type CD8 T-cell Elispot - IFN γ , Chromium-release assay

Keywords dynamics, acute/early infection, characterizing CD8+ T cells

References Jones *et al.* 2004

- Primary CD8+ T-cell response to Env, Tat and Gag and the extent, kinetics and mechanisms of viral escape were examined in three patients. Rapid escape, within weeks from infection, from HIV specific CTL responses was observed in all three patients, but the kinetics and extent of the escape differed depending on the breadth and co-dominant distribution of CTL-mediated pressure. The two patients that rapidly declined had more focused immunodominant responses, while the single patient that had low viral load and stable CD4 counts for seven years had a broad co-dominant response and less escape.
- The patient SUMA maintained low viral loads and stable CD4 T cell counts through seven years of follow up. In contrast to more rapid progressors, WEAU and BORI, SUMA a broad response to 24 epitopes, with little immunodominance. Two peptides were somewhat more intensely recognized in acute infection, but this response leveled out early on.
- Only four epitopes were found to acquire escape mutations in SUMA over time, and this was one of the 20 that remained invariant. A low level response was detected at acute infection that persisted through early infection.

HXB2 Location p24 (209–217)

Author Location Gag (341–)

Epitope ATLEEMMTA

Epitope name Gag341

Immunogen HIV-1 infection, vaccine

Vector/Type: peptide *HIV component:* p24 Gag *Adjuvant:* Incomplete Freund's Adjuvant (IFA)

Species (MHC) human, transgenic mouse (A2)

Assay type CD8 T-cell Elispot - IFN γ , Chromium-release assay, Flow cytometric T-cell cytokine assay

Keywords binding affinity, subtype comparisons, computational epitope prediction

References Corbet *et al.* 2003

- HLA-A2-restricted HIV-1 CTL epitopes were computationally predicted. Binding affinities for HLA-A*0204, immunogenicity in HLA-A*0201 transgenic mice, and responses to the peptides in 17 HIV-1 infected patients were tested. 31 novel conserved A2 epitopes were detected. An average of 4 epitopes were recognized per patient.
- This peptide was a good A2 binder that did not induce CTL and CD8+ T-cell IFN gamma responses in mice, although responses were detected in 2/17 HIV+ HLA-A2 subjects.

HXB2 Location p24 (211–230)

Author Location p24 (343–362 SF2)

Epitope LEEMMTACQGVGGPGHKARV

Immunogen HIV-1 infection

Species (MHC) human (B7)

References McAdam *et al.* 1998

HXB2 Location p24 (211–230)

Author Location p24 (345–364 SF2)

Epitope LEEMMTACQGVGGPGHKARV

Immunogen HIV-1 infection

Species (MHC) human

References van Baalen *et al.* 1993

- Gag CTL epitope precursor frequencies estimated, peptide mapping.

HXB2 Location p24 (211–231)

Author Location p24 (343–362 SF2)

Epitope LEEMMTACQGVGGPGHKARVL

Immunogen HIV-1 infection

Species (MHC) human

References Lieberman *et al.* 1997a

- Of 25 patients, most had CTL specific for more than 1 HIV-1 protein.
- Twelve subjects had CTL that could recognize vaccinia-expressed LAI gag.
- One of these 12 had CTL response to this peptide.
- The responding subject was HLA-A1, A2, B50, B57.

HXB2 Location p24 (213–221)

Author Location Gag

Epitope EMMTACQGV

Epitope name E9V

Immunogen vaccine

Vector/Type: measles virus (MV) *Strain:* multiple epitope immunogen *HIV component:* gp140, gp140 Δ V3

Species (MHC) transgenic mouse (A*0201)

Assay type Chromium-release assay, Flow cytometric T-cell cytokine assay

Keywords memory cells, vaccine antigen design, antibody generation, characterizing CD8+ T cells

References Lorin *et al.* 2005

- A recombinant measles MVSchw virus expressing an HIV-1-derived polypeptide effectively primed HLA-A*0201-restricted CTL responses against multiple conserved HIV-1 epitopes in HLA-A*0201 transgenic mice. Also, a recombinant MVSchw virus expressing gp140 with deleted V1, V2, and V3 loops successfully induces neutralizing antibodies against HIV-1. A live attenuated measles vaccine could provide a safe and efficient pediatric vaccination vector for simultaneous vaccination against HIV and measles.

HXB2 Location p24 (213–221)

Author Location Gag (345–)

Epitope EMMTACQGV

Epitope name Gag345

Immunogen HIV-1 infection, vaccine

Vector/Type: peptide *HIV component:* p24 Gag *Adjuvant:* Incomplete Freund's Adjuvant (IFA)

Species (MHC) human, transgenic mouse (A2)

Assay type CD8 T-cell Elispot - IFN γ , Chromium-release assay, Flow cytometric T-cell cytokine assay

Keywords binding affinity, subtype comparisons, computational epitope prediction

References Corbet *et al.* 2003

- HLA-A2-restricted HIV-1 CTL epitopes were computationally predicted. Binding affinities for HLA-A*0204, immunogenicity in HLA-A*0201 transgenic mice, and responses to the peptides in 17 HIV-1 infected patients were tested. 31 novel conserved A2 epitopes were detected. An average of 4 epitopes were recognized per patient.
- This peptide was a good A2 binder, and induced a response in 1/6 transgenic mice. Responses were detected in 1/17 HIV+ HLA-A2 subjects.

HXB2 Location p24 (217–227)

Author Location p24 (349–359 IIIB)

Epitope ACQGVGGPGHK

Immunogen HIV-1 infection

Species (MHC) human (A*1101)

Keywords optimal epitope

References Frahm *et al.* 2007

- C. Brander notes this is an A*1101 epitope.

HXB2 Location p24 (217–227)

Author Location Gag (349–359)

Epitope ACQGVGGPGHK

Subtype B, CRF01_AE

Immunogen HIV-1 infection

Species (MHC) human (A*1101)

Keywords subtype comparisons, TCR usage

References Fukada *et al.* 2002

- Counterparts for eight known clade B HLA A*1101 epitopes were generated for clade E (CRF01). Three epitopes, identical among clade A-E, were cross-reactive and recognized by clade E infected individuals. The clade E and B analogs to three more HLA A*1101 epitopes was recognized in a clade specific manner. Two other HLA A*1101 clade B defined epitopes were found not to have stimulated a response in clade E infected individuals.
- ACQGVGGPGHK was found to elicit clade-specific responses in clade B (ACQGVGGPGHK is most common in clades A and B) and clade E (acqvggpShk is most common and is also common in clades C and D). ACQGVGGPGHK was recognized by CTL from 4/5 B clade infected Japanese subjects, and acqvggpShk from 3/7 E clade infected Thai subjects.
- The binding of the two variants to HLA A*1101 was almost identical, but bulk CTL generated from individuals did not cross-react with the cross-clade peptides, indicating the lack of cross-reactivity was due to TCR specificity.

HXB2 Location p24 (217–227)

Author Location Gag (349–359 SUMA)

Epitope ACQGVGGPGHK

Epitope name Gag AK11

Subtype B

Immunogen HIV-1 infection

Species (MHC) human (A*1103)

Donor MHC A*1103, A*2402, B*1402, B*1501, Cw*0802

Country United States.

Assay type CD8 T-cell Elispot - IFN γ , Chromium-release assay

Keywords dynamics, acute/early infection, characterizing CD8+ T cells

References Jones *et al.* 2004

- Primary CD8+ T-cell response to Env, Tat and Gag and the extent, kinetics and mechanisms of viral escape were examined in three patients. Rapid escape, within weeks from infection, from HIV specific CTL responses was observed in all three patients, but the kinetics and extent of the escape differed depending on the breadth and co-dominant distribution of CTL-mediated pressure. The two patients that rapidly declined had more focused immunodominant responses, while the single patient that had low viral load and stable CD4 counts for seven years had a broad co-dominant response and less escape.
- The patient SUMA maintained low viral loads and stable CD4 T cell counts through seven years of follow up. In contrast to more rapid progressors, WEAU and BORI, SUMA a broad response to 24 epitopes, with little immunodominance. Two peptides were somewhat more intensely recognized in acute infection, but this response leveled out early on.
- Only four epitopes were found to acquire escape mutations in SUMA over time, and this was one of the 20 that remained invariant. A low level response was detected at acute infection that persisted through early infection.

HXB2 Location p24 (217–227)

Author Location p24 (349–359 IIIB)

Epitope ACQGVGGPGHK

Immunogen HIV-1 infection

Species (MHC) human (A11)

References Sipsas *et al.* 1997

- HIV IIIB proteins were used to define the range of CTL epitopes recognized by three lab workers accidentally infected with HIV-1 IIIB.
- ACQGVGGPSHK, a variant found in HIV RF, was also recognized.

HXB2 Location p24 (217–227)

Author Location p24 (SF2)

Epitope ACQGVGGPGHK

Immunogen HIV-1 infection

Species (MHC) human (A11)

Keywords subtype comparisons, immunodominance

References Goulder *et al.* 2000a

- The CTL-dominant response was focused on this epitope in a HIV+ Caucasian living in Boston – this epitope did not fall within the three most recognized peptides in the study.
- Three peptides GSEELRSLYNTVATL (p17 residues 71–85), SALSEGATPQDLNLTMLNTVG (p24 41–60), and WEKIRL-RPGGKKKYKLLK (p17 16–30) contained the dominant Gag-specific epitope in 31 out of 44 B-clade infected individuals from Boston who showed Gag-CTL responses.
- Five peptides RLRPGGKKHYMIKHLVW (p17 20–36), ELRSLYNTVATLYCV (p17Gag 74–88), SALSEGATPQDLNLTMLNTVG (p24 41–60), FRDYVDRFFKTLRAEQA (p24 161–177), and SILDIKQGKEPFRDY (p24 149–164) contained dominant Gag-specific epitopes in 32 out of 37 C-clade infected subjects from South Africa.

HXB2 Location p24 (217–227)

Author Location p24 (349–359)

Epitope ACQGVGGPGHK

Epitope name ACQ

Immunogen HIV-1 infection

Species (MHC) human (A11)

Donor MHC SC19: A*11, A*29, B*08, B*44, Cw*06, Cw*0701, DR3, DR7, DR52, DR53, DQ2, DQ8; SC18: A*02, A*11, B*50, B*58, Bw4, Bw6, Cw*0401, Cw10, DR3, DR4, DR52, DR53, DQ2, DQ8

Keywords HAART, ART, supervised treatment interruptions (STI), immunodominance, acute/early infection

References Oxenius *et al.* 2000

- Patients who started therapy at acute HIV-1 infection (three with sustained therapy, two with limited therapy upon early infection) had strong HIV specific CD4 proliferative responses and were able to maintain a CTL response even with undetectable viral load – three patients that had delayed initiation of HAART had no HIV specific CD4 proliferative responses and lost their CTL responses when HAART was eventually given and their viral loads became undetectable.
- Both of the 2/8 HLA-A11 study subjects recognized this CTL epitope.
- Patient SC19(HLA A11/12, B8/44, Cw06/0701, DR3/7, DR52/53, DQ 2/8) had a CTL response to epitopes FLKEKGGGL, GEIYKRWII, ACQGVGGPGHK, AVDLSH-FLK, and FNCGGEFFY that declined during therapy initiated at day 197.
- Patient SC18(HLA A2/11, B8/44, Cw06/0701, DR3/7, DR52/53, DQ2) recognizes the epitopes ACQGVGGPGHK, QVPLRPMTYK, AVDLSHFLK, and one called QIY but not fully described – he had brief therapy upon seroconversion and has had low viral load during 600 days of follow up.

HXB2 Location p24 (217–227)

Author Location p24 (216–226)

Epitope ACQGVGGPGHK

Immunogen HIV-1 infection

Species (MHC) human (A11)

References Ferrari *et al.* 2000

- One of the 51 HIV-1 epitopes selected by Ferrari *et al.* as good candidate CTL epitopes for vaccines by virtue of being conserved and presented by common HLA alleles.

HXB2 Location p24 (217–227)

Author Location p24 (349–359 SF2)

Epitope ACQGVGGPGHK

Immunogen HIV-1 infection

Species (MHC) human (A11)

Keywords HAART, ART, acute/early infection

References Altfeld *et al.* 2001b

- Therapy provided during acute infection resulted in a narrower CTL response, stronger T help response, and a less diverse viral population than was seen in individuals treated during chronic infection.
- The breadth and specificity of the response was determined using ELISPOT by studying 19 individuals with pre-seroconversion therapy (Group 1), 11 individuals with primary infection but post-seroconversion therapy (Group 2), and 10 individuals who responded to HAART given during chronic infection (Group 3), using 259 overlapping peptides spanning p17, p24, RT, gp41, gp120 and Nef.

- Previously described and newly defined optimal epitopes were tested for CTL response.
- Number of HLA-A11+ individuals that had a CTL response to this epitope broken down by group: 0/3 group 1, 0/0 group 2, and 2/2 group 3.

HXB2 Location p24 (217–227)

Author Location p24

Epitope ACQGVGGPGHK

Epitope name ACQ

Immunogen HIV-1 infection

Species (MHC) human (A11)

Keywords HAART, ART, supervised treatment interruptions (STI)

References Oxenius *et al.* 2002b

- Using previously defined epitopes Oxenius *et al.* [2000, 2001a] in an IFN γ Elispot assay, 13 chronically HIV-1 infected patients were studied over a period including therapy with standard treatment interruptions (STI).
- STIs induced increased recognition of CTL epitopes, but there was no correlation between CTL responses with viral rebound rates, plateau viral loads, or clearance rates.

HXB2 Location p24 (217–227)

Author Location (B consensus)

Epitope ACQGVGGPGHK

Epitope name AK11

Subtype B

Immunogen HIV-1 infection

Species (MHC) human (A11)

Donor MHC A11, A29, B08, B44, Cw4, Cw7

Country United States.

Assay type Cytokine production, Intracellular cytokine staining, Chromium-release assay, Flow cytometric T-cell cytokine assay

Keywords assay standardization/improvement, memory cells, characterizing CD8+ T cells

References Lichterfeld *et al.* 2004c

- Using a flow-cytometric cytotoxicity assay based on caspase-3 activation in dying target cells, it was shown that the subset of HIV-1-specific CD8+ T cells secreting both IFN- γ and TNF- α exhibit stronger cytotoxic activity than those secreting only IFN- γ . These cells also exhibited stronger intracellular perforin expression. No association between HIV-1-specific CD8+ T-cell maturation phenotypes and intracellular perforin expression was found.
- 1/9 individuals recognized this epitope.

HXB2 Location p24 (217–227)

Author Location Gag (349–359)

Epitope ACQGVGGPGHK

Epitope name AK11

Subtype B

Immunogen HIV-1 infection

Species (MHC) human (A11)

Donor MHC A2, A11, B18, B44, Cw5, Cw12

Country United States.

Assay type CD8 T-cell Elispot - IFN γ , Intracellular cytokine staining, Flow cytometric T-cell cytokine assay

Keywords escape, TCR usage, variant cross-recognition or cross-neutralization, optimal epitope

References Allen *et al.* 2005b

- 4/14 optimal HIV-1 T-cell epitopes in a subject underwent mutation associated with dramatic loss of the original CD8 response. For 1 of the escape variants, a novel CD8 T-cell response equal in magnitude to the wild type, was generated. CD8 T-cell recognizing the variant epitope utilized a distinct T-cell receptor and did not exhibit any cross-reactivity against the wild type.
- A novel CD8 T-cell response was generated against the escape variant acqgvggpShk.
- Additional analyses showed that the majority of individuals expressing HLA-A11 targeted the acqgvggpShk variant sequence while the wild-type sequence was less frequently recognized.

HXB2 Location p24 (217–227)

Author Location Gag

Epitope ACQGVGGPGHK

Epitope name AK11

Subtype B

Immunogen HIV-1 infection

Species (MHC) human (A11)

Donor MHC A2, A11, B18, B44, Cw5, Cw12

Country United States.

Assay type CD8 T-cell Elispot - IFN γ

Keywords subtype comparisons, escape, characterizing CD8+ T cells, reversion, viral fitness

References Allen *et al.* 2005a

- Two-thirds of all mutations arising in nonenvelope proteins during the transition from acute to chronic infection were found to be due to either CD8 T-cell-associated selective pressures or reversion of HLA-I-associated mutations selected in a previous host. The predominance of escape mutations at highly polymorphic sites was observed across different HIV-1 clades.
- One escape mutation, at position 9, acqgvggpShk, was found in the most polymorphic residues in the epitope. These were shared between clades B and C.

HXB2 Location p24 (221–231)

Author Location p24 (353–363 LAI)

Epitope VGGPGHKARVL

Epitope name G1

Subtype B

Immunogen HIV-1 infection

Species (MHC) human (B7)

Keywords HAART, ART

References Mollet *et al.* 2000

- A panel of 16 epitopes covering 15 class I alleles was tested in 14 HIV+ patients from an unselected Caucasian population treated with HAART, using CD8+ cell IFN γ production to measure responses.
- In general, during the first month of treatment viral load decreased and frequencies of HIV-specific CTL tripled and broadened – eight new HIV specificities that were not previously detectable were newly detected, as were CMV specific CD8+ PBL – but with continued viral suppression, HIV-specific responses diminished.

- Viral rebounds gave different patterns of response: increases or decreases in pre-existing response, new specificities, or no change.

HXB2 Location p24 (223–231)

Author Location (LAI)

Epitope GPGHKARVL

Subtype B

Immunogen

Species (MHC) (B*0702)

Keywords optimal epitope

References Frahm *et al.* 2007; Goulder 1999

HXB2 Location p24 (223–231)

Author Location p24 (223–231 SF2)

Epitope GPGHKARVL

Epitope name GL9

Immunogen HIV-1 infection

Species (MHC) human (B*0702)

References Altfeld *et al.* 2001a

- HIV+ individual AC-06 was tested for reactive overlapping peptides spanning all HIV-1 proteins in an ELISPOT and was found to react with 12 peptides from 7 proteins, suggesting that the breadth of CTL responses are underestimated if accessory proteins are not included in the study.
- The response to GPGHKARVL was dominant.

HXB2 Location p24 (223–231)

Author Location (C consensus)

Epitope GPSHKARVL

Subtype C

Immunogen HIV-1 infection

Species (MHC) human (B*0702)

Country South Africa.

Assay type CD8 T-cell Elispot - IFN γ

Keywords characterizing CD8+ T cells

References Kiepiela *et al.* 2004

- HLA class I restricted CD8+ T-cell responses against HIV-1 were analyzed in African patients. Significantly more responses were shown to be HLA-B restricted. Viral load, CD4 count, and thus rate of disease progression were also associated with HLA-B alleles. In addition, the selection pressure imposed on HIV-1 by HLA-B alleles was shown to be substantially greater than by other alleles.
- This epitope was suggested to be the epitope within a longer reactive peptide based on correspondence with a known epitope in the HIV database. Also, a significantly higher frequency of people in the Durban cohort who reacted with the peptide had this HLA type.

HXB2 Location p24 (223–231)

Author Location (C consensus)

Epitope GPGHKARVL

Subtype C

Immunogen HIV-1 infection

Species (MHC) human (B*0702)

Country South Africa.

Assay type CD8 T-cell Elispot - IFN γ

Keywords rate of progression, optimal epitope

References Kiepiela *et al.* 2007

- A comprehensive analysis of 160 class I T cell responses in 578 individuals from KwaZulu-Natal, South Africa was performed. Gag-specific responses were associated with lowering viremia, while Env, accessory and regulatory protein-specific responses were associated with higher viremia.
- Mutational patterns in the G3 residue of GPGHKARVL are associated with the presence of the HLA presenting molecule in the host.

HXB2 Location p24 (223–231)

Author Location (C consensus)

Epitope GPSHKARVL

Subtype C

Immunogen HIV-1 infection

Species (MHC) human (B*0702)

Country South Africa.

Assay type CD8 T-cell Elispot - IFN γ

Keywords rate of progression, optimal epitope

References Kiepiela *et al.* 2007

- A comprehensive analysis of 160 class I T cell responses in 578 individuals from KwaZulu-Natal, South Africa was performed. Gag-specific responses were associated with lowering viremia, while Env, accessory and regulatory protein-specific responses were associated with higher viremia.
- GPSHKARVL is an optimal epitope.

HXB2 Location p24 (223–231)

Author Location (224–232)

Epitope GPSHKARVL

Subtype C

Immunogen HIV-1 infection

Species (MHC) human (B*0702)

Assay type Other

Keywords HLA associated polymorphism

References Boutwell & Essex 2007

- All HIV-1 subtype C protein sequences were analysed, and 94 HLA-associated amino acid polymorphisms were found that were well distributed throughout the proteome. These sequences were compiled from publicly available databases and originated in South Africa and Botswana. Many polymorphisms were associated with multiple HLA allele classes. 12% of negative associations were found as well, where there was an association of virus expression of the consensus amino acid with a specific HLA allele. HLA-B alleles were involved in most of the associations. 19 HLA-associated polymorphisms were embedded in previously defined epitopes presented by an appropriate HLA restricting molecule.
- GPSHKARVL was a previously defined B*0702 presented epitope that encompassed a B*07- associated polymorphism, GPshKARVL, in the third position.

HXB2 Location p24 (223–231)

Author Location p17

Epitope GPGHKARVL

Subtype D

Immunogen HIV-1 infection

Species (MHC) human (B35)

Donor MHC A23, A24, B35, B58, Cw4, Cw7

Country Democratic Republic of the Congo.

Assay type CD8 T-cell Elispot - IFN γ

Keywords subtype comparisons, computational epitope prediction

References Geels *et al.* 2005

- Cross-clade CTL responses in 10 non-B HIV-1 infected individuals were evaluated. T-cell reactivity was tested against peptide pools of clade B Gag, Pol, Nef, Rev and Tat. Nine individuals demonstrated cross-reactive T-cell responses to clade A, B, and C Gag pools; 6/7 patients that responded to Nef-B also reacted to clade A and C Nef pools. An inverse correlation was observed between the sequence divergence of the HLA class I restricted epitopes and the height of the T-cell responses, which in Gag could be explained through variations in the HLA-anchor residues. 42% of the responses were directed to regions containing new epitopes.
- Predicted epitope based on an HLA motif embedded in a reactive peptide from a person carrying a D clade Gag.

HXB2 Location p24 (223–231)

Author Location p24 (355–363 LAI)

Epitope GPGHKARVL

Subtype B

Immunogen HIV-1 infection

Species (MHC) human (B7)

Keywords review, escape

References Goulder *et al.* 1997e; Goulder *et al.* 1997a

- HLA-identical sibling hemophiliac brothers were both infected with the same batch of factor VIII.
- One had a strong response to this peptide, the other a weak response. They were tested 6-8 years after infection.
- Goulder *et al.* [1997a] is a review of immune escape that summarizes this study.

HXB2 Location p24 (223–231)

Author Location p24 (SF2)

Epitope GPSHKARVL

Immunogen HIV-1 infection

Species (MHC) human (B7)

Keywords subtype comparisons, immunodominance

References Goulder *et al.* 2000a

- The CTL-dominant response was focused on this epitope in a HIV+ Caucasian living in Boston – this epitope did not fall within the three most recognized peptides in the study.
- Three peptides GSEELRSLYNTVATL (p17 residues 71-85), SALSEGATPQDLNTMLNTVG (p24 41-60), and WEKIRL-RPGGKKKYKCLK (p17 16-30) contained the dominant Gag-specific epitope in 31 out of 44 B-clade infected individuals from Boston who showed Gag-CTL responses.
- Five peptides RLRPGGKKHYMIKHLVW (p17 20-36), ELRSLYNTVATLYCV (p17Gag 74-88), SALSEGATPQDLNTMLNTVG (p24 41-60), FRDYVDRFFKTLRAEQA (p24 161-177), and SILDIKQGKEPFRDY (p24 149-164) contained dominant Gag-specific epitopes in 32 out of 37 C-clade infected subjects from South Africa.

HXB2 Location p24 (223–231)

Author Location p24 (SF2)

Epitope GPSHKARVL

Immunogen HIV-1 infection

Species (MHC) human (B7)

Keywords subtype comparisons, immunodominance

References Goulder *et al.* 2000a

- The CTL-dominant response was focused on this epitope in a HIV+ Caucasian living in Boston – this epitope did not fall within the three most recognized peptides in the study.
- Three peptides GSEELRSLYNTVATL (p17 residues 71-85), SALSEGATPQDLNLTMLNTVG (p24 41-60), and WEKIRLRPGGKKKYK (p17 16-30) contained the dominant Gag-specific epitope in 31 out of 44 B-clade infected individuals from Boston who showed Gag-CTL responses.
- Five peptides RLRPGGKKHYMIKHLVW (p17 20-36), ELRSLYNTVATLYCV (p17Gag 74-88), SALSEGATPQDLNLTMLNTVG (p24 41-60), FRDYVDRFFKTLRAEQA (p24 161-177), and SILDIKQGKEPFRDY (p24 149-164) contained dominant Gag-specific epitopes in 32 out of 37 C-clade infected subjects from South Africa.

HXB2 Location p24 (223–231)**Author Location** p24 (223–231 SF2)**Epitope** GPGHKARVL**Immunogen** HIV-1 infection**Species (MHC)** human (B7)**Keywords** HAART, ART, acute/early infection**References** Altfield *et al.* 2001b

- Therapy provided during acute infection resulted in a narrower CTL response, stronger T help response, and a less diverse viral population than was seen in individuals treated during chronic infection.
- The breadth and specificity of the response was determined using ELISPOT by studying 19 individuals with pre-seroconversion therapy (Group 1), 11 individuals with primary infection but post-seroconversion therapy (Group 2), and 10 individuals who responded to HAART given during chronic infection (Group 3), using 259 overlapping peptides spanning p17, p24, RT, gp41, gp120 and Nef.
- Previously described and newly defined optimal epitopes were tested for CTL response.
- Number of HLA-B7+ individuals that had a CTL response to this epitope broken down by group: 1/4 group 1, 2/3 group 2, and 0/1 group 3.

HXB2 Location p24 (223–231)**Author Location** p24 (223–231)**Epitope** GPGHKARVL**Immunogen** HIV-1 infection**Species (MHC)** human (B7)**Keywords** rate of progression, acute/early infection**References** Day *et al.* 2001

- The CTL response to optimally defined CTL epitopes restricted by HLA class I A and B alleles in individuals who coexpressed HLA A2, A3, and B7 was studied in eight HIV-1-infected subjects, two with acute infection, five with chronic, and one long-term non-progressor (LTNP)
- 2 to 17 epitopes were recognized in a given individual, A2-restricted CTL response tended to be narrow and never dominated the response, and 25/27 epitopes were targeted by at least one person.
- Subjects with chronic HIV-1 infection recognized between 2-8 out of 11 B7-restricted epitopes.
- An acute seroconverter homozygous for the B7 allele recognized five B7-restricted epitopes.

- The other acute seroconverter failed to recognize any of the 11 B7-restricted epitopes tested.
- The B7-restricted CTL response was highly variable and there was no clearly dominant epitope.

HXB2 Location p24 (223–231)**Author Location** p24 (223–231)**Epitope** GPGHKARVL**Epitope name** B7-GL9**Subtype** B**Immunogen** HIV-1 infection**Species (MHC)** human (B7)**Donor MHC** A3, B7, Cw7**Keywords** dynamics, supervised treatment interruptions (STI), immunodominance, acute/early infection**References** Yu *et al.* 2002a

- CTL responses in 18 acutely HIV-infected HLA-A3 (n=7) or -B7 (n=4) or both -A3 and B7 (n=7) positive individuals were studied.
- One individual, AC-06, was homozygous at all three class I alleles (A3, B7, Cw7), was treated during acute infection and had supervised treatment interruptions (STI). He had only two detectable CTL responses during acute infection, but after STI this broadened to 27 distinct epitopes including 15 restricted by HLA-A3, 11 by HLA-B7, and 1 by HLA-Cw7.
- Only two epitopes were detected during acute infection in patient AC-06, B7 restricted gp41 epitope IPRRIRQGL and Gag GPGHKARVL. GPGHKARVL was the first targeted peptide, and remained immunodominant through the 34 month study period.
- 3/11 HLA-B7 individuals had detectable B7-restricted responses to this epitope during acute infection – 10/15 of HLA-B7 epitopes tested were targeted by at least one person during acute infection. 1/4 individuals had detectable responses to this epitope after STI.

HXB2 Location p24 (223–231)**Author Location** p24 (223–231)**Epitope** GPGHKARVL**Epitope name** B7-GL9 Gag**Subtype** B**Immunogen** HIV-1 infection**Species (MHC)** human (B7)**Assay type** CD8 T-cell Elispot - IFN γ **Keywords** supervised treatment interruptions (STI), escape, early treatment, superinfection**References** Altfield *et al.* 2002a

- An HIV+ individual given acute ARV and undergoing STI developed a strong CTL immune response, but despite this was shown to be superinfected with second B clade virus. Some epitope variants of the second infecting virus were resistant to the initial CTL response.
- In the earliest sample at day18 the sequence for this epitope was gpShkarvl. gpgkharvl dominated at day 606; both were equally well recognized.
- This was an immunodominant epitope, and was present in both viruses, the original strain and the superinfecting strain.

HXB2 Location p24 (223–231)

Author Location p24 (223–231)**Epitope** GPGHKARVL**Immunogen** HIV-1 infection**Species (MHC)** human (B7)**Country** Spain.**Assay type** proliferation, CD8 T-cell Elispot - IFN γ , Flow cytometric T-cell cytokine assay**Keywords** HAART, ART, supervised treatment interruptions (STI), immune dysfunction**References** Plana *et al.* 2004

- Structured treatment interruption (STI) alone is not able to control viral replication in chronically infected patients, probably due to lack of strong, maintained T-helper cell responses. HIV-1 specific CD8+ T-cell responses were shown to increase significantly until the end of the follow up, but were not correlated with viral load.
- 4/7 patients recognized this epitope.

HXB2 Location p24 (223–231)**Author Location** (B consensus)**Epitope** GPGHKARVL**Epitope name** GL9**Subtype** B**Immunogen** HIV-1 infection**Species (MHC)** human (B7)**Donor MHC** A03, B07, Cw7**Country** United States.**Assay type** Cytokine production, Intracellular cytokine staining, Chromium-release assay, Flow cytometric T-cell cytokine assay**Keywords** assay standardization/improvement, memory cells, characterizing CD8+ T cells**References** Lichterfeld *et al.* 2004c

- Using a flow-cytometric cytotoxicity assay based on caspase-3 activation in dying target cells, it was shown that the subset of HIV-1-specific CD8+ T cells secreting both IFN-gamma and TNF-alpha exhibit stronger cytotoxic activity than those secreting only IFN-gamma. These cells also exhibited stronger intracellular perforin expression. No association between HIV-1-specific CD8+ T-cell maturation phenotypes and intracellular perforin expression was found.
- 1/9 individuals recognized this epitope.

HXB2 Location p24 (223–231)**Author Location** Gag (355–363)**Epitope** GPGHKARVL**Subtype** B**Immunogen** HIV-1 infection**Species (MHC)** human (B7)**Donor MHC** A1, A3, B7, B57, Cw6, Cw7**Country** United States.**Assay type** CD8 T-cell Elispot - IFN γ **References** Allen *et al.* 2005a

- Two-thirds of all mutations arising in nonenvelope proteins during the transition from acute to chronic infection were found to be due to either CD8 T-cell-associated selective pressures or reversion of HLA-I-associated mutations selected in a previous host. The predominance of escape mutations at highly polymorphic sites was observed across different HIV-1 clades.

- This epitope was reactive, but escape mutations did not accrue in it over time.

II-B-4 Gag p24-p2p7p1p6 CTL/CD8+ epitopes

HXB2 Location p24-p2p7p1p6 (223–1)**Author Location** Gag**Epitope** GPGHKARVLA**Immunogen****Species (MHC)** human (B7)**References** De Groot *et al.* 2001

- The program Epimatrix was used in conjunction with the program Conservatrix to identify conserved regions of HIV that might serve as epitopes.
- A subset of the potential epitopes was identified that could bind to the appropriate HLA-allele, and 15 predicted B7 superfamily (HLA B7, B8, and B58) epitopes were identified that could stimulate IFN γ production in an ELISPOT assay.
- GPGHKARVLA was confirmed as an HLA-B7 epitope in this study, and had been previously published.

HXB2 Location p24-p2p7p1p6 (223–1)**Author Location** Gag**Epitope** GPGHKARVLA**Epitope name** I291**Subtype** multiple**Immunogen** HIV-1 infection**Species (MHC)** human (B7)**Donor MHC** A03, A24, B07, B38, Cw07, Cw12/13; A01, A03, B07, B08, Cw03, Cw07**Country** United States.**Assay type** T-cell Elispot**Keywords** binding affinity, computational epitope prediction**References** De Groot *et al.* 2003

- Epitopes defined using sequence parsing and matching algorithm Conservatrix, and epitope prediction tool EpiMatrix, were shown to be conserved in a broad range of HIV-1 sequences derived from different parts of the world. 31 novel highly conserved HIV-1 epitopes were found, among which four were recognized as promiscuous epitopes and five as MHC supertypes.
- Estimated binding probability for GPGHKARVLA: 28%

HXB2 Location p24-p2p7p1p6 (225–8)**Author Location** Gag (357–372 LAI)**Epitope** GHKARVLAEATLSQVN**Subtype** B**Immunogen** HIV-1 infection**Species (MHC)** human**References** Buseyne *et al.* 1993a

- Vertical transmission of HIV ranges from 13% to 39%.
- Primary assays showed that cytotoxic activity against at least one HIV protein was detected in 70% of infected children.
- Epitopes recognized in five children were mapped using synthetic peptides and secondary cultures.

- Patient EM28 (CDC P2A) had a CTL response to four epitopes in Gag.

HXB2 Location p24-p2p7p1p6 (230–7)

Author Location Gag (386–)

Epitope VLAEAMSQV

Epitope name Gag-386

Immunogen

Species (MHC) human (A*0201)

Keywords binding affinity, subtype comparisons, super-type, computational epitope prediction, immunodominance

References Altfeld *et al.* 2001c

- HIV was scanned for all peptides which carried the A2-supermotif pattern conserved in more than 50% of B clade sequences – 233 peptides met this criteria, and 30 of these bound to HLA-A*0201 – 20/30 bound to at least 3/5 of HLA-A2 supertype alleles tested.
- Three additional previously described HLA-A2 epitopes were added to the set of 20, and 18/22 chronically infected HLA-A2 individuals had CTL that recognized at least one of the 23 peptides (median of 2 and maximum of 6), while 6/12 acute infected individuals recognized at least 1 (median of 1 and maximum of 2)
- VLAEAMSQV binds to all five HLA-A2 supertype alleles tested: A*0201, A*0202, A*0203, A*0206 and A*6802 (highest affinity)
- 4/22 individuals with chronic HIV-1 infection recognized this epitope, and it was immunodominant in 3/4 by ELISPOT.
- 0/12 acutely infected individuals recognized this epitope.

HXB2 Location p24-p2p7p1p6 (230–7)

Author Location Gag

Epitope VLAEAMSQV

Epitope name Gag 386

Subtype M

Immunogen vaccine, in vitro stimulation or selection, computer prediction

Vector/Type: DNA, peptide *Adjuvant:* Incomplete Freund's Adjuvant (IFA)

Species (MHC) human, mouse, humanized mouse (A*0201)

Assay type Cytokine production, T-cell Elispot

Keywords subtype comparisons, computational epitope prediction, escape, TCR usage, variant cross-recognition or cross-neutralization

References McKinney *et al.* 2004

- This study examined variant recognition of epitopes presented by A*0201 and A*1101. Numerous amino acid substitutions can be introduced into epitopes without disrupting their recognition by CTLs, although epitopes with multiple substitutions were less recognized. An algorithm was constructed for prediction of epitopes capable of inducing responses to a great number of variant epitopes.
- A total of 20 variant forms of Gag 386 were identified. More than 95% of the variant epitopes were recognized by CTLs from mice immunized with the parental form.
- Gag 386 epitope (parent or variant form) was present in 97% of HIV sequences of many M group subtypes.

HXB2 Location p24-p2p7p1p6 (230–7)

Author Location

Epitope VLAEAMSQV

Epitope name Gag-VV9

Subtype B

Immunogen HIV-1 infection

Species (MHC) human (A2)

References Sabbaj *et al.* 2003

- Among HIV+ individuals who carried HLA A02, 3/29 (10%) recognized this epitope.

HXB2 Location p24-p2p7p1p6 (230–7)

Author Location Gag (362–)

Epitope VLAEAMSQV

Epitope name Gag362(9L)

Immunogen HIV-1 infection, vaccine

Vector/Type: peptide *Adjuvant:* Incomplete Freund's Adjuvant (IFA)

Species (MHC) human, transgenic mouse (A2)

Assay type T-cell Elispot, Chromium-release assay, Flow cytometric T-cell cytokine assay

Keywords binding affinity, subtype comparisons, computational epitope prediction

References Corbet *et al.* 2003

- HLA-A2-restricted HIV-1 CTL epitopes were computationally predicted. Binding affinities for HLA-A*0204, immunogenicity in HLA-A*0201 transgenic mice, and responses to the peptides in 17 HIV-1 infected patients were tested. 31 novel conserved A2 epitopes were detected. An average of 4 epitopes were recognized per patient.
- This peptide was a good A2 binder that induced CTL and CD8+ T-cell IFN gamma responses in mice. Responses were detected in 1/17 HIV+ HLA-A2 subjects.
- The variant vlaeamsqA was also immunogenic in A2 transgenic mice, eliciting a CD8+ T-cell response, as was recognized in 3/17 HIV+ people, including the person that recognized the vlaeamsqV variant.

HXB2 Location p24-p2p7p1p6 (230–7)

Author Location p24 (230–238)

Epitope VLAEAMSQV

Subtype B

Immunogen HIV-1 infection

Species (MHC) human (A2)

Country United States.

Assay type CD8 T-cell Elispot - IFN γ , Chromium-release assay, HLA binding

Keywords acute/early infection, optimal epitope

References Altfeld *et al.* 2005

- The most frequently targeted HLA-A2-restricted CD8+ T-cell epitopes in chronic infection were significantly less frequently recognized during primary infection. This epitope was only recognized during chronic infection.

HXB2 Location p24-p2p7p1p6 (230–7)

Author Location p24-p2p7p1p6 (362–370)

Epitope VLAEAMSQV

Epitope name VV9

Immunogen HIV-1 infection

Species (MHC) human (A2)

Donor MHC A*02, A*32, B*07, B*40, Cw*03, Cw*07

Country United States.

Assay type CD8 T-cell Elispot - IFN γ

Keywords responses in children, mother-to-infant transmission, escape, acute/early infection, reversion, viral fitness

References Sanchez-Merino *et al.* 2005

- CD8 T-cell responses were examined in mother-infant pairs. Escape variants were commonly detected in maternal plasma. Early infant plasma viruses showed heterogeneity of gag and nef gene sequences as well as mother-to-child transmission of CD8 T-cell escape variants. The stability of escape mutants in the infant over time was determined by infant HLA haplotype and viral fitness. Sequential plasma specimens from infants showed changes in CD8 T-cell epitope sequences, suggesting that infants are capable of generating virus-specific CD8 T-cell responses.
- The mother was A02+ and carried a variant form of the epitope, VLAEAMShV, which she passed to her A02- child. This form persisted in her child for 15 months.

HXB2 Location p24-p2p7p1p6 (230–7)

Author Location Gag (397–405)

Epitope VLAEAMSQV

Immunogen HIV-1 infection

Species (MHC) human (A2 supertype)

Keywords supertype, rate of progression

References Propato *et al.* 2001

- Long-term nonprogressors (LTNPs) had strong memory resting CD8+ T-cell responses against the majority of epitopes tested, (18 for the A2 supertype, 16 for the A3 supertype) while the effector cells of long-term nonprogressors recognized far fewer epitopes.
- Progressors had memory resting CD8+ T-cells that recognized far fewer epitopes than LTNPs.
- A positive correlation between effector CD8+ T-cells and plasma viremia and a negative correlation between CD8+ effector T-cells and CD4+ T-cells was observed, which may contribute to the inability of LTNPs to clear virus.
- This epitope can bind all five HLA-A2 supertypes alleles (A*0201, A*0202, A*0203, A*0206 and A*6802)

II-B-5 Gag p2p7p1p6 CTL/CD8+ epitopes

HXB2 Location p2p7p1p6 (1–10)

Author Location p2p7p1p6 (1–10)

Epitope AEAMSQVTNS

Immunogen

Species (MHC) human (B*4501)

Keywords optimal epitope

References Frahm *et al.* 2007

HXB2 Location p2p7p1p6 (5–13)

Author Location Gag (SF2)

Epitope SQVTNPANI

Immunogen vaccine

Strain: B clade SF2 *HIV component:* Gag

Species (MHC) mouse (H-2D^b)

References Paliard *et al.* 1998

- HIV-1 (SF2)p55gag vaccination of H-2 mice activates a CTL response against this epitope.
- CTL that recognized SQVTNPANI in the context of H-2D^b cross-reacted with H-2 alloantigens H-2L^d and an unidentified self-peptide.
- A postulate: heterozygosity at the MHC level could prevent the maturation of some T cell receptor combinations for foreign peptide and self-MHC constructs because of thymic depletion and tolerance.

HXB2 Location p2p7p1p6 (8–17)

Author Location Gag

Epitope TNSANIMMQR

Epitope name TR10

Subtype B

Immunogen HIV-1 infection

Species (MHC) human

Donor MHC A28, A29, B14, B44, Cw8

Country United States.

Assay type CD8 T-cell Elispot - IFN γ

Keywords subtype comparisons, escape, characterizing CD8+ T cells, reversion, viral fitness

References Allen *et al.* 2005a

- Two-thirds of all mutations arising in nonenvelope proteins during the transition from acute to chronic infection were found to be due to either CD8 T-cell-associated selective pressures or reversion of HLA-I-associated mutations selected in a previous host. The predominance of escape mutations at highly polymorphic sites was observed across different HIV-1 clades.
- One escape mutation, at position 5, tnsaSimmq, was found in the most polymorphic residues in the epitope. One escape mutation, at position 2, tTsanimmqr, was found not to correspond to the most polymorphic residues in the epitope. This is a novel partially mapped epitope.

HXB2 Location p2p7p1p6 (18–37)

Author Location Gag (96ZM651.8)

Epitope SNFKGNKRMVKCFNCGKEGH

Immunogen

Species (MHC) human (A*020101)

References Novitsky *et al.* 2001

- This study provides a survey of CTL responses and full length HIV-1 genome sequences from a C subtype infected Botswanan cohort.
- 4 of 8 individuals (50%) who were positive for HLA-A*02011 responded to the peptide SNFKGNKRMVKCFNCGKEGH.

HXB2 Location p2p7p1p6 (24–31)

Author Location p6 (35–42 HXB2)

Epitope NSPTRREL

Epitope name NL8

Subtype B

Immunogen HIV-1 infection

Species (MHC) human (Cw*0102)

Donor MHC A*0201, A*2501, B*1801, B*5101, Cw*0102, Cw*1203

Assay type CD8 T-cell Elispot - IFN γ

Keywords escape, immune evasion, optimal epitope, HIV-1

References Liu *et al.* 2006

- T-cell immunity and the impact of selection were longitudinally studied in a patient from the time of transmission. New epitopes were detected at sites that were shown to be under positive selection. Env was found to be the major target of CTLs and most of the new epitopes were found here. One third of the sites examined were associated with epitope escape mutations from CTL. Acquisition of mutations found at high frequency in the database was suggested to be a result of reversion of CTL epitopes in the absence of immune targeting.
- Position4 in the epitope had potentially experienced positive selection. NspTRREL and tSPTRREL escape variants were found.

HXB2 Location p2p7p1p6 (38–47)
Author Location Gag
Epitope LARNCRAPRK
Epitope name 1331
Subtype multiple
Immunogen HIV-1 infection
Species (MHC) human (A3)
Donor MHC A03, A23, B49, B57; A03, A24, B27, B57, Cw13, Cw18; A03, A26, B08, B52
Country United States.
Assay type T-cell Elispot
Keywords binding affinity, computational epitope prediction
References De Groot *et al.* 2003

- Epitopes defined using sequence parsing and matching algorithm Conservatrix, and epitope prediction tool EpiMatrix, were shown to be conserved in a broad range of HIV-1 sequences derived from different parts of the world. 31 novel highly conserved HIV-1 epitopes were found, among which four were recognized as promiscuous epitopes and five as MHC supertypes.
- Estimated binding probability for LARNCRAPRK: 35%. Immunodominant epitope.

HXB2 Location p2p7p1p6 (42–50)
Author Location p15 (42–50 SF2)
Epitope CRAPRKKGC
Subtype B
Immunogen HIV-1 infection
Species (MHC) human (B14)
Donor MHC B14
Keywords immunodominance
References Yu *et al.* 2002b

- 26/57 HIV-1 infected subjects displayed Gag p15-specific CD8+ T-cell IFN γ responses were measured by Elispot and intracellular staining. The immunodominant regions targeted by CD8+ T-cells were mapped to three functional domains: the zinc finger structures, the protease cleavage site p7/p1, and to the Vpr binding site in p6.
- p15 contributed on average 17% of the total Gag response (range 0–100%).
- 3 optimal CTL epitopes were mapped within p15: KELY-PLTSL, CRAPRKKGC, and FLGKIWPSYK.
- 2/6 HLA-B14+ subjects recognized this epitope. The binding motif for B14 is C-term Cys, positions 2 and 5 Arg.

HXB2 Location p2p7p1p6 (42–50)

Author Location p15 (42–50)
Epitope CRAPRKKGC
Immunogen HIV-1 infection
Species (MHC) human (B14)
Keywords optimal epitope
References Frahm *et al.* 2007

HXB2 Location p2p7p1p6 (42–50)
Author Location (B consensus)
Epitope CRAPRKKGC
Epitope name CC9
Subtype B
Immunogen HIV-1 infection
Species (MHC) human (B14)
Donor MHC A28, A29, B14, B44, Cw8
Assay type Cytokine production, Intracellular cytokine staining, Chromium-release assay, Flow cytometric T-cell cytokine assay
Keywords assay standardization/improvement, memory cells, characterizing CD8+ T cells
References Lichterfeld *et al.* 2004c

- Using a flow-cytometric cytotoxicity assay based on caspase-3 activation in dying target cells, it was shown that the subset of HIV-1-specific CD8+ T cells secreting both IFN- γ and TNF- α exhibit stronger cytotoxic activity than those secreting only IFN- γ . These cells also exhibited stronger intracellular perforin expression. No association between HIV-1-specific CD8+ T-cell maturation phenotypes and intracellular perforin expression was found.
- 1/9 individuals recognized this epitope

HXB2 Location p2p7p1p6 (42–50)
Author Location Gag (405–413)
Epitope CRAPRKKGC
Subtype B
Immunogen HIV-1 infection
Species (MHC) human (B14)
Donor MHC A28, A29, B14, B44, Cw8
Country United States.
Assay type CD8 T-cell Elispot - IFN γ
References Allen *et al.* 2005a

- Two-thirds of all mutations arising in nonenvelope proteins during the transition from acute to chronic infection were found to be due to either CD8 T-cell-associated selective pressures or reversion of HLA-I-associated mutations selected in a previous host. The predominance of escape mutations at highly polymorphic sites was observed across different HIV-1 clades.
- This epitope was reactive, but escape mutations did not accrue in it over time.

HXB2 Location p2p7p1p6 (55–70)
Author Location p15 (446–460 BRU)
Epitope KEGHQMKDCTERQANF
Immunogen HIV-1 infection
Species (MHC) human (A2)
References Claverie *et al.* 1988

- One of 4 epitopes first predicted, then subsequently shown to stimulate an HLA-A2 restricted CTL line.

HXB2 Location p2p7p1p6 (55–70)

Author Location Gag (41–56)

Epitope KEGHQMKDC TERQANF

Immunogen HIV-1 infection

Species (MHC) human (A2)

Country Spain.

Assay type proliferation, CD8 T-cell Elispot - IFN γ , Flow cytometric T-cell cytokine assay

Keywords HAART, ART, supervised treatment interruptions (STI), immune dysfunction

References Plana *et al.* 2004

- Structured treatment interruption (STI) alone is not able to control viral replication in chronically infected patients, probably due to lack of strong, maintained T-helper cell responses. HIV-1 specific CD8+ T-cell responses were shown to increase significantly until the end of the follow up, but were not correlated with viral load.
- Less than 2 of 19 patients recognized this epitope.

HXB2 Location p2p7p1p6 (58–69)

Author Location p24

Epitope HQMKDCNERQAN

Subtype B, G

Immunogen HIV-1 infection

Species (MHC) human (A2)

Donor MHC A2, A36, B45, B58, Cw3, Cw6

Country Nigeria.

Assay type CD8 T-cell Elispot - IFN γ

Keywords subtype comparisons, computational epitope prediction

References Geels *et al.* 2005

- Cross-clade CTL responses in 10 non-B HIV-1 infected individuals were evaluated. T-cell reactivity was tested against peptide pools of clade B Gag, Pol, Nef, Rev and Tat. Nine individuals demonstrated cross-reactive T-cell responses to clade A, B, and C Gag pools; 6/7 patients that responded to Nef-B also reacted to clade A and C Nef pools. An inverse correlation was observed between the sequence divergence of the HLA class I restricted epitopes and the height of the T-cell responses, which in Gag could be explained through variations in the HLA-anchor residues. 42% of the responses were directed to regions containing new epitopes.
- This previously described epitope was embedded in a B clade peptide that was recognized by T-cells from an infected person carrying subtype G Gag. The autologous epitope sequence had 2 changes, an E8T substitution and a two amino acid insertion, QG at position 10, that could impact the anchor: HQMKDCNtRqgQAN.

HXB2 Location p2p7p1p6 (63–71)

Author Location p15 (63–71)

Epitope CTERQANFL

Immunogen HIV-1 infection

Species (MHC) human (B61)

Donor MHC A*0201, A11, B51, B61, Cw2, Cw*14

Assay type CD8 T-cell Elispot - IFN γ

Keywords binding affinity, acute/early infection, early-expressed proteins

References Cao *et al.* 2003

- CTL epitope responses were mapped in 21 men within 15–92 days post-HIV-1 infection. Subjects initially showed narrow immune responses with a mean of 2.3 epitopes recognized per patient. The immune response broadened later in infection. No correlation between the plasma viral load and the number of recognized epitopes or the frequency of IFN-gamma secreting cells was observed, and there was no correlation between the functional avidity of a response and the abundance of IFN-secreting cells that recognized the epitope. The first epitopes to be recognized tended not to be the most avid, and earliest responses tended to be directed against Nef, Tat, Vpr, and Env.
- All HIV-1 proteins except Vpu were recognized, and a response to a total of 41 optimal epitopes was characterized; 24 had been identified previously. 48% of the total T-cell responses were directed against Nef and 43% were directed against Gag.
- More common HLA alleles were less frequently used in primary infection than less common alleles, for example A3, B35, B57, and B62 were more frequently recognized than A1, A2, A30, and A44.

HXB2 Location p2p7p1p6 (64–71)

Author Location

Epitope TERQANFL

Epitope name Gag-TL8

Subtype B

Immunogen HIV-1 infection

Species (MHC) human (B*4002)

Donor MHC A*0201, A*3201, B*4002, B*5301, Cw*0202, Cw*0401

Keywords HAART, ART

References Sabbaj *et al.* 2003

- This study monitored epitope responses in HIV-1 infected minority women living in the United States.
- 24 epitopes were described – 8 were novel, 8 used new restricting elements but were previously defined epitopes, and 8 were previously described.
- Serial peptide truncations were used to define optimal epitopes for CTL cell lines isolated from 12 individuals, assayed by a Cr-release.
- This epitope was newly defined in this study.
- Patient 01RCH59 was Hispanic, not on HAART, and had a viral load of 5100 and CD4 count of 349 – she also recognized AEWDRVHPV, p24(78-86), HLA-B*4002 and KEKGGLEGL, Nef(92-100), HLA-B*4002.
- Among HIV+ individuals who carried HLA B40, 3/5 (60%) recognized this epitope.

HXB2 Location p2p7p1p6 (64–71)

Author Location p15 (64–71)

Epitope TERQANFL

Immunogen

Species (MHC) human (B*4002)

Keywords optimal epitope

References Frahm *et al.* 2007

HXB2 Location p2p7p1p6 (66–74)

Author Location (C consensus)

Epitope RQANFLGKI

Subtype C

- Immunogen** HIV-1 infection
Species (MHC) human (B*13)
Country South Africa.
Assay type CD8 T-cell Elispot - IFN γ
Keywords rate of progression, optimal epitope
References Kiepiela *et al.* 2007
- A comprehensive analysis of 160 class I T cell responses in 578 individuals from KwaZulu-Natal, South Africa was performed. Gag-specific responses were associated with lowering viremia, while Env, accessory and regulatory protein-specific responses were associated with higher viremia.
 - RQANFLGKI is an optimal epitope.
- HXB2 Location** p2p7p1p6 (66–74)
Author Location
Epitope RQANFLGKI
Epitope name RI9
Immunogen
Species (MHC) human (B13)
Keywords optimal epitope
References Frahm *et al.* 2007
- C. Brander notes this is a B13 epitope.
- HXB2 Location** p2p7p1p6 (66–80)
Author Location p15 (66–80)
Epitope RQANFLGKIWPSYKG
Subtype B
Immunogen HIV-1 infection
Species (MHC) human
Assay type T-cell Elispot
Keywords supervised treatment interruptions (STI), immunodominance, early treatment
References Addo *et al.* 2003
- Comprehensive Elispot screening of 504 overlapping peptides that spanned all HIV-1 proteins in 57 HIV-1 infected individuals. Four groups of patients were compared: 23 were untreated; 12 patients were chronically infected and treated; 22 started treatment during acute infection, 11 continuously treated and 11 with STI.
 - 63% of the peptides were recognized - the most frequent responses were directed against Nef (95%) and p24-Gag (88%). p17 was the most frequently recognized protein after correction for protein length. A median of 18 peptides (range 2-42) were recognized per person. The most frequently (>20%) recognized peptides were located in conserved regions within clade B sequences. Vpu was rarely recognized.
 - A decrease in the total magnitude and in the breadth of CTL responses was detected in patients with treated acute infection in comparison to chronically infected treated or untreated individuals. No correlation between plasma viral load and HIV-1 specific T-cell responses was observed.
 - Responses to this peptide were detected in 16% of the study subjects, and it was one of the 25 most frequently recognized peptides.
- HXB2 Location** p2p7p1p6 (70–77)
Author Location Gag (433–)
Epitope FLGKIWPS
Epitope name Gag433
Immunogen HIV-1 infection, vaccine
- Vector/Type:** peptide **HIV component:** Gag
Adjuvant: Incomplete Freund's Adjuvant (IFA)
- Species (MHC)** human, transgenic mouse (A2)
Assay type CD8 T-cell Elispot - IFN γ , Chromium-release assay, Flow cytometric T-cell cytokine assay
Keywords binding affinity, subtype comparisons, computational epitope prediction
References Corbet *et al.* 2003
- HLA-A2-restricted HIV-1 CTL epitopes were computationally predicted. Binding affinities for HLA-A*0204, immunogenicity in HLA-A*0201 transgenic mice, and responses to the peptides in 17 HIV-1 infected patients were tested. 31 novel conserved A2 epitopes were detected. An average of 4 epitopes were recognized per patient.
 - This peptide was a good A2 binder that induced CTL and CD8+ T-cell IFN gamma responses in mice. Responses were detected in 7/17 HIV+ HLA-A2 subjects.
- HXB2 Location** p2p7p1p6 (70–79)
Author Location p15 (70–79 SF2)
Epitope FLGKIWPSYK
Subtype B
Immunogen HIV-1 infection
Species (MHC) human (A*0201)
Keywords immunodominance
References Yu *et al.* 2002b
- 26/57 HIV-1 infected subjects displayed Gag p15-specific CD8+ T-cell IFN γ responses were measured by Elispot and intracellular staining. The immunodominant regions targeted by CD8+ T-cells were mapped to three functional domains: the zinc finger structures, the protease cleavage site p7/p1, and to the Vpr binding site in p6.
 - p15 contributed on average 17% of the total Gag response (rage 0-100%).
 - 3 optimal CTL epitopes were mapped within p15: KELY-PLTSL, CRAPRKKGC, and FLGKIWPSYK.
 - FLGKIWPSYK was embedded in a peptide recognized by 14/57 (25%) of subjects.
 - 13/24 (54%) of HLA-A*0201+ subjects recognized this peptide.
- HXB2 Location** p2p7p1p6 (70–79)
Author Location p2p7p1p6 (1–10)
Epitope FLGKIWPSYK
Immunogen HIV-1 infection
Species (MHC) human (A*0201)
Keywords optimal epitope
References Frahm *et al.* 2007
- HXB2 Location** p2p7p1p6 (70–79)
Author Location (C consensus)
Epitope FLGKIWPSHK
Subtype C
Immunogen HIV-1 infection
Species (MHC) human (A*0201)
Country South Africa.
Assay type CD8 T-cell Elispot - IFN γ
Keywords characterizing CD8+ T cells
References Kiepiela *et al.* 2004

- HLA class I restricted CD8+ T-cell responses against HIV-1 were analyzed in African patients. Significantly more responses were shown to be HLA-B restricted. Viral load, CD4 count, and thus rate of disease progression were also associated with HLA-B alleles. In addition, the selection pressure imposed on HIV-1 by HLA-B alleles was shown to be substantially greater than by other alleles.
- This epitope was suggested to be the epitope within a longer reactive peptide based on correspondence with a known epitope in the HIV database. Also, a significantly higher frequency of people in the Durban cohort who reacted with the peptide had this HLA type.

HXB2 Location p2p7p1p6 (70–79)

Author Location (C consensus)

Epitope FLGKIWPSHK

Subtype C

Immunogen HIV-1 infection

Species (MHC) human (A*0201)

Country South Africa.

Assay type CD8 T-cell Elispot - IFN γ

Keywords rate of progression, optimal epitope

References Kiepiela *et al.* 2007

- A comprehensive analysis of 160 class I T cell responses in 578 individuals from KwaZulu-Natal, South Africa was performed. Gag-specific responses were associated with lowering viremia, while Env, accessory and regulatory protein-specific responses were associated with higher viremia.
- FLGKIWPSHK is an optimal epitope.

HXB2 Location p2p7p1p6 (70–79)

Author Location (C consensus)

Epitope FLGKIWPSHK

Subtype C

Immunogen HIV-1 infection

Species (MHC) human (A*0205)

Country South Africa.

Assay type CD8 T-cell Elispot - IFN γ

Keywords rate of progression, optimal epitope

References Kiepiela *et al.* 2007

- A comprehensive analysis of 160 class I T cell responses in 578 individuals from KwaZulu-Natal, South Africa was performed. Gag-specific responses were associated with lowering viremia, while Env, accessory and regulatory protein-specific responses were associated with higher viremia.
- FLGKIWPSHK is an optimal epitope.

HXB2 Location p2p7p1p6 (70–79)

Author Location Gag (1–10)

Epitope FLGKIWPSYK

Subtype B

Immunogen HIV-1 infection

Species (MHC) goat (A2)

Country United States.

Assay type CD8 T-cell Elispot - IFN γ , Chromium-release assay, HLA binding

Keywords acute/early infection, optimal epitope

References Altfeld *et al.* 2005

- The most frequently targeted HLA-A2-restricted CD8+ T-cell epitopes in chronic infection were significantly less frequently recognized during primary infection. This epitope was only recognized during chronic infection, in 54% of 74 chronically infected A2+ individuals, but in no acute cases (0/14).

HXB2 Location p2p7p1p6 (83–97)

Author Location p15 (418–433 BRU)

Epitope GNFLQSRPEPTAPPF

Immunogen HIV-1 infection

Species (MHC) human (A2)

References Claverie *et al.* 1988

- One of 4 epitopes first predicted, then subsequently shown to stimulate an HLA-A2 restricted CTL line.

HXB2 Location p2p7p1p6 (83–97)

Author Location Gag (69–83)

Epitope GNFLQSRPTAPPF

Immunogen HIV-1 infection

Species (MHC) human (A2)

Country Spain.

Assay type proliferation, CD8 T-cell Elispot - IFN γ , Flow cytometric T-cell cytokine assay

Keywords HAART, ART, supervised treatment interruptions (STI), immune dysfunction

References Plana *et al.* 2004

- Structured treatment interruption (STI) alone is not able to control viral replication in chronically infected patients, probably due to lack of strong, maintained T-helper cell responses. HIV-1 specific CD8+ T-cell responses were shown to increase significantly until the end of the follow up, but were not correlated with viral load.
- Less than 2 of 19 patients recognized this epitope.

HXB2 Location p2p7p1p6 (83–97)

Author Location Gag (453–462 BH10, LAI)

Epitope GNFLQSRPEPTAPPF

Immunogen HIV-1 infection

Species (MHC) human

References Maksiutov *et al.* 2002

- This study employs an antigenic similarity matrix to compare HIV-1 antigenic determinants with human proteins.
- This CTL epitope (the HIV-1 LAI fragment with high similarity to a human protein overlapping this epitope is PEPTAPPFLQ) has similarity with the T-cell surface glycoprotein CD5, fragment PEPTAPPRLQ.

HXB2 Location p2p7p1p6 (91–100)

Author Location p2p7p1p6

Epitope EPTAPPEESF

Subtype D

Immunogen HIV-1 infection

Species (MHC) human (B35, B58)

Donor MHC A23, A24, B35, B58, Cw4, Cw7

Country Democratic Republic of the Congo.

Assay type CD8 T-cell Elispot - IFN γ

Keywords subtype comparisons, computational epitope prediction

References Geels *et al.* 2005

- Cross-clade CTL responses in 10 non-B HIV-1 infected individuals were evaluated. T-cell reactivity was tested against peptide pools of clade B Gag, Pol, Nef, Rev and Tat. Nine individuals demonstrated cross-reactive T-cell responses to clade A, B, and C Gag pools; 6/7 patients that responded to Nef-B also reacted to clade A and C Nef pools. An inverse correlation was observed between the sequence divergence of the HLA class I restricted epitopes and the height of the T-cell responses, which in Gag could be explained through variations in the HLA-anchor residues. 42% of the responses were directed to regions containing new epitopes.
- Predicted epitope based on an HLA motif embedded in a reactive peptide from a person carrying a D clade Gag.

HXB2 Location p2p7p1p6 (108–116)

Author Location p2p7p1p6

Epitope TPSQKQEPI

Subtype D

Immunogen HIV-1 infection

Species (MHC) human (B35)

Donor MHC A23, A24, B35, B58, Cw4, Cw7

Country Democratic Republic of the Congo.

Assay type CD8 T-cell Elispot - IFN γ

Keywords subtype comparisons, computational epitope prediction

References Geels *et al.* 2005

- Cross-clade CTL responses in 10 non-B HIV-1 infected individuals were evaluated. T-cell reactivity was tested against peptide pools of clade B Gag, Pol, Nef, Rev and Tat. Nine individuals demonstrated cross-reactive T-cell responses to clade A, B, and C Gag pools; 6/7 patients that responded to Nef-B also reacted to clade A and C Nef pools. An inverse correlation was observed between the sequence divergence of the HLA class I restricted epitopes and the height of the T-cell responses, which in Gag could be explained through variations in the HLA-anchor residues. 42% of the responses were directed to regions containing new epitopes.
- Predicted epitope based on an HLA motif embedded in a reactive peptide from a person carrying a D clade Gag.

HXB2 Location p2p7p1p6 (108–116)

Author Location p15

Epitope TPSQKQEPI

Subtype D

Immunogen HIV-1 infection

Species (MHC) human (B53)

Donor MHC A23, A34, B44, B53, Cw4, Cw6

Country Democratic Republic of the Congo.

Assay type CD8 T-cell Elispot - IFN γ

Keywords subtype comparisons, computational epitope prediction

References Geels *et al.* 2005

- Cross-clade CTL responses in 10 non-B HIV-1 infected individuals were evaluated. T-cell reactivity was tested against peptide pools of clade B Gag, Pol, Nef, Rev and Tat. Nine individuals demonstrated cross-reactive T-cell responses to clade A, B, and C Gag pools; 6/7 patients that responded to Nef-B also reacted to clade A and C Nef pools. An inverse correlation was observed between the sequence divergence of the HLA class I restricted epitopes and the height of the T-cell responses,

which in Gag could be explained through variations in the HLA-anchor residues. 42% of the responses were directed to regions containing new epitopes.

- Predicted epitope based on an HLA motif embedded in a reactive peptide from a person carrying a D clade Gag.

HXB2 Location p2p7p1p6 (111–127)

Author Location Gag

Epitope QKQGTIDKELYPLASLK

Subtype B

Immunogen HIV-1 infection

Species (MHC) human

Donor MHC A28, A29, B14, B44, Cw8

Country United States.

Assay type CD8 T-cell Elispot - IFN γ

Keywords subtype comparisons, escape, characterizing CD8+ T cells, reversion, viral fitness

References Allen *et al.* 2005a

- Two-thirds of all mutations arising in nonenvelope proteins during the transition from acute to chronic infection were found to be due to either CD8 T-cell-associated selective pressures or reversion of HLA-I-associated mutations selected in a previous host. The predominance of escape mutations at highly polymorphic sites was observed across different HIV-1 clades.
- This is a novel unmapped epitope. Two changes over time in the individual that recognized this peptide: QKQGTkDKELYPL-vSLK

HXB2 Location p2p7p1p6 (113–121)

Author Location p15

Epitope QEPIDKELY

Subtype D

Immunogen HIV-1 infection

Species (MHC) human (B44)

Donor MHC A23, A34, B44, B53, Cw4, Cw6

Country Democratic Republic of the Congo.

Assay type CD8 T-cell Elispot - IFN γ

Keywords subtype comparisons, computational epitope prediction

References Geels *et al.* 2005

- Cross-clade CTL responses in 10 non-B HIV-1 infected individuals were evaluated. T-cell reactivity was tested against peptide pools of clade B Gag, Pol, Nef, Rev and Tat. Nine individuals demonstrated cross-reactive T-cell responses to clade A, B, and C Gag pools; 6/7 patients that responded to Nef-B also reacted to clade A and C Nef pools. An inverse correlation was observed between the sequence divergence of the HLA class I restricted epitopes and the height of the T-cell responses, which in Gag could be explained through variations in the HLA-anchor residues. 42% of the responses were directed to regions containing new epitopes.
- Predicted epitope based on an HLA motif embedded in a reactive peptide from a person carrying a D clade Gag.

HXB2 Location p2p7p1p6 (114–123)

Author Location (C consensus)

Epitope EPKDREPL

Subtype C

Immunogen HIV-1 infection

Species (MHC) human (B*0801)

Country South Africa.

Assay type CD8 T-cell Elispot - IFN γ

Keywords rate of progression, optimal epitope

References Kiepiela *et al.* 2007

- A comprehensive analysis of 160 class I T cell responses in 578 individuals from KwaZulu-Natal, South Africa was performed. Gag-specific responses were associated with lowering viremia, while Env, accessory and regulatory protein-specific responses were associated with higher viremia.
- EPKDREPL is an optimal epitope.

HXB2 Location p2p7p1p6 (114–123)

Author Location p2p7p1p6

Epitope EPIDKELYPL

Subtype D

Immunogen HIV-1 infection

Species (MHC) human (B35)

Donor MHC A23, A24, B35, B58, Cw4, Cw7

Country Democratic Republic of the Congo.

Assay type CD8 T-cell Elispot - IFN γ

Keywords subtype comparisons, computational epitope prediction

References Geels *et al.* 2005

- Cross-clade CTL responses in 10 non-B HIV-1 infected individuals were evaluated. T-cell reactivity was tested against peptide pools of clade B Gag, Pol, Nef, Rev and Tat. Nine individuals demonstrated cross-reactive T-cell responses to clade A, B, and C Gag pools; 6/7 patients that responded to Nef-B also reacted to clade A and C Nef pools. An inverse correlation was observed between the sequence divergence of the HLA class I restricted epitopes and the height of the T-cell responses, which in Gag could be explained through variations in the HLA-anchor residues. 42% of the responses were directed to regions containing new epitopes.
- Predicted epitope based on an HLA motif embedded in a reactive peptide from a person carrying a D clade Gag.

HXB2 Location p2p7p1p6 (114–123)

Author Location p15

Epitope EPIDKELYPL

Subtype D

Immunogen HIV-1 infection

Species (MHC) human (B53)

Donor MHC A23, A34, B44, B53, Cw4, Cw6

Country Democratic Republic of the Congo.

Assay type CD8 T-cell Elispot - IFN γ

Keywords subtype comparisons, computational epitope prediction

References Geels *et al.* 2005

- Cross-clade CTL responses in 10 non-B HIV-1 infected individuals were evaluated. T-cell reactivity was tested against peptide pools of clade B Gag, Pol, Nef, Rev and Tat. Nine individuals demonstrated cross-reactive T-cell responses to clade A, B, and C Gag pools; 6/7 patients that responded to Nef-B also reacted to clade A and C Nef pools. An inverse correlation was observed between the sequence divergence of the HLA class I restricted epitopes and the height of the T-cell responses, which in Gag could be explained through variations in the HLA-anchor residues. 42% of the responses were directed to regions containing new epitopes.

- Predicted epitope based on an HLA motif embedded in a reactive peptide from a person carrying a D clade Gag.

HXB2 Location p2p7p1p6 (118–126)

Author Location Gag (481–489)

Epitope KELYPLTSL

Subtype B

Immunogen HIV-1 infection

Species (MHC) human (B*40)

Donor MHC A*03, A*24, B*35, B*40

Country United States.

Assay type CD8 T-cell Elispot - IFN γ

Keywords acute/early infection, variant cross-recognition or cross-neutralization, superinfection

References Yang *et al.* 2005b

- An individual infected with a drug-resistant strain of HIV-1 subtype B with controlled viremia became superinfected with another subtype B strain. The second strain outgrew the first despite lower replication capacity and the same viral phenotype. The strains showed differences in their epitope sequences. The CTL responses to the first strain declined after superinfection, followed by some adaptation of targeting to the new epitopes of the second strain. Differences in the recognized epitopes were suggested to have contributed to the poor immune containment of the second strain.
- A response to this epitope was detected before superinfection but diminished afterward. The epitope in the infecting and superinfecting strain had the sequence: kelyplAsl. The second infecting strain had a 4-amino acid insertion proximal to the epitope, RGIDkelyplAsl.

HXB2 Location p2p7p1p6 (118–126)

Author Location p2p7p1p6 (118–126)

Epitope KELYPLTSL

Immunogen

Species (MHC) human (B*4001)

Keywords optimal epitope

References Frahm *et al.* 2007

- C. Brander notes that this is a B*4001 epitope.

HXB2 Location p2p7p1p6 (118–126)

Author Location Gag p6 (481–489)

Epitope KELYPLTSL

Epitope name KL9

Immunogen HIV-1 infection

Species (MHC) human (B40)

Donor MHC A*02, A*32, B*07, B*40, Cw*03, Cw*07

Country United States.

Assay type CD8 T-cell Elispot - IFN γ

Keywords responses in children, mother-to-infant transmission, escape, acute/early infection, reversion, viral fitness

References Sanchez-Merino *et al.* 2005

- CD8 T-cell responses were examined in mother-infant pairs. Escape variants were commonly detected in maternal plasma. Early infant plasma viruses showed heterogeneity of gag and nef gene sequences as well as mother-to-child transmission of CD8 T-cell escape variants. The stability of escape mutants in the infant over time was determined by infant HLA haplotype

and viral fitness. Sequential plasma specimens from infants showed changes in CD8 T-cell epitope sequences, suggesting that infants are capable of generating virus-specific CD8 T-cell responses.

- A B40+ mother carried the KEmYPLaSL variant of the epitope and transmitted it to her B40- infant. The variant form continued to dominate the infant's sequences at months 3 and 15.

HXB2 Location p2p7p1p6 (118–126)

Author Location p15 (118–126 SF2)

Epitope KELYPLTSL

Epitope name p15-24

Subtype B

Immunogen HIV-1 infection

Species (MHC) human (B60)

Keywords immunodominance, cross-presentation by different HLA

References Yu *et al.* 2002b

- 26/57 HIV-1 infected subjects displayed Gag p15-specific CD8+ T-cell IFN γ responses were measured by Elispot and intracellular staining. The immunodominant regions targeted by CD8+ T cells were mapped to three functional domains: the zinc finger structures, the protease cleavage site p7/p1, and to the Vpr binding site in p6.
- p15 contributed on average 17% of the total Gag response (range 0–100%).
- 3 optimal CTL epitopes were mapped within p15: KELY-PLTSL, CRAPRKKGC, and FLGKIWPSYK.
- Four patients who were HLA-B60+ recognized KELYPLTSL.
- The binding motif for B60 is C-term Leu and 2nd position Glu.
- Four patients who did not carry HLA-B60 also recognized the 15 amino acid long peptide carrying KELYPLTSL, suggesting other epitopes in this immediate region can be presented by other HLA class I molecules.

HXB2 Location p2p7p1p6 (118–137)

Author Location Gag

Epitope KEMYPLASLRSLFGNDPSSQ

Subtype B

Immunogen HIV-1 infection

Species (MHC) human

Donor MHC A1, A3, B7, B57, Cw6, Cw7

Country United States.

Assay type CD8 T-cell Elispot - IFN γ

Keywords subtype comparisons, escape, characterizing CD8+ T cells, reversion, viral fitness

References Allen *et al.* 2005a

- Two-thirds of all mutations arising in nonenvelope proteins during the transition from acute to chronic infection were found to be due to either CD8 T-cell-associated selective pressures or reversion of HLA-I-associated mutations selected in a previous host. The predominance of escape mutations at highly polymorphic sites was observed across different HIV-1 clades.
- Novel unmapped epitope.
- An S->L change was observed over time: KEMY-PLASLRSLFGNDPISQ

HXB2 Location p2p7p1p6 (120–129)

Author Location p2p7p1p6

Epitope LYPLASLRSL

Subtype D

Immunogen HIV-1 infection

Species (MHC) human (A24)

Donor MHC A23, A24, B35, B58, Cw4, Cw7

Country Democratic Republic of the Congo.

Assay type CD8 T-cell Elispot - IFN γ

Keywords subtype comparisons, computational epitope prediction

References Geels *et al.* 2005

- Cross-clade CTL responses in 10 non-B HIV-1 infected individuals were evaluated. T-cell reactivity was tested against peptide pools of clade B Gag, Pol, Nef, Rev and Tat. Nine individuals demonstrated cross-reactive T-cell responses to clade A, B, and C Gag pools; 6/7 patients that responded to Nef-B also reacted to clade A and C Nef pools. An inverse correlation was observed between the sequence divergence of the HLA class I restricted epitopes and the height of the T-cell responses, which in Gag could be explained through variations in the HLA-anchor residues. 42% of the responses were directed to regions containing new epitopes.
- Predicted epitope based on an HLA motif embedded in a reactive peptide from a person carrying a D clade Gag.

HXB2 Location p2p7p1p6 (121–129)

Author Location p15

Epitope YPLASLRSL

Subtype D

Immunogen HIV-1 infection

Species (MHC) human (B53)

Donor MHC A23, A34, B44, B53, Cw4, Cw6

Country Democratic Republic of the Congo.

Assay type CD8 T-cell Elispot - IFN γ

Keywords subtype comparisons, computational epitope prediction

References Geels *et al.* 2005

- Cross-clade CTL responses in 10 non-B HIV-1 infected individuals were evaluated. T-cell reactivity was tested against peptide pools of clade B Gag, Pol, Nef, Rev and Tat. Nine individuals demonstrated cross-reactive T-cell responses to clade A, B, and C Gag pools; 6/7 patients that responded to Nef-B also reacted to clade A and C Nef pools. An inverse correlation was observed between the sequence divergence of the HLA class I restricted epitopes and the height of the T-cell responses, which in Gag could be explained through variations in the HLA-anchor residues. 42% of the responses were directed to regions containing new epitopes.
- Predicted epitope based on an HLA motif embedded in a reactive peptide from a person carrying a D clade Gag.

HXB2 Location p2p7p1p6 (121–129)

Author Location p2p7p1p6 (36–44)

Epitope YPLASLRSL

Epitope name B7-YL9 Gag

Subtype B

Immunogen HIV-1 infection

Species (MHC) human (B7)

Assay type CD8 T-cell Elispot - IFN γ

Keywords supervised treatment interruptions (STI), escape, early treatment, superinfection

References Altfeld *et al.* 2002a

- An HIV+ individual given acute ARV and undergoing STI developed a strong CTL immune response, but despite this was shown to be superinfected with second B clade virus. Some epitope variants of the second infecting virus were resistant to the initial CTL response.
- The second infecting strain had the variant ypPlaslrsl. The CTL response was zero at all timepoints for the first variant. Insertion of a proline at position 3 (first variant) resulted in prevention of initial presentation of this region to the immune system.

HXB2 Location p2p7p1p6 (121–130)**Author Location** p2p7p1p6**Epitope** YPLASLRSLF**Subtype** D**Immunogen** HIV-1 infection**Species (MHC)** human (B35)**Donor MHC** A23, A24, B35, B58, Cw4, Cw7**Country** Democratic Republic of the Congo.**Assay type** CD8 T-cell Elispot - IFN γ **Keywords** subtype comparisons, computational epitope prediction**References** Geels *et al.* 2005

- Cross-clade CTL responses in 10 non-B HIV-1 infected individuals were evaluated. T-cell reactivity was tested against peptide pools of clade B Gag, Pol, Nef, Rev and Tat. Nine individuals demonstrated cross-reactive T-cell responses to clade A, B, and C Gag pools; 6/7 patients that responded to Nef-B also reacted to clade A and C Nef pools. An inverse correlation was observed between the sequence divergence of the HLA class I restricted epitopes and the height of the T-cell responses, which in Gag could be explained through variations in the HLA-anchor residues. 42% of the responses were directed to regions containing new epitopes.
- Predicted epitope based on an HLA motif embedded in a reactive peptide from a person carrying a D clade Gag.

HXB2 Location p2p7p1p6 (121–130)**Author Location** Gag (484–493)**Epitope** YPLTSLRSLF**Immunogen** HIV-1 infection**Species (MHC)** human (B7)**References** Jin *et al.* 2000b

- This B7 epitope is one of three subdominant CTL responses detected in a long-term non-progressor.
- A dominant B7 epitope was defined using conventional methods, and three additional sub-dominant HLA B7 epitopes were defined by first using a non-anchor based strategy, EpiMatrix, to identify 2078 possible epitopes in the autologous HIV-1, followed by B7 anchor residue prediction to narrow the set to 55 peptides for experimental testing.

HXB2 Location p2p7p1p6 (121–130)**Author Location** Gag**Epitope** YPLTSLRSLF**Subtype** B**Immunogen** HIV-1 infection**Species (MHC)** human (B7)**Donor MHC** A*0301, A*2301, B*0702, B*1503**Country** United States.**Keywords** escape, acute/early infection**References** Bernardin *et al.* 2005

- Full HIV genomes from nine individuals were analyzed for mutations prior to seroconversion and 7 to 28 days later. It was found that the influence of the host's HLA type was reflected within weeks of infection; a statistically significant number of early nonsynonymous mutations were observed within previously reported CTL epitopes.
- T to A mutation was observed in position 4, and R to K in position 7.

HXB2 Location p2p7p1p6 (123–130)**Author Location** p2p7p1p6**Epitope** LASLRSLF**Subtype** D**Immunogen** HIV-1 infection**Species (MHC)** human (B58)**Donor MHC** A23, A24, B35, B58, Cw4, Cw7**Country** Democratic Republic of the Congo.**Assay type** CD8 T-cell Elispot - IFN γ **Keywords** subtype comparisons, computational epitope prediction**References** Geels *et al.* 2005

- Cross-clade CTL responses in 10 non-B HIV-1 infected individuals were evaluated. T-cell reactivity was tested against peptide pools of clade B Gag, Pol, Nef, Rev and Tat. Nine individuals demonstrated cross-reactive T-cell responses to clade A, B, and C Gag pools; 6/7 patients that responded to Nef-B also reacted to clade A and C Nef pools. An inverse correlation was observed between the sequence divergence of the HLA class I restricted epitopes and the height of the T-cell responses, which in Gag could be explained through variations in the HLA-anchor residues. 42% of the responses were directed to regions containing new epitopes.
- Predicted epitope based on an HLA motif embedded in a reactive peptide from a person carrying a D clade Gag.

II-B-6 Gag CTL/CD8+ epitopes**HXB2 Location** Gag**Author Location****Epitope****Immunogen** computer prediction**Species (MHC)** (A*0201, B*3501)**Keywords** subtype comparisons, computational epitope prediction**References** Schönbach *et al.* 2002

- Computational methods (artificial neural networks, hidden Markov models, binding matrices based on HLA association rates) were used to identify HLA-A*0201 and HLA-B*3501 HIV T-cell epitope candidates from 533 Gag, Env and Pol sequences of which 374 were derived from HIV-1, 97 were derived from HIV-2 and 62 from SIV. Comparisons to known epitopes and between clades were made.

HXB2 Location Gag**Author Location** Gag

- Epitope**
Immunogen HIV-1 infection
Species (MHC) human (A*0201, Cw*08)
References Shacklett *et al.* 2000
- HIV-1 specific, MHC class I-restricted CTL killing was detected in duodenal and rectal gut associated lymphoid tissue (GALT) sites from three infected individuals – the distribution of class I restricted CTL was different in the peripheral blood samples and GALT samples.
- HXB2 Location** Gag
Author Location Gag
Epitope
Immunogen HIV-1 infection
Species (MHC) human (A2)
Assay type Tetramer binding, Flow cytometric T-cell cytokine assay
Keywords assay standardization/improvement
References Wu *et al.* 2005
- A flow cytometric assay for validation of HIV-1 gag- or pol-specific- CD8/HLA-A2 T-cells was shown to be sensitive and specific, being able to detect HIV-1 CTL at the single T-cell level. An inverse correlation between HIV plasma viremia and gag- and pol-specific-CD8/HLA-A2 T-cells was observed.
- HXB2 Location** Gag
Author Location Gag
Epitope
Subtype B
Immunogen HIV-1 infection
Species (MHC) human (B*35)
Keywords rate of progression
References Jin *et al.* 2002
- Patients with HLA-B*35 variants B*3502, B*3503, B*3504, and B*5301 tend to proceed to AIDS more quickly than those with B*3501.
 - Of 32 patients with HLA-B*35 alleles CD8+ CTL responses were quantified using an intracellular cytokine staining assay – 75% had responses to Pol, 69% to Gag, 50% to Nef, and 41% to Env.
 - The overall magnitude of CTL responses did not differ between those bearing B*3501 and the others. A higher percentage of Gag responses was observed in those that had lower RNA levels that carried B*3501, and there was a negative association with viral load and CTL activity. The data is consistent with higher levels of CTL responses contributing to protection in B*3501 individuals, but not in B*3502, B*3503, B*3504, and B*5301 individuals.
- HXB2 Location** Gag
Author Location Gag
Epitope
Subtype A, B, C
Immunogen vaccine
Vector/Type: canarypox prime with gp120 boost, canarypox prime with gp160 boost
Strain: B clade LAI, B clade MN, B clade SF2 *HIV component:* Gag, gp120, gp41, Nef, Pol
Species (MHC) human (B60)

- Keywords** subtype comparisons, vaccine-specific epitope characteristics
References Ferrari *et al.* 2001
- Different HIV strains were used for different regions: gp41 LAI, Gag LAI, gp120 MN, gp120 SF2
 - HLA-B60 responses dominated the responses against an Gag vaccine in an individual (022G0Z) who was HLA A1, A11, B8, B60. The strongest response was against the MN peptide 107-136. Low level Gag responses were observed against B8 and A11 epitopes, no response was observed against A1 epitopes.
 - Vaccinee 202T7 (HLA A2, B27, C25) made the strongest response to an epitope at positions 131-140 of Gag. The response was highly cross-reactive with D clade Gag expressed from vaccinia, less so with C, and only minimally cross-reactive with A and CRF01.
- HXB2 Location** Gag
Author Location p24
Epitope
Immunogen vaccine
Vector/Type: DNA *HIV component:* p17/p24 Gag
Species (MHC) mouse (H-2^b, H-2^d, H-2^k)
References Iroegbu *et al.* 2000
- The p24 sequence is more conserved than is p17 within patient, and nonsynonymous substitutions are spread evenly throughout its coding regions, not concentrated in CTL epitopes.
 - Minor changes in p24 did not alter the immunogenicity in H-2b,d, or k mice, while changes in p17 (92% similarity) did alter immunogenicity.
- HXB2 Location** Gag
Author Location Gag (SF2)
Epitope
Immunogen vaccine
Vector/Type: DNA, vaccinia *Strain:* B clade SF2 *HIV component:* Gag, Pol
Species (MHC) mouse (H-2^{bx/d})
References Otten *et al.* 2000
- CB6F1 were primed with gag DNA by im injection and challenged with vaccinia expressing Gag/Pol (rVVgag-pol)
 - Gag-specific CTL responses were detected by IFN γ secretion in the spleen, independent of the route (intraperitoneal, intranasal or intrarectal) of rVV gag-pol challenge.
 - The gag DNA vaccine induced CTL responses in 4/4 monkeys 2 weeks post immunization, but antibody responses were detected in only 1/4 monkeys after 3 immunizations.
 - CTL cross-reactivity against Gag sequences 1-80, 254-323, and 421-496 was observed, suggesting multiple CTL epitope recognition.
- HXB2 Location** Gag
Author Location p24
Epitope
Immunogen vaccine
Vector/Type: DNA *HIV component:* Gag
Species (MHC) mouse (H-2^d)
References Qiu *et al.* 2000

- Mice were injected with plasmid DNA at 0, 2 and 4 weeks and lymphocyte proliferation was measured after 6 weeks with recombinant p24 protein.
- Secreted HIV-1 Gag expression vectors generated a stronger response than standard Gag or cytoplasmic Gag expression vectors.
- IFN-gamma levels were increased compared to an undetectable IL-4 response.
- CTL levels were also increased in secreted Gag expression vaccination studies.

HXB2 Location Gag

Author Location Gag (SF2)

Epitope

Immunogen vaccine

Vector/Type: vaccinia *Strain:* B clade SF2

HIV component: Gag, Protease

Species (MHC) macaque, mouse (H-2^d)

References zur Megede *et al.* 2000

- Sequence-modified Rev-independent gag and gag-protease gene constructs lead to increased expression levels and elevated CTL and antibody immunogenicity in BALB/c and CB6F1 mice.
- A CTL response in mice could be detected after a single immunization with codon-optimized gag, using 2 ng of plasmid; wild type gag required 200 ng to detect a response.
- Recognition of 3 different Gag peptide pools was observed, indicating a polyclonal CTL response.
- Significant gag-specific CTL responses were detected in 4/4 rhesus monkeys, in contrast to 1/4 using wildtype gag.

HXB2 Location Gag

Author Location p24

Epitope

Immunogen vaccine

Vector/Type: coxsackievirus *HIV component:* p24 Gag

Species (MHC) mouse (H-2^d)

References Halim *et al.* 2000

- An avirulent recombinant coxsackievirus (CB4-P) construct was generated that can express p24 Gag sequences – CB4-P is attenuated even in immunodeficient mice and T help responses can be elicited from peptides embedded in a surface loop of the VP1 capsid.
- This paper describes the vaccine strategy and generation of constructs, and employs amino-terminal fusion of Gag sequences to the viral polyprotein with subsequent cleavage to elicit CTL responses via MHC class I presentation in BALB/c mice.

HXB2 Location Gag

Author Location Gag

Epitope

Immunogen vaccine

Vector/Type: DNA *Strain:* B clade HXB2,

B clade NL43 *HIV component:* Gag, Pol

Species (MHC) mouse (H-2^d)

References Huang *et al.* 2001

- Different HIV strains were used for different regions: gag HXB2, pol NL43

- Mice were immunized with four humanized DNA constructs: GagPol, that would form a pseudoparticle carrying Gag and Pol, Gag, Pol or a GagPol fusion construct.
- The GagPol pseudoparticle, Gag and GagPol fusion construct all elicited strong anti-Gag CTL, but only the GagPol fusion construct elicited strong anti-Pol CTL.

HXB2 Location Gag

Author Location Gag (HXB)

Epitope

Immunogen vaccine

Vector/Type: Listeria monocytogenes

Strain: B clade HXB2 *HIV component:* Gag

Species (MHC) mouse (H-2^d, H-2^b)

Keywords Th1

References Mata *et al.* 2001

- BALB/c and C57BL/6 mice were immunized with recombinant Listeria monocytogenes (Lm-Gag) expressing HIV-1 HXB2 Gag and mice were challenged with vaccinia expressing Gag.
- L. monocytogenes is a gram-positive bacteria that enters the macrophage on phagocytosis and lives in the cytoplasm – secreted L. monocytogenes antigens are processed and presented by both class I and class II pathways.
- CD4+ Th1 T-cells mediated the Gag specific immunological protection in mice immunized with Lm-Gag and challenged with vaccinia-Gag.
- Gag-specific CTL may enhance viral clearance via IFN-gamma secretion, but are not essential for immunity.

HXB2 Location Gag

Author Location Gag

Epitope

Immunogen vaccine

Vector/Type: Listeria monocytogenes

Strain: B clade HXB2 *HIV component:* Gag

Species (MHC) mouse (H-2^d, H-2^b)

Keywords review, Th1

References Mata & Paterson 2000

- BALB/c and C57BL/6 mice were immunized with recombinant Listeria monocytogenes (Lm-Gag) expressing HIV-1 HXB2 Gag and mice were challenged with vaccinia expressing Gag.
- L. monocytogenes is a gram-positive bacteria that enters the macrophage on phagocytosis and lives in the cytoplasm – secreted L. monocytogenes antigens are processed and presented by both class I and class II pathways.
- This article is a review of L. monocytogenes biology and its potential as a vaccine vector for HIV, comparing to other vector systems, and discussing CD4+ Th1 T-cells mediated Gag specific immunological protection in mice and the Gag CTL response.

HXB2 Location Gag

Author Location Gag (IIIB)

Epitope

Immunogen vaccine

Vector/Type: virus-like particle (VLP) *HIV component:* Gag

component: Gag

Species (MHC) macaque

References Paliard *et al.* 2000

- CTLs primed by HIV-1 p55 gag virus-like particle (VLP) vaccination recognized epitopes in four different 20 amino acid peptides p17/4, p17/8, p24/13 and p14/9.
- Cytotoxic T cell response lasted greater than 8.5 months.

HXB2 Location Gag**Author Location** Gag (IIIB)**Epitope****Immunogen** HIV-1 infection**Species (MHC)** human**Keywords** rate of progression, Th1**References** Wasik *et al.* 2000

- HIV+ infants that progressed rapidly to AIDS had lower Th1 responses and decreased production of beta-chemokines and IL-2 relative to other HIV+ infants.
- HIV+ infants had no demonstrable CTL at birth, but Th1 responses accompanied by CTL responses developed in children with slowly progressive disease, and not in rapid progressors.
- CTLp frequencies were determined by limiting dilution using autologous B cells infected with vaccina/HIV constructs.

HXB2 Location Gag**Author Location** Gag (LAI)**Epitope****Subtype** B**Immunogen** vaccine*Vector/Type:* canarypox *Strain:* B clade LAI, B clade MN *HIV component:* Gag, gp41, Protease, V3**Species (MHC)** human**References** Salmon-Ceron *et al.* 1999

- The vaccine used was a rec canarypox with HIV-1 gp120 MN, tm/gag/protease LAI (vCP205), alone or with p24E-V3 MN synthetic peptide (CLTB-36)
- Twenty HIV negative subjects were vaccinated in phase I trial with combinations of vCP205 and CLTB-36.
- Immunization with vCP205 induced HIV-1-specific ABs to gp120, V3, and p24 antigens, and CTL immune responses against vCP205 were detected after the fourth immunization in 33% of the subjects against Env, Gag and Pol, but the CLTB-36 peptide did not produce AB or CTL immune responses against p24 or gp160.

HXB2 Location Gag**Author Location** p24**Epitope****Immunogen** vaccine*Vector/Type:* virus-like particle (VLP) *HIV component:* p17 Gag, p24 Gag**Species (MHC)** human**References** Klein *et al.* 1997

- Immunization of HIV+ people with an HIV-1 p17/p24 Ty virus-like particle (p24-VLP) resulted in a marginal, short-lived increased proliferative response to p24 and p17 and a transient elevation in viral load.
- Two of four subjects that received 500 or 1000 μ g of p24-VLP had an increase in gag-specific CTL.

HXB2 Location Gag**Author Location** p24 (SF2)**Epitope****Immunogen** vaccine*Vector/Type:* DNA *Strain:* B clade SF2 *HIV component:* gp120, p24 Gag *Adjuvant:* MF59, PLG**Species (MHC)** mouse, baboon**References** O'Hagan *et al.* 2000

- PLG (Polylactide co-glycolide polymer) microparticles administered in MF59 emulsion induced gp120 Ab responses and CTL immune responses against p24 gag.

HXB2 Location Gag**Author Location** Gag**Epitope****Immunogen** HIV-1 infection**Species (MHC)** human**References** Lubaki *et al.* 1999

- Three strategies were used to analyze CTL activity: area under the net HIV-specific lysis curve (ACU), linear regression (LR) of net specific lysis, and the standard method, lytic units (LU20)
- A correlation between low HIV plasma viral load and increased levels of HIV-specific Gag and Nef CTL activity was observed using ACU and LR, but not LU20.

HXB2 Location Gag**Author Location** Gag**Epitope****Immunogen** HIV-1 infection**Species (MHC)** human**References** Kalams *et al.* 1999a

- The presence of HIV-1 p24-specific proliferative responses was positively correlated with Gag-specific memory CTL and negatively correlated with viral load in untreated subjects.
- Gag proliferative responses were the most readily detected – Gag CTL responses were the only responses with a significant correlation with Gag stimulated help, although there was a positive trend with Nef, Env and RT.

HXB2 Location Gag**Author Location** p55 (IIIB)**Epitope****Immunogen** HIV-1 infection**Species (MHC)** human**References** Greenough *et al.* 1999

- 7/128 HIV-1 infected hemophiliac were identified as long-term non-progressors (LTNPs) and were monitored for viral and host immune parameters over 15 years – LTNPs maintained a low viral load, high frequencies of CTL precursors directed against Gag antigen and low levels of HIV-specific effector CTL activity – effector cell activity suggests low level ongoing viral replication.

HXB2 Location Gag**Author Location** Gag**Epitope****Immunogen** HIV-1 infection**Species (MHC)** human**References** Trickett *et al.* 1998

- Twelve HIV-1 infected patients were re-infused with their own lymphocytes, cryopreserved from an earlier time point in the infection.
- Improvement in CD4+ and CD8+ T cells was seen in 7/12, and an increase in the CTL response to Gag was seen in one patient.

HXB2 Location Gag

Author Location Gag (IIIB)

Epitope

Immunogen HIV-1 infection

Species (MHC) human

Keywords rate of progression

References Betts *et al.* 1999

- This study demonstrated an inverse correlation between HIV Type I plasma viral load and CTL activity directed against HIV-1 Pol, and stronger combined effects of Pol- and Env-specific CTL, in long-term survivors (LTS) of HIV-1 infection.

HXB2 Location Gag

Author Location Gag (LAI)

Epitope

Subtype B

Immunogen HIV-1 infection

Species (MHC) human

References Legrand *et al.* 1997

- Seventeen recently infected patients were tested for CTL response to HIV proteins Env, Gag, Pol, Rev, Nef, Vif and Tat.
- An early response (within a month following PI) was noted in 87% of the subjects to Gag, 75% to Env, and 50% to Nef.
- Early responses to Pol, Rev, Vif and Tat were rare.

HXB2 Location Gag

Author Location Gag (IIIB)

Epitope

Immunogen HIV-1 infection

Species (MHC) human

Keywords subtype comparisons

References Betts *et al.* 1997

- 6/8 individuals from Zambia infected with C clade virus had CTL that were able to make response to B clade HIV-1 IIIB vaccinia-expressed Gag, Pol and Env proteins.
- A vigorous cross-clade response was not limited to a particular protein, and the level of recognition of different proteins varied among the six patients.

HXB2 Location Gag

Author Location Gag

Epitope

Immunogen HIV-1 infection

Species (MHC) human

References De Maria *et al.* 1997

- CD3+ cells that also carry a natural killer cell receptor (NKR+) can exhibit down regulation of T cell function.
- Anti-NKR IgM MAb masked this inhibitory function and increased HIV-1 specific CTL activity in phytohemagglutinin-activated PBMC cultured in the presence of IL-2 from 3/5 patients, and in one other case anti-NKR MAb brought HIV-1 specific CTL activity to detectable levels.

HXB2 Location Gag

Author Location Gag (LAI)

Epitope

Subtype B

Immunogen vaccine

Vector/Type: canarypox prime with gp120 boost *Strain:* B clade LAI, B clade MN, B clade SF2 *HIV component:* Gag, gp120, gp41, Protease

Species (MHC) human

References Belshe *et al.* 1998

- The live canarypox vaccine ALVAC-HIV(vCP205) carrying MN gp120, LAI gp41, Gag and Protease, and boosted with SF-2 rpg120, was given to HIV-1 seronegative volunteers – HIV-specific Env or Gag CD8+ CTL were detected in 64% of the volunteers.

HXB2 Location Gag

Author Location Gag (LAI)

Epitope

Subtype B

Immunogen HIV-1 infection

Species (MHC) human

References Buseyne *et al.* 1998a

- This study showed a correlation between strong CTL memory and breadth of response in 7-12 month old infants, and remaining AIDS-free for the first year of life, higher absolute CD4 and CD8 cells, and lower viral load.

HXB2 Location Gag

Author Location Gag (LAI)

Epitope

Subtype B

Immunogen HIV-1 infection

Species (MHC) human

Keywords subtype comparisons

References Buseyne *et al.* 1998b

- In infants with positive CTL responses, most responses showed cross-clade reactivity with somewhat diminished recognition of epitopes from different subtypes.

HXB2 Location Gag

Author Location Gag

Epitope

Immunogen HIV-1 exposed seronegative

Species (MHC) human

References Goh *et al.* 1999

- 13/37 exposed uninfected individuals with repeated high-risk sexual exposure had HIV-1 specific CTL against Env, Gag, Pol, or a combination of proteins – CTL activity was correlated with a CCR5 wildtype genotype.
- In this group, the highest CTLp frequencies were directed at Gag, but the most common response was to Env and four individuals had responses to multiple HIV-1 proteins.

HXB2 Location Gag

Author Location Gag (LAI)

Epitope

Subtype B

Immunogen vaccine

Vector/Type: canarypox *HIV component:*
Gag, gp120, gp41, Nef, Protease, RT

Species (MHC) human

References Evans *et al.* 1999

- A Canarypox vaccine expressing gp120, gp41, Gag, Protease, Nef and Pol CTL epitopes gave rise to CTL that could be detected in 61% of the volunteers – responses to Gag, Env, Nef and Pol were detected 3-6 months after the last vaccination.

HXB2 Location Gag

Author Location p17

Epitope

Immunogen HIV-1 infection

Species (MHC) human

Keywords epitope processing

References Kuiken *et al.* 1999

- A correlation between conserved regions of p17 or Nef and CTL epitope density was noted. The authors suggest that this may be due to a biological reason such as epitope processing, or may be an artifact of experimental strategy for epitope definition, such that conserved epitopes would tend to be identified because they are more likely to be cross-reactive with the test reagents.
- In contrast to p17 and Nef, p24 is a more conserved protein, and known epitopes are evenly distributed across p24.

HXB2 Location Gag

Author Location Gag (LAI)

Epitope

Subtype B

Immunogen vaccine

Vector/Type: DNA prime with vaccinia boost
Strain: B clade LAI *HIV component:* Env, Gag

Species (MHC) macaque

Keywords Th1, Th2

References Kent *et al.* 1998

- Priming with an HIV-DNA vaccine and boosting with a vaccinia construct induced greater levels of HIV T cell immunity than either vaccine alone.
- The proliferative response to Env and Gag after the DNA vaccination had a mean SI of 1.5-4, but after boosting with rHIV-fowlpox virus, there was a 6-17 fold increase in the mean SI for HIV Gag and Env. The T help response happened despite a fall in antibody titers, suggesting that the Th response was primarily Th1, not Th2. The CTL response was also enhanced.

HXB2 Location Gag

Author Location Gag/Pol (LAI, MN)

Epitope

Immunogen vaccine

Vector/Type: canarypox *Strain:* B clade LAI, B clade MN *HIV component:* Gag, gp120, gp41, Protease

Species (MHC) human

References Salmon-Ceron *et al.* 1999

- A live attenuated canarypox vector expressing MN gp120 and LAI gp41/gag/protease could induce CTL and a lymphoproliferative response in healthy, uninfected volunteers.

HXB2 Location Gag

Author Location Gag/Pol (MN)

Epitope

Immunogen vaccine

Vector/Type: DNA *HIV component:* Env, Gag, Pol *Adjuvant:* CD80, CD86

Species (MHC) chimpanzee

References Kim *et al.* 1998

- The study explores the use of co-stimulatory molecules co-expressed with an HIV-1 immunogen in a DNA vaccine to enhance the immune response – co-expression of CD86, but not CD80, dramatically increased both HIV Env and Gag/Pol specific CTL and Th proliferative responses.

HXB2 Location Gag

Author Location Gag (BRU)

Epitope

Immunogen HIV-1 infection

Species (MHC) human

Keywords rate of progression

References Aladdin *et al.* 1999

- *In vitro* measurements of CTL-activity by Cr release assay in bulk culture showed no correlation between CTL-activity (gp120, Gag, Pol and Nef) and disease progression as measured by viral load, CD4 and time to death.

HXB2 Location Gag

Author Location p24 (C consensus)

Epitope

Immunogen HIV-1 infection

Species (MHC) human

Keywords subtype comparisons, immunodominance

References Goulder *et al.* 2000a

- The CTL-dominant response was focused on this epitope in a HIV+ South African – this epitope did not fall within the five most recognized peptides in the study.
- Three peptides GSEELRSLYNTVATL (p17 residues 71-85), SALSEGATPQDLNNTMLNTVG (p24 41-60), and WEKIRLRPGGKKKYKLLK (p17 16-30) contained the dominant Gag-specific epitope in 31 out of 44 B-clade infected individuals from Boston who showed Gag-CTL responses.
- Five peptides RLRPGGKKHYMIKHLVW (p17 20-36), ELRSLYNTVATLYCV (p17Gag 74-88), SALSEGATPQDLNNTMLNTVG (p24 41-60), FRDYVDRFFKTLRAEQA (p24 161-177), and SILDIKQGKEPFRDY (p24 149-164) contained dominant Gag-specific epitopes in 32 out of 37 C-clade infected subjects from South Africa.

HXB2 Location Gag

Author Location Gag

Epitope

Immunogen vaccine

Vector/Type: DNA *Strain:* ZF1 *HIV component:* complete genome

Species (MHC) macaque

References Akahata *et al.* 2000

- Rhesus macaques were vaccinated by i.m. injection with naked plasmid DNA carrying an HIV-1 complete genome vaccine, strain ZF1, with a mutated zinc finger in the nucleocapsid to prevent packaging.

- Env and Gag specific CTL but no antibody responses were induced in 2/4 vaccinated monkeys (MM145 and MM153)
- 2/4 monkeys (MM146 and MM143) produced antibodies against p24 and/or gp160, but no CTL response was detected.
- PBMC from all vaccinated monkeys produced IFN-gamma, in response to HIV-1 gp160, indicating a Th response – this response was 5 times higher in MM145, the animal with the strongest CTL response.
- 4 weeks post-challenge with SHIV NM-3rN plasma viral loads of both MM145 and MM153 (with a homologous Env) decreased to near or below the detection limit.
- 6-8 weeks post-challenge with SHIV NM-3rN plasma viral loads of both MM146 and MM143 decreased near or below the detection limit.

HXB2 Location Gag

Author Location Gag

Epitope

Immunogen HIV-1 infection

Species (MHC) human

Keywords rate of progression

References Salerno-Goncalves *et al.* 2000

- A general test of CD8 anti-viral activity was developed based on proviral load of coculture of autologous CD8+ cells with CD4+ cells after homogeneous superinfection with NSI virus.
- Significantly decreased the CD4+ T-cell proviral loads were found in 12 HIV+ slow progressors relative to 10 rapid progressors.
- Significant CD8+ mediated cytotoxicity directed against autologous cells infected with vaccinia carrying the HIV-1 gag gene was observed in slow progressors in contrast to rapid progressors, but no correlation was found between plasma viral load in 22/22 asymptomatic HIV infected individuals.

HXB2 Location Gag

Author Location Gag

Epitope

Immunogen HIV-1 infection

Species (MHC) human

References Young *et al.* 2001

- Addition of recombinant rec human IL12 (rhIL12) to cultures increased HIV-specific lysis of HIV-Gag, Pol and gp120 vaccinia expressed antigens (11/15 tested increased lysis by > 5%) if the culture was derived from HIV+ individuals who had CD4 cells/ul > 500.
- 2/10 individuals with <200 CD4 cells/ul, and 3/10 individuals with 200-500 CD4 cells/ul, had an increase of >5% upon treatment of the culture with rhIL12, so a few individuals in late stage disease had CD8 cells that maintained responsiveness to rhIL12.

HXB2 Location Gag

Author Location p24

Epitope

Immunogen HIV-1 infection

Species (MHC) mouse

References de Quiros *et al.* 2000

- CB-17 SCID-Hu mice engrafted with peripheral blood mononuclear cells of four long-term nonprogressors (viral load < 50 copies/ml) displayed resistance to challenge with HIV-1 SF162, mediated by CD8+ T-cells and associated with proliferation in response to p24 – these patients did not have a higher level of HIV-1 specific immunity *in vitro*, so the mechanism is unknown.

HXB2 Location Gag

Author Location Gag (subtype A, B, D)

Epitope

Subtype A, B, D

Immunogen HIV-1 infection

Species (MHC) human

Keywords subtype comparisons

References Cao *et al.* 2000

- HIV-1 subtypes A and D dominate the Ugandan epidemic, and a vaccine trial using B clade antigen is underway – this study addresses relative levels of cross-reactive CTL responses in HIV infected Ugandans to A, D, and B clade recombinant vaccinia viruses expressing Gag, Env, RT or Nef from HIV-1 clades A, B, and D.
- Proteins corresponding to the subtype of the infecting strains tended to trigger higher levels of CTL response measured by percent specific lysis, but there was extensive inter-subtype cross-reactivity with B clade proteins and the co-circulating subtype.

HXB2 Location Gag

Author Location Gag

Epitope

Immunogen HIV-1 infection

Species (MHC) human

References White *et al.* 2001

- HIV-specific CTL activity was detected in the female reproductive tract of only 1/3 HIV-infected women who underwent a hysterectomy, although CTL could be identified in the PBMC of all three women.

HXB2 Location Gag

Author Location Gag (HXB2)

Epitope

Subtype B

Immunogen HIV-1 infection

Species (MHC) human

References Chun *et al.* 2001

- Suppression of viral replication in the resting CD4+ T-cell reservoir by autologous CD8+ T-cells via CD4+/CD8+ cell contacts was observed in long-term nonprogressors and patients undergoing antiretroviral treatment, but this activity appears to be independent of Gag-specific CTL activity.

HXB2 Location Gag

Author Location Gag (IIIB)

Epitope

Immunogen HIV-1 infection

Species (MHC) human

Keywords rate of progression

References Jin *et al.* 2000a

- The CTL precursor level (CTLp) was measured in long term non-progressors (LTNP) with low viral load using limiting dilution analysis and measuring CTL against Env Gag and Pol expressed in vaccinia in autologous targets.
- LTNPs have high memory CTL numbers and low viral load.

HXB2 Location Gag

Author Location Gag

Epitope

Immunogen HIV-1 exposed seronegative

Species (MHC) human

Keywords review, HIV exposed persistently seronegative (HEPS)

References Rowland-Jones *et al.* 2001

- This is a review that summarizes observations about HIV-specific CTL found in the HIV-1 exposed persistently seronegative (HEPS) population.
- The CTL responses assayed by ELISPOT and by CTL precursor frequencies by limiting dilution analysis indicate that CTL in HEPS individuals tend to be of a lower magnitude than in chronic HIV-1 infections – the responses in HEPS cases are below the level of detection by tetramer assays.
- CD8+ CTL responses tend to be detectable in HEPS subjects only if they are recently exposed, and the response diminishes if exposure is reduced – it is not clear if there is a stable memory population in HEPS cases.
- CD8+ CTL responses in the HEPS population are associated with HIV-1 specific CD4+ T cell responses, assayed by proliferation assays, IL-2 secretion, and ELISPOT, and the authors consider the possibility that HIV-1-specific T-help responses improve the "quality" of the CD8+ response in HEPS individuals relative to HIV-1 infected individuals, who tend to have a poor HIV-1-specific T-help response.
- HIV-1 specific CD8+ CTL responses in HIV-1 infected individuals show reduced levels of perforin, and the T cells may not mature properly, and although similar studies have not been conducted in HEPS individuals this is considered as a possible difference in the CTL immune response in HEPS and HIV-1 infected people.

HXB2 Location Gag

Author Location

Epitope

Subtype B

Immunogen vaccine

Vector/Type: DNA *HIV component:* Env, Gag, Pol

Species (MHC) mouse

Keywords review, vaccine-specific epitope characteristics

References Nabel 2002

- Using DNA that had humanized codon usage, CTL responses to DNA vaccines containing either Gag, Pol, Gag-Pol fusion protein, or Gag-Pol pseudoparticles suggested that the greatest breadth and most potent response was to the Gag-Pol fusion protein. The Gag-Pol fusion lacks the Gag precursor protein required for viral assembly, so does not form releaseable particles; the author speculates that longer retention of the Gag-Pol protein within the cell may enhance antigen presentation.

HXB2 Location Gag

Author Location

Epitope

Subtype B

Immunogen HIV-1 exposed seronegative

Species (MHC) human

Keywords HIV exposed persistently seronegative (HEPS), responses in children, mother-to-infant transmission

References De Maria *et al.* 1994; Kuhn *et al.* 2002

- 6/24 HIV uninfected infants (ages 15-50 months) born to HIV+ mothers had HIV-1 specific CTL responses to vaccinia-expressed Nef, Gag/Pol, Env.
- Reviewed in Kuhn *et al.* [2002].

HXB2 Location Gag

Author Location

Epitope

Subtype B

Immunogen HIV-1 infection

Species (MHC) human

Keywords HIV exposed persistently seronegative (HEPS), responses in children, mother-to-infant transmission

References Aldhous *et al.* 1994; Kuhn *et al.* 2002

- Six of nine HIV vertically infected infants had HIV-1 specific CTL responses to vaccinia expressed Tat (4/6), Pol (6/6), Env (1/6), or Gag (1/6), but not all responses were detected at all time points.
- Two of eleven babies that were not infected though born to HIV+ mothers had detectable responses to Tat (1/2), Pol (2/2), Gag (1/2).
- Reviewed in Kuhn *et al.* [2002].

HXB2 Location Gag

Author Location

Epitope

Subtype B

Immunogen HIV-1 infection

Species (MHC) human

Keywords HAART, ART, HIV exposed persistently seronegative (HEPS), responses in children, mother-to-infant transmission, rate of progression

References Kuhn *et al.* 2002; Wasik *et al.* 1999

- In HIV-infected infants HIV-specific, CTL responses were not detectable in icord blood or in PBMC collected shortly after birth and were absent or remained very low in 3 infants with a rapidly progressive disease. For those who progressed more slowly, the HIV-specific CTL activity varied.
- The two infants with high levels of Env peptide-stimulated IL-2 responses had the highest CTLp frequencies.
- Stronger responses were detected after initiation of the antiretroviral therapy.
- Two babies that were not infected though born to HIV+ mothers had detectable though low HIV-specific CTLp responses to Env (1/2), Pol (2/2), Gag (1/2) cord blood and transiently in PBMC after birth.
- Reviewed in Kuhn *et al.* [2002].

HXB2 Location Gag
Author Location
Epitope
Subtype B
Immunogen HIV-1 infection
Species (MHC) human
Keywords HIV exposed persistently seronegative (HEPS), responses in children, mother-to-infant transmission

References Kuhn *et al.* 2002; McFarland *et al.* 1994

- Only 9% of HIV+ infants had HIV-specific CTL against Env or Gag in unstimulated PBMC. After CD3 stimulation of PBMC, Gag and Env specific CTL were found in PBMC from 91% and 78% of HIV-infected children, respectively, with high precursor frequencies.
- Reviewed in Kuhn *et al.* [2002].

HXB2 Location Gag
Author Location
Epitope
Subtype B
Immunogen HIV-1 infection
Species (MHC) human
Keywords epitope processing, escape
References Yusim *et al.* 2002

- Epitopes that have been described in the literature and included in this database tend to cluster in conserved regions and be absent or rarely found in highly variable regions in Nef, Env, and p17.
- In the more conserved p24, and Pol proteins RT and Protease, epitopes are more evenly distributed. p17 is much more variable than p24.

HXB2 Location Gag
Author Location p24 (HXB)
Epitope
Subtype B
Immunogen HIV-1 infection
Species (MHC) human
Keywords epitope processing, vaccine-specific epitope characteristics
References Lu *et al.* 2000a

- Bacillus anthrax lethal toxin (LFn)-HIV fusion proteins are candidate HIV vaccines that are safe in mice, and LFn-V3 region fusion proteins induce CD8 T cells in BALBc mice. LFn causes exogenous protein to be taken up and processed in a class I pathway. Expressed proteins from Gag p24 and Nef fragments cloned into the LFn expression plasmid stimulate gag-specific CD4 proliferation and CTL responses in HIV-infected donor PBMCs *in vitro*.

HXB2 Location Gag
Author Location (HXB2)
Epitope
Subtype B
Immunogen HIV-1 infection
Species (MHC) human
References Edwards *et al.* 2002

- 96% (26/27) chronically infected HIV-1 infected patients elicited gamma-IFN CD8+ T-cell responses against Gag.

- Nef and/or Pol CTL responses were detected in 86% of the subjects.
- The magnitude and breadth of Gag and p24 T-cell responses correlated with absolute CD4 counts, and inversely correlated with viral load.
- Pol and Int CTL responses correlated positively with absolute CD4+ T-cell count.
- Nef and Env responses did not correlate with either CD4 counts or viral load.

HXB2 Location Gag
Author Location
Epitope
Immunogen HIV-1 infection
Species (MHC) human
Keywords HAART, ART, dendritic cells
References Larsson *et al.* 2002b

- Autologous mature dendritic cells with rec vaccinia expressing Gag, Pol, Nef and Env could amplify CD8+ T-cell Elispot responses 4-38 fold in five HIV+ patients on successful HAART treatment, relative to autologous monocytes. Some weak responses could only be detected using mature dendritic cells as APCs, and this approach could be useful for detection of low frequency memory cells.

HXB2 Location Gag
Author Location (IIIB)
Epitope
Immunogen HIV-1 infection
Species (MHC) human
Keywords immunotherapy
References Trickett *et al.* 2002

- Conditions were optimized for ex-vivo expansion of CD8+ and CD4+ T-cells with the goal of functional T-cell production for autologous immunotherapy. 10,000-fold expansions were obtained in 14 days with optimized concentrations of IL-2, anti-CD3 and anti-CD28 coated microspheres, and decreasing amounts of serum over the first 8 days.

HXB2 Location Gag
Author Location (IIIB)
Epitope
Subtype B
Immunogen HIV-1 and HCV co-infection
Species (MHC) human
Keywords rate of progression
References Lauer *et al.* 2002

- HIV-1 and HCV immune responses were studied in 22 individuals who were co-infected with HIV-1 and hepatitis C virus (HCV). IFN γ production was measured in an Elispot assay of CD8+ T-cells using targets expressing either Gag, RT, Env and Nef in a vaccinia construct, or one of seven HCV proteins.
- All 22 patients targeted at least one protein. 20/22 patients recognized RT, 17/22 patients recognized Gag, 13/22 subjects recognized Env and 11/22 patients recognized Nef. Robust CTL activity was independent of disease progression or viral load.

- Despite high HCV viral loads, very few HCV CD8+ T-cell Elispot responses were detected. In a control HCV infected person who did not have HIV-1, strong anti-HCV responses were mounted.
- HIV-specific CD4 proliferative responses were detected in 9/17 coinfecting patients, but no HCV responses were detected.

HXB2 Location Gag
Author Location
Epitope
Immunogen HIV-1 infection
Species (MHC) human
Keywords responses in children
References Luzuriaga *et al.* 1995

- 2/3 infants infected in utero had detectable HIV-1 Gag and Env specific CTL responses, one by 4 months, one by 11 months of age. Levels of the responses varied at different time point. Pol responses were not detected.
- 2/4 infants infected intrapartum had detectable responses, one note until 11 months, one not until 42 months.
- HIV-specific CTL were not detected in ten HIV- infants that were born to HIV+ mothers.

HXB2 Location Gag
Author Location
Epitope
Immunogen vaccine
Vector/Type: canarypox prime with gp120 boost *Strain:* B clade LAI, B clade MN
HIV component: Env, Gag

- Species (MHC)** human
References Gupta *et al.* 2002
- Different HIV strains were used for different regions: Gag, LAI; gp120, MN; and gp41, LAI
 - A safety and immunogenicity study of a vaccine dosing schedule was studied in a trial conducted in high and low risk study subjects. There was a 76% cumulative probability of detecting a Gag or Env CTL response by day 728.

HXB2 Location Gag
Author Location
Epitope
Subtype B
Immunogen HIV-1 infection
Species (MHC) human
Keywords HAART, ART, responses in children
References Scott *et al.* 2001

- CTL responses before and after initiation of ART were studied in 13 HIV-1 vertically infected infants <6 months of age, and 4 that were >6 months of age.
- Before ART 2/13 infants <6 months of age showed IFN γ Elispot CD8+ T-cell responses, one to Nef and one to Env and Nef, and these responses became undetectable after successful therapy– 3 infants were coinfecting with CMV and all 3 had CMV-specific CD8+ T-cell responses.
- One older infant, at 23 months, had CTL responses against all for proteins tested, Gag, Pol, Nef and Env, and had the lowest plasma viremia of the study group. 3/4 infants older than 6 months of age responded to either Nef or Pol.

- Administration of ART over 48 weeks broadened the HIV-1-specific CTL response in 2/4 of the older children that were incomplete responders.

HXB2 Location Gag
Author Location (IIIB, MN)
Epitope
Subtype B
Immunogen HIV-1 infection
Species (MHC) human
Keywords dendritic cells
References Larsson *et al.* 2002a

- Dendritic cells acquire and present HIV-1 antigens derived from dead, apoptotic cells or from non-infectious, fusion-competent HIV-1 virions, and these DC cells could stimulate CD4+ and CD8+ T-cells resulting in IFN γ production in an Elispot assay. Both HLA Class I and class II molecules were used for presentation. This may be an important aspect of the initial immune response to HIV-1 infection of CD4+ cells in the mucosal subepithelia.

HXB2 Location Gag
Author Location (IIIB)
Epitope
Immunogen HIV-1 infection
Species (MHC) human
Keywords HAART, ART, supervised treatment interruptions (STI)
References Ortiz *et al.* 2001

- Immune responses in eight chronically HIV-1 infected patients undergoing HAART therapy structured treatment interruptions (STI) were studied. STI boosted HIV-1 specific CTL responses and elevated CTL responses were maintained up to 22 weeks after the last treatment interruption, but viral load rebound to pretreatment levels and CD4 T-cell count decline was observed. CD8 responses in PBMC were measured by cytokine flow cytometry with gp160, Gag p55, RT-Pol and Nef expressed in vaccinia.

HXB2 Location Gag
Author Location Gag
Epitope
Subtype AG, B
Immunogen
Species (MHC) human
References

HXB2 Location Gag
Author Location Gag
Epitope
Immunogen
Species (MHC) human
References

HXB2 Location Gag
Author Location Gag
Epitope
Immunogen HIV-1 infection
Species (MHC) human
Assay type Intracellular cytokine staining

Keywords HAART, ART, computational epitope prediction, supervised treatment interruptions (STI)

References Amicosante *et al.* 2002

- A new assay was developed to detect CTL responses to HIV using 28 pooled 15-mer peptides from conserved regions in Gag that were selected to be rich in HLA class I motifs, carrying potential epitopes for more than 90% of HLA class I haplotypes, and to be conserved between subtypes. Some peptide variants were included, expanding the potential for cross-clade recognition. 12 Caucasians, even those on successful HAART, had detectable CTL responses using this assay, and as did five Africans. People with either B subtype or A-G recombinant infections all reacted.
- The Gag peptide ICS assay was more sensitive to picking up CTL reactivity than whole Gag in HAART treated people. Initiation of STI increased the number of IFN-gamma producing CD8+ T-cells detected using the peptide assay.

HXB2 Location Gag

Author Location Gag

Epitope

Immunogen vaccine

Vector/Type: vaccinia *HIV component:* Gag
Adjuvant: block copolymer CRL8623

Species (MHC) macaque

Assay type CD8 T-cell Elispot - IFN γ

Keywords vaccine-induced epitopes

References Caulfield *et al.* 2002

- Codon-optimized HIV Gag DNA vaccines were given i.m. with or without a nonionic block copolymer(CRL8623) as adjuvant. DNA-CRL8623 formulations induced 2-fold higher Elispot responses, shifting the response towards CD8+ T-cells.
- 23 monkeys recognized 25 different epitopes with an average of 2.7 epitopes per monkey, and a minimum of 1 and a maximum of 5 peptides per monkey.
- Responses were detected up to 18 months after vaccination.

HXB2 Location Gag

Author Location Gag

Epitope

Subtype multiple

Immunogen

Species (MHC) human

Assay type Flow cytometric T-cell cytokine assay

Keywords subtype comparisons

References Currier *et al.* 2003

- CD8-cellular immune responses from 21 HIV-1 infected patients from Kenya infected with subtype A, C, D, and unique recombinants were studied for cross-recognition of Gag, Env, and Nef vaccinia-expressed proteins representing subtypes A-H, including CRF01.
- Both subtype-specific and cross-reactive CTL were observed, with a skewing of responses towards the infecting subtype in the nine subjects with full length sequence available. The magnitude of the responses to Gag were the highest, less to Nef, and still less to Env.
- For Gag, 8/21 subjects responded to at least 7/8 different subtype proteins, 7 had a mixed response, recognizing some subtypes but not others, and 6 responded to only one or none of the different subtype proteins. For Env, 4/19 subjects responded to

at least 7/8 subtypes, 8 had a mixed response, and 7 responded to one or none. For Nef, 5/19 subjects responded to at least 7/8 subtypes, 8 had a mixed response, and 6 responded to one or none.

HXB2 Location Gag

Author Location Gag (SF2)

Epitope

Subtype B

Immunogen vaccine

Vector/Type: DNA, protein, virus-like particle (VLP), PLG microparticle *Strain:* B clade SF2 *HIV component:* Gag *Adjuvant:* E. coli mutant heat labile enterotoxin (LT-R72), LTK63

Species (MHC) macaque

Assay type proliferation, Chromium-release assay

References Otten *et al.* 2003

- Immunization strategies for Gag (p55) in macaques were compared. GAG DNA prime with a boost of Gag adsorbed onto PLG (polyactide coglycolide) microparticles with LTK63 as adjuvant gave the strongest CD4+ T cell proliferative, CTL, and antibody responses, compared with Gag protein, or Gag virus-like particles (VLP). GAG DNA was best for inducing CTL responses, Gag-PLG for T-help and antibody; the prime-boost combination gave strong responses for all three.

HXB2 Location Gag

Author Location Gag

Epitope

Subtype C

Immunogen HIV-1 infection

Species (MHC) human

Country South Africa.

Assay type CD8 T-cell Elispot - IFN γ

Keywords rate of progression, immunodominance, acute/early infection, early-expressed proteins

References Masemola *et al.* 2004a

- Anti-HIV T-cell responses in subtype C HIV-1 infected individuals in the beginning of the infection target multiple protein regions, but the responses are dominated by Nef, making up almost one-third of the total responses; the second most targeted protein was p24. A correlation between Gag specific responses and plasma viral load was also found.
- Neither breadth nor magnitude of CD8+ T-cell responses were correlated with control of virus, however hierarchical preferential targeting of Gag was significantly associated with lower viral loads.

HXB2 Location Gag

Author Location Gag

Epitope

Subtype A

Immunogen vaccine

Vector/Type: DNA, modified vaccinia Ankara (MVA), polyepitope, DNA prime with modified vaccinia Ankara (MVA) boost *Strain:* A clade *HIV component:* p17/p24 Gag

Species (MHC) human

Country United Kingdom.

Assay type CD8 T-cell Elispot - IFN γ

Keywords epitope processing, vaccine-induced epitopes, vaccine antigen design

References Mwau *et al.* 2004

- Phase I clinical trial in healthy uninfected individuals was conducted evaluating the immunogenicities of candidate DNA- and MVA-vectored HIV vaccines. Both DNA and MVA vaccines alone and combined (DNA prime-MVA boost) were shown to be safe and induce HIV-specific responses in 78%, 88% and 89% of individuals, respectively. Responses in some individuals could be detected 1 year after vaccination.
- The vaccine in this case was a clade A p17/p24 antigen linked to a polyepitope string of A clade epitopes. Responses were tested with peptide pools, and multiple strong responses to the gag proteins and to the polyepitope region were observed. MVA alone did as well as a DNA prime, MVA boost in this study, although the study included small numbers.

HXB2 Location Gag

Author Location Gag

Epitope

Subtype B

Immunogen vaccine

Vector/Type: non-replicating adenovirus

Strain: B clade *HIV component:* Gag

Species (MHC) mouse

Assay type Intracellular cytokine staining

Keywords Th1, Th2

References Pinto *et al.* 2003

- Heterologous prime boosts with replication-defective adenoviral vectors of different simian serotypes expressing the same transgene product of HIV-1 were shown to be highly efficient in increasing specific CD8+ T-cell responses.

HXB2 Location Gag

Author Location

Epitope

Subtype CRF02_AG

Immunogen vaccine

Vector/Type: virus-like particle (VLP), DNA prime with modified vaccinia Ankara (MVA) boost

Strain: CRF02 IC0928 *HIV component:* Env, Gag, Pol

Species (MHC) macaque

Assay type T-cell Elispot, Intracellular cytokine staining

Keywords vaccine-specific epitope characteristics, vaccine antigen design

References Ellenberger *et al.* 2005

- Macaques were given a Gag-Pol-Env DNA prime followed by an MVA boost. Two DNA constructs were compared, one that resulted in mature VLPs with processed Gag (IC48) and one that had a point mutation in Gag that resulted in immature VLPs (IC1-90). IC48 DNA vaccinations, which produced mature VLPs, yielded 2-fold stronger T-cell responses with greater breadth. CD4 T-cells responded to 3-fold more peptide pools than did CD8.

HXB2 Location Gag

Author Location Gag

Epitope

Subtype C

Immunogen HIV-1 infection

Species (MHC) human

Country South Africa.

Assay type Flow cytometric T-cell cytokine assay

Keywords characterizing CD8+ T cells

References Ramduth *et al.* 2005

- The magnitude of HIV-specific CD8 responses in HIV-1 infected individuals from South Africa correlated with the CD4 responses. CD4 responses were much more narrowly focused, with Gag as dominant target, while CD8 responses were equally distributed among Gag, Pol and the regulatory and accessory proteins. An association between the preferential targeting of Gag by CD8 T-cells and viral control was found.

HXB2 Location Gag

Author Location Gag (Consensus B, DU422)

Epitope

Subtype B, C

Immunogen HIV-1 infection

Species (MHC) human

Country United States.

Assay type CD8 T-cell Elispot - IFN γ

Keywords assay standardization/improvement, subtype comparisons, variant cross-recognition or cross-neutralization

References Sabado *et al.* 2005

- CD8 T-cell responses were tested in HIV-1 clade B infected individuals using Gag peptides based on clade B consensus sequence and clade C primary isolate DU422. Peptides from both clades were shown to be of equal sensitivity, with equal numbers of discordantly detected responses. The majority of discordant detection was due to sequence differences between clades. Thus, clade B consensus peptides were not superior in detecting CD8 T-cell responses in clade B-infected individuals.

II-B-7 Gag/Pol CTL/CD8+ epitopes

HXB2 Location Gag/Pol

Author Location Gag/Pol (ARV-2 SF2)

Epitope

Immunogen vaccine

Vector/Type: fowlpoxvirus *Strain:* B clade ARV-2, B clade SF2 *HIV component:* Gag, Pol *Adjuvant:* IFN γ

Species (MHC) macaque

References Kent *et al.* 2000

- Vaccination with FPV Gag/Pol-IFN-gamma increased HIV-1 specific CTL and T cell proliferative responses to Gag/Pol antigens, respectively, in infected *Macaca nemestrina*.
- HIV-1 viral loads remained low and unchanged following vaccinations.

HXB2 Location Gag/Pol

Author Location RT

Epitope

Immunogen vaccine

Vector/Type: DNA *HIV component:* Env,
Gag, Pol, Vif *Adjuvant:* B7, IL-12

Species (MHC) mouse

References Kim *et al.* 1997d

- A Gag/Pol or Env DNA vaccine, when delivered in conjunction with the plasmid encoding the co-stimulatory molecules CD86, gave a dramatic increase in both the cytotoxic and proliferative responses in mice.
- When CD86 was present, CTL response could be detected even without *in vitro* stimulation.

HXB2 Location Gag/Pol

Author Location RT

Epitope

Immunogen HIV-1 infection

Species (MHC) human

Keywords TCR usage

References Gamberg *et al.* 1999

- 13/13 subjects with advanced HIV infections showed CD8 T cell proliferation and differentiation of CTL *in vitro*, and six individuals showed HIV-specific responses to Gag, Pol, Env or Nef antigens.
- Data suggests that the functional and genetic integrity of the CD8 T cell repertoire (TCR V β gene intrafamily genetic diversity) remains intact through advanced HIV infection, although HIV-specific CTL activity decreases.

HXB2 Location Gag/Pol

Author Location

Epitope

Immunogen vaccine

Vector/Type: adenovirus *HIV component:*
Gag-Pol, Nef, Vpr

Species (MHC) mouse

References Muthumani *et al.* 2002

- Vpr can cause cells to go into G2 arrest, and it suppresses immune cell activation and inflammatory cytokine production, so co-immunization of BALB/c mice with recombinant adenovirus expressing Vpr and HIV-1 antigens Nef or Gag/Pol was tested to see if Vpr reduced the immune response to the other HIV antigens.
- Vpr compromised CD8+ T-cell lytic responses and T-helper proliferative responses in mice co-immunized with Vpr and Nef or Gag/Pol.
- *In vitro*, Vpr reduced T-cell cytokine production of IL-12 and TNF α , indicative of Vpr-mediated immune suppression.

II-B-8 Gag/Pol TF CTL/CD8+ epitopes

HXB2 Location Gag/Pol TF (24–31)

Author Location

Epitope NSPTRREL

Epitope name NL8

Immunogen

Species (MHC) human (Cw*0102)

Keywords optimal epitope

References Frahm *et al.* 2007

- C. Brander notes this is a Cw*0102 epitope.

II-B-9 Gag/Pol TF-Protease CTL/CD8+ epitopes

HXB2 Location Gag/Pol TF-Protease (54–6)

Author Location Pol

Epitope FSFPQITLW

Epitope name FW9

Subtype B

Immunogen HIV-1 infection

Species (MHC) human

Donor MHC A2, A11, B18, B44, Cw5, Cw12

Country United States.

Assay type CD8 T-cell Elispot - IFN γ

Keywords subtype comparisons, escape, characterizing CD8+ T cells, reversion, viral fitness

References Allen *et al.* 2005a

- Two-thirds of all mutations arising in nonenvelope proteins during the transition from acute to chronic infection were found to be due to either CD8 T-cell-associated selective pressures or reversion of HLA-I-associated mutations selected in a previous host. The predominance of escape mutations at highly polymorphic sites was observed across different HIV-1 clades.
- An escape mutation at position 2, fNfpqitlw, was found in the most polymorphic residue in the epitope. This is a novel partially mapped epitope.

II-B-10 Protease CTL/CD8+ epitopes

HXB2 Location Protease (2–19)

Author Location (C consensus)

Epitope QITLWQRPLVSIKVGQI

Subtype C

Immunogen HIV-1 infection

Species (MHC) human (Cw*0801)

Country South Africa.

Assay type CD8 T-cell Elispot - IFN γ

Keywords rate of progression

References Kiepiela *et al.* 2007

- A comprehensive analysis of 160 class I T cell responses in 578 individuals from KwaZulu-Natal, South Africa was performed. Gag-specific responses were associated with lowering viremia, while Env, accessory and regulatory protein-specific responses were associated with higher viremia.

HXB2 Location Protease (3–11)

Author Location RT (71–79 subtype A, B, D)

Epitope ITLWQRPLV

Subtype A, B, D

Immunogen

Species (MHC) human (A*6802)

Keywords optimal epitope

References Frahm *et al.* 2007

- C. Brander notes this is an A*6802 epitope.

HXB2 Location Protease (3–11)

Author Location Pol

Epitope ITLWQRPLV

Subtype A, B, C, D

- Immunogen** HIV-1 infection, vaccine
Vector/Type: DNA prime with modified vaccinia Ankara (MVA) boost *Strain:* A clade
HIV component: p17 Gag, p24 Gag
- Species (MHC)** human (A*6802)
- Keywords** subtype comparisons, epitope processing, vaccine-specific epitope characteristics, immunodominance
- References** Hanke & McMichael 2000; Wee *et al.* 2002
- The HIV-1 subtype A focused vaccine HIVA contains p24 and p17, in a reversed order relative to the Gag polyprotein to prevent myristylation of p17, which could direct the protein to the cell membrane and inhibit efficient peptide processing and class I presentation, as well as a polyepitope string of conserved, often immunodominant epitopes that were selected to have particularly good cross-reactive potential for the A-clade epidemic in Nairobi, Kenya. A DNA and MVA prime-boost vaccination protocol using the HIVA antigen will be used in a phase III clinical trial in Kenya. This epitope is included in the polyepitope string Hanke & McMichael [2000].
 - Multiple CD4+ or CD8+ T-cell vaccine-induced responses to peptide pools were detected using intracellular cytokine staining and IFN γ Elispot assays after vaccination of 5 macaques. The response to the Mamu A*01 SIV p27 epitope p11C (CTPYDINQM), included in the polyepitope region, was not immunodominant in the Mamu A*01 vaccinated macaques, possibly because of processing limitations in context of the artificial polyepitope string Wee *et al.* [2002].
- HXB2 Location** Protease (3–11)
Author Location Protease (71–79 LAI)
Epitope ITLWQRPLV
Subtype B
Immunogen
Species (MHC) human (A*6802, A*7401, A19)
Keywords subtype comparisons
References Dong 1998
- Predicted on binding motif, no truncations analyzed.
 - Clade A/B/D consensus, S. Rowland-Jones, pers. comm.
- HXB2 Location** Protease (3–11)
Author Location RT (71–79 subtype A, B, D)
Epitope ITLWQRPLV
Subtype A, B, D
Immunogen
Species (MHC) human (A*7401)
Keywords optimal epitope
References Frahm *et al.* 2007
- C. Brander notes this is an A*7401 epitope.
- HXB2 Location** Protease (3–11)
Author Location Pol (59–)
Epitope ITLWQRPLV
Epitope name Pol59
Immunogen HIV-1 infection, vaccine
Vector/Type: peptide *HIV component:* Protease *Adjuvant:* Incomplete Freund's Adjuvant (IFA)
Species (MHC) transgenic mouse (A2)
- Keywords** binding affinity, subtype comparisons, computational epitope prediction
- References** Corbet *et al.* 2003
- HLA-A2-restricted HIV-1 CTL epitopes were computationally predicted. Binding affinities for HLA-A*0204, immunogenicity in HLA-A*0201 transgenic mice, and responses to the peptides in 17 HIV-1 infected patients were tested. 31 novel conserved A2 epitopes were detected. An average of 4 epitopes were recognized per patient.
 - This peptide was an intermediate A2 binder, and induced CTL and CD8+ T-cell IFN γ responses in mice. Responses to the peptide were not detected in 17 HIV+ HLA-A2 subjects.
- HXB2 Location** Protease (3–11)
Author Location Pol (59–65)
Epitope ITLWQRPLV
Immunogen HIV-1 infection
Species (MHC) human (A28)
References Ferrari *et al.* 2000
- One of the 51 HIV-1 epitopes selected by Ferrari *et al.* as good candidate CTL epitopes for vaccines by virtue of being conserved and presented by common HLA alleles.
- HXB2 Location** Protease (3–11)
Author Location Pol (60–68)
Epitope ITLWQRPLV
Subtype B
Immunogen HIV-1 infection
Species (MHC) human (A28)
Donor MHC A28, A29, B14, B44, Cw8
Country United States.
Assay type CD8 T-cell Elispot - IFN γ
References Allen *et al.* 2005a
- Two-thirds of all mutations arising in nonenvelope proteins during the transition from acute to chronic infection were found to be due to either CD8 T-cell-associated selective pressures or reversion of HLA-I-associated mutations selected in a previous host. The predominance of escape mutations at highly polymorphic sites was observed across different HIV-1 clades.
 - This epitope was reactive, but escape mutations did not accrue in it over time.
- HXB2 Location** Protease (3–11)
Author Location RT (71–79 LAI)
Epitope ITLWQRPLV
Epitope name P2
Subtype B
Immunogen HIV-1 infection
Species (MHC) human (A28 supertype)
Keywords HAART, ART, supertype
References Mollet *et al.* 2000
- A panel of 16 epitopes covering 15 class I alleles was tested in 14 HIV+ patients from an unselected Caucasian population treated with HAART, using CD8+ cell IFN γ production to measure responses.
 - In general, during the first month of treatment viral load decreased and frequencies of HIV-specific CTL tripled and broadened – eight new HIV specificities that were not previously detectable were newly detected, as were CMV specific CD8+

PBL – but with continued viral suppression, HIV-specific responses diminished.

- Viral rebounds gave different patterns of response: increases or decreases in pre-existing response, new specificities, or no change.

HXB2 Location Protease (3–11)

Author Location Pol

Epitope ITLWQRPLV

Immunogen HIV-1 infection, HIV-1 exposed seronegative

Species (MHC) human (A74)

Keywords HIV exposed persistently seronegative (HEPS)

References Kaul *et al.* 2001a

- ITLWQRPLV cross-reacts with clades A, B and D.
- ELISPOT was used to study CTL responses to a panel of 54 predefined HIV-1 epitopes in 91 HIV-1-exposed, persistently seronegative (HEPS) and 87 HIV-1-infected female Nairobi sex workers.

HXB2 Location Protease (4–14)

Author Location Pol (60–70 SF2)

Epitope TLWQRPLVTIR

Subtype B

Immunogen HIV-1 infection, computer prediction

Species (MHC) human (A*3303)

Assay type Chromium-release assay

Keywords binding affinity, computational epitope prediction

References Hossain *et al.* 2003

- HLA-A*3303 is a common HLA allele in east and southeast Asia. Pol, Gag and Nef SF2 proteins were scanned for potential A*3303 epitopes. 99 potential epitopes were synthesized, and 52/99 bound to A*3303. Six of these served as peptide-targets for lysis by PBMC from infected individual, and clones derived from 4 of these 6 could lyse HIV-vaccinia infected target cells, indicating proper processing.
- This epitope is one of the 4 that are properly processed.

HXB2 Location Protease (7–15)

Author Location Protease

Epitope QRPLVTIKI

Epitope name QI9

Immunogen HIV-1 infection

Species (MHC) human (A*0101)

Donor MHC A*0101, A*0205, B*0702, B*0801, Cw*0701, Cw*0702

Country Australia.

Assay type Intracellular cytokine staining

Keywords HAART, ART, immunotherapy, variant cross-recognition or cross-neutralization, optimal epitope

References Stratov *et al.* 2005

- CD8 T-cells targeting epitopes spanning drug resistance induced mutations were detected in 3/25 individuals harboring multidrug-resistant HIV-1. Novel CD8 T-cell responses were detected against epitopes with common protease inhibitor fitness mutations. T-cell immunity to drug-resistant variants was confirmed in SHIV-infected macaques, where CD8 and CD4

immune responses to RT and protease resistance mutations were elicited using peptide-based immunotherapy.

- QRPLVTIKI carries the the L10I protease inhibition mutation and was recognized in a multidrug resistant individual. Response against wild-type epitope qrpIvtiki was detected.
- The 3 people that responded to the drug resistant forms of the virus were among those that had the highest levels of CD4 and CD8 T-cell responses, indicating that they were among the most immunocompetent.

HXB2 Location Protease (11–20)

Author Location Pol

Epitope VTIKIGGQLK

Epitope name Pol 98

Subtype M

Immunogen vaccine, in vitro stimulation or selection, computer prediction

Vector/Type: DNA, peptide **Adjuvant:** Incomplete Freund's Adjuvant (IFA)

Species (MHC) human, mouse, humanized mouse (A*1101)

Assay type Cytokine production, T-cell Elispot

Keywords subtype comparisons, computational epitope prediction, escape, TCR usage, variant cross-recognition or cross-neutralization

References McKinney *et al.* 2004

- This study examined variant recognition of epitopes presented by A*0201 and A*1101. Numerous amino acid substitutions can be introduced into epitopes without disrupting their recognition by CTLs, although epitopes with multiple substitutions were less recognized. An algorithm was constructed for prediction of epitopes capable of inducing responses to a great number of variant epitopes.
- A total of 30 variant forms of Pol 98 were identified. 50% of the variant epitopes were recognized by CTLs from mice immunized with the parental form.
- Pol 98 epitope was present in 71% of HIV sequences of many M group subtypes.

HXB2 Location Protease (11–20)

Author Location Pol (91–100)

Epitope VTILIGGQLK

Immunogen HIV-1 infection

Species (MHC) human (A3 supertype)

Keywords supertype, rate of progression

References Propato *et al.* 2001

- Long-term nonprogressors (LTNPs) had strong memory resting CD8+ T-cell responses against the majority of epitopes tested, (18 for the A2 supertype, 16 for the A3 supertype) while the effector cells of long-term nonprogressors recognized far fewer epitopes.
- Progressors had memory resting CD8+ T-cells that recognized far fewer epitopes than LTNPs.
- A positive correlation between effector CD8+ T-cells and plasma viremia and a negative correlation between CD8+ effector T-cells and CD4+ T-cells was observed, which may contribute to the inability of LTNPs to clear virus.
- This epitope can bind 3/5 HLA-A3 supertype alleles (A*0301, A*1101, A*3101, A*3301 and A*6801).

HXB2 Location Protease (12–20)

Author Location Pol (92–100)

Epitope TIKIGGQLK

Immunogen HIV-1 infection

Species (MHC) human (A3 supertype)

Keywords supertype, rate of progression

References Propato *et al.* 2001

- Long-term nonprogressors (LTNPs) had strong memory resting CD8+ T-cell responses against the majority of epitopes tested, (18 for the A2 supertype, 16 for the A3 supertype) while the effector cells of long-term nonprogressors recognized far fewer epitopes.
- Progressors had memory resting CD8+ T-cells that recognized far fewer epitopes than LTNPs.
- A positive correlation between effector CD8+ T-cells and plasma viremia and a negative correlation between CD8+ effector T-cells and CD4+ T-cells was observed, which may contribute to the inability of LTNPs to clear virus.
- This epitope can bind 3/5 HLA-A3 supertype alleles (A*0301, A*1101, A*3101, A*3301 and A*6801).

HXB2 Location Protease (23–32)

Author Location Pol

Epitope LLDTGADDTV

Epitope name L10V

Immunogen vaccine

Vector/Type: measles virus (MV) *Strain:* multiple epitope immunogen *HIV component:* gp140, gp140ΔV3

Species (MHC) transgenic mouse (A*0201)

Assay type Chromium-release assay, Flow cytometric T-cell cytokine assay

Keywords memory cells, vaccine antigen design, antibody generation, characterizing CD8+ T cells

References Lorin *et al.* 2005

- A recombinant measles MVSchw virus expressing an HIV-1-derived polyepitope effectively primed HLA-A*0201-restricted CTL responses against multiple conserved HIV-1 epitopes in HLA-A*0201 transgenic mice. Also, a recombinant MVSchw virus expressing gp140 with deleted V1, V2, and V3 loops successfully induces neutralizing antibodies against HIV-1. A live attenuated measles vaccine could provide a safe and efficient pediatric vaccination vector for simultaneous vaccination against HIV and measles.

HXB2 Location Protease (30–38)

Author Location Pol (subtype B)

Epitope DTVLEEMNL

Subtype B

Immunogen HIV-1 exposed seronegative

Species (MHC) human (A*6802)

Keywords subtype comparisons

References Rowland-Jones *et al.* 1998b

- HIV-specific CTL were found in exposed seronegative prostitutes from Nairobi—these CTL may confer protection.
- Seroprevalence in this cohort is 90–95% and their HIV-1 exposure is among the highest in the world.
- Most isolated HIV strains are clade A in Nairobi, although clades C and D are also found – B clade epitopes are often cross-reactive, however stronger responses are frequently observed using A or D clade versions of epitopes.

- This epitope is conserved among B and D clade viruses.
- The Clade A version of the epitope: DTVLEDINL.
- This epitope was recognized by two different exposed and uninfected prostitutes.
- This epitope was identified by screening 49 HIV-1 peptides with the predicted A*6802 anchor residue motif x(VT)xxxxxx(VL)

HXB2 Location Protease (30–38)

Author Location Pol (subtype A)

Epitope DTVLEDINL

Subtype A

Immunogen HIV-1 exposed seronegative

Species (MHC) human (A*6802)

References Kaul *et al.* 2000

- 11/16 heavily HIV exposed but persistently seronegative sex-workers in Nairobi had HIV-specific CD8 IFN γ responses in the cervix—systemic CD8+ T cell responses tended to be to the same epitopes but at generally lower levels than cervical CD8+ T cell responses.
- Low risk individuals did not have such CD8+ cells.
- CD8+ T cell epitopes: DTVLEDINL (3 individuals), SLYNT-VATL (4 individuals), LSPRTLNAW (3 individuals) and YPLT-FGWCF (4 individuals) were most commonly recognized by the HIV-resistant women.

HXB2 Location Protease (30–38)

Author Location RT (85–93 subtype D)

Epitope DTVLEEWNL

Subtype D

Immunogen

Species (MHC) human (A*6802)

Keywords optimal epitope

References Frahm *et al.* 2007

- C. Brander notes this is an A*6802 epitope.

HXB2 Location Protease (30–38)

Author Location Pol (subtype A)

Epitope DTVLEDINL

Subtype A

Immunogen HIV-1 infection

Species (MHC) human (A*6802)

Keywords HIV exposed persistently seronegative (HEPS), escape

References Kaul *et al.* 2001c

- This study examines CTL responses in HIV exposed, persistently seronegative individuals, HEPS, who eventually seroconverted – 11/114 HEPS Nairobi sex workers eventually seroconverted, and for six of these HIV CTL reactive epitopes had been defined while seronegative.
- DTVLEDINL was recognized in 3 of the 6 women (ML857, ML1203, and ML1707), and the response was present in the last available sample prior to seroconversion, 3–7 months.
- In each of the three women, 20/20 sequences of the infecting strain had no substitutions in this epitope, all were DTVLEDINL, so there was no evidence for escape.
- The epidemiological factor associated with seroconversion was stopping sex work. HIV-specific CTL activity declined when HEPS sex workers stopped working for a period or retired.

- This epitope was recognized in 3/22 HEPS sex worker controls, ML851, ML1432, and ML1601.

HXB2 Location Protease (30–38)

Author Location Pol (85–93)

Epitope DTVLEDINL

Immunogen HIV-1 infection, HIV-1 exposed seronegative
Species (MHC) human (A*6802)

Keywords HIV exposed persistently seronegative (HEPS), immunodominance

References Kaul *et al.* 2001a

- ELISPOT was used to study CTL responses to a panel of 54 predefined HIV-1 epitopes in 91 HIV-1-exposed, persistently seronegative (HEPS) and 87 HIV-1-infected female Nairobi sex workers.
- Responses in HEPS women tended to be lower, and focused on different epitopes with HLA presenting molecules that have previously been associated with reduced risk of infection, and there was a shift in the response in the HEPS women upon late seroconversion to epitopes recognized by the HIV-1 infected women.
- 43/91 HEPS women had CD8+ responses and detection of HIV-1-specific CTL in HEPS women increased with the duration of viral exposure.
- Among HLA-A*6802 women, 11/12 HEPS and 6/11 HIV-1 infected women recognized this epitope likelihood ratio 4.4, p value 0.08, and HEPS women tended to respond to DTVLEDINL, infected women tended to ETAYFILKL.
- The dominant response to this HLA allele was to this epitope in 10 of the 11/12 HEPS cases, but in only 4 of the 6/11 HIV-1 infected women.
- Differences in epitope specificity were only seen for responses restricted by class I HLA alleles A2, A24, A*6802, B14, and B18, previously shown to be associated with resistance to HIV-1 in this cohort.
- Four epitopes were considered to be “resistant epitopes”, as they were preferentially reactive in HEPS women and so may confer resistance, and these were found in three different proteins: A2 ILK(D/E)PVHGV in RT, A*6802 DTVLEDINL in Protease, B14 DLN(M/T)LN(I/V)V in p24 and B18 FRDYV-DRF(Y/F)K also in p24.
- Subject ML 857 shifted from a A*6802 DTVLEDINL and B35 (H/N)PDIVIQY response prior to seroconversion to a B35 PPIPVGDIY and B35 VPLRPMTY response post-seroconversion, and the loss of the pre-seroconversion response was not due to sequence variation within these epitopes.
- Subject ML 1203 started with CTL responses to A*6802 DTVLEDINL and B7 FVPTQVPLR prior to seroconversion, and upon seroconversion acquired additional responses to A*6802 ETAYFILKL which became dominant, B7 TPGPGV/IRYPL, B7 IPRRIRQGL, and B7 SPRTLNAWV.
- Subject ML 1707 started with a CTL response to A*6802 DTVLEDINL prior to seroconversion, and switched to A*6802 ETAYFILKL and A24 RDYVDRFFKTL post-seroconversion, and the loss of the pre-seroconversion response was not due to sequence variation within the epitope.
- Subject ML 1830 made no detectable response prior to seroconversion, but responded to A*6802 DTVLEDINL and A*6802 ETAYFILKL post-seroconversion.

HXB2 Location Protease (30–38)

Author Location Pol

Epitope DTVLEDINL

Immunogen HIV-1 infection

Species (MHC) human (A*6802)

Keywords HIV exposed persistently seronegative (HEPS)

References Kaul *et al.* 2002

- Neisseria gonorrhoea cervicitis in 9 HIV+ Kenyan sex workers caused a functional deficiency in IFN-gamma production in HIV-1 epitope-specific CD8+ T-cells, detected by intracellular cytokine production and tetramer assays, while not affecting the total number of epitope-specific CTLs.
- Ghonorrhoea caused the weaker HIV-1 specific CTL responses in 4 HIV-1 exposed persistently seronegative (HEPS) women to become undetectable by Elispot and tetramer assays, and CMV-specific CTL in 2 HEPS subjects were shown to have impaired function with regard to IFN-gamma production.

HXB2 Location Protease (30–38)

Author Location Pol (87–95)

Epitope DTVLEEMNL

Subtype B

Immunogen HIV-1 infection

Species (MHC) human (A28)

Donor MHC A28, A29, B14, B44, Cw8

Country United States.

Assay type CD8 T-cell Elispot - IFN γ

References Allen *et al.* 2005a

- Two-thirds of all mutations arising in nonenvelope proteins during the transition from acute to chronic infection were found to be due to either CD8 T-cell-associated selective pressures or reversion of HLA-I-associated mutations selected in a previous host. The predominance of escape mutations at highly polymorphic sites was observed across different HIV-1 clades.
- This epitope was reactive, but escape mutations did not accrue in it over time.

HXB2 Location Protease (30–38)

Author Location (B consensus)

Epitope DTVLEEMNL

Epitope name DL9

Subtype B

Immunogen HIV-1 infection

Species (MHC) human (A68)

Donor MHC A31, A68, B07, B70, Cw7, Cw1

Country United States.

Assay type Cytokine production, Intracellular cytokine staining, Chromium-release assay, Flow cytometric T-cell cytokine assay

Keywords assay standardization/improvement, memory cells, characterizing CD8+ T cells

References Lichterfeld *et al.* 2004c

- Using a flow-cytometric cytotoxicity assay based on caspase-3 activation in dying target cells, it was shown that the subset of HIV-1-specific CD8+ T cells secreting both IFN-gamma and

TNF-alpha exhibit stronger cytotoxic activity than those secreting only IFN-gamma. These cells also exhibited stronger intracellular perforin expression. No association between HIV-1-specific CD8+ T-cell maturation phenotypes and intracellular perforin expression was found.

- 1/9 individuals recognized this epitope.

HXB2 Location Protease (34–42)
Author Location Protease (34–42)
Epitope EEINLPGKW
Subtype C
Immunogen HIV-1 infection
Species (MHC) human (B*44)
Assay type Other
Keywords HLA associated polymorphism
References Boutwell & Essex 2007

- All HIV-1 subtype C protein sequences were analysed, and 94 HLA-associated amino acid polymorphisms were found that were well distributed throughout the proteome. These sequences were compiled from publicly available databases and originated in South Africa and Botswana. Many polymorphisms were associated with multiple HLA allele classes. 12% of negative associations were found as well, where there was an association of virus expression of the consensus amino acid with a specific HLA allele. HLA-B alleles were involved in most of the associations. 19 HLA-associated polymorphisms were embedded in previously defined epitopes presented by an appropriate HLA restricting molecule.
- EEINLPGKW was a previously defined B*44 presented epitope that encompassed an associated polymorphism, EeINLPGKW, in the second position.

HXB2 Location Protease (34–42)
Author Location Protease (34–42)
Epitope EEMNLPGRW
Immunogen
Species (MHC) human (B44)
Keywords optimal epitope
References Frahm *et al.* 2007

HXB2 Location Protease (34–42)
Author Location Protease
Epitope EEMNLPGRW
Epitope name EW9
Immunogen HIV-1 infection
Species (MHC) human (B44)
Country United States.
Assay type CD8 T-cell Elispot - IFN γ , Intracellular cytokine staining, Chromium-release assay, Flow cytometric T-cell cytokine assay
Keywords epitope processing, supervised treatment interruptions (STI), immunodominance
References Rodriguez *et al.* 2004

- Protease and integrase are shown to be frequently targeted by CD8 T-cell responses (23% and 68% of 56 HIV+ patients, respectively). Responses tend to cluster in conserved regions of Int, although 1 high conserved region had no responses. CTL frequencies per unit protein length for Pro and Int were similar to other HIV non-structural proteins. Three novel HLA class

I-restricted optimal epitopes were found and characterized with fine mapping.

- The epitope includes residue M36, which is a known accessory mutation site in individuals treated with PIs.

HXB2 Location Protease (45–54)
Author Location Pol (45–54 IIIB)
Epitope KMIGGIGGFI
Epitope name pol45-54
Subtype B
Immunogen vaccine
Vector/Type: DNA Strain: B clade IIIB
HIV component: Gag-Pol
Species (MHC) humanized mouse (A*0201)
Assay type Intracellular cytokine staining
Keywords epitope processing, vaccine-specific epitope characteristics, immunodominance, variant cross-recognition or cross-neutralization, vaccine antigen design
References Singh & Barry 2004

- When A*0201-C3H/J transgenic mice were immunized with plasmids encoding wild-type gag-pol, codon-optimized (CO) gag-pol, and an expression library vaccine expressing 16 fragments of gag-pol fused with ubiquitin for proteasome targeting (ELI), the ELI vaccine produced up to 10-fold higher CD8 T-cell responses than the other two vaccines. In contrast to the wt and CO vaccines, which tended to augment only immunodominant responses, boosting with the ELI vaccine resulted in many CD8 responses against variant epitopes from different HIV-1 clades, and against drug-resistant variants.
- The drug resistant variant of this epitope, kViVgiggfi, was tested. WT and CO vaccines produced low level CD8+ T-cell responses against the B clade form as well as against drug resistant variant, but the ELI vaccine produced much more intense responses against both the WT and the variant, including after boosting.

HXB2 Location Protease (45–54)
Author Location Pol (125–134)
Epitope KMIGGIGGFI
Immunogen HIV-1 infection
Species (MHC) human (A2 supertype)
Keywords supertype, rate of progression
References Propato *et al.* 2001

- Long-term nonprogressors (LTNPs) had strong memory resting CD8+ T-cell responses against the majority of epitopes tested, (18 for the A2 supertype, 16 for the A3 supertype) while the effector cells of long-term nonprogressors recognized far fewer epitopes.
- Progressors had memory resting CD8+ T-cells that recognized far fewer epitopes than LTNPs.
- A positive correlation between effector CD8+ T-cells and plasma viremia and a negative correlation between CD8+ effector T-cells and CD4+ T-cells was observed, which may contribute to the inability of LTNPs to clear virus.
- This epitope can bind three of the five HLA-A2 supertypes alleles (A*0201, A*0202, A*0203, A*0206 and A*6802).

HXB2 Location Protease (57–66)
Author Location

Epitope RQYDQILIEI**Epitope name** RI10**Immunogen****Species (MHC)** human (B13)**Keywords** optimal epitope**References** Frahm *et al.* 2007

- C. Brander notes this is a B13 epitope.

HXB2 Location Protease (58–66)**Author Location** Protease**Epitope** QYDQIPIEI**Epitope name** QI9**Immunogen** HIV-1 infection**Species (MHC)** human (Cw*0401)**Donor MHC** A*0201, A*1101, B*1501, B*3501, Cw*0401, Cw*0701**Country** Australia.**Assay type** Intracellular cytokine staining**Keywords** HAART, ART, immunotherapy, variant cross-recognition or cross-neutralization, optimal epitope**References** Stratov *et al.* 2005

- CD8 T-cells targeting epitopes spanning drug resistance induced mutations were detected in 3/25 individuals harboring multidrug-resistant HIV-1. Novel CD8 T-cell responses were detected against epitopes with common protease inhibitor fitness mutations. T-cell immunity to drug-resistant variants was confirmed in SHIV-infected macaques, where CD8 and CD4 immune responses to RT and protease resistance mutations were elicited using peptide-based immunotherapy.
- QYDQIPIEIW harbors the L63P protease inhibitor mutation, and this created an epitope. The wild-type epitope qydqiLiei was not recognized.
- The 3 people that responded to the drug resistant forms of the virus were among those that had the highest levels of CD4 and CD8 T-cell responses, indicating that they were among the most immunocompetent.

HXB2 Location Protease (68–76)**Author Location** (C consensus)**Epitope** GKKAIGTVL**Subtype** C**Immunogen** HIV-1 infection**Species (MHC)** human (B*1503)**Country** South Africa.**Assay type** CD8 T-cell Elispot - IFN γ **Keywords** rate of progression, optimal epitope**References** Kiepiela *et al.* 2007

- A comprehensive analysis of 160 class I T cell responses in 578 individuals from KwaZulu-Natal, South Africa was performed. Gag-specific responses were associated with lowering viremia, while Env, accessory and regulatory protein-specific responses were associated with higher viremia.
- GKKAIGTVL is an optimal epitope.

HXB2 Location Protease (68–76)**Author Location****Epitope** GKKAIGTVL**Epitope name** GL9**Immunogen****Species (MHC)** human (B*1503)**Keywords** optimal epitope**References** Frahm *et al.* 2007

- C. Brander notes this is a B*1503 epitope.

HXB2 Location Protease (69–83)**Author Location** Protease (69–83)**Epitope** HKAIGTVLVGPTPVN**Immunogen** HIV-1 infection**Species (MHC)** human**Country** United States.**Assay type** CD8 T-cell Elispot - IFN γ , Other**Keywords** TCR usage, characterizing CD8+ T cells**References** Yang *et al.* 2005a

- CTL responses were evaluated in identical twins infected with HIV-1 from the same blood source. Targeting of the CTL was similar in the 2 patients, while their TCR profiles were highly dissimilar. It is suggested that CTL targeting is predominately genetically determined, while T-cell generation is a stochastic process; the responding CTLs differ at the TCR molecular level, leaving the viral escape and CTL efficacy unpredictable.
- HKAIGTVLVGPTPVN was the immunodominant epitope in each twin, but was recognized by T cells with distinctly different TCRs. The epitope was not defined within the epitope. The twins had very different patterns of HIV evolution in this region, with one carrying HKveGsVLIgPTPVN and the other HKAIGaVLIgPTPVN.

HXB2 Location Protease (70–77)**Author Location****Epitope** KAIGTVLV**Immunogen****Species (MHC)** human (B57)**Keywords** optimal epitope**References** Frahm *et al.* 2007

- C. Brander notes that this is an B57 epitope.

HXB2 Location Protease (70–77)**Author Location** Protease**Epitope** KAIGTVLV**Epitope name** KV8**Subtype** B, C**Immunogen** HIV-1 infection**Species (MHC)** human (B63, B57, B58)**Donor MHC** A23, A30, B42, B57, Cw17**Assay type** CD8 T-cell Elispot - IFN γ **Keywords** cross-presentation by different HLA, optimal epitope**References** Frahm *et al.* 2005

- HLA-B63-positive subjects were shown to be able to generate CTL responses early in acute HIV infection and to control HIV replication in the absence of antiretroviral treatment. Since HLA-B63 shares the epitope binding motif of HLA-B57 and -B58, it was shown that HLA-B63-positive individuals mounted CTL responses to previously identified B57-restricted epitopes, as well as novel, B63-restricted epitopes. Moreover, these novel B63-restricted epitopes can also be presented by HLA-B57 and -B58.

- HLA-B63/57/58 epitope containing the B58 supertype binding motif. Significantly more often recognized by B63-positive subjects than by negative subjects. Optimal epitope was defined in a person who was B57+.

HXB2 Location Protease (75–84)

Author Location Protease (75–84 MN)

Epitope VLVGPTPVNI

Immunogen in vitro stimulation or selection

Species (MHC) human (A*0201)

Keywords binding affinity

References Konya *et al.* 1997

- Peptide predicted to be reactive based on HLA-A*0201 binding motif.
- Peptide could stimulate CTL in PBMC from 5/6 seronegative donors.
- Peptide located in a highly conserved region of protease.
- Both 9-mer and 10-mer could stimulate CTL: VLVGPTPVNI and LVGPTPVNI.
- Binding affinity to A*0201 was measured, $C_{1/2 \max} \mu M = 6$ for 10-mer, 3 for 9-mer.
- MAL variant of Pr(75-84 MN), with substitutions V77, G78, and P79, gave reduced binding and CTL recognition.

HXB2 Location Protease (75–84)

Author Location Protease (175–184 MN)

Epitope VLVGPTPVNI

Subtype B

Immunogen vaccine

Vector/Type: DNA, polyepitope *Strain:* B clade MN *HIV component:* gp120, Protease, RT *Adjuvant:* Incomplete Freund's Adjuvant (IFA)

Species (MHC) humanized mouse (A*0201)

Assay type CD8 T-cell Elispot - IFN γ

Keywords epitope processing, vaccine-specific epitope characteristics, immunodominance, immunotherapy

References Isagulians *et al.* 2004

- Immunization of HLA-A*0201-transgenic mice with synthetic genes encoding clusters of human A*0201 CTL epitopes located at the sites of drug resistance mutations, induced RT-specific cellular responses indicating the immunogenicity of these constructs. This vaccine strategy may be a first step towards a therapeutic vaccine against drug-resistant strains.
- This was one of five HLA-A*0201 epitopes from the RT or protease proteins that was included in the polyepitope vaccine. When the transgenic HLA A*0202 mice were vaccinated with the polyepitope construct or with a mixture of RT peptides, a sustained low level CD8+ T-cell gamma IFN response was observed, in contrast to when an intact RT gene was used for vaccination.

HXB2 Location Protease (75–84)

Author Location Pol (75–84 IIIB)

Epitope VLVGPTPVNI

Epitope name pol75-84

Subtype B

Immunogen vaccine

Vector/Type: DNA *Strain:* B clade IIIB

HIV component: Gag-Pol

Species (MHC) humanized mouse (A*0201)

Assay type Intracellular cytokine staining

Keywords epitope processing, vaccine-specific epitope characteristics, immunodominance, variant cross-recognition or cross-neutralization, vaccine antigen design

References Singh & Barry 2004

- When A*0201-C3H/J transgenic mice were immunized with plasmids encoding wild-type gag-pol, codon-optimized (CO) gag-pol, and an expression library vaccine expressing 16 fragments of gag-pol fused with ubiquitin for proteasome targeting (ELI), the ELI vaccine produced up to 10-fold higher CD8 T-cell responses than the other two vaccines. In contrast to the wt and CO vaccines, which tended to augment only immunodominant responses, boosting with the ELI vaccine resulted in many CD8 responses against variant epitopes from different HIV-1 clades, and against drug-resistant variants.
- The drug resistant variant of this epitope, vlvgptpTnV, was tested. WT and CO vaccines produced low level CD8+ T-cell responses against the B clade form as well as against drug resistant variant, but the ELI vaccine produced much more intense responses against both the WT and the variant, including after boosting.

HXB2 Location Protease (76–84)

Author Location Pol (163–)

Epitope LVGPTPVNI

Epitope name Pol-163

Immunogen HIV-1 infection

Species (MHC) human (A*0201)

Keywords binding affinity, subtype comparisons, super-type, computational epitope prediction

References Altfeld *et al.* 2001c

- HIV was scanned for all peptides which carried the A2-supermotif pattern conserved in more than 50% of B clade sequences – 233 peptides met this criteria, and 30 of these bound to HLA-A*0201 – 20/30 bound to at least 3/5 of HLA-A2 supertype alleles tested.
- Three additional previously described HLA-A2 epitopes were added to the set of 20, and 18/22 chronically infected HLA-A2 individuals had CTL that recognized at least one of the 23 peptides (median of 2 and maximum of 6), while 6/12 acute infected individuals recognized at least 1 (median of 1 and maximum of 2)
- LVGPTPVNI binds to 4/5 HLA-A2 supertype alleles: A*0201, A*0202, A*0206 (highest affinity) and A*6802, but not A*0203.
- 1/22 individuals with chronic HIV-1 infection recognized this epitope by ELISPOT.
- 0/12 acutely infected individuals recognized this epitope.

HXB2 Location Protease (76–84)

Author Location Protease (76–84)

Epitope LVGPTPVNI

Epitope name LI9

Immunogen HIV-1 infection

Species (MHC) human (A*0201)

Keywords optimal epitope

References Frahm *et al.* 2007

- C. Brander notes this is a A*0201 epitope.

HXB2 Location Protease (76–84)**Author Location** Protease**Epitope** LVGPTPANI**Immunogen** HIV-1 infection**Species (MHC)** human, macaque (A*0205)**Donor MHC** A*0101, A*0205, B*0702, B*0801, Cw*0701, Cw*0702**Country** Australia.**Assay type** Intracellular cytokine staining**Keywords** HAART, ART, immunotherapy, variant cross-recognition or cross-neutralization**References** Stratov *et al.* 2005

- CD8 T-cells targeting epitopes spanning drug resistance induced mutations were detected in 3/25 individuals harboring multidrug-resistant HIV-1. Novel CD8 T-cell responses were detected against epitopes with common protease inhibitor fitness mutations. T-cell immunity to drug-resistant variants was confirmed in SHIV-infected macaques, where CD8 and CD4 immune responses to RT and protease resistance mutations were elicited using peptide-based immunotherapy.
- A response against the peptide harboring the protease drug resistance mutation V82A, LVGPTPANI, was detected in one individual, but the wildtype epitope was not recognized, lvgptpVni. This epitope response was not fine-mapped, and is based on analogy to a previously described A2 epitope.
- Other drug resistant variants were not recognized: V82T and I84V.
- The 3 people that responded to the drug resistant forms of the virus were among those that had the highest levels of CD4 and CD8 T-cell responses, indicating that they were among the most immunocompetent.

HXB2 Location Protease (76–84)**Author Location** Protease (76–84 HXB2)**Epitope** LVGPTPVNI**Epitope name** PR82V**Immunogen** HIV-1 infection**Species (MHC)** human (A2)**Assay type** Intracellular cytokine staining, Chromium-release assay**Keywords** HAART, ART, escape**References** Karlsson *et al.* 2003

- This epitope contains two positions that are commonly associated with protease inhibitor escape, lvgptpAni (V82A) and lvgptpvnV (I84V). 29 HIV-1 infected patients (15 were HLA-A2+) with a history of protease inhibitor failure were screened for mutations within the protease gene and CD8+ T cells recognition of the wt and V82A variant peptides. CTL pressure alone, despite high functional avidity, did not drive the V82A substitution. Surprisingly V82A was found more frequently among HLA-A2- individuals (10/14) than HLA-A2+ (7/15), despite the mutation conferring not only drug resistance but CTL escape.
- 8/15 HLA-A2+ patients carried had a Val at position 82; 7/8 of these recognized the WT peptide, but only 3/8 could also recognize V82A.

- 7/15 had the V82A substitution; 2/7 recognized the wt and the V82A mutation, 1/7 recognized only the peptide with the V82A substitution.

HXB2 Location Protease (76–84)**Author Location** Protease (76–84)**Epitope** LVGPTPVNI**Subtype** B**Immunogen** HIV-1 infection**Species (MHC)** human (A2)**Country** Canada.**Assay type** CD8 T-cell Elispot - IFN γ , Chromium-release assay**Keywords** HAART, ART, escape, immunotherapy, variant cross-recognition or cross-neutralization**References** Mason *et al.* 2004

- Accumulation of specific antiretroviral drug-resistance mutations in Pol gene was shown to sustain and even enhance the antigenicity and immunogenicity of HIV-1 CTL epitopes in this region. Several different patterns of cross-reactivity and selective recognition of wild-type and variant epitopes were found.
- LVGPTPVNI variant is detected due to appearance of I84V resistance mutation. Three patients receiving PIs had viral sequences obtained, and two had the I84V mutation. EliSpot reactivity to this epitope in either form was evident in these patients, showing drug resistance can persist coincident with an active CTL response.

HXB2 Location Protease (76–84)**Author Location** Protease (76–84)**Epitope** LVGPTPVNI**Subtype** B**Immunogen** HIV-1 infection**Species (MHC)** human (A2)**Country** United States.**Assay type** CD8 T-cell Elispot - IFN γ , HLA binding**Keywords** acute/early infection, optimal epitope**References** Altfeld *et al.* 2005

- The most frequently targeted HLA-A2-restricted CD8+ T-cell epitopes in chronic infection were significantly less frequently recognized during primary infection. This epitope was only recognized during chronic infection.

HXB2 Location Protease (76–84)**Author Location** Protease (76–84)**Epitope** LVGPTPVNI**Immunogen** HIV-1 infection**Species (MHC)** human (A2)**Country** Canada.**Assay type** CD8 T-cell Elispot - IFN γ , Chromium-release assay, Flow cytometric T-cell cytokine assay**Keywords** variant cross-recognition or cross-neutralization, characterizing CD8+ T cells, mimics**References** Mason *et al.* 2005

- CTL responses against the human IP-30 signal peptide sequence LLDVPTAAV were shown to be elicited by stimulation of PBMCs from HIV-1 infected individuals with HIV protease peptide 76-84, LVGPTPVNI. In vitro stimulation with HIV PR 76-84 or the IP-30 signal peptide was shown to activate a comparable population of cross-reactive effector cells. None of the peptides activated CTL in non-HIV-infected individuals. IP-30 signal peptide was shown to have lower avidity T-cell interactions than the HIV peptide.
- As a control, responses to A2-restricted HIV epitopes ALVEICTEM, EELRQHLLRW, and LSPRTLNAW were shown not to give IP-30 responses.

HXB2 Location Protease (76–84)

Author Location Pol (156–164)

Epitope LVGPTPVNI

Immunogen HIV-1 infection

Species (MHC) human (A2 supertype)

Keywords supertype, rate of progression

References Propato *et al.* 2001

- Long-term nonprogressors (LTNPs) had strong memory resting CD8+ T-cell responses against the majority of epitopes tested, (18 for the A2 supertype, 16 for the A3 supertype) while the effector cells of long-term nonprogressors recognized far fewer epitopes.
- Progressors had memory resting CD8+ T-cells that recognized far fewer epitopes than LTNPs.
- A positive correlation between effector CD8+ T-cells and plasma viremia and a negative correlation between CD8+ effector T-cells and CD4+ T-cells was observed, which may contribute to the inability of LTNPs to clear virus.
- This epitope can bind three of the five HLA-A2 supertypes alleles (A*0201, A*0202, A*0203, A*0206 and A*6802).

HXB2 Location Protease (76–85)

Author Location (C consensus)

Epitope LVGPTPVNII

Subtype C

Immunogen HIV-1 infection

Species (MHC) human (A*0205)

Country South Africa.

Assay type CD8 T-cell Elispot - IFN γ

Keywords rate of progression, optimal epitope

References Kiepiela *et al.* 2007

- A comprehensive analysis of 160 class I T cell responses in 578 individuals from KwaZulu-Natal, South Africa was performed. Gag-specific responses were associated with lowering viremia, while Env, accessory and regulatory protein-specific responses were associated with higher viremia.
- LVGPTPVNII is an optimal epitope.

HXB2 Location Protease (79–89)

Author Location Protease

Epitope PTPVNIIGRNL

Subtype B, C

Immunogen HIV-1 infection

Species (MHC) human (B63)

Assay type CD8 T-cell Elispot - IFN γ

Keywords cross-presentation by different HLA, optimal epitope

References Frahm *et al.* 2005

- HLA-B63-positive subjects were shown to be able to generate CTL responses early in acute HIV infection and to control HIV replication in the absence of antiretroviral treatment. Since HLA-B63 shares the epitope binding motif of HLA-B57 and -B58, it was shown that HLA-B63-positive individuals mounted CTL responses to previously identified B57-restricted epitopes, as well as novel, B63-restricted epitopes. Moreover, these novel B63-restricted epitopes can also be presented by HLA-B57 and -B58.
- Putative HLA-B63/57/58 epitope containing the B58 supertype binding motif. Significantly more often recognized by B63-positive subjects than by negative subjects, trend towards being more often recognized in those with B57/B58.

HXB2 Location Protease (80–90)

Author Location (C consensus)

Epitope TPVNIIGRNL

Subtype C

Immunogen HIV-1 infection

Species (MHC) human (B*8101)

Country South Africa.

Assay type CD8 T-cell Elispot - IFN γ

Keywords rate of progression, optimal epitope

References Kiepiela *et al.* 2007

- A comprehensive analysis of 160 class I T cell responses in 578 individuals from KwaZulu-Natal, South Africa was performed. Gag-specific responses were associated with lowering viremia, while Env, accessory and regulatory protein-specific responses were associated with higher viremia.
- TPVNIIGRNL is an optimal epitope.

HXB2 Location Protease (80–90)

Author Location

Epitope TPVNIIGRNL

Epitope name TL11

Immunogen

Species (MHC) human (B81)

Keywords optimal epitope

References Frahm *et al.* 2007

- C. Brander notes this is a B81 epitope.

II-B-11 Protease-RT CTL/CD8+ epitopes

HXB2 Location Protease-RT (95–5)

Author Location Gag (175–184)

Epitope CTLNFPISPI

Immunogen HIV-1 infection

Species (MHC) human (A2 supertype)

Keywords supertype, rate of progression

References Propato *et al.* 2001

- The epitope starts in Protease and ends in RT.
- Long-term nonprogressors (LTNPs) had strong memory resting CD8+ T-cell responses against the majority of epitopes tested, (18 for the A2 supertype, 16 for the A3 supertype) while the effector cells of long-term nonprogressors recognized far fewer epitopes.

- Progressors had memory resting CD8+ T-cells that recognized far fewer epitopes than LTNP.
- A positive correlation between effector CD8+ T-cells and plasma viremia and a negative correlation between CD8+ effector T-cells and CD4+ T-cells was observed, which may contribute to the inability of LTNP to clear virus.
- This epitope can bind all five HLA-A2 supertypes alleles (A*0201, A*0202, A*0203, A*0206 and A*6802)

HXB2 Location Protease-RT (96–5)

Author Location Pol (176–184)

Epitope TLNFPISPI

Immunogen HIV-1 infection

Species (MHC) human (A2 supertype)

Keywords supertype, rate of progression

References Propato *et al.* 2001

- Long-term nonprogressors (LTNP) had strong memory resting CD8+ T-cell responses against the majority of epitopes tested, (18 for the A2 supertype, 16 for the A3 supertype) while the effector cells of long-term nonprogressors recognized far fewer epitopes.
- Progressors had memory resting CD8+ T-cells that recognized far fewer epitopes than LTNP.
- A positive correlation between effector CD8+ T-cells and plasma viremia and a negative correlation between CD8+ effector T-cells and CD4+ T-cells was observed, which may contribute to the inability of LTNP to clear virus.
- This epitope can bind three of the five HLA-A2 supertypes alleles (A*0201, A*0202, A*0203, A*0206 and A*6802).

HXB2 Location Protease-RT

Author Location Protease-RT

Epitope

Immunogen SHIV infection, vaccine

Vector/Type: peptide *HIV component:* Protease, RT

Species (MHC) macaque

Assay type Intracellular cytokine staining

Keywords HAART, ART, vaccine-specific epitope characteristics, vaccine-induced epitopes, escape, immunotherapy

References Stratov *et al.* 2005

- CD8 T-cells targeting epitopes spanning drug resistance induced mutations were detected in 3/25 individuals harboring multidrug-resistant HIV-1. Novel CD8 T-cell responses were detected against epitopes with common protease inhibitor fitness mutations. T-cell immunity to drug-resistant variants was confirmed in SHIV-infected macaques, where CD8 and CD4 immune responses to RT and protease resistance mutations were elicited using peptide-based immunotherapy.
- The SHIV infected macaques that responded best to the peptide vaccine were those that did not yet have progressive disease. Thus peptide immunotherapy for multidrug resistance has the best hope of success if given to those who are not yet fully immunocompromised.

II-B-12 RT CTL/CD8+ epitopes

HXB2 Location RT (1–16)

Author Location (C consensus)

Epitope PISPIETVPVKLKPGM

Subtype C

Immunogen HIV-1 infection

Species (MHC) human (B*3910)

Country South Africa.

Assay type CD8 T-cell Elispot - IFN γ

Keywords rate of progression

References Kiepiela *et al.* 2007

- A comprehensive analysis of 160 class I T cell responses in 578 individuals from KwaZulu-Natal, South Africa was performed. Gag-specific responses were associated with lowering viremia, while Env, accessory and regulatory protein-specific responses were associated with higher viremia.

HXB2 Location RT (3–12)

Author Location RT (LAI)

Epitope SPIETVPVKL

Subtype B

Immunogen HIV-1 infection

Species (MHC) human (A2, B61)

References van der Burg *et al.* 1997

- Recognized by CTL from a long-term survivor, EILKEPVGHGK was also recognized.
- Highly conserved across clades.

HXB2 Location RT (3–12)

Author Location (C consensus)

Epitope SPIETVPVKL

Subtype C

Immunogen HIV-1 infection

Species (MHC) human (B*8101)

Country South Africa.

Assay type CD8 T-cell Elispot - IFN γ

Keywords rate of progression, optimal epitope

References Kiepiela *et al.* 2007

- A comprehensive analysis of 160 class I T cell responses in 578 individuals from KwaZulu-Natal, South Africa was performed. Gag-specific responses were associated with lowering viremia, while Env, accessory and regulatory protein-specific responses were associated with higher viremia.
- Mutational patterns in the P2 residue of SPIETVPVKL are associated with the presence of the HLA presenting molecule in the host.

HXB2 Location RT (3–12)

Author Location Pol

Epitope SPIETVPVKL

Immunogen

Species (MHC) human (B7)

References De Groot *et al.* 2001

- The program Epimatrix was used in conjunction with the program Conservatrix to identify conserved regions of HIV that might serve as epitopes.

- A subset of the potential epitopes was identified that could bind to the appropriate HLA-allele, and 15 predicted B7 superfamily (HLA B7, B8, and B58) epitopes could stimulate IFN γ production in an ELISPOT assay.
- SPIETVPVKL was newly identified as HLA-B7 epitope in this study, it had been previously shown to be presented by HLA-A2 and B61.

HXB2 Location RT (3–12)

Author Location Pol

Epitope SPIETVPVKL

Epitope name 1307

Subtype multiple

Immunogen HIV-1 infection

Species (MHC) human (B7, A2, B8, B61)

Donor MHC A03, A24, B07, B38, Cw07, Cw12/13; A29, A30, B08, B44, Cw07, Cw16

Country United States.

Assay type T-cell Elispot

Keywords binding affinity, computational epitope prediction, cross-presentation by different HLA

References De Groot *et al.* 2003

- Epitopes defined using sequence parsing and matching algorithm Conservatrix, and epitope prediction tool EpiMatrix, were shown to be conserved in a broad range of HIV-1 sequences derived from different parts of the world. 31 novel highly conserved HIV-1 epitopes were found, among which four were recognized as promiscuous epitopes and five as MHC supertypes.
- Estimated binding probability for SPIETVPVKL: 12%. Promiscuous epitope binding to A02, B07, B08 and B61.

HXB2 Location RT (5–12)

Author Location RT (5–12)

Epitope IETVPVKL

Immunogen HIV-1 infection

Species (MHC) human (B*4001)

Keywords optimal epitope

References Frahm *et al.* 2007

HXB2 Location RT (5–29)

Author Location RT (160–184 HXB2)

Epitope IETVPVKLPGMDGPKVKQWPLTEE

Subtype B

Immunogen HIV-1 infection

Species (MHC) human (B8)

References Walker *et al.* 1989

- One of five epitopes defined for RT-specific CTL clones in this study.

HXB2 Location RT (14–23)

Author Location Pol

Epitope PGMDGPKVKQ

Epitope name 1276

Subtype multiple

Immunogen HIV-1 infection

Species (MHC) human (A11)

Donor MHC A11, A68, B42, B45, Cw16, Cw17

Country United States.

Assay type T-cell Elispot

Keywords binding affinity, computational epitope prediction, cross-presentation by different HLA

References De Groot *et al.* 2003

- Epitopes defined using sequence parsing and matching algorithm Conservatrix, and epitope prediction tool EpiMatrix, were shown to be conserved in a broad range of HIV-1 sequences derived from different parts of the world. 31 novel highly conserved HIV-1 epitopes were found, among which four were recognized as promiscuous epitopes and five as MHC supertypes.
- Estimated binding probability for PGMDGPKVKQ:52% Promiscuous epitope binding to A11 or A68, previously published B8.

HXB2 Location RT (15–32)

Author Location (C consensus)

Epitope GMDGPKVKQWPLTEEEKIK

Subtype C

Immunogen HIV-1 infection

Species (MHC) human (B*4202)

Country South Africa.

Assay type CD8 T-cell Elispot - IFN γ

Keywords rate of progression

References Kiepiela *et al.* 2007

- A comprehensive analysis of 160 class I T cell responses in 578 individuals from KwaZulu-Natal, South Africa was performed. Gag-specific responses were associated with lowering viremia, while Env, accessory and regulatory protein-specific responses were associated with higher viremia.

HXB2 Location RT (18–26)

Author Location RT (185–193 LAI)

Epitope GPKVKQWPL

Subtype B

Immunogen

Species (MHC) human (B*0801)

Keywords optimal epitope

References Frahm *et al.* 2007

- C. Brander notes this is a B*0801 epitope.

HXB2 Location RT (18–26)

Author Location RT (18–26)

Epitope GPKVKQWPL

Immunogen HIV-1 infection

Species (MHC) human (B8)

References Meier *et al.* 1995; Menendez-Arias *et al.* 1998

- HIV proteins with mutations in this epitope allowed transactive inhibition of specific CTL-mediated lysis.
- Article reviewed in Menendez-Arias *et al.* [1998], with a discussion of antagonism.

HXB2 Location RT (18–26)

Author Location RT (173–181)

Epitope GPKVKQWPL

Immunogen

Species (MHC) human (B8)

References Goulder *et al.* 1997g; Menendez-Arias *et al.* 1998

- Included in a study of the B8 binding motif.

- Article reviewed in Menendez-Arias *et al.* [1998], with a discussion of antagonism.

HXB2 Location RT (18–26)
Author Location RT (185–193 LAI)
Epitope GPKVKQWPL
Subtype B

Immunogen

Species (MHC) human (B8)

References Sutton *et al.* 1993

- Predicted epitope based on B8-binding motifs, from larger peptide IETVPVKLKPMDGPKVKQWPLTEE.

HXB2 Location RT (18–26)
Author Location RT (185–193 LAI)
Epitope GPKVKQWPL
Subtype B

Immunogen HIV-1 infection

Species (MHC) human (B8)

References Klenerman *et al.* 1995; Menendez-Arias *et al.* 1998

- Naturally occurring antagonist GPRVKQWPL found in viral PBMC DNA and RNA.
- Article reviewed in Menendez-Arias *et al.* [1998] with a discussion of antagonism.

HXB2 Location RT (18–26)
Author Location RT (18–26)
Epitope GPKVKQWPL
Immunogen in vitro stimulation or selection
Species (MHC) human (B8)
Keywords dendritic cells
References Zarling *et al.* 1999

- This study compares the ability of macrophages and dendritic cells to stimulate primary responses in CD8+ lymphocytes isolated from HLA-appropriate HIV-uninfected donors using peptide-pulsed APC – the dendritic cells performed better as APC for the stimulation of primary responses.
- Strong CTL responses were elicited by the epitopes DRFYK-TLRA and GEIYKRWII when presented by either immature or mature dendritic cells – macrophages were not able to prime a CTL response against DRFYKTLRA.
- A weak response to KLTPLCVSL was stimulated using macrophages as the APC.
- No detectable response was observed for the following previously-defined HIV epitopes: KIRLRPGGK, ILKEPVHGV, IRLRPGGK, GPKVKQWPL.

HXB2 Location RT (18–26)
Author Location RT (185–193)
Epitope GPKVKQWPL
Epitope name GPK
Immunogen HIV-1 infection
Species (MHC) human (B8)
Keywords HAART, ART, supervised treatment interruptions (STI), immunodominance, escape, acute/early infection
References Oxenius *et al.* 2000

- Patients who started therapy at acute HIV-1 infection (three with sustained therapy, two with limited therapy upon early infection) had strong HIV specific CD4 proliferative responses and were able to maintain a CTL response even with undetectable viral load – three patients that had delayed initiation of HAART had no HIV specific CD4 proliferative responses and lost their CTL responses when HAART was eventually given and their viral loads became undetectable.
- Two of the 7/8 study subjects that were HLA B8+ recognized this epitope.
- Patient SC2 (HLA A1, B7/8, Cw0701/0702, DR4/53, DQ7) had CTL responsiveness against epitopes FLKEKGGL, GPKVKQWPL, and GEIYKRWII peptides – FLKEKGGL tetramer staining steadily declined and at day 1340 the FLKEKGGL stained cells were no longer detected and the escape mutant FLKENGGI was found in 8/10 clones.
- Patient SC11 (HLA A1, B8, Cw0201, DR3/11, DR52, DQ2/7) started therapy early, remained on therapy for 40 days, then reinitiated HAART at day 640 had a CTL response to FLKEKGGL, GPKVKQWPL, and GEIYKRWII throughout and received a benefit from the early limited course therapy.

HXB2 Location RT (18–26)
Author Location Pol
Epitope GPKVKQWPL
Immunogen HIV-1 infection
Species (MHC) human (B8)
Keywords HAART, ART
References Seth *et al.* 2001

- CTL responses were studied by tetramer staining in 41 patients with combination therapy – activated CD8+ T-cells decline as the viral load drops in response to therapy, but the overall level of antigen-specific cells capable of differentiating into effectors stays constant and new epitopes may be recognized.

HXB2 Location RT (18–26)
Author Location RT (185–193 SF2)
Epitope GPKVKQWPL
Immunogen HIV-1 infection
Species (MHC) human (B8)
Keywords HAART, ART, acute/early infection
References Altfeld *et al.* 2001b

- Therapy provided during acute infection resulted in a narrower CTL response, stronger T help response, and a less diverse viral population than was seen in individuals treated during chronic infection.
- The breadth and specificity of the response was determined using ELISPOT by studying 19 individuals with pre-seroconversion therapy (Group 1), 11 individuals with primary infection but post-seroconversion therapy (Group 2), and 10 individuals who responded to HAART given during chronic infection (Group 3), using 259 overlapping peptides spanning p17, p24, RT, gp41, gp120 and Nef.
- Previously described and newly defined optimal epitopes were tested for CTL response.
- Number of HLA-B8+ individuals that had a CTL response to this epitope broken down by group: 0/3 group 1, 0/3 group 2, and 2/2 group 3.

HXB2 Location RT (18–26)

Author Location Pol (171–180)

Epitope GPKVKQWPL

Subtype A, B, C, D

Immunogen HIV-1 infection, HIV-1 exposed seronegative

Species (MHC) human (B8)

Keywords HIV exposed persistently seronegative (HEPS)

References Kaul *et al.* 2001a

- GPKVKQWPL is cross-reactive for clades A, B, C, and D.
- ELISPOT was used to study CTL responses to a panel of 54 predefined HIV-1 epitopes in 91 HIV-1-exposed, persistently seronegative (HEPS) and 87 HIV-1-infected female Nairobi sex workers.

HXB2 Location RT (18–26)

Author Location RT (18–26)

Epitope GPKVKQWPL

Immunogen HIV-1 infection

Species (MHC) human (B8)

References Day *et al.* 2001

- B8-restricted CTL accounted for about 1/3 of the total CTL response in one individual.

HXB2 Location RT (18–26)

Author Location RT

Epitope GPKVKQWPL

Epitope name GPK

Immunogen HIV-1 infection

Species (MHC) human (B8)

Keywords HAART, ART, supervised treatment interruptions (STI)

References Oxenius *et al.* 2002b

- Using previously defined epitopes Oxenius *et al.* [2000, 2001a] in an IFN γ Elispot assay, 13 chronically HIV-1 infected patients were studied over a period including therapy with standard treatment interruptions (STI).
- STIs induced increased recognition of CTL epitopes, but there was no correlation between CTL responses with viral rebound rates, plateau viral loads, or clearance rates.

HXB2 Location RT (18–26)

Author Location Pol (171–180)

Epitope GPKVKQWPL

Subtype B

Immunogen HIV-1 infection

Species (MHC) human (B8)

Country United States.

Assay type CD8 T-cell Elispot - IFN γ , CD8 T-cell Elispot granzyme B

Keywords Th1, characterizing CD8+ T cells

References Kleen *et al.* 2004

- Only 20% of CD8+ T-cells produce IFN- γ and granzyme B simultaneously (Tc1a). Two additional subpopulations of HIV specific CD8 cells are found, each one constituting 30-40% of the CD8 cell pool. One of these (Tc1b) secretes IFN- γ only, and the other one (Tc1c) secretes GzB only.
- One of the patients responded to this peptide with GzB producing cells, while two different patients responded with IFN- γ producing cells.

HXB2 Location RT (18–26)

Author Location (B consensus)

Epitope GPKVKQWPL

Epitope name GL9

Subtype B

Immunogen HIV-1 infection

Species (MHC) human (B8)

Donor MHC A25, A32, B08, B14, Cw7, Cw8

Country United States.

Assay type Cytokine production, Intracellular cytokine staining, Chromium-release assay, Flow cytometric T-cell cytokine assay

Keywords assay standardization/improvement, memory cells, characterizing CD8+ T cells

References Lichterfeld *et al.* 2004c

- Using a flow-cytometric cytotoxicity assay based on caspase-3 activation in dying target cells, it was shown that the subset of HIV-1-specific CD8+ T cells secreting both IFN- γ and TNF- α exhibit stronger cytotoxic activity than those secreting only IFN- γ . These cells also exhibited stronger intracellular perforin expression. No association between HIV-1-specific CD8+ T-cell maturation phenotypes and intracellular perforin expression was found.
- 1/9 individuals recognized this epitope.

HXB2 Location RT (18–26)

Author Location Pol (173–181)

Epitope GPKVKQWPL

Epitope name GL9

Subtype B

Immunogen HIV-1 infection

Species (MHC) human (B8)

Donor MHC A*01, A*11, B*08, B*15, Cw*04, Cw*07

Country United States.

Assay type CD8 T-cell Elispot - IFN γ , Chromium-release assay, Flow cytometric T-cell cytokine assay

Keywords escape, variant cross-recognition or cross-neutralization, optimal epitope

References Koibuchi *et al.* 2005

- HIV-1-specific CD8 T-cell responses were shown to be persistent in the chronic phase of HIV-1 infection, although the responses to some of the epitopes were declining despite the persistence of the targeted sequences in vivo. Only 4/14 epitopes were potential CTL escape variants, although strong responses to these epitopes persisted for 6 years. This indicates limited viral evolution within targeted CD8 T-cell epitopes during the chronic phase of infection.
- The GL9 variant GPrVKQWPL was essentially the only form of the epitope detected over a 5-year period in this person. Elispot reactions were roughly equivalent between the autologous form and the B clade consensus form, GPKVKQWPL. A single variant was observed in 1/8 clones at the 5-year time point, GPrVKQgPL.

HXB2 Location RT (18–27)

Author Location Pol

Epitope GPKVKQWPLT

Immunogen

Species (MHC) human (B7, B8)

References De Groot *et al.* 2001

- The program Epimatrix was used in conjunction with the program Conservatrix to identify conserved regions of HIV that might serve as epitopes.
- A subset of the potential epitopes was identified that could bind to the appropriate HLA-allele, and 15 predicted B7 superfamily (HLA B7, B8, and B58) epitopes were identified that could stimulate IFN γ production in an ELISPOT assay.
- GPKVKQWPLT was confirmed as a previously identified HLA-B8 epitope, and newly identified as an HLA-B7 epitope in this study.

HXB2 Location RT (18–27)

Author Location Pol

Epitope GPKVKQWPLT

Epitope name 1293

Subtype multiple

Immunogen HIV-1 infection

Species (MHC) human (B7, B8)

Donor MHC A03, A24, B07, B38, Cw07, Cw12/13; A29, A30, B08, B44, Cw07, Cw16

Country United States.

Assay type T-cell Elispot

Keywords binding affinity, computational epitope prediction, cross-presentation by different HLA

References De Groot *et al.* 2003

- Epitopes defined using sequence parsing and matching algorithm Conservatrix, and epitope prediction tool EpiMatrix, were shown to be conserved in a broad range of HIV-1 sequences derived from different parts of the world. 31 novel highly conserved HIV-1 epitopes were found, among which four were recognized as promiscuous epitopes and five as MHC supertypes.
- Estimated binding probability for GPKVKQWPLT: 27% Promiscuous epitope binding to B07 and B08.

HXB2 Location RT (33–41)

Author Location RT (33–41 LAI)

Epitope ALVEICTEM

Subtype B

Immunogen HIV-1 infection

Species (MHC) human (A*0201)

Keywords optimal epitope

References Frahm *et al.* 2007

- C. Brander notes this is an A*0201 epitope.

HXB2 Location RT (33–41)

Author Location RT (33–41 LAI)

Epitope ALVEICTEL

Subtype B

Immunogen HIV-1 infection

Species (MHC) human (A*0201)

Keywords binding affinity, computational epitope prediction

References Samri *et al.* 2000

- This epitope contains the mutation M41L, a mutation induced by nucleoside reverse transcriptase inhibitors.

- Patient 201#5, (A*0201), was found by ELISPOT to recognize the mutated peptide after zidovudine treatment, but not the wild-type peptide – the mutation M41L gave an increased A2 binding score (http://bimas.dcrn.nih.gov/molbio/hla_bind) compared to the wildtype RT sequence.

- Three additional A*0201 individuals and one B27 individual did not respond to this epitope before or after treatment.

- M41L occurred at anchor positions p2 and p9 in several computer predicted RT epitopes (33-41, 32-41, and 40-49) (http://bimas.dcrn.nih.gov/molbio/hla_bind), and increased the predicted binding affinity for 6 HLA molecules (B2705, B5102, C3, A0201, B2705 and B3901)

HXB2 Location RT (33–41)

Author Location RT (33–41 MN)

Epitope ALVEICTEM

Subtype B

Immunogen vaccine

Vector/Type: DNA, polyepitope *Strain:* B clade MN *HIV component:* gp120, Protease, RT *Adjuvant:* Incomplete Freund's Adjuvant (IFA)

Species (MHC) humanized mouse (A*0201)

Assay type CD8 T-cell Elispot - IFN γ

Keywords epitope processing, vaccine-specific epitope characteristics, immunodominance, immunotherapy

References Isagulians *et al.* 2004

- Immunization of HLA-A*0201-transgenic mice with synthetic genes encoding clusters of human A*0201 CTL epitopes located at the sites of drug resistance mutations, induced RT-specific cellular responses indicating the immunogenicity of these constructs. This vaccine strategy may be a first step towards a therapeutic vaccine against drug-resistant strains.
- This was one of five HLA-A*0201 epitopes from the RT or protease proteins that was included in the polyepitope vaccine. When the transgenic HLA A*0202 mice were vaccinated with the polyepitope construct or with a mixture of RT peptides, a sustained low level CD8+ T-cell gamma IFN response was observed, in contrast to when an intact RT gene was used for vaccination.

HXB2 Location RT (33–41)

Author Location Pol (132–140 IIIB)

Epitope ALVEICTEM

Epitope name pol132-140

Subtype B

Immunogen vaccine

Vector/Type: DNA *Strain:* B clade IIIB *HIV component:* Gag-Pol

Species (MHC) humanized mouse (A*0201)

Assay type Intracellular cytokine staining

Keywords subtype comparisons, vaccine-specific epitope characteristics, immunodominance, variant cross-recognition or cross-neutralization, vaccine antigen design

References Singh & Barry 2004

- When A*0201-C3H/J transgenic mice were immunized with plasmids encoding wild-type gag-pol, codon-optimized (CO) gag-pol, and an expression library vaccine expressing 16 fragments of gag-pol fused with ubiquitin for proteasome targeting (ELI), the ELI vaccine produced up to 10-fold higher CD8 T-cell responses than the other two vaccines. In contrast to the wt and CO vaccines, which tended to augment only immunodominant responses, boosting with the ELI vaccine resulted in many CD8 responses against variant epitopes from different HIV-1 clades, and against drug-resistant variants.
- Different variants of this epitope from different clades were tested. WT and CO vaccines produced low level CD8+ T-cell responses against the B clade form as well as against variants from other clades, but the ELI vaccine produced much more intense responses against the B clade and all variants tested, including after boosting. The variants were: clade A, alTDictem; clade C, atTAicEem; and clade D, alleicSem.

HXB2 Location RT (33–41)

Author Location Pol

Epitope ALVEICTEM

Epitope name A9M

Immunogen vaccine

Vector/Type: measles virus (MV) *Strain:* multiple epitope immunogen *HIV component:* gp140, gp140ΔV3

Species (MHC) transgenic mouse (A*0201)

Assay type Chromium-release assay, Flow cytometric T-cell cytokine assay

Keywords memory cells, vaccine antigen design, antibody generation, characterizing CD8+ T cells

References Lorin *et al.* 2005

- A recombinant measles MVSchw virus expressing an HIV-1-derived polyepitope effectively primed HLA-A*0201-restricted CTL responses against multiple conserved HIV-1 epitopes in HLA-A*0201 transgenic mice. Also, a recombinant MVSchw virus expressing gp140 with deleted V1, V2, and V3 loops successfully induces neutralizing antibodies against HIV-1. A live attenuated measles vaccine could provide a safe and efficient pediatric vaccination vector for simultaneous vaccination against HIV and measles.

HXB2 Location RT (33–41)

Author Location RT (33–41)

Epitope ALVEICTEM

Immunogen HIV-1 infection

Species (MHC) human (A2)

References Haas *et al.* 1998

- Of 98 patients in cross-sectional analysis, 78% had CTL against pol – RT was more immunogenic than Integrase and Protease (81%, 51%, and 24% of 37 patients, respectively)
- New clusters of epitopes were defined utilizing different HLA molecules.

HXB2 Location RT (33–41)

Author Location RT (33–41)

Epitope ALVEICTEM

Immunogen HIV-1 infection

Species (MHC) human (A2)

Keywords rate of progression, acute/early infection

References Day *et al.* 2001

- The CTL response to optimally defined CTL epitopes restricted by HLA class I A and B alleles in individuals who coexpressed HLA A2, A3, and B7 was studied in eight HIV-1-infected subjects, two with acute infection, five with chronic, and one long-term non-progressor (LTNP)
- 2 to 17 epitopes were recognized in a given individual, A2-restricted CTL response tended to be narrow and never dominated the response, and 25/27 epitopes were targeted by at least one person.
- SLYNTVATL was the dominant A2 epitope recognized in patients with chronic infection, except for Subject 11841 who recognized 5/8 epitopes and who had a dominant A-2 response to ALVEICTEM.

HXB2 Location RT (33–41)

Author Location RT (33–41)

Epitope ALVEICTEM

Subtype B

Immunogen HIV-1 infection

Species (MHC) human (A2)

Country United States.

Assay type CD8 T-cell Elispot - IFN γ , Chromium-release assay, HLA binding

Keywords acute/early infection, optimal epitope

References Altfeld *et al.* 2005

- The most frequently targeted HLA-A2-restricted CD8+ T-cell epitopes in chronic infection were significantly less frequently recognized during primary infection. This epitope was only recognized in chronic infection, and even then was recognized infrequently.

HXB2 Location RT (33–41)

Author Location RT (33–41)

Epitope ALVEICTEM

Immunogen HIV-1 infection

Species (MHC) human (A2)

Country Canada.

Assay type CD8 T-cell Elispot - IFN γ , Chromium-release assay, Flow cytometric T-cell cytokine assay

Keywords mimics

References Mason *et al.* 2005

- CTL responses against the human IP-30 signal peptide sequence LLDVPTAAV were shown to be elicited by stimulation of PBMCs from HIV-1 infected individuals with HIV protease peptide 76-84, LVGPTPVNI. In vitro stimulation with HIV PR 76-84 or the IP-30 signal peptide was shown to activate a comparable population of cross-reactive effector cells. None of the peptides activated CTL in non-HIV-infected individuals. IP-30 signal peptide was shown to have lower avidity T-cell interactions than the HIV peptide.
- As a control, responses to A2-restricted HIV epitopes ALVEICTEM, EELRQHLLRW, and LSPRTLNAW were shown not to give IP-30 responses.

HXB2 Location RT (33–41)

Author Location RT (33–41)

Epitope ALVEICTEM

Subtype B

Immunogen HIV-1 infection

Species (MHC) human (A2, A3)

Country Canada.

Assay type CD8 T-cell Elispot - IFN γ , Chromium-release assay

Keywords HAART, ART, immunotherapy, variant cross-recognition or cross-neutralization

References Mason *et al.* 2004

- Accumulation of specific antiretroviral drug-resistance mutations in Pol gene was shown to sustain and even enhance the antigenicity and immunogenicity of HIV-1 CTL epitopes in this region. Several different patterns of cross-reactivity and selective recognition of wild-type and variant epitopes were found.
- ALVEICTE1 variant is detected due to appearance of M41L resistance mutation. The M41L variant peptide was almost always preferentially recognized by CTLs from patients undergoing antiretroviral therapy.

HXB2 Location RT (33–43)

Author Location RT (33–43)

Epitope ALVEICTEMEK

Immunogen HIV-1 infection

Species (MHC) human (A*0301)

References Haas *et al.* 1998

- Of 98 patients in cross-sectional analysis, 78% had CTL against pol – RT was more immunogenic than Integrase and Protease (81%, 51%, and 24% of 37 patients, respectively)
- New clusters of epitopes were defined utilizing different HLA molecules.
- C. Brander notes that this is an A*0301 epitope in the 1999 database, G. Haas, pers. comm.

HXB2 Location RT (33–43)

Author Location RT (33–43)

Epitope ALVEICTEMEK

Immunogen HIV-1 infection

Species (MHC) human (A*0301)

Keywords optimal epitope

References Frahm *et al.* 2007

- C. Brander notes this is an A*0301 epitope.

HXB2 Location RT (33–43)

Author Location RT (33–43)

Epitope ALVEICTEMEK

Immunogen HIV-1 infection

Species (MHC) human (A3)

Keywords rate of progression, acute/early infection

References Day *et al.* 2001

- The CTL response to optimally defined CTL epitopes restricted by HLA class I A and B alleles in individuals who coexpressed HLA A2, A3, and B7 was studied in eight HIV-1-infected subjects, two with acute infection, five with chronic, and one long-term non-progressor (LTNP)
- 2 to 17 epitopes were recognized in a given individual, A2-restricted CTL response tended to be narrow and never dominated the response, and 25/27 epitopes were targeted by at least one person.
- All patients recognized at least 1 A3 epitope, up to 8 A3 epitopes, but none was clearly dominant.

HXB2 Location RT (33–43)

Author Location RT Pol (188–198)

Epitope ALVICTEMEK

Immunogen HIV-1 infection

Species (MHC) human (A3)

Country Spain.

Assay type proliferation, CD8 T-cell Elispot - IFN γ , Flow cytometric T-cell cytokine assay

Keywords HAART, ART, supervised treatment interruptions (STI), immune dysfunction

References Plana *et al.* 2004

- Structured treatment interruption (STI) alone is not able to control viral replication in chronically infected patients, probably due to lack of strong T-helper cell responses. Only patients starting with moderately high viral load (VL) were able to reduce the VL set point. HIV-1 specific CD8+ T-cell responses were shown to increase significantly until the end of the follow up.
- Less than 2 of 14 patients recognized this epitope.

HXB2 Location RT (38–52)

Author Location RT (203–209)

Epitope CTEMEKEGKISKIGP

Immunogen vaccine

Vector/Type: Salmonella *HIV component:* RT

Species (MHC) mouse (H-2^d)

References Burnett *et al.* 2000

- A live attenuated bacterial vaccine, Salmonella SL3261-pHART, with an inserted HIV epitope in the Lpp-OmpA-HIV fusion protein, induced a specific CTL response in BALB/c mice (<15% lysis assayed by Cr-release of target cells)

HXB2 Location RT (38–52)

Author Location RT (205–219 BRU)

Epitope CTEMEKEGKISKIGP

Immunogen vaccine

Vector/Type: protein *Strain:* B clade BRU
HIV component: RT

Species (MHC) mouse (H-2^k)

Keywords review

References De Groot *et al.* 1991; Menendez-Arias *et al.* 1998

- Murine and human helper and CTL epitope.
- Epitope noted in a review by Menendez-Arias *et al.* [1998] to be located in the "fingers" domain of RT and is a helper and CTL epitope.

HXB2 Location RT (38–52)

Author Location RT (205–219)

Epitope CTEMEKEGKISKIGP

Immunogen HIV-1 infection

Species (MHC) human (broad)

Keywords review

References Hosmalin *et al.* 1990; Menendez-Arias *et al.* 1998

- Murine and human helper and CTL epitope.
- Epitope noted in a review by Menendez-Arias *et al.* [1998] to be located in the "fingers" domain of RT and is a helper and CTL epitope.

- HXB2 Location** RT (39–47)
Author Location RT
Epitope TEMEKEGKI
Immunogen
Species (MHC) mouse (H-2K^k)
References Leggatt *et al.* 1998
- Epitope variants were examined for CTL response in concert with H-2K^k MHC class I binding – all of the following combinations were observed: (i) two single mutations which did not alone abrogate CTL activity did abrogate activity when combined, (ii) loss of recognition of a single substitution could be restored by an additional substitution, and (iii) sometimes there was recognition of two single substitutions as well as the combination of those substitutions.
 - 2E and 9I are anchor residues for H-2K^k – if you have M in the third position, it enhances H-2K^k binding 10-fold, but polymorphism at this site is important for the overall conformation of the peptide and can influence T cell recognition.
- HXB2 Location** RT (39–47)
Author Location RT (206–214)
Epitope TEMEAEAGKI
Immunogen in vitro stimulation or selection
Species (MHC) mouse
Keywords TCR usage
References Leggatt *et al.* 1997
- Ala-substituted nonamer-peptide used to test a non-radioactive assay for murine CTL recognition of peptide-MHC class I complexes.
 - The new assay is CTL adherence assay (CAA), and is based on the discovery that CTL develop adhesive properties upon TCR triggering.
 - Substitutions in TEMEAEAGKI that reduce cytolytic activity were correctly detected by CAA.
- HXB2 Location** RT (42–50)
Author Location RT (42–50 LAI)
Epitope EKEGKISKI
Subtype B
Immunogen HIV-1 infection
Species (MHC) human (B*5101)
Keywords optimal epitope
References Frahm *et al.* 2007
- C. Brander notes this is a B*5101 epitope.
- HXB2 Location** RT (42–50)
Author Location RT (42–50 HXB2)
Epitope EKEGKISKI
Epitope name EI9
Subtype B
Immunogen HIV-1 infection
Species (MHC) human (B*5101)
Donor MHC A*0201, A*2501, B*1801, B*5101, Cw*0102, Cw*1203
Assay type CD8 T-cell Elispot - IFN γ
Keywords escape, immune evasion, optimal epitope, HIV-1
References Liu *et al.* 2006

- T-cell immunity and the impact of selection were longitudinally studied in a patient from the time of transmission. New epitopes were detected at sites that were shown to be under positive selection. Env was found to be the major target of CTLs and most of the new epitopes were found here. One third of the sites examined were associated with epitope escape mutations from CTL. Acquisition of mutations found at high frequency in the database was suggested to be a result of reversion of CTL epitopes in the absence of immune targeting.

HXB2 Location RT (42–50)
Author Location RT (42–50 LAI)
Epitope EKEGKISKI
Subtype B
Immunogen HIV-1 infection
Species (MHC) human (B51)
References Haas *et al.* 1998

- Of 98 patients in cross-sectional analysis, 78% had CTL against pol – RT was more immunogenic than Integrase and Protease (81%, 51%, and 24% of 37 patients, respectively)
- New clusters of epitopes were defined utilizing different HLA molecules.

HXB2 Location RT (42–50)
Author Location RT (42–50)
Epitope EKEGKISKI
Immunogen HIV-1 infection
Species (MHC) human (B51)
Donor MHC A03, A32, B51, B15, Cw03, Cw06, DR4, DR8, DQ7
Country Netherlands.
Assay type CD8 T-cell Elispot - IFN γ , Flow cytometric T-cell cytokine assay
Keywords escape
References Geels *et al.* 2003

- Both stable potential epitopes and epitopes with escape mutations were found in a patient with increasing viral load over a time period of 4 years. Fixation of escape mutations occurred sequentially and correlated with the rise in viral load and with the increased number of productively infected cells.
- This is one of 17 potential epitopes from this individual, defined based on previously identified epitopes presented by appropriate HLA molecules. Full length genome sequence did not reveal changes in time in any of these epitopes over a four year period. Peptide pools initially revealed very little response to these epitopes, but this increased over time.

HXB2 Location RT (55–72)
Author Location (C consensus)
Epitope PYNTPVFAIKKKDSTKWR
Subtype C
Immunogen HIV-1 infection
Species (MHC) human (A*6801)
Country South Africa.
Assay type CD8 T-cell Elispot - IFN γ
Keywords rate of progression
References Kiepiela *et al.* 2007

- A comprehensive analysis of 160 class I T cell responses in 578 individuals from KwaZulu-Natal, South Africa was performed. Gag-specific responses were associated with lowering viremia, while Env, accessory and regulatory protein-specific responses were associated with higher viremia.

HXB2 Location RT (57–65)

Author Location RT

Epitope NTPVFAIKK

Immunogen HIV-1 infection, vaccine

Species (MHC) human (A*6801, A3 superfamily)

Country Australia.

Assay type Intracellular cytokine staining

Keywords HAART, ART, immunotherapy, variant cross-recognition or cross-neutralization, optimal epitope

References Stratov *et al.* 2005

- CD8 T-cells targeting epitopes spanning drug resistance induced mutations were detected in 3/25 individuals harboring multidrug-resistant HIV-1. Novel CD8 T-cell responses were detected against epitopes with common protease inhibitor fitness mutations. T-cell immunity to drug-resistant variants was confirmed in SHIV-infected macaques, where CD8 and CD4 immune responses to RT and protease resistance mutations were elicited using peptide-based immunotherapy.
- The immune response to this peptide was cross-reactive for both the wild type and RT drug resistance mutation K65R, and NTPVFAIKK and ntpvfaikR stimulated CD8 T-cell responses with equal efficiency. The C-terminal R or K is required for a full response; NTPVFAIK stimulated a much weaker response.
- The 3 people that responded to the drug resistant forms of the virus were among those that had the highest levels of CD4 and CD8 T-cell responses, indicating that they were among the most immunocompetent.

HXB2 Location RT (57–65)

Author Location Pol (236–244)

Epitope NTPVFAIKK

Immunogen HIV-1 infection

Species (MHC) human (A3 supertype)

Keywords supertype, rate of progression

References Propato *et al.* 2001

- Long-term nonprogressors (LTNPs) had strong memory resting CD8+ T-cell responses against the majority of epitopes tested, (18 for the A2 supertype, 16 for the A3 supertype) while the effector cells of long-term nonprogressors recognized far fewer epitopes.
- Progressors had memory resting CD8+ T-cells that recognized far fewer epitopes than LTNPs.
- A positive correlation between effector CD8+ T-cells and plasma viremia and a negative correlation between CD8+ effector T-cells and CD4+ T-cells was observed, which may contribute to the inability of LTNPs to clear virus.
- This epitope can bind 3/5 HLA-A3 supertype alleles (A*0301, A*1101, A*3101, A*3301 and A*6801).

HXB2 Location RT (57–66)

Author Location Pol

Epitope NTPVFAIKKK

Epitope name 1274

Subtype multiple

Immunogen HIV-1 infection

Species (MHC) chimpanzee, goat, baboon (A11, A68, B8)

Donor MHC A01, A68, B15, B40, Cw03; A25, A68, B18, B27

Country United States.

Assay type T-cell Elispot

Keywords binding affinity, supertype, computational epitope prediction, immunodominance, cross-presentation by different HLA

References De Groot *et al.* 2003

- Epitopes defined using sequence parsing and matching algorithm Conservatrix, and epitope prediction tool EpiMatrix, were shown to be conserved in a broad range of HIV-1 sequences derived from different parts of the world. 31 novel highly conserved HIV-1 epitopes were found, among which four were recognized as promiscuous epitopes and five as MHC superotypes.
- Estimated binding probability for NTPVFAIKKK:53%. Epitope binds to A11 and A68 supertype, and is immunodominant.

HXB2 Location RT (73–82)

Author Location RT (73–82)

Epitope KLVDFRELNK

Immunogen HIV-1 infection

Species (MHC) human (A*0301)

Keywords optimal epitope

References Frahm *et al.* 2007

HXB2 Location RT (73–82)

Author Location RT (73–82 LAI)

Epitope KLVDFRELNK

Subtype B

Immunogen HIV-1 infection

Species (MHC) human (A3)

References Samri *et al.* 2000

- This epitope contains the mutation L74V, a frequent mutation induced by nucleoside reverse transcriptase inhibitors.
- The wild-type, but not the mutated peptide, was recognized before and after zidovudine treatment in A3-restricted patients 252#0 and 252#4.
- Mutation L74V affects the p2 anchor position in RT epitopes and was predicted to reduce binding to A3 (http://bimas.dcrn.nih.gov/molbio/hla_bind)

HXB2 Location RT (73–82)

Author Location RT (228–237)

Epitope KLVDFRELNK

Epitope name A3-KK10

Subtype B

Immunogen HIV-1 infection

Species (MHC) human (A3)

Donor MHC A3, B7, Cw7

Keywords dynamics, supervised treatment interruptions (STI), acute/early infection

References Yu *et al.* 2002a

- CTL responses in 18 acutely HIV-infected HLA-A3 (n=7) or -B7 (n=4) or both -A3 and B7 (n=7) positive individuals were studied.

- One individual, AC-06, was homozygous at all three class I alleles (A3, B7, Cw7), was treated during acute infection and had supervised treatment interruptions (STI). He had only two detectable CTL responses during acute infection, but after STI this broadened to 27 distinct epitopes including 15 restricted by HLA-A3, 11 by HLA-B7, and 1 by HLA-Cw7.
- 0/14 HLA-A3 positive individuals had detectable A3-restricted responses to this epitope during acute infection, but only 5/15 of HLA-A3 epitopes tested were targeted during acute infection. 3/7 individuals began to have detectable responses to this epitope after STI.

HXB2 Location RT (73–82)

Author Location RT (73–82)

Epitope KLVDFRELNK

Epitope name A3-KK10 Pol

Subtype B

Immunogen HIV-1 infection

Species (MHC) human (A3)

Country United States.

Assay type CD8 T-cell Elispot - IFN γ

Keywords supervised treatment interruptions (STI), escape, early treatment, superinfection

References Altfeld *et al.* 2002a

- An HIV+ individual given acute ARV and undergoing STI developed a strong CTL immune response, but despite this was shown to be superinfected with second B clade virus. Some epitope variants of the second infecting virus were resistant to the initial CTL response, but in this case the epitope did not vary.

HXB2 Location RT (73–82)

Author Location Pol

Epitope KLVDFRELNK

Epitope name 1340

Subtype multiple

Immunogen HIV-1 infection

Species (MHC) human (A3)

Donor MHC A03, A23, B49, B57; A02, A03, B08, B51, Cw01, Cw07; A03, A11, B14, B05, Cw08

Country United States.

Assay type T-cell Elispot

Keywords binding affinity, computational epitope prediction

References De Groot *et al.* 2003

- Epitopes defined using sequence parsing and matching algorithm Conservatrix, and epitope prediction tool EpiMatrix, were shown to be conserved in a broad range of HIV-1 sequences derived from different parts of the world. 31 novel highly conserved HIV-1 epitopes were found, among which four were recognized as promiscuous epitopes and five as MHC supertypes.
- Estimated binding probability for KLVDFRELNK: 36%.

HXB2 Location RT (73–82)

Author Location (B consensus)

Epitope KLVDFRELNK

Epitope name KK10

Subtype B

Immunogen HIV-1 infection

Species (MHC) human (A3)

Donor MHC A03, B07, Cw7

Country United States.

Assay type Cytokine production, Intracellular cytokine staining, Chromium-release assay, Flow cytometric T-cell cytokine assay

Keywords assay standardization/improvement, memory cells, characterizing CD8+ T cells

References Lichterfeld *et al.* 2004c

- Using a flow-cytometric cytotoxicity assay based on caspase-3 activation in dying target cells, it was shown that the subset of HIV-1-specific CD8+ T cells secreting both IFN-gamma and TNF-alpha exhibit stronger cytotoxic activity than those secreting only IFN-gamma. These cells also exhibited stronger intracellular perforin expression. No association between HIV-1-specific CD8+ T-cell maturation phenotypes and intracellular perforin expression was found.
- 1/9 individuals recognized this epitope.

HXB2 Location RT (87–104)

Author Location (C consensus)

Epitope FWEVQLGIPHPAGLKKKK

Subtype C

Immunogen HIV-1 infection

Species (MHC) human (A*6801)

Country South Africa.

Assay type CD8 T-cell Elispot - IFN γ

Keywords rate of progression

References Kiepiela *et al.* 2007

- A comprehensive analysis of 160 class I T cell responses in 578 individuals from KwaZulu-Natal, South Africa was performed. Gag-specific responses were associated with lowering viremia, while Env, accessory and regulatory protein-specific responses were associated with higher viremia.

HXB2 Location RT (93–101)

Author Location (LAI)

Epitope GIPHPAGLK

Subtype B

Immunogen

Species (MHC) human (A*0301)

Keywords optimal epitope

References Altfeld 2000; Frahm *et al.* 2007

HXB2 Location RT (93–101)

Author Location RT (248–257)

Epitope GIPHPAGLK

Epitope name A3-GK9

Subtype B

Immunogen HIV-1 infection

Species (MHC) human (A3)

Donor MHC A3, B7, Cw7

Keywords dynamics, supervised treatment interruptions (STI), acute/early infection

References Yu *et al.* 2002a

- CTL responses in 18 acutely HIV-infected HLA-A3 (n=7) or -B7 (n=4) or both -A3 and B7 (n=7) positive individuals were studied.

- One individual, AC-06, was homozygous at all three class I alleles (A3, B7, Cw7), was treated during acute infection and had supervised treatment interruptions (STI). He had only two detectable CTL responses during acute infection, but after STI this broadened to 27 distinct epitopes including 15 restricted by HLA-A3, 11 by HLA-B7, and 1 by HLA-Cw7.
- 0/14 HLA-A3 positive individuals had detectable A3-restricted responses to this epitope during acute infection, but only 5/15 of HLA-A3 epitopes tested were targeted during acute infection. 1/7 individuals began to have detectable responses to this epitope after STI.

HXB2 Location RT (93–101)

Author Location RT (93–101)

Epitope GIPHPAGLK

Epitope name A3-GK9 Pol

Subtype B

Immunogen HIV-1 infection

Species (MHC) human (A3)

Country United States.

Assay type CD8 T-cell Elispot - IFN γ

Keywords supervised treatment interruptions (STI), escape, early treatment, superinfection

References Altfeld *et al.* 2002a

- An HIV+ individual given acute ARV and undergoing STI developed a strong CTL immune response, but despite this was shown to be superinfected with second B clade virus. Some epitope variants of the second infecting virus were resistant to the initial CTL response, but in this case the epitope did not vary.

HXB2 Location RT (93–101)

Author Location Pol

Epitope GIPHPAGLK

Epitope name 1337

Subtype multiple

Immunogen HIV-1 infection

Species (MHC) human (A3)

Donor MHC A03, A23, B49, B57

Country United States.

Assay type T-cell Elispot

Keywords binding affinity, computational epitope prediction

References De Groot *et al.* 2003

- Epitopes defined using sequence parsing and matching algorithm Conservatrix, and epitope prediction tool EpiMatrix, were shown to be conserved in a broad range of HIV-1 sequences derived from different parts of the world. 31 novel highly conserved HIV-1 epitopes were found, among which four were recognized as promiscuous epitopes and five as MHC supertypes.
- Estimated binding probability for GIPHPAGLK: 20%.

HXB2 Location RT (93–101)

Author Location (B consensus)

Epitope GIPHPAGLK

Epitope name GK9

Subtype B

Immunogen HIV-1 infection

Species (MHC) human (A3)

Donor MHC A03, B07, Cw7

Country United States.

Assay type Cytokine production, Intracellular cytokine staining, Chromium-release assay, Flow cytometric T-cell cytokine assay

Keywords assay standardization/improvement, memory cells, characterizing CD8+ T cells

References Lichterfeld *et al.* 2004c

- Using a flow-cytometric cytotoxicity assay based on caspase-3 activation in dying target cells, it was shown that the subset of HIV-1-specific CD8+ T cells secreting both IFN-gamma and TNF-alpha exhibit stronger cytotoxic activity than those secreting only IFN-gamma. These cells also exhibited stronger intracellular perforin expression. No association between HIV-1-specific CD8+ T-cell maturation phenotypes and intracellular perforin expression was found.
- 1/9 individuals recognized this epitope.

HXB2 Location RT (93–102)

Author Location Pol (240–249 93TH253 subtype CRF01)

Epitope GIPHPAGLKK

Epitope name P248-257

Subtype CRF01_AE

Immunogen HIV-1 exposed seronegative

Species (MHC) human (A11)

Keywords HIV exposed persistently seronegative (HEPS)

References Sriwanthana *et al.* 2001

- This was a study of HIV-1 exposed persistently seronegative (HEPS) female sex workers in Chiang Mai, northern Thailand.
- HLA-A11 is very common in this population, and was enriched among the HEPS sexworkers – weak CTL responses were detected in 4/7 HEPS women, and CTL responses were found in 8/8 HIV+ controls, and 0/9 HIV- women that were not exposed.
- This epitope was weakly reactive in the HEPS study subject 265 who was HLA A2/A11 and after a second stimulation *in vitro* gave a strong response in HEPS study subject 128 who was HLA A11/A33.

HXB2 Location RT (93–102)

Author Location Pol (240–249 93TH253 subtype CRF01)

Epitope GIPHPAGLKK

Subtype CRF01_AE

Immunogen HIV-1 infection

Species (MHC) human (A11)

Keywords subtype comparisons

References Bond *et al.* 2001

- HLA-A11 CRF01 (called subtype E in Bond *et al.*) epitopes were identified that stimulated CTL from HIV+ female sex workers (FSW) from Northern Thailand, of whom more than half were HLA-A11 positive.
- 77 possible HLA-A11 epitopes were first defined using EpiMatrix, these were screened for binding to A11 finding and 26 bound, and 12 of these were epitopes for CTL responses from 8 HLA-A11 positive FSWs, six were novel, six were previously identified.
- This is one of the new A11 epitopes identified through the streamlined EpiMatrix method, and 2/8 tested FSWs recognized it.

- This epitope was highly conserved in other subtypes, and exact matches were common.

HXB2 Location RT (98–113)

Author Location RT (252–266)

Epitope AGLKKKKSVTLDVGD

Immunogen HIV-1 infection

Species (MHC) human (Cw4)

References Bernard *et al.* 1998

- This study focuses on six rare long-term survivor HIV-infected people who were infected for many years without exhibiting immune dysregulation – such immunologically normal HIV-infected (INHI) cases occur at a frequency between 0.1 and 1% in the infected population.
- No direct CTL were found in any of the six INHIs, but above background CTLp activity was founded in 3/6 INHIs.

HXB2 Location RT (98–113)

Author Location Pol (254–264 BH10, LAI)

Epitope AGLKKKKSVTLDVGD

Immunogen HIV-1 infection

Species (MHC) human

References Maksiutov *et al.* 2002

- This study employs an antigenic similarity matrix to compare HIV-1 antigenic determinants with human proteins.
- This CTL epitope (the HIV-1 LAI fragment with high similarity to a human protein overlapping this epitope is GLKKKKSVTVL) has similarity with the CD166 antigen (activated leukocyte-cell adhesion molecule), fragment GLKKRESLTL.

HXB2 Location RT (102–118)

Author Location (C consensus)

Epitope KKKSVTLDVGDYFVS

Subtype C

Immunogen HIV-1 infection

Species (MHC) human (Cw*0401)

Country South Africa.

Assay type CD8 T-cell Elispot - IFN γ

Keywords rate of progression

References Kiepiela *et al.* 2007

- A comprehensive analysis of 160 class I T cell responses in 578 individuals from KwaZulu-Natal, South Africa was performed. Gag-specific responses were associated with lowering viremia, while Env, accessory and regulatory protein-specific responses were associated with higher viremia.

HXB2 Location RT (103–117)

Author Location RT (257–251)

Epitope KKSVTLDVGDYFVS

Immunogen HIV-1 infection

Species (MHC) human (Cw4)

References Bernard *et al.* 1998

- This study focuses on six rare long-term survivor HIV-infected people who were infected for many years without exhibiting immune.
- No direct CTL were found in any of the six INHIs, but above background CTLp activity was founded in 3/6 INHIs.

HXB2 Location RT (107–115)

Author Location RT (262–270 IIIB)

Epitope TVLDVGDAY

Immunogen

Species (MHC) (B*3501)

Keywords optimal epitope

References Frahm *et al.* 2007

- C. Brander notes this is a B*3501 epitope.

HXB2 Location RT (107–115)

Author Location Pol (262–270)

Epitope TVLDVGDAY

Epitope name TY9

Subtype B

Immunogen HIV-1 infection

Species (MHC) human (B*3501)

Donor MHC A*0201, A*0301, B*3501, B*51, Cw*04, Cw*06

Country United States.

Assay type CD8 T-cell Elispot - IFN γ , Intracellular cytokine staining, Chromium-release assay

Keywords escape, acute/early infection

References Bansal *et al.* 2005

- Patients with acute or early infection were shown to preferentially target variable peptides with higher entropy while those with chronic infection showed responses towards more conserved peptides with lower entropy. In longitudinally followed subjects, responses to variable proteins declined over time while responses to conserved proteins increased. The decline is suggested to be due to CTL escape.
- The response to this epitope was not evident until month 20, and increased over time.

HXB2 Location RT (107–115)

Author Location RT (262–270 IIIB)

Epitope TVLDVGDAY

Immunogen HIV-1 infection

Species (MHC) human (B35)

Keywords review, responses in children, mother-to-infant transmission

References Menendez-Arias *et al.* 1998; Wilson *et al.* 1996

- Epitope defined in the context of the Pediatric AIDS Foundation ARIEL Project, a mother-infant HIV transmission study.
- TVLDMGDAC is a naturally occurring variant that is less reactive.
- Menendez-Arias *et al.* [1998], in a review, notes that this epitope includes a catalytic residue (Asp-110) in the active site of RT.

HXB2 Location RT (107–115)

Author Location Pol (262–270 IIIB)

Epitope TVLDVGDAY

Immunogen HIV-1 infection

Species (MHC) human (B35)

Keywords responses in children, mother-to-infant transmission, escape

References Wilson *et al.* 1999a

- This study describes maternal CTL responses in the context of mother-to-infant transmission.

- Detection of CTL escape mutants in the mother was associated with transmission, but the CTL-susceptible forms of the virus tended to be found in infected infants.
- An additional variant that gave a positive CTL response: TVLDMGDAC.

HXB2 Location RT (107–115)

Author Location Pol (262–270)

Epitope TVLDVGDAY

Immunogen HIV-1 infection

Species (MHC) human (B35)

References Ferrari *et al.* 2000

- One of the 51 HIV-1 epitopes selected by Ferrari *et al.* as good candidate CTL epitopes for vaccines by virtue of being conserved and presented by common HLA alleles.

HXB2 Location RT (107–115)

Author Location RT (262–270 SF2)

Epitope TVLDVGDAY

Immunogen HIV-1 infection

Species (MHC) human (B35)

Keywords HAART, ART, acute/early infection

References Altfeld *et al.* 2001b

- Therapy provided during acute infection resulted in a narrower CTL response, stronger T help response, and a less diverse viral population than was seen in individuals treated during chronic infection.
- The breadth and specificity of the response was determined using ELISPOT by studying 19 individuals with pre-seroconversion therapy (Group 1), 11 individuals with primary infection but post-seroconversion therapy (Group 2), and 10 individuals who responded to HAART given during chronic infection (Group 3), using 259 overlapping peptides spanning p17, p24, RT, gp41, gp120 and Nef.
- Previously described and newly defined optimal epitopes were tested for CTL response.
- Number of HLA-B35+ individuals that had a CTL response to this epitope broken down by group: 1/2 group 1, 0/2 group 2, and 0/1 group 3.

HXB2 Location RT (107–115)

Author Location

Epitope TVLDVGDAY

Epitope name Pol-TY9

Subtype B

Immunogen HIV-1 infection

Species (MHC) human (B35)

References Sabbaj *et al.* 2003

- Among HIV+ individuals who carried HLA B35, 8/21 (38%) recognized this epitope.

HXB2 Location RT (107–115)

Author Location Pol

Epitope TVLDVGDAY

Subtype B

Immunogen HIV-1 infection

Species (MHC) human (B35)

Donor MHC A3, A11, B35, B51

Keywords mother-to-infant transmission

References Sabbaj *et al.* 2002

- IFN γ T-cell responses in breast milk of 5 HIV-1 infected women from the US and 6 from Zambia were tested with using Elispot. 11/11 women responded to Gag, 8/11 responded to Pol, 7/11 women to Nef, and 2/5 women to Env peptide pools. These responses were shown to be primarily due to CD8+ T-cells in one woman, and another woman had cytolytic responses measured by Cr-release.

- T-cells in breast milk from a volunteer who was HLA A3, A11, B35, B51 induced IFN γ after stimulation with either of two overlapping peptides that carry known B35 epitope TVLDVGDAY.

- The frequencies of responses in the two compartments differed, and 2/4 women that responded to epitopes in Nef 101-205 and Pol 601-710 showed responses in breast milk but no detectable responses in peripheral blood cells.

HXB2 Location RT (107–115)

Author Location RT (107–115)

Epitope TVLDVGDAY

Subtype AG

Immunogen HIV-1 infection

Species (MHC) human (B35)

Country Canada.

Assay type CD8 T-cell Elispot - IFN γ , Chromium-release assay

Keywords HAART, ART, immunotherapy, variant cross-recognition or cross-neutralization

References Mason *et al.* 2004

- Accumulation of specific antiretroviral drug-resistance mutations in Pol gene was shown to sustain and even enhance the antigenicity and immunogenicity of HIV-1 CTL epitopes in this region. Several different patterns of cross-reactivity and selective recognition of wild-type and variant epitopes were found.
- TiLDVGDAY, TVLDVGDaf and TiLDVGDaf variants are detected due to appearance of V108I and Y115F resistance mutations. Complete cross-reactivity of wild-type and variant peptides was observed.

HXB2 Location RT (107–115)

Author Location RT Pol (262–270)

Epitope TVLDVGDYI

Immunogen HIV-1 infection

Species (MHC) human (B35)

Country Spain.

Assay type proliferation, CD8 T-cell Elispot - IFN γ , Flow cytometric T-cell cytokine assay

Keywords HAART, ART, supervised treatment interruptions (STI), immune dysfunction

References Plana *et al.* 2004

- Structured treatment interruption (STI) alone is not able to control viral replication in chronically infected patients, probably due to lack of strong, maintained T-helper cell responses. HIV-1 specific CD8+ T-cell responses were shown to increase significantly until the end of the follow up, but were not correlated with viral load.
- 5/9 patients recognized this epitope.

HXB2 Location RT (108–118)

Author Location RT (267–277)

- Epitope** VLDVGDAYFSV
Immunogen *in vitro* stimulation or selection
Species (MHC) human (A*0201)
References van der Burg *et al.* 1996
- High dissociation rate, but immunogenic in primary CTL induction after repeated stimulations with peptide.
 - CTL generated by *in vitro* stimulation of PBMC derived from uninfected individual.
- HXB2 Location** RT (108–118)
Author Location Pol
Epitope VLDVGDAYFSV
Epitope name V11V
Immunogen vaccine
Vector/Type: measles virus (MV) *Strain:* multiple epitope immunogen *HIV component:* gp140, gp140ΔV3
Species (MHC) transgenic mouse (A*0201)
Assay type Chromium-release assay, Flow cytometric T-cell cytokine assay
Keywords memory cells, vaccine antigen design, antibody generation, characterizing CD8+ T cells
References Lorin *et al.* 2005
 - A recombinant measles MVSchw virus expressing an HIV-1-derived polypeptide effectively primed HLA-A*0201-restricted CTL responses against multiple conserved HIV-1 epitopes in HLA-A*0201 transgenic mice. Also, a recombinant MVSchw virus expressing gp140 with deleted V1, V2, and V3 loops successfully induces neutralizing antibodies against HIV-1. A live attenuated measles vaccine could provide a safe and efficient pediatric vaccination vector for simultaneous vaccination against HIV and measles.

HXB2 Location RT (108–118)
Author Location RT (267–277)
Epitope VLDVGDAYFSV
Immunogen HIV-1 infection
Species (MHC) human (A2)
Keywords dendritic cells
References Kundu *et al.* 1998b
 - Allogeneic dendritic cells (DCs) were obtained from HLA-identical siblings, pulsed with rgp160 MN or A2-restricted HIV-1 epitope peptides, and infused monthly into six HIV-infected patients.
 - 1/6 showed increased env-specific CTL and increased lymphoproliferative responses, 2/6 showed increase only in proliferative responses, and 3/6 showed no change – pulsed DCs were well tolerated.
 - VLDVGDAYFSV is a conserved HLA-A2 epitope included in this study – 4/6 patients had this sequence as their HIV direct sequence, but only one of these had a detectable CTL response – the other two had the sequences EEDVGDAYFSV and ELDVGDAYFSV and no detectable CTL response.

HXB2 Location RT (108–118)
Author Location RT (267–277)
Epitope VLDVGDAYFSV
Immunogen *in vitro* stimulation or selection
Species (MHC) human (A2)
References van der Burg *et al.* 1995

- Binds HLA-A*0201 – CTL generated by *in vitro* stimulation of PBMC from an HIV negative donor.
- VLDVGDAYFSV is in a functional domain.

- HXB2 Location** RT (108–118)
Author Location RT Pol (263–273)
Epitope VLDVGDAYFSV
Immunogen HIV-1 infection
Species (MHC) human (A2)
Country Spain.
Assay type proliferation, CD8 T-cell Elispot - IFN γ , Flow cytometric T-cell cytokine assay
Keywords HAART, ART, supervised treatment interruptions (STI), immune dysfunction
References Plana *et al.* 2004
 - Structured treatment interruption (STI) alone is not able to control viral replication in chronically infected patients, probably due to lack of strong, maintained T-helper cell responses. HIV-1 specific CD8+ T-cell responses were shown to increase significantly until the end of the follow up, but were not correlated with viral load.
 - Less than 2 of 19 patients recognized this epitope.

- HXB2 Location** RT (108–118)
Author Location Pol (263–273)
Epitope VLDVGDAYFSV
Immunogen HIV-1 infection
Species (MHC) human (A2, A*0201)
References Ferrari *et al.* 2000
 - One of the 51 HIV-1 epitopes selected by Ferrari *et al.* as good candidate CTL epitopes for vaccines by virtue of being conserved and presented by common HLA alleles.

- HXB2 Location** RT (108–122)
Author Location RT (257–251)
Epitope VLDVGDAYFSVPLDE
Immunogen HIV-1 infection
Species (MHC) human (Cw4)
References Bernard *et al.* 1998
 - This study focuses on six rare long-term survivor HIV-infected people who were infected for many years without exhibiting immune dysregulation – such immunologically normal HIV-infected (INHI) cases occur at a frequency between 0.1 and 1% in the infected population.
 - No direct CTL were found in any of the six INHIs, but above background CTLp activity was founded in 3/6 INHIs.

- HXB2 Location** RT (113–120)
Author Location Pol (268–275 SF2)
Epitope DAYFSVPL
Immunogen HIV-1 infection
Species (MHC) human (B*5101, A24)
Keywords subtype comparisons, rate of progression
References Tomiyama *et al.* 1999
 - HLA-B27, -B51, and -B57 are associated with slow progression to AIDS, while HLA -B35, -B8, -B24 are associated with a rapid progression to AIDS (Nat. Med. 2:405, 1996; Lancet 22:1187, 1986; Hum Immunol 22:73, 1988; Hum Immunol 44:156, 1995)

- 15% of Japanese populations carry HLA-B51 while HLA-B27 and -B57 are detected in less than 0.3%
- Of the 172 HIV-1 peptides with HLA-B*5101 anchor residues, 33 bound to HLA-B*5101, seven of these peptides were reactive with CTL from 3 B*5101 positive individuals, and six were properly processed.
- Four of the six epitopes were highly conserved among B subtype sequences, DAYFSVPL is conserved.

HXB2 Location RT (113–120)
Author Location RT (113–120)
Epitope DAYFSVPL
Immunogen HIV-1 infection
Species (MHC) human (B51)
Donor MHC A03, A32, B51, B15, Cw03, Cw06, DR4, DR8, DQ7
Country Netherlands.
Assay type CD8 T-cell Elispot - IFN γ , Flow cytometric T-cell cytokine assay
Keywords rate of progression, escape
References Geels *et al.* 2003

- Both stable potential epitopes and epitopes with escape mutations were found in a patient with increasing viral load over a time period of 4 years. Fixation of escape mutations occurred sequentially and correlated with the rise in viral load and with the increased number of productively infected cells.
- This is one of 17 potential epitopes from this individual, defined based on previously identified epitopes presented by appropriate HLA molecules. Full length genome sequence did not reveal changes in time in any of these epitopes over a four year period. Peptide pools initially revealed very little response to these epitopes, but this increased over time.

HXB2 Location RT (116–124)
Author Location (C consensus)
Epitope FSVPLDEDF
Subtype C
Immunogen HIV-1 infection
Species (MHC) human (B*35)
Country South Africa.
Assay type CD8 T-cell Elispot - IFN γ
Keywords rate of progression
References Kiepiela *et al.* 2007

- A comprehensive analysis of 160 class I T cell responses in 578 individuals from KwaZulu-Natal, South Africa was performed. Gag-specific responses were associated with lowering viremia, while Env, accessory and regulatory protein-specific responses were associated with higher viremia.
- Mutational patterns in the E7 residue of FSVPLDEDF are associated with the presence of the HLA presenting molecule in the host.
- FSVPLDEDF not optimized.

HXB2 Location RT (116–124)
Author Location (C consensus)
Epitope FSVPLDEDF
Subtype C
Immunogen HIV-1 infection
Species (MHC) human (B*5702)
Country South Africa.

Assay type CD8 T-cell Elispot - IFN γ
Keywords rate of progression, optimal epitope
References Kiepiela *et al.* 2007

- A comprehensive analysis of 160 class I T cell responses in 578 individuals from KwaZulu-Natal, South Africa was performed. Gag-specific responses were associated with lowering viremia, while Env, accessory and regulatory protein-specific responses were associated with higher viremia.
- FSVPLDEDF is an optimal epitope.

HXB2 Location RT (116–124)
Author Location (C consensus)
Epitope FSVPLDEDF
Subtype C
Immunogen HIV-1 infection
Species (MHC) human (B*5703)
Country South Africa.
Assay type CD8 T-cell Elispot - IFN γ
Keywords rate of progression, optimal epitope
References Kiepiela *et al.* 2007

- A comprehensive analysis of 160 class I T cell responses in 578 individuals from KwaZulu-Natal, South Africa was performed. Gag-specific responses were associated with lowering viremia, while Env, accessory and regulatory protein-specific responses were associated with higher viremia.
- FSVPLDEDF is an optimal epitope.

HXB2 Location RT (116–135)
Author Location Pol (271–290)
Epitope FSVPLDEDFRKYTAFTIPSI
Subtype C
Immunogen HIV-1 infection
Species (MHC) human
Keywords subtype comparisons
References Novitsky *et al.* 2002

- HLA, viral sequence, and Elispot data was obtained from 105 HIV-1 positive Botswanans; Elispot data was obtained from between 55 and 64 subjects for each HIV protein.
- Nef and p24 had the highest percentage of reactive peptides, and p24 had the highest magnitude of HIV-1 responses.
- This peptide was among the 28 most reactive C clade peptides from among over 350 tested spanning all HIV proteins.

HXB2 Location RT (117–126)
Author Location Pol (264–273 93TH253 subtype CRF01)
Epitope SVPLDESFRK
Epitope name P272-281
Subtype CRF01_AE
Immunogen HIV-1 exposed seronegative
Species (MHC) human (A11)
Keywords HIV exposed persistently seronegative (HEPS)
References Sriwanthana *et al.* 2001

- This was a study of HIV-1 exposed persistently seronegative (HEPS) female sex workers in Chiang Mai, northern Thailand.
- HLA-A11 is very common in this population, and was enriched among the HEPS sexworkers – weak CTL responses were detected in 4/7 HEPS women, and CTL responses were found in 8/8 HIV+ controls, and 0/9 HIV- women that were not exposed.

- This epitope after a second stimulation *in vitro* gave a strong response in HEPS study subject 128 who was HLA A11/A33.

HXB2 Location RT (117–126)
Author Location Pol (264–273 93TH253 subtype CRF01)
Epitope SVPLDESRFK
Subtype CRF01_AE
Immunogen HIV-1 infection
Species (MHC) human (A11)
Keywords subtype comparisons
References Bond *et al.* 2001

- HLA-A11 CRF01 (called subtype E in Bond *et al.*) epitopes were identified that stimulated CTL from HIV+ female sex workers (FSW) from Northern Thailand, of whom more than half were HLA-A11 positive.
- 77 possible HLA-A11 epitopes were first defined using EpiMatrix, these were screened for binding to A11 finding and 26 bound, and 12 of these were epitopes for CTL responses from 8 HLA-A11 positive FSWs, six were novel, six were previously identified.
- This is one of the new A11 epitopes identified through the streamlined EpiMatrix method, and 3/8 tested FSWs recognized it.
- This epitope was only conserved in CRF01, and subtype A and B, and exact matches were uncommon.

HXB2 Location RT (118–127)
Author Location (C consensus)
Epitope VPLDEDFRKY
Subtype C
Immunogen HIV-1 infection
Species (MHC) human (B*35)
Country South Africa.
Assay type CD8 T-cell Elispot - IFN γ
Keywords characterizing CD8+ T cells
References Kiepiela *et al.* 2004

- HLA class I restricted CD8+ T-cell responses against HIV-1 were analyzed in African patients. Significantly more responses were shown to be HLA-B restricted. Viral load, CD4 count, and thus rate of disease progression were also associated with HLA-B alleles. In addition, the selection pressure imposed on HIV-1 by HLA-B alleles was shown to be substantially greater than by other alleles.
- This epitope was suggested to be the epitope within a longer reactive peptide based on correspondence with a known epitope in the HIV database. Also, a significantly higher frequency of people in the Durban cohort who reacted with the peptide had this HLA type.

HXB2 Location RT (118–127)
Author Location RT (273–282 SF2)
Epitope VPLDKDFRKY
Immunogen HIV-1 infection
Species (MHC) human (B*3501)
Keywords review
References Menendez-Arias *et al.* 1998; Tomiyama *et al.* 1997

- A CTL clone responsive to this epitope was obtained.
- 4/7 B35-positive individuals had a CTL response to this epitope.

- A K to E substitution at position 5 abrogates specific lysis, and reduces binding to B*3501.
- Menendez-Arias *et al.* [1998], in a review, notes that a Glu to Lys (E to K) change abrogates CTL activity, but that both VPLDEDFRKY and VPLDKDFRKY can serve as HLA-B35 epitopes, so the change must alter T cell receptor binding – residues in this epitope may be important for polymerase activity.

HXB2 Location RT (118–127)
Author Location RT (273–282 IIIB)
Epitope VPLDEDFRKY
Immunogen HIV-1 infection
Species (MHC) human (B*3501)
Keywords optimal epitope
References Frahm *et al.* 2007

- C. Brander notes this is a B*3501 epitope.

HXB2 Location RT (118–127)
Author Location Pol (273–282)
Epitope VPLDKDFRKY
Immunogen HIV-1 infection
Species (MHC) human (B*3501)
References Tomiyama *et al.* 2000a

- CD8+ T-cells that bound one of six HIV-specific B*3501-epitope tetramers did not express CD28 or CD45A.
- A significant increase in CD28-CD45RA- cells and a decrease of CD28+CD45RA+ cells was observed in chronically HIV-1-infected individuals relative to healthy individuals.
- CD28-CD45RA- cells are likely to be effector cells and have high levels of perforin in their cytoplasm.
- The mean percentage of total CD28- CD8+ cells in chronically infected HIV-1-infected patients was 76.6% in comparison to HIV-1-uninfected individuals (40.6%)

HXB2 Location RT (118–127)
Author Location (SF2)
Epitope VPLDEDFRKY
Epitope name HIV-B3501-SF2-4
Immunogen HIV-1 infection
Species (MHC) human (B*3501)
References Tomiyama *et al.* 2000b

- B*3501 VPLDEDFRKY tetramer binding did not inhibit CTL activity of a clone that react with both HLA-B*3501 than HLA-B*5101 presentation of the epitope IPLTEEAEL.

HXB2 Location RT (118–127)
Author Location RT (118–127)
Epitope VPLDEDFRKY
Subtype B
Immunogen HIV-1 infection
Species (MHC) human (B*3501)
Donor MHC A*2301, B*3501, B*1503, Cw2, Cw7
Assay type CD8 T-cell Elispot - IFN γ
Keywords binding affinity, acute/early infection, early-expressed proteins
References Cao *et al.* 2003

- All proteins were scanned and optimal epitopes were mapped in a study of CD8+ gamma IFN T-cell responses in 21 men within 15-92 days post-HIV-1 infection. Subjects initially showed narrow immune responses with a mean of 2.3 epitopes recognized per patient. The immune response broadened later in infection. No correlation between the plasma viral load and the number of recognized epitopes or the frequency of IFN-gamma secreting cells was observed, and there was no correlation between the functional avidity of a responses and the abundance of IFN-secreting cells that recognized the epitope. The first epitopes to be recognized did not tend to be the most avid, and earliest responses tended to be directed against Nef, Tat, Vpr, and Env.
- All HIV-1 proteins except Vpu were recognized, and a responses to a total of 41 optimal epitopes were characterized; 24 had been identified previously. 48% of the total T-cell responses were directed against Nef and 43% were directed against Gag.
- More common HLA alleles were less frequently used in primary infection than less common alleles, for example A3, B35, B57, and B62 were more frequently utilized than A1, A2, A30, and A44.

- HXB2 Location** RT (118–127)
Author Location Pol (273–282)
Epitope VPLDEDFRKY
Epitope name VY10
Subtype B
Immunogen HIV-1 infection
Species (MHC) human (B*3501)
Donor MHC A*0201, A*0301, B*3501, B*51, Cw*04, Cw*06
Country United States.
Assay type CD8 T-cell Elispot - IFN γ , Intracellular cytokine staining, Chromium-release assay
Keywords escape, acute/early infection
References Bansal *et al.* 2005
- Patients with acute or early infection were shown to preferentially target variable peptides with higher entropy while those with chronic infection showed responses towards more conserved peptides with lower entropy. In longitudinally followed subjects, responses to variable proteins declined over time while responses to conserved proteins increased. The decline is suggested to be due to CTL escape.
 - The response to this epitope was not detected until month 25, and increased over time.

- HXB2 Location** RT (118–127)
Author Location RT (273–282 IIIB)
Epitope VPLDEDFRKY
Immunogen HIV-1 infection
Species (MHC) human (B*3501, B35)
References Shiga *et al.* 1996
- Binds HLA-B*3501.

- HXB2 Location** RT (118–127)
Author Location (SF2)
Epitope VPLDKDFRKY
Immunogen HIV-1 infection
Species (MHC) human (B35)

Keywords binding affinity, rate of progression, escape

References Kawana *et al.* 1999

- HLA B35 is associated with rapid disease progression.
- The sequences of 9 previously described HIV-1 B35 CTL epitopes were obtained in 10 HLA B35+ and 19 HLA B35- individuals.
- 3/9 CTL epitopes had substitutions that were more common in B35+ individuals than in B35- individuals – only one of these reduced the binding of the peptide to B35 and was shown to be an escape mutation.
- —E— was found in 8/10 of the B35+ individuals, and three of the B35- individuals – the D → E substituted peptide had similar binding affinity to B35 and was equally susceptible to a CTL clone.

- HXB2 Location** RT (118–127)
Author Location RT (273–282 IIIB)
Epitope VPLDEDFRKY

Immunogen HIV-1 infection

- Species (MHC)** human (B35)
Keywords subtype comparisons
References Sipsas *et al.* 1997

- HIV IIIB proteins were used to define the range of CTL epitopes recognized by three lab workers accidentally infected with HIV-1 IIIB.
- VPLDKDFRKY, a variant found in HIV MN, was not recognized.
- VPHDEDFRKY, a variant found in HIV YU2, was not recognized.
- This epitope was type-specific and conserved in only one other B subtype sequence.

- HXB2 Location** RT (118–127)
Author Location RT (273–282 SF2)
Epitope VPLDEDFRKY

Immunogen HIV-1 infection

- Species (MHC)** human (B35)
Keywords HAART, ART, acute/early infection
References Altfeld *et al.* 2001b

- Therapy provided during acute infection resulted in a narrower CTL response, stronger T help response, and a less diverse viral population than was seen in individuals treated during chronic infection.
- The breadth and specificity of the response was determined using ELISPOT by studying 19 individuals with pre-seroconversion therapy (Group 1), 11 individuals with primary infection but post-seroconversion therapy (Group 2), and 10 individuals who responded to HAART given during chronic infection (Group 3), using 259 overlapping peptides spanning p17, p24, RT, gp41, gp120 and Nef.
- Previously described and newly defined optimal epitopes were tested for CTL response.
- Number of HLA-B35+ individuals that had a CTL response to this epitope broken down by group: 1/2 group 1, 0/2 group 2, and 1/1 group 3.

- HXB2 Location** RT (118–127)
Author Location
Epitope VPLDEDFRKY
Epitope name Pol-VY10

Subtype B**Immunogen** HIV-1 infection**Species (MHC)** human (B35)**References** Sabbaj *et al.* 2003

- Among HIV+ individuals who carried HLA B35, 5/21 (24%) recognized this epitope.

HXB2 Location RT (118–127)**Author Location** RT Pol (273–282)**Epitope** VPLDEDFRKY**Immunogen** HIV-1 infection**Species (MHC)** human (B35)**Country** Spain.**Assay type** proliferation, CD8 T-cell Elispot - IFN γ , Flow cytometric T-cell cytokine assay**Keywords** HAART, ART, supervised treatment interruptions (STI), immune dysfunction**References** Plana *et al.* 2004

- Structured treatment interruption (STI) alone is not able to control viral replication in chronically infected patients, probably due to lack of strong, maintained T-helper cell responses. HIV-1 specific CD8+ T-cell responses were shown to increase significantly until the end of the follow up, but were not correlated with viral load.
- 5/9 patients recognized this epitope.

HXB2 Location RT (126–135)**Author Location** RT (293–302 HXB)**Epitope** KYTAFTIPSI**Immunogen** HIV-1 infection**Species (MHC)** human (A2)**Keywords** HAART, ART**References** Shankar *et al.* 1998

- A novel CTL clone was defined with a panel of recombinant vaccinia-RT-infected B-LCL target cells using PBMCs donated by a patient who was HIV-seropositive for 6 years and had not received any antiretroviral therapy.
- There is evidence that some CTL epitopes are poorly presented on the surface of infected cells, but this RT epitope was recognized as effectively on HIV-infected cells as on peptide-pulsed targets.

HXB2 Location RT (127–135)**Author Location** (C consensus)**Epitope** YTAFTIPSI**Subtype** C**Immunogen** HIV-1 infection**Species (MHC)** human (A*0205)**Country** South Africa.**Assay type** CD8 T-cell Elispot - IFN γ **Keywords** rate of progression, optimal epitope**References** Kiepiela *et al.* 2007

- A comprehensive analysis of 160 class I T cell responses in 578 individuals from KwaZulu-Natal, South Africa was performed. Gag-specific responses were associated with lowering viremia, while Env, accessory and regulatory protein-specific responses were associated with higher viremia.
- YTAFTIPSI is an optimal epitope.

HXB2 Location RT (127–135)**Author Location** Pol (316–)**Epitope** YTAFTIPSI**Epitope name** Pol-316**Immunogen** HIV-1 infection**Species (MHC)** human (A2)**Keywords** binding affinity, subtype comparisons, supertype, computational epitope prediction**References** Altfeld *et al.* 2001c

- HIV was scanned for all peptides which carried the A2-supermotif pattern conserved in more than 50% of B clade sequences – 233 peptides met this criteria, and 30 of these bound to HLA-A*0201 – 20/30 bound to at least 3/5 of HLA-A2 supertype alleles tested.
- Three additional previously described HLA-A2 epitopes were added to the set of 20, and 18/22 chronically infected HLA-A2 individuals had CTL that recognized at least one of the 23 peptides (median of 2 and maximum of 6), while 6/12 acute infected individuals recognized at least 1 (median of 1 and maximum of 2)
- 2/22 individuals with chronic HIV-1 infection recognized this epitope in ELISPOT.
- 0/12 acutely infected individuals recognized this epitope.
- YTAFTIPSI binds to five HLA-A2 supertype alleles: A*0201, A*0202, A*0203, A*0206 and A*6802 (highest affinity)

HXB2 Location RT (127–135)**Author Location** RT (127–135)**Epitope** YTAFTIPSV**Immunogen** HIV-1 infection**Species (MHC)** human (A2)**Keywords** optimal epitope**References** Frahm *et al.* 2007**HXB2 Location** RT (127–135)**Author Location** RT (127–135)**Epitope** YTAFTIPSI**Subtype** B**Immunogen** HIV-1 infection**Species (MHC)** human (A2)**Country** United States.**Assay type** CD8 T-cell Elispot - IFN γ , Chromium-release assay, HLA binding**Keywords** acute/early infection, optimal epitope**References** Altfeld *et al.* 2005

- The most frequently targeted HLA-A2-restricted CD8+ T-cell epitopes in chronic infection were significantly less frequently recognized during primary infection. This epitope was only recognized during chronic infection.

HXB2 Location RT (127–135)**Author Location** Pol (306–314)**Epitope** YTAFTIPSI**Immunogen** HIV-1 infection**Species (MHC)** human (A2 supertype)**Keywords** supertype, rate of progression**References** Propato *et al.* 2001

- Long-term nonprogressors (LTNPs) had strong memory resting CD8+ T-cell responses against the majority of epitopes tested, (18 for the A2 supertype, 16 for the A3 supertype) while the effector cells of long-term nonprogressors recognized far fewer epitopes.
- Progressors had memory resting CD8+ T-cells that recognized far fewer epitopes than LTNPs.
- A positive correlation between effector CD8+ T-cells and plasma viremia and a negative correlation between CD8+ effector T-cells and CD4+ T-cells was observed, which may contribute to the inability of LTNPs to clear virus.
- This epitope can bind all five HLA-A2 supertypes alleles (A*0201, A*0202, A*0203, A*0206 and A*6802)

HXB2 Location RT (128–135)

Author Location Pol (283–290)

Epitope TAFTIPSI

Epitope name TI8

Subtype B

Immunogen HIV-1 infection

Species (MHC) human (A*0201)

Donor MHC A*0201, A*0301, B*3501, B*51, Cw*04, Cw*06

Country United States.

Assay type CD8 T-cell Elispot - IFN γ , Intracellular cytokine staining, Chromium-release assay

Keywords escape, acute/early infection, characterizing CD8+ T cells

References Bansal *et al.* 2005

- Patients with acute or early infection were shown to preferentially target variable peptides with higher entropy while those with chronic infection showed responses towards more conserved peptides with lower entropy. In longitudinally followed subjects, responses to variable proteins declined over time while responses to conserved proteins increased. The decline is suggested to be due to CTL escape.
- The response to this epitope was weak and sporadic.

HXB2 Location RT (128–135)

Author Location

Epitope TAFTIPSI

Epitope name Pol-TI8

Subtype B

Immunogen HIV-1 infection

Species (MHC) human (A*0217, B*5101)

Donor MHC 01RCH46: A*0201, A*0217, B*0801, B*4002, Cw*0303, Cw*0701

Keywords HAART, ART

References Sabbaj *et al.* 2003

- This study monitored epitope responses in HIV-1 infected minority women living in the United States.
- 24 epitopes were described – 8 were novel, 8 used new restricting elements but were previously defined epitopes, and 8 were previously described.
- Serial peptide truncations were used to define optimal epitopes for CTL cell lines isolated from 12 individuals, assayed by a Cr-release.

- Patient 01RCH46 was Hispanic, on HAART, and had a viral load of 21000 and CD4 count of 623 – she also recognized GELDRWEKI, p17(11-19), HLA B*4002, and KETINEEAA p24(70-78), HLA B*4002.

- Among HIV+ individuals who carried HLA A*02, 7/36 (19%) recognized this epitope, two of which also carried B*5101 which can also restrict this epitope.

HXB2 Location RT (128–135)

Author Location RT (295–302 IIIB)

Epitope TAFTIPSI

Immunogen HIV-1 infection

Species (MHC) human (B*5101)

Keywords optimal epitope

References Frahm *et al.* 2007

- C. Brander notes this is a B*5101 epitope.

HXB2 Location RT (128–135)

Author Location Pol (283–290 SF2)

Epitope TAFTIPSI

Immunogen HIV-1 infection

Species (MHC) human (B*5101)

Keywords subtype comparisons, rate of progression

References Tomiyama *et al.* 1999

- HLA-B27, -B51, and -B57 are associated with slow progression to AIDS, while HLA-B35, -B8, -B24 are associated with a rapid progression to AIDS (Nat. Med. 2:405, 1996; Lancet 22:1187, 1986; Hum Immunol 22:73, 1988; Hum Immunol 44:156, 1995)
- 15% of Japanese populations carry HLA-B51 while HLA-B27 and -B57 are detected in less than 0.3%
- Of the 172 HIV-1 peptides with HLA-B*5101 anchor residues, 33 bound to HLA-B*5101, seven of these peptides were reactive with CTL from 3 B*5101 positive individuals, and six were properly processed.
- Four of the six epitopes were highly conserved among B subtype sequences, but TAFTIPSI is somewhat variable.

HXB2 Location RT (128–135)

Author Location RT (295–302)

Epitope TAFTIPSI

Epitope name P5

Immunogen HIV-1 infection

Species (MHC) human (B*5101)

Keywords HAART, ART, escape

References Samri *et al.* 2000

- The epitope TAFTIPSI was recognized by patient 246#1 in a study of the effects of therapy escape mutations on CTL recognition.

HXB2 Location RT (128–135)

Author Location RT (128–135 IIIB)

Epitope TAFTIPSI

Subtype B

Immunogen HIV-1 infection

Species (MHC) human (B*5101)

Keywords epitope processing, escape

References Moore *et al.* 2002b

- HIV polymorphisms in the RT protein were examined relation to HLA alleles found in a population of 473 participants in the Western Australian HIV Cohort Study. 64 significant associations between polymorphisms at particular positions and HLA alleles were detected, for HLA-B7, -B12, -B35 and -B15. Fifteen of these were in positions with known epitopes, 4 in anchor residues, 11 in other positions. Six additional polymorphic sites associated with particular HLA molecules flanked known epitopes and may relate to processing.
- TAFTIPSI was one of two epitopes characterized in detail. C-terminal I135x substitutions were associated with people who carried HLA-B5 – 39/40 (98%) of HLA-B*5101 individuals had substitutions in this position, while only 127/431 (29%) who did not have HLA-B*5101 did. The predominant substitution was kytaftipsT, and this mutation is predicted to abrogate binding to HLA-B*5101.

HXB2 Location RT (128–135)

Author Location RT (128–135 HXB2)

Epitope TAFTIPSI

Epitope name TI8

Subtype B

Immunogen HIV-1 infection

Species (MHC) human (B*5101)

Donor MHC A*0201, A*2501, B*1801, B*5101, Cw*0102, Cw*1203

Assay type CD8 T-cell Elispot - IFN γ

Keywords escape, immune evasion, optimal epitope, HIV-1

References Liu *et al.* 2006

- T-cell immunity and the impact of selection were longitudinally studied in a patient from the time of transmission. New epitopes were detected at sites that were shown to be under positive selection. Env was found to be the major target of CTLs and most of the new epitopes were found here. One third of the sites examined were associated with epitope escape mutations from CTL. Acquisition of mutations found at high frequency in the database was suggested to be a result of reversion of CTL epitopes in the absence of immune targeting.
- Last position (8) of the epitope had potentially experienced positive selection. TAFTIPSt, TAFTIPSt and TAFTIPStv escape variants were found.

HXB2 Location RT (128–135)

Author Location RT (295–302 IIIB)

Epitope TAFTIPSI

Immunogen HIV-1 infection

Species (MHC) human (B51)

Keywords review

References Menendez-Arias *et al.* 1998; Sipsas *et al.* 1997

- HIV IIIB proteins were used to define the range of CTL epitopes recognized by 3 lab workers accidentally infected with HIV-1 IIIB.
- TAFTIPST, a variant found in HIV-1 CAM1, was also recognized but 100-fold more peptide was needed.
- TAFTIPSV, a variant found in HIV-1 VE1RT, was also recognized, but 10-fold more peptide was needed.
- TVFTIPSI, a variant found in HIV-1 MANC, was also recognized.

- Menendez-Arias *et al.* [1998], in a review, notes that this epitope includes a region near the active site of RT – the substitution of the position two conservative change from A to V decreases CTL recognition.

HXB2 Location RT (128–135)

Author Location RT (295–302)

Epitope TAFTIPSI

Immunogen HIV-1 infection

Species (MHC) human (B51)

Keywords immunodominance

References Betts *et al.* 2000

- Only 4/11 HLA-A2+ HIV+ individuals had CTL that reacted to SLYNTVATL, calling into question whether it is immunodominant.
- 95 optimally-defined peptides from this database were used to screen for INF γ responses to other epitopes.
- Three of the four individuals that responded to SLYNTVATL recognized additional HIV epitopes, and all three were also HLA B51 and recognized this epitope as well as other epitopes.

HXB2 Location RT (128–135)

Author Location RT (295–302)

Epitope TAFTIPSI

Epitope name TAF

Immunogen HIV-1 infection

Species (MHC) human (B51)

Keywords HAART, ART, acute/early infection

References Oxenius *et al.* 2000

- Patients who started therapy at acute HIV-1 infection (three with sustained therapy, two with limited therapy upon early infection) had strong HIV specific CD4 proliferative responses and were able to maintain a CTL response even with undetectable viral load – three patients that had delayed initiation of HAART had no HIV specific CD4 proliferative responses and lost their CTL responses when HAART was eventually given and their viral loads became undetectable.
- None of the 8 study subjects recognized this epitope but none were HLA B51+

HXB2 Location RT (128–135)

Author Location RT (295–302 LAI)

Epitope TAFTIPSI

Epitope name P5

Subtype B

Immunogen HIV-1 infection

Species (MHC) human (B51)

Keywords HAART, ART

References Mollet *et al.* 2000

- A panel of 16 epitopes covering 15 class I alleles was tested in 14 HIV+ patients from an unselected Caucasian population treated with HAART, using CD8+ cell IFN γ production to measure responses.
- In general, during the first month of treatment viral load decreased and frequencies of HIV-specific CTL tripled and broadened – eight new HIV specificities that were not previously detectable were newly detected, as were CMV specific CD8+ PBL – but with continued viral suppression, HIV-specific responses diminished.

- Viral rebounds gave different patterns of response: increases or decreases in pre-existing response, new specificities, or no change.

HXB2 Location RT (128–135)

Author Location Pol

Epitope TAFTIPSI

Subtype B

Immunogen HIV-1 infection

Species (MHC) human (B51)

Donor MHC A3, A11, B35, B51

Keywords mother-to-infant transmission

References Sabbaj *et al.* 2002

- IFN γ T-cell responses in breast milk of 5 HIV-1 infected women from the US and 6 from Zambia were tested with using Elispot. 11/11 women responded to Gag, 8/11 responded to Pol, 7/11 women to Nef, and 2/5 women to Env peptide pools. These responses were shown to be primarily due to CD8+ T-cells in one woman, and another woman had cytolytic responses measured by Cr-release.
- T-cells in breast milk from a volunteer who was HLA A3, A11, B35, B51 induced IFN γ after stimulation with either of two overlapping peptides that carry known B51 epitope TAFTIPSI.
- The frequencies of responses in the two compartments differed, and 2/4 women that responded to epitopes in Nef 101-205 and Pol 601-710 showed responses in breast milk but no detectable responses in peripheral blood cells.

HXB2 Location RT (128–135)

Author Location RT (128–135)

Epitope TAFTIPSI

Subtype B

Immunogen HIV-1 infection

Species (MHC) human (B51)

Donor MHC A*0201, A11, B51, B61, Cw2, Cw*14

Assay type CD8 T-cell Elispot - IFN γ

Keywords binding affinity, acute/early infection, early-expressed proteins

References Cao *et al.* 2003

- CTL epitope responses were mapped in 21 men within 15-92 days post-HIV-1 infection. Subjects initially showed narrow immune responses with a mean of 2.3 epitopes recognized per patient. The immune response broadened later in infection. No correlation between the plasma viral load and the number of recognized epitopes or the frequency of IFN- γ secreting cells was observed, and there was no correlation between the functional avidity of a response and the abundance of IFN-secreting cells that recognized the epitope. The first epitopes to be recognized tended not to be the most avid, and earliest responses tended to be directed against Nef, Tat, Vpr, and Env.
- All HIV-1 proteins except Vpu were recognized, and a response to a total of 41 optimal epitopes were characterized; 24 had been identified previously. 48% of the total T-cell responses were directed against Nef and 43% were directed against Gag.
- More common HLA alleles were less frequently used in primary infection than less common alleles, for example A3, B35, B57, and B62 were more frequently recognized than A1, A2, A30, and A44.

HXB2 Location RT (128–135)

Author Location RT (128–135)

Epitope TAFTIPSI

Immunogen HIV-1 infection

Species (MHC) human (B51)

Donor MHC A03, A32, B51, B15, Cw03, Cw06, DR4, DR8, DQ7

Country Netherlands.

Assay type CD8 T-cell Elispot - IFN γ

Keywords rate of progression, escape

References Geels *et al.* 2003

- Both stable potential epitopes and epitopes with escape mutations were found in a patient with increasing viral load over a time period of 4 years. Fixation of escape mutations occurred sequentially and correlated with the rise in viral load and with the increased number of productively infected cells.
- This is one of 5 epitopes from this individual that varied over time where the internal mutations became fixed; a dramatic decrease in CTL activity against the wild type epitope was observed as the mutation arose. The taftipsT variant residue found at 47 months postseroconversion.

HXB2 Location RT (128–135)

Author Location Pol

Epitope TAFTIPSI

Epitope name TI8

Subtype B

Immunogen HIV-1 infection

Species (MHC) human (B51)

Assay type CD8 T-cell Elispot - IFN γ

Keywords subtype comparisons, escape, characterizing CD8+ T cells, reversion, viral fitness

References Allen *et al.* 2005a

- Two-thirds of all mutations arising in nonenvelope proteins during the transition from acute to chronic infection were found to be due to either CD8 T-cell-associated selective pressures or reversion of HLA-I-associated mutations selected in a previous host. The predominance of escape mutations at highly polymorphic sites was observed across different HIV-1 clades.
- One escape mutation, at position 8, taftipsT, was found in the most polymorphic residue in the epitope. This was shared between clades B and C.

HXB2 Location RT (128–135)

Author Location Pol (295–302)

Epitope TAFTIPSI

Subtype B

Immunogen HIV-1 infection

Species (MHC) human (B51)

Donor MHC A2, A31, B51, B58w4

Country United States.

Assay type Intracellular cytokine staining, Flow cytometric T-cell cytokine assay

Keywords HAART, ART, escape, variant cross-recognition or cross-neutralization, characterizing CD8+ T cells

References Casazza *et al.* 2005

- Evidence of continued viral evolution during HAART therapy despite low viral load was found in 1/5 patients studied. This epitope provided the best evidence for apparent immune escape during HAART.
- Prior to the initiation of therapy, taftipsT variant was found in 24/24 clones. At week 14 of therapy, this variant was completely replaced with taftipsI. By week 19, a complete replacement occurred again, this time to taftipsM. The change at nucleotide level suggests a stepwise progression from ACA to ATA to ATG.
- The taftipsT and taftipsM variants had lower avidity than the taftipsI variant, but this wasn't evident at saturating conditions; only careful titrations revealed the difference. HLA-B51 stabilization studies revealed the increased stabilization with the taftipsI form. Also, CD3 down-regulation was larger in response to taftipsI.
- The viral shift to the taftipsM variant during HAART was predicted to have minimal or undetectable effect on drug sensitivity.

HXB2 Location RT (130–144)

Author Location RT (130–144)

Epitope FTIPSPINNETPGIRY

Immunogen HIV-1 infection

Species (MHC) human (A25)

Assay type Chromium-release assay

Keywords assay standardization/improvement

References Lubong *et al.* 2004

- Using IL7 or IL15 in culturing of HIV-1-specific CTL clones was inferior to using IL-2 alone; the addition of these cytokines to IL-2 did not show any advantage. Neither proliferation, survival, nor lytic capacity of HIV-1-specific CTLs was significantly enhanced by addition of IL7 or IL15.

HXB2 Location RT (136–144)

Author Location RT (136–144 HXB2)

Epitope NNETPGVRY

Epitope name NY9

Subtype B

Immunogen HIV-1 infection

Species (MHC) human (B*1801)

Donor MHC A*0201, A*2501, B*1801, B*5101, Cw*0102, Cw*1203

Assay type CD8 T-cell Elispot - IFN γ

Keywords escape, immune evasion, optimal epitope, HIV-1

References Liu *et al.* 2006

- T-cell immunity and the impact of selection were longitudinally studied in a patient from the time of transmission. New epitopes were detected at sites that were shown to be under positive selection. Env was found to be the major target of CTLs and most of the new epitopes were found here. One third of the sites examined were associated with epitope escape mutations from CTL. Acquisition of mutations found at high frequency in the database was suggested to be a result of reversion of CTL epitopes in the absence of immune targeting.
- NNETPGiRY, NsETPGVRY, NNEiPGVRY, NNEiPGiRY, NNgTPGVRY and NNEvPGiRY escape variants were found.

HXB2 Location RT (137–146)

Author Location (C consensus)

Epitope NETPGIRYQY

Subtype C

Immunogen HIV-1 infection

Species (MHC) human (B*18)

Country South Africa.

Assay type CD8 T-cell Elispot - IFN γ

Keywords rate of progression, optimal epitope

References Kiepiela *et al.* 2007

- A comprehensive analysis of 160 class I T cell responses in 578 individuals from KwaZulu-Natal, South Africa was performed. Gag-specific responses were associated with lowering viremia, while Env, accessory and regulatory protein-specific responses were associated with higher viremia.
- Mutational patterns in the E2 residue of NETPGIRYQY are associated with the presence of the HLA presenting molecule in the host.

HXB2 Location RT (137–146)

Author Location

Epitope NETPGIRYQY

Epitope name NY10

Immunogen

Species (MHC) human (B18)

Keywords optimal epitope

References Frahm *et al.* 2007

- C. Brander notes this is a B18 epitope.

HXB2 Location RT (142–149)

Author Location (C consensus)

Epitope IRYQYNVL

Subtype C

Immunogen HIV-1 infection

Species (MHC) human (B*1401)

Country South Africa.

Assay type CD8 T-cell Elispot - IFN γ

Keywords rate of progression, optimal epitope

References Kiepiela *et al.* 2007

- A comprehensive analysis of 160 class I T cell responses in 578 individuals from KwaZulu-Natal, South Africa was performed. Gag-specific responses were associated with lowering viremia, while Env, accessory and regulatory protein-specific responses were associated with higher viremia.
- IRYQYNVL is an optimal epitope.

HXB2 Location RT (142–149)

Author Location

Epitope IRYQYNVL

Epitope name IL9

Immunogen

Species (MHC) human (B*1401)

Keywords optimal epitope

References Frahm *et al.* 2007

- C. Brander notes this is a B*1401 epitope.

HXB2 Location RT (149–159)

Author Location (C consensus)

Epitope LPQGWKGSPI

Subtype C

Immunogen HIV-1 infection

Species (MHC) human (B*3910)

Country South Africa.

Assay type CD8 T-cell Elispot - IFN γ

Keywords rate of progression, optimal epitope

References Kiepiela *et al.* 2007

- A comprehensive analysis of 160 class I T cell responses in 578 individuals from KwaZulu-Natal, South Africa was performed. Gag-specific responses were associated with lowering viremia, while Env, accessory and regulatory protein-specific responses were associated with higher viremia.
- LPQGWKGSPAI is an optimal epitope.

HXB2 Location RT (151–159)

Author Location Pol (306–314 SF2)

Epitope QGWKGSPAI

Immunogen HIV-1 infection

Species (MHC) human (B*5101)

Keywords subtype comparisons, rate of progression

References Tomiyama *et al.* 1999

- HLA-B27, -B51, and -B57 are associated with slow progression to AIDS.
- 15% of Japanese populations carry HLA-B51 while HLA-B27 and -B57 are detected in less than 0.3%
- Of the 172 HIV-1 peptides with HLA-B*5101 anchor residues, 33 bound to HLA-B*5101, seven of these peptides were reactive with CTL from 3 B*5101 positive individuals, and six were properly processed.
- Four of the six epitopes were highly conserved among B subtype sequences, QGWKGSPAI is conserved.

HXB2 Location RT (151–168)

Author Location RT (151–168 HXB2)

Epitope QGWKGSPAIFQSSMTKIL

Subtype B

Immunogen HIV-1 infection

Species (MHC) human

Assay type T-cell Elispot

Keywords supervised treatment interruptions (STI), immunodominance, early treatment

References Addo *et al.* 2003

- Comprehensive Elispot screening of 504 overlapping peptides that spanned all HIV-1 proteins in 57 HIV-1 infected individuals. Four groups of patients were compared: 23 were untreated; 12 patients were chronically infected and treated; 22 started treatment during acute infection, 11 continuously treated and 11 with STI.
- 63% of the peptides were recognized - the most frequent responses were directed against Nef (95%) and p24-Gag (88%). p17 was the most frequently recognized protein after correction for protein length. A median of 18 peptides (range 2-42) were recognized per person. The most frequently (>20%) recognized peptides were located in conserved regions within clade B sequences. Vpu was rarely recognized.
- A decrease in the total magnitude and in the breadth of CTL responses was detected in patients with treated acute infection in comparison to chronically infected treated or untreated individuals. No correlation between plasma viral load and HIV-1 specific T-cell responses was observed.
- The authors did not note the reference strain, but based on the peptide sequences provided it appears to be HXB2.

- Responses to this peptide were detected in 19% of the study subjects, and it was one of the 25 most frequently recognized peptides.

HXB2 Location RT (153–165)

Author Location RT (308–320)

Epitope WKGSPAIFQSSMT

Immunogen HIV-1 infection

Species (MHC) human (B7)

Keywords responses in children, mother-to-infant transmission

References Brander & Walker 1995

- Epitope defined in the context of the Pediatric AIDS Foundation ARIEL Project, a mother-infant HIV transmission study.

HXB2 Location RT (153–165)

Author Location Pol (308–320)

Epitope WKGSPAIFQSSMT

Immunogen HIV-1 infection

Species (MHC) human (B7)

References Ferrari *et al.* 2000

- One of the 51 HIV-1 epitopes selected by Ferrari *et al.* as good candidate CTL epitopes for vaccines by virtue of being conserved and presented by common HLA alleles.

HXB2 Location RT (153–167)

Author Location RT (SF2)

Epitope WKGSPAIFQSSMTKI

Immunogen HIV-1 infection

Species (MHC) human

References Altfeld *et al.* 2001a

- HIV+ individual AC-06 was tested for reactive overlapping peptides spanning all HIV-1 proteins in an ELISPOT and was found to react with 12 peptides from 7 proteins, suggesting that the breadth of CTL responses are underestimated if accessory proteins are not included in the study.
- RT peptides SQIYPGIKVRQLCKL and WKG-SPAIFQSSMTKI were recognized.

HXB2 Location RT (156–164)

Author Location RT (156–164)

Epitope SPAIFQSSM

Subtype C

Immunogen HIV-1 infection

Species (MHC) human (B*07)

Assay type Other

Keywords HLA associated polymorphism

References Boutwell & Essex 2007

- All HIV-1 subtype C protein sequences were analysed, and 94 HLA-associated amino acid polymorphisms were found that were well distributed throughout the proteome. These sequences were compiled from publicly available databases and originated in South Africa and Botswana. Many polymorphisms were associated with multiple HLA allele classes. 12% of negative associations were found as well, where there was an association of virus expression of the consensus amino acid with a specific HLA allele. HLA-B alleles were involved in most of the associations. 19 HLA-associated polymorphisms were embedded in previously defined epitopes presented by an appropriate HLA restricting molecule.

- SPAIFQSSM was a previously defined B*07 presented epitope that encompassed a B*0702-associated polymorphism, SPAIFQsSM, in the seventh position.

HXB2 Location RT (156–164)

Author Location RT (311–319 SF2)

Epitope SPAIFQSSM

Immunogen HIV-1 infection

Species (MHC) human (B*3501)

Keywords review

References Menendez-Arias *et al.* 1998; Tomiyama *et al.* 1997

- A CTL clone responsive to this epitope was obtained.
- Only 1/7 B35-positive individuals had a CTL response to this epitope.
- Menendez-Arias *et al.* [1998], in a review, notes that this epitope is near the active site of RT.

HXB2 Location RT (156–164)

Author Location (C consensus)

Epitope SPAIFQSSM

Subtype C

Immunogen HIV-1 infection

Species (MHC) human (B*4202)

Country South Africa.

Assay type CD8 T-cell Elispot - IFN γ

Keywords rate of progression, optimal epitope

References Kiepiela *et al.* 2007

- A comprehensive analysis of 160 class I T cell responses in 578 individuals from KwaZulu-Natal, South Africa was performed. Gag-specific responses were associated with lowering viremia, while Env, accessory and regulatory protein-specific responses were associated with higher viremia.
- SPAIFQSSM is an optimal epitope.

HXB2 Location RT (156–164)

Author Location (C consensus)

Epitope SPAIFQSSM

Subtype C

Immunogen HIV-1 infection

Species (MHC) human (B*8101, B*0702)

Country South Africa.

Assay type CD8 T-cell Elispot - IFN γ

Keywords cross-presentation by different HLA, characterizing CD8+ T cells

References Kiepiela *et al.* 2004

- HLA class I restricted CD8+ T-cell responses against HIV-1 were analyzed in African patients. Significantly more responses were shown to be HLA-B restricted. Viral load, CD4 count, and thus rate of disease progression were also associated with HLA-B alleles. In addition, the selection pressure imposed on HIV-1 by HLA-B alleles was shown to be substantially greater than by other alleles.
- This epitope was suggested to be the epitope within a longer reactive peptide based on correspondence with a known epitope in the HIV database. Also, a significantly higher frequency of people in the Durban cohort who reacted with the peptide had this HLA type.

HXB2 Location RT (156–164)

Author Location RT (311–319 SF2)

Epitope SPAIFQSSM

Immunogen HIV-1 infection

Species (MHC) human (B35)

Keywords review

References Menendez-Arias *et al.* 1998; Shiga *et al.* 1996

- Binds HLA-B*3501.
- Menendez-Arias *et al.* [1998], in a review, notes that this epitope includes catalytic residues in the active site of RT.

HXB2 Location RT (156–164)

Author Location Pol (311–319)

Epitope SPAIFQSSM

Immunogen HIV-1 infection

Species (MHC) human (B35)

References Ferrari *et al.* 2000

- One of the 51 HIV-1 epitopes selected by Ferrari *et al.* as good candidate CTL epitopes for vaccines by virtue of being conserved and presented by common HLA alleles.

HXB2 Location RT (156–164)

Author Location RT Pol (311–319)

Epitope SPAIFQSSM

Immunogen HIV-1 infection

Species (MHC) human (B35)

Country Spain.

Assay type proliferation, CD8 T-cell Elispot - IFN γ , Flow cytometric T-cell cytokine assay

Keywords HAART, ART, supervised treatment interruptions (STI), immune dysfunction

References Plana *et al.* 2004

- Structured treatment interruption (STI) alone is not able to control viral replication in chronically infected patients, probably due to lack of strong, maintained T-helper cell responses. HIV-1 specific CD8+ T-cell responses were shown to increase significantly until the end of the follow up, but were not correlated with viral load.
- 5/9 patients recognized this epitope.

HXB2 Location RT (156–164)

Author Location Pol (156–164 HXB2)

Epitope SPAIFQSSM

Subtype B

Immunogen HIV-1 infection

Species (MHC) human (B7)

Keywords rate of progression, immunodominance

References Hay *et al.* 1999

- CTL response to IPRRIRQGL was the immunodominant response in a rapid progressor – there was a subdominant response to SPAIFQSSM in Pol, and interestingly, no response to commonly immunodominant HLA A*0201 epitope SLYNT-VATL, although this individual was HLA A*0201.
- The individual showed a strong initial CTL response at the time of the initial drop in viremia, but it was quickly lost, although memory cells persisted.
- Despite the initial narrow response to two epitopes, no other CTL responses developed.
- No HIV-specific lymphoproliferative responses were detected in this patient, and neutralizing antibody response was weak.

- Variants of this epitopes were observed *in vivo* (spaiFqCsm, spSifqssm), but the binding motifs for B7 were preserved (P2, and C-term aromatic or hydrophobic)

HXB2 Location RT (156–164)

Author Location Pol

Epitope SPAIFQSSM

Immunogen HIV-1 infection

Species (MHC) human (B7)

Keywords rate of progression, acute/early infection

References Islam *et al.* 2001

- Subject 053i was followed longitudinally from acute infection through death, and had rapid progression to AIDS.
- This individual had a dominant response to IPRRIRQGL with strong *in vivo* activated responses and *in vitro* stimulated memory responses and a subdominant response to SPAIFQSSM – during the course of disease progression (4 Years), the functional CTL responses were lost and no sequence variation occurred with in both epitopes, but CTL clones specific for IPRRIRQGL persisted throughout.

HXB2 Location RT (156–164)

Author Location RT (323–331 SF2)

Epitope SPAIFQSSM

Immunogen HIV-1 infection

Species (MHC) human (B7)

Keywords HAART, ART, acute/early infection

References Altfeld *et al.* 2001b

- Therapy provided during acute infection resulted in a narrower CTL response, stronger T help response, and a less diverse viral population than was seen in individuals treated during chronic infection.
- The breadth and specificity of the response was determined using ELISPOT by studying 19 individuals with pre-seroconversion therapy (Group 1), 11 individuals with primary infection but post-seroconversion therapy (Group 2), and 10 individuals who responded to HAART given during chronic infection (Group 3), using 259 overlapping peptides spanning p17, p24, RT, gp41, gp120 and Nef.
- Previously described and newly defined optimal epitopes were tested for CTL response.
- Number of HLA-B7+ individuals that had a CTL response to this epitope broken down by group: 0/4 group 1, 0/3 group 2, and 1/1 group 3.

HXB2 Location RT (156–164)

Author Location RT (156–164)

Epitope SPAIFQSSM

Epitope name B7-SM9

Subtype B

Immunogen HIV-1 infection

Species (MHC) human (B7)

Donor MHC A3, B7, Cw7

Keywords dynamics, supervised treatment interruptions (STI), acute/early infection

References Yu *et al.* 2002a

- CTL responses in 18 acutely HIV-infected HLA-A3 (n=7) or -B7 (n=4) or both -A3 and B7 (n=7) positive individuals were studied.

- One individual, AC-06, was homozygous at all three class I alleles (A3, B7, Cw7), was treated during acute infection and had supervised treatment interruptions (STI). He had only two detectable CTL responses during acute infection, but after STI this broadened to 27 distinct epitopes including 15 restricted by HLA-A3, 11 by HLA-B7, and 1 by HLA-Cw7.

- 1/11 HLA-B7 individuals had detectable B7-restricted responses to this epitope during acute infection – 10/15 of HLA-B7 epitopes tested were targeted by at least one person during acute infection. 3/4 individuals had detectable responses to this epitope after STI.

HXB2 Location RT (156–164)

Author Location RT (156–164)

Epitope SPAIFQSSM

Epitope name B7-SM9 Pol

Subtype B

Immunogen HIV-1 infection

Species (MHC) human (B7)

Country United States.

Assay type CD8 T-cell Elispot - IFN γ

Keywords supervised treatment interruptions (STI), escape, early treatment, superinfection

References Altfeld *et al.* 2002a

- An HIV+ individual given acute ARV and undergoing STI developed a strong CTL immune response, but despite this was shown to be superinfected with second B clade virus. Some epitope variants of the second infecting virus were resistant to the initial CTL response; this epitope did not vary.

HXB2 Location RT (156–164)

Author Location

Epitope SPAIFQSSM

Immunogen HIV-1 infection

Species (MHC) human (B7)

Country United States.

Assay type CD8 T-cell Elispot - IFN γ

Keywords assay standardization/improvement, epitope processing

References Draenert *et al.* 2004a

- 96% of optimally defined epitopes have one of only nine amino acids serving as the C-terminal anchor position. Seven amino acids are never found in this position and four are only present in 4% of cases. CD8 T-cell response to an epitope is shown to be best detected when the epitope is situated at the C-terminal end of a longer peptide, and authors suggest that Elispot reagents would be better designed if peptides ended on known C-terminal anchors.
- SPAIFQSSM is suggested to be the optimal epitope instead of SPAIFQSSMT.

HXB2 Location RT (156–164)

Author Location (B consensus)

Epitope SPAIFQSSM

Epitope name SM9

Subtype B

Immunogen HIV-1 infection

Species (MHC) human (B7)

Donor MHC A03, B07, Cw7

- Assay type** Cytokine production, Intracellular cytokine staining, Chromium-release assay, Flow cytometric T-cell cytokine assay
- Keywords** assay standardization/improvement, memory cells, characterizing CD8+ T cells
- References** Lichterfeld *et al.* 2004c
- Using a flow-cytometric cytotoxicity assay based on caspase-3 activation in dying target cells, it was shown that the subset of HIV-1-specific CD8+ T cells secreting both IFN-gamma and TNF-alpha exhibit stronger cytotoxic activity than those secreting only IFN-gamma. These cells also exhibited stronger intracellular perforin expression. No association between HIV-1-specific CD8+ T-cell maturation phenotypes and intracellular perforin expression was found.
 - 1/9 individuals recognized this epitope.
- HXB2 Location** RT (156–164)
Author Location Pol
Epitope SPAIFQSSM
Epitope name SM9
Subtype B
Immunogen HIV-1 infection
Species (MHC) human (B7)
Assay type CD8 T-cell Elispot - IFN γ
Keywords subtype comparisons, escape, characterizing CD8+ T cells, reversion, viral fitness
References Allen *et al.* 2005a
 - Two-thirds of all mutations arising in nonenvelope proteins during the transition from acute to chronic infection were found to be due to either CD8 T-cell-associated selective pressures or reversion of HLA-I-associated mutations selected in a previous host. The predominance of escape mutations at highly polymorphic sites was observed across different HIV-1 clades.
 - One escape mutation, at position 7, spaifqCsm, was found in the most polymorphic residue in the epitope. This was shared between clades B and C.

HXB2 Location RT (156–164)
Author Location Pol (312–320)
Epitope SPAIFQSSM
Subtype B
Immunogen HIV-1 infection
Species (MHC) human (B7)
Donor MHC A1, A3, B7, B57, Cw6, Cw7
Country United States.
Assay type CD8 T-cell Elispot - IFN γ
References Allen *et al.* 2005a
 - Two-thirds of all mutations arising in nonenvelope proteins during the transition from acute to chronic infection were found to be due to either CD8 T-cell-associated selective pressures or reversion of HLA-I-associated mutations selected in a previous host. The predominance of escape mutations at highly polymorphic sites was observed across different HIV-1 clades.
 - This epitope was reactive, but escape mutations did not accrue in it over time.

HXB2 Location RT (156–164)
Author Location Pol
Epitope SPAIFQSSM
Epitope name SM9

- Immunogen**
Species (MHC) human (B7)
Keywords optimal epitope
References Frahm *et al.* 2007
- C. Brander notes this is a B07 epitope.
- HXB2 Location** RT (156–165)
Author Location RT (311–319 LAI)
Epitope SPAIFQSSMT
Epitope name P4
Subtype B
Immunogen HIV-1 infection
Species (MHC) human (B35)
Keywords HAART, ART, escape
References Samri *et al.* 2000
 - This epitope contains the mutation P157S which can be induced by nucleoside reverse transcriptase inhibitors.
 - It was recognized by patient 252#0 in a study of the effects of therapy escape mutations on CTL recognition.

HXB2 Location RT (156–165)
Author Location RT (311–319 SF2)
Epitope SPAIFQSSMT
Immunogen
Species (MHC) human (B7)
Keywords review
References Brander & Walker 1997; Menendez-Arias *et al.* 1998
 - Pers. comm. from C. Hey and D. Ruhl to C. Brander and B. Walker.
 - Menendez-Arias *et al.* [1998], in a review, notes that this epitope includes catalytic residues in the active site of RT.

HXB2 Location RT (156–165)
Author Location RT (311–319 SF2)
Epitope SPAIFQSSMT
Epitope name P4
Immunogen HIV-1 infection
Species (MHC) human (B7)
Keywords HAART, ART
References Mollet *et al.* 2000
 - A panel of 16 epitopes covering 15 class I alleles was tested in 14 HIV+ patients from an unselected Caucasian population treated with HAART, using CD8+ cell IFN γ production to measure responses.
 - In general, during the first month of treatment viral load decreased and frequencies of HIV-specific CTL tripled and broadened – eight new HIV specificities that were not previously detectable were newly detected, as were CMV specific CD8+ PBL – but with continued viral suppression, HIV-specific responses diminished.
 - Viral rebounds gave different patterns of response: increases or decreases in pre-existing response, new specificities, or no change.

HXB2 Location RT (156–165)
Author Location Pol
Epitope SPAIFQSSMT
Immunogen
Species (MHC) human (B7)

References De Groot *et al.* 2001

- The program Epimatrix was used in conjunction with the program Conservatrix to identify conserved regions of HIV that might serve as epitopes.
- A subset of the potential epitopes was identified that could bind to the appropriate HLA-allele, and 15 predicted B7 superfamily (HLA B7, B8, and B58) epitopes could stimulate IFN γ production in an ELISPOT assay.
- SPAIFQSSMT was confirmed as a previously identified HLA-B7 epitope in this study.

HXB2 Location RT (156–165)**Author Location** RT (IIIB)**Epitope** SPAIFQSSMT**Subtype** B**Immunogen** HIV-1 infection**Species (MHC)** human (B7)**Keywords** epitope processing, escape**References** Moore *et al.* 2002b

- HIV polymorphisms in the RT protein were examined relation to HLA alleles found in a population of 473 participants in the Western Australian HIV Cohort Study. 64 significant associations between polymorphisms at particular positions and HLA alleles were detected, for HLA-B7, -B12, -B35 and -B15. Fifteen of these were in positions with known epitopes, 4 in anchor residues, 11 in other positions. Six additional polymorphic sites associated with particular HLA molecules flanked known epitopes and may relate to processing.
- HLA-B7+ individuals with a S162x (18/33) substitution had higher viral loads than those that did not, suggesting escape was associated with diminished immune control of viremia.

HXB2 Location RT (156–165)**Author Location** Pol**Epitope** SPAIFQSSMT**Epitope name** 1306**Subtype** multiple**Immunogen** HIV-1 infection**Species (MHC)** human (B7)**Donor MHC** A03, A24, B07, B38, Cw07, Cw12/13**Country** United States.**Assay type** T-cell Elispot**Keywords** binding affinity, computational epitope prediction**References** De Groot *et al.* 2003

- Epitopes defined using sequence parsing and matching algorithm Conservatrix, and epitope prediction tool EpiMatrix, were shown to be conserved in a broad range of HIV-1 sequences derived from different parts of the world. 31 novel highly conserved HIV-1 epitopes were found, among which four were recognized as promiscuous epitopes and five as MHC supertypes.
- Estimated binding probability for SPAIFQSSMT: 13%

HXB2 Location RT (156–165)**Author Location** RT Pol (311–319)**Epitope** SPAIFQSSMT**Immunogen** HIV-1 infection**Species (MHC)** human (B7)**Country** Spain.**Assay type** proliferation, CD8 T-cell Elispot - IFN γ , Flow cytometric T-cell cytokine assay**Keywords** HAART, ART, supervised treatment interruptions (STI), immune dysfunction**References** Plana *et al.* 2004

- Structured treatment interruption (STI) alone is not able to control viral replication in chronically infected patients, probably due to lack of strong, maintained T-helper cell responses. HIV-1 specific CD8+ T-cell responses were shown to increase significantly until the end of the follow up, but were not correlated with viral load.
- 5/7 patients recognized this epitope.

HXB2 Location RT (158–166)**Author Location** RT (325–333)**Epitope** AIFQSSMTK**Immunogen** HIV-1 infection**Species (MHC)** human (A*0301)**Keywords** responses in children, mother-to-infant transmission**References** Brander & Walker 1995

- Epitope defined in the context of the Pediatric AIDS Foundation ARIEL Project, a mother-infant HIV transmission study.

HXB2 Location RT (158–166)**Author Location** RT (325–333 LAI)**Epitope** AIFQSSMTK**Subtype** B**Immunogen** HIV-1 infection**Species (MHC)** human (A*0301)**Keywords** optimal epitope**References** Frahm *et al.* 2007

- C. Brander notes this is an A*0301 epitope.

HXB2 Location RT (158–166)**Author Location****Epitope** AIFQSSMTK**Immunogen** HIV-1 infection**Species (MHC)** human (A*0301)**Keywords** acute/early infection**References** Wilson *et al.* 2000a

- Three individuals with highly focused HIV-specific CTL responses were studied during acute infection using tetramers – high frequencies of HIV-1-specific CD8+ T cells were found prior to seroconversion, and there was a close temporal relationship between the number of circulating HIV-specific T cells and viral load was also found.
- All three patients were B*2705, with HLA alleles: A1, A30/31, B*2705, B35; A1, A*0301, B7, B2705; and A*0201, A*0301, B2705, B39.
- ELISPOT was used to test a panel of CTL epitopes that had been defined earlier and were appropriate for the HLA haplotypes of the study subjects – 3/3 subjects showed a dominant response to the B*2705 epitope KRWIIIGGLNK.
- The subject with A*0201 had a moderately strong response to SLYNTVATL.
- Weak responses were observed to A*301-RLRPGGKKK, A*301-QVPLRPMTYK, and B7-TPGPGVRYPL in the subject who was HLA A1, A*0301, B7, B*2705.

- No acute response was detected to the following epitopes: A*201-ILKEPVHGV, A*301-KIRLRPGGK, A*301-AIFQSSMTK, A*301-TVYYGVPVWK, B35-EPIVGAETF, B35-HPDIVIYQY, B35-PIIPVGEIY, B35-NSSKVSQNY, B35-VPLRPMTY, B35-DPNPQEVVL.

HXB2 Location RT (158–166)

Author Location RT (325–333)

Epitope AIFQSSMTK

Immunogen HIV-1 infection

Species (MHC) human (A*0301)

Keywords immunodominance

References Betts *et al.* 2000

- Only 4/11 HLA-A2+ HIV+ individuals had CTL that reacted to SLYNTVATL, calling into question whether it is immunodominant.
- 95 optimally-defined peptides from this database were used to screen for INF γ responses to other epitopes.
- 1/11 of the A2+ individuals was HLA A3 and reacted with this epitope as well as two other A3.1 epitopes.

HXB2 Location RT (158–166)

Author Location Pol

Epitope AIFQSSMTK

Subtype A, B, C, D

Immunogen HIV-1 infection, vaccine

Vector/Type: DNA prime with modified vaccinia Ankara (MVA) boost *Strain:* A clade HIV component: p17 Gag, p24 Gag

Species (MHC) human, macaque (A*0301, A11, A33)

Keywords subtype comparisons, epitope processing, vaccine-specific epitope characteristics, immunodominance

References Hanke & McMichael 2000; Wee *et al.* 2002

- The HIV-1 subtype A focused vaccine HIVA contains p24 and p17, in a reversed order relative to the Gag polyprotein to prevent myristylation of p17, which could direct the protein to the cell membrane and inhibit efficient peptide processing and class I presentation, as well as a polyepitope string of conserved, often immunodominant epitopes that were selected to have particularly good cross-reactive potential for the A-clade epidemic in Nairobi, Kenya. A DNA and MVA prime-boost vaccination protocol using the HIVA antigen will be used in a phase III clinical trial in Kenya. This epitope is included in the polyepitope string Hanke & McMichael [2000].
- Multiple CD4+ or CD8+ T-cell vaccine-induced responses to peptide pools were detected using intracellular cytokine staining and IFN γ Elispot assays after vaccination of 5 macaques. The response to the Mamu A*01 SIV p27 epitope p11C (CTPYDINQM), included in the polyepitope region, was not immunodominant in the Mamu A*01 vaccinated macaques, possibly because of processing limitations in context of the artificial polyepitope string Wee *et al.* [2002].

HXB2 Location RT (158–166)

Author Location RT (325–333 LAI)

Epitope AIFQSSMTK

Subtype B

Immunogen HIV-1 infection

Species (MHC) human (A*1101)

Keywords optimal epitope

References Frahm *et al.* 2007

- C. Brander notes this is an A*1101 epitope.

HXB2 Location RT (158–166)

Author Location Pol (313–321)

Epitope AIFQSSMTK

Subtype B, CRF01_AE

Immunogen HIV-1 infection

Species (MHC) human (A*1101)

Keywords subtype comparisons

References Fukada *et al.* 2002

- Counterparts for eight known clade B HLA A*1101 epitopes were generated for clade E (CRF01). Three epitopes, identical among clade A-E, were cross-reactive and recognized by clade E infected individuals. The clade E and B analogs to three more HLA A*1101 epitopes was recognized in a clade specific manner. Two other HLA A*1101 clade B defined epitopes were found not to have stimulated a response in clade E infected individuals.
- AIFQSSMTK is commonly found in viruses representing subtypes A-E. It was strongly recognized by CTL from 2/5 B clade infected Japanese subjects, and 5/6 E clade infected Thai subjects.

HXB2 Location RT (158–166)

Author Location RT (313–321)

Epitope AIFQSSMTK

Subtype B, CRF01_AE

Immunogen

Species (MHC) human (A*1101)

Country Thailand.

Keywords HIV exposed persistently seronegative (HEPS), structure

References Li & Bouvier 2004

- HLA-A*1101 has been associated with resistance to acquisition of HIV-1 infection in female sex-workers in Thailand. Its crystal structure has been determined in association with two immunodominant A*1101 HIV-1 CTL epitopes. Its anchor residues are confirmed as P2(Ile/Val) and C-term (Lys). The backbone conformation of the peptides is defined as two bulges separated by a secondary anchor residue (P6 Ser or Met) that may offer various advantages in the selection and presentation of CTL epitopes by HLA-A*1101.

HXB2 Location RT (158–166)

Author Location RT (325–333)

Epitope AIFQSSMTK

Immunogen HIV-1 infection

Species (MHC) human (A*1101, A3, A*0301, A*6801)

References Menendez-Arias *et al.* 1998; Threlkeld *et al.* 1997

- Study of the fine specificity of an A3-like super-type epitope (the A3 super-type includes A*0301, A*1101, A*3101, A*3301, and A*6801)
- A3 super-type is characterized by a hydrophobic or hydroxyl containing anchor residue at position 2, and a positive charge in the C-term position.

- While most lines were specific, promiscuous cloned CTL lines were also derived from HIV+ donors that could recognize epitope presented by either A3 or A11 or A*6801.
- Alanine substitutions throughout the epitope and natural variants indicate that the same amino acid positions are critical for presentation by either MHC molecule, A3 or A11.
- AIFQSSMTK is presented by three members of the A3 superfamily: A*0301, A*1101, and A*6801, and the naturally occurring variants A1S and K9R are recognized with similar efficiency to wild type epitope – AIFQSSMTR can also bind to two additional members of the A3 superfamily, A*3101 and A*3301.

HXB2 Location RT (158–166)

Author Location RT

Epitope AIFQSSMTK

Immunogen HIV-1 infection

Species (MHC) human (A11)

References Wagner *et al.* 1998a

- CTL specific for HIV epitopes were used to show that the mediators of both the cytolytic (granzyme A was used as the marker) and non-cytolytic (HIV-1 inhibitory chemokines MIP-1 α and RANTES were used as markers) anti-viral responses are localized within the CTL's cytotoxic granules.

HXB2 Location RT (158–166)

Author Location RT (325–333 LAI)

Epitope AIFQSSMTK

Subtype B

Immunogen peptide-HLA interaction

Species (MHC) human (A11)

References Menendez-Arias *et al.* 1998; Zhang *et al.* 1993

- Exploration of A11 binding motif, based on Nixon *et al.* 1991.

HXB2 Location RT (158–166)

Author Location RT (325–333 LAI)

Epitope AIFQSSMTK

Subtype B

Immunogen HIV-1 infection

Species (MHC) human (A11)

Keywords review

References McMichael & Walker 1994

- Review of HIV CTL epitopes.

HXB2 Location RT (158–166)

Author Location Pol (305–313 93TH253 subtype CRF01)

Epitope AIFQSSMTK

Epitope name P313-321

Subtype CRF01_AE

Immunogen HIV-1 infection, HIV-1 exposed seronegative

Species (MHC) human (A11)

Keywords HIV exposed persistently seronegative (HEPS)

References Sriwanthana *et al.* 2001

- This was a study of HIV-1 exposed persistently seronegative (HEPS) female sex workers in Chiang Mai, northern Thailand.

- HLA-A11 is very common in this population, and was enriched among the HEPS sexworkers – weak CTL responses were detected in 4/7 HEPS women, and CTL responses were found in 8/8 HIV+ controls, and 0/9 HIV- women that were not exposed.
- This epitope was weakly reactive in the HEPS study subject 128 who was HLA A11/A33.
- This epitope was strongly reactive in HIV+ study subjects 053 and 184 who carried HLA-A11.

HXB2 Location RT (158–166)

Author Location Pol (305–313 93TH253 subtype CRF01)

Epitope AIFQSSMTK

Subtype CRF01_AE

Immunogen HIV-1 infection

Species (MHC) human (A11)

Keywords subtype comparisons

References Bond *et al.* 2001

- HLA-A11 CRF01 (called subtype E in Bond *et al.*) epitopes were identified that stimulated CTL from HIV+ female sex workers (FSW) from Northern Thailand, of whom more than half were HLA-A11 positive.
- 77 possible HLA-A11 epitopes were first defined using EpiMatrix, these were screened for binding to A11 finding and 26 bound, and 12 of these were epitopes for CTL responses from 8 HLA-A11 positive FSWs, six were novel, six were previously identified.
- This epitope was predicted by the EpiMatrix method to be likely to bind to A11, and it served as an epitope in the FSWs, it was one of the six A11 epitopes that had been previously defined.
- 6/8 tested FSWs recognized this epitope.
- An HLA-A11 tetramer was made for this epitope, which was recognized by two subjects – and both subjects had expanded tetramer staining T-cell populations after *in vitro* stimulation.
- This epitope was highly conserved in other subtypes, and exact matches were common.

HXB2 Location RT (158–166)

Author Location RT (158–166 IIIB)

Epitope AIFQSSMTK

Subtype B

Immunogen HIV-1 infection

Species (MHC) human (A11)

Keywords epitope processing, escape

References Moore *et al.* 2002b

- HIV polymorphisms in the RT protein were examined relation to HLA alleles found in a population of 473 participants in the Western Australian HIV Cohort Study. 64 significant associations between polymorphisms at particular positions and HLA alleles were detected, for HLA-B7, -B12, -B35 and -B15. Fifteen of these were in positions with known epitopes, 4 in anchor residues, 11 in other positions. Six additional polymorphic sites associated with particular HLA molecules flanked known epitopes and may relate to processing.
- HLA-A11+ individuals with a K166x (4/19) substitution had higher viral loads than those that did not, suggesting escape was associated with diminished immune control of viremia.

HXB2 Location RT (158–166)

Author Location Pol**Epitope** SIFQSSMTK**Immunogen** HIV-1 infection**Species (MHC)** human (A11)**Donor MHC** A2, A11, B8, B60, Bw6**Keywords** HAART, ART**References** Appay *et al.* 2002

- Four HIV patients with prolonged clinically successful anti-viral therapy but with ongoing evidence of replication and Nef mRNA transcription, showed specific T-cell responses by Elispot and Tetramer staining, maintained for 2-4 years after initiation of HAART.
- Nef epitope recognition was detected in all 4 subjects, gp120, Pol and Gag-specific in 1 or 2 subjects.
- The HIV-specific CD8+ T-cells had an intermediate maturation phenotype characterized by low levels of perforin and high levels of CD27 expression.

HXB2 Location RT (158–166)**Author Location** Pol (314–322)**Epitope** AIFQSSMTK**Epitope name** AK9**Subtype** B**Immunogen** HIV-1 infection**Species (MHC)** human (A11)**Donor MHC** A2, A11, B18, B44, Cw5, Cw12**Country** United States.**Assay type** CD8 T-cell Elispot - IFN γ , Intracellular cytokine staining, Flow cytometric T-cell cytokine assay**Keywords** optimal epitope**References** Allen *et al.* 2005b

- 4/14 optimal HIV-1 T-cell epitopes in a subject underwent mutation associated with dramatic loss of the original CD8 response. For one of the escape variants, a novel CD8 T-cell response equal in magnitude to the wild type, was generated. CD8 T-cell recognizing the variant epitope utilized a distinct T-cell receptor and did not exhibit any cross-reactivity against the wild type.
- This epitope did not vary.

HXB2 Location RT (158–166)**Author Location** Pol (314–322)**Epitope** AIFQSSMTK**Subtype** B**Immunogen** HIV-1 infection**Species (MHC)** human (A11)**Donor MHC** A2, A11, B18, B44, Cw5, Cw12**Country** United States.**Assay type** CD8 T-cell Elispot - IFN γ **References** Allen *et al.* 2005a

- Two-thirds of all mutations arising in nonenvelope proteins during the transition from acute to chronic infection were found to be due to either CD8 T-cell-associated selective pressures or reversion of HLA-I-associated mutations selected in a previous host. The predominance of escape mutations at highly polymorphic sites was observed across different HIV-1 clades.
- This epitope was reactive, but escape mutations did not accrue in it over time.

HXB2 Location RT (158–166)**Author Location** Pol (313–321)**Epitope** AIFQSSMTK**Epitope name** AK9**Subtype** B**Immunogen** HIV-1 infection**Species (MHC)** human (A11)**Donor MHC** A*01, A*11, B*08, B*15, Cw*04, Cw*07**Country** United States.**Assay type** CD8 T-cell Elispot - IFN γ , Chromium-release assay, Flow cytometric T-cell cytokine assay**Keywords** escape, optimal epitope**References** Koibuchi *et al.* 2005

- HIV-1-specific CD8 T-cell responses were shown to be persistent in the chronic phase of HIV-1 infection, although the responses to some of the epitopes were declining despite the persistence of the targeted sequences in vivo. Only 4/14 epitopes were potential CTL escape variants, although strong responses to these epitopes persisted for 6 years. This indicates limited viral evolution within targeted CD8 T-cell epitopes during the chronic phase of infection.
- The AK9 variant AIFQSSMT_r was essentially the only form of the epitope detected over a 5-year period in this person. Elispot reactions indicated the T-cell clones only recognized the autologous form, not the B clade consensus, AIFQSSMTK. Two rare variants were observed at the 5-year time point, tIFQSSMT_r and AIFQSSMar.

HXB2 Location RT (158–166)**Author Location** Pol (325–333)**Epitope** AIFQSSMTK**Subtype** B**Immunogen** HIV-1 infection**Species (MHC)** human (A11, A*0301, A33)**Assay type** CD8 T-cell Elispot - IFN γ , CD8 T-cell Elispot granzyme B**Keywords** Th1, characterizing CD8+ T cells**References** Kleen *et al.* 2004

- Only 20% of CD8+ T-cells produce IFN-gamma and granzyme B simultaneously (Tc1a). Two additional subpopulations of HIV specific CD8 cells are found, each one constituting 30-40% of the CD8 cell pool. One of these (Tc1b) secretes IFN-gamma only, and the other one (Tc1c) secretes GzB only.
- One of the patients responded to this peptide with GzB producing cells, while none of the patients responded with IFN-gamma producing cells.

HXB2 Location RT (158–166)**Author Location** RT (B consensus)**Epitope** AIFQSSMTK**Epitope name** ATK9**Immunogen** HIV-1 infection**Species (MHC)** human (A11, A3)**Donor MHC** A02, A11, B18, B44, Cw5, Cw12; A03, B14, B60, Cw3, Cw7; A01, A03, B08, B14, Cw7, Cw8**Country** United States.**Assay type** Cytokine production, Intracellular cytokine staining, Chromium-release assay, Flow cytometric T-cell cytokine assay

Keywords assay standardization/improvement, cross-presentation by different HLA, memory cells, characterizing CD8+ T cells

References Lichterfeld *et al.* 2004c

- Using a flow-cytometric cytotoxicity assay based on caspase-3 activation in dying target cells, it was shown that the subset of HIV-1-specific CD8+ T cells secreting both IFN-gamma and TNF-alpha exhibit stronger cytotoxic activity than those secreting only IFN-gamma. These cells also exhibited stronger intracellular perforin expression. No association between HIV-1-specific CD8+ T-cell maturation phenotypes and intracellular perforin expression was found.
- 3/9 individuals recognized this epitope, two presented by HLA-A3, one presented by HLA-A11.

HXB2 Location RT (158–166)

Author Location RT (325–333 IIIB)

Epitope AIFQSSMTK

Immunogen HIV-1 infection

Species (MHC) human (A3)

Keywords responses in children, mother-to-infant transmission

References Wilson *et al.* 1996

- Epitope defined in the context of the Pediatric AIDS Foundation ARIEL Project, a mother-infant HIV transmission study.
- AIFQSSMTR and AILQSSMTK, naturally occurring variants, were found in infant, and are recognized.
- TISQSSMTK, a naturally occurring variant, was found in infant and is not recognized.

HXB2 Location RT (158–166)

Author Location RT (325–333 LAI)

Epitope AIFQSSMTK

Subtype B

Immunogen HIV-1 infection

Species (MHC) human (A3)

Keywords subtype comparisons

References Cao *et al.* 1997a

- The consensus peptide of B and D clade viruses is AIFQSSMTK.
- The consensus peptide of a subset of As is AIFQASMTK and it is less able to stimulate the CTL clone.
- The consensus peptide of a subset of As is SIFQSSMTK and is as reactive as the originally defined epitope.

HXB2 Location RT (158–166)

Author Location Pol (325–333 IIIB)

Epitope AIFQSSMTK

Immunogen HIV-1 infection

Species (MHC) human (A3)

Keywords responses in children, mother-to-infant transmission, escape

References Wilson *et al.* 1999a

- This study describes maternal CTL responses in the context of mother-to-infant transmission.
- Detection of CTL escape mutants in the mother was associated with transmission, but the CTL-susceptible forms of the virus tended to be found in infected infants.
- One variant found in an infant gave a positive CTL response: AIFQSSMTR.

- AIFLSSMTK and TISQSSMTK were escape mutants.

HXB2 Location RT (158–166)

Author Location RT (325–333 SF2)

Epitope AIFQSSMTK

Immunogen HIV-1 infection

Species (MHC) human (A3)

Keywords HAART, ART, acute/early infection

References Altfeld *et al.* 2001b

- Therapy provided during acute infection resulted in a narrower CTL response, stronger T help response, and a less diverse viral population than was seen in individuals treated during chronic infection.
- The breadth and specificity of the response was determined using ELISPOT by studying 19 individuals with pre-seroconversion therapy (Group 1), 11 individuals with primary infection but post-seroconversion therapy (Group 2), and 10 individuals who responded to HAART given during chronic infection (Group 3), using 259 overlapping peptides spanning p17, p24, RT, gp41, gp120 and Nef.
- Previously described and newly defined optimal epitopes were tested for CTL response.
- Number of HLA-A3+ individuals that had a CTL response to this epitope broken down by group: 0/7 group 1, 0/4 group 2, and 1/2 group 3.

HXB2 Location RT (158–166)

Author Location RT (158–166)

Epitope AIFQSSMTK

Immunogen HIV-1 infection

Species (MHC) human (A3)

Keywords rate of progression, acute/early infection

References Day *et al.* 2001

- The CTL response to optimally defined CTL epitopes restricted by HLA class I A and B alleles in individuals who coexpressed HLA A2, A3, and B7 was studied in eight HIV-1-infected subjects, two with acute infection, five with chronic, and one long-term non-progressor (LTNP)
- 2 to 17 epitopes were recognized in a given individual, A2-restricted CTL response tended to be narrow and never dominated the response, and 25/27 epitopes were targeted by at least one person.
- All patients recognized at least 1 A3 epitope, up to 8 A3 epitopes, but none was clearly dominant.
- In two of the subjects, AIFQSSMTK was the dominant epitope.

HXB2 Location RT (158–166)

Author Location RT Pol (313–321)

Epitope AIFQSSMTK

Epitope name A3-ATK9

Subtype B

Immunogen HIV-1 infection

Species (MHC) human (A3)

Donor MHC A3, B7, Cw7

Keywords dynamics, supervised treatment interruptions (STI), acute/early infection

References Yu *et al.* 2002a

- CTL responses in 18 acutely HIV-infected HLA-A3 (n=7) or -B7 (n=4) or both -A3 and B7 (n=7) positive individuals were studied.

- One individual, AC-06, was homozygous at all three class I alleles (A3, B7, Cw7), was treated during acute infection and had supervised treatment interruptions (STI). He had only two detectable CTL responses during acute infection, but after STI this broadened to 27 distinct epitopes including 15 restricted by HLA-A3, 11 by HLA-B7, and 1 by HLA-Cw7.
- 0/14 HLA-A3 positive individuals had detectable A3-restricted responses to this epitope during acute infection, but only 5/15 of HLA-A3 epitopes tested were targeted during acute infection. 3/7 individuals began to have detectable responses to this epitope after STI.

HXB2 Location RT (158–166)

Author Location RT (158–166)

Epitope AIFQSSMTK

Epitope name A3-AK9 Pol

Subtype B

Immunogen HIV-1 infection

Species (MHC) human (A3)

Assay type CD8 T-cell Elispot - IFN γ

Keywords supervised treatment interruptions (STI), escape, early treatment, superinfection

References Altfield *et al.* 2002a

- An HIV+ individual given acute ARV and undergoing STI developed a strong CTL immune response, but despite this was shown to be superinfected with second B clade virus. Some epitope variants of the second infecting virus were resistant to the initial CTL response.
- The second infecting strain had the variant aifqssmIk. The CTL response to the second variant was zero or low at all timepoints. The CTL response to the first variant was also low, and declined over time.

HXB2 Location RT (158–166)

Author Location RT (158–166)

Epitope AIFQSSMTK

Immunogen HIV-1 infection

Species (MHC) human (A3)

Donor MHC A03, A32, B51, B15, Cw03, Cw06, DR4, DR8, DQ7

Country Netherlands.

Assay type CD8 T-cell Elispot - IFN γ , Flow cytometric T-cell cytokine assay

Keywords rate of progression, escape

References Geels *et al.* 2003

- Both stable potential epitopes and epitopes with escape mutations were found in a patient with increasing viral load over a time period of 4 years. Fixation of escape mutations occurred sequentially and correlated with the rise in viral load and with the increased number of productively infected cells.
- This is one of 17 potential epitopes from this individual, defined based on previously identified epitopes presented by appropriate HLA molecules. Full length genome sequence did not reveal changes in time in any of these epitopes over a four year period. Peptide pools initially revealed very little response to these epitopes, but this increased over time.

HXB2 Location RT (158–166)

Author Location RT Pol (313–333)

Epitope AIFQSSMTK

Immunogen HIV-1 infection

Species (MHC) human (A3)

Country Spain.

Assay type proliferation, CD8 T-cell Elispot - IFN γ , Flow cytometric T-cell cytokine assay

Keywords HAART, ART, supervised treatment interruptions (STI), immune dysfunction

References Plana *et al.* 2004

- Structured treatment interruption (STI) alone is not able to control viral replication in chronically infected patients, probably due to lack of strong, maintained T-helper cell responses. HIV-1 specific CD8+ T-cell responses were shown to increase significantly until the end of the follow up, but were not correlated with viral load.
- 5/14 patients recognized this epitope.

HXB2 Location RT (158–166)

Author Location Pol

Epitope AIFQSSMTK

Epitope name AK9

Subtype B

Immunogen HIV-1 infection

Species (MHC) human (A3)

Donor MHC A1, A3, B7, B57, Cw6, Cw7

Country United States.

Assay type CD8 T-cell Elispot - IFN γ

Keywords subtype comparisons, escape, characterizing CD8+ T cells, reversion, viral fitness

References Allen *et al.* 2005a

- Two-thirds of all mutations arising in nonenvelope proteins during the transition from acute to chronic infection were found to be due to either CD8 T-cell-associated selective pressures or reversion of HLA-I-associated mutations selected in a previous host. The predominance of escape mutations at highly polymorphic sites was observed across different HIV-1 clades.
- One escape mutation, at position 9, aifqssmI, was found not to correspond to the most polymorphic residues in the epitope.

HXB2 Location RT (158–166)

Author Location RT (325–333 LAI)

Epitope AIFQSSMTK

Epitope name P3

Subtype B

Immunogen HIV-1 infection

Species (MHC) human (A3 supertype)

Keywords HAART, ART, supertype

References Mollet *et al.* 2000

- A panel of 16 epitopes covering 15 class I alleles was tested in 14 HIV+ patients from an unselected Caucasian population treated with HAART, using CD8+ cell IFN γ production to measure responses.
- In general, during the first month of treatment viral load decreased and frequencies of HIV-specific CTL tripled and broadened – eight new HIV specificities that were not previously detectable were newly detected, as were CMV specific CD8+ PBL – but with continued viral suppression, HIV-specific responses diminished.
- Viral rebounds gave different patterns of response: increases or decreases in pre-existing response, new specificities, or no change.

HXB2 Location RT (158–166)**Author Location** Pol (337–345)**Epitope** AIFQSSMTK**Immunogen** HIV-1 infection**Species (MHC)** human (A3 supertype)**Keywords** supertype, rate of progression**References** Propato *et al.* 2001

- Long-term nonprogressors (LTNPs) had strong memory resting CD8+ T-cell responses against the majority of epitopes tested, (18 for the A2 supertype, 16 for the A3 supertype) while the effector cells of long-term nonprogressors recognized far fewer epitopes.
- Progressors had memory resting CD8+ T-cells that recognized far fewer epitopes than LTNPs.
- A positive correlation between effector CD8+ T-cells and plasma viremia and a negative correlation between CD8+ effector T-cells and CD4+ T-cells was observed, which may contribute to the inability of LTNPs to clear virus.
- This epitope can bind 3/5 HLA-A3 supertype alleles (A*0301, A*1101, A*3101, A*3301 and A*6801).

HXB2 Location RT (158–166)**Author Location** Pol**Epitope** AIFQSSMTK**Epitope name** 1339**Subtype** multiple**Immunogen** HIV-1 infection**Species (MHC)** human (A3, A*0301, A11, A*6801, A33)**Donor MHC** A02, A03, B08, B51, Cw01, Cw07; A03, A26, B08, B52; A03, A11, B14, B05, Cw08**Country** United States.**Assay type** T-cell Elispot**Keywords** binding affinity, supertype, computational epitope prediction, cross-presentation by different HLA**References** De Groot *et al.* 2003

- Epitopes defined using sequence parsing and matching algorithm Conservatrix, and epitope prediction tool EpiMatrix, were shown to be conserved in a broad range of HIV-1 sequences derived from different parts of the world. 31 novel highly conserved HIV-1 epitopes were found, among which four were recognized as promiscuous epitopes and five as MHC superotypes.
- Estimated binding probability for AIFQSSMTK: 59% Supertype epitope binding to A03, A3.1, A11, A6801, A33.

HXB2 Location RT (158–166)**Author Location** Pol (313–321)**Epitope** AIFQSSMTK**Immunogen** HIV-1 infection**Species (MHC)** human (A3, A11)**References** Ferrari *et al.* 2000

- One of the 51 HIV-1 epitopes selected by Ferrari *et al.* as good candidate CTL epitopes for vaccines by virtue of being conserved and presented by common HLA alleles.

HXB2 Location RT (158–166)**Author Location** Pol (325–333)**Epitope** AIFQSSMTK**Immunogen** HIV-1 infection, HIV-1 exposed seronegative**Species (MHC)** human (A3, A11, A33)**Keywords** HIV exposed persistently seronegative (HEPS)**References** Kaul *et al.* 2001a

- Variants (S/A)IFQSSMTK are specific for the A/B clades.
- ELISPOT was used to study CTL responses to a panel of 54 predefined HIV-1 epitopes in 91 HIV-1-exposed, persistently seronegative (HEPS) and 87 HIV-1-infected female Nairobi sex workers.
- Responses in HEPS women tended to be lower, and focused on different epitopes with HLA presenting molecules that have previously been associated with reduced risk of infection, and there was a shift in the response in the HEPS women upon late seroconversion to epitopes recognized by the HIV-1 infected women.
- 43/91 HEPS women had CD8+ responses and detection of HIV-1-specific CTL in HEPS women increased with the duration of viral exposure.
- Among HLA-A3 women, 2/2 HEPS and 3/3 HIV-1 infected women recognized this epitope.
- The dominant response to this HLA allele was to this epitope in one of the 2/2 HEPS cases and in one of the 3/3 HIV-1 infected women.

HXB2 Location RT (158–166)**Author Location** RT (325–333 LAI)**Epitope** AIFQSSMTK**Subtype** B**Immunogen****Species (MHC)** human (A33)**References** Rowland-Jones 1995

- Defined as minimal peptide by titration curve, S. Rowland-Jones, pers. comm.

HXB2 Location RT (158–166)**Author Location****Epitope** AIFQSSMTK**Immunogen** HIV-1 infection**Species (MHC)** human (A33)**Keywords** HIV exposed persistently seronegative (HEPS)**References** Kaul *et al.* 2001c

- This study examines CTL responses in HIV exposed, persistently seronegative individuals, HEPS, who eventually seroconverted – 11/114 HEPS Nairobi sex workers eventually seroconverted, and for six of these HIV CTL reactive epitopes had been defined while seronegative.
- The epidemiological factor associated with seroconversion was stopping sex work. HIV-specific CTL activity declined when HEPS sex workers stopped working for a period or retired.
- This epitope was recognized in 1/22 HEPS sex worker controls, ML1668.

HXB2 Location RT (158–182)**Author Location** RT (325–349 PV22)**Epitope** AIFQSSMTKILEPFRKQNPDIYIQ**Immunogen** HIV-1 infection**Species (MHC)** human (A11)**References** Jassoy *et al.* 1993

- HIV-1 specific CTLs release γ -IFN, and α - and β -TNF.

- HXB2 Location** RT (158–182)
Author Location RT (325–349)
Epitope AIFQSSMTKILEPFRKQNPDIIVYQ
Immunogen HIV-1 infection
Species (MHC) human (A11)
References Price *et al.* 1995
- Study of cytokines released by HIV-1 specific activated CTL.
- HXB2 Location** RT (164–172)
Author Location Pol (343–351)
Epitope MTKILEPFR
Immunogen HIV-1 infection
Species (MHC) human (A3 supertype)
Keywords supertype, rate of progression
References Propato *et al.* 2001
- Long-term nonprogressors (LTNPs) had strong memory resting CD8+ T-cell responses against the majority of epitopes tested, (18 for the A2 supertype, 16 for the A3 supertype) while the effector cells of long-term nonprogressors recognized far fewer epitopes.
 - Progressors had memory resting CD8+ T-cells that recognized far fewer epitopes than LTNPs.
 - A positive correlation between effector CD8+ T-cells and plasma viremia and a negative correlation between CD8+ effector T-cells and CD4+ T-cells was observed, which may contribute to the inability of LTNPs to clear virus.
 - This epitope can bind 4/5 HLA-A3 supertype alleles (A*0301, A*1101, A*3101, A*3301 and A*6801).
- HXB2 Location** RT (173–181)
Author Location RT (173–181 LAI)
Epitope KQNPDIIVY
Subtype B
Immunogen
Species (MHC) human (A*3002)
Keywords optimal epitope
References Frahm *et al.* 2007; Goulder *et al.* 2001a
- C. Brander notes this is an A*3002 epitope.
- HXB2 Location** RT (173–181)
Author Location RT
Epitope KQNPDIIVY
Epitope name KY9 (RT-53)
Immunogen HIV-1 infection
Species (MHC) human (A*3002)
References Goulder *et al.* 2001a
- HLA-A*3002 is very common in African populations, 50% of Zimbabweans express HLA-A30, 44% in African Zulu, so five new HIV epitopes were characterized that are presented by this HLA molecule.
 - A rapid method was developed combining ELISPOT with intracellular IFN- γ staining of PBMCs to map optimal epitopes, then HLA presenting molecules were defined – this method was completed within 48 to 72 hours of receipt of blood.
 - Two individuals were studied: Subject 199 (HLA A*0201/*3002 B*4402/51 Cw2/5), a Caucasian, and Subject 6007 (HLA A*3002/ B53/*5801 Cw4/7) an African-Caribbean.
 - In both HLA-A*3002 individuals the response to RSLYNT-VATLY was dominant.

- In subject 199 four additional A*3002 epitopes were identified.
- Three quantitative assays, ELISPOT, precursor frequency and chromium release, confirmed a hierarchy of response: RY11 (p17) > KY9 (gp41) > KY9 (RT-53) > IY9 (gp41)

- HXB2 Location** RT (173–181)
Author Location (C consensus)
Epitope AQNPEIIVY
Subtype C
Immunogen HIV-1 infection
Species (MHC) human (A*3002)
Country South Africa.
Assay type CD8 T-cell Elispot - IFN γ
Keywords characterizing CD8+ T cells
References Kiepiela *et al.* 2004
- HLA class I restricted CD8+ T-cell responses against HIV-1 were analyzed in African patients. Significantly more responses were shown to be HLA-B restricted. Viral load, CD4 count, and thus rate of disease progression were also associated with HLA-B alleles. In addition, the selection pressure imposed on HIV-1 by HLA-B alleles was shown to be substantially greater than by other alleles.
 - This epitope was suggested to be the epitope within a longer reactive peptide based on correspondence with a known epitope in the HIV database. Also, a significantly higher frequency of people in the Durban cohort who reacted with the peptide had this HLA type.

- HXB2 Location** RT (173–183)
Author Location (C consensus)
Epitope AQNPEIIVYQY
Subtype C
Immunogen HIV-1 infection
Species (MHC) human (A*3002)
Country South Africa.
Assay type CD8 T-cell Elispot - IFN γ
Keywords rate of progression, optimal epitope
References Kiepiela *et al.* 2007
- A comprehensive analysis of 160 class I T cell responses in 578 individuals from KwaZulu-Natal, South Africa was performed. Gag-specific responses were associated with lowering viremia, while Env, accessory and regulatory protein-specific responses were associated with higher viremia.
 - AQNPEIIVYQY is an optimal epitope.

- HXB2 Location** RT (175–183)
Author Location (C consensus)
Epitope NPEIIVYQY
Subtype C
Immunogen HIV-1 infection
Species (MHC) human (B*18)
Country South Africa.
Assay type CD8 T-cell Elispot - IFN γ
Keywords rate of progression, optimal epitope
References Kiepiela *et al.* 2007
- A comprehensive analysis of 160 class I T cell responses in 578 individuals from KwaZulu-Natal, South Africa was performed. Gag-specific responses were associated with lowering viremia, while Env, accessory and regulatory protein-specific responses were associated with higher viremia.

- Mutational patterns in the I4 residue of NPEIVYQY are associated with the presence of the HLA presenting molecule in the host.

HXB2 Location RT (175–183)

Author Location (C consensus)

Epitope NPEIVYQY

Subtype C

Immunogen HIV-1 infection

Species (MHC) human (B*35)

Country South Africa.

Assay type CD8 T-cell Elispot - IFN γ

Keywords rate of progression, optimal epitope

References Kiepiela *et al.* 2007

- A comprehensive analysis of 160 class I T cell responses in 578 individuals from KwaZulu-Natal, South Africa was performed. Gag-specific responses were associated with lowering viremia, while Env, accessory and regulatory protein-specific responses were associated with higher viremia.
- NPEIVYQY is an optimal epitope.

HXB2 Location RT (175–183)

Author Location RT (328–336 IIIB)

Epitope NPDIVYQY

Immunogen HIV-1 infection

Species (MHC) human (B*3501)

References Tomiyama *et al.* 1997

- A CTL clone responsive to this epitope was obtained.
- 3/7 B35-positive individuals had a CTL response to this epitope.
- D to E, or V to I, substitutions at positions 3 or 5, respectively, reduces CTL activity and binding to B*3501.

HXB2 Location RT (175–183)

Author Location RT (328–336 IIIB)

Epitope NPDIVYQY

Immunogen HIV-1 infection

Species (MHC) human (B*3501)

Keywords optimal epitope

References Frahm *et al.* 2007

- C. Brander notes this is a B*3501 epitope.

HXB2 Location RT (175–183)

Author Location RT (342–350 LAI)

Epitope HPDIVYQY

Subtype B

Immunogen HIV-1 infection

Species (MHC) human (B*3501)

Keywords optimal epitope

References Frahm *et al.* 2007

- C. Brander notes this is a B*3501 epitope.

HXB2 Location RT (175–183)

Author Location Pol (330–338)

Epitope NPDIVYQY

Immunogen HIV-1 infection

Species (MHC) human (B*3501)

References Tomiyama *et al.* 2000a

- CD8+ T-cells that bound one of six HIV-specific B*3501-epitope tetramers did not express CD28 or CD45A.

- A significant increase in CD28-CD45RA- cells and a decrease of CD28+CD45RA+ cells was observed in chronically HIV-1-infected individuals relative to healthy individuals.

- CD28-CD45RA- cells are likely to be effector cells and have high levels of perforin in their cytoplasm.

- The mean percentage of total CD28- CD8+ cells in chronically infected HIV-1-infected patients was 76.6% in comparison to HIV-1-uninfected individuals (40.6%)

HXB2 Location RT (175–183)

Author Location RT (175–183 IIIB)

Epitope NPDIVYQY

Subtype B

Immunogen HIV-1 infection

Species (MHC) human (B*3501)

Keywords epitope processing, escape

References Moore *et al.* 2002b

- HIV polymorphisms in the RT protein were examined relation to HLA alleles found in a population of 473 participants in the Western Australian HIV Cohort Study. 64 significant associations between polymorphisms at particular positions and HLA alleles were detected, for HLA-B7, -B12, -B35 and -B15. Fifteen of these were in positions with known epitopes, 4 in anchor residues, 11 in other positions. Six additional polymorphic sites associated with particular HLA molecules flanked known epitopes and may relate to processing.
- NPDIVYQY was one of two epitopes characterized in detail. D177x substitutions are known to specifically abrogate binding to HLA-B*3501, and not other B*35 subtypes. D177x substitutions were associated with people who carried HLA-B*3501 and not other B*35 subtypes; considering high resolution typing generally strengthened the B*35 associations.

HXB2 Location RT (175–183)

Author Location RT (175–183)

Epitope NPDIVYQY

Subtype B

Immunogen HIV-1 infection

Species (MHC) human (B*3501)

Donor MHC A*2301, B*3501, B*1503, Cw2, Cw7

Assay type CD8 T-cell Elispot - IFN γ

Keywords binding affinity, acute/early infection, early-expressed proteins

References Cao *et al.* 2003

- All proteins were scanned and optimal epitopes were mapped in a study of CD8+ INF γ T-cell responses in 21 men within 15-92days post-HIV-1 infection. Subjects initially showed narrow immune responses with a mean of 2.3 epitopes recognized per patient. The immune response broadened later in infection. No correlation between the plasma viral load and the number of recognized epitopes or the frequency of INF γ secreting cells was observed, and there was no correlation between the functional avidity of a response and the abundance of INF-secreting cells that recognized the epitope. The first epitopes to be recognized did not tend to be the most avid, and earliest responses tended to be directed against Nef, Tat, Vpr, and Env.

- All HIV-1 proteins except Vpu were recognized, and a responses to a total of 41 optimal epitopes were characterized; 24 had been identified previously. 48% of the total T-cell responses were directed against Nef and 43% were directed against Gag.
- More common HLA alleles were less frequently used in primary infection than less common alleles, for example A3, B35, B57, and B62 were more frequently recognized than A1, A2, A30, and A44.

HXB2 Location RT (175–183)
Author Location Pol (330–338)
Epitope HPDIVIYQY
Epitope name HY9
Subtype B
Immunogen HIV-1 infection
Species (MHC) human (B*3501)
Donor MHC A*0201, A*0301, B*3501, B*51, Cw*04, Cw*06
Country United States.
Assay type CD8 T-cell Elispot - IFN γ , Intracellular cytokine staining, Chromium-release assay
Keywords escape, acute/early infection
References Bansal *et al.* 2005

- Patients with acute or early infection were shown to preferentially target variable peptides with higher entropy while those with chronic infection showed responses towards more conserved peptides with lower entropy. In longitudinally followed subjects, responses to variable proteins declined over time while responses to conserved proteins increased. The decline is suggested to be due to CTL escape.
- The response to this epitope was not detected until month 25.

HXB2 Location RT (175–183)
Author Location
Epitope NPEIYIYQY
Epitope name NY9
Immunogen
Species (MHC) human (B18)
Keywords optimal epitope
References Frahm *et al.* 2007
 • C. Brander notes this is a B18 epitope.

HXB2 Location RT (175–183)
Author Location RT (342–350 LAI)
Epitope HPDIVIYQY
Subtype B
Immunogen HIV-1 infection
Species (MHC) human (B35)
Keywords review
References McMichael & Walker 1994
 • Review of HIV CTL epitopes.

HXB2 Location RT (175–183)
Author Location RT (329–337)
Epitope HPDIVIYQY
Immunogen HIV-1 infection
Species (MHC) human (B35)
References Rowland-Jones *et al.* 1995

- NPDIVIYQY preferred sequence for some CTL clones, HIV-2 NPDVILIQY is also recognized.

HXB2 Location RT (175–183)
Author Location (SF2)
Epitope NPDIVIYQY
Immunogen HIV-1 infection
Species (MHC) human (B35)
Keywords binding affinity, rate of progression, escape
References Kawana *et al.* 1999

- HLA B35 is associated with rapid disease progression.
- The sequences of 9 previously described HIV-1 B35 CTL epitopes were obtained in 10 HLA B35+ and 19 HLA B35- individuals.
- 3/9 CTL epitopes had substitutions that were more common in B35+ individuals than in B35- individuals – only one of these reduced the binding of the peptide to B35 and was shown to be an escape mutation.
- npEiviyqy was found in 8/10 of the B35+ individuals, and two of the B35- individuals—the D→E substituted peptide had reduced binding affinity to B35 and may be an escape mutant.

HXB2 Location RT (175–183)
Author Location RT (329–337)
Epitope HPDIVIYQY
Immunogen in vitro stimulation or selection
Species (MHC) human (B35)
References Lalvani *et al.* 1997

- A peptide-based protocol was optimized for restimulation of CTLp using optimized peptide and IL-7 concentrations – importantly this protocol does not stimulate a primary response, only secondary – peptide-specific CTLp counts could be obtained via staining with peptide-Class I tetramers.
- This peptide was one of the B35 presented test peptides used in control experiments showing that the assay gave no activity using lymphocytes from 21 healthy B35 seronegative donors.

HXB2 Location RT (175–183)
Author Location RT (328–336 IIIB)
Epitope NPDIVIYQY
Immunogen HIV-1 infection
Species (MHC) human (B35)
References Menendez-Arias *et al.* 1998; Shiga *et al.* 1996
 • Binds HLA-B*3501.
 • CTL activity to this epitope was originally detected in a long-term survivor, however it has since been found in normal progressors – it is cross-reactive with HIV-2 (HPDILYQY), but D3E and V5I substitutions reduce binding Menendez-Arias *et al.* [1998]

HXB2 Location RT (175–183)
Author Location RT (328–336 IIIB)
Epitope NPDIVIYQY
Immunogen HIV-1 infection
Species (MHC) human (B35)
Keywords review, escape
References Menendez-Arias *et al.* 1998; Sipsas *et al.* 1997

- HIV IIIB proteins were used to define the range of CTL epitopes recognized by 3 lab workers accidentally infected with HIV-1 IIIB.
- NPDIIVYQY, a variant found in HIV-1 JRCSF, was also recognized.
- NPEIVYQY, was also recognized.
- NPDLVIYQY, was also recognized.
- Menendez-Arias *et al.* [1998], in a review, notes that the YXDD motif, highly conserved among polymerases, overlaps this epitope – CTL activity to this epitope was originally detected in a long-term survivor, however it has since been found in normal progressors – it is cross-reactive with HIV-2 (HPDILYQY), but D3E and V5I substitutions reduce binding.

HXB2 Location RT (175–183)**Author Location** RT**Epitope** NPDIIVYQY**Immunogen** HIV-1 exposed seronegative**Species (MHC)** human (B35)

Keywords review, subtype comparisons, HIV exposed persistently seronegative (HEPS)

References Menendez-Arias *et al.* 1998; Rowland-Jones *et al.* 1998a

- A CTL response was found in exposed but uninfected prostitutes from Nairobi using previously-defined B clade epitopes that tended to be conserved in A and D clades – such cross-reactivity could protect against both A and D and confer protection in Nairobi where both subtypes are circulating.
- The A subtype consensus is HPDIVIYQY.
- The D subtype consensus is NPEIVYQY.
- Menendez-Arias *et al.* [1998], in a review, notes that the YXDD motif, highly conserved among polymerases, overlaps this epitope – CTL activity to this epitope was originally detected in a long-term survivor, however it has since been found in normal progressors – it is cross-reactive with HIV-2 (HPDILYQY), but D3E and V5I substitutions reduce binding.

HXB2 Location RT (175–183)**Author Location** Pol (subtype B)**Epitope** NPDIIVYQY**Subtype** B**Immunogen** HIV-1 exposed seronegative**Species (MHC)** human (B35)

Keywords subtype comparisons

References Rowland-Jones *et al.* 1998b

- HIV-specific CTL were found in exposed seronegative prostitutes from Nairobi – these CTL may confer protection.
- Seroprevalence in this cohort is 90-95% and their HIV-1 exposure is among the highest in the world.
- Most isolated HIV strains are clade A in Nairobi, although clades C and D are also found – B clade epitopes are often cross-reactive, however stronger responses are frequently observed using A or D clade versions of epitopes.
- Clade A version of epitope HPDIVIYQY, Clade D NPEIVYQY.

HXB2 Location RT (175–183)**Author Location** Pol**Epitope** HPDIVIYQY**Immunogen****Species (MHC)** human (B35)

References Rowland-Jones *et al.* 1999

- CTL responses in seronegative highly HIV-exposed African female sex workers in Gambia and Nairobi were studied – these women had no delta 32 deletion in CCR5.
- In Gambia there is exposure to both HIV-1 and HIV-2, CTL responses to B35 epitopes in exposed, uninfected women are cross-reactive, and the B35 allele seems to be protective.
- HIV-2 version of this epitope is not conserved: NPDVILIYQY, but the CTLs are cross-reactive – one of five B35 CTL epitopes that are cross-reactive, see also Rowland-Jones *et al.* [1995]

HXB2 Location RT (175–183)**Author Location****Epitope** HPDIVIYQY**Immunogen** HIV-1 infection**Species (MHC)** human (B35)**Keywords** acute/early infection

References Wilson *et al.* 2000a

- Three individuals with highly focused HIV-specific CTL responses were studied during acute infection using tetramers – high frequencies of HIV-1-specific CD8+ T cells were found prior to seroconversion, and there was a close temporal relationship between the number of circulating HIV-specific T cells and viral load was also found.
- All three patients were B*2705, with HLA alleles: A1, A30/31, B*2705, B35; A1, A*0301, B7, B2705; and A*0201, A*0301, B2705, B39.
- ELISPOT was used to test a panel of CTL epitopes that had been defined earlier and were appropriate for the HLA haplotypes of the study subjects – 3/3 subjects showed a dominant response to the B*2705 epitope KRWILGGLNK.
- The subject with A*0201 had a moderately strong response to SLYNTVATL.
- Weak responses were observed to A*301-RLRPGGKKK, A*301-QVPLRPMTYK, and B7-TPGPGVRYPL in the subject who was HLA A1, A*0301, B7, B*2705.
- No acute response was detected to the following epitopes: A*201-ILKEPVHGV, A*301-KIRLRPGGK, A*301-AIFQSSMTK, A*301-TVYYGVPVWK, B35-EPIVGAETF, B35-HPDIVIYQY, B35-PPIPVGIEY, B35-NSSKVSQNY, B35-VPLRPMTY, B35-DPNPQEVVL.

HXB2 Location RT (175–183)**Author Location** Pol (subtype A)**Epitope** HPDIVIYQY**Subtype** A**Immunogen** HIV-1 infection**Species (MHC)** human (B35)

Keywords HIV exposed persistently seronegative (HEPS)

References Kaul *et al.* 2001c

- This study examines CTL responses in HIV exposed, persistently seronegative individuals, HEPS, who eventually seroconverted – 11/114 HEPS Nairobi sex workers eventually seroconverted, and for six of these HIV CTL reactive epitopes had been defined while seronegative.
- HPDIVIYQY or NPDIVIYQY was recognized in 1 of the 6 women (ML857), and the response was present in the last available sample prior to seroconversion, 7 months.

- 20/20 sequences of the infecting strain had three substitutions in this epitope, all 20 were NpQiIlyqy, and this form was not recognized by CTL from ML 857 – this was the only case in the study where a virus carrying an unrecognized form of the epitope broke through.
- The epidemiological factor associated with seroconversion was stopping sex work. HIV-specific CTL activity declined when HEPS sex workers stopped working for a period or retired.
- NPDIIVYQY was recognized by 1/22 HEPS control sex workers, ML887.

HXB2 Location RT (175–183)

Author Location RT (175–183 SF2)

Epitope NPDIIVYQY

Immunogen HIV-1 infection

Species (MHC) human (B35)

Keywords HAART, ART, acute/early infection

References Altfeld *et al.* 2001b

- Therapy provided during acute infection resulted in a narrower CTL response, stronger T help response, and a less diverse viral population than was seen in individuals treated during chronic infection.
- The breadth and specificity of the response was determined using ELISPOT by studying 19 individuals with pre-seroconversion therapy (Group 1), 11 individuals with primary infection but post-seroconversion therapy (Group 2), and 10 individuals who responded to HAART given during chronic infection (Group 3), using 259 overlapping peptides spanning p17, p24, RT, gp41, gp120 and Nef.
- Previously described and newly defined optimal epitopes were tested for CTL response.
- Number of HLA-B35+ individuals that had a CTL response to this epitope broken down by group: 1/2 group 1, 0/2 group 2, and 1/1 group 3.

HXB2 Location RT (175–183)

Author Location Pol (342–350)

Epitope HPDIIVYQY

Immunogen HIV-1 infection, HIV-1 exposed seronegative

Species (MHC) human (B35)

Keywords HIV exposed persistently seronegative (HEPS), immunodominance

References Kaul *et al.* 2001a

- Variants (H/N)PDIVYQY are specific for the A/B clades.
- ELISPOT was used to study CTL responses to a panel of 54 predefined HIV-1 epitopes in 91 HIV-1-exposed, persistently seronegative (HEPS) and 87 HIV-1-infected female Nairobi sex workers.
- Responses in HEPS women tended to be lower, and focused on different epitopes with HLA presenting molecules that have previously been associated with reduced risk of infection, and there was a shift in the response in the HEPS women upon late seroconversion to epitopes recognized by the HIV-1 infected women.
- 43/91 HEPS women had CD8+ responses and detection of HIV-1-specific CTL in HEPS women increased with the duration of viral exposure.
- Among HLA-B35 women, 2/3 HEPS and 1/4 HIV-1 infected women recognized this epitope.

- The dominant response to this HLA allele was to this epitope in only one of the 2/3 HEPS cases, and was not to this epitope in the one responsive HIV-1 infected women.
- Subject ML 857 shifted from a A*6802 DTVLEDINL and B35 (H/N)PDIVYQY response prior to seroconversion to a B35 PPIPVGDIY and B35 VPLRPMTY response post-seroconversion and the loss of the pre-seroconversion response was not due to sequence variation within these epitopes.

HXB2 Location RT (175–183)

Author Location

Epitope HPDIIVYQY

Epitope name Pol-HY9

Subtype B

Immunogen HIV-1 infection

Species (MHC) human (B35)

References Sabbaj *et al.* 2003

- Among HIV+ individuals who carried HLA B35, 4/21 (19%) recognized this epitope.

HXB2 Location RT (175–183)

Author Location Pol

Epitope NPDIIVYQY

Subtype B

Immunogen HIV-1 infection

Species (MHC) human (B35)

Donor MHC A3, A11, B35, B51

Keywords mother-to-infant transmission

References Sabbaj *et al.* 2002

- IFN γ T-cell responses in breast milk of 5 HIV-1 infected women from the US and 6 from Zambia were tested with using Elispot. 11/11 women responded to Gag, 8/11 responded to Pol, 7/11 women to Nef, and 2/5 women to Env peptide pools. These responses were shown to be primarily due to CD8+ T-cells in one woman, and another woman had cytolytic responses measured by Cr-release.
- T-cells in breast milk from a volunteer who was HLA A3, A11, B35, B51 induced IFN γ after stimulation with a peptide that carries known B35 epitope NPDIIVYQY.
- The frequencies of responses in the two compartments differed, and 2/4 women that responded to epitopes in Nef 101-205 and Pol 601-710 showed responses in breast milk but no detectable responses in peripheral blood cells.

HXB2 Location RT (175–183)

Author Location Pol

Epitope HPDIIVYQY

Subtype A

Immunogen HIV-1 infection, vaccine

Vector/Type: DNA prime with modified vac-

cinia Ankara (MVA) boost *Strain:* A clade

HIV component: p17 Gag, p24 Gag

Species (MHC) human, macaque (B35)

Keywords subtype comparisons, epitope processing, vaccine-specific epitope characteristics, immunodominance

References Hanke & McMichael 2000; Wee *et al.* 2002

- The HIV-1 subtype A focused vaccine HIVA contains p24 and p17, in a reversed order relative to the Gag polyprotein to prevent myristylation of p17, which could direct the protein to the cell membrane and inhibit efficient peptide processing and class I presentation, as well as a polyepitope string of conserved, often immunodominant epitopes that were selected to have particularly good cross-reactive potential for the A-clade epidemic in Nairobi, Kenya. A DNA and MVA prime-boost vaccination protocol using the HIVA antigen will be used in a phase III clinical trial in Kenya. This epitope is included in the polyepitope string Hanke & McMichael [2000].
- Multiple CD4+ or CD8+ T-cell vaccine-induced responses to peptide pools were detected using intracellular cytokine staining and IFN γ Elispot assays after vaccination of 5 macaques. The response to the Mamu A*01 SIV p27 epitope p11C (CTPYDINQM), included in the polyepitope region, was not immunodominant in the Mamu A*01 vaccinated macaques, possibly because of processing limitations in context of the artificial polyepitope string Wee *et al.* [2002].

HXB2 Location RT (175–183)

Author Location Pol (342–350)

Epitope HPDIVIYQY

Subtype B

Immunogen HIV-1 infection

Species (MHC) human (B35)

Country United States.

Assay type CD8 T-cell Elispot - IFN γ , CD8 T-cell Elispot granzyme B

Keywords Th1, characterizing CD8+ T cells

References Kleen *et al.* 2004

- Only 20% of CD8+ T-cells produce IFN-gamma and granzyme B simultaneously (Tc1a). Two additional subpopulations of HIV specific CD8 cells are found, each one constituting 30-40% of the CD8 cell pool. One of these (Tc1b) secretes IFN-gamma only, and the other one (Tc1c) secretes GzB only.
- None of three patients responded to this peptide with GzB producing cells, while one of the patients responded with IFN-gamma producing cells.

HXB2 Location RT (175–183)

Author Location RT Pol (330–338)

Epitope HPDIVIYQY

Immunogen HIV-1 infection

Species (MHC) human (B35)

Country Spain.

Assay type proliferation, CD8 T-cell Elispot - IFN γ , Flow cytometric T-cell cytokine assay

Keywords HAART, ART, supervised treatment interruptions (STI), immune dysfunction

References Plana *et al.* 2004

- Structured treatment interruption (STI) alone is not able to control viral replication in chronically infected patients, probably due to lack of strong, maintained T-helper cell responses. HIV-1 specific CD8+ T-cell responses were shown to increase significantly until the end of the follow up, but were not correlated with viral load.
- 5/9 patients recognized this epitope.

HXB2 Location RT (175–184)

Author Location RT (175–184 LAI)

Epitope NPDIVIYQYM

Subtype B

Immunogen HIV-1 infection

Species (MHC) human (B51)

References Samri *et al.* 2000

- This epitope contains the mutation M184V, a frequent mutation induced by nucleoside reverse transcriptase inhibitors.
- Patient 246#1 (B51), was found by ELISPOT to recognize the wild type and the mutated peptide after zidovudine treatment.
- The resistance mutation M184V gave an increased predicted binding score to B51 (http://bimas.dcrn.nih.gov/molbio/hla_bind) compared to the wildtype RT sequence and also an increased ELISPOT reactivity.

HXB2 Location RT (175–199)

Author Location RT (342–366 LAI)

Epitope NPDIVIYQMDDL YVGS DLEIGQHR

Subtype B

Immunogen HIV-1 infection

Species (MHC) human (A11)

References Menendez-Arias *et al.* 1998; Walker *et al.* 1989

- One of five epitopes defined for RT-specific CTL clones in this study.

HXB2 Location RT (179–187)

Author Location RT

Epitope VIYQYMDDL

Immunogen vaccine

Vector/Type: vaccinia

Species (MHC) human (A*0201)

References Hanke *et al.* 1998a; Hanke *et al.* 1998b

- This epitope was shown to be processed and presented to appropriate CTL clones upon infection of human target cells with vaccinia virus Ankara (VVA) carrying 20 HIV-1 epitopes recognized by humans.

HXB2 Location RT (179–187)

Author Location RT

Epitope VIYQYMDDL

Immunogen HIV-1 infection

Species (MHC) human (A*0201)

References Tan *et al.* 1999

- Adoptive transfer of two autologous *in vitro*-expanded CTL clones against the A*0201 restricted epitopes SLYNTVATL and VIYQYMDDL were infused into a patient – they were well tolerated, but the SLYNTVATL clone was shown by tetramer staining to be rapidly eliminated through apoptosis, and the treatment had no impact upon viral load and CD4 and CD8 cell counts.
- Tetramer staining failed for the VIYQYMDDL epitope as the tetramer was unstable.

HXB2 Location RT (179–187)

Author Location Pol (346–354)

Epitope VIYQYMDDL

Immunogen HIV-1 infection

Species (MHC) human (A*0201)

Keywords epitope processing, immunodominance, escape

References Sewell *et al.* 1999

- Proteasome regulation influences epitope processing and could influence patterns of immunodominance.
- The proteasome is inhibited by lactacystin treatment, and gamma IFN induces expression of proteasome subunits, LMP2 and LMP7, which combine with the proteasome to create an immunoproteasome.
- IFN-gamma induction of the immunoproteasome and lactacystin inhibition increases the presentation of the A*0201 VIYQYMDDL epitope, but decreases the presentation of the A*0201 ILKEPVHGV epitope, which is immunodominant within pol proteins, showing the two epitopes are processed by different pathways.
- ILKEPVHGV seems to be processed by the classical proteasome pathway, while VIYQYMDDL appears to be destroyed by this pathway.
- This epitope contains the catalytic site (YMDD) of RT, a conserved sequence in HIV-1 which restricts escape mutants.

HXB2 Location RT (179–187)

Author Location RT (346–354 LAI)

Epitope VIYQYMDDL

Subtype B

Immunogen HIV-1 infection

Species (MHC) human (A*0201)

Keywords review

References Harrer *et al.* 1996a; Menendez-Arias *et al.* 1998

- The substitution VIYQYVDDL abrogates CTL response and confers drug resistance.
- Menendez-Arias *et al.* [1998], in a review, notes that this epitope includes catalytic residues (Asp-185 and Asp-186) in the active site of RT.

HXB2 Location RT (179–187)

Author Location RT (346–354 LAI)

Epitope VIYQYMDDL

Subtype B

Immunogen HIV-1 infection

Species (MHC) human (A*0201)

Keywords optimal epitope

References Frahm *et al.* 2007

- C. Brander notes this is an A*0201 epitope.

HXB2 Location RT (179–187)

Author Location RT (346–354)

Epitope VIYQYMDDL

Immunogen HIV-1 infection

Species (MHC) human (A*0201)

Keywords review, escape

References Brander *et al.* 1998a; Menendez-Arias *et al.* 1998

- Of 17 infected HLA A*0201 subjects, 13 had CTL responses against the p17 SLYNTVATL epitope, six recognized ILKEPVHGV and five recognized VIYQYMDDL, and there was no correlation between viral load and recognition of a specific epitope or evidence of immune escape.
- Only one subject had CTL against all three epitopes.

- Subjects were part of the San Francisco City Clinic Cohort, the ARIEL project and from the Boston area.
- In the review Menendez-Arias *et al.* [1998] the authors note that substitution of three residues in this epitope can confer resistance to RT inhibitors (1, 3, and 6) – substitutions V1E and M6V abolish CTL activity, and M6V confers resistance to 3TC – substitution Y3C reduces CTL activity and is associated with resistance to non-nucleoside RT inhibitors.

HXB2 Location RT (179–187)

Author Location RT

Epitope VIYQYMDDL

Epitope name RT VL9

Immunogen HIV-1 infection

Species (MHC) human (A*0201)

Keywords subtype comparisons, supertype, computational epitope prediction

References Altfeld *et al.* 2001c

- HIV was scanned for all peptides which carried the A2-supermotif pattern conserved in more than 50% of B clade sequences – 233 peptides met this criteria, and 30 of these bound to HLA-A*0201 – 20/30 bound to at least 3/5 of HLA-A2 supertype alleles tested.
- Three additional previously described HLA-A2 epitopes were added to the set of 20, including RT VL9, and 18/22 chronically infected HLA-A2 individuals had CTL that recognized at least one of the 23 peptides (median of 2 and maximum of 6), while 6/12 acute infected individuals recognized at least 1 (median of 1 and maximum of 2)
- RT VL9 was not recognized by any of the 22 HLA-A2 patients with chronic HIV-1 infection or the 13 HLA-A2 patients with acute HIV-1 infection included in this study.

HXB2 Location RT (179–187)

Author Location RT (346–354)

Epitope VIYQYMDDL

Epitope name VL9

Immunogen HIV-1 infection

Species (MHC) human (A*0201)

References Dela Cruz *et al.* 2000

- Integration of HIV RT CTL epitopes into the N-terminus of the HLA-A2 heavy chain, or tethering the epitopes to the target chain, resulted in epitope-specific lysis by CD8+ CTL.
- These antigens could also be used to stimulate primary responses *in vitro*.

HXB2 Location RT (179–187)

Author Location Pol (346–354)

Epitope VIYQYMDDL

Subtype B

Immunogen HIV-1 infection

Species (MHC) human (A*0201)

Keywords epitope processing, immunodominance

References Sewell *et al.* 2002

- Epitope processing of three different HLA-A*0201 HIV epitopes was shown to use different pathways, which might influence patterns of immunodominance. .174 cells were used that lack TAP1 and TAP2 genes, as well as the LMP2 and LMP7 genes that encode the beta-subunits of the immunoproteasome.

These genes could be added back through transfection to study processing.

- ILKEPVHGV was efficiently presented in TAP-1 and -2 transfected cells while VIYQYMDDL and SLYNTVATL were not. VIYQYMDDL was destroyed by the MB1 subunit of the protease, and could be expressed in the presence of the proteasome inhibitor lactacystin, but SLYNTVATL expression was not restored. SLYNTVATL expression was unaltered by lactacystin in a wild type cell line.

HXB2 Location RT (179–187)

Author Location RT (346–354 LAI)

Epitope VIYQYMDDL

Epitope name LR26

Subtype B

Immunogen vaccine

Vector/Type: peptide *Strain:* B clade LAI

Adjuvant: Incomplete Freund's Adjuvant (IFA), Montanide (ISA 720), P30, PLG

Species (MHC) mouse (A*0201)

Keywords binding affinity, vaccine-specific epitope characteristics, immunodominance

References Peter *et al.* 2001

- The stability of peptide binding to HLA-A2.1 was determined for six HLA-A2.1 peptides included in this vaccine study – ILKEPVHGV (RT), SLYNTVATL (p17), SLLNATDIAV (gp41) and LLWKGEGAV (RT) all bound with high affinity comparable to a influenza epitope reference (GILGFVFTL), while RGPGRAVFTI and VIYQYMDDL bound with a lower affinity (relative binding activity = 0.01).
- The four high-affinity peptides formed stable complexes with half-lives ranging between 8 and 32 hours, while the low affinity peptides had half lives of less than an hour.
- HLA-A2.1 transgenic mice were immunized with the six HIV-1 peptides and P30, as a universal T-helper epitope, with IFA or Montanide or microspheres as adjuvants.
- All peptides except VIYQYMDDL induced a strong CTL response in Cr-release assays - stronger responses were observed when peptides were delivered alone, indicating immunodominance when the combination was used.

HXB2 Location RT (179–187)

Author Location RT (346–354 LAI)

Epitope VIYQYMDDL

Epitope name LR26

Subtype B

Immunogen vaccine

Vector/Type: peptide *Strain:* B clade LAI

Adjuvant: Incomplete Freund's Adjuvant (IFA), IL-12, P30

Species (MHC) mouse (A*0201)

Keywords vaccine-specific epitope characteristics, immunodominance

References Peter *et al.* 2002

- When HIV-1 peptides were used to vaccinate HLA-A2.1 transgenic A2-Kb mice, strong responses to five peptides were observed when the peptides were given individually, but immunodominance limited the response to some of the peptides when they were given in combination Peter *et al.* [2001]. IL-12 can counteract immunodominance in BALB/c mice, so it was given

with the multiple epitope vaccination, and was instead found to specifically eliminate the HLA-A2.1-epitope CTL responses, but not Kb CTL responses. This was possibly a consequence of transient depletion of T-cells, B cells and macrophages in the spleen.

HXB2 Location RT (179–187)

Author Location Pol

Epitope VIYQYMDDL

Subtype A, B, C, D

Immunogen HIV-1 infection, vaccine

Vector/Type: DNA prime with modified vaccinia Ankara (MVA) boost *Strain:* A clade
HIV component: p17 Gag, p24 Gag

Species (MHC) human, macaque (A*0201)

Keywords subtype comparisons, epitope processing, vaccine-specific epitope characteristics, immunodominance

References Hanke & McMichael 2000; Wee *et al.* 2002

- The HIV-1 subtype A focused vaccine HIVA contains p24 and p17, in a reversed order relative to the Gag polyprotein to prevent myristylation of p17, which could direct the protein to the cell membrane and inhibit efficient peptide processing and class I presentation, as well as a polyepitope string of conserved, often immunodominant epitopes that were selected to have particularly good cross-reactive potential for the A-clade epidemic in Nairobi, Kenya. A DNA and MVA prime-boost vaccination protocol using the HIVA antigen will be used in a phase III clinical trial in Kenya. This epitope is included in the polyepitope string Hanke & McMichael [2000].
- Multiple CD4+ or CD8+ T-cell vaccine-induced responses to peptide pools were detected using intracellular cytokine staining and IFN γ Elispot assays after vaccination of 5 macaques. The response to the Mamu A*01 SIV p27 epitope p11C (CTPYDINQM), included in the polyepitope region, was not immunodominant in the Mamu A*01 vaccinated macaques, possibly because of processing limitations in context of the artificial polyepitope string Wee *et al.* [2002].

HXB2 Location RT (179–187)

Author Location RT (179–187)

Epitope VIYQYMDDL

Subtype B

Immunogen vaccine

Vector/Type: peptide *HIV component:* RT
Adjuvant: Incomplete Freund's Adjuvant (IFA), IL-12

Species (MHC) mouse (A*0201)

Donor MHC A2.1

Assay type Cytokine production, Chromium-release assay

Keywords binding affinity, vaccine-induced epitopes

References Okazaki *et al.* 2003

- Alanine substitutions of VIYQYMDDL were tested for importance of each amino acid for HLA-A2.1 binding. Peptide variant (vLyqymddV) showed an 8 fold higher MHC binding affinity than wild type. YLyqymddV had an even higher binding affinity, but the Y at position one blocked TCR recognition. The higher affinity form of vLyqymddV induced CTL *in vivo*

that could protect against a vaccinia virus expressing RT and the wild type epitope.

- HXB2 Location** RT (179–187)
Author Location RT (179–187 MN)
Epitope VIYQYMDDL
Subtype B
Immunogen vaccine
Vector/Type: DNA, polyepitope *Strain:* B clade MN *HIV component:* gp120, Protease, RT *Adjuvant:* Incomplete Freund's Adjuvant (IFA)
- Species (MHC)** humanized mouse (A*0201)
Assay type CD8 T-cell Elispot - IFN γ
Keywords epitope processing, vaccine-specific epitope characteristics, immunodominance, immunotherapy
References Isagulians *et al.* 2004
- Immunization of HLA-A*0201-transgenic mice with synthetic genes encoding clusters of human A*0201 CTL epitopes located at the sites of drug resistance mutations, induced RT-specific cellular responses indicating the immunogenicity of these constructs. This vaccine strategy may be a first step towards a therapeutic vaccine against drug-resistant strains.
 - This was one of five HLA-A*0201 epitopes from the RT or protease proteins that was included in the polyepitope vaccine. When the transgenic HLA A*0202 mice were vaccinated with the polyepitope construct or with a mixture of RT peptides, a sustained low level CD8+ T-cell gamma IFN response was observed, in contrast to when an intact RT gene was used for vaccination.
- HXB2 Location** RT (179–187)
Author Location Pol (346–354)
Epitope VIYQYMDDL
Subtype B
Immunogen HIV-1 infection
Species (MHC) human (A*0201)
Country United States.
Assay type CD8 T-cell Elispot - IFN γ , CD8 T-cell Elispot granzyme B
Keywords Th1, characterizing CD8+ T cells
References Kleen *et al.* 2004
- Only 20% of CD8+ T-cells produce IFN-gamma and granzyme B simultaneously (Tc1a). Two additional subpopulations of HIV specific CD8 cells are found, each one constituting 30-40% of the CD8 cell pool. One of these (Tc1b) secretes IFN-gamma only, and the other one (Tc1c) secretes GzB only.
 - One of seven patients responded to this peptide with GzB producing cells, while none of the patients responded with IFN-gamma producing cells.
- HXB2 Location** RT (179–187)
Author Location (C consensus)
Epitope VIYQYMDDL
Subtype C
Immunogen HIV-1 infection
Species (MHC) human (A*0201)
Country South Africa.
Assay type CD8 T-cell Elispot - IFN γ

Keywords rate of progression, optimal epitope

References Kiepiela *et al.* 2007

- A comprehensive analysis of 160 class I T cell responses in 578 individuals from KwaZulu-Natal, South Africa was performed. Gag-specific responses were associated with lowering viremia, while Env, accessory and regulatory protein-specific responses were associated with higher viremia.
- VIYQYMDDL is an optimal epitope.

HXB2 Location RT (179–187)

Author Location RT

Epitope VIYQYMDDL

Immunogen HIV-1 exposed seronegative

Species (MHC) human (A2)

Keywords subtype comparisons, HIV exposed persistently seronegative (HEPS)

References Rowland-Jones *et al.* 1998a

- A CTL response was found in exposed but uninfected prostitutes from Nairobi using previously-defined B clade epitopes that tended to be conserved in A and D clades – such cross-reactivity could protect against both A and D and confer protection in Nairobi where both subtypes are circulating.
- The A and D consensus sequences are both VIYQYMDDL.

HXB2 Location RT (179–187)

Author Location Pol (346–354)

Epitope VIYQYMDDL

Immunogen vaccine

Vector/Type: DNA prime with vaccinia boost

Species (MHC) human (A2)

References Woodberry *et al.* 1999

- A polyepitope vaccine was generated in a vaccinia construct that contiguously encoded seven epitopes, all presented by HLA A-2.
- HHD mice have a transgene of HLA A2 linked to the transmembrane and cytotoxic domains of H-2D^d – this transgene is the only MHC molecule expressed in the mice.
- CTL responses to Gag (77-85) SLYNTVATL, Pol (476-484) ILKEPVHGV, gp120 (120-128) KLTPLCVTL, and Nef (190-198) AFHHVAREL were observed in HIV polytope HHD-vaccinated mice, and these responses were enhanced with vaccinia boost.
- No CTL immune responses were generated against HLA A2-restricted HIV epitopes Nef 157-166 (PLTFGWYKYL), Pol 346-354 (VIYQYMDDL), and Nef 180-189 (VLEWRFDSSL).
- Sixteen HLA A2+ patients were tested for their ability to make CTL responses by peptide restimulation in culture with the epitopes selected for inclusion in the polytope – one individual recognized all seven of these epitopes; 7 patients had CTL cultures able to recognize at least one of the epitopes, and 6 of those 7 recognized more than one epitope, but they were not able to test all peptides for all patients; many patients only had three peptides tested.
- VIYQYMDDL was recognized by 3 of the HLA-A2 patients.

HXB2 Location RT (179–187)

Author Location RT (179–187)

Epitope VIYQYMDDL

Immunogen HIV-1 infection

Species (MHC) human (A2)

Keywords escape, immunotherapy

References Schmitt *et al.* 2000

- The mutation M184V confers resistance to lamivudine, and is in the middle of the HLA-A2 epitope VIYQYMDDL.
- 1/28 individuals tested produced HIV-1 RT-specific CTL that recognized the peptide representing the lamivudine escape mutants VIYQYVDDL and VIYQYIDDL, but failed to recognize the wildtype epitope VIYQYMDDL.
- This suggests immunotherapy stimulating anti-VIYQYVDDL responses maybe helpful for reducing lamivudine escape.

HXB2 Location RT (179–187)

Author Location RT (179–187)

Epitope VIYQYMDDL

Immunogen HIV-1 infection

Species (MHC) human (A2)

References Haas *et al.* 1998

- Of 98 patients in cross-sectional analysis, 78% had CTL against pol – RT was more immunogenic than Integrase and Protease (81%, 51%, and 24% of 37 patients, respectively)

HXB2 Location RT (179–187)

Author Location Pol (339–347 93TH253 subtype CRF01)

Epitope VIYQYMDDL

Epitope name P334-342

Subtype CRF01_AE

Immunogen HIV-1 infection

Species (MHC) human (A2)

Keywords HIV exposed persistently seronegative (HEPS)

References Sriwanthana *et al.* 2001

- This was a study of HIV-1 exposed persistently seronegative (HEPS) female sex workers in Chiang Mai, northern Thailand.
- HLA-A11 is very common in this population, and was enriched among the HEPS sexworkers – weak CTL responses were detected in 4/7 HEPS women, and CTL responses were found in 8/8 HIV+ controls, and 0/9 HIV- women that were not exposed.
- This epitope was reactive in HIV+ control study subject 144 who carried HLA-A2.

HXB2 Location RT (179–187)

Author Location Pol (339–347 93TH253 subtype CRF01)

Epitope VIYQYMDDL

Subtype CRF01_AE

Immunogen HIV-1 infection

Species (MHC) human (A2)

Keywords subtype comparisons

References Bond *et al.* 2001

- More than half of a cohort of HIV+ female sex workers (FSW) from Northern Thailand were HLA-A11 positive, and this study concentrated on A11 epitopes in this group, although E clade versions of previously defined B-clade A2 and A24 epitopes were also tested.
- 2/4 tested FSWs recognized the E clade version of this epitope, which is identical to the previously defined B clade version VIYQYMDDL.
- This epitope was conserved in many subtypes, and exact matches were very uncommon.

HXB2 Location RT (179–187)

Author Location RT (179–187)

Epitope VIYQYMDDL

Immunogen HIV-1 infection

Species (MHC) human (A2)

Keywords rate of progression, acute/early infection

References Day *et al.* 2001

- The CTL response to optimally defined CTL epitopes restricted by HLA class I A and B alleles in individuals who coexpressed HLA A2, A3, and B7 was studied in eight HIV-1-infected subjects, two with acute infection, five with chronic, and one long-term non-progressor (LTNP)
- 2 to 17 epitopes were recognized in a given individual, A2-restricted CTL response tended to be narrow and never dominated the response, and 25/27 epitopes were targeted by at least one person.

HXB2 Location RT (179–187)

Author Location Pol (346–354 LAI)

Epitope VIYQYMDDL

Subtype B

Immunogen HIV-1 infection

Species (MHC) human (A2)

Keywords HAART, ART, epitope processing

References Kelleher *et al.* 2001a

- Ritonavir (RTV) inhibits chymotryptic activity in the 20S proteasome *in vitro*, as does Saquinavir (SQV) to a lesser extent; Indinavir (IDV) does not. Thus there is concern protease inhibitors may adversely effect CTL epitope processing, but this paper indicates that processing is not inhibited at therapeutically relevant concentrations of RTV when the proteasome is functioning in an intracellular context.
- RTV did not alter the presentation two RT A2 epitopes processed by distinct pathways: ILKEPVHGV, generated by the constitutive proteasome containing the MB1 beta subunit, and VIYQYMDDL which is dependent on IFN γ induction of LMP7 which replaces MB1 in the immunoproteasome, and is destroyed by MB1 in the constitutive proteasome.
- RTV did not inhibit the processing and assembly of HLA-B35 or -A2, which are assembled with a rapid and moderate time course, respectively, or of HLA-A3, -B27 and -B39.

HXB2 Location RT (179–187)

Author Location Pol (334–)

Epitope VIYQYMDDL

Epitope name Pol334

Immunogen HIV-1 infection

Species (MHC) human (A2)

Assay type CD8 T-cell Elispot - IFN γ , Chromium-release assay, Flow cytometric T-cell cytokine assay

Keywords binding affinity, subtype comparisons, computational epitope prediction

References Corbet *et al.* 2003

- HLA-A2-restricted HIV-1 CTL epitopes were computationally predicted. Binding affinities for HLA-A*0204, immunogenicity in HLA-A*0201 transgenic mice, and responses to the peptides in 17 HIV-1 infected patients were tested. 31 novel conserved A2 epitopes were detected. An average of 4 epitopes were recognized per patient.

- This epitope was one of the previously identified HLA-A2 epitopes studied.
- 1/17 HIV-infected HLA-A2+ people in this study recognized this epitope.

HXB2 Location RT (179–187)

Author Location Pol (334–342)

Epitope VIYQYMDDL

Immunogen HIV-1 infection

Species (MHC) human (A2)

Donor MHC A02, B35, Bw62

Assay type proliferation, Chromium-release assay, Flow cytometric T-cell cytokine assay

Keywords HAART, ART, memory cells, immune dysfunction

References Gamberg *et al.* 2004a

- HAART restores HIV specific immunity after advanced infection by increase of CD4+ and CD8+ T cell numbers after suppression of viral replication. However, HIV specific CTLs emerged only with detectable viral replication breakthroughs and were short-lived while CD4+ T-cell responses remained compromised, suggesting failure of generating stable CD8+ memory T-cells in the absence of HIV-specific T-helper responses.

HXB2 Location RT (179–187)

Author Location RT (179–187)

Epitope VIYQYMDDL

Subtype B

Immunogen HIV-1 infection

Species (MHC) human (A2)

Country Canada.

Assay type CD8 T-cell Elispot - IFN γ , Chromium-release assay

Keywords HAART, ART, immunotherapy, variant cross-recognition or cross-neutralization

References Mason *et al.* 2004

- Accumulation of specific antiretroviral drug-resistance mutations in Pol gene was shown to sustain and even enhance the antigenicity and immunogenicity of HIV-1 CTL epitopes in this region. Several different patterns of cross-reactivity and selective recognition of wild-type and variant epitopes were found.
- VIcQYMDDL, VIYQYvDDL and VIcQYvDDL variants are detected due to appearance of Y181C and M184V resistance mutations. The double mutant was the only form recognized in one A02 treated individual, the epitope was not recognized in another.

HXB2 Location RT (179–187)

Author Location RT Pol (334–342)

Epitope VIYQYNDL

Immunogen HIV-1 infection

Species (MHC) human (A2)

Country Spain.

Assay type proliferation, CD8 T-cell Elispot - IFN γ , Flow cytometric T-cell cytokine assay

Keywords HAART, ART, supervised treatment interruptions (STI), immune dysfunction

References Plana *et al.* 2004

- Structured treatment interruption (STI) alone is not able to control viral replication in chronically infected patients, probably due to lack of strong, maintained T-helper cell responses. HIV-1 specific CD8+ T-cell responses were shown to increase significantly until the end of the follow up, but were not correlated with viral load.

- 5/19 patients recognized this epitope.

HXB2 Location RT (179–187)

Author Location Pol

Epitope VIYQMDDL

Immunogen HIV-1 exposed seronegative

Species (MHC) human (A2)

Donor MHC A*02, A*30, B*4402, B*15

Assay type Tetramer binding, T-cell Elispot

Keywords HIV exposed persistently seronegative (HEPS)

References Missale *et al.* 2004

- HIV-specific T-cell response was tested in patients exposed to blood from a patient with highly replicating HIV; these patients were nosocomially infected with HBV, but uninfected with HIV. HIV-specific T-cell responses were directed to structural and non-structural HIV proteins in 2 patients, suggesting that the virus replicated in these patients sufficiently to prime a cell-mediated immune response that protected them from HIV infection.
- This patient responded to 4/8 HIV epitopes tested in an IFN γ EliSpot assay or tetramer assay. Responses were detected 8 and 28 weeks after exposure. No response to this epitope was detected by IFN γ EliSpot, but a response was detected by tetramer staining.

HXB2 Location RT (179–187)

Author Location RT (179–187)

Epitope VIYQYMDDL

Subtype B

Immunogen HIV-1 infection

Species (MHC) human (A2)

Country United States.

Assay type CD8 T-cell Elispot - IFN γ , Chromium-release assay, HLA binding

Keywords acute/early infection, optimal epitope

References Altfeld *et al.* 2005

- The most frequently targeted HLA-A2-restricted CD8+ T-cell epitopes in chronic infection were significantly less frequently recognized during primary infection. This epitope was only recognized in chronic infection.

HXB2 Location RT (179–187)

Author Location RT (179–187 HXB2)

Epitope VIYQYMDDL

Epitope name 51F

Subtype B

Immunogen vaccine

Vector/Type: DNA *Strain:* multiple epitope immunogen *HIV component:* p17/p24 Gag, Pol *Adjuvant:* IL-12

Species (MHC) transgenic mouse (A2)

Assay type Cytokine production, CD8 T-cell Elispot - IFN γ , Chromium-release assay

Keywords vaccine-specific epitope characteristics, vaccine antigen design

References Bolesta *et al.* 2005

- Immunization of transgenic mice with a codon-optimized hGagp17p24-Polp51 DNA plasmid, consisting of clusters of highly conserved CTL epitopes presented by multiple MHC class I alleles, induced 2- to 5-fold higher CD8+ T-cell responses than the corresponding full-length proteins. The modified proteins had the ribosomal frameshift deleted, as well as the potentially immunosuppressive p15, and protease and integrase. This correlated with higher protection against challenge with Gag and Pol expressing recombinant vaccinia virus. Mice immunized with the hGagp17p24-Polp51 also showed an elevated level of type 1 cytokine production as well as an increased titer of p24- and RT-specific IgG2 antibody responses.
- This was 1 of 4 A2 gag/pol epitopes tested. Transgenic mice immunized with the deleted construct induced more potent EliSpot reactions to this epitope than those immunized with full length Gag/Pol.

HXB2 Location RT (179–187)

Author Location RT (346–354)

Epitope VIYQYMDL

Epitope name VL9

Immunogen HIV-1 infection

Species (MHC) human (A2)

Country Germany.

Assay type CD8 T-cell Elispot - IFN γ , Chromium-release assay

Keywords HAART, ART, optimal epitope

References Schmitt-Haendle *et al.* 2005

- CTL responses to 3 HLA-A2-restricted epitopes were investigated in 51 HIV-1 infected HLA-A2+ individuals. The most prevalent response was seen for IV9, followed by SL9. The VL9 epitope was not recognized.

HXB2 Location RT (179–187)

Author Location Pol (subtype B)

Epitope VIYQYMDL

Subtype B

Immunogen HIV-1 exposed seronegative

Species (MHC) human (A2, A*0202)

Keywords subtype comparisons

References Rowland-Jones *et al.* 1998b

- HIV-specific CTL were found in exposed seronegative prostitutes from Nairobi – these CTL may confer protection.
- Seroprevalence in this cohort is 90-95% and their HIV-1 exposure is among the highest in the world.
- Most isolated HIV strains are clade A in Nairobi, although clades C and D are also found – B clade epitopes are often cross-reactive, however stronger responses are frequently observed using A or D clade versions of epitopes.
- This epitope is conserved among A, B and D clade viruses.

HXB2 Location RT (180–189)

Author Location RT (LAI)

Epitope IYQYMDLYV

Subtype B

Immunogen HIV-1 infection

Species (MHC) human (A*0201)

References Menendez-Arias *et al.* 1998; van der Burg *et al.* 1997

- Recognized by CTL from a progressor, spans important RT functional domain.
- A previous study determined that this was an epitope recognized by a long-term survivor.

HXB2 Location RT (181–189)

Author Location RT (181–189 LAI)

Epitope YQYMDDLTV

Subtype B

Immunogen HIV-1 infection

Species (MHC) human (A*0201)

Keywords binding affinity, computational epitope prediction

References Samri *et al.* 2000

- This epitope contains the mutation M184V, a frequent mutation induced by nucleoside reverse transcriptase inhibitors.
- High levels of recognition by ELISPOT were observed for zidovudine induced mutation YQYVDDLTV and for the wild-type peptide YQYMDDLTV in patient 250#0 (HLA-A*0201), but neither were recognized by patient 201#5 (also HLA-A*0201)
- Both the wild-type and the mutated peptide were computer predicted to have a high binding affinity for A2 (http://bimas.dcrn.nih.gov/molbio/hla_bind)

HXB2 Location RT (192–201)

Author Location RT (192–201)

Epitope DLEIGQHRTK

Immunogen HIV-1 infection

Species (MHC) human (A3)

References Haas *et al.* 1998

- Of 98 patients in cross-sectional analysis, 78% had CTL against pol – RT was more immunogenic than Integrase and Protease (81%, 51%, and 24% of 37 patients, respectively)
- New clusters of epitopes were defined utilizing different HLA molecules.

HXB2 Location RT (192–201)

Author Location Pol (192–201)

Epitope DLEIGQHRTK

Immunogen HIV-1 infection

Species (MHC) human (A3)

Donor MHC A03, A32, B51, B15, Cw03, Cw06, DR4, DR8, DQ7

Country Netherlands.

Assay type CD8 T-cell Elispot - IFN γ , Flow cytometric T-cell cytokine assay

Keywords rate of progression, escape

References Geels *et al.* 2003

- Both stable potential epitopes and epitopes with escape mutations were found in a patient with increasing viral load over a time period of 4 years. Fixation of escape mutations occurred sequentially and correlated with the rise in viral load and with the increased number of productively infected cells.
- This is one of 7 epitopes from this individual that varied over time, although the internal mutations did not become fixed. The dleMgqhrtk variant arose at late time points.

HXB2 Location RT (192–216)
Author Location RT (359–383 HXB2)
Epitope DLEIGQHRTKIEELRQHLLRWGLTT
Subtype B
Immunogen HIV-1 infection
Species (MHC) human (B60)
References Menendez-Arias *et al.* 1998; Walker *et al.* 1989

- One of five epitopes defined for RT-specific CTL clones in this study.

HXB2 Location RT (192–216)
Author Location RT (191–215)
Epitope DLEIGQHRTKIEELRQHLLRWGFTT
Immunogen HIV-1 infection
Species (MHC) human (polyclonal)
Keywords HAART, ART, escape
References Haas *et al.* 1997; Menendez-Arias *et al.* 1998

- Polyclonal CTL recognition switched from RT 191-215 to RT 514-524 when AZT therapy selected for the resistance mutation, and presumably the escape variant, RT T215Y.

HXB2 Location RT (198–212)
Author Location RT (SF2)
Epitope HRTKIEELRQHLLRW
Immunogen HIV-1 infection
Species (MHC) human
References Altfeld *et al.* 2000

- This epitope was mapped by ELISPOT in a study identifying new HLA-B60 epitopes, and was one of the epitopes presented by another HLA molecule in an HLA-B60 individual.
- The response to the peptide was CD8 dependent, but the HLA presenting molecule and optimal epitope were not determined.

HXB2 Location RT (201–209)
Author Location RT (201–209)
Epitope KIEELRQHL
Immunogen HIV-1 infection
Species (MHC) human (A2)
References Haas *et al.* 1998

- Of 98 patients in cross-sectional analysis, 78% had CTL against pol – RT was more immunogenic than Integrase and Protease (81%, 51%, and 24% of 37 patients, respectively)
- New clusters of epitopes were defined utilizing different HLA molecules.

HXB2 Location RT (201–210)
Author Location Pol
Epitope KIEELRQHLL
Immunogen
Species (MHC) human (B58)
References De Groot *et al.* 2001

- The program Epimatrix was used in conjunction with the program Conservatrix to identify conserved regions of HIV that might serve as epitopes.
- A subset of the potential epitopes was identified that could bind to the appropriate HLA-allele, and 15 predicted B7 superfamily (HLA B7, B8, and B58) epitopes could stimulate IFN γ production in an ELISPOT assay.

- KIEELRQHLL was newly identified as a HLA-B58 epitope in this study, it had been previously shown to be presented by HLA-A2 and Bw60.
- KIEELRQHLL did not bind detectably to B7.

HXB2 Location RT (202–210)
Author Location RT (202–210 LAI)
Epitope IEELRQHLL
Subtype B
Immunogen
Species (MHC) human (B*4001)
Keywords optimal epitope
References Altfeld *et al.* 2000; Frahm *et al.* 2007

- C. Brander notes this is a B*4001 epitope.

HXB2 Location RT (202–210)
Author Location RT (SF2)
Epitope IEELRQHLL
Immunogen HIV-1 infection
Species (MHC) human (B60)
Keywords HAART, ART, acute/early infection
References Altfeld *et al.* 2001b

- Therapy provided during acute infection resulted in a narrower CTL response, stronger T help response, and a less diverse viral population than was seen in individuals treated during chronic infection.
- The breadth and specificity of the response was determined using ELISPOT by studying 19 individuals with pre-seroconversion therapy (Group 1), 11 individuals with primary infection but post-seroconversion therapy (Group 2), and 10 individuals who responded to HAART given during chronic infection (Group 3), using 259 overlapping peptides spanning p17, p24, RT, gp41, gp120 and Nef.
- Previously described and newly defined optimal epitopes were tested for CTL response.
- Number of HLA-B60+ individuals that had a CTL response to this epitope broken down by group: 0/2 group 1, 1/1 group 2, and 0/0 group 3.

HXB2 Location RT (202–210)
Author Location RT (SF2)
Epitope IEELRQHLL
Immunogen HIV-1 infection
Species (MHC) human (B60)
References Altfeld *et al.* 2000

- This epitope was mapped by ELISPOT in a study identifying new HLA-B60 epitopes.
- B60 is present in 10-20% of the Caucasoid and very common in Asian populations.

HXB2 Location RT (202–210)
Author Location RT
Epitope IEELRQHLL
Epitope name IL9
Immunogen HIV-1 infection
Species (MHC) human (B60)
Donor MHC A2, A24, B38, B60, Cw2, Cw12
Assay type CD8 T-cell Elispot - IFN γ
Keywords HAART, ART, supervised treatment interruptions (STI), early treatment

References Montefiori *et al.* 2003

- HIV-1 + patient AC10 underwent early HAART treatment, which was discontinued 1.5 years later. At this timepoint potent NAb responses against autologous virus were detected. Treatment interruption initially induced weak CD8+ responses directed against 5 epitopes. By days 873d and 923d the CTL response had broadened to target 22 epitopes; of these six were fully characterized. Eventually the virus escaped the NAb response, but escape was not accompanied by a rise in viral load, and the authors suggest the virus was contained by the CTL response.

HXB2 Location RT (202–210)**Author Location** RT (202–210)**Epitope** IEELRQHLL**Immunogen** HIV-1 infection**Species (MHC)** human (B60, B61)**Keywords** immunodominance**References** Day *et al.* 2001

- No immunodominant responses were detected to five B61-restricted epitopes tested.
- All five B60-restricted epitopes were reactive in another subject, and the B60-restricted responses together contributed over one-third of the total CTL response.

HXB2 Location RT (203–211)**Author Location** RT**Epitope** EELRQHLLR**Immunogen** HIV-1 infection**Species (MHC)** human (B44)**Donor MHC** A*3101, A68, B*4403, B51**Keywords** HAART, ART, supervised treatment interruptions (STI)**References** Arnedo-Valero *et al.* 2004

- T cell immune responses following STI were monitored in two chronically HIV-1 infected partners (A and B) who had contracted HIV-1 during 1992. Both were heterozygous for the CCR5 delta32, and had different HLAs and treatment histories. STI induced strong transitory CD4+ and CD8+ T cell responses in both patients. Patient A displayed broad CD8+ T cell responses directed against Env, Pol, Gag, and Nef HIV-1 antigens. CTL responses in patient B were mainly directed against two epitopes: Gag(p24)NANPDSKTI and Pol(RT)EELRQHLLRW.
- Despite the host differences, both patients had similar dynamics of viral evolution and CD4+ T-cells, suggesting that good immune responses to STI may be more related to the virus than host characteristics in these cases.

HXB2 Location RT (203–212)**Author Location** RT (LAI)**Epitope** EELRQHLLRW**Subtype** B**Immunogen** HIV-1 infection**Species (MHC)** human (B44)**References** Menendez-Arias *et al.* 1998; van der Burg *et al.* 1997

- The only epitope recognized by CTL from a long-term survivor in two samples taken six years apart.

- Recognized by CTL from a progressor, EILKEPVGHGTV and TWETWWTEYW were also recognized.

HXB2 Location RT (203–212)**Author Location** RT (203–212)**Epitope** EELRQHLLRW**Subtype** B**Immunogen** HIV-1 infection**Species (MHC)** human (B44)**Country** Canada.**Assay type** CD8 T-cell Elispot - IFN γ , Chromium-release assay**Keywords** HAART, ART, immunotherapy, variant cross-recognition or cross-neutralization**References** Mason *et al.* 2004

- Accumulation of specific antiretroviral drug-resistance mutations in Pol gene was shown to sustain and even enhance the antigenicity and immunogenicity of HIV-1 CTL epitopes in this region. Several different patterns of cross-reactivity and selective recognition of wild-type and variant epitopes were found.
- EELRQHLLRW variant is detected due to appearance of L210W resistance mutation. The in this case, the wild-type epitope was preferentially recognized relative to the L210W variant.

HXB2 Location RT (203–212)**Author Location** RT Pol (358–367)**Epitope** EELRQHLLRW**Immunogen** HIV-1 infection**Species (MHC)** human (B44)**Country** Spain.**Assay type** proliferation, CD8 T-cell Elispot - IFN γ , Flow cytometric T-cell cytokine assay**Keywords** HAART, ART, supervised treatment interruptions (STI), immune dysfunction**References** Plana *et al.* 2004

- Structured treatment interruption (STI) alone is not able to control viral replication in chronically infected patients, probably due to lack of strong, maintained T-helper cell responses. HIV-1 specific CD8+ T-cell responses were shown to increase significantly until the end of the follow up, but were not correlated with viral load.
- 9/11 patients recognized this epitope; of three B*44 epitopes tested, this was the only one that was recognized by more than 2/11 patients.

HXB2 Location RT (203–212)**Author Location** RT**Epitope** EELRQHLLRW**Immunogen** HIV-1 exposed seronegative**Species (MHC)** human (B44)**Donor MHC** A01, A03, B39, B44, Cw4, Cw6**Assay type** T-cell Elispot**Keywords** HIV exposed persistently seronegative (HEPS)**References** Missale *et al.* 2004

- HIV-specific T-cell response was tested in patients exposed to blood from a patient with highly replicating HIV; these patients were nosocomially infected with HBV, but uninfected with HIV. HIV-specific T-cell responses were directed to structural and non-structural HIV proteins in 2 patients, suggesting that the virus replicated in these patients sufficiently to prime a cell-mediated immune response that protected them from HIV infection.
- This patient responded to 3/11 HIV epitopes tested in an IFN γ EliSpot assay. Responses were detected 16 and 20 weeks after exposure, but were lost by week 80.

HXB2 Location RT (203–212)

Author Location p24

Epitope EELRQHLLRW

Immunogen HIV-1 infection

Species (MHC) human (B44)

Donor MHC A01, A32, B*1410, B15; A*3101, A68, B*4403, B51

Country Spain.

Assay type CD8 T-cell Elispot - IFN γ

Keywords HAART, ART, supervised treatment interruptions (STI)

References Arnedo-Valero *et al.* 2004

- T cell immune responses following STI were monitored in two chronically HIV-1 infected partners (A and B) who had contracted HIV-1 during 1992. STI induced strong transitory CD4+ and CD8+ T cell responses in both patients. The viruses remained very closely related over 10 years, despite the two individuals having different HLA types; the authors suggest the maintained similarity does not support a strong role for HLA driven HIV diversity as has been claimed in Moore *et al.* (Science 2002).
- During the second treatment stop, patient A developed a strong proliferative response to p24, and multiple strong CD8+ T cell responses to Env, Pol, Gag and Nef. This patient was able to control viral load for two years follow up without therapy. Patient B developed a very weak CD4+ T cell response against p24 during breaks in therapy, and had CD8+ responses to two epitopes. Patient A: A01, A32, B*1410, B15; Patient B: A*3101, A68, B*4403, B51.

HXB2 Location RT (203–212)

Author Location RT (203–212)

Epitope EELRQHLLRW

Immunogen HIV-1 infection

Species (MHC) human (B44)

Country Canada.

Assay type CD8 T-cell Elispot - IFN γ , Chromium-release assay, Flow cytometric T-cell cytokine assay

Keywords mimics

References Mason *et al.* 2005

- CTL responses against the IP-30 signal peptide associated with autoimmunity were shown to be elicited by stimulation of PBMCs from HIV-1 infected individuals with HIV protease peptide 76-84. In vitro stimulation with HIV PR 76-84 or the IP-30 signal peptide was shown to activate a comparable population of cross-reactive effector cells. None of the peptides activated CTL in non-HIV-infected individuals. IP-30 signal

peptide was shown to have lower avidity T-cell interactions than the HIV peptide.

- As a control, responses to A2-restricted HIV epitopes ALVE-ICTEM, EELRQHLLRW, and LSPRTLNAW were shown not to give IP-30 responses.

HXB2 Location RT (204–212)

Author Location RT (204–212 HXB2)

Epitope ELRQHLLRW

Epitope name EW9

Subtype B

Immunogen HIV-1 infection

Species (MHC) human (A*2501)

Donor MHC A*0201, A*2501, B*1801, B*5101, Cw*0102, Cw*1203

Assay type CD8 T-cell Elispot - IFN γ

Keywords escape, immune evasion, optimal epitope, HIV-1

References Liu *et al.* 2006

- T-cell immunity and the impact of selection were longitudinally studied in a patient from the time of transmission. New epitopes were detected at sites that were shown to be under positive selection. Env was found to be the major target of CTLs and most of the new epitopes were found here. One third of the sites examined were associated with epitope escape mutations from CTL. Acquisition of mutations found at high frequency in the database was suggested to be a result of reversion of CTL epitopes in the absence of immune targeting.
- This is a newly defined epitope. Position 8 in the epitope had potentially experienced positive selection. ELRQHLLRW escape variant was found.

HXB2 Location RT (209–220)

Author Location RT (209–220 MN)

Epitope LLRWGLTTPDKK

Subtype B

Immunogen vaccine

Vector/Type: DNA, polyepitope *Strain:* B clade MN *HIV component:* gp120, Protease, RT *Adjuvant:* Incomplete Freund's Adjuvant (IFA)

Species (MHC) humanized mouse (A*0201)

Assay type CD8 T-cell Elispot - IFN γ

Keywords epitope processing, vaccine-specific epitope characteristics, immunodominance, immunotherapy

References Isagulians *et al.* 2004

- Immunization of HLA-A*0201-transgenic mice with synthetic genes encoding clusters of human A*0201 CTL epitopes located at the sites of drug resistance mutations, induced RT-specific cellular responses indicating the immunogenicity of these constructs. This vaccine strategy may be a first step towards a therapeutic vaccine against drug-resistant strains.
- This was one of five HLA-A*0201 epitopes from the RT or protease proteins that was included in the polyepitope vaccine. When the transgenic HLA A*0202 mice were vaccinated with the polyepitope construct or with a mixture of RT peptides, a sustained low level CD8+ T-cell gamma IFN response was observed, in contrast to when an intact RT gene was used for vaccination.

HXB2 Location RT (209–220)
Author Location RT (209–220)
Epitope LLRWGLTTPDKK
Immunogen HIV-1 infection
Species (MHC) human (A2)
References Haas *et al.* 1998

- Of 98 patients in cross-sectional analysis, 78% had CTL against pol – RT was more immunogenic than Integrase and Protease (81%, 51%, and 24% of 37 patients, respectively)
- New clusters of epitopes were defined utilizing different HLA molecules.

HXB2 Location RT (210–220)
Author Location Pol (209–220)
Epitope LRWGFCTPDKK
Immunogen HIV-1 infection
Species (MHC) human (B57)
Donor MHC A2, B44, B57; A2, A29, B57, B62
Assay type CD8 T-cell Elispot - IFN γ , Chromium-release assay
Keywords HAART, ART, cross-presentation by different HLA, characterizing CD8+ T cells
References Mason & Grant 2005

- The common form of this epitope, LRWGFCTPDKK is weakly recognized in the context of HLA-A2, and it encompasses several common antiretroviral escape mutations. Responses were tested in 2 siblings.
- T215Y then Y215C antiretroviral therapy-associated mutations within the epitope induced a strong reaction, but changed the restriction of the epitope to HLA-B57. This mutation is thus suggested to potentially enhance CD8 T-cell recognition of HIV.

HXB2 Location RT (214–223)
Author Location Pol
Epitope FTTPDKKHQK
Epitope name 1267
Subtype multiple
Immunogen HIV-1 infection
Species (MHC) human (A11, A68)
Donor MHC A11, A68, B42, B45, Cw16, Cw17
Country United States.
Assay type T-cell Elispot
Keywords binding affinity, supertype, computational epitope prediction, cross-presentation by different HLA
References De Groot *et al.* 2003

- Epitopes defined using sequence parsing and matching algorithm Conservatrix, and epitope prediction tool EpiMatrix, were shown to be conserved in a broad range of HIV-1 sequences derived from different parts of the world. 31 novel highly conserved HIV-1 epitopes were found, among which four were recognized as promiscuous epitopes and five as MHC superotypes.
- Estimated binding probability for FTTPDKKHQK:36% Super-type epitope binding to A68 and A11.

HXB2 Location RT (215–224)
Author Location Pol
Epitope TTPDKKHQKE

Epitope name 1281
Subtype multiple
Immunogen HIV-1 infection
Species (MHC) human (A11)
Donor MHC A11, A68, B42, B45, Cw16, Cw17; A01, A68, B15, B40, Cw03
Country United States.
Assay type T-cell Elispot
Keywords binding affinity, supertype, computational epitope prediction, cross-presentation by different HLA
References De Groot *et al.* 2003

- Epitopes defined using sequence parsing and matching algorithm Conservatrix, and epitope prediction tool EpiMatrix, were shown to be conserved in a broad range of HIV-1 sequences derived from different parts of the world. 31 novel highly conserved HIV-1 epitopes were found, among which four were recognized as promiscuous epitopes and five as MHC superotypes.
- Estimated binding probability for TTPDKKHQKE:60% Super-type epitope binding to A68.

HXB2 Location RT (218–235)
Author Location (C consensus)
Epitope DKKHQKEPFLWVMGYELH
Subtype C
Immunogen HIV-1 infection
Species (MHC) human (B*1510)
Country South Africa.
Assay type CD8 T-cell Elispot - IFN γ
Keywords rate of progression
References Kiepiela *et al.* 2007

- A comprehensive analysis of 160 class I T cell responses in 578 individuals from KwaZulu-Natal, South Africa was performed. Gag-specific responses were associated with lowering viremia, while Env, accessory and regulatory protein-specific responses were associated with higher viremia.

HXB2 Location RT (240–257)
Author Location (C consensus)
Epitope TVQPIQLPEKDSWTVNDI
Subtype C
Immunogen HIV-1 infection
Species (MHC) human (B*5301)
Country South Africa.
Assay type CD8 T-cell Elispot - IFN γ
Keywords rate of progression
References Kiepiela *et al.* 2007

- A comprehensive analysis of 160 class I T cell responses in 578 individuals from KwaZulu-Natal, South Africa was performed. Gag-specific responses were associated with lowering viremia, while Env, accessory and regulatory protein-specific responses were associated with higher viremia.

HXB2 Location RT (240–257)
Author Location RT (240–257 HXB2)
Epitope TVQPIVLPEKDSWTVNDI
Subtype B
Immunogen HIV-1 infection
Species (MHC) human

Assay type T-cell Elispot

Keywords supervised treatment interruptions (STI), immunodominance, early treatment

References Addo *et al.* 2003

- Comprehensive Elispot screening of 504 overlapping peptides that spanned all HIV-1 proteins in 57 HIV-1 infected individuals. Four groups of patients were compared: 23 were untreated; 12 patients were chronically infected and treated; 22 started treatment during acute infection, 11 continuously treated and 11 with STI.
- 63% of the peptides were recognized - the most frequent responses were directed against Nef (95%) and p24-Gag (88%). p17 was the most frequently recognized protein after correction for protein length. A median of 18 peptides (range 2-42) were recognized per person. The most frequently (>20%) recognized peptides were located in conserved regions within clade B sequences. Vpu was rarely recognized.
- A decrease in the total magnitude and in the breadth of CTL responses was detected in patients with treated acute infection in comparison to chronically infected treated or untreated individuals. No correlation between plasma viral load and HIV-1 specific T-cell responses was observed.
- Responses to this peptide were detected in 16% of the study subjects, and it was one of the 25 most frequently recognized peptides.

HXB2 Location RT (243–252)

Author Location RT (LAI)

Epitope PIVLPEKDSW

Subtype B

Immunogen HIV-1 infection

Species (MHC) human (B*5701)

References Menendez-Arias *et al.* 1998; van der Burg *et al.* 1997

- Recognized by CTL from a progressor and a long-term survivor, KITTESIVIW was also recognized.

HXB2 Location RT (243–252)

Author Location RT (LAI)

Epitope PIVLPEKDSW

Subtype B

Immunogen HIV-1 infection

Species (MHC) human (B*5701)

Keywords binding affinity, escape

References Menendez-Arias *et al.* 1998; van der Burg *et al.* 1997

- Recognized by CTL from long-term survivor, whose CTL response persisted for more than 10 years – the substitution V3M reduced affinity but was well recognized, on the other hand V3T and D8G did not reduce affinity, but abrogated CTL response.

HXB2 Location RT (243–252)

Author Location RT (410–419)

Epitope PIVLPEKDSW

Epitope name PIV

Immunogen HIV-1 infection

Species (MHC) human (B57)

Keywords HAART, ART, acute/early infection

References Oxenius *et al.* 2000

- Patients who started therapy at acute HIV-1 infection (three with sustained therapy, two with limited therapy upon early infection) had strong HIV specific CD4 proliferative responses and were able to maintain a CTL response even with undetectable viral load – three patients that had delayed initiation of HAART had no HIV specific CD4 proliferative responses and lost their CTL responses when HAART was eventually given and their viral loads became undetectable.
- None of the 8 study subjects recognized this epitope but none were HLA B57+

HXB2 Location RT (243–252)

Author Location RT

Epitope PIVLPEKDSW

Epitope name PIV

Immunogen HIV-1 infection

Species (MHC) human (B57)

Keywords HAART, ART, supervised treatment interruptions (STI)

References Oxenius *et al.* 2002b

- Using previously defined epitopes Oxenius *et al.* [2000, 2001a] in an IFN γ Elispot assay, 13 chronically HIV-1 infected patients were studied over a period including therapy with standard treatment interruptions (STI).
- STIs induced increased recognition of CTL epitopes, but there was no correlation between CTL responses with viral rebound rates, plateau viral loads, or clearance rates.

HXB2 Location RT (243–252)

Author Location RT Pol (398–407)

Epitope PIVLPEKDSW

Immunogen HIV-1 infection

Species (MHC) human (B57)

Country Spain.

Assay type proliferation, CD8 T-cell Elispot - IFN γ , Flow cytometric T-cell cytokine assay

Keywords HAART, ART, supervised treatment interruptions (STI), immune dysfunction

References Plana *et al.* 2004

- Structured treatment interruption (STI) alone is not able to control viral replication in chronically infected patients, probably due to lack of strong, maintained T-helper cell responses. HIV-1 specific CD8+ T-cell responses were shown to increase significantly until the end of the follow up, but were not correlated with viral load.
- 6/7 patients recognized this epitope.

HXB2 Location RT (244–252)

Author Location RT (399–407)

Epitope IVLPEKDSW

Immunogen

Species (MHC) human (B*5701)

Keywords optimal epitope

References Frahm *et al.* 2007

- Subtype of B57 not determined.
- C. Brander notes this is a B*5701 epitope.

HXB2 Location RT (244–252)

Author Location RT (244–252 LAI)

Epitope IVLPEKDSW

Subtype B**Immunogen** HIV-1 infection**Species (MHC)** human (B*5701, B*5801)**Keywords** binding affinity, rate of progression, escape**References** Klein *et al.* 1998

- This peptide was defined as the optimal epitope.
- B57 has been associated with long-term non-progression in the Amsterdam cohort.
- The most pronounced CTL responses in HLA B*5701 LTS were to RT and Gag.
- B57 restricted CTL responses are targeted at multiple proteins, but one LTS had a response that was dominated by reactivity to the epitope – two variants were found in this LTS: ITLPEKESW, which bound to B*5701 with similar affinity as the index peptide but was an escape mutant that was not recognized by CTL, and IMLPEKDSW, which bound to B*5701 with reduced affinity but could still be recognized.
- In an additional HIV+ LTS, only the variant IELPEKDSW was found, and this epitope was recognized by CTL but had less affinity for B*5701 than the index peptide.
- This epitope was recognized in the context of both HLA-B*5701 and B*5801.

HXB2 Location RT (244–252)**Author Location** Pol (244–252)**Epitope** IVLPEKDSW**Immunogen** HIV-1 infection**Species (MHC)** human (B*5801)**References** Appay *et al.* 2000

- Combined tetramer and intracellular cytokine staining was used to study the function of circulating CD8+ T cells specific for HIV and CMV.
- HIV-specific CD8+ T cells expressed lower levels of perforin than CMV-specific CD8+ T cells from the same donor, and this was associated with persistent CD27 expression on HIV-specific cells, suggesting impaired maturation.
- In most donors, between 50% and 95% of the activated virus-specific CD8+ T cells produced IFN- γ and MIP-1 β with a distinct subset that failed to produce TNF- α

HXB2 Location RT (244–252)**Author Location** RT (399–407)**Epitope** IVLPEKDSW**Immunogen****Species (MHC)** human (B57)**References** van der Burg *et al.* 1997**HXB2 Location** RT (244–252)**Author Location** RT (244–252)**Epitope** IVLPEKDSW**Immunogen** HIV-1 infection**Species (MHC)** human (B57)**Keywords** early-expressed proteins, kinetics**References** Guillon *et al.* 2002b

- An early-expressed Nef protein was modified to contain Env and Pol epitopes to enable the study the effect of expression kinetics on CTL mediated suppression of replication. The "EpiNef" construct was inserted into a recombinant vaccinia virus which was used to infect a target cell line; the target cells

were lysed by CTL clones specific for the Env and Pol epitopes indicating that they were properly processed.

HXB2 Location RT (244–252)**Author Location** RT (244–252 ACH320.2A.2.1)**Epitope** IVLPEKDSW**Subtype** B**Immunogen** HIV-1 infection**Species (MHC)** (B57)**Keywords** acute/early infection, early-expressed proteins, kinetics**References** van Baalen *et al.* 2002

- Tat, Rev and Nef are the first HIV proteins expressed upon acute infection of T-cells (< 6 hours), and RT is not expressed until after 24 hours. The B14-restricted Rev-SAEPVPLQL specific CD8 T-cell clone TCC108, and the B57-restricted RT-IVLPEKDSW specific CD8 T-cell clone TCL1C11 were co-incubated with CD4+ cultures inoculated with HIV-1 at low MOI. Co-incubation with the Rev-specific CTL resulted in two logs less HIV-1 production in ten days of culture. When the RT epitope was cloned into the Nef gene of the infecting strain, another early expressed protein, it proved as effective as the Rev epitope at inhibiting viral production. A mathematical model of CTL-target interactions suggest early proteins are important for vaccine design.

HXB2 Location RT (244–252)**Author Location** Pol**Epitope** IVLPEKDSW**Epitope name** IW9**Subtype** B**Immunogen** HIV-1 infection**Species (MHC)** human (B57)**Assay type** CD8 T-cell Elispot - IFN γ **Keywords** subtype comparisons, escape, characterizing CD8+ T cells, reversion, viral fitness**References** Allen *et al.* 2005a

- Two-thirds of all mutations arising in nonenvelope proteins during the transition from acute to chronic infection were found to be due to either CD8 T-cell-associated selective pressures or reversion of HLA-I-associated mutations selected in a previous host. The predominance of escape mutations at highly polymorphic sites was observed across different HIV-1 clades.
- One escape mutation, at position 2, was found in the most polymorphic residue in the epitope. This was shared between clades B and C. The position 2 mutation was significantly more common among persons expressing HLA-B57.

HXB2 Location RT (244–252)**Author Location****Epitope** IVLPEKDSW**Immunogen** HIV-1 infection**Species (MHC)** human (B57, B*5801)**Assay type** CD8 T-cell Elispot - IFN γ , Chromium-release assay**Keywords** responses in children, mother-to-infant transmission, escape**References** Feeny *et al.* 2005

- Escape mutations in TW10 and other B57-restricted epitopes were shown to arise early in infants following perinatal infection. Some escape variants were likely to have been transmitted vertically, from HLA-B57/5801 positive HIV-1 infected mothers, while others arose during infancy in cases where the children inherited the B57/5801 allele paternally. In contrast to adults, the majority of children showed a robust response to the escape variants, suggesting that infants are able to mount functional immune responses and drive immune escape and that a developing immune system may exhibit greater plasticity in recognizing viral variants.

HXB2 Location RT (245–252)

Author Location Pol

Epitope IVPEKDSW

Immunogen HIV-1 infection

Species (MHC) human (B57)

References Kostense *et al.* 2001

- HLA tetramers to six epitopes were used to study HLA-A2, B8 and B57 CTL in 54 patients – HIV-specific tetramer positive cells were inversely correlated with viral load in patients with high CD4, but in patients with CD4 T-cells below 400 high tetramer frequencies were found despite high viral load.
- Most patients have high levels of HIV-specific T-cell expansions, but many of these cells aren't functional.
- In 15 of the patients, the proportion of IFN gamma producing tetramer cells correlated with AIDS-free survival.

HXB2 Location RT (248–264)

Author Location (C consensus)

Epitope EKDSWTVNDIQKLVGKL

Subtype C

Immunogen HIV-1 infection

Species (MHC) human (A*0205)

Country South Africa.

Assay type CD8 T-cell Elispot - IFN γ

Keywords rate of progression

References Kiepiela *et al.* 2007

- A comprehensive analysis of 160 class I T cell responses in 578 individuals from KwaZulu-Natal, South Africa was performed. Gag-specific responses were associated with lowering viremia, while Env, accessory and regulatory protein-specific responses were associated with higher viremia.

HXB2 Location RT (259–267)

Author Location Pol

Epitope KLVGKLNWA

Immunogen HIV-1 infection

Species (MHC) human (A2 supertype)

Keywords supertype, rate of progression

References Propato *et al.* 2001

- Long-term nonprogressors (LTNPs) had strong memory resting CD8+ T-cell responses against the majority of epitopes tested, (18 for the A2 supertype, 16 for the A3 supertype) while the effector cells of long-term nonprogressors recognized far fewer epitopes.
- Progressors had memory resting CD8+ T-cells that recognized far fewer epitopes than LTNPs.

- A positive correlation between effector CD8+ T-cells and plasma viremia and a negative correlation between CD8+ effector T-cells and CD4+ T-cells was observed, which may contribute to the inability of LTNPs to clear virus.
- This epitope can bind four of the five HLA-A2 supertypes alleles (A*0201, A*0202, A*0203, A*0206 and A*6802).
- Tetramer staining with A2, beta2microglobulin, and either SLYNTVATL, KLVGKLNWA, or LTFGWCFKL revealed that tetramers detected more HIV-specific sells in LTNP than in progressors, activated effector cells were the minority population, and ELISPOT correlated better with the effector cell subpopulation than the total tetramer stained population.

HXB2 Location RT (260–271)

Author Location RT (415–426 IIIB)

Epitope LVGKLNWASQIY

Immunogen HIV-1 infection

Species (MHC) human (B*1501)

Keywords optimal epitope

References Frahm *et al.* 2007

- C. Brander notes this is a B*1501 epitope.

HXB2 Location RT (260–271)

Author Location Pol (260–271)

Epitope LVGKLNWASQIY

Immunogen HIV-1 infection

Species (MHC) human (B15)

Donor MHC A03, A32, B51, B15, Cw03, Cw06, DR4, DR8, DQ7

Country Netherlands.

Assay type CD8 T-cell Elispot - IFN γ , Flow cytometric T-cell cytokine assay

Keywords rate of progression, escape

References Geels *et al.* 2003

- Both stable potential epitopes and epitopes with escape mutations were found in a patient with increasing viral load over a time period of 4 years. Fixation of escape mutations occurred sequentially and correlated with the rise in viral load and with the increased number of productively infected cells.
- This is one of 7 epitopes from this individual that varied over time, although the internal mutations did not become fixed. lvgkXnwasqiy variants arose at late time points

HXB2 Location RT (260–271)

Author Location RT (415–426 IIIB)

Epitope LVGKLNWASQIY

Immunogen HIV-1 infection

Species (MHC) human (B62)

References Brander & Walker 1996; Menendez-Arias *et al.* 1998

- P. Johnson, pers. comm.

HXB2 Location RT (260–271)

Author Location RT (260–271)

Epitope LVGKLNWASQIY

Immunogen HIV-1 infection

Species (MHC) human (B62)

Keywords immunodominance

References Day *et al.* 2001

- No immunodominant responses were detected to four B62-restricted epitopes tested.

HXB2 Location RT (260–271)
Author Location Pol (415–426)
Epitope LVGKLNWASQIY
Epitope name LY12
Subtype B
Immunogen HIV-1 infection
Species (MHC) human (B62)
Donor MHC A*01, A*11, B*08, B*15, Cw*04, Cw*07
Country United States.
Assay type CD8 T-cell Elispot - IFN γ , Chromium-release assay, Flow cytometric T-cell cytokine assay
Keywords escape, characterizing CD8+ T cells, optimal epitope
References Koibuchi *et al.* 2005

- HIV-1-specific CD8 T-cell responses were shown to be persistent in the chronic phase of HIV-1 infection, although the responses to some of the epitopes were declining despite the persistence of the targeted sequences in vivo. Only 4/14 epitopes were potential CTL escape variants, although strong responses to these epitopes persisted for 6 years. This indicates limited viral evolution within targeted CD8 T-cell epitopes during the chronic phase of infection.
- The autologous form of the epitope, LVGKLNWASQIY, matched the B consensus throughout the 5-year period of study, with 1 rare variant at the first time point: LVGKLNWASQIh.

HXB2 Location RT (263–271)
Author Location RT (263–271 LAI)
Epitope KLNWASQIY
Subtype B
Immunogen
Species (MHC) human (A*3002)
Keywords optimal epitope
References Frahm *et al.* 2007; Goulder *et al.* 2001a
 • C. Brander notes this is an A*3002 epitope.

HXB2 Location RT (263–271)
Author Location RT
Epitope KLNWASQIY
Epitope name KY9 (RT-35)
Immunogen HIV-1 infection
Species (MHC) human (A*3002)
References Goulder *et al.* 2001a
 • HLA-A*3002 is very common in African populations, 50% of Zimbabweans express HLA-A30, 44% in African Zulu, so five new HIV epitopes were characterized that are presented by this HLA molecule.
 • A rapid method was developed combining ELISPOT with intracellular IFN- γ staining of PBMCs to map optimal epitopes, then HLA presenting molecules were defined – this method was completed within 48 to 72 hours of receipt of blood.
 • Two individuals were studied: Subject 199 (HLA A*0201/*3002 B*4402/51 Cw2/5), a Caucasian, and Subject 6007 (HLA A*3002/ B53/*5801 Cw4/7) an African-Caribbean.
 • In both HLA-A*3002 individuals the response to RSLYNT-VATLY was dominant.

- In subject 199 four additional A*3002 epitopes were identified.
- Three quantitative assays, ELISPOT, precursor frequency and chromium release, confirmed a hierarchy of response: RY11 (p17) > KY9 (gp41) > KY9 (RT-53) > IY9 (gp41)

HXB2 Location RT (263–271)
Author Location (C consensus)
Epitope KLNWASQIY
Subtype C
Immunogen HIV-1 infection
Species (MHC) human (A*3002)
Country South Africa.
Assay type CD8 T-cell Elispot - IFN γ
Keywords characterizing CD8+ T cells
References Kiepiela *et al.* 2004

- HLA class I restricted CD8+ T-cell responses against HIV-1 were analyzed in African patients. Significantly more responses were shown to be HLA-B restricted. Viral load, CD4 count, and thus rate of disease progression were also associated with HLA-B alleles. In addition, the selection pressure imposed on HIV-1 by HLA-B alleles was shown to be substantially greater than by other alleles.
- This epitope was suggested to be the epitope within a longer reactive peptide based on correspondence with a known epitope in the HIV database. Also, a significantly higher frequency of people in the Durban cohort who reacted with the peptide had this HLA type.

HXB2 Location RT (263–271)
Author Location (C consensus)
Epitope KLNWASQIY
Subtype C
Immunogen HIV-1 infection
Species (MHC) human (A*3002)
Country South Africa.
Assay type CD8 T-cell Elispot - IFN γ
Keywords rate of progression, optimal epitope
References Kiepiela *et al.* 2007

- A comprehensive analysis of 160 class I T cell responses in 578 individuals from KwaZulu-Natal, South Africa was performed. Gag-specific responses were associated with lowering viremia, while Env, accessory and regulatory protein-specific responses were associated with higher viremia.
- KLNWASQIY is an optimal epitope.

HXB2 Location RT (263–271)
Author Location RT
Epitope KLNWASQIY
Epitope name A30-KY11(RT)
Subtype B
Immunogen HIV-1 infection
Species (MHC) human (A30)
Donor MHC A30, A32, B18, B27
Keywords HAART, ART, supervised treatment interruptions (STI)
References Altfeld *et al.* 2002b

- Peripheral blood (PB) and lymph node (LN) CD8+ T-cell responses were compared in 15 asymptomatic HIV-1 infected patients using all known optimal CTL epitopes (<http://hiv-web.lanl.gov/content/hiv-db/REVIEWS/brander2001.html>) for each person's class I HLA alleles.
- 60 epitope responses were detected in both PB and LN samples of the 15 patients, and an additional 8 responses were detected only in LN. The total magnitude of the response was similar in LN and PB, but the percentage of CD8+ T cells in the LN is lower so the number of HIV-specific cells per million CD8+ T-cells is higher in the LN.
- 1 year post-HAART treatment in five patients studied, the magnitude of the CD8 T-cell response was decreased in both LN and PB, but more dramatically in PB, and 13/25 epitope responses in the PB became undetectable, in contrast to 5/26 in the LN.
- Treatment interruption following HAART resulted in increased viremia accompanied by the restoration of the detection of 13 epitopes that had become undetectable in the PB, and the addition of 9 novel epitope responses.
- Breakdowns of epitope responses were shown for 4 individuals. Patient D displayed the greatest response to B27-KK10 (p24), and also responded to A30-RY11(p17), A32-PW10(RT), A30-KY11(RT), A32-RW10(gp120), and B18-YY9(Nef).

HXB2 Location RT (266–285)
Author Location Pol (421–440)
Epitope WASQIYPGIKVRQLCKLLRG
Subtype C

- Immunogen** HIV-1 infection
Species (MHC) human
Keywords subtype comparisons
References Novitsky *et al.* 2002
- HLA, viral sequence, and Elispot data was obtained from 105 HIV-1 positive Botswanans; Elispot data was obtained from between 55 and 64 subjects for each HIV protein.
 - Nef and p24 had the highest percentage of reactive peptides, and p24 had the highest magnitude of HIV-1 responses.
 - This peptide was among the 28 most reactive C clade peptides from among over 350 tested spanning all HIV proteins.

HXB2 Location RT (268–282)
Author Location RT (SF2)
Epitope SQIYPGIKVRQLCKL
Immunogen HIV-1 infection
Species (MHC) human
References Altfeld *et al.* 2001a

- HIV+ individual AC-06 was tested for reactive overlapping peptides spanning all HIV-1 proteins in an ELISPOT and was found to react with 12 peptides from 7 proteins, suggesting that the breadth of CTL responses are underestimated if accessory proteins are not included in the study.
- RT peptides SQIYPGIKVRQLCKL and WKG-SPAIFQSSMTKI were recognized.

HXB2 Location RT (269–277)
Author Location (LAI)
Epitope QIYPGIKVR
Subtype B
Immunogen

Species (MHC) human (A*0301)
Keywords optimal epitope
References Altfeld 2000; Frahm *et al.* 2007

HXB2 Location RT (269–277)
Author Location RT (269–277)
Epitope QIYPGIKVR
Subtype C

Immunogen HIV-1 infection
Species (MHC) human (A*0301)
Assay type Other
Keywords HLA associated polymorphism
References Boutwell & Essex 2007

- All HIV-1 subtype C protein sequences were analysed, and 94 HLA-associated amino acid polymorphisms were found that were well distributed throughout the proteome. These sequences were compiled from publicly available databases and originated in South Africa and Botswana. Many polymorphisms were associated with multiple HLA allele classes. 12% of negative associations were found as well, where there was an association of virus expression of the consensus amino acid with a specific HLA allele. HLA-B alleles were involved in most of the associations. 19 HLA-associated polymorphisms were embedded in previously defined epitopes presented by an appropriate HLA restricting molecule.
- QIYPGIKVR was a previously defined A*0301 presented epitope that encompassed an A*03- associated polymorphism, QIYPGIKVrIQ, in the last position. This epitope was embedded in a previously determined CTL immunoreactive region.

HXB2 Location RT (269–277)
Author Location Pol (424–432)
Epitope QIYAGIKVK
Subtype B, CRF01_AE

Immunogen HIV-1 infection
Species (MHC) human (A*1101)
Keywords binding affinity, subtype comparisons
References Fukada *et al.* 2002

- binding affinity, inter-clade comparisons.
- Counterparts for eight known clade B HLA A*1101 epitopes were generated for clade E (CRF01). Three epitopes, identical among clade A-E, were cross-reactive and recognized by clade E infected individuals. The clade E and B analogs to three more HLA A*1101 epitopes was recognized in a clade specific manner. Two other HLA A*1101 clade B defined epitopes were found not to have stimulated a response in clade E infected individuals.
- QIYAGIKVK is commonly found in viruses representing subtypes A, B and E. It was strongly recognized by CTL from 1/5 B clade infected Japanese subjects, and 5/7 E clade infected Thai subjects.
- QIYAGIKVK had the highest A*1101 binding affinity, but qiyagikvR and qiyPgikvR (the most common C and D clade variant both bound to A*1101). QIYAGIKVK and qiyagikvR were both cross-presented by a clone from a B clade infection, but qiyPgikvR was not.

HXB2 Location RT (269–277)
Author Location (B consensus)
Epitope QIYAGIKVK

Epitope name QVK9**Immunogen** HIV-1 infection**Species (MHC)** human (A11)**Donor MHC** A02, A11, B18, B44, Cw5, Cw12**Country** United States.**Assay type** Cytokine production, Intracellular cytokine staining, Chromium-release assay, Flow cytometric T-cell cytokine assay**Keywords** assay standardization/improvement, memory cells, characterizing CD8+ T cells**References** Lichtenfeld *et al.* 2004c

- Using a flow-cytometric cytotoxicity assay based on caspase-3 activation in dying target cells, it was shown that the subset of HIV-1-specific CD8+ T cells secreting both IFN-gamma and TNF-alpha exhibit stronger cytotoxic activity than those secreting only IFN-gamma. These cells also exhibited stronger intracellular perforin expression. No association between HIV-1-specific CD8+ T-cell maturation phenotypes and intracellular perforin expression was found.
- 1/9 individuals recognized this epitope.

HXB2 Location RT (269–277)**Author Location** Pol (425–433)**Epitope** QIYAGIKVK**Epitope name** QK9**Subtype** B**Immunogen** HIV-1 infection**Species (MHC)** human (A11)**Donor MHC** A2, A11, B18, B44, Cw5, Cw12**Country** United States.**Assay type** CD8 T-cell Elispot - IFN γ , Intracellular cytokine staining, Flow cytometric T-cell cytokine assay**Keywords** optimal epitope**References** Allen *et al.* 2005b

- 4/14 optimal HIV-1 T-cell epitopes in a subject underwent mutation associated with dramatic loss of the original CD8 response. For one of the escape variants, a novel CD8 T-cell response equal in magnitude to the wild type, was generated. CD8 T-cell recognizing the variant epitope utilized a distinct T-cell receptor and did not exhibit any cross-reactivity against the wild type.
- This epitope did not vary.

HXB2 Location RT (269–277)**Author Location** Pol (425–433)**Epitope** QIYAGIKVK**Subtype** B**Immunogen** HIV-1 infection**Species (MHC)** human (A11)**Donor MHC** A2, A11, B18, B44, Cw5, Cw12**Country** United States.**Assay type** CD8 T-cell Elispot - IFN γ **References** Allen *et al.* 2005a

- Two-thirds of all mutations arising in nonenvelope proteins during the transition from acute to chronic infection were found to be due to either CD8 T-cell-associated selective pressures or reversion of HLA-I-associated mutations selected in a previous host. The predominance of escape mutations at highly polymorphic sites was observed across different HIV-1 clades.

- This epitope was reactive, but escape mutations did not accrue in it over time.

HXB2 Location RT (269–277)**Author Location** RT (269–277)**Epitope** QIYPGIKVR**Immunogen** HIV-1 infection**Species (MHC)** human (A3)**Keywords** rate of progression, acute/early infection**References** Day *et al.* 2001

- The CTL response to optimally defined CTL epitopes restricted by HLA class I A and B alleles in individuals who coexpressed HLA A2, A3, and B7 was studied in eight HIV-1-infected subjects, two with acute infection, five with chronic, and one long-term non-progressor (LTNP)
- 2 to 17 epitopes were recognized in a given individual, A2-restricted CTL response tended to be narrow and never dominated the response, and 25/27 epitopes were targeted by at least one person.
- All patients recognized at least 1 A3 epitope, up to 8 A3 epitopes, but none was clearly dominant.

HXB2 Location RT (269–277)**Author Location** RT (424–432)**Epitope** QIYPGIKVR**Epitope name** A3-QR9**Subtype** B**Immunogen** HIV-1 infection**Species (MHC)** human (A3)**Donor MHC** A3, B7, Cw7**Keywords** dynamics, supervised treatment interruptions (STI), acute/early infection**References** Yu *et al.* 2002a

- CTL responses in 18 acutely HIV-infected HLA-A3 (n=7) or -B7 (n=4) or both -A3 and B7 (n=7) positive individuals were studied.
- One individual, AC-06, was homozygous at all three class I alleles (A3, B7, Cw7), was treated during acute infection and had supervised treatment interruptions (STI). He had only two detectable CTL responses during acute infection, but after STI this broadened to 27 distinct epitopes including 15 restricted by HLA-A3, 11 by HLA-B7, and 1 by HLA-Cw7.
- 1/14 HLA-A3 positive individuals had detectable A3-restricted responses to this epitope during acute infection, but only 5/15 of HLA-A3 epitopes tested were targeted during acute infection. 4/7 individuals began to have detectable responses to this epitope after STI.

HXB2 Location RT (269–277)**Author Location** RT (269–277)**Epitope** QIYAGIKVK**Epitope name** A3-QR9 Pol**Subtype** B**Immunogen** HIV-1 infection**Species (MHC)** human (A3)**Assay type** CD8 T-cell Elispot - IFN γ **Keywords** supervised treatment interruptions (STI), escape, early treatment, superinfection**References** Altfield *et al.* 2002a

- An HIV+ individual given acute ARV and undergoing STI developed a strong CTL immune response, but despite this was shown to be superinfected with second B clade virus. Some epitope variants of the second infecting virus were resistant to the initial CTL response.
- The second infecting strain had the variant qiyagikvR. The initial CTL response to both variants was strong but eventually declined, particularly to the variant in the second strain. .

HXB2 Location RT (269–277)
Author Location RT (269–277)
Epitope QIYPGKVR
Immunogen HIV-1 infection
Species (MHC) human (A3)
Donor MHC A03, A32, B51, B15, Cw03, Cw06, DR4, DR8, DQ7
Country Netherlands.
Assay type CD8 T-cell Elispot - IFN γ , Flow cytometric T-cell cytokine assay
Keywords rate of progression, escape
References Geels *et al.* 2003

- Both stable potential epitopes and epitopes with escape mutations were found in a patient with increasing viral load over a time period of 4 years. Fixation of escape mutations occurred sequentially and correlated with the rise in viral load and with the increased number of productively infected cells.
- This is one of 17 potential epitopes from this individual, defined based on previously identified epitopes presented by appropriate HLA molecules. Full length genome sequence did not reveal changes in time in any of these epitopes over a four year period. Peptide pools initially revealed very little response to these epitopes, but this increased over time.

HXB2 Location RT (269–277)
Author Location Pol
Epitope QIYPGKVK
Epitope name QK9
Subtype B
Immunogen HIV-1 infection
Species (MHC) human (A3)
Donor MHC A1, A3, B7, B57, Cw6, Cw7
Country United States.
Assay type CD8 T-cell Elispot - IFN γ
Keywords subtype comparisons, escape, characterizing CD8+ T cells, reversion, viral fitness
References Allen *et al.* 2005a

- Two-thirds of all mutations arising in nonenvelope proteins during the transition from acute to chronic infection were found to be due to either CD8 T-cell-associated selective pressures or reversion of HLA-I-associated mutations selected in a previous host. The predominance of escape mutations at highly polymorphic sites was observed across different HIV-1 clades.
- One escape mutation, at position 9, qiypgikvR, was found not to correspond to the most polymorphic residues in the epitope.

HXB2 Location RT (271–279)
Author Location (LAI)
Epitope YPGIKVRQL
Subtype B
Immunogen HIV-1 infection

Species (MHC) human (B*4201)
Keywords optimal epitope
References Frahm *et al.* 2007

- C. Brander notes this is a B*4201 epitope.

HXB2 Location RT (271–279)
Author Location (C consensus)
Epitope YPGIKVRQL
Subtype C
Immunogen HIV-1 infection
Species (MHC) human (B*4201)
Country South Africa.
Assay type CD8 T-cell Elispot - IFN γ
Keywords characterizing CD8+ T cells
References Kiepiela *et al.* 2004

- HLA class I restricted CD8+ T-cell responses against HIV-1 were analyzed in African patients. Significantly more responses were shown to be HLA-B restricted. Viral load, CD4 count, and thus rate of disease progression were also associated with HLA-B alleles. In addition, the selection pressure imposed on HIV-1 by HLA-B alleles was shown to be substantially greater than by other alleles.
- This epitope was suggested to be the epitope within a longer reactive peptide based on correspondence with a known epitope in the HIV database. Also, a significantly higher frequency of people in the Durban cohort who reacted with the peptide had this HLA type.

HXB2 Location RT (271–279)
Author Location (C consensus)
Epitope YPIGKVRQL
Subtype C
Immunogen HIV-1 infection
Species (MHC) human (B*4201)
Country South Africa.
Assay type CD8 T-cell Elispot - IFN γ
Keywords rate of progression, optimal epitope
References Kiepiela *et al.* 2007

- A comprehensive analysis of 160 class I T cell responses in 578 individuals from KwaZulu-Natal, South Africa was performed. Gag-specific responses were associated with lowering viremia, while Env, accessory and regulatory protein-specific responses were associated with higher viremia.
- Mutational patterns in the L9 residue of YPIGKVRQL are associated with the presence of the HLA presenting molecule in the host.

HXB2 Location RT (271–279)
Author Location RT (271–279)
Epitope YPGIKVRQL
Subtype C
Immunogen HIV-1 infection
Species (MHC) human (B*4201)
Assay type Other
Keywords HLA associated polymorphism
References Boutwell & Essex 2007

- HIV-1 subtype C proteins were analysed and 94 HLA-associated amino acid polymorphisms were found. Many polymorphisms were associated with multiple HLA allele classes. 12% of negative associations were found as well, where there was an association of virus expression of the consensus amino acid with a specific HLA allele. HLA-B alleles were involved in most of the associations. 88% of CTL immunodominant regions had same HLA-associations as found polymorphisms. In 19 studied CTL epitopes, the epitope-restricting allele was same as the polymorphism-restricting allele for 7, and in 12 the alleles differed by specificity.

- YPGIKVRQL was a previously defined B*4201 presented epitope that encompassed an B*42 associated polymorphism, YpGIKVRQL, in the second position. This epitope was found embedded in a previously determined immunoreactive region.

HXB2 Location RT (271–279)

Author Location (C consensus)

Epitope YPIGKVRQL

Subtype C

Immunogen HIV-1 infection

Species (MHC) human (B*4202)

Country South Africa.

Assay type CD8 T-cell Elispot - IFN γ

Keywords rate of progression, optimal epitope

References Kiepiela *et al.* 2007

- A comprehensive analysis of 160 class I T cell responses in 578 individuals from KwaZulu-Natal, South Africa was performed. Gag-specific responses were associated with lowering viremia, while Env, accessory and regulatory protein-specific responses were associated with higher viremia.
- Mutational patterns in the L9 residue of YPIGKVRQL are associated with the presence of the HLA presenting molecule in the host.

HXB2 Location RT (271–279)

Author Location RT (438–446 IIIB)

Epitope YPGIKVRQL

Immunogen HIV-1 infection

Species (MHC) human (B42)

Keywords responses in children, mother-to-infant transmission

References Menendez-Arias *et al.* 1998; Wilson *et al.* 1996

- YAGIKVRQL and YPGIKVKQL are naturally occurring variants that are both reactive.
- YHKIKVRQL is a naturally occurring variant that has not been tested.
- Epitope defined in the context of the Pediatric AIDS Foundation ARIEL Project, a mother-infant HIV transmission study.

HXB2 Location RT (271–279)

Author Location Pol (438–446 IIIB)

Epitope YPGIKVRQL

Immunogen HIV-1 infection

Species (MHC) human (B42)

Keywords mother-to-infant transmission, escape

References Wilson *et al.* 1999a

- This study describes maternal CTL responses in the context of mother-to-infant transmission.

- Detection of CTL escape mutants in the mother was associated with transmission, but the CTL-susceptible forms of the virus tended to be found in infected infants.

- An additional variant that gave a positive CTL response: YPGIKVKQL, YAGIKVRQL.

- YHGIKVRQL was an escape mutant.

HXB2 Location RT (293–301)

Author Location RT (448–456 SF2)

Epitope IPLTEEAEL

Immunogen HIV-1 infection

Species (MHC) human (B*3501)

References Menendez-Arias *et al.* 1998; Tomiyama *et al.* 1997

- A CTL clone responsive to this epitope was obtained.
- Only 1/7 B35-positive individuals had a CTL response to this epitope.
- An E to K substitution at position 5 abrogates specific lysis, but not binding to B*3501.
- An I to V substitution at position 1, P to Q at position 2, and E to K at 5, abrogates specific lysis and binding to B*3501.
- An I to V substitution at position 1 did not alter reactivity.
- Reviewed in Menendez-Arias *et al.* [1998], this epitope lies in the thumb region of RT.

HXB2 Location RT (293–301)

Author Location Pol (HXB2, LAI)

Epitope IPLTEEAEL

Subtype B

Immunogen HIV-1 infection

Species (MHC) human (B*3501)

Donor MHC A*2402, A*2601, B*3501, B*5101

Country Japan.

Assay type Cytokine production, Tetramer binding, Chromium-release assay

Keywords binding affinity, kinetics, TCR usage, characterizing CD8+ T cells, immune dysfunction

References Ueno *et al.* 2004b

- Two different clonotypes of CD8+ T-cells with specificity for this epitope were isolated from a chronic HIV+ patient. The clonotype with the relatively high affinity TCR had no cytolytic activity, cytokine production or proliferation in response to HIV-infected cells, while the moderate affinity clonotype had strong reactions. More than 3-fold increased duration in tetramer 1/2 life was observed with the defective clonotype. The TCRs from the two clonotypes preserved the phenotype when transduced into primary CD8+ T cells, suggesting the TCR with higher affinity was directly associated with impaired T-cell reactivity of the cells.
- The high affinity impaired TCR was Valpha1.1/Vbeta13.3, the moderate affinity active TCR was Valpha12.1/Vbeta5.6.

HXB2 Location RT (293–301)

Author Location Pol (HXB2, LAI)

Epitope IPLTEEAEL

Subtype B

Immunogen HIV-1 infection

Species (MHC) human (B*3501, B*1501)

Donor MHC A*2402, A*2601, B*3501, B*5101

Country Japan.

- Assay type** Cytokine production, Tetramer binding, Chromium-release assay
- Keywords** binding affinity, cross-presentation by different HLA, immunotherapy, TCR usage, characterizing CD8+ T cells
- References** Ueno *et al.* 2004a
- This paper described the transduction of HIV specific clone TCR genes Valpha12.1/Vbeta5.6 into primary CD8+ T cells. Epitope fine specificity and appropriate effector functions were observed in the transduced cells, although functional avidity could change due to different densities of TCR on the surface of the transduced cells. No allogenic responses were detected. This methodology could have immunotherapeutic applications.
- HXB2 Location** RT (293–301)
Author Location Pol (448–456 SF2-24)
Epitope IPLTEEAEL
Epitope name HIV-B35-SF2-24
Immunogen HIV-1 infection
Species (MHC) human (B*3501, B*5101)
References Tomiyama *et al.* 2000b
 - This epitope is naturally processed and presented by both HLA-B*3501 and HLA-B*5101 and is cross-recognized by a single CTL clone.
 - IPLTEEAEL binds approximately four times more tightly to HLA-B*3501 than HLA-B*5101.

HXB2 Location RT (293–301)
Author Location Pol (489–456)
Epitope IPLTEEAEL
Immunogen HIV-1 infection
Species (MHC) human (B*3501, B*5301, B*5101, B*0702)
Donor MHC A24, A26, B35, B51, Cw3
Keywords supertype, cross-presentation by different HLA, TCR usage
References Ueno *et al.* 2002
 - The IPLTEEAEL epitope was known to be presented by both HLA-B*3501 and -B*5101 to a dual specific CTL clone. A single TCR complex bearing Valpha12.1 and Vbeta5.6 was shown recognize the epitope in either HLA-B*3501 and -B*5101. Furthermore, this TCR also recognized the peptide presented by B*5301 and B*0702 in cytolytic CTL assays, demonstrating that this single TCR complex recognizes the same peptide presented by a range of HLA class I molecules.

HXB2 Location RT (293–301)
Author Location (SF2)
Epitope IPLTEEAEL
Immunogen HIV-1 infection
Species (MHC) human (B35)
Keywords rate of progression
References Kawana *et al.* 1999
 - HLA B35 is associated with rapid disease progression.
 - The sequences of 9 previously described HIV-1 B35 CTL epitopes were obtained in 10 HLA B35+ and 19 HLA B35- individuals.
 - 3/9 CTL epitopes had substitutions that were more common in B35+ individuals than in B35- individuals but this was one of the six that had no B35 associated pattern of mutation.

HXB2 Location RT (293–301)
Author Location RT (448–456 SF2)
Epitope IPLTEEAEL
Immunogen HIV-1 infection
Species (MHC) human (B35, B51)
References Menendez-Arias *et al.* 1998; Shiga *et al.* 1996
 - Binds HLA-B*3501 and B*5101.
 - Reviewed in Menendez-Arias *et al.* [1998], this epitope lies in the thumb region of RT.

HXB2 Location RT (293–301)
Author Location Pol (447–455)
Epitope IPLTEEAEL
Immunogen HIV-1 infection, HIV-1 exposed seronegative
Species (MHC) human (B51)
Keywords HIV exposed persistently seronegative (HEPS)
References Kaul *et al.* 2001a
 - ELISPOT was used to study CTL responses to a panel of 54 predefined HIV-1 epitopes in 91 HIV-1-exposed, persistently seronegative (HEPS) and 87 HIV-1-infected female Nairobi sex workers.

HXB2 Location RT (293–301)
Author Location RT (293–301)
Epitope IPLTEEAEL
Immunogen HIV-1 infection
Species (MHC) human (B51)
Donor MHC A03, A32, B51, B15, Cw03, Cw06, DR4, DR8, DQ7
Country Netherlands.
Assay type CD8 T-cell Elispot - IFN γ , Flow cytometric T-cell cytokine assay
Keywords rate of progression, escape
References Geels *et al.* 2003
 - Both stable potential epitopes and epitopes with escape mutations were found in a patient with increasing viral load over a time period of 4 years. Fixation of escape mutations occurred sequentially and correlated with the rise in viral load and with the increased number of productively infected cells.
 - This is one of 17 potential epitopes from this individual, defined based on previously identified epitopes presented by appropriate HLA molecules. Full length genome sequence did not reveal changes in time in any of these epitopes over a four year period. Peptide pools initially revealed very little response to these epitopes, but this increased over time.

HXB2 Location RT (293–301)
Author Location RT Pol (286–294)
Epitope IPLTEEAEL
Epitope name IPL
Immunogen HIV-1 infection
Species (MHC) human (B7)
Donor MHC A2, A68.1, B*07, B*3503, Cw*0401, Cw*0702, DR17, DR15, DR51, DR52, DQ2, DQ6
Assay type CD8 T-cell Elispot - IFN γ , Tetramer binding, CD4 T-cell Elispot - IFN γ
Keywords rate of progression, immunodominance, escape

References Oxenius *et al.* 2004b

- The increase in plasma viral load in a patient that progressed rapidly was preceded by positive selection of viral escape mutations in epitopes targeted by dominant HIV-1-specific CD8+ T-cell responses, and a decrease in HIV-1-specific CD4+ and CD8+ T-cell frequencies. Overall, escape variant epitopes were recognized 0-80% as efficiently as the index peptide, and the relatively efficiency of the variant epitopes increased using PBLs collected after their appearance. No changes were found in viral tropism, replication kinetics and neutralizing antibody titers so the rapid decline of the patient was attributed to loss of HIV containment due to CTL escape.
- The IPL epitope was found to be under positive selection for escape mutations and it was replaced by first variant between days 297 and 369, ipltGaeel. This new variant was subsequently replaced by 2 further variants, that were even more resistant to CD8+ T cell recognition between days 369 and 635, ipltAeael and ipltVeael.

HXB2 Location RT (294–318)**Author Location** RT (461–485 HXB2)**Epitope** PLTEEALELAENREILKEPVHGVY**Subtype** B**Immunogen** HIV-1 infection**Species (MHC)** human (A2)**References** Menendez-Arias *et al.* 1998; Walker *et al.* 1989

- One of five epitopes defined for RT-specific CTL clones in this study.

HXB2 Location RT (298–312)**Author Location** RT (291–305)**Epitope** EAELELAENREILKE**Epitope name** EAE**Immunogen** HIV-1 infection**Species (MHC)** human**Donor MHC** A2, A68.1, B*07, B*3503, Cw*0401, Cw*0702, DR17, DR15, DR51, DR52, DQ2, DQ6**Assay type** CD8 T-cell Elispot - IFN γ , CD4 T-cell Elispot - IFN γ **Keywords** rate of progression, escape**References** Oxenius *et al.* 2004b

- The increase in plasma viral load in a patient that progressed rapidly was preceded by positive selection of viral escape mutations in epitopes targeted by dominant HIV-1-specific CD8+ T-cell responses, and a decrease in HIV-1-specific CD4+ and CD8+ T-cell frequencies. Overall, escape variant epitopes were recognized 0-80% as efficiently as the index peptide, and the relatively efficiency of the variant epitopes increased using PBLs collected after their appearance. No changes were found in viral tropism, replication kinetics and neutralizing antibody titers, so the rapid decline of the patient was attributed to loss of HIV containment due to CTL escape.
- This was one of 8 reactive peptides found not to vary over time. It was one of four epitopes that were not precisely defined.

HXB2 Location RT (302–319)**Author Location** (C consensus)**Epitope** ELAENREILKEPVHGVVY**Subtype C****Immunogen** HIV-1 infection**Species (MHC)** human (Cw*0202)**Country** South Africa.**Assay type** CD8 T-cell Elispot - IFN γ **Keywords** rate of progression**References** Kiepiela *et al.* 2007

- A comprehensive analysis of 160 class I T cell responses in 578 individuals from KwaZulu-Natal, South Africa was performed. Gag-specific responses were associated with lowering viremia, while Env, accessory and regulatory protein-specific responses were associated with higher viremia.

HXB2 Location RT (308–317)**Author Location** RT (LAI)**Epitope** EILKEPVHGV**Subtype** B**Immunogen** HIV-1 infection**Species (MHC)** human (A*0201)**References** Menendez-Arias *et al.* 1998; van der Burg *et al.* 1997

- Recognized by CTL from a long-term survivor, SPIETVPVKL was also recognized.
- Recognized by CTL from a progressor, EELRQHLLRW and TWETWWTEYW were also recognized.

HXB2 Location RT (309–317)**Author Location** RT (476–484)**Epitope** ILKEPVHGV**Immunogen** HIV-1 infection**Species (MHC)** human (A*02)**Keywords** HAART, ART**References** Huang *et al.* 2000

- The single cell ELISPOT assay was optimized and highly specific, and found to work well even after the primary cells had been frozen and thawed.
- Increases in gamma interferon producing cells were observed in response to anti-retroviral therapy using single cell IFN-gamma-production ELISPOT.

HXB2 Location RT (309–317)**Author Location** RT (476–484)**Epitope** ILKEPVHGV**Immunogen** HIV-1 infection**Species (MHC)** human (A*02)**Keywords** HAART, ART**References** Rinaldo *et al.* 2000

- Administration of triple-drug antiretroviral therapy (IDV, 3TC and ZDV) sometimes showed a transient increase and other times failed to increase CTL responses in patients with advanced HIV disease, but there is a stable population of tetramer stained HIV-specific CD8+ CD45RO+ cells that persist after therapy and long periods of virus being below the level of detection.

HXB2 Location RT (309–317)**Author Location** RT**Epitope** ILKEPVHGV**Epitope name** IV9**Immunogen** HIV-1 infection

Species (MHC) human (A*02)

Keywords HAART, ART, immunodominance

References Scott-Algara *et al.* 2001

- This study examined with CTL response in HLA A*02+ children by tetramer staining for HLA-A2 immunodominant epitopes SLYNTVATL and ILKEPVHGV.
- 71% of the 28 HIV-1 infected HLA-A*02 positive children recognized both epitopes, with cells from 26 children stained positive by the gag tetramer (SLYNTVATL) and 21 children by the pol tetramer (ILKEPVHGV)
- There were no differences observed in children that had therapy versus those that did not.
- Tetramer-binding cells were memory activated CD28-, CD45RO+, CD45RA- HLADR+, CD69-, CD8+ T-cells.

HXB2 Location RT (309–317)

Author Location RT

Epitope ILKEPVHGV

Epitope name POL

Immunogen HIV-1 infection

Species (MHC) human (A*02)

Country France.

Assay type Cytokine production, Tetramer binding, Intracellular cytokine staining, Flow cytometric T-cell cytokine assay

Keywords responses in children, characterizing CD8+ T cells

References Scott-Algara *et al.* 2005

- Only a fraction of HIV-1-specific CD8 T-cells detected in the PBMC of 17 infected children (ages 2-18) were able to produce cytokines (IFN-gamma, TNF-alpha) or chemokines (CCL4, CCL5) after stimulation with the cognate peptide. A negative correlation was found between the plasma viral load and the percentage of CD8+ Gag-specific T-cells secreting IFN-gamma. Tetramers used in this study were SLYNTVATL-HLA-A*02 and ILKEPVHGV-HLA-A*02.

HXB2 Location RT (309–317)

Author Location

Epitope ILKEPVHGV

Immunogen HIV-1 infection

Species (MHC) human (A*0201)

Keywords acute/early infection

References Wilson *et al.* 2000a

- Three individuals with highly focused HIV-specific CTL responses were studied during acute infection using tetramers – high frequencies of HIV-1-specific CD8+ T cells were found prior to seroconversion, and a close temporal relationship between the number of circulating HIV-specific T cells and viral load.
- All three patients were B*2705, with HLA alleles: A1, A30/31, B*2705, B35; A1, A*0301, B7, B2705; and A*0201, A*0301, B2705, B39.
- ELISPOT was used to test a panel of CTL epitopes that had been defined earlier and were appropriate for the HLA haplotypes of the study subjects – 3/3 subjects showed a dominant response to the B*2705 epitope KRWIILGGLNK.
- The subject with A*0201 had a moderately strong response to SLYNTVATL.

- Weak responses were observed to A*301-RLRPGGKKK, A*301-QVPLRPMTYK, and B7-TPGPGVRYPL in the subject who was HLA A1, A*0301, B7, B*2705.

- No acute response was detected to the following epitopes: A*201-ILKEPVHGV, A*301-KIRLRPGGK, A*301-AIFQSSMTK, A*301-TVYYGVPVWK, B35-EPIVGAETF, B35-HPDIVIYQY, B35-PPIPVGEIY, B35-NSSKVSQNY, B35-VPLRPMTY, B35-DPNPQEVVL.

HXB2 Location RT (309–317)

Author Location Pol (476–484)

Epitope ILKEPVHGV

Immunogen HIV-1 infection

Species (MHC) human (A*0201)

References Spiegel *et al.* 2000

- High levels of CD8+ HIV-1 specific and cytomegalovirus specific CTL were detected by HLA-A*0201-peptide tetramers in 3 infected subjects with very low CD4 counts, but CD8 T cell mediated effector activity was not seen.
- Thus HIV-1 specific CD8+ cells may be present but may lack direct effector activity in late disease, suggesting that overcoming antigen unresponsiveness may be a useful therapeutic strategy.

HXB2 Location RT (309–317)

Author Location Pol (476–484)

Epitope ILKEPVHGV

Immunogen HIV-1 infection

Species (MHC) human (A*0201)

Keywords epitope processing, immunodominance

References Sewell *et al.* 1999

- Proteasome regulation influences epitope processing and could influence immunodominance.
- The proteasome is inhibited by lactacystin treatment, and gamma IFN induces expression of proteasome subunits, LMP2 and LMP7, which combine with the proteasome to create an immunoproteasome.
- IFN-gamma induction of the immunoproteasome and lactacystin inhibition increases the presentation of the A*0201 VIYQYMDDL epitope, but decreases the presentation of the A*0201 ILKEPVHGV epitope, which is immunodominant within pol proteins, showing the two epitopes are processed by different pathways.
- ILKEPVHGV seems to be processed by the classical proteasome pathway, while VIYQYMDDL appears to be destroyed by this pathway.
- This epitope contains the catalytic site (YMDD) of RT, a conserved sequence in HIV-1 which restricts escape mutants.

HXB2 Location RT (309–317)

Author Location Pol (476–484)

Epitope ILKEPVHGV

Immunogen HIV-1 infection

Species (MHC) human (A*0201)

Keywords epitope processing

References Loing *et al.* 2000

- The ILKEPVHGV was modified by the addition of an N-palmitoyl-lysine residue at the P0, P1 or P10 positions of the parent peptide to create a lipopeptide for direct antigen delivery to the cytoplasm for processing.

- The N-terminal modification increased the life span for functional CTL recognition up to 48 hours in comparison to the parent peptide.

HXB2 Location RT (309–317)

Author Location Pol (510–518)

Epitope ILKEPVHGV

Immunogen vaccine

Vector/Type: canarypox, vaccinia *HIV component:* Env, Gag, Nef, Pol

Species (MHC) human (A*0201)

References Larsson *et al.* 1999

- ELISPOT was used to assay the CD8 T cell response to the HIV-1 proteins Gag, Pol, Nef or Env expressed in vaccinia or canarypox vectors in 19 HIV+ people.
- The highest CTL frequency was directed at epitopes in Pol.
- In A*0201 individuals, higher numbers of spot-forming T cells were directed against HIV-1 proteins expressed in vaccinia than to peptides SLYNTVATL and ILKEPVHGV presented by A2.

HXB2 Location RT (309–317)

Author Location RT (476–484)

Epitope ILKEPVHGV

Immunogen HIV-1 infection

Species (MHC) human (A*0201)

Keywords TCR usage

References Wilson *et al.* 1998a

- HIV+ individuals were followed longitudinally using MHC tetramers in combination with 14 anti-BV chain MABs, and clonal expansion of HIV-specific T cells was followed *in vivo*.
- Seven HIV+ people were studied, and all showed expansions of particular TCR BV clones, often several, relative to uninfected controls.
- Three patients were followed in detail, TCR VB expansions persisted for 2 to 3 years, with occasional transient increases.

HXB2 Location RT (309–317)

Author Location RT (476–484)

Epitope ILKEPVHGV

Immunogen HIV-1 infection

Species (MHC) human (A*0201)

Keywords immunodominance

References Betts *et al.* 2000

- Only 4/11 HLA-A2+ HIV+ individuals had CTL that reacted to SLYNTVATL, calling into question whether it is immunodominant.
- 95 optimally-defined peptides from this database were used to screen for INF γ responses to other epitopes.
- 2/11 of the A2+ individuals responded to ILKEPVHGV, and neither of these two responded to SLYNTVATL.

HXB2 Location RT (309–317)

Author Location Pol

Epitope ILKEPVHGV

Immunogen HIV-1 infection

Species (MHC) human (A*0201)

Keywords HAART, ART

References Gray *et al.* 1999

- Administration of highly active antiretroviral therapy (HAART) reduced CD8+ cell frequency, and the CD8+ cells detected by tetramer staining were likely to be memory cells, indicating that persistently replicating viral populations are needed to maintain high frequencies of HIV-1 specific CTL.

HXB2 Location RT (309–317)

Author Location RT (476–484)

Epitope ILKEPVHGV

Immunogen HIV-1 infection

Species (MHC) human (A*0201)

References Menendez-Arias *et al.* 1998; Ogg *et al.* 1998b

- HLA-tetrameric complexes were used in a cross-sectional study of 14 untreated HLA A*0201 positive individuals, revealing an inverse relationship between HIV Gag and Pol specific CTL effector cells (CTLe) and viral load.
- Inclusion of both the p17 SLYNTVATL and RT ILKEPVHGV epitopes gives a good representation of HLA A*0201-restricted activity.
- No correlation was observed between the CTLe and CD4 count or clearance rate of productively infected cells.

HXB2 Location RT (309–317)

Author Location RT

Epitope ILKEPVHGV

Immunogen vaccine

Vector/Type: vaccinia

Species (MHC) human (A*0201)

References Hanke *et al.* 1998a; Hanke *et al.* 1998b

- This epitope was shown to be processed and presented to appropriate CTL clones upon infection of human target cells with vaccinia virus Ankara (VVA) carrying 20 HIV-1 epitopes recognized by humans.

HXB2 Location RT (309–317)

Author Location RT (476–484)

Epitope ILKEPVHGV

Immunogen *in vitro* stimulation or selection

Species (MHC) human (A*0201)

Keywords binding affinity

References Konya *et al.* 1997; Menendez-Arias *et al.* 1998

- This epitope was included as a positive control.
- Binding affinity to A*0201 was measured, $C_{-1}/2\max\mu M = 12$

HXB2 Location RT (309–317)

Author Location RT (468–476)

Epitope ILKEPVHGV

Immunogen *in vitro* stimulation or selection

Species (MHC) human (A*0201)

References van der Burg *et al.* 1996

- Immunogenic in humans, slow dissociation rate, and associated with immunogenicity in transgenic HLA-A*0201/K^b mice.
- CTL generated by *in vitro* stimulation of PBMC derived from uninfected individual.

HXB2 Location RT (309–317)

Author Location RT (468–476)

Epitope ILKEPVHGV

Immunogen *in vitro* stimulation or selection

Species (MHC) human (A*0201)

References van der Burg *et al.* 1995

- Binds HLA-A*0201 – CTL generated by *in vitro* stimulation of PBMC from an HIV negative donor.

HXB2 Location RT (309–317)

Author Location RT (476–484)

Epitope ILKEPVHGV

Immunogen HIV-1 infection

Species (MHC) human (A*0201)

References Menendez-Arias *et al.* 1998; Pogue *et al.* 1995

- Mutational study: position 1 I to Y increases complex stability with HLA-A*0201.

HXB2 Location RT (309–317)

Author Location RT (476–484)

Epitope ILKEPVHGV

Immunogen HIV-1 infection

Species (MHC) human (A*0201)

Keywords review, escape

References Goulder *et al.* 1997e; Goulder *et al.* 1997a; Menendez-Arias *et al.* 1998

- HLA-identical sibling hemophiliac brothers were both infected with the same batch of factor VIII.
- One had a response to gag A2 epitope SLYNTVATL, the other to pol A2 epitope ILKEPVHGV. They were tested 6-8 years after infection.
- Viral sequencing from the twin that had no response to SLYNTVATL indicated his virus had the substituted form SLH-NAVAVL.
- 71% of an additional set of 22 HIV-1 infected HLA-A*0201 positive donors preferentially responded to gag SLYNTVATL.
- Those individuals with a pol ILKEPVHGV response tended to have mutations in or around SLYNTVATL.
- Goulder *et al.* [1997a] is a review of immune escape that summarizes this study.

HXB2 Location RT (309–317)

Author Location RT (309–317)

Epitope ILKEPVHGV

Immunogen HIV-1 infection

Species (MHC) human (A*0201)

References Altman *et al.* 1996

- This paper introduces the tetramer methodology which permits quantification of specific CTL based on expression of specific TCRs—HLA-A2 tetramers were prepared that can stain CTL lines specific for ILKEPVHGV and SLYNTVATL, and can quantify HIV-specific CD8+ cell lines in freshly isolated PBMCs.
- Three patients only stained the Gag epitope SLYNTVATL, one patient had the highest frequency of tetramer staining to the Pol epitope (0.77%), less to the Gag epitope (0.28%)
- The A2-Pol CD8+ clones were CD45RO positive and HLA-DR and CD38 negative, suggesting a memory rather than effector phenotype.

HXB2 Location RT (309–317)

Author Location RT (476–484)

Epitope ILKEPVHGV

Immunogen *in vitro* stimulation or selection

Species (MHC) human (A*0201)

Keywords epitope processing

References Menendez-Arias *et al.* 1998; Walter *et al.* 1997

- HLA-A2 heavy chain and β 2-microglobulin expressed in *E. coli* were refolded in the presence of this peptide.
- The HLA-A2-peptide complex elicited HLA-A2 peptide-specific CTL response in cells lacking HLA-A2.
- Suggests that preformed HLA-peptide complexes could provide an alternate to intracellular processing for immunogens.

HXB2 Location RT (309–317)

Author Location RT (464–472)

Epitope ILKEPVHGV

Immunogen HIV-1 infection

Species (MHC) human (A*0201)

Keywords HAART, ART

References Gray *et al.* 1999

- Peptide-tetramer complexes of A*0201 and SLYNTVATL or ILKEPVHGV were used to study individuals receiving HAART to determine the frequency of Class I HLA-restricted anti-HIV CD8+ T cells.
- 17/18 asymptomatic patients had a CTL response to one or both epitopes – 72% had a CTL response to SLYNTVATL.
- After HAART, the majority of the epitope-specific CTL were apparently memory cells.

HXB2 Location RT (309–317)

Author Location Pol

Epitope ILKEPVHGV

Immunogen vaccine

Vector/Type: DNA

Species (MHC) transgenic mouse (A*0201)

References Ishioka *et al.* 1999

- A minigene vaccine construct encoding 6 HLA 2.1 and 3 HLA A11 restricted CTL epitopes, the universal Th cell epitope PADRE (pan-DR epitope) and an ER translocating signal sequence was constructed.
- The epitopes were chosen for dominant recognition by CTLs during HBV and HIV infections in humans.
- HLA transgenic mice were used for quantitating *in vivo* immunogenicity of DNA vaccines encoding HLA-restricted CTL epitopes – strong responses were observed to all nine epitopes, and CTL memory persisted up to four months after a single injection.

HXB2 Location RT (309–317)

Author Location RT (476–484)

Epitope ILKEPVHGV

Immunogen HIV-1 infection

Species (MHC) human (A*0201)

Keywords escape

References Brander *et al.* 1998a

- Of 17 infected HLA A*0201 subjects, 13 had CTL responses against the p17 SLYNTVATL epitope, six recognized ILKEPVHGV and five recognized VIYQYMDDL, and there was no correlation between viral load and recognition of a specific epitope or evidence of immune escape.
- Only one subject had CTL against all three epitopes.

- Subjects were part of the San Francisco City Clinic Cohort, the ARIEL project and from the Boston area.
- C. Brander notes this is an A*0201 epitope.

HXB2 Location RT (309–317)

Author Location Pol (476–484)

Epitope ILKEPVHGV

Immunogen HIV-1 infection

Species (MHC) human (A*0201)

Keywords HAART, ART

References Ogg *et al.* 1999

- CTL effector levels were measured after potent ARV therapy using HLA-tetramer complexes for the A*0201 epitopes SYLVTVATL and ILKEPVHGV in seven patients, and the B*3501 epitope DPNPQEVVL in one additional patient.
- Levels of CTL effectors typically decline for 5-7 days and then rebound, fluctuating during the first two weeks of therapy.
- After the early fluctuation, there was a steady exponential decay with a median half-life of 45 days.

HXB2 Location RT (309–317)

Author Location RT (476–484 LAI)

Epitope ILKEPVHGV

Subtype B

Immunogen HIV-1 infection

Species (MHC) human (A*0201)

Keywords optimal epitope

References Frahm *et al.* 2007

- C. Brander notes this is a A*0201 epitope.

HXB2 Location RT (309–317)

Author Location RT (476–484)

Epitope ILKEPVHGV

Epitope name IV9

Immunogen HIV-1 infection, *in vitro* stimulation or selection

Species (MHC) human (A*0201)

References Dela Cruz *et al.* 2000

- Integration of HIV RT CTL epitopes into the N-terminus of the HLA-A2 heavy chain, or tethering the epitopes to the target chain, resulted in epitope-specific lysis by CD8+ CTL.
- These antigens could also be used to stimulate primary responses *in vitro*.

HXB2 Location RT (309–317)

Author Location RT (309–317)

Epitope ILKEPVHGV

Epitope name P1

Immunogen HIV-1 infection

Species (MHC) human (A*0201)

Keywords HAART, ART, escape

References Samri *et al.* 2000

- The epitope was recognized by patient 250#0 but not in another A*0201+ patient, 201#5, in a study of the effects of therapy escape mutations on CTL recognition.

HXB2 Location RT (309–317)

Author Location Pol (LAI)

Epitope ILKEPVHGV

Subtype B

Immunogen *in vitro* stimulation or selection

Species (MHC) human (A*0201)

Keywords dendritic cells

References Engelmayer *et al.* 2001

- Recombinant canarypox virus vector containing HIV-1 sequences, upon infection of mature dendritic cells, can trigger specific lysis through *in vitro* by T-cells from HIV-1 infected individuals at levels comparable to the response seen to HIV carried in vaccinia vectors.
- Recombinant canarypox virus vector containing HIV-1 sequences can also stimulate HIV-specific CD4+ helper T-cell responses.

HXB2 Location RT (309–317)

Author Location Pol

Epitope ILKEPVHGV

Immunogen HIV-1 infection

Species (MHC) human (A*0201)

References Gea-Banacloche *et al.* 2000

- In a study including many long-term non-progressors, no correlation between plasma virus levels and number of HIV-specific CD8+ T-cells was found.
- High frequencies of circulating CD8+ T-cells were HIV-1 specific, and the majority of these responses were to gag-pol gene products.
- 4/21 subjects were HLA-(A*0201), and of these only 2 subjects (patient 3 and 19) tested positive to this epitope.

HXB2 Location RT (309–317)

Author Location Pol (476–484)

Epitope ILKEPVHGV

Immunogen HIV-1 infection

Species (MHC) human (A*0201)

Keywords HAART, ART, rate of progression

References Jin *et al.* 2000a

- The CTL effector levels (CTLe) were compared in long term non-progressors (LTNP) with low viral load and in patients whose virus was well-suppressed by therapy, using a tetramer assay.
- LTNPs have high memory CTLe numbers and low viral load, while HAART patients had low CTLe numbers and low viral load.

HXB2 Location RT (309–317)

Author Location Pol (476–484)

Epitope ILKEPVHGV

Immunogen HIV-1 infection

Species (MHC) human (A*0201)

References Appay *et al.* 2000

- Combined tetramer and intracellular cytokine staining was used to study the function of circulating CD8+ T cells specific for HIV and CMV.
- HIV-specific CD8+ T cells expressed lower levels of perforin than CMV-specific CD8+ T cells from the same donor, and this was associated with persistent CD27 expression on HIV-specific cells, suggesting impaired maturation.
- In most donors, between 50% and 95% of the activated virus-specific CD8+ T cells produced IFN- γ and MIP-1 β with a distinct subset that failed to produce TNF- α

HXB2 Location RT (309–317)

Author Location Pol

Epitope ILKEPVHGV

Immunogen HIV-1 infection

Species (MHC) human (A*0201)

Keywords dendritic cells

References Ostrowski *et al.* 2000

- The role of CD4+ T-cell help in expansion of virus-specific memory CTL was studied through co-culture *ex vivo*
- Optimal expansion of HIV-1-specific memory CTL depended on CD4+ T cell help in 9 of 10 patients – CD40 ligand trimer (CD40LT) could enhance CTL in the absence of CD4+ T cell help to a variable degree in most of patients.
- Those CTL that didn't respond to CD40LT could expand with IL2 present, and IL15 produced by dendritic cells also contributes.
- The T-helper epitope used for CD4+ T cell stimulation was the universal tetanus helper epitope TET830-843 (QYIKANSK-FIGITE)

HXB2 Location RT (309–317)

Author Location RT (309–317)

Epitope ILKEPVHGV

Epitope name RT2

Immunogen vaccine

Vector/Type: HIV-1 peptide in filamentous bacteriophage major coat protein *HIV component:* RT

Species (MHC) human, transgenic mouse (A*0201)

References Guardiola *et al.* 2001

- HLA-A2 transgenic mice were injected with bacteriophage antigens expressing a Th epitope and the HIV CTL epitope ILKEPVHGV, and epitope-specific cytotoxic activity was induced.

HXB2 Location RT (309–317)

Author Location Pol (476–484)

Epitope ILKEPVHGV

Subtype B

Immunogen HIV-1 infection

Species (MHC) human (A*0201)

Keywords epitope processing, immunodominance

References Sewell *et al.* 2002

- Epitope processing of three different HLA-A*0201 HIV epitopes was shown to use different pathways, which might influence patterns of immunodominance. .174 cells were used that lack TAP1 and TAP2 genes, as well as the LMP2 and LMP7 genes that encode the beta-subunits of the immunoproteasome. These genes could be added back through transfection to study processing.
- ILKEPVHGV was efficiently presented in TAP-1 and -2 transfected cells while VIYQYMDDL and SLYNTVATL were not. VIYQYMDDL was destroyed by the MB1 subunit of the protease, and could be expressed in the presence of the proteasome inhibitor lactacystin, but SLYNTVATL expression was not restored. SLYNTVATL expression was unaltered by lactacystin in a wild type cell line.

HXB2 Location RT (309–317)

Author Location Pol

Epitope ILKEPVHGV

Epitope name IL-9

Immunogen HIV-1 infected monocyte-derived

Species (MHC) mouse (A*0201)

References Poluektova *et al.* 2002

- Nonobese diabetic NOD-C.B-17 SCID mice were reconstituted with HLA-A*0201 positive human PBL and injected with HIV-1 infected monocyte-derived macrophages MDM in the basal ganglia to provide a mouse model of HIV-1 encephalitis.
- HLA-A*0201 CTL responses were detected by tetramer staining in the spleen in seven days, increased through day 14, and the numbers of productively infected were reduced >85% in the second week.

HXB2 Location RT (309–317)

Author Location RT (476–484 LAI)

Epitope ILKEPVHGV

Epitope name LR22

Subtype B

Immunogen vaccine

Vector/Type: peptide *Strain:* B clade LAI

Adjuvant: Incomplete Freund's Adjuvant (IFA), Montanide (ISA 720), P30, PLG

Species (MHC) mouse (A*0201)

Keywords binding affinity, vaccine-specific epitope characteristics, immunodominance

References Peter *et al.* 2001

- The stability of peptide binding to HLA-A2.1 was determined for six HLA-A2.1 peptides included in this vaccine study – ILKEPVHGV (RT), SLYNTVATL (p17), SLLNATDIAV (gp41) and LLWKGEAV (RT) all bound with high affinity comparable to a influenza epitope reference (GILGFVFTL), while RGPGRFVTI and VIYQYMDDL bound with a lower affinity (relative binding activity = 0.01).
- The four high-affinity peptides formed stable complexes with half-lives ranging between 8 and 32 hours, while the low affinity peptides had half lives of less than an hour.
- HLA-A2.1 transgenic mice were immunized with the six HIV-1 peptides and P30, as a universal T-helper epitope, with IFA or Montanide or microspheres as adjuvants.
- All peptides except VIYQYMDDL induced a strong CTL response in Cr-release assays - stronger responses were observed when peptides were delivered alone, indicating immunodominance when the combination was used.

HXB2 Location RT (309–317)

Author Location RT (476–484 LAI)

Epitope ILKEPVHGV

Epitope name LR22

Subtype B

Immunogen vaccine

Vector/Type: peptide *Strain:* B clade LAI

Adjuvant: Incomplete Freund's Adjuvant (IFA), IL-12, P30

Species (MHC) mouse (A*0201)

Keywords vaccine-specific epitope characteristics, immunodominance

References Peter *et al.* 2002

- When HIV-1 peptides were used to vaccinate HLA-A2.1 transgenic A2-Kb mice, strong responses to five peptides were observed when the peptides were given individually, but immunodominance limited the response to some of the peptides when they were given in combination Peter *et al.* [2001]. IL-12 can counteract immunodominance in BALB/c mice, so it was given with the multiple epitope vaccination, and was instead found to specifically eliminate the HLA-A2.1-epitope CTL responses, but not Kb CTL responses. This was possibly a consequence of transient depletion of T-cells, B cells and macrophages in the spleen.

HXB2 Location RT (309–317)

Author Location RT (309–317)

Epitope ILKEPVHGV

Subtype B

Immunogen vaccine

Vector/Type: peptide *HIV component:* RT
Adjuvant: Complete Freund's Adjuvant (CFA)

Species (MHC) transgenic mouse (A*0201)

Keywords binding affinity, vaccine-specific epitope characteristics

References Boissonnas *et al.* 2002

- Ten naturally occurring variants of the Nef epitope VLMWQFDSRL were tested for their affinity to HLA-A*0201 and for their ability to induce gamma-IFN and cytotoxic functions through vaccination of HLA-A*0201 transgenic mice.
- ILKEPVHGV could induce HLA-A*0201 vaccine responses, and was a positive control.

HXB2 Location RT (309–317)

Author Location Pol (468–476)

Epitope ILKEPVHGV

Immunogen vaccine

Vector/Type: DNA *HIV component:* HIV-1

Species (MHC) mouse (A*0201)

Keywords epitope processing, vaccine-specific epitope characteristics, immunodominance

References Singh *et al.* 2002; Sykes & Johnston 1999

- C3H (H-2k) transgenic mice carrying a fused HLA-A*0201 alpha1 and alpha2 and H-2Dk alpha3 hybrid class I molecule were immunized using an epidermal gene gun with an ubiquitin expression library of 32 plasmids that spanned the HIV-1 genome. Ubiquitin targets the expressed HIV-1 peptides to the proteasome.
- A single immunization with the UB-HIV-1 library vaccine induced potent, stable and multivalent CTL responses against all library members.
- Immunodominant epitopes SLYNTVATL (Gag), ILKEPVHGV (Pol), RIQRGPGRAFVTIGK (Env) and AFHHVAREK (Nef) elicited strong CD8+/IFN- responses and stimulated CTL that were functional in a Cr-release assay and against wild type antigen.
- The presence of multiple plasmids HLA-A*0201-restricted CTL epitopes did not decrease CTL immunogenicity, and CTL responses to single peptide immunizations were comparable to responses based on mixtures of either 16 or 32 peptides.

HXB2 Location RT (309–317)

Author Location Pol

Epitope ILKEPVHGV

Subtype A, B, C, D

Immunogen HIV-1 infection, vaccine

Vector/Type: DNA prime with modified vaccinia Ankara (MVA) boost *Strain:* A clade
HIV component: p17 Gag, p24 Gag

Species (MHC) human, macaque (A*0201)

Keywords subtype comparisons, epitope processing, vaccine-specific epitope characteristics, immunodominance

References Hanke & McMichael 2000; Wee *et al.* 2002

- The HIV-1 subtype A focused vaccine HIVA contains p24 and p17, in a reversed order relative to the Gag polyprotein to prevent myristylation of p17, which could direct the protein to the cell membrane and inhibit efficient peptide processing and class I presentation, as well as a polypeptide string of conserved, often immunodominant epitopes that were selected to have particularly good cross-reactive potential for the A-clade epidemic in Nairobi, Kenya. A DNA and MVA prime-boost vaccination protocol using the HIVA antigen will be used in a phase III clinical trial in Kenya. This epitope is included in the polypeptide string Hanke & McMichael [2000].
- Multiple CD4+ or CD8+ T-cell vaccine-induced responses to peptide pools were detected using intracellular cytokine staining and IFN-gamma Elispot assays after vaccination of 5 macaques. The response to the Mamu A*01 SIV p27 epitope p11C (CTPYDINQM), included in the polypeptide region, was not immunodominant in the Mamu A*01 vaccinated macaques, possibly because of processing limitations in context of the artificial polypeptide string Wee *et al.* [2002].

HXB2 Location RT (309–317)

Author Location Pol (476–484)

Epitope ILKEPVHGV

Subtype B

Immunogen in vitro stimulation or selection

Species (MHC) human (A*0201)

Keywords epitope processing, dendritic cells

References Andrieu *et al.* 2003

- This study demonstrates that lipopeptides carrying epitopes can be taken up by human dendritic cells, processed using different pathways, and recognized by epitope-specific CD8+ T-cells originally derived from HIV+ individuals. The RT ILKEPVHGV peptide was embedded in a longer peptide fragment in the lipopeptide, and was internalized by endocytosis and processed in the cytosol by proteasomal cleavage by following an endosome-to-cytosol pathway for processing and presentation. Administration of epoxomycin, a proteasome inhibitor, completely abrogated epitope presentation to a CD8+ T-cell line, while monensin, an inhibitor of acid-dependent endosomal enzyme activity did not.
- In contrast to the RT epitope, dendritic cell presentation of the Nef epitope QVPLRPMTYK embedded in a longer peptide in a lipopeptide was not inhibited by epoxomycin, but was inhibited by monensin, indicative of endocytotic epitope processing.

HXB2 Location RT (309–317)

Author Location

Epitope ILKEPVHGV

- Epitope name** IV9
Subtype B
Immunogen HIV-1 infection
Species (MHC) human (A*0201)
Assay type Cytokine production, proliferation, Tetramer binding, Intracellular cytokine staining, Chromium-release assay
References Dagarag *et al.* 2003
- Telomer length is short in the CD8+ T-cell compartment of HIV-1 infected people, indicating excessive CTL activation and premature senescence. Here human telomerase RT (hTERT) transduction of HIV-1-specific CTL was used to study the functional impact of telomerase. Telomerase expression enhanced proliferative capacity, as well as cytolytic and antiviral capabilities; cytokine production was unchanged. hTERT transduced CTLs were 10-fold more efficient in controlling HIV-1 replication in culture. Thus telomerase transduction can restore CTL mediated cytolysis, and may have therapeutic potential.
 - Three polyclonal CD8+ T-cell lines derived from an HIV-1, HLA A*0201 positive patient were used in this study, including one specific for this epitope. An IV9-specific monoclonal cell line, 68A62 was also generated.
- HXB2 Location** RT (309–317)
Author Location Pol (464–472)
Epitope ILKEPVHGV
Epitope name I9V
Subtype B
Immunogen vaccine
Vector/Type: peptide *HIV component:* RT
Adjuvant: CpG immunostimulatory sequence (ISS)
Species (MHC) transgenic mouse (A*0201)
Donor MHC H-A2/Kb
Assay type Cytokine production, Tetramer binding, Intracellular cytokine staining, Chromium-release assay
References Daftarian *et al.* 2003
- HLA-A*0201 transgenic mice were immunized with a Th-CTL-fusion peptide composed of the I9V CTL epitope linked to the promiscuous PADRE Th epitope. The peptide only when given in combination with CpG elicited strong I9V-CTL responses.
 - The peptide-CpG vaccinated mice, when challenged with pol embedded in vaccinia (pol-vv), could clear the virus from the ovaries. Additionally, intranasal immunized mice given an intranasal pol-vv challenge reduced virus in the lungs.
- HXB2 Location** RT (309–317)
Author Location Pol (476–484)
Epitope ILKEPVHGV
Epitope name IV9
Immunogen HIV-1 infection
Species (MHC) human (A*0201)
Assay type Tetramer binding
Keywords genital and mucosal immunity
References Shacklett *et al.* 2003

- Lymphocytes from rectal biopsies were used to characterize the CD8+ T cell response to HIV in GALT, Gut-associated lymphoid tissues. Patients were selected on the basis of being HLA-A2+ and having detectable SLYNTVATL and ILKEPVHGV tetramer responses in PBMC. SLYNTVATL frequency was increased in GALT relative to PBMC in 6/7 patients studied, while a control response to a CMV-peptide was diminished in GALT. Only two patients had ILKEPVHGV CD8+ T cell responses, and both had slightly higher frequencies in GALT than PBMC.
- HIV may perturb lymphocyte retention in GALT, suggested by an overall reduction of GALT CD8+ cells expressing alphaE-beta7. GALT HIV-specific CD8+ T cells expressed alphaE-beta7, suggesting mucosal priming.

- HXB2 Location** RT (309–317)
Author Location RT (309–317 MN)
Epitope ILKEPVHGV
Subtype B
Immunogen vaccine
Vector/Type: DNA, polyepitope *Strain:* B clade MN *HIV component:* gp120, Protease, RT *Adjuvant:* Incomplete Freund's Adjuvant (IFA)
Species (MHC) humanized mouse (A*0201)
Assay type CD8 T-cell Elispot - IFN γ
Keywords epitope processing, vaccine-specific epitope characteristics, immunodominance, immunotherapy
References Isagulians *et al.* 2004
- Immunization of HLA-A*0201-transgenic mice with synthetic genes encoding clusters of human A*0201 CTL epitopes located at the sites of drug resistance mutations, induced RT-specific cellular responses indicating the immunogenicity of these constructs. This vaccine strategy may be a first step towards a therapeutic vaccine against drug-resistant strains.
 - This was one of five HLA-A*0201 epitopes from the RT or protease proteins that was included in the polyepitope vaccine. When the transgenic HLA A*0202 mice were vaccinated with the polyepitope construct or with a mixture of RT peptides, a sustained low level CD8+ T-cell gamma IFN response was observed, in contrast to when an intact RT gene was used for vaccination.

- HXB2 Location** RT (309–317)
Author Location
Epitope ILKEPVHGV
Epitope name IV9
Immunogen HIV-1 infection
Species (MHC) human (A*0201)
Country United States.
Assay type CD8 T-cell Elispot - IFN γ , T-cell Elispot, Flow cytometric T-cell cytokine assay
Keywords epitope processing, escape, kinetics, variant cross-recognition or cross-neutralization
References Jamieson *et al.* 2003
- Epitope escape mutations in chronically infected individuals developed over several years indicating slight selective advantage of escape mutants. The maturation state of CTLs appear to affect the rate of epitope mutation and CTL decay.

- In two patients, IV9 mutations preceded the loss of IV9-specific CD8+ T-cells. In a third patient, escape mutations were coincident with IV9-specific CD8+ T-cell loss. One patient was infected with a ilepvhgA variant, and transiently reverted to the consensus form at year 3. One patient never made a response to IV9 despite being infected with the consensus form of the epitope.

HXB2 Location RT (309–317)
Author Location Gag
Epitope ILKEPVHGV
Epitope name IV9
Subtype B
Immunogen in vitro stimulation or selection
Species (MHC) human (A*0201)
Assay type Tetramer binding, Chromium-release assay, Flow cytometric T-cell cytokine assay
Keywords epitope processing, rate of progression, immunodominance, acute/early infection, dendritic cells, TCR usage, memory cells
References Kan-Mitchell *et al.* 2004

- In contrast to IV9-CTLs, SL9-CTLs were shown to be primed by immature DCs and to be independent of help from CD4+ or exogenous IL2 and sensitive to paracrine IL-2-induced apoptosis.

HXB2 Location RT (309–317)
Author Location Pol (468–476 IIIB)
Epitope ILKEPVHGV
Epitope name pol468-476
Subtype B
Immunogen vaccine
Vector/Type: DNA *Strain:* B clade IIIB
HIV component: Gag-Pol
Species (MHC) humanized mouse (A*0201)
Assay type Intracellular cytokine staining
Keywords epitope processing, vaccine-specific epitope characteristics, variant cross-recognition or cross-neutralization, vaccine antigen design
References Singh & Barry 2004

- When A*0201-C3H/J transgenic mice were immunized with plasmids encoding wild-type gag-pol, codon-optimized (CO) gag-pol, and an expression library vaccine expressing 16 fragments of gag-pol fused with ubiquitin for proteasome targeting (ELI), the ELI vaccine produced up to 10-fold higher CD8 T-cell responses than the other two vaccines. In contrast to the wt and CO vaccines, which tended to augment only immunodominant responses, boosting with the ELI vaccine resulted in many CD8 responses against variant epitopes from different HIV-1 clades, and against drug-resistant variants.
- This epitope was recognized in transgenic mice vaccinated with all three vaccine constructs, but the most intense responses were to the ELI vaccine.

HXB2 Location RT (309–317)
Author Location Pol (464–472)
Epitope ILKEPVHGV
Epitope name IV9
Subtype B
Immunogen HIV-1 infection

Species (MHC) human (A*0201)
Donor MHC A*0201, A*0301, B*3501, B*51, Cw*04, Cw*06
Country United States.
Assay type CD8 T-cell Elispot - IFN γ , Intracellular cytokine staining, Chromium-release assay
Keywords escape, acute/early infection
References Bansal *et al.* 2005

- Patients with acute or early infection were shown to preferentially target variable peptides with higher entropy while those with chronic infection showed responses towards more conserved peptides with lower entropy. In longitudinally followed subjects, responses to variable proteins declined over time while responses to conserved proteins increased. The decline is suggested to be due to CTL escape.
- The response to this epitope was not detected until month 25 and increased over time.

HXB2 Location RT (309–317)
Author Location Pol
Epitope ILKEPVHGV
Epitope name I9V
Immunogen vaccine
Vector/Type: measles virus (MV) *Strain:* multiple epitope immunogen *HIV component:* gp140, gp140 Δ V3
Species (MHC) transgenic mouse (A*0201)
Assay type Chromium-release assay, Flow cytometric T-cell cytokine assay
Keywords memory cells, vaccine antigen design, antibody generation, characterizing CD8+ T cells
References Lorin *et al.* 2005

- A recombinant measles MVSchw virus expressing an HIV-1-derived polyepitope effectively primed HLA-A*0201-restricted CTL responses against multiple conserved HIV-1 epitopes in HLA-A*0201 transgenic mice. Also, a recombinant MVSchw virus expressing gp140 with deleted V1, V2, and V3 loops successfully induces neutralizing antibodies against HIV-1. A live attenuated measles vaccine could provide a safe and efficient pediatric vaccination vector for simultaneous vaccination against HIV and measles.

HXB2 Location RT (309–317)
Author Location RT (476–484 LAI)
Epitope ILKEPVHGV
Epitope name P1
Subtype B
Immunogen HIV-1 infection
Species (MHC) human (A*0201, A*0205)
Keywords HAART, ART
References Mollet *et al.* 2000

- A panel of 16 epitopes covering 15 class I alleles was tested in 14 HIV+ patients from an unselected Caucasian population treated with HAART, using tetramer staining or CD8+ cell IFN γ production to measure responses.
- In general, during the first month of treatment viral load decreased and frequencies of HIV-specific CTL tripled and broadened – eight new HIV specificities that were not previously detectable were newly detected, as were CMV specific CD8+

PBL – but with continued viral suppression, HIV-specific responses diminished.

- Viral rebounds gave different patterns of response: increases or decreases in pre-existing response, new specificities, or no change.

HXB2 Location RT (309–317)

Author Location Pol (476–484)

Epitope ILKEPVHGV

Immunogen vaccine

Vector/Type: vaccinia

Species (MHC) human (A2)

References Woodberry *et al.* 1999

- A polypeptide vaccine was generated in a vaccinia construct that contiguously encoded seven epitopes, all presented by HLA A-2.
- HHD mice have a transgene of HLA A2 linked to the transmembrane and cytotoxic domains of H-2D^d – this transgene is the only MHC molecule expressed in the mice.
- CTL responses to Gag (77-85) SLYNTVATL, Pol (476-484) ILKEPVHGV, gp120 (120-128) KLTPLCVTL, and Nef (190-198) AFHHVAREL were observed in HIV polytope HHD-vaccinated mice, and these responses were enhanced with vaccinia boost.
- No CTL immune responses were generated against HLA A2-restricted HIV epitopes Nef 157-166 (PLTFGWYKYL), Pol 346-354 (VIYQYMDDL), and Nef 180-189 (VLEWRFDSSL).
- Sixteen HLA A2+ patients were tested for their ability to make CTL responses by peptide restimulation in culture with the epitopes selected for inclusion in the polytope – one individual recognized all seven of these epitopes; 7 patients had CTL cultures able to recognize at least one of the epitopes, and 6 of those 7 recognized more than one epitope, but they were not able to test all peptides for all patients; many patients only had three peptides tested.
- ILKEPVHGV was recognized by 2 of the patients.

HXB2 Location RT (309–317)

Author Location RT (476–484)

Epitope ILKEPVHGV

Immunogen HIV-1 infection

Species (MHC) human (A2)

Keywords subtype comparisons, TCR usage

References Kolowos *et al.* 1999

- TCR usage in CTL specific for this epitope was examined in three patients and identical V β 6.1 and V α 2.5 gene segments were used and two of the patients had very similar complementarity-determining regions – clonal expansion of RT-HIV-specific CTL can contribute to the skewed TCR repertoire in HIV-1 infected patients.
- CTL clones from all three patients showed similar sensitivity to mutation in the epitope, ilkepvhEv was well recognized (the sequence from SF2), ilkDpvhgv was not (the common A clade form)

HXB2 Location RT (309–317)

Author Location RT (476–484)

Epitope ILKEPVHGV

Immunogen HIV-1 infection

Species (MHC) human (A2)

References Collins *et al.* 1998

- Nef down-regulates MHC class I molecules, which inhibits CTL killing of HIV-infected targets.
- The anti-RT CTL clone killed Nef- cells less efficiently than anti-gag clones, correlated with the reduced expression of RT.

HXB2 Location RT (309–317)

Author Location RT (476–484 LAI)

Epitope ILKEPVHGV

Subtype B

Immunogen HIV-1 infection

Species (MHC) human (A2)

Keywords dendritic cells

References Fan *et al.* 1997

- The capacity of dendritic cells to process and present antigen and stimulate anti-HIV-1 CTL memory responses was studied.

HXB2 Location RT (309–317)

Author Location RT (464–472)

Epitope ILKEPVHGV

Immunogen HIV-1 infection

Species (MHC) human (A2)

Keywords dendritic cells

References Kundu *et al.* 1998b

- Allogeneic dendritic cells (DCs) were obtained from HLA-identical siblings, pulsed with rgp160 MN or A2-restricted HIV-1 epitope peptides, and infused monthly into six HIV-infected patients.
- 1/6 showed increased env-specific CTL and increased lymphoproliferative responses, 2/6 showed increase only in proliferative responses, and 3/6 showed no change – pulsed DCs were well tolerated.
- ILKEPVHGV is a conserved HLA-A2 epitope included in this study – 5/6 patients had this sequence as their HIV direct sequence, and these had a detectable CTL response – one person carried the form ILREPVHGV and had no detectable CTL.

HXB2 Location RT (309–317)

Author Location RT (476–484)

Epitope ILKEPVHGV

Immunogen HIV-1 infection

Species (MHC) human (A2)

References Menendez-Arias *et al.* 1998; Tsomides *et al.* 1994

- CTL clones recognize naturally processed peptide – peptide abundance corresponded to level of CTL killing.

HXB2 Location RT (309–317)

Author Location RT (476–484)

Epitope ILKEPVHGV

Immunogen HIV-1 exposed seronegative

Species (MHC) human (A2)

Keywords subtype comparisons, HIV exposed persistently seronegative (HEPS)

References Rowland-Jones *et al.* 1998a

- A CTL response was found in exposed but uninfected prostitutes from Nairobi using previously-defined B clade epitopes that tended to be conserved in A and D clades – such cross-reactivity could protect against both A and D and confer protection in Nairobi where both subtypes are circulating.

- The A subtype consensus is ILKDPVHGV.
- The D subtype consensus is identical to the epitope ILKEPVHGV.

HXB2 Location RT (309–317)

Author Location RT (476–484)

Epitope ILKEPVHGV

Immunogen HIV-1 infection

Species (MHC) human (A2)

Keywords subtype comparisons

References Cao *et al.* 1997a; Menendez-Arias *et al.* 1998

- The consensus peptides of B and D clade viruses and some As have the sequence ILKEPVHGV.
- The consensus peptide of a subset of A clade viruses, ILKD-PVHGV, is not cross-reactive.

HXB2 Location RT (309–317)

Author Location RT (476–484)

Epitope ILKEPVHGV

Immunogen HIV-1 infection

Species (MHC) human (A2)

References Menendez-Arias *et al.* 1998; Yang *et al.* 1996

- CD4+ cell lines acutely infected with HIV were studied to determine their susceptibility to lysis by CTL.
- Clones specific for RT lysed HIV-1 infected cells at lower levels than Env or Gag specific clones.
- The distinction was thought to be due to lower expression of RT relative to Env and Gag.
- CTL can lyse infected cells early after infection, possibly prior to viral production.

HXB2 Location RT (309–317)

Author Location RT (476–484)

Epitope ILKEPVHGV

Immunogen HIV-1 infection

Species (MHC) human (A2)

Assay type CTL suppression of replication

References Yang *et al.* 1997a

- CTL inhibit HIV-1 replication at effector cell concentrations comparable to those found *in vivo*.
- CTL produced HIV-1-suppressive soluble factors – MIP-1 α , MIP-1 β , RANTES, after antigen-specific activation.
- CTL suppress HIV replication more efficiently in HLA-matched cells.

HXB2 Location RT (309–317)

Author Location RT (309–317)

Epitope ILKEPVHGV

Immunogen HIV-1 infection

Species (MHC) human (A2)

Keywords TCR usage

References Menendez-Arias *et al.* 1998; Moss *et al.* 1995

- Two clones were obtained with different TCR usage, V β 1 and V β 21.

HXB2 Location RT (309–317)

Author Location RT (476–484)

Epitope ILKEPVHGV

Immunogen HIV-1 infection

Species (MHC) human (A2)

References Menendez-Arias *et al.* 1998; Musey *et al.* 1997

- Cervical CTL clones from an HIV-infected woman recognized this epitope.

HXB2 Location RT (309–317)

Author Location RT (476–484 LAI)

Epitope ILKEPVHGV

Subtype B

Immunogen HIV-1 infection

Species (MHC) human (A2)

References Menendez-Arias *et al.* 1998; Tsomides *et al.* 1991

- Precise identification of the nonamer that binds to A2.

HXB2 Location RT (309–317)

Author Location RT (476–484 LAI)

Epitope ILKEPVHGV

Subtype B

Immunogen peptide-HLA interaction

Species (MHC) human (A2)

References Connan *et al.* 1994; Menendez-Arias *et al.* 1998

- Promotes assembly of HLA-A2 molecules in T2 cell lysates.

HXB2 Location RT (309–317)

Author Location RT (510–518)

Epitope ILKEPVHGV

Immunogen *in vitro* stimulation or selection

Species (MHC) human (A2)

References Parker *et al.* 1992

- Studied in the context of HLA-A2 peptide binding.

HXB2 Location RT (309–317)

Author Location Pol (476–484)

Epitope ILKEPVHGV

Immunogen HIV-1 infection

Species (MHC) human (A2)

References Dyer *et al.* 1999

- CTL specific responses were measured over a 1.3 to 1.5 year period in members of the Sydney Blood Bank Cohort (SBBC) who had been infected with a natural attenuated strain of HIV-1 which was Nef-defective.
- Some of these patients had prolonged high levels of CTL effector and memory cells despite low viral load.

HXB2 Location RT (309–317)

Author Location RT (476–484)

Epitope ILKEPVHGV

Immunogen *in vitro* stimulation or selection

Species (MHC) human (A2)

Keywords dendritic cells

References Zarling *et al.* 1999

- This study compares the ability of macrophages and dendritic cells to stimulate primary responses in CD8+ lymphocytes isolated from HLA-appropriate HIV-uninfected donors using peptide-pulsed APC – the dendritic cells performed better as APC for the stimulation of primary responses.

- Strong CTL responses were elicited by the epitopes DRFYK-TLRA and GEIYKRWII when presented by either immature or mature dendritic cells – macrophages were not able to prime a CTL response against DRFYKTLRA.
- A weak response to KLTPCLVSL was stimulated using macrophages as the APC.
- No detectable response was observed for the following previously-defined HIV epitopes: KIRLRPGGK, ILKEPVHGV, IRLRPGGK, GPKVKQWPL.

HXB2 Location RT (309–317)

Author Location RT (480–)

Epitope ILKEPVHGV

Immunogen computer prediction

Species (MHC) (A2)

Keywords subtype comparisons

References Schafer *et al.* 1998

- This study uses EpiMatrix for T cell epitope prediction to identify possible HLA-B27 and A-2 CTL epitopes in HIV.
- Based on EpiMatrix predictions, 28 peptides were synthesized and tested using T2 binding assays for potential HLA A2 or B27 binding, and 12 of these were shown to bind to the predicted HLA molecule.
- Two of these 12 peptides had been previously identified as CTL epitopes: HLA-B27 KRWILGLNK and HLA-A2 ILKEPVHGV.
- This sequence is not conserved between clades, but is found only in a small number of B clade isolates.

HXB2 Location RT (309–317)

Author Location RT

Epitope ILKEPVHGV

Epitope name RT IV9

Immunogen HIV-1 infection

Species (MHC) human (A2)

Keywords binding affinity, subtype comparisons, super-type, computational epitope prediction

References Altfield *et al.* 2001c

- HIV was scanned for all peptides which carried the A2-supermotif pattern conserved in more than 50% of B clade sequences – 233 peptides met this criteria, and 30 of these bound to HLA-A*0201 – 20/30 bound to at least 3/5 of HLA-A2 supertype alleles tested.
- Three additional previously described HLA-A2 epitopes were added to the set of 20, and 18/22 chronically infected HLA-A2 individuals had CTL that recognized at least one of the 23 peptides (median of 2 and maximum of 6), while 6/12 acute infected individuals recognized at least 1 (median of 1 and maximum of 2)
- This peptide binds to four HLA-A2 supertype alleles: A*0201, A*0202, A*0206 (highest affinity) and A*6802.
- RT IV9 was recognized in 7/22 patients with chronic HIV-1 infection.
- 1/13 patients with acute HIV-1 infection recognized RT IV9.

HXB2 Location RT (309–317)

Author Location Pol (subtype A)

Epitope ILKDPVHGV

Subtype A

Immunogen HIV-1 infection

Species (MHC) human (A2)

Keywords HIV exposed persistently seronegative (HEPS), escape

References Kaul *et al.* 2001c

- This study examines CTL responses in HIV exposed, persistently seronegative individuals, HEPS, who eventually seroconverted – 11/114 HEPS Nairobi sex workers eventually seroconverted, and for six of these HIV CTL reactive epitopes had been defined while seronegative.
- ILKDPVHGV or ILKEPVHGV was recognized in 1 of the 6 women (ML1760), and the response was present in the last available sample prior to seroconversion, 12 months.
- 20/20 sequences of the infecting strain had no substitutions in this epitope, all were ILKDPVHGV, so there was no evidence for escape.
- The epidemiological factor associated with seroconversion was stopping sex work. HIV-specific CTL activity declined when HEPS sex workers stopped working for a period or retired.
- This epitope was recognized by 4/22 HEPS control sex workers: ML887, ML1192, ML1250, and ML1749.

HXB2 Location RT (309–317)

Author Location RT (476–484)

Epitope ILKEPVHGV

Epitope name ILK

Immunogen HIV-1 infection

Species (MHC) human (A2)

Keywords HAART, ART, supervised treatment interruptions (STI), immunodominance, acute/early infection

References Oxenius *et al.* 2000

- Patients who started therapy at acute HIV-1 infection (three with sustained therapy, two with limited therapy upon early infection) had strong HIV specific CD4 proliferative responses and were able to maintain a CTL response even with undetectable viral load – three patients that had delayed initiation of HAART had no HIV specific CD4 proliferative responses and lost their CTL responses when HAART was eventually given and their viral loads became undetectable.
- One of the 2/8 HLA-A2+ study subjects recognized this CTL epitope.
- Patient SC9 (HLA A1/2, B8/13, Cw0/0701, DR2/11, DQ6/7) had a CTL response against epitopes FLKEKGGL, ILKEPVHGV, SQRRQDILDWYHTQGYFPDWQNY, and GEIYKRWII peptides and all responses declined during therapy initiated at day 390 but were restored when therapy become intermittent.

HXB2 Location RT (309–317)

Author Location Pol

Epitope ILKEPVHGV

Immunogen HIV-1 infection

Species (MHC) human (A2)

References Kostense *et al.* 2001

- HLA tetramers to six epitopes were used to study HLA-A2, B8 and B57 CTL in 54 patients – HIV-specific tetramer positive cells were inversely correlated with viral load in patients with high CD4, but in patients with CD4 T-cells below 400 high tetramer frequencies were found despite high viral load.

- Most patients have high levels of HIV-specific T-cell expansions, but many of these cells aren't functional.
- In 15 of the patients, the proportion of IFN gamma producing tetramer cells correlated with AIDS-free survival.

HXB2 Location RT (309–317)

Author Location Pol

Epitope ILKEPVHGV

Immunogen HIV-1 infection

Species (MHC) human (A2)

Keywords HAART, ART, immunodominance

References Seth *et al.* 2001

- CTL responses were studied by tetramer staining in 41 patients with combination therapy – activated CD8+ T-cells decline as the viral load drops in response to therapy, but the overall level of antigen-specific cells capable of differentiating into effectors stays constant and new epitopes may be recognized.
- 6/10 A*0201+ individuals had HIV-specific tetramer staining cells, and 5 of these declined upon successful therapy.
- 3/10 A*0201+ individuals with chronic HIV-1 infection recognized this epitope.
- Prior to therapy, the mean percentage of CD8+ cells that recognized the immunodominant epitope SLYNTVATL was six-fold greater than the percentage recognizing the epitope ILKEPVHGV.

HXB2 Location RT (309–317)

Author Location RT (476–484 SF2)

Epitope ILKEPVHGV

Immunogen HIV-1 infection

Species (MHC) human (A2)

Keywords HAART, ART, acute/early infection

References Altfeld *et al.* 2001b

- Therapy provided during acute infection resulted in a narrower CTL response, stronger T help response, and a less diverse viral population than was seen in individuals treated during chronic infection.
- The breadth and specificity of the response was determined using ELISPOT by studying 19 individuals with pre-seroconversion therapy (Group 1), 11 individuals with primary infection but post-seroconversion therapy (Group 2), and 10 individuals who responded to HAART given during chronic infection (Group 3), using 259 overlapping peptides spanning p17, p24, RT, gp41, gp120 and Nef.
- Previously described and newly defined optimal epitopes were tested for CTL response.
- Number of HLA-A2+ individuals that had a CTL response to this epitope broken down by group: 1/10 group 1, 0/6 group 2, and 3/4 group 3.

HXB2 Location RT (309–317)

Author Location Pol (476–484)

Epitope ILKDPVHGV

Immunogen HIV-1 infection, HIV-1 exposed seronegative

Species (MHC) human (A2)

Keywords subtype comparisons, HIV exposed persistently seronegative (HEPS), immunodominance

References Kaul *et al.* 2001a

- Variants ILK(D/E)PVHGV are A/B clade specific.

- ELISPOT was used to study CTL responses to a panel of 54 predefined HIV-1 epitopes in 91 HIV-1-exposed, persistently seronegative (HEPS) and 87 HIV-1-infected female Nairobi sex workers.

- Responses in HEPS women tended to be lower, and focused on different epitopes with HLA presenting molecules that have previously been associated with reduced risk of infection, and there was a shift in the response in the HEPS women upon late seroconversion to epitopes recognized by the HIV-1 infected women.

- 43/91 HEPS women had CD8+ responses and detection of HIV-1-specific CTL in HEPS women increased with the duration of viral exposure.

- Among HLA-A2 women, 7/10 HEPS and 14/26 HIV-1 infected women recognized this epitope, and ILK(D/E)PVHGV tended to be more reactive in HEPS women, SL(F/Y)NTVATL in infected women.

- The dominant response to this HLA allele was to this epitope in all 7/10 HEPS cases but in only 5 of the 14/26 HIV-1 infected women.

- Four epitopes were considered to be “resistant epitopes”, as they were preferentially reactive in HEPS women and so may confer resistance, and these were found in three different proteins: A2 ILK(D/E)PVHGV in RT, A*6802 DTVLEDINL in Protease, B14 DLN(M/T)LN(I/V)V in p24 and B18 FRDYV-DRF(Y/F)K also in p24.

- Differences in epitope specificity were only seen for responses restricted by class I HLA alleles A2, A24, A*6802, B14, and B18, previously shown to be associated with resistance to HIV-1 in this cohort.

- Subject ML 1250 had an A2 response to ILK(D/E)PVHGV prior to seroconversion, which switched to SL(F/Y)NTVATL post-seroconversion.

- Subject ML 1760 had an A2 response to ILK(D/E)PVHGV prior to seroconversion, and gained responses to epitopes A2 SL(F/Y)NTVATL and B27 KRWII(L/M)GLNK post-seroconversion.

HXB2 Location RT (309–317)

Author Location Pol (93TH253 subtype CRF01)

Epitope ILRIPVHGV

Epitope name P464-472

Subtype CRF01_AE

Immunogen HIV-1 infection

Species (MHC) human (A2)

Keywords HIV exposed persistently seronegative (HEPS)

References Sriwanthana *et al.* 2001

- This was a study of HIV-1 exposed persistently seronegative (HEPS) female sex workers in Chiang Mai, northern Thailand.
- HLA-A11 is very common in this population, and was enriched among the HEPS sexworkers – weak CTL responses were detected in 4/7 HEPS women, and CTL responses were found in 8/8 HIV+ controls, and 0/9 HIV- women that were not exposed.
- This epitope was reactive in HIV+ control study subject 144 who carried HLA-A2.

HXB2 Location RT (309–317)

Author Location Pol (93TH253 subtype CRF01)

- Epitope** ILRIPVHGV
Subtype CRF01_AE
Immunogen HIV-1 infection
Species (MHC) human (A2)
Keywords subtype comparisons
References Bond *et al.* 2001
- More than half of a cohort of HIV+ female sex workers (FSW) from Northern Thailand were HLA-A11 positive, and this study concentrated on A11 epitopes in this group, although E clade versions of previously defined B-clade A2 and A24 epitopes were also tested.
 - 1/4 tested FSWs recognized the E clade version of this epitope, which differs from the previously defined B clade version by two amino acids: ILKEPVHGV.
 - This epitope was not conserved in many subtypes, and exact matches were very rare.

- HXB2 Location** RT (309–317)
Author Location RT (309–317)
Epitope ILKEPVHGV
Immunogen HIV-1 infection
Species (MHC) human (A2)
Keywords rate of progression, acute/early infection
References Day *et al.* 2001
- The CTL response to optimally defined CTL epitopes restricted by HLA class I A and B alleles in individuals who coexpressed HLA A2, A3, and B7 was studied in eight HIV-1-infected subjects, two with acute infection, five with chronic, and one long-term non-progressor (LTNP)
 - 2 to 17 epitopes were recognized in a given individual, A2-restricted CTL response tended to be narrow and never dominated the response, and 25/27 epitopes were targeted by at least one person.

- HXB2 Location** RT (309–317)
Author Location
Epitope ILKEPVHGV
Epitope name Pol-IV9
Subtype B
Immunogen HIV-1 infection
Species (MHC) human (A2)
References Sabbaj *et al.* 2003
- Among HIV+ individuals who carried HLA A02, 9/29 (31%) recognized this epitope.

- HXB2 Location** RT (309–317)
Author Location Pol (476–484 LAI)
Epitope ILKEPVHGV
Subtype B
Immunogen HIV-1 infection
Species (MHC) human (A2)
Keywords HAART, ART, epitope processing
References Kelleher *et al.* 2001a
- Ritonavir (RTV) inhibits chymotryptic activity in the 20S proteasome *in vitro*, as does Saquinavir (SQV) to a lesser extent; Indinavir (IDV) does not. Thus there is concern protease inhibitors may adversely effect CTL epitope processing, but this paper indicates that processing is not inhibited at therapeutically relevant concentrations of RTV when the proteasome is functioning in an intracellular context.

- RTV did not alter the presentation two RT A2 epitopes processed by distinct pathways: ILKEPVHGV, generated by the constitutive proteasome containing the MB1 beta subunit, and VIYQYMDDL which is dependent on IFN γ induction of LMP7 which replaces MB1 in the immunoproteasome, and is destroyed by MB1 in the constitutive proteasome.
- RTV did not inhibit the processing and assembly of HLA-B35 or -A2, which are assembled with a rapid and moderate time course, respectively, or of HLA-A3, -B27 and -B39.

- HXB2 Location** RT (309–317)
Author Location Pol
Epitope ILKDPVHGV
Immunogen HIV-1 infection
Species (MHC) human (A2)
Keywords HIV exposed persistently seronegative (HEPS)
References Kaul *et al.* 2002
- *Neisseria gonorrhoea* cervicitis in 9 HIV+ Kenyan sex workers caused a functional deficiency in IFN- γ production in HIV-1 epitope-specific CD8+ T-cells, detected by intracellular cytokine production and tetramer assays, while not affecting the total number of epitope-specific CTLs.
 - Ghonorrhea caused the weaker HIV-1 specific CTL responses in 4 HIV-1 exposed persistently seronegative (HEPS) women to become undetectable by Elispot and tetramer assays, and CMV-specific CTL in 2 HEPS subjects were shown to have impaired function with regard to IFN- γ production.

- HXB2 Location** RT (309–317)
Author Location RT (476–484 NL43)
Epitope ILKEPVHGV
Subtype B
Immunogen HIV-1 infection
Species (MHC) human (A2)
Keywords class I down-regulation by Nef
References Yang *et al.* 2002
- Nef down-modulates class I protein expression, and this study demonstrates directly that Nef-deleted HIV-1 NL-43 can be more effectively killed *in vitro* than NL-43 with an intact Nef. The effect was shown to be specific for class I presentation of epitopes, and unlike Nef, deleting Vpr did not alter CTL susceptibility of NL-43 infected cells. The CTL clone 68A62, specific for the class I A2 presented ILKEPVHGV epitope, was one of four used in this study.

- HXB2 Location** RT (309–317)
Author Location RT (476–484 BRU)
Epitope ILKEPVHGV
Immunogen HIV-1 infection
Species (MHC) human (A2)
Donor MHC A2
Keywords epitope processing
References Cohen *et al.* 2002
- The antigen presentation of two A2-restricted epitopes was compared, SLYNTVATL (p17) and ILKEPVHGV (RT). HIV-1 infected cells were more sensitive to lysis by SLYNTVATL-specific CTL than by ILKEPVHGV-specific CTL, because of a higher density of SLYNTVATL-A2 resulting from differences in processing.

- Incubation with a T1-cell proteolytic extract showed that by four hours, 25% of a p17 peptide had a C-term Leu-85 and were SLYNTVATL-precursors, while ILKEPVHGV-precursors were far less frequent (6.8%) even with four times more proteolytic extract after 30 hours.
- p17 was preferentially cleaved between Leu85 and Tyr86, while appropriate Val484 and Tyr485 cleavage was minor for RT.
- In a competition experiment, RSLYNTVATL bound TAP 3.7-fold more efficiently than RT peptides.
- No difference in CTL avidity was detected in six patients with HLA-A2-restricted responses to these epitopes.
- No significant difference in HLA-A2 binding of to p17 or RT epitopes was observed.

HXB2 Location RT (309–317)

Author Location Pol (476–484)

Epitope ILKEPVHGV

Epitope name p9

Immunogen vaccine

Vector/Type: peptide *Adjuvant:* Complete Freund's Adjuvant (CFA)

Species (MHC) mouse (A2)

References De Lucca *et al.* 2002

- BALB/c mice immunized with the p9 peptide, ILKEPVHGV, elicited specific lymphocyte proliferation activity.
- Exposure of lymphocytes from HIV-negative, HLA-A2 positive people to p9-RNA stimulated lymphocyte proliferation activity to p9. Anti-p9 CTL activity in human lymphocytes incubated with RNA extracted from lymphoid organs of p9-vaccinated mice could be more intensely stimulated.
- This murine RNA also mediated RNA-dependent protein kinase (PKR) and NFkappaB activation in the human lymphocytes, which may be driving the enhanced CTL stimulation in the human cells.

HXB2 Location RT (309–317)

Author Location RT

Epitope ILKEPVHGV

Epitope name ILK

Immunogen HIV-1 infection

Species (MHC) human (A2)

Keywords HAART, ART, supervised treatment interruptions (STI)

References Oxenius *et al.* 2002b

- Using previously defined epitopes Oxenius *et al.* [2000, 2001a] in an IFNgamma Elispot assay, 13 chronically HIV-1 infected patients were studied over a period including therapy with standard treatment interruptions (STI).
- STIs induced increased recognition of CTL epitopes, but there was no correlation between CTL responses with viral rebound rates, plateau viral loads, or clearance rates.

HXB2 Location RT (309–317)

Author Location p51 (476–484)

Epitope ILKEPVHGV

Immunogen vaccine

Strain: B clade IIIB *HIV component:* Gag, Pol *Adjuvant:* IL-12

Species (MHC) mouse (A2)

Donor MHC H2/Kb

References Kmiecik *et al.* 2001

- Transgenic mice expressing a HLA-A2/Kb chimeric protein were vaccinated with either a p17-p24-p51 fusion protein (vG/P-92) or the Gag-Pol precursor protein (vVK1).
- Compared to vVK1, vG/P-92 induced a significant increase in Gag and Pol induced IFNgamma production and CTL responses, and to the epitopes SLYNTVATL and ILKEPVHGV, as determined by Elispot and 51Cr-release assays.

HXB2 Location RT (309–317)

Author Location RT (309–317 NL-43)

Epitope ILKEPVHGV

Subtype B

Immunogen HIV-1 infection

Species (MHC) human (A2)

Keywords class I down-regulation by Nef, escape

References Ali *et al.* 2003

- NL43 was passaged in the presence of Nef KEKGGLEGL-specific CTL clones STD11 and KM3, giving rise to rapid selection of escape mutations, including E93G, E93K, K94N+G99R, G95R+G99R, E98K, E98D, G99R, G99E, L100P, and L100I; insertions, deletions, frameshifts and an early stop codon. 34/36 (94%) of sequences carried mutations in the epitope by seven days, 36/36 (100%) by 14 days.
- Several mutations selected by KEKGGLEGL-specific CTL were shown to impair the down regulation of class I MHC by Nef, in particular E93G, E93K, and a truncation mutation at position 51.
- Nef deletion mutants increased 100-fold NL-43 susceptibility to inhibition by CTL specific for epitopes in other proteins, the A2 epitopes ILKEPVHGV in RT and SLYNTVATL in p17 Gag.

HXB2 Location RT (309–317)

Author Location Pol (476–)

Epitope ILKEPVHGV

Epitope name Pol476

Immunogen HIV-1 infection

Species (MHC) human (A2)

Assay type CD8 T-cell Elispot - IFN γ , Chromium-release assay, Flow cytometric T-cell cytokine assay

Keywords binding affinity, subtype comparisons, computational epitope prediction

References Corbet *et al.* 2003

- HLA-A2-restricted HIV-1 CTL epitopes were computationally predicted. Binding affinities for HLA-A*0204, immunogenicity in HLA-A*0201 transgenic mice, and responses to the peptides in 17 HIV-1 infected patients were tested. 31 novel conserved A2 epitopes were detected. An average of 4 epitopes were recognized per patient.
- This epitope was one of the previously identified HLA-A2 epitopes studied.
- 9/17 HIV-infected HLA-A2+ people recognized this epitope.

HXB2 Location RT (309–317)

Author Location RT (309–317)

Epitope ILKEPVHGV

Epitope name RT2

Subtype B

Immunogen vaccine, in vitro stimulation or selection

Vector/Type: peptide *HIV component:* RT
Adjuvant: Incomplete Freund's Adjuvant (IFA)

Species (MHC) transgenic mouse (A2)

References Domingo *et al.* 2003

- A virus-like protein scaffold, called E2DISP, derived from pyruvate dehydrogenase multienzyme from *Bacillus stearothermophilus* has been engineered to display 60 copies of one or more epitopes on a single molecule.
- The E2DISP scaffold displaying pep23 is able to stimulate a Th responses, and peptide RT2, which is a CTL epitope from HIV-1 RT, was able to elicit a CD8+ T cell response *in vitro* and in a vaccinated HLA-A2 transgenic mouse. Thus the E2DISP scaffold allows cell-entry and access to the class I and class II processing pathways.

HXB2 Location RT (309–317)

Author Location Pol (476–484)

Epitope ILKEPVHGV

Immunogen HIV-1 infection

Species (MHC) human (A2)

Assay type CD8 T-cell Elispot - IFN γ , Tetramer binding, Flow cytometric T-cell cytokine assay

Keywords responses in children

References Sandberg *et al.* 2003

- 65 vertically HIV-1 infected children, ages 1-16, the majority undergoing ART, were analyzed in regard to their plasma viremia and CD4+ and CD8+ T cell counts, and CD8+ T cell responses.
- Using vaccinia expressed Gag, Pol, Env, Rev, Nef in target cells in an Elispot assay, 85% of the children recognized at least one HIV antigen. The strong CD8+ T cell responses were directed against Pol, followed by Gag and Nef. Children younger than 4 had significantly weaker responses (7/14 had no response) than older children (only 1/32 had no response, and responses were greater in magnitude).
- SLYNTVATL and ILKEPVHGV tetramers were used to quantify specific responses. 49 children in an expanded cohort carried HLA-A2. 1/11 children under 3 years of age had detectable CD8+ T-cell responses to SLYNTVATL, 2/11 to ILKEPVHGV. Among children over 3, 11/38 recognized SLYNTVATL and 9/38 recognized ILKEPVHGV.
- Older children that maintained a CD4 count greater than 400 cells/ul tended to have stronger CTL responses.

HXB2 Location RT (309–317)

Author Location RT (309–317)

Epitope ILKEPVHGV

Immunogen HIV-1 infection

Species (MHC) (A2)

Donor MHC A2, A3, B27, B51; A2, A3, B27, B57; A2, A23, B57

Assay type Cytokine production, CD8 T-cell Elispot - IFN γ , Tetramer binding, Intracellular cytokine staining

Keywords assay standardization/improvement, memory cells

References Sun *et al.* 2003

- This study compares assay methods for testing CTL responses using samples from 20 HIV+ patients. The study compares ELISpot, tetramer-binding, and intracellular IFN γ . Tetramer-binding analysis was performed with Gag (SLYNTVATL) or Pol (ILKEPVHGV) tetramers. Antigen presentation using recombinant vaccinia viruses (rVVs) encoding HIV-LAI Gag, Pol, Env, Nef, Tat and Vif proteins was compared to peptide panels. HIV antigen recognition in memory CTLs was measured by chromium release assay and compared to effector/memory CD8+ T cells in an IFN- γ ELISpot assay.
- Results: IFN γ Elispot and flow cytometry gave similar frequencies of HIV specific CD8+ T cells. Tetramer-binding analysis was most sensitive. Pools of peptides and the sum of frequencies of individual peptides were comparable. Elispot assays using peptides were more sensitive than assays using vaccinia expressed proteins. Cr release and Elispot against rVVs gave comparable memory cell responses 2/3s of the time.
- 3/7 HLA-A2+ patients recognized this epitope.

HXB2 Location RT (309–317)

Author Location RT (309–317 NL43)

Epitope ILKEPVHGV

Epitope name IV9

Subtype B

Immunogen HIV-1 infection

Species (MHC) human (A2)

Assay type Chromium-release assay, CTL suppression of replication

Keywords escape

References Yang *et al.* 2003a

- Virus was cultured in the presence of CTL lines specific for 4 different epitopes (SLYNTVATL, ILKEPVHGV, IEIKDTKEAL, and KEKGGLEGL) to study the emergence of escape mutations. Escape varied between clones for the same epitope, and between different epitopes. Gag and RT epitope escape, if it occurred at all, tended to be monoclonal and within the epitope, indicating strong fitness constraints, while the Nef epitope escape was rapid, polyclonal, and sometimes the result of upstream frameshifts.
- There was one cloned cell line that recognized ILKEPVHGV, 68A62. After 2 weeks of passaging HIV-1 in the presence of 68A62, the mutated epitope ilkeLvHgv was found in 6/12 sequences.

HXB2 Location RT (309–317)

Author Location Pol

Epitope ILKEPVHGV

Immunogen HIV-1 infection

Species (MHC) human (A2)

Country Netherlands.

Assay type CD8 T-cell Elispot - IFN γ

Keywords HIV exposed persistently seronegative (HEPS)

References Koning *et al.* 2004

- A high-risk seronegative group of 29 homosexual men showed reduced cellular *in vitro* susceptibility for HIV infection and enhanced production of RANTES compared to 15 men who went on to seroconvert. Significantly higher frequencies of HLA A*11, A*31 and Cw*15 were also found in the high risk seronegative men. Both groups of men had low frequencies

of HIV-1 specific CD8+ T-cells, which may signify exposure more than protection from infection.

- 2/11 HLA A2+ infection-resistant men, compared to 1/9 pre-seroconversion men who went on to become infected, reacted to this epitope.

HXB2 Location RT (309–317)

Author Location RT Pol (464–472)

Epitope ILKEPVHGV

Immunogen HIV-1 infection

Species (MHC) human (A2)

Country Spain.

Assay type proliferation, CD8 T-cell Elispot - IFN γ , Flow cytometric T-cell cytokine assay

Keywords HAART, ART, supervised treatment interruptions (STI), immune dysfunction

References Plana *et al.* 2004

- Structured treatment interruption (STI) alone is not able to control viral replication in chronically infected patients, probably due to lack of strong, maintained T-helper cell responses. HIV-1 specific CD8+ T-cell responses were shown to increase significantly until the end of the follow up, but were not correlated with viral load.
- 9/19 patients recognized this epitope.

HXB2 Location RT (309–317)

Author Location RT (309–317)

Epitope ILKEPVHGV

Epitope name RT-IV9

Subtype B

Immunogen HIV-1 infection

Species (MHC) human (A2)

Assay type Chromium-release assay

Keywords binding affinity, TCR usage, characterizing CD8+ T cells

References Yang *et al.* 2003b

- Killing efficiency of CTLs and their ability to suppress viral replication is shown to depend more on epitope specificity than to antigenic avidity. Different clones recognizing the same epitope had similar killing efficiency despite their variation in avidity. Nef specific CTL clones tended to be most inhibitory, followed by Gag, then by RT specific clones, regardless of avidity.
- 2/14 CTL T-cell clones tested were specific for RT/IV9. Under conditions of excess peptide (100 μ g/ml), there was no difference in their lytic potential; all possessed similar effector capacity. Avidity was measured as the sensitizing dose of peptide required for 50% of maximal killing (SD50), which varied from 20 pg/ml to 100 ng/ml, over four orders of magnitude for all 14 epitopes. The SD50 values for the two RT/IV9 clones were very different, 50 and 20,000 pg/ml.

HXB2 Location RT (309–317)

Author Location (B consensus)

Epitope ILKEPVHGV

Epitope name IV9

Subtype B

Immunogen HIV-1 infection

Species (MHC) human (A2)

Donor MHC A02, A03, B08, B62, Cw7, Cw10

Country United States.

Assay type Cytokine production, Intracellular cytokine staining, Chromium-release assay, Flow cytometric T-cell cytokine assay

Keywords assay standardization/improvement, memory cells, characterizing CD8+ T cells

References Lichterfeld *et al.* 2004c

- Using a flow-cytometric cytotoxicity assay based on caspase-3 activation in dying target cells, it was shown that the subset of HIV-1-specific CD8+ T cells secreting both IFN-gamma and TNF-alpha exhibit stronger cytotoxic activity than those secreting only IFN-gamma. These cells also exhibited stronger intracellular perforin expression. No association between HIV-1-specific CD8+ T-cell maturation phenotypes and intracellular perforin expression was found.
- 1/9 individuals recognized this epitope.

HXB2 Location RT (309–317)

Author Location RT (309–317)

Epitope ILKEPVHGV

Immunogen HIV-1 infection

Species (MHC) human (A2)

Assay type Chromium-release assay

Keywords assay standardization/improvement

References Lubong *et al.* 2004

- Using IL7 or IL15 in culturing of HIV-1-specific CTL clones was inferior to using IL-2 alone; the addition of these cytokines to IL-2 did not show any advantage. Neither proliferation, survival, nor lytic capacity of HIV-1-specific CTLs was significantly enhanced by addition of IL7 or IL15.

HXB2 Location RT (309–317)

Author Location Pol

Epitope ILKEPVHGV

Immunogen HIV-1 exposed seronegative

Species (MHC) human (A2)

Donor MHC A*02, A*30, B*4402, B*15

Assay type Tetramer binding, T-cell Elispot

Keywords HIV exposed persistently seronegative (HEPS)

References Missale *et al.* 2004

- HIV-specific T-cell response was tested in patients exposed to blood from a patient with highly replicating HIV; these patients were nosocomially infected with HBV, but uninfected with HIV. HIV-specific T-cell responses were directed to structural and non-structural HIV proteins in 2 patients, suggesting that the virus replicated in these patients sufficiently to prime a cell-mediated immune response that protected them from HIV infection.
- This patient responded to 4/8 HIV epitopes tested in an IFN-gamma EliSpot assay or tetramer assay. Responses were detected 8 and 28 weeks after exposure. A response to ILKEPVHGV was detected by both assays.

HXB2 Location RT (309–317)

Author Location Pol

Epitope ILKEPVHGV

Subtype B

Immunogen HIV-1 infection

Species (MHC) human (A2)

Country United Kingdom.
Assay type Tetramer binding, T-cell Elispot, Intracellular cytokine staining
Keywords rate of progression, acute/early infection, characterizing CD8+ T cells, immune dysfunction
References Papagno *et al.* 2004

- Acute HIV-1 infection induces massive activation of HIV-specific and non-HIV-specific CD8+ T-cells resulting in differentiation of these cells. High differentiation of CD8+ T-cells is correlated with disease progression. Differentiation is a natural process but it can be driven by elevated immune activation, such as in HIV infection.

HXB2 Location RT (309–317)
Author Location (309–317)
Epitope ILKEPVHGV
Epitope name RT2
Immunogen vaccine
Vector/Type: bacteriophage coat protein, dihydrolypoyl acetyltransferase E2 protein, of *Bacillus stearothermophilus* HIV component: RT
Species (MHC) transgenic mouse (A2)
Assay type Chromium-release assay
Keywords vaccine antigen design
References De Berardinis *et al.* 2003

- An RT T-helper (KDSWTVNDIQKLVGK) that can be promiscuously presented by multiple HLA-DR molecules, and an RT CTL epitope (ILKEPVHGV) presented by HLA-A2, were displayed using two different antigen presentation systems, bacteriophage virions or E2 protein scaffolds. Both systems enabled display of the epitopes in a mouse model system to the immune system. CTL responses were detected in immunized mice, and were processed correctly for both class I and class II presentation.

HXB2 Location RT (309–317)
Author Location Pol
Epitope ILKEPVHGV
Epitope name IV9
Subtype B
Immunogen HIV-1 infection
Species (MHC) human (A2)
Assay type CD8 T-cell Elispot - IFN γ
Keywords subtype comparisons, escape, characterizing CD8+ T cells, reversion, viral fitness
References Allen *et al.* 2005a

- Two-thirds of all mutations arising in nonenvelope proteins during the transition from acute to chronic infection were found to be due to either CD8 T-cell-associated selective pressures or reversion of HLA-I-associated mutations selected in a previous host. The predominance of escape mutations at highly polymorphic sites was observed across different HIV-1 clades.
- Two escape mutations, at positions 3 ilRepvhgV, and 9 ilkepvhgA, were found not to correspond to the most polymorphic residues in the epitope.

HXB2 Location RT (309–317)
Author Location RT (309–317)
Epitope ILKEPVHGV

Subtype B
Immunogen HIV-1 infection
Species (MHC) human (A2)
Country United States.
Assay type CD8 T-cell Elispot - IFN γ , Chromium-release assay, HLA binding
Keywords acute/early infection, optimal epitope
References Altfeld *et al.* 2005

- The most frequently targeted HLA-A2-restricted CD8+ T-cell epitopes in chronic infection were significantly less frequently recognized during primary infection.
- ILKEPVHGV was targeted in 54% of 74 A2+ chronically infected individuals, but only 1/14 acutely infected A2+ individuals.

HXB2 Location RT (309–317)
Author Location
Epitope ILKEPVHGV
Immunogen HIV-1 infection
Species (MHC) human (A2)
Country Germany.
Assay type CD8 T-cell Elispot - IFN γ
Keywords rate of progression, escape, variant cross-recognition or cross-neutralization, optimal epitope
References Harrer *et al.* 2005

- An HLA-B13-restricted optimal epitope was defined in Nef, RI9. The frequency of CTLs specific for this epitope in B13-positive patients exceeded the number of CTLs against other epitopes, indicating that this is a dominant epitope in B13-positive subjects. Three B13-positive patients who had an immunodominant response to this epitope were good controllers of their infection, with low viral loads over long periods.
- 5 HLA A2+ B13+ patients were found to make an immunodominant response to the B13 epitope RI9. 0/5 recognized the A2 epitope ILKEPVHGV, and only 1/5 recognized the A2 epitope SLYNTAVTL, with a much lower frequency than the B13 response.

HXB2 Location RT (309–317)
Author Location Pol (476–484 BRU)
Epitope ILKEPVHGV
Subtype B, CRF02_AG
Immunogen HIV-1 infection
Species (MHC) human (A2)
Country Cote D'Ivoire.
Assay type CD8 T-cell Elispot - IFN γ
Keywords subtype comparisons
References Inwoley *et al.* 2005

- CD8+ T-cells from HIV-1 CRF02_AG-infected Ivorians could recognize clade B epitopes. No difference was observed in the number of recognized peptide pools between nine French subtype B infected study subjects, and nine CRF02_AG infected Ivorian subjects.
- This epitope was recognized by 2/9 CRF02_AG-infected Ivorians, and 1/9 B-infected French subjects.

HXB2 Location RT (309–317)
Author Location RT (77–85)
Epitope ILKEPVHGV

Epitope name IL9**Subtype** B**Immunogen** HIV-1 infection, HIV-1 exposed seronegative
Species (MHC) human (A2)**Country** Canada.**Assay type** CD8 T-cell Elispot - IFN γ **Keywords** HIV exposed persistently seronegative (HEPS), immunodominance, genital and mucosal immunity, characterizing CD8+ T cells**References** Makedonas *et al.* 2005

- CD8 T-cell responses were studied in individuals who remained seronegative in spite of being mucosally (group 1) or intravenously (group 2) exposed to HIV-1. A similar proportion of subjects from each group recognized at least 1 HIV peptide, and they recognized peptides with similar cumulative intensity. The proportion of responding individuals in both groups was significantly greater than in a low-risk, negative control group. One exposed uninfected subject recognized 7 epitopes.
- HLA-A*0201 epitopes that are immunodominant in chronically infected individuals were rarely stimulatory in exposed uninfected individuals. SLYNTVATL was recognized by one HLA A2+ individual in each group (1/11 vs 1/5), while none of the exposed uninfected individuals tested responded to ILKEPVHGV. In contrast, chronically infected subjects recognized these epitopes at a frequency of 69% and 31%, respectively.

HXB2 Location RT (309–317)**Author Location** RT (476–484)**Epitope** ILKEPVHGV**Epitope name** IV9**Immunogen** HIV-1 infection**Species (MHC)** human (A2)**Country** Germany.**Assay type** CD8 T-cell Elispot - IFN γ , Chromium-release assay**Keywords** HAART, ART, TCR usage, characterizing CD8+ T cells, optimal epitope**References** Schmitt-Haendle *et al.* 2005

- CTL responses to 3 HLA-A2-restricted epitopes were investigated in 51 HIV-1 infected HLA-A2+ individuals. The most prevalent response was seen for IV9, followed by SL9. The VL9 epitope was not recognized. There was a significant correlation of CTL activity to the CD8 counts in peripheral blood, but no correlation to CD4 counts, viral load, or antiviral therapy.
- 37.3% of the individuals recognized ILKEPVHGV.
- All analyzed mutations for RT-IV9 epitope could decrease or abrogate CTL recognition dependent on the CTL clones tested, but all were fully immunogenic for other CTL clones. The ilkDpvhgv, ilkEpvhEv, Rlkepvhgv and ilRepvhgv variants were tested.

HXB2 Location RT (309–317)**Author Location** Pol (476–484)**Epitope** ILKEPVHGV**Immunogen** HIV-1 infection**Species (MHC)** human (A2 supertype)**Keywords** supertype, rate of progression**References** Propato *et al.* 2001

- Long-term nonprogressors (LTNPs) had strong memory resting CD8+ T-cell responses against the majority of epitopes tested, (18 for the A2 supertype, 16 for the A3 supertype) while the effector cells of long-term nonprogressors recognized far fewer epitopes.
- Progressors had memory resting CD8+ T-cells that recognized far fewer epitopes than LTNPs.
- A positive correlation between effector CD8+ T-cells and plasma viremia and a negative correlation between CD8+ effector T-cells and CD4+ T-cells was observed, which may contribute to the inability of LTNPs to clear virus.
- This epitope can bind three of the five HLA-A2 supertypes alleles (A*0201, A*0202, A*0203, A*0206 and A*6802).

HXB2 Location RT (309–317)**Author Location** Pol (464–472)**Epitope** ILKEPVHGV**Immunogen** HIV-1 infection**Species (MHC)** human (A2, A*0201)**References** Ferrari *et al.* 2000

- One of the 51 HIV-1 epitopes selected by Ferrari *et al.* as good candidate CTL epitopes for vaccines by virtue of being conserved and presented by common HLA alleles.

HXB2 Location RT (309–317)**Author Location** Pol (subtype B)**Epitope** ILKEPVHGV**Subtype** B**Immunogen** HIV-1 exposed seronegative**Species (MHC)** human (A2, A*0202)**Keywords** subtype comparisons**References** Rowland-Jones *et al.* 1998b

- HIV-specific CTL were found in exposed seronegative prostitutes from Nairobi – these CTL may confer protection.
- Seroprevalence in this cohort is 90-95% and their HIV-1 exposure is among the highest in the world.
- Most isolated HIV strains are clade A in Nairobi, although clades C and D are also found – B clade epitopes are often cross-reactive, however stronger responses are frequently observed using A or D clade versions of epitopes.
- This epitope is conserved among B and D clade viruses.
- Clade A version of the epitope, ILKDPVHGV, was preferentially recognized by CTL.

HXB2 Location RT (309–317)**Author Location** RT (309–317)**Epitope** ILKEPVHGV**Epitope name** RT2**Immunogen** vaccine, *in vitro* stimulation or selection*Vector/Type:* HIV-1 peptide in filamentous bacteriophage major coat protein *HIV component:* RT**Species (MHC)** human, mouse (A2, A2 transgenic)**Keywords** epitope processing**References** De Berardinis *et al.* 2000

- Phage display of the CTL epitope, ILKEPVHGV coupled with T helper epitope KDSWTVNDIQKLVGK, elicited specific CTL responses *in vitro* in PBMC from HIV negative individuals and *in vivo* in immunization of HLA-A2 transgenic mice.

- Bacteriophage presentation of peptides is generally used for stimulation of antibodies, and this novel discovery of CTL epitope processing and presentation suggests new possibilities for these vectors.

HXB2 Location RT (309–317)

Author Location RT (476–484 LAI)

Epitope ILKEPVHGV

Subtype B

Immunogen HIV-1 infection

Species (MHC) human

Donor MHC A*0201

Keywords HAART, ART, responses in children

References Luzuriaga *et al.* 2000

- Longitudinal study of 8 infants with prolonged viral suppression due to combination antiretroviral therapy showed no HIV-1 specific CTL responses in peripheral blood cells. 6/8 were studied using a Chromium release assay and no response was detected using Gag expressed in vaccinia in the target cells. Three HLA-A*0201 children were tested using SLYNTVATL or ILKEPVHGV HLA A*0201 tetramers and again no HIV-specific response was detected, either using PBMC specimens, or PBMC which had been stimulated *in vitro* for a week.
- In contrast, one of the children with suppressed HIV viral replication who was co-infected with HIV and EBV, while HIV-tetramer negative, had EBV-tetramer staining cells at a frequency of 0.14% in the PBMC.

HXB2 Location RT (309–318)

Author Location Pol

Epitope ILKEPVHGVY

Epitope name 1249

Subtype multiple

Immunogen HIV-1 infection

Species (MHC) human (A2)

Donor MHC A02, A30, B39; A02, A03, B44, Cw05, Cw07; A02, A30, B35, B49, Cw04, Cw07

Country United States.

Assay type T-cell Elispot

Keywords binding affinity, computational epitope prediction, cross-presentation by different HLA

References De Groot *et al.* 2003

- Epitopes defined using sequence parsing and matching algorithm Conservatrix, and epitope prediction tool EpiMatrix, were shown to be conserved in a broad range of HIV-1 sequences derived from different parts of the world. 31 novel highly conserved HIV-1 epitopes were found, among which four were recognized as promiscuous epitopes and five as MHC supertypes.
- Estimated binding probability for ILKEPVHGVY: 96% Promiscuous epitope binding to A02 and Bw62.

HXB2 Location RT (309–318)

Author Location RT (476–485 LAI)

Epitope ILKEPVHGVY

Subtype B

Immunogen HIV-1 infection

Species (MHC) human (B*1501)

Keywords optimal epitope

References Frahm *et al.* 2007

- C. Brander notes this is a B*1501 epitope.

HXB2 Location RT (309–318)

Author Location RT (309–317)

Epitope ILKEPVHGVY

Immunogen HIV-1 infection

Species (MHC) human (B15)

Donor MHC A03, A32, B51, B15, Cw03, Cw06, DR4, DR8, DQ7

Country Netherlands.

Assay type CD8 T-cell Elispot - IFN γ , Flow cytometric T-cell cytokine assay

Keywords rate of progression, escape

References Geels *et al.* 2003

- Both stable potential epitopes and epitopes with escape mutations were found in a patient with increasing viral load over a time period of 4 years. Fixation of escape mutations occurred sequentially and correlated with the rise in viral load and with the increased number of productively infected cells.
- This is one of 17 potential epitopes from this individual, defined based on previously identified epitopes presented by appropriate HLA molecules. Full length genome sequence did not reveal changes in time in any of these epitopes over a four year period. Peptide pools initially revealed very little response to these epitopes, but this increased over time.

HXB2 Location RT (309–318)

Author Location RT (476–485 LAI)

Epitope ILKEPVHGVY

Subtype B

Immunogen HIV-1 infection

Species (MHC) human (B62)

Keywords review

References McMichael & Walker 1994; Menendez-Arias *et al.* 1998

- Review of HIV CTL epitopes.

HXB2 Location RT (309–318)

Author Location RT (309–318)

Epitope IKLEPVHGVY

Immunogen HIV-1 infection

Species (MHC) human (B62)

Keywords immunodominance

References Day *et al.* 2001

- No immunodominant responses were detected to four B62-restricted epitopes tested.

HXB2 Location RT (309–318)

Author Location Pol

Epitope ILKEPVHGVY

Subtype A, B, D

Immunogen HIV-1 infection, vaccine

Vector/Type: DNA prime with modified vaccinia Ankara (MVA) boost *Strain:* A clade HIV component: p17 Gag, p24 Gag

Species (MHC) human (B62)

Keywords subtype comparisons, epitope processing, vaccine-specific epitope characteristics, immunodominance

References Hanke & McMichael 2000; Wee *et al.* 2002

- The HIV-1 subtype A focused vaccine HIVA contains p24 and p17, in a reversed order relative to the Gag polyprotein to prevent myristylation of p17, which could direct the protein to the cell membrane and inhibit efficient peptide processing and class I presentation, as well as a polyepitope string of conserved, often immunodominant epitopes that were selected to have particularly good cross-reactive potential for the A-clade epidemic in Nairobi, Kenya. A DNA and MVA prime-boost vaccination protocol using the HIVA antigen will be used in a phase III clinical trial in Kenya. This epitope is included in the polyepitope string Hanke & McMichael [2000].
- Multiple CD4+ or CD8+ T-cell vaccine-induced responses to peptide pools were detected using intracellular cytokine staining and IFN γ Elispot assays after vaccination of 5 macaques. The response to the Mamu A*01 SIV p27 epitope p11C (CTPYDINQM), included in the polyepitope region, was not immunodominant in the Mamu A*01 vaccinated macaques, possibly because of processing limitations in context of the artificial polyepitope string Wee *et al.* [2002].

HXB2 Location RT (317–325)
Author Location Pol (484–492)
Epitope VYYDPSKDL
Subtype B, CRF02_AG
Immunogen HIV-1 infection
Species (MHC) human (A24)
Country Cote D'Ivoire.
Assay type CD8 T-cell Elispot - IFN γ
Keywords subtype comparisons, immunodominance, characterizing CD8+ T cells
References Inwoley *et al.* 2005

- CD8+ T-cells from HIV-1 CRF02_AG-infected Ivorians could recognize clade B epitopes. No difference was observed in the number of recognized peptide pools between nine French subtype B infected study subjects, and nine CRF02_AG infected Ivorian subjects.
- This epitope was recognized by 1/9 CRF02_AG-infected Ivorians, and 0/9 B-infected French subjects.

HXB2 Location RT (328–352)
Author Location RT (495–515 LAI)
Epitope EIQQKGGQWYQIYQEPFKNLKTG
Subtype B
Immunogen HIV-1 infection
Species (MHC) human (A11)
References Menendez-Arias *et al.* 1998; Walker *et al.* 1989

- One of five epitopes defined for RT-specific CTL clones in this study.

HXB2 Location RT (333–341)
Author Location
Epitope GQGQWYQI
Epitope name GI9
Immunogen
Species (MHC) human (B13)
Keywords optimal epitope
References Frahm *et al.* 2007

- C. Brander notes this is a B13 epitope.

HXB2 Location RT (340–350)
Author Location Pol (487–497 93TH253 subtype CRF01)
Epitope QIYQEPFKNLK
Epitope name P495-505
Subtype CRF01_AE
Immunogen HIV-1 infection, HIV-1 exposed seronegative
Species (MHC) human (A11)
Keywords HIV exposed persistently seronegative (HEPS)
References Sriwanthana *et al.* 2001

- This was a study of HIV-1 exposed persistently seronegative (HEPS) female sex workers in Chiang Mai, northern Thailand.
- HLA-A11 is very common in this population, and was enriched among the HEPS sexworkers – weak CTL responses were detected in 4/7 HEPS women, and CTL responses were found in 8/8 HIV+ controls, and 0/9 HIV- women that were not exposed.
- This epitope was weakly reactive in the HEPS study subject 128 who was HLA A11/A33.
- This epitope was reactive in HIV+ study subjects 053 and 184 who carried HLA-A11.

HXB2 Location RT (340–350)
Author Location Pol (487–497 93TH253 subtype CRF01)
Epitope QIYQEPFKNLK
Subtype CRF01_AE
Immunogen HIV-1 infection
Species (MHC) human (A11)
Keywords subtype comparisons
References Bond *et al.* 2001

- HLA-A11 CRF01 (called subtype E in Bond *et al.*) epitopes were identified that stimulated CTL from HIV+ female sex workers (FSW) from Northern Thailand, of whom more than half were HLA-A11 positive.
- 77 possible HLA-A11 epitopes were first defined using EpiMatrix, these were screened for binding to A11 finding and 26 bound, and 12 of these were epitopes for CTL responses from 8 HLA-A11 positive FSWs, six were novel, six were previously identified.
- This epitope was not predicted by the EpiMatrix method to be likely to bind to A11, though it served as an epitope in the FSWs, and it was one of the six A11 epitopes that had been previously defined.
- 5/8 tested FSWs recognized this epitope.
- This epitope was highly conserved in other subtypes, although exact matches were not very common.

HXB2 Location RT (340–350)
Author Location RT (507–516)
Epitope QIYQEPFKNLK
Immunogen HIV-1 infection
Species (MHC) human
References Menendez-Arias *et al.* 1998; Price *et al.* 1995

- Study of cytokines released by HIV-1 specific activated CTL.

HXB2 Location RT (340–352)
Author Location RT (507–519 LAI)
Epitope QIYQEPFKNLKTG
Subtype B
Immunogen HIV-1 infection

Species (MHC) human (A11)

Keywords review

References Johnson & Walker 1994; Menendez-Arias *et al.* 1998

- This epitope was listed in a review.

HXB2 Location RT (340–352)

Author Location Pol (495–507)

Epitope QIYQEPFKNLKTG

Immunogen HIV-1 infection

Species (MHC) human (A11)

References Ferrari *et al.* 2000

- One of the 51 HIV-1 epitopes selected by Ferrari *et al.* as good candidate CTL epitopes for vaccines by virtue of being conserved and presented by common HLA alleles.

HXB2 Location RT (341–349)

Author Location (C consensus)

Epitope IYQEPFKNL

Subtype C

Immunogen HIV-1 infection

Species (MHC) human (A*2301)

Country South Africa.

Assay type CD8 T-cell Elispot - IFN γ

Keywords characterizing CD8+ T cells

References Kiepiela *et al.* 2004

- HLA class I restricted CD8+ T-cell responses against HIV-1 were analyzed in African patients. Significantly more responses were shown to be HLA-B restricted. Viral load, CD4 count, and thus rate of disease progression were also associated with HLA-B alleles. In addition, the selection pressure imposed on HIV-1 by HLA-B alleles was shown to be substantially greater than by other alleles.
- This epitope was suggested to be the epitope within a longer reactive peptide based on correspondence with a known epitope in the HIV database. Also, a significantly higher frequency of people in the Durban cohort who reacted with the peptide had this HLA type.

HXB2 Location RT (341–349)

Author Location (C consensus)

Epitope IYQEPFKNL

Subtype C

Immunogen HIV-1 infection

Species (MHC) human (A*2301)

Country South Africa.

Assay type CD8 T-cell Elispot - IFN γ

Keywords rate of progression, optimal epitope

References Kiepiela *et al.* 2007

- A comprehensive analysis of 160 class I T cell responses in 578 individuals from KwaZulu-Natal, South Africa was performed. Gag-specific responses were associated with lowering viremia, while Env, accessory and regulatory protein-specific responses were associated with higher viremia.
- IYQEPFKNL is an optimal epitope for both A*2301 and A*2402.

HXB2 Location RT (341–349)

Author Location (C consensus)

Epitope IYQEPFKNL

Subtype C

Immunogen HIV-1 infection

Species (MHC) human (A*2402)

Country South Africa.

Assay type CD8 T-cell Elispot - IFN γ

Keywords rate of progression, optimal epitope

References Kiepiela *et al.* 2007

- A comprehensive analysis of 160 class I T cell responses in 578 individuals from KwaZulu-Natal, South Africa was performed. Gag-specific responses were associated with lowering viremia, while Env, accessory and regulatory protein-specific responses were associated with higher viremia.
- IYQEPFKNL is an optimal epitope for both A*2301 and A*2402.

HXB2 Location RT (341–350)

Author Location RT (508–516)

Epitope IYQEPFKNLK

Immunogen HIV-1 infection

Species (MHC) human (A*1101)

References Culmann 1998

- C. Brander notes that this is an A*1101 epitope in the 1999 database.

HXB2 Location RT (341–350)

Author Location RT (508–517 LAI)

Epitope IYQEPFKNLK

Subtype B

Immunogen HIV-1 infection

Species (MHC) human (A*1101)

Keywords optimal epitope

References Frahm *et al.* 2007

- C. Brander notes this is an A*1101 epitope.

HXB2 Location RT (341–350)

Author Location (C consensus)

Epitope IYQEPFKNLK

Subtype C

Immunogen HIV-1 infection

Species (MHC) human (A*1101)

Country South Africa.

Assay type CD8 T-cell Elispot - IFN γ

Keywords rate of progression, optimal epitope

References Kiepiela *et al.* 2007

- A comprehensive analysis of 160 class I T cell responses in 578 individuals from KwaZulu-Natal, South Africa was performed. Gag-specific responses were associated with lowering viremia, while Env, accessory and regulatory protein-specific responses were associated with higher viremia.
- IYQEPFKNLK is an optimal epitope.

HXB2 Location RT (341–350)

Author Location RT (508–517 SF2)

Epitope IYQEPFKNLK

Immunogen HIV-1 infection

Species (MHC) human (A11)

Keywords HAART, ART, acute/early infection

References Altfield *et al.* 2001b

- Therapy provided during acute infection resulted in a narrower CTL response, stronger T help response, and a less diverse viral population than was seen in individuals treated during chronic infection.
- The breadth and specificity of the response was determined using ELISPOT by studying 19 individuals with pre-seroconversion therapy (Group 1), 11 individuals with primary infection but post-seroconversion therapy (Group 2), and 10 individuals who responded to HAART given during chronic infection (Group 3), using 259 overlapping peptides spanning p17, p24, RT, gp41, gp120 and Nef.
- Previously described and newly defined optimal epitopes were tested for CTL response.
- Number of HLA-A11+ individuals that had a CTL response to this epitope broken down by group: 0/3 group 1, 0/0 group 2, and 1/2 group 3.

HXB2 Location RT (341–350)

Author Location Pol (508–516)

Epitope IYQEPFKNLK

Immunogen HIV-1 infection, HIV-1 exposed seronegative

Species (MHC) human (A11)

Keywords HIV exposed persistently seronegative (HEPS)

References Kaul *et al.* 2001a

- ELISPOT was used to study CTL responses to a panel of 54 predefined HIV-1 epitopes in 91 HIV-1-exposed, persistently seronegative (HEPS) and 87 HIV-1-infected female Nairobi sex workers.

HXB2 Location RT (341–350)

Author Location Pol (497–506)

Epitope IYQEPFKNLK

Epitope name IK10

Subtype B

Immunogen HIV-1 infection

Species (MHC) human (A11)

Donor MHC A2, A11, B18, B44, Cw5, Cw12

Country United States.

Assay type CD8 T-cell Elispot - IFN γ , Intracellular cytokine staining, Flow cytometric T-cell cytokine assay

Keywords optimal epitope

References Allen *et al.* 2005b

- 4/14 optimal HIV-1 T-cell epitopes in a subject underwent mutation associated with dramatic loss of the original CD8 response. For 1 of the escape variants, a novel CD8 T-cell response equal in magnitude to the wildtype, was generated. CD8 T-cell recognizing the variant epitope utilized a distinct T-cell receptor and did not exhibit any cross-reactivity against the wildtype.
- This epitope did not vary.

HXB2 Location RT (341–350)

Author Location Pol (497–506)

Epitope IYQEPFKNLK

Subtype B

Immunogen HIV-1 infection

Species (MHC) human (A11)

Donor MHC A2, A11, B18, B44, Cw5, Cw12

Country United States.

Assay type CD8 T-cell Elispot - IFN γ

References Allen *et al.* 2005a

- Two-thirds of all mutations arising in nonenvelope proteins during the transition from acute to chronic infection were found to be due to either CD8 T-cell-associated selective pressures or reversion of HLA-I-associated mutations selected in a previous host. The predominance of escape mutations at highly polymorphic sites was observed across different HIV-1 clades.
- This epitope was reactive, but escape mutations did not accrue in it over time.

HXB2 Location RT (349–366)

Author Location (C consensus)

Epitope LKTGKYAKMRTAHTNDVK

Subtype C

Immunogen HIV-1 infection

Species (MHC) human (Cw*0602)

Country South Africa.

Assay type CD8 T-cell Elispot - IFN γ

Keywords rate of progression

References Kiepiela *et al.* 2007

- A comprehensive analysis of 160 class I T cell responses in 578 individuals from KwaZulu-Natal, South Africa was performed. Gag-specific responses were associated with lowering viremia, while Env, accessory and regulatory protein-specific responses were associated with higher viremia.

HXB2 Location RT (356–365)

Author Location

Epitope RMRGAHTNDV

Epitope name Pol-RV10

Subtype B

Immunogen HIV-1 infection

Species (MHC) human (A*3002)

Donor MHC A*2904 A*3002 B*1503 B*5802 Cw*0202 Cw*0602

References Sabbaj *et al.* 2003

- This study monitored epitope responses in HIV-1 infected minority women living in the United States.
- 24 epitopes were described – 8 were novel, 8 used new restricting elements but were previously defined epitopes, and 8 were previously described.
- Serial peptide truncations were used to define optimal epitopes for CTL cell lines isolated from 12 individuals, assayed by a Cr-release.
- Subject 01RCH50 also recognized the epitope WRFDSRLAF, Nef(183-191), B*1503.
- Among HIV+ individuals who carried HLA A30, 5/16 (31%) recognized this epitope.

HXB2 Location RT (356–365)

Author Location RT (356–365)

Epitope RMRGAHTNDV

Immunogen HIV-1 infection

Species (MHC) human (A*3002)

Keywords optimal epitope

References Frahm *et al.* 2007

HXB2 Location RT (356–366)

Author Location RT (356–366)
Epitope RMRGAHTNDVK
Immunogen HIV-1 infection
Species (MHC) human (A*0301)
Keywords optimal epitope
References Frahm *et al.* 2007

HXB2 Location RT (356–366)

Author Location RT (15–26)
Epitope RMRGAHTNDVK
Epitope name A3-RK11
Subtype B

Immunogen HIV-1 infection
Species (MHC) human (A3)
Donor MHC A3, B7, Cw7
Keywords dynamics, supervised treatment interruptions (STI), acute/early infection
References Yu *et al.* 2002a

- CTL responses in 18 acutely HIV-infected HLA-A3 (n=7) or -B7 (n=4) or both -A3 and B7 (n=7) positive individuals were studied.
- One individual, AC-06, was homozygous at all three class I alleles (A3, B7, Cw7), was treated during acute infection and had supervised treatment interruptions (STI). He had only two detectable CTL responses during acute infection, but after STI this broadened to 27 distinct epitopes including 15 restricted by HLA-A3, 11 by HLA-B7, and 1 by HLA-Cw7.
- 0/14 HLA-A3 positive individuals had detectable A3-restricted responses to this epitope during acute infection, but only 5/15 of HLA-A3 epitopes tested were targeted during acute infection. 5/7 individuals began to have detectable responses to this epitope after STI.

HXB2 Location RT (356–366)

Author Location RT (356–366)
Epitope RTRGAHTNDVK
Epitope name A3-RK11 Pol
Subtype B

Immunogen HIV-1 infection
Species (MHC) human (A3)
Assay type CD8 T-cell Elispot - IFN γ
Keywords supervised treatment interruptions (STI), escape, early treatment, superinfection
References Altfield *et al.* 2002a

- An HIV+ individual given acute ARV and undergoing STI developed a strong CTL immune response, but despite this was shown to be superinfected with second B clade virus. Some epitope variants of the second infecting virus were resistant to the initial CTL response.
- The second infecting strain had the variant rtrgahtndvR. The CTL response to both variants declined over time, and the response to the second variant was lower than to the first throughout.

HXB2 Location RT (356–366)

Author Location (B consensus)
Epitope RMRGAHTNDVK
Epitope name RK11
Subtype B
Immunogen HIV-1 infection

Species (MHC) human (A3)
Donor MHC A02, A03, B08, B62, Cw7, Cw10
Country United States.
Assay type Cytokine production, Intracellular cytokine staining, Chromium-release assay, Flow cytometric T-cell cytokine assay
Keywords assay standardization/improvement, memory cells, characterizing CD8+ T cells
References Lichterfeld *et al.* 2004c

- Using a flow-cytometric cytotoxicity assay based on caspase-3 activation in dying target cells, it was shown that the subset of HIV-1-specific CD8+ T cells secreting both IFN-gamma and TNF-alpha exhibit stronger cytotoxic activity than those secreting only IFN-gamma. These cells also exhibited stronger intracellular perforin expression. No association between HIV-1-specific CD8+ T-cell maturation phenotypes and intracellular perforin expression was found.
- 1/9 individuals recognized this epitope.

HXB2 Location RT (356–366)

Author Location Pol (512–522)
Epitope RMRGAHTNDVK
Subtype B

Immunogen HIV-1 infection
Species (MHC) human (A3)
Donor MHC A1, A3, B7, B57, Cw6, Cw7
Country United States.
Assay type CD8 T-cell Elispot - IFN γ
References Allen *et al.* 2005a

- Two-thirds of all mutations arising in nonenvelope proteins during the transition from acute to chronic infection were found to be due to either CD8 T-cell-associated selective pressures or reversion of HLA-I-associated mutations selected in a previous host. The predominance of escape mutations at highly polymorphic sites was observed across different HIV-1 clades.
- This epitope was reactive, but escape mutations did not accrue in it over time.

HXB2 Location RT (364–372)

Author Location RT (518–526 U455)
Epitope DVKQLTEVV

Immunogen
Species (MHC) human (A28, A*6802)
Keywords subtype comparisons
References Dong 1998; Menendez-Arias *et al.* 1998
 • Predicted on binding motif, no truncations analyzed.
 • Reacts with clade A consensus (U455), and with the peptide DVKQLAEAV, from the D clade.

HXB2 Location RT (364–372)

Author Location RT (470–478 subtype A)
Epitope DVKQLTEVV
Subtype A

Immunogen HIV-1 infection
Species (MHC) human (B70)
Keywords subtype comparisons
References Dorrell *et al.* 1999
 • CTL responses in three individuals with non-clade B infections were studied, 2 with subtype A infections, 1 with subtype C – their infections all originated in East Africa.

- This CTL response was defined in a patient with an A subtype infection.
- Bulk cultures from this patient gave a CTL response that could recognize the subtype D form of this epitope, with two substitutions (DVKQLAEAV), though a CTL line from these cultures didn't recognize the B clade variant (DVKQLTEAV)

HXB2 Location RT (366–385)

Author Location Pol (521–540)

Epitope KQLTEAVOKIAMESIVIWGK

Subtype C

Immunogen HIV-1 infection

Species (MHC) human

Keywords subtype comparisons

References Novitsky *et al.* 2002

- HLA, viral sequence, and Elispot data was obtained from 105 HIV-1 positive Botswanans; Elispot data was obtained from between 55 and 64 subjects for each HIV protein.
- Nef and p24 had the highest percentage of reactive peptides, and p24 had the highest magnitude of HIV-1 responses.
- This peptide was among the 28 most reactive C clade peptides from among over 350 tested spanning all HIV proteins.

HXB2 Location RT (373–390)

Author Location RT (373–390 HXB2)

Epitope QKIATESIVIWGKTPKFK

Subtype B

Immunogen HIV-1 infection

Species (MHC) human

Assay type T-cell Elispot

Keywords supervised treatment interruptions (STI), immunodominance, early treatment

References Addo *et al.* 2003

- Comprehensive Elispot screening of 504 overlapping peptides that spanned all HIV-1 proteins in 57 HIV-1 infected individuals. Four groups of patients were compared: 23 were untreated; 12 patients were chronically infected and treated; 22 started treatment during acute infection, 11 continuously treated and 11 with STI.
- 63% of the peptides were recognized - the most frequent responses were directed against Nef (95%) and p24-Gag (88%). p17 was the most frequently recognized protein after correction for protein length. A median of 18 peptides (range 2-42) were recognized per person. The most frequently (>20%) recognized peptides were located in conserved regions within clade B sequences. Vpu was rarely recognized.
- A decrease in the total magnitude and in the breadth of CTL responses was detected in patients with treated acute infection in comparison to chronically infected treated or untreated individuals. No correlation between plasma viral load and HIV-1 specific T-cell responses was observed.
- The authors did not note the reference strain, but based on the peptide sequences provided it appears to be HXB2.
- Responses to this peptide were detected in 21% of the study subjects, and it was one of the 25 most frequently recognized peptides.

HXB2 Location RT (374–383)

Author Location RT (LAI)

Epitope KITTESIVIW

Subtype B

Immunogen HIV-1 infection

Species (MHC) human (B*5701)

Keywords rate of progression

References Menendez-Arias *et al.* 1998; van der Burg *et al.* 1997

- Patients studied were from the Amsterdam cohort.
- CTL epitopes of 3 rapid progressors were compared to 4 long-term survivors (LTS); no differences could be found in the degree of conservation between them.
- Epitope recognized by LTS and by a progressor.

HXB2 Location RT (374–383)

Author Location RT (LAI)

Epitope KITTESIVIW

Subtype B

Immunogen HIV-1 infection

Species (MHC) human (B*5701)

References van der Burg *et al.* 1997

- Recognized by CTL from a progressor and a long-term survivor, PIVLPEKDSW was also recognized.

HXB2 Location RT (374–383)

Author Location RT Pol (529–538)

Epitope KITTESIVIW

Immunogen HIV-1 infection

Species (MHC) human (B57)

Country Spain.

Assay type proliferation, CD8 T-cell Elispot - IFN γ , Flow cytometric T-cell cytokine assay

Keywords HAART, ART, supervised treatment interruptions (STI), immune dysfunction

References Plana *et al.* 2004

- Structured treatment interruption (STI) alone is not able to control viral replication in chronically infected patients, probably due to lack of strong, maintained T-helper cell responses. HIV-1 specific CD8+ T-cell responses were shown to increase significantly until the end of the follow up, but were not correlated with viral load.
- Less than 2 of 7 patients recognized this epitope.

HXB2 Location RT (375–383)

Author Location RT (375–383 LAI)

Epitope ITTESIVIW

Subtype B

Immunogen HIV-1 infection

Species (MHC) human (B*5701, B*5801)

Keywords rate of progression

References Klein *et al.* 1998

- Another patient recognized the ten-mer version of this epitope, KITTESIVIW van der Burg *et al.* [1997]
- B57 has been associated with long-term non-progression in the Amsterdam cohort.
- The most pronounced CTL responses in HLA B*5701 LTS were to RT and Gag.
- The patient that recognized ITTESIVIW also recognized IVLPEKDSW.

HXB2 Location RT (375–383)

Author Location (C consensus)

- Epitope** IAMESIVIW
Subtype C
Immunogen HIV-1 infection
Species (MHC) human (B*5703)
Country South Africa.
Assay type CD8 T-cell Elispot - IFN γ
Keywords rate of progression, optimal epitope
References Kiepiela *et al.* 2007
- A comprehensive analysis of 160 class I T cell responses in 578 individuals from KwaZulu-Natal, South Africa was performed. Gag-specific responses were associated with lowering viremia, while Env, accessory and regulatory protein-specific responses were associated with higher viremia.
 - IAMESIVIW is an optimal epitope for both B*5801 and B*5703
- HXB2 Location** RT (375–383)
Author Location RT (375–383)
Epitope IAMESIVIW
Immunogen
Species (MHC) human (B*5801)
Keywords optimal epitope
References Frahm *et al.* 2007
- HXB2 Location** RT (375–383)
Author Location (C consensus)
Epitope IAMESIVIW
Subtype C
Immunogen HIV-1 infection
Species (MHC) human (B*5801)
Country South Africa.
Assay type CD8 T-cell Elispot - IFN γ
Keywords rate of progression, optimal epitope
References Kiepiela *et al.* 2007
- A comprehensive analysis of 160 class I T cell responses in 578 individuals from KwaZulu-Natal, South Africa was performed. Gag-specific responses were associated with lowering viremia, while Env, accessory and regulatory protein-specific responses were associated with higher viremia.
 - Mutational patterns in the S5 residue of IAMESIVIW are associated with the presence of the HLA presenting molecule in the host.
 - IAMESIVIW is an optimal epitope for both B*5801 and B*5703
- HXB2 Location** RT (375–383)
Author Location (C consensus)
Epitope IAMESIVIW
Subtype C
Immunogen HIV-1 infection
Species (MHC) human (B*5801, B*57)
Country South Africa.
Assay type CD8 T-cell Elispot - IFN γ
Keywords cross-presentation by different HLA, characterizing CD8+ T cells
References Kiepiela *et al.* 2004

- HLA class I restricted CD8+ T-cell responses against HIV-1 were analyzed in African patients. Significantly more responses were shown to be HLA-B restricted. Viral load, CD4 count, and thus rate of disease progression were also associated with HLA-B alleles. In addition, the selection pressure imposed on HIV-1 by HLA-B alleles was shown to be substantially greater than by other alleles.
- This epitope was suggested to be the epitope within a longer reactive peptide based on correspondence with a known epitope in the HIV database. Also, a significantly higher frequency of people in the Durban cohort who reacted with the peptide had this HLA type.

HXB2 Location RT (375–383)
Author Location RT (375–383 SF2)
Epitope ITTESIVIW

Immunogen HIV-1 infection
Species (MHC) human (B57)
Keywords HAART, ART, acute/early infection
References Altfeld *et al.* 2001b

- Therapy provided during acute infection resulted in a narrower CTL response, stronger T help response, and a less diverse viral population than was seen in individuals treated during chronic infection.
- The breadth and specificity of the response was determined using ELISPOT by studying 19 individuals with pre-seroconversion therapy (Group 1), 11 individuals with primary infection but post-seroconversion therapy (Group 2), and 10 individuals who responded to HAART given during chronic infection (Group 3), using 259 overlapping peptides spanning p17, p24, RT, gp41, gp120 and Nef.
- Previously described and newly defined optimal epitopes were tested for CTL response.
- Number of HLA-B57+ individuals that had a CTL response to this epitope broken down by group: 0/0 group 1, 0/0 group 2, and 1/2 group 3.

HXB2 Location RT (392–401)
Author Location RT (559–568 LAI)
Epitope PIQKETWETW
Subtype B

Immunogen
Species (MHC) human (A*3201)
References Harrer *et al.* 1996b; Menendez-Arias *et al.* 1998

- Reviewed in Menendez-Arias *et al.* [1998], suggest the epitope is HLA B53/Cw2.
- C. Brander notes that this is an A*3201 epitope in the 1999 database.

HXB2 Location RT (392–401)
Author Location RT (559–568 LAI)
Epitope PIQKETWETW
Subtype B

Immunogen
Species (MHC) human (A*3201)
Keywords optimal epitope
References Frahm *et al.* 2007

- C. Brander notes this is an A*3201 epitope.

HXB2 Location RT (392–401)**Author Location****Epitope** PIQKETWETW**Epitope name** Pol-PW10**Subtype** B**Immunogen** HIV-1 infection**Species (MHC)** human (A*3201)**Donor MHC** 01RCH59: A*0201, A*3201, B*4002, B*5301, Cw*0202, Cw*0401**Keywords** HAART, ART**References** Sabbaj *et al.* 2003

- This study monitored epitope responses in HIV-1 infected minority women living in the United.
- 24 epitopes were described – 8 were novel, 8 used new restricting elements but were previous.
- Serial peptide truncations were used to define optimal epitopes for CTL cell lines isolated.
- Subject 01RCH59 was Hispanic, was not on HAART, viral load 5100, CD4 count 349, and she also recognized QASQEVKNW, p24(176-184), B*5301.
- Among HIV+ individuals who carried HLA A32, 1/2 (50%) recognized this epitope.

HXB2 Location RT (392–401)**Author Location** RT (559–568 SF2)**Epitope** PIQKETWETW**Immunogen** HIV-1 infection**Species (MHC)** human (A32)**Keywords** HAART, ART, acute/early infection**References** Altfeld *et al.* 2001b

- Therapy provided during acute infection resulted in a narrower CTL response, stronger T help response, and a less diverse viral population than was seen in individuals treated during chronic infection.
- The breadth and specificity of the response was determined using ELISPOT by studying 19 individuals with pre-seroconversion therapy (Group 1), 11 individuals with primary infection but post-seroconversion therapy (Group 2), and 10 individuals who responded to HAART given during chronic infection (Group 3), using 259 overlapping peptides spanning p17, p24, RT, gp41, gp120 and Nef.
- Previously described and newly defined optimal epitopes were tested for CTL response.
- Number of HLA-A32+ individuals that had a CTL response to this epitope broken down by group: 0/0 group 1, 1/1 group 2, and 0/0 group 3.

HXB2 Location RT (392–401)**Author Location** RT**Epitope** PIQKETWETW**Epitope name** A32-PW10(RT)**Subtype** B**Immunogen** HIV-1 infection**Species (MHC)** human (A32)**Donor MHC** A32, B7, B14; A32, B44; A30, A32, B18, B27**Keywords** HAART, ART, supervised treatment interruptions (STI)**References** Altfeld *et al.* 2002b

- Peripheral blood (PB) and lymph node (LN) CD8+ T-cell responses were compared in 15 asymptomatic HIV-1 infected patients using all known optimal CTL epitopes (<http://hiv-web.lanl.gov/content/hiv-db/REVIEWS/brander2001.html>) for each person's class I HLA alleles.
- 60 epitope responses were detected in both PB and LN samples of the 15 patients, and an additional 8 responses were detected only in LN. The total magnitude of the response was similar in LN and PB, but the percentage of CD8+ T cells in the LN is lower so the number of HIV-specific cells per million CD8+ T-cells is higher in the LN.
- 1 year post-HAART treatment in five patients studied, the magnitude of the CD8 T-cell response was decreased in both LN and PB, but more dramatically in PB, and 13/25 epitope responses in the PB became undetectable, in contrast to 5/26 in the LN.
- Treatment interruption following HAART induced resulted in increased viremia accompanied by the restoration of the detection of 13 epitopes that had become undetectable in the PB, and the addition of 9 novel epitope responses.
- Breakdowns of epitope responses were shown for 4 individuals. Patient A displayed the greatest response to epitope B14-EL9(gp41), a strong response to B7-TL9(p24), and responses to B7-TM9(Nef) and A32-PW10(RT). Patient B displayed the greatest response to epitope B44-AW11(p24) and also responded to A32-PW10(RT) in both PB and LN samples, while a third response against epitope A32-RW10(gp120) was only detected in the LN sample. Patient D displayed the greatest response to B27-KK10 (p24), and also responded to A30-RY11(p17), A32-PW10(RT), A30-KY11(RT), A32-RW10(gp120), and B18-YY9(Nef).

HXB2 Location RT (397–406)**Author Location** RT (LAI)**Epitope** TWETWTEYW**Subtype** B**Immunogen** HIV-1 infection**Species (MHC)** human (B44)**References** Menendez-Arias *et al.* 1998; van der Burg *et al.* 1997

- Recognized by CTL from two progressors, EILKEPVGHG and EELRQHLRW were also recognized by one, and RETKL-GKAGY was also recognized by the other.

HXB2 Location RT (397–406)**Author Location** RT Pol (552–561)**Epitope** TWETWTEYW**Immunogen** HIV-1 infection**Species (MHC)** human (B44)**Country** Spain.**Assay type** proliferation, CD8 T-cell Elispot - IFN γ , Flow cytometric T-cell cytokine assay**Keywords** HAART, ART, supervised treatment interruptions (STI), immune dysfunction**References** Plana *et al.* 2004

- Structured treatment interruption (STI) alone is not able to control viral replication in chronically infected patients, probably due to lack of strong, maintained T-helper cell responses. HIV-1 specific CD8+ T-cell responses were shown to increase

significantly until the end of the follow up, but were not correlated with viral load.

- Less than 2 of 11 patients recognized this epitope.

HXB2 Location RT (407–416)

Author Location (C consensus)

Epitope QATWIPEWEF

Subtype C

Immunogen HIV-1 infection

Species (MHC) human (B*5702)

Country South Africa.

Assay type CD8 T-cell Elispot - IFN γ

Keywords rate of progression, optimal epitope

References Kiepiela *et al.* 2007

- A comprehensive analysis of 160 class I T cell responses in 578 individuals from KwaZulu-Natal, South Africa was performed. Gag-specific responses were associated with lowering viremia, while Env, accessory and regulatory protein-specific responses were associated with higher viremia.
- QATWIPEWEF is an optimal epitope for both B*5702 and B*5703.

HXB2 Location RT (407–416)

Author Location (C consensus)

Epitope QATWIPEWEF

Subtype C

Immunogen HIV-1 infection

Species (MHC) human (B*5703)

Country South Africa.

Assay type CD8 T-cell Elispot - IFN γ

Keywords rate of progression, optimal epitope

References Kiepiela *et al.* 2007

- A comprehensive analysis of 160 class I T cell responses in 578 individuals from KwaZulu-Natal, South Africa was performed. Gag-specific responses were associated with lowering viremia, while Env, accessory and regulatory protein-specific responses were associated with higher viremia.
- QATWIPEWEF is an optimal epitope for both B*5702 and B*5703.

HXB2 Location RT (407–416)

Author Location (C consensus)

Epitope QATWIPEWEF

Subtype C

Immunogen HIV-1 infection

Species (MHC) human (B57)

Country South Africa.

Assay type CD8 T-cell Elispot - IFN γ

Keywords characterizing CD8+ T cells

References Kiepiela *et al.* 2004

- HLA class I restricted CD8+ T-cell responses against HIV-1 were analyzed in African patients. Significantly more responses were shown to be HLA-B restricted. Viral load, CD4 count, and thus rate of disease progression were also associated with HLA-B alleles. In addition, the selection pressure imposed on HIV-1 by HLA-B alleles was shown to be substantially greater than by other alleles.

- This epitope was suggested to be the epitope within a longer reactive peptide based on correspondence with a known epitope in the HIV database. Also, a significantly higher frequency of people in the Durban cohort who reacted with the peptide had this HLA type.

HXB2 Location RT (413–429)

Author Location (C consensus)

Epitope EWEFVNRPLVPLKWLQYL

Subtype C

Immunogen HIV-1 infection

Species (MHC) human (B*8101)

Country South Africa.

Assay type CD8 T-cell Elispot - IFN γ

Keywords rate of progression

References Kiepiela *et al.* 2007

- A comprehensive analysis of 160 class I T cell responses in 578 individuals from KwaZulu-Natal, South Africa was performed. Gag-specific responses were associated with lowering viremia, while Env, accessory and regulatory protein-specific responses were associated with higher viremia.

HXB2 Location RT (416–423)

Author Location Pol (571–)

Epitope FVNTPLPV

Epitope name Pol571

Immunogen HIV-1 infection, vaccine

Vector/Type: peptide *HIV component:* RT

Adjuvant: Incomplete Freund's Adjuvant (IFA)

Species (MHC) transgenic mouse (A2)

Assay type CD8 T-cell Elispot - IFN γ , Chromium-release assay, Flow cytometric T-cell cytokine assay

Keywords binding affinity, subtype comparisons, computational epitope prediction

References Corbet *et al.* 2003

- HLA-A2-restricted HIV-1 CTL epitopes were computationally predicted. Binding affinities for HLA-A*0204, immunogenicity in HLA-A*0201 transgenic mice, and responses to the peptides in 17 HIV-1 infected patients were tested. 31 novel conserved A2 epitopes were detected. An average of 4 epitopes were recognized per patient.
- This peptide was a good A2 binder, and induced a CTL responses 1/6 transgenic mice. Responses to the peptide were not detected in 17 HIV+ HLA-A2 subjects.

HXB2 Location RT (416–424)

Author Location Pol (563–571 93TH253 subtype CRF01)

Epitope FVNTPLPVK

Epitope name P571-579

Subtype CRF01_AE

Immunogen HIV-1 exposed seronegative

Species (MHC) human (A11)

Keywords HIV exposed persistently seronegative (HEPS)

References Sriwanthana *et al.* 2001

- This was a study of HIV-1 exposed persistently seronegative (HEPS) female sex workers in Chiang Mai, northern Thailand.

- HLA-A11 is very common in this population, and was enriched among the HEPS sexworkers – weak CTL responses were detected in 4/7 HEPS women, and CTL responses were found in 8/8 HIV+ controls, and 0/9 HIV- women that were not exposed.
- This epitope was weakly reactive in the HEPS study subject 128 who was HLA A11/A33.

HXB2 Location RT (416–424)
Author Location Pol (563–571 93TH253 subtype CRF01)
Epitope FVNTPLVK
Subtype CRF01_AE
Immunogen HIV-1 infection
Species (MHC) human (A11)
Keywords subtype comparisons
References Bond *et al.* 2001

- HLA-A11 CRF01 (called subtype E in Bond *et al.*) epitopes were identified that stimulated CTL from HIV+ female sex workers (FSW) from Northern Thailand, of whom more than half were HLA-A11 positive.
- 77 possible HLA-A11 epitopes were first defined using EpiMatrix, these were screened for binding to A11 finding and 26 bound, and 12 of these were epitopes for CTL responses from 8 HLA-A11 positive FSWs, six were novel, six were previously identified.
- This is one of the new A11 epitopes identified through the streamlined EpiMatrix method, and 1/8 tested FSWs recognized it.
- This epitope was conserved many subtypes (but not subtype H), but exact matches were not very common.

HXB2 Location RT (421–429)
Author Location Pol
Epitope PLVKLWYQL
Epitope name P9L
Immunogen vaccine
Vector/Type: measles virus (MV) *Strain:* multiple epitope immunogen *HIV component:* gp140, gp140ΔV3
Species (MHC) transgenic mouse (A*0201)
Assay type Chromium-release assay, Flow cytometric T-cell cytokine assay
Keywords memory cells, vaccine antigen design, antibody generation, characterizing CD8+ T cells
References Lorin *et al.* 2005

- A recombinant measles MVSchw virus expressing an HIV-1-derived polyepitope effectively primed HLA-A*0201-restricted CTL responses against multiple conserved HIV-1 epitopes in HLA-A*0201 transgenic mice. Also, a recombinant MVSchw virus expressing gp140 with deleted V1, V2, and V3 loops successfully induces neutralizing antibodies against HIV-1. A live attenuated measles vaccine could provide a safe and efficient pediatric vaccination vector for simultaneous vaccination against HIV and measles.

HXB2 Location RT (421–429)
Author Location RT (421–429)
Epitope PLVKLWYQL
Immunogen HIV-1 infection
Species (MHC) human (A2)

References Haas *et al.* 1998

- Of 98 patients in cross-sectional analysis, 78% had CTL against pol – RT was more immunogenic than Integrase and Protease (81%, 51%, and 24% of 37 patients, respectively)
- New clusters of epitopes were defined utilizing different HLA molecules.

HXB2 Location RT (432–440)
Author Location RT (587–597 SF2)
Epitope EPIVGAETF
Immunogen HIV-1 infection
Species (MHC) human (B*3501)
Keywords review
References Menendez-Arias *et al.* 1998; Tomiyama *et al.* 1997

- A CTL clone responsive to this epitope was obtained.
- 5/7 B35-positive individuals had a CTL response to this epitope.
- An E to D substitution at position 1, and V to I at position 4, reduces activity but not binding to B*3501.
- Menendez-Arias *et al.* [1998] note in their review that this epitope is near the protease cleavage site and conservation of this region is important for proper viral maturation.

HXB2 Location RT (432–440)
Author Location Pol (587–595)
Epitope EPIVGAETF
Immunogen HIV-1 infection
Species (MHC) human (B*3501)
References Tomiyama *et al.* 2000a

- CD8+ T-cells that bound one of six HIV-specific B*3501-epitope tetramers did not express CD28 or CD45A.
- A significant increase in CD28-CD45RA- cells and a decrease of CD28+CD45RA+ cells was observed in chronically HIV-1-infected individuals relative to healthy individuals.
- CD28-CD45RA- cells are likely to be effector cells and have high levels of perforin in their cytoplasm.
- The mean percentage of total CD28- CD8+ cells in chronically infected HIV-1-infected patients was 76.6% in comparison to HIV-1-uninfected individuals (40.6%)

HXB2 Location RT (432–440)
Author Location
Epitope EPIVGAETF
Immunogen HIV-1 infection
Species (MHC) human (B35)
Keywords acute/early infection
References Wilson *et al.* 2000a

- Three individuals with highly focused HIV-specific CTL responses were studied during acute infection using tetramers – high frequencies of HIV-1-specific CD8+ T cells were found prior to seroconversion, and there was a close temporal relationship between the number of circulating HIV-specific T cells and viral load was also found.
- All three patients were B*2705, with HLA alleles: A1, A30/31, B*2705, B35; A1, A*0301, B7, B2705; and A*0201, A*0301, B2705, B39.

- ELISPOT was used to test a panel of CTL epitopes that had been defined earlier and were appropriate for the HLA haplotypes of the study subjects – 3/3 subjects showed a dominant response to the B*2705 epitope KRWILGGLNK.
- The subject with A*0201 had a moderately strong response to SLYNTVATL.
- Weak responses were observed to A*301-RLRPGGKKK, A*301-QVPLRPMTYK, and B7-TPGPGVRYPL in the subject who was HLA A1, A*0301, B7, B*2705.
- No acute response was detected to the following epitopes: A*201-ILKEPVHGV, A*301-KIRLRPGGK, A*301-AIFQSSMTK, A*301-TVYYGVPVWV, B35-EPIVGAETF, B35-HPDIVIYQY, B35-PIIPVGEIY, B35-NSSKVSQNY, B35-VPLRPMTY, B35-DPNPQEVVL.

HXB2 Location RT (432–440)

Author Location Pol (587–595)

Epitope EPIVGAETF

Immunogen HIV-1 infection

Species (MHC) human (B35)

References Dyer *et al.* 1999

- CTL specific responses were measured over a 1.3 to 1.5 year period in members of the Sydney Blood Bank Cohort (SBBC) who had been infected with a natural attenuated strain of HIV-1 which was Nef-defective.
- Some of these patients had prolonged high levels of CTL effector and memory cells despite low viral load.

HXB2 Location RT (432–440)

Author Location Pol

Epitope EPIVGAETF

Immunogen HIV-1 infection

Species (MHC) human (B35)

Country Netherlands.

Assay type CD8 T-cell Elispot - IFN γ

Keywords HIV exposed persistently seronegative (HEPS)

References Koning *et al.* 2004

- A high-risk seronegative group of 29 homosexual men showed reduced cellular in vitro susceptibility for HIV infection and enhanced production of RANTES compared to 15 men who went on to seroconvert. Significantly higher frequencies of HLA A*11, A*31 and Cw*15 were also found in the high risk seronegative men. Both groups of men had low frequencies of HIV-1 specific CD8+ T-cells, which may signify exposure more than protection from infection.
- No one, 0/3 HLA B35+ infection-resistant men, and 0/5 pre-seroconversion men who went on to become infected, reacted to this epitope.

HXB2 Location RT (432–440)

Author Location RT (587–596 SF2)

Epitope EPIVGAETF

Immunogen HIV-1 infection

Species (MHC) human (B35, B51)

References Shiga *et al.* 1996

- Binds HLA-B*3501, and is also presented by B51 – but CTL could not kill RT-vaccinia virus infected cells that expressed B51.

HXB2 Location RT (432–440)

Author Location Pol (587–595)

Epitope EPIVGAETF

Immunogen HIV-1 infection

Species (MHC) human (B35, B51)

References Ferrari *et al.* 2000

- One of the 51 HIV-1 epitopes selected by Ferrari *et al.* as good candidate CTL epitopes for vaccines by virtue of being conserved and presented by common HLA alleles.

HXB2 Location RT (432–440)

Author Location RT (432–440)

Epitope EPIVGAETF

Immunogen HIV-1 infection

Species (MHC) human (B51)

Donor MHC A03, A32, B51, B15, Cw03, Cw06, DR4, DR8, DQ7

Country Netherlands.

Assay type CD8 T-cell Elispot - IFN γ , Flow cytometric T-cell cytokine assay

Keywords rate of progression, escape

References Geels *et al.* 2003

- Both stable potential epitopes and epitopes with escape mutations were found in a patient with increasing viral load over a time period of 4 years. Fixation of escape mutations occurred sequentially and correlated with the rise in viral load and with the increased number of productively infected cells.
- This is one of 17 potential epitopes from this individual, defined based on previously identified epitopes presented by appropriate HLA molecules. Full length genome sequence did not reveal changes in time in any of these epitopes over a four year period. Peptide pools initially revealed very little response to these epitopes, but this increased over time.

HXB2 Location RT (432–441)

Author Location Pol (587–596)

Epitope EPIVGAETFY

Immunogen HIV-1 infection

Species (MHC) human (B*3501)

References Tomiyama *et al.* 2000a

- CD8+ T-cells that bound one of six HIV-specific B*3501-epitope tetramers did not express CD28 or CD45A.
- A significant increase in CD28-CD45RA- cells and a decrease of CD28+CD45RA+ cells was observed in chronically HIV-1-infected individuals relative to healthy individuals.
- CD28-CD45RA- cells are likely to be effector cells and have high levels of perforin in their cytoplasm.
- The mean percentage of total CD28- CD8+ cells in chronically infected HIV-1-infected patients was 76.6% in comparison to HIV-1-uninfected individuals (40.6%)

HXB2 Location RT (432–441)

Author Location RT (587–597 SF2)

Epitope EPIVGAETFY

Immunogen HIV-1 infection

Species (MHC) mouse (B35)

Keywords review

References Menendez-Arias *et al.* 1998; Shiga *et al.* 1996

- Binds HLA-B*3501, but not presented by B51, in contrast to the peptide EPIVGAETF.

- Menendez-Arias *et al.* [1998] note in their review that this epitope is located near the protease cleavage site and conservation of this region is important for viral maturation.
- This epitope spans the Pol p66 RT – p15 (RNase) domain.

HXB2 Location RT (432–441)
Author Location RT (587–597 SF2)
Epitope EPIVGAETFY
Immunogen HIV-1 infection
Species (MHC) human (B35)
Keywords rate of progression
References Kawana *et al.* 1999

- HLA B35 is associated with rapid disease progression.
- The sequences of 9 previously described HIV-1 B35 CTL epitopes were obtained in 10 HLA B35+ and 19 HLA B35- individuals.
- 3/9 CTL epitopes had substitutions that were more common in B35+ individuals than in B35- individuals, but this was one of the six that had no B35 associated pattern of mutation.

HXB2 Location RT (432–441)
Author Location Pol (587–596)
Epitope EPIVGAETFY
Subtype B
Immunogen HIV-1 infection
Species (MHC) human (B35, B51)
Country United States.
Assay type CD8 T-cell Elispot - IFN γ , CD8 T-cell Elispot granzyme B
Keywords characterizing CD8+ T cells
References Kleen *et al.* 2004

- Only 20% of CD8+ T-cells produce IFN-gamma and granzyme B simultaneously (Tc1a). Two additional subpopulations of HIV specific CD8 cells are found, each one constituting 30-40% of the CD8 cell pool. One of these (Tc1b) secretes IFN-gamma only, and the other one (Tc1c) secretes GzB only.
- None of seven patients responded to this peptide with GzB producing cells, while two of the patients responded with IFN-gamma producing cells.

HXB2 Location RT (434–447)
Author Location RT (LAI)
Epitope IVGAETFYVDGAAS
Subtype B
Immunogen HIV-1 infection
Species (MHC) human (A*6802)
References Menendez-Arias *et al.* 1998; van der Burg *et al.* 1997

- Recognized by CTL from a long-term survivor that recognized a set of 5 overlapping peptides spanning IVGAETFYVDGAAS as well as PIVLPEKDSW and KITTESIVIW.
- A*6802 is a subset of HLA-A28.
- This epitope spans the Pol p66 RT – p15 (RNase) domain.

HXB2 Location RT (436–445)
Author Location (C consensus)
Epitope GAETFYVDGA
Subtype C
Immunogen HIV-1 infection
Species (MHC) human (A*6802)

Country South Africa.

Assay type CD8 T-cell Elispot - IFN γ

Keywords rate of progression, optimal epitope

References Kiepiela *et al.* 2007

- A comprehensive analysis of 160 class I T cell responses in 578 individuals from KwaZulu-Natal, South Africa was performed. Gag-specific responses were associated with lowering viremia, while Env, accessory and regulatory protein-specific responses were associated with higher viremia.
- GAETFYVDGA is an optimal epitope.

HXB2 Location RT (436–445)
Author Location RT (436–445)
Epitope GAETFYVDGA

Immunogen

Species (MHC) human (A*6802)

Keywords optimal epitope

References Frahm *et al.* 2007

- C. Brander notes that this is an A*6802 epitope.

HXB2 Location RT (436–445)
Author Location RT (591–600 IIIB)
Epitope GAETFYVDGA

Immunogen HIV-1 infection

Species (MHC) human (B45)

References Menendez-Arias *et al.* 1998

- This epitope spans the Pol p66 RT – p15 (RNase) domain.

HXB2 Location RT (436–445)
Author Location Pol (591–600 IIIB)
Epitope GVETFYVDGA

Immunogen HIV-1 infection

Species (MHC) human (B45)

Keywords responses in children, mother-to-infant transmission, escape

References Wilson *et al.* 1999a

- This study describes maternal CTL responses in the context of mother-to-infant transmission.
- Detection of CTL escape mutants in the mother was associated with transmission, but the CTL-susceptible forms of the virus tended to be found in infected infants.
- No variants of this epitope were found in a non-transmitting mother who had a CTL response to it.
- This epitope spans the Pol p66 RT – p15 (RNase) domain.

HXB2 Location RT (436–452)
Author Location (C consensus)
Epitope GAETFYVDGAANRETKI
Subtype C

Immunogen HIV-1 infection

Species (MHC) human (A*3402)

Country South Africa.

Assay type CD8 T-cell Elispot - IFN γ

Keywords rate of progression

References Kiepiela *et al.* 2007

- A comprehensive analysis of 160 class I T cell responses in 578 individuals from KwaZulu-Natal, South Africa was performed. Gag-specific responses were associated with lowering viremia, while Env, accessory and regulatory protein-specific responses were associated with higher viremia.

HXB2 Location RT (436–452)

Author Location (C consensus)

Epitope GAETFYVDGAANRETKE

Subtype C

Immunogen HIV-1 infection

Species (MHC) human (A*6801)

Country South Africa.

Assay type CD8 T-cell Elispot - IFN γ

Keywords rate of progression

References Kiepiela *et al.* 2007

- A comprehensive analysis of 160 class I T cell responses in 578 individuals from KwaZulu-Natal, South Africa was performed. Gag-specific responses were associated with lowering viremia, while Env, accessory and regulatory protein-specific responses were associated with higher viremia.

HXB2 Location RT (437–445)

Author Location

Epitope AETFYVDGA

Epitope name Pol-AA9

Subtype B

Immunogen HIV-1 infection

Species (MHC) human (B*4501)

Donor MHC A*3002 A*3201 B*4501 B*5301 Cw*0401 Cw*1202

Keywords HAART, ART

References Sabbaj *et al.* 2003

- This study monitored epitope responses in HIV-1 infected minority women living in the United States.
- 24 epitopes were described – 8 were novel, 8 used new restricting elements but were previously defined epitopes, and 8 were previously described.
- Serial peptide truncations were used to define optimal epitopes for CTL cell lines isolated from 12 individuals, assayed by a Cr-release.
- Subject 00RCH33 was on HAART had a viral load of 2900 and CD4 count of 727 and also recognized the epitopes YPLTFG-WCY, Nef(135-143), HLA B*5301; RSLYNTVATLY, p17(76-86), HLA A*3002; and HIGPGRAFY, gp160(310-318), HLA A*3002.
- Among HIV+ individuals who carried HLA B45, 3/9 (33%) recognized this epitope.

HXB2 Location RT (437–447)

Author Location RT (592–602 LAI)

Epitope AETFYVDGAAN

Subtype B

Immunogen

Species (MHC) human (A28)

References Brander & Walker 1996; Menendez-Arias *et al.* 1998

- P. Johnson, pers. comm.
- This epitope spans the Pol p66 RT – p15 (RNase) domain.

HXB2 Location RT (437–447)

Author Location Pol (592–602)

Epitope AETFYVDGAAN

Immunogen HIV-1 infection

Species (MHC) human (A28)

References Ferrari *et al.* 2000

- One of the 51 HIV-1 epitopes selected by Ferrari *et al.* as good candidate CTL epitopes for vaccines by virtue of being conserved and presented by common HLA alleles.

HXB2 Location RT (438–448)

Author Location (C consensus)

Epitope ETFYVDGAANR

Subtype C

Immunogen HIV-1 infection

Species (MHC) human (A*66)

Country South Africa.

Assay type CD8 T-cell Elispot - IFN γ

Keywords rate of progression, optimal epitope

References Kiepiela *et al.* 2007

- A comprehensive analysis of 160 class I T cell responses in 578 individuals from KwaZulu-Natal, South Africa was performed. Gag-specific responses were associated with lowering viremia, while Env, accessory and regulatory protein-specific responses were associated with higher viremia.
- ETFYVDGAANR is an optimal epitope.

HXB2 Location RT (438–448)

Author Location RT (593–603 IIIB)

Epitope ETFYVDGAANR

Immunogen HIV-1 infection

Species (MHC) human (A26)

References Menendez-Arias *et al.* 1998

- This epitope spans the Pol p66 RT – p15 (RNase) domain.

HXB2 Location RT (438–448)

Author Location Pol (593–603 IIIB)

Epitope ETFYVDGAANR

Immunogen HIV-1 infection

Species (MHC) human (A26)

Keywords responses in children, mother-to-infant transmission, escape

References Wilson *et al.* 1999a

- This study describes maternal CTL responses in the context of mother-to-infant transmission.
- Detection of CTL escape mutants in the mother was associated with transmission, but the CTL-susceptible forms of the virus tended to be found in infected infants.
- One other variant was found that gave a positive, though reduced, CTL response: ETYYVNGAANR.
- This epitope spans the Pol p66 RT – p15 (RNase) domain.

HXB2 Location RT (438–448)

Author Location

Epitope ETFYVDGAANR

Epitope name ER11

Immunogen

Species (MHC) human (A66)

Keywords optimal epitope

References Frahm *et al.* 2007

- C. Brander notes this is a A66 epitope.

HXB2 Location RT (440–448)

Author Location Pol (594–602 SF2)

Epitope FYYVDGAANR

Subtype B

Immunogen HIV-1 infection, computer prediction
Species (MHC) human (A*3303)
Assay type Chromium-release assay
Keywords binding affinity, computational epitope prediction

References Hossain *et al.* 2003

- HLA-A*3303 is a common HLA allele in east and southeast Asia. Pol, Gag and Nef SF2 proteins were scanned for potential A*3303 epitopes. 99 potential epitopes were synthesized, and 52/99 bound to A*3303. Six of these served as peptide-targets for lysis by PBMC from infected individual, and clones derived from 4 of these 6 could lyse HIV-vaccinia infected target cells, indicating proper processing.
- This epitope is one of the 4 that are properly processed.

HXB2 Location RT (448–457)

Author Location RT

Epitope RETKLGKAGY

Immunogen HIV-1 infection

Species (MHC) human (A29)

Keywords rate of progression

References van der Burg *et al.* 1997

- Patients studied were from the Amsterdam cohort.
- CTL epitopes of 3 rapid progressors were compared to 4 long-term survivors (LTS) and no differences could be found in the degree of conservation between them.
- Epitope recognized by a LTS.
- This epitope occurs in the p15 (RNase) domain of Pol p66 RT.

HXB2 Location RT (449–457)

Author Location

Epitope ETKLGKAGY

Epitope name Pol-EY9

Subtype B

Immunogen HIV-1 infection

Species (MHC) human (A*2601)

Donor MHC A*3303 A*2601 B*5801 B*8201 Cw*0302 Cw*0701

Keywords HAART, ART

References Sabbaj *et al.* 2003

- This study monitored epitope responses in HIV-1 infected minority women living in the United States.
- 24 epitopes were described – 8 were novel, 8 used new restricting elements but were previously defined epitopes, and 8 were previously described.
- Serial peptide truncations were used to define optimal epitopes for CTL cell lines isolated from 12 individuals, assayed by a Cr-release.
- Subject 03RCH40 was African American, had a viral load of 2500, CD4 count of 372, was not on HAART, and also recognized the epitope DILDWLWY, Nef(108-115), HLA Cw*0701.
- Among HIV+ individuals who carried HLA A26, 2/8 (25%) recognized this epitope.

HXB2 Location RT (449–457)

Author Location Pol (604–612)

Epitope ETKLGKAGY

Immunogen HIV-1 infection

Species (MHC) human (A*2601)

Keywords optimal epitope

References Frahm *et al.* 2007

HXB2 Location RT (449–457)

Author Location Pol (604–612)

Epitope ETKLGKAGY

Subtype B

Immunogen HIV-1 infection

Species (MHC) human (A*2601)

Country Japan.

Assay type Chromium-release assay, Flow cytometric T-cell cytokine assay, Other, HLA binding

Keywords immunodominance, characterizing CD8+ T cells, optimal epitope

References Satoh *et al.* 2005

- Reverse immunogenetics was used to identify HIV-1 epitopes presented by HLA-A*2601. Four epitopes endogenously presented by this allele induced peptide-specific CD8 T-cells. HIV-infected individuals predominantly detected 2 of the epitopes, which might be useful for vaccine development. HLA-A*2601 is common in Asia.
- Immunodominant epitope recognized in 4/6 HIV-infected individuals with HLA-A*2601. This epitope is highly conserved in clade E (CRF01), and moderately conserved in clade B.

HXB2 Location RT (451–459)

Author Location Pol (606–)

Epitope KLGKAGYVT

Epitope name Pol606

Immunogen HIV-1 infection, vaccine

Vector/Type: peptide *HIV component:* RT
Adjuvant: Incomplete Freund's Adjuvant (IFA)

Species (MHC) human (A2)

Assay type CD8 T-cell Elispot - IFN γ , Chromium-release assay, Flow cytometric T-cell cytokine assay

Keywords binding affinity, subtype comparisons, computational epitope prediction

References Corbet *et al.* 2003

- HLA-A2-restricted HIV-1 CTL epitopes were computationally predicted. Binding affinities for HLA-A*0204, immunogenicity in HLA-A*0201 transgenic mice, and responses to the peptides in 17 HIV-1 infected patients were tested. 31 novel conserved A2 epitopes were detected. An average of 4 epitopes were recognized per patient.
- This peptide was an intermediate A2 binder that did not induce CTL or CD8+ T-cell IFN gamma responses in transgenic mice. Responses were detected in 2/17 HIV+ HLA-A2 subjects.

HXB2 Location RT (467–484)

Author Location (C consensus)

Epitope VSLTETTQKTELQAIQL

Subtype C

Immunogen HIV-1 infection

Species (MHC) human (B*18)

Country South Africa.

Assay type CD8 T-cell Elispot - IFN γ

Keywords rate of progression

References Kiepiela *et al.* 2007

- A comprehensive analysis of 160 class I T cell responses in 578 individuals from KwaZulu-Natal, South Africa was performed. Gag-specific responses were associated with lowering viremia, while Env, accessory and regulatory protein-specific responses were associated with higher viremia.

HXB2 Location RT (481–505)

Author Location RT (648–672 PV22)

Epitope AIYLALQDSGLEVNIVTDSQYALGI

Immunogen HIV-1 infection

Species (MHC) human (B14)

References Kalams *et al.* 1994; Menendez-Arias *et al.* 1998

- A CTL response used to study gene usage in HLA-B14 response.
- This epitope occurs in the p15 (RNase) domain of Pol p66 RT.

HXB2 Location RT (481–505)

Author Location RT (648–672)

Epitope AIYLALQDSGLEVNIVTDSQYALGI

Immunogen HIV-1 infection

Species (MHC) human

References Menendez-Arias *et al.* 1998; Price *et al.* 1995

- Study of cytokines released by HIV-1 specific activated CTL.
- This epitope occurs in the p15 (RNase) domain of Pol p66 RT.

HXB2 Location RT (485–493)

Author Location RT (640–648 HXB2R)

Epitope ALQDSGLEV

Immunogen HIV-1 infection

Species (MHC) human (A*0201)

References Brander *et al.* 1995; Brander *et al.* 1996

- This epitope was recognized by PBMC from 3/14 HIV+ asymptomatic patients.
- This epitope was used along with Env CTL epitope TLTSC-NTSV and a tetanus toxin T helper epitope for a synthetic vaccine.
- This vaccine failed to induce a CTL response, although a helper response was evident.
- This epitope occurs in the p15 (RNase) domain of Pol p66 RT.

HXB2 Location RT (485–493)

Author Location RT (640–648 HXB2R)

Epitope ALQDSGLEV

Immunogen vaccine

Strain: B clade HXB2 *HIV component:* RT

Species (MHC) human (A2)

References Brander *et al.* 1995

- Epitope studied in the context of inclusion in a synthetic vaccine.
- This epitope occurs in the p15 (RNase) domain of Pol p66 RT.

HXB2 Location RT (485–493)

Author Location Pol (649–659 BH10, LAI)

Epitope ALQDSGLEV

Immunogen HIV-1 infection

Species (MHC) human

References Maksiutov *et al.* 2002

- This study employs an antigenic similarity matrix to compare HIV-1 antigenic determinants with human proteins.

- This CTL epitope (the HIV-1 LAI fragment with high similarity to a human protein overlapping this epitope is IYLALQDSGLE) has similarity with the epidermal growth factor receptor kinase substrate EPS8, fragment ISAAASDSGVE.

HXB2 Location RT (485–494)

Author Location RT (485–495 HXB2)

Epitope ALQDSGSEVN

Epitope name 51H

Subtype B

Immunogen vaccine

Vector/Type: DNA *Strain:* multiple epitope immunogen *HIV component:* p17/p24 Gag, Pol *Adjuvant:* IL-12

Species (MHC) transgenic mouse (A2)

Assay type Cytokine production, CD8 T-cell Elispot - IFN γ , Chromium-release assay

Keywords vaccine-specific epitope characteristics, vaccine antigen design

References Bolesta *et al.* 2005

- Immunization of transgenic mice with a codon-optimized hGagp17p24-Polp51 DNA plasmid, consisting of clusters of highly conserved CTL epitopes presented by multiple MHC class I alleles, induced 2- to 5-fold higher CD8+ T-cell responses than the corresponding full-length proteins. The modified proteins had the ribosomal frameshift deleted, as well as the potentially immunosuppressive p15, and protease and integrase. This correlated with higher protection against challenge with Gag and Pol expressing recombinant vaccinia virus. Mice immunized with the hGagp17p24-Polp51 also showed an elevated level of type 1 cytokine production as well as an increased titer of p24- and RT-specific IgG2 antibody responses.
- This was 1 of 4 A2 gag/pol epitopes tested. Transgenic mice immunized with the deleted construct induced more potent EliSpot reactions to this epitope than those immunized with full length Gag/Pol.

HXB2 Location RT (485–505)

Author Location RT (648–672)

Epitope ALQDSGLEVVTDSDYALGI

Immunogen HIV-1 infection

Species (MHC) human (B14)

References Brander & Walker 1995

- Unpublished, S. Kalams.
- This epitope occurs in the p15 (RNase) domain of Pol p66 RT.

HXB2 Location RT (492–501)

Author Location Pol (647–656)

Epitope EVNIVTDSQY

Subtype B

Immunogen HIV-1 infection

Species (MHC) human (A*2601)

Country Japan.

Assay type Chromium-release assay, Flow cytometric T-cell cytokine assay, Other, HLA binding

Keywords immunodominance, optimal epitope

References Satoh *et al.* 2005

- Reverse immunogenetics was used to identify HIV-1 epitopes presented by HLA-A*2601. 110 peptides were predicted to bind to HLA-A*2601. 24 of these were demonstrated to bind through a HLA-A*2601 stabilization assay. Four of these, including this one, were shown to be epitopes endogenously presented by this allele, that can induce peptide-specific CD8 T-cells. HLA-A*2601 is common in Asia.
- This epitope was recognized in only 1/7 HLA-A*2601 HIV infected individuals.

HXB2 Location RT (492–506)

Author Location (C consensus)

Epitope EVNIVTDSQYALGII

Subtype C

Immunogen HIV-1 infection

Species (MHC) human (B*3910)

Country South Africa.

Assay type CD8 T-cell Elispot - IFN γ

Keywords rate of progression

References Kiepiela *et al.* 2007

- A comprehensive analysis of 160 class I T cell responses in 578 individuals from KwaZulu-Natal, South Africa was performed. Gag-specific responses were associated with lowering viremia, while Env, accessory and regulatory protein-specific responses were associated with higher viremia.

HXB2 Location RT (492–506)

Author Location (C consensus)

Epitope EVNIVTDSQYALGII

Subtype C

Immunogen HIV-1 infection

Species (MHC) human (Cw*0802)

Country South Africa.

Assay type CD8 T-cell Elispot - IFN γ

Keywords rate of progression

References Kiepiela *et al.* 2007

- A comprehensive analysis of 160 class I T cell responses in 578 individuals from KwaZulu-Natal, South Africa was performed. Gag-specific responses were associated with lowering viremia, while Env, accessory and regulatory protein-specific responses were associated with higher viremia.

HXB2 Location RT (495–503)

Author Location

Epitope IVTDSQYAL

Epitope name IL9

Immunogen

Species (MHC) human (Cw*0802)

Keywords optimal epitope

References Frahm *et al.* 2007

- C. Brander notes this is a Cw*0802 epitope.

HXB2 Location RT (496–505)

Author Location

Epitope VTDSQYALGI

Epitope name Pol-VII0

Subtype B

Immunogen HIV-1 infection

Species (MHC) human (B*1503)

Donor MHC A*3002 A*6801 B*0801 B*1503 Cw*0701 Cw*08

Keywords HAART, ART

References Sabbaj *et al.* 2003

- This study monitored epitope responses in HIV-1 infected minority women living in the United States.
- 24 epitopes were described – 8 were novel, 8 used new restricting elements but were previously defined epitopes, and 8 were previously described.
- Serial peptide truncations were used to define optimal epitopes for CTL cell lines isolated from 12 individuals, assayed by a Cr-release.
- Subject 01RCH51 was an African American on HAART, viral load 980, CD4 count 811.
- Among HIV+ individuals who carried HLA B15, 1/17 (6%) recognized this epitope.

HXB2 Location RT (496–505)

Author Location Pol (651–660)

Epitope VTDSQYALGI

Immunogen HIV-1 infection

Species (MHC) human (B*1503)

Keywords optimal epitope

References Frahm *et al.* 2007

HXB2 Location RT (496–505)

Author Location Pol (651–660)

Epitope VTDSQYALGI

Epitope name VII0

Subtype B

Immunogen HIV-1 infection

Species (MHC) human (B14)

Donor MHC A*02, A*68, B*14, B*52, Cw*08, Cw*12

Country United States.

Assay type CD8 T-cell Elispot - IFN γ , Chromium-release assay, Flow cytometric T-cell cytokine assay

Keywords escape, optimal epitope

References Koibuchi *et al.* 2005

- HIV-1-specific CD8 T-cell responses were shown to be persistent in the chronic phase of HIV-1 infection, although the responses to some of the epitopes were declining despite the persistence of the targeted sequences in vivo. Only 4/14 epitopes were potential CTL escape variants, although strong responses to these epitopes persisted for 6 years. This indicates limited viral evolution within targeted CD8 T-cell epitopes during the chronic phase of infection.
- The B consensus form of this epitope, VTDSQYALGI, persisted throughout 6 years of chronic infection in 1 individual.

HXB2 Location RT (496–505)

Author Location Pol (subtype B)

Epitope VTDSQYALGI

Subtype B

Immunogen HIV-1 exposed seronegative

Species (MHC) human (B14, B*1402)

Keywords subtype comparisons

References Rowland-Jones *et al.* 1998b

- HIV-specific CTL were found in exposed seronegative prostitutes from Nairobi – these CTL may confer protection.

- Seroprevalence in this cohort is 90-95% and their HIV-1 exposure is among the highest in the world.
- Most isolated HIV strains are clade A in Nairobi, although clades C and D are also found – B clade epitopes are often cross-reactive, however stronger responses are frequently observed using A or D clade versions of epitopes.
- This epitope is conserved among A, B and D clade viruses.

HXB2 Location RT (496–505)

Author Location RT (663–672 IIIB)

Epitope VTDSQYALGI

Immunogen HIV-1 infection

Species (MHC) human (Cw8)

References Brander & Walker 1996

- Unpublished, P. Johnson.
- Published in this database in 1995 as B14, but B14 transfected cells did not present the peptide and it is thought to be presented by the genetically linked Cw8 molecule instead Brander & Walker [1996]
- This epitope occurs in the p15 (RNase) domain of Pol p66 RT.

HXB2 Location RT (496–505)

Author Location RT

Epitope VTDSQYALGI

Immunogen HIV-1 exposed seronegative

Species (MHC) human (Cw8)

Keywords subtype comparisons, HIV exposed persistently seronegative (HEPS)

References Rowland-Jones *et al.* 1998a

- A CTL response was found in exposed but uninfected prostitutes from Nairobi using previously-defined B clade epitopes that tended to be conserved in A and D clades – such cross-reactivity could protect against both A and D and confer protection in Nairobi where both subtypes are circulating.
- The A and D subtype consensus are identical to the B clade epitope.
- Thought to be HLA-Cw8 restricted, not B14 as originally reported (C. Brander, B. Walker, and S. Rowland-Jones, personal communication)
- This epitope occurs in the p15 (RNase) domain of Pol p66 RT.

HXB2 Location RT (497–512)

Author Location (C consensus)

Epitope TDSQYALGIIQAQPK

Subtype C

Immunogen HIV-1 infection

Species (MHC) human (A*0205)

Country South Africa.

Assay type CD8 T-cell Elispot - IFN γ

Keywords rate of progression

References Kiepiela *et al.* 2007

- A comprehensive analysis of 160 class I T cell responses in 578 individuals from KwaZulu-Natal, South Africa was performed. Gag-specific responses were associated with lowering viremia, while Env, accessory and regulatory protein-specific responses were associated with higher viremia.

HXB2 Location RT (502–517)

Author Location (C consensus)

Epitope ALGIIQAQPKSESEL

Subtype C

Immunogen HIV-1 infection

Species (MHC) human (B*3901)

Country South Africa.

Assay type CD8 T-cell Elispot - IFN γ

Keywords rate of progression

References Kiepiela *et al.* 2007

- A comprehensive analysis of 160 class I T cell responses in 578 individuals from KwaZulu-Natal, South Africa was performed. Gag-specific responses were associated with lowering viremia, while Env, accessory and regulatory protein-specific responses were associated with higher viremia.

HXB2 Location RT (509–518)

Author Location Pol

Epitope QPDKSESELV

Immunogen

Species (MHC) human (B7)

References De Groot *et al.* 2001

- The program Epimatrix was used in conjunction with the program Conservatrix to identify conserved regions of HIV that might serve as epitopes.
- A subset of the potential epitopes was identified that could bind to the appropriate HLA-allele, and 15 predicted B7 superfamily (HLA B7, B8, and B58) epitopes were identified that could stimulate IFN γ production in an ELISPOT assay.
- QPDKSESELV was newly identified as an HLA-B7 epitope in this study.

HXB2 Location RT (509–518)

Author Location Pol

Epitope QPDKSESELV

Epitope name 1302

Subtype multiple

Immunogen HIV-1 infection

Species (MHC) human (B7)

Donor MHC A03, A24, B07, B38, Cw07, Cw12/13

Country United States.

Assay type T-cell Elispot

Keywords binding affinity, computational epitope prediction

References De Groot *et al.* 2003

- Epitopes defined using sequence parsing and matching algorithm Conservatrix, and epitope prediction tool EpiMatrix, were shown to be conserved in a broad range of HIV-1 sequences derived from different parts of the world. 31 novel highly conserved HIV-1 epitopes were found, among which four were recognized as promiscuous epitopes and five as MHC supertypes.
- Estimated binding probability for QPDKSESELV: 36%

HXB2 Location RT (516–525)

Author Location RT (516–525)

Epitope ELVNQIIEQL

Immunogen HIV-1 infection

Species (MHC) human (A2)

References Haas *et al.* 1998

- Of 98 patients in cross-sectional analysis, 78% had CTL against pol – RT was more immunogenic than Integrase and Protease (81%, 51%, and 24% of 37 patients, respectively)

- New clusters of epitopes were defined utilizing different HLA molecules.
- This epitope occurs in the p15 (RNase) domain of Pol p66 RT.

HXB2 Location RT (520–528)
Author Location Pol (520–528 LAI)
Epitope QIIEQLIKK
Subtype B

Immunogen
Species (MHC) human (A*1101)
Keywords optimal epitope
References Frahm *et al.* 2007; Fukada *et al.* 1999
 • C. Brander notes this is an A*1101 epitope.

HXB2 Location RT (520–528)
Author Location Pol (675–683)
Epitope QIIEQLIKK
Subtype B, CRF01_AE
Immunogen HIV-1 infection
Species (MHC) human (A*1101)
Keywords subtype comparisons, TCR usage
References Fukada *et al.* 2002

- Counterparts for eight known clade B HLA A*1101 epitopes were generated for clade E (CRF01). Three epitopes, identical among clade A–E, were cross-reactive and recognized by clade E infected individuals. The clade E and B analogs to three more HLA A*1101 epitopes was recognized in a clade specific manner. Two other HLA A*1101 clade B defined epitopes were found not to have stimulated a response in clade E infected individuals.
- QIIEQLIKK was found to elicit clade-specific responses in clade B (QIIEQLIKK is most common) and clade E (qiieEliKK is most common). QIIEQLIKK was strongly recognized by CTL from 1/5 B clade infected Japanese subjects, and qiieEliKK from 3/7 E clade infected Thai subjects. The variant qiieKliEk, common in the A subtype, was also recognized in 2/7 E clade infected Thai subjects.
- The binding of QIIEQLIKK, qiieEliKK and qiieKliEk to HLA A*1101 was similar, but CTL clones from individuals did not cross-react with the cross-clade peptides indicating that the substitutions inhibited TCR interaction.

HXB2 Location RT (520–528)
Author Location RT (80–88)
Epitope QIIEQLIKK
Immunogen HIV-1 infection
Species (MHC) human (A*1101)
Keywords optimal epitope
References Frahm *et al.* 2007

HXB2 Location RT (520–528)
Author Location Pol (676–684)
Epitope QIIEQLIKK
Epitope name QK9
Subtype B
Immunogen HIV-1 infection
Species (MHC) human (A11)
Donor MHC A2, A11, B18, B44, Cw5, Cw12
Country United States.

Assay type CD8 T-cell Elispot - IFN γ , Intracellular cytokine staining, Flow cytometric T-cell cytokine assay

Keywords optimal epitope
References Allen *et al.* 2005b

- 4/14 optimal HIV-1 T-cell epitopes in a subject underwent mutation associated with dramatic loss of the original CD8 response. For 1 of the escape variants, a novel CD8 T-cell response equal in magnitude to the wildtype, was generated. CD8 T-cell recognizing the variant epitope utilized a distinct T-cell receptor and did not exhibit any cross-reactivity against the wildtype.
- This epitope did not vary.

HXB2 Location RT (520–528)
Author Location Pol (676–684)
Epitope QIIEQLIKK
Subtype B
Immunogen HIV-1 infection
Species (MHC) human (A11)
Donor MHC A2, A11, B18, B44, Cw5, Cw12
Country United States.
Assay type CD8 T-cell Elispot - IFN γ
References Allen *et al.* 2005a

- Two-thirds of all mutations arising in nonenvelope proteins during the transition from acute to chronic infection were found to be due to either CD8 T-cell-associated selective pressures or reversion of HLA-I-associated mutations selected in a previous host. The predominance of escape mutations at highly polymorphic sites was observed across different HIV-1 clades.
- This epitope was reactive, but escape mutations did not accrue in it over time.

HXB2 Location RT (520–528)
Author Location Pol
Epitope QIIEQLIKK
Epitope name 1336
Subtype multiple
Immunogen HIV-1 infection
Species (MHC) human (A3)
Donor MHC A03, A23, B49, B57
Assay type T-cell Elispot
Keywords binding affinity, computational epitope prediction
References De Groot *et al.* 2003

- Epitopes defined using sequence parsing and matching algorithm Conservatrix, and epitope prediction tool EpiMatrix, were shown to be conserved in a broad range of HIV-1 sequences derived from different parts of the world. 31 novel highly conserved HIV-1 epitopes were found, among which four were recognized as promiscuous epitopes and five as MHC supertypes.
- Estimated binding probability for QIIEQLIKK: 48%

HXB2 Location RT (530–538)
Author Location
Epitope KVYLAWVPA
Epitope name Pol-KA9
Subtype B
Immunogen HIV-1 infection

Species (MHC) human (A*0301)

Donor MHC A*0202 A*0301 B*4501 B*5301 Cw*0401 Cw*1502

Keywords HAART, ART

References Sabbaj *et al.* 2003

- This study monitored epitope responses in HIV-1 infected minority women living in the United States.
- 24 epitopes were described – 8 were novel, 8 used new restricting elements but were previously defined epitopes, and 8 were previously described.
- Serial peptide truncations were used to define optimal epitopes for CTL cell lines isolated from 12 individuals, assayed by a Cr-release.
- This epitope was newly defined in this study.
- Patient 04RCH86 was Hispanic, not on HAART, and had a viral load of 7600 and CD4 count of i774.
- Among HIV+ individuals who carried HLA A*03, 2/21 (10%) recognized this epitope.

HXB2 Location RT (530–538)

Author Location Pol (685–693)

Epitope KVYLAWVPA

Epitope name KA9

Subtype B

Immunogen HIV-1 infection

Species (MHC) human (A3)

Donor MHC A*0201, A*0301, B*3501, B*51, Cw*04, Cw*06

Country United States.

Assay type CD8 T-cell Elispot - IFN γ , Intracellular cytokine staining, Chromium-release assay

Keywords escape, acute/early infection

References Bansal *et al.* 2005

- Patients with acute or early infection were shown to preferentially target variable peptides with higher entropy while those with chronic infection showed responses towards more conserved peptides with lower entropy. In longitudinally followed subjects, responses to variable proteins declined over time while responses to conserved proteins increased. The decline is suggested to be due to CTL escape.
- The response to this epitope was barely detectable until month 41.

HXB2 Location RT (530–538)

Author Location Pol (680–691 BH10, LAI)

Epitope KVYLAWVPA

Immunogen HIV-1 infection

Species (MHC) human

References Maksiutov *et al.* 2002

- This study employs an antigenic similarity matrix to compare HIV-1 antigenic determinants with human proteins.
- This CTL epitope (the HIV-1 LAI fragment with high similarity to a human protein overlapping this epitope is IKKEKVY-LAWV) has similarity with B-cell growth factor precursor, fragment IKKERLWLGPV.

HXB2 Location RT (530–540)

Author Location (C consensus)

Epitope RVYLSWVPAHK

Subtype C

Immunogen HIV-1 infection

Species (MHC) human (A*0301)

Country South Africa.

Assay type CD8 T-cell Elispot - IFN γ

Keywords epitope processing, rate of progression, optimal epitope

References Kiepiela *et al.* 2007

- A comprehensive analysis of 160 class I T cell responses in 578 individuals from KwaZulu-Natal, South Africa was performed. Gag-specific responses were associated with lowering viremia, while Env, accessory and regulatory protein-specific responses were associated with higher viremia.
- Mutational patterns in a residue outside of the optimized epitope of RVYLSWVPAHK are associated with the presence of the HLA presenting molecule in the host.

HXB2 Location RT (532–540)

Author Location Pol (687–)

Epitope YLAWVPAHK

Epitope name Pol687

Immunogen HIV-1 infection, vaccine

Vector/Type: peptide *HIV component:* RT
Adjuvant: Incomplete Freund's Adjuvant (IFA)

Species (MHC) human, transgenic mouse (A2)

Assay type CD8 T-cell Elispot - IFN γ , Chromium-release assay, Flow cytometric T-cell cytokine assay

Keywords binding affinity, subtype comparisons, computational epitope prediction

References Corbet *et al.* 2003

- HLA-A2-restricted HIV-1 CTL epitopes were computationally predicted. Binding affinities for HLA-A*0204, immunogenicity in HLA-A*0201 transgenic mice, and responses to the peptides in 17 HIV-1 infected patients were tested. 31 novel conserved A2 epitopes were detected. An average of 4 epitopes were recognized per patient.
- This peptide was an intermediate A2 binder, and induced a CD8+ T-cell IFN gamma response in 1/6 mice. Responses were detected in 1/17 HIV+ HLA-A2 subjects.

HXB2 Location RT (532–540)

Author Location Pol (714–722)

Epitope YLAWVPAHK

Immunogen HIV-1 infection

Species (MHC) human (A3 supertype)

Keywords supertype, rate of progression

References Propato *et al.* 2001

- Long-term nonprogressors (LTNPs) had strong memory resting CD8+ T-cell responses against the majority of epitopes tested, (18 for the A2 supertype, 16 for the A3 supertype) while the effector cells of long-term nonprogressors recognized far fewer epitopes.
- Progressors had memory resting CD8+ T-cells that recognized far fewer epitopes than LTNPs.
- A positive correlation between effector CD8+ T-cells and plasma viremia and a negative correlation between CD8+ effector T-cells and CD4+ T-cells was observed, which may contribute to the inability of LTNPs to clear virus.
- This epitope can bind 5/5 HLA-A3 supertype alleles (A*0301, A*1101, A*3101, A*3301 and A*6801).

HXB2 Location RT (532–540)
Author Location RT (532–540)
Epitope YLAWVPAHK
Immunogen HIV-1 infection
Species (MHC) human (B7)
References Haas *et al.* 1998

- Of 98 patients in cross-sectional analysis, 78% had CTL against pol – RT was more immunogenic than Integrase and Protease (81%, 51%, and 24% of 37 patients, respectively)
- New clusters of epitopes were defined utilizing different HLA molecules.
- This epitope occurs in the p15 (RNAse) domain of Pol p66 RT.

HXB2 Location RT (532–540)
Author Location RT Pol (687–695)
Epitope YLAWVPAHK
Immunogen HIV-1 infection
Species (MHC) human (B7)
Country Spain.

Assay type proliferation, CD8 T-cell Elispot - IFN γ , Flow cytometric T-cell cytokine assay

Keywords HAART, ART, supervised treatment interruptions (STI), immune dysfunction

References Plana *et al.* 2004

- Structured treatment interruption (STI) alone is not able to control viral replication in chronically infected patients, probably due to lack of strong, maintained T-helper cell responses. HIV-1 specific CD8+ T-cell responses were shown to increase significantly until the end of the follow up, but were not correlated with viral load.
- 3/7 patients recognized this epitope.

II-B-13 RT-Integrase CTL/CD8+ epitopes

HXB2 Location RT-Integrase (553–2)
Author Location Pol
Epitope STGIRRVLFL
Epitope name SL10
Subtype B
Immunogen HIV-1 infection
Species (MHC) human
Donor MHC A28, A29, B14, B44, Cw8
Country United States.

Assay type CD8 T-cell Elispot - IFN γ

Keywords subtype comparisons, escape, characterizing CD8+ T cells, reversion, viral fitness

References Allen *et al.* 2005a

- Two-thirds of all mutations arising in nonenvelope proteins during the transition from acute to chronic infection were found to be due to either CD8 T-cell-associated selective pressures or reversion of HLA-I-associated mutations selected in a previous host. The predominance of escape mutations at highly polymorphic sites was observed across different HIV-1 clades.
- An escape mutation at position 6 (stgirKvlf) was found not to correspond to the most polymorphic residues in the epitope. This is a novel partially mapped epitope.

HXB2 Location RT-Integrase (560–8)

Author Location Pol (715–723)
Epitope LFLDGIDKA
Immunogen
Species (MHC) human (B81)
Keywords optimal epitope
References Frahm *et al.* 2007

II-B-14 Integrase CTL/CD8+ epitopes

HXB2 Location Integrase (9–19)
Author Location (C consensus)
Epitope QEEHEKYHSNW
Subtype C

Immunogen HIV-1 infection
Species (MHC) human (B*4403)

Country South Africa.

Assay type CD8 T-cell Elispot - IFN γ

Keywords rate of progression

References Kiepiela *et al.* 2007

- A comprehensive analysis of 160 class I T cell responses in 578 individuals from KwaZulu-Natal, South Africa was performed. Gag-specific responses were associated with lowering viremia, while Env, accessory and regulatory protein-specific responses were associated with higher viremia.
- Mutational patterns in the E2 and E3 residues of QEEHEKYHSNW are associated with the presence of the HLA presenting molecule in the host.
- QEEHEKYHSNW not optimized.

HXB2 Location Integrase (9–19)
Author Location Pol
Epitope QEEHEKYHSNW
Epitope name QW11
Subtype B

Immunogen HIV-1 infection
Species (MHC) human

Donor MHC A28, A29, B14, B44, Cw8

Country United States.

Assay type CD8 T-cell Elispot - IFN γ

Keywords subtype comparisons, escape, characterizing CD8+ T cells, reversion, viral fitness

References Allen *et al.* 2005a

- Two-thirds of all mutations arising in nonenvelope proteins during the transition from acute to chronic infection were found to be due to either CD8 T-cell-associated selective pressures or reversion of HLA-I-associated mutations selected in a previous host. The predominance of escape mutations at highly polymorphic sites was observed across different HIV-1 clades.
- One escape mutation, at position 2, qAeheyhsnw, was found not to correspond to the most polymorphic residues in the epitope. This is a novel partially mapped epitope.

HXB2 Location Integrase (20–28)
Author Location Pol (762–770)

Epitope RAMASDFNL

Immunogen HIV-1 infection

Species (MHC) human (A2 supertype)

Keywords supertype, rate of progression

References Propato *et al.* 2001

- Long-term nonprogressors (LTNPs) had strong memory resting CD8+ T-cell responses against the majority of epitopes tested, (18 for the A2 supertype, 16 for the A3 supertype) while the effector cells of long-term nonprogressors recognized far fewer epitopes.
- Progressors had memory resting CD8+ T-cells that recognized far fewer epitopes than LTNPs.
- A positive correlation between effector CD8+ T-cells and plasma viremia and a negative correlation between CD8+ effector T-cells and CD4+ T-cells was observed, which may contribute to the inability of LTNPs to clear virus.
- This epitope can bind three of the five HLA-A2 supertypes alleles (A*0201, A*0202, A*0203, A*0206 and A*6802).

HXB2 Location Integrase (22–31)**Author Location** Pol (764–773)**Epitope** MASDFNLPPV**Immunogen** HIV-1 infection**Species (MHC)** human (A2 supertype)**Keywords** supertype, rate of progression**References** Propato *et al.* 2001

- Long-term nonprogressors (LTNPs) had strong memory resting CD8+ T-cell responses against the majority of epitopes tested, (18 for the A2 supertype, 16 for the A3 supertype) while the effector cells of long-term nonprogressors recognized far fewer epitopes.
- Progressors had memory resting CD8+ T-cells that recognized far fewer epitopes than LTNPs.
- A positive correlation between effector CD8+ T-cells and plasma viremia and a negative correlation between CD8+ effector T-cells and CD4+ T-cells was observed, which may contribute to the inability of LTNPs to clear virus.
- This epitope can bind all five HLA-A2 supertypes alleles (A*0201, A*0202, A*0203, A*0206 and A*6802)

HXB2 Location Integrase (28–36)**Author Location** (C consensus)**Epitope** LPPIVAKEI**Subtype** C**Immunogen** HIV-1 infection**Species (MHC)** human (B*0705)**Country** South Africa.**Assay type** CD8 T-cell Elispot - IFN γ **Keywords** rate of progression, optimal epitope**References** Kiepiela *et al.* 2007

- A comprehensive analysis of 160 class I T cell responses in 578 individuals from KwaZulu-Natal, South Africa was performed. Gag-specific responses were associated with lowering viremia, while Env, accessory and regulatory protein-specific responses were associated with higher viremia.
- LPPIVAKEI is an optimal epitope for B*4201, B*0705, and B*5101.

HXB2 Location Integrase (28–36)**Author Location** (C consensus)**Epitope** LPPIVAKEI**Subtype** C**Immunogen** HIV-1 infection**Species (MHC)** human (B*4201)**Country** South Africa.**Assay type** CD8 T-cell Elispot - IFN γ **Keywords** characterizing CD8+ T cells**References** Kiepiela *et al.* 2004

- HLA class I restricted CD8+ T-cell responses against HIV-1 were analyzed in African patients. Significantly more responses were shown to be HLA-B restricted. Viral load, CD4 count, and thus rate of disease progression were also associated with HLA-B alleles. In addition, the selection pressure imposed on HIV-1 by HLA-B alleles was shown to be substantially greater than by other alleles.
- This epitope was suggested to be the epitope within a longer reactive peptide based on correspondence with a known epitope in the HIV database. Also, a significantly higher frequency of people in the Durban cohort who reacted with the peptide had this HLA type.

HXB2 Location Integrase (28–36)**Author Location** (C consensus)**Epitope** LPPIVAKEI**Subtype** C**Immunogen** HIV-1 infection**Species (MHC)** human (B*4201)**Country** South Africa.**Assay type** CD8 T-cell Elispot - IFN γ **Keywords** rate of progression, optimal epitope**References** Kiepiela *et al.* 2007

- A comprehensive analysis of 160 class I T cell responses in 578 individuals from KwaZulu-Natal, South Africa was performed. Gag-specific responses were associated with lowering viremia, while Env, accessory and regulatory protein-specific responses were associated with higher viremia.
- Mutational patterns in the P3, I4, A6, and K7 residues of LPPIVAKEI are associated with the presence of the HLA presenting molecule in the host.
- LPPIVAKEI is an optimal epitope for B*4201, B*0705, and B*5101.

HXB2 Location Integrase (28–36)**Author Location** Pol (743–751 SF2)**Epitope** LPPVVAKEI**Immunogen** HIV-1 infection**Species (MHC)** human (B*5101)**Keywords** subtype comparisons, rate of progression**References** Tomiyama *et al.* 1999

- HLA-B27, -B51, and -B57 are associated with slow progression to AIDS, while HLA-B35, -B8, -B24 are associated with a rapid progression to AIDS (Nat. Med. 2:405, 1996; Lancet 22:1187, 1986; Hum Immunol 22:73, 1988; Hum Immunol 44:156, 1995)
- 15% of Japanese populations carry HLA-B51 while HLA-B27 and -B57 are detected in less than 0.3%
- Of the 172 HIV-1 peptides with HLA-B*5101 anchor residues, 33 bound to HLA-B*5101, seven of these peptides were reactive with CTL from 3 B*5101 positive individuals, and six were properly processed.
- Four of the six epitopes were highly conserved among B subtype sequences – LPPVVAKEI is highly conserved.

HXB2 Location Integrase (28–36)

Author Location (C consensus)**Epitope** LPPIVAKEI**Subtype** C**Immunogen** HIV-1 infection**Species (MHC)** human (B*5101)**Country** South Africa.**Assay type** CD8 T-cell Elispot - IFN γ **Keywords** rate of progression, optimal epitope**References** Kiepiela *et al.* 2007

- A comprehensive analysis of 160 class I T cell responses in 578 individuals from KwaZulu-Natal, South Africa was performed. Gag-specific responses were associated with lowering viremia, while Env, accessory and regulatory protein-specific responses were associated with higher viremia.
- LPPIVAKEI is an optimal epitope for B*4201, B*0705, and B*5101.

HXB2 Location Integrase (28–36)**Author Location** Integrase (28–36 HXB2)**Epitope** LPPVVAKEI**Epitope name** LI9**Subtype** B**Immunogen** HIV-1 infection**Species (MHC)** human (B*5101)**Donor MHC** A*0201, A*2501, B*1801, B*5101, Cw*0102, Cw*1203**Assay type** CD8 T-cell Elispot - IFN γ **Keywords** escape, immune evasion, optimal epitope, HIV-1**References** Liu *et al.* 2006

- T-cell immunity and the impact of selection were longitudinally studied in a patient from the time of transmission. New epitopes were detected at sites that were shown to be under positive selection. Env was found to be the major target of CTLs and most of the new epitopes were found here. One third of the sites examined were associated with epitope escape mutations from CTL. Acquisition of mutations found at high frequency in the database was suggested to be a result of reversion of CTL epitopes in the absence of immune targeting.

HXB2 Location Integrase (28–36)**Author Location****Epitope** LPPIVAKEI**Epitope name** LI9**Immunogen****Species (MHC)** human (B42)**Keywords** optimal epitope**References** Frahm *et al.* 2007

- C. Brander notes this is a B42 epitope.

HXB2 Location Integrase (28–36)**Author Location** Pol (28–36)**Epitope** LPPVVAKEI**Immunogen** HIV-1 infection**Species (MHC)** human (B51)**Donor MHC** A03, A32, B51, B15, Cw03, Cw06, DR4, DR8, DQ7**Country** Netherlands.**Assay type** CD8 T-cell Elispot - IFN γ , Flow cytometric T-cell cytokine assay**Keywords** rate of progression, escape**References** Geels *et al.* 2003

- Both stable potential epitopes and epitopes with escape mutations were found in a patient with increasing viral load over a time period of 4 years. Fixation of escape mutations occurred sequentially and correlated with the rise in viral load and with the increased number of productively infected cells.
- This is one of 7 epitopes from this individual that varied over time, although the internal mutations did not become fixed. The lppIvakei variant arose at intermediate time points.

HXB2 Location Integrase (28–36)**Author Location** Integrase (28–36)**Epitope** LPPIVAKEI**Epitope name** LI9**Subtype** B, C**Immunogen** HIV-1 infection**Species (MHC)** human (B51)**Assay type** CD8 T-cell Elispot - IFN γ , Chromium-release assay, HLA binding**Keywords** subtype comparisons, computational epitope prediction, mother-to-infant transmission, escape, reversion, viral fitness, optimal epitope**References** Leslie *et al.* 2005

- An I4V substitution (LPPVVAKEI) is suggested to be driven by CTL escape in B51-positive subjects. The escape form is the consensus form of the epitope in the B clade, and stable in the absence of HLA-B51. In the C clade the B51 is rare, and the Val escape mutation is also rare.

HXB2 Location Integrase (29–46)**Author Location** (C consensus)**Epitope** PPIVAKEIVASCDKCLK**Subtype** C**Immunogen** HIV-1 infection**Species (MHC)** human (B*8101)**Country** South Africa.**Assay type** CD8 T-cell Elispot - IFN γ **Keywords** rate of progression**References** Kiepiela *et al.* 2007

- A comprehensive analysis of 160 class I T cell responses in 578 individuals from KwaZulu-Natal, South Africa was performed. Gag-specific responses were associated with lowering viremia, while Env, accessory and regulatory protein-specific responses were associated with higher viremia.

HXB2 Location Integrase (62–71)**Author Location** Pol**Epitope** QLDCTHLEGK**Epitope name** 1335**Subtype** multiple**Immunogen** HIV-1 infection**Species (MHC)** human (A3)**Donor MHC** A03, A23, B49, B57; A03, A11, B14, B05, Cw08**Country** United States.**Assay type** T-cell Elispot**Keywords** binding affinity, computational epitope prediction**References** De Groot *et al.* 2003

- Epitopes defined using sequence parsing and matching algorithm Conservatrix, and epitope prediction tool EpiMatrix, were shown to be conserved in a broad range of HIV-1 sequences derived from different parts of the world. 31 novel highly conserved HIV-1 epitopes were found, among which four were recognized as promiscuous epitopes and five as MHC supertypes.
- Estimated binding probability for QLDCTHLEGK: 61%.

HXB2 Location Integrase (66–74)

Author Location (C consensus)

Epitope THLEGKIIIL

Subtype C

Immunogen HIV-1 infection

Species (MHC) human (B*1510)

Country South Africa.

Assay type CD8 T-cell Elispot - IFN γ

Keywords rate of progression, optimal epitope

References Kiepiela *et al.* 2007

- A comprehensive analysis of 160 class I T cell responses in 578 individuals from KwaZulu-Natal, South Africa was performed. Gag-specific responses were associated with lowering viremia, while Env, accessory and regulatory protein-specific responses were associated with higher viremia.
- Mutational patterns in the L9 residue of THLEGKIIIL are associated with the presence of the HLA presenting molecule in the host.

HXB2 Location Integrase (66–74)

Author Location

Epitope THLEGKIIIL

Epitope name TIL9

Immunogen

Species (MHC) human (B*1510)

Keywords optimal epitope

References Frahm *et al.* 2007

- C. Brander notes this is a B*1510 epitope.

HXB2 Location Integrase (82–89)

Author Location RT (797–804 SF2)

Epitope GYIEAEVI

Immunogen HIV-1 infection

Species (MHC) human (A*2402)

References Ikeda-Moore *et al.* 1997

- Defined using reverse immunogenetics – 59 HLA-A*2402 binding peptides were predicted by searching for A*2402 anchors in HIV proteins (Tyr at 2, and Phe, Leu or Ile at the C term) – 53 of the 59 peptides bound A*2402.
- This peptide induced CTL in 1/4 HIV-1 + people tested.
- GYIEAEVI bound to A*2402 weakly, the epitope can be processed in a vaccinia construct and presented – two specific CTL clones were obtained.

HXB2 Location Integrase (89–98)

Author Location Pol

Epitope IPAETGQETA

Immunogen

Species (MHC) human (B56)

References De Groot *et al.* 2001

- The program Epimatrix was used in conjunction with the program Conservatrix to identify conserved regions of HIV that might serve as epitopes.
- A subset of the potential epitopes was identified that could bind to the appropriate HLA-allele, and 15 predicted B7 superfamily (HLA B7, B8, and B58) epitopes could stimulate IFN γ production in an ELISPOT assay.
- IPAETGQETA was newly identified as an HLA-B56 epitope in this study.

HXB2 Location Integrase (89–98)

Author Location Pol

Epitope IPAETGQETA

Epitope name 1294

Subtype multiple

Immunogen HIV-1 infection

Species (MHC) human (B7)

Donor MHC A02, A03, B07, B58, Cw07

Country United States.

Assay type T-cell Elispot

Keywords binding affinity, computational epitope prediction

References De Groot *et al.* 2003

- Epitopes defined using sequence parsing and matching algorithm Conservatrix, and epitope prediction tool EpiMatrix, were shown to be conserved in a broad range of HIV-1 sequences derived from different parts of the world. 31 novel highly conserved HIV-1 epitopes were found, among which four were recognized as promiscuous epitopes and five as MHC supertypes.
- Estimated binding probability for IPAETGQETA: 8%

HXB2 Location Integrase (89–98)

Author Location Pol (805–814 BH10, LAI)

Epitope IPAETGQETA

Immunogen HIV-1 infection

Species (MHC) human

References Maksiutov *et al.* 2002

- This study employs an antigenic similarity matrix to compare HIV-1 antigenic determinants with human proteins.
- This CTL epitope (the HIV-1 LAI fragment with high similarity to a human protein overlapping this epitope is PAETGQETAY) has similarity with Integrin beta-4 precursor (GP150)(CD104), fragment PAETNGEITAY.

HXB2 Location Integrase (90–107)

Author Location (C consensus)

Epitope PAETGQETAYFILKLAGR

Subtype C

Immunogen HIV-1 infection

Species (MHC) human (A*6802)

Country South Africa.

Assay type CD8 T-cell Elispot - IFN γ

Keywords rate of progression

References Kiepiela *et al.* 2007

- A comprehensive analysis of 160 class I T cell responses in 578 individuals from KwaZulu-Natal, South Africa was performed. Gag-specific responses were associated with lowering viremia, while Env, accessory and regulatory protein-specific responses were associated with higher viremia.

HXB2 Location Integrase (92–99)

Author Location (C consensus)

Epitope ETGQETAY

Subtype C

Immunogen HIV-1 infection

Species (MHC) human (A*2601)

Country South Africa.

Assay type CD8 T-cell Elispot - IFN γ

Keywords rate of progression, optimal epitope

References Kiepiela *et al.* 2007

- A comprehensive analysis of 160 class I T cell responses in 578 individuals from KwaZulu-Natal, South Africa was performed. Gag-specific responses were associated with lowering viremia, while Env, accessory and regulatory protein-specific responses were associated with higher viremia.
- ETGQETAY is an optimal epitope.

HXB2 Location Integrase (96–104)

Author Location Integrase (823–831)

Epitope ETAYFILKL

Immunogen

Species (MHC) human (A*6802)

Keywords subtype comparisons

References Dong & Rowland-Jones 1998

- Epitope found in clade A, B, and D – pers. comm. S. Rowland-Jones and T. Dong.

HXB2 Location Integrase (96–104)

Author Location Pol (subtype A)

Epitope ETAYFILKL

Subtype A

Immunogen HIV-1 exposed seronegative

Species (MHC) human (A*6802)

References Kaul *et al.* 2000

- 11/16 heavily HIV exposed but persistently seronegative sex-workers in Nairobi had HIV-specific CD8 gamma-IFN responses in the cervix – systemic CD8+ T cell responses tended to be to the same epitopes but at generally lower levels than cervical CD8+ T cell responses.
- Low risk individuals did not have such CD8+ cells.
- CD8+ T cell epitopes: DTVLEDINL (3 individuals), SLYNT-VATL (4 individuals), LSPRTLNAW (3 individuals) and YPLT-FGWCF (4 individuals) were most commonly recognized by the HIV-resistant women.

HXB2 Location Integrase (96–104)

Author Location Pol

Epitope ETAYFILKL

Immunogen HIV-1 infection

Species (MHC) human (A*6802)

Keywords HIV exposed persistently seronegative (HEPS)

References Kaul *et al.* 2001c

- This study examines CTL responses in HIV exposed, persistently seronegative individuals, HEPS, who eventually seroconverted – 11/114 HEPS Nairobi sex workers eventually seroconverted, and for six of these HIV CTL reactive epitopes had been defined while seronegative.

- The epidemiological factor associated with seroconversion was stopping sex work. HIV-specific CTL activity declined when HEPS sex workers stopped working for a period or retired.
- This epitope was recognized in 1/22 HEPS sex worker controls (ML1671)

HXB2 Location Integrase (96–104)

Author Location Pol (744–752)

Epitope ETAYFILKL

Immunogen HIV-1 infection, HIV-1 exposed seronegative

Species (MHC) human (A*6802)

Keywords HIV exposed persistently seronegative (HEPS), immunodominance

References Kaul *et al.* 2001a

- ETAYFILKL cross-reacts with clades A, B and D.
- ELISPOT was used to study CTL responses to a panel of 54 predefined HIV-1 epitopes in 91 HIV-1-exposed, persistently seronegative (HEPS) and 87 HIV-1-infected female Nairobi sex workers.
- Responses in HEPS women tended to be lower, and focused on different epitopes with HLA presenting molecules that have previously been associated with reduced risk of infection, and there was a shift in the response in the HEPS women upon late seroconversion to epitopes recognized by the HIV-1 infected women.
- 43/91 HEPS women had CD8+ responses and detection of HIV-1-specific CTL in HEPS women increased with the duration of viral exposure.
- Among HLA-A*6802 women, 3/12 HEPS and 9/11 HIV-1 infected women recognized this epitope likelihood ratio 7.9, p value 0.01, and HEPS women tended to respond to DTVLEDINL, while infected women to ETAYFILKL.
- The dominant response to this HLA allele was to this epitope in 2 of the 3/12 HEPS cases and in all 9/11 HIV-1 infected women that responded to the epitope.
- Differences in epitope specificity were only seen for responses restricted by class I HLA alleles A2, A24, A*6802, B14, and B18, previously shown to be associated with resistance to HIV-1 in this cohort.
- Subject ML 1203 started with CTL responses to A*6802 DTVLEDINL and to B7 FPVTPQVPLR prior to seroconversion, and upon seroconversion acquired additional responses to A*6802 ETAYFILKL which became dominant, B7 TPGPG(V/I)RYPL, B7 IPRRIRQGL, and B7 SPRTLNAWV.
- Subject ML 1707 started with a CTL response to A*6802 DTVLEDINL prior to seroconversion, and switched to A*6802 ETAYFILKL and A24 RDYVDRFFKTL post-seroconversion.
- Subject ML 1830 made no detectable response prior to seroconversion, but responded to A*6802 DTVLEDINL and A*6802 ETAYFILKL post-seroconversion.

HXB2 Location Integrase (96–104)

Author Location Pol (744–752)

Epitope ETAYFILKL

Immunogen HIV-1 infection

Species (MHC) human (A*6802)

References Appay *et al.* 2000

- This epitope is newly defined in this study.

- Combined tetramer and intracellular cytokine staining was used to study the function of circulating CD8+ T cells specific for HIV and CMV.
- HIV-specific CD8+ T cells expressed lower levels of perforin than CMV-specific CD8+ T cells from the same donor, and this was associated with persistent CD27 expression on HIV-specific cells, suggesting impaired maturation.
- In most donors, between 50% and 95% of the activated virus-specific CD8+ T cells produced IFN- γ and MIP-1 β with a distinct subset that failed to produce TNF- α

HXB2 Location Integrase (101–111)

Author Location (C consensus)

Epitope ILKLAGRWPVK

Subtype C

Immunogen HIV-1 infection

Species (MHC) human (A*0301)

Country South Africa.

Assay type CD8 T-cell Elispot - IFN γ

Keywords epitope processing, rate of progression, optimal epitope

References Kiepiela *et al.* 2007

- A comprehensive analysis of 160 class I T cell responses in 578 individuals from KwaZulu-Natal, South Africa was performed. Gag-specific responses were associated with lowering viremia, while Env, accessory and regulatory protein-specific responses were associated with higher viremia.
- Mutational patterns in a residue outside of the optimized epitope of ILKLAGRWPVK are associated with the presence of the HLA presenting molecule in the host.

HXB2 Location Integrase (105–121)

Author Location (C consensus)

Epitope AGRWPVKVIHTDNGSNF

Subtype C

Immunogen HIV-1 infection

Species (MHC) human (B*5301)

Country South Africa.

Assay type CD8 T-cell Elispot - IFN γ

Keywords rate of progression

References Kiepiela *et al.* 2007

- A comprehensive analysis of 160 class I T cell responses in 578 individuals from KwaZulu-Natal, South Africa was performed. Gag-specific responses were associated with lowering viremia, while Env, accessory and regulatory protein-specific responses were associated with higher viremia.

HXB2 Location Integrase (123–132)

Author Location Integrase (123–132)

Epitope STTVKAACWW

Immunogen

Species (MHC) human (B57)

Keywords optimal epitope

References Frahm *et al.* 2007

HXB2 Location Integrase (123–132)

Author Location Integrase

Epitope STTVKAACWW

Epitope name SW10

Immunogen HIV-1 infection

Species (MHC) human (B57)

Country United States.

Assay type CD8 T-cell Elispot - IFN γ , Intracellular cytokine staining, Chromium-release assay, Flow cytometric T-cell cytokine assay

Keywords epitope processing, supervised treatment interruptions (STI), rate of progression, immunodominance

References Rodriguez *et al.* 2004

- Protease and integrase are shown to be frequently targeted by CD8 T-cell responses (23% and 68% of 56 HIV+ patients, respectively). Responses tend to cluster in conserved regions of Int, although 1 high conserved region had no responses. CTL frequencies per unit protein length for Pro and Int were similar to other HIV non-structural proteins. Three novel HLA class I-restricted optimal epitopes were found and characterized with fine mapping.
- All 5 HLA-B57 patients recognized this epitope and were long-term nonprogressors.

HXB2 Location Integrase (123–132)

Author Location Pol

Epitope STTVKAACWW

Epitope name SW10

Subtype B

Immunogen HIV-1 infection

Species (MHC) human (B57)

Assay type CD8 T-cell Elispot - IFN γ

Keywords subtype comparisons, escape, characterizing CD8+ T cells, reversion, viral fitness

References Allen *et al.* 2005a

- Two-thirds of all mutations arising in nonenvelope proteins during the transition from acute to chronic infection were found to be due to either CD8 T-cell-associated selective pressures or reversion of HLA-I-associated mutations selected in a previous host. The predominance of escape mutations at highly polymorphic sites was observed across different HIV-1 clades.
- Two escape mutations, at positions 2 and 3, were found in the most polymorphic residue in the epitope. These were shared between clades B and C. The T840N mutation at residue 2, sNtvkaacww, was significantly more common in persons expressing HLA-B57, often in conjunction with T841A or V sT[A/V]kaacww.

HXB2 Location Integrase (123–132)

Author Location

Epitope STTVKAACWW

Immunogen HIV-1 infection

Species (MHC) human (B57, B*5801)

Assay type CD8 T-cell Elispot - IFN γ , Chromium-release assay

Keywords responses in children, mother-to-infant transmission, characterizing CD8+ T cells

References Feeney *et al.* 2005

- Escape mutations in TW10 and other B57-restricted epitopes were shown to arise early in infants following perinatal infection. Some escape variants were likely to have been transmitted vertically, from HLA-B57/5801 positive HIV-1 infected mothers, while others arose during infancy in cases where the children inherited the B57/5801 allele paternally. In contrast

to adults, the majority of children showed a robust response to the escape variants, suggesting that infants are able to mount functional immune responses and drive immune escape and that a developing immune system may exhibit greater plasticity in recognizing viral variants.

HXB2 Location Integrase (127–135)

Author Location Pol (869–877)

Epitope KAACWWAGI

Immunogen HIV-1 infection

Species (MHC) human (A2 supertype)

Keywords supertype, rate of progression

References Propato *et al.* 2001

- Long-term nonprogressors (LTNPs) had strong memory resting CD8+ T-cell responses against the majority of epitopes tested, (18 for the A2 supertype, 16 for the A3 supertype) while the effector cells of long-term nonprogressors recognized far fewer epitopes.
- Progressors had memory resting CD8+ T-cells that recognized far fewer epitopes than LTNPs.
- A positive correlation between effector CD8+ T-cells and plasma viremia and a negative correlation between CD8+ effector T-cells and CD4+ T-cells was observed, which may contribute to the inability of LTNPs to clear virus.
- This epitope can bind three of the five HLA-A2 supertypes alleles (A*0201, A*0202, A*0203, A*0206 and A*6802).

HXB2 Location Integrase (135–143)

Author Location (C consensus)

Epitope IQQEFQIPY

Subtype C

Immunogen HIV-1 infection

Species (MHC) human (B*1503)

Country South Africa.

Assay type CD8 T-cell Elispot - IFN γ

Keywords rate of progression, optimal epitope

References Kiepiela *et al.* 2007

- A comprehensive analysis of 160 class I T cell responses in 578 individuals from KwaZulu-Natal, South Africa was performed. Gag-specific responses were associated with lowering viremia, while Env, accessory and regulatory protein-specific responses were associated with higher viremia.
- Mutational patterns in the Q2 residue of IQQEFQIPY are associated with the presence of the HLA presenting molecule in the host.

HXB2 Location Integrase (135–143)

Author Location

Epitope IQQEFQIPY

Immunogen

Species (MHC) human (B*1503)

Keywords optimal epitope

References Frahm *et al.* 2007

- C. Brander notes that this is an B*1503 epitope.

HXB2 Location Integrase (135–143)

Author Location Integrase (135–143)

Epitope IQQEFQIPY

Subtype C

Immunogen HIV-1 infection

Species (MHC) human (B*1503)

Assay type Other

Keywords HLA associated polymorphism

References Boutwell & Essex 2007

- All HIV-1 subtype C protein sequences were analysed, and 94 HLA-associated amino acid polymorphisms were found that were well distributed throughout the proteome. These sequences were compiled from publicly available databases and originated in South Africa and Botswana. Many polymorphisms were associated with multiple HLA allele classes. 12% of negative associations were found as well, where there was an association of virus expression of the consensus amino acid with a specific HLA allele. HLA-B alleles were involved in most of the associations. 19 HLA-associated polymorphisms were embedded in previously defined epitopes presented by an appropriate HLA restricting molecule.
- IQQEFQIPY was a previously defined B*1503 presented epitope that encompassed a polymorphism, IqQEFQIPY, in the second position.

HXB2 Location Integrase (157–166)

Author Location (C consensus)

Epitope ELKKIIGQVR

Subtype C

Immunogen HIV-1 infection

Species (MHC) human (A*33)

Country South Africa.

Assay type CD8 T-cell Elispot - IFN γ

Keywords rate of progression, optimal epitope

References Kiepiela *et al.* 2007

- A comprehensive analysis of 160 class I T cell responses in 578 individuals from KwaZulu-Natal, South Africa was performed. Gag-specific responses were associated with lowering viremia, while Env, accessory and regulatory protein-specific responses were associated with higher viremia.
- ELKKIIGQVR is an optimal epitope.

HXB2 Location Integrase (164–172)

Author Location (C consensus)

Epitope QVRDQAEHL

Subtype C

Immunogen HIV-1 infection

Species (MHC) human (A*0205)

Country South Africa.

Assay type CD8 T-cell Elispot - IFN γ

Keywords rate of progression, optimal epitope

References Kiepiela *et al.* 2007

- A comprehensive analysis of 160 class I T cell responses in 578 individuals from KwaZulu-Natal, South Africa was performed. Gag-specific responses were associated with lowering viremia, while Env, accessory and regulatory protein-specific responses were associated with higher viremia.
- QVRDQAEHL is an optimal epitope.

HXB2 Location Integrase (165–172)

Author Location Integrase (165–172)

Epitope VRDQAEHL

Epitope name VL8

Immunogen

Species (MHC) human (Cw*18)

Keywords optimal epitope

References Frahm *et al.* 2007

- C. Brander notes this is a Cw18 epitope.

HXB2 Location Integrase (165–172)

Author Location (C consensus)

Epitope VRDQAEHL

Subtype C

Immunogen HIV-1 infection

Species (MHC) human (Cw*1801)

Country South Africa.

Assay type CD8 T-cell Elispot - IFN γ

Keywords rate of progression, optimal epitope

References Kiepiela *et al.* 2007

- A comprehensive analysis of 160 class I T cell responses in 578 individuals from KwaZulu-Natal, South Africa was performed. Gag-specific responses were associated with lowering viremia, while Env, accessory and regulatory protein-specific responses were associated with higher viremia.
- VRDQAEHL is an optimal epitope.

HXB2 Location Integrase (165–172)

Author Location Integrase (165–172)

Epitope VRDQAEHL

Subtype C

Immunogen HIV-1 infection

Species (MHC) human (Cw*1801)

Assay type Other

Keywords HLA associated polymorphism

References Boutwell & Essex 2007

- All HIV-1 subtype C protein sequences were analysed, and 94 HLA-associated amino acid polymorphisms were found that were well distributed throughout the proteome. These sequences were compiled from publicly available databases and originated in South Africa and Botswana. Many polymorphisms were associated with multiple HLA allele classes. 12% of negative associations were found as well, where there was an association of virus expression of the consensus amino acid with a specific HLA allele. HLA-B alleles were involved in most of the associations. 19 HLA-associated polymorphisms were embedded in previously defined epitopes presented by an appropriate HLA restricting molecule.
- VRDQAEHL was a previously defined Cw1801 presented epitope that encompassed a Cw18 associated polymorphism, VRdQAEHL, in the third position.

HXB2 Location Integrase (171–180)

Author Location Pol

Epitope HLKTAVQMAV

Epitope name 1247

Subtype multiple

Immunogen HIV-1 infection

Species (MHC) human (A2)

Donor MHC A01, A02, B08, Cw16

Assay type T-cell Elispot

Keywords binding affinity, computational epitope prediction

References De Groot *et al.* 2003

- Epitopes defined using sequence parsing and matching algorithm Conservatrix, and epitope prediction tool EpiMatrix, were shown to be conserved in a broad range of HIV-1 sequences derived from different parts of the world. 31 novel highly conserved HIV-1 epitopes were found, among which four were recognized as promiscuous epitopes and five as MHC supertypes.

- Estimated binding probability for HLKTAVQMAV: 82%

HXB2 Location Integrase (173–181)

Author Location Pol (888–896)

Epitope KTAVQMAVF

Immunogen

Species (MHC) human (B*5701)

Keywords optimal epitope

References Frahm *et al.* 2007

- C. Brander notes this is a B*5701 epitope.
- Epitope is motif based, personal communication from C. Hay.
- Subtype of B57 not determined.

HXB2 Location Integrase (173–181)

Author Location Pol (888–896)

Epitope KTAVQMAVF

Immunogen

Species (MHC) human (B57)

References Hay 1999

- Epitope is motif based, personal communication from C. Hay.

HXB2 Location Integrase (173–181)

Author Location Pol

Epitope KTAVQMAVF

Epitope name KF9

Subtype B

Immunogen HIV-1 infection

Species (MHC) human (B57)

Assay type CD8 T-cell Elispot - IFN γ

Keywords subtype comparisons, escape, characterizing CD8+ T cells, reversion, viral fitness

References Allen *et al.* 2005a

- Two-thirds of all mutations arising in nonenvelope proteins during the transition from acute to chronic infection were found to be due to either CD8 T-cell-associated selective pressures or reversion of HLA-I-associated mutations selected in a previous host. The predominance of escape mutations at highly polymorphic sites was observed across different HIV-1 clades.
- This epitope was quite conserved in people carrying B57, but two substitutions were found in 11 B57+ individuals tested: Rtavqmvf and ktavqmvL.

HXB2 Location Integrase (173–181)

Author Location Pol (889–897)

Epitope KTAVQMAVF

Subtype B

Immunogen HIV-1 infection

Species (MHC) human (B57)

Donor MHC A1, A3, B7, B57, Cw6, Cw7

Country United States.

Assay type CD8 T-cell Elispot - IFN γ

References Allen *et al.* 2005a

- Two-thirds of all mutations arising in nonenvelope proteins during the transition from acute to chronic infection were found to be due to either CD8 T-cell-associated selective pressures or reversion of HLA-I-associated mutations selected in a previous host. The predominance of escape mutations at highly polymorphic sites was observed across different HIV-1 clades.
- This epitope was reactive, but escape mutations did not accrue in it over time.

HXB2 Location Integrase (173–181)

Author Location

Epitope KTAVQMAVF

Immunogen HIV-1 infection

Species (MHC) human (B57, B*5801)

Assay type CD8 T-cell Elispot - IFN γ , Chromium-release assay

Keywords responses in children, mother-to-infant transmission, escape

References Feeney *et al.* 2005

- Escape mutations in TW10 and other B57-restricted epitopes were shown to arise early in infants following perinatal infection. Some escape variants were likely to have been transmitted vertically, from HLA-B57/5801 positive HIV-1 infected mothers, while others arose during infancy in cases where the children inherited the B57/5801 allele paternally. In contrast to adults, the majority of children showed a robust response to the escape variants, suggesting that infants are able to mount functional immune responses and drive immune escape and that a developing immune system may exhibit greater plasticity in recognizing viral variants.

HXB2 Location Integrase (177–186)

Author Location Pol (919–928)

Epitope QMAVFIHNFK

Immunogen HIV-1 infection

Species (MHC) human (A3 supertype)

Keywords supertype, rate of progression

References Propato *et al.* 2001

- Long-term nonprogressors (LTNPs) had strong memory resting CD8+ T-cell responses against the majority of epitopes tested, (18 for the A2 supertype, 16 for the A3 supertype) while the effector cells of long-term nonprogressors recognized far fewer epitopes.
- Progressors had memory resting CD8+ T-cells that recognized far fewer epitopes than LTNPs.
- A positive correlation between effector CD8+ T-cells and plasma viremia and a negative correlation between CD8+ effector T-cells and CD4+ T-cells was observed, which may contribute to the inability of LTNPs to clear virus.
- This epitope can bind 5/5 HLA-A3 supertype alleles (A*0301, A*1101, A*3101, A*3301 and A*6801).

HXB2 Location Integrase (178–186)

Author Location Pol (920–928)

Epitope MAVFIHNFK

Immunogen HIV-1 infection

Species (MHC) human (A3 supertype)

Keywords supertype, rate of progression

References Propato *et al.* 2001

- Long-term nonprogressors (LTNPs) had strong memory resting CD8+ T-cell responses against the majority of epitopes tested, (18 for the A2 supertype, 16 for the A3 supertype) while the effector cells of long-term nonprogressors recognized far fewer epitopes.

- Progressors had memory resting CD8+ T-cells that recognized far fewer epitopes than LTNPs.

- A positive correlation between effector CD8+ T-cells and plasma viremia and a negative correlation between CD8+ effector T-cells and CD4+ T-cells was observed, which may contribute to the inability of LTNPs to clear virus.

- This epitope can bind 3/5 HLA-A3 supertype alleles (A*0301, A*1101, A*3101, A*3301 and A*6801).

HXB2 Location Integrase (179–187)

Author Location Pol (921–929)

Epitope AVFIHNFKR

Immunogen HIV-1 infection

Species (MHC) human (A3 supertype)

Keywords supertype, rate of progression

References Propato *et al.* 2001

- Long-term nonprogressors (LTNPs) had strong memory resting CD8+ T-cell responses against the majority of epitopes tested, (18 for the A2 supertype, 16 for the A3 supertype) while the effector cells of long-term nonprogressors recognized far fewer epitopes.

- Progressors had memory resting CD8+ T-cells that recognized far fewer epitopes than LTNPs.

- A positive correlation between effector CD8+ T-cells and plasma viremia and a negative correlation between CD8+ effector T-cells and CD4+ T-cells was observed, which may contribute to the inability of LTNPs to clear virus.

- This epitope can bind 5/5 HLA-A3 supertype alleles (A*0301, A*1101, A*3101, A*3301 and A*6801).

HXB2 Location Integrase (179–188)

Author Location Integrase (179–188)

Epitope AVFIHNFKRK

Immunogen HIV-1 infection

Species (MHC) human (A*0301)

Keywords optimal epitope

References Frahm *et al.* 2007

HXB2 Location Integrase (179–188)

Author Location Integrase (179–188 LAI)

Epitope AVFIHNFKRK

Subtype B

Immunogen

Species (MHC) human (A*1101)

Keywords optimal epitope

References Frahm *et al.* 2007; Fukada *et al.* 1999

- C. Brander notes this is an A*1101 epitope.

HXB2 Location Integrase (179–188)

Author Location Pol (894–903)

Epitope AVFIHNFKRK

Subtype B, CRF01_AE

Immunogen HIV-1 infection

Species (MHC) human (A*1101)

Keywords subtype comparisons

References Fukada *et al.* 2002

- Counterparts for eight known clade B HLA A*1101 epitopes were generated for clade E (CRF01). Three epitopes, identical among clade A-E, were cross-reactive and recognized by clade E infected individuals. The clade E and B analogs to three more HLA A*1101 epitopes was recognized in a clade specific manner. Two other HLA A*1101 clade B defined epitopes were found not to have stimulated a response in clade E infected individuals.
- AVFIHNFKRK is commonly found in viruses representing subtypes A-E. It was strongly recognized by CTL from 4/7 E clade infected Thai subjects.

HXB2 Location Integrase (179–188)**Author Location** Pol (894–903 93TH253 subtype CRF01)**Epitope** AVFIHNFKRK**Epitope name** P894-903**Subtype** CRF01_AE**Immunogen** HIV-1 exposed seronegative**Species (MHC)** human (A11)**Keywords** HIV exposed persistently seronegative (HEPS)**References** Bond *et al.* 2001

- This was a study of HIV-1 exposed persistently seronegative (HEPS) female sex workers in Chiang Mai, northern Thailand.
- HLA-A11 is very common in this population, and was enriched among the HEPS sexworkers – weak CTL responses were detected in 4/7 HEPS women, and CTL responses were found in 8/8 HIV+ controls, and 0/9 HIV- women that were not exposed.
- This epitope was weakly reactive in the HEPS study subjects 265 who was HLA A2/A11 and 128 who was HLA A11/A33, and had been predicted to be a possible A11 epitope using EpiMater in Bond *et al.* [2001]

HXB2 Location Integrase (179–188)**Author Location** Pol**Epitope** AVFIHNFKRK**Epitope name** 1264**Subtype** multiple**Immunogen** HIV-1 infection**Species (MHC)** human (A11, A3, A68)**Donor MHC** A01, A68, B15, B40, Cw03; A03, A11, B14, B51, Cw08, Cw13; A25, A68, B18, B27**Country** United States.**Assay type** T-cell Elispot**Keywords** binding affinity, supertype, computational epitope prediction, immunodominance, cross-presentation by different HLA**References** De Groot *et al.* 2003

- Epitopes defined using sequence parsing and matching algorithm Conservatrix, and epitope prediction tool EpiMatrix, were shown to be conserved in a broad range of HIV-1 sequences derived from different parts of the world. 31 novel highly conserved HIV-1 epitopes were found, among which four were recognized as promiscuous epitopes and five as MHC supertypes.
- Estimated binding probability for AVFIHNFKRK:53% Supertype epitope binding to A11, A03 and A68. Immunodominant.

HXB2 Location Integrase (179–188)**Author Location** Integrase (894–904)**Epitope** AVFIHNFKRK**Epitope name** A3-AK10**Subtype** B**Immunogen** HIV-1 infection**Species (MHC)** human (A3)**Donor MHC** A3, B7, Cw7**Keywords** dynamics, supervised treatment interruptions (STI), acute/early infection**References** Yu *et al.* 2002a

- CTL responses in 18 acutely HIV-infected HLA-A3 (n=7) or -B7 (n=4) or both -A3 and B7 (n=7) positive individuals were studied.
- One individual, AC-06, was homozygous at all three class I alleles (A3, B7, Cw7), was treated during acute infection and had supervised treatment interruptions (STI). He had only two detectable CTL responses during acute infection, but after STI this broadened to 27 distinct epitopes including 15 restricted by HLA-A3, 11 by HLA-B7, and 1 by HLA-Cw7.
- 0/14 HLA-A3 positive individuals had detectable A3-restricted responses to this epitope during acute infection, but only 5/15 of HLA-A3 epitopes tested were targeted during acute infection. 1/7 individuals began to have detectable responses to this epitope after STI.

HXB2 Location Integrase (179–188)**Author Location** Integrase (179–188)**Epitope** AVFIHNFKRK**Epitope name** A3-AK10 Pol**Subtype** B**Immunogen** HIV-1 infection**Species (MHC)** human (A3)**Assay type** CD8 T-cell Elispot - IFN γ **Keywords** supervised treatment interruptions (STI), escape, early treatment, superinfection**References** Altfeld *et al.* 2002a

- An HIV+ individual given acute ARV and undergoing STI developed a strong CTL immune response, but despite this was shown to be superinfected with second B clade virus. Some epitope variants of the second infecting virus were resistant to the initial CTL response.
- The second infecting strain had the variant avfVhnfkrk. The CTL response to the second variant was zero at all timepoints. The CTL response to the first variant was low and declined over time.

HXB2 Location Integrase (179–188)**Author Location** Pol**Epitope** AVFIHNFKRK**Epitope name** 1264**Subtype** multiple**Immunogen** HIV-1 infection**Species (MHC)** human (A3)**Donor MHC** A03, A23, B49, B57; A03, A24, B27, B57, Cw13, Cw18**Country** United States.**Assay type** T-cell Elispot**Keywords** binding affinity, computational epitope prediction

References De Groot *et al.* 2003

- Epitopes defined using sequence parsing and matching algorithm Conservatrix, and epitope prediction tool EpiMatrix, were shown to be conserved in a broad range of HIV-1 sequences derived from different parts of the world. 31 novel highly conserved HIV-1 epitopes were found, among which four were recognized as promiscuous epitopes and five as MHC supertypes.
- Estimated binding probability for AVFIHNFKRK: 52%

HXB2 Location Integrase (179–196)**Author Location** Pol (894–911)**Epitope** AVFIHNFKRKGGIGGYSA**Subtype** C**Immunogen** HIV-1 infection**Species (MHC)** human**Keywords** subtype comparisons**References** Novitsky *et al.* 2002

- HLA, viral sequence, and Elispot data was obtained from 105 HIV-1 positive Botswanans; Elispot data was obtained from between 55 and 64 subjects for each HIV protein.
- Nef and p24 had the highest percentage of reactive peptides, and p24 had the highest magnitude of HIV-1 responses.
- This peptide was among the 28 most reactive C clade peptides from among over 350 tested spanning all HIV proteins.

HXB2 Location Integrase (185–194)**Author Location** Integrase (185–194)**Epitope** FKRKGGIGGY**Immunogen** HIV-1 infection**Species (MHC)** human (B*1503)**Keywords** optimal epitope**References** Frahm *et al.* 2007**HXB2 Location** Integrase (185–194)**Author Location** (C consensus)**Epitope** FKRKGGIGGY**Subtype** C**Immunogen** HIV-1 infection**Species (MHC)** human (B*1503)**Country** South Africa.**Assay type** CD8 T-cell Elispot - IFN γ **Keywords** characterizing CD8+ T cells**References** Kiepiela *et al.* 2004

- HLA class I restricted CD8+ T-cell responses against HIV-1 were analyzed in African patients. Significantly more responses were shown to be HLA-B restricted. Viral load, CD4 count, and thus rate of disease progression were also associated with HLA-B alleles. In addition, the selection pressure imposed on HIV-1 by HLA-B allele was shown to be substantially greater than by other alleles.
- This epitope was suggested to be the epitope within a longer reactive peptide based on correspondence with a known epitope in the HIV database. Also, a significantly higher frequency of people in the Durban cohort who reacted with the peptide had this HLA type.

HXB2 Location Integrase (185–194)**Author Location** (C consensus)**Epitope** FKRKGGIGGY**Subtype** C**Immunogen** HIV-1 infection**Species (MHC)** human (B*1503)**Country** South Africa.**Assay type** CD8 T-cell Elispot - IFN γ **Keywords** rate of progression, optimal epitope**References** Kiepiela *et al.* 2007

- A comprehensive analysis of 160 class I T cell responses in 578 individuals from KwaZulu-Natal, South Africa was performed. Gag-specific responses were associated with lowering viremia, while Env, accessory and regulatory protein-specific responses were associated with higher viremia.
- Mutational patterns in the K4 and G9 residues of FKRKG-GIGGY are associated with the presence of the HLA presenting molecule in the host.

HXB2 Location Integrase (185–194)**Author Location** Integrase (185–194)**Epitope** FKRKGGIGGY**Subtype** C**Immunogen** HIV-1 infection**Species (MHC)** human (B*1503)**Assay type** Other**Keywords** HLA associated polymorphism**References** Boutwell & Essex 2007

- All HIV-1 subtype C protein sequences were analysed, and 94 HLA-associated amino acid polymorphisms were found that were well distributed throughout the proteome. These sequences were compiled from publicly available databases and originated in South Africa and Botswana. Many polymorphisms were associated with multiple HLA allele classes. 12% of negative associations were found as well, where there was an association of virus expression of the consensus amino acid with a specific HLA allele. HLA-B alleles were involved in most of the associations. 19 HLA-associated polymorphisms were embedded in previously defined epitopes presented by an appropriate HLA restricting molecule.
- FKRKGGIGGY was a previously defined B*1503 presented epitope that encompassed a polymorphism, FKRkGGIGGY, in the fourth position.

HXB2 Location Integrase (210–227)**Author Location** Pol (925–942)**Epitope** TKELQKQIIKIQNFRVYY**Subtype** C**Immunogen** HIV-1 infection**Species (MHC)** human**Keywords** subtype comparisons**References** Novitsky *et al.* 2002

- HLA, viral sequence, and Elispot data was obtained from 105 HIV-1 positive Botswanans; Elispot data was obtained from between 55 and 64 subjects for each HIV protein.
- Nef and p24 had the highest percentage of reactive peptides, and p24 had the highest magnitude of HIV-1 responses.
- This peptide was among the 28 most reactive C clade peptides from among over 350 tested spanning all HIV proteins.

HXB2 Location Integrase (218–235)**Author Location** RT-Integrase (218–235 HXB2)**Epitope** TKIQNFRVYYRDSRDLW

Subtype B**Immunogen** HIV-1 infection**Species (MHC)** human**Assay type** T-cell Elispot**Keywords** supervised treatment interruptions (STI), immunodominance, early treatment**References** Addo *et al.* 2003

- Comprehensive Elispot screening of 504 overlapping peptides that spanned all HIV-1 proteins in 57 HIV-1 infected individuals. Four groups of patients were compared: 23 were untreated; 12 patients were chronically infected and treated; 22 started treatment during acute infection, 11 continuously treated and 11 with STI.
- 63% of the peptides were recognized - the most frequent responses were directed against Nef (95%) and p24-Gag (88%). p17 was the most frequently recognized protein after correction for protein length. A median of 18 peptides (range 2-42) were recognized per person. The most frequently (>20%) recognized peptides were located in conserved regions within clade B sequences. Vpu was rarely recognized.
- A decrease in the total magnitude and in the breadth of CTL responses was detected in patients with treated acute infection in comparison to chronically infected treated or untreated individuals. No correlation between plasma viral load and HIV-1 specific T-cell responses was observed.
- The authors did not note the reference strain, but based on the peptide sequences provided it appears to be HXB2.
- Responses to this peptide were detected in 21% of the study subjects, and it was one of the 25 most frequently recognized peptides.

HXB2 Location Integrase (219–226)**Author Location** (C consensus)**Epitope** KIQNFVYY**Subtype** C**Immunogen** HIV-1 infection**Species (MHC)** human (A*3002)**Country** South Africa.**Assay type** CD8 T-cell Elispot - IFN γ **Keywords** rate of progression, optimal epitope**References** Kiepiela *et al.* 2007

- A comprehensive analysis of 160 class I T cell responses in 578 individuals from KwaZulu-Natal, South Africa was performed. Gag-specific responses were associated with lowering viremia, while Env, accessory and regulatory protein-specific responses were associated with higher viremia.
- Mutational patterns in the K1 residue of KIQNFVYY are associated with the presence of the HLA presenting molecule in the host.

HXB2 Location Integrase (219–227)**Author Location****Epitope** KIQNFVYY**Epitope name** Pol-KY9**Subtype** B**Immunogen** HIV-1 infection**Species (MHC)** human (A*3002)**Donor MHC** A*0205 A*3002 B*1402 B*5301 Cw*0401 Cw*0802**Keywords** HAART, ART**References** Sabbaj *et al.* 2003

- This study monitored epitope responses in HIV-1 infected minority women living in the United States.
- 24 epitopes were described – 8 were novel, 8 used new restricting elements but were previously defined epitopes, and 8 were previously described.
- Serial peptide truncations were used to define optimal epitopes for CTL cell lines isolated from 12 individuals, assayed by a Cr-release.
- Patient 00RCH28 was African American, not on HAART, had a viral load of 5900 and CD4 count of 889, and she also recognized RIRQGLERA, gp160(846-854), A*0205.
- Among HIV+ individuals who carried HLA A30, 6/16 (38%) recognized this epitope.

HXB2 Location Integrase (219–227)**Author Location** Integrase (219–227)**Epitope** KIQNFVYY**Immunogen** HIV-1 infection**Species (MHC)** human (A*3002)**Keywords** optimal epitope**References** Frahm *et al.* 2007**HXB2 Location** Integrase (219–227)**Author Location** (C consensus)**Epitope** KIQNFVYY**Subtype** C**Immunogen** HIV-1 infection**Species (MHC)** human (A*3002)**Country** South Africa.**Assay type** CD8 T-cell Elispot - IFN γ **Keywords** characterizing CD8+ T cells**References** Kiepiela *et al.* 2004

- HLA class I restricted CD8+ T-cell responses against HIV-1 were analyzed in African patients. Significantly more responses were shown to be HLA-B restricted. Viral load, CD4 count, and thus rate of disease progression were also associated with HLA-B alleles. In addition, the selection pressure imposed on HIV-1 by HLA-B alleles was shown to be substantially greater than by other alleles.
- This epitope was suggested to be the epitope within a longer reactive peptide based on correspondence with a known epitope in the HIV database. Also, a significantly higher frequency of people in the Durban cohort who reacted with the peptide had this HLA type.

HXB2 Location Integrase (219–227)**Author Location** Integrase**Epitope** KIQNFVYY**Epitope name** KY9**Immunogen** HIV-1 infection**Species (MHC)** human (A30)**Country** United States.**Assay type** CD8 T-cell Elispot - IFN γ , Intracellular cytokine staining, Chromium-release assay, Flow cytometric T-cell cytokine assay**Keywords** epitope processing, supervised treatment interruptions (STI), immunodominance**References** Rodriguez *et al.* 2004

- Protease and integrase are shown to be frequently targeted by CD8 T-cell responses (23% and 68% of 56 HIV+ patients, respectively). Responses tend to cluster in conserved regions of Int, although 1 high conserved region had no responses. CTL frequencies per unit protein length for Pro and Int were similar to other HIV non-structural proteins. Three novel HLA class I-restricted optimal epitopes were found and characterized with fine mapping.

HXB2 Location Integrase (219–228)

Author Location Pol (934–943 SF2)

Epitope KIQNFRVYYR

Subtype B

Immunogen HIV-1 infection, computer prediction

Species (MHC) human (A*3303)

Assay type Chromium-release assay

Keywords binding affinity, computational epitope prediction

References Hossain *et al.* 2003

- HLA-A*3303 is a common HLA allele in east and southeast Asia. Pol, Gag and Nef SF2 proteins were scanned for potential A*3303 epitopes. 99 potential epitopes were synthesized, and 52/99 bound to A*3303. Six of these served as peptide-targets for lysis by PBMC from infected individual, and clones derived from 4 of these 6 could lyse HIV-vaccinia infected target cells, indicating proper processing.
- This epitope is one of the 4 that are properly processed.

HXB2 Location Integrase (219–228)

Author Location Pol (919–928)

Epitope KIQNFRVYYR

Immunogen HIV-1 infection

Species (MHC) human (A3 supertype)

Keywords supertype, rate of progression

References Propato *et al.* 2001

- Long-term nonprogressors (LTNPs) had strong memory resting CD8+ T-cell responses against the majority of epitopes tested, (18 for the A2 supertype, 16 for the A3 supertype) while the effector cells of long-term nonprogressors recognized far fewer epitopes.
- Progressors had memory resting CD8+ T-cells that recognized far fewer epitopes than LTNPs.
- A positive correlation between effector CD8+ T-cells and plasma viremia and a negative correlation between CD8+ effector T-cells and CD4+ T-cells was observed, which may contribute to the inability of LTNPs to clear virus.
- This epitope can bind 5/5 HLA-A3 supertype alleles (A*0301, A*1101, A*3101, A*3301 and A*6801).

HXB2 Location Integrase (241–249)

Author Location Pol (576–584)

Epitope LLWKGEAV

Immunogen *in vitro* stimulation or selection

Species (MHC) human (A*0201)

References van der Burg *et al.* 1996

- Slow dissociation rate, associated with immunogenicity in transgenic HLA-A*0201/K^b mice.
- CTL generated by *in vitro* stimulation of PBMC derived from uninfected individual.

HXB2 Location Integrase (241–249)

Author Location RT (956–964 HXB2R)

Epitope LLWKGEAV

Epitope name LR28

Subtype B

Immunogen vaccine

Vector/Type: peptide *Strain:* B clade LAI

Adjuvant: Incomplete Freund's Adjuvant (IFA), Montanide (ISA 720), P30, PLG

Species (MHC) mouse (A*0201)

Keywords binding affinity, vaccine-specific epitope characteristics, immunodominance

References Peter *et al.* 2001

- The stability of peptide binding to HLA-A2.1 was determined for six HLA-A2.1 peptides included in this vaccine study – ILKEPVHGV (RT), SLYNTVATL (p17), SLLNATDIAV (gp41) and LLWKGEAV (RT) all bound with high affinity comparable to a influenza epitope reference (GILGFVFTL), while RGPGRAFVTI and VIYQYMDDL bound with a lower affinity (relative binding activity = 0.01).
- The four high-affinity peptides formed stable complexes with half-lives ranging between 8 and 32 hours, while the low affinity peptides had half lives of less than an hour.
- HLA-A2.1 transgenic mice were immunized with the six HIV-1 peptides and P30, as a universal T-helper epitope, with IFA or Montanide or microspheres as adjuvants.
- All peptides except VIYQYMDDL induced a strong CTL response in Cr-release assays - stronger responses were observed when peptides were delivered alone, indicating immunodominance when the combination was used.

HXB2 Location Integrase (241–249)

Author Location RT (956–964 HXB2R)

Epitope LLWKGEAV

Epitope name LR28

Subtype B

Immunogen vaccine

Vector/Type: peptide *Strain:* B clade LAI

Adjuvant: Incomplete Freund's Adjuvant (IFA), IL-12, P30

Species (MHC) mouse (A*0201)

Keywords vaccine-specific epitope characteristics, immunodominance

References Peter *et al.* 2002

- When HIV-1 peptides were used to vaccinate HLA-A2.1 transgenic A2-Kb mice, strong responses to five peptides were observed when the peptides were given individually, but immunodominance limited the response to some of the peptides when they were given in combination Peter *et al.* [2001]. IL-12 can counteract immunodominance in BALB/c mice, so it was given with the multiple epitope vaccination, and was instead found to specifically eliminate the HLA-A2.1-epitope CTL responses, but not Kb CTL responses. This was possibly a consequence of transient depletion of T-cells, B cells and macrophages in the spleen.

HXB2 Location Integrase (241–249)

Author Location Pol

Epitope LLWKGEAV

Epitope name L9V

- Immunogen** vaccine
Vector/Type: measles virus (MV) *Strain:* multiple epitope immunogen *HIV component:* gp140, gp140ΔV3
- Species (MHC)** transgenic mouse (A*0201)
- Assay type** Chromium-release assay, Flow cytometric T-cell cytokine assay
- Keywords** memory cells, vaccine antigen design, antibody generation, characterizing CD8+ T cells
- References** Lorin *et al.* 2005
- A recombinant measles MVSchw virus expressing an HIV-1-derived polyepitope effectively primed HLA-A*0201-restricted CTL responses against multiple conserved HIV-1 epitopes in HLA-A*0201 transgenic mice. Also, a recombinant MVSchw virus expressing gp140 with deleted V1, V2, and V3 loops successfully induces neutralizing antibodies against HIV-1. A live attenuated measles vaccine could provide a safe and efficient pediatric vaccination vector for simultaneous vaccination against HIV and measles.
- HXB2 Location** Integrase (241–249)
Author Location Pol (956–964)
Epitope LLWKGEGAV
Immunogen HIV-1 infection
Species (MHC) human (A2)
Keywords dendritic cells
References Kundu *et al.* 1998b
- Allogeneic dendritic cells (DCs) were obtained from HLA-identical siblings, pulsed with rgp160 MN or A2-restricted HIV-1 epitope peptides, and infused monthly into six HIV-infected patients.
 - 1/6 showed increased Env-specific CTL and increased lymphoproliferative responses, 2/6 showed increase only in proliferative responses, and 3/6 showed no change – pulsed DCs were well tolerated.
 - LLWKGEGAV is a conserved HLA-A2 epitope included in this study – 6/6 patients had this sequence as their HIV direct sequence, but only four of these had a detectable CTL response.
- HXB2 Location** Integrase (241–249)
Author Location Pol (956–964 HXB2R)
Epitope LLWKGEGAV
Immunogen peptide-HLA interaction
Species (MHC) human (A2)
References Parker *et al.* 1992; Parker *et al.* 1994
- Studied in the context of HLA-A2 peptide binding.
- HXB2 Location** Integrase (241–249)
Author Location Pol (956–964 HXB2R)
Epitope LLWKGEGAV
Immunogen peptide-HLA interaction
Species (MHC) human (A2)
References Brander *et al.* 1995
- No CTL activity found in HIV-infected subjects, epitope studied in the context of inclusion in a synthetic vaccine.
- HXB2 Location** Integrase (241–249)
Author Location Pol (956–964)
Epitope LLWKGEGAV
Immunogen HIV-1 infection
- Species (MHC)** human (A2, A*0201)
References Ferrari *et al.* 2000
- One of the 51 HIV-1 epitopes selected by Ferrari *et al.* as good candidate CTL epitopes for vaccines by virtue of being conserved and presented by common HLA alleles.
- HXB2 Location** Integrase (260–268)
Author Location Integrase (260–268)
Epitope VPRRKVKII
Subtype C
Immunogen HIV-1 infection
Species (MHC) human (B*42)
Assay type Other
Keywords epitope processing, HLA associated polymorphism
References Boutwell & Essex 2007
- All HIV-1 subtype C protein sequences were analysed, and 94 HLA-associated amino acid polymorphisms were found that were well distributed throughout the proteome. These sequences were compiled from publicly available databases and originated in South Africa and Botswana. Many polymorphisms were associated with multiple HLA allele classes. 12% of negative associations were found as well, where there was an association of virus expression of the consensus amino acid with a specific HLA allele. HLA-B alleles were involved in most of the associations. 19 HLA-associated polymorphisms were embedded in previously defined epitopes presented by an appropriate HLA restricting molecule.
 - VPRRKVKII was a previously defined B*42 presented epitope that was associated with a polymorphism, VPRRKVKIIk seen just after the last position in that epitope.
- HXB2 Location** Integrase (260–268)
Author Location Integrase (260–268)
Epitope VPRRKAKII
Immunogen
Species (MHC) human (B42)
Keywords optimal epitope
References Frahm *et al.* 2007
- HXB2 Location** Integrase (263–271)
Author Location Integrase (263–271)
Epitope RKAKIIRDY
Immunogen HIV-1 infection
Species (MHC) human (B*1503)
Keywords optimal epitope
References Frahm *et al.* 2007
- HXB2 Location** Integrase (263–271)
Author Location Integrase (263–271)
Epitope RKAKIIRDY
Subtype B
Immunogen HIV-1 infection
Species (MHC) human (B*1503)
Donor MHC A*2301, B*3501, B*1503, Cw2, Cw7
Assay type CD8 T-cell Elispot - IFN γ
Keywords binding affinity, acute/early infection, early-expressed proteins
References Cao *et al.* 2003

- All proteins were scanned and optimal epitopes were mapped in a study of CD8+ gamma IFN T-cell responses in 21 men within 15-92 days post-HIV-1 infection. Subjects initially showed narrow immune responses with a mean of 2.3 epitopes recognized per patient. The immune response broadened later in infection. No correlation between the plasma viral load and the number of recognized epitopes or the frequency of IFN-gamma secreting cells was observed, and there was no correlation between the functional avidity of a response and the abundance of IFN-secreting cells that recognized the epitope. The first epitopes to be recognized did not tend to be the most avid, and earliest responses tended to be directed against Nef, Tat, Vpr, and Env.
- All HIV-1 proteins except Vpu were recognized, and a response to a total of 41 optimal epitopes were characterized; 24 had been identified previously. 48% of the total T-cell responses were directed against Nef and 43% were directed against Gag.
- More common HLA alleles were less frequently used in primary infection than less common alleles, for example A3, B35, B57, and B62 were more frequently utilized than A1, A2, A30, and A44.

HXB2 Location Integrase (263–271)

Author Location (C consensus)

Epitope RKAKIIKDY

Subtype C

Immunogen HIV-1 infection

Species (MHC) human (B*1503)

Country South Africa.

Assay type CD8 T-cell Elispot - IFN γ

Keywords characterizing CD8+ T cells

References Kiepiela *et al.* 2004

- HLA class I restricted CD8+ T-cell responses against HIV-1 were analyzed in African patients. Significantly more responses were shown to be HLA-B restricted. Viral load, CD4 count, and thus rate of disease progression were also associated with HLA-B alleles. In addition, the selection pressure imposed on HIV-1 by HLA-B alleles was shown to be substantially greater than by other alleles.
- This epitope was suggested to be the epitope within a longer reactive peptide based on correspondence with a known epitope in the HIV database. Also, a significantly higher frequency of people in the Durban cohort who reacted with the peptide had this HLA type.

HXB2 Location Integrase (263–271)

Author Location (C consensus)

Epitope RKAKIIKDY

Subtype C

Immunogen HIV-1 infection

Species (MHC) human (B*1503)

Country South Africa.

Assay type CD8 T-cell Elispot - IFN γ

Keywords epitope processing, rate of progression, optimal epitope

References Kiepiela *et al.* 2007

- A comprehensive analysis of 160 class I T cell responses in 578 individuals from KwaZulu-Natal, South Africa was performed. Gag-specific responses were associated with lowering viremia, while Env, accessory and regulatory protein-specific responses were associated with higher viremia.
- Mutational patterns in the A3 residue of RKAKIIKDY are associated with the presence of the HLA presenting molecule in the host. Mutation of a residue outside of the optimized epitope also associated with HLA.

HXB2 Location Integrase (266–275)

Author Location (C consensus)

Epitope KIIKDYGKQM

Subtype C

Immunogen HIV-1 infection

Species (MHC) human (B*4201)

Country South Africa.

Assay type CD8 T-cell Elispot - IFN γ

Keywords rate of progression

References Kiepiela *et al.* 2007

- A comprehensive analysis of 160 class I T cell responses in 578 individuals from KwaZulu-Natal, South Africa was performed. Gag-specific responses were associated with lowering viremia, while Env, accessory and regulatory protein-specific responses were associated with higher viremia.
- Mutational patterns in the I3 residue of KIIKDYGKQM are associated with the presence of the HLA presenting molecule in the host.
- KIIKDYGKQM not optimized.

II-B-15 Pol CTL/CD8+ epitopes

HXB2 Location Pol

Author Location

Epitope

Immunogen computer prediction

Species (MHC) (A*0201, B*3501)

Keywords subtype comparisons, computational epitope prediction

References Schönbach *et al.* 2002

- Computational methods (artificial neural networks, hidden Markov models, binding matrices based on HLA association rates) were used to identify HLA-A*0201 and HLA-B*3501 HIV T-cell epitope candidates from 533 Gag, Env and Pol sequences of which 374 were derived from HIV-1, 97 were derived from HIV-2 and 62 from SIV. Comparisons to known epitopes and between clades were made.

HXB2 Location Pol

Author Location Pol

Epitope

Immunogen HIV-1 infection

Species (MHC) human (A*0201, Cw*08)

References Shacklett *et al.* 2000

- HIV-1 specific, MHC class I-restricted CTL killing was detected in duodenal and rectal gut associated lymphoid tissue (GALT) sites from three infected individuals – the distribution of class I restricted CTL was different in the peripheral blood samples and GALT samples.

- HXB2 Location** Pol
Author Location RT (IIIB)
Epitope
Subtype B
Immunogen HIV-1 infection
Species (MHC) human (A2)
Keywords epitope processing, escape
References Moore *et al.* 2002b
- HIV polymorphisms in the RT protein were examined relation to HLA alleles found in a population of 473 participants in the Western Australian HIV Cohort Study. 64 significant associations between polymorphisms at particular positions and HLA alleles were detected, for HLA-B7, -B12, -B35 and -B15. Fifteen of these were in positions with known epitopes, 4 in anchor residues, 11 in other positions. Six additional polymorphic sites associated with particular HLA molecules flanked known epitopes and may relate to processing.
 - 25 negative associations were also found between polymorphism and HLA alleles. The authors propose this is due to escape mutations in epitopes presented by common HLA types dominating in the population, and give examples of five amino acids which are in the consensus and tend to be stable in those with the most common HLA allele, HLA-A2.

- HXB2 Location** Pol
Author Location Pol
Epitope
Immunogen HIV-1 infection
Species (MHC) human (A2)
Assay type Tetramer binding, Flow cytometric T-cell cytokine assay
Keywords assay standardization/improvement
References Wu *et al.* 2005
- A flow cytometric assay for validation of HIV-1 gag- or pol-specific- CD8/HLA-A2 T-cells was shown to be sensitive and specific, being able to detect HIV-1 CTL at the single T-cell level. An inverse correlation between HIV plasma viremia and gag- and pol-specific-CD8/HLA-A2 T-cells was observed.

- HXB2 Location** Pol
Author Location Pol
Epitope
Subtype B
Immunogen HIV-1 infection
Species (MHC) human (B*35)
Keywords rate of progression
References Jin *et al.* 2002
- Patients with HLA-B*35 variants B*3502, B*3503, B*3504, and B*5301 tend to proceed to AIDS more quickly than those with B*3501.
 - Of 32 patients with HLA-B*35 alleles CD8+ CTL responses were quantified using an intracellular cytokine staining assay – 75% had responses to Pol, 69% to Gag, 50% to Nef, and 41% to Env.
 - The overall magnitude of CTL responses did not differ between those bearing B*3501 and the others. A higher percentage of Gag responses was observed in those that had lower RNA levels that carried B*3501, and there was a negative association with viral load and CTL activity. The data is consistent with higher levels of CTL responses contributing to protection in B*3501

individuals, but not in B*3502, B*3503, B*3504, and B*5301 individuals.

- HXB2 Location** Pol
Author Location Pol
Epitope
Immunogen vaccine
Vector/Type: DNA *Strain:* B clade HXB2, B clade NL43 *HIV component:* Gag, Pol
Species (MHC) mouse (H-2^d)
References Huang *et al.* 2001
- Different HIV strains were used for different regions: gag HXB2, pol NL43
 - Mice were immunized with four humanized DNA constructs: GagPol, that would form a pseudoparticle carrying Gag and Pol, Gag, Pol or a GagPol fusion construct.
 - The GagPol pseudoparticle, Gag and GagPol fusion construct all elicited strong anti-Gag CTL, but only the GagPol fusion construct elicited strong anti -Pol CTL.

- HXB2 Location** Pol
Author Location RT (LAI)
Epitope
Subtype B
Immunogen HIV-1 infection
Species (MHC) human
References Buseyne *et al.* 1998a
- This study showed a correlation between strong CTL memory and breadth of response in 7-12 month old infants, and remaining AIDS-free for the first year of life, higher absolute CD4 and CD8 cells, and lower viral load.

- HXB2 Location** Pol
Author Location p66 (LAV)
Epitope
Immunogen HIV-1 infection
Species (MHC) human
Keywords epitope processing, dendritic cells
References Zheng *et al.* 1999
- Protein delivery (gp160 LAV, p66 LAV, and p24 NY5) to human dendritic cells (DC) with liposomes provides enhanced memory CTL response relative to delivery of protein alone.
 - Chloroquine administration enhanced epitope presentation, and brefeldin A and peptide aldehyde inhibitors inhibited antigen presentation, suggesting epitopes were processed by classical proteasome pathway.

- HXB2 Location** Pol
Author Location Pol (IIIB)
Epitope
Immunogen HIV-1 infection
Species (MHC) human
Keywords rate of progression, Th1
References Wasik *et al.* 2000
- HIV+ infants that progressed rapidly to AIDS had lower Th1 responses and decreased production of beta-chemokines and IL-2 relative to other HIV+ infants.
 - No HIV+ infants had no demonstrable CTL at birth, but Th1 responses accompanied by CTL responses developed in children with slowly progressive disease, and not in rapid progressors.

- CTLp frequencies were determined by limiting dilution using autologous B cells infected with vaccina/HIV constructs.

HXB2 Location Pol

Author Location Pol (LAI)

Epitope

Subtype B

Immunogen vaccine

Vector/Type: canarypox *Strain:* B clade LAI, B clade MN *HIV component:* Gag, gp41, Protease, V3

Species (MHC) human

References Salmon-Ceron *et al.* 1999

- The vaccine used was a rec canarypox with HIV-1 gp120 MN, tm/gag/protease LAI (vCP205), alone or with p24E-V3 MN synthetic peptide (CLTB-36)
- Twenty HIV negative subjects were vaccinated in phase I trial with combinations of vCP205 and CLTB-36.
- Immunization with vCP205 induced HIV-1-specific ABs to gp120, V3, and p24 antigens, and CTL immune responses against vCP205 were detected after the fourth immunization in 33% of the subjects against Env, Gag and Pol, but the CLTB-36 peptide did not produce AB or CTL immune responses against p24 or gp160.

HXB2 Location Pol

Author Location Pol (172–219 subtype B)

Epitope

Subtype B

Immunogen vaccine

Vector/Type: canarypox prime with gp120 boost *Strain:* B clade LAI, B clade SF2 *HIV component:* Env, Gag, Nef, Protease

Species (MHC) human

References Gorse *et al.* 1999b

- The vaccine used was rec canarypox expressing HIV-1 env, gag, pol, nef and protease (vCP300) with or without administration of HIV-1 SF-2 rgp120.
- In vitro inducible CTL activity against HIV-1 Env, Gag, Pol, and Nef antigens was observed in 79% (15 of 19) of vaccine recipients.
- The combination of vCP300 and vP1291 together resulted in an overall increase in CTL induction and detection sensitivity.

HXB2 Location Pol

Author Location Pol (IIIB)

Epitope

Immunogen HIV-1 infection

Species (MHC) human

Keywords rate of progression

References Betts *et al.* 1999

- This study demonstrated an inverse correlation between HIV Type I plasma viral load and CTL activity directed against HIV-1 Pol, and stronger combined effects of Pol- and Env-specific CTL, in long-term survivors (LTS) of HIV-1 infection.

HXB2 Location Pol

Author Location Pol (BRU)

Epitope

Immunogen HIV-1 infection

Species (MHC) human

Keywords rate of progression

References Aladdin *et al.* 1999

- In vitro measurements of CTL-activity by Cr release assay in bulk culture showed no correlation between CTL-activity (gp120, Gag, Pol and Nef) and disease progression as measured by viral load, CD4 and time to death.

HXB2 Location Pol

Author Location RT (LAI)

Epitope

Subtype B

Immunogen HIV-1 infection

Species (MHC) human

Keywords subtype comparisons

References Buseyne *et al.* 1998b

- In infants with positive CTL responses, most responses showed cross-clade reactivity with somewhat diminished recognition of epitopes from different subtypes.

HXB2 Location Pol

Author Location RT

Epitope

Immunogen vaccine

Vector/Type: DNA *HIV component:* Env, Gag, Pol, Vif *Adjuvant:* B7, IL-12

Species (MHC) mouse

References Kim *et al.* 1997c

- A gag/pol, vif or gp160 DNA vaccine, when delivered in conjunction with the plasmid encoding the co-stimulatory molecules B7 and IL-12, gave a dramatic increase in both the cytotoxic and proliferative responses in mice.
- When IL-12 was present, CTL response could be detected even without *in vitro* stimulation.

HXB2 Location Pol

Author Location RT

Epitope

Immunogen HIV-1 infection

Species (MHC) human

References Trickett *et al.* 1998

- Twelve HIV-1 infected patients were re-infused with their own lymphocytes, cryopreserved from an earlier time point in the infection.
- Improvement in CD4+ and CD8+ T cells were seen in 7/12, and an increase in the CTL response to Pol was seen in one patient.

HXB2 Location Pol

Author Location RT

Epitope

Immunogen HIV-1 infection

Species (MHC) human

Keywords rate of progression

References Froebel *et al.* 1997

- Two HIV-1 infected children with contrasting disease courses were followed longitudinally – one died of AIDS, the other is a long-term non-progressor.

- Reactivity against Gag, Pol, Env and Tat proteins was tested by PBMC bulk cultured cells reacting with protein expressed in vaccinia constructs in autologous EBV transformed B cells.
- The child who progressed consistently had CTL against Pol and Tat.
- The long-term non-progressing child had no detectable CTL, but was heterozygous for a mutation in the CCR5 receptor and for HLA-B49, which has been shown to be associated with slower progression.

HXB2 Location Pol

Author Location Pol (IIIB)

Epitope

Immunogen HIV-1 infection

Species (MHC) human

Keywords subtype comparisons

References Betts *et al.* 1997

- 6/8 individuals from Zambia infected with C clade virus had CTL that were able to make response to B clade HIV-1 IIIB vaccinia-expressed Gag, Pol and Env proteins.
- A vigorous cross-clade response was not limited to a particular protein, and the level of recognition of different proteins varied among the six patients.

HXB2 Location Pol

Author Location RT

Epitope

Immunogen HIV-1 infection

Species (MHC) human

References De Maria *et al.* 1997

- CD3+ cells that also carry a natural killer cell receptor (NKR+) can exhibit down regulation of T cell function.
- Anti-NKR IgM MAb masked this inhibitory function and increased HIV-1 specific CTL activity in phytohemagglutinin-activated PBMC cultured in the presence of IL-2 from 3/5 patients, and in one other case anti-NKR MAb brought HIV-1 specific CTL activity to detectable levels.

HXB2 Location Pol

Author Location Pol (LAI, MN)

Epitope

Immunogen HIV-1 exposed seronegative

Species (MHC) human

References Goh *et al.* 1999

- 13/37 exposed uninfected individuals with repeated high-risk sexual exposure had HIV-1 specific CTL against Env, Gag, Pol, or a combination of proteins – CTL activity was correlated with a CCR5 wildtype genotype.
- In this group, the highest CTLp frequencies were directed at Gag, but the most common response was to Env and four individuals had responses to multiple HIV-1 proteins.

HXB2 Location Pol

Author Location Pol (LAI)

Epitope

Subtype B

Immunogen vaccine

Vector/Type: canarypox *HIV component:*

Gag, gp120, gp41, Nef, Protease, RT

Species (MHC) human

References Evans *et al.* 1999

- A Canarypox vaccine expressing gp120, gp41, Gag, Protease, Nef and Pol CTL epitopes gave rise to CTL that could be detected in 61% of the volunteers – responses to Gag, Env, Nef and Pol were detected 3-6 months after the last vaccination.

HXB2 Location Pol

Author Location Gag/Pol (MN)

Epitope

Immunogen vaccine

Vector/Type: DNA *HIV component:* Env,

Gag, Pol *Adjuvant:* CD80, CD86

Species (MHC) chimpanzee

References Kim *et al.* 1998

- The study explores the use of co-stimulatory molecules co-expressed with an HIV-1 immunogen in a DNA vaccine to enhance the immune response – co-expression of CD86, but not CD80, dramatically increased both HIV Env and Gag/Pol specific CTL and Th proliferative responses.

HXB2 Location Pol

Author Location Pol (IIIB)

Epitope

Immunogen HIV-1 infection

Species (MHC) human

References Jin *et al.* 1998a

- CTL precursor frequencies were determined in HIV-1 infected pregnant women, and significantly higher CTLp frequencies to Pol and Nef were found in non-transmitting mothers than in transmitting mothers;

HXB2 Location Pol

Author Location Pol

Epitope

Immunogen HIV-1 infection

Species (MHC) human

References Young *et al.* 2001

- Addition of recombinant rec human IL12 (rhIL12) to cultures increased HIV-specific lysis of HIV-Gag, Pol and gp120 vaccinia expressed antigens (11/15 tested increased lysis by > 5%) if the culture was derived from HIV+ individuals who had CD4 cells/ul > 500.
- 2/10 individuals with <200 CD4 cells/ul, and 3/10 individuals with 200-500 CD4cells/ul, had an increase of >5% upon treatment of the culture with rhIL12, so a few individuals in late stage disease had CD8 cells that maintained responsiveness to rhIL12.

HXB2 Location Pol

Author Location RT (subtype A, B, D)

Epitope

Subtype A, B, D

Immunogen HIV-1 infection

Species (MHC) human

Keywords subtype comparisons

References Cao *et al.* 2000

- HIV-1 subtypes A and D dominate the Ugandan epidemic, and a vaccine trial using B clade antigen is underway – this study addresses relative levels of cross-reactive CTL responses in HIV infected Ugandans to A, D, and B clade recombinant vaccinia viruses expressing Gag, Env, Pol, RT or Nef from HIV-1 clades A, B, and D.
- Proteins corresponding to the subtype of the infecting strains tended to trigger higher levels of CTL response measured by percent specific lysis, but there was extensive inter-subtype cross-reactivity with B clade proteins and the co-circulating subtype.

HXB2 Location Pol**Author Location** Pol**Epitope****Immunogen** HIV-1 infection**Species (MHC)** human**References** White *et al.* 2001

- HIV-specific CTL activity was detected in the female reproductive tract of only 1/3 HIV-infected women who underwent a hysterectomy, although CTL could be identified in the PBMC of all three women.

HXB2 Location Pol**Author Location** Pol (IIIB)**Epitope****Immunogen** HIV-1 infection**Species (MHC)** human**Keywords** rate of progression**References** Jin *et al.* 2000a

- The CTL precursor level (CTLp) was measured in long term non-progressors (LTNP) with low viral load using limiting dilution analysis and measuring CTL against Env Gag and Pol expressed in vaccinia in autologous targets.
- LTNPs have high memory CTL numbers and low viral load.

HXB2 Location Pol**Author Location** Pol**Epitope****Immunogen** HIV-1 exposed seronegative**Species (MHC)** human**Keywords** review, HIV exposed persistently seronegative (HEPS)**References** Rowland-Jones *et al.* 2001

- This is a review that summarizes observations about HIV-specific CTL found in the HIV-1 exposed persistently seronegative (HEPS) population.
- The CTL responses assayed by ELISPOT and by CTL precursor frequencies by limiting dilution analysis indicate that CTL in HEPS individuals tend to be of a lower magnitude than in chronic HIV-1 infections – the responses in HEPS cases are below the level of detection by tetramer assays.
- CD8+ CTL responses tend to be detectable in HEPS subjects only if they are recently exposed, and the response diminishes if exposure is reduced – it is not clear if there is a stable memory population in HEPS cases.

- CD8+ CTL responses in the HEPS population are associated with HIV-1 specific CD4+ T cell responses, assayed by proliferation assays, IL-2 secretion, and ELISPOT, and the authors consider the possibility that HIV-1-specific T-help responses improve the "quality" of the CD8+ response in HEPS individuals relative to HIV-1 infected individuals, who tend to have a poor HIV-1-specific T-help response.
- HIV-1 specific CD8+ CTL responses in HIV-1 infected individuals show reduced levels of perforin, and the T cells may not mature properly, and although similar studies have not been conducted in HEPS individuals this is considered as a possible difference in the CTL immune response in HEPS and HIV-1 infected people.

HXB2 Location Pol**Author Location****Epitope****Subtype** B**Immunogen** HIV-1 exposed seronegative**Species (MHC)** human**Keywords** HIV exposed persistently seronegative (HEPS), responses in children, mother-to-infant transmission**References** De Maria *et al.* 1994; Kuhn *et al.* 2002

- 6/24 HIV uninfected infants (ages 15-50 months) born to HIV+ mothers had HIV-1 specific CTL responses to vaccinia-expressed Nef, Gag/Pol, Env.
- Reviewed in Kuhn *et al.* [2002].

HXB2 Location Pol**Author Location****Epitope****Subtype** B**Immunogen** HIV-1 infection**Species (MHC)** human**Keywords** HAART, ART, HIV exposed persistently seronegative (HEPS), responses in children, mother-to-infant transmission, rate of progression**References** Kuhn *et al.* 2002; Wasik *et al.* 1999

- In HIV-infected infants HIV-specific, CTL responses were not detectable in icord blood or in PBMC collected shortly after birth and were absent or remained very low in 3 infants with a rapidly progressive disease. For those who progressed more slowly, the HIV-specific CTL activity varied.
- The two infants with high levels of Env peptide-stimulated IL-2 responses had the highest CTLp frequencies.
- Stronger responses were detected after initiation of the antiretroviral therapy.
- Two babies that were not infected though born to HIV+ mothers had detectable though low HIV-specific CTLp responses to Env (1/2), Pol (2/2), Gag (1/2) cord blood and transiently in PBMC after birth.
- Reviewed in Kuhn *et al.* [2002].

HXB2 Location Pol**Author Location****Epitope****Subtype** B**Immunogen** HIV-1 infection

Species (MHC) human

Keywords HIV exposed persistently seronegative (HEPS), responses in children, mother-to-infant transmission

References Aldhous *et al.* 1994; Kuhn *et al.* 2002

- Six of nine HIV vertically infected infants had HIV-1 specific CTL responses to vaccinia expressed Tat (4/6), Pol (6/6), Env (1/6), or Gag (1/6), but not all responses were detected at all time points.
- Two of eleven babies that were not infected though born to HIV+ mothers had detectable responses Tat (1/2), Pol (2/2), Gag (1/2).
- Reviewed in Kuhn *et al.* [2002].

HXB2 Location Pol

Author Location

Epitope

Subtype B

Immunogen HIV-1 infection

Species (MHC) human

Keywords epitope processing, escape

References Yusim *et al.* 2002

- Epitopes that have been described in the literature and included in this database tend to cluster in conserved regions and be absent or rarely found in highly variable regions in Nef, Env, and p17.
- In the more conserved p24, and Pol proteins RT and Protease, epitopes are more evenly distributed; however, epitopes were not found that span the invariant, most highly conserved regions of RT and Protease. This might be due to the virus evolving conserved features that disallow the CTL responses in these most conserved regions, as functional constraints for enzyme function would not tolerate change, and normal capacity for immune escape by rapid evolution is lost in these domains.

HXB2 Location Pol

Author Location

Epitope

Subtype C

Immunogen HIV-1 infection

Species (MHC) human

Keywords HAART, ART, subtype comparisons

References Loemba *et al.* 2002

- Therapeutic RT inhibitors were used to select *in vitro* for resistance mutations in subtype C viruses. Many of the resistance mutations were located within analogs to CTL epitopes that had been defined for the B subtype,

HXB2 Location Pol

Author Location (IIIB)

Epitope

Immunogen HIV-1 infection

Species (MHC) human

Keywords HAART, ART, acute/early infection

References Ortiz *et al.* 2002

- Subjects treated with HAART early in HIV-infection showed a correlation between the number of viremic episodes and the total as well as the Pol-specific CD8 T-cell activity as measured by Elispot SFC per million PBMC summed across Pol, Env, Nef and Gag. The subjects treated early after infection had

higher levels of CD8+ T-cell activity (N = 31) than those treated later (N = 23), and a greater capacity to enhance CD8+ T-cell responses to viremic episodes.

HXB2 Location Pol

Author Location (MN)

Epitope

Immunogen HIV-1 infection

Species (MHC) human

Keywords rate of progression

References Edwards *et al.* 2002

- 96% (26/27) chronically infected HIV-1 infected patients elicited gamma-IFN CD8+ T-cell responses against Gag.
- Nef and/or Pol CTL responses were detected in 86% of the subjects.
- The magnitude and breadth of Gag and p24 T-cell responses correlated with absolute CD4 counts, and inversely correlated with viral load.
- Pol and Int CTL responses correlated positively with absolute CD4+ T-cell count.
- Nef and Env responses did not correlate with either CD4 counts or viral load.

HXB2 Location Pol

Author Location

Epitope

Immunogen HIV-1 infection

Species (MHC) human

Keywords HAART, ART, dendritic cells

References Larsson *et al.* 2002b

- Autologous mature dendritic cells with rec vaccinia expressing Gag, Pol, Nef and Env could amplify CD8+ T-cell Elispot responses 4-38 fold in five HIV+ patients on successful HAART treatment, relative to autologous monocytes. Some weak responses could only be detected using mature dendritic cells as APCs, and this approach could be useful for detection of low frequency memory cells.

HXB2 Location Pol

Author Location (IIIB)

Epitope

Immunogen HIV-1 infection

Species (MHC) human

Keywords immunotherapy

References Trickett *et al.* 2002

- Conditions were optimized for ex-vivo expansion of CD8+ and CD4+ T-cells with the goal of functional T-cell production for autologous immunotherapy. 10,000-fold expansions were obtained in 14 days with optimized concentrations of IL-2, anti-CD3 and anti-CD28 coated microspheres, and decreasing amounts of serum over the first 8 days.

HXB2 Location Pol

Author Location (IIIB)

Epitope

Subtype B

Immunogen HIV-1 and HCV co-infection

Species (MHC) human

Keywords rate of progression

References Lauer *et al.* 2002

- HIV-1 and HCV immune responses were studied in 22 individuals who were co-infected with HIV-1 and hepatitis C virus (HCV). IFN γ production was measured in an Elispot assay of CD8+ T-cells using targets expressing either Gag, RT, Env and Nef in a vaccinia construct, or one of seven HCV proteins.
- All 22 patients targeted at least one protein. 20/22 patients recognized RT, 17/22 patients recognized Gag, 13/22 subjects recognized Env and 11/22 patients recognized Nef. Robust CTL activity was independent of disease progression or viral load.
- Despite high HCV viral loads, very few HCV CD8+ T-cell Elispot responses were detected. In a control HCV infected person who did not have HIV-1, strong anti-HCV responses were mounted.
- HIV-specific CD4 proliferative responses were detected in 9/17 coinfecting patients, but no HCV responses were detected.

HXB2 Location Pol**Author Location****Epitope****Subtype** B**Immunogen** HIV-1 infection**Species (MHC)** human**Keywords** HAART, ART, responses in children**References** Scott *et al.* 2001

- CTL responses before and after initiation of ART were studied in 13 HIV-1 vertically infected infants <6 months of age, and 4 that were >6 months of age.
- Before ART 2/13 infants <6 months of age showed IFN γ Elispot CD8+ T-cell responses, one to Nef and one to Env and Nef, and these responses became undetectable after successful therapy— 3 infants were coinfecting with CMV and all 3 had CMV-specific CD8+ T-cell responses.
- One older infant, at 23 months, had CTL responses against all for proteins tested, Gag, Pol, Nef and Env, and had the lowest plasma viremia of the study group. 3/4 infants older than 6 months of age responded to either Nef or Pol.
- Administration of ART over 48 weeks broadened the HIV-1-specific CTL response in 2/4 of the older children that were incomplete responders.

HXB2 Location Pol**Author Location** (IIB, MN)**Epitope****Subtype** B**Immunogen** HIV-1 infection**Species (MHC)** human**Keywords** dendritic cells**References** Larsson *et al.* 2002a

- Dendritic cells acquire and present HIV-1 antigens derived from dead, apoptotic cells or from non-infectious, fusion-competent HIV-1 virions, and these DC cells could stimulate CD4+ and CD8+ T-cells resulting in IFN γ production in an Elispot assay. Both HLA Class I and class II molecules were used for presentation. This may be an important aspect of the initial immune response to HIV-1 infection of CD4+ cells in the mucosal subepithelia.

HXB2 Location Pol**Author Location** (IIB)**Epitope****Immunogen** HIV-1 infection**Species (MHC)** human**Keywords** HAART, ART, supervised treatment interruptions (STI)**References** Ortiz *et al.* 2001

- Immune responses in eight chronically HIV-1 infected patients undergoing HAART therapy structured treatment interruptions (STI) were studied. STI boosted HIV-1 specific CTL responses and elevated CTL responses were maintained up to 22 weeks after the last treatment interruption, but viral load rebound to pretreatment levels and CD4 T-cell count decline was observed. CD8 responses in PBMC were measured by cytokine flow cytometry with gp160, Gag p55, RT-Pol and Nef expressed in vaccinia.

II-B-16 Vif CTL/CD8+ epitopes**HXB2 Location** Vif (17–26)**Author Location** (LAI)**Epitope** RIRTWKSLVK**Subtype** B**Immunogen****Species (MHC)** human (A*0301)**Keywords** optimal epitope**References** Altfeld 2000; Frahm *et al.* 2007**HXB2 Location** Vif (17–26)**Author Location** Vif (17–26 SF2)**Epitope** RIRTWKSLVK**Epitope name** RK10**Immunogen** HIV-1 infection**Species (MHC)** human (A*0301)**References** Altfeld *et al.* 2001a

- CTL responses against HIV-1 Vpr, Vpu, and Vif were analyzed in multiple HIV-1-infected individuals.
- 10/29 (35%) individuals tested responded to Vif.
- This epitope was recognized by 3/15 individuals expressing A*0301 allele.
- HIV+ individual AC-06 was tested for reactive overlapping peptides spanning all HIV-1 proteins in an ELISPOT and was found to react with 12 peptides from 7 proteins, suggesting that the breadth of CTL responses are underestimated if accessory proteins are not included in the study.
- Overlapping Vif peptides QVDRMRIRTWKSLVK and RIRTWKSLVKHHMYI both reacted with T-cells from AC-06 and contained epitope RIRTWKSLVK.

HXB2 Location Vif (17–26)**Author Location** Vif (17–26)**Epitope** RIRTWKSLVK**Subtype** B**Immunogen** HIV-1 infection**Species (MHC)** human (A*0301)**Keywords** early-expressed proteins**References** Addo *et al.* 2002b

- CTL responses against regulatory and accessory proteins in 70 HIV-1 infected patients were studied using overlapping peptides and Elispot.
- 28% targeted one or more overlapping Tat peptides; 36%, Rev peptides; 33%, Vif peptides; 40%, Vpr peptides; and 2%, Vpu peptides.
- All known optimally defined epitopes were summarized for the five proteins.

HXB2 Location Vif (17–26)

Author Location

Epitope RIRTWKSLVK

Epitope name Vif-RK10

Subtype B

Immunogen HIV-1 infection

Species (MHC) human (A3)

References Sabbaj *et al.* 2003

- Among HIV+ individuals who carried HLA A03, 3/21 (14%) recognized this epitope.

HXB2 Location Vif (17–26)

Author Location Vif (17–26)

Epitope RIRTWKSLVK

Epitope name A3-RK10

Subtype B

Immunogen HIV-1 infection

Species (MHC) human (A3)

Donor MHC A3, B7, Cw7

Keywords dynamics, supervised treatment interruptions (STI), acute/early infection

References Yu *et al.* 2002a

- CTL responses in 18 acutely HIV-infected HLA-A3 (n=7) or -B7 (n=4) or both -A3 and B7 (n=7) positive individuals were studied.
- One individual, AC-06, was homozygous at all three class I alleles (A3, B7, Cw7), was treated during acute infection and had supervised treatment interruptions (STI). He had only two detectable CTL responses during acute infection, but after STI this broadened to 27 distinct epitopes including 15 restricted by HLA-A3, 11 by HLA-B7, and 1 by HLA-Cw7.
- 0/14 HLA-A3 positive individuals had detectable A3-restricted responses to this epitope during acute infection, but only 5/15 of HLA-A3 epitopes tested were targeted during acute infection. 1/7 individuals had detectable responses to this epitope after STI.

HXB2 Location Vif (17–26)

Author Location Vif (17–26)

Epitope RIRTWKSLVK

Epitope name A3-RK10 Vif

Subtype B

Immunogen HIV-1 infection

Species (MHC) human (A3)

Country United States.

Assay type CD8 T-cell Elispot - IFN γ

Keywords supervised treatment interruptions (STI), escape, early treatment, superinfection

References Altfield *et al.* 2002a

- An HIV+ individual given acute ARV and undergoing STI developed a strong CTL immune response, but despite this was shown to be superinfected with second B clade virus. Some epitope variants of the second infecting virus were resistant to the initial CTL response.
- The second infecting strain had the variant riStwkslvk. The initial CTL response to persisted to against both variants after the superinfection was established.

HXB2 Location Vif (17–26)

Author Location Vif (17–26)

Epitope RIRTWKSLVK

Immunogen HIV-1 infection

Species (MHC) human (A3)

Donor MHC A03, A32, B51, B15, Cw03, Cw06, DR4, DR8, DQ7

Country Netherlands.

Assay type CD8 T-cell Elispot - IFN γ , Flow cytometric T-cell cytokine assay

Keywords rate of progression, escape

References Geels *et al.* 2003

- Both stable potential epitopes and epitopes with escape mutations were found in a patient with increasing viral load over a time period of 4 years. Fixation of escape mutations occurred sequentially and correlated with the rise in viral load and with the increased number of productively infected cells.
- This is one of 17 potential epitopes from this individual, defined based on previously identified epitopes presented by appropriate HLA molecules. Full length genome sequence did not reveal changes in time in any of these epitopes over a four year period. Peptide pools initially revealed very little response to these epitopes, but this increased over time.

HXB2 Location Vif (17–26)

Author Location (B consensus)

Epitope RIRTWKSLVK

Epitope name RK10

Subtype B

Immunogen HIV-1 infection

Species (MHC) human (A3)

Donor MHC A02, A03, B08, B62, Cw7, Cw10; A03, B07, Cw7

Assay type Cytokine production, Intracellular cytokine staining, Chromium-release assay, Flow cytometric T-cell cytokine assay

Keywords assay standardization/improvement, memory cells, characterizing CD8+ T cells

References Lichterfeld *et al.* 2004c

- Using a flow-cytometric cytotoxicity assay based on caspase-3 activation in dying target cells, it was shown that the subset of HIV-1-specific CD8+ T cells secreting both IFN-gamma and TNF-alpha exhibit stronger cytotoxic activity than those secreting only IFN-gamma. These cells also exhibited stronger intracellular perforin expression. No association between HIV-1-specific CD8+ T-cell maturation phenotypes and intracellular perforin expression was found.
- 2/9 individuals recognized this epitope, presented by HLA-A3.

HXB2 Location Vif (17–26)

Author Location Vif

Epitope RIRTWKSLVK**Epitope name** RK10**Subtype** B**Immunogen** HIV-1 infection**Species (MHC)** human (A3)**Donor MHC** A1, A3, B7, B57, Cw6, Cw7**Country** United States.**Assay type** CD8 T-cell Elispot - IFN γ **Keywords** subtype comparisons, escape, characterizing CD8+ T cells, reversion, viral fitness**References** Allen *et al.* 2005a

- Two-thirds of all mutations arising in nonenvelope proteins during the transition from acute to chronic infection were found to be due to either CD8 T-cell-associated selective pressures or reversion of HLA-I-associated mutations selected in a previous host. The predominance of escape mutations at highly polymorphic sites was observed across different HIV-1 clades.
- One escape mutation, at position 6, rirtwNslvk, was found not to correspond to the most polymorphic residue in the epitope.

HXB2 Location Vif (17–26)**Author Location****Epitope** RIRTWKSLVK**Subtype** B**Immunogen** HIV-1 infection**Species (MHC)** human**Keywords** epitope processing, escape**References** Yusim *et al.* 2002

- Epitopes that have been described in the literature and included in this database tend to cluster in conserved regions and be absent or rarely found in highly variable regions in Nef, Env, and p17.
- While the uneven distribution of epitopes may be in part due to a limited cross-recognition of specific responses because of differences between peptides used to probe the immune response and autologous strains, regions with a paucity of defined epitopes also had higher frequencies of amino acids that tend to not be found in C-terminal positions of epitopes, and had lower cleavage prediction scores for epitope processing. This suggests that in the regions of the virus where variation is best tolerated traces of immune escape have left an imprint on the viral population. Epitopes also were concentrated in alpha-helix and turn regions in the proteins.
- In the more conserved p24, and Pol proteins RT and Protease, epitopes are more evenly distributed.
- What was learned from proteins where many epitopes have been defined (Gag, Pol, Env and Nef) was used to develop an algorithm to predict where epitopes would be localized in Rev, Tat, Vif, and Vpr. Predictions were made blinded, and then compared to the first 15 epitopes defined in these proteins; the epitopes were concentrated in the predicted regions.

HXB2 Location Vif (23–31)**Author Location** Vif (23–)**Epitope** SLVKHMMYV**Epitope name** Vif23(9V)**Immunogen** HIV-1 infection, vaccine*Vector/Type:* peptide *HIV component:* Vif
Adjuvant: Incomplete Freund's Adjuvant (IFA)**Species (MHC)** human, transgenic mouse (A2)**Assay type** CD8 T-cell Elispot - IFN γ , Chromium-release assay, Flow cytometric T-cell cytokine assay**Keywords** binding affinity, subtype comparisons, computational epitope prediction**References** Corbet *et al.* 2003

- HLA-A2-restricted HIV-1 CTL epitopes were computationally predicted. Binding affinities for HLA-A*0204, immunogenicity in HLA-A*0201 transgenic mice, and responses to the peptides in 17 HIV-1 infected patients were tested. 31 novel conserved A2 epitopes were detected. An average of 4 epitopes were recognized per patient.
- This peptide was a good A2 binder, and induced CTL and CD8+ T-cell IFN gamma responses in mice. Response was detected in 1/17 HIV+ HLA-A2 subjects.
- The variant slvkhmy1 was an intermediate A2 binder, and stimulated immune responses in fewer A2 transgenic mice. The same person recognized both variants.

HXB2 Location Vif (27–41)**Author Location** Vif**Epitope** HMMYISKKAKGWFYR**Subtype** B**Immunogen** HIV-1 infection**Species (MHC)** human**Keywords** early-expressed proteins**References** Addo *et al.* 2002b

- CTL responses against regulatory and accessory proteins in 70 HIV-1 infected patients were studied using overlapping peptides and Elispot – 33% (23/70) targeted one or more Vif peptides, and this peptide was the most frequently recognized epitope in Vif (25%).
- The regulatory proteins Rev and Tat combined contributed to 3%, and the accessory proteins Vif, Vpr and Vpu to 7%, of the total magnitude of HIV-1 specific CTL responses in a subset of 22 HIV-1 infected individuals in whom all HIV-1 proteins were studied.

HXB2 Location Vif (28–36)**Author Location** Vif (28–36)**Epitope** HMYISKKAK**Subtype** B**Immunogen** HIV-1 infection**Species (MHC)** human (A*0301)**Keywords** early-expressed proteins**References** Addo *et al.* 2002b

- CTL responses against regulatory and accessory proteins in 70 HIV-1 infected patients were studied using overlapping peptides and Elispot.
- 28% targeted one or more overlapping Tat peptides; 36%, Rev peptides; 33%, Vif peptides; 40%, Vpr peptides; and 2%, Vpu peptides.
- All known optimally defined epitopes were summarized for the five proteins.

HXB2 Location Vif (28–36)**Author Location** Vif (28–36)**Epitope** HMYISKKAK**Immunogen** HIV-1 infection**Species (MHC)** human (A*0301)

Keywords optimal epitope
References Frahm *et al.* 2007

HXB2 Location Vif (28–36)
Author Location Vif (28–36)
Epitope HMYISKKAK

Epitope name A3-HK9
Subtype B

Immunogen HIV-1 infection
Species (MHC) human (A3)

Donor MHC A3, B7, Cw7

Keywords dynamics, supervised treatment interruptions (STI), acute/early infection

References Yu *et al.* 2002a

- CTL responses in 18 acutely HIV-infected HLA-A3 (n=7) or -B7 (n=4) or both -A3 and B7 (n=7) positive individuals were studied.
- One individual, AC-06, was homozygous at all three class I alleles (A3, B7, Cw7), was treated during acute infection and had supervised treatment interruptions (STI). He had only two detectable CTL responses during acute infection, but after STI this broadened to 27 distinct epitopes including 15 restricted by HLA-A3, 11 by HLA-B7, and 1 by HLA-Cw7.
- 0/14 HLA-A3 positive individuals had detectable A3-restricted responses to this epitope during acute infection, but only 5/15 of HLA-A3 epitopes tested were targeted during acute infection. 2/7 individuals had detectable responses to this epitope after STI.

HXB2 Location Vif (31–39)
Author Location Vif (31–39 SF2)
Epitope ISKKAKGWF

Immunogen HIV-1 infection
Species (MHC) human (B*5701)

References Altfeld *et al.* 2001a

- CTL responses against HIV-1 Vpr, Vpu, and Vif were analyzed in multiple HIV-1-infected individuals.
- 10/29 (35%) individuals tested responded to Vif.
- This epitope was recognized by 2/6 individuals expressing B*5701 allele.

HXB2 Location Vif (31–39)
Author Location Vif (31–39)
Epitope ISKKAKGWF

Subtype B

Immunogen HIV-1 infection
Species (MHC) human (B*5701)

Keywords early-expressed proteins

References Addo *et al.* 2002b

- CTL responses against regulatory and accessory proteins in 70 HIV-1 infected patients were studied using overlapping peptides and Elispot.
- 28% targeted one or more overlapping Tat peptides; 36%, Rev peptides; 33%, Vif peptides; 40%, Vpr peptides; and 2%, Vpu peptides.
- All known optimally defined epitopes were summarized for the five proteins.

HXB2 Location Vif (31–39)
Author Location Vif (31–39)

Epitope ISKKAKGWF

Immunogen

Species (MHC) human (B*5701)

Keywords optimal epitope

References Frahm *et al.* 2007

HXB2 Location Vif (31–39)

Author Location Vif

Epitope VSKKAKGWI

Epitope name VI9

Subtype B

Immunogen HIV-1 infection

Species (MHC) human (B57)

Donor MHC A1, A3, B7, B57, Cw6, Cw7

Country United States.

Assay type CD8 T-cell Elispot - IFN γ

Keywords subtype comparisons, escape, characterizing CD8+ T cells, reversion, viral fitness

References Allen *et al.* 2005a

- Two-thirds of all mutations arising in nonenvelope proteins during the transition from acute to chronic infection were found to be due to either CD8 T-cell-associated selective pressures or reversion of HLA-I-associated mutations selected in a previous host. The predominance of escape mutations at highly polymorphic sites was observed across different HIV-1 clades.
- One escape mutation, at position 1, Askkakwi, was found in the most polymorphic residue in the epitope.

HXB2 Location Vif (31–39)

Author Location

Epitope ISKKAKGWF

Immunogen HIV-1 infection

Species (MHC) human (B57, B*5801)

Assay type CD8 T-cell Elispot - IFN γ , Chromium-release assay

Keywords responses in children, mother-to-infant transmission, escape

References Feeney *et al.* 2005

- Escape mutations in TW10 and other B57-restricted epitopes were shown to arise early in infants following perinatal infection. Some escape variants were likely to have been transmitted vertically, from HLA-B57/5801 positive HIV-1 infected mothers, while others arose during infancy in cases where the children inherited the B57/5801 allele paternally. In contrast to adults, the majority of children showed a robust response to the escape variants, suggesting that infants are able to mount functional immune responses and drive immune escape and that a developing immune system may exhibit greater plasticity in recognizing viral variants.

HXB2 Location Vif (31–39)

Author Location

Epitope ISKKAKGWF

Subtype B

Immunogen HIV-1 infection

Species (MHC) human

Keywords epitope processing, escape

References Yusim *et al.* 2002

- Epitopes that have been described in the literature and included in this database tend to cluster in conserved regions and be absent or rarely found in highly variable regions in Nef, Env, and p17.
- While the uneven distribution of epitopes may be in part due to a limited cross-recognition of specific responses because of differences between peptides used to probe the immune response and autologous strains, regions with a paucity of defined epitopes also had higher frequencies of amino acids that tend to not be found in C-terminal positions of epitopes, and had lower cleavage prediction scores for epitope processing. This suggests that in the regions of the virus where variation is best tolerated traces of immune escape have left an imprint on the viral population. Epitopes also were concentrated in alpha-helix and turn regions in the proteins.
- In the more conserved p24, and Pol proteins RT and Protease, epitopes are more evenly distributed.
- What was learned from proteins where many epitopes have been defined (Gag, Pol, Env and Nef) was used to develop an algorithm to predict where epitopes would be localized in Rev, Tat, Vif, and Vpr. Predictions were made blinded, and then compared to the first 15 epitopes defined in these proteins; the epitopes were concentrated in the predicted regions.

HXB2 Location Vif (41–57)

Author Location (C consensus)

Epitope RHHYESRHPKVSSEVHI

Subtype C

Immunogen HIV-1 infection

Species (MHC) human (B*1510)

Country South Africa.

Assay type CD8 T-cell Elispot - IFN γ

Keywords rate of progression

References Kiepiela *et al.* 2007

- A comprehensive analysis of 160 class I T cell responses in 578 individuals from KwaZulu-Natal, South Africa was performed. Gag-specific responses were associated with lowering viremia, while Env, accessory and regulatory protein-specific responses were associated with higher viremia.

HXB2 Location Vif (48–57)

Author Location Vif (48–57 SF2)

Epitope HPRVSSEVHI

Epitope name HI10

Immunogen HIV-1 infection

Species (MHC) human (B*0702)

References Altfeld *et al.* 2001a

- CTL responses against HIV-1 Vpr, Vpu, and Vif were analyzed in multiple HIV-1-infected individuals.
- 10/29 (35%) individuals tested responded to Vif.
- This epitope was recognized by 3/8 individuals expressing B*0702 allele.
- HIV+ individual AC-06 was tested for reactive overlapping peptides spanning all HIV-1 proteins in an ELISPOT and was found to react with 12 peptides from 7 proteins, suggesting that the breadth of CTL responses are underestimated if accessory proteins are not included in the study.
- Overlapping Vif peptides HHYESTHPRVSSEVH and TH-PRVSSEVHIPLG both reacted with T-cells from AC-06 and contained epitope HPRVSSEVHI.

HXB2 Location Vif (48–57)

Author Location Vif (48–57)

Epitope HPRVSSEVHI

Subtype B

Immunogen HIV-1 infection

Species (MHC) human (B*0702)

Keywords early-expressed proteins

References Addo *et al.* 2002b

- CTL responses against regulatory and accessory proteins in 70 HIV-1 infected patients were studied using overlapping peptides and Elispot.
- 28% targeted one or more overlapping Tat peptides; 36%, Rev peptides; 33%, Vif peptides; 40%, Vpr peptides; and 2%, Vpu peptides.
- All known optimally defined epitopes were summarized for the five proteins.

HXB2 Location Vif (48–57)

Author Location Vif (48–57)

Epitope HPRVSSEVHI

Immunogen HIV-1 infection

Species (MHC) human (B*0702)

Keywords optimal epitope

References Frahm *et al.* 2007

HXB2 Location Vif (48–57)

Author Location (C consensus)

Epitope HPKVSSEVHI

Subtype C

Immunogen HIV-1 infection

Species (MHC) human (B*4201)

Country South Africa.

Assay type CD8 T-cell Elispot - IFN γ

Keywords characterizing CD8+ T cells

References Kiepiela *et al.* 2004

- HLA class I restricted CD8+ T-cell responses against HIV-1 were analyzed in African patients. Significantly more responses were shown to be HLA-B restricted. Viral load, CD4 count, and thus rate of disease progression were also associated with HLA-B alleles. In addition, the selection pressure imposed on HIV-1 by HLA-B alleles was shown to be substantially greater than by other alleles.
- This epitope was suggested to be the epitope within a longer reactive peptide based on correspondence with a known epitope in the HIV database. Also, a significantly higher frequency of people in the Durban cohort who reacted with the peptide had this HLA type.

HXB2 Location Vif (48–57)

Author Location (C consensus)

Epitope HPKVSSEVHI

Subtype C

Immunogen HIV-1 infection

Species (MHC) human (B*4201)

Country South Africa.

Assay type CD8 T-cell Elispot - IFN γ

Keywords rate of progression, optimal epitope

References Kiepiela *et al.* 2007

- A comprehensive analysis of 160 class I T cell responses in 578 individuals from KwaZulu-Natal, South Africa was performed. Gag-specific responses were associated with lowering viremia, while Env, accessory and regulatory protein-specific responses were associated with higher viremia.
- Mutational patterns in the H1 residue of HPKVSSEVHI are associated with the presence of the HLA presenting molecule in the host.

- HXB2 Location** Vif (48–57)
Author Location Vif (48–57)
Epitope HPRVSSEVHI
Epitope name B7-HI10
Subtype B
Immunogen HIV-1 infection
Species (MHC) human (B7)
Donor MHC A3, B7, Cw7
Keywords dynamics, supervised treatment interruptions (STI), acute/early infection
References Yu *et al.* 2002a
- CTL responses in 18 acutely HIV-infected HLA-A3 (n=7) or -B7 (n=4) or both -A3 and B7 (n=7) positive individuals were studied.
 - One individual, AC-06, was homozygous at all three class I alleles (A3, B7, Cw7), was treated during acute infection and had supervised treatment interruptions (STI). He had only two detectable CTL responses during acute infection, but after STI this broadened to 27 distinct epitopes including 15 restricted by HLA-A3, 11 by HLA-B7, and 1 by HLA-Cw7.
 - 0/11 HLA-B7 individuals had detectable B7-restricted responses to this epitope during acute infection – 10/15 of HLA-B7 epitopes tested were targeted by at least one person during acute infection. 2/4 individuals had detectable responses to this epitope after STI.

- HXB2 Location** Vif (48–57)
Author Location Vif (48–57)
Epitope HPRISSEVHI
Epitope name B7-HM0 Vif
Subtype B
Immunogen HIV-1 infection
Species (MHC) human (B7)
Assay type CD8 T-cell Elispot - IFN γ
Keywords supervised treatment interruptions (STI), escape, early treatment, superinfection
References Altfeld *et al.* 2002a
- An HIV+ individual given acute ARV and undergoing STI developed a strong CTL immune response, but despite this was shown to be superinfected with second B clade virus. Some epitope variants of the second infecting virus were resistant to the initial CTL response.
 - The second infecting strain had the variant hpKissevhi. The CTL response was equal against both variants, and declined over time.

- HXB2 Location** Vif (48–57)
Author Location (B consensus)
Epitope HPRISSEVHI
Epitope name HI10
Subtype B

- Immunogen** HIV-1 infection
Species (MHC) human (B7)
Donor MHC A03, B07, Cw7
Country United States.
Assay type Cytokine production, Intracellular cytokine staining, Chromium-release assay, Flow cytometric T-cell cytokine assay
Keywords assay standardization/improvement, memory cells, characterizing CD8+ T cells
References Lichterfeld *et al.* 2004c
- Using a flow-cytometric cytotoxicity assay based on caspase-3 activation in dying target cells, it was shown that the subset of HIV-1-specific CD8+ T cells secreting both IFN-gamma and TNF-alpha exhibit stronger cytotoxic activity than those secreting only IFN-gamma. These cells also exhibited stronger intracellular perforin expression. No association between HIV-1-specific CD8+ T-cell maturation phenotypes and intracellular perforin expression was found.
 - 1/9 individuals recognized this epitope.

- HXB2 Location** Vif (48–57)
Author Location (B consensus)
Epitope HPKISSEVHI
Epitope name HKI10
Subtype B
Immunogen HIV-1 infection
Species (MHC) human (B7)
Donor MHC A03, B07, Cw7
Assay type Cytokine production, Intracellular cytokine staining, Chromium-release assay, Flow cytometric T-cell cytokine assay
Keywords assay standardization/improvement, memory cells, characterizing CD8+ T cells
References Lichterfeld *et al.* 2004c
- Using a flow-cytometric cytotoxicity assay based on caspase-3 activation in dying target cells, it was shown that the subset of HIV-1-specific CD8+ T cells secreting both IFN-gamma and TNF-alpha exhibit stronger cytotoxic activity than those secreting only IFN-gamma. These cells also exhibited stronger intracellular perforin expression. No association between HIV-1-specific CD8+ T-cell maturation phenotypes and intracellular perforin expression was found.
 - 1/9 individuals recognized this epitope.

- HXB2 Location** Vif (48–57)
Author Location Vif
Epitope HPRISSEVHI
Epitope name HI10
Subtype B
Immunogen HIV-1 infection
Species (MHC) human (B7)
Donor MHC A1, A3, B7, B57, Cw6, Cw7
Country United States.
Assay type CD8 T-cell Elispot - IFN γ
Keywords subtype comparisons, escape, characterizing CD8+ T cells, reversion, viral fitness
References Allen *et al.* 2005a

- Two-thirds of all mutations arising in nonenvelope proteins during the transition from acute to chronic infection were found to be due to either CD8 T-cell-associated selective pressures or reversion of HLA-I-associated mutations selected in a previous host. The predominance of escape mutations at highly polymorphic sites was observed across different HIV-1 clades.
- One escape mutation, at position 2, hSrissevhi, was found not to correspond to the most polymorphic residue in the epitope.

HXB2 Location Vif (48–57)

Author Location

Epitope HPRVSSEVHI

Subtype B

Immunogen HIV-1 infection

Species (MHC) human

Keywords epitope processing, escape

References Yusim *et al.* 2002

- Epitopes that have been described in the literature and included in this database tend to cluster in conserved regions and be absent or rarely found in highly variable regions in Nef, Env, and p17.
- While the uneven distribution of epitopes may be in part due to a limited cross-recognition of specific responses because of differences between peptides used to probe the immune response and autologous strains, regions with a paucity of defined epitopes also had higher frequencies of amino acids that tend to not be found in C-terminal positions of epitopes, and had lower cleavage prediction scores for epitope processing. This suggests that in the regions of the virus where variation is best tolerated traces of immune escape have left an imprint on the viral population. Epitopes also were concentrated in alpha-helix and turn regions in the proteins.
- In the more conserved p24, and Pol proteins RT and Protease, epitopes are more evenly distributed.
- What was learned from proteins where many epitopes have been defined (Gag, Pol, Env and Nef) was used to develop an algorithm to predict where epitopes would be localized in Rev, Tat, Vif, and Vpr. Predictions were made blinded, and then compared to the first 15 epitopes defined in these proteins; the epitopes were concentrated in the predicted regions.

HXB2 Location Vif (54–63)

Author Location (C consensus)

Epitope EVHIPLGEAR

Subtype C

Immunogen HIV-1 infection

Species (MHC) human (A*6801)

Country South Africa.

Assay type CD8 T-cell Elispot - IFN γ

Keywords rate of progression

References Kiepiela *et al.* 2007

- A comprehensive analysis of 160 class I T cell responses in 578 individuals from KwaZulu-Natal, South Africa was performed. Gag-specific responses were associated with lowering viremia, while Env, accessory and regulatory protein-specific responses were associated with higher viremia.
- Mutational patterns in the R10 residue of EVHIPLGEAR are associated with the presence of the HLA presenting molecule in the host.
- EVHIPLGEAR not optimized.

HXB2 Location Vif (57–66)

Author Location Vif (57–66)

Epitope IPLGDAKLII

Immunogen

Species (MHC) human (B51)

Keywords optimal epitope

References Frahm *et al.* 2007

HXB2 Location Vif (57–66)

Author Location Vif (57–66)

Epitope IPLGDAKLII

Epitope name II10

Subtype B

Immunogen HIV-1 infection

Species (MHC) human (B51)

Donor MHC A*0201, A*0301, B*3501, B*51, Cw*04, Cw*06

Country United States.

Assay type CD8 T-cell Elispot - IFN γ , Intracellular cytokine staining, Chromium-release assay

Keywords escape, acute/early infection

References Bansal *et al.* 2005

- Patients with acute or early infection were shown to preferentially target variable peptides with higher entropy while those with chronic infection showed responses towards more conserved peptides with lower entropy. In longitudinally followed subjects, responses to variable proteins declined over time while responses to conserved proteins increased. The decline is suggested to be due to CTL escape.
- The peptide that carries this epitope was recognized at high levels early in infection, and the response to this epitope diminished over time. The epitope sequence varied between months 3 and 32.

HXB2 Location Vif (61–69)

Author Location Vif (61–69)

Epitope DAKLIITTY

Epitope name DY9

Subtype B

Immunogen HIV-1 infection

Species (MHC) human (B*3501)

Donor MHC A*0201, A*0301, B*3501, B*51, Cw*04, Cw*06

Country United States.

Assay type CD8 T-cell Elispot - IFN γ , Intracellular cytokine staining, Chromium-release assay

Keywords escape, acute/early infection

References Bansal *et al.* 2005

- Patients with acute or early infection were shown to preferentially target variable peptides with higher entropy while those with chronic infection showed responses towards more conserved peptides with lower entropy. In longitudinally followed subjects, responses to variable proteins declined over time while responses to conserved proteins increased. The decline is suggested to be due to CTL escape.
- The peptide that carries this epitope was recognized early in infection but the response diminished over time. A point mutation of epitope position 7 (T to K, DAKLIikTY) was detected at high frequency at a chronic infection timepoint, 34 months.

The K variant was an escape form, and had low avidity by gamma IFN Elispot.

- HXB2 Location** Vif (61–80)
Author Location Vif (61–80)
Epitope EARLVIKTYWGL0TGERDWH
Subtype C
Immunogen HIV-1 infection
Species (MHC) human
Keywords subtype comparisons
References Novitsky *et al.* 2002
- HLA, viral sequence, and Elispot data was obtained from 105 HIV-1 positive Botswanans; Elispot data was obtained from between 55 and 64 subjects for each HIV protein.
 - Nef and p24 had the highest percentage of reactive peptides, and p24 had the highest magnitude of HIV-1 responses.
 - This peptide was among the 28 most reactive C clade peptides from among over 350 tested spanning all HIV proteins.

- HXB2 Location** Vif (71–90)
Author Location Vif (71–90)
Epitope GLQTGERDWHLGHSVIEWR
Subtype C
Immunogen HIV-1 infection
Species (MHC) human
Keywords subtype comparisons
References Novitsky *et al.* 2002
- HLA, viral sequence, and Elispot data was obtained from 105 HIV-1 positive Botswanans; Elispot data was obtained from between 55 and 64 subjects for each HIV protein.
 - Nef and p24 had the highest percentage of reactive peptides, and p24 had the highest magnitude of HIV-1 responses.
 - This peptide was among the 28 most reactive C clade peptides from among over 350 tested spanning all HIV proteins.

- HXB2 Location** Vif (72–89)
Author Location (C consensus)
Epitope LQTGERDWHLGHSVIEW
Subtype C
Immunogen HIV-1 infection
Species (MHC) human (B*5703)
Country South Africa.
Assay type CD8 T-cell Elispot - IFN γ
Keywords rate of progression
References Kiepiela *et al.* 2007
- A comprehensive analysis of 160 class I T cell responses in 578 individuals from KwaZulu-Natal, South Africa was performed. Gag-specific responses were associated with lowering viremia, while Env, accessory and regulatory protein-specific responses were associated with higher viremia.

- HXB2 Location** Vif (73–81)
Author Location Vif (73–81)
Epitope HTGERDWHL
Subtype B
Immunogen HIV-1 infection
Species (MHC) human (B*35)
Donor MHC A*03, A*24, B*35, B*40
Country United States.
Assay type CD8 T-cell Elispot - IFN γ

Keywords acute/early infection, variant cross-recognition or cross-neutralization, superinfection

References Yang *et al.* 2005b

- An individual infected with a drug-resistant strain of HIV-1 subtype B with controlled viremia became superinfected with another subtype B strain. The second strain outgrew the first despite lower replication capacity and the same viral phenotype. The strains showed differences in their epitope sequences. The CTL responses to the first strain declined after superinfection, followed by some adaptation of targeting to the new epitopes of the second strain. Differences in the recognized epitopes were suggested to have contributed to the poor immune containment of the second strain.
- The response to this epitope, HTGERDWHL, was present before superinfection but waned afterward. The epitope from the first strain had the substitution hPgerdwhl, while the second strain matched the test peptide.

- HXB2 Location** Vif (79–87)
Author Location Vif (79–87)
Epitope WHLGHVSI
Immunogen HIV-1 infection
Species (MHC) human (B*1510)
Keywords optimal epitope
References Frahm *et al.* 2007

- HXB2 Location** Vif (79–87)
Author Location Nef (C consensus)
Epitope WHLGHVSI
Epitope name WI9
Subtype C
Immunogen HIV-1 infection
Species (MHC) human (B*1510)
Donor MHC A*2601, A*7401, B*0801, B*1510, Cw*0202, Cw*0801
Country South Africa.
Assay type CD8 T-cell Elispot - IFN γ
Keywords assay standardization/improvement, characterizing CD8+ T cells
References Kiepiela *et al.* 2004

- HLA class I restricted CD8+ T-cell responses against HIV-1 were analyzed in African patients. Significantly more responses were shown to be HLA-B restricted. Viral load, CD4 count, and thus rate of disease progression were also associated with HLA-B alleles. In addition, the selection pressure imposed on HIV-1 by HLA-B alleles was shown to be substantially greater than by other alleles.
- This epitope was one of two used to illustrate how specific epitopes were characterized with regard to defining the optimal epitope and the HLA restricting element. HLA allelic associations in the population with peptide recognition was generally high predictive of the epitope within the 15 mer.

- HXB2 Location** Vif (79–87)
Author Location (C consensus)
Epitope WHLGHVSI
Subtype C
Immunogen HIV-1 infection
Species (MHC) human (B*1510)

Country South Africa.

Assay type CD8 T-cell Elispot - IFN γ

Keywords characterizing CD8+ T cells

References Kiepiela *et al.* 2004

- HLA class I restricted CD8+ T-cell responses against HIV-1 were analyzed in African patients. Significantly more responses were shown to be HLA-B restricted. Viral load, CD4 count, and thus rate of disease progression were also associated with HLA-B alleles. In addition, the selection pressure imposed on HIV-1 by HLA-B alleles was shown to be substantially greater than by other alleles.
- This epitope was suggested to be the epitope within a longer reactive peptide based on correspondence with a known epitope in the HIV database. Also, a significantly higher frequency of people in the Durban cohort who reacted with the peptide had this HLA type.

HXB2 Location Vif (79–87)

Author Location (C consensus)

Epitope WHLGHGVS I

Subtype C

Immunogen HIV-1 infection

Species (MHC) human (B*1510)

Country South Africa.

Assay type CD8 T-cell Elispot - IFN γ

Keywords epitope processing, rate of progression, optimal epitope

References Kiepiela *et al.* 2007

- A comprehensive analysis of 160 class I T cell responses in 578 individuals from KwaZulu-Natal, South Africa was performed. Gag-specific responses were associated with lowering viremia, while Env, accessory and regulatory protein-specific responses were associated with higher viremia.
- Mutational patterns in the V7 residue of WHLGHGVS I are associated with the presence of the HLA presenting molecule in the host. Mutation of a residue outside of the optimized epitope is also associated with the HLA.

HXB2 Location Vif (79–87)

Author Location Vif (79–87)

Epitope WHLGHGVS I

Subtype C

Immunogen HIV-1 infection

Species (MHC) human (B*1510)

Assay type Other

Keywords epitope processing, HLA associated polymorphism

References Boutwell & Essex 2007

- All HIV-1 subtype C protein sequences were analysed, and 94 HLA-associated amino acid polymorphisms were found that were well distributed throughout the proteome. These sequences were compiled from publicly available databases and originated in South Africa and Botswana. Many polymorphisms were associated with multiple HLA allele classes. 12% of negative associations were found as well, where there was an association of virus expression of the consensus amino acid with a specific HLA allele. HLA-B alleles were involved in most of the associations. 19 HLA-associated polymorphisms were embedded in previously defined epitopes presented by an appropriate HLA restricting molecule.

- WHLGHGVS I was a previously defined B*1510 presented epitope that was associated with a polymorphism, dIWHLGHGVS I, in the first position before that epitope. This epitope was embedded in a previously identified CTL immunoreactive region.

HXB2 Location Vif (79–87)

Author Location Vif (79–87)

Epitope WHLGQGVSI

Immunogen HIV-1 infection

Species (MHC) human (B*3801)

Keywords optimal epitope

References Frahm *et al.* 2007

HXB2 Location Vif (85–102)

Author Location (C consensus)

Epitope VSIEWRLRRYSTQVDPGL

Subtype C

Immunogen HIV-1 infection

Species (MHC) human (B*18)

Country South Africa.

Assay type CD8 T-cell Elispot - IFN γ

Keywords rate of progression

References Kiepiela *et al.* 2007

- A comprehensive analysis of 160 class I T cell responses in 578 individuals from KwaZulu-Natal, South Africa was performed. Gag-specific responses were associated with lowering viremia, while Env, accessory and regulatory protein-specific responses were associated with higher viremia.

HXB2 Location Vif (101–109)

Author Location Vif (101–)

Epitope GLADQLIHL

Epitope name Vif101(9L)

Immunogen HIV-1 infection, vaccine, computer prediction
Vector/Type: peptide *Adjuvant:* Incomplete Freund's Adjuvant (IFA)

Species (MHC) human, transgenic mouse (A2)

Assay type CD8 T-cell Elispot - IFN γ , Chromium-release assay, Flow cytometric T-cell cytokine assay

Keywords binding affinity, subtype comparisons, computational epitope prediction

References Corbet *et al.* 2003

- HLA-A2-restricted HIV-1 CTL epitopes were computationally predicted. Binding affinities for HLA-A*0204, immunogenicity in HLA-A*0201 transgenic mice, and responses to the peptides in 17 HIV-1 infected patients were tested. 31 novel conserved A2 epitopes were detected. An average of 4 epitopes were recognized per patient.
- This peptide was a good A2 binder that induced CTL and CD8+ T-cell IFN gamma responses in mice. Responses were detected in 3/17 HIV+ HLA-A2 subjects.
- The variant gladqlihM was an intermediate A2 binder, but still could stimulate a response in HLA-A2 transgenic mice. It was not recognized by the 3 people who recognized with GLADQLIHL.

HXB2 Location Vif (101–110)

Author Location Vif

Epitope DLADQLIHLY

- Epitope name** 1237
Subtype multiple
Immunogen HIV-1 infection
Species (MHC) human (A2)
Donor MHC A02, A30, B39; A01, A02, B08, Cw16
Assay type T-cell Elispot
Keywords binding affinity, computational epitope prediction
References De Groot *et al.* 2003
- Epitopes defined using sequence parsing and matching algorithm Conservatrix, and epitope prediction tool EpiMatrix, were shown to be conserved in a broad range of HIV-1 sequences derived from different parts of the world. 31 novel highly conserved HIV-1 epitopes were found, among which four were recognized as promiscuous epitopes and five as MHC supertypes.
 - Estimated binding probability for DLADQLIHLHY: 54%

- HXB2 Location** Vif (102–111)
Author Location Vif (102–111 SF2)
Epitope LADQLIHLHY
Immunogen HIV-1 infection
Species (MHC) human (B*1801)
References Altfeld *et al.* 2001a
- CTL responses against HIV-1 Vpr, Vpu, and Vif were analyzed in multiple HIV-1-infected individuals.
 - 10/29 (35%) individuals tested responded to Vif.
 - This epitope was recognized by 2/5 individuals expressing B*1801 allele.

- HXB2 Location** Vif (102–111)
Author Location Vif (102–111)
Epitope LADQLIHLHY
Subtype B
Immunogen HIV-1 infection
Species (MHC) human (B*1801)
Keywords early-expressed proteins
References Addo *et al.* 2002b
- CTL responses against regulatory and accessory proteins in 70 HIV-1 infected patients were studied using overlapping peptides and Elispot.
 - 28% targeted one or more overlapping Tat peptides; 36%, Rev peptides; 33%, Vif peptides; 40%, Vpr peptides; and 2%, Vpu peptides.
 - All known optimally defined epitopes were summarized for the five proteins.

- HXB2 Location** Vif (102–111)
Author Location Vif (102–111)
Epitope LADQLIHLHY
Immunogen HIV-1 infection
Species (MHC) human (B*1801)
Keywords optimal epitope
References Frahm *et al.* 2007

- HXB2 Location** Vif (102–111)
Author Location Vif (102–110)
Epitope LADQLIHLHY
Epitope name LY10
Subtype B

- Immunogen** HIV-1 infection
Species (MHC) human (B18)
Donor MHC A2, A11, B18, B44, Cw5, Cw12
Country United States.
Assay type CD8 T-cell Elispot - IFN γ , Intracellular cytokine staining, Flow cytometric T-cell cytokine assay
Keywords optimal epitope
References Allen *et al.* 2005b
- 4/14 optimal HIV-1 T-cell epitopes in a subject underwent mutation associated with dramatic loss of the original CD8 response. For 1 of the escape variants, a novel CD8 T-cell response equal in magnitude to the wildtype, was generated. CD8 T-cell recognizing the variant epitope utilized a distinct T-cell receptor and did not exhibit any cross-reactivity against the wildtype.
 - This epitope did not vary.

- HXB2 Location** Vif (102–111)
Author Location Vif (102–110)
Epitope LADQLIHLHY
Subtype B
Immunogen HIV-1 infection
Species (MHC) human (B18)
Donor MHC A2, A11, B18, B44, Cw5, Cw12
Country United States.
Assay type CD8 T-cell Elispot - IFN γ
References Allen *et al.* 2005a
- Two-thirds of all mutations arising in nonenvelope proteins during the transition from acute to chronic infection were found to be due to either CD8 T-cell-associated selective pressures or reversion of HLA-I-associated mutations selected in a previous host. The predominance of escape mutations at highly polymorphic sites was observed across different HIV-1 clades.
 - This epitope was reactive, but escape mutations did not accrue in it over time.

- HXB2 Location** Vif (102–111)
Author Location
Epitope LADQLIHLHY
Subtype B
Immunogen HIV-1 infection
Species (MHC) human
Keywords epitope processing, escape
References Yusim *et al.* 2002
- Epitopes that have been described in the literature and included in this database tend to cluster in conserved regions and be absent or rarely found in highly variable regions in Nef, Env, and p17.
 - While the uneven distribution of epitopes may be in part due to a limited cross-recognition of specific responses because of differences between peptides used to probe the immune response and autologous strains, regions with a paucity of defined epitopes also had higher frequencies of amino acids that tend to not be found in C-terminal positions of epitopes, and had lower cleavage prediction scores for epitope processing. This suggests that in the regions of the virus where variation is best tolerated, traces of immune escape have left an imprint on the viral population. Epitopes also were concentrated in alpha-helix and turn regions in the proteins.

- In the more conserved p24, and Pol proteins RT and Protease, epitopes are more evenly distributed.
- What was learned from proteins where many epitopes have been defined (Gag, Pol, Env and Nef) was used to develop an algorithm to predict where epitopes would be localized in Rev, Tat, Vif, and Vpr. Predictions were made blinded, and then compared to the first 15 epitopes defined in these proteins; the epitopes were concentrated in the predicted regions.

HXB2 Location Vif (106–123)

Author Location (C consensus)

Epitope LIHMHYFDCFADSAIRKA

Subtype C

Immunogen HIV-1 infection

Species (MHC) human (A*6801)

Country South Africa.

Assay type CD8 T-cell Elispot - IFN γ

Keywords rate of progression

References Kiepiela *et al.* 2007

- A comprehensive analysis of 160 class I T cell responses in 578 individuals from KwaZulu-Natal, South Africa was performed. Gag-specific responses were associated with lowering viremia, while Env, accessory and regulatory protein-specific responses were associated with higher viremia.

HXB2 Location Vif (127–135)

Author Location Vif

Epitope HIVSPRCEY

Epitope name HY9

Subtype B

Immunogen HIV-1 infection

Species (MHC) human (A29)

Donor MHC A28, A29, B14, B44, Cw8

Country United States.

Assay type CD8 T-cell Elispot - IFN γ

Keywords subtype comparisons, escape, characterizing CD8+ T cells, reversion, viral fitness

References Allen *et al.* 2005a

- Two-thirds of all mutations arising in nonenvelope proteins during the transition from acute to chronic infection were found to be due to either CD8 T-cell-associated selective pressures or reversion of HLA-I-associated mutations selected in a previous host. The predominance of escape mutations at highly polymorphic sites was observed across different HIV-1 clades.
- One escape mutation, at position 3, HIgSPRCEY, was found not to correspond to the most polymorphic residue in the epitope.

HXB2 Location Vif (127–135)

Author Location Vif (125–135)

Epitope HIVSPRCEY

Immunogen HIV-1 infection

Species (MHC) human

Donor MHC 1261: A*0201, A29, B58, B62, Cw*0304, Cw*1601

Assay type CD8 T-cell Elispot - IFN γ

Keywords binding affinity, acute/early infection, early-expressed proteins

References Cao *et al.* 2003

- CTL epitope responses were mapped in 21 men within 15–92 days post-HIV-1 infection. Subjects initially showed narrow immune responses with a mean of 2.3 epitopes recognized per patient. The immune response broadened later in infection. No correlation between the plasma viral load and the number of recognized epitopes or the frequency of IFN-gamma secreting cells was observed, and there was no correlation between the functional avidity of a response and the abundance of IFN-secreting cells that recognized the epitope. The first epitopes to be recognized tended not to be the most avid, and earliest responses tended to be directed against Nef, Tat, Vpr, and Env.
- All HIV-1 proteins except Vpu were recognized, and a response to a total of 41 optimal epitopes was characterized; 24 had been identified previously. 48% of the total T-cell responses were directed against Nef and 43% were directed against Gag.
- More common HLA alleles were less frequently used in primary infection than less common alleles, for example A3, B35, B57, and B62 were more frequently recognized than A1, A2, A30, and A44.

HXB2 Location Vif (149–157)

Author Location Vif (149–)

Epitope ALAALITPK

Epitope name Vif149

Immunogen HIV-1 infection, vaccine

Vector/Type: peptide *HIV component:* Vif

Adjuvant: Incomplete Freund's Adjuvant (IFA)

Species (MHC) human, transgenic mouse (A2)

Keywords binding affinity, subtype comparisons, computational epitope prediction

References Corbet *et al.* 2003

- HLA-A2-restricted HIV-1 CTL epitopes were computationally predicted. Binding affinities for HLA-A*0204, immunogenicity in HLA-A*0201 transgenic mice, and responses to the peptides in 17 HIV-1 infected patients were tested. 31 novel conserved A2 epitopes were detected. An average of 4 epitopes were recognized per patient.
- This peptide was a good A2 binder, and induced CTL and CD8+ T-cell IFN gamma responses in mice. Responses were detected in 1/17 HIV+ HLA-A2 subjects.

HXB2 Location Vif (151–168)

Author Location (C consensus)

Epitope TALIKPKKIKPPLPSVRK

Subtype C

Immunogen HIV-1 infection

Species (MHC) human (Cw*1701)

Country South Africa.

Assay type CD8 T-cell Elispot - IFN γ

Keywords rate of progression

References Kiepiela *et al.* 2007

- A comprehensive analysis of 160 class I T cell responses in 578 individuals from KwaZulu-Natal, South Africa was performed. Gag-specific responses were associated with lowering viremia, while Env, accessory and regulatory protein-specific responses were associated with higher viremia.

HXB2 Location Vif (158–166)

Author Location Vif (158–)
Epitope KIKPPLPSV
Epitope name Vif158(2I)
Immunogen HIV-1 infection, vaccine
Vector/Type: peptide *HIV component:* Vif
Adjuvant: Incomplete Freund's Adjuvant (IFA)
Species (MHC) human, transgenic mouse (A2)
Assay type CD8 T-cell Elispot - IFN γ , Chromium-release assay, Flow cytometric T-cell cytokine assay
Keywords binding affinity, subtype comparisons, computational epitope prediction
References Corbet *et al.* 2003

- HLA-A2-restricted HIV-1 CTL epitopes were computationally predicted. Binding affinities for HLA-A*0204, immunogenicity in HLA-A*0201 transgenic mice, and responses to the peptides in 17 HIV-1 infected patients were tested. 31 novel conserved A2 epitopes were detected. An average of 4 epitopes were recognized per patient.
- This peptide was a good A2 binder, and induced CD8+ T-cell IFN gamma responses in mice. Responses were detected in 1/17 HIV+ HLA-A2 subjects.
- The substitution kTkplpsv was also a good binder, but did not elicit a response in transgenic mice, and no response to this variant was detected among the 17 HIV+ people tested.

HXB2 Location Vif (158–168)
Author Location Vif (158–168)
Epitope KTKPPLPSVKK
Subtype B
Immunogen HIV-1 infection
Species (MHC) human (A*0301)
Keywords early-expressed proteins
References Addo *et al.* 2002b

- CTL responses against regulatory and accessory proteins in 70 HIV-1 infected patients were studied using overlapping peptides and Elispot.
- 28% targeted one or more overlapping Tat peptides; 36%, Rev peptides; 33%, Vif peptides; 40%, Vpr peptides; and 2%, Vpu peptides.
- All known optimally defined epitopes were summarized for the five proteins.

HXB2 Location Vif (158–168)
Author Location Vif (158–168)
Epitope KTKPPLPSVKK
Immunogen HIV-1 infection
Species (MHC) human (A*0301)
Keywords optimal epitope
References Frahm *et al.* 2007

HXB2 Location Vif (158–168)
Author Location (B consensus)
Epitope KTKPPLPSVKK
Epitope name KK11
Immunogen HIV-1 infection
Species (MHC) human (A11)
Donor MHC A02, A11, B18, B44, Cw5, Cw12
Country United States.

Assay type Cytokine production, Intracellular cytokine staining, Chromium-release assay, Flow cytometric T-cell cytokine assay

Keywords assay standardization/improvement, memory cells, characterizing CD8+ T cells

References Lichterfeld *et al.* 2004c

- Using a flow-cytometric cytotoxicity assay based on caspase-3 activation in dying target cells, it was shown that the subset of HIV-1-specific CD8+ T cells secreting both IFN-gamma and TNF-alpha exhibit stronger cytotoxic activity than those secreting only IFN-gamma. These cells also exhibited stronger intracellular perforin expression. No association between HIV-1-specific CD8+ T-cell maturation phenotypes and intracellular perforin expression was found.
- 1/9 individuals recognized this epitope.

HXB2 Location Vif (158–168)

Author Location Vif (158–168)

Epitope KTKPPLPSVKK

Epitope name A3-KK11

Subtype B

Immunogen HIV-1 infection

Species (MHC) human (A3)

Donor MHC A3, B7, Cw7

Keywords dynamics, supervised treatment interruptions (STI), acute/early infection

References Yu *et al.* 2002a

- CTL responses in 18 acutely HIV-infected HLA-A3 (n=7) or -B7 (n=4) or both -A3 and B7 (n=7) positive individuals were studied.
- One individual, AC-06, was homozygous at all three class I alleles (A3, B7, Cw7), was treated during acute infection and had supervised treatment interruptions (STI). He had only two detectable CTL responses during acute infection, but after STI this broadened to 27 distinct epitopes including 15 restricted by HLA-A3, 11 by HLA-B7, and 1 by HLA-Cw7.
- 0/14 HLA-A3 positive individuals had detectable A3-restricted responses to this epitope during acute infection, but only 5/15 of HLA-A3 epitopes tested were targeted during acute infection. 2/7 individuals had detectable responses to this epitope after STI.

HXB2 Location Vif (158–168)

Author Location Vif (158–168)

Epitope RRPPLPSIAK

Subtype B

Immunogen HIV-1 infection

Species (MHC) human (A3)

Country United States.

Assay type CD8 T-cell Elispot - IFN γ

Keywords supervised treatment interruptions (STI), escape, superinfection

References Altfeld *et al.* 2002a

- An HIV+ individual given acute ARV and undergoing STI developed a strong CTL immune response to 25 distinct epitopes, but despite this was shown to be superinfected with second B clade virus. Some epitope variants of the second infecting virus were resistant to the initial CTL response.

- The second infecting strain had the variant rTkppplsVTK. The patient maintained persistent reactive CTL against both variants after the superinfection was established.

HXB2 Location Vif (158–168)
Author Location Vif
Epitope RIKPPLPSVTK
Subtype B
Immunogen HIV-1 infection
Species (MHC) human (A3)
Donor MHC A1, A3, B7, B57, Cw6, Cw7
Country United States.
Assay type CD8 T-cell Elispot - IFN γ
Keywords subtype comparisons, escape, characterizing CD8+ T cells, reversion, viral fitness
References Allen *et al.* 2005a

- Two-thirds of all mutations arising in nonenvelope proteins during the transition from acute to chronic infection were found to be due to either CD8 T-cell-associated selective pressures or reversion of HLA-I-associated mutations selected in a previous host. The predominance of escape mutations at highly polymorphic sites was observed across different HIV-1 clades.
- RIKPPLPSVTK had two mutations overtime, in positions 1 and 10: KikpplpsvKk

HXB2 Location Vif (158–168)
Author Location Vif
Epitope KIKPPLPSVTK
Epitope name KK11
Subtype B
Immunogen HIV-1 infection
Species (MHC) human (A3)
Donor MHC A1, A3, B7, B57, Cw6, Cw7
Country United States.
Assay type CD8 T-cell Elispot - IFN γ
Keywords subtype comparisons, escape, characterizing CD8+ T cells, reversion, viral fitness
References Allen *et al.* 2005a

- Two-thirds of all mutations arising in nonenvelope proteins during the transition from acute to chronic infection were found to be due to either CD8 T-cell-associated selective pressures or reversion of HLA-I-associated mutations selected in a previous host. The predominance of escape mutations at highly polymorphic sites was observed across different HIV-1 clades.
- One escape mutation, at position 10, KIKPPLPSVkk, was found in the most polymorphic residue in the epitope.

HXB2 Location Vif (160–169)
Author Location Vif
Epitope KPPLPSVKKL
Immunogen
Species (MHC) human (B7)
References De Groot *et al.* 2001

- The program EpiMatrix was used in conjunction with the program Conservatrix to identify conserved regions of HIV that might serve as epitopes.
- A subset of the potential epitopes was identified that could bind to the appropriate HLA-allele, and 15 predicted B7 superfamily (HLA B7, B8, and B58) epitopes could stimulate IFN γ production in an ELISPOT assay.

- KPPLPSVKKL was newly identified as an HLA-B7 epitope in this study.

HXB2 Location Vif (160–169)
Author Location Vif
Epitope KPPLPSVKKL
Epitope name 1296
Subtype multiple
Immunogen HIV-1 infection
Species (MHC) human (B7)
Donor MHC A03, A24, B07, B38, Cw07, Cw12/13
Country United States.
Assay type T-cell Elispot
Keywords binding affinity, computational epitope prediction
References De Groot *et al.* 2003

- Epitopes defined using sequence parsing and matching algorithm Conservatrix, and epitope prediction tool EpiMatrix, were shown to be conserved in a broad range of HIV-1 sequences derived from different parts of the world. 31 novel highly conserved HIV-1 epitopes were found, among which four were recognized as promiscuous epitopes and five as MHC supertypes.
- Estimated binding probability for KPPLPSVKKL: 23%

HXB2 Location Vif (168–176)
Author Location Vif
Epitope KLTEDRWNK
Epitope name 1344
Subtype multiple
Immunogen HIV-1 infection
Species (MHC) human (A3)
Donor MHC A03, A24, B27, B57, Cw13, Cw18
Country United States.
Assay type T-cell Elispot
Keywords binding affinity, computational epitope prediction
References De Groot *et al.* 2003

- Epitopes defined using sequence parsing and matching algorithm Conservatrix, and epitope prediction tool EpiMatrix, were shown to be conserved in a broad range of HIV-1 sequences derived from different parts of the world. 31 novel highly conserved HIV-1 epitopes were found, among which four were recognized as promiscuous epitopes and five as MHC supertypes.
- Estimated binding probability for KLTEDRWNK: 54%

HXB2 Location Vif
Author Location Vif
Epitope
Immunogen vaccine
Vector/Type: DNA *HIV component:* Nef, Vif, Vpu
Species (MHC) mouse (H-2^d)
Keywords subtype comparisons, Th1
References Ayyavoo *et al.* 2000

- Splenocytes from BALB/c mice immunized with pVVN-P DNA were incubated with Vif, Vpu or Nef antigens for 3 days and assayed for IL-4 and IFN-gamma levels.

- Antigen stimulation increased IFN-gamma production in pVVN-P immunized mice, indicating a Th1 response.
- IL-4 production was not significantly changed after antigen stimulation compared to control levels.
- Cross-clade CTL activity was also observed: A, B clade, CRF01(AE) clade antigens could serve as targets for the B clade immunization-stimulated CTL – an HIV-1 AC recombinant, however, did not stimulate a CTL response, but was expressed at lower levels on the target cell.

HXB2 Location Vif

Author Location Vif

Epitope

Immunogen vaccine

Vector/Type: DNA *HIV component:* Nef, Vif, Vpu

Species (MHC) mouse (H-2^d)

Keywords subtype comparisons, Th1

References Ayyavoo *et al.* 2000

- Splenocytes from BALB/c mice immunized with pVVN-P DNA were incubated with Vif, Vpu or Nef antigens for 3 days and assayed for IL-4 and IFN-gamma levels.
- Antigen stimulation increased IFN-gamma production in pVVN-P immunized mice, indicating a Th1 response.
- IL-4 production was not significantly changed after antigen stimulation compared to control levels.
- Cross-clade CTL activity was also observed: A, B clade, CRF01(AE) clade antigens could serve as targets for the B clade immunization-stimulated CTL – an HIV-1 AC recombinant, however, did not stimulate a CTL response, but was expressed at lower levels on the target cell.

HXB2 Location Vif

Author Location Vif

Epitope

Immunogen vaccine

Vector/Type: DNA *HIV component:* Env, Gag, Pol, Vif *Adjuvant:* B7, IL-12

Species (MHC) mouse

References Kim *et al.* 1997c

- A gag/pol, vif or env DNA vaccine, when delivered in conjunction with the plasmid encoding the co-stimulatory molecules B7 and IL-12, gave a dramatic increase in both the cytotoxic and proliferative responses in mice.
- When IL-12 was present, CTL response could be detected even without *in vitro* stimulation.

II-B-17 Vpr CTL/CD8+ epitopes

HXB2 Location Vpr (1–18)

Author Location Vpr

Epitope MEQAPENQGLQREPYNW

Subtype B

Immunogen HIV-1 infection

Species (MHC) human

Donor MHC A28, A29, B14, B44, Cw8

Country United States.

Assay type CD8 T-cell Elispot - IFN γ

Keywords subtype comparisons, escape, characterizing CD8+ T cells, reversion, viral fitness

References Allen *et al.* 2005a

- Two-thirds of all mutations arising in nonenvelope proteins during the transition from acute to chronic infection were found to be due to either CD8 T-cell-associated selective pressures or reversion of HLA-I-associated mutations selected in a previous host. The predominance of escape mutations at highly polymorphic sites was observed across different HIV-1 clades.
- Novel unmapped epitope. A mutation occurred over time in an individual that reacted to this peptide: MEQAPENQGPQREPYNW.

HXB2 Location Vpr (9–20)

Author Location Tat

Epitope APQGHNNQVSI

Epitope name AII2

Subtype B

Immunogen HIV-1 infection

Species (MHC) human

Donor MHC A2, B7, B44, Cw5, Cw7

Country United States.

Assay type CD8 T-cell Elispot - IFN γ

Keywords subtype comparisons, escape, characterizing CD8+ T cells, reversion, viral fitness

References Allen *et al.* 2005a

- Two-thirds of all mutations arising in nonenvelope proteins during the transition from acute to chronic infection were found to be due to either CD8 T-cell-associated selective pressures or reversion of HLA-I-associated mutations selected in a previous host. The predominance of escape mutations at highly polymorphic sites was observed across different HIV-1 clades.
- One escape mutation, at position 4, APQdHPNNQVSI, was found not to correspond to the most polymorphic residue in the epitope. This is a novel unmapped epitope.

HXB2 Location Vpr (9–26)

Author Location (C consensus)

Epitope GPQREPYNWTLLELEEL

Subtype C

Immunogen HIV-1 infection

Species (MHC) human (Cw*0704)

Country South Africa.

Assay type CD8 T-cell Elispot - IFN γ

Keywords rate of progression

References Kiepiela *et al.* 2007

- A comprehensive analysis of 160 class I T cell responses in 578 individuals from KwaZulu-Natal, South Africa was performed. Gag-specific responses were associated with lowering viremia, while Env, accessory and regulatory protein-specific responses were associated with higher viremia.

HXB2 Location Vpr (12–20)

Author Location Vpr (12–20 SF2)

Epitope REPHNEWTL

Immunogen HIV-1 infection

Species (MHC) human (B*4002)

Keywords acute/early infection

References Altfeld *et al.* 2001a

- CTL responses against HIV-1 Vpr, Vpu, and Vif were analyzed in multiple HIV-1-infected individuals.
- Individuals with long-term nonprogressive and treated chronic HIV-1 infection targeted Vpr more frequently than individuals with treated acute infection.
- Only one B*4002+ individual was tested, and had a CTL response against REPHNEWTL.
- Vpr is a frequent target of HIV-1 specific CD8+ T-cells – a response was detected in 45% of individuals tested and Vpr and p17 were the most preferentially targeted proteins per unit length by CD8+ T-cells.

HXB2 Location Vpr (12–20)

Author Location Vpr (12–20)

Epitope REPHNEWTL

Subtype B

Immunogen HIV-1 infection

Species (MHC) human (B*4002)

Keywords early-expressed proteins

References Addo *et al.* 2002b

- CTL responses against regulatory and accessory proteins in 70 HIV-1 infected patients were studied using overlapping peptides and Elispot.
- 28% targeted one or more overlapping Tat peptides; 36%, Rev peptides; 33%, Vif peptides; 40%, Vpr peptides; and 2%, Vpu peptides.
- All known optimally defined epitopes were summarized for the five proteins.

HXB2 Location Vpr (12–20)

Author Location

Epitope REPHNEWTL

Subtype B

Immunogen HIV-1 infection

Species (MHC) human

Keywords epitope processing, escape

References Yusim *et al.* 2002

- Epitopes that have been described in the literature and included in this database tend to cluster in conserved regions and be absent or rarely found in highly variable regions in Nef, Env, and p17.
- While the uneven distribution of epitopes may be in part due to a limited cross-recognition of specific responses because of differences between peptides used to probe the immune response and autologous strains, regions with a paucity of defined epitopes also had higher frequencies of amino acids that tend to not be found in C-terminal positions of epitopes, and had lower cleavage prediction scores for epitope processing. This suggests that in the regions of the virus where variation is best tolerated, traces of immune escape have left an imprint on the viral population. Epitopes also were concentrated in alpha-helix and turn regions in the proteins.
- In the more conserved p24, and Pol proteins RT and Protease, epitopes are more evenly distributed.
- What was learned from proteins where many epitopes have been defined (Gag, Pol, Env and Nef) was used to develop an algorithm to predict where epitopes would be localized in Rev, Tat, Vif, and Vpr. Predictions were made blinded, and then compared to the first 15 epitopes defined in these proteins; the epitopes were concentrated in the predicted regions.

HXB2 Location Vpr (19–28)

Author Location Vpr

Epitope TLEILEELKN

Epitope name TN10

Subtype B

Immunogen HIV-1 infection

Species (MHC) human (A3?)

Donor MHC A1, A3, B7, B57, Cw6, Cw7

Country United States.

Assay type CD8 T-cell Elispot - IFN γ

Keywords subtype comparisons, escape, characterizing CD8+ T cells, reversion, viral fitness

References Allen *et al.* 2005a

- Two-thirds of all mutations arising in nonenvelope proteins during the transition from acute to chronic infection were found to be due to either CD8 T-cell-associated selective pressures or reversion of HLA-I-associated mutations selected in a previous host. The predominance of escape mutations at highly polymorphic sites was observed across different HIV-1 clades.
- One mutation, at position 1, Aleileelkn, occurred over time. This is a novel unmapped epitope.

HXB2 Location Vpr (25–40)

Author Location Vpr (25–40 HXB2)

Epitope ELKNEAVRHFPRIWLH

Subtype B

Immunogen HIV-1 infection

Species (MHC) human

Assay type T-cell Elispot

Keywords supervised treatment interruptions (STI), immunodominance, early treatment

References Addo *et al.* 2003

- Comprehensive Elispot screening of 504 overlapping peptides that spanned all HIV-1 proteins in 57 HIV-1 infected individuals. Four groups of patients were compared: 23 were untreated; 12 patients were chronically infected and treated; 22 started treatment during acute infection, 11 continuously treated and 11 with STI.
- 63% of the peptides were recognized - the most frequent responses were directed against Nef (95%) and p24-Gag (88%). p17 was the most frequently recognized protein after correction for protein length. A median of 18 peptides (range 2-42) were recognized per person. The most frequently (>20%) recognized peptides were located in conserved regions within clade B sequences. Vpu was rarely recognized.
- A decrease in the total magnitude and in the breadth of CTL responses was detected in patients with treated acute infection in comparison to chronically infected treated or untreated individuals. No correlation between plasma viral load and HIV-1 specific T-cell responses was observed.
- Responses to this peptide were detected in 17% of the study subjects, and it was one of the 25 most frequently recognized peptides.

HXB2 Location Vpr (29–37)

Author Location Vpr (29–37 2001 HIV-1 subtype B cons)

Epitope EAVRHFPRI

Epitope name EI9

Subtype B

Immunogen HIV-1 infection

- Species (MHC)** human (B*5101)
Donor MHC A*0201, A*2501, B*1801, B*5101, Cw*0102, Cw*1203
Assay type CD8 T-cell Elispot - IFN γ
Keywords escape, immune evasion, optimal epitope, HIV-1
References Liu *et al.* 2006
- T-cell immunity and the impact of selection were longitudinally studied in a patient from the time of transmission. New epitopes were detected at sites that were shown to be under positive selection. Env was found to be the major target of CTLs and most of the new epitopes were found here. One third of the sites examined were associated with epitope escape mutations from CTL. Acquisition of mutations found at high frequency in the database was suggested to be a result of reversion of CTL epitopes in the absence of immune targeting.
 - Last position (9) in the epitope had potentially experienced positive selection. EAVRHFPRT and EAVRHFPRI escape variants were found.
- HXB2 Location** Vpr (29–37)
Author Location Vpr (29–37)
Epitope EAVRHFPRI
Immunogen
Species (MHC) human (B51)
Keywords optimal epitope
References Frahm *et al.* 2007
- HXB2 Location** Vpr (29–37)
Author Location Vpr (29–37 B)
Epitope EAVRHFPRI
Immunogen HIV-1 infection
Species (MHC) human (B51)
Donor MHC A*0201, A*2501, B18, B51, Cw*0102, Cw*1203
Assay type CD8 T-cell Elispot - IFN γ
Keywords binding affinity, acute/early infection, early-expressed proteins
References Cao *et al.* 2003
- CTL epitope responses were mapped in 21 men within 15–92 days post-HIV-1 infection. Subjects initially showed narrow immune responses with a mean of 2.3 epitopes recognized per patient. The immune response broadened later in infection. No correlation between the plasma viral load and the number of recognized epitopes or the frequency of IFN-gamma secreting cells was observed, and there was no correlation between the functional avidity of a response and the abundance of IFN-secreting cells that recognized the epitope. The first epitopes to be recognized tended not to be the most avid, and earliest responses tended to be directed against Nef, Tat, Vpr, and Env.
 - All HIV-1 proteins except Vpu were recognized, and a response to a total of 41 optimal epitopes were characterized; 24 had been identified previously. 48% of the total T-cell responses were directed against Nef and 43% were directed against Gag.
 - More common HLA alleles were less frequently used in primary infection than less common alleles, for example A3, B35, B57, and B62 were more frequently recognized than A1, A2, A30, and A44.
- HXB2 Location** Vpr (29–37)
Author Location Vpr (29–37)
Epitope EAVRHFPRI
Species (MHC) (B51)
Keywords review, immunodominance, escape, acute/early infection, early-expressed proteins, kinetics, reversion, viral fitness
References Lichterfeld *et al.* 2005
- This review discusses the importance of 3 factors that impact the selection of immunodominant epitopes in acute HIV infection: i) the kinetics of viral protein expression, ii) the HLA class I background of the infected individual, and iii) the autologous sequence of the infecting virus. This is 1 of 12 peptides listed as immunodominant in acute HIV-1 infection.
- HXB2 Location** Vpr (30–38)
Author Location Vpr (29–38 SF2)
Epitope AVRHFPRIW
Immunogen HIV-1 infection
Species (MHC) human (B*5701)
Keywords acute/early infection
References Altfeld *et al.* 2001a
- CTL responses against HIV-1 Vpr, Vpu, and Vif were analyzed in multiple HIV-1-infected individuals.
 - This epitope was recognized by 4/6 individuals expressing B*5701 allele.
 - Individuals with long-term nonprogressive and treated chronic HIV-1 infection targeted Vpr more frequently than individuals with treated acute infection.
 - Vpr is a frequent target of HIV-1 specific CD8+ T-cells – a response was detected in 45% of individuals tested and Vpr and p17 were the most preferentially targeted proteins per unit length by CD8+ T-cells.
- HXB2 Location** Vpr (30–38)
Author Location Vpr (29–38)
Epitope AVRHFPRIW
Subtype B
Immunogen HIV-1 infection
Species (MHC) human (B*5701)
Keywords early-expressed proteins
References Addo *et al.* 2002b
- CTL responses against regulatory and accessory proteins in 70 HIV-1 infected patients were studied using overlapping peptides and Elispot.
 - 28% targeted one or more overlapping Tat peptides; 36%, Rev peptides; 33%, Vif peptides; 40%, Vpr peptides; and 2%, Vpu peptides.
 - All known optimally defined epitopes were summarized for the five proteins.
- HXB2 Location** Vpr (30–38)
Author Location Vpr (30–38)
Epitope AVRHFPRIW
Immunogen
Species (MHC) human (B*5701)
Keywords optimal epitope
References Frahm *et al.* 2007

HXB2 Location Vpr (30–38)**Author Location****Epitope** AVRHFPRIW**Epitope name** Vpr-AW9**Subtype** B**Immunogen** HIV-1 infection**Species (MHC)** human (B57)**References** Sabbaj *et al.* 2003

- Among HIV+ individuals who carried HLA B57, 1/7 (14%) recognized this epitope.

HXB2 Location Vpr (30–38)**Author Location** Vpr (30–38)**Epitope** AVRHFPRIW**Subtype** B**Immunogen** HIV-1 infection**Species (MHC)** human (B57)**Donor MHC** A1, A3, B7, B57, Cw6, Cw7**Country** United States.**Assay type** CD8 T-cell Elispot - IFN γ **References** Allen *et al.* 2005a

- Two-thirds of all mutations arising in nonenvelope proteins during the transition from acute to chronic infection were found to be due to either CD8 T-cell-associated selective pressures or reversion of HLA-I-associated mutations selected in a previous host. The predominance of escape mutations at highly polymorphic sites was observed across different HIV-1 clades.
- This epitope was reactive, but escape mutations did not accrue in it over time.

HXB2 Location Vpr (30–38)**Author Location****Epitope** AVRHFPRIW**Immunogen** HIV-1 infection**Species (MHC)** human (B57, B*5801)**Assay type** CD8 T-cell Elispot - IFN γ , Chromium-release assay**Keywords** responses in children, mother-to-infant transmission, escape**References** Feeney *et al.* 2005

- Escape mutations in TW10 and other B57-restricted epitopes were shown to arise early in infants following perinatal infection. Some escape variants were likely to have been transmitted vertically, from HLA-B57/5801 positive HIV-1 infected mothers, while others arose during infancy in cases where the children inherited the B57/5801 allele paternally. In contrast to adults, the majority of children showed a robust response to the escape variants, suggesting that infants are able to mount functional immune responses and drive immune escape and that a developing immune system may exhibit greater plasticity in recognizing viral variants.

HXB2 Location Vpr (30–38)**Author Location** Vpr**Epitope** AVRHFPRIW**Subtype** B, C**Immunogen** HIV-1 infection**Species (MHC)** human (B57, B63)**Assay type** CD8 T-cell Elispot - IFN γ **Keywords** rate of progression, cross-presentation by different HLA, optimal epitope**References** Frahm *et al.* 2005

- HLA-B63-positive subjects were shown to be able to generate CTL responses early in acute HIV infection and to control HIV replication in the absence of antiretroviral treatment. Since HLA-B63 shares the epitope binding motif of HLA-B57 and -B58, it was shown that HLA-B63-positive individuals mounted CTL responses to previously identified B57-restricted epitopes, as well as novel, B63-restricted epitopes. Moreover, these novel B63-restricted epitopes can also be presented by HLA-B57 and -B58.
- This epitope was recognized by 30% of B63-positive subjects and 14% of B57/58-positive subjects.

HXB2 Location Vpr (30–38)**Author Location****Epitope** AVRHFPRIW**Subtype** B**Immunogen** HIV-1 infection**Species (MHC)** human**Keywords** epitope processing, escape**References** Yusim *et al.* 2002

- Epitopes that have been described in the literature and included in this database tend to cluster in conserved regions and be absent or rarely found in highly variable regions in Nef, Env, and p17.
- While the uneven distribution of epitopes may be in part due to a limited cross-recognition of specific responses because of differences between peptides used to probe the immune response and autologous strains, regions with a paucity of defined epitopes also had higher frequencies of amino acids that tend to not be found in C-terminal positions of epitopes, and had lower cleavage prediction scores for epitope processing. This suggests that in the regions of the virus where variation is best tolerated, traces of immune escape have left an imprint on the viral population. Epitopes also were concentrated in alpha-helix and turn regions in the proteins.
- In the more conserved p24, and Pol proteins RT and Protease, epitopes are more evenly distributed.
- What was learned from proteins where many epitopes have been defined (Gag, Pol, Env and Nef) was used to develop an algorithm to predict where epitopes would be localized in Rev, Tat, Vif, and Vpr. Predictions were made blinded, and then compared to the first 15 epitopes defined in these proteins; the epitopes were concentrated in the predicted regions.

HXB2 Location Vpr (31–39)**Author Location** Vpr (31–39)**Epitope** VRHFPRIW**Immunogen** HIV-1 infection**Species (MHC)** human (B27)**Keywords** optimal epitope**References** Frahm *et al.* 2007**HXB2 Location** Vpr (31–50)**Author Location** Vpr (31–50)**Epitope** VRHFPRWLHSLGQYIYET**Subtype** C**Immunogen** HIV-1 infection

Species (MHC) human

Keywords subtype comparisons

References Novitsky *et al.* 2002

- HLA, viral sequence, and Elispot data was obtained from 105 HIV-1 positive Botswanans; Elispot data was obtained from between 55 and 64 subjects for each HIV protein.
- Nef and p24 had the highest percentage of reactive peptides, and p24 had the highest magnitude of HIV-1 responses.
- This peptide was among the 8 most reactive C clade peptides from among over 350 tested spanning all HIV proteins.

HXB2 Location Vpr (34–42)

Author Location Vpr (34–)

Epitope FPRPWLHGL

Epitope name Vpr34

Immunogen HIV-1 infection, vaccine

Vector/Type: peptide *HIV component:* Vpr

Adjuvant: Incomplete Freund's Adjuvant (IFA)

Species (MHC) human, transgenic mouse (A2)

Assay type CD8 T-cell Elispot - IFN γ , Chromium-release assay, Flow cytometric T-cell cytokine assay

Keywords binding affinity, subtype comparisons, computational epitope prediction

References Corbet *et al.* 2003

- HLA-A2-restricted HIV-1 CTL epitopes were computationally predicted. Binding affinities for HLA-A*0204, immunogenicity in HLA-A*0201 transgenic mice, and responses to the peptides in 17 HIV-1 infected patients were tested. 31 novel conserved A2 epitopes were detected. An average of 4 epitopes were recognized per patient.
- This peptide was a good A2 binder, and induced a CD8+ T-cell IFN gamma response in 1/6 mice. Responses were detected in 3/17 HIV+ HLA-A2 subjects.

HXB2 Location Vpr (34–42)

Author Location Vpr (34–42 SF2)

Epitope FPRIWLHGL

Epitope name FL9

Immunogen HIV-1 infection

Species (MHC) human (B*0702)

Keywords acute/early infection

References Altfeld *et al.* 2001a

- CTL responses against HIV-1 Vpr, Vpu, and Vif were analyzed in multiple HIV-1-infected individuals.
- This epitope was recognized by 2/2 individuals expressing B*8101 allele and 4/8 individuals expressing B*0702 allele.
- Individuals with long-term nonprogressive and treated chronic HIV-1 infection targeted Vpr more frequently than individuals with treated acute infection.
- Vpr is a frequent target of HIV-1 specific CD8+ T-cells – a response was detected in 45% of individuals tested and Vpr and p17 were the most preferentially targeted proteins per unit length by CD8+ T-cells.
- HIV+ individual AC-06 was tested for reactive overlapping peptides spanning all HIV-1 proteins in an ELISPOT and was found to react with 12 peptides from 7 proteins, suggesting that the breadth of CTL responses are underestimated if accessory proteins are not included in the study.

- FPRIWLHGL was the only epitope identified in Vpr for AC-06.

HXB2 Location Vpr (34–42)

Author Location Vpr (34–42)

Epitope FPRIWLHGL

Subtype B

Immunogen HIV-1 infection

Species (MHC) human (B*0702)

Keywords early-expressed proteins

References Addo *et al.* 2002b

- CTL responses against regulatory and accessory proteins in 70 HIV-1 infected patients were studied using overlapping peptides and Elispot.
- 28% targeted one or more overlapping Tat peptides; 36%, Rev peptides; 33%, Vif peptides; 40%, Vpr peptides; and 2%, Vpu peptides.
- All known optimally defined epitopes were summarized for the five proteins.

HXB2 Location Vpr (34–42)

Author Location Vpr (34–42)

Epitope FPRIWLHGL

Immunogen HIV-1 infection

Species (MHC) human (B*0702)

Keywords optimal epitope

References Frahm *et al.* 2007

HXB2 Location Vpr (34–42)

Author Location Vpr

Epitope FPRIWLHGL

Subtype B

Immunogen HIV-1 infection

Species (MHC) human (B*0702)

Donor MHC A*0301, A*2301, B*0702, B*1503

Country United States.

Keywords escape, acute/early infection

References Bernardin *et al.* 2005

- Full HIV genomes from nine individuals were analyzed for mutations prior to seroconversion and 7 to 28 days later. It was found that the influence of the host's HLA type was reflected within weeks of infection; a statistically significant number of early nonsynonymous mutations were observed within previously reported CTL epitopes.
- H to Y mutation was observed in position 7.

HXB2 Location Vpr (34–42)

Author Location (C consensus)

Epitope FPRWLHGL

Subtype C

Immunogen HIV-1 infection

Species (MHC) human (B*0702)

Country South Africa.

Assay type CD8 T-cell Elispot - IFN γ

Keywords rate of progression

References Kiepiela *et al.* 2007

- A comprehensive analysis of 160 class I T cell responses in 578 individuals from KwaZulu-Natal, South Africa was performed. Gag-specific responses were associated with lowering viremia, while Env, accessory and regulatory protein-specific responses were associated with higher viremia.
- FPRWLHGL is an optimal epitope for B*4201, B*8101, and B*0702.

HXB2 Location Vpr (34–42)
Author Location (C consensus)
Epitope FPRWLHGL
Subtype C

Immunogen HIV-1 infection
Species (MHC) human (B*4201)
Country South Africa.

Assay type CD8 T-cell Elispot - IFN γ

Keywords rate of progression

References Kiepiela *et al.* 2007

- A comprehensive analysis of 160 class I T cell responses in 578 individuals from KwaZulu-Natal, South Africa was performed. Gag-specific responses were associated with lowering viremia, while Env, accessory and regulatory protein-specific responses were associated with higher viremia.
- FPRWLHGL is an optimal epitope for B*4201, B*8101, and B*0702.

HXB2 Location Vpr (34–42)
Author Location Vpr (34–42 SF2)
Epitope FPRWLHGL

Epitope name FL9

Immunogen HIV-1 infection
Species (MHC) human (B*8101)

Keywords acute/early infection

References Altfeld *et al.* 2001a

- CTL responses against HIV-1 Vpr, Vpu, and Vif were analyzed in multiple HIV-1-infected individuals.
- This epitope was recognized by 2/2 individuals expressing B*8101 allele and 4/8 individuals expressing B*0702 allele.
- Individuals with long-term nonprogressive and treated chronic HIV-1 infection targeted Vpr more frequently than individuals with treated acute infection.
- Vpr is a frequent target of HIV-1 specific CD8+ T-cells – a response was detected in 45% of individuals tested and Vpr and p17 were the most preferentially targeted proteins per unit length by CD8+ T-cells.

HXB2 Location Vpr (34–42)
Author Location Vpr (34–42)
Epitope FPRWLHGL
Subtype B

Immunogen HIV-1 infection
Species (MHC) human (B*8101)

Keywords early-expressed proteins

References Addo *et al.* 2002b

- CTL responses against regulatory and accessory proteins in 70 HIV-1 infected patients were studied using overlapping peptides and Elispot.
- 28% targeted one or more overlapping Tat peptides; 36%, Rev peptides; 33%, Vif peptides; 40%, Vpr peptides; and 2%, Vpu peptides.

- All known optimally defined epitopes were summarized for the five proteins.

HXB2 Location Vpr (34–42)
Author Location Vpr (34–42)
Epitope FPRWLHGL

Immunogen

Species (MHC) human (B*8101)

Keywords optimal epitope

References Frahm *et al.* 2007

HXB2 Location Vpr (34–42)
Author Location (C consensus)
Epitope FPRWLHGL
Subtype C

Immunogen HIV-1 infection

Species (MHC) human (B*8101)

Country South Africa.

Assay type CD8 T-cell Elispot - IFN γ

Keywords rate of progression

References Kiepiela *et al.* 2007

- A comprehensive analysis of 160 class I T cell responses in 578 individuals from KwaZulu-Natal, South Africa was performed. Gag-specific responses were associated with lowering viremia, while Env, accessory and regulatory protein-specific responses were associated with higher viremia.
- FPRWLHGL is an optimal epitope for B*4201, B*8101, and B*0702.

HXB2 Location Vpr (34–42)
Author Location (C consensus)
Epitope FPRWLHGL
Subtype C

Immunogen HIV-1 infection

Species (MHC) human (B*8101, B*4201, B*0702)

Country South Africa.

Assay type CD8 T-cell Elispot - IFN γ

Keywords cross-presentation by different HLA, characterizing CD8+ T cells

References Kiepiela *et al.* 2004

- HLA class I restricted CD8+ T-cell responses against HIV-1 were analyzed in African patients. Significantly more responses were shown to be HLA-B restricted. Viral load, CD4 count, and thus rate of disease progression were also associated with HLA-B alleles. In addition, the selection pressure imposed on HIV-1 by HLA-B alleles was shown to be substantially greater than by other alleles.
- This epitope was suggested to be the epitope within a longer reactive peptide based on correspondence with a known epitope in the HIV database. Also, a significantly higher frequency of people in the Durban cohort who reacted with the peptide had this HLA type.

HXB2 Location Vpr (34–42)
Author Location Vpr (34–42)
Epitope FPRWLHGL
Epitope name B7-FL9

Subtype B

Immunogen HIV-1 infection

Species (MHC) human (B7)

Donor MHC A3, B7, Cw7

Keywords dynamics, supervised treatment interruptions (STI), acute/early infection

References Yu *et al.* 2002a

- CTL responses in 18 acutely HIV-infected HLA-A3 (n=7) or -B7 (n=4) or both -A3 and B7 (n=7) positive individuals were studied.
- One individual, AC-06, was homozygous at all three class I alleles (A3, B7, Cw7), was treated during acute infection and had supervised treatment interruptions (STI). He had only two detectable CTL responses during acute infection, but after STI this broadened to 27 distinct epitopes including 15 restricted by HLA-A3, 11 by HLA-B7, and 1 by HLA-Cw7.
- 1/11 HLA-B7 individuals had detectable B7-restricted responses to this epitope during acute infection – 10/15 of HLA-B7 epitopes tested were targeted by at least one person during acute infection. 2/4 individuals had detectable responses to this epitope after STI.

HXB2 Location Vpr (34–42)

Author Location Vpr (34–42)

Epitope FPRTWLHGL

Epitope name B7-FL9 Vpr

Subtype B

Immunogen HIV-1 infection

Species (MHC) human (B7)

Assay type CD8 T-cell Elispot - IFN γ

Keywords supervised treatment interruptions (STI), escape, early treatment, superinfection

References Altfeld *et al.* 2002a

- An HIV+ individual given acute ARV and undergoing STI developed a strong CTL immune response, but despite this was shown to be superinfected with second B clade virus. Some epitope variants of the second infecting virus were resistant to the initial CTL response.
- The second infecting strain had the variant fpWtwlhlgl. The CTL response declined over time and the response to the second variant was lower than to the first one all the time points.

HXB2 Location Vpr (34–42)

Author Location Vpr

Epitope FPRIWLHGL

Epitope name FL9

Subtype B

Immunogen HIV-1 infection

Species (MHC) human (B7)

Donor MHC A2, B7, B44, Cw5, Cw7

Country United States.

Assay type CD8 T-cell Elispot - IFN γ

Keywords subtype comparisons, escape, characterizing CD8+ T cells, reversion, viral fitness

References Allen *et al.* 2005a

- Two-thirds of all mutations arising in nonenvelope proteins during the transition from acute to chronic infection were found to be due to either CD8 T-cell-associated selective pressures or reversion of HLA-I-associated mutations selected in a previous host. The predominance of escape mutations at highly polymorphic sites was observed across different HIV-1 clades.

- One escape mutation, at position 8, FPRIWLHdL was found not to correspond to the most polymorphic residue in the epitope.

HXB2 Location Vpr (34–42)

Author Location Vpr (34–42)

Epitope FPRIWLHGL

Subtype B

Immunogen HIV-1 infection

Species (MHC) human (B7)

Donor MHC A1, A3, B7, B57, Cw6, Cw7

Country United States.

Assay type CD8 T-cell Elispot - IFN γ

References Allen *et al.* 2005a

- Two-thirds of all mutations arising in nonenvelope proteins during the transition from acute to chronic infection were found to be due to either CD8 T-cell-associated selective pressures or reversion of HLA-I-associated mutations selected in a previous host. The predominance of escape mutations at highly polymorphic sites was observed across different HIV-1 clades.
- This epitope was reactive, but escape mutations did not accrue in it over time.

HXB2 Location Vpr (34–42)

Author Location

Epitope FPRIWLHGL

Subtype B

Immunogen HIV-1 infection

Species (MHC) human

Keywords epitope processing, escape

References Yusim *et al.* 2002

- Epitopes that have been described in the literature and included in this database tend to cluster in conserved regions and be absent or rarely found in highly variable regions in Nef, Env, and p17.
- While the uneven distribution of epitopes may be in part due to a limited cross-recognition of specific responses because of differences between peptides used to probe the immune response and autologous strains, regions with a paucity of defined epitopes also had higher frequencies of amino acids that tend to not be found in C-terminal positions of epitopes, and had lower cleavage prediction scores for epitope processing. This suggests that in the regions of the virus where variation is best tolerated, traces of immune escape have left an imprint on the viral population. Epitopes also were concentrated in alpha-helix and turn regions in the proteins.
- In the more conserved p24, and Pol proteins RT and Protease, epitopes are more evenly distributed.
- What was learned from proteins where many epitopes have been defined (Gag, Pol, Env and Nef) was used to develop an algorithm to predict where epitopes would be localized in Rev, Tat, Vif, and Vpr. Predictions were made blinded, and then compared to the first 15 epitopes defined in these proteins; the epitopes were concentrated in the predicted regions.

HXB2 Location Vpr (41–49)

Author Location Vpr

Epitope SLGQHIYET

Epitope name Vpr41

Immunogen HIV-1 infection, vaccine

Vector/Type: peptide *HIV component:* anchored gp120, Vpr *Adjuvant:* Incomplete Freund's Adjuvant (IFA)

Species (MHC) human, transgenic mouse (A2)

Assay type T-cell Elispot, Chromium-release assay, Flow cytometric T-cell cytokine assay

Keywords binding affinity, subtype comparisons, computational epitope prediction

References Corbet *et al.* 2003

- HLA-A2-restricted HIV-1 CTL epitopes were computationally predicted. Binding affinities for HLA-A*0204, immunogenicity in HLA-A*0201 transgenic mice, and responses to the peptides in 17 HIV-1 infected patients were tested. 31 novel conserved A2 epitopes were detected. An average of 4 epitopes were recognized per patient.
- This peptide was a good A2 binder, and induced CTL and CD8+ T-cell IFN gamma responses in mice. Responses to the peptide were not detected in 17 HIV+ HLA-A2 subjects.

HXB2 Location Vpr (41–57)

Author Location (C consensus)

Epitope GLGQYIYETYGDTWTGV

Subtype C

Immunogen HIV-1 infection

Species (MHC) human (A*66)

Country South Africa.

Assay type CD8 T-cell Elispot - IFN γ

Keywords rate of progression

References Kiepiela *et al.* 2007

- A comprehensive analysis of 160 class I T cell responses in 578 individuals from KwaZulu-Natal, South Africa was performed. Gag-specific responses were associated with lowering viremia, while Env, accessory and regulatory protein-specific responses were associated with higher viremia.

HXB2 Location Vpr (46–54)

Author Location Vpr (46–54 2001 HIV-1 subtype B cons)

Epitope IYETYGDTW

Epitope name IW9

Subtype B

Immunogen HIV-1 infection

Species (MHC) human (A*2501)

Donor MHC A*0201, A*2501, B*1801, B*5101, Cw*0102, Cw*1203

Assay type CD8 T-cell Elispot - IFN γ

Keywords escape, immune evasion, optimal epitope, HIV-1

References Liu *et al.* 2006

- T-cell immunity and the impact of selection were longitudinally studied in a patient from the time of transmission. New epitopes were detected at sites that were shown to be under positive selection. Env was found to be the major target of CTLs and most of the new epitopes were found here. One third of the sites examined were associated with epitope escape mutations from CTL. Acquisition of mutations found at high frequency in the database was suggested to be a result of reversion of CTL epitopes in the absence of immune targeting.

HXB2 Location Vpr (48–57)

Author Location (C consensus)

Epitope ETYGDTWTGV

Subtype C

Immunogen HIV-1 infection

Species (MHC) human (A*6802)

Country South Africa.

Assay type CD8 T-cell Elispot - IFN γ

Keywords rate of progression, optimal epitope

References Kiepiela *et al.* 2007

- A comprehensive analysis of 160 class I T cell responses in 578 individuals from KwaZulu-Natal, South Africa was performed. Gag-specific responses were associated with lowering viremia, while Env, accessory and regulatory protein-specific responses were associated with higher viremia.
- Mutational patterns in the W7 residue of ETYGDTWTGV are associated with the presence of the HLA presenting molecule in the host.

HXB2 Location Vpr (48–57)

Author Location Vpr (48–57)

Epitope ETYGDTWTGV

Immunogen

Species (MHC) human (A*6802)

Keywords optimal epitope

References Frahm *et al.* 2007

- C. Brander notes that this is an A*6802 epitope.

HXB2 Location Vpr (48–57)

Author Location Vpr (48–57)

Epitope ETYGDTWTGV

Subtype C

Immunogen HIV-1 infection

Species (MHC) human (A*6802)

Assay type Other

Keywords HLA associated polymorphism

References Boutwell & Essex 2007

- All HIV-1 subtype C protein sequences were analysed, and 94 HLA-associated amino acid polymorphisms were found that were well distributed throughout the proteome. These sequences were compiled from publicly available databases and originated in South Africa and Botswana. Many polymorphisms were associated with multiple HLA allele classes. 12% of negative associations were found as well, where there was an association of virus expression of the consensus amino acid with a specific HLA allele. HLA-B alleles were involved in most of the associations. 19 HLA-associated polymorphisms were embedded in previously defined epitopes presented by an appropriate HLA restricting molecule.
- ETYGDTWTGV was a previously defined A*6802 presented epitope that encompassed a supertype A*2 associated polymorphism, YleTYGDTWTGV, in the first position of that epitope.
- The epitope YleTYGDTWTGV is partially embedded in a CTL immunodominant region.

HXB2 Location Vpr (52–62)

Author Location Vpr (52–62)

Epitope DTWAGVEALIR

Immunogen HIV-1 infection

Species (MHC) human (A*6801)

Keywords optimal epitope

References Frahm *et al.* 2007

HXB2 Location Vpr (53–63)
Author Location Vpr (53–63)
Epitope TWAVEAIIRI
Immunogen HIV-1 infection
Species (MHC) human
Donor MHC A1, A3, B7, B14, Cw*0702, Cw*0802
Assay type CD8 T-cell Elispot - IFN γ
Keywords acute/early infection, early-expressed proteins
References Cao *et al.* 2003

- All proteins were scanned and optimal epitopes were mapped in a study of CD8+ gamma IFN T-cell responses in 21 men within 15-92 days post-HIV-1 infection. Subjects initially showed narrow immune responses with a mean of 2.3 epitopes recognized per patient. The immune response broadened later in infection. No correlation between the plasma viral load and the number of recognized epitopes or the frequency of IFN-gamma secreting cells was observed, and there was no correlation between the functional avidity of a responses and the abundance of IFN-secreting cells that recognized the epitope. The first epitopes to be recognized did not tend to be the most avid, and earliest responses tended to be directed against Nef, Tat, Vpr, and Env.
- All HIV-1 proteins except Vpu were recognized, and a responses to a total of 41 optimal epitopes were characterized; 24 had been identified previously. 48% of the total T-cell responses were directed against Nef and 43% were directed against Gag.
- More common HLA alleles were less frequently used in primary infection than less common alleles, for example A3, B35, B57, and B62 were more frequently utilized than A1, A2, A30, and A44.

HXB2 Location Vpr (55–70)
Author Location Vpr
Epitope AGVEAIIRILQQLFI
Subtype B
Immunogen HIV-1 infection
Species (MHC) human
Keywords early-expressed proteins
References Addo *et al.* 2002b

- CTL responses against regulatory and accessory proteins in 70 HIV-1 infected patients were studied using overlapping peptides and Elispot – 40% (28/70) targeted one or more Vpr peptides, and this peptide was the most frequently recognized epitope in Vpr (41%).
- The regulatory proteins Rev and Tat combined contributed to 3%, and the accessory proteins Vif, Vpr and Vpu to 7%, of the total magnitude of HIV-1 specific CTL responses in a subset of 22 HIV-1 infected individuals in whom all HIV-1 proteins were studied.

HXB2 Location Vpr (59–67)
Author Location Vpr (58–66 LAI)
Epitope AIIRILQQL
Subtype B
Immunogen
Species (MHC) human (A*0201)
Keywords optimal epitope
References Altfeld *et al.* 2001c; Frahm *et al.* 2007

- C. Brander notes this is an A*0201 epitope.

HXB2 Location Vpr (59–67)
Author Location Vpr (58–66 SF2)
Epitope AIIRILQQL
Epitope name AL9
Immunogen HIV-1 infection
Species (MHC) human (A*0201)
Keywords acute/early infection
References Altfeld *et al.* 2001a

- CTL responses against HIV-1 Vpr, Vpu, and Vif were analyzed in multiple HIV-1-infected individuals.
- This epitope was recognized by 8/24 individuals expressing A*0201 allele.
- Epitope is located within a highly conserved alpha helix in Vpr.
- Individuals with long-term nonprogressive and treated chronic HIV-1 infection targeted Vpr more frequently than individuals with treated acute infection.
- Vpr is a frequent target of HIV-1 specific CD8+ T-cells – a response was detected in 45% of individuals tested and Vpr and p17 were the most preferentially targeted proteins per unit length by CD8+ T-cells.
- The A2 epitopes Vpr AIIRLLQQL and p17 SLYNTVATL do not account for the dominance of Vpr and p17, the result holds even when HLA-A2+ individuals are excluded.

HXB2 Location Vpr (59–67)
Author Location Vpr (59–)
Epitope AIIRILQQL
Epitope name Vpr-59
Immunogen HIV-1 infection
Species (MHC) human (A*0201)
Keywords binding affinity, subtype comparisons, super-type, computational epitope prediction, immunodominance
References Altfeld *et al.* 2001c

- HIV was scanned for all peptides which carried the A2-super motif pattern conserved in more than 50% of B clade sequences – 233 peptides met this criteria, and 30 of these bound to HLA-A*0201 – 20/30 bound to at least 3/5 of HLA-A2 supertype alleles tested.
- Three additional previously described HLA-A2 epitopes were added to the set of 20, and 18/22 chronically infected HLA-A2 individuals had CTL that recognized at least one of the 23 peptides (median of 2 and maximum of 6), while 6/12 acute infected individuals recognized at least 1 (median of 1 and maximum of 2)
- AIIRILQQL binds to four HLA-A2 supertype alleles: A*0203, A*0201, A*0206 and A*6802 (highest affinity), but not A*0202.
- 5/22 individuals with chronic HIV-1 infection recognized this epitope, but with low magnitude responses in ELISPOT.
- 2/12 HLA-A2 patients with acute HIV-1 infection responded strongly to this peptide, but during chronic infection SL9 and Gag-386 tended to be immunodominant while Vpr-59 was weak and sub-dominant.
- One of the the acutely infected individuals, AC13, was HLA A*0201/68 B44/14 and also had a strong acute response to gp41 epitope SV10 SLLNATDIAV.
- This peptide was shown to be properly processed and presented in TAP-competent B-cell lines *in vitro*.

HXB2 Location Vpr (59–67)**Author Location** Vpr (58–66)**Epitope** AIIRILQQL**Subtype** B**Immunogen** HIV-1 infection**Species (MHC)** human (A*0201)**Keywords** early-expressed proteins**References** Addo *et al.* 2002b

- CTL responses against regulatory and accessory proteins in 70 HIV-1 infected patients were studied using overlapping peptides and Elispot.
- 28% targeted one or more overlapping Tat peptides; 36%, Rev peptides; 33%, Vif peptides; 40%, Vpr peptides; and 2%, Vpu peptides.
- All known optimally defined epitopes were summarized for the five proteins.

HXB2 Location Vpr (59–67)**Author Location** Vpr (59–67)**Epitope** AIIRILQQL**Immunogen** HIV-1 infection**Species (MHC)** human (A*0201)**Donor MHC** A*0201, A32, B49, B51, Cw1, Cw7**Assay type** CD8 T-cell Elispot - IFN γ **Keywords** binding affinity, acute/early infection, early-expressed proteins**References** Cao *et al.* 2003

- CTL epitope responses were mapped in 21 men within 15–92 days post-HIV-1 infection. Subjects initially showed narrow immune responses with a mean of 2.3 epitopes recognized per patient. The immune response broadened later in infection. No correlation between the plasma viral load and the number of recognized epitopes or the frequency of IFN-gamma secreting cells was observed, and there was no correlation between the functional avidity of a response and the abundance of IFN-secreting cells that recognized the epitope. The first epitopes to be recognized tended not to be the most avid, and earliest responses tended to be directed against Nef, Tat, Vpr, and Env.
- All HIV-1 proteins except Vpu were recognized, and a response to a total of 41 optimal epitopes was characterized; 24 had been identified previously. 48% of the total T-cell responses were directed against Nef and 43% were directed against Gag.
- More common HLA alleles were less frequently used in primary infection than less common alleles, for example A3, B35, B57, and B62 were more frequently recognized than A1, A2, A30, and A44.

HXB2 Location Vpr (59–67)**Author Location** Vpr (59–)**Epitope** AIIRILQQL**Epitope name** AL9**Immunogen** HIV-1 infection**Species (MHC)** human (A2)**Keywords** acute/early infection**References** Goulder *et al.* 2001a

- Data from patient AC13 suggest a role for this epitope in initial control of viremia in acute infection, as it is one of several subdominant CTL epitopes recognized during the initial decline in viremia.

- A CTL response to SL9, SLYNTVATL, was not evident until 18 months post-presentation.

HXB2 Location Vpr (59–67)**Author Location** Vpr (59–67 SF2)**Epitope** AIIRILQQL**Immunogen** HIV-1 infection**Species (MHC)** human (A2)**Keywords** HAART, ART, acute/early infection**References** Altfeld *et al.* 2001b

- Therapy provided during acute infection resulted in a narrower CTL response, stronger T help response, and a less diverse viral population than was seen in individuals treated during chronic infection.
- The breadth and specificity of the response was determined using ELISPOT by studying 19 individuals with pre-seroconversion therapy (Group 1), 11 individuals with primary infection but post-seroconversion therapy (Group 2), and 10 individuals who responded to HAART given during chronic infection (Group 3), using 259 overlapping peptides spanning p17, p24, RT, gp41, gp120 and Nef.
- Previously described and newly defined optimal epitopes were tested for CTL response.
- Number of HLA-A2+ individuals that had a CTL response to this epitope broken down by group: 1/10 group 1, 0/6 group 2, and 0/4 group 3.

HXB2 Location Vpr (59–67)**Author Location****Epitope** AIIRILQQL**Epitope name** Vpr-AL9**Subtype** B**Immunogen** HIV-1 infection**Species (MHC)** human (A2)**References** Sabbaj *et al.* 2003

- Among HIV+ individuals who carried HLA A02, 4/35 (11%) recognized this epitope.

HXB2 Location Vpr (59–67)**Author Location** Vpr (59–67)**Epitope** ALIRILQQL**Epitope name** AL9**Subtype** B**Immunogen** HIV-1 infection**Species (MHC)** human (A2)**Donor MHC** A2, A11, B18, B44, Cw5, Cw12**Country** United States.**Assay type** CD8 T-cell Elispot - IFN γ , Intracellular cytokine staining, Flow cytometric T-cell cytokine assay**Keywords** escape, optimal epitope**References** Allen *et al.* 2005b

- 4/14 optimal HIV-1 T-cell epitopes in a subject underwent mutation associated with dramatic loss of the original CD8 response. For one of the escape variants, a novel CD8 T-cell response equal in magnitude to the wild type, was generated. CD8 T-cell recognizing the variant epitope utilized a distinct T-cell receptor and did not exhibit any cross-reactivity against the wild type.

- An escape mutation occurred at position 5 of this epitope, alirSlqql.

HXB2 Location Vpr (59–67)

Author Location Vpr

Epitope ALIRILQQL

Epitope name AL9

Subtype B

Immunogen HIV-1 infection

Species (MHC) human (A2)

Donor MHC A2, A11, B18, B44, Cw5, Cw12

Country United States.

Assay type CD8 T-cell Elispot - IFN γ

Keywords subtype comparisons, escape, characterizing CD8+ T cells, reversion, viral fitness

References Allen *et al.* 2005a

- Two-thirds of all mutations arising in nonenvelope proteins during the transition from acute to chronic infection were found to be due to either CD8 T-cell-associated selective pressures or reversion of HLA-I-associated mutations selected in a previous host. The predominance of escape mutations at highly polymorphic sites was observed across different HIV-1 clades.
- One escape mutation, at position 5, ALIRsLQQL, was found in the most polymorphic residue in the epitope. One escape mutation, at position 3, ALiRILQQL was found not to correspond to the most polymorphic residue in the epitope.

HXB2 Location Vpr (59–67)

Author Location Vpr (59–67)

Epitope ALIRILQQL

Subtype B

Immunogen HIV-1 infection

Species (MHC) human (A2)

Country United States.

Assay type CD8 T-cell Elispot - IFN γ , Chromium-release assay, HLA binding

Keywords escape, acute/early infection, variant cross-recognition or cross-neutralization, optimal epitope

References Altfeld *et al.* 2005

- The most frequently targeted HLA-A2-restricted CD8+ T-cell epitopes in chronic infection were significantly less frequently recognized during primary infection. This epitope was recognized both in acute and chronic infection, but slightly more frequently in chronic infection.
- A less common form of this epitope, with the I to L change in the second position, ALIRILQQL binds to HLA-A2 at lower concentrations and can serve as an HLA-A2 epitope during acute infection. It binds well to A*0201, A*0202, A*0203, and A*0206. This is an example of a less immunogenic form of the epitope, AiRILQQL becoming the most common circulating form.

HXB2 Location Vpr (59–67)

Author Location Vpr (59–67)

Epitope AIIRILQQL

Immunogen HIV-1 infection

Species (MHC) human (A2 supertype)

Keywords supertype, rate of progression

References Propato *et al.* 2001

- Long-term nonprogressors (LTNPs) had strong memory resting CD8+ T-cell responses against the majority of epitopes tested, (18 for the A2 supertype, 16 for the A3 supertype) while the effector cells of long-term nonprogressors recognized far fewer epitopes.

- Progressors had memory resting CD8+ T-cells that recognized far fewer epitopes than LTNPs.
- A positive correlation between effector CD8+ T-cells and plasma viremia and a negative correlation between CD8+ effector T-cells and CD4+ T-cells was observed, which may contribute to the inability of LTNPs to clear virus.
- This epitope can bind four of the five HLA-A2 supertypes alleles (A*0201, A*0202, A*0203, A*0206 and A*6802).

HXB2 Location Vpr (59–67)

Author Location

Epitope AIIRILQQL

Subtype B

Immunogen HIV-1 infection

Species (MHC) human

Keywords epitope processing, escape

References Yusim *et al.* 2002

- Epitopes that have been described in the literature and included in this database tend to cluster in conserved regions and be absent or rarely found in highly variable regions in Nef, Env, and p17.
- While the uneven distribution of epitopes may be in part due to a limited cross-recognition of specific responses because of differences between peptides used to probe the immune response and autologous strains, regions with a paucity of defined epitopes also had higher frequencies of amino acids that tend to not be found in C-terminal positions of epitopes, and had lower cleavage prediction scores for epitope processing. This suggests that in the regions of the virus where variation is best tolerated, traces of immune escape have left an imprint on the viral population. Epitopes also were concentrated in alpha-helix and turn regions in the proteins.
- In the more conserved p24, and Pol proteins RT and Protease, epitopes are more evenly distributed.
- What was learned from proteins where many epitopes have been defined (Gag, Pol, Env and Nef) was used to develop an algorithm to predict where epitopes would be localized in Rev, Tat, Vif, and Vpr. Predictions were made blinded, and then compared to the first 15 epitopes defined in these proteins; the epitopes were concentrated in the predicted regions.

HXB2 Location Vpr (62–70)

Author Location Vpr (62–)

Epitope RILQQLFI

Epitope name Vpr-62

Immunogen HIV-1 infection

Species (MHC) human (A*0201)

Keywords binding affinity, subtype comparisons, supertype, computational epitope prediction

References Altfeld *et al.* 2001c

- HIV was scanned for all peptides which carried the A2-supermotif pattern conserved in more than 50% of B clade sequences – 233 peptides met this criteria, and 30 of these bound to HLA-A*0201 – 20/30 bound to at least 3/5 of HLA-A2 supertype alleles tested.

- Three additional previously described HLA-A2 epitopes were added to the set of 20, and 18/22 chronically infected HLA-A2 individuals had CTL that recognized at least one of the 23 peptides (median of 2 and maximum of 6), while 6/12 acute infected individuals recognized at least 1 (median of 1 and maximum of 2)
- This epitope binds to three HLA-A2 supertype alleles: A*0202, A*6802 (strongest affinity) and A*0203.
- 3/22 chronically infected patients had a weak ELISPOT response to this epitope.
- 0/12 HLA-A2 patients with acute HIV-1 infection responded to this peptide.

HXB2 Location Vpr (62–70)

Author Location Vpr (62–70)

Epitope RILQQLLFI

Subtype B

Immunogen HIV-1 infection

Species (MHC) human (A*0201)

Keywords early-expressed proteins

References Addo *et al.* 2002b

- CTL responses against regulatory and accessory proteins in 70 HIV-1 infected patients were studied using overlapping peptides and Elispot.
- 28% targeted one or more overlapping Tat peptides; 36%, Rev peptides; 33%, Vif peptides; 40%, Vpr peptides; and 2%, Vpu peptides.
- All known optimally defined epitopes were summarized for the five proteins.

HXB2 Location Vpr (62–70)

Author Location Vpr

Epitope RILQQLLFI

Epitope name Vpr 62

Subtype M

Immunogen vaccine, in vitro stimulation or selection

Vector/Type: DNA, peptide *Adjuvant:* Incomplete Freund's Adjuvant (IFA)

Species (MHC) human, mouse, humanized mouse (A*0201)

Assay type Cytokine production, T-cell Elispot

Keywords subtype comparisons, computational epitope prediction, escape, TCR usage, variant cross-recognition or cross-neutralization

References McKinney *et al.* 2004

- This study examined variant recognition of epitopes presented by A*0201 and A*1101. Numerous amino acid substitutions can be introduced into epitopes without disrupting their recognition by CTLs, although epitopes with multiple substitutions were less recognized. An algorithm was constructed for prediction of epitopes capable of inducing responses to a great number of variant epitopes.
- A total of 23 variant forms of Vpr 62 were identified. More than 95% of the variant epitopes were recognized by CTLs from mice immunized with the parental form.
- Vpr 62 epitope (parent or variant form) was present in 96% of HIV sequences of many M group subtypes.

HXB2 Location Vpr (62–70)

Author Location Vpr (62–70)

Epitope RILQQLLFI

Subtype B

Immunogen HIV-1 infection

Species (MHC) human (A2)

Country United States.

Assay type CD8 T-cell Elispot - IFN γ , Chromium-release assay, HLA binding

Keywords acute/early infection, optimal epitope

References Altfeld *et al.* 2005

- The most frequently targeted HLA-A2-restricted CD8+ T-cell epitopes in chronic infection were significantly less frequently recognized during primary infection. This epitope was only recognized during chronic infection.

HXB2 Location Vpr (62–70)

Author Location Vpr (62–70)

Epitope RILQQLLFI

Immunogen HIV-1 infection

Species (MHC) human (A2 supertype)

Keywords supertype, rate of progression

References Propato *et al.* 2001

- Long-term nonprogressors (LTNPs) had strong memory resting CD8+ T-cell responses against the majority of epitopes tested, (18 for the A2 supertype, 16 for the A3 supertype) while the effector cells of long-term nonprogressors recognized far fewer epitopes.
- Progressors had memory resting CD8+ T-cells that recognized far fewer epitopes than LTNPs.
- A positive correlation between effector CD8+ T-cells and plasma viremia and a negative correlation between CD8+ effector T-cells and CD4+ T-cells was observed, which may contribute to the inability of LTNPs to clear virus.
- This epitope can bind three of the five HLA-A2 supertype alleles (A*0201, A*0202, A*0203, A*0206 and A*6802).

HXB2 Location Vpr

Author Location

Epitope

Immunogen vaccine

Vector/Type: adenovirus *HIV component:* Gag-Pol, Nef, Vpr

Species (MHC) mouse

References Muthumani *et al.* 2002

- Vpr can cause cells to go into G2 arrest, and it suppresses immune cell activation and inflammatory cytokine production, so co-immunization of BALB/c mice with recombinant adenovirus expressing Vpr and HIV-1 antigens Nef or Gag/Pol was tested to see if Vpr reduced the immune response to the other HIV antigens.
- Vpr compromised CD8+ T-cell lytic responses and T-helper proliferative responses in mice co-immunized with Vpr and Nef or Gag/Pol.
- In vitro, Vpr reduced T-cell cytokine production of IL-12 and TNF α , indicative of Vpr-mediated immune suppression.

II-B-18 Tat CTL/CD8+ epitopes

- HXB2 Location** Tat (2–11)
Author Location (LAI)
Epitope EPVDPRLPEPW
Subtype B
Immunogen
Species (MHC) (B*5301)
Keywords optimal epitope
References Addo *et al.* 2001; Frahm *et al.* 2007
- HXB2 Location** Tat (2–11)
Author Location
Epitope EPVDPRLPEPW
Epitope name Tat-EW10
Subtype B
Immunogen HIV-1 infection
Species (MHC) human (B*5301)
References Sabbaj *et al.* 2003
- Among HIV+ individuals who carried HLA B*5301, 3/15 (20%) recognized this epitope.
- HXB2 Location** Tat (2–11)
Author Location (C consensus)
Epitope EPVDPNLEPW
Subtype C
Immunogen HIV-1 infection
Species (MHC) human (B*5301)
Country South Africa.
Assay type CD8 T-cell Elispot - IFN γ
Keywords characterizing CD8+ T cells
References Kiepiela *et al.* 2004
- HLA class I restricted CD8+ T-cell responses against HIV-1 were analyzed in African patients. Significantly more responses were shown to be HLA-B restricted. Viral load, CD4 count, and thus rate of disease progression were also associated with HLA-B alleles. In addition, the selection pressure imposed on HIV-1 by HLA-B alleles was shown to be substantially greater than by other alleles.
 - This epitope was suggested to be the epitope within a longer reactive peptide based on correspondence with a known epitope in the HIV database. Also, a significantly higher frequency of people in the Durban cohort who reacted with the peptide had this HLA type.
- HXB2 Location** Tat (2–11)
Author Location (C consensus)
Epitope EPVDPNLEPW
Subtype C
Immunogen HIV-1 infection
Species (MHC) human (B*5301)
Country South Africa.
Assay type CD8 T-cell Elispot - IFN γ
Keywords rate of progression, optimal epitope
References Kiepiela *et al.* 2007
- A comprehensive analysis of 160 class I T cell responses in 578 individuals from KwaZulu-Natal, South Africa was performed. Gag-specific responses were associated with lowering viremia, while Env, accessory and regulatory protein-specific responses were associated with higher viremia.

- EPVDPNLEPW is an optimal epitope.

HXB2 Location Tat (2–11)
Author Location Tat (2–11 BRU)
Epitope EPVDPRLPEPW
Epitope name Tat 1
Immunogen HIV-1 infection
Species (MHC) human (B53)
References Addo *et al.* 2001

- Rev and Tat are expressed early in the virus life cycle and thus may be important targets for CTL against HIV early in infection and for vaccines – therefore CTL responses against Tat and Rev were screened using overlapping peptides.
- 11/57 (19.3%) HIV-1 + individuals recognized at least 1 Tat peptide, and 21/57 (37%) responded to at least 1 Rev peptide.
- EPVDPRLPEPW was recognized by four individuals, but only two were B53, thus this epitope can probably be presented by other HLA alleles.

HXB2 Location Tat (2–11)
Author Location Tat (2–11)
Epitope EPVDPRLPEPW
Immunogen HIV-1 infection
Species (MHC) human (B53)
Keywords early-expressed proteins
References Addo *et al.* 2002b

- CTL responses against regulatory and accessory proteins in 70 HIV-1 infected patients were studied using overlapping peptides and Elispot.
- 28% targeted one or more overlapping Tat peptides; 36%, Rev peptides; 33%, Vif peptides; 40%, Vpr peptides; and 2%, Vpu peptides.
- All known optimally defined epitopes were summarized for the five proteins.

HXB2 Location Tat (2–11)
Author Location Tat
Epitope EPVDPRLPEPW
Epitope name EW10
Immunogen HIV-1 infection
Species (MHC) human (B53)
Assay type Chromium-release assay, Flow cytometric T-cell cytokine assay
Keywords class I down-regulation by Nef
References Bobbitt *et al.* 2003

- Nef, through Nef-mediated MHC-I down-regulation, is not the only viral protein to influence levels of HIV-specific CTL recognition. The Rev L60F mutation, a common natural variant, can decrease CTL recognition of late gene products. The Rev mutation impacts the early to late gene switch, reducing late gene product production (Gag, Pol, Env, Vpu, Vpr and Vif), while increasing Nef production, both of which reduce the impact CTL recognition of late gene products. As expected, Rev L60F rendered HIV infected cells more resistant to CTL that recognized epitopes from the late proteins Env and Gag. Gag expression is reduced more than Env, and Gag-specific CTL were more profoundly affected. Conversely CTL against an epitope in an early gene product, Tat, were more efficiently recognized when infected with viruses carrying the Rev L60F mutation.

- Patients in the asymptomatic phase with active immune responses had more CTL resistant viruses, with lower Rev activity, lower Gag expression and greater resistance to Gag-specific CTL killing, while viruses isolated from people with AIDS were more sensitive to CTL killing.

HXB2 Location Tat (2–11)

Author Location

Epitope EPVDPRLPEPW

Immunogen

Species (MHC) human (B58)

Keywords optimal epitope

References Frahm *et al.* 2007

- C. Brander notes that this is an B58 epitope.

HXB2 Location Tat (2–11)

Author Location

Epitope WPVDPRLPEPW

Subtype B

Immunogen HIV-1 infection

Species (MHC) human

Keywords epitope processing, escape

References Yusim *et al.* 2002

- Epitopes that have been described in the literature and included in this database tend to cluster in conserved regions and be absent or rarely found in highly variable regions in Nef, Env, and p17.
- While the uneven distribution of epitopes may be in part due to a limited cross-recognition of specific responses because of differences between peptides used to probe the immune response and autologous strains, regions with a paucity of defined epitopes also had higher frequencies of amino acids that tend to not be found in C-terminal positions of epitopes, and had lower cleavage prediction scores for epitope processing. This suggests that in the regions of the virus where variation is best tolerated traces of immune escape have left an imprint on the viral population. Epitopes also were concentrated in alpha-helix and turn regions in the proteins.
- In the more conserved p24, and Pol proteins RT and Protease, epitopes are more evenly distributed.
- What was learned from proteins where many epitopes have been defined (Gag, Pol, Env and Nef) was used to develop an algorithm to predict where epitopes would be localized in Rev, Tat, Vif, and Vpr. Predictions were made blinded, and then compared to the first 15 epitopes defined in these proteins; the epitopes were concentrated in the predicted regions.

HXB2 Location Tat (3–11)

Author Location Tat (3–11 HXB2)

Epitope PVDPRLEPW

Epitope name PW9

Subtype B

Immunogen HIV-1 infection

Species (MHC) human (A*2501)

Donor MHC A*0201, A*2501, B*1801, B*5101, Cw*0102, Cw*1203

Assay type CD8 T-cell Elispot - IFN γ

Keywords escape, immune evasion, optimal epitope, HIV-1

References Liu *et al.* 2006

- T-cell immunity and the impact of selection were longitudinally studied in a patient from the time of transmission. New epitopes were detected at sites that were shown to be under positive selection. Env was found to be the major target of CTLs and most of the new epitopes were found here. One third of the sites examined were associated with epitope escape mutations from CTL. Acquisition of mutations found at high frequency in the database was suggested to be a result of reversion of CTL epitopes in the absence of immune targeting.

- This is a newly defined epitope. Positions 5 and 7 in the epitope had potentially experienced positive selection. PVDPRLEPW, PVDPSLEPW and PVDPKLEPW escape variants were found.

HXB2 Location Tat (12–21)

Author Location Tat (12–21 SUMA)

Epitope KHPGSQPKTA

Epitope name Tat KA10

Subtype B

Immunogen HIV-1 infection

Species (MHC) human

Donor MHC A*1103, A*2402, B*1402, B*1501, Cw*0802

Country United States.

Assay type CD8 T-cell Elispot - IFN γ , Chromium-release assay

Keywords dynamics, acute/early infection, characterizing CD8+ T cells

References Jones *et al.* 2004

- Primary CD8+ T-cell response to Env, Tat and Gag and the extent, kinetics and mechanisms of viral escape were examined in three patients. Rapid escape, within weeks from infection, from HIV specific CTL responses was observed in all three patients, but the kinetics and extent of the escape differed depending on the breadth and co-dominant distribution of CTL-mediated pressure. The two patients that rapidly declined had more focused immunodominant responses, while the single patient that had low viral load and stable CD4 counts for seven years had a broad co-dominant response and less escape.
- The patient SUMA maintained low viral loads and stable CD4 T cell counts through seven years of follow up. In contrast to more rapid progressors, WEAU and BORI, SUMA a broad response to 24 epitopes, with little immunodominance. Two peptides were somewhat more intensely recognized in acute infection, but this response leveled out early on.
- Only four epitopes were found to acquire escape mutations in SUMA over time, and this was one of the 20 that remained invariant. A low level response was detected at acute infection that persisted through early infection.

HXB2 Location Tat (16–30)

Author Location Tat (16–30)

Epitope SQPKTACNKCYCKRC

Subtype C

Immunogen HIV-1 infection

Species (MHC) human

Keywords subtype comparisons

References Novitsky *et al.* 2002

- HLA, viral sequence, and Elispot data was obtained from 105 HIV-1 positive Botswanans; Elispot data was obtained from between 55 and 64 subjects for each HIV protein.

- Nef and p24 had the highest percentage of reactive peptides, and p24 had the highest magnitude of HIV-1 responses.
- This peptide was among the 28 most reactive C clade peptides from among over 350 tested spanning all HIV proteins.

HXB2 Location Tat (17–26)

Author Location Tat (17–26)

Epitope QPKTACTTCY

Immunogen HIV-1 infection

Species (MHC) human (B35)

Keywords early-expressed proteins

References Addo *et al.* 2002b

- CTL responses against regulatory and accessory proteins in 70 HIV-1 infected patients were studied using overlapping peptides and Elispot.
- 28% targeted one or more overlapping Tat peptides; 36%, Rev peptides; 33%, Vif peptides; 40%, Vpr peptides; and 2%, Vpu peptides.
- All known optimally defined epitopes were summarized for the five proteins.

HXB2 Location Tat (17–26)

Author Location

Epitope QPKTACTTCY

Subtype B

Immunogen HIV-1 infection

Species (MHC) human

Keywords epitope processing, escape

References Yusim *et al.* 2002

- Epitopes that have been described in the literature and included in this database tend to cluster in conserved regions and be absent or rarely found in highly variable regions in Nef, Env, and p17.
- While the uneven distribution of epitopes may be in part due to a limited cross-recognition of specific responses because of differences between peptides used to probe the immune response and autologous strains, regions with a paucity of defined epitopes also had higher frequencies of amino acids that tend to not be found in C-terminal positions of epitopes, and had lower cleavage prediction scores for epitope processing. This suggests that in the regions of the virus where variation is best tolerated traces of immune escape have left an imprint on the viral population. Epitopes also were concentrated in alpha-helix and turn regions in the proteins.
- In the more conserved p24, and Pol proteins RT and Protease, epitopes are more evenly distributed.
- What was learned from proteins where many epitopes have been defined (Gag, Pol, Env and Nef) was used to develop an algorithm to predict where epitopes would be localized in Rev, Tat, Vif, and Vpr. Predictions were made blinded, and then compared to the first 15 epitopes defined in these proteins; the epitopes were concentrated in the predicted regions.

HXB2 Location Tat (20–28)

Author Location Tat

Epitope TACNNCYCK

Epitope name 1342

Subtype multiple

Immunogen HIV-1 infection

Species (MHC) human (A3)

Donor MHC A03, A23, B49, B57

Country United States.

Assay type T-cell Elispot

Keywords binding affinity, computational epitope prediction

References De Groot *et al.* 2003

- Epitopes defined using sequence parsing and matching algorithm Conservatrix, and epitope prediction tool EpiMatrix, were shown to be conserved in a broad range of HIV-1 sequences derived from different parts of the world. 31 novel highly conserved HIV-1 epitopes were found, among which four were recognized as promiscuous epitopes and five as MHC supertypes.
- Estimated binding probability for TACNNCYCK: 46%

HXB2 Location Tat (20–29)

Author Location Tat

Epitope TACNNCYCKK

Epitope name 1279

Subtype multiple

Immunogen HIV-1 infection

Species (MHC) human (A68)

Donor MHC A01, A68, B15, B40, Cw03

Country United States.

Assay type T-cell Elispot

Keywords binding affinity, computational epitope prediction

References De Groot *et al.* 2003

- Epitopes defined using sequence parsing and matching algorithm Conservatrix, and epitope prediction tool EpiMatrix, were shown to be conserved in a broad range of HIV-1 sequences derived from different parts of the world. 31 novel highly conserved HIV-1 epitopes were found, among which four were recognized as promiscuous epitopes and five as MHC supertypes.
- Estimated binding probability for TACNNCYCKK:74%. This peptide bound A68, not A11.

HXB2 Location Tat (24–32)

Author Location Tat (24–32 BORI)

Epitope NCYCKKCCY

Epitope name Tat NY9

Subtype B

Immunogen HIV-1 infection

Species (MHC) human (A*2902)

Donor MHC A*2902, B*1402, Cw*0802

Country United States.

Assay type CD8 T-cell Elispot - IFN γ , Chromium-release assay

Keywords dynamics, immunodominance, escape, acute/early infection, characterizing CD8+ T cells, reversion, viral fitness

References Jones *et al.* 2004

- Primary CD8+ T-cell response to Env, Tat and Gag and the extent, kinetics and mechanisms of viral escape were examined in three patients. Rapid escape, within weeks from infection, from HIV specific CTL responses was observed in all three patients, but the kinetics and extent of the escape differed depending on the breadth and co-dominant distribution of CTL-mediated pressure. The two patients that rapidly declined had

more focused immunodominant responses, while the single patient that had low viral load and stable CD4 counts for seven years had a broad co-dominant response and less escape.

- The patient BORI had high viral loads and rapid CD4 decline. BORI mounted 8 detected responses. BORI did not control viral replication well, and escape mutations occurred early and in most epitopes, 6/7 that were precisely identified.
- There were five variants of the NCYCKKCCY epitope in BORI, and new changes kept accruing. kCYCKKCCY was apparent by day 31, kCYCKrCCY by day 218, and kCYCKqCCY by day 556; all conferred escape, the double mutants abrogating the response. NCYCKKyCY and NCYCKKCCc were also transiently present at day 55, but were not tested for CTL escape.

HXB2 Location Tat (24–32)

Author Location Tat (24–32 WEAU)

Epitope NCYCKRCCF

Epitope name Tat NF9

Subtype B

Immunogen HIV-1 infection

Species (MHC) human (A*2902)

Donor MHC A*2902, B*4403, B*0801

Country United States.

Assay type CD8 T-cell Elispot - IFN γ , Chromium-release assay

Keywords dynamics, immunodominance, escape, acute/early infection, kinetics, characterizing CD8+ T cells, reversion, viral fitness

References Jones *et al.* 2004

- Primary CD8+ T-cell response to Env, Tat and Gag and the extent, kinetics and mechanisms of viral escape were examined in three patients. Rapid escape, within weeks from infection, from HIV specific CTL responses was observed in all three patients, but the kinetics and extent of the escape differed depending on the breadth and co-dominant distribution of CTL-mediated pressure. The two patients that rapidly declined had more focused immunodominant responses, while the single patient that had low viral load and stable CD4 counts for seven years had a broad co-dominant response and less escape.
- The patient WEAU had high viral loads and rapid CD4 decline. WEAU mounted 14 detected CTL responses, with distinct patterns of immunodominance. WEAU did not control viral replication well, and escape mutations occurred early and 4/14 had changes that could have resulted in escape, and two were confirmed as escape.
- There was a weak response to this epitope during acute infection that was lost by early infection. The epitope variant kCYCKRCCF was evident by day 72, and other variants were evident in samples taken at 391 and 772 days, including NCYCKkCCF, tCYCKRCCF, kCYCKsCCF and kCYCKkCCF. It was not determined if these were specifically escape mutations, but the CTL response diminished in vivo as kCYCKRCCF variant came up.

HXB2 Location Tat (29–43)

Author Location Tat (29–43)

Epitope KCCFHCQVCFTTKGL

Subtype B

Immunogen HIV-1 infection

Species (MHC) human

Donor MHC A*03, A*24, B*35, B*40

Country United States.

Assay type CD8 T-cell Elispot - IFN γ

Keywords acute/early infection, variant cross-recognition or cross-neutralization, superinfection, characterizing CD8+ T cells

References Yang *et al.* 2005b

- An individual infected with a drug-resistant strain of HIV-1 subtype B with controlled viremia became superinfected with another subtype B strain. The second strain outgrew the first despite lower replication capacity and the same viral phenotype. The strains showed differences in their epitope sequences. The CTL responses to the first strain declined after superinfection, followed by some adaptation of targeting to the new epitopes of the second strain. Differences in the recognized epitopes were suggested to have contributed to the poor immune containment of the second strain.
- A early response to this peptide KCCFHCQVCFTTKGL was detected that waned prior to superinfection. The embedded epitope and HLA presenting molecule not resolved. The initial and superinfecting strains had different versions of the peptide, oCCFHCQVCFTTKGL and KCCIHCQVCFTTKGL respectively.

HXB2 Location Tat (30–37)

Author Location Tat (30–37)

Epitope CCFHCQVC

Immunogen

Species (MHC) human (Cw*12)

Keywords optimal epitope

References Frahm *et al.* 2007

HXB2 Location Tat (30–37)

Author Location Tat (30–37)

Epitope CCFHCQVC

Epitope name CC8

Subtype B

Immunogen HIV-1 infection

Species (MHC) human (Cw*12)

Donor MHC A2, A11, B18, B44, Cw5, Cw12

Country United States.

Assay type CD8 T-cell Elispot - IFN γ , Intracellular cytokine staining, Flow cytometric T-cell cytokine assay

Keywords escape, optimal epitope

References Allen *et al.* 2005b

- 4/14 optimal HIV-1 T-cell epitopes in a subject underwent mutation associated with dramatic loss of the original CD8 response. For 1 of the escape variants, a novel CD8 T-cell response equal in magnitude to the wildtype, was generated. CD8 T-cell recognizing the variant epitope utilized a distinct T-cell receptor and did not exhibit any cross-reactivity against the wildtype.
- A mutation occurred at position 3 of this epitope, ccMhcqvc, but significant cross-recognition was observed between the escape variant and the wildtype epitope.

HXB2 Location Tat (30–37)

Author Location Tat**Epitope** CCFHCQVC**Epitope name** CC8**Subtype** B**Immunogen** HIV-1 infection**Species (MHC)** human (Cw*12)**Donor MHC** A2, A11, B18, B44, Cw5, Cw12**Country** United States.**Assay type** CD8 T-cell Elispot - IFN γ **Keywords** subtype comparisons, escape, characterizing CD8+ T cells, reversion, viral fitness**References** Allen *et al.* 2005a

- Two-thirds of all mutations arising in nonenvelope proteins during the transition from acute to chronic infection were found to be due to either CD8 T-cell-associated selective pressures or reversion of HLA-I-associated mutations selected in a previous host. The predominance of escape mutations at highly polymorphic sites was observed across different HIV-1 clades.
- One escape mutation, at position 3, CCIHCQVC, was found in the most polymorphic residue in the epitope.

HXB2 Location Tat (30–37)**Author Location** Tat**Epitope** CCFHCQVC**Epitope name** CC8**Immunogen****Species (MHC)** (Cw*12)**Keywords** review, immunodominance, escape, acute/early infection, early-expressed proteins, kinetics, reversion, viral fitness**References** Lichterfeld *et al.* 2005

- This review discusses the importance of 3 factors that impact the selection of immunodominant epitopes in acute HIV infection: i) the kinetics of viral protein expression, ii) the HLA class I background of the infected individual, and iii) the autologous sequence of the infecting virus. This is 1 of 12 peptides listed as immunodominant in acute HIV-1 infection.

HXB2 Location Tat (30–37)**Author Location** Tat (30–37)**Epitope** CCFHCQVC**Immunogen** HIV-1 infection**Species (MHC)** human (Cw*1203)**Donor MHC** A3, A26, B7, B*3801, Cw*0702, Cw*1203; A*0201, A*2501, B18, B51, Cw*0102, Cw*1203**Assay type** CD8 T-cell Elispot - IFN γ **Keywords** acute/early infection, early treatment**References** Cao *et al.* 2003

- CTL epitope responses were mapped in 21 men within 15–92 days post-HIV-1 infection. Subjects initially showed narrow immune responses with a mean of 2.3 epitopes recognized per patient. The immune response broadened later in infection. No correlation between the plasma viral load and the number of recognized epitopes or the frequency of IFN-gamma secreting cells was observed, and there was no correlation between the functional avidity of a response and the abundance of IFN-secreting cells that recognized the epitope. The first epitopes to be recognized tended not to be the most avid, and earliest responses tended to be directed against Nef, Tat, Vpr, and Env.

- Two individuals recognized this epitope both presented by Cw*1203.
- More common HLA alleles were less frequently used in primary infection than less common alleles, for example A3, B35, B57, and B62 were more frequently recognized than A1, A2, A30, and A44.
- All HIV-1 proteins except Vpu were recognized, and a response to a total of 41 optimal epitopes were characterized; 24 had been identified previously. 48% of the total T-cell responses were directed against Nef and 43% were directed against Gag.

HXB2 Location Tat (30–37)**Author Location** Tat (30–37)**Epitope** CCFHCQVC**Immunogen** HIV-1 infection**Species (MHC)** human (Cw*1203)**Donor MHC** A3, A26, B7, B*3801, Cw*0702, Cw*1203; A*0201, A*2501, B18, B51, Cw*0102, Cw*1203**Assay type** CD8 T-cell Elispot - IFN γ **Keywords** acute/early infection, early treatment**References** Cao *et al.* 2003

- CTL epitope responses were mapped in 21 men within 15–92 days post-HIV-1 infection. Subjects initially showed narrow immune responses with a mean of 2.3 epitopes recognized per patient. The immune response broadened later in infection. No correlation between the plasma viral load and the number of recognized epitopes or the frequency of IFN-gamma secreting cells was observed, and there was no correlation between the functional avidity of a response and the abundance of IFN-secreting cells that recognized the epitope. The first epitopes to be recognized tended not to be the most avid, and earliest responses tended to be directed against Nef, Tat, Vpr, and Env.
- Two individuals recognized this epitope both presented by Cw*1203.
- More common HLA alleles were less frequently used in primary infection than less common alleles, for example A3, B35, B57, and B62 were more frequently recognized than A1, A2, A30, and A44.
- All HIV-1 proteins except Vpu were recognized, and a response to a total of 41 optimal epitopes were characterized; 24 had been identified previously. 48% of the total T-cell responses were directed against Nef and 43% were directed against Gag.

HXB2 Location Tat (30–37)**Author Location** Tat (30–37 HXB2)**Epitope** CCFHCQVC**Epitope name** CC8**Subtype** B**Immunogen** HIV-1 infection**Species (MHC)** human (Cw*1203)**Donor MHC** A*0201, A*2501, B*1801, B*5101, Cw*0102, Cw*1203**Assay type** CD8 T-cell Elispot - IFN γ **Keywords** escape, immune evasion, optimal epitope, HIV-1**References** Liu *et al.* 2006

- T-cell immunity and the impact of selection were longitudinally studied in a patient from the time of transmission. New epitopes were detected at sites that were shown to be under positive selection. Env was found to be the major target of CTLs and most of the new epitopes were found here. One third of the sites examined were associated with epitope escape mutations from CTL. Acquisition of mutations found at high frequency in the database was suggested to be a result of reversion of CTL epitopes in the absence of immune targeting.
- Position 3 in the epitope had potentially experienced positive selection. CCIHCQVC and CCFHCQsC escape variants were found.

HXB2 Location Tat (32–41)

Author Location Tat (32–41 SUMA)

Epitope FHCQVCFMTK

Epitope name Tat FK10

Subtype B

Immunogen HIV-1 infection

Species (MHC) human

Donor MHC A*1103, A*2402, B*1402, B*1501, Cw*0802

Country United States.

Assay type CD8 T-cell Elispot - IFN γ , Chromium-release assay

Keywords dynamics, epitope processing, immunodominance, escape, acute/early infection, kinetics, characterizing CD8+ T cells, reversion, viral fitness

References Jones *et al.* 2004

- Primary CD8+ T-cell response to Env, Tat and Gag and the extent, kinetics and mechanisms of viral escape were examined in three patients. Rapid escape, within weeks from infection, from HIV specific CTL responses was observed in all three patients, but the kinetics and extent of the escape differed depending on the breadth and co-dominant distribution of CTL-mediated pressure. The two patients that rapidly declined had more focused immunodominant responses, while the single patient that had low viral load and stable CD4 counts for seven years had a broad co-dominant response and less escape.
- The patient SUMA maintained low viral loads and stable CD4 T cell counts through seven years of follow up. In contrast to more rapid progressors, WEAU and BORI, SUMA a broad response to 24 epitopes, with little immunodominance. Two peptides were somewhat more intensely recognized in acute infection, but this response leveled out early on.
- Only four epitopes were found to acquire escape mutations in SUMA over time. Early in infection, three overlapping epitopes in Tat carried mutations: FHCQVCFMTK, VCFMTKGLGI, and MTKGLGISY. An M->T substitution was evident during acute infection in the first sample, at four days of the onset of symptoms, and a rare second variant was seen at day 20 that added a K->E substitution. The M->T substitution abrogated responses to FHCQVCFtTK, VCFtTKGLGI, but not in the third epitope tTKGLGISY. By day 69 a double mutation was evident that persisted through day 435, F->L and T->K. Variants IHCQVCFMkK, VCFMkKGLGI were not recognized, and impact processing of the MTKGLGISY epitope.

HXB2 Location Tat (36–45)

Author Location Tat (36–45 SUMA)

Epitope VCFMTKGLGI

Epitope name Tat VI10

Subtype B

Immunogen HIV-1 infection

Species (MHC) human (B*1501)

Donor MHC A*1103, A*2402, B*1402, B*1501, Cw*0802

Country United States.

Assay type CD8 T-cell Elispot - IFN γ , Chromium-release assay

Keywords dynamics, epitope processing, immunodominance, escape, acute/early infection, kinetics, characterizing CD8+ T cells, reversion, viral fitness

References Jones *et al.* 2004

- Primary CD8+ T-cell response to Env, Tat and Gag and the extent, kinetics and mechanisms of viral escape were examined in three patients. Rapid escape, within weeks from infection, from HIV specific CTL responses was observed in all three patients, but the kinetics and extent of the escape differed depending on the breadth and co-dominant distribution of CTL-mediated pressure. The two patients that rapidly declined had more focused immunodominant responses, while the single patient that had low viral load and stable CD4 counts for seven years had a broad co-dominant response and less escape.
- The patient SUMA maintained low viral loads and stable CD4 T cell counts through seven years of follow up. In contrast to more rapid progressors, WEAU and BORI, SUMA a broad response to 24 epitopes, with little immunodominance. Two peptides were somewhat more intensely recognized in acute infection, but this response leveled out early on.
- Only four epitopes were found to acquire escape mutations in SUMA over time. Early in infection, three overlapping epitopes in Tat carried mutations: FHCQVCFMTK, VCFMTKGLGI, and MTKGLGISY. An M->T substitution was evident during acute infection in the first sample, at four days of the onset of symptoms, and a rare second variant was seen at day 20 that added a K->E substitution. The M->T substitution abrogated responses to FHCQVCFtTK, VCFtTKGLGI, but not in the third epitope tTKGLGISY. By day 69 a double mutation was evident that persisted through day 435, F->L and T->K. Variants IHCQVCFMkK, VCFMkKGLGI were not recognized, and impact processing of the MTKGLGISY epitope.

HXB2 Location Tat (36–50)

Author Location (subtype C)

Epitope VCFQTKGLGISYGRK

Subtype C

Immunogen

Species (MHC) human

Keywords immunodominance, escape

References Novitsky *et al.* 2001

- This study provides a survey of CTL responses and full length HIV-1 genome sequences from a C subtype infected Botswanan cohort.
- 17 of 46 patients reacted with Tat immunodominant peptide VCFQTKGLGISYGRK.

- Most of the CTL responses occurred despite a mismatch between the autologous viral sequence and peptide – complete matches were seen only in 4 of 19 cases (21%) and the mismatched CTL tended not to respond to the autologous viral peptide indicative of immune escape.

HXB2 Location Tat (36–50)

Author Location Tat (36–50)

Epitope VCFQTKGLGISYGRK

Subtype C

Immunogen HIV-1 infection

Species (MHC) human

Keywords subtype comparisons

References Novitsky *et al.* 2002

- HLA, viral sequence, and Elispot data was obtained from 105 HIV-1 positive Botswanans; Elispot data was obtained from between 55 and 64 subjects for each HIV protein.
- Nef and p24 had the highest percentage of reactive peptides, and p24 had the highest magnitude of HIV-1 responses.
- This peptide was among the 8 most reactive C clade peptides from among over 350 tested spanning all HIV proteins.

HXB2 Location Tat (36–52)

Author Location Tat

Epitope VCFTTKALGISYGRKKR

Subtype B

Immunogen HIV-1 infection

Species (MHC) human

Keywords early-expressed proteins

References Addo *et al.* 2002b

- CTL responses against regulatory and accessory proteins in 70 HIV-1 infected patients were studied using overlapping peptides and Elispot – 28% (19/70) targeted one or more Tat peptides, and this peptide was the most frequently recognized epitope in Tat (27%).
- The regulatory proteins Rev and Tat combined contributed to 3%, and the accessory proteins Vif, Vpr and Vpu to 7%, of the total magnitude of HIV-1 specific CTL responses in a subset of 22 HIV-1 infected individuals in whom all HIV-1 proteins were studied.

HXB2 Location Tat (38–47)

Author Location (subtype C)

Epitope FQTKGLGISY

Epitope name T38-FY10

Subtype C

Immunogen

Species (MHC) human (B*1503)

Keywords immunodominance

References Novitsky *et al.* 2001

- This study provides a survey of CTL responses and full length HIV-1 genome sequences from a C subtype infected Botswanan cohort.
- 17 of 46 patient reacted with Tat immunodominant peptide VCFQTKGLGISYGRK.
- FQTKGLGISY was the optimal epitope in the peptide VCFQTKGLGISYGRK among B*1503+ individuals.

HXB2 Location Tat (38–47)

Author Location Tat (38–47)

Epitope FQTKGLGISY

Immunogen HIV-1 infection

Species (MHC) human (B*1503)

Keywords optimal epitope

References Frahm *et al.* 2007

HXB2 Location Tat (38–47)

Author Location (C consensus)

Epitope FQTKGLGISY

Subtype C

Immunogen HIV-1 infection

Species (MHC) human (B*1503)

Country South Africa.

Assay type CD8 T-cell Elispot - IFN γ

Keywords characterizing CD8+ T cells

References Kiepiela *et al.* 2004

- HLA class I restricted CD8+ T-cell responses against HIV-1 were analyzed in African patients. Significantly more responses were shown to be HLA-B restricted. Viral load, CD4 count, and thus rate of disease progression were also associated with HLA-B alleles. In addition, the selection pressure imposed on HIV-1 by HLA-B alleles was shown to be substantially greater than by other alleles.
- This epitope was suggested to be the epitope within a longer reactive peptide based on correspondence with a known epitope in the HIV database. Also, a significantly higher frequency of people in the Durban cohort who reacted with the peptide had this HLA type.

HXB2 Location Tat (38–47)

Author Location (C consensus)

Epitope FQTKGLGISY

Subtype C

Immunogen HIV-1 infection

Species (MHC) human (B*1503)

Country South Africa.

Assay type CD8 T-cell Elispot - IFN γ

Keywords rate of progression, optimal epitope

References Kiepiela *et al.* 2007

- A comprehensive analysis of 160 class I T cell responses in 578 individuals from KwaZulu-Natal, South Africa was performed. Gag-specific responses were associated with lowering viremia, while Env, accessory and regulatory protein-specific responses were associated with higher viremia.
- FQTKGLGISY is an optimal epitope.

HXB2 Location Tat (39–47)

Author Location Tat (39–47 SUMA)

Epitope MTKGLGISY

Epitope name Tat MY9

Subtype B

Immunogen HIV-1 infection

Species (MHC) human (B*1501)

Donor MHC A*1103, A*2402, B*1402, B*1501, Cw*0802

Country United States.

Assay type CD8 T-cell Elispot - IFN γ , Chromium-release assay

Keywords dynamics, epitope processing, immunodominance, escape, acute/early infection, kinetics, characterizing CD8+ T cells, reversion, viral fitness

References Jones *et al.* 2004

- Primary CD8+ T-cell response to Env, Tat and Gag and the extent, kinetics and mechanisms of viral escape were examined in three patients. Rapid escape, within weeks from infection, from HIV specific CTL responses was observed in all three patients, but the kinetics and extent of the escape differed depending on the breadth and co-dominant distribution of CTL-mediated pressure. The two patients that rapidly declined had more focused immunodominant responses, while the single patient that had low viral load and stable CD4 counts for seven years had a broad co-dominant response and less escape.
- The patient SUMA maintained low viral loads and stable CD4 T cell counts through seven years of follow up. In contrast to more rapid progressors, WEAU and BORI, SUMA a broad response to 24 epitopes, with little immunodominance. Two peptides were somewhat more intensely recognized in acute infection, but this response leveled out early on.
- Only four epitopes were found to acquire escape mutations in SUMA over time. Early in infection, three overlapping epitopes in Tat carried mutations: FHCQVCFMTK, VCFMTKGLGI, and MTKGLGISY. An M->T substitution was evident during acute infection in the first sample, at four days of the onset of symptoms, and a rare second variant was seen at day 20 that added a K->E substitution. The M->T substitution abrogated responses to FHCQVCFrTK, VCFrTKGLGI, but not in the third epitope tTKGLGISY. By day 69 a double mutation was evident that persisted through day 435, F->L and T->K. Variants IHCQVCFMkK, VCFMkKGLGI were not recognized, but the CTL response was strong to MkKGLGISY. The authors provide evidence that the F->L and T->K substitutions impact processing of the MTKGLGISY epitope, as the mutations don't abrogate a CTL response to the peptide, but Tat expressed in target cells doesn't allow recognition of the Tat variant.
- MTKGLGISY was the highest level response in acute and early infection.

HXB2 Location Tat (39–49)

Author Location Tat (38–48)

Epitope ITKGLGISYGR

Epitope name Tat-4.8

Immunogen HIV-1 infection

Species (MHC) human (A*6801)

Keywords assay standardization/improvement

References Oxenius *et al.* 2002a

- This epitope and HLA-A*6801 presenting molecule were rapidly defined using a modified Elispot assay.
- The 11-mer is the optimal epitope but A*6801 epitopes tolerate length variation.

HXB2 Location Tat (39–49)

Author Location Tat (39–49)

Epitope ITKGLGISYGR

Immunogen HIV-1 infection

Species (MHC) human (A*6801)

Keywords optimal epitope

References Frahm *et al.* 2007

HXB2 Location Tat (39–49)

Author Location Tat (38–48)

Epitope ITKGLGISYGR

Epitope name ITK

Immunogen HIV-1 infection

Species (MHC) human (A*6801)

Donor MHC A2, A68.1, B*07, B*3503, Cw*0401, Cw*0702, DR17, DR15, DR51, DR52, DQ2, DQ6

Assay type CD8 T-cell Elispot - IFN γ , CD4 T-cell Elispot - IFN γ

Keywords rate of progression, escape

References Oxenius *et al.* 2004b

- The increase in plasma viral load in a patient that progressed rapidly was preceded by positive selection of viral escape mutations in epitopes targeted by dominant HIV-1-specific CD8+ T-cell responses, and a decrease in HIV-1-specific CD4+ and CD8+ T-cell frequencies. Overall, escape variant epitopes were recognized 0-80% as efficiently as the index peptide, and the relatively efficiency of the variant epitopes increased using PBLs collected after their appearance. No changes were found in viral tropism, replication kinetics and neutralizing antibody titers, so the rapid decline of the patient was attributed to loss of HIV containment due to CTL escape.
- This was one of 8 reactive epitopes found not to vary over time.

HXB2 Location Tat (39–49)

Author Location Tat (38–48)

Epitope ITKGLGISYGR

Subtype B

Immunogen HIV-1 infection

Species (MHC) human (A68)

Keywords early-expressed proteins

References Addo *et al.* 2002b

- CTL responses against regulatory and accessory proteins in 70 HIV-1 infected patients were studied using overlapping peptides and Elispot.
- 28% targeted one or more overlapping Tat peptides; 36%, Rev peptides; 33%, Vif peptides; 40%, Vpr peptides; and 2%, Vpu peptides.
- All known optimally defined epitopes were summarized for the five proteins.

HXB2 Location Tat (40–49)

Author Location

Epitope TKALGISYGR

Subtype B

Immunogen HIV-1 infection

Species (MHC) human

Keywords epitope processing, escape

References Yusim *et al.* 2002

- Epitopes that have been described in the literature and included in this database tend to cluster in conserved regions and be absent or rarely found in highly variable regions in Nef, Env, and p17.
- While the uneven distribution of epitopes may be in part due to a limited cross-recognition of specific responses because of differences between peptides used to probe the immune response and autologous strains, regions with a paucity of defined epitopes also had higher frequencies of amino acids

that tend to not be found in C-terminal positions of epitopes, and had lower cleavage prediction scores for epitope processing. This suggests that in the regions of the virus where variation is best tolerated traces of immune escape have left an imprint on the viral population. Epitopes also were concentrated in alpha-helix and turn regions in the proteins.

- In the more conserved p24, and Pol proteins RT and Protease, epitopes are more evenly distributed.
- What was learned from proteins where many epitopes have been defined (Gag, Pol, Env and Nef) was used to develop an algorithm to predict where epitopes would be localized in Rev, Tat, Vif, and Vpr. Predictions were made blinded, and then compared to the first 15 epitopes defined in these proteins; the epitopes were concentrated in the predicted regions.

HXB2 Location Tat (49–57)

Author Location Tat (49–57)

Epitope RKKRRQRRR

Immunogen vaccine

Vector/Type: DNA, DNA with protein boost
Strain: B clade LAI *HIV component:* Gag, Nef, Tat *Adjuvant:* IL-18

Species (MHC) mouse (H-2^d)

Keywords Th1

References Billaut-Mulot *et al.* 2001

- DNA vaccinated BALB/c mice primed and boosted with the multiepitopic vaccine with IL18 showed lymphoproliferative responses 7 weeks post immunization.
- Strong but non-lasting HIV-specific CTL responses were detected by a Cr-release assay and DNA prime/DNA boost was more effective than DNA prime/protein boost.
- Immunization with either the multiepitopic DNA or with the mixed DNA vaccine induced HIV-1 specific Th1 cytokines (IL-2 and IFN-gamma)
- Co-administration of IL18 increased T-cell responses but decreased anti-HIV antibody levels.

HXB2 Location Tat (49–57)

Author Location Tat (49–57)

Epitope RKKRRQRRR

Immunogen

Species (MHC) mouse

References Kim *et al.* 1997a

- The Tat peptide RKKRRQRRR when conjugated to a protein can cause that protein to be taken up by APCs and presented to CTL.
- The system was demonstrated by vaccinating mice with an OVA-Tat peptide conjugate and immunizing H-2 K^b mice.
- The CTL response to the H-2 K^b specific OVA peptide SIINFEKL was stimulated.

HXB2 Location Tat (83–92)

Author Location Tat

Epitope GPKESKKE

Immunogen

Species (MHC) human (B58)

References De Groot *et al.* 2001

- The program Epimatrix was used in conjunction with the program Conservatrix to identify conserved regions of HIV that might serve as epitopes.

- A subset of the potential epitopes was identified that could bind to the appropriate HLA-allele, and 15 predicted B7 superfamily (HLA B7, B8, and B58) epitopes could stimulate IFN γ production in an ELISPOT assay.
- GPKESKKE was newly identified as an HLA-B58 epitope in this study.

HXB2 Location Tat

Author Location Tat

Epitope

Immunogen vaccine

Vector/Type: adeno-associated virus (AAV)
HIV component: Env, Rev, Tat *Adjuvant:* IL-2

Species (MHC) mouse (H-2^d)

References Xin *et al.* 2001

- An AAV vector expressing HIV-1 env, tat, and rev genes (AAV-HIV vector) was used to vaccinate BALB/c mice.
- A single injection stimulated and long lasting serum IgG, fecal IgA, and HIV-specific CTL.
- Boosting enhanced the humoral response, and IL2 enhanced T-cell immunity.

HXB2 Location Tat

Author Location Tat (IIIB)

Epitope

Subtype B

Immunogen vaccine

Vector/Type: protein *Strain:* B clade IIIB
HIV component: Tat *Adjuvant:* Incomplete Freund's Adjuvant (IFA), macrophage activating lipopeptide (MALP)

Species (MHC) mouse (H-2^d)

Assay type T-cell Elispot

References Borsutzky *et al.* 2003

- BALB/c mice that were vaccinated intranasally with Tat protein plus mucosal adjuvant macrophage-activating lipopeptide-2 (MALP-2) had increased proliferative, antibody, and IFN-gamma producing T-cell responses than did mice with Tat+IFA delivered by the i.p. route.
- IFA as adjuvant stimulated a Th2-dominant response pattern, and MALP-2 as adjuvant shifted to a Th1 response. In animals vaccinated with Tat+MALP-2, IFN-gamma and IL-2 were the most prominent cytokines, with some IL-6. In contrast, in mice vaccinated with Tat+IFA, IL-6 was the dominant cytokine. Secreted IL-4, IL-5 and IL-10 were below the detection limit in both cases.

HXB2 Location Tat

Author Location Tat

Epitope

Immunogen vaccine

Vector/Type: protein *HIV component:* Tat
Adjuvant: Complete Freund's Adjuvant (CFA), red blood cells

Species (MHC) mouse (H-2^d)

Assay type Chromium-release assay

Keywords dendritic cells, Th1, Th2, immunotherapy

References Dominici *et al.* 2003

- BALB/c mice were immunized with Tat protein bound to red blood cells via biotin-avidin conjugation. This antigen delivery system was successfully internalized by dendritic cells, and induced more consistent anti-Tat Abs responses and slightly increased Tat-specific CTL responses relative to Tat with CFA.

HXB2 Location Tat

Author Location Tat

Epitope

Immunogen vaccine

Vector/Type: DNA *HIV component:* Nef, Rev, Tat

Species (MHC) human

Keywords HAART, ART

References Calarota *et al.* 1999

- 9/9 HIV-1 + subjects were given one of three DNA vaccinations for nef, rev or tat, and novel proliferative and CTL responses were generated.
- The nef DNA immunization induced the highest and most consistent CTLp activity, IFN-gamma production, and IL-6 and IgG responses.
- Highly active antiretroviral treatment (HAART) did not induce new HIV-specific CTL responses but reduced viral load, while DNA vaccination induced new immune responses but did not reduce viral load – thus this is a potentially complementary and promising combination.

HXB2 Location Tat

Author Location Tat

Epitope

Immunogen HIV-1 infection

Species (MHC) human

Keywords rate of progression

References Froebel *et al.* 1997

- Two HIV-1 infected children with contrasting disease courses were followed longitudinally – one died of AIDS, the other is a long-term non-progressor.
- Reactivity against Gag, Pol, Env and Tat proteins was tested by PBMC bulk cultured cells reacting with protein expressed in vaccinia constructs in autologous EBV transformed B cells.
- The child who progressed consistently had CTL against Pol and Tat.
- The long-term non-progressing child had no detectable CTL, but was heterozygous for a mutation in the CCR5 receptor and for HLA-B49, which has been shown to be associated with slower progression.

HXB2 Location Tat

Author Location Tat

Epitope

Immunogen HIV-1 infection, vaccine

Vector/Type: DNA *HIV component:* Nef, Rev, Tat *Adjuvant:* CpG immunostimulatory sequence (ISS)

Species (MHC) human

Keywords review

References Calarota & Wahren 2001

- This review discusses the cellular immune response, and comments on the stimulatory role of CpG motifs and how HIV-1 DNA vaccines can boost the CTL and Th proliferative responses in asymptomatic HIV+ individuals.

HXB2 Location Tat

Author Location Tat

Epitope

Immunogen vaccine

Vector/Type: DNA *Strain:* B clade BH10 *HIV component:* Tat *Adjuvant:* Immune stimulating complexes (ISCOM), CpG immunostimulatory sequence (ISS)

Species (MHC) macaque

References Cafaro *et al.* 2001

- Macaques (*macaca fascicularis*) were immunized with HIV-1 Tat on an adenovirus major late promoter in a plasmid with 23 CpG sequences, 12 unmethylated.
- The vaccinated animals contained a primary infection challenge with SHIV89.6P, preventing CD4+ T-cell decline in the animals, suggesting Tat may be useful at blocking viral replication at its early stage.

HXB2 Location Tat

Author Location

Epitope

Subtype B

Immunogen HIV-1 infection

Species (MHC) human

Keywords HIV exposed persistently seronegative (HEPS), responses in children, mother-to-infant transmission

References Aldhous *et al.* 1994; Kuhn *et al.* 2002

- Six of nine HIV vertically infected infants had HIV-1 specific CTL responses to vaccinia expressed Tat (4/6), Pol (6/6), Env (1/6), or Gag (1/6), but not all responses were detected at all time points.
- Two of eleven babies that were not infected though born to HIV+ mothers had detectable responses to Tat (1/2), Pol (2/2), Gag (1/2).
- Reviewed in Kuhn *et al.* [2002].

HXB2 Location Tat

Author Location Tat

Epitope

Immunogen HIV-1 infection, vaccine

Species (MHC) human

Keywords review, escape, early-expressed proteins

References Gruters *et al.* 2002

- This paper is a review that makes a case for using Tat and Rev as part of a vaccine strategy.
- CTL against Tat and Rev were found preferentially in long term non-progressors.
- Tat/Rev vaccinations of macaques provided protection or reduction in viremia, with high levels of CTL providing protection from challenge, lower levels of CTL having lower viremia, while Gag/Pol vaccinations with did not result in decreased viremia.

- Early expression of Tat/Rev may in part explain the enhanced benefit of a CTL response directed at these proteins, and CTL escape is more prominent in these proteins.

HXB2 Location Tat

Author Location Tat (BH10)

Epitope

Immunogen vaccine

Vector/Type: DNA *Strain:* B clade BH10

HIV component: Tat *Adjuvant:* cationic block copolymer K2

Species (MHC) mouse

Donor MHC H-2d

Assay type proliferation, Chromium-release assay

References Caputo *et al.* 2003

- Mice were immunized intramuscularly with a plasmid DNA vaccine (HIV-1 pCV-tat DNA) alone or complexed with a cationic block polymer K1, K2, or K5, which block digestion by DNAase I and enhance DNA delivery to APC.
- CTL responses to low dose Tat DNA vaccination with K2 were greatly enhanced relative to responses to DNA alone.

HXB2 Location Tat

Author Location Tat

Epitope

Immunogen vaccine

Vector/Type: DNA, protein *HIV component:*

Tat *Adjuvant:* aluminum hydroxide, Ribi adjuvant (MPL+TDM) (RIBI)

Species (MHC) macaque

Keywords review, early-expressed proteins

References Fanales-Belasio *et al.* 2002a

- HIV-1 Tat protein is efficiently taken up by monocyte-derived dendritic cells (MDDCs) and promotes Th1 immune responses. A Tat based vaccine can elicit an immune response that can control primary infection in monkeys that are in early stage of infection with SHIV89.6P.
- Tat-specific CTL activity was detected in four monkeys inoculated with i.m. with pCV-tat.

HXB2 Location Tat

Author Location

Epitope

Immunogen in vitro stimulation or selection

Species (MHC)

Assay type CD8 T-cell Elispot - IFN γ , Chromium-release assay

Keywords epitope processing, immunodominance, early-expressed proteins, Th1, adjuvant comparison

References Gavioli *et al.* 2004

- HIV-1 Tat protein modulates proteasome composition and activity in B and T cells that either express Tat or are treated with exogenous biologically active Tat protein. This results in modification of Ag processing where presentation of immunodominant EBV epitopes is decreased and presentation of subdominant epitopes is increased. The authors suggest that the immunomodulatory effects of endogenous and exogenous Tat may be beneficial in terms of expanding stimulation of responses to subdominant epitopes, and may be useful as an adjuvant.

II-B-19 Rev CTL/CD8+ epitopes

HXB2 Location Rev (9–23)

Author Location Rev (9–23 HXB2)

Epitope DEELIRTVRLIKLLY

Subtype B

Immunogen HIV-1 infection

Species (MHC) human

References Blazevic *et al.* 1995

- Induces both Th and CTL activities, no HLA restriction analysis performed.

HXB2 Location Rev (11–23)

Author Location Rev (14–23)

Epitope KAVRRLIKFLY

Subtype B

Immunogen HIV-1 infection

Species (MHC) human (B*5701)

Keywords early-expressed proteins

References Addo *et al.* 2002b

- CTL responses against regulatory and accessory proteins in 70 HIV-1 infected patients were studied using overlapping peptides and Elispot.
- 28% targeted one or more overlapping Tat peptides; 36%, Rev peptides; 33%, Vif peptides; 40%, Vpr peptides; and 2%, Vpu peptides.
- All known optimally defined epitopes were summarized for the five proteins.

HXB2 Location Rev (11–23)

Author Location Rev (14–23)

Epitope KAVRRLIKFLY

Subtype B

Immunogen HIV-1 infection

Species (MHC) human (B*5801)

Keywords early-expressed proteins

References Addo *et al.* 2002b

- CTL responses against regulatory and accessory proteins in 70 HIV-1 infected patients were studied using overlapping peptides and Elispot.
- 28% targeted one or more overlapping Tat peptides; 36%, Rev peptides; 33%, Vif peptides; 40%, Vpr peptides; and 2%, Vpu peptides.
- All known optimally defined epitopes were summarized for the five proteins.

HXB2 Location Rev (12–31)

Author Location Rev (11–30 SF2)

Epitope LLKAVRLIKFLYQSNPPPNF

Immunogen HIV-1 infection

Species (MHC) human

References Lieberman *et al.* 1997a

- Of 25 patients, most had CTL specific for more than 1 HIV-1 protein.
- Only one subject had CTL that could recognize vaccinia-expressed LAI Rev.
- This subject had a CTL response to this peptide, and was HLA-A2, A24, B13, B35.

HXB2 Location Rev (14–23)

Author Location Rev (14–23 subtype B)

Epitope KAVRLIKFLY

Subtype B

Immunogen

Species (MHC) human (B*5701)

Keywords optimal epitope

References Addo *et al.* 2001; Frahm *et al.* 2007

- C. Brander notes this is a B*5701 epitope.

HXB2 Location Rev (14–23)

Author Location Rev (14–23 BRU)

Epitope KAVRIKFLY

Immunogen HIV-1 infection

Species (MHC) human (B*5701)

Keywords cross-presentation by different HLA

References Addo *et al.* 2001

- Rev and Tat are expressed early in the virus life cycle and thus may be important targets for CTL against HIV early in infection and for vaccines – therefore CTL responses against Tat and Rev were screened using overlapping peptides.
- 11/57 (19.3%) HIV-1 + individuals recognized at least 1 Tat peptide, and 21/57 (37%) responded to at least 1 Rev peptide.
- This epitope was also recognized by another individual in whom it was restricted by HLA*B5801, an allele closely related to HLA*B5701, suggesting cross-presentation by the two HLA alleles.

HXB2 Location Rev (14–23)

Author Location Rev (14–23 subtype B)

Epitope KAVRLIKFLY

Subtype B

Immunogen

Species (MHC) human (B*5801)

Keywords optimal epitope

References Addo *et al.* 2001; Frahm *et al.* 2007

- C. Brander notes this is a B*5801 epitope.

HXB2 Location Rev (14–23)

Author Location Rev (14–23 BRU)

Epitope KAVRIKFLY

Immunogen HIV-1 infection

Species (MHC) human (B*5801)

Keywords cross-presentation by different HLA

References Addo *et al.* 2001

- Rev and Tat are expressed early in the virus life cycle and thus may be important targets for CTL against HIV early in infection and for vaccines – therefore CTL responses against Tat and Rev were screened using overlapping peptides.
- 11/57 (19.3%) HIV-1 + individuals recognized at least 1 Tat peptide, and 21/57 (37%) responded to at least 1 Rev peptide.
- This epitope was also recognized by another individual in whom it was restricted by HLA*B5701, an allele closely related to HLA*B5801, suggesting cross-presentation by the two HLA alleles.

HXB2 Location Rev (14–23)

Author Location Rev

Epitope KTGRLIKLLY

Epitope name KY10

Subtype B

Immunogen HIV-1 infection

Species (MHC) human (B57)

Donor MHC A1, A3, B7, B57, Cw6, Cw7

Country United States.

Assay type CD8 T-cell Elispot - IFN γ

Keywords subtype comparisons, escape, characterizing CD8+ T cells, reversion, viral fitness

References Allen *et al.* 2005a

- Two-thirds of all mutations arising in nonenvelope proteins during the transition from acute to chronic infection were found to be due to either CD8 T-cell-associated selective pressures or reversion of HLA-I-associated mutations selected in a previous host. The predominance of escape mutations at highly polymorphic sites was observed across different HIV-1 clades.
- One escape mutation, at position 8, ktgrlikLly, was found in the most polymorphic residue in the epitope. One escape mutation, at position 5, ktgrfiklly was found not to correspond to the most polymorphic residue in the epitope.

HXB2 Location Rev (14–23)

Author Location

Epitope KAVRLIKFLY

Immunogen HIV-1 infection

Species (MHC) human (B57, B*5801)

Assay type CD8 T-cell Elispot - IFN γ , Chromium-release assay

Keywords responses in children, mother-to-infant transmission

References Feeney *et al.* 2005

- Escape mutations in TW10 and other B57-restricted epitopes were shown to arise early in infants following perinatal infection. Some escape variants were likely to have been transmitted vertically, from HLA-B57/5801 positive HIV-1 infected mothers, while others arose during infancy in cases where the children inherited the B57/5801 allele paternally. In contrast to adults, the majority of children showed a robust response to the escape variants, suggesting that infants are able to mount functional immune responses and drive immune escape and that a developing immune system may exhibit greater plasticity in recognizing viral variants.
- This epitope was recognized less frequently in children than in adults.

HXB2 Location Rev (14–23)

Author Location Rev

Epitope KTVRLIKFLY

Subtype B, C

Immunogen HIV-1 infection

Species (MHC) human (B57, B58, B63)

Assay type CD8 T-cell Elispot - IFN γ

Keywords rate of progression, cross-presentation by different HLA, optimal epitope

References Frahm *et al.* 2005

- HLA-B63-positive subjects were shown to be able to generate CTL responses early in acute HIV infection and to control HIV replication in the absence of antiretroviral treatment. Since HLA-B63 shares the epitope binding motif of HLA-B57 and -B58, it was shown that HLA-B63-positive individuals mounted CTL responses to previously identified B57-restricted epitopes, as well as novel, B63-restricted epitopes. Moreover, these novel

B63-restricted epitopes can also be presented by HLA-B57 and -B58.

- This epitope was recognized by 20% of B63-positive subjects and 12% of B57/58-positive subjects.

HXB2 Location Rev (14–23)

Author Location

Epitope KAVRLIKFLY

Subtype B

Immunogen HIV-1 infection

Species (MHC) human

Keywords epitope processing, escape

References Yusim *et al.* 2002

- Epitopes that have been described in the literature and included in this database tend to cluster in conserved regions and be absent or rarely found in highly variable regions in Nef, Env, and p17.
- While the uneven distribution of epitopes may be in part due to a limited cross-recognition of specific responses because of differences between peptides used to probe the immune response and autologous strains, regions with a paucity of defined epitopes also had higher frequencies of amino acids that tend to not be found in C-terminal positions of epitopes, and had lower cleavage prediction scores for epitope processing. This suggests that in the regions of the virus where variation is best tolerated, traces of immune escape have left an imprint on the viral population. Epitopes also were concentrated in alpha-helix and turn regions in the proteins.
- In the more conserved p24, and Pol proteins RT and Protease, epitopes are more evenly distributed.
- What was learned from proteins where many epitopes have been defined (Gag, Pol, Env and Nef) was used to develop an algorithm to predict where epitopes would be localized in Rev, Tat, Vif, and Vpr. Predictions were made blinded, and then compared to the first 15 epitopes defined in these proteins; the epitopes were concentrated in the predicted regions.

HXB2 Location Rev (14–28)

Author Location (C consensus)

Epitope QAVRIIKILYQSNPY

Subtype C

Immunogen HIV-1 infection

Species (MHC) human (A*0205)

Country South Africa.

Assay type CD8 T-cell Elispot - IFN γ

Keywords rate of progression

References Kiepiela *et al.* 2007

- A comprehensive analysis of 160 class I T cell responses in 578 individuals from KwaZulu-Natal, South Africa was performed. Gag-specific responses were associated with lowering viremia, while Env, accessory and regulatory protein-specific responses were associated with higher viremia.

HXB2 Location Rev (15–23)

Author Location Rev (15–23)

Epitope TVRLIKFLY

Subtype B

Immunogen HIV-1 infection

Species (MHC) human (A*03)

Donor MHC A*03, A*24, B*35, B*40

Country United States.

Assay type CD8 T-cell Elispot - IFN γ

Keywords superinfection, characterizing CD8+ T cells

References Yang *et al.* 2005b

- An individual infected with a drug-resistant strain of HIV-1 subtype B with controlled viremia became superinfected with another subtype B strain. The second strain outgrew the first despite lower replication capacity and the same viral phenotype. The strains showed differences in their epitope sequences. The CTL responses to the first strain declined after superinfection, followed by some adaptation of targeting to the new epitopes of the second strain. Differences in the recognized epitopes were suggested to have contributed to the poor immune containment of the second strain.
- The response to this epitope, TVRLIKFLY, was present only after superinfection. The epitope from the first infecting strain had the substitutions tvKIikfly relative to the test peptide, while the second strain shared the sequence TVRLIKFLY.

HXB2 Location Rev (20–28)

Author Location Rev

Epitope KILYQSNPY

Epitope name 1341

Subtype multiple

Immunogen HIV-1 infection

Species (MHC) human (A3)

Donor MHC A02, A03, B08, B51, Cw01, Cw07

Country United States.

Assay type T-cell Elispot

Keywords binding affinity, computational epitope prediction

References De Groot *et al.* 2003

- Epitopes defined using sequence parsing and matching algorithm Conservatrix, and epitope prediction tool EpiMatrix, were shown to be conserved in a broad range of HIV-1 sequences derived from different parts of the world. 31 novel highly conserved HIV-1 epitopes were found, among which four were recognized as promiscuous epitopes and five as MHC supertypes.
- Estimated binding probability for KILYQSNPY: 36%

HXB2 Location Rev (25–39)

Author Location Rev (25–39 HXB2)

Epitope SNPPPNPEGTRQARR

Subtype B

Immunogen HIV-1 infection

Species (MHC) human

References Blazevic *et al.* 1995

- Induces both Th and CTL activities, no HLA restriction analysis performed.

HXB2 Location Rev (33–48)

Author Location Rev (33–48 HXB2)

Epitope GTRQARRNRRRRWRER

Subtype B

Immunogen HIV-1 infection

Species (MHC) human

References Blazevic *et al.* 1995

- Induces both Th and CTL activities, no HLA restriction analysis performed.

HXB2 Location Rev (41–56)
Author Location Rev (41–56 HXB2)
Epitope RRRRWRRERQRQIHSIS
Subtype B
Immunogen HIV-1 infection
Species (MHC) human
References Blazevic *et al.* 1995
 • Induces both Th and CTL activities.

HXB2 Location Rev (52–60)
Author Location (C consensus)
Epitope IHSISERIL
Subtype C
Immunogen HIV-1 infection
Species (MHC) human (B*1510)
Country South Africa.
Assay type CD8 T-cell Elispot - IFN γ
Keywords rate of progression, optimal epitope
References Kiepiela *et al.* 2007
 • A comprehensive analysis of 160 class I T cell responses in 578 individuals from KwaZulu-Natal, South Africa was performed. Gag-specific responses were associated with lowering viremia, while Env, accessory and regulatory protein-specific responses were associated with higher viremia.
 • Mutational patterns in the H2 residue of IHSISERIL are associated with the presence of the HLA presenting molecule in the host.

HXB2 Location Rev (55–63)
Author Location Rev
Epitope ISERILSTY
Subtype B
Immunogen HIV-1 infection
Species (MHC) human (A*0101)
Donor MHC A*0101, A*0301, B*0801, B*5101; A*0101, B*0801
Country United Kingdom.
Assay type CD8 T-cell Elispot - IFN γ , HLA binding
Keywords escape, acute/early infection, characterizing CD8+ T cells
References Milicic *et al.* 2005
 • CTL responses and escape were analyzed in 4 homosexual couples where blood samples were available within weeks of estimated transmission. When the recipient had the same HLA type as the donor, CTL escape variants prevented a CTL response to those epitopes in the recipient. Even when the HLA alleles were different in the transmitting couple, a single escape mutation in one epitope can abolish CTL recognition of an overlapping epitope of distinct restriction in the recipient. In an early acute infection of the donor, the precise timing of transmission determines the viral variants transmitted.
 • The second donor in the study shares A*0101 and B*0801 with his partner. The escape variant iserilstF was transmitted, and it abrogates binding to A*0101.

HXB2 Location Rev (55–63)
Author Location Rev (55–63 LAI)
Epitope ISERILSTY
Subtype B
Immunogen HIV-1 infection

Species (MHC) human (A1)
Keywords rate of progression
References van Baalen *et al.* 1997
 • Predicted to be an HLA-A1 epitope based on anchor residues 2S and 9Y.
 • Both forms LSGWL(L or I)STY, with intact anchors, were found in an HLA-A1+ individual with Rev-responsive CTL.
 • An HLA-A1 individual who did not make a Rev response had lost the C-term anchor, ISGWILS(T or N)S.
 • 3/7 long-term non-progressors and 0/5 progressors were positive for HLA-B57 (associated with prolonged survival)
 • CTLp frequencies to Rev and Tat were inversely correlated with rapid progression to AIDS, but not Gag, RT or Nef.

HXB2 Location Rev (55–63)
Author Location Rev (55–63)
Epitope ISERILSTY
Immunogen HIV-1 infection, HIV-1 exposed seronegative
Species (MHC) human (A1)
Keywords HIV exposed persistently seronegative (HEPS)
References Kaul *et al.* 2001a
 • ELISPOT was used to study CTL responses to a panel of 54 predefined HIV-1 epitopes in 91 HIV-1-exposed, persistently seronegative (HEPS) and 87 HIV-1-infected female Nairobi sex workers.

HXB2 Location Rev (55–63)
Author Location RT Pol (55–63)
Epitope ISERILSTY
Immunogen HIV-1 infection
Species (MHC) human (A1)
Country Spain.
Assay type proliferation, CD8 T-cell Elispot - IFN γ , Flow cytometric T-cell cytokine assay
Keywords HAART, ART, supervised treatment interruptions (STI), immune dysfunction
References Plana *et al.* 2004
 • Structured treatment interruption (STI) alone is not able to control viral replication in chronically infected patients, probably due to lack of strong, maintained T-helper cell responses. HIV-1 specific CD8+ T-cell responses were shown to increase significantly until the end of the follow up, but were not correlated with viral load.
 • 8/13 patients recognized this epitope, it was the most commonly recognized of three A*01 epitopes tested.

HXB2 Location Rev (56–64)
Author Location Rev
Epitope SEWILSTHL
Epitope name SL9
Subtype B
Immunogen HIV-1 infection
Species (MHC) human
Donor MHC A28, A29, B14, B44, Cw8
Country United States.
Assay type CD8 T-cell Elispot - IFN γ
Keywords subtype comparisons, escape, characterizing CD8+ T cells, reversion, viral fitness
References Allen *et al.* 2005a

- Two-thirds of all mutations arising in nonenvelope proteins during the transition from acute to chronic infection were found to be due to either CD8 T-cell-associated selective pressures or reversion of HLA-I-associated mutations selected in a previous host. The predominance of escape mutations at highly polymorphic sites was observed across different HIV-1 clades.
- One escape mutation, at position 2, SkWILSTHL was found in the most polymorphic residue in the epitope. This is a novel unmapped epitope.

HXB2 Location Rev (57–66)

Author Location Rev (57–66)

Epitope ERILSTYLGR

Immunogen HIV-1 infection

Species (MHC) human (A*0301)

Keywords optimal epitope

References Frahm *et al.* 2007

HXB2 Location Rev (57–66)

Author Location Rev (57–66)

Epitope ERILSTYLGR

Epitope name A3-ER10

Subtype B

Immunogen HIV-1 infection

Species (MHC) human (A3)

Donor MHC A3, B7, Cw7

Keywords dynamics, supervised treatment interruptions (STI), acute/early infection

References Yu *et al.* 2002a

- CTL responses in 18 acutely HIV-infected HLA-A3 (n=7) or -B7 (n=4) or both -A3 and B7 (n=7) positive individuals were studied.
- One individual, AC-06, was homozygous at all three class I alleles (A3, B7, Cw7), was treated during acute infection and had supervised treatment interruptions (STI). He had only two detectable CTL responses during acute infection, but after STI this broadened to 27 distinct epitopes including 15 restricted by HLA-A3, 11 by HLA-B7, and 1 by HLA-Cw7.
- 0/14 HLA-A3 positive individuals had detectable A3-restricted responses to this epitope during acute infection, but only 5/15 of HLA-A3 epitopes tested were targeted during acute infection. 1/7 individuals had detectable responses to this epitope after STI.

HXB2 Location Rev (57–66)

Author Location

Epitope ERILSTYLGR

Subtype B

Immunogen HIV-1 infection

Species (MHC) human

Keywords epitope processing, escape

References Yusim *et al.* 2002

- Epitopes that have been described in the literature and included in this database tend to cluster in conserved regions and be absent or rarely found in highly variable regions in Nef, Env, and p17.

- While the uneven distribution of epitopes may be in part due to a limited cross-recognition of specific responses because of differences between peptides used to probe the immune response and autologous strains, regions with a paucity of defined epitopes also had higher frequencies of amino acids that tend to not be found in C-terminal positions of epitopes, and had lower cleavage prediction scores for epitope processing. This suggests that in the regions of the virus where variation is best tolerated traces of immune escape have left an imprint on the viral population. Epitopes also were concentrated in alpha-helix and turn regions in the proteins.
- In the more conserved p24, and Pol proteins RT and Protease, epitopes are more evenly distributed.
- What was learned from proteins where many epitopes have been defined (Gag, Pol, Env and Nef) was used to develop an algorithm to predict where epitopes would be localized in Rev, Tat, Vif, and Vpr. Predictions were made blinded, and then compared to the first 15 epitopes defined in these proteins; the epitopes were concentrated in the predicted regions.

HXB2 Location Rev (58–66)

Author Location Rev (58–66)

Epitope RILSTYLGR

Subtype B

Immunogen HIV-1 infection

Species (MHC) human (A*0301)

Keywords early-expressed proteins

References Addo *et al.* 2002b

- CTL responses against regulatory and accessory proteins in 70 HIV-1 infected patients were studied using overlapping peptides and Elispot.
- 28% targeted one or more overlapping Tat peptides; 36%, Rev peptides; 33%, Vif peptides; 40%, Vpr peptides; and 2%, Vpu peptides.
- All known optimally defined epitopes were summarized for the five proteins.

HXB2 Location Rev (59–75)

Author Location (C consensus)

Epitope ILSTCLGRPAEPVPLQL

Subtype C

Immunogen HIV-1 infection

Species (MHC) human (B*1510)

Country South Africa.

Assay type CD8 T-cell Elispot - IFN γ

Keywords rate of progression

References Kiepiela *et al.* 2007

- A comprehensive analysis of 160 class I T cell responses in 578 individuals from KwaZulu-Natal, South Africa was performed. Gag-specific responses were associated with lowering viremia, while Env, accessory and regulatory protein-specific responses were associated with higher viremia.

HXB2 Location Rev (66–73)

Author Location Rev (66–)

Epitope RSAEPVPL

Epitope name Rev66

Immunogen HIV-1 infection, vaccine

Vector/Type: peptide *HIV component:* Rev
Adjuvant: Incomplete Freund's Adjuvant (IFA)

Species (MHC) transgenic mouse (A2)

Assay type CD8 T-cell Elispot - IFN γ , Chromium-release assay, Flow cytometric T-cell cytokine assay

Keywords binding affinity, computational epitope prediction

References Corbet *et al.* 2003

- HLA-A2-restricted HIV-1 CTL epitopes were computationally predicted. Binding affinities for HLA-A*0204, immunogenicity in HLA-A*0201 transgenic mice, and responses to the peptides in 17 HIV-1 infected patients were tested. 31 novel conserved A2 epitopes were detected. An average of 4 epitopes were recognized per patient.
- This peptide was a low A2-binder, and induced a CTL responses in 1/6 A2 transgenic mice. Responses to the peptide were not detected in 17 HIV+ HLA-A2 subjects.

HXB2 Location Rev (66–75)

Author Location

Epitope RPAEPVPLQL

Epitope name RL10

Immunogen

Species (MHC) human (B7)

Keywords optimal epitope

References Frahm *et al.* 2007

- C. Brander notes this is a B07 epitope.

HXB2 Location Rev (66–81)

Author Location Rev

Epitope RSAEPVPLQLPPLERL

Subtype B

Immunogen HIV-1 infection

Species (MHC) human

Keywords early-expressed proteins

References Addo *et al.* 2002b

- CTL responses against regulatory and accessory proteins in 70 HIV-1 infected patients were studied using overlapping peptides and Elispot – 36% (25/70) targeted one or more Rev peptides, and this peptide was the most frequently recognized epitope in Rev (32%).
- The regulatory proteins Rev and Tat combined contributed to 3%, and the accessory proteins Vif, Vpr and Vpu to 7%, of the total magnitude of HIV-1 specific CTL responses in a subset of 22 HIV-1 infected individuals in whom all HIV-1 proteins were studied.

HXB2 Location Rev (66–81)

Author Location Rev

Epitope RSAEPAPLQLPPLERL

Subtype B

Immunogen HIV-1 infection

Species (MHC) human

Donor MHC A1, A3, B7, B57, Cw6, Cw7

Country United States.

Assay type CD8 T-cell Elispot - IFN γ

Keywords subtype comparisons, escape, characterizing CD8+ T cells, reversion, viral fitness

References Allen *et al.* 2005a

- Two-thirds of all mutations arising in nonenvelope proteins during the transition from acute to chronic infection were found to be due to either CD8 T-cell-associated selective pressures or reversion of HLA-I-associated mutations selected in a previous host. The predominance of escape mutations at highly polymorphic sites was observed across different HIV-1 clades.
- Novel unmapped epitope.
- RSAEPAPLQLPPLERL shows a mutation over time in position 6, RSAEPVPLQLPPLERL.

HXB2 Location Rev (67–75)

Author Location (LAI)

Epitope SAEPVPLQL

Subtype B

Immunogen

Species (MHC) (B14)

References van Baalen & Gruters 2000

HXB2 Location Rev (67–75)

Author Location Rev

Epitope SAEPVPLQL

Immunogen HIV-1 infection

Species (MHC) human (B14)

Keywords escape

References Schutten *et al.* 2001

- Molecularly cloned primary NSI macrophage tropic strain 2.1 and SI non-macrophage tropic strain 1.2 were isolated from study participant ACH320 and used to infect irradiated XID mice that had been reconstituted with human PBMC from B14+ seronegative donors – results indicate CTL may favor selective outgrowth of macrophage tropic strains.
- The CTL clone TCC108 specific for SAEPVPLQL, previously described by van Baalen 1997, and van Baalen 1998, was stimulated *in vitro* and given to the mice to apply specific CTL pressure.
- The macrophage-tropic HIV-1 strain #2.1 escaped CTL pressure more efficiently (7/14 animals) than its non-macrophage-tropic counterpart #1.2(SI) – the latter isolate was suppressed in 13/14 animals – macrophage may serve as a CTL sanctuary and reduced pressure on macrophage tropic HIV strains may allow additional replication to assist with acquisition of escape.
- Specific HIV-1 variants selectively induced by TCC108 were for strain 1.2: SEEPVPLQL, and for strain 2.1: SAEHVPLQL, SAESVPLQL, SVEPVPLQL, SLEPVPLQL, SAEPVPLQL, and SAEPVPLQL.

HXB2 Location Rev (67–75)

Author Location Rev (67–75)

Epitope SAEPVPLQL

Subtype B

Immunogen HIV-1 infection

Species (MHC) human (B14)

Keywords acute/early infection, early-expressed proteins, kinetics

References van Baalen *et al.* 2002

- Tat, Rev and Nef are the first HIV proteins expressed upon acute infection of T-cells (< 6 hours), and RT is not expressed until after 24 hours. The B14-restricted Rev-SAEPVPLQL specific CD8 T-cell clone TCC108, and the B57-restricted RT-IVLPEKDSW specific CD8 T-cell clone TCL1C11 were

co-incubated with CD4+ cultures inoculated with HIV-1 at low MOI. Co-incubation with the Rev-specific CTL resulted in two logs less HIV-1 production in ten days of culture. When the RT epitope was cloned into the Nef gene of the infecting strain, another early expressed protein, it proved as effective as the Rev epitope at inhibiting viral production. A mathematical model of CTL-target interactions suggest early proteins are important for vaccine design.

HXB2 Location Rev (67–75)

Author Location Rev (67–75)

Epitope SAEPVPLQL

Subtype B

Immunogen HIV-1 infection

Species (MHC) human (B14)

Keywords early-expressed proteins

References Addo *et al.* 2002b

- CTL responses against regulatory and accessory proteins in 70 HIV-1 infected patients were studied using overlapping peptides and Elispot.
- 28% targeted one or more overlapping Tat peptides; 36%, Rev peptides; 33%, Vif peptides; 40%, Vpr peptides; and 2%, Vpu peptides.
- All known optimally defined epitopes were summarized for the five proteins.

HXB2 Location Rev (67–75)

Author Location Rev (67–75 IIIB)

Epitope SAEPVPLQL

Immunogen HIV-1 infection

Species (MHC) human (B14, Cw8)

References van Baalen *et al.* 1998

- The Rev-specific CTL response studied here was from an individual infected with HIV-1 for more than 12 years without developing symptoms – Rev and Tat are expressed early and CTL activity against these proteins has been correlated with long-term survival.
- The CTL clone TCC108 specific for this epitope was studied *in vitro*.
- CTLs added immediately after infection suppressed viral production, indicative of CTL interference with viral production prior to lysis – CTL-mediated lysis occurred after the onset of progeny viral release, but prior to peak viral production.
- Rapid selection of a E69K mutation, which abolished CTL, recognition was observed.
- The epitope was originally listed as B14, but Cw8 and B14 are in linkage disequilibrium, and in this case were not distinguished (pers. comm., Christian Brander, 1999)

HXB2 Location Rev (67–75)

Author Location (LAI)

Epitope SAEPVPLQL

Subtype B

Immunogen

Species (MHC) human (Cw*0501)

Keywords optimal epitope

References Addo *et al.* 2001; Frahm *et al.* 2007

HXB2 Location Rev (67–75)

Author Location Rev (SF2)

Epitope SAEPVPLQL

Epitope name SL9

Immunogen HIV-1 infection

Species (MHC) human (Cw5)

Keywords acute/early infection

References Goulder *et al.* 2001a

- Data from patient AC13 suggest a role for this epitope in initial control of viremia in acute infection, as it is one of several subdominant CTL epitopes recognized during the initial decline in viremia.
- A CTL response to SL9, SLYNTVATL, was not evident until 18 months post-presentation.

HXB2 Location Rev (67–75)

Author Location Rev (67–75 SF2)

Epitope SAEPVPLQL

Immunogen HIV-1 infection

Species (MHC) human (Cw5)

Keywords HAART, ART, acute/early infection

References Altfeld *et al.* 2001b

- Therapy provided during acute infection resulted in a narrower CTL response, stronger T help response, and a less diverse viral population than was seen in individuals treated during chronic infection.
- The breadth and specificity of the response was determined using ELISPOT by studying 19 individuals with pre-seroconversion therapy (Group 1), 11 individuals with primary infection but post-seroconversion therapy (Group 2), and 10 individuals who responded to HAART given during chronic infection (Group 3), using 259 overlapping peptides spanning p17, p24, RT, gp41, gp120 and Nef.
- Previously described and newly defined optimal epitopes were tested for CTL response.
- Number of HLA-Cw5+ individuals that had a CTL response to this epitope broken down by group: 2/6 group 1, 0/1 group 2, and 0/2 group 3.

HXB2 Location Rev (67–75)

Author Location Rev (67–75)

Epitope SAEPVPLQL

Immunogen HIV-1 infection

Species (MHC) human (Cw5)

Donor MHC A1, A*0201, B44, B57, Cw5, Cw6

Assay type CD8 T-cell Elispot - IFN γ

Keywords binding affinity, acute/early infection, early-expressed proteins

References Cao *et al.* 2003

- CTL epitope responses were mapped in 21 men within 15-92 days post-HIV-1 infection. Subjects initially showed narrow immune responses with a mean of 2.3 epitopes recognized per patient. The immune response broadened later in infection. No correlation between the plasma viral load and the number of recognized epitopes or the frequency of IFN-gamma secreting cells was observed, and there was no correlation between the functional avidity of a response and the abundance of IFN-secreting cells that recognized the epitope. The first epitopes to be recognized tended not to be the most avid, and earliest responses tended to be directed against Nef, Tat, Vpr, and Env.

- All HIV-1 proteins except Vpu were recognized, and a responses to a total of 41 optimal epitopes were characterized; 24 had been identified previously. 48% of the total T-cell responses were directed against Nef and 43% were directed against Gag.
- More common HLA alleles were less frequently used in primary infection than less common alleles, for example A3, B35, B57, and B62 were more frequently recognized than A1, A2, A30, and A44.

HXB2 Location Rev (67–75)

Author Location Rev (67–75)

Epitope SAEPVPLQL

Epitope name SL9

Subtype B

Immunogen HIV-1 infection

Species (MHC) human (Cw5)

Donor MHC A2, A11, B18, B44, Cw5, Cw12

Country United States.

Assay type CD8 T-cell Elispot - IFN γ , Intracellular cytokine staining, Flow cytometric T-cell cytokine assay

Keywords escape, optimal epitope

References Allen *et al.* 2005b

- 4/14 optimal HIV-1 T-cell epitopes in a subject underwent mutation associated with dramatic loss of the original CD8 response. For 1 of the escape variants, a novel CD8 T-cell response equal in magnitude to the wildtype, was generated. CD8 T-cell recognizing the variant epitope utilized a distinct T-cell receptor and did not exhibit any cross-reactivity against the wildtype.
- Escape occurred at position 5 of this epitope, saepGplQL.

HXB2 Location Rev (67–75)

Author Location Rev

Epitope SAEPVPLQL

Epitope name SL9

Subtype B

Immunogen HIV-1 infection

Species (MHC) human (Cw5)

Donor MHC A2, A11, B18, B44, Cw5, Cw12

Country United States.

Assay type CD8 T-cell Elispot - IFN γ

Keywords subtype comparisons, escape, characterizing CD8+ T cells, reversion, viral fitness

References Allen *et al.* 2005a

- Two-thirds of all mutations arising in nonenvelope proteins during the transition from acute to chronic infection were found to be due to either CD8 T-cell-associated selective pressures or reversion of HLA-I-associated mutations selected in a previous host. The predominance of escape mutations at highly polymorphic sites was observed across different HIV-1 clades.
- One escape mutation, at position 5, SAEPgPLQL, was found not to correspond to the most polymorphic residue in the epitope.

HXB2 Location Rev (67–75)

Author Location Rev (67–75)

Epitope SAEPVPLQL

Subtype B

Immunogen HIV-1 infection

Species (MHC) human (Cw5, Cw8)

Keywords early-expressed proteins

References Addo *et al.* 2002b

- CTL responses against regulatory and accessory proteins in 70 HIV-1 infected patients were studied using overlapping peptides and Elispot.
- 28% targeted one or more overlapping Tat peptides; 36%, Rev peptides; 33%, Vif peptides; 40%, Vpr peptides; and 2%, Vpu peptides.
- All known optimally defined epitopes were summarized for the five proteins.

HXB2 Location Rev (67–75)

Author Location Rev (69–77 BRU)

Epitope SAEPVPLQL

Epitope name Rev SL9

Immunogen HIV-1 infection

Species (MHC) human (Cw8)

Keywords HAART, ART, supervised treatment interruptions (STI), acute/early infection

References Addo *et al.* 2001

- Rev and Tat are expressed early in the virus life cycle and thus may be important targets for CTL against HIV early in infection and for vaccines – therefore CTL responses against Tat and Rev were screened using overlapping peptides.
- 11/57 (19.3%) HIV-1 + individuals recognized at least 1 Tat peptide, and 21/57 (37%) responded to at least 1 Rev peptide.
- This epitope is the first HIV-specific CTL epitope restricted by HLA-Cw5.
- This epitope was recognized by 2/5 individuals expressing HLA-Cw8 and by 5/11 individuals expressing Cw5 allele, which differs from Cw8 by 4 amino acids, suggesting promiscuous presentation of the epitope between those HLA molecules.
- Longitudinal data was available for 6 Rev-SL9 responders, who were treated during acute infection, and the response was stable 2 and 12 months after initiation of HAART, measurements by ELISPOT and flow-based intracellular cytokine staining (ICS) were concordant – in two subjects the response was heightened by transient reexposure to antigen with treatment interruption at 12 to 14 months.

HXB2 Location Rev (67–75)

Author Location

Epitope SAEPVPLQL

Subtype B

Immunogen HIV-1 infection

Species (MHC) human

Keywords epitope processing, escape

References Yusim *et al.* 2002

- Epitopes that have been described in the literature and included in this database tend to cluster in conserved regions and be absent or rarely found in highly variable regions in Nef, Env, and p17.
- While the uneven distribution of epitopes may be in part due to a limited cross-recognition of specific responses because of differences between peptides used to probe the immune response and autologous strains, regions with a paucity of defined epitopes also had higher frequencies of amino acids that tend to not be found in C-terminal positions of epitopes,

and had lower cleavage prediction scores for epitope processing. This suggests that in the regions of the virus where variation is best tolerated traces of immune escape have left an imprint on the viral population. Epitopes also were concentrated in alpha-helix and turn regions in the proteins.

- In the more conserved p24, and Pol proteins RT and Protease, epitopes are more evenly distributed.
- What was learned from proteins where many epitopes have been defined (Gag, Pol, Env and Nef) was used to develop an algorithm to predict where epitopes would be localized in Rev, Tat, Vif, and Vpr. Predictions were made blinded, and then compared to the first 15 epitopes defined in these proteins; the epitopes were concentrated in the predicted regions.

HXB2 Location Rev (67–75)

Author Location Rev (65–77 BH10, LAI)

Epitope SAEPVPLQL

Immunogen HIV-1 infection

Species (MHC) human

References Maksiutov *et al.* 2002

- This study employs an antigenic similarity matrix to compare HIV-1 antigenic determinants with human proteins.
- This CTL epitope (the HIV-1 LAI fragment with high similarity to a human protein overlapping this epitope is GRSAEPV-PLQLPP) has similarity with transforming growth factor beta binding protein protein I, fragment ARSAEPEVATAPP.
- This CTL epitope (the HIV-1 LAI fragment with high similarity to a human protein overlapping this epitope is EPVPLQLPPL) also has similarity with the epidermal growth factor receptor substrate 15, fragment EPVPMMLPPA.

HXB2 Location Rev (67–75)

Author Location Rev (67–75)

Epitope SAEPVPLQL

Immunogen HIV-1 infection, in vitro stimulation or selection

Species (MHC) human

Assay type HLA binding

Keywords assay standardization/improvement, characterizing CD8+ T cells

References van Baalen *et al.* 2005

- A new sensitive, non-radioactive assay, called fluorescent antigen-transfected target cell-CTL (FATT-CTL) assay, was developed to measure antigen-specific cytotoxicity *ex vivo*. Target cells were generated by nucleofection with DNA vectors encoding antigen-GFP fusion proteins. Flow cytometry was used to quantify viable and dead GFP-positive cells after coculture with different effector:target cell ratios. Cytotoxicity was detected at lower effector:target cell ratios than in standard Cr-release assay. Antigen-specific cytotoxicity was detected *ex vivo* in PBMCs from HIV-1 infected individuals.

HXB2 Location Rev (72–88)

Author Location (C consensus)

Epitope PLQLPPIERLHIDCSSES

Subtype C

Immunogen HIV-1 infection

Species (MHC) human (B*13)

Country South Africa.

Assay type CD8 T-cell Elispot - IFN γ

Keywords rate of progression

References Kiepiela *et al.* 2007

- A comprehensive analysis of 160 class I T cell responses in 578 individuals from KwaZulu-Natal, South Africa was performed. Gag-specific responses were associated with lowering viremia, while Env, accessory and regulatory protein-specific responses were associated with higher viremia.

HXB2 Location Rev (73–81)

Author Location Rev (73–)

Epitope LQLPPIERL

Epitope name Rev73

Immunogen HIV-1 infection, vaccine

Vector/Type: peptide *HIV component:* Rev

Adjuvant: Incomplete Freund's Adjuvant (IFA)

Species (MHC) human, transgenic mouse (A2)

Keywords binding affinity, subtype comparisons, computational epitope prediction

References Corbet *et al.* 2003

- HLA-A2-restricted HIV-1 CTL epitopes were computationally predicted. Binding affinities for HLA-A*0204, immunogenicity in HLA-A*0201 transgenic mice, and responses to the peptides in 17 HIV-1 infected patients were tested. 31 novel conserved A2 epitopes were detected. An average of 4 epitopes were recognized per patient.
- This peptide was a good A2 binder, and induced CTL responses in mice. Responses to the peptide were not detected in 17 HIV+ HLA-A2 subjects.

HXB2 Location Rev (75–83)

Author Location

Epitope LPPLERLTL

Subtype B

Immunogen HIV-1 infection

Species (MHC) human

Keywords epitope processing, escape

References Yusim *et al.* 2002

- Epitopes that have been described in the literature and included in this database tend to cluster in conserved regions and be absent or rarely found in highly variable regions in Nef, Env, and p17.
- While the uneven distribution of epitopes may be in part due to a limited cross-recognition of specific responses because of differences between peptides used to probe the immune response and autologous strains, regions with a paucity of defined epitopes also had higher frequencies of amino acids that tend to not be found in C-terminal positions of epitopes, and had lower cleavage prediction scores for epitope processing. This suggests that in the regions of the virus where variation is best tolerated traces of immune escape have left an imprint on the viral population. Epitopes also were concentrated in alpha-helix and turn regions in the proteins.
- In the more conserved p24, and Pol proteins RT and Protease, epitopes are more evenly distributed.
- What was learned from proteins where many epitopes have been defined (Gag, Pol, Env and Nef) was used to develop an algorithm to predict where epitopes would be localized in Rev, Tat, Vif, and Vpr. Predictions were made blinded, and then

compared to the first 15 epitopes defined in these proteins; the epitopes were concentrated in the predicted regions.

- HXB2 Location** Rev (96–104)
Author Location Rev (96–)
Epitope GMGSPQILV
Epitope name Rev96(2M)
Immunogen HIV-1 infection, vaccine
Vector/Type: peptide *HIV component:* Rev
Adjuvant: Incomplete Freund's Adjuvant (IFA)
Species (MHC) human, transgenic mouse (A2)
Assay type CD8 T-cell Elispot - IFN γ , Chromium-release assay, Flow cytometric T-cell cytokine assay
Keywords binding affinity, subtype comparisons, computational epitope prediction
References Corbet *et al.* 2003
- HLA-A2-restricted HIV-1 CTL epitopes were computationally predicted. Binding affinities for HLA-A*0204, immunogenicity in HLA-A*0201 transgenic mice, and responses to the peptides in 17 HIV-1 infected patients were tested. 31 novel conserved A2 epitopes were detected. An average of 4 epitopes were recognized per patient.
 - This peptide was an intermediate A2 binder, and induced a CD8+ T-cell IFN gamma response in 1/6 mice. Responses were detected in 1/17 HIV+ HLA-A2 subjects.
 - The variant gVgspqilv did not elicit a CD8+ T-cell IFN gamma response in transgenic mice, and bound to A2 with low affinity.

- HXB2 Location** Rev (98–116)
Author Location Rev
Epitope GSTQVSVESPTVLEPGTKE
Subtype B
Immunogen HIV-1 infection
Species (MHC) human
Donor MHC A28, A29, B14, B44, Cw8
Country United States.
Assay type CD8 T-cell Elispot - IFN γ
Keywords subtype comparisons, escape, characterizing CD8+ T cells, reversion, viral fitness
References Allen *et al.* 2005a
- Two-thirds of all mutations arising in nonenvelope proteins during the transition from acute to chronic infection were found to be due to either CD8 T-cell-associated selective pressures or reversion of HLA-I-associated mutations selected in a previous host. The predominance of escape mutations at highly polymorphic sites was observed across different HIV-1 clades.
 - Novel unmapped epitope. A P->L change occurred in a patient that recognized this peptide, over time: GSTQVSVESITVLEPGTKE

- HXB2 Location** Rev (101–110)
Author Location Rev
Epitope QVLGESPTVL
Epitope name QL10
Subtype B
Immunogen HIV-1 infection
Species (MHC) human
Donor MHC A2, A11, B18, B44, Cw5, Cw12
Country United States.

Assay type CD8 T-cell Elispot - IFN γ
Keywords subtype comparisons, escape, characterizing CD8+ T cells, reversion, viral fitness

References Allen *et al.* 2005a

- Two-thirds of all mutations arising in nonenvelope proteins during the transition from acute to chronic infection were found to be due to either CD8 T-cell-associated selective pressures or reversion of HLA-I-associated mutations selected in a previous host. The predominance of escape mutations at highly polymorphic sites was observed across different HIV-1 clades.
- Two escape mutations, at positions 5 and 7, QVLGkSPTVL and QVLGEstTVL, were found not to correspond to the most polymorphic residues in the epitope. This is a novel unmapped epitope.

HXB2 Location Rev (102–110)

Author Location Rev (102–)

Epitope ILVESPAVL

Epitope name Rev102

Immunogen HIV-1 infection, vaccine

Vector/Type: peptide *HIV component:* Rev
Adjuvant: Incomplete Freund's Adjuvant (IFA)

Species (MHC) human, transgenic mouse (A2)

Assay type CD8 T-cell Elispot - IFN γ , Chromium-release assay, Flow cytometric T-cell cytokine assay

Keywords binding affinity, subtype comparisons, computational epitope prediction

References Corbet *et al.* 2003

- HLA-A2-restricted HIV-1 CTL epitopes were computationally predicted. Binding affinities for HLA-A*0204, immunogenicity in HLA-A*0201 transgenic mice, and responses to the peptides in 17 HIV-1 infected patients were tested. 31 novel conserved A2 epitopes were detected. An average of 4 epitopes were recognized per patient.
- This peptide was a good A2 binder that did not induce CTL or CD8+ T-cell IFN gamma responses in mice, but responses were detected in 2/17 HIV+ HLA-A2 subjects.

HXB2 Location Rev (107–116)

Author Location Rev

Epitope PTVLESGTKE

Epitope name 1277

Subtype multiple

Immunogen HIV-1 infection

Species (MHC) human (A68)

Donor MHC A11, A68, B42, B45, Cw16, Cw17

Country United States.

Assay type T-cell Elispot

Keywords binding affinity, computational epitope prediction

References De Groot *et al.* 2003

- Epitopes defined using sequence parsing and matching algorithm Conservatrix, and epitope prediction tool EpiMatrix, were shown to be conserved in a broad range of HIV-1 sequences derived from different parts of the world. 31 novel highly conserved HIV-1 epitopes were found, among which four were recognized as promiscuous epitopes and five as MHC supertypes.

- Estimated binding probability for PTVLESGTKE:16%. This epitope can be presented by A68, but did not bind to A11.

HXB2 Location Rev**Author Location** Rev**Epitope****Immunogen** vaccine*Vector/Type:* DNA with CMV promotor with cationic liposome *HIV component:* gp160, Rev**Species (MHC)** mouse (H-2^d)**References** Ishii *et al.* 1997

- pCMV160/Rev is a DNA vaccine candidate carrying gp160 and Rev linked to a cytomegalovirus (CMV promotor)
- pCMV160/Rev given in conjunction with a cationic liposome gave enhanced DTH, Ab and CTL responses.

HXB2 Location Rev**Author Location** Rev**Epitope****Immunogen** vaccine*Vector/Type:* DNA *HIV component:* Rev *Adjuvant:* CD40**Species (MHC)** mouse (H-2^d)**Keywords** Th1, Th2**References** Ihata *et al.* 1999

- pcRev DNA i.m. vaccination in BALB/c mice induced Th1, Th2 and IgG responses, and enhanced the CTL response to Rev, but did not induce mucosal IgA.

HXB2 Location Rev**Author Location** Rev**Epitope****Immunogen** vaccine*Vector/Type:* adeno-associated virus (AAV) *HIV component:* Env, Rev, Tat *Adjuvant:* IL-2**Species (MHC)** mouse (H-2^d)**References** Xin *et al.* 2001

- An AAV vector expressing HIV-1 env, tat, and rev genes (AAV-HIV vector) was used to vaccinate BALB/c mice.
- A single injection stimulated and long lasting serum IgG, fecal IgA, and HIV-specific CTL.
- Boosting enhanced the humoral response, and IL2 enhanced T-cell immunity.

HXB2 Location Rev**Author Location** Rev**Epitope****Immunogen** vaccine*Vector/Type:* DNA *HIV component:* Nef, Rev, Tat**Species (MHC)** human**Keywords** HAART, ART**References** Calarota *et al.* 1999

- 9/9 HIV-1 + subjects were given one of three DNA vaccinations for nef, rev or tat, and novel proliferative and CTL responses were generated.

- The nef DNA immunization induced the highest and most consistent CTLp activity, IFN-gamma production, and IL-6 and IgG responses.

- Highly active antiretroviral treatment (HAART) did not induce new HIV-specific CTL responses but reduced viral load, while DNA vaccination induced new immune responses but did not reduce viral load – thus this is a potentially complementary and promising combination.

HXB2 Location Rev**Author Location** (subtype C)**Epitope****Subtype** C**Immunogen****Species (MHC)** human**References** Novitsky *et al.* 2001

- This study provides a survey of CTL responses and full length HIV-1 genome sequences from a C subtype infected Botswanan cohort.

- Anti-Rev CTL responses were distributed throughout the protein and 27 of 47 subjects (57%) demonstrated HIV-1C Rev-specific ELISPOT CTL responses of more than 100 SFC/106 PBMC.

HXB2 Location Rev**Author Location** Rev**Epitope****Immunogen** HIV-1 infection, vaccine*Vector/Type:* DNA *HIV component:* Nef, Rev, Tat *Adjuvant:* CpG immunostimulatory sequence (ISS)**Species (MHC)** human**Keywords** review**References** Calarota & Wahren 2001

- This review discusses the cellular immune response, and comments on the stimulatory role of CpG motifs and how HIV-1 DNA vaccines can boost the CTL and Th proliferative responses in asymptomatic HIV+ individuals.

HXB2 Location Rev**Author Location** Rev**Epitope****Immunogen** HIV-1 infection, vaccine**Species (MHC)** human**Keywords** review, escape, early-expressed proteins**References** Gruters *et al.* 2002

- This paper is a review that makes a case for using Tat and Rev as part of a vaccine strategy.

- CTL against Tat and Rev were found preferentially in long term non-progressors.

- Tat/Rev vaccinations of macaques provided protection or reduction in viremia, with high levels of CTL providing protection from challenge, lower levels of CTL having lower viremia, while Gag/Pol vaccinations with did not result in decreased viremia.

- Early expression of Tat/Rev may in part explain the enhanced benefit of a CTL response directed at these proteins, and CTL escape is more prominent in these proteins.

II-B-20 Vpu CTL/CD8+ epitopes

HXB2 Location Vpu (4–13)

Author Location Vpu

Epitope LVILAIIVALV

Immunogen

Species (MHC) human (B7)

References De Groot *et al.* 2001

- The program EpiMatrix was used in conjunction with the program Conservatrix to identify conserved regions of HIV that might serve as epitopes.
- A subset of the potential epitopes was identified that could bind to the appropriate HLA-allele, and 15 predicted B7 superfamily (HLA B7, B8, and B58) epitopes could stimulate IFN γ production in an ELISPOT assay.
- LVILAIIVALV was newly identified as an HLA-B7 epitope in this study using ELISPOT, but could not be shown to bind to B7.

HXB2 Location Vpu (4–13)

Author Location Vpu

Epitope LVILAIIVALV

Epitope name 1300

Subtype multiple

Immunogen HIV-1 infection

Species (MHC) human (B7)

Donor MHC A03, A24, B07, B38, Cw07, Cw12/13

Country United States.

Assay type T-cell Elispot

Keywords binding affinity, computational epitope prediction

References De Groot *et al.* 2003

- Epitopes defined using sequence parsing and matching algorithm Conservatrix, and epitope prediction tool EpiMatrix, were shown to be conserved in a broad range of HIV-1 sequences derived from different parts of the world. 31 novel highly conserved HIV-1 epitopes were found, among which four were recognized as promiscuous epitopes and five as MHC supertypes.
- Estimated binding probability for LVILAIIVALV: 6%

HXB2 Location Vpu (13–21)

Author Location Vpu (13–)

Epitope VVAATIAIV

Epitope name Vpu13

Immunogen HIV-1 infection, vaccine

Vector/Type: peptide *HIV component:* Vpu

Adjuvant: Incomplete Freund's Adjuvant (IFA)

Species (MHC) human (A2)

Assay type CD8 T-cell Elispot - IFN γ , Chromium-release assay, Flow cytometric T-cell cytokine assay

Keywords binding affinity, subtype comparisons, computational epitope prediction

References Corbet *et al.* 2003

- HLA-A2-restricted HIV-1 CTL epitopes were computationally predicted. Binding affinities for HLA-A*0204, immunogenicity in HLA-A*0201 transgenic mice, and responses to the peptides in 17 HIV-1 infected patients were tested. 31 novel

conserved A2 epitopes were detected. An average of 4 epitopes were recognized per patient.

- This peptide was an intermediate A2 binder that did not induce CTL and CD8+ T-cell IFN gamma responses in mice. Responses were detected in 2/17 HIV+ HLA-A2 subjects.

HXB2 Location Vpu (25–40)

Author Location Vpu

Epitope IVFIEYRKLQRKID

Subtype B

Immunogen HIV-1 infection

Species (MHC) human

Keywords early-expressed proteins

References Addo *et al.* 2002b

- CTL responses against regulatory and accessory proteins in 70 HIV-1 infected patients were studied using overlapping peptides and Elispot – only 2% (2/70) targeted one or more Vpu peptides, including this peptide.
- The regulatory proteins Rev and Tat combined contributed to 3%, and the accessory proteins Vif, Vpr and Vpu to 7%, of the total magnitude of HIV-1 specific CTL responses in a subset of 22 HIV-1 infected individuals in whom all HIV-1 proteins were studied.

HXB2 Location Vpu (29–37)

Author Location Vpu (29–37)

Epitope EYRKILRQR

Subtype B

Immunogen HIV-1 infection

Species (MHC) human (A*3303)

Keywords early-expressed proteins

References Addo *et al.* 2002b

- CTL responses against regulatory and accessory proteins in 70 HIV-1 infected patients were studied using overlapping peptides and Elispot.
- 28% targeted one or more overlapping Tat peptides; 36%, Rev peptides; 33%, Vif peptides; 40%, Vpr peptides; and 2%, Vpu peptides.
- All known optimally defined epitopes were summarized for the five proteins.

HXB2 Location Vpu (29–37)

Author Location Vpu (29–37)

Epitope EYRKILRQR

Subtype B

Immunogen HIV-1 infection

Species (MHC) human (A*3303)

Keywords early-expressed proteins

References Addo *et al.* 2002a

- Detection of HIV CTL epitopes is rare in Vpu, and this is the first optimally defined Vpu epitope.
- This CTL response was first detected in a long term non-progressor, and 3/6 HLA A*3303 positive individuals were found to have a CTL response to this epitope.
- HLA A*3303 is common in West Africa and Asia.

HXB2 Location Vpu (29–37)

Author Location Vpu (29–37)

Epitope EYRKILRQR

Immunogen HIV-1 infection

Species (MHC) human (A*3303)
Keywords optimal epitope
References Frahm *et al.* 2007

HXB2 Location Vpu (62–82)
Author Location Vpu (65–81)
Epitope AALVEMGHADAPWVDDL
Subtype B

Immunogen HIV-1 infection
Species (MHC) human
Donor MHC A2, B7, B44, Cw5, Cw7
Country United States.

Assay type CD8 T-cell Elispot - IFN γ
Keywords subtype comparisons, escape, characterizing CD8+ T cells, reversion, viral fitness

References Allen *et al.* 2005a

- Two-thirds of all mutations arising in nonenvelope proteins during the transition from acute to chronic infection were found to be due to either CD8 T-cell-associated selective pressures or reversion of HLA-I-associated mutations selected in a previous host. The predominance of escape mutations at highly polymorphic sites was observed across different HIV-1 clades.
- Novel unmapped epitope. The third position was found to vary over time to AAfVEMGHADAPWVDDL.

HXB2 Location Vpu (66–82)
Author Location (C consensus)
Epitope STMVDMGHLRLLDVNDL
Subtype C

Immunogen HIV-1 infection
Species (MHC) human (A*6801)
Country South Africa.
Assay type CD8 T-cell Elispot - IFN γ

Keywords rate of progression
References Kiepiela *et al.* 2007

- A comprehensive analysis of 160 class I T cell responses in 578 individuals from KwaZulu-Natal, South Africa was performed. Gag-specific responses were associated with lowering viremia, while Env, accessory and regulatory protein-specific responses were associated with higher viremia.

HXB2 Location Vpu (74–82)
Author Location Vpu (74–82 2001 HIV-1 subtype B cons)
Epitope HAPWDVNDL
Epitope name HL9

Subtype B
Immunogen HIV-1 infection
Species (MHC) human (Cw*0102)
Donor MHC A*0201, A*2501, B*1801, B*5101, Cw*0102, Cw*1203

Assay type CD8 T-cell Elispot - IFN γ
Keywords escape, immune evasion, optimal epitope, HIV-1

References Liu *et al.* 2006

- T-cell immunity and the impact of selection were longitudinally studied in a patient from the time of transmission. New epitopes were detected at sites that were shown to be under positive selection. Env was found to be the major target of CTLs and most of the new epitopes were found here. One third of the sites examined were associated with epitope escape mutations

from CTL. Acquisition of mutations found at high frequency in the database was suggested to be a result of reversion of CTL epitopes in the absence of immune targeting.

- This is a newly defined epitope. Last position (9) in the epitope had potentially experienced positive selection. HAPWDVNDm escape variant was found.

HXB2 Location Vpu
Author Location Vpu
Epitope

Immunogen vaccine
Vector/Type: DNA *HIV component:* Nef, Vif, Vpu

Species (MHC) mouse (H-2^d)
Keywords subtype comparisons, Th1
References Ayyavoo *et al.* 2000

- Splenocytes from BALB/c mice immunized with pVVN-P DNA were incubated with Vif, Vpu or Nef antigens for 3 days and assayed for IL-4 and IFN-gamma levels.
- Antigen stimulation increased IFN-gamma production in pVVN-P immunized mice, indicating a Th1 response.
- IL-4 production was not significantly changed after antigen stimulation compared to control levels.
- Cross-clade CTL activity was also observed: A, B clade, CRF01(AE) clade antigens could serve as targets for the B clade immunization-stimulated CTL – an HIV-1 AC recombinant, however, did not stimulate a CTL response, but was expressed at lower levels on the target cell.

II-B-21 gp160 CTL/CD8+ epitopes

HXB2 Location gp160 (2–10)
Author Location gp160 (2–10 IIIB)
Epitope RVKEKYQHL

Immunogen HIV-1 infection
Species (MHC) human (B*0801)
Keywords optimal epitope
References Frahm *et al.* 2007

- C. Brander notes this is a B*0801 epitope.

HXB2 Location gp160 (2–10)
Author Location gp160 (2–10 IIIB)
Epitope RVKEKYQHL

Immunogen HIV-1 infection
Species (MHC) human (B8)
Keywords subtype comparisons
References Sipsas *et al.* 1997

- HIV IIIB proteins were used to define the range of CTL epitopes recognized by 3 lab workers accidentally infected with HIV-1 IIIB.
- Type-specific epitope, unique to the LAI and IIIB because of a deletion of three amino acids that are present in all other subtype B HIV-1s.
- RVKGIRKQNYQHL, a variant found in JRCSF, was not recognized.
- This epitope is in the signal sequence of gp120.

HXB2 Location gp160 (2–10)
Author Location gp120 (2–10)

Epitope RVKEKYQHL

Immunogen HIV-1 infection

Species (MHC) human (B8)

References Day *et al.* 2001

- B8-restricted CTL accounted for about 1/3 of the total CTL response in one individual.

HXB2 Location gp160 (6–12)

Author Location gp120 (6–15 CM243 subtype CRF01)

Epitope TQMNWPNLWK

Epitope name E6-15

Subtype CRF01_AE

Immunogen HIV-1 exposed seronegative

Species (MHC) human (A11)

Keywords HIV exposed persistently seronegative (HEPS)

References Sriwanthana *et al.* 2001

- This was a study of HIV-1 exposed persistently seronegative (HEPS) female sex workers in Chiang Mai, northern Thailand.
- HLA-A11 is very common in this population, and was enriched among the HEPS sexworkers – weak CTL responses were detected in 4/7 HEPS women, and CTL responses were found in 8/8 HIV+ controls, and 0/9 HIV- women that were not exposed.
- This epitope after a second stimulation *in vitro* gave a weak response in HEPS study subject 186 who was HLA A2/A11.

HXB2 Location gp160 (6–12)

Author Location gp120 (6–15 CM243 subtype CRF01)

Epitope TQMNWPNLWK

Subtype CRF01_AE

Immunogen HIV-1 infection

Species (MHC) human (A11)

Keywords subtype comparisons

References Bond *et al.* 2001

- HLA-A11 CRF01 (called subtype E in Bond *et al.*) epitopes were identified that stimulated CTL from HIV+ female sex workers (FSW) from Northern Thailand, of whom more than half were HLA-A11 positive.
- 77 possible HLA-A11 epitopes were first defined using EpiMatrix, these were screened for binding to A11 finding and 26 bound, and 12 of these were epitopes for CTL responses from 8 HLA-A11 positive FSWs, six were novel, six were previously identified.
- This is one of the new A11 epitopes identified through the streamlined EpiMatrix method, and 2/8 tested FSWs recognized it.
- This epitope was not conserved in other subtypes, and exact matches were rare.

HXB2 Location gp160 (30–40)

Author Location Env (29–39)

Epitope AAENLWVTVYY

Immunogen HIV-1 infection

Species (MHC) human (B44)

Country Spain.

Assay type proliferation, CD8 T-cell Elispot - IFN γ , Flow cytometric T-cell cytokine assay

Keywords HAART, ART, supervised treatment interruptions (STI), immune dysfunction

References Plana *et al.* 2004

- Structured treatment interruption (STI) alone is not able to control viral replication in chronically infected patients, probably due to lack of strong, maintained T-helper cell responses. HIV-1 specific CD8+ T-cell responses were shown to increase significantly until the end of the follow up, but were not correlated with viral load..
- Less than 2 of 11 patients recognized this epitope.

HXB2 Location gp160 (30–49)

Author Location gp120

Epitope AAEQLWVTVYYGVPVWKEAT

Immunogen HIV-1 infection

Species (MHC) human (A11)

Keywords TCR usage

References Weekes *et al.* 1999b

- Peptide 7035.1: Almost all CD8+ T cells are CD28+ at birth, and the proportion of CD28-CD8+ cells increases with age – this study examines the contribution of CD8+CD28- cells to CTL memory pools for CTL clones specific for two persistent human viruses, CMV and HIV – clones were found to be similarly distributed in the CD28 depleted cell population.
- HIV CTL responses to 3 Env and 2 Gag peptides were studied.
- The clonal composition of the TCR V β responses was studied and was found to be highly focused, with one TCR beta-chain sequence tending to dominate the peptide-specific response – clones to this epitope were V β 6.

HXB2 Location gp160 (30–49)

Author Location gp120 (1–20)

Epitope ATEKLWVTVYYGVPVWKEAT

Epitope name ATE

Immunogen HIV-1 infection

Species (MHC) human

Donor MHC A2, A68.1, B*07, B*3503, Cw*0401, Cw*0702, DR17, DR15, DR51, DR52, DQ2, DQ6

Assay type CD8 T-cell Elispot - IFN γ , CD4 T-cell Elispot - IFN γ

Keywords rate of progression, escape

References Oxenius *et al.* 2004b

- The increase in plasma viral load in a patient that progressed rapidly was preceded by positive selection of viral escape mutations in epitopes targeted by dominant HIV-1-specific CD8+ T-cell responses, and a decrease in HIV-1-specific CD4+ and CD8+ T-cell frequencies. Overall, escape variant epitopes were recognized 0-80% as efficiently as the index peptide, and the relatively efficiency of the variant epitopes increased using PBLs collected after their appearance. No changes were found in viral tropism, replication kinetics and neutralizing antibody titers, so the rapid decline of the patient was attributed to loss of HIV containment due to CTL escape.
- This was one of 8 reactive peptides found not to vary over time. It was one of four epitopes that were not precisely defined.

HXB2 Location gp160 (31–39)

Author Location

Epitope AENLWTVY

Epitope name AY9

Immunogen

Species (MHC) human (B*1801)

Keywords optimal epitope

References Frahm *et al.* 2007

- C. Brander notes this is a B*1801 epitope.

HXB2 Location gp160 (31–39)

Author Location gp120 (31–39 HIV-MN)

Epitope AENLWVTYVY

Epitope name AY9

Subtype B

Immunogen HIV-1 infection

Species (MHC) human (B*1801)

Donor MHC A*0201, A*2501, B*1801, B*5101, Cw*0102, Cw*1203

Assay type CD8 T-cell Elispot - IFN γ

Keywords escape, immune evasion, optimal epitope, HIV-1

References Liu *et al.* 2006

- T-cell immunity and the impact of selection were longitudinally studied in a patient from the time of transmission. New epitopes were detected at sites that were shown to be under positive selection. Env was found to be the major target of CTLs and most of the new epitopes were found here. One third of the sites examined were associated with epitope escape mutations from CTL. Acquisition of mutations found at high frequency in the database was suggested to be a result of reversion of CTL epitopes in the absence of immune targeting.
- This is a newly defined epitope. Position 1 in the epitope had potentially experienced positive selection. AdNLWVTYVY, tdNLWVTYVY, tEdLWVTYVY, eEdLWVTYVY and AEdsWVTYVY escape variants were found.

HXB2 Location gp160 (31–39)

Author Location gp160 (30–38 WEAU)

Epitope AENLWVTYVY

Epitope name gp160 AY9

Immunogen HIV-1 infection

Species (MHC) human (B*4403)

Donor MHC A*2902, B*4403, B*0801

Country United States.

Assay type CD8 T-cell Elispot - IFN γ , Chromium-release assay

Keywords dynamics, immunodominance, escape, acute/early infection, kinetics, characterizing CD8+ T cells, reversion, viral fitness

References Jones *et al.* 2004

- Primary CD8+ T-cell response to Env, Tat and Gag and the extent, kinetics and mechanisms of viral escape were examined in three patients. Rapid escape, within weeks from infection, from HIV specific CTL responses was observed in all three patients, but the kinetics and extent of the escape differed depending on the breadth and co-dominant distribution of CTL-mediated pressure. The two patients that rapidly declined had more focused immunodominant responses, while the single patient that had low viral load and stable CD4 counts for seven years had a broad co-dominant response and less escape.

- The patient WEAU had high viral loads and rapid CD4 decline. WEAU mounted 14 detected CTL responses, with distinct patterns of immunodominance. WEAU did not control viral replication well, and escape mutations occurred early and 4/14 had changes that could have resulted in escape, and two were confirmed as escape.
- This was the immunodominant response in acute infection in WEAU, and there was rapid escape in the epitope AENLWVTYVY, with three variants observed by day 30 from the onset of symptoms. Additional mutations continued to develop, so that there were 9 different forms observed through the course of sampling. The variants all conferred different levels of reduction in CTL response, double mutations or anchor mutations tended to cause the greatest reduction: AaNLWV-TaY, tNkWVTYVY, AgNLWVTYVY, AkNLWVTYVY, although the double mutant tENLWVTiY elicited a very strong CTL response, suggesting it might not be an escape form.

HXB2 Location gp160 (31–39)

Author Location gp120 (30–38 SF2)

Epitope AENLWVTYVY

Immunogen HIV-1 infection

Species (MHC) human (B44)

Keywords HAART, ART, acute/early infection

References Altfeld *et al.* 2001b

- Therapy provided during acute infection resulted in a narrower CTL response, stronger T help response, and a less diverse viral population than was seen in individuals treated during chronic infection.
- The breadth and specificity of the response was determined using ELISPOT by studying 19 individuals with pre-seroconversion therapy (Group 1), 11 individuals with primary infection but post-seroconversion therapy (Group 2), and 10 individuals who responded to HAART given during chronic infection (Group 3), using 259 overlapping peptides spanning p17, p24, RT, gp41, gp120 and Nef.
- Previously described and newly defined optimal epitopes were tested for CTL response.
- Number of HLA-B44+ individuals that had a CTL response to this epitope broken down by group: 1/8 group 1, 2/3 group 2, and 3/4 group 3.

HXB2 Location gp160 (31–39)

Author Location gp120 (30–38)

Epitope AENLWVTYVY

Immunogen HIV-1 infection

Species (MHC) human (B44)

References Day *et al.* 2001

HXB2 Location gp160 (31–39)

Author Location gp120

Epitope AENLWVTYVY

Immunogen HIV-1 infection

Species (MHC) human (B44)

Keywords epitope processing

References Cao *et al.* 2002

- AC2 is a B44 restricted CTL clone that recognizes AENLWVTYVY.

- CTL could be activated by a fusion protein of an HIV protein and anthrax lethal factor (LFn-HIV) that promotes antigen presenting cell uptake of exogenous protein and allows processing through the MHC class I pathway. This strategy for CTL detection could allow antigen presentation without generation of cells by the standard methods of using live viral vectors carrying a protein, or by loading the cells with peptides and by-passing processing.

HXB2 Location gp160 (31–39)
Author Location (B consensus)
Epitope AENLWVTVY
Epitope name AY9
Subtype B
Immunogen HIV-1 infection
Species (MHC) human (B44)
Donor MHC A11, A29, B08, B44, Cw4, Cw7
Country United States.
Assay type Cytokine production, Intracellular cytokine staining, Chromium-release assay, Flow cytometric T-cell cytokine assay
Keywords assay standardization/improvement, memory cells, characterizing CD8+ T cells
References Lichterfeld *et al.* 2004c

- Using a flow-cytometric cytotoxicity assay based on caspase-3 activation in dying target cells, it was shown that the subset of HIV-1-specific CD8+ T cells secreting both IFN-gamma and TNF-alpha exhibit stronger cytotoxic activity than those secreting only IFN-gamma. These cells also exhibited stronger intracellular perforin expression. No association between HIV-1-specific CD8+ T-cell maturation phenotypes and intracellular perforin expression was found.
- 1/9 individuals recognized this epitope.

HXB2 Location gp160 (31–39)
Author Location
Epitope AENLWVTVY
Epitope name AY9
Immunogen
Species (MHC) human (B44)
Keywords optimal epitope
References Frahm *et al.* 2007

- C. Brander notes this is a B44 epitope.

HXB2 Location gp160 (31–40)
Author Location gp160 (30–39 WEAU)
Epitope AENLWVTVYY
Immunogen HIV-1 infection
Species (MHC) human (B*4402)
Keywords optimal epitope
References Frahm *et al.* 2007

- C. Brander notes this is a B*4402 epitope.

HXB2 Location gp160 (31–40)
Author Location gp160 (30–39 WEAU)
Epitope AENLWVTVYY
Immunogen HIV-1 infection
Species (MHC) human (B44)
Keywords immunodominance, escape

References Borrow *et al.* 1997; Borrow & Shaw 1998; Goulder *et al.* 1997a

- Two CTL lines from the patient WEAU were studied – one had an optimal peptide of (A)AENLWVTVYY, and the other (A)AENLWVTVY, and both responded equally well with one or two N-term Alanines.
- Rapidly post-infection, a strong immunodominant response was observed against this epitope.
- The naturally occurring forms of the peptide found in WEAU were tested as targets for early WEAU CTLs – the form TENLWVTVY was as reactive as the wild type AENLWVTVY – but the forms AKNLWVTVY, AGNLWVTVY, AANLWVTVY did not serve as targets.
- The glutamic acid in the second position is a B44 anchor residue.
- Goulder *et al.* [1997a] and Borrow & Shaw [1998] are reviews of immune escape that summarizes this study in the context of CTL escape to fixation.

HXB2 Location gp160 (31–55)
Author Location gp120 (32–56 LAI)
Epitope TEKLWVTVYYGVPVWKEATTLFCA
Subtype B
Immunogen vaccine
Vector/Type: vaccinia *HIV component:* gp160
Species (MHC) human (B18)
References Johnson *et al.* 1994a

- HLA restricted CTL response to epitope in HIV-1 vaccinia-env vaccinees.

HXB2 Location gp160 (31–55)
Author Location gp120 (32–56 LAI)
Epitope TEKLWVTVYYGVPVWKEATTLFCA
Subtype B
Immunogen vaccine
Vector/Type: vaccinia *HIV component:* gp160
Species (MHC) human (B18)
References Ferris *et al.* 1999; Hammond *et al.* 1995

- This peptide can be processed for HLA-B18 presentation by both TAP-1/2 independent and dependent pathways.

HXB2 Location gp160 (32–40)
Author Location Env (92TH023)
Epitope DNLWVTVYY
Subtype B, CRF01_AE
Immunogen vaccine
Vector/Type: canarypox prime with gp120 boost, canarypox, canarypox prime with gp160 boost *Strain:* B clade LAI, B clade MN, B clade SF2 *HIV component:* Gag, gp120, gp41, Pol
Species (MHC) human (B44)
Country Thailand.
Assay type Chromium-release assay
Keywords vaccine-induced epitopes, variant cross-recognition or cross-neutralization
References Paris *et al.* 2004

- 21% (40/187) of Thai adults that received ALVAC-HIV with or without gp120 or oligomeric gp160 had a CD8+ T-cell response. HLA-B44 was positively associated with CTL responses, and A33 had a borderline significance association with response. A33/B44/DRB1*0701 is the most common haplotype in Thailand. B46, present in 30% of the population, was negatively associated with CTL responses, although it did not reach significance. HLA class I serotypes A11, A24, A33, B46 and B75 were the most common found in 245 Thai volunteers.
- 9/11 cases of pCTL activity to Env were in people with B44. The authors suggest some of the response may be directed at the previously mapped B44 Env epitope AENLWVTVYY in HXB2, DNLWVTVYY in their CRF01 ALAVC vaccine 92TH023. B*4403 is the most common B44 allele among Thais, while B*4402 is more common among Caucasians; a prior study had shown that B*4403 may be able to present a broader spectrum of epitopes than B*4402.

- HXB2 Location** gp160 (32–40)
Author Location gp160 (29–37 SUMA)
Epitope ENLWVTVYY
Epitope name GP160 EY9
Subtype B
Immunogen HIV-1 infection
Species (MHC) human
Donor MHC A*1103, A*2402, B*1402, B*1501, Cw*0802
Country United States.
Assay type CD8 T-cell Elispot - IFN γ , Chromium-release assay
Keywords dynamics, acute/early infection, characterizing CD8+ T cells
References Jones *et al.* 2004
- Primary CD8+ T-cell response to Env, Tat and Gag and the extent, kinetics and mechanisms of viral escape were examined in three patients. Rapid escape, within weeks from infection, from HIV specific CTL responses was observed in all three patients, but the kinetics and extent of the escape differed depending on the breadth and co-dominant distribution of CTL-mediated pressure. The two patients that rapidly declined had more focused immunodominant responses, while the single patient that had low viral load and stable CD4 counts for seven years had a broad co-dominant response and less escape.
 - The patient SUMA maintained low viral loads and stable CD4 T cell counts through seven years of follow up. In contrast to more rapid progressors, WEAU and BORI, SUMA a broad response to 24 epitopes, with little immunodominance. Two peptides were somewhat more intensely recognized in acute infection, but this response leveled out early on.
 - Only four epitopes were found to acquire escape mutations in SUMA over time, and this was one of the 20 that remained invariant. A low level response was detected at acute infection that persisted through early infection.

HXB2 Location gp160 (33–42)
Author Location Env (32–41 subtype B)
Epitope KLWVTVYYGV
Subtype B
Immunogen HIV-1 infection, vaccine

Vector/Type: protein **Strain:** B clade MN
HIV component: gp160

- Species (MHC)** human (A*0201)
Keywords binding affinity
References Kundu *et al.* 1998a
- Ten HIV-1 + HLA A2 asymptomatic individuals were given two courses of HIV-1 MN rgp160 vaccine over a 2 year period.
 - Two hundred and fifty three HIV-1 peptides of 9 or 10 aa possessing the HLA-A2.1 binding motif (Leu at position 2, Val at the C terminus) were identified in gp160, of which 25 had a high or intermediate binding affinity.
 - Eleven peptides were studied that had high HLA-A2 binding affinity – a CTL response was detected to 9/11 peptides in at least 1 individual.
 - CTL responses after reimmunization may include recall responses – only individuals with vaccine cross-reactive sequences prior to vaccination showed detectable CTL responses.

- HXB2 Location** gp160 (33–42)
Author Location gp120 (32–41 LAI)
Epitope KLWVTVYYGV
Subtype B
Immunogen vaccine
Vector/Type: protein **Strain:** B clade MN
HIV component: gp160
Species (MHC) human (A2)
References Dupuis *et al.* 1995
- CTL from HLA-A2 positive subject react with this peptide.

- HXB2 Location** gp160 (33–42)
Author Location Env
Epitope NLWVTVYYGV
Epitope name 1256
Subtype multiple
Immunogen HIV-1 infection
Species (MHC) human (A2)
Donor MHC A02, A30, B39
Country United States.
Assay type T-cell Elispot
Keywords binding affinity, computational epitope prediction
References De Groot *et al.* 2003
- Epitopes defined using sequence parsing and matching algorithm Conservatrix, and epitope prediction tool EpiMatrix, were shown to be conserved in a broad range of HIV-1 sequences derived from different parts of the world. 31 novel highly conserved HIV-1 epitopes were found, among which four were recognized as promiscuous epitopes and five as MHC supertypes.
 - Estimated binding probability for NLWVTVYYGV: 84%

- HXB2 Location** gp160 (34–42)
Author Location
Epitope LWVTVYYGV
Subtype B
Immunogen HIV-1 infection
Species (MHC) human (A*0201)
Assay type Cytokine production, proliferation, Tetramer binding, Intracellular cytokine staining, Chromium-release assay

References Dagarag *et al.* 2003

- Telomere length is short in the CD8+ T-cell compartment of HIV-1 infected people, indicating excessive CTL activation and premature senescence. Here human telomerase RT (hTERT) transduction of HIV-1-specific CTL was used to study the functional impact of telomerase. Telomerase expression enhanced proliferative capacity, as well as cytolytic and antiviral capabilities; cytokine production was unchanged. hTERT transduced CTLs were 10-fold more efficient in controlling HIV-1 replication in culture. Thus telomerase transduction can restore CTL mediated cytotoxicity, and may have therapeutic potential.
- Three polyclonal CD8+ T-cell lines derived from an HIV-1, HLA A*0201 positive patient were used in this study, including one specific for this epitope.

HXB2 Location gp160 (34–55)**Author Location** gp120 (25–46 BRU)**Epitope** LWVTVYYGVPVWKEATTLFCA**Immunogen** HIV-1 infection**Species (MHC)** human (A2)**References** Dadaglio *et al.* 1991

- Defined through peptide blocking of CTL activity, and Env deletions.

HXB2 Location gp160 (36–44)**Author Location** Env (35–)**Epitope** VTVYYGVPV**Epitope name** Env35**Immunogen** HIV-1 infection, vaccine*Vector/Type:* peptide *HIV component:* Env
Adjuvant: Incomplete Freund's Adjuvant (IFA)**Species (MHC)** human (A2)**Assay type** CD4 T-cell Elispot - IFN γ , Chromium-release assay, Flow cytometric T-cell cytokine assay**Keywords** binding affinity, subtype comparisons, computational epitope prediction**References** Corbet *et al.* 2003

- HLA-A2-restricted HIV-1 CTL epitopes were computationally predicted. Binding affinities for HLA-A*0204, immunogenicity in HLA-A*0201 transgenic mice, and responses to the peptides in 17 HIV-1 infected patients were tested. 31 novel conserved A2 epitopes were detected. An average of 4 epitopes were recognized per patient.
- This peptide was a good A2 binder, and induced a CD8+ T-cell IFN gamma response in 1/6 mice. Responses to the peptide were not detected in 17 HIV+ HLA-A2 subjects.

HXB2 Location gp160 (36–46)**Author Location** Env**Epitope** VTVYYGVPVWK**Epitope name** Env 47**Subtype** M**Immunogen** vaccine, *in vitro* stimulation or selection, computer prediction*Vector/Type:* DNA, peptide *Adjuvant:* Incomplete Freund's Adjuvant (IFA)**Species (MHC)** human, mouse (A*1101)**Assay type** Cytokine production, T-cell Elispot**Keywords** subtype comparisons, computational epitope prediction, escape, TCR usage, variant cross-recognition or cross-neutralization**References** McKinney *et al.* 2004

- This study examined variant recognition of epitopes presented by A*0201 and A*1101. Numerous amino acid substitutions can be introduced into epitopes without disrupting their recognition by CTLs, although epitopes with multiple substitutions were less recognized. An algorithm was constructed for prediction of epitopes capable of inducing responses to a great number of variant epitopes.
- A total of 9 variant forms of Env 47 were identified. More than 95% of the variant epitopes were recognized by CTLs from mice immunized with the parental form.
- Env 47 epitope (parent or variant form) was present in 82% of HIV sequences of many M group subtypes.

HXB2 Location gp160 (36–46)**Author Location** gp120 (36–46 CM243 subtype CRF01)**Epitope** VTVYYGVPVWR**Epitope name** E36-4**Subtype** CRF01_AE**Immunogen** HIV-1 exposed seronegative**Species (MHC)** human (A11)**Keywords** HIV exposed persistently seronegative (HEPS)**References** Sriwanthana *et al.* 2001

- This was a study of HIV-1 exposed persistently seronegative (HEPS) female sex workers in Chiang Mai, northern Thailand.
- HLA-A11 is very common in this population, and was enriched among the HEPS sexworkers – weak CTL responses were detected in 4/7 HEPS women, and CTL responses were found in 8/8 HIV+ controls, and 0/9 HIV- women that were not exposed.
- This epitope after a second stimulation *in vitro* gave a weak response in HEPS study subject 186 who was HLA A2/A11.

HXB2 Location gp160 (36–46)**Author Location** gp120 (36–46 CM243 subtype CRF01)**Epitope** VTVYYGVPVWR**Subtype** CRF01_AE**Immunogen** HIV-1 infection**Species (MHC)** human (A11)**Keywords** subtype comparisons**References** Bond *et al.* 2001

- HLA-A11 CRF01 (called subtype E in Bond *et al.*) epitopes were identified that stimulated CTL from HIV+ female sex workers (FSW) from Northern Thailand, of whom more than half were HLA-A11 positive.
- 77 possible HLA-A11 epitopes were first defined using EpiMatrix, these were screened for binding to A11 finding and 26 bound, and 12 of these were epitopes for CTL responses from 8 HLA-A11 positive FSWs, six were novel, six were previously identified.
- This epitope was not predicted by the EpiMatrix method to be likely to bind to A11, though it served as an epitope in the FSWs, and it was one of the six A11 epitopes that had been previously defined.
- 1/8 tested FSWs recognized this epitope.

- This epitope was only conserved in CRF01 and subtypes B and C, and exact matches were uncommon.

HXB2 Location gp160 (36–46)

Author Location gp120

Epitope VTVYYGVPVWK

Immunogen HIV-1 infection

Species (MHC) human (A11, A*6801)

References Threlkeld *et al.* 1997

- Study of the fine specificity of an A3-like-HLA-super-type epitope (the A3-super-type includes A*0301, A*1101, A*3101, A*3301, and A*6801)
- The A3 super-type is characterized as a hydrophobic or hydroxyl containing anchor residue at position 2, and a positive charge in the C-term position.
- While most lines were specific, a promiscuous cloned CTL line was derived from an HIV+ donor that could recognize this epitope presented by either A11 or A*6801.

HXB2 Location gp160 (37–45)

Author Location gp160

Epitope TVYYGVPVW

Subtype A, B, C, D

Immunogen HIV-1 infection, vaccine

Vector/Type: vaccinia *Strain:* A clade, B clade, D clade NDK, C clade consensus *HIV component:* Env

Species (MHC) human

Donor MHC A*2902, A*2902, B*1503, B*1801, Cw*0202, Cw*1203; A*3001, A*6601, B*5703, B*5801, Cw*0401, Cw*1801

Country Kenya.

Assay type CD8 T-cell Elispot - IFN γ , Other

Keywords subtype comparisons, variant cross-recognition or cross-neutralization

References McKinnon *et al.* 2005

- Interclade cross-reactivity of clades A, B, C, and D was tested using recombinant vaccinia-based IFN-gamma Elispot assay. 47/74 women had a positive Elispot response to at least one clade, and cross-clade responses were frequent. Clade A responses were most frequent, as expected, as clade A dominates the Kenyan epidemic (85% of the 47 women responded to clade A Env, 74% to B, 62% to C, and 43% to D). Cross-clade CD8 T-cell responses were common and directed at conserved epitopes.
- There was a greater magnitude of response to A clade peptides in individuals who responded to more than 1 clade; a 2-fold higher response was observed in clade A in 36% (9/25) of these individuals, and the response to A peptides was never lower. VTVYYGVPVW responses were detected in 2 women who reacted to all clades tested, A, B, C, and D, and the sequence was identical in all clades.

HXB2 Location gp160 (37–46)

Author Location gp120 (37–46 LAI)

Epitope TVYYGVPVWK

Subtype B

Immunogen vaccine

Vector/Type: vaccinia *HIV component:* gp160

Species (MHC) human (A*0301)

References Johnson *et al.* 1994b

- Multiple CTL clones obtained from two vaccinees.
- C. Brander notes that this is an A*0301 epitope in the 1999 database.

HXB2 Location gp160 (37–46)

Author Location gp120 (38–41 LAI)

Epitope TVYYGVPVWK

Subtype B

Immunogen vaccine

Vector/Type: vaccinia *HIV component:* gp160

Species (MHC) human (A*0301)

References Johnson *et al.* 1994a

- Highly conserved epitope recognized by multiple CTL clones from vaccinee.

HXB2 Location gp160 (37–46)

Author Location gp120 (37–46 LAI)

Epitope TVYYGVPVWK

Subtype B

Immunogen vaccine

Vector/Type: vaccinia *HIV component:* gp160

Species (MHC) human (A*0301)

References Ferris *et al.* 1999; Hammond *et al.* 1995

- This peptide can be processed for HLA-A3.1 presentation by TAP-1/2 independent and dependent pathways.

HXB2 Location gp160 (37–46)

Author Location gp120 (37–46 LAI)

Epitope TVYYGVPVWK

Subtype B

Immunogen vaccine

Vector/Type: vaccinia *HIV component:* gp160

Species (MHC) human (A*0301)

Keywords optimal epitope

References Frahm *et al.* 2007

- C. Brander notes this is an A*0301 epitope.

HXB2 Location gp160 (37–46)

Author Location gp120 (37–46 LAI)

Epitope TVYYGVPVWK

Subtype B

Immunogen HIV-1 infection

Species (MHC) human (A*0301)

Keywords acute/early infection

References Wilson *et al.* 2000a

- Three individuals with highly focused HIV-specific CTL responses were studied during acute infection using tetramers – high frequencies of HIV-1-specific CD8+ T cells were found prior to seroconversion, and there was a close temporal relationship between the number of circulating HIV-specific T cells and viral load was also found.
- All three patients were B*2705, with HLA alleles: A1, A30/31, B*2705, B35; A1, A*0301, B7, B2705; and A*0201, A*0301, B2705, B39.

- ELISPOT was used to test a panel of CTL epitopes that had been defined earlier and were appropriate for the HLA haplotypes of the study subjects – 3/3 subjects showed a dominant response to the B*2705 epitope KRWILGGLNK.
- The subject with A*0201 had a moderately strong response to SLYNTVATL.
- Weak responses were observed to A*301-RLRPGGKKK, A*301-QVPLRPMTYK, and B7-TPGPGVRYPL in the subject who was HLA A1, A*0301, B7, B*2705.
- No acute response was detected to the following epitopes: A*201-ILKEPVHGV, A*301-KIRLRPGGK, A*301-AIFQSSMTK, A*301-TVYYGVPVWK, B35-EPIVGAETF, B35-HPDIVIYQY, B35-PIIPVGEIY, B35-NSSKVSQNY, B35-VPLRPMTY, B35-DPNPQEVVL.

HXB2 Location gp160 (37–46)

Author Location gp120

Epitope TVYYGVPVWK

Subtype A, B, C, D

Immunogen HIV-1 infection, vaccine

Vector/Type: DNA prime with modified vaccinia Ankara (MVA) boost *Strain:* A clade
HIV component: p17 Gag, p24 Gag

Species (MHC) human (A*0301)

Keywords subtype comparisons, epitope processing, vaccine-specific epitope characteristics, immunodominance

References Hanke & McMichael 2000; Wee *et al.* 2002

- The HIV-1 subtype A focused vaccine HIVA contains p24 and p17, in a reversed order relative to the Gag polyprotein to prevent myristylation of p17, which could direct the protein to the cell membrane and inhibit efficient peptide processing and class I presentation, as well as a polyepitope string of conserved, often immunodominant epitopes that were selected to have particularly good cross-reactive potential for the A-clade epidemic in Nairobi, Kenya. A DNA and MVA prime-boost vaccination protocol using the HIVA antigen will be used in a phase III clinical trial in Kenya. This epitope is included in the polyepitope string Hanke & McMichael [2000].
- Multiple CD4+ or CD8+ T-cell vaccine-induced responses to peptide pools were detected using intracellular cytokine staining and IFN γ ELISPOT assays after vaccination of 5 macaques. The response to the Mamu A*01 SIV p27 epitope p11C (CTPYDINQM), included in the polyepitope region, was not immunodominant in the Mamu A*01 vaccinated macaques, possibly because of processing limitations in context of the artificial polyepitope string Wee *et al.* [2002].

HXB2 Location gp160 (37–46)

Author Location Env

Epitope TVYYGVPVWK

Immunogen vaccine

Vector/Type: DNA

Species (MHC) transgenic mouse (A11)

References Ishioka *et al.* 1999

- A minigene vaccine construct encoding 6 HLA 2.1 and 3 HLA A11 restricted CTL epitopes, the universal Th cell epitope PADRE (pan-DR epitope) and an ER translocating signal sequence was constructed.

- The epitopes were chosen for dominant recognition by CTLs during HBV and HIV infections in humans.
- HLA transgenic mice were used for quantitating *in vivo* immunogenicity of DNA vaccines encoding HLA-restricted CTL epitopes.

HXB2 Location gp160 (37–46)

Author Location Env

Epitope TVYYGVPVWK

Epitope name 1283

Subtype multiple

Immunogen HIV-1 infection

Species (MHC) human (A11, A2, A3, A*6801, B18)

Donor MHC A25, A68, B18, B27; A03, A11, B14, B51, Cw08, Cw13

Country United States.

Assay type T-cell Elispot

Keywords binding affinity, computational epitope prediction, cross-presentation by different HLA

References De Groot *et al.* 2003

- Epitopes defined using sequence parsing and matching algorithm Conservatrix, and epitope prediction tool EpiMatrix, were shown to be conserved in a broad range of HIV-1 sequences derived from different parts of the world. 31 novel highly conserved HIV-1 epitopes were found, among which four were recognized as promiscuous epitopes and five as MHC supertypes.
- Estimated binding probability for TVYYGVPVWK: 18% Promiscuous epitope binding to A02, A03, A11, A6801 and B18.

HXB2 Location gp160 (37–46)

Author Location gp120 (37–46)

Epitope TVYYGVPVWK

Immunogen vaccine

Vector/Type: canarypox *Strain:* B clade LAI, B clade MN *HIV component:* Gag, gp120, gp41, Protease

Species (MHC) human (A3)

References Carruth *et al.* 1999

- The vaccine used was a live recombinant canarypox (CP) virus vaccine containing multiple HIV-1 genes (HIV-1 MN gp120, HIV-1 LAI gp41, HIV-1 LAI Gag, HIV-1 LAI protease)
- CD4+ and CD8+ Gag and Env specific CTL responses were detected in only 1/5 vaccinated volunteers, and were not detectable 1 year after vaccination.
- CTL responses to epitopes SLYNTVATL and TVYYGVPVWK from HIV+ control patients were used as positive controls.
- The study explored why vaccinees were non-responsive – non-response was not due to inherent defects or differences in the ability of these individuals to process and present antigen.

HXB2 Location gp160 (37–46)

Author Location gp120 (37–46 LAI)

Epitope TVYYGVPVWK

Subtype B

Immunogen HIV-1 infection

Species (MHC) human (A3)

Keywords review, escape

References Goulder *et al.* 1997e; Goulder *et al.* 1997a

- HLA-identical sibling hemophiliac brothers were both infected with the same batch of factor VIII.
- One had a response to this epitope, the other did not. They were tested 6-8 years after infection.
- Goulder *et al.* [1997a] is a review of immune escape that summarizes this study.

HXB2 Location gp160 (37–46)

Author Location gp120 (36–45)

Epitope TVYYGVPVWK

Immunogen HIV-1 infection

Species (MHC) human (A3)

References Ferrari *et al.* 2000

- One of the 51 HIV-1 epitopes selected by Ferrari *et al.* as good candidate CTL epitopes for vaccines by virtue of being conserved and presented by common HLA alleles.

HXB2 Location gp160 (37–46)

Author Location gp120 (37–46)

Epitope TVYYGVPVWK

Immunogen HIV-1 infection

Species (MHC) human (A3)

Keywords rate of progression, acute/early infection

References Day *et al.* 2001

- The CTL response to optimally defined CTL epitopes restricted by HLA class I A and B alleles in individuals who coexpressed HLA A2, A3, and B7 was studied in eight HIV-1-infected subjects, two with acute infection, five with chronic, and one long-term non-progressor (LTNP)
- 2 to 17 epitopes were recognized in a given individual, A2-restricted CTL response tended to be narrow and never dominated the response, and 25/27 epitopes were targeted by at least one person.
- All patients recognized at least 1 A3 epitope, up to 8 A3 epitopes, but none was clearly dominant.

HXB2 Location gp160 (37–46)

Author Location

Epitope TVYYGVPVWK

Epitope name Env-VK9

Subtype B

Immunogen HIV-1 infection

Species (MHC) human (A3)

References Sabbaj *et al.* 2003

- Among HIV+ individuals who carried HLA A03, 0/20 (0%) recognized this epitope.

HXB2 Location gp160 (37–46)

Author Location gp160 (37–46)

Epitope TVYYGVPVWK

Immunogen HIV-1 infection

Species (MHC) human (A3)

Donor MHC A03, A32, B51, B15, Cw03, Cw06, DR4, DR8, DQ7

Country Netherlands.

Assay type CD8 T-cell Elispot - IFN γ , Flow cytometric T-cell cytokine assay

Keywords rate of progression, escape

References Geels *et al.* 2003

- Both stable potential epitopes and epitopes with escape mutations were found in a patient with increasing viral load over a time period of 4 years. Fixation of escape mutations occurred sequentially and correlated with the rise in viral load and with the increased number of productively infected cells.
- This is one of 17 potential epitopes from this individual, defined based on previously identified epitopes presented by appropriate HLA molecules. Full length genome sequence did not reveal changes in time in any of these epitopes over a four year period. Peptide pools initially revealed very little response to these epitopes, but this increased over time.

HXB2 Location gp160 (37–46)

Author Location gp120

Epitope TVYYGVPVWK

Immunogen HIV-1 exposed seronegative

Species (MHC) human (A3)

Donor MHC A01, A03, B39, B44, Cw4, Cw6

Assay type T-cell Elispot

Keywords HIV exposed persistently seronegative (HEPS)

References Missale *et al.* 2004

- HIV-specific T-cell response was tested in patients exposed to blood from a patient with highly replicating HIV; these patients were nosocomially infected with HBV, but uninfected with HIV. HIV-specific T-cell responses were directed to structural and non-structural HIV proteins in 2 patients, suggesting that the virus replicated in these patients sufficiently to prime a cell-mediated immune response that protected them from HIV infection.
- This patient responded to 3/11 HIV epitopes tested in an IFN γ EliSpot assay. Responses were detected 16 and 20 weeks after exposure, but were lost by week 80.

HXB2 Location gp160 (37–46)

Author Location Env (49–58)

Epitope TVYYGVPVWK

Immunogen HIV-1 infection

Species (MHC) human (A3 supertype)

Keywords supertype, rate of progression

References Propato *et al.* 2001

- Long-term nonprogressors (LTNPs) had strong memory resting CD8+ T-cell responses against the majority of epitopes tested, (18 for the A2 supertype, 16 for the A3 supertype) while the effector cells of long-term nonprogressors recognized far fewer epitopes.
- Progressors had memory resting CD8+ T-cells that recognized far fewer epitopes than LTNPs.
- A positive correlation between effector CD8+ T-cells and plasma viremia and a negative correlation between CD8+ effector T-cells and CD4+ T-cells was observed, which may contribute to the inability of LTNPs to clear virus.
- This epitope can bind 3/5 HLA-A3 supertype alleles (A*0301, A*1101, A*3101, A*3301 and A*6801).

HXB2 Location gp160 (37–53)

Author Location (C consensus)

Epitope TVYYGVPVWKEAKTTLF

Subtype C

Immunogen HIV-1 infection

Species (MHC) human (A*3201)

Country South Africa.

Assay type CD8 T-cell Elispot - IFN γ

Keywords rate of progression

References Kiepiela *et al.* 2007

- A comprehensive analysis of 160 class I T cell responses in 578 individuals from KwaZulu-Natal, South Africa was performed. Gag-specific responses were associated with lowering viremia, while Env, accessory and regulatory protein-specific responses were associated with higher viremia.

HXB2 Location gp160 (37–53)

Author Location (C consensus)

Epitope TVYYGVPVWKEAKTTLF

Subtype C

Immunogen HIV-1 infection

Species (MHC) human (A*4301)

Country South Africa.

Assay type CD8 T-cell Elispot - IFN γ

Keywords rate of progression

References Kiepiela *et al.* 2007

- A comprehensive analysis of 160 class I T cell responses in 578 individuals from KwaZulu-Natal, South Africa was performed. Gag-specific responses were associated with lowering viremia, while Env, accessory and regulatory protein-specific responses were associated with higher viremia.

HXB2 Location gp160 (37–53)

Author Location (C consensus)

Epitope TVYYGVPVWKEAKTTLF

Subtype C

Immunogen HIV-1 infection

Species (MHC) human (B*5801)

Country South Africa.

Assay type CD8 T-cell Elispot - IFN γ

Keywords rate of progression

References Kiepiela *et al.* 2007

- A comprehensive analysis of 160 class I T cell responses in 578 individuals from KwaZulu-Natal, South Africa was performed. Gag-specific responses were associated with lowering viremia, while Env, accessory and regulatory protein-specific responses were associated with higher viremia.

HXB2 Location gp160 (38–48)

Author Location gp120 (45–55)

Epitope VYYGVPVWKEA

Immunogen HIV-1 infection

Species (MHC) human (Cw7)

References Nehete *et al.* 1998a

- Three long-term non-progressors and one asymptomatic HIV+ individual were studied and found to have HLA class I C-restricted CD8+ Env-specific CTLs – Cw7 specific CTL were found against three peptides, including this one.
- HLA-C antigens are expressed on lymphoid cells to a lesser extent than either HLA-A or -B.

- HLA-C confers protection against lysis by natural killer cells and by non-MHC-restricted effector T cells and Cw7 directly governs this resistance to lysis – the authors hypothesize that pathogens that inhibit antigen expression and class I expression may particularly down regulate Cw7, thus triggering non-MHC restricted killing.

HXB2 Location gp160 (42–51)

Author Location gp120 (42–51 PV22)

Epitope VPVWKEATTT

Immunogen HIV-1 infection

Species (MHC) human (B*5501)

Keywords optimal epitope

References Frahm *et al.* 2007

- C. Brander notes this is a B*5501 epitope.

HXB2 Location gp160 (42–51)

Author Location gp120 (42–51 PV22)

Epitope VPVWKEATTT

Immunogen HIV-1 infection

Species (MHC) human (B55)

References Brander & Walker 1995

- P. Johnson, unpublished.

HXB2 Location gp160 (42–51)

Author Location gp120 (41–55)

Epitope VPVWKEATTT

Immunogen HIV-1 infection

Species (MHC) human (B55)

References Ferrari *et al.* 2000

- One of the 51 HIV-1 epitopes selected by Ferrari *et al.* as good candidate CTL epitopes for vaccines by virtue of being conserved and presented by common HLA alleles.

HXB2 Location gp160 (42–52)

Author Location gp120 (42–52)

Epitope VPVWKEATTTL

Immunogen HIV-1 infection

Species (MHC) human (B*3501)

Keywords optimal epitope

References Frahm *et al.* 2007

- C. Brander notes this is a B*3501 epitope.

HXB2 Location gp160 (42–52)

Author Location (C consensus)

Epitope VPVWKEAKTTL

Subtype C

Immunogen HIV-1 infection

Species (MHC) human (B*5301)

Country South Africa.

Assay type CD8 T-cell Elispot - IFN γ

Keywords characterizing CD8+ T cells

References Kiepiela *et al.* 2004

- HLA class I restricted CD8+ T-cell responses against HIV-1 were analyzed in African patients. Significantly more responses were shown to be HLA-B restricted. Viral load, CD4 count, and thus rate of disease progression were also associated with HLA-B alleles. In addition, the selection pressure imposed on HIV-1 by HLA-B alleles was shown to be substantially greater than by other alleles.

- This epitope was suggested to be the epitope within a longer reactive peptide based on correspondence with a known epitope in the HIV database. Also, a significantly higher frequency of people in the Durban cohort who reacted with the peptide had this HLA type.

HXB2 Location gp160 (42–52)

Author Location (C consensus)

Epitope VPVWKEAKTTL

Subtype C

Immunogen HIV-1 infection

Species (MHC) human (B*5301)

Country South Africa.

Assay type CD8 T-cell Elispot - IFN γ

Keywords rate of progression, optimal epitope

References Kiepiela *et al.* 2007

- A comprehensive analysis of 160 class I T cell responses in 578 individuals from KwaZulu-Natal, South Africa was performed. Gag-specific responses were associated with lowering viremia, while Env, accessory and regulatory protein-specific responses were associated with higher viremia.
- VPVWKEAKTTL is an optimal epitope.

HXB2 Location gp160 (42–52)

Author Location gp120 (42–52 PV22)

Epitope VPVWKEATTTTL

Immunogen HIV-1 infection

Species (MHC) human (B35)

Keywords subtype comparisons

References Cao *et al.* 1997a

- VPVWKEATTTTL is the consensus sequence for clades B and D.
- VPVWKAETTL is the consensus sequence for clade A and it is cross-reactive.
- VPVWKEADTTL is the consensus sequence for clade C and it is cross-reactive.
- VPVWKEADTTL is the consensus sequence for clade E and even with three substitutions still retains some cross-reactivity.

HXB2 Location gp160 (42–52)

Author Location gp120 (41–51)

Epitope VPVWKEATTTTL

Immunogen HIV-1 infection

Species (MHC) human (B35)

References Ferrari *et al.* 2000

- One of the 51 HIV-1 epitopes selected by Ferrari *et al.* as good candidate CTL epitopes for vaccines by virtue of being conserved and presented by common HLA alleles.

HXB2 Location gp160 (42–52)

Author Location Env (41–50)

Epitope VPVWKEATTTTL

Immunogen HIV-1 infection

Species (MHC) human (B35)

Country Spain.

Assay type proliferation, CD8 T-cell Elispot - IFN γ , Flow cytometric T-cell cytokine assay

Keywords HAART, ART, supervised treatment interruptions (STI), immune dysfunction

References Plana *et al.* 2004

- Structured treatment interruption (STI) alone is not able to control viral replication in chronically infected patients, probably due to lack of strong, maintained T-helper cell responses. HIV-1 specific CD8+ T-cell responses were shown to increase significantly until the end of the follow up, but were not correlated with viral load.

- 4/9 patients recognized this epitope.

HXB2 Location gp160 (42–52)

Author Location Env (43–52 BH10, LAI)

Epitope VPVWKEATTTTL

Immunogen HIV-1 infection

Species (MHC) human

References Maksiutov *et al.* 2002

- This study employs an antigenic similarity matrix to compare HIV-1 antigenic determinants with human proteins.
- This CTL epitope (the HIV-1 LAI fragment with high similarity to a human protein overlapping this peptide is PVWKEATTTTL) has similarity with the platelet membrane glycoprotein IIIA precursor (GLIIIA) (integrin beta-3) (CD61): PLYKEATSTF.

HXB2 Location gp160 (42–61)

Author Location gp120 (49–68)

Epitope VPVWKEATTTTLFCASDAKAY

Immunogen HIV-1 infection

Species (MHC) human

References Lieberman *et al.* 1995

- HIV-specific CTL lines developed by *ex vivo* stimulation with peptide.

HXB2 Location gp160 (42–61)

Author Location gp120 (49–68 SF2)

Epitope VPVWKEATTTTLFCASDAKAY

Immunogen HIV-1 infection

Species (MHC) human

References Lieberman *et al.* 1997a

- Of 25 patients, most had CTL specific for more than 1 HIV-1 protein.
- Eleven subjects had CTL that could recognize vaccinia-expressed LAI gp160.
- Three of these 11 had CTL response to this peptide.
- The responding subjects were HLA-A2, A3, B8, B62; HLA-A3, A24, B7, B38.

HXB2 Location gp160 (42–61)

Author Location gp120 (49–68 SF2)

Epitope VPVWKEATTTTLFCASDAKAY

Immunogen HIV-1 infection

Species (MHC) human

References Lieberman *et al.* 1997b

- CTL expanded *ex vivo* were later infused into HIV-1 infected patients.

HXB2 Location gp160 (42–61)

Author Location gp120 (11–30)

Epitope VPVWKEATTTTLFCASDAKAY

Epitope name VPV

Immunogen HIV-1 infection

Species (MHC) human

Donor MHC A2, A68.1, B*07, B*3503, Cw*0401, Cw*0702, DR17, DR15, DR51, DR52, DQ2, DQ6

Assay type CD8 T-cell Elispot - IFN γ , CD4 T-cell Elispot - IFN γ

Keywords rate of progression, escape

References Oxenius *et al.* 2004b

- The increase in plasma viral load in a patient that progressed rapidly was preceded by positive selection of viral escape mutations in epitopes targeted by dominant HIV-1-specific CD8+ T-cell responses, and a decrease in HIV-1-specific CD4+ and CD8+ T-cell frequencies. Overall, escape variant epitopes were recognized 0-80% as efficiently as the index peptide, and the relatively efficiency of the variant epitopes increased using PBLs collected after their appearance. No changes were found in viral tropism, replication kinetics and neutralizing antibody titers, so the rapid decline of the patient was attributed to loss of HIV containment due to CTL escape.
- This was one of 8 reactive peptides found not to vary over time. It was one of four epitopes that were not precisely defined.

HXB2 Location gp160 (50–59)

Author Location Env (62–71)

Epitope TTLFCASDAK

Immunogen HIV-1 infection

Species (MHC) human (A3 supertype)

Keywords supertype, rate of progression

References Propato *et al.* 2001

- Long-term nonprogressors (LTNPs) had strong memory resting CD8+ T-cell responses against the majority of epitopes tested, (18 for the A2 supertype, 16 for the A3 supertype) while the effector cells of long-term nonprogressors recognized far fewer epitopes.
- Progressors had memory resting CD8+ T-cells that recognized far fewer epitopes than LTNPs.
- A positive correlation between effector CD8+ T-cells and plasma viremia and a negative correlation between CD8+ effector T-cells and CD4+ T-cells was observed, which may contribute to the inability of LTNPs to clear virus.
- This epitope can bind 3/5 HLA-A3 supertype alleles (A*0301, A*1101, A*3101, A*3301 and A*6801).

HXB2 Location gp160 (51–59)

Author Location Env (63–71)

Epitope TLFCASDAK

Immunogen HIV-1 infection

Species (MHC) human (A3 supertype)

Keywords supertype, rate of progression

References Propato *et al.* 2001

- Long-term nonprogressors (LTNPs) had strong memory resting CD8+ T-cell responses against the majority of epitopes tested, (18 for the A2 supertype, 16 for the A3 supertype) while the effector cells of long-term nonprogressors recognized far fewer epitopes.
- Progressors had memory resting CD8+ T-cells that recognized far fewer epitopes than LTNPs.
- A positive correlation between effector CD8+ T-cells and plasma viremia and a negative correlation between CD8+ effector T-cells and CD4+ T-cells was observed, which may contribute to the inability of LTNPs to clear virus.

- This epitope can bind 3/5 HLA-A3 supertype alleles (A*0301, A*1101, A*3101, A*3301 and A*6801).

HXB2 Location gp160 (52–61)

Author Location gp120 (59–68 HXB2)

Epitope LFCASDAKAY

Subtype B

Immunogen HIV-1 infection

Species (MHC) human (A*2402)

References Lieberman *et al.* 1992

- CTL epitope defined by T cell line and peptide mapping.
- C. Brander notes that this is an A*2402 epitope in the 1999 database.

HXB2 Location gp160 (52–61)

Author Location gp120 (53–62 LAI)

Epitope LFCASDAKAY

Subtype B

Immunogen HIV-1 infection

Species (MHC) human (A*2402)

Keywords optimal epitope

References Frahm *et al.* 2007

- C. Brander notes this is an A*2402 epitope.

HXB2 Location gp160 (52–61)

Author Location gp120 (53–62)

Epitope LFCASDAKAY

Immunogen HIV-1 infection, HIV-1 exposed seronegative

Species (MHC) human (A24)

Keywords HIV exposed persistently seronegative (HEPS)

References Kaul *et al.* 2001a

- ELISPOT was used to study CTL responses to a panel of 54 predefined HIV-1 epitopes in 91 HIV-1-exposed, persistently seronegative (HEPS) and 87 HIV-1-infected female Nairobi sex workers.

HXB2 Location gp160 (52–61)

Author Location gp120 (53–62)

Epitope LFCASDAKAY

Immunogen HIV-1 infection

Species (MHC) human (A24)

Country United States.

Assay type CD8 T-cell Elispot - IFN γ , T-cell Elispot, CD8 T-cell Elispot granzyme B

Keywords characterizing CD8+ T cells

References Kleen *et al.* 2004

- Only 20% of CD8+ T-cells produce IFN-gamma and granzyme B simultaneously (Tc1a). Two additional subpopulations of HIV specific CD8 cells are found, each one constituting 30-40% of the CD8 cell pool. One of these (Tc1b) secretes IFN-gamma only, and the other one (Tc1c) secretes GzB only.
- Two of seven patients responded to this peptide with GzB producing cells, and a different patient with IFN-gamma producing cells.

HXB2 Location gp160 (52–61)

Author Location gp120 (53–62 LAI)

Epitope LFCASCAKAY

Subtype B

- Immunogen** HIV-1 infection
Species (MHC) human (B38)
References Shankar *et al.* 1996
- Uncertain whether optimal, binds A24 as well.
- HXB2 Location** gp160 (52–71)
Author Location gp120 (59–78)
Epitope LFCASDAKAYDTEVHINWAT
Immunogen HIV-1 infection
Species (MHC) human
References Lieberman *et al.* 1995
 - HIV-specific CTL lines developed by *ex vivo* stimulation with peptide.

HXB2 Location gp160 (52–71)
Author Location gp120 (59–78 SF2)
Epitope LFCASDAKAYDTEVHINWAT
Immunogen HIV-1 infection
Species (MHC) human
References Lieberman *et al.* 1997a
 - Of 25 patients, most had CTL specific for more than 1 HIV-1 protein.
 - Eleven subjects had CTL that could recognize vaccinia-expressed LAI gp160.
 - One of these 11 had CTL response to this peptide.
 - The responding subject was HLA-A2 and B-21.

HXB2 Location gp160 (59–69)
Author Location (C consensus)
Epitope KAYETEVENW
Subtype C
Immunogen HIV-1 infection
Species (MHC) human (B*5801)
Country South Africa.
Assay type CD8 T-cell Elispot - IFN γ
Keywords rate of progression, optimal epitope
References Kiepiela *et al.* 2007
 - A comprehensive analysis of 160 class I T cell responses in 578 individuals from KwaZulu-Natal, South Africa was performed. Gag-specific responses were associated with lowering viremia, while Env, accessory and regulatory protein-specific responses were associated with higher viremia.
 - KAYETEVENW is an optimal epitope.

HXB2 Location gp160 (59–69)
Author Location
Epitope KAYETEVENW
Epitope name KW11
Immunogen
Species (MHC) human (B58)
Keywords optimal epitope
References Frahm *et al.* 2007
 - C. Brander notes this is a B58 epitope.

HXB2 Location gp160 (61–69)
Author Location
Epitope YETEVENW
Epitope name YW9
Immunogen
Species (MHC) human (B*1801)

- Keywords** optimal epitope
References Frahm *et al.* 2007
- C. Brander notes this is a B*1801 epitope.
- HXB2 Location** gp160 (61–69)
Author Location gp120 (61–69 HIV-MN)
Epitope YETEVENW
Epitope name YW9
Subtype B
Immunogen HIV-1 infection
Species (MHC) human (B*1801)
Donor MHC A*0201, A*2501, B*1801, B*5101, Cw*0102, Cw*1203
Assay type CD8 T-cell Elispot - IFN γ
Keywords escape, immune evasion, optimal epitope, HIV-1
References Liu *et al.* 2006
 - T-cell immunity and the impact of selection were longitudinally studied in a patient from the time of transmission. New epitopes were detected at sites that were shown to be under positive selection. Env was found to be the major target of CTLs and most of the new epitopes were found here. One third of the sites examined were associated with epitope escape mutations from CTL. Acquisition of mutations found at high frequency in the database was suggested to be a result of reversion of CTL epitopes in the absence of immune targeting.
 - This is a newly defined epitope. Positions 2 and 5 in the epitope had potentially experienced positive selection. YgTEVENW, YdTEVENW, YETEaHNVW and YdTEaHNVW escape variants were found.

HXB2 Location gp160 (62–80)
Author Location gp120 (69–88 SF2)
Epitope DTEVENWATHACVPTDPN
Immunogen HIV-1 infection
Species (MHC) human
References Lieberman *et al.* 1997a
 - Of 25 patients, most had CTL specific for more than 1 HIV-1 protein.
 - Eleven subjects had CTL that could recognize vaccinia-expressed LAI gp160.
 - One of these 11 had CTL response to this peptide.
 - The responding subject was HLA-A2 and B-21.

HXB2 Location gp160 (64–73)
Author Location Env (63–72 SF2)
Epitope EVHNVWATHA
Subtype A, B, C, CRF01_AE, D
Immunogen HIV-1 infection
Species (MHC) human (A*2603)
Country Japan.
Assay type Chromium-release assay, Flow cytometric T-cell cytokine assay, HLA binding
Keywords binding affinity, subtype comparisons, computational epitope prediction, rate of progression, escape, variant cross-recognition or cross-neutralization
References Kawashima *et al.* 2005

- A*26 is associated with slow progression to disease and is common in Asian populations (about 20%). 31/110 HIV peptides that carried the A*2603 motif ([VTILP] at P2, [ML] at the C-terminus) bound to HLA-A*2603. Only 2 of these were epitopes and could induce specific CD8 T-cell responses in PBMC from HLA-A*2603 positive subjects.
- This epitope induced specific CD8+ T cells in chronically infected individuals with A*2603, but not A*2601.
- 5 common B clade variants were synthesized. EVHNVWATHA and EVHNIWATHA bound to A*2603 with equal affinity. EIHNVWATHA and EaHNVWATHA bound to A*2603 with reduced affinity. EmHNVWATHA and EkHNVWATHA could not bind to A*2603. A CTL clone that recognized EVHNVWATHA was able to kill cells prepulsed with the 3 peptide variants that could bind to A*2602.
- EVHNVWATHA is the most common form in clades A, B, C, and E (CRF01), but EaHNIWATHA is the most common form in clade D.

- HXB2 Location** gp160 (67–75)
Author Location Env (67–)
Epitope NIWATHACV
Epitope name Env67(2I)
Immunogen HIV-1 infection, vaccine
Vector/Type: peptide *HIV component:* gp120 *Adjuvant:* Incomplete Freund's Adjuvant (IFA)
Species (MHC) human (A2)
Assay type CD8 T-cell Elispot - IFN γ , Chromium-release assay, Flow cytometric T-cell cytokine assay
Keywords binding affinity, subtype comparisons, computational epitope prediction
References Corbet *et al.* 2003
- HLA-A2-restricted HIV-1 CTL epitopes were computationally predicted. Binding affinities for HLA-A*0204, immunogenicity in HLA-A*0201 transgenic mice, and responses to the peptides in 17 HIV-1 infected patients were tested. 31 novel conserved A2 epitopes were detected. An average of 4 epitopes were recognized per patient.
 - This peptide was a good A2 binder, and induced CTL and CD8+ T-cell IFN gamma responses in mice. Responses were detected in 1/17 HIV+ HLA-A2 subjects.
 - The variant nVwathacv was also immunogenic in transgenic mice, but was not recognized in the 17 people tested.

- HXB2 Location** gp160 (75–84)
Author Location gp120
Epitope VPTDPNPPEV
Immunogen HIV-1 infection
Species (MHC) human (A2)
Assay type Cytokine production, CD8 T-cell Elispot - IFN γ , Tetramer binding
References Höhn *et al.* 2003
- The M. tuberculosis HLA-A2 restricted epitope VLT-DGNPPEV and this HLA-A2 HIV-1 gp120 VPTDPNPPEV epitope are cross-recognized. HLA-A2+ patients with pulmonary tuberculosis exhibit cross-reactivity with the HIV gp160 epitope, and those with HIV-1 infection have cross-reactive responses to M.tuberculosis antigen.

- HXB2 Location** gp160 (78–86)
Author Location gp120 (77–85)
Epitope DPNPQEVVL
Immunogen HIV-1 infection
Species (MHC) human (B*3501)
References Ogg *et al.* 1998b
- This epitope was included to illustrate the specificity of HIV-tetrameric staining, in a cross-sectional study correlating HLA A*0201 CTL effector cells and low viral load.

- HXB2 Location** gp160 (78–86)
Author Location gp120 (77–85 SF2)
Epitope DPNPQEVVL
Immunogen HIV-1 infection
Species (MHC) human (B*3501)
Keywords optimal epitope
References Frahm *et al.* 2007
- C. Brander notes this is a B*3501 epitope.

- HXB2 Location** gp160 (78–86)
Author Location gp120 (77–85 SF2)
Epitope DPNPQEVVL
Immunogen HIV-1 infection
Species (MHC) human (B*3501)
References Tomiyama *et al.* 1997
- A CTL clone responsive to this epitope was obtained.
 - 2/7 B35-positive individuals have a CTL response to this epitope.
 - This epitope is highly variable.
 - The substitutions: 1N, 3S and 7I, 7L and 9M, 8I, 8K all abrogate specific CTL lysis, while only 8K reduces binding to B*3501.
 - The substitution 8V to 8E does not reduce specific CTL activity.

- HXB2 Location** gp160 (78–86)
Author Location Env (77–85)
Epitope DPNPQEVVL
Immunogen HIV-1 infection
Species (MHC) human (B*3501)
Keywords HAART, ART
References Ogg *et al.* 1999
- CTL effector levels were measured after potent ARV therapy using HLA-tetramer complexes for the A*0201 epitopes SYLVANTVATL and ILKEPVHGV in seven patients, and the B*3501 epitope DPNPQEVVL in one additional patient.
 - Levels of CTL effectors typically decline for 5-7 days and then rebound, fluctuating during the first two weeks of therapy.
 - After the early fluctuation, there was a steady exponential decay with a median half-life of 45 days.

- HXB2 Location** gp160 (78–86)
Author Location Env (77–85)
Epitope DPNPQEVVL
Immunogen HIV-1 infection
Species (MHC) human (B35)
References Dyer *et al.* 1999
- CTL specific responses were measured over a 1.3 to 1.5 year period in members of the Sydney Blood Bank Cohort (SBBC) who had been infected with a natural attenuated strain of HIV-1 which was Nef-defective.

- Some of these patients had prolonged high levels of CTL effector and memory cells despite low viral load.

HXB2 Location gp160 (78–86)

Author Location

Epitope DPNPQEVVL

Immunogen HIV-1 infection

Species (MHC) human (B35)

Keywords acute/early infection

References Wilson *et al.* 2000a

- Three individuals with highly focused HIV-specific CTL responses were studied during acute infection using tetramers – high frequencies of HIV-1-specific CD8+ T cells were found prior to seroconversion, and a close temporal relationship between the number of circulating HIV-specific T cells and viral load.
- All three patients were B*2705, with HLA alleles: A1, A30/31, B*2705, B35; A1, A*0301, B7, B2705; and A*0201, A*0301, B2705, B39.
- ELISPOT was used to test a panel of CTL epitopes that had been defined earlier and were appropriate for the HLA haplotypes of the study subjects – 3/3 subjects showed a dominant response to the B*2705 epitope KRWILGGLNK.
- The subject with A*0201 had a moderately strong response to SLYNTVATL.
- Weak responses were observed to A*301-RLRPGGKKK, A*301-QVPLRPMTYK, and B7-TPGPGVRYPL in the subject who was HLA A1, A*0301, B7, B*2705.
- No acute response was detected to the following epitopes: A*201-ILKEPVHGV, A*301-KIRLRPGGK, A*301-AIFQSSMTK, A*301-TVYYGVVW, B35-EPIVGAETF, B35-HPDIVIYQY, B35-PPIPVGEIY, B35-NSSKVSQNY, B35-VPLRPMTY, B35-DPNPQEVVL.

HXB2 Location gp160 (78–86)

Author Location (SF2)

Epitope DPNPQEVVL

Immunogen HIV-1 infection

Species (MHC) human (B35)

Keywords rate of progression

References Kawana *et al.* 1999

- HLA B35 is associated with rapid disease progression.
- The sequences of 9 previously described HIV-1 B35 CTL epitopes were obtained in 10 HLA B35+ and 19 HLA B35- individuals.
- 3/9 CTL epitopes had substitutions that were more common in B35+ individuals than in B35- individuals, but this was one of the six that had no B35 associated pattern of mutation.

HXB2 Location gp160 (78–86)

Author Location gp120 (77–85 SF2)

Epitope DPNPQEVVL

Immunogen HIV-1 infection

Species (MHC) human (B35)

Keywords HAART, ART, acute/early infection

References Altfeld *et al.* 2001b

- Therapy provided during acute infection resulted in a narrower CTL response, stronger T help response, and a less diverse viral population than was seen in individuals treated during chronic infection.

- The breadth and specificity of the response was determined using ELISPOT by studying 19 individuals with pre-seroconversion therapy (Group 1), 11 individuals with primary infection but post-seroconversion therapy (Group 2), and 10 individuals who responded to HAART given during chronic infection (Group 3), using 259 overlapping peptides spanning p17, p24, RT, gp41, gp120 and Nef.
- Previously described and newly defined optimal epitopes were tested for CTL response.
- Number of HLA-B35+ individuals that had a CTL response to this epitope broken down by group: 1/2 group 1, 0/2 group 2, and 0/1 group 3.

HXB2 Location gp160 (78–86)

Author Location

Epitope DPNPQEVVL

Epitope name Env-DL9

Subtype B

Immunogen HIV-1 infection

Species (MHC) human (B35)

References Sabbaj *et al.* 2003

- Among HIV+ individuals who carried HLA B35, 3/20 (15%) recognized this epitope.

HXB2 Location gp160 (78–86)

Author Location gp120 (78–86)

Epitope DPNPQEVVL

Subtype B

Immunogen HIV-1 infection

Species (MHC) human (B35)

Donor MHC A3, A33, B14, B35, Cw*0401, Cw*0802

Assay type CD8 T-cell Elispot - IFN γ

Keywords binding affinity, acute/early infection, early-expressed proteins

References Cao *et al.* 2003

- All proteins were scanned and optimal epitopes were mapped in a study of CD8+ gamma IFN T-cell responses in 21 men within 15–92 days post-HIV-1 infection. Subjects initially showed narrow immune responses with a mean of 2.3 epitopes recognized per patient. The immune response broadened later in infection. No correlation between the plasma viral load and the number of recognized epitopes or the frequency of IFN-gamma secreting cells was observed, and there was no correlation between the functional avidity of a responses and the abundance of IFN-secreting cells that recognized the epitope. The first epitopes to be recognized did not tend to be the most avid, and earliest responses tended to be directed against Nef, Tat, Vpr, and Env.
- All HIV-1 proteins except Vpu were recognized, and a responses to a total of 41 optimal epitopes were characterized; 24 had been identified previously. 48% of the total T-cell responses were directed against Nef and 43% were directed against Gag.
- More common HLA alleles were less frequently used in primary infection than less common alleles, for example A3, B35, B57, and B62 were more frequently utilized than A1, A2, A30, and A44.

HXB2 Location gp160 (78–86)

Author Location (C consensus)

Epitope DPNPQEMVL**Subtype** C**Immunogen** HIV-1 infection**Species (MHC)** human (B35)**Country** South Africa.**Assay type** CD8 T-cell Elispot - IFN γ **Keywords** characterizing CD8+ T cells**References** Kiepiela *et al.* 2004

- HLA class I restricted CD8+ T-cell responses against HIV-1 were analyzed in African patients. Significantly more responses were shown to be HLA-B restricted. Viral load, CD4 count, and thus rate of disease progression were also associated with HLA-B alleles. In addition, the selection pressure imposed on HIV-1 by HLA-B alleles was shown to be substantially greater than by other alleles.
- This epitope was suggested to be the epitope within a longer reactive peptide based on correspondence with a known epitope in the HIV database. Also, a significantly higher frequency of people in the Durban cohort who reacted with the peptide had this HLA type.

HXB2 Location gp160 (78–86)**Author Location** gp120 (47–55)**Epitope** DPNPQEVAL**Epitope name** DPN**Immunogen** HIV-1 infection**Species (MHC)** human (B35)**Donor MHC** A2, A68.1, B*07, B*3503, Cw*0401, Cw*0702, DR17, DR15, DR51, DR52, DQ2, DQ6**Assay type** CD8 T-cell Elispot - IFN γ , CD4 T-cell Elispot - IFN γ **Keywords** rate of progression, immunodominance, escape**References** Oxenius *et al.* 2004b

- The increase in plasma viral load in a patient that progressed rapidly was preceded by positive selection of viral escape mutations in epitopes targeted by dominant HIV-1-specific CD8+ T-cell responses, and a decrease in HIV-1-specific CD4+ and CD8+ T-cell frequencies. Overall, escape variant epitopes were recognized 0–80% as efficiently as the index peptide, and the relatively efficiency of the variant epitopes increased using PBLs collected after their appearance. No changes were found in viral tropism, replication kinetics and neutralizing antibody titers, so the rapid decline of the patient was attributed to loss of HIV containment due to CTL escape.
- This epitope was one of six epitopes found to be under positive selection for escape mutations, and was mostly replaced by an escape variant between days 66 and 369 (dpnpqeAal) and then replaced by a new escape variant (dpnpqevPl) by day 635.

HXB2 Location gp160 (78–86)**Author Location** gp120 (77–85 SF2)**Epitope** DPNPQEVVL**Immunogen** HIV-1 infection**Species (MHC)** human (B35, B51)**References** Shiga *et al.* 1996

- Binds HLA-B*3501 and B*5101 – binds and kills gp120-vaccinia virus infected cells carrying B35 or B51.

HXB2 Location gp160 (78–86)**Author Location** gp120 (77–85)**Epitope** DPNPQEVVL**Immunogen** HIV-1 infection, HIV-1 exposed seronegative**Species (MHC)** human (B51)**Keywords** HIV exposed persistently seronegative (HEPS)**References** Kaul *et al.* 2001a

- ELISPOT was used to study CTL responses to a panel of 54 predefined HIV-1 epitopes in 91 HIV-1-exposed, persistently seronegative (HEPS) and 87 HIV-1-infected female Nairobi sex workers.

HXB2 Location gp160 (78–86)**Author Location** gp160 (78–86)**Epitope** DPNPQEVVL**Immunogen** HIV-1 infection**Species (MHC)** human (B51)**Donor MHC** A03, A32, B51, B15, Cw03, Cw06, DR4, DR8, DQ7**Country** Netherlands.**Assay type** CD8 T-cell Elispot - IFN γ , Flow cytometric T-cell cytokine assay**Keywords** rate of progression, escape**References** Geels *et al.* 2003

- Both stable potential epitopes and epitopes with escape mutations were found in a patient with increasing viral load over a time period of 4 years. Fixation of escape mutations occurred sequentially and correlated with the rise in viral load and with the increased number of productively infected cells.
- This is one of 17 potential epitopes from this individual, defined based on previously identified epitopes presented by appropriate HLA molecules. Full length genome sequence did not reveal changes in time in any of these epitopes over a four year period. Peptide pools initially revealed very little response to these epitopes, but this increased over time.

HXB2 Location gp160 (88–96)**Author Location** gp120 (88–96 HIV-MN)**Epitope** NVTENFNMW**Epitope name** NW9**Subtype** B**Immunogen** HIV-1 infection**Species (MHC)** human (A*2501)**Donor MHC** A*0201, A*2501, B*1801, B*5101, Cw*0102, Cw*1203**Assay type** CD8 T-cell Elispot - IFN γ **Keywords** escape, immune evasion, optimal epitope, HIV-1**References** Liu *et al.* 2006

- T-cell immunity and the impact of selection were longitudinally studied in a patient from the time of transmission. New epitopes were detected at sites that were shown to be under positive selection. Env was found to be the major target of CTLs and most of the new epitopes were found here. One third of the sites examined were associated with epitope escape mutations from CTL. Acquisition of mutations found at high frequency in the database was suggested to be a result of reversion of CTL epitopes in the absence of immune targeting.

- This is a newly defined epitope. Positions 5 and 7 in the epitope had potentially experienced positive selection. NVTEdFdMW, NVTEeFdMW and NVTEsFdMW escape variants were found.

HXB2 Location gp160 (89–97)
Author Location gp160
Epitope VTEEFNMWK
Subtype A, B, C, D
Immunogen HIV-1 infection, vaccine
Vector/Type: vaccinia *Strain:* A clade, B clade, D clade NDK, C clade consensus *HIV component:* Env
Species (MHC) human
Donor MHC A*3201, A*3601, B*5301, B*8101, Cw*0401, Cw*0804; A*2402, A*3201, B*5101, B*5301, Cw*0401, Cw*0602
Country Kenya.
Assay type CD8 T-cell Elispot - IFN γ , Other
Keywords subtype comparisons, variant cross-recognition or cross-neutralization
References McKinnon *et al.* 2005

- Interclade cross-reactivity of clades A, B, C, and D was tested using recombinant vaccinia-based IFN-gamma Elispot assay. 47/74 women had a positive Elispot response to at least one clade, and cross-clade responses were frequent. Clade A responses were most frequent, as expected, as clade A dominates the Kenyan epidemic (85% of the 47 women responded to clade A Env, 74% to B, 62% to C, and 43% to D). Cross-clade CD8 T-cell responses were common and directed at conserved epitopes.
- There was a greater magnitude of response to A clade peptides in individuals who responded to more than 1 clade; a 2-fold higher response was observed in clade A in 36% (9/25) of these individuals, and the response to A peptides was never lower. VTEEFNMWK responses were detected in 2 women who had Env responses to all 4 clades, and clade A gave the highest responses; a VnEEFNMWK variant was in clade B and D, and the clade C Env carried VnEEFNMW. One woman also reacted with RAIEAQQHL, the other with KNCSFNMTT.
- Both women that reacted with VTEEFNMWK carried HLA-B*5301, the only common HLA allele.

HXB2 Location gp160 (89–98)
Author Location Env
Epitope VTENFNMWKN
Epitope name 1284
Subtype multiple
Immunogen HIV-1 infection
Species (MHC) human (A11, A68 supertype)
Donor MHC A01, A68, B15, B40, Cw03; A03, A11, B14, B51, Cw08, Cw13
Country United States.
Assay type T-cell Elispot
Keywords binding affinity, supertype, computational epitope prediction, cross-presentation by different HLA
References De Groot *et al.* 2003

- Epitopes defined using sequence parsing and matching algorithm Conservatrix, and epitope prediction tool EpiMatrix, were shown to be conserved in a broad range of HIV-1 sequences derived from different parts of the world. 31 novel highly conserved HIV-1 epitopes were found, among which four were recognized as promiscuous epitopes and five as MHC supertypes.
- Estimated binding probability for VTENFNMWKN:17%. This epitope can be presented by the A11, A68 supertype.

HXB2 Location gp160 (103–111)
Author Location Env (102–110)
Epitope QMHEDIISL
Immunogen HIV-1 infection
Species (MHC) human (A*0201)
Keywords binding affinity, TCR usage
References Kmiecik *et al.* 1998a

- CTL responses in six patients to four Env epitopes were studied: D2: LLNATAIAV, 5.3: RLRDLLLIV, D1: KLTPLCVTL, and 4.3: QMHEDIISL – all have A2 anchor residues.
- The C terminal epitopes (D2 and 5.3) were highly variable and the variability was considered responsible for limited CTL response, while D1 and 4.3, N-terminal epitopes, were much more conserved and gave evidence of high levels of CTL response *in vitro*.
- Peptides 4.3 and D1 bound HLA-A*0201 molecules with high affinity.
- Peptides 4.3 and D1 stimulated CTL with a relatively limited TCR V β repertoire.

HXB2 Location gp160 (104–112)
Author Location gp160 (104–112)
Epitope MHEDIISLW
Immunogen HIV-1 infection
Species (MHC) human (B*3801)
Keywords optimal epitope
References Frahm *et al.* 2007

HXB2 Location gp160 (104–112)
Author Location gp120 (104–112)
Epitope MHEDIISLW
Immunogen HIV-1 infection
Species (MHC) human (B*3801)
Donor MHC A3, A26, B7, B*3801, Cw*0702, Cw*1203
Assay type CD8 T-cell Elispot - IFN γ
Keywords binding affinity, acute/early infection, early-expressed proteins
References Cao *et al.* 2003

- CTL epitope responses were mapped in 21 men within 15–92 days post-HIV-1 infection. Subjects initially showed narrow immune responses with a mean of 2.3 epitopes recognized per patient. The immune response broadened later in infection. No correlation between the plasma viral load and the number of recognized epitopes or the frequency of IFN-gamma secreting cells was observed, and there was no correlation between the functional avidity of a response and the abundance of IFN-secreting cells that recognized the epitope. The first epitopes to be recognized tended not to be the most avid, and earliest responses tended to be directed against Nef, Tat, Vpr, and Env.

- All HIV-1 proteins except Vpu were recognized, and a responses to a total of 41 optimal epitopes were characterized; 24 had been identified previously. 48% of the total T-cell responses were directed against Nef and 43% were directed against Gag.
- More common HLA alleles were less frequently used in primary infection than less common alleles, for example A3, B35, B57, and B62 were more frequently recognized than A1, A2, A30, and A44.

HXB2 Location gp160 (104–119)

Author Location gp120 (111–126 IIIB)

Epitope MQEDIISLWDQSLKPC

Immunogen in vitro stimulation or selection

Species (MHC) human

References Macatonia *et al.* 1991

- Primary CTL response with cells from non-infected donors stimulated by the peptide.

HXB2 Location gp160 (105–117)

Author Location gp120 (112–124 IIIB)

Epitope HEDIISLWDQSLK

Immunogen HIV-1 infection

Species (MHC) human (A2)

References Clerici *et al.* 1991a

- Helper and cytotoxic T cells can be stimulated by this peptide (T2)

HXB2 Location gp160 (105–117)

Author Location gp120 (MN)

Epitope HEDIISLWDQSLK

Immunogen HIV-1 infection

Species (MHC) chimpanzee

References Lubeck *et al.* 1997

- No epitope-specific CTL were detected in chimpanzees immunized with adenovirus-HIV-1 MN gp160 recombinant despite a response to peptides P18 and T1.
- Helper and cytotoxic T cells have been found to be stimulated by this peptide (T2)

HXB2 Location gp160 (105–117)

Author Location gp120 (112–124 IIIB)

Epitope HEDIISLWDQSLK

Immunogen HIV-1 exposed seronegative

Species (MHC) human

References Pinto *et al.* 1995

- CTL and T helper cell reactivity in healthcare workers exposed to HIV.

HXB2 Location gp160 (108–116)

Author Location Env (107–115 subtype B)

Epitope IISLWDQSL

Subtype B

Immunogen vaccine

Vector/Type: protein *Strain:* B clade MN

HIV component: gp160

Species (MHC) human (A*0201)

Keywords binding affinity

References Kundu *et al.* 1998a

- Ten HIV-1 + HLA A2 asymptomatic individuals were given two courses of HIV-1 MN rgp160 vaccine over a 2 year period.
- Two hundred and fifty three HIV-1 peptides of 9 or 10 aa possessing the HLA-A2.1 binding motif (Leu at position 2, Val at the C terminus) were identified in gp160, of which 25 had a high or intermediate binding affinity.
- Eleven peptides were studied that had high HLA-A2 binding affinity – a CTL response was detected to 9/11 peptides in at least 1 individual.
- CTL responses after reimmunization may include recall responses – only individuals with vaccine cross-reactive sequences prior to vaccination showed detectable CTL responses.

HXB2 Location gp160 (109–117)

Author Location Env (109–117 CM243 subtype CRF01)

Epitope ISLWDQSLK

Epitope name E109-117

Subtype CRF01_AE

Immunogen HIV-1 exposed seronegative

Species (MHC) human (A11)

Keywords HIV exposed persistently seronegative (HEPS)

References Bond *et al.* 2001

- This was a study of HIV-1 exposed persistently seronegative (HEPS) female sex workers in Chiang Mai, northern Thailand.
- HLA-A11 is very common in this population, and was enriched among the HEPS sexworkers – weak CTL responses were detected in 4/7 HEPS women, and CTL responses were found in 8/8 HIV+ controls, and 0/9 HIV- women that were not exposed.
- This epitope was weakly reactive in the HEPS study subject 265 who was HLA A2/A11, and had been predicted to be a possible A11 epitope using Epimer in Bond *et al.* [2001]

HXB2 Location gp160 (110–118)

Author Location Env

Epitope SLWDQSLKP

Epitope name 1328

Subtype multiple

Immunogen HIV-1 infection

Species (MHC) human (A3)

Donor MHC A02, A03, B08, B51, Cw01, Cw07

Country United States.

Assay type T-cell Elispot

Keywords binding affinity, computational epitope prediction, immunodominance

References De Groot *et al.* 2003

- Epitopes defined using sequence parsing and matching algorithm Conservatrix, and epitope prediction tool EpiMatrix, were shown to be conserved in a broad range of HIV-1 sequences derived from different parts of the world. 31 novel highly conserved HIV-1 epitopes were found, among which four were recognized as promiscuous epitopes and five as MHC supertypes.
- Estimated binding probability for SLWDQSLKP: 50%. Immunodominant epitope.

HXB2 Location gp160 (112–130)

Author Location gp120 (119–139 SF2)

Epitope WDQSLKPCVKLTPLCVSLK

- Immunogen** HIV-1 infection
Species (MHC) human
References Lieberman *et al.* 1997a
- Of 25 patients, most had CTL specific for more than 1 HIV-1 protein.
 - Eleven subjects had CTL that could recognize vaccinia-expressed LAI gp160.
 - One of these 11 had CTL response to this peptide.
 - The responding subject was HLA-A2 and B-21.

- HXB2 Location** gp160 (112–131)
Author Location gp120 (MN)
Epitope WDQSLKPCVKLTPLCVTLNC
Subtype B
Immunogen HIV-1 infection
Species (MHC) human
Donor MHC A2
Assay type CD8 T-cell Elispot - IFN γ
Keywords assay standardization/improvement, HAART, ART
References Chitnis *et al.* 2003
- 17 perinatally HIV-1 infected children (0.08-16 years) were evaluated for HLA-A2-restricted IFN-gamma CD8+ CTL responses against 4 immunodominant peptides that carry HLA-A2 epitopes. Two peptides were from gp120 (one at position 112, one from the V3 loop), and one each was from gp41 and Gag. 15/17 patients responded to the Gag peptide, 13/17 to the gp41 and the non-V3 gp120 peptides, and 11/17 responded to the V3 loop. 4 children recognized all 4 peptides.

- HXB2 Location** gp160 (117–126)
Author Location Env (72–81)
Epitope KPCVKLTPLC
Immunogen HIV-1 infection
Species (MHC) human (B7)
References Jin *et al.* 2000b
- This B7 epitope is one of three subdominant CTL responses detected in a long-term non-progressor.
 - A dominant B7 epitope was defined using conventional methods, and three additional sub-dominant HLA B7 epitopes were defined by first using a non-anchor based strategy, EpiMatrix, to identify 2078 possible epitopes in the autologous HIV-1, followed by B7 anchor residue prediction to narrow the set to 55 peptides for experimental testing.

- HXB2 Location** gp160 (117–126)
Author Location Env
Epitope KPCVKLTPLC
Epitope name 1295
Subtype multiple
Immunogen HIV-1 infection
Species (MHC) human (B7)
Country United States.
Assay type T-cell Elispot
Keywords binding affinity, computational epitope prediction
References De Groot *et al.* 2003

- Epitopes defined using sequence parsing and matching algorithm Conservatrix, and epitope prediction tool EpiMatrix, were shown to be conserved in a broad range of HIV-1 sequences derived from different parts of the world. 31 novel highly conserved HIV-1 epitopes were found, among which four were recognized as promiscuous epitopes and five as MHC supertypes.
- Estimated binding probability for KPCVKLTPLC: 27%. This epitope was previously reported but not confirmed in this study.

- HXB2 Location** gp160 (121–129)
Author Location Env
Epitope KLTPLCVTL
Immunogen vaccine
Vector/Type: DNA
Species (MHC) transgenic mouse (A*0201)
References Ishioka *et al.* 1999
- A minigene vaccine construct encoding 6 HLA 2.1 and 3 HLA A11 restricted CTL epitopes, the universal Th cell epitope PADRE (pan-DR epitope) and an ER translocating signal sequence was constructed.
 - The epitopes were chosen for dominant recognition by CTLs during HBV and HIV infections in humans.
 - HLA transgenic mice were used for quantitating *in vivo* immunogenicity of DNA vaccines encoding HLA-restricted CTL epitopes – strong responses were observed to all nine epitopes, and CTL memory persisted up to four months after a single injection.

- HXB2 Location** gp160 (121–129)
Author Location Env (120–128 subtype B)
Epitope KLTPLCVTL
Subtype B
Immunogen vaccine
Vector/Type: protein *Strain:* B clade MN
HIV component: gp160
Species (MHC) human (A*0201)
Keywords binding affinity
References Kundu *et al.* 1998a
- Ten HIV-1 + HLA A2 asymptomatic individuals were given two courses of HIV-1 MN rgp160 vaccine over a 2 year period.
 - Two hundred and fifty three HIV-1 peptides of 9 or 10 aa possessing the HLA-A2.1 binding motif (Leu at position 2, Val at the C terminus) were identified in gp160, of which 25 had a high or intermediate binding affinity.
 - Eleven peptides were studied that had high HLA-A2 binding affinity – a CTL response was detected to 9/11 peptides in at least 1 individual.
 - CTL responses after reimmunization may include recall responses – only individuals with vaccine cross-reactive sequences prior to vaccination showed detectable CTL responses.

- HXB2 Location** gp160 (121–129)
Author Location Env (120–128)
Epitope KLTPLCVTL
Immunogen HIV-1 infection
Species (MHC) human (A*0201)
Keywords binding affinity, TCR usage
References Kmiecik *et al.* 1998a

- CTL responses in six patients to four Env epitopes were studied: D2: LLNATAIAV, 5.3: RLRDLLLIV, D1: KLTPLCVTL, and 4.3: QMHEDIISL—all have A2 anchor residues.
- The C terminal epitopes (D2 and 5.3) were highly variable and the variability was considered responsible for limited CTL response, while D1 and 4.3, N-terminal epitopes, were much more conserved and gave evidence of high levels of CTL response *in vitro*.
- Peptides 4.3 and D1 bound HLA-A*0201 molecules with high affinity.
- Peptides 4.3 and D1 stimulated CTL with a relatively limited TCR V β repertoire.
- In a longitudinal study, the CTL response to the variable D2 epitope diminished over time, while the response to the conserved epitope D1 stayed higher over time.

HXB2 Location gp160 (121–129)

Author Location Env (134–)

Epitope KLTPLCVTL

Epitope name Env-134

Immunogen HIV-1 infection

Species (MHC) human (A*0201)

Keywords binding affinity, subtype comparisons, super-type, computational epitope prediction

References Altfeld *et al.* 2001c

- HIV was scanned for all peptides which carried the A2-supermotif pattern conserved in more than 50% of B clade sequences – 233 peptides met this criteria, and 30 of these bound to HLA-A*0201 – 20/30 bound to at least 3/5 of HLA-A2 supertype alleles tested.
- Three additional previously described HLA-A2 epitopes were added to the set of 20, and 18/22 chronically infected HLA-A2 individuals had CTL that recognized at least one of the 23 peptides (median of 2 and maximum of 6), while 6/12 acute infected individuals recognized at least 1 (median of 1 and maximum of 2)
- 2/22 individuals with chronic HIV-1 infection recognized this epitope in ELISPOT.
- 0/12 acutely infected individuals recognized this epitope.
- KLTPLCVTL binds to four HLA-A2 supertype alleles: A*0201, A*0202, A*0203 and A*6802 (highest affinity).

HXB2 Location gp160 (121–129)

Author Location Env

Epitope KLTPLCVTL

Epitope name Env 134

Immunogen vaccine, *in vitro* stimulation or selection, computer prediction

Vector/Type: DNA

Species (MHC) human, humanized mouse (A*0201)

Assay type Cytokine production, T-cell Elispot

Keywords subtype comparisons, computational epitope prediction, escape, TCR usage, variant cross-recognition or cross-neutralization

References McKinney *et al.* 2004

- This study examined variant recognition of epitopes presented by A*0201 and A*1101. Numerous amino acid substitutions can be introduced into epitopes without disrupting their recognition by CTLs, although epitopes with multiple substitutions

were less recognized. An algorithm was constructed for prediction of epitopes capable of inducing responses to a great number of variant epitopes.

- A total of 19 variant forms of Env 134 were identified of which 10 were recognized by CTLs from transgenic mice immunized with the parental form.
- Env 134 epitope was present in 80% of HIV sequences of diverse M group HIV-1 subtypes.

HXB2 Location gp160 (121–129)

Author Location Env

Epitope KLTPLCVTL

Epitope name K9L

Immunogen vaccine

Vector/Type: measles virus (MV) *Strain:* multiple epitope immunogen *HIV component:* gp140, gp140 Δ V3

Species (MHC) transgenic mouse (A*0201)

Assay type Chromium-release assay, Flow cytometric T-cell cytokine assay

Keywords memory cells, vaccine antigen design, antibody generation, characterizing CD8+ T cells

References Lorin *et al.* 2005

- A recombinant measles MVSchw virus expressing an HIV-1-derived polyepitope effectively primed HLA-A*0201-restricted CTL responses against multiple conserved HIV-1 epitopes in HLA-A*0201 transgenic mice. Also, a recombinant MVSchw virus expressing gp140 with deleted V1, V2, and V3 loops successfully induces neutralizing antibodies against HIV-1. A live attenuated measles vaccine could provide a safe and efficient pediatric vaccination vector for simultaneous vaccination against HIV and measles.

HXB2 Location gp160 (121–129)

Author Location Env

Epitope KLTPLCVSL

Epitope name P10L

Immunogen vaccine

Vector/Type: measles virus (MV) *Strain:* multiple epitope immunogen *HIV component:* gp140, gp140 Δ V3

Species (MHC) transgenic mouse (A*0201)

Assay type Chromium-release assay, Flow cytometric T-cell cytokine assay

Keywords memory cells, vaccine antigen design, antibody generation, characterizing CD8+ T cells

References Lorin *et al.* 2005

- A recombinant measles MVSchw virus expressing an HIV-1-derived polyepitope effectively primed HLA-A*0201-restricted CTL responses against multiple conserved HIV-1 epitopes in HLA-A*0201 transgenic mice. Also, a recombinant MVSchw virus expressing gp140 with deleted V1, V2, and V3 loops successfully induces neutralizing antibodies against HIV-1. A live attenuated measles vaccine could provide a safe and efficient pediatric vaccination vector for simultaneous vaccination against HIV and measles.

HXB2 Location gp160 (121–129)

Author Location gp120 (120–128 LAI)

Epitope KLTPLCVTL

Subtype B**Immunogen** vaccine*Vector/Type:* protein *Strain:* B clade MN
HIV component: gp160**Species (MHC)** human (A2)**References** Dupuis *et al.* 1995

- CTL from HLA-A2 positive subject react with this peptide.

HXB2 Location gp160 (121–129)**Author Location** gp120 (120–128)**Epitope** KLTPCLCVTL**Immunogen** vaccine*Vector/Type:* vaccinia**Species (MHC)** human (A2)**References** Woodberry *et al.* 1999

- A polyepitope vaccine was generated in a vaccinia construct that contiguously encoded seven epitopes, all presented by HLA A-2.
- HHD mice have a transgene of HLA A2 linked to the transmembrane and cytotoxic domains of H-2D^d – this transgene is the only MHC molecule expressed in the mice.
- CTL responses to Gag (77-85) SLYNTVATL, Pol (476-484) ILKEPVHGV, gp120 (120-128) KLTPCLCVTL, and Nef (190-198) AFHHVAREL were observed in HIV polytope HHD-vaccinated mice, and these responses were enhanced with vaccinia boost.
- No CTL immune responses were generated against HLA A2-restricted HIV epitopes Nef 157-166 (PLTFGWCYKL), Pol 346-354 (VIYQYMDL), and Nef 180-189 (VLEWRFDSSL).
- Sixteen HLA A2+ patients were tested for their ability to make CTL responses by peptide restimulation in culture with the epitopes selected for inclusion in the polytope – one individual recognized all seven of these epitopes; 7 patients had CTL cultures able to recognize at least one of the epitopes, and 6 of those 7 recognized more than one epitope, but they were not able to test all peptides for all patients; many patients only had three peptides tested.
- KLTPCLCVTL was recognized by 3 of the patients.

HXB2 Location gp160 (121–129)**Author Location** gp120 (120–128)**Epitope** KLTPCLCVTL**Immunogen** HIV-1 infection**Species (MHC)** human (A2)**Keywords** dendritic cells**References** Kundu *et al.* 1998b

- Allogeneic dendritic cells (DCs) were obtained from HLA-identical siblings, pulsed with rgp160 MN or A2-restricted HIV-1 epitope peptides, and infused monthly into six HIV-infected patients.
- 1/6 showed increased env-specific CTL and increased lymphoproliferative responses, 2/6 showed increase only in proliferative responses, and 3/6 showed no change – pulsed DCs were well tolerated.
- KLTPCLCVTL is a conserved HLA-A2 epitope included in this study – all six patients had this sequence as their HIV direct sequence, and a detectable CTL response.
- CTL demonstrated against peptide-coated target, epitope is naturally processed and enhancible with vaccine.

HXB2 Location gp160 (121–129)**Author Location** gp120 (120–128)**Epitope** KLTPCLCVTL**Immunogen** HIV-1 infection**Species (MHC)** human (A2)**References** Kmiecik *et al.* 1998b

- Increased CTL response to cells expressing a VV construct Δv3 mutant compared with a full-length env gene product.

HXB2 Location gp160 (121–129)**Author Location** gp120 (121–129)**Epitope** KLTPCLCVSL**Immunogen** in vitro stimulation or selection**Species (MHC)** human (A2)**Keywords** dendritic cells**References** Zarleng *et al.* 1999

- This study compares the ability of macrophages and dendritic cells to stimulate primary responses in CD8+ lymphocytes isolated from HLA-appropriate HIV-uninfected donors using peptide-pulsed APC – the dendritic cells performed better as APC for the stimulation of primary responses.
- Strong CTL responses were elicited by the epitopes DRFYK-TLRA and GEIYKRWII when presented by either immature or mature dendritic cells – macrophages were not able to prime a CTL response against DRFYKTLRA.
- A weak response to KLTPCLCVSL was stimulated using macrophages as the APC.
- No detectable response was observed for the following previously-defined HIV epitopes: KIRLRPGGK, ILKEPVHGV, IRLRPGGK, GPKVKQWPL.

HXB2 Location gp160 (121–129)**Author Location** gp120 (120–128)**Epitope** KTLPLCVTL**Immunogen** HIV-1 infection**Species (MHC)** human (A2)**References** Ferrari *et al.* 2000

- One of the 51 HIV-1 epitopes selected by Ferrari *et al.* as good candidate CTL epitopes for vaccines by virtue of being conserved and presented by common HLA alleles.

HXB2 Location gp160 (121–129)**Author Location** gp120 (121–129 IIIB)**Epitope** KLTPCLCVTL**Epitope name** D1**Subtype** B**Immunogen** vaccine*Vector/Type:* DNA, DNA with protein boost
Strain: B clade IIIB *HIV component:*
gp160, gp160ΔV3 *Adjuvant:* IL-12**Species (MHC)** mouse (A2)**Keywords** vaccine-specific epitope characteristics**References** Kiszka *et al.* 2002

- Transgenic mice expressing a HLA-A2/Kb chimeric protein were vaccinated with a full length gp160 or with gp160deltaV3, with the V3 loop deleted. Mice given gp160deltaV3 had a broader immune response than those given gp160, with increased responses to conserved HLA-A2 epitopes in the C1 region of gp120, KLTPCLCVTL, and the C-term region of gp41, SSLNATAIAV.

- Greater resistance was conferred by the gp160deltaV3 than the gp160 vaccine to a challenge of vaccinia expressing heterologous gp160 from primary isolates (VI-06 and 89.6), and the resistance was conferred by CD8+ T-cells.

HXB2 Location gp160 (121–129)

Author Location Env (121–)

Epitope KLTPLCVTL

Epitope name Env121

Immunogen HIV-1 infection

Species (MHC) human (A2)

Assay type CD8 T-cell Elispot - IFN γ , Chromium-release assay, Flow cytometric T-cell cytokine assay

Keywords binding affinity, subtype comparisons, computational epitope prediction

References Corbet *et al.* 2003

- HLA-A2-restricted HIV-1 CTL epitopes were computationally predicted. Binding affinities for HLA-A*0204, immunogenicity in HLA-A*0201 transgenic mice, and responses to the peptides in 17 HIV-1 infected patients were tested. 31 novel conserved A2 epitopes were detected. An average of 4 epitopes were recognized per patient.
- This epitope was one of the previously identified HLA-A2 epitopes studied.
- 3/17 HIV-infected HLA-A2+ people recognized this epitope.

HXB2 Location gp160 (121–129)

Author Location gp160 (121–129)

Epitope KLTPLCVTL

Subtype B

Immunogen HIV-1 infection

Species (MHC) human (A2)

Country United States.

Assay type CD8 T-cell Elispot - IFN γ , Chromium-release assay, HLA binding

Keywords acute/early infection, optimal epitope

References Altfeld *et al.* 2005

- The most frequently targeted HLA-A2-restricted CD8+ T-cell epitopes in chronic infection were significantly less frequently recognized during primary infection. This epitope was recognized both during acute and chronic infection, but more often during chronic infection.

HXB2 Location gp160 (121–129)

Author Location Env (121–129 HXB2)

Epitope KLTPLCVTL

Epitope name D1

Subtype B

Immunogen vaccine

Vector/Type: DNA *Strain:* multiple epitope immunogen *HIV component:* p17/p24 Gag, Pol *Adjuvant:* IL-12

Species (MHC) transgenic mouse (A2)

Assay type Cytokine production, CD8 T-cell Elispot - IFN γ , Chromium-release assay

Keywords vaccine-specific epitope characteristics, vaccine antigen design

References Bolesta *et al.* 2005

- Immunization of transgenic mice with a codon-optimized hGagp17p24-Polp51 DNA plasmid, consisting of clusters of highly conserved CTL epitopes presented by multiple MHC class I alleles, induced 2- to 5-fold higher CD8+ T-cell responses than the corresponding full-length proteins. The modified proteins had the ribosomal frameshift deleted, as well as the potentially immunosuppressive p15, and protease and integrase. This correlated with higher protection against challenge with Gag and Pol expressing recombinant vaccinia virus. Mice immunized with the hGagp17p24-Polp51 also showed an elevated level of type 1 cytokine production as well as an increased titer of p24- and RT-specific IgG2 antibody responses.
- Four A2 gag/pol epitopes were tested, and this Env A2 epitope was used as a negative control.

HXB2 Location gp160 (121–129)

Author Location Env (134–142)

Epitope KLTPLCVTL

Immunogen HIV-1 infection

Species (MHC) human (A2 supertype)

Keywords supertype, rate of progression

References Propato *et al.* 2001

- Long-term nonprogressors (LTNPs) had strong memory resting CD8+ T-cell responses against the majority of epitopes tested, (18 for the A2 supertype, 16 for the A3 supertype) while the effector cells of long-term nonprogressors recognized far fewer epitopes.
- Progressors had memory resting CD8+ T-cells that recognized far fewer epitopes than LTNPs.
- A positive correlation between effector CD8+ T-cells and plasma viremia and a negative correlation between CD8+ effector T-cells and CD4+ T-cells was observed, which may contribute to the inability of LTNPs to clear virus.
- This epitope can bind four of the five HLA-A2 supertypes alleles (A*0201, A*0202, A*0203, A*0206 and A*6802).

HXB2 Location gp160 (155–163)

Author Location gp160

Epitope KNCSEFMNTT

Subtype A, B, C, D

Immunogen HIV-1 infection, vaccine

Vector/Type: vaccinia *Strain:* A clade, B clade, D clade NDK, C clade consensus *HIV component:* Env

Species (MHC) human

Donor MHC A*2402, A*3201, B*5101, B*5301, Cw*0401, Cw*1604

Country Kenya.

Assay type CD8 T-cell Elispot - IFN γ , Other

Keywords subtype comparisons, variant cross-recognition or cross-neutralization

References McKinnon *et al.* 2005

- Interclade cross-reactivity of clades A, B, C, and D was tested using recombinant vaccinia-based IFN-gamma Elispot assay. 47/74 women had a positive Elispot response to at least one clade, and cross-clade responses were frequent. Clade A responses were most frequent, as expected, as clade A dominates the Kenyan epidemic (85% of the 47 women responded to clade A Env, 74% to B, 62% to C, and 43% to D). Cross-clade

CD8 T-cell responses were common and directed at conserved epitopes.

- There was a greater magnitude of response to A clade peptides in individuals who responded to more than 1 clade; a 2-fold higher response was observed in clade A in 36% (9/25) of these individuals, and the response to A peptides was never lower. VTEEFNMWK responses were detected in 2 women who had Env responses to all 4 clades, and clade A gave the highest responses; a VnEEFNMWK variant was in clade B and D, and the clade C Env carried VnEEFNMW. One woman also reacted with RAIEAQQHL, the other one with KNCSFNMTT. KNCSFNMTT was identical in clades A and C, while clade B carried KNCSFNMis, clade D carried KNiSFNMTT.

HXB2 Location gp160 (156–165)

Author Location gp120 (156–165)

Epitope NCSFNISTSI

Immunogen HIV-1 infection

Species (MHC) human (Cw*08)

Keywords epitope processing

References Ferris *et al.* 1999

- Recognized by CTL clone LWF A5, isolated from a lab worker exposed to HIV-1 in 1985.
- The processing of this epitope is TAP1/2-dependent, as are most Env epitopes, and it contains two N-linked glycosylation sites that are glycosylated in Env.
- Only peptide that has been deglycosylated, a process that changes asparagine (N) to aspartic acid (D) was recognized: the aspartic acid at position 5 was critical, position 1 could be either D or N.
- This peptide also contains a Cys involved in a disulfide linkage but reducing conditions did not effect recognition by CTL clone LWF A5.
- The HIV-1 Env epitopes are typically processed by a TAP1/2 dependent mechanism, which involves cotranslational translocation into the ER, glycosylation, export back into the cytosol, and deglycosylation for processing, and retransport into the ER for the association with class I molecules.
- The particular pathway of generating an epitope may have an impact on the presentation of that epitope, quantitatively as well as qualitatively.

HXB2 Location gp160 (156–165)

Author Location gp120 (156–165 IIIB)

Epitope NCSFNISTSI

Immunogen HIV-1 infection

Species (MHC) human (Cw8)

References Sipsas *et al.* 1997

- HIV IIIB proteins were used to define the range of CTL epitopes recognized by 3 lab workers accidentally infected with HIV-1 IIIB.
- NCSFNITTSI, a variant found in HIV-1 MN, was not recognized, thus this epitope was type-specific.
- NCSFNISTSI contains two potential N-linked glycosylation sites and cysteine residue, possibly related to the requirement for a high sensitizing dose of peptide for CTL activity.

HXB2 Location gp160 (156–165)

Author Location Env (162–171 BH10, LAI)

Epitope NCSFNISTSI

Immunogen HIV-1 infection

Species (MHC) human

References Maksutov *et al.* 2002

- This study employs an antigenic similarity matrix to compare HIV-1 antigenic determinants with human proteins.
- This CTL epitope (the HIV-1 LAI fragment with high similarity to a human protein overlapping this epitope is STSIRGKVQK) has similarity with the macrophage colony stimulating factor I receptor fragment SISIRLKVQK.

HXB2 Location gp160 (188–207)

Author Location gp120 (193–212 BRU)

Epitope TTSYTLTSCNTSVITQACPK

Immunogen HIV-1 infection

Species (MHC) human (A2)

References Dadaglio *et al.* 1991

- Defined through blocking CTL activity, and Env deletions.

HXB2 Location gp160 (191–200)

Author Location gp120 (194–202 CM243 subtype CRF01)

Epitope YRLINCNTSV

Epitope name E191-200

Subtype CRF01_AE

Immunogen HIV-1 infection

Species (MHC) human (A2)

Keywords HIV exposed persistently seronegative (HEPS)

References Sriwanthana *et al.* 2001

- This was a study of HIV-1 exposed persistently seronegative (HEPS) female sex workers in Chiang Mai, northern Thailand.
- HLA-A11 is very common in this population, and was enriched among the HEPS sexworkers – weak CTL responses were detected in 4/7 HEPS women, and CTL responses were found in 8/8 HIV+ controls, and 0/9 HIV- women that were not exposed.
- This epitope was reactive in HIV+ control study subject 144 who carried HLA-A2.

HXB2 Location gp160 (191–200)

Author Location gp120 (194–202 CM243 subtype CRF01)

Epitope YRLINCNTSV

Subtype CRF01_AE

Immunogen HIV-1 infection

Species (MHC) human (A2)

Keywords subtype comparisons

References Bond *et al.* 2001

- More than half of a cohort of HIV+ female sex workers (FSW) from Northern Thailand were HLA-A11 positive, and this study concentrated on A11 epitopes in this group, although E clade versions of previously defined B-clade A2 and A24 epitopes were also tested.
- 1/4 tested FSWs recognized the E clade version of this epitope, which differs from the previously defined B clade version by four amino acids, KLTSCNTSV.
- This epitope was somewhat conserved in 4/8 subtypes: CRF01 (E), B, C, and D.

HXB2 Location gp160 (192–200)

Author Location gp120 (192–199)

Epitope KLTSCNTSV

Epitope name SL9**Immunogen** HIV-1 infection**Species (MHC)** human (A*02)**Keywords** HAART, ART**References** Rinaldo *et al.* 2000

- Administration of triple-drug antiretroviral therapy (IDV, 3TC and ZDV) sometimes showed a transient increase and other times failed to increase CTL responses in patients with advanced HIV disease, but there is a stable population of tetramer stained HIV-specific CD8+ CD45RO+ cells that persist after therapy and long periods of virus being below the level of detection.

HXB2 Location gp160 (192–200)**Author Location** gp120 (199–207)**Epitope** TLTSCNTSV**Immunogen** HIV-1 infection**Species (MHC)** human (A*0201)**References** Brander *et al.* 1996

- This epitope was recognized by PBMC from 6/14 HIV+ asymptomatic patients.
- This epitope was used along with pol CTL epitope ALQDS-GLLEV and a tetanus toxin T helper epitope for a synthetic vaccine.
- This vaccine failed to induce a CTL response, although a helper response was evident.

HXB2 Location gp160 (192–200)**Author Location** gp120 (192–199 HXB2R)**Epitope** KLTSCNTSV**Immunogen** HIV-1 infection**Species (MHC)** human (A2)**References** Brander *et al.* 1995

- Epitope predicted on HLA binding motif, and studied in the context of inclusion in a synthetic vaccine.

HXB2 Location gp160 (192–200)**Author Location** gp120 (192–199)**Epitope** KLTSCNTSV**Immunogen** HIV-1 infection**Species (MHC)** human (A2)**Keywords** HAART, ART**References** Huang *et al.* 2000

- The single cell ELISPOT assay was optimized and highly specific, and found to work well even after the primary cells had been frozen and thawed.
- Increases in gamma interferon producing cells were observed in response to anti-retroviral therapy using single cell IFN-gamma-production ELISPOT.

HXB2 Location gp160 (192–200)**Author Location** gp120 (197–205)**Epitope** TLTSCNTSV**Immunogen** peptide-HLA interaction**Species (MHC)** human (A2)**References** Garboczi *et al.* 1992

- Crystallization of HLA-A2 molecules complexed with antigenic peptides – refers to Dadaglio *et al.* 1991.

HXB2 Location gp160 (192–200)**Author Location** gp120 (161–169)**Epitope** ILRSCNTSV**Epitope name** ILR**Immunogen** HIV-1 infection**Species (MHC)** human (A2)**Donor MHC** A2, A68.1, B*07, B*3503, Cw*0401, Cw*0702, DR17, DR15, DR51, DR52, DQ2, DQ6**Assay type** CD8 T-cell Elispot - IFN γ , CD4 T-cell Elispot - IFN γ **Keywords** rate of progression, escape**References** Oxenius *et al.* 2004b

- The increase in plasma viral load in a patient that progressed rapidly was preceded by positive selection of viral escape mutations in epitopes targeted by dominant HIV-1-specific CD8+ T-cell responses, and a decrease in HIV-1-specific CD4+ and CD8+ T-cell frequencies. Overall, escape variant epitopes were recognized 0–80% as efficiently as the index peptide, and the relative efficiency of the variant epitopes increased using PBLs collected after their appearance. No changes were found in viral tropism, replication kinetics and neutralizing antibody titers, so the rapid decline of the patient was attributed to loss of HIV containment due to CTL escape.
- This was one of 8 reactive epitopes found not to vary over time.

HXB2 Location gp160 (192–211)**Author Location** gp120 (199–219 SF2)**Epitope** SLTSCNTSVITQACPKVSFE**Immunogen** HIV-1 infection**Species (MHC)** human**References** Lieberman *et al.* 1997a

- Of 25 patients, most had CTL specific for more than 1 HIV-1 protein.
- Eleven subjects had CTL that could recognize vaccinia-expressed LAI gp160.
- One of these 11 had CTL response to this peptide.
- The responding subject was HLA-A2, -B21.

HXB2 Location gp160 (199–207)**Author Location** Env (202–210)**Epitope** SVITQACPK**Subtype** B**Immunogen** HIV-1 infection**Species (MHC)** human (A*1101)**Keywords** subtype comparisons, TCR usage**References** Fukada *et al.* 2002

- Counterparts for eight known clade B HLA A*1101 epitopes were generated for clade E (CRF01). Three epitopes, identical among clade A-E, were cross-reactive and recognized by clade E infected individuals. The clade E and B analogs to three more HLA A*1101 epitopes was recognized in a clade specific manner. Two other HLA A*1101 clade B defined epitopes were found not to have stimulated a response in clade E infected individuals.
- SVITQACPK was found to elicit clade-specific responses in clade B (SVITQACPK is most common, sAitqacpk is most common variant in clade A, C and D) and clade E (saiKqacpk is most common). SVITQACPK was recognized by CTL from 3/5 B clade infected Japanese subjects, and aiKqacpk by CTL

from 0/7 E clade infected Thai subjects, so this seems to be a B clade exclusive epitope.

- The binding of the three variant peptides to HLA A*1101 was comparable, implicating TCR interaction differences.

HXB2 Location gp160 (199–207)

Author Location gp160 (199–207)

Epitope SVITQACPK

Immunogen HIV-1 infection

Species (MHC) human (A*1101)

Keywords optimal epitope

References Frahm *et al.* 2007

HXB2 Location gp160 (201–225)

Author Location gp120 (201–225 LAI)

Epitope ITQACPKVSFEPIPIHYCAPAGFAI

Subtype B

Immunogen vaccine

Vector/Type: vaccinia *HIV component:* gp160

Species (MHC) human (CD4+ CTL)

References Johnson *et al.* 1994b; Johnson *et al.* 1994a

- CD4+ CTL isolated from LAI IIB gp160 vaccinees.

HXB2 Location gp160 (202–221)

Author Location gp120 (209–228)

Epitope TQACPKVSFEPIPIHYCAPA

Immunogen HIV-1 infection

Species (MHC) human

References Lieberman *et al.* 1995

- HIV-specific CTL lines developed by *ex vivo* stimulation with peptide.

HXB2 Location gp160 (202–221)

Author Location gp120

Epitope TQACPKVSFEPIPIHYCAPA

Immunogen HIV-1 infection

Species (MHC) human

Keywords TCR usage

References Weekes *et al.* 1999b

- Peptide 740.18: Almost all CD8+ T cells are CD28+ at birth, and the proportion of CD28-CD8+ cells increases with age – this study examines the contribution of CD8+CD28- cells to CTL memory pools for CTL clones specific for two persistent human viruses, CMV and HIV – clones were found to be similarly distributed the CD28 depleted cell population.
- HIV CTL responses to 3 Env and 2 Gag peptides were studied.
- The clonal composition of the TCR $V\beta$ responses were studied and was found to be highly focused, with one TCR beta-chain sequence tending to dominate the peptide-specific response – clones to this epitope were $V\beta$ 13.1.

HXB2 Location gp160 (202–221)

Author Location gp120

Epitope TQACPKVSFEPIPIHYCAPA

Immunogen HIV-1 infection

Species (MHC) human

References Weekes *et al.* 1999a

- Peptide 740.18: Memory CTL specific for HIV-1 may contribute to oligoclonal expansions within the CD57+ CD28- CD8+ CTLp populations.

HXB2 Location gp160 (202–221)

Author Location gp120 (209–228 SF2)

Epitope TQACPKVSFEPIPIHYCAPA

Immunogen HIV-1 infection

Species (MHC) human

References Lieberman *et al.* 1997a

- Of 25 patients, most had CTL specific for more than 1 HIV-1 protein.
- Eleven subjects had CTL that could recognize vaccinia-expressed LAI gp160.
- One of these 11 had CTL response to this peptide.

HXB2 Location gp160 (202–221)

Author Location gp120 (209–228 SF2)

Epitope TQACPKVSFEPIPIHYCAPA

Immunogen HIV-1 infection

Species (MHC) human

References Lieberman *et al.* 1997b

- CTL expanded *ex vivo* were later infused into HIV-1 infected patients.

HXB2 Location gp160 (207–216)

Author Location gp120 (subtype A)

Epitope KMTFEPIPIH

Subtype A

Immunogen HIV-1 infection

Species (MHC) human (A29)

Keywords subtype comparisons

References Cao *et al.* 2000

- HIV-1 subtypes A and D dominate the Ugandan epidemic, and a vaccine trial using B clade antigen is underway – this study addresses relative levels of cross-reactive CTL responses in Ugandans to A, D, and B clade recombinant vaccinia viruses expressing Gag, Env, Pol, RT or Nef from HIV-1 clades A, B, and D.
- Proteins corresponding to the subtype of the infecting strains tended to trigger higher levels of CTL response measured by percent specific lysis, but there was extensive inter-subtype cross-reactivity with B clade proteins and the co-circulating subtype.
- CTL derived from subtype A clade infection (patient SP 528), recognized the subtype A version of the peptide (KMSFEPIPIH), had a slightly reduced specific lysis using the B clade version of the peptide (KVSFEPIPIH), and no lysis using the D clade version of the epitope (KVTFEPIPIH)
- Patient SP 528 is HLA A1, A29, B57, B81, Bw4, Bw6.

HXB2 Location gp160 (207–224)

Author Location (C consensus)

Epitope KVSFDPIPIHYCAPAGYA

Subtype C

Immunogen HIV-1 infection

Species (MHC) human (Cw*0401)

Country South Africa.

Assay type CD8 T-cell Elispot - IFN γ

Keywords rate of progression

References Kiepiela *et al.* 2007

- A comprehensive analysis of 160 class I T cell responses in 578 individuals from KwaZulu-Natal, South Africa was performed. Gag-specific responses were associated with lowering viremia, while Env, accessory and regulatory protein-specific responses were associated with higher viremia.

HXB2 Location gp160 (208–216)**Author Location** Env**Epitope** VSFPEIPIH**Epitope name** 1329**Subtype** multiple**Immunogen** HIV-1 infection**Species (MHC)** human (A3)**Donor MHC** A03, A23, B49, B57; A03, A24, B27, B57, Cw13, Cw18**Country** United States.**Assay type** T-cell Elispot**Keywords** binding affinity, computational epitope prediction**References** De Groot *et al.* 2003

- Epitopes defined using sequence parsing and matching algorithm Conservatrix, and epitope prediction tool EpiMatrix, were shown to be conserved in a broad range of HIV-1 sequences derived from different parts of the world. 31 novel highly conserved HIV-1 epitopes were found, among which four were recognized as promiscuous epitopes and five as MHC supertypes.
- Estimated binding probability for VSFPEIPIH: 58%

HXB2 Location gp160 (208–217)**Author Location** gp120 (subtype B)**Epitope** VSFPEIPIHY**Subtype** B**Immunogen** HIV-1 exposed seronegative**Species (MHC)** human (A29)**References** Kaul *et al.* 2000

- 11/16 heavily HIV exposed but persistently seronegative sex-workers in Nairobi had HIV-specific CD8 gamma-IFN responses in the cervix – systemic CD8+ T cell responses tended to be to the same epitopes but at generally lower levels than cervical CD8+ T cell responses.
- Low risk individuals did not have such CD8+ cells.
- CD8+ T cell epitopes: DTVLEDINL (3 individuals), SLYNT-VATL (4 individuals), LSPRTLNAW (3 individuals) and YPLT-FGWCF (4 individuals) were most commonly recognized by the HIV-resistant women.

HXB2 Location gp160 (208–217)**Author Location** gp120 (263–272)**Epitope** VSFPEIPIHY**Immunogen** HIV-1 infection, HIV-1 exposed seronegative**Species (MHC)** human (A29)**Keywords** HIV exposed persistently seronegative (HEPS)**References** Kaul *et al.* 2001a

- ELISPOT was used to study CTL responses to a panel of 54 predefined HIV-1 epitopes in 91 HIV-1-exposed, persistently seronegative (HEPS) and 87 HIV-1-infected female Nairobi sex workers.

HXB2 Location gp160 (208–217)**Author Location** gp120**Epitope** VSFPEIPIHY**Immunogen** HIV-1 infection**Species (MHC)** human (A29)**Assay type** Intracellular cytokine staining**Keywords** immunodominance, genital and mucosal immunity**References** Kaul *et al.* 2003

- Predefined immunodominant peptide responses were used to compare CD8+ T cells responses in the blood and cervix of 16 HIV+ Kenyan sex workers. Cervical responses were detected in 8/10 women from whom adequate samples could be obtained. The frequency of the CD8+ T cell response in the genital tract was comparable to the blood, with a trend toward being slightly higher.
- The immunodominant response was to this epitope in the PBMC of 1/16 patients (Kaul *et al.* 2001, AIDS, 107:1303).

HXB2 Location gp160 (208–219)**Author Location** Env**Epitope** VSFPEIPPHYCA**Immunogen** HIV-1 infection**Species (MHC)** human (A2)**Keywords** epitope processing**References** Cao *et al.* 2002

- SP 511 is an A2 restricted CTL clone generated from a Ugandan subject that recognizes VSFPEIPPHYCA.
- CTL could be activated by a fusion protein of an HIV protein and anthrax lethal factor (LFn-HIV) that promotes antigen presenting cell uptake of exogenous protein and allows processing through the MHC class I pathway. This strategy for CTL detection could allow antigen presentation without generation of cells by the standard methods of using live viral vectors carrying a protein, or by loading the cells with peptides and by-passing processing.

HXB2 Location gp160 (208–219)**Author Location** Env**Epitope** VSFPEIPPHYCA**Subtype** B**Immunogen** HIV-1 infection**Species (MHC)** human (A2)**Donor MHC** A*0202, A*0301, B*0702, B*1516**Country** United States.**Keywords** escape, acute/early infection**References** Bernardin *et al.* 2005

- Full HIV genomes from nine individuals were analyzed for mutations prior to seroconversion and 7 to 28 days later. It was found that the influence of the host's HLA type was reflected within weeks of infection; a statistically significant number of early nonsynonymous mutations were observed within previously reported CTL epitopes.
- K to E mutation was observed in position 4.

HXB2 Location gp160 (209–217)**Author Location** (C consensus)**Epitope** SFDPIPIHY**Subtype** C**Immunogen** HIV-1 infection

- Species (MHC)** human (A*29)
Country South Africa.
Assay type CD8 T-cell Elispot - IFN γ
Keywords rate of progression, optimal epitope
References Kiepiela *et al.* 2007
- A comprehensive analysis of 160 class I T cell responses in 578 individuals from KwaZulu-Natal, South Africa was performed. Gag-specific responses were associated with lowering viremia, while Env, accessory and regulatory protein-specific responses were associated with higher viremia.
 - Mutational patterns in the S1 residue of SFDPIPIHY are associated with the presence of the HLA presenting molecule in the host.
- HXB2 Location** gp160 (209–217)
Author Location (LAI)
Epitope SFPEPIPIHY
Subtype B
Immunogen
Species (MHC) human (A*2902)
Keywords optimal epitope
References Altfeld 2000; Frahm *et al.* 2007
- HXB2 Location** gp160 (209–217)
Author Location gp160 (207–215 BORI, WEAU)
Epitope SFPEPIPIHY
Epitope name gp160 SY9
Subtype B
Immunogen HIV-1 infection
Species (MHC) human (A*2902)
Donor MHC A*2902, B*1402, Cw*0802; A*2902, B*4403, B*0801
Country United States.
Assay type CD8 T-cell Elispot - IFN γ , Chromium-release assay
Keywords dynamics, immunodominance, escape, acute/early infection, characterizing CD8+ T cells, reversion, viral fitness
References Jones *et al.* 2004
- Primary CD8+ T-cell response to Env, Tat and Gag and the extent, kinetics and mechanisms of viral escape were examined in three patients. Rapid escape, within weeks from infection, from HIV specific CTL responses was observed in all three patients, but the kinetics and extent of the escape differed depending on the breadth and co-dominant distribution of CTL-mediated pressure. The two patients that rapidly declined, WEAU and BORI, had more focused immunodominant responses, while the single patient that had low viral load and stable CD4 counts for seven years had a broad co-dominant response and less escape. This epitope was recognized in both patients.
 - The patient BORI had high viral loads and rapid CD4 decline. BORI mounted 8 detected responses. BORI did not control viral replication well, and escape mutations occurred early and in most epitopes, 6/7 that were precisely identified. The patient WEAU had high viral loads and rapid CD4 decline. WEAU mounted 14 detected CTL responses, with distinct patterns of immunodominance. WEAU did not control viral replication well, and escape mutations occurred early and 4/14 had changes that could have resulted in escape, and two were confirmed as escape.
- Four escape variants to the SFPEPIPIHY epitope were found in the patient BORI. SFdPIPIHY came up first, at day 55 from onset of symptoms, and caused a reduced cytotoxic response. By day 218, two rare forms were found, SIEPIPIHf and SiEPIPIHf. By day 556, only tFEPIPIHY was found. The weakest response was detected in the double mutant, SiEPIPIHf, yet tFEPIPIHY was the form that persisted.
 - In WEAU, a minor variant, SsEPIPIHY was present at day 41. The SIEPIPIHf variant first came up day 136, gave a reduced CTL response, and then came to be the dominant form. Other variants were SFPEPIInY and SFPEPIIdf.
- HXB2 Location** gp160 (209–217)
Author Location gp120 (213–221 SF2)
Epitope SFPEPIPIHY
Immunogen HIV-1 infection
Species (MHC) human (A29)
Keywords HAART, ART, acute/early infection
References Altfeld *et al.* 2001b
- Therapy provided during acute infection resulted in a narrower CTL response, stronger T help response, and a less diverse viral population than was seen in individuals treated during chronic infection.
 - The breadth and specificity of the response was determined using ELISPOT by studying 19 individuals with pre-seroconversion therapy (Group 1), 11 individuals with primary infection but post-seroconversion therapy (Group 2), and 10 individuals who responded to HAART given during chronic infection (Group 3), using 259 overlapping peptides spanning p17, p24, RT, gp41, gp120 and Nef.
 - Previously described and newly defined optimal epitopes were tested for CTL response.
 - Number of HLA-A29+ individuals that had a CTL response to this epitope broken down by group: 1/3 group 1, 0/0 group 2, and 0/0 group 3.
- HXB2 Location** gp160 (209–217)
Author Location gp120 (209–217)
Epitope SFPEPIPIHY
Immunogen HIV-1 infection
Species (MHC) human (A29)
Donor MHC 1261: A*0201, A29, B58, B62, Cw*0304, Cw*1601; 1168: A*0201, A29, B44, B60, Cw3, Cw16
Assay type CD8 T-cell Elispot - IFN γ
Keywords binding affinity, acute/early infection, early-expressed proteins
References Cao *et al.* 2003
- All proteins were scanned and optimal epitopes were mapped in a study of CD8+ gamma IFN T-cell responses in 21 men within 15-92 days post-HIV-1 infection. Subjects initially showed narrow immune responses with a mean of 2.3 epitopes recognized per patient. The immune response broadened later in infection. No correlation between the plasma viral load and the number of recognized epitopes or the frequency of IFN-gamma secreting cells was observed, and there was no correlation between the functional avidity of a responses and the abundance of IFN-secreting cells that recognized the epitope. The first epitopes to be recognized did not tend to be the most

avid, and earliest responses tended to be directed against Nef, Tat, Vpr, and Env.

- Two subjects recognized this epitope during primary infection, both in the context of A29.
- All HIV-1 proteins except Vpu were recognized, and a response to a total of 41 optimal epitopes were characterized; 24 had been identified previously. 48% of the total T-cell responses were directed against Nef and 43% were directed against Gag.
- More common HLA alleles were less frequently used in primary infection than less common alleles, for example A3, B35, B57, and B62 were more frequently utilized than A1, A2, A30, and A44.

HXB2 Location gp160 (209–217)

Author Location (C consensus)

Epitope SFDPIPIHY

Subtype C

Immunogen HIV-1 infection

Species (MHC) human (A29)

Country South Africa.

Assay type CD8 T-cell Elispot - IFN γ

Keywords characterizing CD8+ T cells

References Kiepiela *et al.* 2004

- HLA class I restricted CD8+ T-cell responses against HIV-1 were analyzed in African patients. Significantly more responses were shown to be HLA-B restricted. Viral load, CD4 count, and thus rate of disease progression were also associated with HLA-B alleles. In addition, the selection pressure imposed on HIV-1 by HLA-B alleles was shown to be substantially greater than by other alleles.
- This epitope was suggested to be the epitope within a longer reactive peptide based on correspondence with a known epitope in the HIV database. Also, a significantly higher frequency of people in the Durban cohort who reacted with the peptide had this HLA type.

HXB2 Location gp160 (209–217)

Author Location (B consensus)

Epitope SFPEPIPIHY

Epitope name SY9

Subtype B

Immunogen HIV-1 infection

Species (MHC) human (A29)

Donor MHC A28, A29, B14, B44, Cw8

Country United States.

Assay type Cytokine production, Intracellular cytokine staining, Chromium-release assay, Flow cytometric T-cell cytokine assay

Keywords assay standardization/improvement, memory cells, characterizing CD8+ T cells

References Lichterfeld *et al.* 2004c

- Using a flow-cytometric cytotoxicity assay based on caspase-3 activation in dying target cells, it was shown that the subset of HIV-1-specific CD8+ T cells secreting both IFN-gamma and TNF-alpha exhibit stronger cytotoxic activity than those secreting only IFN-gamma. These cells also exhibited stronger intracellular perforin expression. No association between HIV-1-specific CD8+ T-cell maturation phenotypes and intracellular perforin expression was found.

- 1/9 individuals recognized this epitope

HXB2 Location gp160 (212–231)

Author Location gp120

Epitope PIPHYCAPAGFAILKCNK

Immunogen HIV-1 infection

Species (MHC) human (A2)

Keywords TCR usage

References Weekes *et al.* 1999b

- Peptide 740.19: Almost all CD8+ T cells are CD28+ at birth, and the proportion of CD28-CD8+ cells increases with age – this study examines the contribution of CD8+CD28- cells to CTL memory pools for CTL clones specific for two persistent human viruses, CMV and HIV – clones were found to be similarly distributed in the CD28 depleted cell population.
- HIV CTL responses to 3 Env and 2 Gag peptides were studied.
- The clonal composition of the TCR V β responses was studied and was found to be highly focused, with one TCR beta-chain sequence tending to dominate the peptide-specific response – clones to this epitope were V β 13.6.

HXB2 Location gp160 (212–231)

Author Location gp120

Epitope PIPHYCAPAGFAILKCNK

Immunogen HIV-1 infection

Species (MHC) human (B57)

References Jin *et al.* 1998b

- Progressive HIV-1 infection and CD4 decline was associated decreased the IL-2-expandable HIV-1 CTL response in 10 asymptomatic HIV-infected patients – this observation may be partially due to a reduction and impaired function of T helper cells, CTL exhaustion and APC dysfunction.
- Continued presence of HIV-1 specific memory cells (CTLp) was observed in three patients, one to GIWGCSSGKLICTTAV, one to ALIWEDLRSLCLFSY, and one to PIPHYCAPAG-FAILKCNK.

HXB2 Location gp160 (212–231)

Author Location gp120

Epitope PIPHYCAPAGFAILKCNK

Immunogen HIV-1 infection

Species (MHC) human

References Weekes *et al.* 1999a

- Peptide 740.19: Memory CTL specific for HIV-1 may contribute to oligoclonal expansions within the CD57+ CD28- CD8+ CTLp populations.

HXB2 Location gp160 (212–231)

Author Location gp120 (219–238 HXB2)

Epitope PIPHYCAPAGFAILKCNK

Subtype B

Immunogen HIV-1 infection

Species (MHC) human

References Lieberman *et al.* 1992

- CTL epitope defined by T cell line and peptide mapping.

HXB2 Location gp160 (212–231)

Author Location gp120 (219–238)

Epitope PIPHYCAPAGFAILKCNK

Immunogen HIV-1 infection

Species (MHC) human

References Lieberman *et al.* 1995

- HIV-specific CTL lines developed by *ex vivo* stimulation with peptide.

HXB2 Location gp160 (217–226)

Author Location gp120 (217–226 HIV-MN)

Epitope YCAPAGFAIL

Epitope name YL10

Subtype B

Immunogen HIV-1 infection

Species (MHC) human (Cw*0102)

Donor MHC A*0201, A*2501, B*1801, B*5101, Cw*0102, Cw*1203

Assay type CD8 T-cell Elispot - IFN γ

Keywords escape, immune evasion, optimal epitope, HIV-1

References Liu *et al.* 2006

- T-cell immunity and the impact of selection were longitudinally studied in a patient from the time of transmission. New epitopes were detected at sites that were shown to be under positive selection. Env was found to be the major target of CTLs and most of the new epitopes were found here. One third of the sites examined were associated with epitope escape mutations from CTL. Acquisition of mutations found at high frequency in the database was suggested to be a result of reversion of CTL epitopes in the absence of immune targeting.
- This is a newly defined epitope. Last position (10) in the epitope had potentially experienced positive selection. YCAPAGFAIi escape variant was found.

HXB2 Location gp160 (237–246)

Author Location Env

Epitope GPCKNVSTVQ

Immunogen

Species (MHC) human (B56)

References De Groot *et al.* 2001

- The program Epimatrix was used in conjunction with the program Conservatrix to identify conserved regions of HIV that might serve as epitopes.
- A subset of the potential epitopes was identified that could bind to the appropriate HLA-allele, and 15 predicted B7 superfamily (HLA B7, B8, and B58) epitopes were identified that could stimulate IFN γ production in an ELISPOT assay.
- GPCKNVSTVQ was newly defined as an epitope in this study, was shown to stimulate an ELISPOT response, and to bind to HLA-B7.

HXB2 Location gp160 (239–247)

Author Location gp160 (237–245 BORI)

Epitope CKNVSTVQC

Epitope name gp160 CC9

Subtype B

Immunogen HIV-1 infection

Species (MHC) human (Cw*0802)

Donor MHC A*2902, B*1402, Cw*0802

Country United States.

Assay type CD8 T-cell Elispot - IFN γ , Chromium-release assay

Keywords dynamics, immunodominance, escape, acute/early infection, kinetics, characterizing CD8+ T cells, reversion, viral fitness

References Jones *et al.* 2004

- Primary CD8+ T-cell response to Env, Tat and Gag and the extent, kinetics and mechanisms of viral escape were examined in three patients. Rapid escape, within weeks from infection, from HIV specific CTL responses was observed in all three patients, but the kinetics and extent of the escape differed depending on the breadth and co-dominant distribution of CTL-mediated pressure. The two patients that rapidly declined had more focused immunodominant responses, while the single patient that had low viral load and stable CD4 counts for seven years had a broad co-dominant response and less escape.
- The patient BORI had high viral loads and rapid CD4 decline. BORI mounted 8 detected responses. BORI did not control viral replication well, and escape mutations occurred early and in most epitopes, 6/7 that were precisely identified.
- Four variants of the CKNVSTVQC epitope were found in the patient BORI. CeNVSTVQC and cCeNVSTVhC came up first, at day 6 from onset of symptoms. The CeNVSTVQC form was the form that persisted, with a second rare variant present at day 35, CgNVSTVQC. These variants were not tested for their impact on escape.

HXB2 Location gp160 (239–247)

Author Location gp120 (241–249 LAI)

Epitope CTNVSTVQC

Subtype B

Immunogen HIV-1 infection

Species (MHC) human (Cw8)

References Sipsas *et al.* 1997

- HIV IIIIB proteins were used to define the range of CTL epitopes recognized by 3 lab workers accidentally infected with HIV-1 IIIIB.
- CTNVSTVQC contains a potential N-linked glycosylation site and cysteine residues, possibly related to a requirement for a high sensitizing dose of peptide for CTL activity.

HXB2 Location gp160 (242–261)

Author Location gp120 (249–268)

Epitope VSTVQCTHGIRPVSTQLLL

Immunogen HIV-1 infection

Species (MHC) human

References Lieberman *et al.* 1995

- HIV-specific CTL lines developed by *ex vivo* stimulation with peptide.

HXB2 Location gp160 (242–261)

Author Location gp120 (249–268 SF2)

Epitope VSTVQCTHGIRPVSTQLLL

Immunogen HIV-1 infection

Species (MHC) human

References Lieberman *et al.* 1997a

- Of 25 patients, most had CTL specific for more than 1 HIV-1 protein.
- Eleven subjects had CTL that could recognize vaccinia-expressed LAI gp160.
- One of these 11 had CTL response to this peptide.
- The responding subject was HLA-2, -B21.

HXB2 Location gp160 (242–261)
Author Location gp120 (249–268)
Epitope VSTVQCTHGIRPVVSTQLLL

Immunogen HIV-1 infection
Species (MHC) human
References Lieberman *et al.* 1997b
 • CTL expanded *ex vivo* were later infused into HIV-1 infected patients.

HXB2 Location gp160 (252–260)
Author Location gp120 (255–263 SF2)
Epitope RPIVSTQLL

Immunogen HIV-1 infection
Species (MHC) human (B*3501)
References Tomiyama *et al.* 1997
 • A CTL clone responsive to this epitope was obtained.
 • Only 1/7 B35-positive individuals had a CTL response to this epitope.
 • An I to V substitution at position 3 reduces specific lysis, but not binding to B*3501.
 • A Q to H substitution at position 7 abrogates specific lysis, but not binding to B*3501.

HXB2 Location gp160 (252–260)
Author Location gp120 (255–263 SF2)
Epitope RPIVSTQLL

Immunogen HIV-1 infection
Species (MHC) human (B35)
References Shiga *et al.* 1996
 • Binds HLA-B*3501.

HXB2 Location gp160 (252–260)
Author Location (SF2)
Epitope RPIVSTQLL

Immunogen HIV-1 infection
Species (MHC) human (B35)
Keywords rate of progression
References Kawana *et al.* 1999
 • HLA B35 is associated with rapid disease progression.
 • The sequences of 9 previously described HIV-1 B35 CTL epitopes were obtained in 10 HLA B35+ and 19 HLA B35- individuals.
 • 3/9 CTL epitopes had substitutions that were more common in B35+ individuals than in B35- individuals, but this was one of the six that had no B35 associated pattern of mutation.

HXB2 Location gp160 (252–261)
Author Location Env
Epitope RPVVSTQLLL

Immunogen
Species (MHC) human (B7)
References De Groot *et al.* 2001
 • The program EpiMatrix was used in conjunction with the program Conservatrix to identify conserved regions of HIV that might serve as epitopes.
 • A subset of the potential epitopes was identified that could bind to the appropriate HLA-allele, and 15 of the predicted B7 superfamily (HLA B7, B8, and B58) epitopes were identified that could stimulate IFN γ production in an ELISPOT assay.

• RPVVSTQLLL was one of the 15, and had been previously identified as an HLA-B7 epitope, and was confirmed in this study.

HXB2 Location gp160 (252–261)
Author Location Env

Epitope KPVVSTQLLL
Epitope name 1298
Subtype multiple
Immunogen HIV-1 infection
Species (MHC) human (B7, B8)
Donor MHC A01, A03, B07, B08, Cw03, Cw07; A29, A30, B08, B44, Cw07, Cw16
Assay type T-cell Elispot
Keywords binding affinity, computational epitope prediction, cross-presentation by different HLA
References De Groot *et al.* 2003

• Epitopes defined using sequence parsing and matching algorithm Conservatrix, and epitope prediction tool EpiMatrix, were shown to be conserved in a broad range of HIV-1 sequences derived from different parts of the world. 31 novel highly conserved HIV-1 epitopes were found, among which four were recognized as promiscuous epitopes and five as MHC supertypes.
 • Estimated binding probability for KPVVSTQLLL: 46% Promiscuous epitope binding to B08 and B07.

HXB2 Location gp160 (252–261)
Author Location Env
Epitope RPVVSTQLLL

Epitope name 1305
Subtype multiple
Immunogen HIV-1 infection
Species (MHC) human (B7, B8)
Donor MHC A29, A30, B08, B44, Cw07, Cw16
Country United States.
Assay type T-cell Elispot
Keywords binding affinity, supertype, computational epitope prediction, cross-presentation by different HLA
References De Groot *et al.* 2003

• Epitopes defined using sequence parsing and matching algorithm Conservatrix, and epitope prediction tool EpiMatrix, were shown to be conserved in a broad range of HIV-1 sequences derived from different parts of the world. 31 novel highly conserved HIV-1 epitopes were found, among which four were recognized as promiscuous epitopes and five as MHC supertypes.
 • Estimated binding probability for RPVVSTQLLL: 41%. Supertype epitope, published B07, responses by B08 subject.

HXB2 Location gp160 (252–271)
Author Location gp120 (256–275 LAI)
Epitope RPVVSTQLLLNGSLAEEVV
Subtype B

Immunogen HIV-1 infection
Species (MHC) human (B7)
References Shankar *et al.* 1996

HXB2 Location gp160 (252–271)

Author Location Env (256–268 BH10, LAI)

Epitope RPVVSTQLLLNGSLAEEVV

Immunogen HIV-1 infection

Species (MHC) human

References Maksutov *et al.* 2002

- This study employs an antigenic similarity matrix to compare HIV-1 antigenic determinants with human proteins.
- This CTL epitope (the HIV-1 LAI fragment with high similarity to a human protein overlapping this epitope is STQLLLNGSLAEE) has similarity with the lymphatic endothelium-specific hyaluronan receptor LYVE-1 fragment TTRLLVQGSLRAEE.

HXB2 Location gp160 (281–288)

Author Location (C consensus)

Epitope AKTIIVHL

Subtype C

Immunogen HIV-1 infection

Species (MHC) human (Cw*0602)

Country South Africa.

Assay type CD8 T-cell Elispot - IFN γ

Keywords rate of progression

References Kiepiela *et al.* 2007

- A comprehensive analysis of 160 class I T cell responses in 578 individuals from KwaZulu-Natal, South Africa was performed. Gag-specific responses were associated with lowering viremia, while Env, accessory and regulatory protein-specific responses were associated with higher viremia.
- Mutational patterns in the L8 residue of AKTIIVHL are associated with the presence of the HLA presenting molecule in the host.
- AKTIIVHL not optimized.

HXB2 Location gp160 (291–307)

Author Location gp120 (295–312 BRU)

Epitope SVEINCTRPNNNTRKSI

Immunogen HIV-1 infection

Species (MHC) human (A2)

References Dadaglio *et al.* 1991

- Defined through blocking CTL activity, and Env deletions.

HXB2 Location gp160 (291–307)

Author Location gp120 (291–307 IIIB)

Epitope SVEINCTRPNNNTRKRI

Subtype B

Immunogen vaccine

Vector/Type: DNA, DNA with protein boost

Strain: B clade IIIB *HIV component:* gp160

Adjuvant: IL-12

Species (MHC) mouse (A2)

Keywords vaccine-specific epitope characteristics

References Kiszka *et al.* 2002

- Transgenic mice expressing a HLA-A2/Kb chimeric protein were vaccinated with a full length gp160 or with gp160deltaV3, with the V3 loop deleted. Mice given gp160deltaV3 had a broader immune response than those given gp160, with increased responses to conserved HLA-A2 epitopes in the C1 region of gp120, KLTPLCVTL, and the C-term region of gp41, SLLNATAIAV.

- Greater resistance was conferred by the gp160deltaV3 than the gp160 vaccine to a challenge of vaccinia expressing heterologous gp160 from primary isolates (VI-06 and 89.6), and the resistance was conferred by CD8+ T-cells.
- The most intense CTL responses to the intact gp160 vaccine were directed at three V3 peptides.

HXB2 Location gp160 (291–307)

Author Location Env (292–301 BH10, LAI)

Epitope SVEINCTRPNNNTRKSI

Immunogen HIV-1 infection

Species (MHC) human

References Maksutov *et al.* 2002

- This study employs an antigenic similarity matrix to compare HIV-1 antigenic determinants with human proteins.
- This CTL epitope (the HIV-1 LAI fragment with high similarity to a human protein overlapping this epitope is VEINCTRPNN) has similarity with the FasI receptor precursor (Apptosis-mediating surface antigen fas) (APO-1 antigen) (CD95 antigen) fragment VEINCTRPNN.

HXB2 Location gp160 (296–305)

Author Location Env

Epitope CTRPNNNTRK

Epitope name 1265

Subtype multiple

Immunogen HIV-1 infection

Species (MHC) human (A3, A2)

Donor MHC A03, A23, B49, B57

Country United States.

Assay type T-cell Elispot

Keywords binding affinity, computational epitope prediction, cross-presentation by different HLA

References De Groot *et al.* 2003

- Epitopes defined using sequence parsing and matching algorithm Conservatrix, and epitope prediction tool EpiMatrix, were shown to be conserved in a broad range of HIV-1 sequences derived from different parts of the world. 31 novel highly conserved HIV-1 epitopes were found, among which four were recognized as promiscuous epitopes and five as MHC supertypes.
- Estimated binding probability for CTRPNNNTRK: 51% Promiscuous epitope binding to A02 and A03.

HXB2 Location gp160 (297–322)

Author Location gp120 (297–322 IIIB)

Epitope TRPNNNTRKRIRIQRGPGRAFVTIGK

Immunogen vaccine

Vector/Type: peptide *Strain:* B clade IIIB

HIV component: V3 *Adjuvant:* liposome

Species (MHC) mouse (H-2D^d)

References Chang *et al.* 1999

- Induction of peptide-specific CTLs in BALB/c mice was dependent on immunization with peptide encapsulated liposomes containing MPL as adjuvant.
- T26K (26mer) elicited a stronger AB and CTL response than R15K (a V3 15mer, RIQRGPGRAFVTIGK)

HXB2 Location gp160 (297–330)

Author Location Env (303–335 BX08)

Epitope TRPNNNTRKSIHIGPGRAFATGEIIGDIRQAH
Immunogen vaccine
Vector/Type: lipopeptide

Species (MHC) human

References Gahery-Segard *et al.* 2000

- Anti-HIV lipopeptide vaccine consisting of six long amino acid peptides derived from Nef, Gag and Env HIV-1 proteins modified by a palmitoyl chain was administered in a phase I trial.
- A CD4+ T cell proliferative response to at least one of the six peptides was observed in 9/10 vaccinees – 6/10 reacted to this peptide.
- 9/12 tested mounted a CTL response to at least one of the six peptides; each of the six peptides elicited a CTL response in at least one individual – this peptide was particularly immunogenic, eliciting a CTL response in five vaccinees.
- None of the 12 tested had an IgG response to gp120 or gp160 and vaccinees could be differentiated from HIV-1 seropositive individuals with a commercial HIV detection kit – no neutralizing antibodies were observed.

HXB2 Location gp160 (298–307)

Author Location gp120 (298–307)

Epitope RPNNNTRKSI

Immunogen HIV-1 infection

Species (MHC) human (B*07)

Keywords epitope processing, TCR usage

References Ferris *et al.* 1999; Hammond *et al.* 1995

- The processing of this epitope is TAP1/2-dependent, as are most Env epitopes, and it contains an N-linked glycosylation site that is glycosylated in Env.
- Peptide that had been deglycosylated, a process that changes asparagine (N) to aspartic acid (D) (RPNDNTRKSI) was recognized a 100-fold more efficiently than either glycosylated or non-glycosylated RPNNNTRKSI.
- Position 5 is not involved with HLA B*07 binding, so is probably important for TCR recognition.
- HIV-1 Env epitopes are typically processed by a TAP1/2 dependent mechanism, which involves cotranslational translocation into the ER, glycosylation, export back into the cytosol, and deglycosylation for processing, and retransport into the ER for the association with class I molecules.
- The particular pathway of generating an epitope may have an impact on the presentation of that epitope, quantitatively as well as qualitatively.

HXB2 Location gp160 (298–307)

Author Location gp120 (302–312 HXB2)

Epitope RPNNNTRKSI

Subtype B

Immunogen HIV-1 infection

Species (MHC) human (B*0702)

Keywords optimal epitope

References Frahm *et al.* 2007

- C. Brander notes this is a B*0702 epitope.

HXB2 Location gp160 (298–307)

Author Location (C consensus)

Epitope RPNNNTRKSI

Subtype C

Immunogen HIV-1 infection

Species (MHC) human (B*4201)

Country South Africa.

Assay type CD8 T-cell Elispot - IFN γ

Keywords characterizing CD8+ T cells

References Kiepiela *et al.* 2004

- HLA class I restricted CD8+ T-cell responses against HIV-1 were analyzed in African patients. Significantly more responses were shown to be HLA-B restricted. Viral load, CD4 count, and thus rate of disease progression were also associated with HLA-B alleles. In addition, the selection pressure imposed on HIV-1 by HLA-B alleles was shown to be substantially greater than by other alleles.
- This epitope was suggested to be the epitope within a longer reactive peptide based on correspondence with a known epitope in the HIV database. Also, a significantly higher frequency of people in the Durban cohort who reacted with the peptide had this HLA type.

HXB2 Location gp160 (298–307)

Author Location gp120 (302–312 HXB2)

Epitope RPNNNTRKSI

Subtype B

Immunogen HIV-1 infection

Species (MHC) human (B7)

References Safrit *et al.* 1994b

- CTL from two acute seroconversion cases.

HXB2 Location gp160 (298–307)

Author Location gp120 (302–312 HXB2)

Epitope RPNNNTRKSI

Subtype B

Immunogen HIV-1 infection

Species (MHC) human (B7)

References Hammond *et al.* 1995

- Peptide processed by a TAP-1/2-dependent pathway only.
- CTL from an acute seroconverter.

HXB2 Location gp160 (298–307)

Author Location gp120 (302–312 HXB2)

Epitope RPNNNTRKSI

Subtype B

Immunogen HIV-1 infection

Species (MHC) human (B7)

References Wolinsky *et al.* 1996

- Longitudinal study of epitope variation *in vivo*.

HXB2 Location gp160 (298–307)

Author Location gp120 (302–311 subtype B)

Epitope RPNNNTRKSI

Subtype B

Immunogen HIV-1 infection

Species (MHC) human (B7)

Keywords subtype comparisons, immunodominance

References Wilson *et al.* 1998b

- The extent of CTL interclade cross-reactivity from CTL isolated from individuals newly infected with B clade virus was studied, and extensive cross-reactivity was observed.

- Two HLA B7 individuals had CTL response to B_LAI, A_92UG037 and C_92BR025 gp160, but were B clade strain MN non-responders – the authors note that the B7 epitope RPNNNTRKSI is immunodominant, conserved between the LAI and clade A and C strains, but is very divergent in MN (RPNYNKRKRI), and that this epitope might be dominating the specificity of the response in the HLA B7 individuals.

HXB2 Location gp160 (298–307)

Author Location gp120 (303–312 SF2)

Epitope RPNNNTRKSI

Immunogen HIV-1 infection

Species (MHC) human (B7)

Keywords HAART, ART, acute/early infection

References Altfeld *et al.* 2001b

- Therapy provided during acute infection resulted in a narrower CTL response, stronger T help response, and a less diverse viral population than was seen in individuals treated during chronic infection.
- The breadth and specificity of the response was determined using ELISPOT by studying 19 individuals with pre-seroconversion therapy (Group 1), 11 individuals with primary infection but post-seroconversion therapy (Group 2), and 10 individuals who responded to HAART given during chronic infection (Group 3), using 259 overlapping peptides spanning p17, p24, RT, gp41, gp120 and Nef.
- Previously described and newly defined optimal epitopes were tested for CTL response.
- Number of HLA-B7+ individuals that had a CTL response to this epitope broken down by group: 0/4 group 1, 1/3 group 2, and 1/1 group 3.

HXB2 Location gp160 (298–307)

Author Location gp120 (298–307)

Epitope RPNNNTRKSI

Immunogen HIV-1 infection

Species (MHC) human (B7)

Keywords rate of progression, acute/early infection

References Day *et al.* 2001

- The CTL response to optimally defined CTL epitopes restricted by HLA class I A and B alleles in individuals who coexpressed HLA A2, A3, and B7 was studied in eight HIV-1-infected subjects, two with acute infection, five with chronic, and one long-term non-progressor (LTNP)
- 2 to 17 epitopes were recognized in a given individual, A2-restricted CTL response tended to be narrow and never dominated the response, and 25/27 epitopes were targeted by at least one person.
- Subjects with chronic HIV-1 infection recognized between 2-8 out of 11 B7-restricted epitopes.
- An acute seroconverter homozygous for the B7 allele recognized five B7-restricted epitopes.
- The other acute seroconverter failed to recognize any of the 11 B7-restricted epitopes tested.
- The B7-restricted CTL response was highly variable and there was no clearly dominant epitope.

HXB2 Location gp160 (298–307)

Author Location gp120 (298–307)

Epitope RPNNNTRKSI

Epitope name B7-RI10

Subtype B

Immunogen HIV-1 infection

Species (MHC) human (B7)

Donor MHC A3, B7, Cw7

Keywords dynamics, supervised treatment interruptions (STI), acute/early infection

References Yu *et al.* 2002a

- CTL responses in 18 acutely HIV-infected HLA-A3 (n=7) or -B7 (n=4) or both -A3 and B7 (n=7) positive individuals were studied.
- One individual, AC-06, was homozygous at all three class I alleles (A3, B7, Cw7), was treated during acute infection and had supervised treatment interruptions (STI). He had only two detectable CTL responses during acute infection, but after STI this broadened to 27 distinct epitopes including 15 restricted by HLA-A3, 11 by HLA-B7, and 1 by HLA-Cw7.
- 4/11 HLA-B7 individuals had detectable B7-restricted responses to this epitope during acute infection – 10/15 of HLA-B7 epitopes tested were targeted by at least one person during acute infection. 1/4 individuals had detectable responses to this epitope after STI.

HXB2 Location gp160 (298–307)

Author Location gp120

Epitope RPNNNTRKSI

Immunogen HIV-1 infection

Species (MHC) human (B7)

Donor MHC A2, A3, B7, Bw6

Keywords HAART, ART

References Appay *et al.* 2002

- Four HIV patients with prolonged clinically successful anti-viral therapy but with ongoing evidence of replication and Nef mRNA transcription, showed specific T-cell responses by Elispot and Tetramer staining, maintained for 2-4 years after initiation of HAART.
- Nef epitope recognition was detected in all 4 subjects, gp120, Pol and Gag-specific in 1 or 2 subjects.
- The HIV-specific CD8+ T-cells had an intermediate maturation phenotype characterized by low levels of perforin and high levels of CD27 expression.

HXB2 Location gp160 (298–307)

Author Location gp160 (298–307)

Epitope RPNNNTRRGI

Epitope name B7-RI10 Env

Subtype B

Immunogen HIV-1 infection

Species (MHC) human (B7)

Assay type CD8 T-cell Elispot - IFN γ

Keywords supervised treatment interruptions (STI), escape, early treatment, superinfection

References Altfeld *et al.* 2002a

- An HIV+ individual given acute ARV and undergoing STI developed a strong CTL immune response, but despite this was shown to be superinfected with second B clade virus. Some epitope variants of the second infecting virus were resistant to the initial CTL response.

- The first infecting strain had the variant rpSnntrKSi, and the CTL response was higher to the second variant, RPNNNTR-RGI.

HXB2 Location gp160 (298–307)

Author Location gp120

Epitope RPNNNTRKSI

Immunogen HIV-1 infection

Species (MHC) human (B7)

Country Netherlands.

Assay type CD8 T-cell Elispot - IFN γ

Keywords HIV exposed persistently seronegative (HEPS)

References Koning *et al.* 2004

- A high-risk seronegative group of 29 homosexual men showed reduced cellular in vitro susceptibility for HIV infection and enhanced production of RANTES compared to 15 men who went on to seroconvert. Significantly higher frequencies of HLA A*11, A*31 and Cw*15 were also found in the high risk seronegative men. Both groups of men had low frequencies of HIV-1 specific CD8+ T-cells, which may signify exposure more than protection from infection.
- No one pre-seroconversion, 0/9 HLA A2+ infection-resistant men, and 0/4 pre-seroconversion men who went on to become infected, reacted to this epitope.

HXB2 Location gp160 (298–307)

Author Location Env (302–311)

Epitope RPNNNTRKSI

Immunogen HIV-1 infection

Species (MHC) human (B7)

Country Spain.

Assay type proliferation, CD8 T-cell Elispot - IFN γ , Flow cytometric T-cell cytokine assay

Keywords HAART, ART, supervised treatment interruptions (STI), immune dysfunction

References Plana *et al.* 2004

- Structured treatment interruption (STI) alone is not able to control viral replication in chronically infected patients, probably due to lack of strong, maintained T-helper cell responses. HIV-1 specific CD8+ T-cell responses were shown to increase significantly until the end of the follow up, but were not correlated with viral load.
- 3/7 patients recognized this epitope.

HXB2 Location gp160 (298–307)

Author Location gp120 (303–312 IIIB)

Epitope RPNNNTRKSI

Immunogen HIV-1 infection

Species (MHC) human (B7?)

Keywords responses in children, mother-to-infant transmission

References Wilson *et al.* 1996

- Epitope defined in the context of the Pediatric AIDS Foundation ARIEL Project, a mother-infant HIV transmission study.
- RPNNNTRKDI and RPNNNTRKGI, naturally occurring variants, were found in non-transmitting mother – ability to recognize these variants has not yet been determined.

HXB2 Location gp160 (299–319)

Author Location Env (299–319)

Epitope PNNNTRKSIRIGPGQTFYA

Subtype C

Immunogen HIV-1 infection

Species (MHC) human

Keywords subtype comparisons

References Novitsky *et al.* 2002

- HLA, viral sequence, and Elispot data was obtained from 105 HIV-1 positive Botswanans; Elispot data was obtained from between 55 and 64 subjects for each HIV protein.
- Nef and p24 had the highest percentage of reactive peptides, and p24 had the highest magnitude of HIV-1 responses.
- This peptide was among the 28 most reactive C clade peptides from among over 350 tested spanning all HIV proteins.

HXB2 Location gp160 (303–322)

Author Location gp120

Epitope TRKSIHIGPGRAFYTGE

Immunogen vaccine

Vector/Type: virus-like particle (VLP)

Strain: B clade consensus *HIV component:* Gag, V3

Species (MHC) mouse

References Luo *et al.* 1998

- Intramuscular injection of chimeric gag-env virus-like particles (VLPs) containing V3 loop sequences into BALB/c mice induce V3 specific CTL – TRKSIHIGPGRAFYTGE is a B subtype consensus that stimulated a cross-reactive CTL response.

HXB2 Location gp160 (304–318)

Author Location gp120 (304–318 IIIB)

Epitope RKSIRIQRGPGRAV

Immunogen vaccine

Vector/Type: virus-like particle (VLP)

Strain: B clade IIIB, B clade MN, B clade RF, B clade SF2, HIV-2 VLP *HIV component:* Gag, V3

Species (MHC) mouse (H-2^d)

References Kang *et al.* 1999

- Virus-like particles could be formed from HIV-2 gag after deleting 143 amino acids at the C-terminal end – a proline rich region in positions 373–377 was critical to VLP formation.
- CTL responses in BALB/c mice were induced by chimeric gag-V3 particles against the V3 region of HIV-1 clade B isolates IIIB (SIRIQRGPAFVTI), MN (KRIHIGPGRAFYTTK), RF (SITKGPGRVIYATGQ), and SF2 (SIYIGPGRAFHTTGR)
- The vaccine induced CTL were cross-reactive with a broad spectrum of B clade isolates, with the exception of the RF V3 which did not induce CTL.

HXB2 Location gp160 (305–321)

Author Location gp120 (MN)

Epitope KRIHIGPGRAFYTTK

Subtype B

Immunogen HIV-1 infection

Species (MHC) human

Donor MHC A2

Assay type CD8 T-cell Elispot - IFN γ

- Keywords** assay standardization/improvement, HAART, ART
- References** Chitnis *et al.* 2003
- 17 perinatally HIV-1 infected children (0.08-16 years) were evaluated for HLA-A2-restricted IFN-gamma CD8+ CTL responses against 4 immunodominant peptides that carry HLA-A2 epitopes. Two peptides were from gp120 (one at position 112, one from the V3 loop), and one each was from gp41 and Gag. 15/17 patients responded to the Gag peptide, 13/17 to the gp41 and the non-V3 gp120 peptides, and 11/17 responded to the V3 loop. 4 children recognized all 4 peptides.
- HXB2 Location** gp160 (306–322)
Author Location gp160 (LAI)
Epitope SIRIQGPGRAFVTIGI
Subtype B
Immunogen vaccine
Vector/Type: protein *Strain:* B clade LAI
HIV component: gp160 *Adjuvant:* aluminum hydroxide, CpG immunostimulatory sequence (ISS)
- Species (MHC)** mouse (H-2D^d)
Keywords immunodominance, Th1, Th2
References Deml *et al.* 1999
- Addition of CpG oligodeoxynucleotide to a gp160/alum vaccine given to BALB/c mice shifted the response to Th0/Th1 from Th2, but no still CTL response to this immunodominant epitope was induced.
- HXB2 Location** gp160 (307–324)
Author Location (C consensus)
Epitope IRIGPGQTFYATGDII
Subtype C
Immunogen HIV-1 infection
Species (MHC) human (Cw*1801)
Country South Africa.
Assay type CD8 T-cell Elispot - IFN γ
Keywords rate of progression
References Kiepiela *et al.* 2007
- A comprehensive analysis of 160 class I T cell responses in 578 individuals from KwaZulu-Natal, South Africa was performed. Gag-specific responses were associated with lowering viremia, while Env, accessory and regulatory protein-specific responses were associated with higher viremia.
- HXB2 Location** gp160 (308–321)
Author Location Env (IIIB)
Epitope RIQRGPGRAFVTIG
Epitope name P18IIIB
Subtype B
Immunogen vaccine
Vector/Type: peptide *Strain:* B clade IIIB
HIV component: V3
- Species (MHC)** mouse (Dd)
Keywords binding affinity, Th1
References Ahlers *et al.* 2001
- BALB/c and A.AL were immunized with an Env-peptide vaccine construct containing the CTL epitope P18IIIB and the T helper epitope T1, KQIINMWQEVGKAMYA.
 - Substitution of Glu (wt) to Ala in T1, kqiinmwqAvgkamyA, caused increased affinity for MHC class II Ek, resulting in the upregulation of CD40L in the responding Th cells, and shifting the response towards Th1. Increased Th responses stimulated DCs to produce higher levels of IL-12, and B7-1 and B7-2, and enhanced CTL responses to P18.
 - The modified epitope, T1A, elicited stronger protection against increasing doses of viral challenge with vaccinia expressing HIV-1 IIIB gp120 compared to the wt epitope T1.
- HXB2 Location** gp160 (308–321)
Author Location Env (gp160)
Epitope RIQRGPGRAFVTIK
Epitope name P18IIIB
Immunogen vaccine
Vector/Type: hemagglutinating virus of Japan (HVJ)-liposome *Strain:* B clade IIIB *HIV component:* gp160
- Species (MHC)** mouse
Donor MHC H-2d
Assay type Cytokine production, Chromium-release assay
Keywords genital and mucosal immunity
References Sakaue *et al.* 2003
- BALB/c mice were immunized nasally with HIVgp160-encapsulated hemagglutinating virus of Japan (HVJ)-liposome. Vaccination induced IgG in serum and IgA in nasal wash, saliva, fecal extract, and vaginal wash, with some ability to neutralize the primary field isolate HIV-MNp.
 - Th1 and Th2-type responses were stimulated, as well as gp160 V3-specific MHC class I-restricted CTL responses.
- HXB2 Location** gp160 (308–322)
Author Location Env (315–329)
Epitope RIQRGPGRAFVTIGK
Epitope name P18
Subtype B
Immunogen vaccine
Vector/Type: DNA *HIV component:* HIV-1
- Species (MHC)** mouse (A*0201)
Keywords epitope processing, vaccine-specific epitope characteristics, immunodominance
References Singh *et al.* 2002; Sykes & Johnston 1999
- C3H (H-2k) transgenic mice carrying a fused HLA-A*0201 alpha1 and alpha2 and H-2Dk alpha3 hybrid class I molecule were immunized using an epidermal gene gun with an ubiquitin expression library of 32 plasmids that spanned the HIV-1 genome. Ubiquitin targets the expressed HIV-1 peptides to the proteasome.
 - A single immunization with the UB-HIV-1 library vaccine induced potent, stable and multivalent CTL responses against all library members.
 - Immunodominant epitopes SLYNTVATL (Gag), ILKEPVHGV (Pol), RIQRGPGRAFVTIGK (Env) and AFHHVAREK (Nef) elicited strong CD8+/IFN- responses and stimulated CTL that were functional in a Cr-release assay and against wild type antigen.

- The presence of multiple plasmids HLA-A*0201-restricted CTL epitopes did not decrease CTL immunogenicity, and CTL responses to single peptide immunizations were comparable to responses based on mixtures of either 16 or 32 peptides.

HXB2 Location gp160 (308–322)

Author Location gp120 (315–329 IIIB)

Epitope RIQRGPGRAVFTIGK

Immunogen vaccine

Vector/Type: vaccinia *Strain:* B clade IIIB

HIV component: gp160

Species (MHC) human (A11)

References Achour *et al.* 1994

- One of 3 HLA type restrictions associated with this peptide.

HXB2 Location gp160 (308–322)

Author Location gp120 (315–329 BRU)

Epitope RIQRGPGRAVFTIGK

Immunogen HIV-1 infection

Species (MHC) human (A2)

References Dadaglio *et al.* 1991

- Defined through blocking CTL activity, and Env deletions.

HXB2 Location gp160 (308–322)

Author Location gp120 (315–329 IIIB)

Epitope RIQRGPGRAVFTIGK

Immunogen HIV-1 infection

Species (MHC) human (A2)

References Clerici *et al.* 1991a

- Helper and cytotoxic T cells can be stimulated by this peptide (P18)

HXB2 Location gp160 (308–322)

Author Location gp120 (308–322 IIIB)

Epitope RIQRGPGRAVFTIGK

Subtype B

Immunogen vaccine

Vector/Type: DNA, DNA with protein boost

Strain: B clade IIIB *HIV component:* gp160

Adjuvant: IL-12

Species (MHC) mouse (A2)

Keywords vaccine-specific epitope characteristics

References Kiszka *et al.* 2002

- Transgenic mice expressing a HLA-A2/Kb chimeric protein were vaccinated with a full length gp160 or with gp160deltaV3, with the V3 loop deleted. Mice given gp160deltaV3 had a broader immune response than those given gp160, with increased responses to conserved HLA-A2 epitopes in the C1 region of gp120, KLTPLCVTL, and the C-term region of gp41, SLLNATAIAV.
- Greater resistance was conferred by the gp160deltaV3 than the gp160 vaccine to a challenge of vaccinia expressing heterologous gp160 from primary isolates (VI-06 and 89.6), and the resistance was conferred by CD8+ T-cells.
- The most intense CTL responses to the intact gp160 vaccine were directed at three V3 peptides.

HXB2 Location gp160 (308–322)

Author Location gp120 (315–329 IIIB)

Epitope RIQRGPGRAVFTIGK

Immunogen vaccine

Vector/Type: vaccinia *HIV component:*

gp160

Species (MHC) human (A2, A3)

References Achour *et al.* 1993

- Two of 3 HLA type restrictions associated with this peptide.

HXB2 Location gp160 (308–322)

Author Location gp160 (308–322)

Epitope RIQRGPGRAVFTIGK

Immunogen HIV-1 infection

Species (MHC) human (A3)

Donor MHC A03, A32, B51, B15, Cw03, Cw06, DR4, DR8, DQ7

Country Netherlands.

Assay type CD8 T-cell Elispot - IFN γ , Flow cytometric T-cell cytokine assay

Keywords rate of progression, escape

References Geels *et al.* 2003

- Both stable potential epitopes and epitopes with escape mutations were found in a patient with increasing viral load over a time period of 4 years. Fixation of escape mutations occurred sequentially and correlated with the rise in viral load and with the increased number of productively infected cells.
- This is one of 17 potential epitopes from this individual, defined based on previously identified epitopes presented by appropriate HLA molecules. Full length genome sequence did not reveal changes in time in any of these epitopes over a four year period. Peptide pools initially revealed very little response to these epitopes, but this increased over time.

HXB2 Location gp160 (308–322)

Author Location gp120 (315–329 IIIB)

Epitope RIQRGPGRAVFTIGK

Immunogen vaccine

Vector/Type: peptide *Strain:* B clade IIIB

HIV component: V3

Species (MHC) mouse (D^d)

References Takahashi *et al.* 1989a

- Positions R(8) and F(10) are important for MHC/peptide interaction.

HXB2 Location gp160 (308–322)

Author Location gp120 (315–329 IIIB)

Epitope RIQRGPGRAVFTIGK

Immunogen vaccine

Vector/Type: peptide *Strain:* B clade IIIB

HIV component: V3

Species (MHC) mouse (D^d)

References Sastry *et al.* 1992

- Free peptide injected into the footpad of a mouse could stimulate specific CTL.

HXB2 Location gp160 (308–322)

Author Location gp120 (315–329 IIIB)

Epitope RIQRGPGRAVFTIGK

Immunogen vaccine

Vector/Type: peptide *Strain:* B clade MN

HIV component: V3

Species (MHC) mouse (D^d)

- References** Ahlers *et al.* 1997b
- PCLUS 3-18MN synthetic peptide vaccine construct contained T1 helper epitope covalently linked to truncated P18 CTL epitope.
 - A substitution in the T1 peptide stimulated an enhanced Th response and class II binding specificity, which in turn enhanced CTL induction by vaccine.
 - Construct PCLUS 3-18MN is currently in a phase I vaccine clinical trial.
- HXB2 Location** gp160 (308–322)
Author Location gp120 (313–327 MN)
Epitope RIHIGPGRAFVYTTKN
Immunogen vaccine
Vector/Type: vaccinia *Strain:* B clade IIIIB, B clade MN *HIV component:* gp160
- Species (MHC)** mouse (D^d)
References Takahashi *et al.* 1989b
- Y(11 MN) exchange with V(11 IIIIB) interchanges specificities.
- HXB2 Location** gp160 (308–322)
Author Location gp120 (313–327 IIIIB, MN, RF)
Epitope SITKGPGRVIYATGQ
Immunogen vaccine
Vector/Type: vaccinia *Strain:* B clade RF *HIV component:* gp160
- Species (MHC)** mouse (D^d)
References Takahashi *et al.* 1992
- Comparison of MN, IIIIB, and RF specificities, position 11 is critical.
- HXB2 Location** gp160 (308–322)
Author Location gp160 (315–329 IIIIB)
Epitope RIQRGPGRAFVTIGK
Epitope name P18
Immunogen in vitro stimulation or selection
Species (MHC) mouse (Dd)
Donor MHC H-2d
Keywords TCR usage
References Yokosuka *et al.* 2002
- The TCR repertoire and its specificity was studied through analyzing the spectrum of TCR-alpha and beta chains able to reconstitute a reaction to the H-2 Dd-restricted P18 peptide. The RT-1 TCR alpha chain was able to react with 1/3 of the tested TCR beta chains to create a specific response. Experiments in transgenic mice also supported the observation that a single TCR alpha chain would confer the specificity of the response and could interact with a large variety of TCR beta chains.
- HXB2 Location** gp160 (308–322)
Author Location gp120 (HXB2)
Epitope RIQRGPGRAFVTIGK
Subtype B
Immunogen vaccine
Vector/Type: protein *HIV component:* Gag, V3
- Species (MHC)** mouse (H-2^d)
References Griffiths *et al.* 1993
- Gag-V3 fusion protein immunization elicited V3 CTL response in mice.
- HXB2 Location** gp160 (308–322)
Author Location gp120 (HXB2)
Epitope RIQRGPGRAFVTIGK
Subtype B
Immunogen vaccine
Vector/Type: virus-like particle (VLP) *HIV component:* Env, Gag
- Species (MHC)** mouse (H-2^d)
References Deml *et al.* 1997
- Env bound to virus-like particles (VLPs) can elicit a CTL response that is dependent on the amount of Env presented on the VLP.
- HXB2 Location** gp160 (308–322)
Author Location gp120 (313–327 MN)
Epitope RIHIGPGRAFVYTTKN
Immunogen vaccine
Vector/Type: DNA *Strain:* B clade MN *HIV component:* gp160, V3
- Species (MHC)** mouse (H-2^d)
References Fomsgaard *et al.* 1998a
- Enhanced B and CTL responses to the V3 region occur following epidermal immunization by gene gun with a chimeric DNA vaccine of V3-hepatitis B surface antigen relative to a gp160 plasmid vaccine.
- HXB2 Location** gp160 (308–322)
Author Location gp120 (313–327 MN)
Epitope RIHIGPGRAFVYTTKN
Immunogen vaccine
Vector/Type: peptide *Strain:* B clade MN *HIV component:* V3 *Adjuvant:* GM-CSF, IL-12
- Species (MHC)** mouse (H-2^d)
Keywords Th1
References Ahlers *et al.* 1996; Ahlers *et al.* 1997a
- Vaccine constructs containing helper, antibody and CTL peptide epitopes induce strong Th1, CTL and NAb responses against the autologous HIV-1 virus.
 - The peptide CTL response was as cross-reactive as one elicited by a vaccinia construct expressing rgp160 MN.
 - GM-CSF and IL-12 were the two cytokines most effective for inducing and boosting CTLs.
- HXB2 Location** gp160 (308–322)
Author Location gp120 (315–329 IIIIB)
Epitope RIQRGPGRAFVTIGK
Immunogen vaccine
Vector/Type: virus-like particle (VLP) *Strain:* B clade IIIIB *HIV component:* Gag, V3
- Species (MHC)** mouse (H-2^d)
References Layton *et al.* 1993
- V3-Ty-Virus-like particles can induce type-specific CTL in mice in the absence of adjuvant.
- HXB2 Location** gp160 (308–322)

Author Location gp120 (IIIB)**Epitope** RIQRGPGRAFTVIGK**Immunogen** vaccine*Vector/Type:* DNA *Strain:* B clade IIIB
HIV component: gp120 *Adjuvant:* IL-2, IL-2/Ig**Species (MHC)** mouse (H-2^d)**References** Barouch *et al.* 1998

- A discistronic IL-2 gp120 expression vector gave a weaker CTL response than gp120 alone in the expression vector, however co-administration of an IL-2/IgG fusion protein enhanced the immune response and administration of a IL-2/IgG plasmid had a response that depended on the timing of administration.
- This study showed that a response to an HIV-1 DNA vaccine could be either augmented or suppressed by plasmid Cytokine/Ig administration.

HXB2 Location gp160 (308–322)**Author Location** Env (308–322 IIIB)**Epitope** RIQRGPGRAFTVIGK**Epitope name** P18**Immunogen** vaccine*Vector/Type:* peptide *Strain:* B clade IIIB
HIV component: V3 *Adjuvant:* B7, CpG immunostimulatory sequence (ISS), in vivo electroporation**Species (MHC)** mouse (H-2^d)**Keywords** Th1**References** Uno-Furuta *et al.* 2001

- Peptide immunization usually doesn't elicit a good CTL response because epitopes are not internalized and processed and presented, so vaccination with electric pulsing was tried (i.m. injection followed by 8 electric pulses), to enhance peptide uptake through electroporation.
- BALB/c immunized with HIV P18 or hepatitis C P17 peptides with an electric pulse elicited a CTL response, those that did not receive the pulse did not.
- The CTL response was enhanced by addition of immunostimulatory sequences ISS in the plasmid pCMV-LacZ, that contains hexamers GACGTC, AGCGCT, AACGCT, sequences common in prokaryotic genomes but rare in eukaryotic genomes that elicit Th1 cytokines and result in B cell and T-cell proliferation.
- The CTL response was also enhanced by addition of B7-1 cDNA – the B7 family of proteins transduce co-stimulatory signals through interaction with CD28.

HXB2 Location gp160 (308–322)**Author Location** gp160 (MN)**Epitope** RIHIGPGRFYTTKN**Immunogen** vaccine*Vector/Type:* DNA *Strain:* B clade MN
HIV component: gp160**Species (MHC)** mouse (H-2^d, H-2^b)**References** Fomsgaard *et al.* 1998b

- CTL responses to a primary gene gun vaccination were rapid and strong for several methods of vaccinations: i.m., bupivacaine pretreatment, cardiotoxin pretreatment or gene gun – the CTL response was more rapid and consistent than the antibody response.

HXB2 Location gp160 (308–322)**Author Location** gp120 (315–329 IIIB)**Epitope** RIQRGPGRAFTVIGK**Immunogen** vaccine*Vector/Type:* vaccinia *Strain:* B clade IIIB
HIV component: gp160**Species (MHC)** mouse (H-2^d, H-2^p, H-2^u, H-2^q)**References** Shirai *et al.* 1992; Shirai *et al.* 1993

- In a murine system multiple class I molecules can present this peptide, called P18, to CTL, including H-2D^d, H-2D^p, H-2D^q, H-2L^q
- The MHC class I molecule D^d as well as H-2^{u,p,q}, were found to present peptides P18 and HP53.
- The V-β usage in T cells showing cross-reaction between these two peptides was conserved for H-2^{d,u,p}, but not in H-2^q

HXB2 Location gp160 (308–322)**Author Location** gp160 (IIIB)**Epitope** GIHIGPGRFYAARK**Immunogen** vaccine*Vector/Type:* peptide, protein *Strain:* B clade IIIB
HIV component: gp160 *Adjuvant:* E. coli mutant heat labile enterotoxin (LT-R72)**Species (MHC)** mouse (H-2D^d)**Keywords** Th1, Th2**References** Morris *et al.* 2000

- LT(R192G) induces gp160-specific serum and mucosal IgG1 and IgG2a, systemic CTL activity and Th1 and Th2 cytokine responses upon intranasal immunization.

HXB2 Location gp160 (308–322)**Author Location** gp120 (315–329 IIIB)**Epitope** RIQRGPGRAFTVIGK**Immunogen** vaccine*Vector/Type:* peptide *Strain:* B clade IIIB
HIV component: V3 *Adjuvant:* Cholera toxin (CT)**Species (MHC)** mouse (H-2D^d)**References** Porgador *et al.* 1997

- A intranasal peptide vaccine with cholera toxin as a mucosal adjuvant was given.
- IIIB peptide referred to as R15K.
- Peptide-specific CTLs were induced after *in vitro* restimulation with peptide-pulsed targets.
- R15K was superior at inducing CTL compared to the RGP-GRFVVI, in contrast to the findings of Nehete *et al.*
- Memory CTL responses were induced.

HXB2 Location gp160 (308–322)**Author Location** gp120 (315–329 IIIB)**Epitope** RIQRGPGRAFTVIGK**Immunogen** vaccine*Vector/Type:* vaccinia with H1 influenza HA gene cassette *Strain:* B clade IIIB
HIV component: p18 Gag**Species (MHC)** (H-2D^d)**References** Chiba *et al.* 1999

- Vaccine was capable of priming P18IIIB specific CTL in BALB/c mice, but could not induce a P18IIIB-specific antibody response.

HXB2 Location gp160 (308–322)

Author Location gp120 (multiple)

Epitope RIHIGPGRAFVTTKN

Immunogen vaccine

Vector/Type: peptide *Strain:* B clade MN, B clade SC *HIV component:* V3

Species (MHC) mouse (H-2D^d)

References Casement *et al.* 1995

- V3 peptides from MN and SC induce murine CTL that are cross-reactive with diverse strains.

HXB2 Location gp160 (308–322)

Author Location gp120 (313–327 MN)

Epitope RIHIGPGRAFVTTKN

Immunogen vaccine

Vector/Type: protein *Strain:* B clade MN *HIV component:* gp120 *Adjuvant:* QS21

Species (MHC) mouse (H-2D^d)

References Newman *et al.* 1997

- MN vaccine induced CTL reactive with MN, IIIB and RF vaccinia-expressed Env, but not this peptide.

HXB2 Location gp160 (308–322)

Author Location gp120 (315–329 IIIB)

Epitope RIQRGPGRAFVTIGK

Immunogen vaccine

Vector/Type: protein *Strain:* B clade IIIB *HIV component:* gp120 *Adjuvant:* QS21

Species (MHC) mouse (H-2D^d)

References Newman *et al.* 1997

- IIIB vaccine induced IIIB type-specific CTL to this peptide (P18), and an additional Env CTL response that was cross-reactive.

HXB2 Location gp160 (308–322)

Author Location gp120 (315–329)

Epitope RIQRGPGRAFVTIGK

Immunogen vaccine

Vector/Type: vaccinia *Strain:* B clade IIIB *HIV component:* gp160

Species (MHC) mouse (H-2D^d)

References Takahashi *et al.* 1988

- V3 loop CTL response in mice vaccinated with gp160.

HXB2 Location gp160 (308–322)

Author Location gp120 (315–329)

Epitope RIQRGPGRAFVTIGK

Immunogen vaccine

Vector/Type: liposome *Strain:* B clade IIIB *HIV component:* V3 *Adjuvant:* oligomannose

Species (MHC) mouse (H-2D^d)

References Fukasawa *et al.* 1998

- The peptide RIQRGPGRAFVTIGK was incorporated into liposomes and given as a subcutaneous injection, which induces a MHC class I restricted CTL response in mice.

- Liposomes coated with oligomannose show no toxicity and can elicit a potent CTL response upon a single subcutaneous infection, while non-coated liposomes do not, suggesting that oligomannose may be a good adjuvant for CTL responses.

HXB2 Location gp160 (308–322)

Author Location

Epitope RIQRGPGRAFVTIGK

Epitope name P18

Subtype B

Immunogen vaccine

Vector/Type: fusion protein with anthrax delivery domain *HIV component:* V3 *Adjuvant:* B. anthracis lethal toxin LF component

Species (MHC) mouse (H-2D^d)

Keywords epitope processing, vaccine-specific epitope characteristics

References Lu *et al.* 2000a

- Bacillus anthracis lethal toxin (LFn)-HIV fusion proteins are candidate HIV vaccines that are safe in mice, and LFn-V3 region fusion proteins induce CD8 T cells in BALBc mice. LFn causes exogenous protein to be taken up and processed in a class I pathway. Expressed proteins from Gag p24 and nef fragments cloned into the LFn expression plasmid stimulate gag-specific CD4 proliferation and CTL responses in HIV-infected donor PBMCs *in vitro*.

HXB2 Location gp160 (308–322)

Author Location gp120 (V3) (MN)

Epitope RIHIGPGRAFVTTKN

Immunogen vaccine

Vector/Type: peptide *Strain:* B clade IIIB *HIV component:* V3 *Adjuvant:* Cholera toxin (CT), GM-CSF, IL-12, IL-18, IL-1 α

Species (MHC) mouse (H-2D^d)

References Staats *et al.* 2001

- Cholera toxin (CT) is a potent adjuvant used in animal studies that is not safe in humans, so combinations of cytokines were used in nasal immunization of BALB/c mice V3 peptides to attempt to replace CT as a potent adjuvant.
- Peptide vaccine induced CTL activity was significantly increased by IL-1 α , IL-18, and GM-CSF given alone as adjuvant, but CT gave more potent CTL activity than any single cytokine.
- Combinations of cytokines could be more potent than CT as an adjuvant. The highest tetramer binding of H-2Dd peptide-specific PBMC after nasal immunization was observed with IL-1 α plus IL-18 as adjuvant.
- Nasal immunization with HIV peptide in the presence of IL-1 α , IL-12 and GM-CSF induced IFN- γ -secreting cells in the cervical lymph node, the lung and the spleen, and was associated with upregulation of MHC class II and B7.1 on nonlymphocytes in NALT/nasal mucosal cells.
- Consistent results were obtained for the IIIB and the MN peptides.

HXB2 Location gp160 (308–322)

Author Location gp160 (315–329 MN)

Epitope RIHIGPGRAFVTTKN

Epitope name P18

Immunogen in vitro stimulation or selection

Species (MHC) mouse (H-2D^d)

Donor MHC H-2d

Keywords TCR usage

References Yokosuka *et al.* 2002

- The TCR repertoire and its specificity was studied through analyzing the spectrum of TCR-alpha and beta chains able to reconstitute a reaction to the H-2 Dd-restricted P18 peptide. The RT-1 TCR alpha chain was able to react with 1/3 of the tested TCR beta chains to create a specific response. Experiments in transgenic mice also supported the observation that a single TCR alpha chain would confer the specificity of the response and could interact with a large variety of TCR beta chains.

HXB2 Location gp160 (308–322)

Author Location Env (IIIB)

Epitope RIQRGPGRAVFTIGK

Subtype B

Immunogen vaccine

Vector/Type: protein *Strain:* B clade IIIB *HIV component:* gp120 *Adjuvant:* poly(I:C), lipopolysaccharide (LPS)

Species (MHC) mouse (H-2D^d)

Assay type Chromium-release assay

Keywords epitope processing, vaccine-induced epitopes, Th1, Th2, immunotherapy, adjuvant comparison

References Fujimoto *et al.* 2004

- When BALB/c mice were immunized with recombinant HIV-1 Env gp120 or Influenza HA protein together with polyribonucleosinic polyribocytidylic acid (poly (I:C)), an epitope-specific CD8+ class I MHC-restricted CTL response was observed. This response was not observed when LPS was used as adjuvant instead of poly (I:C) indicating activation of cellular immunity by poly (I:C). In the presence of poly (I:C), immature DC presented processed external antigen in association with class I MHC.

HXB2 Location gp160 (308–322)

Author Location gp120 (315–329 IIIB)

Epitope RIQRGPGRAVFTIGK

Immunogen vaccine

Vector/Type: vaccinia *HIV component:* gp160

Species (MHC) mouse (H-2D^d, H-2D^p, H-2D^q, H-2^u)

References Shirai *et al.* 1996b

- Multiple murine MHC can cross-present this epitope (P18) and HP53, DRVIEVVQGAYRAIR, to specific CTL.

HXB2 Location gp160 (308–322)

Author Location gp160 (MN)

Epitope RIHIGPGRAFYTTKN

Immunogen vaccine

Vector/Type: peptide *Strain:* B clade MN *HIV component:* V3 *Adjuvant:* Montanide (ISA 51)

Species (MHC) human

References Pinto *et al.* 1999

- Peptide P18: Eight HIV+ individuals were vaccinated with peptides containing specific T helper, CTL and Ab epitopes in Montanide ISA 51 in a Phase I trial.
- Four displayed a 4-fold increase in PCLUS 3-18 MN-specific T helper responses.
- One patient developed a new, sustained P18MN-peptide-specific CTL response – the patient's HLA haplotype was A2,30; B53,7; Cw2,4, and anti-HLA A2 antibody did not inhibit the response, suggesting it was not A2.
- Patients with low baseline Ab levels developed an increase of neutralizing Ab titers.
- No significant change was observed in plasma HIV viral loads and CD4 cell counts.

HXB2 Location gp160 (308–322)

Author Location gp120 (MN)

Epitope RIHIGPGRAFYTTKN

Immunogen HIV-1 infection

Species (MHC) chimpanzee

References Lubeck *et al.* 1997

- Epitope-specific CTL detected in chimpanzees immunized with adenovirus-HIV-1 MN gp160 recombinant.
- CTL response may account for protection against subsequent HIV-1 SF2 challenge in a chimpanzee lacking neutralizing antibodies.

HXB2 Location gp160 (308–322)

Author Location gp120 (315–329 IIIB)

Epitope RIQRGPGRAVFTIGK

Immunogen HIV-1 exposed seronegative

Species (MHC) human

References Pinto *et al.* 1995

- CTL and T helper cell reactivity in healthcare workers exposed to HIV.

HXB2 Location gp160 (308–322)

Author Location gp120 (313–327 MN)

Epitope RIHIGPGRAFYTTKN

Immunogen HIV-1 exposed seronegative

Species (MHC) human

References Pinto *et al.* 1995

- CTL and T helper cell reactivity in healthcare workers exposed to HIV.

HXB2 Location gp160 (308–322)

Author Location gp120 (110–122)

Epitope RIQRGPGRAVFTIGK

Immunogen vaccine

Vector/Type: DNA *Strain:* B clade IIIB *Adjuvant:* FLt3 ligand (FL), GM-CSF, IL-12, IL-15, IL-2

Species (MHC) mouse

Keywords vaccine-specific epitope characteristics

References Moore *et al.* 2002a

- Intramuscular immunization of BALB/c mice with DNA vaccines carrying either gp160 or Nef in the expression vector plasmid pNGVL gave different responses – gp160 induced strong gp160-specific CTL and IFN-responses and low-titer humoral responses, and Nef generated humoral (IgG1, IgG2a) responses and IFN-responses but little CTL activity.

- Co-injection of DNA plasmids encoding cytokines and/or hematopoietic growth factors, IL2, IL-12, IL-15, Flt3 ligand (FL), and GMCSF tended to give responses that were enhanced quantitatively, but not altered qualitatively.
- Co-administration of GMCSF most strongly enhanced CTL and IFN-responses against pNGVL-gp160.
- Repeated immunization with pNGVL-Nef failed to induce CTL responses. Co-administration of IL-12 most strongly enhanced humoral and IFN γ responses.
- FL, which enhances innate immune responses, in combination with IL-2, IL-12 or IL-15 generated with most potent Nef responses.

HXB2 Location gp160 (308–322)

Author Location gp140 (iiib)

Epitope RIQRGPGRAFTIGK

Subtype B

Immunogen vaccine

Vector/Type: liposome, protein *Strain:* B clade IIIB *HIV component:* oligomeric gp140 *Adjuvant:* liposome

Species (MHC) mouse

Donor MHC H-2d

Assay type proliferation, Chromium-release assay

Keywords adjuvant comparison

References Richards *et al.* 2004

- Mice were immunized with gp140 and an adjuvant that was an oil-in-water emulsion containing liposomes with lipid A with encapsulated antigen. Stable and unstable emulsions were found to have similar potencies of inducing antigen-specific T-cell proliferation and IgG antibodies, but stable emulsions also induced antigen-specific CTL responses. Stable emulsions had lowered IgG2a/IgG1 ratios than unstable.

HXB2 Location gp160 (309–317)

Author Location gp120 (310–318 SF2)

Epitope IYIGPGRAF

Immunogen HIV-1 infection

Species (MHC) human (A*2402)

References Ikeda-Moore *et al.* 1997

- Defined using reverse immunogenetics – 59 HLA-A*2402 binding peptides were predicted by searching for A*2402 anchors in HIV proteins (Tyr at 2, and Phe, Leu or Ile at the C term) – 53 of the 59 peptides bound A*2402.
- This peptide induced CTL in 1/4 HIV-1 + people tested.
- IYIGPGRAF bound to A*2402 strongly, the epitope can be processed in a vaccinia construct and presented – no specific CTL clones were obtained.

HXB2 Location gp160 (309–318)

Author Location gp120 (314–323 CM243 subtype CRF01)

Epitope ITVGGQVFY

Epitope name E309-318

Subtype CRF01_AE

Immunogen HIV-1 infection

Species (MHC) human (A11)

Keywords HIV exposed persistently seronegative (HEPS)

References Sriwanthana *et al.* 2001

- This was a study of HIV-1 exposed persistently seronegative (HEPS) female sex workers in Chiang Mai, northern Thailand.
- HLA-A11 is very common in this population, and was enriched among the HEPS sexworkers – weak CTL responses were detected in 4/7 HEPS women, and CTL responses were found in 8/8 HIV+ controls, and 0/9 HIV- women that were not exposed.
- This epitope was strongly reactive in HIV+ control study subject 184 who carried HLA-A11.

HXB2 Location gp160 (309–318)

Author Location gp120 (314–323 CM243 subtype CRF01)

Epitope ITVGGQVFY

Subtype CRF01_AE

Immunogen HIV-1 infection

Species (MHC) human (A11)

Keywords subtype comparisons

References Bond *et al.* 2001

- HLA-A11 CRF01 (called subtype E in Bond *et al.*) epitopes were identified that stimulated CTL from HIV+ female sex workers (FSW) from Northern Thailand, of whom more than half were HLA-A11 positive.
- 77 possible HLA-A11 epitopes were first defined using EpiMatrix, these were screened for binding to A11 finding and 26 bound, and 12 of these were epitopes for CTL responses from 8 HLA-A11 positive FSWs, six were novel, six were previously identified.
- This is one of the new A11 epitopes identified through the streamlined EpiMatrix method, and 2/8 tested FSWs recognized it.
- This epitope was not conserved in other subtypes, and exact matches were rare.

HXB2 Location gp160 (310–318)

Author Location

Epitope HIGPGRAFY

Epitope name Env-HY9

Subtype B

Immunogen HIV-1 infection

Species (MHC) human (A*3002)

Donor MHC A*3002 A*3201 B*4501 B*5301 Cw*0401 Cw*1202

Keywords HAART, ART

References Sabbaj *et al.* 2003

- This study monitored epitope responses in HIV-1 infected minority women living in the United States.
- 24 epitopes were described – 8 were novel, 8 used new restricting elements but were previously defined epitopes, and 8 were previously described.
- Serial peptide truncations were used to define optimal epitopes for CTL cell lines isolated from 12 individuals, assayed by a Cr-release.
- This epitope was newly defined in this study.
- Subject 00RCH33 was on HAART had a viral load of 2900 and CD4 count of 727 and also recognized the epitopes YPLTFG-WCY, Nef(135-143), HLA B*5301; AETFYVDGA, RT(437-445), HLA B*4501; and RSLYNTVATLY, p17(76-86), HLA A*3002.
- Among HIV+ individuals who carried HLA A30, 3/16 (19%) recognized this epitope.

HXB2 Location gp160 (310–318)
Author Location gp120 (310–318)
Epitope HIGPGRAFY
Immunogen HIV-1 infection
Species (MHC) human (A*3002)
Keywords optimal epitope
References Frahm *et al.* 2007

HXB2 Location gp160 (310–318)
Author Location
Epitope HIGPGRAFY
Epitope name Env-HY9
Subtype B
Immunogen HIV-1 infection
Species (MHC) human (A2)
References Sabbaj *et al.* 2003

- Among HIV+ individuals who carried HLA A02, 6/29 (21%) recognized this epitope.

HXB2 Location gp160 (310–318)
Author Location gp160 (313–321 WEAU)
Epitope TLGPGRVLY
Epitope name gp160 TY9
Subtype B
Immunogen HIV-1 infection
Species (MHC) human
Donor MHC A*2902, B*4403, B*0801
Country United States.

Assay type CD8 T-cell Elispot - IFN γ , Chromium-release assay

Keywords dynamics, immunodominance, acute/early infection, kinetics, characterizing CD8+ T cells, reversion, viral fitness

References Jones *et al.* 2004

- Primary CD8+ T-cell response to Env, Tat and Gag and the extent, kinetics and mechanisms of viral escape were examined in three patients. Rapid escape, within weeks from infection, from HIV specific CTL responses was observed in all three patients, but the kinetics and extent of the escape differed depending on the breadth and co-dominant distribution of CTL-mediated pressure. The two patients that rapidly declined had more focused immunodominant responses, while the single patient that had low viral load and stable CD4 counts for seven years had a broad co-dominant response and less escape.
- The patient WEAU had high viral loads and rapid CD4 decline. WEAU mounted 14 detected CTL responses, with distinct patterns of immunodominance. WEAU did not control viral replication well, and escape mutations occurred early and 4/14 had changes that could have resulted in escape, and two were confirmed as escape.
- This was one of five reasonably strong responses in early infection in the patient WEAU, and the epitope sequence did not vary during the first year of the infection.

HXB2 Location gp160 (310–323)
Author Location gp120 (315–328 MN)
Epitope HIGPGRAFYTCKNI
Epitope name p97
Immunogen vaccine

Vector/Type: canarypox prime with pseudovirion boost **Strain:** B clade IIIB, B clade MN **HIV component:** Gag, gp120, Protease

Species (MHC) mouse (H-2D^d)

References Arp *et al.* 1999

- The vaccine vCP205, canarypox vector, MN gp120 + Gag/Pro IIIB, with a HIV-1 pseudovirion boost was given to mice;
- HIV-1 pseudovirion boost enhanced the CTL to this epitope in immunized BALB/c mice as measured by CTL lysis and IFN gamma production.

HXB2 Location gp160 (311–318)

Author Location (MN)

Epitope IGPGRGFY

Immunogen vaccine

Vector/Type: B. abortus complex **Strain:** B clade MN **HIV component:** V3

Species (MHC) mouse (H-2D^d)

References Golding *et al.* 2002a

- Intranasal immunization of B. abortus conjugated to V3 peptides induces mucosal IFN-gamma producing T-cell responses in BALB/c mice.

HXB2 Location gp160 (311–319)

Author Location gp120 (311–320 IIIB)

Epitope RGPGRGFVT

Subtype B

Immunogen vaccine

Vector/Type: DNA, DNA with protein boost **Strain:** B clade IIIB **HIV component:** gp160 **Adjuvant:** IL-12

Species (MHC) mouse (A2)

Keywords vaccine-specific epitope characteristics

References Kiszka *et al.* 2002

- Transgenic mice expressing a HLA-A2/Kb chimeric protein were vaccinated with a full length gp160 or with gp160deltaV3, with the V3 loop deleted. Mice given gp160deltaV3 had a broader immune response than those given gp160, with increased responses to conserved HLA-A2 epitopes in the C1 region of gp120, KLTPLCVTL, and the C-term region of gp41, SLLNATAIAV.
- Greater resistance was conferred by the gp160deltaV3 than the gp160 vaccine to a challenge of vaccinia expressing heterologous gp160 from primary isolates (VI-06 and 89.6), and the resistance was conferred by CD8+ T-cells.
- The most intense CTL responses to the intact gp160 vaccine were directed at three V3 peptides.

HXB2 Location gp160 (311–319)

Author Location gp120 (312–320 SF2)

Epitope IGPGRGFHT

Immunogen vaccine

Vector/Type: DNA **Strain:** B clade SF2 **HIV component:** gp120

Species (MHC) mouse (D^d)

References Selby *et al.* 1997

- Murine CTL response to peptide observed after immunization with DNA plasmid containing HIV-1 (SF2) gp120 gene regulated by bacteriophage T7 promoter.

- CTL response required coadministration of rec vaccinia virus expressing T7 RNA polymerase or T7 RNA polymerase soluble protein.

HXB2 Location gp160 (311–319)
Author Location gp120 (SF2)
Epitope IGPGRAFHT
Immunogen vaccine
Vector/Type: DNA prime with gp120 boost
Strain: B clade SF2 *HIV component:* gp120
Species (MHC) mouse (H-2D^d)
References Barnett *et al.* 1997

- CTL were induced by vaccine, and restimulated *in vitro* with V3 peptide.
- DNA vaccine with protein boost stimulated both CTL and antibodies.
- Strains SF2 (IGPGRAFHT), US4 (IGPGRAFYA), and CM235 (IGPGQVFYR) were tested.

HXB2 Location gp160 (311–319)
Author Location gp120 (312–320 SF2)
Epitope IGPGRAFHT
Subtype B
Immunogen vaccine
Vector/Type: DNA, vaccinia *Strain:* B clade SF2 *HIV component:* Gag, gp120
Species (MHC) mouse (H-2D^d)
Assay type Chromium-release assay
Keywords epitope processing, vaccine-induced epitopes
References Doe *et al.* 1996

- Spleen cells from mice with distinct MHC types were infused into HIV vaccinated scid mice, to study the antigen presenting cells used by CTL induced in intramuscular injections. Bone marrow derived cells are used for presentation, but DNA infection is not required for priming, rather APCs can present proteins synthesized in other host cells.

HXB2 Location gp160 (311–320)
Author Location gp160 (318–327 IIIB)
Epitope RGPGRAFVTI
Immunogen *in vitro* stimulation or selection
Species (MHC) human (A*0201)
References Alexander-Miller *et al.* 1996

- This epitope stimulates a CTL line derived from an HIV negative donor.
- This immunogenic peptide does not have the known binding motif for A2.1.
- The same optimal peptide for this human HLA-A2.1 epitope was observed for a murine H-2 D^d epitope.

HXB2 Location gp160 (311–320)
Author Location gp120 (311–320 IIIB)
Epitope RGPGRAFVTI
Immunogen vaccine
Species (MHC) human (A*0201)
Keywords optimal epitope
References Frahm *et al.* 2007

- C. Brander notes this is an A*0201 epitope.

HXB2 Location gp160 (311–320)

Author Location gp160 (318–327 IIIB)
Epitope RGPGRAFVTI
Epitope name LR25
Subtype B
Immunogen vaccine
Vector/Type: peptide *Strain:* B clade LAI
Adjuvant: Incomplete Freund's Adjuvant (IFA), Montanide (ISA 720), P30, PLG
Species (MHC) mouse (A*0201)
Keywords binding affinity, vaccine-specific epitope characteristics, immunodominance
References Peter *et al.* 2001

- The stability of peptide binding to HLA-A2.1 was determined for six HLA-A2.1 peptides included in this vaccine study – ILKEPVHGV (RT), SLYNTVATL (p17), SLLNATDIAV (gp41) and LLWKGEAV (RT) all bound with high affinity comparable to a influenza epitope reference (GILGFVFTL), while RGPGRAFVTI and VIYQYMDDL bound with a lower affinity (relative binding activity = 0.01).
- The four high-affinity peptides formed stable complexes with half-lives ranging between 8 and 32 hours, while the low affinity peptides had half lives of less than an hour.
- HLA-A2.1 transgenic mice were immunized with the six HIV-1 peptides and P30, as a universal T-helper epitope, with IFA or Montanide or microspheres as adjuvants.
- All peptides except VIYQYMDDL induced a strong CTL response in Cr-release assays - stronger responses were observed when peptides were delivered alone, indicating immunodominance when the combination was used.

HXB2 Location gp160 (311–320)
Author Location gp160 (318–327 IIIB)
Epitope RGPGRAFVTI
Immunogen vaccine
Vector/Type: vaccinia *Strain:* B clade IIIB
HIV component: gp160
Species (MHC) human (A2)
References Achour *et al.* 1996

- Individual was immunized with rec vaccinia gp160 IIIB and boosted with purified gp160.
- Lysis only occurs with IIIB P18 peptide pulsed onto autologous targets; MN, RF, SIMI P18 peptides fail to stimulate CTL.
- Restimulating immune cells from gp160 IIIB vaccinees with MN, RF, or SIMI P18 did not enhance the MN, RF, or SIMI specific CTL response.

HXB2 Location gp160 (311–320)
Author Location gp160 (318–327 SIMI)
Epitope MGPKRAFYAT
Immunogen vaccine
Vector/Type: vaccinia prime with gp160 boost *Strain:* B clade SIMI *HIV component:* gp160
Species (MHC) human (A2)
References Achour *et al.* 1996

- Individual was immunized with rec vaccinia gp160 SIMI and boosted with purified recombinant gp160 SIMI.

- P18 MN and RF peptides were able to stimulate the HIV-specific CTL that arose in response to the SIMI vaccination, thus the P18 MN peptide (IGPGRAFYT) and the P18 RF peptide (KGPGRVIYAT) could cross-react.
- The P18 IIIB peptide does not cross-react (RGPGRAFVTI in the epitope region)
- gp160 SIMI primed immune cells could generate a significantly broader specificity when stimulated with P18 MN or P18RF peptides, but not P18 IIIB.

HXB2 Location gp160 (311–320)

Author Location gp120 (311–320)

Epitope RGPGRAFVTI

Immunogen HIV-1 infection

Species (MHC) human (A2)

Keywords rate of progression, acute/early infection

References Day *et al.* 2001

- The CTL response to optimally defined CTL epitopes restricted by HLA class I A and B alleles in individuals who coexpressed HLA A2, A3, and B7 was studied in eight HIV-1-infected subjects, two with acute infection, five with chronic, and one long-term non-progressor (LTNP)
- 2 to 17 epitopes were recognized in a given individual, A2-restricted CTL response tended to be narrow and never dominated the response, and 25/27 epitopes were targeted by at least one person.

HXB2 Location gp160 (311–320)

Author Location gp160 (311–320)

Epitope RGPGRAFVTI

Subtype B

Immunogen HIV-1 infection

Species (MHC) human (A2)

Country United States.

Assay type CD8 T-cell Elispot - IFN γ , Chromium-release assay, HLA binding

Keywords acute/early infection, optimal epitope

References Altfeld *et al.* 2005

- The most frequently targeted HLA-A2-restricted CD8+ T-cell epitopes in chronic infection were significantly less frequently recognized during primary infection. This epitope was recognized both in acute and chronic infection, but slightly more frequently in chronic infection.

HXB2 Location gp160 (311–320)

Author Location gp160 (318–327 IIIB)

Epitope RGPGRAFVTI

Immunogen vaccine

Vector/Type: peptide *Strain:* B clade IIIB
HIV component: V3

Species (MHC) mouse (D)

References Nehete *et al.* 1995

- RGPGRAFVTI was defined as the optimal peptide for vaccination, out of RIQRGPRAFVTIGK.
- This peptide, in a carrier-free form in Freund's adjuvant, could stimulate Env specific CTL in BALB/c mice.

HXB2 Location gp160 (311–320)

Author Location gp160 (318–327 IIIB)

Epitope RGPGRAFVTI

Immunogen vaccine

Vector/Type: peptide *Strain:* B clade IIIB
HIV component: V3

Species (MHC) mouse (D^d)

Keywords dendritic cells

References Takahashi *et al.* 1993

- Successful priming with vaccination of peptide pulsed splenic dendritic cells.

HXB2 Location gp160 (311–320)

Author Location gp160 (318–327 IIIB)

Epitope RGPGRAFVTI

Immunogen vaccine

Vector/Type: peptide *Strain:* B clade IIIB
HIV component: V3

Species (MHC) mouse (D^d)

References Takahashi *et al.* 1996

- Exposure of CD8+ CTL to free peptide corresponding to the epitope results in strong inhibition of the CTL response to targets sensitized with the same peptide.
- The authors propose this is due to a “self-veto”, where the CTL is inactivated by a CD8+ cell carrying the appropriate peptide-MHC complex.

HXB2 Location gp160 (311–320)

Author Location gp160

Epitope RGPGRAFVTI

Immunogen vaccine

Vector/Type: vaccinia

Species (MHC) mouse (H-2^{d17})

References Hanke *et al.* 1998a

- MVA is an attenuated vaccinia that can not replicate in mammalian cells – strings of CTL epitopes were delivered and expressed in a MVA DNA vector.
- INF γ and CTL activity were induced after a single vaccination.
- An MVA boost enhanced the response.

HXB2 Location gp160 (311–320)

Author Location gp160

Epitope RGPGRAFVTI

Immunogen vaccine

Vector/Type: DNA, vaccinia *HIV component:* Env *Adjuvant:* IL-12

Species (MHC) mouse (H-2^d)

References Gherardi *et al.* 2000

- Induction of HIV-1 specific CD8 gamma IFN secreting cells was enhanced when IL-12 and Env were given together in a prime, followed by a VV expressing Env boost.
- If IL-12 was also delivered as a boost from the viral vector, impairment of the IL-12 effects was noted, indicating that the vaccination schedule can be a critical parameter for success with DNA and vaccinia vectors used in combination with immunomodulators.
- The negative effect observed when IL-12 was delivered with the boost involved nitric oxide.

HXB2 Location gp160 (311–320)

Author Location Env

Epitope RGPGRAFVTI

Immunogen vaccine

Vector/Type: DNA *Strain:* B clade IIIB
HIV component: gp160, Rev *Adjuvant:* IL-12, IL-15, IL-2

Species (MHC) mouse (H-2^d)

Keywords Th1

References Xin *et al.* 1999

- A study of the DNA vaccine pCMV160IIIB/REV with IL-15 and IL-2 or IL-12 expression plasmids.
- Intranasal immunization of BALB/c mice with HIV DNA and IL-15 plasmid induced increased Th1 and CTL responses.
- Co-administration of IL-15 with IL-12 or IL-2 plasmids did not alter the effect of IL-15.
- Both the CTL (peptide pulsed targets) and DTH response (injection of peptide into footpad) to this peptide was monitored.
- The Ab response to NNTRKSIRIQRGPGRAFVTIGKIGN was monitored, and IL-15 co-administration resulted in a decrease in the IgG1/IgG2a ratio.

HXB2 Location gp160 (311–320)

Author Location Env

Epitope RGPGRGFVTI

Immunogen vaccine

Vector/Type: vaccinia, Sindbis *HIV component:* V3

Species (MHC) mouse (H-2^d)

References Villacres & Bergmann 1999

- HIV-1 epitope p18 was expressed in two different vaccine vectors and the CTL response was compared in BALB/c mice.
- Class I tetramer staining showed that up to 13% of the CD8+ splenocytes were p18 specific in the acute response using vaccinia, only 4% using Sindbis.
- vp18 had more gamma IFN secreting splenocytes and activated CD4+ and CD8+ T cells.
- The overall decline in CD8+ T cells in the transition into memory was 2-3 fold for both vectors.
- Sindbis virus recombinants induced protective memory cytotoxic T cells, although reduced quantitatively, without vaccinia associated inflammation and replication.

HXB2 Location gp160 (311–320)

Author Location Env (318–327)

Epitope RGPGRGFVTI

Immunogen

Species (MHC) mouse (H-2^d)

Keywords epitope processing, immunodominance

References Lopez *et al.* 2000

- A series of protease and proteasome inhibitors was used to identify elements of the processing pathway of this epitope, called p18, both from within Env and from within a chimeric hepatitis B protein which allows proper processing.
- Lactacystin, a proteasome inhibitor, partially inhibits endogenous processing of p18 epitope suggesting both a proteasome pathway and an additional pathway can be used.
- Both TAP dependent and TAP-independent pathways can be used.
- 1,10-phenanthroline (metalloproteinase inhibitor) blocks epitope presentation demonstrating metalloproteinase processing in the Tap-dependent pathway.
- The Tap-independent pathway does not involve processing by metalloproteinases.

- This epitope is immunodominant in mice, and is presented by multiple human HLA alleles – it has been suggested that the high processing efficiency of this epitope might result in poor presentation of co-expressed epitopes.

HXB2 Location gp160 (311–320)

Author Location gp120

Epitope RGPGRGFVTI

Immunogen vaccine

Vector/Type: vaccinia

Species (MHC) mouse (H-2^d)

References Hanke *et al.* 1998a; Hanke *et al.* 1998b

- This murine epitope was incorporated into a vaccine of CTL epitopes expressed together including 20 HIV epitopes recognized by humans from 12 HLA types, one murine HIV epitope and three macaque HIV epitopes, delivered in a vaccinia virus Ankara (VVA) construct.
- The murine vaccination was more effective at generating CTL when given i.v. rather than i.m.

HXB2 Location gp160 (311–320)

Author Location gp160 (318–327 IIIB)

Epitope RGPGRGFVTI

Immunogen vaccine

Vector/Type: peptide *HIV component:* CD4BS, HPG30, V3 *Adjuvant:* IL-12

Species (MHC) mouse (H-2^d)

References Hamajima *et al.* 1997

- B cell epitope HGP-30 also serves as a CTL epitope.
- Vaccine combined HGP-30, V3 loop peptide variants, and CD4 binding site peptide.
- IL-12 expression plasmid included with the vaccination enhanced the CTL response.

HXB2 Location gp160 (311–320)

Author Location gp160 (318–327 IIIB)

Epitope RGPGRGFVTI

Immunogen vaccine

Vector/Type: DNA *Strain:* B clade IIIB
HIV component: gp160

Species (MHC) mouse (H-2^d)

Keywords Th1, Th2

References Arai *et al.* 2000

- Low-dosage 8 Br-cAMP given in combination with a DNA vaccine to BALB/c mice increased IgG and sIgA levels, and enhanced Th1, Th2 and CTL activity – the adjuvant activity may be mediated by activation of the CMV promoter in the DNA vaccine.

HXB2 Location gp160 (311–320)

Author Location gp120 (318–327 IIIB)

Epitope RGPGRGFVTI

Immunogen vaccine

Vector/Type: fusion protein with anthrax delivery domain *HIV component:* gp120

Species (MHC) mouse (H-2^d)

References Goletz *et al.* 1997

- Anthrax lethal toxin can deliver proteins to the cytosol of eukaryotic cells.

- A fusion protein linking the delivery domain of the anthrax protein to gp120 achieved cellular uptake, and gp120 was processed allowing presentation of this V3 epitope to CTL *in vitro*.

HXB2 Location gp160 (311–320)
Author Location gp160 (318–327 IIIB)
Epitope RGPGRAFVTI

Epitope name I-10
Immunogen *in vitro* stimulation or selection
Species (MHC) mouse (H-2^d)

- References** Takahashi *et al.* 2001
- Pre-incubation of HIV-1 (IIIB) gp160 specific CTL with peptide without APCs reduced cytolytic activity 3.5 fold and induced peptide concentration dependent IL-2 unresponsiveness that might be due to IL-2Rbeta down regulation.
 - An enhanced cytolytic activity was observed by addition of anti-IFN-gamma, TNF-alpha or MIP-1beta to I-10 suppressed CTLs.

HXB2 Location gp160 (311–320)
Author Location gp160 (IIIB)
Epitope RGPGRAFVTI
Immunogen vaccine
Vector/Type: vaccinia *Strain:* B clade IIIB
HIV component: gp160

Species (MHC) mouse (H-2^d)
Keywords Th1, Th2

- References** Shirai *et al.* 2001
- *Helicobacter pylori* induces Th1 responses early, but predominantly Th2 responses later in infection (at 6 weeks) – differentiation of HIV-1 gp160 CD4+ help and CD8+ CTL effector cells in response to HIV gp160-vaccinia vaccination is impaired in BALB/c mice infected with *H. pylori*.

HXB2 Location gp160 (311–320)
Author Location gp120 (V3) (IIIB)
Epitope RGPGRAFVTI
Immunogen vaccine
Vector/Type: influenza *Strain:* B clade IIIB
HIV component: V3

Species (MHC) mouse (H-2^d)
Assay type Intracellular cytokine staining, Chromium-release assay
Keywords genital and mucosal immunity, memory cells, vaccine antigen design

- References** Garulli *et al.* 2004
- BALB/c mice were transiently infected vaginally with a recombinant influenza virus expressing an HIV CTL V3 epitope. Infection was promoted by prior progesterone treatment. This vaccination induced long-term cellular T-cell responses in mice. Responses were induced at both local mucosal and systemic sites against both influenza and V3 epitopes. Intranasal vaccination also resulted in T-cell responses in distant mucosal tissues.

HXB2 Location gp160 (311–320)
Author Location gp120 (318–327 IIIB)
Epitope RGPGRAFVTI
Immunogen vaccine

Vector/Type: vaccinia *Strain:* B clade IIIB
HIV component: gp160

Species (MHC) mouse (H-2^d, H-2^p, H-2^u)

- References** Shirai *et al.* 1997
- Three class I MHC, H-2^{d-p-u}, that differ in sequence and serology, cross-present this peptide to T cells of each of the other haplotypes.
 - The amino acids R, F, and I are each critical for strong CTL activity with all three MHC molecules.

HXB2 Location gp160 (311–320)
Author Location Env (89.6)
Epitope IGPGRRARYAR
Immunogen vaccine
Vector/Type: vaccinia *Strain:* B clade 89.6
HIV component: gp160

Species (MHC) mouse (H-2D)

- References** Belyakov *et al.* 1998b
- Recombinant modified vaccinia virus Ankara (MVA), an attenuated vaccinia which has lost the ability to replicate in mammalian cells, was used as the live vector for this vaccine study.
 - A single intrarectal mucosal immunization resulted in long lasting mucosal CTL responses and production of proinflammatory cytokines in mucosal sites, indicating that MVA was as effective in inducing mucosal CTL as replicating recombinant vaccinia.

HXB2 Location gp160 (311–320)
Author Location Env (IIIB)
Epitope IGPGRRARYAR
Immunogen vaccine
Vector/Type: peptide *Strain:* B clade IIIB
HIV component: V3

Species (MHC) mouse (H-2D)

- References** Belyakov *et al.* 1998a
- HIV protection and mucosal CTL response was studied – an HIV peptide immunogen could protect against gp160 expressing vaccinia in a murine intrarectal challenge system in which neutralizing Abs did not play a role, demonstrating mucosal CTL at the site of exposure can be protective.

HXB2 Location gp160 (311–320)
Author Location gp120 (MN)
Epitope IGPGRAFYYT
Immunogen vaccine
Vector/Type: B. abortus complex

Species (MHC) mouse (H-2D^d)

- References** Lapham *et al.* 1996
- B. abortus-peptide conjugate induced a virus-specific CTL response in CD4+ lymphocyte depleted mice.

HXB2 Location gp160 (311–320)
Author Location gp160 (IIIB)
Epitope RGPGRAFVTI
Immunogen vaccine
Vector/Type: non-replicating adenovirus
Strain: B clade IIIB *HIV component:* Env, Rev

Species (MHC) mouse (H-2D^d)
References Bruce *et al.* 1999

- A good HIV-1 Env immune response using non-replicating adenovirus vectors in BALB/c mice is dependent upon the presence of the stimulatory tat/rev 5' splice-donor site sequence and the presence of Rev.
- Administration of monocistronic RAd501 expressing env and RAd46 expressing rev resulted in a positive CTL response, but required two immunizations for a CTL response comparable to that induced by the bicistronic virus RAd142.
- Administration of RAd501 alone gave a low CTL response, but no humoral response, suggesting a lower level of antigen may be required to stimulate CTL.

HXB2 Location gp160 (311–320)

Author Location gp120 (MN)

Epitope IGPGRAFVTI

Immunogen vaccine

Vector/Type: B. abortus complex

Species (MHC) mouse (H-2D^d)

References Lapham *et al.* 1996

- B. abortus-peptide conjugate induced a virus-specific CTL response in CD4+ lymphocyte depleted mice.

HXB2 Location gp160 (311–320)

Author Location gp160 (318–327 IIIB)

Epitope RGPGRAFVTI

Immunogen peptide-HLA interaction

Species (MHC) mouse (H-2D^d)

References Takeshita *et al.* 1995

- XGPXRXXXXXI are critical for binding, consistent with H-2D^d motif XGPX(RKH)XXX(X)(LIF)

HXB2 Location gp160 (311–320)

Author Location Env

Epitope RGPGRAFTVTI

Immunogen vaccine

Vector/Type: DNA *HIV component:* V3

Species (MHC) mouse (H-2D^d)

References Hanke & McMichael 1999; Hanke *et al.* 1999

- Vaccinated mice elicited a CTL response to a gene gun-delivered multi-epitope vaccine to two epitopes studied that are known to elicit CTL in mice: SYIPSAEKI from Plasmodium berghei and RGPGRAFTVTI from HIV-1 Env.
- Different vaccination protocols were tested and it was found that a gene gun mediated delivery followed by an MVA boost was as good as i. m. immunization followed by a MVA boost – this is advantageous as gene gun delivery requires far less DNA than i.m. DNA priming.
- CTL activity was high (60% - 70% specific lysis at effector target) when vaccinated with a single gene gun immunization and an MVA boost, and improved with two gene gun vaccinations.

HXB2 Location gp160 (311–320)

Author Location Env (IIIB)

Epitope RGPGRAFVTI

Epitope name I-10

Immunogen in vitro stimulation or selection

Species (MHC) mouse (H-2D^d)

Keywords epitope processing, immunodominance

References Nakagawa *et al.* 2000

- The CTL line LINE-IIIB was generated by repetitive restimulation of BALB/c spleen cells with vSC-25, IIIB gp160-expressing vaccinia.
- RGPGRAFVTI represents the active minimal epitope within the previously described immunodominant epitope P18IIIB (RIQRGPGRAFVTIGK, gp160(308-322))
- External processing of P18IIIB results in the removal of the 2 C-terminal residues (GK) of I-10 by ACE (angiotensin-1-converting-enzyme) in sera to produce I-10, and this processing is essential for target cell presentation of RIQRGPGRAFVTIGK.

HXB2 Location gp160 (311–320)

Author Location Env (IIIB)

Epitope RGPGRAFVTI

Epitope name p18-I10

Immunogen vaccine

Vector/Type: vaccinia, vesicular stomatitis virus (VSV) *Strain:* B clade HXB2, B clade IIIB *HIV component:* Env, Gag

Species (MHC) mouse (H-2D^d)

Keywords immunodominance

References Haglund *et al.* 2002a

- Different HIV strains were used for different regions: Env IIIB, Gag HXB2
- BALB/c mice were vaccinated with rec vesicular stomatitis virus (rVSV) expressing either HIV-1 Gag, Env, or both, and compared to using rec Env and Gag in vaccinia virus (rVVs). The primary response was determined by cell lysis, cytokine production and tetramer staining.
- Primary CTL responses to the immunodominant Env (RGPGRAFVTI) epitope peaked 5-7 days after intraperitoneal vaccination with Env-rVSV, 40% of the CD8+ cells were tetramer positive, and this response was 6-fold higher than the response to Env-rVV.
- Vaccinating with GagEnv-rVSV carrying both Gag and Env allowed recognition of both HIV-1 proteins, but at reduced levels compared to either Gag-rVSV or Env-rVSV alone.
- Intranasal immunization with Env-rVSV yielded CTL responses that were strong but reduced compared to an intraperitoneal route.

HXB2 Location gp160 (311–320)

Author Location Env (IIIB)

Epitope RGPGRAFVTI

Epitope name p18-I10

Subtype B

Immunogen vaccine

Vector/Type: vaccinia, vesicular stomatitis virus (VSV) *Strain:* B clade HXB2 *HIV component:* Env, Gag

Species (MHC) mouse (H-2D^d)

Keywords immunodominance

References Haglund *et al.* 2002b

- Different HIV strains were used for different regions: Env IIIB, Gag HXB2
- BALB/c mice were vaccinated with rec vesicular stomatitis virus (rVSV) expressing either HIV-1 Gag or Env, or both, and retention of memory responses and recall responses were studied by tetramer staining and IFN-gamma production.

- Seven months after vaccination with Env-rVSV, 6% of the CD8+ cells were tetramer positive for the immunodominant Env epitope; these cells had a memory phenotype, CD44-Hi positive.
- Env in rec vaccinia virus (Env-rVV) elicited a strong recall response, with up to 45% to the CD8+ T-cell population tetramer positive and activated (expressing CD62L-Lo), and capable of IFN-gamma production.
- A prime with Env-rVSV and heterologous boost of Env-rVV gave remarkably high levels of memory cells, with approximately 1/3 of the CD8+ splenocytes being Env specific memory cells 150 days after the boost.
- A Gag-rVSV or EnvGag-rVSV prime and with a heterologous Gag-rVV or EnvGag-rVV boost combination gave 40% tetramer positive CD8+ cells, but the fraction of IFN-gamma producing cells was only about 25%. Still the heterologous vector prime-boost combination showed a profound benefit.
- A HIV-1 protein rVSV prime, rVV boost was a more potent combination than a vector reversal of a rVV prime and rVSV boost.

HXB2 Location gp160 (311–320)
Author Location gp120 (V3) (IIIB)
Epitope RGPGRFVTI

Immunogen vaccine
Vector/Type: peptide *Strain:* B clade IIIB
HIV component: V3 *Adjuvant:* Cholera toxin (CT), GM-CSF, IL-12, IL-18, IL-1 α

Species (MHC) mouse (H-2D^d)

References Staats *et al.* 2001

- Cholera toxin (CT) is a potent adjuvant used in animal studies that is not safe in humans, so combinations of cytokines were used in nasal immunization of BALB/c mice V3 peptides to attempt to replace CT as a potent adjuvant.
- Peptide vaccine induced CTL activity was significantly increased by IL-1 α , IL-18, and GM-CSF given alone as adjuvant, but CT gave more potent CTL activity than any single cytokine.
- Combinations of cytokines could be more potent than CT as an adjuvant. The highest tetramer binding of H-2Dd peptide-specific PBMC after nasal immunization was observed with IL-1 α plus IL-18 as adjuvant.
- Nasal immunization with HIV peptide in the presence of IL-1 α , IL-12 and GM-CSF induced IFN-gamma-secreting cells in the cervical lymph node, the lung and the spleen, and was associated with upregulation of MHC class II and B7.1 on nonlymphocytes in NALT/nasal mucosal cells.
- Consistent results were obtained for the IIIB and the MN peptides.

HXB2 Location gp160 (311–320)
Author Location gp160 (318–327) (IIIB)
Epitope RGPGRFVTI

Immunogen vaccine
Vector/Type: DNA prime with vaccinia boost
Strain: B clade IIIB *HIV component:* gp160
Adjuvant: beta-glucan lentinan, IL-2/Ig, liposome, PLG

Species (MHC) mouse (H-2D^d)

Keywords immunodominance

References Wierzbicki *et al.* 2002

- BALB/c mice were given an oral immunization with (PLG)-encapsulated plasmid DNA expressing gp160 and a boost of rec gp160 vaccinia vectors (rVV) with addition of murine IL-2/Ig plasmid or lentinan-associated liposomes. Lentinan increased CTL activity as measured by Cr-release assays against the immunodominant epitope RGPGRFVTI, but didn't alter Ab responses. IL-2/Ig increased both type I and II activities, and increased Env specific CTL and Abs. Administration of liposomes and PLG microparticles with adjuvants facilitated gastrointestinal uptake.

HXB2 Location gp160 (311–320)

Author Location gp120 (LAI)

Epitope RGPGRFVTI

Epitope name P18

Subtype B

Immunogen vaccine

Vector/Type: protein *Strain:* B clade LAI
HIV component: Gag, gp120 *Adjuvant:* CpG immunostimulatory sequence (ISS)

Species (MHC) mouse (H-2D^d)

References Horner *et al.* 2001

- Immunostimulatory sequences (ISS), also known as CpG motifs, stimulate innate immunity and enhance vaccine-specific immune responses.
- Intranasal immunization (i.n.) of BALB/c mice was more effective than intradermal (i.d.), and immunization with a gp120-ISS conjugate was more potent than immunizing with gp120 and separate ISS molecule – increased IgG1, IgG2a, IFN-gamma, MIP1- α and MIP1- β production was observed, and only i.n. immunization gave IgA responses.
- The highest mucosal CTL activity in both the Lamina Propria and the Peyer's Patch was observed following intranasal delivery with the gp120/ISS conjugate.
- Cytokine, chemokine and CTL responses following gp120/ISS conjugate vaccination were CD4+ T-cell independent; gp120 specific antibodies were dependent on helper T cells.

HXB2 Location gp160 (311–320)

Author Location gp160 (V3) (IIIB)

Epitope RGPGRFVTI

Epitope name I10

Immunogen vaccine

Vector/Type: vaccinia *Strain:* B clade IIIB
HIV component: gp160

Species (MHC) mouse (H-2D^d)

Keywords acute/early infection

References Takahashi *et al.* 2002

- During acute infection, high doses of virus result in "clonal exhaustion", a depletion of antigen specific T-cells.
- Recently stimulated CTL from BALB/c mice vaccinated with gp160-vaccinia showed a dose- and time-dependent induction of apoptosis when stimulated with antigenic peptide or H-2Dd/peptide tetramers.
- Restimulated CTL showed an upregulation of CD3-chain phosphorylation in comparison to cells stimulated with target cells, indicative of TCR-mediated apoptosis. Furthermore, apoptosis was inhibited by cyclosporin A and U0126, a mitogen activated

kinase inhibitor specific for the ERK1/ERK2 MAPK kinase pathway, and a caspase 3 inhibitor.

HXB2 Location gp160 (311–320)

Author Location gp160 (V3) (MN)

Epitope IGPGRAFYAT

Epitope name MNT10

Immunogen vaccine

Vector/Type: vaccinia *Strain:* B clade IIIB

HIV component: gp160

Species (MHC) mouse (H-2D^d)

Keywords acute/early infection

References Takahashi *et al.* 2002

- During acute infection, high doses of virus result in "clonal exhaustion", a depletion of antigen specific T-cells.
- Recently stimulated CTL from BALB/c mice vaccinated with gp160-vaccinia showed a dose- and time-dependent induction of apoptosis when stimulated with antigenic peptide or H-2Dd/peptide tetramers.
- Restimulated CTL showed an upregulation of CD3-chain phosphorylation in comparison to cells stimulated with target cells, indicative of TCR-mediated apoptosis. Furthermore, apoptosis was inhibited by cyclosporin A and U0126, a mitogen activated kinase inhibitor specific for the ERK1/ERK2 MAPK kinase pathway, and a caspase 3 inhibitor.

HXB2 Location gp160 (311–320)

Author Location gp160 (V3) (HIV-IIIB)

Epitope RGPGRAFVTI

Epitope name P18-I10

Subtype B

Immunogen vaccine

Vector/Type: vaccinia *Strain:* B clade IIIB

HIV component: gp160 *Adjuvant:* IL-15, IL-2

Species (MHC) mouse (H-2D^d)

Donor MHC H-2d

Assay type Cytokine production, Tetramer binding, Chromium-release assay

References Oh *et al.* 2003a

- IL-2 and IL-15 in vaccinia constructs were given with an HIV gp160 vaccinia vaccine to BALB/c mice. Both IL-2 and IL-15 induced strong and long-lasting antibody responses. Short-term CTL responses against HIV gp120 were enhanced by IL-2, but IL-15 enhanced both immediate CD8+ T cell responses and CD8+ T memory cells.

HXB2 Location gp160 (311–320)

Author Location gp160 (IIIB)

Epitope RGPGRAFVTI

Epitope name P18-I10

Subtype B

Immunogen vaccine

Vector/Type: vaccinia *Strain:* B clade IIIB

HIV component: V3 *Adjuvant:* B7, ICAM, LFA-3

Species (MHC) mouse (H-2D^d)

Donor MHC H-2d

Assay type proliferation, CD8 T-cell Elispot - IFN γ , Tetramer binding

References Oh *et al.* 2003b

- BALB/c mice were vaccinated with T-cell depleted splenocytes pulsed with peptides given in combination with immunostimulatory molecules B7, ICAM or LFA expressed in a recombinant pox virus. Increasing antigen gave an increased frequency of CD8+ T-cells, but the co-stimulatory molecules increased the avidity of the response.

HXB2 Location gp160 (311–320)

Author Location (89.6)

Epitope IGPGRAFYAR

Subtype B

Immunogen vaccine

Vector/Type: DNA *HIV component:* gp120

Adjuvant: Flex, a dendric cell growth factor

Species (MHC) mouse (H-2D^d)

Donor MHC H-2d

Assay type Intracellular cytokine staining

Keywords dendritic cells

References Sailaja *et al.* 2003

- BALB/c mice were given a DNA vaccine that contained gp120 DNA covalently attached to the extracellular domain of the Fms-like tyrosine kinase receptor-3 ligand (FLex), a dendritic cell growth factor.
- Mice vaccinated i.m. with the FLex:gp120 chimeric gene gave a DC expansion similar to native Flex protein.
- gp120-specific stable CD8+ T-cell responses lasted 114 days after a prime/boost, and were observed in the presence and absence of Flex-DNA-induced dendritic cell (DC) expansion; strong Ab responses required DC expansion.

HXB2 Location gp160 (311–320)

Author Location gp120 (V3)

Epitope RGPGRAFVTI

Immunogen vaccine

Vector/Type: herpes simplex virus type-1

(HSV-1) amplicon *HIV component:* gp120

Species (MHC) mouse (H-2D^d)

Donor MHC H-2d

Assay type Tetramer binding, JAM cytotoxicity assay

Keywords kinetics, memory cells

References Wang 2003

- Prime-boost combinations of gp120 combined with herpes simplex virus type-1 (HSV-1) amplicon particles, or gp120 in naked amplicon plasmid DNA, were compared in BLAB/c mice. Plasmid prime with particle boosts gave the strong primary (2 weeks) and memory responses (4 months).
- CD8+ T-cells reached their peak 8-28 days after the initial amplicon delivery.

HXB2 Location gp160 (311–320)

Author Location gp120 (V3)

Epitope RGPGRAFVTI

Epitope name P18-I10

Immunogen vaccine

Vector/Type: peptide, vaccinia *Strain:* B

clade 89.6, B clade IIIB *HIV component:*

gp160 Δ V3 *Adjuvant:* Cholera toxin (CT), E.

coli mutant heat labile enterotoxin (LT-R72),

Incomplete Freund's Adjuvant (IFA), CpG immunostimulatory sequence (ISS)

Species (MHC) mouse (H-2D^d)

Assay type Chromium-release assay, Flow cytometric T-cell cytokine assay

Keywords dendritic cells, Th1, Th2, genital and mucosal immunity

References Belyakov *et al.* 2004

- Transcutaneous immunisation (TCI) of BALB/c mice induced adjuvant-dependent HIV-1 specific CTL responses in the spleen and the gut mucosa that resulted in protection against mucosal challenge against a recombinant vaccinia virus carrying HIV-1 env. Activated DCs from skin were shown to migrate to immune-inductive sites in gut mucosa and to present antigen directly to resident lymphocytes.

HXB2 Location gp160 (311–320)

Author Location gp120 (V3)

Epitope RGPGRFVVTI

Subtype B

Immunogen vaccine

Vector/Type: herpes simplex virus type-1 (HSV-1) amplicon *Strain:* B clade LAI, B clade MN *HIV component:* gp120

Species (MHC) mouse (H-2D^d)

Assay type CD8 T-cell Elispot - IFN γ , Tetramer binding, JAM cytotoxicity assay

Keywords vaccine antigen design

References Hocknell *et al.* 2002

- BALB/c mice were immunized with HSV amplicons containing HIV-1 gp120. Helper virus free HSV-1 amplicon particles are capable of inducing potent cytotoxic CD8+ T-cell and humoral immune responses to the HIV-1 antigen in mice. Previous infection with wild-type HSV-1 reduces amplicon-induced cellular immune responses to HIV gp120 modestly (40-60%), but severally reduced B-cell responses. The route of vaccination impacted the nature and level of the responses (i.m., i.d., and i. p.).

HXB2 Location gp160 (311–320)

Author Location gp120

Epitope RGPGRFVVTI

Subtype B

Immunogen vaccine

Vector/Type: DNA, polyepitope *Strain:* B clade MN *HIV component:* gp120, Protease, RT *Adjuvant:* Incomplete Freund's Adjuvant (IFA)

Species (MHC) humanized mouse (H-2D^d)

Assay type CD8 T-cell Elispot - IFN γ

Keywords epitope processing, vaccine-specific epitope characteristics, immunodominance, immunotherapy

References Isaguliantis *et al.* 2004

- Immunization of HLA-A*0201-transgenic mice with synthetic genes encoding clusters of human A*0201 CTL epitopes located at the sites of drug resistance mutations, induced RT-specific cellular responses indicating the immunogenicity of these constructs. This vaccine strategy may be a first step towards a therapeutic vaccine against drug-resistant strains. This

epitope was included as a mouse marker for a CD8+ T-cell response.

HXB2 Location gp160 (311–320)

Author Location

Epitope RGPGRFVVTI

Epitope name R10I

Immunogen vaccine

Vector/Type: DNA, virus-like particle (VLP), polyepitope *HIV component:* Gag, p24 Gag, V3

Species (MHC) mouse (H-2D^d)

Assay type Cytokine production, Chromium-release assay

Keywords epitope processing, vaccine-specific epitope characteristics, immunodominance

References Wild *et al.* 2004

- A codon optimized gag DNA vaccine was compared to a myristylation defective gag and p24 alone, both of which lack signals for secretion from transfected cells. Gag-derived immunogens that were secreted as VLPs and those that remained intracellular (p24) each produced strong CTL responses, and neither the size of antigen nor cellular trafficking and localization significantly influenced the strength of humoral and cellular immune activation. The formation and release of VLPs was not essential for eliciting strong CTL. BALB/c mice were given the DNA vaccine by i.m. administration of plasmid DNA for the prime and boost.
- Linking the region encoding the V3 immunodominant epitope to the gag gene did not diminish the response to the Gag p24 epitope A9I, but did enable a response to the V3 epitope.
- Minigenes were made incorporating just 1 epitope, minitopes, carrying 1 of 3 murine class I epitopes linked to the Ad2-E3 protein-derived signal peptide to allow access of the epitope to the ER. Weak induction of cellular immune responses was observed, in contrast to the complex polyprotein.

HXB2 Location gp160 (311–320)

Author Location Env (318–327)

Epitope RGPGRFVVTI

Epitope name R10I

Immunogen vaccine

Vector/Type: vaccinia *Strain:* B clade IIIB *HIV component:* gp160

Species (MHC) mouse (H-2D^d)

Donor MHC H-2D

Assay type Intracellular cytokine staining

Keywords vaccine antigen design

References Samino *et al.* 2004

- The endogenous processing of the HIV-1 envelope glycoprotein generates several different natural peptidic species presented by the H-2D molecule in infected cells, the 9-, 10-, and 11-mer peptides, GPGRAFVVTI, RGPGRFVVTI, and QRGPGRAFVVTI. CTL with the same antigenicity could recognize all three forms. The complexity of the binding peptides suggests naturally processed proteins could provide more variety as antigens, stimulating more robust and diverse CTL responses.

HXB2 Location gp160 (311–320)

Author Location p18 (IIIB)

Epitope RGPGRAFVTI
Subtype B
Immunogen vaccine
Vector/Type: DNA with CMV promotor
Strain: B clade IIIB *HIV component:* gp120
Adjuvant: IL-12
Species (MHC) mouse (H-2D^d)
Donor MHC H-2D
Assay type Cytokine production, proliferation, CD8 T-cell Elispot - IFN γ , CD4 T-cell Elispot - IFN γ , Chromium-release assay
Keywords vaccine-induced epitopes, memory cells, characterizing CD8+ T cells
References Seaman *et al.* 2004

- Delivery of plasmid IL-12 on day 10 after immunization of mice with an HIV-1 gp120 DNA vaccine resulted in expansion of gp120-specific CD8+ T-cells but had no effect on antigen-specific CD4+ T-cells and antibody responses. gp120-specific CD8+ T-cells were shown to primarily be effector memory and not central memory T-cells and did not expand following gp120 boost immunization.

HXB2 Location gp160 (311–320)
Author Location gp160 (318–327 IIIB)
Epitope RGPGRAFVTI
Immunogen vaccine
Vector/Type: vaccinia *Strain:* B clade IIIB
HIV component: Env, Nef
Species (MHC) mouse (L^d)
References Tobery & Siliciano 1997

- An HIV-1 Env vaccine was targeted for rapid cytoplasmic degradation.
- The rapidly degraded form rapidly stimulated CTL to this peptide, faster than the normal vaccinia-env.
- The rapidly degraded form also stimulated greater specific CTL lysis and higher CTLp frequencies than normal Env.
- Similar results were obtained for a Nef protein designed for rapid degradation.

HXB2 Location gp160 (311–320)
Author Location gp160 (318–327 IIIB)
Epitope RGPGRAFVTI
Immunogen vaccine
Vector/Type: DNA prime with peptide boost
Strain: B clade IIIB *HIV component:* CD4BS, gp160, HPG30, V3
Species (MHC) macaque
References Okuda *et al.* 1997

- Murine BALB/c (H-2^d) and macaque both showed highest level of CTL vaccine response when a DNA vaccine was boosted with a peptide including four peptide subtypes of the V3 region, HPG-30 and a fragment of the CD4 binding region.

HXB2 Location gp160 (311–320)
Author Location gp120 (318–327)
Epitope RGPGRAFVTI
Immunogen HIV-1 infection
Species (MHC) human
References Kmiecik *et al.* 1998b

- Increased CTL response to cells expressing a VV construct Δ V3 mutant compared with a full-length env gene product.
- This epitope doesn't have A2 anchors, but has features that confer promiscuous A2 binding, which may relate to the inhibitory effect seen in this paper.

HXB2 Location gp160 (311–320)
Author Location Env (IIIB)
Epitope RGPGRAFVTI
Immunogen vaccine
Vector/Type: DNA *Strain:* B clade IIIB
HIV component: gp160, Rev *Adjuvant:* MIP-1 α
Species (MHC) mouse
References Lu *et al.* 1999

- MIP-1alpha co-inoculation increased IgG1/IgG2a ratio T-helper type 1 response.
- A MIP-1 alpha expression plasmid increased the CTL response to this DNA vaccine, as well as the T help response, presumably by the MIP-1 alpha interacting with T lymphocytes and macrophages.

HXB2 Location gp160 (311–320)
Author Location
Epitope RGPGRAFVTI
Epitope name P18
Subtype B
Immunogen vaccine
Vector/Type: DNA *Strain:* B clade BH10
HIV component: gp120 *Adjuvant:* GM-CSF
Species (MHC) mouse
References Barouch *et al.* 2002

- gp120 encoding DNA co-injected with a plasmid carrying GM-CSF gave meager CD4+ T-cell responses in BALB/c mice relative to the enhanced response to bicistronic gp120 and GM-CSF cloned into the same vector and expressed from the same promoter.
- Both mono and bicistronic DNA vaccines induced similar CTL responses directed against the H-2Dd restricted P18 peptide RGPGRAFTVTI in murine splenocytes despite the greatly enhanced proliferative responses.

HXB2 Location gp160 (311–320)
Author Location gp120 (313–322 BRU)
Epitope RGPGRAFVTI
Epitope name Pep 09
Subtype B, C
Immunogen vaccine
Vector/Type: DNA *Strain:* B clade BRU
HIV component: gp160, Rev, Tat
Species (MHC) mouse
Keywords subtype comparisons, Th1
References Arora & Seth 2001

- Plasmid DNA encoding gp160, tat, rev was given i.m. to immunize BALB/c mice.
- Vaccine-induced CTL activity produced a low degree of cell lysis of V3-peptide pulsed target cells, using a B (RGPGRAFVTI) or C (RIGGGPGQTFYATG) clade V3 peptides. Th1 proliferative T-cell responses were observed, and weak Ab responses.

HXB2 Location gp160 (311–320)
Author Location Env (IIIB)
Epitope RGPGRAFVTI
Epitope name 10 Env
Subtype B
Immunogen vaccine
Vector/Type: influenza prime with vaccinia boost *Strain:* B clade IIIB *HIV component:* gp160
Species (MHC) mouse
Donor MHC H-2d
Assay type Cytokine production, proliferation, CD8 T-cell Elispot - IFN γ
Keywords Th1, Th2, genital and mucosal immunity
References Gherardi *et al.* 2003

- Mice were intranasally primed with a recombinant influenza virus A vector that carries HIV-1 Env inserted into its hemagglutinin protein. Boosting was performed intranasally with either influenza-Env or intraperitoneally with two vaccinia virus recombinants expressing the Env protein, VVenV and MVAenv.
- Peritoneal heterologous immunization with VVenV induced a 60-fold higher CD8+ IFN-gamma T cell responses than homologous influenza prime-boost. The intraperitoneal MVAenv boost response was greater than the VVenV boost in the spleen and genital lymph nodes, while the VVenV response gave the highest boost with the intranasal route.
- Mice with increased CD8+-T-cell responses also had a higher Th1/Th2 ratio, indicated by the cytokine secretion profile and the IgG2a/IgG1 ratio.

HXB2 Location gp160 (311–320)
Author Location gp160
Epitope RGPGRAFVTI
Epitope name P18-I10
Subtype B
Immunogen vaccine
Vector/Type: vaccinia with H1 influenza HA gene cassette *Strain:* B clade IIIB *HIV component:* gp160
Species (MHC) mouse
Assay type Chromium-release assay
Keywords genital and mucosal immunity
References Kuribayashi *et al.* 2004

- The intraepithelial compartment of the intestinal mucosa is shown to be a major site for preventing virus spread by thymus-derived CD8 α β -positive Ag specific CTLs and CD8 α , α +gamma,delta cells, which regulate virus spread in a P18-I10 vaccinia vector mouse infection model.

HXB2 Location gp160 (312–320)
Author Location gp120 (V3) (IIIB)
Epitope GPGRAFVTI
Subtype B
Immunogen vaccine
Vector/Type: fowlpoxvirus *Strain:* B clade BRVA, B clade IIIB, B clade JY1, B clade LR150, B clade MN, B clade RF *HIV component:* V3
Species (MHC) mouse (H-2^d)

Keywords vaccine-specific epitope characteristics, immunodominance

References Vázquez Blomquist *et al.* 2002

- BALB/c mice were vaccinated with a polyepitope V3 vaccine in a fowlpoxvirus carrying concatenated 15 mer sections of the V3 loops of HIV-1 isolates LR150, JY1, RF, MN, BRVA and IIIB with 5-aa linkers between, fused to the N-term of p64K protein from *Neisseria meningitidis*.
- Intraperitoneal immunization elicited the strongest V3-specific IFN-gamma response in splenocytes, compared to intravenous and subcutaneous immunization. Intraperitoneal immunization conferred protection in a recombinant vaccinia virus challenge model.
- The immunodominant response was directed against the IIIB peptide (the IIIB immunizing peptide was SIRIQRGP-GRAFVTI, the peptide used to probe the response by Elispot was GPGRAFVTI).
- Low CTL responses were also detected to the LR150 (SRGIRIGPGRAILAT) and RF (RKRTMGPRVYYTT) peptides, no responses were detected to the JY1 (RQSTPIGLGQ-ALYTT), BRVA (RKSITKGPGRVIYAT), or MN (RKRIHIGP-GRAFYTT) peptides.

HXB2 Location gp160 (312–320)

Author Location gp120 (V3)

Epitope GPGRAFVTI

Subtype B

Immunogen vaccine

Vector/Type: DNA prime with vaccinia boost, polyepitope, DNA prime with modified vaccinia Ankara (MVA) boost *Strain:* B clade BRVA, B clade IIIB, B clade JY1, B clade LR150, B clade MN, B clade RF *HIV component:* V3 *Adjuvant:* IFN γ

Species (MHC) mouse (H-2^d)

Assay type Cytokine production, CD8 T-cell Elispot - IFN γ

Keywords Th1

References Gómez *et al.* 2004

- Priming of mice with DNA-TAB vector, a polyepitope string carrying 8 different V3 loop sequences, followed by a booster with VV-TAB or MVA-TAB, induced humoral responses, as well as a CD8+ T-cell response against V3 epitopes from three different subtype B HIV isolates. The highest values of specific CD8+ T-cell response were achieved when priming with DNA-TAB and a DNA vector expressing IFN-gamma, followed by a MVA-TAB boost. The T-cell response was Th1.
- The eight V3 loops were linked with an A-G-G-G-A sequence. The three peptides that elicited a response were LR150, SRGIRIGPGRAIL; MN, RKRIHIGPGRAFY; and IIIB, SIRIQRGPGRAFVTI. These peptides were located at the beginning, middle and end of the polyepitope, indicating all parts were able to be processed. It is not known if there is an H-2d epitope in the other five V3 loop variants that did not elicit a response.

HXB2 Location gp160 (314–322)

Author Location gp120 (312–320)

Epitope GRAFVTIGK

Subtype B

- Immunogen** HIV-1 infection
Species (MHC) human (B*2705)
Country United States.
Assay type CD8 T-cell Elispot - IFN γ , CD8 T-cell Elispot granzyme B
Keywords Th1, characterizing CD8+ T cells
References Kleen *et al.* 2004
- Only 20% of CD8+ T-cells produce IFN-gamma and granzyme B simultaneously (Tc1a). Two additional subpopulations of HIV specific CD8 cells are found, each one constituting 30-40% of the CD8 cell pool. One of these (Tc1b) secretes IFN-gamma only, and the other one (Tc1c) secretes GzB only.
 - One of seven patients responded to this peptide with GzB producing cells and with IFN-gamma producing cells.
- HXB2 Location** gp160 (314–322)
Author Location gp120 (314–322)
Epitope GRAFVTIGK
Immunogen peptide-HLA interaction
Species (MHC) human (B27)
References Jardetzky *et al.* 1991
- Study of peptide binding to HLA-B27.
- HXB2 Location** gp160 (321–330)
Author Location gp120 (322–330 HIV-MN)
Epitope EIIGDIRQAY
Epitope name EY10
Subtype B
Immunogen HIV-1 infection
Species (MHC) human (A*2501)
Donor MHC A*0201, A*2501, B*1801, B*5101, Cw*0102, Cw*1203
Assay type CD8 T-cell Elispot - IFN γ
Keywords escape, immune evasion, optimal epitope, HIV-1
References Liu *et al.* 2006
- T-cell immunity and the impact of selection were longitudinally studied in a patient from the time of transmission. New epitopes were detected at sites that were shown to be under positive selection. Env was found to be the major target of CTLs and most of the new epitopes were found here. One third of the sites examined were associated with epitope escape mutations from CTL. Acquisition of mutations found at high frequency in the database was suggested to be a result of reversion of CTL epitopes in the absence of immune targeting.
 - This is a newly defined epitope. Positions 1, 5 and 10 (last) in the epitope had potentially experienced positive selection. qIIGDIRQAY, dIIGDIRQAh, EIIGnIRQAh and EIIGDIRQAh escape variants were found.
- HXB2 Location** gp160 (337–361)
Author Location gp120 (337–368 LAI)
Epitope KWNNTLKQIDSKLREQFGNNKTIIF
Subtype B
Immunogen vaccine
Vector/Type: vaccinia *HIV component:* gp160
Species (MHC) human (CD4+ CTL)
References Johnson *et al.* 1994a
- CD4+ CTL clones were obtained from an HIV-1 vaccinia-env vaccinee.
- HXB2 Location** gp160 (339–354)
Author Location gp120 (339–361 LAI)
Epitope NNLTQIDSKLREQFG
Subtype B
Immunogen vaccine
Vector/Type: vaccinia *HIV component:* gp160
Species (MHC) human (CD4+ CTL)
References Johnson *et al.* 1994b
- CD4+ CTL isolated from LAI IIIB gp160 vaccinees.
- HXB2 Location** gp160 (340–348)
Author Location gp120 (346–354 CM243 subtype CRF01)
Epitope RVLKQVTEK
Epitope name E340-348
Subtype CRF01_AE
Immunogen HIV-1 infection
Species (MHC) human (A11)
Keywords HIV exposed persistently seronegative (HEPS)
References Sriwanthana *et al.* 2001
- This was a study of HIV-1 exposed persistently seronegative (HEPS) female sex workers in Chiang Mai, northern Thailand.
 - HLA-A11 is very common in this population, and was enriched among the HEPS sexworkers – weak CTL responses were detected in 4/7 HEPS women, and CTL responses were found in 8/8 HIV+ controls, and 0/9 HIV- women that were not exposed.
 - This epitope was weakly reactive in HIV+ control study subject 053 who carried HLA-A11.
- HXB2 Location** gp160 (340–348)
Author Location gp120 (346–354 CM243 subtype CRF01)
Epitope RVLKQVTEK
Subtype CRF01_AE
Immunogen HIV-1 infection
Species (MHC) human (A11)
Keywords subtype comparisons
References Bond *et al.* 2001
- HLA-A11 CRF01 (called subtype E in Bond *et al.*) epitopes were identified that stimulated CTL from HIV+ female sex workers (FSW) from Northern Thailand, of whom more than half were HLA-A11 positive.
 - 77 possible HLA-A11 epitopes were first defined using EpiMatrix, these were screened for binding to A11 finding and 26 bound, and 12 of these were epitopes for CTL responses from 8 HLA-A11 positive FSWs, six were novel, six were previously identified.
 - This is one of the new A11 epitopes identified through the streamlined EpiMatrix method, and 2/8 tested FSWs recognized it.
 - This epitope was not conserved in other subtypes, and exact matches were rare.
- HXB2 Location** gp160 (340–349)
Author Location gp120 (W6.ID)
Epitope NTLKQIVIKL

Immunogen vaccine

Vector/Type: protein *Strain:* B clade W61D
HIV component: gp120

Species (MHC) chimpanzee (Patr-B*14)**Keywords** immunodominance**References** Balla-Jhagjhoorsingh *et al.* 1999a

- An HIV-1 rgp120 vaccine induced strong humoral and cellular immune response in sibling chimpanzees, but only one of the two made a detectable CTL response to this Patr-B*14 restricted immunodominant epitope.

HXB2 Location gp160 (341–349)**Author Location** gp120 (341–349 HIV-MN)**Epitope** TLSQIVTKL**Epitope name** TL9**Subtype** B**Immunogen** HIV-1 infection**Species (MHC)** human (A*0201)**Donor MHC** A*0201, A*2501, B*1801, B*5101, Cw*0102, Cw*1203**Assay type** CD8 T-cell Elispot - IFN γ **Keywords** escape, immune evasion, optimal epitope, HIV-1**References** Liu *et al.* 2006

- T-cell immunity and the impact of selection were longitudinally studied in a patient from the time of transmission. New epitopes were detected at sites that were shown to be under positive selection. Env was found to be the major target of CTLs and most of the new epitopes were found here. One third of the sites examined were associated with epitope escape mutations from CTL. Acquisition of mutations found at high frequency in the database was suggested to be a result of reversion of CTL epitopes in the absence of immune targeting.
- This is a newly defined epitope. Position 4 in the epitope had potentially experienced positive selection. TLskIVTKL escape variant was found.

HXB2 Location gp160 (344–361)**Author Location** gp160 (348–366 WEAU)**Epitope** QIVEKLREIKQFKNKTIIVF**Subtype** B**Immunogen** HIV-1 infection**Species (MHC)** human**Donor MHC** A*2902, B*4403, B*0801**Country** United States.**Assay type** CD8 T-cell Elispot - IFN γ , Chromium-release assay**Keywords** dynamics, immunodominance, escape, kinetics, characterizing CD8+ T cells, reversion, viral fitness**References** Jones *et al.* 2004

- Primary CD8+ T-cell response to Env, Tat and Gag and the extent, kinetics and mechanisms of viral escape were examined in three patients. Rapid escape, within weeks from infection, from HIV specific CTL responses was observed in all three patients, but the kinetics and extent of the escape differed depending on the breadth and co-dominant distribution of CTL-mediated pressure. The two patients that rapidly declined had more focused immunodominant responses, while the single

patient that had low viral load and stable CD4 counts for seven years had a broad co-dominant response and less escape.

- The patient WEAU had high viral loads and rapid CD4 decline. WEAU mounted 14 detected CTL responses, with distinct patterns of immunodominance. WEAU did not control viral replication well, and escape mutations occurred early and 4/14 had changes that could have resulted in escape, and two were confirmed as escape.
- WEAU had a reaction to an epitope within this peptide, and there was very rapid accumulation of substitutions; variation continued through the last sample collected.

HXB2 Location gp160 (363–376)**Author Location** (C consensus)**Epitope** PSSGGDLEITTHSF**Subtype** C**Immunogen** HIV-1 infection**Species (MHC)** human (B*18)**Country** South Africa.**Assay type** CD8 T-cell Elispot - IFN γ **Keywords** rate of progression**References** Kiepiela *et al.* 2007

- A comprehensive analysis of 160 class I T cell responses in 578 individuals from KwaZulu-Natal, South Africa was performed. Gag-specific responses were associated with lowering viremia, while Env, accessory and regulatory protein-specific responses were associated with higher viremia.

HXB2 Location gp160 (369–375)**Author Location** gp120 (374–380 BRU)**Epitope** PEIVTHS**Immunogen** HIV-1 infection**Species (MHC)** human (A2)**References** Dadaglio *et al.* 1991

- Defined through blocking CTL activity, and Env deletions.

HXB2 Location gp160 (374–382)**Author Location** Env**Epitope** HSFNCGGEF**Epitope name** 1325**Subtype** multiple**Immunogen** HIV-1 infection**Species (MHC)** human (A3)**Donor MHC** A02, A03, B08, B51, Cw01, Cw07**Country** United States.**Assay type** T-cell Elispot**Keywords** binding affinity, computational epitope prediction**References** De Groot *et al.* 2003

- Epitopes defined using sequence parsing and matching algorithm Conservatrix, and epitope prediction tool EpiMatrix, were shown to be conserved in a broad range of HIV-1 sequences derived from different parts of the world. 31 novel highly conserved HIV-1 epitopes were found, among which four were recognized as promiscuous epitopes and five as MHC supertypes.
- Estimated binding probability for HSFNCGGEF: 76%

HXB2 Location gp160 (375–383)**Author Location** gp120 (379–387 LAI)

- Epitope** SFNCGGEFF
Subtype B
Immunogen HIV-1 infection
Species (MHC) human (B*1516)
Keywords optimal epitope
References Frahm *et al.* 2007
- C. Brander notes this is a B*1516 epitope.
- HXB2 Location** gp160 (375–383)
Author Location Env
Epitope SFNCGGEFF
Subtype B
Immunogen HIV-1 infection
Species (MHC) human (B*1516)
Donor MHC A*0202, A*0301, B*0702, B*1516
Country United States.
Keywords escape, acute/early infection
References Bernardin *et al.* 2005
 - Full HIV genomes from nine individuals were analyzed for mutations prior to seroconversion and 7 to 28 days later. It was found that the influence of the host's HLA type was reflected within weeks of infection; a statistically significant number of early nonsynonymous mutations were observed within previously reported CTL epitopes.
 - E to G mutation was observed in position 7.

HXB2 Location gp160 (375–383)
Author Location gp120 (375–383 IIIB)
Epitope SFTCGGEFF
Immunogen HIV-1 infection
Species (MHC) human (B15)
Keywords responses in children, mother-to-infant transmission, escape
References Wilson *et al.* 1999a
 - This study describes maternal CTL responses in the context of mother-to-infant transmission.
 - Detection of CTL escape mutants in the mother was associated with transmission, but the CTL-susceptible forms of the virus tended to be found in infected infants.
 - An additional variant that gave a positive, though reduced, CTL response: SSTCGGEFF and SFTCGGGFF.
 - SFTCGGGVF was an escape mutant.

HXB2 Location gp160 (375–383)
Author Location gp120 (375–383 SF2)
Epitope SFNCGGEFF
Immunogen HIV-1 infection
Species (MHC) human (B15)
Keywords HAART, ART, acute/early infection
References Altfeld *et al.* 2001b
 - Therapy provided during acute infection resulted in a narrower CTL response, stronger T help response, and a less diverse viral population than was seen in individuals treated during chronic infection.
 - The breadth and specificity of the response was determined using ELISPOT by studying 19 individuals with pre-seroconversion therapy (Group 1), 11 individuals with primary infection but post-seroconversion therapy (Group 2), and 10 individuals who responded to HAART given during chronic

- infection (Group 3), using 259 overlapping peptides spanning p17, p24, RT, gp41, gp120 and Nef.
- Previously described and newly defined optimal epitopes were tested for CTL response.
 - Number of HLA-B15+ individuals that had a CTL response to this epitope broken down by group: 0/0 group 1, 1/1 group 2, and 0/1 group 3.
- HXB2 Location** gp160 (375–383)
Author Location gp120 (375–383)
Epitope SFNCGGEFF
Immunogen HIV-1 infection
Species (MHC) human (B15)
Donor MHC A03, A32, B51, B15, Cw03, Cw06, DR4, DR8, DQ7
Country Netherlands.
Assay type CD8 T-cell Elispot - IFN γ
Keywords rate of progression, escape
References Geels *et al.* 2003
 - Both stable potential epitopes and epitopes with escape mutations were found in a patient with increasing viral load over a time period of 4 years. Fixation of escape mutations occurred sequentially and correlated with the rise in viral load and with the increased number of productively infected cells.
 - This is one of 5 epitopes from this individual that varied over time where the internal mutations became fixed; a dramatic decrease in CTL activity against the wild type epitope was observed as the mutation arose. The sfncRgeff variant residue found at 20 and 47 months postseroconversion.

HXB2 Location gp160 (375–383)
Author Location gp120
Epitope SFNCGGEFF
Subtype B, C
Immunogen HIV-1 infection
Species (MHC) human (B63)
Assay type CD8 T-cell Elispot - IFN γ
Keywords cross-presentation by different HLA, optimal epitope
References Frahm *et al.* 2005
 - HLA-B63-positive subjects were shown to be able to generate CTL responses early in acute HIV infection and to control HIV replication in the absence of antiretroviral treatment. Since HLA-B63 shares the epitope binding motif of HLA-B57 and -B58, it was shown that HLA-B63-positive individuals mounted CTL responses to previously identified B57-restricted epitopes, as well as novel, B63-restricted epitopes. Moreover, these novel B63-restricted epitopes can also be presented by HLA-B57 and -B58.
 - This is a putative HLA-B63/57/58 epitope containing the B58 supertype binding motif. Borderline significantly more often recognized in subjects who carry B63, but not B57/B58.

HXB2 Location gp160 (375–383)
Author Location gp120 (375–383 IIIB)
Epitope SFNCGGEFF
Immunogen HIV-1 infection
Species (MHC) human (B63, B15)
References Wilson *et al.* 1997a

- This is the optimal peptide for two CTL clones that recognize this epitope in the context of two different HLA molecules, Cw4 and B15.
- Predominant form in proviral DNA of the individual with B15 restricted CTL was SFTCGGEFF and this was recognized.
- Recognition of a minor autologous variant (SFNCRGGEFF) from the B15 donor was greatly reduced.

HXB2 Location gp160 (375–383)

Author Location gp120 (376–383 PV22)

Epitope SFNCGGEFF

Immunogen HIV-1 infection

Species (MHC) human (Cw*0401)

Keywords optimal epitope

References Frahm *et al.* 2007

- C. Brander notes this is a C*0401 epitope.

HXB2 Location gp160 (375–383)

Author Location gp120

Epitope SFNCGGEFF

Subtype A

Immunogen HIV-1 infection

Species (MHC) human (Cw*0401, Cw*0407)

Keywords HIV exposed persistently seronegative (HEPS), cross-presentation by different HLA

References Bird *et al.* 2002

- 4/123 (2 HIV-1 positive, 2 HEPS) Kenyan female sex workers carried the novel allele HLA Cw*0407.
- HLA Cw*0407 did not differ from Cw*0401 in the region associated with the binding pocket, and Cw*0407 was shown to cross-present a previously defined Cw*0401 epitope, SFNCGGEFF (gp120).

HXB2 Location gp160 (375–383)

Author Location gp120 (376–383 PV22)

Epitope SFNCGGEFF

Immunogen HIV-1 infection

Species (MHC) human (Cw4)

References Johnson *et al.* 1993

- Conserved epitope.

HXB2 Location gp160 (375–383)

Author Location gp120 (376–383 PV22)

Epitope SFNCGGEFF

Immunogen HIV-1 infection

Species (MHC) human (Cw4)

References Wolinsky *et al.* 1996

- Longitudinal study of epitope variation *in vivo*.

HXB2 Location gp160 (375–383)

Author Location gp120 (376–383)

Epitope SFNCGGEFF

Immunogen HIV-1 infection, HIV-1 exposed seronegative

Species (MHC) human (Cw4)

Keywords HIV exposed persistently seronegative (HEPS), immunodominance

References Kaul *et al.* 2001a

- ELISPOT was used to study CTL responses to a panel of 54 predefined HIV-1 epitopes in 91 HIV-1-exposed, persistently seronegative (HEPS) and 87 HIV-1-infected female Nairobi sex workers.

- Responses in HEPS women tended to be lower, and focused on different epitopes with HLA presenting molecules that have previously been associated with reduced risk of infection, and there was a shift in the response in the HEPS women upon late seroconversion to epitopes recognized by the HIV-1 infected women.

- 43/91 HEPS women had CD8+ responses and detection of HIV-1-specific CTL in HEPS women increased with the duration of viral exposure.

- Among HLA-Cw4 women, 1/2 HEPS and 10/11 HIV-1 infected women recognized this epitope.

- The dominant response to this HLA allele was to this epitope in 6 of the 10/11 responsive HIV-1 infected women, and not in the HEPS case.

HXB2 Location gp160 (375–384)

Author Location (C consensus)

Epitope SFNCRGEFFY

Subtype C

Immunogen HIV-1 infection

Species (MHC) human (A*29)

Country South Africa.

Assay type CD8 T-cell Elispot - IFN γ

Keywords rate of progression, optimal epitope

References Kiepiela *et al.* 2007

- A comprehensive analysis of 160 class I T cell responses in 578 individuals from KwaZulu-Natal, South Africa was performed. Gag-specific responses were associated with lowering viremia, while Env, accessory and regulatory protein-specific responses were associated with higher viremia.
- SFNCRGEFFY is an optimal epitope.

HXB2 Location gp160 (375–384)

Author Location (B consensus)

Epitope SFNCGGEFFY

Epitope name SY10

Subtype B

Immunogen HIV-1 infection

Species (MHC) human (A29)

Donor MHC A28, A29, B14, B44, Cw8

Country United States.

Assay type Cytokine production, Intracellular cytokine staining, Chromium-release assay, Flow cytometric T-cell cytokine assay

Keywords assay standardization/improvement, memory cells, characterizing CD8+ T cells

References Lichterfeld *et al.* 2004c

- Using a flow-cytometric cytotoxicity assay based on caspase-3 activation in dying target cells, it was shown that the subset of HIV-1-specific CD8+ T cells secreting both IFN-gamma and TNF-alpha exhibit stronger cytotoxic activity than those secreting only IFN-gamma. These cells also exhibited stronger intracellular perforin expression. No association between HIV-1-specific CD8+ T-cell maturation phenotypes and intracellular perforin expression was found.
- 1/9 individuals recognized this epitope.

HXB2 Location gp160 (376–383)

Author Location gp120

Epitope FNCGGEFF

Immunogen

Species (MHC) human (Cw4)

References Rowland-Jones *et al.* 1999

- CTL responses in seronegative highly HIV-exposed African female sex workers in Gambia and Nairobi were studied – these women had no delta 32 deletion in CCR5.
- In Gambia there is exposure to both HIV-1 and HIV-2, CTL responses to B35 epitopes in exposed, uninfected women are cross-reactive,
- HIV-2 sequence: TNCRGEFL – no cross-reactivity Johnson *et al.* [1993]

HXB2 Location gp160 (376–384)

Author Location gp120 (376–384 IIIB)

Epitope FNCGGEFFY

Immunogen HIV-1 infection

Species (MHC) human (A29)

References Wilson *et al.* 1997a

- This is the optimal peptide for two CTL clones derived from two different donors.
- FNCRGEFFY and FNCRGGFFY are major and minor autologous variants in one of the donors, and showed reduced or no stimulatory activity for CTL from the host.
- The IIIB form and the form FNCAGEFFY were present in the other donor, and the CTL line had reduced activity with the FNCAGEFFY form relative to the index peptide.

HXB2 Location gp160 (376–384)

Author Location gp120 (376–384 IIIB)

Epitope PNCGGEFFY

Immunogen HIV-1 infection

Species (MHC) human (A29)

Keywords responses in children, mother-to-infant transmission, escape

References Wilson *et al.* 1999a

- This study describes maternal CTL responses in the context of mother-to-infant transmission.
- Detection of CTL escape mutants in the mother was associated with transmission, but the CTL-susceptible forms of the virus tended to be found in infected infants.
- PNCRGEFFY was an escape variant.

HXB2 Location gp160 (376–384)

Author Location gp120 (376–384 LAI)

Epitope FNCGGEFFY

Epitope name E2

Subtype B

Immunogen HIV-1 infection

Species (MHC) human (A29)

Keywords HAART, ART

References Mollet *et al.* 2000

- A panel of 16 epitopes covering 15 class I alleles was tested in 14 HIV+ patients from an unselected Caucasian population treated with HAART, using CD8+ cell IFN γ production to measure responses.

- In general, during the first month of treatment viral load decreased and frequencies of HIV-specific CTL tripled and broadened – eight new HIV specificities that were not previously detectable were newly detected, as were CMV specific CD8+ PBL – but with continued viral suppression, HIV-specific responses diminished.

- Viral rebounds gave different patterns of response: increases or decreases in pre-existing response, new specificities, or no change.

HXB2 Location gp160 (376–384)

Author Location gp120

Epitope FNCGGEFFY

Immunogen HIV-1 infection

Species (MHC) human (A29)

Assay type Intracellular cytokine staining

Keywords immunodominance, genital and mucosal immunity

References Kaul *et al.* 2003

- Predefined immunodominant peptide responses were used to compare CD8+ T cells responses in the blood and cervix of 16 HIV+ Kenyan sex workers. Cervical responses were detected in 8/10 women from whom adequate samples could be obtained. The frequency of the CD8+ T cell response in the genital tract was comparable to the blood, with a trend toward being slightly higher.
- The immunodominant response was to this epitope in the PBMC of 1/16 patients (Kaul *et al.* 2001, AIDS, 107:1303).

HXB2 Location gp160 (376–384)

Author Location gp120 (376–384)

Epitope FNCGGEFFY

Epitope name FNC

Immunogen HIV-1 infection

Species (MHC) human (B8)

Keywords HAART, ART, supervised treatment interruptions (STI), immunodominance, acute/early infection

References Oxenius *et al.* 2000

- Patients who started therapy at acute HIV-1 infection (three with sustained therapy, two with limited therapy upon early infection) had strong HIV specific CD4 proliferative responses and were able to maintain a CTL response even with undetectable viral load – three patients that had delayed initiation of HAART had no HIV specific CD4 proliferative responses and lost their CTL responses when HAART was eventually given and their viral loads became undetectable.
- One of the 7/8 study subjects that were HLA B8 recognized this CTL epitope.
- Patient SC19(HLA A11/12, B8/44, Cw06/0701, DR3/7, DR52/53, DQ 2/8) had a CTL response to epitopes FLKEKGGL, GEIYKRWIL, ACQGVGGPGHK, AVDLSH-FLK, and FNCGGEFFY that declined during therapy initiated at day 197.

HXB2 Location gp160 (376–384)

Author Location gp160

Epitope FNCGGEFFY

Epitope name FNC

Immunogen HIV-1 infection

Species (MHC) human (B8)

Keywords HAART, ART, supervised treatment interruptions (STI)

References Oxenius *et al.* 2002b

- Using previously defined epitopes Oxenius *et al.* [2000, 2001a] in an IFN γ Elispot assay, 13 chronically HIV-1 infected patients were studied over a period including therapy with standard treatment interruptions (STI).
- STIs induced increased recognition of CTL epitopes, but there was no correlation between CTL responses with viral rebound rates, plateau viral loads, or clearance rates.

HXB2 Location gp160 (376–387)

Author Location gp120 (381–392 BRU)

Epitope KNCGGEFFYCNS

Immunogen HIV-1 infection

Species (MHC) human (A2)

References Dadaglio *et al.* 1991

- Defined through blocking CTL activity, and Env deletions.

HXB2 Location gp160 (376–387)

Author Location Env (379–)

Epitope KNCGGEFFYCNS

Subtype B

Immunogen HIV-1 infection

Species (MHC) human (A2)

Donor MHC A*0202, A*0301, B*0702, B*1516

Country United States.

Keywords escape, acute/early infection

References Bernardin *et al.* 2005

- Full HIV genomes from nine individuals were analyzed for mutations prior to seroconversion and 7 to 28 days later. It was found that the influence of the host's HLA type was reflected within weeks of infection; a statistically significant number of early nonsynonymous mutations were observed within previously reported CTL epitopes.
- E to G mutation was observed in position 6.

HXB2 Location gp160 (377–386)

Author Location gp160 (374–383 SUMA)

Epitope NCGGEFFYCNS

Epitope name gp160 NN10

Subtype B

Immunogen HIV-1 infection

Species (MHC) human

Donor MHC A*1103, A*2402, B*1402, B*1501, Cw*0802

Country United States.

Assay type CD8 T-cell Elispot - IFN γ , Chromium-release assay

Keywords dynamics, acute/early infection, characterizing CD8+ T cells

References Jones *et al.* 2004

- Primary CD8+ T-cell response to Env, Tat and Gag and the extent, kinetics and mechanisms of viral escape were examined in three patients. Rapid escape, within weeks from infection, from HIV specific CTL responses was observed in all three patients, but the kinetics and extent of the escape differed depending on the breadth and co-dominant distribution of CTL-mediated pressure. The two patients that rapidly declined had

more focused immunodominant responses, while the single patient that had low viral load and stable CD4 counts for seven years had a broad co-dominant response and less escape.

- The patient SUMA maintained low viral loads and stable CD4 T cell counts through seven years of follow up. In contrast to more rapid progressors, WEAU and BORI, SUMA a broad response to 24 epitopes, with little immunodominance. Two peptides were somewhat more intensely recognized in acute infection, but this response leveled out early on.
- Only four epitopes were found to acquire escape mutations in SUMA over time, and this was one of the 20 that remained invariant. A low level response was detected at acute infection that persisted through early infection.

HXB2 Location gp160 (377–387)

Author Location gp120 (377–387)

Epitope NSGGEFFYNS

Immunogen

Species (MHC) human (A2)

References Hickling *et al.* 1990

- Peptides recognized by class I restricted CTL can bind to class II.

HXB2 Location gp160 (383–391)

Author Location gp120 (385–393)

Epitope FYCNTTQLF

Immunogen HIV-1 infection

Species (MHC) human (A*2402)

References Ikeda-Moore *et al.* 1997

- Defined using reverse immunogenetics – 59 HLA-A*2402 binding peptides were predicted by searching for A*2402 anchors in HIV proteins (Tyr at 2, and Phe, Leu or Ile at the C term) – 53 of the 59 peptides bound A*2402.
- This peptide induced CTL in 1/4 HIV-1 + people tested.
- FYCNTTQLF bound to A*2402 strongly, the epitope can be processed in a vaccinia construct and presented – two specific CTL clones were obtained.

HXB2 Location gp160 (383–391)

Author Location gp160 (380–389 SUMA)

Epitope FYCNTTQLF

Epitope name GP160 FF9

Subtype B

Immunogen HIV-1 infection

Species (MHC) human (A*2402)

Donor MHC A*1103, A*2402, B*1402, B*1501, Cw*0802

Country United States.

Assay type CD8 T-cell Elispot - IFN γ , Chromium-release assay

Keywords dynamics, acute/early infection, characterizing CD8+ T cells

References Jones *et al.* 2004

- Primary CD8+ T-cell response to Env, Tat and Gag and the extent, kinetics and mechanisms of viral escape were examined in three patients. Rapid escape, within weeks from infection, from HIV specific CTL responses was observed in all three patients, but the kinetics and extent of the escape differed depending on the breadth and co-dominant distribution of CTL-mediated pressure. The two patients that rapidly declined had

more focused immunodominant responses, while the single patient that had low viral load and stable CD4 counts for seven years had a broad co-dominant response and less escape.

- The patient SUMA maintained low viral loads and stable CD4 T cell counts through seven years of follow up. In contrast to more rapid progressors, WEAU and BORI, SUMA a broad response to 24 epitopes, with little immunodominance. Two peptides were somewhat more intensely recognized in acute infection, but this response leveled out early on.
- Only four epitopes were found to acquire escape mutations in SUMA over time, and this was one of the 20 that remained invariant. A low level response was detected at acute infection that persisted through early infection.

HXB2 Location gp160 (410–429)

Author Location gp120 (410–429 PV22)

Epitope GSDTITLPCRIKQFINMWQE

Immunogen *in vitro* stimulation or selection

Species (MHC) human (DRA CD4+)

References Bouhdoud *et al.* 2000

- CTL were studied through PBMC stimulation *in vitro* by gp120 pulsed autologous monocytes.
- Human CD4+ CTL clone (Een217) is an MHC class II HLA-DRA restricted CTL clone that can lyse antigen presenting HLA-DRA-transfected murine L cells – natural variants of the epitope resulted in an anergic response.
- Low concentrations of the HXB2-derived variant (GSDTITLPCRIKQIINMWQK) induced T cell anergy – higher concentrations could induce proliferation and cytotoxic activity.
- CDC42 (TGDITLPCRIKQII-NRWQV), Eli (TNT-NITLQCRKQIIKMWAG) and Z3 (CTGNITLPCRIKQIIM-NWQE) variants did not induce proliferation, cytotoxic or anergic responses.

HXB2 Location gp160 (416–424)

Author Location Env (413–421 SF2)

Epitope LPCRIKQII

Immunogen HIV-1 infection

Species (MHC) human (B*5101)

Keywords subtype comparisons, rate of progression

References Tomiyama *et al.* 1999

- HLA-B27, -B51, and -B57 are associated with slow progression to AIDS, while HLA-B35, -B8, -B24 are associated with a rapid progression to AIDS (Nat. Med. 2:405, 1996; Lancet 22:1187, 1986; Hum Immunol 22:73, 1988; Hum Immunol 44:156, 1995)
- 15% of Japanese populations carry HLA-B51 while HLA-B27 and -B57 are detected in less than 0.3%
- Of the 172 HIV-1 peptides with HLA-B*5101 anchor residues, 33 bound to HLA-B*5101, seven of these peptides were reactive with CTL from 3 B*5101 positive individuals, and six were properly processed.
- Four of the six epitopes were highly conserved among B subtype sequences, LPCRIKQII is not conserved.

HXB2 Location gp160 (416–424)

Author Location gp160 (416–424 LAI)

Epitope LPCRIKQII

Subtype B

Immunogen

Species (MHC) human (B*5101)

Keywords optimal epitope

References Frahm *et al.* 2007

- C. Brander notes this is a B*5101 epitope.

HXB2 Location gp160 (416–424)

Author Location gp120 (378–385)

Epitope LPCRIKQII

Immunogen HIV-1 infection, HIV-1 exposed seronegative

Species (MHC) human (B51)

Keywords HIV exposed persistently seronegative (HEPS)

References Kaul *et al.* 2001a

- ELISPOT was used to study CTL responses to a panel of 54 predefined HIV-1 epitopes in 91 HIV-1-exposed, persistently seronegative (HEPS) and 87 HIV-1-infected female Nairobi sex workers.

HXB2 Location gp160 (416–424)

Author Location gp160 (416–429)

Epitope LPCRIKQII

Immunogen HIV-1 infection

Species (MHC) human (B51)

Donor MHC A03, A32, B51, B15, Cw03, Cw06, DR4, DR8, DQ7

Country Netherlands.

Assay type CD8 T-cell Elispot - IFN γ , Flow cytometric T-cell cytokine assay

Keywords rate of progression, escape

References Geels *et al.* 2003

- Both stable potential epitopes and epitopes with escape mutations were found in a patient with increasing viral load over a time period of 4 years. Fixation of escape mutations occurred sequentially and correlated with the rise in viral load and with the increased number of productively infected cells.
- This is one of 17 potential epitopes from this individual, defined based on previously identified epitopes presented by appropriate HLA molecules. Full length genome sequence did not reveal changes in time in any of these epitopes over a four year period. Peptide pools initially revealed very little response to these epitopes, but this increased over time.

HXB2 Location gp160 (416–429)

Author Location gp120 (410–429 H3DCG)

Epitope LPCRIKQFINMWQE

Immunogen HIV-1 infection

Species (MHC) human (DR4 CD4+)

References Siliciano *et al.* 1988

- CD4+ CTL restricted by class II HLA-DR4, targets primed by CD4 mediated uptake of gp120.

HXB2 Location gp160 (416–435)

Author Location gp120 (421–440 LAI)

Epitope LPCRIKQFINMWQEVGKAMY

Subtype B

Immunogen HIV-1 infection

Species (MHC) human (A2)

References Dadaglio *et al.* 1991

- Defined through blocking CTL activity, and Env deletions.

HXB2 Location gp160 (419–427)
Author Location gp120 (424–432 HXB2)
Epitope RIKQIINMW
Subtype B
Immunogen
Species (MHC) human (A*3201)
References Harrer *et al.* 1996b
 • C. Brander notes that this is an A*3201 epitope in the 1999 database.

HXB2 Location gp160 (419–427)
Author Location gp120 (419–427 HXB2)
Epitope RIKQIINMW
Subtype B
Immunogen
Species (MHC) human (A*3201)
Keywords optimal epitope
References Frahm *et al.* 2007
 • C. Brander notes this is an A*3201 epitope.

HXB2 Location gp160 (419–427)
Author Location gp120 (419–427)
Epitope RIKQIINMW?
Immunogen HIV-1 infection
Species (MHC) human (A29, A32)
Keywords immunodominance
References Betts *et al.* 2000
 • Only 4/11 HLA-A2+ HIV+ individuals had CTL that reacted to SLYNTVATL, calling into question whether it is immunodominant.
 • 95 optimally-defined peptides from this database were used to screen for INF γ responses to other epitopes.
 • 1/11 of the A2+ individuals was A29 and responded to RIKQIINMW, and another responder was A32 and these are thought to be presenting molecules.
 • The sequence is unclear – Betts calls both peptide 30 and peptide 32 gp120 419–427 and the peptide sequences are not provided.

HXB2 Location gp160 (419–427)
Author Location gp120 (424–432 LAI)
Epitope RIKQFINMW
Subtype B
Immunogen HIV-1 infection
Species (MHC) human (A32)
References Ray *et al.* 1998
 • Autologous virus was used to detect CTL in two individuals, and in both cases strain-specific autologous CTL were found.
 • The autologous epitope sequence was RIKQIINMW, MN and RF were KIKQFINMW and RIKQFVNMW respectively, and all were reactive with CTL clones.

HXB2 Location gp160 (419–427)
Author Location gp120 (420–428)
Epitope RIKQIINMW
Immunogen HIV-1 infection
Species (MHC) human (A32)
References Ferris *et al.* 1999
 • This epitope is processed by a TAP1/2 dependent mechanism.

HXB2 Location gp160 (419–427)
Author Location gp120
Epitope RIKQIINMW
Epitope name A32-RW10(gp120)
Subtype B
Immunogen HIV-1 infection
Species (MHC) human (A32)
Donor MHC A32, B44; A30, A32, B18, B27
Keywords HAART, ART, supervised treatment interruptions (STI)
References Altfeld *et al.* 2002b

- Peripheral blood (PB) and lymph node (LN) CD8+ T-cell responses were compared in 15 asymptomatic HIV-1 infected patients using all known optimal CTL epitopes (<http://hiv-web.lanl.gov/content/hiv-db/REVIEWS/brander2001.html>) for each person's class I HLA alleles.
- 60 epitope responses were detected in both PB and LN samples of the 15 patients, and an additional 8 responses were detected only in LN. The total magnitude of the response was similar in LN and PB, but the percentage of CD8+ T cells in the LN is lower so the number of HIV-specific cells per million CD8+ T-cells is higher in the LN.
- 1 year post-HAART treatment in five patients studied, the magnitude of the CD8 T-cell response was decreased in both LN and PB, but more dramatically in PB, and 13/25 epitope responses in the PB became undetectable, in contrast to 5/26 in the LN.
- Treatment interruption following HAART induced resulted in increased viremia accompanied by the restoration of the detection of 13 epitopes that had become undetectable in the PB, and the addition of 9 novel epitope responses.
- Breakdowns of epitope responses were shown for 4 individuals. Patient B displayed the greatest response to epitope B44-AW11(p24) and also responded to A32-PW10(RT) in both PB and LN samples, while a third response against epitope A32-RW10(gp120) was only detected in the LN sample. Patient D displayed the greatest response to B27-KK10 (p24), and also responded to A30-RY11(p17), A32-PW10(RT), A30-KY11(RT), A32-RW10(gp120), and B18-YY9(Nef).

HXB2 Location gp160 (419–427)
Author Location Env (424–432 BRU)
Epitope RIKQIINMW
Subtype B, CRF02_AG
Immunogen HIV-1 infection
Species (MHC) human (A32)
Country Cote D'Ivoire.
Assay type CD8 T-cell Elispot - IFN γ
Keywords subtype comparisons
References Inwoley *et al.* 2005

- CD8+ T-cells from HIV-1 CRF02_AG-infected Ivorians could recognize clade B epitopes. No difference was observed in the number of recognized peptide pools between nine French subtype B infected study subjects, and nine CRF02_AG infected Ivorian subjects.
- This epitope was recognized by 0/9 CRF02_AG-infected Ivorians, and 3/9 B-infected French subjects.

HXB2 Location gp160 (421–435)
Author Location gp120 (421–440 LAI)

- Epitope** KQFINMWQEVGKAMY
Subtype B
Immunogen HIV-1 infection
Species (MHC) human (A2)
References Dadaglio *et al.* 1991
- Defined through blocking CTL activity, and Env deletions.
- HXB2 Location** gp160 (421–436)
Author Location gp120 (428–443 IIIB)
Epitope KQIINMWQEVGKAMYA
Immunogen HIV-1 infection
Species (MHC) human (A2)
References Clerici *et al.* 1991a
- Helper and cytotoxic T cells can be stimulated by this peptide (T1)
- HXB2 Location** gp160 (421–436)
Author Location gp120 (428–443 IIIB)
Epitope KQIINMWQEVGKAMYA
Immunogen HIV-1 infection
Species (MHC) human (A2)
References Cease *et al.* 1987
- Helper and cytotoxic T cells can be stimulated by this peptide (T1)
- HXB2 Location** gp160 (421–436)
Author Location gp120 (428–443 IIIB)
Epitope KQIINMWQEVGKAMYA
Immunogen vaccine
Vector/Type: vaccinia *Strain:* B clade IIIB
HIV component: gp160
Species (MHC) mouse (H-2^a, H-2^b, H-2^f)
References Shirai *et al.* 1992
- In a murine system multiple class I molecules can present to CTL.
- HXB2 Location** gp160 (421–436)
Author Location gp120 (428–443 IIIB)
Epitope KQIINMWQEVGKAMYA
Immunogen HIV-1 exposed seronegative
Species (MHC) human
References Pinto *et al.* 1995
- CTL and T helper cell reactivity in healthcare workers exposed to HIV.
- HXB2 Location** gp160 (421–436)
Author Location gp120 (MN)
Epitope KQIINMWQEVGKAMYA
Immunogen HIV-1 infection
Species (MHC) chimpanzee
References Lubeck *et al.* 1997
- Epitope-specific CTL detected in chimpanzees immunized with adenovirus-HIV-1 MN gp160 recombinant.
 - CTL response may account for protection against subsequent HIV-1 SF2 challenge in a chimpanzee lacking neutralizing antibodies.
 - Helper and cytotoxic T cells can be stimulated by this peptide (T1)
- HXB2 Location** gp160 (425–434)
Author Location Env

- Epitope** NMWQEVGKAM
Epitope name 1257
Subtype multiple
Immunogen HIV-1 infection
Species (MHC) human (A2)
Donor MHC A02, A30, B39; A02, A03, B44, Cw05, Cw07
Country United States.
Assay type T-cell Elispot
Keywords binding affinity, computational epitope prediction
References De Groot *et al.* 2003
- Epitopes defined using sequence parsing and matching algorithm Conservatrix, and epitope prediction tool EpiMatrix, were shown to be conserved in a broad range of HIV-1 sequences derived from different parts of the world. 31 novel highly conserved HIV-1 epitopes were found, among which four were recognized as promiscuous epitopes and five as MHC supertypes.
 - Estimated binding probability for NMWQEVGKAM: 50%
- HXB2 Location** gp160 (432–451)
Author Location gp120 (439–458 IIIB)
Epitope KAMYAPPISGQIRCSSNITG
Immunogen vaccine
Vector/Type: virus-like particle (VLP) *HIV component:* CD4BS, Gag, gp120, V3
Species (MHC) macaque
References Wagner *et al.* 1998b
- A VLP is a non-infectious virus-like particle self-assembled from HIV Pr55 gag – macaques were immunized with VLPs bound to either gp120 or V3+CD4 linear domains Gag and Env specific CTL were stimulated in each case, and Ab response to gag and gp120 was elicited, but the gp120 neutralizing response occurred only with whole gp120, not V3+CD4 – despite the CTL and Ab response, immunized macaques were infected by intervenous challenge with SHIV chimeric challenge stock.
 - CTL specific for this epitope could be found both before and after SHIV challenge.
- HXB2 Location** gp160 (434–443)
Author Location gp120 (431–440)
Epitope MYAPPISGGQI
Immunogen vaccine
Vector/Type: peptide
Species (MHC) mouse (H-2K^d)
References Duarte *et al.* 1996
- Tolerization of CTL response with continued administration of soluble peptide.
- HXB2 Location** gp160 (435–443)
Author Location
Epitope YAPPISGQI
Immunogen SHIV infection
Species (MHC) macaque (Mamu-A*01)
References Egan *et al.* 1999
- SHIV-infected rhesus macaques have high frequencies of response to the SIVmac epitope gag p11C,C-M (CTPYDINQM) but only a fraction of A*01 monkeys tested have responses to SIVmac pol epitope STPPLVRLV and HIV-1 env epitope YAPPISGQI.

HXB2 Location gp160 (435–443)
Author Location gp41 (89.6)
Epitope YAPPISGQI
Epitope name p41A
Immunogen SHIV infection, vaccine
Vector/Type: DNA, modified vaccinia Ankara (MVA) *Strain:* B clade 89.6, B clade HXBc2 *HIV component:* Env, Gag *Adjuvant:* IL-2/Ig

Species (MHC) macaque (Mamu-A*01)
Keywords immunodominance
References Barouch *et al.* 2001a

- Mamu-A*01+ rhesus monkeys infected with SHIV-89.6 and SHIV-HXBc2 make immunodominant responses to SIV Gag p11C epitope (CTPYDINQM) and a subdominant response to HIV-1 Env p41A epitope (YAPPISGQI)
- The binding affinities are the same for the two Mamu A*01 epitopes, so that is not what dictates the dominance.
- Monkeys vaccinated with MVA vectors carrying SIV gag/pol and HIV-1 env showed the same p11C epitope dominance and p41A epitope subdominance, but co-dominance was observed and the response to p41A increased when DNA vaccination was done using the SIV and HIV genes under CMV promoter control with IL-2-IG adjuvant.

HXB2 Location gp160 (435–443)
Author Location Env
Epitope YAPPISGQI
Immunogen vaccine
Vector/Type: DNA *Strain:* B clade 89.6P, SIV *HIV component:* Env, Gag

Species (MHC) macaque (Mamu-A*01)
Assay type Flow cytometric T-cell cytokine assay
Keywords vaccine-specific epitope characteristics, rate of progression, kinetics, memory cells, characterizing CD8+ T cells
References Davenport *et al.* 2004

- Activation and expansion of antigen-specific CD8+ T-cells shows a delay following infection that allows early viral replication. Until day 10, the kinetics of CD8+ T-cell expansion was the same in vaccinated and control macaques. An increase in virus-specific CD8+ T-cell numbers around day 10 in vaccinated macaques coincides with a slowing in viral replication. This indicates that while cytotoxic T-lymphocyte-inducing vaccines may have a long-term benefit in controlling viral replication and preventing disease progression, they cannot prevent infection.

HXB2 Location gp160 (435–443)
Author Location Env (89.6)
Epitope YAPPISGQI
Epitope name p41A
Immunogen vaccine
Vector/Type: DNA *Strain:* B clade 89.6, SIV *HIV component:* Env, Gag *Adjuvant:* IL-2/Ig

Species (MHC) macaque
References Barouch *et al.* 2000; Shen & Siliciano 2000

- Different HIV strains were used for different regions: SIV-mac239 Gag and HIV-1 89.6P Env

- Monkeys that received the DNA vaccines augmented with IL-2/Ig were infected when challenged with pathogenic SHIV-89.6P, but had potent CTL responses, stable CD4+ T-cell counts, preserved virus-specific CD4+ T-cell responses, low to undetectable viral loads, and no evidence of disease or mortality by day 140 after challenge – monkeys that got a sham vaccine had high viral load, progressed to disease, and were half were dead by day 140.
- IL2/Ig consisting of interleukin-2 (IL-2) for immune stimulation, and the Fc portion of immunoglobulin G (IgG) for stability, was delivered either as protein or as DNA – both enhance the CTL response to vaccination, DNA IL2/Ig giving the most intense response.
- Responses to a dominant Mamu A*01 gag epitope SIV Gag p11C (CTPYDINQM) and a subdominant epitope HIV-1 Env p41A (YAPPISGQI) were tracked and had good durability prior to challenge, and the higher the prechallenge peak p11C CTL response, the lower the post-challenge viral load.
- No NAb responses were detected in the vaccinated monkeys prior to challenge, and comparable peak NAb titers developed in vaccinated monkeys and control monkeys with preserved CD4+ T-cells.
- Shen *et al.* 2000 is an accompanying commentary.

HXB2 Location gp160 (435–443)
Author Location Env (89.6)
Epitope YAPPISGQI
Epitope name p41A
Immunogen vaccine
Vector/Type: vaccinia *Strain:* B clade 89.6, SIV *HIV component:* Env, Gag-Pol *Adjuvant:* IL-2/Ig

Species (MHC) macaque
Keywords immunodominance
References Barouch *et al.* 2001b

- Different HIV strains were used for different regions: SIV-mac239 Gag/Pol and HIV-1 89.6P Env
- Four monkeys were vaccinated with a modified vaccinia Ankara (MVA) vaccine that elicited strong CTL to the immunodominant SIV gag epitope in 4/4 animals, and 1/4 made a response to the HIV Env epitope YAPPISGQI, as determined by tetramer staining and chromium release assays.
- The animals were infected when challenged with pathogenic SHIV-89.6P, but had potent CTL responses, secondary NAb responses upon challenge, partial preservation of CD4+ T-cell counts, lower viral loads, and no evidence of disease or mortality by day 168 after challenge – monkeys that got a sham vaccine had high viral load, progressed to disease, and 2/4 were dead by day 168.

HXB2 Location gp160 (444–453)
Author Location Env
Epitope RCSSNITGLL
Immunogen
Species (MHC) human (B56)
References De Groot *et al.* 2001

- The program Epimatrix was used in conjunction with the program Conservatrix to identify conserved regions of HIV that might serve as epitopes.

- A subset of the potential epitopes was identified that could bind to the appropriate HLA-allele, and 15 of the predicted B7 superfamily (HLA B7, B8, and B58) epitopes were identified that could stimulate IFN γ production in an ELISPOT assay.
- RCSSNITGLL was newly defined as an epitope in this study, and was shown to stimulate an ELISPOT response, despite not detectably binding to HLA-B7.

HXB2 Location gp160 (466–475)

Author Location Env (464–473)

Epitope EVFRPGGGDM

Subtype B

Immunogen HIV-1 infection

Species (MHC) human (A*2601)

Country Japan.

Assay type Chromium-release assay, Flow cytometric T-cell cytokine assay, Other, HLA binding

Keywords immunodominance, optimal epitope

References Satoh *et al.* 2005

- Reverse immunogenetics was used to identify HIV-1 epitopes presented by HLA-A*2601. 110 peptides were predicted to bind to HLA-A*2601. 24 of these were demonstrated to bind through a HLA-A*2601 stabilization assay. Four of these, including this one, were shown to be epitopes endogenously presented by this allele, that can induce peptide-specific CD8 T-cells. HLA-A*2601 is common in Asia.
- This epitope was recognized in only 1/7 HLA-A*2601 HIV infected individuals.

HXB2 Location gp160 (486–494)

Author Location gp160 (485–493 SUMA)

Epitope YKVVKIEPL

Epitope name GP160 YL9

Subtype B

Immunogen HIV-1 infection

Species (MHC) human

Donor MHC A*1103, A*2402, B*1402, B*1501, Cw*0802

Country United States.

Assay type CD8 T-cell Elispot - IFN γ , Chromium-release assay

Keywords dynamics, acute/early infection, characterizing CD8+ T cells

References Jones *et al.* 2004

- Primary CD8+ T-cell response to Env, Tat and Gag and the extent, kinetics and mechanisms of viral escape were examined in three patients. Rapid escape, within weeks from infection, from HIV specific CTL responses was observed in all three patients, but the kinetics and extent of the escape differed depending on the breadth and co-dominant distribution of CTL-mediated pressure. The two patients that rapidly declined had more focused immunodominant responses, while the single patient that had low viral load and stable CD4 counts for seven years had a broad co-dominant response and less escape.
- The patient SUMA maintained low viral loads and stable CD4 T cell counts through seven years of follow up. In contrast to more rapid progressors, WEAU and BORI, SUMA a broad response to 24 epitopes, with little immunodominance. Two peptides were somewhat more intensely recognized in acute infection, but this response leveled out early on.

- Only four epitopes were found to acquire escape mutations in SUMA over time, and this was one of the 20 that remained invariant. A low level response was detected at acute infection that persisted through early infection.

HXB2 Location gp160 (489–508)

Author Location gp120 (494–513 BRU)

Epitope VKIEPLGVAPTAKRRVVQR

Immunogen HIV-1 infection

Species (MHC) human (A2)

References Dadaglio *et al.* 1991

- Defined through blocking CTL activity, and Env deletions.

HXB2 Location gp160 (489–508)

Author Location Env (501–)

Epitope VKIEPLGVAPTAKRRVVQR

Subtype B

Immunogen HIV-1 infection

Species (MHC) human (A2)

Donor MHC A*0202, A*0301, B*0702, B*1516

Country United States.

Keywords escape, acute/early infection

References Bernardin *et al.* 2005

- Full HIV genomes from nine individuals were analyzed for mutations prior to seroconversion and 7 to 28 days later. It was found that the influence of the host's HLA type was reflected within weeks of infection; a statistically significant number of early nonsynonymous mutations were observed within previously reported CTL epitopes.
- K to R mutation was observed in position 16.

HXB2 Location gp160 (489–508)

Author Location Env (496–506 BH10, LAI)

Epitope VKIEPLGVAPTAKRRVVQR

Immunogen HIV-1 infection

Species (MHC) human

References Maksiutov *et al.* 2002

- This study employs an antigenic similarity matrix to compare HIV-1 antigenic determinants with human proteins.
- This CTL epitope (the HIV-1 LAI fragment with high similarity to a human protein overlapping this epitope is VAPTKAKRRVV) has similarity with the mast/stem cell growth factor receptor precursor fragment VVPTKADKRRSV.

HXB2 Location gp160 (489–508)

Author Location Env (497–512 BH10, LAI)

Epitope VKIEPLGVAPTAKRRVVQR

Immunogen HIV-1 infection

Species (MHC) human

References Maksiutov *et al.* 2002

- This study employs an antigenic similarity matrix to compare HIV-1 antigenic determinants with human proteins.
- This CTL epitope (the HIV-1 LAI fragment with high similarity to a human protein overlapping this epitope is APTKAKRRVVQREKRA) has similarity with the human interferon-related IFRD2 (PC4-B) protein fragment ARTKARSVRD-KRA.

HXB2 Location gp160 (511–519)

Author Location gp160 (511–519)

Epitope YRLGVGALI
Epitope name YI9
Immunogen
Species (MHC) human (Cw*18)
Keywords optimal epitope
References Frahm *et al.* 2007

- C. Brander notes this is a Cw18 epitope.

HXB2 Location gp160 (511–519)
Author Location (C consensus)
Epitope YRLGVGALI
Subtype C
Immunogen HIV-1 infection
Species (MHC) human (Cw*1801)
Country South Africa.
Assay type CD8 T-cell Elispot - IFN γ
Keywords rate of progression, optimal epitope
References Kiepiela *et al.* 2007

- A comprehensive analysis of 160 class I T cell responses in 578 individuals from KwaZulu-Natal, South Africa was performed. Gag-specific responses were associated with lowering viremia, while Env, accessory and regulatory protein-specific responses were associated with higher viremia.
- YRLGVGALI is an optimal epitope.

HXB2 Location gp160 (511–526)
Author Location (C consensus)
Epitope RAVGIGAVFLGFLGAA
Subtype C
Immunogen HIV-1 infection
Species (MHC) human (Cw*0801)
Country South Africa.
Assay type CD8 T-cell Elispot - IFN γ
Keywords rate of progression
References Kiepiela *et al.* 2007

- A comprehensive analysis of 160 class I T cell responses in 578 individuals from KwaZulu-Natal, South Africa was performed. Gag-specific responses were associated with lowering viremia, while Env, accessory and regulatory protein-specific responses were associated with higher viremia.

HXB2 Location gp160 (519–543)
Author Location gp41 (519–543)
Epitope FLGFLGAAGSTMGAASLTLTVQARC
Immunogen HIV-1 infection
Species (MHC) human (Cw7)
References Nehete *et al.* 1998a

- Three long-term non-progressors and one asymptomatic HIV+ individual were studied and found to have HLA class I C-restricted CD8+ Env-specific CTLs – Cw7 specific CTL were found against three peptides, including this one.
- HLA-C antigens are expressed on lymphoid cells to a lesser extent, 10% of either HLA-A or HLA-B.
- HLA-C confers protection against lysis by natural killer cells and by non-MHC-restricted effector T cells and Cw7 directly governs this resistance to lysis – the authors hypothesize that pathogens that inhibit antigen expression and class I expression may particularly down regulate Cw7, thus triggering non-MHC restricted killing.

HXB2 Location gp160 (529–537)
Author Location Env (529–)
Epitope TMGAASITL
Epitope name Env529
Immunogen HIV-1 infection, vaccine
Vector/Type: peptide *HIV component:* gp160 *Adjuvant:* Incomplete Freund's Adjuvant (IFA)
Species (MHC) human (A2)
Assay type CD8 T-cell Elispot - IFN γ , Chromium-release assay, Flow cytometric T-cell cytokine assay
Keywords binding affinity, subtype comparisons, computational epitope prediction
References Corbet *et al.* 2003

- HLA-A2-restricted HIV-1 CTL epitopes were computationally predicted. Binding affinities for HLA-A*0204, immunogenicity in HLA-A*0201 transgenic mice, and responses to the peptides in 17 HIV-1 infected patients were tested. 31 novel conserved A2 epitopes were detected. An average of 4 epitopes were recognized per patient.
- This peptide was an intermediate A2 binder that did not induce CTL and CD8+ T-cell IFN gamma responses in mice. Responses were detected in 5/17 HIV+ HLA-A2 subjects.

HXB2 Location gp160 (552–571)
Author Location Env (552–571)
Epitope QSNLLRAIEAQHMLQLTVW
Subtype C
Immunogen HIV-1 infection
Species (MHC) human
Keywords subtype comparisons
References Novitsky *et al.* 2002

- HLA, viral sequence, and Elispot data was obtained from 105 HIV-1 positive Botswanans; Elispot data was obtained from between 55 and 64 subjects for each HIV protein.
- Nef and p24 had the highest percentage of reactive peptides, and p24 had the highest magnitude of HIV-1 responses.
- This peptide was among the 28 most reactive C clade peptides from among over 350 tested spanning all HIV proteins.

HXB2 Location gp160 (557–564)
Author Location (C consensus)
Epitope RAIEAQQM
Subtype C
Immunogen HIV-1 infection
Species (MHC) human (Cw*0801)
Country South Africa.
Assay type CD8 T-cell Elispot - IFN γ
Keywords rate of progression, optimal epitope
References Kiepiela *et al.* 2007

- A comprehensive analysis of 160 class I T cell responses in 578 individuals from KwaZulu-Natal, South Africa was performed. Gag-specific responses were associated with lowering viremia, while Env, accessory and regulatory protein-specific responses were associated with higher viremia.
- RAIEAQQM is an optimal epitope.

HXB2 Location gp160 (557–565)
Author Location gp41 (557–665)
Epitope RAIEAQQWQ

- Epitope name** E3
Immunogen HIV-1 infection
Species (MHC) human (B*5101)
Keywords HAART, ART, escape
References Samri *et al.* 2000
- The epitope was recognized by patient 246#1 in a study of the effects of therapy escape mutations on CTL recognition.
- HXB2 Location** gp160 (557–565)
Author Location gp41 (46–54 HIV-MN)
Epitope RAIEAQQHL
Epitope name RL9
Subtype B
Immunogen HIV-1 infection
Species (MHC) human (B*5101)
Donor MHC A*0201, A*2501, B*1801, B*5101, Cw*0102, Cw*1203
Assay type CD8 T-cell Elispot - IFN γ
Keywords optimal epitope
References Liu *et al.* 2006
 - T-cell immunity and the impact of selection were longitudinally studied in a patient from the time of transmission. New epitopes were detected at sites that were shown to be under positive selection. Env was found to be the major target of CTLs and most of the new epitopes were found here. One third of the sites examined were associated with epitope escape mutations from CTL. Acquisition of mutations found at high frequency in the database was suggested to be a result of reversion of CTL epitopes in the absence of immune targeting.

HXB2 Location gp160 (557–565)
Author Location gp160 (557–565)
Epitope RAIEAQQHL
Immunogen HIV-1 infection
Species (MHC) human (B15, B51)
Donor MHC A03, A32, B51, B15, Cw03, Cw06, DR4, DR8, DQ7
Country Netherlands.
Assay type CD8 T-cell Elispot - IFN γ , Flow cytometric T-cell cytokine assay
Keywords rate of progression, escape
References Geels *et al.* 2003
 - Both stable potential epitopes and epitopes with escape mutations were found in a patient with increasing viral load over a time period of 4 years. Fixation of escape mutations occurred sequentially and correlated with the rise in viral load and with the increased number of productively infected cells.
 - This is one of 17 potential epitopes from this individual, defined based on previously identified epitopes presented by appropriate HLA molecules. Full length genome sequence did not reveal changes in time in any of these epitopes over a four year period. Peptide pools initially revealed very little response to these epitopes, but this increased over time.

HXB2 Location gp160 (557–565)
Author Location gp41 (557–565 IIIB)
Epitope RAIEAQQHL
Immunogen HIV-1 infection
Species (MHC) human (B51)
References Sipsas *et al.* 1997

- HIV IIIB proteins were used to define the range of CTL epitopes recognized by 3 lab workers accidentally infected with HIV-1 IIIB.
- KAIEAQQHL, a variant found in HIV-1 NY5CG, was also recognized.
- RAIEAQQHM, a variant found in HIV-1 JRCSF, was also recognized.
- RAIDAQQHL, a variant found in HIV-1 ETR, was also recognized.
- RAIKAQQHL, a variant found in HIV-1 CDC42, was also recognized.

HXB2 Location gp160 (557–565)

Author Location gp41 (557–565)

Epitope RAIEAQQHL

Immunogen HIV-1 infection

Species (MHC) human (B51)

References Ferris *et al.* 1999

- This epitope can be processed by a TAP1/2 dependent mechanism.

HXB2 Location gp160 (557–565)

Author Location gp41 (557–565)

Epitope RAIEAQQWQ

Epitope name RAI

Immunogen HIV-1 infection

Species (MHC) human (B51)

Keywords HAART, ART, acute/early infection

References Oxenius *et al.* 2000

- Patients who started therapy at acute HIV-1 infection (three with sustained therapy, two with limited therapy upon early infection) had strong HIV specific CD4 proliferative responses and were able to maintain a CTL response even with undetectable viral load – three patients that had delayed initiation of HAART had no HIV specific CD4 proliferative responses and lost their CTL responses when HAART was eventually given and their viral loads became undetectable.
- None of the 8 study subjects recognized this epitope but none were HLA B51+

HXB2 Location gp160 (557–565)

Author Location gp41 (47–55)

Epitope RAIEAQQHL

Immunogen HIV-1 infection

Species (MHC) human (B51)

References Ferrari *et al.* 2000

- One of the 51 HIV-1 epitopes selected by Ferrari *et al.* as good candidate CTL epitopes for vaccines by virtue of being conserved and presented by common HLA alleles.

HXB2 Location gp160 (557–565)

Author Location gp41 (557–565 LAI)

Epitope RAIEAQQHL

Epitope name E3

Subtype B

Immunogen HIV-1 infection

Species (MHC) human (B51)

Keywords HAART, ART

References Mollet *et al.* 2000

- A panel of 16 epitopes covering 15 class I alleles was tested in 14 HIV+ patients from an unselected Caucasian population treated with HAART, using CD8+ cell IFN γ production to measure responses.
- In general, during the first month of treatment viral load decreased and frequencies of HIV-specific CTL tripled and broadened – eight new HIV specificities that were not previously detectable were newly detected, as were CMV specific CD8+ PBL – but with continued viral suppression, HIV-specific responses diminished.
- Viral rebounds gave different patterns of response: increases or decreases in pre-existing response, new specificities, or no change.

HXB2 Location gp160 (557–565)

Author Location gp41

Epitope RAIEAQQHL

Subtype B, C

Immunogen HIV-1 infection

Species (MHC) human (B63, B57, B58)

Assay type CD8 T-cell Elispot - IFN γ

Keywords cross-presentation by different HLA, optimal epitope

References Frahm *et al.* 2005

- HLA-B63-positive subjects were shown to be able to generate CTL responses early in acute HIV infection and to control HIV replication in the absence of antiretroviral treatment. Since HLA-B63 shares the epitope binding motif of HLA-B57 and -B58, it was shown that HLA-B63-positive individuals mounted CTL responses to previously identified B57-restricted epitopes, as well as novel, B63-restricted epitopes. Moreover, these novel B63-restricted epitopes can also be presented by HLA-B57 and -B58.
- This is a putative HLA-B63/57/58 epitope containing the B58 supertype binding motif. Significantly more often recognized by B63+ and B57/58+ subjects than by negative subjects.

HXB2 Location gp160 (557–565)

Author Location Env (gp160) (557–565)

Epitope RAIEAQQHL

Subtype B

Immunogen HIV-1 infection

Species (MHC) human (Cw*0304)

Keywords subtype comparisons

References Currier *et al.* 2002a

- Cross-reactive responses were found in PBMC isolated from individuals infected with either B or CRF01_AE clade viruses, as determined by Elispot assays of target cells expressing recombinant vaccinia viruses expressing HIV-1 gag, env, nef and pol from many clades.
- CTL from subject US101, infected with a clade B virus, displayed broad cross-reactivity to HIV-1 clade A, B, C, D, CRF01_AE, F G, recognized this epitope. Clade B and C had a L->M change in the C-term position that was tolerated. The H clade Env was not cross-reactive, and had the sequence RAIAARQHM.

HXB2 Location gp160 (557–565)

Author Location gp41 (46–54)

Epitope RAIEAQQHL

Immunogen

Species (MHC) human (Cw*0304)

Keywords optimal epitope

References Frahm *et al.* 2007

HXB2 Location gp160 (557–565)

Author Location (C consensus)

Epitope RAIEAQQHM

Subtype C

Immunogen HIV-1 infection

Species (MHC) human (Cw*0801)

Country South Africa.

Assay type CD8 T-cell Elispot - IFN γ

Keywords cross-presentation by different HLA, characterizing CD8+ T cells

References Kiepiela *et al.* 2004

- HLA class I restricted CD8+ T-cell responses against HIV-1 were analyzed in African patients. Significantly more responses were shown to be HLA-B restricted. Viral load, CD4 count, and thus rate of disease progression were also associated with HLA-B alleles. In addition, the selection pressure imposed on HIV-1 by HLA-B alleles was shown to be substantially greater than by other alleles.
- This epitope was suggested to be the epitope within a longer reactive peptide based on correspondence with a known epitope in the HIV database. Also, a significantly higher frequency of people in the Durban cohort who reacted with the peptide had this HLA type.

HXB2 Location gp160 (557–565)

Author Location gp41 (46–54)

Epitope RAIEAQQHL

Immunogen

Species (MHC) human (Cw*15)

Keywords optimal epitope

References Frahm *et al.* 2007

HXB2 Location gp160 (557–565)

Author Location

Epitope RAIEAQQHM

Epitope name RM9

Immunogen

Species (MHC) human (Cw8)

Keywords optimal epitope

References Frahm *et al.* 2007

- C. Brander notes this is a Cw08 epitope.

HXB2 Location gp160 (557–565)

Author Location gp41 (557–565 IIIB)

Epitope RAIEAQQHL

Immunogen HIV-1 infection

Species (MHC) human

Keywords responses in children, mother-to-infant transmission

References Wilson *et al.* 1996

- Epitope defined in the context of the Pediatric AIDS Foundation ARIEL Project, a mother-infant HIV transmission study.
- RAIDAQQHL and RVIEAQQHL, naturally occurring variants, were found in mother and are recognized.

HXB2 Location gp160 (557–565)**Author Location** gp41 (557–565)**Epitope** RAIEAQQHL**Immunogen** HIV-1 infection**Species (MHC)** human**Keywords** immunodominance**References** Betts *et al.* 2000

- Only 4/11 HLA-A2+ HIV+ individuals had CTL that reacted to SLYNTVATL, calling into question whether it is immunodominant.
- 95 optimally-defined peptides from this database were used to screen for INF γ responses to other epitopes.
- 1/11 of the A2+ individuals was HLA A*0201, A32, B60, B78, and responded to RAIEAQQHL, previously noted to be B51.

HXB2 Location gp160 (557–565)**Author Location** gp41 (557–565 IIIIB)**Epitope** RAIEAQQHL**Immunogen** HIV-1 infection**Species (MHC)** human**Keywords** mother-to-infant transmission, escape**References** Wilson *et al.* 1999a

- This study describes maternal CTL responses in the context of mother-to-infant transmission.
- Detection of CTL escape mutants in the mother was associated with transmission, but the CTL-susceptible forms of the virus tended to be found in infected infants.
- This epitope was invariant in both the mother and her infant.

HXB2 Location gp160 (557–565)**Author Location** Env (555–567 BH10, LAI)**Epitope** RAIEAQQHL**Immunogen** HIV-1 infection**Species (MHC)** human**References** Maksiutov *et al.* 2002

- This study employs an antigenic similarity matrix to compare HIV-1 antigenic determinants with human proteins.
- This CTL epitope (the HIV-1 LAI fragment with high similarity to a human protein overlapping this epitope is LL-RAIEAQQHLL) has similarity with human MHC class II regulatory factor RFX1 fragment LLRLMEDQQHMA.

HXB2 Location gp160 (557–565)**Author Location** gp160**Epitope** RAIEAQQHL**Subtype** A, B, C, D**Immunogen** HIV-1 infection, vaccine*Vector/Type:* vaccinia *Strain:* A clade, B clade, D clade NDK, C clade consensus *HIV component:* Env**Species (MHC)** human**Donor MHC** A*3201, A*3601, B*5301, B*8101, Cw*0401, Cw*0804**Country** Kenya.**Assay type** CD8 T-cell Elispot - IFN γ , Other**Keywords** subtype comparisons, variant cross-recognition or cross-neutralization**References** McKinnon *et al.* 2005

- Interclade cross-reactivity of clades A, B, C, and D was tested using recombinant vaccinia-based IFN-gamma Elispot assay. 47/74 women had a positive Elispot response to at least one clade, and cross-clade responses were frequent. Clade A responses were most frequent, as expected, as clade A dominates the Kenyan epidemic (85% of the 47 women responded to clade A Env, 74% to B, 62% to C, and 43% to D). Cross-clade CD8 T-cell responses were common and directed at conserved epitopes.
- There was a greater magnitude of response to A clade peptides in individuals who responded to more than one clade; a 2-fold higher response was observed in clade A in 36% (9/25) of these individuals, and the response to A peptides was never lower. VTEEFNMWK responses were detected in 2 women that had Env responses to all 4 clades, and clade A gave the highest responses; a VnEEFNMWK variant was in clade B and D, and the clade C Env carried VnEEFNMW. One woman also reacted with RAIEAQQHL, the other with KNCSFNMTT. RAIEAQQHL was identical in clades A, B, and D, while C carried RAIEAQQHm.

HXB2 Location gp160 (557–566)**Author Location** Env (557–566)**Epitope** RAIEAQQHML**Subtype** C**Immunogen** HIV-1 infection**Species (MHC)** human (B*40, A*69)**Country** India.**Assay type** CD8 T-cell Elispot - IFN γ **Keywords** subtype comparisons, computational epitope prediction, immunodominance**References** Thakar *et al.* 2005

- PBMCs from HIV-1 infected Indian subjects were tested for HIV-1 Gag (with C clade peptides), Nef (with B clade peptides), and Env (clade unspecified) specific T-cell responses. 5 immunodominant regions conserved across clades were identified in Gag and Nef. 3 antigenic regions were found to be recognized by CTLs in the Indian subjects; these regions were not identified as immunodominant in studies from Africa. 26 epitopes were predicted within reactive peptides, of which 90% were clustered in the conserved immunodominant regions of Gag and Nef. 3 of the epitopes were highly conserved across clades, and 7 novel epitopes were found.

HXB2 Location gp160 (565–573)**Author Location** Env (565–)**Epitope** LLQLTVWGI**Epitope name** Env565**Immunogen** HIV-1 infection, vaccine*Vector/Type:* peptide *HIV component:* Env *Adjuvant:* Incomplete Freund's Adjuvant (IFA)**Species (MHC)** human, transgenic mouse (A2)**Assay type** CD8 T-cell Elispot - IFN γ , Chromium-release assay, Flow cytometric T-cell cytokine assay**Keywords** binding affinity, subtype comparisons, computational epitope prediction**References** Corbet *et al.* 2003

- HLA-A2-restricted HIV-1 CTL epitopes were computationally predicted. Binding affinities for HLA-A*0204, immunogenicity in HLA-A*0201 transgenic mice, and responses to the peptides in 17 HIV-1 infected patients were tested. 31 novel conserved A2 epitopes were detected. An average of 4 epitopes were recognized per patient.
- This peptide was a good A2 binder, and induced CD8+ T-cell IFN gamma responses in mice. Responses to the peptide were not detected in 17 HIV+ HLA-A2 subjects.

HXB2 Location gp160 (565–573)

Author Location Env (731–739)

Epitope LLQLTVWGI

Immunogen HIV-1 infection

Species (MHC) human (A2 supertype)

Keywords supertype, rate of progression

References Propato *et al.* 2001

- Long-term nonprogressors (LTNPs) had strong memory resting CD8+ T-cell responses against the majority of epitopes tested, (18 for the A2 supertype, 16 for the A3 supertype) while the effector cells of long-term nonprogressors recognized far fewer epitopes.
- Progressors had memory resting CD8+ T-cells that recognized far fewer epitopes than LTNPs.
- A positive correlation between effector CD8+ T-cells and plasma viremia and a negative correlation between CD8+ effector T-cells and CD4+ T-cells was observed, which may contribute to the inability of LTNPs to clear virus.
- This epitope can bind four of the five HLA-A2 supertypes alleles (A*0201, A*0202, A*0203, A*0206 and A*6802).

HXB2 Location gp160 (570–589)

Author Location gp41 (571–590 LAI)

Epitope VWGIKQLQARILAVERYLKD

Subtype B

Immunogen vaccinia

Vector/Type: vaccinia prime with gp160 boost

Strain: B clade LAI *HIV component:* gp160

Species (MHC) human (DR-1 CD4+ CTL)

References Kent *et al.* 1997a

- VWGIKQLQARILAVERYLKD, present in HIV-1 LAI, was the immunizing strain.
- VWGIKQLQARVLAVERYLKD, present in HIV-1 MN, was also recognized.
- VWGIKQPQARVLAVERYLRD was the form carried by the autologous strain that infected the vaccinee.
- Lysis of the target cells by CD4+ CTL was inhibited with the addition of the peptide representing the autologous strain.
- The infecting virus epitope also antagonized the proliferative functions of the CD4+ CTL clone.
- The behavior of the autologous strain presents a possible mechanism for vaccine failure since the infecting virus not only escapes CTL activity, but inhibits the ability of CTL to recognize other variants.

HXB2 Location gp160 (572–590)

Author Location gp41 (572–590 BRU)

Epitope GIKQLQARILAVERYLKDQ

Immunogen vaccinia

Vector/Type: protein *Strain:* B clade BRU

HIV component: gp160

Species (MHC) human (DPw4.2)

References Hammond *et al.* 1991

- CD4+ CTL.

HXB2 Location gp160 (575–599)

Author Location gp41 (575–599 IIIB)

Epitope QLQARILAVERYLKDQQLGIWGCS

Immunogen HIV-1 infection

Species (MHC) human (B14)

References Jassoy *et al.* 1992

- Epitope recognized by CTL clone derived from CSF.

HXB2 Location gp160 (577–587)

Author Location (C consensus)

Epitope QTRVLAIERYL

Subtype C

Immunogen HIV-1 infection

Species (MHC) human (B*5802)

Country South Africa.

Assay type CD8 T-cell Elispot - IFN γ

Keywords rate of progression, optimal epitope

References Kiepiela *et al.* 2007

- A comprehensive analysis of 160 class I T cell responses in 578 individuals from KwaZulu-Natal, South Africa was performed. Gag-specific responses were associated with lowering viremia, while Env, accessory and regulatory protein-specific responses were associated with higher viremia.
- QTRVLAIERYL is an optimal epitope.

HXB2 Location gp160 (583–592)

Author Location gp41 (583–592 PV22)

Epitope VERYLKDQQL

Immunogen HIV-1 infection

Species (MHC) human (B14)

References Jassoy *et al.* 1993

- HIV-1 specific CTLs release γ -IFN, and α - and β -TNF.

HXB2 Location gp160 (584–592)

Author Location gp41 (584–592 HXB2)

Epitope ERYLKDQQL

Epitope name E4

Subtype B

Immunogen HIV-1 infection

Species (MHC) human (A32, B14)

Keywords HAART, ART

References Mollet *et al.* 2000

- A panel of 16 epitopes covering 15 class I alleles was tested in 14 HIV+ patients from an unselected Caucasian population treated with HAART, using CD8+ cell IFN γ production to measure responses.
- In general, during the first month of treatment viral load decreased and frequencies of HIV-specific CTL tripled and broadened – eight new HIV specificities that were not previously detectable were newly detected, as were CMV specific CD8+ PBL – but with continued viral suppression, HIV-specific responses diminished.

- Viral rebounds gave different patterns of response: increases or decreases in pre-existing response, new specificities, or no change.

HXB2 Location gp160 (584–592)

Author Location gp41

Epitope ERYLRDQQL

Immunogen HIV-1 infection

Species (MHC) human (B*14)

Keywords HIV exposed persistently seronegative (HEPS)

References Kaul *et al.* 2002

- Neisseria gonorrhoea cervicitis in 9 HIV+ Kenyan sex workers caused a functional deficiency in IFN-gamma production in HIV-1 epitope-specific CD8+ T-cells, detected by intracellular cytokine production and tetramer assays, while not affecting the total number of epitope-specific CTLs.
- Ghonorrhoea caused the weaker HIV-1 specific CTL responses in 4 HIV-1 exposed persistently seronegative (HEPS) women to become undetectable by Elispot and tetramer assays, and CMV-specific CTL in 2 HEPS subjects were shown to have impaired function with regard to IFN-gamma production.

HXB2 Location gp160 (584–592)

Author Location (C consensus)

Epitope ERYLKDQQL

Subtype C

Immunogen HIV-1 infection

Species (MHC) human (B*14)

Country South Africa.

Assay type CD8 T-cell Elispot - IFN γ

Keywords characterizing CD8+ T cells

References Kiepiela *et al.* 2004

- HLA class I restricted CD8+ T-cell responses against HIV-1 were analyzed in African patients. Significantly more responses were shown to be HLA-B restricted. Viral load, CD4 count, and thus rate of disease progression were also associated with HLA-B alleles. In addition, the selection pressure imposed on HIV-1 by HLA-B alleles was shown to be substantially greater than by other alleles.
- This epitope was suggested to be the epitope within a longer reactive peptide based on correspondence with a known epitope in the HIV database. Also, a significantly higher frequency of people in the Durban cohort who reacted with the peptide had this HLA type.

HXB2 Location gp160 (584–592)

Author Location (C consensus)

Epitope ERYLKDQQL

Subtype C

Immunogen HIV-1 infection

Species (MHC) human (B*1401)

Country South Africa.

Assay type CD8 T-cell Elispot - IFN γ

Keywords rate of progression, optimal epitope

References Kiepiela *et al.* 2007

- A comprehensive analysis of 160 class I T cell responses in 578 individuals from KwaZulu-Natal, South Africa was performed. Gag-specific responses were associated with lowering viremia, while Env, accessory and regulatory protein-specific responses were associated with higher viremia.
- ERYLKDQQL is an optimal epitope.

HXB2 Location gp160 (584–592)

Author Location gp41 (584–592 PV22)

Epitope ERYLKDQQL

Immunogen HIV-1 infection

Species (MHC) human (B*1402)

Keywords optimal epitope

References Frahm *et al.* 2007

- C. Brander notes this is a B*1402 epitope.

HXB2 Location gp160 (584–592)

Author Location gp160 (598–597 BORI, SUMA)

Epitope ERYLKDQQL

Epitope name gp160 EL9

Subtype B

Immunogen HIV-1 infection

Species (MHC) human (B*1402)

Donor MHC A*2902, B*1402, Cw*0802; A*1103, A*2402, B*1402, B*1501, Cw*0802

Country United States.

Assay type CD8 T-cell Elispot - IFN γ , Chromium-release assay

Keywords dynamics, immunodominance, escape, acute/early infection, characterizing CD8+ T cells, reversion, viral fitness

References Jones *et al.* 2004

- Primary CD8+ T-cell response to Env, Tat and Gag and the extent, kinetics and mechanisms of viral escape were examined in three patients. Rapid escape, within weeks from infection, from HIV specific CTL responses was observed in all three patients, but the kinetics and extent of the escape differed depending on the breadth and co-dominant distribution of CTL-mediated pressure. The two patients that rapidly declined had more focused immunodominant responses, while the single patient that had low viral load and stable CD4 counts for seven years had a broad co-dominant response and less escape.
- The patient BORI had high viral loads and rapid CD4 decline. BORI mounted 8 detected responses. BORI did not control viral replication well, and escape mutations occurred early and in most epitopes, 6/7 that were precisely identified.
- The patient SUMA maintained low viral loads and stable CD4 T cell counts through seven years of follow up. In contrast to more rapid progressors, WEAU and BORI, SUMA a broad response to 24 epitopes, with little immunodominance. Two peptides were somewhat more intensely recognized in acute infection, but this response leveled out early on.
- Eleven variants in the ERYLKDQQL epitope were found in the patient BORI. ERYLKeQQp came up first at day 17 from onset of symptoms, but wasn't tested for escape properties. ERYLrDQQL came up next, by day 31, but didn't confer escape in a Cr release assay. By day 218, three variants were found, all of which gave a diminished response: ERYLiDQQL, ERYLqDQQL, and ERYLsDQQL. By day 556 a complex mixture was present, also including the ERYLmDQQL variant

that gave a further reduction in the response, and many double mutants: ERYLmDQrL, ERYLmDrQL, ERYLmDQIL, ERYLtDQrL and ERYrtDQrL.

- In SUMA, the only variation found in the 24 epitopes was in three overlapping epitopes in Tat, and in this gp160 epitope; variation accumulated early in infection in the Tat epitopes, but this epitope was stable until a sample 736 days post-infection, when only the ERYLqDQQL variant was detected. This variant was not tested with CTL from SUMA, but gave a diminished response in BORI.

HXB2 Location gp160 (584–592)

Author Location gp41

Epitope ERYLKDQQL

Immunogen HIV-1 infection

Species (MHC) human (B14)

References Wagner *et al.* 1998a

- CTL specific for HIV epitopes were used to show that the mediators of both the cytolytic (granzyme A was used as the marker) and non-cytolytic (HIV-1 inhibitory chemokines MIP-1 α and RANTES were used as markers) anti-viral responses are localized within the CTL's cytotoxic granules.

HXB2 Location gp160 (584–592)

Author Location gp41 (584–592)

Epitope ERYLKDQQL

Immunogen HIV-1 infection

Species (MHC) human (B14)

Keywords HAART, ART

References Kalams *et al.* 1999b

- Two patients were followed before and after HAART – reduced plasma HIV-1 RNA levels resulted in a decline in HIV *in vivo* activated specific CTL such that by day 260 CTL activities were undetectable.
- ERYLKDQQL was the dominant response in one of the individuals, SLYNTVATL subdominant.
- Sporadic breakthrough in viremia resulted in increases in CTLp.
- Peptide-tetramer staining demonstrated that declining levels of *in vivo*-activated CTL were associated with a decrease in expression of CD38.
- Memory CTL frequency directed against Vac-Gag, Vac-RT, Vac-Env, and Vac-Nef initially increased with HAART and then decreased with the decline of the viral load.

HXB2 Location gp160 (584–592)

Author Location gp41 (591–599 SF2)

Epitope ERYLKDQQL

Immunogen HIV-1 infection

Species (MHC) human (B14)

References Lieberman *et al.* 1997a

- Of 25 patients, most had CTL specific for more than 1 HIV-1 protein.
- Eleven subjects had CTL that could recognize vaccinia-expressed LAI gp160.
- One of these 11 had CTL response to this peptide.
- The responding subject was HLA-A3, -A32, -B7, -B14.

HXB2 Location gp160 (584–592)

Author Location gp41 (591–599 SF2)

Epitope ERYLKDQQL

Immunogen HIV-1 infection

Species (MHC) human (B14)

Keywords subtype comparisons

References Cao *et al.* 1997a

- The consensus sequence for clades B, C, and D is ERYLKDQQL.
- The consensus sequence for clade A is ERYLRDQQL and it is equally reactive.
- The consensus sequence for clade E is ERYLKDQKF and it is not reactive.

HXB2 Location gp160 (584–592)

Author Location gp41

Epitope ERYLKDQQL

Immunogen HIV-1 exposed seronegative

Species (MHC) human (B14)

Keywords subtype comparisons, HIV exposed persistently seronegative (HEPS)

References Rowland-Jones *et al.* 1998a

- A CTL response was found in exposed but uninfected prostitutes from Nairobi using previously-defined B clade epitopes that tended to be conserved in A and D clades – such cross-reactivity could protect against both A and D and confer protection in Nairobi where both subtypes are circulating.
- The A and D subtype consensus are identical to the B clade epitope, ERYLKDQQL.

HXB2 Location gp160 (584–592)

Author Location gp41 (584–592)

Epitope ERYLKDQQL

Immunogen HIV-1 infection

Species (MHC) human (B14)

References Sipsas *et al.* 1997

- HIV IIIB proteins were used to define the range of CTL epitopes recognized by 3 lab workers accidentally infected with HIV-1 IIIB.

HXB2 Location gp160 (584–592)

Author Location gp41 (584–592)

Epitope ERYLKDQQL

Immunogen HIV-1 infection

Species (MHC) human (B14)

References Yang *et al.* 1996

- CD4+ cell lines acutely infected with HIV were studied to determine their susceptibility to lysis by CTL.
- Clones specific for RT lysed HIV-1 infected cells at lower levels than Env or Gag specific clones.
- The distinction was thought to be due to lower expression of RT relative to Env and Gag.
- CTL can lyse infected cells early after infection, possibly prior to viral production.

HXB2 Location gp160 (584–592)

Author Location gp41 (584–592)

Epitope ERYLKDQQL

Immunogen HIV-1 infection

Species (MHC) human (B14)

Assay type CTL suppression of replication

References Yang *et al.* 1997a

- CTL inhibit HIV-1 replication at effector cell concentrations comparable to those found *in vivo*.
- CTL produced HIV-1-suppressive soluble factors – MIP-1 α , MIP-1 β , RANTES, after antigen-specific activation.
- CTL suppress HIV replication more efficiently in HLA-matched cells.

HXB2 Location gp160 (584–592)
Author Location gp41 (584–592 PV22)
Epitope ERYLKDQQL
Immunogen HIV-1 infection
Species (MHC) human (B14)
References Johnson *et al.* 1992

- Two overlapping CTL epitopes were mapped with different HLA restriction (also see YLKDQQLL HLA-B8)

HXB2 Location gp160 (584–592)
Author Location gp41 (584–592 PV22)
Epitope ERYLKDQQL
Immunogen HIV-1 infection
Species (MHC) human (B14)
References Jassoy *et al.* 1993

- HIV-1 specific CTLs release γ -IFN, and α - and β -TNF.

HXB2 Location gp160 (584–592)
Author Location gp41 (584–592 HXB2)
Epitope ERYLKDQQL
Subtype B
Immunogen HIV-1 infection
Species (MHC) human (B14)
References Kalams *et al.* 1994; Kalams *et al.* 1996

- Longitudinal study of T cell receptor usage in a single individual.
- Persistence of oligoclonal response to this epitope for over 5 years.

HXB2 Location gp160 (584–592)
Author Location gp41 (584–592)
Epitope ERYLKDQQL
Immunogen peptide-HLA interaction
Species (MHC) human (B14)
References DiBrino *et al.* 1994a

- Epitope studied in the context of HLA-B14 binding.

HXB2 Location gp160 (584–592)
Author Location gp41 (584–592)
Epitope ERYLKDQQL
Immunogen HIV-1 infection
Species (MHC) human (B14)
References Hammond *et al.* 1995

- This peptide can be processed for HLA-B14 presentation in a TAP-1/2 independent pathway.

HXB2 Location gp160 (584–592)
Author Location gp41 (584–592)
Epitope ERYLKDQQL
Immunogen HIV-1 infection
Species (MHC) human (B14)
References Kalams *et al.* 1996

- CTL response to this epitope was studied in 5 HLA-B14 positive persons.

- CTL responses were detected in all five, and CTL clones were isolated from 4/5.

- A diverse repertoire of TCRs recognized this epitope, with similar fine specificities.

- 3/5 subjects showed no variation in viral sequence, 2/5 had a dominant variant that resulted in poor recognition, ERYLQDQQL.

- A minor CTL response specific for the ERYLQDQQL could be detected by two individuals, but the major CTL response was to the ERYLKDQQL form even when it was the minority form.

- Some single amino acid substitutions were well tolerated by most of the CTL clones tested, but others, particularly in the center three amino acid positions, abrogated peptide stimulatory activity.

HXB2 Location gp160 (584–592)
Author Location gp120 (584–592)
Epitope ERYLKDQQL
Immunogen HIV-1 infection
Species (MHC) human (B14)
References Ferris *et al.* 1999; Hammond *et al.* 1995

- This epitope is processed by both TAP1/2 dependent and independent mechanisms.

HXB2 Location gp160 (584–592)
Author Location gp41
Epitope ERYLKDQQL
Immunogen
Species (MHC) human (B14)
References Rowland-Jones *et al.* 1999

- CTL responses in seronegative highly HIV-exposed African female sex workers in Gambia and Nairobi were studied – these women had no delta 32 deletion in CCR5.

- In Gambia there is exposure to both HIV-1 and HIV-2, CTL responses to B35 epitopes in exposed, uninfected women are cross-reactive, and the B35 allele seems to be protective.

- HIV-2 sequence: EKYLQDQAR – no cross-reactivity Johnson *et al.* [1992]

HXB2 Location gp160 (584–592)
Author Location gp41 (SF2)
Epitope ERYLKDQQL
Epitope name EL9
Immunogen HIV-1 infection
Species (MHC) human (B14)
Keywords acute/early infection
References Goulder *et al.* 2001a

- Data from patient AC13 suggest a role for this epitope in initial control of viremia in acute infection, as it is one of several subdominant CTL epitopes recognized during the initial decline in viremia.

- A CTL response to SL9, SLYNTVATL, was not evident until 18 months post-presentation.

- Recognized by two A*0201-positive chronically infected subjects.

HXB2 Location gp160 (584–592)
Author Location gp41 (584–592)
Epitope ERYLKDQQL

Epitope name 588K**Immunogen** HIV-1 infection**Species (MHC)** human (B14)**Keywords** HAART, ART, TCR usage**References** Islam *et al.* 2001

- Transcript frequencies of four CTL clones from patient 115, with a chronic and stable HIV-1 infection, were tracked in a longitudinal study of samples collected 6-11 years post infection: clone M21 and E15 recognize ERYLKDQQL, and clone D87 recognizes variant ERYLQDQQL, and clone p175b recognizes the A2 epitope SLYNTVATL.
- CTL clone M21 uses the V β 4, CDR3 VKDGA, J β 1.2 TCR beta gene, and clone E15 uses the V β 4, CDR3 VEDWGGAS J β 2.1 TCR beta gene, and D87 uses V β 8, ALNRVD, J β 2.1.
- Responses were stable even through HAART with undetectable viral loads but frequencies varied over time by 100-fold, ranging from 0.012% of the total population for SLYNTVATL at its lowest point to 3.78% for M21, with the relative frequencies of clones shifting over time.

HXB2 Location gp160 (584–592)**Author Location** gp41 (589–597 SF2)**Epitope** ERYLKDQQL**Immunogen** HIV-1 infection**Species (MHC)** human (B14)**Keywords** HAART, ART, acute/early infection**References** Altfeld *et al.* 2001b

- Therapy provided during acute infection resulted in a narrower CTL response, stronger T help response, and a less diverse viral population than was seen in individuals treated during chronic infection.
- The breadth and specificity of the response was determined using ELISPOT by studying 19 individuals with pre-seroconversion therapy (Group 1), 11 individuals with primary infection but post-seroconversion therapy (Group 2), and 10 individuals who responded to HAART given during chronic infection (Group 3), using 259 overlapping peptides spanning p17, p24, RT, gp41, gp120 and Nef.
- Previously described and newly defined optimal epitopes were tested for CTL response.
- Number of HLA-B14+ individuals that had a CTL response to this epitope broken down by group: 3/3 group 1, 1/2 group 2, and 0/0 group 3.

HXB2 Location gp160 (584–592)**Author Location** gp41 (589–597)**Epitope** ERYLRDQQL**Immunogen** HIV-1 infection, HIV-1 exposed seronegative**Species (MHC)** human (B14)**Keywords** HIV exposed persistently seronegative (HEPS)**References** Kaul *et al.* 2001a

- ELISPOT was used to study CTL responses to a panel of 54 predefined HIV-1 epitopes in 91 HIV-1-exposed, persistently seronegative (HEPS) and 87 HIV-1-infected female Nairobi sex workers.

HXB2 Location gp160 (584–592)**Author Location** gp41 (JRCSF)**Epitope** ERYLKDQQL**Subtype B****Immunogen** HIV-1 infection**Species (MHC)** human (B14)**References** Severino *et al.* 2000

- Primary HLA-B14+ CD4+ CD3+ and HLA-mismatched lymphocytes from uninfected donors were infected with JRCSF after isolation then cocultured with the B14-restricted CTL clone 15160/D75 specific for ERYLKDQQL, and viral inhibition was MHC-restricted.
- Primary monocytes and monocyte-derived DC were generated from the same donors, replication of HIV-1 in these cell types was less efficient than in lymphocytes and could also be inhibited by MHC-restricted CTL.
- DC-lymphocyte cluster cultures allowed vigorous viral replication and MHC-restricted CTL viral inhibition was blunted or lost depending on the ratio of DC to CD4+ lymphocyte in the culture.

HXB2 Location gp160 (584–592)**Author Location** gp41 (SF2)**Epitope** ERYLKDQQL**Immunogen** HIV-1 infection**Species (MHC)** human (B14)**References** Altfeld *et al.* 2000

- This epitope was mapped by ELISPOT in a study identifying new HLA-B60 epitopes, and was one of the epitopes presented by another HLA molecule in an HLA-B60 individual.

HXB2 Location gp160 (584–592)**Author Location** Env (589–597)**Epitope** ERYLKDQQL**Immunogen** HIV-1 infection**Species (MHC)** human (B14)**Keywords** early-expressed proteins, kinetics**References** Guillon *et al.* 2002b

- An early-expressed Nef protein was modified to contain Env and Pol epitopes to enable the study the effect of expression kinetics on CTL mediated suppression of replication. The "EpiNef" construct was inserted into a recombinant vaccinia virus which was used to infect a target cell line; the target cells were lysed by CTL clones specific for the Env and Pol epitopes indicating that they were properly processed.

HXB2 Location gp160 (584–592)**Author Location** gp41 (584–592)**Epitope** ERYLKDQQL**Immunogen** HIV-1 infection**Species (MHC)** human (B14)**Keywords** class I down-regulation by Nef**References** Yang *et al.* 2002

- Nef down-modulates class I protein expression, and this study demonstrates directly that Nef-deleted HIV-1 NL-43 can be more effectively killed *in vitro* than NL-43 with an intact Nef. The effect was shown to be specific for class I presentation of epitopes, and unlike Nef, deleting Vpr did not alter CTL susceptibility of NL43 infected cells. The CTL clone 15160D75, specific for the class I B14 presented epitope ERYLKDQQL, was one of four used in this study.

HXB2 Location gp160 (584–592)

Author Location gp41**Epitope** ERYLKDQQL**Epitope name** B14-EL9(gp41)**Subtype** B**Immunogen** HIV-1 infection**Species (MHC)** human (B14)**Donor MHC** A32, B7, B14**Keywords** HAART, ART, supervised treatment interruptions (STI)**References** Altfeld *et al.* 2002b

- Peripheral blood (PB) and lymph node (LN) CD8+ T-cell responses were compared in 15 asymptomatic HIV-1 infected patients using all known optimal CTL epitopes (<http://hiv-web.lanl.gov/content/hiv-db/REVIEWS/brander2001.html>) for each person's class I HLA alleles.
- 60 epitope responses were detected in both PB and LN samples of the 15 patients, and an additional 8 responses were detected only in LN. The total magnitude of the response was similar in LN and PB, but the percentage of CD8+ T cells in the LN is lower so the number of HIV-specific cells per million CD8+ T-cells is higher in the LN.
- 1 year post-HAART treatment in five patients studied, the magnitude of the CD8 T-cell response was decreased in both LN and PB, but more dramatically in PB, and 13/25 epitope responses in the PB became undetectable, in contrast to 5/26 in the LN.
- Treatment interruption following HAART resulted in increased viremia accompanied by the restoration of the detection of 13 epitopes that had become undetectable in the PB, and the addition of 9 novel epitope responses.
- Breakdowns of epitope responses were shown for 4 individuals. Patient A displayed the greatest response to epitope B14-EL9(gp41), a strong response to B7-TL9(p24), and responses to B7-TM9(Nef) and A32-PW10(RT).

HXB2 Location gp160 (584–592)**Author Location** gp41**Epitope** ERYLKDQQL**Subtype** A, B, C, D**Immunogen** HIV-1 infection, vaccine*Vector/Type:* DNA prime with modified vaccinia Ankara (MVA) boost *Strain:* A clade HIV component: p17 Gag, p24 Gag**Species (MHC)** human (B14)**Keywords** subtype comparisons, epitope processing, vaccine-specific epitope characteristics, immunodominance**References** Hanke & McMichael 2000; Wee *et al.* 2002

- The HIV-1 subtype A focused vaccine HIVA contains p24 and p17, in a reversed order relative to the Gag polyprotein to prevent myristylation of p17, which could direct the protein to the cell membrane and inhibit efficient peptide processing and class I presentation, as well as a polyepitope string of conserved, often immunodominant epitopes that were selected to have particularly good cross-reactive potential for the A-clade epidemic in Nairobi, Kenya. A DNA and MVA prime-boost vaccination protocol using the HIVA antigen will be used in a phase III clinical trial in Kenya. This epitope is included in the polyepitope string Hanke & McMichael [2000].

- Multiple CD4+ or CD8+ T-cell vaccine-induced responses to peptide pools were detected using intracellular cytokine staining and IFN-gamma Elispot assays after vaccination of 5 macaques. The response to the Mamu A*01 SIV p27 epitope p11C (CTPYDINQM), included in the polyepitope region, was not immunodominant in the Mamu A*01 vaccinated macaques, possibly because of processing limitations in context of the artificial polyepitope string Wee *et al.* [2002].

HXB2 Location gp160 (584–592)**Author Location** gp41 (73–81)**Epitope** ERYLKDQQL**Epitope name** Env EL9**Subtype** B**Immunogen** HIV-1 infection**Species (MHC)** human (B14)**Assay type** Chromium-release assay**Keywords** binding affinity, TCR usage, characterizing CD8+ T cells**References** Yang *et al.* 2003b

- Killing efficiency of CTLs and their ability to suppress viral replication is shown to depend more on epitope specificity than to antigenic avidity. Different clones recognizing the same epitope had similar killing efficiency despite their variation in avidity. Nef specific CTL clones tended to be most inhibitory, followed by Gag, then by RT specific clones, regardless of avidity.
- 4/14 CTL T-cell clones tested were specific for Env EL9. Under conditions of excess peptide (100ug/ml), there was no difference in their lytic potential; all possessed similar effector capacity. Avidity was measured as the sensitizing dose of peptide required for 50% of maximal killing (SD50), which varied from 20 pg/ml to 100 ng/ml, over four orders of magnitude for all 14 epitopes. The SD50 range for Env EL9 was 5,000 - 60,000 pg/ml.

HXB2 Location gp160 (584–592)**Author Location** (B consensus)**Epitope** ERYLKDQQL**Epitope name** EL9**Subtype** B**Immunogen** HIV-1 infection**Species (MHC)** human (B14)**Donor MHC** A28, A29, B14, B44, Cw8; A25, A32, B08, B14, Cw7, Cw8**Assay type** Cytokine production, Intracellular cytokine staining, Chromium-release assay, Flow cytometric T-cell cytokine assay**Keywords** assay standardization/improvement, memory cells, characterizing CD8+ T cells**References** Lichterfeld *et al.* 2004c

- Using a flow-cytometric cytotoxicity assay based on caspase-3 activation in dying target cells, it was shown that the subset of HIV-1-specific CD8+ T cells secreting both IFN-gamma and TNF-alpha exhibit stronger cytotoxic activity than those secreting only IFN-gamma. These cells also exhibited stronger intracellular perforin expression. No association between HIV-1-specific CD8+ T-cell maturation phenotypes and intracellular perforin expression was found.

- 2/9 individuals recognized this epitope, presented by HLA-B14.

HXB2 Location gp160 (584–592)

Author Location Env (584–592)

Epitope ERYLKDQQL

Epitope name EL9

Subtype B

Immunogen HIV-1 infection

Species (MHC) human (B14)

Donor MHC A*02, A*68, B*14, B*52, Cw*08, Cw*12

Country United States.

Assay type CD8 T-cell Elispot - IFN γ , Chromium-release assay, Flow cytometric T-cell cytokine assay

Keywords escape, characterizing CD8+ T cells, optimal epitope

References Koibuchi *et al.* 2005

- HIV-1-specific CD8 T-cell responses were shown to be persistent in the chronic phase of HIV-1 infection, although the responses to some of the epitopes were declining despite the persistence of the targeted sequences in vivo. Only 4/14 epitopes were potential CTL escape variants, although strong responses to these epitopes persisted for 6 years. This indicates limited viral evolution within targeted CD8 T-cell epitopes during the chronic phase of infection.
- The variant ERYLqDQQL was the only form of the epitope detected over a 6-year period in this person. Elispot reactions were reduced to the autologous form relative to the B clade consensus form, ERYLKDQQL.

HXB2 Location gp160 (584–592)

Author Location gp41

Epitope ERYLKDQQL

Epitope name EL9

Immunogen

Species (MHC) (B14)

Keywords review, immunodominance, escape, acute/early infection, early-expressed proteins, kinetics, reversion, viral fitness

References Lichterfeld *et al.* 2005

- This review discusses the importance of 3 factors that impact the selection of immunodominant epitopes in acute HIV infection: i) the kinetics of viral protein expression, ii) the HLA class I background of the infected individual, and iii) the autologous sequence of the infecting virus. This is 1 of 12 peptides listed as immunodominant in acute HIV-1 infection.

HXB2 Location gp160 (584–592)

Author Location gp41 (subtype B)

Epitope ERYLKDQQL

Subtype B

Immunogen HIV-1 exposed seronegative

Species (MHC) human (B14, B*1402)

Keywords subtype comparisons

References Rowland-Jones *et al.* 1998b

- HIV-specific CTL were found in exposed seronegative prostitutes from Nairobi – these CTL may confer protection.
- Seroprevalence in this cohort is 90–95% and their HIV-1 exposure is among the highest in the world.

- Most isolated HIV strains are clade A in Nairobi, although clades C and D are also found – B clade epitopes are often cross-reactive, however stronger responses are frequently observed using A or D clade versions of epitopes.
- This epitope is conserved among B and D clade viruses.
- The Clade A version of the epitope is ERYLRDQQL.

HXB2 Location gp160 (584–592)

Author Location gp41 (584–592)

Epitope ERYLKDQQL

Immunogen HIV-1 infection

Species (MHC) human

References Price *et al.* 1995

- Study of cytokines released by HIV-1 specific activated CTL.

HXB2 Location gp160 (584–592)

Author Location gp41 (584–592)

Epitope ERYLKDQQL

Immunogen HIV-1 infection

Species (MHC) human

References Borrow *et al.* 1994

- Three out of five patients with HIV-1 symptomatic infection controlled their viral infection well and mounted an early, strong HIV-1 specific MHC restricted CTL response.
- One of the three, study subject BORI, specifically recognized this peptide.

HXB2 Location gp160 (584–592)

Author Location gp160

Epitope ERYLRDQQL

Subtype A, B, C, D

Immunogen HIV-1 infection, vaccine

Vector/Type: vaccinia *Strain:* A clade, B clade, D clade NDk, C clade consensus *HIV component:* Env

Species (MHC) human

Donor MHC A*0202, A*7401, B*5802, B*1503, Cw*0202, Cw*0602; A*0201, A*3009, B*5802, B*4501, Cw*0202, Cw*1601

Country Kenya.

Assay type CD8 T-cell Elispot - IFN γ , Other

Keywords subtype comparisons, variant cross-recognition or cross-neutralization

References McKinnon *et al.* 2005

- Interclade cross-reactivity of clades A, B, C, and D was tested using recombinant vaccinia-based IFN-gamma Elispot assay. 47/74 women had a positive Elispot response to at least one clade, and cross-clade responses were frequent. Clade A responses were most frequent, as expected, as clade A dominates the Kenyan epidemic (85% of the 47 women responded to clade A Env, 74% to B, 62% to C, and 43% to D). Cross-clade CD8 T-cell responses were common and directed at conserved epitopes.
- There was a greater magnitude of response to A clade peptides in individuals who responded to more than 1 clade; a 2-fold higher response was observed in clade A in 36% (9/25) of these individuals, and the response to A peptides was never lower. ERYLRDQQL responses were detected in 2 women who had Env responses to all 4 clades, and clade A gave the highest responses; a ERYLkdQQL variant was in clade B and

C, and the clade D Env carried ERsLkDQQL. The epitope VSGFLALAW was also recognized by 1 of the women.

- HLA-B*5802 was the only HLA common to both women who reacted with ERYLRDQQL, so may be the presenting allele.

HXB2 Location gp160 (584–594)

Author Location gp41 (584–594)

Epitope ERYLKDQQLLG

Immunogen HIV-1 infection

Species (MHC) human

Donor MHC A1, A1, B8, B14, Cw7, Cw8

Assay type CD8 T-cell Elispot - IFN γ

Keywords binding affinity, acute/early infection, early-expressed proteins

References Cao *et al.* 2003

- CTL epitope responses were mapped in 21 men within 15-92 days post-HIV-1 infection. Subjects initially showed narrow immune responses with a mean of 2.3 epitopes recognized per patient. The immune response broadened later in infection. No correlation between the plasma viral load and the number of recognized epitopes or the frequency of IFN-gamma secreting cells was observed, and there was no correlation between the functional avidity of a response and the abundance of IFN-secreting cells that recognized the epitope. The first epitopes to be recognized tended not to be the most avid, and earliest responses tended to be directed against Nef, Tat, Vpr, and Env.
- All HIV-1 proteins except Vpu were recognized, and a response to a total of 41 optimal epitopes were characterized; 24 had been identified previously. 48% of the total T-cell responses were directed against Nef and 43% were directed against Gag.
- More common HLA alleles were less frequently used in primary infection than less common alleles, for example A3, B35, B57, and B62 were more frequently recognized than A1, A2, A30, and A44.

HXB2 Location gp160 (585–592)

Author Location gp41 (584–591 SF2)

Epitope RYLRDQQL

Immunogen HIV-1 infection

Species (MHC) human (A*2402)

References Ikeda-Moore *et al.* 1997

- Defined using reverse immunogenetics – 59 HLA-A*2402 binding peptides were predicted by searching for A*2402 anchors in HIV proteins (Tyr at 2, and Phe, Leu or Ile at the C term) – 53 of the 59 peptides bound A*2402.
- This peptide induced CTL in 2/4 HIV-1 + people tested.
- RYLRDQQL bound to A*2402 weakly, the epitope can be processed in a vaccinia construct and presented – two specific CTL clones were obtained.

HXB2 Location gp160 (585–592)

Author Location gp41 (590–597 LAI)

Epitope RYLKDQQL

Subtype B

Immunogen HIV-1 infection

Species (MHC) human (B27)

References Shankar *et al.* 1996

HXB2 Location gp160 (585–593)

Author Location gp41 (585–593)

Epitope RYLKDQQLL

Immunogen HIV-1 infection

Species (MHC) human (A*2301)

Donor MHC A*2301, B*3501, B*1503, Cw2, Cw7

Assay type CD8 T-cell Elispot - IFN γ

Keywords acute/early infection, early-expressed proteins

References Cao *et al.* 2003

- All proteins were scanned and optimal epitopes were mapped in a study of CD8+ gamma IFN T-cell responses in 21 men within 15-92 days post-HIV-1 infection. Subjects initially showed narrow immune responses with a mean of 2.3 epitopes recognized per patient. The immune response broadened later in infection. No correlation between the plasma viral load and the number of recognized epitopes or the frequency of IFN-gamma secreting cells was observed, and there was no correlation between the functional avidity of a response and the abundance of IFN-secreting cells that recognized the epitope. The first epitopes to be recognized did not tend to be the most avid, and earliest responses tended to be directed against Nef, Tat, Vpr, and Env.
- All HIV-1 proteins except Vpu were recognized, and a response to a total of 41 optimal epitopes were characterized; 24 had been identified previously. 48% of the total T-cell responses were directed against Nef and 43% were directed against Gag.
- More common HLA alleles were less frequently used in primary infection than less common alleles, for example A3, B35, B57, and B62 were more frequently utilized than A1, A2, A30, and A44.

HXB2 Location gp160 (585–593)

Author Location Env

Epitope RYLKDQQLL

Subtype B

Immunogen HIV-1 infection

Species (MHC) human (A*2301)

Donor MHC A*2301, A*6801, B*5801, B*5802

Country United States.

Keywords escape, acute/early infection

References Bernardin *et al.* 2005

- Full HIV genomes from nine individuals were analyzed for mutations prior to seroconversion and 7 to 28 days later. It was found that the influence of the host's HLA type was reflected within weeks of infection; a statistically significant number of early nonsynonymous mutations were observed within previously reported CTL epitopes.
- K to E mutation was observed in position 4.

HXB2 Location gp160 (585–593)

Author Location gp41 (584–591 SF2)

Epitope RYLRDQQLL

Immunogen HIV-1 infection

Species (MHC) human (A*2402)

References Ikeda-Moore *et al.* 1997

- Defined using reverse immunogenetics – 59 HLA-A*2402 binding peptides were predicted by searching for A*2402 anchors in HIV proteins (Tyr at 2, and Phe, Leu or Ile at the C term) – 53 of the 59 peptides bound A*2402.
- This peptide induced CTL in 4/4 HIV-1 + people tested.

- RYLRDQQLL bound to A*2402 strongly, the epitope can be processed in a vaccinia construct and presented – two specific CTL clones were obtained.

HXB2 Location gp160 (585–593)
Author Location gp41 (591–598 LAI)
Epitope RYLKDQQLL
Subtype B

Immunogen
Species (MHC) human (A*2402)
Keywords optimal epitope
References Frahm *et al.* 2007
 • C. Brander notes this is an A*2402 epitope.

HXB2 Location gp160 (585–593)
Author Location (C consensus)
Epitope RYLKDQQLL
Subtype C
Immunogen HIV-1 infection
Species (MHC) human (A*2402)
Country South Africa.
Assay type CD8 T-cell Elispot - IFN γ
Keywords characterizing CD8+ T cells
References Kiepiela *et al.* 2004

- HLA class I restricted CD8+ T-cell responses against HIV-1 were analyzed in African patients. Significantly more responses were shown to be HLA-B restricted. Viral load, CD4 count, and thus rate of disease progression were also associated with HLA-B alleles. In addition, the selection pressure imposed on HIV-1 by HLA-B alleles was shown to be substantially greater than by other alleles.
- This epitope was suggested to be the epitope within a longer reactive peptide based on correspondence with a known epitope in the HIV database. Also, a significantly higher frequency of people in the Durban cohort who reacted with the peptide had this HLA type.

HXB2 Location gp160 (585–593)
Author Location gp41 (74–82)
Epitope RYLKDQQLL
Immunogen HIV-1 infection
Species (MHC) human (A23)
Keywords optimal epitope
References Frahm *et al.* 2007

HXB2 Location gp160 (585–593)
Author Location gp41
Epitope RYLKDQQLL
Epitope name A24-RL9(gp41)
Subtype B
Immunogen HIV-1 infection
Species (MHC) human (A24)
Donor MHC A24, B7, B27
Keywords HAART, ART, supervised treatment interruptions (STI)
References Altfeld *et al.* 2002b

- Peripheral blood (PB) and lymph node (LN) CD8+ T-cell responses were compared in 15 asymptomatic HIV-1 infected patients using all known optimal CTL epitopes (<http://hiv-web.lanl.gov/content/hiv-db/REVIEWS/brander2001.html>) for each person's class I HLA alleles.
- 60 epitope responses were detected in both PB and LN samples of the 15 patients, and an additional 8 responses were detected only in LN. The total magnitude of the response was similar in LN and PB, but the percentage of CD8+ T cells in the LN is lower so the number of HIV-specific cells per million CD8+ T-cells is higher in the LN.
- 1 year post-HAART treatment in five patients studied, the magnitude of the CD8 T-cell response was decreased in both LN and PB, but more dramatically in PB, and 13/25 epitope responses in the PB became undetectable, in contrast to 5/26 in the LN.
- Treatment interruption following HAART induced resulted in increased viremia accompanied by the restoration of the detection of 13 epitopes that had become undetectable in the PB, and the addition of 9 novel epitope responses.
- Breakdowns of epitope responses were shown for 4 individuals. Patient C displayed the greatest response to B27-KK10(p24), and in decreasing order also responded to A24-RW8(Nef), B7-IL9(gp41), A24-RL9(gp41), A24-YL8(gp41), and B7-TM9(Nef).

HXB2 Location gp160 (585–593)
Author Location Env
Epitope RYLKDQQLL
Epitope name RW8
Immunogen HIV-1 infection
Species (MHC) human (A24)
Donor MHC A2, A24, B38, B60, Cw2, Cw12
Assay type CD8 T-cell Elispot - IFN γ
Keywords acute/early infection, early treatment
References Montefiori *et al.* 2003

- HIV-1 + patient AC10 underwent early HAART treatment, which was discontinued 1.5 years later. At this timepoint potent NAb responses against autologous virus were detected. Treatment interruption initially induced weak CD8+ responses directed against 5 epitopes. By days 873d and 923d the CTL response had broadened to target 22 epitopes; of these six were fully characterized. Eventually the virus escaped the NAb response, but escape was not accompanied by a rise in viral load, and the authors suggest the virus was contained by the CTL response.

HXB2 Location gp160 (585–595)
Author Location gp41 (584–591 SF2)
Epitope RYLRDQQLLGI
Immunogen HIV-1 infection
Species (MHC) human (A*2402)
References Ikeda-Moore *et al.* 1997

- Defined using reverse immunogenetics – 59 HLA-A*2402 binding peptides were predicted by searching for A*2402 anchors in HIV proteins (Tyr at 2, and Phe, Leu or Ile at the C term) – 53 of the 59 peptides bound A*2402.
- This peptide induced CTL in 4/4 HIV-1 + people tested.

- RYLRDQQLGI bound to A*2402 with medium strength, the epitope can be processed in a vaccinia construct and presented – two specific CTL clones were obtained.

HXB2 Location gp160 (585–595)

Author Location Env (584–594)

Epitope RYLRDQQLGI

Epitope name Env584-11

Immunogen vaccine

Vector/Type: Sendai virus vector system (SeV)

Species (MHC) human (A*2402)

References Kawana-Tachikawa *et al.* 2002

- A Sendai virus vector system (SeV) was developed that expressed HLA-A*2402-restricted class I/peptide complexes; this system could be used to detect responses and has the potential to elicit immune responses.
- MHC class I/peptide tetramers could be made using this system that bound to epitope-specific CTLs in PBMCs.
- Cells transfection with SeV modified to express A*2402-HIV epitope complexes induced CTL mediated specific cell lysis.

HXB2 Location gp160 (586–593)

Author Location gp41 (584–591 NL43)

Epitope YLKDQQLL

Immunogen HIV-1 infection

Species (MHC) human (A*2402)

References Dai *et al.* 1992

- The lysine (K) is critical for eliciting a HLA-A24 CTL response.
- C. Brander notes that this is an A*2402 epitope in the 1999 database, and suggested that the epitope is RYLKQQLL.

HXB2 Location gp160 (586–593)

Author Location gp41 (591–598)

Epitope YLRDQQLL

Immunogen HIV-1 infection, HIV-1 exposed seronegative

Species (MHC) human (A24)

Keywords subtype comparisons, HIV exposed persistently seronegative (HEPS), immunodominance

References Kaul *et al.* 2001a

- Variants (R)YL(R/K)DQQLL are specific for the A/B clade.
- ELISPOT was used to study CTL responses to a panel of 54 predefined HIV-1 epitopes in 91 HIV-1-exposed, persistently seronegative (HEPS) and 87 HIV-1-infected female Nairobi sex workers.
- Responses in HEPS women tended to be lower, and focused on different epitopes with HLA presenting molecules that have previously been associated with reduced risk of infection, and there was a shift in the response in the HEPS women upon late seroconversion to epitopes recognized by the HIV-1 infected women.
- 43/91 HEPS women had CD8+ responses and detection of HIV-1-specific CTL in HEPS women increased with the duration of viral exposure.
- Among HLA-A24 women, 3/4 HEPS and 10/10 HIV-1 infected women recognized this epitope, and (R)YL(R/K)DQQLL tended to be reactive in HEPS and infected women, RDYV-DRFFKTL in infected women only.

- The dominant response to this HLA allele was to this epitope in all 3/4 HEPS cases but in only 4 of the 10/10 HIV-1 infected women.

- Differences in epitope specificity were only seen for responses restricted by class I HLA alleles A2, A24, A*6802, B14, and B18, previously shown to be associated with resistance to HIV-1 in this cohort.

HXB2 Location gp160 (586–593)

Author Location gp41 (580–587 CM243 subtype CRF01)

Epitope YLKDQQLL

Subtype CRF01_AE

Immunogen HIV-1 infection

Species (MHC) human (A24)

Keywords subtype comparisons

References Bond *et al.* 2001

- More than half of a cohort of HIV+ female sex workers (FSW) from Northern Thailand were HLA-A11 positive, and this study concentrated on A11 epitopes in this group, although E clade versions of previously defined B-clade A2 and A24 epitopes were also tested.
- The only HLA-A24 FSW tested did not recognize the E clade version of this epitope RYLKDQKLL, which differs from the previously defined B clade version by one amino acid, YLKDQQLL, with an additional amino acid added on.

HXB2 Location gp160 (586–593)

Author Location gp41 (591–598)

Epitope YLKDQQLL

Subtype B

Immunogen HIV-1 infection

Species (MHC) human (A24)

Country United States.

Assay type CD8 T-cell Elispot - IFN γ , CD8 T-cell Elispot granzyme B

Keywords Th1, characterizing CD8+ T cells

References Kleen *et al.* 2004

- Only 20% of CD8+ T-cells produce IFN-gamma and granzyme B simultaneously (Tc1a). Two additional subpopulations of HIV specific CD8 cells are found, each one constituting 30–40% of the CD8 cell pool. One of these (Tc1b) secretes IFN-gamma only, and the other one (Tc1c) secretes GzB only.
- One of seven patients responded to this peptide with GzB producing cells, and a different patient responded with IFN-gamma producing cells.

HXB2 Location gp160 (586–593)

Author Location gp41 (586–593 LAI)

Epitope YLKDQQLL

Epitope name E1

Subtype B

Immunogen HIV-1 infection

Species (MHC) human (A24, B8)

Keywords HAART, ART

References Mollet *et al.* 2000

- A panel of 16 epitopes covering 15 class I alleles was tested in 14 HIV+ patients from an unselected Caucasian population treated with HAART, using CD8+ cell IFN γ production to measure responses.

- In general, during the first month of treatment viral load decreased and frequencies of HIV-specific CTL tripled and broadened – eight new HIV specificities that were not previously detectable were newly detected, as were CMV specific CD8+ PBL – but with continued viral suppression, HIV-specific responses diminished.
- Viral rebounds gave different patterns of response: increases or decreases in pre-existing response, new specificities, or no change.

HXB2 Location gp160 (586–593)

Author Location gp41 (subtype A)

Epitope YLKDQQLL

Subtype A

Immunogen HIV-1 infection, vaccine

Vector/Type: DNA prime with modified vaccinia Ankara (MVA) boost *Strain:* A clade
HIV component: p17 Gag, p24 Gag

Species (MHC) human, macaque (A24, B8)

Keywords subtype comparisons, epitope processing, vaccine-specific epitope characteristics, immunodominance

References Hanke & McMichael 2000; Wee *et al.* 2002

- The HIV-1 subtype A focused vaccine HIVA contains p24 and p17, in a reversed order relative to the Gag polyprotein to prevent myristylation of p17, which could direct the protein to the cell membrane and inhibit efficient peptide processing and class I presentation, as well as a polyepitope string of conserved, often immunodominant epitopes that were selected to have particularly good cross-reactive potential for the A-clade epidemic in Nairobi, Kenya. A DNA and MVA prime-boost vaccination protocol using the HIVA antigen will be used in a phase III clinical trial in Kenya. This epitope is included in the polyepitope string Hanke & McMichael [2000].
- Multiple CD4+ or CD8+ T-cell vaccine-induced responses to peptide pools were detected using intracellular cytokine staining and IFN γ ELISPOT assays after vaccination of 5 macaques. The response to the Mamu A*01 SIV p27 epitope p11C (CTPYDINQM), included in the polyepitope region, was not immunodominant in the Mamu A*01 vaccinated macaques, possibly because of processing limitations in context of the artificial polyepitope string Wee *et al.* [2002].

HXB2 Location gp160 (586–593)

Author Location gp41 (586–593)

Epitope YLKDQQLL

Immunogen HIV-1 infection

Species (MHC) human (B*0801)

Keywords optimal epitope

References Frahm *et al.* 2007

- C. Brander notes this is a B*0801 epitope.

HXB2 Location gp160 (586–593)

Author Location gp41

Epitope YLKDQQLL

Subtype B

Immunogen HIV-1 infection

Species (MHC) human (B*0801)

Donor MHC A*0101, A*0301, B*0801, B*5101; A*0101, B*0801

Country United Kingdom.

Assay type CD8 T-cell ELISPOT - IFN γ , HLA binding

Keywords escape, acute/early infection, variant cross-recognition or cross-neutralization

References Milicic *et al.* 2005

- CTL responses and escape were analyzed in 4 homosexual couples where blood samples were available within weeks of estimated transmission. When the recipient had the same HLA type as the donor, CTL escape variants prevented a CTL response to those epitopes in the recipient. Even when the HLA alleles were different in the transmitting couple, a single escape mutation in one epitope can abolish CTL recognition of an overlapping epitope of distinct restriction in the recipient. In an early acute infection of the donor, the precise timing of transmission determines the viral variants transmitted.
- The second donor in the study shares A*0101 and B*0801 with his partner. Escape variant yIQdqll was transmitted, and it reduces binding to B*0801 by 92% relative to YLKDQQLL.

HXB2 Location gp160 (586–593)

Author Location gp41 (586–593)

Epitope YLKDQQLL

Immunogen HIV-1 infection

Species (MHC) human (B8)

References Johnson *et al.* 1992

- Two overlapping CTL epitopes were mapped with different HLA restriction (also see ERYLKDQQL HLA-B14)

HXB2 Location gp160 (586–593)

Author Location gp41 (586–593)

Epitope YLKDQQLL

Immunogen peptide-HLA interaction

Species (MHC) human (B8)

References Sutton *et al.* 1993

- Predicted epitope based on B8-binding motifs, from larger peptide QLQARILAVERYLKDQQLLGIWGCS.

HXB2 Location gp160 (586–593)

Author Location gp41 (76–83)

Epitope YLKDQQLL

Immunogen

Species (MHC) human (B8)

References Goulder *et al.* 1997g

- Included in a study of the B8 binding motif.

HXB2 Location gp160 (586–593)

Author Location gp41

Epitope YLKDQQLL

Immunogen

Species (MHC) human (B8)

References Rowland-Jones *et al.* 1999

- CTL responses in seronegative highly HIV-exposed African female sex workers in Gambia and Nairobi were studied – these women had no delta 32 deletion in CCR5.
- In Gambia there is exposure to both HIV-1 and HIV-2, CTL responses to B35 epitopes in exposed, uninfected women are cross-reactive.
- HIV-2 sequence: YLQDQARL – no cross-reactivity Johnson *et al.* [1992]

HXB2 Location gp160 (586–593)
Author Location gp41 (586–593)
Epitope YLKDQQLL
Immunogen HIV-1 infection, HIV-1 exposed seronegative
Species (MHC) human (B8)
Keywords HIV exposed persistently seronegative (HEPS)
References Kaul *et al.* 2001a

- ELISPOT was used to study CTL responses to a panel of 54 predefined HIV-1 epitopes in 91 HIV-1-exposed, persistently seronegative (HEPS) and 87 HIV-1-infected female Nairobi sex workers.

HXB2 Location gp160 (586–593)
Author Location gp41 (586–593)
Epitope YLKDQQLL
Immunogen HIV-1 infection
Species (MHC) human (B8)
References Day *et al.* 2001

- B8-restricted CTL accounted for about 1/3 of the total CTL response in one individual.

HXB2 Location gp160 (586–593)
Author Location Env (586–593)
Epitope YLKDQQLL
Epitope name YL8
Subtype B
Immunogen HIV-1 infection
Species (MHC) human (B8)
Donor MHC A*01, A*11, B*08, B*15, Cw*04, Cw*07
Country United States.
Assay type CD8 T-cell Elispot - IFN γ , Chromium-release assay, Flow cytometric T-cell cytokine assay
Keywords escape, characterizing CD8+ T cells, optimal epitope
References Koibuchi *et al.* 2005

- HIV-1-specific CD8 T-cell responses were shown to be persistent in the chronic phase of HIV-1 infection, although the responses to some of the epitopes were declining despite the persistence of the targeted sequences *in vivo*. Only 4/14 epitopes were potential CTL escape variants, although strong responses to these epitopes persisted for 6 years. This indicates limited viral evolution within targeted CD8 T-cell epitopes during the chronic phase of infection.
- The autologous form of the epitope, YLKDQQLL, matched the B consensus throughout the 5-year period of study, except for 1 rare variant at the first time point, YLrDQQLL, and 1 at year 5, YLKgQQLL.

HXB2 Location gp160 (586–593)
Author Location gp160
Epitope YLRDQQLL
Immunogen HIV-1 infection
Species (MHC) human
Keywords HIV exposed persistently seronegative (HEPS)
References Kaul *et al.* 2001c

- This study examines CTL responses in HIV exposed, persistently seronegative individuals, HEPS, who eventually seroconverted – 11/114 HEPS Nairobi sex workers eventually seroconverted, and for six of these HIV CTL reactive epitopes had been defined while seronegative.
- The epidemiological factor associated with seroconversion was stopping sex work. HIV-specific CTL activity declined when HEPS sex workers stopped working for a period or retired.
- This epitope was recognized in 1/22 HEPS sex worker controls, ML887.

HXB2 Location gp160 (586–598)
Author Location gp41 (586–598)
Epitope YLRDQQLLGIWGC
Immunogen HIV-1 infection
Species (MHC) human (Cw7)
References Nehete *et al.* 1998a

- Three long-term non-progressors and one asymptomatic HIV+ individual were studied and found to have HLA class I C-restricted CD8+ Env-specific CTLs – Cw7 specific CTL were found against three peptides, including this one.
- HLA-C antigens are expressed on lymphoid cells to a lesser extent, 10% of either HLA-A or HLA-B.
- HLA-C confers protection against lysis by natural killer cells and by non-MHC-restricted effector T cells and Cw7 directly governs this resistance to lysis – the authors hypothesize that pathogens that inhibit antigen expression and class I expression may particularly down regulate Cw7, thus triggering non-MHC restricted killing.

HXB2 Location gp160 (594–608)
Author Location gp41
Epitope GIWGC SGKLICTTAV
Immunogen HIV-1 infection
Species (MHC) human (B57)
References Jin *et al.* 1998b

- Progressive HIV-1 infection and CD4 decline was associated decreased the IL-2-expandable HIV-1 CTL response in 10 asymptomatic HIV-infected patients – this observation may be partially due to a reduction and impaired function of T helper cells, CTL exhaustion and APC dysfunction.
- Continued presence of HIV-1 specific memory cells (CTLp) was observed in three patients, one to GIWGC SGKLICTTAV, one to ALIWEDLRSLCLFSY, and one to PIPHYCAPAG-FAILKCNNK.

HXB2 Location gp160 (594–608)
Author Location gp41 (SF2)
Epitope GIWGC SGKLICTTAV
Epitope name Peptide2
Subtype B
Immunogen HIV-1 infection
Species (MHC) human (B57)
Assay type Chromium-release assay
References Carmichael *et al.* 1996

- Cross-reactivity of Env-specific CTL clones from 14 seropositive HIV-1 infected patients was tested using peptides based on 3 B clade variants (MN, IIB, and RF). The proportion of CTL clones that cross-recognized conserved variants was low. Most

CTL clones recognized only one peptide variant, indicating most Env responses are not cross-reactive within the B clade.

- This HLA B17(57) epitope was newly identified within gp41 of HIV-1 SF2. SF2 and IIB have identical sequences within this peptide, but the T-cell clone that recognizes this peptide does not recognize the MN (gFwgcs-gklicttTv) or RF (giwgcs-gklicttTv) variants of this peptide.

HXB2 Location gp160 (606–614)

Author Location gp41 (605–615 LAI)

Epitope TAVPWNASW

Subtype B

Immunogen vaccine

Vector/Type: vaccinia *HIV component:* gp160

Species (MHC) human (B*3501)

Keywords optimal epitope

References Frahm *et al.* 2007

- C. Brander notes this is a B*3501 epitope.

HXB2 Location gp160 (606–614)

Author Location gp41 (606–614 HXB2)

Epitope TAVPWNASW

Subtype B

Immunogen HIV-1 infection

Species (MHC) human (B*3501)

Keywords epitope processing

References Ferris *et al.* 1996

- Natural form of this peptide is not glycosylated, suggesting initial Class I processing may occur in the cytosol.

HXB2 Location gp160 (606–614)

Author Location gp41 (605–615 LAI)

Epitope TAVPWNASW

Subtype B

Immunogen vaccine

Vector/Type: vaccinia *HIV component:* gp160

Species (MHC) human (B35)

References Johnson *et al.* 1994b

- Epitope for vaccine induced CD8+ clone.

HXB2 Location gp160 (606–614)

Author Location gp41 (606–614 LAI)

Epitope TAVPWNASW

Subtype B

Immunogen vaccine

Vector/Type: vaccinia *HIV component:* gp160

Species (MHC) human (B35)

References Johnson *et al.* 1994a

- HLA restricted CTL response to epitope in HIV-1 vaccinia-env vaccinees.

HXB2 Location gp160 (606–614)

Author Location gp41 (606–614 LAI)

Epitope TAVPWNASW

Subtype B

Immunogen vaccine

Vector/Type: vaccinia *HIV component:* gp160

Species (MHC) human (B35)

References Hammond *et al.* 1995

- Peptide only processed by a TAP-1/2-dependent pathway.

HXB2 Location gp160 (606–614)

Author Location gp41 (606–614)

Epitope TAVPWNASW

Immunogen HIV-1 infection

Species (MHC) human (B35)

References Ferris *et al.* 1999

- This epitope is processed by a TAP1/2 dependent mechanism.

HXB2 Location gp160 (606–614)

Author Location gp41 (subtype B)

Epitope TAVPWNASW

Subtype B

Immunogen HIV-1 exposed seronegative

Species (MHC) human (B35)

Keywords subtype comparisons

References Rowland-Jones *et al.* 1998b

- HIV-specific CTL were found in exposed seronegative prostitutes from Nairobi – these CTL may confer protection.
- Seroprevalence in this cohort is 90-95% and their HIV-1 exposure is among the highest in the world.
- Most isolated HIV strains are clade A in Nairobi, although clades C and D are also found – B clade epitopes are often cross-reactive, however stronger responses are frequently observed using A or D clade versions of epitopes.
- This epitope is conserved among A, B and D clade viruses.

HXB2 Location gp160 (606–614)

Author Location gp41 (606–614)

Epitope TAVPWNASW

Immunogen HIV-1 infection, HIV-1 exposed seronegative

Species (MHC) human (B35)

Keywords HIV exposed persistently seronegative (HEPS)

References Kaul *et al.* 2001a

- ELISPOT was used to study CTL responses to a panel of 54 predefined HIV-1 epitopes in 91 HIV-1-exposed, persistently seronegative (HEPS) and 87 HIV-1-infected female Nairobi sex workers.

HXB2 Location gp160 (606–614)

Author Location gp41 (606–614)

Epitope TAVPWNASW

Subtype B

Immunogen HIV-1 infection

Species (MHC) human (B35)

Donor MHC A3, A33, B14, B35, Cw*0401, Cw*0802

Assay type CD8 T-cell Elispot - IFN γ

Keywords binding affinity, acute/early infection, early-expressed proteins

References Cao *et al.* 2003

- All proteins were scanned and optimal epitopes were mapped in a study of CD8+ gamma IFN T-cell responses in 21 men within 15-92 days post-HIV-1 infection. Subjects initially showed narrow immune responses with a mean of 2.3 epitopes recognized per patient. The immune response broadened later in infection. No correlation between the plasma viral load and the number of recognized epitopes or the frequency of IFN-gamma secreting cells was observed, and there was no correlation between the functional avidity of a responses and the abundance of IFN-secreting cells that recognized the epitope. The first epitopes to be recognized did not tend to be the most avid, and earliest responses tended to be directed against Nef, Tat, Vpr, and Env.
- All HIV-1 proteins except Vpu were recognized, and a responses to a total of 41 optimal epitopes were characterized; 24 had been identified previously. 48% of the total T-cell responses were directed against Nef and 43% were directed against Gag.
- More common HLA alleles were less frequently used in primary infection than less common alleles, for example A3, B35, B57, and B62 were more frequently utilized than A1, A2, A30, and A44.

HXB2 Location gp160 (606–614)

Author Location Env (96–104)

Epitope TAVPWNASV

Immunogen HIV-1 infection

Species (MHC) human (B35)

Country Spain.

Assay type proliferation, CD8 T-cell Elispot - IFN γ , Flow cytometric T-cell cytokine assay

Keywords HAART, ART, supervised treatment interruptions (STI), immune dysfunction

References Plana *et al.* 2004

- Structured treatment interruption (STI) alone is not able to control viral replication in chronically infected patients, probably due to lack of strong, maintained T-helper cell responses. HIV-1 specific CD8+ T-cell responses were shown to increase significantly until the end of the follow up, but were not correlated with viral load.
- 5/9 patients recognized this epitope.

HXB2 Location gp160 (614–631)

Author Location (C consensus)

Epitope WSNKSQEEIWDNMTWMQW

Subtype C

Immunogen HIV-1 infection

Species (MHC) human (A*2301)

Country South Africa.

Assay type CD8 T-cell Elispot - IFN γ

Keywords rate of progression

References Kiepiela *et al.* 2007

- A comprehensive analysis of 160 class I T cell responses in 578 individuals from KwaZulu-Natal, South Africa was performed. Gag-specific responses were associated with lowering viremia, while Env, accessory and regulatory protein-specific responses were associated with higher viremia.

HXB2 Location gp160 (614–631)

Author Location (C consensus)

Epitope WSNKSQEEIWDNMTWMQW

Subtype C

Immunogen HIV-1 infection

Species (MHC) human (Cw*0401)

Country South Africa.

Assay type CD8 T-cell Elispot - IFN γ

Keywords rate of progression

References Kiepiela *et al.* 2007

- A comprehensive analysis of 160 class I T cell responses in 578 individuals from KwaZulu-Natal, South Africa was performed. Gag-specific responses were associated with lowering viremia, while Env, accessory and regulatory protein-specific responses were associated with higher viremia.

HXB2 Location gp160 (634–648)

Author Location gp41 (641–655 SF2)

Epitope EIDNYTNTIYTLLEE

Immunogen HIV-1 infection

Species (MHC) human

References Lieberman *et al.* 1997a

- Of 25 patients, most had CTL specific for more than 1 HIV-1 protein.
- Eleven subjects had CTL that could recognize vaccinia-expressed LAI gp160.
- One of these 11 had CTL response to this peptide.
- The responding subject was HLA-A1, A2, B51, and B57.

HXB2 Location gp160 (678–686)

Author Location Env (679–687 subtype B)

Epitope WLWYIKIFI

Subtype B

Immunogen vaccine

Vector/Type: protein *Strain:* B clade MN
HIV component: gp160

Species (MHC) human (A*0201)

Keywords binding affinity

References Kundu *et al.* 1998a

- Ten HIV-1 + HLA A2 asymptomatic individuals were given two courses of HIV-1 MN rgp160 vaccine over a 2 year period.
- Two hundred and fifty three HIV-1 peptides of 9 or 10 aa possessing the HLA-A2.1 binding motif (Leu at position 2, Val at the C terminus) were identified in gp160, of which 25 had a high or intermediate binding affinity.
- Eleven peptides were studied that had high HLA-A2 binding affinity – a CTL response was detected to 9/11 peptides in at least 1 individual.
- CTL responses after reimmunization may include recall responses – only individuals with vaccine cross-reactive sequences prior to vaccination showed detectable CTL responses.

HXB2 Location gp160 (680–688)

Author Location gp41 (679–687 SF2)

Epitope WYIKIFIMI

Immunogen HIV-1 infection

Species (MHC) human (A*2402)

References Ikeda-Moore *et al.* 1997

- Defined using reverse immunogenetics – 59 HLA-A*2402 binding peptides were predicted by searching for A*2402 anchors in HIV proteins (Tyr at 2, and Phe, Leu or Ile at the C term) – 53 of the 59 peptides bound A*2402.

- This peptide induced CTL in 1/4 HIV-1 + people tested.
- WYIKIFIFMI bound to A*2402 strongly, the epitope can be processed in a vaccinia construct and presented – two specific CTL clones were obtained.

HXB2 Location gp160 (681–689)

Author Location Env (681–)

Epitope YIKIFIMIV

Epitope name Env681

Immunogen HIV-1 infection, vaccine

Vector/Type: peptide *HIV component:* Env

Adjuvant: Incomplete Freund's Adjuvant (IFA)

Species (MHC) human, transgenic mouse (A2)

Assay type CD8 T-cell Elispot - IFN γ , Chromium-release assay, Flow cytometric T-cell cytokine assay

Keywords binding affinity, subtype comparisons, computational epitope prediction

References Corbet *et al.* 2003

- HLA-A2-restricted HIV-1 CTL epitopes were computationally predicted. Binding affinities for HLA-A*0204, immunogenicity in HLA-A*0201 transgenic mice, and responses to the peptides in 17 HIV-1 infected patients were tested. 31 novel conserved A2 epitopes were detected. An average of 4 epitopes were recognized per patient.
- This peptide was a good A2 binder, and induced CTL and CD8+ T-cell IFN gamma responses in mice. Responses were detected in 2/17 HIV+ HLA-A2 subjects.

HXB2 Location gp160 (685–693)

Author Location Env (686–694 subtype B)

Epitope FIMIVGGLV

Subtype B

Immunogen vaccine

Vector/Type: protein *Strain:* B clade MN

HIV component: gp160

Species (MHC) human (A*0201)

Keywords binding affinity

References Kundu *et al.* 1998a

- Ten HIV-1 + HLA A2 asymptomatic individuals were given two courses of HIV-1 MN rgp160 vaccine over a 2 year period.
- Two hundred and fifty three HIV-1 peptides of 9 or 10 aa possessing the HLA-A2.1 binding motif (Leu at position 2, Val at the C terminus) were identified in gp160, of which 25 had a high or intermediate binding affinity.
- Eleven peptides were studied that had high HLA-A2 binding affinity – a CTL response was detected to 9/11 peptides in at least 1 individual.
- CTL responses after reimmunization may include recall responses – only individuals with vaccine cross-reactive sequences prior to vaccination showed detectable CTL responses.
- ALTERNATIVE EPITOPE: IMIVGGLVGL – no CTL response was shown to the peptides FIMIVGGLV or IMIVGGLVGL.

HXB2 Location gp160 (698–707)

Author Location Env (696–706)

Epitope VFAVLSIVNR

Subtype B

Immunogen HIV-1 infection

Species (MHC) human (A*3303)

References Hossain *et al.* 2001; Takiguchi *et al.* 2000

- HLA-A33 a very common allele in Asian, with HLA-A*3303 the most common among the Japanese. New A*3303 epitopes were defined to better characterize the immune response in this population.
- The anchor motif for HLA*3303 (A, I, L, V, F, Y in position 2 (F and Y bind most strongly), and R (K is also tolerated) in the C-terminal position) was used to define 82 potentially reactive peptides in Env; 37/82 peptides bound to A*3303; 3/37 peptides could induce peptide-specific CTL in bulk PBMC cultures from 1/3 HLA A*3303 positive individuals tested.
- CTL clones were isolated that killed target cells in a concentration dependent manner after pulsing with the VFAVLSIVNR peptide, that could also kill cells transfected with env expressed from a vaccinia vector. Bulk cultures were tested from six additional people, and only 1/6 reacted with this peptide, but the peptide is in a highly variable region.

HXB2 Location gp160 (698–707)

Author Location gp41 (187–196)

Epitope VFAVLSIVNR

Immunogen HIV-1 infection

Species (MHC) human (A*3303)

Keywords optimal epitope

References Frahm *et al.* 2007

HXB2 Location gp160 (700–708)

Author Location gp41 (705–714)

Epitope AVLSVNVNRV

Immunogen HIV-1 infection

Species (MHC) human (A2)

References Ferris *et al.* 1999

- This epitope is processed by a TAP1/2 dependent mechanism.

HXB2 Location gp160 (700–708)

Author Location Env (695–705 BH10, LAI)

Epitope AVLSVNVNRV

Immunogen HIV-1 infection

Species (MHC) human

References Maksiutov *et al.* 2002

- This study employs an antigenic similarity matrix to compare HIV-1 antigenic determinants with human proteins.
- This CTL epitope (the HIV-1 LAI fragment with high similarity to a human protein overlapping this epitope is LRIVFAVLSVV) has similarity with the human chemokine-factor 3 fragment LRLVFALVTAV .

HXB2 Location gp160 (701–719)

Author Location Env (691–710)

Epitope VLSIVNQVRRQGYSPFSFQT

Immunogen HIV-1 infection

Species (MHC) human (B15)

Donor MHC A03, A32, B51, B15, Cw03, Cw06, DR4, DR8, DQ7

Country Netherlands.

Assay type CD8 T-cell Elispot - IFN γ

Keywords rate of progression, escape

References Geels *et al.* 2003

- Both stable potential epitopes and epitopes with escape mutations were found in a patient with increasing viral load over a time period of 4 years. Fixation of escape mutations occurred sequentially and correlated with the rise in viral load and with the increased number of productively infected cells.
- This is one of 5 epitopes from this individual that varied over time where the internal mutations became fixed; a dramatic decrease in CTL activity against the wild type epitope was observed as the mutation arose. The vlsivnKvrrqgysplsfqt variant found at 20 and 47 months postseroconversion.

HXB2 Location gp160 (701–720)
Author Location gp41 (701–720 BH10)
Epitope VLSIVNRVRQGYSPLSFQTH

- Immunogen** HIV-1 infection
Species (MHC) human (A32)
References Safrit *et al.* 1994a
- Recognized by CTL derived from acute seroconverter.

HXB2 Location gp160 (702–721)
Author Location Env (702–721)
Epitope LSIVNRVRQGYSPLSFQTLT
Subtype C

- Immunogen** HIV-1 infection
Species (MHC) human
Keywords subtype comparisons
References Novitsky *et al.* 2002
- HLA, viral sequence, and Elispot data was obtained from 105 HIV-1 positive Botswanans; Elispot data was obtained from between 55 and 64 subjects for each HIV protein.
 - Nef and p24 had the highest percentage of reactive peptides, and p24 had the highest magnitude of HIV-1 responses.
 - This peptide was among the 28 most reactive C clade peptides from among over 350 tested spanning all HIV proteins.

HXB2 Location gp160 (703–712)
Author Location gp160 (703–712)
Epitope EIIIFDIRQAY

- Epitope name** EY10
Immunogen HIV-1 infection
Species (MHC) human (A*2501)
Keywords optimal epitope
References Frahm *et al.* 2007
- C. Brander notes this is a A*2501 epitope.

HXB2 Location gp160 (704–712)
Author Location gp160 (704–712 LAI)
Epitope IVNRNRQGY
Subtype B

- Immunogen**
Species (MHC) human (A*3002)
Keywords optimal epitope
References Frahm *et al.* 2007; Goulder *et al.* 2001a
- C. Brander notes this is an A*3002 epitope.

HXB2 Location gp160 (704–712)
Author Location gp41
Epitope IVNRVRQGY
Epitope name IY9 (gp41)
Immunogen HIV-1 infection

Species (MHC) human (A*3002)

References Goulder *et al.* 2001a

- HLA-A*3002 is very common in African populations, 50% of Zimbabweans express HLA-A30, 44% in African Zulu, so five new HIV epitopes were characterized that are presented by this HLA molecule.
- A rapid method was developed combining ELISPOT with intracellular IFN- γ staining of PBMCs to map optimal epitopes, then HLA presenting molecules were defined – this method was completed within 48 to 72 hours of receipt of blood.
- Two individuals were studied: Subject 199 (HLA A*0201/*3002 B*4402/51 Cw2/5), a Caucasian, and Subject 6007 (HLA A*3002/ B53/*5801 Cw4/7) an African-Caribbean.
- In both HLA-A*3002 individuals the response to RSLYNT-VATLY was dominant.
- In subject 199 four additional A*3002 epitopes were identified.
- Three quantitative assays, ELISPOT, precursor frequency and chromium release, confirmed a hierarchy of response: RY11 (p17) > KY9 (gp41) > KY9 (RT-53) > IY9 (gp41)

HXB2 Location gp160 (712–720)
Author Location gp41 (201–209)
Epitope YSPLSLQTL

- Epitope name** YL9
Subtype B
Immunogen HIV-1 infection
Species (MHC) human (Cw*0102)
Donor MHC A*0201, A*2501, B*1801, B*5101, Cw*0102, Cw*1203
Assay type CD8 T-cell Elispot - IFN γ
Keywords escape, immune evasion, optimal epitope, HIV-1

- References** Liu *et al.* 2006
- T-cell immunity and the impact of selection were longitudinally studied in a patient from the time of transmission. New epitopes were detected at sites that were shown to be under positive selection. Env was found to be the major target of CTLs and most of the new epitopes were found here. One third of the sites examined were associated with epitope escape mutations from CTL. Acquisition of mutations found at high frequency in the database was suggested to be a result of reversion of CTL epitopes in the absence of immune targeting.
 - This is a newly defined epitope. Last position (9) in the epitope had potentially experienced positive selection. YSPLSLQTr escape variant was found.

HXB2 Location gp160 (742–761)
Author Location Env (742–761)
Epitope RDRSIRLVSGFLALAWDDLRL
Subtype C

- Immunogen** HIV-1 infection
Species (MHC) human
Keywords subtype comparisons
References Novitsky *et al.* 2002
- HLA, viral sequence, and Elispot data was obtained from 105 HIV-1 positive Botswanans; Elispot data was obtained from between 55 and 64 subjects for each HIV protein.
 - Nef and p24 had the highest percentage of reactive peptides, and p24 had the highest magnitude of HIV-1 responses.

- This peptide was among the 28 most reactive C clade peptides from among over 350 tested spanning all HIV proteins.

HXB2 Location gp160 (747–755)

Author Location gp41 (747–755)

Epitope RLVNGSLAL

Immunogen HIV-1 infection

Species (MHC) human (A2)

References Parker *et al.* 1992

- Studied in the context of HLA-A2 peptide binding.

HXB2 Location gp160 (747–755)

Author Location gp41 (741–749 CM243 subtype CRF01)

Epitope RLVSGFLAL

Epitope name E747-755

Subtype CRF01_AE

Immunogen HIV-1 infection

Species (MHC) human (A2)

Keywords HIV exposed persistently seronegative (HEPS)

References Sriwanthana *et al.* 2001

- This was a study of HIV-1 exposed persistently seronegative (HEPS) female sex workers in Chiang Mai, northern Thailand.
- HLA-A11 is very common in this population, and was enriched among the HEPS sexworkers – weak CTL responses were detected in 4/7 HEPS women, and CTL responses were found in 8/8 HIV+ controls, and 0/9 HIV- women that were not exposed.
- This epitope was reactive in HIV+ control study subject 144 who carried HLA-A2.

HXB2 Location gp160 (747–755)

Author Location gp41 (741–749 CM243 subtype CRF01)

Epitope RLVSGFLAL

Subtype CRF01_AE

Immunogen HIV-1 infection

Species (MHC) human (A2)

Keywords subtype comparisons

References Bond *et al.* 2001

- More than half of a cohort of HIV+ female sex workers (FSW) from Northern Thailand were HLA-A11 positive, and this study concentrated on A11 epitopes in this group, although E clade versions of previously defined B-clade A2 and A24 epitopes were also tested.
- 2/4 tested FSWs recognized the E clade version of this epitope, which differs from the previously defined B clade version by two amino acids, RLVNGSLAL.
- This epitope was somewhat conserved 4/8 subtypes: CRF01 (E), B, C, and G.

HXB2 Location gp160 (747–763)

Author Location (C consensus)

Epitope RLVSGFLALAWDDLRLSL

Subtype C

Immunogen HIV-1 infection

Species (MHC) human (A*0202)

Country South Africa.

Assay type CD8 T-cell Elispot - IFN γ

Keywords rate of progression

References Kiepiela *et al.* 2007

- A comprehensive analysis of 160 class I T cell responses in 578 individuals from KwaZulu-Natal, South Africa was performed. Gag-specific responses were associated with lowering viremia, while Env, accessory and regulatory protein-specific responses were associated with higher viremia.

HXB2 Location gp160 (749–757)

Author Location gp160

Epitope VSGFLALAW

Subtype A, B, C, D

Immunogen HIV-1 infection, vaccine

Vector/Type: vaccinia *Strain:* A clade, B clade, D clade NDK, C clade consensus *HIV component:* Env

Species (MHC) human

Donor MHC A*0202, A*7401, B*5802, B*1503, Cw*0202, Cw*0602

Country Kenya.

Assay type CD8 T-cell Elispot - IFN γ , Other

Keywords subtype comparisons, variant cross-recognition or cross-neutralization

References McKinnon *et al.* 2005

- Interclade cross-reactivity of clades A, B, C, and D was tested using recombinant vaccinia-based IFN-gamma Elispot assay. 47/74 women had a positive Elispot response to at least one clade, and cross-clade responses were frequent. Clade A responses were most frequent, as expected, as clade A dominates the Kenyan epidemic (85% of the 47 women responded to clade A Env, 74% to B, 62% to C, and 43% to D). Cross-clade CD8 T-cell responses were common and directed at conserved epitopes.
- There was a greater magnitude of response to A clade peptides in individuals who responded to more than 1 clade; a 2-fold higher response was observed in clade A in 36% (9/25) of these individuals, and the response to A peptides was never lower. ERYLRDQQL responses were detected in 2 women who had Env responses to all 4 clades, and clade A gave the highest responses; an ERYLRDQQL variant was in clade B and C, and the clade D Env carried ERsLkDQQL. The epitope VSGFLALAW was also recognized by 1 of the women; A and C clade were identical, while clade B carried VnGsLiLAW, clade D VnGIsAiAW.

HXB2 Location gp160 (754–768)

Author Location gp41

Epitope ALIWEDLRSLCLFSY

Subtype B

Immunogen HIV-1 infection

Species (MHC) human (B55)

References Jin *et al.* 1998b

- Progressive HIV-1 infection and CD4 decline was associated decreased the IL-2-expandable HIV-1 CTL response in 10 asymptomatic HIV-infected patients – this observation may be partially due to a reduction and impaired function of T helper cells, CTL exhaustion and APC dysfunction.
- Continued presence of HIV-1 specific memory cells (CTL_p) was observed in three patients, one to GIWGCSGKLICTTAV, one to ALIWEDLRSLCLFSY, and one to PIIHYCAPAG-FAILKCNK.

HXB2 Location gp160 (754–768)
Author Location gp41 (SF2)
Epitope ALIWERDLRSLCLFSY
Epitope name Peptide78
Subtype B

Immunogen HIV-1 infection
Species (MHC) human (B55)
Assay type Chromium-release assay
References Carmichael *et al.* 1996

- Cross-reactivity of Env-specific CTL clones from 14 seropositive HIV-1 infected patients was tested using peptides based on 3 B clade variants (MN, IIB, and RF). The proportion of CTL clones that cross-recognized conserved variants was low. Most CTL clones recognized only one peptide variant, indicating most Env responses are not cross-reactive within the B clade.
- This HLA B22(55) epitope was defined using SF2 peptides. The CTL clone that recognized it did not cross-recognize the MN, IIB, or RF variants of this peptide.

HXB2 Location gp160 (760–767)
Author Location gp41 (760–767)
Epitope LRSFLFS
Immunogen HIV-1 infection
Species (MHC) human (A*2301)
Donor MHC A*2301, B*3501, B*1503, Cw2, Cw7
Assay type CD8 T-cell Elispot - IFN γ
Keywords binding affinity, acute/early infection, early-expressed proteins
References Cao *et al.* 2003

- All proteins were scanned and optimal epitopes were mapped in a study of CD8+ gamma IFN T-cell responses in 21 men within 15-92 days post-HIV-1 infection. Subjects initially showed narrow immune responses with a mean of 2.3 epitopes recognized per patient. The immune response broadened later in infection. No correlation between the plasma viral load and the number of recognized epitopes or the frequency of IFN-gamma secreting cells was observed, and there was no correlation between the functional avidity of a responses and the abundance of IFN-secreting cells that recognized the epitope. The first epitopes to be recognized did not tend to be the most avid, and earliest responses tended to be directed against Nef, Tat, Vpr, and Env.
- All HIV-1 proteins except Vpu were recognized, and a responses to a total of 41 optimal epitopes were characterized; 24 had been identified previously. 48% of the total T-cell responses were directed against Nef and 43% were directed against Gag.
- More common HLA alleles were less frequently used in primary infection than less common alleles, for example A3, B35, B57, and B62 were more frequently utilized than A1, A2, A30, and A44.

HXB2 Location gp160 (767–775)
Author Location gp41 (766–774 SF2)
Epitope SYRRLRDLL
Immunogen HIV-1 infection
Species (MHC) human (A*2402)
References Ikeda-Moore *et al.* 1997

- Defined using reverse immunogenetics – 59 HLA-A*2402 binding peptides were predicted by searching for A*2402 anchors in HIV proteins (Tyr at 2, and Phe, Leu or Ile at the C term) – 53 of the 59 peptides bound A*2402.
- This peptide induced CTL in 1/4 HIV-1 + people tested.
- SYRRLRDLL bound to A*2402 moderately, the epitope can be processed in a vaccinia construct and presented – two specific CTL clones were obtained.

HXB2 Location gp160 (767–780)
Author Location gp41 (606–614 LAI)
Epitope SYHRLRDLIIIVTR
Subtype B

Immunogen HIV-1 infection
Species (MHC) human (A31)
References Hammond *et al.* 1995

- Peptide only processed by a TAP-1/2-dependent pathway.
- CTL from an acute seroconverter.

HXB2 Location gp160 (769–777)
Author Location gp41 (769–777 BH10)
Epitope HRLRDLLLI
Immunogen HIV-1 infection
Species (MHC) human
References Safrit *et al.* 1994a

- Recognized by CTL derived from acute seroconverter.

HXB2 Location gp160 (770–778)
Author Location Env (679–777)
Epitope RLRDIIIIV
Immunogen HIV-1 infection
Species (MHC) human (A*0201)
Keywords binding affinity
References Kmiecik *et al.* 1998a

- CTL responses in six patients to four Env epitopes were studied: D2: LLNATAIAV, 5.3: RLRDIIIIV, D1: KLTPLCVTL, and 4.3: QMHEDIISL – all have A2 anchor residues.
- The C terminal epitopes (D2 and 5.3) were highly variable and the variability was considered responsible for limited CTL response, while D1 and 4.3, N-terminal epitopes, were much more conserved and gave evidence of high levels of CTL response *in vitro*.
- Peptides 5.3 and D2 bound to HLA A*0201 with low affinity.

HXB2 Location gp160 (770–780)
Author Location gp41 (768–778 NL43)
Epitope RLRDIIIIVTR
Immunogen HIV-1 infection
Species (MHC) human (A*0301)
References Takahashi *et al.* 1991

- CD8+ T cell clone.

HXB2 Location gp160 (770–780)
Author Location gp41 (775–785 LAI)
Epitope RLRDIIIIVTR
Subtype B
Immunogen HIV-1 infection
Species (MHC) human (A*0301)
Keywords optimal epitope
References Frahm *et al.* 2007

- C. Brander notes this is an A*0301 epitope.

HXB2 Location gp160 (770–780)
Author Location gp41 (770–780 BH10)
Epitope RLRDLLLIVTR
Immunogen HIV-1 infection
Species (MHC) human (A*3101)

- References** Safrit *et al.* 1994a; Safrit *et al.* 1994b
- Recognized by CTL derived from acute seroconverter.
 - C. Brander notes that this is an A*3101 epitope in the 1999 database.

HXB2 Location gp160 (770–780)
Author Location gp160 (770–780 LAI)
Epitope RLRDLLLIVTR
Subtype B

- Immunogen**
Species (MHC) human (A*3101)
Keywords optimal epitope
References Frahm *et al.* 2007
- C. Brander notes this is an A*3002 epitope.

HXB2 Location gp160 (770–780)
Author Location gp41 (768–778 NL43)
Epitope RLRDLLLIVTR
Immunogen HIV-1 infection
Species (MHC) human (A3)

- Keywords** subtype comparisons
References Cao *et al.* 1997a
- The consensus peptide of clade B is RLRDLLLIVTR.
 - The consensus peptide of clades A, C and E is RLRDFILIVTR and it is less reactive.
 - The consensus peptide of clade D is SLRDLLLIVTR and it is less reactive.

HXB2 Location gp160 (770–780)
Author Location gp41 (775–785)
Epitope RLRDLLLIVTR

- Immunogen** HIV-1 infection, HIV-1 exposed seronegative
Species (MHC) human (A3)
Keywords HIV exposed persistently seronegative (HEPS)
References Kaul *et al.* 2001a

- ELISPOT was used to study CTL responses to a panel of 54 predefined HIV-1 epitopes in 91 HIV-1-exposed, persistently seronegative (HEPS) and 87 HIV-1-infected female Nairobi sex workers.

HXB2 Location gp160 (770–780)
Author Location gp41 (770–780)
Epitope RLRDLLLIVTR

- Immunogen** HIV-1 infection
Species (MHC) human (A3)
Keywords rate of progression, acute/early infection
References Day *et al.* 2001

- The CTL response to optimally defined CTL epitopes restricted by HLA class I A and B alleles in individuals who coexpressed HLA A2, A3, and B7 was studied in eight HIV-1-infected subjects, two with acute infection, five with chronic, and one long-term non-progressor (LTNP)

- 2 to 17 epitopes were recognized in a given individual, A2-restricted CTL response tended to be narrow and never dominated the response, and 25/27 epitopes were targeted by at least one person.
- All patients recognized at least 1 A3 epitope, up to 8 A3 epitopes, but none was clearly dominant.

HXB2 Location gp160 (770–780)
Author Location Nef (73–82)
Epitope RLRDLLLIVTR
Immunogen HIV-1 infection
Species (MHC) human (A3)

- Keywords** rate of progression, acute/early infection
References Day *et al.* 2001

- The CTL response to optimally defined CTL epitopes restricted by HLA class I A and B alleles in individuals who coexpressed HLA A2, A3, and B7 was studied in eight HIV-1-infected subjects, two with acute infection, five with chronic, and one long-term non-progressor (LTNP)
- 2 to 17 epitopes were recognized in a given individual, A2-restricted CTL response tended to be narrow and never dominated the response, and 25/27 epitopes were targeted by at least one person.
- All patients recognized at least 1 A3 epitope, up to 8 A3 epitopes, but none was clearly dominant.
- In two of the subjects, RLRDLLLIVTR was the dominant epitope.

HXB2 Location gp160 (770–780)
Author Location gp41 (769–780)
Epitope RLRDLLLIVTR
Epitope name A3-RR11
Subtype B

- Immunogen** HIV-1 infection
Species (MHC) human (A3)
Donor MHC A3, B7, Cw7
Keywords dynamics, supervised treatment interruptions (STI), acute/early infection
References Yu *et al.* 2002a

- CTL responses in 18 acutely HIV-infected HLA-A3 (n=7) or -B7 (n=4) or both -A3 and B7 (n=7) positive individuals were studied.
- One individual, AC-06, was homozygous at all three class I alleles (A3, B7, Cw7), was treated during acute infection and had supervised treatment interruptions (STI). He had only two detectable CTL responses during acute infection, but after STI this broadened to 27 distinct epitopes including 15 restricted by HLA-A3, 11 by HLA-B7, and 1 by HLA-Cw7.
- 0/14 HLA-A3 positive individuals had detectable A3-restricted responses to this epitope during acute infection, but only 5/15 of HLA-A3 epitopes tested were targeted during acute infection. 1/7 individuals began to have detectable responses to this epitope after STI.

HXB2 Location gp160 (770–780)
Author Location Env (770–780)
Epitope RLRDLLLIVTR
Immunogen HIV-1 infection
Species (MHC) human (A3)

- Donor MHC** A03, A32, B51, B15, Cw03, Cw06, DR4, DR8, DQ7
Country Netherlands.
Assay type CD8 T-cell Elispot - IFN γ , Flow cytometric T-cell cytokine assay
Keywords rate of progression, escape
References Geels *et al.* 2003
- Both stable potential epitopes and epitopes with escape mutations were found in a patient with increasing viral load over a time period of 4 years. Fixation of escape mutations occurred sequentially and correlated with the rise in viral load and with the increased number of productively infected cells.
 - This is one of 7 epitopes from this individual that varied over time, although the internal mutations did not become fixed. rlrdrlllvtr variant residues were found. The V mutation arose at late time points, the I mutation arose at intermediate time points.
- HXB2 Location** gp160 (770–780)
Author Location Env (786–778)
Epitope RLRDLLLLIVTR
Immunogen HIV-1 infection
Species (MHC) human (A3)
Country Spain.
Assay type proliferation, CD8 T-cell Elispot - IFN γ , Flow cytometric T-cell cytokine assay
Keywords HAART, ART, supervised treatment interruptions (STI), immune dysfunction
References Plana *et al.* 2004
 - Structured treatment interruption (STI) alone is not able to control viral replication in chronically infected patients, probably due to lack of strong, maintained T-helper cell responses. HIV-1 specific CD8+ T-cell responses were shown to increase significantly until the end of the follow up, but were not correlated with viral load.
 - Less than 2 of 14 patients recognized this epitope.

HXB2 Location gp160 (770–780)
Author Location gp41 (770–780)
Epitope RLRDLLLLIVTR
Immunogen HIV-1 infection
Species (MHC) human (A31)
References Ferris *et al.* 1999; Hammond *et al.* 1995
 - This epitope is processed by a TAP1/2 dependent mechanism.

HXB2 Location gp160 (770–780)
Author Location gp41 (770–780)
Epitope RLRDLLLLIVTR
Immunogen HIV-1 infection
Species (MHC) human (A31)
Donor MHC A*0201, A31, B44, B60, Cw3, Cw16
Assay type CD8 T-cell Elispot - IFN γ
Keywords binding affinity, acute/early infection, early-expressed proteins
References Cao *et al.* 2003
 - CTL epitope responses were mapped in 21 men within 15–92 days post-HIV-1 infection. Subjects initially showed narrow immune responses with a mean of 2.3 epitopes recognized per patient. The immune response broadened later in infection. No correlation between the plasma viral load and the number of recognized epitopes or the frequency of IFN-gamma secreting cells was observed, and there was no correlation between the functional avidity of a response and the abundance of IFN-secreting cells that recognized the epitope. The first epitopes to be recognized tended not to be the most avid, and earliest responses tended to be directed against Nef, Tat, Vpr, and Env.
 - All HIV-1 proteins except Vpu were recognized, and a response to a total of 41 optimal epitopes was characterized; 24 had been identified previously. 48% of the total T-cell responses were directed against Nef and 43% were directed against Gag.
 - More common HLA alleles were less frequently used in primary infection than less common alleles, for example A3, B35, B57, and B62 were more frequently recognized than A1, A2, A30, and A44.

HXB2 Location gp160 (770–780)
Author Location Env
Epitope RLRDLLLLIVTR
Epitope name TW10
Subtype C
Immunogen HIV-1 infection
Species (MHC) human (A31)
Assay type CD8 T-cell Elispot - IFN γ , Chromium-release assay
Keywords epitope processing, escape
References Draenert *et al.* 2004b
 - This study characterizes the N-terminal flanking position of the epitope ISPRTLNAW, and mutations in this position are thought to impact processing. The A31 epitope RLRDLLLLIVTR was used as a negative control in this study.

HXB2 Location gp160 (770–780)
Author Location gp41 (775–785)
Epitope RLRDLLLLIVTR
Immunogen HIV-1 infection
Species (MHC) human
Keywords immunodominance
References Betts *et al.* 2000
 - Only 4/11 HLA-A2+ HIV+ individuals had CTL that reacted to SLYNTVATL, calling into question whether it is immunodominant.
 - 95 optimally-defined peptides from this database were used to screen for INF γ responses to other epitopes.
 - 1/11 of the HLA A2+ was HLA A*0201, A31, B8, B51 and responded to this epitope that has been previously noted to be HLA A3.1, as well as seven others.

HXB2 Location gp160 (777–785)
Author Location gp41 (782–790 LAI)
Epitope IVTRIVELL
Subtype B
Immunogen
Species (MHC) human (A*6802)
Keywords optimal epitope

- References** Frahm *et al.* 2007
- C. Brander notes this is an A*6802 epitope.

HXB2 Location gp160 (781–802)
Author Location gp41 (788–809 HXB2)
Epitope IVELLGRRGWALKYWNLLQY
Subtype B

- Immunogen** HIV-1 infection
Species (MHC) human (B27)
References Lieberman *et al.* 1992
- CTL epitope defined by T cell line and peptide mapping.

HXB2 Location gp160 (781–802)
Author Location gp120 (788–809)
Epitope IVELLGRRGWALKYWNLLQY
Immunogen HIV-1 infection

- Species (MHC)** human
References Lieberman *et al.* 1995
- HIV-specific CTL lines developed by *ex vivo* stimulation with peptide.

HXB2 Location gp160 (786–794)
Author Location gp41 (751–759)
Epitope GRRGWALK
Subtype B

- Immunogen** HIV-1 infection
Species (MHC) human (B*2705)
Country United States.
Assay type CD8 T-cell Elispot - IFN γ , CD8 T-cell Elispot granzyme B
Keywords Th1, characterizing CD8+ T cells
References Kleen *et al.* 2004

- Only 20% of CD8+ T-cells produce IFN-gamma and granzyme B simultaneously (Tc1a). Two additional subpopulations of HIV specific CD8 cells are found, each one constituting 30-40% of the CD8 cell pool. One of these (Tc1b) secretes IFN-gamma only, and the other one (Tc1c) secretes GzB only.
- One of seven patients responded to this peptide with GzB producing cells, and a different patient responded with IFN-gamma producing cells.

HXB2 Location gp160 (786–794)
Author Location gp41 (791–799 LAI)
Epitope GRRGWALK
Subtype B

- Immunogen** HIV-1 infection
Species (MHC) human (B27)
Keywords review
References McMichael & Walker 1994
- Review of HIV CTL epitopes.
 - Also: J. Liebermann 1992 and pers. comm. J. Liebermann.

HXB2 Location gp160 (786–795)
Author Location gp41 (791–800 LAI)
Epitope GRRGWALKY
Subtype B

- Immunogen** HIV-1 infection
Species (MHC) human (B*2705)
Keywords optimal epitope
References Frahm *et al.* 2007

- C. Brander notes this is a B*2705 epitope.

HXB2 Location gp160 (786–795)
Author Location gp41 (791–800 LAI)
Epitope GRRGWALKY
Subtype B

- Immunogen** HIV-1 infection
Species (MHC) human (B27)
References Lieberman 1998
- Optimal peptide mapped by titration J. Lieberman, pers. comm.

HXB2 Location gp160 (786–795)
Author Location gp41 (786–795)
Epitope GRRGWALKY
Immunogen HIV-1 infection

- Species (MHC)** human (B27)
References Day *et al.* 2001

HXB2 Location gp160 (787–795)
Author Location gp160 (787–795)
Epitope RRGWEVLKY
Immunogen HIV-1 infection

- Species (MHC)** human (A*0101)
Keywords optimal epitope
References Frahm *et al.* 2007

HXB2 Location gp160 (787–795)
Author Location gp41 (787–795)
Epitope RRGWEVLKY
Immunogen HIV-1 infection

- Species (MHC)** human (A1)
Donor MHC A1, A1, B8, B14, Cw7, Cw8
Assay type CD8 T-cell Elispot - IFN γ
Keywords binding affinity, acute/early infection, early-expressed proteins
References Cao *et al.* 2003

- CTL epitope responses were mapped in 21 men within 15-92 days post-HIV-1 infection. Subjects initially showed narrow immune responses with a mean of 2.3 epitopes recognized per patient. The immune response broadened later in infection. No correlation between the plasma viral load and the number of recognized epitopes or the frequency of IFN-gamma secreting cells was observed, and there was no correlation between the functional avidity of a response and the abundance of IFN-secreting cells that recognized the epitope. The first epitopes to be recognized tended not to be the most avid, and earliest responses tended to be directed against Nef, Tat, Vpr, and Env.
- All HIV-1 proteins except Vpu were recognized, and a response to a total of 41 optimal epitopes were characterized; 24 had been identified previously. 48% of the total T-cell responses were directed against Nef and 43% were directed against Gag.
- More common HLA alleles were less frequently used in primary infection than less common alleles, for example A3, B35, B57, and B62 were more frequently recognized than A1, A2, A30, and A44.

HXB2 Location gp160 (787–805)
Author Location (C consensus)
Epitope QRGWEALKYLGSLVQYWGL

- Subtype C**
Immunogen HIV-1 infection
Species (MHC) human (A*2301)
Country South Africa.
Assay type CD8 T-cell Elispot - IFN γ
Keywords rate of progression
References Kiepiela *et al.* 2007
- A comprehensive analysis of 160 class I T cell responses in 578 individuals from KwaZulu-Natal, South Africa was performed. Gag-specific responses were associated with lowering viremia, while Env, accessory and regulatory protein-specific responses were associated with higher viremia.
- HXB2 Location** gp160 (794–802)
Author Location gp160 (794–802 LAI)
Epitope KYCWLLQY
Subtype B
- Immunogen**
Species (MHC) human (A*3002)
Keywords optimal epitope
References Frahm *et al.* 2007; Goulder *et al.* 2001a
- C. Brander notes this is an A*3002 epitope.
- HXB2 Location** gp160 (794–802)
Author Location gp41
Epitope KYCWLLQY
Epitope name KY9 (gp41)
Immunogen HIV-1 infection
Species (MHC) human (A*3002)
References Goulder *et al.* 2001a
- HLA-A*3002 is very common in African populations, 50% of Zimbabweans express HLA-A30, 44% in African Zulu, so five new HIV epitopes were characterized that are presented by this HLA molecule.
 - A rapid method was developed combining ELISPOT with intracellular IFN- γ staining of PBMCs to map optimal epitopes, then HLA presenting molecules were defined – this method was completed within 48 to 72 hours of receipt of blood.
 - Two individuals were studied: Subject 199 (HLA A*0201/*3002 B*4402/51 Cw2/5), a Caucasian, and Subject 6007 (HLA A*3002/ B53/*5801 Cw4/7) an African-Caribbean.
 - In both HLA-A*3002 individuals the response to RSLYNT-VATLY was dominant.
 - In subject 199 four additional A*3002 epitopes were identified.
 - Three quantitative assays, ELISPOT, precursor frequency and chromium release, confirmed a hierarchy of response: RY11 (p17) > KY9 (gp41) > KY9 (RT-53) > IY9 (gp41)
- HXB2 Location** gp160 (794–802)
Author Location gp41 (283–291)
Epitope KYCWLLQY
Immunogen HIV-1 infection
Species (MHC) human (A*3002)
Keywords optimal epitope
References Frahm *et al.* 2007
- HXB2 Location** gp160 (794–814)
Author Location gp41 (SF2)
Epitope KYCWLLQYWSQELKNSAVSL

- Immunogen** HIV-1 infection
Species (MHC) human
References Altfeld *et al.* 2000
- This epitope was mapped by ELISPOT in a study identifying new HLA-B60 epitopes, and was one of the epitopes presented by another HLA molecule in an HLA-B60 individual.
 - The response to the peptide was CD8 dependent, but the HLA presenting molecule and optimal epitope were not determined.
- HXB2 Location** gp160 (795–816)
Author Location gp41 (802–823 HXB2)
Epitope YWVLLQYWSQELKNSAVLLN
Subtype B
- Immunogen** HIV-1 infection
Species (MHC) human
References Lieberman *et al.* 1992
- CTL epitope defined by T cell line and peptide mapping.
- HXB2 Location** gp160 (799–807)
Author Location Env (800–808 subtype B)
Epitope LLQYWSQEL
Subtype B
- Immunogen** vaccine
Vector/Type: protein *Strain:* B clade MN
HIV component: gp160
- Species (MHC)** human (A*0201)
Keywords binding affinity
References Kundu *et al.* 1998a
- Ten HIV-1 + HLA A2 asymptomatic individuals were given two courses of HIV-1 MN rgp160 vaccine over a 2 year period.
 - Two hundred and fifty three HIV-1 peptides of 9 or 10 aa possessing the HLA-A2.1 binding motif (Leu at position 2, Val at the C terminus) were identified in gp160, of which 25 had a high or intermediate binding affinity.
 - Eleven peptides were studied that had high HLA-A2 binding affinity – a CTL response was detected to 9/11 peptides in at least 1 individual.
 - CTL responses after reimmunization may include recall responses – only individuals with vaccine cross-reactive sequences prior to vaccination showed detectable CTL responses.
- HXB2 Location** gp160 (805–814)
Author Location gp41 (810–819 LAI)
Epitope QELKNSAVSL
Subtype B
- Immunogen**
Species (MHC) human (B*4001)
Keywords optimal epitope
References Frahm *et al.* 2007
- C. Brander notes this is a B*4001,B60 epitope.
- HXB2 Location** gp160 (805–814)
Author Location gp41 (SF2)
Epitope QELKNSAVSL
Immunogen HIV-1 infection
Species (MHC) human (B60)
References Altfeld *et al.* 2000
- This epitope was mapped by ELISPOT in a study identifying new HLA-B60 epitopes.

- B60 is present in 10-20% of the Caucasoid and very common in Asian populations.

HXB2 Location gp160 (805–814)

Author Location gp41 (805–814)

Epitope QELKNSAVSL

Immunogen HIV-1 infection

Species (MHC) human (B60, B61)

Keywords immunodominance

References Day *et al.* 2001

- No immunodominant responses were detected to five B61-restricted epitopes tested.
- All five B60-restricted epitopes were reactive in another subject, and the B60-restricted responses together contributed over one-third of the total CTL response.

HXB2 Location gp160 (805–814)

Author Location Env (799–813 BH10, LAI)

Epitope QELKNSAVSL

Immunogen HIV-1 infection

Species (MHC) human

References Maksutov *et al.* 2002

- This study employs an antigenic similarity matrix to compare HIV-1 antigenic determinants with human proteins.
- This CTL epitope (the HIV-1 LAI fragment with high similarity to a human protein overlapping this epitope is LLQY-WSQELKNSAVS) has similarity with the complement component C6 fragment LTQFSSEELKNSGLT.
- This CTL epitope (the HIV-1 LAI fragment with high similarity to a human protein overlapping this epitope is NSAVSLL-NATAIAVA) also has similarity with the human INT-2 proto-oncogene protein precursor (fibroblast growth factor-3) fragment NSAYSILEITAVEVG.

HXB2 Location gp160 (813–822)

Author Location gp41 (814–823 LAI)

Epitope SLLNATDIAV

Subtype B

Immunogen vaccine

Vector/Type: protein *Strain:* B clade MN

HIV component: gp160

Species (MHC) human (A*0201)

References Dupuis *et al.* 1995

- Of two CTL clones, one reacted only with 815-823, the other with 814-823 and 815-823.
- Noted to be A*0201 in Brander *et al.*, 1999 database.

HXB2 Location gp160 (813–822)

Author Location Env (814–823 subtype B)

Epitope SLLNATDIAV

Subtype B

Immunogen vaccine

Vector/Type: protein *Strain:* B clade MN

HIV component: gp160

Species (MHC) human (A*0201)

Keywords binding affinity

References Kundu *et al.* 1998a

- Ten HIV-1 + HLA A2 asymptomatic individuals were given two courses of HIV-1 MN rgp160 vaccine over a 2 year period.

- Two hundred and fifty three HIV-1 peptides of 9 or 10 aa possessing the HLA-A2.1 binding motif (Leu at position 2, Val at the C terminus) were identified in gp160, of which 25 had a high or intermediate binding affinity.
- Eleven peptides were studied that had high HLA-A2 binding affinity – a CTL response was detected to 9/11 peptides in at least 1 individual.
- CTL responses after reimmunization may include recall responses – only individuals with vaccine cross-reactive sequences prior to vaccination showed detectable CTL responses.
- CTL to overlapping peptides in this region gave a positive response in the greatest number of patients.
- ALTERNATIVE EPITOPES: LLNATDIAV and LLNATDIAVA – CTL were induced by vaccine in those that had the sequence SLLNATAIAVA in their own infection, but not in those with: NLLNTIAIAVA or NLFNTTIAIAVA or SLLNATAITVA.

HXB2 Location gp160 (813–822)

Author Location gp41 (818–827 LAI)

Epitope SLLNATDIAV

Subtype B

Immunogen vaccine

Vector/Type: protein *Strain:* B clade MN

HIV component: gp160

Species (MHC) human (A*0201)

Keywords optimal epitope

References Frahm *et al.* 2007

- C. Brander notes this is an A*0201 epitope.

HXB2 Location gp160 (813–822)

Author Location gp41 (814–823 LAI)

Epitope SLLNATDIAV

Epitope name LR27

Subtype B

Immunogen vaccine

Vector/Type: peptide *Strain:* B clade LAI

Adjuvant: Incomplete Freund's Adjuvant (IFA), Montanide (ISA 720), P30, PLG

Species (MHC) mouse (A*0201)

Keywords binding affinity, vaccine-specific epitope characteristics, immunodominance

References Peter *et al.* 2001

- The stability of peptide binding to HLA-A2.1 was determined for six HLA-A2.1 peptides included in this vaccine study – ILKEPVHGV (RT), SLYNTVATL (p17), SLLNATDIAV (gp41) and LLWKGEAV (RT) all bound with high affinity comparable to a influenza epitope reference (GILGFVFTL), while RGPGRFVTI and VIYQYMDDL bound with a lower affinity (relative binding activity = 0.01).
- The four high-affinity peptides formed stable complexes with half-lives ranging between 8 and 32 hours, while the low affinity peptides had half lives of less than an hour.
- HLA-A2.1 transgenic mice were immunized with the six HIV-1 peptides and P30, as a universal T-helper epitope, with IFA or Montanide or microspheres as adjuvants.
- All peptides except VIYQYMDDL induced a strong CTL response in Cr-release assays - stronger responses were observed when peptides were delivered alone, indicating immunodominance when the combination was used.

HXB2 Location gp160 (813–822)
Author Location gp41 (814–823 LAI)
Epitope SLLNATDIAV
Epitope name LR27
Subtype B

Immunogen vaccine
Vector/Type: peptide *Strain:* B clade LAI
Adjuvant: Incomplete Freund's Adjuvant (IFA), IL-12, P30

Species (MHC) mouse (A*0201)
Keywords vaccine-specific epitope characteristics, immunodominance
References Peter *et al.* 2002

- When HIV-1 peptides were used to vaccinate HLA-A2.1 transgenic A2-Kb mice, strong responses to five peptides were observed when the peptides were given individually, but immunodominance limited the response to some of the peptides when they were given in combination Peter *et al.* [2001]. IL-12 can counteract immunodominance in BALB/c mice, so it was given with the multiple epitope vaccination, and was instead found to specifically eliminate the HLA-A2.1-epitope CTL responses, but not Kb CTL responses. This was possibly a consequence of transient depletion of T-cells, B cells and macrophages in the spleen.

HXB2 Location gp160 (813–822)
Author Location gp41 (814–823)
Epitope SLLNATDIAV
Immunogen HIV-1 infection
Species (MHC) human (A2)
Keywords dendritic cells
References Kundu *et al.* 1998b

- Allogeneic dendritic cells (DCs) were obtained from HLA-identical siblings, pulsed with rgp160 MN or A2-restricted HIV-1 epitope peptides, and infused monthly into six HIV-infected patients.
- 1/6 showed increased env-specific CTL and increased lymphoproliferative responses, 2/6 showed increase only in proliferative responses, and 3/6 showed no change – pulsed DCs were well tolerated.
- SLLNATDIAV is a conserved HLA-A2 epitope included in this study – 4/6 patients had this sequence as their HIV direct sequence, and 3 of these had a detectable CTL response – the other two had either the sequence SLFNAIDIAV or SLLNTTDIVV and no detectable CTL response.
- CTL demonstrated against peptide-coated target, epitope is naturally processed and enhancible with vaccine.

HXB2 Location gp160 (813–822)
Author Location gp41 (818–827)
Epitope SLLNATDIAV
Immunogen HIV-1 infection
Species (MHC) human (A2)
Keywords immunodominance
References Betts *et al.* 2000

- Only 4/11 HLA-A2+ HIV+ individuals had CTL that reacted to SLYNTVATL, calling into question whether it is immunodominant.
- 95 optimally-defined peptides from this database were used to screen for INF γ responses to other epitopes.

- 1/11 of the A2+ individuals that didn't respond to SLYNTVATL reacted with seven other epitopes, including this epitope.

HXB2 Location gp160 (813–822)
Author Location gp41 (SF2)
Epitope SLLNATAIAV
Epitope name SV10
Immunogen HIV-1 infection
Species (MHC) human (A2)
Keywords acute/early infection
References Goulder *et al.* 2001a

- Dominant CTL epitope in acute infection of patient AC13 – response to this epitope corresponded to reduction of initial viremia.
- Several other subdominant CTL epitopes were identified in the acute phase, but a response to SL9, SLYNTVATL, was not evident until 18 months post-presentation.

HXB2 Location gp160 (813–822)
Author Location gp41 (77–85 SF2)
Epitope SLLNATDIAV
Immunogen HIV-1 infection
Species (MHC) human (A2)
Keywords HAART, ART, acute/early infection
References Altfeld *et al.* 2001b

- Therapy provided during acute infection resulted in a narrower CTL response, stronger T help response, and a less diverse viral population than was seen in individuals treated during chronic infection.
- The breadth and specificity of the response was determined using ELISPOT by studying 19 individuals with pre-seroconversion therapy (Group 1), 11 individuals with primary infection but post-seroconversion therapy (Group 2), and 10 individuals who responded to HAART given during chronic infection (Group 3), using 259 overlapping peptides spanning p17, p24, RT, gp41, gp120 and Nef.
- Previously described and newly defined optimal epitopes were tested for CTL response.
- Number of HLA-A2+ individuals that had a CTL response to this epitope broken down by group: 1/10 group 1, 2/6 group 2, and 1/4 group 3.

HXB2 Location gp160 (813–822)
Author Location gp41 (814–823 CM243 subtype CRF01)
Epitope SLLNATAIAV
Epitope name E813-82
Subtype CRF01_AE
Immunogen HIV-1 infection
Species (MHC) human (A2)
Keywords HIV exposed persistently seronegative (HEPS)
References Sriwanthana *et al.* 2001

- This was a study of HIV-1 exposed persistently seronegative (HEPS) female sex workers in Chiang Mai, northern Thailand.
- HLA-A11 is very common in this population, and was enriched among the HEPS sexworkers – weak CTL responses were detected in 4/7 HEPS women, and CTL responses were found in 8/8 HIV+ controls, and 0/9 HIV- women that were not exposed.

- This epitope was reactive in HIV+ control study subjects 125 and 144 who carried HLA-A2.

HXB2 Location gp160 (813–822)
Author Location gp41 (814–823 CM243)
Epitope SLLNATAIAV
Subtype CRF01_AE
Immunogen HIV-1 infection
Species (MHC) human (A2)
Keywords subtype comparisons
References Bond *et al.* 2001

- More than half of a cohort of HIV+ female sex workers (FSW) from Northern Thailand were HLA-A11 positive, and this study concentrated on A11 epitopes in this group, although E clade versions of previously defined B-clade A2 and A24 epitopes were also tested.
- 1/4 tested FSWs recognized the E clade version of this epitope, which differs from the previously defined B clade version by one amino acid, SLLNATDIAV.
- This epitope was somewhat conserved 4/8 subtypes: CRF01 (E), B, D, and F.

HXB2 Location gp160 (813–822)
Author Location gp41 (813–822)
Epitope SLLNATDIAV
Immunogen HIV-1 infection
Species (MHC) human (A2)
Keywords rate of progression, acute/early infection
References Day *et al.* 2001

- The CTL response to optimally defined CTL epitopes restricted by HLA class I A and B alleles in individuals who coexpressed HLA A2, A3, and B7 was studied in eight HIV-1-infected subjects, two with acute infection, five with chronic, and one long-term non-progressor (LTNP)
- 2 to 17 epitopes were recognized in a given individual, A2-restricted CTL response tended to be narrow and never dominated the response, and 25/27 epitopes were targeted by at least one person.

HXB2 Location gp160 (813–822)
Author Location gp41 (813–822 IIIB)
Epitope SLLNATAIAV
Epitope name D2
Subtype B
Immunogen vaccine
Vector/Type: DNA, DNA with protein boost
Strain: B clade IIIB *HIV component:* gp160, gp160ΔV3 *Adjuvant:* IL-12
Species (MHC) mouse (A2)
Keywords vaccine-specific epitope characteristics
References Kiszka *et al.* 2002

- Transgenic mice expressing a HLA-A2/Kb chimeric protein were vaccinated with a full length gp160 or with gp160deltaV3, with the V3 loop deleted. Mice given gp160deltaV3 had a broader immune response than those given gp160, with increased responses to conserved HLA-A2 epitopes in the C1 region of gp120, KLTPLCVTL, and the C-term region of gp41, SLLNATAIAV.

- Greater resistance was conferred by the gp160deltaV3 than the gp160 vaccine to a challenge of vaccinia expressing heterologous gp160 from primary isolates (VI-06 and 89.6), and the resistance was conferred by CD8+ T-cells.

HXB2 Location gp160 (813–822)
Author Location Env (813–)
Epitope SLLNATDIAV
Epitope name Env813
Immunogen HIV-1 infection
Species (MHC) human (A2)
Assay type CD8 T-cell Elispot - IFN γ , Chromium-release assay, Flow cytometric T-cell cytokine assay
Keywords binding affinity, subtype comparisons, computational epitope prediction
References Corbet *et al.* 2003

- HLA-A2-restricted HIV-1 CTL epitopes were computationally predicted. Binding affinities for HLA-A*0204, immunogenicity in HLA-A*0201 transgenic mice, and responses to the peptides in 17 HIV-1 infected patients were tested. 31 novel conserved A2 epitopes were detected. An average of 4 epitopes were recognized per patient.
- This epitope was one of the previously identified HLA-A2 epitopes studied.
- None of the 17 HIV-infected HLA-A2+ people in this study recognized this epitope.

HXB2 Location gp160 (813–822)
Author Location gp160 (813–822)
Epitope SLLNATDIAV
Subtype B
Immunogen HIV-1 infection
Species (MHC) human (A2)
Country United States.
Assay type CD8 T-cell Elispot - IFN γ , Chromium-release assay, HLA binding
Keywords acute/early infection, optimal epitope
References Altfield *et al.* 2005

- The most frequently targeted HLA-A2-restricted CD8+ T-cell epitopes in chronic infection were significantly less frequently recognized during primary infection. This epitope was recognized both in acute and chronic infection, but slightly more frequently in chronic infection.

HXB2 Location gp160 (813–822)
Author Location gp41
Epitope SLLNATDIAV
Epitope name gp41 SV10
Immunogen HIV-1 infection
Species (MHC) human (A68)
Keywords binding affinity, subtype comparisons, super-type, computational epitope prediction
References Altfield *et al.* 2001c

- HIV was scanned for all peptides which carried the A2-supermotif pattern conserved in more than 50% of B clade sequences – 233 peptides met this criteria, and 30 of these bound to HLA-A*0201 – 20/30 bound to at least 3/5 of HLA-A2 supertype alleles tested.

- Three additional previously described HLA-A2 epitopes were added to the set of 20, and 18/22 chronically infected HLA-A2 individuals had CTL that recognized at least one of the 23 peptides (median of 2 and maximum of 6), while 6/12 acute infected individuals recognized at least 1 (median of 1 and maximum of 2)
- This epitope binds to three HLA-A2 supertype alleles: A*6802 (highest affinity), A*0202 and A*0203 (but not A*0201 and not A*0206)
- This epitope did not elicit an ELISPOT response in 22 chronic HIV HLA-A2 infections, but elicited a strong response in 1/12 acute HLA-A2 infections – this individual, AC13, was HLA A*0201/68 B44/14 and also had a strong response to HLA-A2 vpr epitope AIIRILQQL.

- HXB2 Location** gp160 (813–828)
Author Location gp41 (MN)
Epitope SLLNATAIWAEGTDR
Subtype B
Immunogen HIV-1 infection
Species (MHC) human
Donor MHC A2
Assay type CD8 T-cell Elispot - IFN γ
Keywords assay standardization/improvement, HAART, ART
References Chitnis *et al.* 2003
- 17 perinatally HIV-1 infected children (0.08-16 years) were evaluated for HLA-A2-restricted IFN-gamma CD8+ CTL responses against 4 immunodominant peptides that carry HLA-A2 epitopes. Two peptides were from gp120 (one at position 112, one from the V3 loop), and one each was from gp41 and Gag. 15/17 patients responded to the Gag peptide, 13/17 to the gp41 and the non-V3 gp120 peptides, and 11/17 responded to the V3 loop. 4 children recognized all 4 peptides.

- HXB2 Location** gp160 (814–822)
Author Location Env (815–823)
Epitope LLNATAIAV
Immunogen HIV-1 infection
Species (MHC) human (A*0201)
Keywords binding affinity
References Kmiecik *et al.* 1998a
- CTL responses in six patients to four Env epitopes were studied: D2: LLNATAIAV, 5.3: RLRDLLLIV, D1: KLTPLCVTL, and 4.3: QMHEDIISL—all have A2 anchor residues.
 - The C terminal epitopes (D2 and 5.3) were highly variable and the variability was considered responsible for limited CTL response, while D1 and 4.3, N-terminal epitopes, were much more conserved and gave evidence of high levels of CTL response *in vitro*.
 - Peptides 5.3 and D2 bound to HLA A*0201 with low affinity and were variable, particularly D2.
 - Substitutions in peptide D2: llnTiaiv did not abrogate the response, but diminished it.
 - In a longitudinal study, the CTL response to the variable D2 epitope diminished over time, while the response to the conserved epitope D1 stayed higher.

HXB2 Location gp160 (814–822)
Author Location (C consensus)

- Epitope** LLDITIAIAV
Subtype C
Immunogen HIV-1 infection
Species (MHC) human (A*0205)
Country South Africa.
Assay type CD8 T-cell Elispot - IFN γ
Keywords characterizing CD8+ T cells
References Kiepiela *et al.* 2004
- HLA class I restricted CD8+ T-cell responses against HIV-1 were analyzed in African patients. Significantly more responses were shown to be HLA-B restricted. Viral load, CD4 count, and thus rate of disease progression were also associated with HLA-B alleles. In addition, the selection pressure imposed on HIV-1 by HLA-B alleles was shown to be substantially greater than by other alleles.
 - This epitope was suggested to be the epitope within a longer reactive peptide based on correspondence with a known epitope in the HIV database. Also, a significantly higher frequency of people in the Durban cohort who reacted with the peptide had this HLA type.

- HXB2 Location** gp160 (814–822)
Author Location (C consensus)
Epitope LLDITIAIAV
Subtype C
Immunogen HIV-1 infection
Species (MHC) human (A*0205)
Country South Africa.
Assay type CD8 T-cell Elispot - IFN γ
Keywords rate of progression, optimal epitope
References Kiepiela *et al.* 2007
- A comprehensive analysis of 160 class I T cell responses in 578 individuals from KwaZulu-Natal, South Africa was performed. Gag-specific responses were associated with lowering viremia, while Env, accessory and regulatory protein-specific responses were associated with higher viremia.
 - LLDITIAIAV is an optimal epitope.

- HXB2 Location** gp160 (814–822)
Author Location gp41 (815–823 LAI)
Epitope LLNATDIAV
Subtype B
Immunogen vaccine
Vector/Type: protein *Strain:* B clade MN
HIV component: gp160
Species (MHC) human (A2)
References Dupuis *et al.* 1995
- Of two CTL clones, one reacted only with 815-823, the other with 814-823 and 815-823.

- HXB2 Location** gp160 (814–822)
Author Location Env (815–823)
Epitope LLNATAIAV
Immunogen HIV-1 infection
Species (MHC) human (A2)
References Kmiecik *et al.* 1998b
- Increased CTL response to cells expressing a VV construct Δ V3 mutant compared with a full-length env gene product.

HXB2 Location gp160 (822–832)

Author Location gp41 (SF2)

Epitope VAEGTDRVIEI

Immunogen HIV-1 infection

Species (MHC) human

Keywords HAART, ART, acute/early infection

References Altfeld *et al.* 2001b

- Therapy provided during acute infection resulted in a narrower CTL response, stronger T help response, and a less diverse viral population than was seen in individuals treated during chronic infection.
- The breadth and specificity of the response was determined using ELISPOT by studying 19 individuals with pre-seroconversion therapy (Group 1), 11 individuals with primary infection but post-seroconversion therapy (Group 2), and 10 individuals who responded to HAART given during chronic infection (Group 3), using 259 overlapping peptides spanning p17, p24, RT, gp41, gp120 and Nef.
- Previously described and newly defined optimal epitopes were tested for CTL response.
- Number of individuals that had a CTL response to this epitope (HLA presenting molecule uncertain) broken down by group: 0 group 1, 1 group 2, and 0 group 3.

HXB2 Location gp160 (824–832)

Author Location gp160 (828–836 WEAU)

Epitope EGTDRVIEI

Epitope name gp160 EI9

Subtype B

Immunogen HIV-1 infection

Species (MHC) human

Donor MHC A*2902, B*4403, B*0801

Country United States.

Assay type CD8 T-cell Elispot - IFN γ , Chromium-release assay

Keywords dynamics, immunodominance, acute/early infection, kinetics, characterizing CD8+ T cells, reversion, viral fitness

References Jones *et al.* 2004

- Primary CD8+ T-cell response to Env, Tat and Gag and the extent, kinetics and mechanisms of viral escape were examined in three patients. Rapid escape, within weeks from infection, from HIV specific CTL responses was observed in all three patients, but the kinetics and extent of the escape differed depending on the breadth and co-dominant distribution of CTL-mediated pressure. The two patients that rapidly declined had more focused immunodominant responses, while the single patient that had low viral load and stable CD4 counts for seven years had a broad co-dominant response and less escape.
- The patient WEAU had high viral loads and rapid CD4 decline. WEAU mounted 14 detected CTL responses, with distinct patterns of immunodominance. WEAU did not control viral replication well, and escape mutations occurred early and 4/14 had changes that could have resulted in escape, and two were confirmed as escape.
- This was one of five reasonably strong responses in early infection in the patient WEAU, and the epitope sequence did not vary during the first year of the infection.

HXB2 Location gp160 (827–841)

Author Location gp41 (834–848 IIIB)

Epitope DRVIEVVQGAYRAIR

Immunogen HIV-1 infection

Species (MHC) human (A2)

References Clerici *et al.* 1991a

- Helper and cytotoxic T cells can be stimulated by this peptide (Th4)

HXB2 Location gp160 (827–841)

Author Location gp41 (834–848 IIIB)

Epitope DRVIEVVQGAYRAIR

Immunogen vaccine

Vector/Type: vaccinia *Strain:* B clade IIIB

HIV component: gp160

Species (MHC) mouse (H-2^d, H-2^p, H-2^u, H-2^q)

References Shirai *et al.* 1992

- In a murine system multiple class I molecules can present to CTL.

HXB2 Location gp160 (827–841)

Author Location gp41 (834–848 IIIB)

Epitope DRVIEVVQGAYRAIR

Immunogen vaccine

Vector/Type: vaccinia *HIV component:* gp160

Species (MHC) mouse (H-2^d, H-2^p, H-2^u, H-2^q)

References Shirai *et al.* 1996b

- Multiple murine MHC can cross-present this epitope (HP53), and P18 RIQRGPGRAFVTIGK, to specific CTL.

HXB2 Location gp160 (827–841)

Author Location gp41 (834–848 IIIB)

Epitope DRVIEVVQGAYRAIR

Immunogen HIV-1 exposed seronegative

Species (MHC) human

References Pinto *et al.* 1995

- CTL and T helper cell reactivity in healthcare workers exposed to HIV.

HXB2 Location gp160 (828–836)

Author Location Env (829–837 subtype B)

Epitope RVIEVLQRA

Subtype B

Immunogen vaccine

Vector/Type: protein *Strain:* B clade MN

HIV component: gp160

Species (MHC) human (A*0201)

Keywords binding affinity

References Kundu *et al.* 1998a

- Ten HIV-1 + HLA A2 asymptomatic individuals were given two courses of HIV-1 MN rgp160 vaccine over a 2 year period.
- Two hundred and fifty three HIV-1 peptides of 9 or 10 aa possessing the HLA-A2.1 binding motif (Leu at position 2, Val at the C terminus) were identified in gp160, of which 25 had a high or intermediate binding affinity.
- Eleven peptides were studied that had high HLA-A2 binding affinity – a CTL response was detected to 9/11 peptides in at least 1 individual.
- CTL responses after reimmunization may include recall responses – individuals with vaccine cross-reactive sequences prior to vaccination showed detectable CTL responses.

HXB2 Location gp160 (828–836)
Author Location gp41 (829–837 LAI)
Epitope RVIEVLQRA
Subtype B
Immunogen vaccinia
Vector/Type: protein *Strain:* B clade MN
HIV component: gp160
Species (MHC) human (A2)
References Dupuis *et al.* 1995

- CTL from HLA-A2 positive subject react with this peptide.

HXB2 Location gp160 (828–836)
Author Location gp41 (829–837 CM243 subtype CRF01)
Epitope KVIEVAQGA
Subtype CRF01_AE
Immunogen HIV-1 infection
Species (MHC) human (A2)
Keywords subtype comparisons
References Bond *et al.* 2001

- More than half of a cohort of HIV+ female sex workers (FSW) from Northern Thailand were HLA-A11 positive, and this study concentrated on A11 epitopes in this group, although E clade versions of previously defined B-clade A2 and A24 epitopes were also tested.
- 1/4 tested FSWs recognized the E clade version of this epitope, which differs from the previously defined B clade version by three amino acids, RvievLqRa.
- This epitope was only conserved in CRF01 (subtype E), and identities were rare.

HXB2 Location gp160 (830–854)
Author Location gp41 (831–853)
Epitope IEVVQGYRAIRHIPPRIQGLERI
Immunogen HIV-1 infection
Species (MHC) human
References Price *et al.* 1995

- Study of cytokines released by HIV-1 specific activated CTL.

HXB2 Location gp160 (831–838)
Author Location Env (830–837)
Epitope EVAQRAYR
Subtype B
Immunogen HIV-1 infection
Species (MHC) human (A*3303)
References Hossain *et al.* 2001; Takiguchi *et al.* 2000

- HLA-A33 a very common allele in Asia, with HLA-A*3303 the most common among the Japanese. New A*3303 epitopes were defined to better characterize the immune response in this population.
- The anchor motif for HLA*3303 (A, I, L, V, F, Y in position 2 (F and Y bind most strongly), and R (K is also tolerated) in the C-terminal position) was used to define 82 potentially reactive peptides in Env; 37/82 peptides bound to A*3303; 3/37 peptides could induce peptide-specific CTL in bulk PBMC cultures from 1/3 HLA A*3303 positive individuals tested.
- 2/3 peptides that reacted with the bulk culture, EVAQRAYR and VIEVAQRAYR, were overlapping, with one encompassing the other, but EVAQRAYR was shown to be the one that was reactive with a CTL clone.

- CTL clones were isolated that killed target cells in a concentration dependent manner after pulsing with the EVAQRAYR peptide, that could also kill cells transfected with env expressed from a vaccinia vector. Bulk cultures were tested from six additional people, and only 2/6 reacted with this peptide, but the peptide is in a highly variable region.

HXB2 Location gp160 (831–838)
Author Location gp41 (320–327)
Epitope EVAQRAYR
Immunogen HIV-1 infection
Species (MHC) human (A*3303)
Keywords optimal epitope
References Frahm *et al.* 2007

HXB2 Location gp160 (833–841)
Author Location gp160 (837–845 WEAU)
Epitope VQRTCRAIL
Epitope name gp160 VL9
Subtype B
Immunogen HIV-1 infection
Species (MHC) human
Donor MHC A*2902, B*4403, B*0801
Country United States.
Assay type CD8 T-cell Elispot - IFN γ , Chromium-release assay
Keywords dynamics, immunodominance, acute/early infection, characterizing CD8+ T cells, reversion, viral fitness
References Jones *et al.* 2004

- Primary CD8+ T-cell response to Env, Tat and Gag and the extent, kinetics and mechanisms of viral escape were examined in three patients. Rapid escape, within weeks from infection, from HIV specific CTL responses was observed in all three patients, but the kinetics and extent of the escape differed depending on the breadth and co-dominant distribution of CTL-mediated pressure. The two patients that rapidly declined had more focused immunodominant responses, while the single patient that had low viral load and stable CD4 counts for seven years had a broad co-dominant response and less escape.
- The patient WEAU had high viral loads and rapid CD4 decline. WEAU mounted 14 detected CTL responses, with distinct patterns of immunodominance. WEAU did not control viral replication well, and escape mutations occurred early and 4/14 had changes that could have resulted in escape, and two were confirmed as escape.
- This was one of five reasonably strong responses in early infection in the patient WEAU, and the epitope sequence did not vary during the first year of the infection.

HXB2 Location gp160 (835–843)
Author Location Env (834–842 SF2)
Epitope RAYRAILHI
Immunogen HIV-1 infection
Species (MHC) human (B*5101)
Keywords rate of progression
References Tomiyama *et al.* 1999

- HLA-B27, -B51, and -B57 are associated with slow progression to AIDS, while HLA-B35, -B8, -B24 are associated with a rapid progression to AIDS (Nat. Med. 2:405, 1996; Lancet 22:1187, 1986; Hum Immunol 22:73, 1988; Hum Immunol 44:156, 1995)
- 15% of Japanese populations carry HLA-B51 while HLA-B27 and -B57 are detected in less than 0.3%
- Of the 172 HIV-1 peptides with HLA-B*5101 anchor residues, 33 bound to HLA-B*5101, seven of these peptides were reactive with CTL from 3 B*5101 positive individuals, and six were properly processed.
- This peptide could stimulate CTL from one person, however this CTL clone did not recognize B*5101 positive target cells infected with HIV-1 recombinant vaccinia expressing Env, so it was not confirmed that this peptide was a properly processed epitope.

HXB2 Location gp160 (835–843)

Author Location Env (835–843)

Epitope RAYRAILHI

Immunogen HIV-1 infection

Species (MHC) human (B51)

Donor MHC A03, A32, B51, B15, Cw03, Cw06, DR4, DR8, DQ7

Country Netherlands.

Assay type CD8 T-cell Elispot - IFN γ , Flow cytometric T-cell cytokine assay

Keywords rate of progression, escape

References Geels *et al.* 2003

- Both stable potential epitopes and epitopes with escape mutations were found in a patient with increasing viral load over a time period of 4 years. Fixation of escape mutations occurred sequentially and correlated with the rise in viral load and with the increased number of productively infected cells.
- This is one of 7 epitopes from this individual that varied over time, although the internal mutations did not become fixed. The rTFrailhi variant residues arose at early time points, rlyrailhX variant residues arose at intermediate time points.

HXB2 Location gp160 (837–856)

Author Location gp120 (844–863 LAI)

Epitope YRAIRHIPRRIRQGLERILL

Subtype B

Immunogen HIV-1 infection

Species (MHC) human (B35)

References Shankar *et al.* 1996

HXB2 Location gp160 (837–856)

Author Location gp41 (844–863 HXB2)

Epitope YRAIRHIPRRIRQGLERILL

Subtype B

Immunogen HIV-1 infection

Species (MHC) human (B8)

References Lieberman *et al.* 1992

- CTL epitope defined by T cell line and peptide mapping.

HXB2 Location gp160 (837–856)

Author Location gp120 (844–863)

Epitope YRAIRHIPRRIRQGLERILL

Immunogen HIV-1 infection

Species (MHC) human

References Lieberman *et al.* 1995

- HIV-specific CTL lines developed by *ex vivo* stimulation with peptide.

HXB2 Location gp160 (837–856)

Author Location gp120 (844–863 SF2)

Epitope YRAIRHIPRRIRQGLERILL

Immunogen HIV-1 infection

Species (MHC) human

References Lieberman *et al.* 1997a

- Of 25 patients, most had CTL specific for more than 1 HIV-1 protein.
- Eleven subjects had CTL that could recognize vaccinia-expressed LAI gp160.
- One of these 11 had CTL response to this peptide.
- The responding subject was HLA-A2, A26, B7, and B38.

HXB2 Location gp160 (842–856)

Author Location gp41 (SF2)

Epitope HIPRRIRQGLERALL

Immunogen HIV-1 infection

Species (MHC) human

References Altfeld *et al.* 2001a

- HIV+ individual AC-06 was tested for reactive overlapping peptides spanning all HIV-1 proteins in an ELISPOT and was found to react with 12 peptides from 7 proteins, suggesting that the breadth of CTL responses are underestimated if accessory proteins are not included in the study.
- The only Env peptide recognized was gp41 HIPRRIRQGLERALL.

HXB2 Location gp160 (843–851)

Author Location gp41 (848–856 LAI)

Epitope IPRRRIRQGL

Subtype B

Immunogen

Species (MHC) human (B*0702)

Keywords optimal epitope

References Frahm *et al.* 2007

- C. Brander notes this is a B*0702 epitope.

HXB2 Location gp160 (843–851)

Author Location gp41 (848–856 LAI)

Epitope IPRRRIRQGL

Subtype B

Immunogen

Species (MHC) human (B7)

Keywords mother-to-infant transmission

References Brander & Walker 1995

- Epitope defined in the context of the Pediatric AIDS Foundation ARIEL Project, a mother-infant HIV transmission study.

HXB2 Location gp160 (843–851)

Author Location

Epitope IPRRRIRQGL

Immunogen HIV-1 infection

Species (MHC) human (B7)

Keywords immunodominance, escape

References Soudeyns *et al.* 1999

- Following primary infection, progressive diversification and accumulation of mutations of HIV-env nucleotide sequences was observed, focused in V2 in one individual and in V8 in another.
- The patient with the V2 diversification showed only transient CTL against Env and Nef.
- The patient with the V8 diversification had an immunodominant CTL response to V8 epitope IPRRIRQGL, and multiple escape variants emerged within a year: ipTrirqgl and ipTrirqgF, which abrogated the CTL response *in vitro*, and also iprrLqgl and iprrirqDI which gave diminished responses.

HXB2 Location gp160 (843–851)

Author Location gp41 (848–856 LAI)

Epitope IPRRIRQGL

Subtype B

Immunogen HIV-1 infection

Species (MHC) human (B7)

Keywords subtype comparisons

References Cao *et al.* 1997a

- The consensus peptide of clades A, B, D, and F is IPRRIRQGL.
- The consensus peptide of clade C is iprrirqgF, and it is equally reactive.

HXB2 Location gp160 (843–851)

Author Location gp41 (848–856 subtype B)

Epitope IPRRIRQGL

Subtype B

Immunogen HIV-1 infection

Species (MHC) human (B7)

Keywords subtype comparisons, acute/early infection

References Wilson *et al.* 1998b

- The extent of CTL interclade cross-reactivity from CTL isolated from individuals newly infected with B clade virus was studied, and extensive cross-reactivity was observed.
- Two HLA B7 individuals had CTL response to B_LAI, A_92UG037 and C_92BR025 gp160, but were B clade strain MN non-responders – the authors note that the B7 epitope IPRRIRQGL is conserved between the LAI and clade A and C strains, but that MN has a non-conservative Arg to Thr substitution at position three that may be contributing to the specificity of the response in the HLA B7 individuals.

HXB2 Location gp160 (843–851)

Author Location gp41 (843–851 HXB2)

Epitope IPRRIRQGL

Subtype B

Immunogen HIV-1 infection

Species (MHC) human (B7)

Keywords rate of progression, immunodominance

References Hay *et al.* 1999

- CTL response to IPRRIRQGL was the immunodominant response in a rapid progressor – there was a subdominant response to SPAIFQSSM in Pol, and interestingly, no response to commonly immunodominant HLA A*0201 epitope SLYNT-VATL, although this individual was HLA A*0201.
- The individual showed a strong initial CTL response at the time of the initial drop in viremia, but it was quickly lost, although memory cells persisted.

- Despite the initial narrow response to two epitopes, no other CTL responses developed.
- No HIV-specific lymphoproliferative responses were detected in this patient, and neutralizing antibody response was weak.
- Variants were observed *in vivo*, the most common form of the viral epitope at presentation at 3 months was the only form that did not elicit a CTL response: iprrTrqgl; the other forms detected were iprrirqgF, iprrLqgF, VprrirqgF and they could elicit a CTL response although the response to iprrLqgF was reduced.
- A second rapid progressor had a detectable CTL response exclusively to this epitope.

HXB2 Location gp160 (843–851)

Author Location gp41 (subtype A)

Epitope IPRRIRQGF

Subtype A

Immunogen HIV-1 infection

Species (MHC) human (B7)

Keywords subtype comparisons

References Cao *et al.* 2000

- HIV-1 subtypes A and D dominate the Ugandan epidemic, and a vaccine trial using B clade antigen is underway – this study addresses relative levels of cross-reactive CTL responses in Ugandans to A, D, and B clade recombinant vaccinia viruses expressing Gag, Env, Pol, RT or Nef from HIV-1 clades A, B, and D.
- Proteins corresponding to the subtype of the infecting strains tended to trigger higher levels of CTL response measured by percent specific lysis, but there was extensive inter-subtype cross-reactivity with B clade proteins and the co-circulating subtype.
- This optimal epitope sequence, recognized by CTL derived from a Ugandan with an A subtype infection, is cross-reactive with subtypes A and B, but not in subtype D.

HXB2 Location gp160 (843–851)

Author Location gp41

Epitope IPRRIRQGL

Immunogen HIV-1 infection

Species (MHC) human (B7)

Keywords rate of progression, acute/early infection

References Islam *et al.* 2001

- Subject 053i was followed longitudinally from acute infection through death, and had rapid progression to AIDS.
- This individual had a dominant response to IPRRIRQGL with strong *in vivo* activated responses and *in vitro* stimulated memory responses and a subdominant response to SPAIFQSSM – during the course of disease progression (4 Years), the functional CTL responses were lost and no sequence variation occurred with in both epitopes.
- At 3 months post-presentation, seven IPRRIRQGL CTL clones were obtained, five used the T-cell receptor V β 6S1 and J β 2.7 and had the CDR3 WAASS, two used V β 16S1, ERSPPGD, J β 2.7 and one CTL clone isolated at 39 months was V β 14S1, CR3 PTAAG, and J β 2.1 – all of these clones persisted over the course of the infection, even to time of death, despite the loss of CTL functional responses over time.

HXB2 Location gp160 (843–851)

Author Location gp41 (843–851 SF2)

Epitope IPRRIRQGL

Immunogen HIV-1 infection

Species (MHC) human (B7)

Keywords HAART, ART, acute/early infection

References Altfeld *et al.* 2001b

- Therapy provided during acute infection resulted in a narrower CTL response, stronger T help response, and a less diverse viral population than was seen in individuals treated during chronic infection.
- The breadth and specificity of the response was determined using ELISPOT by studying 19 individuals with pre-seroconversion therapy (Group 1), 11 individuals with primary infection but post-seroconversion therapy (Group 2), and 10 individuals who responded to HAART given during chronic infection (Group 3), using 259 overlapping peptides spanning p17, p24, RT, gp41, gp120 and Nef.
- Previously described and newly defined optimal epitopes were tested for CTL response.
- Number of HLA-B7+ individuals that had a CTL response to this epitope broken down by group: 2/4 group 1, 1/3 group 2, and 1/1 group 3.

HXB2 Location gp160 (843–851)

Author Location gp41 (848–856)

Epitope IPRRIRQGL

Immunogen HIV-1 infection, HIV-1 exposed seronegative

Species (MHC) human (B7)

Keywords HIV exposed persistently seronegative (HEPS), immunodominance

References Kaul *et al.* 2001a

- IPRRIRQGL cross-reacts with clades A, B and D.
- ELISPOT was used to study CTL responses to a panel of 54 predefined HIV-1 epitopes in 91 HIV-1-exposed, persistently seronegative (HEPS) and 87 HIV-1-infected female Nairobi sex workers.
- Responses in HEPS women tended to be lower, and focused on different epitopes with HLA presenting molecules that have previously been associated with reduced risk of infection, and there was a shift in the response in the HEPS women upon late seroconversion to epitopes recognized by the HIV-1 infected women.
- 43/91 HEPS women had CD8+ responses and detection of HIV-1-specific CTL in HEPS women increased with the duration of viral exposure.
- Among HLA-B7 women, 2/5 HEPS and 5/6 HIV-1 infected women recognized this epitope.
- The dominant response to this HLA allele was to this epitope in 2 of the 5/6 HIV-1 infected women that responded to the epitope, but in neither of the 2/5 HEPS cases.
- Subject ML 1203 started with CTL responses to A*6802 DTVLEDINL and to B7 FVTPQVPLR prior to seroconversion, and upon seroconversion acquired additional responses to A*6802 ETAYFILKL which became dominant, B7 TPGPGV/IRYPL, B7 IPRRIRQGL, and B7 SPRTLNAWV.

HXB2 Location gp160 (843–851)

Author Location gp41 (843–851)

Epitope IPRRIRQGL

Immunogen HIV-1 infection

Species (MHC) human (B7)

Keywords rate of progression, acute/early infection

References Day *et al.* 2001

- The CTL response to optimally defined CTL epitopes restricted by HLA class I A and B alleles in individuals who coexpressed HLA A2, A3, and B7 was studied in eight HIV-1-infected subjects, two with acute infection, five with chronic, and one long-term non-progressor (LTNP)
- 2 to 17 epitopes were recognized in a given individual, A2-restricted CTL response tended to be narrow and never dominated the response, and 25/27 epitopes were targeted by at least one person.
- Subjects with chronic HIV-1 infection recognized between 2–8 out of 11 B7-restricted epitopes.
- An acute seroconverter homozygous for the B7 allele recognized five B7-restricted epitopes.
- The other acute seroconverter failed to recognize any of the 11 B7-restricted epitopes tested.
- The B7-restricted CTL response was highly variable and there was no clearly dominant epitope.

HXB2 Location gp160 (843–851)

Author Location gp41 (SF2)

Epitope IPRRIRQGL

Immunogen HIV-1 infection

Species (MHC) human (B7)

References Altfeld *et al.* 2000

- This epitope was mapped by ELISPOT in a study identifying new HLA-B60 epitopes, and was one of the epitopes presented by another HLA molecule in an HLA-B60 individual.

HXB2 Location gp160 (843–851)

Author Location gp41 (842–852)

Epitope IPRRIRQGL

Epitope name B7-IL9

Subtype B

Immunogen HIV-1 infection

Species (MHC) human (B7)

Donor MHC A3, B7, Cw7

Keywords dynamics, supervised treatment interruptions (STI), immunodominance, acute/early infection

References Yu *et al.* 2002a

- CTL responses in 18 acutely HIV-infected HLA-A3 (n=7) or -B7 (n=4) or both -A3 and B7 (n=7) positive individuals were studied.
- One individual, AC-06, was homozygous at all three class I alleles (A3, B7, Cw7), was treated during acute infection and had supervised treatment interruptions (STI). He had only two detectable CTL responses during acute infection, but after STI this broadened to 27 distinct epitopes including 15 restricted by HLA-A3, 11 by HLA-B7, and 1 by HLA-Cw7.
- Only two epitopes were detected during acute infection in patient AC-06, B7 restricted gp41 epitope IPRRIRQGL and Gag GPGHKARVL. GPGHKARVL was the first targeted peptide, and remained immunodominant through the 34 month study period.

- 6/11 HLA-B7 individuals had detectable B7-restricted responses to this epitope during acute infection – 10/15 of HLA-B7 epitopes tested were targeted by at least one person during acute infection. 2/4 individuals had detectable responses to this epitope after STI.

HXB2 Location gp160 (843–851)

Author Location gp41

Epitope IPRRIRQGL

Epitope name B7-IL9(gp41)

Subtype B

Immunogen HIV-1 infection

Species (MHC) human (B7)

Donor MHC A24, B7, B27

Keywords HAART, ART, supervised treatment interruptions (STI)

References Altfield *et al.* 2002b

- Peripheral blood (PB) and lymph node (LN) CD8+ T-cell responses were compared in 15 asymptomatic HIV-1 infected patients using all known optimal CTL epitopes (<http://hiv-web.lanl.gov/content/hiv-db/REVIEWS/brander2001.html>) for each person's class I HLA alleles.
- 60 epitope responses were detected in both PB and LN samples of the 15 patients, and an additional 8 responses were detected only in LN. The total magnitude of the response was similar in LN and PB, but the percentage of CD8+ T cells in the LN is lower so the number of HIV-specific cells per million CD8+ T-cells is higher in the LN.
- 1 year post-HAART treatment in five patients studied, the magnitude of the CD8 T-cell response was decreased in both LN and PB, but more dramatically in PB, and 13/25 epitope responses in the PB became undetectable, in contrast to 5/26 in the LN.
- Treatment interruption following HAART induced resulted in increased viremia accompanied by the restoration of the detection of 13 epitopes that had become undetectable in the PB, and the addition of 9 novel epitope responses.
- Breakdowns of epitope responses were shown for 4 individuals. Patient C displayed the greatest response to B27-KK10(p24), and in decreasing order also responded to A24-RW8(Nef), B7-IL9(gp41), A24-RL9(gp41), A24-YL8(gp41), and B7-TM9(Nef).

HXB2 Location gp160 (843–851)

Author Location Env

Epitope IPRRIRQGL

Epitope name EW10

Immunogen HIV-1 infection

Species (MHC) human (B7)

Assay type Chromium-release assay, Flow cytometric T-cell cytokine assay

Keywords class I down-regulation by Nef

References Bobbitt *et al.* 2003

- Nef, through Nef-mediated MHC-I down-regulation, is not the only viral protein to influence levels of HIV-specific CTL recognition. The Rev L60F mutation, a common natural variant, can decrease CTL recognition of late gene products. The Rev mutation impacts the early to late gene switch, reducing late gene product production (Gag, Pol, Env, Vpu, Vpr and Vif), while increasing Nef production, both of which reduce the

impact CTL recognition of late gene products. As expected, Rev L60F rendered HIV infected cells more resistant to CTL that recognized epitopes from the late proteins Env and Gag. Gag expression is reduced more than Env, and Gag-specific CTL were more profoundly affected. Conversely CTL against an epitope in an early gene product, Tat, were more efficiently recognized when infected with viruses carrying the Rev L60F mutation.

- Patients in the asymptomatic phase with active immune responses had more CTL resistant viruses, with lower Rev activity, lower Gag expression and greater resistance to Gag-specific CTL killing, while viruses isolated from people with AIDS were more sensitive to CTL killing.

HXB2 Location gp160 (843–851)

Author Location gp41 (843–851)

Epitope IPRRIRQGL

Subtype B

Immunogen HIV-1 infection

Species (MHC) human (B7)

Donor MHC A1, A3, B7, B14, Cw*0702, Cw*0802

Assay type CD8 T-cell Elispot - IFN γ

Keywords binding affinity, acute/early infection, early-expressed proteins

References Cao *et al.* 2003

- All proteins were scanned and optimal epitopes were mapped in a study of CD8+ gamma IFN T-cell responses in 21 men within 15-92 days post-HIV-1 infection. Subjects initially a showed narrow immune responses with a mean of 2.3 epitopes recognized per patient. The immune response broadened later in infection. No correlation between the plasma viral load and the number of recognized epitopes or the frequency of IFN-gamma secreting cells was observed, and there was no correlation between the functional avidity of a responses and the abundance of IFN-secreting cells that recognized the epitope. The first epitopes to be recognized did not tend to be the most avid, and earliest responses tended to be directed against Nef, Tat, Vpr, and Env.
- All HIV-1 proteins except Vpu were recognized, and a responses to a total of 41 optimal epitopes were characterized; 24 had been identified previously. 48% of the total T-cell responses were directed against Nef and 43% were directed against Gag.
- More common HLA alleles were less frequently used in primary infection than less common alleles, for example A3, B35, B57, and B62 were more frequently utilized than A1, A2, A30, and A44.

HXB2 Location gp160 (843–851)

Author Location gp41

Epitope IPRRIRQGL

Immunogen HIV-1 infection

Species (MHC) human (B7)

Country Netherlands.

Assay type CD8 T-cell Elispot - IFN γ

Keywords HIV exposed persistently seronegative (HEPS)

References Koning *et al.* 2004

- A high-risk seronegative group of 29 homosexual men showed reduced cellular in vitro susceptibility for HIV infection and enhanced production of RANTES compared to 15 men who went on to seroconvert. Significantly higher frequencies of HLA A*11, A*31 and Cw*15 were also found in the high risk seronegative men. Both groups of men had low frequencies of HIV-1 specific CD8+ T-cells, which may signify exposure more than protection from infection.
- 3/9 HLA B7+ infection-resistant men, compared to 0/4 pre-seroconversion men who went on to become infected, reacted to this epitope.

HXB2 Location gp160 (843–851)

Author Location Env (333–341)

Epitope IPRRRIRQGL

Immunogen HIV-1 infection

Species (MHC) human (B7)

Country Spain.

Assay type proliferation, CD8 T-cell Elispot - IFN γ , Flow cytometric T-cell cytokine assay

Keywords HAART, ART, supervised treatment interruptions (STI), immune dysfunction

References Plana *et al.* 2004

- Structured treatment interruption (STI) alone is not able to control viral replication in chronically infected patients, probably due to lack of strong, maintained T-helper cell responses. HIV-1 specific CD8+ T-cell responses were shown to increase significantly until the end of the follow up, but were not correlated with viral load.
- 3/7 patients recognized this epitope.

HXB2 Location gp160 (843–851)

Author Location (B consensus)

Epitope IPRRRIRQGL

Epitope name IL9

Subtype B

Immunogen HIV-1 infection

Species (MHC) human (B7)

Donor MHC A31, A68, B07, B70, Cw7, Cw1

Assay type Cytokine production, Intracellular cytokine staining, Chromium-release assay, Flow cytometric T-cell cytokine assay

Keywords assay standardization/improvement, memory cells, characterizing CD8+ T cells

References Lichterfeld *et al.* 2004c

- Using a flow-cytometric cytotoxicity assay based on caspase-3 activation in dying target cells, it was shown that the subset of HIV-1-specific CD8+ T cells secreting both IFN-gamma and TNF-alpha exhibit stronger cytotoxic activity than those secreting only IFN-gamma. These cells also exhibited stronger intracellular perforin expression. No association between HIV-1-specific CD8+ T-cell maturation phenotypes and intracellular perforin expression was found.
- 1/9 individuals recognized this epitope.

HXB2 Location gp160 (843–851)

Author Location gp41

Epitope IPRRRIRQGL

Subtype B

Immunogen HIV-1 infection

Species (MHC) human (B7)

Country United Kingdom.

Assay type Tetramer binding, T-cell Elispot, Intracellular cytokine staining

Keywords rate of progression, acute/early infection, characterizing CD8+ T cells, immune dysfunction

References Papagno *et al.* 2004

- Acute HIV-1 infection induces massive activation of HIV-specific and non-HIV-specific CD8+ T-cells resulting in differentiation of these cells. High differentiation of CD8+ T-cells is correlated with disease progression. Differentiation is a natural process but it can be driven by elevated immune activation, such as in HIV infection.

HXB2 Location gp160 (843–851)

Author Location gp41 (333–334)

Epitope IPRRRIRQGL

Epitope name IPR

Immunogen HIV-1 infection

Species (MHC) human (B7)

Donor MHC A2, A68.1, B*07, B*3503, Cw*0401, Cw*0702, DR17, DR15, DR51, DR52, DQ2, DQ6

Assay type CD8 T-cell Elispot - IFN γ , CD4 T-cell Elispot - IFN γ , Flow cytometric T-cell cytokine assay

Keywords rate of progression, escape

References Oxenius *et al.* 2004b

- The increase in plasma viral load in a patient that progressed rapidly was preceded by positive selection of viral escape mutations in epitopes targeted by dominant HIV-1-specific CD8+ T-cell responses, and a decrease in HIV-1-specific CD4+ and CD8+ T-cell frequencies. Overall, escape variant epitopes were recognized 0-80% as efficiently as the index peptide, and the relatively efficiency of the variant epitopes increased using PBLs collected after their appearance. No changes were found in viral tropism, replication kinetics and neutralizing antibody titers, so the rapid decline of the patient was attributed to loss of HIV containment due to CTL escape.
- This was one of 8 reactive epitopes found not to vary over time.

HXB2 Location gp160 (843–851)

Author Location gp120

Epitope IPRRRIRQGL

Epitope name IL9

Immunogen

Species (MHC) (B7)

Keywords review, immunodominance, escape, acute/early infection, early-expressed proteins, kinetics, reversion, viral fitness

References Lichterfeld *et al.* 2005

- This review discusses the importance of 3 factors that impact the selection of immunodominant epitopes in acute HIV infection: i) the kinetics of viral protein expression, ii) the HLA class I background of the infected individual, and iii) the autologous sequence of the infecting virus. This is 1 of 12 peptides listed as immunodominant in acute HIV-1 infection.

HXB2 Location gp160 (843–851)

Author Location gp160 (clade A, B, C, D)

Epitope IPRRRIRQGL

- Subtype** A, B, C, D
Immunogen HIV-1 infection
Species (MHC) human
Donor MHC A*6802, A*6802, B*1303, B*1401, Cw*0602, Cw*1701
Country Kenya.
Assay type CD8 T-cell Elispot - IFN γ , Other
Keywords subtype comparisons, variant cross-recognition or cross-neutralization
References McKinnon *et al.* 2005
- Interclade cross-reactivity of clades A, B, C, and D was tested using recombinant vaccinia-based IFN-gamma Elispot assay. 47/74 women had a positive Elispot response to at least one clade, and cross-clade responses were frequent. Clade A responses were most frequent, as expected, as clade A dominates the Kenyan epidemic (85% of the 47 women responded to clade A Env, 74% to B, 62% to C, and 43% to D). Cross-clade CD8 T-cell responses were common and directed at conserved epitopes.
 - There was a greater magnitude of response to A clade peptides in individuals who responded to more than 1 clade; a 2-fold higher response was observed in clade A in 36% (9/25) of these individuals, and the response to A peptides was never lower. IPRRIRQGL responses were detected in all 4 clades in 1 woman: clade A gave a high response; IPRRIRQGL was identical clade B; clade C and D had lower responses and carried variant peptides IPRRIRQGf and IvRRIRQGL.
- HXB2 Location** gp160 (843–851)
Author Location gp160
Epitope IPRRIRQGL
Subtype A, B, C, D
Immunogen HIV-1 infection, vaccine
Vector/Type: vaccinia *Strain:* A clade, B clade, D clade NDK, C clade consensus *HIV component:* Env
Species (MHC) human
Donor MHC A*0205, A*3402, B*4201, B*5802, Cw*0602, Cw*1701
Country Kenya.
Assay type CD8 T-cell Elispot - IFN γ , Other
Keywords subtype comparisons, variant cross-recognition or cross-neutralization
References McKinnon *et al.* 2005
- Interclade cross-reactivity of clades A, B, C, and D was tested using recombinant vaccinia-based IFN-gamma Elispot assay. 47/74 women had a positive Elispot response to at least one clade, and cross-clade responses were frequent. Clade A responses were most frequent, as expected, as clade A dominates the Kenyan epidemic (85% of the 47 women responded to clade A Env, 74% to B, 62% to C, and 43% to D). Cross-clade CD8 T-cell responses were common and directed at conserved epitopes.
 - There was a greater magnitude of response to A clade peptides in individuals who responded to more than 1 clade; a 2-fold higher response was observed in clade A in 36% (9/25) of these individuals, and the response to A peptides was never lower. An IPRRIRQGL response was detected in a women who had Env responses to 3 clades, A, B, and C, and clade A and B gave

the highest responses. IPRRIRQGL was identical in A and B, had the form IPRRIRQGf in C, and IvRRIRQGL in D.

- HXB2 Location** gp160 (845–856)
Author Location gp41 (852–863 HXB2)
Epitope RRIRQGLERILL
Subtype B
Immunogen HIV-1 infection
Species (MHC) human (A30, B8)
References Lieberman *et al.* 1992
- CTL epitope defined by T cell line and peptide mapping.
- HXB2 Location** gp160 (845–856)
Author Location gp41 (852–863 LAI)
Epitope RRIRQGLERILL
Subtype B
Immunogen HIV-1 infection
Species (MHC) human (B7)
References Shankar *et al.* 1996
- HXB2 Location** gp160 (846–854)
Author Location
Epitope RIRQGLERA
Epitope name Env-RA9
Subtype B
Immunogen HIV-1 infection
Species (MHC) human (A*0205)
Donor MHC A*0205 A*3002 B*1402 B*5301 Cw*0401 Cw*0802
Keywords HAART, ART
References Sabbaj *et al.* 2003
- This study monitored epitope responses in HIV-1 infected minority women living in the United States.
 - 24 epitopes were described – 8 were novel, 8 used new restricting elements but were previously defined epitopes, and 8 were previously described.
 - Serial peptide truncations were used to define optimal epitopes for CTL cell lines isolated from 12 individuals, assayed by a Cr-release.
 - This epitope was newly defined in this study.
 - Patient 00RCH28 was African American, not on HAART, had a viral load of 5900 and CD4 count of 889, and she also recognized IN(219-227), KIQNFRVYY, A*3002.
 - Among HIV+ individuals who carried HLA A02, 6/21 (29%) recognized this epitope.
- HXB2 Location** gp160 (846–854)
Author Location gp41 (335–343)
Epitope RIRQGLERA
Immunogen HIV-1 infection
Species (MHC) human (A*0205)
Keywords optimal epitope
References Frahm *et al.* 2007
- HXB2 Location** gp160 (848–856)
Author Location gp160 (848–856)
Epitope RQGLERALL
Immunogen
Species (MHC) human (B8)
Keywords optimal epitope

References Frahm *et al.* 2007

- C. Brander notes that this is an B8 epitope.

HXB2 Location gp160 (849–856)**Author Location** gp41 (849–856)**Epitope** QGLERALL**Subtype** B**Immunogen** HIV-1 infection**Species (MHC)** human (B8)**Donor MHC** A1, A1, B8, B14, Cw7, Cw8**Assay type** CD8 T-cell Elispot - IFN γ **Keywords** binding affinity, acute/early infection, early-expressed proteins**References** Cao *et al.* 2003

- CTL epitope responses were mapped in 21 men within 15-92 days post-HIV-1 infection. Subjects initially showed narrow immune responses with a mean of 2.3 epitopes recognized per patient. The immune response broadened later in infection. No correlation between the plasma viral load and the number of recognized epitopes or the frequency of IFN-gamma secreting cells was observed, and there was no correlation between the functional avidity of a response and the abundance of IFN-secreting cells that recognized the epitope. The first epitopes to be recognized tended not to be the most avid, and earliest responses tended to be directed against Nef, Tat, Vpr, and Env.
- All HIV-1 proteins except Vpu were recognized, and a response to a total of 41 optimal epitopes were characterized; 24 had been identified previously. 48% of the total T-cell responses were directed against Nef and 43% were directed against Gag.
- More common HLA alleles were less frequently used in primary infection than less common alleles, for example A3, B35, B57, and B62 were more frequently recognized than A1, A2, A30, and A44.

II-B-22 Env CTL/CD8+ epitopes**HXB2 Location** Env**Author Location****Epitope****Immunogen** computer prediction**Species (MHC)** (A*0201, B*3501)**Keywords** subtype comparisons, computational epitope prediction**References** Schönbach *et al.* 2002

- Computational methods (artificial neural networks, hidden Markov models, binding matrices based on HLA association rates) were used to identify HLA-A*0201 and HLA-B*3501 HIV T-cell epitope candidates from 533 Gag, Env and Pol sequences of which 374 were derived from HIV-1, 97 were derived from HIV-2 and 62 from SIV. Comparisons to known epitopes and between clades were made.

HXB2 Location Env**Author Location****Epitope****Subtype** A, B, C**Immunogen** vaccine

Vector/Type: canarypox prime with gp120 boost, canarypox prime with gp160 boost
Strain: B clade LAI, B clade MN, B clade SF2
HIV component: Gag, gp120, gp41, Nef, Pol

Species (MHC) human (A1, A2, A24, B62, A25, A26, A30, A31, B8, B17, B39, B51, B57, B60, B70)**Keywords** subtype comparisons, epitope processing, vaccine-specific epitope characteristics, immunodominance**References** Ferrari *et al.* 2001

- Different HIV strains were used for different regions: gp41 LAI, Gag LAI, gp120 MN, gp120 SF2
- HLA-B62 responses dominated the responses against an Env vaccine in an individual (022JAV) who was HLA A2, A26, B35, B62. The strongest response was against the MN peptide 381-400; a response diminished by half was observed against vaccinia expressed clade A and clade C relative to clade B.
- Class I presentation of Env CTL responses in vaccinee 022A12K: A25 > B39, A1 and B8 were undetectable.
- Class I presentation of Env CTL responses in vaccinee 022A12N: B57 » A2 > A26 and B60.
- Class I presentation of Env CTL responses in vaccinee 034GP3: A31 > A24 > B62 > B51.
- Class I presentation of Env CTL responses in vaccinee 0348PP: B17 > B70, A1 and A30 were undetectable.

HXB2 Location Env**Author Location** gp120 (303–327)**Epitope****Immunogen** HIV-1 infection**Species (MHC)** human (A2, A3, A11, B27)**Keywords** subtype comparisons**References** Ferrari *et al.* 2000

- One of the 51 HIV-1 epitopes selected by Ferrari *et al.* as good candidate CTL epitopes for vaccines by virtue of being conserved and presented by common HLA alleles.
- For this cluster of epitopes spanning the tip of the V3 loop, they suggest including a sequence from each clade.

HXB2 Location Env**Author Location****Epitope****Subtype** B**Immunogen** vaccine

Vector/Type: canarypox prime with gp120 boost, canarypox prime with gp160 boost
Strain: B clade LAI, B clade MN, B clade SF2
HIV component: Gag, gp120, gp41, Nef, Pol

Species (MHC) human (A2, B8)**Keywords** vaccine-induced epitopes**References** Ferrari *et al.* 2001

- Different HIV strains were used for different regions: gp41 LAI, Gag LAI, gp120 MN, gp120 SF2
- No HLA-A*0201 or B8 responses were made against the Env vaccine in individuals carrying these alleles, despite these being common presenting molecules for CTL responses to natural infections.

HXB2 Location Env
Author Location Env
Epitope
Subtype B
Immunogen HIV-1 infection
Species (MHC) human (B*35)
Keywords rate of progression
References Jin *et al.* 2002

- Patients with HLA-B*35 variants B*3502, B*3503, B*3504, and B*5301 tend to proceed to AIDS more quickly than those with B*3501.
- Of 32 patients with HLA-B*35 alleles CD8+ CTL responses were quantified using an intracellular cytokine staining assay – 75% had responses to Pol, 69% to Gag, 50% to Nef, and 41% to Env.
- The overall magnitude of CTL responses did not differ between those bearing B*3501 and the others. A higher percentage of Gag responses was observed in those that had lower RNA levels that carried B*3501, and there was a negative association with viral load and CTL activity. The data is consistent with higher levels of CTL responses contributing to protection in B*3501 individuals, but not in B*3502, B*3503, B*3504, and B*5301 individuals.

HXB2 Location Env
Author Location gp41 (842–850 IIIB, BH8)
Epitope
Immunogen HIV-1 infection
Species (MHC) human (B7)
References Pantaleo *et al.* 1997; Soudeyns & Pantaleo 1997

- Clonotype-specific PCR and analysis of *in vivo* HIV-specific CTL showed that in early infection HIV-specific CTL clones preferentially accumulate in blood rather than lymph nodes and that they accumulate prior to down-regulation of virus.

HXB2 Location Env
Author Location gp120 (318–327 IIIB)
Epitope
Immunogen vaccine
Vector/Type: DNA *Strain:* B clade IIIB
HIV component: gp120
Species (MHC) mouse (H-2 Dd)
Assay type Cytokine production, Intracellular cytokine staining, Th support of CTL response, Chromium-release assay
Keywords epitope processing, Th1, vaccine antigen design
References Vatakis *et al.* 2005

- Mice were vaccinated with three DNA epitope vaccines, differing in the affinity of the helper epitope to the MHC class II molecule. It was observed that a TH epitope with lower affinity decreased the magnitude of the CTL responses and decreased the numbers of epitope-specific T-helper cells and CTLs. Also, cytokine secretion and proliferative responses were diminished.

HXB2 Location Env
Author Location gp160 (MN)
Epitope
Immunogen vaccine

Vector/Type: DNA *Strain:* B clade MN
HIV component: gp120, gp160

Species (MHC) mouse (H-2^d)
References Vinner *et al.* 1999

- Mammalian codon optimization renders gp160 expression Rev independent, increases gp160 expression levels, and DNA vaccination of BALB/c mice yields a higher antibody response with an earlier onset than wild type.
- Secreted gp120 gave higher antibody titers than membrane bound gp160.
- In contrast to antibodies, synthetic codon-optimized DNA did not alter the CTL response, wild type genes generated equally strong CTL responses.

HXB2 Location Env
Author Location (IIIB)
Epitope
Immunogen vaccine
Vector/Type: peptide *HIV component:* V3
Adjuvant: Cholera toxin (CT), GM-CSF, IL-4
Species (MHC) mouse (H-2^d)
References Kato *et al.* 2000

- A multicomponent peptide vaccine VC1 with cholera toxin adjuvant was given to mice.
- Immunization of BALB/c mice with VC1 and CT induced a strong CTL response which was enhanced by IL-12 expressing plasmids.
- Immunization with VC1 and CT resulted in HIV-1 specific IgA antibody responses, which were increased by the combination of IL-4 or GM-CSF expressing plasmids.

HXB2 Location Env
Author Location gp160 (IIIB)
Epitope
Immunogen vaccine
Vector/Type: DNA *Strain:* B clade IIIB
HIV component: gp160 *Adjuvant:* PLG
Species (MHC) mouse (H-2^d)
References Kaneko *et al.* 2000

- A PLG-microparticle encapsulated DNA encoding gp160 was given to mice.
- Oral DNA vaccination of BALB/c mice induced mucosal and systemic gp160 glycoprotein-specific cellular and humoral immune responses, and mice vaccinated orally had higher resistance to HIV-env expressing vaccinia intrarectal challenge than mice vaccinated i.m.

HXB2 Location Env
Author Location Env
Epitope
Immunogen vaccine
Vector/Type: DNA with CMV promotor with cationic liposome *HIV component:* gp160, Rev
Species (MHC) mouse (H-2^d)
References Ishii *et al.* 1997

- pCMV160/Rev is a DNA vaccine candidate carrying gp160 and Rev linked to a cytomegalovirus (CMV promotor)

HXB2 Location Env

Author Location Env**Epitope****Immunogen** vaccine*Vector/Type:* adeno-associated virus (AAV)*HIV component:* Env, Rev, Tat *Adjuvant:* IL-2**Species (MHC)** mouse (H-2^d)**References** Xin *et al.* 2001

- An AAV vector expressing HIV-1 env, tat, and rev genes (AAV-HIV vector) was used to vaccinate BALB/c mice.
- A single injection stimulated and long lasting serum IgG, fecal IgA, and HIV-specific CTL.
- Boosting enhanced the humoral response, and IL2 enhanced T-cell immunity.

HXB2 Location Env**Author Location** Env**Epitope****Immunogen** vaccine*Vector/Type:* vaccinia, influenza *Strain:* Bclade IIIIB *HIV component:* Env, V3**Species (MHC)** mouse (H-2^d)**References** Gonzalo *et al.* 1999

- The use of two different live vectors for priming and boosting has a synergistic effect on the immune response against HIV-1—a 5-6 fold enhanced CTL response in Balb/c mice occurred when they were immunized with rec influenza virus (Flu-Env) expressing the V3 loop epitope from HIV-1 strain IIIIB, and boosted with a vaccinia virus recombinant (VV-Env) expressing the complete HIV-1-IIIIB env protein, compared to either immunogen alone.

HXB2 Location Env**Author Location** Env (subtype B)**Epitope****Subtype** B**Immunogen** vaccine*Vector/Type:* rabies virus *Strain:* B clade89.6, B clade NL43 *HIV component:* gp160**Species (MHC)** mouse (H-2^d)**References** McGettigan *et al.* 2001

- BALB/c were immunized with a replication competent recombinant rabies virus (RV) vaccine expressing HIV-1 gp160.
- A single vaccination induced induced strong and long-lasting (4.5 months) gp160-specific CTL cytotoxic responses.
- Although the greatest specific lysis was achieved when the vaccine strain was also used as the *in vitro* target strain to assess the response, there was extensive CTL cross-reactivity against other B clade HIV-1 envelope proteins, implying CTL recognition of multiple epitopes within the HIV-1 envelope protein.

HXB2 Location Env**Author Location** gp120 (V3)**Epitope****Subtype** B**Immunogen** vaccine*Vector/Type:* DNA, polyepitope *Strain:* B clade BRVA, B clade IIIIB, B clade JY1, B clade LR150, B clade MN, B clade RF *HIV component:* V3**Species (MHC)** mouse (H-2^d)**Assay type** CD8 T-cell Elispot - IFN γ **References** Vázquez-Blomquist *et al.* 2003

- Priming mice with recombinant MVA and boosting with fowlpox was shown to increase the number of specific IFN-gamma secreting cells relative to reversing the order (fowlpox prime, MVA boost) or priming with a Semliki Forest Virus DNA vector and boosting with recombinant MVA or fowlpox. The authors speculate why the order might be important. Fowlpox has more proteins, so there may be more CTL epitope competition; alternatively pox viruses may modulate the immune response through chemokine homologs.
- The antigen tested was a V3 loop polyepitope vaccine combining multiple V3 loop variants given by an intraperitoneal route to BALB/c mice.

HXB2 Location Env**Author Location** gp120**Epitope****Immunogen** vaccine*Vector/Type:* DNA *HIV component:* gp120*Adjuvant:* Cholera toxin (CT)**Species (MHC)** mouse (H-2D^d)**Assay type** T-cell Elispot, Chromium-release assay**References** Bagley *et al.* 2003

- BALBc mice were immunized intramuscularly with single plasmids encoding gp120, or cholera toxin catalytic domain (CTA1) and gp120, or with a dicistronic DNA vaccine expressing both CTA1 and gp120. Vaccination including CTA elicited stronger and longer lasting Ab responses and T-cell responses to gp120.

HXB2 Location Env**Author Location** Env (SIV)**Epitope****Immunogen** SIV infection**Species (MHC)** macaque (Mamu-A*11, Mamu-B*03, Mamu-B*04, Mamu-B*17)**References** Dzuris *et al.* 2000

- Cell binding assays for Mamu molecules were employed to describe the peptide binding motifs for Mamu-A*11, -B*03, -B*03, -B*04, and -B*17 CTL epitopes – a similarity for Mamu-A*11 and -B*03 and human HLA-B*44 and -B*27, respectively, was observed – all epitopes studied were SIV epitopes, so not specifically listed here.

HXB2 Location Env**Author Location** gp160 (LAI, MN)**Epitope****Immunogen** vaccine*Vector/Type:* canarypox prime with gp120boost *Strain:* B clade LAI, B clade MN,B clade SF2 *HIV component:* Gag, gp120,

gp41, Protease

Species (MHC) human**References** Belshe *et al.* 1998

- The live canarypox vaccine ALVAC-HIV(vCP205) carrying MN gp120, LAI gp41, Gag and Protease, and boosted with SF-2 rpg120, was given to HIV-1 seronegative volunteers – HIV-specific Env or Gag CD8+ CTL were detected in 64% of the volunteers.

HXB2 Location Env**Author Location** gp160 (LAV)**Epitope****Immunogen** HIV-1 infection**Species (MHC)** human**Keywords** epitope processing, dendritic cells**References** Zheng *et al.* 1999

- Protein delivery (gp160 LAV, p66 LAV, and p24 NY5) to human dendritic cells (DC) with liposomes provides enhanced memory CTL response relative to delivery of protein alone.
- Chloroquine administration enhanced epitope presentation, and brefeldin A and peptide aldehyde inhibitors inhibited antigen presentation, suggesting epitopes were processed by classical proteasome pathway.

HXB2 Location Env**Author Location** Env (IIIB)**Epitope****Immunogen** HIV-1 infection**Species (MHC)** human**Keywords** rate of progression, Th1**References** Wasik *et al.* 2000

- HIV+ infants that progressed rapidly to AIDS had lower Th1 responses and decreased production of IL-2, as well as beta-chemokines, relative to other HIV+ infants.
- No HIV+ infants had no demonstrable CTL at birth, but Th1 responses accompanied by CTL responses developed in children with slowly progressive disease, and not in rapid progressors.
- CTLp frequencies were determined by limiting dilution using autologous B cells infected with vaccina/HIV constructs.

HXB2 Location Env**Author Location** gp120**Epitope****Immunogen** HIV-1 infection**Species (MHC)** human**Keywords** HAART, ART**References** Soudeyns *et al.* 2000

- Analysis of T cell receptor beta chain variable region repertoire indicates that antiretroviral therapy (ART) and highly active antiretroviral therapy (HAART) decrease global CD8 T cell oligoclonality during primary HIV infection.
- A sharp decline in HIV-1 gp120-specific CTL clones was observed in HAART-treated subjects.

HXB2 Location Env**Author Location** Env (LAI, MN)**Epitope****Immunogen** vaccine*Vector/Type:* canarypox *Strain:* B clade LAI, B clade MN *HIV component:* Gag, gp41, Protease, V3**Species (MHC)** human**References** Salmon-Ceron *et al.* 1999

- The vaccine used was a rec canarypox with HIV-1 gp120 MN, tm/gag/protease LAI (vCP205), alone or with p24E-V3 MN synthetic peptide (CLTB-36))

- Twenty HIV negative subjects were vaccinated in phase I trial with combinations of vCP205 and CLTB-36.

- Immunization with vCP205 induced HIV-1-specific ABs to gp120, V3, and p24 antigens, and CTL immune responses against vCP205 were detected after the fourth immunization in 33% of the subjects against Env, Gag and Pol, but the CLTB-36 peptide did not produce AB or CTL immune responses against p24 or gp160.

HXB2 Location Env**Author Location** Env**Epitope****Immunogen** HIV-1 infection**Species (MHC)** human**Keywords** TCR usage**References** Gamberg *et al.* 1999

- 13/13 subjects with advanced HIV infections showed CD8 T cell proliferation and differentiation of CTL *in vitro*, and six individuals showed HIV-specific responses to Gag, Pol, Env or Nef antigens.
- Data suggests that the functional and genetic integrity of the CD8 T cell repertoire (TCR betaV gene intrafamily genetic diversity) remains intact through advanced HIV infection, although HIV-specific CTL activity decreases.

HXB2 Location Env**Author Location** Env (LAI, MN)**Epitope****Immunogen** vaccine*Vector/Type:* canarypox prime with gp120 boost *Strain:* B clade LAI, B clade SF2 *HIV component:* Env, Gag, Nef, Protease**Species (MHC)** human**References** Gorse *et al.* 1999b

- The vaccine used was rec canarypox expressing HIV-1 env, gag, pol, nef and protease (vCP300) with or without administration of HIV-1 SF-2 rpg120.
- In vitro inducible CTL activity against HIV-1 Env, Gag, Pol, and Nef antigens was observed in 79% (15 of 19) of vaccine recipients.
- The combination of vCP300 and vP1291 together resulted in an overall increase in CTL induction and detection sensitivity.

HXB2 Location Env**Author Location** Env (LAI)**Epitope****Subtype** B**Immunogen** HIV-1 infection**Species (MHC)** human**Keywords** subtype comparisons**References** Buseyne *et al.* 1998b

- In infants with positive CTL responses, most responses showed cross-clade reactivity with somewhat diminished recognition of epitopes from different subtypes.

HXB2 Location Env**Author Location** gp120 (IIIB)

Epitope**Immunogen** vaccine*Vector/Type:* DNA *Strain:* B clade IIIB*HIV component:* gp120, gp160**Species (MHC)** macaque**References** Shiver *et al.* 1997

- DNA vaccinations of Rhesus monkeys with a gp120 or gp160 DNA vaccine elicited a strong CD8 cytotoxic T cell response.

HXB2 Location Env**Author Location** gp160**Epitope****Immunogen** HIV-1 infection**Species (MHC)** macaque**References** Kent *et al.* 1997b

- Macaques can be infected with HIV, and clear the infection within 6 months, so it is of interest to examine their initial immune response.
- A strong CTL response against env, pol and gag antigens can be detected.
- The CTL response peaked by 4 weeks and declined dramatically by 8 weeks.
- The response in the lymph nodes and peripheral blood was comparable.

HXB2 Location Env**Author Location** gp160**Epitope****Immunogen** vaccine*Vector/Type:* DNA *HIV component:* Env, Gag, Pol, Vif *Adjuvant:* B7, IL-12**Species (MHC)** mouse**References** Kim *et al.* 1997c

- A gag/pol, vif or env DNA vaccine, when delivered in conjunction with the plasmid encoding the co-stimulatory molecules B7 and IL-12, gave a dramatic increase in both the cytotoxic and proliferative responses in mice.
- When IL-12 was present, CTL response could be detected even without *in vitro* stimulation.

HXB2 Location Env**Author Location** gp160**Epitope****Immunogen** vaccine*Vector/Type:* DNA *HIV component:* Env, Gag, Pol, Vif *Adjuvant:* B7, IL-12**Species (MHC)** mouse**References** Kim *et al.* 1997d

- A gag/pol or env DNA vaccine, when delivered in conjunction with the plasmid encoding the co-stimulatory molecules CD86, gave a dramatic increase in both the cytotoxic and proliferative responses in mice.
- When CD86 was present, CTL response could be detected even without *in vitro* stimulation.

HXB2 Location Env**Author Location** gp120 (HXBc2)**Epitope****Immunogen** vaccine*Vector/Type:* DNA prime with gp160 boost*Strain:* B clade HXBc2 *HIV component:* gp160**Species (MHC)** macaque**References** Letvin *et al.* 1997

- Vaccination of Macaques mulatta (Rhesus monkeys) with an HXBc2 env DNA prime and a protein boost elicited a T cell proliferative response, a CTL response, and type-specific neutralizing antibodies.
- Vaccinated animals challenged with SHIV-HXB2 were protected from infection.

HXB2 Location Env**Author Location** gp120 (MN)**Epitope****Immunogen** vaccine*Vector/Type:* DNA *Strain:* B clade MN*HIV component:* Env, Rev**Species (MHC)** human**References** MacGregor *et al.* 1998

- An HIV DNA env and rev vaccine given to 15 asymptomatic HIV+ individuals at three different dosages, 30, 100 or 300 μ g, was safe.
- The CTL response to gp120 was enhanced in 0/4 patients in the 30 μ g group, 2/3 patients in the 100 μ g group, and 0/3 in the 300 μ g group – but the non-responding patients in the 300 μ g group had a strong CTL response prior to vaccination, and the CTL results are inconclusive.

HXB2 Location Env**Author Location** gp120 (IIIB)**Epitope****Immunogen** HIV-1 infection**Species (MHC)** human**References** Trickett *et al.* 1998

- Twelve HIV-1 infected patients were re-infused with their own lymphocytes, cryopreserved from an earlier time point in the infection.
- Improvement in CD4+ and CD8+ T cells was seen in 7/12, and an increase in the CTL response to Env was seen in one patient.

HXB2 Location Env**Author Location** gp120 (LAI)**Epitope****Subtype** B**Immunogen** HIV-1 infection**Species (MHC)** human**References** Legrand *et al.* 1997

- Seventeen recently infected patients were tested for CTL response to HIV proteins Env, Gag, Pol, Rev, Nef, Vif and Tat.
- An early response (within a month following PI) was noted in 87% of the subjects to Gag, 75% to Env, and 50% to Nef.
- Early responses to Pol, Rev, Vif and Tat were rare.

HXB2 Location Env**Author Location** gp120 (LAI)**Epitope****Subtype** B**Immunogen** vaccine

Vector/Type: vaccinia prime with gp120 boost
Strain: B clade LAI, B clade MN, B clade SF2
HIV component: gp160

Species (MHC) human

References Corey *et al.* 1998

- Vaccinia-naïve subjects were vaccinated with vaccinia-gp160 LAI and boosted with gp120 SF2, LAI, MN, or 160 MN.
- 26/51 had an anti-Env CTL response, and those that were boosted with gp120 tended to produce Abs that neutralized autologous laboratory strains with some cross-reactivity.

HXB2 Location Env

Author Location Env (IIIB)

Epitope

Immunogen HIV-1 infection

Species (MHC) human

Keywords subtype comparisons

References Betts *et al.* 1997

- 6/8 individuals from Zambia infected with C clade virus had CTL that were able to make response to B clade HIV-1 IIIB vaccinia-expressed Gag, Pol and Env proteins.
- A vigorous cross-clade response was not limited to a particular protein, and the level of recognition of different proteins varied among the six patients.

HXB2 Location Env

Author Location Env

Epitope

Immunogen HIV-1 infection

Species (MHC) human

References De Maria *et al.* 1997

- CD3+ cells that also carry a natural killer cell receptor (NKR+) can exhibit down regulation of T cell function.
- Anti-NKR IgM MAb masked this inhibitory function and increased HIV-1 specific CTL activity in phytohemagglutinin-activated PBMC cultured in the presence of IL-2 from 3/5 patients, and in one other case anti-NKR MAb brought HIV-1 specific CTL activity to detectable levels.

HXB2 Location Env

Author Location Env (IIIB)

Epitope

Immunogen HIV-1 infection

Species (MHC) human

Keywords rate of progression

References Betts *et al.* 1999

- This study demonstrated an inverse correlation between HIV Type I plasma viral load and CTL activity directed against HIV-1 Pol, and stronger combined effects of Pol- and Env-specific CTL, in long-term survivors (LTS) of HIV-1 infection.

HXB2 Location Env

Author Location Env (LAI)

Epitope

Subtype B

Immunogen HIV-1 infection

Species (MHC) human

References Buseyne *et al.* 1998a

- This study showed a correlation between strong CTL memory and breadth of response in 7-12 month old infants, and remaining AIDS-free for the first year of life, higher absolute CD4 and CD8 cells, and lower viral load.

HXB2 Location Env

Author Location Env

Epitope

Immunogen HIV-1 exposed seronegative

Species (MHC) human

References Goh *et al.* 1999

- 13/37 exposed uninfected individuals with repeated high-risk sexual exposure had HIV-1 specific CTL against Env, Gag, Pol, or a combination of proteins – CTL activity was correlated with a CCR5 wildtype genotype.
- In this group, the highest CTLp frequencies were directed at Gag, but the most common response was to Env and four individuals had responses to multiple HIV-1 proteins.

HXB2 Location Env

Author Location Env (LAI, MN)

Epitope

Immunogen vaccine

Vector/Type: canarypox
HIV component: Gag, gp120, gp41, Nef, Protease, RT

Species (MHC) human

References Evans *et al.* 1999

- A Canarypox vaccine expressing gp120, gp41, Gag, Protease, Nef and Pol CTL epitopes gave rise to CTL that could be detected in 61% of the volunteers – responses to Gag, Env, Nef and Pol were detected 3-6 months after the last vaccination.

HXB2 Location Env

Author Location Env (LAI)

Epitope

Subtype B

Immunogen vaccine

Vector/Type: DNA prime with vaccinia boost
Strain: B clade LAI
HIV component: Env, Gag

Species (MHC) macaque

Keywords Th1, Th2

References Kent *et al.* 1998

- Priming with an HIV-DNA vaccine and boosting with a vaccinia construct induced greater levels of HIV T cell immunity than either vaccine alone.
- The proliferative response to Env and Gag after the DNA vaccination had a mean SI of 1.5-4, but after boosting with rHIV-fowlpox virus, there was a 6-17 fold increase in the mean SI for HIV Gag and Env. The T help response happened despite a fall in antibody titers, suggesting that the Th response was primarily Th1, not Th2. The CTL response was also enhanced.

HXB2 Location Env

Author Location Env (LAI, MN)

Epitope

Immunogen vaccine

Vector/Type: canarypox
Strain: B clade LAI, B clade MN
HIV component: Gag, gp120, gp41, Protease

Species (MHC) human

References Salmon-Ceron *et al.* 1999

- A live attenuated canarypox vector expressing MN gp120 and LAI gp41/gag/protease could induce CTL and a lymphoproliferative response in healthy, uninfected volunteers.

HXB2 Location Env

Author Location Env (MN)

Epitope

Immunogen vaccine

Vector/Type: DNA *HIV component:* Env, Gag, Pol *Adjuvant:* CD80, CD86

Species (MHC) chimpanzee

References Kim *et al.* 1998

- The study explores the use of co-stimulatory molecules co-expressed with an HIV-1 immunogen in a DNA vaccine to enhance the immune response – co-expression of CD86, but not CD80, dramatically increased both HIV Env and Gag/Pol specific CTL and Th proliferative responses.

HXB2 Location Env

Author Location gp120 (IIIB)

Epitope

Immunogen vaccine

Vector/Type: Semliki-Forest Virus with virus-like particle boost *Strain:* B clade IIIB *HIV component:* Gag, gp120

Species (MHC) macaque

References Notka *et al.* 1999

- Immunization of SIV Pr56Gag-derived VLPs with HIV-1 gp120 anchored on their surface induced Abs, CTL and Th responses to HIV gp120; priming with the HIV antigens in Semliki-Forest Viruses enhanced the immunological outcome.
- Immunized monkeys challenged with SHIV showed a more rapid reduction of plasma viremia.

HXB2 Location Env

Author Location Env

Epitope

Immunogen HIV-1 exposed seronegative

Species (MHC) human

References Akridge *et al.* 1999

- This study suggests that HIV-1-resistance in exposed and uninfected individuals is not only associated with the 32-bp deletion in the HIV-1 co-receptor CCR5, but can be related to HIV-1 specific CTL immunity.

HXB2 Location Env

Author Location gp120 (BRU)

Epitope

Immunogen HIV-1 infection

Species (MHC) human

Keywords rate of progression

References Aladdin *et al.* 1999

- In vitro measurements of CTL-activity by Cr release assay in bulk culture showed no correlation between CTL-activity (gp120, Gag, Pol and Nef) and disease progression as measured by viral load, CD4 and time to death.

HXB2 Location Env

Author Location gp120

Epitope

Immunogen HIV-1 infection

Species (MHC) human

Keywords HAART, ART

References Aladdin *et al.* 2000

- The administration of IL-2 caused an initial enhancement of CD4 cell counts that was accompanied by a decrease in CTL activity – IL-2 therapy did not reduce initial HIV viral load and viral replication was ultimately enhanced.

HXB2 Location Env

Author Location Env

Epitope

Immunogen HIV-1 infection

Species (MHC) human

References Jin *et al.* 1998a

- CTL precursor frequencies were determined in HIV-1 infected pregnant women, and higher CTLp frequencies to Pol and SF2 Nef, but not IIIB Nef, were found in non-transmitting mothers than in transmitting mothers – Nef CTL responses have been found in uninfected infants born to HIV+ women (Lazuriaga95);
- Very different CTLp frequencies were observed in env depending on whether IIIB, MN, RF, BK, or SF2 was used as antigen – no association between env specific CTL and transmission was observed.

HXB2 Location Env

Author Location Env

Epitope

Immunogen vaccine

Vector/Type: vaccinia *HIV component:* Env

Species (MHC)

Keywords review

References Zavala *et al.* 2001

- This paper is a review of vaccinia in the context of vaccines strategies that use different vectors to prime and boost, and emphasizes a unique capacity of vaccinia to very efficiently boost memory T-cell responses.
- HIV is discussed in the context of Gonazalo *et al.* 1999, where a V3 CTL epitope expressed in reFlu was boosted most effectively by vaccinia expressing the full Env.

HXB2 Location Env

Author Location Env

Epitope

Immunogen vaccine

Vector/Type: DNA *Strain:* ZF1 *HIV component:* complete genome

Species (MHC) macaque

References Akahata *et al.* 2000

- Rhesus macaques were vaccinated by i.m. injection with naked plasmid DNA carrying an HIV-1 complete genome vaccine, strain ZF1, with a mutated zinc finger in the nucleocapsid to prevent packaging.
- Env and Gag specific CTL but no antibody responses were induced in 2/4 vaccinated monkeys (MM145 and MM153)
- 2/4 monkeys (MM146 and MM143) produced antibodies against p24 and/or gp160, but no CTL response was detected.

- PBMC from all vaccinated monkeys produced IFN-gamma, in response to HIV-1 gp160, indicating a Th response – this response was 5 times higher in MM145, the animal with the strongest CTL response.
- 4 weeks post-challenge with SHIV NM-3rN plasma viral loads of both MM145 and MM153 (with a homologous Env) decreased to near or below the detection limit.
- 6-8 weeks post-challenge with SHIV NM-3rN plasma viral loads of both MM146 and MM143 decreased near or below the detection limit.

HXB2 Location Env

Author Location gp120

Epitope

Immunogen HIV-1 infection

Species (MHC) human

References Young *et al.* 2001

- Addition of recombinant rec human IL12 (rhIL12) to cultures increased HIV-specific lysis of HIV-Gag, Pol and gp120 vaccinia expressed antigens (11/15 tested increased lysis by > 5%) if the culture was derived from HIV+ individuals who had CD4 cells/ul > 500.
- 2/10 individuals with <200 CD4 cells/ul, and 3/10 individuals with 200-500 CD4cells/ul, had an increase of >5% upon treatment of the culture with rhIL12, so a few individuals in late stage disease had CD8 cells that maintained responsiveness to rhIL12.

HXB2 Location Env

Author Location Env (subtype A, B, D)

Epitope

Subtype A, B, D

Immunogen HIV-1 infection

Species (MHC) human

Keywords subtype comparisons

References Cao *et al.* 2000

- HIV-1 subtypes A and D dominate the Ugandan epidemic, and a vaccine trial using B clade antigen is underway – this study addresses relative levels of cross-reactive CTL responses in HIV infected Ugandans to A, D, and B clade recombinant vaccinia viruses expressing Gag, Env, Pol, RT or Nef from HIV-1 clades A, B, and D.
- Proteins corresponding to the subtype of the infecting strains tended to trigger higher levels of CTL response measured by percent specific lysis, but there was extensive inter-subtype cross-reactivity with B clade proteins and the co-circulating subtype.

HXB2 Location Env

Author Location Env

Epitope

Immunogen vaccine

Vector/Type: canarypox, protein *Strain:* B clade LAI, B clade MN, B clade SF2 *HIV component:* Env, Gag, Protease *Adjuvant:* MF59

Species (MHC) human

References AVEG022PT 2001

- Different HIV strains were used for different regions: MN (gp120), LAI (gp120, protease and gag), and SF2 gp120

- 26/42 subjects who received CP vac-env-pro vaccine had a CTL response measured by Cr-release, while only 3/17 who were vaccinated with rec gp120 had a CTL response.
- A combination of a CP vac-env-pro vaccine with rec gp120 gave CD8+ T-cells in 62% of subjects, and NAbs in 91% of subjects.

HXB2 Location Env

Author Location Env

Epitope

Immunogen HIV-1 infection

Species (MHC) human

References White *et al.* 2001

- HIV-specific CTL activity was detected in the female reproductive tract of only 1/3 HIV-infected women who underwent a hysterectomy, although CTL could be identified in the PBMC of all three women.

HXB2 Location Env

Author Location Env (IIIB)

Epitope

Immunogen HIV-1 infection

Species (MHC) human

Keywords rate of progression

References Jin *et al.* 2000a

- The CTL precursor level (CTLp) was measured in long term non-progressors (LTNP) with low viral load using limiting dilution analysis and measuring CTL against Env Gag and Pol expressed in vaccinia in autologous targets.
- LTNPs have high memory CTL numbers and low viral load.

HXB2 Location Env

Author Location Env (IIIB)

Epitope

Immunogen HIV-1 infection

Species (MHC) human

Keywords HAART, ART, rate of progression

References Jin *et al.* 2000a

- The CTL effector levels (CTLe) were compared in long term non-progressors (LTNP) with low viral load and in patients whose virus was well-suppressed by therapy, using a tetramer assay.
- LTNPs have high memory CTLe numbers and low viral load, while HAART patients had low CTLe numbers and low viral load.

HXB2 Location Env

Author Location Env

Epitope

Immunogen HIV-1 exposed seronegative

Species (MHC) human

Keywords review, HIV exposed persistently seronegative (HEPS)

References Rowland-Jones *et al.* 2001

- This is a review that summarizes observations about HIV-specific CTL found in the HIV-1 exposed persistently seronegative (HEPS) population.

- The CTL responses assayed by ELISPOT and by CTL precursor frequencies by limiting dilution analysis indicate that CTL in HEPS individuals tend to be of a lower magnitude than in chronic HIV-1 infections – the responses in HEPS cases are below the level of detection by tetramer assays.
- CD8+ CTL responses tend to be detectable in HEPS subjects only if they are recently exposed, and the response diminishes if exposure is reduced – it is not clear if there is a stable memory population in HEPS cases.
- CD8+ CTL responses in the HEPS population are associated with HIV-1 specific CD4+ T cell responses, assayed by proliferation assays, IL-2 secretion, and ELISPOT, and the authors consider the possibility that HIV-1-specific T-help responses improve the "quality" of the CD8+ response in HEPS individuals relative to HIV-1 infected individuals, who tend to have a poor HIV-1-specific T-help response.
- HIV-1 specific CD8+ CTL responses in HIV-1 infected individuals show reduced levels of perforin, and the T cells may not mature properly, and although similar studies have not been conducted in HEPS individuals this is considered as a possible difference in the CTL immune response in HEPS and HIV-1 infected people.

HXB2 Location Env

Author Location

Epitope

Subtype B

Immunogen vaccine

Vector/Type: DNA *HIV component:* Env, Gag, Pol

Species (MHC) mouse

Keywords review

References Nabel 2002

- Env DNA constructs were designed that were codon optimized for human genes, express Env in the absence of the regulatory protein Rev, both increasing Env expression levels, deletions in the cleavage site and in the fusion domain. These constructs increased Ab responses to Env, while not diminishing CTL responses, when injected into mice.
- Removing N-linked glycosylation sites did not alter the humoral or cellular immune responses to this HIV protein, as has been seen in analogous SIV experiments.

HXB2 Location Env

Author Location

Epitope

Subtype B

Immunogen HIV-1 exposed seronegative

Species (MHC) human

Keywords HIV exposed persistently seronegative (HEPS), responses in children, mother-to-infant transmission

References De Maria *et al.* 1994; Kuhn *et al.* 2002

- 6/24 HIV uninfected infants (ages 15-50 months) born to HIV+ mothers had HIV-1 specific CTL responses to vaccinia-expressed Nef, Gag/Pol, Env.
- Reviewed in Kuhn *et al.* [2002].

HXB2 Location Env

Author Location

Epitope

Subtype B

Immunogen HIV-1 infection

Species (MHC) human

Keywords HAART, ART, HIV exposed persistently seronegative (HEPS), responses in children, mother-to-infant transmission, rate of progression

References Kuhn *et al.* 2002; Wasik *et al.* 1999

- In HIV-infected infants HIV-specific, CTL responses were not detectable in cord blood or in PBMC collected shortly after birth and were absent or remained very low in 3 infants with a rapidly progressive disease. For those who progressed more slowly, the HIV-specific CTL activity varied.
- The two infants with high levels of Env peptide-stimulated IL-2 responses had the highest CTLp frequencies.
- Stronger responses were detected after initiation of the antiretroviral therapy.
- Two babies that were not infected though born to HIV+ mothers had detectable though low HIV-specific CTLp responses to Env (1/2), Pol (2/2), Gag (1/2) cord blood and transiently in PBMC after birth.
- Reviewed in Kuhn *et al.* [2002].

HXB2 Location Env

Author Location

Epitope

Subtype B

Immunogen HIV-1 infection

Species (MHC) human

Keywords HIV exposed persistently seronegative (HEPS), responses in children, mother-to-infant transmission

References Aldhous *et al.* 1994; Kuhn *et al.* 2002

- Six of nine HIV vertically infected infants had HIV-1 specific CTL responses to vaccinia expressed Tat (4/6), Pol (6/6), Env (1/6), or Gag (1/6), but not all responses were detected at all time points.
- Two of eleven babies that were not infected though born to HIV+ mothers had detectable responses Tat (1/2), Pol (2/2), Gag (1/2).
- Reviewed in Kuhn *et al.* [2002].

HXB2 Location Env

Author Location

Epitope

Subtype B

Immunogen HIV-1 infection

Species (MHC) human

Keywords HIV exposed persistently seronegative (HEPS), responses in children, mother-to-infant transmission

References Kuhn *et al.* 2002; McFarland *et al.* 1994

- Only 9% of HIV+ infants had HIV-specific CTL against Env or Gag in unstimulated PBMC. After CD3 stimulation of PBMC, Gag and Env specific CTL were found in PBMC from 91% and 78% of HIV-infected children, respectively, with high precursor frequencies.
- 2/9 babies that were not infected though born to HIV+ mothers had detectable responses to Env.

- Reviewed in Kuhn *et al.* [2002].

HXB2 Location Env
Author Location
Epitope
Subtype B
Immunogen HIV-1 infection
Species (MHC) human
Keywords epitope processing, escape
References Yusim *et al.* 2002

- Epitopes that have been described in the literature and included in this database tend to cluster in conserved regions and be absent or rarely found in highly variable regions in Nef, Env, and p17.
- While the uneven distribution of epitopes may be in part due to a limited cross-recognition of specific responses because of differences between peptides used to probe the immune response and autologous strains, regions with a paucity of defined epitopes also had higher frequencies of amino acids that tend to not be found in C-terminal positions of epitopes, and had lower cleavage prediction scores for epitope processing. This suggests that in the regions of the virus where variation is best tolerated traces of immune escape have left an imprint on the viral population. Epitopes also were concentrated in alpha-helix and turn regions in the proteins.
- In the more conserved p24, and Pol proteins RT and Protease, epitopes are more evenly distributed.

HXB2 Location Env
Author Location
Epitope
Immunogen HIV-1 infection
Species (MHC) human
Keywords HAART, ART
References Trabattoni *et al.* 2002

- CD8+ T-cells that were stimulated by HIV-1 Env expressing targets from 25 HIV+ patients receiving ART and 17 ART-naïve patients were compared. CTL from the individuals receiving ART showed increased TNF α production and a reduction of perforin and granzyme expressing CTL, suggesting a functional defect in ART-treated individuals, and a potential benefit of immunomodulants during therapy.

HXB2 Location Env
Author Location (HXB2)
Epitope
Subtype B
Immunogen HIV-1 infection
Species (MHC) human
Keywords rate of progression
References Edwards *et al.* 2002

- 96% (26/27) chronically infected HIV-1 infected patients elicited gamma-IFN CD8+ T-cell responses against Gag.
- Nef and/or Pol CTL responses were detected in 86% of the subjects.
- The magnitude and breadth of Gag and p24 T-cell responses correlated with absolute CD4 counts, and inversely correlated with viral load.
- Pol and Int CTL responses correlated positively with absolute CD4+ T-cell count.

- Nef and Env responses did not correlate with either CD4 counts or viral load.

HXB2 Location Env
Author Location Env
Epitope
Immunogen vaccine
Vector/Type: DNA *Strain:* B clade IIIB
HIV component: gp160, Rev *Adjuvant:* cationic liposome, GM-CSF, IL-2

Species (MHC) mouse
Keywords Th2
References Ishii *et al.* 2001

- Vaccination route of HIV-1 DNA immunization with gp160 and Rev genes was compared including intranasal (i.n.), intramuscular (i.m.), and topical application of DNA directly on the skin after elimination of keratinocyte layers using a strong adhesive. Topical exposure resulted in high level CTL responses, IFN-gamma and IL-4 production, and delayed type hypersensitivity (DTH). Topical application favored Th2 responses.
- DNA delivered topically with adjuvant-like cationic liposomes gave a stronger response than DNA alone, and co-administration of the DNA vaccine with IL-12 and GM-CSF expression vectors enhanced cytotoxic activity and DTH.

HXB2 Location Env
Author Location
Epitope
Immunogen HIV-1 infection
Species (MHC) human
Keywords HAART, ART, dendritic cells
References Larsson *et al.* 2002b

- Autologous mature dendritic cells with rec vaccinia expressing Gag, Pol, Nef and Env could amplify CD8+ T-cell Elispot responses 4-38 fold in five HIV+ patients on successful HAART treatment, relative to autologous monocytes. Some weak responses could only be detected using mature dendritic cells as APCs, and this approach could be useful for detection of low frequency memory cells.

HXB2 Location Env
Author Location (IIIB)
Epitope
Immunogen HIV-1 infection
Species (MHC) human
Keywords immunotherapy
References Trickett *et al.* 2002

- Conditions were optimized for ex-vivo expansion of CD8+ and CD4+ T-cells with the goal of functional T-cell production for autologous immunotherapy. 10,000-fold expansions were obtained in 14 days with optimized concentrations of IL-2, anti-CD3 and anti-CD28 coated microspheres, and decreasing amounts of serum over the first 8 days.

HXB2 Location Env
Author Location (IIIB)
Epitope
Subtype B
Immunogen HIV-1 and HCV co-infection
Species (MHC) human

Keywords rate of progression

References Lauer *et al.* 2002

- HIV-1 and HCV immune responses were studied in 22 individuals who were co-infected with HIV-1 and hepatitis C virus (HCV). IFN γ production was measured in an ELISPOT assay of CD8+ T-cells using targets expressing either Gag, RT, Env and Nef in a vaccinia construct, or one of seven HCV proteins.
- All 22 patients targeted at least one protein. 20/22 patients recognized RT, 17/22 patients recognized Gag, 13/22 subjects recognized Env and 11/22 patients recognized Nef. Robust CTL activity was independent of disease progression or viral load.
- Despite high HCV viral loads, very few HCV CD8+ T-cell ELISPOT responses were detected. In a control HCV infected person who did not have HIV-1, strong anti-HCV responses were mounted.
- HIV-specific CD4 proliferative responses were detected in 9/17 coinfecting patients, but no HCV responses were detected.

HXB2 Location Env

Author Location

Epitope

Immunogen HIV-1 infection

Species (MHC) human

Keywords responses in children

References Luzuriaga *et al.* 1995

- 2/3 infants infected in utero had detectable HIV-1 Gag and Env specific CTL responses, one by 4 months, one by 11 months of age. Levels of the responses varied at different time point. Pol responses were not detected.
- 2/4 infants infected intrapartum had detectable responses, one not until 11 months, one not until 42 months.
- HIV-specific CTL were not detected in ten HIV- infants that were born to HIV+ mothers.

HXB2 Location Env

Author Location

Epitope

Immunogen vaccine

Vector/Type: canarypox prime with gp120 boost *HIV component:* Env, Gag

Species (MHC) human

References Gupta *et al.* 2002

- A safety and immunogenicity study of a vaccine dosing schedule was studied in a trial conducted in high and low risk study subjects. There was a 76% cumulative probability of detecting a Gag or Env CTL response by day 728.

HXB2 Location Env

Author Location

Epitope

Subtype B

Immunogen HIV-1 infection

Species (MHC) human

Keywords HAART, ART, responses in children

References Scott *et al.* 2001

- CTL responses before and after initiation of ART were studied in 13 HIV-1 vertically infected infants <6 months of age, and 4 that were >6 months of age.

- Before ART 2/13 infants <6 months of age showed IFN γ ELISPOT CD8+ T-cell responses, one to Nef and one to Env and Nef, and these responses became undetectable after successful therapy— 3 infants were coinfecting with CMV and all 3 had CMV-specific CD8+ T-cell responses.

- One older infant, at 23 months, had CTL responses against all for proteins tested, Gag, Pol, Nef and Env, and had the lowest plasma viremia of the study group. 3/4 infants older than 6 months of age responded to either Nef or Pol.

- Administration of ART over 48 weeks broadened the HIV-1-specific CTL response in 2/4 of the older children that were incomplete responders.

HXB2 Location Env

Author Location (IIIB)

Epitope

Immunogen HIV-1 infection

Species (MHC) human

Keywords HAART, ART, supervised treatment interruptions (STI)

References Ortiz *et al.* 2001

- Immune responses in eight chronically HIV-1 infected patients undergoing HAART therapy structured treatment interruptions (STI) were studied. STI boosted HIV-1 specific CTL responses and elevated CTL responses were maintained up to 22 weeks after the last treatment interruption, but viral load rebound to pretreatment levels and CD4 T-cell count decline was observed. CD8 responses in PBMC were measured by cytokine flow cytometry with gp160, Gag p55, RT-Pol and Nef expressed in vaccinia.
- One of seven subjects with a detectable NAb response had an augmented neutralization titer in response to STI.

HXB2 Location Env

Author Location (SF2)

Epitope

Immunogen HIV-1 infection

Species (MHC) human

Donor MHC B*3501, A*2402, B*5101, A*3303

Keywords class I down-regulation by Nef

References Tomiyama *et al.* 2002

- Nef down-regulates class I molecules, and the killing activity of HLA B*3501, A*2402, B*5101 and B*3303-restricted HIV-1-epitope specific CTL clones was inhibited by an HIV-1 strain carrying Nef, relative to a Nef-deleted virus; while Nef-induced HLA class I down-regulation inhibited lysis, it did not abolish cytokine production by HIV-1-specific CD8+ T-cells.

HXB2 Location Env

Author Location Env (gp160) (IIIB)

Epitope

Subtype B

Immunogen vaccine

Vector/Type: DNA *Strain:* B clade NL43

HIV component: Env

Species (MHC) macaque

References Akahata *et al.* 2003

- Four monkeys were injected i.m. with a SHIV plasmid (SHIV-NM-3rn ZF1*) which encodes all viral proteins driven by the SIV LTR promoter. Infectivity is prevented by the introduction of mutations within the zinc-finger motifs of the nucleocapsid (NC) that prevents RNA packaging. An original NC ZF1 mutant plasmid was constructed using NL43 (Akahata 275:116-124 (2000) – the SHIV construct was made as an alternative to get improved expression in macaques using an SIV promoter. CTL were detected by lysis of HIV-1 Env IIIB or SIV Gag mac239 expressing target cells, and a T cell proliferative response to Env was observed. Env-directed antibodies were detected by ELISA. All vaccinated macaques had a low peak viral loads that fell below the level of detection within 6 weeks post-challenge with autologous SHIV SHIV-NM-3rn.

HXB2 Location Env

Author Location Env (MN)

Epitope

Subtype B

Immunogen SIV infection, SHIV infection

Species (MHC) macaque

Assay type CD8 T-cell Elispot - IFN γ

Keywords assay standardization/improvement

References Calarota *et al.* 2003

- The sensitivity of gamma INF Elispot assays can be enhanced for the detection of low frequency responses, like after ART, by adding IL-15 to the assay.
- CD8+ T-cells from SHIV and SIV infected macaques with peptide pools from Gag and Env were used to test this system.

HXB2 Location Env

Author Location Env

Epitope

Subtype multiple

Immunogen

Species (MHC) human

Assay type Flow cytometric T-cell cytokine assay

Keywords subtype comparisons

References Currier *et al.* 2003

- CD8-cellular immune responses from 21 HIV-1 infected patients from Kenya infected with subtype A, C, D, and unique recombinants were studied for cross-recognition of Gag, Env, and Nef vaccinia-expressed proteins representing subtypes A-H, including CRF01.
- Both subtype-specific and cross-reactive CTL were observed, with a skewing of responses towards the infecting subtype in the nine subjects with full length sequence available. The magnitude of the responses to Gag were the highest, less to Nef, and still less to Env.
- For Gag, 8/21 subjects responded to at least 7/8 different subtype proteins, 7 had a mixed response, recognizing some subtypes but not others, and 6 responded to only one or none of the different subtype proteins. For Env, 4/19 subjects responded to at least 7/8 subtypes, 8 had a mixed response, and 7 responded to one or none. For Nef, 5/19 subjects responded to at least 7/8 subtypes, 8 had a mixed response, and 6 responded to one or none.

HXB2 Location Env

Author Location Env (HIV-1 IIIB)

Epitope

Immunogen HIV-1 exposed seronegative

Species (MHC) human

Assay type Cytokine production

Keywords HIV exposed persistently seronegative (HEPS)

References Fowke *et al.* 2000

- A cohort of Nairobi sex-workers were defined as resistant to HIV-infection by virtue of remaining seronegative despite repeated high risk exposures. 24 were tested for HIV specific T-helper responses determined by IL-2 production *in vitro* in response to gp120 peptides or soluble gp120 protein.
- 7/17 resistant women showed IL-2 stimulation which was greater than or equal to 2.0, and specific CTL responses were detected in 15/22 resistant women as compared to 0/12 of the control low-risk subjects.

HXB2 Location Env

Author Location gp160 (MN)

Epitope

Subtype B

Immunogen vaccine

Vector/Type: DNA *Strain:* B clade MN

HIV component: gp160 *Adjuvant:* IL-12

Species (MHC) mouse

Assay type proliferation, CD8 T-cell Elispot - IFN γ , Chromium-release assay

Keywords adjuvant comparison

References Chattergoon *et al.* 2004

- pIL-12 used as adjuvant significantly increases the number of Ag-specific CD8+ T-cells and a sustained memory response. Also, the splenocytes from mice that received pIL-12 were shown to proliferate to a much higher extent. Mice immunized with a plasmid expressing the influenza A/PR8/34 HA gene and pIL-12 were better able to control the infection.

HXB2 Location Env

Author Location Env

Epitope

Immunogen HIV-1 infection

Species (MHC) human

Assay type CD8 T-cell Elispot - IFN γ , CD4 T-cell Elispot - IFN γ , Intracellular cytokine staining, Flow cytometric T-cell cytokine assay

Keywords HAART, ART, immune dysfunction

References Trabattoni *et al.* 2004

- Reduced perforin-and granzyme- containing Env-specific CD8+ T cells were observed in ART treated individuals indicating that antiretroviral drugs might directly interfere with the production of perforin and granzymes, inhibiting CTL killing. Immunomodulants may be needed to enable CTL to become fully functional during ART.

HXB2 Location Env

Author Location gp140

Epitope

Immunogen vaccine

Vector/Type: protein, peptide in liposome
Strain: B clade IIBB *HIV component:* gp140, gp160, oligomeric gp140 *Adjuvant:* CpG immunostimulatory sequence (ISS), liposome

Species (MHC) mouse

Donor MHC H-2d

Assay type Cytokine production, proliferation, Chromium-release assay

Keywords Th1, Th2, adjuvant comparison, vaccine antigen design

References Rao *et al.* 2004

- Administration of ogp140 in liposomes containing lipid A (LA) induces high antibody titers which are increased by adding CpG ODN. Priming and boosting of BALB/c mice with ogp140+LA induces mixed Th1/Th2 immune response, while adding CpG ODN switches the immune response to a Th1 type. Mixing ogp140 with liposomes containing lipid A yielded excellent proliferative and CTL specific responses; CpG did not affect CTL responses. The antigen did not need to be encapsulated in the liposome to induce strong responses with LA as an adjuvant.

HXB2 Location Env

Author Location

Epitope

Subtype CRF02_AG

Immunogen vaccine

Vector/Type: virus-like particle (VLP), DNA prime with modified vaccinia Ankara (MVA) boost *Strain:* CRF02 IC0928 *HIV component:* Env, Gag, Pol

Species (MHC) macaque

Assay type T-cell Elispot, Intracellular cytokine staining

Keywords vaccine-specific epitope characteristics, vaccine antigen design

References Ellenberger *et al.* 2005

- Macaques were given a Gag-Pol-Env DNA prime followed by an MVA boost. Two DNA constructs were compared, one that resulted in mature VLPs with processed Gag (IC48) and one that had a point mutation in Gag that resulted in immature VLPs (IC1-90). IC48 DNA vaccinations, which produced mature VLPs, yielded 2-fold stronger T-cell responses with greater breadth. CD4 T-cells responded to 3-fold more peptide pools than did CD8.

HXB2 Location Env

Author Location

Epitope

Subtype CRF02_AG

Immunogen vaccine

Vector/Type: virus-like particle (VLP), DNA prime with modified vaccinia Ankara (MVA) boost *Strain:* CRF02 IC0928 *HIV component:* Env, Gag, Pol

Species (MHC) macaque

Assay type T-cell Elispot, Intracellular cytokine staining

Keywords vaccine-specific epitope characteristics, vaccine antigen design

References Ellenberger *et al.* 2005

- Macaques were given a Gag-Pol-Env DNA prime followed by an MVA boost. Two DNA constructs were compared, one that resulted in mature VLPs with processed Gag (IC48) and one that had a point mutation in Gag that resulted in immature VLPs (IC1-90). IC48 DNA vaccinations, which produced mature VLPs, yielded 2-fold stronger T-cell responses with greater breadth. CD4 T-cells responded to 3-fold more peptide pools than did CD8.

HXB2 Location Env

Author Location

Epitope

Subtype B

Immunogen vaccine

Vector/Type: DNA prime with modified vaccinia Ankara (MVA) boost *Strain:* Other *HIV component:* Env, Gag, Pol, Rev, Tat, Vif, Vpr

Species (MHC) macaque

Assay type CD8 T-cell Elispot - IFN γ , Intracellular cytokine staining

Keywords vaccine-specific epitope characteristics, vaccine antigen design, characterizing CD8+ T cells

References Sadagopal *et al.* 2005

- 22/23 macaques that were immunized with a DNA prime SHIV-89.6 and boosted with rMVA showed successful control of viremia, with low or undetectable viral loads and normal CD4 counts 200 weeks postchallenge. IFN-gamma producing T cells were found in unexpectedly low breadths and frequencies. T-cell responses were stable over time and maintained their production of IFN-gamma and IL-2. Long-term control was found in macaques of diverse histocompatibility types. The CD8 T cells seemed to have the most impact on well-contained chronic infections in the vaccinated and challenged animals.
- Both CD4 and CD8 responses were found to the SIV Gag and HIV Env proteins, 60% of CD8+ epitopes were in p27, and 80% of CD4+ epitopes.

II-B-23 Nef CTL/CD8+ epitopes

HXB2 Location Nef (1-16)

Author Location Nef (1-16)

Epitope MGGKWSKSSIVGWPAV

Subtype C

Immunogen HIV-1 infection

Species (MHC) human

Keywords subtype comparisons

References Novitsky *et al.* 2002

- HLA, viral sequence, and Elispot data was obtained from 105 HIV-1 positive Botswanans; Elispot data was obtained from between 55 and 64 subjects for each HIV protein.
- Nef and p24 had the highest percentage of reactive peptides, and p24 had the highest magnitude of HIV-1 responses.
- This peptide was among the 28 most reactive C clade peptides from among over 350 tested spanning all HIV proteins.

HXB2 Location Nef (5-13)

Author Location Nef (5–13 HXB2)

Epitope WSKSSIIGW

Epitope name WW9

Subtype B

Immunogen HIV-1 infection

Species (MHC) human (A*2501)

Donor MHC A*0201, A*2501, B*1801, B*5101, Cw*0102, Cw*1203

Assay type CD8 T-cell Elispot - IFN γ

Keywords escape, immune evasion, optimal epitope, HIV-1

References Liu *et al.* 2006

- T-cell immunity and the impact of selection were longitudinally studied in a patient from the time of transmission. New epitopes were detected at sites that were shown to be under positive selection. Env was found to be the major target of CTLs and most of the new epitopes were found here. One third of the sites examined were associated with epitope escape mutations from CTL. Acquisition of mutations found at high frequency in the database was suggested to be a result of reversion of CTL epitopes in the absence of immune targeting.
- This is a newly defined epitope. Positions 4 and 6 in the epitope had potentially experienced positive selection. WSKtSIIGW and WSKSSmIGW escape variants were found.

HXB2 Location Nef (11–20)

Author Location Nef

Epitope VEWPAVRERM

Epitope name VM10

Subtype B

Immunogen HIV-1 infection

Species (MHC) human

Donor MHC A28, A29, B14, B44, Cw8

Country United States.

Assay type CD8 T-cell Elispot - IFN γ

Keywords subtype comparisons, escape, characterizing CD8+ T cells, reversion, viral fitness

References Allen *et al.* 2005a

- Two-thirds of all mutations arising in nonenvelope proteins during the transition from acute to chronic infection were found to be due to either CD8 T-cell-associated selective pressures or reversion of HLA-I-associated mutations selected in a previous host. The predominance of escape mutations at highly polymorphic sites was observed across different HIV-1 clades.
- One escape mutation, at position 2, VgWPAVRERM, was found not to correspond to the most polymorphic residue in the epitope. This is a novel unmapped epitope.

HXB2 Location Nef (13–20)

Author Location Nef (13–20 LAI)

Epitope WPTVRERM

Subtype B

Immunogen HIV-1 infection

Species (MHC) human (B*0801)

Keywords optimal epitope

References Frahm *et al.* 2007; Goulder *et al.* 1997g

- C. Brander notes this is a B*0801 epitope.

HXB2 Location Nef (13–20)

Author Location Nef (HXB2)

Epitope WPTVRERM

Subtype B

Immunogen HIV-1 infection

Species (MHC) (B*0801)

Keywords class I down-regulation by Nef

References Peng & Robert-Guroff 2001

- Deletion of the 19 N-terminal amino acids from Nef including the myristolation signal eliminates Nef-induced down-regulation of MHC class I and CD4 molecules. Such a construct has the potential to serve as a more potent immunogen. The known T-cell epitopes that that would be disputed by this deletion are minimal, including the HLA-B8 CTL epitope WPTVRERM.

HXB2 Location Nef (13–20)

Author Location (C consensus)

Epitope WPAIRERM

Subtype C

Immunogen HIV-1 infection

Species (MHC) human (B*0801)

Country South Africa.

Assay type CD8 T-cell Elispot - IFN γ

Keywords characterizing CD8+ T cells

References Kiepiela *et al.* 2004

- HLA class I restricted CD8+ T-cell responses against HIV-1 were analyzed in African patients. Significantly more responses were shown to be HLA-B restricted. Viral load, CD4 count, and thus rate of disease progression were also associated with HLA-B alleles. In addition, the selection pressure imposed on HIV-1 by HLA-B alleles was shown to be substantially greater than by other alleles.
- This epitope was suggested to be the epitope within a longer reactive peptide based on correspondence with a known epitope in the HIV database. Also, a significantly higher frequency of people in the Durban cohort who reacted with the peptide had this HLA type.

HXB2 Location Nef (13–20)

Author Location Nef

Epitope WPTVRERM

Subtype B

Immunogen HIV-1 infection

Species (MHC) human (B*0801)

Donor MHC A*0101, B*0801

Country United Kingdom.

Assay type CD8 T-cell Elispot - IFN γ , HLA binding

Keywords escape, acute/early infection

References Milicic *et al.* 2005

- CTL responses and escape were analyzed in 4 homosexual couples where blood samples were available within weeks of estimated transmission. When the recipient had the same HLA type as the donor, CTL escape variants prevented a CTL response to those epitopes in the recipient. Even when the HLA alleles were different in the transmitting couple, a single escape mutation in one epitope can abolish CTL recognition of an overlapping epitope of distinct restriction in the recipient. In an early acute infection of the donor, the precise timing of transmission determines the viral variants transmitted.

- The recipient mounted an acute CTL response to this epitope, and the escape variant wpAvrKrm emerged in the recipient soon after.

HXB2 Location Nef (13–20)

Author Location (C consensus)

Epitope WPAIRERM

Subtype C

Immunogen HIV-1 infection

Species (MHC) human (B*0801)

Country South Africa.

Assay type CD8 T-cell Elispot - IFN γ

Keywords rate of progression, optimal epitope

References Kiepiela *et al.* 2007

- A comprehensive analysis of 160 class I T cell responses in 578 individuals from KwaZulu-Natal, South Africa was performed. Gag-specific responses were associated with lowering viremia, while Env, accessory and regulatory protein-specific responses were associated with higher viremia.
- WPAIRERM is an optimal epitope.

HXB2 Location Nef (13–20)

Author Location Nef (13–20 LAI)

Epitope WPTVRERM

Subtype B

Immunogen HIV-1 infection

Species (MHC) human (B8)

References Goulder *et al.* 1997g

- Unusual epitope for HLA-B8, but compatible with crystal structure predictions.

HXB2 Location Nef (13–20)

Author Location Nef (13–20)

Epitope WPTVRERM

Immunogen HIV-1 infection

Species (MHC) human (B8)

Keywords immunodominance

References Betts *et al.* 2000

- Only 4/11 HLA-A2+ HIV+ individuals had CTL that reacted to SLYNTVATL, calling into question whether it is immunodominant.
- 95 optimally-defined peptides from this database were used to screen for INF γ responses to other epitopes.
- 1/11 of the HLA A2+ was HLA A*0201, A31, B8, B51 and responded to this epitope as well as seven others.

HXB2 Location Nef (13–20)

Author Location Nef (13–20 SF2)

Epitope WPTVRERM

Immunogen HIV-1 infection

Species (MHC) human (B8)

Keywords HAART, ART, acute/early infection

References Altfeld *et al.* 2001b

- Therapy provided during acute infection resulted in a narrower CTL response, stronger T help response, and a less diverse viral population than was seen in individuals treated during chronic infection.

- The breadth and specificity of the response was determined using ELISPOT by studying 19 individuals with pre-seroconversion therapy (Group 1), 11 individuals with primary infection but post-seroconversion therapy (Group 2), and 10 individuals who responded to HAART given during chronic infection (Group 3), using 259 overlapping peptides spanning p17, p24, RT, gp41, gp120 and Nef.

- Previously described and newly defined optimal epitopes were tested for CTL response.

- Number of HLA-B8+ individuals that had a CTL response to this epitope broken down by group: 1/3 group 1, 0/3 group 2, and 1/2 group 3.

HXB2 Location Nef (13–20)

Author Location Nef (13–20)

Epitope WPTVRERM

Immunogen HIV-1 infection

Species (MHC) human (B8)

References Day *et al.* 2001

- B8-restricted CTL accounted for about 1/3 of the total CTL response in one individual.

HXB2 Location Nef (13–20)

Author Location Nef (13–20)

Epitope WPTVRERM

Epitope name WM8

Immunogen HIV-1 infection

Species (MHC) human (B8)

Donor MHC A*03, A*31, B*08, B*15, Cw*04, Cw*07

Country United States.

Assay type CD8 T-cell Elispot - IFN γ

Keywords responses in children, mother-to-infant transmission, escape, acute/early infection, reversion, viral fitness

References Sanchez-Merino *et al.* 2005

- CD8 T-cell responses were examined in mother-infant pairs. Escape variants were commonly detected in maternal plasma. Early infant plasma viruses showed heterogeneity of gag and nef gene sequences as well as mother-to-child transmission of CD8 T-cell escape variants. The stability of escape mutants in the infant over time was determined by infant HLA haplotype and viral fitness. Sequential plasma specimens from infants showed changes in CD8 T-cell epitope sequences, suggesting that infants are capable of generating virus-specific CD8 T-cell responses.
- The variant WnTVRERM was present in 10/10 clones from a B8+ mother, was transmitted to her B8- infant, and present in 10/10 clones at months 2, 4, and 15.

HXB2 Location Nef (19–27)

Author Location Nef (19–27)

Epitope RMRRRAEPAA

Immunogen HIV-1 infection

Species (MHC) human (B62)

Keywords optimal epitope

References Frahm *et al.* 2007

HXB2 Location Nef (19–27)

Author Location Nef (19–27)

Epitope RMRRRAEPAA

Subtype B
Immunogen HIV-1 infection
Species (MHC) human (B62)
Donor MHC 1261: A*0201, A29, B58, B62, Cw*0304, Cw*1601
Assay type CD8 T-cell Elispot - IFN γ
Keywords binding affinity, acute/early infection, early-expressed proteins
References Cao *et al.* 2003

- CTL epitope responses were mapped in 21 men within 15-92 days post-HIV-1 infection. Subjects initially showed narrow immune responses with a mean of 2.3 epitopes recognized per patient. The immune response broadened later in infection. No correlation between the plasma viral load and the number of recognized epitopes or the frequency of IFN-gamma secreting cells was observed, and there was no correlation between the functional avidity of a response and the abundance of IFN-secreting cells that recognized the epitope. The first epitopes to be recognized tended not to be the most avid, and earliest responses tended to be directed against Nef, Tat, Vpr, and Env.
- All HIV-1 proteins except Vpu were recognized, and a response to a total of 41 optimal epitopes were characterized; 24 had been identified previously. 48% of the total T-cell responses were directed against Nef and 43% were directed against Gag.
- More common HLA alleles were less frequently used in primary infection than less common alleles, for example A3, B35, B57, and B62 were more frequently recognized than A1, A2, A30, and A44.

HXB2 Location Nef (22–30)
Author Location Nef (22–30)
Epitope RAEPAADGV
Subtype C
Immunogen HIV-1 infection
Species (MHC) human (A*6901)
Country India.
Assay type CD8 T-cell Elispot - IFN γ
Keywords subtype comparisons, computational epitope prediction, immunodominance
References Thakar *et al.* 2005

- PBMCs from HIV-1 infected Indian subjects were tested for HIV-1 Gag (with C clade peptides), Nef (with B clade peptides), and Env (clade unspecified) specific T-cell responses. 5 immunodominant regions conserved across clades were identified in Gag and Nef. 3 antigenic regions were found to be recognized by CTLs in the Indian subjects; these regions were not identified as immunodominant in studies from Africa. 26 epitopes were predicted within reactive peptides, of which 90% were clustered in the conserved immunodominant regions of Gag and Nef. 3 of the epitopes were highly conserved across clades, and 7 novel epitopes were found.

HXB2 Location Nef (29–37)
Author Location Nef (29–37)
Epitope GVGAASRD
Subtype C
Immunogen HIV-1 infection
Species (MHC) human (A*6901)
Country India.

Assay type CD8 T-cell Elispot - IFN γ
Keywords subtype comparisons, computational epitope prediction, immunodominance

References Thakar *et al.* 2005

- PBMCs from HIV-1 infected Indian subjects were tested for HIV-1 Gag (with C clade peptides), Nef (with B clade peptides), and Env (clade unspecified) specific T-cell responses. 5 immunodominant regions conserved across clades were identified in Gag and Nef. 3 antigenic regions were found to be recognized by CTLs in the Indian subjects; these regions were not identified as immunodominant in studies from Africa. 26 epitopes were predicted within reactive peptides, of which 90% were clustered in the conserved immunodominant regions of Gag and Nef. 3 of the epitopes were highly conserved across clades, and 7 novel epitopes were found.

HXB2 Location Nef (37–45)

Author Location Nef (37–45)

Epitope LEKHGAITS

Immunogen HIV-1 infection

Species (MHC) human (B*4001)

Keywords optimal epitope

References Frahm *et al.* 2007

HXB2 Location Nef (37–45)

Author Location Nef (37–45)

Epitope LEKHGAITS

Immunogen

Species (MHC) human (B50)

Keywords optimal epitope

References Frahm *et al.* 2007

HXB2 Location Nef (42–50)

Author Location Nef (44–52 HXB3)

Epitope ALTSSNTAA

Immunogen vaccine

Vector/Type: DNA, peptide *Strain:* B clade HXB3 *HIV component:* Nef *Adjuvant:* Complete Freund's Adjuvant (CFA)

Species (MHC) mouse (A*0201)

Keywords binding affinity, computational epitope prediction

References Sandberg *et al.* 2000

- Ten Nef 9-mer peptides were predicted to have a strong binding affinity with HLA-A*0201 – of these, four did bind strongly by a T2 class I stabilization assay, several others bound weakly.
- A CTL immune response to only 3/10 peptides was detected by a 51Cr-release assay after immunization of HLA-A201 transgenic mice with either nef DNA under the control of a CMV promoter, coated on gold particles delivered to abdominal skin by gene gun.
- ALTSSNTAA was also tested by subcutaneous injection of Nef peptides in Freund's adjuvant.
- ALTSSNTAA bound weakly to HLA-A2, but it had the strongest CTL response among the three elicited by the DNA vaccine and a strong response to the peptide vaccination.

HXB2 Location Nef (42–50)

Author Location Nef (42–50)

Epitope ALTSSNTAA

Epitope name Nef42-50

Immunogen HIV-1 infection

Species (MHC) human, humanized mouse (A2)

Country United States.

Assay type CD8 T-cell Elispot - IFN γ

Keywords responses in children, immunodominance, characterizing CD8+ T cells

References Chandwani *et al.* 2004

- Responses to five HLA-A2 presented epitopes in Nef were characterized in a population of 19 HIV infected adults and 21 children. The CD8 T-cell response to Nef was stronger and broader in adults than children, averaging 652 and 87 SFCs/10⁶ PBMC, and 2.6 and 0.9 recognized epitopes per person, respectively.
- This is one of three novel Nef epitopes previously identified in HLA-A2 transgenic mice, shown to induce CD8 T-cell response in humans. It was not the immunodominant response.

HXB2 Location Nef (48–56)

Author Location Nef (58–66 JRFL)

Epitope TAATNADCA

Subtype B

Immunogen vaccine

Vector/Type: DNA *Strain:* B clade JRFL

Species (MHC) mouse (H-2^b)

References Liang *et al.* 2002

- BALB/c, C3H/HeN and C57BL/6 mice were given intramuscular immunization with Nef DNA constructs – C57BL/6 responded to this epitope.
- The Nef mutant that lacked the myristylation site (G→A) at position 2, and the dileucine motif (L→A at positions 174 and 175) was impaired in terms of its ability to elicit induction of Nef-specific CD4+ and CD8+ T-cell responses. The myristylation site is critical for Nef membrane localization and function, and the di-leucine motif for the down-regulation of surface CD4 molecules, and the mutation of these regions could yield a safer vaccine.
- N-terminal addition of human tissue plasminogen activator (TPA) to Nef, enhanced CD8+ T-cell responses and could compensate for the G2A, L174A, L175A mutations – this enhanced immunogenicity correlated with enhanced levels of protein expression in transfected cells.

HXB2 Location Nef (50–58)

Author Location Nef (50–)

Epitope ATNADCAWL

Epitope name Nef50

Immunogen HIV-1 infection, vaccine

Vector/Type: peptide *HIV component:* Nef
Adjuvant: Incomplete Freund's Adjuvant (IFA)

Species (MHC) human (A2)

Assay type CD8 T-cell Elispot - IFN γ , Chromium-release assay, Flow cytometric T-cell cytokine assay

Keywords binding affinity, subtype comparisons, computational epitope prediction

References Corbet *et al.* 2003

- HLA-A2-restricted HIV-1 CTL epitopes were computationally predicted. Binding affinities for HLA-A*0204, immunogenicity in HLA-A*0201 transgenic mice, and responses to the peptides in 17 HIV-1 infected patients were tested. 31 novel conserved A2 epitopes were detected. An average of 4 epitopes were recognized per patient.
- This peptide was a low A2-binder that did not induce CTL or CD8+ T-cell IFN gamma responses in mice. Responses were detected in 2/17 HIV+ HLA-A2 subjects.

HXB2 Location Nef (62–81)

Author Location Nef (61–80)

Epitope EEEVGFVPTQVPLRPMTY

Immunogen HIV-1 infection

Species (MHC) human

References Lieberman *et al.* 1995

- HIV-specific CTL lines developed by *ex vivo* stimulation with peptide.

HXB2 Location Nef (62–81)

Author Location Nef (61–80 SF2)

Epitope EEEVGFVPTQVPLRPMTY

Immunogen HIV-1 infection

Species (MHC) human

References Lieberman *et al.* 1997a

- Of 25 patients, most had CTL specific for more than 1 HIV-1 protein.
- Twelve subjects had CTL that could recognize vaccinia-expressed LAI Nef.
- Two of these 12 had CTL response to this peptide.
- The responding subjects were HLA-A11, A24, B8, B35, and HLA not determined.

HXB2 Location Nef (62–81)

Author Location Nef (61–80 SF2)

Epitope EEEVGFVPTQVPLRPMTY

Immunogen HIV-1 infection

Species (MHC) human

References Lieberman *et al.* 1997b

- CTL expanded *ex vivo* were later infused into HIV-1 infected patients.

HXB2 Location Nef (62–81)

Author Location Nef (SF2)

Epitope EEEVGFVPTQVPLRPMTY

Immunogen HIV-1 infection

Species (MHC) human

References Altfeld *et al.* 2001a

- HIV+ individual AC-06 was tested for reactive overlapping peptides spanning all HIV-1 proteins in an ELISPOT and was found to react with 12 peptides from 7 proteins, suggesting that the breadth of CTL responses are underestimated if accessory proteins are not included in the study.
- Nef peptides PQVPLRRMTYKAAVDLSHFL, KAAVDLSHFLKEKGGLEGLI and EEEVGFVPTQVPLRPMTY were recognized and the first two share KAAVDLSHFL (a Cw8 epitope), the first and last share PQVPLRPMTY.

HXB2 Location Nef (64–74)

Author Location Nef (C consensus)

- Epitope** GEVGFVPRPQV
Subtype C
Immunogen HIV-1 infection
Species (MHC) human (B45)
Country South Africa.
Assay type CD8 T-cell Elispot - IFN γ
Keywords escape, reversion, viral fitness
References Kiepiela *et al.* 2004
- HLA class I restricted CD8+ T-cell responses against HIV-1 were analyzed in African patients. Significantly more responses were shown to be HLA-B restricted. Viral load, CD4 count, and thus rate of disease progression were also associated with HLA-B alleles. In addition, the selection pressure imposed on HIV-1 by HLA-B alleles was shown to be substantially greater than by other alleles.
 - People who carried B45 tended to carry a variant of this epitope, while people who did not almost always carried the consensus form.
 - B*4501 was one of the HLA types associated with having a high viral load.
- HXB2 Location** Nef (66–80)
Author Location Nef (66–80 BRU)
Epitope VGFPVTPQVPLRMT
Immunogen HIV-1 infection
Species (MHC) human (A1, B8)
References Hadida *et al.* 1992
- HIV-1 specific CTLs detected in lymphoid organs of HIV-1 infected patients.
- HXB2 Location** Nef (66–80)
Author Location Nef (64–78)
Epitope VGFPVTPQVPLRMT
Immunogen HIV-1 infection
Species (MHC) human (A1, B8)
References Ferrari *et al.* 2000
- One of the 51 HIV-1 epitopes selected by Ferrari *et al.* as good candidate CTL epitopes for vaccines by virtue of being conserved and presented by common HLA alleles.
- HXB2 Location** Nef (66–97)
Author Location Nef (66–97 LAI)
Epitope VGFPVTPQVPLRPMTYKAAVDLSHFLKEKGGI
Subtype B
Immunogen vaccine
Vector/Type: lipopeptide
Species (MHC) human
References Gahery-Segard *et al.* 2000
- Anti-HIV lipopeptide vaccine consisting of six long amino acid peptides derived from Nef, Gag and Env HIV-1 proteins modified by a palmitoyl chain was administered in a phase I trial.
 - A CD4+ T cell proliferative response to at least one of the six peptides was observed in 9/10 vaccinees – 5/10 reacted to this Nef peptide.
 - 9/12 tested mounted a CTL response to at least one of the six peptides; each of the six peptides elicited a CTL response in at least one individual.
 - 5/12 tested had an IgG response to this peptide.

- HXB2 Location** Nef (67–81)
Author Location Nef (67–81)
Epitope GFPVPRQVPLRPMTY
Subtype C
Immunogen HIV-1 infection
Species (MHC) human
Keywords subtype comparisons
References Novitsky *et al.* 2002
- HLA, viral sequence, and Elispot data was obtained from 105 HIV-1 positive Botswanans; Elispot data was obtained from between 55 and 64 subjects for each HIV protein.
 - Nef and p24 had the highest percentage of reactive peptides, and p24 had the highest magnitude of HIV-1 responses.
 - This peptide was among the 28 most reactive C clade peptides from among over 350 tested spanning all HIV proteins.
- HXB2 Location** Nef (68–76)
Author Location Nef (68–76)
Epitope FPVTPQVPL
Immunogen HIV-1 infection
Species (MHC) human (B*0702)
Keywords optimal epitope
References Frahm *et al.* 2007
- HXB2 Location** Nef (68–76)
Author Location Nef (103–111)
Epitope FPVTPQVPL
Subtype C
Immunogen HIV-1 infection
Species (MHC) human (B*0702)
Assay type Other
Keywords HLA associated polymorphism
References Boutwell & Essex 2007
- All HIV-1 subtype C protein sequences were analysed, and 94 HLA-associated amino acid polymorphisms were found that were well distributed throughout the proteome. These sequences were compiled from publicly available databases and originated in South Africa and Botswana. Many polymorphisms were associated with multiple HLA allele classes. 12% of negative associations were found as well, where there was an association of virus expression of the consensus amino acid with a specific HLA allele. HLA-B alleles were involved in most of the associations. 19 HLA-associated polymorphisms were embedded in previously defined epitopes presented by an appropriate HLA restricting molecule.
 - FPVTPQVPL was a previously defined B*0702 presented epitope that encompassed a B*07 associated polymorphism, FPVTPQVPL, in the fourth position.
- HXB2 Location** Nef (68–76)
Author Location Nef (68–76)
Epitope FPVTPQVPL
Subtype B
Immunogen HIV-1 infection
Species (MHC) human (B*35)
Donor MHC A*03, A*24, B*35, B*40
Country United States.
Assay type CD8 T-cell Elispot - IFN γ

Keywords acute/early infection, variant cross-recognition or cross-neutralization, superinfection

References Yang *et al.* 2005b

- An individual infected with a drug-resistant strain of HIV-1 subtype B with controlled viremia became superinfected with another subtype B strain. The second strain outgrew the first despite lower replication capacity and the same viral phenotype. The strains showed differences in their epitope sequences. The CTL responses to the first strain declined after superinfection, followed by some adaptation of targeting to the new epitopes of the second strain. Differences in the recognized epitopes were suggested to have contributed to the poor immune containment of the second strain.
- This epitope FPVVRPQVPL was identical in the initial and superinfecting strains, and the CTL response persisted in the patient before and after superinfection.

HXB2 Location Nef (68–76)

Author Location Nef (72–80 SF2)

Epitope FPVVRPQVPL

Immunogen HIV-1 infection

Species (MHC) human (B*3501)

References Tomiyama *et al.* 1997

- A CTL clone responsive to this epitope was obtained.
- 3/7 B35-positive individuals had a CTL response to this epitope.
- An R to T substitution at position 4 abrogates specific lysis, but not binding to B*3501.

HXB2 Location Nef (68–76)

Author Location Nef (72–80)

Epitope FPVVRPQVPL

Immunogen HIV-1 infection

Species (MHC) human (B*3501)

References Tomiyama *et al.* 2000a

- CD8+ T-cells that bound one of six HIV-specific B*3501-epitope tetramers did not express CD28 or CD45A.
- A significant increase in CD28-CD45RA- cells and a decrease of CD28+CD45RA+ cells was observed in chronically HIV-1-infected individuals relative to healthy individuals.
- CD28-CD45RA- cells are likely to be effector cells and have high levels of perforin in their cytoplasm.
- The mean percentage of total CD28- CD8+ cells in chronically infected HIV-1-infected patients was 76.6% in comparison to HIV-1-uninfected individuals (40.6%)

HXB2 Location Nef (68–76)

Author Location Nef (72–80 SF2)

Epitope FPVVRPQVPL

Immunogen HIV-1 infection

Species (MHC) human (B35)

References Shiga *et al.* 1996

- Binds HLA-B*3501.

HXB2 Location Nef (68–76)

Author Location (SF2)

Epitope FPVVRPQVPL

Immunogen HIV-1 infection

Species (MHC) human (B35)

Keywords rate of progression

References Kawana *et al.* 1999

- HLA B35 is associated with rapid disease progression.
- The sequences of 9 previously described HIV-1 B35 CTL epitopes were obtained in 10 HLA B35+ and 19 HLA B35- individuals.
- 3/9 CTL epitopes had substitutions that were more common in B35+ individuals than in B35- individuals, but this was one of the six that had no B35 associated pattern of mutation.

HXB2 Location Nef (68–76)

Author Location Nef (66–74)

Epitope FPVVRPQVPL

Immunogen HIV-1 infection

Species (MHC) human (B35)

References Ferrari *et al.* 2000

- One of the 51 HIV-1 epitopes selected by Ferrari *et al.* as good candidate CTL epitopes for vaccines by virtue of being conserved and presented by common HLA alleles.

HXB2 Location Nef (68–76)

Author Location Nef (68–76 BRU)

Epitope FPVTPQVPL

Subtype B

Immunogen HIV-1 infection

Species (MHC) human (B35)

Keywords binding affinity, epitope processing

References Chopin *et al.* 2001

- Seventy-three 8-11 mer peptides were generated based on putative anchor motifs in the Nef BRU sequence for HLA A2, A3, A24, B7, B8, and B35; these 73 peptides had 81 motifs. 54% bound to the predicted HLA molecule, particularly A2, B7/35, and B8. The strength of HLA-peptide binding was not directly related to the number of individuals that recognized a protein.
- 20s proteasome cleavage of the Nef protein positions 66-100 showed a large fraction of peptides were cleaved ending at: 87L, 83A, 81Y, 71P, 68F and 67G. The frequency of recognition may be in part dictated by the cleavage step in processing.
- FPVTPQVPL was recognized in 1/13 (8%) of individuals with HLA B7, and 1/12 (8%) of individuals with HLA B35. It was a high affinity HLA binder.

HXB2 Location Nef (68–76)

Author Location Nef (68–76)

Epitope FPVTPQVPL

Immunogen in vitro stimulation or selection

Species (MHC) human (B7)

Keywords binding affinity, dendritic cells, Th1

References Wilson *et al.* 1999b

- Dendritic cells are the most potent for priming T cell responses – DCs can stimulate autologous CTL responses from T cells cultured from HIV negative donors.
- Th1-biasing cytokines IL-12 or IFN alpha enhance CTL responses *in vitro* whether the epitope is delivered by pulsing from peptide, or expressed from within.
- B7 and A2 Nef epitopes were studied – FPVTPQVPL has a high affinity for B7.

HXB2 Location Nef (68–76)

Author Location Nef (68–76)

Epitope FPVTPQVPL**Immunogen** HIV-1 infection**Species (MHC)** human (B7)**Keywords** rate of progression, acute/early infection**References** Day *et al.* 2001

- The CTL response to optimally defined CTL epitopes restricted by HLA class I A and B alleles in individuals who coexpressed HLA A2, A3, and B7 was studied in eight HIV-1-infected subjects, two with acute infection, five with chronic, and one long-term non-progressor (LTNP)
- 2 to 17 epitopes were recognized in a given individual, A2-restricted CTL response tended to be narrow and never dominated the response, and 25/27 epitopes were targeted by at least one person.
- Subjects with chronic HIV-1 infection recognized between 2-8 out of 11 B7-restricted epitopes.
- An acute seroconverter homozygous for the B7 allele recognized five B7-restricted epitopes.
- The other acute seroconverter failed to recognize any of the 11 B7-restricted epitopes tested.
- The B7-restricted CTL response was highly variable and there was no clearly dominant epitope.

HXB2 Location Nef (68–76)**Author Location** Nef (68–76 BRU)**Epitope** FPVTPQVPL**Subtype** B**Immunogen** HIV-1 infection**Species (MHC)** human (B7)**Keywords** binding affinity, epitope processing**References** Choppin *et al.* 2001

- Seventy-three 8-11 mer peptides were generated based on putative anchor motifs in the Nef BRU sequence for HLA A2, A3, A24, B7, B8, and B35; these 73 peptides had 81 motifs. 54% bound to the predicted HLA molecule, particularly A2, B7/35, and B8. The strength of HLA-peptide binding was not directly related to the number of individuals that recognized a protein.
- 20S proteasome cleavage of the Nef protein positions 66-100 showed a large fraction of peptides were cleaved ending at: 87L, 83A, 81Y, 71P, 68F and 67G. The frequency of recognition may be in part dictated by the cleavage step in processing.
- FPVTPQVPL was recognized in 1/13 (8%) of individuals with HLA B7, and 1/12 of individuals with HLA B35. It was a high affinity HLA binder.

HXB2 Location Nef (68–76)**Author Location** Nef (68–76)**Epitope** FPVTPQVPL**Immunogen** HIV-1 infection**Species (MHC)** human (B7)**Donor MHC** A3, B7, Cw7**Keywords** dynamics, supervised treatment interruptions (STI), acute/early infection**References** Yu *et al.* 2002a

- CTL responses in 18 acutely HIV-infected HLA-A3 (n=7) or -B7 (n=4) or both -A3 and B7 (n=7) positive individuals were studied.

- One individual, AC-06, was homozygous at all three class I alleles (A3, B7, Cw7), was treated during acute infection and had supervised treatment interruptions (STI). He had only two detectable CTL responses during acute infection, but after STI this broadened to 27 distinct epitopes including 15 restricted by HLA-A3, 11 by HLA-B7, and 1 by HLA-Cw7.
- 0/11 HLA-B7 individuals had detectable B7-restricted responses to this epitope during acute infection – 10/15 of HLA-B7 epitopes tested were targeted by at least one person during acute infection. Also, none of 4 individuals had detectable responses to this epitope after STI.

HXB2 Location Nef (68–76)**Author Location** Nef (68–76)**Epitope** FPVTPQVPL**Subtype** B**Immunogen** vaccine*Vector/Type:* lipopeptide *Strain:* B clade LAI *HIV component:* Env, Gag, Nef *Adjuvant:* QS21**Species (MHC)** human (B7 supertype)**Assay type** proliferation, CD8 T-cell Elispot - IFN γ , Chromium-release assay**Keywords** vaccine-induced epitopes, variant cross-recognition or cross-neutralization**References** Gahéry-Ségard *et al.* 2003

- After injection of an anti-HIV-1 lipopeptide vaccine and the booster injections, a response was observed in >85% of 28 volunteers, and a long-term immune response was observed in >50% of the volunteers. A positive effect of QS21 adjuvant was found for B- and CD4+T-cell responses. A higher number of CD8+ T-cell epitopes was induced after a fourth boost injection. This epitope was one of the most frequently recognized of the 31 epitopes that the vaccinated volunteers responded to.

HXB2 Location Nef (68–77)**Author Location** Nef (68–77 LAI)**Epitope** FPVTPQVPLR**Subtype** B**Immunogen** HIV-1 infection**Species (MHC)** human (B*0702)**Keywords** optimal epitope**References** Frahm *et al.* 2007

- C. Brander notes this is a B*0702 epitope.

HXB2 Location Nef (68–77)**Author Location** Nef (68–77 LAI)**Epitope** FPVTPQVPLR**Subtype** B**Immunogen** HIV-1 infection**Species (MHC)** human (B7)**References** Haas *et al.* 1996

- There was a high degree of variation in three CTL epitopes in Nef in four slow and non-progressors, and variant specific CTLs arose over time to eliminate variants, indicating immune selection.

HXB2 Location Nef (68–77)**Author Location** Nef (subtype B)**Epitope** FPVTPQVPLR

Subtype B**Immunogen** HIV-1 infection**Species (MHC)** human (B7)**Keywords** HIV exposed persistently seronegative (HEPS), escape**References** Kaul *et al.* 2001c

- This study examines CTL responses in HIV exposed, persistently seronegative individuals, HEPS, who eventually seroconverted – 11/114 HEPS Nairobi sex workers eventually seroconverted, and for six of these HIV CTL reactive epitopes had been defined while seronegative.
- FPVTPQVPLR was recognized in 1 of the 6 women (ML1203), and the response was present in the last available sample prior to seroconversion, 7 months.
- 20/20 sequences of the infecting strain had no substitutions in this epitope, all were FPVTPQVPLR, so there was no evidence for escape.
- The epidemiological factor associated with seroconversion was stopping sex work. HIV-specific CTL activity declined when HEPS sex workers stopped working for a period or retired.
- This epitope was recognized in 1/22 HEPS sex worker controls, ML851.

HXB2 Location Nef (68–77)**Author Location** Nef (66–75)**Epitope** FPVTPQVPLR**Immunogen** HIV-1 infection**Species (MHC)** human (B7)**References** Ferrari *et al.* 2000

- One of the 51 HIV-1 epitopes selected by Ferrari *et al.* as good candidate CTL epitopes for vaccines by virtue of being conserved and presented by common HLA alleles.

HXB2 Location Nef (68–77)**Author Location** Nef (68–77 SF2)**Epitope** FPVTPQVPLR**Immunogen** HIV-1 infection**Species (MHC)** human (B7)**Keywords** HAART, ART, acute/early infection**References** Altfeld *et al.* 2001b

- Therapy provided during acute infection resulted in a narrower CTL response, stronger T help response, and a less diverse viral population than was seen in individuals treated during chronic infection.
- The breadth and specificity of the response was determined using ELISPOT by studying 19 individuals with pre-seroconversion therapy (Group 1), 11 individuals with primary infection but post-seroconversion therapy (Group 2), and 10 individuals who responded to HAART given during chronic infection (Group 3), using 259 overlapping peptides spanning p17, p24, RT, gp41, gp120 and Nef.
- Previously described and newly defined optimal epitopes were tested for CTL response.
- Number of HLA-B7+ individuals that had a CTL response to this epitope broken down by group: 0/4 group 1, 0/3 group 2, and 1/1 group 3.

HXB2 Location Nef (68–77)**Author Location** Nef (68–77)**Epitope** FPVTPQVPLR**Immunogen** HIV-1 infection, HIV-1 exposed seronegative **Species (MHC)** human (B7)**Keywords** HIV exposed persistently seronegative (HEPS)**References** Kaul *et al.* 2001a

- ELISPOT was used to study CTL responses to a panel of 54 predefined HIV-1 epitopes in 91 HIV-1-exposed, persistently seronegative (HEPS) and 87 HIV-1-infected female Nairobi sex workers.
- Responses in HEPS women tended to be lower, and focused on different epitopes with HLA presenting molecules that have previously been associated with reduced risk of infection, and there was a shift in the response in the HEPS women upon late seroconversion to epitopes recognized by the HIV-1 infected women.
- 43/91 HEPS women had CD8+ responses and detection of HIV-1-specific CTL in HEPS women increased with the duration of viral exposure.
- Subject ML 1203 started with CTL responses to A*6802 DTVLEDINL and to B7 FPVTPQVPLR prior to seroconversion, and upon seroconversion acquired additional responses to A*6802 ETAYFILKL which became dominant, B7 TPGPG(V/I)RYPL, B7 IPRRIRQGL, and B7 SPRTLNAWV.

HXB2 Location Nef (68–77)**Author Location** Nef (68–77)**Epitope** FPVTPQVPLR**Immunogen** HIV-1 infection**Species (MHC)** human (B7)**Keywords** rate of progression, acute/early infection**References** Day *et al.* 2001

- The CTL response to optimally defined CTL epitopes restricted by HLA class I A and B alleles in individuals who coexpressed HLA A2, A3, and B7 was studied in eight HIV-1-infected subjects, two with acute infection, five with chronic, and one long-term non-progressor (LTNP)
- 2 to 17 epitopes were recognized in a given individual, A2-restricted CTL response tended to be narrow and never dominated the response, and 25/27 epitopes were targeted by at least one person.
- Subjects with chronic HIV-1 infection recognized between 2-8 out of 11 B7-restricted epitopes.
- An acute seroconverter homozygous for the B7 allele recognized five B7-restricted epitopes.
- The other acute seroconverter failed to recognize any of the 11 B7-restricted epitopes tested.
- The B7-restricted CTL response was highly variable and there was no clearly dominant epitope.

HXB2 Location Nef (68–77)**Author Location** Nef (68–76)**Epitope** FPVTPQVPLR**Immunogen** HIV-1 infection**Species (MHC)** human (B7)**Donor MHC** A3, B7, Cw7**Keywords** dynamics, supervised treatment interruptions (STI), acute/early infection**References** Yu *et al.* 2002a

- CTL responses in 18 acutely HIV-infected HLA-A3 (n=7) or -B7 (n=4) or both -A3 and B7 (n=7) positive individuals were studied.
- One individual, AC-06, was homozygous at all three class I alleles (A3, B7, Cw7), was treated during acute infection and had supervised treatment interruptions (STI). He had only two detectable CTL responses during acute infection, but after STI this broadened to 27 distinct epitopes including 15 restricted by HLA-A3, 11 by HLA-B7, and 1 by HLA-Cw7.
- 0/11 HLA-B7 individuals had detectable B7-restricted responses to this epitope during acute infection – 10/15 of HLA-B7 epitopes tested were targeted by at least one person during acute infection. Also, none of 4 individuals had detectable responses to this epitope after STI.

HXB2 Location Nef (68–77)

Author Location Nef (66–75)

Epitope FPVTPQVPLR

Immunogen HIV-1 infection

Species (MHC) human (B7)

Country Spain.

Assay type proliferation, CD8 T-cell Elispot - IFN γ , Flow cytometric T-cell cytokine assay

Keywords HAART, ART, supervised treatment interruptions (STI), immune dysfunction

References Plana *et al.* 2004

- Structured treatment interruption (STI) alone is not able to control viral replication in chronically infected patients, probably due to lack of strong, maintained T-helper cell responses. HIV-1 specific CD8+ T-cell responses were shown to increase significantly until the end of the follow up, but were not correlated with viral load.
- Less than 2 of 7 patients recognized this epitope.

HXB2 Location Nef (68–81)

Author Location Nef (82–95 HXB2)

Epitope FPVTPQVPLRMTY

Subtype B

Immunogen HIV-1 infection

Species (MHC) human

Keywords subtype comparisons

References Guimarães *et al.* 2002

- Nef sequences were obtained from Brazilians to study epitope diversity in this geographic region—the HXB2 sequence is FPVTPQVPLRMTY, but fpvRpqvplrmty was observed in most Brazilian sequences regardless of the subtype (A, C, D and F).

HXB2 Location Nef (68–82)

Author Location Nef (73–82)

Epitope FPVRPOVPLRPMTYK

Subtype A, D

Immunogen HIV-1 infection

Species (MHC) human

Donor MHC A*0201, A*0301, B*4501, B*5802

Country Uganda.

Assay type CD8 T-cell Elispot - IFN γ

Keywords subtype comparisons, characterizing CD8+ T cells

References Barugahare *et al.* 2005

- T-cell immune responses were examined in HIV-1 infected Ugandans. Similar levels of cross-clade responses for Gag, Env and Nef were observed. Higher frequencies of responses in conserved regions were found for Gag within a single clade, while areas with higher viral sequence variation had fewer detectable responses. Differential interclade sequence homologies between the Gag regions did not affect the respective level of cross-clade recognition.
- This sequence contains a known epitope (RPOVPLRPMTYK). The subject recognizing the peptide carries an HLA allele (A0301) of the known restriction, and the peptide is conserved in the autologous sequence.

HXB2 Location Nef (68–84)

Author Location Nef

Epitope FPVRPQVPLRPMTYKGA

Immunogen

Species (MHC) human

Keywords subtype comparisons

References Jubier-Maurin *et al.* 1999

- 41 new HIV-1 strains describing envelope subtypes of HIV-1 A-H were genetically characterized in the nef region – 34 subtypes were classified in the same subtype in nef and env and 7 of the 41 strains were recombinants.
- This region was defined as a CTL epitope region that is conserved among HIV-1 M group subtypes.

HXB2 Location Nef (70–84)

Author Location Nef (70–84 HXB2)

Epitope VTPQVPLRPMTYKAA

Subtype B

Immunogen HIV-1 infection

Species (MHC) human

Assay type T-cell Elispot

Keywords supervised treatment interruptions (STI), immunodominance, early treatment

References Addo *et al.* 2003

- Comprehensive Elispot screening of 504 overlapping peptides that spanned all HIV-1 proteins in 57 HIV-1 infected individuals. Four groups of patients were compared: 23 were untreated; 12 patients were chronically infected and treated; 22 started treatment during acute infection, 11 continuously treated and 11 with STI.
- 63% of the peptides were recognized - the most frequent responses were directed against Nef (95%) and p24-Gag (88%). p17 was the most frequently recognized protein after correction for protein length. A median of 18 peptides (range 2-42) were recognized per person. The most frequently (>20%) recognized peptides were located in conserved regions within clade B sequences. Vpu was rarely recognized.
- A decrease in the total magnitude and in the breadth of CTL responses was detected in patients with treated acute infection in comparison to chronically infected treated or untreated individuals. No correlation between plasma viral load and HIV-1 specific T-cell responses was observed.
- The authors did not note the reference strain, but based on the peptide sequences provided it appears to be HXB2.
- Responses to this peptide were detected in 34% of the study subjects, and it was the second most frequently recognized epitope.

HXB2 Location Nef (71–79)
Author Location Nef (71–79 LAI)
Epitope TPQVPLRPM
Subtype B
Immunogen HIV-1 infection
Species (MHC) human (B*0702)
Keywords optimal epitope
References Frahm *et al.* 2007

- C. Brander notes this is a B*0702 epitope.

HXB2 Location Nef (71–79)
Author Location (C consensus)
Epitope RPQVPLRPM
Subtype C
Immunogen HIV-1 infection
Species (MHC) human (B*4201)
Country South Africa.
Assay type CD8 T-cell Elispot - IFN γ
Keywords rate of progression, optimal epitope
References Kiepiela *et al.* 2007

- A comprehensive analysis of 160 class I T cell responses in 578 individuals from KwaZulu-Natal, South Africa was performed. Gag-specific responses were associated with lowering viremia, while Env, accessory and regulatory protein-specific responses were associated with higher viremia.
- RPQVPLRPM is an optimal epitope for both B*4201 and B*4202.

HXB2 Location Nef (71–79)
Author Location
Epitope RPQVPLRPM
Epitope name RM9
Immunogen
Species (MHC) human (B*4201)
Keywords optimal epitope
References Frahm *et al.* 2007

- C. Brander notes this is a B*4201 epitope.

HXB2 Location Nef (71–79)
Author Location (C consensus)
Epitope RPQVPLRPM
Subtype C
Immunogen HIV-1 infection
Species (MHC) human (B*4202)
Country South Africa.
Assay type CD8 T-cell Elispot - IFN γ
Keywords rate of progression, optimal epitope
References Kiepiela *et al.* 2007

- A comprehensive analysis of 160 class I T cell responses in 578 individuals from KwaZulu-Natal, South Africa was performed. Gag-specific responses were associated with lowering viremia, while Env, accessory and regulatory protein-specific responses were associated with higher viremia.
- RPQVPLRPM is an optimal epitope for both B*4201 and B*4202.

HXB2 Location Nef (71–79)
Author Location Nef (71–79 BRU)
Epitope TPQVPLRPM
Subtype B

Immunogen HIV-1 infection
Species (MHC) human (B35)
Keywords binding affinity, epitope processing
References Choppin *et al.* 2001

- Seventy-three 8-11 mer peptides were generated based on putative anchor motifs in the Nef BRU sequence for HLA A2, A3, A24, B7, B8, and B35; these 73 peptides had 81 motifs. 54% bound to the predicted HLA molecule, particularly A2, B7/35, and B8. The strength of HLA-peptide binding was not directly related to the number of individuals that recognized a protein.
- 20s proteasome cleavage of the Nef protein positions 66-100 showed a large fraction of peptides were cleaved ending at: 87L, 83A, 81Y, 71P, 68F and 67G. The frequency of recognition may be in part dictated by the cleavage step in processing.
- TPQVPLRPM was recognized in 1/10 (10%) of individuals with HLA B7, and 1/10 (10%) of individuals with HLA B35. It was a moderate affinity HLA binder.

HXB2 Location Nef (71–79)
Author Location Nef (71–79 SF2)
Epitope TPQVPLRPM
Immunogen HIV-1 infection
Species (MHC) human (B7)
Keywords HAART, ART, acute/early infection
References Altfeld *et al.* 2001b

- Therapy provided during acute infection resulted in a narrower CTL response, stronger T help response, and a less diverse viral population than was seen in individuals treated during chronic infection.
- The breadth and specificity of the response was determined using ELISPOT by studying 19 individuals with pre-seroconversion therapy (Group 1), 11 individuals with primary infection but post-seroconversion therapy (Group 2), and 10 individuals who responded to HAART given during chronic infection (Group 3), using 259 overlapping peptides spanning p17, p24, RT, gp41, gp120 and Nef.
- Previously described and newly defined optimal epitopes were tested for CTL response.
- Number of HLA-B7+ individuals that had a CTL response to this epitope broken down by group: 0/4 group 1, 0/3 group 2, and 1/1 group 3.

HXB2 Location Nef (71–79)
Author Location Nef (71–79)
Epitope TPQVPLRPM
Immunogen HIV-1 infection
Species (MHC) human (B7)
Keywords rate of progression, acute/early infection
References Day *et al.* 2001

- The CTL response to optimally defined CTL epitopes restricted by HLA class I A and B alleles in individuals who coexpressed HLA A2, A3, and B7 was studied in eight HIV-1-infected subjects, two with acute infection, five with chronic, and one long-term non-progressor (LTNP)
- 2 to 17 epitopes were recognized in a given individual, A2-restricted CTL response tended to be narrow and never dominated the response, and 25/27 epitopes were targeted by at least one person.
- Subjects with chronic HIV-1 infection recognized between 2-8 out of 11 B7-restricted epitopes.

- An acute seroconverter homozygous for the B7 allele recognized five B7-restricted epitopes.
- The other acute seroconverter failed to recognize any of the 11 B7-restricted epitopes tested.
- The B7-restricted CTL response was highly variable and there was no clearly dominant epitope.

HXB2 Location Nef (71–79)

Author Location Nef (71–79 BRU)

Epitope TPQVPLRPM

Subtype B

Immunogen HIV-1 infection

Species (MHC) human (B7)

Keywords binding affinity, epitope processing

References Chopin *et al.* 2001

- Seventy-three 8-11 mer peptides were generated based on putative anchor motifs in the Nef BRU sequence for HLA A2, A3, A24, B7, B8, and B35; these 73 peptides had 81 motifs. 54% bound to the predicted HLA molecule, particularly A2, B7/35, and B8. The strength of HLA-peptide binding was not directly related to the number of individuals that recognized a protein.
- 20s proteasome cleavage of the Nef protein positions 66-100 showed a large fraction of peptides were cleaved ending at: 87L, 83A, 81Y, 71P, 68F and 67G. The frequency of recognition may be in part dictated by the cleavage step in processing.
- TPQVPLRPM was recognized in 1/10 (10%) of individuals with HLA B7, and 1/10 (10%) individuals with HLA B35. It was a moderate affinity HLA binder.

HXB2 Location Nef (71–79)

Author Location Nef (71–79)

Epitope TPQVPLRPM

Epitope name B7-TM9

Subtype B

Immunogen HIV-1 infection

Species (MHC) human (B7)

Donor MHC A3, B7, Cw7

Keywords dynamics, supervised treatment interruptions (STI), acute/early infection

References Yu *et al.* 2002a

- CTL responses in 18 acutely HIV-infected HLA-A3 (n=7) or -B7 (n=4) or both -A3 and B7 (n=7) positive individuals were studied.
- One individual, AC-06, was homozygous at all three class I alleles (A3, B7, Cw7), was treated during acute infection and had supervised treatment interruptions (STI). He had only two detectable CTL responses during acute infection, but after STI this broadened to 27 distinct epitopes including 15 restricted by HLA-A3, 11 by HLA-B7, and 1 by HLA-Cw7.
- 0/11 HLA-B7 individuals had detectable B7-restricted responses to this epitope during acute infection – 10/15 of HLA-B7 epitopes tested were targeted by at least one person during acute infection. 2/4 individuals had detectable responses to this epitope after STI.

HXB2 Location Nef (71–79)

Author Location Nef

Epitope TPQVPLRPM

Epitope name B7-TM9(Nef)

Subtype B

Immunogen HIV-1 infection

Species (MHC) human (B7)

Donor MHC A32, B7, B14; A24, B7, B27

Keywords HAART, ART, supervised treatment interruptions (STI)

References Altfeld *et al.* 2002b

- Peripheral blood (PB) and lymph node (LN) CD8+ T-cell responses were compared in 15 asymptomatic HIV-1 infected patients using all known optimal CTL epitopes (<http://hiv-web.lanl.gov/content/hiv-db/REVIEWS/brander2001.html>) for each person's class I HLA alleles.
- 60 epitope responses were detected in both PB and LN samples of the 15 patients, and an additional 8 responses were detected only in LN. The total magnitude of the response was similar in LN and PB, but the percentage of CD8+ T cells in the LN is lower so the number of HIV-specific cells per million CD8+ T-cells is higher in the LN.
- 1 year post-HAART treatment in five patients studied, the magnitude of the CD8 T-cell response was decreased in both LN and PB, but more dramatically in PB, and 13/25 epitope responses in the PB became undetectable, in contrast to 5/26 in the LN.
- Treatment interruption following HAART induced resulted in increased viremia accompanied by the restoration of the detection of 13 epitopes that had become undetectable in the PB, and the addition of 9 novel epitope responses.
- Breakdowns of epitope responses were shown for 4 individuals. Patient A displayed the greatest response to epitope B14-EL9(gp41), a strong response to B7-TL9(p24), and responses to B7-TM9(Nef) and A32-PW10(RT). Patient C displayed the greatest response to B27-KK10(p24), and in decreasing order also responded to A24-RW8(Nef), B7-IL9(gp41), A24-RL9(gp41), A24-YL8(gp41), and B7-TM9(Nef).

HXB2 Location Nef (71–79)

Author Location Nef (180–187)

Epitope TPQVPLRPM

Subtype B

Immunogen HIV-1 infection

Species (MHC) human (B7)

Donor MHC A1, A3, B7, B57, Cw6, Cw7

Country United States.

Assay type CD8 T-cell Elispot - IFN γ

References Allen *et al.* 2005a

- Two-thirds of all mutations arising in nonenvelope proteins during the transition from acute to chronic infection were found to be due to either CD8 T-cell-associated selective pressures or reversion of HLA-I-associated mutations selected in a previous host. The predominance of escape mutations at highly polymorphic sites was observed across different HIV-1 clades.
- This epitope was reactive, but escape mutations did not accrue in it over time.

HXB2 Location Nef (71–79)

Author Location Nef (71–79)

Epitope TPQVPLRPM

Subtype B

Immunogen vaccine

Vector/Type: lipopeptide *Strain:* B clade LAI *HIV component:* Env, Gag, Nef *Adjuvant:* QS21

Species (MHC) human (B7 supertype)

Assay type proliferation, CD8 T-cell Elispot - IFN γ , Chromium-release assay

Keywords vaccine-induced epitopes, variant cross-recognition or cross-neutralization

References Gahéry-Ségard *et al.* 2003

- After injection of an anti-HIV-1 lipopeptide vaccine and the booster injections, a response was observed in >85% of 28 volunteers, and a long-term immune response was observed in >50% of the volunteers. A positive effect of QS21 adjuvant was found for B- and CD4+T-cell responses. A higher number of CD8+ T-cell epitopes was induced after a fourth boost injection. This epitope was one of the most frequently recognized of the 31 epitopes that the vaccinated volunteers responded to.

HXB2 Location Nef (71–79)

Author Location Nef (C consensus)

Epitope RPQVPLRPM

Subtype C

Immunogen HIV-1 infection

Species (MHC) human (B7, B81, B*4201, B*0702, B*8101)

Country South Africa.

Assay type CD8 T-cell Elispot - IFN γ

Keywords escape, cross-presentation by different HLA

References Kiepiela *et al.* 2004

- HLA class I restricted CD8+ T-cell responses against HIV-1 were analyzed in African patients. Significantly more responses were shown to be HLA-B restricted. Viral load, CD4 count, and thus rate of disease progression were also associated with HLA-B alleles. In addition, the selection pressure imposed on HIV-1 by HLA-B alleles was shown to be substantially greater than by other alleles.
- People who carried either B07 or B81 tended to carry a variant of this epitope, while people who did not almost always carried the consensus form.
- B*4201 may also present this epitope, as the allele is enriched in people who react with the peptide that contains the epitope, and it is known from the database to be also presented by B*4201.

HXB2 Location Nef (71–81)

Author Location Nef (75–85 SF2)

Epitope RPQVPLRPMTY

Immunogen HIV-1 infection

Species (MHC) human (B*3501)

References Tomiyama *et al.* 1997

- A CTL clone responsive to this epitope was obtained.
- 4/7 B35-positive individuals had a strong CTL response to this epitope.
- An R to T substitution at position 1 abrogates specific lysis, but not binding to B*3501.
- An R to H substitution at position 7 did not alter reactivity.

HXB2 Location Nef (71–81)

Author Location Nef (75–85)

Epitope RPQVPLRPMTY

Immunogen HIV-1 infection

Species (MHC) human (B*3501)

References Tomiyama *et al.* 2000a

- CD8+ T-cells that bound one of six HIV-specific B*3501-epitope tetramers did not express CD28 or CD45A.
- A significant increase in CD28-CD45RA- cells and a decrease of CD28+CD45RA+ cells was observed in chronically HIV-1-infected individuals relative to healthy individuals.
- CD28-CD45RA- cells are likely to be effector cells and have high levels of perforin in their cytoplasm.
- The mean percentage of total CD28- CD8+ cells in chronically infected HIV-1-infected patients was 76.6% in comparison to HIV-1-uninfected individuals (40.6%)

HXB2 Location Nef (71–81)

Author Location Nef (75–85 SF2)

Epitope RPQVPLRPMTY

Immunogen HIV-1 infection

Species (MHC) human (B35)

References Shiga *et al.* 1996

- Binds HLA-B*3501.

HXB2 Location Nef (71–81)

Author Location (SF2)

Epitope RPQVPLRPMTY

Immunogen HIV-1 infection

Species (MHC) human (B35)

Keywords binding affinity, rate of progression, escape

References Kawana *et al.* 1999

- HLA B35 is associated with rapid disease progression.
- The sequences of 9 previously described HIV-1 B35 CTL epitopes were obtained in 10 HLA B35+ and 19 HLA B35- individuals.
- 3/9 CTL epitopes had substitutions that were more common in B35+ individuals than in B35- individuals – only one of these reduced the binding of the peptide to B35 and was shown to be an escape mutation.
- rpqvplrpmtF was found in 9/10 of the B35+ individuals, none of the B35- individuals—the Y→F substituted peptide had a similar binding affinity with B35 and was recognized by a CTL clone equally with wildtype.

HXB2 Location Nef (71–81)

Author Location Nef (69–79)

Epitope RPQVPLRPMTY

Immunogen HIV-1 infection

Species (MHC) human (B35)

References Ferrari *et al.* 2000

- One of the 51 HIV-1 epitopes selected by Ferrari *et al.* as good candidate CTL epitopes for vaccines by virtue of being conserved and presented by common HLA alleles.

HXB2 Location Nef (71–81)

Author Location Nef (71–81 BRU)

Epitope TPQVPLRPMTY

Subtype B

Immunogen HIV-1 infection

Species (MHC) human (B35)

Keywords binding affinity, epitope processing

References Chopin *et al.* 2001

- Seventy-three 8-11 mer peptides were generated based on putative anchor motifs in the Nef BRU sequence for HLA A2, A3, A24, B7, B8, and B35; these 73 peptides had 81 motifs. 54% bound to the predicted HLA molecule, particularly A2, B7/35, and B8. The strength of HLA-peptide binding was not directly related to the number of individuals that recognized a protein.
- 20s proteasome cleavage of the Nef protein positions 66-100 showed a large fraction of peptides were cleaved ending at: 87L, 83A, 81Y, 71P, 68F and 67G. The frequency of recognition may be in part dictated by the cleavage step in processing.
- TPQVPLRPMTY was recognized in 9/12 (75%) of individuals with HLA B7, and 5/10 (50%) of individuals with HLA B35. It was a moderate affinity HLA binder, and the C-term Y readily cleaved *in vitro*.

HXB2 Location Nef (71–81)

Author Location Nef

Epitope RPQVPLRPMTY

Subtype A, B, D

Immunogen HIV-1 infection, vaccine

Vector/Type: DNA prime with modified vaccinia Ankara (MVA) boost *Strain:* A clade
HIV component: p17 Gag, p24 Gag

Species (MHC) human, macaque (B51)

Keywords subtype comparisons, epitope processing, vaccine-specific epitope characteristics, immunodominance

References Hanke & McMichael 2000; Wee *et al.* 2002

- The HIV-1 subtype A focused vaccine HIVA contains p24 and p17, in a reversed order relative to the Gag polyprotein to prevent myristylation of p17, which could direct the protein to the cell membrane and inhibit efficient peptide processing and class I presentation, as well as a polyepitope string of conserved, often immunodominant epitopes that were selected to have particularly good cross-reactive potential for the A-clade epidemic in Nairobi, Kenya. A DNA and MVA prime-boost vaccination protocol using the HIVA antigen will be used in a phase III clinical trial in Kenya. This epitope is included in the polyepitope string Hanke & McMichael [2000].
- Multiple CD4+ or CD8+ T-cell vaccine-induced responses to peptide pools were detected using intracellular cytokine staining and IFN γ ELISPOT assays after vaccination of 5 macaques. The response to the Mamu A*01 SIV p27 epitope p11C (CTPYDINQM), included in the polyepitope region, was not immunodominant in the Mamu A*01 vaccinated macaques, possibly because of processing limitations in context of the artificial polyepitope string Wee *et al.* [2002].

HXB2 Location Nef (71–81)

Author Location Nef (71–81 BRU)

Epitope TPQVPLRPMTY

Subtype B

Immunogen HIV-1 infection

Species (MHC) human (B7)

Keywords binding affinity, epitope processing

References Choppin *et al.* 2001

- Seventy-three 8-11 mer peptides were generated based on putative anchor motifs in the Nef BRU sequence for HLA A2, A3, A24, B7, B8, and B35; these 73 peptides had 81 motifs. 54% bound to the predicted HLA molecule, particularly A2, B7/35,

and B8. The strength of HLA-peptide binding was not directly related to the number of individuals that recognized a protein.

- 20s proteasome cleavage of the Nef protein positions 66-100 showed a large fraction of peptides were cleaved ending at: 87L, 83A, 81Y, 71P, 68F and 67G. The frequency of recognition may be in part dictated by the cleavage step in processing.
- TPQVPLRPMTY was recognized in 9/12 (75%) of individuals with HLA B7, and 5/10 (50%) of individuals with HLA B35. It was a moderate affinity HLA binder, and the C-term Y readily cleaved *in vitro*.

HXB2 Location Nef (71–81)

Author Location Nef (71–81)

Epitope TPQVPLRPMTY

Subtype B

Immunogen vaccine

Vector/Type: lipopeptide *Strain:* B clade
LAI HIV component: Env, Gag, Nef *Adjuvant:* QS21

Species (MHC) human (B7 supertype)

Assay type proliferation, CD8 T-cell Elispot - IFN γ , Chromium-release assay

Keywords vaccine-induced epitopes, variant cross-recognition or cross-neutralization

References Gahéry-Ségard *et al.* 2003

- After injection of an anti-HIV-1 lipopeptide vaccine and the booster injections, a response was observed in >85% of 28 volunteers, and a long-term immune response was observed in >50% of the volunteers. A positive effect of QS21 adjuvant was found for B- and CD4+T-cell responses. A higher number of CD8+ T-cell epitopes was induced after a fourth boost injection. This epitope was one of the 31 epitopes that the vaccinated volunteers responded to.
- A response was induced in one patient after immunization with lipopeptides alone (no adjuvant) after the third (W44) boost. A rPQVPLRPMTY variant was also recognized.

HXB2 Location Nef (72–81)

Author Location Nef (72–82)

Epitope PQVPLRPMTY

Subtype B

Immunogen HIV-1 infection

Species (MHC) human (B35, B51)

Assay type CD8 T-cell Elispot - IFN γ , CD8 T-cell Elispot granzyme B

Keywords Th1, characterizing CD8+ T cells

References Kleen *et al.* 2004

- Only 20% of CD8+ T-cells produce IFN-gamma and granzyme B simultaneously (Tc1a). Two additional subpopulations of HIV specific CD8 cells are found, each one constituting 30-40% of the CD8 cell pool. One of these (Tc1b) secretes IFN-gamma only, and the other one (Tc1c) secretes GzB only.
- Three of nine patients responded to this peptide with GzB producing and IFN-gamma producing cells, and one additional with IFN-gamma producing cells.

HXB2 Location Nef (72–86)

Author Location Nef (72–86)

Epitope PQVPLRPMTYKGAFD

Subtype C

Immunogen HIV-1 infection

Species (MHC) human

Keywords subtype comparisons

References Novitsky *et al.* 2002

- HLA, viral sequence, and Elispot data was obtained from 105 HIV-1 positive Botswanans; Elispot data was obtained from between 55 and 64 subjects for each HIV protein.
- Nef and p24 had the highest percentage of reactive peptides, and p24 had the highest magnitude of HIV-1 responses.
- This peptide was among the 28 most reactive C clade peptides from among over 350 tested spanning all HIV proteins.

HXB2 Location Nef (72–91)

Author Location Nef (71–90 SF2)

Epitope PQVPLRMTYKAAVDLSHFL

Immunogen HIV-1 infection

Species (MHC) human

References Lieberman *et al.* 1997a

- Of 25 patients, most had CTL specific for more than 1 HIV-1 protein.
- Eleven subjects had CTL that could recognize vaccinia-expressed LAI Nef.
- Three of these 11 had CTL response to this peptide.
- The responding subjects were HLA-A3, A32, B51, B62; HLA-A11, A24, B8, B53.

HXB2 Location Nef (72–91)

Author Location Nef (71–90 SF2)

Epitope PQVPLRMTYKAAVDLSHFL

Immunogen HIV-1 infection

Species (MHC) human

References Lieberman *et al.* 1997b

- CTL expanded *ex vivo* were later infused into HIV-1 infected patients.

HXB2 Location Nef (72–91)

Author Location Nef (SF2)

Epitope PQVPLRRMTYKAAVDLSHFL

Immunogen HIV-1 infection

Species (MHC) human

References Altfeld *et al.* 2001a

- HIV+ individual AC-06 was tested for reactive overlapping peptides spanning all HIV-1 proteins in an ELISPOT and was found to react with 12 peptides from 7 proteins, suggesting that the breadth of CTL responses are underestimated if accessory proteins are not included in the study.
- Nef peptides PQVPLRRMTYKAAVDLSHFL, KAAVDLSHFLKEKGGLEGLI and EEEVGFVTPQVPLRPMTY were recognized and the first two share KAAVDLSHFL (a Cw8 epitope), the first and last share PQVPLRPMTY.

HXB2 Location Nef (73–82)

Author Location Nef (73–82 NL43)

Epitope QVPLRPMTYK

Immunogen HIV-1 infection

Species (MHC) human (A*0301)

References Koenig *et al.* 1990

- 81 Tyr is critical for binding to A3.1.
- C. Brander notes that this is an A*0301 epitope in the 1999 database.

HXB2 Location Nef (73–82)

Author Location Nef (73–82 LAI)

Epitope QVPLRPMTYK

Subtype B

Immunogen HIV-1 infection

Species (MHC) human (A*0301)

Keywords rate of progression, escape

References Koenig *et al.* 1995

- Alanine substitutions L76A, R77A, M79A, T80A significantly decreased immunogenicity of peptide.
- Nef CTL clones (4N225) were infused into an HIV-1 infected volunteer to evaluate effects of infusion on viral load/patient health.
- Infusion led to outburst of escape variants which resulted in higher viral load/accelerated disease progression.

HXB2 Location Nef (73–82)

Author Location Nef (73–82)

Epitope QVPLRPMTYK

Immunogen HIV-1 infection

Species (MHC) human (A*0301)

Keywords immunodominance

References Betts *et al.* 2000

- Only 4/11 HLA-A2+ HIV+ individuals had CTL that reacted to SLYNTVATL, calling into question whether it is immunodominant.
- 95 optimally-defined peptides from this database were used to screen for INF γ responses to other epitopes.
- 1/11 of the A2+ individuals was A3, and responded to QVPLRPMTYK as well as two other A3.1 epitopes.

HXB2 Location Nef (73–82)

Author Location Nef (73–82)

Epitope QVPLRPMTYK

Immunogen HIV-1 infection

Species (MHC) human (A*0301)

Keywords acute/early infection

References Wilson *et al.* 2000a

- Three individuals with highly focused HIV-specific CTL responses were studied during acute infection using tetramers – high frequencies of HIV-1-specific CD8+ T cells were found prior to seroconversion, and there was a close temporal relationship between the number of circulating HIV-specific T cells and viral load was also found.
- All three patients were B*2705, with HLA alleles: A1, A30/31, B*2705, B35; A1, A*0301, B7, B2705; and A*0201, A*0301, B2705, B39.
- ELISPOT was used to test a panel of CTL epitopes that had been defined earlier and were appropriate for the HLA haplotypes of the study subjects – 3/3 subjects showed a dominant response to the B*2705 epitope KRWIILGGLNK.
- The subject with A*0201 had a moderately strong response to SLYNTVATL.
- Weak responses were observed to A*301-RLRPGGKKK, A*301-QVPLRPMTYK, and B7-TPGPGVRYPL in the subject who was HLA A1, A*0301, B7, B*2705.

- No acute response was detected to the following epitopes: A*201-ILKEPVHGV, A*301-KIRLRPGGK, A*301-AIFQSSMTK, A*301-TVYYGVPVWV, B35-EPIVGAETF, B35-HPDIVIYQY, B35-PIIPVGEIY, B35-NSSKVSQNY, B35-VPLRPMTY, B35-DPNPQEVVL.

HXB2 Location Nef (73–82)

Author Location Nef (73–82 LAI)

Epitope QVPLRPMTYK

Subtype B

Immunogen

Species (MHC) human (A*0301)

Keywords optimal epitope

References Frahm *et al.* 2007

- C. Brander notes this is an A*0301 epitope.

HXB2 Location Nef (73–82)

Author Location Nef (73–82)

Epitope QVPLRPMTYK

Subtype B

Immunogen in vitro stimulation or selection

Species (MHC) human (A*0301)

Keywords epitope processing, dendritic cells

References Andrieu *et al.* 2003

- This study demonstrates that lipopeptides carrying epitopes can be taken up by human dendritic cells, processed using different pathways, and recognized by epitope-specific CD8+ T-cells originally derived from HIV+ individuals. The RT ILKEPVHGV peptide was embedded in a longer peptide fragment in the lipopeptide, and was internalized by endocytosis and processed in the cytosol by proteasomal cleavage by following an endosome-to-cytosol pathway for processing and presentation. Administration of epoxomycin, a proteasome inhibitor, completely abrogated epitope presentation to a CD8+ T-cell line, while monensin, an inhibitor of acid-dependent endosomal enzyme activity did not.
- In contrast to the RT epitope, dendritic cell presentation of the Nef epitope QVPLRPMTYK embedded in a longer peptide in a lipopeptide was not inhibited by epoxomycin, but was inhibited by monensin, indicative of endocytotic epitope processing.

HXB2 Location Nef (73–82)

Author Location Nef

Epitope QVPLRPMTYK

Subtype B

Immunogen HIV-1 infection

Species (MHC) human (A*0301)

Donor MHC A*0101, A*0301, B*0801, B*5101

Country United Kingdom.

Assay type CD8 T-cell Elispot - IFN γ , HLA binding

Keywords escape

References Milicic *et al.* 2005

- CTL responses and escape were analyzed in 4 homosexual couples where blood samples were available within weeks of estimated transmission. When the recipient had the same HLA type as the donor, CTL escape variants prevented a CTL response to those epitopes in the recipient. Even when the HLA alleles were different in the transmitting couple, a single escape mutation in one epitope can abolish CTL recognition of an overlapping epitope of distinct restriction in the recipient.

In an early acute infection of the donor, the precise timing of transmission determines the viral variants transmitted.

- Two variants of this epitope, QVPvRPMTYK and QaPLRPM-TYK, were found in 1 donor. The QaPLRPM-TYK substitution reduced the binding affinity for A*0301 by 52%.

HXB2 Location Nef (73–82)

Author Location Nef

Epitope QVPLRPMTYK

Subtype A, B, D

Immunogen HIV-1 infection, vaccine

Vector/Type: DNA prime with modified vac-

cinia Ankara (MVA) boost *Strain:* A clade

HIV component: p17 Gag, p24 Gag

Species (MHC) human, macaque (A*0301, A11)

Keywords subtype comparisons, epitope processing, vaccine-specific epitope characteristics, immunodominance

References Hanke & McMichael 2000; Wee *et al.* 2002

- The HIV-1 subtype A focused vaccine HIVA contains p24 and p17, in a reversed order relative to the Gag polyprotein to prevent myristylation of p17, which could direct the protein to the cell membrane and inhibit efficient peptide processing and class I presentation, as well as a polyepitope string of conserved, often immunodominant epitopes that were selected to have particularly good cross-reactive potential for the A-clade epidemic in Nairobi, Kenya. A DNA and MVA prime-boost vaccination protocol using the HIVA antigen will be used in a phase III clinical trial in Kenya. This epitope is included in the polyepitope string Hanke & McMichael [2000].
- Multiple CD4+ or CD8+ T-cell vaccine-induced responses to peptide pools were detected using intracellular cytokine staining and IFN γ Elispot assays after vaccination of 5 macaques. The response to the Mamu A*01 SIV p27 epitope p11C (CTPYDINQM), included in the polyepitope region, was not immunodominant in the Mamu A*01 vaccinated macaques, possibly because of processing limitations in context of the artificial polyepitope string Wee *et al.* [2002].

HXB2 Location Nef (73–82)

Author Location (LAI)

Epitope QVPLRPMTYK

Subtype B

Immunogen

Species (MHC) human (A*1101)

Keywords optimal epitope

References Buseyne 1999; Frahm *et al.* 2007

HXB2 Location Nef (73–82)

Author Location Nef (73–82)

Epitope QVPLRPMTYK

Subtype B, CRF01_AE

Immunogen

Species (MHC) (A*1101)

Country Thailand.

Keywords HIV exposed persistently seronegative (HEPS), immunodominance, structure

References Li & Bouvier 2004

- HLA-A*1101 has been associated with resistance to acquisition of HIV-1 infection in female sex-workers in Thailand. Its crystal structure has been determined in association with two immunodominant A*1101 HIV-1 CTL epitopes. Its anchor residues are confirmed as P2(Ile/Val) and C-term (Lys). The backbone conformation of the peptides is defined as two bulges separated by a secondary anchor residue (P6 Ser or Met) that may offer various advantages in the selection and presentation of CTL epitopes by HLA-A*1101.

HXB2 Location Nef (73–82)

Author Location Nef (73–82)

Epitope QVPLRPMTYK

Immunogen HIV-1 infection

Species (MHC) human (A11)

References Le Borgne *et al.* 2000

- Soluble factors in supernatant from both an HIV-specific cloned CTL line and an EBV (Epstein-Barr-virus) CTL line inhibit viral replication, but do not block viral entry in CD4+ T lymphocytes, by a noncytotoxic mechanism.

HXB2 Location Nef (73–82)

Author Location Nef (73–82 LAI)

Epitope QVPLRPMTYK

Subtype B

Immunogen HIV-1 infection

Species (MHC) human (A11)

References Robertson *et al.* 1993

- Development of a retroviral vector (pNeoNef) to generate autologous CTL targets.
- Hunziker *et al.* [1998] suggests that HLA-A2 does not in fact present this epitope.
- The initial assignment of HLA-A2 presentation for this epitope was based on a serological HLA typing. Subsequently, the authors revisited the issue with genetic HLA typing and found that HLA-A11 was the correct presenting molecule (Dr. Florence Buseyne, pers. comm., 2000)

HXB2 Location Nef (73–82)

Author Location Nef (73–82 LAI)

Epitope QVPLRPMTYK

Subtype B

Immunogen HIV-1 infection

Species (MHC) human (A11)

Keywords review, escape

References Couillin *et al.* 1994; Goulder *et al.* 1997a

- Mutational variation in HIV epitopes in individuals with appropriate HLA types can result in evasion of CTL response.
- Goulder *et al.* [1997a] is a review of immune escape that summarizes this study.

HXB2 Location Nef (73–82)

Author Location Nef (73–82 LAI)

Epitope QVPLRPMTYK

Subtype B

Immunogen HIV-1 infection

Species (MHC) human (A11)

References Couillin *et al.* 1995

- Mutations found in this epitope in HLA-A11 positive and negative donors were characterized.

HXB2 Location Nef (73–82)

Author Location Nef (73–82)

Epitope QVPLRPMTYK

Epitope name QVP

Immunogen HIV-1 infection

Species (MHC) human (A11)

Keywords HAART, ART, supervised treatment interruptions (STI), immunodominance, acute/early infection

References Oxenius *et al.* 2000

- Patients who started therapy at acute HIV-1 infection (three with sustained therapy, two with limited therapy upon early infection) had strong HIV specific CD4 proliferative responses and were able to maintain a CTL response even with undetectable viral load – three patients that had delayed initiation of HAART had no HIV specific CD4 proliferative responses and lost their CTL responses when HAART was eventually given and their viral loads became undetectable.
- One of the 2/8 HLA-A11 study subjects recognized this CTL epitope.
- Patient SC18(HLA A2/11, B8/44, Cw06/0701, DR3/7, DR52/53, DQ2) recognizes the epitopes ACQGVGGPGHK, QVPLRPMTYK, AVDLSHFLK, and one called QIY but not fully described – he had brief therapy upon seroconversion and has had low viral load during 600 days of follow up.

HXB2 Location Nef (73–82)

Author Location Nef (73–82)

Epitope QVPLRPMTYK

Immunogen HIV-1 infection, HIV-1 exposed seronegative

Species (MHC) human (A11)

Keywords HIV exposed persistently seronegative (HEPS)

References Kaul *et al.* 2001a

- ELISPOT was used to study CTL responses to a panel of 54 predefined HIV-1 epitopes in 91 HIV-1-exposed, persistently seronegative (HEPS) and 87 HIV-1-infected female Nairobi sex workers.

HXB2 Location Nef (73–82)

Author Location Nef (73–82)

Epitope QVPLRPMTYK

Immunogen HIV-1 infection

Species (MHC) human (A11)

References Appay *et al.* 2000

- Combined tetramer and intracellular cytokine staining was used to study the function of circulating CD8+ T cells specific for HIV and CMV.
- HIV-specific CD8+ T cells expressed lower levels of perforin than CMV-specific CD8+ T cells from the same donor, and this was associated with persistent CD27 expression on HIV-specific cells, suggesting impaired maturation.
- In most donors, between 50% and 95% of the activated virus-specific CD8+ T cells produced IFN- γ and MIP-1 β with a distinct subset that failed to produce TNF- α

HXB2 Location Nef (73–82)

Author Location Nef (71–80 93TH253 subtype CRF01)

Epitope QVPLRPMTYK

Epitope name N73-82

Subtype CRF01_AE**Immunogen** HIV-1 infection, HIV-1 exposed seronegative**Species (MHC)** human (A11)**Keywords** HIV exposed persistently seronegative (HEPS)**References** Sriwanthana *et al.* 2001

- This was a study of HIV-1 exposed persistently seronegative (HEPS) female sex workers in Chiang Mai, northern Thailand.
- HLA-A11 is very common in this population, and was enriched among the HEPS sexworkers – weak CTL responses were detected in 4/7 HEPS women, and CTL responses were found in 8/8 HIV+ controls, and 0/9 HIV- women that were not exposed.
- This epitope was weakly reactive in HEPS study subjects 265 who was HLA A2/A11 and 128 who was HLA A11/A33, and after a second *in vitro* stimulation, in study subject 256 who was HLA A11/33, making it the most reactive epitope tested in HLA-A11 HEPS women, with 3/4 responding.
- This epitope was strongly reactive in HIV+ study subject 053 who carried HLA-A11.

HXB2 Location Nef (73–82)**Author Location** Nef (71–80 93TH253 subtype CRF01)**Epitope** QVPLRPMTYK**Subtype** CRF01_AE**Immunogen** HIV-1 infection**Species (MHC)** human (A11)**Keywords** subtype comparisons**References** Bond *et al.* 2001

- HLA-A11 CRF01 (called subtype E in Bond *et al.*) epitopes were identified that stimulated CTL from HIV+ female sex workers (FSW) from Northern Thailand, of whom more than half were HLA-A11 positive.
- 77 possible HLA-A11 epitopes were first defined using EpiMatrix, these were screened for binding to A11 finding and 26 bound, and 12 of these were epitopes for CTL responses from 8 HLA-A11 positive FSWs, six were novel, six were previously identified.
- This epitope was predicted by the EpiMatrix method to be likely to bind to A11, and it served as an epitope in the FSWs, it was one of the six A11 epitopes that had been previously defined.
- 4/8 tested FSWs recognized this epitope.
- An HLA-A11 tetramer was made for this epitope, which was recognized by two subjects – only one subject had an expanded tetramer staining T-cell population after *in vitro* stimulation.
- This epitope was highly conserved in other subtypes, and exact matches were common.

HXB2 Location Nef (73–82)**Author Location** Nef**Epitope** QVPLRPMTYK**Epitope name** QVP**Immunogen** HIV-1 infection**Species (MHC)** human (A11)**Keywords** HAART, ART, supervised treatment interruptions (STI)**References** Oxenius *et al.* 2002b

- Using previously defined epitopes Oxenius *et al.* [2000, 2001a] in an IFN γ Elispot assay, 13 chronically HIV-1 infected patients were studied over a period including therapy with standard treatment interruptions (STI).
- STIs induced increased recognition of CTL epitopes, but there was no correlation between CTL responses with viral rebound rates, plateau viral loads, or clearance rates.

HXB2 Location Nef (73–82)**Author Location** Nef**Epitope** QVPLRPMTYK**Immunogen** HIV-1 infection**Species (MHC)** human (A11)**Donor MHC** A2, A11, B8, B60, Bw6**Keywords** HAART, ART**References** Appay *et al.* 2002

- Four HIV patients with prolonged clinically successful anti-viral therapy but with ongoing evidence of replication and Nef mRNA transcription, showed specific T-cell responses by Elispot and Tetramer staining, maintained for 2-4 years after initiation of HAART.
- Nef epitope recognition was detected in all 4 subjects, gp120, Pol and Gag-specific in 1 or 2 subjects – two patients recognized this epitope, one using HLA-A3, one using HLA-A11.
- The HIV-specific CD8+ T-cells had an intermediate maturation phenotype characterized by low levels of perforin and high levels of CD27 expression.

HXB2 Location Nef (73–82)**Author Location** Nef (73–82)**Epitope** QVPLRPMTYK**Epitope name** QK10**Subtype** B**Immunogen** HIV-1 infection**Species (MHC)** human (A11)**Donor MHC** A2, A11, B18, B44, Cw5, Cw12**Country** United States.**Assay type** CD8 T-cell Elispot - IFN γ , Intracellular cytokine staining, Flow cytometric T-cell cytokine assay**Keywords** optimal epitope**References** Allen *et al.* 2005b

- 4/14 optimal HIV-1 T-cell epitopes in a subject underwent mutation associated with dramatic loss of the original CD8 response. For 1 of the escape variants, a novel CD8 T-cell response equal in magnitude to the wildtype, was generated. CD8 T-cell recognizing the variant epitope utilized a distinct T-cell receptor and did not exhibit any cross-reactivity against the wildtype.
- This epitope did not vary.

HXB2 Location Nef (73–82)**Author Location** Nef (73–82)**Epitope** QVPLRPMTYK**Subtype** B**Immunogen** HIV-1 infection**Species (MHC)** human (A11)**Donor MHC** A2, A11, B18, B44, Cw5, Cw12**Country** United States.**Assay type** CD8 T-cell Elispot - IFN γ

References Allen *et al.* 2005a

- Two-thirds of all mutations arising in nonenvelope proteins during the transition from acute to chronic infection were found to be due to either CD8 T-cell-associated selective pressures or reversion of HLA-I-associated mutations selected in a previous host. The predominance of escape mutations at highly polymorphic sites was observed across different HIV-1 clades.
- This epitope was reactive, but escape mutations did not accrue in it over time.

HXB2 Location Nef (73–82)**Author Location** Nef**Epitope** QVPLRPMTYK**Epitope name** QK9**Immunogen****Species (MHC)** (A11)**Keywords** review, immunodominance, escape, acute/early infection, early-expressed proteins, kinetics, reversion, viral fitness**References** Lichterfeld *et al.* 2005

- This review discusses the importance of 3 factors that impact the selection of immunodominant epitopes in acute HIV infection: i) the kinetics of viral protein expression, ii) the HLA class I background of the infected individual, and iii) the autologous sequence of the infecting virus. This is 1 of 12 peptides listed as immunodominant in acute HIV-1 infection.

HXB2 Location Nef (73–82)**Author Location** Nef (73–82)**Epitope** QVPLRPMTYK**Subtype** B**Immunogen** HIV-1 infection**Species (MHC)** human (A11, A*0301)**Country** United States.**Assay type** CD8 T-cell Elispot - IFN γ , CD8 T-cell Elispot granzyme B**Keywords** Th1, characterizing CD8+ T cells**References** Kleen *et al.* 2004

- Only 20% of CD8+ T-cells produce IFN-gamma and granzyme B simultaneously (Tc1a). Two additional subpopulations of HIV specific CD8 cells are found, each one constituting 30-40% of the CD8 cell pool. One of these (Tc1b) secretes IFN-gamma only, and the other one (Tc1c) secretes GzB only.
- None of three patients responded to this peptide with GzB producing cells, while all three responded with IFN-gamma producing cells.

HXB2 Location Nef (73–82)**Author Location** Nef (73–81)**Epitope** QVPLRPMTYK**Immunogen** HIV-1 infection**Species (MHC)** human (A2, A3, A11, B35)**References** Ferrari *et al.* 2000

- One of the 51 HIV-1 epitopes selected by Ferrari *et al.* as good candidate CTL epitopes for vaccines by virtue of being conserved and presented by common HLA alleles.

HXB2 Location Nef (73–82)**Author Location** Nef (73–82 LAI)**Epitope** QVPLRPMTYK**Subtype B****Immunogen** HIV-1 infection**Species (MHC)** human (A3)**Keywords** epitope processing, escape**References** Chassin *et al.* 1999

- Mutations in Nef that flank this epitope, Thr71Lys and Ala83Gly, may account for an observed loss of CTL reactivity, with escape due to the introduction of proteasome processing defects.

HXB2 Location Nef (73–82)**Author Location** Nef (73–82)**Epitope** QVPLRPMTYK**Immunogen** HIV-1 infection**Species (MHC)** human (A3)**Keywords** subtype comparisons**References** Durali *et al.* 1998

- Cross-clade CTL response was studied by determining the CTL activity in seven patients from Bangui, (6 A subtype, and 1 AG recombinant infections) and one A subtype infection from a person living in France originally from Togo, to different antigens expressed in vaccinia.
- Pol reactivity: 8/8 had CTL to A subtype, and 7/8 to B subtype, and HIV-2 Pol was not tested.
- Gag reactivity: 7/8 reacted with A or B subtype gag, 3/8 with HIV-2 Gag.
- Nef reactivity: 7/8 reacted with A subtype, and 5/8 with B subtype, none with HIV-2 Nef.
- Env reactivity: 3/8 reacted with A subtype, 1/8 with B subtype, none with HIV-2 Env.
- One of the patients was shown to react to this epitope: QV-PLRPMTYK.

HXB2 Location Nef (73–82)**Author Location** Nef (73–82 LAI)**Epitope** QVPLRPMTYK**Subtype** B**Immunogen** HIV-1 infection**Species (MHC)** human (A3)**Keywords** review, escape**References** Goulder *et al.* 1997e; Goulder *et al.* 1997a

- HLA-identical siblings, twin hemophiliac brothers, were both infected with the same batch of factor VIII.
- Both had a response to this epitope. One had a response to this epitope, the other did not.
- Goulder *et al.* [1997a] is a review of immune escape that summarizes this study.

HXB2 Location Nef (73–82)**Author Location** Nef (73–82)**Epitope** QVPLRPMTYK**Immunogen** HIV-1 infection**Species (MHC)** human (A3)**References** Lubaki *et al.* 1997

- Eighty two HIV-1-specific CTL clones from 5 long-term non-progressors were isolated and analyzed for breadth of response.
- A sustained Gag, Env and Nef response was observed, and clones were restricted by multiple HLA epitopes, indicating a polyclonal response.

- An A3+ subject had a strong response to this epitope, with 10/11 CTL clones being specific for this epitope, isolated at two time points, 1 year apart.

HXB2 Location Nef (73–82)
Author Location Nef (73–82)
Epitope QVPLRPMTYK
Epitope name N1
Immunogen HIV-1 infection
Species (MHC) human (A3)
Keywords HAART, ART, escape
References Samri *et al.* 2000

- The epitope was recognized by patients 252#0 and 252#4 in a study of the effects of therapy escape mutations on CTL recognition.

HXB2 Location Nef (73–82)
Author Location Nef (73–82 SF2)
Epitope QVPLRRMTYK
Immunogen HIV-1 infection
Species (MHC) human (A3)
Keywords HAART, ART, acute/early infection
References Altfeld *et al.* 2001b

- Therapy provided during acute infection resulted in a narrower CTL response, stronger T help response, and a less diverse viral population than was seen in individuals treated during chronic infection.
- The breadth and specificity of the response was determined using ELISPOT by studying 19 individuals with pre-seroconversion therapy (Group 1), 11 individuals with primary infection but post-seroconversion therapy (Group 2), and 10 individuals who responded to HAART given during chronic infection (Group 3), using 259 overlapping peptides spanning p17, p24, RT, gp41, gp120 and Nef.
- Previously described and newly defined optimal epitopes were tested for CTL response.
- Number of HLA-A3+ individuals that had a CTL response to this epitope broken down by group: 3/7 group 1, 1/4 group 2, and 1/2 group 3.

HXB2 Location Nef (73–82)
Author Location Nef (SF2)
Epitope QVPLRPMTYK
Immunogen HIV-1 infection
Species (MHC) human (A3)
References Altfeld *et al.* 2000

- This epitope was mapped by ELISPOT in a study identifying new HLA-B60 epitopes, and was one of the epitopes presented by another HLA molecule in an HLA-B60 individual.

HXB2 Location Nef (73–82)
Author Location
Epitope QVPLRPMTYK
Epitope name Nef-QK10
Subtype B
Immunogen HIV-1 infection
Species (MHC) human (A3)
References Sabbaj *et al.* 2003

- Among HIV+ individuals who carried HLA A03, 9/20 (45%) recognized this epitope.

HXB2 Location Nef (73–82)
Author Location Nef (73–82)
Epitope QVPLRPMTYK
Epitope name A3-QK10
Subtype B
Immunogen HIV-1 infection
Species (MHC) human (A3)
Donor MHC A3, B7, Cw7
Keywords dynamics, supervised treatment interruptions (STI), acute/early infection
References Yu *et al.* 2002a

- CTL responses in 18 acutely HIV-infected HLA-A3 (n=7) or -B7 (n=4) or both -A3 and B7 (n=7) positive individuals were studied.
- One individual, AC-06, was homozygous at all three class I alleles (A3, B7, Cw7), was treated during acute infection and had supervised treatment interruptions (STI). He had only two detectable CTL responses during acute infection, but after STI this broadened to 27 distinct epitopes including 15 restricted by HLA-A3, 11 by HLA-B7, and 1 by HLA-Cw7.
- 3/14 HLA-A3 positive individuals had detectable A3-restricted responses to this epitope during acute infection, but only 5/15 of HLA-A3 epitopes tested were targeted during acute infection. 5/7 individuals had detectable responses to this epitope after STI.

HXB2 Location Nef (73–82)
Author Location Nef
Epitope QVPLRPMTYK
Immunogen HIV-1 infection
Species (MHC) human (A3)
Donor MHC A3, B44, B64, Bw4, Bw6
Keywords HAART, ART
References Appay *et al.* 2002

- Four HIV patients with prolonged clinically successful anti-viral therapy but with ongoing evidence of replication and Nef mRNA transcription, showed specific T-cell responses by Elispot and Tetramer staining, maintained for 2-4 years after initiation of HAART.
- Nef epitope recognition was detected in all 4 subjects, gp120, Pol and Gag-specific in 1 or 2 subjects – two patients recognized this epitope, one using HLA-A3, one using HLA-A11.
- The HIV-specific CD8+ T-cells had an intermediate maturation phenotype characterized by low levels of perforin and high levels of CD27 expression.

HXB2 Location Nef (73–82)
Author Location Nef (73–82)
Epitope QVPLRPMTYK
Subtype B
Immunogen HIV-1 infection
Species (MHC) human (A3)
Donor MHC A1, A3, B7, B14, Cw*0702, Cw*0802
Assay type CD8 T-cell Elispot - IFN γ
Keywords binding affinity, acute/early infection, early-expressed proteins
References Cao *et al.* 2003

- All proteins were scanned and optimal epitopes were mapped in a study of CD8+ gamma IFN T-cell responses in 21 men within 15-92 days post-HIV-1 infection. Subjects initially showed narrow immune responses with a mean of 2.3 epitopes recognized per patient. The immune response broadened later in infection. No correlation between the plasma viral load and the number of recognized epitopes or the frequency of IFN-gamma secreting cells was observed, and there was no correlation between the functional avidity of a responses and the abundance of IFN-secreting cells that recognized the epitope. The first epitopes to be recognized did not tend to be the most avid, and earliest responses tended to be directed against Nef, Tat, Vpr, and Env.
- All HIV-1 proteins except Vpu were recognized, and a responses to a total of 41 optimal epitopes were characterized; 24 had been identified previously. 48% of the total T-cell responses were directed against Nef and 43% were directed against Gag.
- More common HLA alleles were less frequently used in primary infection than less common alleles, for example A3, B35, B57, and B62 were more frequently utilized than A1, A2, A30, and A44.

HXB2 Location Nef (73–82)

Author Location Nef (73–82)

Epitope QVPLRPMTYK

Immunogen HIV-1 infection

Species (MHC) human (A3)

Donor MHC A03, A32, B51, B15, Cw03, Cw06, DR4, DR8, DQ7

Country Netherlands.

Assay type CD8 T-cell Elispot - IFN γ , Flow cytometric T-cell cytokine assay

Keywords rate of progression, escape

References Geels *et al.* 2003

- Both stable potential epitopes and epitopes with escape mutations were found in a patient with increasing viral load over a time period of 4 years. Fixation of escape mutations occurred sequentially and correlated with the rise in viral load and with the increased number of productively infected cells.
- This is one of 17 potential epitopes from this individual, defined based on previously identified epitopes presented by appropriate HLA molecules. Full length genome sequence did not reveal changes in time in any of these epitopes over a four year period. Peptide pools initially revealed very little response to these epitopes, but this increased over time.

HXB2 Location Nef (73–82)

Author Location Nef

Epitope QVPLRPMTYK

Immunogen HIV-1 infection

Species (MHC) human (A3)

Country Netherlands.

Assay type CD8 T-cell Elispot - IFN γ

Keywords HIV exposed persistently seronegative (HEPS)

References Koning *et al.* 2004

- A high-risk seronegative group of 29 homosexual men showed reduced cellular in vitro susceptibility for HIV infection and enhanced production of RANTES compared to 15 men who went on to seroconvert. Significantly higher frequencies of HLA A*11, A*31 and Cw*15 were also found in the high risk seronegative men. Both groups of men had low frequencies of HIV-1 specific CD8+ T-cells, which may signify exposure more than protection from infection.
- 3/5 HLA A3+ infection-resistant men, compared to 1/3 pre-seroconversion men who went on to become infected, reacted to this epitope.

HXB2 Location Nef (73–82)

Author Location Nef (71–80)

Epitope QVPLRPMTYK

Immunogen HIV-1 infection

Species (MHC) human (A3)

Country Spain.

Assay type proliferation, CD8 T-cell Elispot - IFN γ , Flow cytometric T-cell cytokine assay

Keywords HAART, ART, supervised treatment interruptions (STI), immune dysfunction

References Plana *et al.* 2004

- Structured treatment interruption (STI) alone is not able to control viral replication in chronically infected patients, probably due to lack of strong T-helper cell responses. Only patients starting with moderately high viral load (VL) were able to reduce the VL set point. HIV-1 specific CD8+ T-cell responses were shown to increase significantly until the end of the follow up.
- 9/14 patients recognized this epitope, it was the most recognized of six A*03 epitopes.

HXB2 Location Nef (73–82)

Author Location (B consensus)

Epitope QVPLRPMTYK

Epitope name QK10

Subtype B

Immunogen HIV-1 infection

Species (MHC) human (A3)

Donor MHC A03, B14, B60, Cw3, Cw7; A01, A03, B08, B14, Cw7, Cw8

Assay type Cytokine production, Intracellular cytokine staining, Chromium-release assay, Flow cytometric T-cell cytokine assay

Keywords assay standardization/improvement, memory cells, characterizing CD8+ T cells

References Lichterfeld *et al.* 2004c

- Using a flow-cytometric cytotoxicity assay based on caspase-3 activation in dying target cells, it was shown that the subset of HIV-1-specific CD8+ T cells secreting both IFN-gamma and TNF-alpha exhibit stronger cytotoxic activity than those secreting only IFN-gamma. These cells also exhibited stronger intracellular perforin expression. No association between HIV-1-specific CD8+ T-cell maturation phenotypes and intracellular perforin expression was found.
- 2/9 individuals recognized this epitope, presented by HLA-A3.

HXB2 Location Nef (73–82)

Author Location Nef (73–82)

- Epitope** QVPLRPMTYK
Immunogen HIV-1 infection
Species (MHC) human (A3)
Donor MHC A2, A3, B7, B44
Country United States.
Assay type Intracellular cytokine staining, Flow cytometric T-cell cytokine assay
Keywords HAART, ART, escape, variant cross-recognition or cross-neutralization
References Casazza *et al.* 2005
- Evidence of continued viral evolution during HAART therapy despite low viral load was found in 1/5 patients studied.
 - The epitope QVPLRPMTYK was invariant (18/18 sequences) prior to therapy in the patient that recognized it.
- HXB2 Location** Nef (73–82)
Author Location Nef (73–82)
Epitope QVPLRPMTYK
Subtype C
Immunogen HIV-1 infection
Species (MHC) human (A3)
Donor MHC A*0301, A*7401, B*1510, B*3501, Cw*0401; A*0301, A*68, B*0702, B*1510, Cw*0401, Cw*0702
Country South Africa.
Assay type CD8 T-cell Elispot - IFN γ
Keywords responses in children, mother-to-infant transmission, escape, acute/early infection
References Pillay *et al.* 2005
- HIV-specific CTLs in infants were shown to be able to select for viral escape variants early in life, despite a lack of escape with the same CTL specificity in the mother. Infant CTL responses may be compromised by transmission of escape variants that arose in the mother and also those that arose in the father, if the father was the source of the mother's infection.
 - QVPLRPMTYK is the C subtype consensus form of an epitope recognized in a mother, who carried this autologous variant: QVPLRPMTfK. QVPLRPMTfK was the dominant form in her infant at 2 weeks of age, but new variants rapidly emerged: QVPLkPMTfK, QVPLRPMnYK, QVPvRPMTfK, QVPLRPMsYr, QVPLRPMsYK.
- HXB2 Location** Nef (73–82)
Author Location Nef (73–82 LAI)
Epitope QVPLRPMTYK
Epitope name N1
Subtype B
Immunogen HIV-1 infection
Species (MHC) human (A3 supertype)
Keywords HAART, ART, supertype
References Mollet *et al.* 2000
- A panel of 16 epitopes covering 15 class I alleles was tested in 14 HIV+ patients from an unselected Caucasian population treated with HAART, using CD8+ cell IFN γ production to measure responses.
 - In general, during the first month of treatment viral load decreased and frequencies of HIV-specific CTL tripled and broadened – eight new HIV specificities that were not previously detectable were newly detected, as were CMV specific CD8+

- PBL – but with continued viral suppression, HIV-specific responses diminished.
- Viral rebounds gave different patterns of response: increases or decreases in pre-existing response, new specificities, or no change.
- HXB2 Location** Nef (73–82)
Author Location Nef (94–103)
Epitope QVPLRPMTYK
Immunogen HIV-1 infection
Species (MHC) human (A3 supertype)
Keywords supertype, rate of progression
References Propato *et al.* 2001
- Long-term nonprogressors (LTNPs) had strong memory resting CD8+ T-cell responses against the majority of epitopes tested, (18 for the A2 supertype, 16 for the A3 supertype) while the effector cells of long-term nonprogressors recognized far fewer epitopes.
 - Progressors had memory resting CD8+ T-cells that recognized far fewer epitopes than LTNPs.
 - A positive correlation between effector CD8+ T-cells and plasma viremia and a negative correlation between CD8+ effector T-cells and CD4+ T-cells was observed, which may contribute to the inability of LTNPs to clear virus.
 - This epitope can bind 3/5 HLA-A3 supertype alleles (A*0301, A*1101, A*3101, A*3301 and A*6801).
- HXB2 Location** Nef (73–82)
Author Location Nef (73–82 BRU)
Epitope QVPLRPMTYK
Subtype B, CRF02_AG
Immunogen HIV-1 infection
Species (MHC) human (A3, A11)
Country Cote D'Ivoire.
Assay type CD8 T-cell Elispot - IFN γ
Keywords subtype comparisons
References Inwoley *et al.* 2005
- CD8+ T-cells from HIV-1 CRF02_AG-infected Ivorians could recognize clade B epitopes. No difference was observed in the number of recognized peptide pools between nine French subtype B infected study subjects, and nine CRF02_AG infected Ivorian subjects.
 - This epitope was recognized by 0/9 CRF02_AG-infected Ivorians, and 2/9 B-infected French subjects.
 - 3/8 Ivorians carried a substitution in this epitope, while only 1/5 B clade infected French people did, QVPvRPMTYK, and the substitution was found in one of the people that recognized the peptide.
- HXB2 Location** Nef (73–82)
Author Location Nef (73–82 BRU)
Epitope QVPLRPMTYK
Immunogen HIV-1 infection
Species (MHC) human (A3, A11, B35)
References Culmann *et al.* 1991
- Nef CTL clones from HIV+ donors.
- HXB2 Location** Nef (73–82)
Author Location Nef (73–82 LAI)
Epitope QVPLRPMTYK

Subtype B**Immunogen****Species (MHC)** human (B27)**References** Culmann 1998

- Optimal epitope mapped by peptide titration.

HXB2 Location Nef (73–82)**Author Location** Nef (73–82 LAI)**Epitope** SVPLRPMTYK**Subtype B****Immunogen** HIV-1 infection**Species (MHC)** human (B35, Cw4)**References** Buseyne *et al.* 1993a

- Vertical transmission of HIV ranges from 13% to 39%.
- Primary assays showed that cytotoxic activity against at least one HIV protein was detected in 70% of infected children.
- Epitopes recognized in five children were mapped using synthetic peptides and secondary cultures.
- Patient EM13, who had a CTL response to three epitopes in Nef, was infected via blood transfusion after birth and went from CDC stage P2A to P2E during the study.

HXB2 Location Nef (73–82)**Author Location****Epitope** QVPLRPMTYK**Epitope name** QK10**Immunogen** HIV-1 infection**Species (MHC)** human (B8)**Country** United States.**Assay type** proliferation, CD8 T-cell Elispot - IFN γ , Tetramer binding**Keywords** immunodominance, acute/early infection, characterizing CD8+ T cells, immune dysfunction**References** Lichterfeld *et al.* 2004a

- HIV-1 specific CD8+ T-cells in acute and long-term nonprogressive HIV-1 infection show strong ex-vivo proliferative capacities which are rapidly lost in chronic HIV-1 infection. The loss of CD8+ T-cell function is closely linked with the loss of HIV-1 specific, IL2 secreting CD4+ T-cells. The function can be rescued in vitro and in vivo by restoring the specific CD4+ T-cell help.
- Full CD8+ T-cell responses to this epitope were dependent on co-stimulation with a CD4+ T cell dependent epitope from T-cells harvested during acute infection. The CD8+ T-cell response to this epitope was immunodominant in one study individual.

HXB2 Location Nef (73–82)**Author Location** Nef (73–82)**Epitope** QVPLRPMTYK**Immunogen** HIV-1 infection**Species (MHC)** human**References** Garcia *et al.* 1997

- The anti-Nef CTL line P1 specific for this epitope is able to kill target cells via two mechanisms.
- First: Ca²⁺-dependent, perforin-dependent Nef-specific lysis.
- Second: Ca²⁺-independent, CD95-dependent apoptosis that could also kill non-specific targets.

- Findings indicate that the two mechanisms are not mutually exclusive in human CTL, as they are in mice.
- CTL mediated CD95-dependent apoptosis may play a role in pathogenesis.

HXB2 Location Nef (73–83)**Author Location** Nef (73–82 BRU)**Epitope** QVPLRPMTYKA**Subtype B****Immunogen** HIV-1 infection**Species (MHC)** human (A3)**Keywords** binding affinity, epitope processing**References** Choppin *et al.* 2001

- Seventy-three 8-11 mer peptides were generated based on putative anchor motifs in the Nef BRU sequence for HLA A2, A3, A24, B7, B8, and B35; these 73 peptides had 81 motifs. 54% bound to the predicted HLA molecule, particularly A2, B7/35, and B8. The strength of HLA-peptide binding was not directly related to the number of individuals that recognized a protein.
- 20s proteasome cleavage of the Nef protein positions 66-100 showed a large fraction of peptides were cleaved ending at: 87L, 83A, 81Y, 71P, 68F and 67G. The frequency of recognition may be in part dictated by the cleavage step in processing.
- QVPLRPMTYKA was recognized in 9/15 (60%) of individuals with HLA A3. It was a high affinity HLA-A3 binder.

HXB2 Location Nef (74–81)**Author Location** Nef (74–82)**Epitope** VPLRPMTY**Immunogen****Species (MHC)** human (A3)**References** Carreno *et al.* 1992

- Included in HLA-A3 binding peptide competition study.

HXB2 Location Nef (74–81)**Author Location** Nef (73–82 LAI)**Epitope** VPLRPMTY**Subtype B****Immunogen** HIV-1 or HIV-2 infection**Species (MHC)** human (B*3501)**Keywords** optimal epitope**References** Frahm *et al.* 2007

- C. Brander notes this is a B*3501 epitope.

HXB2 Location Nef (74–81)**Author Location** Nef (75–82)**Epitope** VPLRPMTY**Immunogen** peptide-HLA interaction**Species (MHC)** human (B*3501)**References** Smith *et al.* 1996

- Crystal structure of VPLRPMTY-class I B allele HLA-B*3501 complex.

HXB2 Location Nef (74–81)**Author Location** Nef**Epitope** VPLRPMTY**Immunogen** HIV-1 infection**Species (MHC)** human (B*3501)**Keywords** dendritic cells**References** Ostrowski *et al.* 2000

- The role of CD4+ T-cell help in expansion of virus-specific memory CTL was studied through co-culture *ex vivo*
- Optimal expansion of HIV-1-specific memory CTL depended on CD4+ T cell help in 9 of 10 patients – CD40 ligand trimer (CD40LT) could enhance CTL in the absence of CD4+ T cell help to a variable degree in most of patients.
- Those CTL that didn't respond to CD40LT could expand with IL2 present, and IL15 produced by dendritic cells also contributes.
- The T-helper epitope used for CD4+ T cell stimulation was the universal tetanus helper epitope TET830-843 (QYIKANSK-FIGITE)

HXB2 Location Nef (74–81)

Author Location Nef (74–81)

Epitope VPLRPMTY

Epitope name VY8

Subtype B

Immunogen HIV-1 infection

Species (MHC) human (B*3501)

Donor MHC A*0201, A*0301, B*3501, B*51, Cw*04, Cw*06

Country United States.

Assay type CD8 T-cell Elispot - IFN γ , Intracellular cytokine staining, Chromium-release assay

Keywords escape, acute/early infection

References Bansal *et al.* 2005

- Patients with acute or early infection were shown to preferentially target variable peptides with higher entropy while those with chronic infection showed responses towards more conserved peptides with lower entropy. In longitudinally followed subjects, responses to variable proteins declined over time while responses to conserved proteins increased. The decline is suggested to be due to CTL escape.
- Point mutation of epitope at position 8 (Y to F, VPLRPMTf) was detected at a chronic infection timepoint. The CTL response was strong in early infection, but diminished by month 13. This mutation had reduced avidity.

HXB2 Location Nef (74–81)

Author Location Nef (subtype B)

Epitope VPLRPMTY

Subtype B

Immunogen HIV-1 exposed seronegative

Species (MHC) human (B35)

References Kaul *et al.* 2000

- 11/16 heavily HIV exposed but persistently seronegative sex-workers in Nairobi had HIV-specific CD8 gamma-IFN responses in the cervix – systemic CD8+ T cell responses tended to be to the same epitopes but at generally lower levels than cervical CD8+ T cell responses.
- Low risk individuals did not have such CD8+ cells.
- CD8+ T cell epitopes: DTVLEDINL (3 individuals), SLYNTVATL (4 individuals), LSPRTLNAW (3 individuals) and YPLTFGWCF (4 individuals) were most commonly recognized by the HIV-resistant women.

HXB2 Location Nef (74–81)

Author Location Nef

Epitope VPLRPMTY

Immunogen HIV-1 infection

Species (MHC) human (B35)

Keywords acute/early infection

References Wilson *et al.* 2000a

- Three individuals with highly focused HIV-specific CTL responses were studied during acute infection using tetramers – high frequencies of HIV-1-specific CD8+ T cells were found prior to seroconversion, and there was a close temporal relationship between the number of circulating HIV-specific T cells and viral load was also found.
- All three patients were B*2705, with HLA alleles: A1, A30/31, B*2705, B35; A1, A*0301, B7, B2705; and A*0201, A*0301, B2705, B39.
- ELISPOT was used to test a panel of CTL epitopes that had been defined earlier and were appropriate for the HLA haplotypes of the study subjects – 3/3 subjects showed a dominant response to the B*2705 epitope KRWILGGLNK.
- The subject with A*0201 had a moderately strong response to SLYNTVATL.
- Weak responses were observed to A*301-RLRPGGKKK, A*301-QVPLRPMTYK, and B7-TPGPGVRYPL in the subject who was HLA A1, A*0301, B7, B*2705.
- No acute response was detected to the following epitopes: A*201-ILKEPVHGV, A*301-KIRLRPGGK, A*301-AIFQSSMTK, A*301-TVYYGVPVWK, B35-EPIVGAETF, B35-HPDIVIYQY, B35-PPIPVGEIY, B35-NSSKVSQNY, B35-VPLRPMTY, B35-DPNPQEVVL.

HXB2 Location Nef (74–81)

Author Location Nef (73–82 LAI)

Epitope VPLRPMTY

Subtype B

Immunogen HIV-1 or HIV-2 infection

Species (MHC) human (B35)

Keywords review

References Culmann *et al.* 1991; McMichael & Walker 1994

- Review of HIV CTL epitopes – defined by B35 motif found within a larger peptide.

HXB2 Location Nef (74–81)

Author Location Nef (73–82 LAI)

Epitope VPLRPMTY

Subtype B

Immunogen HIV-1 or HIV-2 infection

Species (MHC) human (B35)

References Rowland-Jones *et al.* 1995

- VPLRPMTY also recognized by CTL from HIV-2 seropositives; epitope is conserved.

HXB2 Location Nef (74–81)

Author Location Nef

Epitope VPLRPMTY

Immunogen HIV-1 exposed seronegative

Species (MHC) human (B35)

Keywords subtype comparisons, HIV exposed persistently seronegative (HEPS)

References Rowland-Jones *et al.* 1998a

- A CTL response was found in exposed but uninfected prostitutes from Nairobi using previously-defined B clade epitopes that tended to be conserved in A and D clades – such cross-reactivity could protect against both A and D and confer protection in Nairobi where both subtypes are circulating.
- The A and D subtype consensus are identical to the B clade epitope.

HXB2 Location Nef (74–81)
Author Location Nef (75–82)
Epitope VPLRPMTY
Immunogen in vitro stimulation or selection
Species (MHC) human (B35)
References Lalvani *et al.* 1997

- A peptide-based protocol was optimized for restimulation of CTLp using optimized peptide and IL-7 concentrations – importantly this protocol does not stimulate a primary response, only secondary – peptide-specific CTLp counts could be obtained via staining with peptide-Class I tetramers.
- This peptide was one of the B35 presented test peptides used in control experiments showing that the assay gave no activity using lymphocytes from 21 healthy B35 seronegative donors.

HXB2 Location Nef (74–81)
Author Location Nef (subtype B)
Epitope VPLRPMTY
Subtype B
Immunogen HIV-1 exposed seronegative
Species (MHC) human (B35)
Keywords subtype comparisons
References Rowland-Jones *et al.* 1998b

- HIV-specific CTL were found in exposed seronegative prostitutes from Nairobi – these CTL may confer protection.
- Seroprevalence in this cohort is 90-95% and their HIV-1 exposure is among the highest in the world.
- Most isolated HIV strains are clade A in Nairobi, although clades C and D are also found – B clade epitopes are often cross-reactive, however stronger responses are frequently observed using A or D clade versions of epitopes.
- This epitope is conserved among A, B, and D clade viruses.

HXB2 Location Nef (74–81)
Author Location Nef
Epitope VPLRPMTY
Immunogen
Species (MHC) human (B35)
References Rowland-Jones *et al.* 1999

- CTL responses in seronegative highly HIV-exposed African female sex workers in Gambia and Nairobi were studied – these women had no delta 32 deletion in CCR5.
- In Gambia there is exposure to both HIV-1 and HIV-2, CTL responses to B35 epitopes in exposed, uninfected women are cross-reactive,
- HIV-2 version of this epitope is conserved: VPLRPMTY, and CTLs are cross-reactive – one of five B35 CTL epitopes that are cross-reactive, see also Rowland-Jones *et al.* [1995]

HXB2 Location Nef (74–81)
Author Location Nef (74–81)
Epitope VPLRPMTY

Epitope name VPL
Immunogen HIV-1 infection
Species (MHC) human (B35)
Keywords HAART, ART, acute/early infection
References Oxenius *et al.* 2000

- Patients who started therapy at acute HIV-1 infection (three with sustained therapy, two with limited therapy upon early infection) had strong HIV specific CD4 proliferative responses and were able to maintain a CTL response even with undetectable viral load – three patients that had delayed initiation of HAART had no HIV specific CD4 proliferative responses and lost their CTL responses when HAART was eventually given and their viral loads became undetectable.
- One of two HLA B35+ among the eight study subjects recognized this epitope.
- Patient SC15 (HLA A1/68, B8/35, Bw4/6, Cw4/0704) was given acute and sustained therapy and recognized epitopes PPIPVGDIY and VPLRPMTY during 331 days of HAART treatment.

HXB2 Location Nef (74–81)
Author Location Nef (75–82)
Epitope VPLRPMTY
Immunogen HIV-1 infection, HIV-1 exposed seronegative
Species (MHC) human (B35)
Keywords HIV exposed persistently seronegative (HEPS)
References Kaul *et al.* 2001a

- ELISPOT was used to study CTL responses to a panel of 54 predefined HIV-1 epitopes in 91 HIV-1-exposed, persistently seronegative (HEPS) and 87 HIV-1-infected female Nairobi sex workers.
- Responses in HEPS women tended to be lower, and focused on different epitopes with HLA presenting molecules that have previously been associated with reduced risk of infection, and there was a shift in the response in the HEPS women upon late seroconversion to epitopes recognized by the HIV-1 infected women.
- 43/91 HEPS women had CD8+ responses and detection of HIV-1-specific CTL in HEPS women increased with the duration of viral exposure.
- Subject ML 857 shifted from a A*6802 DTVLEDINL and B35 (H/N)PDIVYQY response prior to seroconversion to a B35 PPIPVGDIY and B35 VPLRPMTY response post-seroconversion.

HXB2 Location Nef (74–81)
Author Location
Epitope VPLRPMTY
Epitope name Nef-VY8
Subtype B
Immunogen HIV-1 infection
Species (MHC) human (B35)
References Sabbaj *et al.* 2003

- Among HIV+ individuals who carried HLA B35, 12/22 (55%) recognized this epitope.
- Among HIV+ individuals who carried HLA B*5301, 0/11 (0%) recognized this epitope.

HXB2 Location Nef (74–81)

Author Location Nef (74–81 BRU)

Epitope VPLRPMTY

Subtype B

Immunogen HIV-1 infection

Species (MHC) human (B35)

Keywords binding affinity, epitope processing

References Choppin *et al.* 2001

- Seventy-three 8-11 mer peptides were generated based on putative anchor motifs in the Nef BRU sequence for HLA A2, A3, A24, B7, B8, and B35; these 73 peptides had 81 motifs. 54% bound to the predicted HLA molecule, particularly A2, B7/35, and B8. The strength of HLA-peptide binding was not directly related to the number of individuals that recognized a protein.
- 20s proteasome cleavage of the Nef protein positions 66-100 showed a large fraction of peptides were cleaved ending at: 87L, 83A, 81Y, 71P, 68F and 67G. The frequency of recognition may be in part dictated by the cleavage step in processing.
- VPLRPMTY was recognized in 5/16 (31%) of individuals with HLA B35, and it was a moderate affinity HLA binder. Cleavage at the C-term Y was frequent *in vitro*.

HXB2 Location Nef (74–81)

Author Location

Epitope VPLRPMTY

Subtype A, B, D

Immunogen HIV-1 infection, vaccine

Vector/Type: DNA prime with modified vaccinia Ankara (MVA) boost *Strain:* A clade HIV component: p17 Gag, p24 Gag

Species (MHC) human, macaque (B35)

Keywords subtype comparisons, epitope processing, vaccine-specific epitope characteristics, immunodominance

References Hanke & McMichael 2000; Wee *et al.* 2002

- The HIV-1 subtype A focused vaccine HIVA contains p24 and p17, in a reversed order relative to the Gag polyprotein to prevent myristylation of p17, which could direct the protein to the cell membrane and inhibit efficient peptide processing and class I presentation, as well as a polyepitope string of conserved, often immunodominant epitopes that were selected to have particularly good cross-reactive potential for the A-clade epidemic in Nairobi, Kenya. A DNA and MVA prime-boost vaccination protocol using the HIVA antigen will be used in a phase III clinical trial in Kenya. This epitope is included in the polyepitope string Hanke & McMichael [2000].
- Multiple CD4+ or CD8+ T-cell vaccine-induced responses to peptide pools were detected using intracellular cytokine staining and IFN γ ELISPOT assays after vaccination of 5 macaques. The response to the Mamu A*01 SIV p27 epitope p11C (CTPYDINQM), included in the polyepitope region, was not immunodominant in the Mamu A*01 vaccinated macaques, possibly because of processing limitations in context of the artificial polyepitope string Wee *et al.* [2002].

HXB2 Location Nef (74–81)

Author Location Nef (74–81)

Epitope VPLRPMTY

Subtype B

Immunogen HIV-1 infection

Species (MHC) human (B35)

Donor MHC A1, A3, B8, B35

Assay type CD8 T-cell ELISPOT - IFN γ

Keywords acute/early infection, early treatment

References Cao *et al.* 2003

- CTL epitope responses were mapped in 21 men within 15-92 days post-HIV-1 infection. Subject Broadcast message from root Thu May 27 21:34:36 2004...n of 2.3 epitopes recognized per patient. The immune response broadened later in infection. No correlation between the plasma vBattery Low Notification from APM BIOS (8% 0:12) or the frequency of IFN- γ secreting cells was observed, and there was no correlation between the functional avidity of a responses and the abundance of IFN-secreting cells that recognized the epitope. The first epitopes to be recognized tended not to be the most avid, and earliest responses tended to be directed against Nef, Tat, Vpr, and Env.
- All HIV-1 proteins except Vpu were recognized, and a responses to a total of 41 optimal epitopes were characterized; 24 had been identified previously. 48% of the total T-cell responses were directed against Nef and 43% were directed against Gag.
- More common HLA alleles were less frequently used in primary infection than less common alleles, for example A3, B35, B57, and B62 were more frequently recognized than A1, A2, A30, and A44.

HXB2 Location Nef (74–81)

Author Location Nef (72–79)

Epitope VPLRPMTY

Immunogen HIV-1 infection

Species (MHC) human (B35)

Country Spain.

Assay type proliferation, CD8 T-cell ELISPOT - IFN γ , Flow cytometric T-cell cytokine assay

Keywords HAART, ART, supervised treatment interruptions (STI), immune dysfunction

References Plana *et al.* 2004

- Structured treatment interruption (STI) alone is not able to control viral replication in chronically infected patients, probably due to lack of strong, maintained T-helper cell responses. HIV-1 specific CD8+ T-cell responses were shown to increase significantly until the end of the follow up, but were not correlated with viral load.
- Less than 2 of 9 patients recognized this epitope.

HXB2 Location Nef (74–81)

Author Location Nef (C consensus)

Epitope VPLRPMTY

Subtype C

Immunogen HIV-1 infection

Species (MHC) human (B35)

Country South Africa.

Assay type CD8 T-cell ELISPOT - IFN γ

Keywords escape

References Kiepiela *et al.* 2004

- HLA class I restricted CD8+ T-cell responses against HIV-1 were analyzed in African patients. Significantly more responses were shown to be HLA-B restricted. Viral load, CD4 count, and thus rate of disease progression were also associated with HLA-B alleles. In addition, the selection pressure imposed on

HIV-1 by HLA-B alleles was shown to be substantially greater than by other alleles.

- People who carried B35 carried a variant of this epitope, while people who did not almost always carried the consensus form.

HXB2 Location Nef (74–81)

Author Location Nef (72–79)

Epitope VPLRPMTY

Epitope name VPL

Immunogen HIV-1 infection

Species (MHC) human (B35)

Donor MHC A2, A68.1, B*07, B*3503, Cw*0401, Cw*0702, DR17, DR15, DR51, DR52, DQ2, DQ6

Assay type CD8 T-cell Elispot - IFN γ , CD4 T-cell Elispot - IFN γ

Keywords rate of progression, immunodominance, escape

References Oxenius *et al.* 2004b

- The increase in plasma viral load in a patient that progressed rapidly was preceded by positive selection of viral escape mutations in epitopes targeted by dominant HIV-1-specific CD8+ T-cell responses, and a decrease in HIV-1-specific CD4+ and CD8+ T-cell frequencies. Overall, escape variant epitopes were recognized 0–80% as efficiently as the index peptide, and the relatively efficiency of the variant epitopes increased using PBLs collected after their appearance. No changes were found in viral tropism, replication kinetics and neutralizing antibody titers, so the rapid decline of the patient was attributed to loss of HIV containment due to CTL escape.
- VPL epitope was one of six that were largely or completely replaced by escape variants, with the two escape forms coming up between days 172 and 635, vplrpmSy and vplrpmTF.

HXB2 Location Nef (74–82)

Author Location Nef (73–82)

Epitope VPLRPMTYK

Immunogen peptide-HLA interaction

Species (MHC) human (A11)

References Zhang *et al.* 1993

- Exploration of A11 binding motif.

HXB2 Location Nef (75–82)

Author Location Nef (75–82 LAI)

Epitope PLRPMTYK

Subtype B

Immunogen HIV-1 infection

Species (MHC) human (A*1101)

Keywords review

References McMichael & Walker 1994

- Review of HIV CTL epitopes.
- C. Brander notes that this is an A*1101 epitope in the 1999 database.

HXB2 Location Nef (75–82)

Author Location Nef (75–82 LAI)

Epitope PLRPMTYK

Subtype B

Immunogen HIV-1 infection

Species (MHC) human (A*1101)

Keywords optimal epitope

References Frahm *et al.* 2007

- C. Brander notes this is an A*1101 epitope.

HXB2 Location Nef (77–85)

Author Location Nef (77–85 LAI)

Epitope RPMTYKAAL

Subtype B

Immunogen HIV-1 infection

Species (MHC) human (B*0702)

Keywords escape

References Bauer *et al.* 1997

- Structural constraints on the Nef protein may prevent escape.
- Noted in Brander 1999, this database, to be B*0702.

HXB2 Location Nef (77–85)

Author Location Nef (77–85 LAI)

Epitope RPMTYKAAL

Subtype B

Immunogen HIV-1 infection

Species (MHC) human (B*0702)

Keywords optimal epitope

References Frahm *et al.* 2007

- C. Brander notes this is a B*0702 epitope.

HXB2 Location Nef (77–85)

Author Location Nef (75–83 IIIB)

Epitope RPMTYKAAL

Immunogen HIV-1 infection

Species (MHC) human (B7)

Keywords binding affinity, TCR usage

References Oxenius *et al.* 2001b

- Study of tetramer staining of B7 around RPMTYKAAL gave quantitative results that were very different than functional measurements based on an ELISPOT assay.
- Autologous clones were checked and 39/40 clones from two time points had the variant sequence RPMTYKGAL – tetramers based on RPMTYKGAL gave a more intense and uniform staining and bound with higher affinity to the RPM-TYKGAL V β 14 TCR.

HXB2 Location Nef (77–85)

Author Location Nef (77–85 SF2)

Epitope RPMTYKAAL

Immunogen HIV-1 infection

Species (MHC) human (B7)

Keywords HAART, ART, acute/early infection

References Altfeld *et al.* 2001b

- Therapy provided during acute infection resulted in a narrower CTL response, stronger T help response, and a less diverse viral population than was seen in individuals treated during chronic infection.
- The breadth and specificity of the response was determined using ELISPOT by studying 19 individuals with pre-seroconversion therapy (Group 1), 11 individuals with primary infection but post-seroconversion therapy (Group 2), and 10 individuals who responded to HAART given during chronic infection (Group 3), using 259 overlapping peptides spanning p17, p24, RT, gp41, gp120 and Nef.

- Previously described and newly defined optimal epitopes were tested for CTL response.
- Number of HLA-B7+ individuals that had a CTL response to this epitope broken down by group: 1/4 group 1, 0/3 group 2, and 1/1 group 3.

HXB2 Location Nef (77–85)

Author Location Nef (77–85)

Epitope RPMTYKAAL

Immunogen HIV-1 infection

Species (MHC) human (B7)

Keywords rate of progression, acute/early infection

References Day *et al.* 2001

- The CTL response to optimally defined CTL epitopes restricted by HLA class I A and B alleles in individuals who coexpressed HLA A2, A3, and B7 was studied in eight HIV-1-infected subjects, two with acute infection, five with chronic, and one long-term non-progressor (LTNP)
- 2 to 17 epitopes were recognized in a given individual, A2-restricted CTL response tended to be narrow and never dominated the response, and 25/27 epitopes were targeted by at least one person.
- Subjects with chronic HIV-1 infection recognized between 2-8 out of 11 B7-restricted epitopes.
- An acute seroconverter homozygous for the B7 allele recognized five B7-restricted epitopes.
- The other acute seroconverter failed to recognize any of the 11 B7-restricted epitopes tested.
- The B7-restricted CTL response was highly variable and there was no clearly dominant epitope.

HXB2 Location Nef (77–85)

Author Location Nef (77–85)

Epitope RPMTYKAAV

Immunogen HIV-1 infection

Species (MHC) human (B7)

Keywords rate of progression, acute/early infection

References Day *et al.* 2001

- The CTL response to optimally defined CTL epitopes restricted by HLA class I A and B alleles in individuals who coexpressed HLA A2, A3, and B7 was studied in eight HIV-1-infected subjects, two with acute infection, five with chronic, and one long-term non-progressor (LTNP)
- 2 to 17 epitopes were recognized in a given individual, A2-restricted CTL response tended to be narrow and never dominated the response, and 25/27 epitopes were targeted by at least one person.
- Subjects with chronic HIV-1 infection recognized between 2-8 out of 11 B7-restricted epitopes.
- An acute seroconverter homozygous for the B7 allele recognized five B7-restricted epitopes.
- The other acute seroconverter failed to recognize any of the 11 B7-restricted epitopes tested.
- The B7-restricted CTL response was highly variable and there was no clearly dominant epitope.

HXB2 Location Nef (77–85)

Author Location Nef (77–85 BRU)

Epitope RPMTYKAAV

Subtype B

Immunogen HIV-1 infection

Species (MHC) human (B7)

Keywords binding affinity, epitope processing

References Chopin *et al.* 2001

- Seventy-three 8-11 mer peptides were generated based on putative anchor motifs in the Nef BRU sequence for HLA A2, A3, A24, B7, B8, and B35; these 73 peptides had 81 motifs. 54% bound to the predicted HLA molecule, particularly A2, B7/35, and B8. The strength of HLA-peptide binding was not directly related to the number of individuals that recognized a protein.
- 20s proteasome cleavage of the Nef protein positions 66-100 showed a large fraction of peptides were cleaved ending at: 87L, 83A, 81Y, 71P, 68F and 67G. The frequency of recognition may be in part dictated by the cleavage step in processing.
- RPMTYKAAV was recognized in 7/10 (70%) of individuals with HLA B7, and 0/3 (0%) of individuals with HLA B35. It was a moderate affinity HLA binder.

HXB2 Location Nef (77–85)

Author Location Nef (77–85)

Epitope RPMTYKAAL

Epitope name B7-RL9

Subtype B

Immunogen HIV-1 infection

Species (MHC) human (B7)

Donor MHC A3, B7, Cw7

Keywords dynamics, supervised treatment interruptions (STI), acute/early infection

References Yu *et al.* 2002a

- CTL responses in 18 acutely HIV-infected HLA-A3 (n=7) or -B7 (n=4) or both -A3 and B7 (n=7) positive individuals were studied.
- One individual, AC-06, was homozygous at all three class I alleles (A3, B7, Cw7), was treated during acute infection and had supervised treatment interruptions (STI). He had only two detectable CTL responses during acute infection, but after STI this broadened to 27 distinct epitopes including 15 restricted by HLA-A3, 11 by HLA-B7, and 1 by HLA-Cw7.
- 3/11 HLA-B7 individuals had detectable B7-restricted responses to this epitope during acute infection – 10/15 of HLA-B7 epitopes tested were targeted by at least one person during acute infection. 2/4 individuals had detectable responses to this epitope after STI.

HXB2 Location Nef (77–85)

Author Location Nef (77–85)

Epitope RPMTYKAAV

Epitope name B7-RV9

Subtype B

Immunogen HIV-1 infection

Species (MHC) human (B7)

Donor MHC A3, B7, Cw7

Keywords dynamics, supervised treatment interruptions (STI), acute/early infection

References Yu *et al.* 2002a

- CTL responses in 18 acutely HIV-infected HLA-A3 (n=7) or -B7 (n=4) or both -A3 and B7 (n=7) positive individuals were studied.

- One individual, AC-06, was homozygous at all three class I alleles (A3, B7, Cw7), was treated during acute infection and had supervised treatment interruptions (STI). He had only two detectable CTL responses during acute infection, but after STI this broadened to 27 distinct epitopes including 15 restricted by HLA-A3, 11 by HLA-B7, and 1 by HLA-Cw7.
- 2/11 HLA-B7 individuals had detectable B7-restricted responses to this epitope during acute infection – 10/15 of HLA-B7 epitopes tested were targeted by at least one person during acute infection. 3/4 individuals had detectable responses to this epitope after STI.

HXB2 Location Nef (77–85)

Author Location Nef (75–83)

Epitope RPMTYKAAL

Immunogen HIV-1 infection

Species (MHC) human (B7)

Country Spain.

Assay type proliferation, CD8 T-cell Elispot - IFN γ , Flow cytometric T-cell cytokine assay

Keywords HAART, ART, supervised treatment interruptions (STI), immune dysfunction

References Plana *et al.* 2004

- Structured treatment interruption (STI) alone is not able to control viral replication in chronically infected patients, probably due to lack of strong, maintained T-helper cell responses. HIV-1 specific CD8+ T-cell responses were shown to increase significantly until the end of the follow up, but were not correlated with viral load.
- 3/7 patients recognized this epitope.

HXB2 Location Nef (77–85)

Author Location Nef (75–83)

Epitope RPMTYKGAL

Epitope name RPM

Immunogen HIV-1 infection

Species (MHC) human (B7)

Donor MHC A2, A68.1, B*07, B*3503, Cw*0401, Cw*0702, DR17, DR15, DR51, DR52, DQ2, DQ6

Assay type CD8 T-cell Elispot - IFN γ , Tetramer binding, CD4 T-cell Elispot - IFN γ

Keywords rate of progression, immunodominance, escape

References Oxenius *et al.* 2004b

- The increase in plasma viral load in a patient that progressed rapidly was preceded by positive selection of viral escape mutations in epitopes targeted by dominant HIV-1-specific CD8+ T-cell responses, and a decrease in HIV-1-specific CD4+ and CD8+ T-cell frequencies. Overall, escape variant epitopes were recognized 0–80% as efficiently as the index peptide, and the relatively efficiency of the variant epitopes increased using PBLs collected after their appearance. No changes were found in viral tropism, replication kinetics and neutralizing antibody titers, so the rapid decline of the patient was attributed to loss of HIV containment due to CTL escape.
- This epitope was one of six epitopes found to be under positive selection for escape mutations and was completely replaced by

escape variants between days 172 and 635 (rpmtFkgal, rpm-SykAal, rpmtkgaV, rpmtkAal). The first two were the most common at day 635, and experimentally shown to be escape.

HXB2 Location Nef (77–85)

Author Location Nef

Epitope RPMTYKGAL

Epitope name RL9

Subtype B

Immunogen HIV-1 infection

Species (MHC) human (B7)

Donor MHC A1, A3, B7, B57, Cw6, Cw7

Country United States.

Assay type CD8 T-cell Elispot - IFN γ

Keywords subtype comparisons, escape, characterizing CD8+ T cells, reversion, viral fitness

References Allen *et al.* 2005a

- Two-thirds of all mutations arising in nonenvelope proteins during the transition from acute to chronic infection were found to be due to either CD8 T-cell-associated selective pressures or reversion of HLA-I-associated mutations selected in a previous host. The predominance of escape mutations at highly polymorphic sites was observed across different HIV-1 clades.
- One escape mutation, at position 4, RPMnYKGAAL, was found not to correspond to the most polymorphic residue in the epitope.

HXB2 Location Nef (77–85)

Author Location Nef (77–85 BRU)

Epitope RPMTYKAAV

Subtype B, CRF02_AG

Immunogen HIV-1 infection

Species (MHC) human (B7)

Country Cote D'Ivoire.

Assay type CD8 T-cell Elispot - IFN γ

Keywords subtype comparisons

References Inwoley *et al.* 2005

- CD8+ T-cells from HIV-1 CRF02_AG-infected Ivorians could recognize clade B epitopes. No difference was observed in the number of recognized peptide pools between nine French subtype B infected study subjects, and nine CRF02_AG infected Ivorian subjects.
- This epitope was recognized by 0/9 CRF02_AG-infected Ivorians, and 2/9 B-infected French subjects.
- One of the B-clade infected subjects that recognized this peptide was not sequenced, the other had one amino acid change: RPMTYKAAAL. A variant form was in 3/5 B clade infection sequences. 8/8 CRF01 infected individuals had a variant of this peptide.

HXB2 Location Nef (77–85)

Author Location Nef (77–85)

Epitope RPMTYKAAL

Epitope name RW9

Immunogen HIV-1 infection

Species (MHC) human (B7)

Donor MHC A*24, A*30, B*39, B*07, Cw*12, Cw*17

Country United States.

Assay type CD8 T-cell Elispot - IFN γ

Keywords responses in children, mother-to-infant transmission, escape, characterizing CD8+ T cells, reversion, viral fitness

References Sanchez-Merino *et al.* 2005

- CD8 T-cell responses were examined in mother-infant pairs. Escape variants were commonly detected in maternal plasma. Early infant plasma viruses showed heterogeneity of gag and nef gene sequences as well as mother-to-child transmission of CD8 T-cell escape variants. The stability of escape mutants in the infant over time was determined by infant HLA haplotype and viral fitness. Sequential plasma specimens from infants showed changes in CD8 T-cell epitope sequences, suggesting that infants are capable of generating virus-specific CD8 T-cell responses.
- The variant RPMThqAAw was present in 10/10 clones from a B7- mother, was transmitted to her B7+ infant, and present in 29/30 clones at months 2, 6, and 152.

HXB2 Location Nef (77–85)

Author Location Nef (79–85)

Epitope RPMTYKAAV

Subtype B

Immunogen HIV-1 infection

Species (MHC) human

Donor MHC A3, A33, B14, B35, Cw*0401, Cw*0802

Assay type CD8 T-cell Elispot - IFN γ

Keywords acute/early infection, early treatment

References Cao *et al.* 2003

- All proteins were scanned and optimal epitopes were mapped in a study of CD8+ gamma IFN T-cell responses in 21 men within 15–92 days post-HIV-1 infection. Subjects initially showed narrow immune responses with a mean of 2.3 epitopes recognized per patient. The immune response broadened later in infection. No correlation between the plasma viral load and the number of recognized epitopes or the frequency of IFN-gamma secreting cells was observed, and there was no correlation between the functional avidity of a responses and the abundance of IFN-secreting cells that recognized the epitope. The first epitopes to be recognized did not tend to be the most avid, and earliest responses tended to be directed against Nef, Tat, Vpr, and Env.
- All HIV-1 proteins except Vpu were recognized, and a responses to a total of 41 optimal epitopes were characterized; 24 had been identified previously. 48% of the total T-cell responses were directed against Nef and 43% were directed against Gag.
- More common HLA alleles were less frequently used in primary infection than less common alleles, for example A3, B35, B57, and B62 were more frequently utilized than A1, A2, A30, and A44.

HXB2 Location Nef (77–91)

Author Location Nef (77–91)

Epitope RPMTYKGFADLSFFL

Subtype C

Immunogen HIV-1 infection

Species (MHC) human

Keywords subtype comparisons

References Novitsky *et al.* 2002

- HLA, viral sequence, and Elispot data was obtained from 105 HIV-1 positive Botswanans; Elispot data was obtained from between 55 and 64 subjects for each HIV protein.
- Nef and p24 had the highest percentage of reactive peptides, and p24 had the highest magnitude of HIV-1 responses.
- This peptide was among the 28 most reactive C clade peptides from among over 350 tested spanning all HIV proteins.

HXB2 Location Nef (79–87)

Author Location Nef (81–89 HXB3)

Epitope MTYKAALDL

Immunogen vaccine

Vector/Type: DNA, peptide *Strain:* B clade HXB3 *HIV component:* Nef *Adjuvant:* Complete Freund's Adjuvant (CFA)

Species (MHC) mouse (A*0201)

Keywords binding affinity, computational epitope prediction

References Sandberg *et al.* 2000

- Ten Nef 9-mer peptides were predicted to have a strong binding affinity with HLA-A*0201 – of these, four did bind strongly by a T2 class I stabilization assay, several others bound weakly.
- A CTL immune response to only 3/10 peptides was detected by a 51Cr-release assay after immunization of HLA-A201 transgenic mice with either nef DNA under the control of a CMV promoter coated on, gold particles delivered to abdominal skin by gene gun.
- MTYKAALDL bound weakly to HLA-A2, but the DNA nef vaccine elicited a good CTL response.

HXB2 Location Nef (79–87)

Author Location Nef (79–87)

Epitope MTYKAALDL

Epitope name Nef79-87

Immunogen HIV-1 infection

Species (MHC) human, humanized mouse (A2)

Country United States.

Assay type CD8 T-cell Elispot - IFN γ

Keywords responses in children, immunodominance, characterizing CD8+ T cells

References Chandwani *et al.* 2004

- Responses to five HLA-A2 presented epitopes in Nef were characterized in a population of 19 HIV infected adults and 21 children. The CD8 T-cell response to Nef was stronger and broader in adults than children, averaging 652 and 87 SFCs/10⁶ PBMC, and 2.6 and 0.9 recognized epitopes per person, respectively.
- This is one of three novel Nef epitopes previously identified in HLA-A2 transgenic mice, shown to induce CD8 T-cell response in humans. It was not the immunodominant response.

HXB2 Location Nef (79–87)

Author Location Nef

Epitope MTYKAAVDL

Subtype B, C

Immunogen HIV-1 infection

Species (MHC) human (B63)

Assay type CD8 T-cell Elispot - IFN γ

Keywords rate of progression, cross-presentation by different HLA

References Frahm *et al.* 2005

- HLA-B63-positive subjects were shown to be able to generate CTL responses early in acute HIV infection and to control HIV replication in the absence of antiretroviral treatment. Since HLA-B63 shares the epitope binding motif of HLA-B57 and -B58, it was shown that HLA-B63-positive individuals mounted CTL responses to previously identified B57-restricted epitopes, as well as novel, B63-restricted epitopes. Moreover, these novel B63-restricted epitopes can also be presented by HLA-B57 and -B58.
- This is a putative HLA-B63/57/58 epitope containing the B58 supertype binding motif. There is no evidence for B57/B58 cross-presentation of this epitope.

HXB2 Location Nef (79–93)**Author Location** Nef**Epitope** MTYKGAFDLSHFLKE**Subtype** A, D**Immunogen** HIV-1 infection**Species (MHC)** human**Donor MHC** A*6601, A*6801, B*5301, B*5802; A*0202, A*3002, B*5703, B*5802**Country** Uganda.**Assay type** CD8 T-cell Elispot - IFN γ **Keywords** subtype comparisons, characterizing CD8+ T cells**References** Barugahare *et al.* 2005

- T-cell immune responses were examined in HIV-1 infected Ugandans. Similar levels of cross-clade responses for Gag, Env and Nef were observed. Higher frequencies of responses in conserved regions were found for Gag within a single clade, while areas with higher viral sequence variation had fewer detectable responses. Differential interclade sequence homologies between the Gag regions did not affect the respective level of cross-clade recognition.
- Novel unmapped epitope, this test peptide was conserved in the people that recognized it.

HXB2 Location Nef (80–87)**Author Location** Nef (80–87)**Epitope** TYKAAVDL**Subtype** B**Immunogen** vaccine*Vector/Type:* lipopeptide *Strain:* B clade LAI *HIV component:* Env, Gag, Nef *Adjuvant:* QS21**Species (MHC)** human (A24)**Assay type** proliferation, CD8 T-cell Elispot - IFN γ , Chromium-release assay**Keywords** vaccine-induced epitopes, variant cross-recognition or cross-neutralization**References** Gahéry-Ségard *et al.* 2003

- After injection of an anti-HIV-1 lipopeptide vaccine and the booster injections, a response was observed in >85% of 28 volunteers, and a long-term immune response was observed in >50% of the volunteers. A positive effect of QS21 adjuvant was found for B- and CD4+T-cell responses. A higher number of CD8+ T-cell epitopes was induced after a fourth boost injection. This epitope was one of the 31 epitopes that the vaccinated volunteers responded to.

HXB2 Location Nef (80–87)**Author Location** Nef (80–87 BRU)**Epitope** TYKAAVDL**Subtype** B, CRF02_AG**Immunogen** HIV-1 infection**Species (MHC)** human (A24)**Country** Cote D'Ivoire.**Assay type** CD8 T-cell Elispot - IFN γ **Keywords** subtype comparisons**References** Inwoley *et al.* 2005

- CD8+ T-cells from HIV-1 CRF02_AG-infected Ivorians could recognize clade B epitopes. No difference was observed in the number of recognized peptide pools between nine French subtype B infected study subjects, and nine CRF02_AG infected Ivorian subjects.
- This epitope was recognized by 1/9 CRF02_AG-infected Ivorians, and 0/9 B-infected French subjects.
- This epitope was highly variable in Ivorians; 8/9 had amino acid substitutions. The only one that reacted carried the sequence TYKGAIDL. 3/5 of the B clade French subjects carried variants, which tended to have only 1 amino acid substitution.

HXB2 Location Nef (80–94)**Author Location** Nef (80–94 HXB2)**Epitope** TYKAAVDLSHFLKEK**Subtype** B**Immunogen** HIV-1 infection**Species (MHC)** human**Assay type** T-cell Elispot**Keywords** supervised treatment interruptions (STI), immunodominance, early treatment**References** Addo *et al.* 2003

- Comprehensive Elispot screening of 504 overlapping peptides that spanned all HIV-1 proteins in 57 HIV-1 infected individuals. Four groups of patients were compared: 23 were untreated; 12 patients were chronically infected and treated; 22 started treatment during acute infection, 11 continuously treated and 11 with STI.
- 63% of the peptides were recognized - the most frequent responses were directed against Nef (95%) and p24-Gag (88%). p17 was the most frequently recognized protein after correction for protein length. A median of 18 peptides (range 2-42) were recognized per person. The most frequently (>20%) recognized peptides were located in conserved regions within clade B sequences. Vpu was rarely recognized.
- A decrease in the total magnitude and in the breadth of CTL responses was detected in patients with treated acute infection in comparison to chronically infected treated or untreated individuals. No correlation between plasma viral load and HIV-1 specific T-cell responses was observed.
- The authors did not note the reference strain, but based on the peptide sequences provided it appears to be HXB2.
- Responses to this peptide were detected in 47% of the study subjects, and it was the most frequently recognized peptide.

HXB2 Location Nef (82–90)**Author Location** (C consensus)**Epitope** KGAFDLSFF**Subtype** C**Immunogen** HIV-1 infection

Species (MHC) human (B*57)

Country South Africa.

Assay type CD8 T-cell Elispot - IFN γ

Keywords characterizing CD8+ T cells

References Kiepiela *et al.* 2004

- HLA class I restricted CD8+ T-cell responses against HIV-1 were analyzed in African patients. Significantly more responses were shown to be HLA-B restricted. Viral load, CD4 count, and thus rate of disease progression were also associated with HLA-B alleles. In addition, the selection pressure imposed on HIV-1 by HLA-B alleles was shown to be substantially greater than by other alleles.
- This epitope was suggested to be the epitope within a longer reactive peptide based on correspondence with a known epitope in the HIV database. Also, a significantly higher frequency of people in the Durban cohort who reacted with the peptide had this HLA type.

HXB2 Location Nef (82–90)

Author Location Nef (82–90)

Epitope KAAVDLSHF

Epitope name KF9

Subtype B, C

Immunogen HIV-1 infection

Species (MHC) human (B*57, B*5801)

Country Australia.

Assay type CD8 T-cell Elispot - IFN γ , Chromium-release assay, HLA binding

Keywords subtype comparisons, computational epitope prediction, mother-to-infant transmission, escape, reversion, viral fitness, optimal epitope

References Leslie *et al.* 2005

- KAAVDLSHF is the susceptible optimal form of the epitope, and K_gAVDLSHF an escape variant. The K_gAVDLSHF form of the epitope was shown to be an escape mutation by virtue of an increased off-rate; however Elispot reactions to both forms are positive. The escape form was shown to be transmitted, and the most common form of the epitope in a B clade infected population in Perth, Australia (52%).

HXB2 Location Nef (82–90)

Author Location Nef (C consensus)

Epitope KAAFDLSFF

Subtype C

Immunogen HIV-1 infection

Species (MHC) human (B57)

Country South Africa.

Assay type CD8 T-cell Elispot - IFN γ

Keywords escape, reversion, viral fitness

References Kiepiela *et al.* 2004

- HLA class I restricted CD8+ T-cell responses against HIV-1 were analyzed in African patients. Significantly more responses were shown to be HLA-B restricted. Viral load, CD4 count, and thus rate of disease progression were also associated with HLA-B alleles. In addition, the selection pressure imposed on HIV-1 by HLA-B alleles was shown to be substantially greater than by other alleles.

- People who carried B57 all carried a variant of this epitope, while about half of the people who did not carry B57 carried the susceptible form, suggesting there is not a high fitness cost and reversion rate in this case.
- HLA-B57 was associated with a low viral load.

HXB2 Location Nef (82–90)

Author Location Nef (82–90)

Epitope KAAFDLSFF

Subtype C

Immunogen HIV-1 infection

Species (MHC) human (B57)

Donor MHC A*3001, A*66, B*4201, B*5802, Cw*0602, Cw*1701; A*68, A*66, B*57, B*5802, Cw*0602, Cw*0701

Country South Africa.

Assay type CD8 T-cell Elispot - IFN γ

Keywords responses in children, mother-to-infant transmission, escape, acute/early infection

References Pillay *et al.* 2005

- HIV-specific CTLs in infants were shown to be able to select for viral escape variants early in life, despite a lack of escape with the same CTL specificity in the mother. Infant CTL responses may be compromised by transmission of escape variants that arose in the mother and also those that arose in the father, if the father was the source of the mother's infection.
- KAAFDLSFF is the C consensus form of the epitope; the autologous form in the mother was KAAFDLgFF, and this was transmitted to her infant. By 33 weeks a new dominant form of the epitope had emerged in the infant: gAAFDLgFF.

HXB2 Location Nef (82–91)

Author Location Nef (82–91)

Epitope KAALDSLHFL

Subtype B

Immunogen vaccine

Vector/Type: lipopeptide *Strain:* B clade LAI *HIV component:* Env, Gag, Nef *Adjuvant:* QS21

Species (MHC) human (A2)

Assay type proliferation, CD8 T-cell Elispot - IFN γ , Chromium-release assay

Keywords vaccine-induced epitopes, variant cross-recognition or cross-neutralization

References Gahéry-Ségard *et al.* 2003

- After injection of an anti-HIV-1 lipopeptide vaccine and the booster injections, a response was observed in >85% of 28 volunteers, and a long-term immune response was observed in >50% of the volunteers. A positive effect of QS21 adjuvant was found for B- and CD4+T-cell responses. A higher number of CD8+ T-cell epitopes was induced after a fourth boost injection. This epitope was one of 31 that the vaccinated volunteers responded to.
- A KAAvDSLHFL variant was cross-recognized after the last boost.

HXB2 Location Nef (82–91)

Author Location Nef (82–91 LAI)

Epitope KAAVDLSHFL

Subtype B

Immunogen HIV-1 infection
Species (MHC) human (Cw*0802)
Keywords HAART, ART
References Nixon *et al.* 1999

- A patient who made a mono-specific CTL response to this Nef specific epitope was given effective anti-retroviral therapy within 90 days of infection, reducing the antigenic stimulus.
- Within 7 days of therapy, his CTLp frequency dropped from 60 to 4 per million PBMC, as his viremia dropped.
- The patient went from having an activated effector population (detected by CTLp and clone specific RNA) to a non-activated quiescent population (detected by the CTL-clone specific DNA)

HXB2 Location Nef (82–91)
Author Location Nef (82–91 SF2)
Epitope KAAVDLSHFL

Immunogen HIV-1 infection
Species (MHC) human (Cw8)
Keywords HAART, ART, acute/early infection
References Altfeld *et al.* 2001b

- Therapy provided during acute infection resulted in a narrower CTL response, stronger T help response, and a less diverse viral population than was seen in individuals treated during chronic infection.
- The breadth and specificity of the response was determined using ELISPOT by studying 19 individuals with pre-seroconversion therapy (Group 1), 11 individuals with primary infection but post-seroconversion therapy (Group 2), and 10 individuals who responded to HAART given during chronic infection (Group 3), using 259 overlapping peptides spanning p17, p24, RT, gp41, gp120 and Nef.
- Previously described and newly defined optimal epitopes were tested for CTL response.
- Number of HLA-Cw8+ individuals that had a CTL response to this epitope broken down by group: 1/3 group 1, 0/0 group 2, and 0/1 group 3.

HXB2 Location Nef (82–91)
Author Location Nef (SF2)
Epitope KAAVDLSHFL
Immunogen HIV-1 infection
Species (MHC) human (Cw8)
References Altfeld *et al.* 2000

- This epitope was mapped by ELISPOT in a study identifying new HLA-B60 epitopes, and was one of the epitopes presented by another HLA molecule in an HLA-B60 individual.

HXB2 Location Nef (82–91)
Author Location (B consensus)
Epitope KAAVDLSHFL
Epitope name KL10
Subtype B
Immunogen HIV-1 infection
Species (MHC) human (Cw8)
Donor MHC A25, A32, B08, B14, Cw7, Cw8
Country United States.
Assay type Cytokine production, Intracellular cytokine staining, Chromium-release assay, Flow cytometric T-cell cytokine assay

Keywords assay standardization/improvement, memory cells, characterizing CD8+ T cells

References Lichterfeld *et al.* 2004c

- Using a flow-cytometric cytotoxicity assay based on caspase-3 activation in dying target cells, it was shown that the subset of HIV-1-specific CD8+ T cells secreting both IFN-gamma and TNF-alpha exhibit stronger cytotoxic activity than those secreting only IFN-gamma. These cells also exhibited stronger intracellular perforin expression. No association between HIV-1-specific CD8+ T-cell maturation phenotypes and intracellular perforin expression was found.
- 1/9 individuals recognized this epitope.

HXB2 Location Nef (82–91)
Author Location Nef

Epitope KAAVDLSHFL
Epitope name KL10
Subtype B

Immunogen HIV-1 infection
Species (MHC) human (Cw8)
Donor MHC A28, A29, B14, B44, Cw8
Country United States.

Assay type CD8 T-cell Elispot - IFN γ

Keywords subtype comparisons, escape, characterizing CD8+ T cells, reversion, viral fitness

References Allen *et al.* 2005a

- Two-thirds of all mutations arising in nonenvelope proteins during the transition from acute to chronic infection were found to be due to either CD8 T-cell-associated selective pressures or reversion of HLA-I-associated mutations selected in a previous host. The predominance of escape mutations at highly polymorphic sites was observed across different HIV-1 clades.
- One escape mutation, at position 6, KAAVDmSHFL, was found not to correspond to the most polymorphic residue in the epitope.

HXB2 Location Nef (82–91)
Author Location

Epitope KAAVDLSHFL
Epitope name KL10
Immunogen

Species (MHC) human (Cw8)
Keywords optimal epitope
References Frahm *et al.* 2007

- C. Brander notes this is a Cw08 epitope.

HXB2 Location Nef (82–96)
Author Location Nef (82–96)
Epitope KGAFDLSFFLKEKGG
Subtype C

Immunogen HIV-1 infection
Species (MHC) human
Keywords subtype comparisons
References Novitsky *et al.* 2002

- HLA, viral sequence, and Elispot data was obtained from 105 HIV-1 positive Botswanans; Elispot data was obtained from between 55 and 64 subjects for each HIV protein.
- Nef and p24 had the highest percentage of reactive peptides, and p24 had the highest magnitude of HIV-1 responses.

- This peptide was among the 8 most reactive C clade peptides from among over 350 tested spanning all HIV proteins.

HXB2 Location Nef (82–101)

Author Location Nef (81–100 SF2)

Epitope KAAVDLSHFLKEKGGLEGLI

Immunogen HIV-1 infection

Species (MHC) human

References Lieberman *et al.* 1997a

- Of 25 patients, most had CTL specific for more than 1 HIV-1 protein.
- Eleven subjects had CTL that could recognize vaccinia-expressed LAI Nef.
- Three of these 11 had CTL response to this peptide.
- The responding subjects were HLA-A1, A2, B8, B14; HLA-A11, A24, B8, B53.

HXB2 Location Nef (82–101)

Author Location Nef (SF2)

Epitope KAAVDLSHFLKEKGGLEGLI

Immunogen HIV-1 infection

Species (MHC) human

References Altfeld *et al.* 2001a

- HIV+ individual AC-06 was tested for reactive overlapping peptides spanning all HIV-1 proteins in an ELISPOT and was found to react with 12 peptides from 7 proteins, suggesting that the breadth of CTL responses are underestimated if accessory proteins are not included in the study.
- Nef peptides PQVPLRRMTYKAAVDLSHFL, KAAVDLSHFLKEKGGLEGLI and EEEVGFVPTQVPLRPMTY were recognized and the first two share KAAVDLSHFL (a Cw8 epitope), the first and last share PQVPLRPMTY.

HXB2 Location Nef (83–90)

Author Location Nef (83–90 HXB2)

Epitope AAVDLSHF

Subtype B, CRF01_AE

Immunogen HIV-1 infection

Species (MHC) human (B62)

Country Viet Nam.

Assay type HLA binding

Keywords subtype comparisons, computational epitope prediction, escape, variant cross-recognition or cross-neutralization, vaccine antigen design

References Lazaro *et al.* 2005

- The most common HLA-alleles in the Vietnamese population were found to be HLA-A11, A02, A33, B75, B46, and B62. Several epitopes cluster in short regions in Gag and Nef that are presented by these HLA molecules; these epitopes may be useful targets for vaccine antigens. In a comparison of CRF01_AE sequences to HXB2, 14 mutations were found in epitopes in these Gag and Nef pluriepitopic regions; 7 did not affect the HLA binding score, 3 increased it, and 4 reduced it.
- CRF01_AE variant GaFdsFf had a higher HLA-B62 binding score than the HXB2 epitope.

HXB2 Location Nef (83–91)

Author Location Nef (85–93 HXB3)

Epitope AALDLSHFL

Immunogen vaccine

Vector/Type: DNA, peptide **Strain:** B clade HXB3 **HIV component:** Nef **Adjuvant:** Complete Freund's Adjuvant (CFA)

Species (MHC) mouse (A*0201)

Keywords binding affinity, computational epitope prediction

References Sandberg *et al.* 2000

- Ten Nef 9-mer peptides were predicted to have strong binding affinity for HLA-A*0201 – of these, four did bind strongly by a T2 class I stabilization assay, several others bound weakly.
- A CTL immune response to only 3/10 peptides was detected by a 51Cr-release assay after immunization of HLA-A201 transgenic mice with nef DNA under the control of a CMV promoter, coated on gold particles delivered to abdominal skin by gene gun.
- AALDLSHFL was predicted to have a strong binding capacity for HLA-A2, and did, but it was the only one of the peptides recognized that was a strong binder, the other two recognized peptides were weak binders.
- AALDLSHFL was also tested by subcutaneous injection of Nef peptides in Freund's adjuvant and gave a strong response to the peptide.

HXB2 Location Nef (83–91)

Author Location (C consensus)

Epitope GAFDLSFFL

Subtype C

Immunogen HIV-1 infection

Species (MHC) human (A*0205)

Country South Africa.

Assay type CD8 T-cell Elispot - IFN γ

Keywords rate of progression, optimal epitope

References Kiepiela *et al.* 2007

- A comprehensive analysis of 160 class I T cell responses in 578 individuals from KwaZulu-Natal, South Africa was performed. Gag-specific responses were associated with lowering viremia, while Env, accessory and regulatory protein-specific responses were associated with higher viremia.
- GAFDLSFFL is an optimal epitope.

HXB2 Location Nef (83–91)

Author Location Nef (83–91)

Epitope GAFDLSFFL

Epitope name GL9

Immunogen HIV-1 infection

Species (MHC) human (A*0205)

Keywords optimal epitope

References Frahm *et al.* 2007

- C. Brander notes this is a A*0205 epitope.

HXB2 Location Nef (83–91)

Author Location Nef (83–91 BRU)

Epitope AAVDLSHFL

Subtype B

Immunogen HIV-1 infection

Species (MHC) human (A2)

Keywords binding affinity, epitope processing

References Choppin *et al.* 2001

- Seventy-three 8-11 mer peptides were generated based on putative anchor motifs in the Nef BRU sequence for HLA A2, A3, A24, B7, B8, and B35; these 73 peptides had 81 motifs. 54% bound to the predicted HLA molecule, particularly A2, B7/35, and B8. The strength of HLA-peptide binding was not directly related to the number of individuals that recognized a protein.
- 20s proteasome cleavage of the Nef protein positions 66-100 showed a large fraction of peptides were cleaved ending at: 87L, 83A, 81Y, 71P, 68F and 67G. The frequency of recognition may be in part dictated by the cleavage step in processing.
- AAVDLSHFL was recognized in 3/18 (17%) of individuals with HLA A2. It was a low affinity HLA binder.

HXB2 Location Nef (83–91)

Author Location Nef (83–91)

Epitope AAVDLSHFL

Subtype B

Immunogen vaccine

Vector/Type: lipopeptide *Strain:* B clade LAI *HIV component:* Env, Gag, Nef *Adjuvant:* QS21

Species (MHC) human (A2)

Assay type proliferation, CD8 T-cell Elispot - IFN γ , Chromium-release assay

Keywords vaccine-induced epitopes, variant cross-recognition or cross-neutralization

References Gahéry-Ségard *et al.* 2003

- After injection of an anti-HIV-1 lipopeptide vaccine and the booster injections, a response was observed in >85% of 28 volunteers, and a long-term immune response was observed in >50% of the volunteers. A positive effect of QS21 adjuvant was found for B- and CD4+T-cell responses. A higher number of CD8+ T-cell epitopes was induced after a fourth boost injection. This epitope was one of 31 that the vaccinated volunteers responded to.

HXB2 Location Nef (83–91)

Author Location Nef (83–91)

Epitope AALDLSHFL

Epitope name Nef83-91

Immunogen HIV-1 infection

Species (MHC) human, humanized mouse (A2)

Country United States.

Assay type CD8 T-cell Elispot - IFN γ

Keywords responses in children, immunodominance, characterizing CD8+ T cells

References Chandwani *et al.* 2004

- Responses to five HLA-A2 presented epitopes in Nef were characterized in a population of 19 HIV infected adults and 21 children. The CD8 T-cell response to Nef was stronger and broader in adults than children, averaging 652 and 87 SFCs/10⁶ PBMC, and 2.6 and 0.9 recognized epitopes per person, respectively.
- The novel AALDLSHFL Nef epitope was the most frequently and most strongly recognized epitope in this study, making it a possible immunodominant epitope.
- This is one of three novel Nef epitopes previously identified in HLA-A2 transgenic mice, shown to induce CD8 T-cell response in humans.

HXB2 Location Nef (83–91)

Author Location Nef (83–91 BRU)

Epitope AAVDLSHFL

Subtype B, CRF02_AG

Immunogen HIV-1 infection

Species (MHC) human (A2)

Country Cote D'Ivoire.

Assay type CD8 T-cell Elispot - IFN γ

Keywords subtype comparisons

References Inwoley *et al.* 2005

- CD8+ T-cells from HIV-1 CRF02_AG-infected Ivorians could recognize clade B epitopes. No difference was observed in the number of recognized peptide pools between nine French subtype B infected study subjects, and nine CRF02_AG infected Ivorian subjects.
- This epitope was recognized by 1/9 CRF02_AG-infected patients, and by 1/9 B-infected patients. Variants were present in 6/8 Ivorians, and in 3/5 French subjects.
- The Ivorian who recognized the B clade peptide carried the substitutions gAfDLSHFL.

HXB2 Location Nef (83–91)

Author Location Nef (83–91 HXB2)

Epitope AAVDLSHFL

Subtype B, CRF01_AE

Immunogen HIV-1 infection

Species (MHC) human (A2)

Country Viet Nam.

Assay type HLA binding

Keywords subtype comparisons, computational epitope prediction, escape, variant cross-recognition or cross-neutralization, vaccine antigen design

References Lazaro *et al.* 2005

- The most common HLA-alleles in the Vietnamese population were found to be HLA-A11, A02, A33, B75, B46, and B62. Several epitopes cluster in short regions in Gag and Nef that are presented by these HLA molecules; these epitopes may be useful targets for vaccine antigens. In a comparison of CRF01_AE sequences to HXB2, 14 mutations were found in epitopes in these Gag and Nef pluriepitopic regions; 7 did not affect the HLA binding score, 3 increased it, and 4 reduced it.
- The CRF01_AE variant GaFdlSfFl had a higher HLA-A2 binding score than the HXB2 epitope.

HXB2 Location Nef (83–91)

Author Location Nef (83–91)

Epitope AAVDLSHFL

Epitope name AL9

Immunogen HIV-1 infection

Species (MHC) human (A2)

Donor MHC A*02, A*30, B*18, B*13, Cw*01, Cw*05; A*02, A*32, B*07, B*40, Cw*03, Cw*07

Country United States.

Assay type CD8 T-cell Elispot - IFN γ

Keywords responses in children, mother-to-infant transmission, escape, characterizing CD8+ T cells, reversion, viral fitness

References Sanchez-Merino *et al.* 2005

- CD8 T-cell responses were examined in mother-infant pairs. Escape variants were commonly detected in maternal plasma. Early infant plasma viruses showed heterogeneity of gag and nef gene sequences as well as mother-to-child transmission of CD8 T-cell escape variants. The stability of escape mutants in the infant over time was determined by infant HLA haplotype and viral fitness. Sequential plasma specimens from infants showed changes in CD8 T-cell epitope sequences, suggesting that infants are capable of generating virus-specific CD8 T-cell responses.
- An escape form of the A2 epitope, AAVDmSHFL, was transmitted from an A2- mother to her A2+ infant, where it persisted in 29/29 sequences sampled over 11 months.
- Another form of this A2 epitope, gAIDLSHFL, was transmitted by an A2+ mother to an A2- infant, where it persisted in 30/30 sequences sampled over 15 months.
- AAVDmSHFL was shown to have lower responder cell frequencies than AAVDLSHFL.

HXB2 Location Nef (83–91)
Author Location Nef (83–91)
Epitope AAVDLSHFL
Immunogen HIV-1 infection
Species (MHC) human (B60, B62, Cw*0802, Cw8)
Donor MHC A*0201, A23, B44, B62, Cw3, Cw4; A1, A3, B7, B14, Cw*0702, Cw*0802; A*0201, A31, B44, B60, Cw3, Cw16; A1, A1, B8, B14, Cw7, Cw8
Assay type CD8 T-cell Elispot - IFN γ
Keywords acute/early infection, early treatment
References Cao *et al.* 2003

- All proteins were scanned and optimal epitopes were mapped in a study of CD8+ gamma IFN T-cell responses in 21 men within 15-92 days post-HIV-1 infection. Subjects initially showed narrow immune responses with a mean of 2.3 epitopes recognized per patient. The immune response broadened later in infection. No correlation between the plasma viral load and the number of recognized epitopes or the frequency of IFN-gamma secreting cells was observed, and there was no correlation between the functional avidity of a responses and the abundance of IFN-secreting cells that recognized the epitope. The first epitopes to be recognized did not tend to be the most avid, and earliest responses tended to be directed against Nef, Tat, Vpr, and Env.
- Four different individuals recognized this epitope during a primary infection, and it was shown to be presented by HLA B60, B62, C2*0802, and Cw8.
- All HIV-1 proteins except Vpu were recognized, and a responses to a total of 41 optimal epitopes were characterized; 24 had been identified previously. 48% of the total T-cell responses were directed against Nef and 43% were directed against Gag.
- More common HLA alleles were less frequently used in primary infection than less common alleles, for example A3, B35, B57, and B62 were more frequently utilized than A1, A2, A30, and A44.

HXB2 Location Nef (83–91)
Author Location Nef (83–91 LAI)
Epitope AAVDLSHFL

Subtype B

Immunogen HIV-1 infection
Species (MHC) human (Cw*0802)
Keywords optimal epitope
References Frahm *et al.* 2007

- C. Brander notes this is a C*0802(Cw8) epitope.

HXB2 Location Nef (83–91)
Author Location Nef (83–91)
Epitope GAFDLSFFL
Epitope name GL9
Immunogen HIV-1 infection
Species (MHC) human (Cw*0802)
Keywords optimal epitope
References Frahm *et al.* 2007

- C. Brander notes this is a Cw*0802 epitope.

HXB2 Location Nef (83–91)
Author Location Nef (83–91)
Epitope AALDLSHFL
Immunogen HIV-1 infection
Species (MHC) human (Cw3)
Keywords optimal epitope
References Frahm *et al.* 2007

HXB2 Location Nef (83–92)
Author Location Nef (81–90 93TH253 subtype CRF01)
Epitope GAFDLSFFLK
Epitope name N83-92
Subtype CRF01_AE
Immunogen HIV-1 infection
Species (MHC) human (A11)
Keywords HIV exposed persistently seronegative (HEPS)
References Sriwanthana *et al.* 2001

- This was a study of HIV-1 exposed persistently seronegative (HEPS) female sex workers in Chiang Mai, northern Thailand.
- HLA-A11 is very common in this population, and was enriched among the HEPS sexworkers – weak CTL responses were detected in 4/7 HEPS women, and CTL responses were found in 8/8 HIV+ controls, and 0/9 HIV- women that were not exposed.
- This epitope was strongly reactive in HIV+ study subjects 053 and 184 who carried HLA-A11.

HXB2 Location Nef (83–92)
Author Location Nef (81–90 93TH253 subtype CRF01)
Epitope GAFDLSFFLK
Subtype CRF01_AE
Immunogen HIV-1 infection
Species (MHC) human (A11)
Keywords subtype comparisons
References Bond *et al.* 2001

- HLA-A11 CRF01 (called subtype E in Bond *et al.*) epitopes were identified that stimulated CTL from HIV+ female sex workers (FSW) from Northern Thailand, of whom more than half were HLA-A11 positive.

- 77 possible HLA-A11 epitopes were first defined using EpiMatrix, these were screened for binding to A11 finding and 26 bound, and 12 of these were epitopes for CTL responses from 8 HLA-A11 positive FSWs, six were novel, six were previously identified.
- This epitope was predicted by the EpiMatrix method to be likely to bind to A11, and it served as an epitope in the FSWs, it was one of the six A11 epitopes that had been previously defined.
- 4/8 tested FSWs recognized this epitope.
- This epitope was only conserved in CRF01 and subtype C, and exact matches were uncommon.

HXB2 Location Nef (83–92)

Author Location Nef (83–92)

Epitope AAVDLSHFLK

Subtype B

Immunogen HIV-1 infection

Species (MHC) human (A11)

Donor MHC A*0201, A11, B51, B61, Cw2, Cw*14

Assay type CD8 T-cell Elispot - IFN γ

Keywords acute/early infection, early treatment

References Cao *et al.* 2003

- CTL epitope responses were mapped in 21 men within 15-92 days post-HIV-1 infection. Subjects initially showed narrow immune responses with a mean of 2.3 epitopes recognized per patient. The immune response broadened later in infection. No correlation between the plasma viral load and the number of recognized epitopes or the frequency of IFN-gamma secreting cells was observed, and there was no correlation between the functional avidity of a responses and the abundance of IFN-secreting cells that recognized the epitope. The first epitopes to be recognized tended not to be the most avid, and earliest responses tended to be directed against Nef, Tat, Vpr, and Env.
- More common HLA alleles were less frequently used in primary infection than less common alleles, for example A3, B35, B57, and B62 were more frequently utilized than A1, A2, A30, and A44.
- All HIV-1 proteins except Vpu were recognized, and a responses to a total of 41 optimal epitopes were characterized; 24 had been identified previously. 48% of the total T-cell responses were directed against Nef and 43% were directed against Gag.

HXB2 Location Nef (83–94)

Author Location Nef (83–94 BRU)

Epitope AAVDLSHFLKEK

Immunogen HIV-1 infection

Species (MHC) human (A11)

References Culmann *et al.* 1991

- Epitope defined by boundaries of overlapping peptides that stimulate Nef CTL clones.

HXB2 Location Nef (84–91)

Author Location Nef (84–91)

Epitope AVDLSHFL

Subtype B

Immunogen vaccine

Vector/Type: lipopeptide *Strain:* B clade LAI *HIV component:* Env, Gag, Nef *Adjuvant:* QS21

Species (MHC) human (A2)

Assay type proliferation, CD8 T-cell Elispot - IFN γ , Chromium-release assay

Keywords vaccine-induced epitopes, variant cross-recognition or cross-neutralization

References Gahéry-Ségard *et al.* 2003

- After injection of an anti-HIV-1 lipopeptide vaccine and the booster injections, a response was observed in >85% of 28 volunteers, and a long-term immune response was observed in >50% of the volunteers. A positive effect of QS21 adjuvant was found for B- and CD4+T-cell responses. A higher number of CD8+ T-cell epitopes was induced after a fourth boost injection. This epitope was one of 31 that the vaccinated volunteers responded to.

HXB2 Location Nef (84–91)

Author Location Nef (84–91 LAI)

Epitope AVDLSHFL

Subtype B

Immunogen HIV-1 infection

Species (MHC) human (B62)

References Culmann-Penciolelli *et al.* 1994

HXB2 Location Nef (84–91)

Author Location Nef (84–91)

Epitope AVDLSHFL

Immunogen HIV-1 infection

Species (MHC) human (B62)

Keywords immunodominance

References Betts *et al.* 2000

- Only 4/11 HLA-A2+ HIV+ individuals had CTL that reacted to SLYNTVATL, calling into question whether it is immunodominant.
- 95 optimally-defined peptides from this database were used to screen for INF γ responses to other epitopes.
- 1/11 of the A2+ individuals that didn't respond to SLYNTVATL reacted with seven other epitopes including this epitope.

HXB2 Location Nef (84–91)

Author Location Nef (84–91 BRU)

Epitope AVDLSHFL

Subtype B, CRF02_AG

Immunogen HIV-1 infection

Species (MHC) human (B62)

Country Cote D'Ivoire.

Assay type CD8 T-cell Elispot - IFN γ

Keywords subtype comparisons

References Inwoley *et al.* 2005

- CD8+ T-cells from HIV-1 CRF02_AG-infected Ivoirians could recognize clade B epitopes. No difference was observed in the number of recognized peptide pools between nine French subtype B infected study subjects, and nine CRF02_AG infected Ivoirian subjects.
- This epitope was recognized by 2/9 CRF02_AG-infected Ivoirians, and 0/9 B-infected French subjects.

- The 2 CRF02 infected subjects that recognized this peptide carried a form with one amino acid change: AfDLSHFL. Variant forms were in 4/8 CRF02 infection sequences. 3/5 B clade infected individuals had a variant of this peptide.

HXB2 Location Nef (84–92)
Author Location Nef (84–92)
Epitope AVDLSHFLK
Immunogen HIV-1 infection
Species (MHC) human (A*0301)
Keywords optimal epitope
References Frahm *et al.* 2007

HXB2 Location Nef (84–92)
Author Location Nef (84–92 LAI)
Epitope AVDLSHFLK
Subtype B
Immunogen HIV-1 infection
Species (MHC) human (A*1101)
Keywords optimal epitope
References Frahm *et al.* 2007

- C. Brander notes this is an A*1101 epitope.

HXB2 Location Nef (84–92)
Author Location Nef (84–92)
Epitope AVDLSHFLK
Subtype B, CRF01_AE
Immunogen HIV-1 infection
Species (MHC) human (A*1101)
Keywords subtype comparisons
References Fukada *et al.* 2002

- Counterparts for eight known clade B HLA A*1101 epitopes were generated for clade E (CRF01). Three epitopes, identical among clade A-E, were cross-reactive and recognized by clade E infected individuals. The clade E and B analogs to three more HLA A*1101 epitopes was recognized in a clade specific manner. Two other HLA A*1101 clade B defined epitopes were found not to have stimulated a response in clade E infected individuals.
- AVDLSHFLK was found to elicit clade-specific responses in clade B (AVDLSHFLK is most common, aLdlshflk is a common variant also found in clade A) and clade E (aFdlsFflk is most common and is also common in clade C). AVDLSHFLK was strongly recognized by CTL from 2/5 B clade infected Japanese subjects, as was aLdlshflk, and aFdlsFflk by CTL from 5/7 E clade infected Thai subjects.
- The binding of aFdlsFflk to HLA A*1101 was 10-50 times lower than the other variants, and bulk CTL generated from individuals did not cross-react with the cross-clade peptides.

HXB2 Location Nef (84–92)
Author Location Nef (84–92 LAI)
Epitope AVDLSHFLK
Subtype B
Immunogen HIV-1 infection
Species (MHC) human (A11)
Keywords review
References McMichael & Walker 1994

- Review of HIV CTL epitopes.

- C. Brander notes that this is an A*1101 epitope in the 1999 database.

HXB2 Location Nef (84–92)
Author Location Nef (84–92)
Epitope AVDLSHFLK
Immunogen HIV-1 infection
Species (MHC) human (A11)
Keywords immunodominance
References Betts *et al.* 2000

- Only 4/11 HLA-A2+ HIV+ individuals had CTL that reacted to SLYNTVATL, calling into question whether it is immunodominant.
- 95 optimally-defined peptides from this database were used to screen for INF γ responses to other epitopes.
- 1/11 of the A2+ individuals that didn't respond to SLYNTVATL reacted with seven other epitopes including this epitope.

HXB2 Location Nef (84–92)
Author Location Nef (84–92 LAI)
Epitope AVDLSHFLK
Subtype B
Immunogen HIV-1 infection
Species (MHC) human (A11)
Keywords review, escape
References Couillin *et al.* 1994; Goulder *et al.* 1997a

- Mutational variation in HIV epitopes in individuals with appropriate HLA types can result in evasion of CTL response.
- Goulder *et al.* [1997a] is a review of immune escape that summarizes this study.

HXB2 Location Nef (84–92)
Author Location Nef (84–92 LAI)
Epitope AVDLSHFLK
Subtype B
Immunogen HIV-1 infection
Species (MHC) human (A11)
References Couillin *et al.* 1995

- Mutations found in this epitope in HLA-A11 positive and negative donors were characterized.

HXB2 Location Nef (84–92)
Author Location Nef (84–92)
Epitope AVDLSHFLK
Epitope name AVD
Immunogen HIV-1 infection
Species (MHC) human (A11)
Keywords HAART, ART, supervised treatment interruptions (STI), immunodominance, acute/early infection
References Oxenius *et al.* 2000

- Patients who started therapy at acute HIV-1 infection (three with sustained therapy, two with limited therapy upon early infection) had strong HIV specific CD4 proliferative responses and were able to maintain a CTL response even with undetectable viral load – three patients that had delayed initiation of HAART had no HIV specific CD4 proliferative responses and lost their CTL responses when HAART was eventually given and their viral loads became undetectable.

- Both of the 2/8 HLA-A11 study subjects recognized this CTL epitope.
- Patient SC19(HLA A11/12, B8/44, Cw06/0701, DR3/7, DR52/53, DQ 2/8) had a CTL response to epitopes FLKEKGGGL, GEIYKRWII, ACQGVGGPGHK, AVDLSHFLK, and FNCGGEFFY that declined during therapy initiated at day 197.
- Patient SC18(HLA A2/11, B8/44, Cw06/0701, DR3/7, DR52/53, DQ2) recognizes the epitopes ACQGVGGPGHK, QVPLRPMTYK, AVDLSHFLK, and one called QIY but not fully described – he had brief therapy upon seroconversion and has had low viral load during 600 days of follow up.

HXB2 Location Nef (84–92)

Author Location Nef (82–90)

Epitope AVDLSHFLK

Immunogen HIV-1 infection

Species (MHC) human (A11)

References Ferrari *et al.* 2000

- One of the 51 HIV-1 epitopes selected by Ferrari *et al.* as good candidate CTL epitopes for vaccines by virtue of being conserved and presented by common HLA alleles.

HXB2 Location Nef (84–92)

Author Location Nef (84–92 SF2)

Epitope AVDLSHFLK

Immunogen HIV-1 infection

Species (MHC) human (A11)

Keywords HAART, ART, acute/early infection

References Altfeld *et al.* 2001b

- Therapy provided during acute infection resulted in a narrower CTL response, stronger T help response, and a less diverse viral population than was seen in individuals treated during chronic infection.
- The breadth and specificity of the response was determined using ELISPOT by studying 19 individuals with pre-seroconversion therapy (Group 1), 11 individuals with primary infection but post-seroconversion therapy (Group 2), and 10 individuals who responded to HAART given during chronic infection (Group 3), using 259 overlapping peptides spanning p17, p24, RT, gp41, gp120 and Nef.
- Previously described and newly defined optimal epitopes were tested for CTL response.
- Number of HLA-A11+ individuals that had a CTL response to this epitope broken down by group: 0/3 group 1, 0/0 group 2, and 2/2 group 3.

HXB2 Location Nef (84–92)

Author Location Nef (84–92)

Epitope AVDLSHFLK

Immunogen HIV-1 infection, HIV-1 exposed seronegative

Species (MHC) human (A11)

Keywords HIV exposed persistently seronegative (HEPS)

References Kaul *et al.* 2001a

- ELISPOT was used to study CTL responses to a panel of 54 predefined HIV-1 epitopes in 91 HIV-1-exposed, persistently seronegative (HEPS) and 87 HIV-1-infected female Nairobi sex workers.

HXB2 Location Nef (84–92)

Author Location Nef

Epitope AVDLSHFLK

Epitope name AVD

Immunogen HIV-1 infection

Species (MHC) human (A11)

Keywords HAART, ART, supervised treatment interruptions (STI)

References Oxenius *et al.* 2002b

- Using previously defined epitopes Oxenius *et al.* [2000, 2001a] in an IFN γ Elispot assay, 13 chronically HIV-1 infected patients were studied over a period including therapy with standard treatment interruptions (STI).
- STIs induced increased recognition of CTL epitopes, but there was no correlation between CTL responses with viral rebound rates, plateau viral loads, or clearance rates.

HXB2 Location Nef (84–92)

Author Location Nef

Epitope AVDLSHFLK

Subtype A, B, D, F

Immunogen HIV-1 infection, vaccine

Vector/Type: DNA prime with modified vaccinia Ankara (MVA) boost *Strain:* A clade
HIV component: p17 Gag, p24 Gag

Species (MHC) human, macaque (A11)

Keywords subtype comparisons, epitope processing, vaccine-specific epitope characteristics, immunodominance

References Hanke & McMichael 2000; Wee *et al.* 2002

- The HIV-1 subtype A focused vaccine HIVA contains p24 and p17, in a reversed order relative to the Gag polyprotein to prevent myristylation of p17, which could direct the protein to the cell membrane and inhibit efficient peptide processing and class I presentation, as well as a polyepitope string of conserved, often immunodominant epitopes that were selected to have particularly good cross-reactive potential for the A-clade epidemic in Nairobi, Kenya. A DNA and MVA prime-boost vaccination protocol using the HIVA antigen will be used in a phase III clinical trial in Kenya. This epitope is included in the polyepitope string Hanke & McMichael [2000].
- Multiple CD4+ or CD8+ T-cell vaccine-induced responses to peptide pools were detected using intracellular cytokine staining and IFN γ Elispot assays after vaccination of 5 macaques. The response to the Mamu A*01 SIV p27 epitope p11C (CTPYDINQM), included in the polyepitope region, was not immunodominant in the Mamu A*01 vaccinated macaques, possibly because of processing limitations in context of the artificial polyepitope string Wee *et al.* [2002].

HXB2 Location Nef (84–92)

Author Location Nef (84–92)

Epitope AVDLSHFLK

Epitope name AK9

Subtype B

Immunogen HIV-1 infection

Species (MHC) human (A11)

Donor MHC A2, A11, B18, B44, Cw5, Cw12

Country United States.

- Assay type** CD8 T-cell Elispot - IFN γ , Intracellular cytokine staining, Flow cytometric T-cell cytokine assay
- Keywords** optimal epitope
- References** Allen *et al.* 2005b
- 4/14 optimal HIV-1 T-cell epitopes in a subject underwent mutation associated with dramatic loss of the original CD8 response. For 1 of the escape variants, a novel CD8 T-cell response equal in magnitude to the wildtype, was generated. CD8 T-cell recognizing the variant epitope utilized a distinct T-cell receptor and did not exhibit any cross-reactivity against the wildtype.
 - This epitope did not vary.
- HXB2 Location** Nef (84–92)
- Author Location** Nef (84–92)
- Epitope** AVDLSHFLK
- Subtype** B
- Immunogen** HIV-1 infection
- Species (MHC)** human (A11)
- Donor MHC** A2, A11, B18, B44, Cw5, Cw12
- Country** United States.
- Assay type** CD8 T-cell Elispot - IFN γ
- References** Allen *et al.* 2005a
- Two-thirds of all mutations arising in nonenvelope proteins during the transition from acute to chronic infection were found to be due to either CD8 T-cell-associated selective pressures or reversion of HLA-I-associated mutations selected in a previous host. The predominance of escape mutations at highly polymorphic sites was observed across different HIV-1 clades.
 - This epitope was reactive, but escape mutations did not accrue in it over time.
- HXB2 Location** Nef (84–92)
- Author Location** Nef (B consensus)
- Epitope** AVDLSHFLK
- Epitope name** AK9
- Immunogen** HIV-1 infection
- Species (MHC)** human (A11, A3)
- Donor MHC** A02, A11, B18, B44, Cw5, Cw12; A03, B14, B60, Cw3, Cw7
- Country** United States.
- Assay type** Cytokine production, Intracellular cytokine staining, Chromium-release assay, Flow cytometric T-cell cytokine assay
- Keywords** assay standardization/improvement, cross-presentation by different HLA, memory cells, characterizing CD8+ T cells
- References** Lichterfeld *et al.* 2004c
- Using a flow-cytometric cytotoxicity assay based on caspase-3 activation in dying target cells, it was shown that the subset of HIV-1-specific CD8+ T cells secreting both IFN-gamma and TNF-alpha exhibit stronger cytotoxic activity than those secreting only IFN-gamma. These cells also exhibited stronger intracellular perforin expression. No association between HIV-1-specific CD8+ T-cell maturation phenotypes and intracellular perforin expression was found.
 - 2/9 individuals recognized this epitope, each in the context of a different HLA-presenting molecule.
- HXB2 Location** Nef (84–92)
- Author Location** Nef (84–92 BRU)
- Epitope** AVDLSHFLK
- Subtype** B
- Immunogen** HIV-1 infection
- Species (MHC)** human (A3)
- Keywords** binding affinity, epitope processing
- References** Chopin *et al.* 2001
- Seventy-three 8-11 mer peptides were generated based on putative anchor motifs in the Nef BRU sequence for HLA A2, A3, A24, B7, B8, and B35; these 73 peptides had 81 motifs. 54% bound to the predicted HLA molecule, particularly A2, B7/35, and B8. The strength of HLA-peptide binding was not directly related to the number of individuals that recognized a protein.
 - 20s proteasome cleavage of the Nef protein positions 66-100 showed a large fraction of peptides were cleaved ending at: 87L, 83A, 81Y, 71P, 68F and 67G. The frequency of recognition may be in part dictated by the cleavage step in processing.
 - AVDLSHFLK was recognized in 4/12 (33%) of individuals with HLA A3. It was a high affinity HLA-A3 binder.
- HXB2 Location** Nef (84–92)
- Author Location** Nef (84–94)
- Epitope** AVDLSHFLK
- Epitope name** A3-ALK9
- Subtype** B
- Immunogen** HIV-1 infection
- Species (MHC)** human (A3)
- Donor MHC** A3, B7, Cw7
- Keywords** dynamics, supervised treatment interruptions (STI), acute/early infection
- References** Yu *et al.* 2002a
- CTL responses in 18 acutely HIV-infected HLA-A3 (n=7) or -B7 (n=4) or both -A3 and B7 (n=7) positive individuals were studied.
 - One individual, AC-06, was homozygous at all three class I alleles (A3, B7, Cw7), was treated during acute infection and had supervised treatment interruptions (STI). He had only two detectable CTL responses during acute infection, but after STI this broadened to 27 distinct epitopes including 15 restricted by HLA-A3, 11 by HLA-B7, and 1 by HLA-Cw7.
 - 0/14 HLA-A3 positive individuals had detectable A3-restricted responses to this epitope during acute infection, but only 5/15 of HLA-A3 epitopes tested were targeted during acute infection. 1/7 individuals began to have detectable responses to this epitope after STI.
- HXB2 Location** Nef (84–92)
- Author Location** Nef (84–92)
- Epitope** AVDLSHFLK
- Epitope name** AK9
- Immunogen** HIV-1 infection
- Species (MHC)** human (A3)
- Donor MHC** A*03, A*31, B*08, B*15, Cw*04, Cw*07; A*24, A*31, B*47, B*15, Cw*04, Cw*07
- Country** United States.
- Assay type** CD8 T-cell Elispot - IFN γ
- Keywords** responses in children, mother-to-infant transmission, escape, characterizing CD8+ T cells, reversion, viral fitness

References Sanchez-Merino *et al.* 2005

- CD8 T-cell responses were examined in mother-infant pairs. Escape variants were commonly detected in maternal plasma. Early infant plasma viruses showed heterogeneity of gag and nef gene sequences as well as mother-to-child transmission of CD8 T-cell escape variants. The stability of escape mutants in the infant over time was determined by infant HLA haplotype and viral fitness. Sequential plasma specimens from infants showed changes in CD8 T-cell epitope sequences, suggesting that infants are capable of generating virus-specific CD8 T-cell responses.
- Variant sequence aMdlshflk was present in 7/10 clones from A3+ mother, was transmitted and present in 10/10 clones at months 2 and 4, but dropped to 0/10 clones by 15 months of age in her A3- child.

HXB2 Location Nef (84–92)**Author Location** Nef (84–92)**Epitope** AVDSLHFLK**Subtype** B**Immunogen** vaccine*Vector/Type:* lipopeptide *Strain:* B clade LAI *HIV component:* Env, Gag, Nef *Adjuvant:* QS21**Species (MHC)** human (A3, A11)**Assay type** proliferation, CD8 T-cell Elispot - IFN γ , Chromium-release assay**Keywords** vaccine-induced epitopes, variant cross-recognition or cross-neutralization**References** Gahéry-Ségard *et al.* 2003

- After injection of an anti-HIV-1 lipopeptide vaccine and the booster injections, a response was observed in >85% of 28 volunteers, and a long-term immune response was observed in >50% of the volunteers. A positive effect of QS21 adjuvant was found for B- and CD4+ T-cell responses. A higher number of CD8+ T-cell epitopes was induced after a fourth boost injection. This epitope was one of the most frequently recognized of the 31 epitopes that the vaccinated volunteers responded to.

HXB2 Location Nef (84–92)**Author Location** Nef (84–92 BRU)**Epitope** AVDSLHFLK**Subtype** B, CRF02_AG**Immunogen** HIV-1 infection**Species (MHC)** human (A3, A11)**Country** Cote D'Ivoire.**Assay type** CD8 T-cell Elispot - IFN γ **Keywords** subtype comparisons**References** Inwoley *et al.* 2005

- CD8+ T-cells from HIV-1 CRF02_AG-infected Ivoirians could recognize clade B epitopes. No difference was observed in the number of recognized peptide pools between nine French subtype B infected study subjects, and nine CRF02_AG infected Ivoirian subjects.
- This epitope was recognized by 0/9 CRF02_AG-infected Ivoirians, and 2/9 B-infected French subjects.
- One of the B-clade infected subjects that recognized this peptide carried the identical form, the other had one amino acid change: AIDLHFLK. This variant form was in 3/5 B clade

infection sequences. 4/8 CRF01 infected individuals had a variant of this peptide.

HXB2 Location Nef (86–94)**Author Location** Nef (84–92 LAI)**Epitope** DLSHFLKEK**Subtype** B**Immunogen** HIV-1 infection**Species (MHC)** human (A*0301)**Keywords** review**References** McMichael & Walker 1994

- Review of HIV CTL epitopes.

HXB2 Location Nef (86–94)**Author Location** Nef**Epitope** DLSHFLKEK**Subtype** A, B, D, F**Immunogen** HIV-1 infection, vaccine*Vector/Type:* DNA prime with modified vaccinia Ankara (MVA) boost *Strain:* A clade *HIV component:* p17 Gag, p24 Gag**Species (MHC)** human, macaque (A*0301)**Keywords** subtype comparisons, epitope processing, vaccine-specific epitope characteristics, immunodominance**References** Hanke & McMichael 2000; Wee *et al.* 2002

- The HIV-1 subtype A focused vaccine HIVA contains p24 and p17, in a reversed order relative to the Gag polyprotein to prevent myristylation of p17, which could direct the protein to the cell membrane and inhibit efficient peptide processing and class I presentation, as well as a polyepitope string of conserved, often immunodominant epitopes that were selected to have particularly good cross-reactive potential for the A-clade epidemic in Nairobi, Kenya. A DNA and MVA prime-boost vaccination protocol using the HIVA antigen will be used in a phase III clinical trial in Kenya. This epitope is included in the polyepitope string Hanke & McMichael [2000].
- Multiple CD4+ or CD8+ T-cell vaccine-induced responses to peptide pools were detected using intracellular cytokine staining and IFN γ Elispot assays after vaccination of 5 macaques. The response to the Mamu A*01 SIV p27 epitope p11C (CTPYDINQM), included in the polyepitope region, was not immunodominant in the Mamu A*01 vaccinated macaques, possibly because of processing limitations in context of the artificial polyepitope string Wee *et al.* [2002].

HXB2 Location Nef (86–94)**Author Location** Nef (86–94)**Epitope** DLSHFLKEK**Subtype** B**Immunogen** HIV-1 infection**Species (MHC)** human (A11, A*0301)**Country** United States.**Assay type** CD8 T-cell Elispot - IFN γ , CD8 T-cell Elispot granzyme B**Keywords** Th1, characterizing CD8+ T cells**References** Kleen *et al.* 2004

- Only 20% of CD8+ T-cells produce IFN-gamma and granzyme B simultaneously (Tc1a). Two additional subpopulations of HIV specific CD8 cells are found, each one constituting 30-40% of the CD8 cell pool. One of these (Tc1b) secretes IFN-gamma only, and the other one (Tc1c) secretes GzB only.
- Two of nine patients responded to this peptide with GzB producing cells, while three of the patients responded with IFN-gamma producing cells. Only one patient had both GzB and IFN-gamma responses.

HXB2 Location Nef (86–94)

Author Location Nef (86–94)

Epitope DLSHFLKEK

Immunogen HIV-1 infection, HIV-1 exposed seronegative

Species (MHC) human (A3)

Keywords HIV exposed persistently seronegative (HEPS)

References Kaul *et al.* 2001a

- ELISPOT was used to study CTL responses to a panel of 54 predefined HIV-1 epitopes in 91 HIV-1-exposed, persistently seronegative (HEPS) and 87 HIV-1-infected female Nairobi sex workers.

HXB2 Location Nef (86–94)

Author Location Nef (86–94 HXB2)

Epitope DLSHFLKEK

Subtype B, CRF01_AE

Immunogen HIV-1 infection

Species (MHC) human (A3, A11)

Country Viet Nam.

Assay type HLA binding

Keywords subtype comparisons, computational epitope prediction, variant cross-recognition or cross-neutralization, vaccine antigen design

References Lazaro *et al.* 2005

- The most common HLA-alleles in the Vietnamese population were found to be HLA-A11, A02, A33, B75, B46, and B62. Several epitopes cluster in short regions in Gag and Nef that are presented by these HLA molecules; these epitopes may be useful targets for vaccine antigens. In a comparison of CRF01_AE sequences to HXB2, 14 mutations were found in epitopes in these Gag and Nef pluriepitopic regions; 7 did not affect the HLA binding score, 3 increased it, and 4 reduced it.
- The CRF01_AE variant dlsFflkek had same HLA-binding score as the HXB2 epitope.

HXB2 Location Nef (86–100)

Author Location Nef (86–100 LAI)

Epitope DLSHFLKEKGGLEGL

Subtype B

Immunogen HIV-1 infection

Species (MHC) human (A2)

References Robertson *et al.* 1993

- Development of a retroviral vector (pNeoNef) to generate autologous targets.

HXB2 Location Nef (86–100)

Author Location Nef (86–100 LAI)

Epitope DLSHFLKEKGGLEGL

Subtype B

Immunogen HIV-1 infection

Species (MHC) human (B35)

References Buseyne *et al.* 1993b

HXB2 Location Nef (86–100)

Author Location Nef (86–100 LAI)

Epitope DLSHFLKEKGGLEGL

Subtype B

Immunogen HIV-1 infection

Species (MHC) human (B35, Cw4)

References Buseyne *et al.* 1993a

- Vertical transmission of HIV ranges from 13% to 39%
- Primary assays showed that cytotoxic activity against at least one HIV protein was detected in 70% of infected children.
- Epitopes recognized in five children were mapped using synthetic peptides and secondary cultures.
- Patient EM13, who had a CTL response to three epitopes in Nef, was infected via blood transfusion after birth and went from CDC stage P2A to P2E during the study.

HXB2 Location Nef (87–102)

Author Location Nef

Epitope FSHFLKEKGGLEGLIY

Immunogen

Species (MHC) human

Keywords subtype comparisons

References Jubier-Maurin *et al.* 1999

- 41 new HIV-1 strains describing envelope subtypes of HIV-1 A-H were genetically characterized in the nef region – 34 subtypes were classified in the same subtype in nef and env and 7 of the 41 strains were recombinants.
- This region was defined as a CTL epitope region that is conserved among HIV-1 M group subtypes.

HXB2 Location Nef (88–100)

Author Location Nef (103–116)

Epitope SHFLKEKGGLEGL

Subtype C

Immunogen HIV-1 infection

Species (MHC) human

Keywords subtype comparisons

References Guimarães *et al.* 2002

- Nef sequences were obtained from Brazilians to study epitope diversity in this geographic region—most B subtype sequences are SHFLKEKGGLEGL, but sFflkekglegl is found in most subtype C samples.

HXB2 Location Nef (90–97)

Author Location Nef (90–97)

Epitope FLKEKGGL

Epitope name BRU

Subtype B, CRF02_AG

Immunogen HIV-1 infection

Species (MHC) human (A2, B8)

Country Cote D'Ivoire.

Assay type CD8 T-cell Elispot - IFN γ

Keywords subtype comparisons

References Inwoley *et al.* 2005

- CD8+ T-cells from HIV-1 CRF02_AG-infected Ivorians could recognize clade B epitopes. No difference was observed in the number of recognized peptide pools between nine French subtype B infected study subjects, and nine CRF02_AG infected Ivorian subjects.
- This epitope was recognized by 1/9 CRF02_AG-infected Ivorians, and 2/9 B-infected French subjects.

HXB2 Location Nef (90–97)

Author Location Nef

Epitope FLKEKGGL

Immunogen HIV-1 infection

Species (MHC) human (A3)

Keywords dendritic cells

References Ostrowski *et al.* 2000

- The role of CD4+ T-cell help in expansion of virus-specific memory CTL was studied through co-culture *ex vivo*
- Optimal expansion of HIV-1-specific memory CTL depended on CD4+ T cell help in 9 of 10 patients – CD40 ligand trimer (CD40LT) could enhance CTL in the absence of CD4+ T cell help to a variable degree in most of patients.
- Those CTL that didn't respond to CD40LT could expand with IL2 present, and IL15 produced by dendritic cells also contributes.
- The T-helper epitope used for CD4+ T cell stimulation was the universal tetanus helper epitope TET830-843 (QYIKANSK-FIGITE)

HXB2 Location Nef (90–97)

Author Location

Epitope FLKEKGGL

Epitope name Nef-FL8

Subtype B

Immunogen HIV-1 infection

Species (MHC) human (B*08)

References Sabbaj *et al.* 2003

- Among HIV+ individuals who carried HLA B*08, 1/3 (33%) recognized this epitope.

HXB2 Location Nef (90–97)

Author Location Nef (89–97 LAI)

Epitope FLKEKGGL

Subtype B

Immunogen HIV-1 infection

Species (MHC) human (B*0801)

Keywords optimal epitope

References Frahm *et al.* 2007

- C. Brander notes this is a B*0801 epitope.

HXB2 Location Nef (90–97)

Author Location Nef (90–97)

Epitope FLKEKGGL

Epitope name FL8

Immunogen HIV-1 infection

Species (MHC) human (B*0801)

Donor MHC A*0201, A*2402, B*0801, B*5701, Cw*0602, Cw*0701; A*0101, A*0201, B*0801, B*5701, Cw*0602, Cw*0701; A2, A*2402, B*0801, B15, Cw7, Cw12; A*0101, A*0201, B*0801, B*5701, Cw*0602, Cw*0701

Country United Kingdom.

Assay type CD8 T-cell Elispot - IFN γ , Tetramer binding, Chromium-release assay, Flow cytometric T-cell cytokine assay

Keywords rate of progression, escape, TCR usage, characterizing CD8+ T cells

References Dong *et al.* 2004

- In 4 donors with delayed disease progression, the response to the FL8 Nef epitope was dominated by V-beta-13.2 TCR expressing CTLs with an unusually long CDR3 region. These CTLs were shown to be resistant to apoptosis and able to recognize escape variants of the FL8 Nef epitope. Thus, selection of these CTLs may be related to better clinical outcome.
- The Q5 variant fkeQgg1 was rapidly selected in a donor that responded to the FLKEKGGL epitope. The FLKEKGGL peptide and the variant fkeQgg1 HLA-B8 complexes bound to the Vbeta13.2 FLKEKGGL TCR with equal affinity, while the Vbeta6 FLKEKGGL TCR had reduced affinity for the FLKEKGGL form and did not recognize the Q5 variant. Other variants (T5, N5, and M5 as well as Q5) were recognized by Vbeta13.2 clones from all 4 donors. One clone from donor 046 that was not Vbeta13.2 could only recognize the index variant.

HXB2 Location Nef (90–97)

Author Location (C consensus)

Epitope FLKEKGGL

Subtype C

Immunogen HIV-1 infection

Species (MHC) human (B*0801)

Country South Africa.

Assay type CD8 T-cell Elispot - IFN γ

Keywords characterizing CD8+ T cells

References Kiepiela *et al.* 2004

- HLA class I restricted CD8+ T-cell responses against HIV-1 were analyzed in African patients. Significantly more responses were shown to be HLA-B restricted. Viral load, CD4 count, and thus rate of disease progression were also associated with HLA-B alleles. In addition, the selection pressure imposed on HIV-1 by HLA-B alleles was shown to be substantially greater than by other alleles.
- This epitope was suggested to be the epitope within a longer reactive peptide based on correspondence with a known epitope in the HIV database. Also, a significantly higher frequency of people in the Durban cohort who reacted with the peptide had this HLA type.

HXB2 Location Nef (90–97)

Author Location Nef

Epitope FLKEKGGL

Subtype B

Immunogen HIV-1 infection

Species (MHC) human (B*0801)

Donor MHC A*0101, B*0801

Country United Kingdom.

- Assay type** CD8 T-cell Elispot - IFN γ , HLA binding
Keywords escape, acute/early infection
References Milicic *et al.* 2005
- CTL responses and escape were analyzed in 4 homosexual couples where blood samples were available within weeks of estimated transmission. When the recipient had the same HLA type as the donor, CTL escape variants prevented a CTL response to those epitopes in the recipient. Even when the HLA alleles were different in the transmitting couple, a single escape mutation in one epitope can abolish CTL recognition of an overlapping epitope of distinct restriction in the recipient. In an early acute infection of the donor, the precise timing of transmission determines the viral variants transmitted.
 - The recipient mounted an acute CTL response to this epitope, and the escape variant fIkeQggl emerged soon after.
- HXB2 Location** Nef (90–97)
Author Location (C consensus)
Epitope FLKEKGGGL
Subtype C
Immunogen HIV-1 infection
Species (MHC) human (B*0801)
Country South Africa.
Assay type CD8 T-cell Elispot - IFN γ
Keywords rate of progression, optimal epitope
References Kiepiela *et al.* 2007
- A comprehensive analysis of 160 class I T cell responses in 578 individuals from KwaZulu-Natal, South Africa was performed. Gag-specific responses were associated with lowering viremia, while Env, accessory and regulatory protein-specific responses were associated with higher viremia.
 - FLKEKGGGL is an optimal epitope.
- HXB2 Location** Nef (90–97)
Author Location Nef (89–97 LAI)
Epitope FLKEKGGGL
Subtype B
Immunogen HIV-1 infection
Species (MHC) human (B8)
Keywords review, escape
References Price *et al.* 1997
- CTL escape variants appeared over time in HLA-B8 HIV-1 + individual, providing evidence of immune escape.
 - Most variants appear at position 5, an anchor residue.
 - FLKE(E,N or Q)GGL showed reduced binding efficiency and recognition.
 - Double mutants (FIKENGGL, FLEENGGL, and FLKGNGL) completely escaped recognition.
 - Goulder *et al.* [1997a] is a review of immune escape that summarizes this study in the context of CTL escape to fixation.
- HXB2 Location** Nef (90–97)
Author Location Nef (90–97 IIIB)
Epitope FLKEKGGGL
Immunogen HIV-1 infection
Species (MHC) human (B8)
Keywords HAART, ART, responses in children
References Spiegel *et al.* 1999
- Study examines the effect of highly active antiretroviral therapy (HAART) on HIV-1 plasma viral load, CTLp and CTLe frequencies in 8 infected children.
 - CTLp (precursors) were measured by stimulating in culture and assaying using ⁵¹Cr release, against vaccinia expressed IIIB Env, Gag, Pol, Nef.
 - B7-FLKEKGGGL tetramer complex was used for one of the children that was HLA-B7, and this infant showed a vigorous response (> 4% of CD8+ T cells) at 9 months of age.
 - HIV-1 specific CTL responses initially increased in children with complete viral suppression, but then decreased, suggesting viral replication is needed to maintain CTL responses.
- HXB2 Location** Nef (90–97)
Author Location Nef
Epitope FLKEKGGGL
Immunogen vaccinia
Vector/Type: vaccinia
Species (MHC) human (B8)
References Hanke *et al.* 1998a; Hanke *et al.* 1998b
- This epitope was shown to be processed and presented to appropriate CTL clones upon infection of human target cells with vaccinia virus Ankara (VVA) carrying 20 HIV-1 epitopes recognized by humans.
- HXB2 Location** Nef (90–97)
Author Location Nef (88–95)
Epitope FLKEKGGGL
Immunogen HIV-1 infection
Species (MHC) human (B8)
References Goulder *et al.* 1997g
- Natural variants for this epitope have been observed in several donors.
 - Substitutions Q5, N5, E5 that alter anchor position 5 are not well recognized.
 - Substitution I2 binds well to B8 and is recognized.
- HXB2 Location** Nef (90–97)
Author Location Nef (90–97)
Epitope FLKEKGGGL
Immunogen HIV-1 infection
Species (MHC) human (B8)
References Dyer *et al.* 1999
- CTL specific responses were measured over a 1.3 to 1.5 year period in members of the Sydney Blood Bank Cohort (SBBC) who had been infected with a natural attenuated strain of HIV-1 which was Nef-defective.
 - Some of these patients had prolonged high levels of CTL effector and memory cells despite low viral load.
- HXB2 Location** Nef (90–97)
Author Location Nef (SF2)
Epitope FLKEKGGGL
Epitope name FL8
Immunogen HIV-1 infection
Species (MHC) human (B8)
References Goulder *et al.* 2001a
- This peptide elicited a weak CTL response during acute HIV-1 infection in patient PI004.

- Three CTL responses, to epitopes TSTLQEQIGW, ISPRTLNAW, and KAFSPEVIPMF, were evident early after infection; CTL responses to SLYNTVATL, QASQEVKNW, EIYKRWII, and FLKEKGGL were detectable at 5 months post-infection and beyond.
- FL8 was recognized in an additional patient, AC29, in chronic infection.

HXB2 Location Nef (90–97)

Author Location Nef (92–99)

Epitope FLKEKGGL

Epitope name FLK

Immunogen HIV-1 infection

Species (MHC) human (B8)

Keywords HAART, ART

References Oxenius *et al.* 2001a

- Characterization of specific CTL phenotype patterns in response to variation of the virus load in response to antiviral therapy in 3 patients with chronic HIV-1 infection.
- CTL activation in response to increasing viral load sequential, and co-segregated with apoptosis only during later stages of the response, suggesting antigen-specific cell-death is restricted to distinct CTL sub-populations.

HXB2 Location Nef (90–97)

Author Location Nef (92–99)

Epitope FLKEKGGL

Epitope name FLK

Immunogen HIV-1 infection

Species (MHC) human (B8)

Keywords HAART, ART, supervised treatment interruptions (STI), immunodominance, escape, acute/early infection

References Oxenius *et al.* 2000

- Patients who started therapy at acute HIV-1 infection (three with sustained therapy, two with limited therapy upon early infection) had strong HIV specific CD4 proliferative responses and were able to maintain a CTL response even with undetectable viral load – three patients that had delayed initiation of HAART had no HIV specific CD4 proliferative responses and lost their CTL responses when HAART was eventually given and their viral loads became undetectable.
- Six of the 7/8 study subjects that were HLA B8 recognized this early dominant CTL epitope.
- Patient SC2 (HLA A1, B7/8, Cw0701/0702, DR4/53, DQ7) had CTL responsiveness against epitopes FLKEKGGL, GP-KVKQWPL, and GEIYKRWII peptides – FLKEKGGL tetramer staining steadily declined and at day 1340 the FLKEKGGL stained cells were no longer detected and the escape mutant FLKENGGI was found in 8/10 clones.
- Patient SC9 (HLA A1/2, B8/13, Cw0/0701, DR2/11, DQ6/7) had a CTL response against epitopes FLKEKGGL, ILKEPVHGV, SQRRQDILDWYHTQGYFPDWQNY, and GEIYKRWII peptides and all responses declined during therapy initiated at day 390 but were restored when therapy become intermittent.
- Patient SC19 (HLA A11/12, B8/44, Cw06/0701, DR3/7, DR52/53, DQ 2/8) had a CTL response to epitopes

FLKEKGGL, GEIYKRWII, ACQGVGGPGHK, AVDSLHFLK, and FNCGGGEFFY that declined during therapy initiated at day 197.

- Patient SC10 (HLA A1/3, B8/35, DR1/8, DQ 4/5) had sustained therapy started during acute infection and maintained an immunodominant response to FLKEKGGL and a response to GEIYKRWII through day 1088.
- Patient SC12 (HLA A1, B8/39, Cw0701/0702, DR2/3, DR51/52, DQ2/6) had sustained therapy started during acute infection and maintained an immunodominant response to FLKEKGGL throughout and minor responses to GEIYKRWII, DCKTILKAL, GGKKKYKLLK – GEIYKRWII and GGKKKYKLLK responses were stimulated by a brief period off therapy.
- Patient SC11 (HLA A1, B8, Cw0201, DR3/11, DR52, DQ2/7) started therapy early, remained on therapy for 40 days, then reinitiated HAART at day 640 had a CTL response to FLKEKGGL, GPKVKQWPL, and GEIYKRWII throughout and received a benefit from the early limited course therapy.

HXB2 Location Nef (90–97)

Author Location Nef

Epitope FLKEKGGL

Immunogen HIV-1 infection

Species (MHC) human (B8)

References Kostense *et al.* 2001

- HLA tetramers to six epitopes were used to study HLA-A2, B8 and B57 CTL in 54 patients – HIV-specific tetramer positive cells were inversely correlated with viral load in patients with high CD4, but in patients with CD4 T-cells below 400 high tetramer frequencies were found despite high viral load.
- Most patients have high levels of HIV-specific T-cell expansions, but many of these cells aren't functional.
- In 15 of the patients, the proportion of IFN gamma producing tetramer cells correlated with AIDS-free survival.
- Stimulation with HLA-B8 p24 and Nef epitopes significantly increased Nef-specific T-cell numbers in 2 patients (748 and 1113)
- There were more functional IFN-gamma producing Nef-specific T-cells within the T-cell population than there were active p24 Gag-specific T-cells.
- No correlation between elevated numbers of Nef-specific CTL cells and plasma viral load was observed.

HXB2 Location Nef (90–97)

Author Location Nef (88–95)

Epitope FLKEKGGL

Immunogen HIV-1 infection

Species (MHC) human (B8)

References Ferrari *et al.* 2000

- One of the 51 HIV-1 epitopes selected by Ferrari *et al.* as good candidate CTL epitopes for vaccines by virtue of being conserved and presented by common HLA alleles.

HXB2 Location Nef (90–97)

Author Location Nef (88–95 SF2)

Epitope FLKEKGGL

Immunogen HIV-1 infection

Species (MHC) human (B8)

Keywords HAART, ART, acute/early infection

References Altfeld *et al.* 2001b

- Therapy provided during acute infection resulted in a narrower CTL response, stronger T help response, and a less diverse viral population than was seen in individuals treated during chronic infection.
- The breadth and specificity of the response was determined using ELISPOT by studying 19 individuals with pre-seroconversion therapy (Group 1), 11 individuals with primary infection but post-seroconversion therapy (Group 2), and 10 individuals who responded to HAART given during chronic infection (Group 3), using 259 overlapping peptides spanning p17, p24, RT, gp41, gp120 and Nef.
- Previously described and newly defined optimal epitopes were tested for CTL response.
- Number of HLA-B8+ individuals that had a CTL response to this epitope broken down by group: 3/3 group 1, 1/3 group 2, and 1/2 group 3.

HXB2 Location Nef (90–97)**Author Location** Nef (89–97)**Epitope** FLKEKGGL**Immunogen** HIV-1 infection**Species (MHC)** human (B8)**References** Appay *et al.* 2000

- Combined tetramer and intracellular cytokine staining was used to study the function of circulating CD8+ T cells specific for HIV and CMV.
- HIV-specific CD8+ T cells expressed lower levels of perforin than CMV-specific CD8+ T cells from the same donor, and this was associated with persistent CD27 expression on HIV-specific cells, suggesting impaired maturation.
- In most donors, between 50% and 95% of the activated virus-specific CD8+ T cells produced IFN- γ and MIP-1 β with a distinct subset that failed to produce TNF- α

HXB2 Location Nef (90–97)**Author Location** Nef (90–97)**Epitope** FLKEKGGL**Immunogen** HIV-1 infection**Species (MHC)** human (B8)**References** Day *et al.* 2001

- B8-restricted CTL accounted for about 1/3 of the total CTL response in one individual.
- The response to FLKEKGGL was the second highest response in magnitude compared to all the HLA class I A- and B-restricted epitopes tested in this individual.

HXB2 Location Nef (90–97)**Author Location** Nef**Epitope** FLKEKGGL**Immunogen** HIV-1 infection**Species (MHC)** human (B8)**References** Goulder *et al.* 2000b

- Tetramer assays were compared with three functional assays in 42 people with chronic HIV infection: ELISPOT, intracellular cytokine staining, and precursor frequency (limiting dilution assay [LDA])
- HIV-specific tetramer staining CTLs appeared to be active, and inert CTL were not found to play a significant role in chronic pediatric or adult HIV infection.

HXB2 Location Nef (90–97)**Author Location** Nef (90–97 BRU)**Epitope** FLKEKGGL**Subtype** B**Immunogen** HIV-1 infection**Species (MHC)** human (B8)**Keywords** binding affinity, epitope processing**References** Chopin *et al.* 2001

- Seventy-three 8-11 mer peptides were generated based on putative anchor motifs in the Nef BRU sequence for HLA A2, A3, A24, B7, B8, and B35; these 73 peptides had 81 motifs. 54% bound to the predicted HLA molecule, particularly A2, B7/35, and B8. The strength of HLA-peptide binding was not directly related to the number of individuals that recognized a protein.
- 20s proteasome cleavage of the Nef protein positions 66-100 showed a large fraction of peptides were cleaved ending at: 87L, 83A, 81Y, 71P, 68F and 67G. The frequency of recognition may be in part dictated by the cleavage step in processing.
- FLKEKGGL was recognized in 12/14 (86%) of individuals with HLA B8, and it was a high affinity HLA binder.

HXB2 Location Nef (90–97)**Author Location** Nef**Epitope** FLKEKGGL**Epitope name** FLK**Immunogen** HIV-1 infection**Species (MHC)** human (B8)**Keywords** HAART, ART, supervised treatment interruptions (STI)**References** Oxenius *et al.* 2002b

- Using previously defined epitopes Oxenius *et al.* [2000, 2001a] in an IFN γ Elispot assay, 13 chronically HIV-1 infected patients were studied over a period including therapy with standard treatment interruptions (STI).
- STIs induced increased recognition of CTL epitopes, but there was no correlation between CTL responses with viral rebound rates, plateau viral loads, or clearance rates.

HXB2 Location Nef (90–97)**Author Location** Nef**Epitope** FLKEKGGL**Immunogen** HIV-1 infection**Species (MHC)** human (B8)**Donor MHC** A2, A11, B8, B60, Bw6**Keywords** HAART, ART**References** Appay *et al.* 2002

- Four HIV patients with prolonged clinically successful anti-viral therapy but with ongoing evidence of replication and Nef mRNA transcription, showed specific T-cell responses by Elispot and Tetramer staining, maintained for 2-4 years after initiation of HAART.
- Nef epitope recognition was detected in all 4 subjects, gp120, Pol and Gag-specific in 1 or 2 subjects – two patients recognized FLKEKGGL.
- The HIV-specific CD8+ T-cells had an intermediate maturation phenotype characterized by low levels of perforin and high levels of CD27 expression.

HXB2 Location Nef (90–97)**Author Location** Nef

Epitope FLKEKGGL**Immunogen** HIV-1 infection**Species (MHC)** human (B8)**Donor MHC** A1, A3, B8, B65, Bw6**Keywords** HAART, ART**References** Appay *et al.* 2002

- Four HIV patients with prolonged clinically successful anti-viral therapy but with ongoing evidence of replication and Nef mRNA transcription, showed specific T-cell responses by Elispot and Tetramer staining, maintained for 2-4 years after initiation of HAART.
- Nef epitope recognition was detected in all 4 subjects, gp120, Pol and Gag-specific in 1 or 2 subjects – two patients recognized FLKEKGGL.
- The HIV-specific CD8+ T-cells had an intermediate maturation phenotype characterized by low levels of perforin and high levels of CD27 expression.

HXB2 Location Nef (90–97)**Author Location** Nef**Epitope** FLKEKGGL**Subtype** A, B, C, D**Immunogen** HIV-1 infection, vaccine*Vector/Type:* DNA prime with modified vaccinia Ankara (MVA) boost *Strain:* A clade
HIV component: p17 Gag, p24 Gag**Species (MHC)** human, macaque (B8)**Keywords** subtype comparisons, epitope processing, vaccine-specific epitope characteristics, immunodominance**References** Hanke & McMichael 2000; Wee *et al.* 2002

- The HIV-1 subtype A focused vaccine HIVA contains p24 and p17, in a reversed order relative to the Gag polyprotein to prevent myristylation of p17, which could direct the protein to the cell membrane and inhibit efficient peptide processing and class I presentation, as well as a polyepitope string of conserved, often immunodominant epitopes that were selected to have particularly good cross-reactive potential for the A-clade epidemic in Nairobi, Kenya. A DNA and MVA prime-boost vaccination protocol using the HIVA antigen will be used in a phase III clinical trial in Kenya. This epitope is included in the polyepitope string Hanke & McMichael [2000].
- Multiple CD4+ or CD8+ T-cell vaccine-induced responses to peptide pools were detected using intracellular cytokine staining and IFN γ Elispot assays after vaccination of 5 macaques. The response to the Mamu A*01 SIV p27 epitope p11C (CTPYDINQM), included in the polyepitope region, was not immunodominant in the Mamu A*01 vaccinated macaques, possibly because of processing limitations in context of the artificial polyepitope string Wee *et al.* [2002].

HXB2 Location Nef (90–97)**Author Location** Nef (90–97)**Epitope** FLKEKGGL**Subtype** B**Immunogen** HIV-1 infection**Species (MHC)** human (B8)**Donor MHC** A1, A3, B8, B62, Cw3, Cw7**Assay type** CD8 T-cell Elispot - IFN γ **Keywords** binding affinity, acute/early infection, early-expressed proteins**References** Cao *et al.* 2003

- CTL epitope responses were mapped in 21 men within 15-92 days post-HIV-1 infection. Subjects initially showed narrow immune responses with a mean of 2.3 epitopes recognized per patient. The immune response broadened later in infection. No correlation between the plasma viral load and the number of recognized epitopes or the frequency of IFN- γ secreting cells was observed, and there was no correlation between the functional avidity of a response and the abundance of IFN-secreting cells that recognized the epitope. The first epitopes to be recognized tended not to be the most avid, and earliest responses tended to be directed against Nef, Tat, Vpr, and Env.
- All HIV-1 proteins except Vpu were recognized, and a response to a total of 41 optimal epitopes were characterized; 24 had been identified previously. 48% of the total T-cell responses were directed against Nef and 43% were directed against Gag.
- More common HLA alleles were less frequently used in primary infection than less common alleles, for example A3, B35, B57, and B62 were more frequently recognized than A1, A2, A30, and A44.

HXB2 Location Nef (90–97)**Author Location** Nef (90–97 B consensus)**Epitope** FLKEKGGL**Epitope name** FL8**Subtype** B**Immunogen** vaccine*Vector/Type:* adeno-associated virus (AAV)
HIV component: gp120**Species (MHC)** human (B8)**Assay type** Chromium-release assay, Flow cytometric T-cell cytokine assay**Keywords** dynamics, immune evasion**References** Brainard *et al.* 2004

- HIV-1 gp120 is shown to suppress the ability of antigen-specific CTLs to migrate or remain at sites of high viral replication by concentration-dependent chemotaxis and fugetaxis. Directional T-cell movement is shown to depend on the interaction of the V2 and V3 loops with the CXCR4 receptor. X4 HIV-1 gp120 causes the migration of T-cells, including HIV-1 specific CTL, away from infected target cells, another potential mechanism for immune evasion.

HXB2 Location Nef (90–97)**Author Location** Nef (87–95)**Epitope** FLKEKGGL**Immunogen** HIV-1 infection**Species (MHC)** human (B8)**Donor MHC** A03, A28, B07, B08**Assay type** proliferation, Chromium-release assay, Flow cytometric T-cell cytokine assay**Keywords** HAART, ART, memory cells, immune dysfunction**References** Gamberg *et al.* 2004a

- HAART restores HIV specific immunity after advanced infection by increase of CD4+ and CD8+ T cell numbers after suppression of viral replication. However, HIV specific CTLs emerged only with detectable viral replication breakthroughs and were short-lived while CD4+ T-cell responses remained compromised, suggesting failure of generating stable CD8+ memory T-cells in the absence of HIV-specific T-helper responses.

HXB2 Location Nef (90–97)

Author Location Nef

Epitope FLKEKGGL

Subtype B

Immunogen HIV-1 infection

Species (MHC) (B8)

Keywords binding affinity, review, escape, characterizing CD8+ T cells

References da Silva 2003

- Evidence of the evolutionary adaptation of HIV-1 to the specific neutralizing antibody response and CTL detection is reviewed. Both SIV and HIV epitopes are discussed, with a detailed summary of one patient's response and CTL escape in the FLKEKGGL epitope. The three C-terminal amino acids were left unchanged, and it may be due to high fitness costs as these are putatively involved in CD4 down-regulation and formation of a hydrophobic pocket in Nef. The N terminal residue is involved in binding to protein tyrosine kinases.
- Immediately after infection the susceptible epitope FLKEKGGL was found in 20/20 viral sequences. Six months later, it was only found in 4/44 sequences. The flkeNggL form was most common, 24/44 cases; it bound poorly to HLA B08 and was poorly recognized by CTL. Two minor variants were found 3/44 times, flkeEggL and flkeQggL; both bound poorly to B08, but the K->Q substitution was still well recognized. A variant flkDkggL was found in 4/44 sequences; it bound B08 moderately well, but was poorly recognized. 3 double mutants were found once each, and were not recognized by CTL: flkeNggL, flEeNggL, and flkGNggL.

HXB2 Location Nef (90–97)

Author Location Nef (89–97)

Epitope FLKEKGGL

Immunogen HIV-1 infection

Species (MHC) human (B8)

Assay type Cytokine production, proliferation, CD8 T-cell Elispot - IFN γ , Tetramer binding, Intracellular cytokine staining, Flow cytometric T-cell cytokine assay

Keywords HAART, ART, memory cells, characterizing CD8+ T cells

References Daniel *et al.* 2004

- CD4+ and CD8+ responses in chronically HIV-1 infected patients on HAART were weak with decreased polyclonality. Only 33% of patients had CD4+ T-cells that could proliferate, and only 22% had HIV-specific CD8+ T-cells T-cell responses, and those rare responses showed low perforin levels and persistent expression of CD27, indicating incomplete differentiation and loss of lytic function.

HXB2 Location Nef (90–97)

Author Location Nef

Epitope FLKEKGGL

Epitope name FL8

Immunogen HIV-1 infection

Species (MHC) human (B8)

Country United States.

Assay type proliferation, CD8 T-cell Elispot - IFN γ , Tetramer binding

Keywords immunodominance, acute/early infection, characterizing CD8+ T cells, immune dysfunction

References Lichterfeld *et al.* 2004a

- HIV-1 specific CD8+ T-cells in acute and long-term nonprogressive HIV-1 infection show strong ex-vivo proliferative capacities which are rapidly lost in chronic HIV-1 infection. The loss of CD8+ T-cell function is closely linked with the loss of HIV-1 specific, IL2 secreting CD4+ T-cells. The function can be rescued in vitro and in vivo by restoring the specific CD4+ T-cell help.
- Full CD8+ T-cell responses to this epitope were dependent on co-stimulation with a CD4+ T cell dependent epitope from T-cells harvested during acute infection. The CD8+ T-cell response to this epitope was immunodominant in one study individual.

HXB2 Location Nef (90–97)

Author Location (B consensus)

Epitope FLKEKGGL

Epitope name FL8

Subtype B

Immunogen HIV-1 infection

Species (MHC) human (B8)

Donor MHC A02, A03, B08, B62, Cw7, Cw10; A11, A29, B08, B44, Cw4, Cw7; A25, A32, B08, B14, Cw7, Cw8; A01, A03, B08, B14, Cw7, Cw8

Assay type Cytokine production, Intracellular cytokine staining, Chromium-release assay, Flow cytometric T-cell cytokine assay

Keywords assay standardization/improvement, memory cells, characterizing CD8+ T cells

References Lichterfeld *et al.* 2004c

- Using a flow-cytometric cytotoxicity assay based on caspase-3 activation in dying target cells, it was shown that the subset of HIV-1-specific CD8+ T cells secreting both IFN-gamma and TNF-alpha exhibit stronger cytotoxic activity than those secreting only IFN-gamma. These cells also exhibited stronger intracellular perforin expression. No association between HIV-1-specific CD8+ T-cell maturation phenotypes and intracellular perforin expression was found.
- 4/9 individuals recognized this epitope, presented by HLA-B8.

HXB2 Location Nef (90–97)

Author Location Nef

Epitope FLKEKGGL

Subtype B

Immunogen HIV-1 infection

Species (MHC) human (B8)

Country United Kingdom.

Assay type Tetramer binding, T-cell Elispot, Intracellular cytokine staining

Keywords rate of progression, acute/early infection, characterizing CD8+ T cells, immune dysfunction

References Papagno *et al.* 2004

- Acute HIV-1 infection induces massive activation of HIV-specific and non-HIV-specific CD8+ T-cells resulting in differentiation of these cells. High differentiation of CD8+ T-cells is correlated with disease progression. Differentiation is a natural process but it can be driven by elevated immune activation, such as in HIV infection.

HXB2 Location Nef (90–97)

Author Location Nef

Epitope FLKEKGGL

Epitope name FL8

Immunogen HIV-1 infection

Species (MHC) human (B8)

Assay type CD8 T-cell Elispot - IFN γ

Keywords subtype comparisons, escape, characterizing CD8+ T cells, reversion, viral fitness

References Allen *et al.* 2005a

- Two-thirds of all mutations arising in nonenvelope proteins during the transition from acute to chronic infection were found to be due to either CD8 T-cell-associated selective pressures or reversion of HLA-I-associated mutations selected in a previous host. The predominance of escape mutations at highly polymorphic sites was observed across different HIV-1 clades.
- One escape mutation, at position 5, FLKE γ GGL, was found not to correspond to the most polymorphic residue in the epitope.

HXB2 Location Nef (90–97)

Author Location Nef

Epitope FLKEKGGL

Epitope name FL8

Immunogen

Species (MHC) (B8)

Keywords review, immunodominance, escape, acute/early infection, early-expressed proteins, kinetics, reversion, viral fitness

References Lichterfeld *et al.* 2005

- This review discusses the importance of 3 factors that impact the selection of immunodominant epitopes in acute HIV infection: i) the kinetics of viral protein expression, ii) the HLA class I background of the infected individual, and iii) the autologous sequence of the infecting virus. This is 1 of 12 peptides listed as immunodominant in acute HIV-1 infection.

HXB2 Location Nef (90–97)

Author Location Nef (90–97 HXB2)

Epitope FLKEKGGL

Epitope name FL8

Subtype B

Immunogen HIV-1 infection

Species (MHC) human (B8)

Donor MHC A*0101, A*0201, B*0801, B*50, Cw*0602, Cw*0701

Assay type CD8 T-cell Elispot - IFN γ

Keywords escape, immune evasion, reversion, viral fitness, optimal epitope, HIV-1

References Liu *et al.* 2006

- T-cell immunity and the impact of selection were longitudinally studied in a patient from the time of transmission. New epitopes were detected at sites that were shown to be under positive selection. Env was found to be the major target of CTLs and most of the new epitopes were found here. One third of the sites examined were associated with epitope escape mutations from CTL. Acquisition of mutations found at high frequency in the database was suggested to be a result of reversion of CTL epitopes in the absence of immune targeting.
- An FLKE γ GGL presumed escape variant was transmitted from a B8 positive donor to a B8 negative recipient. FLKE γ GGL, FLK γ eGGL variants as well as FLKEkGGL reversions were found in the recipient subject.

HXB2 Location Nef (90–97)

Author Location Nef (89–97)

Epitope FLKEKGGL

Immunogen HIV-1 infection

Species (MHC) human

Keywords immunodominance

References Betts *et al.* 2000

- Only 4/11 HLA-A2+ HIV+ individuals had CTL that reacted to SLYNTVATL, calling into question whether it is immunodominant.
- 95 optimally-defined peptides from this database were used to screen for INF γ responses to other epitopes.
- 1/11 of the A2+ individuals that responded to SLYNTVATL reacted with seven other epitopes including this epitope previously described as presented by B8.

HXB2 Location Nef (90–100)

Author Location Nef (90–100 BRU)

Epitope FLKEKGGLEGL

Subtype B

Immunogen HIV-1 infection

Species (MHC) human (A2)

Keywords binding affinity, epitope processing

References Choppin *et al.* 2001

- Seventy-three 8-11 mer peptides were generated based on putative anchor motifs in the Nef BRU sequence for HLA A2, A3, A24, B7, B8, and B35; these 73 peptides had 81 motifs. 54% bound to the predicted HLA molecule, particularly A2, B7/35, and B8. The strength of HLA-peptide binding was not directly related to the number of individuals that recognized a protein.
- 20s proteasome cleavage of the Nef protein positions 66-100 showed a large fraction of peptides were cleaved ending at: 87L, 83A, 81Y, 71P, 68F and 67G. The frequency of recognition may be in part dictated by the cleavage step in processing.
- FLKEKGGLEGL was recognized in 8/12 (67%) of individuals with HLA A2. It was a low affinity HLA A2 binder.

HXB2 Location Nef (90–104)

Author Location Nef (90–105 HXB2)

Epitope FLKEKGGLEGLIHSQ

Subtype B

Immunogen HIV-1 infection

Species (MHC) human

Assay type T-cell Elispot

Keywords supervised treatment interruptions (STI), immunodominance, early treatment

References Addo *et al.* 2003

- Comprehensive Elispot screening of 504 overlapping peptides that spanned all HIV-1 proteins in 57 HIV-1 infected individuals. Four groups of patients were compared: 23 were untreated; 12 patients were chronically infected and treated; 22 started treatment during acute infection, 11 continuously treated and 11 with STI.
- 63% of the peptides were recognized - the most frequent responses were directed against Nef (95%) and p24-Gag (88%). p17 was the most frequently recognized protein after correction for protein length. A median of 18 peptides (range 2-42) were recognized per person. The most frequently (>20%) recognized peptides were located in conserved regions within clade B sequences. Vpu was rarely recognized.
- A decrease in the total magnitude and in the breadth of CTL responses was detected in patients with treated acute infection in comparison to chronically infected treated or untreated individuals. No correlation between plasma viral load and HIV-1 specific T-cell responses was observed.
- Responses to this peptide were detected in 16% of the study subjects, and it was one of the 25 most frequently recognized peptides.

HXB2 Location Nef (92-100)**Author Location** (LAI)**Epitope** KEKGGLEGL**Subtype** B**Immunogen****Species (MHC)** human (B*4001)**Keywords** optimal epitope**References** Frahm *et al.* 2007

- C. Brander notes this is a B*4001,B60 epitope.

HXB2 Location Nef (92-100)**Author Location** Nef**Epitope** KEKGGLEGL**Epitope name** KL9**Immunogen****Species (MHC)** (B*4001)**Keywords** review, immunodominance, escape, acute/early infection, early-expressed proteins, kinetics, reversion, viral fitness**References** Lichterfeld *et al.* 2005

- This review discusses the importance of 3 factors that impact the selection of immunodominant epitopes in acute HIV infection: i) the kinetics of viral protein expression, ii) the HLA class I background of the infected individual, and iii) the autologous sequence of the infecting virus. This is 1 of 12 peptides listed as immunodominant in acute HIV-1 infection.

HXB2 Location Nef (92-100)**Author Location****Epitope** KEKGGLEGL**Epitope name** Nef-KL9**Subtype** B**Immunogen** HIV-1 infection**Species (MHC)** human (B*4002)**Donor MHC** A*0201, A*3201, B*4002, B*5301, Cw*0202, Cw*0401**Keywords** HAART, ART**References** Sabbaj *et al.* 2003

- This study monitored epitope responses in HIV-1 infected minority women living in the United States.
- 24 epitopes were described – 8 were novel, 8 used new restricting elements but were previously defined epitopes, and 8 were previously described.
- Serial peptide truncations were used to define optimal epitopes for CTL cell lines isolated from 12 individuals, assayed by a Cr-release.
- Patient 01RCH59 was Hispanic, not on HAART, and had a viral load of 5100 and CD4 count of 349 – she also recognized TERQANFL, p2p7p1p6(64-70), HLA-B*4002 and AEWDRVHPV, p24(78-86), HLA-B*4002.
- Among HIV+ individuals who carried HLA B40, 3/5 (60%) recognized this epitope.

HXB2 Location Nef (92-100)**Author Location** Nef (92-100)**Epitope** KEKGGLEGL**Immunogen****Species (MHC)** human (B*4002)**Keywords** optimal epitope**References** Frahm *et al.* 2007**HXB2 Location** Nef (92-100)**Author Location** Nef (90-98 SF2)**Epitope** KEKGGLEGL**Immunogen** HIV-1 infection**Species (MHC)** human (B60)**Keywords** HAART, ART, acute/early infection**References** Altfeld *et al.* 2001b

- Therapy provided during acute infection resulted in a narrower CTL response, stronger T help response, and a less diverse viral population than was seen in individuals treated during chronic infection.
- The breadth and specificity of the response was determined using ELISPOT by studying 19 individuals with pre-seroconversion therapy (Group 1), 11 individuals with primary infection but post-seroconversion therapy (Group 2), and 10 individuals who responded to HAART given during chronic infection (Group 3), using 259 overlapping peptides spanning p17, p24, RT, gp41, gp120 and Nef.
- Previously described and newly defined optimal epitopes were tested for CTL response.
- Number of HLA-B60+ individuals that had a CTL response to this epitope broken down by group: 2/2 group 1, 1/1 group 2, and 0/0 group 3.

HXB2 Location Nef (92-100)**Author Location** Nef (SF2)**Epitope** KEKGGLEGL**Immunogen** HIV-1 infection**Species (MHC)** human (B60)**References** Altfeld *et al.* 2000

- This epitope was the dominant B60 (encoded by B*4001) response in 6/8 HLA-B60 individuals, and recognized in all eight.

- This epitope was also recognized two expressing HLA-B61 individuals (B61 is usually encoded by B*4002, but this study did not distinguish between B*4002, B*4003, B*4004, B*4006, and B*4008)
- ELISPOT was a rapid and effective method that was used to define five novel B60 epitopes.
- HLA-B60 is present in 10-20% of the Caucasoid population and B60/B61 are very common in Asian populations.

HXB2 Location Nef (92–100)

Author Location Nef

Epitope KEKGGLEGL

Immunogen HIV-1 infection

Species (MHC) human (B60)

Keywords epitope processing

References Cao *et al.* 2002

- KM is a B60 restricted CTL clone that recognizes KEKGGLEGL.
- CTL could be activated by a fusion protein of an HIV protein and anthrax lethal factor (LFn-HIV) that promotes antigen presenting cell uptake of exogenous protein and allows processing through the MHC class I pathway. This strategy for CTL detection could allow antigen presentation without generation of cells by the standard methods of using live viral vectors carrying a protein, or by loading the cells with peptides and by-passing processing.

HXB2 Location Nef (92–100)

Author Location Nef (92–100 NL-43)

Epitope KEKGGLEGL

Subtype B

Immunogen HIV-1 infection

Species (MHC) human (B60)

Keywords class I down-regulation by Nef, escape

References Ali *et al.* 2003

- NL43 was passaged in the presence of Nef KEKGGLEGL-specific CTL clones STD11 and KM3, giving rise to rapid selection of escape mutations, including E93G, E93K, K94N+G99R, G95R+G99R, E98K, E98D, G99R, G99E, L100P, and L100I; insertions, deletions, frameshifts and an early stop codon. 34/36 (94%) of sequences carried mutations in the epitope by seven days, 36/36 (100%) by 14 days.
- NL43 was also passaged in the presence of a Nef TQGYFPDWQNY-specific CTL clone. 7/15 clones had a frameshifting or stop codon introduced by one week; F121T was also observed. The most common escape mutation for both Nef epitopes was an early stop codon at position 91.
- Several mutations selected by KEKGGLEGL-specific CTL were shown to impair the down regulation of class I MHC by Nef, in particular E93G, E93K, and a truncation mutation at position 51.
- Nef deletion mutants increased 100-fold NL-43 susceptibility to inhibition by CTL specific for epitopes in other proteins, the A2 epitopes ILKEPVHGV in RT and SLYNTVATL in p17 Gag.

HXB2 Location Nef (92–100)

Author Location Nef

Epitope KEKGGLEGL

Epitope name KL9

Immunogen HIV-1 infection

Species (MHC) human (B60)

Donor MHC A2, A24, B38, B60, Cw2, Cw12

Assay type CD8 T-cell Elispot - IFN γ

Keywords supervised treatment interruptions (STI), early treatment

References Montefiori *et al.* 2003

- HIV-1 + patient AC10 underwent early HAART treatment, which was discontinued 1.5 years later. At this timepoint potent NAb responses against autologous virus were detected. Treatment interruption initially induced weak CD8+ responses directed against 5 epitopes. By days 873d and 923d the CTL response had broadened to target 22 epitopes; of these six were fully characterized. Eventually the virus escaped the NAb response, but escape was not accompanied by a rise in viral load, and the authors suggest the virus was contained by the CTL response.

HXB2 Location Nef (92–100)

Author Location Nef (92–100 NL43)

Epitope KEKGGLEGL

Epitope name KL9

Subtype B

Immunogen HIV-1 infection

Species (MHC) human (B60)

Assay type Chromium-release assay, CTL suppression of replication

Keywords escape

References Yang *et al.* 2003a

- Virus was cultured in the presence of CTL lines specific for 5 different epitopes (SLYNTVATL, ILKEPVHGV, IEIKDTKEAL, SEGATPQDL, and KEKGGLEGL) to study the emergence of escape mutations. Escape varied between clones for the same epitope, and between different epitopes. Gag and RT epitope escape, if it occurred at all, tended to be monoclonal and within the epitope, indicating strong fitness constraints, while the Nef epitope escape was rapid, polyclonal, and sometimes the result of upstream frameshifts.
- Two cloned CTL lines recognized KEKGGLEGL, STD11 and KM3. Highly resistant clones emerged after a single round of passage with both CTL clones, and multiple substitutions accrued including frameshifts and stop codons, reflecting the dispensability of Nef in viral culture.
- The following epitope variants were observed after passaging with clone STD11 for one week: kekggegl, kKkggegl, and 12/20 frameshifts and 1 early stop. By two weeks, a more complex polyclonal mixture was observed including: kekggegl, kKkggegl kekggeglP, kekggeglE, kekggeglR, kekRgegl, keNggegl, and 11/22 frameshifts.

HXB2 Location Nef (92–100)

Author Location Nef (92–100)

Epitope KEKGGLEGL

Epitope name Nef KL9

Subtype B

Immunogen HIV-1 infection

Species (MHC) human (B60)

Assay type Chromium-release assay, Flow cytometric T-cell cytokine assay

Keywords binding affinity, TCR usage, characterizing CD8+ T cells

References Yang *et al.* 2003b

- Killing efficiency of CTLs and their ability to suppress viral replication is shown to depend more on epitope specificity than to antigenic avidity. Different clones recognizing the same epitope had similar killing efficiency despite their variation in avidity. Nef specific CTL clones tended to be most inhibitory, followed by Gag, then by RT specific clones, regardless of avidity.
- 2/14 CTL T-cell clones tested were specific for Nef KL9. Under conditions of excess peptide (100ug/ml), there was no difference in their lytic potential; all possessed similar effector capacity. Avidity was measured as the sensitizing dose of peptide required for 50% of maximal killing (SD50), which varied from 20 pg/ml to 100 ng/ml, over four orders of magnitude for all 14 epitopes. The SD50 range for Nef KL9 was 20-30 pg/ml, both high avidity. These clones were among the most efficient at inhibiting viral replication in the set tested, but because of the general lack of correlation between avidity and viral inhibition efficiency in this study, the authors attribute other reasons to Nefs ability to inhibit viral replication that pertain to presentation like kinetics and expression levels.

HXB2 Location Nef (92–100)

Author Location (B consensus)

Epitope KEKGGLEGL

Epitope name KL10

Subtype B

Immunogen HIV-1 infection

Species (MHC) human (B60)

Donor MHC A03, B14, B60, Cw3, Cw7

Assay type Cytokine production, Intracellular cytokine staining, Chromium-release assay, Flow cytometric T-cell cytokine assay

Keywords assay standardization/improvement, memory cells, characterizing CD8+ T cells

References Lichterfeld *et al.* 2004c

- Using a flow-cytometric cytotoxicity assay based on caspase-3 activation in dying target cells, it was shown that the subset of HIV-1-specific CD8+ T cells secreting both IFN-gamma and TNF-alpha exhibit stronger cytotoxic activity than those secreting only IFN-gamma. These cells also exhibited stronger intracellular perforin expression. No association between HIV-1-specific CD8+ T-cell maturation phenotypes and intracellular perforin expression was found.
- 1/9 individuals recognized this epitope; the authors write that it is presented by HLA-B40 in their Table 1, but the subject that recognizes it, AC05, is HLA-B60, so we assume they meant B60.

HXB2 Location Nef (92–100)

Author Location Nef (92–100)

Epitope KEKGGLEGL

Immunogen HIV-1 infection

Species (MHC) human (B60, B61)

Keywords immunodominance

References Day *et al.* 2001

- No immunodominant responses were detected to five B61-restricted epitopes tested.

- All five B60-restricted epitopes were reactive in another subject, and the B60-restricted responses together contributed over one-third of the total CTL response.

HXB2 Location Nef (92–105)

Author Location Nef

Epitope KEKGGLEGLVYSQK

Subtype B

Immunogen HIV-1 infection

Species (MHC) human

Donor MHC A28, A29, B14, B44, Cw8

Country United States.

Assay type CD8 T-cell Elispot - IFN γ

Keywords subtype comparisons, escape, characterizing CD8+ T cells, reversion, viral fitness

References Allen *et al.* 2005a

- Two-thirds of all mutations arising in nonenvelope proteins during the transition from acute to chronic infection were found to be due to either CD8 T-cell-associated selective pressures or reversion of HLA-I-associated mutations selected in a previous host. The predominance of escape mutations at highly polymorphic sites was observed across different HIV-1 clades.
- Novel unmapped epitope. There was a V->A change KEKGGLEGLAYSQK over time in an individual that reacted with this peptide.

HXB2 Location Nef (92–112)

Author Location Nef (SF2)

Epitope KEKGGLEGLIHSQRRQDILD

Immunogen HIV-1 infection

Species (MHC) human

References Altfeld *et al.* 2000

- This epitope was mapped by ELISPOT in a study identifying new HLA-B60 epitopes, and was one of the epitopes presented by another HLA molecule in an HLA-B60 individual.
- The response to the peptide was CD8 dependent, but the HLA presenting molecule and optimal epitope were not determined.

HXB2 Location Nef (92–112)

Author Location Nef (SF2)

Epitope KEKGGLEGLIHSQRRQDILD

Immunogen HIV-1 infection

Species (MHC) human

References Altfeld *et al.* 2000

- This epitope was mapped by ELISPOT in a study identifying new HLA-B60 epitopes, and was one of the epitopes presented by another HLA molecule in an HLA-B60 individual.
- The response to the peptide was CD8 dependent, but the HLA presenting molecule and optimal epitope were not determined.

HXB2 Location Nef (93–106)

Author Location Nef (93–106 BRU)

Epitope EKGGLEGLIHSQRR

Immunogen HIV-1 infection

Species (MHC) human (A1, B8)

References Hadida *et al.* 1992

- HIV-1 specific CTLs detected in lymphoid organs of HIV-1 infected patients.

HXB2 Location Nef (97–111)

Author Location Nef (97–111)

Epitope LEGLIYSKKRQEILD

Subtype C

Immunogen HIV-1 infection

Species (MHC) human

Keywords subtype comparisons

References Novitsky *et al.* 2002

- HLA, viral sequence, and Elispot data was obtained from 105 HIV-1 positive Botswanans; Elispot data was obtained from between 55 and 64 subjects for each HIV protein.
- Nef and p24 had the highest percentage of reactive peptides, and p24 had the highest magnitude of HIV-1 responses.
- This peptide was among the 28 most reactive C clade peptides from among over 350 tested spanning all HIV proteins.

HXB2 Location Nef (102–110)

Author Location Nef (102–110)

Epitope HSQRRQDIL

Subtype C

Immunogen HIV-1 infection

Species (MHC) human (A*24, B*37, Cw*0602, Cw*0401)

Country India.

Assay type CD8 T-cell Elispot - IFN γ

Keywords subtype comparisons, computational epitope prediction, immunodominance

References Thakar *et al.* 2005

- PBMCs from HIV-1 infected Indian subjects were tested for HIV-1 Gag (with C clade peptides), Nef (with B clade peptides), and Env (clade unspecified) specific T-cell responses. 5 immunodominant regions conserved across clades were identified in Gag and Nef. 3 antigenic regions were found to be recognized by CTLs in the Indian subjects; these regions were not identified as immunodominant in studies from Africa. 26 epitopes were predicted within reactive peptides, of which 90% were clustered in the conserved immunodominant regions of Gag and Nef. 3 of the epitopes were highly conserved across clades, and 7 novel epitopes were found.

HXB2 Location Nef (102–115)

Author Location Nef (102–115 LAI)

Epitope HSQRRQDILDLWIY

Subtype B

Immunogen HIV-1 infection

Species (MHC) human (B7)

Keywords review, escape

References Goulder *et al.* 1997e; Goulder *et al.* 1997a

- HLA identical sibling hemophiliac brothers were both infected with the same batch of factor VIII.
- They were tested 6–8 years after infection; one had a strong response to this peptide, the other did not.
- Goulder *et al.* [1997a] is a review of immune escape that summarizes this study.

HXB2 Location Nef (102–115)

Author Location Nef (100–113)

Epitope HSQRRQDILDLWIY

Immunogen HIV-1 infection

Species (MHC) human (B7)

Country Spain.

Assay type proliferation, CD8 T-cell Elispot - IFN γ , Flow cytometric T-cell cytokine assay

Keywords HAART, ART, supervised treatment interruptions (STI), immune dysfunction

References Plana *et al.* 2004

- Structured treatment interruption (STI) alone is not able to control viral replication in chronically infected patients, probably due to lack of strong, maintained T-helper cell responses. HIV-1 specific CD8+ T-cell responses were shown to increase significantly until the end of the follow up, but were not correlated with viral load.
- 5/7 patients recognized this epitope.

HXB2 Location Nef (102–121)

Author Location Nef (101–120 SF2)

Epitope HSQRRQDILDLQIYHTQGYF

Immunogen HIV-1 infection

Species (MHC) human

References Lieberman *et al.* 1997a

- Of 25 patients, most had CTL specific for more than 1 HIV-1 protein.
- Eleven subjects had CTL that could recognize vaccinia-expressed LAI Nef.
- Two of these 11 had CTL response to this peptide.
- The responding subjects were HLA-A2, A3, B8, B62 and HLA-A2, B21.

HXB2 Location Nef (103–117)

Author Location Nef

Epitope SKKRQEILDWLWYHT

Subtype A, D

Immunogen HIV-1 infection

Species (MHC) human

Donor MHC A*0202, A*3002, B*5703, B*5802; A*6801, A*7401, B*0702, B*3501

Country Uganda.

Assay type CD8 T-cell Elispot - IFN γ

Keywords subtype comparisons, variant cross-recognition or cross-neutralization

References Barugahare *et al.* 2005

- T-cell immune responses were examined in HIV-1 infected Ugandans. Similar levels of cross-clade responses for Gag, Env and Nef were observed. Higher frequencies of responses in conserved regions were found for Gag within a single clade, while areas with higher viral sequence variation had fewer detectable responses. Differential interclade sequence homologies between the Gag regions did not affect the respective level of cross-clade recognition.
- The sequence contains a previously-defined epitope (KRQEILDWLWVY) of unknown HLA restriction. The viral sequence from the subjects that recognized the peptide was skkrqKildlwvYnt.

HXB2 Location Nef (103–127)

Author Location Nef (103–127 PV22)

Epitope SQRRQDILDLWIYHTQGYFPDWQNY

Immunogen HIV-1 infection

Species (MHC) human (B13)

References Jassoy *et al.* 1993

- HIV-1 specific CTLs release γ -IFN, and α - and β -TNF.

- HXB2 Location** Nef (103–127)
Author Location Nef (103–127)
Epitope SQRRQDILDLDWIYHTQGYFPDWQNY
Epitope name SQR
Immunogen HIV-1 infection
Species (MHC) human (B13)
Keywords HAART, ART, acute/early infection
References Oxenius *et al.* 2000
- Patients who started therapy at acute HIV-1 infection (three with sustained therapy, two with limited therapy upon early infection) had strong HIV specific CD4 proliferative responses and were able to maintain a CTL response even with undetectable viral load – three patients that had delayed initiation of HAART had no HIV specific CD4 proliferative responses and lost their CTL responses when HAART was eventually given and their viral loads became undetectable.
 - The only study subject out of eight that was HLA B13+ recognized this epitope.
 - Patient SC9 (HLA A1/2, B8/13, Cw0/0701, DR2/11, DQ6/7) had a CTL response against epitopes FLKEKGGGL, ILKEPVHGV, SQRRQDILDLDWIYHTQGYFPDWQNY, and GEIYKRWII peptides and all responses declined during therapy initiated at day 390 but were restored when therapy become intermittent.

- HXB2 Location** Nef (104–112)
Author Location Nef (104–112)
Epitope QRRQDILDL
Subtype C
Immunogen HIV-1 infection
Species (MHC) human (B*37, Cw*0602)
Country India.
Assay type CD8 T-cell Elispot - IFN γ
Keywords subtype comparisons, computational epitope prediction, immunodominance
References Thakar *et al.* 2005
- PBMCs from HIV-1 infected Indian subjects were tested for HIV-1 Gag (with C clade peptides), Nef (with B clade peptides), and Env (clade unspecified) specific T-cell responses. 5 immunodominant regions conserved across clades were identified in Gag and Nef. 3 antigenic regions were found to be recognized by CTLs in the Indian subjects; these regions were not identified as immunodominant in studies from Africa. 26 epitopes were predicted within reactive peptides, of which 90% were clustered in the conserved immunodominant regions of Gag and Nef. 3 of the epitopes were highly conserved across clades, and 7 novel epitopes were found.

- HXB2 Location** Nef (105–114)
Author Location Nef (105–114 LAI)
Epitope RRQDILDLDWI
Subtype B
Immunogen HIV-1 infection
Species (MHC) human (B*2705)
Keywords rate of progression
References Goulder *et al.* 1997c
- Defined as optimal epitope from within reactive peptide HSQR-RQDILDLDWIYHTQGYF [Nef(102-121 LAI)]
 - HLA-B*2705 is associated with slow HIV disease progression.

- The HLA-B*2705 binding motif includes R at position 2, and L in the C-term position.

- HXB2 Location** Nef (105–114)
Author Location Nef (105–114 LAI)
Epitope RRQDILDLDWI
Subtype B
Immunogen HIV-1 infection
Species (MHC) human (B*2705)
Keywords optimal epitope
References Frahm *et al.* 2007
- C. Brander notes this is a B*2705 epitope.

- HXB2 Location** Nef (105–114)
Author Location Nef (105–114 SF2)
Epitope RRQDILDLDWI
Immunogen HIV-1 infection
Species (MHC) human (B27)
Keywords HAART, ART, acute/early infection
References Altfeld *et al.* 2001b
- Therapy provided during acute infection resulted in a narrower CTL response, stronger T help response, and a less diverse viral population than was seen in individuals treated during chronic infection.
 - The breadth and specificity of the response was determined using ELISPOT by studying 19 individuals with pre-seroconversion therapy (Group 1), 11 individuals with primary infection but post-seroconversion therapy (Group 2), and 10 individuals who responded to HAART given during chronic infection (Group 3), using 259 overlapping peptides spanning p17, p24, RT, gp41, gp120 and Nef.
 - Previously described and newly defined optimal epitopes were tested for CTL response.
 - Number of HLA-B27+ individuals that had a CTL response to this epitope broken down by group: 0/0 group 1, 0/0 group 2, and 1/1 group 3.

- HXB2 Location** Nef (105–114)
Author Location Nef (105–114)
Epitope RRQDILDLDWI
Immunogen HIV-1 infection
Species (MHC) human (B27)
References Day *et al.* 2001
- B27-restricted CTL response was strongest to this epitope in one individual.

- HXB2 Location** Nef (105–114)
Author Location
Epitope RRQDILDLDWI
Epitope name Nef-RI10
Subtype B
Immunogen HIV-1 infection
Species (MHC) human (B27)
References Sabbaj *et al.* 2003
- Among HIV+ individuals who carried HLA B27, 1/2 (50%) recognized this epitope.

- HXB2 Location** Nef (105–115)
Author Location
Epitope RRQDILDLDWVY

Epitope name RY11**Immunogen****Species (MHC)** human (B18)**Keywords** optimal epitope**References** Frahm *et al.* 2007

- C. Brander notes this is a B18 epitope.

HXB2 Location Nef (105–115)**Author Location** (C consensus)**Epitope** KRQDILDLWIY**Subtype** C**Immunogen** HIV-1 infection**Species (MHC)** human (Cw*0701)**Country** South Africa.**Assay type** CD8 T-cell Elispot - IFN γ **Keywords** rate of progression, optimal epitope**References** Kiepiela *et al.* 2007

- A comprehensive analysis of 160 class I T cell responses in 578 individuals from KwaZulu-Natal, South Africa was performed. Gag-specific responses were associated with lowering viremia, while Env, accessory and regulatory protein-specific responses were associated with higher viremia.
- Mutational patterns in the R2 residue of KRQDILDLWIY are associated with the presence of the HLA presenting molecule in the host.

HXB2 Location Nef (105–115)**Author Location** (C consensus)**Epitope** KRQEILDLWVY**Subtype** C**Immunogen** HIV-1 infection**Species (MHC)** human (Cw*0701, Cw*0702)**Country** South Africa.**Assay type** CD8 T-cell Elispot - IFN γ **Keywords** cross-presentation by different HLA, characterizing CD8+ T cells**References** Kiepiela *et al.* 2004

- HLA class I restricted CD8+ T-cell responses against HIV-1 were analyzed in African patients. Significantly more responses were shown to be HLA-B restricted. Viral load, CD4 count, and thus rate of disease progression were also associated with HLA-B alleles. In addition, the selection pressure imposed on HIV-1 by HLA-B alleles was shown to be substantially greater than by other alleles.
- This epitope was suggested to be the epitope within a longer reactive peptide based on correspondence with a known epitope in the HIV database. Also, a significantly higher frequency of people in the Durban cohort who reacted with the peptide had this HLA type.

HXB2 Location Nef (105–115)**Author Location** (C consensus)**Epitope** KRQDILDLWIY**Subtype** C**Immunogen** HIV-1 infection**Species (MHC)** human (Cw*0702)**Country** South Africa.**Assay type** CD8 T-cell Elispot - IFN γ **Keywords** rate of progression, optimal epitope**References** Kiepiela *et al.* 2007

- A comprehensive analysis of 160 class I T cell responses in 578 individuals from KwaZulu-Natal, South Africa was performed. Gag-specific responses were associated with lowering viremia, while Env, accessory and regulatory protein-specific responses were associated with higher viremia.
- Optimal epitope.

HXB2 Location Nef (105–115)**Author Location** Nef (105–115)**Epitope** RRQDILDLWIY**Epitope name** Cw7-RY11**Subtype** B**Immunogen** HIV-1 infection**Species (MHC)** human (Cw7)**Donor MHC** A3, B7, Cw7**Keywords** dynamics, supervised treatment interruptions (STI), acute/early infection**References** Yu *et al.* 2002a

- AC-06 was homozygous at all three class I alleles (A3, B7, Cw7), and was treated during acute infection and had supervised treatment interruptions (STI). He had only two detectable CTL responses during acute infection, but after STI this broadened to 27 distinct epitopes including 15 restricted by HLA-A3, 11 by HLA-B7, and 1 response to RRQDILDLWIY restricted by HLA-Cw7.

HXB2 Location Nef (105–115)**Author Location** Nef (105–115)**Epitope** KRQEILDLWVY**Immunogen****Species (MHC)** human (Cw7)**Keywords** optimal epitope**References** Frahm *et al.* 2007**HXB2 Location** Nef (105–115)**Author Location** Nef (105–115)**Epitope** RRQDILDLWIY**Immunogen****Species (MHC)** human (Cw7)**Keywords** optimal epitope**References** Frahm *et al.* 2007**HXB2 Location** Nef (105–115)**Author Location** Nef (C consensus)**Epitope** KKQEILDLWVY**Subtype** C**Immunogen** HIV-1 infection**Species (MHC)** human (Cw7)**Country** South Africa.**Assay type** CD8 T-cell Elispot - IFN γ **Keywords** escape**References** Kiepiela *et al.* 2004

- HLA class I restricted CD8+ T-cell responses against HIV-1 were analyzed in African patients. Significantly more responses were shown to be HLA-B restricted. Viral load, CD4 count, and thus rate of disease progression were also associated with HLA-B alleles. In addition, the selection pressure imposed on HIV-1 by HLA-B alleles was shown to be substantially greater than by other alleles.

- People who carried Cw07 often carried a variant of this epitope, while the susceptible form of the epitope was highly conserved among those who did not.

HXB2 Location Nef (105–119)

Author Location Nef (105–119 HXB2)

Epitope RRQDILDLWIYHTQG

Subtype B

Immunogen HIV-1 infection

Species (MHC) human

Assay type T-cell Elispot

Keywords supervised treatment interruptions (STI), immunodominance, early treatment

References Addo *et al.* 2003

- Comprehensive Elispot screening of 504 overlapping peptides that spanned all HIV-1 proteins in 57 HIV-1 infected individuals. Four groups of patients were compared: 23 were untreated; 12 patients were chronically infected and treated; 22 started treatment during acute infection, 11 continuously treated and 11 with STI.
- 63% of the peptides were recognized - the most frequent responses were directed against Nef (95%) and p24-Gag (88%). p17 was the most frequently recognized protein after correction for protein length. A median of 18 peptides (range 2-42) were recognized per person. The most frequently (>20%) recognized peptides were located in conserved regions within clade B sequences. Vpu was rarely recognized.
- A decrease in the total magnitude and in the breadth of CTL responses was detected in patients with treated acute infection in comparison to chronically infected treated or untreated individuals. No correlation between plasma viral load and HIV-1 specific T-cell responses was observed.
- The authors did not note the reference strain, but based on the peptide sequences provided it appears to be HXB2.
- Responses to this peptide were detected in 19% of the study subjects, and it was one of the 25 most frequently recognized peptides.

HXB2 Location Nef (106–114)

Author Location Nef (106–114)

Epitope RQDILDLWI

Subtype C

Immunogen HIV-1 infection

Species (MHC) human (A*24, B*37, Cw*0602)

Country India.

Assay type CD8 T-cell Elispot - IFN γ

Keywords subtype comparisons, computational epitope prediction, immunodominance

References Thakar *et al.* 2005

- PBMCs from HIV-1 infected Indian subjects were tested for HIV-1 Gag (with C clade peptides), Nef (with B clade peptides), and Env (clade unspecified) specific T-cell responses. 5 immunodominant regions conserved across clades were identified in Gag and Nef. 3 antigenic regions were found to be recognized by CTLs in the Indian subjects; these regions were not identified as immunodominant in studies from Africa. 26 epitopes were predicted within reactive peptides, of which 90% were clustered in the conserved immunodominant regions of Gag and Nef. 3 of the epitopes were highly conserved across clades, and 7 novel epitopes were found.

HXB2 Location Nef (106–114)

Author Location Nef (106–114)

Epitope RQDILDLWI

Epitope name RI9

Immunogen HIV-1 infection

Species (MHC) human (B13)

Assay type CD8 T-cell Elispot - IFN γ

Keywords rate of progression, escape, variant cross-recognition or cross-neutralization, optimal epitope

References Harrer *et al.* 2005

- An HLA-B13-restricted optimal epitope was defined in Nef, RI9. The frequency of CTLs specific for this epitope in B13-positive patients exceeded the number of CTLs against other epitopes, indicating that this is a dominant epitope in B13-positive subjects. Three B13-positive patients who had an immunodominant response to this epitope were good controllers of their infection, with low viral loads over long periods.
- In B13-positive patients with a previous diagnosis of AIDS, an RrDILDLWI escape variant was found.
- This is a well conserved epitope but natural variants were tested. Peptide titration experiments indicate a V9I RQDILDLWv variant and RQDILDLWI are equally well recognized. Other natural substitutions are less well recognized: RkDILDLWI, RQeILDLWI, aQDILDLWI, RQaILDLWI, RrDILDLWv.

HXB2 Location Nef (106–114)

Author Location

Epitope RQDILDLWV

Epitope name RV9

Immunogen

Species (MHC) human (B13)

Keywords optimal epitope

References Frahm *et al.* 2007

- C. Brander notes this is a B13 epitope.

HXB2 Location Nef (106–114)

Author Location Nef (106–114)

Epitope RQDILDLWI

Immunogen

Species (MHC) human (B13)

Keywords optimal epitope

References Frahm *et al.* 2007

- C. Brander notes that this is an B13 epitope.

HXB2 Location Nef (106–115)

Author Location (LAI)

Epitope RQDILDLWIY

Subtype B

Immunogen

Species (MHC) (B*0702)

Keywords optimal epitope

References Frahm *et al.* 2007; Goulder 1999

HXB2 Location Nef (106–115)

Author Location Nef

Epitope RQDILDLWVY

Epitope name RY10

Subtype B

Immunogen HIV-1 infection

Species (MHC) human (Cw7)

Donor MHC A1, A3, B7, B57, Cw6, Cw7

Country United States.

Assay type CD8 T-cell Elispot - IFN γ

Keywords subtype comparisons, escape, characterizing CD8+ T cells, reversion, viral fitness

References Allen *et al.* 2005a

- Two-thirds of all mutations arising in nonenvelope proteins during the transition from acute to chronic infection were found to be due to either CD8 T-cell-associated selective pressures or reversion of HLA-I-associated mutations selected in a previous host. The predominance of escape mutations at highly polymorphic sites was observed across different HIV-1 clades.
- One escape mutation, at position 9, RQDILDLWiY, was found in the most polymorphic residue in the epitope.

HXB2 Location Nef (107–115)

Author Location (C consensus)

Epitope QDILDLWIY

Subtype C

Immunogen HIV-1 infection

Species (MHC) human (B*18)

Country South Africa.

Assay type CD8 T-cell Elispot - IFN γ

Keywords rate of progression

References Kiepiela *et al.* 2007

- A comprehensive analysis of 160 class I T cell responses in 578 individuals from KwaZulu-Natal, South Africa was performed. Gag-specific responses were associated with lowering viremia, while Env, accessory and regulatory protein-specific responses were associated with higher viremia.
- Mutational patterns in the D2 residue of QDILDLWIY are associated with the presence of the HLA presenting molecule in the host.
- QDILDLWIY not optimized.

HXB2 Location Nef (107–115)

Author Location Nef (107–115)

Epitope QDILDLWIY

Subtype C

Immunogen HIV-1 infection

Species (MHC) human (B*37, Cw*0602)

Country India.

Assay type CD8 T-cell Elispot - IFN γ

Keywords subtype comparisons, computational epitope prediction, immunodominance

References Thakar *et al.* 2005

- PBMCs from HIV-1 infected Indian subjects were tested for HIV-1 Gag (with C clade peptides), Nef (with B clade peptides), and Env (clade unspecified) specific T-cell responses. 5 immunodominant regions conserved across clades were identified in Gag and Nef. 3 antigenic regions were found to be recognized by CTLs in the Indian subjects; these regions were not identified as immunodominant in studies from Africa. 26 epitopes were predicted within reactive peptides, of which 90% were clustered in the conserved immunodominant regions of Gag and Nef. 3 of the epitopes were highly conserved across clades, and 7 novel epitopes were found.

HXB2 Location Nef (108–115)

Author Location

Epitope DILDLWIY

Epitope name Nef-DY8

Subtype B

Immunogen HIV-1 infection

Species (MHC) human (Cw*0701)

Donor MHC A*3303 A*2601 B*5801 B*8201 Cw*0302 Cw*0701

Keywords HAART, ART

References Sabbaj *et al.* 2003

- This study monitored epitope responses in HIV-1 infected minority women living in the United States.
- 24 epitopes were described; 8 were novel, 8 used new restricting elements but were previously defined epitopes, and 8 were previously described.
- Serial peptide truncations were used to define optimal epitopes for CTL cell lines isolated from 12 individuals, assayed by a Cr-release.
- Subject 03RCH40 was African American, had a viral load of 2500, CD4 count of 372, was not on HAART, and also recognized the epitope ETKLGKAGY, RT(449-457), A*2601.
- Among HIV+ individuals who carried HLA Cw07, 2/18 (11%) recognized this epitope.

HXB2 Location Nef (108–115)

Author Location Nef (108–115)

Epitope DILDLWIY

Immunogen HIV-1 infection

Species (MHC) human (Cw7)

Donor MHC A1, A1, B8, B14, Cw7, Cw8

Assay type CD8 T-cell Elispot - IFN γ

Keywords binding affinity, acute/early infection, early-expressed proteins

References Cao *et al.* 2003

- CTL epitope responses were mapped in 21 men within 15-92 days post-HIV-1 infection. Subjects initially showed narrow immune responses with a mean of 2.3 epitopes recognized per patient. The immune response broadened later in infection. No correlation between the plasma viral load and the number of recognized epitopes or the frequency of IFN-gamma secreting cells was observed, and there was no correlation between the functional avidity of a response and the abundance of IFN-secreting cells that recognized the epitope. The first epitopes to be recognized tended not to be the most avid, and earliest responses tended to be directed against Nef, Tat, Vpr, and Env.
- All HIV-1 proteins except Vpu were recognized, and a response to a total of 41 optimal epitopes were characterized; 24 had been identified previously. 48% of the total T-cell responses were directed against Nef and 43% were directed against Gag.
- More common HLA alleles were less frequently used in primary infection than less common alleles, for example A3, B35, B57, and B62 were more frequently recognized than A1, A2, A30, and A44.

HXB2 Location Nef (109–117)

Author Location Nef (109–117)

Epitope ILDLWIYHT

Subtype C

Immunogen HIV-1 infection

Species (MHC) human (A*03)

Country India.

Assay type CD8 T-cell Elispot - IFN γ

Keywords subtype comparisons, computational epitope prediction, immunodominance

References Thakar *et al.* 2005

- PBMCs from HIV-1 infected Indian subjects were tested for HIV-1 Gag (with C clade peptides), Nef (with B clade peptides), and Env (clade unspecified) specific T-cell responses. 5 immunodominant regions conserved across clades were identified in Gag and Nef. 3 antigenic regions were found to be recognized by CTLs in the Indian subjects; these regions were not identified as immunodominant in studies from Africa. 26 epitopes were predicted within reactive peptides, of which 90% were clustered in the conserved immunodominant regions of Gag and Nef. 3 of the epitopes were highly conserved across clades, and 7 novel epitopes were found.

HXB2 Location Nef (112–126)

Author Location Nef (112–126)

Epitope LWVYHTQGYFPDWQN

Subtype C

Immunogen HIV-1 infection

Species (MHC) human

Keywords subtype comparisons

References Novitsky *et al.* 2002

- HLA, viral sequence, and Elispot data was obtained from 105 HIV-1 positive Botswanans; Elispot data was obtained from between 55 and 64 subjects for each HIV protein.
- Nef and p24 had the highest percentage of reactive peptides, and p24 had the highest magnitude of HIV-1 responses.
- This peptide was among the 28 most reactive C clade peptides from among over 350 tested spanning all HIV proteins.

HXB2 Location Nef (112–133)

Author Location Nef (111–132)

Epitope LWIYHTQGYFPDWQNYTPGPGV

Immunogen HIV-1 infection

Species (MHC) human

References Lieberman *et al.* 1995

- HIV-specific CTL lines developed by *ex vivo* stimulation with peptide.

HXB2 Location Nef (112–133)

Author Location Nef (111–132 SF2)

Epitope LWIYHTQGYFPDWQNYTPGPGV

Immunogen HIV-1 infection

Species (MHC) human

References Lieberman *et al.* 1997a

- Of 25 patients, most had CTL specific for more than 1 HIV-1 protein.
- Eleven subjects had CTL that could recognize vaccinia-expressed LAI Nef.
- Four of these 11 had CTL response to this peptide.
- The responding subjects were HLA-A2, B21; HLA-A1, A3, B7, B15; HLA-A2, A26, B7, B38.

HXB2 Location Nef (112–133)

Author Location Nef (111–132 SF2)

Epitope LWIYHTQGYFPDWQNYTPGPGV

Immunogen HIV-1 infection

Species (MHC) human

References Lieberman *et al.* 1997b

- CTL expanded *ex vivo* were later infused into HIV-1 infected patients.

HXB2 Location Nef (113–121)

Author Location Nef (111–119)

Epitope WIYHTQGYF

Immunogen HIV-1 infection

Species (MHC) human (A1)

Country Spain.

Assay type proliferation, CD8 T-cell Elispot - IFN γ , Flow cytometric T-cell cytokine assay

Keywords HAART, ART, supervised treatment interruptions (STI), immune dysfunction

References Plana *et al.* 2004

- Structured treatment interruption (STI) alone is not able to control viral replication in chronically infected patients, probably due to lack of strong, maintained T-helper cell responses. HIV-1 specific CD8+ T-cell responses were shown to increase significantly until the end of the follow up, but were not correlated with viral load.
- 3/13 patients recognized this epitope.

HXB2 Location Nef (113–121)

Author Location Nef (113–121)

Epitope WIYHTQGYF

Subtype C

Immunogen HIV-1 infection

Species (MHC) human (B*35, Cw*0602, Cw*0401)

Country India.

Assay type CD8 T-cell Elispot - IFN γ

Keywords subtype comparisons, computational epitope prediction, immunodominance

References Thakar *et al.* 2005

- PBMCs from HIV-1 infected Indian subjects were tested for HIV-1 Gag (with C clade peptides), Nef (with B clade peptides), and Env (clade unspecified) specific T-cell responses. 5 immunodominant regions conserved across clades were identified in Gag and Nef. 3 antigenic regions were found to be recognized by CTLs in the Indian subjects; these regions were not identified as immunodominant in studies from Africa. 26 epitopes were predicted within reactive peptides, of which 90% were clustered in the conserved immunodominant regions of Gag and Nef. 3 of the epitopes were highly conserved across clades, and 7 novel epitopes were found.

HXB2 Location Nef (113–125)

Author Location Nef (113–125 BRU)

Epitope WIYHTQGYFPDWQ

Immunogen HIV-1 infection

Species (MHC) human (B17)

References Culmann *et al.* 1989

- Nef CTL clones from HIV+ donors.

HXB2 Location Nef (113–127)

Author Location Nef (128–142)

Epitope WIYHTQGYFPDWQNY

Subtype C

Immunogen HIV-1 infection

Species (MHC) human

Keywords subtype comparisons

References Guimarães *et al.* 2002

- Nef sequences were obtained from Brazilians to study epitope diversity in this geographic region – WIYHTQGYFDPWQNY displayed an (H) to (N) substitution in Brazilian Nef-gene subtype C samples, and this substitution is often found in other subtypes tested.

HXB2 Location Nef (113–128)

Author Location Nef (113–128 BRU)

Epitope WIYHTQGYFDPWQNYT

Immunogen HIV-1 infection

Species (MHC) human (A1)

References Hadida *et al.* 1992

- HIV-1 specific CTLs detected in lymphoid organs of HIV-1 infected patients.

HXB2 Location Nef (113–128)

Author Location Nef (113–128 LAI)

Epitope WIYHTQGYFDPWQNYT

Epitope name N2

Subtype B

Immunogen HIV-1 infection

Species (MHC) human (A1)

Keywords HAART, ART

References Mollet *et al.* 2000

- A panel of 16 epitopes covering 15 class I alleles was tested in 14 HIV+ patients from an unselected Caucasian population treated with HAART, using CD8+ cell IFN γ production to measure responses.
- In general, during the first month of treatment viral load decreased and frequencies of HIV-specific CTL tripled and broadened – eight new HIV specificities that were not previously detectable were newly detected, as were CMV specific CD8+ PBL – but with continued viral suppression, HIV-specific responses diminished.
- Viral rebounds gave different patterns of response: increases or decreases in pre-existing response, new specificities, or no change.

HXB2 Location Nef (114–127)

Author Location Nef

Epitope VYHTQGYFDPWQNY

Immunogen HIV-1 infection

Species (MHC) human

References Jubier-Maurin *et al.* 1999

HXB2 Location Nef (115–125)

Author Location Nef (115–125 BRU)

Epitope YHTQGYFDPWQ

Immunogen HIV-1 infection

Species (MHC) human (B17)

References Culmann *et al.* 1991

- Nef CTL clones from HIV+ donors.

HXB2 Location Nef (115–129)

Author Location Nef (115–129 HXB2)

Epitope YHTQGYFDPWQNYTP

Subtype B

Immunogen HIV-1 infection

Species (MHC) human

Assay type T-cell Elispot

Keywords supervised treatment interruptions (STI), immunodominance, early treatment

References Addo *et al.* 2003

- Comprehensive Elispot screening of 504 overlapping peptides that spanned all HIV-1 proteins in 57 HIV-1 infected individuals. Four groups of patients were compared: 23 were untreated; 12 patients were chronically infected and treated; 22 started treatment during acute infection, 11 continuously treated and 11 with STI.
- 63% of the peptides were recognized - the most frequent responses were directed against Nef (95%) and p24-Gag (88%). p17 was the most frequently recognized protein after correction for protein length. A median of 18 peptides (range 2-42) were recognized per person. The most frequently (>20%) recognized peptides were located in conserved regions within clade B sequences. Vpu was rarely recognized.
- A decrease in the total magnitude and in the breadth of CTL responses was detected in patients with treated acute infection in comparison to chronically infected treated or untreated individuals. No correlation between plasma viral load and HIV-1 specific T-cell responses was observed.
- The authors did not note the reference strain, but based on the peptide sequences provided it appears to be HXB2.
- Responses to this peptide were detected in 22% of the study subjects, and it was one of the 25 most frequently recognized peptides.

HXB2 Location Nef (116–124)

Author Location Nef (116–124)

Epitope HTQGYFDPW

Immunogen

Species (MHC) human (B*57)

Keywords optimal epitope

References Frahm *et al.* 2007

HXB2 Location Nef (116–124)

Author Location Nef (116–124)

Epitope HTQGYFDPW

Immunogen

Species (MHC) human (B57)

Keywords optimal epitope

References Frahm *et al.* 2007

HXB2 Location Nef (116–124)

Author Location

Epitope HTQGYFDPW

Immunogen HIV-1 infection

Species (MHC) human (B57)

Country United States.

Assay type CD8 T-cell Elispot - IFN γ

Keywords assay standardization/improvement, epitope processing

References Draenert *et al.* 2004a

- 96% of optimally defined epitopes have one of only nine amino acids serving as the C-terminal anchor position. Seven amino acids are never found in this position and four are only present in 4% of cases. CD8 T-cell response to an epitope is shown to be best detected when the epitope is situated at the C-terminal end of a longer peptide, and authors suggest that Elispot reagents would be better designed if peptides ended on known C-terminal anchors.
- HTQGYFPDW is suggested to be the optimal epitope instead of HTQGYFPDWQ since Gln is not described as a C-terminal anchor residue in any of the other optimally defined epitopes. HTQGYFPDW was also found to be recognized at two times lower peptide concentrations than HTQGYFPDWQ.

- HXB2 Location** Nef (116–124)
Author Location Nef (116–124)
Epitope HTQGYFPDW
Subtype C
Immunogen HIV-1 infection
Species (MHC) human (B57)
Donor MHC A*3001, A*66, B*4201, B*5802, Cw*0602, Cw*1701; A*68, A*66, B*57, B*5802, Cw*0602, Cw*0701
Country South Africa.
Assay type CD8 T-cell Elispot - IFN γ
Keywords responses in children, mother-to-infant transmission, escape, acute/early infection
References Pillay *et al.* 2005
- HIV-specific CTLs in infants were shown to be able to select for viral escape variants early in life, despite a lack of escape with the same CTL specificity in the mother. Infant CTL responses may be compromised by transmission of escape variants that arose in the mother and also those that arose in the father, if the father was the source of the mother's infection.
 - HTQGYFPDW is the C consensus form of the epitope; the autologous form in the mother was HTQGfFPDW, and this was transmitted to her infant. By 33 weeks a new dominant form of the epitope had emerged in the infant: nTQGfFPDW.

- HXB2 Location** Nef (116–124)
Author Location Nef
Epitope HTQGYFPDW
Epitope name HW9
Immunogen HIV-1 infection
Species (MHC) human (B57, B*5801)
Assay type CD8 T-cell Elispot - IFN γ , Chromium-release assay
Keywords responses in children, mother-to-infant transmission, escape, characterizing CD8+ T cells
References Feeny *et al.* 2005
- Escape mutations in TW10 and other B57-restricted epitopes were shown to arise early in infants following perinatal infection. Some escape variants were likely to have been transmitted vertically, from HLA-B57/5801 positive HIV-1 infected mothers, while others arose during infancy in cases where the children inherited the B57/5801 allele paternally. In contrast to adults, the majority of children showed a robust response to the escape variants, suggesting that infants are able to mount functional immune responses and drive immune escape and

that a developing immune system may exhibit greater plasticity in recognizing viral variants.

- While 2 mothers carried the form HTQGYFPDW, their children carried the escape H1N variant nTQGYFPDW.

- HXB2 Location** Nef (116–124)
Author Location Nef (116–124 BRU)
Epitope HTQGYFPDW
Subtype B, CRF02_AG
Immunogen HIV-1 infection
Species (MHC) human (B57, B58)
Country Cote D'Ivoire.
Assay type CD8 T-cell Elispot - IFN γ
Keywords subtype comparisons
References Inwoley *et al.* 2005
- CD8+ T-cells from HIV-1 CRF02_AG-infected Ivorians could recognize clade B epitopes. No difference was observed in the number of recognized peptide pools between nine French subtype B infected study subjects, and nine CRF02_AG infected Ivorian subjects.
 - This epitope was recognized by 0/9 CRF02_AG-infected Ivorians, and 1/9 B-infected French subject
 - HTQGYFPDW was invariant in 5 B clade infected individuals, including the one that recognized the epitope. It varied in 4/8 CRF02 Ivorian infections.

- HXB2 Location** Nef (116–125)
Author Location Nef (116–125 BRU)
Epitope HTQGYFPDWQ
Immunogen HIV-1 infection
Species (MHC) human (B*5701)
Keywords subtype comparisons, optimal epitope
References Frahm *et al.* 2007
- C. Brander notes this is a B*5701 epitope.
 - Subtype of B57 not determined.

- HXB2 Location** Nef (116–125)
Author Location Nef (116–125)
Epitope HTQGYFPDWQ
Immunogen HIV-1 infection
Species (MHC) human (B57)
Keywords immunodominance
References Betts *et al.* 2000
- Only 4/11 HLA-A2+ HIV+ individuals had CTL that reacted to SLYNTVATL, calling into question whether it is immunodominant.
 - 95 optimally-defined peptides from this database were used to screen for INF γ responses to other epitopes.
 - One of the A2+ individuals was HLA A*0201, A1, B57 and responded to four B57 epitopes and two others.

- HXB2 Location** Nef (116–125)
Author Location Nef (116–125 BRU)
Epitope HTQGYFPDWQ
Immunogen HIV-1 infection
Species (MHC) human (B57)
References Culmann *et al.* 1991
- Nef CTL clones from HIV+ donors, optimal peptide mapped.

- HXB2 Location** Nef (116–125)

Author Location Nef (116–125)**Epitope** HTQGYFPDWQ**Epitope name** HTQ**Immunogen** HIV-1 infection**Species (MHC)** human (B57)**Keywords** HAART, ART, acute/early infection**References** Oxenius *et al.* 2000

- Patients who started therapy at acute HIV-1 infection (three with sustained therapy, two with limited therapy upon early infection) had strong HIV specific CD4 proliferative responses and were able to maintain a CTL response even with undetectable viral load – three patients that had delayed initiation of HAART had no HIV specific CD4 proliferative responses and lost their CTL responses when HAART was eventually given and their viral loads became undetectable.
- None of the 8 study subjects recognized this epitope but none were HLA B57+

HXB2 Location Nef (116–125)**Author Location****Epitope** HTQGYFPDWQ**Epitope name** Nef-HQ10**Subtype** B**Immunogen** HIV-1 infection**Species (MHC)** human (B57)**References** Sabbaj *et al.* 2003

- Among HIV+ individuals who carried HLA B57, 0/5 (0%) recognized this epitope.

HXB2 Location Nef (116–125)**Author Location** Nef (114–123)**Epitope** HTQGYFPDWQ**Immunogen** HIV-1 infection**Species (MHC)** human (B57)**Country** Spain.**Assay type** proliferation, CD8 T-cell Elispot - IFN γ , Flow cytometric T-cell cytokine assay**Keywords** HAART, ART, supervised treatment interruptions (STI), immune dysfunction**References** Plana *et al.* 2004

- Structured treatment interruption (STI) alone is not able to control viral replication in chronically infected patients, probably due to lack of strong, maintained T-helper cell responses. HIV-1 specific CD8+ T-cell responses were shown to increase significantly until the end of the follow up, but were not correlated with viral load.
- Less than 2 of 7 patients recognized this epitope.

HXB2 Location Nef (116–125)**Author Location** Nef**Epitope** HTQGYFPDWQ**Epitope name** HQ10**Subtype** B**Immunogen** HIV-1 infection**Species (MHC)** human (B57)**Donor MHC** A1, A3, B7, B57, Cw6, Cw7**Country** United States.**Assay type** CD8 T-cell Elispot - IFN γ **Keywords** subtype comparisons, escape, characterizing CD8+ T cells, reversion, viral fitness**References** Allen *et al.* 2005a

- Two-thirds of all mutations arising in nonenvelope proteins during the transition from acute to chronic infection were found to be due to either CD8 T-cell-associated selective pressures or reversion of HLA-I-associated mutations selected in a previous host. The predominance of escape mutations at highly polymorphic sites was observed across different HIV-1 clades.
- One escape mutation, at position 1, nTQGYFPDWQ, was found in the most polymorphic residue in the epitope.

HXB2 Location Nef (116–125)**Author Location** Nef**Epitope** HTQGYFPDWQ**Subtype** B, C**Immunogen** HIV-1 infection**Species (MHC)** human (B57, B63)**Assay type** CD8 T-cell Elispot - IFN γ **Keywords** rate of progression, cross-presentation by different HLA, optimal epitope**References** Frahm *et al.* 2005

- HLA-B63-positive subjects were shown to be able to generate CTL responses early in acute HIV infection and to control HIV replication in the absence of antiretroviral treatment. Since HLA-B63 shares the epitope binding motif of HLA-B57 and -B58, it was shown that HLA-B63-positive individuals mounted CTL responses to previously identified B57-restricted epitopes, as well as novel, B63-restricted epitopes. Moreover, these novel B63-restricted epitopes can also be presented by HLA-B57 and -B58.
- This epitope was recognized by 30% of B63-positive subjects and 35% of B57/58-positive subjects.

HXB2 Location Nef (117–127)**Author Location** Nef (117–127 LAI)**Epitope** TQGYFPDWQNY**Subtype** B**Immunogen** HIV-1 infection**Species (MHC)** human (B*1501)**Keywords** optimal epitope**References** Frahm *et al.* 2007

- C. Brander notes this is a B*1501 epitope.

HXB2 Location Nef (117–127)**Author Location** Nef (117–127 NL-43)**Epitope** TQGYFPDWQNY**Subtype** B**Immunogen** HIV-1 infection**Species (MHC)** human (B*1501)**Keywords** class I down-regulation by Nef, escape**References** Ali *et al.* 2003

- NL43 was passaged in the presence of Nef KEKGGLEGL-specific CTL clones STD11 and KM3, giving rise to rapid selection of escape mutations, including E93G, E93K, K94N+G99R, G95R+G99R, E98K, E98D, G99R, G99E, L100P, and L100I; insertions, deletions, frameshifts and an early stop codon. 34/36 (94%) of sequences carried mutations in the epitope by seven days, 36/36 (100%) by 14 days.

- NL43 was also passaged in the presence of a Nef TQGYFPDWQNY-specific CTL clone. 7/15 clones had a frameshifting or stop codon introduced by one week; F121T was also observed. The most common escape mutation for both Nef epitopes was an early stop codon at position 91.
- Several mutations selected by KEKGGLEGL-specific CTL were shown to impair the down regulation of class I MHC by Nef, in particular E93G, E93K, and a truncation mutation at position 51.
- Nef deletion mutants increased 100-fold NL-43 susceptibility to inhibition by CTL specific for epitopes in other proteins, the A2 epitopes ILKEPVHGV in RT and SLYNTVATL in p17 Gag.

HXB2 Location Nef (117–127)

Author Location Nef (117–127 LAI)

Epitope TQGYFPDWQNY

Subtype B

Immunogen HIV-1 infection

Species (MHC) human (B62)

References Culmann 1998

- Optimal peptide defined by titration.

HXB2 Location Nef (117–127)

Author Location Nef (117–127)

Epitope TQGYFPDWQNY

Immunogen HIV-1 infection

Species (MHC) human (B62)

Keywords immunodominance

References Day *et al.* 2001

- No immunodominant responses were detected to four B62-restricted epitopes tested.

HXB2 Location Nef (117–127)

Author Location Nef (117–127)

Epitope TQGYFPDWQNY

Immunogen HIV-1 infection

Species (MHC) human

Keywords immunodominance

References Betts *et al.* 2000

- Only 4/11 HLA-A2+ HIV+ individuals had CTL that reacted to SLYNTVATL, calling into question whether it is immunodominant.
- 95 optimally-defined peptides from this database were used to screen for INF γ responses to other epitopes.
- 1/11 of the A2+ individuals was HLA A*0205/A*0208, A30, B27, B44 but responded to HLA Bw62 epitope TQGYFPDWQNY, and one of the other individuals that was A2+, but otherwise of unknown HLA type, reacted with seven epitopes including this one.

HXB2 Location Nef (117–128)

Author Location Nef (117–128 BRU)

Epitope TQGYFPDWQNYT

Immunogen HIV-1 infection

Species (MHC) human (B17, B37)

References Culmann *et al.* 1991

- Nef CTL clones from HIV+ donors.

HXB2 Location Nef (117–147)

Author Location Nef (117–147 LAI)

Epitope TQGYFPDWQNYTPGPGVRYPLTFGWICYLVP

Subtype B

Immunogen vaccine

Vector/Type: lipopeptide

Species (MHC) human

References Gahery-Segard *et al.* 2000

- Anti-HIV lipopeptide vaccine consisting of six long amino acid peptides derived from Nef, Gag and Env HIV-1 proteins modified by a palmitoyl chain was administered in a phase I trial.
- A CD4+ T cell proliferative response to at least one of the six peptides was observed in 9/10 vaccinees – 1/10 reacted to this Nef peptide.
- 9/12 tested mounted a CTL response to at least one of the six peptides; each of the six peptides elicited a CTL response in at least one individual.
- 10/12 tested had an IgG response to this peptide.

HXB2 Location Nef (118–127)

Author Location Nef (118–127 LAI)

Epitope QGYFPDWQNY

Subtype B

Immunogen

Species (MHC) human (B62)

Keywords review

References McMichael & Walker 1994

- Review of HIV CTL epitopes.

HXB2 Location Nef (119–127)

Author Location Nef (119–127)

Epitope GYFPDWQNY

Subtype B, CRF02_AG

Immunogen HIV-1 infection

Species (MHC) human (A24)

Country Cote D'Ivoire.

Assay type CD8 T-cell Elispot - IFN γ

Keywords subtype comparisons

References Inwoley *et al.* 2005

- CD8+ T-cells from HIV-1 CRF02_AG-infected Ivorians could recognize clade B epitopes. No difference was observed in the number of recognized peptide pools between nine French subtype B infected study subjects, and nine CRF02_AG infected Ivorian subjects.
- This epitope was recognized by 0/9 CRF02_AG-infected Ivorians, and 1/9 B-infected French subjects. It was invariant among 5 French subjects, including the one that reacted with the epitope, and had single amino acid substitutions in 4/8 Ivorians.

HXB2 Location Nef (120–127)

Author Location (C consensus)

Epitope YFPDWQNY

Subtype C

Immunogen HIV-1 infection

Species (MHC) human (A*29)

Country South Africa.

Assay type CD8 T-cell Elispot - IFN γ

Keywords rate of progression, optimal epitope

References Kiepiela *et al.* 2007

- A comprehensive analysis of 160 class I T cell responses in 578 individuals from KwaZulu-Natal, South Africa was performed. Gag-specific responses were associated with lowering viremia, while Env, accessory and regulatory protein-specific responses were associated with higher viremia.
- YFPDWQNY is an optimal epitope.

HXB2 Location Nef (120–127)

Author Location (C consensus)

Epitope YFPDWQNY

Subtype C

Immunogen HIV-1 infection

Species (MHC) human (A*3002, A*29)

Country South Africa.

Assay type CD8 T-cell Elispot - IFN γ

Keywords cross-presentation by different HLA, characterizing CD8+ T cells

References Kiepiela *et al.* 2004

- HLA class I restricted CD8+ T-cell responses against HIV-1 were analyzed in African patients. Significantly more responses were shown to be HLA-B restricted. Viral load, CD4 count, and thus rate of disease progression were also associated with HLA-B alleles. In addition, the selection pressure imposed on HIV-1 by HLA-B alleles was shown to be substantially greater than by other alleles.
- This epitope was suggested to be the epitope within a longer reactive peptide based on correspondence with a known epitope in the HIV database. Also, a significantly higher frequency of people in the Durban cohort who reacted with the peptide had this HLA type.

HXB2 Location Nef (120–127)

Author Location

Epitope YFPDWQNY

Immunogen HIV-1 infection

Species (MHC) human (A29)

Country United States.

Assay type CD8 T-cell Elispot - IFN γ

Keywords assay standardization/improvement, epitope processing

References Draenert *et al.* 2004a

- 96% of optimally defined epitopes have one of only nine amino acids serving as the C-terminal anchor position. Seven amino acids are never found in this position and four are only present in 4% of cases. CD8 T-cell response to an epitope is shown to be best detected when the epitope is situated at the C-terminal end of a longer peptide, and authors suggest that Elispot reagents would be better designed if peptides ended on known C-terminal anchors.
- Instead of YFPDWQNYT, YFPDWQNY was found to be the optimal epitope in one patient.

HXB2 Location Nef (120–127)

Author Location

Epitope YFPDWQNY

Immunogen HIV-1 infection

Species (MHC) human (B57, B*5801)

Assay type CD8 T-cell Elispot - IFN γ , Chromium-release assay

Keywords responses in children, mother-to-infant transmission, escape

References Feeney *et al.* 2005

- Escape mutations in TW10 and other B57-restricted epitopes were shown to arise early in infants following perinatal infection. Some escape variants were likely to have been transmitted vertically, from HLA-B57/5801 positive HIV-1 infected mothers, while others arose during infancy in cases where the children inherited the B57/5801 allele paternally. In contrast to adults, the majority of children showed a robust response to the escape variants, suggesting that infants are able to mount functional immune responses and drive immune escape and that a developing immune system may exhibit greater plasticity in recognizing viral variants.
- YFPDWQNY responses were somewhat more frequent in adults.

HXB2 Location Nef (120–128)

Author Location Nef (118–126 SF2)

Epitope YFPDWQNYT

Immunogen HIV-1 infection

Species (MHC) human (A1)

Keywords HAART, ART, acute/early infection

References Altfeld *et al.* 2001b

- Therapy provided during acute infection resulted in a narrower CTL response, stronger T help response, and a less diverse viral population than was seen in individuals treated during chronic infection.
- The breadth and specificity of the response was determined using ELISPOT by studying 19 individuals with pre-seroconversion therapy (Group 1), 11 individuals with primary infection but post-seroconversion therapy (Group 2), and 10 individuals who responded to HAART given during chronic infection (Group 3), using 259 overlapping peptides spanning p17, p24, RT, gp41, gp120 and Nef.
- Previously described and newly defined optimal epitopes were tested for CTL response.
- Number of HLA-A1+ individuals that had a CTL response to this epitope broken down by group: 0/3 group 1, 0/2 group 2, and 1/2 group 3.

HXB2 Location Nef (120–128)

Author Location Nef (120–128)

Epitope YFPDWQNYT

Immunogen HIV-1 infection

Species (MHC) human (A29)

Keywords optimal epitope

References Frahm *et al.* 2007

HXB2 Location Nef (120–128)

Author Location Nef (120–128 LAI)

Epitope YFPDWQNYT

Subtype B

Immunogen HIV-1 infection

Species (MHC) human (B*3701)

Keywords optimal epitope

References Frahm *et al.* 2007

- C. Brander notes this is a B*3701 and B*5701 epitope.

HXB2 Location Nef (120–128)

Author Location Nef (120–128 LAI)

Epitope YFPDWQNYT

Subtype B

Immunogen HIV-1 infection

Species (MHC) human (B*5701)

Keywords optimal epitope

References Frahm *et al.* 2007

- C. Brander notes this is a B*5701 epitope.
- Subtype of B57 not determined.

HXB2 Location Nef (120–128)

Author Location Nef (120–128 IIIB)

Epitope FFPDWKQNYT

Immunogen HIV-1 infection

Species (MHC) human (B15)

Keywords responses in children, mother-to-infant transmission, escape

References Wilson *et al.* 1999a

- This study describes maternal CTL responses in the context of mother-to-infant transmission.
- Detection of CTL escape mutants in the mother was associated with transmission, but the CTL-susceptible forms of the virus tended to be found in infected infants.
- LFPDWKQNYT is an escape mutant.

HXB2 Location Nef (120–128)

Author Location Nef (120–128 LAI)

Epitope YFPDWQNYT

Subtype B

Immunogen HIV-1 infection

Species (MHC) human (B37, B57)

References Culmann 1998

- Nef CTL clones from HIV+ donors – optimum peptide mapped by titration.

HXB2 Location Nef (120–128)

Author Location Nef (120–128)

Epitope FFPDWKQNYT

Immunogen HIV-1 infection

Species (MHC) human (B51)

Donor MHC A03, A32, B51, B15, Cw03, Cw06, DR4, DR8, DQ7

Country Netherlands.

Assay type CD8 T-cell Elispot - IFN γ

Keywords rate of progression, escape

References Geels *et al.* 2003

- Both stable potential epitopes and epitopes with escape mutations were found in a patient with increasing viral load over a time period of 4 years. Fixation of escape mutations occurred sequentially and correlated with the rise in viral load and with the increased number of productively infected cells.
- This is one of 5 epitopes from this individual that varied over time where the internal mutations became fixed; a dramatic decrease in CTL activity against the wild type epitope was observed as the mutation arose. YfpdwQnyt and YfpdwHnyt variants found at 2 months postseroconversion (psc); YfpdwHnyt, YfpdwQSyt, YLpdwQSyt and YfpdwDnyt variants found 20 months psc; YfpdwDnyt and YfpdwQSyt variants found 47 months psc.

HXB2 Location Nef (120–128)

Author Location

Epitope YFPDWQNYT

Epitope name Nef-YT9

Subtype B

Immunogen HIV-1 infection

Species (MHC) human (B57)

References Sabbaj *et al.* 2003

- Among HIV+ individuals who carried HLA B57, 1/5 (20%) recognized this epitope.

HXB2 Location Nef (120–128)

Author Location Nef

Epitope YFPDWQDYT

Epitope name YT9

Subtype B

Immunogen HIV-1 infection

Species (MHC) human (B57)

Donor MHC A1, A3, B7, B57, Cw6, Cw7

Country United States.

Assay type CD8 T-cell Elispot - IFN γ

Keywords subtype comparisons, escape, characterizing CD8+ T cells, reversion, viral fitness

References Allen *et al.* 2005a

- Two-thirds of all mutations arising in nonenvelope proteins during the transition from acute to chronic infection were found to be due to either CD8 T-cell-associated selective pressures or reversion of HLA-I-associated mutations selected in a previous host. The predominance of escape mutations at highly polymorphic sites was observed across different HIV-1 clades.
- One escape mutation, at position 7, YFPDWQnYT, was found not to correspond to the most polymorphic residue in the epitope.

HXB2 Location Nef (120–128)

Author Location Nef

Epitope YFPDWQNYT

Subtype B, C

Immunogen HIV-1 infection

Species (MHC) human (B57, B63)

Assay type CD8 T-cell Elispot - IFN γ

Keywords rate of progression, cross-presentation by different HLA, optimal epitope

References Frahm *et al.* 2005

- HLA-B63-positive subjects were shown to be able to generate CTL responses early in acute HIV infection and to control HIV replication in the absence of antiretroviral treatment. Since HLA-B63 shares the epitope binding motif of HLA-B57 and -B58, it was shown that HLA-B63-positive individuals mounted CTL responses to previously identified B57-restricted epitopes, as well as novel, B63-restricted epitopes. Moreover, these novel B63-restricted epitopes can also be presented by HLA-B57 and -B58.
- This epitope was recognized by 40% of B63-positive subjects and 27% of B57/58-positive subjects.

HXB2 Location Nef (120–128)

Author Location

Epitope YFPDWQNYT

Immunogen

Species (MHC) human (Cw6)

Keywords optimal epitope

References Frahm *et al.* 2007

- C. Brander notes that this is an Cw6 epitope.

HXB2 Location Nef (120–128)

Author Location Nef (120–128)

Epitope YFPDWQNYT

Immunogen HIV-1 infection

Species (MHC) human

Keywords immunodominance

References Betts *et al.* 2000

- Only 4/11 HLA-A2+ HIV+ individuals had CTL that reacted to SLYNTVATL, calling into question whether it is immunodominant.
- 95 optimally-defined peptides from this database were used to screen for INF γ responses to other epitopes.
- 1/11 of the A2+ individuals was HLA A*0205/A*0208, A30, B27, B44 but responded to HLA B37 epitope IYKRWILGL, and one of the other individuals that was A2+, but otherwise of unknown HLA type, reacted with seven epitopes including this one.

HXB2 Location Nef (120–144)

Author Location Nef (120–144 SF2)

Epitope YFPDWQNYTPGPGIRYPLTFGWCK

Immunogen HIV-1 infection

Species (MHC) human (A24)

References Jassoy *et al.* 1992

- Epitope recognized by CTL clone derived from CSF.

HXB2 Location Nef (121–128)

Author Location Nef (121–128)

Epitope FPDWQNYT

Subtype B

Immunogen vaccine

Vector/Type: lipopeptide *Strain:* B clade LAI *HIV component:* Env, Gag, Nef *Adjuvant:* QS21

Species (MHC) human (A1)

Assay type proliferation, CD8 T-cell Elispot - IFN γ , Chromium-release assay

Keywords vaccine-induced epitopes, variant cross-recognition or cross-neutralization

References Gahéry-Ségard *et al.* 2003

- After injection of an anti-HIV-1 lipopeptide vaccine and the booster injections, a response was observed in >85% of 28 volunteers, and a long-term immune response was observed in >50% of the volunteers. A positive effect of QS21 adjuvant was found for B- and CD4+T-cell responses. A higher number of CD8+ T-cell epitopes was induced after a fourth boost injection. This epitope was one of 31 that the vaccinated volunteers responded to.

HXB2 Location Nef (121–128)

Author Location Nef (121–128 HXB2)

Epitope FPDWQNYT

Subtype B, CRF01_AE

Immunogen HIV-1 infection

Species (MHC) human (A1)

Country Viet Nam.

Assay type HLA binding

Keywords subtype comparisons, computational epitope prediction, variant cross-recognition or cross-neutralization, vaccine antigen design

References Lazaro *et al.* 2005

- The most common HLA-alleles in the Vietnamese population were found to be HLA-A11, A02, A33, B75, B46, and B62. Several epitopes cluster in short regions in Gag and Nef that are presented by these HLA molecules; these epitopes may be useful targets for vaccine antigens. In a comparison of CRF01_AE sequences to HXB2, 14 mutations were found in epitopes in these Gag and Nef pluriepitopic regions; 7 did not affect the HLA binding score, 3 increased it, and 4 reduced it.
- CRF01_AE has 2 forms, FPDWQNYT, like the HXB2 form, and FPDWhNYT. Both are predicted to bind to A1.

HXB2 Location Nef (122–136)

Author Location Nef (122–136)

Epitope PDWQNYTPGPGVRY

Subtype C

Immunogen HIV-1 infection

Species (MHC) human

Keywords subtype comparisons

References Novitsky *et al.* 2002

- HLA, viral sequence, and Elispot data was obtained from 105 HIV-1 positive Botswanans; Elispot data was obtained from between 55 and 64 subjects for each HIV protein.
- Nef and p24 had the highest percentage of reactive peptides, and p24 had the highest magnitude of HIV-1 responses.
- This peptide was among the 8 most reactive C clade peptides from among over 350 tested spanning all HIV proteins.

HXB2 Location Nef (122–141)

Author Location Nef (121–140 SF2)

Epitope PDWQNYTPGPGVRYPLTFGW

Immunogen HIV-1 infection

Species (MHC) human

References Lieberman *et al.* 1997a

- Of 25 patients, most had CTL specific for more than 1 HIV-1 protein.
- Eleven subjects had CTL that could recognize vaccinia-expressed LAI Nef.
- Three of these 11 had CTL response to this peptide.
- The responding subjects were HLA-A2, B21; HLA-A3, A24, B7, B38.

HXB2 Location Nef (123–137)

Author Location Nef (123–137 IIIB)

Epitope QWQNYTPGPGVRYPL

Immunogen HIV-1 infection

Species (MHC) human

Keywords responses in children, mother-to-infant transmission, escape

References Wilson *et al.* 1996

- Epitope defined in the context of the Pediatric AIDS Foundation ARIEL Project, a mother-infant HIV transmission study.
- FFPDYTPGPGTRFPL and FFPDYKPGPGTRFPL, naturally occurring variants, were found in mother and are not recognized.

- LFPDYKPGPGTRFPL and FFPDYKPGPGTRFPL, naturally occurring variants, were found in infant and are not recognized.

HXB2 Location Nef (126–135)

Author Location Nef (126–135 BRU)

Epitope NYTPGPGVRY

Subtype B

Immunogen HIV-1 infection

Species (MHC) human (A24)

Keywords binding affinity, epitope processing

References Choppin *et al.* 2001

- Seventy-three 8-11 mer peptides were generated based on putative anchor motifs in the Nef BRU sequence for HLA A2, A3, A24, B7, B8, and B35; these 73 peptides had 81 motifs. 54% bound to the predicted HLA molecule, particularly A2, B7/35, and B8. The strength of HLA-peptide binding was not directly related to the number of individuals that recognized a protein.
- 20s proteasome cleavage of the Nef protein positions 66-100 showed a large fraction of peptides were cleaved ending at: 87L, 83A, 81Y, 71P, 68F and 67G. The frequency of recognition may be in part dictated by the cleavage step in processing.
- NYTPGPGVRY was recognized in 3/10 (30%) of individuals with HLA A24. It was a moderate affinity HLA-A24 binder.

HXB2 Location Nef (126–138)

Author Location Nef (126–138 BRU)

Epitope NYTPGPGVRYPLT

Immunogen HIV-1 infection

Species (MHC) human (B7)

References Culmann *et al.* 1991

- Nef CTL clones from HIV+ donors.

HXB2 Location Nef (127–135)

Author Location

Epitope YTPGPGIRY

Immunogen

Species (MHC) human (B57)

Keywords optimal epitope

References Frahm *et al.* 2007

- C. Brander notes that this is an B57 epitope.

HXB2 Location Nef (127–135)

Author Location Nef

Epitope YTPGPGIRY

Epitope name YY9

Subtype B, C

Immunogen HIV-1 infection

Species (MHC) human (B57, B58)

Donor MHC A02, A33, B35, B57, Cw04, Cw07

Assay type CD8 T-cell Elispot - IFN γ

Keywords cross-presentation by different HLA, optimal epitope

References Frahm *et al.* 2005

- HLA-B63-positive subjects were shown to be able to generate CTL responses early in acute HIV infection and to control HIV replication in the absence of antiretroviral treatment. Since HLA-B63 shares the epitope binding motif of HLA-B57 and -B58, it was shown that HLA-B63-positive individuals mounted CTL responses to previously identified B57-restricted epitopes, as well as novel, B63-restricted epitopes. Moreover, these novel

B63-restricted epitopes can also be presented by HLA-B57 and -B58.

- This is a putative HLA-B63/57/58 epitope containing the B58 supertype binding motif. The optimal epitope was defined in a person carrying B57, and reactivity to the peptide was enriched in those with B57/B58, just a trend for B63.

HXB2 Location Nef (127–135)

Author Location

Epitope YTPGPGIRY

Immunogen

Species (MHC) human (B63)

Keywords optimal epitope

References Frahm *et al.* 2007

- C. Brander notes that this is an B63 epitope.

HXB2 Location Nef (127–141)

Author Location Nef (127–141)

Epitope YTPGPGVRYPLTFGW

Subtype C

Immunogen HIV-1 infection

Species (MHC) human

Keywords subtype comparisons

References Novitsky *et al.* 2002

- HLA, viral sequence, and Elispot data was obtained from 105 HIV-1 positive Botswanans; Elispot data was obtained from between 55 and 64 subjects for each HIV protein.
- Nef and p24 had the highest percentage of reactive peptides, and p24 had the highest magnitude of HIV-1 responses.
- This peptide was among the 8 most reactive C clade peptides from among over 350 tested spanning all HIV proteins.

HXB2 Location Nef (128–135)

Author Location Nef (128–135 LAI)

Epitope TPGPGVRY

Subtype B

Immunogen in vitro stimulation or selection

Species (MHC) human (B*0702)

Keywords epitope processing

References Lucchiari-Hartz *et al.* 2000

- Five naturally processed MHC class I ligands were identified in Nef in the conserved immunogenic region Nef between 123-152.
- All five could be transported by TAP, and 4/5 had N-termini that were major cleavage points for the proteasome, only one had extended precursor fragments.
- Both TPGPGVRYPL and TPGPGVRY are naturally processed ligands that can be eluted from HLA-B7 molecules, both are recognized by the same CTL, and both peptides seem to be the direct product of a proteasomal digest.
- The peptide TPGPGVRY is present in a high copy number, TPGPGVRYPL at a more moderate level, possibly due to a major cleavage site between the Y and P.

HXB2 Location Nef (128–135)

Author Location Nef (128–135)

Epitope TPGPGVRY

Subtype B

Immunogen vaccine

Vector/Type: lipopeptide *Strain:* B clade LAI *HIV component:* Env, Gag, Nef *Adjuvant:* QS21

Species (MHC) human (B7 supertype)

Assay type proliferation, CD8 T-cell Elispot - IFN γ , Chromium-release assay

Keywords vaccine-induced epitopes, variant cross-recognition or cross-neutralization

References Gahéry-Ségard *et al.* 2003

- After injection of an anti-HIV-1 lipopeptide vaccine and the booster injections, a response was observed in >85% of 28 volunteers, and a long-term immune response was observed in >50% of the volunteers. A positive effect of QS21 adjuvant was found for B- and CD4+T-cell responses. A higher number of CD8+ T-cell epitopes was induced after a fourth boost injection. This epitope was one of the 31 epitopes that the vaccinated volunteers responded to.

HXB2 Location Nef (128–136)

Author Location

Epitope TPGPGVRYPL

Epitope name Nef-TP9

Subtype B

Immunogen HIV-1 infection

Species (MHC) human (B7)

References Sabbaj *et al.* 2003

- Among HIV+ individuals who carried HLA B07, 4/9 (44%) recognized this epitope.

HXB2 Location Nef (128–137)

Author Location Nef (128–137 LAI)

Epitope TPGPGVRYPL

Subtype B

Immunogen HIV-1 infection

Species (MHC) human (B*0702)

Keywords optimal epitope

References Frahm *et al.* 2007

- C. Brander notes this is a B*0702 epitope.

HXB2 Location Nef (128–137)

Author Location Nef (128–137 LAI)

Epitope TPGPGVRYPL

Subtype B

Immunogen in vitro stimulation or selection

Species (MHC) human (B*0702)

Keywords epitope processing

References Lucchiari-Hartz *et al.* 2000

- Five naturally processed MHC class I ligands were identified in Nef in the conserved immunogenic region Nef between 123–152.
- All five could be transported by TAP, and 4/5 had N-termini that were major cleavage points for the proteasome, only one had extended precursor fragments.
- Both TPGPGVRYPL and TPGPGVRY are naturally processed ligands that can be eluted from HLA-B7 molecules, both are recognized by the same CTL, and both peptides seem to be the direct product of a proteasomal digest.
- The peptide TPGPGVRY is present in a high copy number, TPGPGVRYPL at a more moderate level, possibly due to a major cleavage site between the Y and P.

HXB2 Location Nef (128–137)

Author Location (C consensus)

Epitope TPGPGVRYPL

Subtype C

Immunogen HIV-1 infection

Species (MHC) human (B*0702)

Country South Africa.

Assay type CD8 T-cell Elispot - IFN γ

Keywords rate of progression, optimal epitope

References Kiepiela *et al.* 2007

- A comprehensive analysis of 160 class I T cell responses in 578 individuals from KwaZulu-Natal, South Africa was performed. Gag-specific responses were associated with lowering viremia, while Env, accessory and regulatory protein-specific responses were associated with higher viremia.
- TPGPGVRYPL is an optimal epitope for B*4201 and B*0702.

HXB2 Location Nef (128–137)

Author Location Nef (127–136)

Epitope TPGPGVRYPL

Epitope name TL10

Subtype B

Immunogen HIV-1 infection

Species (MHC) human (B*3501)

Donor MHC A*0201, A*0301, B*3501, B*51, Cw*04, Cw*06

Country United States.

Assay type CD8 T-cell Elispot - IFN γ , Intracellular cytokine staining, Chromium-release assay

Keywords escape, acute/early infection

References Bansal *et al.* 2005

- Patients with acute or early infection were shown to preferentially target variable peptides with higher entropy while those with chronic infection showed responses towards more conserved peptides with lower entropy. In longitudinally followed subjects, responses to variable proteins declined over time while responses to conserved proteins increased. The decline is suggested to be due to CTL escape.
- Point mutation at position 2 (P to S, TsGPGVRYPL) was detected at a chronic infection time point, month 33. This escape variant had lower avidity.
- The response to the peptide that carried this epitope was initially strong and diminished over time.

HXB2 Location Nef (128–137)

Author Location Nef (128–137 LAI)

Epitope TPGPGVRYPL

Subtype B

Immunogen

Species (MHC) human (B*4201)

Keywords optimal epitope

References Frahm *et al.* 2007

- C. Brander notes this is a B*4201 epitope.

HXB2 Location Nef (128–137)

Author Location Nef (128–137)

Epitope TPGPGVRYPL

Subtype C

Immunogen HIV-1 infection

Species (MHC) human (B*4201)

Donor MHC A*3001, A*30, B*1503, B*4201, Cw*0202, Cw*1701; A*0301, A*3001, B*4201, B*5802, Cw*0602, Cw*1701

Country South Africa.

Assay type CD8 T-cell Elispot - IFN γ

Keywords responses in children, mother-to-infant transmission, escape, acute/early infection

References Pillay *et al.* 2005

- HIV-specific CTLs in infants were shown to be able to select for viral escape variants early in life, despite a lack of escape with the same CTL specificity in the mother. Infant CTL responses may be compromised by transmission of escape variants that arose in the mother and also those that arose in the father, if the father was the source of the mother's infection.
- Escape variants tSgpgvrypl and tQgpgvrypl were rapidly selected in an infant, by 26 weeks, but were not found in the infant's mother. These forms were demonstrated to be escape mutations by Elispot, and also had reduced binding to B*4201 in a competitive inhibition assay.

HXB2 Location Nef (128–137)

Author Location (C consensus)

Epitope TPGPGVRYPL

Subtype C

Immunogen HIV-1 infection

Species (MHC) human (B*4201)

Country South Africa.

Assay type CD8 T-cell Elispot - IFN γ

Keywords rate of progression, optimal epitope

References Kiepiela *et al.* 2007

- A comprehensive analysis of 160 class I T cell responses in 578 individuals from KwaZulu-Natal, South Africa was performed. Gag-specific responses were associated with lowering viremia, while Env, accessory and regulatory protein-specific responses were associated with higher viremia.
- TPGPGVRYPL is an optimal epitope for B*4201 and B*0702.

HXB2 Location Nef (128–137)

Author Location (C consensus)

Epitope TPGPGVRYPL

Subtype C

Immunogen HIV-1 infection

Species (MHC) human (B*4201, B*0702)

Country South Africa.

Assay type CD8 T-cell Elispot - IFN γ

Keywords cross-presentation by different HLA, characterizing CD8+ T cells

References Kiepiela *et al.* 2004

- HLA class I restricted CD8+ T-cell responses against HIV-1 were analyzed in African patients. Significantly more responses were shown to be HLA-B restricted. Viral load, CD4 count, and thus rate of disease progression were also associated with HLA-B alleles. In addition, the selection pressure imposed on HIV-1 by HLA-B alleles was shown to be substantially greater than by other alleles.
- This epitope was suggested to be the epitope within a longer reactive peptide based on correspondence with a known epitope in the HIV database. Also, a significantly higher frequency of people in the Durban cohort who reacted with the peptide had this HLA type.

HXB2 Location Nef (128–137)

Author Location Nef (128–137 BRU)

Epitope TPGPGVRYPL

Subtype B

Immunogen HIV-1 infection

Species (MHC) human (B35)

Keywords binding affinity, epitope processing

References Chopin *et al.* 2001

- Seventy-three 8-11 mer peptides were generated based on putative anchor motifs in the Nef BRU sequence for HLA A2, A3, A24, B7, B8, and B35; these 73 peptides had 81 motifs. 54% bound to the predicted HLA molecule, particularly A2, B7/35, and B8. The strength of HLA-peptide binding was not directly related to the number of individuals that recognized a protein.
- 20s proteasome cleavage of the Nef protein positions 66-100 showed a large fraction of peptides were cleaved ending at: 87L, 83A, 81Y, 71P, 68F and 67G. The frequency of recognition may be in part dictated by the cleavage step in processing.
- TPGPGVRYPL was recognized in 8/16 (50%) of individuals with HLA B7, and 1/9 (11%) of individuals with HLA B35. It was a high affinity HLA binder.

HXB2 Location Nef (128–137)

Author Location

Epitope TPGPGVRYPL

Immunogen HIV-1 infection

Species (MHC) human (B7)

Keywords acute/early infection

References Wilson *et al.* 2000a

- Three individuals with highly focused HIV-specific CTL responses were studied during acute infection using tetramers – high frequencies of HIV-1-specific CD8+ T cells were found prior to seroconversion, and there was a close temporal relationship between the number of circulating HIV-specific T cells and viral load was also found.
- All three patients were B*2705, with HLA alleles: A1, A30/31, B*2705, B35; A1, A*0301, B7, B*2705; and A*0201, A*0301, B*2705, B39.
- ELISPOT was used to test a panel of CTL epitopes that had been defined earlier and were appropriate for the HLA haplotypes of the study subjects – 3/3 subjects showed a dominant response to the B*2705 epitope KRWILGGLNK.
- The subject with A*0201 had a moderately strong response to SLYNTVATL.
- Weak responses were observed to A*301-RLRPGGKKK, A*301-QVPLRPMTYK, and B7-TPGPGVRYPL in the subject who was HLA A1, A*0301, B7, B*2705.
- No acute response was detected to the following epitopes: A*201-ILKEPVHGV, A*301-KIRLRPGGK, A*301-AIFQSSMTK, A*301-TVYYGVPVWK, B35-EPIVGAETF, B35-HPDIVIYQY, B35-PPIPVGEIY, B35-NSSKVSQNY, B35-VPLRPMTY, B35-DPNPQEVVL.

HXB2 Location Nef (128–137)

Author Location Nef (128–137 LAI)

Epitope TPGPGVRYPL

Subtype B

Immunogen HIV-1 infection

Species (MHC) human (B7)

References Haas *et al.* 1996; Haas *et al.* 1997

- There was a high degree of variation in three CTL epitopes in Nef in four slow and non-progressors, and variant specific CTLs arose over time to eliminate variants, indicating immune selection.
- The epitope position was taken from Haas *et al.* [1997]

HXB2 Location Nef (128–137)

Author Location Nef

Epitope TPGPGVRYPL

Immunogen HIV-1 exposed seronegative

Species (MHC) human (B7)

Keywords subtype comparisons, HIV exposed persistently seronegative (HEPS)

References Rowland-Jones *et al.* 1998a

- A CTL response was found in exposed but uninfected prostitutes from Nairobi using previously-defined B clade epitopes that tended to be conserved in A and D clades – such cross-reactivity could protect against both A and D and confer protection in Nairobi where both subtypes are circulating.
- The D subtype consensus is identical to the B clade epitope.
- The A subtype consensus is TPGPGIRYPL.

HXB2 Location Nef (128–137)

Author Location Nef (subtype B)

Epitope TPGPGVRYPL

Subtype B

Immunogen HIV-1 exposed seronegative

Species (MHC) human (B7)

Keywords subtype comparisons

References Rowland-Jones *et al.* 1998b

- HIV-specific CTL were found in exposed seronegative prostitutes from Nairobi – these CTL may confer protection.
- Seroprevalence in this cohort is 90-95% and their HIV-1 exposure is among the highest in the world.
- Most isolated HIV strains are clade A in Nairobi, although clades C and D are also found – B clade epitopes are often cross-reactive, however stronger responses are frequently observed using A or D clade versions of epitopes.
- This epitope is conserved among B and D clade viruses.
- The Clade A version of the epitope: TPGPGIRYPL.

HXB2 Location Nef (128–137)

Author Location Nef (128–137)

Epitope TPGPGVRYPL

Immunogen *in vitro* stimulation or selection

Species (MHC) human (B7)

Keywords immunodominance, dendritic cells, Th1

References Wilson *et al.* 1999b

- Dendritic cells are the most potent for priming T cell responses – DCs can stimulate autologous CTL responses from T cells cultured from HIV negative donors.
- Th1-biasing cytokines IL-12 or IFN alpha enhance CTL responses *in vitro* whether the epitope is delivered by pulsing from peptide, or expressed from within.
- CTL from a B7 donor displayed no reactivity to this epitope, although it had been immunodominant in another study Haas *et al.* [1996]

HXB2 Location Nef (128–137)

Author Location Nef (128–137 SF2)

Epitope TPGPGVRYPL

Immunogen HIV-1 infection

Species (MHC) human (B7)

Keywords HAART, ART, acute/early infection

References Altfeld *et al.* 2001b

- Therapy provided during acute infection resulted in a narrower CTL response, stronger T help response, and a less diverse viral population than was seen in individuals treated during chronic infection.
- The breadth and specificity of the response was determined using ELISPOT by studying 19 individuals with pre-seroconversion therapy (Group 1), 11 individuals with primary infection but post-seroconversion therapy (Group 2), and 10 individuals who responded to HAART given during chronic infection (Group 3), using 259 overlapping peptides spanning p17, p24, RT, gp41, gp120 and Nef.
- Previously described and newly defined optimal epitopes were tested for CTL response.
- Number of HLA-B7+ individuals that had a CTL response to this epitope broken down by group: 0/4 group 1, 0/3 group 2, and 1/1 group 3.

HXB2 Location Nef (128–137)

Author Location Nef (128–137)

Epitope TPGPGVRYPL

Immunogen HIV-1 infection, HIV-1 exposed seronegative

Species (MHC) human (B7)

Keywords HIV exposed persistently seronegative (HEPS), immunodominance

References Kaul *et al.* 2001a

- ELISPOT was used to study CTL responses to a panel of 54 predefined HIV-1 epitopes in 91 HIV-1-exposed, persistently seronegative (HEPS) and 87 HIV-1-infected female Nairobi sex workers.
- Responses in HEPS women tended to be lower, and focused on different epitopes with HLA presenting molecules that have previously been associated with reduced risk of infection, and there was a shift in the response in the HEPS women upon late seroconversion to epitopes recognized by the HIV-1 infected women.
- 43/91 HEPS women had CD8+ responses and detection of HIV-1-specific CTL in HEPS women increased with the duration of viral exposure.
- Among HLA-B7 women, 4/5 HEPS and 5/6 HIV-1 infected women recognized this epitope.
- The dominant response to this HLA allele was to this epitope in 3 of the 4/5 HEPS cases and in 2 of the 5/6 HIV-1 infected women.
- Subject ML 1203 started with CTL responses to A*6802 DTVLEDINL and to B7 FVPTQVPLR prior to seroconversion, and upon seroconversion acquired additional responses to A*6802 ETAYFILKL which became dominant, B7 TPGPG(V/I)RYPL, B7 IPRRIRQGL, and B7 SPRTLNAWV.

HXB2 Location Nef (128–137)

Author Location Nef (128–137)

Epitope TPGPGVRYPL

Immunogen HIV-1 infection

Species (MHC) human (B7)

References Appay *et al.* 2000

- Combined tetramer and intracellular cytokine staining was used to study the function of circulating CD8+ T cells specific for HIV and CMV.
- HIV-specific CD8+ T cells expressed lower levels of perforin than CMV-specific CD8+ T cells from the same donor, and this was associated with persistent CD27 expression on HIV-specific cells, suggesting impaired maturation.
- In most donors, between 50% and 95% of the activated virus-specific CD8+ T cells produced IFN- γ and MIP-1 β with a distinct subset that failed to produce TNF- α

HXB2 Location Nef (128–137)

Author Location Nef (128–137)

Epitope TPGPGVRYPL

Immunogen HIV-1 infection

Species (MHC) human (B7)

Keywords rate of progression, acute/early infection

References Day *et al.* 2001

- The CTL response to optimally defined CTL epitopes restricted by HLA class I A and B alleles in individuals who coexpressed HLA A2, A3, and B7 was studied in eight HIV-1-infected subjects, two with acute infection, five with chronic, and one long-term non-progressor (LTNP)
- 2 to 17 epitopes were recognized in a given individual, A2-restricted CTL response tended to be narrow and never dominated the response, and 25/27 epitopes were targeted by at least one person.
- Subjects with chronic HIV-1 infection recognized between 2-8 out of 11 B7-restricted epitopes.
- An acute seroconverter homozygous for the B7 allele recognized five B7-restricted epitopes.
- The other acute seroconverter failed to recognize any of the 11 B7-restricted epitopes tested.
- The B7-restricted CTL response was highly variable and there was no clearly dominant epitope.

HXB2 Location Nef (128–137)

Author Location Nef (128–137 BRU)

Epitope TPGPGVRYPL

Subtype B

Immunogen HIV-1 infection

Species (MHC) human (B7)

Keywords binding affinity, epitope processing

References Choppin *et al.* 2001

- Seventy-three 8-11 mer peptides were generated based on putative anchor motifs in the Nef BRU sequence for HLA A2, A3, A24, B7, B8, and B35; these 73 peptides had 81 motifs. 54% bound to the predicted HLA molecule, particularly A2, B7/35, and B8. The strength of HLA-peptide binding was not directly related to the number of individuals that recognized a protein.
- 20s proteasome cleavage of the Nef protein positions 66-100 showed a large fraction of peptides were cleaved ending at: 87L, 83A, 81Y, 71P, 68F and 67G. The frequency of recognition may be in part dictated by the cleavage step in processing.
- TPGPGVRYPL was recognized in 8/16 (50%) of individuals with HLA B7, and 1/9 (11%) of individuals with HLA B35. It was a high affinity HLA binder.

HXB2 Location Nef (128–137)

Author Location Nef

Epitope TPGPGVRYPL

Epitope name B7-TL10

Subtype B

Immunogen HIV-1 infection

Species (MHC) human (B7)

Donor MHC A3, B7, Cw7

Keywords dynamics, supervised treatment interruptions (STI), acute/early infection

References Yu *et al.* 2002a

- CTL responses in 18 acutely HIV-infected HLA-A3 (n=7) or -B7 (n=4) or both -A3 and B7 (n=7) positive individuals were studied.
- One individual, AC-06, was homozygous at all three class I alleles (A3, B7, Cw7), was treated during acute infection and had supervised treatment interruptions (STI). He had only two detectable CTL responses during acute infection, but after STI this broadened to 27 distinct epitopes including 15 restricted by HLA-A3, 11 by HLA-B7, and 1 by HLA-Cw7.
- 0/11 HLA-B7 individuals had detectable B7-restricted responses to this epitope during acute infection – 10/15 of HLA-B7 epitopes tested were targeted by at least one person during acute infection. 2/4 individuals had detectable responses to this epitope after STI.

HXB2 Location Nef (128–137)

Author Location Nef

Epitope TPGPGVRYPL

Immunogen HIV-1 infection

Species (MHC) human (B7)

Donor MHC A2, A3, B7, Bw6

Keywords HAART, ART

References Appay *et al.* 2002

- Four HIV patients with prolonged clinically successful anti-viral therapy but with ongoing evidence of replication and Nef mRNA transcription, showed specific T-cell responses by Elispot and Tetramer staining, maintained for 2-4 years after initiation of HAART.
- Nef epitope recognition was detected in all 4 subjects, gp120, Pol and Gag-specific in 1 or 2 subjects.
- The HIV-specific CD8+ T-cells had an intermediate maturation phenotype characterized by low levels of perforin and high levels of CD27 expression.

HXB2 Location Nef (128–137)

Author Location Nef

Epitope TPGPGVRYPL

Subtype B, C

Immunogen HIV-1 infection, vaccine

Vector/Type: DNA prime with modified vaccinia Ankara (MVA) boost *Strain:* A clade HIV component: p17 Gag, p24 Gag

Species (MHC) human, macaque (B7)

Keywords subtype comparisons, epitope processing, vaccine-specific epitope characteristics, immunodominance

References Hanke & McMichael 2000; Wee *et al.* 2002

- The HIV-1 subtype A focused vaccine HIVA contains p24 and p17, in a reversed order relative to the Gag polyprotein to prevent myristylation of p17, which could direct the protein to the cell membrane and inhibit efficient peptide processing and class I presentation, as well as a polyepitope string of conserved, often immunodominant epitopes that were selected to have particularly good cross-reactive potential for the A-clade epidemic in Nairobi, Kenya. A DNA and MVA prime-boost vaccination protocol using the HIVA antigen will be used in a phase III clinical trial in Kenya. This epitope is included in the polyepitope string Hanke & McMichael [2000].
- Multiple CD4+ or CD8+ T-cell vaccine-induced responses to peptide pools were detected using intracellular cytokine staining and IFN γ Elispot assays after vaccination of 5 macaques. The response to the Mamu A*01 SIV p27 epitope p11C (CTPYDINQM), included in the polyepitope region, was not immunodominant in the Mamu A*01 vaccinated macaques, possibly because of processing limitations in context of the artificial polyepitope string Wee *et al.* [2002].

HXB2 Location Nef (128–137)

Author Location Nef

Epitope TPGPGVRYPL

Immunogen HIV-1 infection

Species (MHC) human (B7)

Country Netherlands.

Assay type CD8 T-cell Elispot - IFN γ

Keywords HIV exposed persistently seronegative (HEPS)

References Koning *et al.* 2004

- A high-risk seronegative group of 29 homosexual men showed reduced cellular in vitro susceptibility for HIV infection and enhanced production of RANTES compared to 15 men who went on to seroconvert. Significantly higher frequencies of HLA A*11, A*31 and Cw*15 were also found in the high risk seronegative men. Both groups of men had low frequencies of HIV-1 specific CD8+ T-cells, which may signify exposure more than protection from infection.
- No one, 0/9 HLA B7+ infection-resistant men, and 0/4 pre-seroconversion men who went on to become infected, reacted to this epitope.

HXB2 Location Nef (128–137)

Author Location Nef (126–135)

Epitope TPGPGVRYPL

Immunogen HIV-1 infection

Species (MHC) human (B7)

Country Spain.

Assay type proliferation, CD8 T-cell Elispot - IFN γ , Flow cytometric T-cell cytokine assay

Keywords HAART, ART, supervised treatment interruptions (STI), immune dysfunction

References Plana *et al.* 2004

- Structured treatment interruption (STI) alone is not able to control viral replication in chronically infected patients, probably due to lack of strong, maintained T-helper cell responses. HIV-1 specific CD8+ T-cell responses were shown to increase significantly until the end of the follow up, but were not correlated with viral load.

- 6/7 patients recognized this epitope, it was the most commonly recognized of 11 B*07 epitopes.

HXB2 Location Nef (128–137)

Author Location (B consensus)

Epitope TPGPGVRYPL

Epitope name TL10

Subtype B

Immunogen HIV-1 infection

Species (MHC) human (B7)

Donor MHC A31, A68, B07, B70, Cw7, Cw1

Country United States.

Assay type Cytokine production, Intracellular cytokine staining, Chromium-release assay, Flow cytometric T-cell cytokine assay

Keywords assay standardization/improvement, memory cells, characterizing CD8+ T cells

References Lichterfeld *et al.* 2004c

- Using a flow-cytometric cytotoxicity assay based on caspase-3 activation in dying target cells, it was shown that the subset of HIV-1-specific CD8+ T cells secreting both IFN- γ and TNF- α exhibit stronger cytotoxic activity than those secreting only IFN- γ . These cells also exhibited stronger intracellular perforin expression. No association between HIV-1-specific CD8+ T-cell maturation phenotypes and intracellular perforin expression was found.
- 1/9 individuals recognized this epitope.

HXB2 Location Nef (128–137)

Author Location Nef

Epitope TPGPGVRYPL

Subtype B

Immunogen HIV-1 infection

Species (MHC) human (B7)

Country United Kingdom.

Assay type Tetramer binding, T-cell Elispot, Intracellular cytokine staining

Keywords rate of progression, acute/early infection, characterizing CD8+ T cells, immune dysfunction

References Papagno *et al.* 2004

- Acute HIV-1 infection induces massive activation of HIV-specific and non-HIV-specific CD8+ T-cells resulting in differentiation of these cells. High differentiation of CD8+ T-cells is correlated with disease progression. Differentiation is a natural process but it can be driven by elevated immune activation, such as in HIV infection.

HXB2 Location Nef (128–137)

Author Location Nef (128–137)

Epitope TPGPGVRYPL

Subtype B

Immunogen vaccine

Vector/Type: lipopeptide *Strain:* B clade LAI *HIV component:* Env, Gag, Nef *Adjuvant:* QS21

Species (MHC) human (B7 supertype)

Assay type proliferation, CD8 T-cell Elispot - IFN γ , Chromium-release assay

Keywords vaccine-induced epitopes, variant cross-recognition or cross-neutralization

References Gahéry-Ségard *et al.* 2003

- After injection of an anti-HIV-1 lipopeptide vaccine and the booster injections, a response was observed in >85% of 28 volunteers, and a long-term immune response was observed in >50% of the volunteers. A positive effect of QS21 adjuvant was found for B- and CD4+T-cell responses. A higher number of CD8+ T-cell epitopes was induced after a fourth boost injection. This epitope was one of the 31 epitopes that the vaccinated volunteers responded to.

HXB2 Location Nef (128–137)**Author Location** Nef (128–137 subtype B)**Epitope** TPGPGVRYPL**Subtype** B**Immunogen** HIV-1 exposed seronegative**Species (MHC)** human (B7, B*8101)**References** Kaul *et al.* 2000

- 11/16 heavily HIV exposed but persistently seronegative sex-workers in Nairobi had HIV-specific CD8 gamma-IFN responses in the cervix – systemic CD8+ T cell responses tended to be to the same epitopes but at generally lower levels than cervical CD8+ T cell responses.
- Low risk individuals did not have such CD8+ cells.
- CD8+ T cell epitopes: DTVLEDINL (3 individuals), SLYNT-VATL (4 individuals), LSPRTLNAW (3 individuals) and YPLT-FGWCF (4 individuals) were most commonly recognized by the HIV-resistant women.

HXB2 Location Nef (128–137)**Author Location** Nef (subtype B)**Epitope** TPGPGVRYPL**Subtype** B**Immunogen** HIV-1 exposed seronegative**Species (MHC)** human (B7, B*8101)**Keywords** subtype comparisons**References** Rowland-Jones *et al.* 1998b

- HIV-specific CTL were found in exposed seronegative prostitutes from Nairobi – these CTL may confer protection.
- Seroprevalence in this cohort is 90-95% and their HIV-1 exposure is among the highest in the world.
- Most isolated HIV strains are clade A in Nairobi, although clades C and D are also found – B clade epitopes are often cross-reactive, however stronger responses are frequently observed using A or D clade versions of epitopes.
- Clade A version of the epitope: TPGPGIRYPL, clade D version: TPGPGIRYPL.

HXB2 Location Nef (128–137)**Author Location** Nef**Epitope** TPGPGIRYPL**Immunogen** HIV-1 infection**Species (MHC)** human**Keywords** HIV exposed persistently seronegative (HEPS)**References** Kaul *et al.* 2001c

- This study examines CTL responses in HIV exposed, persistently seronegative individuals, HEPS, who eventually seroconverted – 11/114 HEPS Nairobi sex workers eventually seroconverted, and for six of these HIV CTL reactive epitopes had been defined while seronegative.

- The epidemiological factor associated with seroconversion was stopping sex work. HIV-specific CTL activity declined when HEPS sex workers stopped working for a period or retired.
- This epitope was recognized by 1/22 HEPS control sex workers, ML851.

HXB2 Location Nef (130–139)**Author Location** Nef (130–139 BRU)**Epitope** GPGVRYPLTF**Subtype** B**Immunogen** HIV-1 infection**Species (MHC)** human (B35)**Keywords** binding affinity, epitope processing**References** Choppin *et al.* 2001

- Seventy-three 8-11 mer peptides were generated based on putative anchor motifs in the Nef BRU sequence for HLA A2, A3, A24, B7, B8, and B35; these 73 peptides had 81 motifs. 54% bound to the predicted HLA molecule, particularly A2, B7/35, and B8. The strength of HLA-peptide binding was not directly related to the number of individuals that recognized a protein.
- 20s proteasome cleavage of the Nef protein positions 66-100 showed a large fraction of peptides were cleaved ending at: 87L, 83A, 81Y, 71P, 68F and 67G. The frequency of recognition may be in part dictated by the cleavage step in processing.
- GPGVRYPLTF was recognized in 0/10 (0%) of individuals with HLA B7, and 1/11 (9%) of individuals with HLA B35, although it was a high affinity HLA binder.

HXB2 Location Nef (130–143)**Author Location** Nef (130–143 LAI)**Epitope** GPGVRYPLTFGWY**Subtype** B**Immunogen** HIV-1 infection**Species (MHC)** human (B*57)**References** Goulder *et al.* 1996b

- CTL response to this epitope observed in 4 long-term survivors.
- Peptide defined on the basis of B*5801 binding motif, yet not cross-restricted except at high concentrations.

HXB2 Location Nef (130–143)**Author Location** Nef (121–141)**Epitope** GPGVRYPLTFGWY**Immunogen** HIV-1 infection**Species (MHC)** human (B57)**References** Ferrari *et al.* 2000

- One of the 51 HIV-1 epitopes selected by Ferrari *et al.* as good candidate CTL epitopes for vaccines by virtue of being conserved and presented by common HLA alleles.

HXB2 Location Nef (130–143)**Author Location** Nef (128–141)**Epitope** GPGVRYPLTFGWY**Immunogen** HIV-1 infection**Species (MHC)** human (B57)**Country** Spain.**Assay type** proliferation, CD8 T-cell Elispot - IFN γ , Flow cytometric T-cell cytokine assay**Keywords** HAART, ART, supervised treatment interruptions (STI), immune dysfunction**References** Plana *et al.* 2004

- Structured treatment interruption (STI) alone is not able to control viral replication in chronically infected patients, probably due to lack of strong, maintained T-helper cell responses. HIV-1 specific CD8+ T-cell responses were shown to increase significantly until the end of the follow up, but were not correlated with viral load.
- 7/7 patients recognized this epitope.

HXB2 Location Nef (130–144)
Author Location Nef (130–144 HXB2)
Epitope GPGVRYPLTFGWICYK
Subtype B

Immunogen HIV-1 infection
Species (MHC) human
Assay type T-cell Elispot
Keywords supervised treatment interruptions (STI), immunodominance, early treatment
References Addo *et al.* 2003

- Comprehensive Elispot screening of 504 overlapping peptides that spanned all HIV-1 proteins in 57 HIV-1 infected individuals. Four groups of patients were compared: 23 were untreated; 12 patients were chronically infected and treated; 22 started treatment during acute infection, 11 continuously treated and 11 with STI.
- 63% of the peptides were recognized - the most frequent responses were directed against Nef (95%) and p24-Gag (88%). p17 was the most frequently recognized protein after correction for protein length. A median of 18 peptides (range 2-42) were recognized per person. The most frequently (>20%) recognized peptides were located in conserved regions within clade B sequences. Vpu was rarely recognized.
- A decrease in the total magnitude and in the breadth of CTL responses was detected in patients with treated acute infection in comparison to chronically infected treated or untreated individuals. No correlation between plasma viral load and HIV-1 specific T-cell responses was observed.
- The authors did not note the reference strain, but based on the peptide sequences provided it appears to be HXB2.
- Responses to this peptide were detected in 24% of the study subjects, and it was one of the 25 most frequently recognized peptides.

HXB2 Location Nef (132–144)
Author Location Nef
Epitope GIRYPLTFGWCFK
Immunogen
Species (MHC) human
Keywords subtype comparisons
References Jubier-Maurin *et al.* 1999

- 41 new HIV-1 strains describing envelope subtypes of HIV-1 A-H were genetically characterized in the nef region – 34 subtypes were classified in the same subtype in nef and env and 7 of the 41 strains were recombinants.
- This region was defined as a CTL epitope region that is conserved among HIV-1 M group subtypes.

HXB2 Location Nef (132–147)
Author Location Nef (132–147 BRU)
Epitope GVRYPPLTFGWICYKLV
Immunogen HIV-1 infection

Species (MHC) human (A1, B8)
References Hadida *et al.* 1992

- HIV-1 specific CTLs detected in lymphoid organs.

HXB2 Location Nef (132–147)
Author Location Nef (132–147 BRU)
Epitope GVRYPPLTFGWICYKLV
Immunogen HIV-1 infection
Species (MHC) human (B18)
References Culmann *et al.* 1991
 • Nef CTL clones from HIV+ donors.

HXB2 Location Nef (132–147)
Author Location Nef (132–147)
Epitope GVRYPPLTFGWICYKLV
Immunogen vaccine
Vector/Type: DNA, DNA with protein boost
Strain: B clade LAI *HIV component:* Gag, Nef, Tat *Adjuvant:* IL-18

Species (MHC) mouse (H-2^d)
Keywords Th1
References Billaut-Mulot *et al.* 2001

- DNA vaccinated BALB/c mice primed and boosted with the multiepitopic vaccine with IL18 showed lymphoproliferative responses 7 weeks post immunization.
- Strong but non-lasting HIV-specific CTL responses were detected by a Cr-release assay and DNA prime/DNA boost was more effective than DNA prime protein boost.
- Immunization with either the multiepitopic DNA or with the mixed DNA vaccine induced HIV-1 specific Th1 cytokines (IL-2 and IFN-gamma)
- Co-administration of IL18 increased T-cell responses but decreased anti-HIV antibody levels.

HXB2 Location Nef (133–141)
Author Location Nef (133–141)
Epitope TRYPLTFGW
Immunogen HIV-1 infection
Species (MHC) human (A33)
Keywords optimal epitope
References Frahm *et al.* 2007

HXB2 Location Nef (133–148)
Author Location Nef (133–148 LAI)
Epitope VRYPLTFGWICYKLV
Subtype B
Immunogen
Species (MHC) human (B57)
References Brander & Walker 1996
 • P. Goulder, pers. comm.

HXB2 Location Nef (134–141)
Author Location (C consensus)
Epitope RYPLTFGW
Subtype C
Immunogen HIV-1 infection
Species (MHC) human (A*2301)
Country South Africa.
Assay type CD8 T-cell Elispot - IFN γ
Keywords characterizing CD8+ T cells

References Kiepiela *et al.* 2004

- HLA class I restricted CD8+ T-cell responses against HIV-1 were analyzed in African patients. Significantly more responses were shown to be HLA-B restricted. Viral load, CD4 count, and thus rate of disease progression were also associated with HLA-B alleles. In addition, the selection pressure imposed on HIV-1 by HLA-B alleles was shown to be substantially greater than by other alleles.
- This epitope was suggested to be the epitope within a longer reactive peptide based on correspondence with a known epitope in the HIV database. Also, a significantly higher frequency of people in the Durban cohort who reacted with the peptide had this HLA type.

HXB2 Location Nef (134–141)**Author Location** (C consensus)**Epitope** RYPLTFGW**Subtype** C**Immunogen** HIV-1 infection**Species (MHC)** human (A*2301)**Country** South Africa.**Assay type** CD8 T-cell Elispot - IFN γ **Keywords** epitope processing, rate of progression, optimal epitope**References** Kiepiela *et al.* 2007

- A comprehensive analysis of 160 class I T cell responses in 578 individuals from KwaZulu-Natal, South Africa was performed. Gag-specific responses were associated with lowering viremia, while Env, accessory and regulatory protein-specific responses were associated with higher viremia.
- Mutational patterns in a residue outside of the optimized epitope of RYPLTFGW are associated with the presence of the HLA presenting molecule in the host.

HXB2 Location Nef (134–141)**Author Location** Nef (138–147 LAI)**Epitope** RYPLTFGW**Subtype** B**Immunogen** HIV-1 infection**Species (MHC)** human (A*2402)**Keywords** optimal epitope**References** Frahm *et al.* 2007

- C. Brander notes this is an A*2402 epitope.

HXB2 Location Nef (134–141)**Author Location** Nef (169–176)**Epitope** RYPLTFGW**Subtype** C**Immunogen** HIV-1 infection**Species (MHC)** human (A*2402)**Assay type** Other**Keywords** HLA associated polymorphism**References** Boutwell & Essex 2007

- All HIV-1 subtype C protein sequences were analysed, and 94 HLA-associated amino acid polymorphisms were found that were well distributed throughout the proteome. These sequences were compiled from publicly available databases and originated in South Africa and Botswana. Many polymorphisms were associated with multiple HLA allele classes. 12% of negative associations were found as well, where there was

an association of virus expression of the consensus amino acid with a specific HLA allele. HLA-B alleles were involved in most of the associations. 19 HLA-associated polymorphisms were embedded in previously defined epitopes presented by an appropriate HLA restricting molecule.

- RYPLTFGW was a previously defined A*2402 presented epitope that encompassed an A*24 associated polymorphism, RYPLTFGW, in the second position.

HXB2 Location Nef (134–141)**Author Location** Nef (138–147 SF2)**Epitope** RYPLTFGW**Immunogen** HIV-1 infection**Species (MHC)** human (A24)**Keywords** HAART, ART, acute/early infection**References** Altfeld *et al.* 2001b

- Therapy provided during acute infection resulted in a narrower CTL response, stronger T help response, and a less diverse viral population than was seen in individuals treated during chronic infection.
- The breadth and specificity of the response was determined using ELISPOT by studying 19 individuals with pre-seroconversion therapy (Group 1), 11 individuals with primary infection but post-seroconversion therapy (Group 2), and 10 individuals who responded to HAART given during chronic infection (Group 3), using 259 overlapping peptides spanning p17, p24, RT, gp41, gp120 and Nef.
- Previously described and newly defined optimal epitopes were tested for CTL response.
- Number of HLA-A24+ individuals that had a CTL response to this epitope broken down by group: 0/0 group 1, 2/3 group 2, and 0/0 group 3.

HXB2 Location Nef (134–141)**Author Location** Nef**Epitope** RYPLTFGW**Epitope name** A24-RW8(Nef)**Subtype** B**Immunogen** HIV-1 infection**Species (MHC)** human (A24)**Donor MHC** A24, B7, B27**Keywords** HAART, ART, supervised treatment interruptions (STI)**References** Altfeld *et al.* 2002b

- Peripheral blood (PB) and lymph node (LN) CD8+ T-cell responses were compared in 15 asymptomatic HIV-1 infected patients using all known optimal CTL epitopes (<http://hiv-web.lanl.gov/content/hiv-db/REVIEWS/brander2001.html>) for each person's class I HLA alleles.
- 60 epitope responses were detected in both PB and LN samples of the 15 patients, and an additional 8 responses were detected only in LN. The total magnitude of the response was similar in LN and PB, but the percentage of CD8+ T cells in the LN is lower so the number of HIV-specific cells per million CD8+ T-cells is higher in the LN.
- 1 year post-HAART treatment in five patients studied, the magnitude of the CD8 T-cell response was decreased in both LN and PB, but more dramatically in PB, and 13/25 epitope responses in the PB became undetectable, in contrast to 5/26 in the LN.

- Treatment interruption following HAART induced resulted in increased viremia accompanied by the restoration of the detection of 13 epitopes that had become undetectable in the PB, and the addition of 9 novel epitope responses.
- Breakdowns of epitope responses were shown for 4 individuals. Patient C displayed the greatest response to B27-KK10(p24), and in decreasing order also responded to A24-RW8(Nef), B7-IL9(gp41), A24-RL9(gp41), A24-YL8(gp41), and B7-TM9(Nef).

HXB2 Location Nef (134–141)

Author Location Nef (134–141)

Epitope RYPLTFGW

Subtype B

Immunogen HIV-1 infection

Species (MHC) human (A33)

Donor MHC A3, A33, B14, B35, Cw*0401, Cw*0802

Assay type CD8 T-cell Elispot - IFN γ

Keywords binding affinity, acute/early infection, early-expressed proteins

References Cao *et al.* 2003

- All proteins were scanned and optimal epitopes were mapped in a study of CD8+ gamma IFN T-cell responses in 21 men within 15-92 days post-HIV-1 infection. Subjects initially showed narrow immune responses with a mean of 2.3 epitopes recognized per patient. The immune response broadened later in infection. No correlation between the plasma viral load and the number of recognized epitopes or the frequency of IFN-gamma secreting cells was observed, and there was no correlation between the functional avidity of a responses and the abundance of IFN-secreting cells that recognized the epitope. The first epitopes to be recognized did not tend to be the most avid, and earliest responses tended to be directed against Nef, Tat, Vpr, and Env.
- All HIV-1 proteins except Vpu were recognized, and a responses to a total of 41 optimal epitopes were characterized; 24 had been identified previously. 48% of the total T-cell responses were directed against Nef and 43% were directed against Gag.
- More common HLA alleles were less frequently used in primary infection than less common alleles, for example A3, B35, B57, and B62 were more frequently utilized than A1, A2, A30, and A44.

HXB2 Location Nef (134–141)

Author Location Nef (134–141 LAI)

Epitope RYPLTFGW

Subtype B

Immunogen

Species (MHC) human (B27)

References Culmann 1998

- Optimal peptide defined by titration.

HXB2 Location Nef (134–143)

Author Location Nef (134–143)

Epitope RYPLTFGWCF

Subtype B

Immunogen HIV-1 infection

Species (MHC) human (A*24)

Donor MHC A*03, A*24, B*35, B*40

Country United States.

Assay type CD8 T-cell Elispot - IFN γ

Keywords acute/early infection, variant cross-recognition or cross-neutralization, superinfection, characterizing CD8+ T cells

References Yang *et al.* 2005b

- An individual infected with a drug-resistant strain of HIV-1 subtype B with controlled viremia became superinfected with another subtype B strain. The second strain outgrew the first despite lower replication capacity and the same viral phenotype. The strains showed differences in their epitope sequences. The CTL responses to the first strain declined after superinfection, followed by some adaptation of targeting to the new epitopes of the second strain. Differences in the recognized epitopes were suggested to have contributed to the poor immune containment of the second strain.
- The response to the peptide that carried this epitope, RYPLTFGWCF, was present before superinfection but waned afterward. The epitope from the second strain had a mutation, rypICfgwcf. A second overlapping epitope in the reactive peptide might be involved, the B*35 epitope YPLTFGWCF.

HXB2 Location Nef (134–143)

Author Location Nef (138–147 SF2)

Epitope RYPLTFGWCF

Immunogen HIV-1 infection

Species (MHC) human (A*2402)

References Ikeda-Moore *et al.* 1997

- Defined using reverse immunogenetics – 59 HLA-A*2402 binding peptides were predicted by searching for A*2402 anchors in HIV proteins (Tyr at 2, and Phe, Leu or Ile at the C term) – 53 of the 59 peptides bound A*2402.
- This peptide induced CTL in 3/4 HIV-1 + people tested.
- RYPLTFGWCF bound to A*2402 strongly, the epitope can be processed in a vaccinia construct and presented – two specific CTL clones were obtained.

HXB2 Location Nef (134–143)

Author Location Nef (138–147)

Epitope RYPLTFGWCF

Epitope name Nef138-10

Subtype B

Immunogen vaccine

Vector/Type: Sendai virus vector system (SeV)

Species (MHC) human (A*2402)

References Kawana-Tachikawa *et al.* 2002

- A Sendai virus vector system (SeV) was developed that expressed HLA-A*2402-restricted class I/peptide complexes; this system could be used to detect responses and has the potential to elicit immune responses.
- MHC class I/peptide tetramers could be made using this system that bound to epitope-specific CTLs in PBMCs.
- Cells transfection with SeV modified to express A*2402-HIV epitope complexes induced CTL mediated specific cell lysis.

HXB2 Location Nef (134–143)

Author Location Nef

Epitope RYPLTFGWCF

- Epitope name** Nef138-10
Subtype B
Immunogen HIV-1 infection
Species (MHC) human (A*2402)
Donor MHC A*2402
Country Japan.
Assay type CD8 T-cell Elispot - IFN γ , Chromium-release assay
Keywords binding affinity, epitope processing, immunodominance, escape
References Furutsuki *et al.* 2004
- 70% of Japanese people carry HLA A*2402, and the rFpltfgwcf (2F) escape variant of this A*2402 epitope was found to be positively selected in Japan; reversion to wild-type in HLA-A24 negative individuals occurred very slowly over years. The 2F escape variant appears to be common in Japan due to escape and then transmission of this form in the population. The mechanism of escape appeared to be in processing of Nef and antigen presentation rather than HLA binding since both wild-type and 2F variant bound to HLA-A*2402 with almost same efficiency; the authors suggest the epitope may be cleaved at position 5 with a higher frequency when the 2F mutation is present.
- HXB2 Location** Nef (134–143)
Author Location Nef (134–143 BRU)
Epitope RYPLTFGWCY
Subtype B
Immunogen HIV-1 infection
Species (MHC) human (A24)
Keywords binding affinity, epitope processing
References Chopin *et al.* 2001
- Seventy-three 8-11 mer peptides were generated based on putative anchor motifs in the Nef BRU sequence for HLA A2, A3, A24, B7, B8, and B35; these 73 peptides had 81 motifs. 54% bound to the predicted HLA molecule, particularly A2, B7/35, and B8. The strength of HLA-peptide binding was not directly related to the number of individuals that recognized a protein.
 - 20s proteasome cleavage of the Nef protein positions 66-100 showed a large fraction of peptides were cleaved ending at: 87L, 83A, 81Y, 71P, 68F and 67G. The frequency of recognition may be in part dictated by the cleavage step in processing.
 - RYPLTFGWCY was recognized in 5/12 (42%) of individuals with HLA A24. It was a moderate affinity HLA-A24 binder.
- HXB2 Location** Nef (134–143)
Author Location Nef (134–143)
Epitope RYPLTFGWCY
Subtype B
Immunogen vaccine
Vector/Type: lipopeptide *Strain:* B clade LAI *HIV component:* Env, Gag, Nef *Adjuvant:* QS21
Species (MHC) human (A24)
Assay type proliferation, CD8 T-cell Elispot - IFN γ , Chromium-release assay
Keywords vaccine-induced epitopes, variant cross-recognition or cross-neutralization
References Gahéry-Ségard *et al.* 2003

- After injection of an anti-HIV-1 lipopeptide vaccine and the booster injections, a response was observed in >85% of 28 volunteers, and a long-term immune response was observed in >50% of the volunteers. A positive effect of QS21 adjuvant was found for B- and CD4+T-cell responses. A higher number of CD8+ T-cell epitopes was induced after a fourth boost injection. This epitope was one of the 31 epitopes that the vaccinated volunteers responded to.

- HXB2 Location** Nef (134–143)
Author Location Nef (134–143 HXB2)
Epitope RYPLTFGWCY
Subtype B, CRF01_AE
Immunogen HIV-1 infection
Species (MHC) human (A24)
Country Viet Nam.
Assay type HLA binding
Keywords subtype comparisons, computational epitope prediction, variant cross-recognition or cross-neutralization, vaccine antigen design
References Lazaro *et al.* 2005
- The most common HLA-alleles in the Vietnamese population were found to be HLA-A11, A02, A33, B75, B46, and B62. Several epitopes cluster in short regions in Gag and Nef that are presented by these HLA molecules; these epitopes may be useful targets for vaccine antigens. In a comparison of CRF01_AE sequences to HXB2, 14 mutations were found in epitopes in these Gag and Nef pluriepitopic regions; 7 did not affect the HLA binding score, 3 increased it, and 4 reduced it.
 - CRF01_AE variant rylpCfgywcy had same HLA-binding score as the HXB2 epitope.

- HXB2 Location** Nef (134–143)
Author Location Nef
Epitope RYPLTFGWCF
Immunogen HIV-1 infection
Species (MHC) human (A24)
Donor MHC A*24, A*32, B*07, B*18, Cw*07
Country United States.
Assay type CD8 T-cell Elispot - IFN γ
Keywords responses in children, mother-to-infant transmission, escape, characterizing CD8+ T cells, reversion, viral fitness
References Sanchez-Merino *et al.* 2005
- CD8 T-cell responses were examined in mother-infant pairs. Escape variants were commonly detected in maternal plasma. Early infant plasma viruses showed heterogeneity of gag and nef gene sequences as well as mother-to-child transmission of CD8 T-cell escape variants. The stability of escape mutants in the infant over time was determined by infant HLA haplotype and viral fitness. Sequential plasma specimens from infants showed changes in CD8 T-cell epitope sequences, suggesting that infants are capable of generating virus-specific CD8 T-cell responses.
 - Variant rFpltfgwcf was detected in increasing frequencies in clones from an A24+ infant, but was absent in all sequences from the A24- mother at delivery, revealing selective pressure as early as 3 months of age.

HXB2 Location Nef (134–143)

Author Location Nef (134–143 BRU)

Epitope RYPLTFGWCY

Subtype B, CRF02_AG

Immunogen HIV-1 infection

Species (MHC) human (A24, B35)

Country Cote D'Ivoire.

Assay type CD8 T-cell Elispot - IFN γ

Keywords subtype comparisons

References Inwoley *et al.* 2005

- CD8+ T-cells from HIV-1 CRF02_AG-infected Ivorians could recognize clade B epitopes. No difference was observed in the number of recognized peptide pools between nine French subtype B infected study subjects, and nine CRF02_AG infected Ivorian subjects.
- This epitope was recognized by 3/9 CRF02_AG-infected Ivorians, and 1/9 B-infected French subjects.
- A C-term F was most common in both the CRF02 and B clade infected subjects, and subjects that carried the F, RYPLTFGWCF, reacted with the peptide. One Ivorian that recognized the peptide carried the form RfPLTFGWCF.

HXB2 Location Nef (134–144)

Author Location Nef (134–144 LAI)

Epitope RYPLTFGWCYK

Subtype B

Immunogen HIV-1 infection

Species (MHC) human (B18)

Keywords review, escape

References Couillin *et al.* 1994; Goulder *et al.* 1997a

- Mutational variation in HIV epitopes in individuals with appropriate HLA types can result in evasion of CTL response.
- Goulder *et al.* [1997a] is a review of immune escape that summarizes this study.

HXB2 Location Nef (134–144)

Author Location Nef (134–144)

Epitope RYPLTFGWCYK

Epitope name RYP

Immunogen HIV-1 infection

Species (MHC) human (B18)

Keywords HAART, ART, acute/early infection

References Oxenius *et al.* 2000

- Patients who started therapy at acute HIV-1 infection (three with sustained therapy, two with limited therapy upon early infection) had strong HIV specific CD4 proliferative responses and were able to maintain a CTL response even with undetectable viral load – three patients that had delayed initiation of HAART had no HIV specific CD4 proliferative responses and lost their CTL responses when HAART was eventually given and their viral loads became undetectable.
- None of the 8 study subjects recognized this epitope but none were HLA B18+

HXB2 Location Nef (135–143)

Author Location p17

Epitope YPLTFGWCF

Immunogen HIV-1 infection

Species (MHC) human (A2)

Assay type Intracellular cytokine staining

Keywords immunodominance, genital and mucosal immunity

References Kaul *et al.* 2003

- Predefined immunodominant peptide responses were used to compare CD8+ T cells responses in the blood and cervix of 16 HIV+ Kenyan sex workers. Cervical responses were detected in 8/10 women from whom adequate samples could be obtained. The frequency of the CD8+ T cell response in the genital tract was comparable to the blood, with a trend toward being slightly higher.
- The immunodominant response was to this epitope in the PBMC of 1/16 patients (Kaul *et al.* 2001, AIDS, 107:1303).

HXB2 Location Nef (135–143)

Author Location Nef (135–143 LAI)

Epitope YPLTFGWCY

Subtype B

Immunogen in vitro stimulation or selection

Species (MHC) human (B*0702)

Keywords epitope processing

References Lucchiari-Hartz *et al.* 2000

- Five naturally processed MHC class I ligands were identified in Nef in the conserved immunogenic region Nef between 123-152.
- All five could be transported by TAP, and 4/5 had N-termini that were major cleavage points for the proteasome, only one had extended precursor fragments.
- YPLTFGWCY is the naturally processed ligand for B7, and this epitope is the only one of the five that may require trimming at the N-termini.
- YPLTFGWCY is present in low copy number in the cell, possibly due to a predominant proteasomal cleavage site between Y and P.

HXB2 Location Nef (135–143)

Author Location (C consensus)

Epitope YPLTFGWCF

Subtype C

Immunogen HIV-1 infection

Species (MHC) human (B*18)

Country South Africa.

Assay type CD8 T-cell Elispot - IFN γ

Keywords rate of progression, optimal epitope

References Kiepiela *et al.* 2007

- A comprehensive analysis of 160 class I T cell responses in 578 individuals from KwaZulu-Natal, South Africa was performed. Gag-specific responses were associated with lowering viremia, while Env, accessory and regulatory protein-specific responses were associated with higher viremia.
- YPLTFGWCF is an optimal epitope for B*5301, B*18, and B*35.

HXB2 Location Nef (135–143)

Author Location Nef (135–143 LAI)

Epitope YPLTFGWCY

Subtype B

Immunogen HIV-1 exposed seronegative

Species (MHC) human (B*1801)

Keywords optimal epitope

References Frahm *et al.* 2007

- C. Brander notes this is a B*1801 epitope.

HXB2 Location Nef (135–143)
Author Location Nef (135–143 HXB2)
Epitope YPLTFGWCF
Epitope name YF9
Subtype B
Immunogen HIV-1 infection
Species (MHC) human (B*1801)
Donor MHC A*0201, A*2501, B*1801, B*5101, Cw*0102, Cw*1203
Assay type CD8 T-cell Elispot - IFN γ
Keywords escape, immune evasion, optimal epitope, HIV-1
References Liu *et al.* 2006

- T-cell immunity and the impact of selection were longitudinally studied in a patient from the time of transmission. New epitopes were detected at sites that were shown to be under positive selection. Env was found to be the major target of CTLs and most of the new epitopes were found here. One third of the sites examined were associated with epitope escape mutations from CTL. Acquisition of mutations found at high frequency in the database was suggested to be a result of reversion of CTL epitopes in the absence of immune targeting.

HXB2 Location Nef (135–143)
Author Location Nef (135–143)
Epitope YPLTFGWCF
Subtype B
Immunogen HIV-1 infection
Species (MHC) human (B*35)
Donor MHC A*03, A*24, B*35, B*40
Country United States.
Assay type CD8 T-cell Elispot - IFN γ
Keywords acute/early infection, variant cross-recognition or cross-neutralization, superinfection
References Yang *et al.* 2005b

- An individual infected with a drug-resistant strain of HIV-1 subtype B with controlled viremia became superinfected with another subtype B strain. The second strain outgrew the first despite lower replication capacity and the same viral phenotype. The strains showed differences in their epitope sequences. The CTL responses to the first strain declined after superinfection, followed by some adaptation of targeting to the new epitopes of the second strain. Differences in the recognized epitopes were suggested to have contributed to the poor immune containment of the second strain.
- The response to the peptide that carried this epitope, YPLTFGWCF, was present before superinfection but waned afterward. The epitope from the second strain had a mutation, yplCf_gwcf. A second overlapping epitope in the reactive peptide might be involved, the A*24 epitope RYPLTFGWCF.

HXB2 Location Nef (135–143)
Author Location (C consensus)
Epitope YPLTFGWCF
Subtype C
Immunogen HIV-1 infection
Species (MHC) human (B*35)

Country South Africa.

Assay type CD8 T-cell Elispot - IFN γ

Keywords rate of progression, optimal epitope

References Kiepiela *et al.* 2007

- A comprehensive analysis of 160 class I T cell responses in 578 individuals from KwaZulu-Natal, South Africa was performed. Gag-specific responses were associated with lowering viremia, while Env, accessory and regulatory protein-specific responses were associated with higher viremia.
- YPLTFGWCF is an optimal epitope for B*5301, B*18, and B*35.

HXB2 Location Nef (135–143)
Author Location Nef (135–143)
Epitope YPLTFGWCF

Immunogen

Species (MHC) human (B*5301)

Keywords optimal epitope

References Frahm *et al.* 2007

HXB2 Location Nef (135–143)
Author Location (C consensus)
Epitope YPLTFGWCF
Subtype C

Immunogen HIV-1 infection

Species (MHC) human (B*5301)

Country South Africa.

Assay type CD8 T-cell Elispot - IFN γ

Keywords rate of progression, optimal epitope

References Kiepiela *et al.* 2007

- A comprehensive analysis of 160 class I T cell responses in 578 individuals from KwaZulu-Natal, South Africa was performed. Gag-specific responses were associated with lowering viremia, while Env, accessory and regulatory protein-specific responses were associated with higher viremia.
- YPLTFGWCF is an optimal epitope for B*5301, B*18, and B*35.

HXB2 Location Nef (135–143)
Author Location

Epitope YPLTFGWCF

Epitope name Nef-YY9

Subtype B

Immunogen HIV-1 infection

Species (MHC) human (B*5301, B35)

Donor MHC A*3002 A*3201 B*4501 B*5301 Cw*0401 Cw*1202

Keywords HAART, ART

References Sabbaj *et al.* 2003

- This study monitored epitope responses in HIV-1 infected minority women living in the United States.
- 24 epitopes were described – 8 were novel, 8 used new restricting elements but were previously defined epitopes, and 8 were previously described.
- Serial peptide truncations were used to define optimal epitopes for CTL cell lines isolated from 12 individuals, assayed by a Cr-release.

- Subject 00RCH33 was on HAART had a viral load of 2900 and CD4 count of 727 and also recognized the epitopes HIGPGRAFY, gp160(310-318), HLA A*3002; AETFYVDGA, RT(437-445), HLA B*4501; and RSLYNTVATLY, p17(76-86), HLA A*3002.
- Among HIV+ individuals who carried HLA B53, 8/15 (53%) recognized this epitope – one subject also carried B7, previously shown to restrict this epitope.
- Among HIV+ individuals who carried HLA B35, 13/19 (68%) recognized this epitope.

HXB2 Location Nef (135–143)

Author Location Nef (subtype D)

Epitope YPLTFGWCF

Subtype D

Immunogen HIV-1 exposed seronegative

Species (MHC) human (B18)

References Kaul *et al.* 2000

- 11/16 heavily HIV exposed but persistently seronegative sex-workers in Nairobi had HIV-specific CD8 gamma-IFN responses in the cervix – systemic CD8+ T cell responses tended to be to the same epitopes but at generally lower levels than cervical CD8+ T cell responses.
- Low risk individuals did not have such CD8+ cells.
- CD8+ T cell epitopes: DTVLEDINL (3 individuals), SLYNTVATL (4 individuals), LSPRTLNAW (3 individuals) and YPLTFGWCF (4 individuals) were most commonly recognized by the HIV-resistant women.

HXB2 Location Nef (135–143)

Author Location Nef (135–143 LAI)

Epitope YPLTFGWCF

Subtype B

Immunogen HIV-1 exposed seronegative

Species (MHC) human (B18)

References Culmann *et al.* 1991; Culmann-Penciolelli *et al.* 1994

- Nef CTL clones from HIV+ donors.

HXB2 Location Nef (135–143)

Author Location Nef (135–143 SF2)

Epitope YPLTFGWCF

Immunogen HIV-1 infection

Species (MHC) human (B18)

Keywords HAART, ART, acute/early infection

References Altfeld *et al.* 2001b

- Therapy provided during acute infection resulted in a narrower CTL response, stronger T help response, and a less diverse viral population than was seen in individuals treated during chronic infection.
- The breadth and specificity of the response was determined using ELISPOT by studying 19 individuals with pre-seroconversion therapy (Group 1), 11 individuals with primary infection but post-seroconversion therapy (Group 2), and 10 individuals who responded to HAART given during chronic infection (Group 3), using 259 overlapping peptides spanning p17, p24, RT, gp41, gp120 and Nef.
- Previously described and newly defined optimal epitopes were tested for CTL response.

- Number of HLA-B18+ individuals that had a CTL response to this epitope broken down by group: 0/3 group 1, 1/2 group 2, and 0/0 group 3.

HXB2 Location Nef (135–143)

Author Location Nef

Epitope YPLTFGWCF

Immunogen HIV-1 infection

Species (MHC) human (B18)

Keywords HIV exposed persistently seronegative (HEPS)

References Kaul *et al.* 2002

- Neisseria gonorrhea cervicitis in 9 HIV+ Kenyan sex workers caused a functional deficiency in IFN-gamma production in HIV-1 epitope-specific CD8+ T-cells, detected by intracellular cytokine production and tetramer assays, while not affecting the total number of epitope-specific CTLs.
- Ghonorrhea caused the weaker HIV-1 specific CTL responses in 4 HIV-1 exposed persistently seronegative (HEPS) women to become undetectable by Elispot and tetramer assays, and CMV-specific CTL in 2 HEPS subjects were shown to have impaired function with regard to IFN-gamma production.

HXB2 Location Nef (135–143)

Author Location Nef

Epitope YPLTFGWCF

Epitope name B18-YY9(Nef)

Subtype B

Immunogen HIV-1 infection

Species (MHC) human (B18)

Donor MHC A30, A32, B18, B27

Keywords HAART, ART, supervised treatment interruptions (STI)

References Altfeld *et al.* 2002b

- Peripheral blood (PB) and lymph node (LN) CD8+ T-cell responses were compared in 15 asymptomatic HIV-1 infected patients using all known optimal CTL epitopes (<http://hiv-web.lanl.gov/content/hiv-db/REVIEWS/brander2001.html>) for each person's class I HLA alleles.
- 60 epitope responses were detected in both PB and LN samples of the 15 patients, and an additional 8 responses were detected only in LN. The total magnitude of the response was similar in LN and PB, but the percentage of CD8+ T cells in the LN is lower so the number of HIV-specific cells per million CD8+ T-cells is higher in the LN.
- 1 year post-HAART treatment in five patients studied, the magnitude of the CD8 T-cell response was decreased in both LN and PB, but more dramatically in PB, and 13/25 epitope responses in the PB became undetectable, in contrast to 5/26 in the LN.
- Treatment interruption following HAART induced resulted in increased viremia accompanied by the restoration of the detection of 13 epitopes that had become undetectable in the PB, and the addition of 9 novel epitope responses.
- Breakdowns of epitope responses were shown for 4 individuals. Patient D displayed the greatest response to B27-KK10 (p24), and also responded to A30-RY11(p17), A32-PW10(RT), A30-KY11(RT), A32-RW10(gp120), and B18-YY9(Nef).

HXB2 Location Nef (135–143)

Author Location Nef (135–143)

Epitope YPLTFGWCY

Epitope name YY9

Subtype B

Immunogen HIV-1 infection

Species (MHC) human (B18)

Donor MHC A2, A11, B18, B44, Cw5, Cw12

Country United States.

Assay type CD8 T-cell Elispot - IFN γ , Intracellular cytokine staining, Flow cytometric T-cell cytokine assay

Keywords optimal epitope

References Allen *et al.* 2005b

- 4/14 optimal HIV-1 T-cell epitopes in a subject underwent mutation associated with dramatic loss of the original CD8 response. For 1 of the escape variants, a novel CD8 T-cell response equal in magnitude to the wildtype, was generated. CD8 T-cell recognizing the variant epitope utilized a distinct T-cell receptor and did not exhibit any cross-reactivity against the wildtype.
- This epitope did not vary.

HXB2 Location Nef (135–143)

Author Location Nef (135–143)

Epitope YPLTFGWCY

Subtype B

Immunogen HIV-1 infection

Species (MHC) human (B18)

Donor MHC A2, A11, B18, B44, Cw5, Cw12

Country United States.

Assay type CD8 T-cell Elispot - IFN γ

References Allen *et al.* 2005a

- Two-thirds of all mutations arising in nonenvelope proteins during the transition from acute to chronic infection were found to be due to either CD8 T-cell-associated selective pressures or reversion of HLA-I-associated mutations selected in a previous host. The predominance of escape mutations at highly polymorphic sites was observed across different HIV-1 clades.
- This epitope was reactive, but escape mutations did not accrue in it over time.

HXB2 Location Nef (135–143)

Author Location (C consensus)

Epitope YPLTFGWCF

Subtype C

Immunogen HIV-1 infection

Species (MHC) human (B18, B*5301)

Country South Africa.

Assay type CD8 T-cell Elispot - IFN γ

Keywords cross-presentation by different HLA, characterizing CD8+ T cells

References Kiepiela *et al.* 2004

- HLA class I restricted CD8+ T-cell responses against HIV-1 were analyzed in African patients. Significantly more responses were shown to be HLA-B restricted. Viral load, CD4 count, and thus rate of disease progression were also associated with HLA-B alleles. In addition, the selection pressure imposed on HIV-1 by HLA-B alleles was shown to be substantially greater than by other alleles.

- This epitope was suggested to be the epitope within a longer reactive peptide based on correspondence with a known epitope in the HIV database. Also, a significantly higher frequency of people in the Durban cohort who reacted with the peptide had this HLA type.

HXB2 Location Nef (135–143)

Author Location Nef (135–143)

Epitope YPLTFGWCY

Immunogen HIV-1 infection, HIV-1 exposed seronegative

Species (MHC) human (B18, B49)

Keywords HIV exposed persistently seronegative (HEPS), immunodominance

References Kaul *et al.* 2001a

- Variants YPLTFGWC(Y/F) are specific for the B/D clades.
- ELISPOT was used to study CTL responses to a panel of 54 predefined HIV-1 epitopes in 91 HIV-1-exposed, persistently seronegative (HEPS) and 87 HIV-1-infected female Nairobi sex workers.
- Responses in HEPS women tended to be lower, and focused on different epitopes with HLA presenting molecules that have previously been associated with reduced risk of infection, and there was a shift in the response in the HEPS women upon late seroconversion to epitopes recognized by the HIV-1 infected women.
- 43/91 HEPS women had CD8+ responses and detection of HIV-1-specific CTL in HEPS women increased with the duration of viral exposure.
- Among HLA-B18 women, 1/4 HEPS and 8/9 HIV-1 infected women recognized this epitope, likelihood ratio 5.3, p value 0.04, and HEPS women tended to respond to FRDYV-DRF(Y/F)K, while infected women tended to respond to YPLTFGWC(Y/F)
- The dominant response to this HLA allele was to this epitope for the one reactive HEPS case and in all 8/9 HIV-1 infected women.
- Differences in epitope specificity were only seen for responses restricted by class I HLA alleles A2, A24, A*6802, B14, and B18, previously shown to be associated with resistance to HIV-1 in this cohort.

HXB2 Location Nef (135–143)

Author Location Nef (139–147 SF2)

Epitope YPLTFGWCF

Immunogen HIV-1 infection

Species (MHC) human (B35)

References Shiga *et al.* 1996

- Binds HLA-B*3501.

HXB2 Location Nef (135–143)

Author Location Nef (135–143 BRU)

Epitope YPLTFGWCY

Subtype B

Immunogen HIV-1 infection

Species (MHC) human (B35)

Keywords binding affinity, epitope processing

References Choppin *et al.* 2001

- Seventy-three 8-11 mer peptides were generated based on putative anchor motifs in the Nef BRU sequence for HLA A2, A3, A24, B7, B8, and B35; these 73 peptides had 81 motifs. 54% bound to the predicted HLA molecule, particularly A2, B7/35, and B8. The strength of HLA-peptide binding was not directly related to the number of individuals that recognized a protein.
- 20s proteasome cleavage of the Nef protein positions 66-100 showed a large fraction of peptides were cleaved ending at: 87L, 83A, 81Y, 71P, 68F and 67G. The frequency of recognition may be in part dictated by the cleavage step in processing.
- YPLTFGWY was recognized in 2/13 (15%) of individuals with HLA B7, and 11/14 (79%) of individuals with HLA B35, and it was a moderate affinity HLA binder.

HXB2 Location Nef (135–143)

Author Location Nef

Epitope YPLTFGWY

Subtype B

Immunogen HIV-1 infection

Species (MHC) human (B35)

Donor MHC A3, A11, B35, B51

Keywords mother-to-infant transmission

References Sabbaj *et al.* 2002

- IFN γ T-cell responses in breast milk of 5 HIV-1 infected women from the US and 6 from Zambia were tested with using Elispot. 11/11 women responded to Gag, 8/11 responded to Pol, 7/11 women to Nef, and 2/5 women to Env peptide pools. These responses were shown to be primarily due to CD8+ T-cells in one woman, and another woman had cytolytic responses measured by Cr-release.
- T-cells in breast milk from a volunteer who was HLA A3, A11, B35, B51 induced IFN γ after stimulation with a peptide that carries known B35 epitope YPLTFGWY.
- The frequencies of responses in the two compartments differed, and 2/4 women that responded to epitopes in Nef 101-205 and Pol 601-710 showed responses in breast milk but no detectable responses in peripheral blood cells.

HXB2 Location Nef (135–143)

Author Location Nef (135–143)

Epitope YPLTFGWY

Epitope name YY9

Subtype B

Immunogen HIV-1 infection

Species (MHC) human (B35)

Donor MHC A*0201, A*0301, B*3501, B*51, Cw*04, Cw*06

Country United States.

Assay type CD8 T-cell Elispot - IFN γ , Intracellular cytokine staining, Chromium-release assay

Keywords escape, acute/early infection

References Bansal *et al.* 2005

- Patients with acute or early infection were shown to preferentially target variable peptides with higher entropy while those with chronic infection showed responses towards more conserved peptides with lower entropy. In longitudinally followed subjects, responses to variable proteins declined over time while responses to conserved proteins increased. The decline is suggested to be due to CTL escape.

- The response to this peptide was initially low, but increased over time.

HXB2 Location Nef (135–143)

Author Location Nef

Epitope YPLTFGWY

Immunogen HIV-1 exposed seronegative

Species (MHC) human (B49)

Keywords subtype comparisons, HIV exposed persistently seronegative (HEPS)

References Rowland-Jones *et al.* 1998a

- A CTL response was found in exposed but uninfected prostitutes from Nairobi using previously-defined B clade epitopes that tended to be conserved in A and D clades – such cross-reactivity could protect against both A and D and confer protection in Nairobi where both subtypes are circulating.
- The A subtype consensus is identical to the B clade epitope.
- The D subtype consensus is ypltfgwCF.

HXB2 Location Nef (135–143)

Author Location Nef (subtype B)

Epitope YLPTFGWY

Subtype B

Immunogen HIV-1 exposed seronegative

Species (MHC) human (B49)

Keywords subtype comparisons

References Rowland-Jones *et al.* 1998b

- HIV-specific CTL were found in exposed seronegative prostitutes from Nairobi – these CTL may confer protection.
- Seroprevalence in this cohort is 90-95% and their HIV-1 exposure is among the highest in the world.
- Most isolated HIV strains are clade A in Nairobi, although clades C and D are also found – B clade epitopes are often cross-reactive, however stronger responses are frequently observed using A or D clade versions of epitopes.
- This epitope is conserved among A and B clade viruses.
- The Clade D version of the epitope, YPLTFGWCF, was preferentially recognized by CTL.

HXB2 Location Nef (135–143)

Author Location

Epitope YPLTFGWY

Immunogen HIV-1 infection

Species (MHC) human (B49)

Keywords HIV exposed persistently seronegative (HEPS)

References Kaul *et al.* 2001c

- This study examines CTL responses in HIV exposed, persistently seronegative individuals, HEPS, who eventually seroconverted – 11/114 HEPS Nairobi sex workers eventually seroconverted, and for six of these HIV CTL reactive epitopes had been defined while seronegative.
- The epidemiological factor associated with seroconversion was stopping sex work. HIV-specific CTL activity declined when HEPS sex workers stopped working for a period or retired.
- This epitope, YPLTFGWC(Y/F), was recognized in 1/22 HEPS sex worker controls (ML1668)

HXB2 Location Nef (135–143)

Author Location Nef (135–143)

- Epitope** YPLTFGWCF
Immunogen
Species (MHC) human (B53)
Keywords optimal epitope
References Frahm *et al.* 2007
- HXB2 Location** Nef (135–143)
Author Location Nef (135–143 BRU)
Epitope YPLTFGWCF
Subtype B
Immunogen HIV-1 infection
Species (MHC) human (B7)
Keywords binding affinity, epitope processing
References Choppin *et al.* 2001
- Seventy-three 8-11 mer peptides were generated based on putative anchor motifs in the Nef BRU sequence for HLA A2, A3, A24, B7, B8, and B35; these 73 peptides had 81 motifs. 54% bound to the predicted HLA molecule, particularly A2, B7/35, and B8. The strength of HLA-peptide binding was not directly related to the number of individuals that recognized a protein.
 - 20s proteasome cleavage of the Nef protein positions 66-100 showed a large fraction of peptides were cleaved ending at: 87L, 83A, 81Y, 71P, 68F and 67G. The frequency of recognition may be in part dictated by the cleavage step in processing.
 - YPLTFGWCF was recognized in 2/13 (15%) of individuals with HLA B7, and 11/14 (79%) of individuals with HLA B35, and it was a moderate affinity HLA binder.
- HXB2 Location** Nef (135–143)
Author Location Nef (135–143)
Epitope YPLTFGWCF
Subtype B
Immunogen vaccine
Vector/Type: lipopeptide *Strain:* B clade LAI *HIV component:* Env, Gag, Nef *Adjuvant:* QS21
Species (MHC) human (B7 supertype)
Assay type proliferation, CD8 T-cell Elispot - IFN γ , Chromium-release assay
Keywords vaccine-induced epitopes, variant cross-recognition or cross-neutralization
References Gahéry-Ségard *et al.* 2003
- After injection of an anti-HIV-1 lipopeptide vaccine and the booster injections, a response was observed in >85% of 28 volunteers, and a long-term immune response was observed in >50% of the volunteers. A positive effect of QS21 adjuvant was found for B- and CD4+T-cell responses. A higher number of CD8+ T-cell epitopes was induced after a fourth boost injection. This epitope was one of the most frequently recognized of the 31 epitopes that the vaccinated volunteers responded to.
- HXB2 Location** Nef (135–143)
Author Location Nef (135–143)
Epitope YPLTFGWCF
Subtype B
Immunogen HIV-1 infection
Species (MHC) human (B7, B18, B35, B49, B53)
Donor MHC A3, A31, B18, B39; A1, A3, B8, B35
Country United States.

- Assay type** Intracellular cytokine staining, Flow cytometric T-cell cytokine assay
Keywords HAART, ART, escape, variant cross-recognition or cross-neutralization
References Casazza *et al.* 2005
- Evidence of continued viral evolution during HAART therapy despite low viral load was found in 1/5 patients studied.
 - A predominant sequence of ypltfgwcf was found in 2 patients (in 11/11 and 15/15 sequences) that cross-recognized the peptide used for screening, YPLTFGWCF. In patient B, CD8 T-cell response of 0.95% was found for the dominant variant, while the response for the screening epitope ypltfgwcf was 0.58%. In patient F, the frequency of response did not differ significantly between the 2 variants. Assays for both patients were done immediately prior to the initiation of therapy.
- HXB2 Location** Nef (135–143)
Author Location Nef (135–143 BRU)
Epitope YPLTFGWCF
Subtype B, CRF02_AG
Immunogen HIV-1 infection
Species (MHC) human (B7, B18, B53)
Country Cote D'Ivoire.
Assay type CD8 T-cell Elispot - IFN γ
Keywords subtype comparisons
References Inwoley *et al.* 2005
- CD8+ T-cells from HIV-1 CRF02_AG-infected Ivoirians could recognize clade B epitopes. No difference was observed in the number of recognized peptide pools between nine French subtype B infected study subjects, and nine CRF02_AG infected Ivorian subjects.
 - This epitope was recognized by 3/9 CRF02_AG-infected Ivoirians, and 0/9 B-infected French subjects.
 - The three Ivoirians that recognized this peptide carried three different variants of the epitope: identical to LAI: YPLTFGWCF, YPLTFGWCF, and fPLTFGWCF. 6/8 Ivoirians carried a variant, 5/5 B clade infections were not identical.
- HXB2 Location** Nef (136–144)
Author Location Nef (136–144 BRU)
Epitope PLTFGWCFYK
Subtype B
Immunogen HIV-1 infection
Species (MHC) human (A3)
Keywords binding affinity, epitope processing
References Choppin *et al.* 2001
- Seventy-three 8-11 mer peptides were generated based on putative anchor motifs in the Nef BRU sequence for HLA A2, A3, A24, B7, B8, and B35; these 73 peptides had 81 motifs. 54% bound to the predicted HLA molecule, particularly A2, B7/35, and B8. The strength of HLA-peptide binding was not directly related to the number of individuals that recognized a protein.
 - 20s proteasome cleavage of the Nef protein positions 66-100 showed a large fraction of peptides were cleaved ending at: 87L, 83A, 81Y, 71P, 68F and 67G. The frequency of recognition may be in part dictated by the cleavage step in processing.
 - PLTFGWCFYK was recognized in 3/12 (25%) of individuals with HLA A3. It was a low affinity HLA-A3 binder.
- HXB2 Location** Nef (136–145)

Author Location Nef (136–145)

Epitope PLTFGWCYKL

Immunogen *in vitro* stimulation or selection

Species (MHC) human (A*0201)

Keywords binding affinity, dendritic cells, Th1

References Wilson *et al.* 1999b

- Dendritic cells are the most potent for priming T cell responses – DCs can stimulate autologous CTL responses from T cells cultured from HIV negative donors.
- Th1-biasing cytokines IL-12 or IFN alpha enhance CTL responses *in vitro* whether the epitope is delivered by pulsing from peptide, or expressed from within.
- B7 and A2 Nef epitopes were studied and the relative binding affinity of A2 epitopes for A2 was: PLTFGWCYKL greater than VLEWRFD SRL which was much greater than AFHH-VAREL.
- Noted in Brander *et al.*, 1999 this database, to be A*0201.

HXB2 Location Nef (136–145)

Author Location Nef (136–145 LAI)

Epitope PLTFGWCYKL

Subtype B

Immunogen

Species (MHC) human (A*0201)

Keywords optimal epitope

References Frahm *et al.* 2007

- C. Brander notes this is an A*0201 epitope.

HXB2 Location Nef (136–145)

Author Location Nef (136–145 LAI)

Epitope PLTFGWCYKL

Subtype B

Immunogen *in vitro* stimulation or selection

Species (MHC) human (A*0201)

Keywords epitope processing

References Lucchiari-Hartz *et al.* 2000

- Five naturally processed MHC class I ligands were identified in Nef in the conserved immunogenic region Nef between 123-152.
- All five could be transported by TAP, and 4/5 had N-termini that were major cleavage points for the proteasome, only one had extended precursor fragments.
- The CTL that recognized PLTFGWCYKL also recognized PLTFGWCYKLV, and both forms of the epitope are naturally processed and both seem to be the direct product of a proteasomal digest, although in low copy number.

HXB2 Location Nef (136–145)

Author Location Nef (136–145)

Epitope PLTFGWCYKL

Subtype B

Immunogen HIV-1 infection

Species (MHC) human (A*0201)

Country United States.

Assay type CD8 T-cell Elispot - IFN γ , CD8 T-cell Elispot granzyme B

Keywords Th1, characterizing CD8+ T cells

References Kleen *et al.* 2004

- Only 20% of CD8+ T-cells produce IFN-gamma and granzyme B simultaneously (Tc1a). Two additional subpopulations of HIV specific CD8 cells are found, each one constituting 30-40% of the CD8 cell pool. One of these (Tc1b) secretes IFN-gamma only, and the other one (Tc1c) secretes GzB only.
- Three of seven patients responded to this peptide with GzB producing cells and three of the patients responded with IFN-gamma producing cells. Only one patient had both a GzB and IFN-gamma response.

HXB2 Location Nef (136–145)

Author Location Nef

Epitope PLTFGWCFKL

Epitope name P10L

Immunogen vaccine

Vector/Type: measles virus (MV) *Strain:* multiple epitope immunogen *HIV component:* gp140, gp140 Δ V3

Species (MHC) transgenic mouse (A*0201)

Assay type Chromium-release assay, Flow cytometric T-cell cytokine assay

Keywords memory cells, vaccine antigen design, antibody generation, characterizing CD8+ T cells

References Lorin *et al.* 2005

- A recombinant measles MVSchw virus expressing an HIV-1-derived polyepitope effectively primed HLA-A*0201-restricted CTL responses against multiple conserved HIV-1 epitopes in HLA-A*0201 transgenic mice. Also, a recombinant MVSchw virus expressing gp140 with deleted V1, V2, and V3 loops successfully induces neutralizing antibodies against HIV-1. A live attenuated measles vaccine could provide a safe and efficient pediatric vaccination vector for simultaneous vaccination against HIV and measles.

HXB2 Location Nef (136–145)

Author Location Nef (136–145)

Epitope PLTFGWCFKL

Immunogen HIV-1 infection

Species (MHC) human (A2)

Keywords subtype comparisons

References Durali *et al.* 1998

- Cross-clade CTL response was studied by determining the CTL activity in seven patients from Bangui, (6 A subtype, and 1 AG recombinant infections) and one A subtype infection from a person living in France originally from Togo, to different antigens expressed in vaccinia.
- Pol reactivity: 8/8 had CTL to A subtype, and 7/8 to B subtype, and HIV-2 Pol was not tested.
- Gag reactivity: 7/8 reacted with A or B subtype gag, 3/8 with HIV-2 Gag.
- Nef reactivity: 7/8 reacted with A subtype, and 5/8 with B subtype, none with HIV-2 Nef.
- Env reactivity: 3/8 reacted with A subtype, 1/8 with B subtype, none with HIV-2 Env.
- Patient B18 had the greatest breadth and diversity of response, and recognized Gag SLYNTVATL and Nef PLTFGWCFKL.

HXB2 Location Nef (136–145)

Author Location Nef (157–166)

Epitope PLTFGWCFKL

Immunogen vaccine*Vector/Type:* DNA prime with vaccinia boost**Species (MHC)** human (A2)**References** Woodberry *et al.* 1999

- A polyepitope vaccine was generated in a vaccinia construct that contiguously encoded seven epitopes, all presented by HLA A-2.
- HHD mice have a transgene of HLA A2 linked to the transmembrane and cytotoxic domains of H-2D^d – this transgene is the only MHC molecule expressed in the mice.
- CTL responses to Gag (77-85) SLYNTVATL, Pol (476-484) ILKEPVHGV, gp120 (120-128) KLTPLCVTL, and Nef (190-198) AFHHVAREL were observed in HIV polytope HHD-vaccinated mice, and these responses were enhanced with vaccinia boost.
- No CTL immune responses were generated against HLA A2-restricted HIV epitopes Nef 157-166 (PLTFGWCYKL), Pol 346-354 (VIYQYMDDL), and Nef 180-189 (VLEWRFDSSL).
- Sixteen HLA A2+ patients were tested for their ability to make CTL responses by peptide restimulation in culture with the epitopes selected for inclusion in the polytope – one individual recognized all seven of these epitopes; 7 patients had CTL cultures able to recognize at least one of the epitopes, and 6 of those 7 recognized more than one epitope, but they were not able to test all peptides for all patients; many patients only had three peptides tested.
- PLTFGWCFKL was recognized by 1 of the HLA-A2 patients.

HXB2 Location Nef (136–145)**Author Location** Nef (135–144 93TH253 subtype CRF01)**Epitope** PLTFGWCYKL**Subtype** CRF01_AE**Immunogen** HIV-1 infection**Species (MHC)** human (A2)**Keywords** subtype comparisons**References** Bond *et al.* 2001

- More than half of a cohort of HIV+ female sex workers (FSW) from Northern Thailand were HLA-A11 positive, and this study concentrated on A11 epitopes in this group, although E clade versions of previously defined B-clade A2 and A24 epitopes were also tested.
- 0/4 tested FSWs recognized the E clade version of this epitope PLCFGWCFKL, which differs from the previously defined B clade version by two amino acids, PLTFGWCYKL.
- This epitope was only conserved in CRF01 (subtype E) and subtype B.

HXB2 Location Nef (136–145)**Author Location** Nef (136–145)**Epitope** PLTFGWCYKL**Immunogen** HIV-1 infection**Species (MHC)** human (A2)**Keywords** rate of progression, acute/early infection**References** Day *et al.* 2001

- The CTL response to optimally defined CTL epitopes restricted by HLA class I A and B alleles in individuals who coexpressed HLA A2, A3, and B7 was studied in eight HIV-1-infected subjects, two with acute infection, five with chronic, and one long-term non-progressor (LTNP)

- 2 to 17 epitopes were recognized in a given individual, A2-restricted CTL response tended to be narrow and never dominated the response, and 25/27 epitopes were targeted by at least one person.

HXB2 Location Nef (136–145)**Author Location****Epitope** PLTFGWCYKL**Epitope name** Nef-PL10**Subtype** B**Immunogen** HIV-1 infection**Species (MHC)** human (A2)**References** Sabbaj *et al.* 2003

- Among HIV+ individuals who carried HLA A02, 3/29 (10%) recognized this epitope.

HXB2 Location Nef (136–145)**Author Location** Nef (136–145 BRU)**Epitope** PLTFGWCYKL**Subtype** B**Immunogen** HIV-1 infection**Species (MHC)** human (A2)**Keywords** binding affinity, epitope processing**References** Choppin *et al.* 2001

- Seventy-three 8-11 mer peptides were generated based on putative anchor motifs in the Nef BRU sequence for HLA A2, A3, A24, B7, B8, and B35; these 73 peptides had 81 motifs. 54% bound to the predicted HLA molecule, particularly A2, B7/35, and B8. The strength of HLA-peptide binding was not directly related to the number of individuals that recognized a protein.
- 20s proteasome cleavage of the Nef protein positions 66-100 showed a large fraction of peptides were cleaved ending at: 87L, 83A, 81Y, 71P, 68F and 67G. The frequency of recognition may be in part dictated by the cleavage step in processing.
- PLTFGWCYKL was recognized in 9/28 (32%) of individuals with HLA A2. It was a low affinity HLA-A2 binder.

HXB2 Location Nef (136–145)**Author Location** Nef (136–145)**Epitope** PLTFGWCYKL**Subtype** B**Immunogen** vaccine*Vector/Type:* lipopeptide *Strain:* B clade LAI *HIV component:* Env, Gag, Nef *Adjuvant:* QS21**Species (MHC)** human (A2)**Assay type** proliferation, CD8 T-cell Elispot - IFN γ , Chromium-release assay**Keywords** vaccine-induced epitopes, variant cross-recognition or cross-neutralization**References** Gahéry-Ségard *et al.* 2003

- After injection of an anti-HIV-1 lipopeptide vaccine and the booster injections, a response was observed in >85% of 28 volunteers, and a long-term immune response was observed in >50% of the volunteers. A positive effect of QS21 adjuvant was found for B- and CD4+T-cell responses. A higher number of CD8+ T-cell epitopes was induced after a fourth boost injection. This was one of the most highly recognized of the 31 peptides that were shown to elicit a response.

HXB2 Location Nef (136–145)
Author Location Nef (136–145)
Epitope PLTFGWCYKL
Subtype B
Immunogen HIV-1 infection
Species (MHC) human (A2)
Country United States.
Assay type CD8 T-cell Elispot - IFN γ , Chromium-release assay, HLA binding
Keywords acute/early infection, optimal epitope
References Altfeld *et al.* 2005

- The most frequently targeted HLA-A2-restricted CD8+ T-cell epitopes in chronic infection were significantly less frequently recognized during primary infection. This epitope was only recognized in chronic infection.

HXB2 Location Nef (136–145)
Author Location Nef (136–145 HXB2)
Epitope PLTFGWCYKL
Subtype B, CRF01_AE
Immunogen HIV-1 infection
Species (MHC) human (A2)
Country Viet Nam.
Assay type HLA binding
Keywords subtype comparisons, computational epitope prediction, variant cross-recognition or cross-neutralization, vaccine antigen design
References Lazaro *et al.* 2005

- The most common HLA-alleles in the Vietnamese population were found to be HLA-A11, A02, A33, B75, B46, and B62. Several epitopes cluster in short regions in Gag and Nef that are presented by these HLA molecules; these epitopes may be useful targets for vaccine antigens. In a comparison of CRF01_AE sequences to HXB2, 14 mutations were found in epitopes in these Gag and Nef pluriepitopic regions; 7 did not affect the HLA binding score, 3 increased it, and 4 reduced it.
- CRF01_AE variant pICfgwcfkl had a higher HLA-binding score than the HXB2 epitope.

HXB2 Location Nef (136–146)
Author Location Nef (136–146 LAI)
Epitope PLTFGWCYKLV
Subtype B
Immunogen in vitro stimulation or selection
Species (MHC) human (A*0201)
Keywords epitope processing
References Lucchiari-Hartz *et al.* 2000

- Five naturally processed MHC class I ligands were identified in Nef in the conserved immunogenic region Nef between 123–152.
- All five could be transported by TAP, and 4/5 had N-termini that were major cleavage points for the proteasome, only one had extended precursor fragments.
- The CTL that recognized PLTFGWCYKL also recognized PLTFGWCYKLV, and both forms of the epitope are naturally processed and both seem to be the direct product of a proteasomal digest, although in low copy number.

HXB2 Location Nef (137–145)
Author Location Nef (139–147 HXB3)

Epitope LTFGWCFKL
Immunogen vaccine
Vector/Type: DNA, peptide *Strain:* B clade HXB3 *HIV component:* Nef *Adjuvant:* Complete Freund's Adjuvant (CFA)

Species (MHC) mouse (A*0201)
Keywords binding affinity, computational epitope prediction
References Sandberg *et al.* 2000

- Ten Nef 9-mer peptides were predicted to have a strong binding affinity with HLA-A*0201 – of these, four did bind strongly by a T2 class I stabilization assay, several others bound weakly.
- A CTL immune response to only 3/10 peptides was detected by a 51Cr-release assay after immunization of HLA-A201 transgenic mice with either nef DNA under the control of a CMV promoter, coated on gold particles delivered to abdominal skin by gene gun – LTFGWCFKL did not elicit a CTL response.
- LTFGWCFKL was also tested by subcutaneous injection of Nef peptides in Freund's adjuvant, because it bound strongly to HLA-A*0201, and the peptide vaccination did elicit a response.
- The lack of response to the nef DNA vaccine and the response to the peptide suggests LTFGWCFKL may not be processed.

HXB2 Location Nef (137–145)
Author Location Nef (137–)
Epitope LTFGWCFKL
Epitope name Nef137
Immunogen HIV-1 infection
Species (MHC) human (A2)
Assay type CD8 T-cell Elispot - IFN γ , Chromium-release assay, Flow cytometric T-cell cytokine assay
Keywords binding affinity, subtype comparisons, computational epitope prediction
References Corbet *et al.* 2003

- HLA-A2-restricted HIV-1 CTL epitopes were computationally predicted. Binding affinities for HLA-A*0204, immunogenicity in HLA-A*0201 transgenic mice, and responses to the peptides in 17 HIV-1 infected patients were tested. 31 novel conserved A2 epitopes were detected. An average of 4 epitopes were recognized per patient.
- This epitope was one of the previously identified HLA-A2 epitopes studied.
- 3/17 HIV-infected HLA-A2+ people recognized this epitope.

HXB2 Location Nef (137–145)
Author Location Nef (137–145)
Epitope LTFGWCYKL
Subtype B
Immunogen vaccine
Vector/Type: lipopeptide *Strain:* B clade LAI *HIV component:* Env, Gag, Nef *Adjuvant:* QS21
Species (MHC) human (A2)
Assay type proliferation, CD8 T-cell Elispot - IFN γ , Chromium-release assay
Keywords vaccine-induced epitopes, variant cross-recognition or cross-neutralization
References Gahéry-Ségard *et al.* 2003

- After injection of an anti-HIV-1 lipopeptide vaccine and the booster injections, a response was observed in >85% of 28 volunteers, and a long-term immune response was observed in >50% of the volunteers. A positive effect of QS21 adjuvant was found for B- and CD4+ T-cell responses. A higher number of CD8+ T-cell epitopes was induced after a fourth boost injection. This was one of the most highly recognized of the 31 peptides that were shown to elicit a response.

HXB2 Location Nef (137–145)

Author Location Nef (137–145)

Epitope LTFGWCFKL

Epitope name Nef137-145

Immunogen HIV-1 infection

Species (MHC) human (A2)

Country United States.

Assay type CD8 T-cell Elispot - IFN γ

Keywords responses in children, immunodominance, characterizing CD8+ T cells

References Chandwani *et al.* 2004

- Responses to five HLA-A2 presented epitopes in Nef were characterized in a population of 19 HIV infected adults and 21 children. The CD8 T-cell response to Nef was stronger and broader in adults than children, averaging 652 and 87 SFCs/10⁶ PBMC, and 2.6 and 0.9 recognized epitopes per person, respectively.
- This epitope was second in an immunodominance hierarchy of the five A02 Nef epitopes studied.

HXB2 Location Nef (137–145)

Author Location Nef (158–166)

Epitope LTFGWCFKL

Immunogen HIV-1 infection

Species (MHC) human (A2 supertype)

Keywords supertype, rate of progression

References Propato *et al.* 2001

- Long-term nonprogressors (LTNPs) had strong memory resting CD8+ T-cell responses against the majority of epitopes tested, (18 for the A2 supertype, 16 for the A3 supertype) while the effector cells of long-term nonprogressors recognized far fewer epitopes.
- Progressors had memory resting CD8+ T-cells that recognized far fewer epitopes than LTNPs.
- A positive correlation between effector CD8+ T-cells and plasma viremia and a negative correlation between CD8+ effector T-cells and CD4+ T-cells was observed, which may contribute to the inability of LTNPs to clear virus.
- This epitope can bind all five HLA-A2 supertypes alleles (A*0201, A*0202, A*0203, A*0206 and A*6802)

HXB2 Location Nef (137–145)

Author Location Nef

Epitope LTFGWCFKL

Epitope name LL9

Subtype B, C

Immunogen HIV-1 infection

Species (MHC) human (B*1517, B57)

Donor MHC A*36, A*66, B*1517, B*53, Cw*04, Cw*06; A*02, A*23, B*35, B*57, Cw*04, Cw*07

Assay type CD8 T-cell Elispot - IFN γ

Keywords cross-presentation by different HLA, optimal epitope

References Frahm *et al.* 2005

- HLA-B63-positive subjects were shown to be able to generate CTL responses early in acute HIV infection and to control HIV replication in the absence of antiretroviral treatment. Since HLA-B63 shares the epitope binding motif of HLA-B57 and -B58, it was shown that HLA-B63-positive individuals mounted CTL responses to previously identified B57-restricted epitopes, as well as novel, B63-restricted epitopes. Moreover, these novel B63-restricted epitopes can also be presented by HLA-B57 and -B58.
- Optimal epitope was defined in 2 people, 1 carrying HLA-B*1517(B63), the other carrying B57.

HXB2 Location Nef (137–145)

Author Location

Epitope LTFGWCFKL

Immunogen

Species (MHC) human (B57)

Keywords optimal epitope

References Frahm *et al.* 2007

- C. Brander notes that this is an B57 epitope.

HXB2 Location Nef (137–145)

Author Location

Epitope LTFGWCFKL

Immunogen

Species (MHC) human (B63)

Keywords optimal epitope

References Frahm *et al.* 2007

- C. Brander notes that this is an B63 epitope.

HXB2 Location Nef (137–146)

Author Location Nef (137–146)

Epitope LTFGWICYKLV

Subtype C

Immunogen HIV-1 infection

Species (MHC) human (A*6901)

Country India.

Assay type CD8 T-cell Elispot - IFN γ

Keywords subtype comparisons, computational epitope prediction, immunodominance

References Thakar *et al.* 2005

- PBMCs from HIV-1 infected Indian subjects were tested for HIV-1 Gag (with C clade peptides), Nef (with B clade peptides), and Env (clade unspecified) specific T-cell responses. 5 immunodominant regions conserved across clades were identified in Gag and Nef. 3 antigenic regions were found to be recognized by CTLs in the Indian subjects; these regions were not identified as immunodominant in studies from Africa. 26 epitopes were predicted within reactive peptides, of which 90% were clustered in the conserved immunodominant regions of Gag and Nef. 3 of the epitopes were highly conserved across clades, and 7 novel epitopes were found.

HXB2 Location Nef (137–146)

Author Location Nef (221A)

Epitope LTFGWCFKLV

Epitope name Nef-221a

Immunogen HIV-1 infection

Species (MHC) human (A2)

Keywords binding affinity, subtype comparisons, super-type, computational epitope prediction

References Altfeld *et al.* 2001c

- HIV was scanned for all peptides which carried the A2-supermotif pattern conserved in more than 50% of B clade sequences – 233 peptides met this criteria, and 30 of these bound to HLA-A*0201 – 20/30 bound to at least 3/5 of HLA-A2 supertype alleles tested.
- Three additional previously described HLA-A2 epitopes were added to the set of 20, and 18/22 chronically infected HLA-A2 individuals had CTL that recognized at least one of the 23 peptides (median of 2 and maximum of 6), while 6/12 acute infected individuals recognized at least 1 (median of 1 and maximum of 2)
- 1/22 individuals with chronic HIV-1 infection recognized this epitope in ELISPOT.
- 2/12 acutely infected individuals recognized this epitope.
- LTFGWCFKLV binds to five HLA-A2 supertype alleles: A*0203, A*0201 (highest affinity), A*0206, A*6802 and A*0202.

HXB2 Location Nef (137–146)

Author Location Nef (137–146)

Epitope LTFGWCFKLV

Epitope name LV10

Subtype B

Immunogen HIV-1 infection

Species (MHC) human (A2)

Donor MHC A2, A11, B18, B44, Cw5, Cw12

Country United States.

Assay type CD8 T-cell Elispot - IFN γ , Intracellular cytokine staining, Flow cytometric T-cell cytokine assay

Keywords optimal epitope

References Allen *et al.* 2005b

- 4/14 optimal HIV-1 T-cell epitopes in a subject underwent mutation associated with dramatic loss of the original CD8 response. For 1 of the escape variants, a novel CD8 T-cell response equal in magnitude to the wildtype, was generated. CD8 T-cell recognizing the variant epitope utilized a distinct T-cell receptor and did not exhibit any cross-reactivity against the wildtype.
- This epitope did not vary.

HXB2 Location Nef (137–146)

Author Location Nef (137–146)

Epitope LTFGWCFKLV

Epitope name LV10

Subtype B

Immunogen HIV-1 infection

Species (MHC) human (A2)

Donor MHC A2, A11, B18, B44, Cw5, Cw12

Country United States.

Assay type CD8 T-cell Elispot - IFN γ , Intracellular cytokine staining, Flow cytometric T-cell cytokine assay

Keywords escape, TCR usage, variant cross-recognition or cross-neutralization, characterizing CD8+ T cells

References Allen *et al.* 2005b

- 4/14 optimal HIV-1 T-cell epitopes in a subject underwent mutation associated with dramatic loss of the original CD8 response. For 1 of the escape variants, a novel CD8 T-cell response equal in magnitude to the wildtype, was generated. CD8 T-cell recognizing the variant epitope utilized a distinct T-cell receptor and did not exhibit any cross-reactivity against the wildtype.
- This epitope did not vary over time.

HXB2 Location Nef (137–146)

Author Location Nef (137–146)

Epitope LTFGWCFKLV

Subtype B

Immunogen HIV-1 infection

Species (MHC) human (A2)

Donor MHC A2, A11, B18, B44, Cw5, Cw12

Country United States.

Assay type CD8 T-cell Elispot - IFN γ

References Allen *et al.* 2005a

- Two-thirds of all mutations arising in nonenvelope proteins during the transition from acute to chronic infection were found to be due to either CD8 T-cell-associated selective pressures or reversion of HLA-I-associated mutations selected in a previous host. The predominance of escape mutations at highly polymorphic sites was observed across different HIV-1 clades.
- This epitope was reactive, but escape mutations did not accrue in it over time.

HXB2 Location Nef (137–146)

Author Location Nef (135–146)

Epitope LTFGWCFKLV

Subtype B

Immunogen HIV-1 infection

Species (MHC) human (A2)

Country United States.

Assay type CD8 T-cell Elispot - IFN γ , Chromium-release assay, HLA binding

Keywords acute/early infection, optimal epitope

References Altfeld *et al.* 2005

- The most frequently targeted HLA-A2-restricted CD8+ T-cell epitopes in chronic infection were significantly less frequently recognized during primary infection. This epitope was only recognized during chronic infection.

HXB2 Location Nef (137–146)

Author Location Nef (158–167)

Epitope LTFGWCFKLV

Immunogen HIV-1 infection

Species (MHC) human (A2 supertype)

Keywords supertype, rate of progression

References Propato *et al.* 2001

- Long-term nonprogressors (LTNPs) had strong memory resting CD8+ T-cell responses against the majority of epitopes tested, (18 for the A2 supertype, 16 for the A3 supertype) while the effector cells of long-term nonprogressors recognized far fewer epitopes.

- Progressors had memory resting CD8+ T-cells that recognized far fewer epitopes than LTNPs.
- A positive correlation between effector CD8+ T-cells and plasma viremia and a negative correlation between CD8+ effector T-cells and CD4+ T-cells was observed, which may contribute to the inability of LTNPs to clear virus.
- This epitope can bind all five HLA-A2 supertypes alleles (A*0201, A*0202, A*0203, A*0206 and A*6802)
- Tetramer staining with A2, beta2microglobulin, and either SLYNTVATL, KLVGKLNWA, or LTFGWCFKL revealed that tetramers detected more HIV-specific sells in LTNP than in progressors, activated effector cells were the minority population, and ELISPOT correlated better with the effector cell subpopulation than the total tetramer stained population.

HXB2 Location Nef (141–148)

Author Location Nef (141–)

Epitope WCFKLVVPV

Epitope name Nef141

Immunogen HIV-1 infection, vaccine

Vector/Type: peptide *HIV component:* Nef
Adjuvant: Incomplete Freund's Adjuvant (IFA)

Species (MHC) human, transgenic mouse (A2)

Assay type CD8 T-cell Elispot - IFN γ , Chromium-release assay, Flow cytometric T-cell cytokine assay

Keywords binding affinity, subtype comparisons, computational epitope prediction

References Corbet *et al.* 2003

- HLA-A2-restricted HIV-1 CTL epitopes were computationally predicted. Binding affinities for HLA-A*0204, immunogenicity in HLA-A*0201 transgenic mice, and responses to the peptides in 17 HIV-1 infected patients were tested. 31 novel conserved A2 epitopes were detected. An average of 4 epitopes were recognized per patient.
- This peptide was an intermediate A2 binder, and induced a CD8+ T-cell IFN gamma response in 1/6 mice. Responses were detected in 2/17 HIV+ HLA-A2 subjects.

HXB2 Location Nef (162–181)

Author Location Nef (161–180)

Epitope TSLLLHPVSLHGMDPPERVL

Immunogen HIV-1 infection

Species (MHC) human

References Lieberman *et al.* 1995

- HIV-specific CTL lines developed by *ex vivo* stimulation with peptide.

HXB2 Location Nef (162–181)

Author Location Nef (161–180 SF2)

Epitope TSLLLHPVSLHGMDPPERVL

Immunogen HIV-1 infection

Species (MHC) human

References Lieberman *et al.* 1997a

- Of 25 patients, most had CTL specific for more than 1 HIV-1 protein.
- Eleven subjects had CTL that could recognize vaccinia-expressed LAI Nef.
- One of these 11 had CTL response to this peptide.

HXB2 Location Nef (162–181)

Author Location Nef (101–120 SF2)

Epitope TSLLLHPVSLHGMDPPERVL

Immunogen HIV-1 infection

Species (MHC) human

References Lieberman *et al.* 1997b

- CTL expanded *ex vivo* were later infused into HIV-1 infected patients.

HXB2 Location Nef (162–181)

Author Location Nef (161–180 SF2)

Epitope TSLLLHPVSLHGMDPPERVL

Immunogen HIV-1 infection

Species (MHC) human

References Lieberman *et al.* 1997a

- Of 25 patients, most had CTL specific for more than 1 HIV-1 protein.
- Eleven subjects had CTL that could recognize vaccinia-expressed LAI Nef.
- One of these 11 had CTL response to this peptide.

HXB2 Location Nef (166–177)

Author Location Nef (160–179 SF2)

Epitope HPVSLHGMDDE

Immunogen HIV-1 infection

Species (MHC) human (B35)

Keywords HAART, ART, acute/early infection

References Altfeld *et al.* 2001b

- Therapy provided during acute infection resulted in a narrower CTL response, stronger T help response, and a less diverse viral population than was seen in individuals treated during chronic infection.
- The breadth and specificity of the response was determined using ELISPOT by studying 19 individuals with pre-seroconversion therapy (Group 1), 11 individuals with primary infection but post-seroconversion therapy (Group 2), and 10 individuals who responded to HAART given during chronic infection (Group 3), using 259 overlapping peptides spanning p17, p24, RT, gp41, gp120 and Nef.
- Previously described and newly defined optimal epitopes were tested for CTL response.
- Number of HLA-B35+ individuals that had a CTL response to this epitope broken down by group: 1/2 group 1, 0/2 group 2, and 0/1 group 3.

HXB2 Location Nef (172–191)

Author Location Nef (171–190 SF2)

Epitope GMDDPEREVLEWRFDRLAF

Immunogen HIV-1 infection

Species (MHC) human

References Lieberman *et al.* 1997a

- Of 25 patients, most had CTL specific for more than 1 HIV-1 protein.
- Eleven subjects had CTL that could recognize vaccinia-expressed LAI Nef.
- One of these 11 had CTL response to this peptide.
- The responding subject was HLA-A2, B21.

HXB2 Location Nef (175–184)

Author Location Nef (175–184)

Epitope DPEKEVLQWK**Immunogen** HIV-1 infection**Species (MHC)** human (B7)**References** Jin *et al.* 2000b

- This a B7 epitope, a subdominant CTL response, was defined by an un-conventional approach used to predict epitopes in an HLA B7+ long-term non-progressor.
- Three additional sub-dominant HLA B7 epitopes were defined using EpiMatrix, a non-anchor based strategy for defining potential epitopes, which highlighted 2078 possible epitopes in the autologous HIV-1 derived from the study subject, followed by B7 anchor residue prediction which narrowed the set to 55 peptides, three of which could serve as functional CTL epitopes.

HXB2 Location Nef (175–184)**Author Location** Nef**Epitope** DPEKEVLQWK**Subtype** B**Immunogen** HIV-1 infection**Species (MHC)** human (B7)**Donor MHC** A*0301, A*2301, B*0702, B*1503**Country** United States.**Keywords** escape, acute/early infection**References** Bernardin *et al.* 2005

- Full HIV genomes from nine individuals were analyzed for mutations prior to seroconversion and 7 to 28 days later. It was found that the influence of the host's HLA type was reflected within weeks of infection; a statistically significant number of early nonsynonymous mutations were observed within previously reported CTL epitopes.
- K to E mutation was observed in position 10.

HXB2 Location Nef (180–189)**Author Location** Nef (180–189 LAI)**Epitope** VLEWRFDSSL**Subtype** B**Immunogen** HIV-1 infection**Species (MHC)** human (A*0201)**References** Haas *et al.* 1996; Haas *et al.* 1997

- There was a high degree of variation in three CTL epitopes in Nef in four slow and non-progressors, and variant specific CTLs arose over time to eliminate variants, indicating immune selection.
- Noted in Brander *et al.*, 1999 this database, to be A*0201.

HXB2 Location Nef (180–189)**Author Location** Nef (180–189 LAI)**Epitope** VLEWRFDSSL**Subtype** B**Immunogen****Species (MHC)** human (A*0201)**Keywords** optimal epitope**References** Frahm *et al.* 2007

- C. Brander notes this is an A*0201 epitope.

HXB2 Location Nef (180–189)**Author Location** Nef (180–189 LAI)**Epitope** VLMWQFDSRL**Subtype** B**Immunogen** vaccine**Vector/Type:** peptide **Strain:** natural variants **HIV component:** Nef **Adjuvant:** Complete Freund's Adjuvant (CFA)**Species (MHC)** transgenic mouse (A*0201)**Keywords** binding affinity, vaccine-specific epitope characteristics**References** Boissonnas *et al.* 2002

- Ten naturally occurring variants of this epitope were tested for their affinity to HLA-A*0201 and for their ability to induce gamma-IFN and cytotoxic functions through vaccination of HLA-A*0201 transgenic mice.
- Only two variants could induce vaccine responses: VLMWQFDSRL, a high affinity binder, and VLQWRFDSSL a medium affinity binder to A*0201.
- In vivo priming with Nef peptide VLMWQFDSRL induced cross-reactive CTL to 6/7 peptides tested (AlmwKfdsKl, vlmwKfdsrl, vlmwKfdsKl, vIQwRfdsKl, vIVwrfdTrl, and vIAwKlDsrI but not the LAI peptide vIEwrfdsrl)
- In vivo priming with Nef peptide VLQWRFDTRL induced cross-reactive CTL to 3/6 variant Nef peptides (vIMwQfdsrl, vlqwrfdSrl and vIEwrfdsrl).

HXB2 Location Nef (180–189)**Author Location** Nef (190–198)**Epitope** VLEWRFDSSL**Immunogen** vaccine**Vector/Type:** DNA **HIV component:** HIV-1**Species (MHC)** mouse (A*0201)**Keywords** epitope processing, vaccine-specific epitope characteristics, immunodominance**References** Singh *et al.* 2002; Sykes & Johnston 1999

- C3H (H-2k) transgenic mice carrying a fused HLA-A*0201 alpha1 and alpha2 and H-2Dk alpha3 hybrid class I molecule were immunized using an epidermal gene gun with an ubiquitin expression library of 32 plasmids that spanned the HIV-1 genome. Ubiquitin targets the expressed HIV-1 peptides to the proteasome.
- A single immunization with the UB-HIV-1 library vaccine induced potent, stable and multivalent CTL responses against all library members.
- Immunodominant epitopes SLYNTVATL (Gag), ILKEPVHGV (Pol), RIQRGPGRAFVTIGK (Env) and AFHHVAREK (Nef) elicited strong CD8+/IFN- responses and stimulated CTL that were functional in a Cr-release assay and against wild type antigen.
- The presence of multiple plasmids HLA-A*0201-restricted CTL epitopes did not decrease CTL immunogenicity, and CTL responses to single peptide immunizations were comparable to responses based on mixtures of either 16 or 32 peptides.

HXB2 Location Nef (180–189)**Author Location** Nef (180–189)**Epitope** VLEWRFDSSL**Subtype** B**Immunogen** HIV-1 infection**Species (MHC)** human (A*0201)**Country** United States.**Assay type** CD8 T-cell Elispot - IFN γ , CD8 T-cell Elispot granzyme B

Keywords Th1, characterizing CD8+ T cells

References Kleen *et al.* 2004

- Only 20% of CD8+ T-cells produce IFN-gamma and granzyme B simultaneously (Tc1a). Two additional subpopulations of HIV specific CD8 cells are found, each one constituting 30-40% of the CD8 cell pool. One of these (Tc1b) secretes IFN-gamma only, and the other one (Tc1c) secretes GzB only.
- Three of seven patients responded to this peptide with GzB producing cells, while one of the three patients responded with IFN-gamma producing cells.

HXB2 Location Nef (180–189)

Author Location Nef (180–189)

Epitope VLEWRFDSSL

Immunogen *in vitro* stimulation or selection

Species (MHC) human (A2)

Keywords binding affinity, dendritic cells, Th1

References Wilson *et al.* 1999b

- Dendritic cells are the most potent for priming T cell responses – DCs can stimulate autologous CTL responses from T cells cultured from HIV negative donors.
- Th1-biasing cytokines IL-12 or IFN alpha enhance CTL responses *in vitro* whether the epitope is delivered by pulsing from peptide, or expressed from within.
- B7 and A2 Nef epitopes were studied and the relative binding affinity of A2 epitopes for A2 was: PLTFGWYCYKL greater than VLEWRFDSSL which was much greater than AFHHVAREL.

HXB2 Location Nef (180–189)

Author Location Nef (180–189)

Epitope VLEWRFDSSL

Immunogen vaccine

Vector/Type: DNA prime with vaccinia boost

Species (MHC) human (A2)

References Woodberry *et al.* 1999

- A polyepitope vaccine was generated in a vaccinia construct that contiguously encoded seven epitopes, all presented by HLA A-2.
- HHD mice have a transgene of HLA A2 linked to the transmembrane and cytotoxic domains of H-2D^d – this transgene is the only MHC molecule expressed in the mice.
- CTL responses to Gag (77-85) SLYNTVATL, Pol (476-484) ILKEPVHGV, gp120 (120-128) KLTPLCVTL, and Nef (190-198) AFHHVAREL were observed in HIV polytope HHD-vaccinated mice, and these responses were enhanced with vaccinia boost.
- No CTL immune responses were generated against HLA A2-restricted HIV epitopes Nef 157-166 (PLTFGWYCYKL), Pol 346-354 (VIYQMDDL), and Nef 180-189 (VLEWRFDSSL)
- Sixteen HLA A2+ patients were tested for their ability to make CTL responses by peptide restimulation in culture with the epitopes selected for inclusion in the polytope – one individual recognized all seven of these epitopes; 7 patients had CTL cultures able to recognize at least one of the epitopes, and 6 of those 7 recognized more than one epitope, but they were not able to test all peptides for all patients; many patients only had three peptides tested.
- VLEWRFDSSL was recognized by 2 of the HLA-A2 patients.

HXB2 Location Nef (180–189)

Author Location Nef (180–189 LAI)

Epitope VLEWRFDSSL

Epitope name N3

Subtype B

Immunogen HIV-1 infection

Species (MHC) human (A2)

Keywords HAART, ART

References Mollet *et al.* 2000

- A panel of 16 epitopes covering 15 class I alleles was tested in 14 HIV+ patients from an unselected Caucasian population treated with HAART, using CD8+ cell IFN-gamma production to measure responses.
- In general, during the first month of treatment viral load decreased and frequencies of HIV-specific CTL tripled and broadened – eight new HIV specificities that were not previously detectable were newly detected, as were CMV specific CD8+ PBL – but with continued viral suppression, HIV-specific responses diminished.
- Viral rebounds gave different patterns of response: increases or decreases in pre-existing response, new specificities, or no change.

HXB2 Location Nef (180–189)

Author Location Nef (179–188 93TH253 subtype CRF01)

Epitope VLEWRFDSSL

Subtype CRF01_AE

Immunogen HIV-1 infection

Species (MHC) human (A2)

Keywords subtype comparisons

References Bond *et al.* 2001

- More than half of a cohort of HIV+ female sex workers (FSW) from Northern Thailand were HLA-A11 positive, and this study concentrated on A11 epitopes in this group, although E clade versions of previously defined B-clade A2 and A24 epitopes were also tested.
- 0/4 tested FSWs recognized the E clade version of this epitope VLIWKFDSSAL, which differs from the previously defined B clade version by three amino acids, VLEWRFDSSL.

HXB2 Location Nef (180–189)

Author Location Nef (180–189)

Epitope VLEWRFDSSL

Immunogen HIV-1 infection

Species (MHC) human (A2)

Keywords rate of progression, acute/early infection

References Day *et al.* 2001

- The CTL response to optimally defined CTL epitopes restricted by HLA class I A and B alleles in individuals who coexpressed HLA A2, A3, and B7 was studied in eight HIV-1-infected subjects, two with acute infection, five with chronic, and one long-term non-progressor (LTNP)
- 2 to 17 epitopes were recognized in a given individual, A2-restricted CTL response tended to be narrow and never dominated the response, and 25/27 epitopes were targeted by at least one person.

HXB2 Location Nef (180–189)

Author Location Nef (178–187)

Epitope VLEWRFDSSL

Immunogen HIV-1 infection
Species (MHC) human (A2)
Country Spain.
Assay type proliferation, CD8 T-cell Elispot - IFN γ , Flow cytometric T-cell cytokine assay
Keywords HAART, ART, supervised treatment interruptions (STI), immune dysfunction
References Plana *et al.* 2004

- Structured treatment interruption (STI) alone is not able to control viral replication in chronically infected patients, probably due to lack of strong, maintained T-helper cell responses. HIV-1 specific CD8+ T-cell responses were shown to increase significantly until the end of the follow up, but were not correlated with viral load.
- 5/19 patients recognized this epitope.

HXB2 Location Nef (180–189)
Author Location Nef (180–189)
Epitope VLEWRFDSSL
Subtype B
Immunogen HIV-1 infection
Species (MHC) human (A2)
Country United States.
Assay type CD8 T-cell Elispot - IFN γ , Chromium-release assay, HLA binding
Keywords acute/early infection, optimal epitope
References Altfeld *et al.* 2005

- The most frequently targeted HLA-A2-restricted CD8+ T-cell epitopes in chronic infection were significantly less frequently recognized during primary infection. This epitope was only recognized in chronic infection, and even then was recognized infrequently.

HXB2 Location Nef (180–189)
Author Location Nef (180–189 HXB2)
Epitope VLEWRFDSSL
Subtype B, CRF01_AE
Immunogen HIV-1 infection
Species (MHC) human (A2)
Country Viet Nam.
Assay type HLA binding
Keywords subtype comparisons, computational epitope prediction, variant cross-recognition or cross-neutralization, vaccine antigen design
References Lazaro *et al.* 2005

- The most common HLA-alleles in the Vietnamese population were found to be HLA-A11, A02, A33, B75, B46, and B62. Several epitopes cluster in short regions in Gag and Nef that are presented by these HLA molecules; these epitopes may be useful targets for vaccine antigens. In a comparison of CRF01_AE sequences to HXB2, 14 mutations were found in epitopes in these Gag and Nef pluriepitopic regions; 7 did not affect the HLA binding score, 3 increased it, and 4 reduced it.
- CRF01_AE variant IMwKfdsAI had a higher HLA-binding score than the HXB2 epitope, which isn't predicted to bind to A2.

HXB2 Location Nef (181–189)
Author Location Nef (181–189)
Epitope LEWRFDSSL

Epitope name Nef181-189
Immunogen HIV-1 infection
Species (MHC) human (A2)
Country United States.
Assay type CD8 T-cell Elispot - IFN γ
Keywords responses in children, immunodominance, characterizing CD8+ T cells
References Chandwani *et al.* 2004

- Responses to five HLA-A2 presented epitopes in Nef were characterized in a population of 19 HIV infected adults and 21 children. The CD8 T-cell response to Nef was stronger and broader in adults than children, averaging 652 and 87 SFCs/10⁶ PBMC, and 2.6 and 0.9 recognized epitopes per person, respectively.
- This was not the immunodominant response.

HXB2 Location Nef (182–189)
Author Location Nef (182–189)
Epitope EWRFDSSL
Subtype B
Immunogen vaccine
Vector/Type: lipopeptide *Strain:* B clade LAI *HIV component:* Env, Gag, Nef *Adjuvant:* QS21

Species (MHC) human (B8)
Assay type proliferation, CD8 T-cell Elispot - IFN γ , Chromium-release assay
Keywords vaccine-induced epitopes, variant cross-recognition or cross-neutralization
References Gahéry-Ségard *et al.* 2003

- After injection of an anti-HIV-1 lipopeptide vaccine and the booster injections, a response was observed in >85% of 28 volunteers, and a long-term immune response was observed in >50% of the volunteers. A positive effect of QS21 adjuvant was found for B- and CD4+T-cell responses. A higher number of CD8+ T-cell epitopes was induced after a fourth boost injection. This epitope was one of the 31 epitopes that the vaccinated volunteers responded to.

HXB2 Location Nef (182–198)
Author Location Nef (182–198 BRU)
Epitope EWRFDSSLAFHHVAREL
Immunogen HIV-1 infection
Species (MHC) human (A1, B8)
References Hadida *et al.* 1992

- HIV-1 specific CTLs detected in lymphoid organs of HIV-1 infected patients.

HXB2 Location Nef (182–198)
Author Location Nef (182–198 LAI)
Epitope EWRFDSSLAFHHVAREL
Subtype B
Immunogen HIV-1 infection
Species (MHC) human (A2, A25)
References Hadida *et al.* 1995

- The C-terminal region of Nef (182-205) contains multiple CTL epitopes with 5 distinct HLA restrictions.

HXB2 Location Nef (182–198)
Author Location Nef (182–198 BRU)

- Epitope** EWRFD SRLAFHHVAREL
Immunogen HIV-1 infection
Species (MHC) human (A25)
References Cheynier *et al.* 1992
- CTL isolated in children born to HIV-1 positive mothers.
- HXB2 Location** Nef (182–198)
Author Location Nef (182–198 LAI)
Epitope EWRFD SRLAFHHVAREL
Subtype B
Immunogen HIV-1 infection
Species (MHC) human (B35)
References Hadida *et al.* 1995
 - The C-terminal region of Nef (182-205) contains multiple CTL epitopes with 5 distinct HLA restrictions.

HXB2 Location Nef (182–198)
Author Location Nef (182–198 LAI)
Epitope EWRFD SRLAFHHVAREL
Subtype B
Immunogen vaccine
Vector/Type: vaccinia, Mengo virus *Strain:*
 B clade LAI *HIV component:* Nef
Species (MHC) mouse (H-2^d)
References Van der Ryst *et al.* 1998
 - Macaca mulatta did not have a detectable response to Rec Mengo virus-HIV-1 Nef 65-206 vaccine.
 - BALB/c mice had a weak response to this epitope in the Mengo virus construct – in contrast, HIV-1 Nef induces a strong CTL response in mice when presented in a vaccinia background.

HXB2 Location Nef (182–201)
Author Location Nef (191–205 SF2)
Epitope EWRFD SRLAFHHVARELHPE
Immunogen HIV-1 infection
Species (MHC) human
References Lieberman *et al.* 1997a
 - Of 25 patients, most had CTL specific for more than 1 HIV-1 protein.
 - Eleven subjects had CTL that could recognize vaccinia-expressed LAI Nef.
 - One of these 11 had CTL response to this peptide.
 - The responding subject was HLA-A2, B21.

HXB2 Location Nef (182–205)
Author Location Nef (182–205 LAI)
Epitope EWRFD SRLAFHHVARELHPEYFKN
Subtype B
Immunogen vaccine
Vector/Type: lipopeptide
Species (MHC) human
References Gahery-Segard *et al.* 2000
 - Anti-HIV lipopeptide vaccine consisting of six long amino acid peptides derived from Nef, Gag and Env HIV-1 proteins modified by a palmitoyl chain was administered in a phase I trial.
 - A CD4+ T cell proliferative response to at least one of the six peptides was observed in 9/10 vaccinees – 4/10 reacted to this Nef peptide.

- 9/12 tested mounted a CTL response to at least one of the six peptides; each of the six peptides elicited a CTL response in at least one individual.
- None of the 12 tested had an IgG response to this peptide.

HXB2 Location Nef (183–191)

Author Location

Epitope WRFDSRLAF

Epitope name Nef-WF9

Subtype B

Immunogen HIV-1 infection

Species (MHC) human (B*1503)

Donor MHC A*2904 A*3002 B*1503 B*5802 Cw*0202
 Cw*0602

Keywords HAART, ART

References Sabbaj *et al.* 2003

- This study monitored epitope responses in HIV-1 infected minority women living in the United States.
- 24 epitopes were described – 8 were novel, 8 used new restricting elements but were previously defined epitopes, and 8 were previously described.
- Serial peptide truncations were used to define optimal epitopes for CTL cell lines isolated from 12 individuals, assayed by a Cr-release.
- This epitope was newly defined in this study.
- Subject 01RCH50 also recognized the epitope RMRGAHT-NDV, RT(356-365), A*3002 – she was African American, was on HAART, had a viral load of 960 and CD4 count of 728.
- Among HIV+ individuals who carried HLA B15, 3/17 (18%) recognized this epitope.

HXB2 Location Nef (183–191)

Author Location Nef (183–191)

Epitope WRFDSRLAF

Immunogen HIV-1 infection

Species (MHC) human (B*1503)

Keywords optimal epitope

References Frahm *et al.* 2007

HXB2 Location Nef (183–191)

Author Location Nef (183–191)

Epitope WRFDSRLAF

Subtype B

Immunogen HIV-1 infection

Species (MHC) human (B*1503)

Donor MHC A*2301, B*3501, B*1503, Cw2, Cw7

Assay type CD8 T-cell Elispot - IFN γ

Keywords binding affinity, acute/early infection, early-expressed proteins

References Cao *et al.* 2003

- All proteins were scanned and optimal epitopes were mapped in a study of CD8+ gamma IFN T-cell responses in 21 men within 15-92 days post-HIV-1 infection. Subjects initially showed narrow immune responses with a mean of 2.3 epitopes recognized per patient. The immune response broadened later in infection. No correlation between the plasma viral load and the number of recognized epitopes or the frequency of IFN-gamma secreting cells was observed, and there was no correlation between the functional avidity of a responses and the abundance of IFN-secreting cells that recognized the epitope.

The first epitopes to be recognized did not tend to be the most avid, and earliest responses tended to be directed against Nef, Tat, Vpr, and Env.

- All HIV-1 proteins except Vpu were recognized, and a response to a total of 41 optimal epitopes were characterized; 24 had been identified previously. 48% of the total T-cell responses were directed against Nef and 43% were directed against Gag.
- More common HLA alleles were less frequently used in primary infection than less common alleles, for example A3, B35, B57, and B62 were more frequently utilized than A1, A2, A30, and A44.

HXB2 Location Nef (183–191)

Author Location Nef

Epitope WRFDSRLAF

Subtype B

Immunogen HIV-1 infection

Species (MHC) human (B*1503)

Donor MHC A*0301, A*2301, B*0702, B*1503

Country United States.

Keywords escape, acute/early infection

References Bernardin *et al.* 2005

- Full HIV genomes from nine individuals were analyzed for mutations prior to seroconversion and 7 to 28 days later. It was found that the influence of the host's HLA type was reflected within weeks of infection; a statistically significant number of early nonsynonymous mutations were observed within previously reported CTL epitopes.
- K to E mutation was observed in position 2.

HXB2 Location Nef (183–192)

Author Location Nef (183–192)

Epitope WRFDSRLAFH

Subtype B

Immunogen HIV-1 infection

Species (MHC) human (A1)

Donor MHC A1, A3, B7, B57, Cw6, Cw7

Country United States.

Assay type CD8 T-cell Elispot - IFN γ

References Allen *et al.* 2005a

- Two-thirds of all mutations arising in nonenvelope proteins during the transition from acute to chronic infection were found to be due to either CD8 T-cell-associated selective pressures or reversion of HLA-I-associated mutations selected in a previous host. The predominance of escape mutations at highly polymorphic sites was observed across different HIV-1 clades.
- This epitope was reactive, but escape mutations did not accrue in it over time.

HXB2 Location Nef (184–191)

Author Location Nef (184–191 HXB2)

Epitope RFDSRLAF

Subtype B, CRF01_AE

Immunogen HIV-1 infection

Species (MHC) human (A1)

Country Viet Nam.

Assay type HLA binding

Keywords subtype comparisons, computational epitope prediction, variant cross-recognition or cross-neutralization, vaccine antigen design

References Lazaro *et al.* 2005

- The most common HLA-alleles in the Vietnamese population were found to be HLA-A11, A02, A33, B75, B46, and B62. Several epitopes cluster in short regions in Gag and Nef that are presented by these HLA molecules; these epitopes may be useful targets for vaccine antigens. In a comparison of CRF01_AE sequences to HXB2, 14 mutations were found in epitopes in these Gag and Nef pluriepitopic regions; 7 did not affect the HLA binding score, 3 increased it, and 4 reduced it.
- CRF01_AE common variant Kfd5AlaR had same HLA-binding score as the HXB2 epitope.

HXB2 Location Nef (186–193)

Author Location Nef (186–193 LAI)

Epitope DSRLAFHH

Subtype B

Immunogen HIV-1 infection

Species (MHC) human (B35)

References Hadida *et al.* 1995

- The C-terminal region of Nef (182-205) contains multiple CTL epitopes with 5 distinct HLA restrictions.

HXB2 Location Nef (186–194)

Author Location Nef (186–194)

Epitope DSRLAFHHM

Immunogen HIV-1 infection, HIV-1 exposed seronegative

Species (MHC) human (A24)

Keywords HIV exposed persistently seronegative (HEPS)

References Kaul *et al.* 2001a

- ELISPOT was used to study CTL responses to a panel of 54 predefined HIV-1 epitopes in 91 HIV-1-exposed, persistently seronegative (HEPS) and 87 HIV-1-infected female Nairobi sex workers.

HXB2 Location Nef (186–194)

Author Location Nef (186–194)

Epitope DSRLAFHHM

Subtype B

Immunogen HIV-1 infection

Species (MHC) human (A24)

Country United States.

Assay type CD8 T-cell Elispot - IFN γ , CD8 T-cell Elispot granzyme B

Keywords Th1, characterizing CD8+ T cells

References Kleen *et al.* 2004

- Only 20% of CD8+ T-cells produce IFN-gamma and granzyme B simultaneously (Tc1a). Two additional subpopulations of HIV specific CD8 cells are found, each one constituting 30-40% of the CD8 cell pool. One of these (Tc1b) secretes IFN-gamma only, and the other one (Tc1c) secretes GzB only.
- Two of seven patients responded to this peptide with GzB producing cells, while none of the patients responded with IFN-gamma producing cells.

HXB2 Location Nef (186–194)

Author Location Nef (186–194)

Epitope DSRLAFHHM
Epitope name DM9
Subtype B
Immunogen HIV-1 infection
Species (MHC) human (A24)
Donor MHC A*24, A*31, B*47, B*15, Cw*04, Cw*07; A*24, A*30, B*39, B*47, Cw*12, Cw*17; A*24, A*23, B*39, B*07, Cw*12, Cw*17
Country United Kingdom.
Assay type CD8 T-cell Elispot - IFN γ
Keywords responses in children, mother-to-infant transmission, escape, acute/early infection, reversion, viral fitness
References Sanchez-Merino *et al.* 2005

- CD8 T-cell responses were examined in mother-infant pairs. Escape variants were commonly detected in maternal plasma. Early infant plasma viruses showed heterogeneity of gag and nef gene sequences as well as mother-to-child transmission of CD8 T-cell escape variants. The stability of escape mutants in the infant over time was determined by infant HLA haplotype and viral fitness. Sequential plasma specimens from infants showed changes in CD8 T-cell epitope sequences, suggesting that infants are capable of generating virus-specific CD8 T-cell responses.
- DSRLAFHHM is the known A24 epitope. A known escape variant, DSRLAFqHM, was transmitted from an A24- mother to her A24+ infant, where it was gradually lost over time, present in 6/10 clones at 2 months, 7/10 at 4 months, and 0/10 at 15 months.
- Another escape variant was present in an A24+ mother, DStLAFqHk and this form was transmitted to her A24+ infant where it persisted in 30/30 sequences sampled over 12 months.
- DSRLAFHHM had higher responder cell frequencies in the A24+ mother than DStLAFqHk. Her A24+ infant did not recognize either form. The variant DSRLAFqHM also stimulated lower responder cell frequencies.

HXB2 Location Nef (186–194)
Author Location Nef (186–194 BRU)
Epitope DSRLAFHHV
Immunogen
Species (MHC) human (B51)
References Connan *et al.* 1994

- Resulted in the assembly of HLA-B51.

HXB2 Location Nef (186–194)
Author Location Nef (186–194)
Epitope DSRLAFHHV
Immunogen HIV-1 infection
Species (MHC) human (B51)
Donor MHC A03, A32, B51, B15, Cw03, Cw06, DR4, DR8, DQ7
Country Netherlands.
Assay type CD8 T-cell Elispot - IFN γ , Flow cytometric T-cell cytokine assay
Keywords rate of progression, escape
References Geels *et al.* 2003

- Both stable potential epitopes and epitopes with escape mutations were found in a patient with increasing viral load over a time period of 4 years. Fixation of escape mutations occurred sequentially and correlated with the rise in viral load and with the increased number of productively infected cells.
- This is one of 7 epitopes from this individual that varied over time, although the internal mutations did not become fixed. The dsLlaLRhM variant residues arose at early time points, and the dsrlaVhhv variant residue arose at intermediate time points.

HXB2 Location Nef (186–194)

Author Location Nef

Epitope DSRLAFHHV

Epitope name DV9

Subtype B

Immunogen HIV-1 infection

Species (MHC) human

Donor MHC A28, A29, B14, B44, Cw8

Country United States.

Assay type CD8 T-cell Elispot - IFN γ

Keywords subtype comparisons, escape, characterizing CD8+ T cells, reversion, viral fitness

References Allen *et al.* 2005a

- Two-thirds of all mutations arising in nonenvelope proteins during the transition from acute to chronic infection were found to be due to either CD8 T-cell-associated selective pressures or reversion of HLA-I-associated mutations selected in a previous host. The predominance of escape mutations at highly polymorphic sites was observed across different HIV-1 clades.
- An escape mutation at position 7, DSRLAFqHV, was found not to correspond to the most polymorphic residue in the epitope. This is a novel unmapped epitope.

HXB2 Location Nef (188–196)

Author Location Nef (192–200 SF2)

Epitope KLAFFHHMAR

Subtype B

Immunogen HIV-1 infection, computer prediction

Species (MHC) human (A*3303)

Assay type Chromium-release assay

Keywords binding affinity, computational epitope prediction

References Hossain *et al.* 2003

- HLA-A*3303 is a common HLA allele in east and southeast Asia. Pol, Gag and Nef SF2 proteins were scanned for potential A*3303 epitopes. 99 potential epitopes were synthesized, and 52/99 bound to A*3303. Six of these served as peptide-targets for lysis by PBMC from infected individuals, and clones derived from 4 of these 6 could lyse HIV-vaccinia infected target cells, indicating proper processing.
- This epitope is one of the 2/6 peptides that could induce CTL responses in the PBMC of infected individuals, but was not properly processed in a vaccinia-HIV infected target cell.

HXB2 Location Nef (188–196)

Author Location Nef (188–196 LAI)

Epitope RLAFFHHVAR

Subtype B

Immunogen HIV-1 infection

Species (MHC) human (B52)

References Hadida *et al.* 1995

- The C-terminal region of Nef (182-205) contains multiple CTL epitopes with 5 distinct HLA restrictions.

HXB2 Location Nef (188–201)**Author Location** Nef (188–201 LAI)**Epitope** RLAFFHHVARELHPE**Subtype** B**Immunogen** HIV-1 infection**Species (MHC)** human (B35, Cw4)**References** Buseyne *et al.* 1993a

- Vertical transmission of HIV ranges from 13% to 39%
- Primary assays showed that cytotoxic activity against at least one HIV protein was detected in 70% of infected children.
- Epitopes recognized in five children were mapped using synthetic peptides and secondary cultures.
- Patient EM13, who had a CTL response to three epitopes in Nef, was infected via blood transfusion after birth and went from CDC stage P2A to P2E during the study.

HXB2 Location Nef (189–198)**Author Location** Nef (189–198)**Epitope** LAFHHVAREL**Subtype** C**Immunogen** HIV-1 infection**Species (MHC)** human (A*6901)**Country** India.**Assay type** CD8 T-cell Elispot - IFN γ **Keywords** subtype comparisons, computational epitope prediction, immunodominance**References** Thakar *et al.* 2005

- PBMCs from HIV-1 infected Indian subjects were tested for HIV-1 Gag (with C clade peptides), Nef (with B clade peptides), and Env (clade unspecified) specific T-cell responses. 5 immunodominant regions conserved across clades were identified in Gag and Nef. 3 antigenic regions were found to be recognized by CTLs in the Indian subjects; these regions were not identified as immunodominant in studies from Africa. 26 epitopes were predicted within reactive peptides, of which 90% were clustered in the conserved immunodominant regions of Gag and Nef. 3 of the epitopes were highly conserved across clades, and 7 novel epitopes were found.

HXB2 Location Nef (190–198)**Author Location** Nef**Epitope** AFHHVAREL**Epitope name** Nef AL9**Immunogen** HIV-1 infection**Species (MHC)** human (A*0201)**Keywords** subtype comparisons, supertype, computational epitope prediction**References** Altfeld *et al.* 2001c

- HIV was scanned for all peptides which carried the A2-supermotif pattern conserved in more than 50% of B clade sequences – 233 peptides met this criteria, and 30 of these bound to HLA-A*0201 – 20/30 bound to at least 3/5 of HLA-A2 supertype alleles tested.

- Three additional previously described HLA-A2 epitopes were added to the set of 20, including Nef AL9, and 18/22 chronically infected HLA-A2 individuals had CTL that recognized at least one of the 23 peptides (median of 2 and maximum of 6), while 6/12 acute infected individuals recognized at least 1 (median of 1 and maximum of 2)
- RT VL9 was not recognized by any of the 22 HLA-A2 patients with chronic HIV-1 infection or the 13 HLA-A2 patients with acute HIV-1 infection included in this study.

HXB2 Location Nef (190–198)**Author Location** Nef**Epitope** ALKHRAYEL**Subtype** A**Immunogen** HIV-1 infection, vaccine*Vector/Type:* DNA prime with modified vaccinia Ankara (MVA) boost *Strain:* A clade
HIV component: p17 Gag, p24 Gag**Species (MHC)** human, macaque (A*0201)**Keywords** subtype comparisons, epitope processing, immunodominance**References** Hanke & McMichael 2000; Wee *et al.* 2002

- The HIV-1 subtype A focused vaccine HIVA contains p24 and p17, in a reversed order relative to the Gag polyprotein to prevent myristylation of p17, which could direct the protein to the cell membrane and inhibit efficient peptide processing and class I presentation, as well as a polyepitope string of conserved, often immunodominant epitopes that were selected to have particularly good cross-reactive potential for the A-clade epidemic in Nairobi, Kenya. A DNA and MVA prime-boost vaccination protocol using the HIVA antigen will be used in a phase III clinical trial in Kenya. This epitope is included in the polyepitope string Hanke & McMichael [2000].
- Multiple CD4+ or CD8+ T-cell vaccine-induced responses to peptide pools were detected using intracellular cytokine staining and IFN γ Elispot assays after vaccination of 5 macaques. The response to the Mamu A*01 SIV p27 epitope p11C (CTPYDINQM), included in the polyepitope region, was not immunodominant in the Mamu A*01 vaccinated macaques, possibly because of processing limitations in context of the artificial polyepitope string Wee *et al.* [2002].

HXB2 Location Nef (190–198)**Author Location** Nef (190–198 LAI)**Epitope** AFHHVAREL**Subtype** B**Immunogen** HIV-1 exposed seronegative**Species (MHC)** human (A2)**Keywords** subtype comparisons, HIV exposed persistently seronegative (HEPS)**References** Rowland-Jones *et al.* 1998a

- CTL recognition reported in the context of HLA-B52 and A2.1, A2.2 and A2.4.
- A CTL response was found in exposed but uninfected prostitutes from Nairobi using previously-defined B clade epitopes that tended to be conserved in A and D clades – such cross-reactivity could protect against both A and D and confer protection in Nairobi where both subtypes are circulating.
- The A subtype consensus is ALKHRAYEL.
- The D subtype consensus is AfEHKAREm.

- Hunziker *et al.* [1998] suggests that HLA-A2 does not in fact present this epitope, and notes that it does not promote A2 assembly Connan *et al.* [1994] – also see Brander *et al.* [1998b]
- Hunziker *et al.* [1998] maintains that HLA-A2 does not present this epitope contrary to an earlier report Hadida *et al.* [1995], (also see Brander *et al.* [1998a])—despite the position of Hunziker *et al.*, Rowland-Jones and colleagues are confident that this epitope in its A clade form is presented by HLA-A*0201 and A*0202, and it is one of the most common responses seen in both seropositive and exposed-uninfected donors from Nairobi (Rupert Kaul, pers. comm.)

HXB2 Location Nef (190–198)

Author Location Nef (190–198)

Epitope AFHHVAREL

Immunogen *in vitro* stimulation or selection

Species (MHC) human (A2)

Keywords binding affinity, dendritic cells, Th1

References Wilson *et al.* 1999b

- Dendritic cells are the most potent for priming T cell responses – DCs can stimulate autologous CTL responses from T cells cultured from HIV negative donors.
- Th1-biasing cytokines IL-12 or IFN alpha enhance CTL responses *in vitro* whether the epitope is delivered by pulsing from peptide, or expressed from within.
- B7 and A2 Nef epitopes were studied and the relative binding affinity of A2 epitopes for A2 was: PLTFGWCYKL greater than VLEWRFD SRL which was much greater than AFHHVAREL.

HXB2 Location Nef (190–198)

Author Location Nef (190–198)

Epitope AFHHVAREL

Immunogen vaccine

Vector/Type: vaccinia

Species (MHC) human (A2)

References Woodberry *et al.* 1999

- A polyepitope vaccine was generated in a vaccinia construct that contiguously encoded seven epitopes, all presented by HLA A-2.
- HHD mice have a transgene of HLA A2 linked to the transmembrane and cytotoxic domains of H-2D^d – this transgene is the only MHC molecule expressed in the mice.
- CTL responses to Gag (77-85) SLYNTVATL, Pol (476-484) ILKEPVHGV, gp120 (120-128) KLTPLCVTL, and Nef (190-198) AFHHVAREL were observed in HIV polytope HHD-vaccinated mice, and these responses were enhanced with vaccinia boost.
- No CTL immune responses were generated against HLA A2-restricted HIV epitopes Nef 157-166 (PLTFGWCYKL), Pol 346-354 (VIYQYMDDL), and Nef 180-189 (VLEWRFD SRL)
- Sixteen HLA A2+ patients were tested for their ability to make CTL responses by peptide restimulation in culture with the epitopes selected for inclusion in the polytope – one individual recognized all seven of these epitopes; 7 patients had CTL cultures able to recognize at least one of the epitopes, and 6 of those 7 recognized more than one epitope, but they were not able to test all peptides for all patients; many patients only had three peptides tested.
- AFHHVAREL was recognized by 2 of the patients.

HXB2 Location Nef (190–198)

Author Location Nef (190–198 SF2)

Epitope AFHHVAREL

Immunogen HIV-1 infection

Species (MHC) human (A2)

Keywords HAART, ART, acute/early infection

References Altfeld *et al.* 2001b

- Therapy provided during acute infection resulted in a narrower CTL response, stronger T help response, and a less diverse viral population than was seen in individuals treated during chronic infection.
- The breadth and specificity of the response was determined using ELISPOT by studying 19 individuals with pre-seroconversion therapy (Group 1), 11 individuals with primary infection but post-seroconversion therapy (Group 2), and 10 individuals who responded to HAART given during chronic infection (Group 3), using 259 overlapping peptides spanning p17, p24, RT, gp41, gp120 and Nef.
- Previously described and newly defined optimal epitopes were tested for CTL response.
- Number of HLA-A2+ individuals that had a CTL response to this epitope broken down by group: 0/10 group 1, 1/6 group 2, and 0/4 group 3.

HXB2 Location Nef (190–198)

Author Location Nef (190–198)

Epitope ALKHRAYEL

Immunogen HIV-1 infection, HIV-1 exposed seronegative

Species (MHC) human (A2)

Keywords subtype comparisons, HIV exposed persistently seronegative (HEPS)

References Kaul *et al.* 2001a

- Variants ALKHRAYEL and AFHHVAREL are A/B clade specific.
- ELISPOT was used to study CTL responses to a panel of 54 predefined HIV-1 epitopes in 91 HIV-1-exposed, persistently seronegative (HEPS) and 87 HIV-1-infected female Nairobi sex workers.

HXB2 Location Nef (190–198)

Author Location Nef (190–)

Epitope AFHHVAREL

Epitope name Nef190

Immunogen HIV-1 infection

Species (MHC) human (A2)

Assay type CD8 T-cell Elispot - IFN γ , Chromium-release assay, Flow cytometric T-cell cytokine assay

Keywords binding affinity, subtype comparisons, computational epitope prediction

References Corbet *et al.* 2003

- HLA-A2-restricted HIV-1 CTL epitopes were computationally predicted. Binding affinities for HLA-A*0204, immunogenicity in HLA-A*0201 transgenic mice, and responses to the peptides in 17 HIV-1 infected patients were tested. 31 novel conserved A2 epitopes were detected. An average of 4 epitopes were recognized per patient.
- This epitope was one of the previously identified HLA-A2 epitopes studied.
- None of the 17 HIV-infected HLA-A2+ people in this study recognized this epitope.

HXB2 Location Nef (190–198)
Author Location Nef (190–198)
Epitope ALHHVAREL
Subtype B
Immunogen vaccine
Vector/Type: lipopeptide *Strain:* B clade LAI *HIV component:* Env, Gag, Nef *Adjuvant:* QS21
Species (MHC) human (A2)
Assay type proliferation, CD8 T-cell Elispot - IFN γ , Chromium-release assay
Keywords vaccine-induced epitopes
References Gahéry-Ségard *et al.* 2003

- After injection of an anti-HIV-1 lipopeptide vaccine and the booster injections, a response was observed in >85% of 28 volunteers, and a long-term immune response was observed in >50% of the volunteers. A positive effect of QS21 adjuvant was found for B- and CD4+T-cell responses. A higher number of CD8+ T-cell epitopes was induced after a fourth boost injection. This epitope was one of 31 that the vaccinated volunteers responded to.

HXB2 Location Nef (190–198)
Author Location Nef (subtype B)
Epitope AFHHVAREL
Subtype B
Immunogen HIV-1 exposed seronegative
Species (MHC) human (A2, A*0202, A*0201)
Keywords subtype comparisons
References Rowland-Jones *et al.* 1998b

- HIV-specific CTL were found in exposed seronegative prostitutes from Nairobi – these CTL may confer protection.
- Seroprevalence in this cohort is 90-95% and their HIV-1 exposure is among the highest in the world.
- Most isolated HIV strains are clade A in Nairobi, although clades C and D are also found – B clade epitopes are often cross-reactive, however stronger responses are frequently observed using A or D clade versions of epitopes.
- Clade A version of the epitope: ALKHRAYEL, Clade D epitope: AFEHKAREM.
- This epitope was recognized by two different exposed and uninfected prostitutes.

HXB2 Location Nef (190–198)
Author Location Nef (190–198)
Epitope AFHHVAREL
Subtype B
Immunogen HIV-1 infection
Species (MHC) human (A2, B52)
Country United States.
Assay type CD8 T-cell Elispot - IFN γ , CD8 T-cell Elispot granzyme B
Keywords Th1, characterizing CD8+ T cells
References Kleen *et al.* 2004

- Only 20% of CD8+ T-cells produce IFN-gamma and granzyme B simultaneously (Tc1a). Two additional subpopulations of HIV specific CD8 cells are found, each one constituting 30-40% of the CD8 cell pool. One of these (Tc1b) secretes IFN-gamma only, and the other one (Tc1c) secretes GzB only.

- Three of seven patients responded to this peptide with GzB producing cells, while one of three patients also responded with IFN-gamma producing cells.

HXB2 Location Nef (190–198)
Author Location Nef (190–198 HXB2)
Epitope AFHHVAREL
Subtype B, CRF01_AE
Immunogen HIV-1 infection
Species (MHC) human (A24)
Country Viet Nam.
Assay type HLA binding
Keywords subtype comparisons, computational epitope prediction, escape, variant cross-recognition or cross-neutralization, vaccine antigen design
References Lazaro *et al.* 2005

- The most common HLA-alleles in the Vietnamese population were found to be HLA-A11, A02, A33, B75, B46, and B62. Several epitopes cluster in short regions in Gag and Nef that are presented by these HLA molecules; these epitopes may be useful targets for vaccine antigens. In a comparison of CRF01_AE sequences to HXB2, 14 mutations were found in epitopes in these Gag and Nef pluriepitopic regions; 7 did not affect the HLA binding score, 3 increased it, and 4 reduced it.
- ArrHiAREL, ArtHiAREL, and ArkHiAREL variants are the three forms found in CRF01, and none are predicted to bind to A24.

HXB2 Location Nef (190–198)
Author Location Nef (190–198 LAI)
Epitope AFHHVAREK
Subtype B
Immunogen HIV-1 infection
Species (MHC) human (A3)
References Hadida *et al.* 1995

- Naturally occurring L to K anchor substitution abrogates A2 binding, but permits HLA-A3 binding.

HXB2 Location Nef (190–198)
Author Location Nef (190–198)
Epitope AFHHVAREK
Immunogen HIV-1 infection
Species (MHC) human (A3)
Country Spain.
Assay type proliferation, CD8 T-cell Elispot - IFN γ , Flow cytometric T-cell cytokine assay
Keywords HAART, ART, supervised treatment interruptions (STI), immune dysfunction
References Plana *et al.* 2004

- Structured treatment interruption (STI) alone is not able to control viral replication in chronically infected patients, probably due to lack of strong, maintained T-helper cell responses. HIV-1 specific CD8+ T-cell responses were shown to increase significantly until the end of the follow up, but were not correlated with viral load.
- Less than 2 of 14 patients recognized this epitope.

HXB2 Location Nef (190–198)
Author Location Nef (190–198)

- Epitope** AFHHVAREK
Epitope name AL9
Immunogen HIV-1 infection
Species (MHC) human (A3)
Donor MHC A*03, A*31, B*08, B*15, Cw*04, Cw*07
Country United Kingdom.
Assay type CD8 T-cell Elispot - IFN γ
Keywords responses in children, mother-to-infant transmission, escape, characterizing CD8+ T cells, reversion, viral fitness
References Sanchez-Merino *et al.* 2005
- CD8 T-cell responses were examined in mother-infant pairs. Escape variants were commonly detected in maternal plasma. Early infant plasma viruses showed heterogeneity of gag and nef gene sequences as well as mother-to-child transmission of CD8 T-cell escape variants. The stability of escape mutants in the infant over time was determined by infant HLA haplotype and viral fitness. Sequential plasma specimens from infants showed changes in CD8 T-cell epitope sequences, suggesting that infants are capable of generating virus-specific CD8 T-cell responses.
 - AFHHVAREK is an A3 epitope, and a mixture of variants was present in the mother and in her A3- (A31+) infant at 2 months. One of the variants was AFqHmAREI, and this form was not found in 10 clones at the 15 month time point.

- HXB2 Location** Nef (190–198)
Author Location Nef (190–198)
Epitope AFHHVAREK
Immunogen HIV-1 infection
Species (MHC) human (B51)
Donor MHC A03, A32, B51, B15, Cw03, Cw06, DR4, DR8, DQ7
Country Netherlands.
Assay type CD8 T-cell Elispot - IFN γ , Flow cytometric T-cell cytokine assay
Keywords rate of progression, escape
References Geels *et al.* 2003
- Both stable potential epitopes and epitopes with escape mutations were found in a patient with increasing viral load over a time period of 4 years. Fixation of escape mutations occurred sequentially and correlated with the rise in viral load and with the increased number of productively infected cells.
 - This is one of 7 epitopes from this individual that varied over time, although the internal mutations did not become fixed. The aLRhMarek variant residues arose at early time points, the aVhhvarek variant residue arose at intermediate time points, and afhhvaXeI variant residues arose at late time points.

- HXB2 Location** Nef (190–198)
Author Location
Epitope ALKHRAYEL
Immunogen HIV-1 infection
Species (MHC) human
Keywords HIV exposed persistently seronegative (HEPS)
References Kaul *et al.* 2001c

- This study examines CTL responses in HIV exposed, persistently seronegative individuals, HEPS, who eventually seroconverted – 11/114 HEPS Nairobi sex workers eventually seroconverted, and for six of these HIV CTL reactive epitopes had been defined while seronegative.
- The epidemiological factor associated with seroconversion was stopping sex work. HIV-specific CTL activity declined when HEPS sex workers stopped working for a period or retired.
- This epitope was in 1/22 HEPS controls, ML1749.

- HXB2 Location** Nef (190–206)
Author Location Nef
Epitope AFRHMARELHPEYYKNC
Subtype B
Immunogen HIV-1 infection
Species (MHC) human
Donor MHC A1, A3, B7, B57, Cw6, Cw7
Country United States.
Assay type CD8 T-cell Elispot - IFN γ
Keywords subtype comparisons, escape, characterizing CD8+ T cells, reversion, viral fitness
References Allen *et al.* 2005a
- Two-thirds of all mutations arising in nonenvelope proteins during the transition from acute to chronic infection were found to be due to either CD8 T-cell-associated selective pressures or reversion of HLA-I-associated mutations selected in a previous host. The predominance of escape mutations at highly polymorphic sites was observed across different HIV-1 clades.
 - Novel unmapped epitope.
 - AFRHMARELHPEYYKNC acquired a substitution over time, AFRHMAREmHPEYYKNC.

- HXB2 Location** Nef (192–206)
Author Location Nef (192–206 BRU)
Epitope HHVARELHPEYFKNC
Immunogen HIV-1 infection
Species (MHC) human (A1)
References Hadida *et al.* 1992
- HIV-1 specific CTLs detected in lymphoid organs of HIV-1 infected patients.

- HXB2 Location** Nef (195–202)
Author Location Nef (195–202)
Epitope ARELHPEY
Subtype B
Immunogen vaccine
Vector/Type: lipopeptide *Strain:* B clade LAI *HIV component:* Env, Gag, Nef *Adjuvant:* QS21
Species (MHC) human (A1)
Assay type proliferation, CD8 T-cell Elispot - IFN γ , Chromium-release assay
Keywords vaccine-induced epitopes, variant cross-recognition or cross-neutralization
References Gahéry-Ségard *et al.* 2003

- After injection of an anti-HIV-1 lipopeptide vaccine and the booster injections, a response was observed in >85% of 28 volunteers, and a long-term immune response was observed in >50% of the volunteers. A positive effect of QS21 adjuvant was found for B- and CD4+T-cell responses. A higher number of CD8+ T-cell epitopes was induced after a fourth boost injection. This epitope was one of 31 that were recognized in the vaccinees.

HXB2 Location Nef (195–202)

Author Location Nef (195–202 BRU)

Epitope ARELHPEY

Subtype B, CRF02_AG

Immunogen HIV-1 infection

Species (MHC) human (A1)

Country Cote D'Ivoire.

Assay type CD8 T-cell Elispot - IFN γ

Keywords subtype comparisons

References Inwoley *et al.* 2005

- CD8+ T-cells from HIV-1 CRF02_AG-infected Ivorians could recognize clade B epitopes. No difference was observed in the number of recognized peptide pools between nine French subtype B infected study subjects, and nine CRF02_AG infected Ivorian subjects.
- This epitope was recognized by 0/9 CRF02_AG-infected patients, and by 1/9 B-infected patients. Sequence variants with two amino acid substitutions were found in 5/6 Ivorian subjects.
- An epitope variant was found in 1/4 French patients, and it happened to be the one patient that recognized the epitope: AREmHPEY.

HXB2 Location Nef

Author Location Nef

Epitope

Immunogen HIV-1 infection

Species (MHC) human (A*0201, Cw*08)

References Shacklett *et al.* 2000

- HIV-1 specific, MHC class I-restricted CTL killing was detected in duodenal and rectal gut associated lymphoid tissue (GALT) sites from three infected individuals – the distribution of class I restricted CTL was different in the peripheral blood samples and GALT samples.

HXB2 Location Nef

Author Location Nef

Epitope

Subtype B

Immunogen HIV-1 infection

Species (MHC) human (B*35)

Keywords rate of progression

References Jin *et al.* 2002

- Patients with HLA-B*35 variants B*3502, B*3503, B*3504, and B*5301 tend to proceed to AIDS more quickly than those with B*3501.
- Of 32 patients with HLA-B*35 alleles CD8+ CTL responses were quantified using an intracellular cytokine staining assay – 75% had responses to Pol, 69% to Gag, 50% to Nef, and 41% to Env.

- The overall magnitude of CTL responses did not differ between those bearing B*3501 and the others. A higher percentage of Gag responses was observed in those that had lower RNA levels that carried B*3501, and there was a negative association with viral load and CTL activity. The data is consistent with higher levels of CTL responses contributing to protection in B*3501 individuals, but not in B*3502, B*3503, B*3504, and B*5301 individuals.

HXB2 Location Nef

Author Location Nef

Epitope

Subtype B

Immunogen vaccine

Vector/Type: DNA *Strain:* B clade NL43

HIV component: Nef *Adjuvant:* Bupivacaine

Species (MHC) mouse (H-2^d)

Assay type CD8 T-cell Elispot - IFN γ

Keywords class I down-regulation by Nef, vaccine antigen design

References Majumder *et al.* 2003

- Non-functional Nef vaccine constructs that do not down-regulate class I or CD4 proteins are shown to be capable of inducing primary and memory T cell immune response after DNA vaccination in BALB/c mice, which makes them good candidates for vaccines.
- The responses to peptide pools suggest the C-terminal region of Nef is more immunogenic (the two most reactive peptide pools spanned positions 126-175, and positions 166-215).

HXB2 Location Nef

Author Location Nef (BRU)

Epitope

Immunogen vaccine

Vector/Type: DNA *Strain:* B clade BRU

HIV component: Nef

Species (MHC) mouse (H-2D^d)

References Collings *et al.* 1999

- A comparison of DNA vaccination with HIV-1 Nef expression vectors pBN-CMV-NEF and pBN-RSV-NEF (self-replicating), pCGE2-NEF (non-replicating).
- CTL immune responses were detected using all three expression vectors, while a humoral immune response to Nef was only observed in the self-replicating expression vectors; possibly antibody responses require higher levels of protein expression.

HXB2 Location Nef

Author Location Nef (SIV)

Epitope

Immunogen SIV infection

Species (MHC) macaque (Mamu-A*11, Mamu-B*03, Mamu-B*04, Mamu-B*17)

References Dzuris *et al.* 2000

- Cell binding assays for Mamu molecules were employed to describe the peptide binding motifs for Mamu-A*11, -B*03, -B*03, -B*04, and -B*17 CTL epitopes – a similarity for Mamu-A*11 and -B*03 and human HLA-B*44 and -B*27, respectively, was observed – all epitopes studied were SIV epitopes, so not specifically listed here.

HXB2 Location Nef**Author Location** Nef (IIIB)**Epitope****Immunogen** HIV-1 infection**Species (MHC)** human**Keywords** rate of progression, Th1**References** Wasik *et al.* 2000

- HIV+ infants that progressed rapidly to AIDS had lower Th1 responses and decreased production of beta-chemokines and IL-2 relative to other HIV+ infants.
- No HIV+ infants had no demonstrable CTL at birth, but Th1 responses accompanied by CTL responses developed in children with slowly progressive disease, and not in rapid progressors.
- CTLp frequencies were determined by limiting dilution using autologous B cells infected with vaccina/HIV constructs.

HXB2 Location Nef**Author Location** Nef**Epitope****Immunogen** HIV-1 infection**Species (MHC)** human**References** De Maria *et al.* 1997

- CD3+ cells that also carry a natural killer cell receptor (NKR+) can exhibit down regulation of T cell function.
- Anti-NKR IgM MAb masked this inhibitory function and increased HIV-1 specific CTL activity in phytohemagglutinin-activated PBMC cultured in the presence of IL-2 from 3/5 patients, and in one other case anti-NKR MAb brought HIV-1 specific CTL activity to detectable levels.

HXB2 Location Nef**Author Location** Nef**Epitope****Immunogen** HIV-1 infection**Species (MHC)** human**References** Lubaki *et al.* 1999

- Three strategies were used to analyze CTL activity: area under the net HIV-specific lysis curve (ACU), linear regression (LR) of net specific lysis, and the standard method, lytic units (LU20)
- A correlation between low HIV plasma viral load and increased levels of HIV-specific Gag and Nef CTL activity was observed using ACU and LR, but not LU20.

HXB2 Location Nef**Author Location** Nef (LAI)**Epitope****Subtype** B**Immunogen** vaccine

Vector/Type: canarypox prime with gp120 boost
Strain: B clade LAI, B clade SF2
HIV component: Env, Gag, Nef, Protease

Species (MHC) human**References** Gorse *et al.* 1999b

- The vaccine used was rec canarypox expressing HIV-1 env, gag, pol, nef and protease (vCP300) with or without administration of HIV-1 SF-2 rgp120.
- In vitro inducible CTL activity against HIV-1 Env, Gag, Pol, and Nef antigens was observed in 79% (15 of 19) of vaccine recipients.

- The combination of vCP300 and vP1291 together resulted in an overall increase in CTL induction and detection sensitivity.

HXB2 Location Nef**Author Location** Nef**Epitope****Immunogen** HIV-1 infection**Species (MHC)** human**Keywords** TCR usage**References** Gamberg *et al.* 1999

- 13/13 subjects with advanced HIV infections showed CD8 T cell proliferation and differentiation of CTL *in vitro*, and six individuals showed HIV-specific responses to Gag, Pol, Env or Nef antigens.
- Data suggests that the functional and genetic integrity of the CD8 T cell repertoire (TCR betaV gene intrafamily genetic diversity) remains intact through advanced HIV infection, although HIV-specific CTL activity decreases.

HXB2 Location Nef**Author Location** Nef**Epitope****Immunogen** vaccine

Vector/Type: DNA
HIV component: Nef, Rev, Tat

Species (MHC) human**Keywords** HAART, ART**References** Calarota *et al.* 1999

- 9/9 HIV-1 + subjects were given one of three DNA vaccinations for nef, rev or tat, and novel proliferative and CTL responses were generated.
- The nef DNA immunization induced the highest and most consistent CTLp activity, IFN-gamma production, and IL-6 and IgG responses.
- Highly active antiretroviral treatment (HAART) did not induce new HIV-specific CTL responses but reduced viral load, while DNA vaccination induced new immune responses but did not reduce viral load – thus this is a potentially complementary and promising combination.

HXB2 Location Nef**Author Location** Nef (LAI)**Epitope****Subtype** B**Immunogen** HIV-1 infection**Species (MHC)** human**References** Buseyne *et al.* 1998a

- This study showed a correlation between strong CTL memory and breadth of response in 7-12 month old infants, and remaining AIDS-free for the first year of life, higher absolute CD4 and CD8 cells, and lower viral load.

HXB2 Location Nef**Author Location** Nef (LAI)**Epitope****Subtype** B**Immunogen** HIV-1 infection**Species (MHC)** human**Keywords** subtype comparisons**References** Buseyne *et al.* 1998b

- In infants with positive CTL responses, most responses showed cross-clade reactivity with somewhat diminished recognition of epitopes from different subtypes.

HXB2 Location Nef
Author Location Nef (LAI)
Epitope
Subtype B
Immunogen vaccine
Vector/Type: canarypox *HIV component:*
 Gag, gp120, gp41, Nef, Protease, RT

Species (MHC) human

References Evans *et al.* 1999

- A Canarypox vaccine expressing gp120, gp41, Gag, Protease, Nef and Pol CTL epitopes gave rise to CTL that could be detected in 61% of the volunteers – responses to Gag, Env, Nef and Pol were detected 3-6 months after the last vaccination.

HXB2 Location Nef
Author Location Nef
Epitope
Immunogen HIV-1 infection
Species (MHC) human
References da Silva & Hughes 1998

- CTL dense regions of Nef tend to lie in conserved domains with low non-synonymous substitution per site – authors consider that this may be due to a host adaptation to infection that focuses the CTL response to be directed against conserved functional domains da Silva & Hughes [1998]

HXB2 Location Nef
Author Location Nef (LAI)
Epitope
Subtype B
Immunogen HIV-1 infection
Species (MHC) human
References Legrand *et al.* 1997

- Seventeen recently infected patients were tested for CTL response to HIV proteins Env, Gag, Pol, Rev, Nef, Vif and Tat.
- An early response (within a month following PI) was noted in 87% of the subjects to Gag, 75% to Env, and 50% to Nef.
- Early responses to Pol, Rev, Vif and Tat were rare.

HXB2 Location Nef
Author Location Nef (LAI)
Epitope
Subtype B
Immunogen HIV-1 infection
Species (MHC) human
Keywords rate of progression
References Zerhouni *et al.* 1997

- CTL responses to Env, Gag, Nef and RT were tested at various phases of disease progression – 10 asymptomatic patients generally had CTL responses to all proteins, 10 ARC patients responded well to all proteins except Nef, and AIDS patients had few responses to any proteins.

HXB2 Location Nef
Author Location Nef
Epitope

Immunogen HIV-1 infection
Species (MHC)
Keywords epitope processing
References Kuiken *et al.* 1999

- A correlation between conserved regions of Nef and CTL epitope density was also noted in Kuiken *et al.* [1999]. The authors suggest that this may be due to biological reasons such as the one described above da Silva & Hughes [1998], or due to epitope processing, or may be an artifact of experimental strategy for epitope definition, such that conserved epitopes would tend to be identified because they are more likely to be cross-reactive with the test reagents.
- Both p17 and Nef show a correlation between epitope density and conserved regions in the protein; in contrast, p24 is a more conserved protein, and known epitopes are evenly distributed across p24.

HXB2 Location Nef
Author Location Nef (BRU)
Epitope
Immunogen HIV-1 infection
Species (MHC) human
Keywords rate of progression
References Aladdin *et al.* 1999

- In vitro measurements of CTL-activity by Cr release assay in bulk culture showed no correlation between CTL-activity (gp120, Gag, Pol and Nef) and disease progression as measured by viral load, CD4 and time to death.

HXB2 Location Nef
Author Location Nef (SF2)
Epitope
Immunogen HIV-1 infection
Species (MHC) human
References Jin *et al.* 1998a

- CTL precursor frequencies were determined in HIV-1 infected pregnant women, and higher CTLp frequencies to Pol and SF2 Nef, but not IIIB Nef, were found in non-transmitting mothers than in transmitting mothers – Nef CTL responses have been found in uninfected infants born to HIV+ women (Lazuriaga95);

HXB2 Location Nef
Author Location (subtype C)
Epitope
Subtype C
Immunogen
Species (MHC) human
Keywords subtype comparisons, immunodominance
References Novitsky *et al.* 2001

- This study provides a survey of CTL responses and full length HIV-1 genome sequences from a C subtype infected Botswanan cohort.
- 37 of 45 subjects (82%) demonstrated Nef specific ELISPOT CTL responses of more than 100 SFC/106 PBMC.
- Two Nef-immunodominant regions were identified, one spanned amino acid positions 67 to 96 using HXB2 numbering system while the second corresponded to amino acid positions 122 to 141.

- While there was some subtype B and C cross-reactivity, there was greater breadth and intensity of response if the CTL from HIV-1-infected individuals was probed with ELISPOT using peptides derived from the same subtype (a median of three Nef epitopes recognized within subtype C compared with one Nef epitope recognized from subtype B peptides, and ELISPOT results with a median of 763 SFC/106 PBMC among responses to HIV-1 C, versus a median of 318 SFC/106 PBMC among responses to HIV-1 B.

HXB2 Location Nef

Author Location Nef (subtype A, B, D)

Epitope

Subtype A, B, D

Immunogen HIV-1 infection

Species (MHC) human

Keywords subtype comparisons

References Cao *et al.* 2000

- HIV-1 subtypes A and D dominate the Ugandan epidemic, and a vaccine trial using B clade antigen is underway – this study addresses relative levels of cross-reactive CTL responses in HIV infected Ugandans to A, D, and B clade recombinant vaccinia viruses expressing Gag, Env, Pol, RT or Nef from HIV-1 clades A, B, and D.
- Proteins corresponding to the subtype of the infecting strains tended to trigger higher levels of CTL response measured by percent specific lysis, but there was extensive inter-subtype cross-reactivity with B clade proteins and the co-circulating subtype.

HXB2 Location Nef

Author Location Nef

Epitope

Immunogen HIV-1 infection, vaccine

Vector/Type: DNA *HIV component:* Nef, Rev, Tat *Adjuvant:* CpG immunostimulatory sequence (ISS)

Species (MHC) human

Keywords review

References Calarota & Wahren 2001

- This review discusses the cellular immune response, and comments on the stimulatory role of CpG motifs and how HIV-1 DNA vaccines can boost the CTL and Th proliferative responses in asymptomatic HIV+ individuals.

HXB2 Location Nef

Author Location

Epitope

Subtype B

Immunogen HIV-1 exposed seronegative

Species (MHC) human

Keywords HIV exposed persistently seronegative (HEPS), responses in children, mother-to-infant transmission

References De Maria *et al.* 1994; Kuhn *et al.* 2002

- 6/24 HIV uninfected infants (ages 15-50 months) born to HIV+ mothers had HIV-1 specific CTL responses to vaccinia-expressed Nef, Gag/Pol, Env.
- Reviewed in Kuhn *et al.* [2002].

HXB2 Location Nef

Author Location

Epitope

Subtype B

Immunogen HIV-1 infection

Species (MHC) human

Keywords epitope processing, escape

References Yusim *et al.* 2002

- Epitopes that have been described in the literature and included in this database tend to cluster in conserved regions and be absent or rarely found in highly variable regions in Nef, Env, and p17.
- While the uneven distribution of epitopes may be in part due to a limited cross-recognition of specific responses because of differences between peptides used to probe the immune response and autologous strains, regions with a paucity of defined epitopes also had higher frequencies of amino acids that tend to not be found in C-terminal positions of epitopes, and had lower cleavage prediction scores for epitope processing. This suggests that in the regions of the virus where variation is best tolerated, traces of immune escape have left an imprint on the viral population. Epitopes also were concentrated in alpha-helix and turn regions in the proteins.
- In the more conserved p24, and Pol proteins RT and Protease, epitopes are more evenly distributed.

HXB2 Location Nef

Author Location Nef (HXB)

Epitope

Subtype B

Immunogen HIV-1 infection

Species (MHC) human

Keywords epitope processing, vaccine-specific epitope characteristics

References Lu *et al.* 2000a

- Bacillus anthrax lethal toxin (LFn)-HIV fusion proteins are candidate HIV vaccines that are safe in mice, and LFn-V3 region fusion proteins induce CD8 T cells in BALBc mice. LFn causes exogenous protein to be taken up and processed in a class I pathway. Expressed proteins from Gag p24 and nef fragments cloned into the LFn expression plasmid stimulate gag-specific CD4 proliferation and CTL responses in HIV-infected donor PBMCs *in vitro*.

HXB2 Location Nef

Author Location (BRU)

Epitope

Immunogen HIV-1 infection

Species (MHC) human

Keywords rate of progression

References Edwards *et al.* 2002

- 96% (26/27) chronically infected HIV-1 infected patients elicited gamma-IFN CD8+ T-cell responses against Gag.
- Nef and/or Pol CTL responses were detected in 86% of the subjects.
- The magnitude and breadth of Gag and p24 T-cell responses correlated with absolute CD4 counts, and inversely correlated with viral load.
- Pol and Int CTL responses correlated positively with absolute CD4+ T-cell count.

- Nef and Env responses did not correlate with either CD4 counts or viral load.

HXB2 Location Nef**Author Location****Epitope****Immunogen** HIV-1 infection**Species (MHC)** human**Keywords** HAART, ART, dendritic cells**References** Larsson *et al.* 2002b

- Autologous mature dendritic cells with rec vaccinia expressing Gag, Pol, Nef and Env could amplify CD8+ T-cell Elispot responses 4-38 fold in five HIV+ patients on successful HAART treatment, relative to autologous monocytes. Some weak responses could only be detected using mature dendritic cells as APCs, and this approach could be useful for detection of low frequency memory cells.

HXB2 Location Nef**Author Location** (SF2)**Epitope****Subtype** B**Immunogen** HIV-1 and HCV co-infection**Species (MHC)** human**Keywords** rate of progression**References** Lauer *et al.* 2002

- HIV-1 and HCV immune responses were studied in 22 individuals who were co-infected with HIV-1 and hepatitis C virus (HCV). IFN γ production was measured in an Elispot assay of CD8+ T-cells using targets expressing either Gag, RT, Env and Nef in a vaccinia construct, or one of seven HCV proteins.
- All 22 patients targeted at least one protein. 20/22 patients recognized RT, 17/22 patients recognized Gag, 13/22 subjects recognized Env and 11/22 patients recognized Nef. Robust CTL activity was independent of disease progression or viral load.
- Despite high HCV viral loads, very few HCV CD8+ T-cell Elispot responses were detected. In a control HCV infected person who did not have HIV-1, strong anti-HCV responses were mounted.
- HIV-specific CD4 proliferative responses were detected in 9/17 coinfecting patients, but no HCV responses were detected.

HXB2 Location Nef**Author Location****Epitope****Subtype** B**Immunogen** HIV-1 infection**Species (MHC)** human**Keywords** HAART, ART, responses in children**References** Scott *et al.* 2001

- CTL responses before and after initiation of ART were studied in 13 HIV-1 vertically infected infants <6 months of age, and 4 that were >6 months of age.
- Before ART 2/13 infants <6 months of age showed IFN γ Elispot CD8+ T-cell responses, one to Nef and one to Env and Nef, and these responses became undetectable after successful therapy— 3 infants were coinfecting with CMV and all 3 had CMV-specific CD8+ T-cell responses.

- One older infant, at 23 months, had CTL responses against all for proteins tested, Gag, Pol, Nef and Env, and had the lowest plasma viremia of the study group. 3/4 infants older than 6 months of age responded to either Nef or Pol.

- Administration of ART over 48 weeks broadened the HIV-1-specific CTL response in 2/4 of the older children that were incomplete responders.

HXB2 Location Nef**Author Location** (IIIB)**Epitope****Immunogen** HIV-1 infection**Species (MHC)** human**Keywords** HAART, ART, supervised treatment interruptions (STI)**References** Ortiz *et al.* 2001

- Immune responses in eight chronically HIV-1 infected patients undergoing HAART therapy structured treatment interruptions (STI) were studied. STI boosted HIV-1 specific CTL responses and elevated CTL responses were maintained up to 22 weeks after the last treatment interruption, but viral load rebound to pretreatment levels and CD4 T-cell count decline was observed. CD8 responses in PBMC were measured by cytokine flow cytometry with gp160, Gag p55, RT-Pol and Nef expressed in vaccinia.

HXB2 Location Nef**Author Location****Epitope****Immunogen** vaccine*Vector/Type:* adenovirus *HIV component:* Gag-Pol, Nef, Vpr**Species (MHC)** mouse**References** Muthumani *et al.* 2002

- Vpr can cause cells to go into G2 arrest, and it suppresses immune cell activation and inflammatory cytokine production, so co-immunization of BALB/c mice with recombinant adenovirus expressing Vpr and HIV-1 antigens Nef or Gag/Pol was tested to see if Vpr reduced the immune response to the other HIV antigens.
- Vpr compromised CD8+ T-cell lytic responses and T-helper proliferative responses in mice co-immunized with Vpr and Nef or Gag/Pol.
- In vitro, Vpr reduced T-cell cytokine production of IL-12 and TNF α , indicative of Vpr-mediated immune suppression.

HXB2 Location Nef**Author Location** Nef**Epitope****Subtype** multiple**Immunogen****Species (MHC)** human**Assay type** Flow cytometric T-cell cytokine assay**Keywords** subtype comparisons**References** Currier *et al.* 2003

- CD8-cellular immune responses from 21 HIV-1 infected patients from Kenya infected with subtype A, C, D, and unique recombinants were studied for cross-recognition of Gag, Env, and Nef vaccinia-expressed proteins representing subtypes A-H, including CRF01.

- Both subtype-specific and cross-reactive CTL were observed, with a skewing of responses towards the infecting subtype in the nine subjects with full length sequence available. The magnitude of the responses to Gag were the highest, less to Nef, and still less to Env.
- For Gag, 8/21 subjects responded to at least 7/8 different subtype proteins, 7 had a mixed response, recognizing some subtypes but not others, and 6 responded to only one or none of the different subtype proteins. For Env, 4/19 subjects responded to at least 7/8 subtypes, 8 had a mixed response, and 7 responded to one or none. For Nef, 5/19 subjects responded to at least 7/8 subtypes, 8 had a mixed response, and 6 responded to one or none.

HXB2 Location Nef
Author Location Nef (B.AU.AF064676)
Epitope
Subtype B
Immunogen
Species (MHC) human
References

- HXB2 Location** Nef
Author Location Nef
Epitope
Subtype B
Immunogen HIV-1 infection
Species (MHC) human
Assay type CD8 T-cell Elispot - IFN γ , CD4 T-cell Elispot - IFN γ , Intracellular cytokine staining
Keywords assay standardization/improvement
References Draenert *et al.* 2003
- Six different HIV-1 Nef peptide sets ranging in length from 15-20 amino acids with overlap from 10-11 amino acids derived from either the B clade consensus sequences or the B clade sequence B.AU.AF064676 were used to study the impact of using different peptide design strategies to detect CD4 and CD8 T-cell responses. 20 individuals were tested using the six sets of peptides. 17/20 had CD8 T-cell responses to all peptide sets, and 15 of these 17 had CD4 T-cell responses.
 - Although there was a trend in detecting more CD8 T cell responses using the shorter 15-mer peptides, longer 20-mers were best for detecting more CD4 T-cell responses, but neither result was statistically significant. Similar results were seen in the 15 to 20 amino acid range for both IFN gamma Elispot and ICS assays.
 - Use of the consensus versus the natural strain identified slightly increased numbers of reactive peptides. Seven reactive peptides were observed with the B consensus peptides but not the B.AU.AF064676 peptides, but on the other hand four reactivities were observed using the B.AU.AF064676 peptides but not the consensus.
 - Using an overlap of 10 or 11 amino acids did not make a difference.

HXB2 Location Nef
Author Location (C consensus)
Epitope
Subtype C
Immunogen HIV-1 infection

Species (MHC) human
Assay type CD8 T-cell Elispot - IFN γ
Keywords rate of progression
References Novitsky *et al.* 2003

- In this study, PBMC from 105 asymptomatic HIV-1 C clade infected patients from Botswana were screened for HIV-1 subtype C specific T-cell responses directed against Gag, Pol, Vif, Vpr, Tat, Rev, Vpu, Env and Nef. Nef-specific T-cell responses positively correlated with plasma viral load. In contrast, HIV-1 Gag and especially Gag p24 showed an inverse correlation with viral load.

HXB2 Location Nef
Author Location (C consensus)
Epitope
Subtype C
Immunogen HIV-1 infection
Species (MHC) human
Assay type CD8 T-cell Elispot - IFN γ
Keywords rate of progression
References Novitsky *et al.* 2003

- In this study, PBMC from 105 asymptomatic HIV-1 C clade infected patients from Botswana were screened for HIV-1 subtype C specific T-cell responses directed against Gag, Pol, Vif, Vpr, Tat, Rev, Vpu, Env and Nef. Nef-specific T-cell responses positively correlated with plasma viral load. In contrast, HIV-1 Gag and especially Gag p24 showed an inverse correlation with viral load.

HXB2 Location Nef
Author Location Nef
Epitope
Subtype C
Immunogen HIV-1 infection
Species (MHC) human
Country South Africa.
Assay type CD8 T-cell Elispot - IFN γ
Keywords rate of progression, immunodominance, acute/early infection, early-expressed proteins
References Masemola *et al.* 2004a

- Anti-HIV T-cell responses in subtype C HIV-1 infected individuals in the beginning of the infection target multiple protein regions, but the responses are dominated by Nef, making up almost one-third of the total responses. 97.5% of the Nef epitopes targeted were within a short stretch of 119 amino acids.
- Neither breadth nor magnitude of CD8+ T-cell responses were correlated with control of virus, however hierarchical preferential targeting of Gag was significantly associated with lower viral loads.

HXB2 Location Nef
Author Location Nef (B consensus)
Epitope
Subtype B
Immunogen HIV-1 infection
Species (MHC) human
Country United States.
Assay type CD8 T-cell Elispot - IFN γ

Keywords HAART, ART, immunodominance, acute/early infection, vaccine antigen design

References Lichterfeld *et al.* 2004b

- HIV-1 specific CD8 T-cell responses in individuals with acute and early HIV-1 infection are preferentially directed against epitopes in the central region of Nef, with 94% of the magnitude of the response in acute infection directed at Nef, and 46% during early infection. In chronic infection, CD8 T-cell immune responses are broadly diversified towards Gag, Env and Pol, and Nef accounts for only 17% of the response.
- The region of Nef that is targeted is the central most conserved region, but relative to other HIV proteins it is still quite variable. However, responses are cross-reactive enough to detect strong acute responses using consensus based peptides, and is an early expressed gene so may have advantages in the context of a vaccine.
- Nef immunodominance was retained in patients that were treated during acute infection, but no treatment and so continuous antigen exposure resulted in rapid diversification of the immune response.

II-B-24 HIV-1 CTL/CD8+ epitopes

HXB2 Location HIV-1

Author Location

Epitope

Subtype CRF01_AE

Immunogen vaccine

Species (MHC) human (A11)

Keywords review, vaccine-specific epitope characteristics, escape

References Ariyoshi *et al.* 2002

- This review summarizes a meeting held to discuss options for determining CTL responses to vaccines. Problems are noted: costs for some assays are prohibitive for a Phase III study, Elispot shows interlaboratory variation but could be extended to many samples. HLA-A11 is very common in Thailand – over 30% carry the HLA-A11 allele. Predominant strains may be evolving to evade recognition of A11 restricted epitopes. Few full length CRF01 sequences are available. Epitopes may differ in vaccinees and infected individuals.

HXB2 Location HIV-1

Author Location

Epitope

Immunogen HIV-1 infection

Species (MHC) human (A11, B8, B40, Cw8)

Assay type Cytokine production, CD8 T-cell Elispot - IFN γ , Intracellular cytokine staining

Keywords HAART, ART, acute/early infection, early treatment

References Alter *et al.* 2003

- Longitudinal study (24 mo) monitoring T-cell immune responses in 4 patient groups: Group 1 (n=6) consists of subjects who underwent HAART preseroconversion, group 2 (n=11) were HAART treated during early postseroconversion, group 3

(n=5) contained patients who started HAART during late post-seroconversion, and group 4 (n= 6) commenced with HAART during chronic HIV-1 infection.

- The experimental strategy was to test for reactivity levels with sets of peptides that each contain epitopes with known HLA-restricting elements, making the peptide selection based on the optimal epitope list in this database. The HLA alleles found in the patients were balanced so that the frequency in the groups were comparable. Peptides spanning parts of Gag, Env, Nef, and RT were used for Elispot, and Gag peptides were used for ICS.
- All group 1 patients, and 5/11 group 2 patients, maintained the breadth and the magnitude of the immune response throughout the study; those in group 2 that maintained response started therapy earlier. The hierarchy of intensity of responses to different peptides was preserved. Individuals in groups 3 and 4 all showed a decline, and after treatment lost responses. Groups 1 and 2 showed HAART-induced suppression of viremia but maintained responses. Groups 3 and 4 both showed viral suppression in association with a decreased immune response in breadth and magnitude after HAART. The authors suggest that preservation of HIV CD4+ responses can be maintained even if HAART is first given beyond the acute phase of infection, and a delay may allow a full CD8 response to develop while still allowing CD4 function to be preserved.

HXB2 Location HIV-1

Author Location

Epitope

Immunogen vaccine

Species (MHC) human (B27, B8)

Keywords binding affinity, review, subtype comparisons, epitope processing, escape

References McMichael & Hanke 2002

- CTL response-eliciting vaccines are reviewed. The natural epitope interactions with the HLA class I presenting molecules and T-cell receptors are described, and the impact of breadth of CTL responses and diversity considered in a vaccine context.
- Interesting specific examples are given concerning anchor chain residues. For B27, the B pocket fits Arg (R) but not Lys (K), so even this conservative change is not tolerated. In B8 either R or K can fit in the B pocket, but the substitution will cause conformational shifts in other parts of the epitope.

HXB2 Location HIV-1

Author Location

Epitope

Immunogen vaccine

Vector/Type: Listeria monocytogenes *HIV component:* Gag

Species (MHC) mouse (H-2^d)

Keywords review

References Lieberman 2002

- Attenuated Listeria monocytogenes vectors elicit strong persistent CTL responses in vaccinations of BALB/c mice and can protect mice from a vaccinia-gag challenge.

HXB2 Location HIV-1

Author Location gp120 (V3) and p24 (IIIB, MN, BH10)

Epitope

- Subtype** A, B
Immunogen vaccine
Vector/Type: virus-like particle (VLP)
Strain: A clade UG5.94UG018, B clade IIB
HIV component: Gag, gp120
- Species (MHC)** mouse (H-2^d)
Assay type Chromium-release assay
Keywords subtype comparisons
References Buonaguro *et al.* 2002
- Different HIV strains were used for different regions: gp120 A clade UG5.94UG018, and B clade IIB
 - BALB/c mice were given intraperitoneal immunization with virus-like particle (VLPs) expressing recombinant subtype A gp120 and Pr55gag in the absence of adjuvants.
 - High dose-independent humoral responses against both gp120 and p24 peptides were detected. Antibodies able to elicit 50% neutralization against A clade IIB and the autologous clade a virus were obtained.
 - Recombinant rgp120 (clade B, MN) induced T-cell proliferative responses *in vitro* from vaccinated animals.
 - CTL activity was observed against splenocytes expressing Env (clade A) and Gag (clade B, BH10) from a vaccinia construct.
- HXB2 Location** HIV-1
Author Location
Epitope
Subtype B
Immunogen vaccine
Vector/Type: DNA, polyepitope *Strain:* A clade, B clade *HIV component:* Env, Gag, Pol *Adjuvant:* IL-12, IL-2, liposome
- Species (MHC)** mouse (H-2^d)
Assay type CD8 T-cell Elispot - IFN γ , Intracellular cytokine staining, Delayed-type hypersensitivity (DTH), Chromium-release assay
Keywords vaccine-induced epitopes
References Shinoda *et al.* 2004
- Mice immunized with a polyepitope DNA vaccine encoding 20 antigenic epitopes of several HIV-1 clades (hDNA vaccine) showed strong Ab responses, activation of IFN-gamma secretion cells targeting gp120 and synthetic antigenic peptides, and several peptide specific CTL responses. When challenged with recombinant HIV-vaccinia viruses, mice immunized with the hDNA vaccine showed lower viral titers in the ovary.
- HXB2 Location** HIV-1
Author Location
Epitope
Immunogen HIV-1 infection
Species (MHC) human
Keywords HAART, ART
References Schito *et al.* 2001
- Longitudinal analysis (72 weeks) of 15 patients with acute or recent HIV-1 infection implies that HAART treatment alone can not completely conserve CD8+ cell homeostasis and preserve the original T-cell receptor repertoire.
- HXB2 Location** HIV-1
Author Location
Epitope

- Immunogen** HIV-1 infection
Species (MHC) human
References Mackewicz *et al.* 2000
- Non-cytotoxic anti-HIV responses of CD8+ T cells cultured with CD4 infected HIV cells are mediated by blocking expression of viral RNA, and do not influence viral replication steps through integration of provirus.
- HXB2 Location** HIV-1
Author Location
Epitope
Immunogen vaccine
Species (MHC)
Keywords dynamics
References Altes *et al.* 2002
- This study employs a mathematical model to study the consequences of increasing the T-helper response through a vaccine, which would have counter-balancing effects in a new infection: a more intense response provides more help but also more target cells. The model indicates that if the infecting virus had a low replication rate, then CTLp and CD4 helper cells could control an infection. Only a vaccine that could increase CTL responsiveness could reduce viral set point with observed replication rates.
 - A CD4+ T-cell response without maintained CTL response was deleterious in this model.
- HXB2 Location** HIV-1
Author Location
Epitope
Immunogen HIV-1 infection
Species (MHC) human
Keywords assay standardization/improvement
References Currier *et al.* 2002b
- Elispot standardization was sought using a reference peptide pool of 23, 8-11 mer epitopes from Influenza, cytomegalovirus (CMV), and Epstein Bar Virus (EBV) presented by 11 common HLA class I molecules.
 - 15/17 (88%) HIV- and 14/20 (70%) HIV+ individuals reacted with this test set and *in vitro* simulation of the PBMC from these individuals were capable of killing cells expressing the target antigen.
- HXB2 Location** HIV-1
Author Location
Epitope
Immunogen HIV-1 infection
Species (MHC) human, macaque
Keywords dynamics, HAART, ART
References Wodarz 2002
- Mathematical modeling is used to support the idea that T-helper cell dysfunction results in a compromised ability to maintain an anti-HIV CTL memory response. Models suggest strategies to restore CTL memory through therapy and improve long-term immunological control of the virus.
- HXB2 Location** HIV-1
Author Location
Epitope
Immunogen HIV-1 infection, vaccine

Species (MHC) human

Keywords review

References Zinkernagel 2002

- HIV immunity and vaccine strategies are compared with to other pathogens. We do not have a successful vaccine against TB leprosy, HIV, HCV and most parasites, and the author suggests this is associated with the need for a strong T-cell response to these diseases. Vaccine strategies that achieve a physiological low dose infection that is well controlled but persists may be required to alter the immunopathological consequences of infection with HIV.

HXB2 Location HIV-1

Author Location

Epitope

Immunogen vaccine

Species (MHC) human

Keywords review, subtype comparisons, epitope processing

References Gaschen *et al.* 2002

- The concept of using an artificial consensus sequence for vaccine design is discussed, comparing the concepts of a model ancestor sequence or a consensus sequence, with illustrations of the potential advantages of the strategy based on C-clade comparisons.
- See also a comment Nickle *et al.* [2003], and reply Gao *et al.* [2003]

HXB2 Location HIV-1

Author Location

Epitope

Immunogen HIV-1 infection

Species (MHC) human, macaque

Keywords review, class I down-regulation by Nef, escape

References Johnson & Desrosiers 2002

- Reviews evidence for CTL escape in HIV epitopes in natural human infections, and in SIV infections of macaque where viral clones with a known time of infection and multiple animals with the same HLA molecules can be tracked.
- Vigorous CTL responses are made despite class I down-regulation by the Nef protein, but it may delay cytolysis of infected cells. Too great a loss of MHC proteins may enhance NK cell killing so the fitness advantage of this function of Nef may be in balance.

HXB2 Location HIV-1

Author Location

Epitope

Immunogen HIV-1 infection, vaccine

Species (MHC) human

Keywords review, epitope processing, supertype, computational epitope prediction, HIV exposed persistently seronegative (HEPS), supervised treatment interruptions (STI), immunodominance

References Newman *et al.* 2002

- This extensive review covers many aspects of T-cell immunity and natural HIV infections, and considers how this knowledge might be applied to a polyepitope vaccine approach. Strategies concerning ways to avoid the creation of junctional epitopes and use of linkers to enhance processing of such constructs are discussed.

- The C-terminal flanking residue (C1) was found to be associated with immunodominance of epitopes, such that R or K (positive charge) > N or Q (amide) > C, G, A, T, S (small) > F, W, Y (aromatic) > I, L, M, V (aliphatic) > D (negative). As this position is outside and proximal to the epitope, processing and cleavage is the likely reason for this observation.

- Changing the C1 residue from F to K for an HLA-A2 presented epitope from HBV resulted in a change from the epitope being non-immunogenic to strongly immunogenic.

HXB2 Location HIV-1

Author Location

Epitope

Immunogen HIV-1 infection, vaccine

Species (MHC) human

Keywords review, HIV exposed persistently seronegative (HEPS)

References Johnston & Flores 2001

- Reviews the current state of HIV vaccine approaches, and discusses the role of CTL induced immunity in protection or partial protection in animal studies, likening it to the CTL found in HEPS studies.

HXB2 Location HIV-1

Author Location

Epitope

Immunogen HIV-1 infection

Species (MHC) human

Keywords binding affinity, review, escape

References Klenerman *et al.* 2002

- The importance of breadth, or spread, of CTL responses is discussed, as narrowly focused responses can be more readily escaped.

- Some HLA types and specific epitope recognition may be associated with a better disease outcome. Reasons for this are considered, including NK cell activity, epitope affinity, epitope conservation, and class I specific induction of more effective T-cell receptors.

HXB2 Location HIV-1

Author Location

Epitope

Immunogen HIV-1 infection

Species (MHC) human

Keywords review, HIV exposed persistently seronegative (HEPS), responses in children, mother-to-infant transmission

References Kuhn *et al.* 2002

- Intrauterine exposure of infants to HIV from their mothers results in HIV-1 specific T-helper cell proliferative responses in 1/3 of exposed uninfected babies, and HIV-1 specific CTL in some. Such responses are evident, but it is unknown whether they are associated with lack of infection, but there is some evidence that HIV-1 T-cell responses may reduce transmission

in breastfeeding mothers. Summary tables are provided of CD4 and CD8 responses detected in earlier studies.

HXB2 Location HIV-1

Author Location

Epitope

Subtype B

Immunogen HIV-1 infection

Species (MHC) human

Keywords HIV exposed persistently seronegative (HEPS), mother-to-infant transmission

References Kuhn *et al.* 2002; Levy *et al.* 1998

- A non-HLA-specific, non-chemokine-mediated CD8+ T-cell non-cytotoxic anti-HIV response, measured by suppression of acute viral infection of CD4 cells, was detectable in approximately 16/31 (52%) of uninfected children born of infected mothers, was more commonly detected in those <1 year old, and could reflect a protective response.
- Reviewed in Kuhn *et al.* [2002].

HXB2 Location HIV-1

Author Location

Epitope

Immunogen vaccine

Species (MHC) human

Keywords dynamics

References Altes *et al.* 2001

- Mathematical modeling suggests if the effector CTL vaccine response exceeds the level of response seen in chronic infection, that a memory CTL population is established that can respond very quickly to protect from infection.

HXB2 Location HIV-1

Author Location

Epitope

Immunogen vaccine

Species (MHC) human

Keywords review

References Copeland 2002

- This review summarizes cytokines and chemokines produced by CD8+ T-cells that can interfere with HIV's infection and replication.

HXB2 Location HIV-1

Author Location

Epitope

Immunogen vaccine

Species (MHC)

Keywords review

References Edgeworth *et al.* 2002

- This review summarizes HIV vaccine strategies, adjuvants, current clinical trials and animal models.

HXB2 Location HIV-1

Author Location

Epitope

Immunogen vaccine

Species (MHC)

Keywords review

References Graham 2002

- This review summarizes HIV vaccine approaches and clinical trials.

HXB2 Location HIV-1

Author Location Env (HXB2)

Epitope

Subtype B

Immunogen vaccine

Vector/Type: DNA *Strain:* B clade HXB2

HIV component: gp140ΔCFI, gp160 deletions

Species (MHC) guinea pig, mouse

References Chakrabarti *et al.* 2002

- Intramuscular injection of plasmid DNA was used to vaccinate BALB/c or Huntley guinea pigs with a series of codon-optimized modified HIV-1 HXB2 envelopes – modifications included elimination of glycosylation sites, deletions, and exchange of the V3 loop to change from a X4 or R5 phenotype.
- The mutant envelope gp140deltaCFI gave the most promising result, enhancing antibody responses while retaining the ability to stimulate a strong CTL response.
- gp140deltaCFI has deletions in the cleavage site, fusogenic domain and spacing of the heptad repeats, and was designed to mimic a fusion intermediate.

HXB2 Location HIV-1

Author Location Env (gp160) (384–467)

Epitope

Immunogen vaccine

Vector/Type: hepatitis B surface antigen

lipoprotein particles (HsBAg) *Strain:* B

clade LAI *HIV component:* V3

Species (MHC) macaque, rabbit

References Michel *et al.* 1993

- Immunization with recombinant HIV1 V3/HBsAg hybrid particles into rabbits or macaques elicited and maintained for several months anti-V3 or HIV-1 Env proliferative, CTL and Ab responses.

HXB2 Location HIV-1

Author Location Gag (HXB2)

Epitope

Subtype B

Immunogen HIV-1 infection

Species (MHC) human

References Garba *et al.* 2002

- CD8+ Tcells from 25% of HIV positive individuals produce TGF-beta1 in response to stimulation with HIV proteins, and this can significantly reduce CD8+ T-cell IFN-gamma induction to HIV and vaccinia proteins.
- Different peptides can preferentially induce TGF-beta1 or IFN-gamma from CD8+ T-clymphocytes from the same individual, and TGF-beta1 non-specifically suppresses HIV-specific immune responses.

HXB2 Location HIV-1

Author Location Pol (HXB2)

Epitope

Subtype B

Immunogen HIV-1 infection

Species (MHC) human

References Garba *et al.* 2002

- CD8+ T cells from 25% of HIV positive individuals produce TGF-beta1 in response to stimulation with HIV proteins, and this can significantly reduce CD8+ T-cell IFN-gamma induction to HIV and vaccinia proteins.
- Different peptides can preferentially induce TGF-beta1 or IFN-gamma from CD8+ T-lymphocytes from the same individual, and TGF-beta1 non-specifically suppresses HIV-specific immune responses.

HXB2 Location HIV-1**Author Location** Env (MN)**Epitope****Subtype** B**Immunogen** HIV-1 infection**Species (MHC)** human**References** Garba *et al.* 2002

- CD8+ T cells from 25% of HIV positive individuals produce TGF-beta1 in response to stimulation with HIV proteins, and this can significantly reduce CD8+ T-cell IFN-gamma induction to HIV and vaccinia proteins.
- Different peptides can preferentially induce TGF-beta1 or IFN-gamma from CD8+ T-lymphocytes from the same individual, and TGF-beta1 non-specifically suppresses HIV-specific immune responses.

HXB2 Location HIV-1**Author Location****Epitope****Subtype** B**Immunogen** HIV-1 infection**Species (MHC)** human**Assay type** CD8 T-cell Elispot - IFN γ , Intracellular cytokine staining**Keywords** assay standardization/improvement, acute/early infection**References** Altfeld *et al.* 2003

- The frequency of HIV-1 specific T-cell responses was characterized in an Elispot IFN-gamma assay, using 507 overlapping peptides based on the B clade consensus sequence spanning all HIV-1 clade B proteins against PBMC from 57 HIV-1 infected patients at various disease and treatment stages. 63% of the peptides were recognized (range of 1-42 per subject, median=14). More variable peptides were targeted less frequently.
- Autologous virus sequences from six patients in acute infection spanning of HIV-1 p24, Tat and Vpr were used to scan for missed responses due to viral variation when using the consensus for peptides. 12/42 (29%) responses to these peptides were detected only with autologous peptides, and often these autologous responses were immunodominant. Responses were also generally higher using autologous peptides.
- A longitudinal analysis (5 yrs) of the T-cell responses in 5 patients showed that the autologous sequence detected stronger T-cell reconstitution than the HIV-1 clade B consensus sequence.

HXB2 Location HIV-1**Author Location****Epitope****Immunogen** HIV-1 infection**Species (MHC)** chimpanzee**Keywords** review**References** Balla-Jhaghoorsingh *et al.* 2003

- This paper reviews HIV-1-specific cell-mediated immune responses in chimpanzees and discusses mechanisms that might control HIV-1 pathogenesis in chimpanzees. During the first decade of the HIV epidemic, more than 200 chimpanzees were experimentally infected with HIV. Among these only one case of declining CD4+ cells has been reported, all others have remained asymptomatic with no loss of immune function, some after 20 years of infection. In contrast to infected humans which have a skewed Th2 response, chimpanzees maintain balanced Th responses and are likely to support a fully mature CD8+ T-cell response.
- Specific HIV epitopes recognized by chimpanzees have been mapped and CTL detected, but overall the responses are at much lower levels than in humans, as viral loads are so low. Gag epitope responses are estimated to be 0.0095 to 0.0025% of the CD8+ T cell population in chimpanzee, and 1-2% in humans.
- The authors argue that the chimpanzee immune response may be effective at controlling virus because it focuses on conserved epitopes, and further speculate that long contact with lentiviruses may have put strong selection pressures on the chimpanzee MHC class I, narrowing the population's ability to respond to only the most conserved, and so useful, epitopes.

HXB2 Location HIV-1**Author Location****Epitope****Immunogen** HIV-1 infection**Species (MHC)** human**Assay type** CD8 T-cell Elispot - IFN γ **Keywords** HAART, ART, supervised treatment interruptions (STI)**References** Fagard *et al.* 2003

- This study monitored the effects of repeated treatment interruptions (STI), in 2-week intervals, in 133 HIV-1 infected, HAART-treated patients. STIs were rarely able to control viremia without continued HAART, and increases in CD8+ T-cell response frequencies did not correlate with the level of control of viral replication. CD8+ T cell responses were measured by gamma IFN Elispot using between 2-32 different optimal HIV epitopes, selected to be appropriate for the patient's HLA type.

HXB2 Location HIV-1**Author Location****Epitope****Immunogen****Species (MHC)** human**References****HXB2 Location** HIV-1**Author Location** HIV-1**Epitope****Immunogen** HIV-1 infection**Species (MHC)** human**Assay type** CD8 T-cell Elispot - IFN γ **Keywords** responses in children**References** Feeney *et al.* 2003

- The magnitude and breadth of CD8+ T-cell responses in 18 pediatric (6-17 years) perinatally HIV-1 infected patients was determined using 1) overlapping peptides spanning all HIV-1 proteins and 2) peptides from all predefined appropriately class I HLA-restricted HIV-1 epitopes.
- Perinatally infected children's CD8+ T-cell responses were comparable in magnitude and breadth to adult responses. Many reactive peptides did not overlap with a previously characterized optimal epitope.
- On average 20% of all known pre-defined optimal epitopes presented by appropriate HLAs were recognized in these children. In two patients, autologous sequences spanning unrecognized potential epitopes usually corresponded to the reactive form of the epitope, so epitope variation alone did not account for unrecognized epitopes.
- Children with detectable viremia showed a broader and greater CTL responses than HAART responsive children with undetectable viremia.

HXB2 Location HIV-1
Author Location HIV-1
Epitope
Immunogen
Species (MHC)
References

HXB2 Location HIV-1
Author Location
Epitope
Immunogen vaccine
Species (MHC)
Keywords review
References Hanke 2003

- Review of HIV vaccine development discussing diversity, the merits and difficulties of stimulating different arms of the immune response, and different strategies, including DNA vaccines, viral vectors, CTL epitope based, and protein- or peptide-based vaccines.

HXB2 Location HIV-1
Author Location HIV-1 (HXB2)
Epitope
Subtype B
Immunogen HIV-1 exposed seronegative
Species (MHC) human
Assay type CD8 T-cell Elispot - IFN γ
Keywords HIV exposed persistently seronegative (HEPS)
References Hladik *et al.* 2003

- Longitudinal study analyzed IFN- γ CD8+ T cell responses in highly exposed, seronegative homosexual men. Overlapping peptides spanning the Gag, Env, Nef and Pol subtype B HXB2 sequence were used to stimulate PBMC from 26 individuals, whose frequency of HIV-1 specific IFN- γ T cell responses were very low.
- CD8+ T cells from 3/15 individuals (EES15, ES29, and ES63) recognized > 3 peptide pools.

HXB2 Location HIV-1
Author Location

Epitope

Immunogen HIV-1 infection
Species (MHC) human
Assay type Chromium-release assay
Keywords dynamics
References Kousignian *et al.* 2003

- The diversity of HIV protein (Gag, Pol, Env, Nef, Rev, Tat, Vif) recognition by CTLs was studied longitudinally in a cohort of 152 HIV-infected untreated individuals, and was analyzed by Markov modelling. CTL responses from 152 HIV-1 infected patients in four stages of disease progression were collected for a period of 5 years. Results show that memory CTL responses against HIV-1 proteins are acquired during early HIV-1 infection and subsequently lost. As viral load increased there was an accelerating loss of multiple protein recognition.

HXB2 Location HIV-1
Author Location
Epitope

Immunogen HIV-1 infection, vaccine
Vector/Type: gp120 depleted whole killed virus
Adjuvant: Incomplete Freund's Adjuvant (IFA)

- Species (MHC)** human
References Lederman & Douek 2003; Robbins *et al.* 2003
- Lederman and Douek is an editorial comment referring to the study presented by Robbins *et al.*, in which the authors discuss why an HIV-1 gp120-depleted inactivated HIV vaccine elicits HIV-1 specific T helper responses in 5/5 HIV+ people, but not CD8+ CTL responses. In chronically infected people it appears that stimulating Th responses in and of itself is not enough to restore strong CTL responses.

HXB2 Location HIV-1
Author Location
Epitope

Immunogen vaccine
Adjuvant: E. coli mutant heat labile enterotoxin (LT-R72), CpG immunostimulatory sequence (ISS), HSP70

- Species (MHC)** human
Keywords review, Th1, Th2, genital and mucosal immunity
References Lehner 2003

- This review discusses the importance of mucosal and innate immunity for future vaccination strategies in HIV infection in humans. Different mucosal adjuvants are compared, and the advantages of a Th1 polarized response.

HXB2 Location HIV-1
Author Location
Epitope

Immunogen HIV-1 infection
Species (MHC) human
References Onyemelukwe & Musa 2002

- Longitudinal study (1991-1997) of the clinical presentation of 80 HIV-1 or HIV-II seropositive people in Zaria, Nigeria, who contracted HIV-1 primarily via heterosexual transmission. Main complicating diseases were tuberculosis and bacterial infections including Salmonella, Streptococcus pneumoniae

and *Stahhylococcus*. HIV-1 progression was associated with a decline of not only CD4+ T cells, but CD8+ T cells as well – patients had CD4+ counts < 200 cells/ul, and CD8 counts were 190 cells/ul versus 440 cells/ul for controls.

HXB2 Location HIV-1**Author Location****Epitope****Immunogen** HIV-1 infection**Species (MHC)** human**References** Onyemelukwe & Musa 2002

- Longitudinal study (1991-1997) of the clinical presentation of 80 HIV-1 or HIV-II seropositive people in Zaria, Nigeria, who contracted HIV-1 primarily via heterosexual transmission. Main complicating diseases were tuberculosis and bacterial infections including *Salmonella*, *Streptococcus pneumoniae* and *Stahhylococcus*. HIV-1 progression was associated with a decline of not only CD4+ T cells, but CD8+ T cells as well – patients had CD4+ counts < 200 cells/ul, and CD8 counts were 190 cells/ul versus 440 cells/ul for controls.

HXB2 Location HIV-1**Author Location****Epitope****Immunogen** HIV-1 infection**Species (MHC)** human**Assay type** CD8 T-cell Elispot - IFN γ , CD4 T-cell Elispot - IFN γ **Keywords** HAART, ART**References** Price *et al.* 2003

- CD4+ and CD8+ T cell responses were analyzed in this longitudinal study (19 mo) of 53 patients with chronic HIV-1 infection receiving continuous ART therapy. Three subgroups were compared: one with suppressed viremia and increasing CD4+ T cell counts, one with detectable viral load and declining CD4, and one with detectable viral load with a positive CD4+ T cell slope.
- IFN- γ ELISPOT analysis was performed with peptides spanning RT, Env, Gag (p24), Gag(p17), Nef, Tat and Rev. The IFN- γ analysis showed the greatest CD4+ as well as CD8+ T-cell responses in the group with stable CD4+ T cell responses despite detectable virus over a median time course of 9 months.

HXB2 Location HIV-1**Author Location****Epitope****Immunogen****Species (MHC)** human**Assay type** Chromium-release assay**Keywords** rate of progression**References** Sindhu *et al.* 2003a; Sindhu *et al.* 2003b

- In a cross-sectional study of 31 HIV+ people, a correlation was observed between CTL-mediated bystander HLA-unrestricted lysis of primary CD4+ T-cells. $\gamma\delta$ CTL are abnormally expanded in HIV+ people, and the V δ 1 subset can deplete bystander CD4+ T-cells and expedite progression. In a set of 13 patients, an inverse correlation was observed between CD8+ T-cell activation markers and viral load, thought to be an indicator of CTL-associated immunopathogenesis in HIV progression.

HXB2 Location HIV-1**Author Location****Epitope****Immunogen** HIV-1 infection**Species (MHC)****Keywords** review**References** Vella & Daniels 2003

- This article reviews the CD8+ T-cell antiviral factor (CAF). CAF contributes to MHC restricted, CD8+ T-cell mediated non-cytolytic suppression of HIV in infected individuals.

HXB2 Location HIV-1**Author Location****Epitope****Subtype** A, B, C**Immunogen** vaccine

Vector/Type: DNA, polyepitope *HIV component:* gp120, gp41, Nef, p17 Gag, p24 Gag, Pol *Adjuvant:* concavalin A-immobilized polystyrene nanospheres

Species (MHC) mouse**Assay type** proliferation, CD8 T-cell Elispot - IFN γ **Keywords** vaccine-induced epitopes**References** Bazhan *et al.* 2004

- A synthetic T cell polyepitope immunogen containing 80 overlapping Env, Gag, Pol and Nef epitopes was used to immunize mice. It induced both humoral and cellular responses which increased upon reimmunization.

HXB2 Location HIV-1**Author Location****Epitope****Immunogen****Species (MHC)****Keywords** review, class I down-regulation by Nef, early-expressed proteins, immune evasion**References** Collins 2004

- There are a number of factors that combined make HIV-infected cells resistant to CTLs. HLA-associations with disease progression are reviewed. Nef down-regulation of HLA class I A and B molecules is one important mechanism of HIV immune evasion. Rev allows late viral proteins to be expressed, enabling CTL specific for epitopes in these proteins to recognize infected cells. It is suggested that blocking the activity of Nef and Rev would reduce production of viral variants and enhance the ability of CTLs to combat HIV.

HXB2 Location HIV-1**Author Location** (SIV)**Epitope****Immunogen** SIV infection**Species (MHC)** macaque**Keywords** escape, reversion, viral fitness**References** Friedrich *et al.* 2004

- SIV CTL escape variants revert to wild-type epitopes after transmission to new hosts with disparate MHC class I alleles. Thus mutations in CTL epitopes may have moderate to severe negative effects on viral replicative fitness although some escape variants are shown to accumulate substitutions in flanking regions of the epitope that help compensate for fitness loss.

HXB2 Location HIV-1
Author Location
Epitope
Immunogen
Species (MHC) human
Keywords dynamics, HAART, ART
References Ganusov 2003

- The rate of virus decline after initiation of HAART is shown by a mathematical model, to depend on whether the virus is controlled by the CTL response via lytic or non-lytic mechanisms.

HXB2 Location HIV-1
Author Location
Epitope
Immunogen HIV-1 infection
Species (MHC) human
Keywords review, class I down-regulation by Nef, escape, dendritic cells, TCR usage, memory cells, immune dysfunction
References Gulzar & Copeland 2004

- HIV has developed numerous strategies to evade CD8+ T-cell response that are reviewed in this paper, including escape mutations in CD8+ T-cell recognition, down-regulation of MHC-I surface expression, alternating cytokine production, disruption of proper CD8+ T-cell signaling resulting in anergy, and disruption of the function of CD4+ T-cells and APCs required for CD8+ T-cell maturation.

HXB2 Location HIV-1
Author Location
Epitope
Immunogen in vitro stimulation or selection
Species (MHC) human
Assay type CD8 T-cell Elispot - IFN γ , Chromium-release assay, Flow cytometric T-cell cytokine assay
Keywords characterizing CD8+ T cells
References Kitchen *et al.* 2004

- This paper characterizes a population of cells that are CD3+, CD8+, and CD4+. These cells are mature and highly activated. The CD4 molecule expressed by these CD8+ T-cells plays an important role in expression of IFN-gamma and Fas ligand and cytotoxic responses. HIV infection of CD8+CD4+ T-cells results in Nef independent down-regulation of CD4 and dysregulation of IFN-gamma and Fas ligand, and provides an additional reservoir for the virus.

HXB2 Location HIV-1
Author Location
Epitope
Immunogen
Species (MHC) human
Keywords review, characterizing CD8+ T cells
References Petrovas *et al.* 2004

- This review discusses the attributes of HIV-specific CTLs that contribute to their inability to control HIV infection, with an emphasis on the susceptibility of HIV-specific CTL to CD95/Fas induced apoptosis upon binding target cells. Furthermore, Nef may inhibit apoptosis by blocking CD95/Fas signaling on infected cells.

HXB2 Location HIV-1
Author Location
Epitope
Immunogen HIV-1 infection
Species (MHC) human
Country United Kingdom.
Assay type proliferation, CD8 T-cell Elispot - IFN γ , T-cell Elispot, Flow cytometric T-cell cytokine assay
Keywords HAART, ART, immune dysfunction
References Pires *et al.* 2004

- Daily administration of rec human growth hormone (rhGH) induced an increase in the numbers of naive CD4 T-cells and effector CD8 T-cells. Also, a rise in HIV-1 antigen-specific CD4 and CD8 T-cell responses was observed. The function of specific effector CD8 T-cells was preserved despite an eventual decrease of specific CD4 T-cell responses.

HXB2 Location HIV-1
Author Location
Epitope
Immunogen HIV-1 infection, vaccine
Species (MHC) human
Country United States.
Assay type CD8 T-cell Elispot - IFN γ
Keywords review, supervised treatment interruptions (STI), vaccine-specific epitope characteristics, variant cross-recognition or cross-neutralization
References Robinson 2003

- This paper is a commentary on Altfield *et al.*, Nature 420:434 2002. The patient AC-06 was superinfected with a second strain of HIV-1 after STI despite 12 of 25 recognized CD8+ T-cell epitopes maintaining strong cross-reactive immunity measured by gamma IFN EliSpot against the second strain. While vaccine trials in macaques have given optimistic results, this patient's superinfection in spite of a strong cross-reactive CD8+ T-cell immune response suggests that vaccine strategies may have to be re-examined.

HXB2 Location HIV-1
Author Location
Epitope
Subtype B
Immunogen HIV-1 infection
Species (MHC) human
Country Spain.
Assay type Flow cytometric T-cell cytokine assay
Keywords rate of progression
References Rodés *et al.* 2004

- A complex set viral or host factors has been found to be associated with the absence of disease progression among long-term non-progressors (LTNP). 19 LTNP were followed for six years; 12 were non-progressors over this period, 7 showed a slow progressive CD4 depletion. Their virus replicative capacity was shown to be reduced and T-cell activation was low. Pooled peptide CD8+ T-cell gamma IFN responses did not differ between non-progressors, slow progressors, or a group of HIV progressors.

HXB2 Location HIV-1
Author Location
Epitope
Subtype B
Immunogen HIV-1 infection, vaccine
Vector/Type: canarypox prime with recombinant protein boost *Strain:* B clade SF2
HIV component: Env, Gag, Protease

Species (MHC) human
Assay type CD8 T-cell Elispot - IFN γ , CD4 T-cell Elispot - IFN γ
Keywords assay standardization/improvement
References Russell *et al.* 2003

- IFN γ Elispot assay is shown to be a good initial screening method for measurement of CD8+ T-cell responses in both vaccination and natural HIV-1 infection. Responses were detected using peptides at low concentrations (1-2 μ g/mL) and an increase in detection of HIV-1 specific CD8+T-cells by using 15-mers rather than 20-mer peptides for cell activation was observed. More responses were detected using smaller pools (10 or 2 peptides) than larger pools (25 or 50 peptides), so smaller pools may be needed to detect low frequency responses. Responses to natural infection were more than a log higher than to the vaccine.

HXB2 Location HIV-1
Author Location
Epitope
Immunogen HIV-1 infection, SIV infection
Species (MHC) human, macaque
Keywords review, escape, reversion, viral fitness
References Smith 2004

- This paper reviews several studies which track HIV and SIV CTL escape mutations after transmission into a new host, and reversion rates and fitness costs of CTL escape. Some escape mutants have a cost to viral fitness. The author suggests that CTL based HIV-1 vaccine should therefore not only increase cellular responses against viral epitopes but also favor epitopes where escape mutations result in significant decrease in viral fitness.

HXB2 Location HIV-1
Author Location
Epitope
Subtype B
Immunogen vaccine
Vector/Type: DNA *Strain:* B clade *HIV component:* gp140, gp160 *Adjuvant:* reovirus alpha 1 protein

Species (MHC) mouse
Donor MHC H-2d
Assay type Cytokine production, Chromium-release assay
Keywords adjuvant comparison
References Wang *et al.* 2003

- M cells are found in the follicular-associated epithelium in mucosal inductive tissues, and reovirus are able to attach to these cells via the alpha 1 protein. Respiratory mucosal sites were targeted with a reovirus protein alpha 1 protein delivered with a DNA vaccine administered i.n. in BALB/c mice. The naked

gp160 DNA vaccine did not elicit CD8+ T cell responses, but when delivered with alpha 1 protein, CTL responses were observed in the lungs, spleens and lymph nodes. gp160 was shown to be most immunogenic compared to a cytoplasmic gp140 and secreted gp140. The vaccinated animals had reduced vaccinia virus when challenged with a vaccinia-env recombinant.

HXB2 Location HIV-1
Author Location Gag
Epitope
Immunogen vaccine
Vector/Type: DNA with CMV promotor, fowlpoxvirus *Strain:* SIV *HIV component:* Env, Gag, Pol, Rev, Tat, Vpu *Adjuvant:* IFN γ , CpG immunostimulatory sequence (ISS)

Species (MHC) macaque
Assay type proliferation, T-cell Elispot, Intracellular cytokine staining
Keywords adjuvant comparison, vaccine antigen design
References Dale *et al.* 2004

- Macaques immunized with DNA and fowlpox vaccines showed high levels of CD4 and CD8 T-cell immune responses to Gag. Single DNA priming vaccination or coexpressed IFN-gamma with the fowlpox virus boost were shown to be less immunogenic and less protective than sequential DNA and fowlpox virus vaccination. Partial protective immunity was observed following a high dose, virulent SHIV challenge, for the DNA fowlpox prime boost, as well as the DNA vaccination alone, even though standard assays failed to detect a strong immune response with DNA alone.

HXB2 Location HIV-1
Author Location (IIIB, Thai B', Chinese CB)
Epitope
Subtype B, C
Immunogen HIV-1 infection
Species (MHC) human
Country China.
Assay type Intracellular cytokine staining, Chromium-release assay
Keywords subtype comparisons, characterizing CD8+ T cells
References François-Bongarcon *et al.* 2004

- The ability of circulating T-cells from 7 North American and 4 Chinese HIV+ donors to produce IFN-gamma and/or lyse autologous primary cells infected with HIVIIIB, B' (Thai B) or C/B recombinant form was tested. The results showed cross-clade CD8 T-cell responses to the Chinese viruses among North American donors and to HIVIIIB in Chinese donors, suggesting that many of the T-cell responses to clade B virus epitopes are conserved across clades. Lysis of cells by N. American donor CD8+ T cells infected with IIIB or a Thai B' strain were comparable, while lysis infected with the Chinese BC recombinant was somewhat reduced, although the reduction was not statistically significant.

HXB2 Location HIV-1
Author Location

Epitope
Immunogen HIV-1 infection
Species (MHC) human
Country Canada.
Assay type Cytokine production, Chromium-release assay, Flow cytometric T-cell cytokine assay
Keywords TCR usage, memory cells, characterizing CD8+ T cells, immune dysfunction
References Gamberg *et al.* 2004b

- A relationship was found between the proportion of HIV-specific CTLs expressing CD28 and CD4+ T-cell counts, viral load and disease progression. This association cannot be linked to disease related degeneration of CD8+CD28- T-cells in terms of their TCRbetaV family repertoire diversity or ability to produce cytokines. This suggests that effective immune responses contain CD8+CD28+ T-cell populations that shift to CD8+CD28- in ineffective responses.

HXB2 Location HIV-1

Author Location

Epitope
Immunogen
Species (MHC)
Keywords review, epitope processing, vaccine-specific epitope characteristics, rate of progression, immunodominance, escape, acute/early infection, early-expressed proteins, TCR usage, reversion, viral fitness
References Goulder & Watkins 2004

- CTLs have a central role in the control of HIV infection. Emergence of escape variants to CTLs is one of the major obstacles to vaccine development. Factors that should be considered for the development of an HIV vaccine are CTLs that are specific for epitopes recognized during the acute phase of infection, CTLs that are able to efficiently control viral replication, and epitopes from regions of the viral genome that are highly conserved or where variation results in loss of viral fitness.

HXB2 Location HIV-1

Author Location

Epitope
Immunogen HIV-1 exposed seronegative
Species (MHC) human
Country Kenya.
Assay type Chromium-release assay
Keywords HIV exposed persistently seronegative (HEPS), characterizing CD8+ T cells
References Kaul *et al.* 2004

- HIV-1 specific CTL responses found in HIV exposed persistently seronegative Kenyan female sex workers were shown to be associated with age and recent HIV-1 exposure, but not with protection against HIV-1 infection. The authors note that CTL may be the result of a non-productive HIV infection, but not mediate protection; alternatively, the low incidence, possibly due to behavioral interventions, may not give adequate sampling to detect the response.

HXB2 Location HIV-1

Author Location

Epitope

Immunogen HIV-1 infection
Species (MHC) human
Country France.
Keywords HAART, ART, characterizing CD8+ T cells, immune dysfunction
References Kryworuchko *et al.* 2004

- A subset of HIV-1 infected untreated patients had CD8+ T-cells that were unable to respond to IL-2 by activating STAT5a and b proteins. This was correlated with an impaired activation of the upstream kinase Jak-3. 6 months of HAART was shown to restore Jak/STAT signalling in those patients and their CD8+ T-cell response to IL-2. This suggests another mechanism for immune dysfunction in HIV infected patients.

HXB2 Location HIV-1

Author Location

Epitope
Subtype A, B, C, D, F, G, U
Immunogen computer prediction
Species (MHC) human
Keywords vaccine antigen design
References Maksyutov *et al.* 2004

- Every HIV protein was shown to have some regions that were highly similar to the regions of human proteins. Most of those regions contained T-cell or/and B-cell epitopes. The epitopes shared by HIV and its host may have immunopathogenic potential through stimulating autoimmunity and should possibly be excluded from HIV vaccines. All HIV proteins from the sequence of BH10 were compared to human proteins, as well as many HIV-1 V3 variants.

HXB2 Location HIV-1

Author Location (ELI)

Epitope
Immunogen in vitro stimulation or selection
Species (MHC) human
Assay type Cytokine production, proliferation, Chromium-release assay, Flow cytometric T-cell cytokine assay
Keywords class I down-regulation by Nef, rate of progression, dendritic cells, immune dysfunction
References Quaranta *et al.* 2004

- Exogenous Nef protein activates immature DCs and inhibits the capacity of DCs to prime CD8+ T-cell responses by down-regulating their proliferation and function capacities. Nef induces CD8+ T-cell apoptosis by up-regulating TNF-alpha and FasL production by DCs, while DCs are protected from apoptosis themselves. These mechanisms, as well as by down regulation of the HLA class I proteins, can contribute to HIV-triggered immune dysfunction.

HXB2 Location HIV-1

Author Location

Epitope
Subtype B
Immunogen HIV-1 infection
Species (MHC) human
Country Switzerland.
Assay type CD8 T-cell Elispot - IFN γ , CD4 T-cell Elispot - IFN γ

Keywords rate of progression

References Oxenius *et al.* 2004a

- In untreated, HIV-1 chronically infected patients, CD4+ T-cell responses and, to a lesser extent, CD8+ T-cell responses, were found to inversely correlate with disease progression rate. Polymorphisms in CCR genes, HLA genotype and GB virus C coinfection were not found to be related to slower disease progression.

HXB2 Location HIV-1

Author Location (B clade)

Epitope

Subtype B

Immunogen HIV-1 infection

Species (MHC) human

Country Canada.

Assay type CD8 T-cell Elispot - IFN γ , Flow cytometric T-cell cytokine assay

Keywords genital and mucosal immunity, characterizing CD8+ T cells

References Sheth *et al.* 2004

- HIV viral load in semen is found to be 10-fold lower than in blood. No correlation was found between viral load in either semen or blood and systemic HIV-specific CD8 T-cell responses, in 20 samples.

HXB2 Location HIV-1

Author Location

Epitope

Subtype B

Immunogen vaccine

Vector/Type: DNA with CMV promoter, virus-like particle (VLP), modified vaccinia Ankara (MVA) *Strain:* B clade *HIV component:* Env, Gag, Pol, Protease, RT

Species (MHC) macaque

Assay type T-cell Elispot, Intracellular cytokine staining

Keywords vaccine antigen design

References Smith *et al.* 2004

- Macaques were immunized with codon-optimized Gag DNA and non-codon-optimized Gag-Pol-Env DNA vaccines, expressed as VLPs as aggregates, followed by an MVA boost. There was no significant difference in anti-Gag T-cell responses and anti-Env Ab responses between the different vaccines. A second MVA boost did not increase T-cell responses but it increased anti-Env Ab titers by 40- to 90-fold.

HXB2 Location HIV-1

Author Location

Epitope

Immunogen

Species (MHC) human

Keywords review, epitope processing, rate of progression, escape, early-expressed proteins, vaccine antigen design

References Yang 2004

- This review considers CTL biology in HIV infection in the context of vaccine design principles. Since HIV-1 infection damages immunity through depletion of CD4+ T-cells, which in turn results in diminished capacity of the immune system to produce new and functional CTL responses, maximizing the breadth of CTL responses might not be enough for an HIV-1 vaccine. CTLs recognizing early proteins might be more prone to epitope escape mutation, while those recognizing more conserved structural proteins might be more likely to persist, so focusing on more conserved proteins those might be a good strategy to produce an attenuating vaccine.
- Original antigenic sin is discussed, the initial responses to an antigen that persist even after escape occurs, blunting the later immune response. If the goal is to prevent disease, focusing on conserved late expressed proteins might be the best target, where the fitness cost is greatest for escape; if the goal is to prevent infection, focusing the vaccine on the more variable early expressed proteins that elicit the first responses, Tat and Nef, might be best.

HXB2 Location HIV-1

Author Location p24 (HIV-2 ROD, HIV-1 IIIB)

Epitope

Immunogen HIV-1 or HIV-2 infection

Species (MHC) human

Country Gambia.

Assay type Cytokine production, proliferation, CD8 T-cell Elispot - IFN γ , Chromium-release assay

Keywords rate of progression

References Jaye *et al.* 2004

- A comparison of T cell responses in HIV-1 and HIV-2 infected asymptomatic patients with CD4+ cell counts 20% showed no significant difference between groups. Viral loads were roughly 20 times greater in HIV-1 positive patients than HIV-2 positive patients.
- 10/20 (50%) of HIV-1 infected patients demonstrated proliferative responses with SI greater than 1.4 to gp120, and 11/20 to p24. 8/29 (29%) of HIV-2 infected patients recognized gp105, and 8/29 (29%) p26. Cytokine responses in both groups did not differ.
- 9/21 (43%) of HIV-1 + and 15/30 (50%) of HIV-2 + patients had cytotoxic T cell responses to Gag, and 3/21 (14%) HIV-1 + and 8/30 (27%) HIV-2 + responded to Pol.

HXB2 Location HIV-1

Author Location

Epitope

Immunogen HIV-1 infection

Species (MHC) human

Country Spain.

Assay type proliferation, Intracellular cytokine staining

Keywords HAART, ART

References López *et al.* 2004

- A clinical trial compared chronically HIV-1 infected patients who had replaced HAART with didanosine (ddI) and hydroxyurea (HU) were followed for 12 months to an untreated HIV+ group and a group that continued on HAART.

- Approximately 20% of the patients treated with ddI-HU had detectable CD4+ T-cell proliferative responses to Gag and Env in contrast to drug-naïve and HAART treated HIV-infected patients, who had few or no responses.
- HIV-specific CD8+ T-cell responses were higher in ddI-HU treated patients than HAART treated patients, even in individuals that maintained undetectable viral loads.

HXB2 Location HIV-1**Author Location****Epitope****Immunogen****Species (MHC)****Keywords** review, adjuvant comparison**References** Mitchison & Sattentau 2005

- Review summarizes mechanisms of immunoregulation relevant for new vaccine development, with a brief summary of adjuvant triggering innate immunity through Toll-like receptors (TLRs), Nod molecules, and other activators. DNA encoded adjuvants that have been tested in DNA vaccines are summarized. The balance between Th1 (CTL activating) and Th2 (B cell activating) responses is discussed, and it is noted that BALB/c mice are predominately Th2 responders, C57BL Th1.

HXB2 Location HIV-1**Author Location****Epitope****Immunogen** HIV-1 infection**Species (MHC)** human**Keywords** escape**References** Piontkivska & Hughes 2006

- Greatest amino acid diversity is found in sites in the HIV genome that are spanned by antibody epitopes. Sites spanned by CTL epitopes, but not by antibody epitopes, showed reduced amino acid diversity, even in comparison to non-epitope sites. However, mutations within CTL epitopes were more likely to be convergent than mutations within antibody epitopes. These patterns were consistent both in Gag and in Env.

HXB2 Location HIV-1**Author Location****Epitope****Immunogen** HIV-1 infection**Species (MHC)** human**Assay type** CD8 T-cell Elispot - IFN γ , CD8 T-cell RecycleSpot - IFN γ **Keywords** assay standardization/improvement, optimal epitope**References** Bihl *et al.* 2005

- This study describes a novel approach to achieve maximal information from an extensive set of antigens (HIV, EBV, CMV, HCV, and HBV) to determine the magnitude of T-cell responses while requiring minimal cell numbers. Large sets of peptides based on optimally defined epitopes from each pathogen are used. It is shown that, when compared to ex vivo cell preparations, antigen-unspecific in vitro T-cell expansion maintains the breadth of detectable T-cell responses. Also, harvesting cells from negative ELISpot wells for re-use (RecycleSpot) maximizes the use of available cells.

HXB2 Location HIV-1**Author Location****Epitope****Immunogen** HIV-1 infection**Species (MHC)** human**Assay type** CD8 T-cell Elispot - IFN γ **Keywords** genital and mucosal immunity, characterizing CD8+ T cells**References** Ibarrondo *et al.* 2005

- The breadth and magnitude of HIV-1-specific CTL responses in blood and sigmoid colon mucosa were assessed in 16 patients. The magnitude of pool-specific CTL responses in blood and mucosa was correlated within each individual and across all individuals. CTL targeting was also found to correlate between these 2 compartments, with Nef being the most highly targeted region, followed by Gag. No correlation between the magnitude and breadth of CTL responses and viremia and blood CD4 levels was found in any of the compartments. Concordant peptide pool responses were found in the blood and mucosa 85%; pools that differed were near the threshold of detection.
- This study suggests that HIV-1-specific CTL responses in the blood mirror those in the mucosa during chronic infection.

HXB2 Location HIV-1**Author Location** (Z321)**Epitope****Subtype** A, B, C, G**Immunogen** vaccine**Vector/Type:** gp120 depleted whole killed virus **Strain:** AG recombinant HZ321 **HIV component:** gp120 depleted virus **Adjuvant:** CpG immunostimulatory sequence (ISS)**Species (MHC)** mouse**Assay type** Cytokine production, proliferation, CD8 T-cell Elispot - IFN γ , Flow cytometric T-cell cytokine assay**Keywords** subtype comparisons, genital and mucosal immunity, adjuvant comparison, vaccine antigen design, characterizing CD8+ T cells**References** Jiang *et al.* 2005

- Mice were given intranasal immunization with inactivated gp120-depleted HIV-1 antigen plus a CpG ODN adjuvant and examined for local immune responses in the genital tract. Mice immunized with HIV Ag plus CpG produced significantly higher levels of IFN-gamma and beta-chemokines than mice immunized with Ag alone, and their lymphocytes showed significant HIV-specific proliferation. CD8 T-cells were increased in the genital tracts of mice immunized with HIV Ag plus CpG.
- The vaccine antigen Z321 is clade G in Gag. Cross-clade protection against an intravaginal IVAG challenge was observed for clades A, C, and G, but not clade B.

HXB2 Location HIV-1**Author Location****Epitope****Immunogen** computer prediction**Species (MHC)** human**Assay type** Other**Keywords** assay standardization/improvement, computational epitope prediction

References Larsen *et al.* 2005

- A computational epitope identification method integrating predictions of MHC class I binding affinity, TAP transport efficiency and C-terminal proteasomal cleavage was compared to two already existing computational epitope identification tools. It was shown that the new ANN method performed better, reducing the number of nonamers needed to be tested in order to identify 85% of the epitopes from 9-10% to only 7%.

HXB2 Location HIV-1**Author Location** (A, B, and C consensus)**Epitope****Subtype** A, B, C**Immunogen** HIV-1 infection**Species (MHC)** human**Country** United States.**Assay type** CD8 T-cell Elispot - IFN γ **Keywords** subtype comparisons**References** Yu *et al.* 2005

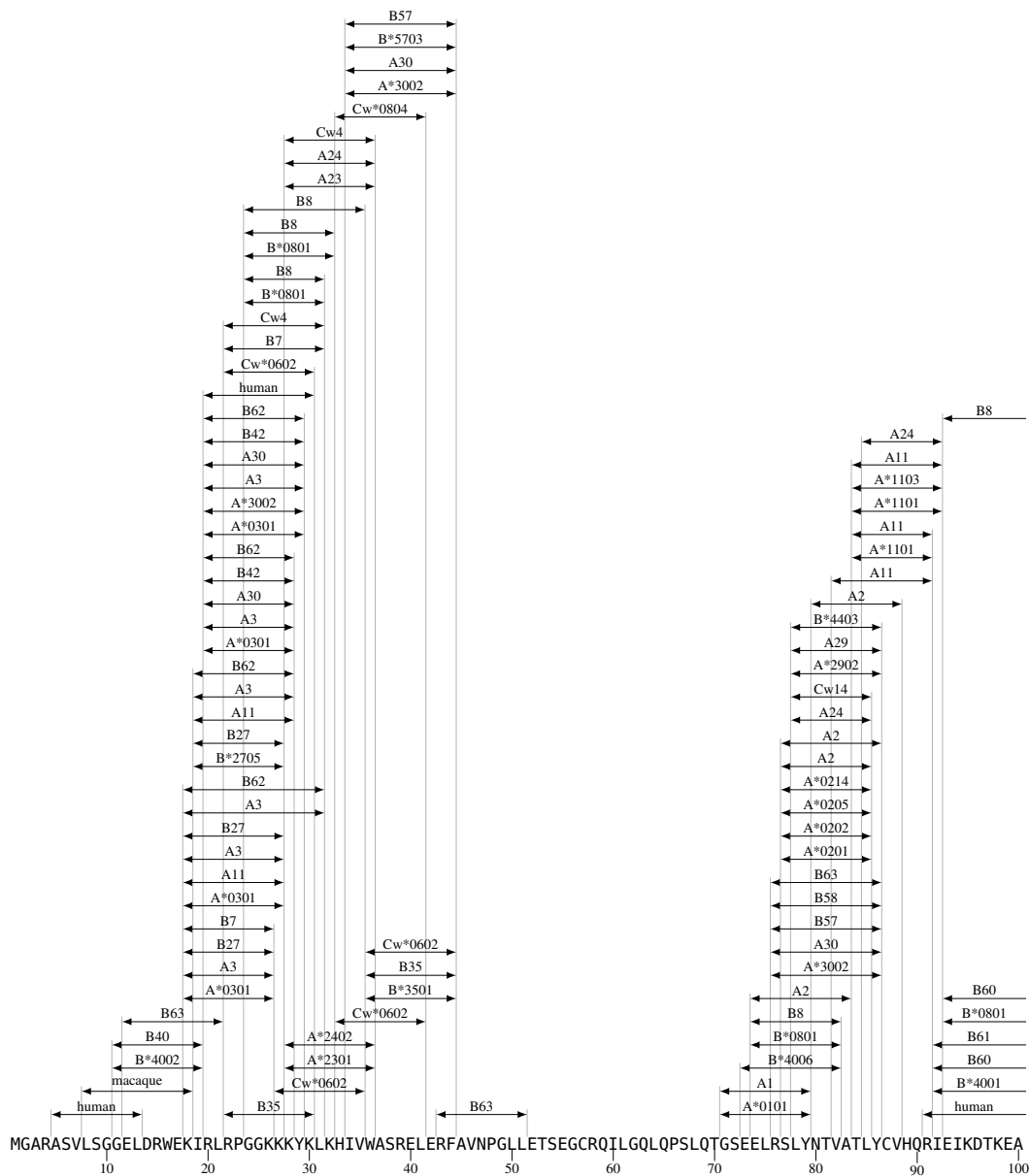
- HIV-specific T-cell responses to peptide from A, B, and C clade spanning the entire HIV proteome were assessed in clade B infected individuals. Many cross-reactive responses were observed against clade A, B, and C consensus sequences, preferentially recognized in conserved regions with low intra-clade diversity and high inter-clade homology.
- At the individual peptide level, within clade responses to B clade peptides were more frequent. 194 responses were detected with only one peptide, of these 105 recognized B clade, 55 C clade, and 34 A clade. 125 responses recognized peptides from two clades, and 110 of these were with B plus either A or C. 166 responses were cross-reactive with all three clades.

II-C

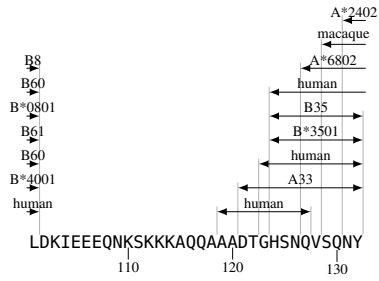
Maps of CTL/CD8+ Epitope Locations Plotted by Protein

Linear CTL epitopes mapped to within a region of 14 amino acids or less are shown.

II-C-1 p17 CTL/CD8+ Epitope Map

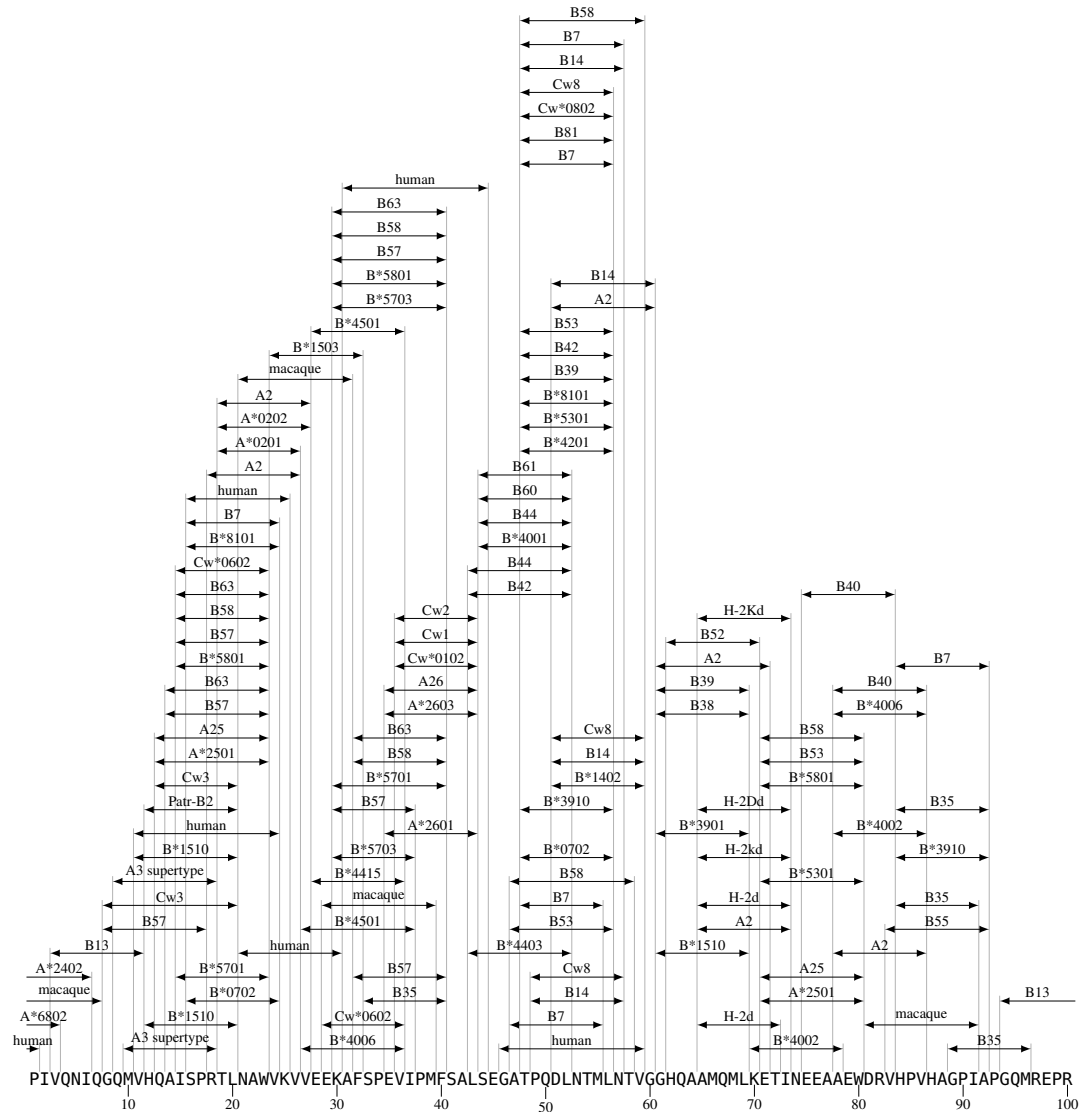


CTL CD8+



II-C-2 p24 CTL/CD8+ Epitope Map

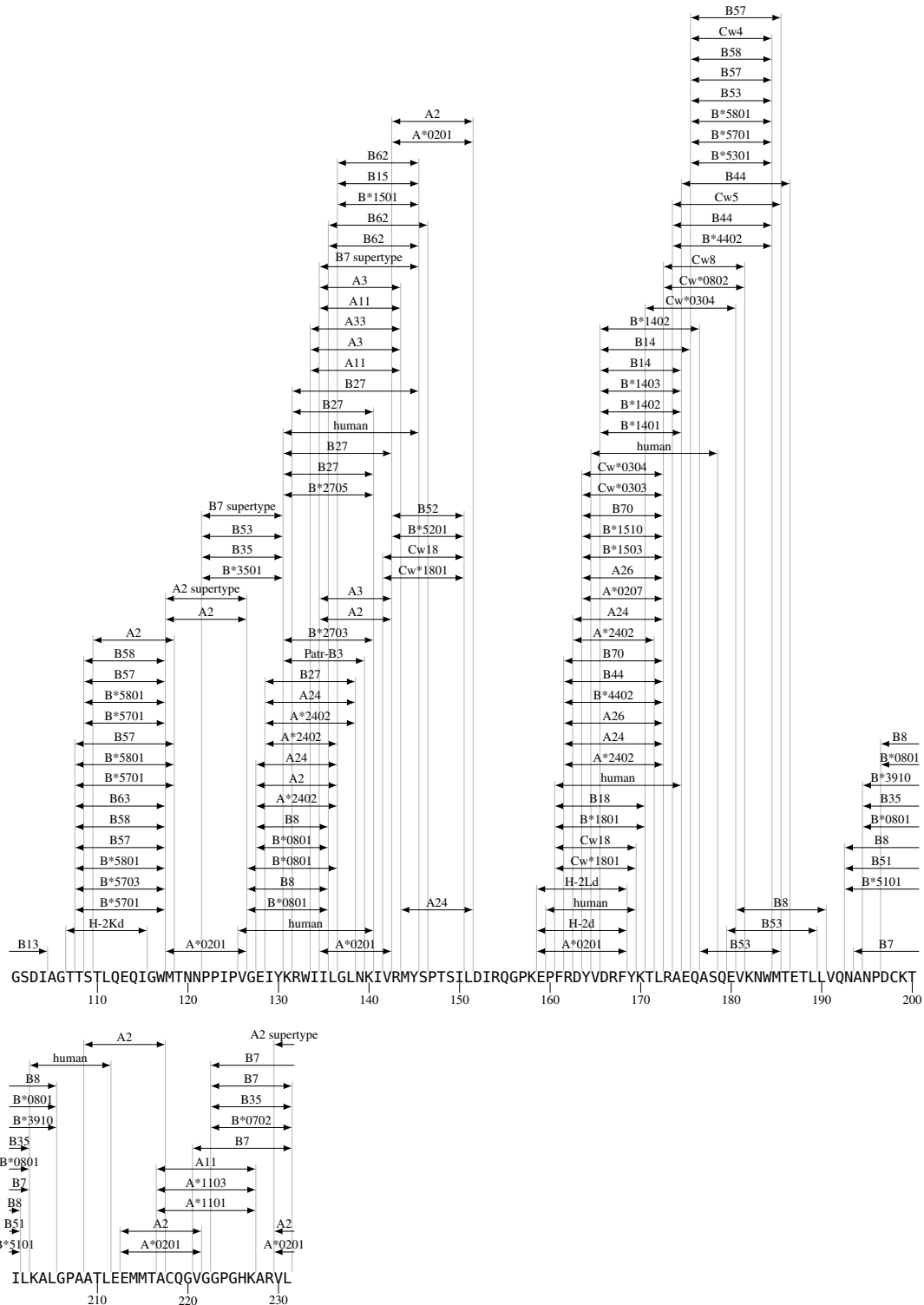
CTL CD8+



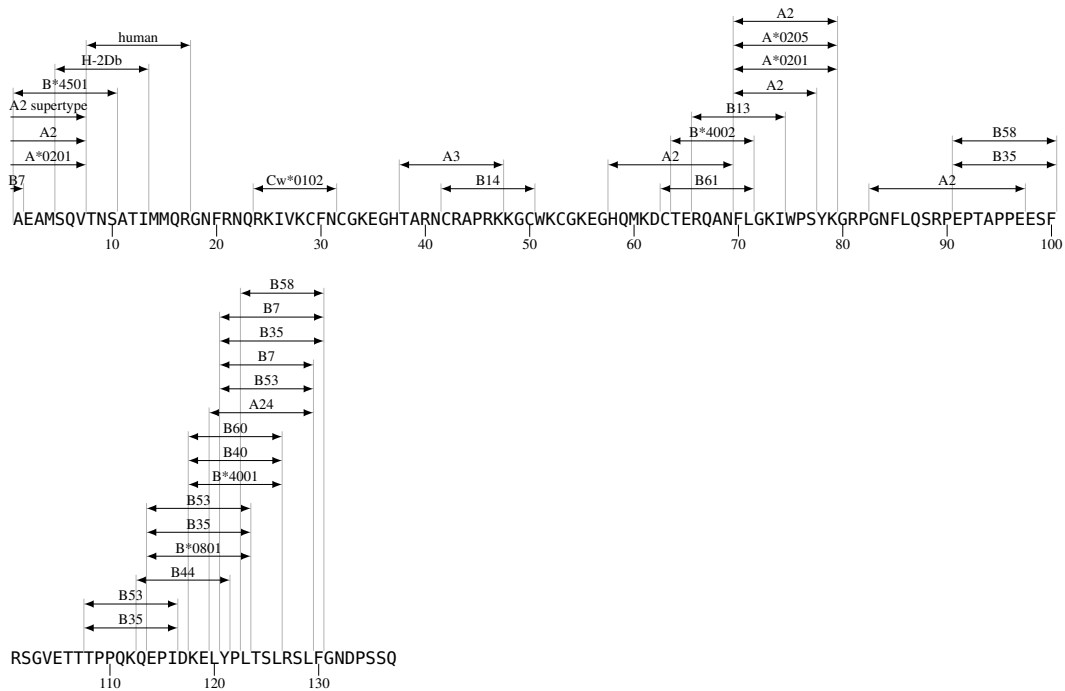
p24 CTL/CD8+ Epitope Map

Maps of CTL/CD8+ Epitope Locations Plotted by Protein

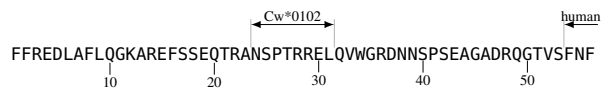
CTL CD8+



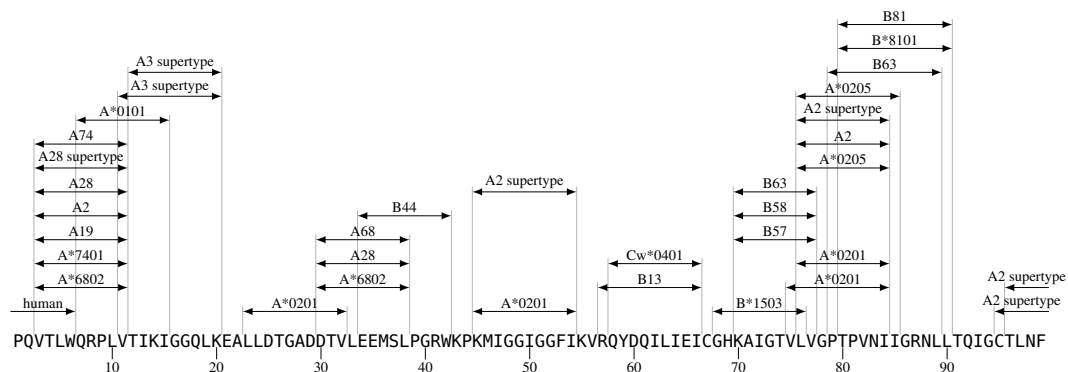
II-C-3 p2p7p1p6 CTL/CD8+ Epitope Map



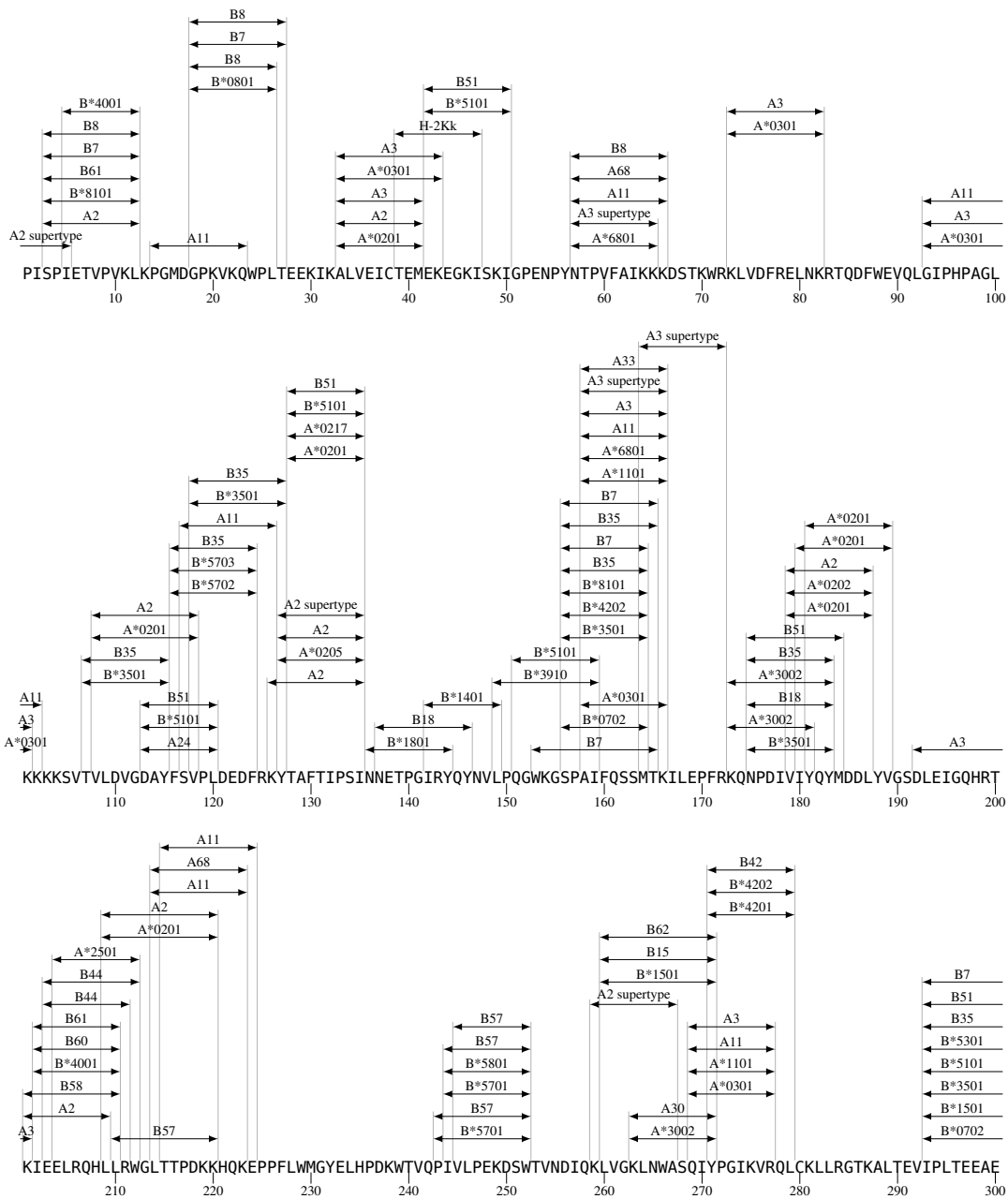
II-C-4 Gag/Pol TF CTL/CD8+ Epitope Map



II-C-5 Protease CTL/CD8+ Epitope Map

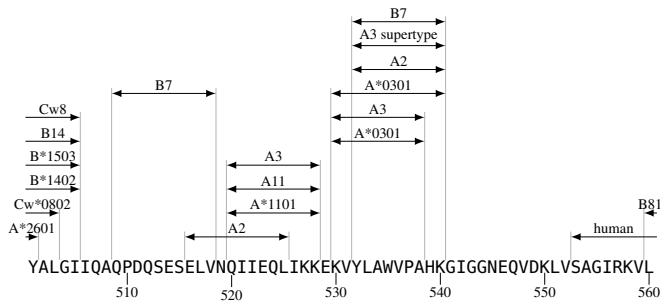
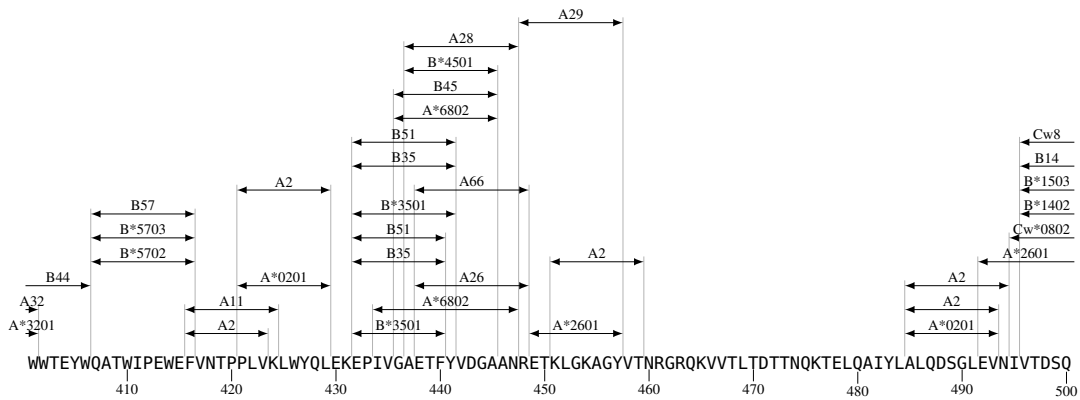
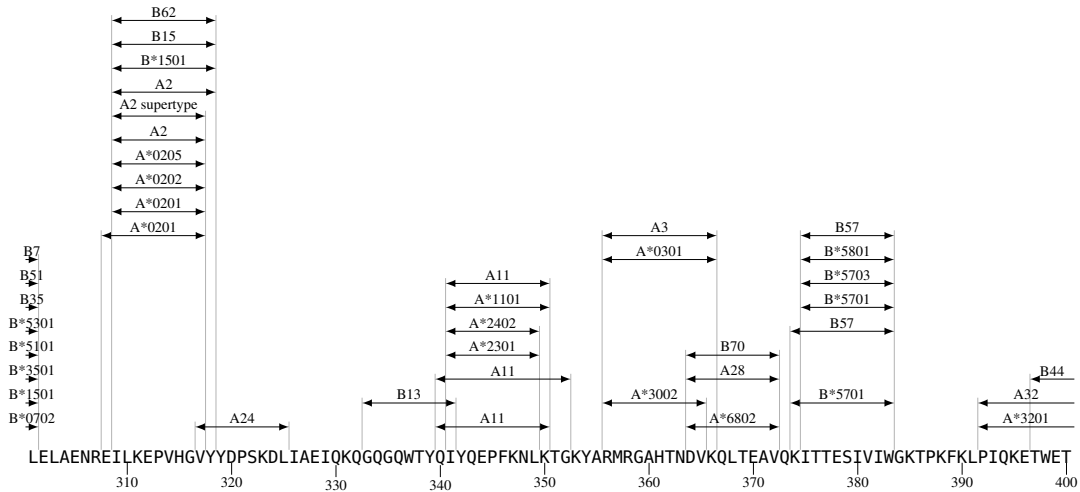


II-C-6 RT CTL/CD8+ Epitope Map

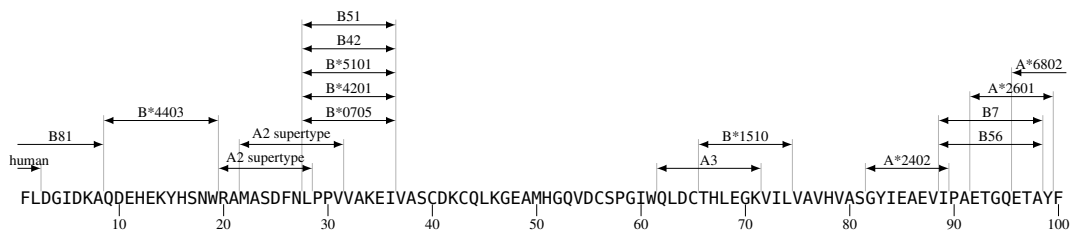


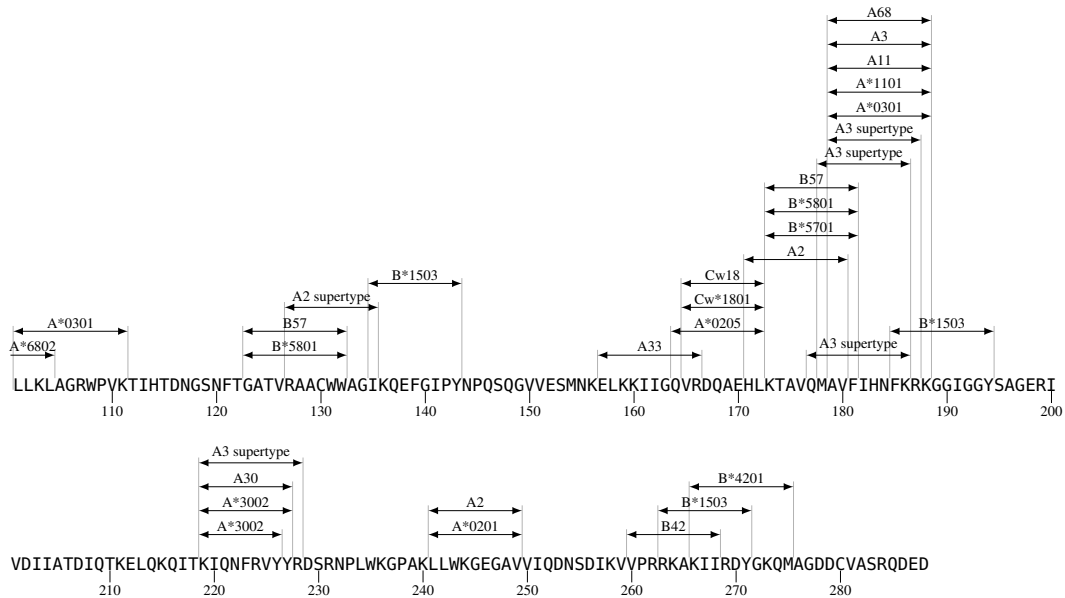
CTL CD8+

CTL CD8+

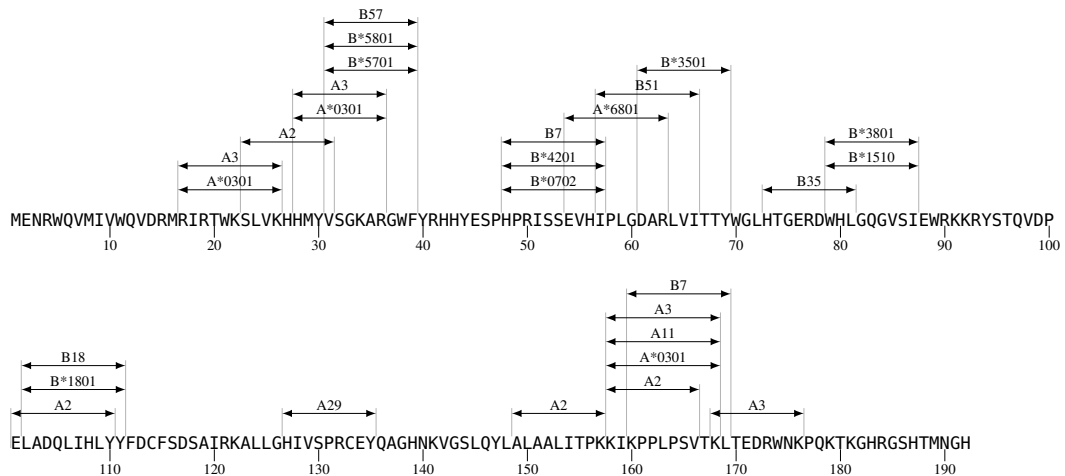


II-C-7 Integrase CTL/CD8+ Epitope Map

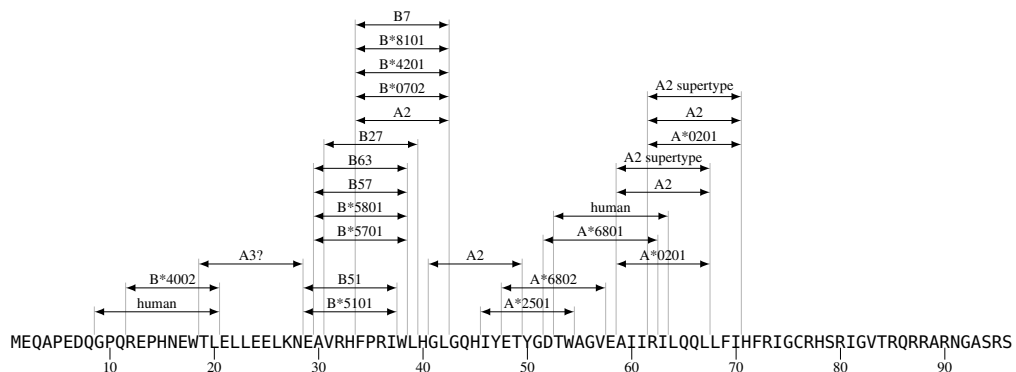




II-C-8 Vif CTL/CD8+ Epitope Map

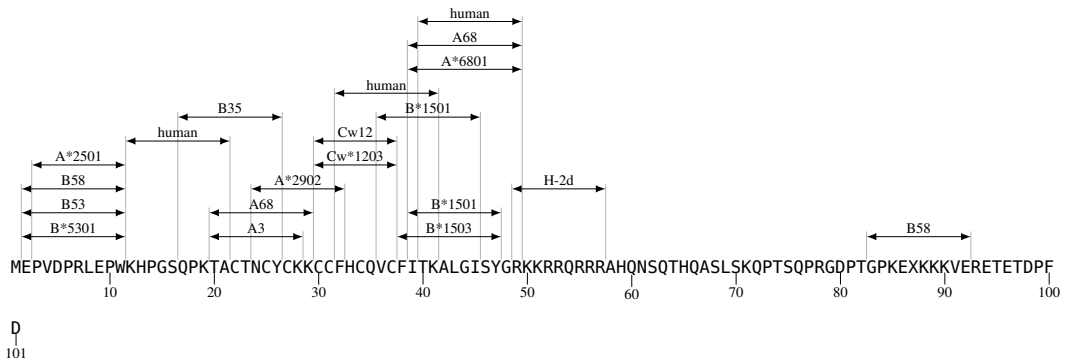


II-C-9 Vpr CTL/CD8+ Epitope Map

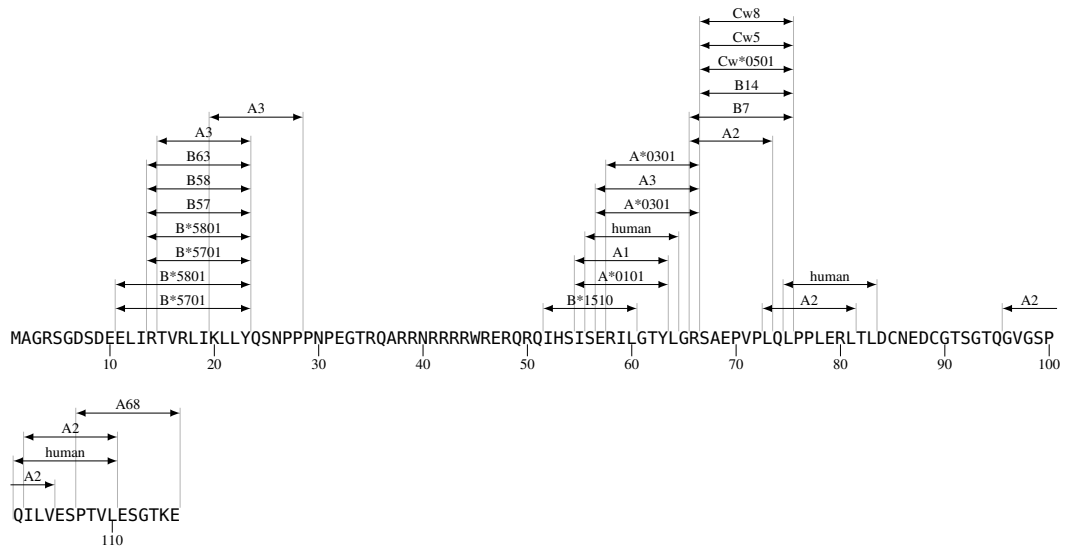


CTL CD8+

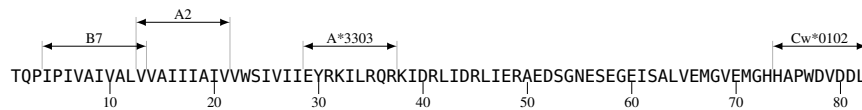
II-C-10 Tat CTL/CD8+ Epitope Map



II-C-11 Rev CTL/CD8+ Epitope Map

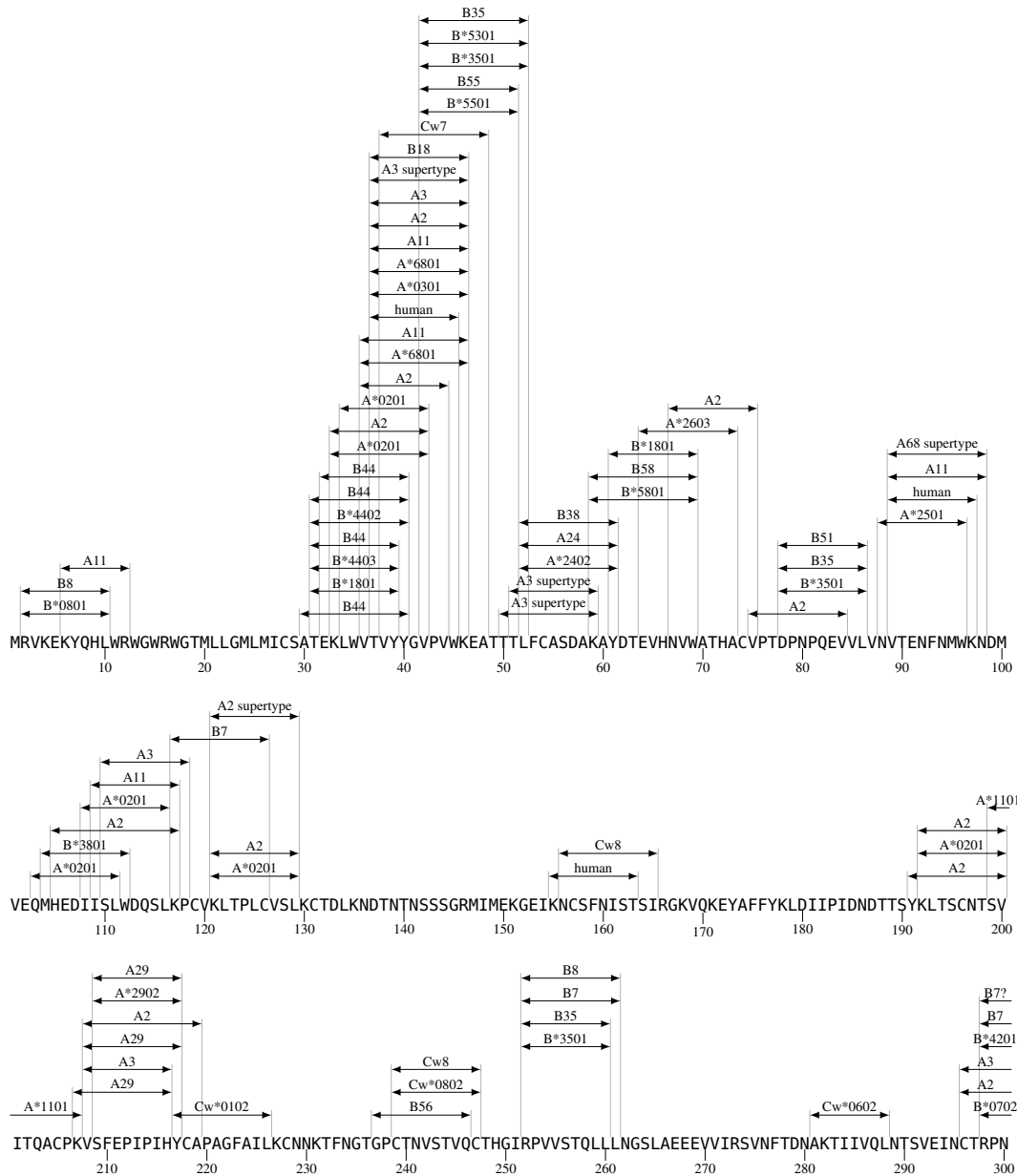


II-C-12 Vpu CTL/CD8+ Epitope Map



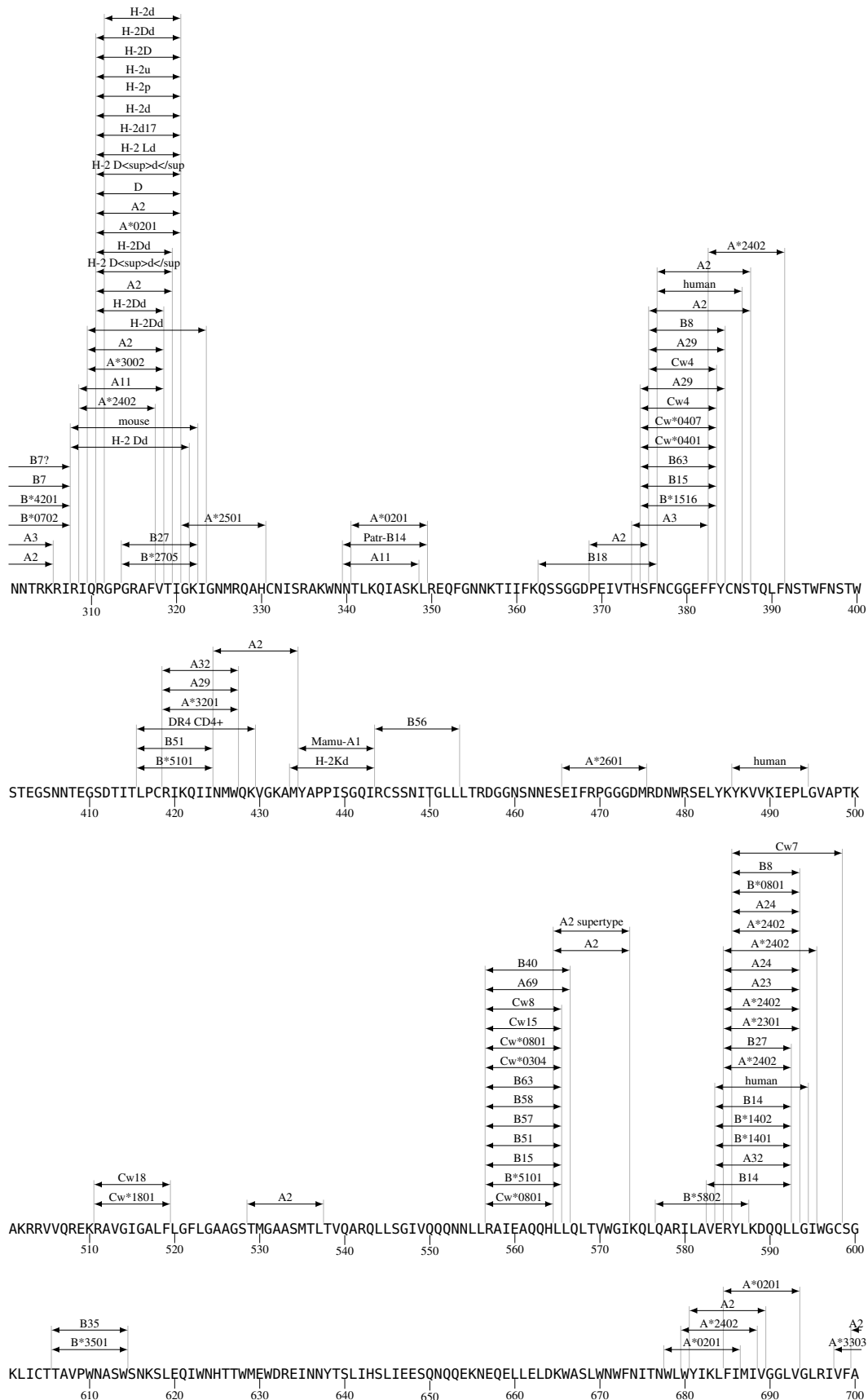
CTL CD8+

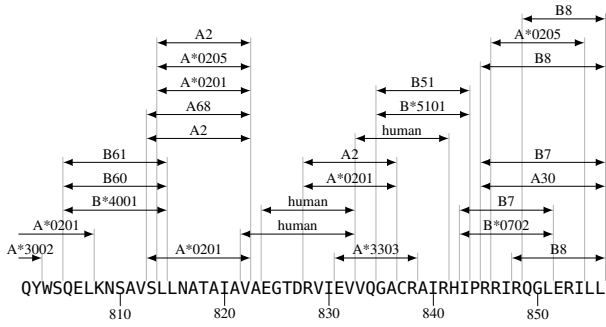
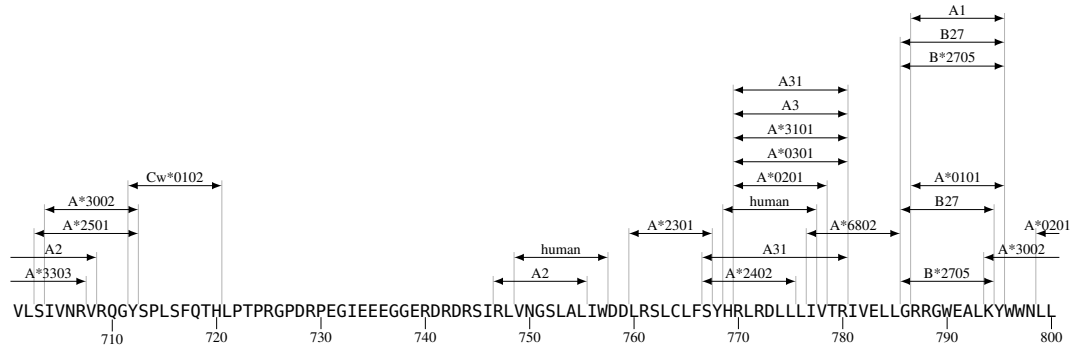
II-C-13 gp160 CTL/CD8+ Epitope Map



CTL CD8+

CTL CD8+

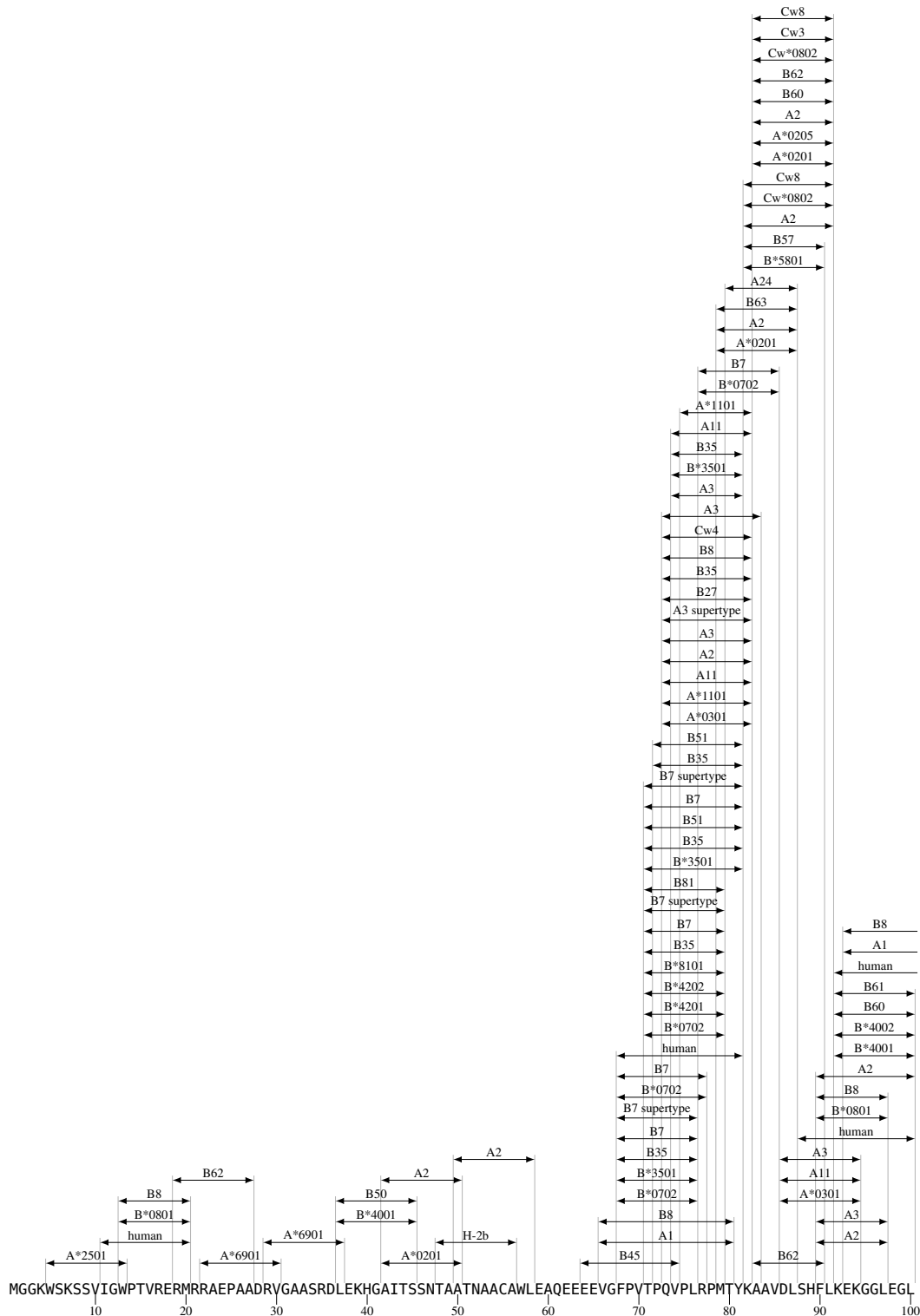




CTL CD8+

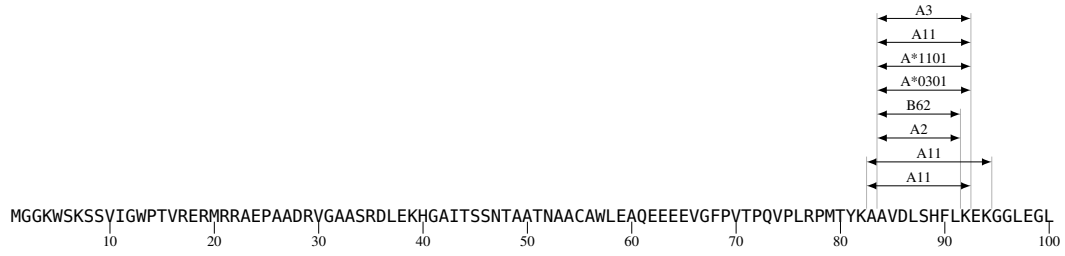
II-C-14 Nef CTL/CD8+ Epitope Map

CTL CD8+



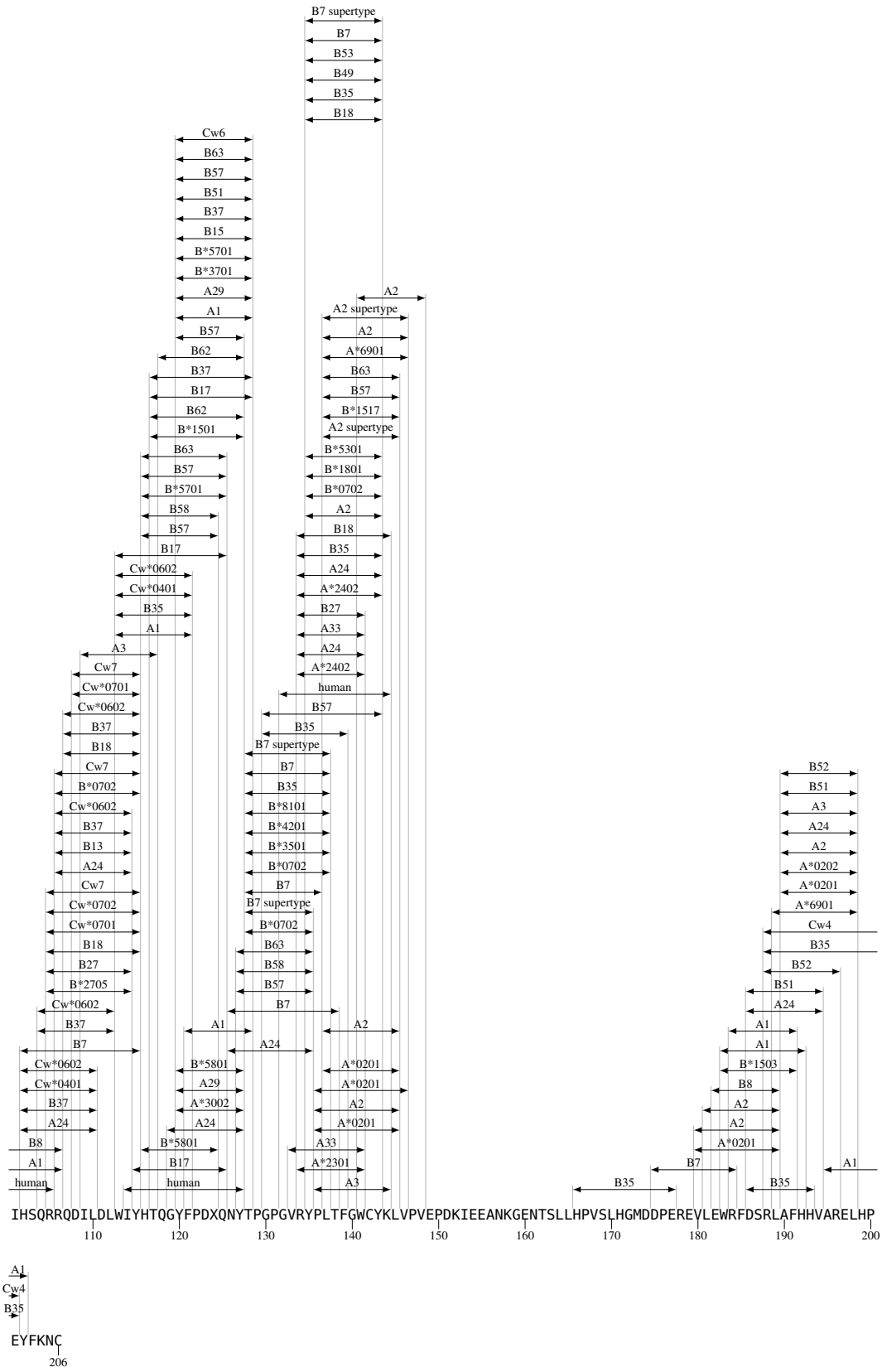
Nef CTL/CD8+ Epitope Map

Maps of CTL/CD8+ Epitope Locations Plotted by Protein



CTL CD8+

CTL CD8+



Part III

HIV Helper/CD4+ T-Cell Epitopes

T-Helper CD4+

III-A

Summary

This part includes tables, maps, and associated references of HIV-specific helper T-cell (Th) epitopes arranged sequentially according to the location of the proteins in the HIV-1 genome. We attempted to make this part as comprehensive as possible, requiring that the epitope be contained within a defined region of a maximum of 30 amino acids, but not that the optimal boundaries be defined. Studies that were based on the analysis of whole proteins are described at the end of each protein section. The same epitope can have multiple entries, as each entry represents a single publication in this part of the database. HLA specificity is usually not determined for Th epitopes. For more recent updates, epitope sequence alignments, and useful search capabilities, please see our web site: <http://www.hiv.lanl.gov/content/immunology>. Helper T-cell responses to proteins with no defined epitopes are listed at the end of each protein section.

Recent studies utilize multiple functions attributed to T cells to define responses, and the simple distinctions of cytotoxic T cells and helper T cells have become blurred as more is learned about the range of responses triggered in CD4 and CD8 positive T cells responding to antigenic stimulus. When adding the most recent studies to the database, we have tried to place T cell responses in a reasonable manner into our traditional helper T cell and CTL parts, and to specify the assay used to measure the response in each study.

III-A-1 Epitope tables

Each T-helper epitope has a multi-part basic entry:

HXB2 location: The viral strain HXB2 (GenBank Accession Number K03455) is used as a reference strain throughout this publication. The position of the defined epitope location relative to the sequence of the HXB2 protein is indicated. The numbering in this table corresponds to the protein maps. Because of HIV-1 variation the epitope may not actually be present in HXB2; rather, the position in HXB2 indicates the position aligned to the epitope. HXB2 was selected as the reference strain because so many studies use HXB2, and because crystal structures for HXB2-related proteins are often available. The precise positions of an epitope on the HXB2 reference strain can be readily obtained using the interactive position locator at our web site: <http://www.hiv.lanl.gov/>

[content/hiv-db/LOCATE/locate.html](http://www.hiv.lanl.gov/content/hiv-db/LOCATE/locate.html).

Author location: The amino acid positions of the epitope boundaries and the reference sequence are listed as given in the primary publication. Frequently, these positions as published are imprecise, and do not truly correspond to the numbering of the sequence, but they provide a reasonable guide to the peptide's approximate location in the protein. Also, in many cases the reference sequence identification was not provided, and in such cases it is not possible to use these numbers to specify precise locations.

Epitope: The amino acid sequence of the epitope of interest as defined in the reference, based on the reference strain used in the study defining the epitope. On occasions when only the position numbers and not the actual peptide sequence were specified in the original publication, we tried to fill in the peptide sequence based on the position numbers and reference strain. If the sequences were numbered inaccurately by the primary authors, or if we made a mistake in this process, we may have misrepresented the binding site's amino acid sequence. Because of this uncertainty, epitopes that were not explicitly written in the primary publication, that we determined by looking up the reference strain and the numbered location, are followed by a question mark in the table.

Epitope name: If the epitope has a name attributed by the publication, it is recorded here, e.g. "SL9".

Subtype: The subtype under study, generally not specified for B subtype.

Immunogen: The antigenic stimulus of the Th response. Often this is an HIV-1 infection. If a vaccine was used as the original antigenic stimulation, not a natural infection, this is noted separately, and additional information about the vaccine antigen is provided as available.

Species (MHC): The species responding and MHC or HLA specificity of the epitope.

Donor MHC: The HLA genotype of the individual that responded to the epitope.

Country: The country where the samples were obtained—generally not specified if the study was conducted in the United States.

Assay type: Assay used to characterize the response.

Keywords: Keywords are a searchable field for the web interface that is included in the T-cell sections of the printed version to help identify entries of particular interest.

Reference: The primary reference (sometimes two or more directly related studies are included). Details for some of the earlier references are in Part V.

Following the entry for a given Th epitope brief comments explain the context in which the epitope was studied and what was learned about the epitope in a given study.

III-A-2 HIV protein epitope maps

All HIV Th epitopes mapped to within a region of 18 amino acids or less are indicated on the HIV protein epitope maps. The location and HLA restriction elements of Th epitopes are indicated on protein sequences of HXB2. These maps are meant to provide the relative location of defined epitopes on a given protein, but the HXB2 sequence may not actually carry the epitope of interest, as it may vary relative to the sequence for which the epitope was defined. Epitopes with identical boundaries and HLA fields are included in the maps only once. If one laboratory determines HLA presenting molecules at the serotype level (example: A2) and another at the genotype level (example: A*0201) both will be included in the map. MHC specificities are indicative of the host species; when no MHC presenting molecule is defined, the host species is noted.

III-A-3 Alignments

To conserve space, no epitope alignments are provided in this book, but they can be generated using the Th epitope search tool at <http://www.hiv.lanl.gov/content/immunology>. The master alignment files from which the epitope alignments were created are available at our web site at http://www.hiv.lanl.gov/content/hiv-db/ALIGN_CURRENT/ALIGN-INDEX.html.

III-B

HIV Helper/CD4+ T-Cell Epitope Tables

All HIV Helper/CD4+ T-Cell epitopes are arranged by protein position. The table entries are sorted in a nested way—first by protein, then by HXB2 start location within the protein, and finally by HLA presenting molecule. Epitopes for which the HXB2 location is unknown appear at the end of the listing of the protein in which they are located.

III-B-1 Gag p17 Helper/CD4+ T-cell epitopes

HXB2 Location p17 (1–18)
Author Location p17 (1–18 B consensus)
Epitope MGARASVLSGGELDRWEK
Subtype B
Immunogen HIV-1 infection
Species (MHC) human
Country United States.
Assay type CD4 T-cell Elispot - IFN γ , Intracellular cytokine staining, HLA binding
Keywords supervised treatment interruptions (STI), rate of progression, immunodominance, acute/early infection
References Kaufmann *et al.* 2004

- CD4 T-cell responses in 36 HIV-1 positive individuals in different disease stages were mapped by IFN γ EliSpot using a panel of 410 B-consensus peptides spanning all HIV proteins. Virus specific CD4+ T-cell responses (median=7, range of magnitude=990) were detected in 30/36 patients.
- This epitope was recognized by 14% of the study group.
- Gag and Nef responses dominated the CD4+ T-cell EliSpot responses in the study. No correlation between plasma viremia and the frequency or magnitude of HIV-1-specific responses was observed.
- The most HIV-1 specific CD4+ T-cell responses were observed in acutely infected patients with treatment of primary infection who stopped after 1-3 treatments (acute STI), compared to patients continuing therapy. People with therapy during chronic infection had low responses; higher numbers of responses were seen among untreated people. 2/9 LTNPs responded to many peptides, comparable to acute STI.

HXB2 Location p17 (7–17)
Author Location Gag (7–17)
Epitope VLSGGELDRWE
Epitope name Gag 1.2
Immunogen vaccine

Vector/Type: DNA prime with modified vaccinia Ankara (MVA) boost **Strain:** B clade
HIV component: Env, Gag, Protease, Rev, RT, Tat, Vpu

Species (MHC) macaque
Assay type T-cell Elispot, Intracellular cytokine staining
Keywords subtype comparisons, memory cells
References Amara *et al.* 2005

- Clade B DNA/MVA HIV vaccine was shown to raise a broad cross-reactive cellular immune response for peptides based on the CRF02_AG consensus Gag in macaques. The activity was better-conserved for CD8 than CD4 T cells.
- 3/5 CD8 epitopes and 2/8 CD4 epitopes were conserved across multiple HIV-1 clades. All 5 CD8, and 4/8 of the CD4 epitopes that were recognized in vaccinated macaques have also been reported for human infections, indicating cross-species conservation. VLSGGELDRWE was not reported for human infections.
- The response elicited to the B clade epitope VLSGGELDRWE does not cross-react with the CRF02_AG form VLtGGELDsWE. The forms VLSGG[e/k]LD[r/ak]WE are prevalent among M group clades.

HXB2 Location p17 (9–26)
Author Location p17 (9–26 B consensus)
Epitope SGGELDRWEKIRLRPGGK
Subtype B
Immunogen HIV-1 infection
Species (MHC) human
Country United States.
Assay type CD4 T-cell Elispot - IFN γ , Intracellular cytokine staining, HLA binding
Keywords supervised treatment interruptions (STI), rate of progression, immunodominance, acute/early infection
References Kaufmann *et al.* 2004

- CD4 T-cell responses in 36 HIV-1 positive individuals in different disease stages were mapped by IFN γ EliSpot using a panel of 410 B-consensus peptides spanning all HIV proteins. Virus specific CD4+ T-cell responses (median=7, range of magnitude=990) were detected in 30/36 patients.
- This peptide was recognized by 22% of the study group.
- Gag and Nef responses dominated the CD4+ T-cell EliSpot responses in the study. No correlation between plasma viremia and the frequency or magnitude of HIV-1-specific responses was observed.
- The most HIV-1 specific CD4+ T-cell responses were observed in acutely infected patients with treatment of primary infection who stopped after 1-3 treatments (acute STI), compared to patients continuing therapy. People with therapy during chronic infection had low responses; higher numbers of responses were

seen among untreated people. 2/9 LTNPs responded to many peptides, comparable to acute STI.

- HXB2 Location** p17 (13–23)
Author Location Gag (13–23)
Epitope LDRWEKIRLRP
Epitope name Gag 1.3
Immunogen vaccine
Vector/Type: DNA prime with modified vaccinia Ankara (MVA) boost *Strain:* B clade
HIV component: Env, Gag, Protease, Rev, RT, Tat, Vpu
Species (MHC) macaque
Assay type T-cell Elispot, Intracellular cytokine staining
Keywords subtype comparisons, memory cells
References Amara *et al.* 2005
- Clade B DNA/MVA HIV vaccine was shown to raise a broad cross-reactive cellular immune response for peptides based on the CRF02_AG consensus Gag in macaques. The activity was better-conserved for CD8 than CD4 T cells.
 - 3/5 CD8 epitopes and 2/8 CD4 epitopes were conserved across multiple HIV-1 clades. All 5 CD8, and 4/8 of the CD4 epitopes that were recognized in vaccinated macaques have also been reported for human infections, indicating cross-species conservation.
 - LDRWEKIRLRP was not reported for human infections.
 - The response elicited to the B clade epitope LDRWEKIRLRP does not cross-react with the CRF02_AG form LDsWEKIRLRP. Other clades most commonly carry an A in this position, and C clade consensus carries K (LD[r/ak]WEKIRLRP).
- HXB2 Location** p17 (17–31)
Author Location Gag (17–31 HXB-2)
Epitope EKIRLRPGGKKKYKL
Subtype B
Immunogen HIV-1 infection
Species (MHC) human
Donor MHC DRB1*1303, DRB1*1502, DRB3*0101, DRB5*0102, DQB1*0301, DQB1*0601
Country United States.
Assay type CD4 T-cell Elispot - IFN γ
References Koepe *et al.* 2006
- The study measured CD4+ T-cell responses against epitopes in Gag p17 and p24 and concurrent endogenous plasma HIV-1 RNA epitope sequence variation. No inpatient protein sequence variation was found in identified epitopes, indicating that escape from CD4-positive T-cell responses is not a common process *in vivo*.
 - 1/22 patients responded to this peptide.
- HXB2 Location** p17 (17–34)
Author Location p17 (17–34 B consensus)
Epitope EKIRLRPGGKKKYKLKHI
Subtype B
Immunogen HIV-1 infection
Species (MHC) human
Country United States.
Assay type CD4 T-cell Elispot - IFN γ , Intracellular cytokine staining, HLA binding

Keywords supervised treatment interruptions (STI), rate of progression, immunodominance, acute/early infection

References Kaufmann *et al.* 2004

- CD4 T-cell responses in 36 HIV-1 positive individuals in different disease stages were mapped by IFN γ EliSpot using a panel of 410 B-consensus peptides spanning all HIV proteins. Virus specific CD4+ T-cell responses (median=7, range of magnitude=990) were detected in 30/36 patients.
- This peptide was recognized by 14% of the study group.
- Gag and Nef responses dominated the CD4+ T-cell EliSpot responses in the study. No correlation between plasma viremia and the frequency or magnitude of HIV-1-specific responses was observed.
- The most HIV-1 specific CD4+ T-cell responses were observed in acutely infected patients with treatment of primary infection who stopped after 1-3 treatments (acute STI), compared to patients continuing therapy. People with therapy during chronic infection had low responses; higher numbers of responses were seen among untreated people. 2/9 LTNPs responded to many peptides, comparable to acute STI.

HXB2 Location p17 (17–34)

Author Location p17 (17–34)

Epitope EKIRLRPGGKKKYKLHKI

Subtype B

Immunogen HIV-1 infection

Species (MHC) human

Country Netherlands.

Assay type Cytokine production

References Geels *et al.* 2006

- The relationship between CTL escape and the subsequent increase in viral load and CD4 Th responses was studied in 2 patients. In both patients T-cell reactivity and recognition were lost after CTL escape, and in 1 patient only the loss of CTL responses was paralleled by a decrease in IL-2 CD4 Th responses.
- Autologous sequences corresponding to known and predicted Th epitopes were analyzed. EKIRLRPGGKKKYKLHKI had fixation of 1 mutation (EKIRLRPGGKK[k/r]YKLHKI) in 1 of the patients.

HXB2 Location p17 (18–42)

Author Location p17 (18–42 PV22)

Epitope KIRLRPGGKKKYKLKHIVWASRELE

Subtype B

Immunogen HIV-1 infection

Species (MHC) human (DRB1*13)

Donor MHC A29, A30, B8, B35, DRB1*03, DRB1*13

Keywords HAART, ART, Th1, Th2

References Lotti *et al.* 2002

- 10/49 chronically HIV-1 infected patients had low p55-Gag-specific CD4+ T cell responses prior to therapy, and these responses remained unchanged 3 and 6 months after initiation of HAART. There was no difference in level of response in those with or without a detectable p55 response.
- For one individual, patient F45 CDC stage A2, CD4+ p55 responding clones were generated. Her response was consistently strong and heterogeneous in terms of HLA restriction and V β usage, and some clones had a Th1 cytokine secretion profile

(high IFN γ production) while some had a Th2 profile (high IL-4 and IL-5 production). 5/10 CD4+ clones could also induce cytotoxicity.

- 4/10 clones from patient F45 had their epitopes mapped using overlapping peptides. Clone 6 recognized this peptide sequence restricted by DRB1*13. This clone had a high SI (27.1 to p55, 90.6 to peptide) secreted IFN γ , indicative of a Th1 response, as well as TNF α . Clone 6 was highly cytotoxic, through a perforin-mediated pathway.

HXB2 Location p17 (21–35)

Author Location p17 (21–35 SF2)

Epitope LRPGGKKKYKLVK

Immunogen HIV-1 infection

Species (MHC) human (DR13.02)

Keywords escape

References Harcourt *et al.* 1998

- 43 asymptomatic HIV+ individuals were screened for proliferative responses to HIV – 12 showed a response, and dominant epitopes were mapped for two individuals, one in p24 and one in p17.
- Patient 024's naturally occurring variant LRPGGKKKYQLKHIV also elicited a strong proliferative response.
- Naturally occurring variants of this epitope were found within the individual who made this response – several did not stimulate the CD4+ T-cell line that recognized the index peptide, suggestive of immune escape.

HXB2 Location p17 (22–29)

Author Location p17 (22–29 LAI)

Epitope RPPGGKKKY?

Subtype B

Immunogen HIV-1 infection

Species (MHC) human

References Schrier *et al.* 1989

- Stimulates T-cell proliferation in HIV-infected donors.
- Schrier lists this peptide as p24(22-29), but it appears to be in p17.

HXB2 Location p17 (29–43)

Author Location Gag (29–43 HXB-2)

Epitope YKLVKLVWASRELER

Subtype B

Immunogen HIV-1 infection

Species (MHC) human

Donor MHC DRB1*1303, DRB1*1502, DRB3*0101, DRB5*0102, DQB1*0301, DQB1*0601

Country United States.

Assay type CD4 T-cell Elispot - IFN γ

References Koeppe *et al.* 2006

- The study measured CD4+ T-cell responses against epitopes in Gag p17 and p24 and concurrent endogenous plasma HIV-1 RNA epitope sequence variation. No intrapatient protein sequence variation was found in identified epitopes, indicating that escape from CD4-positive T-cell responses is not a common process *in vivo*.
- 1/22 patients responded to this peptide.

HXB2 Location p17 (32–46)

Author Location p17 (32–46 B Consensus)

Epitope KHIVWASRELERFAV

Subtype B

Immunogen HIV-1 infection

Species (MHC) human

Country United States.

Assay type CD4 T-cell Elispot - IFN γ , Intracellular cytokine staining, HLA binding

Keywords supervised treatment interruptions (STI), rate of progression, immunodominance, acute/early infection

References Kaufmann *et al.* 2004

- CD4 T-cell responses in 36 HIV-1 positive individuals in different disease stages were mapped by IFN γ EliSpot using a panel of 410 B-consensus peptides spanning all HIV proteins. Virus specific CD4+ T-cell responses (median=7, range of magnitude=990) were detected in 30/36 patients.
- This peptide was recognized by 11% of the study group.
- Gag and Nef responses dominated the CD4+ T-cell EliSpot responses in the study. No correlation between plasma viremia and the frequency or magnitude of HIV-1-specific responses was observed.
- The most HIV-1 specific CD4+ T-cell responses were observed in acutely infected patients with treatment of primary infection who stopped after 1-3 treatments (acute STI), compared to patients continuing therapy. People with therapy during chronic infection had low responses; higher numbers of responses were seen among untreated people. 2/9 LTNPs responded to many peptides, comparable to acute STI.

HXB2 Location p17 (33–47)

Author Location p17 (33–47 IIIB, B10)

Epitope HIVWASRELERFAV?

Immunogen HIV-1 infection

Species (MHC) human

References Wahren *et al.* 1989b; Wahren *et al.* 1989a

- Peptides were identified that commonly evoke T-cell responses – 57% of 90 HIV+ people had a T-cell response to this peptide.

HXB2 Location p17 (33–47)

Author Location Gag (33–47 HXB-2)

Epitope HIVWASRELERFAV

Subtype B

Immunogen HIV-1 infection

Species (MHC) human

Donor MHC DRB1*1303, DRB1*1502, DRB3*0101, DRB5*0102, DQB1*0301, DQB1*0601

Country United States.

Assay type CD4 T-cell Elispot - IFN γ

References Koeppe *et al.* 2006

- The study measured CD4+ T-cell responses against epitopes in Gag p17 and p24 and concurrent endogenous plasma HIV-1 RNA epitope sequence variation. No intrapatient protein sequence variation was found in identified epitopes, indicating that escape from CD4-positive T-cell responses is not a common process *in vivo*.
- 1/22 patients responded to this peptide.

HXB2 Location p17 (35–59)

Author Location p17 (35–49 PV22)

Epitope VWASRELERFAVNPGLLETSEGCRQ

Subtype B

Immunogen HIV-1 infection

Species (MHC) human (DRB1*13)

Donor MHC A29, A30, B8, B35, DRB1*03, DRB1*13

Keywords HAART, ART, Th1, Th2, TCR usage

References Lotti *et al.* 2002

- 10/49 chronically HIV-1 infected patients had low p55-Gag-specific CD4+ T cell responses prior to therapy, and these responses remained unchanged 3 and 6 months after initiation of HAART. There was no difference in level of response in those with or without a detectable p55 response.
- For one individual, patient F45 CDC stage A2, CD4+ p55 responding clones were generated. Her response was consistently strong and heterogeneous in terms of HLA restriction and V β usage, and some clones had a Th1 cytokine secretion profile (high IFN γ production) while some had a Th2 profile (high IL-4 and IL-5 production). 5/10 CD4+ clones could also induce cytotoxicity.
- 4/10 clones from patient F45 had their epitopes mapped using overlapping peptides. Clone 25 recognized this peptide sequence restricted by DRB1*13 using TCR V β 5.1. This clone had a SI of 4.9 to p55, 13.7 to peptide, secreted low levels of IFN γ , indicative of a Th1 response. Clone 25 had cytotoxic activity, mediated through both a perforin and a Fas-based pathway.

HXB2 Location p17 (37–51)

Author Location p17 (37–51 B consensus)

Epitope ASRELERFAVNPGLL

Subtype B

Immunogen HIV-1 infection

Species (MHC) human (DRB*0101, DRB1*0401, DRB1*0405, DRB1*0701, DRB1*1302, DRB1*1501)

Country United States.

Assay type CD4 T-cell Elispot - IFN γ , Intracellular cytokine staining, HLA binding

Keywords supervised treatment interruptions (STI), rate of progression, immunodominance, acute/early infection

References Kaufmann *et al.* 2004

- CD4 T-cell responses in 36 HIV-1 positive individuals in different disease stages were mapped by IFN γ EliSpot using a panel of 410 B-consensus peptides spanning all HIV proteins. Virus specific CD4+ T-cell responses (median=7, range of magnitude=990) were detected in 30/36 patients.
- Gag and Nef responses dominated the CD4+ T-cell EliSpot responses in the study. No correlation between plasma viremia and the frequency or magnitude of HIV-1-specific responses was observed.
- This peptide was recognized by 36% of the study group.
- The peptides that were recognized by the most people were able to bind broadly to multiple HLA-DR molecules. This peptide showed high cross-reactive binding capacity and bound to 6/8 common HLA-DR molecules.
- The most HIV-1 specific CD4+ T-cell responses were observed in acutely infected patients with treatment of primary infection who stopped after 1-3 treatments (acute STI), compared to patients continuing therapy. People with therapy during chronic

infection had low responses; higher numbers of responses were seen among untreated people. 2/9 LTNPs responded to many peptides, comparable to acute STI.

HXB2 Location p17 (39–47)

Author Location p17 (B consensus)

Epitope RELERFAVN

Subtype B

Immunogen HIV-1 infection

Species (MHC) human (DRB1*1302)

Country United States.

Assay type CD4 T-cell Elispot - IFN γ , Intracellular cytokine staining, HLA binding

Keywords supervised treatment interruptions (STI), immunodominance

References Kaufmann *et al.* 2004

- CD4 T-cell responses in 36 HIV-1 positive individuals in different disease stages were mapped by IFN γ EliSpot using a panel of 410 B-consensus peptides spanning all HIV proteins. Virus specific CD4+ T-cell responses (median=7, range of magnitude=990) were detected in 30/36 patients.
- Gag and Nef responses dominated the CD4+ T-cell EliSpot responses in the study. No correlation between plasma viremia and the frequency or magnitude of HIV-1-specific responses was observed.
- This epitope was in the overlap between 2 highly reactive peptides; it was fine mapped and found to be presented by DRB*1302.

HXB2 Location p17 (41–51)

Author Location p17 (41–51 B consensus)

Epitope LERFAVNPGLL

Subtype B

Immunogen HIV-1 infection

Species (MHC) human (DRB1*1302)

Country United States.

Assay type CD4 T-cell Elispot - IFN γ , Intracellular cytokine staining, HLA binding

Keywords supervised treatment interruptions (STI), rate of progression, immunodominance, acute/early infection

References Kaufmann *et al.* 2004

- CD4 T-cell responses in 36 HIV-1 positive individuals in different disease stages were mapped by IFN γ EliSpot using a panel of 410 B-consensus peptides spanning all HIV proteins. Virus specific CD4+ T-cell responses (median=7, range of magnitude=990) were detected in 30/36 patients.
- Gag and Nef responses dominated the CD4+ T-cell EliSpot responses in the study. No correlation between plasma viremia and the frequency or magnitude of HIV-1-specific responses was observed.
- This core epitope, LERFAVNPGLL, was found to bind to 1/8 HLA-DR proteins tested, DRB*1302.

HXB2 Location p17 (41–55)

Author Location Gag (41–55 HXB-2)

Epitope LERFAVNPGLLETSE

Subtype B

Immunogen HIV-1 infection

Species (MHC) human

Donor MHC DRB1*1303, DRB1*1502, DRB3*0101, DRB5*0102, DQB1*0301, DQB1*0601

Country United States.

Assay type CD4 T-cell Elispot - IFN γ

References Koeppe *et al.* 2006

- The study measured CD4+ T-cell responses against epitopes in Gag p17 and p24 and concurrent endogenous plasma HIV-1 RNA epitope sequence variation. No inpatient protein sequence variation was found in identified epitopes, indicating that escape from CD4-positive T-cell responses is not a common process *in vivo*.
- 1/22 patients responded to this peptide.

HXB2 Location p17 (42–51)

Author Location p17 (B consensus)

Epitope ERFAVNPGLL

Subtype B

Immunogen HIV-1 infection

Species (MHC) human (DRB3*0202, DRB3*0301)

Country United States.

Assay type CD4 T-cell Elispot - IFN γ , Intracellular cytokine staining, HLA binding

Keywords supervised treatment interruptions (STI), immunodominance

References Kaufmann *et al.* 2004

- CD4 T-cell responses in 36 HIV-1 positive individuals in different disease stages were mapped by IFN γ Elispot using a panel of 410 B-consensus peptides spanning all HIV proteins. Virus specific CD4+ T-cell responses (median=7, range of magnitude=990) were detected in 30/36 patients.
- Gag and Nef responses dominated the CD4+ T-cell Elispot responses in the study. No correlation between plasma viremia and the frequency or magnitude of HIV-1-specific responses was observed.
- This epitope was in the overlap between 2 highly reactive peptides, and was fine mapped; 2 different presenting alleles for 2 different clones were determined, and found to be DRB3*0202, DRB3*0301.

HXB2 Location p17 (42–58)

Author Location p17 (42–58 B consensus)

Epitope ERFAVNPGLLETSEGCR

Subtype B

Immunogen HIV-1 infection

Species (MHC) human (DRB1*0101, DRB1*0405, DRB1*1101, DRB1*1302)

Country United States.

Assay type CD4 T-cell Elispot - IFN γ

Keywords supervised treatment interruptions (STI), immunodominance

References Kaufmann *et al.* 2004

- CD4 T-cell responses in 36 HIV-1 positive individuals in different disease stages were mapped by IFN γ Elispot using a panel of 410 B-consensus peptides spanning all HIV proteins. Virus specific CD4+ T-cell responses (median=7, range of magnitude=990) were detected in 30/36 patients.
- This peptide was recognized by 28% of the study group.

• Gag and Nef responses dominated the CD4+ T-cell Elispot responses in the study. No correlation between plasma viremia and the frequency or magnitude of HIV-1-specific responses was observed.

• The peptides that were recognized by the most people were able to bind broadly to multiple HLA-DR molecules. This peptide showed high cross-reactive binding capacity and bound to 4/8 tested HLA-DR molecules.

• The most HIV-1 specific CD4+ T-cell responses were observed in acutely infected patients with treatment of primary infection who stopped after 1-3 treatments (acute STI), compared to patients continuing therapy. People with therapy during chronic infection had low responses; higher numbers of responses were seen among untreated people. 2/9 LTNPs responded to many peptides, comparable to acute STI.

HXB2 Location p17 (70–86)

Author Location p17 (70–86 B Consensus)

Epitope TGSEELRSLNTVALY

Subtype B

Immunogen HIV-1 infection

Species (MHC) human

Country United States.

Assay type CD4 T-cell Elispot - IFN γ , Intracellular cytokine staining, HLA binding

Keywords supervised treatment interruptions (STI), rate of progression, immunodominance, acute/early infection

References Kaufmann *et al.* 2004

• CD4 T-cell responses in 36 HIV-1 positive individuals in different disease stages were mapped by IFN γ Elispot using a panel of 410 B-consensus peptides spanning all HIV proteins. Virus specific CD4+ T-cell responses (median=7, range of magnitude=990) were detected in 30/36 patients.

• This peptide was recognized by 11% of the study group.

• Gag and Nef responses dominated the CD4+ T-cell Elispot responses in the study. No correlation between plasma viremia and the frequency or magnitude of HIV-1-specific responses was observed.

• The most HIV-1 specific CD4+ T-cell responses were observed in acutely infected patients with treatment of primary infection who stopped after 1-3 treatments (acute STI), compared to patients continuing therapy. People with therapy during chronic infection had low responses; higher numbers of responses were seen among untreated people. 2/9 LTNPs responded to many peptides, comparable to acute STI.

HXB2 Location p17 (73–83)

Author Location Gag (73–83)

Epitope EELRSLYNTVA

Epitope name Gag 4.3

Immunogen vaccine

Vector/Type: DNA prime with modified vaccinia Ankara (MVA) boost *Strain:* B clade
HIV component: Env, Gag, Protease, Rev, RT, Tat, Vpu

Species (MHC) macaque

Assay type T-cell Elispot, Intracellular cytokine staining

Keywords subtype comparisons, memory cells

References Amara *et al.* 2005

- Clade B DNA/MVA HIV vaccine was shown to raise a broad cross-reactive cellular immune response for peptides based on the CRF02_AG consensus Gag in macaques. The activity was better-conserved for CD8 than CD4 T cells.
- 3/5 CD8 epitopes and 2/8 CD4 epitopes were conserved across multiple HIV-1 clades. All 5 CD8, and 4/8 of the CD4 epitopes that were recognized in vaccinated macaques have also been reported for human infections, indicating cross-species conservation.
- EELRSLYNTVA was not reported for human infections.
- The response elicited to the B clade epitope EELRSLYNTVA does not cross-react with the CRF02_AG form EEfksLYNiVA. The epitope is however conserved across clades A,B,C,D,F.

HXB2 Location p17 (77–91)

Author Location Gag (77–91 HXB-2)

Epitope SLNTVATLYCVHQR

Subtype B

Immunogen HIV-1 infection

Species (MHC) human

Country United States.

Assay type CD4 T-cell Elispot - IFN γ

References Koeppe *et al.* 2006

- The study measured CD4+ T-cell responses against epitopes in Gag p17 and p24 and concurrent endogenous plasma HIV-1 RNA epitope sequence variation. No inpatient protein sequence variation was found in identified epitopes, indicating that escape from CD4-positive T-cell responses is not a common process *in vivo*.
- 1/22 patients responded to this peptide.

HXB2 Location p17 (77–94)

Author Location p17 (77–94 B consensus)

Epitope SLYNTVATLYCVHQRIEV

Subtype B

Immunogen HIV-1 infection

Species (MHC) human (DRB1*0101, DRB1*0401, DRB1*0405, DRB1*0701, DRB1*1302, DRB5*0101)

Country United States.

Assay type CD4 T-cell Elispot - IFN γ , Intracellular cytokine staining, HLA binding

Keywords supervised treatment interruptions (STI), rate of progression, immunodominance, acute/early infection

References Kaufmann *et al.* 2004

- CD4 T-cell responses in 36 HIV-1 positive individuals in different disease stages were mapped by IFN γ EliSpot using a panel of 410 B-consensus peptides spanning all HIV proteins. Virus specific CD4+ T-cell responses (median=7, range of magnitude=990) were detected in 30/36 patients.
- Gag and Nef responses dominated the CD4+ T-cell EliSpot responses in the study. No correlation between plasma viremia and the frequency or magnitude of HIV-1-specific responses was observed.
- This peptide was recognized by 25% of the study group.
- The peptides that were recognized by the most people were able to bind broadly to multiple HLA-DR molecules. This peptide showed high cross-reactive binding capacity and bound to 6/8 common HLA-DR molecules.

- The most HIV-1 specific CD4+ T-cell responses were observed in acutely infected patients with treatment of primary infection who stopped after 1-3 treatments (acute STI), compared to patients continuing therapy. People with therapy during chronic infection had low responses; higher numbers of responses were seen among untreated people. 2/9 LTNPs responded to many peptides, comparable to acute STI.

HXB2 Location p17 (77–94)

Author Location p17 (77–94)

Epitope SLYNTVATLYCVHQRIEV

Subtype B

Immunogen HIV-1 infection

Species (MHC) human

Country Netherlands.

Assay type Cytokine production

References Geels *et al.* 2006

- The relationship between CTL escape and the subsequent increase in viral load and CD4 Th responses was studied in 2 patients. In both patients T-cell reactivity and recognition were lost after CTL escape, and in 1 patient only the loss of CTL responses was paralleled by a decrease in IL-2 CD4 Th responses.
- Autologous sequences corresponding to known and predicted Th epitopes were analyzed. SLYNTVATLYCVHQRIEV had fixation of 1 mutation (SLYNT[v/i]ATLYCVHQRIEV) in 1 of the patients.

HXB2 Location p17 (93–107)

Author Location p17 (93–107 IIIB, B10)

Epitope EIKDTKEALDKIEEE

Immunogen HIV-1 infection

Species (MHC) human

References Wahren *et al.* 1989b; Wahren *et al.* 1989a

- 12 gag and 18 env peptides were identified that could commonly evoke T-cell responses.

HXB2 Location p17 (118–132)

Author Location p17 (118–132 IIIB, B10)

Epitope AAADTGHSSQVSQNY

Immunogen HIV-1 infection

Species (MHC) human

References Wahren *et al.* 1989b; Wahren *et al.* 1989a

- 12 gag and 18 env peptides were identified that could commonly evoke T-cell responses.

III-B-2 Gag p24 Helper/CD4+ T-cell epitopes

HXB2 Location p24 (1–9)

Author Location p24 (133–141 HXB2)

Epitope PIVQNIQQG

Subtype B

Immunogen HIV-1 infection

Species (MHC) human (DRB1*0101)

Donor MHC DRB1*0101, DRB1*1501, DQ5, DQ1, DR51
Assay type T-cell Elispot, Intracellular cytokine staining

Keywords HAART, ART

References Boritz *et al.* 2003

- HIV infected individuals with advanced disease often have only weak or undetectable HIV specific Th responses, and HAART can sometimes restore Th HIV recognition in such cases. The repertoire of Th responses to p24 in an individual who responded to HAART after having a CD4+ T-cell count of 0 cells ul was determined. Eleven clonotypes were found among 13 clones, recognizing eight distinct epitopes, with a range of MHC affinities and functional avidities. Multiple Gag p24 peptides were also recognized using CD4 Elispot assays based on samples from six additional HAART-treated CD4 T-cell-reconstituted subjects.
- The TCR that recognized this epitope used V β 5.1.

HXB2 Location p24 (1–11)

Author Location p24 (1–11 SF2)

Epitope PIVQNLQGQMV

Immunogen HIV-1 infection

Species (MHC) human (DR1)

Keywords escape

References Harcourt *et al.* 1998

- 43 asymptomatic HIV+ individuals were screened for proliferative responses to HIV – 12 showed a response, and dominant epitopes were mapped for two individuals, one in p24 and one in p17.
- Out of five truncated versions of peptide PIVQNLQGQMVHQAI, only p24(1-11) elicited a proliferative response.
- Nine naturally occurring variants of this epitope were found within the individual who made this response – all bound to HLA-DR1, but three did not stimulate the CD4+ T-cell line that recognized the index peptide, suggestive of immune escape.

HXB2 Location p24 (1–15)

Author Location p24 (133–147 IIIB, B10)

Epitope PIVQNIQGGMVHQAI

Immunogen HIV-1 infection

Species (MHC) human

References Wahren *et al.* 1989b; Wahren *et al.* 1989a

- Peptides were identified that commonly evoke T-cell responses – 62% of 90 HIV+ people had a T-cell response to this peptide.

HXB2 Location p24 (1–22)

Author Location p24 (133–154 SF2)

Epitope PIVQNIQGGMVHQAI SPRTLNA

Immunogen HIV-1 infection

Species (MHC) human

References Rosenberg *et al.* 1997

- While anti-HIV CD4 Th responses are characteristically undetectable in chronic infections, strong p24-specific proliferative responses were inversely correlated with low viral load in 10 chronically infected people.
- The dominant proliferative response in one of two long term survivors was to this peptide.

HXB2 Location p24 (7–21)

Author Location Gag (171–185)

Epitope QGQMVHQAI SPRTL N

Epitope name Gag 171

Immunogen HIV-1 infection

Species (MHC) human (DR supermotif)

Keywords subtype comparisons

References Wilson *et al.* 2001

- Eleven peptides were identified that had the HLA-DR supermotif, all were found to bind to MHC class II DR molecules and all elicited proliferative responses from multiple HIV-infected donors.
- This epitope binds to nine HLA-DR alleles: DRB1*0101, DRB1*1501, DRB1*0401, DRB1*0405, DRB1*1302, DRB1*0701, DRB1*0901, DRB5*0101 and DRB4*0101 with an IC₅₀ threshold below 1,000 nM.
- This epitope sequence is conserved in 52% of clade B isolates.
- 7/22 HIV infected individuals responded to this epitope (13/22 responded to some of the DR supermotif epitopes, the 9 non-responder peptides tended to also not have recall responses to rec HIV-1 whole proteins)

HXB2 Location p24 (7–21)

Author Location p24 (171–185)

Epitope QGQMVHQAI SPRTL N

Epitope name Gag 1

Immunogen HIV-1 infection

Species (MHC) human (DR supermotif)

Country United Kingdom.

Assay type proliferation, Intracellular cytokine staining

Keywords supertype, rate of progression

References Boaz *et al.* 2003

- Proliferative and cytokine (IFN γ and IL-2) immune responses to 11 previously defined (Wilson 2001), and immunodominant and broadly cross-reactive Th epitopes and to p24 overlapping peptides were characterized in 10 LTNP (chronically infected, asymptomatic, long term non-progressors, CD4+ T cells >500 after 15 years) and 7 SPs (slow progressors, CD4+ T cell declined to <500 after 15 years. Patients were treatment-naive.
- Gag-specific CD4+ T cells in LTNP showed increased numbers of IFN γ and IL-2 producing cells compared to SPs. Cytokine production and proliferative responses were negatively correlated with the viral load and positively correlated with the CD4+ T cell count. IL-2, but not IFN γ , levels were correlated with proliferation.
- Gag 1 was 1 of 3 peptides that had a negative correlation between absolute number of responding cells and viral load.

HXB2 Location p24 (7–21)

Author Location Gag (171–185)

Epitope QGQMVHQAI SPRTL N

Epitope name Gag 171

Immunogen vaccine

Vector/Type: DNA with CMV promotor, peptide
Adjuvant: Complete Freund's Adjuvant (CFA)

Species (MHC) mouse (I-Ab and HLA-DR)

Donor MHC H-2b

Keywords vaccine-specific epitope characteristics, immunodominance

References Livingston *et al.* 2002

- 4 Th HIV epitopes presented by HLA-DR molecules were identified that also could be presented by murine class II molecule I-Ab, enabling testing of vaccine strategies in H-2b mice.
- Responses to pooled peptides, polyepitope peptides in a linear construct or in a branched MAP construct, and a DNA polyepitope construct with a CMV promoter were compared. A linear arrangement in polyepitope construct created a junctional epitope that could be disrupted with the addition of GPGPG spacers. The linear polyepitope construct with the GPGPG spacer worked well in terms of eliciting responses to all 4 peptides, using either DNA or protein for the vaccination.

HXB2 Location p24 (9–26)

Author Location p24 (9–26 B Consensus)

Epitope QMVHQAISPRTLNAWVKV

Subtype B

Immunogen HIV-1 infection

Species (MHC) human

Country United States.

Assay type CD4 T-cell Elispot - IFN γ , Intracellular cytokine staining, HLA binding

Keywords supervised treatment interruptions (STI), rate of progression, immunodominance, acute/early infection

References Kaufmann *et al.* 2004

- CD4 T-cell responses in 36 HIV-1 positive individuals in different disease stages were mapped by IFN γ EliSpot using a panel of 410 B-consensus peptides spanning all HIV proteins. Virus specific CD4+ T-cell responses (median=7, range of magnitude=990) were detected in 30/36 patients.
- This peptide was recognized by 11% of the study group.
- Gag and Nef responses dominated the CD4+ T-cell EliSpot responses in the study. No correlation between plasma viremia and the frequency or magnitude of HIV-1-specific responses was observed.
- The most HIV-1 specific CD4+ T-cell responses were observed in acutely infected patients with treatment of primary infection who stopped after 1-3 treatments (acute STI), compared to patients continuing therapy. People with therapy during chronic infection had low responses; higher numbers of responses were seen among untreated people. 2/9 LTNP's responded to many peptides, comparable to acute STI.

HXB2 Location p24 (11–26)

Author Location p24 (143–157)

Epitope VHQAISPRTLNAWVKC

Immunogen in vitro stimulation or selection

Species (MHC) human

References Bedford *et al.* 1997

- Epitope elicits a primary proliferative response in PBMC from uninfected donors.
- Matches 3/3 anchor residues for HLA DR: VHQAISPR

HXB2 Location p24 (11–30)

Author Location Gag (143–152 SF2)

Epitope VHQAISPRTLNAWVKVVEEK

Immunogen vaccine

Vector/Type: Listeria monocytogenes

Strain: B clade SF2 *HIV component:* p24

Gag

Species (MHC) mouse (H-2^d, H-2^b)

Keywords immunodominance, Th1

References Mata & Paterson 1999

- *Listeria monocytogenes* is an intracellular bacterium that lives in the cytoplasm and generates a cell-mediated immune response.
- *L. monocytogenes* vaccine expressing HIV-1 p24 protein (Lm-Gag) was used to stimulate gag-specific CD4+ T cell proliferative responses in BALB/c(H-2d) and C57BL/6(H-2b) mice.
- 2/3 reactive p24 peptides (out of 22 overlapping peptides that span p24) were recognized by both murine strains; this epitope is immunodominant in C57BL/6 mice and also can stimulate a BALB/c response.
- The proliferative response is due to CD4+ IFN γ -producing cells, a Th1 response.

HXB2 Location p24 (11–30)

Author Location p24 (143–162 HXB2)

Epitope VHQAISPRTLNAWVKVVEEK

Subtype B

Immunogen vaccine

Vector/Type: Listeria monocytogenes

Strain: B clade HXB2 *HIV component:*

Gag

Species (MHC) mouse (H-2^d, H-2^b)

References Mata & Paterson 1999

- BALB/c and C57BL/6 mice were immunized with *Listeria monocytogenes* (Lm-Gag) expressing HIV-1 HXB2 Gag.
- *L. monocytogenes* is a gram-positive bacteria that enters the macrophage on phagocytosis and lives in the cytoplasm; secreted *L. monocytogenes* antigens are processed and presented by both class I and class II pathways.
- The class II Th response was probed using 20mer peptides that overlapped by 10; the peptides VHQAISPRTLNAWVKVVEEK and FRDYVDRFYKTLRAEQASQD were recognized in H-2^b and H-2^d mice.

HXB2 Location p24 (21–36)

Author Location p24 (153–167)

Epitope NAWVKVVEEKAFSPEK

Immunogen in vitro stimulation or selection

Species (MHC) human

References Bedford *et al.* 1997

- Epitope elicits a primary proliferative response in PBMC from uninfected donors.

HXB2 Location p24 (23–40)

Author Location p24 (23–40 B Consensus)

Epitope WVKVVEEKAFSPEVIMPF

Subtype B

Immunogen HIV-1 infection

Species (MHC) human

Country United States.

Assay type CD4 T-cell Elispot - IFN γ , Intracellular cytokine staining, HLA binding

Keywords supervised treatment interruptions (STI), rate of progression, immunodominance, acute/early infection

References Kaufmann *et al.* 2004

- CD4 T-cell responses in 36 HIV-1 positive individuals in different disease stages were mapped by IFN γ EliSpot using a panel of 410 B-consensus peptides spanning all HIV proteins. Virus specific CD4+ T-cell responses (median=7, range of magnitude=990) were detected in 30/36 patients.
- This peptide was recognized by 11% of the study group.
- Gag and Nef responses dominated the CD4+ T-cell EliSpot responses in the study. No correlation between plasma viremia and the frequency or magnitude of HIV-1-specific responses was observed.
- The most HIV-1 specific CD4+ T-cell responses were observed in acutely infected patients with treatment of primary infection who stopped after 1-3 treatments (acute STI), compared to patients continuing therapy. People with therapy during chronic infection had low responses; higher numbers of responses were seen among untreated people. 2/9 LTNPs responded to many peptides, comparable to acute STI.

HXB2 Location p24 (23–40)

Author Location p24 (23–40)

Epitope WKVVEEKAFSPEVIPMF

Subtype B

Immunogen HIV-1 infection

Species (MHC) human

Country Netherlands.

Assay type Cytokine production

References Geels *et al.* 2006

- The relationship between CTL escape and the subsequent increase in viral load and CD4 Th responses was studied in 2 patients. In both patients T-cell reactivity and recognition were lost after CTL escape, and in 1 patient only the loss of CTL responses was paralleled by a decrease in IL-2 CD4 Th responses.
- Autologous sequences corresponding to known and predicted Th epitopes were analyzed. WKVVEEKAFSPEVIPMF had fixation of 2 mutations WKV[v/i]EEKAF[s/n]PEVIPMF in 1 of the patients.

HXB2 Location p24 (25–39)

Author Location

Epitope KVVEEKAFSPEVIPM

Epitope name G040

Immunogen HIV-1 infection

Species (MHC) human

Country Canada.

Assay type proliferation, Flow cytometric T-cell cytokine assay

Keywords memory cells

References Younes *et al.* 2003

- HIV-1-specific CD4+ T-cell responses were analyzed for 6 years since primary infection, in 10 aviremic and 8 viremic patients.
- CD4+ T cells proliferating responses were correlated with the frequency of CD4+ T cells secreting IL-2 in aviremic patients. In viremic patients, CD4+ T cell proliferative response was impaired despite of the high frequencies of IFN- γ , but not IL-2-producing CD4+ T cells in periods of elevated viremia, suggesting that long-term CD4+ memory depends on IL-2-producing CD4+ T cells and that IFN- γ only-producing cells are short lived.

HXB2 Location p24 (28–36)

Author Location p24 (160–168 HXB2)

Epitope EEKAFSPEV

Subtype B

Immunogen HIV-1 infection

Species (MHC) human (DRB1*0101)

Donor MHC DRB1*0101, DRB1*1501, DQ5, DQ1, DR51

Assay type proliferation, T-cell Elispot, Intracellular cytokine staining

Keywords HAART, ART

References Boritz *et al.* 2003

- HIV infected individuals with advanced disease often have only weak or undetectable HIV specific Th responses, and HAART can sometimes restore Th HIV recognition in such cases. The repertoire of Th responses to p24 in an individual who responded to HAART after having a CD4+ T-cell count of 0 cells μ l was determined. Eleven clonotypes were found among 13 clones, recognizing eight distinct epitopes, with a range of MHC affinities and functional avidities. Multiple Gag p24 peptides were also recognized using CD4 Elispot assays based on samples from six additional HAART-treated CD4 T-cell-reconstituted subjects.
- The TCR that recognized this epitope used V β 2.

HXB2 Location p24 (28–38)

Author Location p24 (HXB2)

Epitope EEKAFSPEVIP

Subtype B

Immunogen in vitro stimulation or selection

Species (MHC) human (DQ5)

Assay type CD4 T-cell Elispot - IFN γ

Keywords epitope processing, vaccine antigen design

References SenGupta *et al.* 2004

- Multiple HLA class I-restricted and class II-restricted T-cell epitopes were shown to be processed and presented from an exogenously added HIV-1 gag-p24 peptide complexed to a heat shock protein. T-cell recognition of the complex was shown to be inhibited by brefeldin A indicating an endoplasmic reticulum-dependent pathway.

HXB2 Location p24 (28–38)

Author Location p24 (161–171 NY-5)

Epitope EEKAFSPEVIP

Epitope name EP11

Subtype B

Immunogen HIV-1 infection

Species (MHC) human (DQ5)

Donor MHC DR11, DR14, Drw52, DQ3, DQ5

Country United States.

Assay type proliferation, CD4 T-cell Elispot - IFN γ , Chromium-release assay

Keywords subtype comparisons, rate of progression, acute/early infection, early treatment, variant cross-recognition or cross-neutralization

References Norris *et al.* 2004

- 5 CD4-T cell epitopes in Gag-p24 were studied, and a minimum epitope length of 6-16 amino acids was found to be required for CD4+ T cell proliferation. Cross-clade recognition was found to be impaired in 17/32 variants tested.

- Patient AC-01, who was infected with HIV-1 in 1997, recognized this epitope and epitope EPRGSDIAGT during acute infection, and 19 months post-initiation of ART therapy started during primary infection.
- The epitope EEKAFSPEVIP is highly conserved in B clade. Common variants from other clades were tested and all had markedly diminished responses, including eeRafspevip, eekaLspevip, and eDkafspevip (all found in clade A); eekGfspevip, eekGfNpevip (clades A and CRF01_AE); eekafspeIip (clade C); eekafNpevip (clade D).
- Minimum length peptides for the epitopes studied were not particularly optimal, and peptides longer than the minimum, up to 22 amino acids, were often as potent, in marked contrast to CD8+ T-cell responses.

HXB2 Location p24 (31–46)

Author Location p24 (163–177)

Epitope AFSPEVIPMFSALSEC

Immunogen in vitro stimulation or selection

Species (MHC) human (A*0201)

References Bedford *et al.* 1997

- Epitope elicits a primary proliferative response in PBMC from uninfected donors.
- Peptide contains a CTL epitope identified in HIV-positive patients.
- Peptide binds to HLA A*0201 and causes regulation of class I expression on T2 cells.
- Matches 3/3 anchor residues for HLA DR: VIPMFSALS

HXB2 Location p24 (31–47)

Author Location p24 (31–47 B Consensus)

Epitope AFSPEVIPMFSALSEGA

Subtype B

Immunogen HIV-1 infection

Species (MHC) human

Country United States.

Assay type CD4 T-cell Elispot - IFN γ , Intracellular cytokine staining, HLA binding

Keywords supervised treatment interruptions (STI), rate of progression, immunodominance, acute/early infection

References Kaufmann *et al.* 2004

- CD4 T-cell responses in 36 HIV-1 positive individuals in different disease stages were mapped by IFN γ EliSpot using a panel of 410 B-consensus peptides spanning all HIV proteins. Virus specific CD4+ T-cell responses (median=7, range of magnitude=990) were detected in 30/36 patients.
- This peptide was recognized by 11% of the study group.
- Gag and Nef responses dominated the CD4+ T-cell EliSpot responses in the study. No correlation between plasma viremia and the frequency or magnitude of HIV-1-specific responses was observed.
- The most HIV-1 specific CD4+ T-cell responses were observed in acutely infected patients with treatment of primary infection who stopped after 1-3 treatments (acute STI), compared to patients continuing therapy. People with therapy during chronic infection had low responses; higher numbers of responses were seen among untreated people. 2/9 LTNPs responded to many peptides, comparable to acute STI.

HXB2 Location p24 (31–48)

Author Location p24 (31–48)

Epitope AFSPEVIPMFSALSEGAT

Subtype B

Immunogen HIV-1 infection

Species (MHC) human

Country Netherlands.

Assay type Cytokine production

References Geels *et al.* 2006

- The relationship between CTL escape and the subsequent increase in viral load and CD4 Th responses was studied in 2 patients. In both patients T-cell reactivity and recognition were lost after CTL escape, and in 1 patient only the loss of CTL responses was paralleled by a decrease in IL-2 CD4 Th responses.
- Autologous sequences corresponding to known and predicted Th epitopes were analyzed. AFSPEVIPMFSALSEGAT had fixation of 2 mutations (AF[s/n]PEVIPMF[s/t]ALSEGAT) in 1 of the patients.

HXB2 Location p24 (31–52)

Author Location p24 (163–184 SF2)

Epitope AFSPEVIPMFSALSEGATPQDL

Immunogen HIV-1 infection

Species (MHC) human

References Rosenberg *et al.* 1997

- Low viral load correlated with strong HIV-1-specific proliferative response.
- A proliferative response to this epitope was detected in two long term survivors.

HXB2 Location p24 (34–49)

Author Location p24 (HXB2)

Epitope PEVIPMFSALSEGATP

Subtype B

Immunogen in vitro stimulation or selection

Species (MHC) human (DR1)

Assay type CD4 T-cell Elispot - IFN γ

Keywords epitope processing, vaccine antigen design, characterizing CD8+ T cells

References SenGupta *et al.* 2004

- Multiple HLA class I-restricted and class II-restricted T-cell epitopes were shown to be processed and presented from an exogenously added HIV-1 gag-p24 peptide complexed to a heat shock protein. T-cell recognition of the complex was shown to be inhibited by brefeldin A indicating an endoplasmic reticulum-dependent pathway.

HXB2 Location p24 (34–49)

Author Location p24 (168–177 NY-5)

Epitope PEVIPMFSALSEGATP

Epitope name PP16

Subtype B

Immunogen HIV-1 infection

Species (MHC) human (DR1)

Donor MHC DR1, DR11, DRw52, DQ5, DQ7

Country United States.

Assay type proliferation, CD4 T-cell Elispot - IFN γ , Chromium-release assay

Keywords rate of progression, acute/early infection, early treatment, variant cross-recognition or cross-neutralization

References Norris *et al.* 2004

- 5 CD4-T cell epitopes in Gag-p24 were studied, and a minimum epitope length of 6-16 amino acids was found to be required for CD4+ T-cell proliferation. Cross-clade recognition was studied and found to be impaired in 17/32 variants tested.
- Patient AC-25 was an acute seroconverter at the time of sampling, infected with HIV-1 in 1998, and given ARVs during primary infection. The study subject was resampled 18 months after initiation of therapy.
- Natural variants of the epitope PEVIPMFSALSEGATP diminished the level of the response, including pevipmfPalsegStp and pevipmfalsegStp, found in CRF01_AE; peIipmfTalsegatp, clade C; pevipmfsalSegatp, clade B; pevipmfTalsegatp, clades A, B and C; and pevipVfsalsegatp, clade A.
- Minimum length peptides for the epitopes studies were not particularly optimal, and peptides longer than the minimum, up to 22 amino acids, were often as potent, in marked contrast to CD8+ T-cell responses.

HXB2 Location p24 (34–49)

Author Location p24

Epitope PEVIPMFSALSEGATP

Epitope name PP16

Immunogen HIV-1 infection

Species (MHC) human (DR1)

Assay type proliferation, Tetramer binding, CD4 T-cell Elispot - IFN γ , Flow cytometric T-cell cytokine assay

Keywords binding affinity, escape, optimal epitope

References Norris *et al.* 2006

- This study demonstrates a mechanism of antagonism by a peptide shorter than the minimum length epitope for an HIV p24-specific CD4+ T-cell clone.
- Truncation of the peptide from PEVIPMFSALSEGATP (PP16) to PEVIPMFSALSEG (PG13) rendered the peptide unable to elicit proliferation, IFN γ release, or serine esterase release, even though it retained strong binding to MHC.
- Although both the original and truncated peptide-MHC complexes bound TCR clone, PEVIPMFSALSEGATP-DR1 tetramer bound with higher avidity than PEVIPMFSALSEG-DR1 tetramer, suggesting that tighter association of the peptide-MHC complex with the TCR is associated with the extent of T-cell activation.
- G/P substitution in the original full-length peptide (PEVIPMFSALSE[g/p]ATP) led to complete loss of agonist activity, and PEVIPMFSALSEpATP became antagonistic.

HXB2 Location p24 (35–44)

Author Location p24 (HXB2)

Epitope EVIPMFSALS

Subtype B

Immunogen in vitro stimulation or selection

Species (MHC) human (DR4)

Assay type CD4 T-cell Elispot - IFN γ

Keywords epitope processing, vaccine antigen design, characterizing CD8+ T cells

References SenGupta *et al.* 2004

- Multiple HLA class I-restricted and class II-restricted T-cell epitopes were shown to be processed and presented from an exogenously added HIV-1 gag-p24 peptide complexed to a heat shock protein. T-cell recognition of the complex was shown to be inhibited by brefeldin A indicating an endoplasmic reticulum-dependent pathway.

HXB2 Location p24 (35–44)

Author Location p24 (168–177 NY-5)

Epitope EVIPMFSALS

Epitope name ES10

Subtype B

Immunogen HIV-1 infection

Species (MHC) human (DR4)

Donor MHC DR4, DR15, DRw51, DRw53, DQ3, DQ6

Country United States.

Assay type proliferation, CD4 T-cell Elispot - IFN γ , Chromium-release assay

Keywords rate of progression, acute/early infection, early treatment, variant cross-recognition or cross-neutralization

References Norris *et al.* 2004

- 5 CD4-T cell epitopes in Gag-p24 were studied, and a minimum epitope length of 6-16 amino acids was found to be required for CD4+ T-cell proliferation. Cross-clade recognition was studied and found to be impaired in 17/32 variants tested.
- Patient 161J, infected with HIV-1 in the mid 1980s, was 1 of the 2 LTNPs examined. 161J was ART naive.
- Natural variants of the epitope EVIPMFSALS gave diminished responses including evipmfTals, common in clades A, B and C; and evipVfsals, clade A; evipmfsalA, a clade B variant; and elipmfTals, clade C. The exception was the CRF01_AE variant evipmfPals, which was as reactive as the original peptide tested.
- Minimum length peptides for the epitopes studies were not particularly optimal, and peptides longer than the minimum, up to 22 amino acids, were often as potent, in marked contrast to CD8+ T-cell responses.

HXB2 Location p24 (35–44)

Author Location p24 (167–176 HXB2)

Epitope EVIPMFSALS

Subtype B

Immunogen HIV-1 infection

Species (MHC) human (DRB1*0101)

Donor MHC DRB1*0101, DRB1*1501, DQ5, DQ1, DR51

Assay type proliferation, T-cell Elispot, Intracellular cytokine staining

Keywords HAART, ART

References Boritz *et al.* 2003

- HIV infected individuals with advanced disease often have only weak or undetectable HIV specific Th responses, and HAART can sometimes restore Th HIV recognition in such cases. The repertoire of Th responses to p24 in an individual who responded to HAART after having a CD4+ T-cell count of 0 cells μ l was determined. Eleven clonotypes were found among 13 clones, recognizing eight distinct epitopes, with a range of MHC affinities and functional avidities. Multiple Gag p24 peptides were also recognized using CD4 Elispot assays based on samples from six additional HAART-treated CD4 T-cell-reconstituted subjects.

HXB2 Location p24 (41–56)
Author Location p24 (173–187)
Epitope SALSEGATPQDLNTMC
Immunogen *in vitro* stimulation or selection
Species (MHC) human
References Bedford *et al.* 1997

- Epitope elicits a primary proliferative response in PBMC from uninfected donors.

HXB2 Location p24 (48–62)
Author Location p24 (180–194)
Epitope TPQDLNTMLNTVGGH
Immunogen HIV-1 infection
Species (MHC) human
References Adams *et al.* 1997

- One of four immunogenic Gag peptides used in study of proliferative response to p24.
- Homology to an SIV epitope recognized by macaque T-cells.
- T-cells from 8 of 19 HIV+ individuals responded to this epitope.
- Improved assay system (increase in culture time to 8 days and addition of IL-2 to cultures) gave increased detection of proliferative response.

HXB2 Location p24 (51–66)
Author Location p24 (183–197)
Epitope DLNTMLNTYGGHQAAC
Immunogen *in vitro* stimulation or selection
Species (MHC) human
References Bedford *et al.* 1997

- Epitope elicits a primary proliferative response in PBMC from uninfected donors.

HXB2 Location p24 (51–82)
Author Location Gag (183–214 LAI)
Epitope DLNTMLNTVGGHQAAMQMLKETINEEAAEWDR
Subtype B
Immunogen vaccine
Vector/Type: lipopeptide
Species (MHC) human
References Gahery-Segard *et al.* 2000

- Anti-HIV lipopeptide vaccine consisting of six long peptides derived from Nef, Gag and Env HIV-1 proteins modified by a palmitoyl chain was administered in a phase I trial.
- A CD4+ T cell proliferative response to at least one of the six peptides was observed in 9/10 vaccinees – 2/10 reacted to this peptide.
- 9/12 tested mounted a CTL responses to at least one of the six peptides, each of the six peptides elicited a CTL response in at least one individual.
- None of the 12 tested had an IgG response to this peptide.

HXB2 Location p24 (69–88)
Author Location p24 (201–220 IIIB)
Epitope LKETINEEAAEWDRVHPVHA
Epitope name P21
Immunogen *in vitro* stimulation or selection
Species (MHC) human (DR)
Donor MHC DR4, DR7, DQ2, DQ3
Keywords immunodominance, Th1, Th2, TCR usage
References Venturini *et al.* 2002

- PBMC from a seronegative donor, the healthy brother of a pair of monozygotic twins discordant for HIV-1 infection, were used to generate HIV-1 Gag-specific CD4+ T-cell clones by *in vitro* immunization with HIV-1 overlapping 20mer peptides spanning p55. Six clones were generated by limiting dilution. All reacted with p24 except one which recognized a p24 peptide and a p6 peptide. All CD4+ T cell clones were HLA class II DR restricted.
- Clone 85 recognized this peptide using TCR V β 8 and 18; the two TCR receptors indicates this limiting dilution represents a mixed population. This clone was only activated by peptide, not by processed protein from vaccinia virus Gag-infected B-LCL.

HXB2 Location p24 (71–86)
Author Location p24 (203–220)
Epitope ETINEEAAEWDRVHPHC
Subtype B
Immunogen *in vitro* stimulation or selection
Species (MHC) human
References Bedford *et al.* 1997

- Epitope elicits a primary proliferative response in PBMC from uninfected donors.

HXB2 Location p24 (71–88)
Author Location p24
Epitope ETINEEAAEWDRVHPVHA
Epitope name 17
Subtype B
Immunogen
Species (MHC) (DRB1*0101)
Donor MHC DRB1*0101, DRB1*1501, DQ5, DQ1, DR51
References

HXB2 Location p24 (71–88)
Author Location (203–220)
Epitope ETINEEAAEWDRVHPVHA
Subtype B
Immunogen
Species (MHC) human (DRB1*0101)
Donor MHC DRB1*0101, DRB1*1501, DQ5, DQ1, DR51
References

HXB2 Location p24 (71–88)
Author Location
Epitope ETINEEAAEWDRVHPVHA
Epitope name 17
Subtype B
Immunogen
Species (MHC) (DRB1*0101)
Donor MHC DRB1*0101, DRB1*1501, DQ5, DQ1, DR51
References

HXB2 Location p24 (71–88)
Author Location p24 (203–220 HXB2)
Epitope ETINEEAAEWDRVHPVHA
Subtype B
Immunogen HIV-1 infection
Species (MHC) human (DRB1*0101)
Donor MHC DRB1*0101, DRB1*1501, DQ5, DQ1, DR51

- Assay type** proliferation, T-cell Elispot, Intracellular cytokine staining
- Keywords** HAART, ART
- References** Boritz *et al.* 2003
- HIV infected individuals with advanced disease often have only weak or undetectable HIV specific Th responses, and HAART can sometimes restore Th HIV recognition in such cases. The repertoire of Th responses to p24 in an individual who responded to HAART after having a CD4+ T-cell count of 0 cells/ul was determined. Eleven clonotypes were found among 13 clones, recognizing eight distinct epitopes, with a range of MHC affinities and functional avidities. Multiple Gag p24 peptides were recognized using CD4 Elispot assays based on samples from six additional HAART-treated CD4 T-cell-reconstituted subjects.
 - The Th clone that recognized this epitope utilized TCR V β 17.
- HXB2 Location** p24 (71–92)
- Author Location** p24 (203–224 HXB2)
- Epitope** ETINEEAAEWDRVHPVHAGPIA
- Subtype** B
- Immunogen** HIV-1 infection
- Species (MHC)** human (DRB1*0101)
- Donor MHC** DRB1*0101, DRB1*1501, DQ5, DQ1, DR51
- Assay type** proliferation, T-cell Elispot, Intracellular cytokine staining
- Keywords** HAART, ART
- References** Boritz *et al.* 2003
- HIV infected individuals with advanced disease often have only weak or undetectable HIV specific Th responses, and HAART can sometimes restore Th HIV recognition in such cases. The repertoire of Th responses to p24 in an individual who responded to HAART after having a CD4+ T-cell count of 0 cells/ul was determined. Eleven clonotypes were found among 13 clones, recognizing eight distinct epitopes, with a range of MHC affinities and functional avidities. Multiple Gag p24 peptides were recognized using CD4 Elispot assays based on samples from six additional HAART-treated CD4 T-cell-reconstituted subjects.
- HXB2 Location** p24 (73–83)
- Author Location** Gag (205–215)
- Epitope** INEEAAEWDRV
- Epitope name** Gag 11.2
- Immunogen** vaccine
- Vector/Type:* DNA prime with modified vaccinia Ankara (MVA) boost *Strain:* B clade
HIV component: Env, Gag, Protease, Rev, RT, Tat, Vpu
- Species (MHC)** macaque
- Assay type** T-cell Elispot, Intracellular cytokine staining
- Keywords** subtype comparisons, memory cells
- References** Amara *et al.* 2005
- Clade B DNA/MVA HIV vaccine was shown to raise a broad cross-reactive cellular immune response for peptides based on the CRF02_AG consensus Gag in macaques. The activity was better-conserved for CD8 than CD4 T cells.
- 3/5 CD8 epitopes and 2/8 CD4 epitopes were conserved across multiple HIV-1 clades. All 5 CD8, and 4/8 of the CD4 epitopes that were recognized in vaccinated macaques have also been reported for human infections, indicating cross-species conservation.
 - CD4 T-cell epitope previously reported for human is ETINEEAAEWDRVHPC. HLA restriction: DRB1*03, DRB1*0101.
 - The response elicited to the B clade epitope INEEAAEWDRV does not cross-react with the CRF02_AG form INdEAAEWDRV. The epitope is however conserved in CRF01_AE and CRF02_AG consensus sequences. Other clades tend to have L in the last position (INEEAAEWDR[v/l]).
- HXB2 Location** p24 (73–97)
- Author Location** p24 (205–229 PV22)
- Epitope** INEEAAEWDRVHPVHAGPIAPGQMR
- Subtype** B
- Immunogen** HIV-1 infection
- Species (MHC)** human (DRB1*03)
- Donor MHC** A29, A30, B8, B35, DRB1*03, DRB1*13
- Keywords** HAART, ART, Th1, Th2, TCR usage
- References** Lotti *et al.* 2002
- 10/49 chronically HIV-1 infected patients had low p55-Gag-specific CD4+ T cell responses prior to therapy, and these responses remained unchanged 3 and 6 months after initiation of HAART. There was no difference in level of response in those with or without a detectable p55 response.
 - For one individual, patient F45 CDC stage A2, CD4+ p55 responding clones were generated. Her response was consistently strong and heterogeneous in terms of HLA restriction and V β usage, and some clones had a Th1 cytokine secretion profile (high IFN γ production) while some had a Th2 profile (high IL-4 and IL-5 production). 5/10 CD4+ clones could also induce cytotoxicity.
 - 4/10 clones from patient F45 had their epitopes mapped using overlapping peptides. Clone 12 recognized this peptide sequence restricted by DRB1*03 using TCR V β 22. This clone had a SI of 12.4 to p55, 49.6 to peptide, secreted low levels of IFN γ , indicative of a Th1 response. Clone 12 had cytotoxic activity, mediated through both a perforin and a Fas-based pathway.
- HXB2 Location** p24 (76–85)
- Author Location** p24 (208–217)
- Epitope** EAAEWDRVHP
- Immunogen** HIV-1 infection
- Species (MHC)** human
- References** Adams *et al.* 1997
- One of four immunogenic Gag peptides used in study of the proliferative response to p24.
 - T-cells from 11 of 24 HIV+ individuals responded to this epitope.
 - Improved assay system (increase in culture time to 8 days and addition of IL-2 to cultures) gave increased detection of proliferative response.
- HXB2 Location** p24 (76–90)
- Author Location** p24 (208–222 IIIB, B10)
- Epitope** EAAEWDRVHPVHAGP

Immunogen HIV-1 infection
Species (MHC) human
References Wahren *et al.* 1989b; Wahren *et al.* 1989a
 • 12 gag and 18 env peptides were identified that could commonly evoke T-cell responses.

HXB2 Location p24 (79–88)
Author Location p24 (211–220 HXB2)
Epitope EWDRVHPVHA
Subtype B
Immunogen HIV-1 infection
Species (MHC) human (DRB1*0101)
Donor MHC DRB1*0101, DRB1*1501, DQ5, DQ1, DR51
Assay type proliferation, T-cell Elispot, Intracellular cytokine staining
Keywords HAART, ART
References Boritz *et al.* 2003

• HIV infected individuals with advanced disease often have only weak or undetectable HIV specific Th responses, and HAART can sometimes restore Th HIV recognition in such cases. The repertoire of Th responses to p24 in an individual who responded to HAART after having a CD4+ T-cell count of 0 cells ul was determined. Eleven clonotypes were found among 13 clones, recognizing eight distinct epitopes, with a range of MHC affinities and functional avidities. Multiple Gag p24 peptides were also recognized using CD4 Elispot assays based on samples from six additional HAART-treated CD4 T-cell-reconstituted subjects. Two clones recognized this epitope.

HXB2 Location p24 (81–95)
Author Location p24 (215–229 SF2)
Epitope DRVHPVHAGPIAPGQ
Immunogen vaccine
Vector/Type: virus-like particle (VLP)
Strain: B clade SF2 *HIV component:* p24 Gag
Species (MHC) macaque
References Mills *et al.* 1990
 • Responses to 3 T-cell and multiple linear B-cell epitopes were found in vaccinated macaques.

HXB2 Location p24 (81–102)
Author Location p24 (213–234 SF2)
Epitope DRVHPVHAGPIAPGQMREPRGS
Immunogen HIV-1 infection
Species (MHC) human
References Rosenberg *et al.* 1997
 • While anti-HIV CD4 Th responses are characteristically undetectable in chronic infections, strong p24-specific proliferative responses were inversely correlated with low viral load in 10 chronically infected people.
 • The dominant proliferative response in one of two long term survivors was to this peptide.

HXB2 Location p24 (81–102)
Author Location p24 (81–102)
Epitope DRVHPVHAGPIAVPGQMREPRGS
Subtype B
Immunogen HIV-1 infection

Species (MHC) human
Country Netherlands.
Assay type Cytokine production
References Geels *et al.* 2006
 • The relationship between CTL escape and the subsequent increase in viral load and CD4 Th responses was studied in 2 patients. In both patients T-cell reactivity and recognition were lost after CTL escape, and in 1 patient only the loss of CTL responses was paralleled by a decrease in IL-2 CD4 Th responses.
 • Autologous sequences corresponding to known and predicted Th epitopes were analyzed. DRVHPVHAGPIAVPGQMREPRGS had fixation of 1 mutation (DRVH-VHAGPI[a/p]VPGQMREPRGS) in 1 of the patients.

HXB2 Location p24 (85–99)
Author Location
Epitope PVHGPIAPGQMREP
Epitope name G055
Immunogen HIV-1 infection
Species (MHC) human
Country Canada.
Assay type proliferation, Flow cytometric T-cell cytokine assay
Keywords memory cells
References Younes *et al.* 2003

• HIV-1-specific CD4+ T-cell responses were analyzed for 6 years since primary infection, in 10 aviremic and 8 viremic patients.
 • CD4+ T cells proliferating responses were correlated with the frequency of CD4+ T cells secreting IL-2 in aviremic patients. In viremic patients, CD4+ T cell proliferative response was impaired despite of the high frequencies of IFN- γ , but not IL-2-producing CD4+ T cells in periods of elevated viremia, suggesting that long-term CD4+ memory depends on IL-2-producing CD4+ T cells and that IFN- γ only-producing cells are short lived.

HXB2 Location p24 (86–94)
Author Location p24 (NY5)
Epitope VHAGPIAPG
Subtype B
Immunogen HIV-1 infection
Species (MHC) human (DQ7)
Keywords HAART, ART, supervised treatment interruptions (STI), rate of progression, immunodominance, acute/early infection, cross-presentation by different HLA, early treatment, TCR usage
References Norris *et al.* 2001

• Gag-specific CD4+ helper T-cell clones were derived from 1 LTNP (CTS-01) and 3 individuals given therapy during acute infection, 2 before (AC-01 and AC-36) and 1 after (AC-25) STI. Gag peptide recognition induced proliferation, IFN γ production, and perforin-mediated cytotoxicity in all CD4+ T-cell clones isolated.

- 3/23 p24-derived peptides tested induced proliferative p24-specific Th cell responses in the LTNP CTS-01. The immunodominant response was to the peptide DRVHPVHAGPI-APGQMREPRGS (81-102), and 9/10 CD4+ T-cell clones reacted with it. One was characterized in detail and used a B β 4 TCR.
- The minimum peptide recognized by the clones from CTS-01 was VHAGPIAPG and it was restricted by HLA-DQ7.

HXB2 Location p24 (86–94)

Author Location p24 (219–227 NY-5)

Epitope VHAGPIAPG

Epitope name VG9

Subtype B

Immunogen HIV-1 infection

Species (MHC) human (DQ7)

Donor MHC DR11, DR15, DRw51, DRw52, DQ6, DQ7

Country United States.

Assay type proliferation, CD4 T-cell Elispot - IFN γ

Keywords acute/early infection, early treatment, variant cross-recognition or cross-neutralization

References Norris *et al.* 2004

- 5 CD4-T cell epitopes in Gag-p24 were studied, and a minimum epitope length of 6-16 amino acids was found to be required for CD4+ T-cell proliferation. Cross-clade recognition was studied and found to be impaired in 17/32 variants tested.
- Patient CTS01, who was infected with HIV-1 in 1998, was an LTNP, and recognized this epitope.
- This epitope VHAGPIAPG was the most variable of the 5 epitopes studied. Only the C variant Ihagpiapg did not diminish the response. All other variations had impaired responses: vhagpVapg, found in clades A, B, C, and D; vQagpVapg, clades B, C, D; AQagpFPpg, IhagpVapg, AhagpVapg, and vQagpIP, all found in clade A; AQagpiapg, clade B; and vPagpiapg, clade C.
- Minimum length peptides for the epitopes studies were not particularly optimal, and peptides longer than the minimum, up to 22 amino acids, were often as potent, in marked contrast to CD8+ T-cell responses.

HXB2 Location p24 (87–101)

Author Location p24 (219–233 BRU)

Epitope HAGPIAPGQMREPRG

Immunogen *in vitro* stimulation or selection

Species (MHC) mouse (H-2^b)

References Vaslin *et al.* 1994

- Peptide G2: could prime for *in vitro* immunoproliferative responses and for subsequent IgG responses.

HXB2 Location p24 (93–107)

Author Location

Epitope PGQMREPRGSDIAGT

Epitope name G057

Immunogen HIV-1 infection

Species (MHC) human

Country Canada.

Assay type proliferation, Flow cytometric T-cell cytokine assay

Keywords memory cells

References Younes *et al.* 2003

- HIV-1-specific CD4+ T-cell responses were analyzed for 6 years since primary infection, in 10 aviremic and 8 viremic patients.

- CD4+ T cells proliferating responses were correlated with the frequency of CD4+ T cells secreting IL-2 in aviremic patients. In viremic patients, CD4+ T cell proliferative response was impaired despite of the high frequencies of IFN- γ , but not IL-2-producing CD4+ T cells in periods of elevated viremia, suggesting that long-term CD4+ memory depends on IL-2-producing CD4+ T cells and that IFN- γ only-producing cells are short lived.

HXB2 Location p24 (96–103)

Author Location p24 (228–235 LAI)

Epitope MREPRGSD

Subtype B

Immunogen HIV-1 infection

Species (MHC) human

References Schrier *et al.* 1989

- Stimulates T-cell proliferation in HIV-infected donors.

HXB2 Location p24 (96–110)

Author Location p24 (228–242 IIIB, B10)

Epitope MREPRGSKIAGTTST

Immunogen HIV-1 infection

Species (MHC) human

References Wahren *et al.* 1989b; Wahren *et al.* 1989a

- 12 gag and 18 env peptides were identified that could commonly evoke T-cell responses.

HXB2 Location p24 (98–107)

Author Location p24 (231–240 NY-5)

Epitope EPRGSIDIAGT

Epitope name ET10

Subtype B

Immunogen HIV-1 infection

Species (MHC) human (DQ7)

Donor MHC DR11, DR14, Drw52, DQ3, DQ5

Country United States.

Assay type proliferation, CD4 T-cell Elispot - IFN γ , Chromium-release assay

Keywords acute/early infection, early treatment, variant cross-recognition or cross-neutralization

References Norris *et al.* 2004

- 5 CD4-T cell epitopes in Gag-p24 were studied, and a minimum epitope length of 6-16 amino acids was found to be required for CD4+ T-cell proliferation. Cross-clade recognition was found to be impaired in 17/32 variants tested.
- Patient AC-01, who was infected with HIV-1 in 1997, recognized this epitope and epitope EPRGSIDIAGT during acute infection, and 19 months post-initiation of ART therapy started during primary infection.
- This was the most variable of the 5 epitopes studied. REPRGS-DIAGT natural variants were tested and did not usually diminish the response by much (rDprgsdiagt, clades B and C; and rDprgsdiagA and rGprgsdiagt, both clade C), although the CRF01_AE variant reprgAdiagt abrogated the response.

- Minimum length peptides for the epitopes studies were not particularly optimal, and peptides longer than the minimum, up to 22 amino acids, were often as potent, in marked contrast to CD8+ T cell responses. This peptide was the exception, as REPRGSDIAGTT, which is elongated by 2 amino acids compared to the minimum epitope, elicited a stronger proliferative immune response as well as IFN γ secretion and cytolysis.

HXB2 Location p24 (99–118)
Author Location p24 (231–250 IIIB)
Epitope PRGSDIAGTTSTLQEIGWWM
Epitope name P24
Immunogen in vitro stimulation or selection
Species (MHC) human (DR4)
Donor MHC DR4, DR7, DQ2, DQ3
Keywords immunodominance, Th1, Th2, TCR usage
References Venturini *et al.* 2002

- PBMC from a seronegative donor, the healthy brother of a pair of monozygotic twins discordant for HIV-1 infection, were used to generate HIV-1 Gag-specific CD4+ T-cell clones by *in vitro* immunization with HIV-1 overlapping 20mer peptides spanning p55. Six clones were generated by limiting dilution. All reacted with p24 except one which recognized a p24 peptide and a p6 peptide. All CD4+ T cell clones were HLA class II DR restricted.
- Clone 6 recognized three peptides including this one with a Th1 response using TCR V β 6 (6s5A1N1). Sequencing TCR V β regions of colonies from clone 6 suggested this was a clonal population. Assays using different peptide concentrations suggest that this peptide does not carry the main epitope of this clone.

HXB2 Location p24 (101–115)
Author Location p24 (235–249 SF2)
Epitope GSDIAGTTSTLQEIQI
Immunogen vaccine
Vector/Type: virus-like particle (VLP)
Strain: B clade SF2 *HIV component:* p24 Gag
Species (MHC) macaque
References Mills *et al.* 1990

- Responses to 3 T-cell and multiple linear B-cell epitopes were found in vaccinated macaques – epitope response defined by T-cell clone.

HXB2 Location p24 (101–115)
Author Location Gag (233–247 HXB-2)
Epitope GSDIAGTTSTQEIQI
Subtype B
Immunogen HIV-1 infection
Species (MHC) human
Donor MHC DRB1*1303, DRB1*1502, DRB3*0101, DRB5*0102, DQB1*0301, DQB1*0601
Country United States.
Assay type CD4 T-cell Elispot - IFN γ
References Koeppel *et al.* 2006

- The study measured CD4+ T-cell responses against epitopes in Gag p17 and p24 and concurrent endogenous plasma HIV-1 RNA epitope sequence variation. No intrapatient protein sequence variation was found in identified epitopes, indicating that escape from CD4-positive T-cell responses is not a common process *in vivo*.
- 1/22 patients responded to this peptide.

HXB2 Location p24 (101–116)
Author Location p24
Epitope GSDIAGTTSTLQEIQIC
Immunogen in vitro stimulation or selection
Species (MHC) human
References Bedford *et al.* 1997
 • Epitope elicits a primary proliferative response in PBMC from uninfected donors.

HXB2 Location p24 (109–123)
Author Location
Epitope STLQEIQIGWMTNPP
Epitope name G061
Immunogen HIV-1 infection
Species (MHC) human
Country Canada.
Assay type proliferation, Flow cytometric T-cell cytokine assay
Keywords memory cells
References Younes *et al.* 2003

- HIV-1-specific CD4+ T-cell responses were analyzed for 6 years since primary infection, in 10 aviremic and 8 viremic patients.
- CD4+ T cells proliferating responses were correlated with the frequency of CD4+ T cells secreting IL-2 in aviremic patients. In viremic patients, CD4+ T cell proliferative response was impaired despite of the high frequencies of IFN- γ , but not IL-2-producing CD4+ T cells in periods of elevated viremia, suggesting that long-term CD4+ memory depends on IL-2-producing CD4+ T cells and that IFN- γ only-producing cells are short lived.

HXB2 Location p24 (109–128)
Author Location p24 (241–260 IIIB)
Epitope STLQEIQIGWMTNPPPIVGE
Epitope name P25
Immunogen in vitro stimulation or selection
Species (MHC) human
Donor MHC DR4, DR7, DQ2, DQ3
Keywords immunodominance, Th1, Th2, TCR usage
References Venturini *et al.* 2002

- PBMC from a seronegative donor, the healthy brother of a pair of monozygotic twins discordant for HIV-1 infection, were used to generate HIV-1 Gag-specific CD4+ T-cell clones by *in vitro* immunization with HIV-1 overlapping 20mer peptides spanning p55. Six clones were generated by limiting dilution. All reacted with p24 except one which recognized a p24 peptide and a p6 peptide. All CD4+ T cell clones were HLA class II DR restricted.

- Clone 50 recognized this peptide with a Th0 response (Th0 means that cytokines characteristic of both Th1 and Th2 responses were stimulated), using TCR V β 17, and was a homogeneous T-cell population. This clone was only activated by peptide, not by processed protein from vaccinia virus Gag-infected B-LCL.

HXB2 Location p24 (111–132)
Author Location p24 (243–264 SF2)
Epitope LQEIQIGWMTNPPIPVGEIYKR
Immunogen HIV-1 infection
Species (MHC) human
References Rosenberg *et al.* 1997

- Low viral load correlated with strong HIV-1-specific proliferative response.
- A proliferative response to this epitope was detected in two long term survivors.

HXB2 Location p24 (119–133)
Author Location p24 (251–265)
Epitope TNNPPIPBGEIYKRW
Immunogen HIV-1 infection
Species (MHC) human (DRB1*1301)
Keywords binding affinity, HAART, ART
References Blankson & Siliciano 2001; Malhotra *et al.* 2001

- The DRB1*13-DQB1*06 haplotype is associated with maintained viral suppression after HAART – 7/7 early-treated DRB1*13-DQB1*06 positive people, but only 3/14 (21%) of those who did not have DRB1*13-DQB1*06, maintained viral suppression for 18 months.
- PBMC from individuals with the haplotype DRB1*13-DQB1*06 displayed increased IFN γ secretion and stronger proliferative responses against p24 80 weeks post treatment.
- DRB1*13-DQB1*06 was also found to be enriched among long-term non-progressors (LTNPs) (it was in 9/18 versus, versus 21% of the general population)
- This epitope was mapped with truncated peptides using the Elispot assay.
- Two distinct DRB1*13 epitopes were defined in the peptide region spanning 251 to 270, and this 20-mer bound with very high affinity to DRB1*1302 – DRB1*1301 and DRB1*1302 would be expected to have very similar binding properties.

HXB2 Location p24 (119–133)
Author Location p24 (119–133)
Epitope TNNPPIPBGEIYKRW
Subtype B
Immunogen HIV-1 infection
Species (MHC) human
Country Netherlands.
Assay type Cytokine production
References Geels *et al.* 2006

- The relationship between CTL escape and the subsequent increase in viral load and CD4 Th responses was studied in 2 patients. In both patients T-cell reactivity and recognition were lost after CTL escape, and in 1 patient only the loss of CTL responses was paralleled by a decrease in IL-2 CD4 Th responses.

- Autologous sequences corresponding to known and predicted T-helper epitopes were analyzed. TNNPPIPBGEIYKRW had fixation of R14K mutation (TNNPPIPBGEIYKkW) in 1 of the patients.

HXB2 Location p24 (121–136)
Author Location p24 (253–267)
Epitope NPPIPVGEIYKRWIIC
Immunogen in vitro stimulation or selection
Species (MHC) human
References Bedford *et al.* 1997

- Epitope elicits a primary proliferative response in PBMC from uninfected donors.

HXB2 Location p24 (121–140)
Author Location Gag (253–272 SF2)
Epitope NPPIPVGEIYKRWILGLNK
Immunogen vaccine
Vector/Type: Listeria monocytogenes
Strain: B clade SF2 *HIV component:* p24 Gag

Species (MHC) mouse (H-2^d)
Keywords immunodominance, Th1
References Mata & Paterson 1999

- *Listeria monocytogenes* is an intracellular bacterium that lives in the cytoplasm and generates a cell-mediated immune response.
- *L. monocytogenes* vaccine expressing HIV-1 p24 protein (Lm-Gag) was used to stimulate gag specific CD4+ T cell proliferative responses in BALB/c(H-2d) and C57BL/6(H-2b) mice.
- 2/3 reactive p24 peptides (out of 22 overlapping peptides that span p24) were recognized by both murine strains; this epitope is immunodominant in BALB/c mice and did not stimulate a C57BL/6 response.
- The proliferative response is due to CD4+ IFN γ -producing cells, a Th1 response.

HXB2 Location p24 (121–140)
Author Location p24 (253–272 HXB2)
Epitope NPPIPVGEIYKRWIILGLNK
Subtype B
Immunogen vaccine
Vector/Type: Listeria monocytogenes
Strain: B clade HXB2 *HIV component:* Gag

Species (MHC) mouse (H-2^d)
Keywords immunodominance
References Mata & Paterson 1999

- BALB/c and C57BL/6 mice were immunized with *Listeria monocytogenes* (Lm-Gag) expressing HIV-1 HXB2 Gag.
- *L. monocytogenes* is a gram-positive bacteria that enters the macrophage on phagocytosis and lives in the cytoplasm; secreted *L. monocytogenes* antigens are processed and presented by both class I and class II pathways.
- The class II Th response was probed using 20mer peptides that overlapped by 10; the peptide MPPIPVGEIYKRWIILGLNK gave the immunodominant response for the H-2^d haplotype, but was not recognized in H-2^b mice.

HXB2 Location p24 (121–140)

Author Location Gag (197–205)

Epitope NPPIPVGEIYKRWII LGLNK

Immunogen vaccine

Vector/Type: vaccinia *Strain:* B clade HXB2 *HIV component:* Gag

Species (MHC) mouse (H-2d)

Country United States.

Assay type proliferation, T-cell Elispot

Keywords vaccine antigen design

References Kwak *et al.* 2004

- A recombinant vaccinia virus with HIV-1 Gag replacing the cytoplasmic domain of the B5R protein was shown to induce better primary CD4 response than recombinant vaccinia virus expressing Gag from the TK-locus; CD8 responses were less specific. When immunized BALB/c mice were challenged with a recombinant *Listeria* that expresses HIV-Gag, lower colony counts of *Listeria* were found in the liver and spleen of mice immunized with virus expressing B5R-Gag fusion protein.

HXB2 Location p24 (121–152)

Author Location Gag (183–214 LAI)

Epitope NPPIPVGEIYKRWII LGLNKIVRMYSPSILD

Subtype B

Immunogen vaccine

Vector/Type: lipopeptide

Species (MHC) human

References Gahery-Segard *et al.* 2000

- Anti-HIV lipopeptide vaccine consisting of six long peptides derived from Nef, Gag and Env HIV-1 proteins modified by a palmitoyl chain was administered in a phase I trial.
- A CD4+ T cell proliferative response to at least one of the six peptides was observed in 9/10 vaccinees – 9/10 reacted to this peptide.
- 9/12 tested mounted a CTL responses to at least one of the six peptides, each of the six peptides elicited a CTL response in at least one individual – this peptide was particularly immunogenic, eliciting a CTL response in four vaccinees.
- All of the 12 tested had an IgG response to this peptide.

HXB2 Location p24 (125–139)

Author Location Gag (257–271 HXB-2)

Epitope PVGEIYKRWII LGLN

Subtype B

Immunogen HIV-1 infection

Species (MHC) human

Donor MHC DRB1*1303, DRB1*1502, DRB3*0101, DRB5*0102, DQB1*0301, DQB1*0601;

Country United States.

Assay type CD4 T-cell Elispot - IFN γ

References Koeppe *et al.* 2006

- The study measured CD4+ T-cell responses against epitopes in Gag p17 and p24 and concurrent endogenous plasma HIV-1 RNA epitope sequence variation. No intrapatient protein sequence variation was found in identified epitopes, indicating that escape from CD4-positive T-cell responses is not a common process *in vivo*.
- 2/22 patients responded to this peptide.

HXB2 Location p24 (125–139)

Author Location

Epitope PVGEIYKRWII LGLN

Epitope name G065

Immunogen HIV-1 infection

Species (MHC) human

Country Canada.

Assay type proliferation, Flow cytometric T-cell cytokine assay

Keywords memory cells

References Younes *et al.* 2003

- HIV-1-specific CD4+ T-cell responses were analyzed for 6 years since primary infection, in 10 aviremic and 8 viremic patients.
- CD4+ T cells proliferating responses were correlated with the frequency of CD4+ T cells secreting IL-2 in aviremic patients. In viremic patients, CD4+ T cell proliferative response was impaired despite of the high frequencies of IFN- γ , but not IL-2-producing CD4+ T cells in periods of elevated viremia, suggesting that long-term CD4+ memory depends on IL-2-producing CD4+ T cells and that IFN- γ only-producing cells are short lived.

HXB2 Location p24 (127–141)

Author Location Gag (294–308)

Epitope GEIYKRWII LGLNKI

Epitope name Gag 294

Immunogen HIV-1 infection

Species (MHC) human (DR supermotif)

Keywords subtype comparisons

References Wilson *et al.* 2001

- Eleven peptides were identified that had the HLA-DR supermotif, all were found to bind to MHC class II DR molecules and all elicited proliferative responses from multiple HIV-infected donors.
- This epitope binds ten HLA-DR alleles: DRB1*0101, DRB1*1501, DRB1*0405, DRB1*1101, DRB1*1302, DRB1*0701, DRB1*0802, DRB1*0901, DRB5*0101 and DRB4*0101 with an IC₅₀ threshold below 1,000 nM.
- This epitope sequence is conserved in 95% of clade B isolates.
- 6/22 HIV infected individuals responded to this epitope (13/22 responded to some of the DR supermotif epitopes, the 9 non-responder peptides tended to also not have recall responses to rec HIV-1 whole proteins)

HXB2 Location p24 (127–141)

Author Location p24 (294–308)

Epitope GEIYKRWII LGLNKI

Epitope name Gag2

Immunogen HIV-1 infection

Species (MHC) human (DR supermotif)

Country United Kingdom.

Assay type Cytokine production, proliferation

Keywords supertype, rate of progression

References Boaz *et al.* 2003

- Proliferative and cytokine (IFN γ and IL-2) immune responses to 11 previously defined (Wilson 2001), and immunodominant and broadly cross-reactive Th epitopes and to p24 overlapping peptides were characterized in 10 LTNPs (chronically infected, asymptomatic, long term non-progressors, CD4+ T cells >500 after 15 years) and 7 SPs (slow progressors, CD4+

T cell declined to <500 after 15 years. Patients were treatment-naive.

- Gag-specific CD4+ T cells in LTNP showed increased numbers of IFN gamma and IL-2 producing cells compared to SPs. Cytokine production and proliferative responses were negatively correlated with the viral load and positively correlated with the CD4+ T cell count. IL-2, but not IFN γ , levels were correlated with proliferation.

HXB2 Location p24 (128–137)

Author Location p24 (260–269)

Epitope EIYKRWIIILG

Immunogen HIV-1 infection

Species (MHC) human (DRB1*1301, DRB1*1302)

Keywords binding affinity, HAART, ART, Th1

References Blankson & Siliciano 2001; Malhotra *et al.* 2001

- The DRB1*13-DQB1*06 haplotype is associated with maintained viral suppression after HAART – 7/7 early-treated DRB1*13-DQB1*06 positive people, but only 3/14 (21%) of those who did not have DRB1*13-DQB1*06, maintained viral suppression for 18 months.
- PBMC from individuals with the haplotype DRB1*13-DQB1*06 displayed increased IFN γ secretion and stronger proliferative responses against p24 80 weeks post treatment.
- DRB1*13-DQB1*06 was also found to be enriched among long-term non-progressors (it was in 9/18 versus, versus 21% of the general population)
- The truncated peptide that gave the optimal proliferative response for a Th1 phenotype clone was this nine-mer.
- This region, shared by 2 overlapping peptides, was the reactive region for clones from two DRB1*13 patients, one carried DRB1*1301 and one DRB1*1302.
- Two distinct epitopes were defined in the peptide region spanning 251 to 270, and this 20-mer bound with very high affinity to DRB1*1302 – DRB1*1301 and DRB1*1302 would be expected to have very similar binding properties.

HXB2 Location p24 (129–143)

Author Location Gag (261–275 HXB-2)

Epitope IYKRWIIILGLNKIVR

Subtype B

Immunogen HIV-1 infection

Species (MHC) human

Donor MHC DRB1*1303, DRB1*1502, DRB3*0101, DRB5*0102, DQB1*0301, DQB1*0601

Country United States.

Assay type CD4 T-cell Elispot - IFN γ

References Koeppel *et al.* 2006

- The study measured CD4+ T-cell responses against epitopes in Gag p17 and p24 and concurrent endogenous plasma HIV-1 RNA epitope sequence variation. No intrapatient protein sequence variation was found in identified epitopes, indicating that escape from CD4-positive T-cell responses is not a common process *in vivo*.
- 2/22 patients responded to this peptide.

HXB2 Location p24 (129–148)

Author Location p24 (261–280 IIIB)

Epitope IYKRWIIILGLNKIVRMYSP

Epitope name P27

Immunogen *in vitro* stimulation or selection

Species (MHC) human

Donor MHC DR4, DR7, DQ2, DQ3

Keywords immunodominance, Th1, Th2, TCR usage

References Venturini *et al.* 2002

- PBMC from a seronegative donor, the healthy brother of a pair of monozygotic twins discordant for HIV-1 infection, were used to generate HIV-1 Gag-specific CD4+ T-cell clones by *in vitro* immunization with HIV-1 overlapping 20mer peptides spanning p55. Six clones were generated by limiting dilution. All reacted with p24 except one which recognized a p24 peptide and a p6 peptide. All CD4+ T cell clones were HLA class II DR restricted.
- Clone 74 recognized two peptides including this one with a Th1 response using TCR V β 13 (13s1); it required 200 ng/ml (100 nM) and 1 μ g/ml (0.5 μ M) for stimulation by peptides 480-500 and 261-280, respectively. Sequencing TCR V β regions of colonies from clone 74 suggested this was a clonal population.

HXB2 Location p24 (131–145)

Author Location Gag (298–312)

Epitope KRWIIILGLNKIVRMY

Epitope name Gag 298

Immunogen HIV-1 infection

Species (MHC) human (DR supermotif)

Keywords subtype comparisons

References Wilson *et al.* 2001

- Eleven peptides were identified that had the HLA-DR supermotif, all were found to bind to MHC class II DR molecules and all elicited proliferative responses from multiple HIV-infected donors.
- This epitope binds thirteen HLA-DR alleles: DRB4*0101, DRB5*0101, DRB1*0901, DRB1*0802, DRB1*0701, DRB1*1302, DRB1*1201, DRB1*1101, DRB1*0405, DRB1*0401, DRB*0301, DRB1*1501 and DRB1*0101, with an IC₅₀ threshold below 1,000 nM.
- This epitope sequence is conserved in 94% of clade B isolate.
- 8/22 HIV infected individuals responded to this epitope (13/22 responded to some of the DR supermotif epitopes, the 9 non-responder peptides tended to also not have recall responses to rec HIV-1 whole proteins)

HXB2 Location p24 (131–145)

Author Location p24 (298–312)

Epitope KRWIIILGLNKIVRMY

Epitope name Gag3

Immunogen HIV-1 infection

Species (MHC) human (DR supermotif)

Country United Kingdom.

Assay type proliferation, intracellular cytokine staining

Keywords supertype, rate of progression

References Boaz *et al.* 2003

- Proliferative and cytokine (IFN γ and IL-2) immune responses to 11 previously defined (Wilson 2001), and immunodominant and broadly cross-reactive Th epitopes and to p24 overlapping peptides were characterized in 10 LTNP (chronically infected, asymptomatic, long term non-progressors, CD4+ T cells >500 after 15 years) and 7 SPs (slow progressors, CD4+

T cell declined to <500 after 15 years. Patients were treatment-naïve.

- Gag-specific CD4+ T cells in LTNP showed increased numbers of IFN gamma and IL-2 producing cells compared to SPs. Cytokine production and proliferative responses were negatively correlated with the viral load and positively correlated with the CD4+ T cell count. IL-2, but not IFNgamma, levels were correlated with proliferation.

HXB2 Location p24 (131–145)

Author Location p24 (265–279 SF2)

Epitope KRWILGLNKIVRMY

Immunogen vaccine

Vector/Type: virus-like particle (VLP)

Strain: B clade SF2 *HIV component:* p24 Gag

Species (MHC) macaque

References Mills *et al.* 1990

- Responses to 3 T-cell and multiple linear B-cell epitopes were found in vaccinated macaques – epitope response defined by T-cell clone.

HXB2 Location p24 (131–152)

Author Location p24 (263–284 SF2)

Epitope KRWILGLNKIVRMYSPSILD

Immunogen HIV-1 infection

Species (MHC) human

References Rosenberg *et al.* 1997

- Low viral load correlated with strong HIV-1-specific proliferative response.
- A proliferative response to this epitope was detected in two long term survivors.

HXB2 Location p24 (133–143)

Author Location Gag (265–275)

Epitope WIILGLNKIVR

Epitope name Gag 14.2

Immunogen vaccine

Vector/Type: DNA prime with modified vac-

cinia Ankara (MVA) boost *Strain:* B clade

HIV component: Env, Gag, Protease, Rev, RT, Tat, Vpu

Species (MHC) macaque

Assay type T-cell Elispot, Intracellular cytokine staining

Keywords subtype comparisons, variant cross-recognition or cross-neutralization, memory cells

References Amara *et al.* 2005

- Clade B DNA/MVA HIV vaccine was shown to raise a broad cross-reactive cellular immune response for peptides based on the CRF02_AG consensus Gag in macaques. The activity was better-conserved for CD8 than CD4 T cells.
- 3/5 CD8 epitopes and 2/8 CD4 epitopes were conserved across multiple HIV-1 clades. All 5 CD8, and 4/8 of the CD4 epitopes that were recognized in vaccinated macaques have also been reported for human infections, indicating cross-species conservation.
- The similar reported human epitope in this case is KRWILGLNKIVRMY, which is presented by 13 HLA-DR alleles.

- The response elicited to the B clade epitope WIILGLNKIVR cross-reacts with the CRF02_AG form WIVLGLNKIVR. WIILGLNKIVR is mostly conserved across other clades.

HXB2 Location p24 (133–144)

Author Location p24 (133–144 B Consensus)

Epitope WIILGLNKIVR

Subtype B

Immunogen HIV-1 infection

Species (MHC) human (DRB1*0101, DRB1*1101, DRB1*1302, DRB1*1501, DRB5*0101)

Country United States.

Assay type CD4 T-cell Elispot - IFN γ , Intracellular cytokine staining, HLA binding

Keywords supervised treatment interruptions (STI), rate of progression, immunodominance, acute/early infection

References Kaufmann *et al.* 2004

- CD4 T-cell responses in 36 HIV-1 positive individuals in different disease stages were mapped by IFN γ EliSpot using a panel of 410 B-consensus peptides spanning all HIV proteins. Virus specific CD4+ T-cell responses (median=7, range of magnitude=990) were detected in 30/36 patients.
- Gag and Nef responses dominated the CD4+ T-cell EliSpot responses in the study. No correlation between plasma viremia and the frequency or magnitude of HIV-1-specific responses was observed.
- This is the core of the peptide and was very often recognized, with responses by 25% of the study group. The core epitope, WIILGLNKIVR, could bind 5/8 HLA-DR molecules tested.

HXB2 Location p24 (133–147)

Author Location Gag (265–279 HXB-2)

Epitope WIILGLNKIVRMYSP

Subtype B

Immunogen HIV-1 infection

Species (MHC) human

Donor MHC DRB1*1302, DRB1*1501, DRB3*0301, DRB5*0101, DQB1*0602, DQB1*0604, DRB1*1303, DRB1*1502, DRB3*0101, DRB5*0102, DQB1*0301, DQB1*0601

Country United States.

Assay type CD4 T-cell Elispot - IFN γ

References Koeppel *et al.* 2006

- The study measured CD4+ T-cell responses against epitopes in Gag p17 and p24 and concurrent endogenous plasma HIV-1 RNA epitope sequence variation. No intrapatient protein sequence variation was found in identified epitopes, indicating that escape from CD4-positive T-cell responses is not a common process *in vivo*.
- 2/22 patients responded to this peptide.

HXB2 Location p24 (133–147)

Author Location

Epitope WIILGLNKIVRMYSP

Epitope name G067

Immunogen HIV-1 infection

Species (MHC) human

Country Canada.

Assay type proliferation, Flow cytometric T-cell cytokine assay

Keywords memory cells

References Younes *et al.* 2003

- HIV-1-specific CD4+ T-cell responses were analyzed for 6 years since primary infection, in 10 aviremic and 8 viremic patients.
- CD4+ T cells proliferating responses were correlated with the frequency of CD4+ T cells secreting IL-2 in aviremic patients. In viremic patients, CD4+ T cell proliferative response was impaired despite of the high frequencies of IFN- γ , but not IL-2-producing CD4+ T cells in periods of elevated viremia, suggesting that long-term CD4+ memory depends on IL-2-producing CD4+ T cells and that IFN- γ only-producing cells are short lived.

HXB2 Location p24 (133–150)

Author Location p24 (133–150 B Consensus)

Epitope WII LGLNKIVRMYSP TSI

Subtype B

Immunogen HIV-1 infection

Species (MHC) human (DRB1*0101, DRB1*0401, DRB1*0405, DRB1*0701, DRB1*1101, DRB1*1302, DRB1*1501, DRB5*0101)

Country United States.

Assay type CD4 T-cell Elispot - IFN γ , Intracellular cytokine staining, HLA binding

Keywords supervised treatment interruptions (STI), rate of progression, immunodominance, acute/early infection

References Kaufmann *et al.* 2004

- CD4 T-cell responses in 36 HIV-1 positive individuals in different disease stages were mapped by IFN γ EliSpot using a panel of 410 B-consensus peptides spanning all HIV proteins. Virus specific CD4+ T-cell responses (median=7, range of magnitude=990) were detected in 30/36 patients.
- This peptide was recognized by 25% of the study group.
- Gag and Nef responses dominated the CD4+ T-cell EliSpot responses in the study. No correlation between plasma viremia and the frequency or magnitude of HIV-1-specific responses was observed.
- The most HIV-1 specific CD4+ T-cell responses were observed in acutely infected patients with treatment of primary infection who stopped after 1-3 treatments (acute STI), compared to patients continuing therapy. People with therapy during chronic infection had low responses; higher numbers of responses were seen among untreated people. 2/9 LTNPs responded to many peptides, comparable to acute STI.
- The peptides that were recognized by the most people were able to bind broadly to multiple HLA-DR molecules. This peptide showed very high cross-reactive binding capacity, and bound to 8/8 common HLA-DR molecules.

HXB2 Location p24 (135–145)

Author Location p24 (135–145 B Consensus)

Epitope ILGLNKIVRMY

Subtype B

Immunogen HIV-1 infection

Species (MHC) human (DRB1*0401, DRB1*1302, DRB1*1501)

Country United States.

Assay type CD4 T-cell Elispot - IFN γ , Intracellular cytokine staining, HLA binding

Keywords supervised treatment interruptions (STI), rate of progression, immunodominance, acute/early infection

References Kaufmann *et al.* 2004

- CD4 T-cell responses in 36 HIV-1 positive individuals in different disease stages were mapped by IFN γ EliSpot using a panel of 410 B-consensus peptides spanning all HIV proteins. Virus specific CD4+ T-cell responses (median=7, range of magnitude=990) were detected in 30/36 patients.
- Gag and Nef responses dominated the CD4+ T-cell EliSpot responses in the study. No correlation between plasma viremia and the frequency or magnitude of HIV-1-specific responses was observed.
- This is the core of the peptide and was very often recognized, with responses by 25% of the study group. The core epitope, ILGLNKIVRMY, could bind 3/8 HLA-DR molecules tested.

HXB2 Location p24 (135–154)

Author Location p24 (267–286)

Epitope ILGLNKIVRMYSP TSI LDIR

Immunogen HIV-1 infection

Species (MHC) human

References Adams *et al.* 1997

- One of four immunogenic Gag peptides used in study of the proliferative response to p24.
- 8 of 24 HIV+ individuals responded to this epitope.
- Improved assay system (increase in culture time to 8 days and addition of IL-2 to cultures) gave increased detection of proliferative response.

HXB2 Location p24 (137–151)

Author Location Gag (269–285 HXB-2)

Epitope GLNKIVRMYSP TSI L

Subtype B

Immunogen HIV-1 infection

Species (MHC) human

Donor MHC DRB1*1303, DRB1*1502, DRB3*0101, DRB5*0102, DQB1*0301, DQB1*0601

Country United States.

Assay type CD4 T-cell Elispot - IFN γ

References Koeppel *et al.* 2006

- The study measured CD4+ T-cell responses against epitopes in Gag p17 and p24 and concurrent endogenous plasma HIV-1 RNA epitope sequence variation. No inpatient protein sequence variation was found in identified epitopes, indicating that escape from CD4-positive T-cell responses is not a common process *in vivo*.
- 1/22 patients responded to this peptide.

HXB2 Location p24 (139–148)

Author Location p24 (271–280 HZ321)

Epitope NKIVRMYSP T

Subtype AG

Immunogen vaccine

Vector/Type: gp120 depleted virus HZ321 (REMUNE(TM)) *Strain:* AG recombinant HZ321 *HIV component:* virus *Adjuvant:* Incomplete Freund's Adjuvant (IFA), CpG immunostimulatory sequence (ISS)

Species (MHC) macaque

Assay type CD4 T-cell Elispot - IFN γ , Intracellular cytokine staining

Keywords vaccine-induced epitopes, adjuvant comparison, vaccine antigen design

References Silvera *et al.* 2004

- Macaques were immunized with gp120-depleted HIV-1 together with incomplete Freund's adjuvant and CpG-ODN. All four immunized animals had high anti-p24 antibody titers, while three animals showed HIV-1-specific CD4+ and CD8+ T-cell responses. This is one of two CD4+ T-cell epitopes in Gag that was mapped.

HXB2 Location p24 (139–157)

Author Location p24 (271–290 IIIB)

Epitope NKIVRMYSPTSILDIRQGP

Epitope name P28

Immunogen in vitro stimulation or selection

Species (MHC) human (DR4)

Donor MHC DR4, DR7, DQ2, DQ3

Keywords immunodominance, Th1, Th2, TCR usage

References Venturini *et al.* 2002

- PBMC from a seronegative donor, the healthy brother of a pair of monozygotic twins discordant for HIV-1 infection, were used to generate HIV-1 Gag-specific CD4+ T-cell clones by *in vitro* immunization with HIV-1 overlapping 20mer peptides spanning p55. Six clones were generated by limiting dilution. All reacted with p24 except one which recognized a p24 peptide and a p6 peptide. All CD4+ T cell clones were HLA class II DR restricted.
- Clone 6 recognized three peptides including this one with a Th1 response using TCR V β 6 (6s5A1N1). Sequencing TCR V β regions of colonies from clone 6 suggested this was a clonal population. Assays using different peptide concentrations suggest that this peptide, 271-290, contains the main epitope of this clone. Upon activation, clone 6 was observed to induce a cytopathic effect in the adherent layer of fibroblasts expressing HLA DR4W14 and -W15. Clone 6 was activated in response to vaccinia virus Gag-infected B-LCL, so it could recognize naturally processed epitopes.
- Clone 37 recognized this peptide sequence with a Th2 response using TCR V β 3, and was a homogeneous T-cell population. This clone was only activated by peptide, not by processed protein from vaccinia virus Gag-infected B-LCL.
- Clone 97 recognized this peptide sequence with a using TCR V β 9 and 14; the two TCR receptors used indicates this limiting dilution represents a mixed population. This clone was only activated by peptide, not by processed protein from vaccinia virus Gag-infected B-LCL.

HXB2 Location p24 (140–148)

Author Location p24 (272–280 HXB2)

Epitope KIVRMYSPT

Subtype B

Immunogen HIV-1 infection

Species (MHC) human (DRB1*0101)

Donor MHC DRB1*0101, DRB1*1501, DQ5, DQ1, DR51

Assay type proliferation, T-cell Elispot, Intracellular cytokine staining

Keywords HAART, ART

References Boritz *et al.* 2003

- HIV infected individuals with advanced disease often have only weak or undetectable HIV specific Th responses, and HAART can sometimes restore Th HIV recognition in such cases. The repertoire of Th responses to p24 in an individual who responded to HAART after having a CD4+ T-cell count of 0 cells/ul was determined. Eleven clonotypes were found among 13 clones, recognizing eight distinct epitopes, with a range of MHC affinities and functional avidities. Multiple Gag p24 peptides were recognized using CD4 Elispot assays based on samples from six additional HAART-treated CD4 T-cell-reconstituted subjects.
- The Th clone that recognized this epitope utilized TCR V β 5.2.

HXB2 Location p24 (141–156)

Author Location p24 (273–287)

Epitope IVRMYSPTSILDIRQC

Immunogen in vitro stimulation or selection

Species (MHC) human

References Bedford *et al.* 1997

- Epitope elicits a primary proliferative response in PBMC from uninfected donors.
- Matches 3/3 anchor residues for HLA DR: IVRMYSPTS

HXB2 Location p24 (141–158)

Author Location p24 (141–158 B Consensus)

Epitope IVRMYSPTSILDIRQGPK

Subtype B

Immunogen HIV-1 infection

Species (MHC) human

Country United States.

Assay type CD4 T-cell Elispot - IFN γ , Intracellular cytokine staining, HLA binding

Keywords supervised treatment interruptions (STI), rate of progression, immunodominance, acute/early infection

References Kaufmann *et al.* 2004

- CD4 T-cell responses in 36 HIV-1 positive individuals in different disease stages were mapped by IFN γ EliSpot using a panel of 410 B-consensus peptides spanning all HIV proteins. Virus specific CD4+ T-cell responses (median=7, range of magnitude=990) were detected in 30/36 patients.
- This peptide was recognized by 17% of the study group.
- Gag and Nef responses dominated the CD4+ T-cell EliSpot responses in the study. No correlation between plasma viremia and the frequency or magnitude of HIV-1-specific responses was observed.
- The most HIV-1 specific CD4+ T-cell responses were observed in acutely infected patients with treatment of primary infection who stopped after 1-3 treatments (acute STI), compared to patients continuing therapy. People with therapy during chronic infection had low responses; higher numbers of responses were seen among untreated people. 2/9 LTNP's responded to many peptides, comparable to acute STI.

HXB2 Location p24 (141–158)
Author Location p24 (141–158)
Epitope IVRMYSPTSILDIRQGPK
Subtype B
Immunogen HIV-1 infection
Species (MHC) human
Country Netherlands.
Assay type Cytokine production
References Geels *et al.* 2006

- The relationship between CTL escape and the subsequent increase in viral load and CD4 Th responses was studied in 2 patients. In both patients T-cell reactivity and recognition were lost after CTL escape, and in 1 patient only the loss of CTL responses was paralleled by a decrease in IL-2 CD4 Th responses.
- Autologous sequences corresponding to known and predicted Th epitopes were analyzed. IVRMYSPTSILDIRQGPK had fixation of 1 mutation (IVRMYSPT[t/v]SILDIRQGPK) in 1 of the patients.

HXB2 Location p24 (146–160)
Author Location p24 (278–292 IIIB, B10)
Epitope SPTSILDIRQGPKEP
Immunogen HIV-1 infection
Species (MHC) human
References Wahren *et al.* 1989b; Wahren *et al.* 1989a

- 12 gag and 18 env peptides were identified that could commonly evoke T-cell responses.

HXB2 Location p24 (149–168)
Author Location p24 (281–300 IIIB)
Epitope SILDIRQGPKEPFRDYVDRF
Epitope name P29
Immunogen in vitro stimulation or selection
Species (MHC) human (DR4)
Donor MHC DR4, DR7, DQ2, DQ3
Keywords immunodominance, Th1, Th2, TCR usage
References Venturini *et al.* 2002

- PBMC from a seronegative donor, the healthy brother of a pair of monozygotic twins discordant for HIV-1 infection, were used to generate HIV-1 Gag-specific CD4+ T-cell clones by *in vitro* immunization with HIV-1 overlapping 20mer peptides spanning p55. Six clones were generated by limiting dilution. All reacted with p24 except one which recognized a p24 peptide and a p6 peptide. All CD4+ T cell clones were HLA class II DR restricted.
- Clone 6 recognized three peptides including this one with a Th1 response using TCR V β 6 (6s5A1N1). Sequencing TCR V β regions of colonies from clone 6 suggested this was a clonal population. Assays using different peptide concentrations suggest that this peptide does not carry the main epitope of this clone.

HXB2 Location p24 (150–169)
Author Location p24 (282–301)
Epitope ILDIRQGPKEPFRDYVDRFY
Immunogen HIV-1 infection
Species (MHC) human
References Schrier *et al.* 1989

- Stimulates T-cell proliferation in HIV-infected donors.

HXB2 Location p24 (151–166)
Author Location p24 (283–297)
Epitope LDIRQGPKEPFRDYVC
Immunogen in vitro stimulation or selection
Species (MHC) human
References Bedford *et al.* 1997

- Epitope elicits a primary proliferative response in PBMC from uninfected donors.

HXB2 Location p24 (153–167)
Author Location
Epitope IRQGPKEPFRDYVDR
Epitope name G072
Immunogen HIV-1 infection
Species (MHC) human
Country Canada.
Assay type proliferation, Flow cytometric T-cell cytokine assay
Keywords memory cells
References Younes *et al.* 2003

- HIV-1-specific CD4+ T-cell responses were analyzed for 6 years since primary infection, in 10 aviremic and 8 viremic patients.
- CD4+ T cells proliferating responses were correlated with the frequency of CD4+ T cells secreting IL-2 in aviremic patients. In viremic patients, CD4+ T cell proliferative response was impaired despite of the high frequencies of IFN- γ , but not IL-2-producing CD4+ T cells in periods of elevated viremia, suggesting that long-term CD4+ memory depends on IL-2-producing CD4+ T cells and that IFN- γ only-producing cells are short lived.

HXB2 Location p24 (155–177)
Author Location p24 (287–309)
Epitope QGPKEPFRDYVDRFYKTLRAEQA
Immunogen vaccine
Vector/Type: peptide

- **Species (MHC)** mouse
References Nakamura *et al.* 1997
- Mice immunized with this peptide generated proliferative responses, CTLs and antibodies.
- This immunogenic domain is from a highly conserved region of p24.

HXB2 Location p24 (156–170)
Author Location p24 (288–302 IIIB, B10)
Epitope GPKEPFRDYVDRFYK
Immunogen HIV-1 infection
Species (MHC) human
References Wahren *et al.* 1989b; Wahren *et al.* 1989a

- 12 gag and 18 env peptides were identified that could commonly evoke T-cell responses.

HXB2 Location p24 (156–173)
Author Location p24 (156–173 B Consensus)
Epitope GPKEPFRDYVDRFYKTLR
Subtype B
Immunogen HIV-1 infection
Species (MHC) human
Country United States.

Assay type CD4 T-cell Elispot - IFN γ , Intracellular cytokine staining, HLA binding

Keywords supervised treatment interruptions (STI), rate of progression, immunodominance, acute/early infection

References Kaufmann *et al.* 2004

- CD4 T-cell responses in 36 HIV-1 positive individuals in different disease stages were mapped by IFN γ EliSpot using a panel of 410 B-consensus peptides spanning all HIV proteins. Virus specific CD4+ T-cell responses (median=7, range of magnitude=990) were detected in 30/36 patients.
- This peptide was recognized by 11% of the study group.
- Gag and Nef responses dominated the CD4+ T-cell EliSpot responses in the study. No correlation between plasma viremia and the frequency or magnitude of HIV-1-specific responses was observed.
- The most HIV-1 specific CD4+ T-cell responses were observed in acutely infected patients with treatment of primary infection who stopped after 1-3 treatments (acute STI), compared to patients continuing therapy. People with therapy during chronic infection had low responses; higher numbers of responses were seen among untreated people. 2/9 LTNPs responded to many peptides, comparable to acute STI.

HXB2 Location p24 (156–174)

Author Location p24 (287–306)

Epitope QPKPEFRDYVDRFYKTLRA

Immunogen HIV-1 infection

Species (MHC) human

References Adams *et al.* 1997

- One of four immunogenic Gag peptides used in study of the proliferative response to p24.
- T-cells from 5 of 21 HIV+ individuals responded to this epitope.
- Improved assay system (increase in culture time to 8 days and addition of IL-2 to cultures) gave increased detection of proliferative response.

HXB2 Location p24 (157–165)

Author Location p24 (289–297 HXB2)

Epitope PKEPFRDYV

Subtype B

Immunogen HIV-1 infection

Species (MHC) human (DQ5)

Donor MHC DRB1*0101, DRB1*1501, DQ5, DQ1, DR51

Assay type proliferation, T-cell Elispot, Intracellular cytokine staining

Keywords HAART, ART

References Boritz *et al.* 2003

- HIV infected individuals with advanced disease often have only weak or undetectable HIV specific Th responses, and HAART can sometimes restore Th HIV recognition in such cases. The repertoire of Th responses to p24 in an individual who responded to HAART after having a CD4+ T-cell count of 0 cells μ l was determined. Eleven clonotypes were found among 13 clones, recognizing eight distinct epitopes, with a range of MHC affinities and functional avidities. Multiple Gag p24 peptides were recognized using CD4 Elispot assays based on samples from six additional HAART-treated CD4 T-cell-reconstituted subjects.

HXB2 Location p24 (161–180)

Author Location Gag (293–312 SF2)

Epitope FRDYVDRFYKTLRAEQASQD

Immunogen vaccine

Vector/Type: Listeria monocytogenes

Strain: B clade SF2 *HIV component:* p24 Gag

Species (MHC) mouse (H-2^d, H-2^b)

Keywords Th1

References Mata & Paterson 1999

- *Listeria monocytogenes* is an intracellular bacterium that lives in the cytoplasm and generates a cell-mediated immune response.
- *L. monocytogenes* vaccine expressing HIV-1 p24 protein (Lm-Gag) was used to stimulate gag specific CD4+ T cell proliferative responses in BALB/c(H-2d) and C57BL/6(H-2b) mice.
- 2/3 reactive p24 peptides (out of 22 overlapping peptides that span p24) were recognized by both murine strains; this peptide stimulated a response in both BALB/c and C57BL/6 mice.
- The proliferative response is due to CD4+ IFN γ -producing cells, a Th1 response.

HXB2 Location p24 (161–180)

Author Location p24 (293–312 HXB2)

Epitope FRDYVDRFYKTLRAEQASQD

Subtype B

Immunogen vaccine

Vector/Type: Listeria monocytogenes

Strain: B clade HXB2 *HIV component:* Gag

Species (MHC) mouse (H-2^d, H-2^b)

References Mata & Paterson 1999

- BALB/c and C57BL/6 mice were immunized with *Listeria monocytogenes* (Lm-Gag) expressing HIV-1 HXB2 Gag.
- *L. monocytogenes* is a gram-positive bacteria that enters the macrophage on phagocytosis and lives in the cytoplasm; secreted *L. monocytogenes* antigens are processed and presented by both class I and class II pathways.
- The class II Th response was probed using 20mer peptides that overlapped by 10; the peptides VHQAISPRTLNAWVKVVEEK and FRDYVDRFYKTLRAEQASQD were recognized in H-2^b and H-2^d mice.

HXB2 Location p24 (163–175)

Author Location Gag (295–307)

Epitope DYVDRFYKTLRAE

Immunogen HIV-1 infection

Species (MHC) human (DR0101)

Assay type Cytokine production, proliferation, Tetramer binding, CD4 T-cell Elispot - IFN γ

Keywords HAART, ART, supervised treatment interruptions (STI)

References Iyasere *et al.* 2003

- Fifteen patients receiving HAART with strong CD4+ proliferative responses to HIV antigens while on therapy were examined, to see the effects of viremia on these responses during treatment interruptions. Increased viremia occurred in 12/15 patients during at least one treatment interruption. Anti-HIV proliferative responses were inhibited during viremia, but IFN γ production to Gag, Pol, and Nef peptide pools were maintained.

- IL-2 production diminished during viremia, and exogenous IL-2 revived *in vitro* proliferation of HIV-specific T-cells to Gag or Pol DR0101 epitopes in a tetramer, as well as Gag-specific total CD4 T-cell responses.

HXB2 Location p24 (163–177)

Author Location p24 (295–309)

Epitope DYVDRFYKTLRAEQA

Immunogen HIV-1 infection

Species (MHC) human (DRB1*1302)

Keywords HAART, ART

References Blankson & Siliciano 2001; Malhotra *et al.* 2001

- The DRB1*13-DQB1*06 haplotype is associated with maintained viral suppression after HAART – 7/7 early-treated DRB1*13-DQB1*06 positive people, but only 3/14 (21%) of those who did not have DRB1*13-DQB1*06, maintained viral suppression for 18 months.
- PBMC from individuals with the haplotype DRB1*13-DQB1*06 displayed increased IFN γ secretion and stronger proliferative responses against p24 80 weeks post treatment.
- DRB1*13-DQB1*06 was also found to be enriched among long-term non-progressors (it was in 9/18 versus, versus 21% of the general population)
- This epitope was mapped with truncated peptides using the Elispot assay, and is highly conserved.

HXB2 Location p24 (163–177)

Author Location p24 (295–309)

Epitope DYVDRFYKTLRAEQA

Immunogen HIV-1 infection

Species (MHC) human (DRB1*1302)

Keywords HAART, ART

References Blankson & Siliciano 2001; Malhotra *et al.* 2001

- The DRB1*13-DQB1*06 haplotype is associated with maintained viral suppression after HAART – 7/7 early-treated DRB1*13-DQB1*06 positive people, but only 3/14 (21%) of those who did not have DRB1*13-DQB1*06, maintained viral suppression for 18 months.
- PBMC from individuals with the haplotype DRB1*13-DQB1*06 displayed increased IFN γ secretion and stronger proliferative responses against p24 80 weeks post treatment.
- DRB1*13-DQB1*06 was also found to be enriched among long-term non-progressors (it was in 9/18 versus, versus 21% of the general population)
- This epitope was mapped with truncated peptides using the Elispot assay, and is highly conserved.

HXB2 Location p24 (164–181)

Author Location p24 (164–181 B Consensus)

Epitope YVDRFYKTLRAEQASQEV

Subtype B

Immunogen HIV-1 infection

Species (MHC) human (DRB1*0101, DRB1*0401, DRB1*0405, DRB1*0701, DRB1*1101, DRB1*1302, DRB1*1501, DRB5*0101)

Country United States.

Assay type CD4 T-cell Elispot - IFN γ , Intracellular cytokine staining, HLA binding

Keywords supervised treatment interruptions (STI), rate of progression, immunodominance, acute/early infection

References Kaufmann *et al.* 2004

- CD4 T-cell responses in 36 HIV-1 positive individuals in different disease stages were mapped by IFN γ EliSpot using a panel of 410 B-consensus peptides spanning all HIV proteins. Virus specific CD4+ T-cell responses (median=7, range of magnitude=990) were detected in 30/36 patients.
- Gag and Nef responses dominated the CD4+ T-cell EliSpot responses in the study. No correlation between plasma viremia and the frequency or magnitude of HIV-1-specific responses was observed.
- The peptides that were recognized by the most people were able to bind broadly to multiple HLA-DR molecules. This peptide showed very high cross-reactive binding capacity, and bound to 8/8 tested common HLA-DR molecules.
- This peptide was the most often recognized, with a responses by 58% of the study group.
- The most HIV-1 specific CD4+ T-cell responses were observed in acutely infected patients with treatment of primary infection who stopped after 1-3 treatments (acute STI), compared to patients continuing therapy. People with therapy during chronic infection had low responses; higher numbers of responses were seen among untreated people. 2/9 LTNP's responded to many peptides, comparable to acute STI.

HXB2 Location p24 (164–181)

Author Location p24 (164–181)

Epitope YVDRFYKTLRAEQASQEV

Subtype B

Immunogen HIV-1 infection

Species (MHC) human

Country Netherlands.

Assay type Cytokine production

References Geels *et al.* 2006

- The relationship between CTL escape and the subsequent increase in viral load and CD4 Th responses was studied in 2 patients. In both patients T-cell reactivity and recognition were lost after CTL escape, and in 1 patient only the loss of CTL responses was paralleled by a decrease in IL-2 CD4 Th responses.
- Autologous sequences corresponding to known and predicted Th epitopes were analyzed. YVDRFYKTLRAEQASQEV had fixation of 1 mutation (YVDRFYKTLRAEQA[s/t]QEV) in 1 of the patients.

HXB2 Location p24 (165–179)

Author Location Gag (297–311 HXB-2)

Epitope VDRFYKTLRAEQASQ

Subtype B

Immunogen HIV-1 infection

Species (MHC) human

Donor MHC DRB1*1302, DRB1*1501, DRB3*0301, DRB5*0101, DQB1*0602, DQB1*0604; DRB1*1303, DRB1*1502, DRB3*0101, DRB5*0102, DQB1*0301, DQB1*0601; DRB1*0401, DRB1*1101, DRB3*0202, DRB4*0103, DQB1*0301; DRB1*0701,

DRB1*1501, DRB4*0103, DRB5*0101, DQB1*0202, DQB1*0602

Country United States.

Assay type CD4 T-cell Elispot - IFN γ

References Koeppel *et al.* 2006

- The study measured CD4+ T-cell responses against epitopes in Gag p17 and p24 and concurrent endogenous plasma HIV-1 RNA epitope sequence variation. No inpatient protein sequence variation was found in identified epitopes, indicating that escape from CD4-positive T-cell responses is not a common process *in vivo*.
- 4/22 patients responded to this peptide.

HXB2 Location p24 (167–178)

Author Location p24 (167–178 B Consensus)

Epitope RFYKTLRAEQAS

Subtype B

Immunogen HIV-1 infection

Species (MHC) human (DRB1*0101, DRB1*0401, DRB1*0405, DRB1*0701, DRB1*1101, DRB1*1501, DRB5*0101)

Country United States.

Assay type CD4 T-cell Elispot - IFN γ , Intracellular cytokine staining, HLA binding

Keywords supervised treatment interruptions (STI), rate of progression, immunodominance, acute/early infection

References Kaufmann *et al.* 2004

- CD4 T-cell responses in 36 HIV-1 positive individuals in different disease stages were mapped by IFN γ Elispot using a panel of 410 B-consensus peptides spanning all HIV proteins. Virus specific CD4+ T-cell responses (median=7, range of magnitude=990) were detected in 30/36 patients.
- Gag and Nef responses dominated the CD4+ T-cell Elispot responses in the study. No correlation between plasma viremia and the frequency or magnitude of HIV-1-specific responses was observed.
- This is the core of the peptide and was the most often recognized, with responses by 58% of the study group. The core epitope, RFYKTLRAEQAS, could bind 7/8 HLA-DR molecules tested.

HXB2 Location p24 (168–179)

Author Location p24 (168–179 B Consensus)

Epitope FYKTLRAEQASQ

Subtype B

Immunogen HIV-1 infection

Species (MHC) human (DRB1*0101, DRB1*0401, DRB1*1101, DRB5*0101)

Country United States.

Assay type CD4 T-cell Elispot - IFN γ , Intracellular cytokine staining, HLA binding

Keywords supervised treatment interruptions (STI), rate of progression, immunodominance, acute/early infection

References Kaufmann *et al.* 2004

- CD4 T-cell responses in 36 HIV-1 positive individuals in different disease stages were mapped by IFN γ Elispot using a panel of 410 B-consensus peptides spanning all HIV proteins. Virus specific CD4+ T-cell responses (median=7, range of magnitude=990) were detected in 30/36 patients.
- Gag and Nef responses dominated the CD4+ T-cell Elispot responses in the study. No correlation between plasma viremia and the frequency or magnitude of HIV-1-specific responses was observed.
- This is the core of the peptide and was the most often recognized, with responses by 58% of the study group. The core epitope, FYKTLRAEQASQ, could bind 4/8 HLA-DR molecules tested.

HXB2 Location p24 (168–180)

Author Location p24 (168–180 B Consensus)

Epitope FYKTLRAEQASQE

Subtype B

Immunogen HIV-1 infection

Species (MHC) human (DRB1*0101, DRB1*0401, DRB1*0405, DRB1*1101, DRB1*1501, DRB5*0101)

Country United States.

Assay type CD4 T-cell Elispot - IFN γ , Intracellular cytokine staining, HLA binding

Keywords supervised treatment interruptions (STI), rate of progression, immunodominance, acute/early infection

References Kaufmann *et al.* 2004

- CD4 T-cell responses in 36 HIV-1 positive individuals in different disease stages were mapped by IFN γ Elispot using a panel of 410 B-consensus peptides spanning all HIV proteins. Virus specific CD4+ T-cell responses (median=7, range of magnitude=990) were detected in 30/36 patients.
- Gag and Nef responses dominated the CD4+ T-cell Elispot responses in the study. No correlation between plasma viremia and the frequency or magnitude of HIV-1-specific responses was observed.
- This is the core of the peptide and was the most often recognized, with responses by 58% of the study group. The core epitope, FYKTLRAEQASQE, could bind 6/8 HLA-DR molecules tested.

HXB2 Location p24 (169–177)

Author Location p24 (169–177 B Consensus)

Epitope YKTLRAEQA

Subtype B

Immunogen HIV-1 infection

Species (MHC) human (DRB1*0101)

Country United States.

Assay type CD4 T-cell Elispot - IFN γ , Intracellular cytokine staining, HLA binding

Keywords supervised treatment interruptions (STI), rate of progression, immunodominance, acute/early infection

References Kaufmann *et al.* 2004

- CD4 T-cell responses in 36 HIV-1 positive individuals in different disease stages were mapped by IFN γ Elispot using a panel of 410 B-consensus peptides spanning all HIV proteins.

Virus specific CD4+ T-cell responses (median=7, range of magnitude=990) were detected in 30/36 patients.

- Gag and Nef responses dominated the CD4+ T-cell EliSpot responses in the study. No correlation between plasma viremia and the frequency or magnitude of HIV-1-specific responses was observed.
- This is the core of the peptide and was most often recognized, with responses by 58% of the study group. This core epitope could bind only 1/8 of HLA-DR molecules tested.

HXB2 Location p24 (169–178)

Author Location p24 (301–310 HZ321)

Epitope YKTLRAEQAS

Subtype AG

Immunogen vaccine

Vector/Type: gp120 depleted virus HZ321 (REMUNE(TM)) *Strain:* AG recombinant HZ321 *HIV component:* virus *Adjuvant:* Incomplete Freund's Adjuvant (IFA), CpG immunostimulatory sequence (ISS)

Species (MHC) macaque

Assay type CD4 T-cell Elispot - IFN γ , Intracellular cytokine staining

Keywords vaccine-induced epitopes, adjuvant comparison, vaccine antigen design

References Silvera *et al.* 2004

- Macaques were immunized with gp120-depleted HIV-1 together with incomplete Freund's adjuvant and CpG-ODN. All four immunized animals had high anti-p24 antibody titers, while three animals showed HIV-1-specific CD4+ and CD8+ T-cell responses.

HXB2 Location p24 (169–179)

Author Location Gag (301–311)

Epitope YKTLRAEQASQ

Epitope name Gag 15.5

Immunogen vaccine

Vector/Type: DNA prime with modified vaccinia Ankara (MVA) boost *Strain:* B clade *HIV component:* Env, Gag, Protease, Rev, RT, Tat, Vpu

Species (MHC) macaque

Assay type T-cell Elispot, Intracellular cytokine staining

Keywords subtype comparisons, variant cross-recognition or cross-neutralization, memory cells

References Amara *et al.* 2005

- Clade B DNA/MVA HIV vaccine was shown to raise a broad cross-reactive cellular immune response for peptides based on the CRF02_AG consensus Gag in macaques. The activity was better-conserved for CD8 than CD4 T cells.
- 3/5 CD8 epitopes and 2/8 CD4 epitopes were conserved across multiple HIV-1 clades. All 5 CD8, and 4/8 of the CD4 epitopes that were recognized in vaccinated macaques have also been reported for human infections, indicating cross-species conservation.
- The similar reported human epitopes in this case is DYV-DRFYKTLRAEQA. HLA restriction: DRB1*1302.

- The response elicited to the B clade epitope YKTLRAE-QASQ cross-reacts with the CRF02_AG form fKTLRAEQAtQ. Other clades mostly have same substitutions in these positions ([y/f]KTLRAEQA[s/t]Q).

HXB2 Location p24 (169–183)

Author Location

Epitope YKTLRAEQASQEVKN

Epitope name G076

Immunogen HIV-1 infection

Species (MHC) human

Country Canada.

Assay type proliferation, Flow cytometric T-cell cytokine assay

Keywords memory cells

References Younes *et al.* 2003

- HIV-1-specific CD4+ T-cell responses were analyzed for 6 years since primary infection, in 10 aviremic and 8 viremic patients.
- CD4+ T cells proliferating responses were correlated with the frequency of CD4+ T cells secreting IL-2 in aviremic patients. In viremic patients, CD4+ T cell proliferative response was impaired despite of the high frequencies of IFN- γ , but not IL-2-producing CD4+ T cells in periods of elevated viremia, suggesting that long-term CD4+ memory depends on IL-2-producing CD4+ T cells and that IFN- γ only-producing cells are short lived.

HXB2 Location p24 (173–187)

Author Location Gag (301–315 HXB-2)

Epitope RAEQASQEVKNWMT

Subtype B

Immunogen HIV-1 infection

Species (MHC) human

Donor MHC DRB1*1303, DRB1*1502, DRB3*0101, DRB5*0102, DQB1*0301, DQB1*0601

Country United States.

Assay type CD4 T-cell Elispot - IFN γ

References Koeppe *et al.* 2006

- The study measured CD4+ T-cell responses against epitopes in Gag p17 and p24 and concurrent endogenous plasma HIV-1 RNA epitope sequence variation. No intrapatient protein sequence variation was found in identified epitopes, indicating that escape from CD4-positive T-cell responses is not a common process *in vivo*.
- 1/22 patients responded to this peptide.

HXB2 Location p24 (175–199)

Author Location p17 (307–331 PV22)

Epitope EQASQEVKNWMTETLLVQNPDK

Subtype B

Immunogen HIV-1 infection

Species (MHC) human (DRB1*03)

Donor MHC A29, A30, B8, B35, DRB1*03, DRB1*13

Keywords HAART, ART, Th1, Th2, TCR usage

References Lotti *et al.* 2002

- 10/49 chronically HIV-1 infected patients had low p55-Gag-specific CD4+ T cell responses prior to therapy, and these responses remained unchanged 3 and 6 months after initiation of HAART. There was no difference in level of response in those with or without a detectable p55 response.
- For one individual, patient F45 CDC stage A2, CD4+ p55 responding clones were generated. Her response was consistently strong and heterogeneous in terms of HLA restriction and $V\beta$ usage, and some clones had a Th1 cytokine secretion profile (high IFN γ production) while some had a Th2 profile (high IL-4 and IL-5 production). 5/10 CD4+ clones could also induce cytotoxicity.
- 4/10 clones from patient F45 had their epitopes mapped using overlapping peptides. Clone 26 recognized this peptide sequence restricted by DRB1*03. This clone had a SI of 4.1 to p55, 5.3 to peptide, secreted high levels of IFN γ , indicative of a Th1 response, but also IL-4 and IL-5. Clone 26 had no cytotoxic activity.

HXB2 Location p24 (181–198)

Author Location p24 (313–327)

Epitope VKNWMTETLLVQNANC

Immunogen in vitro stimulation or selection

Species (MHC) human

References Bedford *et al.* 1997

- Epitope elicits a primary proliferative response in PBMC from uninfected donors.
- Matches 3/3 anchor residues for HLA DR: VKNWMTETL

HXB2 Location p24 (185–202)

Author Location p24 (185–202 B Consensus)

Epitope MTETLLVQNANPDCKTIL

Subtype B

Immunogen HIV-1 infection

Species (MHC) human

Country United States.

Assay type CD4 T-cell Elispot - IFN γ , Intracellular cytokine staining, HLA binding

Keywords supervised treatment interruptions (STI), rate of progression, immunodominance, acute/early infection

References Kaufmann *et al.* 2004

- CD4 T-cell responses in 36 HIV-1 positive individuals in different disease stages were mapped by IFN γ EliSpot using a panel of 410 B-consensus peptides spanning all HIV proteins. Virus specific CD4+ T-cell responses (median=7, range of magnitude=990) were detected in 30/36 patients.
- This peptide was recognized by 11% of the study group.
- Gag and Nef responses dominated the CD4+ T-cell EliSpot responses in the study. No correlation between plasma viremia and the frequency or magnitude of HIV-1-specific responses was observed.
- The most HIV-1 specific CD4+ T-cell responses were observed in acutely infected patients with treatment of primary infection who stopped after 1-3 treatments (acute STI), compared to patients continuing therapy. People with therapy during chronic infection had low responses; higher numbers of responses were seen among untreated people. 2/9 LTNPs responded to many peptides, comparable to acute STI.

HXB2 Location p24 (201–215)

Author Location Gag (333–347 HXB-2)

Epitope ILKALGPAATLEEMM

Subtype B

Immunogen HIV-1 infection

Species (MHC) human

Country United States.

Assay type CD4 T-cell Elispot - IFN γ

References Koeppel *et al.* 2006

- The study measured CD4+ T-cell responses against epitopes in Gag p17 and p24 and concurrent endogenous plasma HIV-1 RNA epitope sequence variation. No intrapatient protein sequence variation was found in identified epitopes, indicating that escape from CD4-positive T-cell responses is not a common process *in vivo*.
- 1/22 patients responded to this peptide.

HXB2 Location p24 (205–219)

Author Location Gag (337–351 HXB-2)

Epitope LGPAATLEEMMTACQ

Subtype B

Immunogen HIV-1 infection

Species (MHC) human

Country United States.

Assay type CD4 T-cell Elispot - IFN γ

References Koeppel *et al.* 2006

- The study measured CD4+ T-cell responses against epitopes in Gag p17 and p24 and concurrent endogenous plasma HIV-1 RNA epitope sequence variation. No intrapatient protein sequence variation was found in identified epitopes, indicating that escape from CD4-positive T-cell responses is not a common process *in vivo*.
- 1/22 patients responded to this peptide.

HXB2 Location p24

Author Location p24

Epitope

Immunogen HIV-1 infection

Species (MHC) human

Donor MHC A01, A32, B*1410, B15; A*3101, A68, B*4403, B51

Country Spain.

Assay type proliferation, CD4 T-cell Elispot - IFN γ

Keywords HAART, ART, supervised treatment interruptions (STI)

References Arnedo-Valero *et al.* 2004

- T cell immune responses following STI were monitored in two chronically HIV-1 infected partners (A and B) who had contracted HIV-1 during 1992. STI induced strong transitory CD4+ and CD8+ T cell responses in both patients. The viruses remained very closely related over 10 years, despite the two individuals having different HLA types; the authors suggest the maintained similarity does not support a strong role for HLA driven HIV diversity as has been claimed in Moore *et al.* (Science 2002).
- During the second treatment stop, patient A developed a strong proliferative response to p24, and multiple strong CD8+ T cell responses to Env, Pol, Gag and Nef. This patient was able to control viral load for two years follow up without therapy. Patient B developed a very weak CD4+ T cell response against

p24 during breaks in therapy, and had CD8+ responses to two epitopes. Patient A: A01, A32, B*1410, B15; Patient B: A*3101, A68, B*4403, B51.

- HXB2 Location** p24
Author Location p24
Epitope
Immunogen vaccine
HIV component: p24 Gag *Adjuvant:* Keyhole Limpet Haemocyanin (KLH)
Species (MHC) human
Country United States.
Assay type proliferation, Th support of CTL response, Delayed-type hypersensitivity (DTH)
Keywords HAART, ART, immune dysfunction
References Lange *et al.* 2004
- ART treated HIV-1 infected patients with strong lymphoproliferative responses to HIV p24 did not have enhanced immune responses relative to those that had low level proliferative responses. Immune function was measured by DTH to diphtheria/tetanus-toxoid and Keyhole limpet hemocyanin, maturation and frequency of CD8+ T cells, frequency of CD4 and CD8+ T cells, and cytotoxic molecules on HIV specific T cells.
 - A higher level of persistent viral replication in circulating CD4+ cells was associated with patients who showed high lymphoproliferative responses to HIV p24.

- HXB2 Location** p24
Author Location p24
Epitope
Immunogen HIV-1 infection
Species (MHC) human
Country United States.
Assay type proliferation, Intracellular cytokine staining
Keywords HAART, ART, immune dysfunction
References Palmer *et al.* 2004
- The cytokine and maturation profiles as well as the proliferative capacity of HIV-1 Gag-specific CD4+ T cells was analyzed in 4 groups of HIV-1 infected patients: HAART treated, HAART suppressed, treatment naive and untreated, slowly progressing. Measurements of Gag-specific CD4+ T cell maturation, proliferation and plasma viremia indicate that virologic control is impaired due to HIV-1 effects on the maturation profiles of CD4+ T cells.

III-B-3 Gag p2p7p1p6 Helper/CD4+ T-cell epitopes

- HXB2 Location** p2p7p1p6 (18–37)
Author Location p24 (384–400 HXB2)
Epitope GNFRNQRKIVKCFNGKKEGH
Subtype B
Immunogen HIV-1 infection
Species (MHC) human (DR15/51)
Donor MHC DRB1*0101, DRB1*1501, DQ5, DQ1, DR51
Assay type proliferation, T-cell Elispot, Intracellular cytokine staining
Keywords HAART, ART

References Boritz *et al.* 2003

- HIV infected individuals with advanced disease often have only weak or undetectable HIV specific Th responses, and HAART can sometimes restore Th HIV recognition in such cases. The repertoire of Th responses to p24 in an individual who responded to HAART after having a CD4+ T-cell count of 0 cells/ul was determined. Eleven clonotypes were found among 13 clones, recognizing eight distinct epitopes, with a range of MHC affinities and functional avidities. Multiple Gag p24 peptides were recognized using CD4 Elispot assays based on samples from six additional HAART-treated CD4 T-cell-reconstituted subjects.
- The two Th clones that recognized this epitope utilized TCR V β 2 and B β 8.1.

- HXB2 Location** p2p7p1p6 (22–32)
Author Location Gag (385–395)
Epitope NQRKIVKCFNC
Epitope name Gag 20.2
Immunogen vaccine
Vector/Type: DNA prime with modified vaccinia Ankara (MVA) boost *Strain:* B clade
HIV component: Env, Gag, Protease, Rev, RT, Tat, Vpu
Species (MHC) macaque
Assay type T-cell Elispot, Intracellular cytokine staining
Keywords subtype comparisons, memory cells
References Amara *et al.* 2005
- Clade B DNA/MVA HIV vaccine was shown to raise a broad cross-reactive cellular immune response for peptides based on the CRF02_AG consensus Gag in macaques. The activity was better-conserved for CD8 than CD4 T cells.
 - 3/5 CD8 epitopes and 2/8 CD4 epitopes were conserved across multiple HIV-1 clades. All 5 CD8, and 4/8 of the CD4 epitopes that were recognized in vaccinated macaques have also been reported for human infections, indicating cross-species conservation.
 - The similar reported human epitope in this case is GNFRN-QRKIVKCFNCGKKEGH. HLA restriction: DR15/51.
 - The response elicited to the B clade epitope NQRKIVKCFNC does not cross-react with the CRF02_AG form gQR-IIKCFNC. The epitope is highly variable across other clades.

- HXB2 Location** p2p7p1p6 (30–44)
Author Location p15 (393–407 IIIB, B10)
Epitope FNGKKEGHTARNCR
Immunogen HIV-1 infection
Species (MHC) human
References Wahren *et al.* 1989b; Wahren *et al.* 1989a
- 12 gag and 18 env peptides were identified that could commonly evoke T-cell responses.

- HXB2 Location** p2p7p1p6 (37–52)
Author Location p15 (37–52 B Consensus)
Epitope HIAKNCRAPRKKGCWK
Subtype B
Immunogen HIV-1 infection
Species (MHC) human
Country United States.

Assay type CD4 T-cell Elispot - IFN γ , Intracellular cytokine staining, HLA binding

Keywords supervised treatment interruptions (STI), rate of progression, immunodominance, acute/early infection

References Kaufmann *et al.* 2004

- CD4 T-cell responses in 36 HIV-1 positive individuals in different disease stages were mapped by IFN γ EliSpot using a panel of 410 B-consensus peptides spanning all HIV proteins. Virus specific CD4+ T-cell responses (median=7, range of magnitude=990) were detected in 30/36 patients.
- This peptide was recognized by 14% of the study group.
- Gag and Nef responses dominated the CD4+ T-cell EliSpot responses in the study. No correlation between plasma viremia and the frequency or magnitude of HIV-1-specific responses was observed.
- The most HIV-1 specific CD4+ T-cell responses were observed in acutely infected patients with treatment of primary infection who stopped after 1-3 treatments (acute STI), compared to patients continuing therapy. People with therapy during chronic infection had low responses; higher numbers of responses were seen among untreated people. 2/9 LTNP's responded to many peptides, comparable to acute STI.

HXB2 Location p2p7p1p6 (55–69)

Author Location p15 (418–432 III B, B10)

Epitope KEGHQMKDC TERQAN

Immunogen HIV-1 infection

Species (MHC) human

References Wahren *et al.* 1989b; Wahren *et al.* 1989a

- 12 gag and 18 env peptides were identified that could commonly evoke T-cell responses.

HXB2 Location p2p7p1p6 (60–74)

Author Location p15 (423–437 III B, B10)

Epitope MKDCTERQANFLGKI

Immunogen HIV-1 infection

Species (MHC) human

References Wahren *et al.* 1989b; Wahren *et al.* 1989a

- 12 gag and 18 env peptides were identified that could commonly evoke T-cell responses.

HXB2 Location p2p7p1p6 (66–81)

Author Location p15 (66–81 B consensus)

Epitope RQANFLGKIWPSHKGR

Subtype B

Immunogen HIV-1 infection

Species (MHC) human (DRB1*0101, DR01*0401, DRB1*0405, DRB1*1101, DRB1*1302, DRB1*1501, DRB5*0101)

Country United States.

Assay type CD4 T-cell Elispot - IFN γ , Intracellular cytokine staining, HLA binding

Keywords supervised treatment interruptions (STI), rate of progression, immunodominance, acute/early infection

References Kaufmann *et al.* 2004

- CD4 T-cell responses in 36 HIV-1 positive individuals in different disease stages were mapped by IFN γ EliSpot using a panel of 410 B-consensus peptides spanning all HIV proteins. Virus specific CD4+ T-cell responses (median=7, range of magnitude=990) were detected in 30/36 patients.

- This peptide was recognized by 28% of the study group.

- Gag and Nef responses dominated the CD4+ T-cell EliSpot responses in the study. No correlation between plasma viremia and the frequency or magnitude of HIV-1-specific responses was observed.

- The peptides that were recognized by the most people were able to bind broadly to multiple HLA-DR molecules. This peptide showed high cross-reactive binding capacity and bound to 7/8 tested HLA-DR molecules.

- The most HIV-1 specific CD4+ T-cell responses were observed in acutely infected patients with treatment of primary infection who stopped after 1-3 treatments (acute STI), compared to patients continuing therapy. People with therapy during chronic infection had low responses; higher numbers of responses were seen among untreated people. 2/9 LTNP's responded to many peptides, comparable to acute STI.

HXB2 Location p2p7p1p6 (72–89)

Author Location p15 (72–89 B Consensus)

Epitope GKIWPSHKGRPGNFLQSR

Subtype B

Immunogen HIV-1 infection

Species (MHC) human

Country United States.

Assay type CD4 T-cell Elispot - IFN γ , Intracellular cytokine staining, HLA binding

Keywords supervised treatment interruptions (STI), rate of progression, immunodominance, acute/early infection

References Kaufmann *et al.* 2004

- CD4 T-cell responses in 36 HIV-1 positive individuals in different disease stages were mapped by IFN γ EliSpot using a panel of 410 B-consensus peptides spanning all HIV proteins. Virus specific CD4+ T-cell responses (median=7, range of magnitude=990) were detected in 30/36 patients.

- This peptide was recognized by 17% of the study group.

- Gag and Nef responses dominated the CD4+ T-cell EliSpot responses in the study. No correlation between plasma viremia and the frequency or magnitude of HIV-1-specific responses was observed.

- The most HIV-1 specific CD4+ T-cell responses were observed in acutely infected patients with treatment of primary infection who stopped after 1-3 treatments (acute STI), compared to patients continuing therapy. People with therapy during chronic infection had low responses; higher numbers of responses were seen among untreated people. 2/9 LTNP's responded to many peptides, comparable to acute STI.

HXB2 Location p2p7p1p6 (76–83)

Author Location p24 (439–446 LAI)

Epitope PSYKGRPG

Subtype B

Immunogen HIV-1 infection

Species (MHC) human

References Schrier *et al.* 1989

- Stimulates T-cell proliferation in HIV-infected donors.
- Schrier lists this peptide as p24(439-446), but because of the numbering used for Gag epitopes, we placed it in p2p7p1p6.

HXB2 Location p2p7p1p6 (83–97)

Author Location p15 (446–460 BRU)

Epitope GNFLQSRPEPTAPPA

Immunogen *in vitro* stimulation or selection

Species (MHC) mouse (H-2^b)

References Vaslin *et al.* 1994

- Peptide G4: could prime for *in vitro* immunoproliferative responses and for subsequent IgG responses.

HXB2 Location p2p7p1p6 (93–112)

Author Location p15 (93–112 B Consensus)

Epitope TAPPEESFRFGEEITTPSQK

Subtype B

Immunogen HIV-1 infection

Species (MHC) human

Country United States.

Assay type CD4 T-cell Elispot - IFN γ , Intracellular cytokine staining, HLA binding

Keywords supervised treatment interruptions (STI), rate of progression, immunodominance, acute/early infection

References Kaufmann *et al.* 2004

- CD4 T-cell responses in 36 HIV-1 positive individuals in different disease stages were mapped by IFN γ EliSpot using a panel of 410 B-consensus peptides spanning all HIV proteins. Virus specific CD4+ T-cell responses (median=7, range of magnitude=990) were detected in 30/36 patients.
- This peptide was recognized by 14% of the study group.
- Gag and Nef responses dominated the CD4+ T-cell EliSpot responses in the study. No correlation between plasma viremia and the frequency or magnitude of HIV-1-specific responses was observed.
- The most HIV-1 specific CD4+ T-cell responses were observed in acutely infected patients with treatment of primary infection who stopped after 1-3 treatments (acute STI), compared to patients continuing therapy. People with therapy during chronic infection had low responses; higher numbers of responses were seen among untreated people. 2/9 LTNP's responded to many peptides, comparable to acute STI.

HXB2 Location p2p7p1p6 (98–112)

Author Location p15 (473–487 IIIB, B10)

Epitope ESFRSGVETTTTPPQK

Immunogen HIV-1 infection

Species (MHC) human

References Wahren *et al.* 1989b; Wahren *et al.* 1989a

- Peptides were identified that commonly evoke T-cell responses – 50% of 90 HIV+ people had a T-cell response to this peptide.

HXB2 Location p2p7p1p6 (103–110)

Author Location p24 (466–473 LAI)

Epitope REETTTPS

Subtype B

Immunogen HIV-1 infection

Species (MHC) human

References Schrier *et al.* 1989

- Stimulates T-cell proliferation in HIV-infected donors.
- Schrier lists this peptide as p24(466-473), but it is in p2p7p1p6.

HXB2 Location p2p7p1p6 (106–116)

Author Location Gag (469–479)

Epitope TTTTPPQKQEPI

Epitope name Gag 24.3

Immunogen vaccine

Vector/Type: DNA prime with modified vaccinia Ankara (MVA) boost **Strain:** B clade
HIV component: Env, Gag, Protease, Rev, RT, Tat, Vpu

Species (MHC) macaque

Assay type T-cell Elispot, Intracellular cytokine staining

Keywords subtype comparisons, memory cells

References Amara *et al.* 2005

- Clade B DNA/MVA HIV vaccine was shown to raise a broad cross-reactive cellular immune response for peptides based on the CRF02_AG consensus Gag in macaques. The activity was better-conserved for CD8 than CD4 T cells.
- 3/5 CD8 epitopes and 2/8 CD4 epitopes were conserved across multiple HIV-1 clades. All 5 CD8, and 4/8 of the CD4 epitopes that were recognized in vaccinated macaques have also been reported for human infections, indicating cross-species conservation. TTTTPPQKQEPI was not reported for human infections.
- The response elicited to the B clade epitope TTTTPPQKQEPI does not cross-react with the CRF02_AG form ipssP-KQEPr. The epitope is highly variable across other clades.

HXB2 Location p2p7p1p6 (111–127)

Author Location p15 (111–127 B Consensus)

Epitope QKQEPIDKELYPLASLR

Subtype B

Immunogen HIV-1 infection

Species (MHC) human

Country United States.

Assay type CD4 T-cell Elispot - IFN γ , Intracellular cytokine staining, HLA binding

Keywords supervised treatment interruptions (STI), rate of progression, immunodominance, acute/early infection

References Kaufmann *et al.* 2004

- CD4 T-cell responses in 36 HIV-1 positive individuals in different disease stages were mapped by IFN γ EliSpot using a panel of 410 B-consensus peptides spanning all HIV proteins. Virus specific CD4+ T-cell responses (median=7, range of magnitude=990) were detected in 30/36 patients.
- This peptide was recognized by 17% of the study group.
- Gag and Nef responses dominated the CD4+ T-cell EliSpot responses in the study. No correlation between plasma viremia and the frequency or magnitude of HIV-1-specific responses was observed.
- The most HIV-1 specific CD4+ T-cell responses were observed in acutely infected patients with treatment of primary infection who stopped after 1-3 treatments (acute STI), compared to patients continuing therapy. People with therapy during chronic infection had low responses; higher numbers of responses were seen among untreated people. 2/9 LTNP's responded to many peptides, comparable to acute STI.

HXB2 Location p2p7p1p6 (117–137)
Author Location Gag p6 (480–500 IIIB)
Epitope DKELYPLTSLRSLFGNDPSSQ
Immunogen *in vitro* stimulation or selection
Species (MHC) human
Donor MHC DR4, DR7, DQ2, DQ3
Keywords immunodominance, Th1, Th2, TCR usage
References Venturini *et al.* 2002

- PBMC from a seronegative donor, the healthy brother of a pair of monozygotic twins discordant for HIV-1 infection, were used to generate HIV-1 Gag-specific CD4+ T-cell clones by *in vitro* immunization with HIV-1 overlapping 20mer peptides spanning p55. Six clones were generated by limiting dilution. All reacted with p24 except one which recognized a p24 peptide and a p6 peptide. All CD4+ T cell clones were HLA class II DR restricted.
- Clone 74 recognized two peptides, including this one, with a Th1 response using TCR V β 13 (13s1); it required 200 ng/ml (100 nM) and 1 μ g/ml (0.5 μ M) for stimulation by peptides 480–500 and 261–280, respectively. Sequencing TCR V β regions of colonies from clone 74 suggested this was a clonal population. Clone 74 was activated in response to vaccinia virus Gag-infected B-LCL, so it could recognize naturally processed epitopes.

HXB2 Location p2p7p1p6 (118–137)
Author Location p15 (118–137 B Consensus)
Epitope KELYPLASLRSLFGNDPSSQ
Subtype B
Immunogen HIV-1 infection
Species (MHC) human
Country United States.
Assay type CD4 T-cell Elispot - IFN γ , Intracellular cytokine staining, HLA binding
Keywords supervised treatment interruptions (STI), rate of progression, immunodominance, acute/early infection
References Kaufmann *et al.* 2004

- CD4 T-cell responses in 36 HIV-1 positive individuals in different disease stages were mapped by IFN γ EliSpot using a panel of 410 B-consensus peptides spanning all HIV proteins. Virus specific CD4+ T-cell responses (median=7, range of magnitude=990) were detected in 30/36 patients.
- This peptide was recognized by 17% of the study group.
- Gag and Nef responses dominated the CD4+ T-cell EliSpot responses in the study. No correlation between plasma viremia and the frequency or magnitude of HIV-1-specific responses was observed.
- The most HIV-1 specific CD4+ T-cell responses were observed in acutely infected patients with treatment of primary infection who stopped after 1-3 treatments (acute STI), compared to patients continuing therapy. People with therapy during chronic infection had low responses; higher numbers of responses were seen among untreated people. 2/9 LTNPs responded to many peptides, comparable to acute STI.

III-B-4 Gag Helper/CD4+ T-cell epitopes

HXB2 Location Gag
Author Location p24 (IIIB)
Epitope
Immunogen *in vitro* stimulation or selection
Species (MHC) human (A*0201)
Keywords dendritic cells
References Engelmayer *et al.* 2001

- Recombinant canarypox virus vector containing HIV-1 sequences, upon infection of mature dendritic cells, can trigger specific lysis *in vitro* by T-cells from HIV-1 infected individuals at levels comparable to the response seen to HIV carried in vaccinia vectors.
- Recombinant canarypox virus vector containing HIV-1 sequences can also stimulate HIV-specific IFN γ CD4+ helper T cell responses to Gag from bulk or purified CD4+ T cells.

HXB2 Location Gag
Author Location p55
Epitope
Immunogen HIV-1 infection
Species (MHC) human (DRB1*13, DRB1*03)
Donor MHC A29, A30, B8, B35, DRB1*03, DRB1*13
Keywords HAART, ART, Th1, Th2, TCR usage
References Lotti *et al.* 2002

- 10/49 chronically HIV-1 infected patients had low p55-Gag-specific CD4+ T cell responses prior to therapy, and these responses remained unchanged 3 and 6 months after initiation of HAART. There was no difference in level of response in those with or without a detectable p55 response.
- For one individual, patient F45 CDC stage A2, CD4+ p55 responding clones were generated. Her response was consistently strong and heterogeneous in terms of HLA restriction and V β usage. Two clones were DRB1*13 restricted and used TCR V β 17+19 or 5.1. Three clones were DRB1*03 restricted and used TCR V β 22. Some clones had a Th1 cytokine secretion profile (high IFN γ production) while some had a Th2 profile (high IL-4 and IL-5 production).

HXB2 Location Gag
Author Location p24
Epitope
Immunogen vaccine
Vector/Type: DNA *HIV component:* Gag
Species (MHC) mouse (H-2^d)
References Qiu *et al.* 2000

- Mice were injected with plasmid DNA at 0, 2 and 4 weeks and lymphocyte proliferation was measured after 6 weeks with recombinant p24 protein.
- Secreted HIV-1 Gag expression vectors generated a stronger response than standard Gag or cytoplasmic Gag expression vectors.
- IFN γ levels were increased compared to an undetectable IL-4 response.
- CTL levels were also increased in secreted Gag expression vaccination studies.

HXB2 Location Gag
Author Location Gag

Epitope
Immunogen vaccine
Vector/Type: DNA, DNA with protein boost
Strain: B clade LAI *HIV component:* Gag, Nef, Tat *Adjuvant:* IL-18

Species (MHC) mouse (H-2^d)
Keywords Th1, Th2
References Billaut-Mulot *et al.* 2001

- DNA vaccinated BALB/c mice primed and boosted with a multiepitopic vaccine with IL18 showed lymphoproliferative responses 7 weeks post immunization.
- Strong but non-lasting HIV-specific CTL responses were detected by a Cr-release assay and DNA prime + DNA boost was more effective than DNA prime + protein boost.
- Immunization with either the multiepitopic DNA or with the mixed DNA vaccine resulted in Th1 cytokines production (IL-2 and IFN γ) in spleen cell cultures stimulated by Tat and Gag, while Th2 cytokines IL-4 and IL-10 production was not detectable.
- Co-administration of IL18 increased T-cell responses but decreased anti-HIV antibody levels.

HXB2 Location Gag
Author Location p24
Epitope
Immunogen vaccine
Vector/Type: coxsackievirus *HIV component:* p24 Gag

Species (MHC) mouse (H-2^d)
References Halim *et al.* 2000

- An avirulent rec coxsackievirus (CB4-P) construct was generated that can express p24 Gag sequences – CB4-P is attenuated even in immunodeficient mice and T help responses can be elicited from peptides embedded in a surface loop of the VP1 capsid.
- This paper describes the vaccine strategy and generation of constructs, and employs amino-terminal fusion of Gag sequences to the viral polyprotein with subsequent cleavage to elicit CTL responses via MHC class I presentation in BALB/c mice.

HXB2 Location Gag
Author Location gp120 (V3) and p24 (IIIB, MN, BH10)
Epitope
Subtype A, B
Immunogen vaccine
Vector/Type: virus-like particle (VLP)
Strain: A clade UG5.94UG018, B clade IIIB
HIV component: Gag, gp120

Species (MHC) mouse (H-2^d)
Keywords subtype comparisons
References Buonaguro *et al.* 2002

- Different HIV strains were used for different regions: gp120 A clade UG5.94UG018; Gag HIV-1 IIIB
- BALB/c mice were given intraperitoneal immunization in the absence of adjuvants with virus-like particles (VLPs) expressing recombinant subtype A gp120 and Pr55gag.
- High dose-independent humoral responses were elicited against both gp120 and p24 peptides, and CTL responses were observed against target cells carrying vaccinia expressed gp120 and Gag.

HXB2 Location Gag
Author Location Gag (HXB2)
Epitope
Subtype B
Immunogen vaccine
Vector/Type: *Listeria monocytogenes*
Strain: B clade HXB2 *HIV component:* Gag

Species (MHC) mouse (H-2^d, H-2^b)
Keywords Th1
References Mata *et al.* 2001

- BALB/c and C57BL/6 mice were immunized with *Listeria monocytogenes* (Lm-Gag) expressing HIV-1 HXB2 Gag and mice were challenged with vaccinia expressing Gag.
- *L. monocytogenes* is a gram-positive bacteria that enters the macrophage on phagocytosis and lives in the cytoplasm; secreted *L. monocytogenes* antigens are processed and presented by both class I and class II pathways.
- CD4+ Th1 T-cells mediated the Gag specific immunological protection in mice immunized with Lm-Gag and challenged with vaccinia-Gag.
- Gag-specific CTL may enhance viral clearance via IFN γ secretion, but are not essential for immunity.

HXB2 Location Gag
Author Location Gag
Epitope
Immunogen vaccine
Vector/Type: *Listeria monocytogenes* *HIV component:* Gag

Species (MHC) mouse (H-2^d, H-2^b)
Keywords review, Th1
References Mata & Paterson 2000

- BALB/c and C57BL/6 mice were immunized with *Listeria monocytogenes* (Lm-Gag) expressing HIV-1 HXB2 Gag and mice were challenged with vaccinia expressing Gag.
- *L. monocytogenes* is a gram-positive bacteria that enters the macrophage on phagocytosis and lives in the cytoplasm; secreted *L. monocytogenes* antigens are processed and presented by both class I and class II pathways.
- This article is a review of *L. monocytogenes* biology and its potential as a vaccine vector for HIV, comparing to other vector systems, and discussing CD4+ Th1 T-cell-mediated Gag specific immunological protection in mice and the Gag CTL response.

HXB2 Location Gag
Author Location p24
Epitope
Immunogen HIV-1 infection, vaccine
Vector/Type: virus-like particle (VLP) *HIV component:* p17 Gag, p24 Gag

Species (MHC) human
References Kelleher *et al.* 1998b

- Immunization of HIV+ people with a p24-VLP virus-like particle did not significantly impact CD4+ lymphocyte count, viral load, or p24 antibody titre.
- Immunization with p24-VLP showed a modest, short-lived increased proliferative response to p24.

HXB2 Location Gag**Author Location** p24**Epitope****Immunogen** HIV-1 infection, vaccine*Vector/Type:* gp120 depleted virus HZ321 (REMUNE(TM)), protein *Strain:* AG recombinant HZ321 *HIV component:* gp120 depleted virus, p24 Gag**Species (MHC)** human**References** Maino *et al.* 2000

- 18 HIV-1-seropositive patients with a low frequency or no detectable CD4+ T cell response to HIV-1 antigen received an HIV-1 immunogen consisting of 10 units of native p24 and 100 ug of HZ321, a gp120 depleted antigen.
- Using flow-cytometric methods, HIV-1 specific CD4+ T cells were shown to increase in response to immunization – in many patients significant enhancement was observed after a single immunization.
- The frequency of CD4+ T cells expressing cytokines in response to antigen by FACS was correlated with a lymphoproliferation assay.

HXB2 Location Gag**Author Location** p24**Epitope****Immunogen** HIV-1 infection**Species (MHC)** human**Keywords** HAART, ART, supervised treatment interruptions (STI)**References** Ruiz *et al.* 2000

- Structured treatment interruption in chronically infected patients allowed recovery of p24 Th proliferative responses after HAART therapy discontinuation in 2/12 patients.
- The Th response to p24 was identified during peak viremia in one patient, while in the second it was noted when viremia was controlled after restarting antiviral therapy.

HXB2 Location Gag**Author Location** p24**Epitope****Immunogen** HIV-1 infection**Species (MHC)** human**References** Lori *et al.* 1999

- Ten patients with acute, pre-seroconversion HIV-1 infections were treated with didanosine, indinavir and hydroxyurea – this treatment is associated with normalization of immune parameters.
- A vigorous HIV-specific Th response (stimulation index greater than 8) was observed in 7/8 patients treated before complete WB seroconversion, but in only 1/5 controls treated after seroconversion.
- Vigorous Th responses were detected as early as 34 days after treatment begin.
- Patients treated prior to seroconversion had no loss of naive CD4 T lymphocytes, recovery of up to 35% of the naive CD8 cells in several weeks, and a reduced latent viral reservoir.

HXB2 Location Gag**Author Location** p24**Epitope****Immunogen** HIV-1 infection**Species (MHC)** human**Keywords** HAART, ART, supervised treatment interruptions (STI), Th1**References** Haslett *et al.* 2000

- 11/22 adult patients on HAART showed strong CD4+ T-cell IFN γ producing Th1 responses to HIV p24.
- The magnitude of the Th1 response correlated with previous interruptions in HAART, suggesting the interruptions primed or boosted the response.
- In contrast, the magnitude of the CD8+ CTL response did not correlate with interruptions in therapy, although a greater breadth in response was associated with interruptions in HAART.

HXB2 Location Gag**Author Location** p24**Epitope****Immunogen** HIV-1 infection, vaccine*Vector/Type:* virus-like particle (VLP) *HIV component:* p17 Gag, p24 Gag**Species (MHC)** human**References** Klein *et al.* 1997

- Immunization of HIV+ people with a HIV-1 p17/p24 Ty virus-like particle (p24-VLP) resulted in a marginal, short-lived increased proliferative response to p24 and p17 and a transient elevation in viral load.
- Two of four subjects that received 500 or 1000 ug of p24-VLP had an increase in gag-specific CTL.

HXB2 Location Gag**Author Location** p24**Epitope****Immunogen** vaccine*Vector/Type:* gp120 depleted virus HZ321 (REMUNE(TM)) *Strain:* AG recombinant HZ321 *HIV component:* gp120 depleted virus**Species (MHC)** human**Keywords** subtype comparisons**References** Moss *et al.* 1998

- Immunization with gp120 depleted HZ321 virus (REMUNETM) triggered an increase in lymphocyte proliferative response to native p24, a clade B virus and clade E viral antigens – Z321 is clade A in env and clade G in gag. Moss *et al.* [1998]

HXB2 Location Gag**Author Location** p24**Epitope****Immunogen** HIV-1 infection**Species (MHC)** human**Keywords** HAART, ART**References** Rosenberg *et al.* 1999

- This paper reviews the role of T-cells in viral control and HIV disease outcome.
- Strong anti-p24 lymphoproliferative responses were found in seven persons who were treated with potent anti-viral therapy during acute HIV-1 infection syndrome.

- This suggests that Th cells are part of the normal response to HIV-1 infection, but their numbers are rapidly diminished by either being infected during the peak viremia or by activation-induced cell death – if peak viremia can be controlled, a robust anti-p24 Th response can be maintained.

HXB2 Location Gag

Author Location p24

Epitope

Immunogen HIV-1 infection

Species (MHC) human

Keywords HAART, ART

References Rosenberg & Walker 1998

- Strong Th responses have been found in rare individuals who effectively maintain low viral loads.
- If aggressive anti-retroviral therapy is given prior to sero-conversion, strong helper responses can be maintained.

HXB2 Location Gag

Author Location p17

Epitope

Immunogen vaccine

Vector/Type: protein *HIV component:* p17
Gag

Species (MHC) mouse

References Birk *et al.* 1998a

- Different p17 genes derived from the same quasispecies and expressed and purified in *E. coli* primed different Th 1 and Th 2 subsets in mice, depending on their H-2 type.

HXB2 Location Gag

Author Location Gag

Epitope

Immunogen HIV-1 infection

Species (MHC) human

References Schiller *et al.* 2000

- Study of parameters that might influence the performance or reproducibility of clinical Th proliferative assays.
- HIV-1 replication *in vitro* is unlikely to influence the assay.
- Gag proteins including p17 and possibly p7 as well as p24 perform better than p24 alone.
- Frozen samples can be used in T-proliferative assays, but with lower radiolabeled thymidine incorporation.

HXB2 Location Gag

Author Location Gag

Epitope

Immunogen HIV-1 infection

Species (MHC) human

Keywords HAART, ART

References Pitcher *et al.* 1999

- In contrast to earlier studies suggesting that HIV-1 specific Th responses were eliminated in the early stages of infection in most HIV+ individuals, this paper shows using flow cytometric detection of antigen-induced cytokines that Th-1 CD4+ memory gag-specific Th cells are detectable in most HIV+ subjects.
- Effective anti-viral therapy reduces the frequency of these cells, presumably due to reduced antigenic stimulus.

HXB2 Location Gag

Author Location Gag

Epitope

Immunogen HIV-1 infection

Species (MHC) human

Keywords HAART, ART

References Plana *et al.* 1998

- Patients from later stages of infection given HAART do not show restoration of HIV-1 specific Th proliferative responses.

HXB2 Location Gag

Author Location Gag

Epitope

Immunogen HIV-1 infection

Species (MHC) human

Keywords HAART, ART

References Kelleher *et al.* 1998a

- Env and gag Th epitopes were pooled and used to test Th proliferative responses after IL2 therapy – while IL2 therapy causes an increase in CD4+ lymphocyte count, it does not increase HIV-1 specific proliferative responses.

HXB2 Location Gag

Author Location Gag (LAI)

Epitope

Subtype B

Immunogen vaccine

Vector/Type: DNA prime with vaccinia boost
Strain: B clade LAI *HIV component:* Env,
Gag

Species (MHC) macaque

Keywords Th1, Th2

References Kent *et al.* 1998

- Priming with an HIV-DNA vaccine and boosting with a vaccinia construct induced greater levels of HIV T-cell immunity than either vaccine alone.
- The proliferative response to Env and Gag after the DNA vaccination had a mean SI of 1.5-4, but after boosting with rHIV-fowlpox virus, there was a 6-17 fold increase in the mean SI for HIV Gag and Env – The Th response happened despite a fall in Ab titers, suggesting that the Th response was primarily Th1, not Th2. The CTL response was also enhanced.

HXB2 Location Gag

Author Location

Epitope

Immunogen vaccine

Vector/Type: DNA, protein, virus-like particle (VLP), ISCOM

Species (MHC) macaque

Keywords Th1, Th2

References Heeney *et al.* 1999

- Ten different vaccine strategies were evaluated for their ability to protect from infection in a rhesus macaque model using a non-pathogenic SHIV challenge.
- Protection correlated with the magnitude of NAb responses, beta-chemokines, and a balanced Th response.
- DNA, protein+adjuvant, VLP and ISCOM vaccines were tested.

- HIV-1/ISCOMS gave the highest NAb titers, Th1 and Th2 responses, was the only vaccine formulation tested with a detectable CTL response, and gave enhanced beta-chemokine production.

HXB2 Location Gag

Author Location Gag/Pol (MN)

Epitope

Immunogen vaccine

Vector/Type: DNA *Strain:* B clade MN
HIV component: Env, Gag, Pol *Adjuvant:*
CD80, CD86

Species (MHC) chimpanzee

References Kim *et al.* 1998

- Co-stimulatory molecules co-expressed with an HIV-1 immunogen in a DNA vaccine used to enhance the immune response – co-expression of CD86, but not CD80, dramatically increased both HIV Env and Gag/Pol specific CTL and Th proliferative responses.

HXB2 Location Gag

Author Location Gag/Pol (LAI, MN)

Epitope

Immunogen vaccine

Vector/Type: canarypox *Strain:* B clade
LAI, B clade MN *HIV component:* Gag,
gp120, gp41, Protease

Species (MHC) human

References Salmon-Ceron *et al.* 1999

- A live attenuated canarypox vector expressing MN gp120 and LAI gp41/gag/protease could induce CTL and a lymphoproliferative response in healthy uninfected volunteers.

HXB2 Location Gag

Author Location p55 (IIIB)

Epitope

Immunogen HIV-1 infection

Species (MHC) human

Keywords HAART, ART

References Zhang *et al.* 2001b

- T-helper cell proliferative responses to HIV p24, p55 and gp120 were tested in 27 patients with HIV infection – vigorous responses directed at Gag were detected in ten patients, but an Env specific response was detected in only one patient.
- Untreated patients showed a negative correlation between plasma viral load and HIV p24-specific T-cell responses, and the responses could be detected after extended HAART therapy with viremia below the detection limit.

HXB2 Location Gag

Author Location p24

Epitope

Immunogen HIV-1 infection

Species (MHC) human

Keywords HAART, ART, supervised treatment interruptions (STI), kinetics, Th1

References Carcelain *et al.* 2001

- Repeated structured HAART therapy interruptions (STI) in 3 chronically HIV infected patients induced rapid but transient (< 3 weeks) HIV-1 specific CD4+ Th1 responses concurrently with viral rebound, as measured by proliferation assays and by IFN γ production by CD8-depleted PBMC.

- Kinetics suggest that viral replication leads to rapid destruction of the HIV-specific Th1 cell response.

- HIV-specific CD8+ T-cell responses were delayed relative to the Th1 responses and were not sustained.

HXB2 Location Gag

Author Location Gag

Epitope

Immunogen HIV-1 infection

Species (MHC) human

Keywords HAART, ART

References Blankson *et al.* 2001

- 5/10 chronically HIV infected patients with low CD4+ counts who received HAART therapy and experienced immune reconstitution displayed p24, p17 and p66 T-helper CD4 proliferative responses, in contrast to 0/8 chronically HIV infected patients with high CD4+ counts at the initiation of antiretroviral treatment.

- This surprising result could be due to the low CD4 nadir patients being more likely to have thymic regeneration or a peripheral expansion of T cells.

HXB2 Location Gag

Author Location p24

Epitope

Immunogen HIV-1 infection

Species (MHC) human

Keywords HAART, ART

References Angel *et al.* 2001

- Prolonged viral suppression resulting from potent antiretroviral therapy allowed a T helper response to Gag p24 and PHA to develop in many HIV+ patients.
- At baseline, 2/41 (4.9%) subjects had a proliferative response to Gag p24, and 7/41 (17.1%) had a response to PHA, but by week 72 of therapy, 53% had a detectable response to p24 and 94% to PHA.

HXB2 Location Gag

Author Location p24

Epitope

Immunogen HIV-1 infection

Species (MHC) human

Keywords HAART, ART

References Blazevic *et al.* 2000

- Prolonged viral suppression resulting from potent antiretroviral therapy did not allow an HIV T helper response to p24 or gp160, but Th proliferative responses to influenza, alloantigen, and PHA did develop in many HIV+ patients, and asymptomatic patients had stronger and more frequent Th response recovery than AIDS patients.

HXB2 Location Gag

Author Location Gag (SF2)

Epitope

Immunogen HIV-1 infection

Species (MHC) human

Keywords HAART, ART, acute/early infection

References Altfeld *et al.* 2001b

- Therapy provided during acute infection resulted in a narrower CTL response, stronger T help response, and a less diverse viral population than was seen in individuals treated during chronic infection.
- The breadth and specificity of the CTL response was determined using Elispot by studying 19 individuals with pre-seroconversion therapy (Group 1), 11 individuals with primary infection but post-seroconversion therapy (Group 2), and 10 individuals who responded to HAART given during chronic infection (Group 3), using 259 overlapping peptides spanning p17, p24, RT, gp41, gp120 and Nef.
- Individuals who were given HAART during acute or early in infection had significantly stronger proliferative responses than individuals who were chronically infected.

HXB2 Location Gag

Author Location p24

Epitope

Immunogen HIV-1 infection

Species (MHC) human

Keywords HAART, ART

References Oxenius *et al.* 2000

- Patients who started therapy at acute HIV infection (three with sustained therapy, two with limited therapy upon early infection) had strong HIV-specific CD4 proliferative responses and were able to maintain a CTL response even with undetectable viral load – three patients that had delayed initiation of HAART had no HIV-specific CD4 proliferative responses and lost their CTL responses when HAART was eventually given and their viral loads became undetectable.
- In 3/4 responders tested p24 gave the strongest T helper response.

HXB2 Location Gag

Author Location p24

Epitope

Immunogen vaccine

Vector/Type: gp120 depleted whole killed virus *Strain:* AG recombinant HZ321 *HIV component:* virus *Adjuvant:* Complete Freund's Adjuvant (CFA), CpG immunostimulatory sequence (ISS)

Species (MHC) rat

References Moss *et al.* 2001

- Different HIV strains were used for different regions: subtype A env, subtype G gag
- Lewis rats simultaneously immunized with HIV-1 antigen and with immunostimulatory sequences CpG had increased Th proliferative responses, but when CpG was given as a prime prior to the injection of HIV-1 antigen it was not as effective.

HXB2 Location Gag

Author Location p24

Epitope

Immunogen vaccine

Vector/Type: gp120 depleted whole killed virus *Strain:* AG recombinant HZ321 *HIV component:* virus *Adjuvant:* Complete Freund's Adjuvant (CFA), CpG immunostimulatory sequence (ISS)

Species (MHC) rat

References Moss *et al.* 2000

- Different HIV strains were used for different regions: subtype A env, subtype G gag
- Lewis rats co-immunized with HIV-1 antigen in Freund's and with immunostimulatory sequences CpG stimulated increased IFN γ expressing CD4+ and CD8+ T cells and anti-p24 antibodies relative to antigen in Freund's without CpG.

HXB2 Location Gag

Author Location p24

Epitope

Immunogen HIV-1 infection

Species (MHC) human

Keywords rate of progression, Th1

References Kalams *et al.* 1999a

- The strength of p24 specific Gag proliferative responses (SIs) were inversely correlated with viral load in 21 ARV naive patients. The responses were Th1, IFN γ producing. Proliferative responses against gp160 were rarely observed (only 4 cases).
- Gag specific CTL levels were correlated with Gag proliferative responses but were not correlated with viral load. 8 subjects lacked p24 specific Gag proliferative responses, and 4/8 had no CTLp to any HIV-1 antigen tested.

HXB2 Location Gag

Author Location p24

Epitope

Immunogen HIV-1 infection

Species (MHC) human

Keywords HAART, ART, review, rate of progression

References Kalams & Walker 1998

- This paper reviews the role of specific T cell help in many viral infections, and covers the interplay between Th, CTL and survival, and discusses briefly advantages of HAART during acute HIV infection to prevent the early decimation of the Th response in HIV infections.

HXB2 Location Gag

Author Location p24

Epitope

Immunogen HIV-1 infection

Species (MHC) human

Keywords rate of progression, Th1, Th2

References Wilson *et al.* 2000b

- Dysfunction of HIV-1 specific proliferative responses, but not responses to other antigens, is evident in HIV-1 progressive disease.
- Vigorous HIV-1 specific responses to p24, Nef and gp120 with SI between 8-99 were seen in 6/7 long term non-progressors (LTNP), the seventh had a borderline responses. IL-2 production was seen in all cases, and IL-4 production was also evident many responses.
- None of the progressors (0/5) had HIV-1 specific proliferative responses, or IL-2 or IL-4 induction.

- Non-HIV antigens (cytomegalovirus, PPD, Staphylococcus enterotoxin B, tetanus toxoid) gave similar responses in HIV-1 + LTNP, progressors, and HIV-1 controls.

HXB2 Location Gag

Author Location p24

Epitope

Immunogen HIV-1 infection

Species (MHC) human

Keywords rate of progression, Th1

References Alatrakchi *et al.* 2002

- LTNP co-infected with HCV and HIV showed higher frequencies of Th1 response to both HIV-1 p24 and HCV antigens.
- HIV-1 CD4 Th1 responses in untreated LTNP were inversely correlated with viral load.

HXB2 Location Gag

Author Location p24

Epitope

Immunogen HIV-1 infection

Species (MHC) human

Keywords HAART, ART

References Lange *et al.* 2002

- Cross-sectional study compares CD4 T-cell count and age matched untreated HIV-1 + patients (N = 14) with patients undergoing HAART therapy (N = 14).
- The fractions of naive and memory T-cells were comparable for both groups, as were proliferative responses to non-HIV antigens. Lymphocyte proliferation responses to HIV-1 p24 were of greater magnitude in the group treated with HAART (5/10 had SI >10, versus 1/12 in the untreated group), suggesting that ongoing viral replication impairs the anti-Gag response, and the response can be improved and restored through HAART.
- DTH responses to recall antigens were tested, and responses to *C. albicans* and *Trichophyton* were comparable in both treated and untreated patients, although patients on therapy had higher responses to mumps.

HXB2 Location Gag

Author Location p24

Epitope

Immunogen HIV-1 infection

Species (MHC) human

Keywords HAART, ART, subtype comparisons, escape, acute/early infection

References Fidler *et al.* 2002

- 37/45 patients with primary HIV infection underwent a short course of antiretroviral therapy (SCART). 29/37 patients received triple ART therapy and eight patients received four ART drugs. Initiation of SCART was effective in controlling HIV replication by ten weeks in all patients and preserving CD4+ T cell responses for up to 64 weeks after therapy.
- No induction of drug escape mutations was observed, although two individuals had escape mutations in their infecting virus at baseline.
- 34 UK infected patients were clade B infected. 11/45 subjects had non-UK acquired HIV infection, 2 were clade A, 1 was A/E, 1 was C, 1 was "untypable", the rest were B.

- Recombinant HIV-1 derived gp120, p24, p66 and overlapping peptide pools spanning Tat and Nef were employed to measure CD4 T-cell frequencies in ELISPOT assays. The strongest preservation of T helper responses 12 weeks off SCART was seen for p24-specific CD4+ T-cell responses.

- 6/8 of the untreated individuals were tested for CD4+ T-cell responses. 1 had no detectable response. 1 had detectable responses to all HIV-1 proteins tested at baseline, but this narrowed to p24 and gp120, then became undetectable by 52 weeks. 3 had detectable and persistent responses, but only to p24.

- Post-therapy, the average spot forming cells for all proteins tested in 17/37 with 24 weeks of follow up had not declined, although the plasma viral RNA was increasing. SFU using p24 were measurable following SCART and preserved at levels comparable to baseline.

HXB2 Location Gag

Author Location

Epitope

Subtype B

Immunogen vaccine

Vector/Type: virus-like particle (VLP)

Strain: B clade IIIB *HIV component:* p17

Gag, p24 Gag *Adjuvant:* aluminum hydroxide

Species (MHC) human

Keywords rate of progression

References Klein *et al.* 1997; Lindenburg *et al.* 2002

- HIV-1 p17/p24:Ty virus-like particles therapeutic vaccination of 56 HIV-1 infected patients had no effect on disease progression, AIDS and CD4+ T-cell decline in a longitudinal study, despite some evidence suggesting it can enhance Th anti-Gag proliferative responses in HIV+ individuals Klein *et al.* [1997]

HXB2 Location Gag

Author Location p24 (NY5)

Epitope

Subtype B

Immunogen HIV-1 infection

Species (MHC) human

Keywords HAART, ART, supervised treatment interruptions (STI), rate of progression, immunodominance, acute/early infection, cross-presentation by different HLA, early treatment

References Norris *et al.* 2001

- Gag-specific CD4+ helper T-cell clones were derived from 1 LTNP (CTS-01) and 3 individuals given therapy during acute infection, 2 before (AC-01 and AC-36) and 1 after (AC-25) STI.
- The immunodominant response in LTNP CTS-01 was to peptide 9, and 9/10 clones derived from this patient reacted with it. Three, two, and one clones were obtained from the 3 patients given therapy. These 6 clones all reacted with different p24 peptides, and all had peptide induced proliferative responses, IFN γ production, and cytotoxic responses. The implications of cytotoxic responses in CD4+ T-helper cells are discussed.

HXB2 Location Gag

Author Location p24**Epitope****Immunogen** HIV-1 infection**Species (MHC)** human**Keywords** HAART, ART**References** Palmer *et al.* 2002

- CD4+ T cell proliferative responses from 33 HIV-1 infected patients with HAART suppression were compared to 19 patients with active viral replication (HAART failures and HAART naive). Patients with HAART suppression showed stronger p24- and p66-specific proliferative responses compared to patient groups with active HIV-1 replication, suggesting active viral replication *in vivo* specifically reduces proliferation responses.
- No differences in the frequency of HIV-specific CD4+ T-cells that were positive for cytokine secretion in a flow cytometry assay were found in the HAART suppressed group versus the group with active viral replication.

HXB2 Location Gag**Author Location** p24 (SF2)**Epitope****Subtype** B, G**Immunogen** HIV-1 infection**Species (MHC)** human**Keywords** rate of progression, Th1, Th2**References** Imami *et al.* 2002b

- 70 patients with chronic disease progression, 10 clinical non-progressors, and 3 immunologically discordant progressors (individuals who controlled viremia but had progressive CD4+ T-cell decline) were analyzed for their T-helper cell responses to p24 and cytokine profile.
- SF2 p24 20mer peptides overlapping by 10 were used to assess the response in the different groups. At least 1/10 and up to 7/10 nonprogressors had a proliferative response with every one of the 22 p24 overlapping peptides. All peptides produced an IL-2 (Th1) response in at least one of the 10 nonprogressors. IL-4 (Th2) responses were strong, but somewhat less comprehensive as 6/22 peptides elicited no IL-4 production, and fewer IL-4 responses were seen per peptide. In contrast, only 1/10 progressors had a clear proliferative and IL-2 response to 2/22 peptides, and neither one made an IL-4 response.
- The results taken together suggest that a balanced Th1/Th2 response to HIV is important for viral control in long-term non-progression.
- One immunologically discordant progressor became symptomatic while on the study. He showed a rapid decline in proliferative activity at that point, and a shift from a Th1 to a Th2 IL-4 producing response.

HXB2 Location Gag**Author Location** (BRU)**Epitope****Subtype** B**Immunogen** vaccine*Vector/Type:* inactivated HIV *Strain:* B clade BRU *HIV component:* virus *Adjuvant:* Complete Freund's Adjuvant (CFA)**Species (MHC)** mouse**References** Haas *et al.* 1991

- Of 5 mouse inbred lines tested: DBA/2 (H-2d, Ad, Ed), B10.A(4R) (H-2h4, Ak) and B10.A(5R) (H-2i5) showed particularly good CD4+ T cell proliferative responses to HIV proteins (gp160, gp120, p17, p24, Nef and RT), after vaccination with inactivated virus.
- B10.BR (H-2k, Ak, Ek) and C57BL/6 (H-2b and Ab) had weaker responses.

HXB2 Location Gag**Author Location** Gag (III-B)**Epitope****Subtype** B**Immunogen** vaccine*Vector/Type:* DNA *Strain:* B clade IIIB *HIV component:* Gag**Species (MHC)** mouse**Donor MHC** H-2^d**Keywords** vaccine-specific epitope characteristics, Th1**References** Bojak *et al.* 2002a

- Codon-optimized gag gene DNA vaccines were compared to wild type by vaccination of BALB/c mice. Codon optimized DNA gave a Th1 polarized Th response, a strong antibody response that persisted from more than 20 weeks, and CTL responses, while wild-type DNA induced weak and inconsistent immune responses.

HXB2 Location Gag**Author Location** Gag (MN)**Epitope****Subtype** B**Immunogen** HIV-1 infection**Species (MHC)** human**Assay type** Cytokine production, proliferation, CD4 T-cell Elispot - IFN γ , Intracellular cytokine staining**Keywords** HAART, ART, acute/early infection**References** Malhotra *et al.* 2003

- 92 acute- or early-HIV infected subjects were tested for Env- and Gag-specific Th responses. There was an overall low probability of detecting HIV-1-specific Th responses. Env responses were rare and (5%) and only detected very early in infection, probably reflecting a low frequency of response and impaired lymphoproliferative capacity, not viral escape. Gag-specific Th responses were observed more frequently (16%), were found throughout the acute and early infection phases, and predominated after ARV therapy.

HXB2 Location Gag**Author Location** p24**Epitope****Immunogen** HIV-1 infection, vaccine*Vector/Type:* gp120 depleted virus HZ321 (REMUNE(TM)), protein *Strain:* AG recombinant HZ321 *Adjuvant:* Incomplete Freund's Adjuvant (IFA)**Species (MHC)** human**Assay type** Cytokine production, proliferation, T-cell Elispot**Keywords** HAART, ART, supervised treatment interruptions (STI), immunotherapy

References Moss *et al.* 2003

- Structured treatment interruptions (STIs) were compared in individuals that had been given prior therapeutic vaccines, and those that had not. Therapeutic immunization increased gag p24 stimulated proliferative responses and MIP-1 β responses prior to STIs, although total CD4 counts viral RNA levels were unchanged. Proliferative responses and chemokine induction in the vaccinated group correlated with the control of viremia during subsequent STIs.

HXB2 Location Gag**Author Location****Epitope****Immunogen** HIV-1 infection**Species (MHC)** human**Assay type** proliferation, T-cell Elispot, Intracellular cytokine staining**Keywords** supertype**References** Papasavvas *et al.* 2003

- Children with full or partial viral suppression along with stable CD4+ T cell counts had significantly increased levels of anti-HIV CD4+ T cell proliferative responses, and decreased CD38+ T-cells.
- Preservation of high levels of CD4+ T-cells was associated with a high percentage of CD4+ naive T-cells relative to memory T-cells.

HXB2 Location Gag**Author Location** p24**Epitope****Immunogen** HIV-1 infection, vaccine*Vector/Type:* gp120 depleted virus HZ321 (REMUNE(TM)) *Strain:* AG recombinant HZ321 *Adjuvant:* Incomplete Freund's Adjuvant (IFA)**Species (MHC)** human**Assay type** proliferation, T-cell Elispot, Delayed-type hypersensitivity (DTH)**Keywords** HAART, ART, immunotherapy**References** Robbins *et al.* 2003

- Augmented Th cell responses to Gag p24 were seen in five out of five chronically infected individuals who had virological control with HAART, after therapeutic immunization with REMUNE (gp120 depleted inactivated virus). The magnitude of responses ranged from a 5- to 200-fold increase, with fluctuation in magnitude over time.
- There was no change in the magnitude and breadth of CTL responses, CD4 counts or percentages, or DTH responses.

HXB2 Location Gag**Author Location** p24**Epitope****Immunogen** HIV-1 infection**Species (MHC)** human**Donor MHC** A1, A2, B8, B44, DR4, DR15; LTNP S24: A2, A11, B55, B57, DR4, DR13; LTNP C135: A1, A33, B50, B57, DR7, DR13**Assay type** Cytokine production, proliferation, CD8 T-cell Elispot - IFN γ , CD4 T-cell Elispot - IFN γ , Intracellular cytokine staining**Keywords** rate of progression, immunodominance**References** Wang *et al.* 2002a

- A 51 year old male, infected presumably in 1988, diagnosed seropositive in 1993, has remained asymptomatic and is a long term non-progressor. He had very low proviral copy number in his PBMCs with high levels of G-A hypermutation, resulting in multiple stop codons, and viral replication was not evident. He was heterozygous for the CCR5 delta 32 allele, and has undergone a variety of treatments through the years. T cell responses in this patient and in two additional LTNPs were described, and this patient had particularly intense CD4+ Th responses.
- PBMC from this patient resisted infection from CCR5, CXCR4 and dual-tropic HIV-1 strains. Purified CD4+ T cells became infected, however, without detectable cytopathic effect. CD8+ T cells were shown to protect PBMCs from infection, and this protection was not mediated by IFN γ . Undefined CD8 T-cell secreted factors were stimulated by Gag, Pol and Nef genes introduced into target cells with vaccinia and processed through a class I pathway were responsible for the protective effect. This factor resembled CAF, the CD8+ cell antiviral factor described in Mackewicz and Levy (ARHR 8:1039, 1992)
- The CD4+ and CD8+ T-cell populations were both strongly skewed toward the CD45RO+ phenotype, many of which were terminally differentiated, CD28-, and expressed the activation markers CD38+ and HLA-DR+. Cell turnover, however, wasn't much elevated as measured by apoptosis or Ki-67+ and Bcl-2 dim expression.
- Vigorous p24-specific Th proliferative responses were observed, and 50% of CD4+ T-cells proliferated in response to p24 Gag, an extraordinary percentage. Responses were also detected against other regions in Gag, gp120 and Nef. It remains unclear how such vigorous Th responses are maintained with undetectable ongoing viral replication.
- Strong CD4+ T-cell IFN γ Elispot responses were mapped to many peptides in Gag for this patient. T-cells from two other LTNPs were tested here, and they did not react with as many Gag peptides as the main study subject of the paper. NIH reference Gag peptide set was used, but the sequences of the reactive peptides and the precise strain was not indicated in the paper, so we could not record them in the database.
- CD8+ T cell Elispot responses to Gag, Env, Nef, and Pol were detected as well, although CTL were not prominent, consistent with undetectable viremia.
- This subject had strong NAb responses when tested using the X4 primary isolate 228 200.

HXB2 Location Gag**Author Location** p24**Epitope****Immunogen** HIV-1 infection**Species (MHC)****Assay type** proliferation**Keywords** HAART, ART**References** Sullivan *et al.* 2003

- Lymphoproliferative responses to HIV antigens p24, gp120 and Nef were enhanced in eight patients who were switched from protease inhibitors to non-nucleoside reverse transcriptase inhibitors.

- HXB2 Location** Gag
Author Location p24
Epitope
Immunogen HIV-1 infection
Species (MHC) human
Assay type Cytokine production, proliferation
Keywords HAART, ART
References Hardy *et al.* 2003
- Upon initiating HAART, CD4+ T cell proliferative responses in 36 patients were restored to specific antigens, mitogens, and IL-2. Restored recall responses were largely to persistent antigens, and not to HIV-1 or new antigens, and recall responses were associated with IL-2, not IL-4 production.

- HXB2 Location** Gag
Author Location p24
Epitope
Immunogen HIV-1 and HCV co-infection
Species (MHC) human
Assay type CD4 T-cell Elispot - IFN γ
Keywords HAART, ART, Th1
References Alatrakchi *et al.* 2004
- Treatment with IFN α and ribavirin induced a threefold decrease of type 1 T-helper cell frequencies specific for HIV (p24) and CMV in HIV/HCV co-infected patients undergoing HAART therapy, suggesting this therapy might negatively impact viral-specific immune responses.

- HXB2 Location** Gag
Author Location p24
Epitope
Immunogen HIV-1 infection
Species (MHC) human
Country Spain.
Assay type proliferation
Keywords HAART, ART, supervised treatment interruptions (STI)
References Plana *et al.* 2004
- Study evaluated the dynamics of CD4+ and CD8+ T-cell responses during 4 cycles of STI in 45 patients, who had early-stage, chronic HIV-1 infection. Lymphoproliferative responses (LPRs) increased between the beginning of the first STI cycle through the 4th STI, but then decreased. Viral load at the end of the 4th STI was inversely correlated with p24 LPRs, but the LPRs were transient and after 12 weeks no longer were correlated with low viral load.
 - STIs can boost CTL and LPR responses, but the lack of durable T-helper responses leads to lack of long term viral control.

- HXB2 Location** Gag
Author Location
Epitope
Subtype CRF02_AG
Immunogen HIV-1 or HIV-2 infection
Species (MHC) human
Country Senegal.
Assay type CD4 T-cell Elispot - IFN γ
Keywords rate of progression, variant cross-recognition or cross-neutralization
References Zheng *et al.* 2004

- Gag, Env, Tat, and Nef-specific T-cell responses were evaluated in 68 HIV-1 and 55 HIV-2 infected drug naive, generally asymptomatic, infected Senegalese patients.
- HIV-1 peptides were derived from HIV-1 CRF-02 (HIV-1 A/G, AJ251056) and HIV-2 peptides spanning HIV-2 ROD (M15390).
- Gag specific responses dominated in both groups, but overall magnitude and frequencies did not correlate with viral load or CD4 counts. CD4+ Helper T-cell responses were found in only 8% of HIV-1 + people, but in 48% of HIV-2 + people, suggesting helper T cell responses may contribute to improved control of viremia in HIV-2 infected patients. Lower viral load was associated magnitude of T-cell responses in HIV-1 infection only when the T-cell responses were measured for cross-reactivity with HIV-2.

- HXB2 Location** Gag
Author Location p24
Epitope
Subtype A, AG, B
Immunogen HIV-1 infection
Species (MHC) human
Country Cote D'Ivoire.
Assay type Cytokine production, CD8 T-cell Elispot - IFN γ , CD4 T-cell Elispot - IFN γ
Keywords HIV exposed persistently seronegative (HEPS)
References Jennes *et al.* 2004
- Env(gp120)- and Gag(p24)-specific T helper responses were compared between HIV-exposed seronegative (ESN) and seropositive female sex workers in Africa (Abidjan, Cote d'Ivoire).
 - HIV-specific CD4+ T cells were detected in both study groups; low level EliSpot responses were found in 8/40 ESN sex workers. The presence of HIV specific CD4+ T-cells was detected by flow cytometry in 3/8 (38%) in the ESN group, was associated with the frequency and not with the duration of HIV exposure. The ESN responses were detected in women with more clients on the previous working day and more exposures per month.
 - B subtype peptides were used to probe these responses because of availability, however the predominant clades circulating in the area are A and CRF02.

III-B-5 RT Helper/CD4+ T-cell epitopes

- HXB2 Location** RT (36–52)
Author Location RT (36–52 BRU)
Epitope EICTEMEKEGKISKIGP
Immunogen HIV-1 infection
Species (MHC) human
References De Groot *et al.* 1991
- 9 out of 17 humans can make strong IL2 responses to this epitope.

- HXB2 Location** RT (38–52)
Author Location RT (38–52 BRU)
Epitope CTEMEKEGKISKIGP

Immunogen vaccine

Vector/Type: protein *Strain:* B clade BRU
HIV component: RT

Species (MHC) mouse (H-2^k)**References** De Groot *et al.* 1991

- T-cells from RT immunized mice have enhanced proliferative response with peptide.

HXB2 Location RT (39–53)**Author Location** RT (194–208)**Epitope** TEMEKEGKISKIGPE**Immunogen** in vitro stimulation or selection**Species (MHC)** human**References** Manca *et al.* 1995a

- Protein priming induced T-cells that recognize peptide, 4 clones from a single donor recognized this peptide.

HXB2 Location RT (48–62)**Author Location** RT (48–62 BRU)**Epitope** SKIGPENPYNTPVFA**Immunogen** vaccine

Vector/Type: protein *Strain:* B clade BRU
HIV component: RT

Species (MHC) mouse (H-2^k)**References** De Groot *et al.* 1991

- T-cells from RT immunized mice have enhanced proliferative response with peptide.

HXB2 Location RT (62–77)**Author Location** RT (62–77 BRU)**Epitope** AIKKKDSTKWRKLVDF**Immunogen** vaccine

Vector/Type: protein *Strain:* B clade BRU
HIV component: RT

Species (MHC) mouse (H-2^k)**References** De Groot *et al.* 1991

- T-cells from RT immunized mice have enhanced proliferative response with peptide.

HXB2 Location RT (88–102)**Author Location** RT (88–102 BRU)**Epitope** WEVQLGIPHPAGLKK**Immunogen** vaccine

Vector/Type: protein *Strain:* B clade BRU
HIV component: RT

Species (MHC) mouse (H-2^{I^d})**References** De Groot *et al.* 1991

- T-cells from RT immunized mice have enhanced proliferative response with peptide.

HXB2 Location RT (124–138)**Author Location** Pol (303–317)**Epitope** FRKYTAFTIPSINNE**Epitope name** Pol 303**Immunogen** HIV-1 infection**Species (MHC)** human (DR supermotif)**Keywords** subtype comparisons**References** Wilson *et al.* 2001

- Eleven peptides were identified that had the HLA-DR supermotif, all were found to bind to MHC class II DR molecules and all elicited proliferative responses from multiple HIV-infected donors.

- This epitope binds seven HLA-DR alleles: DRB1*0901, DRB1*0802, DRB1*0701, DRB1*0405, DRB1*0401, DRB1*1501 and DRB1*0101, with an IC₅₀ threshold below 1,000 nM.

- This epitope sequence is conserved in 68% of clade B isolates.
- 8/22 HIV infected individuals responded to this epitope (13/22 responded to some of the DR supermotif epitopes, the 9 non-responder peptides tended to also not have recall responses to rec HIV-1 whole proteins)

HXB2 Location RT (124–138)**Author Location** RT (303–317)**Epitope** FRKYTAFTIPSINNE**Epitope name** Pol1**Immunogen** HIV-1 infection**Species (MHC)** human (DR supermotif)**Country** United Kingdom.**Assay type** proliferation, Intracellular cytokine staining**Keywords** supertype, rate of progression**References** Boaz *et al.* 2003

- Proliferative and cytokine (IFN γ and IL-2) immune responses to 11 previously defined (Wilson 2001), and immunodominant and broadly cross-reactive Th epitopes and to p24 overlapping peptides were characterized in 10 LTNPs (chronically infected, asymptomatic, long term non-progressors, CD4+ T cells >500 after 15 years) and 7 SPs (slow progressors, CD4+ T cell declined to <500 after 15 years. Patients were treatment-naïve.

- Gag-specific CD4+ T cells in LTNPs showed increased numbers of IFN γ and IL-2 producing cells compared to SPs. Cytokine production and proliferative responses were negatively correlated with the viral load and positively correlated with the CD4+ T cell count. IL-2, but not IFN γ , levels were correlated with proliferation.

HXB2 Location RT (124–138)**Author Location** Pol (303–317)**Epitope** FRKYTAFTIPSINNE**Epitope name** Pol 303**Immunogen** vaccine

Vector/Type: DNA with CMV promotor, peptide
Adjuvant: Complete Freund's Adjuvant (CFA)

Species (MHC) mouse (I-Ab and HLA-DR)**Donor MHC** H-2b**Keywords** vaccine-specific epitope characteristics, immunodominance**References** Livingston *et al.* 2002

- 4 Th HIV epitopes presented by HLA-DR molecules were identified that also could be presented by murine class II molecule I-Ab, enabling testing of vaccine strategies in H-2b mice.
- Responses to pooled peptides, polyepitope peptides in a linear construct or in a branched MAP construct, and a DNA polyepitope construct with a CMV promoter were compared. A linear

arrangement in polyepitope construct created a junctional epitope that could be disrupted with the addition of GPGPG spacers. The linear polyepitope construct with the GPGPG spacer worked well in terms of eliciting responses to all 4 peptides, using either DNA or protein for the vaccination.

HXB2 Location RT (133–147)

Author Location RT (133–147 BRU)

Epitope PSINNETPGIRYQYN

Immunogen vaccine

Vector/Type: protein *Strain:* B clade BRU

HIV component: RT

Species (MHC) mouse (H-2^k, H-2ⁱ⁵)

References De Groot *et al.* 1991

- T-cells from RT immunized mice have enhanced proliferative response with peptide.

HXB2 Location RT (144–158)

Author Location RT (144–158 BRU)

Epitope YQYNVLPQGWKSPA

Immunogen vaccine

Vector/Type: protein *Strain:* B clade BRU

HIV component: RT

Species (MHC) mouse (H-2^d)

References De Groot *et al.* 1991

- T-cells from RT immunized mice have enhanced proliferative response with peptide.

HXB2 Location RT (156–170)

Author Location Pol (335–349)

Epitope SPAIFQSSMTKILEP

Epitope name Pol 596

Immunogen HIV-1 infection

Species (MHC) human (DR supermotif)

Keywords subtype comparisons

References Wilson *et al.* 2001

- Eleven peptides were identified that had the HLA-DR supermotif, all were found to bind to MHC class II DR molecules and all elicited proliferative responses from multiple HIV-infected donors.
- This epitope binds nine HLA-DR alleles: DRB1*0101, DRB1*1501, DRB1*0405, DRB1*1101, DRB1*1302, DRB1*0701, DRB1*0901, DRB5*0101 and DRB3*0101, with an IC₅₀ threshold below 1,000 nM.
- This epitope sequence is conserved in 79% of clade B isolates.
- 7/22 HIV infected individuals responded to this epitope (13/22 responded to some of the DR supermotif epitopes, the 9 non-responder peptides tended to also not have recall responses to rec HIV-1 whole proteins)

HXB2 Location RT (156–170)

Author Location RT (335–349)

Epitope SPAIFQSSMTKILEP

Epitope name Pol2

Immunogen HIV-1 infection

Species (MHC) human (DR supermotif)

Country United Kingdom.

Assay type proliferation, intracellular cytokine staining

Keywords supertype, rate of progression

References Boaz *et al.* 2003

- Proliferative and cytokine (IFN γ and IL-2) immune responses to 11 previously defined (Wilson 2001), and immunodominant and broadly cross-reactive Th epitopes and to p24 overlapping peptides were characterized in 10 LTNP (chronically infected, asymptomatic, long term non-progressors, CD4+ T cells >500 after 15 years) and 7 SPs (slow progressors, CD4+ T cell declined to <500 after 15 years. Patients were treatment-naive.
- Gag-specific CD4+ T cells in LTNP showed increased numbers of IFN γ and IL-2 producing cells compared to SPs. Cytokine production and proliferative responses were negatively correlated with the viral load and positively correlated with the CD4+ T cell count. IL-2, but not IFN γ , levels were correlated with proliferation.
- Pol2 was 1 of 3 peptides that had a negative correlation between absolute number of responding cells and viral load.

HXB2 Location RT (156–170)

Author Location Pol (335–449)

Epitope SPAIFQSSMTKILEP

Epitope name Pol 335

Immunogen vaccine

Vector/Type: DNA with CMV promotor, peptide *Adjuvant:* Complete Freund's Adjuvant (CFA)

Species (MHC) mouse (I-Ab and HLA-DR)

Donor MHC H-2b

Keywords vaccine-specific epitope characteristics, immunodominance

References Livingston *et al.* 2002

- 4 Th HIV epitopes presented by HLA-DR molecules were identified that also could be presented by murine class II molecule I-Ab, enabling testing of vaccine strategies in H-2b mice.
- Responses to pooled peptides, polyepitope peptides in a linear construct or in a branched MAP construct, and a DNA polyepitope construct with a CMV promoter were compared. A linear arrangement in polyepitope construct created a junctional epitope that could be disrupted with the addition of GPGPG spacers. The linear polyepitope construct with the GPGPG spacer worked well in terms of eliciting responses to all 4 peptides, using either DNA or protein for the vaccination.

HXB2 Location RT (171–189)

Author Location Pol (171–189 HXB2)

Epitope FRKQNPDIYIYQYMDLLYV

Subtype B

Immunogen HIV-1 infection

Species (MHC) human (DR0101)

Assay type Cytokine production, proliferation, Tetramer binding, CD4 T-cell Elispot - IFN γ

Keywords HAART, ART, supervised treatment interruptions (STI)

References Iyasere *et al.* 2003

- Fifteen patients receiving HAART with strong CD4+ proliferative responses to HIV antigens while on therapy were examined, to see the effects of viremia on these responses during treatment interruptions. Increased viremia occurred in 12/15 patients during at least one treatment interruption. Anti-HIV proliferative responses were inhibited during viremia, but IFN γ production to Gag, Pol, and Nef peptide pools were maintained.

- IL-2 production diminished during viremia, and exogenous IL-2 revived *in vitro* proliferation of HIV-specific T-cells to Gag or Pol DR0101 epitopes in a tetramer, as well as Gag-specific total CD4 T-cell responses.

HXB2 Location RT (171–190)

Author Location RT (171–190 HXB2)

Epitope FRKQNPDIYIYQYMDDLTVG

Subtype B

Immunogen HIV-1 infection

Species (MHC) human (DR1, DR2 or DR3, DR4 and DR7)

Keywords Th1

References van der Burg *et al.* 1999

- T-cells specific for this epitope from the three donors were stimulated when presented with target cells pulsed with whole RT, indicating that the peptide is naturally processed for multiple HLA-DR molecules.
- Epitope binds to HLA-DR1, -DR2, -DR3, -DR4, and DR7, and can elicit Th1 cells that recognize peptide, protein, and HIV pulsed stimulator cells in the context of DR1, 2 or 3, 4 and 7 – these HLA types cover more than half of the general population.

HXB2 Location RT (171–190)

Author Location RT (171–190 HXB2)

Epitope FRKQNPDIYIYQYMDDLTVG

Subtype B

Immunogen HIV-1 infection, *in vitro* stimulation or selection

Species (MHC) human (DR1, DR2, DR3, DR4, DR7)

Keywords binding affinity, cross-presentation by different HLA, Th1

References van der Burg *et al.* 1999

- The goal of this study was to identify Th epitopes that could be cross-presented by multiple class II HLA molecules. 5 RT peptides were identified that could bind to more than one HLA class II protein, and but only 2/5 could stimulate strong proliferation responses in PBMC derived from multiple healthy donors.
- This highly conserved epitope binds with high affinity to HLA-DR1, -DR2, -DR3, -DR4, and -DR7 but not HLA-DR5, and stimulated proliferation in 3/3 PBMC individuals with the appropriate HLA alleles.
- This epitope was able to be naturally processed in protein pulsed stimulator cells, and responding clones had a Th1 cytokine profile.
- This epitope is highly conserved and spans the highly conserved YMDD motif, and showing only minor variability in clades A, B, and D.

HXB2 Location RT (195–209)

Author Location RT (IIIB)

Epitope IGQHRTKIEELRQHL

Immunogen *in vitro* stimulation or selection

Species (MHC) human

References Manca *et al.* 1995b

- Protein priming induced T-cells that recognize peptide.

HXB2 Location RT (196–215)

Author Location RT (351–370)

Epitope GQHRTKIEELRQHLRWGLT

Immunogen *in vitro* stimulation or selection

Species (MHC) human

References Manca *et al.* 1995a

- Protein priming induced T-cells that recognize peptide, 4 clones from a single donor recognized this peptide.

HXB2 Location RT (249–263)

Author Location RT (249–263)

Epitope KDSWTVNDIQKLVGK

Epitope name RT2

Immunogen vaccine, *in vitro* stimulation or selection

Vector/Type: HIV-1 peptide in filamentous bacteriophage major coat protein *HIV component:* RT

Species (MHC) human (DR5)

Keywords epitope processing

References De Berardinis *et al.* 2000

- Phage display of the CTL epitope, ILKEPVHGV coupled with T helper epitope KDSWTVNDIQKLVGK, elicited specific CTL responses in PBMC from HIV negative individuals and *in vivo* in immunization of HLA-A2 transgenic mice.
- Bacteriophage presentation of peptides is generally used for stimulation of antibodies, and this novel discovery of CTL epitope processing and presentation suggests new possibilities for these vectors.
- HIV-1 peptides were displayed in filamentous bacteriophage fd virion major coat protein pVIII.

HXB2 Location RT (249–263)

Author Location RT (249–263)

Epitope KDSWTVNDIQKLVGK

Epitope name pep23

Immunogen vaccine, *in vitro* stimulation or selection

Vector/Type: peptide presented on icosahedral protein scaffold *HIV component:* RT *Adjuvant:* Incomplete Freund's Adjuvant (IFA)

Species (MHC) human, transgenic mouse (DR5)

Assay type Cytokine production, T-cell Elispot, Th support of CTL response

References Domingo *et al.* 2003

- A virus-like protein scaffold, called E2DISP, derived from pyruvate dehydrogenase multienzyme from *Bacillus stearothermophilus* has been engineered to display 60 copies of one or more epitopes on a single molecule. An E2DISP scaffold which displayed pep23, a 15-residue B and T helper epitope from the reverse transcriptase of HIV-1 elicited a T-helper response *in vitro*.
- The E2DISP scaffold displaying pep23 to stimulate a Th responses, and peptide RT2, which is a CTL epitope from HIV-1 reverse transcriptase, was able to elicit a CD8+ T cell response *in vitro* and in a vaccinated HLA-A2 transgenic mouse. Thus the E2DISP scaffold allows cell-entry and access to the class I and class II processing pathways.
- The Th response in vaccinated mice was also able to support Pep23 specific IgG response.

HXB2 Location RT (249–263)

Author Location RT (248–262)

Epitope KDSWTVNDIQKLVGK

- Immunogen** in vitro stimulation or selection
Species (MHC) human (DR5-11.01)
Donor MHC DR5, DR6
Assay type proliferation
Keywords binding affinity, epitope processing, vaccine-specific epitope characteristics, escape
References Moschella *et al.* 2003
- Two helper T-cell clones specific for this epitope presented in the context of HLA-DR5-11.01 have been characterized. They have different T cell receptor usage. Residue 11 (kdswtvndiqK-lvgk) is a natural variant, and K11A, K11G, K11I, and K11L variants were synthesized and studied in two presentation contexts, one as simple peptides, the other embedded in a recombinant protein, GST.
 - The two Th clones and the two presentation contexts gave different outcomes with the peptides. K11I was not stimulatory, and was an antagonist in GST, an agonist as a peptide. K11L retained reactivity when presented in the fusion antigen, and had no activity as a peptide. K11G stimulated in both contexts, but the concentrations required for half maximal reactivity were different. K11A could not bind to the MHC in the processed form and could only stimulate when given as a peptide.
 - In conclusion, substitutions in epitopes have different effects on Th stimulation depending on the mode of processing, and this should be considered when interpreting Th escape studies and vaccine development.

- HXB2 Location** RT (249–263)
Author Location RT (248–262)
Epitope KDSWTVNDIQKLVGK
Immunogen in vitro stimulation or selection
Species (MHC) human (DR5-11.01)
Donor MHC DR5, DR6
Assay type proliferation
Keywords binding affinity, epitope processing, vaccine-specific epitope characteristics, escape, TCR usage
References Bonomi *et al.* 2000
- Two helper T-cell clones specific for this epitope presented in the context of HLA-DR5-11.01 have been characterized. One of them used TCR V β 15, the other used V β 2. The substitutions D2A, W4A, D8A, I9A, and K15A were generated and only D8A, I9A failed to react with one clone, while W4A, D8A, I9A were all critical for a reaction with the other clone, showing the TCRs focused on different but overlapping residues.
 - Moving the epitope to different contexts in recombinant proteins for presentation by APCs, as well as adding polyalanine and polyserine strings to either side of the epitope, influenced reactivity, suggesting processing context can influence the structure of the presentation complex.

- HXB2 Location** RT (249–263)
Author Location RT (248–262 HXB2)
Epitope KDSSTVNDIQKLVGK
Subtype B
Immunogen in vitro stimulation or selection
Species (MHC) human (DRS)
References Fenoglio *et al.* 1999

- RT pep23 epitope exhibited antagonistic activity against proliferation of gp120-specific T-cells when flanked by unrelated amino acid sequence.
- The glutathione S-transferase (GST)-peptide system can be used to display peptides; antigenicity was maintained when this peptide was expressed at the C-term end, but antagonism resulted when this peptide was expressed at the N-term end.

- HXB2 Location** RT (249–263)
Author Location (243–263)
Epitope KDSWTVNDIQKLVGK
Epitope name pep23
Immunogen vaccine
Vector/Type: bacteriophage coat protein, dihydrolipoyl acetyltransferase E2 protein, of *Bacillus stearothermophilus* *HIV component:* RT
- Species (MHC)** transgenic mouse (HLA-DR)
Assay type Chromium-release assay
Keywords vaccine antigen design
References De Berardinis *et al.* 2003
- An RT T-helper (KDSWTVNDIQKLVGK) that can be promiscuously presented by multiple HLA-DR molecules, and an RT CTL epitope (ILKEPVHGV) presented by HLA-A2, were displayed using two different antigen presentation systems, bacteriophage virions or E2 protein scaffolds. Both systems enabled display of the epitopes in a mouse model system to the immune system. CTL responses were detected in immunized mice, and were processed correctly for both class I and class II presentation.

- HXB2 Location** RT (249–263)
Author Location RT (IIIB)
Epitope KDSWTWNDIQKLVGK
Immunogen in vitro stimulation or selection
Species (MHC) human
References Manca *et al.* 1995b
- Peptide stimulation of PBMC from non-infected individuals *in vitro*.
 - Peptide priming did not induce T-cells that recognize whole protein.

- HXB2 Location** RT (249–263)
Author Location RT (248–262)
Epitope KDSWTVNDIQKLVGK
Immunogen in vitro stimulation or selection
Species (MHC) human
References De Berardinis *et al.* 1999
- PBMC from donors GD (HLA DR 11; DRB52) and LD (HLA DR 11, 13; DRB52) recognized this epitope (pep23)
 - A subset of T-cell lines generated from these donors were capable of recognizing pep23 expressed on the surface of filamentous phage fd, fused to the major coat protein gVIIIp.
 - This peptide was selected to study phage presentation of peptide sequences because it was known to serve as a T-cell helper determinant which could induce proliferation from a naive repertoire Manca *et al.* [1995a]

- HXB2 Location** RT (251–261)
Author Location RT (250–260)

Epitope SSTVNDIQKLV

Immunogen in vitro stimulation or selection

Species (MHC) human (DR5(11.01))

References Manca *et al.* 1996

- This peptide was the minimal stimulatory sequence.
- One Th line was stimulated by p66, one by a Glutathione-S-transferase (GST)-peptide fusion protein.
- Constructs linking GST to the KDSSTVNDIQKLVGK peptide at the N-term end of GST stimulated Th cells, but not constructs linking at the C-term end.
- The C and N termini of GST are not intrinsically permissive or non-permissive, presentation is epitope specific (see FAILKC-NNK for contrast)

HXB2 Location RT (258–272)

Author Location RT (IIIB)

Epitope QKLWGLNWSQIYP

Immunogen in vitro stimulation or selection

Species (MHC) human

References Manca *et al.* 1995b

- Peptide stimulation of PBMC from non-infected individuals *in vitro*.
- Peptide priming did not induce T-cells that recognize whole protein.

HXB2 Location RT (271–290)

Author Location RT (271–290 HXB2)

Epitope YPGIKVRQLCKLLRGTKALT

Subtype B

Immunogen HIV-1 infection, in vitro stimulation or selection

Species (MHC) human (DR1, DR2, DR3, DR5, DR7)

Keywords binding affinity, cross-presentation by different HLA

References van der Burg *et al.* 1999

- The goal of this study was to identify Th epitopes that could be cross-presented by multiple class II HLA molecules. 5 RT peptides were identified that could bind to more than one HLA class II protein, but only 2/5 could stimulate strong proliferative responses in PBMC derived from multiple healthy donors.
- This epitope binds with high affinity to HLA-DR1, -DR2, -DR3, -DR5, and -DR7 but not HLA-DR4, and stimulated proliferation in 3/4 individuals with the appropriate HLA alleles.
- This epitope was not able to be naturally processed in protein-pulsed stimulator cells.

HXB2 Location RT (271–290)

Author Location RT (271–290 HXB2)

Epitope YPGIKVRQLCKLLRGTKALT

Subtype B

Immunogen HIV-1 infection

Species (MHC) human

References van der Burg *et al.* 1999

- Epitope can bind to at least 5 different HLA-DR molecules, and peptide on target cells can elicit Th responses from PBMC cultures from healthy donors, however it does not seem to be processed properly from whole RT or virus.

HXB2 Location RT (276–290)

Author Location RT (IIIB)

Epitope WRQLCKLLRGTKALT

Immunogen in vitro stimulation or selection

Species (MHC) human

References Manca *et al.* 1995b

- Protein priming induced T-cells that recognize peptide.

HXB2 Location RT (285–299)

Author Location RT (IIIB)

Epitope GTKALTEVIPLTEEA

Immunogen in vitro stimulation or selection

Species (MHC) human

References Manca *et al.* 1995b

- Protein priming induced T-cells that recognize peptide.

HXB2 Location RT (294–308)

Author Location RT (IIIB)

Epitope PLTEEALEELAENRE

Immunogen in vitro stimulation or selection

Species (MHC) human

References Manca *et al.* 1995b

- Protein priming induced T-cells that recognize peptide.

HXB2 Location RT (303–317)

Author Location RT (IIIB)

Epitope LAENREILKEPVHGV

Immunogen in vitro stimulation or selection

Species (MHC) human

References Manca *et al.* 1995b

- Protein priming induced T-cells that recognize peptide.

HXB2 Location RT (384–398)

Author Location RT (IIIB)

Epitope GKTPKFKLPIQKETW

Immunogen in vitro stimulation or selection

Species (MHC) human

References Manca *et al.* 1995b

- Protein priming induced T-cells that recognize peptide.

HXB2 Location RT (414–428)

Author Location Pol (596–610)

Epitope WEFVNTPLVKLWYQ

Epitope name Pol 596

Immunogen HIV-1 infection

Species (MHC) human (DR supermotif)

Keywords subtype comparisons

References Wilson *et al.* 2001

- Eleven peptides were identified that had the HLA-DR supermotif, all were found to bind to MHC class II DR molecules and all elicited proliferative responses from multiple HIV-infected donors.
- This epitope binds eleven HLA-DR alleles: DRB1*0101, DRB1*1501, DRB1*0401, DRB1*0405, DRB1*1101, DRB1*1302, DRB1*0701, DRB1*0802, DRB1*0901, DRB5*0101 and DRB4*0101, with an IC₅₀ threshold below 1,000 nM.
- This epitope sequence is conserved in 84% of clade B isolates.
- 6/22 HIV infected individuals responded to this epitope (13/22 responded to some of the DR supermotif epitopes, the 9 non-responder peptides tended to also not have recall responses to rec HIV-1 whole proteins)

- HXB2 Location** RT (414–428)
Author Location RT (596–610)
Epitope WEFVNTPLVVKLWYQ
Epitope name Pol3
Immunogen HIV-1 infection
Species (MHC) human (DR(supermotif))
Country United Kingdom.
Assay type Cytokine production, proliferation
Keywords supertype, rate of progression
References Boaz *et al.* 2003
- Proliferative and cytokine (IFN γ and IL-2) immune responses to 11 previously defined (Wilson 2001), and immunodominant and broadly cross-reactive Th epitopes and to p24 overlapping peptides were characterized in 10 LTNPs (chronically infected, asymptomatic, long term non-progressors, CD4+ T cells >500 after 15 years) and 7 SPs (slow progressors, CD4+ T cell declined to <500 after 15 years. Patients were treatment-naive.
 - Gag-specific CD4+ T cells in LTNPs showed increased numbers of IFN γ and IL-2 producing cells compared to SPs. Cytokine production and proliferative responses were negatively correlated with the viral load and positively correlated with the CD4+ T cell count. IL-2, but not IFN γ , levels were correlated with proliferation.
 - Pol3 was 1 of 2 peptides that had a positive correlation between absolute number and percentage of responding cells and viral load. Pol3 responses were also negatively correlated with CD4 counts. In contrast, the absolute number of 3/11 peptides studied were negatively correlated with viral load.

- HXB2 Location** RT (429–443)
Author Location RT (IIIB)
Epitope LEKEPIVGAETFYVD
Immunogen in vitro stimulation or selection
Species (MHC) human
References Manca *et al.* 1995b
- Protein priming induced T-cells that recognize peptide.

- HXB2 Location** RT (432–450)
Author Location RT (431–450 HXB2)
Epitope EPIVGAETFYVDGAANRET
Subtype B
Immunogen HIV-1 infection, in vitro stimulation or selection
Species (MHC) human (DR1, DR2, DR3, DR4)
Keywords binding affinity, cross-presentation by different HLA
References van der Burg *et al.* 1999
- The goal of this study was to identify Th epitopes that could be cross-presented by multiple class II HLA molecules. 5 RT peptides were identified that could bind to more than one HLA class II protein, and but only 2/5 could stimulate strong proliferation responses in PBMC derived from multiple healthy donors.
 - This epitope binds with high affinity to HLA-DR1, -DR2, -DR3, and -DR4, but stimulated a strong proliferation response in only 1/4 individuals tested so was not considered broadly cross-presented.

HXB2 Location RT (526–540)

- Author Location** RT (526–540 BRU)
Epitope IKKEKVYLAWVPAHK
Epitope name W9
Subtype B
Immunogen vaccine
Vector/Type: peptide, protein, inactivated HIV
Strain: B clade BRU *HIV component:* RT, virus
Adjuvant: Complete Freund's Adjuvant (CFA)
- Species (MHC)** mouse (Ad, Dd)
References Haas *et al.* 1991
- Of 5 mouse inbred lines tested: DBA/2 (H-2d, Ad, Ed), B10.A(4R) (H-2h4, Ak) and B10.A(5R) (H-2i5) showed particularly good CD4+ T cell proliferative responses to HIV proteins (gp160, gp120, p17, p24, Nef and RT), after vaccination with inactivated virus.
 - B10.BR (H-2k, Ak, Ek) and C57BL/6 (H-2b and Ab) had weaker responses.
 - The peptide KEKVYLAWVPAHKG was one of two RT peptides with Th cells recognition.

- HXB2 Location** RT (528–540)
Author Location RT (528–540)
Epitope KEKVYLAWVPAHK
Immunogen vaccine
Vector/Type: lipopeptide *Strain:* B clade BRU
HIV component: RT *Adjuvant:* P3CSS
- Species (MHC)** mouse (H-2b, H-2d, H-2k)
Assay type proliferation
References Loleit *et al.* 1996
- BALB/c, C3H/HeJ, and C57BL/6 mice were immunized with 22-mer lipopeptide tripeptide conjugates P3CSS-[RT-(522-543)] and P3CSS-[RT-(528-549)] of HIV-1 RT, which included the optimal T-helper epitope [RT-(528-540)]. P3CSS conjugated RT epitopes resulted in a specific Th responses, and mice were primed for secondary recognition of native RT. A proximal B cell epitope was also active, containing the motif EQVD.

- HXB2 Location** RT (528–541)
Author Location RT (528–543 BRU)
Epitope KEKVYLAWVPAHKG
Epitope name A3
Subtype B
Immunogen vaccine
Vector/Type: peptide, protein, inactivated HIV
Strain: B clade BRU *HIV component:* RT, virus
Adjuvant: Complete Freund's Adjuvant (CFA)
- Species (MHC)** mouse (Ad, Dd)
Donor MHC H-2d, H-2f, H-2k
References Haas *et al.* 1991
- Of 5 mouse inbred lines tested: DBA/2 (H-2d, Ad, Ed), B10.A(4R) (H-2h4, Ak) and B10.A(5R) (H-2i5) showed particularly good CD4+ T cell proliferative responses to HIV proteins (gp160, gp120, p17, p24, Nef and RT), after vaccination with inactivated virus.
 - B10.BR (H-2k, Ak, Ek) and C57BL/6 (H-2b and Ab) had weaker responses.

- The peptide KEKVYLAWVPAHKG was one of two RT peptides with Th cells recognition. It could by itself prime different strains of mice for RT-specific Th responses, and the C-term half of the peptide is highly conserved in HIV-1, HIV-2 and SIV strains.

HXB2 Location RT (528–543)
Author Location RT (528–543 BRU)
Epitope KEKVYLAWVPAHKGIG
Immunogen vaccine
Vector/Type: peptide *Strain:* B clade BRU
Species (MHC) mouse (H-2^f, H-2^k, H-2^d)
References Haas *et al.* 1991

- T-cells from peptide-primed mice could be restimulated by native RT.

HXB2 Location RT (529–543)
Author Location Pol (711–725)
Epitope EKVYLAWVPAHKGIG
Epitope name Pol 711
Immunogen HIV-1 infection
Species (MHC) human (DR supermotif)
Keywords subtype comparisons
References Wilson *et al.* 2001

- Eleven peptides were identified that had the HLA-DR supermotif, all were found to bind to MHC class II DR molecules and all elicited proliferative responses from multiple HIV-infected donors.
- This epitope binds ten HLA-DR alleles: DRB1*0101, DRB1*1501, DRB1*0401, DRB1*0405, DRB1*1101, DRB1*0701, DRB1*0802, DRB1*0901, DRB5*0101 and DRB4*0101, with an IC₅₀ threshold below 1,000 nM.
- This epitope sequence is conserved in 94% of clade B isolates.
- 6/22 HIV infected individuals responded to this epitope (13/22 responded to some of the DR supermotif epitopes, the 9 non-responder peptides tended to also not have recall responses to rec HIV-1 whole proteins)

HXB2 Location RT (529–543)
Author Location Protease-RT (711–725)
Epitope EKVYLAWVPAHKGIG
Epitope name Pol4
Immunogen HIV-1 infection
Species (MHC) human (DR supermotif)
Assay type proliferation, Intracellular cytokine staining
Keywords rate of progression, superinfection
References Boaz *et al.* 2003

- Proliferative and cytokine (IFN γ and IL-2) immune responses to 11 previously defined (Wilson 2001), and immunodominant and broadly cross-reactive Th epitopes and to p24 overlapping peptides were characterized in 10 LTNPs (chronically infected, asymptomatic, long term non-progressors, CD4+ T cells >500 after 15 years) and 7 SPs (slow progressors, CD4+ T cell declined to <500 after 15 years. Patients were treatment-naïve.
- Gag-specific CD4+ T cells in LTNPs showed increased numbers of IFN γ and IL-2 producing cells compared to SPs. Cytokine production and proliferative responses were negatively correlated with the viral load and positively correlated

with the CD4+ T cell count. IL-2, but not IFN γ , levels were correlated with proliferation.

HXB2 Location RT (529–543)
Author Location Pol (711–725)
Epitope EKVYLAWVPAHKGIG
Epitope name Pol 711
Immunogen vaccine
Vector/Type: DNA with CMV promotor, peptide *Adjuvant:* Complete Freund's Adjuvant (CFA)
Species (MHC) mouse (I-Ab and HLA-DR)
Donor MHC H-2b
Keywords vaccine-specific epitope characteristics, immunodominance
References Livingston *et al.* 2002

- 4 Th HIV epitopes presented by HLA-DR molecules were identified that also could be presented by murine class II molecule I-Ab, enabling testing of vaccine strategies in H-2b mice.
- Responses to pooled peptides, polyepitope peptides in a linear construct or in a branched MAP construct, and a DNA polyepitope construct with a CMV promoter were compared. A linear arrangement in polyepitope construct created a junctional epitope that could be disrupted with the addition of GPGPG spacers. The linear polyepitope construct with the GPGPG spacer worked well in terms of eliciting responses to all 4 peptides, using either DNA or protein for the vaccination.
- Although responses to this peptide indicated it was immunodominant, responses to all 4 peptides were made upon vaccination with linear constructs when GPGPG spacers were used.

HXB2 Location RT (530–544)
Author Location Pol (712–726)
Epitope KVYLAWVPAHKGIGG
Epitope name Pol 712
Immunogen HIV-1 infection
Species (MHC) human (DR supermotif)
Keywords subtype comparisons
References Wilson *et al.* 2001

- Eleven peptides were identified that had the HLA-DR supermotif, all were found to bind to MHC class II DR molecules and all elicited proliferative responses from multiple HIV-infected donors.
- This epitope binds ten HLA-DR alleles: DRB1*0101, DRB1*1501, DRB1*0401, DRB1*0405, DRB1*1101, DRB1*0701, DRB1*0802, DRB1*0901, DRB5*0101 and DRB4*0101, with an IC₅₀ threshold below 1,000 nM.
- This epitope sequence is conserved in 89% of clade B isolates.
- 6/22 HIV infected individuals responded to this epitope (13/22 responded to some of the DR supermotif epitopes, the 9 non-responder peptides tended to also not have recall responses to rec HIV-1 whole proteins)

HXB2 Location RT (530–544)
Author Location RT (712–726)
Epitope KVYLAWVPAHKGIGG
Epitope name Pol5
Immunogen HIV-1 infection
Species (MHC) human (DR supermotif)

Country United Kingdom.

Assay type proliferation, Intracellular cytokine staining

Keywords supertype, rate of progression

References Boaz *et al.* 2003

- Proliferative and cytokine (IFN γ and IL-2) immune responses to 11 previously defined (Wilson 2001), and immunodominant and broadly cross-reactive Th epitopes and to p24 overlapping peptides were characterized in 10 LTNP (chronically infected, asymptomatic, long term non-progressors, CD4+ T cells >500 after 15 years) and 7 SPs (slow progressors, CD4+ T cell declined to <500 after 15 years. Patients were treatment-naive.
- Gag-specific CD4+ T cells in LTNP showed increased numbers of IFN γ and IL-2 producing cells compared to SPs. Cytokine production and proliferative responses were negatively correlated with the viral load and positively correlated with the CD4+ T cell count. IL-2, but not IFN γ , levels were correlated with proliferation.
- Pol5 was 1 of 2 peptides that had a positive correlation between absolute number and percentage of responding cells and viral load. In contrast, the absolute number of 3/11 peptides studied were negatively correlated with viral load.

III-B-6 RT-Integrase Helper/CD4+ T-cell epitopes

HXB2 Location RT-Integrase (553–3)

Author Location RT (720–730 LAI)

Epitope SAGIRKVLFLD

Subtype B

Immunogen HIV-1 infection

Species (MHC) human

References Schrier *et al.* 1989

- Stimulates T-cell proliferation in HIV-infected donors.

III-B-7 Integrase Helper/CD4+ T-cell epitopes

HXB2 Location Integrase (16–30)

Author Location Pol (758–772)

Epitope HSNWRAMASDFNLPP

Epitope name Pol 758

Immunogen HIV-1 infection

Species (MHC) human (DR supermotif)

Keywords subtype comparisons

References Wilson *et al.* 2001

- Eleven peptides were identified that had the HLA-DR supermotif, all were found to bind to MHC class II DR molecules and all elicited proliferative responses from multiple HIV-infected donors.
- This epitope binds eight HLA-DR alleles: DRB4*0101, DRB5*0101, DRB1*0901, DRB1*0701, DRB1*1101, DRB1*0405, DRB1*0401 and DRB1*0101, with an IC₅₀ threshold below 1,000 nM.
- This epitope sequence is conserved in 68% of clade B isolates.

- 8/22 HIV infected individuals responded to this epitope (13/22 responded to some of the DR supermotif epitopes, the 9 non-responder peptides tended to also not have recall responses to rec HIV-1 whole proteins)

HXB2 Location Integrase (16–30)

Author Location Integrase (758–772)

Epitope HSNWRAMASDFNLPP

Epitope name Pol6

Immunogen HIV-1 infection

Species (MHC) human (DR supermotif)

Country United Kingdom.

Assay type proliferation, Intracellular cytokine staining

Keywords supertype, rate of progression

References Boaz *et al.* 2003

- Proliferative and cytokine (IFN γ and IL-2) immune responses to 11 previously defined (Wilson 2001), and immunodominant and broadly cross-reactive Th epitopes and to p24 overlapping peptides were characterized in 10 LTNP (chronically infected, asymptomatic, long term non-progressors, CD4+ T cells >500 after 15 years) and 7 SPs (slow progressors, CD4+ T cell declined to <500 after 15 years. Patients were treatment-naive.
- Gag-specific CD4+ T cells in LTNP showed increased numbers of IFN γ and IL-2 producing cells compared to SPs. Cytokine production and proliferative responses were negatively correlated with the viral load and positively correlated with the CD4+ T cell count. IL-2, but not IFN γ , levels were correlated with proliferation.
- Pol6 was 1 of 3 peptides that had a negative correlation between absolute number of responding cells and viral load.

HXB2 Location Integrase (172–186)

Author Location RT (899–913 LAI)

Epitope LKTAVQMAVFIHNFK

Subtype B

Immunogen HIV-1 infection

Species (MHC) human

References Schrier *et al.* 1989

- Stimulates T-cell proliferation in HIV-infected donors.

HXB2 Location Integrase (173–187)

Author Location Pol (915–929)

Epitope KTAVQMAVFFIHNFKR

Epitope name Pol 915

Immunogen HIV-1 infection

Species (MHC) human (DR supermotif)

Keywords subtype comparisons

References Wilson *et al.* 2001

- Eleven peptides were identified that had the HLA-DR supermotif, all were found to bind to MHC class II DR molecules and all elicited proliferative responses from multiple HIV-infected donors.
- This epitope binds seven HLA-DR alleles: DRB5*0101, DRB1*1302, DRB1*1101, DRB1*0405, DRB1*0401, DRB1*1501 and DRB1*0101, with an IC₅₀ threshold below 1,000 nM.
- This epitope sequence is conserved in 94% of clade B isolates.

- 6/22 HIV infected individuals responded to this epitope (13/22 responded to some of the DR supermotif epitopes, the 9 non-responder peptides tended to also not have recall responses to rec HIV-1 whole proteins)

HXB2 Location Integrase (173–187)
Author Location Integrase (915–929)
Epitope KTAVQMAVFTHNFKR
Epitope name Pol7
Immunogen HIV-1 infection
Species (MHC) human (DR supermotif)
Country United Kingdom.
Assay type proliferation, Intracellular cytokine staining
Keywords supertype, rate of progression, immunoprophylaxis
References Boaz *et al.* 2003

- Proliferative and cytokine (IFN γ and IL-2) immune responses to 11 previously defined (Wilson 2001), and immunodominant and broadly cross-reactive Th epitopes and to p24 overlapping peptides were characterized in 10 LTNPs (chronically infected, asymptomatic, long term non-progressors, CD4+ T cells >500 after 15 years) and 7 SPs (slow progressors, CD4+ T cell declined to <500 after 15 years. Patients were treatment-naive.
- Gag-specific CD4+ T cells in LTNPs showed increased numbers of IFN γ and IL-2 producing cells compared to SPs. Cytokine production and proliferative responses were negatively correlated with the viral load and positively correlated with the CD4+ T cell count. IL-2, but not IFN γ , levels were correlated with proliferation.

HXB2 Location Integrase (196–210)
Author Location RT (923–937 LAI)
Epitope AGERIVDIIATDIQT
Subtype B
Immunogen HIV-1 infection
Species (MHC) human
References Schrier *et al.* 1989
 • Stimulates T-cell proliferation in HIV-infected donors.

HXB2 Location Integrase (214–228)
Author Location Pol (956–970)
Epitope QKQITKIQNFRVYYR
Epitope name Pol 956
Immunogen HIV-1 infection
Species (MHC) human (DR supermotif)
Keywords subtype comparisons
References Wilson *et al.* 2001
 • Eleven peptides were identified that had the HLA-DR supermotif, all were found to bind to MHC class II DR molecules and all elicited proliferative responses from multiple HIV-infected donors.
 • This epitope binds twelve HLA-DR alleles: DRB4*0101, DRB5*0101, DRB1*0901, DRB1*0802, DRB1*0701, DRB1*1302, DRB1*1201, DRB1*1101, DRB1*0405, DRB1*0401, DRB1*1501 and DRB1*0101, with an IC₅₀ threshold below 1,000 nM.
 • This epitope sequence is conserved in 95% of clade B isolates.

- 8/22 HIV infected individuals responded to this epitope (13/22 responded to some of the DR supermotif epitopes, the 9 non-responder peptides tended to also not have recall responses to rec HIV-1 whole proteins)

HXB2 Location Integrase (214–228)
Author Location Integrase (956–970)
Epitope QKQITKIQNFRVYYR
Epitope name Pol8
Immunogen HIV-1 infection
Species (MHC) human (DR supermotif)
Country United Kingdom.
Assay type proliferation, Intracellular cytokine staining
Keywords supertype, rate of progression
References Boaz *et al.* 2003

- Proliferative and cytokine (IFN γ and IL-2) immune responses to 11 previously defined (Wilson 2001), and immunodominant and broadly cross-reactive Th epitopes and to p24 overlapping peptides were characterized in 10 LTNPs (chronically infected, asymptomatic, long term non-progressors, CD4+ T cells >500 after 15 years) and 7 SPs (slow progressors, CD4+ T cell declined to <500 after 15 years. Patients were treatment-naive.
- Gag-specific CD4+ T cells in LTNPs showed increased numbers of IFN γ and IL-2 producing cells compared to SPs. Cytokine production and proliferative responses were negatively correlated with the viral load and positively correlated with the CD4+ T cell count. IL-2, but not IFN γ , levels were correlated with proliferation.
- Pol8 was the only peptide that had higher cytokine responses in LTNPs than SPs ($p = 0.0431$). No peptide had detectable differences in proliferative responses between the two groups.

HXB2 Location Integrase (215–227)
Author Location RT (942–954 LAI)
Epitope KQITKIQNFRVYY
Subtype B
Immunogen HIV-1 infection
Species (MHC) human
References Schrier *et al.* 1989
 • Stimulates T-cell proliferation in HIV-infected donors.

HXB2 Location Integrase (250–267)
Author Location Integrase (250–267 B Consensus)
Epitope VIQDNSDIKVVPRRKA
Subtype B
Immunogen HIV-1 infection
Species (MHC) human
Country United States.
Assay type CD4 T-cell Elispot - IFN γ , Intracellular cytokine staining, HLA binding
Keywords supervised treatment interruptions (STI), rate of progression, immunodominance, acute/early infection
References Kaufmann *et al.* 2004
 • CD4 T-cell responses in 36 HIV-1 positive individuals in different disease stages were mapped by IFN γ Elispot using a panel of 410 B-consensus peptides spanning all HIV proteins. Virus specific CD4+ T-cell responses (median=7, range of magnitude=990) were detected in 30/36 patients.

- This peptide was recognized by 11% of the study group.
- Gag and Nef responses dominated the CD4+ T-cell EliSpot responses in the study. No correlation between plasma viremia and the frequency or magnitude of HIV-1-specific responses was observed.
- The most HIV-1 specific CD4+ T-cell responses were observed in acutely infected patients with treatment of primary infection who stopped after 1-3 treatments (acute STI), compared to patients continuing therapy. People with therapy during chronic infection had low responses; higher numbers of responses were seen among untreated people. 2/9 LTNP's responded to many peptides, comparable to acute STI.

HXB2 Location Integrase (250–267)

Author Location Integrase (250–267)

Epitope VIQDNSDIKVVPRRKAKI

Subtype B

Immunogen HIV-1 infection

Species (MHC) human

Country Netherlands.

Assay type Cytokine production

References Geels *et al.* 2006

- The relationship between CTL escape and the subsequent increase in viral load and CD4 Th responses was studied in 2 patients. In both patients T-cell reactivity and recognition were lost after CTL escape, and in 1 patient only the loss of CTL responses was paralleled by a decrease in IL-2 CD4 Th responses.
- Autologous sequences corresponding to known and predicted Th epitopes were analyzed. VIQDNSDIKVVPRRKAKI had fixation of 1 mutation (VIQDNSDIK[v/a]VPRRKAKI) in 1 of the patients.

III-B-8 Pol Helper/CD4+ T-cell epitopes

HXB2 Location Pol

Author Location RT (248–256 HXB2)

Epitope

Subtype B

Immunogen in vitro stimulation or selection

Species (MHC) human (DR5)

References Manca *et al.* 1995b

- CD4+ T-cell lines from uninfected individuals by stimulation with p66-pulsed APC.
- TcR V β D β J β sequences were obtained from p66-specific T-cell clones.
- There were multiple responses to peptides throughout p66, but because of uncertain locations, they have not been mapped.
- Response to peptide 248-256 was associated with DR5.

HXB2 Location Pol

Author Location RT

Epitope

Immunogen vaccine

Vector/Type: DNA *HIV component:* Env, Gag, Pol *Adjuvant:* IFN γ , IL-2, IL-4

Species (MHC) mouse (H-2^d)

Keywords Th1

References Kim *et al.* 2000

- Co-stimulatory molecules co-expressed with an HIV-1 immunogen in a DNA vaccine used to enhance the immune response – co-expression of Th1 cytokine IFN γ drove Th1 immune responses and enhanced CTL responses.

HXB2 Location Pol

Author Location RT

Epitope

Immunogen vaccine

Vector/Type: Salmonella *HIV component:* RT

Species (MHC) mouse (H-2^d)

References Burnett *et al.* 2000

- A live attenuated bacterial vaccine, Salmonella SL3261-pHART, with an inserted HIV RT gene in the Lpp-OmpA-HIV fusion protein, induced a lymphoproliferative Th response in BALB/c mice.

HXB2 Location Pol

Author Location Gag/Pol

Epitope

Immunogen vaccine

Vector/Type: DNA *HIV component:* Gag, Pol, Vif *Adjuvant:* B7, IL-12

Species (MHC) mouse

References Kim *et al.* 1997b

- A gag/pol DNA vaccine delivered in conjunction with the plasmid encoding the co-stimulatory molecules B7 and IL-12 gives a dramatic increase in both the cytotoxic and proliferative responses in mice.

HXB2 Location Pol

Author Location Gag/Pol

Epitope

Immunogen vaccine

Vector/Type: DNA *HIV component:* Gag, gp160, Pol *Adjuvant:* CD86

Species (MHC) mouse

References Kim *et al.* 1997d

- A gag/pol DNA vaccine delivered in conjunction with the plasmid encoding the co-stimulatory molecule CD86 gives an increase in proliferative responses to Pr55 in mice.

HXB2 Location Pol

Author Location Gag/Pol (MN)

Epitope

Immunogen vaccine

Vector/Type: DNA *Strain:* B clade MN *HIV component:* Env, Gag, Pol *Adjuvant:* CD80, CD86

Species (MHC) chimpanzee

References Kim *et al.* 1998

- Co-stimulatory molecules co-expressed with an HIV-1 immunogen in a DNA vaccine used to enhance the immune response – co-expression of CD86, but not CD80, dramatically increased both HIV Env and Gag/Pol specific CTL and Th proliferative responses.

HXB2 Location Pol

Author Location Pol**Epitope****Immunogen** HIV-1 infection**Species (MHC)** human**Keywords** HAART, ART**References** Blankson *et al.* 2001

- 5/10 chronically HIV infected patients with low CD4+ counts who received HAART therapy and experienced immune reconstitution displayed p24, p17 and p66 T-helper CD4 proliferative responses, in contrast to 0/8 chronically HIV infected patients with high CD4+ counts at the initiation of antiretroviral treatment.
- This surprising result could be due to the low CD4 nadir patients being more likely to have thymic regeneration or a peripheral expansion of T cells.

HXB2 Location Pol**Author Location** p66**Epitope****Immunogen** HIV-1 infection**Species (MHC)** human**Keywords** HAART, ART**References** Oxenius *et al.* 2000

- Patients who started therapy at acute HIV infection (three with sustained therapy, two with limited therapy upon early infection) had strong HIV specific CD4 proliferative responses and were able to maintain a CTL response even with undetectable viral load – three patients that had delayed initiation of HAART had no HIV specific CD4 proliferative responses and lost their CTL responses when HAART was eventually given and their viral loads became undetectable.

HXB2 Location Pol**Author Location** p66**Epitope****Immunogen** HIV-1 infection**Species (MHC)** human**Keywords** HAART, ART**References** Palmer *et al.* 2002

- CD4+ T cell proliferative responses from 33 HIV-1 infected patients with HAART suppression were compared to 19 patients with active viral replication (HAART failures and HAART naive). Patients with HAART suppression showed stronger p24- and p66-specific proliferative responses compared to patient groups with active HIV-1 replication, suggesting active viral replication *in vivo* specifically reduces proliferation responses.
- No differences in the frequency of HIV-specific CD4+ T-cells that were positive for cytokine secretion in a flow cytometry assay were found in the HAART suppressed group versus the group with active viral replication.

HXB2 Location Pol**Author Location** (BRU)**Epitope****Subtype** B**Immunogen** vaccine

Vector/Type: inactivated HIV *Strain:* B clade BRU *HIV component:* RT, virus *Adjuvant:* Complete Freund's Adjuvant (CFA)

Species (MHC) mouse**References** Haas *et al.* 1991

- Of 5 mouse inbred lines tested DBA/2 (H-2d, Ad, Ed), B10.A(4R) (H-2h4, Ak) and B10.A(5R) (H-2i5) showed particularly good CD4+ T cell proliferative responses to HIV proteins (gp160, gp120, p17, p24, Nef and RT), after vaccination with inactivated virus.
- B10.BR (H-2k, Ak, Ek) and C57BL/6 (H-2b and Ab) had weaker responses.

III-B-9 Vif Helper/CD4+ T-cell epitopes**HXB2 Location** Vif (65–76)**Author Location** Vif (65–80)**Epitope** VITTYWGLHTGE**Immunogen** HIV-1 infection**Species (MHC)** human**References** Ranki *et al.* 1997

- T-cell response to this epitope persisted after seroreversion.

HXB2 Location Vif (81–96)**Author Location** Vif (81–96)**Epitope** LGQGVSIWRKQRYST**Immunogen** HIV-1 infection**Species (MHC)** human**References** Ranki *et al.* 1997

- T-cell response to this epitope persisted after seroreversion.

HXB2 Location Vif**Author Location** Vif**Epitope****Immunogen** vaccine

Vector/Type: DNA *HIV component:* Nef, Vif, Vpu

Species (MHC) mouse (H-2^d)**Keywords** subtype comparisons, Th1**References** Ayyavoo *et al.* 2000

- Splenocytes from BALB/c mice immunized with pVVN-P DNA were incubated with Vif, Vpu or Nef antigens for 3 days and assayed for IL-4 and IFN γ levels.
- Antigen stimulation increased IFN γ production in pVVN-P immunized mice, indicating a Th1 response.
- IL-4 production was not significantly changed after antigen stimulation compared to control levels.
- Cross-clade CTL activity was also observed: A, B clade, CRF01(AE) clade antigens could serve as targets for the B clade immunization stimulated CTL – an HIV-1 AC recombinant, however, did not stimulate a CTL response, but was expressed at lower levels on the target cell.

III-B-10 Vpr Helper/CD4+ T-cell epitopes

- HXB2 Location** Vpr (66–80)
Author Location Vpr (66–80 IIIB)
Epitope QLLFIHFRIIGCRHSR
Immunogen vaccine
Vector/Type: peptide
Species (MHC) mouse (H-2^d)
References Sarobe *et al.* 1994
- Included as a Th stimulatory component of peptide vaccines that also incorporated B-cell epitopes.
- HXB2 Location** Vpr (66–80)
Author Location Vpr (66–80 IIIB)
Epitope QLLFIHFRIIGCRHSR
Immunogen HIV-1 infection
Species (MHC) human
References Sarobe *et al.* 1994
- This peptide was found to stimulate proliferative responses in 37.5% of HIV-1 positive individuals.

III-B-11 Tat Helper/CD4+ T-cell epitopes

- HXB2 Location** Tat (1–20)
Author Location Tat (1–20 LAI)
Epitope MEPVDPRLPEPWKHPGSQPKT
Subtype B
Immunogen vaccine
Vector/Type: DNA *Strain:* B clade LAI
HIV component: Nef, Rev, Tat
Species (MHC) mouse (H-2^d)
References Hinkula *et al.* 1997
- Stronger, broader responses were observed in animals vaccinated with DNA epidermally rather than with intramuscular protein.
 - Some proliferative response to vaccination was observed to peptides throughout Nef and Tat, less for Rev.
- HXB2 Location** Tat (16–35)
Author Location Tat (16–35 LAI)
Epitope SQPKTACTTCYCKKCCFHCQ
Subtype B
Immunogen vaccine
Vector/Type: DNA *Strain:* B clade LAI
HIV component: Nef, Rev, Tat
Species (MHC) mouse (H-2^d)
References Hinkula *et al.* 1997
- Stronger, broader responses were observed in animals vaccinated with DNA epidermally rather than with intramuscular protein.
 - Some proliferative response to vaccination was observed to peptides throughout Nef and Tat, less for Rev.
- HXB2 Location** Tat (17–32)
Author Location Tat (17–32 HXB2)
Epitope QPKTACTNCYCKKCCF
Epitope name D26
Subtype B
Immunogen HIV-1 infection

- Species (MHC)** human (DR5? plus others)
Keywords immunodominance
References Blazevic *et al.* 1993
- 9/14 (64%) of HIV-1 positive patients had proliferative T-cell responses associated with IL-2 production against at least one Tat-derived synthetic peptides of twelve overlapping 15-16 mer peptides spanning Tat. T cell proliferation was associated with IL-2 production.
 - 3/12 peptides were recognized.
 - This immunodominant, highly conserved and most frequently recognized peptide was recognized by 57% of the HIV-1 infected patients. A beta-sheet secondary structure was predicted at aa residues 21-28, but no amphipathic helix structure, suggested to be most favorable for T-cell epitopes, was indicated.
 - This peptide contained epitopes restricted by several HLA DR alleles, although the frequency of DR5 was enriched (3/6) among the patients that recognized the peptide.

- HXB2 Location** Tat (17–32)
Author Location Tat (17–32)
Epitope QPKTACTNCYCKRCCF
Immunogen HIV-1 infection
Species (MHC) human
References Ranki *et al.* 1997
- T-cell response to this epitope persisted after seroreversion.
- HXB2 Location** Tat (31–50)
Author Location Tat (31–50 LAI)
Epitope CFHCQVCFITKALGISYGRK
Subtype B
Immunogen vaccine
Vector/Type: DNA *Strain:* B clade LAI
HIV component: Nef, Rev, Tat
Species (MHC) mouse (H-2^d)
References Hinkula *et al.* 1997
- Stronger, broader responses were observed in animals vaccinated with DNA epidermally rather than with intramuscular protein.
 - Some proliferative response to vaccination was observed to peptides throughout Nef and Tat, less for Rev.

- HXB2 Location** Tat (33–48)
Author Location Tat (33–48 HXB2)
Epitope HCQVCFITKALGISYGRK
Epitope name D28
Immunogen HIV-1 infection
Species (MHC) human (DR5? plus others)
References Blazevic *et al.* 1993
- 9/14 (64%) of HIV-1 positive patients had proliferative T-cell responses associated with IL-2 production against at least one Tat-derived synthetic peptides of twelve overlapping 15-16 mer peptides spanning Tat. T cell proliferation was associated with IL-2 production.
 - 3/12 peptides were recognized.
 - 4/14 HIV+ people recognized this peptide.
 - An alpha-helix structure was predicted at residues 39-44, but charge patterns did not indicate it was an amphipathic helix, suggested to be most favorable for T-cell epitopes.

- This peptide contained epitopes restricted by several HLA DR alleles, although the frequency of DR5 was enriched (2/4) among the patients that recognized the peptide.

HXB2 Location Tat (33–48)

Author Location Tat (33–48)

Epitope HCQVCFMTKGLGISYG

Immunogen HIV-1 infection

Species (MHC) human

References Ranki *et al.* 1997

- T-cell response to this epitope persisted after seroreversion.

HXB2 Location Tat (36–50)

Author Location Tat (36–50 HTLV IIIB)

Epitope VCFITKALGISYGRK?

Subtype B

Immunogen vaccine

Vector/Type: peptide *Strain:* B clade IIIB

HIV component: Tat *Adjuvant:* Incomplete Freund's Adjuvant (IFA), macrophage activating lipopeptide-2 (MALP-2)

Species (MHC) mouse (H-2^d)

Assay type Cytokine production, proliferation, T-cell EliSpot, Th support of CTL response

Keywords Th1, Th2, mucosal immunity

References Borsutzky *et al.* 2003

- BALB/c mice that were vaccinated intranasally with Tat protein plus mucosal adjuvant macrophage-activating lipopeptide-2 (MALP-2) had increased proliferative, antibody, and IFN γ producing T-cell responses than did with Tat+IFA delivered by the i.p. route.
- IFA as adjuvant stimulated a Th2-dominant response pattern, and MALP-2 as adjuvant shifted to a Th1 response. Anti-Tat IgG1 dominated the Ab response with IFA, IgG2b dominated with MALP-2. In animals vaccinated with Tat+MALP-2, IFN γ and IL-2 were the most prominent cytokines, with some IL-6. In contrast, in mice vaccinated with Tat+IFA, IL-6 was the dominant cytokine. Secreted IL-4, IL-5 and IL-10 were below the detection limit in both cases.
- The strongest proliferation of spenocytes was observed was after re-stimulation with residues 36-50 and 56-70.

HXB2 Location Tat (41–50)

Author Location Tat (40–50 C consensus)

Epitope KGLGISYGRK?

Subtype C

Immunogen vaccine

Vector/Type: DNA *Strain:* C clade consensus *HIV component:* Tat *Adjuvant:* ubiquitin

Species (MHC) mouse

Donor MHC H-2d

Assay type proliferation, CD4 T-cell Elispot - IFN γ

Keywords Th1, vaccine antigen design

References Ramakrishna *et al.* 2004

- BALB/c and C57BL/6 mice were intramuscularly immunized with a codon optimized HIV-1 C-consensus Tat DNA vaccine that was linked to ubiquitin to facilitate rapid processing. Ubiquitin and codon optimization enhanced Th1 T cell responses, with increased proliferative responses, cytotoxic responses, and

Th1 responses measured by IFN γ EliSpot, but not the Th2 responses, measured by IL-4 EliSpot.

- Several immunogenic regions in HIV-1 Tat were identified in BALB/c mice using EliSpot. The strongest immune response was within the core region of Tat; the peptides based on the C subtype consensus positions 30-50 and 40-60 gave the strongest EliSpot responses in BALB/c mice, suggesting a putative helper T-cell epitope spanning the region of overlap, residues 40-50.

HXB2 Location Tat (46–65)

Author Location Tat (46–65 LAI)

Epitope SYGRKRRRQRRPPQGSQTH

Subtype B

Immunogen vaccine

Vector/Type: DNA *Strain:* B clade LAI

HIV component: Nef, Rev, Tat

Species (MHC) mouse (H-2^d)

References Hinkula *et al.* 1997

- Stronger, broader responses were observed in animals vaccinated with DNA epidermally rather than with intramuscular protein.
- Some proliferative response to vaccination was observed to peptides throughout Nef and Tat, less for Rev.

HXB2 Location Tat (56–70)

Author Location Tat (56–70 HTLV IIIB)

Epitope RRAHQNSQTHQASLS?

Subtype B

Immunogen vaccine

Vector/Type: peptide *Strain:* B clade IIIB

HIV component: Tat *Adjuvant:* Incomplete Freund's Adjuvant (IFA), macrophage activating lipopeptide-2 (MALP-2)

Species (MHC) mouse (H-2^d)

Assay type Cytokine production, proliferation, T-cell EliSpot, Th support of CTL response

Keywords Th1, Th2

References Borsutzky *et al.* 2003

- BALB/c mice that were vaccinated intranasally with Tat protein plus mucosal adjuvant macrophage-activating lipopeptide-2 (MALP-2) had increased proliferative, antibody, and IFN γ producing T-cell responses than did with Tat+IFA delivered by the i.p. route.
- IFA as adjuvant stimulated a Th2-dominant response pattern, and MALP-2 as adjuvant shifted to a Th1 response. Anti-Tat IgG1 dominated the Ab response with IFA, IgG2b dominated with MALP-2. In animals vaccinated with Tat+MALP-2, IFN γ and IL-2 were the most prominent cytokines, with some IL-6. In contrast, in mice vaccinated with Tat+IFA, IL-6 was the dominant cytokine. Secreted IL-4, IL-5 and IL-10 were below the detection limit in both cases.
- The strongest proliferation of spenocytes was observed was after re-stimulation with residues 36-50 and 56-70.

HXB2 Location Tat (61–80)

Author Location Tat (61–80 LAI)

Epitope GSQTHQVSLSKQPTSQPRGD

Subtype B

Immunogen vaccine

Vector/Type: DNA *Strain:* B clade LAI
HIV component: Nef, Rev, Tat

Species (MHC) mouse (H-2^d)

References Hinkula *et al.* 1997

- Stronger, broader responses were observed in animals vaccinated with DNA epidermally; rather than with intramuscular protein.
- Some proliferative response to vaccination was observed to peptides throughout Nef and Tat, less for Rev.

HXB2 Location Tat (65–80)

Author Location Tat (65–80 HXB2)

Epitope HQASLSKQPTSQPRGD

Epitope name D32

Subtype B

Immunogen HIV-1 infection

Species (MHC) human (DR2? plus others)

References Blazevic *et al.* 1993

- 9/14 (64%) of HIV-1 positive patients had proliferative T-cell responses associated with IL-2 production against at least one Tat-derived synthetic peptides of twelve overlapping 15-16 mer peptides spanning Tat. T cell proliferation was associated with IL-2 production.
- 3/12 Tat peptides were recognized.
- 3/14 HIV+ people recognized this peptide.
- An alpha-helix structure was predicted at residues 65-72, but charge patterns did not indicate it was an amphipathic helix, suggested to be most favorable for T-cell epitopes..
- This peptide contained epitopes restricted by several HLA DR alleles, although the frequency of DR2 was enriched (2/3) among the patients that recognized the peptide.

HXB2 Location Tat (67–86)

Author Location Tat (67–86 LAI)

Epitope VSLSKQPTSQPRGDPTGPKE

Subtype B

Immunogen vaccine

Vector/Type: DNA *Strain:* B clade LAI
HIV component: Nef, Rev, Tat

Species (MHC) mouse (H-2^d)

References Hinkula *et al.* 1997

- Stronger, broader responses were observed in animals vaccinated with DNA epidermally rather than with intramuscular protein.
- Some proliferative response to vaccination was observed to peptides throughout Nef and Tat, less for Rev.

HXB2 Location Tat

Author Location Tat

Epitope

Immunogen vaccine

Vector/Type: DNA, DNA with protein boost
Strain: B clade LAI *HIV component:* Gag, Nef, Tat *Adjuvant:* IL-18

Species (MHC) mouse (H-2^d)

Keywords Th1, Th2

References Billaut-Mulot *et al.* 2001

- DNA vaccinated BALB/c mice primed and boosted with a multiepitopic vaccine with IL18 gave lymphoproliferative responses 7 weeks post immunization.

- Strong but non-lasting HIV-specific CTL responses were detected by a Cr-release assay and DNA prime + DNA boost was more effective than DNA prime + protein boost.
- Immunization with either the multiepitopic DNA or with the mixed DNA vaccine resulted in Th1 cytokines production (IL-2 and IFN γ) in spleen cell cultures stimulated by Tat and Gag, while Th2 cytokines IL-4 and IL-10 production was not detectable.
- Co-administration of IL18 increased T-cell responses but decreased anti-HIV antibody levels.

HXB2 Location Tat

Author Location Tat

Epitope

Immunogen vaccine

Vector/Type: DNA *HIV component:* Nef, Rev, Tat

Species (MHC) human

Keywords HAART, ART

References Calarota *et al.* 1999

- 9/9 HIV-1 + subjects were given one of three DNA vaccinations for nef, rev or tat, and novel proliferative and CTL responses were generated.
- The nef DNA immunization induced the highest and most consistent CTLp activity, IFN γ production, and IL-6 and IgG responses.
- Highly active antiretroviral treatment (HAART) did not induce new HIV-specific CTL responses but reduced viral load, while DNA vaccination induced new immune responses but did not reduce viral load – thus this is a potentially complementary and promising combination.

HXB2 Location Tat

Author Location Tat

Epitope

Immunogen HIV-1 infection, vaccine

Vector/Type: DNA *HIV component:* Nef, Rev, Tat *Adjuvant:* CpG immunostimulatory sequence (ISS)

Species (MHC) human

Keywords review, Th1

References Calarota & Wahren 2001

- This review discusses the cellular immune response, and comments on CpG induction of Th1 cytokines and enhanced immune responses, and HIV-1 DNA vaccine boosting of CTL and Th proliferative responses in asymptomatic HIV+ individuals.

HXB2 Location Tat

Author Location Tat

Epitope

Immunogen in vitro stimulation or selection

Species (MHC) human

Keywords dendritic cells, Th1, Th2

References Corinti *et al.* 2002

- In vitro delivery of recombinant Tat protein conjugated to red blood cells (RBCs) via avidin-biotin bridges (RBC-Tat) to human dendritic cells was compared to dendritic cells pulsed with rec Tat.

- Dendritic cells pulsed with RBC-Tat elicited specific and significantly stronger CD4+ and CD8+ T-cell responses and required 1250-fold less antigen than DCs stimulated with soluble Tat.
- Dendritic cells which were matured in the presence of IFN γ induced elevated IL-12 and TNF- α secretion. IFN γ upregulated IP-10 and down regulated TARC, chemokines which attract Th1 and Th2 cells, respectively.

HXB2 Location Tat**Author Location** Tat (IIIB, BH10)**Epitope****Subtype** B**Immunogen** in vitro stimulation or selection**Species (MHC)** human**Keywords** epitope processing, vaccine-specific epitope characteristics, dendritic cells, Th1**References** Fanales-Belasio *et al.* 2002b

- Biologically active HIV-1 Tat is readily taken up by monocyte-derived dendritic cells (MDDC) (and activated endothelial cells), but not other APCs. Tat must be in a native, non-oxidized conformation for efficient uptake. Tat upregulates MHC molecules, IL-12, TNF α , RANTES and MIP-1- α and MIP-1- β production which drives Th1 immune responses and enhances antigen presentation.
- Native Tat enhanced the antigen presentation of MDDC and boosted proliferative recall and allogeneic antigen responses, and the authors propose it could be used as an adjuvant to drive the immune response as well as an antigen.

HXB2 Location Tat**Author Location** Tat**Epitope****Immunogen** vaccine*Vector/Type:* DNA, protein *HIV component:* Tat *Adjuvant:* aluminum hydroxide, Ribi adjuvant (MPL+TDM) (RIBI)**Species (MHC)** macaque**Assay type** Cytokine production, Delayed-type hypersensitivity (DTH)**Keywords** review, early-expressed proteins, Th1**References** Fanales-Belasio *et al.* 2002a

- HIV-1 Tat protein has several virtues vaccine component. It is an early expressed protein, and though variable, contains conserved T-cell and B-cell epitopes that allow cross-clade recognition. It is efficiently taken up by monocyte-derived dendritic cells (MDDCs) and in this context can stimulate Th1 immune responses. A Tat based vaccine can elicit an immune response that can control primary infection in monkeys that are in early stage of infection with SHIV89.6P.

HXB2 Location Tat**Author Location** Tat (1-72)**Epitope****Subtype** B**Immunogen** vaccine*Vector/Type:* protein, nanoparticle *Strain:* B clade BRU *HIV component:* Tat *Adjuvant:* aluminum hydroxide, lipid A**Species (MHC)** mouse**Donor MHC** H-2d**Assay type** Cytokine production, proliferation**Keywords** Th1, Th2, adjuvant comparison, vaccine antigen design**References** Cui *et al.* 2004

- Mice were subcutaneously injected on day 0 and 14 with either Alum and Tat (Th2 control) or Lipid A-adjuvanted Tat (Th1 control), or Tat coated anionic nanoparticles. Analysis of Ab and cytokine release in splenocytes (day 28) showed both IgG and IgM Ab responses; immunization with Tat-coated nanoparticles induced a Th1-biased immune response.
- IFN γ responses were 3.3-fold stronger with Tat and either Lipid-A or coated nanoparticles than with Tat and Alum.

III-B-12 Rev Helper/CD4+ T-cell epitopes**HXB2 Location** Rev (9-23)**Author Location** Rev (9-23 HXB2)**Epitope** DEELIRTVRLIKLLY**Subtype** B**Immunogen** HIV-1 infection**Species (MHC)** human**References** Blazevic *et al.* 1995

- One of four peptides that stimulates in PBLs from HIV-1 + donors both CD4+ Th cell proliferation and CTL to autologous targets incubated with peptide were stimulated.

HXB2 Location Rev (14-30)**Author Location** Rev (14-30 B Consensus)**Epitope** KTVRLIKFLYQSNPPPS**Subtype** B**Immunogen** HIV-1 infection**Species (MHC)** human**Country** United States.**Assay type** CD4 T-cell Elispot - IFN γ , Intracellular cytokine staining, HLA binding**Keywords** supervised treatment interruptions (STI), rate of progression, immunodominance, acute/early infection**References** Kaufmann *et al.* 2004

- CD4 T-cell responses in 36 HIV-1 positive individuals in different disease stages were mapped by IFN γ EliSpot using a panel of 410 B-consensus peptides spanning all HIV proteins. Virus specific CD4+ T-cell responses (median=7, range of magnitude=990) were detected in 30/36 patients.
- This peptide was recognized by 11% of the study group.
- Gag and Nef responses dominated the CD4+ T-cell EliSpot responses in the study. No correlation between plasma viremia and the frequency or magnitude of HIV-1-specific responses was observed.
- The most HIV-1 specific CD4+ T-cell responses were observed in acutely infected patients with treatment of primary infection who stopped after 1-3 treatments (acute STI), compared to patients continuing therapy. People with therapy during chronic infection had low responses; higher numbers of responses were seen among untreated people. 2/9 LTNP responded to many peptides, comparable to acute STI.

HXB2 Location Rev (16-35)

Author Location Rev (16–35 LAI)**Epitope** VRLIKFLYQSNPPNPEGTR**Subtype** B**Immunogen** vaccine*Vector/Type:* DNA *Strain:* B clade LAI*HIV component:* Nef, Rev, Tat**Species (MHC)** mouse (H-2^d)**References** Hinkula *et al.* 1997

- Stronger, broader responses were observed in animals vaccinated with DNA epidermally rather than with intramuscular protein.
- Some proliferative response to vaccination was observed to peptides throughout Nef and Tat, less for Rev.

HXB2 Location Rev (25–39)**Author Location** Rev (25–39 HXB2)**Epitope** SNPPNPEGTRQARR**Subtype** B**Immunogen** HIV-1 infection**Species (MHC)** human**References** Blazevic *et al.* 1995

- One of four peptides that stimulates in PBLs from HIV-1 + donors both CD4+ Th cell proliferation and CTL to autologous targets incubated with peptide were stimulated.

HXB2 Location Rev (31–50)**Author Location** Rev (31–50 LAI)**Epitope** PEGTRQARRNRNRWRERQR**Subtype** B**Immunogen** vaccine*Vector/Type:* DNA *Strain:* B clade LAI*HIV component:* Nef, Rev, Tat**Species (MHC)** mouse (H-2^d)**References** Hinkula *et al.* 1997

- Stronger, broader responses were observed in animals vaccinated with DNA epidermally rather than with intramuscular protein.
- Some proliferative response to vaccination was observed to peptides throughout Nef and Tat, less for Rev.

HXB2 Location Rev (33–48)**Author Location** Rev (33–48 HXB2)**Epitope** GTRQARRNRNRWRER**Subtype** B**Immunogen** HIV-1 infection**Species (MHC)** human**References** Blazevic *et al.* 1995

- One of four peptides that stimulates in PBLs from HIV-1 + donors both CD4+ Th cell proliferation and CTL to autologous targets incubated with peptide were stimulated.

HXB2 Location Rev (41–56)**Author Location** Rev (41–56 HXB2)**Epitope** RRRWRERQRQIHSIS**Subtype** B**Immunogen** HIV-1 infection**Species (MHC)** human**References** Blazevic *et al.* 1995

- One of four peptides that stimulates in PBLs from HIV-1 + donors both CD4+ Th cell proliferation and CTL to autologous targets incubated with peptide were stimulated.

HXB2 Location Rev (76–95)**Author Location** Rev (76–95 LAI)**Epitope** PPLERLTLDCNEDCGTSGTQ**Subtype** B**Immunogen** vaccine*Vector/Type:* DNA *Strain:* B clade LAI*HIV component:* Nef, Rev, Tat**Species (MHC)** mouse (H-2^b)**References** Hinkula *et al.* 1997

- Stronger, broader responses were observed in animals vaccinated with DNA epidermally rather than with intramuscular protein.
- Some proliferative response to vaccination was observed to peptides throughout Nef and Tat, less for Rev.

HXB2 Location Rev (96–116)**Author Location** Rev (96–116 LAI)**Epitope** GVGSPQILVESPTVLESGTKE**Subtype** B**Immunogen** vaccine*Vector/Type:* DNA *Strain:* B clade LAI*HIV component:* Nef, Rev, Tat**Species (MHC)** mouse (H-2^d)**References** Hinkula *et al.* 1997

- Stronger, broader responses were observed in animals vaccinated with DNA epidermally rather than with intramuscular protein.
- Some proliferative response to vaccination was observed to peptides throughout Nef and Tat, less for Rev.

HXB2 Location Rev**Author Location** Rev**Epitope****Immunogen** vaccine*Vector/Type:* DNA *HIV component:* Rev**Species (MHC)** mouse**Keywords** HAART, ART**References** Chan *et al.* 1998

- Rev M10 is a construct that was introduced into mice through a genetic vaccination.
- Rev was used to test for down-regulation of HIV-1 in infected cells as a method for gene therapy – in the course of this study, Rev-specific IL-2 producing Th cells developed in the mice.

HXB2 Location Rev**Author Location** Rev**Epitope****Immunogen** vaccine*Vector/Type:* DNA *HIV component:* Nef,

Rev, Tat

Species (MHC) human**Keywords** HAART, ART**References** Calarota *et al.* 1999

- 9/9 HIV-1 + subjects were given one of three DNA vaccinations for nef, rev or tat, and novel proliferative and CTL responses were generated.

- The nef DNA immunization induced the highest and most consistent CTLp activity, IFN γ production, and IL-6 and IgG responses.
- Highly active antiretroviral treatment (HAART) did not induce new HIV-specific CTL responses but reduced viral load, while DNA vaccination induced new immune responses but did not reduce viral load – thus this is a potentially complementary and promising combination.

HXB2 Location Rev

Author Location Rev

Epitope

Immunogen HIV-1 infection, vaccine

Vector/Type: DNA *HIV component:* Nef, Rev, Tat *Adjuvant:* CpG immunostimulatory sequence (ISS)

Species (MHC) human

Keywords review, Th1

References Calarota & Wahren 2001

- This review discusses the cellular immune response, and comments on CpG induction of Th1 cytokines and enhanced immune responses, and HIV-1 DNA vaccine boosting of CTL and Th proliferative responses in asymptomatic HIV+ individuals.

HXB2 Location Rev

Author Location Rev

Epitope

Immunogen vaccine

Vector/Type: DNA with CMV promotor
Strain: B clade MN *HIV component:* Env, Rev *Adjuvant:* Bupivacaine

Species (MHC) human

Keywords early-expressed proteins

References MacGregor *et al.* 2002

- A phase I clinical trial of a HIV-1 Env and Rev DNA vaccine with a CMV promoter was conducted and Th proliferative, CTL and Elispot responses monitored. The construct was modified for safety and included no LTRs or packaging signals. The vaccine strategy was safe, and elicited strong CD4-T cell responses, but not CD8 T-cell responses. Rev elicited strong Th responses, and is a early produced protein so may confer advantages.
- With a 300 ug dose, 4/6 individuals had a lymphocyte proliferation (LP) responses to gp120, 3/6 to Rev.
- With a 1000 ug dose, 4/6 individuals had a LP and 2/6 had IFN γ Elispot responses to gp160; 3/6 had LP, and 4/6 had IFN γ Elispot responses to Rev.
- No responses to three specific CTL epitopes were observed by Elispot in individuals with appropriate HLA. Some cytotoxic activity against whole protein was observed that was CD4+ T-cell mediated.

III-B-13 Vpu Helper/CD4+ T-cell epitopes

HXB2 Location Vpu (19–34)

Author Location Vpu (19–34)

Epitope AIVVWSIVLIEYRKIL

Immunogen HIV-1 infection

Species (MHC) human

References Ranki *et al.* 1997

- T-cell response to this epitope persisted after seroreversion.

HXB2 Location Vpu

Author Location Vpu

Epitope

Immunogen vaccine

Vector/Type: DNA *HIV component:* Nef, Vif, Vpu

Species (MHC) mouse (H-2^d)

Keywords subtype comparisons, Th1

References Ayyavoo *et al.* 2000

- Splenocytes from BALB/c mice immunized with pVVN-P DNA were incubated with Vif, Vpu or Nef antigens for 3 days and assayed for IL-4 and IFN γ levels.
- Antigen stimulation increased IFN γ production in pVVN-P immunized mice, indicating a Th1 response.
- IL-4 production was not significantly changed after antigen stimulation compared to control levels.
- Cross-clade CTL activity was also observed: A, B clade, CRF01(AE) clade antigens could serve as targets for the B clade immunization stimulated CTL – an HIV-1 AC recombinant, however, did not stimulate a CTL response, but was expressed at lower levels on the target cell.

III-B-14 gp160 Helper/CD4+ T-cell epitopes

HXB2 Location gp160 (30–51)

Author Location gp120 (30–51 IIIB)

Epitope ATEKLWTVYYGVVWKEATTT?

Epitope name A1

Subtype B

Immunogen HIV-1 infection

Species (MHC) human

References Geretti *et al.* 1994

- Th proliferative responses were studied in 36 asymptomatic HIV-1 + patients. PBMC from 15/36 patients responded to stimulation with gp120 synthetic overlapping peptide pools. 10 of the responding patients recognized three or more peptide pools.
- After 12 months, most responses were lost or diminished, and specific responses fluctuated. 4/10 of the responders at baseline had new responses at 12 months, as did 5/15 non-responders.
- IL-2 production was a more sensitive and well-preserved measure of Th function than proliferation.
- 2/15 responders recognized this peptide, mean SI = 4.6.

HXB2 Location gp160 (32–44)

Author Location gp120 (39–51)

Epitope EQLWTVYYGVV

Immunogen vaccine

Vector/Type: peptide

Species (MHC) mouse (H-2^{bxk})

References Sastry & Arlinghaus 1991

- Peptides induced T-cell proliferative response to immunizing peptide and to gp160.

HXB2 Location gp160 (38–48)
Author Location gp120 (45–55)
Epitope VYYGVPVWKEA
Immunogen vaccine
Vector/Type: peptide
Species (MHC) mouse (H-2^{bxk}, H-2^{sxd})
References Sastry & Arlinghaus 1991

- Peptides induced T-cell proliferative response to immunizing peptide and to gp160.

HXB2 Location gp160 (38–48)
Author Location Env (45–55)
Epitope VYYGVPVWKEA
Immunogen vaccine
Vector/Type: peptide
Species (MHC) macaque
References Nehete *et al.* 1993

- Synthetic peptide derived from conserved region of the HIV-1 envelope that stimulates a proliferative response in mice.
- Proliferative response to this peptide was observed in 3/3 immunized rhesus monkeys.

HXB2 Location gp160 (38–48)
Author Location Env (45–55)
Epitope VYYGVPVWKEA
Immunogen HIV-1 infection
Species (MHC) human, chimpanzee
References Nehete *et al.* 1998b

- Seven out of nine HIV-infected chimpanzees and eight out of seventeen HIV-positive humans exhibited positive proliferative responses to this conserved peptide (peptide 104) – no HIV negative individuals showed a response.
- This peptide, along with 4 other peptides from conserved regions of envelope, can induce proliferative responses to HIV and may be useful for vaccines.
- Peptide 104 elicited proliferative responses in inbred mouse strains and outbred rhesus monkeys in previous study by same group.

HXB2 Location gp160 (41–54)
Author Location gp120 (48–61)
Epitope GVPVWKEATTLFC
Immunogen vaccine
Vector/Type: peptide
Species (MHC) mouse (H-2^{sxd})
References Sastry & Arlinghaus 1991

- Peptides induced T-cell proliferative response to immunizing peptide and to gp160.

HXB2 Location gp160 (41–54)
Author Location Env (48–60)
Epitope GVPVWKEATTLFC
Immunogen vaccine
Vector/Type: peptide
Species (MHC) macaque
References Nehete *et al.* 1993

- Synthetic peptide derived from conserved region of the HIV-1 envelope that stimulates a proliferative response in mice.
- Despite the proliferative response to this peptide in mice, no response was observed in 3 rhesus monkeys.

HXB2 Location gp160 (41–60)
Author Location gp120 (40–59 89.6)
Epitope GVPVWREATTLFCASDAKA
Immunogen vaccine
Vector/Type: protein *Strain:* B clade 89.6
HIV component: gp120 *Adjuvant:* E. coli mutant heat labile enterotoxin (LT-R72)
Species (MHC) mouse (H-2^d)
Keywords immunodominance
References Dai *et al.* 2001

- Promiscuous immunodominant epitopes in gp120 were mapped by overlapping peptides in CBA/J H-2^k and BALB/c H-2^d mice, and all were found to be in the outer domain, proximal to regions of structural disorder indicated by the crystal structure or by sequence divergence.
- This peptide was recognized by 10/10 BALB/c with an average SI of 6.4, the strongest reaction among BALB/c mice, but not by CBA/J mice, but recognized well not by CBA/J mice, so is considered to be uniquely immunodominant for H-2^d
- Uniquely immunodominant sequences tended to be in the inner domain of the protein.

HXB2 Location gp160 (41–60)
Author Location gp120 (40–59 89.6)
Epitope GVPVWREATTLFCASDAKA
Epitope name Peptide 2
Immunogen vaccine
Vector/Type: protein *Strain:* B clade 89.6
HIV component: gp120 *Adjuvant:* E. coli mutant heat labile enterotoxin (LT-R72)
Species (MHC) mouse
Donor MHC H-2k, H-2d
Keywords epitope processing, immunodominance
References Dai *et al.* 2001

- Helper T-cell proliferative responses to gp120 vaccines in 2 mouse strains, CBA/J and BALB/c, were mapped using 47 overlapping peptides that span gp120. Promiscuously immunodominant peptides were identified in both mice strains that were located in the outer domain of gp120 and were associated with regions of local structural disorder in proximal N-terminal segments, suggesting 3-D protein structure influences Th antigen processing and the frequency of immunogenic sequences.
- This peptide was highly reactive in 10/10 BALB/c mice tested, but only in 5/10 CBA/J mice.

HXB2 Location gp160 (42–61)
Author Location gp120 (42–61 IIIB)
Epitope VPVWKEATTLFCASDAKAY?
Epitope name A2
Subtype B
Immunogen HIV-1 infection
Species (MHC) human
References Geretti *et al.* 1994

- Th proliferative responses were studied in 36 asymptomatic HIV-1 + patients. PBMC from 15/36 patients responded to stimulation with gp120 synthetic overlapping peptide pools. 10 of the responding patients recognized three or more peptide pools.

- After 12 months, most responses were lost or diminished, and specific responses fluctuated. 4/10 of the responders at baseline had new responses at 12 months, as did 5/15 non-responders.
- IL-2 production was a more sensitive and well-preserved measure of Th function than proliferation.
- 2/15 responders recognized this peptide, mean SI = 6.6.

HXB2 Location gp160 (52–71)

Author Location gp120 (52–71 IIIB)

Epitope LFCASDAKAYDTEVHNVWAT?

Epitope name A3

Subtype B

Immunogen HIV-1 infection

Species (MHC) human

References Geretti *et al.* 1994

- Th proliferative responses were studied in 36 asymptomatic HIV-1 + patients. PBMC from 15/36 patients responded to stimulation with gp120 synthetic overlapping peptide pools. 10 of the responding patients recognized three or more peptide pools.
- After 12 months, most responses were lost or diminished, and specific responses fluctuated. 4/10 of the responders at baseline had new responses at 12 months, as did 5/15 non-responders.
- IL-2 production was a more sensitive and well-preserved measure of Th function than proliferation.
- 3/15 responders recognized this peptide, mean SI = 4.3.

HXB2 Location gp160 (61–80)

Author Location gp120 (60–79 89.6)

Epitope YDTEVHNVWATHACVPTDPN

Epitope name Peptide 4

Immunogen vaccine

Vector/Type: protein *Strain:* B clade 89.6

HIV component: gp120 *Adjuvant:* E. coli mutant heat labile enterotoxin (LT-R72)

Species (MHC) mouse

Donor MHC H-2k, H-2d

Keywords epitope processing, immunodominance

References Dai *et al.* 2001

- Helper T-cell proliferative responses to gp120 vaccines in 2 mouse strains, CBA/J and BALB/c, were mapped using 47 overlapping peptides that span gp120. Promiscuously immunodominant peptides were identified in both mice strains that were located in the outer domain of gp120 and were associated with regions of local structural disorder in proximal N-terminal segments, suggesting 3-D protein structure influences Th antigen processing and the frequency of immunogenic sequences.
- This peptide was highly reactive in 4/10 BALB/c mice tested, but only in 1/10 CBA/J mice.

HXB2 Location gp160 (62–80)

Author Location gp120 (62–80 IIIB)

Epitope DTEVHNVWATHACVPTDPN?

Epitope name A4

Subtype B

Immunogen HIV-1 infection

Species (MHC) human

References Geretti *et al.* 1994

- Th proliferative responses were studied in 36 asymptomatic HIV-1 + patients. PBMC from 15/36 patients responded to stimulation with gp120 synthetic overlapping peptide pools. 10 of the responding patients recognized three or more peptide pools.
- After 12 months, most responses were lost or diminished, and specific responses fluctuated. 4/10 of the responders at baseline had new responses at 12 months, as did 5/15 non-responders.
- IL-2 production was a more sensitive and well-preserved measure of Th function than proliferation.
- 1/15 responders recognized this peptide, SI = 3.5.

HXB2 Location gp160 (62–81)

Author Location gp120 (MN)

Epitope DTEVHNVWATQACVPTDPNP

Epitope name DP20

Subtype B

Immunogen HIV-1 infection

Species (MHC) human (DR)

Assay type Cytokine production, proliferation, CD4 T-cell Elispot - IFN γ , Intracellular cytokine staining

Keywords HAART, ART, acute/early infection, cross-presentation by different HLA

References Malhotra *et al.* 2003

- 92 acute- or early-HIV infected subjects were tested for Env- and Gag-specific Th responses. There was an overall low probability of detecting HIV-1-specific Th responses, Env responses were rare and (5%) and only detected very early in infection, probably reflecting a low frequency of response and impaired lymphoproliferative capacity, not viral escape. Gag-specific Th responses were observed more frequently (16%), were found throughout the acute and early infection phases, and predominated after ARV therapy.
- This epitope is one of six Env-specific Th responses detected in one patient 11 days post-infection that were studied in detail. The CD4+ clones showed MHC-restricted cytotoxicity and secreted high levels of cytokines when stimulated. These Th responses were not detected at subsequent time points, despite the Env specific Th cells being maintained as detected by TCR clonal transcripts, and the epitope sequence being maintained in Env.
- This peptide showed bound to HLA-DRB1*0101.

HXB2 Location gp160 (65–75)

Author Location gp120 (72–82)

Epitope AHKQWATHACV

Immunogen vaccine

Vector/Type: peptide

Species (MHC) mouse (H-2^{b_{xk}}, H-2^{s_{xd}})

References Sastry & Arlinghaus 1991

- Peptides induced T-cell proliferative response to immunizing peptide and to gp160.

HXB2 Location gp160 (74–85)

Author Location gp120 (81–92)

Epitope CVPTNPVPQEVV

Immunogen vaccine

Vector/Type: peptide

Species (MHC) mouse (H-2^{b_{xk}}, H-2^{s_{xd}})

- References** Sastry & Arlinghaus 1991
- Peptides induced T-cell proliferative response to immunizing peptide and to gp160.

HXB2 Location gp160 (74–85)
Author Location gp120 (74–85 LAI)
Epitope CVPTDPPNPQEVV
Subtype B

- Immunogen** HIV-1 infection
Species (MHC) human
References Schrier *et al.* 1989
- Stimulates T-cell proliferation in HIV-infected donors.

HXB2 Location gp160 (80–99)
Author Location gp120 (51–70 HXB2)
Epitope NPQEVVLVNTENFNMWKND
Subtype B

- Immunogen** in vitro stimulation or selection
Species (MHC) human
Keywords TCR usage
References Li Pira *et al.* 1998
- Clonal heterogeneity was broad for a recall response to tetanus toxoid or PPD, but oligoclonal to primary HIV antigens, dominated in this case by TCR V β 13 usage.
 - Donor of PBMC that recognized this epitope had HLA-DR alleles 2 and 7.

HXB2 Location gp160 (81–100)
Author Location gp120 (80–99 89.6)
Epitope PQEVVVLGNVTENFNMWKNM
Immunogen vaccine

- Vector/Type:* protein *Strain:* B clade 89.6
HIV component: gp120 *Adjuvant:* E. coli mutant heat labile enterotoxin (LT-R72)
- Species (MHC)** mouse (H-2^k)
Keywords immunodominance
References Dai *et al.* 2001
- Promiscuous immunodominant epitopes in gp120 were mapped by overlapping peptides in CBA/J H-2^k and BALB/c H-2^d mice, and all were found to be in the outer domain, proximal to regions of structural disorder indicated by the crystal structure or by sequence divergence.
 - This peptide was recognized by 10/10 CBA/J with an average SI of 8.2, and not by BALB/c mice, so is considered to be uniquely immunodominant for H-2^k
 - Uniquely immunodominant sequences tended to be in the inner domain of the protein.

HXB2 Location gp160 (81–100)
Author Location gp120 (80–99 89.6)
Epitope PQEVVVLGNVTENFNMWKNM
Epitope name Peptide 6
Immunogen vaccine

- Vector/Type:* protein *Strain:* B clade 89.6
HIV component: gp120 *Adjuvant:* E. coli mutant heat labile enterotoxin (LT-R72)
- Species (MHC)** mouse
Donor MHC H-2k
Keywords epitope processing, immunodominance
References Dai *et al.* 2001

- Helper T-cell proliferative responses to gp120 vaccines in 2 mouse strains, CBA/J and BALB/c, were mapped using 47 overlapping peptides that span gp120. Promiscuously immunodominant peptides were identified in both mice strains that were located in the outer domain of gp120 and were associated with regions of local structural disorder in proximal N-terminal segments, suggesting 3-D protein structure influences Th antigen processing and the frequency of immunogenic sequences.
- This peptide was not reactive in any BALB/c mice tested (0/10), but was highly reactive in all (10/10) CBA/J mice.

HXB2 Location gp160 (81–101)
Author Location gp120 (81–101 IIIB)
Epitope PQEVVVLNVNTENFNMWKNMVM?

- Epitope name** B1
Subtype B
Immunogen HIV-1 infection
Species (MHC) human
References Geretti *et al.* 1994
- Th proliferative responses were studied in 36 asymptomatic HIV-1 + patients. PBMC from 15/36 patients responded to stimulation with gp120 synthetic overlapping peptide pools. 10 of the responding patients recognized three or more peptide pools.
 - After 12 months, most responses were lost or diminished, and specific responses fluctuated. 4/10 of the responders at baseline had new responses at 12 months, as did 5/15 non-responders.
 - IL-2 production was a more sensitive and well-preserved measure of Th function than proliferation.
 - 2/15 responders recognized this peptide, mean SI = 5.1.

HXB2 Location gp160 (92–101)
Author Location gp120 (90–100 W6.ID)
Epitope YFNMWKNMVM
Immunogen vaccine

Vector/Type: protein *Strain:* B clade W61D
HIV component: gp120 *Adjuvant:* MPL-SE adjuvant, QS21

- Species (MHC)** human
References Jones *et al.* 1999
- An HIV seronegative volunteer was vaccinated with rgp120 and a QS21/MPL adjuvant and HIV-1 specific T-cell lines were isolated.
 - One T-cell clone reacts with two overlapping peptides, and the region of overlap is: YFNMWKNMVM.
 - The first 20-mer peptide that this clone reacts with is PQEVVVLGNVTEYFNMWKNMVM, and the IIIB version of this peptide does not induce proliferation in the T-cell line that responds to the W61D version: IIIB: pqevvlVnvtENfDmwknDmv.

HXB2 Location gp160 (92–111)
Author Location gp120 (92–111 W6.ID)
Epitope YFNMWKNMVDQMHEDIISL

- Immunogen** vaccine
Vector/Type: protein *Strain:* B clade W61D
HIV component: gp120 *Adjuvant:* MPL-SE adjuvant, QS21
- Species (MHC)** human
References Jones *et al.* 1999

- An HIV seronegative volunteer was vaccinated with rgp120 and a QS21/MPL adjuvant and HIV-1 specific T-cell lines were isolated.
- The IIIB version of this peptide does not induce proliferation in the T-cell line that responds to the W61D version of the peptide NfDmwknDmvEqmhediiisl.
- Six T-cell lines react with this peptide, but some of these can also be stimulated by other gp120 peptides located in different regions of gp120.

HXB2 Location gp160 (101–126)
Author Location gp120 (101–126)
Epitope VEQMHEDIISLWDQSLKPCVKLTPLC
Immunogen vaccine
Vector/Type: protein *HIV component:* gp160
Species (MHC) mouse (H-2^k)
References Sjolander *et al.* 1996

- Study showing that T-cell determinants from glycoproteins can be dependent on the glycosylation of the protein.

HXB2 Location gp160 (102–114)
Author Location gp120 (109–121)
Epitope EQMHEDIISLWDQ
Immunogen vaccine
Vector/Type: peptide
Species (MHC) mouse (H-2^{bxk})
References Sastry & Arlinghaus 1991

- Peptides induced T-cell proliferative response to immunizing peptide and to gp160.

HXB2 Location gp160 (102–116)
Author Location gp160 (109–123 IIIB)
Epitope EQMHEDIISLWDQSL
Immunogen vaccine
Vector/Type: protein *Strain:* B clade IIIB
HIV component: gp160 *Adjuvant:* Complete Freund's Adjuvant (CFA)
Species (MHC) mouse (H-2^d, H-2^b)
References Berzofsky *et al.* 1991b; Berzofsky *et al.* 1991a

- B10.D2 (H-2A^d, E^d) and B10.A(R5) (H-2A^b, E^b) mice immunized with rec gp160 showed a proliferative response to EQMHEDIISLWDQSL.
- EQMHEDIISLWDQSLKPCVK encompasses several murine Th epitopes including HEDIISLWDQSLK and is referred to as a "multideterminant region" or cluster peptide.

HXB2 Location gp160 (102–116)
Author Location gp120 (109–123 IIIB)
Epitope EQMHEDIISLWDQSL
Immunogen vaccine
Vector/Type: protein *Strain:* B clade IIIB
HIV component: gp160
Species (MHC) mouse (H-2^d, H-2¹⁵)
References Hale *et al.* 1989

- Six multideterminant helper T-cell regions are recognized by mice of three or four MHC types.

HXB2 Location gp160 (102–121)
Author Location gp160 (109–128 IIIB)

Epitope EQMHEDIISLWDQSLKPCVK

Immunogen HIV-1 infection, vaccine

Vector/Type: protein *Strain:* B clade IIIB
HIV component: gp160 *Adjuvant:* Complete Freund's Adjuvant (CFA)

Species (MHC) human, mouse (H-2^k, H-2^s)

- References** Berzofsky *et al.* 1991b; Berzofsky *et al.* 1991a
- EQMHEDIISLWDQSLKPCVK encompasses several murine Th epitopes and is referred to as a "multideterminant region" or cluster peptide.
 - Six multideterminant region cluster peptides were evaluated Th responses in different MHC/HLA backgrounds after vaccination of mice with gp160, or in infected people.
 - This cluster peptide elicited proliferative responses in cells from vaccinated B10.BR mice (H-2A^k, E^k) and B10.S(9R) mice (H-2A^s, E^s), while shorter peptides from within this region stimulated H-2^k, H-2^d and H-2^b responses, but not H-2^s
 - IL-2 production was observed in response to this peptide in 64% (23/36) of asymptomatic HIV-infected individuals.

HXB2 Location gp160 (102–121)
Author Location gp120 (102–121 IIIB)
Epitope EQMHEDIISLWDQSLKPCVK?
Epitope name B3
Subtype B

Immunogen HIV-1 infection

Species (MHC) human

References Geretti *et al.* 1994

- Th proliferative responses were studied in 36 asymptomatic HIV-1 + patients. PBMC from 15/36 patients responded to stimulation with gp120 synthetic overlapping peptide pools. 10 of the responding patients recognized three or more peptide pools.
- After 12 months, most responses were lost or diminished, and specific responses fluctuated. 4/10 of the responders at baseline had new responses at 12 months, as did 5/15 non-responders.
- IL-2 production was a more sensitive and well-preserved measure of Th function than proliferation.
- 1/15 responders recognized this peptide, SI = 5.9.

HXB2 Location gp160 (105–117)
Author Location gp120 (112–124 IIIB)
Epitope HEDIISLWDQSLK

Epitope name T2

Immunogen vaccine

Strain: B clade IIIB *HIV component:* gp160

Species (MHC) mouse (H-2^k)

References Hale *et al.* 1989

- Six multideterminant helper T-cell regions are recognized by mice of three or four MHC types.

HXB2 Location gp160 (105–117)
Author Location gp160 (112–124 IIIB)
Epitope HEDIISLWDQSLK

Immunogen vaccine

Vector/Type: protein *Strain:* B clade IIIB
HIV component: gp160 *Adjuvant:* Complete Freund's Adjuvant (CFA)

Species (MHC) mouse (H-2^k)

References Berzofsky *et al.* 1991b; Berzofsky *et al.* 1991a

- B10.BR (H-2A^k, E^k) mice immunized with rec gp160 showed a strong proliferative response to three overlapping peptides, QMHEDIISLWDQSL, HEDIISLWDQSLK, and DIISLWDQSLKPCVK, and HEDIISLWDQSLK is common to between them.
- EQMHEDIISLWDQSLKPCVK encompasses several murine Th epitopes including HEDIISLWDQSLK and is referred to as a "multideterminant region" or cluster peptide.

HXB2 Location gp160 (105–117)
Author Location gp120 (112–124 BH10)
Epitope HEDIISLWDQSLK
Epitope name T2
Immunogen computer prediction
Species (MHC) mouse (H-2^k, H-2^s)
References Cease *et al.* 1987

- 1 of 2 functional epitopes identified using an amphipathic helix epitope prediction algorithm.

HXB2 Location gp160 (105–117)
Author Location gp120 (112–124 IIIB)
Epitope HEDIISLWDQSLK
Epitope name T2
Immunogen HIV-1 infection
Species (MHC) human
References Clerici *et al.* 1997

- Used in a study of pentoxifylline's influence on HIV specific T-cells.

HXB2 Location gp160 (105–117)
Author Location gp120 (112–124 BH10)
Epitope HEDIISLWDQSLK
Epitope name T2
Immunogen vaccine
Vector/Type: vaccinia *Strain:* B clade IIIB
HIV component: gp160

- Proliferative response to T1 and T2 peptides in 14 immunized, uninfected humans.

HXB2 Location gp160 (105–117)
Author Location gp120 (112–124 IIIB)
Epitope HEDIISLWDQSLK
Epitope name T2
Immunogen HIV-1 infection
Species (MHC) human
References Clerici *et al.* 1989

- IL-2 production detection of Th lymphocytes from asymptomatic HIV-positive individuals.

HXB2 Location gp160 (105–117)
Author Location gp120 (112–124 IIIB)
Epitope HEDIISLWDQSLK
Epitope name T2
Immunogen HIV-1 infection
Species (MHC) human
References Clerici *et al.* 1991a

- Peptides stimulate Th cell function and CTL activity in similar patient populations.

HXB2 Location gp160 (105–117)
Author Location gp120 (112–124)
Epitope HEDIISLWDQSLK
Epitope name T2
Immunogen vaccine
Vector/Type: protein *Strain:* B clade IIIB
HIV component: gp160

- Immunizing uninfected individuals with rgp160 results in stronger Th response than does natural infection.

HXB2 Location gp160 (105–117)
Author Location gp120 (112–124 IIIB)
Epitope HEDIISLWDQSLK
Epitope name T2
Immunogen human
Species (MHC) human
References Clerici *et al.* 1992

- Cell-mediated immune response to HIV-1 peptides in HIV-1 exposed seronegative men.

HXB2 Location gp160 (105–117)
Author Location gp120 (112–124 IIIB)
Epitope HEDIISLWDQSLK
Epitope name T2
Immunogen vaccine
Vector/Type: peptide prime with protein boost
Strain: B clade IIIB *HIV component:* gp160

- Peptide priming to induce T-cell help enhances antibody response to gp160 immunization.

HXB2 Location gp160 (105–117)
Author Location gp120 (112–124 IIIB)
Epitope HEDIISLWDQSLK
Epitope name T2
Immunogen human
Species (MHC) human
References Pinto *et al.* 1995

- CTL activity analyzed in parallel with Th reactivity in exposed but uninfected health care workers.

HXB2 Location gp160 (105–117)
Author Location gp120 (112–124 IIIB)
Epitope HEDIISLWDQSLK
Epitope name T2
Immunogen HIV-1 infection
Species (MHC) human
References Kaul *et al.* 1999

- Kenyan sex workers that remained seronegative were found to frequently have HIV-env peptide specific Th responses detected by an IL-2 assay (11/20 cases) and mucosal genital tract anti-HIV IgA (16/21 cases)
- Helper epitopes used in this study were noted to be previously described Clerici *et al.* [1989], and were not explicitly described in Kaul *et al.* [1999]

HXB2 Location gp160 (105–117)

Author Location gp120**Epitope** HEDIISLWDQSLK**Epitope name** T2**Immunogen** HIV-1 infection, HIV-1 exposed seronegative**Species (MHC)** human**Keywords** subtype comparisons, responses in children, mother-to-infant transmission**References** Kuhn *et al.* 2001a

- In a S. African perinatal transmission study, 33% (33/86) of cord blood samples from infants with seropositive mothers produced T-helper responses (measured by a bioassay measuring IL2 production in a murine cell line and confirmed with a proliferation assay) against a peptide cocktail containing Th epitopes P18 MN, P18 IIIB, T1, T2, and TH4.
- The mothers were predominantly infected with subtype C, but the T help response was detectable in a number of cord blood samples despite using peptides based on B subtype reagents.
- 3/33 infants with cord blood T help responses to Env were infected *in utero*, 2/33 were lost to follow up, and 28/33 were not infected. 6/53 of the infants with cord blood that was unresponsive to Env peptide stimulation were infected before delivery, and 8/47 contracted HIV intrapartum or via breast-feeding.
- Measurable HIV specific T help responses elicited in the immunologically immature newborn, possibly in response to *in utero* exposure, are associated with a protective natural immunity that helps block mother-infant transmission of HIV-1.

HXB2 Location gp160 (105–117)**Author Location** Env (112–124 IIIB)**Epitope** HEDIISLWDQSLK**Epitope name** T2**Subtype** B**Immunogen** HIV-1 infection, HIV-1 exposed seronegative**Species (MHC)****Assay type** Cytokine production**Keywords** mother-to-infant transmission**References** Clerici *et al.* 1993a

- Cord blood samples in 8/23 infants with HIV+ mothers showed IL-2 production in response to peptides from HIV-1 gp1260, demonstrating that Th cell priming to HIV env determinants can occur in utero. HIV-specific Th immunity in utero may be protective, as none of the 8 with HIV-1 specific Th activity became infected, while 3/15 infants with no detectable Th activity were infected.
- PBL from 10/21 of the mothers showed HIV-1 specific Th activity through IL-2 production in response to Env peptides.

HXB2 Location gp160 (105–117)**Author Location** Env (IIIB)**Epitope** HEDIISLWDQSLK**Epitope name** T2**Subtype** B**Immunogen** HIV-1 exposed seronegative**Species (MHC)****Assay type** Cytokine production**References** Clerici *et al.* 1994a

- Six of eight HIV-exposed health care workers had transient HIV-specific T-helper responses after percutaneous exposure to HIV, responding to two or more Env peptides among the set T1, T2, Th4.1, P18IIIB and P18MN. Responses were lost after 12-56 weeks. The HIV-specific Th responses occurred without seroconversion or PCR evidence for infection.
- Six of the eight HIV-exposed individuals responded to two or more peptides, whereas, only one individual exposed to HIV-negative blood responded to one peptide.

HXB2 Location gp160 (105–117)**Author Location** HIV-1 (IIIB)**Epitope** HEDIISLWDQSLK**Epitope name** T2**Subtype** B**Immunogen** HIV-1 infection**Species (MHC)****Assay type** Cytokine production**References** Clerici *et al.* 1994b

- IL-10-specific mRNA was upregulated in PBMC from asymptomatic, HIV-infected (HIV+) patients, and was particularly high in those with severely compromised Th cells function. Th response to HIV peptides *in vitro* could be restored by IL-10 Ab.

HXB2 Location gp160 (105–117)**Author Location** Env (112–124)**Epitope** HEDIISLWDQSLK**Epitope name** T2**Immunogen** HIV-1 infection**Species (MHC)** human**Assay type** proliferation**Keywords** responses in children, mother-to-infant transmission**References** Kuhn *et al.* 2001b

- T helper proliferative responses in cord blood at delivery to a cocktail of HIV envelope peptides were infrequent (1/41) among infants whose HIV-positive mothers received antiretroviral prophylaxis at delivery to prevent transmission. Responses were 10 times more frequent among infants of HIV-seropositive women who had no antiretroviral treatment (7/29). Reductions of HIV-specific responses occurred despite persistence of detectable HIV RNA in the mothers at delivery.
- The reduction of Th responses in newborns raises the possibility that anti-retroviral exposure during pregnancy may block subsequent immune protection. The authors point two relevant citations that showed ARV exposed infants had a more rapid course of progression (Kuhn *et al.*, JID 182:104 (2000)), but were at no greater risk of infection due to subsequent breast feeding (Ditrane *et al.*, Lancet 354:2050 (1999)).

HXB2 Location gp160 (105–117)**Author Location** Env (gp160) (105–117)**Epitope** HEDIISLWDQSLK**Epitope name** TH2**Subtype** C**Immunogen** HIV-1 infection**Species (MHC)** human**Country** South Africa.**Assay type** proliferation

Keywords responses in children, variant cross-recognition or cross-neutralization

References Meddows-Taylor *et al.* 2004

- Viral isolates (gp160) from 16 vertically HIV-1 infected children (8 T-helper cell Env responders and 8 non-responders) were analyzed for variation after comparison with Env peptide sequences (conserved regions T1, T2 and TH4.1, hypervariable regions P18 MN and P181 IIIB) used for *in vitro* stimulation.
- T2 was the most conserved of the 5 peptides studied.
- No correlation between the age, clinical category (mild or severe), HIV-1 viral load and the degree of epitope variation was established.

HXB2 Location gp160 (105–123)

Author Location gp120 (112–130 IIIB)

Epitope HEDIISLWDQSLKPCVKLT

Immunogen

Species (MHC) human

References Furci *et al.* 1997

- 9/11 exposed-uninfected individuals in this study had a proliferative response to a C5 peptide, but none reacted with this previously defined epitope.

HXB2 Location gp160 (108–119)

Author Location gp120 (108–119 LAI)

Epitope IISLWDQSLKPC

Subtype B

Immunogen HIV-1 infection

Species (MHC) human

References Schrier *et al.* 1989

- Stimulates T-cell proliferation in HIV-infected donors.

HXB2 Location gp160 (110–125)

Author Location gp120 (110–125)

Epitope SLWDQSLKPCVKLTPL

Immunogen HIV-1 infection

Species (MHC) human

Keywords rate of progression

References Caruso *et al.* 1997

- As HIV-1-infected individuals progress to disease, T-cells show reduced ability to proliferate in response to HIV antigen, but retain the ability to express the activation antigens CD25 and CD71.
- The ability to express activation markers in response to HIV is retained, but the response to tetanus toxoid recall antigen is lost.
- This study investigated CD25 and CD71 expression in PBMC from patients at various stages of progression, measuring the response to *in vitro* stimulation by peptide cocktail containing four antigenic Env peptides, or p17 and p24.

HXB2 Location gp160 (111–123)

Author Location gp120 (118–130)

Epitope LWDQSLKPCVKLT

Immunogen vaccine

Vector/Type: peptide

Species (MHC) macaque

References Nehete *et al.* 1993

- Synthetic peptide derived from conserved region of the HIV-1 envelope that stimulates a proliferative response in mice.

- Proliferative response to this peptide was observed in 3/3 immunized rhesus monkeys.

HXB2 Location gp160 (112–130)

Author Location gp120 (112–130 IIIB)

Epitope WDQSLKPCVKLTPLCVSLK?

Epitope name B4

Subtype B

Immunogen HIV-1 infection

Species (MHC) human

References Geretti *et al.* 1994

- Th proliferative responses were studied in 36 asymptomatic HIV-1 + patients. PBMC from 15/36 patients responded to stimulation with gp120 synthetic overlapping peptide pools. 10 of the responding patients recognized three or more peptide pools.
- After 12 months, most responses were lost or diminished, and specific responses fluctuated. 4/10 of the responders at baseline had new responses at 12 months, as did 5/15 non-responders.
- IL-2 production was a more sensitive and well-preserved measure of Th function than proliferation.
- 3/15 responders recognized this peptide, average SI = 4.4.

HXB2 Location gp160 (112–141)

Author Location gp120 (112–141 NL43)

Epitope WDQSLKPCVKLTPLCVSLKCTDLGNATNTN

Immunogen vaccine

Vector/Type: protein *Strain:* B clade NL43

HIV component: gp120, gp160

Species (MHC) human

References Sitz *et al.* 1999

- There was a great breadth of proliferative response to env peptides in 19 HIV-1 infected rgp160 and 17 HIV-1 infected rgp120 vaccine recipients.
- Over 35% of vaccinees had a stimulation index of greater than 5 to this peptide.

HXB2 Location gp160 (115–126)

Author Location gp120 (115–126 LAI)

Epitope SLKPCVKLTPLC

Subtype B

Immunogen HIV-1 infection

Species (MHC) human

References Schrier *et al.* 1989

- Stimulates T-cell proliferation in HIV-infected donors.

HXB2 Location gp160 (115–129)

Author Location gp120 (115–129 LAI)

Epitope SLKPCVKLTPLCVSL

Subtype B

Immunogen peptide-HLA interaction

Species (MHC) human (HLA-DR)

Keywords binding affinity

References Gaudebout *et al.* 1997

- Peptide bound to both HLA-DR*1101 and HLA-DR*0401 with high affinity.
- Because of the distinctive binding pockets of HLA-DR*1101 and HLA-DR*0401, peptides that bound both were considered candidates for promiscuous HLA-DR binding.

HXB2 Location gp160 (121–140)
Author Location gp120 (120–139 89.6)
Epitope KLTPLCVTLNCTNLNITKNT
Epitope name Peptide 10
Immunogen vaccine
Vector/Type: protein *Strain:* B clade 89.6
HIV component: gp120 *Adjuvant:* E. coli mutant heat labile enterotoxin (LT-R72)

Species (MHC) mouse

Donor MHC H-2d

Keywords epitope processing, immunodominance

References Dai *et al.* 2001

- Helper T-cell proliferative responses to gp120 vaccines in 2 mouse strains, CBA/J and BALB/c, were mapped using 47 overlapping peptides that span gp120. Promiscuously immunodominant peptides were identified in both mice strains that were located in the outer domain of gp120 and were associated with regions of local structural disorder in proximal N-terminal segments, suggesting 3-D protein structure influences Th antigen processing and the frequency of immunogenic sequences.
- This peptide was highly reactive in 5/10 BALB/c mice tested, but not in and (0/10) CBA/J mice.

HXB2 Location gp160 (121–141)

Author Location gp120 (131–151 IIIB)

Epitope KLTPLCVSLKCTDLKNDTNTN?

Epitope name C1

Subtype B

Immunogen HIV-1 infection

Species (MHC) human

References Geretti *et al.* 1994

- Th proliferative responses were studied in 36 asymptomatic HIV-1 + patients. PBMC from 15/36 patients responded to stimulation with gp120 synthetic overlapping peptide pools. 10 of the responding patients recognized three or more peptide pools.
- After 12 months, most responses were lost or diminished, and specific responses fluctuated. 4/10 of the responders at baseline had new responses at 12 months, as did 5/15 non-responders.
- IL-2 production was a more sensitive and well-preserved measure of Th function than proliferation.
- 3/15 responders recognized this peptide, average SI = 3.9.

HXB2 Location gp160 (122–141)

Author Location gp120 (121–140 MN)

Epitope LTPLCVTLNCTDLRNTTNTN

Epitope name 1931

Subtype B

Immunogen vaccine

Vector/Type: DNA, protein *Strain:* B clade MN *HIV component:* gp120 *Adjuvant:* Complete Freund's Adjuvant (CFA)

Species (MHC) guinea pig

Keywords vaccine-specific epitope characteristics, Th1

References Chattergoon *et al.* 2002

- Hartley guinea pigs were intradermally injected with either recombinant protein or plasmid expressed gp120 and monitored for delayed type hypersensitivity (DTH) responses after vaccination, which are related to Th1 T-cell responses. CFA did not augment responses in animals vaccinated with plasmid.

- A total of 7 gp120 peptides elicited a delayed type hypersensitivity (DTH) response after vaccination, out of a set of 60 overlapping peptides that spanned gp120. The vaccine delivery system, DNA versus rec protein, resulted in the recognition of distinct peptides.
- 3/5 animals vaccinated with rec gp120 responded by DTH to this peptide, while 0/6 vaccinated with plasmid gp120 DNA responded.

HXB2 Location gp160 (122–141)

Author Location gp120 (122–141 IIIB)

Epitope LTPLCVSLKCTDLKNDTNTN?

Epitope name B5

Immunogen HIV-1 infection

Species (MHC) human

References Geretti *et al.* 1994

- Th proliferative responses were studied in 36 asymptomatic HIV-1 + patients. PBMC from 15/36 patients responded to stimulation with gp120 synthetic overlapping peptide pools. 10 of the responding patients recognized three or more peptide pools.
- After 12 months, most responses were lost or diminished, and specific responses fluctuated. 4/10 of the responders at baseline had new responses at 12 months, as did 5/15 non-responders.
- 1/15 responders recognized this peptide, SI = 3.1.

HXB2 Location gp160 (136–155)

Author Location gp120 (141–160 MN)

Epitope NSTAWNNSNSEGTIKGGEMK

Epitope name 1932

Subtype B

Immunogen vaccine

Vector/Type: DNA, protein *Strain:* B clade MN *HIV component:* gp120 *Adjuvant:* Complete Freund's Adjuvant (CFA)

Species (MHC) guinea pig

Keywords vaccine-specific epitope characteristics, Th1

References Chattergoon *et al.* 2002

- Hartley guinea pigs were intradermally injected with either recombinant protein or plasmid expressed gp120 and monitored for delayed type hypersensitivity (DTH) responses after vaccination, which are related to Th1 T-cell responses. CFA did not augment responses in animals vaccinated with plasmid.
- A total of 7 gp120 peptides elicited a delayed type hypersensitivity (DTH) response after vaccination, out of a set of 60 overlapping peptides that spanned gp120. The vaccine delivery system, DNA versus rec protein, resulted in the recognition of distinct peptides.
- 4/5 animals vaccinated with rec gp120 responded by DTH to this peptide, as did 2/6 vaccinated with plasmid gp120 DNA.

HXB2 Location gp160 (138–159)

Author Location gp120 (141–160 W6.ID)

Epitope TTSNGWTGEIRKGEIKNSF

Immunogen vaccine

Vector/Type: protein *Strain:* B clade W61D *HIV component:* gp120 *Adjuvant:* MPL-SE adjuvant, QS21

Species (MHC) human

References Jones *et al.* 1999

- An HIV seronegative volunteer was vaccinated with rgp120 and a QS21/MPL adjuvant and HIV-1 specific T-cell lines were isolated.
- The IIIB version of this peptide does not induce proliferation in the T-cell line that responds to the W61D version of the peptide: IIIB: tsnSSGRMIMEgeikncsf.

HXB2 Location gp160 (142–161)
Author Location gp120 (142–161 IIIB)
Epitope SSSGRMIMEKGEIKNCSFNI?
Epitope name C2
Subtype B
Immunogen HIV-1 infection
Species (MHC) human
Keywords immunodominance
References Geretti *et al.* 1994

- Th proliferative responses were studied in 36 asymptomatic HIV-1 + patients. PBMC from 15/36 patients responded to stimulation with gp120 synthetic overlapping peptide pools. 10 of the responding patients recognized three or more peptide pools.
- After 12 months, most responses were lost or diminished, and specific responses fluctuated. 4/10 of the responders at baseline had new responses at 12 months, as did 5/15 non-responders.
- IL-2 production was a more sensitive and well-preserved measure of Th function than proliferation.
- Five peptides were recognized most frequently: C2 (aa 142-161), C3 (aa 152-171), C5 (aa 172-191), E5 (aa 272-291) and G4 (aa 380-393). The first three were in or near V2, the other two were proximal to the V3 and V4 loops.
- 4/15 responders recognized this immunodominant peptide, average SI = 4.3.

HXB2 Location gp160 (147–168)
Author Location gp120 (152–173 NL43)
Epitope MMMEKGEIKNCSFNISTSIIRGK
Immunogen vaccine
Vector/Type: protein *Strain:* B clade NL43
HIV component: gp120, gp160
Species (MHC) human
References Sitz *et al.* 1999

- There was a great breadth of proliferative response to env peptides in 19 HIV-1 infected rgp160 and 17 HIV-1 infected rgp120 vaccine recipients.
- Over 50% of vaccinees had a stimulation index of greater than 5 to this peptide.

HXB2 Location gp160 (152–171)
Author Location gp120 (152–171 IIIB)
Epitope GEIKNCSFNISTSIIRGKVQK?
Epitope name C3
Subtype B
Immunogen HIV-1 infection
Species (MHC) human
Keywords immunodominance
References Geretti *et al.* 1994

- Th proliferative responses were studied in 36 asymptomatic HIV-1 + patients. PBMC from 15/36 patients responded to stimulation with gp120 synthetic overlapping peptide pools. 10 of the responding patients recognized three or more peptide pools.
- After 12 months, most responses were lost or diminished, and specific responses fluctuated. 4/10 of the responders at baseline had new responses at 12 months, as did 5/15 non-responders.
- IL-2 production was a more sensitive and well-preserved measure of Th function than proliferation.
- Five peptides were recognized most frequently: C2 (aa 142-161), C3 (aa 152-171), C5 (aa 172-191), E5 (aa 272-291) and G4 (aa 380-393). The first three were in or near V2, the other two were proximal to the V3 and V4 loops.
- 4/15 responders recognized this immunodominant peptide, average SI = 4.4.

HXB2 Location gp160 (155–169)
Author Location Env (UG92005)
Epitope KNCSFNITTELIDKK

Immunogen vaccine
Vector/Type: DNA, protein, vaccinia *Strain:* B clade 1007, D clade UG92005
HIV component: gp140 *Adjuvant:* Complete Freund's Adjuvant (CFA)

Species (MHC) mouse (H-2 IA^b)
Keywords subtype comparisons, epitope processing, TCR usage
References Surman *et al.* 2001

- This epitope is located in the V2 region of UG92005 (UG, clade D) and the hybridoma that recognized it used Vβ5.
- C57BL/6 mice were immunized with a prime-boost strategy involving three HIV-1 Env antigens: Mice were primed with DNA given i.m., 3–4 weeks later boosted with VV, and 3–4 weeks later boosted again with purified protein in Freund's adjuvant.
- The vaccinia construct is a pSC11-based VV vector with the first 38 amino acids contributed by BH10 and the rest of gp120 and gp41 by the vaccine strain, the DNA construct is in the pJW4303 vector with a CMV promoter, and the purified protein is expressed from the pJW4303 vector transfected into CHO-K1 cells.
- Ten days after the final boost, hybridomas were made and tested for IL-2 production using either B6 spleen cells or H-2 IA^b transfected L cells as targets and Vβ usage was determined.
- Mice were immunized with an Env from either one of two clades: HIV-1 1007, a clade B strain isolated from an individual from Memphis Tennessee, and HIV-1 92UG005, a clade D vaccine isolated from Uganda in 1992 through the WHO.
- 80 unique clonotypes were characterized from six mice.
- H-2 IA^b restricted T-helper epitopes were concentrated in 5 distinct regions within the Env sequence (2 clonotype responses in V2, 26 in C2, 22 in V3, 23 in V4C4, and 7 in gp41).
- Epitope hotspots tended to be proximal to heavily glycosylated regions of the Env sequence, in exposed, non-helical strands of the protein. The non-uniform localization may be influenced by differential antigen processing and the glycosylation site proximity may allow binding to lectins and promote trafficking through processing pathways.

HXB2 Location gp160 (155–169)
Author Location gp120 (160–174 LAI)
Epitope KNCSFNISTSIRGKV
Subtype B

Immunogen

Species (MHC) human (HLA-DR)

Keywords binding affinity

References Gaudebout *et al.* 1997

- Peptide binds to both HLA-DR*1101 and HLA-DR*0401 with high affinity.
- Because of the distinctive binding pockets of HLA-DR*1101 and HLA-DR*0401, peptides that bound both were considered candidates for promiscuous HLA-DR binding.

HXB2 Location gp160 (159–178)
Author Location gp120 (160–179 89.6)
Epitope FYITTSIRNKVKKEYALFNR

Epitope name Peptide 14

Immunogen vaccine

Vector/Type: protein *Strain:* B clade 89.6
HIV component: gp120 *Adjuvant:* E. coli mutant heat labile enterotoxin (LT-R72)

Species (MHC) mouse

Donor MHC H-2k, H2-d

Keywords epitope processing, immunodominance

References Dai *et al.* 2001

- Helper T-cell proliferative responses to gp120 vaccines in 2 mouse strains, CBA/J and BALB/c, were mapped using 47 overlapping peptides that span gp120. Promiscuously immunodominant peptides were identified in both mice strains that were located in the outer domain of gp120 and were associated with regions of local structural disorder in proximal N-terminal segments, suggesting 3-D protein structure influences Th antigen processing and the frequency of immunogenic sequences.
- This peptide was highly reactive in 6/10 BALB/c mice tested, and in 4/10 CBA/J mice.

HXB2 Location gp160 (162–181)
Author Location gp120 (162–181 IIIB)
Epitope STSIRGKVQKEYAFFYKLDI

Immunogen vaccine

Vector/Type: DNA *Strain:* B clade IIIB
HIV component: Env

Species (MHC) macaque

References Lekutis *et al.* 1997

- HIV-1 env DNA vaccine induced Th cell response to this epitope in a rhesus monkeys.

HXB2 Location gp160 (162–182)
Author Location gp120 (162–182 IIIB)
Epitope STSIRGKVQKEYAFFYKLDII?

Epitope name C4

Subtype B

Immunogen HIV-1 infection

Species (MHC) human

References Geretti *et al.* 1994

- Th proliferative responses were studied in 36 asymptomatic HIV-1 + patients. PBMC from 15/36 patients responded to stimulation with gp120 synthetic overlapping peptide pools. 10 of the responding patients recognized three or more peptide pools.
- After 12 months, most responses were lost or diminished, and specific responses fluctuated. 4/10 of the responders at baseline had new responses at 12 months, as did 5/15 non-responders.
- IL-2 production was a more sensitive and well-preserved measure of Th function than proliferation.
- 1/15 responders recognized this peptide, SI = 3.3.

HXB2 Location gp160 (166–185)
Author Location gp120 (MN)
Epitope RDKMQKEYALLYKLDIVSID
Epitope name RD20
Subtype B

Immunogen HIV-1 infection

Species (MHC) human

Assay type Cytokine production, proliferation, CD4 T-cell Elispot - IFN γ , Intracellular cytokine staining

Keywords HAART, ART, acute/early infection

References Malhotra *et al.* 2003

- 92 acute- or early-HIV infected subjects were tested for Env- and Gag-specific Th responses. There was an overall low probability of detecting HIV-1-specific Th responses, Env responses were rare and (5%) and only detected very early in infection, probably reflecting a low frequency of response and impaired lymphoproliferative capacity, not viral escape. Gag-specific Th responses were observed more frequently (16%), were found throughout the acute and early infection phases, and predominated after ARV therapy.
- This epitope is one of six Env-specific Th responses detected in one patient 11 days post-infection that were studied in detail. These Th responses were not detected at subsequent time points, despite the Env specific Th cells being maintained as detected by TCR clonal transcripts, and the epitope sequence being maintained in Env.

HXB2 Location gp160 (169–189)
Author Location gp120 (141–160 W6.ID)
Epitope VQKEYALFYNLDDVPIDDDNA
Immunogen vaccine

Vector/Type: protein *Strain:* B clade W61D
HIV component: gp120 *Adjuvant:* MPL-SE adjuvant, QS21

Species (MHC) human

References Jones *et al.* 1999

- An HIV seronegative volunteer was vaccinated with rgp120 and a QS21/MPL adjuvant and HIV-1 specific T-cell lines were isolated.
- The IIIB version of this peptide does not induce proliferation in the T-cell line that responds to the W61D version of the peptide —F-K-II—N-TT vqkeyaFfyKldIIPidNdTT.
- Two T-cell lines react specifically with this peptide.

HXB2 Location gp160 (172–191)
Author Location gp120 (172–191 IIIB)
Epitope EYAFFYKLDIIPIDNDTTSY

- Immunogen** vaccine
Vector/Type: DNA *Strain:* B clade IIIB
HIV component: Env
- Species (MHC)** macaque
- References** Lektutis *et al.* 1997
- HIV-1 env DNA vaccine induced Th cell response to this epitope in a rhesus monkey.
- HXB2 Location** gp160 (172–191)
- Author Location** gp120 (172–191 IIIB)
- Epitope** EYAFFYKLDIIPIDNDTTSY?
- Epitope name** C5
- Subtype** B
- Immunogen** HIV-1 infection
- Species (MHC)** human
- Keywords** immunodominance
- References** Geretti *et al.* 1994
- Th proliferative responses were studied in 36 asymptomatic HIV-1 + patients. PBMC from 15/36 patients responded to stimulation with gp120 synthetic overlapping peptide pools. 10 of the responding patients recognized three or more peptide pools.
 - After 12 months, most responses were lost or diminished, and specific responses fluctuated. 4/10 of the responders at baseline had new responses at 12 months, as did 5/15 non-responders.
 - IL-2 production was a more sensitive and well-preserved measure of Th function than proliferation.
 - Five peptides were recognized most frequently: C2 (aa 142–161), C3 (aa 152–171), C5 (aa 172–191), E5 (aa 272–291) and G4 (aa 380–393). The first three were in or near V2, the other two were proximal to the V3 and V4 loops.
 - 4/15 responders recognized this immunodominant peptide, average SI = 7.4.
- HXB2 Location** gp160 (175–189)
- Author Location** Env (UG92005)
- Epitope** LFYKLDVVQIDNSTN
- Immunogen** vaccine
Vector/Type: DNA, protein, vaccinia *Strain:* B clade 1007, D clade UG92005 *HIV component:* gp140 *Adjuvant:* Complete Freund's Adjuvant (CFA)
- Species (MHC)** mouse (H-2 IA^b)
- Keywords** subtype comparisons, epitope processing, TCR usage
- References** Surman *et al.* 2001
- This epitope is located in the V2 region of UG92005 (UG, clade D) and the V β usage of the TCR was not determined.
 - C57BL/6 mice were immunized with a prime-boost strategy involving three HIV-1 Env antigens: Mice were primed with DNA given i.m., 3–4 weeks later boosted with VV, and 3–4 weeks later boosted again with purified protein in Freund's adjuvant.
 - The vaccinia construct is a pSC11-based VV vector with the first 38 amino acids contributed by BH10 and the rest of gp120 and gp41 by the vaccine strain, the DNA construct is in the pJW4303 vector with a CMV promoter, and the purified protein is expressed from the pJW4303 vector transfected into CHO-K1 cells.

- Ten days after the final boost, hybridomas were made and tested for IL-2 production using either B6 spleen cells or H-2 IA^b transfected L cells as targets and V β usage was determined.
- Mice were immunized with an Env from either one of two clades: HIV-1 1007, a clade B strain isolated from an individual from Memphis Tennessee, and HIV-1 92UG005, a clade D vaccine isolated from Uganda in 1992 through the WHO.
- 80 unique clonotypes were characterized from six mice.
- H-2 IA^b restricted T-helper epitopes were concentrated in 5 distinct regions within the Env sequence (2 clonotype responses in V2, 26 in C2, 22 in V3, 23 in V4C4, and 7 in gp41).
- Epitope hotspots tended to be proximal to heavily glycosylated regions of the Env sequence, in exposed, non-helical strands of the protein. The non-uniform localization may be influenced by differential antigen processing and the glycosylation site proximity may allow binding to lectins and promote trafficking through processing pathways.

HXB2 Location gp160 (186–208)

Author Location Env

Epitope NDNTSYRLISCNTSVITQACPKV

Epitope name HIV_env_DRB0101_3

Subtype M

Immunogen HIV-1 infection

Species (MHC) human

Country United States.

Assay type T-cell Elispot

Keywords computational epitope prediction

References De Groot *et al.* 2004

- Bioinformatic tools (EpiMatrix and Conservatrix) were employed to predict 9 highly conserved and promiscuous class II restricted T helper epitopes from HIV-1 env sequences for a cross-clade polyepitope vaccine. 10/34 HIV-1 infected patients induced Th1 immune responses to 8/9 study peptides.
- 5/34 subjects tested responded to this peptide.
- Class II peptides containing putative epitopes were selected to favor DRB0101 presentation, as there is a transgenic mouse model for this allele for future vaccine studies. The highest scoring DRB0101 sequence of this peptide was YRLISCNTS.

HXB2 Location gp160 (186–215)

Author Location gp120 (191–220 NL43)

Epitope NDTTSYTLTSCNTSVITQACPKVSFEPIPI

Immunogen vaccine

Vector/Type: protein *Strain:* B clade NL43

HIV component: gp120, gp160

Species (MHC) human

References Sitz *et al.* 1999

- There was a great breadth of proliferative response to env peptides in 19 HIV-1 infected rgp160 and 17 HIV-1 infected rgp120 vaccine recipients.
- Over 30% of vaccinees had a stimulation index of greater than 5 to this peptide.

HXB2 Location gp160 (188–207)

Author Location gp120 (190–209 89.6)

Epitope NTKYRLISCNTSVITQACPK

Immunogen vaccine

Vector/Type: protein *Strain:* B clade 89.6
HIV component: gp120 *Adjuvant:* E. coli mutant heat labile enterotoxin (LT-R72)

Species (MHC) mouse (H-2^k)

Keywords immunodominance

References Dai *et al.* 2001

- Promiscuous immunodominant epitopes in gp120 were mapped by overlapping peptides in CBA/J H-2^k and BALB/c H-2^d mice, and all were found to be in the outer domain, proximal to regions of structural disorder indicated by the crystal structure or by sequence divergence.
- This peptide was recognized by 9/10 CBA/J with an average SI of 9.8, one of the two immunodominant peptides in CBA/J mice, and not by BALB/c mice, so is considered to be uniquely immunodominant for H-2^k
- Uniquely immunodominant sequences tended to be in the inner domain of the protein.

HXB2 Location gp160 (188–207)

Author Location gp120 (89.6)

Epitope NTKYRLISCVITQACPK

Epitope name Peptide 17

Immunogen vaccine

Vector/Type: protein *Strain:* B clade 89.6
HIV component: gp120 *Adjuvant:* E. coli mutant heat labile enterotoxin (LT-R72)

Species (MHC) mouse

Donor MHC H-2k, H2-d

Keywords epitope processing, immunodominance

References Dai *et al.* 2001

- Helper T-cell proliferative responses to gp120 vaccines in 2 mouse strains, CBA/J and BALB/c, were mapped using 47 overlapping peptides that span gp120. Promiscuously immunodominant peptides were identified in both mice strains that were located in the outer domain of gp120 and were associated with regions of local structural disorder in proximal N-terminal segments, suggesting 3-D protein structure influences Th antigen processing and the frequency of immunogenic sequences.
- This peptide was reactive in only 1/10 BALB/c mice tested, but was one of the most reactive in CBA/J mice, reacting with 9/10 mice.

HXB2 Location gp160 (190–212)

Author Location Env (185–215)

Epitope SYRLISCVITQACPKVSFEP

Epitope name HIV_env_DRB0101_62

Subtype M

Immunogen HIV-1 infection

Species (MHC) human

Country United States.

Assay type T-cell Elispot

Keywords computational epitope prediction

References De Groot *et al.* 2004

- Bioinformatic tools (EpiMatrix and Conservatrix) were employed to predict 9 highly conserved and promiscuous class II restricted T helper epitopes from HIV-1 env sequences for a cross-clade polyepitope vaccine. 10/34 HIV-1 infected patients induced Th1 immune responses to 8/9 study peptides.
- 1/34 subjects tested responded to this peptide.

- Class II peptides containing putative epitopes were selected to favor DRB0101 presentation, as there is a transgenic mouse model for this allele for future vaccine studies. The highest scoring DR B0101 sequence of this peptide was NTSVITQA.

HXB2 Location gp160 (192–211)

Author Location gp120 (192–211 IIIB)

Epitope KLTSCNTSVITQACPKVSFE?

Epitope name D2

Immunogen HIV-1 infection

Species (MHC) human

References Geretti *et al.* 1994

- Th proliferative responses were studied in 36 asymptomatic HIV-1 + patients. PBMC from 15/36 patients responded to stimulation with gp120 synthetic overlapping peptide pools. 10 of the responding patients recognized three or more peptide pools.
- After 12 months, most responses were lost or diminished, and specific responses fluctuated. 4/10 of the responders at baseline had new responses at 12 months, as did 5/15 non-responders.
- IL-2 production was a more sensitive and well-preserved measure of Th function than proliferation.
- 1/15 responders recognized this peptide, SI = 3.6.

HXB2 Location gp160 (193–218)

Author Location gp120 (193–218)

Epitope LTSCNSVITQACPKVSFEPIPIHYC

Immunogen vaccine

Vector/Type: protein *HIV component:* gp160

Species (MHC) mouse (H-2^d, H-2^b)

References Sjolander *et al.* 1996

- Study showing that T-cell determinants from glycoproteins can be dependent on the glycosylation of the protein.

HXB2 Location gp160 (198–212)

Author Location Env (1007)

Epitope TSVITQACPKVSFEP

Immunogen vaccine

Vector/Type: DNA, protein, vaccinia *Strain:* B clade 1007, D clade UG92005 *HIV component:* gp140 *Adjuvant:* Complete Freund's Adjuvant (CFA)

Species (MHC) mouse (H-2 IA^b)

Keywords subtype comparisons, epitope processing, TCR usage

References Surman *et al.* 2001

- This epitope is located in the C2 region of 1007 (US, clade B) and the V β usage of the TCRs for two clonotypes was V β 3 and V β 8.1-2.
- C57BL/6 mice were immunized with a prime-boost strategy involving three HIV-1 Env antigens: Mice were primed with DNA given i.m., 3-4 weeks later boosted with VV, and 3-4 weeks later boosted again with purified protein in Freund's adjuvant.
- The vaccinia construct is a pSC11-based VV vector with the first 38 amino acids contributed by BH10 and the rest of gp120 and gp41 by the vaccine strain, the DNA construct is in the pJW4303 vector with a CMV promoter, and the purified protein

is expressed from the pJW4303 vector transfected into CHO-K1 cells.

- Ten days after the final boost, hybridomas were made and tested for IL-2 production using either B6 spleen cells or H-2 IA^b transfected L cells as targets and V β usage was determined.
- Mice were immunized with an Env from either one of two clades: HIV-1 1007, a clade B strain isolated from an individual from Memphis Tennessee, and HIV-1 92UG005, a clade D vaccine isolated from Uganda in 1992 through the WHO.
- 80 unique clonotypes were characterized from six mice.
- H-2 IA^b restricted T-helper epitopes were concentrated in 5 distinct regions within the Env sequence (2 clonotype responses in V2, 26 in C2, 22 in V3, 23 in V4C4, and 7 in gp41).
- Epitope hotspots tended to be proximal to heavily glycosylated regions of the Env sequence, in exposed, non-helical strands of the protein. The non-uniform localization may be influenced by differential antigen processing and the glycosylation site proximity may allow binding to lectins and promote trafficking through processing pathways.

HXB2 Location gp160 (198–215)

Author Location Env (1007)

Epitope TSVITQACPKVSFEPIPI

Immunogen vaccine

Vector/Type: DNA, protein, vaccinia *Strain:* B clade 1007, D clade UG92005 *HIV component:* gp140 *Adjuvant:* Complete Freund's Adjuvant (CFA)

Species (MHC) mouse (H-2 IA^b)

Keywords subtype comparisons, epitope processing, TCR usage

References Surman *et al.* 2001

- This epitope is located in the C2 region of 1007 (US, clade B) and the V β usage of the TCR was V β 6.
- C57BL/6 mice were immunized with a prime-boost strategy involving three HIV-1 Env antigens: Mice were primed with DNA given i.m., 3-4 weeks later boosted with VV, and 3-4 weeks later boosted again with purified protein in Freund's adjuvant.
- The vaccinia construct is a pSC11-based VV vector with the first 38 amino acids contributed by BH10 and the rest of gp120 and gp41 by the vaccine strain, the DNA construct is in the pJW4303 vector with a CMV promoter, and the purified protein is expressed from the pJW4303 vector transfected into CHO-K1 cells.
- Ten days after the final boost, hybridomas were made and tested for IL-2 production using either B6 spleen cells or H-2 IA^b transfected L cells as targets and V β usage was determined.
- Mice were immunized with an Env from either one of two clades: HIV-1 1007, a clade B strain isolated from an individual from Memphis Tennessee, and HIV-1 92UG005, a clade D vaccine isolated from Uganda in 1992 through the WHO.
- 80 unique clonotypes were characterized from six mice.
- H-2 IA^b restricted T-helper epitopes were concentrated in 5 distinct regions within the Env sequence (2 clonotype responses in V2, 26 in C2, 22 in V3, 23 in V4C4, and 7 in gp41).
- Epitope hotspots tended to be proximal to heavily glycosylated regions of the Env sequence, in exposed, non-helical strands of the protein. The non-uniform localization may be influenced by differential antigen processing and the glycosylation site

proximity may allow binding to lectins and promote trafficking through processing pathways.

HXB2 Location gp160 (199–211)

Author Location gp120 (204–216)

Epitope SVITQACSKVSFE

Immunogen vaccine

Vector/Type: peptide

Species (MHC) mouse (H-2^{b_{bk}}, H-2^{s_{xd}})

References Sastry & Arlinghaus 1991

- Peptides induced T-cell proliferative response in mice representing four haplotypes.

HXB2 Location gp160 (199–211)

Author Location Env (204–216)

Epitope SVITQACSKVSFE

Immunogen vaccine

Vector/Type: peptide

Species (MHC) macaque

References Nehete *et al.* 1993

- Synthetic peptide derived from conserved region of the HIV-1 envelope that stimulates a proliferative response in mice.
- A weak or transient proliferative response to this peptide was observed in 3/3 immunized rhesus monkeys.

HXB2 Location gp160 (199–211)

Author Location Env (204–216)

Epitope SVITQACSKVSFE

Immunogen HIV-1 infection

Species (MHC) human, chimpanzee

References Nehete *et al.* 1998b

- HIV-infected chimpanzees and HIV-positive patients show positive proliferative responses to multiple peptides from five conserved regions of the HIV-1 Env.

HXB2 Location gp160 (200–214)

Author Location gp120 (205–219 LAI)

Epitope VITQACPKVSFEPII

Subtype B

Immunogen peptide-HLA interaction

Species (MHC) human (HLA-DR)

Keywords binding affinity

References Gaudebout *et al.* 1997

- Peptide binds to both HLA-DR*1101 and HLA-DR*0401 with high affinity.
- Because of the distinctive binding pockets of HLA-DR*1101 and HLA-DR*0401, peptides that bound both were considered candidates for promiscuous HLA-DR binding.

HXB2 Location gp160 (201–212)

Author Location Env (1007)

Epitope ITQACPKVSFEP

Immunogen vaccine

Vector/Type: DNA, protein, vaccinia *Strain:*

B clade 1007, D clade UG92005 *HIV*

component: gp140 *Adjuvant:* Complete

Freund's Adjuvant (CFA)

Species (MHC) mouse (H-2 IA^b)

Keywords subtype comparisons, epitope processing, TCR usage

References Surman *et al.* 2001

- This epitope is located in the C2 region of 1007 (US, clade B) and the V β usage of the TCR was V β 3.
- The epitope described here is the region of overlap of two 15mers that were both able to stimulate IL-2 production from the hybridoma (TSVITQACPKVSFEP and ITQACPKVSFEPIPI)
- C57BL/6 mice were immunized with a prime-boost strategy involving three HIV-1 Env antigens: Mice were primed with DNA given i.m., 3-4 weeks later boosted with VV, and 3-4 weeks later boosted again with purified protein in Freund's adjuvant.
- The vaccinia construct is a pSC11-based VV vector with the first 38 amino acids contributed by BH10 and the rest of gp120 and gp41 by the vaccine strain, the DNA construct is in the pJW4303 vector with a CMV promoter, and the purified protein is expressed from the pJW4303 vector transfected into CHO-K1 cells.
- Ten days after the final boost, hybridomas were made and tested for IL-2 production using either B6 spleen cells or H-2 IA^b transfected L cells as targets and V β usage was determined.
- Mice were immunized with an Env from either one of two clades: HIV-1 1007, a clade B strain isolated from an individual from Memphis Tennessee, and HIV-1 92UG005, a clade D vaccine isolated from Uganda in 1992 through the WHO.
- 80 unique clonotypes were characterized from six mice.
- H-2 IA^b restricted T-helper epitopes were concentrated in 5 distinct regions within the Env sequence (2 clonotype responses in V2, 26 in C2, 22 in V3, 23 in V4C4, and 7 in gp41).
- Epitope hotspots tended to be proximal to heavily glycosylated regions of the Env sequence, in exposed, non-helical strands of the protein. The non-uniform localization may be influenced by differential antigen processing and the glycosylation site proximity may allow binding to lectins and promote trafficking through processing pathways.

HXB2 Location gp160 (206–220)**Author Location** Env (1007)**Epitope** PKVSFEPIPIHYCAP**Immunogen** vaccine*Vector/Type:* DNA, protein, vaccinia *Strain:* B clade 1007, D clade UG92005 *HIV component:* gp140 *Adjuvant:* Complete Freund's Adjuvant (CFA)**Species (MHC)** mouse (H-2 IA^b)**Keywords** subtype comparisons, epitope processing**References** Surman *et al.* 2001

- This epitope is located in the C2 region of 1007 (US, clade B) and 12 hybridomas recognized the peptide with V β usage of V β 4,6,7,8.1-2,8.3,11,12 and others not determined.
- C57BL/6 mice were immunized with a prime-boost strategy involving three HIV-1 Env antigens: Mice were primed with DNA given i.m., 3-4 weeks later boosted with VV, and 3-4 weeks later boosted again with purified protein in Freund's adjuvant.
- The vaccinia construct is a pSC11-based VV vector with the first 38 amino acids contributed by BH10 and the rest of gp120 and gp41 by the vaccine strain, the DNA construct is in the pJW4303 vector with a CMV promoter, and the purified protein is expressed from the pJW4303 vector transfected into CHO-K1 cells.

- Ten days after the final boost, hybridomas were made and tested for IL-2 production using either B6 spleen cells or H-2 IA^b transfected L cells as targets and V β usage was determined.
- Mice were immunized with an Env from either one of two clades: HIV-1 1007, a clade B strain isolated from an individual from Memphis Tennessee, and HIV-1 92UG005, a clade D vaccine isolated from Uganda in 1992 through the WHO.
- 80 unique clonotypes were characterized from six mice.
- H-2 IA^b restricted T-helper epitopes were concentrated in 5 distinct regions within the Env sequence (2 clonotype responses in V2, 26 in C2, 22 in V3, 23 in V4C4, and 7 in gp41).
- Epitope hotspots tended to be proximal to heavily glycosylated regions of the Env sequence, in exposed, non-helical strands of the protein. The non-uniform localization may be influenced by differential antigen processing and the glycosylation site proximity may allow binding to lectins and promote trafficking through processing pathways.

HXB2 Location gp160 (206–220)**Author Location** Env (gp160)**Epitope** PKVSFEPIPIHYCAP**Subtype** B, D**Immunogen** vaccine*Vector/Type:* DNA, protein, vaccinia *Strain:* B clade 1007, D clade UG92005 *HIV component:* Env *Adjuvant:* Complete Freund's Adjuvant (CFA)**Species (MHC)** mouse (H2b)**Assay type** Cytokine production, CD4 T-cell Elispot - IFN γ **Keywords** vaccine-induced epitopes, variant cross-recognition or cross-neutralization, vaccine antigen design**References** Zhan *et al.* 2004

- To develop a polyvalent Env vaccine, subtype specific B and D T-helper epitopes were identified, and mixtures of strain 1007, clade B, or UG92005, clade D envelopes were given to C57BL/6J mice. Mice were intramuscularly immunized with recombinant DNA, then intraperitoneally with rVV and finally with env protein in CFA. A dilution of 1/100 could still elicit type specific responses, and responses persisted with different prime boost combinations.
- Priming with 1007 and UG92005 env's induced both Env-specific (SNNTVGNPIILPCR1 and AMYAPPIAGLIQCSS) and cross-reactive (PKVSFEPIPIHYCAP, C2, GNIRQAHCN-VSKAKW, V3-C3) Th responses in murine spleen cells.

HXB2 Location gp160 (206–225)**Author Location** gp120 (211–230 MN)**Epitope** PKISFEPIPIHYCAPAGFAI**Epitope name** 1957**Subtype** B**Immunogen** vaccine*Vector/Type:* DNA, protein *Strain:* B clade MN *HIV component:* gp120 *Adjuvant:* Complete Freund's Adjuvant (CFA)**Species (MHC)** guinea pig**Keywords** vaccine-specific epitope characteristics, Th1**References** Chattergoon *et al.* 2002

- Hartley guinea pigs were intradermally injected with either recombinant protein or plasmid expressed gp120 and monitored for delayed type hypersensitivity (DTH) responses after vaccination, which are related to Th1 T-cell responses. CFA did not augment responses in animals vaccinated with plasmid.
- A total of 7 gp120 peptides elicited a delayed type hypersensitivity (DTH) response after vaccination, out of a set of 60 overlapping peptides that spanned gp120. The vaccine delivery system, DNA versus rec protein, resulted in the recognition of distinct peptides.
- 5/5 animals vaccinated with rec gp120 responded by DTH to this peptide, as did 2/6 vaccinated with plasmid gp120 DNA.

HXB2 Location gp160 (206–230)

Author Location gp120 (206–230)

Epitope PKVSFEPIPIHYCAPAGFAILKCNN

Immunogen vaccine

Vector/Type: protein *HIV component:* gp160

Species (MHC) mouse (H-2^d, H-2^b)

References Sjolander *et al.* 1996

- Study showing that T-cell determinants from glycoproteins can be dependent on the glycosylation of the protein.

HXB2 Location gp160 (208–218)

Author Location Env (UG92005)

Epitope ITFEPIPIHYC

Immunogen vaccine

Vector/Type: DNA, protein, vaccinia *Strain:* B clade 1007, D clade UG92005 *HIV component:* gp140 *Adjuvant:* Complete Freund's Adjuvant (CFA)

Species (MHC) mouse (H-2 IA^b)

Keywords subtype comparisons, epitope processing

References Surman *et al.* 2001

- This epitope is located in the C2 region of UG92005 (UG, clade D) and its was recognized by two hybridomas with V β usage V β 12 and not determined.
- The epitope described here is the region of overlap of two 15 mers that were both able to stimulate IL-2 production from the hybridoma (PKITFEPIPIHYCAP and ITFEPIPIHYCAPAG)
- C57BL/6 mice were immunized with a prime-boost strategy involving three HIV-1 Env antigens: Mice were primed with DNA given i.m., 3-4 weeks later boosted with VV, and 3-4 weeks later boosted again with purified protein in Freund's adjuvant.
- The vaccinia construct is a pSC11-based VV vector with the first 38 amino acids contributed by BH10 and the rest of gp120 and gp41 by the vaccine strain, the DNA construct is in the pJW4303 vector with a CMV promoter, and the purified protein is expressed from the pJW4303 vector transfected into CHO-K1 cells.
- Ten days after the final boost, hybridomas were made and tested for IL-2 production using either B6 spleen cells or H-2 IA^b transfected L cells as targets and V β usage was determined.
- Mice were immunized with an Env from either one of two clades: HIV-1 1007, a clade B strain isolated from an individual from Memphis Tennessee, and HIV-1 92UG005, a clade D vaccine isolated from Uganda in 1992 through the WHO.
- 80 unique clonotypes were characterized from six mice.

- H-2 IA^b restricted T-helper epitopes were concentrated in 5 distinct regions within the Env sequence (2 clonotype responses in V2, 26 in C2, 22 in V3, 23 in V4C4, and 7 in gp41).
- Epitope hotspots tended to be proximal to heavily glycosylated regions of the Env sequence, in exposed, non-helical strands of the protein. The non-uniform localization may be influenced by differential antigen processing and the glycosylation site proximity may allow binding to lectins and promote trafficking through processing pathways.

HXB2 Location gp160 (208–222)

Author Location Env (UG92005)

Epitope ITFEPIPIHYCAPAG

Immunogen vaccine

Vector/Type: DNA, protein, vaccinia *Strain:* B clade 1007, D clade UG92005 *HIV component:* gp140 *Adjuvant:* Complete Freund's Adjuvant (CFA)

Species (MHC) mouse (H-2 IA^b)

Keywords subtype comparisons, epitope processing, TCR usage

References Surman *et al.* 2001

- This epitope is located in the C2 region of UG92005 (UG, clade D) and it was recognized by five hybridomas with V β usage V β 5, 8.2, 12 and not determined.
- C57BL/6 mice were immunized with a prime-boost strategy involving three HIV-1 Env antigens: Mice were primed with DNA given i.m., 3-4 weeks later boosted with VV, and 3-4 weeks later boosted again with purified protein in Freund's adjuvant.
- The vaccinia construct is a pSC11-based VV vector with the first 38 amino acids contributed by BH10 and the rest of gp120 and gp41 by the vaccine strain, the DNA construct is in the pJW4303 vector with a CMV promoter, and the purified protein is expressed from the pJW4303 vector transfected into CHO-K1 cells.
- Ten days after the final boost, hybridomas were made and tested for IL-2 production using either B6 spleen cells or H-2 IA^b transfected L cells as targets and V β usage was determined.
- Mice were immunized with an Env from either one of two clades: HIV-1 1007, a clade B strain isolated from an individual from Memphis Tennessee, and HIV-1 92UG005, a clade D vaccine isolated from Uganda in 1992 through the WHO.
- 80 unique clonotypes were characterized from six mice.
- H-2 IA^b restricted T-helper epitopes were concentrated in 5 distinct regions within the Env sequence (2 clonotype responses in V2, 26 in C2, 22 in V3, 23 in V4C4, and 7 in gp41).
- Epitope hotspots tended to be proximal to heavily glycosylated regions of the Env sequence, in exposed, non-helical strands of the protein. The non-uniform localization may be influenced by differential antigen processing and the glycosylation site proximity may allow binding to lectins and promote trafficking through processing pathways.

HXB2 Location gp160 (208–227)

Author Location gp120 (210–229 89.6)

Epitope VSFQPIPIHYCVPAGFAMLK

Epitope name Peptide 19

Immunogen vaccine

Vector/Type: protein *Strain:* B clade 89.6
HIV component: gp120 *Adjuvant:* E. coli mutant heat labile enterotoxin (LT-R72)

Species (MHC) mouse

Donor MHC H-2k, H2-d

Keywords epitope processing, immunodominance

References Dai *et al.* 2001

- Helper T-cell proliferative responses to gp120 vaccines in 2 mouse strains, CBA/J and BALB/c, were mapped using 47 overlapping peptides that span gp120. Promiscuously immunodominant peptides were identified in both mice strains that were located in the outer domain of gp120 and were associated with regions of local structural disorder in proximal N-terminal segments, suggesting 3-D protein structure influences Th antigen processing and the frequency of immunogenic sequences.
- This peptide was reactive in 6/10 BALB/c mice tested, and in 6/10 CBA/J mice.

HXB2 Location gp160 (209–220)

Author Location gp120 (MN)

Epitope SFPEIPIHYCAP

Epitope name SP12

Subtype B

Immunogen HIV-1 infection

Species (MHC) human (DR)

Assay type Cytokine production, proliferation, CD4 T-cell ELISPOT - IFN γ , Intracellular cytokine staining

Keywords HAART, ART, vaccine-specific epitope characteristics, acute/early infection, cross-presentation by different HLA

References Malhotra *et al.* 2003

- 92 acute- or early-HIV infected subjects were tested for Env- and Gag-specific Th responses. There was an overall low probability of detecting HIV-1-specific Th responses, Env responses were rare and (5%) and only detected very early in infection, probably reflecting a low frequency of response and impaired lymphoproliferative capacity, not viral escape. Gag-specific Th responses were observed more frequently (16%), were found throughout the acute and early infection phases, and predominated after ARV therapy.
- This epitope is one of six Env-specific Th responses detected in one patient 11 days post-infection that were studied in detail. The CD4+ clones showed MHC-restricted cytotoxicity and secreted high levels of cytokines when stimulated. These Th responses were not detected at subsequent time points, despite the Env specific Th cells being maintained as detected by TCR clonal transcripts, and the epitope sequence being maintained in Env.
- Seven out of 12 clones recognized this conserved C3 region of gp120. Clone one was mapped to the optimal epitope and was found to be presented by HLA-DR. The peptide showed promiscuous binding to DRB1*0101, DRB1*0401, DRB1*1302, DRB1*0701, DRB1*0901, DRB4*0101, DRB5*0101.

HXB2 Location gp160 (210–218)

Author Location Env (186–194 1035)

Epitope FEPIPIHYC

Subtype B

Immunogen vaccine

Vector/Type: vaccinia prime with gp120 boost *Strain:* B clade 1035 *HIV component:* Env *Adjuvant:* Complete Freund's Adjuvant (CFA)

Species (MHC) mouse (Class II I Ab)

Assay type proliferation, T-cell ELISPOT

Keywords epitope processing, vaccine-induced epitopes, escape, TCR usage

References Zhan *et al.* 2003

- A very narrow Th response was stimulated in C57BL/6 mice vaccinated with vaccinia expressed HIV-1 env clone 1035. Five of seven different Th hybridomas isolated from five immunized mice immunized reacted with the peptide PKVSFEPIPIHYCAP, located in the C2 region of gp120. TCR V β usage indicated each of the clones was unique. Splenic populations from other C57BL/6 mice immunized with 1035 env confirmed that the gp120 specific T-helper response was focused on the PKVSFEPIPIHYCAP peptide. The authors suggest the protein structural context may contribute to the immunodominance of this peptide.
- The minimal epitope was mapped for one of the hybridomas, and was FEPIPIHYC.
- The natural variant, fDpipihyc, did not stimulate a response in three of the hybridomas.

HXB2 Location gp160 (210–223)

Author Location gp120 (215–228)

Epitope FEPIPIHYCAPPGF

Immunogen vaccine

Vector/Type: peptide

Species (MHC) mouse (H-2^{b \times k})

References Sastry & Arlinghaus 1991

- Peptides induced T-cell proliferative response to immunizing peptide and to gp160.

HXB2 Location gp160 (212–231)

Author Location gp120 (221–240 W6.ID)

Epitope PIPHYCAPAGFAILKCNK

Immunogen vaccine

Vector/Type: protein *Strain:* B clade W61D

HIV component: gp120 *Adjuvant:* MPL-SE adjuvant, QS21

Species (MHC) human

References Jones *et al.* 1999

- An HIV seronegative volunteer was vaccinated with rgp120 and a QS21/MPL adjuvant and HIV-1 specific T-cell lines were isolated.
- Two T-cell lines react specifically with this peptide.

HXB2 Location gp160 (212–231)

Author Location gp120 (212–231 IIIB)

Epitope PIPHYCAPAGFAILKCNK?

Epitope name D4

Subtype B

Immunogen HIV-1 infection

Species (MHC) human

References Geretti *et al.* 1994

- Th proliferative responses were studied in 36 asymptomatic HIV-1 + patients. PBMC from 15/36 patients responded to stimulation with gp120 synthetic overlapping peptide pools. 10 of the responding patients recognized three or more peptide pools.
- After 12 months, most responses were lost or diminished, and specific responses fluctuated. 4/10 of the responders at baseline had new responses at 12 months, as did 5/15 non-responders.
- IL-2 production was a more sensitive and well-preserved measure of Th function than proliferation.
- 3/15 responders recognized this peptide, average SI = 4.2.

HXB2 Location gp160 (214–220)

Author Location Env (1007)

Epitope PIHYCAP

Immunogen vaccine

Vector/Type: DNA, protein, vaccinia *Strain:* B clade 1007, D clade UG92005 *HIV component:* gp140 *Adjuvant:* Complete Freund's Adjuvant (CFA)

Species (MHC) mouse (H-2 IA^b)

Keywords subtype comparisons, epitope processing, TCR usage

References Surman *et al.* 2001

- This epitope is located in the C2 region of 1007 (US, clade B) and the V β usage of the TCR was not determined.
- The epitope described here is the region of overlap of two 15 mers that were both able to stimulate IL-2 production from the hybridoma (PKVSFEPIPIHYCAP and PIHYCAPAGFAILKC)
- C57BL/6 mice were immunized with a prime-boost strategy involving three HIV-1 Env antigens: Mice were primed with DNA given i.m., 3–4 weeks later boosted with VV, and 3–4 weeks later boosted again with purified protein in Freund's adjuvant.
- The vaccinia construct is a pSC11-based VV vector with the first 38 amino acids contributed by BH10 and the rest of gp120 and gp41 by the vaccine strain, the DNA construct is in the pJW4303 vector with a CMV promoter, and the purified protein is expressed from the pJW4303 vector transfected into CHO-K1 cells.
- Ten days after the final boost, hybridomas were made and tested for IL-2 production using either B6 spleen cells or H-2 IA^b transfected L cells as targets and V β usage was determined.
- Mice were immunized with an Env from either one of two clades: HIV-1 1007, a clade B strain isolated from an individual from Memphis Tennessee, and HIV-1 92UG005, a clade D vaccine isolated from Uganda in 1992 through the WHO.
- 80 unique clonotypes were characterized from six mice.
- H-2 IA^b restricted T-helper epitopes were concentrated in 5 distinct regions within the Env sequence (2 clonotype responses in V2, 26 in C2, 22 in V3, 23 in V4C4, and 7 in gp41).
- Epitope hotspots tended to be proximal to heavily glycosylated regions of the Env sequence, in exposed, non-helical strands of the protein. The non-uniform localization may be influenced by differential antigen processing and the glycosylation site proximity may allow binding to lectins and promote trafficking through processing pathways.

HXB2 Location gp160 (215–225)

Author Location Env (1007)

Epitope IHYCAPAGFAI

Immunogen vaccine

Vector/Type: DNA, protein, vaccinia *Strain:* B clade 1007, D clade UG92005 *HIV component:* gp140 *Adjuvant:* Complete Freund's Adjuvant (CFA)

Species (MHC) mouse (H-2 IA^b)

Keywords subtype comparisons, epitope processing, TCR usage

References Surman *et al.* 2001

- This epitope is located in the C2 region of 1007 (US, clade B) and the V β usage of the TCR was not determined.
- The epitope described here is the region of overlap of two 15 mers that were both able to stimulate IL-2 production from the hybridoma (EPIPIHYCAPAGFAI and IHYCAPAGFAILKC)
- C57BL/6 mice were immunized with a prime-boost strategy involving three HIV-1 Env antigens: Mice were primed with DNA given i.m., 3–4 weeks later boosted with VV, and 3–4 weeks later boosted again with purified protein in Freund's adjuvant.
- The vaccinia construct is a pSC11-based VV vector with the first 38 amino acids contributed by BH10 and the rest of gp120 and gp41 by the vaccine strain, the DNA construct is in the pJW4303 vector with a CMV promoter, and the purified protein is expressed from the pJW4303 vector transfected into CHO-K1 cells.
- Ten days after the final boost, hybridomas were made and tested for IL-2 production using either B6 spleen cells or H-2 IA^b transfected L cells as targets and V β usage was determined.
- Mice were immunized with an Env from either one of two clades: HIV-1 1007, a clade B strain isolated from an individual from Memphis Tennessee, and HIV-1 92UG005, a clade D vaccine isolated from Uganda in 1992 through the WHO.
- 80 unique clonotypes were characterized from six mice.
- H-2 IA^b restricted T-helper epitopes were concentrated in 5 distinct regions within the Env sequence (2 clonotype responses in V2, 26 in C2, 22 in V3, 23 in V4C4, and 7 in gp41).
- Epitope hotspots tended to be proximal to heavily glycosylated regions of the Env sequence, in exposed, non-helical strands of the protein. The non-uniform localization may be influenced by differential antigen processing and the glycosylation site proximity may allow binding to lectins and promote trafficking through processing pathways.

HXB2 Location gp160 (216–225)

Author Location Env (UG92005)

Epitope HYCAPAGFAI

Immunogen vaccine

Vector/Type: DNA, protein, vaccinia *Strain:* B clade 1007, D clade UG92005 *HIV component:* gp140 *Adjuvant:* Complete Freund's Adjuvant (CFA)

Species (MHC) mouse (H-2 IA^b)

Keywords subtype comparisons, epitope processing, TCR usage

References Surman *et al.* 2001

- This epitope is located in the C2 region of UG92005 (UG, clade D) and V β usage of its TCR was not determined.

- The epitope described here is the region of overlap of two 15 mers that were both able to stimulate IL-2 production from the hybridoma (EPIPIHYCAPAGFAI and HYCAPAG-FAILKCND)
- C57BL/6 mice were immunized with a prime-boost strategy involving three HIV-1 Env antigens: Mice were primed with DNA given i.m., 3-4 weeks later boosted with VV, and 3-4 weeks later boosted again with purified protein in Freund's adjuvant.
- The vaccinia construct is a pSC11-based VV vector with the first 38 amino acids contributed by BH10 and the rest of gp120 and gp41 by the vaccine strain, the DNA construct is in the pJW4303 vector with a CMV promotor, and the purified protein is expressed from the pJW4303 vector transfected into CHO-K1 cells.
- Ten days after the final boost, hybridomas were made and tested for IL-2 production using either B6 spleen cells or H-2 IA^b transfected L cells as targets and Vβ usage was determined.
- Mice were immunized with an Env from either one of two clades: HIV-1 1007, a clade B strain isolated from an individual from Memphis Tennessee, and HIV-1 92UG005, a clade D vaccine isolated from Uganda in 1992 through the WHO.
- 80 unique clonotypes were characterized from six mice.
- H-2 IA^b restricted T-helper epitopes were concentrated in 5 distinct regions within the Env sequence (2 clonotype responses in V2, 26 in C2, 22 in V3, 23 in V4C4, and 7 in gp41).
- Epitope hotspots tended to be proximal to heavily glycosylated regions of the Env sequence, in exposed, non-helical strands of the protein. The non-uniform localization may be influenced by differential antigen processing and the glycosylation site proximity may allow binding to lectins and promote trafficking through processing pathways.

HXB2 Location gp160 (220–234)
Author Location gp120 (225–240 SF2)
Epitope PAGFAILKCNNKTFN
Immunogen in vitro stimulation or selection
Species (MHC)
References Manca *et al.* 1993

- T-cell line derived from unprimed, uninfected individual.
- Responds to APC pulsed with either synthetic peptide or gp120.
- Human MAbs 448-D and 450-D enhance APC gp120 uptake and presentation.

HXB2 Location gp160 (220–234)
Author Location gp120 (IIIB)
Epitope PAGFAILKCNNKTFN
Epitope name pep24
Immunogen vaccine
Vector/Type: Streptococcus gordonii *HIV component:* gp120
Species (MHC) human
Keywords immunodominance
References Pozzi *et al.* 1994

- This previously described immunodominant Th cell epitope was fused to the streptococcal surface protein M6 (emm-6.1), for expression on the surface of the bacterium Streptococcus gordonii.

- Recombinant bacteria showed efficient MHC class II mediated presentation of gp120 to T-cells by stimulation of a proliferative response in a human T cell clone specific for pep24.

HXB2 Location gp160 (220–235)
Author Location gp120 (IIIB)
Epitope PAGFAILKCNNKTFNY
Immunogen in vitro stimulation or selection
Species (MHC) human (DR2)
References Manca *et al.* 1995b

- Peptide stimulation of PBMC from non-infected individuals *in vitro*.
- Peptide priming does not always induce T-cells that recognize whole protein.
- gp120 priming induced T-cells that recognize this peptide.

HXB2 Location gp160 (220–235)
Author Location gp120 (220–235 HXB2)
Epitope PAGFAILKCNNKTFNY
Subtype B
Immunogen in vitro stimulation or selection
Species (MHC) human (DR2)
Keywords escape
References Guzman *et al.* 1998

- *Listeria monocytogenes*, an intracellular pathogen which is ingested by macrophages and can escape from the phagosome to replicate in the cytoplasm, was used successfully as carrier to deliver this gp120 epitope to CD4+ T-cells.

HXB2 Location gp160 (220–235)
Author Location gp120 (191–205 HXB2)
Epitope PAGFAILKCNNKTFNY
Subtype B
Immunogen in vitro stimulation or selection
Species (MHC) human (DR2)
References Fenoglio *et al.* 1999

- gp120 pep24 epitope exhibited antagonistic activity against proliferation of gp120-specific T-cells when flanked by unrelated amino acid sequence.
- The glutathione S-transferase (GST)-peptide system can be used to display peptides; antigenicity was maintained when this peptide was expressed at the C-term end, but antagonism resulted when this peptide was expressed at the N-term end.

HXB2 Location gp160 (222–241)
Author Location gp120 (222–241 IIIB)
Epitope GFAILKCNNKTFNGTGPCTN?
Epitope name D5
Subtype B
Immunogen HIV-1 infection
Species (MHC) human
References Geretti *et al.* 1994

- Th proliferative responses were studied in 36 asymptomatic HIV-1 + patients. PBMC from 15/36 patients responded to stimulation with gp120 synthetic overlapping peptide pools. 10 of the responding patients recognized three or more peptide pools.
- After 12 months, most responses were lost or diminished, and specific responses fluctuated. 4/10 of the responders at baseline had new responses at 12 months, as did 5/15 non-responders.

- IL-2 production was a more sensitive and well-preserved measure of Th function than proliferation.
- 2/15 responders recognized this peptide, average SI = 4.8.

HXB2 Location gp160 (223–231)
Author Location gp120 (194–202 HXB2)
Epitope FAILKCNK
Subtype B

- Immunogen** *in vitro* stimulation or selection
Species (MHC) human (DR2, DR6)
References Manca *et al.* 1996
- Epitope was the minimal stimulatory sequence defined for two Th lines stimulated *in vitro*.
 - One Th line was stimulated by gp120, one by a Glutathione-S-transferase (GST)-peptide fusion.
 - Alanine substitutions at position 914, 196, and 202 abrogated activity for the GST-peptide stimulated line, but not for a gp120 stimulated line.
 - Constructs combining GST and the PAGFAILKCNKTFNY gp120 peptide at the C-term end of GST stimulated Th cells but not at the N-term end.

HXB2 Location gp160 (223–231)
Author Location gp120 (194–202 HXB2)
Epitope FAILKCNK
Subtype B

- Immunogen** *in vitro* stimulation or selection
Species (MHC) human (DR2, DR6)
References Manca *et al.* 1996
- Epitope was the minimal stimulatory sequence defined for two Th lines stimulated *in vitro*.
 - One Th line was stimulated by p66, one by a Glutathione-S-transferase (GST)-peptide fusion protein.
 - Alanine substitutions at position 914, 196, and 202 abrogated activity for the GST-peptide stimulated line, but not for a gp120 stimulated line.
 - Constructs linking GST to the PAGFAILKCNKTFNY gp120 peptide at the C-term end of GST stimulated Th cells, constructs linking at the N-term end did not.
 - The C and N termini of GST are not intrinsically permissive or non-permissive, presentation is epitope specific (see SSTVNDIQKLV for contrast)

HXB2 Location gp160 (223–231)
Author Location gp120 (237–245 SF2, HXB2)
Epitope FAILKCNK

- Immunogen**
Species (MHC) mouse (H-2^d)
Keywords subtype comparisons, immunodominance
References Fenoglio *et al.* 2000
- This peptide is an immunodominant Th epitope in BALB/c mice.
 - Substitutions in positions 237, 241, 243, 244 with Ala all cause reduced recognition.
 - Most natural analogs they tested did not cross-react, including peptides based on clade A, B, C, D, E and O sequences.
 - Position 237 and 244 when substituted with Ala cause an antagonistic response and the natural analogues of this epitope to loose antigenicity.

- Some of the naturally occurring variants also cause an antagonistic response.

HXB2 Location gp160 (223–231)
Author Location gp120 (238–246 HXB2)
Epitope FAILKCNK
Subtype B

- Immunogen** *in vitro* stimulation or selection
Species (MHC) human
Keywords TCR usage
References Li Pira *et al.* 1998
- Clonal heterogeneity was broad for a recall response to tetanus toxoid or PPD, but oligoclonal to primary HIV antigens, dominated in this case by TCR V β 22 usage.
 - Donor of PBMC that recognized this epitope had HLA-DR alleles 2 and 6.
 - The only (detected) immunogenic variant of this epitope was derived from strain NOF (YAILKCNK)

HXB2 Location gp160 (230–245)
Author Location gp120 (IIIB)
Epitope NKTfNGKGPCTNVSTY

- Immunogen** *in vitro* stimulation or selection
Species (MHC) human
References Manca *et al.* 1995b
- Peptide stimulation of PBMC from non-infected individuals *in vitro*.
 - Peptide priming does not always induce T-cells that recognize whole protein.

HXB2 Location gp160 (232–251)
Author Location gp120 (232–251 IIIB)
Epitope TFNGTGPCTNVSTVQCTHGI?

- Epitope name** E1
Subtype B
Immunogen HIV-1 infection
Species (MHC) human
References Geretti *et al.* 1994
- Th proliferative responses were studied in 36 asymptomatic HIV-1 + patients. PBMC from 15/36 patients responded to stimulation with gp120 synthetic overlapping peptide pools. 10 of the responding patients recognized three or more peptide pools.
 - After 12 months, most responses were lost or diminished, and specific responses fluctuated. 4/10 of the responders at baseline had new responses at 12 months, as did 5/15 non-responders.
 - IL-2 production was a more sensitive and well-preserved measure of Th function than proliferation.
 - 3/15 responders recognized this peptide, average SI = 3.9.

HXB2 Location gp160 (235–247)
Author Location gp120 (240–252)
Epitope GTGPCTNVSTVQC

- Immunogen** vaccine
Vector/Type: peptide
Species (MHC) macaque
References Nehete *et al.* 1993
- Synthetic peptide derived from conserved region of the HIV-1 envelope that stimulates a proliferative response in mice.

- Proliferative response to this peptide was observed in 1/3 immunized rhesus monkeys, with a weak transient response in the other two.

HXB2 Location gp160 (238–257)

Author Location gp120 (240–249 89.6)

Epitope PCTNVSTVQCTHGIRPVVST

Epitope name Peptide 22

Immunogen vaccine

Vector/Type: protein *Strain:* B clade 89.6

HIV component: gp120 *Adjuvant:* E. coli mutant heat labile enterotoxin (LT-R72)

Species (MHC) mouse

Donor MHC H-2d

Keywords epitope processing, immunodominance

References Dai *et al.* 2001

- Helper T-cell proliferative responses to gp120 vaccines in 2 mouse strains, CBA/J and BALB/c, were mapped using 47 overlapping peptides that span gp120. Promiscuously immunodominant peptides were identified in both mice strains that were located in the outer domain of gp120 and were associated with regions of local structural disorder in proximal N-terminal segments, suggesting 3-D protein structure influences Th antigen processing and the frequency of immunogenic sequences.
- This peptide was highly reactive in 6/10 BALB/c mice tested, but not in any (0/10) CBA/J mice.

HXB2 Location gp160 (240–255)

Author Location gp120 (IIIB)

Epitope TNVSTVQCTHGRPIY

Immunogen in vitro stimulation or selection

Species (MHC) human

References Manca *et al.* 1995b

- Peptide stimulation of PBMC from non-infected individuals *in vitro*.

HXB2 Location gp160 (242–261)

Author Location gp120 (242–261 IIIB)

Epitope VSTVQCTHGIRPVVSTQLLL

Immunogen SHIV infection

Species (MHC) macaque (DRB1*0406)

References Lekutis & Letvin 1997

- A novel C2 region Th epitope was described in SHIV-89.6 infected Macaca mulatta.

HXB2 Location gp160 (242–261)

Author Location gp120 (242–261 IIIB)

Epitope VSTVQCTHGIRPVVSTQLLL?

Epitope name E2

Subtype B

Immunogen HIV-1 infection

Species (MHC) human

References Geretti *et al.* 1994

- Th proliferative responses were studied in 36 asymptomatic HIV-1 + patients. PBMC from 15/36 patients responded to stimulation with gp120 synthetic overlapping peptide pools. 10 of the responding patients recognized three or more peptide pools.

- After 12 months, most responses were lost or diminished, and specific responses fluctuated. 4/10 of the responders at baseline had new responses at 12 months, as did 5/15 non-responders.
- IL-2 production was a more sensitive and well-preserved measure of Th function than proliferation.
- 1/15 responders recognized this peptide, SI = 3.4.

HXB2 Location gp160 (244–266)

Author Location Env

Epitope TVQCTHGIRPVVSTQLLLNGSLA

Epitope name HIV_env_DRB0101_11

Subtype M

Immunogen HIV-1 infection

Species (MHC) human

Country United States.

Assay type T-cell Elispot

Keywords computational epitope prediction

References De Groot *et al.* 2004

- Bioinformatic tools (EpiMatrix and Conservatrix) were employed to predict 9 highly conserved and promiscuous class II restricted T helper epitopes from HIV-1 env sequences for a cross-clade polyepitope vaccine. 10/34 HIV-1 infected patients induced Th1 immune responses to 8/9 study peptides.
- 1/34 subjects tested responded to this peptide.
- Class II peptides containing putative epitopes were selected to favor DRB0101 presentation, as there is a transgenic mouse model for this allele for future vaccine studies. The highest scoring DR B0101 sequence of this peptide was RPVVSTQL.

HXB2 Location gp160 (246–268)

Author Location Env (438–460)

Epitope QCTHGIRPVVSTQLLLNGSLAEE

Epitope name HIV_env_DRB0101_02

Subtype M

Immunogen HIV-1 infection

Species (MHC) human

Country United States.

Assay type T-cell Elispot

Keywords computational epitope prediction

References De Groot *et al.* 2004

- Bioinformatic tools (EpiMatrix and Conservatrix) were employed to predict 9 highly conserved and promiscuous class II restricted T helper epitopes from HIV-1 env sequences for a cross-clade polyepitope vaccine. 10/34 HIV-1 infected patients induced Th1 immune responses to 8/9 study peptides.
- 1/34 subjects tested responded to this peptide.
- Class II peptides containing putative epitopes were selected to favor DRB0101 presentation, as there is a transgenic mouse model for this allele for future vaccine studies. The highest scoring DRB0101 sequence within this peptide was PVVSTQLLL.

HXB2 Location gp160 (250–265)

Author Location gp120 (IIIB)

Epitope GIRPIVSTQLLLNGSC

Immunogen in vitro stimulation or selection

Species (MHC) human

References Manca *et al.* 1995b

- Peptide stimulation of PBMC from non-infected individuals *in vitro*.

- Peptide priming does not always induce T-cells that recognize whole protein.

HXB2 Location gp160 (252–271)
Author Location gp120 (252–271 IIIB)
Epitope RPVVSTQLLLLNGSLAEEVV?

Epitope name E3
Subtype B

Immunogen HIV-1 infection
Species (MHC) human
References Geretti *et al.* 1994

- Th proliferative responses were studied in 36 asymptomatic HIV-1 + patients. PBMC from 15/36 patients responded to stimulation with gp120 synthetic overlapping peptide pools. 10 of the responding patients recognized three or more peptide pools.
- After 12 months, most responses were lost or diminished, and specific responses fluctuated. 4/10 of the responders at baseline had new responses at 12 months, as did 5/15 non-responders.
- IL-2 production was a more sensitive and well-preserved measure of Th function than proliferation.
- 1/15 responders recognized this peptide, average SI = 7.4.

HXB2 Location gp160 (262–281)
Author Location gp120 (262–281 IIIB)
Epitope NGSLAEEVVIRSVNFTDNA?

Epitope name E4
Subtype B

Immunogen HIV-1 infection
Species (MHC) human
References Geretti *et al.* 1994

- Th proliferative responses were studied in 36 asymptomatic HIV-1 + patients. PBMC from 15/36 patients responded to stimulation with gp120 synthetic overlapping peptide pools. 10 of the responding patients recognized three or more peptide pools.
- After 12 months, most responses were lost or diminished, and specific responses fluctuated. 4/10 of the responders at baseline had new responses at 12 months, as did 5/15 non-responders.
- IL-2 production was a more sensitive and well-preserved measure of Th function than proliferation.
- 2/15 responders recognized this peptide, average SI = 3.1.

HXB2 Location gp160 (264–287)
Author Location gp120 (269–292 NL43)
Epitope SLAEEVVIRSANFTDNAKTIIVQ

Immunogen vaccine
Vector/Type: protein *Strain:* B clade NL43
HIV component: gp120, gp160

- Species (MHC)** human
References Sitz *et al.* 1999
- There was a great breadth of proliferative response to env peptides in 19 HIV-1 infected rgp160 and 17 HIV-1 infected rgp120 vaccine recipients.
 - 50% of vaccinees had a stimulation index of greater than 5 to this peptide.

HXB2 Location gp160 (269–283)
Author Location gp120 (269–283 IIIB, B10)
Epitope EVVIRSANFTDNAKT

- Immunogen** HIV-1 infection
Species (MHC) human
References Wahren *et al.* 1989b; Wahren *et al.* 1989a
- 12 gag and 18 env peptides were identified that could commonly evoke T-cell responses.

HXB2 Location gp160 (269–291)
Author Location Env
Epitope EVVIRSENFTNNAKTIIVQLNES
Epitope name HIV_env_DRB0101_7
Subtype M

Immunogen HIV-1 infection
Species (MHC) human
Country United States.
Assay type T-cell Elispot
Keywords computational epitope prediction
References De Groot *et al.* 2004

- Bioinformatic tools (EpiMatrix and Conservatrix) were employed to predict 9 highly conserved and promiscuous class II restricted T helper epitopes from HIV-1 env sequences for a cross-clade polyepitope vaccine. 10/34 HIV-1 infected patients induced Th1 immune responses to 8/9 study peptides.
- 1/34 subjects tested responded to this peptide.
- Class II peptides containing putative epitopes were selected to favor DRB0101 presentation, as there is a transgenic mouse model for this allele for future vaccine studies. The highest scoring DRB0101 sequence of this peptide was NFTNNAKTI.

HXB2 Location gp160 (270–285)
Author Location gp120 (IIIB)
Epitope VVIRSDNFTNNAKTIC

Immunogen in vitro stimulation or selection
Species (MHC) human
References Manca *et al.* 1995b

- Peptide stimulation of PBMC from non-infected individuals *in vitro*.
- Peptide priming does not always induce T-cells that recognize whole protein.

HXB2 Location gp160 (272–291)
Author Location gp120 (272–291 IIIB)
Epitope IRSVNFTDNAKTIIVQLNTS?
Epitope name E5
Subtype B

Immunogen HIV-1 infection
Species (MHC) human
Keywords immunodominance
References Geretti *et al.* 1994

- Th proliferative responses were studied in 36 asymptomatic HIV-1 + patients. PBMC from 15/36 patients responded to stimulation with gp120 synthetic overlapping peptide pools. 10 of the responding patients recognized three or more peptide pools.
- After 12 months, most responses were lost or diminished, and specific responses fluctuated. 4/10 of the responders at baseline had new responses at 12 months, as did 5/15 non-responders.
- IL-2 production was a more sensitive and well-preserved measure of Th function than proliferation.

- Five peptides were recognized most frequently: C2 (aa 142-161), C3 (aa 152-171), C5 (aa 172-191), E5 (aa 272-291) and G4 (aa 380-393). The first three were in or near V2, the other two were proximal to the V3 and V4 loops.
- 4/15 responders recognized this immunodominant peptide, average SI = 5.0.

HXB2 Location gp160 (274–288)
Author Location gp120 (274–288 IIIB, B10)
Epitope SANFTDNAKTIIIVQL
Immunogen HIV-1 infection
Species (MHC) human
References Wahren *et al.* 1989b; Wahren *et al.* 1989a

- 12 gag and 18 env peptides were identified that could commonly evoke T-cell responses.

HXB2 Location gp160 (274–296)
Author Location Env
Epitope SENFTNNAKIIIVQLNESVVINV
Epitope name HIV_env_DRB0101_5
Subtype M
Immunogen HIV-1 infection
Species (MHC) human
Country United States.
Assay type T-cell Elispot
Keywords computational epitope prediction
References De Groot *et al.* 2004

- Bioinformatic tools (EpiMatrix and Conservatrix) were employed to select 9 highly conserved and promiscuous class II restricted T helper epitopes from HIV-1 env sequences for a cross-clade vaccine. 10/34 HIV-1 infected patients induced Th1 immune responses to the 9 study peptides.
- 1/26 subjects tested responded to this peptide.
- Class II peptides containing putative epitopes were selected to favor DRB0101 presentation, as there is a transgenic mouse model for this allele for future vaccine studies. The highest scoring DRB0101 sequence of this peptide was AKIIIVQLN.

HXB2 Location gp160 (276–295)
Author Location gp120 (MN)
Epitope NFTDNAKTIIIVHLNESVQIN
Epitope name NN20
Subtype B
Immunogen HIV-1 infection
Species (MHC) human
Assay type Cytokine production, proliferation, CD4 T-cell Elispot - IFN γ , Intracellular cytokine staining
Keywords acute/early infection
References Malhotra *et al.* 2003

- 92 acute- or early-HIV infected subjects were tested for Env- and Gag-specific Th responses. There was an overall low probability of detecting HIV-1-specific Th responses, Env responses were rare and (5%) and only detected very early in infection, probably reflecting a low frequency of response and impaired lymphoproliferative capacity, not viral escape. Gag-specific Th responses were observed more frequently (16%), were found throughout the acute and early infection phases, and predominated after ARV therapy.

- This epitope is one of six Env-specific Th responses detected in one patient 11 days post-infection that were studied in detail. These Th responses were not detected at subsequent time points, despite the Env specific Th cells being maintained as detected by TCR clonal transcripts, and the epitope sequence being maintained in Env.

HXB2 Location gp160 (280–296)
Author Location gp120 (IIIB)
Epitope NAKTIIIVQLNESVAIC
Immunogen in vitro stimulation or selection
Species (MHC) human
References Manca *et al.* 1995b

- Peptide stimulation of PBMC from non-infected individuals *in vitro*.
- Peptide priming does not always induce T-cells that recognize whole protein.

HXB2 Location gp160 (288–307)
Author Location gp120 (290–309 89.6)
Epitope LNESVVINCTRPNNNTRRRL
Epitope name Peptide 27
Immunogen vaccine
Vector/Type: protein *Strain:* B clade 89.6
HIV component: gp120 *Adjuvant:* E. coli mutant heat labile enterotoxin (LT-R72)

- **Species (MHC)** mouse
Donor MHC H-2k, H2-d
Keywords epitope processing, immunodominance
References Dai *et al.* 2001
- Helper T-cell proliferative responses to gp120 vaccines in 2 mouse strains, CBA/J and BALB/c, were mapped using 47 overlapping peptides that span gp120. Promiscuously immunodominant peptides were identified in both mice strains that were located in the outer domain of gp120 and were associated with regions of local structural disorder in proximal N-terminal segments, suggesting 3-D protein structure influences Th antigen processing and the frequency of immunogenic sequences.
- This peptide was reactive in only 1/10 BALB/c mice tested, but reacted in 8/10 CBA/J mice.

HXB2 Location gp160 (289–297)
Author Location gp120 (292–300 SF2)
Epitope NESVAINCT
Immunogen vaccine
Vector/Type: protein *Strain:* B clade SF2
HIV component: gp120

- **Species (MHC)** human
References Botarelli *et al.* 1991
- A non-glycosylated form of SF2 gp120, env 2-3, was used as an immunogen – 20% of T-cell clones do not recognize the glycosylated form.

HXB2 Location gp160 (290–306)
Author Location gp120 (296–312 LAI)
Epitope SVVEINCTRPNNNTRKS
Subtype B
Immunogen HIV-1 infection
Species (MHC) human
References Schrier *et al.* 1989

- Stimulates T-cell proliferation in HIV-infected donors.

HXB2 Location gp160 (290–314)
Author Location Env
Epitope ESVVINCTRPNNNTRRSIHIGPG
Epitope name HIV_env_DRB0101_14
Subtype M
Immunogen HIV-1 infection
Species (MHC) human
Country United States.
Assay type T-cell Elispot
Keywords computational epitope prediction
References De Groot *et al.* 2004

- Bioinformatic tools (EpiMatrix and Conservatrix) were employed to predict 9 highly conserved and promiscuous class II restricted T helper epitopes from HIV-1 env sequences for a cross-clade polyepitope vaccine. 10/34 HIV-1 infected patients induced Th1 immune responses to 8/9 study peptides.
- 1/34 subjects tested responded to this peptide.
- Class II peptides containing putative epitopes were selected to favor DRB0101 presentation, as there is a transgenic mouse model for this allele for future vaccine studies. The highest scoring DR B0101 sequence of this peptide was TRPNNNTRR.

HXB2 Location gp160 (292–310)
Author Location gp120 (292–310 IIIB)
Epitope VEINCTRPNNNTRKRIRIQ?
Epitope name F1
Subtype B
Immunogen HIV-1 infection
Species (MHC) human
References Geretti *et al.* 1994

- Th proliferative responses were studied in 36 asymptomatic HIV-1 + patients. PBMC from 15/36 patients responded to stimulation with gp120 synthetic overlapping peptide pools. 10 of the responding patients recognized three or more peptide pools.
- After 12 months, most responses were lost or diminished, and specific responses fluctuated. 4/10 of the responders at baseline had new responses at 12 months, as did 5/15 non-responders.
- IL-2 production was a more sensitive and well-preserved measure of Th function than proliferation.
- Only 1/15 responders recognized this peptide, but it had the highest SI in the study of 9.9.

HXB2 Location gp160 (296–307)
Author Location gp120 (301–324 RF)
Epitope CTRPNNNTRKSI
Immunogen HIV-1 infection
Species (MHC)
Keywords epitope processing
References de Lorimier *et al.* 1994

- Proton NMR spectroscopy was employed to analyze the solution conformation of a hybrid peptide, T1-SP10RF, in order to better understand the immunogenicity of its' T helper (KQI-INMWQEVGKAMYA, CTRPNNNTRKSI), CTL (SITKGP-GRVIYATG) and B-cell epitopes (RKSITKGPGRVIYATG).

- This epitope embedded in the T1-SP10RF peptide does not form a helical amphipathic conformation. It lacks random-coil conformations, and this may make a peptide less susceptible to complete proteolytic degradation and be favored within epitopes.

HXB2 Location gp160 (296–314)
Author Location gp120 (303–321 IIIB)
Epitope CTRPNNNTRKSIIRIQRGGP(Y)
Immunogen vaccine
Vector/Type: peptide *Strain:* B clade IIIB
Species (MHC) goat
References Palker *et al.* 1989

- Goats were immunized with peptides containing V3 type-specific neutralizing determinants coupled to T1.

HXB2 Location gp160 (297–321)
Author Location gp120 (302–324 MN)
Epitope TRPNYNKRKRIHIGPGRAFYTTK
Immunogen vaccine
Vector/Type: peptide *Strain:* B clade MN
HIV component: V3
Species (MHC) mouse (H-2^d)
References Oscherwitz *et al.* 1999b

- Epitope presented as a tandem repeat (eight copies) elicits stronger B-cell and T-cell responses than the epitope presented as a single copy.
- This study indicates that the increased response was not due to neodeterminants created at the junction of the peptides, but rather due to an epitope density effect, increased immunogenicity through a high ratio of epitope to protein.

HXB2 Location gp160 (297–330)
Author Location Env (303–335 BX08)
Epitope TRPNNNTRKSIHIGPGRAFATGEEIGDIRQAH
Immunogen vaccine
Vector/Type: lipopeptide
Species (MHC) human
References Gahery-Segard *et al.* 2000

- Anti-HIV lipopeptide vaccine consisting of six long peptides derived from Nef, Gag and Env HIV-1 proteins modified by a palmitoyl chain was administered in a phase I trial.
- A CD4+ T cell proliferative response to at least one of the six peptides was observed in 9/10 vaccinees – 6/10 reacted to this peptide.
- 9/12 tested mounted a CTL responses to at least one of the six peptides, each of the six peptides elicited a CTL response in at least one individual – this peptide was particularly immunogenic, eliciting a CTL response in five vaccinees.
- None of the 12 tested had an IgG response to gp120 or gp160 and vaccinees could be differentiated from HIV-1 seropositive individuals with a commercial HIV detection kit – no neutralizing antibodies were observed.

HXB2 Location gp160 (298–307)
Author Location Env (UG92005)
Epitope RPYNNTRKGI
Immunogen vaccine

Vector/Type: DNA, protein, vaccinia *Strain:* B clade 1007, D clade UG92005 *HIV component:* gp140 *Adjuvant:* Complete Freund's Adjuvant (CFA)

Species (MHC) mouse (H-2 IA^b)

Keywords subtype comparisons, epitope processing, TCR usage

References Surman *et al.* 2001

- This epitope is located in the V3 region of UG92005 (UG, clade D) and was recognized by a hybridoma with V β usage not determined.
- The epitope described here is the region of overlap of two 15 mers that were both able to stimulate IL-2 production from the hybridoma (TINCTRPYNNTRKGI and RPYNNTRKGI-HIGPG)
- C57BL/6 mice were immunized with a prime-boost strategy involving three HIV-1 Env antigens: Mice were primed with DNA given i.m., 3-4 weeks later boosted with VV, and 3-4 weeks later boosted again with purified protein in Freund's adjuvant.
- The vaccinia construct is a pSC11-based VV vector with the first 38 amino acids contributed by BH10 and the rest of gp120 and gp41 by the vaccine strain, the DNA construct is in the pJW4303 vector with a CMV promoter, and the purified protein is expressed from the pJW4303 vector transfected into CHO-K1 cells.
- Ten days after the final boost, hybridomas were made and tested for IL-2 production using either B6 spleen cells or H-2 IA^b transfected L cells as targets and V β usage was determined.
- Mice were immunized with an Env from either one of two clades: HIV-1 1007, a clade B strain isolated from an individual from Memphis Tennessee, and HIV-1 92UG005, a clade D vaccine isolated from Uganda in 1992 through the WHO.
- 80 unique clonotypes were characterized from six mice.
- H-2 IA^b restricted T-helper epitopes were concentrated in 5 distinct regions within the Env sequence (2 clonotype responses in V2, 26 in C2, 22 in V3, 23 in V4C4, and 7 in gp41).
- Epitope hotspots tended to be proximal to heavily glycosylated regions of the Env sequence, in exposed, non-helical strands of the protein. The non-uniform localization may be influenced by differential antigen processing and the glycosylation site proximity may allow binding to lectins and promote trafficking through processing pathways.

HXB2 Location gp160 (298-319)

Author Location gp120 (300-319 89.6)

Epitope RPNNNTRRRRLSIGPGRFYA

Epitope name Peptide 28

Immunogen vaccine

Vector/Type: protein *Strain:* B clade 89.6 *HIV component:* gp120 *Adjuvant:* E. coli mutant heat labile enterotoxin (LT-R72)

Species (MHC) mouse

Donor MHC H-2k, H2-d

Keywords epitope processing, immunodominance

References Dai *et al.* 2001

- Helper T-cell proliferative responses to gp120 vaccines in 2 mouse strains, CBA/J and BALB/c, were mapped using 47 overlapping peptides that span gp120. Promiscuously immunodominant peptides were identified in both mice strains that

were located in the outer domain of gp120 and were associated with regions of local structural disorder in proximal N-terminal segments, suggesting 3-D protein structure influences Th antigen processing and the frequency of immunogenic sequences.

- This peptide was reactive in 7/10 BALB/c mice tested, and in 5/10 CBA/J mice.

HXB2 Location gp160 (301-325)

Author Location gp120 (IIIB)

Epitope NNTRKSIRIQRGPGRAFVTIGKIGN

Immunogen vaccine

Vector/Type: DNA *Strain:* B clade IIIB *HIV component:* Env, Rev *Adjuvant:* QS21

Species (MHC) mouse

Keywords Th1

References Sasaki *et al.* 1998

- The env response is what is being sought, but co-expression of rev is required.
- Intramuscular versus nasal vaccination with DNA vaccine with a QS-21 adjuvant was studied.
- QS-21 enhanced the IgG2a response mediated via Th1 cytokines IFN γ and IL-2 and delayed type hypersensitivity (DTH) in response to the V3 peptide was measured by a foot pad swelling test Sasaki *et al.* [1998]

HXB2 Location gp160 (302-315)

Author Location gp120 (307-322 IIIB)

Epitope NTRKSIRIQRGPGGR

Immunogen vaccine

Vector/Type: peptide *Strain:* B clade IIIB *HIV component:* V3

Species (MHC) mouse

References Goodman-Snitkoff *et al.* 1990

- Identification of putative Th epitopes that can stimulate an antibody response in peptide-immunized mice.

HXB2 Location gp160 (302-321)

Author Location gp120 (302-321 IIIB)

Epitope NTRKRIRIQRGPGRAFVTIG?

Epitope name F2

Subtype B

Immunogen HIV-1 infection

Species (MHC) human

References Geretti *et al.* 1994

- Th proliferative responses were studied in 36 asymptomatic HIV-1 + patients. PBMC from 15/36 patients responded to stimulation with gp120 synthetic overlapping peptide pools. 10 of the responding patients recognized three or more peptide pools.
- After 12 months, most responses were lost or diminished, and specific responses fluctuated. 4/10 of the responders at baseline had new responses at 12 months, as did 5/15 non-responders.
- IL-2 production was a more sensitive and well-preserved measure of Th function than proliferation.
- 1/15 responders recognized this peptide, SI = 5.6.

HXB2 Location gp160 (302-327)

Author Location gp120 (307-332 MN)

Epitope NKRRKRIHIGPGRFYTTKNIIGTIR

Subtype B

Immunogen vaccine

Vector/Type: peptide *Strain:* B clade MN
HIV component: V3 *Adjuvant:* Montanide (ISA 51)

Species (MHC) mouse**References** Anderson *et al.* 2001

- Hypervariable epitope constructs (HECs) are degenerative peptide cocktails that are made in a single peptide synthesis reaction. Vaccination with a V3 degenerative peptide cocktail containing 64 distinct peptides, NTRK-[SR]-I-[HR]-IGPG-[RQ]-AFY-[AT]-TG-[DE]-IG-[DN]-IRQ, elicited broader and more durable Th responses than the MN V3 peptide alone in BALB/c mice immunized and boosted with V3 peptides, although the MN peptide elicited a transient MN-specific V3 response.

HXB2 Location gp160 (305–321)**Author Location** gp120 (312–329)**Epitope** (CG)KSIRIQRGPGRAFVTIG**Immunogen** HIV-1 infection**Species (MHC)** human**References** Adams *et al.* 1997

- Used as positive control in study examining T-cell response to four p24 Gag peptides.

HXB2 Location gp160 (308–319)**Author Location** gp120 (subtype C)**Epitope** (CKR)KIHIGPGQAFYT**Subtype** C**Immunogen** HIV-1 infection**Species (MHC)** mouse (H-2^b, H-2^d, H-2^k, H-2^s)**Keywords** Th1**References** Ahluwalia *et al.* 1997

- A V3 loop peptide modified to resemble an Indian form (GPGQ) was incorporated into ISCOMS (immune stimulating complexes) or liposomes, and used to immunize mice – the IgG2a/IgG2b Ab response was enhanced by the presentation in the ISCOM suggestive of a Th1 response.

HXB2 Location gp160 (308–321)**Author Location** gp120 (MN)**Epitope** RIHIGPGRAFYTTK**Epitope name** SP10**Immunogen** vaccine

Vector/Type: peptide *Strain:* B clade MN
HIV component: V3

Species (MHC) mouse (H-2^d)**References** Klinman *et al.* 1995

- Hybrid T1-V3 peptide activates IL-4 and IL-6 in a dose dependent manner.
- 10-mer from V3 contributes to this response.

HXB2 Location gp160 (308–322)**Author Location** gp120 (315–329 IIIB)**Epitope** RIQRGPGRAFVTIGK**Epitope name** P18**Immunogen** HIV-1 infection**Species (MHC)** human (DR)**References** Baier *et al.* 1995

- Linked HIV-1 T1 and P18 peptides to anti-HLA-DR and IgD Fab fragments to enhance uptake by antigen presenting cells thus increase immunogenicity.

HXB2 Location gp160 (308–322)**Author Location** gp120 (315–329 IIIB)**Epitope** RIQRGPGRAFVTIGK**Epitope name** P18**Immunogen** vaccine

Vector/Type: vaccinia *Strain:* B clade IIIB
HIV component: gp160

Species (MHC) mouse (H-2 A^d)**References** Takahashi *et al.* 1990

- Induces both class II restricted CD4+ Th cells, and class I restricted CD8+ CTL.

HXB2 Location gp160 (308–322)**Author Location** gp120 (315–329 IIIB)**Epitope** RIQRGPGRAFVTIGK**Epitope name** P18**Immunogen** peptide-HLA interaction**Species (MHC)** mouse (H-2 I-A^d)**References** Takeshita *et al.* 1995

- Binds Class II H-2 I-A^d requiring riqrqPgRaFvti, and Class I H-2 D^d, requiring iGPgRaFvtI.

HXB2 Location gp160 (308–322)**Author Location** Env (IIIB)**Epitope** RIQRGPRAFVTIGK**Epitope name** P18**Immunogen** vaccine

Vector/Type: DNA with CMV promotor
Strain: B clade IIIB *HIV component:* gp160, Rev
Adjuvant: MIP-1 α

Species (MHC) mouse (H-2^d)**Keywords** Th1**References** Lu *et al.* 1999

- MIP-1 α expression plasmid co-inoculated with a DNA vaccine consisting of HIV-1 pCMV160IIIB and pcREV enhanced the HIV-specific T-cell immune response as measured by a CTL test against using V3 peptide pulsed targets, and a DTH test to V3 peptide.
- The IgG1/IgG2a response was lowered with co-inoculation of MIP-1 α , suggesting it preferentially elicits a Th1 response.

HXB2 Location gp160 (308–322)**Author Location** gp120 (308–322 IIIB)**Epitope** RIHIGPGRAFYTTKN**Immunogen****Species (MHC)** human**References** Furci *et al.* 1997

- 9/11 exposed-uninfected individuals in this study had a proliferative response to a C5 peptide, but only 1/11 exposed-uninfected individuals recognized this peptide.
- 1/18 unexposed-uninfected controls could recognize this peptide.
- Erroneously documented as IIIB sequence - most likely MN peptide.

HXB2 Location gp160 (308–322)

Author Location gp120 (315–329 IIIB)**Epitope** RIQRGPGRAVFTIGK**Epitope name** P18**Immunogen** vaccine*Vector/Type:* peptide**Species (MHC)** macaque**References** Nehete *et al.* 1993

- Synthetic peptide derived from conserved region of the HIV-1 envelope that stimulates a proliferative response in mice.
- Despite the proliferative response to this peptide in mice and humans, no response was observed in 3 rhesus monkeys.

HXB2 Location gp160 (308–322)**Author Location** gp120 (315–329 IIIB)**Epitope** RIQRGPGRAVFTIGK**Epitope name** P18**Immunogen** HIV-1 infection**Species (MHC)** human**Keywords** responses in children, Th1, Th2**References** Wasik *et al.* 1997

- The breadth and intensity of the CTL response and the type of Th response was studied in seven rapidly progressing HIV-1 + infants.
- IL-2 and γ IFN production from Th1 cells correlated with the CTLp frequency against HIV-1 Gag, Env, Nef and Pol.
- IL-4 production from Th2 cells was inversely correlated with the CTLp frequency.
- The HIV-1 + children with strong CTL responses had levels of anti-CD3 MAb induction of Th1 cells comparable to uninfected children.
- The children that did not mount a good CTL response had dramatically decreased numbers of Th1 relative to Th2 cells.

HXB2 Location gp160 (308–322)**Author Location** gp120 (315–329 IIIB)**Epitope** RIQRGPGRAVFTIGK**Epitope name** P18**Immunogen** HIV-1 infection**Species (MHC)** human**Keywords** responses in children, kinetics, Th1**References** Wasik *et al.* 2000

- Th responses measured by IL-2 responses to P18 and T1 in HIV-1 infected infants were undetectable at less than 1 month of age, and remained low in children with AIDS symptoms, but increased with age in children with slowly progressive disease.
- The kinetics and intensity of the CTL activity during the first year of life was related to the child's ability to make Th1 responses.

HXB2 Location gp160 (308–322)**Author Location** gp120 (315–329 IIIB)**Epitope** RIQRGPGRAVFTIGK**Epitope name** P18**Immunogen****Species (MHC)** human**References** Pinto *et al.* 1995

- CTL activity analyzed in parallel with Th reactivity in exposed but uninfected health care workers.

HXB2 Location gp160 (308–322)**Author Location** gp120 (315–329 MN)**Epitope** RIHIGPGRAFYTTKN**Epitope name** P18**Immunogen****Species (MHC)** human**References** Pinto *et al.* 1995

- CTL activity analyzed in parallel with Th reactivity in exposed but uninfected health care workers.

HXB2 Location gp160 (308–322)**Author Location** gp120 (315–329 IIIB)**Epitope** RIQRGPGRAVFTIGK**Epitope name** P18**Immunogen** HIV-1 infection**Species (MHC)** human**References** Clerici *et al.* 1989

- IL-2 production detection of Th lymphocytes from asymptomatic HIV-positive individuals.

HXB2 Location gp160 (308–322)**Author Location** gp120 (315–329 IIIB)**Epitope** RIQRGPGRAVFTIGK**Epitope name** P18**Immunogen** HIV-1 infection**Species (MHC)** human**References** Clerici *et al.* 1991a

- Peptides stimulate Th cell function and CTL activity in similar patient populations.

HXB2 Location gp160 (308–322)**Author Location** gp120 (315–329 IIIB)**Epitope** RIQRGPGRAVFTIGK**Epitope name** P18**Immunogen** vaccine*Vector/Type:* protein *Strain:* B clade IIIB*HIV component:* gp160**Species (MHC)** human**References** Clerici *et al.* 1991b

- Immunizing uninfected individuals with rgp160 results in stronger Th response than does natural infection.

HXB2 Location gp160 (308–322)**Author Location** gp120 (315–329 IIIB)**Epitope** RIQRGPGRAVFTIGK**Epitope name** P18**Immunogen****Species (MHC)** human**References** Clerici *et al.* 1992

- Cell-mediated immune response to HIV-1 peptides in HIV-1 exposed seronegative men.

HXB2 Location gp160 (308–322)**Author Location** gp120 (315–329 IIIB)**Epitope** RIQRGPGRAVFTIGK**Epitope name** P18**Immunogen** HIV-1 infection**Species (MHC)** human**References** Clerici *et al.* 1997

- used in a study of the influence of pentoxifylline on HIV specific T-cells.

HXB2 Location gp160 (308–322)

Author Location gp120 (MN)

Epitope RIHIGPGRAFYTTKN

Immunogen

Species (MHC) human

References Clerici *et al.* 1992

- Epitope P18 MN: Cell-mediated immune response to HIV-1 peptides in HIV-1 exposed seronegative men.

HXB2 Location gp160 (308–322)

Author Location gp160 (315–329 IIIB)

Epitope RIQRGPGRAFVTIGK

Epitope name P18

Immunogen HIV-1 infection, HIV-1 exposed seronegative

Species (MHC) human

Keywords immunodominance

References Wasik *et al.* 1999

- IL-2 responses associated with beta-chemokine expression were detectable at birth in the majority of uninfected infants born to HIV+ mothers, declining by age 6 months.
- In both uninfected and infected infants of HIV-positive mothers, responses to the T1 peptide (KQIINMWQEVGKAMYA) were more frequent than responses to P18.
- T1 is a highly conserved epitope, whereas P18 has a higher mutation rate due to its location in the immunodominant V3 loop region.

HXB2 Location gp160 (308–322)

Author Location gp120 (315–329 IIIB)

Epitope RIQRGPGRAFVTIGK

Epitope name P18

Immunogen HIV-1 infection

Species (MHC) human

References Kaul *et al.* 1999

- Kenyan sex workers that remained seronegative were found to frequently have HIV-env peptide specific Th responses detected by an IL-2 assay (11/20 cases) and mucosal genital tract anti-HIV IgA (16/21 cases)
- Helper epitopes used in this study were noted to be previously described Clerici *et al.* [1989], and were not explicitly described in Kaul *et al.* [1999]

HXB2 Location gp160 (308–322)

Author Location gp120 (315–329 IIIB)

Epitope RIQRGPGRAFVTIGK

Epitope name P18

Immunogen HIV-1 infection, HIV-1 exposed seronegative

Species (MHC) human

Keywords subtype comparisons, responses in children, mother-to-infant transmission

References Kuhn *et al.* 2001a

- In a S. African perinatal transmission study, 33% (33/86) of cord blood samples from infants with seropositive mothers produced T-helper responses (measured by a bioassay measuring IL2 production in a murine cell line and confirmed with a proliferation assay) against a peptide cocktail containing Th epitopes P18 MN, P18 IIIB, T1, T2, and TH4.
- The mothers were predominantly infected with subtype C, but the T help response was detectable in a number of cord blood samples despite using peptides based on B subtype reagents.

- 3/33 infants with cord blood T help responses to Env were infected *in utero*, 2/33 were lost to follow up, and 28/33 were not infected. 6/53 of the infants with cord blood that was unresponsive to Env peptide stimulation were infected before delivery, and 8/47 contracted HIV intrapartum or via breast-feeding.

- Measurable HIV specific T help responses elicited in the immunologically immature newborn, possibly in response to *in utero* exposure, are associated with a protective natural immunity that helps block mother-infant transmission of HIV-1.

HXB2 Location gp160 (308–322)

Author Location gp120 (315–329 MN)

Epitope RIHIGPGRAFYTTKN

Epitope name P18

Immunogen HIV-1 infection, HIV-1 exposed seronegative

Species (MHC) human

Keywords subtype comparisons, responses in children, mother-to-infant transmission

References Kuhn *et al.* 2001a

- In a S. African perinatal transmission study, 33% (33/86) of cord blood samples from infants with seropositive mothers produced T-helper responses (measured by a bioassay measuring IL2 production in a murine cell line and confirmed with a proliferation assay) against a peptide cocktail containing Th epitopes P18 MN, P18 IIIB, T1, T2, and TH4.

- The mothers were predominantly infected with subtype C, but the T help response was detectable in a number of cord blood samples despite using peptides based on B subtype reagents.

- 3/33 infants with cord blood T help responses to Env were infected *in utero*, 2/33 were lost to follow up, and 28/33 were not infected. 6/53 of the infants with cord blood that was unresponsive to Env peptide stimulation were infected before delivery, and 8/47 contracted HIV intrapartum or via breast-feeding.

- Measurable HIV specific T help responses elicited in the immunologically immature newborn, possibly in response to *in utero* exposure, are associated with a protective natural immunity that helps block mother-infant transmission of HIV-1.

HXB2 Location gp160 (308–322)

Author Location Env (315–329 IIIB)

Epitope RIQRGPGRAFVTIGK

Epitope name P18IIIB

Immunogen HIV-1 infection, HIV-1 exposed seronegative

Species (MHC)

Assay type Cytokine production

Keywords mother-to-infant transmission

References Clerici *et al.* 1993a

- Cord blood samples in 8/23 infants with HIV+ mothers showed IL-2 production in response to peptides from HIV-1 gp1260, demonstrating that Th cell priming to HIV env determinants can occur *in utero*. HIV-specific Th immunity *in utero* may be protective, as none of the 8 with HIV-1 specific Th activity became infected, while 3/15 infants with no detectable Th activity were infected.

- PBL from 10/21 of the mother showed HIV-1 specific Th activity through IL-2 production in response to Env peptides.

HXB2 Location gp160 (308–322)

Author Location Env (MN)

Epitope RIHIGPGRAFYTTKN

Epitope name P18MN

Immunogen HIV-1 infection, HIV-1 exposed seronegative

Species (MHC)

Assay type Cytokine production

Keywords mother-to-infant transmission

References Clerici *et al.* 1993a

- Cord blood samples in 8/23 infants with HIV+ mothers showed IL-2 production in response to peptides from HIV-1 gp1260, demonstrating that Th cell priming to HIV env determinants can occur in utero. HIV-specific Th immunity in utero may be protective, as none of the 8 with HIV-1 specific Th activity became infected, while 3/15 infants with no detectable Th activity were infected.
- PBL from 10/21 of the mother showed HIV-1 specific Th activity through IL-2 production in response to Env peptides.

HXB2 Location gp160 (308–322)

Author Location Env (IIIB)

Epitope RIQRGPGRAFVTIGK

Epitope name P18IIIB

Subtype B

Immunogen HIV-1 exposed seronegative

Species (MHC)

Assay type Cytokine production

References Clerici *et al.* 1994a

- Six of eight HIV-exposed health care workers had transient HIV-specific T-helper responses after percutaneous exposure to HIV, responding to two or more Env peptides among the set T1, T2, Th4.1, P18IIIB and P18MN. Responses were lost after 12-56 weeks. The HIV-specific Th responses occurred without seroconversion or PCR evidence for infection.
- Six of the eight HIV-exposed individuals responded to two or more peptides, whereas, only one individual exposed to HIV-negative blood responded to one peptide.

HXB2 Location gp160 (308–322)

Author Location Env (MN)

Epitope RIHIGPGRAFYTTKN

Epitope name P18MN

Subtype B

Immunogen HIV-1 exposed seronegative

Species (MHC)

Assay type Cytokine production

References Clerici *et al.* 1994a

- Six of eight HIV-exposed health care workers had transient HIV-specific T-helper responses after percutaneous exposure to HIV, responding to two or more Env peptides among the set T1, T2, Th4.1, P18IIIB and P18MN. Responses were lost after 12-56 weeks. The HIV-specific Th responses occurred without seroconversion or PCR evidence for infection.
- Six of the eight HIV-exposed individuals responded to two or more peptides, whereas, only one individual exposed to HIV-negative blood responded to one peptide.

HXB2 Location gp160 (308–322)

Author Location HIV-1 (IIIB)

Epitope RIQRGPGRAFVTIGK

Epitope name P18IIIB

Subtype B

Immunogen HIV-1 infection

Species (MHC)

Assay type Cytokine production

References Clerici *et al.* 1994b

- IL-10-specific mRNA was upregulated in PBMC from asymptomatic, HIV-infected (HIV+) patients, and was particularly high in those with severely compromised Th cells function. Th response to HIV peptides *in vitro* could be restored by IL-10 Ab.

HXB2 Location gp160 (308–322)

Author Location HIV-1 (MN)

Epitope RIHIGPGRAFYTTKN

Epitope name P18MN

Subtype B

Immunogen HIV-1 infection

Species (MHC)

Assay type Cytokine production

References Clerici *et al.* 1994b

- IL-10-specific mRNA was upregulated in PBMC from asymptomatic, HIV-infected (HIV+) patients, and was particularly high in those with severely compromised Th cells function. Th response to HIV peptides *in vitro* could be restored by IL-10 Ab.

HXB2 Location gp160 (308–322)

Author Location Env (315–329)

Epitope RIHIGPGRAFYTTKN

Epitope name P18 MN

Immunogen HIV-1 infection

Species (MHC) human

Assay type Cytokine production

Keywords mother-to-infant transmission

References Kuhn *et al.* 2001b

- The proliferative responses in cord blood at delivery to a cocktail of HIV Envelope peptides were infrequent (1/41) among infants whose HIV-positive mothers received antiretroviral prophylaxis at delivery to prevent transmission. Responses were 10 times more frequent among infants of HIV-seropositive women who had no antiretroviral treatment (7/29). Reductions of HIV-specific responses occurred despite persistence of detectable HIV RNA in the mothers at delivery.
- The reduction of Th responses in newborns raises the possibility that anti-retroviral exposure during pregnancy may block subsequent immune protection. The authors point two relevant citations that showed ARV exposed infants had a more rapid course of progression (Kuhn *et al.*, JID 182:104 (2000)), but were at no greater risk of infection due to subsequent breast feeding (Ditraine *et al.*, Lancet 354:2050 (1999)).

HXB2 Location gp160 (308–322)

Author Location Env (315–329 IIIB)

Epitope RIQRGPGRAFVTIGK

Epitope name P18 IIB

Subtype B

Immunogen HIV-1 infection

Species (MHC) human

Assay type proliferation

Keywords responses in children, mother-to-infant transmission

References Kuhn *et al.* 2001b

- T helper proliferative responses in cord blood at delivery to a cocktail of HIV envelope peptides were infrequent (1/41) among infants whose HIV-positive mothers received antiretroviral prophylaxis at delivery to prevent transmission. Responses were 10 times more frequent among infants of HIV-seropositive women who had no antiretroviral treatment (7/29). Reductions of HIV-specific responses occurred despite persistence of detectable HIV RNA in the mothers at delivery.
- The reduction of Th responses in newborns raises the possibility that anti-retroviral exposure during pregnancy may block subsequent immune protection. The authors point two relevant citations that showed ARV exposed infants had a more rapid course of progression (Kuhn *et al.*, JID 182:104 (2000)), but were at no greater risk of infection due to subsequent breast feeding (Ditrane *et al.*, Lancet 354:2050 (1999)).

HXB2 Location gp160 (308–322)

Author Location Env (gp160) (317–331 MN)

Epitope RIHIGPGRAFYTTKN

Epitope name P18

Subtype C

Immunogen HIV-1 infection

Species (MHC) human

Country South Africa.

Assay type proliferation

Keywords responses in children, variant cross-recognition or cross-neutralization

References Meddows-Taylor *et al.* 2004

- Viral isolates (gp160) from 16 vertically HIV-1 infected children (8 T-helper cell Env responders and 8 non-responders) were analyzed for variation after comparison with Env peptide sequences (conserved regions T1, T2 and TH4.1, hypervariable regions P18 MN and P181 IIIB) used for *in vitro* stimulation.
- No correlation between the age, clinical category (mild or severe), HIV-1 viral load and the degree of epitope variation was established.

HXB2 Location gp160 (308–322)

Author Location Env (gp160) (317–331 IIIB)

Epitope RIQRGPGRAFVTIGK

Epitope name P18

Subtype C

Immunogen HIV-1 infection

Species (MHC) human

Country South Africa.

Assay type proliferation

Keywords responses in children

References Meddows-Taylor *et al.* 2004

- Viral isolates (gp160) from 16 vertically HIV-1 infected children (8 T-helper cell Env responders and 8 non-responders) were analyzed for variation after comparison with Env peptide sequences (conserved regions T1, T2 and TH4.1, hypervariable regions P18 MN and P181 IIIB) used for *in vitro* stimulation.
- No correlation between the age, clinical category (mild or severe), HIV-1 viral load and the degree of epitope variation was established.

HXB2 Location gp160 (308–327)

Author Location gp120 (306–325 MN)

Epitope RIHIGPGRAFYTTKNIIGIT

Immunogen HIV-1 infection

Species (MHC) human (DRB1*0101)

References Hayball *et al.* 1997

- Tandem repeated presentation of epitope enhances binding to class II molecule and therefore induction of T-cell proliferation.
- Tandem peptides are thought to enhance proliferation through improved recruiting of CD4 to the activation complex, which can counter-balance gp120's sequestering of CD4 and consequential inhibition of a proliferative response.

HXB2 Location gp160 (309–323)

Author Location gp120 (309–323 IIIB, B10)

Epitope EQRGPGRAFVTIGKI

Immunogen HIV-1 infection

Species (MHC) human

References Wahren *et al.* 1989b; Wahren *et al.* 1989a

- 12 gag and 18 env peptides were identified that could commonly evoke T-cell responses.

HXB2 Location gp160 (309–325)

Author Location gp120 (314–330)

Epitope IQRGPGRAFVTIGKIGN

Immunogen HIV-1 infection

Species (MHC) human

Keywords rate of progression

References Caruso *et al.* 1997

- As HIV-1-infected individuals progress to disease, T-cells show reduced ability to proliferate in response to HIV antigen, but retain the ability to express the activation antigens CD25 and CD71.
- The ability to express activation markers in response to HIV is retained, but the response to tetanus toxoid recall antigen is lost.
- This study investigated CD25 and CD71 expression in PBMC from patients at various stages of progression, measuring the response to *in vitro* stimulation by peptide cocktail containing four antigenic Env peptides, or p17 and p24.

HXB2 Location gp160 (310–328)

Author Location gp120 (310–329 89.6)

Epitope SIGPGRAFYARRNIIGDIRQ

Epitope name Peptide 29

Immunogen vaccine

Vector/Type: protein *Strain:* B clade 89.6

HIV component: gp120 *Adjuvant:* E. coli mutant heat labile enterotoxin (LT-R72)

Species (MHC) mouse

Donor MHC H-2k, H2-d

Keywords epitope processing, immunodominance

References Dai *et al.* 2001

- Helper T-cell proliferative responses to gp120 vaccines in 2 mouse strains, CBA/J and BALB/c, were mapped using 47 overlapping peptides that span gp120. Promiscuously immunodominant peptides were identified in both mice strains that were located in the outer domain of gp120 and were associated with regions of local structural disorder in proximal N-terminal

segments, suggesting 3-D protein structure influences Th antigen processing and the frequency of immunogenic sequences.

- This peptide was reactive in 2/10 BALB/c mice tested, and in 8/10 CBA/J mice.

HXB2 Location gp160 (311–319)

Author Location

Epitope RGPGRFAFVT

Subtype B

Immunogen vaccine

Vector/Type: DNA *Strain:* B clade BH10

HIV component: gp120 *Adjuvant:* GM-CSF

Species (MHC) mouse

References Barouch *et al.* 2002

- gp120 encoding DNA co-injected with a plasmid carrying GM-CSF gave meager CD4+ T-cell responses in BALB/c mice relative to bicistronic gp120 and GMCSF cloned into the same vector and expressed from the same promoter.
- The bicistronic gp120/GM-CSF vaccine induced an approximately 10-fold increase of CD4+ T cell proliferative responses to gp120, as well as a significant increase in IL-2, IL-4, IL-10, IFN γ and GM-CSF production, compared to immunization with the monocistronic pVIJ-gp120 with GMCSF. The enhanced proliferative responses were substantiated by CD4+ T-cell Elispot.
- Both mono and bicistronic DNA vaccines induced similar CTL responses directed against the H-2Dd restricted P18 peptide RGPRAFTVTI in murine splenocytes despite the enhanced proliferative responses.

HXB2 Location gp160 (311–320)

Author Location gp120 (IIIB)

Epitope RGPGRFAFVTI

Immunogen vaccine

Vector/Type: DNA with CMV promoter

Strain: B clade IIIB *HIV component:*

gp160, Rev *Adjuvant:* IL-2

Species (MHC) mouse (H-2^d)

Keywords Th1

References Xin *et al.* 1998

- Intranasal immunization with IL-2 expression plasmid in addition to DNA vaccine amplifies cellular response to antigen, probably via activation of Th type 1 (Th1) cells.

HXB2 Location gp160 (311–320)

Author Location gp120 (IIIB)

Epitope RGPGRFAFVTI

Immunogen vaccine

Vector/Type: DNA with CMV promoter

Strain: B clade IIIB *HIV component:*

gp160, Rev *Adjuvant:* IL-15

Species (MHC) mouse (H-2^d)

Keywords Th1

References Xin *et al.* 1999

- Intranasal immunization with IL-15 expression plasmid in addition to DNA vaccine increases DTH response and CTL activity to the antigen, and decreases the serum IgG1 to IgG2a ratio, enhancing Th type 1 (Th1) cell-mediated immunity.

- Expression of IL-2 or IL-15 can enhance Th1 response to the vaccine, but they do not appear to elicit a synergistic response.

HXB2 Location gp160 (311–320)

Author Location gp120 (IIIB)

Epitope RGPGRFAFVTI

Immunogen vaccine

Vector/Type: DNA with CMV promoter

Strain: B clade IIIB *HIV component:*

gp160, Rev *Adjuvant:* CD40

Species (MHC) mouse (H-2^d)

Keywords Th1, Th2

References Ihata *et al.* 1999

- CD40L expression increases DTH, and Th1-dependent responses based on enhanced IgG2a titers, with no lowering of IgG1 titers.
- Elispot assay indicated co-injection with hCD40L resulted in greater numbers of IFN γ producing Th1 cells, as well as increased IL-4 producing Th2 cells.
- Results suggest hCD40L enhance both Th1 and Th2 cells, and such a pattern of induction is unique among adjuvants, as most adjuvants increase either Th1 or Th2.

HXB2 Location gp160 (311–322)

Author Location Env (IIIB)

Epitope RGPGRFAFVTIGK

Immunogen vaccine

Vector/Type: DNA with CMV promoter

Strain: B clade IIIB *HIV component:*

gp160, Rev *Adjuvant:* GM-CSF

Species (MHC) mouse (H-2^d)

Keywords Th1, Th2

References Kusakabe *et al.* 2000

- The timing of delivery of the pGM-CSF expression plasmid for intramuscular DNA pCMV160IIIB/REV vaccination impacts the Th response, maximizing Th2 responses when administered 3 days prior to the DNA vaccine, and Th1 responses when administered 3 days after the DNA vaccine.

HXB2 Location gp160 (314–328)

Author Location gp120 (314–328 IIIB, B10)

Epitope GRAFVTIGKIGNMRQ

Immunogen HIV-1 infection

Species (MHC) human

References Wahren *et al.* 1989b; Wahren *et al.* 1989a

- 12 gag and 18 env peptides were identified that could commonly evoke T-cell responses.

HXB2 Location gp160 (314–341)

Author Location gp120 (319–346 NL43)

Epitope GRAFVTIGKIGNMRQAHCNISRAKWNAT

Immunogen vaccine

Vector/Type: protein *Strain:* B clade NL43

HIV component: gp120, gp160

Species (MHC) human

References Sitz *et al.* 1999

- There was a great breadth of proliferative response to env peptides in 19 HIV-1 infected rgp160 and 17 HIV-1 infected rgp120 vaccine recipients.

- More than 25% of vaccinees had a stimulation index of greater than 5 to this peptide.

HXB2 Location gp160 (315–328)

Author Location Env (UG92005)

Epitope RAYTTNIVGNIRQ

Immunogen vaccine

Vector/Type: DNA, protein, vaccinia *Strain:* B clade 1007, D clade UG92005 *HIV component:* gp140 *Adjuvant:* Complete Freund's Adjuvant (CFA)

Species (MHC) mouse (H-2 IA^b)

Keywords subtype comparisons, epitope processing, TCR usage

References Surman *et al.* 2001

- This epitope is located in the V3 region of UG92005 (UG, clade D) and was recognized by two hybridomas with V β usage not determined, but one used V α 8.
- C57BL/6 mice were immunized with a prime-boost strategy involving three HIV-1 Env antigens: Mice were primed with DNA given i.m., 3–4 weeks later boosted with VV, and 3–4 weeks later boosted again with purified protein in Freund's adjuvant.
- The vaccinia construct is a pSC11-based VV vector with the first 38 amino acids contributed by BH10 and the rest of gp120 and gp41 by the vaccine strain, the DNA construct is in the pJW4303 vector with a CMV promoter, and the purified protein is expressed from the pJW4303 vector transfected into CHO-K1 cells.
- Ten days after the final boost, hybridomas were made and tested for IL-2 production using either B6 spleen cells or H-2 IA^b transfected L cells as targets and V β usage was determined.
- Mice were immunized with an Env from either one of two clades: HIV-1 1007, a clade B strain isolated from an individual from Memphis Tennessee, and HIV-1 92UG005, a clade D vaccine isolated from Uganda in 1992 through the WHO.
- 80 unique clonotypes were characterized from six mice.
- H-2 IA^b restricted T-helper epitopes were concentrated in 5 distinct regions within the Env sequence (2 clonotype responses in V2, 26 in C2, 22 in V3, 23 in V4C4, and 7 in gp41).
- Epitope hotspots tended to be proximal to heavily glycosylated regions of the Env sequence, in exposed, non-helical strands of the protein. The non-uniform localization may be influenced by differential antigen processing and the glycosylation site proximity may allow binding to lectins and promote trafficking through processing pathways.

HXB2 Location gp160 (317–331)

Author Location gp120 (324–338 IIIB)

Epitope FVTIGKIGNMRQAHC

Immunogen vaccine

Strain: B clade IIIB *HIV component:* gp160

Species (MHC) mouse (H-2^k, H-2^d)

References Hale *et al.* 1989

- Six multideterminant helper T-cell regions are recognized by mice of three or four MHC types.

HXB2 Location gp160 (317–331)

Author Location gp160 (324–338 IIIB)

Epitope FVTIGKIGNMRQAHC

Immunogen vaccine

Vector/Type: protein *Strain:* B clade IIIB

HIV component: gp160 *Adjuvant:* Complete Freund's Adjuvant (CFA)

Species (MHC) mouse (H-2^k, H-2^d)

References Berzofsky *et al.* 1991b; Berzofsky *et al.* 1991a

- B10.BR (H-2A^k, E^k) and B10.D2 (H-2A^d, E^d) mice immunized with rec gp160 showed a proliferative response to this peptide.
- FVTIGKIGNMRQAHCNISRAKWNNTLKQIDSKL encompasses several murine Th epitopes including FVTIGKIGNMRQAHC and is referred to as a "multideterminant region" or cluster peptide.

HXB2 Location gp160 (317–336)

Author Location gp120 (321–340 MN)

Epitope YTTKNIIGTIRQAHCNSRA

Epitope name 1987

Subtype B

Immunogen vaccine

Vector/Type: DNA, protein *Strain:* B clade

MN *HIV component:* gp120 *Adjuvant:* Complete Freund's Adjuvant (CFA)

Species (MHC) guinea pig

Keywords vaccine-specific epitope characteristics, Th1

References Chattergoon *et al.* 2002

- Hartley guinea pigs were intradermally injected with either recombinant protein or plasmid expressed gp120 and monitored for delayed type hypersensitivity (DTH) responses after vaccination, which are related to Th1 T-cell responses. CFA did not augment responses in animals vaccinated with plasmid.
- A total of 7 gp120 peptides elicited a delayed type hypersensitivity (DTH) response after vaccination, out of a set of 60 overlapping peptides that spanned gp120. The vaccine delivery system, DNA versus rec protein, resulted in the recognition of distinct peptides.
- 4/5 animals vaccinated with rec gp120 responded by DTH to this peptide, as did 4/6 vaccinated with plasmid gp120 DNA.

HXB2 Location gp160 (317–349)

Author Location gp160 (324–356 IIIB)

Epitope FVTIGKIGNMRQAHCNISRAKWNNTLKQIDSKL

Immunogen HIV-1 infection, vaccine

Vector/Type: protein *Strain:* B clade IIIB

HIV component: gp160 *Adjuvant:* Complete Freund's Adjuvant (CFA)

Species (MHC) human, mouse (H-2^k, H-2^d)

References Berzofsky *et al.* 1991b; Berzofsky *et al.* 1991a

- FVTIGKIGNMRQAHCNISRAKWNNTLKQIDSKL encompasses several murine Th epitopes and is referred to as a "multideterminant region" or cluster peptide.
- Six multideterminant region cluster peptides were evaluated Th responses in different MHC/HLA backgrounds after vaccination of mice with gp160, or in infected people.
- This cluster peptide elicited proliferative responses in cells from B10.BR mice (H-2A^k, E^k) and B10.D2 mice (H-2A^d, E^d), but shorter peptides from within this region stimulated H-2^k, H-2^d, H-2^b and H-2^s responses.
- IL-2 production in response to this peptide was observed in 58% (21/36) of asymptomatic HIV-infected individuals.

HXB2 Location gp160 (319–338)
Author Location gp120 (320–339 89.6)
Epitope RRNIIGDIRQAHCNISRAKW
Immunogen vaccine
Vector/Type: protein *Strain:* B clade 89.6
HIV component: gp120 *Adjuvant:* E. coli mutant heat labile enterotoxin (LT-R72)
Species (MHC) mouse (H-2^k, H-2^d)
Keywords immunodominance
References Dai *et al.* 2001

- Promiscuous immunodominant epitopes in gp120 were mapped by overlapping peptides in CBA/J H-2^k and BALB/c H-2^d mice, and all were found to be in the outer domain, proximal to regions of structural disorder indicated by the crystal structure or by sequence divergence.
- This peptide was recognized by 7/10 CBA/J and 7/10 BALB/c mice with SI > 4, averaging 6.3 and 4.8, and is considered to be promiscuously immunodominant.
- Uniquely immunodominant sequences tended to be in the inner domain of the protein.

HXB2 Location gp160 (319–338)
Author Location gp120 (320–339 89.6)
Epitope RRNIIGDIRQAHCNISRAKW
Epitope name Peptide 30
Immunogen vaccine
Vector/Type: protein *Strain:* B clade 89.6
HIV component: gp120 *Adjuvant:* E. coli mutant heat labile enterotoxin (LT-R72)
Species (MHC) mouse
Donor MHC H-2k, H2-d
Keywords epitope processing, immunodominance
References Dai *et al.* 2001

- Helper T-cell proliferative responses to gp120 vaccines in 2 mouse strains, CBA/J and BALB/c, were mapped using 47 overlapping peptides that span gp120. Promiscuously immunodominant peptides were identified in both mice strains that were located in the outer domain of gp120 and were associated with regions of local structural disorder in proximal N-terminal segments, suggesting 3-D protein structure influences Th antigen processing and the frequency of immunogenic sequences.
- This peptide was highly reactive in 7/10 BALB/c mice tested, and in 7/10 CBA/J mice and was considered one of the 3 immunodominant peptides identified that were shared in both mouse strains: RRNIIGDIRQAHCNISRAKW, NNTLQQIVIKLREK-FRNKTI, GTNGTEGNDIITLQCRKQI.

HXB2 Location gp160 (321–336)
Author Location gp120 (IIIB)
Epitope RIIGDIRKAHCNISRY
Immunogen in vitro stimulation or selection
Species (MHC) human
References Manca *et al.* 1995b

- Peptide stimulation of PBMC from non-infected individuals *in vitro*.
- Peptide priming does not always induce T-cells that recognize whole protein.

HXB2 Location gp160 (322–336)
Author Location Env (1007)

Epitope IIGDIRQAHCNISRE
Immunogen vaccine
Vector/Type: DNA, protein, vaccinia *Strain:* B clade 1007, D clade UG92005 *HIV component:* gp140 *Adjuvant:* Complete Freund's Adjuvant (CFA)
Species (MHC) mouse (H-2 IA^b)
Keywords subtype comparisons, epitope processing, TCR usage
References Surman *et al.* 2001

- This epitope is located in the V3 region of 1007 (US, clade B) and was recognized by three hybridomas with V β usage V β 6 and not determined.
- C57BL/6 mice were immunized with a prime-boost strategy involving three HIV-1 Env antigens: Mice were primed with DNA given i.m., 3–4 weeks later boosted with VV, and 3–4 weeks later boosted again with purified protein in Freund's adjuvant.
- The vaccinia construct is a pSC11-based VV vector with the first 38 amino acids contributed by BH10 and the rest of gp120 and gp41 by the vaccine strain, the DNA construct is in the pJW4303 vector with a CMV promoter, and the purified protein is expressed from the pJW4303 vector transfected into CHO-K1 cells.
- Ten days after the final boost, hybridomas were made and tested for IL-2 production using either B6 spleen cells or H-2 IA^b transfected L cells as targets and V β usage was determined.
- Mice were immunized with an Env from either one of two clades: HIV-1 1007, a clade B strain isolated from an individual from Memphis Tennessee, and HIV-1 92UG005, a clade D vaccine isolated from Uganda in 1992 through the WHO.
- 80 unique clonotypes were characterized from six mice.
- H-2 IA^b restricted T-helper epitopes were concentrated in 5 distinct regions within the Env sequence (2 clonotype responses in V2, 26 in C2, 22 in V3, 23 in V4C4, and 7 in gp41).
- Epitope hotspots tended to be proximal to heavily glycosylated regions of the Env sequence, in exposed, non-helical strands of the protein. The non-uniform localization may be influenced by differential antigen processing and the glycosylation site proximity may allow binding to lectins and promote trafficking through processing pathways.

HXB2 Location gp160 (322–336)
Author Location Env (UG92005)
Epitope IVGNIRQAHCNVSKA
Immunogen vaccine
Vector/Type: DNA, protein, vaccinia *Strain:* B clade 1007, D clade UG92005 *HIV component:* gp140 *Adjuvant:* Complete Freund's Adjuvant (CFA)
Species (MHC) mouse (H-2 IA^b)
Keywords subtype comparisons, epitope processing, TCR usage
References Surman *et al.* 2001

- This epitope is located in the V3 region of UG92005 (UG, clade D) and was recognized by three hybridomas with V β usage V β 6, 8.1, and not determined.

- C57BL/6 mice were immunized with a prime-boost strategy involving three HIV-1 Env antigens: Mice were primed with DNA given i.m., 3-4 weeks later boosted with VV, and 3-4 weeks later boosted again with purified protein in Freund's adjuvant.
- The vaccinia construct is a pSC11-based VV vector with the first 38 amino acids contributed by BH10 and the rest of gp120 and gp41 by the vaccine strain, the DNA construct is in the pJW4303 vector with a CMV promoter, and the purified protein is expressed from the pJW4303 vector transfected into CHO-K1 cells.
- Ten days after the final boost, hybridomas were made and tested for IL-2 production using either B6 spleen cells or H-2 IA^b transfected L cells as targets and V β usage was determined.
- Mice were immunized with an Env from either one of two clades: HIV-1 1007, a clade B strain isolated from an individual from Memphis Tennessee, and HIV-1 92UG005, a clade D vaccine isolated from Uganda in 1992 through the WHO.
- 80 unique clonotypes were characterized from six mice.
- H-2 IA^b restricted T-helper epitopes were concentrated in 5 distinct regions within the Env sequence (2 clonotype responses in V2, 26 in C2, 22 in V3, 23 in V4C4, and 7 in gp41).
- Epitope hotspots tended to be proximal to heavily glycosylated regions of the Env sequence, in exposed, non-helical strands of the protein. The non-uniform localization may be influenced by differential antigen processing and the glycosylation site proximity may allow binding to lectins and promote trafficking through processing pathways.

HXB2 Location gp160 (322–336)

Author Location Env (UG92005)

Epitope IVGNIRQAHCNVSKA

Immunogen vaccine

Vector/Type: DNA, protein, vaccinia *Strain:* B clade 1007, D clade UG92005 *HIV component:* gp140 *Adjuvant:* Complete Freund's Adjuvant (CFA)

Species (MHC) mouse (H-2 IA^b)

Keywords subtype comparisons, epitope processing, TCR usage

References Surman *et al.* 2001

- This epitope is located in the V3 region of UG92005 (UG, clade D) and was recognized by three hybridomas with V β usage V β 6, 8.1, and not determined.
- C57BL/6 mice were immunized with a prime-boost strategy involving three HIV-1 Env antigens: Mice were primed with DNA given i.m., 3-4 weeks later boosted with VV, and 3-4 weeks later boosted again with purified protein in Freund's adjuvant.
- The vaccinia construct is a pSC11-based VV vector with the first 38 amino acids contributed by BH10 and the rest of gp120 and gp41 by the vaccine strain, the DNA construct is in the pJW4303 vector with a CMV promoter, and the purified protein is expressed from the pJW4303 vector transfected into CHO-K1 cells.
- Ten days after the final boost, hybridomas were made and tested for IL-2 production using either B6 spleen cells or H-2 IA^b transfected L cells as targets and V β usage was determined.

- Mice were immunized with an Env from either one of two clades: HIV-1 1007, a clade B strain isolated from an individual from Memphis Tennessee, and HIV-1 92UG005, a clade D vaccine isolated from Uganda in 1992 through the WHO.
- 80 unique clonotypes were characterized from six mice.
- H-2 IA^b restricted T-helper epitopes were concentrated in 5 distinct regions within the Env sequence (2 clonotype responses in V2, 26 in C2, 22 in V3, 23 in V4C4, and 7 in gp41).
- Epitope hotspots tended to be proximal to heavily glycosylated regions of the Env sequence, in exposed, non-helical strands of the protein. The non-uniform localization may be influenced by differential antigen processing and the glycosylation site proximity may allow binding to lectins and promote trafficking through processing pathways.

HXB2 Location gp160 (322–341)

Author Location gp120 (322–341 IIIIB)

Epitope KIGNMRQAHCNISRAKWNNT?

Epitope name F4

Immunogen HIV-1 infection

Species (MHC) human

References Geretti *et al.* 1994

- Th proliferative responses were studied in 36 asymptomatic HIV-1 + patients. PBMC from 15/36 patients responded to stimulation with gp120 synthetic overlapping peptide pools. 10 of the responding patients recognized three or more peptide pools.
- After 12 months, most responses were lost or diminished, and specific responses fluctuated. 4/10 of the responders at baseline had new responses at 12 months, as did 5/15 non-responders.
- IL-2 production was a more sensitive and well-preserved measure of Th function than proliferation.
- 1/15 responders recognized this peptide, SI = 7.6.

HXB2 Location gp160 (324–336)

Author Location Env (UG92005)

Epitope GNIRQAHCNVSKA

Immunogen vaccine

Vector/Type: DNA, protein, vaccinia *Strain:* B clade 1007, D clade UG92005 *HIV component:* gp140 *Adjuvant:* Complete Freund's Adjuvant (CFA)

Species (MHC) mouse (H-2 IA^b)

Keywords subtype comparisons, epitope processing, TCR usage

References Surman *et al.* 2001

- This epitope is located in the V3 region of UG92005 (UG, clade D) and was recognized by two hybridoma with V β usage V β 8.2 and not determined.
- The epitope described here is the region of overlap of two 15 mers that were both able to stimulate IL-2 production from the hybridoma (IVGNIRQAHCNVSKA and GNIRQAHCNVSKAKW)
- C57BL/6 mice were immunized with a prime-boost strategy involving three HIV-1 Env antigens: Mice were primed with DNA given i.m., 3-4 weeks later boosted with VV, and 3-4 weeks later boosted again with purified protein in Freund's adjuvant.

- The vaccinia construct is a pSC11-based VV vector with the first 38 amino acids contributed by BH10 and the rest of gp120 and gp41 by the vaccine strain, the DNA construct is in the pJW4303 vector with a CMV promoter, and the purified protein is expressed from the pJW4303 vector transfected into CHO-K1 cells.
- Ten days after the final boost, hybridomas were made and tested for IL-2 production using either B6 spleen cells or H-2 IA^b transfected L cells as targets and V β usage was determined.
- Mice were immunized with an Env from either one of two clades: HIV-1 1007, a clade B strain isolated from an individual from Memphis Tennessee, and HIV-1 92UG005, a clade D vaccine isolated from Uganda in 1992 through the WHO.
- 80 unique clonotypes were characterized from six mice.
- H-2 IA^b restricted T-helper epitopes were concentrated in 5 distinct regions within the Env sequence (2 clonotype responses in V2, 26 in C2, 22 in V3, 23 in V4C4, and 7 in gp41).
- Epitope hotspots tended to be proximal to heavily glycosylated regions of the Env sequence, in exposed, non-helical strands of the protein. The non-uniform localization may be influenced by differential antigen processing and the glycosylation site proximity may allow binding to lectins and promote trafficking through processing pathways.

HXB2 Location gp160 (324–338)

Author Location Env (UG92005)

Epitope GNIRQAHCNVSKAKW

Immunogen vaccine

Vector/Type: DNA, protein, vaccinia *Strain:* B clade 1007, D clade UG92005 *HIV component:* gp140 *Adjuvant:* Complete Freund's Adjuvant (CFA)

Species (MHC) mouse (H-2 IA^b)

Keywords subtype comparisons, epitope processing, TCR usage

References Surman *et al.* 2001

- This epitope is located in the V3 region of UG92005 (UG, clade D) and was recognized by eleven hybridomas with V β usage V β 5, 7, 8.1, 8.2, 11 and not determined – a V β 8.1's and V β 8.2 also were shown to use V α 8, and one of the ND used V α 2.
- C57BL/6 mice were immunized with a prime-boost strategy involving three HIV-1 Env antigens: Mice were primed with DNA given i.m., 3–4 weeks later boosted with VV, and 3–4 weeks later boosted again with purified protein in Freund's adjuvant.
- The vaccinia construct is a pSC11-based VV vector with the first 38 amino acids contributed by BH10 and the rest of gp120 and gp41 by the vaccine strain, the DNA construct is in the pJW4303 vector with a CMV promoter, and the purified protein is expressed from the pJW4303 vector transfected into CHO-K1 cells.
- Ten days after the final boost, hybridomas were made and tested for IL-2 production using either B6 spleen cells or H-2 IA^b transfected L cells as targets and V β usage was determined.
- Mice were immunized with an Env from either one of two clades: HIV-1 1007, a clade B strain isolated from an individual from Memphis Tennessee, and HIV-1 92UG005, a clade D vaccine isolated from Uganda in 1992 through the WHO.
- 80 unique clonotypes were characterized from six mice.

- H-2 IA^b restricted T-helper epitopes were concentrated in 5 distinct regions within the Env sequence (2 clonotype responses in V2, 26 in C2, 22 in V3, 23 in V4C4, and 7 in gp41).
- Epitope hotspots tended to be proximal to heavily glycosylated regions of the Env sequence, in exposed, non-helical strands of the protein. The non-uniform localization may be influenced by differential antigen processing and the glycosylation site proximity may allow binding to lectins and promote trafficking through processing pathways.

HXB2 Location gp160 (324–338)

Author Location gp120 (V3)

Epitope GNIRQAHCNVSKAKW

Subtype B, D

Immunogen vaccine

Vector/Type: DNA, protein, vaccinia *Strain:* B clade 1007, D clade UG92005 *HIV component:* Env *Adjuvant:* Complete Freund's Adjuvant (CFA)

Species (MHC) mouse (H2b)

Assay type Cytokine production, CD4 T-cell Elispot - IFN γ

Keywords vaccine-induced epitopes, variant cross-recognition or cross-neutralization, vaccine antigen design

References Zhan *et al.* 2004

- To develop a polyvalent Env vaccine, subtype specific B and D T-helper epitopes were identified, and mixtures of strain 1007, clade B, or UG92005, clade D envelopes were given to C57BL/6J mice. Mice were intramuscularly immunized with recombinant DNA, then intraperitoneally with rVV and finally with env protein in CFA. A dilution of 1/100 could still elicit type specific responses, and responses persisted with different prime boost combinations.
- Priming with 1007 and UG92005 env's induced both Env-specific (SNNTVGNPIILPCRI and AMYAPPIAGLIQCSS) and cross-reactive (PKVSFEPIPIHYCAP, C2, GNIRQAHCNVSKAKW, V3-C3) Th responses in murine spleen cells.

HXB2 Location gp160 (327–341)

Author Location gp120 (327–341 HXB2)

Epitope RQAHCNISRAKWNNT

Subtype B

Immunogen vaccine

Vector/Type: protein *Strain:* B clade HXB2 *HIV component:* gp120

Species (MHC) mouse (I-A^d)

References Warren & Thomas 1992

- Minimum epitope and MHC restriction determined for CTL clone that recognizes the N-terminal flank of the V3 loop.

HXB2 Location gp160 (327–346)

Author Location gp120 (331–350 MN)

Epitope RQAHCNISRAKWNIDLQIV

Epitope name 1988

Subtype B

Immunogen vaccine

Vector/Type: DNA, protein *Strain:* B clade MN *HIV component:* gp120 *Adjuvant:* Complete Freund's Adjuvant (CFA)

Species (MHC) guinea pig

Keywords vaccine-specific epitope characteristics, Th1

References Chattergoon *et al.* 2002

- Hartley guinea pigs were intradermally injected with either recombinant protein or plasmid expressed gp120 and monitored for delayed type hypersensitivity (DTH) responses after vaccination, which are related to Th1 T-cell responses. CFA did not augment responses in animals vaccinated with plasmid.
- A total of 7 gp120 peptides elicited a delayed type hypersensitivity (DTH) response after vaccination, out of a set of 60 overlapping peptides that spanned gp120. The vaccine delivery system, DNA versus rec protein, resulted in the recognition of distinct peptides.
- 4/5 animals vaccinated with rec gp120 responded by DTH to this peptide, and 2/6 responded that were vaccinated with plasmid gp120 DNA.

HXB2 Location gp160 (330–350)

Author Location gp120 (330–349 IIIB)

Epitope HCNISRAKWNNTLKQIASKLR?

Epitope name F5

Subtype B

Immunogen HIV-1 infection

Species (MHC) human

References Geretti *et al.* 1994

- Th proliferative responses were studied in 36 asymptomatic HIV-1 + patients. PBMC from 15/36 patients responded to stimulation with gp120 synthetic overlapping peptide pools. 10 of the responding patients recognized three or more peptide pools.
- After 12 months, most responses were lost or diminished, and specific responses fluctuated. 4/10 of the responders at baseline had new responses at 12 months, as did 5/15 non-responders.
- IL-2 production was a more sensitive and well-preserved measure of Th function than proliferation.
- 3/15 responders recognized this peptide, average SI = 5.5.

HXB2 Location gp160 (331–345)

Author Location gp120 (IIIB)

Epitope CNISRAQWNNTLEQI

Immunogen *in vitro* stimulation or selection

Species (MHC) human

References Manca *et al.* 1995b

- Peptide stimulation of PBMC from non-infected individuals *in vitro*.
- Peptide priming does not always induce T-cells that recognize whole protein.

HXB2 Location gp160 (332–354)

Author Location gp120 (337–359 NL43)

Epitope NISRAKWNATLKQIASKLREQFG

Immunogen vaccine

Vector/Type: protein *Strain:* B clade NL43

HIV component: gp120, gp160

Species (MHC) human

References Sitz *et al.* 1999

- There was a great breadth of proliferative response to env peptides in 19 HIV-1 infected rgp160 and 17 HIV-1 infected rgp120 vaccine recipients.

- More than 30% of vaccinees had a stimulation index of greater than 5 to this peptide.

HXB2 Location gp160 (335–349)

Author Location gp160 (342–356 IIIB)

Epitope RAKWNNTLKQIDSKL

Immunogen vaccine

Vector/Type: protein *Strain:* B clade IIIB

HIV component: gp160 *Adjuvant:* Complete Freund's Adjuvant (CFA)

Species (MHC) mouse (H-2^k, H-2^b, H-2^s)

References Berzofsky *et al.* 1991b; Berzofsky *et al.* 1991a

- B10.BR (H-2A^k, E^k), B10.A(5R) (H-2A^b, E^b) and B10.S(9R) (H-2A^s, E^s) mice immunized with rec gp160 showed a proliferative response to this peptide.
- FVTIGKIGNMRQAHCNISRAKWNNTLKQIDSKL encompasses several murine Th epitopes including RAKWNNTLKQIDSKL and is referred to as a "multideterminant region" or cluster peptide.

HXB2 Location gp160 (335–349)

Author Location gp120 (342–356 IIIB)

Epitope RAKWNNTLKQICSKL

Immunogen vaccine

Strain: B clade IIIB *HIV component:* gp160

Species (MHC) mouse (H-2^k, H-2^d, H-2ⁱ⁵)

References Hale *et al.* 1989

- Six multideterminant helper T-cell regions are recognized by mice of three or four MHC types.

HXB2 Location gp160 (337–356)

Author Location gp120 (341–360 MN)

Epitope KWNDTLRQIVSKLKEQFKNK

Epitope name 1989

Subtype B

Immunogen vaccine

Vector/Type: DNA, protein *Strain:* B clade

MN *HIV component:* gp120 *Adjuvant:*

Complete Freund's Adjuvant (CFA)

Species (MHC) guinea pig

Keywords vaccine-specific epitope characteristics, Th1

References Chattergoon *et al.* 2002

- Hartley guinea pig were intradermally injected with either recombinant protein or plasmid expressed gp120 and monitored for delayed type hypersensitivity (DTH) responses after vaccination, which are related to Th1 T-cell responses. CFA did not augment responses in animals vaccinated with plasmid.
- A total of 7 gp120 peptides elicited a delayed type hypersensitivity (DTH) response after vaccination, out of a set of 60 overlapping peptides that spanned gp120. The vaccine delivery system, DNA versus rec protein, resulted in the recognition of distinct peptides.
- 3/5 animals vaccinated with rec gp120 responded by DTH to this peptide, and 2/6 responded that were vaccinated with plasmid gp120 DNA.

HXB2 Location gp160 (339–359)

Author Location gp120 (340–359 89.6)

Epitope NNLTQQIVIKLREKFRNKTI

Immunogen vaccine

Vector/Type: protein *Strain:* B clade 89.6
HIV component: gp120 *Adjuvant:* E. coli mutant heat labile enterotoxin (LT-R72)

Species (MHC) mouse (H-2^k, H-2^d)

Keywords immunodominance

References Dai *et al.* 2001

- Promiscuous immunodominant epitopes in gp120 were mapped by overlapping peptides in CBA/J H-2^k and BALB/c H-2^d mice, and all were found to be in the outer domain, proximal to regions of structural disorder indicated by the crystal structure or by sequence divergence.
- This peptide was recognized by 4/10 CBA/J and 6/10 BALB/c mice with SI > 4, averaging 4.9 and 5.5 and is considered to be promiscuously immunodominant.
- Uniquely immunodominant sequences tended to be in the inner domain of the protein.

HXB2 Location gp160 (339–359)

Author Location gp120 (340–359 89.6)

Epitope NNTLQQIVIKLREKFRNKTI

Epitope name Peptide 32

Immunogen vaccine

Vector/Type: protein *Strain:* B clade 89.6
HIV component: gp120 *Adjuvant:* E. coli mutant heat labile enterotoxin (LT-R72)

Species (MHC) mouse

Donor MHC H-2k, H2-d

Keywords epitope processing, immunodominance

References Dai *et al.* 2001

- Helper T-cell proliferative responses to gp120 vaccines in 2 mouse strains, CBA/J and BALB/c, were mapped using 47 overlapping peptides that span gp120. Promiscuously immunodominant peptides were identified in both mice strains that were located in the outer domain of gp120 and were associated with regions of local structural disorder in proximal N-terminal segments, suggesting 3-D protein structure influences Th antigen processing and the frequency of immunogenic sequences.
- This peptide was reactive in 6/10 BALB/c mice tested, and in 4/10 CBA/J mice and was considered one of the 3 immunodominant peptides identified that were shared in both mouse strains: RRNIIGDIRQAHCNISRAKW, NNTLQQIVIKLREKFRNKTI, GTNGTEGNDIITLQCRIKQI.

HXB2 Location gp160 (341–356)

Author Location gp120 (IIIB)

Epitope TLEQIVKKLREQFGNC

Immunogen in vitro stimulation or selection

Species (MHC) human

References Manca *et al.* 1995b

- Peptide stimulation of PBMC from non-infected individuals *in vitro*.
- Peptide priming does not always induce T-cells that recognize whole protein.

HXB2 Location gp160 (342–361)

Author Location gp120 (342–361 IIIB)

Epitope LKQIASKLREQFGNKTIIIF?

Epitope name G1

Subtype B

Immunogen HIV-1 infection

Species (MHC) human

References Geretti *et al.* 1994

- Th proliferative responses were studied in 36 asymptomatic HIV-1 + patients. PBMC from 15/36 patients responded to stimulation with gp120 synthetic overlapping peptide pools. 10 of the responding patients recognized three or more peptide pools.
- After 12 months, most responses were lost or diminished, and specific responses fluctuated. 4/10 of the responders at baseline had new responses at 12 months, as did 5/15 non-responders.
- IL-2 production was a more sensitive and well-preserved measure of Th function than proliferation.
- 2/15 responders recognized this peptide, average SI = 6.0.

HXB2 Location gp160 (344–357)

Author Location gp120 (346–359)

Epitope QIVKKLREQFGNNK

Immunogen HIV-1 infection

Species (MHC) human

References Krowka *et al.* 1990

- Conjugation of HIV peptides to liposomes and rIL-2 stimulation may enhance cell-mediated responses.

HXB2 Location gp160 (349–368)

Author Location gp120 (350–369 89.6)

Epitope LREKFRNKTIAFNQSSGGD

Epitope name Peptide 33

Immunogen vaccine

Vector/Type: protein *Strain:* B clade 89.6
HIV component: gp120 *Adjuvant:* E. coli mutant heat labile enterotoxin (LT-R72)

Species (MHC) mouse

Donor MHC H-2k, H2-d

Keywords epitope processing, immunodominance

References Dai *et al.* 2001

- Helper T-cell proliferative responses to gp120 vaccines in 2 mouse strains, CBA/J and BALB/c, were mapped using 47 overlapping peptides that span gp120. Promiscuously immunodominant peptides were identified in both mice strains that were located in the outer domain of gp120 and were associated with regions of local structural disorder in proximal N-terminal segments, suggesting 3-D protein structure influences Th antigen processing and the frequency of immunogenic sequences.
- This peptide was reactive in 3/10 BALB/c mice tested, and in 5/10 CBA/J mice.

HXB2 Location gp160 (350–370)

Author Location gp120 (350–370 IIIB)

Epitope REQFGNKTIIIFKQSSGGDPE?

Epitope name G2

Subtype B

Immunogen HIV-1 infection

Species (MHC) human

References Geretti *et al.* 1994

- Th proliferative responses were studied in 36 asymptomatic HIV-1 + patients. PBMC from 15/36 patients responded to stimulation with gp120 synthetic overlapping peptide pools. 10 of the responding patients recognized three or more peptide pools.

- After 12 months, most responses were lost or diminished, and specific responses fluctuated. 4/10 of the responders at baseline had new responses at 12 months, as did 5/15 non-responders.
- IL-2 production was a more sensitive and well-preserved measure of Th function than proliferation.
- 1/15 responders recognized this peptide, average SI = 3.2.

HXB2 Location gp160 (353–360)
Author Location gp120 (355–362 IIIB)
Epitope FGNNKTII
Immunogen SHIV infection
Species (MHC) macaque

- References** Lekutis & Letvin 1997
- C3 region minimal epitope determined through fine epitope mapping.
 - Cell line was lost prior to confirmation of MHC requirements.

HXB2 Location gp160 (363–372)
Author Location gp120 (368–377 LAI)
Epitope QSSGGDPEIV
Subtype B
Immunogen HIV-1 infection
Species (MHC) human

- References** Schrier *et al.* 1989
- Stimulates T-cell proliferation in HIV-infected donors.

HXB2 Location gp160 (364–378)
Author Location gp120 (364–378 IIIB, B10)
Epitope SSGGKPEIVTHSFNC
Immunogen HIV-1 infection
Species (MHC) human

- References** Wahren *et al.* 1989b; Wahren *et al.* 1989a
- 12 gag and 18 env peptides were identified that could commonly evoke T-cell responses.

HXB2 Location gp160 (369–383)
Author Location gp120 (369–383 IIIB, B10)
Epitope PEIVTHSFNCGGEFF
Immunogen HIV-1 infection
Species (MHC) human

- References** Wahren *et al.* 1989b; Wahren *et al.* 1989a
- 12 gag and 18 env peptides were identified that could commonly evoke T-cell responses.

HXB2 Location gp160 (380–393)
Author Location gp120 (380–393 IIIB)
Epitope GEFFYCNSTQLFNS?
Epitope name G4
Subtype B

Immunogen HIV-1 infection
Species (MHC) human
Keywords immunodominance
References Geretti *et al.* 1994

- Th proliferative responses were studied in 36 asymptomatic HIV-1 + patients. PBMC from 15/36 patients responded to stimulation with gp120 synthetic overlapping peptide pools. 10 of the responding patients recognized three or more peptide pools.

- After 12 months, most responses were lost or diminished, and specific responses fluctuated. 4/10 of the responders at baseline had new responses at 12 months, as did 5/15 non-responders.
- IL-2 production was a more sensitive and well-preserved measure of Th function than proliferation.
- Five peptides were recognized most frequently: C2 (aa 142–161), C3 (aa 152–171), C5 (aa 172–191), E5 (aa 272–291) and G4 (aa 380–393). The first three were in or near V2, the other two were proximal to the V3 and V4 loops.
- 4/15 responders recognized this immunodominant peptide, average SI = 4.4.

HXB2 Location gp160 (381–395)
Author Location gp120 (IIIB)
Epitope EFFYCNTTQLFNNTW

Immunogen in vitro stimulation or selection
Species (MHC) human
References Manca *et al.* 1995b

- Peptide stimulation of PBMC from non-infected individuals *in vitro*.
- Peptide priming does not always induce T-cells that recognize whole protein.

HXB2 Location gp160 (391–405)
Author Location gp120 (IIIB)
Epitope FNNTWRLNHTEGKGC

Immunogen in vitro stimulation or selection
Species (MHC) human
References Manca *et al.* 1995b

- Peptide stimulation of PBMC from non-infected individuals *in vitro*.
- Peptide priming does not always induce T-cells that recognize whole protein.

HXB2 Location gp160 (392–411)
Author Location gp120 (392–411 IIIB)
Epitope NSTWFNSTWSTEGSNNTGEGS?

Epitope name G5
Immunogen HIV-1 infection
Species (MHC) human

- References** Geretti *et al.* 1994
- Th proliferative responses were studied in 36 asymptomatic HIV-1 + patients. PBMC from 15/36 patients responded to stimulation with gp120 synthetic overlapping peptide pools. 10 of the responding patients recognized three or more peptide pools.
 - After 12 months, most responses were lost or diminished, and specific responses fluctuated. 4/10 of the responders at baseline had new responses at 12 months, as did 5/15 non-responders.
 - IL-2 production was a more sensitive and well-preserved measure of Th function than proliferation.
 - 1/15 responders recognized this peptide, SI = 9.3.

HXB2 Location gp160 (394–408)
Author Location gp120 (394–408 IIIB, B10)
Epitope TWFNSTWSTKGSNNT

Immunogen HIV-1 infection
Species (MHC) human

References Wahren *et al.* 1989b; Wahren *et al.* 1989a

- 12 gag and 18 env peptides were identified that could commonly evoke T-cell responses.

HXB2 Location gp160 (399–413)

Author Location gp120 (399–413 IIIB, B10)

Epitope TWSTKGSNNTTEGSDT

Immunogen HIV-1 infection

Species (MHC) human

References Wahren *et al.* 1989b; Wahren *et al.* 1989a

- 12 gag and 18 env peptides were identified that could commonly evoke T-cell responses.

HXB2 Location gp160 (404–423)

Author Location gp120 (400–419 89.6)

Epitope GTNGTEGNDIITLQCRKIQI

Immunogen vaccine

Vector/Type: protein *Strain:* B clade 89.6

HIV component: gp120 *Adjuvant:* E. coli mutant heat labile enterotoxin (LT-R72)

Species (MHC) mouse (H-2^k, H-2^d)

Keywords immunodominance

References Dai *et al.* 2001

- Promiscuous immunodominant epitopes in gp120 were mapped by overlapping peptides in CBA/J H-2^k and BALB/c H-2^d mice, and all were found to be in the outer domain, proximal to regions of structural disorder indicated by the crystal structure or by sequence divergence.
- This peptide was recognized by 4/10 CBA/J and 6/10 BALB/c mice with SI > 4, averaging 4.9 and 5.5 and is considered to be promiscuously immunodominant.
- Uniquely immunodominant sequences tended to be in the inner domain of the protein.

HXB2 Location gp160 (404–423)

Author Location gp120 (400–419 89.6)

Epitope GTNGTEGNDIITLQCRKIQI

Epitope name Peptide 38

Immunogen vaccine

Vector/Type: protein *Strain:* B clade 89.6

HIV component: gp120 *Adjuvant:* E. coli mutant heat labile enterotoxin (LT-R72)

Species (MHC) mouse

Donor MHC H-2k, H-2d

Keywords epitope processing, immunodominance

References Dai *et al.* 2001

- Helper T-cell proliferative responses to gp120 vaccines in 2 mouse strains, CBA/J and BALB/c, were mapped using 47 overlapping peptides that span gp120. Promiscuously immunodominant peptides were identified in both mice strains that were located in the outer domain of gp120 and were associated with regions of local structural disorder in proximal N-terminal segments, suggesting 3-D protein structure influences Th antigen processing and the frequency of immunogenic sequences.
- This peptide was reactive in 8/10 BALB/c mice tested, and in 6/10 CBA/J mice, and was considered one of the 3 immunodominant peptides identified that were shared in both mouse strains: RRNIIGDIRQAHCNISRAKW, NNTLQQIVIKLREK-FRNKTI, GTNGTEGNDIITLQCRKIQI.

HXB2 Location gp160 (405–420)

Author Location Env (1007)

Epitope SNNTVGNPILPCRI

Immunogen vaccine

Vector/Type: DNA, protein, vaccinia *Strain:*

B clade 1007, D clade UG92005 *HIV*

component: gp140 *Adjuvant:* Complete

Freund's Adjuvant (CFA)

Species (MHC) mouse (H-2 IA^b)

Keywords subtype comparisons, epitope processing, TCR usage

References Surman *et al.* 2001

- This epitope is located in the V4C4 region of 1007 (US, clade B) and was recognized by 13 hybridomas with V β usage V β 4, 7, 8.1, 8.2, 10, 12 and not determined – one of the V β 8.2 was shown to utilize V α 2.
- C57BL/6 mice were immunized with a prime-boost strategy involving three HIV-1 Env antigens: Mice were primed with DNA given i.m., 3–4 weeks later boosted with VV, and 3–4 weeks later boosted again with purified protein in Freund's adjuvant.
- The vaccinia construct is a pSC11-based VV vector with the first 38 amino acids contributed by BH10 and the rest of gp120 and gp41 by the vaccine strain, the DNA construct is in the pJW4303 vector with a CMV promoter, and the purified protein is expressed from the pJW4303 vector transfected into CHO-K1 cells.
- Ten days after the final boost, hybridomas were made and tested for IL-2 production using either B6 spleen cells or H-2 IA^b transfected L cells as targets and V β usage was determined.
- Mice were immunized with an Env from either one of two clades: HIV-1 1007, a clade B strain isolated from an individual from Memphis Tennessee, and HIV-1 92UG005, a clade D vaccine isolated from Uganda in 1992 through the WHO.
- 80 unique clonotypes were characterized from six mice.
- H-2 IA^b restricted T-helper epitopes were concentrated in 5 distinct regions within the Env sequence (2 clonotype responses in V2, 26 in C2, 22 in V3, 23 in V4C4, and 7 in gp41).
- Epitope hotspots tended to be proximal to heavily glycosylated regions of the Env sequence, in exposed, non-helical strands of the protein. The non-uniform localization may be influenced by differential antigen processing and the glycosylation site proximity may allow binding to lectins and promote trafficking through processing pathways.

HXB2 Location gp160 (405–420)

Author Location Env (gp160) (1007)

Epitope SNNTVGNPILPCRI

Subtype B

Immunogen vaccine

Vector/Type: DNA, protein, vaccinia *Strain:*

B clade 1007, D clade UG92005 *HIV*

component: Env *Adjuvant:* Complete Freund's Adjuvant (CFA)

Species (MHC) mouse (H2b)

Assay type Cytokine production, CD4 T-cell Elispot - IFN γ

Keywords vaccine-induced epitopes, variant cross-recognition or cross-neutralization, vaccine antigen design

References Zhan *et al.* 2004

- To develop a polyvalent Env vaccine, subtype specific B and D T-helper epitopes were identified, and mixtures of strain 1007, clade B, or UG92005, clade D envelopes were given to C57BL/6J mice. Mice were intramuscularly immunized with recombinant DNA, then intraperitoneally with rVV and finally with env protein in CFA. A dilution of 1/100 could still elicit type specific responses, and responses persisted with different prime boost combinations.
- T-cell hybridoma 1007P3-23 was isolated from mice immunized with 1007, and it recognized the peptide SNNTVGN-PIILPCRI of the V4/C4 region. The minimal, core peptide recognized by 1007P3-23 was NPIL, a sequence not found in UG92005, which has a deletion in the core, so that the equivalent region in the D isolate is NNET—ITLQCRI
- Priming mixtures of 1007 and UG92005 induced both Env-specific (SNNTVGNPIILPCRI and AMYAPPIAGLIQCSS) and cross-reactive (PKVSFEPIPIHYCAP, C2, GNIRQAHCN-VSKAKW, V3-C3) Th responses in murine spleen cells.

HXB2 Location gp160 (410–429)

Author Location gp120 (410–429 PV22)

Epitope GSDTITLPCRKQFINMWQE

Immunogen HIV-1 infection

Species (MHC) human (DR4)

References Callahan *et al.* 1990

- Synthetic peptides representing natural variants were used to test for recognition in the context DR4.

HXB2 Location gp160 (410–429)

Author Location gp120 (410–429 PV22)

Epitope GSDTITLPCRKQFINMWQE

Immunogen HIV-1 infection

Species (MHC) human (DR4(Dw10))

References Polydefkis *et al.* 1990

- Human CD4+ T-cell clones lyse recombinant vaccinia virus-infected cells that synthesize envelope gp160.

HXB2 Location gp160 (412–431)

Author Location gp120 (412–431 IIIB)

Epitope DTITLPCRKQIINMWQKVG?

Epitope name H2

Subtype B

Immunogen HIV-1 infection

Species (MHC) human

References Geretti *et al.* 1994

- Th proliferative responses were studied in 36 asymptomatic HIV-1 + patients. PBMC from 15/36 patients responded to stimulation with gp120 synthetic overlapping peptide pools. 10 of the responding patients recognized three or more peptide pools.
- After 12 months, most responses were lost or diminished, and specific responses fluctuated. 4/10 of the responders at baseline had new responses at 12 months, as did 5/15 non-responders.
- IL-2 production was a more sensitive and well-preserved measure of Th function than proliferation.
- 1/15 responders recognized this peptide, SI = 5.7.

HXB2 Location gp160 (416–431)

Author Location gp120 (IIIB)

Epitope LPCRIKQIINMWQEVY

Immunogen in vitro stimulation or selection

Species (MHC) human

References Manca *et al.* 1995b

- Peptide stimulation of PBMC from non-infected individuals *in vitro*.
- Peptide priming does not always induce T-cells that recognize whole protein.

HXB2 Location gp160 (418–436)

Author Location Env (417–435)

Epitope CRKQIINMWQGVGKAMYA

Immunogen HIV-1 infection

Species (MHC) human, chimpanzee

References Nehete *et al.* 1998b

- HIV-infected chimpanzees and HIV-positive patients show positive proliferative responses to multiple peptides from five conserved regions of the HIV-1 Env.

HXB2 Location gp160 (421–436)

Author Location gp120 (428–443 IIIB)

Epitope KQIINMWQEVGKAMYA

Epitope name T1

Immunogen HIV-1 infection

Species (MHC) human (DR)

References Baier *et al.* 1995

- Linked HIV-1 T1 and P18 peptides to anti-HLA-DR and anti-IgD Fab fragments to enhance uptake by antigen presenting cells and thus increase immunogenicity.

HXB2 Location gp160 (421–436)

Author Location

Epitope KQIINMWQEVGKAMYA

Epitope name T1

Immunogen vaccine

Vector/Type: canarypox prime with recombinant protein boost *HIV component:* gp120

Species (MHC) human (DRB1*13)

Donor MHC DRB1*01, DRB1*13

Assay type proliferation

Keywords enhancing activity, optimal epitope

References Okazaki *et al.* 2006

- KQIINMWQEVGKAMYA-specific human CD4+ T-cell line from a healthy Caucasian American volunteer immunized with a canarypox virus vector expressing gp120 and boosted with recombinant gp120 was developed and found to be restricted to DRβ1*13. Epitope enhancement with different amino acid substitutions was studied.
- Likely binding core for KQIINMWQEVGKAMYA was determined as WQEVGKAMY, based on single A or S substitutions that diminished recognition, and proliferation assay data using truncated peptides.
- HLA binding motif was studied using substituted peptides in anchor positions 1,4,6,9 from the N-terminus of WQEVGKAMY. In position 1, CD4+ response was reduced by kqiinm[w/ai]QEVGKAMYa substitutions, but not by kqiinm[w/f]QEVGKAMYa substitution suggesting a requirement of aromatic amino acid. In position 4, CD4 response was reduced by kqiinmMWQE[v/af]GKAMYa substitutions, but

- enhanced by kqiinmWQE[v/i]GKAMYa substitution, suggesting a requirement of aliphatic amino acid. In position 6, response was reduced by kqiinmWQEVG[k/ae]AMYa substitutions, but was enhanced by positively charged R substitution (kqiinmWQEVG[k/r]AMYa). In position 9, all peptides substituted with small, aromatic, or aliphatic amino acids (kqiinmWQEVGKAM[y/afi]a) induced enhanced response.
- The altered KQIINMWQE[v/i]GKAMYA peptide produced higher IFN- γ production than the original peptide, suggesting greater CD4 T-cell activation in a Th1 functional response.
 - Triple substituted peptide KQIINMWQE[v/i]G[k/r]AM[y/a]A shifted the peak proliferative response to lower concentrations.

HXB2 Location gp160 (421–436)

Author Location Env (421–436 IIIB)

Epitope KQIINMWQEVGKAMYA

Epitope name T1

Immunogen vaccine

Vector/Type: peptide *Strain:* modified B clade IIIB *HIV component:* Env

Species (MHC) mouse (Ek)

Assay type Cytokine production, Th support of CTL response

Keywords binding affinity, Th1

References Ahlers *et al.* 2001

- BALB/c and A.AL were immunized with an Env-peptide vaccine construct containing the CTL epitope P18IIIB and a T helper epitope.
- Substitution of Glu (wt) to Ala, kqiinmwqAvGkamyA, caused increased affinity for MHC class II Ek. This resulted in the upregulation of CD40L in the responding Th cells, and shifted the response towards Th1. Increased Th responses stimulated DCs to produce higher levels of IL-12, and B7-1 and B7-2, thus enhance CTL responses.
- The modified epitope, T1A, elicited stronger protection against increasing doses of viral challenge with vaccinia expressing HIV-1 IIIB gp120 compared to the wildtype epitope T1.

HXB2 Location gp160 (421–436)

Author Location gp120 (428–443 IIIB)

Epitope KQIINMWQEVGKAMYA

Epitope name T1

Immunogen vaccine

Vector/Type: peptide *Strain:* B clade IIIB

Species (MHC) mouse (H-2^d)

References Klinman *et al.* 1995

- Hybrid T1-V3 peptide activates IL-4 and IL-6 in a dose dependent manner.

HXB2 Location gp160 (421–436)

Author Location gp120 (428–443 IIIB)

Epitope KQIINMWQEVGKAMYA

Epitope name T1

Immunogen vaccine

Vector/Type: peptide *Strain:* B clade IIIB

Species (MHC) mouse (H-2^k)

References Ahlers *et al.* 1997b

- first identified Th epitope in HIV.

- Alanine at position 436 (instead of E in wild-type) enhances MHC binding and antigenicity of peptide by several orders of magnitude.
- Vaccines with a CTL epitope linked to a more potent helper epitope yielded greatly enhanced CTL response relative to the wildtype helper epitope.
- T1 peptide linked to CTL epitopes in four vaccine constructs used to immunize mice: KQIINMWQEVGKAMYAPPISGQIRRIQRGPGRAFVTIGK, KQIINMWQEVGKAMYAPPISGQIRRIQRGPGRAFVTI, KQIINMWQAVGKAMYAPPISGQIRRIQRGPGRAFVTIGK, KQIINMWQAVGKAMYAPPISGQIRRIQRGPGRAFVTI.

HXB2 Location gp160 (421–436)

Author Location gp120 (428–443 IIIB, B10)

Epitope KQIINMWQEVGKAMYA

Epitope name T1

Immunogen computer prediction

Species (MHC) mouse (H-2^k, H-2^d, H-2^s)

References Cease *et al.* 1987

- 1 of 2 functional epitopes identified using an amphipathic helix epitope prediction algorithm.

HXB2 Location gp160 (421–436)

Author Location gp120 (428–443 IIIB)

Epitope KQIINMWQEVGKAMYA

Epitope name T1

Immunogen vaccine

Strain: B clade IIIB *HIV component:* gp160

Species (MHC) mouse (H-2^k, H-2^d, H-2⁴)

References Hale *et al.* 1989

- Six multideterminant helper T-cell regions are recognized by mice of three or four MHC types.

HXB2 Location gp160 (421–436)

Author Location gp160 (428–443 IIIB)

Epitope KQIINMWQEVGKAMYA

Immunogen vaccine

Vector/Type: protein *Strain:* B clade IIIB

HIV component: gp160 *Adjuvant:* Complete Freund's Adjuvant (CFA)

Species (MHC) mouse (H-2^k, H-2^s, H-2^d)

References Berzofsky *et al.* 1991b; Berzofsky *et al.* 1991a

- B10.BR (H-2A^k, E^k), B10.D2 (H-2A^d, E^d) and B10.S(9R) (H-2A^s, E^s) mice immunized with rec gp160 showed a proliferative response to this peptide.
- KQIINMWQEVGKAMYAPPISGQIR encompasses several murine Th epitopes including KQIINMWQEVGKAMYA and is referred to as a "multideterminant region" or cluster peptide.

HXB2 Location gp160 (421–436)

Author Location gp120 (428–443 IIIB)

Epitope KQIINMWQEVGKAMYA

Epitope name T1

Immunogen vaccine

Vector/Type: peptide *Strain:* B clade IIIB

Species (MHC) mouse (H-2E α E β ^k)

References Boehncke *et al.* 1993

- C3H H2^k mice were used for immunization in the study because H-2^k mice are particularly good T1 responders – T1 can be presented by E α E β^k but not E α E β^b – the nature of the T1 class II molecular interaction was thoroughly explored.
- Alanine substitutions across peptide did not negatively affect MHC binding or effective presentation of epitope, except at three critical residues (432N, 435Q, 439K), however substitutions with larger side chains often diminished activity – only a few amino acids were found to be critical for class II interaction and for maintaining T-cell receptor specificity.
- A gain in potency was observed when 436E was replaced with A, suggesting that substitutions in positions that interfere with binding might allow the design of a more potent vaccine.

HXB2 Location gp160 (421–436)
Author Location gp120 (426–441 IIIB)
Epitope KQFINMWQEVGKAMYA
Immunogen
Species (MHC) human
References Furci *et al.* 1997

- Epitope T1 variant: 9/11 exposed-uninfected individuals in this study had a proliferative response to a C5 peptide, but none reacted with this previously defined epitope.
- IIIB position 435 listed as W in this epitope as opposed to V in the sequence.

HXB2 Location gp160 (421–436)
Author Location gp120 (428–433 IIIB)
Epitope KQIINMWQEVGKAMYA
Epitope name T1
Immunogen HIV-1 infection
Species (MHC) human
Keywords responses in children, kinetics, Th1
References Wasik *et al.* 2000

- Th responses measured by IL-2 responses to P18 and T1 in HIV-1 infected infants were undetectable at less than 1 month of age, and remained low in children with AIDS symptoms, but increased with age in children with slowly progressive disease.
- The kinetics and intensity of the CTL activity during the first year of life was related to the child's ability to make Th1 responses.

HXB2 Location gp160 (421–436)
Author Location gp120 (428–433 IIIB)
Epitope KQIINMWQEVGKAMYA
Epitope name T1
Immunogen HIV-1 infection
Species (MHC) human
Keywords responses in children, Th1, Th2
References Wasik *et al.* 1997

- The breadth and intensity of the CTL response and the type of Th response was studied in seven rapidly progressing HIV-1 + infants.
- IL-2 and γ IFN production from Th1 cells correlated with the CTLp frequency against HIV-1 Gag, Env, Nef and Pol.
- IL-4 production from Th2 cells was inversely correlated with the CTLp frequency.
- The HIV-1 + children with strong CTL responses had levels of anti-CD3 MAb induction of Th1 cells comparable to those of uninfected children.

HXB2 Location gp160 (421–436)
Author Location gp120 (428–443 IIIB)
Epitope KQIINMWQEVGKAMYA
Epitope name T1
Immunogen vaccine
Vector/Type: vaccinia *Strain:* B clade IIIB
HIV component: gp160

- Species (MHC)** human
References Berzofsky *et al.* 1988
- Proliferative response to T1 and T2 peptides in 14 immunized, uninfected humans.

HXB2 Location gp160 (421–436)
Author Location gp120 (428–443 IIIB)
Epitope KQIINMWQEVGKAMYA
Epitope name T1
Immunogen vaccine
Vector/Type: peptide *Strain:* B clade IIIB
Species (MHC) goat
References Palker *et al.* 1989

- Goats immunized with peptides containing V3 type-specific neutralizing determinants coupled to T1.

HXB2 Location gp160 (421–436)
Author Location gp120 (428–443 IIIB)
Epitope KQIINMWQEVGKAMYA
Epitope name T1
Immunogen HIV-1 infection
Species (MHC) human
References Clerici *et al.* 1989

- IL-2 production detection of Th lymphocytes from asymptomatic HIV-positive individuals.

HXB2 Location gp160 (421–436)
Author Location gp120 (428–443 IIIB)
Epitope KQIINMWQEVGKAMYA
Epitope name T1
Immunogen HIV-1 infection
Species (MHC) human
References Clerici *et al.* 1991a

- Peptides stimulate Th cell function and CTL activity in similar patient populations.

HXB2 Location gp160 (421–436)
Author Location gp120 (428–443 IIIB)
Epitope KQIINMWQEVGKAMYA
Epitope name T1
Immunogen vaccine
Vector/Type: protein *Strain:* B clade IIIB
HIV component: gp160

- Species (MHC)** human
References Clerici *et al.* 1991b
- Immunizing uninfected individuals with rgp160 results in stronger Th response than does natural infection.

HXB2 Location gp160 (421–436)
Author Location gp120 (428–443 IIIB)
Epitope KQIINMWQEVGKAMYA
Epitope name T1
Immunogen

Species (MHC) human

References Clerici *et al.* 1992

- Cell-mediated immune response to HIV-1 peptides in HIV-1 exposed seronegative men.

HXB2 Location gp160 (421–436)

Author Location gp120 (428–443 IIIB)

Epitope KQIINMWQEVGKAMYA

Immunogen vaccine

Vector/Type: bacteriophage coat protein
Strain: B clade MN *HIV component:* V3

Species (MHC) mouse

References di Marzo Veronese *et al.* 1994

- Epitope T1 was engineered into a filamentous bacteriophage coat protein, and the Th epitope stimulated Ab production to the V3 loop.

HXB2 Location gp160 (421–436)

Author Location gp120 (428–443 IIIB)

Epitope KQIINMWQEVGKAMYA

Epitope name T1

Immunogen vaccine

Vector/Type: peptide *Strain:* B clade IIIB

Species (MHC) chimpanzee

References Haynes *et al.* 1993

- Hybrid T1-V3 peptide immunogenicity reduced when the fusogenic domain of gp41 was added.

HXB2 Location gp160 (421–436)

Author Location gp120 (428–443 IIIB)

Epitope KQIINMWQEVGKAMYA

Epitope name T1

Immunogen HIV-1 infection

Species (MHC) human

References Clerici *et al.* 1997

- Used in a study of the influence of pentoxifylline on HIV specific T-cells.

HXB2 Location gp160 (421–436)

Author Location gp120 (428–443 IIIB)

Epitope KQIINMWQEVGKAMYA

Epitope name T1

Immunogen

Species (MHC) human

References Pinto *et al.* 1995

- CTL activity analyzed in parallel with Th reactivity in exposed but uninfected health care workers.

HXB2 Location gp160 (421–436)

Author Location gp160 (428–433 IIIB)

Epitope KQIINMWQEVGKAMYA

Epitope name T1

Immunogen HIV-1 infection, HIV-1 exposed seronegative

Species (MHC) human

Keywords immunodominance

References Wasik *et al.* 1999

- IL-2 responses associated with beta-chemokine expression were detectable at birth in the majority of uninfected infants born to HIV+ mothers, declining by age 6 months.

- T1 peptide: In both uninfected and infected infants of HIV-positive mothers, responses to the T1 peptide were more frequent than responses to P18 (RIQRGPGRAFVTIGK)
- T1 is a highly conserved epitope, whereas P18 has a higher mutation rate due to its location in the immunodominant V3 loop region.

HXB2 Location gp160 (421–436)

Author Location gp120 (428–443 IIIB)

Epitope KQIINMWQEVGKAMYA

Epitope name T1

Immunogen HIV-1 infection

Species (MHC) human

References Kaul *et al.* 1999

- Kenyan sex workers that remained seronegative were found to frequently have HIV-env peptide specific Th responses detected by an IL-2 assay (11/20 cases) and mucosal genital tract anti-HIV IgA (16/21 cases)
- Helper epitopes used in this study were noted to be previously described Clerici *et al.* [1989], and were not explicitly described in Kaul *et al.* [1999]

HXB2 Location gp160 (421–436)

Author Location gp120 (MN)

Epitope KQIINMWQEVGKAMYA

Epitope name T1

Immunogen HIV-1 infection, vaccine

Vector/Type: peptide *Strain:* B clade MN

Species (MHC) human

References Bartlett *et al.* 1998

- C4-V3 PV (polyvalent HIV envelope synthetic peptide immunogen) consisted of T1 helper epitope presented in tandem with a V3 loop CTL epitope from one of four different North American strains.
- This was a pilot phase I study involving vaccination of ten HIV-infected subjects who were HLA-B7-positive.
- Enhanced lymphoproliferative response to peptide was observed in 5/8 vaccinees – increase in neutralizing antibody responses in 4/8 vaccinees.

HXB2 Location gp160 (421–436)

Author Location gp120

Epitope KQIINMWQEVGKAMYA

Epitope name T1

Immunogen HIV-1 infection, HIV-1 exposed seronegative

Species (MHC) human

Keywords subtype comparisons, responses in children, mother-to-infant transmission

References Kuhn *et al.* 2001a

- In a S. African perinatal transmission study, 33% (33/86) of cord blood samples from infants with seropositive mothers produced T-helper responses (measured by a bioassay measuring IL2 production in a murine cell line and confirmed with a proliferation assay) against a peptide cocktail containing Th epitopes P18 MN, P18 IIIB, T1, T2, and TH4.
- The mothers were predominantly infected with subtype C, but the T help response was detectable in a number of cord blood samples despite using peptides based on B subtype reagents.

- 3/33 infants with cord blood T help responses to Env were infected *in utero*, 2/33 were lost to follow up, and 28/33 were not infected. 6/53 of the infants with cord blood that was unresponsive to Env peptide stimulation were infected before delivery, and 8/47 contracted HIV intrapartum or via breast-feeding.
- Measurable HIV specific T help responses elicited in the immunologically immature newborn, possibly in response to *in utero* exposure, are associated with a protective natural immunity that helps block mother-infant transmission of HIV-1.

HXB2 Location gp160 (421–436)

Author Location gp120 (428–443 RF)

Epitope KQIINMWQEVGKAMYA

Epitope name T1

Immunogen HIV-1 infection

Species (MHC)

Keywords epitope processing

References de Lorimier *et al.* 1994

- Proton NMR spectroscopy was employed to analyze the solution conformation of a hybrid peptide, T1-SPI0RF, in order to better understand the immunogenicity of its' T helper (KQI-INMWQEVGKAMYA, CTRPNNNTRKSI), CTL (SITKGP-GRVIYATG) and B-cell epitopes (RKSITKGPGRVIYATG).
- As a free peptide, the T1 segment, a T-helper epitope is in an extended conformation with nascent helical conformation. It may form a beta strand in native gp120, and a nonnative conformation may account for the inability of free T1 peptide to elicit antibody responses, in contrast to the T1 segment in native gp120. It lacks random-coil conformations, and it is suggested that this may make the peptide less susceptible to complete proteolytic degradation, and be favored within epitopes.

HXB2 Location gp160 (421–436)

Author Location Env (428–443 IIIB)

Epitope KQIINMWQEVGKAMYA

Epitope name T1

Immunogen HIV-1 infection, HIV-1 exposed seronegative

Species (MHC)

Assay type Cytokine production

Keywords mother-to-infant transmission

References Clerici *et al.* 1993a

- Cord blood samples in 8/23 infants with HIV+ mothers showed IL-2 production in response to peptides from HIV-1 gp1260, demonstrating that Th cell priming to HIV env determinants can occur in utero. HIV-specific Th immunity in utero may be protective, as none of the 8 with HIV-1 specific Th activity became infected, while 3/15 infants with no detectable Th activity were infected.
- PBL from 10/21 of the mothers showed HIV-1 specific Th activity through IL-2 production in response to Env peptides.

HXB2 Location gp160 (421–436)

Author Location Env (IIIB)

Epitope KQIINMWQEVGKAMYA

Epitope name T1

Subtype B

Immunogen HIV-1 exposed seronegative

Species (MHC)

Assay type Cytokine production

References Clerici *et al.* 1994a

- Six of eight HIV-exposed health care workers had transient HIV-specific T-helper responses after percutaneous exposure to HIV, responding to two or more Env peptides among the set T1, T2, Th4.1, P18IIIB and P18MN. Responses were lost after 12–56 weeks. The HIV-specific Th responses occurred without seroconversion or PCR evidence for infection.
- Six of the eight HIV-exposed individuals responded to two or more peptides, whereas, only one individual exposed to HIV-negative blood responded to one peptide.

HXB2 Location gp160 (421–436)

Author Location HIV-1 (IIIB)

Epitope KQIINMWQEVGKAMYA

Epitope name T1

Subtype B

Immunogen HIV-1 infection

Species (MHC)

Assay type Cytokine production

References Clerici *et al.* 1994b

- IL-10-specific mRNA was upregulated in PBMC from asymptomatic, HIV-infected (HIV+) patients, and was particularly high in those with severely compromised Th cells function. Th response to HIV peptides *in vitro* could be restored by IL-10 Ab.

HXB2 Location gp160 (421–436)

Author Location Env (428–443)

Epitope KQIINMWQEVGKAMYA

Epitope name T1

Subtype B

Immunogen HIV-1 infection

Species (MHC) human

Assay type proliferation

Keywords responses in children, mother-to-infant transmission

References Kuhn *et al.* 2001b

- T helper proliferative responses in cord blood at delivery to a cocktail of HIV envelope peptides were infrequent (1/41) among infants whose HIV-positive mothers received antiretroviral prophylaxis at delivery to prevent transmission. Responses were 10 times more frequent among infants of HIV-seropositive women who had no antiretroviral treatment (7/29). Reductions of HIV-specific responses occurred despite persistence of detectable HIV RNA in the mothers at delivery.
- The reduction of Th responses in newborns raises the possibility that anti-retroviral exposure during pregnancy may block subsequent immune protection. The authors point two relevant citations that showed ARV exposed infants had a more rapid course of progression (Kuhn *et al.*, JID 182:104 (2000)), but were at no greater risk of infection due to subsequent breast feeding (Ditrane *et al.*, Lancet 354:2050 (1999)).

HXB2 Location gp160 (421–436)

Author Location Env (gp160) (421–436)

Epitope KQIINMWQEVGKAMYA

Epitope name T1

Subtype C

Immunogen HIV-1 infection

Species (MHC) human

Country South Africa.

Assay type proliferation

Keywords responses in children, variant cross-recognition or cross-neutralization

References Meddows-Taylor *et al.* 2004

- Viral isolates (gp160) from 16 vertically HIV-1 infected children (8 T-helper cell Env responders and 8 non-responders) were analyzed for variation after comparison with Env peptide sequences (conserved regions T1, T2 and TH4.1, hypervariable regions P18 MN and P181 IIIB) used for *in vitro* stimulation.
- No correlation between the age, clinical category (mild or severe), HIV-1 viral load and the degree of epitope variation was established.

HXB2 Location gp160 (421–444)

Author Location gp160 (428–451 IIIB)

Epitope KQIINMWQEVGKAMYAPPISGQIR

Immunogen HIV-1 infection, vaccine

Vector/Type: protein *Strain:* B clade IIIB
HIV component: gp160 *Adjuvant:* Complete Freund's Adjuvant (CFA)

Species (MHC) human, mouse (H-2^k, H-2^b, H-2^s, H-2^d)

References Berzofsky *et al.* 1991b; Berzofsky *et al.* 1991a

- KQIINMWQEVGKAMYAPPISGQIR encompasses several murine Th epitopes and is referred to as a "multideterminant region" or cluster peptide.
- Six multideterminant region cluster peptides were evaluated Th responses in different MHC/HLA backgrounds after vaccination of mice with gp160, or in infected people.
- This cluster peptide elicited proliferative responses in cells from all H-2 haplotypes tested: B10.BR mice (H-2A^k, E^k), B10.D2 mice (H-2A^d, E^d), B10.A(5R) mice (H-2A^b, E^b), and B10.S(9R) mice (H-2A^s, E^s)
- IL-2 production in response to this peptide was observed in 73% (8/11) of asymptomatic HIV-infected individuals.

HXB2 Location gp160 (421–444)

Author Location gp120 (428–451 IIIB)

Epitope KQIINMWQEVGKAMYAPPISGQIR

Epitope name T1

Immunogen vaccine

Vector/Type: peptide *Strain:* B clade IIIB

Species (MHC) mouse (H2^d)

References Shirai *et al.* 1996a

- Linked to a CTL epitope from hepatitis C virus, induced CD4+ helper cells producing IL-2.

HXB2 Location gp160 (421–444)

Author Location Env (gp160) (HIV-1 IIIB)

Epitope KQIINMWQEVGKAMYAPPISGQIR

Immunogen vaccine

Vector/Type: peptide *Strain:* B clade IIIB
HIV component: Env *Adjuvant:* E. coli mutant heat labile enterotoxin (LT-R72), Montanide (ISA 51)

Species (MHC) macaque

Assay type proliferation

Keywords mucosal immunity

References Belyakov *et al.* 2001

- Intrarectal vaccination with a Th and CTL peptide vaccine provided better protection against intrarectal challenge with pathogenic SHIV-Ku1 than subcutaneous administered vaccine. In some animals after the initial viremia, viral loads were diminished to undetectable levels in the blood and intestine, and CD4+ T cells were better preserved.
- The CD4 T-cell proliferative response correlated with the level of the CTL response.

HXB2 Location gp160 (423–440)

Author Location gp120 (428–445)

Epitope FINMWQEVGKAMYAPPIS

Immunogen HIV-1 infection

Species (MHC) human

Keywords rate of progression

References Caruso *et al.* 1997

- As HIV-1-infected individuals progress to disease, T-cells show reduced ability to proliferate in response to HIV antigen, but retain the ability to express the activation antigens CD25 and CD71.
- The ability to express activation markers in response to HIV is retained, but the response to tetanus toxoid recall antigen is lost.
- This study investigated CD25 and CD71 expression in PBMC from patients at various stages of progression, measuring the response to *in vitro* stimulation by peptide cocktail containing four antigenic Env peptides, or p17 and p24.

HXB2 Location gp160 (424–438)

Author Location gp120 (424–438 IIIB, B10)

Epitope INMWQEVGKAMYAPP

Immunogen HIV-1 infection

Species (MHC) human

References Wahren *et al.* 1989b; Wahren *et al.* 1989a

- 12 gag and 18 env peptides were identified that could commonly evoke T-cell responses.

HXB2 Location gp160 (425–439)

Author Location gp160 (432–446 IIIB)

Epitope NMWQEVGKAMYAPPI

Immunogen vaccine

Vector/Type: protein *Strain:* B clade IIIB
HIV component: gp160 *Adjuvant:* Complete Freund's Adjuvant (CFA)

Species (MHC) mouse (H-2^s)

References Berzofsky *et al.* 1991b; Berzofsky *et al.* 1991a

- B10.S(9R) (H-2A^s, E^s) mice immunized with rec gp160 showed a proliferative response to this peptide.
- KQIINMWQEVGKAMYAPPISGQIR encompasses several murine Th epitopes including NMWQEVGKAMYAPPI and is referred to as a "multideterminant region" or cluster peptide.

HXB2 Location gp160 (425–439)

Author Location gp120 (432–446 IIIB)

Epitope NMWQEVGKAMYAPPI

Immunogen vaccine

Strain: B clade IIIB *HIV component:* gp160

Species (MHC) mouse (H-2¹⁴)

References Hale *et al.* 1989

- Six multideterminant helper T-cell regions are recognized by mice of three or four MHC types.

HXB2 Location gp160 (426–441)

Author Location gp120 (IIIB)

Epitope MWQEVGKAMYAPPICG

Immunogen *in vitro* stimulation or selection

Species (MHC) human

References Manca *et al.* 1995b

- Peptide stimulation of PBMC from non-infected individuals *in vitro*.
- Peptide priming does not always induce T-cells that recognize whole protein.

HXB2 Location gp160 (430–444)

Author Location gp160 (437–451 IIIB)

Epitope VGKAMYAPPISGQIR

Immunogen vaccine

Vector/Type: protein *Strain:* B clade IIIB

HIV component: gp160 *Adjuvant:* Complete Freund's Adjuvant (CFA)

Species (MHC) mouse (H-2^k, H-2^b, H-2^s, H-2^d)

References Berzofsky *et al.* 1991b; Berzofsky *et al.* 1991a

- This peptide elicited proliferative responses in cells from all H-2 haplotypes tested: B10.BR mice (H-2A^k, E^k), B10.D2 mice (H-2A^d, E^d), B10.A(5R) mice (H-2A^b, E^b), and B10.S(9R) mice (H-2A^s, E^s)
- KQIINMWQEVGKAMYAPPISGQIR encompasses several murine Th epitopes including VGKAMYAPPISGQIR and is referred to as a "multideterminant region" or cluster peptide.

HXB2 Location gp160 (430–444)

Author Location gp120 (437–451 IIIB)

Epitope VGKAMYAPPISGQIR

Immunogen vaccine

Strain: B clade IIIB *HIV component:* gp160

Species (MHC) mouse (H-2^k, H-2^d, H-2ⁱ⁵, H-2ⁱ⁴)

References Hale *et al.* 1989

- Six multideterminant helper T-cell regions are recognized by mice of three or four MHC types.

HXB2 Location gp160 (430–453)

Author Location gp120 (430–453)

Epitope VGKAMYAPPISGQIRCSSNITGLL

Immunogen vaccine

Vector/Type: protein *HIV component:* gp160

Species (MHC) mouse (H-2^b)

Keywords epitope processing

References Sjolander *et al.* 1996

- Study demonstrates that T-cell determinants from glycoproteins can depend on the glycosylation of the protein.
- Peptide stimulation of an *in vitro* proliferative response required *in vivo* priming with glycosylated protein.
- Local glycosylation sites thought not to be part of the epitope, but may be important for epitope processing.

HXB2 Location gp160 (432–451)

Author Location gp120 (432–451 IIIB)

Epitope KAMYAPPISGQIRCSSNITG?

Epitope name H4

Subtype B

Immunogen HIV-1 infection

Species (MHC) human

References Geretti *et al.* 1994

- Th proliferative responses were studied in 36 asymptomatic HIV-1 + patients. PBMC from 15/36 patients responded to stimulation with gp120 synthetic overlapping peptide pools. 10 of the responding patients recognized three or more peptide pools.
- After 12 months, most responses were lost or diminished, and specific responses fluctuated. 4/10 of the responders at baseline had new responses at 12 months, as did 5/15 non-responders.
- IL-2 production was a more sensitive and well-preserved measure of Th function than proliferation.
- 1/15 responders recognized this peptide, SI = 6.3.

HXB2 Location gp160 (433–447)

Author Location Env (UG92005)

Epitope AMYAPPIAGLIQCSS

Immunogen vaccine

Vector/Type: DNA, protein, vaccinia *Strain:*

B clade 1007, D clade UG92005 *HIV*

component: gp140 *Adjuvant:* Complete Freund's Adjuvant (CFA)

Species (MHC) mouse (H-2 IA^b)

Keywords subtype comparisons, epitope processing, TCR usage

References Surman *et al.* 2001

- This epitope is located in the C4 region of UG92005 (UG, clade D) and was recognized by ten hybridomas with V β usage V β 6, 8.1, 8.2, 13, 14 and not determined – among the ND V β set, three V α s were identified, V α 2, 8, and 11.
- C57BL/6 mice were immunized with a prime-boost strategy involving three HIV-1 Env antigens: Mice were primed with DNA given i.m., 3–4 weeks later boosted with VV, and 3–4 weeks later boosted again with purified protein in Freund's adjuvant.
- The vaccinia construct is a pSC11-based VV vector with the first 38 amino acids contributed by BH10 and the rest of gp120 and gp41 by the vaccine strain, the DNA construct is in the pJW4303 vector with a CMV promoter, and the purified protein is expressed from the pJW4303 vector transfected into CHO-K1 cells.
- Ten days after the final boost, hybridomas were made and tested for IL-2 production using either B6 spleen cells or H-2 IA^b transfected L cells as targets and V β usage was determined.
- Mice were immunized with an Env from either one of two clades: HIV-1 1007, a clade B strain isolated from an individual from Memphis Tennessee, and HIV-1 92UG005, a clade D vaccine isolated from Uganda in 1992 through the WHO.
- 80 unique clonotypes were characterized from six mice.
- H-2 IA^b restricted T-helper epitopes were concentrated in 5 distinct regions within the Env sequence (2 clonotype responses in V2, 26 in C2, 22 in V3, 23 in V4C4, and 7 in gp41).
- Epitope hotspots tended to be proximal to heavily glycosylated regions of the Env sequence, in exposed, non-helical strands of the protein. The non-uniform localization may be influenced by differential antigen processing and the glycosylation site

proximity may allow binding to lectins and promote trafficking through processing pathways.

- HXB2 Location** gp160 (433–447)
Author Location Env (gp160) (UG92005)
Epitope AMYAPPIAGLIQCSS
Subtype D
Immunogen vaccine
Vector/Type: DNA, protein, vaccinia *Strain:* B clade 1007, D clade UG92005 *HIV component:* Env *Adjuvant:* Complete Freund's Adjuvant (CFA)
- Species (MHC)** mouse (H2b)
Assay type Cytokine production, CD4 T-cell Elispot - IFN γ
Keywords vaccine-induced epitopes, variant cross-recognition or cross-neutralization, vaccine antigen design
References Zhan *et al.* 2004
- To develop a polyvalent Env vaccine, subtype specific B and D T-helper epitopes were identified, and mixtures of strain 1007, clade B, or UG92005, clade D envelopes were given to C57BL/6J mice. Mice were intramuscularly immunized with recombinant DNA, then intraperitoneally with rVV and finally with env protein in CFA. A dilution of 1/100 could still elicit type specific responses, and responses persisted with different prime boost combinations.
 - T-cell hybridoma UGP2-17 was isolated from mice immunized with env sequence UG92005 (clade D), and it recognized the C4/V4 region peptide AMYAPPIAGLIQCSS. The minimal peptide recognized by 10007P3-23 was PPIAGLIQ, which matched only 5/8 residues in the B clade isolate, ppiRgQiK.
 - Priming with 1007 and UG env's induced both Env-specific (SNNTVGNPIILPCRI and AMYAPPIAGLIQCSS) and cross-reactive (PKVSFEPIPIHYCAP, C2, GNIRQAHCNVSKAKW, V3-C3) Th responses in murine spleen cells.

- HXB2 Location** gp160 (436–451)
Author Location gp120 (IIIB)
Epitope APPIGGQICSSNITY
Immunogen in vitro stimulation or selection
Species (MHC) human
References Manca *et al.* 1995b
- Peptide stimulation of PBMC from non-infected individuals *in vitro*.
 - Peptide priming does not always induce T-cells that recognize whole protein.

- HXB2 Location** gp160 (438–460)
Author Location gp120 (443–465 NL43)
Epitope PISGQIRCSSNITGLLLTRDGGN
Immunogen vaccine
Vector/Type: protein *Strain:* B clade NL43 *HIV component:* gp120, gp160
Species (MHC) human
References Sitz *et al.* 1999
- There was a great breadth of proliferative response to env peptides in 19 HIV-1 infected rgp160 and 17 HIV-1 infected rgp120 vaccine recipients.

- Close to 40% of vaccinees had a stimulation index of greater than 5 to this peptide.

- HXB2 Location** gp160 (439–448)
Author Location gp120 (151–160 W6.ID)
Epitope IGGQIRCSSN
Immunogen vaccine
Vector/Type: protein *Strain:* B clade W61D *HIV component:* gp120 *Adjuvant:* MPL-SE adjuvant, QS21
Species (MHC) human
References Jones *et al.* 1999
- HIV-1 specific T-cell lines isolated from an HIV seronegative volunteer vaccinated with rgp120 and a QS21/MPL adjuvant.
 - One T-cell line responds to two overlapping peptides, and the region of overlap is IGGQIRCSSN.
 - The IIIB version of the first reactive peptide, EVGKAMYAP-PIGGQIRCSSN, has a single substitution and induces proliferation as well as the original W61D peptide: evgkamyappiS-gqircssn.

- HXB2 Location** gp160 (439–461)
Author Location Env (438–460)
Epitope IRGQIRCSSNITGLLLTRDGGNN
Epitope name HIV_env_DRB0101_1
Subtype M
Immunogen HIV-1 infection
Species (MHC) human
Country United States.
Assay type T-cell Elispot
Keywords computational epitope prediction
References De Groot *et al.* 2004
- Bioinformatic tools (EpiMatrix and Conservatrix) were employed to predict 9 highly conserved and promiscuous class II restricted T helper epitopes from HIV-1 env sequences for a cross-clade polyepitope vaccine. 10/34 HIV-1 infected patients induced Th1 immune responses to 8/9 study peptides.
 - 2/28 subjects tested responded to this peptide.
 - Class II peptides containing putative epitopes were selected to favor DRB0101 presentation, as there is a transgenic mouse model for this allele for future vaccine studies. The highest scoring DRB0101 sequence within this peptide was QIRCSS-NIT.

- HXB2 Location** gp160 (446–461)
Author Location gp120 (IIIB)
Epitope SSNITGLLLTRDGGTC
Immunogen in vitro stimulation or selection
Species (MHC) human
References Manca *et al.* 1995b
- Peptide stimulation of PBMC from non-infected individuals *in vitro*.
 - Peptide priming does not always induce T-cells that recognize whole protein.

- HXB2 Location** gp160 (452–471)
Author Location gp120 (452–471 IIIB)
Epitope LLLTRDGGNSNNESEIFRPG?
Epitope name I1
Subtype B

- Immunogen** HIV-1 infection
Species (MHC) human
References Geretti *et al.* 1994
- Th proliferative responses were studied in 36 asymptomatic HIV-1 + patients. PBMC from 15/36 patients responded to stimulation with gp120 synthetic overlapping peptide pools. 10 of the responding patients recognized three or more peptide pools.
 - After 12 months, most responses were lost or diminished, and specific responses fluctuated. 4/10 of the responders at baseline had new responses at 12 months, as did 5/15 non-responders.
 - IL-2 production was a more sensitive and well-preserved measure of Th function than proliferation.
 - 2/15 responders recognized this peptide, average SI = 3.5.
- HXB2 Location** gp160 (456–470)
Author Location gp120 (IIIB)
Epitope RDGGTNTVDTEVFRFC
Immunogen in vitro stimulation or selection
Species (MHC) human
References Manca *et al.* 1995b
- Peptide stimulation of PBMC from non-infected individuals *in vitro*.
 - Peptide priming does not always induce T-cells that recognize whole protein.
- HXB2 Location** gp160 (459–473)
Author Location gp120 (459–473 IIIB, B10)
Epitope GNSNNESEIFRPGGG
Immunogen HIV-1 infection
Species (MHC) human
References Wahren *et al.* 1989b; Wahren *et al.* 1989a
- 12 gag and 18 env peptides were identified that could commonly evoke T-cell responses.
- HXB2 Location** gp160 (468–483)
Author Location gp120 (466–481)
Epitope FRPGGGDMRDNRSEL
Immunogen HIV-1 infection
Species (MHC) human
References Krowka *et al.* 1990
- Conjugation of HIV peptides to liposomes and rIL-2 stimulation may enhance cell-mediated responses.
- HXB2 Location** gp160 (472–491)
Author Location gp120 (472–491 IIIB)
Epitope GGDMDNRNRSSELYKYKVVKI?
Epitope name I3
Immunogen HIV-1 infection
Species (MHC) human
References Geretti *et al.* 1994
- Th proliferative responses were studied in 36 asymptomatic HIV-1 + patients. PBMC from 15/36 patients responded to stimulation with gp120 synthetic overlapping peptide pools. 10 of the responding patients recognized three or more peptide pools.
 - After 12 months, most responses were lost or diminished, and specific responses fluctuated. 4/10 of the responders at baseline had new responses at 12 months, as did 5/15 non-responders.

- IL-2 production was a more sensitive and well-preserved measure of Th function than proliferation.
 - 2/15 responders recognized this peptide, average SI = 7.2.
- HXB2 Location** gp160 (474–488)
Author Location gp120 (474–488 IIIB, B10)
Epitope DMRDNWRSELYKYKV
Immunogen HIV-1 infection
Species (MHC) human
References Wahren *et al.* 1989b; Wahren *et al.* 1989a
- 12 gag and 18 env peptides were identified that could commonly evoke T-cell responses.
- HXB2 Location** gp160 (476–490)
Author Location gp120 (483–497 IIIB)
Epitope RDNWRSELYKYKVVK
Immunogen vaccine
Strain: B clade IIIB *HIV component:* gp160
Species (MHC) mouse (H-2^d, H-2⁴)
References Hale *et al.* 1989
- Six multideterminant helper T-cell regions are recognized by mice of three or four MHC types.
- HXB2 Location** gp160 (476–490)
Author Location gp160 (483–497 IIIB)
Epitope RDNWRSELYKYKVVK
Immunogen vaccine
Vector/Type: protein *Strain:* B clade IIIB
HIV component: gp160 *Adjuvant:* Complete Freund's Adjuvant (CFA)
Species (MHC) mouse (H-2^k, H-2^s)
References Berzofsky *et al.* 1991b; Berzofsky *et al.* 1991a
- This peptide elicited proliferative responses in B10.BR mice (H-2A^k and B10.S(9R) mice (H-2A^s, E^s)
 - RDNWRSELYKYKVVKIEPLGVAPT encompasses several murine Th epitopes including RDNWRSELYKYKVVK and is referred to as a "multideterminant region" or cluster peptide.
- HXB2 Location** gp160 (476–499)
Author Location gp160 (483–506 IIIB)
Epitope RDNWRSELYKYKVVKIEPLGVAPT
Immunogen HIV-1 infection, vaccine
Vector/Type: protein *Strain:* B clade IIIB
HIV component: gp160 *Adjuvant:* Complete Freund's Adjuvant (CFA)
Species (MHC) human, mouse (H-2^k, H-2^b, H-2^s, H-2^d)
References Berzofsky *et al.* 1991b; Berzofsky *et al.* 1991a
- RDNWRSELYKYKVVKIEPLGVAPT encompasses several murine Th epitopes and is referred to as a "multideterminant region" or cluster peptide.
 - Six multideterminant region cluster peptides were evaluated Th responses in different MHC/HLA backgrounds after vaccination of mice with gp160, or in infected people.
 - This cluster peptide elicited proliferative responses in cells from all H-2 haplotypes tested: B10.BR mice (H-2A^k, E^k), B10.D2 mice (H-2A^d, E^d), B10.A(5R) mice (H-2A^b, E^b), and B10.S(9R) mice (H-2A^s, E^s)
 - IL-2 production in response to this peptide was observed in 52% (14/27) of asymptomatic HIV-infected individuals.

- HXB2 Location** gp160 (479–498)
Author Location gp120 (481–500 MN)
Epitope WRSELYKYKVVVTIEPLGVAP
Epitope name 2013
Subtype B
Immunogen vaccine
Vector/Type: DNA, protein *Strain:* B clade MN *HIV component:* gp120 *Adjuvant:* Complete Freund's Adjuvant (CFA)
- Species (MHC)** guinea pig
Keywords vaccine-specific epitope characteristics, Th1
References Chattergoon *et al.* 2002
- Hartley guinea pigs were intradermally injected with either recombinant protein or plasmid expressed gp120 and monitored for delayed type hypersensitivity (DTH) responses after vaccination, which are related to Th1 T-cell responses. CFA did not augment responses in animals vaccinated with plasmid.
 - A total of 7 gp120 peptides elicited a delayed type hypersensitivity (DTH) response after vaccination, out of a set of 60 overlapping peptides that spanned gp120. The vaccine delivery system, DNA versus rec protein, resulted in the recognition of distinct peptides.
 - 0/5 animals vaccinated with rec gp120 responded by DTH to this peptide, while 6/6 vaccinated with plasmid gp120 DNA responded.

- HXB2 Location** gp160 (482–501)
Author Location gp120 (482–501 IIIB)
Epitope ELYKYKVVVKIEPLGVAPTKA
Immunogen vaccine
Vector/Type: DNA *Strain:* B clade IIIB *HIV component:* Env
- Species (MHC)** macaque
References Lekutis *et al.* 1997
- HIV-1 env DNA vaccine induced Th cell response to this epitope in a rhesus monkey.
 - Epitope was recognized by both monkeys used in this study.

- HXB2 Location** gp160 (482–501)
Author Location gp120 (482–501 IIIB)
Epitope ELYKYKVVVKIEPLGVAPTKA?
Epitope name I4
Subtype B
Immunogen HIV-1 infection
Species (MHC) human
References Geretti *et al.* 1994
- Th proliferative responses were studied in 36 asymptomatic HIV-1 + patients. PBMC from 15/36 patients responded to stimulation with gp120 synthetic overlapping peptide pools. 10 of the responding patients recognized three or more peptide pools.
 - After 12 months, most responses were lost or diminished, and specific responses fluctuated. 4/10 of the responders at baseline had new responses at 12 months, as did 5/15 non-responders.
 - IL-2 production was a more sensitive and well-preserved measure of Th function than proliferation.
 - 3/15 responders recognized this peptide, average SI = 6.0.

- HXB2 Location** gp160 (483–502)
Author Location gp120 (480–499 89.6)

- Epitope** LYKYKVVRIEPIGVAPTRAK
Epitope name Peptide 46
Immunogen vaccine
Vector/Type: protein *Strain:* B clade 89.6 *HIV component:* gp120 *Adjuvant:* E. coli mutant heat labile enterotoxin (LT-R72)
- Species (MHC)** mouse
Donor MHC H-2k, H2-d
Keywords epitope processing, immunodominance
References Dai *et al.* 2001

- Helper T-cell proliferative responses to gp120 vaccines in 2 mouse strains, CBA/J and BALB/c, were mapped using 47 overlapping peptides that span gp120. Promiscuously immunodominant peptides were identified in both mice strains that were located in the outer domain of gp120 and were associated with regions of local structural disorder in proximal N-terminal segments, suggesting 3-D protein structure influences Th antigen processing and the frequency of immunogenic sequences.
- This peptide was reactive in 7/10 BALB/c mice tested, and in only 1/10 CBA/J mice.

- HXB2 Location** gp160 (484–496)
Author Location gp120 (484–496 HXB2)
Epitope YKYKVVVKIEPLGV
Subtype B
Immunogen vaccine
Vector/Type: DNA *Strain:* B clade HXB2 *HIV component:* Env
- Species (MHC)** macaque (DR*W201)
References Lekutis & Letvin 1998
- Variants of this epitope with substitutions at position 490(K) retained ability to bind to MHC class II, but failed to induce proliferation/cytokine secretion in HIV-1 env-specific CD4+ Th cells.
 - The modified peptide antagonized the wildtype peptide-induced proliferative response.

- HXB2 Location** gp160 (484–498)
Author Location gp120 (484–498 IIIB, B10)
Epitope YKYKVVVKIEPLGVAP
Immunogen HIV-1 infection
Species (MHC) human
References Wahren *et al.* 1989b; Wahren *et al.* 1989a
- 12 gag and 18 env peptides were identified that could commonly evoke T-cell responses.

- HXB2 Location** gp160 (484–499)
Author Location gp120 (492–506 IIIB)
Epitope CKYKVVVKIEPLGVAPT
Immunogen vaccine
Strain: B clade IIIB *HIV component:* gp160
- Species (MHC)** mouse (H-2^d, H-2^k, H-2^{k4}, H-2^{k5})
References Hale *et al.* 1989
- Six multideterminant helper T-cell regions are recognized by mice of three or four MHC types.

- HXB2 Location** gp160 (485–499)
Author Location gp160 (492–506 IIIB)
Epitope KYKVVVKIEPLGVAPT
Immunogen vaccine

Vector/Type: protein *Strain:* B clade IIIB
HIV component: gp160 *Adjuvant:* Complete Freund's Adjuvant (CFA)

Species (MHC) mouse (H-2^k, H-2^b, H-2^s, H-2^d)

References Berzofsky *et al.* 1991b; Berzofsky *et al.* 1991a

- This peptide elicited proliferative responses in cells from all H-2 haplotypes tested: B10.BR mice (H-2A^k, E^k), B10.D2 mice (H-2A^d, E^d), B10.A(5R) mice (H-2A^b, E^b), and B10.S(9R) mice (H-2A^s, E^s)
- RDNWRSELYKYKVVVKIEPLGVAPT encompasses several murine Th epitopes including KYKVVVKIEPLGVAPT and is referred to as a "multideterminant region" or cluster peptide.

HXB2 Location gp160 (485–500)

Author Location gp120 (IIIB)

Epitope KYKVIKIEPLGIAPTC

Immunogen in vitro stimulation or selection

Species (MHC) human

References Manca *et al.* 1995b

- Peptide stimulation of PBMC from non-infected individuals *in vitro*.
- Peptide priming does not always induce T-cells that recognize whole protein.

HXB2 Location gp160 (486–494)

Author Location gp120 (486–494 IIIB)

Epitope YKVVVKIEPL

Immunogen SHIV infection

Species (MHC) macaque (DRB*W201)

References Lekutis & Letvin 1997

- C5 region minimal epitope determined through fine epitope mapping.

HXB2 Location gp160 (487–512)

Author Location gp120 (494–518 IIIB)

Epitope KVVVKIEPLGVAPTKAKRRVVQREKRC

Immunogen vaccine

Vector/Type: peptide *Strain:* B clade IIIB

Species (MHC) mouse

References Goodman-Snitkoff *et al.* 1990

- Identification of putative Th epitopes that stimulate an antibody response in peptide immunized mice.

HXB2 Location gp160 (492–512)

Author Location gp120 (492–512 IIIB)

Epitope EPLGVAPTAKARRVVQREKRA?

Epitope name I5

Subtype B

Immunogen HIV-1 infection

Species (MHC) human

References Geretti *et al.* 1994

- Th proliferative responses were studied in 36 asymptomatic HIV-1 + patients. PBMC from 15/36 patients responded to stimulation with gp120 synthetic overlapping peptide pools. 10 of the responding patients recognized three or more peptide pools.
- After 12 months, most responses were lost or diminished, and specific responses fluctuated. 4/10 of the responders at baseline had new responses at 12 months, as did 5/15 non-responders.

- IL-2 production was a more sensitive and well-preserved measure of Th function than proliferation.
- 1/15 responders recognized this peptide, SI = 4.9.

HXB2 Location gp160 (493–511)

Author Location gp120 (490–508 89.6)

Epitope PIGVAPTRAKRRTVQREKR

Epitope name Peptide 47

Immunogen vaccine

Vector/Type: protein *Strain:* B clade 89.6

HIV component: gp120 *Adjuvant:* E. coli mutant heat labile enterotoxin (LT-R72)

Species (MHC) mouse

Donor MHC H-2k, H2-d

Keywords epitope processing, immunodominance

References Dai *et al.* 2001

- Helper T-cell proliferative responses to gp120 vaccines in 2 mouse strains, CBA/J and BALB/c, were mapped using 47 overlapping peptides that span gp120. Promiscuously immunodominant peptides were identified in both mice strains that were located in the outer domain of gp120 and were associated with regions of local structural disorder in proximal N-terminal segments, suggesting 3-D protein structure influences Th antigen processing and the frequency of immunogenic sequences.
- This peptide was reactive in only 2/10 BALB/c mice tested, and in 8/10 CBA/J mice.

HXB2 Location gp160 (499–511)

Author Location gp120 (IIIB)

Epitope TKAKRRVVEREKR

Immunogen in vitro stimulation or selection

Species (MHC) human (DR)

References Wilson *et al.* 1997b

- Thought to be a mimic of a HLA class II DR β chain variable region.
- Response to this epitope may cause a breakdown of self-tolerance.
- Presentation of epitope induced autoreactive T-cell lines in PBMC from uninfected donors.
- Suppression of proliferation to soluble antigens by the CD8+ fraction of TKAKRRVVEREKR stimulated T-cells was observed.

HXB2 Location gp160 (499–519)

Author Location gp41 (MN)

Epitope TKAKRRVVQREKRAAIGALF

Epitope name TF20

Subtype B

Immunogen HIV-1 infection

Species (MHC) human

Assay type Cytokine production, proliferation, CD4 T-cell Elispot - IFN γ , Intracellular cytokine staining

Keywords HAART, ART, acute/early infection

References Malhotra *et al.* 2003

- 92 acute- or early-HIV infected subjects were tested for Env- and Gag-specific Th responses. There was an overall low probability of detecting HIV-1-specific Th responses, Env responses were rare and (5%) and only detected very early in infection, probably reflecting a low frequency of response and

impaired lymphoproliferative capacity, not viral escape. Gag-specific Th responses were observed more frequently (16%), were found throughout the acute and early infection phases, and predominated after ARV therapy.

- This epitope is one of six Env-specific Th responses detected in one patient 11 days post-infection that were studied in detail. These Th responses were not detected at subsequent time points, despite the Env specific Th cells being maintained as detected by TCR clonal transcripts, and the epitope sequence being maintained in Env.

HXB2 Location gp160 (519–543)

Author Location gp41 (519–543)

Epitope FLGFLGAAGSTMGAASLTLTVQARC

Immunogen vaccine

Vector/Type: peptide

Species (MHC) mouse (H-2^{bxk}, H-2^{sxd})

References Sastry & Arlinghaus 1991

- Peptides induced T-cell proliferative response to immunizing peptide and to gp160.

HXB2 Location gp160 (519–543)

Author Location Env (519–543)

Epitope FLGFLGAAGSTMGAASLTLTVQARC

Immunogen vaccine

Vector/Type: peptide

Species (MHC) macaque

References Nehete *et al.* 1993

- Synthetic peptide derived from conserved region of the HIV-1 envelope that stimulates a proliferative response in mice, and in rhesus monkeys.
- Proliferative response to this peptide was observed in 3/3 immunized rhesus monkeys.

HXB2 Location gp160 (519–543)

Author Location Env (519–543)

Epitope FLGFLGAAGSTMGAASLTLTVQARQ

Immunogen HIV-1 infection

Species (MHC) human, chimpanzee

References Nehete *et al.* 1998b

- HIV-infected chimpanzees and HIV-positive patients show positive proliferative responses to multiple peptides from five conserved regions of the HIV-1 Env.

HXB2 Location gp160 (547–561)

Author Location gp41 (547–561 IIIIB, B10)

Epitope GIVQQNNLLRAIEA

Immunogen HIV-1 infection

Species (MHC) human

References Wahren *et al.* 1989b; Wahren *et al.* 1989a

- 12 gag and 18 env peptides were identified that could commonly evoke T-cell responses.

HXB2 Location gp160 (562–576)

Author Location gp41 (562–576 IIIIB, B10)

Epitope QQHLLQLTVWGIKQL

Immunogen HIV-1 infection

Species (MHC) human

References Wahren *et al.* 1989b; Wahren *et al.* 1989a

- 12 gag and 18 env peptides were identified that could commonly evoke T-cell responses.

HXB2 Location gp160 (570–589)

Author Location gp41 (MN)

Epitope VWGIKQLQARVLAVERYLKD

Epitope name VD20

Subtype B

Immunogen HIV-1 infection

Species (MHC) human (DR)

Assay type Cytokine production, proliferation, CD4 T-cell Elispot - IFN γ , Intracellular cytokine staining

References Malhotra *et al.* 2003

- 92 acute- or early-HIV infected subjects were tested for Env- and Gag-specific Th responses. There was an overall low probability of detecting HIV-1-specific Th responses, Env responses were rare and (5%) and only detected very early in infection, probably reflecting a low frequency of response and impaired lymphoproliferative capacity, not viral escape. Gag-specific Th responses were observed more frequently (16%), were found throughout the acute and early infection phases, and predominated after ARV therapy.
- This epitope is one of six Env-specific Th responses detected in one patient 11 days post-infection that were studied in detail. The CD4+ clones showed MHC-restricted cytotoxicity and secreted high levels of cytokines when stimulated. These Th responses were not detected at subsequent time points, despite the Env specific Th cells being maintained as detected by TCR clonal transcripts, and the epitope sequence being maintained in Env.
- This peptide showed promiscuous binding to DRB1*0101, DRB1*1101, DRB1*1302, DRB1*0701, DRB1*0801 DRB4*0101 DRB5*01.

HXB2 Location gp160 (572–591)

Author Location gp41 (572–591)

Epitope GIKQLQARILAVERYLKDQQ

Immunogen vaccine

Vector/Type: peptide

Species (MHC) mouse (H-2^d, H-2^b)

References Brown *et al.* 1995

- This peptide was a good immunogen in BALB/c and CBA mice, producing a strong proliferative response.
- At least one of the four residues GIKQ enhances stimulation, and in CBA mice these residues influence the ability to prime T-cells *in vivo*.
- QLQARILAVERY stimulated the greatest *in vitro* T-cell response.
- VERYLKDQQ was the minimal reactive sequence recognized by a T-cell line.

HXB2 Location gp160 (576–591)

Author Location gp41 (576–591)

Epitope LQARILAVERYLKDQQ

Immunogen vaccine

Vector/Type: peptide

Species (MHC) mouse (H-2^d, H-2^b)

References Brown *et al.* 1995

- This peptide was a poor immunogen in BALB/c and CBA mice used in this experiment, producing a weak proliferative response.

HXB2 Location gp160 (578–608)

Author Location gp41 (585–615 IIIB)

Epitope ARILAVERYLKDQQLLGIWGCSGKLICTTAV

Immunogen vaccine

Vector/Type: peptide

Species (MHC) mouse

References Goodman-Snitkoff *et al.* 1990

- Identification of putative Th epitopes that can stimulate an antibody response in peptide immunized mice.

HXB2 Location gp160 (579–601)

Author Location gp41 (579–601)

Epitope RILAVERYLKDQQLLGGIWGCSGK

Immunogen vaccine

Vector/Type: peptide

Species (MHC) mouse (H-2^d, H-2^b)

References Brown *et al.* 1995

- This peptide was a good immunogen in BALB/c and CBA.
- This peptide produced a strong Th response in both mice strains which was more responsive towards GIKQLQARILAV-ERYLKDQQ and LQARILAVERYLKDQQ than to immunizing peptide.

HXB2 Location gp160 (579–604)

Author Location gp41 (584–609 LAI)

Epitope RILAVERYLKDQQLLGIWGCSGKLI

Subtype B

Immunogen HIV-1 infection

Species (MHC) human

References Schrier *et al.* 1989

- Stimulates T-cell proliferation in HIV-infected donors.

HXB2 Location gp160 (586–597)

Author Location Env (586–598)

Epitope YLRDQQLLGIWG

Immunogen HIV-1 infection

Species (MHC) human, chimpanzee

References Nehete *et al.* 1998b

- HIV-infected chimpanzees and HIV-positive patients show positive proliferative responses to multiple peptides from five conserved regions of the HIV-1 Env.

HXB2 Location gp160 (586–598)

Author Location Env (586–598)

Epitope YLRDQQLLGIWGC

Immunogen vaccine

Vector/Type: peptide

Species (MHC) macaque, mouse

References Nehete *et al.* 1993

- Synthetic peptide derived from conserved region of the HIV-1 envelope that stimulates a proliferative response in mice.
- Proliferative response to this peptide was observed in 1/3 immunized rhesus monkeys, with a weak transient response in the other two.

HXB2 Location gp160 (593–604)

Author Location gp41 (598–609 LAV-1)

Epitope LGLWGCSGKLI

Immunogen vaccine

Species (MHC) mouse (H2^d)

References Schrier *et al.* 1988

- Murine T-dependent B-cell response – 7/29 had a proliferative response to this peptide.

HXB2 Location gp160 (593–604)

Author Location gp41 (593–604 IIIB)

Epitope LGIWGCSGKLI

Immunogen HIV-1 infection

Species (MHC) human

References Bell *et al.* 1992

- Elicits T-cell proliferation and B cell responses, but only during the asymptomatic phase of HIV infection.

HXB2 Location gp160 (594–603)

Author Location gp41 (594–603 IIIB)

Epitope GIWGCSGKLI

Immunogen HIV-1 infection

Species (MHC) human

References Kelleher *et al.* 1998b

- Epitope documented as a “previously described” epitope Bell *et al.* [1992], but in Bell *et al.* it was described as gp41(594-603 IIIB), LGIWGCSGKLI.
- Immunization with a p24-VLP virus-like particle did not significantly impact CD4+ lymphocyte count, viral load, or p24 antibody titre.
- Immunization with p24-VLP did not increase the proliferative response to this gp41 epitope, however, there was a modest, short-lived increased proliferative response to p24.

HXB2 Location gp160 (594–604)

Author Location gp41 (consensus)

Epitope GIWGCSGKLI

Immunogen HIV-1 infection

Species (MHC) human

References Mutch *et al.* 1994

- Core region of peptides that can stimulate proliferative responses from seronegative and seropositive people.

HXB2 Location gp160 (598–609)

Author Location gp41 (603–614 LAI)

Epitope CSGKLICTTAVP

Subtype B

Immunogen HIV-1 infection

Species (MHC) human

References Schrier *et al.* 1989

- Stimulates T-cell proliferation in HIV-infected donors.

HXB2 Location gp160 (604–615)

Author Location gp41 (609–620 LAI)

Epitope CTTAVPWNASWS

Subtype B

Immunogen HIV-1 infection

Species (MHC) human

References Schrier *et al.* 1989

- Stimulates T-cell proliferation in HIV-infected donors.

HXB2 Location gp160 (606–620)

Author Location gp41 (1035)

Epitope TNVPWNASWSNKSLE**Subtype** B**Immunogen** vaccine*Vector/Type:* vaccinia prime with gp120 boost *Strain:* B clade 1035 *HIV component:* Env *Adjuvant:* Complete Freund's Adjuvant (CFA)**Species (MHC)** mouse (Class II I Ab)**Assay type** T-cell Elispot**Keywords** epitope processing, vaccine-induced epitopes, escape, TCR usage**References** Zhan *et al.* 2003

- A very narrow Th response was stimulated in C57BL/6 mice vaccinated with vaccinia expressed HIV-1 env clone 1035, to the peptide PKVSFEPPIHYCAP, located in the C2 region of gp120. The only other peptide recognized using Elispot on Env overlapping peptides to test vaccine responses in the mice was this one: TNVPWNASWSNKSLE, located in gp41.

HXB2 Location gp160 (606–620)**Author Location** gp41 (UG92005)**Epitope** TNVPWNASWSNKSLE**Immunogen** vaccine*Vector/Type:* DNA, protein, vaccinia *Strain:* B clade 1007, D clade UG92005 *HIV component:* gp140 *Adjuvant:* Complete Freund's Adjuvant (CFA)**Species (MHC)** mouse (H-2 IA^b)**Keywords** subtype comparisons, epitope processing, TCR usage**References** Surman *et al.* 2001

- This gp140 epitope of UG92005 (UG, clade D) was recognized by five hybridomas with V β usage V β 8.1, 14 and not determined – one of the V β 8.1 was shown to utilize V α 8.
- C57BL/6 mice were immunized with a prime-boost strategy involving three HIV-1 Env antigens: Mice were primed with DNA given i.m., 3–4 weeks later boosted with VV, and 3–4 weeks later boosted again with purified protein in Freund's adjuvant.
- The vaccinia construct is a pSC11-based VV vector with the first 38 amino acids contributed by BH10 and the rest of gp120 and gp41 by the vaccine strain, the DNA construct is in the pJW4303 vector with a CMV promoter, and the purified protein is expressed from the pJW4303 vector transfected into CHO-K1 cells.
- Ten days after the final boost, hybridomas were made and tested for IL-2 production using either B6 spleen cells or H-2 IA^b transfected L cells as targets and V β usage was determined.
- Mice were immunized with an Env from either one of two clades: HIV-1 1007, a clade B strain isolated from an individual from Memphis Tennessee, and HIV-1 92UG005, a clade D vaccine isolated from Uganda in 1992 through the WHO.
- 80 unique clonotypes were characterized from six mice.
- H-2 IA^b restricted T-helper epitopes were concentrated in 5 distinct regions within the Env sequence (2 clonotype responses in V2, 26 in C2, 22 in V3, 23 in V4C4, and 7 in gp41).
- Epitope hotspots tended to be proximal to heavily glycosylated regions of the Env sequence, in exposed, non-helical strands of the protein. The non-uniform localization may be influenced by differential antigen processing and the glycosylation site

proximity may allow binding to lectins and promote trafficking through processing pathways.

HXB2 Location gp160 (609–616)**Author Location** gp41 (consensus)**Epitope** PWNASWSN**Immunogen** HIV-1 infection**Species (MHC)** human**References** Mutch *et al.* 1994

- Core region of peptides that can stimulate proliferative responses from seronegative and seropositive people.

HXB2 Location gp160 (611–620)**Author Location** gp41 (1007, UG92005)**Epitope** NASWSNKSLE**Immunogen** vaccine*Vector/Type:* DNA, protein, vaccinia *Strain:* B clade 1007, D clade UG92005 *HIV component:* gp140 *Adjuvant:* Complete Freund's Adjuvant (CFA)**Species (MHC)** mouse (H-2 IA^b)**Keywords** subtype comparisons, epitope processing, TCR usage**References** Surman *et al.* 2001

- This gp41 epitope is conserved in 1007 (US, clade B) and UG92005 (UG, clade D) and was recognized by two hybridomas from two different mice that were vaccinated with different clades – the V β usage was V β 4 and 14.
- The epitope described here is the region of overlap of two 15mers that were both able to stimulate IL-2 production from the hybridoma (T[TN]VPWNASWSNKSLE and NASWSNKSLE-QIWNN) – the only difference between 1007 and UG92005 for these two proteins is that 1007 has a T and UG92005 has an N in the second position of the first peptide.
- C57BL/6 mice were immunized with a prime-boost strategy involving three HIV-1 Env antigens: Mice were primed with DNA given i.m., 3–4 weeks later boosted with VV, and 3–4 weeks later boosted again with purified protein in Freund's adjuvant.
- The vaccinia construct is a pSC11-based VV vector with the first 38 amino acids contributed by BH10 and the rest of gp120 and gp41 by the vaccine strain, the DNA construct is in the pJW4303 vector with a CMV promoter, and the purified protein is expressed from the pJW4303 vector transfected into CHO-K1 cells.
- Ten days after the final boost, hybridomas were made and tested for IL-2 production using either B6 spleen cells or H-2 IA^b transfected L cells as targets and V β usage was determined.
- Mice were immunized with an Env from either one of two clades: HIV-1 1007, a clade B strain isolated from an individual from Memphis Tennessee, and HIV-1 92UG005, a clade D vaccine isolated from Uganda in 1992 through the WHO.
- 80 unique clonotypes were characterized from six mice.
- H-2 IA^b restricted T-helper epitopes were concentrated in 5 distinct regions within the Env sequence (2 clonotype responses in V2, 26 in C2, 22 in V3, 23 in V4C4, and 7 in gp41).
- Epitope hotspots tended to be proximal to heavily glycosylated regions of the Env sequence, in exposed, non-helical strands of the protein. The non-uniform localization may be influenced by differential antigen processing and the glycosylation site

proximity may allow binding to lectins and promote trafficking through processing pathways.

- HXB2 Location** gp160 (614–629)
Author Location gp41 (IIIB)
Epitope WSNKSLEDIWDNMTWC
Immunogen *in vitro* stimulation or selection
Species (MHC) human
References Manca *et al.* 1995b
- Peptide stimulation of PBMC from non-infected individuals *in vitro*.
 - Peptide priming does not always induce T-cells that recognize whole protein.

- HXB2 Location** gp160 (634–649)
Author Location gp41 (IIIB)
Epitope EIDNYTNTIYTLLEEC
Immunogen *in vitro* stimulation or selection
Species (MHC) human
References Manca *et al.* 1995b
- Peptide stimulation of PBMC from non-infected individuals *in vitro*.
 - Peptide priming does not always induce T-cells that recognize whole protein.

- HXB2 Location** gp160 (647–661)
Author Location gp41 (647–661 IIIB, B10)
Epitope EESQNQKEKNEQELL
Immunogen HIV-1 infection
Species (MHC) human
References Wahren *et al.* 1989b; Wahren *et al.* 1989a
- 12 gag and 18 env peptides were identified that could commonly evoke T-cell responses.

- HXB2 Location** gp160 (650–662)
Author Location gp41 (655–667 LAI)
Epitope QNQEKEKNEQELLE
Subtype B
Immunogen HIV-1 infection
Species (MHC) human
References Schrier *et al.* 1989
- Stimulates T-cell proliferation in HIV-infected donors.

- HXB2 Location** gp160 (667–681)
Author Location gp41 (667–681 IIIB, B10)
Epitope ASLWNWFNITNWLWY
Immunogen HIV-1 infection
Species (MHC) human
References Wahren *et al.* 1989b; Wahren *et al.* 1989a
- 12 gag and 18 env peptides were identified that could commonly evoke T-cell responses.

- HXB2 Location** gp160 (682–696)
Author Location gp41 (682–696 IIIB, B10)
Epitope IKLFIMIVGGLVGLR
Immunogen HIV-1 infection
Species (MHC) human
References Wahren *et al.* 1989b; Wahren *et al.* 1989a
- 12 gag and 18 env peptides were identified that could commonly evoke T-cell responses.

- HXB2 Location** gp160 (724–745)
Author Location gp41 (731–752)
Epitope PRGPDRPEGIEEEGGERDRDRS
Immunogen vaccine
Vector/Type: peptide in cowpea mosaic virus (CPMV) *HIV component:* gp41 *Adjuvant:* Quillaja saponin (Quil-A)
Species (MHC) mouse (H-2^k)
Keywords Th1
References McInerney *et al.* 1999
- A gp41 peptide was expressed in a cowpea mosaic virus (CPMV) and mice were vaccinated with a purified chimeric particle – out of five adjuvants tested, only Quil A could stimulate anti-gp41 antibodies and an *in vitro* proliferative response.
 - The antibodies were predominantly IgG2a, suggesting a Th1 response.

- HXB2 Location** gp160 (732–744)
Author Location gp41 (737–749 LAI)
Epitope GIEEEGGERDRDR
Subtype B
Immunogen HIV-1 infection
Species (MHC) human
References Schrier *et al.* 1989
- Stimulates T-cell proliferation in HIV-infected donors.

- HXB2 Location** gp160 (780–794)
Author Location gp41 (787–801 IIIB)
Epitope RIVELLGRRGWEALK
Immunogen vaccine
Strain: B clade IIIB *HIV component:* gp160
Species (MHC) mouse (H-2^d, H-2^k, H-2^{l4})
References Hale *et al.* 1989
- Six multideterminant helper T-cell regions are recognized by mice of three or four MHC types.

- HXB2 Location** gp160 (780–794)
Author Location gp160 (787–801 IIIB)
Epitope RIVELLGRRGWEALK
Immunogen vaccine
Vector/Type: protein *Strain:* B clade IIIB *HIV component:* gp160 *Adjuvant:* Complete Freund's Adjuvant (CFA)
Species (MHC) mouse (H-2^k, H-2^d, H-2^s)
References Berzofsky *et al.* 1991b; Berzofsky *et al.* 1991a
- This peptide elicited proliferative responses in cells from B10.BR mice (H-2A^k, E^k), B10.D2 mice (H-2A^d, E^d), and B10.S(9R) mice (H-2A^s, E^s)
 - RIVELLGRRGWEALKYWWNLLQYWSQELKNSAVS encompasses several murine Th epitopes including RIVELLGRGWEALK and is referred to as a "multideterminant region" or cluster peptide, but the longer peptide only stimulates cells from H-2^k mice.

- HXB2 Location** gp160 (780–813)
Author Location gp160 (787–820 IIIB)
Epitope RIVELLGRRGWEALKYWWNLLQYWSQELKNSA-VS
Immunogen HIV-1 infection, vaccine

Vector/Type: protein *Strain:* B clade III B
HIV component: gp160 *Adjuvant:* Complete Freund's Adjuvant (CFA)

Species (MHC) mouse (H-2^k)

References Berzofsky *et al.* 1991b; Berzofsky *et al.* 1991a

- RIVELLGRRGWEALKYWWNLLQYWSQELKNSAVS encompasses several murine Th epitopes and is referred to as a "multideterminant region" or cluster peptide.
- Six multideterminant region cluster peptides were evaluated Th responses in different MHC/HLA backgrounds after vaccination of mice with gp160, or in infected people.
- This cluster peptide elicited proliferative responses in cells from only B10.BR mice (H-2A^k, E^k), and not from B10.D2 mice (H-2A^d, E^d), B10.A(5R) mice (H-2A^b, E^b), or B10.S(9R) mice (H-2A^s, E^s)
- IL-2 production in response to this peptide was observed in 59% (17/29) of asymptomatic HIV-infected individuals.

HXB2 Location gp160 (794–808)

Author Location gp41 (801–815 III B)

Epitope KYWWNLLQYWSQELK

Immunogen vaccine

Strain: B clade III B *HIV component:* gp160

Species (MHC) mouse (H-2^k)

References Hale *et al.* 1989

- Six multideterminant helper T-cell regions are recognized by mice of three or four MHC types.

HXB2 Location gp160 (794–808)

Author Location gp160 (801–815 III B)

Epitope KYWWNLLQYWSQELK

Immunogen vaccine

Vector/Type: protein *Strain:* B clade III B
HIV component: gp160 *Adjuvant:* Complete Freund's Adjuvant (CFA)

Species (MHC) mouse (H-2^k, H-2^d, H-2^s)

References Berzofsky *et al.* 1991b; Berzofsky *et al.* 1991a

- This peptide elicited proliferative responses in cells from B10.BR mice (H-2A^k, E^k), B10.D2 mice (H-2A^d, E^d), and B10.S(9R) mice (H-2A^s, E^s)
- RIVELLGRRGWEALKYWWNLLQYWSQELKNSAVS encompasses several murine Th epitopes including KYWWNLLQYWSQELK and is referred to as a "multideterminant region" or cluster peptide, but the longer peptide only stimulates cells from H-2^k mice.

HXB2 Location gp160 (799–813)

Author Location gp160 (806–820 III B)

Epitope LLQYWSQELKNSAVS

Immunogen vaccine

Vector/Type: protein *Strain:* B clade III B
HIV component: gp160 *Adjuvant:* Complete Freund's Adjuvant (CFA)

Species (MHC) mouse (H-2^k, H-2^d, H-2^s)

References Berzofsky *et al.* 1991b; Berzofsky *et al.* 1991a

- This peptide elicited proliferative responses in cells from B10.BR mice (H-2A^k, E^k), B10.D2 mice (H-2A^d, E^d), and B10.S(9R) mice (H-2A^s, E^s)

- RIVELLGRRGWEALKYWWNLLQYWSQELKNSAVS encompasses several murine Th epitopes including LLQYWSQELKNSAVS and is referred to as a "multideterminant region" or cluster peptide, but the longer peptide only stimulates cells from H-2^k mice.

HXB2 Location gp160 (799–813)

Author Location gp41 (806–820 III B)

Epitope LLQYWSQELKNSAVS

Immunogen vaccine

Strain: B clade III B *HIV component:* gp160

Species (MHC) mouse (H-2^k, H-2^d, H-2¹⁴)

References Hale *et al.* 1989

- Six multideterminant helper T-cell regions are recognized by mice of three or four MHC types.

HXB2 Location gp160 (799–813)

Author Location gp41 (806–820 III B)

Epitope LLQYWSQELKNSAVS

Immunogen vaccine

Strain: B clade III B *HIV component:* gp160

Species (MHC) mouse (H-2^k, H-2^d, H-2¹⁴)

References Hale *et al.* 1989

- Six multideterminant helper T-cell regions are recognized by mice of three or four MHC types.

HXB2 Location gp160 (814–829)

Author Location gp41 (III B)

Epitope WLNATAIAVTEGTDRC

Immunogen in vitro stimulation or selection

Species (MHC) human

References Manca *et al.* 1995b

- Peptide stimulation of PBMC from non-infected individuals *in vitro*.
- Peptide priming does not always induce T-cells that recognize whole protein.

HXB2 Location gp160 (821–835)

Author Location gp41 (828–842 III B)

Epitope AVAEGTDRVIEVVQG

Immunogen vaccine

Strain: B clade III B *HIV component:* gp160

Species (MHC) mouse (H-2^k)

References Hale *et al.* 1989

- Six multideterminant helper T-cell regions are recognized by mice of three or four MHC types.

HXB2 Location gp160 (821–835)

Author Location gp160 (828–842 III B)

Epitope AVAEGTDRVIEVVQG

Immunogen vaccine

Vector/Type: protein *Strain:* B clade III B
HIV component: gp160 *Adjuvant:* Complete Freund's Adjuvant (CFA)

Species (MHC) mouse (H-2^k, H-2^b, H-2^s)

References Berzofsky *et al.* 1991b; Berzofsky *et al.* 1991a

- This peptide elicited proliferative responses in cells from B10.BR mice (H-2A^k, E^k), B10.A(5R) mice (H-2A^b, E^b), and B10.S(9R) mice (H-2A^s, E^s)

- AVAEGTDRVIEVVQGAYRAIRHIPRRIRQGLER encompasses several murine Th epitopes including AVAEGTDRVIEVVQG and is referred to as a "multideterminant region" or cluster peptide.

HXB2 Location gp160 (821–838)

Author Location gp41 (827–843)

Epitope YVAEGTDRVIEVVQGACR

Immunogen HIV-1 infection

Species (MHC) human

Keywords rate of progression

References Caruso *et al.* 1997

- As HIV-1-infected individuals progress to disease, T-cells show reduced ability to proliferate in response to HIV antigen, but retain the ability to express the activation antigens CD25 and CD71.
- The ability to express activation markers in response to HIV is retained, but the response to tetanus toxoid recall antigen is lost.
- This study investigated CD25 and CD71 expression in PBMC from patients at various stages of progression, measuring the response to *in vitro* stimulation by peptide cocktail containing four antigenic Env peptides, or p17 and p24.

HXB2 Location gp160 (821–853)

Author Location gp160 (828–860 IIIB)

Epitope AVAEGTDRVIEVVQGAYRAIRHIPRRIRQGLER

Immunogen HIV-1 infection, vaccine

Vector/Type: protein *Strain:* B clade IIIB

HIV component: gp160 *Adjuvant:* Complete Freund's Adjuvant (CFA)

Species (MHC) human, mouse (H-2^k, H-2^b, H-2^s, H-2^d)

References Berzofsky *et al.* 1991b; Berzofsky *et al.* 1991a

- AVAEGTDRVIEVVQGAYRAIRHIPRRIRQGLER encompasses several murine Th epitopes and is referred to as a "multideterminant region" or cluster peptide.
- Six multideterminant region cluster peptides were evaluated for Th responses in different MHC/HLA backgrounds after vaccination of mice with gp160, or in infected people.
- This cluster peptide elicited proliferative responses in cells from all four MHC types tested: B10.BR mice (H-2A^k, E^k), B10.D2 mice (H-2A^d, E^d), B10.A(5R) mice (H-2A^b, E^b), and B10.S(9R) mice (H-2A^s, E^s)
- IL-2 production in response to this peptide was observed in only 8% (1/12) of asymptomatic HIV-infected individuals.

HXB2 Location gp160 (827–835)

Author Location gp41 (834–842 IIIB)

Epitope DRVIEVVQG

Immunogen vaccine

Strain: B clade IIIB *HIV component:* gp160

Species (MHC) mouse (H-2^k)

References Hale *et al.* 1989

- Suggested H-2^k epitope based on region of overlap.

HXB2 Location gp160 (827–841)

Author Location gp160 (834–848 IIIB)

Epitope DRVIEVVQGAYRAIR

Immunogen vaccine

Vector/Type: protein *Strain:* B clade IIIB

HIV component: gp160 *Adjuvant:* Complete Freund's Adjuvant (CFA)

Species (MHC) mouse (H-2^k, H-2^b)

References Berzofsky *et al.* 1991b; Berzofsky *et al.* 1991a

- This peptide elicited proliferative responses in cells from B10.BR mice (H-2A^k, E^k) and B10.A(5R) mice (H-2A^b, E^b)

HXB2 Location gp160 (827–841)

Author Location gp41 (834–848 IIIB)

Epitope DRVIEVVQGAYRAIR

Epitope name TH4

Immunogen vaccine

Strain: B clade IIIB *HIV component:* gp160

Species (MHC) mouse (H-2^k, H-2ⁱ⁵)

References Hale *et al.* 1989

- Six multideterminant helper T-cell regions are recognized by mice of three or four MHC types.
- Called Th4.1 and TH4.

HXB2 Location gp160 (827–841)

Author Location gp41 (834–848 IIIB)

Epitope DRVIEVVQGAYRAIR

Epitope name TH4

Immunogen vaccine

Vector/Type: peptide prime with protein boost

Strain: B clade IIIB *HIV component:* gp160

Species (MHC) macaque

References Hosmalin *et al.* 1991

- Peptide priming to induce T-cell help enhances antibody response to gp160 immunization.
- Called Th4.1 and TH4.

HXB2 Location gp160 (827–841)

Author Location gp41 (834–848 IIIB)

Epitope DRVIEVVQGAYRAIR

Epitope name TH4

Immunogen HIV-1 infection

Species (MHC) human

References Clerici *et al.* 1997

- used in a study of the influence of pentoxifylline on HIV specific T-cells.

HXB2 Location gp160 (827–841)

Author Location gp41 (834–848 IIIB)

Epitope DRVIEVVQGAYRAIR

Epitope name TH4

Immunogen

Species (MHC) human

References Pinto *et al.* 1995

- CTL activity analyzed in parallel with Th reactivity in exposed but uninfected health care workers.
- Called Th4.1 and TH4.

HXB2 Location gp160 (827–841)

Author Location gp41 (834–848 IIIB)

Epitope DRVIEVVQGAYRAIR

Epitope name TH4

Immunogen HIV-1 infection

Species (MHC) human

References Clerici *et al.* 1991a

- Peptides stimulate Th cell function and CTL activity in similar patient populations.
- Called Th4.1 and TH4.

HXB2 Location gp160 (827–841)**Author Location** gp41 (834–848 IIIB)**Epitope** DRVIEVVQGAYRAIR**Epitope name** TH4**Immunogen** vaccine*Vector/Type:* protein *Strain:* B clade IIIB*HIV component:* gp160**Species (MHC)** human**References** Clerici *et al.* 1991b

- Immunizing uninfected individuals with rgp160 results in stronger Th response than does natural infection.
- Called Th4.1 and TH4.

HXB2 Location gp160 (827–841)**Author Location** gp41 (834–848 IIIB)**Epitope** DRVIEVVQGAYRAIR**Epitope name** TH4**Immunogen****Species (MHC)** human**References** Clerici *et al.* 1992

- Cell-mediated immune response to HIV-1 peptides in HIV-1 exposed seronegative men.
- Called Th4.1 and TH4.

HXB2 Location gp160 (827–841)**Author Location** gp41 (834–848 IIIB)**Epitope** DRVIEVVQGAYRAIR**Epitope name** TH4**Immunogen** HIV-1 infection**Species (MHC)** human**References** Clerici *et al.* 1989

- IL-2 production detection of Th lymphocytes from asymptomatic HIV-positive individuals.
- Called Th4.1 and TH4.

HXB2 Location gp160 (827–841)**Author Location** gp41 (834–848 IIIB)**Epitope** DRVIEVVQGAYRAIR**Epitope name** TH4**Immunogen** HIV-1 infection**Species (MHC)** human**References** Kaul *et al.* 1999

- Kenyan sex workers that remained seronegative were found to frequently have HIV-env peptide specific Th responses detected by an IL-2 assay (11/20 cases) and mucosal genital tract anti-HIV IgA (16/21 cases)
- Helper epitopes used in this study were noted to be previously described Clerici *et al.* [1989], and were not explicitly described in Kaul *et al.* [1999]

HXB2 Location gp160 (827–841)**Author Location** gp41**Epitope** DRVIEVVQGAYRAIR**Epitope name** TH4, Th4.1**Immunogen** HIV-1 infection, HIV-1 exposed seronegative**Species (MHC)** human**Keywords** subtype comparisons, responses in children, mother-to-infant transmission**References** Kuhn *et al.* 2001a

- In a S. African perinatal transmission study, 33% (33/86) of cord blood samples from infants with seropositive mothers produced T-helper responses (measured by a bioassay measuring IL2 production in a murine cell line and confirmed with a proliferation assay) against a peptide cocktail containing Th epitopes P18 MN, P18 IIIB, T1, T2, and TH4.
- The mothers were predominantly infected with subtype C, but the T help response was detectable in a number of cord blood samples despite using peptides based on B subtype reagents.
- 3/33 infants with cord blood T help responses to Env were infected *in utero*, 2/33 were lost to follow up, and 28/33 were not infected. 6/53 of the infants with cord blood that was unresponsive to Env peptide stimulation were infected before delivery, and 8/47 contracted HIV intrapartum or via breast-feeding.
- Measurable HIV specific T help responses elicited in the immunologically immature newborn, possibly in response to *in utero* exposure, are associated with a protective natural immunity that helps block mother-infant transmission of HIV-1.

HXB2 Location gp160 (827–841)**Author Location** Env (834–848 IIIB)**Epitope** DRVIEVVQGAYRAIR**Epitope name** TH4.1**Immunogen** HIV-1 infection, HIV-1 exposed seronegative**Species (MHC)****Assay type** Cytokine production**Keywords** mother-to-infant transmission**References** Clerici *et al.* 1993a

- Cord blood samples in 8/23 infants with HIV+ mothers showed IL-2 production in response to peptides from HIV-1 gp1260, demonstrating that Th cell priming to HIV env determinants can occur in utero. HIV-specific Th immunity in utero may be protective, as none of the 8 with HIV-1 specific Th activity became infected, while 3/15 infants with no detectable Th activated were infected.
- PBL from 10/21 of the mother showed HIV-1 specific Th activity through IL-2 production in response to Env peptides.

HXB2 Location gp160 (827–841)**Author Location** Env (IIIB)**Epitope** DRVIEVVQGAYRAIR**Epitope name** TH4.1**Subtype** B**Immunogen** HIV-1 exposed seronegative**Species (MHC)****Assay type** Cytokine production**References** Clerici *et al.* 1994a

- Six of eight HIV-exposed health care workers had transient HIV-specific T-helper responses after percutaneous exposure to HIV, responding to two or more Env peptides among the set T1, T2, Th4.1, P18IIIB and P18MN. Responses were lost after 12-56 weeks. The HIV-specific Th responses occurred without seroconversion or PCR evidence for infection.

- Six of the eight HIV-exposed individuals responded to two or more peptides, whereas, only one individual exposed to HIV-negative blood responded to one peptide.

HXB2 Location gp160 (827–841)

Author Location HIV-1 (IIIB)

Epitope DRVIEVVQGAYRAIR

Epitope name TH4.1

Subtype B

Immunogen HIV-1 infection

Species (MHC)

Assay type Cytokine production

References Clerici *et al.* 1994b

- IL-10-specific mRNA was upregulated in PBMC from asymptomatic, HIV-infected (HIV+) patients, and was particularly high in those with severely compromised Th cells function. Th response to HIV peptides *in vitro* could be restored by IL-10 Ab.

HXB2 Location gp160 (827–841)

Author Location Env (834–848)

Epitope DRVIEVVQGAYRAIR

Epitope name TH4-1

Immunogen HIV-1 infection

Species (MHC) human

Assay type proliferation

Keywords responses in children, mother-to-infant transmission

References Kuhn *et al.* 2001b

- Th proliferative responses in cord blood at delivery to a cocktail of HIV envelope peptides were infrequent (1/41) among infants whose HIV-positive mothers received antiretroviral prophylaxis at delivery to prevent transmission. Responses were 10 times more frequent among infants of HIV-seropositive women who had no antiretroviral treatment (7/29). Reductions of HIV-specific responses occurred despite persistence of detectable HIV RNA in the mothers at delivery.
- The reduction of Th responses in newborns raises the possibility that anti-retroviral exposure during pregnancy may block subsequent immune protection. The authors point two relevant citations that showed ARV exposed infants had a more rapid course of progression (Kuhn *et al.*, JID 182:104 (2000)), but were at no greater risk of infection due to subsequent breast feeding (Ditrane *et al.*, Lancet 354:2050 (1999)).

HXB2 Location gp160 (827–841)

Author Location Env (gp160) (421–436)

Epitope DRVIEVVQGAYRAIR

Epitope name TH4.1

Subtype C

Immunogen HIV-1 infection

Species (MHC) human

Country South Africa.

Assay type proliferation

Keywords responses in children, variant cross-recognition or cross-neutralization

References Meddows-Taylor *et al.* 2004

- Viral isolates (gp160) from 16 vertically HIV-1 infected children (8 T-helper cell Env responders and 8 non-responders) were analyzed for variation after comparison with Env peptide sequences (conserved regions T1, T2 and TH4.1, hypervariable regions P18 MN and P181 IIIB) used for *in vitro* stimulation.
- No correlation between the age, clinical category (mild or severe), HIV-1 viral load and the degree of epitope variation was established.

HXB2 Location gp160 (827–853)

Author Location Env (HIV-1 IIIB)

Epitope DRVIEVVQGAYRAIRHIPRRIRQGLER

Subtype B

Immunogen vaccine

Vector/Type: peptide *Strain:* B clade IIIB, SIV *HIV component:* Env, Gag, Pol *Adjuvant:* E. coli mutant heat labile enterotoxin (LT-R72), Montanide (ISA 51)

Species (MHC) macaque

Assay type proliferation

Keywords mucosal immunity

References Belyakov *et al.* 2001

- Different HIV strains were used for different regions: env HIV-1 IIIB, gag SIV, pol SIV
- Intrarectal vaccination with a Th and CTL peptide vaccine provided better protection against intrarectal challenge with pathogenic SHIV-Ku1 than subcutaneous administered vaccine. In some animals after the initial viremia, viral loads were diminished to undetectable levels in the blood and intestine, and CD4+ T cells were better preserved.
- The CD4 T-cell proliferative response correlated with the level of the CTL response.

HXB2 Location gp160 (829–843)

Author Location gp160 (836–850 IIIB)

Epitope VIEVVQGAYRAIRHI

Immunogen vaccine

Vector/Type: protein *Strain:* B clade IIIB *HIV component:* gp160 *Adjuvant:* Complete Freund's Adjuvant (CFA)

Species (MHC) mouse (H-2^k, H-2^b)

References Berzofsky *et al.* 1991b; Berzofsky *et al.* 1991a

- This peptide elicited proliferative responses in cells from B10.BR mice (H-2A^k, E^k) and B10.A(5R) mice (H-2A^b, E^b)

HXB2 Location gp160 (834–841)

Author Location gp41 (841–848 IIIB)

Epitope QGAYRAIR

Immunogen vaccine

Strain: B clade IIIB *HIV component:* gp160

Species (MHC) mouse (H-2ⁱ⁵)

References Hale *et al.* 1989

- Suggested H-2^k epitope based on region of overlap.

HXB2 Location gp160 (834–848)

Author Location gp41 (841–855 IIIB)

Epitope QGAYRAIRHIPRRIR

Immunogen vaccine

Strain: B clade IIIB *HIV component:* gp160

Species (MHC) mouse (H-2^d, H-2ⁱ⁴, H-2ⁱ⁵)

References Hale *et al.* 1989

- Six multideterminant helper T-cell regions are recognized by mice of three or four MHC types.

HXB2 Location gp160 (834–848)

Author Location gp160 (841–855 IIIB)

Epitope QGAYRAIRHPRRIR

Immunogen vaccine

Vector/Type: protein *Strain:* B clade IIIB
HIV component: gp160 *Adjuvant:* Complete Freund's Adjuvant (CFA)

Species (MHC) mouse (H-2^k, H-2^b, H-2^d, H-2^s)

References Berzofsky *et al.* 1991b; Berzofsky *et al.* 1991a

- This peptide elicited proliferative responses in cells from B10.BR mice (H-2A^k, E^k), B10.A(5R) mice (H-2A^b, E^b), B10.D2(H-2A^d, E^d), and B10.S(9R) mice (H-2A^s, E^s)

HXB2 Location gp160 (839–848)

Author Location gp41 (846–855 IIIB)

Epitope AIRHPRRIR

Immunogen vaccine

Strain: B clade IIIB *HIV component:* gp160

Species (MHC) mouse (H-2^d, H-2^{t4})

References Hale *et al.* 1989

- Suggested H-2^{d,t4} epitope based on region of overlap.

HXB2 Location gp160 (839–853)

Author Location gp41 (846–860 IIIB)

Epitope AIRHPRRIRQGLER

Immunogen vaccine

Strain: B clade IIIB *HIV component:* gp160

Species (MHC) mouse (H-2^d, H-2^{t4})

References Hale *et al.* 1989

- Six multideterminant helper T-cell regions are recognized by mice of three or four MHC types.

HXB2 Location gp160 (839–853)

Author Location gp160 (828–842 IIIB)

Epitope AIRHPRRIRQGLER

Immunogen vaccine

Vector/Type: protein *Strain:* B clade IIIB
HIV component: gp160 *Adjuvant:* Complete Freund's Adjuvant (CFA)

Species (MHC) human, mouse (H-2^k, H-2^b, H-2^s)

References Berzofsky *et al.* 1991b; Berzofsky *et al.* 1991a

- This peptide elicited proliferative responses in cells from B10.BR mice (H-2A^k, E^k), B10.A(5R) mice (H-2A^b, E^b), and B10.S(9R) mice (H-2A^s, E^s)

HXB2 Location gp160 (842–856)

Author Location gp41 (842–856 IIIB, B10)

Epitope HIPRRIRQGLERILL

Immunogen HIV-1 infection

Species (MHC) human

References Wahren *et al.* 1989b; Wahren *et al.* 1989a

- 12 gag and 18 env peptides were identified that could commonly evoke T-cell responses.

III-B-15 Env Helper/CD4+ T-cell epitopes

HXB2 Location Env

Author Location gp120

Epitope

Immunogen vaccine

Vector/Type: DNA *HIV component:* Env, Gag, Pol *Adjuvant:* IFN γ , IL-2, IL-4

Species (MHC) mouse (H-2^d)

Keywords Th1

References Kim *et al.* 2000

- Co-stimulatory molecules co-expressed with an HIV-1 immunogen in a DNA vaccine used to enhance the immune response – co-expression of Th1 cytokine IFN γ drove Th1 immune responses and enhanced CTL responses.

HXB2 Location Env

Author Location gp120 (IIIB)

Epitope

Immunogen vaccine

Vector/Type: vaccinia *Strain:* B clade IIIB
HIV component: gp160

Species (MHC) mouse (H-2^d)

Keywords Th1, Th2

References Shirai *et al.* 2001

- Helicobacter pylori induces Th1 responses early, but predominantly Th2 responses later in infection (at 6 weeks) – differentiation of HIV-1 gp160 CD4+ help and CD8+ CTL effector cells in response to HIV gp160-vaccinia vaccination is impaired in BALB/c mice infected with H. pylori.

HXB2 Location Env

Author Location gp120 (V3) and p24 (IIIB, MN, BH10)

Epitope

Subtype A, B

Immunogen vaccine

Vector/Type: virus-like particle (VLP)
Strain: A clade UG5.94UG018, B clade IIIB
HIV component: Gag, gp120

Species (MHC) mouse (H-2^d)

Keywords subtype comparisons

References Buonaguro *et al.* 2002

- Different HIV strains were used for different regions: gp120 A clade UG5.94UG018; Gag HIV-1 IIIB
- BALB/c mice were given intraperitoneal immunization in the absence of adjuvants with virus-like particles (VLPs) expressing recombinant subtype A gp120 and Pr55gag.
- High dose-independent humoral responses were elicited against both gp120 and p24 peptides, and CTL responses were observed against target cells carrying vaccinia expressed gp120 and Gag.
- Recombinant rgp120 (clade B, MN) induced T cell proliferative responses *in vitro* from vaccinated animals.

HXB2 Location Env

Author Location gp160 (IIIB)

Epitope

Immunogen vaccine

Vector/Type: peptide, protein *Strain:* B clade IIIB *HIV component:* gp160, V3
Adjuvant: E. coli mutant heat labile enterotoxin (LT-R72)

Species (MHC) mouse (H2^d)

Keywords Th1, Th2

References Morris *et al.* 2000

- Mice were intranasally immunized with 20 ug of HIV-gp160 and 5 ug of peptide E7 (RIHIGPGRAFYAARK) with the adjuvant LT(R192G), a heat-labile enterotoxin produced by E. coli.
- Adjuvant LT(R192G) was required for stimulation of antigen-specific IgG1, IgG2 antibodies, and Th1 and Th2 cytokines responses to gp160, and peptide-specific CTL responses.
- Increased IFN γ , IL-10 and IL-6 cytokine production specific to gp160 was measured with co-immunization of gp160 with LT(R192G)

HXB2 Location Env

Author Location gp160 (IIIB)

Epitope

Immunogen vaccine

Vector/Type: DNA with CMV promotor
Strain: B clade IIIB *HIV component:* gp160, Rev
Adjuvant: Br-cAMP

Species (MHC) mouse (H2^d)

Keywords Th1

References Arai *et al.* 2000

- The CMV promotor responds to the intracellular level of cAMP, and 8 Br-cAMP can increase transgene expression so it was co-administered with a CMV-based DNA vaccine both intranasally and intramuscularly.
- 8 Br-cAMP increased serum IgG responses, HIV-specific CTL, DTH and Th1 responses, and IgA in the intranasal vaccination.
- A CAT assay study showed adjuvant effect was due to CMV promotor activation.

HXB2 Location Env

Author Location gp120 (IIIB)

Epitope

Immunogen vaccine

Vector/Type: DNA *Strain:* B clade IIIB
HIV component: gp120, gp160

Species (MHC) mouse

Keywords Th1

References Shiver *et al.* 1997

- DNA vaccinations of BALBc mice with a gp120 or gp160 DNA vaccine elicited a strong T-cell proliferative response with Th1-like secretion of γ interferon and IL-2, with little or no IL-4, as well as antigen specific gp120 Abs.
- An intramuscular route of inoculation gave a stronger proliferative response than intradermal.
- A proliferative response could be detected in all lymph tissues tested: spleen, PBMC, and mesenteric, iliac, and inguinal lymph nodes.

HXB2 Location Env

Author Location gp120

Epitope

Immunogen vaccine

Vector/Type: DNA *HIV component:* Gag, gp160, Pol
Adjuvant: CD86

Species (MHC) mouse

References Kim *et al.* 1997d

- A gp160 DNA vaccine, when delivered in conjunction with the plasmid encoding the co-stimulatory molecule CD86, gives an increase in the proliferative responses to gp120 in mice.

HXB2 Location Env

Author Location gp120

Epitope

Immunogen

Species (MHC) human

References De Berardinis *et al.* 1997

- Sequences flanking helper T-cell immunogenic domains can be important for immunogenicity.

HXB2 Location Env

Author Location gp120

Epitope

Immunogen HIV-1 infection

Species (MHC) human

References Rosenberg *et al.* 1997

- A strong proliferative response to p24 and gp160 was found in a healthy long term survivor.

HXB2 Location Env

Author Location gp120

Epitope

Immunogen HIV-1 infection

Species (MHC) macaque

Keywords Th1, Th2

References Kent *et al.* 1997b

- Macaca nemestrina can be infected with HIV, and clear the infection within 6 months, so it is of interest to examine their initial immune response.
- A strong proliferative response against gp160 with IL-4 production, indicating a Th2 response, was found with 4 weeks of infection.
- The gp160 proliferative response by 8 weeks produces both IL-4 and γ interferon, indicating both Th1 and Th2 responses.

HXB2 Location Env

Author Location gp120 (HXBc2)

Epitope

Immunogen vaccine

Vector/Type: DNA prime with gp160 boost
Strain: B clade HXBc2 *HIV component:* gp160

Species (MHC) macaque

References Letvin *et al.* 1997

- Vaccination of Macaca mulatta (rhesus monkeys) with a HXBc2 env DNA prime and a protein boost elicited a T-cell proliferative response, a CTL response, and type-specific neutralizing antibodies.
- Vaccinated animals challenged with SHIV-HXB2 were protected from infection.

HXB2 Location Env

Author Location gp120 (MN)

Epitope**Immunogen** HIV-1 infection, vaccine*Vector/Type:* DNA *Strain:* B clade MN*HIV component:* Env, Rev**Species (MHC)** human**References** MacGregor *et al.* 1998

- An HIV DNA env and rev vaccine given to 15 asymptomatic HIV+ individuals at three different dosages, 30, 100 or 300 µg, was safe.
- All three groups showed an increased proliferative response after vaccination.

HXB2 Location Env**Author Location** Env**Epitope****Immunogen****Species (MHC)** human**References** Mazzoli *et al.* 1997

- Study of HIV-specific immunity in seronegative partners of HIV-positive individuals – Env peptides could stimulate IL-2 production in 9/16 HIV-exposed seronegative individuals, and only 1/50 low-risk controls.
- Exposed-uninfected produced more IL-2 and less IL-10 than HIV-infected individuals.
- 8/9 of those whose PBMC produce IL-2 in response to Env peptides had concomitantly detected urinary or vaginal tract anti-HIV IgA.

HXB2 Location Env**Author Location** Env**Epitope****Immunogen** HIV-1 infection**Species (MHC)** human**Keywords** HAART, ART**References** Plana *et al.* 1998

- Patients from later stages of infection given HAART do not show restoration of HIV-1 specific Th proliferative responses.

HXB2 Location Env**Author Location** Env**Epitope****Immunogen** HIV-1 infection**Species (MHC)** human**Keywords** HAART, ART**References** Kelleher *et al.* 1998a

- Env and gag Th epitopes were pooled and used to test Th proliferative responses after IL2 therapy – while IL2 therapy causes an increase in CD4+ lymphocyte count, it does not increase HIV-1 specific proliferative responses.

HXB2 Location Env**Author Location** gp160**Epitope****Immunogen** HIV-1 infection, vaccine*Vector/Type:* protein *HIV component:*

gp160

Species (MHC) human**References** Ratto-Kim *et al.* 1999

- Vaccinations with rgp160 did not enhance Th immunoproliferative responses in individuals who were immunized every 2 months for 5 years starting early in infection.

HXB2 Location Env**Author Location** gp160**Epitope****Immunogen** HIV-1 infection, vaccine*Vector/Type:* protein *HIV component:*

gp160

Species (MHC) human**Keywords** subtype comparisons**References** Leandersson *et al.* 2000

- 27 HIV subtype B, 4 subtype C, 2 D and one of each subtype E, F, G infected individuals were either given rgp160 B clade immunizations or placebo. All rgp160 immunized individuals showed increased proliferation responses to the B clade immunizing antigen rgp160.
- gp120 was prepared from A, B, C, D, and E subtype virions and used as antigenic stimulus – 7 of 10 tested individuals responded to native gp120 from at least one additional subtype in addition to B subtype, while a placebo recipient did not respond to any gp120.
- This study shows that cross-subtype HIV-specific T-cell proliferative responses can be stimulated in patients already infected with another HIV-1 subtype – all immunized subjects could respond to the subtype B immunogen, but many developed responses to at least one more subtype.

HXB2 Location Env**Author Location** gp160 (MN)**Epitope****Immunogen** vaccine*Vector/Type:* gp160 prime with gp120 boost*Strain:* B clade MN *HIV component:* gp120,

gp160

Species (MHC) human**Keywords** Th1, Th2**References** Gorse *et al.* 1999a

- Helper T-cell memory responses were induced by MN rgp160 as measured by proliferation and Th1 and Th2 cytokine release – this response could be boosted by MN rgp120.

HXB2 Location Env**Author Location** gp120**Epitope****Immunogen** vaccine*Vector/Type:* fowlpoxvirus, ISCOM *Strain:*B clade SF2 *HIV component:* gp120**Species (MHC)** macaque**Keywords** Th1, Th2**References** Heeney *et al.* 1998b

- Vaccinated monkeys with the highest level of Th1 and Th2 responses and the highest levels of NABs were protected against a SHIV SF13 challenge – the ISCOM strategy gave more potent anti-gp120 responses than the Fowl pox strategy.
- When animals were challenged 4 months after boost, those that maintained high levels of HIV-1 specific IFN γ responses, indicative of a Th 1 response, were still protected.

HXB2 Location Env
Author Location (IIIB)
Epitope
Immunogen HIV-1 infection, vaccine
Vector/Type: DNA *Strain:* B clade IIIB
HIV component: Env, Rev
Species (MHC) human
References Boyer *et al.* 1999

- A DNA vaccine containing env and rev was tested for safety and immune response in 15 HIV+ asymptomatic individuals.
- Enhanced proliferative activity and higher levels of MIP-1 alpha were detected in multiple study subjects.

HXB2 Location Env
Author Location Env
Epitope
Immunogen vaccine
Vector/Type: vaccinia *Strain:* B clade IIIB
HIV component: gp160 *Adjuvant:* GM-CSF/ENV chimera
Species (MHC) mouse
References Rodríguez *et al.* 1999

- A chimeric GM-CSF-env antigen expressed in a vaccinia vector elicits a higher HIV-specific env cellular immune response than when native env is used.

HXB2 Location Env
Author Location Env (LAI)
Epitope
Subtype B
Immunogen vaccine
Vector/Type: DNA prime with vaccinia boost
Strain: B clade LAI *HIV component:* Env, Gag
Species (MHC) macaque
Keywords Th1, Th2
References Kent *et al.* 1998

- Priming with an HIV-DNA vaccine and boosting with a vaccinia construct induced greater levels of HIV T-cell immunity than either vaccine alone.
- The proliferative response to Env and Gag after the DNA vaccination had a mean SI of 1.5-4, but after boosting with rHIV-fowlpox virus, there was a 6-17 fold increase in the mean SI for HIV Gag and Env. The T help response happened despite a fall in antibody titers, suggesting that the Th response was primarily Th1, not Th2. The CTL response was also enhanced.

HXB2 Location Env
Author Location gp120
Epitope
Immunogen vaccine
Vector/Type: DNA, protein, virus-like particle (VLP), ISCOM
Species (MHC) macaque
Keywords Th1, Th2
References Heeney *et al.* 1999

- Ten different vaccine strategies were evaluated for their ability to protect from infection in a rhesus macaque model using a non-pathogenic SHIV challenge. Protection correlated with the magnitude of NAb responses, beta-chemokines, and a balanced Th response. DNA, protein+adjuvant, VLP and ISCOM vaccines were tested.
- HIV-1/ISCOMS gave the highest NAb titers, Th1 and Th2 responses, was the only vaccine formulation tested with a detectable CTL response, and gave enhanced beta-chemokine production.

HXB2 Location Env
Author Location gp160 (MN)
Epitope
Immunogen HIV-1 infection, vaccine
Vector/Type: protein *Strain:* B clade MN
HIV component: gp160
Species (MHC) human
References Kundu *et al.* 1998a

- This study followed 10 HLA-A2 asymptomatic HIV+ individuals as they received MN gp160 vaccinations over a two year period.
- There was an increased lymphoproliferative response but this did not impact viral load or CTL response.

HXB2 Location Env
Author Location gp120 (SF2)
Epitope
Immunogen vaccine
Vector/Type: DNA, protein, ISCOM *Strain:* B clade SF2 *HIV component:* gp120 *Adjuvant:* MF59
Species (MHC) macaque
References Verschoor *et al.* 1999

- 16 rhesus Macaques were vaccinated with either an epidermal SF2 gp120 DNA vaccine, rgp120 with a MF59 adjuvant, or rgp120 incorporated into ISCOMs.
- DNA vaccination elicited a weak Th type 1 response and low antibody response, rgp120/MF59 triggered a strong antibody response, and rgp120/ISCOM induced both kinds of Th cells, and a strong humoral response.
- Animals were challenged with SF13 SHIV. Early induction of Th type 1 and type 2 responses with the rgp120/ISCOM vaccine provided the most effective immunity, protecting from infection.

HXB2 Location Env
Author Location Env (MN)
Epitope
Immunogen vaccine
Vector/Type: DNA *Strain:* B clade MN
HIV component: Env, Gag, Pol *Adjuvant:* CD80, CD86
Species (MHC) mouse
References Kim *et al.* 1998

- Co-stimulatory molecules co-expressed with an HIV-1 immunogen in a DNA vaccine used to enhance the immune response – co-expression of CD86, but not CD80, dramatically increased both HIV Env and Gag/Pol specific CTL and Th proliferative responses.

HXB2 Location Env
Author Location Env (LAI, MN)
Epitope
Immunogen vaccine
Vector/Type: canarypox *Strain:* B clade LAI, B clade MN *HIV component:* Gag, gp120, gp41, Protease
Species (MHC) human
References Salmon-Ceron *et al.* 1999

- A live attenuated canarypox vector expressing MN gp120 and LAI gp41/gag/protease could induce CTL and a lymphoproliferative response in healthy uninfected volunteers.

HXB2 Location Env
Author Location Env
Epitope
Immunogen vaccine
Vector/Type: DNA *Strain:* ZF1 *HIV component:* complete genome
Species (MHC) macaque
References Akahata *et al.* 2000

- Rhesus macaques were vaccinated by i.m. injection with naked plasmid DNA carrying an HIV-1 complete genome vaccine, strain ZF1, with a mutated zinc finger in the nucleocapsid to prevent packaging.
- Env and Gag specific CTL but no antibody responses were induced in 2/4 vaccinated monkeys (MM145 and MM153)
- 2/4 monkeys (MM146 and MM143) produced antibodies against p24 and/or gp160, but no CTL response was detected.
- PBMC from all vaccinated monkeys produced IFN γ , in response to HIV-1 gp160, indicating a Th response – this response was 5 times higher in MM145, the animal with the strongest CTL response.
- 4 weeks post-challenge with SHIV NM-3rN plasma viral loads of both MM145 and MM153 (with a homologous Env) decreased to near or below the detection limit.
- 6-8 weeks post-challenge with SHIV NM-3rN plasma viral loads of both MM146 and MM143 decreased near or below the detection limit.

HXB2 Location Env
Author Location gp120 (W6.ID)
Epitope
Immunogen HIV-1 infection
Species (MHC) human
References Zhang *et al.* 2001b

- T-helper cell proliferative responses to HIV p24, p55 and gp120 were tested in 27 patients with HIV infection – vigorous responses directed at Gag were detected in ten patients, but an Env specific response was detected in only one patient.

HXB2 Location Env
Author Location gp160
Epitope
Immunogen HIV-1 infection
Species (MHC) human
Keywords HAART, ART
References Blazevic *et al.* 2000

- Prolonged viral suppression resulting from potent anti-retroviral therapy did not allow an HIV T helper response to p24 or gp160, but Th proliferative responses to influenza, alloantigen, and PHA did develop in many HIV+ patients, and asymptomatic patients had stronger and more frequent Th response recovery than AIDS patients.

HXB2 Location Env
Author Location gp120
Epitope
Immunogen HIV-1 infection
Species (MHC) human
Keywords HAART, ART
References Oxenius *et al.* 2000

- Patients who started therapy at acute HIV infection (three with sustained therapy, two with limited therapy upon early infection) had strong HIV specific CD4 proliferative responses and were able to maintain a CTL response even with undetectable viral load – three patients that had delayed initiation of HAART had no HIV specific CD4 proliferative responses and lost their CTL responses when HAART was eventually given and their viral loads became undetectable.

HXB2 Location Env
Author Location gp120
Epitope
Immunogen vaccine
Vector/Type: canarypox prime with gp120 boost *HIV component:* gp120
Species (MHC) human
Keywords Th1, Th2
References Sabbaj *et al.* 2000

- Proliferative responses in PBMC of uninfected individuals that were vaccinated with canarypox vector expressing HIV-1 antigens (ALVAC-HIV) and boosted with a recombinant gp120 subunit vaccine gave a Th1 and Th2 proliferative response upon stimulation with HIV-1 Env.
- All vaccinees produced IFN γ and IL10, most also produced IL-2, IL-6, IL-4 and IL-5.

HXB2 Location Env
Author Location gp120
Epitope
Immunogen HIV-1 infection, vaccine
Vector/Type: protein *Strain:* B clade MN *HIV component:* gp120

Species (MHC) human
Keywords Th1
References Hladik *et al.* 2001

- 16/29 HIV-1 infected and 24/30 vaccinated individuals had DTH reactions within 48 hours after an intradermal rec gp120 injection. Of nine DTH positive individuals, none had detectable proliferative responses. Thus skin testing may be a sensitive way to identify people with Th recall responses to vaccines, or in the absence of lymphoproliferation.
- No 48 hour DTH responses were detected among uninfected volunteers, although 10/35 (40%) of the high risk and 11/32 (34%) of the low risk individuals developed an induration resembling DTH after 7-12 days, that may be indicative of primary induction of HIV-1 specific Th1-immunity.

HXB2 Location Env**Author Location** gp120**Epitope****Immunogen** HIV-1 infection**Species (MHC)** human**Keywords** rate of progression, Th1, Th2**References** Wilson *et al.* 2000b

- Dysfunction of HIV-1 specific proliferative responses, but not responses to other antigens, is evident in HIV-1 progressive disease.
- Vigorous HIV-1 specific responses to p24, Nef and gp120 with SI between 8-99 were seen in 6/7 long term non-progressors (LTNP), the seventh had a borderline responses. IL-2 production was seen in all cases, and IL-4 production was also evident many responses.
- None of the progressors (0/5) had HIV-1 specific proliferative responses, or IL-2 or IL-4 induction.
- Non-HIV antigens (cytomegalovirus, PPD, Staphylococcus enterotoxin B, tetanus toxoid) gave similar responses in HIV-1 + LTNP, progressors, and HIV-1 controls.

HXB2 Location Env**Author Location** gp160**Epitope****Immunogen** HIV-1 infection**Species (MHC)** human**Keywords** rate of progression, Th1**References** Kalams *et al.* 1999a

- The strength of p24 specific Gag proliferative responses (SIs) were inversely correlated with viral load in 21 ARV naive patients. The responses were Th1, IFN γ producing.
- Proliferative responses against gp160 were rarely observed (only 4 cases).

HXB2 Location Env**Author Location** Env**Epitope****Immunogen** vaccine*Vector/Type:* DNA with CMV promotor*Strain:* B clade MN *HIV component:* Env,*Rev Adjuvant:* Bupivacaine**Species (MHC)** human**Keywords** early-expressed proteins**References** MacGregor *et al.* 2002

- A phase I clinical trial of a HIV-1 Env and Rev DNA vaccine with a CMV promoter was conducted and Th proliferative, CTL and Elispot responses monitored. The construct was modified for safety and included no LTRs or packaging signals. The vaccine strategy was safe, and elicited strong CD4-T cell responses, but not CD8 T-cell responses. Rev elicited strong Th responses, and is a early produced protein so may confer advantages.
- With a 300 ug dose, 4/6 individuals had a lymphocyte proliferation (LP) responses to gp120, 3/6 to Rev.
- With a 1000 ug dose, 4/6 individuals had a LP and 2/6 had IFN γ Elispot responses to gp160; 3/6 had LP, and 4/6 had IFN γ Elispot responses to Rev.

- No responses to three specific CTL epitopes were observed by Elispot in individuals with appropriate HLA. Some cytotoxic activity against whole protein was observed that was CD4+ T-cell mediated.

HXB2 Location Env**Author Location****Epitope****Immunogen** HIV-1 infection**Species (MHC)** human**Keywords** HAART, ART**References** Clerici *et al.* 2002b

- Specific immunity was compared in a two-year study of chronically HIV-1 infected i) HAART-naive patients who were not progressing and had strong immune responses, ii) newly treated patients followed for 24 months after initiation of HAART, iii) and long-term HAART patients who had been on HAART at least 12 months prior to the study.
- HAART naive patients had strongest proliferative responses at time zero, but long-term HAART patients the most significant increase in specific responses over the two year study period against HIV-1 gp160, influenza, and Candida. Similarly, IL-2 and IFN γ production in responses to gp160 was highest in the naive group at time zero, but increased the most in the long-term HAART treated patients.
- Short-term HAART patients showed a significant improvement in their CD4+ T cell count and a reduction of plasma viremia, and had augmented IL-7 production, which was slightly reduced in long-term HAART patients.

HXB2 Location Env**Author Location** gp160**Epitope****Immunogen** HIV-1 infection**Species (MHC)** human**Keywords** HAART, ART**References** Palmer *et al.* 2002

- CD4+ T cell proliferative responses from 33 HIV-1 infected patients with HAART suppression were compared to 19 patients with active viral replication (HAART failures and HAART naive). Patients with HAART suppression showed stronger p24- and p66-specific proliferative responses compared to patient groups with active HIV-1 replication, suggesting active viral replication *in vivo* specifically reduces proliferation responses.
- gp160 proliferation responses were apparent in 7/32 donors tested, but weaker overall, with a median value for the suppressed group not above that found for HIV seronegative controls.
- No differences in the frequency of HIV-specific CD4+ T-cells that were positive for cytokine secretion in a flow cytometry assay were found in the HAART suppressed group versus the group with active viral replication.

HXB2 Location Env**Author Location** gp120 (IIIB)**Epitope****Immunogen** HIV-1 infection**Species (MHC)** human**References** Geretti *et al.* 1994

- Th proliferative responses were studied in 36 asymptomatic HIV-1 + patients. PBMC from 15/36 patients responded to stimulation with gp120 synthetic overlapping peptide pools. 10 of the responding patients recognized three or more peptide pools.
- After 12 months, most responses were lost or diminished, and specific responses fluctuated. 4/10 of the responders at baseline had new responses at 12 months, as did 5/15 non-responders.
- IL-2 production was a more sensitive and well-preserved measure of Th function than proliferation.
- 4/15 responders recognized this peptide, average SI = 4.4.

HXB2 Location Env**Author Location** gp120 (IIIB)**Epitope****Immunogen** HIV-1 infection**Species (MHC)** human**References** Geretti *et al.* 1994

- Th proliferative responses were studied in 36 asymptomatic HIV-1 + patients. PBMC from 15/36 patients responded to stimulation with gp120 synthetic overlapping peptide pools. 10 of the responding patients recognized three or more peptide pools.
- After 12 months, most responses were lost or diminished, and specific responses fluctuated. 4/10 of the responders at baseline had new responses at 12 months, as did 5/15 non-responders.
- IL-2 production was a more sensitive and well-preserved measure of Th function than proliferation.
- 4/15 responders recognized this peptide, average SI = 4.4.

HXB2 Location Env**Author Location** gp120 (SF2)**Epitope****Subtype** B**Immunogen** HIV-1 infection**Species (MHC)** human**Keywords** subtype comparisons, rate of progression**References** Imami *et al.* 2002b

- 70 patients with chronic disease progression, 10 clinical non-progressors, and 3 immunologically discordant progressors (individuals who controlled viremia but had progressive CD4+ T-cell decline) were analyzed for their T-helper cell responses to p24 and cytokine profile.
- In a comparison of responses to HIV-1 proteins based on 10 non-progressors, 3 immunologically discordant, and 70 progressors, SIs were always much higher for non-progressors and immunologically discordant than progressors. Among the non-progressors, the responses to different antigens were greater using p24 peptides than native p24. Native p24, Nef, gp120 proteins, and Remune (gp120 depleted HIV-1, p24 is subtype G), had roughly comparable distributions of SI values from the non-progressors. Nef and gp120 responses were somewhat diminished in immunologically discordant patients.

HXB2 Location Env**Author Location** (BRU)**Epitope****Subtype** B**Immunogen** vaccine

Vector/Type: inactivated HIV **Strain:** B clade BRU **HIV component:** virus **Adjuvant:** Complete Freund's Adjuvant (CFA)

Species (MHC) mouse**References** Haas *et al.* 1991

- Of 5 mouse inbred lines tested: DBA/2 (H-2d, Ad, Ed), B10.A(4R) (H-2h4, Ak) and B10.A(5R) (H-2i5) showed particularly good CD4+ T cell proliferative responses to HIV proteins (gp160, gp120, p17, p24, Nef and RT), after vaccination with inactivated virus.
- B10.BR (H-2k, Ak, Ek) and C57BL/6 (H-2b and Ab) had weaker responses.

HXB2 Location Env**Author Location** gp120 (HIV-1,IIIB)**Epitope****Immunogen** HIV-1 exposed seronegative**Species (MHC)** human**Assay type** Cytokine production**Keywords** HIV exposed persistently seronegative (HEPS)**References** Fowke *et al.* 2000

- A cohort of Nairobi sex-workers were defined to be resistant to infection by virtue of remaining seronegative despite repeated high risk exposure. 24 were tested for HIV specific T-helper responses determined by IL-2 production *in vitro* in response to gp120 peptides or soluble gp120 protein.
- In 7/17 resistant women showed IL-2 stimulation ≥ 2.0 , and specific CTL responses were detected in 15/22 resistant women. 0/12 of the control low-risk subjects had detectable T-cell responses.

HXB2 Location Env**Author Location** gp160**Epitope****Immunogen** HIV-1 infection, vaccine**Vector/Type:** protein **HIV component:** gp160 **Adjuvant:** aluminum phosphate**Species (MHC)** human**Assay type** proliferation**Keywords** HAART, ART, immunotherapy**References** Hejdeman *et al.* 2003

- Groups of ten asymptomatic HAART-treated HIV-1 + patients with undetected viral loads were monitored for two years after i) no immunization, ii) immunization with rgp160, or iii) immunization with tetanus. Ten HIV-1- volunteers were immunized with tetanus as a control. Results were compared with an rgp160 group tested before HAART was available. The HAART-treated group had increased magnitude and duration of proliferative response to rgp160, maintaining the response for the two year study period. CD4 T-cell responses to tetanus were also improved in the HAART group.
- The recall response to tetanus toxoid and tuberculin were boosted by the rgp160 immunization, particularly in the HAART-treated group.

HXB2 Location Env**Author Location****Epitope****Immunogen** HIV-1 exposed seronegative

Species (MHC)**Assay type** Cytokine production**Keywords** HIV exposed persistently seronegative (HEPS), acute/early infection, early treatment**References** Puro *et al.* 2000

- This was a case report of a health care worker who had an percutaneous injury and exposure to HIV, and was immediately given combination therapy. The individual remained HIV Ab negative, but had transiently detectable viral RNA 2-3 weeks after the exposure. 58 weeks after exposure a Th response was detected by IL-2 production in response to HIV Env peptides.

HXB2 Location Env**Author Location****Epitope****Immunogen** vaccine*Vector/Type:* fowlpoxvirus, DNA prime with virus-like particle (VLP) boost *Strain:* B clade 89.6 *HIV component:* Env, Gag-Pol**Species (MHC)** rabbit**Assay type** Cytokine production**Keywords** Th1, Th2**References** Radaelli *et al.* 2003

- Rabbits were immunized with fowlpox recombinant vectors or expression plasmids, which express either SIVmac239 gag/pol or HIV-1 env 89.6P genes, and then boosted with virus-like particles (VLPs)(gag/pol SIV with HIV env 89.6).
- A lymphoproliferative Th0 profile response and homologous neutralizing Ab were seen in all three groups. The pcDNA3gag/pol SIV construct was more efficient at producing Abs than the fowlpox construct, although the fowlpox env89.6 construct elicited good humoral and cellular responses. VLP boosting was shown to be efficacious; the pseudoviral structure of the VLP providing a more natural protein conformational was considered helpful for eliciting long term memory cells.

HXB2 Location Env**Author Location** gp160**Epitope****Subtype** B**Immunogen** HIV-1 infection, vaccine*Vector/Type:* canarypox prime with gp160 boost *Strain:* B clade MN/LAI-2 *HIV component:* gp160**Species (MHC)** human**Assay type** proliferation**Keywords** vaccine-specific epitope characteristics, vaccine-induced epitopes**References** Ratto-Kim *et al.* 2003

- The CD4+ T-helper response to vaccinees given ALVAC-HIV(vCP205) alone, rgp160 MN/LAI-2 alone, or the two combined in a prime-boost was investigated by establishing T cell lines and comparing proliferative responses to a series of peptides (15 mers overlapping by 10) spanning autologous gp160 MN/LAI-2. Th responses against Env during natural HIV-1 infection were also studied.
- Broad, strong T-helper responses scattered across the Env were obtained from volunteers who received a prime boost vCP205 + rgp160MN/LAI-2, while those receiving rgp160 responded to fewer peptides, and vCP205 to very few peptides.

- HIV-1 + volunteers had less breadth and amplitude of Th responses than vaccinees that got the prime-boost vaccine, although T-cell lines were readily generated from HIV+ individuals. Some vaccinees targeted C1 and C5, while infected individuals did not, and some infected individuals targeted V3, while vaccinees did not.
- The authors note that the differences in response may be contributed to by the fact the peptides used to screen the responses were the same as the vaccine strain, and different than the strains in the natural infection, but that there also may be real immunological differences in the two scenarios of vaccine versus natural infection.

HXB2 Location Env**Author Location** gp120**Epitope****Immunogen** HIV-1 infection**Species (MHC)****Assay type** proliferation**Keywords** HAART, ART**References** Sullivan *et al.* 2003

- Lymphoproliferative responses to HIV antigens p24, gp120 and Nef were enhanced in eight patients who were switched from protease inhibitors to non-nucleoside reverse transcriptase inhibitors.

HXB2 Location Env**Author Location** gp120**Epitope****Immunogen** HIV-1 infection**Species (MHC)** human**Assay type** Cytokine production, proliferation**Keywords** HAART, ART**References** Hardy *et al.* 2003

- Upon initiating HAART, CD4+ T cell proliferative responses in 36 patients were restored to specific antigens, mitogens, and IL-2. Restored recall responses were largely to persistent antigens, and not to HIV-1 or new antigens, and recall responses were associated with IL-2, not IL-4 production.

HXB2 Location Env**Author Location** gp120**Epitope****Immunogen** HIV-1 infection**Species (MHC)** human**Keywords** review, Th1, Th2, immune dysfunction**References** Becker 2004b

- The review suggests HIV-1 shed gp120 virions can act as an allergen, inducing Th2 cytokine production, in particular IL-4, by Fc epsilon RI+ hematopoietic cells. This could inhibit IgG production and CTL responses, and inactivate Th1 cells. New vaccination strategies employing IL-4 inhibitors and anti-allergen drugs are discussed.

HXB2 Location Env**Author Location** gp120**Epitope****Immunogen** HIV-1 infection**Species (MHC)** human**Keywords** review, Th1, Th2, immune dysfunction

References Becker 2004a

- Review raises the possibility that the switch from Th1 to Th2 activity along with an increase in IL-4 and IgE production in HIV-1 infected patients are an allergic response to HIV-1 protein gp120. Alternative treatments to block Th2 cytokine production, e.g with Il-4 receptor inhibitors, are discussed.

HXB2 Location Env

Author Location gp120 (IIIB)

Epitope

Subtype B

Immunogen vaccine

Vector/Type: peptide, heat-shock protein (HSP70) *Strain:* B clade IIIB *HIV component:* gp120

Species (MHC) macaque

Assay type Cytokine production, proliferation, CD4 T-cell Elispot - IFN γ , T-cell Elispot

Keywords genital and mucosal immunity, vaccine antigen design

References Bogers *et al.* 2004

- Macaques were given vaginal or iliac lymph node immunizations with a novel peptide vaccine composed of SIV p27, CCR5, and N-terminal gp120 fragment, and hsp70 as a carrier.
- 5/8 SHIV 89.6P challenged macaques were protected from infection and vaccinated animals had higher CD4+ T cell numbers than non-vaccinated controls. T-cell proliferation in responses to gp120, vaginal IgG and IgA Abs, and cells producing IL-2, IL-4, and IFN γ were increased in vaccinated animals.

HXB2 Location Env

Author Location gp160 (IIIB)

Epitope

Subtype B

Immunogen HIV-1 infection, vaccine

Vector/Type: DNA, protein, baculovirus *Strain:* B clade IIIB *HIV component:* gp160, Nef, Rev, Tat *Adjuvant:* aluminum phosphate

Species (MHC) human

Country Sweden.

Assay type proliferation, CD8 T-cell Elispot - IFN γ

Keywords HAART, ART, subtype comparisons, supervised treatment interruptions (STI), immunotherapy

References Boström *et al.* 2004

- In this study, HIV-infected patients who had previously been immunized with DNA plasmid (nef, tat and ref) or recombinant gp160 were followed longitudinally to determine the impact of HAART on specific T-cell responses. While therapeutic immunizations had transient effects on CD4 cell counts, there was increased survival at 2 years.
- After gp160 vaccination, gp160-specific proliferative CD4+ T cell responses to both baculovirus (MGS HIV-1 rgp 160) and to IMMUNO AG derived gp160 were increased, as well as to p24. Long term HAART treatment was associated with increased IFN γ producing T-cells.
- T-cell proliferative responses to gp160 vaccination were maintained for up to 7 years.

HXB2 Location Env

Author Location Env (HXB2. BaL)

Epitope

Subtype B

Immunogen vaccine

Vector/Type: DNA *Strain:* B clade 1007 *HIV component:* Env, Gag-Pol, Nef

Species (MHC) macaque

Assay type CD4 T-cell Elispot - IFN γ , T-cell Elispot

Keywords variant cross-recognition or cross-neutralization, co-receptor

References Letvin *et al.* 2004

- SIVmac239 gag-pol-nef vaccination of macaques confers better protective responses against a SHIV 89.6 challenge if Env is included even when the vaccine and challenge strain were heterologous in Env. This protection, realized by decreased viral replication and higher levels of CD4+ T cells over time, was associated with T-cell responses early in infection, but not neutralizing Abs.
- The 24 Indian-origin rhesus macaques included in this study did not express Mamu-A*01.

HXB2 Location Env

Author Location

Epitope

Subtype CRF02_AG

Immunogen HIV-1 or HIV-2 infection

Species (MHC) human

Country Senegal.

Assay type CD4 T-cell Elispot - IFN γ

Keywords rate of progression, variant cross-recognition or cross-neutralization

References Zheng *et al.* 2004

- Gag, Env, Tat, and Nef-specific T-cell responses were evaluated in 68 HIV-1 and 55 HIV-2 infected drug naive, generally asymptomatic, infected Senegalese patients.
- HIV-1 peptides were derived from HIV-1 CRF-02 (HIV-1 A/G, AJ251056) and HIV-2 peptides spanning HIV-2 ROD (M15390).
- Gag specific responses dominated in both groups, but overall magnitude and frequencies did not correlate with viral load or CD4 counts. More Nef responses were found in HIV-1 infected people than HIV-2, and Nef in HIV-2 is more diverse.

III-B-16 Nef Helper/CD4+ T-cell epitopes

HXB2 Location Nef (1–20)

Author Location Nef (1–20 LAI)

Epitope MGGKWSKSSVVGWPTVRERM

Subtype B

Immunogen vaccine

Vector/Type: DNA *Strain:* B clade LAI *HIV component:* Nef, Rev, Tat

Species (MHC) mouse (H-2^d)

References Hinkula *et al.* 1997

- Stronger, broader responses were observed in animals vaccinated with DNA epidermally rather than with intramuscular protein.

- Proliferative response to vaccination was observed to peptides throughout Nef and Tat, less for Rev.

HXB2 Location Nef (1–20)

Author Location Nef (1–20 HXB2)

Epitope MGGKWSKSSVIGWPTVRERM

Subtype B

Immunogen HIV-1 infection

Species (MHC) (H-2^d)

Keywords class I down-regulation by Nef

References Peng & Robert-Guroff 2001

- Deletion of the 19 N-terminal amino acids from Nef including the myristolation signal eliminates Nef-induced down-regulation of MHC class I and CD4 molecules. Such a construct has the potential to serve as a more potent immunogen. The known T-cell epitopes that that would be disrupted by this deletion are minimal, a murine H-2d Th epitope in the peptide MGGKWSKSSVIGWPTVRERM, and a HLA-B8 CTL epitope, WPTVRERM.

HXB2 Location Nef (14–22)

Author Location Nef (14–22 SF2)

Epitope SAIRERMRR

Epitope name 95.12, 33.6

Subtype B

Immunogen *in vitro* stimulation or selection

Species (MHC) human (DRw6)

Donor MHC DRw52, DRw6, DRw15(2), DQw1, DQw6, DP4

Assay type proliferation

Keywords epitope processing

References Wentworth & Steimer 1994

- Seven CD4+ T-cell clones that proliferated in responses to SF2 Nef were generated *in vitro* by stimulation of PBMC from uninfected donors. These CD4+ clones also had cytotoxic activity.
- These seven clones were capable as of presenting their epitopes to themselves, if Nef peptides were provided.
- The two clones that recognized the epitope SAIRERMRR could also auto-present Nef protein, suggesting that they recognized this epitope in the context of the intact, unprocessed protein.

HXB2 Location Nef (16–35)

Author Location Nef (16–35 LAI)

Epitope VRERMRAEPAADGVGAASR

Subtype B

Immunogen vaccine

Vector/Type: DNA *Strain:* B clade LAI

HIV component: Nef, Rev, Tat

Species (MHC) mouse (H-2^d)

References Hinkula *et al.* 1997

- Stronger, broader responses were observed in animals vaccinated with DNA epidermally rather than with intramuscular protein.
- Some proliferative response to vaccination was observed to peptides throughout Nef and Tat, less for Rev.

HXB2 Location Nef (31–50)

Author Location Nef (31–50 LAI)

Epitope GAASRDLEKHGAISSNTAA

Subtype B

Immunogen vaccine

Vector/Type: DNA *Strain:* B clade LAI

HIV component: Nef, Rev, Tat

Species (MHC) mouse (H-2^d)

References Hinkula *et al.* 1997

- Stronger, broader responses were observed in animals vaccinated with DNA epidermally rather than with intramuscular protein.
- Some proliferative response to vaccination was observed to peptides throughout Nef and Tat, less for Rev.

HXB2 Location Nef (37–51)

Author Location

Epitope LEKHGAISSNTAAT

Epitope name N010

Immunogen HIV-1 infection

Species (MHC) human

Country Canada.

Assay type proliferation, Flow cytometric T-cell cytokine assay

Keywords memory cells

References Younes *et al.* 2003

- HIV-1-specific CD4+ T-cell responses were analyzed for 6 years since primary infection, in 10 aviremic and 8 viremic patients.
- CD4+ T cells proliferating responses were correlated with the frequency of CD4+ T cells secreting IL-2 in aviremic patients. In viremic patients, CD4+ T cell proliferative response was impaired despite of the high frequencies of IFN- γ , but not IL-2-producing CD4+ T cells in periods of elevated viremia, suggesting that long-term CD4+ memory depends on IL-2-producing CD4+ T cells and that IFN- γ only-producing cells are short lived.

HXB2 Location Nef (37–51)

Author Location

Epitope LEKHGAISSNTAAT

Epitope name N010

Immunogen HIV-1 infection

Species (MHC) human

Country Canada.

Assay type proliferation, Flow cytometric T-cell cytokine assay

Keywords memory cells

References Younes *et al.* 2003

- HIV-1-specific CD4+ T-cell responses were analyzed for 6 years since primary infection, in 10 aviremic and 8 viremic patients.
- CD4+ T cells proliferating responses were correlated with the frequency of CD4+ T cells secreting IL-2 in aviremic patients. In viremic patients, CD4+ T cell proliferative response was impaired despite of the high frequencies of IFN- γ , but not IL-2-producing CD4+ T cells in periods of elevated viremia, suggesting that long-term CD4+ memory depends on IL-2-producing CD4+ T cells and that IFN- γ only-producing cells are short lived.

HXB2 Location Nef (43–49)

Author Location Nef (47–53 SF2)

Epitope ITSSNTA

Epitope name 1.13

Subtype B

Immunogen *in vitro* stimulation or selection

Species (MHC) human (DQw7)

Donor MHC DR1, DR8, DRw52, DQw1, DQw7, DP4

Assay type proliferation

Keywords epitope processing

References Wentworth & Steimer 1994

- Seven CD4+ T-cell clones that proliferated in responses to SF2 Nef were generated *in vitro* by stimulation of PBMC from uninfected donors. These CD4+ clones also had cytotoxic activity.
- These seven clones were capable as of presenting their epitopes to themselves, if Nef peptides were provided.

HXB2 Location Nef (45–59)

Author Location

Epitope SSNTAATNAACAWLE

Epitope name N012

Immunogen HIV-1 infection

Species (MHC) human

Country Canada.

Assay type proliferation, Flow cytometric T-cell cytokine assay

Keywords memory cells

References Younes *et al.* 2003

- HIV-1-specific CD4+ T-cell responses were analyzed for 6 years since primary infection, in 10 aviremic and 8 viremic patients.
- CD4+ T cells proliferating responses were correlated with the frequency of CD4+ T cells secreting IL-2 in aviremic patients. In viremic patients, CD4+ T cell proliferative response was impaired despite of the high frequencies of IFN- γ , but not IL-2-producing CD4+ T cells in periods of elevated viremia, suggesting that long-term CD4+ memory depends on IL-2-producing CD4+ T cells and that IFN- γ only-producing cells are short lived.

HXB2 Location Nef (45–69)

Author Location Nef (45–69 BRU)

Epitope SSNTAATNAACAWLEAQEEEEVGFP

Immunogen vaccine

Vector/Type: peptide prime with protein boost

Strain: B clade BRU *HIV component:* Nef

Species (MHC) chimpanzee, rat

References Estaquier *et al.* 1992

- Antigenic domain: ATNAACAWL, priming with peptide enhanced subsequent Ab response to Nef protein immunization.

HXB2 Location Nef (45–69)

Author Location Nef (45–69)

Epitope SSNTAATNAACAWLEAQEEEEVGFP

Immunogen vaccine

Vector/Type: peptide *Adjuvant:* aluminum hydroxide

Species (MHC) rat

Keywords vaccine-specific epitope characteristics

References Rouaix *et al.* 1994

- Covalently linking the potent Th epitope Nef 45-69, which can induce Th proliferative responses at low doses with no adjuvant in Lou/M rats, to a weaker epitope from *Schistosoma mansoni* allows the induction of detectable Th responses to the *Schistosoma* epitope.

HXB2 Location Nef (46–65)

Author Location Nef (46–65 LAI)

Epitope SNTAATNAACAWLEAQEEEE

Subtype B

Immunogen vaccine

Vector/Type: DNA *Strain:* B clade LAI

HIV component: Nef, Rev, Tat

Species (MHC) mouse (H-2^d)

References Hinkula *et al.* 1997

- Stronger, broader responses were observed in animals vaccinated with DNA epidermally rather than with intramuscular protein.
- Some proliferative response to vaccination was observed to peptides throughout Nef and Tat, less for Rev.

HXB2 Location Nef (56–68)

Author Location Nef (56–68 HXB2)

Epitope AWLEAQEEEEVGF

Immunogen vaccine

Vector/Type: peptide *HIV component:* Nef

Adjuvant: Complete Freund's Adjuvant (CFA)

Species (MHC) mouse (DQ2, DQ3, DQ5, DQ6, DQ7, DQ8)

Keywords binding affinity, cross-presentation by different HLA, Th1, TCR usage

References Pancre *et al.* 2002

- This highly conserved Nef epitope has promiscuous HLA-DQ class II binding potential. It has a can bind to 6 different HLA-DQ alleles, but did not bind to any HLA-DR alleles tested. It bound to DQ2 and DQ8 with particularly high affinity, and with DQ7 with low affinity.
- DQ transgenic mice (in particular DQ8) mounted strong cellular and humoral responses after immunization with this peptide.
- Ex vivo stimulation of CD4+ T-cells from 14 healthy donors (with diverse HLAs) with this peptide presented on autologous DCs resulted in Th1-associated cytokine production. IFN γ production was stimulated in 7/14 cases, both IFN γ and IL-2 in 6/14, and just IL-2 in 1/14. No IL-4 or IL-5 production was observed.
- Peptide-specific CD4+ T-cell clones with different HLA presenting molecules demonstrated a preference for TCR V β 6.1.

HXB2 Location Nef (61–80)

Author Location Nef (61–80 LAI)

Epitope QEEEEVGFPVTPQVPLRPMT

Subtype B

Immunogen vaccine

Vector/Type: DNA *Strain:* B clade LAI

HIV component: Nef, Rev, Tat

Species (MHC) mouse (H-2^b)

References Hinkula *et al.* 1997

- Stronger, broader responses were observed in animals vaccinated with DNA epidermally rather than with intramuscular protein.

- Some proliferative response to vaccination was observed to peptides throughout Nef and Tat, less for Rev.

HXB2 Location Nef (64–73)
Author Location Nef (68–77 SF2)
Epitope EEVGFVVRPQ
Epitope name 59.25
Subtype B
Immunogen *in vitro* stimulation or selection
Species (MHC) human (DRw15(2))
Donor MHC DR1, DRw15(2), DQw1, DP4
Assay type proliferation
Keywords epitope processing
References Wentworth & Steimer 1994

- Seven CD4+ T-cell clones that proliferated in responses to SF2 Nef were generated *in vitro* by stimulation of PBMC from uninfected donors. These CD4+ clones also had cytotoxic activity.
- These seven clones were capable as of presenting their epitopes to themselves, if Nef peptides were provided.

HXB2 Location Nef (65–79)
Author Location
Epitope EVGFVPIQVPLRPM
Epitope name N017
Immunogen HIV-1 infection
Species (MHC) human
Country Canada.
Assay type proliferation, Flow cytometric T-cell cytokine assay
Keywords memory cells
References Younes *et al.* 2003

- HIV-1-specific CD4+ T-cell responses were analyzed for 6 years since primary infection, in 10 aviremic and 8 viremic patients.
- CD4+ T cells proliferating responses were correlated with the frequency of CD4+ T cells secreting IL-2 in aviremic patients. In viremic patients, CD4+ T cell proliferative response was impaired despite of the high frequencies of IFN- γ , but not IL-2-producing CD4+ T cells in periods of elevated viremia, suggesting that long-term CD4+ memory depends on IL-2-producing CD4+ T cells and that IFN- γ only-producing cells are short lived.

HXB2 Location Nef (66–73)
Author Location Nef (70–77 SF2)
Epitope VGFVVRPQ
Epitope name 29.16
Subtype B
Immunogen *in vitro* stimulation or selection
Species (MHC) human (DR1, DRw15(2))
Donor MHC DR1, DRw15(2), DQw1, DP4
Assay type proliferation
Keywords epitope processing
References Wentworth & Steimer 1994

- Seven CD4+ T-cell clones that proliferated in responses to SF2 Nef were generated *in vitro* by stimulation of PBMC from uninfected donors. These CD4+ clones also had cytotoxic activity.

- These seven clones were capable as of presenting their epitopes to themselves, if Nef peptides were provided.

HXB2 Location Nef (66–97)
Author Location Nef (66–97 LAI)
Epitope VGFVPTQVPLRPMTYKAAVDLSHFLKEKGG
Subtype B
Immunogen vaccine
Vector/Type: lipopeptide
Species (MHC) human
References Gahery-Segard *et al.* 2000

- Anti-HIV lipopeptide vaccine consisting of six long peptides derived from Nef, Gag and Env HIV-1 proteins modified by a palmitoyl chain was administered in a phase I trial.
- A CD4+ T cell proliferative response to at least one of the six peptides was observed in 9/10 vaccinees – 5/10 reacted to this Nef peptide.
- 9/12 tested mounted a CTL responses to at least one of the six peptides, each of the six peptides elicited a CTL response in at least one individual.
- 5/12 tested had an IgG response to this peptide.

HXB2 Location Nef (76–95)
Author Location Nef (76–95 LAI)
Epitope LRPMTYKAAVDLSHFLKEKG
Subtype B
Immunogen vaccine
Vector/Type: DNA *Strain:* B clade LAI
HIV component: Nef, Rev, Tat
Species (MHC) mouse (H-2^b)
References Hinkula *et al.* 1997

- Stronger, broader responses were observed in animals vaccinated with DNA epidermally rather than with intramuscular protein.
- Some proliferative response to vaccination was observed to peptides throughout Nef and Tat, less for Rev.

HXB2 Location Nef (81–97)
Author Location Nef (81–97 B Consensus)
Epitope YKAAVDLSHFLKEKGG
Subtype B
Immunogen HIV-1 infection
Species (MHC) human
Country United States.
Assay type CD4 T-cell Elispot - IFN γ , Intracellular cytokine staining, HLA binding
Keywords supervised treatment interruptions (STI), rate of progression, immunodominance, acute/early infection
References Kaufmann *et al.* 2004

- CD4 T-cell responses in 36 HIV-1 positive individuals in different disease stages were mapped by IFN γ EliSpot using a panel of 410 B-consensus peptides spanning all HIV proteins. Virus specific CD4+ T-cell responses (median=7, range of magnitude=990) were detected in 30/36 patients.
- This peptide was recognized by 11% of the study group.
- Gag and Nef responses dominated the CD4+ T-cell EliSpot responses in the study. No correlation between plasma viremia and the frequency or magnitude of HIV-1-specific responses was observed.

- The most HIV-1 specific CD4+ T-cell responses were observed in acutely infected patients with treatment of primary infection who stopped after 1-3 treatments (acute STI), compared to patients continuing therapy. People with therapy during chronic infection had low responses; higher numbers of responses were seen among untreated people. 2/9 LTNPs responded to many peptides, comparable to acute STI.

HXB2 Location Nef (91–110)
Author Location Nef (91–110 LAI)
Epitope LKEKGGLEGLIHSQRRQDIL
Subtype B
Immunogen vaccine
Vector/Type: DNA *Strain:* B clade LAI
HIV component: Nef, Rev, Tat
Species (MHC) mouse (H-2^b)
References Hinkula *et al.* 1997

- Stronger, broader responses were observed in animals vaccinated with DNA epidermally rather than with intramuscular protein.
- Some proliferative response to vaccination was observed to peptides throughout Nef and Tat, less for Rev.

HXB2 Location Nef (98–112)
Author Location Nef (98–112 BRU)
Epitope EGLIHSQRRQDILDL
Immunogen vaccine
Vector/Type: peptide prime with protein boost
Strain: B clade BRU *HIV component:* Nef
Species (MHC) chimpanzee
References Estaquier *et al.* 1992

- Peptide alone could stimulate monkey T-cells in the absence of carrier protein – required carrier protein in rat.

HXB2 Location Nef (104–121)
Author Location Nef (104–121 B Consensus)
Epitope QKRQDILDWVYHTQGYF
Subtype B
Immunogen HIV-1 infection
Species (MHC) human
Country United States.
Assay type CD4 T-cell Elispot - IFN γ , Intracellular cytokine staining, HLA binding
Keywords supervised treatment interruptions (STI), rate of progression, immunodominance, acute/early infection
References Kaufmann *et al.* 2004

- CD4 T-cell responses in 36 HIV-1 positive individuals in different disease stages were mapped by IFN γ EliSpot using a panel of 410 B-consensus peptides spanning all HIV proteins. Virus specific CD4+ T-cell responses (median=7, range of magnitude=990) were detected in 30/36 patients.
- This peptide was recognized by 11% of the study group.
- Gag and Nef responses dominated the CD4+ T-cell EliSpot responses in the study. No correlation between plasma viremia and the frequency or magnitude of HIV-1-specific responses was observed.

- The most HIV-1 specific CD4+ T-cell responses were observed in acutely infected patients with treatment of primary infection who stopped after 1-3 treatments (acute STI), compared to patients continuing therapy. People with therapy during chronic infection had low responses; higher numbers of responses were seen among untreated people. 2/9 LTNPs responded to many peptides, comparable to acute STI.

HXB2 Location Nef (104–123)
Author Location Nef (106–125 HXB3)
Epitope QRRQDILDWVYHTQGYFPD?
Immunogen vaccine
Vector/Type: DNA *Strain:* B clade HXB3
HIV component: Nef
Species (MHC) mouse (H-2^b)
References Sandberg *et al.* 2000

- A strong T helper proliferative response against a rec Nef protein was observed 2 weeks after immunization of HLA-A201 transgenic mice in a C57Bl/6 background – the response was weak by 4 weeks post immunization.
- Mice were immunized with nef DNA under the control of a CMV promoter, coated on gold particles delivered to abdominal skin by a gene gun.
- Primary responses were directed at peptides 106-125, 166-185, and 181-205, indicating a response to multiple epitopes.

HXB2 Location Nef (106–125)
Author Location Nef (106–125 LAI)
Epitope RQDILDWVYHTQGYFPDWQ
Subtype B
Immunogen vaccine
Vector/Type: DNA *Strain:* B clade LAI
HIV component: Nef, Rev, Tat
Species (MHC) mouse (H-2^b)
References Hinkula *et al.* 1997

- Stronger, broader responses were observed in animals vaccinated with DNA epidermally rather than with intramuscular protein.
- Some proliferative response to vaccination was observed to peptides throughout Nef and Tat, less for Rev.

HXB2 Location Nef (112–127)
Author Location Nef (112–127 B Consensus)
Epitope LWVYHTQGYFPDWQNY
Subtype B
Immunogen HIV-1 infection
Species (MHC) human
Country United States.
Assay type CD4 T-cell Elispot - IFN γ , Intracellular cytokine staining, HLA binding
Keywords supervised treatment interruptions (STI), rate of progression, immunodominance, acute/early infection
References Kaufmann *et al.* 2004

- CD4 T-cell responses in 36 HIV-1 positive individuals in different disease stages were mapped by IFN γ EliSpot using a panel of 410 B-consensus peptides spanning all HIV proteins. Virus specific CD4+ T-cell responses (median=7, range of magnitude=990) were detected in 30/36 patients.
- This peptide was recognized by 14% of the study group.

- Gag and Nef responses dominated the CD4+ T-cell EliSpot responses in the study. No correlation between plasma viremia and the frequency or magnitude of HIV-1-specific responses was observed.
- The most HIV-1 specific CD4+ T-cell responses were observed in acutely infected patients with treatment of primary infection who stopped after 1-3 treatments (acute STI), compared to patients continuing therapy. People with therapy during chronic infection had low responses; higher numbers of responses were seen among untreated people. 2/9 LTNPs responded to many peptides, comparable to acute STI.

HXB2 Location Nef (112–128)

Author Location Nef (111–128)

Epitope LWVYHTGQGYFPDWQNYT

Subtype B

Immunogen HIV-1 infection

Species (MHC) human

Country Netherlands.

Assay type Cytokine production

References Geels *et al.* 2006

- The relationship between CTL escape and the subsequent increase in viral load and CD4 Th responses was studied in 2 patients. In both patients T-cell reactivity and recognition were lost after CTL escape, and in 1 patient only the loss of CTL responses was paralleled by a decrease in IL-2 CD4 Th responses.
- Autologous sequences corresponding to known and predicted Th epitopes were analyzed. LWVYHTGQGYFPDWQNYT had fixation of 1 mutation (LWVYHTGQGYFPDW[q/d]NYT) in 1 of the patients.

HXB2 Location Nef (117–147)

Author Location Nef (117–147 LAI)

Epitope TQGYFPDWQNYTPGPGVRYPLTFGWCYKLVP

Subtype B

Immunogen vaccine

Vector/Type: lipopeptide

Species (MHC) human

References Gahery-Segard *et al.* 2000

- Anti-HIV lipopeptide vaccine consisting of six long peptides derived from Nef, Gag and Env HIV-1 proteins modified by a palmitoyl chain was administered in a phase I trial.
- A CD4+ T cell proliferative response to at least one of the six peptides was observed in 9/10 vaccinees – 1/10 reacted to this Nef peptide.
- 9/12 tested mounted a CTL responses to at least one of the six peptides, each of the six peptides elicited a CTL response in at least one individual.
- 10/12 tested had an IgG response to this peptide.

HXB2 Location Nef (121–140)

Author Location Nef (121–140 LAI)

Epitope FPDWQNYTPGPGVRYPLTFG

Subtype B

Immunogen vaccine

Vector/Type: DNA *Strain:* B clade LAI

HIV component: Nef, Rev, Tat

Species (MHC) mouse (H-2^b)

References Hinkula *et al.* 1997

- Stronger, broader responses were observed in animals vaccinated with DNA epidermally rather than with intramuscular protein.
- Some proliferative response to vaccination was observed to peptides throughout Nef and Tat, less for Rev.

HXB2 Location Nef (136–155)

Author Location Nef (136–155 LAI)

Epitope PLTFGWCYKLVPVEPKVEE

Subtype B

Immunogen vaccine

Vector/Type: DNA *Strain:* B clade LAI

HIV component: Nef, Rev, Tat

Species (MHC) mouse (H-2^d)

References Hinkula *et al.* 1997

- Stronger, broader responses were observed in animals vaccinated with DNA epidermally rather than with intramuscular protein.
- Some proliferative response to vaccination was observed to peptides throughout Nef and Tat, less for Rev.

HXB2 Location Nef (151–170)

Author Location Nef (151–170 LAI)

Epitope DKVEEANKGENTSLLHPVSL

Subtype B

Immunogen vaccine

Vector/Type: DNA *Strain:* B clade LAI

HIV component: Nef, Rev, Tat

Species (MHC) mouse (H-2^d)

References Hinkula *et al.* 1997

- Stronger, broader responses were observed in animals vaccinated with DNA epidermally rather than with intramuscular protein.
- Some proliferative response to vaccination was observed to peptides throughout Nef and Tat, less for Rev.

HXB2 Location Nef (162–178)

Author Location Nef (162–178 B Consensus)

Epitope NSLLHPMSLHGMDDEPK

Subtype B

Immunogen HIV-1 infection

Species (MHC) human

Country United States.

Assay type CD4 T-cell Elispot - IFN γ , Intracellular cytokine staining, HLA binding

Keywords supervised treatment interruptions (STI), rate of progression, immunodominance, acute/early infection

References Kaufmann *et al.* 2004

- CD4 T-cell responses in 36 HIV-1 positive individuals in different disease stages were mapped by IFN γ EliSpot using a panel of 410 B-consensus peptides spanning all HIV proteins. Virus specific CD4+ T-cell responses (median=7, range of magnitude=990) were detected in 30/36 patients.
- This peptide was recognized by 11% of the study group.
- Gag and Nef responses dominated the CD4+ T-cell EliSpot responses in the study. No correlation between plasma viremia and the frequency or magnitude of HIV-1-specific responses was observed.

- The most HIV-1 specific CD4+ T-cell responses were observed in acutely infected patients with treatment of primary infection who stopped after 1-3 treatments (acute STI), compared to patients continuing therapy. People with therapy during chronic infection had low responses; higher numbers of responses were seen among untreated people. 2/9 LTNPs responded to many peptides, comparable to acute STI.

HXB2 Location Nef (164–183)

Author Location Nef (166–185 HXB3)

Epitope LLHPVSLHGMDPPEREVLEW?

Immunogen vaccine

Vector/Type: DNA *Strain:* B clade HXB3

HIV component: Nef

Species (MHC) mouse (H-2^b)

References Sandberg *et al.* 2000

- A strong T helper proliferative response against a rec Nef protein was observed 2 weeks after immunization of HLA-A201 transgenic mice in a C57Bl/6 background – the response was weak by 4 weeks post immunization.
- Mice were immunized with nef DNA under the control of a CMV promoter, coated on gold particles delivered to abdominal skin by a gene gun.
- Primary responses were directed at peptides 106-125, 166-185, and 181-205, indicating a response to multiple epitopes.

HXB2 Location Nef (166–185)

Author Location Nef (166–185 LAI)

Epitope HPVSLHGMDPPEREVLEWR

Subtype B

Immunogen vaccine

Vector/Type: DNA *Strain:* B clade LAI

HIV component: Nef, Rev, Tat

Species (MHC) mouse (H-2^b, H-2^d)

References Hinkula *et al.* 1997

- Stronger, broader responses were observed in animals vaccinated with DNA epidermally rather than with intramuscular protein.
- Some proliferative response to vaccination was observed to peptides throughout Nef and Tat, less for Rev.

HXB2 Location Nef (176–193)

Author Location Nef (176–193 B consensus)

Epitope PEKEVLVWKFDSRLAFHH

Subtype B

Immunogen HIV-1 infection

Species (MHC) human (DRB1*0101, DRB1*0401, DRB1*0701, DRB1*1101, DRB1*1302, DRB1*1501, DRB5*0101)

Country United States.

Assay type CD4 T-cell Elispot - IFN γ , Intracellular cytokine staining, HLA binding

Keywords supervised treatment interruptions (STI), rate of progression, immunodominance, acute/early infection

References Kaufmann *et al.* 2004

- CD4 T-cell responses in 36 HIV-1 positive individuals in different disease stages were mapped by IFN γ EliSpot using a panel of 410 B-consensus peptides spanning all HIV proteins. Virus specific CD4+ T-cell responses (median=7, range of magnitude=990) were detected in 30/36 patients.

- This peptide was recognized by 36% of the study group.

- Gag and Nef responses dominated the CD4+ T-cell EliSpot responses in the study. No correlation between plasma viremia and the frequency or magnitude of HIV-1-specific responses was observed.

- The peptides that were recognized by the most people were able to bind broadly to multiple HLA-DR molecules. This peptide showed high cross-reactive binding capacity and bound to 7/8 tested HLA-DR molecules.

- The most HIV-1 specific CD4+ T-cell responses were observed in acutely infected patients with treatment of primary infection who stopped after 1-3 treatments (acute STI), compared to patients continuing therapy. People with therapy during chronic infection had low responses; higher numbers of responses were seen among untreated people. 2/9 LTNPs responded to many peptides, comparable to acute STI.

HXB2 Location Nef (179–198)

Author Location Nef (181–205 HXB3)

Epitope EVLEWRFDLSRLAFHHVAREL?

Immunogen vaccine

Vector/Type: DNA *Strain:* B clade HXB3

HIV component: Nef

Species (MHC) mouse (H-2^b)

References Sandberg *et al.* 2000

- A strong T helper proliferative response against a rec Nef protein was observed 2 weeks after immunization of HLA-A201 transgenic mice in a C57Bl/6 background – the response was weak by 4 weeks post immunization.
- Mice were immunized with nef DNA under the control of a CMV promoter, coated on gold particles delivered to abdominal skin by a gene gun.
- Primary responses were directed at peptides 106-125, 166-185, and 181-205, indicating a response to multiple epitopes.

HXB2 Location Nef (181–188)

Author Location Nef (185–192 SF2)

Epitope LVWRFDSK

Epitope name 6.38

Subtype B

Immunogen in vitro stimulation or selection

Species (MHC) human (DP5)

Donor MHC DRw11, DRw52, DQw7, DP5

Assay type proliferation

Keywords epitope processing

References Wentworth & Steimer 1994

- Seven CD4+ T-cell clones that proliferated in responses to SF2 Nef were generated *in vitro* by stimulation of PBMC from uninfected donors. These CD4+ clones also had cytotoxic activity.

- These seven clones were capable as of presenting their epitopes to themselves, if Nef peptides were provided.

HXB2 Location Nef (181–205)

Author Location Nef (181–205 LAI)

- Epitope** LEWRFSRLAFHHVARELHPEYFKN
Subtype B
Immunogen vaccine
Vector/Type: DNA *Strain:* B clade LAI
HIV component: Nef, Rev, Tat
- Species (MHC)** mouse (H-2^d)
References Hinkula *et al.* 1997
- Stronger, broader responses were observed in animals vaccinated with DNA epidermally rather than with intramuscular protein.
 - Some proliferative response to vaccination was observed to peptides throughout Nef and Tat, less for Rev.
- HXB2 Location** Nef (182–205)
Author Location Nef (182–205 LAI)
Epitope EWRFSRLAFHHVARELHPEYFKN
Subtype B
Immunogen vaccine
Vector/Type: lipopeptide
- Species (MHC)** human
References Gahery-Segard *et al.* 2000
- Anti-HIV lipopeptide vaccine consisting of six long peptides derived from Nef, Gag and Env HIV-1 proteins modified by a palmitoyl chain was administered in a phase I trial.
 - A CD4+ T cell proliferative response to at least one of the six peptides was observed in 9/10 vaccinees – 4/10 reacted to this Nef peptide.
 - 9/12 tested mounted a CTL responses to at least one of the six peptides, each of the six peptides elicited a CTL response in at least one individual.
 - None of the 12 tested had an IgG response to this peptide.
- HXB2 Location** Nef (184–199)
Author Location Nef (184–199 B consensus)
Epitope KFDSRLAFHHMARELH
Subtype B
Immunogen HIV-1 infection
Species (MHC) human (DRB1*0101, DRB1*0701, DRB1*1101, DRB1*1501, DRB5*0101)
Country United States.
Assay type CD4 T-cell EliSpot - IFN γ
Keywords supervised treatment interruptions (STI), immunodominance
References Kaufmann *et al.* 2004
- CD4 T-cell responses in 36 HIV-1 positive individuals in different disease stages were mapped by IFN γ EliSpot using a panel of 410 B-consensus peptides spanning all HIV proteins. Virus specific CD4+ T-cell responses (median=7, range of magnitude=990) were detected in 30/36 patients.
 - This peptide was recognized by 25% of the study group.
 - Gag and Nef responses dominated the CD4+ T-cell EliSpot responses in the study. No correlation between plasma viremia and the frequency or magnitude of HIV-1-specific responses was observed.
 - The peptides that were recognized by the most people were able to bind broadly to multiple HLA-DR molecules. This peptide showed high cross-reactive binding capacity and bound to 5/8 tested HLA-DR molecules.

- The most HIV-1 specific CD4+ T-cell responses were observed in acutely infected patients with treatment of primary infection who stopped after 1-3 treatments (acute STI), compared to patients continuing therapy. People with therapy during chronic infection had low responses; higher numbers of responses were seen among untreated people. 2/9 LTNP's responded to many peptides, comparable to acute STI.

HXB2 Location Nef (184–199)
Author Location Nef (184–199)
Epitope KFDSRLAFHHMARELH
Subtype B
Immunogen HIV-1 infection
Species (MHC) human
Country Netherlands.
Assay type Cytokine production
References Geels *et al.* 2006

- The relationship between CTL escape and the subsequent increase in viral load and CD4 Th responses was studied in 2 patients. In both patients T-cell reactivity and recognition were lost after CTL escape, and in 1 patient only the loss of CTL responses was paralleled by a decrease in IL-2 CD4 Th responses.
- Autologous sequences corresponding to known and predicted Th epitopes were analyzed. KFDSRLAFHHMARELH had fixation of 2 mutations (KFDS[r/h]LAF[h/r]HMARELH) in 1 of the patients.

HXB2 Location Nef (185–200)
Author Location Nef (183–198)
Epitope FDSRLAFHHVARELHP
Immunogen HIV-1 infection
Species (MHC) human
References Ranki *et al.* 1997

- T-cell response to this epitope persisted after seroreversion.

HXB2 Location Nef (186–206)
Author Location Nef (p27) (185–205 BRU)
Epitope DSRLAFHHVARELHPEYFKN
Epitope name PF63
Subtype B
Immunogen vaccine
Vector/Type: protein *Strain:* B clade BRU
HIV component: gp160, Nef, p17/p24 Gag, p25 Gag *Adjuvant:* muramyl-dipeptide base adjuvant (Syntex)

- Species (MHC)** chimpanzee
Keywords immunodominance
References Bahraoui *et al.* 1990
- Six chimpanzees were immunized with rec vaccinia viruses (VV) expressing HIV-1 gp160, Gag, and Nef.
 - 2/6 chimpanzees showed persistent T-helper proliferative responses against a putative immunodominant epitope located at the C-term end of Nef.

HXB2 Location Nef (189–203)
Author Location
Epitope LAFHHVARELHPEYF
Epitope name N048
Immunogen HIV-1 infection

Species (MHC) human

Country Canada.

Assay type proliferation, Flow cytometric T-cell cytokine assay

Keywords memory cells

References Younes *et al.* 2003

- HIV-1-specific CD4+ T-cell responses were analyzed for 6 years since primary infection, in 10 aviremic and 8 viremic patients.
- CD4+ T cells proliferating responses were correlated with the frequency of CD4+ T cells secreting IL-2 in aviremic patients. In viremic patients, CD4+ T cell proliferative response was impaired despite of the high frequencies of IFN- γ , but not IL-2-producing CD4+ T cells in periods of elevated viremia, suggesting that long-term CD4+ memory depends on IL-2-producing CD4+ T cells and that IFN- γ only-producing cells are short lived.

HXB2 Location Nef (190–206)

Author Location Nef (190–206 B Consensus)

Epitope AFHHMARELHPEYYKDC

Subtype B

Immunogen HIV-1 infection

Species (MHC) human

Country United States.

Assay type CD4 T-cell Elispot - IFN γ , Intracellular cytokine staining, HLA binding

Keywords supervised treatment interruptions (STI), rate of progression, immunodominance, acute/early infection

References Kaufmann *et al.* 2004

- CD4 T-cell responses in 36 HIV-1 positive individuals in different disease stages were mapped by IFN γ EliSpot using a panel of 410 B-consensus peptides spanning all HIV proteins. Virus specific CD4+ T-cell responses (median=7, range of magnitude=990) were detected in 30/36 patients.
- This peptide was recognized by 14% of the study group.
- Gag and Nef responses dominated the CD4+ T-cell EliSpot responses in the study. No correlation between plasma viremia and the frequency or magnitude of HIV-1-specific responses was observed.
- The most HIV-1 specific CD4+ T-cell responses were observed in acutely infected patients with treatment of primary infection who stopped after 1-3 treatments (acute STI), compared to patients continuing therapy. People with therapy during chronic infection had low responses; higher numbers of responses were seen among untreated people. 2/9 LTNPs responded to many peptides, comparable to acute STI.

HXB2 Location Nef (191–199)

Author Location Nef (195–203 SF2)

Epitope FHHMARELH

Epitope name 3.2

Subtype B

Immunogen *in vitro* stimulation or selection

Species (MHC) human (DR1)

Donor MHC DR1, DR8, DRw52, DQw1, DQw7, DP4

Assay type proliferation

Keywords epitope processing

References Wentworth & Steimer 1994

- Seven CD4+ T-cell clones that proliferated in responses to SF2 Nef were generated *in vitro* by stimulation of PBMC from uninfected donors. These CD4+ clones also had cytotoxic activity.
- These seven clones were capable as of presenting their epitopes to themselves, if Nef peptides were provided.

HXB2 Location Nef

Author Location Nef

Epitope

Immunogen vaccine

Vector/Type: DNA *HIV component:* Nef, Vif, Vpu

Species (MHC) mouse (H-2^d)

Keywords subtype comparisons, Th1

References Ayyavoo *et al.* 2000

- Splenocytes from BALB/c mice immunized with pVVN-P DNA were incubated with Vif, Vpu or Nef antigens for 3 days and assayed for IL-4 and IFN γ levels.
- Antigen stimulation increased IFN γ production in pVVN-P immunized mice, indicating a Th1 response.
- IL-4 production was not significantly changed after antigen stimulation compared to control levels.
- Cross-clade CTL activity was also observed: A, B clade, CRF01(AE) clade antigens could serve as targets for the B clade immunization stimulated CTL – an HIV-1 AC recombinant, however, did not stimulate a CTL response, but was expressed at lower levels on the target cell.

HXB2 Location Nef

Author Location Nef (LAI)

Epitope

Subtype B

Immunogen HIV-1 infection

Species (MHC) human

References da Silva & Hughes 1998

- This study compares the level of variation in Nef CTL epitopes to helper and MAb epitopes from the same region.
- CTL epitopes tend to be more conserved than either helper or MAb epitopes and there are stronger functional constraints in the regions where CTL epitopes cluster.

HXB2 Location Nef

Author Location Nef

Epitope

Immunogen vaccine

Vector/Type: DNA *HIV component:* Nef, Rev, Tat

Species (MHC) human

Keywords HAART, ART

References Calarota *et al.* 1999

- 9/9 HIV-1 + subjects were given one of three DNA vaccinations for nef, rev or tat, and novel proliferative and CTL responses were generated.
- The nef DNA immunization induced the highest and most consistent CTLp activity, IFN γ production, and IL-6 and IgG responses.

- Highly active antiretroviral treatment (HAART) did not induce new HIV-specific CTL responses but reduced viral load, while DNA vaccination induced new immune responses but did not reduce viral load – thus this is a potentially complementary and promising combination.

HXB2 Location Nef

Author Location Nef

Epitope

Immunogen HIV-1 infection, vaccine

Vector/Type: DNA *HIV component:* Nef, Rev, Tat *Adjuvant:* CpG immunostimulatory sequence (ISS)

Species (MHC) human

Keywords review, Th1

References Calarota & Wahren 2001

- This review discusses the cellular immune response, and comments on CpG induction of Th1 cytokines and enhanced immune responses, and HIV-1 DNA vaccine boosting of CTL and Th proliferative responses in asymptomatic HIV+ individuals.

HXB2 Location Nef

Author Location Nef

Epitope

Immunogen HIV-1 infection

Species (MHC) human

Keywords HAART, ART

References Oxenius *et al.* 2000

- Patients who started therapy at acute HIV infection (three with sustained therapy, two with limited therapy upon early infection) had strong HIV specific CD4 proliferative responses and were able to maintain a CTL response even with undetectable viral load – three patients that had delayed initiation of HAART had no HIV specific CD4 proliferative responses and lost their CTL responses when HAART was eventually given and their viral loads became undetectable.

HXB2 Location Nef

Author Location Nef

Epitope

Immunogen HIV-1 infection

Species (MHC) human

Keywords rate of progression, Th1, Th2

References Wilson *et al.* 2000b

- Dysfunction of HIV-1 specific proliferative responses, but not responses to other antigens, is evident in HIV-1 progressive disease.
- Vigorous HIV-1 specific responses to p24, Nef and gp120 with SI between 8-99 were seen in 6/7 long term non-progressors (LTNP), the seventh had a borderline responses. IL-2 production was seen in all cases, and IL-4 production was also evident many responses.
- None of the progressors (0/5) had HIV-1 specific proliferative responses, or IL-2 or IL-4 induction.
- Non-HIV antigens (cytomegalovirus, PPD, Staphylococcus enterotoxin B, tetanus toxoid) gave similar responses in HIV-1 + LTNP, progressors, and HIV-1 controls.

HXB2 Location Nef

Author Location Nef (BRU)

Epitope

Immunogen vaccine

Vector/Type: protein *Strain:* B clade BRU *HIV component:* Nef *Adjuvant:* Complete Freund's Adjuvant (CFA), PLG

Species (MHC) mouse

Keywords Th2

References Moureau *et al.* 2002

- BALB/c mice were immunized with Nef alone, Nef with Freund's adjuvant, or Nef encapsulated in poly(DL-lactide-co-glycolide) PLG microparticles.
- High Ab titers (predominantly IgG1) against Nef were retained for seven months in the mice infected with Nef-PLG, 3-fold higher than Nef in Freund's, 5-fold higher than Nef alone.
- CD4+ T-cell lymphoproliferative were observed, and cytokine profiles indicated this was primarily a Th2 response.

HXB2 Location Nef

Author Location Nef (SF2)

Epitope

Subtype B

Immunogen HIV-1 infection

Species (MHC) human

Keywords subtype comparisons, rate of progression

References Imami *et al.* 2002b

- 70 patients with chronic disease progression, 10 clinical non-progressors, and 3 immunologically discordant progressors (individuals who controlled viremia but had progressive CD4+ T-cell decline) were analyzed for their T-helper cell responses to p24 and cytokine profile.
- In a comparison of responses to HIV-1 proteins based on 10 non-progressors, 3 immunologically discordant, and 70 progressors, SIs were always much higher for non-progressors and immunologically discordant than progressors. Among the non-progressors, the responses to different antigens were greater using p24 peptides than native p24. Native p24, Nef, gp120 proteins, and Remune (gp120 depleted HIV-1, p24 is subtype G), had roughly comparable distributions of SI values from the non-progressors, Nef and gp120 responses were somewhat diminished in immunologically discordant patients.

HXB2 Location Nef

Author Location (BRU)

Epitope

Subtype B

Immunogen vaccine

Vector/Type: inactivated HIV *Strain:* B clade BRU *HIV component:* RT, virus *Adjuvant:* Complete Freund's Adjuvant (CFA)

Species (MHC) mouse

References Haas *et al.* 1991

- Of 5 mouse inbred lines tested: DBA/2 (H-2d, Ad, Ed), B10.A(4R) (H-2h4, Ak) and B10.A(5R) (H-2i5) showed particularly good CD4+ T cell proliferative responses to HIV proteins (gp160, gp120, p17, p24, Nef and RT), after vaccination with inactivated virus.
- B10.BR (H-2k, Ak, Ek) and C57BL/6 (H-2b and Ab) had weaker responses.

HXB2 Location Nef

Author Location Nef
Epitope
Immunogen
Species (MHC)
References

HXB2 Location Nef
Author Location Nef
Epitope

Immunogen HIV-1 infection
Species (MHC)

Assay type proliferation

Keywords HAART, ART

References Sullivan *et al.* 2003

- Lymphoproliferative responses to HIV antigens p24, gp120 and Nef were enhanced in eight patients who were switched from protease inhibitors to non-nucleoside reverse transcriptase inhibitors.

HXB2 Location Nef

Author Location Nef

Epitope

Immunogen HIV-1 infection

Species (MHC) human

Assay type Cytokine production, proliferation

Keywords HAART, ART

References Hardy *et al.* 2003

- Upon initiating HAART, CD4+ T cell proliferative responses in 36 patients were restored to specific antigens, mitogens, and IL-2. Restored recall responses were largely to persistent antigens, and not to HIV-1 or new antigens, and recall responses were associated with IL-2, not IL-4 production.

III-B-17 HIV-1 Helper/CD4+ T-cell epitopes

HXB2 Location HIV-1

Author Location

Epitope

Immunogen HIV-1 infection

Species (MHC) human

Keywords review, HIV exposed persistently seronegative (HEPS), mother-to-infant transmission

References Kuhn *et al.* 2002

- Intrauterine exposure of infants to HIV from their mothers results in HIV-1 specific T-helper cell proliferative responses in 1/3 of exposed uninfected babies, and HIV-1 specific CTL in some. It is unknown whether these responses are associated with lack of infection, but there is some evidence that HIV-1 T-cell responses may reduce transmission in breastfeeding mothers. Summary tables are provided of CD4 and CD8 T-cell responses detected in earlier studies.

HXB2 Location HIV-1

Author Location

Epitope

Immunogen HIV-1 infection, vaccine

Vector/Type: gp120 depleted virus HZ321 (REMUNE(TM)) **Strain:** AG recombinant HZ321 **HIV component:** gp120 depleted virus **Adjuvant:** Incomplete Freund's Adjuvant (IFA)

Species (MHC) human

Keywords HAART, ART, rate of progression

References Kahn *et al.* 2000

- No benefit was observed in terms of progression free survival for HIV-1 patients on ART given vaccinations with HIV-1 antigen (N=1,262) versus those vaccinated with placebo (N=1,265). There was no statistically different outcome in HIV RNA, CD4 percentage, or body weight. HIV-1 ART patients that were vaccinated did have higher absolute CD4 counts.

HXB2 Location HIV-1

Author Location

Epitope

Immunogen HIV-1 infection, vaccine

Vector/Type: gp120 depleted virus HZ321 (REMUNE(TM)) **Strain:** AG recombinant HZ321 **HIV component:** gp120 depleted virus **Adjuvant:** Incomplete Freund's Adjuvant (IFA)

Species (MHC) human

Keywords HAART, ART

References Moss *et al.* 1999

- 15 HIV-1 + patients on ARV given vaccinations with HIV-1 antigen versus vaccinated with placebo. Lymphocyte proliferation of CD4+, CD8+ memory cells and NK cells to p24 and Remune HIV-1 antigen increased in HAART treated patients after vaccination.

HXB2 Location HIV-1

Author Location

Epitope

Immunogen HIV-1 infection, vaccine

Vector/Type: gp120 depleted virus HZ321 (REMUNE(TM)) **Strain:** AG recombinant HZ321 **HIV component:** gp120 depleted virus **Adjuvant:** Incomplete Freund's Adjuvant (IFA)

Species (MHC) human

Keywords Th1

References Moss *et al.* 1997

- HIV-1 specific stimulation of T-cell proliferation, and beta-chemokines (RANTES) and Th1-type cytokine (IFN γ) production are found after immunization of HIV-1 + individuals with HIV-1 immunogen.

HXB2 Location HIV-1

Author Location

Epitope

Immunogen HIV-1 infection, vaccine

Vector/Type: gp120 depleted virus HZ321 (REMUNE(TM)) **Strain:** AG recombinant HZ321 **HIV component:** gp120 depleted virus **Adjuvant:** Incomplete Freund's Adjuvant (IFA)

Species (MHC) human

References Levine *et al.* 1996

- Long-term follow up of HIV-1 + individuals given HIV-1 immunogen, suggesting those patients who became HIV-DTH-responsive in response to the HIV-1 immunogen had a better clinical outcome. Of twelve who developed DTH-responsiveness, one got an opportunistic infection and died, and one developed KS. Of the 13 patients who remained HIV-DTH-nonresponsive, 9 (69%) progressed to AIDS and 7 of these had died.

HXB2 Location HIV-1**Author Location****Epitope****Immunogen** vaccine

Vector/Type: HIV-1 immunogen *Adjuvant:* Incomplete Freund's Adjuvant (IFA)

Species (MHC) human**References** Turner *et al.* 1994

- A dose response study of HIV immunogen in IFA was conducted. Doses of 50, 100, 200, or 400 micrograms (total protein) were tested by DTH skin testing to the inactivated HIV-1 antigen. The HIV-1 immunogen was well tolerated, and the minimum dose required to induce HIV-1 DTH was 100 micrograms.

HXB2 Location HIV-1**Author Location****Epitope****Immunogen** HIV-1 infection**Species (MHC)** human, macaque**Keywords** dynamics, HAART, ART**References** Wodarz 2002

- Mathematical modeling is used to support the idea that T-helper cell dysfunction results in a compromised ability to maintain an anti-HIV CTL memory response. Models suggest strategies to restore CTL memory through therapy and improve long-term immunological control of the virus.

HXB2 Location HIV-1**Author Location****Epitope****Immunogen** HIV-1 infection, vaccine

Vector/Type: DNA, canarypox, gp120 depleted virus HZ321 (REMUNE(TM)), protein, virus-like particle (VLP), adenovirus *Adjuvant:* GM-CSF, Growth Hormone, IL-12, IL-2, IL-7, CpG immunostimulatory sequence (ISS), Thymosin α -1

Species (MHC) human**Keywords** HAART, ART, review, rate of progression, immunotherapy**References** Imami *et al.* 2002a

- This review addresses the use of immunotherapy and therapeutic immunization to help chronically infected patients maintain a strong anti-HIV-1 T-cell response. The loss of anti HIV-1 proliferative responses early after infection is reviewed, as are therapeutic vaccinations, with or without HAART, and strategies for immunomodulation that can be given with or without vaccination.

HXB2 Location HIV-1**Author Location****Epitope****Immunogen** HIV-1 infection**Species (MHC)** human**Keywords** review, rate of progression, Th1, Th2**References** Heeney 2002

- Review of the importance of balanced Th1 and Th2 HIV-specific CD4 T-cell responses in control of infection and for vaccination strategies.

HXB2 Location HIV-1**Author Location****Epitope****Immunogen** HIV-1 infection**Species (MHC)****Keywords** dynamics, rate of progression, escape**References** Bernaschi & Castiglione 2002

- A cellular automata model was used to model the dynamics of HIV-1 infection and progression to disease. The model suggests the long asymptomatic period is due to immune escape mutants with lower viral fitness, and with AIDS resulting from a drastic reduction of the T-helper cell reservoir.

HXB2 Location HIV-1**Author Location****Epitope****Immunogen** vaccine**Species (MHC)****Keywords** dynamics, kinetics**References** Altes *et al.* 2002

- This study employs a mathematical model to study the consequences of increasing the T-helper response through a vaccine, which would have counter-balancing effects in a new infection: a more intense response provides more help but also more target cells. The model indicates that if the infecting virus had a low replication rate, then CTLp and CD4 helper cells could control an infection. Only a vaccine that could increase CTL responsiveness could reduce viral set point with observed replication rates.
- A CD4+ T-cell response without maintained CTL response was deleterious in this model.

HXB2 Location HIV-1**Author Location****Epitope****Immunogen** HIV-1 infection**Species (MHC)****Keywords** dynamics, HAART, ART, rate of progression**References** Bajaria *et al.* 2002

- This paper presents a dynamical model of HIV infection and progression that includes CD4 T-cell naive and memory populations distributed between the peripheral blood and the lymph nodes, as well as the effects of HAART. Increasing viral replication and infectivity and decreasing T-cell immunity had impact on the rate of disease progression in this model.

HXB2 Location HIV-1**Author Location** (HZ321)**Epitope**

Subtype AG**Immunogen** vaccine

Vector/Type: gp120 depleted virus HZ321 (REMUNE(TM)) *Strain:* AG recombinant HZ321 *Adjuvant:* Incomplete Freund's Adjuvant (IFA), CpG immunostimulatory sequence (ISS)

Species (MHC) mouse**Keywords** Th1, Th2**References** Ayash-Rashkovsky *et al.* 2002

- Parasitic helminthic infections in humans, common in parts of Africa and Asia, can shift immune responses to Th2 responses. To model this, BALB/c mice were infected with the parasite *Schistosoma mansoni*, and the infected mice showed a dominant Th2 immune response. Vaccination with gp120-depleted HIV-1 viral particles and incomplete Freund's adjuvant induced Th2 responses in these mice, but this could be shifted towards a Th1 profile when CpG oligodeoxynucleotide was added to the vaccine as an immunostimulatory agent.

HXB2 Location HIV-1**Author Location** HIV-1 except gp120**Epitope****Immunogen** HIV-1 infection**Species (MHC)** human**Keywords** HAART, ART, rate of progression**References** Ghanekar *et al.* 2001

- 12 long term non-progressors (>10 years) went on HAART, while 14 elected not to go on HAART. After a year on HAART, higher frequencies and absolute numbers of HIV-specific memory CD4+ T-cells were observed in untreated patients than patients receiving HAART therapy, tested by stimulation an proliferation responses to HIV Remune antigen (gp120 depleted vaccine).
- These results indicate a control of viral replication in therapy-naïve patients may be mediated by their ability to respond to recall viral antigen, and that the diminished response in treated patients may contribute to viral rebound.

HXB2 Location HIV-1**Author Location****Epitope****Immunogen** HIV-1 infection**Species (MHC)** human**Keywords** HAART, ART, Th2**References** Pido-Lopez *et al.* 2002

- The thymic output in HAART-treated HIV-1 infected patients with progressive disease was studied. One patient also receiving steroid treatment therapy had a weak response in a sjTREC assay indicating a dysfunctional thymus, while four patients not on steroids had clear positive sjTREC readings after HAART. Stimulation of PBMC with multiple recall antigens including gp120, p24 and Nef and mitogens, and revealed that in the patient treated with steroids there was and induction of a Th2 type response indicated by increased levels of IL-4 secretion in response to antigen.

HXB2 Location HIV-1**Author Location****Epitope****Immunogen** vaccine

Vector/Type: peptide *Adjuvant:* GM-CSF, IL-12, IL-2, IL-4, Tumor Necrosis Factor α (TNF α)

Species (MHC)**Assay type** Th support of CTL response**Keywords** binding affinity, review, Th1, Th2, mucosal immunity**References** Berzofsky 2001

- Vaccine clusters were constructed containing T helper, CTL and neutralizing antibody epitopes, and used to immunize mice. Four things were found to enhance the vaccine immune response: i) increasing the affinity of the peptide for the presenting MHC molecule, called epitope enhancement; ii) increasing the avidity of MHC/peptide complex for the T-cell receptor; iii) incorporating cytokines IL-2, GM-CSF, TFN- α , or IL-12 and IL-4 which steer responses towards Th1 or Th2 responses; iv) inducing mucosal immunity specifically, with intrarectal being most effective.

HXB2 Location HIV-1**Author Location****Epitope****Immunogen** vaccine

Vector/Type: DNA *HIV component:* Env, Gag *Adjuvant:* B7, GM-CSF, IL-12, IL-15

Species (MHC) human**Keywords** review, Th1, Th2**References** Boyer *et al.* 2002

- The first generation of HIV-1 plasmid vaccines in 167 individuals induced T-helper responses in most vaccine recipients, however CTL responses were below a 20% response rate. REV-independent RNA optimized constructs (pGag and pEnv) as well as B7 costimulatory molecules could significantly enhance CD8 effector cell responses. Co-administered GM-CSF enhanced antibody responses, IL-12 CTL production. IL-15 increased T cell expansion without increasing T cell help.

HXB2 Location HIV-1**Author Location** HIV-1**Epitope****Immunogen** HIV-1 infection**Species (MHC)****Assay type** Cytokine production**Keywords** review**References** Breen 2002

- HIV-1 triggers immunological dysfunction in multiple ways, including the loss of CD4-positive T helper cells in quantity and function and hyperactivity and changes in the production and activity of cytokines. The role of pro- and anti-inflammatory cytokines are discussed, including IL-10, which can suppress HIV-1, and IL-1, IL-6, TNF α which up-regulate HIV-1.

HXB2 Location HIV-1**Author Location****Epitope****Immunogen** HIV-1 infection**Species (MHC)** human**Assay type** Cytokine production, proliferation**References** Clerici *et al.* 1993b

- rCD4-IgG treatment was associated with improved Th cell function measured by IL-2 production in response to alloantigen or PHA, but not to influenza (a recall antigen response), in 9/10 patients. No clinical benefit was evident. rCD40IgG was also shown to block gp120 induced suppression of Th cells *in vitro*. Proposed mechanisms include: inhibiting HIV-cell fusion by blocking the binding of gp120 to CD4, competing with free gp120 for binding to the CD4 receptor and reducing gp120 induced immunosuppression, and gp120-induced direct killing of Th cells.

HXB2 Location HIV-1

Author Location Nef

Epitope

Subtype B

Immunogen HIV-1 infection

Species (MHC) human

Assay type CD8 T-cell Elispot - IFN γ , CD4 T-cell Elispot - IFN γ , Intracellular cytokine staining

Keywords assay standardization/improvement

References Draenert *et al.* 2003

- Six different HIV-1 Nef peptide sets ranging in length from 15-20 amino acids with overlap from 10-11 amino acids derived from either the B clade consensus sequences or the B clade sequence B.AU.AF064676 were used to study the impact of using different peptide design strategies to detect CD4 and CD8 T-cell responses. 20 individuals were tested using the six sets of peptides. 17/20 had CD8 T-cell responses to all peptide sets, and 15 of these 17 had CD4 T-cell responses.

HXB2 Location HIV-1

Author Location Nef

Epitope

Subtype B

Immunogen HIV-1 infection

Species (MHC) human

Assay type CD8 T-cell Elispot - IFN γ , CD4 T-cell Elispot - IFN γ , Intracellular cytokine staining

Keywords assay standardization/improvement

References Draenert *et al.* 2003

- Six different HIV-1 Nef peptide sets ranging in length from 15-20 amino acids with overlap from 10-11 amino acids derived from either the B clade consensus sequences or the B clade sequence B.AU.AF064676 were used to study the impact of using different peptide design strategies to detect CD4 and CD8 T-cell responses. 20 individuals were tested using the six sets of peptides. 17/20 had CD8 T-cell responses to all peptide sets, and 15 of these 17 had CD4 T-cell responses.
- Although there was a trend in detecting more CD8 T cell responses using the shorter 15-mer peptides, longer 20-mers were best for detecting more CD4 T-cell responses, but neither result was statistically significant. Similar results were seen in the 15 to 20 amino acid range for both IFN gamma Elispot and ICS assays.
- Use of the consensus versus the natural strain identified slightly increased numbers of reactive peptides. Seven reactive peptides were observed with the B consensus peptides but not the B.AU.AF064676 peptides, but on the other hand four reactivities were observed using the B.AU.AF064676 peptides but not the consensus.

- Using an overlap of 10 or 11 amino acids did not make a difference.

HXB2 Location HIV-1

Author Location

Epitope

Immunogen HIV-1 infection

Species (MHC)

Assay type Cytokine production

Keywords HAART, ART

References Galli *et al.* 2003

- HIV-1-infected women who developed Adepose tissue alterations (ATA) while receiving antiretroviral treatment (ART) had a favorable immunological profile with efficient IL-2 production and T-helper function. The authors suggest that ATA may be related to the ART-driven restoration of immune function.
- The most prominent feature of women with ATA that were receiving ART was increased IL-12 production with a lower TNF alpha and IL-10 synthesis.

HXB2 Location HIV-1

Author Location

Epitope

Immunogen HIV-1 infection

Species (MHC)

Keywords review

References Norris & Rosenberg 2002

- This paper reviews the role of Th cells in controlling HIV-1 infection, and in other viral infections. It describes CD4+ T-cell support of Ab production, CTL responses, as well as antiviral cytokine production and infected-cell killing. HIV+ patients with a low viral load and rare vigorous HIV-specific CD4+ proliferative responses, and the benefit of early treatment in preserving Th HIV-specific responses allowing immune control when therapy is subsequently stopped, are described.

HXB2 Location HIV-1

Author Location

Epitope

Immunogen HIV-1 infection

Species (MHC) human

Keywords review, rate of progression, acute/early infection

References Norris & Rosenberg 2001

- This review goes over the evidence for HIV-1 specific Th and CTL responses being critical for inhibiting viral replication. LTNPs and those treated during acute HIV-1 infection generate specific Th responses, but most chronically infected individuals do not.

HXB2 Location HIV-1

Author Location

Epitope

Immunogen HIV-1 and GBV-C co-infection

Species (MHC) human

Assay type Cytokine production

Keywords HAART, ART, rate of progression, Th1, Th2

References Nunnari *et al.* 2003

- HIV-1 positive patients co-infected the GBV-C, the hepatitis G virus, have a longer survival time to AIDs and higher CD4+ T cell counts than patients that were not infected with GBV-C. GBV-C co-infected patients showed an intact Th-1 profile over time, with high serum levels of IL-2 and IL-12, and diminishing Th-2 responses reflected by lower levels of IL-4 and IL-10. The opposite was true for HIV-1 + patients that were not co-infected with GBV-C.
- AIDs progression is slower in patients infected with both HIV-1 and hepatitis G virus. It is unclear whether Th-2 and Th-1 cytokines in co-infected patients show cause or consequence of slower AIDs progression. CD4+ cells may support hepatitis G replication.

HXB2 Location HIV-1**Author Location** HIV-1**Epitope****Immunogen** HIV-1 infection**Species (MHC)** human**Keywords** dynamics, acute/early infection**References** Korthals Altes *et al.* 2003

- A model of progression was developed that explicitly assumes CD4+ T-cells are both targets of infection and mediators of the immune response. In this model, high viral inoculum with few initial CD4+ T-cells resulted in target-cell-limited infection and high viral load, but with many CD4+ clones and low initial inoculum, infection was controlled by CD4+ clones.

HXB2 Location HIV-1**Author Location****Epitope****Immunogen** vaccine*Vector/Type:* DNA *Adjuvant:* GM-CSF, IFN γ , IL-12, IL-15, IL-18, IL-1 α , IL-2, IL-2/Ig, MIP-1 α , Tumor Necrosis Factor α (TNF α), Tumor Necrosis Factor β (TNF β), M-CSF, G-CSF, IL-8, SDF-1 α , RANTES, MCP1**Species (MHC)****Keywords** review, Th1, Th2, adjuvant comparison**References** Calarota & Weiner 2004

- Review summarizes the developments of DNA vaccine enhancement/modulation by 1) improving Th1 cytokine-encoding plasmids 2) by prime-boost vaccine regimens and 3) by chemokine- or T-cell costimulatory molecule encoding plasmids. Studies involving many approaches for stimulating Th1 responses upon vaccination are compared, and given the initial promise of these strategies, future studies of coadministration or prime boosting with different combinations are advocated.

HXB2 Location HIV-1**Author Location** p24 (HIV-2 ROD, HIV-1 IIIB)**Epitope****Immunogen** HIV-1 or HIV-2 infection**Species (MHC)** human**Country** Gambia.**Assay type** Cytokine production, proliferation, CD8 T-cell Elispot - IFN γ , Chromium-release assay**Keywords** rate of progression**References** Jaye *et al.* 2004

- A comparison of T cell responses in HIV-1 and HIV-2 infected asymptomatic patients with CD4+ cell counts of 20% showed no significant difference between both groups. Viral loads were roughly 20 times greater in HIV-1 positive patients than HIV-2 positive patients.
- 10/20 (50%) of HIV-1 infected patients demonstrated proliferative responses with SI greater than 1.4 to gp120, and 11/20 to p24. 8/29 (29%) of HIV-2 infected patients recognized gp105, and 8/29 (29%) p26. Cytokine responses in both groups did not differ.
- 9/21 (43%) of HIV-1 + and 15/30 (50%) of HIV-2 + patients had cytotoxic T cell responses to Gag, and 3/21 (14%) HIV-1 + and 8/30 (27%) HIV-2 + responded to Pol.

HXB2 Location HIV-1**Author Location****Epitope****Immunogen** HIV-1 infection**Species (MHC)** human**Country** Spain.**Assay type** proliferation, Intracellular cytokine staining**Keywords** HAART, ART**References** López *et al.* 2004

- A clinical trial compared chronically HIV-1 infected patients who had replaced HAART with didanosine (ddI) and hydroxyurea (HU) were followed for 12 months to an untreated HIV+ group and a group that continued on HAART.
- Approximately 20% of the patients treated with ddI-HU had detectable CD4+ T-cell proliferative responses to Gag and Env in contrast to drug-naive and HAART treated HIV-infected patients, who had few or no responses.
- HIV-specific CD8+ T-cell responses were higher in ddI-HU treated patients than HAART treated patients, even in individuals that maintained undetectable viral loads.

HXB2 Location HIV-1**Author Location** Tat (89.6)**Epitope****Immunogen** vaccine*Vector/Type:* DNA prime with protein boost, ISCOM *Strain:* B clade IIIB, SIV *HIV component:* Env, Gag, Tat *Adjuvant:* Immune stimulating complexes (ISCOM)**Species (MHC)** macaque**Assay type** Cytokine production, proliferation, CD8 T-cell Elispot - IFN γ **Keywords** vaccine-specific epitope characteristics, Th1, Th2, vaccine antigen design**References** Mooij *et al.* 2004

- This study compared vaccinating with Tat alone to vaccinating with Tat+Gag+Env. Rhesus macaques (*Macaca mulatta*) were intramuscularly immunized with a combination of DNA plasmids (HIV-1 IIIB expressing Tat, SHIV-1 89.6P expressing gp120 and SIV mac239 expressing Gag, followed by three boosts with HIV-1 Tat (IIIB) and Env (89.6, gp140) SIV Gag protein. Animals with multi-antigen vaccination had reduced viremia increased CD4+ T-cell counts.

- Tat-Env-Gag immunized animals had weaker Tat-specific Th responses in comparison to animals immunized with Tat alone; but the response to Tat alone was a Th2 response that did not protect from challenge.
- Immunization with Tat-Env-Gag boosted proliferation of Gag-specific IFN- γ and IL-2 producing cells in 3/4 animals (Th1 and Th2 responses) and induced a Th2-immune response (IL-2, IL-4) to Env.
- CD4+ T helper responses to Tat-Env-Gag immunization were correlated with control and reduction of viremia, suggesting a combination of Th1 and Th2 vaccine responses to multiple HIV antigens is advantageous.

HXB2 Location HIV-1

Author Location

Epitope

Immunogen vaccine

Species (MHC) macaque

Keywords review

References Heeney 2004

- Review discusses the status, design and selection of novel HIV vaccines which elicit strong T-helper responses which can in turn can elicit CTL and Ab responses.
- Review discusses the status, design and selection of novel HIV vaccines which elicit strong T-helper responses which can in turn can elicit CTL and Ab responses.

HXB2 Location HIV-1

Author Location

Epitope

Immunogen HIV-1 infection, vaccine

Species (MHC) human

Keywords review, immunotherapy, adjuvant comparison

References Wahren & Liu 2004

- This review covers immunotherapeutic vaccines use in combination with antiretroviral therapy and use of vaccination in combination with adjuvants and immunomodulators.

HXB2 Location HIV-1

Author Location

Epitope

Immunogen

Species (MHC)

Keywords review, adjuvant comparison

References Mitchison & Sattentau 2005

- Review summarizes mechanisms of immunoregulation relevant for new vaccine development, with a brief summary of adjuvant triggering innate immunity through Toll-like receptors (TLRs), Nod molecules, and other activators. DNA encoded adjuvants that have been tested in DNA vaccines are summarized. The balance between Th1 (CTL activating) and Th2 (B cell activating) responses is discussed, and it is noted that BALB/c mice are predominately Th2 responders, C57BL Th1.

HXB2 Location HIV-1

Author Location

Epitope

Subtype C

Immunogen HIV-1 infection

Species (MHC) human

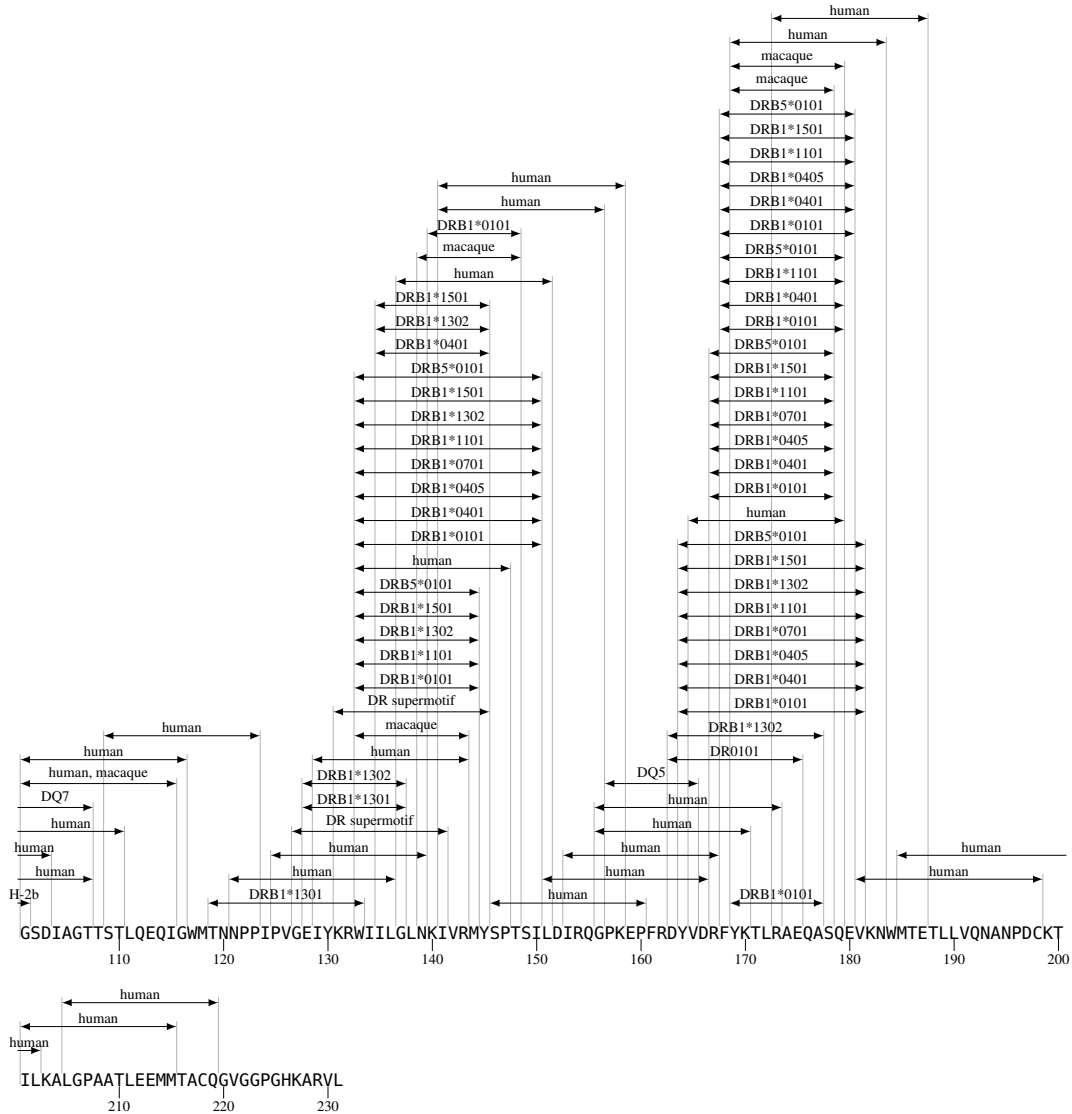
Country South Africa.

Assay type Flow cytometric T-cell cytokine assay

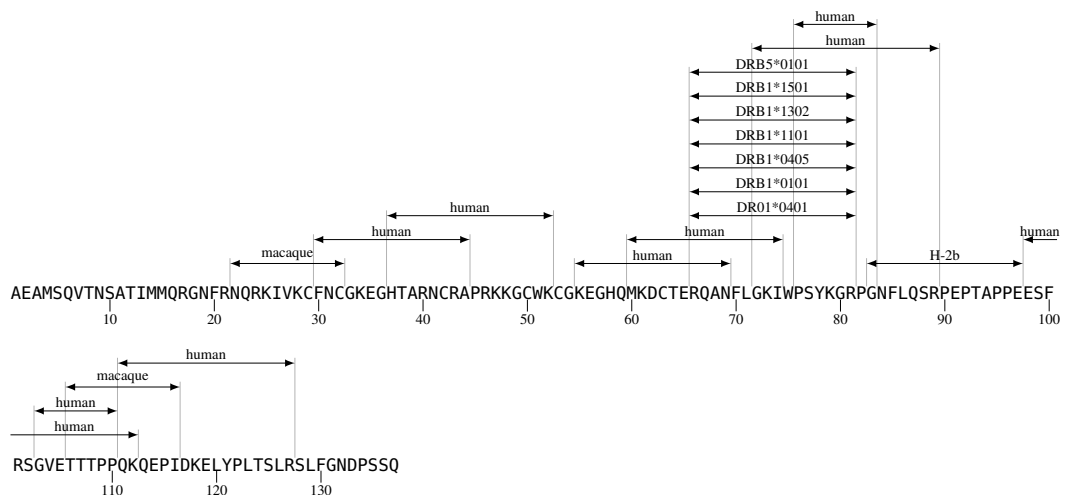
References Ramduth *et al.* 2005

- The magnitude of HIV-specific CD8+ T cell responses in HIV-1 infected individuals from South Africa correlated with the CD4+ T cell responses. CD4 responses were narrowly focused, with Gag as dominant target, while CD8 responses were equally distributed among Gag, Pol and the regulatory and accessory proteins. The preferential targeting of Gag by CD8+ T-cells was associated with enhanced control of viral load.

T-Helper CD4 +



III-C-3 p2p7p1p6 T-Helper/CD4 + Epitope Map



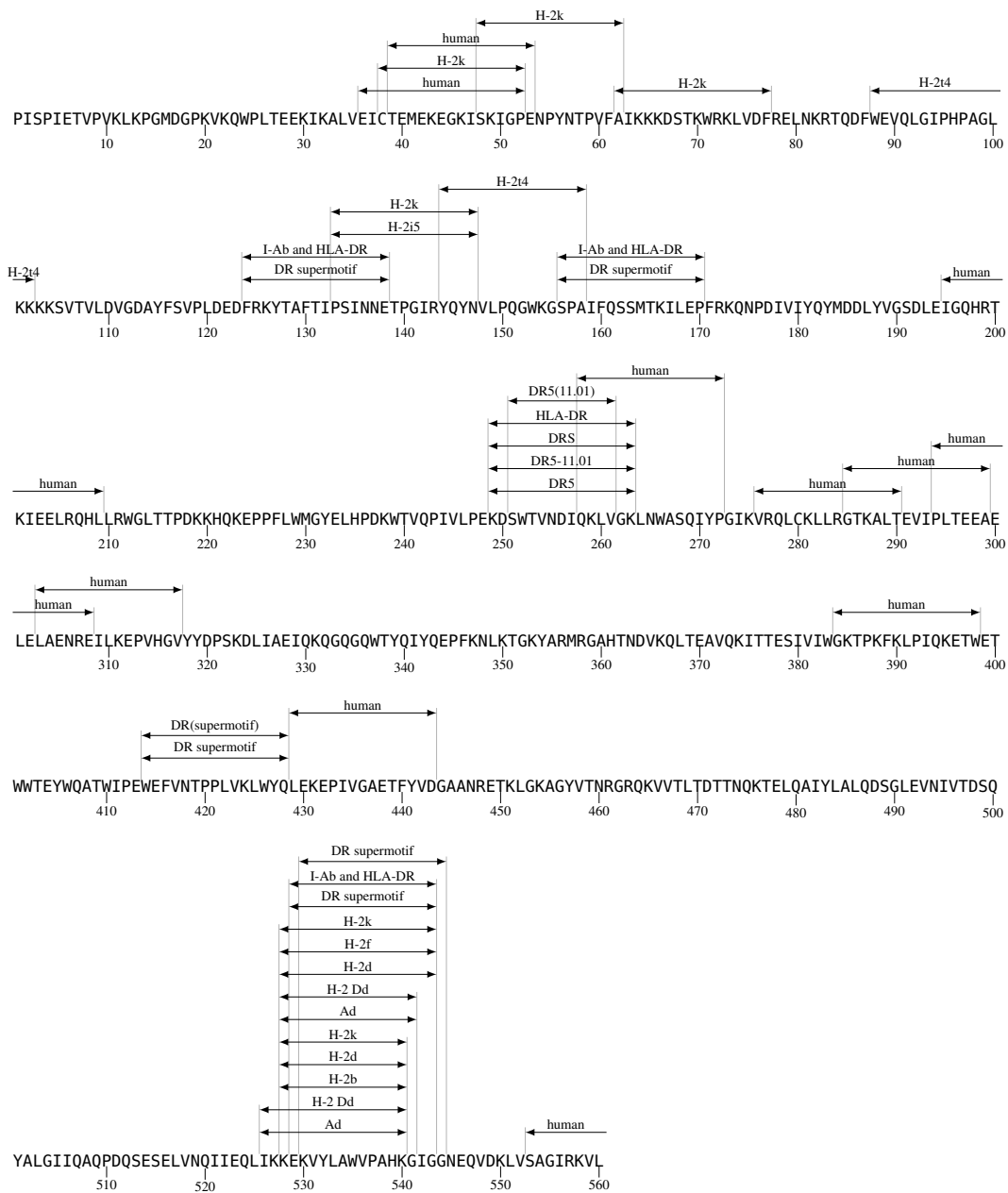
III-C-4 Gag/Pol TF T-Helper/CD4+ Epitope Map

FFREDLAFLOGKAREFSSEQTRANSPTRRELQVWGRDNNSPSEAGADRQGTVSFNF
 10 20 30 40 50

III-C-5 Protease T-Helper/CD4+ Epitope Map

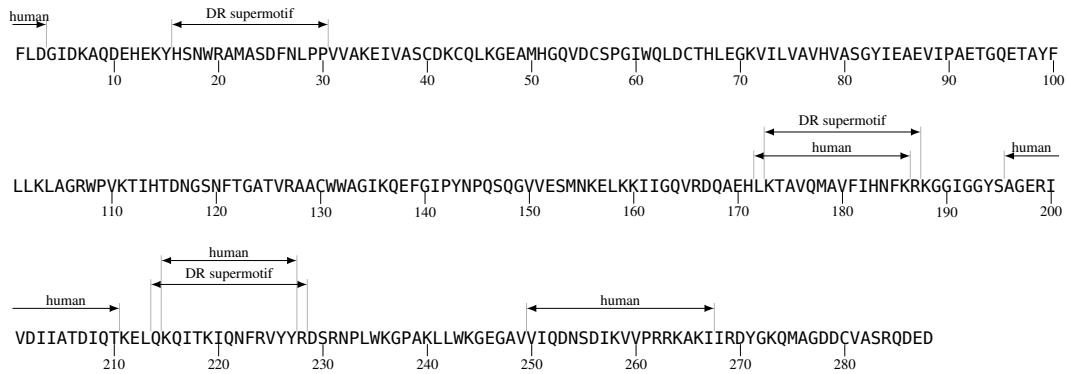
PQVTLWQRPLVTIKIGGQLKEALLDGTGADDTVLEEMSLPGRWPKPMIGGIGGFIVKVRQYDQILIEICGHKAIGTVLVGPTPVNIIGRNLLTQIGCTLNF
 10 20 30 40 50 60 70 80 90

III-C-6 RT T-Helper/CD4+ Epitope Map

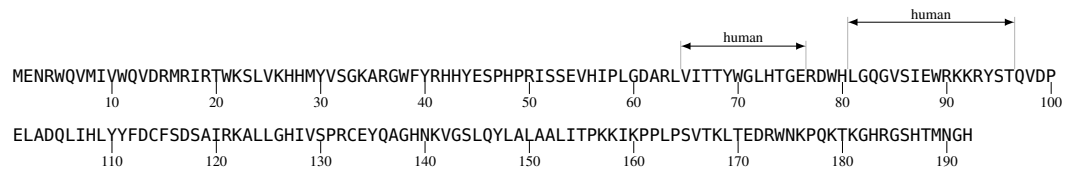


T-Helper CD4+

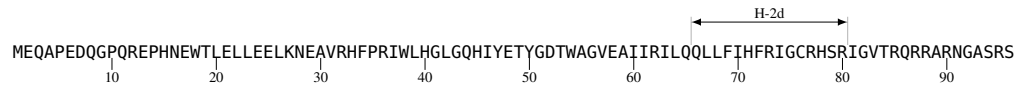
III-C-7 Integrase T-Helper/CD4 + Epitope Map



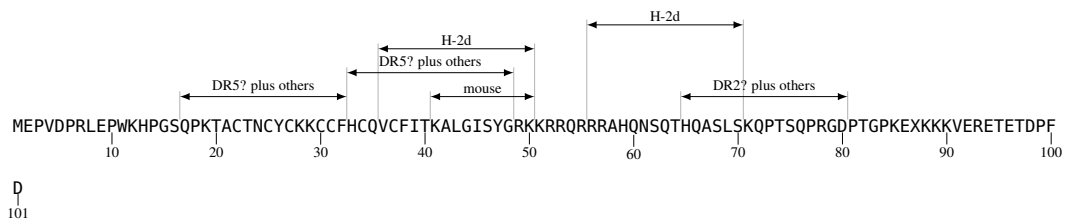
III-C-8 Vif T-Helper/CD4 + Epitope Map



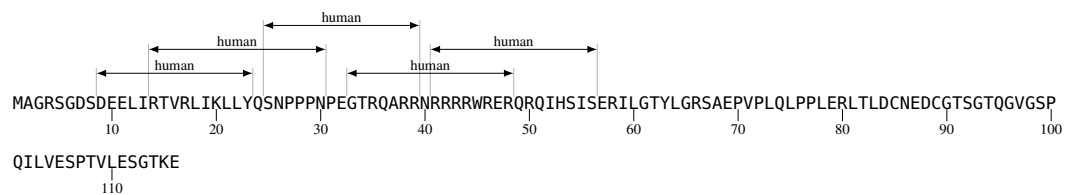
III-C-9 Vpr T-Helper/CD4 + Epitope Map



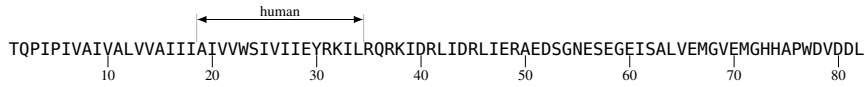
III-C-10 Tat T-Helper/CD4 + Epitope Map



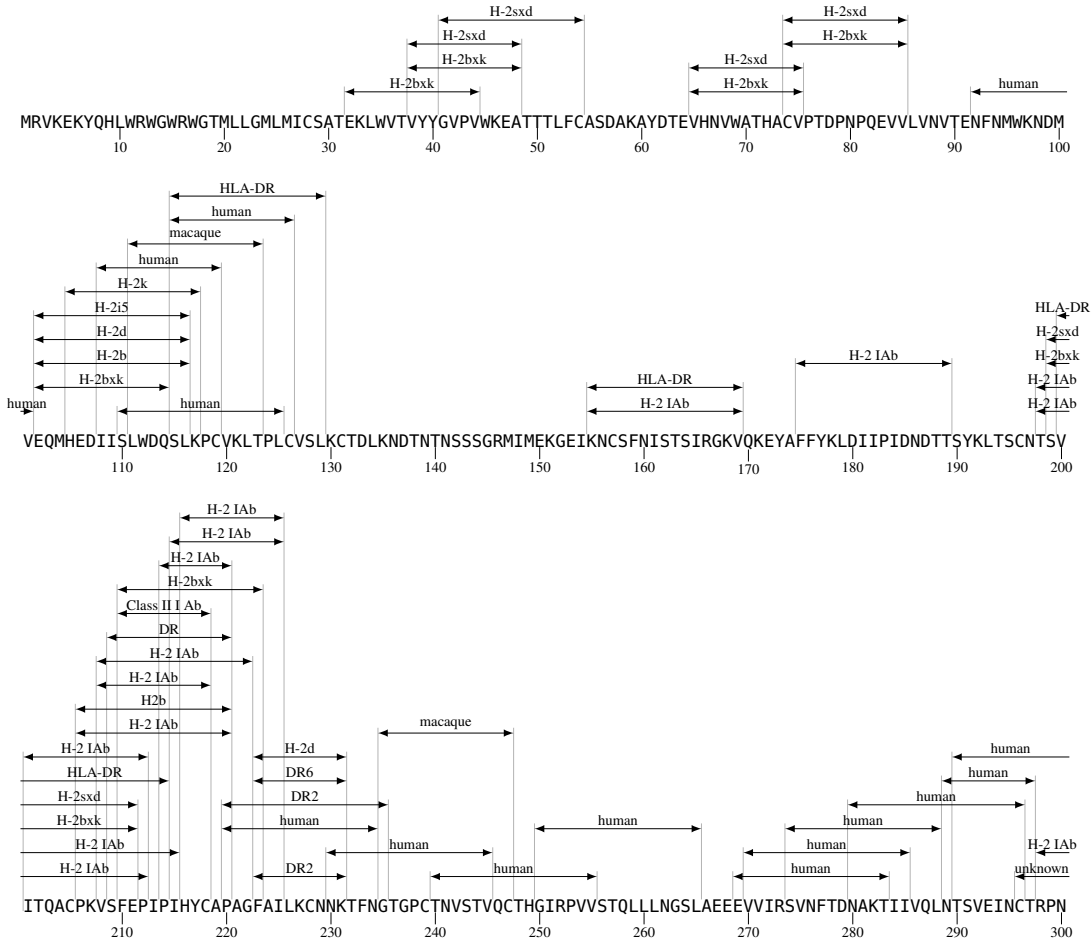
III-C-11 Rev T-Helper/CD4 + Epitope Map



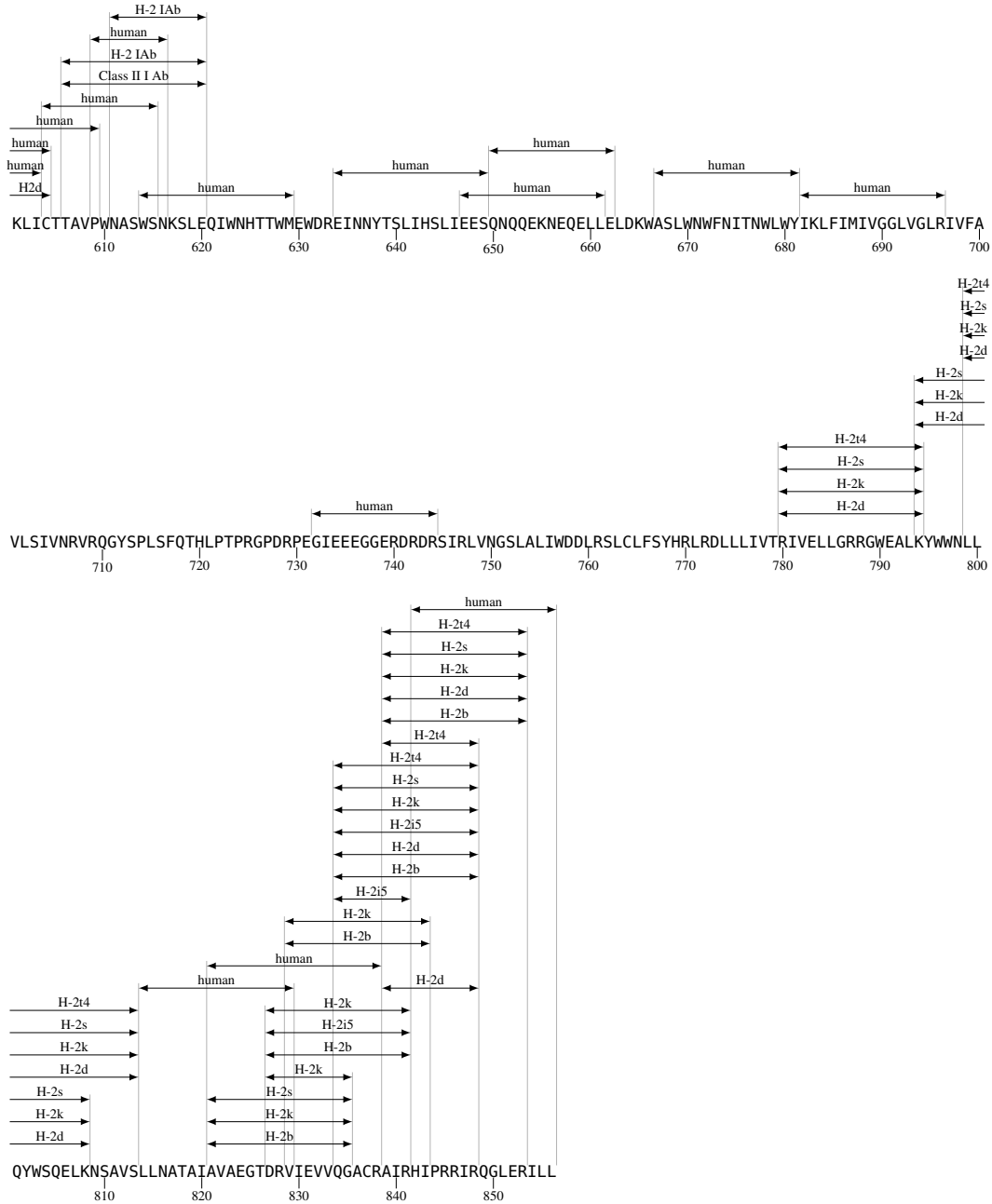
III-C-12 Vpu T-Helper/CD4+ Epitope Map



III-C-13 gp160 T-Helper/CD4+ Epitope Map

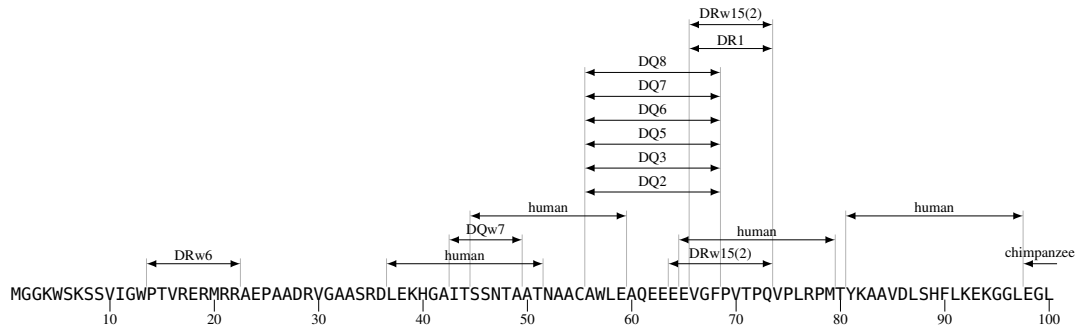


T-Helper CD4+



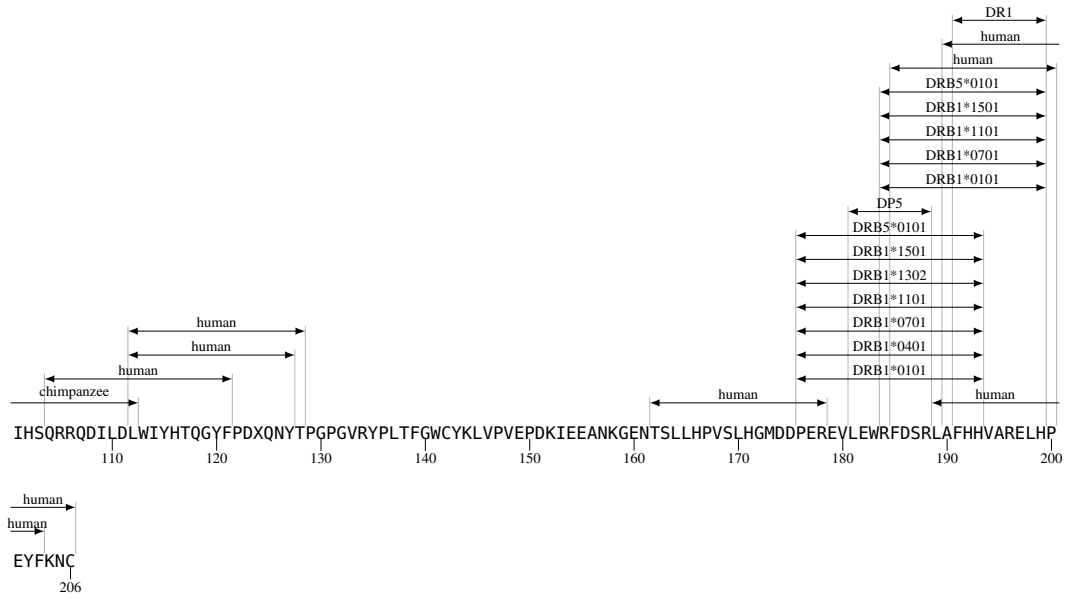
T-Helper CD4+

III-C-14 Nef T-Helper/CD4+ Epitope Map



Maps of T-Helper/CD4+ Epitope Locations Plotted by Protein

Nef T-Helper/CD4+ Epitope Map



T-Helper CD4 +

Part IV

HIV Antibody Binding Sites

B Cell

IV-A

Summary

This part summarizes HIV-specific antibodies (Abs) arranged sequentially according to the location of their binding domain, organized by protein. We attempted to make this part as comprehensive as possible. For the monoclonal antibodies (MAbs) capable of binding to linear peptides, we require that the binding site be contained within a region of 30 or so amino acids to define the epitope, but not that the precise boundaries be defined. MAbs that do not bind to defined linear peptides are grouped by category at the end of each protein. Antibody categories, for example CD4 binding site (CD4BS) antibodies, are also noted in the index at the beginning of this part. Studies of polyclonal Ab responses are also included. Responses that are just characterized by binding to a protein, with no known specific binding site, are listed at the end of each protein. For more recent updates, epitope sequence alignments, and search capabilities, please see our web site: <http://www.hiv.lanl.gov/content/immunology>.

IV-A-1 Indices

Three indices are provided. The first provides a concise list of anti-HIV-1 MAbs by cross-competition category, with both discontinuous epitopes (for example, CD4BS) and some well known linear epitopes (for example, cluster I) summarized. The second lists the MAbs' IDs in alphabetical order so one can find their location in the table. The third is a listing by order of appearance in the tables.

IV-A-2 Tables

Each MAb has a twelve-part basic entry:

Number: Order of appearance in this table.

MAb ID: The name of the monoclonal antibody with synonyms in parentheses. MAbs often have several names. For example, punctuation can be lost and names are often shortened (M-70 in one paper can be M70 in another). Polyclonal responses are listed as "polyclonal" in this field.

HXB2 location: Position of the antibody binding site relative to the viral strain HXB2 (GenBank Accession Number K03455), which is used as a reference strain throughout this publication. The numbering in this table corresponds to the protein maps. Because of HIV-1 variation, the epitope may not actually be present in HXB2; rather, the position in HXB2 indicates the position aligned to

the epitope. HXB2 was selected as the reference strain because so many studies use HXB2, and because crystal structures for HXB2-related proteins are available. The precise positions of an epitope on the HXB2 reference strain can be readily obtained using the interactive position locator at our web site: <http://www.hiv.lanl.gov/content/hiv-db/LOCATE/locate.html>.

Author location: The amino acid positions of the epitope boundaries and the reference sequence used to define the epitope are listed as given in the primary publication. Frequently, these positions as published are imprecise, and do not truly correspond to the numbering of the sequence, but they provide a reasonable guide to the peptide's approximate location in the protein. Also, in many cases, position numbers were provided but the reference sequence identification was not. Because of HIV-1's variability, position numbers require a reference strain to be meaningful. Binding sites that cannot be defined through peptide binding or interference studies are labeled as discontinuous. The approximate location on the protein, sequence number, and reference sequence are listed.

Sequence: The amino acid sequence of the binding region of interest, based on the reference strain used in the study defining the binding site. On occasions when only the position numbers and not the actual peptide sequence were specified in the original publication, we tried to fill in the peptide sequence based on the position numbers and reference strain. If the sequences were numbered inaccurately by the primary authors, or if we made a mistake in this process, we may have misrepresented the binding site's amino acid sequence. Because of this uncertainty, epitopes that were not explicitly written in the primary publication, that we determined by looking up the reference strain and the numbered location, are followed by a question mark in the table.

Subtype: The subtype under study, generally not specified for B subtype.

Neutralizing: **L:** neutralizes lab strains. **P:** neutralizes at least some primary isolates. **no:** does not neutralize. No information in this field means that neutralization was either not discussed or unresolved in the primary publications referring to the MAb.

Immunogen: The antigenic stimulus of the original B cell response. Often this is an HIV-1 infection. If a vaccine was used as the original antigenic stimulation, not a natural infection, this is noted on a separate line,

and additional information about the vaccine antigen is provided as available.

Species (Isotype): The host in which the antibody was generated, and the isotype of the antibody.

Research Contact: Information about who produced an antibody, how to obtain it, or who should receive credit.

Country: The country where the samples were obtained—generally not specified if the study was conducted in the United States.

References: All publications that we could find that refer to the use of a specific monoclonal antibody. First is a list of all references. Additional details for some of the older references can be found in Part V, although we have tried to keep the entries self-contained since 1997.

Keywords: Keywords for antibody entries were initiated in 2004. The keywords are listed when available as part of the main entry, and also follow the note in bold type so references pertaining to particular types of studies can be found quickly. The keywords include acute/early infection; ADCC; adjuvant comparison; anti-idiotypic; antibody binding site definition and exposure; antibody generation; antibody interactions; antibody sequence, variable domain; assay development; assay standardization/improvement; autologous responses; binding affinity; brain/CSF; co-receptor; complement; computational epitope prediction; enhancing activity; escape; genital and mucosal immunity; HAART, ART; HIV exposed persistently seronegative (HEPS); immunodominance; immunoprophylaxis; immunotherapy; immunotoxin; inter-clade comparisons; isotype switch; kinetics; mimics; mimotopes; mother-to-infant transmission; mucosal immunity; neutralization potency; rate of progression; responses in children; reversion, viral fitness; review; structure; subtype comparisons; superinfection; Th1; Th2; vaccine antigen design; vaccine-induced epitopes; vaccine-specific epitope characteristics; and variant cross-recognition or cross-neutralization.

Notes: Describe the context of each study, and what was learned about the antibody in the study.

IV-A-3 HIV protein binding site maps

The names of MAbs and the location of well characterized linear binding sites of 21 amino acids or less are indicated relative to the protein sequences of the HXB2 clone. This map is meant to provide the relative location of epitopes on a given protein, but the HXB2 sequence may not actually bind to the MAb of interest, as it may vary relative to the sequence for which the epitope was defined. Above each linear binding site, the MAb name is given followed by the species in parentheses. Human is represented by 'h', non-human primate by 'p', mouse by 'm', and others by 'o'. More precise species designations for any given MAb can be found using the web search interface or in the tables in this part.

IV-A-4 Alignments

To conserve space, no epitope alignments are provided in this book, but they can be generated using the Ab search tool at <http://www.hiv.lanl.gov/content/immunology>. The master alignment files from which the epitope alignments were created are available at our web site at http://www.hiv.lanl.gov/content/hiv-db/ALIGN_CURRENT/ALIGN-INDEX.html.

IV-B

Cross Reference Listing of MAbs

IV-B-1 MAbs by binding type

Cross reference by protein and binding type of MAb names and their order of appearance in the tables.

Binding type	MAb ID (No.)
p17	
C-term	sc-FV p17 (34)
p24	
C-term	13B5 (116)
Protease	
N-term	1696 (176)
flap region	F11.2.32 (178)
RT	
RT palm domain	6B9 (204)
RT thumb domain	5F (205), 5G (206), 7C4 (207)
gp120 C2	polyclonal (184)
Integrase	
Integrase DNA binding domain	5D9 (224), 2-19 (227), 8-22 (228), 4-20 (229), 6-19 (230)
Integrase catalytic core	7-16 (221), 4F6 (222)
N-term	1C4 (208), 2C11 (209), 2E3 (210), 3E11 (211), 3F9 (212), 5F8 (213), 6G5 (214), 7B6 (215), 7C6 (216), 6C5 (217), 4D6 (220)
gp120 V3	polyclonal (235)
Pol	
C-term	33 (256), F-6 (257)
Vif	
C-term	TG001 (259)
Tat	
C-term	polyclonal (263), polyclonal (274), polyclonal (275), 1D2F11 (277), 2D9E7 (278), 4B4C4 (279), 5G7D8 (280), NT2/4D5.24 (282), polyclonal (283), 2D9D5 (293), polyclonal (294), polyclonal (295), polyclonal (296)
N-term	polyclonal (263), TA9 (265), TD84 (266), TE135 (267), polyclonal (268), NT3/2D1.1 (269), 1D9D5 (271), polyclonal (274), polyclonal (275), polyclonal (283), polyclonal (294), polyclonal (295), polyclonal (296), G1 (297), G2 (298), J1 (299), TC15 (300), polyclonal (301), polyclonal (302)
Tat basic region	polyclonal (263), TB12 (272), polyclonal (274), polyclonal (275), polyclonal (276), polyclonal (283), polyclonal (294), polyclonal (295), polyclonal (296), B1E3 (303), J3B2 (304)
Env (gp160)	
C-HR	polyclonal (994)
C-domain	polyclonal (657), 5B2 (730), 9G11 (731), TH-Ab1 (732), polyclonal (733), polyclonal (734), polyclonal (735), polyclonal (736)

Binding type	MAb ID (No.)
C-term	105-306 (627), 750-D (629), 158F3 (632), 161D7 (633), 722-D (635), polyclonal (636), 1131-A (638), 858-D (639), 989-D (640), 14D9 (737), 2F5 (738), 4E10 (739), Z13 (740), C8 (745), 1575 (761), polyclonal (765), polyclonal (766), SAR1 (768), 1577 (769), polyclonal (770), 101-342 (995), 101-451 (996), 120-1 (997), T26 (998), D33 (999), polyclonal (1000)
Env oligomer	T22 (1128)
Leucine zipper motif	(649), (650)
N-HR	polyclonal (994)
N-term	polyclonal (658), D33 (999), 2A2 (1129), AC4 (1130), AD3 (1131), AD3 (1132), ID6 (1133), ID6 (1134)
gp120 C1	M85 (318), 7E2/4 (319), 4D4#85 (320), M92 (321), M86 (322), polyclonal (323), 133/237 (324), 133/290 (325), 133/11 (326), D/3G5 (327), D/6A11 (328), D/5E12 (329), L5.1 (330), 4A7C6 (331), 1D10 (332), B242 (333), 133/192 (334), 489.1(961) (335), 5B3 (336), B10 (337), B2 (338), C6 (339), MF49.1 (340), T1.1 (341), T7.1 (342), T9 (343), GV4D3 (344), B27 (345), B9 (346), B35 (347), D/4B5 (348), D/5A11 (349), D/6B2 (350), B18 (351), B20 (352), MF39.1 (353), 187.2.1 (354), 37.1.1(ARP 327) (355), 6D8 (356), M96 (357), MF119.1 (358), MF4.1 (359), MF53.1 (360), MF58.1 (361), MF77.1 (362), T2.1 (363), 11/65 (364), W1 (365), T11 (366), GV1A8 (367), 11 (368), 12G10 (369), 135/9 (370), 7C10 (371), C4 (372), MF46.1 (373), 212A (1001), 522-149 (1002), CA1 (1003), CA13 (1004), L19 (1005), M90 (1006), MAG 104 (1007), MAG 45 (1008), MAG 95 (1009), MAG 97 (1010), P35 (1011), T9 (1012), p7 (1013)
gp120 C1-C2	polyclonal (983), L100 (1014)
gp120 C1-C4	2/11c (1015), A32 (1016)
gp120 C1-C5	C11 (1017), L81 (1018)
gp120 C2	1006-30-D (414), 847-D (415), 213.1 (419), B12 (420), B13 (421), C13 (422), M89 (423), B21 (424), B23 (425), B24 (426), B25 (427), B3 (428), B26 (429), B29 (430), B36 (431), 110.E (432), 110.C (433)
gp120 C3	2H1B (387), 110.D (574), B32 (575), ICR38.1a (587), 2F19C (782), B2C (1019), polyclonal (1020)
gp120 C4	5C2E5 (582), G3-211 (583), G3-537 (584), ICR38.1a (587), G3-299 (588), G3-42 (589), G3-508 (590), G3-519 (591), G3-536 (592), ICR38.8f (593), MO86/C3 (594), 13H8 (595), G45-60 (596), polyclonal (597), 1662 (598), 1663 (599), 1664 (600), 1697 (601), 1794 (602), 1804 (603), 1807 (604), 1808 (605), 1024 (1021), 4KG5 (1022)
gp120 C5	9201 (610), 1C1 (611), 3F5 (612), 5F4/1 (613), 660-178 (614), 9301 (615), B221 (616), H11 (618), W2 (619), M38 (620), 110.1 (623), 42F (624), 43F (625), RV110026 (626), GV1G2 (628), 450-D (630), 670-D (631), 1331A (637), polyclonal (983), 23A (1023), D7324 (1024)
gp120 CCR5BS	E51 (580), 17b (1119), 21c (1120)

Binding type	MAb ID (No.)
gp120 CD4BS	JL413 (581), polyclonal (585), 1795 (586), polyclonal (983), D33 (999), polyclonal (1000), 10/46c (1025), 1008-D (1026), 1027-30-D (1027), 1125H (1028), 1125H (1029), 120-1B1 (1030), 1202-D (1031), 1331E (1032), 1570 (1033), 1595 (1034), 1599 (1035), 15e (1036), 21h (1037), 28A11/B1 (1038), 2G6 (1039), 35F3/E2 (1040), 38G3/A9 (1041), 428 (1042), 448-D (1043), 46D2/D5 (1044), 48-16 (1045), 50-61A (1046), 5145A (1047), 558-D (1048), 559/64-D (1049), 55D5/F9 (1050), 588-D (1051), 654-D (1052), 67G6/C4 (1053), 729-D (1054), 830D (1055), 9CL (1056), BM12 (1057), D20 (1058), D21 (1059), D24 (1060), D25 (1061), D28 (1062), D35 (1063), D39 (1064), D42 (1065), D52 (1066), D53 (1067), D60 (1068), DA48 (1069), DO8i (1070), F105 (1071), F91 (1072), FG39 (1073), Fbb14 (1074), GP13 (1075), GP44 (1076), GP68 (1077), HF1.7 (1078), HT5 (1079), HT6 (1080), HT7 (1081), ICR 39.13g (1082), ICR 39.3b (1083), Ia3 (1084), Ia7 (1085), IgG1b12 (1086), IgGCD4 (1087), L28 (1088), L33 (1089), L41 (1090), L42 (1091), L52 (1092), L72 (1093), M12 (1094), M13 (1095), M6 (1096), MAG 116 (1097), MAG 12B (1098), MAG 29B (1099), MAG 3B (1100), MAG 55 (1101), MAG 72 (1102), MAG 86 (1103), MAG 96 (1104), MTW61D (1105), S1-1 (1106), T13 (1107), T49 (1108), T56 (1109), TH9 (1110), anti-CD4BS summary (1111), b11 (1112), b13 (1113), b14 (1114), b3 (1115), b6 (1116), polyclonal (1117), (1118)
gp120 CD4i	D19 (466), E51 (580), (1118), 17b (1119), 21c (1120), 23e (1121), 48d (1122), 49e (1123), Fbb21 (1124), Fbb21 (1125), X5 (1126), 8F101 (1127), 41.1 (1209)
gp120 V1	35D10/D2 (377), 40H2/C7 (378), 43A3/E4 (379), 43C7/B9 (380), 45D1/B7 (381), 46E3/E6 (382), 58E1/B3 (383), 64B9/A6 (384), 69D2/A1 (385), 82D3/C3 (386), polyclonal (606)
gp120 V1-V2	polyclonal (983), 4KG5 (1022), 11/68b (1135), 62c (1136), CRA-6 (1137), L15 (1138), T52 (1139), T54 (1140)
gp120 V1-V2 and V3-V5	polyclonal (1141)
gp120 V2	6D5 (374), B33 (375), 697-D (388), C108G (390), 11/4c (395), 8.22.2 (396), 12b (397), G3-136 (398), G3-4 (399), polyclonal (606), (1118), 1088 (1142), 110-B (1143), 1357 (1144), 1361 (1145), 1393A (1146), 2158 (1147), 66a (1148), 66c (1149), 684-238 (1150), 830A (1151), CRA-3 (1152), CRA-4 (1153), L17 (1154), SC258 (1155)
gp120 V2-CD4BS	L25 (1156), L39 (1157), L40 (1158), L78 (1159)

Binding type	MAb ID (No.)
gp120 V3	IIIB-V3-26 (434), IIIB-V3-21 (435), 168B8 (436), polyclonal (437), polyclonal (438), MO97/V3 (439), polyclonal (440), 55/11 (441), 8/38c (442), 8/64b (443), polyclonal (444), polyclonal (445), polyclonal (446), polyclonal (447), 9284 (448), polyclonal (449), polyclonal (450), polyclonal (451), polyclonal (452), MAG 109 (453), MAG 49 (454), MAG 53 (455), MAG 56 (456), 1324-E (457), polyclonal (458), MO99/V3 (459), C311E (460), 924 (462), polyclonal (463), polyclonal (464), polyclonal (465), D19 (466), 10F10 (467), 2C4 (468), 412-D (469), polyclonal (470), CGP 47 439 (471), polyclonal (472), 178.1 (473), 257-D (474), 311-11-D (475), 41148D (476), 391/95-D (477), Aw (478), Bw (479), DO142-10 (480), Dv (481), Fv (482), Gv (483), Hv (484), polyclonal (485), 50.1 (486), (487), BAT123 (488), 838-D (489), 1006-15D (490), 782-D (491), 908-D (492), 1027-15D (493), F19.26-4 (494), F19.48-3 (495), F19.57-11 (496), 13105100 (497), M77 (498), polyclonal (499), SP.BAL114 (500), SP.SF2:104 (501), polyclonal (502), 19b (503), loop 2 (504), 4G10 (505), 5F7 (506), G3-523 (507), MN215 (508), Nea 9301 (509), 4117C (510), 419-D (511), 453-D (512), 504-D (513), 83.1 (514), 5023B (515), F58/D1 (516), P1/D12 (517), P4/D10 (518), IIIB-13 V3 (519), IIIB-34 V3 (520), A47/B1 (521), D59/A2 (522), G44/H7 (523), MO96/V3 (524), μ 5.5 (525), 268-D (526), 386-D (527), 5042A (528), 5042B (529), 418-D (530), 5021 (531), 5025B (532), 5042 (533), 110.3 (534), 110.4 (535), 110.5 (536), 58.2 (537), 537-D (539), 5020 (540), RC25 (541), 5023A (542), 110.6 (543), polyclonal (544), 10/36e (545), 10/54 (546), 11/85b (547), polyclonal (548), 0.5 β (549), C β 1, 0.5 β (550), NM-01 (551), 1026 (552), 1034 (553), 59.1 (554), polyclonal (555), 10E3 (556), polyclonal (557), N11-20 (558), 5025A (559), N70-1.9b (560), 902 (561), 694/98-D (562), 9205 (566), 110.I (567), anti-HIV-2 polyclonal (568), IIIB-V3-01 (569), polyclonal (606), 447-52D (744), polyclonal (780), 1334-D (783), CO11 (834), F425 B4e8 (843), polyclonal (983), polyclonal (988), 4KG5 (1022), (1118), (1160), 10D8 (1161), 10F6 (1162), 110.J (1163), 11G5 (1164), 2182 (1165), 2191 (1166), 2219 (1167), 2412 (1168), 2442 (1169), 2456 (1170), 2483 (1171), 2497 (1172), 2557 (1173), 2558 (1174), 2580 (1175), 391/95-D (1176), 39F (1177), 4148d (1178), 55/68b (1179), 5G11 (1180), 6.1 (1181), 6.7 (1182), 8.27.3 (1183), 8E11/A8 (1184), 9305 (1185), A1g8 (1186), AG1121 (1187), Ag1211 (1188), B4a1 (1189), B4e8 (1190), D27 (1191), D47 (1192), D56 (1193), F5.5 (1194), G3-1472 (1195), K24 (1196), TH1 (1197), anti-gp120/V3 (1198), polyclonal (1199), polyclonal (1200), polyclonal (1201), polyclonal (1202), polyclonal (1203), polyclonal (1204), polyclonal (1205), polyclonal (1206), polyclonal (1207), polyclonal (1213)
gp120 V3 discontinuous	11/75a/21/41 (1208), 41.1 (1209), 55/45a/11 (1210)
gp120 V3 mimotope	1108 (1211)
gp120 V3-C4	MO101/V3,C4 (563), polyclonal (1000), polyclonal (1212)
gp120 V3-C5	MO101/V3,C4 (564), MO101/V3,C4 (565)
gp120 V4	D/6D1 (570), 4D7/4 (571), 36.1(ARP 329) (572), C12 (573), polyclonal (576), B15 (577), B34 (578), polyclonal (606), polyclonal (1213)
gp120 V5	polyclonal (606), polyclonal (607)
gp120 V5-C5	CRA1 (608), M91 (609), 8C6/1 (617)
gp120 adjacent to CD4BS	A32 (1016)
gp120 carbohydrates at glycosylation residues in C2, C3, C4, and V4	2G12 (799)
gp120-CD4 complex	8F101 (1127), 8F102 (1242), CG-10 (1243), CG-25 (1244), CG-4 (1245), CG-76 (1246), CG-9 (1247)
gp41 adjacent to cluster II	14D9 (737), 2F5 (738)
gp41 alpha-helical hairpin intermediate	98-6 (723), polyclonal (1214)

Binding type	MAb ID (No.)
gp41 cluster I	50-69 (662), 246-D (682), 181-D (685), 240-D (686), F240 (687), D49 (688), D61 (689), T32 (690), T34 (691), 3D6 (718), 1367 (1216), 7B2 (1217)
gp41 cluster II	D50 (720), 98-6 (723), 167-7 (724), ND-15G1 (725), 167-D (726), 126-6 (1218), 1342 (1219), 1379 (1220), 2.2B (1221), Fab D11 (1222), Fab D5 (1223), Fab G1 (1224), Fab M10 (1225), Fab M12 (1226), Fab M15 (1227), Fab S10 (1228), Fab S6 (1229), Fab S8 (1230), Fab S9 (1231), Fab T3 (1232), Md-1 (1233), 1281 (1240)
gp41 cluster III	Fab A9 (1234), Fab G15 (1235), Fab G5 (1236), Fab L1 (1237), Fab L11 (1238), Fab L2 (1239)
gp41 cytoplasmic domain	Chessie 8 (1241)
gp41 internal trimeric coiled-coil of N-helices	1034 (778), 1492 (779)
gp41 six-helix bundle and the internal trimeric coiled-coil of N-helices	1010 (772), 1018 (774), 1020 (776), 1022 (777)
gp41 six-helix bundle immunodominant region	167-D (726), 1014 (773), 1019 (775), polyclonal (994), 1281 (1240), NC-1 (1253)
p24+gp41	3D6 (718), 105-518 (1248)
Nef	31A1 (1249), 39A64 (1250), 39B86 (1251), 9303 (1252)
C-term	AE6 (1298), AG11 (1299), EH1 (1300), AE6 (1308)
HIV-1	
RT thumb domain	polyclonal (1359)
gp120 C1	13b23 (1324)
gp120 C1-C4	8.2A (1337), EH21 (1340)
gp120 CCR5BS	1.9E (1314), 1.9F (1315), 2.5E (1327), 4.8E (1334), E047 (1338), ED10 (1339), LA15 (1344), LA28 (1346), LF17 (1347)
gp120 CD4BS	13a15 (1318), 13a23 (1319), 13a3 (1320), 13a6 (1321), 13a7 (1322), 13b18 (1323), 13b53 (1325), 13b61 (1326), 25G (1329), 5145A (1335), 5E (1336), F1 (1341)
gp120 V3	12.19 (1316), 12.9 (1317), 2191 (1328), 2601 (1330), F2A3 (1342), F3.9F (1343), LA21 (1345), polyclonal (1361)
gp120 V4	M2 (1348)
gp120 adjacent to CD4BS quaternary structure	1.4C (1312), 1.4G (1313), 4.11C (1332), 4.6H (1333)
	2909 (1331)

IV-B-2 Alphabetical listing of MABs

Cross reference of MAb names and their order of appearance in the tables. Alphanumeric sorting is symbols, digits and letters.

MAB ID	No.						
		1027-15D	493	12-B-4	103	1570	1033
		1027-30-D	1027	12.19	1316	1575	761
		1034	553	12.9	1317	1576	748
		1034	778	120-1	997	1577	769
		105-134	791	120-16	722	1578	749
		105-306	627	120-1B1	1030	1579	750
		105-518	1248	1202-D	1031	1583	751
	284	105-732	717	126-50	793	158F3	632
	487	106/01	117	126-6	1218	1595	1034
	649	108/03	111	1281	1240	1599	1035
	650	1088	1142	12b	397	15e	1036
	659	10D8	1161	12G-A8g2	19	15F8C7	46
	784	10E3	556	12G-D7h11	20	16	239
	785	10E7	177	12G-H1c7	21	16/4/2	136
	786	10E9	792	12G10	369	161D7	633
	787	10F10	467	12H-D3b3	18	1662	598
	788	10F6	1162	12H2	794	1663	599
	1118	11	368	12I-D12g2	22	1664	600
	1160	11-C-5	62	13	237	167-7	724
	1309	11/41e	392	13-102-100	77	167-D	726
	1310	11/4b	393	13.10	795	168B8	436
	1311	11/4c	395	13/035	1257	1696	176
0.5β	549	11/65	364	13/042	1256	1697	601
1-B-7	69	11/68b	1135	13/058	1269	17	219
1-E-4	58	11/75a/21/41	1208	13105100	497	178.1	473
1-E-9	59	11/85b	547	1324-E	457	1794	602
1.152 B3	185	110-B	1143	133/11	326	1795	586
1.153 G10	193	110.1	410	133/192	334	17b	1119
1.158 E2	186	110.1	623	133/237	324	1804	603
1.160 B3	197	110.3	534	133/290	325	1807	604
1.17.3	90	110.4	535	1331A	637	1808	605
1.2	270	110.5	536	1331E	1032	181-D	685
1.4C	1312	110.6	543	1334-D	783	183-H12-5C	137
1.4G	1313	110.C	433	1342	1219	187.2.1	354
1.9E	1314	110.D	574	135/9	370	1899	752
1.9F	1315	110.E	432	1357	1144	19	226
10-E-7	60	110.I	567	1361	1145	1907	753
10-G-9	61	110.J	1163	1367	1216	1908	754
10.1	307	110/015	112	1379	1220	1909	755
10/36e	545	1108	1211	1393A	1146	19b	503
10/46c	1025	1109/01	50	13a15	1318	1A1	641
10/54	546	111/052	47	13a23	1319	1A7	91
10/76b	391	111/073	56	13a3	1320	1B1	796
1006-15D	490	111/182	37	13a6	1321	1B2C12	87
1006-30-D	414	112/021	38	13a7	1322	1B8.env	706
1008-D	1026	112/047	39	13b18	1323	1C1	611
101-342	995	1125H	1028	13b23	1324	1C12B1	240
101-451	996	1125H	1029	13B5	116	1C4	208
1010	772	113/038	57	13b53	1325	1D10	332
1014	773	113/072	75	13b61	1326	1D10	797
1018	774	1131-A	638	13E1	179	1D2F11	277
1019	775	115.8	692	13H8	595	1D4A3	195
102-135	789	11C10B10	106	14	238	1D9	28
1020	776	11D11F2	107	1492	779	1D9D5	271
1022	777	11G5	1164	14D4E11	51	1E8	183
1024	1021	11H9	25	14D9	737	1F11	651
1025	790	12	236	15-21	32	1F6	92
1026	552						

Alphabetical listing of MABs

Cross Reference Listing of MABs

1F7	798	2F11	681	3D9	653	4C11.D8	408
1G10	313	2F19C	782	3E11	13	4C9	29
1G5C8	52	2F2	1287	3E11	211	4D4	655
1G7	314	2F5	738	3E6	1289	4D4#85	320
1H5	652	2G12	799	3F10	245	4D6	220
2-19	227	2G12	1215	3F2	1264	4D7/4	571
2-E-4	63	2G2	316	3F5	612	4E10	739
2-H-4	64	2G6	1039	3F9	212	4F6	222
2.2B	1221	2H12	1293	3G12	1268	4G10	505
2.5E	1327	2H1B	387	3G4	312	4G2	656
2/11c	1015	3-B-7	70	3H3E	1302	4G9	305
21	241	3-H-7	26	3H6	308	4H2B1	30
212A	1001	30:3E5	84	3H6	806	4H4	1254
213.1	419	30D	800	4	246	4KG5	1022
2158	1147	31-11	33	4	710	5-21-3	721
2182	1165	31/03	1275	4-20	229	50-61A	1046
2191	1166	311-11-D	475	4.11C	1332	50-69	662
2191	1328	31710B	801	4.6H	1333	50.1	486
21c	1120	31A1	1249	4.8E	1334	5020	540
21h	1037	31D6	187	406/01	79	5021	531
2219	1167	31G8	188	40D3/C11	807	5023A	542
23A	1023	32	242	40H2/C7	378	5023B	515
23A5G4	93	32/1.24.89	11	41-1	665	5025A	559
23A5G5	94	32/5.8.42	3	41-1	756	5025B	532
23e	1121	32/5.8.42	4	41-2	757	504-D	513
240-D	686	322-151	406	41-3	758	5042	533
241-D	138	32:32K	113	41-6	711	5042A	528
2412	1168	32E7	189	41-7	712	5042B	529
2442	1169	33	256	41.1	1209	5145A	1047
2456	1170	33D5	190	41.4	666	5145A	1335
246-D	682	35	243	41148D	476	522-149	1002
2483	1171	35D10/D2	377	4117C	510	52G5/B9	809
2497	1172	35F3/E2	1040	412-D	469	537-D	539
24G3	642	36.1(ARP 329)	572	4148d	1178	55/11	441
25.3	76	37.1.1(ARP 327)	355	418-D	530	55/45a/11	1210
25/03	1262	38/12b	403	419-D	511	55/68b	1179
2557	1173	38/60b	404	41S-2	743	558-D	1048
2558	1174	386-D	527	428	1042	559/64-D	1049
257-D	474	38:9.6K	81	42F	624	55D5/F9	1050
2580	1175	38B5/C9	802	43A3/E4	379	55E4/H1	810
25C2	643	38G3/A9	1041	43C7/B9	380	56C4/C8	811
25G	1329	391/95-D	477	43F	625	57B6/F1	812
26/028	1270	391/95-D	1176	447-52D	744	57H5/D7	813
26/76	1263	39A64	1250	448-D	1043	58.2	537
2601	1330	39B86	1251	450-D	630	588-D	1051
268-D	526	39F	1177	453-D	512	58E1/B3	383
28A11/B1	1038	39H10/A11	803	45D1/B7	381	59.1	554
2909	1331	3A2	1294	46D2/D5	1044	5B11	200
2A2	1129	3A6	35	46E3/E6	382	5B2	191
2A2/26	661	3B10	12	47-2	53	5B2	730
2A3	1291	3B4B	1301	48-16	1045	5B3	336
2A6	139	3C9	804	489.1(961)	335	5C2E5	582
2C11	209	3D10G6	95	48d	1122	5D9	224
2C4	468	3D12	244	493-156	409	5E	1336
2D9D5	293	3D12	1265	49B11/A1	808	5E2.A3k	140
2D9E7	278	3D3	44	49e	1123	5F	205
2E3	210	3D3.B8	407	4A7C6	331	5F3	644
2E3	1272	3D5	805	4B3	654	5F4/1	613
2E4	1292	3D6	718	4B4C4	279	5F7	506

Cross Reference Listing of MABs

Alphabetical listing of MABs

5F8	213	8-22	228	9G5A	684	B31	746
5G	206	8-6	225	$\alpha(566-586)$	645	B32	575
5G11	1180	8-D-2	65	$\mu 5.5$	525	B33	375
5G7D8	280	8-D-5	73	A1g8	1186	B33	747
6-19	230	8-G-9	66	A32	1016	B34	578
6-D-12	71	8-H-7	67	A47/B1	521	B35	347
6-E-7	72	8.22.2	396	A6	1258	B36	431
6.1	1181	8.27.3	1183	A7	1261	B4	827
6.1	1303	8.2A	1337	A9	823	B4a1	1189
6.7	1182	8/38c	442	Ab2	306	B4e8	1190
60b	401	8/64b	443	Ab3	315	B4f8	16
62c	1136	82D3/C3	386	Ab4	311	B5	828
63G4/E2	814	83.1	514	AC2	145	B6	829
64B9/A6	384	830A	1151	AC4	1130	b6	1116
654-D	1052	830D	1055	AD2	127	B8	767
65B12/C5	815	838-D	489	AD3	1131	B9	346
660-178	614	847-D	415	AD3	1132	BAT085	400
66a	1148	858-D	639	ADP421 polyclonal	824	BAT123	488
66c	1149	85G11/D8	820	AE6	1298	BAT267	830
670-D	631	86	674	AE6	1308	BAT401	831
67G6/C4	1053	87E4/A8	821	AG10H9	825	BAT509	832
68.1	713	88-158/02	762	AG11	1299	BC1071	146
68.11	714	88-158/022	763	AG1121	1187	BE10	147
684-238	1150	88-158/079	764	Ag1211	1188	BE3	109
694/98-D	562	8B11	180	AH48	826	BM12	1057
694/98D	816	8C10	181	AM5C6	1259	Bw	479
697-D	388	8C6/1	617	AM5C6	1260	C108G	390
69D2/A1	385	8E11/A8	1184	anti-HIV-1 RT	252	C11	1017
6B10	201	8E5	233	anti-HIV-2 polyclonal	568	C12	573
6B9	204	8E7	309	anti-CD4BS summary	1111	C13	422
6B9	247	8F101	1127	anti-gp120/V3	1198	C2003	199
6C4/S	389	8F102	1242	anti-K159	223	C31	833
6C5	217	8G4	218	anti-P1	678	C311E	460
6D5	374	8G5	182	anti-p24	157	C4	372
6D8	356	8H10	14	Aw	478	C5122	104
6D8	817	9-11	663	B10	337	C5123	68
6E10	818	902	561	b11	1112	C5126	27
6E9	202	907	461	B12	420	C5200	114
6G5	214	908-D	492	B13	421	C6	339
7-1054	819	91-5	49	b13	1113	C8	745
7-16	221	91-6	142	b14	1114	C β 1, 0.5 β	550
71-31	141	9201	610	B15	577	CA1	1003
714/01	54	9205	566	B18	351	CA13	1004
722-D	635	924	462	B1E3	303	CA5	128
729-D	1054	9284	448	B2	338	CB-13/5	42
74	402	9301	615	B20	352	CD-4/1	45
75	715	9303	1252	B21	424	CD12B4	108
750-D	629	9305	1185	B221	616	CD9	148
782-D	491	97B1/E8	822	B23	425	CG-10	1243
7B2	1217	98-4.3	143	B24	426	CG-25	1244
7B6	215	98-4.9	144	B242	333	CG-4	1245
7C10	371	98-43	664	B25	427	CG-76	1246
7C3	231	98-6	723	B26	429	CG-9	1247
7C4	207	989-D	640	B27	345	CGP 47 439	471
7C4	248	9A4C4	105	B29	430	CH9B2	149
7C6	216	9CL	1056	B2C	1019	Chessie 8	1241
7E2/4	319	9G11	731	B3	428	Chim 1	621
7F11	232	9G2	310	b3	1115	clone 3	709
7F11	579	9G5	31	B30	741	CO11	834

Alphabetical listing of MAbs

Cross Reference Listing of MAbs

CRA-3	1152	EH1	1300	FC12	131	ICR 39.3b	1083
CRA-4	1153	EH12E1	151	FF1	74	ICR38.1a	587
CRA-6	1137	EH21	1340	FG39	1073	ICR38.8f	593
CRA1	608	F-6	257	FH2	115	ID6	1133
D/3G5	327	F1	1286	Fv	482	ID6	1134
D/4B5	348	F1	1341	G1	297	ID8F6	40
D/5A11	349	F105	1071	G11G1	152	IE8G2	155
D/5E12	329	F11.2.32	178	G11H3	153	IgA6/30λ	855
D/6A11	328	F14.11	1274	G12	848	IgA6/5k	856
D/6B2	350	F172-D8	719	G2	298	IgA6/L4	857
D/6D1	570	F19.26-4	494	G2	849	IgG1b12	1086
D1	835	F19.48-3	495	G3-136	398	IgGCD4	1087
D12	836	F19.57-11	496	G3-1472	1195	IIIB-13 V3	519
D16	837	F2	1279	G3-211	583	IIIB-34 V3	520
D19	466	F223	840	G3-299	588	IIIB-V3-01	569
D20	1058	F240	687	G3-4	399	IIIB-V3-21	435
D21	1059	F285	841	G3-42	589	IIIB-V3-26	434
D24	1060	F2A3	1342	G3-508	590	IVI-4G6	854
D25	1061	F3	1283	G3-519	591	J1	299
D27	1191	F3.9F	1343	G3-523	507	J1	412
D28	1062	F4	1278	G3-536	592	J3	413
D33	999	F424	842	G3-537	584	J3B2	304
D35	1063	F425 B4e8	843	G44/H7	523	J4	260
D39	1064	F5-2	41	G45-60	596	JB7	133
D4	838	F5-4	97	GE4	132	JF11	134
D42	1065	F5.5	1194	GP13	1075	JL413	581
D43	839	F58/D1	516	GP44	1076	K14	858
D47	1192	F7	844	GP68	1077	K24	1196
D49	688	F8	1284	Gv	483	KU32	859
D50	720	F91	1072	GV1A8	367	L-anti-Tat	285
D52	1066	Fab A1	667	GV1G2	628	L100	1014
D53	1067	Fab A12	845	GV4D3	344	L14	110
D56	1193	Fab A2	846	GV4H3	411	L14.17	1
D59/A2	522	Fab A4	668	H11	618	L15	1138
D60	1068	Fab A9	1234	H2	850	L17	1154
D61	689	Fab D11	1222	H8	851	L19	1005
D7324	1024	Fab D5	1223	HBW4	852	L25	1156
DA48	1069	Fab G1	1224	HF1.7	1078	L28	1088
DE7	317	Fab G15	1235	HH3	126	L33	1089
DF3	129	Fab G5	1236	HIVIG	853	L39	1157
DG8	124	Fab L1	1237	HT5	1079	L40	1158
DO142-10	480	Fab L11	1238	HT6	1080	L41	1090
DO8i	1070	Fab L2	1239	HT7	1081	L42	1091
Dv	481	Fab L9	847	human sera	158	L5.1	330
DZ	771	Fab M10	1225	Hv	484	L52	1092
E-4	203	Fab M12	1226	HyHIV-1	5	L72	1093
E047	1338	Fab M12B	669	HyHIV-15	24	L78	1159
E5	1290	Fab M15	1227	HyHIV-19	154	L81	1018
E51	580	Fab M26B	670	HyHIV-2	6	LA15	1344
E7	1297	Fab M8B	671	HyHIV-21	15	LA21	1345
E9	1288	Fab S10	1228	HyHIV-22	17	LA28	1346
EB1A9	82	Fab S6	1229	HyHIV-3	7	LA9 (121-134)	760
EB5	125	Fab S8	1230	HyHIV-4	8	LF17	1347
EC3	130	Fab S9	1231	HyHIV-5	9	LH-104-A	89
EC6	122	Fab T2	672	HyHIV-6	10	LH-104-B	118
ED10	1339	Fab T3	1232	i5B11	121	LH-104-C	102
ED6	759	Fbb14	1074	Ia3	1084	LH-104-E	86
ED8	150	Fbb21	1124	Ia7	1085	LH-104-G	120
EF7	85	Fbb21	1125	ICR 39.13g	1082	LH-104-I	119

Cross Reference Listing of MAbs

Alphabetical listing of MAbs

LH-104-K	88	MF87.1	418	polyclonal	168	polyclonal	502
loop 2	504	MN215	508	polyclonal	169	polyclonal	538
M-1	693	MO101/V3,C4	563	polyclonal	170	polyclonal	544
M-11	694	MO101/V3,C4	564	polyclonal	171	polyclonal	548
M-13	695	MO101/V3,C4	565	polyclonal	172	polyclonal	555
M-2	696	MO28	862	polyclonal	173	polyclonal	557
M-22	697	MO30	863	polyclonal	174	polyclonal	576
M-24	698	MO43	864	polyclonal	184	polyclonal	585
M-25	699	MO86/C3	594	polyclonal	192	polyclonal	597
M-28	700	MO9.42.2	98	polyclonal	198	polyclonal	606
M-29	701	MO9.50.2	99	polyclonal	235	polyclonal	607
M-36	702	MO96/V3	524	polyclonal	253	polyclonal	622
M-4	703	MO97/V3	439	polyclonal	254	polyclonal	634
M-6	704	MO99/V3	459	polyclonal	255	polyclonal	636
M12	123	MTW61D	1105	polyclonal	261	polyclonal	648
M12	1094	multiple Fabs	876	polyclonal	262	polyclonal	657
M13	1095	multiple MAbs	877	polyclonal	263	polyclonal	658
m18	875	multiple MAbs	878	polyclonal	264	polyclonal	660
M2	1348	multiple MAbs	879	polyclonal	268	polyclonal	673
M25	860	N11-20	558	polyclonal	273	polyclonal	675
M38	620	N2-4	865	polyclonal	274	polyclonal	677
M6	1096	N70-1.9b	560	polyclonal	275	polyclonal	679
M77	498	N70-2.3a	866	polyclonal	276	polyclonal	680
M85	318	NC-1	1253	polyclonal	281	polyclonal	683
M86	322	ND-15G1	725	polyclonal	283	polyclonal	707
M89	423	Nea 9301	509	polyclonal	286	polyclonal	708
M90	1006	NF1A1	1295	polyclonal	287	polyclonal	716
M91	609	NF2B2	1304	polyclonal	288	polyclonal	727
M92	321	NF3A3	1305	polyclonal	289	polyclonal	728
M96	357	NF8B4	1306	polyclonal	290	polyclonal	729
MAb 35	234	NM-01	551	polyclonal	291	polyclonal	733
MAG 104	1007	NT2/4D5.24	282	polyclonal	292	polyclonal	734
MAG 109	453	NT3/2D1.1	269	polyclonal	294	polyclonal	735
MAG 116	1097	P1/D12	517	polyclonal	295	polyclonal	736
MAG 12B	1098	P35	1011	polyclonal	296	polyclonal	742
MAG 29B	1099	P4/D10	518	polyclonal	301	polyclonal	765
MAG 3B	1100	P43110	867	polyclonal	302	polyclonal	766
MAG 45	1008	P5-3	868	polyclonal	323	polyclonal	770
MAG 49	454	p7	1013	polyclonal	376	polyclonal	780
MAG 53	455	PC5009	646	polyclonal	405	polyclonal	781
MAG 55	1101	polyclonal	2	polyclonal	437	polyclonal	880
MAG 56	456	polyclonal	23	polyclonal	438	polyclonal	881
MAG 6B	861	polyclonal	36	polyclonal	440	polyclonal	882
MAG 72	1102	polyclonal	43	polyclonal	444	polyclonal	883
MAG 86	1103	polyclonal	48	polyclonal	445	polyclonal	884
MAG 95	1009	polyclonal	55	polyclonal	446	polyclonal	885
MAG 96	1104	polyclonal	80	polyclonal	447	polyclonal	886
MAG 97	1010	polyclonal	83	polyclonal	449	polyclonal	887
Md-1	1233	polyclonal	96	polyclonal	450	polyclonal	888
MF119.1	358	polyclonal	135	polyclonal	451	polyclonal	889
MF169.1	416	polyclonal	159	polyclonal	452	polyclonal	890
MF170.1	417	polyclonal	160	polyclonal	458	polyclonal	891
MF39.1	353	polyclonal	161	polyclonal	463	polyclonal	892
MF4.1	359	polyclonal	162	polyclonal	464	polyclonal	893
MF46.1	373	polyclonal	163	polyclonal	465	polyclonal	894
MF49.1	340	polyclonal	164	polyclonal	470	polyclonal	895
MF53.1	360	polyclonal	165	polyclonal	472	polyclonal	896
MF58.1	361	polyclonal	166	polyclonal	485	polyclonal	897
MF77.1	362	polyclonal	167	polyclonal	499	polyclonal	898

Alphabetical listing of MAbs

Cross Reference Listing of MAbs

polyclonal	899	polyclonal	958	polyclonal	1277	T54	1140
polyclonal	900	polyclonal	959	polyclonal	1280	T56	1109
polyclonal	901	polyclonal	960	polyclonal	1281	T7.1	342
polyclonal	902	polyclonal	961	polyclonal	1282	T9	343
polyclonal	903	polyclonal	962	polyclonal	1285	T9	1012
polyclonal	904	polyclonal	963	polyclonal	1296	TA9	265
polyclonal	905	polyclonal	964	polyclonal	1307	TB12	272
polyclonal	906	polyclonal	965	polyclonal	1349	TC15	300
polyclonal	907	polyclonal	966	polyclonal	1350	TD84	266
polyclonal	908	polyclonal	967	polyclonal	1351	TE135	267
polyclonal	909	polyclonal	968	polyclonal	1352	TG001	259
polyclonal	910	polyclonal	969	polyclonal	1353	TG002	258
polyclonal	911	polyclonal	970	polyclonal	1354	TH-Ab1	732
polyclonal	912	polyclonal	971	polyclonal	1355	TH1	1197
polyclonal	913	polyclonal	972	polyclonal	1356	TH9	1110
polyclonal	914	polyclonal	973	polyclonal	1357	V10	100
polyclonal	915	polyclonal	974	polyclonal	1358	V10-9	676
polyclonal	916	polyclonal	975	polyclonal	1359	V107	101
polyclonal	917	polyclonal	976	polyclonal	1360	V7-8	156
polyclonal	918	polyclonal	977	polyclonal	1361	W1	365
polyclonal	919	polyclonal	978	polyclonal	1362	W2	619
polyclonal	920	polyclonal	979	polyclonal	1363	X5	1126
polyclonal	921	polyclonal	980	polyclonal	1364	Z13	740
polyclonal	922	polyclonal	981	polyclonal	1365		
polyclonal	923	polyclonal	982	polyclonal	1366		
polyclonal	924	polyclonal	983	polyclonal α 577-596	647		
polyclonal	925	polyclonal	984	polyclonal α 598-609	705		
polyclonal	926	polyclonal	985	polyclonal HIVIG	175		
polyclonal	927	polyclonal	986	RC25	541		
polyclonal	928	polyclonal	987	RL4.72.1	78		
polyclonal	929	polyclonal	988	RSD-33	394		
polyclonal	930	polyclonal	989	RT-4	249		
polyclonal	931	polyclonal	990	RT6H	196		
polyclonal	932	polyclonal	991	RT7O	250		
polyclonal	933	polyclonal	992	RT7U	251		
polyclonal	934	polyclonal	993	RTMAb8	194		
polyclonal	935	polyclonal	994	RV110026	626		
polyclonal	936	polyclonal	1000	S1-1	1106		
polyclonal	937	polyclonal	1020	SAR1	768		
polyclonal	938	polyclonal	1117	sc-FV p17	34		
polyclonal	939	polyclonal	1141	SC258	1155		
polyclonal	940	polyclonal	1199	SP.BAL114	500		
polyclonal	941	polyclonal	1200	SP.SF2:104	501		
polyclonal	942	polyclonal	1201	T1.1	341		
polyclonal	943	polyclonal	1202	T11	366		
polyclonal	944	polyclonal	1203	T13	1107		
polyclonal	945	polyclonal	1204	T15G1	869		
polyclonal	946	polyclonal	1205	T2.1	363		
polyclonal	947	polyclonal	1206	T20	870		
polyclonal	948	polyclonal	1207	T22	1128		
polyclonal	949	polyclonal	1212	T26	998		
polyclonal	950	polyclonal	1213	T27	871		
polyclonal	951	polyclonal	1214	T3	872		
polyclonal	952	polyclonal	1255	T30	873		
polyclonal	953	polyclonal	1266	T32	690		
polyclonal	954	polyclonal	1267	T34	691		
polyclonal	955	polyclonal	1271	T4	874		
polyclonal	956	polyclonal	1273	T49	1108		
polyclonal	957	polyclonal	1276	T52	1139		

IV-B-3 MABs by order of appearance in tables

No.	MAB ID	54	714/01	111	108/03	165	polyclonal
p17		55	polyclonal	112	110/015	166	polyclonal
1	L14.17	56	111/073	113	32:32K	167	polyclonal
2	polyclonal	57	113/038	114	C5200	168	polyclonal
3	32/5.8.42	58	1-E-4	115	FH2	169	polyclonal
4	32/5.8.42	59	1-E-9	116	13B5	170	polyclonal
5	HyHIV-1	60	10-E-7	117	106/01	171	polyclonal
6	HyHIV-2	61	10-G-9	118	LH-104-B	172	polyclonal
7	HyHIV-3	62	11-C-5	119	LH-104-I	173	polyclonal
8	HyHIV-4	63	2-E-4		p24-p2p7p1p6	174	polyclonal
9	HyHIV-5	64	2-H-4	120	LH-104-G	175	polyclonal HIVIG
10	HyHIV-6	65	8-D-2		p2p7p1p6		Protease
11	32/1.24.89	66	8-G-9	121	i5B11	176	1696
12	3B10	67	8-H-7	122	EC6	177	10E7
13	3E11	68	C5123	123	M12	178	F11.2.32
14	8H10	69	1-B-7	124	DG8	179	13E1
15	HyHIV-21	70	3-B-7	125	EB5	180	8B11
16	B4f8	71	6-D-12	126	HH3	181	8C10
17	HyHIV-22	72	6-E-7	127	AD2	182	8G5
18	12H-D3b3	73	8-D-5	128	CA5		RT
19	12G-A8g2	74	FF1	129	DF3	183	1E8
20	12G-D7h11	75	113/072	130	EC3	184	polyclonal
21	12G-H1c7	76	25.3	131	FC12	185	1.152 B3
22	12I-D12g2	77	13-102-100	132	GE4	186	1.158 E2
23	polyclonal	78	RL4.72.1	133	JB7	187	31D6
24	HyHIV-15	79	406/01	134	JF11	188	31G8
25	11H9	80	polyclonal		Gag	189	32E7
26	3-H-7	81	38:9.6K	135	polyclonal	190	33D5
27	C5126	82	EB1A9	136	16/4/2	191	5B2
28	1D9	83	polyclonal	137	183-H12-5C	192	polyclonal
29	4C9	84	30:3E5	138	241-D	193	1.153 G10
30	4H2B1	85	EF7	139	2A6	194	RTMAb8
31	9G5	86	LH-104-E	140	5E2.A3k	195	1D4A3
32	15-21	87	1B2C12	141	71-31	196	RT6H
33	31-11	88	LH-104-K	142	91-6	197	1.160 B3
34	sc-FV p17	89	LH-104-A	143	98-4.3	198	polyclonal
	p17-p24	90	1.17.3	144	98-4.9	199	C2003
35	3A6	91	1A7	145	AC2	200	5B11
36	polyclonal	92	1F6	146	BC1071	201	6B10
	p24	93	23A5G4	147	BE10	202	6E9
37	111/182	94	23A5G5	148	CD9	203	E-4
38	112/021	95	3D10G6	149	CH9B2	204	6B9
39	112/047	96	polyclonal	150	ED8	205	5F
40	ID8F6	97	F5-4	151	EH12E1	206	5G
41	F5-2	98	MO9.42.2	152	G11G1	207	7C4
42	CB-13/5	99	MO9.50.2	153	G11H3		Integrase
43	polyclonal	100	V10	154	HyHIV-19	208	1C4
44	3D3	101	V107	155	IE8G2	209	2C11
45	CD-4/1	102	LH-104-C	156	V7-8	210	2E3
46	15F8C7	103	12-B-4	157	anti-p24	211	3E11
47	111/052	104	C5122	158	human sera	212	3F9
48	polyclonal	105	9A4C4	159	polyclonal	213	5F8
49	91-5	106	11C10B10	160	polyclonal	214	6G5
50	1109/01	107	11D11F2	161	polyclonal	215	7B6
51	14D4E11	108	CD12B4	162	polyclonal	216	7C6
52	1G5C8	109	BE3	163	polyclonal	217	6C5
53	47-2	110	L14	164	polyclonal	218	8G4

MAbs by order of appearance in tables

Cross Reference Listing of MAbs

219	17	274	polyclonal	330	L5.1	389	6C4/S
220	4D6	275	polyclonal	331	4A7C6	390	C108G
221	7-16	276	polyclonal	332	1D10	391	10/76b
222	4F6	277	1D2F11	333	B242	392	11/41e
223	anti-K159	278	2D9E7	334	133/192	393	11/4b
224	5D9	279	4B4C4	335	489.1(961)	394	RSD-33
225	8-6	280	5G7D8	336	5B3	395	11/4c
226	19	281	polyclonal	337	B10	396	8.22.2
227	2-19	282	NT2/4D5.24	338	B2	397	12b
228	8-22	283	polyclonal	339	C6	398	G3-136
229	4-20	284		340	MF49.1	399	G3-4
230	6-19	285	L-anti-Tat	341	T1.1	400	BAT085
231	7C3	286	polyclonal	342	T7.1	401	60b
232	7F11	287	polyclonal	343	T9	402	74
233	8E5	288	polyclonal	344	GV4D3	403	38/12b
234	MAb 35	289	polyclonal	345	B27	404	38/60b
235	polyclonal	290	polyclonal	346	B9	405	polyclonal
Pol		291	polyclonal	347	B35	406	322-151
236	12	292	polyclonal	348	D/4B5	407	3D3.B8
237	13	293	2D9D5	349	D/5A11	408	4C11.D8
238	14	294	polyclonal	350	D/6B2	409	493-156
239	16	295	polyclonal	351	B18	410	110.1
240	1C12B1	296	polyclonal	352	B20	411	GV4H3
241	21	297	G1	353	MF39.1	412	J1
242	32	298	G2	354	187.2.1	413	J3
243	35	299	J1	355	37.1.1(ARP 327)	414	1006-30-D
244	3D12	300	TC15	356	6D8	415	847-D
245	3F10	301	polyclonal	357	M96	416	MF169.1
246	4	302	polyclonal	358	MF119.1	417	MF170.1
247	6B9	303	B1E3	359	MF4.1	418	MF87.1
248	7C4	304	J3B2	360	MF53.1	419	213.1
249	RT-4	Rev		361	MF58.1	420	B12
250	RT7O	305	4G9	362	MF77.1	421	B13
251	RT7U	306	Ab2	363	T2.1	422	C13
252	anti-HIV-1 RT	307	10.1	364	11/65	423	M89
253	polyclonal	308	3H6	365	W1	424	B21
254	polyclonal	309	8E7	366	T11	425	B23
255	polyclonal	310	9G2	367	GV1A8	426	B24
256	33	311	Ab4	368	11	427	B25
257	F-6	312	3G4	369	12G10	428	B3
Vif		313	1G10	370	135/9	429	B26
258	TG002	314	1G7	371	7C10	430	B29
259	TG001	315	Ab3	372	C4	431	B36
260	J4	316	2G2	373	MF46.1	432	110.E
261	polyclonal	Vpu		374	6D5	433	110.C
Vpr		317	DE7	375	B33	434	IIIB-V3-26
262	polyclonal	gp160		376	polyclonal	435	IIIB-V3-21
Tat		318	M85	377	35D10/D2	436	168B8
263	polyclonal	319	7E2/4	378	40H2/C7	437	polyclonal
264	polyclonal	320	4D4#85	379	43A3/E4	438	polyclonal
265	TA9	321	M92	380	43C7/B9	439	MO97/V3
266	TD84	322	M86	381	45D1/B7	440	polyclonal
267	TE135	323	polyclonal	382	46E3/E6	441	55/11
268	polyclonal	324	133/237	383	58E1/B3	442	8/38c
269	NT3/2D1.1	325	133/290	384	64B9/A6	443	8/64b
270	1.2	326	133/11	385	69D2/A1	444	polyclonal
271	1D9D5	327	D/3G5	386	82D3/C3	445	polyclonal
272	TB12	328	D/6A11	387	2H1B	446	polyclonal
273	polyclonal	329	D/5E12	388	697-D	447	polyclonal

Cross Reference Listing of MABs

MABs by order of appearance in tables

448	9284	507	G3-523	566	9205	625	43F
449	polyclonal	508	MN215	567	110.I	626	RV110026
450	polyclonal	509	Nea 9301	568	anti-HIV-2 polyclonal	627	105-306
451	polyclonal	510	4117C	569	IIIB-V3-01	628	GV1G2
452	polyclonal	511	419-D	570	D/6D1	629	750-D
453	MAG 109	512	453-D	571	4D7/4	630	450-D
454	MAG 49	513	504-D	572	36.1(ARP 329)	631	670-D
455	MAG 53	514	83.1	573	C12	632	158F3
456	MAG 56	515	5023B	574	110.D	633	161D7
457	1324-E	516	F58/D1	575	B32	634	polyclonal
458	polyclonal	517	P1/D12	576	polyclonal	635	722-D
459	MO99/V3	518	P4/D10	577	B15	636	polyclonal
460	C311E	519	IIIB-13 V3	578	B34	637	1331A
461	907	520	IIIB-34 V3	579	7F11	638	1131-A
462	924	521	A47/B1	580	E51	639	858-D
463	polyclonal	522	D59/A2	581	JL413	640	989-D
464	polyclonal	523	G44/H7	582	5C2E5	641	1A1
465	polyclonal	524	MO96/V3	583	G3-211	642	24G3
466	D19	525	μ 5.5	584	G3-537	643	25C2
467	10F10	526	268-D	585	polyclonal	644	5F3
468	2C4	527	386-D	586	1795	645	α (566-586)
469	412-D	528	5042A	587	ICR38.1a	646	PC5009
470	polyclonal	529	5042B	588	G3-299	647	polyclonal α 577-596
471	CGP 47 439	530	418-D	589	G3-42	648	polyclonal
472	polyclonal	531	5021	590	G3-508	649	
473	178.1	532	5025B	591	G3-519	650	
474	257-D	533	5042	592	G3-536	651	1F11
475	311-11-D	534	110.3	593	ICR38.8f	652	1H5
476	41148D	535	110.4	594	MO86/C3	653	3D9
477	391/95-D	536	110.5	595	13H8	654	4B3
478	Aw	537	58.2	596	G45-60	655	4D4
479	Bw	538	polyclonal	597	polyclonal	656	4G2
480	DO142-10	539	537-D	598	1662	657	polyclonal
481	Dv	540	5020	599	1663	658	polyclonal
482	Fv	541	RC25	600	1664	659	
483	Gv	542	5023A	601	1697	660	polyclonal
484	Hv	543	110.6	602	1794	661	2A2/26
485	polyclonal	544	polyclonal	603	1804	662	50-69
486	50.1	545	10/36e	604	1807	663	9-11
487		546	10/54	605	1808	664	98-43
488	BAT123	547	11/85b	606	polyclonal	665	41-1
489	838-D	548	polyclonal	607	polyclonal	666	41.4
490	1006-15D	549	0.5 β	608	CRA1	667	Fab A1
491	782-D	550	C β 1, 0.5 β	609	M91	668	Fab A4
492	908-D	551	NM-01	610	9201	669	Fab M12B
493	1027-15D	552	1026	611	1C1	670	Fab M26B
494	F19.26-4	553	1034	612	3F5	671	Fab M8B
495	F19.48-3	554	59.1	613	5F4/1	672	Fab T2
496	F19.57-11	555	polyclonal	614	660-178	673	polyclonal
497	13105100	556	10E3	615	9301	674	86
498	M77	557	polyclonal	616	B221	675	polyclonal
499	polyclonal	558	N11-20	617	8C6/1	676	V10-9
500	SP.BAL114	559	5025A	618	H11	677	polyclonal
501	SP.SF2:104	560	N70-1.9b	619	W2	678	anti-P1
502	polyclonal	561	902	620	M38	679	polyclonal
503	19b	562	694/98-D	621	Chim 1	680	polyclonal
504	loop 2	563	MO101/V3,C4	622	polyclonal	681	2F11
505	4G10	564	MO101/V3,C4	623	110.1	682	246-D
506	5F7	565	MO101/V3,C4	624	42F	683	polyclonal

MAbs by order of appearance in tables

Cross Reference Listing of MAbs

684	9G5A	743	41S-2	801	31710B	860	M25
685	181-D	744	447-52D	802	38B5/C9	861	MAG 6B
686	240-D	745	C8	803	39H10/A11	862	MO28
687	F240	746	B31	804	3C9	863	MO30
688	D49	747	B33	805	3D5	864	MO43
689	D61	748	1576	806	3H6	865	N2-4
690	T32	749	1578	807	40D3/C11	866	N70-2.3a
691	T34	750	1579	808	49B11/A1	867	P43110
692	115.8	751	1583	809	52G5/B9	868	P5-3
693	M-1	752	1899	810	55E4/H1	869	T15G1
694	M-11	753	1907	811	56C4/C8	870	T20
695	M-13	754	1908	812	57B6/F1	871	T27
696	M-2	755	1909	813	57H5/D7	872	T3
697	M-22	756	41-1	814	63G4/E2	873	T30
698	M-24	757	41-2	815	65B12/C5	874	T4
699	M-25	758	41-3	816	694/98D	875	m18
700	M-28	759	ED6	817	6D8	876	multiple Fabs
701	M-29	760	LA9 (121-134)	818	6E10	877	multiple MAbs
702	M-36	761	1575	819	7-1054	878	multiple MAbs
703	M-4	762	88-158/02	820	85G11/D8	879	multiple MAbs
704	M-6	763	88-158/022	821	87E4/A8	880	polyclonal
705	polyclonal α 598-609	764	88-158/079	822	97B1/E8	881	polyclonal
706	1B8.env	765	polyclonal	823	A9	882	polyclonal
707	polyclonal	766	polyclonal	824	ADP421 polyclonal	883	polyclonal
708	polyclonal	767	B8	825	AG10H9	884	polyclonal
709	clone 3	768	SAR1	826	AH48	885	polyclonal
710	4	769	1577	827	B4	886	polyclonal
711	41-6	770	polyclonal	828	B5	887	polyclonal
712	41-7	771	DZ	829	B6	888	polyclonal
713	68.1	772	1010	830	BAT267	889	polyclonal
714	68.11	773	1014	831	BAT401	890	polyclonal
715	75	774	1018	832	BAT509	891	polyclonal
716	polyclonal	775	1019	833	C31	892	polyclonal
717	105-732	776	1020	834	CO11	893	polyclonal
718	3D6	777	1022	835	D1	894	polyclonal
719	F172-D8	778	1034	836	D12	895	polyclonal
720	D50	779	1492	837	D16	896	polyclonal
721	5-21-3	780	polyclonal	838	D4	897	polyclonal
722	120-16	781	polyclonal	839	D43	898	polyclonal
723	98-6	782	2F19C	840	F223	899	polyclonal
724	167-7	783	1334-D	841	F285	900	polyclonal
725	ND-15G1	Env		842	F424	901	polyclonal
726	167-D	784		843	F425 B4e8	902	polyclonal
727	polyclonal	785		844	F7	903	polyclonal
728	polyclonal	786		845	Fab A12	904	polyclonal
729	polyclonal	787		846	Fab A2	905	polyclonal
730	5B2	788		847	Fab L9	906	polyclonal
731	9G11	789	102-135	848	G12	907	polyclonal
732	TH-Ab1	790	1025	849	G2	908	polyclonal
733	polyclonal	791	105-134	850	H2	909	polyclonal
734	polyclonal	792	10E9	851	H8	910	polyclonal
735	polyclonal	793	126-50	852	HBW4	911	polyclonal
736	polyclonal	794	12H2	853	HIVIG	912	polyclonal
737	14D9	795	13.10	854	IVI-4G6	913	polyclonal
738	2F5	796	1B1	855	IgA6/30 λ	914	polyclonal
739	4E10	797	1D10	856	IgA6/5k	915	polyclonal
740	Z13	798	1F7	857	IgA6/L4	916	polyclonal
741	B30	799	2G12	858	K14	917	polyclonal
742	polyclonal	800	30D	859	KU32	918	polyclonal

Cross Reference Listing of MABs

MABs by order of appearance in tables

919	polyclonal	978	polyclonal	1037	21h	1096	M6
920	polyclonal	979	polyclonal	1038	28A11/B1	1097	MAG 116
921	polyclonal	980	polyclonal	1039	2G6	1098	MAG 12B
922	polyclonal	981	polyclonal	1040	35F3/E2	1099	MAG 29B
923	polyclonal	982	polyclonal	1041	38G3/A9	1100	MAG 3B
924	polyclonal	983	polyclonal	1042	428	1101	MAG 55
925	polyclonal	984	polyclonal	1043	448-D	1102	MAG 72
926	polyclonal	985	polyclonal	1044	46D2/D5	1103	MAG 86
927	polyclonal	986	polyclonal	1045	48-16	1104	MAG 96
928	polyclonal	987	polyclonal	1046	50-61A	1105	MTW61D
929	polyclonal	988	polyclonal	1047	5145A	1106	S1-1
930	polyclonal	989	polyclonal	1048	558-D	1107	T13
931	polyclonal	990	polyclonal	1049	559/64-D	1108	T49
932	polyclonal	991	polyclonal	1050	55D5/F9	1109	T56
933	polyclonal	992	polyclonal	1051	588-D	1110	TH9
934	polyclonal	993	polyclonal	1052	654-D	1111	anti-CD4BS summary
935	polyclonal	994	polyclonal	1053	67G6/C4	1112	b11
936	polyclonal	995	101-342	1054	729-D	1113	b13
937	polyclonal	996	101-451	1055	830D	1114	b14
938	polyclonal	997	120-1	1056	9CL	1115	b3
939	polyclonal	998	T26	1057	BM12	1116	b6
940	polyclonal	999	D33	1058	D20	1117	polyclonal
941	polyclonal	1000	polyclonal	1059	D21	1118	
942	polyclonal	1001	212A	1060	D24	1119	17b
943	polyclonal	1002	522-149	1061	D25	1120	21c
944	polyclonal	1003	CA1	1062	D28	1121	23e
945	polyclonal	1004	CA13	1063	D35	1122	48d
946	polyclonal	1005	L19	1064	D39	1123	49e
947	polyclonal	1006	M90	1065	D42	1124	Fbb21
948	polyclonal	1007	MAG 104	1066	D52	1125	Fbb21
949	polyclonal	1008	MAG 45	1067	D53	1126	X5
950	polyclonal	1009	MAG 95	1068	D60	1127	8F101
951	polyclonal	1010	MAG 97	1069	DA48	1128	T22
952	polyclonal	1011	P35	1070	DO8i	1129	2A2
953	polyclonal	1012	T9	1071	F105	1130	AC4
954	polyclonal	1013	p7	1072	F91	1131	AD3
955	polyclonal	1014	L100	1073	FG39	1132	AD3
956	polyclonal	1015	2/11c	1074	Fbb14	1133	ID6
957	polyclonal	1016	A32	1075	GP13	1134	ID6
958	polyclonal	1017	C11	1076	GP44	1135	11/68b
959	polyclonal	1018	L81	1077	GP68	1136	62c
960	polyclonal	1019	B2C	1078	HF1.7	1137	CRA-6
961	polyclonal	1020	polyclonal	1079	HT5	1138	L15
962	polyclonal	1021	1024	1080	HT6	1139	T52
963	polyclonal	1022	4KG5	1081	HT7	1140	T54
964	polyclonal	1023	23A	1082	ICR 39.13g	1141	polyclonal
965	polyclonal	1024	D7324	1083	ICR 39.3b	1142	1088
966	polyclonal	1025	10/46c	1084	Ia3	1143	110-B
967	polyclonal	1026	1008-D	1085	Ia7	1144	1357
968	polyclonal	1027	1027-30-D	1086	IgG1b12	1145	1361
969	polyclonal	1028	1125H	1087	IgGCD4	1146	1393A
970	polyclonal	1029	1125H	1088	L28	1147	2158
971	polyclonal	1030	120-1B1	1089	L33	1148	66a
972	polyclonal	1031	1202-D	1090	L41	1149	66c
973	polyclonal	1032	1331E	1091	L42	1150	684-238
974	polyclonal	1033	1570	1092	L52	1151	830A
975	polyclonal	1034	1595	1093	L72	1152	CRA-3
976	polyclonal	1035	1599	1094	M12	1153	CRA-4
977	polyclonal	1036	15e	1095	M13	1154	L17

MAbs by order of appearance in tables

Cross Reference Listing of MAbs

1155	SC258	1214	polyclonal	1272	2E3	1330	2601
1156	L25	1215	2G12	1273	polyclonal	1331	2909
1157	L39	1216	1367	1274	F14.11	1332	4.11C
1158	L40	1217	7B2	1275	31/03	1333	4.6H
1159	L78	1218	126-6	1276	polyclonal	1334	4.8E
1160		1219	1342	1277	polyclonal	1335	5145A
1161	10D8	1220	1379	1278	F4	1336	5E
1162	10F6	1221	2.2B	1279	F2	1337	8.2A
1163	110.J	1222	Fab D11	1280	polyclonal	1338	E047
1164	11G5	1223	Fab D5	1281	polyclonal	1339	ED10
1165	2182	1224	Fab G1	1282	polyclonal	1340	EH21
1166	2191	1225	Fab M10	1283	F3	1341	F1
1167	2219	1226	Fab M12	1284	F8	1342	F2A3
1168	2412	1227	Fab M15	1285	polyclonal	1343	F3.9F
1169	2442	1228	Fab S10	1286	F1	1344	LA15
1170	2456	1229	Fab S6	1287	2F2	1345	LA21
1171	2483	1230	Fab S8	1288	E9	1346	LA28
1172	2497	1231	Fab S9	1289	3E6	1347	LF17
1173	2557	1232	Fab T3	1290	E5	1348	M2
1174	2558	1233	Md-1	1291	2A3	1349	polyclonal
1175	2580	1234	Fab A9	1292	2E4	1350	polyclonal
1176	391/95-D	1235	Fab G15	1293	2H12	1351	polyclonal
1177	39F	1236	Fab G5	1294	3A2	1352	polyclonal
1178	4148d	1237	Fab L1	1295	NF1A1	1353	polyclonal
1179	55/68b	1238	Fab L11	1296	polyclonal	1354	polyclonal
1180	5G11	1239	Fab L2	1297	E7	1355	polyclonal
1181	6.1	1240	1281	1298	AE6	1356	polyclonal
1182	6.7	1241	Chessie 8	1299	AG11	1357	polyclonal
1183	8.27.3	1242	8F102	1300	EH1	1358	polyclonal
1184	8E11/A8	1243	CG-10	1301	3B4B	1359	polyclonal
1185	9305	1244	CG-25	1302	3H3E	1360	polyclonal
1186	A1g8	1245	CG-4	1303	6.1	1361	polyclonal
1187	AG1121	1246	CG-76	1304	NF2B2	1362	polyclonal
1188	Ag1211	1247	CG-9	1305	NF3A3	1363	polyclonal
1189	B4a1	1248	105-518	1306	NF8B4	1364	polyclonal
1190	B4e8	1249	31A1	1307	polyclonal	1365	polyclonal
1191	D27	1250	39A64	1308	AE6	1366	polyclonal
1192	D47	1251	39B86	HIV-1			
1193	D56	1252	9303	1309			
1194	F5.5	1253	NC-1	1310			
1195	G3-1472	Nef		1311			
1196	K24	1254	4H4	1312	1.4C		
1197	TH1	1255	polyclonal	1313	1.4G		
1198	anti-gp120/V3	1256	13/042	1314	1.9E		
1199	polyclonal	1257	13/035	1315	1.9F		
1200	polyclonal	1258	A6	1316	12.19		
1201	polyclonal	1259	AM5C6	1317	12.9		
1202	polyclonal	1260	AM5C6	1318	13a15		
1203	polyclonal	1261	A7	1319	13a23		
1204	polyclonal	1262	25/03	1320	13a3		
1205	polyclonal	1263	26/76	1321	13a6		
1206	polyclonal	1264	3F2	1322	13a7		
1207	polyclonal	1265	3D12	1323	13b18		
1208	11/75a/21/41	1266	polyclonal	1324	13b23		
1209	41.1	1267	polyclonal	1325	13b53		
1210	55/45a/11	1268	3G12	1326	13b61		
1211	1108	1269	13/058	1327	2.5E		
1212	polyclonal	1270	26/028	1328	2191		
1213	polyclonal	1271	polyclonal	1329	25G		

IV-C

HIV Antibodies Tables

All HIV MAbs and polyclonal Abs that bind to linear epitopes 30 amino acids or less in length are arranged by protein position. The table entries are sorted in a nested way—first by protein, then by HXB2 start location, then by antibody type, and finally by antibody name. Abs that bind to conformational epitopes or with unknown epitopes are listed at the end of each protein section.

IV-C-1 Gag p17 Antibodies

No. 1
MAb ID L14.17
HXB2 Location p17 (11–25)
Author Location p17 (11–25 BRU)
Epitope GELDRWEKIRLRPGG
Neutralizing no
Immunogen vaccine
Vector/Type: viral lysate *Strain:* B clade BRU *HIV component:* HIV-1
Species (Isotype) mouse (IgG)
References Robert-Hebmann *et al.* 1992a; Robert-Hebmann *et al.* 1992b; Tatsumi *et al.* 1990

No. 2
MAb ID polyclonal
HXB2 Location p17 (11–25)
Author Location p17 (11–25 LAI)
Epitope GELDRWEKIRLRPGG
Subtype B
Neutralizing no
Immunogen vaccine
Vector/Type: protein, virus-like particle (VLP)
Strain: B clade LAI *HIV component:* Gag, p17 Gag, p24 Gag *Adjuvant:* Complete Freund's Adjuvant (CFA)

Species (Isotype) mouse
References Truong *et al.* 1997

- An ELISA assay was used to study a panel of Gag peptides – mature p24 CA epitopes mapped to residues 176-192, 201-218, 233-253, 285-304, and were recognized by antibodies elicited by rp24CA – one p17MA epitope, residues 11-25, and one p24CA epitope, residues 176-192, were recognized by antibodies raised against anti-p55 virus-like particles, suggesting a different antigenic properties for p24CA and p17MA antibodies depending on whether they are produced against the mature soluble protein or the immature assembled form of the gag proteins. Truong *et al.* [1997]

No. 3
MAb ID 32/5.8.42

HXB2 Location p17 (12–19)
Author Location p17 (12–19 IIIB)
Epitope ELDRWEKI+ALDKIE
Neutralizing no
Immunogen vaccine
Vector/Type: viral lysate
Species (Isotype) mouse (IgG)
References Papsidero *et al.* 1989

- 32/5.8.42: Binds to two discontinuous regions, positions 12-19 and 100-105, peptides ELDRWEKI and ALDKIE – inhibited infectivity of cell free virus. Papsidero *et al.* [1989]

No. 4
MAb ID 32/5.8.42
HXB2 Location p17 (12–19)
Author Location p17 (IIIB)
Epitope ELDRWEKI+ALDKIE
Neutralizing no
Immunogen vaccine
Vector/Type: viral lysate *HIV component:* HIV-1
Species (Isotype) mouse (IgG)
References Papsidero *et al.* 1989

- 32/5.8.42: Inhibited infectivity of cell free virus – bound to two peptides, ELDRWEKI and ALDKIE, at positions 12-19 + 100-105. Papsidero *et al.* [1989]

No. 5
MAb ID HyHIV-1
HXB2 Location p17 (12–29)
Author Location p17 (12–29 JMH1)
Epitope ELDKWEKIRLRPGGKTTY
Neutralizing no
Immunogen vaccine
Vector/Type: protein *HIV component:* p17 Gag
Species (Isotype) mouse (IgG1)
References Ota & Ueda 1998; Liu *et al.* 1995

- HyHIV-1: This paper compares the results of affinity constant (Ka) measurements of anti-p17 MAbs using double Ab methods versus the faster, isotope-free BIAcore system, and results were found to be similar for HyHIV-(1-6) – six MAbs all bind to the first alpha helix of p17, a functional domain for both membrane binding and nuclear localization. Ota & Ueda [1998]

No. 6
MAb ID HyHIV-2
HXB2 Location p17 (12–29)
Author Location p17 (12–29 JMH1)
Epitope ELDKWEKIRLRPGGKTTY

Neutralizing no**Immunogen** vaccine*Vector/Type:* protein *HIV component:* p17
Gag**Species (Isotype)** mouse (IgG1)**References** Ota & Ueda 1998; Liu *et al.* 1995

- HyHIV-2: This paper compares the results of affinity constant (Ka) measurements of anti-p17 MAbs using double Ab methods versus the faster, isotope-free BIAcore system, and results were found to be similar for HyHIV-(1-6) – six MAbs all bind to the first alpha helix of p17, a functional domain for both membrane binding and nuclear localization. Ota & Ueda [1998]

No. 7

MAb ID HyHIV-3**HXB2 Location** p17 (12–29)**Author Location** p17 (12–29 JMH1)**Epitope** ELDKWEKIRLRPGGKTLY**Neutralizing** no**Immunogen** vaccine*Vector/Type:* protein *HIV component:* p17
Gag**Species (Isotype)** mouse (IgG1)**References** Ota & Ueda 1998; Liu *et al.* 1995

- HyHIV-3: This paper compares the results of affinity constant (Ka) measurements of anti-p17 MAbs using double Ab methods versus the faster, isotope-free BIAcore system, and results were found to be similar for HyHIV-(1-6) – six MAbs all bind to the first alpha helix of p17, a functional domain for both membrane binding and nuclear localization. Ota & Ueda [1998]

No. 8

MAb ID HyHIV-4**HXB2 Location** p17 (12–29)**Author Location** p17 (12–29 JMH1)**Epitope** ELDKWEKIRLRPGGKTLY?**Neutralizing** no**Immunogen** vaccine*Vector/Type:* protein *HIV component:* p17
Gag**Species (Isotype)** mouse (IgG1)**References** Ota & Ueda 1998; Ota *et al.* 1998; Liu *et al.* 1995

- HyHIV-4: epitope uncertain, based on the best estimate from JMH1 sequence– Ka is 1.8×10^7 M⁻¹ for rec p17 – stains the surface of infected cells indicating the antigen is exposed at the cell surface. Ota *et al.* [1998]
- HyHIV-4: This paper compares the results of affinity constant (Ka) measurements of anti-p17 MAbs using double Ab methods versus the faster, isotope-free BIAcore system, and results were found to be similar for HyHIV-(1-6) – six MAbs all bind to the first alpha helix of p17, a functional domain for both membrane binding and nuclear localization. Ota & Ueda [1998]

No. 9

MAb ID HyHIV-5**HXB2 Location** p17 (12–29)**Author Location** p17 (12–29 JMH1)**Epitope** ELDKWEKIRLRPGGKTLY**Neutralizing** no**Immunogen** vaccine*Vector/Type:* protein *HIV component:* p17
Gag**Species (Isotype)** mouse (IgG1)**References** Ota & Ueda 1998; Liu *et al.* 1995

- HyHIV-5: This paper compares the results of affinity constant (Ka) measurements of anti-p17 MAbs using double Ab methods versus the faster, isotope-free BIAcore system, and results were found to be similar for HyHIV-(1-6) – six MAbs all bind to the first alpha helix of p17, a functional domain for both membrane binding and nuclear localization. Ota & Ueda [1998]

No. 10

MAb ID HyHIV-6**HXB2 Location** p17 (12–29)**Author Location** p17 (12–29 JMH1)**Epitope** ELDKWEKIRLRPGGKTLY**Neutralizing** no**Immunogen** vaccine*Vector/Type:* protein *HIV component:* p17
Gag**Species (Isotype)** mouse (IgG1)**References** Ota & Ueda 1998; Liu *et al.* 1995

- HyHIV-6: This paper compares the results of affinity constant (Ka) measurements of anti-p17 MAbs using double Ab methods versus the faster, isotope-free BIAcore system, and results were found to be similar for HyHIV-(1-6) – six MAbs all bind to the first alpha helix of p17, a functional domain for both membrane binding and nuclear localization. Ota & Ueda [1998]

No. 11

MAb ID 32/1.24.89**HXB2 Location** p17 (17–22)**Author Location** p17 (17–22 IIIB)**Epitope** EKIRLR**Neutralizing** L**Immunogen** vaccine*Vector/Type:* viral lysate**Species (Isotype)** mouse (IgG)**References** Papsidero *et al.* 1989

- 32/1.24.89: Inhibited infectivity of cell free virus. Papsidero *et al.* [1989]

No. 12

MAb ID 3B10**HXB2 Location** p17 (19–38)**Author Location** p17 (19–38 SIVmac)**Epitope** IRLPGGKKKYMLKHVVWAA**Neutralizing** no**Immunogen** vaccine*Vector/Type:* inactivated HIV *Strain:* B
clade AGM TYO-7 *HIV component:* HIV-1**Species (Isotype)** mouse (IgG1)**References** Otteken *et al.* 1992

- 3B10: Recognized an epitope present on HIV-2/SIVmac (MAC251/32H), SIVagm, HIV-1, and SIVmnd, demonstrating that the matrix protein of all nine HIV and SIV isolates tested in this study expresses at least one conserved immunogenic epitope recognized serologically. Otteken *et al.* [1992]

No. 13

MAb ID 3E11

HXB2 Location p17 (19–38)

Author Location p17 (19–38 SIVmac)

Epitope IRLPGGKKKYMLKHVVWAA

Neutralizing no

Immunogen vaccine

Vector/Type: inactivated HIV *Strain:* B clade AGM TYO-7 *HIV component:* HIV-1

Species (Isotype) mouse (IgG1)

References Nilsen *et al.* 1996; Otteken *et al.* 1992

- 3E11: There is another MAb with this ID that recognizes integrase. Nilsen *et al.* [1996]
- 3E11: Recognized an epitope present on HIV-2/SIVmac (MAC251/32H), SIVagm, HIV-1, and SIVmnd, demonstrating that the matrix protein of all nine HIV and SIV isolates tested in this study expresses at least one highly conserved immunogenic epitope. Otteken *et al.* [1992]

No. 14

MAb ID 8H10

HXB2 Location p17 (30–52)

Author Location p17 (30–52 JMH1)

Epitope KLKHIVWASRELERFAVNPGLLE

Neutralizing

Immunogen vaccine

Vector/Type: peptide *Strain:* B clade JMH-1 *HIV component:* p17 Gag *Adjuvant:* BSA

Species (Isotype) mouse (IgM)

References Ota & Ueda 1999; Ota *et al.* 1999

- 8H10: The p17 MAb also can bind to the V3 loop. Ota *et al.* [1999]
- 8H10: Inhibits viral replication of the HIV-1 infected MT-4 cells by decreasing p17 DNA levels in the infected cells, and the effect of growing the 8H10 hybridoma in co-culture with HIV-1 infected MT-4 cells was studied. Ota & Ueda [1999]

No. 15

MAb ID HyHIV-21

HXB2 Location p17 (30–52)

Author Location p17 (30–52 JMH1)

Epitope KLKHIIWASRELERFAVNPGLLE

Neutralizing no

Immunogen vaccine

Vector/Type: protein *HIV component:* p17 Gag

Species (Isotype) mouse (IgG2a)

References Ota *et al.* 1998; Liu *et al.* 1995

- HyHIV-21: epitope uncertain, based on the best estimate from JMH1 sequence – Ka is 3.6×10^6 M-1 for rec p17 – stains the surface of infected cells indicating the antigen is exposed at the cell surface – inhibited growth of HIV-1 JMH1 in MT-4 cells when added 24 hours after the initial culture. Ota *et al.* [1998]

No. 16

MAb ID B4f8

HXB2 Location p17 (51–65)

Author Location p17 (51–65)

Epitope LETSEGCRQILGQLQ

Neutralizing no

Immunogen vaccine

Vector/Type: HIV infected-cell lysate

Strain: B clade IIIB *HIV component:*

HIV-1

Species (Isotype) rat (IgG2a)

References Shang *et al.* 1991

- -B4f8: Did not bind live infected cells, only cells that had been made permeable with acetone. Shang *et al.* [1991]

No. 17

MAb ID HyHIV-22

HXB2 Location p17 (52–83)

Author Location p17 (53–87 JMH1)

Epitope ETSEGCRQLGQRQPSLQTGSEELRSYNTIH

Neutralizing no

Immunogen vaccine

Vector/Type: protein *HIV component:* p17 Gag

Species (Isotype) mouse (IgG1)

References Ota *et al.* 1998; Liu *et al.* 1995

- HyHIV-22: epitope uncertain, based on the best estimate from JMH1 sequence – stains the surface of infected cells indicating the antigen is exposed at the cell surface – Ka is 2.3×10^5 M-1 for rec p17. Ota *et al.* [1998]

No. 18

MAb ID 12H-D3b3

HXB2 Location p17 (62–78)

Author Location p17 (62–78)

Epitope GQLQPSLQTGSEELRSL

Neutralizing no

Immunogen vaccine

Vector/Type: HIV infected-cell lysate

Strain: B clade IIIB *HIV component:*

HIV-1

Species (Isotype) rat (IgG2a)

References Shang *et al.* 1991

- 12H-D3b3: Did not bind live infected cells, only cells that had been made permeable with acetone. Shang *et al.* [1991]

No. 19

MAb ID 12G-A8g2

HXB2 Location p17 (86–115)

Author Location p17 (86–115)

Epitope YCVHQRIEIKDTKEALDKIEEQNKSKKKA

Neutralizing no

Immunogen vaccine

Vector/Type: HIV infected-cell lysate

Strain: B clade IIIB *HIV component:*

HIV-1

Species (Isotype) rat (IgG2a)

References Maksiutov *et al.* 2002; Shang *et al.* 1991

- 12G-A8g2: This epitope is similar to a fragment of the human protein CD40 ligand TNF-related activation protein (T-cell antigen GP39) (CD154), LDKIEDERN, as well as to a fragment of Lens-epithelium-derived growth factor, DIITEEDKSKKKKGQ. Maksiutov *et al.* [2002]
- 12G-A8g2: Bound to 30-mer, but not to internal peptides – did not bind live infected cells – antigenic domain known as HPG30. Shang *et al.* [1991]

No. 20

MAB ID 12G-D7h11

HXB2 Location p17 (86–115)

Author Location p17 (86–115)

Epitope YCVHQRIEIKDTKEALDKIEEEQNKSKKKA

Neutralizing no

Immunogen vaccine

Vector/Type: HIV infected-cell lysate

Strain: B clade IIIB HIV component: HIV-1

Species (Isotype) rat (IgG2a)

References Maksiutov *et al.* 2002; Shang *et al.* 1991

- 12G-D7h11: This epitope is similar to a fragment of the human protein CD40 ligand TNF-related activation protein (T-cell antigen GP39) (CD154), LDKIEDERN, as well as to a fragment of Lens-epithelium-derived growth factor, DIITEEDKSKKKKGQ. Maksiutov *et al.* [2002]
- 12G-D7h11: Bound to 30-mer, but not to internal peptides – did not bind live infected cells – antigenic domain known as HPG30. Shang *et al.* [1991]

No. 21

MAB ID 12G-H1c7

HXB2 Location p17 (86–115)

Author Location p17 (86–115)

Epitope YCVHQRIEIKDTKEALDKIEEEQNKSKKKA

Neutralizing no

Immunogen vaccine

Vector/Type: HIV infected-cell lysate

Strain: B clade IIIB HIV component: HIV-1

Species (Isotype) rat (IgG)

References Maksiutov *et al.* 2002; Shang *et al.* 1991

- 12G-H1c7: This epitope is similar to a fragment of the human protein CD40 ligand TNF-related activation protein (T-cell antigen GP39) (CD154), LDKIEDERN, as well as to a fragment of Lens-epithelium-derived growth factor, DIITEEDKSKKKKGQ. Maksiutov *et al.* [2002]
- 12G-H1c7: Bound to 30-mer, but not to internal peptides – did not bind live infected cells – antigenic domain known as HPG30. Shang *et al.* [1991]

No. 22

MAB ID 12I-D12g2

HXB2 Location p17 (86–115)

Author Location p17 (86–115)

Epitope YCVHQRIEIKDTKEALDKIEEEQNKSKKKA

Neutralizing no

Immunogen vaccine

Vector/Type: HIV infected-cell lysate

Strain: B clade IIIB HIV component: HIV-1

Species (Isotype) rat (IgG2a)

References Maksiutov *et al.* 2002; Shang *et al.* 1991

- 12I-D12g2: This epitope is similar to a fragment of the human protein CD40 ligand TNF-related activation protein (T-cell antigen GP39) (CD154), LDKIEDERN, as well as to a fragment of Lens-epithelium-derived growth factor, DIITEEDKSKKKKGQ. Maksiutov *et al.* [2002]
- 12I-D12g2: Bound to 30-mer, but not to internal peptides – did not bind live infected cells – antigenic domain known as HPG30. Shang *et al.* [1991]

No. 23

MAB ID polyclonal

HXB2 Location p17 (86–115)

Author Location p17 (86–115)

Epitope YSVHQRIDVKDTKEALEKIEEEQNKSKKKA

Neutralizing L

Immunogen vaccine

Vector/Type: peptide HIV component: p17

Gag Adjuvant: Cholera toxin (CT)

Species (Isotype) mouse (IgA)

References Bukawa *et al.* 1995

- Polyclonal secretory IgA antibody raised by oral mucosal immunization is able to neutralize IIIB, SF2, and MN – HIV-1 neutralization may be due to the V3, CD4 or HPG30 component of the multicomponent peptide immunogen. Bukawa *et al.* [1995]

No. 24

MAB ID HyHIV-15

HXB2 Location p17 (87–115)

Author Location p17 (87–115 JMH1)

Epitope SVHQRIDVKDTKEALEKIEEEQNKSKKKA?

Neutralizing L

Immunogen vaccine

Vector/Type: protein HIV component: p17

Gag

Species (Isotype) mouse (IgG1)

References Ota *et al.* 1998; Liu *et al.* 1995

- HyHIV-15: epitope uncertain, based on the best estimate from JMH1 sequence – Ka is 1.4×10^7 M⁻¹ for rec p17 – stains the surface of infected cells indicating the antigen is exposed at the cell surface – inhibited growth of HIV-1 JMH1 in MT-4 cells when added 24 hours after the initial culture. Ota *et al.* [1998]

No. 25

MAB ID 11H9

HXB2 Location p17 (101–115)

Author Location p17 (101–115 SF2)

Epitope LEKIEEEQNKSKKKA?

Neutralizing

Immunogen vaccine

Vector/Type: inactivated HIV Strain: B

clade CBL-1 HIV component: HIV-1

Species (Isotype) mouse (IgG1)

Research Contact R. B. Ferns and R. S. Tedder

References Maksutov *et al.* 2002; Ferns *et al.* 1989; Ferns *et al.* 1987

- 11H9: UK Medical Research Council AIDS reagent: ARP344.
- 11H9: This epitope is similar to a fragment of Lens-epithelium-derived growth factor, DIITEEDKSKKKGQ. Maksutov *et al.* [2002]
- 11H9: Reactive against p18 and p55. Ferns *et al.* [1987]

No. 26

MAb ID 3-H-7 (3H7)

HXB2 Location p17 (113–122)

Author Location p17 (113–122 BH10)

Epitope KKAQQAADT

Neutralizing L

Immunogen vaccine

Strain: B clade IIIB

Species (Isotype) mouse (IgG)

References Levin *et al.* 1997; Robert-Hebmann *et al.* 1992a; Robert-Hebmann *et al.* 1992b; Niedrig *et al.* 1989

- 3-H-7: Called 3H7 – using a bicistronic vector, an intracellular Fab intrabody, 3H7, can inhibit HIV-1 infection when expressed in the cytoplasm of dividing CD4+ T cells – HXBI-II B and SI primary isolate virions from 3H7 expressing cells were far less infectious – 3H7 intrabody acts both at the stage of nuclear import and virus particle assembly. Levin *et al.* [1997]
- 3-H-7: No cross-reactivity with HIV-2 ROD or SIV MAC by immunoblot. Niedrig *et al.* [1989]

No. 27

MAb ID C5126

HXB2 Location p17 (113–122)

Author Location p17 (113–122 HXB2)

Epitope KKAQQAADT

Subtype B

Neutralizing no

Immunogen vaccine

Vector/Type: viral lysate *HIV component:* HIV-1

Species (Isotype) mouse (IgG1κ)

References Hinkula *et al.* 1990

- C5126: Defined epitope by peptide blocking of binding to native protein – WB reactive with p53 and p17. Hinkula *et al.* [1990]

No. 28

MAb ID 1D9

HXB2 Location p17 (119–132)

Author Location p17 (121–134 SF2)

Epitope AAGTGNSSQVSQNY

Neutralizing

Immunogen vaccine

Vector/Type: inactivated HIV *Strain:* B clade CBL-1 *HIV component:* HIV-1

Species (Isotype) mouse (IgG2a)

Research Contact R. B. Ferns and R. S. Tedder

References Ferns *et al.* 1989; Ferns *et al.* 1987

- 1D9: UK Medical Research Council AIDS reagent: ARP316.
- 1D9: Reactive against p18, but not p55. Ferns *et al.* [1987]

No. 29

MAb ID 4C9

HXB2 Location p17 (119–132)

Author Location p18 (121–134 SF2)

Epitope AAGTGNSSQVSQNY

Neutralizing

Immunogen vaccine

Vector/Type: inactivated HIV *Strain:* B clade CBL-1 *HIV component:* HIV-1

Species (Isotype) mouse (IgG2a)

Research Contact R. B. Ferns and R. S. Tedder

References Ferns *et al.* 1989; Ferns *et al.* 1987

- 4C9: UK Medical Research Council AIDS reagent: ARP342.
- 4C9: Reactive against p18, but not p55. Ferns *et al.* [1987]

No. 30

MAb ID 4H2B1

HXB2 Location p17 (119–132)

Author Location p17 (121–134 SF2)

Epitope AAGTGNSSQVSQNY

Neutralizing

Immunogen

Species (Isotype) mouse (IgG1)

Research Contact R. B. Ferns and R. S. Tedder

References Ferns *et al.* 1989; Ferns *et al.* 1987

- 4H2B1: UK Medical Research Council AIDS reagent: ARP315.
- 4H2B1: Reactive against p18 and p55 of multiple isolates. Ferns *et al.* [1987]

No. 31

MAb ID 9G5

HXB2 Location p17 (119–132)

Author Location p17 (121–134 SF2)

Epitope AAGTGNSSQVSQNY

Neutralizing

Immunogen vaccine

Vector/Type: inactivated HIV *Strain:* B clade CBL-1 *HIV component:* HIV-1

Species (Isotype) mouse (IgM)

Research Contact R. B. Ferns and R. S. Tedder

References Ferns *et al.* 1989; Ferns *et al.* 1987

- 9G5: UK Medical Research Council AIDS reagent: ARP343.
- 9G5: Reactive against p18, but not p55. Ferns *et al.* [1987]

No. 32

MAb ID 15-21

HXB2 Location p17 (121–132)

Author Location p17 (121–132 BRU)

Epitope DTGHSSQVSQNY

Neutralizing no

Immunogen vaccine

Strain: B clade BRU

Species (Isotype) mouse (IgG)

References Robert-Hebmann *et al.* 1992a; Robert-Hebmann *et al.* 1992b

No. 33

MAb ID 31-11

HXB2 Location p17 (121–132)

Author Location p17 (121–132 BRU)
Epitope DTGHSSQVSQNY
Neutralizing no
Immunogen vaccine
Strain: B clade BRU
Species (Isotype) mouse (IgG)
References Robert-Hebmann *et al.* 1992a; Robert-Hebmann *et al.* 1992b

No. 34

MAb ID sc-FV p17
HXB2 Location p17 (121–132)
Author Location p17 (121–132 BRU)
Epitope DTGHSSQVSQNY
Neutralizing L
Immunogen vaccine
Strain: B clade BRU
Species (Isotype) mouse (IgG1 κ)
Ab Type C-term
Research Contact Paul Zhou, NIH, Bethesda, MD, USA
References Tewari *et al.* 1998; Robert-Hebmann *et al.* 1992a

- A single chain Ab (sc-FV) was made from an anti-p17 MAb, and intracellular binding of sc-FV resulted in inhibition of viral replication that was more pronounced when the sc-FV was expressed in the cytoplasm instead of the nucleus. Tewari *et al.* [1998]

IV-C-2 Gag p17-p24 Antibodies

No. 35

MAb ID 3A6
HXB2 Location p17-p24 (122–17)
Author Location p24 (122–149 BH10)
Epitope TGHSSQVSQNYPIVQNIQQQMVHQAIISP
Neutralizing no
Immunogen HIV-1 infection
Species (Isotype) human (IgG1 κ)
References Buchacher *et al.* 1994; Buchacher *et al.* 1992

- 3A6: The reactive peptide spans the p17/p24 border of gag. Buchacher *et al.* [1994]
- 3A6: Human MAbs against HIV generated by electrofusion of PBL from HIV-1 positive volunteers with CB-F7 cells. Buchacher *et al.* [1994]

No. 36

MAb ID polyclonal
HXB2 Location p17-p24
Author Location Gag
Epitope
Neutralizing
Immunogen HIV-1 infection
Species (Isotype) human
References Lottersberger *et al.* 2004

- Addition of non-immunogenic side chains (AAAC and CAAA) to both N- and C-termini of synthetic alpha helical peptide sequences of HIV-1 p24 and p17 proteins improved Ab reactivity. As diminishing response to these antigens is a harbinger of progression these peptides may be useful in diagnostic assays. Lottersberger *et al.* [2004]

IV-C-3 Gag p24 Antibodies

No. 37

MAb ID 111/182
HXB2 Location p24 (1–20)
Author Location p24 (134–153 IIIB)
Epitope PIVQNIQQQMVHQAIISPRTL
Neutralizing no
Immunogen vaccine
Vector/Type: beta-galactosidase fusion protein
Strain: B clade IIIB
HIV component: p24 Gag
Species (Isotype) mouse (IgG1)
References Niedrig *et al.* 1991

- 111/182: Test specific evidence of cross-reactivity between HIV-1, HIV-2 and SIV MAC. Niedrig *et al.* [1991]

No. 38

MAb ID 112/021
HXB2 Location p24 (1–20)
Author Location p24 (134–153 IIIB)
Epitope PIVQNIQQQMVHQAIISPRTL
Neutralizing no
Immunogen vaccine
Vector/Type: beta-galactosidase fusion protein
Strain: B clade IIIB
HIV component: p24 Gag
Species (Isotype) mouse (IgG1)
References Niedrig *et al.* 1991

- 112/021: Test specific evidence of cross-reactivity between HIV-1, HIV-2 and SIV MAC. Niedrig *et al.* [1991]

No. 39

MAb ID 112/047
HXB2 Location p24 (1–20)
Author Location p24 (134–153 IIIB)
Epitope PIVQNIQQQMVHQAIISPRTL
Neutralizing no
Immunogen vaccine
Vector/Type: beta-galactosidase fusion protein
Strain: B clade IIIB
HIV component: p24 Gag
Species (Isotype) mouse (IgG1)
References Niedrig *et al.* 1991

- 112/047: Test specific evidence of cross-reactivity between HIV-1, HIV-2 and SIV MAC. Niedrig *et al.* [1991]

No. 40

MAb ID ID8F6
HXB2 Location p24 (11–25)
Author Location p24 (143–157 BRU)
Epitope VHQAIISPRTLNAWVK

Neutralizing no**Immunogen** vaccine*Vector/Type:* inactivated HIV *Strain:* B clade CBL-1 *HIV component:* HIV-1**Species (Isotype)** mouse (IgG1)**Research Contact** R. B. Ferns and R. S. Tedder**References** Ferns *et al.* 1989; Ferns *et al.* 1987

- ID8F6: UK Medical Research Council AIDS reagent: ARP348.
- ID8F6: Reacted with both p55 and p24 – showed less than 75% homologous inhibition. Ferns *et al.* [1987]

No. 41**MAb ID** F5-2**HXB2 Location** p24 (14–23)**Author Location** p24 (14–23 HXB2)**Epitope** AISPRTLNAW**Subtype** B**Neutralizing** no**Immunogen****Species (Isotype)** mouse**References** Kusk *et al.* 1992; Kusk *et al.* 1988

- F5-2: In HIV-1 + individuals, antibody to AISPRTLNAW is associated with CD4 T-cell decline. Kusk *et al.* [1988, 1992]

No. 42**MAb ID** CB-13/5 (CB-mab-p24/13-15)**HXB2 Location** p24 (21–25)**Author Location** p24 (152–156)**Epitope** NAWVK**Neutralizing** no**Immunogen****Species (Isotype)** mouse (IgG1 κ)**References** Glaser & Hausdorf 1996; Kuttner *et al.* 1992; Franke *et al.* 1992; Grunow *et al.* 1990

- CB-13/5: It is not clear whether the MAbs CD-13/5 and CB-mab-p24/13-15 are the same, but from the shared references in the primary articles they seem to be (database note)
- CB-13/5: Epitope described as VHQAISPRTLNAWVK – binding not affected by bound MAb CB-4/1. Glaser & Hausdorf [1996]
- CB-13/5: Inhibits spread of HIV-1 in cell cultures. Franke *et al.* [1992]
- CB-13/5: Called CB-mab-p24/13-15 – the VDJ H and VJ L regions of CB-mab-p24/13-15 were sequenced. Kuttner *et al.* [1992]

No. 43**MAb ID** polyclonal**HXB2 Location** p24 (44–60)**Author Location** p24 (176–192 LAI)**Epitope** SEGATPQDLNLTMLNTVG**Subtype** B**Neutralizing** no**Immunogen** vaccine*Vector/Type:* protein, virus-like particle (VLP)
Strain: B clade LAI *HIV component:* Gag, p17 Gag, p24 Gag *Adjuvant:* Complete Freund's Adjuvant (CFA)**Species (Isotype)** mouse (IgG)**References** Truong *et al.* 1997

- An ELISA assay was used to study a panel of Gag peptides – mature p24 CA epitopes mapped to residues 176-192, 201-218, 233-253, 285-304, and were recognized by antibodies elicited by rp24CA – one p17MA epitope, residues 11-25, and one p24CA epitope, residues 176-192, were recognized by antibodies raised against anti-p55 virus-like particles, suggesting a different antigenic properties for p24CA and p17MA antibodies depending on whether they are produced against the mature soluble protein or the immature assembled form of the gag proteins. Truong *et al.* [1997]

No. 44**MAb ID** 3D3**HXB2 Location** p24 (45–50)**Author Location** p24 (177–182 LAI)**Epitope** EGATPQ**Subtype** B**Neutralizing****Immunogen** vaccine*Vector/Type:* inactivated HIV *Strain:* B clade CBL-1 *HIV component:* HIV-1**Species (Isotype)** mouse (IgG2b)**Research Contact** R. B. Ferns and R. S. Tedder**References** Ferns *et al.* 1989; Ferns *et al.* 1987

- 3D3: UK Medical Research Council AIDS reagent: ARP314.
- 3D3: Most broadly reactive of all the antibodies in this study. Ferns *et al.* [1987]

No. 45**MAb ID** CD-4/1 (CB-4/1/1/F6)**HXB2 Location** p24 (46–56)**Author Location** p24 (182–197)**Epitope** GATPQDLNLTML**Neutralizing** no**Immunogen** vaccine*Vector/Type:* beta-galactosidase fusion protein *HIV component:* p24 Gag**Species (Isotype)** mouse (IgG2a κ)**References** Ehrhard *et al.* 1996; Glaser & Hausdorf 1996; Hohne *et al.* 1993; Franke *et al.* 1992; Grunow *et al.* 1990

- CD-4/1: Modification of p24 lysine residues by maleic anhydrid increased the affinity of CD-4/1, presumably due to conformational changes exposing a cryptic epitope. Ehrhard *et al.* [1996]
- CD-4/1: Unusual p24-MAb binding kinetics, with biphasic association – probably due to conformational changes in p24, not to p24 dimerization. Glaser & Hausdorf [1996]
- CD-4/1: Affinity of CB-4/1 to native p24 is lower than to peptide or denatured p24 – proposed that the peptide binds in a loop conformation. Hohne *et al.* [1993]
- CD-4/1: Inhibits spread of HIV-1 in cell cultures. Franke *et al.* [1992]

No. 46**MAb ID** 15F8C7**HXB2 Location** p24 (47–56)**Author Location** p24 (183–197)**Epitope** ATPQDLNLTML

Neutralizing no**Immunogen** vaccine*Vector/Type:* purified HIV-1**Species (Isotype)** mouse (IgG1)**References** Janvier *et al.* 1992; Janvier *et al.* 1990

- 15F8C7: Mapped to aa209-217 through Pepsan method – cross-reacts with HIV-2 Janvier *et al.* [1990] – maps to aa203-217 through EIA pentadecapeptide Janvier *et al.* [1992]. Janvier *et al.* [1990, 1992]

No. 47**MAb ID** 111/052**HXB2 Location** p24 (51–60)**Author Location** p24 (183–192 IIIB)**Epitope** DLNTMLNTVG**Neutralizing** no**Immunogen** vaccine*Vector/Type:* beta-galactosidase fusion protein *Strain:* B clade IIIB *HIV component:* p24 Gag**Species (Isotype)** mouse (IgG1)**References** Niedrig *et al.* 1991

- 111/052: Weak cross-reaction with HIV-2 on WB, otherwise not cross-reactive with HIV-2 or SIV MAC. Niedrig *et al.* [1991]

No. 48**MAb ID** polyclonal**HXB2 Location** p24 (51–82)**Author Location** Gag (183–214 LAI)**Epitope** DLNTMLNTVGGHQAAMQLKETINEEAAEWDR**Subtype** B**Neutralizing** no**Immunogen** vaccine*Vector/Type:* lipopeptide *Strain:* B clade LAI *HIV component:* p24 Gag *Adjuvant:* QS21**Species (Isotype)** human (IgG)**References** Pialoux *et al.* 2001

- 28 subjects were vaccinated with six HIV-1 peptides that were selected to be particularly rich in CTL epitopes, presented in lipopeptides with or without adjuvant QS21 – HIV-specific Ab responses were detected in 25/28 (89%), proliferative in 19/28 (79%), and CTL in 13/24 (54%) of testable volunteers – only 4/28 had Ab responses to peptide G1, 4/28 had proliferative responses, and no patient had a CTL response. Pialoux *et al.* [2001]

No. 49**MAb ID** 91-5**HXB2 Location** p24 (64–75)**Author Location** p24 (196–207)**Epitope** AAMQLKETINE**Neutralizing** no**Immunogen** HIV-1 infection**Species (Isotype)** human (IgG1 λ)**References** Gorny *et al.* 1998; Robinson *et al.* 1990b; Tyler *et al.* 1990; Gorny *et al.* 1989

- 91-5: NIH AIDS Research and Reference Reagent Program: 1238.

- 91-5: Did not enhance HIV-1 IIIB infection. Robinson *et al.* [1990b]
- 91-5: Synthesized by immortalization of peripheral blood cells with Epstein-Barr virus. Gorny *et al.* [1989]

No. 50**MAb ID** 1109/01**HXB2 Location** p24 (69–86)**Author Location** p24 (201–218 BRU)**Epitope** LKETINEEAAEWDRVHPV**Neutralizing** no**Immunogen** vaccine*Strain:* B clade IIIB *HIV component:* HIV-1**Species (Isotype)** mouse (IgG)**References** Robert-Hebmann *et al.* 1992a; Robert-Hebmann *et al.* 1992b**No.** 51**MAb ID** 14D4E11**HXB2 Location** p24 (69–86)**Author Location** p24 (201–218 BRU)**Epitope** LKETINEEAAEWDRVHPV**Neutralizing** no**Immunogen** vaccine*Vector/Type:* purified HIV-1**Species (Isotype)** mouse (IgG1)**References** Robert-Hebmann *et al.* 1992a; Robert-Hebmann *et al.* 1992b; Janvier *et al.* 1992; Janvier *et al.* 1990

- 14D4E11: Mapped to aa209-217 through Pepsan method (original paper, AAEWDRVHP) – cross-reacts with HIV-2 Janvier *et al.* [1990] and to aa203-217 through EIA pentadecapeptide Janvier *et al.* [1992]. Janvier *et al.* [1990, 1992]

No. 52**MAb ID** 1G5C8**HXB2 Location** p24 (69–86)**Author Location** p24 (201–218 BRU)**Epitope** LKETINEEAAEWDRVHPV**Neutralizing** no**Immunogen** vaccine*Vector/Type:* protein *HIV component:* p24 Gag**Species (Isotype)** mouse (IgG2b)**References** Robert-Hebmann *et al.* 1992a; Robert-Hebmann *et al.* 1992b; Janvier *et al.* 1992; Janvier *et al.* 1990

- 1G5C8: Mapped to aa209-217 through Pepsan method (original paper, AAEWDRVHP) Janvier *et al.* [1990] and to aa203-217 through EIA pentadecapeptide Janvier *et al.* [1992]. Janvier *et al.* [1990, 1992]

No. 53**MAb ID** 47-2**HXB2 Location** p24 (69–86)**Author Location** p24 (201–218 BRU)**Epitope** LKETINEEAAEWDRVHPV**Neutralizing** no**Immunogen** vaccine*Strain:* B clade BRU

- Species (Isotype)** mouse (IgG)
References Robert-Hebmann *et al.* 1992a; Robert-Hebmann *et al.* 1992b
- No.** 54
MAb ID 714/01
HXB2 Location p24 (69–86)
Author Location p24 (201–218 BRU)
Epitope LKETINEEAAEWDVHPV
Neutralizing no
Immunogen vaccine
Strain: B clade IIIB *HIV component:* HIV-1
- Species (Isotype)** mouse (IgG)
References Robert-Hebmann *et al.* 1992a; Robert-Hebmann *et al.* 1992b
- No.** 55
MAb ID polyclonal
HXB2 Location p24 (69–86)
Author Location p24 (201–218 LAI)
Epitope LKETINEEAAEWDVHPV
Subtype B
Neutralizing no
Immunogen vaccine
Vector/Type: protein, virus-like particle (VLP)
Strain: B clade LAI *HIV component:* Gag, p17 Gag, p24 Gag *Adjuvant:* Complete Freund's Adjuvant (CFA)
- Species (Isotype)** mouse
References Truong *et al.* 1997
- An ELISA assay was used to study a panel of Gag peptides – mature p24 CA epitopes mapped to residues 176-192, 201-218, 233-253, 285-304, and were recognized by antibodies elicited by rp24CA – one p17MA epitope, residues 11-25, and one p24CA epitope, residues 176-192, were recognized by antibodies raised against anti-p55 virus-like particles, suggesting a different antigenic properties for p24CA and p17MA antibodies depending on whether they are produced against the mature soluble protein or the immature assembled form of the gag proteins. Truong *et al.* [1997]
- No.** 56
MAb ID 111/073
HXB2 Location p24 (71–81)
Author Location p24 (203–213 IIIB)
Epitope ETINEEAAEWD
Neutralizing no
Immunogen vaccine
Vector/Type: beta-galactosidase fusion protein *Strain:* B clade IIIB *HIV component:* p24 Gag
- Species (Isotype)** mouse (IgG1)
References Niedrig *et al.* 1991
- 111/073: cross-reactive between HIV-1, HIV-2 and SIV MAC by multiple assays. Niedrig *et al.* [1991]
- No.** 57
MAb ID 113/038
HXB2 Location p24 (71–81)
Author Location p24 (203–213 IIIB)
- Epitope** ETINEEAAEWD
Neutralizing no
Immunogen vaccine
Vector/Type: beta-galactosidase fusion protein *Strain:* B clade IIIB *HIV component:* p24 Gag
- Species (Isotype)** mouse (IgG1)
References Niedrig *et al.* 1991
- 113/038: cross-reactive between HIV-1, HIV-2 and SIV MAC by multiple assays. Niedrig *et al.* [1991]
- No.** 58
MAb ID 1-E-4
HXB2 Location p24 (71–85)
Author Location p24 (203–217)
Epitope ETINEEAAEWDVHP
Neutralizing no
Immunogen vaccine
Strain: B clade IIIB *HIV component:* HIV-1
- Species (Isotype)** mouse (IgG)
References Niedrig *et al.* 1989
- 1-E-4: One of nine MAbs that bind to this peptide. Niedrig *et al.* [1989]
- No.** 59
MAb ID 1-E-9
HXB2 Location p24 (71–85)
Author Location p24 (203–217)
Epitope ETINEEAAEWDVHP
Neutralizing no
Immunogen vaccine
Strain: B clade IIIB *HIV component:* HIV-1
- Species (Isotype)** mouse (IgG)
References Niedrig *et al.* 1989
- 1-E-9: One of nine MAbs that bind to this peptide. Niedrig *et al.* [1989]
- No.** 60
MAb ID 10-E-7
HXB2 Location p24 (71–85)
Author Location p24 (203–217)
Epitope ETINEEAAEWDVHP
Neutralizing no
Immunogen vaccine
Strain: B clade IIIB *HIV component:* HIV-1
- Species (Isotype)** mouse (IgG1)
References Niedrig *et al.* 1989; Niedrig *et al.* 1988
- 10-E-7: One of nine MAbs that bind to this peptide – cross-reactive with HIV-2 ROD and SIV MAC. Niedrig *et al.* [1989]
 - 10-E-7: Cross reactive between HIV-1, HIV-2 and SIV. Niedrig *et al.* [1988]
- No.** 61
MAb ID 10-G-9
HXB2 Location p24 (71–85)
Author Location p24 (203–217)
Epitope ETINEEAAEWDVHP
Neutralizing no
Immunogen vaccine
Strain: B clade IIIB *HIV component:* HIV-1

Species (Isotype) mouse (IgG1)

References Niedrig *et al.* 1989; Niedrig *et al.* 1988

- 10-G-9: One of nine MAbs that bind to this peptide. Niedrig *et al.* [1989]
- 10-G-9: HIV-1 specific. Niedrig *et al.* [1988]

No. 62

Mab ID 11-C-5

HXB2 Location p24 (71–85)

Author Location p24 (203–217)

Epitope ETINEEAAEWDVHP

Neutralizing no

Immunogen vaccine

Strain: B clade IIIB *HIV component:* HIV-1

Species (Isotype) mouse (IgG1)

References Niedrig *et al.* 1989; Niedrig *et al.* 1988

- 11-C-5: One of nine MAbs that bind to this peptide. Niedrig *et al.* [1989]
- 11-C-5: HIV-1 specific. Niedrig *et al.* [1988]

No. 63

Mab ID 2-E-4

HXB2 Location p24 (71–85)

Author Location p24 (203–217)

Epitope ETINEEAAEWDVHP

Neutralizing no

Immunogen vaccine

Strain: B clade IIIB *HIV component:* HIV-1

Species (Isotype) mouse (IgG2a)

References Niedrig *et al.* 1989; Niedrig *et al.* 1988

- 2-E-4: One of nine MAbs that bind to this peptide – cross-reactive with HIV-2 ROD. Niedrig *et al.* [1989]
- 2-E-4: Cross reactive between HIV-1, HIV-2 and SIV by ELISA, HIV-1 and HIV-2 by WB. Niedrig *et al.* [1988]

No. 64

Mab ID 2-H-4

HXB2 Location p24 (71–85)

Author Location p24 (203–217)

Epitope ETINEEAAEWDVHP

Neutralizing no

Immunogen vaccine

Strain: B clade IIIB *HIV component:* HIV-1

Species (Isotype) mouse (IgG1)

References Niedrig *et al.* 1989; Niedrig *et al.* 1988

- 2-H-4: One of nine MAbs that bind to this peptide – cross-reactive with HIV-2 ROD. Niedrig *et al.* [1989]
- 2-H-4: Cross reactive between HIV-1, HIV-2 and SIV by ELISA, HIV-1 and HIV-2 by WB. Niedrig *et al.* [1988]

No. 65

Mab ID 8-D-2

HXB2 Location p24 (71–85)

Author Location p24 (203–217)

Epitope ETINEEAAEWDVHP

Neutralizing no

Immunogen vaccine

Strain: B clade IIIB *HIV component:* HIV-1

Species (Isotype) mouse (IgG2a)

References Robert-Hebmann *et al.* 1992a; Robert-Hebmann *et al.* 1992b; Niedrig *et al.* 1989; Niedrig *et al.* 1988

- 8-D-2: One of nine MAbs that bind to this peptide. Niedrig *et al.* [1989]
- 8-D-2: HIV-1 specific. Niedrig *et al.* [1988]

No. 66

Mab ID 8-G-9

HXB2 Location p24 (71–85)

Author Location p24 (203–217)

Epitope ETINEEAAEWDVHP

Neutralizing no

Immunogen vaccine

Strain: B clade IIIB *HIV component:* HIV-1

Species (Isotype) mouse (IgG)

References Niedrig *et al.* 1989

- 8-G-9: One of nine MAbs that bind to this peptide. Niedrig *et al.* [1989]

No. 67

Mab ID 8-H-7

HXB2 Location p24 (71–85)

Author Location p24 (203–217)

Epitope ETINEEAAEWDVHP

Neutralizing no

Immunogen vaccine

Strain: B clade IIIB *HIV component:* HIV-1

Species (Isotype) mouse (IgG3)

References Robert-Hebmann *et al.* 1992a; Robert-Hebmann *et al.* 1992b; Niedrig *et al.* 1989; Niedrig *et al.* 1988

- 8-H-7: One of nine MAbs that bind to this peptide. Niedrig *et al.* [1989]

No. 68

Mab ID C5123

HXB2 Location p24 (71–85)

Author Location p24 (203–217 HXB2)

Epitope ETINEEAAEWDVHP

Subtype B

Neutralizing no

Immunogen vaccine

Vector/Type: viral lysate *HIV component:* HIV-1

Species (Isotype) mouse (IgG1 κ)

References Hinkula *et al.* 1990

- C5123: Epitope defined by peptide blocking of binding to native protein – WB reactive with p53 and p24. Hinkula *et al.* [1990]

No. 69

Mab ID 1-B-7

HXB2 Location p24 (76–85)

Author Location p24 (208–217 BH10)

Epitope EAAEWDVHP

Neutralizing no

Immunogen vaccine

Strain: B clade IIIB

Species (Isotype) mouse (IgG1)

- References** Niedrig *et al.* 1989; Niedrig *et al.* 1988
- 1-B-7: Reacts with two overlapping peptides, region of overlap is given – reacted with HIV-2 and SIV MAC. Niedrig *et al.* [1989]

No. 70

MAb ID 3-B-7

HXB2 Location p24 (76–85)
Author Location p24 (208–217 BH10)

Epitope EAAEWDVHP

Neutralizing no

Immunogen vaccine

Strain: B clade IIIB

Species (Isotype) mouse (IgG1)

References Niedrig *et al.* 1989; Niedrig *et al.* 1988

- 3-B-7: Reacts with two overlapping peptides, region of overlap is given – reacted with HIV-2. Niedrig *et al.* [1989]

No. 71

MAb ID 6-D-12

HXB2 Location p24 (76–85)
Author Location p24 (208–217 BH10)

Epitope EAAEWDVHP

Neutralizing no

Immunogen vaccine

Strain: B clade IIIB

Species (Isotype) mouse (IgG1)

References Niedrig *et al.* 1989; Niedrig *et al.* 1988

- 6-D-12: Reacts with two overlapping peptides, region of overlap is given – reacted with HIV-2. Niedrig *et al.* [1989]

No. 72

MAb ID 6-E-7

HXB2 Location p24 (76–85)
Author Location p24 (208–217 BH10)

Epitope EAAEWDVHP

Neutralizing no

Immunogen vaccine

Strain: B clade IIIB

Species (Isotype) mouse (IgG1)

References Niedrig *et al.* 1989; Niedrig *et al.* 1988

- 6-E-7: Reacts with two overlapping peptides, region of overlap is given – reacted with HIV-2 and SIV MAC. Niedrig *et al.* [1989]

No. 73

MAb ID 8-D-5

HXB2 Location p24 (76–85)
Author Location p24 (208–217 BH10)

Epitope EAAEWDVHP

Neutralizing no

Immunogen vaccine

Strain: B clade IIIB

Species (Isotype) mouse (IgG)

References Niedrig *et al.* 1989; Niedrig *et al.* 1988

- 8-D-5: Reacts with two overlapping peptides, region of overlap is given – bound only HIV-1. Niedrig *et al.* [1989]

No. 74

MAb ID FF1

HXB2 Location p24 (76–90)

Author Location p24 (208–222 HXB2)

Epitope EAAEWDVHPVHAGP

Subtype B

Neutralizing no

Immunogen vaccine

Vector/Type: inactivated HIV

Species (Isotype) mouse (IgG1 κ)

References Hinkula *et al.* 1990

- FF1: Epitope defined by peptide blocking of binding to native protein – WB reactive with p53 and p24. Hinkula *et al.* [1990]

No. 75

MAb ID 113/072

HXB2 Location p24 (81–90)

Author Location p24 (213–222 IIIB)

Epitope DRVHPVHAGP

Neutralizing no

Immunogen vaccine

Vector/Type: beta-galactosidase fusion protein
Strain: B clade IIIB *HIV component:* p24 Gag

Species (Isotype) mouse (IgG1)

References Niedrig *et al.* 1991

- 113/072: Weak cross-reaction with HIV-2 on WB, otherwise not cross-reactive with HIV-2 or SIV MAC. Niedrig *et al.* [1991]

No. 76

MAb ID 25.3

HXB2 Location p24 (82–102)

Author Location p24 (82–102)

Epitope RVHPVHAGPIAPGQMREPRGS

Neutralizing no

Immunogen

Species (Isotype) mouse (IgG1 κ)

References Momany *et al.* 1996

- 25.3: Crystal structure of the CA protein bound to Fab 25.3 was solved – monomers form 7 alpha-helices arranged in a coiled-coil – Fab binds to a long antigenic peptide that separates the longest helices, with a salt bridge at CA 82 R, and interactions as far away as positions 100 and 102. Momany *et al.* [1996]

No. 77

MAb ID 13-102-100

HXB2 Location p24 (84–94)

Author Location p24 (102–112 IIIB)

Epitope HPVHAGPIAPG

Neutralizing

Immunogen

Species (Isotype) mouse (IgG)

Research Contact Advanced Technologies, Inc., Columbia, MD

References Qian & Tomer 1998; Parker *et al.* 1996

- 13-102-100: Affinity capillary electrophoresis was used to fine map this epitope, and the optimal peptide was defined as VHAGPIAPGIAP – this method uses migration time shifts to probe relative affinities of Abs – the antibody binds to the cyclophilin A binding domain. Qian & Tomer [1998]

- 13-102-100: Binding site (HPVHAGPIAPG) defined by epitope footprinting – first binding p24 to MAbs, then allowing proteolytic cleavage to take place to cleave unprotected residues, then performing mass spectrometry to identify protected residues of epitope. Parker *et al.* [1996]

No. 78

MAb ID RL4.72.1

HXB2 Location p24 (87–101)

Author Location p24 (219–233 BRU)

Epitope HAGPIAPGQMREPRG

Neutralizing no

Immunogen vaccine

Vector/Type: inactivated HIV *Strain:* D clade NDK *HIV component:* HIV-1

Species (Isotype) mouse (IgG)

References Robert-Hebmann *et al.* 1992a; Robert-Hebmann *et al.* 1992b; Tatsumi *et al.* 1990

- RL4.72.1: Immunized with inactivated HIV NDK, D clade, reacts with B clade peptide. Robert-Hebmann *et al.* [1992a]

No. 79

MAb ID 406/01

HXB2 Location p24 (101–121)

Author Location p24 (233–253 BRU)

Epitope GSDIAGTTSTLQEIQIGWMTNN

Neutralizing no

Immunogen vaccine

Strain: B clade IIIB

Species (Isotype) mouse (IgG)

References Robert-Hebmann *et al.* 1992a; Robert-Hebmann *et al.* 1992b

No. 80

MAb ID polyclonal

HXB2 Location p24 (101–121)

Author Location p24 (233–253 LAI)

Epitope GSDIAGTTSTLQEIQIGWMTNL

Subtype B

Neutralizing no

Immunogen vaccine

Vector/Type: protein, virus-like particle (VLP)
Strain: B clade LAI *HIV component:* Gag, p17 Gag, p24 Gag *Adjuvant:* Complete Freund's Adjuvant (CFA)

Species (Isotype) mouse

References Truong *et al.* 1997

- An ELISA assay was used to study a panel of Gag peptides – mature p24 CA epitopes mapped to residues 176-192, 201-218, 233-253, 285-304, and were recognized by antibodies elicited by rp24CA – one p17MA epitope, residues 11-25, and one p24CA epitope, residues 176-192, were recognized by antibodies raised against anti-p55 virus-like particles, suggesting a different antigenic properties for p24CA and p17MA antibodies depending on whether they are produced against the mature soluble protein or the immature assembled form of the gag proteins. Truong *et al.* [1997]

No. 81

MAb ID 38:9.6K (38:96K)

HXB2 Location p24 (121–130)

Author Location p24 (253–262 HXB2)

Epitope NPPIPVGEIY

Subtype B

Neutralizing no

Immunogen vaccine

Vector/Type: protein *HIV component:* p24-p15 Gag

Species (Isotype) mouse (IgG1κ)

References Hinkula *et al.* 1990

- 38:9.6K: UK Medical Research Council AIDS reagent: ARP365.
- 38:9.6K: Called 38:96K – epitope defined by peptide blocking of binding to native protein – WB reactive with p53 and p24. Hinkula *et al.* [1990]

No. 82

MAb ID EB1A9

HXB2 Location p24 (121–135)

Author Location p24 (253–267 LAI)

Epitope NPPIPVGEIYKRWII

Subtype B

Neutralizing

Immunogen vaccine

Vector/Type: inactivated HIV *Strain:* B clade CBL-1 *HIV component:* HIV-1

Species (Isotype) mouse (IgG1)

Research Contact R. B. Ferns and R. S. Tedder

References Ferns *et al.* 1989; Ferns *et al.* 1987

- EB1A9: UK Medical Research Council AIDS reagent: ARP345.
- EB1A9: Reacted with both p55 and p24 – showed less than 75% homologous inhibition. Ferns *et al.* [1987]

No. 83

MAb ID polyclonal

HXB2 Location p24 (121–152)

Author Location Gag (253–284 LAI)

Epitope NPPIPVGEIYKRWIILGLNKIVRMYSPSILD

Subtype B

Neutralizing no

Immunogen vaccine

Vector/Type: lipopeptide *Strain:* B clade LAI *HIV component:* p24 Gag *Adjuvant:* QS21

Species (Isotype) human (IgG)

References Pialoux *et al.* 2001

- 28 subjects were vaccinated with six HIV-1 peptides that were selected to be particularly rich in CTL epitopes, presented in lipopeptides with or without adjuvant QS21 – HIV-specific Ab responses were detected in 25/28 (89%), proliferative in 19/28 (79%), and CTL in 13/24 (54%) of testable volunteers – 25/28 had Ab responses to peptide G2, 14/28 had proliferative responses, and CTL responses were detected. Pialoux *et al.* [2001]

No. 84

MAb ID 30:3E5

HXB2 Location p24 (141–170)

Author Location p24 (273–302 HXB2)

Epitope IVRMYSPSILDIRQGPKEPFRDYVDRFYK
Subtype B
Neutralizing
Immunogen vaccine
Vector/Type: protein *HIV component:* p24-p15 Gag
Species (Isotype) mouse (IgG1λ)
Research Contact B. Wahren
References Hinkula *et al.* 1990

- 30:3E5: UK Medical Research Council AIDS reagent: ARP367.
- 30:3E5: Epitope defined by peptide blocking of binding to native protein – WB reactive with p53 and p24. Hinkula *et al.* [1990]

No. 85
MAb ID EF7
HXB2 Location p24 (141–170)
Author Location p24 (273–302 HXB2)
Epitope IVRMYSPSILDIRQGPKEPFRDYVDRFYK
Subtype B
Neutralizing
Immunogen vaccine
Vector/Type: protein *HIV component:* p24-p15 Gag
Species (Isotype) mouse (IgG1κ)
References Lundin *et al.* 1996; Hinkula *et al.* 1990

- EF7: UK Medical Research Council AIDS reagent: ARP366.
- EF7: Included as a control. Lundin *et al.* [1996]
- EF7: Epitope defined by peptide blocking of binding to native protein – WB reactive with p53. Hinkula *et al.* [1990]

No. 86
MAb ID LH-104-E
HXB2 Location p24 (143–148)
Author Location p24 (275–280 BRU)
Epitope RMYSP
Neutralizing no
Immunogen vaccine
Vector/Type: peptide *Strain:* B clade BRU
Species (Isotype) mouse (IgG1κ)
References Haaheim *et al.* 1991

- LH-104-E: UK Medical Research Council AIDS reagent: ARP319.
- LH-104-E: Reacts with both p24 and p55. Haaheim *et al.* [1991]

No. 87
MAb ID 1B2C12
HXB2 Location p24 (149–154)
Author Location p24 (273–292 IIIB)
Epitope SILDIR
Neutralizing no
Immunogen vaccine
Vector/Type: purified HIV-1
Species (Isotype) mouse (IgG1)
References Janvier *et al.* 1992; Janvier *et al.* 1990

- 1B2C12: Reacts with HIV-1 and HIV-2– mapped to aa281-286 through Pepscan method Janvier *et al.* [1990], and to aa273-292 through EIA pentadecapeptide method Janvier *et al.* [1992]. Janvier *et al.* [1990, 1992]

No. 88
MAb ID LH-104-K
HXB2 Location p24 (149–154)
Author Location p24 (281–286 BRU)
Epitope SILDIR
Neutralizing no
Immunogen vaccine
Vector/Type: peptide *Strain:* B clade BRU
Species (Isotype) mouse (IgG1κ)
References Haaheim *et al.* 1991

- LH-104-K: UK Medical Research Council AIDS reagent: ARP322.
- LH-104-K: Binds exclusively with p24 (not p55) Haaheim *et al.* [1991]

No. 89
MAb ID LH-104-A
HXB2 Location p24 (152–157)
Author Location p24 (BRU)
Epitope DIRQGP+QGVGGP
Neutralizing no
Immunogen vaccine
Vector/Type: peptide *HIV component:* p24 Gag
Species (Isotype) mouse (IgG1κ)
References Haaheim *et al.* 1991

- LH-104-A: UK Medical Research Council AIDS reagent: ARP307.
- LF-104-A: A 104 amino acid peptide was used to immunize mice – hexapeptide scans revealed two reactive p24 peptides – cross-competition studies indicated the region 270-286. Haaheim *et al.* [1991]

No. 90
MAb ID 1.17.3
HXB2 Location p24 (152–172)
Author Location p24 (152–172 SIVmac)
Epitope CVKQGPKEPFQSYVDRFYKSL
Neutralizing no
Immunogen vaccine
Vector/Type: inactivated HIV *Strain:* B clade AGM TYO-7 *HIV component:* HIV-1
Species (Isotype) mouse (IgG1)
References Otteken *et al.* 1992

- 1.17.3: Recognized an epitope present on HIV-2/SIVmac (MAC251/32H) and HIV-2smmH4, but not SIVagmTYO-1, HIV-1 IIIB or SIVmnd. Otteken *et al.* [1992]

No. 91
MAb ID 1A7
HXB2 Location p24 (152–172)
Author Location p24 (152–172 SIVmac)
Epitope CVKQGPKEPFQSYVDRFYKSL
Neutralizing no
Immunogen vaccine

Vector/Type: inactivated HIV *Strain:* B clade AGM TYO-7 *HIV component:* HIV-1
Species (Isotype) mouse (IgG1)

References Otteken *et al.* 1992

- 1A7: Recognized an epitope present on HIV-2/SIVmac (MAC251/32H) and HIV-2smmH4, but not SIVagmTYO-1, HIV-1 IIIB or SIVmnd. Otteken *et al.* [1992]

No. 92

MAb ID 1F6

HXB2 Location p24 (152–172)

Author Location p24 (152–172 SIVmac)

Epitope CVKQGPKEPFQSYVDRFYKSL

Neutralizing no

Immunogen vaccine

Vector/Type: inactivated HIV *Strain:* B clade AGM TYO-7 *HIV component:* HIV-1

Species (Isotype) mouse (IgG1)

References Otteken *et al.* 1992

- 1F6: Recognized an epitope present on HIV-2/SIVmac (MAC251/32H) and HIV-2smmH4, but not SIVagmTYO-1, HIV-1 IIIB or SIVmnd. Otteken *et al.* [1992]

No. 93

MAb ID 23A5G4

HXB2 Location p24 (153–172)

Author Location p24 (285–304 IIIB)

Epitope IRQGPKEPFRDYVDRFYKTL

Neutralizing no

Immunogen vaccine

Vector/Type: protein *HIV component:* p24 Gag

Species (Isotype) mouse (IgG1)

References Janvier *et al.* 1996; Janvier *et al.* 1992; Janvier *et al.* 1990

- 23A5G4: A few sera which were able to bind the linear sequence 178–192, but not sequence 288–302 in an indirect peptide ELISA inhibited the binding of 23A5G4 to the native p24. Janvier *et al.* [1996]
- 23A5G4: Mapped to aa209–217 through Pepsan method Janvier *et al.* [1990] and to aa285–304 through EIA pentadecapeptide method Janvier *et al.* [1992]. Janvier *et al.* [1990, 1992]

No. 94

MAb ID 23A5G5

HXB2 Location p24 (153–172)

Author Location p24 (285–304 BRU)

Epitope IRQGPKEPFRDYVDRFYKTL

Neutralizing no

Immunogen vaccine

Vector/Type: protein *Strain:* B clade IIIB *HIV component:* p24 Gag

Species (Isotype) mouse (IgG)

References Robert-Hebmann *et al.* 1992a; Robert-Hebmann *et al.* 1992b

No. 95

MAb ID 3D10G6

HXB2 Location p24 (153–172)

Author Location p24 (285–304 IIIB)

Epitope IRQGPKEPFRDYVDRFYKTL

Neutralizing no

Immunogen vaccine

Vector/Type: purified HIV-1

Species (Isotype) mouse (IgG1)

References Janvier *et al.* 1992; Janvier *et al.* 1990

- 3D10G6: Epitope cross-reacts with HIV-1 and HIV-2– mapped to aa260–267 through Pepsan method Janvier *et al.* [1990] and to aa285–304 through EIA pentadecapeptide method. Janvier *et al.* [1990, 1992]

No. 96

MAb ID polyclonal

HXB2 Location p24 (153–172)

Author Location p24 (285–304 LAI)

Epitope IRQGPKEPFRDYVDRFYKTL

Subtype B

Neutralizing no

Immunogen vaccine

Vector/Type: protein, virus-like particle (VLP)

Strain: B clade LAI *HIV component:* Gag,

p17 Gag, p24 Gag *Adjuvant:* Complete

Freund's Adjuvant (CFA)

Species (Isotype) mouse

References Truong *et al.* 1997

- An ELISA assay was used to study a panel of Gag peptides – mature p24 CA epitopes mapped to residues 176–192, 201–218, 233–253, 285–304, and were recognized by antibodies elicited by rp24CA – one p17MA epitope, residues 11–25, and one p24CA epitope, residues 176–192, were recognized by antibodies raised against anti-p55 virus-like particles, suggesting a different antigenic properties for p24CA and p17MA antibodies depending on whether they are produced against the mature soluble protein or the immature assembled form of the gag proteins. Truong *et al.* [1997]

No. 97

MAb ID F5-4

HXB2 Location p24 (153–175)

Author Location p24 (153–174 HXB2)

Epitope IRQGPKEPFRDYVDRFYKTLRAE

Subtype B

Neutralizing no

Immunogen

Species (Isotype) mouse

References Kusk *et al.* 1992; Kusk *et al.* 1988

- F5-4: Binds to a location in the most hydrophilic region of p24. Kusk *et al.* [1988, 1992]

No. 98

MAb ID MO9.42.2

HXB2 Location p24 (153–178)

Author Location p24 (285–310 BRU)

Epitope IRQGPKEPFRDYVDRFYKTLRAEQAS

Neutralizing no

Immunogen vaccine

Vector/Type: virus *Strain:* HIV-2 ROD

HIV component: HIV-1

Species (Isotype) mouse (IgG)

- References** Robert-Hebmann *et al.* 1992a; Robert-Hebmann *et al.* 1992b
- MO9.42.2: Reacts with HIV-1s, HIV-2s, and SIVs in rec protein ELISA. Robert-Hebmann *et al.* [1992b]

No. 99

MAb ID MO9.50.2

HXB2 Location p24 (153–178)

Author Location p24 (285–310 BRU)

Epitope IRQGPKEPFRDYVDRFYKTLRAEQAS

Neutralizing no

Immunogen vaccine

Strain: HIV-2 ROD

Species (Isotype) mouse (IgG)

References Robert-Hebmann *et al.* 1992a; Robert-Hebmann *et al.* 1992b

- MO9.50.2: Reacts with HIV-1s, HIV-2s, and SIVs in rec protein ELISA. Robert-Hebmann *et al.* [1992b]

No. 100

MAb ID V10

HXB2 Location p24 (155–169)

Author Location p24 (289–303 IIIB)

Epitope QGPKEPFRDYVDRFY

Neutralizing no

Immunogen virus

Species (Isotype) mouse

References Matsuo *et al.* 1992

- V10: Reacts with HIV-1 and SIV AGM analogous peptides. Matsuo *et al.* [1992]

No. 101

MAb ID V107

HXB2 Location p24 (155–177)

Author Location p24 (289–311 IIIB)

Epitope QGPKEPFRDYVDRFYKTLRAEQA

Neutralizing no

Immunogen virus

Species (Isotype) mouse

References Matsuo *et al.* 1992

- V107: Reacts with FIV, HIV-1 and SIV AGM analogous peptides. Matsuo *et al.* [1992]

No. 102

MAb ID LH-104-C

HXB2 Location p24 (156–161)

Author Location p24 (BRU)

Epitope GPKEPF+QGVGGP

Neutralizing no

Immunogen vaccine

Vector/Type: peptide *HIV component:* p24 Gag

Species (Isotype) mouse (IgG3 κ)

References Haaheim *et al.* 1991

- LH-104-C: UK Medical Research Council AIDS reagent: ARP309.
- LF-104-C: A 104 amino acid peptide was used to immunize mice – hexapeptide scans revealed two reactive p24 peptides – cross-competition studies indicated the region 351–373. Haaheim *et al.* [1991]

No. 103

MAb ID 12-B-4

HXB2 Location p24 (161–170)

Author Location p24 (293–302 IIIB)

Epitope FRDYVDRFYK

Neutralizing no

Immunogen vaccine

Strain: B clade IIIB *HIV component:* HIV-1

Species (Isotype) mouse (IgG1)

References Niedrig *et al.* 1989; Niedrig *et al.* 1988

- 12-B-4: Epitope is defined as the overlap between two HIV-1 reactive peptides – cross-reacts with HIV-2 ROD and SIV MAC. Niedrig *et al.* [1988, 1989]

No. 104

MAb ID C5122

HXB2 Location p24 (161–170)

Author Location p24 (293–302 HXB2)

Epitope FRDYVDRFYK

Subtype B

Neutralizing no

Immunogen vaccine

Vector/Type: viral lysate *HIV component:* HIV-1

Species (Isotype) mouse (IgG1 κ)

References Hinkula *et al.* 1990

- C5122: Defined by peptide blocking of binding to native protein – WB reactive with p53 and p24. Hinkula *et al.* [1990]

No. 105

MAb ID 9A4C4

HXB2 Location p24 (170–188)

Author Location p24 (303–317 IIIB)

Epitope KTLRAEQASQEVKNWMTET

Neutralizing no

Immunogen vaccine

Vector/Type: protein *Strain:* B clade IIIB *HIV component:* p24 Gag

Species (Isotype) mouse (IgG1)

References Robert-Hebmann *et al.* 1992a; Robert-Hebmann *et al.* 1992b; Janvier *et al.* 1992; Janvier *et al.* 1990

- 9A4C4: Mapped to aa260–267 through Pepsan method Janvier *et al.* [1990] – and to aa303–317 through EIA pentadecapeptide method Janvier *et al.* [1992]. Janvier *et al.* [1990, 1992]

No. 106

MAb ID 11C10B10

HXB2 Location p24 (171–185)

Author Location p24 (303–317 IIIB)

Epitope TLRAEQASQEVKNWM

Neutralizing no

Immunogen vaccine

Vector/Type: protein *HIV component:* p24 Gag

Species (Isotype) mouse (IgG1)

References Janvier *et al.* 1992; Janvier *et al.* 1990

- 11C10B10: Mapped to aa260-267 through Pepsican method Janvier *et al.* [1990] and to aa303-317 through EIA pentadecapeptide method Janvier *et al.* [1992]. Janvier *et al.* [1990, 1992]

No. 107

MAb ID 11D11F2

HXB2 Location p24 (171–185)

Author Location p24 (303–317 IIIB)

Epitope TLRAEQASQEVKNWM

Neutralizing no

Immunogen vaccine

Vector/Type: protein *HIV component:* p24 Gag

Species (Isotype) mouse (IgG1)

References Janvier *et al.* 1992; Janvier *et al.* 1990

- 11D11F2: Mapped to aa260-267 through Pepsican method Janvier *et al.* [1990] and to aa303-317 through EIA pentadecapeptide method Janvier *et al.* [1992]. Janvier *et al.* [1990, 1992]

No. 108

MAb ID CD12B4

HXB2 Location p24 (171–185)

Author Location p24 (303–317 LAI)

Epitope TLRAEQASQEVKNWM

Subtype B

Neutralizing

Immunogen vaccine

Vector/Type: inactivated HIV *Strain:* B clade CBL-1 *HIV component:* HIV-1

Species (Isotype) mouse (IgG1)

Research Contact R. B. Ferns and R. S. Tedder

References Ferns *et al.* 1989; Ferns *et al.* 1987

- CD12B4: UK Medical Research Council AIDS reagent: ARP346.
- CD12B4: Reacted with both p55 and p24 – strain-specific binding. Ferns *et al.* [1987]

No. 109

MAb ID BE3

HXB2 Location p24 (176–190)

Author Location p24 (308–322 HXB2)

Epitope QASQEVKNWMTETLL

Subtype B

Neutralizing no

Immunogen vaccine

Vector/Type: protein *HIV component:* p24-p15 Gag

Species (Isotype) mouse (IgG1 κ)

Research Contact B. Wahren

References Hinkula *et al.* 1990

- BE3: UK Medical Research Council AIDS reagent: ARP368.
- BE3: Defined by peptide blocking of binding to native protein – WB reactive with p53 and p24. Hinkula *et al.* [1990]

No. 110

MAb ID L14

HXB2 Location p24 (176–190)

Author Location p24 (308–322 HXB2)

Epitope QASQEVKNWMTETLL

Subtype B

Neutralizing no

Immunogen vaccine

Vector/Type: protein *HIV component:* p24-p15 Gag

Species (Isotype) mouse (IgG1 κ)

Research Contact B. Wahren

References Hinkula *et al.* 1990

- L14: UK Medical Research Council AIDS reagent: ARP369.
- L14: Defined by peptide blocking of binding to native protein – WB reactive with p53 and p24. Hinkula *et al.* [1990]

No. 111

MAb ID 108/03

HXB2 Location p24 (181–190)

Author Location p24 (313–322 IIIB)

Epitope VKNWMTETLL

Neutralizing no

Immunogen vaccine

Vector/Type: beta-galactosidase fusion protein *Strain:* B clade IIIB *HIV component:* p24 Gag

Species (Isotype) mouse (IgG1)

References Niedrig *et al.* 1991

- 108/03: Cross-reactive between HIV-1, HIV-2 and SIV MAC by multiple tests. Niedrig *et al.* [1991]

No. 112

MAb ID 110/015

HXB2 Location p24 (181–190)

Author Location p24 (313–322 IIIB)

Epitope VKNWMTETLL

Neutralizing no

Immunogen vaccine

Vector/Type: beta-galactosidase fusion protein *Strain:* B clade IIIB *HIV component:* p24 Gag

Species (Isotype) mouse (IgG1)

References Niedrig *et al.* 1991

- 110/015: Cross-reactive between HIV-1, HIV-2 and SIV MAC by multiple tests. Niedrig *et al.* [1991]

No. 113

MAb ID 32:32K

HXB2 Location p24 (199–222)

Author Location p24 (331–354 HXB2)

Epitope KTIKALGPAATLEEMMTACQGVG

Subtype B

Neutralizing

Immunogen vaccine

Vector/Type: protein *HIV component:* p24-p15 Gag

Species (Isotype) mouse (IgG1 λ)

References Hinkula *et al.* 1990

- 32:32K: UK Medical Research Council AIDS reagent: ARP368.
- 32:32K: Epitope defined by peptide blocking of binding to native protein – WB reactive with p53 and p24. Hinkula *et al.* [1990]

No. 114
MAb ID C5200
HXB2 Location p24 (199–222)
Author Location p24 (331–354 HXB2)
Epitope KTILKALGPAATLEEMMTACQGVG
Subtype B
Neutralizing
Immunogen vaccine
Vector/Type: viral lysate
Species (Isotype) mouse (IgG1κ)
References Hinkula *et al.* 1990
 • C5200: Epitope defined by peptide blocking of binding to native protein. Hinkula *et al.* [1990]

No. 115
MAb ID FH2
HXB2 Location p24 (201–215)
Author Location p24 (333–347 HXB2)
Epitope ILKALGPAATLEEMM
Subtype B
Neutralizing no
Immunogen vaccine
Vector/Type: protein *HIV component:* p24-p15 Gag
Species (Isotype) mouse (IgG1κ)
References Hinkula *et al.* 1990
 • FH2: Defined by peptide blocking of binding to native protein – WB reactive with p53 and p24. Hinkula *et al.* [1990]

No. 116
MAb ID 13B5
HXB2 Location p24 (205–214)
Author Location p24 (205–213)
Epitope LGPAATLEEM
Neutralizing
Immunogen vaccine
Vector/Type: protein *HIV component:* p24 Gag
Species (Isotype) mouse
Ab Type C-term
Research Contact bioMerieux
References Berthet-Colominas *et al.* 1999
 • 13B5: Fab which was bound to p24 capsid for crystallization and study of p24's structure. Berthet-Colominas *et al.* [1999]

No. 117
MAb ID 106/01
HXB2 Location p24 (211–230)
Author Location p24 (343–362 IIIB)
Epitope LEEMMTACQGVGGPGHKARV
Neutralizing no
Immunogen vaccine
Vector/Type: beta-galactosidase fusion protein *Strain:* B clade IIIB *HIV component:* p24 Gag
Species (Isotype) mouse (IgG1)
References Niedrig *et al.* 1991
 • 106/01: Cross-reactive between HIV-1, HIV-2 and SIV MAC by multiple tests. Niedrig *et al.* [1991]

No. 118
MAb ID LH-104-B
HXB2 Location p24 (225–230)
Author Location p24 (357–362 BRU)
Epitope GHKARV
Neutralizing no
Immunogen vaccine
Vector/Type: peptide *Strain:* B clade BRU
Species (Isotype) mouse (IgG1κ)
References Haaheim *et al.* 1991
 • LH-104-B: UK Medical Research Council AIDS reagent: ARP308.
 • LH-104-B: Binds exclusively with p55 (not p24), in contrast to LH-104-I. Haaheim *et al.* [1991]

No. 119
MAb ID LH-104-I
HXB2 Location p24 (226–231)
Author Location p24 (358–363 BRU)
Epitope HKARVL
Neutralizing no
Immunogen vaccine
Vector/Type: peptide *Strain:* B clade BRU
Species (Isotype) mouse (IgG1κ)
References Haaheim *et al.* 1991
 • LH-104-I: UK Medical Research Council AIDS reagent: ARP321.
 • LH-104-I: Binds exclusively with p24 (not p55), in contrast to LH-104-B. Haaheim *et al.* [1991]

IV-C-4 Gag p24-p2p7p1p6 Antibodies

No. 120
MAb ID LH-104-G
HXB2 Location p24-p2p7p1p6 (231–5)
Author Location p24 (363–368 BRU)
Epitope LAEAMS
Neutralizing no
Immunogen vaccine
Vector/Type: peptide *Strain:* B clade BRU
Species (Isotype) mouse (IgG1κ)
References Haaheim *et al.* 1991
 • LH-104-G: This epitope overlaps the p24-p2 cleavage site, database note.
 • LH-104-G: UK Medical Research Council AIDS reagent: ARP320.
 • LH-104-G: Reacts with both p24 and p55, in contrast to LH-104-I. Haaheim *et al.* [1991]

IV-C-5 Gag p2p7p1p6 Antibodies

No. 121
MAb ID i5B11
HXB2 Location p2p7p1p6 (19–28)
Author Location p7 (5–14)
Epitope NFRNQRKIVK
Neutralizing no
Immunogen vaccine
Vector/Type: protein *HIV component:* p7 Gag
Species (Isotype) rat (IgG2a)
References Tanchou *et al.* 1995; Tanchou *et al.* 1994; Otake *et al.* 1994

- i5B11: i5B11 and 15B11 may be two names for the same MAb.
- i5B11: MAb reacts with NCp7, NCp15, and partially inhibits NCp7-tRNA interaction. Tanchou *et al.* [1995]
- i5B11: Epitope mapped by ELISA and BIAcore – inhibits NCp7 primer tRNA binding. Tanchou *et al.* [1994]

No. 122
MAb ID EC6
HXB2 Location p2p7p1p6 (45–54)
Author Location p15 (408–417 HXB2)
Epitope PRKKGCKWCCG
Subtype B
Neutralizing no
Immunogen vaccine
Vector/Type: protein *HIV component:* p24-p15 Gag
Species (Isotype) mouse (IgG2a κ)
References Hinkula *et al.* 1990

- EC6: Epitope defined by peptide blocking of binding to native protein – WB reactive with p53. Hinkula *et al.* [1990]

No. 123
MAb ID M12
HXB2 Location p2p7p1p6 (45–54)
Author Location p15 (408–417 HXB2)
Epitope PRKKGCKWCCG
Subtype B
Neutralizing no
Immunogen vaccine
Vector/Type: protein *HIV component:* p24-p15 Gag
Species (Isotype) mouse (IgG1 κ)
References Hinkula *et al.* 1990

- M12: There is a p15 and a gp120 MAb both called M12.
- M12: Epitope defined by peptide blocking of binding to native protein – WB reactive with p53. Hinkula *et al.* [1990]

No. 124
MAb ID DG8
HXB2 Location p2p7p1p6 (66–81)
Author Location p7 (52–67)
Epitope RQANFLGKIWPSYKGR
Neutralizing
Immunogen vaccine
Vector/Type: protein *HIV component:* p7 Gag

Species (Isotype) mouse
References Tanchou *et al.* 1995

- DG8: Binds proximal to the second zinc-finger, inhibits NCp7-tRNA interaction. Tanchou *et al.* [1995]

No. 125
MAb ID EB5
HXB2 Location p2p7p1p6 (66–81)
Author Location p7 (52–67)
Epitope RQANFLGKIWPSYKGR
Neutralizing
Immunogen vaccine
Vector/Type: protein *HIV component:* p7 Gag
Species (Isotype) mouse
References Tanchou *et al.* 1995

- EB5: Binds proximal to the second zinc-finger – mutation at position 59 (Lys to Ser) results in 10-fold reduction in reactivity. Tanchou *et al.* [1995]

No. 126
MAb ID HH3
HXB2 Location p2p7p1p6 (66–81)
Author Location p7 (52–67)
Epitope RQANFLGKIWPSYKGR
Neutralizing no
Immunogen vaccine
Vector/Type: protein *HIV component:* p7 Gag
Species (Isotype) mouse (IgG2b)
References Tanchou *et al.* 1995; Tanchou *et al.* 1994

- HH3: Binds proximal to the second zinc-finger. Tanchou *et al.* [1995]
- HH3: Epitopes mapped by ELISA and BIAcore – does not inhibit NCp7 primer tRNA binding. Tanchou *et al.* [1994]

No. 127
MAb ID AD2
HXB2 Location p2p7p1p6 (78–86)
Author Location p7 (64–72)
Epitope YKGRPGNFL
Neutralizing no
Immunogen vaccine
Vector/Type: protein *HIV component:* p7 Gag

Species (Isotype) mouse (IgG)
References Tanchou *et al.* 1995

- AD2: Binds at C term of NCp7. Tanchou *et al.* [1995]

No. 128
MAb ID CA5
HXB2 Location p2p7p1p6 (78–86)
Author Location p7 (64–72)
Epitope YKGRPGNFL
Neutralizing no
Immunogen vaccine
Vector/Type: protein *HIV component:* p7 Gag
Species (Isotype) mouse (IgG)
References Tanchou *et al.* 1995

- CA5: Binds at C term of NCp7. Tanchou *et al.* [1995]

No. 129
MAb ID DF3
HXB2 Location p2p7p1p6 (78–86)
Author Location p7 (64–72)
Epitope YKGRPGNFL
Neutralizing no
Immunogen vaccine
Vector/Type: protein *HIV component:* p7
 Gag
Species (Isotype) mouse (IgG)
References Tanchou *et al.* 1995
 • DF3: Binds at C term of NCp7. Tanchou *et al.* [1995]

No. 130
MAb ID EC3
HXB2 Location p2p7p1p6 (78–86)
Author Location p7 (64–72)
Epitope YKGRPGNFL
Neutralizing no
Immunogen vaccine
Vector/Type: protein *HIV component:* p7
 Gag
Species (Isotype) mouse (IgG)
References Tanchou *et al.* 1995
 • EC3: Binds at C term of NCp7. Tanchou *et al.* [1995]

No. 131
MAb ID FC12
HXB2 Location p2p7p1p6 (78–86)
Author Location p7 (64–72)
Epitope YKGRPGNFL
Neutralizing no
Immunogen vaccine
Vector/Type: protein *HIV component:* p7
 Gag
Species (Isotype) mouse (IgG)
References Tanchou *et al.* 1995
 • FC12: Binds at C term of NCp7, reacts with NCp15, inhibits NCp7-tRNA interaction. Tanchou *et al.* [1995]

No. 132
MAb ID GE4
HXB2 Location p2p7p1p6 (78–86)
Author Location p7 (64–72)
Epitope YKGRPGNFL
Neutralizing no
Immunogen vaccine
Vector/Type: protein *HIV component:* p7
 Gag
Species (Isotype) mouse (IgG)
References Tanchou *et al.* 1995
 • GE4: Binds at C term of NCp7. Tanchou *et al.* [1995]

No. 133
MAb ID JB7
HXB2 Location p2p7p1p6 (78–86)
Author Location p7 (64–72)
Epitope YKGRPGNFL

Neutralizing no
Immunogen vaccine
Vector/Type: protein *HIV component:* p7
 Gag

Species (Isotype) mouse (IgG)

References Tanchou *et al.* 1995

- JB7: Binds at C term of NCp7. Tanchou *et al.* [1995]

No. 134
MAb ID JF11
HXB2 Location p2p7p1p6 (78–86)
Author Location p7 (64–72)
Epitope YKGRPGNFL
Neutralizing no
Immunogen vaccine
Vector/Type: protein *HIV component:* p7
 Gag
Species (Isotype) mouse (IgG1)
References Tanchou *et al.* 1995; Tanchou *et al.* 1994
 • JF11: Binds at C term of NCp7. Tanchou *et al.* [1995]
 • JF11: Epitopes mapped by ELISA and BIAcore – does not inhibit NCp7 primer tRNA binding. Tanchou *et al.* [1994]

IV-C-6 Gag Antibodies

No. 135
MAb ID polyclonal
HXB2 Location Gag (24–34)
Author Location Gag
Epitope GKTHYMINPL
Neutralizing
Immunogen vaccine
Vector/Type: peptide *HIV component:* Env,
 Gag, Nef, Pol
Species (Isotype) rabbit
References Li *et al.* 2005
Keywords mimics

- In early HIV-1 infection, patients develop autoimmune thrombocytopenia, with Ab directed against beta3 integrin, GPIIIa49-66. Panning with a 7-mer phage display library using rabbit anti-GPIIIa49-66 (CAPESIEFPVSEARVLED), the immunodominant epitope of the identified potential molecular mimicry epitopes with HIV-1 Env (sklFDeGLFn, elfnkTIIFP), Pol (geAPEFPskq), Gag (gktHyMINPI) and Nef (qeeeeVgFPVt, qeeeeVgFPVt, edeGigFPVr, fkLVPVSEae, ssnTPTTNa) proteins. Pools of these peptides elicited Ab in rabbits that induce platelet oxidation in vitro and thrombocytopenia in vivo upon passive transfer. Nef (qeeeeVgFPVt), Gag (gktHyMINPI), and Nef (fkLVPVSEae) all overlap with known HIV-1 epitopes. Li *et al.* [2005] (**mimics**)

No. 136
MAb ID 16/4/2
HXB2 Location Gag
Author Location p24
Epitope
Neutralizing no
Immunogen vaccine

Vector/Type: DNA with CMV promotor, DNA with CMV/MCK hybrid promotor, DNA with MCK promotor

Species (Isotype)

References Bojak *et al.* 2002a

- 16/4/2: The ability of three different promoters to induce Gag specific immune responses was compared. The cytomegalovirus (CMV) early gene promoter, which allows constitutive expression in different cells of host tissue, the tissue specific muscle creatine kinase (MCK) promoter, which may be restricted to differentiated, multinucleated myofibers and so safer, and a hybrid MCK/CMV promoter – intramuscular immunization of BALB/c mice utilizing the MCK promoter in combination with a codon optimized gag gene generated humoral (IgG1 (Th1) and IgG2a (Th2)) and CTL immune responses against HIV-1 Gag, however, the quantified immune parameters were clearly reduced as compared to CMV promotor-driven Gag expression. Bojak *et al.* [2002a]

No. 137

MAb ID 183-H12-5C

HXB2 Location Gag

Author Location p24

Epitope

Neutralizing no

Immunogen

Species (Isotype) mouse (IgG1)

Research Contact Bruce Chesebro and Kathy Wehrly, Rocky Mountain Laboratories, Hamilton, Montana

References Wehrly & Chesebro 1997; Toohey *et al.* 1995; Chesebro *et al.* 1992

- 183-H12-5C: NIH AIDS Research and Reference Reagent Program: 3537.
- 183-H12-5C: Cross-reacts with HIV1 and HIV-2 p24, and SIV p27. Wehrly & Chesebro [1997]
- 183-H12-5C: Used as antigen capture reagent for p24 ELISA. Chesebro *et al.* [1992]; Toohey *et al.* [1995]

No. 138

MAb ID 241-D

HXB2 Location Gag

Author Location p24

Epitope

Neutralizing no

Immunogen

Species (Isotype) human (IgG1 λ)

Research Contact Susan Zolla-Pazner (Zollas01@mccr6.med.nyu) (NYU Med. Center)

References Robinson *et al.* 1991; Tyler *et al.* 1990; Gorny *et al.* 1989

- 241-D: MH AIDS Research and Reference Reagent program: 1244.
- 241-D: An antibody by this name is available in the NIH AIDS Research and Reference Reagent Program, and they refer to the papers Gorny *et al.* [1989]; Tyler *et al.* [1990]; Robinson *et al.* [1991], but no p24 MAb by this name is discussed in these papers. Gorny *et al.* [1989]; Robinson *et al.* [1991]; Tyler *et al.* [1990]

No. 139

MAb ID 2A6

HXB2 Location Gag

Author Location p17

Epitope

Neutralizing

Immunogen

Species (Isotype)

Research Contact A. O. Arthur, Frederick Cancer Research and Development Center, Frederick, MD

References Pincus *et al.* 1998

- 2A6: Part of a panel of 17 MAbs used as controls testing for the dual specificity of MAb G11H3 for both p17 and mycoplasma. Pincus *et al.* [1998]

No. 140

MAb ID 5E2.A3k

HXB2 Location Gag

Author Location p24 (1–158 SF2)

Epitope

Neutralizing no

Immunogen

Species (Isotype) mouse (IgG1)

Research Contact Biodesign International, Kennebunk, Maine, USA

References Hochleitner *et al.* 2000a

- 5E2.A3k: The Ab binding site was studied with epitope excision (protein is bound in native conformation to immobilized MAb, then digested with proteolytic enzymes) and extraction (protein is digested then allowed to react with Ab), followed by mass spectroscopy, as well as lysine modification – the epitope is discontinuous, but involves the highly conserved N-term proline, and the antibody recognizes SIVs and HIV-2 as well as HIV-1 p24. Hochleitner *et al.* [2000a]

No. 141

MAb ID 71-31

HXB2 Location Gag

Author Location p24

Epitope

Neutralizing no

Immunogen

Species (Isotype) human (IgG1 λ)

References Bandres *et al.* 1998; Gorny *et al.* 1998; Gorny *et al.* 1997; Spear *et al.* 1993; Robinson *et al.* 1991; Robinson *et al.* 1990b; Gorny *et al.* 1989

- 71-31: NIH AIDS Research and Reference Reagent Program: 530.
- 71-31: Included as a negative control in studies that demonstrate that CXCR4 can bind to gp120 in the absence of CD4-gp120 interactions, and that this binding can be enhanced by Env deglycosylation. Bandres *et al.* [1998]
- 71-31: Did not mediate deposition of complement component C3 on HIV infected cells. Spear *et al.* [1993]
- 71-31: No enhancing or neutralizing activity. Robinson *et al.* [1991]
- 71-31: Did not enhance HIV-1 IIIB infection. Robinson *et al.* [1990b]

No. 142
MAb ID 91-6
HXB2 Location Gag
Author Location p24 (121–240 IIIB)
Epitope
Neutralizing no
Immunogen HIV-1 infection
Species (Isotype) human (IgG1 λ)
References Robinson *et al.* 1990b; Gorny *et al.* 1989
 • 91-6: NIH AIDS Research and Reference Reagent Program: 1239.
 • 91-6: No enhancing activity for HIV-1 IIIB. Robinson *et al.* [1990b]

No. 143
MAb ID 98-4.3
HXB2 Location Gag
Author Location p24
Epitope
Neutralizing no
Immunogen HIV-1 infection
Species (Isotype) human (IgG1 λ)
References Robinson *et al.* 1991
 • 98-4.3: No enhancing or neutralizing activity. Robinson *et al.* [1991]

No. 144
MAb ID 98-4.9
HXB2 Location Gag
Author Location p24
Epitope
Neutralizing no
Immunogen HIV-1 infection
Species (Isotype) mouse (IgG3 λ)
References Gorny *et al.* 1989

No. 145
MAb ID AC2
HXB2 Location Gag
Author Location p7
Epitope
Neutralizing no
Immunogen vaccine
Vector/Type: protein *HIV component:* p7
Species (Isotype) mouse (IgG)
References Tanchou *et al.* 1995
 • AC2: Binds NCp7 independent of Zn fingers, does not react with NCp15. Tanchou *et al.* [1995]

No. 146
MAb ID BC1071
HXB2 Location Gag
Author Location p24
Epitope
Neutralizing no
Immunogen HIV-1 infection
Species (Isotype) mouse
Research Contact Aalto BioReagents
References Schonning *et al.* 1999

• BC1071: The stoichiometry of MAb neutralization was tested and MAb BC1071 was used in this study for virion quantification. Schonning *et al.* [1999]

No. 147
MAb ID BE10
HXB2 Location Gag
Author Location p7
Epitope
Neutralizing no
Immunogen vaccine
Vector/Type: protein *HIV component:* p7
Species (Isotype) mouse (IgG)
References Tanchou *et al.* 1995
 • BE10: Binding NCp7 requires Zn fingers, does not react with NCp15, inhibits NCp7-tRNA interaction. Tanchou *et al.* [1995]

No. 148
MAb ID CD9
HXB2 Location Gag
Author Location p7
Epitope
Neutralizing no
Immunogen vaccine
Vector/Type: protein *HIV component:* p7
Species (Isotype) mouse (IgG)
References Tanchou *et al.* 1995
 • CD9: Binds NCp7 independent of Zn fingers, does not react with NCp15. Tanchou *et al.* [1995]

No. 149
MAb ID CH9B2
HXB2 Location Gag
Author Location p17
Epitope
Neutralizing no
Immunogen vaccine
Vector/Type: inactivated HIV *Strain:* B clade CBL-1 *HIV component:* HIV-1
Species (Isotype) mouse (IgG1)
Research Contact R. B. Ferns and R. S. Tedder
References Ferns *et al.* 1989; Ferns *et al.* 1987
 • CH9B2: UK Medical Research Council AIDS reagent: ARP349.
 • CH9B2: Reactive against p18 and p55. Ferns *et al.* [1987]

No. 150
MAb ID ED8
HXB2 Location Gag
Author Location p7
Epitope
Neutralizing no
Immunogen vaccine
Vector/Type: protein *HIV component:* p7
Species (Isotype) mouse (IgG)
References Tanchou *et al.* 1995

- ED8: Binds NCp7 independent of Zn fingers, does not react with NCp15. Tanchou *et al.* [1995]

No. 151
MAb ID EH12E1
HXB2 Location Gag
Author Location p24
Epitope
Neutralizing
Immunogen vaccine
Vector/Type: inactivated HIV *Strain:* B clade CBL-1 *HIV component:* HIV-1

Species (Isotype) mouse (IgG1)
Research Contact R. B. Ferns and R. S. Tedder

References Ferns *et al.* 1989; Ferns *et al.* 1987

- EH12E1: UK Medical Research Council AIDS reagent: ARP313.
- EH12E1: Reacted with p55 and p24 in WB. Ferns *et al.* [1987]

No. 152
MAb ID G11G1
HXB2 Location Gag
Author Location p17
Epitope
Neutralizing
Immunogen

Species (Isotype) rat

References Pincus *et al.* 1996; Shang *et al.* 1991

- G11G1: Immunotoxins were generated by linking Env MAbs to ricin A – immunotoxins mediated cell killing, but only if the antigen was expressed at the cell surface – ricin-G11G1 did not mediate cell killing. Pincus *et al.* [1996]

No. 153
MAb ID G11H3
HXB2 Location Gag
Author Location p17
Epitope
Neutralizing
Immunogen

Species (Isotype)

References Pincus *et al.* 1998; Shang *et al.* 1991

- G11H3: This MAb is cross-reactive between p17 and mycoplasma – this antibody binds strain specifically to the variable lipoprotein (Vlp) F of *M. hyorhinis*, in the region of the carboxy-terminal repeat CGGSTPTPEQGNNQGGSTPTPE-QGNSQVSK – the p17 epitope is discontinuous, but p17 and Vlp F share the tetrapeptide SQVS. Pincus *et al.* [1998]

No. 154
MAb ID HyHIV-19
HXB2 Location Gag
Author Location p17 (JMH1)
Epitope
Neutralizing no
Immunogen vaccine

Vector/Type: protein *HIV component:* p17 Gag

Species (Isotype) mouse (IgG1)

References Ota *et al.* 1998; Liu *et al.* 1995

- HyHIV-19: Does not react with p17 peptides – K_a is 3.7×10^6 M-1 for rec p17 – inhibited growth of HIV-1 JMH1 in MT-4 cells when added 24 hours after the initial culture. Ota *et al.* [1998]

No. 155
MAb ID IE8G2
HXB2 Location Gag
Author Location p24
Epitope
Neutralizing
Immunogen vaccine

Vector/Type: inactivated HIV *Strain:* B clade CBL-1 *HIV component:* HIV-1

Species (Isotype) mouse (IgG1)

Research Contact R. B. Ferns and R. S. Tedder

References Ferns *et al.* 1989; Ferns *et al.* 1987

- IE8G2: UK Medical Research Council AIDS reagent: ARP347.
- IE8G2: Reacted with both p55 and p24 – broadly reactive – showed less than 75% homologous inhibition. Ferns *et al.* [1987]

No. 156
MAb ID V7-8
HXB2 Location Gag
Author Location p24
Epitope

Neutralizing no

Immunogen HIV-1 infection

Species (Isotype) mouse (IgG3 κ)

References Montefiori *et al.* 1991; Robinson *et al.* 1990b

- V7-8: NIH AIDS Research and Reference Reagent Program: 381.
- V7-8: Reacted with HIV-1III_B, RF, and MN. Montefiori *et al.* [1991]
- V7-8: Did not enhance HIV-1 III_B infection. Robinson *et al.* [1990b]

No. 157
MAb ID anti-p24
HXB2 Location Gag
Author Location p24
Epitope
Neutralizing
Immunogen vaccine

Vector/Type: protein, virus-like particle (VLP)
HIV component: Gag, gp120, Nef, Pol

Species (Isotype) mouse (IgG)

Research Contact Intracel Co

References Buonaguro *et al.* 2001

- anti-p24: HIV-1 pr55 gag-based virus-like particles (VLP) carrying Nef and Pol open reading frames, as well as gp120 of the clade A isolate 94UG018, were created using a Baculovirus expression system to package additional ORFs into the VLP – anti-V3 and anti-p24 Abs were used to assess the expression levels and Gag and gp120-TM were found to be expressed at comparable levels on the VLP. Buonaguro *et al.* [2001]

No. 158

MAb ID human sera
HXB2 Location Gag
Author Location p24
Epitope
Neutralizing
Immunogen HIV-1 infection
Species (Isotype) human (IgG)
References Binley *et al.* 1997b

- Retention of anti-Env antibodies and loss of anti-Gag antibodies during progression was studied, and suggested to be the result of the loss of T-cell help and the unique ability of Env to stimulate B cells even in a backdrop of declining CD4 cells, because of the ability of Env to bind to the CD4 molecule. Binley *et al.* [1997b]

No. 159
MAb ID polyclonal
HXB2 Location Gag
Author Location Gag (LAI)
Epitope
Subtype B
Neutralizing
Immunogen vaccine
Vector/Type: DNA prime with protein boost
Strain: B clade LAI *HIV component:* Gag, Nef, Tat *Adjuvant:* IL-18
Species (Isotype) mouse
References Billaut-Mulot *et al.* 2001

- DNA vaccinated BALB/c mice primed and boosted with a multiepitopic vaccine with IL18 showed lymphoproliferative and CTL responses – co-administration of IL18 increased T-cell responses but decreased anti-HIV Ab levels. Billaut-Mulot *et al.* [2001]

No. 160
MAb ID polyclonal
HXB2 Location Gag
Author Location p24
Epitope
Neutralizing no
Immunogen vaccine
Vector/Type: gp120 depleted whole killed virus *Strain:* AG recombinant HZ321 *HIV component:* virus *Adjuvant:* Complete Freund's Adjuvant (CFA), CpG immunostimulatory sequence (ISS)
Species (Isotype) rat
References Moss *et al.* 2000

- Different HIV strains were used for different regions: subtype A env, subtype G gag.
- Lewis rats co-immunized with HIV-1 antigen in Freund's and with immunostimulatory sequences CpG stimulated increased IFN γ expressing CD4+ and CD8+ T cells and anti-p24 antibodies relative to antigen in Freund's without CpG. Moss *et al.* [2000]

No. 161
MAb ID polyclonal
HXB2 Location Gag
Author Location p24 (SF2)

Epitope
Neutralizing
Immunogen vaccine
Vector/Type: protein *Strain:* B clade SF2
HIV component: gp120, p24 Gag *Adjuvant:* MF59, PLG
Species (Isotype) mouse
References O'Hagan *et al.* 2000

- Microparticles were used as an adjuvant for entrapped HIV-1 gp120 and induced strong serum IgG responses in mice – polylactide co-glycolide polymer (PLG) microparticles in combination with MF-59 had the highest Ab response and also induced p24 specific CTL. O'Hagan *et al.* [2000]

No. 162
MAb ID polyclonal
HXB2 Location Gag
Author Location Gag (SF2)
Epitope
Neutralizing
Immunogen vaccine
Vector/Type: DNA, protein *Strain:* B clade SF2 *HIV component:* Gag *Adjuvant:* aluminum phosphate, MF59, PLG
Species (Isotype) macaque, guinea pig, mouse
References O'Hagan *et al.* 2001

- DNA vaccines of codon-optimized Env and Gag genes driven by CMV promoters absorbed on to PLG microparticles were more effective than naked DNA at eliciting strong Ab responses (more rapid, higher titer, more stable), comparable to gp120 in MF-59. O'Hagan *et al.* [2001]

No. 163
MAb ID polyclonal
HXB2 Location Gag
Author Location p24
Epitope
Neutralizing no
Immunogen vaccine
Vector/Type: protein *Strain:* B clade *HIV component:* p24 Gag
Species (Isotype) rabbit (IgG)
References Gupta *et al.* 2001

- Gag p24 is the mostly widely used HIV protein for serological based diagnostic kits — phage display libraries of HIV-1 p24 identified 2 epitope-rich regions: 70% of the clones that were identified using immunized rabbit sera had DNA fragments from the N-terminal region spanning 150–240 of Gag, and 30% from the carboxy-terminal region of p24 containing amino acids 310–360 — subtype B and C comparisons were made. Gupta *et al.* [2001]

No. 164
MAb ID polyclonal
HXB2 Location Gag
Author Location p55
Epitope
Neutralizing no
Immunogen vaccine

Vector/Type: protein, virus-like particle (VLP)
Strain: B clade LAI *HIV component:*
 CD4BS, Gag, V3

Species (Isotype) mouse

References Truong *et al.* 1996

- Antibodies raised against recombinant anti-p55 virus-like particles with the p24 region 196-226 deleted, bearing inserts of either the V3 or the CD4BS regions of gp120 were studied – no neutralizing responses, weak Env and strong Gag responses were elicited – the major homology region (MHR) and proximal sequences was found to be required for capsid assembly. Truong *et al.* [1996]

No. 165

MAb ID polyclonal

HXB2 Location Gag

Author Location p24 (LAI)

Epitope

Subtype B

Neutralizing

Immunogen vaccine

Vector/Type: peptide, virion, baculovirus, E. Coli recombinant protein *Strain:* B clade LAI *HIV component:* p24 Gag *Adjuvant:* Complete Freund's Adjuvant (CFA), Incomplete Freund's Adjuvant (IFA)

Species (Isotype) rabbit (IgG)

References Devito *et al.* 2000c

- To compare vaccine strategies, rabbits were immunized with virion HIV-1/Lai, baculovirus recombinant p24, E. coli recombinant p24-15, and p24-derived peptides – the rabbit immunized with peptides had the broadest linear epitope responses – the capture ELISA method using anti-p24 IgG preparations was shown to capture isolates from HIV-1 subtypes or clades A to G – only immunization with virion HIV-1/Lai and baculovirus recombinant p24 developed IgG that was capable of efficiently capturing HIV-1 p24 in ELISA producing Abs able to recognise native configurations. Devito *et al.* [2000c]

No. 166

MAb ID polyclonal

HXB2 Location Gag

Author Location

Epitope

Neutralizing

Immunogen vaccine

Vector/Type: DNA *Adjuvant:* CpG immunostimulatory sequence (ISS), phosphorothioate oligodeoxynucleotides (ODNs)

Species (Isotype) mouse

References Deml *et al.* 2001

- Immunization mice with a codon-optimized Gag was compared with a non-optimized Rev dependent Gag expression vector – Gag expression was at higher levels and Rev independent with the codon-optimized Gag, and i.m. immunization gave a stronger Th1-driven humoral and cellular immune response – intradermal immunization with either Gag DNA induced a Th2 response and no CTL. Deml *et al.* [2001]

No. 167

MAb ID polyclonal

HXB2 Location Gag

Author Location

Epitope

Neutralizing yes

Immunogen HIV-1 infection

Species (Isotype) human

References Montefiori *et al.* 2001

- In 7/9 patients in whom HAART was initiated during early seroconversion, NAb to autologous strains were not found immediately following treatment interruption after 1-3 years, and Env and Gag Abs were low or undetected by ELISA indicating, that early HAART suppresses the normal antibody response to HIV-1, presumably by limiting the concentration of viral antigens needed to drive B-cell maturation – in 3 patients with a viral rebound autologous NAb rapidly appeared and correlated with spontaneous down-regulation of viremia – prolonged control of viremia after stopping treatment persisted in the absence of detectable NAb, suggesting that cellular immune responses alone can control viremia under certain circumstances – these results support the notion that virus-specific B-cell priming, combined with CD8+ CTL induction, may be beneficial for HIV-1 vaccines that aim to suppress viremia in the absence of complete protection to prevent disease and reduce the rate of virus transmission. Montefiori *et al.* [2001]

No. 168

MAb ID polyclonal

HXB2 Location Gag

Author Location

Epitope

Neutralizing

Immunogen vaccine

Vector/Type: virus-like particle (VLP) *HIV component:* Env, Gag *Adjuvant:* Complete Freund's Adjuvant (CFA)

Species (Isotype) mouse (IgG)

References Lebedev *et al.* 2000

- Virus-like particles (VLPs) in the form of spherical particles with yeast dsRNA enveloped in a polysaccharide matrix carrying the protein TBI, that contains fragments of HIV Env and Gag, were used to immunize BALB/c mice and induced specific Abs against HIV-1 as measured by ELISA with TBI. Lebedev *et al.* [2000]

No. 169

MAb ID polyclonal

HXB2 Location Gag

Author Location

Epitope

Neutralizing no

Immunogen vaccine

Vector/Type: DNA with CMV promotor, DNA with CMV/MCK hybrid promotor, DNA with MCK promotor

Species (Isotype) mouse (IgG1, IgG2a)

References Bojak *et al.* 2002a

- The ability of three different promoters to induce Gag specific immune responses was compared. The cytomegalovirus (CMV) early gene promoter, which allows constitutive expression in different cells of host tissue, the tissue specific muscle creatine kinase (MCK) promoter, which may be restricted to differentiated, multinucleated myofibers and so safer, and a hybrid MCK/CMV promoter – intramuscular immunization of BALB/c mice utilizing the MCK promoter in combination with a codon optimized gag gene generated humoral (IgG1 (Th1) and IgG2a (Th2)) and CTL immune responses against HIV-1 Gag, however, the quantified immune parameters were clearly reduced as compared to CMV promoter-driven Gag expression. Bojak *et al.* [2002a]

No. 170

MAb ID polyclonal

HXB2 Location Gag

Author Location p24

Epitope

Neutralizing no

Immunogen HIV-1 infection

Species (Isotype) human

References Meles *et al.* 2002

- Indeterminant WB in Ethiopians: of 12,124 specimens blood specimens from Ethiopia, 1,437 (11.9%) were HIV-1-positive for antibody, and 91 (0.8%) gave equivocal results, most often due to p24 reactivity – subsequent testing confirmed many of the indeterminants were HIV-negative – the American Red Cross diagnostic criteria was more accurate than CDC or WHO, which would have given some false positive results. Meles *et al.* [2002]

No. 171

MAb ID polyclonal

HXB2 Location Gag

Author Location p24

Epitope

Subtype A

Neutralizing yes

Immunogen vaccine

Vector/Type: virus-like particle (VLP)

Strain: A clade UG5.94UG018 *HIV component:* Gag, gp120

Species (Isotype) mouse

References Buonaguro *et al.* 2002

Country Uganda

Keywords subtype comparisons

- BALB/c mice were immunized with VLPs carrying a subtype A gp120. Humoral immune responses directed against B-clade derived Gag (p24) peptides or gp120-Env V3 loop peptide were readily induced following a multi-dose immunization with VLP particles presenting a gp120 molecule from a HIV-1 isolate of clade A. VLP-immunized mice showed autologous and heterologous (against B-clade HIV-1 IIIB strain) neutralization activity. Proliferative responses and CTL were also observed. Buonaguro *et al.* [2002] (**subtype comparisons**)

No. 172

MAb ID polyclonal

HXB2 Location Gag

Author Location Gag

Epitope

Neutralizing

Immunogen vaccine

Vector/Type: DNA *HIV component:* Gag

Species (Isotype) mouse (IgG1)

References Bojak *et al.* 2002b

Keywords Th1

- BALB/c mice vaccinated by syngag, a DNA plasmid expressing HIV-1 Gag modified for human/mammalian codon usage, gave stronger and longer lasting immune responses than wild type gag. Gag-specific antibody and cellular immune responses were both increased, with a clear T-helper 1 polarization. There was a better IgG1/IgG2 response to intramuscular (i.m.) as compared to subcutaneous (s.c.) vaccination. Bojak *et al.* [2002b] (**Th1**)

No. 173

MAb ID polyclonal

HXB2 Location Gag

Author Location Gag

Epitope

Neutralizing

Immunogen vaccine

Vector/Type: DNA, protein, virus-like particle (VLP), PLG microparticle *Adjuvant:* E. coli heat labile enterotoxin

Species (Isotype) macaque

References Otten *et al.* 2003

- This study evaluates different vaccine technologies that avoid live vectors including plasmid DNA, recombinant p55Gag protein or gag-pol administered by polylactide coglycolide (PLG) microparticles, LTK63 as adjuvant, VLP, and plasmid DNA. 4/4 macaques primed with Gag-PLG and LTK63 showed strong antibody responses after the fourth immunization at week six. The best CTL responses were found for gag DNA, the best Th and Ab were obtained using Gag protein on PLG microparticles; Gag DNA priming with a PLG-protein boost gave high level CTL, Th and Ab responses. Otten *et al.* [2003]

No. 174

MAb ID polyclonal

HXB2 Location Gag

Author Location p24

Epitope

Subtype multiple

Neutralizing

Immunogen HIV-1 infection

Species (Isotype) human

References Barin *et al.* 2005

Country France

Keywords acute/early infection, assay development

- A combination of 4 antigenic regions was used to differentiate between early (<180 days) and chronic infection. These regions were: p24; the gp41 peptide spanning the immunodominant epitope (IDE) of gp41, RVAVERYLKDQQLLGIWGC-SGKICTTAV, and a subtype D version of this peptide; 5 V3 consensus peptides including A, B, C, D, and CRF01-AE; and Integrase. V3 and the IDE provide the best discrimination, with >20 fold higher levels in chronic infection when assayed by

EIA using dried serum spots. Antibodies to Integrase and p24 were not as distinctive, and people tend to lose, not increase, responses to p24 over time. This assay can be used to identify samples from early infection with high sensitivity and specificity. Barin *et al.* [2005] (**assay development, acute/early infection**)

No. 175
MAb ID polyclonal HIVIG
HXB2 Location Gag
Author Location p24
Epitope
Neutralizing P
Immunogen HIV-1 infection
Species (Isotype) human
References Nichols *et al.* 2002

- NYBC-HIVIG derived from patients with high NAb titers and NABI-HIVIG derived from patients with high anti-p24 Ab titers were compared in neutralizing assay against a panel of six primary isolates—both could neutralize all isolates tested but the NYBC-HIVIG dose required for 50% neutralization was of 3.2 fold lower, showing that the source plasmas influence the effective concentration of NAb present in HIVIG. Nichols *et al.* [2002]

IV-C-7 Protease Antibodies

No. 176
MAb ID 1696
HXB2 Location Protease (1–7)
Author Location Protease (1–7 BH10)
Epitope PQIYLWQ
Neutralizing
Immunogen vaccine
Vector/Type: protein *HIV component:* Protease
Species (Isotype) mouse (IgG)
Ab Type N-term
References Lescar *et al.* 2003; Rezacova *et al.* 2002; Rezacova *et al.* 2001; Lescar *et al.* 1999
Keywords review, structure

- 1696: Study compares the crystal structure of the scFv-1696 in the non-complexed form compared to the complexed Fab-1696 and the Ag-bound scFv-1696 structures. Changes in the three conformational tertiary structures of CDR-H3 as well as in the different relative orientations of the light-chain variable domains of the different structures were observed, demonstrating plasticity in the antibody binding site. Lescar *et al.* [2003] (**structure**)
- 1696: Review of the implications of antibody structure and antigen peptide binding for the mechanisms of inhibition of protease activity by two MABs with different binding sites in protease. Rezacova *et al.* [2002] (**review, structure**)
- 1696: The crystal structure of the single chain Fv fragment of 1696 bound to a cross-reactive peptide (PQITLWQRR) was obtained. This structure suggests that 1696 inhibits protease activity by favoring dissociation of the active homodimer. Rezacova *et al.* [2001] (**structure**)

- 1696: MAb binds to HIV-1 and HIV-2, putative epitopes are PQIYLWQ and PQFSLWK respectively – Pro1 is critical, QIYLWQR residues 2-8, does not compete - MAb disrupts catalytic activity – crystal structure of the ligand-free Fab at 3 Å resolution reveals a deep cavity lined by acidic and hydrophobic residues – the binding region is located within the region required for dimerization and the Fab structure could serve as a basis for drug design targeting this region. Lescar *et al.* [1999] (**structure**)

No. 177
MAb ID 10E7
HXB2 Location Protease (36–46)
Author Location Protease (38–45 HXB2)
Epitope MSLPGRWKPKM
Subtype B
Neutralizing no
Immunogen vaccine
Vector/Type: protein *HIV component:* Protease
Species (Isotype) hamster (IgG)
References Bjorling *et al.* 1992; Croix *et al.* 1993
 • 10E7: Immunodominant region of protease in Armenian hamster (but only weakly reactive in people, see: Bjorling *et al.* [1992]) – peptide MSLPGRWKPK blocks protease binding Croix *et al.* [1993]. Bjorling *et al.* [1992]; Croix *et al.* [1993]

No. 178
MAb ID F11.2.32
HXB2 Location Protease (36–46)
Author Location Protease (36–46 BH10)
Epitope MSLPGRWKPKM
Neutralizing
Immunogen vaccine
Vector/Type: protein *Strain:* B clade BH10
HIV component: Protease
Species (Isotype) mouse (IgG1κ)
Ab Type flap region
References Rezacova *et al.* 2002; Lescar *et al.* 1999; Lescar *et al.* 1997; Lescar *et al.* 1996
Keywords review, structure

- F11.2.32: Review of the implications of antibody structure and antigen peptide binding for the mechanisms of inhibition of protease activity by two MABs with different binding sites in protease. Rezacova *et al.* [2002] (**review, structure**)
- F11.2.32: Crystal structure of a Fab peptide complex was obtained. Distortion may occur in the flap region of the protein, important for regulating access of substrate to the catalytic site. Lescar *et al.* [1999] (**structure**)
- F11.2.32: Binding leads to significant inhibition in proteolytic activity – crystal structure of Fab-peptide was determined to 2.2 Å resolution – bound peptide shows no structural similarity to the corresponding segment in native protease suggesting binding may distort protein structure. Lescar *et al.* [1997] (**structure**)

No. 179
MAb ID 13E1
HXB2 Location Protease (38–45)
Author Location Protease (38–45 HXB2)

Epitope LPGRWPKK
Subtype B
Neutralizing no
Immunogen vaccine
Vector/Type: protein *HIV component:* Protease

Species (Isotype) hamster (IgG)
References Croix *et al.* 1993

- 13E1: Binds to MSLPGRWKPKM with slightly higher affinity. Croix *et al.* [1993]

No. 180
MAb ID 8B11
HXB2 Location Protease (38–45)
Author Location Protease (38–45 HXB2)
Epitope LPGRWPKK
Subtype B
Neutralizing no
Immunogen vaccine
Vector/Type: protein *HIV component:* Protease

Species (Isotype) hamster (IgG)
References Croix *et al.* 1993

- 8B11: Binds to MSLPGRWKPKM with slightly higher affinity. Croix *et al.* [1993]

No. 181
MAb ID 8C10
HXB2 Location Protease (38–45)
Author Location Protease (38–45 HXB2)
Epitope LPGRWPKK
Subtype B
Neutralizing no
Immunogen vaccine
Vector/Type: protein *HIV component:* Protease

Species (Isotype) hamster (IgG)
References Croix *et al.* 1993

- 8C10: Binds to MSLPGRWKPKM with slightly higher affinity. Croix *et al.* [1993]

No. 182
MAb ID 8G5
HXB2 Location Protease (38–45)
Author Location Protease (38–45 HXB2)
Epitope LPGRWPKK
Subtype B
Neutralizing no
Immunogen vaccine
Vector/Type: protein *HIV component:* Protease

Species (Isotype) hamster (IgG)
References Croix *et al.* 1993

- 8G5: Binds to MSLPGRWKPKM with slightly higher affinity. Croix *et al.* [1993]

IV-C-8 RT Antibodies

No. 183
MAb ID 1E8
HXB2 Location RT (65–73)
Author Location RT (65–73)
Epitope KKDSTKWRK
Neutralizing no
Immunogen vaccine
Vector/Type: protein *HIV component:* RT
Adjuvant: nitrocellulose

Species (Isotype) mouse (IgG1)
References Gu *et al.* 1996; Wu *et al.* 1993

- 1E8: Significantly inhibits DNA polymerase activity of RT by hindering binding of dNTPs – additive or synergistic RT inhibition with nevirapine and delavirdine. Gu *et al.* [1996]
- 1E8: Inhibits RT activity, binding site overlaps with two AZT resistance mutations. Wu *et al.* [1993]

No. 184
MAb ID polyclonal
HXB2 Location RT (249–263)
Author Location RT (249–263)
Epitope KDSWTVNDIQKLVGK
Neutralizing
Immunogen vaccine, *in vitro* stimulation or selection
Vector/Type: peptide presented on icosahedral protein scaffold *HIV component:* RT
Adjuvant: Incomplete Freund's Adjuvant (IFA)

Species (Isotype) human (IgG)
Ab Type gp120 C2
References Domingo *et al.* 2003
Keywords vaccine antigen design

- A virus-like protein scaffold, called E2DISP, derived from pyruvate dehydrogenase multienzyme from *Bacillus stearothermophilus* has been engineered to display 60 copies of one or more epitopes on a single molecule. An E2DISP scaffold which displayed pep23, a 15-residue B and T helper HIV-1 RT epitope elicited a pep23-specific T-helper response *in vitro*. The E2DISP scaffold displaying peptide RT2, which is a CTL HIV-1 RT epitope, was able to elicit a CD8+ T cell response *in vitro* and in a vaccinated HLA-A2 transgenic mouse. Thus the E2DISP scaffold allows cell-entry and access to both the class I and class II processing pathways. The Th response in vaccinated mice supported Pep23-specific IgG responses. Domingo *et al.* [2003] (**vaccine antigen design**)

No. 185
MAb ID 1.152 B3
HXB2 Location RT (294–302)
Author Location RT (294–302)
Epitope PLTEEALE
Neutralizing no
Immunogen vaccine
Vector/Type: protein *HIV component:* RT

Species (Isotype) mouse (IgG1)
References Orvell *et al.* 1991

- 1.152 B3: Weakly positive by immunofluorescence – binding inhibits RT enzymatic activity. Orvell *et al.* [1991]

No. 186
MAb ID 1.158 E2
HXB2 Location RT (294–302)
Author Location RT (294–302)
Epitope PLTEEAEELE
Neutralizing no
Immunogen vaccine
Vector/Type: protein *HIV component:* RT
Species (Isotype) mouse (IgG1)
References Orvell *et al.* 1991
 • 1.158 E2: Negative by immunofluorescence – binding inhibits RT enzymatic activity. Orvell *et al.* [1991]

No. 187
MAb ID 31D6
HXB2 Location RT (294–318)
Author Location RT (294–319)
Epitope PLTEEAEELELAENREILKEPVHGVY
Neutralizing no
Immunogen vaccine
Vector/Type: E. coli Trp fusion protein *HIV component:* RT
Species (Isotype) mouse (IgG1)
References Szilvay *et al.* 1992
 • 31D6: Strong inhibitor of RT, > 50% inhibition. Szilvay *et al.* [1992]

No. 188
MAb ID 31G8
HXB2 Location RT (294–318)
Author Location RT (294–319)
Epitope PLTEEAEELELAENREILKEPVHGVY
Neutralizing no
Immunogen vaccine
Vector/Type: E. coli Trp fusion protein *HIV component:* RT
Species (Isotype) mouse (IgG1)
References Szilvay *et al.* 1992
 • 31G8: Weak inhibitor of RT, reactive by immunofluorescence. Szilvay *et al.* [1992]

No. 189
MAb ID 32E7
HXB2 Location RT (294–318)
Author Location RT (294–319)
Epitope PLTEEAEELELAENREILKEPVHGVY
Neutralizing no
Immunogen vaccine
Vector/Type: E. coli Trp fusion protein *HIV component:* RT
Species (Isotype) mouse (IgG1)
References Szilvay *et al.* 1992
 • 32E7: Weak inhibitor of RT, reactive by immunofluorescence. Szilvay *et al.* [1992]

No. 190
MAb ID 33D5
HXB2 Location RT (294–318)
Author Location RT (294–319)
Epitope PLTEEAEELELAENREILKEPVHGVY

Neutralizing no
Immunogen vaccine
Vector/Type: E. coli Trp fusion protein *HIV component:* RT
Species (Isotype) mouse (IgG1)
References Szilvay *et al.* 1992
 • 33D5: Weak inhibitor of RT, reactive by immunofluorescence. Szilvay *et al.* [1992]

No. 191
MAb ID 5B2
HXB2 Location RT (294–318)
Author Location RT (294–319)
Epitope PLTEEAEELELAENREILKEPVHGVY
Neutralizing no
Immunogen vaccine
Vector/Type: E. coli Trp fusion protein *HIV component:* RT
Species (Isotype) mouse (IgG1)
References Szilvay *et al.* 1992
 • 5B2: UK Medical Research Council AIDS reagent: ARP3018.
 • 5B2: There is an RT specific Ab Szilvay *et al.* [1992] and a gp41 specific Ab Tian *et al.* [2001] both called 5B2. Szilvay *et al.* [1992]
 • 5B2: Weak inhibitor of RT, reactive by immunofluorescence. Szilvay *et al.* [1992]

No. 192
MAb ID polyclonal
HXB2 Location RT (295–304)
Author Location RT (295–304 PV22)
Epitope LTEEAEELELA
Neutralizing no
Immunogen HIV-1 infection
Species (Isotype) human (IgG)
References Grimison & Laurence 1995

No. 193
MAb ID 1.153 G10
HXB2 Location RT (350–354)
Author Location RT (350–354)
Epitope KTGKY
Neutralizing no
Immunogen vaccine
Vector/Type: protein *HIV component:* RT
Species (Isotype) mouse (IgG1)
References Orvell *et al.* 1991

No. 194
MAb ID RTMAb8
HXB2 Location RT (376–383)
Author Location RT (532–539)
Epitope TTESIIVW
Neutralizing no
Immunogen vaccine
Vector/Type: protein *HIV component:* RT
Species (Isotype) mouse (IgG)
References Ferns *et al.* 1991; Tisdale *et al.* 1988

No. 195

MAb ID 1D4A3
HXB2 Location RT (384–387)
Author Location RT (540–543)
Epitope GKIP
Neutralizing no
Immunogen vaccine
Vector/Type: protein HIV component: RT
Species (Isotype) mouse (IgG)
References Ferns *et al.* 1991

No. 196

MAb ID RT6H
HXB2 Location RT (384–387)
Author Location RT (540–543)
Epitope GKIP
Neutralizing no
Immunogen vaccine
Vector/Type: protein HIV component: RT
Species (Isotype) mouse (IgG)
References Ferns *et al.* 1991

No. 197

MAb ID 1.160 B3
HXB2 Location RT (442–450)
Author Location RT (442–450)
Epitope VDGAANRET
Neutralizing no
Immunogen vaccine
Vector/Type: protein HIV component: RT
Species (Isotype) mouse (IgG1)
References Orvell *et al.* 1991

No. 198

MAb ID polyclonal
HXB2 Location RT (521–531)
Author Location RT (521–531 PV22)
Epitope IIEQLIKKEKV
Neutralizing no
Immunogen HIV-1 infection
Species (Isotype) human (IgG)
References Grimison & Laurence 1995

No. 199

MAb ID C2003
HXB2 Location RT (536–549)
Author Location RT (703–716 BH10)
Epitope VPAHKGIGGNEQVD
Neutralizing no
Immunogen vaccine
Vector/Type: peptide Strain: B clade BH10
Species (Isotype) rabbit (IgG)
References DeVico *et al.* 1991

- C2003: Inhibits polymerase activity from a variety of retroviruses – RT protected from inhibition by preincubation with template primer. DeVico *et al.* [1991]

No. 200

MAb ID 5B11
HXB2 Location RT
Author Location RT (BH-10)

Epitope
Subtype B

Neutralizing

Immunogen HIV-1 infection

Species (Isotype) human

Research Contact Amon Hizi, Sackler School of Medicine, Tel Aviv, Isreal

References Herschhorn *et al.* 2003

Keywords antibody generation, antibody sequence, variable domain, immunotherapy

- 5B11: One of five human single chain Fv (ScFv) Abs isolated from an phage display library. F-6 was shown to the carboxyl terminal segment of the p66 RT polypeptide, corresponding to RNase H. F-6 inhibited the DNA and RNA-dependent DNA polymerase (RDDP) activities of HIV-1 RT; two others, 6E9 and 5B11, inhibited RDDP and so have possible therapeutic potential. Herschhorn *et al.* [2003] (**antibody generation, immunotherapy, antibody sequence, variable domain**)

No. 201

MAb ID 6B10
HXB2 Location RT
Author Location RT (BH-10)
Epitope
Subtype B

Neutralizing

Immunogen HIV-1 infection

Species (Isotype) human

Research Contact Amon Hizi, Sackler School of Medicine, Tel Aviv, Isreal

References Herschhorn *et al.* 2003

Keywords antibody generation, antibody sequence, variable domain

- 6B10: One of five human single chain Fv (ScFv) Abs isolated from an phage display library. F-6 was shown to the carboxyl terminal segment of the p66 RT polypeptide, corresponding to RNase H. F-6 inhibited the DNA and RNA-dependent DNA polymerase (DDDP and RDDP) activities of HIV-1 RT; two others, 6E9 and 5B11, inhibited RDDP and so have possible therapeutic potential. In contrast, 6B10 seemed to enhance DDDP activity and did not effect RDDP. Herschhorn *et al.* [2003] (**antibody generation, antibody sequence, variable domain**)

No. 202

MAb ID 6E9
HXB2 Location RT
Author Location RT (BH-10)
Epitope
Subtype B

Neutralizing

Immunogen in vitro stimulation or selection

Species (Isotype) human

Research Contact Amon Hizi, Sackler School of Medicine, Tel Aviv, Isreal

References Herschhorn *et al.* 2003

Keywords antibody generation, antibody sequence, variable domain, immunotherapy

- 6E9: One of five human single chain Fv (ScFv) Abs isolated from a phage display library. F-6 was shown to the carboxyl terminal segment of the p66 RT polypeptide, corresponding to RNase H. F-6 inhibited the DNA and RNA-dependent DNA polymerase (RDDP) activities of HIV-1 RT; two others, 6E9 and 5B11, inhibited RDDP and so have possible therapeutic potential. Herschhorn *et al.* [2003] (**antibody generation, immunotherapy, antibody sequence, variable domain**)

No. 203

MAb ID E-4

HXB2 Location RT

Author Location RT (BH-10)

Epitope

Subtype B

Neutralizing

Immunogen HIV-1 infection

Species (Isotype) human

Research Contact Amon Hizi, Sackler School of Medicine, Tel Aviv, Isreal

References Herschhorn *et al.* 2003

Keywords antibody generation, antibody sequence, variable domain

- E-4: One of five human single chain Fv (ScFv) Abs isolated from a phage display library. F-6 was shown to the carboxyl terminal segment of the p66 RT polypeptide, corresponding to RNase H. F-6 inhibited the DNA and RNA-dependent DNA polymerase (RDDP) activities of HIV-1 RT; two others, 6E9 and 5B11, inhibited RDDP and so have possible therapeutic potential. In contrast, E-4 seemed to enhance RDDP. Herschhorn *et al.* [2003] (**antibody generation, antibody sequence, variable domain**)

No. 204

MAb ID 6B9

HXB2 Location RT

Author Location RT (155–250)

Epitope

Neutralizing yes

Immunogen vaccine

Vector/Type: vaccinia Strain: B clade
HXB2 HIV component: RT

Species (Isotype) mouse (IgG)

Ab Type RT palm domain

References Ohba *et al.* 2001; Chiba *et al.* 1997; Chiba *et al.* 1996

- 6B9: In contrast to MAb 7C4, which binds to the thumb region of RT, 6B9 binds to the palm subdomain and does not inhibit RT activity. Chiba *et al.* [1996]

No. 205

MAb ID 5F

HXB2 Location RT

Author Location RT (252–335)

Epitope

Neutralizing yes

Immunogen vaccine

Vector/Type: vaccinia Strain: B clade
HXB2 HIV component: RT

Species (Isotype) mouse

Ab Type RT thumb domain

References Ohba *et al.* 2001

- 5F: BALB/c mice were vaccinated with vaccinia carrying RT and a phage display library was produced and panned with RT – Fabs 5F and 5G were cloned, both recognizing an immunodominant neutralizing RT epitope in the region of the template primer-binding site in the thumb domain also recognized by MAb 7C4 – sequencing revealed the heavy chains and light chains of 7C4, 5G and 7C4 are related. Ohba *et al.* [2001]

No. 206

MAb ID 5G

HXB2 Location RT

Author Location RT (252–335)

Epitope

Neutralizing yes

Immunogen vaccine

Vector/Type: vaccinia Strain: B clade
HXB2 HIV component: RT

Species (Isotype) mouse

Ab Type RT thumb domain

References Ohba *et al.* 2001

- 5G: BALB/c mice were vaccinated with vaccinia carrying RT and a phage display library was produced and panned with RT – Fabs 5F and 5G were cloned, both recognizing an immunodominant neutralizing RT epitope in the region of the template primer-binding site in the thumb domain also recognized by MAb 7C4 – sequencing revealed the heavy chains and light chains of 7C4, 5G and 7C4 are related. Ohba *et al.* [2001]

No. 207

MAb ID 7C4

HXB2 Location RT

Author Location RT (252–335)

Epitope

Neutralizing yes

Immunogen vaccine

Vector/Type: vaccinia Strain: B clade
HXB2 HIV component: RT

Species (Isotype) mouse (IgG2a)

Ab Type RT thumb domain

References Ohba *et al.* 2001; Chiba *et al.* 1997; Chiba *et al.* 1996

- 7C4: Fabs 5F and 5G both recognize the same immunodominant neutralizing RT epitope in the region of the template primer-binding site in the thumb domain recognized by MAb 7C4 – sequencing revealed the heavy chains and light chains of 7C4, 5G and 7C4 are related. Ohba *et al.* [2001]
- 7C4: 7C4 inhibits RT from HIV-1 strains IIIB, Bru, and IMS-1 but not HIV-2 strains GH-1 and LAV-2, SIV MAC, nor SIV MND. Chiba *et al.* [1997]
- 7C4: 7C4 was produced from a hybridoma cell line derived from a BALB/c mouse repeatedly immunized with RT in a vaccinia construct, and was found to inhibit RT through binding to the template primer-binding site, a possible target for RT inhibitors. Chiba *et al.* [1996]

IV-C-9 Integrase Antibodies

- No.** 208
MAb ID 1C4
HXB2 Location Integrase (1–16)
Author Location Integrase (1–16 HXB2)
Epitope FLDGIDKAQDEHEKYH
Subtype B
Neutralizing no
Immunogen vaccine
Vector/Type: protein *Strain:* B clade HXB2
HIV component: Int
Species (Isotype) mouse (IgG1κ)
Ab Type N-term
References Nilsen *et al.* 1996; Haugan *et al.* 1995
- 1C4: One of a large set of MAbs that interact with the N-terminal part of integrase: 1C4, 2C11, 2E3, 3E11, 3F9, 5F8, 6G5, 7B6, 7C6 – these MAbs inhibit end processing and DNA joining, but had little effect on integration activities. Nilsen *et al.* [1996]
 - 1C4: MAb interferes with integrase binding to DNA. Haugan *et al.* [1995]

- No.** 209
MAb ID 2C11
HXB2 Location Integrase (1–16)
Author Location Integrase (1–16 HXB2)
Epitope FLDGIDKAQDEHEKYH
Subtype B
Neutralizing no
Immunogen vaccine
Vector/Type: protein *Strain:* B clade HXB2
HIV component: Int
Species (Isotype) mouse (IgG1κ)
Ab Type N-term
References Nilsen *et al.* 1996
- 2C11: One of a large set of MAbs that interact with the N-terminal part of integrase: 1C4, 2C11, 2E3, 3E11, 3F9, 5F8, 6G5, 7B6, 7C6 – these MAbs inhibit end processing and DNA joining, but had little effect on integration activities. Nilsen *et al.* [1996]

- No.** 210
MAb ID 2E3
HXB2 Location Integrase (1–16)
Author Location Integrase (1–16 HXB2)
Epitope FLDGIDKAQDEHEKYH
Subtype B
Neutralizing no
Immunogen vaccine
Vector/Type: protein *Strain:* B clade HXB2
HIV component: Int
Species (Isotype) mouse (IgG1κ)
Ab Type N-term
References Ovod *et al.* 1992; Nilsen *et al.* 1996
- 2E3: One of a large set of MAbs that interact with the N-terminal part of integrase: 1C4, 2C11, 2E3, 3E11, 3F9, 5F8, 6G5, 7B6, 7C6 – these MAbs inhibit end processing and DNA joining, but had little effect on integration activities. Nilsen *et al.* [1996]

- 2E3: There are two MAbs called 2E3 – the other one binds to Nef. Ovod *et al.* [1992]

- No.** 211
MAb ID 3E11
HXB2 Location Integrase (1–16)
Author Location Integrase (1–16 HXB2)
Epitope FLDGIDKAQDEHEKYH
Subtype B
Neutralizing no
Immunogen vaccine
Vector/Type: protein *Strain:* B clade HXB2
HIV component: Int
Species (Isotype) mouse (IgG1κ)
Ab Type N-term
References Nilsen *et al.* 1996; Otteken *et al.* 1992
- 3E11: One of a large set of MAbs that interact with the N-terminal part of integrase: 1C4, 2C11, 2E3, 3E11, 3F9, 5F8, 6G5, 7B6, 7C6 – these MAbs inhibit end processing and DNA joining, but had little effect on integration activities. Nilsen *et al.* [1996]
 - 3E11: There is another MAb with this ID that recognizes p17. Otteken *et al.* [1992]
 - 3E11: Recognized an epitope present on HIV-2/SIVmac, SIVagm, HIV-1, and SIVmnd. Otteken *et al.* [1992]

- No.** 212
MAb ID 3F9
HXB2 Location Integrase (1–16)
Author Location Integrase (1–16 HXB2)
Epitope FLDGIDKAQDEHEKYH
Subtype B
Neutralizing no
Immunogen vaccine
Vector/Type: protein *Strain:* B clade HXB2
HIV component: Int
Species (Isotype) mouse (IgG1κ)
Ab Type N-term
References Nilsen *et al.* 1996
- 3F9: One of a large set of MAbs that interact with the N-terminal part of integrase: 1C4, 2C11, 2E3, 3E11, 3F9, 5F8, 6G5, 7B6, 7C6 – these MAbs inhibit end processing and DNA joining, but had little effect on integration activities. Nilsen *et al.* [1996]

- No.** 213
MAb ID 5F8
HXB2 Location Integrase (1–16)
Author Location Integrase (1–16 HXB2)
Epitope FLDGIDKAQDEHEKYH
Subtype B
Neutralizing no
Immunogen vaccine
Vector/Type: protein *Strain:* B clade HXB2
HIV component: Int
Species (Isotype) mouse (IgG1κ)
Ab Type N-term
References Nilsen *et al.* 1996; Haugan *et al.* 1995
- 5F8: There is another MAb with this ID that recognizes and unknown protein in HIV.

- 5F8: One of a large set of MAbs that interact with the N-terminal part of integrase: 1C4, 2C11, 2E3, 3E11, 3F9, 5F8, 6G5, 7B6, 7C6 – these MAbs inhibit end processing and DNA joining, but had little effect on integration activities. Nilsen *et al.* [1996]
- 5F8: MAb interferes with integrase binding to DNA. Haugan *et al.* [1995]

No. 214
MAb ID 6G5
HXB2 Location Integrase (1–16)
Author Location Integrase (1–16 HXB2)
Epitope FLDGIDKAQDEHEKYH
Subtype B
Neutralizing no
Immunogen vaccine
Vector/Type: protein *Strain:* B clade HXB2
HIV component: Int
Species (Isotype) mouse (IgG1κ)
Ab Type N-term

References Nilsen *et al.* 1996

- 6G5: One of a large set of MAbs that interact with the N-terminal part of integrase: 1C4, 2C11, 2E3, 3E11, 3F9, 5F8, 6G5, 7B6, 7C6 – these MAbs inhibit end processing and DNA joining, but had little effect on integration activities. Nilsen *et al.* [1996]

No. 215
MAb ID 7B6
HXB2 Location Integrase (1–16)
Author Location Integrase (1–16 HXB2)
Epitope FLDGIDKAQDEHEKYH
Subtype B
Neutralizing no
Immunogen vaccine
Vector/Type: protein *Strain:* B clade HXB2
HIV component: Int
Species (Isotype) mouse (IgG1κ)
Ab Type N-term

References Nilsen *et al.* 1996

- 7B6: One of a large set of MAbs that interact with the N-terminal part of integrase: 1C4, 2C11, 2E3, 3E11, 3F9, 5F8, 6G5, 7B6, 7C6 – these MAbs inhibit end processing and DNA joining, but had little effect on integration activities. Nilsen *et al.* [1996]

No. 216
MAb ID 7C6
HXB2 Location Integrase (1–16)
Author Location Integrase (1–16 HXB2)
Epitope FLDGIDKAQDEHEKYH
Subtype B
Neutralizing no
Immunogen vaccine
Vector/Type: protein *Strain:* B clade HXB2
HIV component: Int

Species (Isotype) mouse (IgG1κ)

Ab Type N-term

References Nilsen *et al.* 1996

- 7C6: One of a large set of MAbs that interact with the N-terminal part of integrase: 1C4, 2C11, 2E3, 3E11, 3F9, 5F8, 6G5, 7B6, 7C6 – these MAbs inhibit end processing and DNA joining, but had little effect on integration activities. Nilsen *et al.* [1996]

No. 217
MAb ID 6C5
HXB2 Location Integrase (17–38)
Author Location Integrase (17–38 HXB2)
Epitope SNWRAMASDFNLPVVAKEIVA
Subtype B
Neutralizing no
Immunogen vaccine
Vector/Type: protein *Strain:* B clade HXB2
HIV component: Int

Species (Isotype) mouse (IgG1κ)

Ab Type N-term

References Nilsen *et al.* 1996; Haugan *et al.* 1995

- 6C5: This MAb inhibits end processing and DNA joining, but had little effect on integration activities. Nilsen *et al.* [1996]
- 6C5: MAb interferes with integrase binding to DNA. Haugan *et al.* [1995]

No. 218
MAb ID 8G4
HXB2 Location Integrase (22–31)
Author Location Integrase (12–42 HXB2)
Epitope MASDFNLPV+GYIEAEVIPAETGQETAYFI?
Subtype B
Neutralizing no
Immunogen vaccine
Vector/Type: protein *Strain:* B clade HXB2
HIV component: Int

Species (Isotype) mouse (IgG1κ)

References Nilsen *et al.* 1996; Haugan *et al.* 1995

- 8G4: This MAb reacted strongly with peptides IN(12-31) and IN(22-42), and less strongly with peptide IN(82-101) – it did not react with a deletion mutant of positions 17-38 – this MAb inhibits end processing and DNA joining, but had little effect on integration activities. Nilsen *et al.* [1996]
- 8G4: MAb interferes with integrase binding to DNA. Haugan *et al.* [1995]

No. 219
MAb ID 17 (mAb17)
HXB2 Location Integrase (25–35)
Author Location Integrase (25–35)
Epitope DFNLPVVAKE
Neutralizing no
Immunogen vaccine
Vector/Type: protein *HIV component:* Int
Species (Isotype) mouse (IgG1)
References Yi *et al.* 2000; Levy-Mintz *et al.* 1996; Bizub-Bender *et al.* 1994

- 17: Epitope mapped to helix-turn-helix motif in the N-term domain of Integrase, positions 25-35 – Zn binding stabilizes the Integrase-mAb17 complex – both MAb and Fab form of mAb17 inhibit Integrase activity – epitope region likely to be involved in protein-protein interaction. Yi *et al.* [2000]

- 17: Used for the creation of single chain variable antibody fragments (SFvs) for internal cellular expression – neutralization of IN activity prior to integration, whether the Ab is expressed in the nucleolus or the cytoplasm – relative binding affinity to IN: 12 > 17 = 33 > 21 > 4. Levy-Mintz *et al.* [1996]
- 17: BALBc mice were immunized with rec integrase, hybridomas expressing anti-integrase Abs were generated, and the antibodies characterized – the Zn finger motif is in the binding region – MAbs 14 and 17 form a competition group. Bizub-Bender *et al.* [1994]

No. 220

MAb ID 4D6

HXB2 Location Integrase (42–55)

Author Location Integrase (42–55 HXB2)

Epitope KCQLKGEAMHGQVD

Subtype B

Neutralizing no

Immunogen vaccine

Vector/Type: protein *Strain:* B clade HXB2

HIV component: Int

Species (Isotype) mouse (IgG1κ)

Ab Type N-term

References Nilsen *et al.* 1996; Haugan *et al.* 1995

- 4D6: This MAb inhibits end processing and DNA joining, and reduces reintegration activity. Nilsen *et al.* [1996]
- 4D6: MAb interferes with integrase binding to DNA. Haugan *et al.* [1995]

No. 221

MAb ID 7-16 (7-19)

HXB2 Location Integrase (50–159)

Author Location Integrase (50–159 HXB2)

Epitope

Subtype B

Neutralizing no

Immunogen vaccine

Vector/Type: chimeric maltose binding protein (MBP) *Strain:* B clade IIIB *HIV component:* Int

Species (Isotype) mouse (IgG2b)

Ab Type Integrase catalytic core

Research Contact Yoshihiro Kitamura, Div of Mol Genetics, Nat Inst of Infectious Diseases, Musashimurayama, Japan

References Ishikawa *et al.* 1999

- 7-16: Binds to the central catalytic domain – the paper seems to sometimes call this antibody 7-16, sometimes 7-19, a possible typo. Ishikawa *et al.* [1999]

No. 222

MAb ID 4F6

HXB2 Location Integrase (56–102)

Author Location Integrase (56–102 HXB2)

Epitope CSPGIWQLDCTHLEGKVILVAVHVASGYIEAE-VIPAETGQETAYFLL

Subtype B

Neutralizing no

Immunogen vaccine

Vector/Type: protein *Strain:* B clade HXB2

HIV component: Int

Species (Isotype) mouse (IgG1κ)

Ab Type Integrase catalytic core

References Nilsen *et al.* 1996; Haugan *et al.* 1995

- 4F6: MAb binding had minimal effects on IN *in vitro* activities. Nilsen *et al.* [1996]
- 4F6: MAb interferes with integrase binding to DNA. Haugan *et al.* [1995]

No. 223

MAb ID anti-K159

HXB2 Location Integrase (151–163)

Author Location Integrase (163–175)

Epitope VESMNKELKKIIG

Neutralizing

Immunogen vaccine

Vector/Type: peptide *HIV component:* Int

Species (Isotype) rabbit (IgG)

References Maksutov *et al.* 2002; Maroun *et al.* 1999

- anti-K159: This epitope is similar to a fragment of the human protein Apoptosis regulator BCL-W (KIAA0271), ESVNKE-MEPLVGQV. Maksutov *et al.* [2002]
- anti-K159: Both the peptide K159, SQGVVESMNKELKKI-IGQVRDQAEHLKTA, and the Abs raised against this peptide inhibit Integrase activity – K159 was found to fulfill condition of minimal number of helical heptads to achieve the formation of a stable coiled-coil structure – Integrase is proposed to function as a dimer interacting in this region. Maroun *et al.* [1999]

No. 224

MAb ID 5D9

HXB2 Location Integrase (186–250)

Author Location Integrase (186–250 HXB2)

Epitope

Subtype B

Neutralizing no

Immunogen vaccine

Vector/Type: protein *Strain:* B clade HXB2

HIV component: Int

Species (Isotype) mouse (IgG1κ)

Ab Type Integrase DNA binding domain

References Nilsen *et al.* 1996; Haugan *et al.* 1995

- 5D9: MAb binding had minimal effects on IN *in vitro* activities. Nilsen *et al.* [1996]
- 5D9: While C-term and N-term anti-Integrase MAbs interfere with Integrase-DNA binding, 5D9 which binds more centrally, does not. Haugan *et al.* [1995]

No. 225

MAb ID 8-6

HXB2 Location Integrase (211–227)

Author Location Integrase (211–227 HXB2)

Epitope KELQKQITKIQNFVYY

Subtype B

Neutralizing no

Immunogen vaccine

Vector/Type: chimeric maltose binding protein (MBP) *Strain:* B clade IIIB *HIV component:* Int

Species (Isotype) mouse (IgG1)

Research Contact Yoshihiro Kitamura, Div of Mol Genetics, Nat Inst of Infectious Diseases, Musashimurayama, Japan

References Ishikawa *et al.* 1999

- 8-6: Antibody binds proximal to the DNA binding region. Ishikawa *et al.* [1999]

No. 226

MAB ID 19 (2-19, scAb2-19)

HXB2 Location Integrase (228–236)

Author Location Integrase (228–236 LAI)

Epitope RDSRNPLWK

Subtype B

Neutralizing no

Immunogen vaccine

Vector/Type: protein *HIV component:* Int

Species (Isotype) mouse (IgG1)

References Kitamura *et al.* 1999; Levy-Mintz *et al.* 1996; Bizub-Bender *et al.* 1994

- 19: Called 2-19, scAb2-19 is a single-chain Ab made from MAb 2-19 –acts intra-cellularly to block infection at low MOI by binding to integrase – scAb interfered with the folding of Gag-Pol polyprotein, the Ab did not affect viral production in LAI transfected cells, but the virus produced was less infectious – authors suggest that the epitope may be conformational. Kitamura *et al.* [1999]
- 19: BALBc mice were immunized with rec integrase, hybridomas expressing anti-integrase Abs were generated, and the antibodies characterized – 19 has a low binding affinity. Bizub-Bender *et al.* [1994]

No. 227

MAB ID 2-19

HXB2 Location Integrase (228–236)

Author Location Integrase (228–236 HXB2)

Epitope RDSRNPLWK

Subtype B

Neutralizing no

Immunogen vaccine

Vector/Type: chimeric maltose binding protein (MBP) *Strain:* B clade IIIB *HIV component:* Int

Species (Isotype) mouse (IgG2b)

Ab Type Integrase DNA binding domain

Research Contact Yoshihiro Kitamura, Div of Mol Genetics, Nat Inst of Infectious Diseases, Musashimurayama, Japan

References Ishikawa *et al.* 1999

- 2-19: MAb inhibits RT-Integrase interaction, and the terminal cleavage and strand transfer functions of Integrase, but not the disintegration activity. Ishikawa *et al.* [1999]

No. 228

MAB ID 8-22

HXB2 Location Integrase (237–252)

Author Location Integrase (237–252 HXB2)

Epitope GPAKLLWKEGAVVIQ

Subtype B

Neutralizing no

Immunogen vaccine

Vector/Type: chimeric maltose binding protein (MBP) *Strain:* B clade IIIB *HIV component:* Int

Species (Isotype) mouse (IgG1)

Ab Type Integrase DNA binding domain

Research Contact Yoshihiro Kitamura, Div of Mol Genetics, Nat Inst of Infectious Diseases, Musashimurayama, Japan

References Ishikawa *et al.* 1999

- 8-22: MAb inhibits the terminal cleavage and strand transfer functions of Integrase, but not the disintegration activity. Ishikawa *et al.* [1999]

No. 229

MAB ID 4-20

HXB2 Location Integrase (253–261)

Author Location Integrase (253–261 HXB2)

Epitope DNSDIKVP

Subtype B

Neutralizing no

Immunogen vaccine

Vector/Type: chimeric maltose binding protein (MBP) *Strain:* B clade IIIB *HIV component:* Int

Species (Isotype) mouse (IgG1)

Ab Type Integrase DNA binding domain

Research Contact Yoshihiro Kitamura, Div of Mol Genetics, Nat Inst of Infectious Diseases, Musashimurayama, Japan

References Ishikawa *et al.* 1999

- 4-20: Inhibits the terminal cleavage and strand transfer functions of Integrase, but not the disintegration activity. Ishikawa *et al.* [1999]

No. 230

MAB ID 6-19

HXB2 Location Integrase (262–270)

Author Location Integrase (261–270 HXB2)

Epitope RRRKAKIIRD

Subtype B

Neutralizing no

Immunogen vaccine

Vector/Type: chimeric maltose binding protein (MBP) *Strain:* B clade IIIB *HIV component:* Int

Species (Isotype) mouse (IgG2b)

Ab Type Integrase DNA binding domain

Research Contact Yoshihiro Kitamura, Div of Mol Genetics, Nat Inst of Infectious Diseases, Musashimurayama, Japan

References Ishikawa *et al.* 1999

- 6-19: Inhibits the terminal cleavage and strand transfer functions of Integrase, but not the disintegration activity. Ishikawa *et al.* [1999]

No. 231

MAb ID 7C3
HXB2 Location Integrase (262–271)
Author Location Integrase (262–271 HXB2)
Epitope RRKAKIIRDY
Subtype B
Neutralizing no
Immunogen vaccine
Vector/Type: protein *Strain:* B clade HXB2
HIV component: Int
Species (Isotype) mouse (IgG1κ)
References Nilsen *et al.* 1996; Haugan *et al.* 1995
 • 7C3: A set of three MAbs recognize an epitope in this region, 7C3, 7F11, and 8E5 – all three HIV-1 MAbs cross-react with HIV-2 IN – these MAbs inhibit end-processing, DNA joining and reintegration, and had little effect on disintegration. Nilsen *et al.* [1996]
 • 7C3: MAb interferes with integrase binding to DNA. Haugan *et al.* [1995]

No. 232
MAb ID 7F11
HXB2 Location Integrase (262–271)
Author Location Integrase (262–271 HXB2)
Epitope RRKAKIIRDY
Subtype B
Neutralizing no
Immunogen vaccine
Vector/Type: protein *Strain:* B clade HXB2
HIV component: Int
Species (Isotype) mouse (IgG1κ)
References Lasky *et al.* 1987; Nilsen *et al.* 1996
 • 7F11: A set of three MAbs recognize an epitope in this region, 7C3, 7F11, and 8E5 – all three HIV-1 MAbs cross-react with HIV-2 IN – these MAbs inhibit end-processing, DNA joining and reintegration, and had little effect on disintegration. Nilsen *et al.* [1996]
 • 7F11: There is another MAb with this name that binds to gp120. Lasky *et al.* [1987]

No. 233
MAb ID 8E5
HXB2 Location Integrase (262–271)
Author Location Integrase (262–271 HXB2)
Epitope RRKAKIIRDY
Subtype B
Neutralizing no
Immunogen vaccine
Vector/Type: protein *Strain:* B clade HXB2
HIV component: Int
Species (Isotype) mouse (IgG1κ)
References Nilsen *et al.* 1996; Haugan *et al.* 1995
 • 8E5: A set of three MAbs recognize an epitope in this region, 7C3, 7F11, and 8E5 – all three HIV-1 MAbs cross-react with HIV-2 IN – these MAbs inhibit end-processing, DNA joining and reintegration, and had little effect on disintegration. Nilsen *et al.* [1996]
 • 8E5: MAb interferes with integrase binding to DNA. Haugan *et al.* [1995]

No. 234

MAb ID MAb 35
HXB2 Location Integrase (264–273)
Author Location Integrase (264–273)
Epitope KAKIIRDY GK
Neutralizing no
Immunogen vaccine
Vector/Type: protein *HIV component:* Int
Species (Isotype) mouse (IgGκ)
References Acel *et al.* 1998; Barsov *et al.* 1996
 • MAb 35: Integrase was shown to have intrinsic DNA polymerase activity that can catalyze gap repair – MAb 35 inhibits this activity. Acel *et al.* [1998]
 • MAb 35: There appears to be two different IN Abs with similar names: MAb 35 and 35. Barsov *et al.* [1996]
 • MAb 35: Although MAb 35 does not inhibit HIV-1 IN, Fab 35 inhibits 3'-end processing, strand transfer and disintegration. Barsov *et al.* [1996]

No. 235
MAb ID polyclonal
HXB2 Location Integrase
Author Location Integrase
Epitope
Subtype multiple
Neutralizing
Immunogen HIV-1 infection
Species (Isotype) human
Ab Type gp120 V3
References Barin *et al.* 2005
Country France
Keywords acute/early infection, assay development
 • A combination of 4 antigenic regions was used to differentiate between early (<180 days) and chronic infection. These regions were: p24; the gp41 peptide spanning the immunodominant epitope (IDE) of gp41, RVAVERYLKDQQLGIWGC-SGKICTTAV, and a subtype D version of this peptide; 5 V3 consensus peptides including A, B, C, D, and CRF01-AE; and Integrase. V3 and the IDE provide the best discrimination, with >20 fold higher levels in chronic infection when assayed by EIA using dried serum spots. Antibodies to Integrase and p24 were not as distinctive, and people tend to lose, not increase, responses to p24 over time. Integrase antibodies are among the last to appear after infection. This assay can be used to identify samples from early infection with high sensitivity and specificity. Barin *et al.* [2005] (**assay development, acute/early infection**)

IV-C-10 Pol Antibodies

No. 236
MAb ID 12
HXB2 Location Pol
Author Location Integrase (1–58)
Epitope
Neutralizing no
Immunogen vaccine
Vector/Type: protein *HIV component:* Int
Species (Isotype) mouse (IgG2a)

References Levy-Mintz *et al.* 1996; Bizub-Bender *et al.* 1994

- 12: Used for the creation of single-chain variable antibody fragments (SFvs) for internal cellular expression – neutralization of IN activity prior to integration, whether the Ab is expressed in the nucleolus or the cytoplasm – relative binding affinity to IN: 12 > 17 = 33 > 21 > 4. Levy-Mintz *et al.* [1996]
- 12: BALBc mice were immunized with rec integrase, hybridomas expressing anti-integrase Abs were generated, and the antibodies characterized – the Zn finger motif is in the binding region – MAbs 12, 13 and 35 form a competition group. Bizub-Bender *et al.* [1994]

No. 237

MAb ID 13

HXB2 Location Pol

Author Location Integrase (1–58)

Epitope

Neutralizing no

Immunogen vaccine

Vector/Type: protein *HIV component:* Int

Species (Isotype) mouse (IgG1)

References Bizub-Bender *et al.* 1994

- 13: BALBc mice were immunized with rec integrase, hybridomas expressing anti-integrase Abs were generated, and the antibodies characterized – the Zn finger motif is in the binding region – MAbs 12, 13 and 35 form a competition group. Bizub-Bender *et al.* [1994]

No. 238

MAb ID 14

HXB2 Location Pol

Author Location Integrase (1–58)

Epitope

Neutralizing no

Immunogen vaccine

Vector/Type: protein *HIV component:* Int

Species (Isotype) mouse (IgG1)

References Bizub-Bender *et al.* 1994

- 14: BALBc mice were immunized with rec integrase, hybridomas expressing anti-integrase Abs were generated, and the antibodies characterized – the Zn finger motif is in the binding region – MAbs 14 and 17 form a competition group. Bizub-Bender *et al.* [1994]

No. 239

MAb ID 16

HXB2 Location Pol

Author Location Integrase

Epitope

Neutralizing no

Immunogen vaccine

Vector/Type: protein *HIV component:* Int

Species (Isotype) mouse (IgG2a)

References Bizub-Bender *et al.* 1994

- 16: BALBc mice were immunized with rec integrase, hybridomas expressing anti-integrase Abs were generated, and the antibodies characterized. Bizub-Bender *et al.* [1994]

No. 240

MAb ID 1C12B1

HXB2 Location Pol

Author Location RT (431–521)

Epitope

Neutralizing

Immunogen vaccine

Vector/Type: protein *HIV component:* RT

Species (Isotype) mouse

References Ferns *et al.* 1991

- 1C12B1: UK Medical Research Council AIDS reagent: ARP384.
- 1C12B1: Recognized both p66 and p51 in Western blot, binds to C terminus. Ferns *et al.* [1991]

No. 241

MAb ID 21

HXB2 Location Pol

Author Location Integrase (58–141)

Epitope

Neutralizing no

Immunogen vaccine

Vector/Type: protein *HIV component:* Int

Species (Isotype) mouse (IgG2b)

References Levy-Mintz *et al.* 1996; Bizub-Bender *et al.* 1994

- 21: Used for the creation of single chain variable antibody fragments (SFvs) for internal cellular expression – neutralization of IN activity prior to integration, whether the Ab is expressed in the nucleolus or the cytoplasm – relative binding affinity to IN: 12 > 17 = 33 > 21 > 4. Levy-Mintz *et al.* [1996]
- 21: BALBc mice were immunized with rec integrase, hybridomas expressing anti-integrase Abs were generated, and the antibodies characterized. Bizub-Bender *et al.* [1994]

No. 242

MAb ID 32 (mAb32, Fab32)

HXB2 Location Pol

Author Location Integrase (223–266)

Epitope

Neutralizing no

Immunogen vaccine

Vector/Type: protein *HIV component:* Int

Species (Isotype) mouse (IgG2b)

References Yi *et al.* 2002; Yi & Skalka 2000; Bizub-Bender *et al.* 1994

- 32: Called mAb32 – mAb33 and mAb32 compete for binding to the C-term domain of Integrase – while mAb32 only weakly inhibits IN activity, mAb33 inhibits strongly, mAb32 has a lower affinity than mAb33, and Fab32 does not inhibit at all while Fab33 inhibits DNA binding a catalytic activity. Yi *et al.* [2002]
- 32: Limited proteolysis combined with mass spectrometric analysis indicates Fab32 binds to two strands of the beta sheet, beta1 223F, 224R, 226Y, and 228R and beta5 264K and 266K. Yi & Skalka [2000]
- 32: BALBc mice were immunized with rec integrase, hybridomas expressing anti-integrase Abs were generated, and the antibodies characterized – MAbs 32 and 33 form a competition group. Bizub-Bender *et al.* [1994]

No. 243
MAb ID 35
HXB2 Location Pol
Author Location Integrase (1–58)
Epitope
Neutralizing no
Immunogen vaccine
Vector/Type: protein HIV component: Int
Species (Isotype) mouse (IgG2b)
References Bizub-Bender *et al.* 1994
 • 35: There appears to be two IN Abs with similar names: MAb 35 and 35. Bizub-Bender *et al.* [1994]
 • 35: BALBc mice were immunized with rec integrase, hybridomas expressing anti-integrase Abs were generated, and the antibodies characterized – the Zn finger motif is in the binding region – MAbs 12, 13 and 35 form a competition group. Bizub-Bender *et al.* [1994]

No. 244
MAb ID 3D12
HXB2 Location Pol
Author Location RT
Epitope
Neutralizing
Immunogen vaccine
Vector/Type: vaccinia HIV component: RT
Species (Isotype) mouse (IgG2a)
References Chiba *et al.* 1997
 • 3D12: There is an anti-Nef MAb that also has this name (see Chiba *et al.* [1997]) Chiba *et al.* [1997]

No. 245
MAb ID 3F10
HXB2 Location Pol
Author Location RT
Epitope
Neutralizing
Immunogen vaccine
Vector/Type: vaccinia HIV component: RT
Species (Isotype) mouse (IgG2a)
References Chiba *et al.* 1997

No. 246
MAb ID 4
HXB2 Location Pol
Author Location Integrase (141–172)
Epitope
Neutralizing no
Immunogen vaccine
Vector/Type: protein HIV component: Int
Species (Isotype) mouse (IgG2b)
References Levy-Mintz *et al.* 1996; Bizub-Bender *et al.* 1994
 • 4: Used for the creation of single chain variable antibody fragments (SFvs) for internal cellular expression – neutralization of IN activity prior to integration, whether the Ab is expressed in the nucleolus or the cytoplasm – relative binding affinity to IN: 12 > 17 = 33 > 21 > 4. Levy-Mintz *et al.* [1996]
 • 4: There is another MAb with this ID that reacts with gp41. Bizub-Bender *et al.* [1994]

• 4: BALBc mice were immunized with rec integrase, hybridomas expressing anti-integrase Abs were generated, and the antibodies characterized – 4 has a low binding affinity. Bizub-Bender *et al.* [1994]

No. 247
MAb ID 6B9
HXB2 Location Pol
Author Location RT
Epitope
Neutralizing
Immunogen vaccine
Vector/Type: vaccinia HIV component: RT
Species (Isotype) mouse (IgG2a)
References Chiba *et al.* 1997

No. 248
MAb ID 7C4
HXB2 Location Pol
Author Location RT
Epitope
Neutralizing
Immunogen vaccine
Vector/Type: vaccinia HIV component: RT
Species (Isotype) mouse (IgG1)
References Chiba *et al.* 1997
 • 7C4: Dose-dependent inhibition of polymerase activity of RT of strains IIIIB, Bru and IMS-1, but not HIV-2 strains GH-1 or LAV-2 or SIV strains MAC or MND. Chiba *et al.* [1997]

No. 249
MAb ID RT-4
HXB2 Location Pol
Author Location RT
Epitope
Neutralizing no
Immunogen
Species (Isotype) mouse (IgG2b)
References Gu *et al.* 1996; Li *et al.* 1993
 • RT-4: Increased nevirapine and delavirdine inhibition, no effect on AZT inhibition. Gu *et al.* [1996]

No. 250
MAb ID RT70
HXB2 Location Pol
Author Location RT (231–315)
Epitope
Neutralizing
Immunogen vaccine
Vector/Type: protein HIV component: RT
Species (Isotype) mouse (IgG1)
Research Contact B. Ferns and R. Tedder
References Ferns *et al.* 1991
 • RT70: UK Medical Research Council AIDS reagent: ARP381.
 • RT70: Conformational epitope located centrally in the protein – inhibited RT enzyme activity and thus may bind close to the active site of the enzyme. Ferns *et al.* [1991]

No. 251
MAb ID RT7U

HXB2 Location Pol
Author Location RT (231–315)
Epitope
Neutralizing
Immunogen vaccine
Vector/Type: protein *HIV component:* RT
Species (Isotype) mouse
Research Contact B. Ferns and R. Tedder
References Ferns *et al.* 1991

- RT7U: UK Medical Research Council AIDS reagent: ARP380.
- RT7U: Has a conformational epitope – reacts with p66 and p51 in WB. Ferns *et al.* [1991]

No. 252
MAb ID anti-HIV-1 RT
HXB2 Location Pol
Author Location RT
Epitope
Neutralizing
Immunogen
Species (Isotype) mouse (IgG)
References Wainberg & Gu 1995; Maciejewski *et al.* 1995; di Marzo Veronese *et al.* 1986

- anti-HIV-1 RT: Cloned heavy and light chains to express Fab intracellularly, preventing HIV infection *in vitro* – this MAb was broadly cross-reactive with clinical strains and even HIV-2. Maciejewski *et al.* [1995]
- Commentary on Maciejewski *et al.* Wainberg & Gu [1995]

No. 253
MAb ID polyclonal
HXB2 Location Pol
Author Location p55
Epitope
Neutralizing no
Immunogen vaccine
Vector/Type: virus-like particle (VLP) *HIV component:* Gag, gp120, V3
Species (Isotype) macaque
References Wagner *et al.* 1998b

- A VLP is a non-infectious virus-like particle self-assembled from HIV Pr55 gag – macaques were immunized with VLPs bound to either gp120 or V3+CD4 linear domains – gag and env CTL specific CTL were stimulated in each case, and Ab response to gag and gp120 and was elicited, but the gp120 neutralizing response occurred only with whole gp120, not V3+CD4 – despite the CTL and Ab response, immunized macaques were infected by interavenous challenge with SHIV chimeric challenge stock. Wagner *et al.* [1998b]

No. 254
MAb ID polyclonal
HXB2 Location Pol
Author Location RT
Epitope
Neutralizing
Immunogen vaccine
Vector/Type: DNA *HIV component:* Env, Gag, Pol, Vif *Adjuvant:* B7, IL-12
Species (Isotype) mouse

References Kim *et al.* 1997b

- A gag/pol, vif or CMN160 DNA vaccine, when delivered in conjunction with the plasmid encoding the co-stimulatory molecules B7 and IL-12, gave a dramatic increase in both the cytotoxic and proliferative responses in mice, as well as Ab response detected by ELISA. Kim *et al.* [1997b]

No. 255
MAb ID polyclonal
HXB2 Location Pol
Author Location RT (203–219)
Epitope
Neutralizing
Immunogen vaccine
Vector/Type: Salmonella *HIV component:* RT
Species (Isotype) mouse (IgA)
References Burnett *et al.* 2000

- A live attenuated bacterial vaccine, Salmonella SL3261-pHART, with an inserted HIV RT gene fragment in the Lpp-OmpA-HIV fusion protein, induced a lymphoproliferative Th response and fecal RT-specific IgA in BALB/c mice. Burnett *et al.* [2000]

No. 256
MAb ID 33 (mAb33, Fab33, 33D5, mab 33)
HXB2 Location Pol
Author Location Integrase (223–268 HXB2)
Epitope
Subtype B
Neutralizing no
Immunogen vaccine
Vector/Type: protein *HIV component:* Int
Species (Isotype) mouse (IgG2b)
Ab Type C-term
References Schreiber *et al.* 2005; Yi *et al.* 2002; Yi & Skalka 2000; Levy-Mintz *et al.* 1996; Bizub-Bender *et al.* 1994
Keywords antibody binding site definition and exposure, computational epitope prediction, mimotopes, structure

- 33: Called Fab33. A new computer program designed to recognize conformational epitopes in 3D structures that correspond to linear peptide mimotopes (3DEX) was tested using the known conformational epitope of this Fab. 223F, 224R, 226Y, 244K, 267I, and 268I, previously defined as the epitope from NMR structural studies (Yi2002) were confirmed, along with two additional amino acids, (A265 and K266). Schreiber *et al.* [2005] (**antibody binding site definition and exposure, mimotopes, computational epitope prediction, structure**)
- 33: Called mAb33 – mAb33 and mAb32 compete for binding to the C-term domain of Integrase – while mAb32 only weakly inhibits IN activity, mAb33 inhibits strongly, mAb32 has a lower affinity than mAb33, and Fab32 does not inhibit at all while Fab33 inhibits catalytic activity and DNA binding – heteronuclear NMR indicated eight residues of Integrase are immobilized upon Fab33 binding, two in the core of the protein, and 6 on the outer face that form a contiguous patch likely to contain the epitope – 223F, 224R, 226Y, 244K, 267I, and 268I, which may be a useful target for drug design – the Fab33-IN

complex is far more soluble than IN alone and may be useful for crystallization. Yi *et al.* [2002] (**antibody binding site definition and exposure**)

- 33: Limited proteolysis combined with mass spectrometric analysis were used to define the binding site for Fab32, but Fab33 binding to the Integrase C-term domain left it resistant to proteolytic digestion. Yi & Skalka [2000]
- 33: Used for the creation of single chain variable antibody fragments (SFvs) for internal cellular expression – neutralization of IN activity prior to integration, whether the Ab is expressed in the nucleolus or the cytoplasm – relative binding affinity to IN: 12 > 17 = 33 > 21 > 4. Levy-Mintz *et al.* [1996]
- 33: BALBc mice were immunized with rec integrase, hybridomas expressing anti-integrase Abs were generated, and the antibodies characterized – MAbs 32 and 33 form a competition group. Bizub-Bender *et al.* [1994]

No. 257

MAb ID F-6

HXB2 Location Pol

Author Location RT (BH-10)

Epitope

Subtype B

Neutralizing

Immunogen in vitro stimulation or selection

Species (Isotype) human

Ab Type C-term

Research Contact Amon Hizi, Sackler School of Medicine, Tel Aviv, Isreal

References Herschhorn *et al.* 2003

Keywords antibody generation, antibody sequence, variable domain, immunotherapy

- F-6: One of five human single chain Fv (ScFv) Abs isolated from an phage display library. F-6 was shown to bind to the carboxyl terminal segment of the p66 RT polypeptide, corresponding to RNase H. F-6 inhibited the DNA and RNA-dependent DNA polymerase (RDDP) activities of HIV-1 RT; two others, 6E9 and 5B11, inhibited RDDP and so have possible therapeutic potential. To pinpoint the mechanism of inhibition, three peptides were synthesized corresponding to the CDR3 sequences of F-6, and a cyclic version of the CDR H3 region bound to purified RT and blocked RDDP. Herschhorn *et al.* [2003] (**antibody generation, immunotherapy, antibody sequence, variable domain**)

IV-C-11 Vif Antibodies

No. 258

MAb ID TG002

HXB2 Location Vif (34–47)

Author Location Vif (34–47)

Epitope KARGWFYRHHYESP?

Neutralizing no

Immunogen vaccine

Vector/Type: protein *HIV component:* Vif

Species (Isotype) mouse

Research Contact Transgene

References

- TG002: This MAb was raised in response to a rec Vif protein derived from *E. coli*.
- TG002: NIH AIDS Research and Reference Reagent Program: 2746.

No. 259

MAb ID TG001

HXB2 Location Vif (176–192)

Author Location Vif (176–192)

Epitope KPQKTKGHRGSHTMNGH?

Neutralizing no

Immunogen vaccine

Vector/Type: protein *HIV component:* Vif

Species (Isotype) mouse

Ab Type C-term

Research Contact Transgene

References

- TG001: This antibody was raised in response to a rec Vif protein derived from *E. coli*.
- TG001: NIH AIDS Research and Reference Reagent Program: 2745.

No. 260

MAb ID J4

HXB2 Location Vif

Author Location (HXB2)

Epitope

Subtype B

Neutralizing

Immunogen

Species (Isotype) humanized rabbit

References Goncalves *et al.* 2002

- J4: The authors developed a Vif-specific intrabody single-chain FAb fragment of J4 called 14BL. When expressed intracellularly in the cytoplasm this intrabody efficiently bound Vif protein and neutralized its infectivity enhancing function. Intrabody-expressing transduced cells were highly refractory to challenge with the laboratory strain NL43 and with primary isolate strains of HIV-1. Goncalves *et al.* [2002]

No. 261

MAb ID polyclonal

HXB2 Location Vif

Author Location Vif

Epitope

Neutralizing

Immunogen vaccine

Vector/Type: DNA *HIV component:* Env, Gag, Pol, Vif *Adjuvant:* B7, IL-12

Species (Isotype) mouse

References Kim *et al.* 1997b

- A gag/pol, vif or CMN160 DNA vaccine, when delivered in conjunction with the plasmid encoding the co-stimulatory molecules B7 and IL-12, gave a dramatic increase in both the cytotoxic and proliferative responses in mice, as well as an Ab response detected by ELISA. Kim *et al.* [1997b]

IV-C-12 Vpr Antibodies

No. 262
MAb ID polyclonal
HXB2 Location Vpr
Author Location Vpr (89.6)
Epitope
Subtype B
Neutralizing
Immunogen HIV-1 infection
Species (Isotype) human (IgG)
References Richardson *et al.* 2003
Country France
Keywords rate of progression

- Serum samples were obtained from the French GRIV (genetic resistance to HIV) cohort and tested for anti-Tat and anti-Vpr responses, as both may contribute as extracellular proteins to pathogenesis. Serum anti-Vpr IgG responses were significantly higher in stable non-progressors (CD4+ T cell counts greater than 500 cell/ul after being positive for 8 years with no ART) and unstable non-progressors (declined during a 20 month follow up), than fast progressors (CD4+ T less than 300 cells/ul within 2 years of seroconversion, some HAART). Serum anti-Tat IgG was found to be significantly higher in stable non-progressors compared to unstable non-progressors and fast progressors indicating that higher levels of serum anti-Tat IgG are associated with maintenance of non-progression status. Richardson *et al.* [2003] (**rate of progression**)

IV-C-13 Tat Antibodies

No. 263
MAb ID polyclonal
HXB2 Location Tat (1–15)
Author Location Tat (1–15 89.6)
Epitope MEPVDRPLEPWKHPG
Subtype B
Neutralizing
Immunogen vaccine
Vector/Type: protein *Strain:* B clade 89.6, B clade HxBc2 *HIV component:* Tat *Adjuvant:* Incomplete Freund's Adjuvant (IFA)
Species (Isotype) macaque (IgG)
Ab Type C-term, N-term, Tat basic region
References Silvera *et al.* 2002
Keywords antibody binding site definition and exposure, vaccine antigen design

- Anti-Tat and Tat toxoid responses were raised in rhesus macaques using HxBc2 and 89.6P Tat, and Tat toxoids. High anti-Tat IgG responses were observed in all animals, and helper responses were detected in 8/16, and IFN gamma CTL in 11/16.. Ab and proliferative responses were observed, and the truncated 86 amino acid IIIB Tat was more immunogenic than the full 102 amino acid Tat. Tat vaccinated animals when challenged with SHIV89.6 were infected despite a robust immune response. The most consistent reactions to the vaccinations were to peptides in regions: N-term, 1-15 (MEPVDRPLEPWKHPG), basic domain 46-60 (SYGRKRRRQRRRAHQ),

and 61-91, particularly C-term 76-90 (QPRGDPTGPKQKKK). Silvera *et al.* [2002] (**antibody binding site definition and exposure, vaccine antigen design**)

No. 264
MAb ID polyclonal
HXB2 Location Tat (1–20)
Author Location Tat (1–20 IIIB BH10)
Epitope MEPVDPRLEPWKHPGSQPKT?
Subtype B
Neutralizing
Immunogen vaccine
Vector/Type: protein *Strain:* B clade IIIB *HIV component:* Tat *Adjuvant:* Incomplete Freund's Adjuvant (IFA), macrophage activating lipopeptide-2 (MALP-2)
Species (Isotype) mouse (IgA, IgG)
References Borsutzky *et al.* 2003
Keywords adjuvant comparison, genital and mucosal immunity, immunodominance, mucosal immunity, Th1, Th2, vaccine-induced epitopes

- Intranasal immunization of BALB/c mice Tat with MALP-2 induced stronger immune responses than i.p. vaccination of Tat with IFA. Also i.n. MALP-2 vaccination favored Th1 responses, while i.p. IFA favored Th2. Ab, T help and CTL responses were observed. MALP-2 enhanced Tat-specific IgA responses in the lung and in the genital tract. Three linear Ab epitopes were recognized. The most frequent response (80% of vaginal lavage, 100% of sera and lung lavage) was to Tat peptide 1-20. The second strongest to Tat 46-60 (20% of vaginal lavage, 50% of lung lavage, 50% of sera). Finally, 50% of the sera of Tat+ IFA i.p. immunized mice recognized Tat 73-86. Borsutzky *et al.* [2003] (**adjuvant comparison, genital and mucosal immunity, vaccine-induced epitopes, immunodominance, mucosal immunity, Th1, Th2**)

No. 265
MAb ID TA9
HXB2 Location Tat (1–20)
Author Location Tat (1–20 Lai/Bru)
Epitope MEPVDPRLEPGSQPKT
Subtype B
Neutralizing
Immunogen vaccine
Vector/Type: protein *Strain:* B clade BRU *HIV component:* Tat *Adjuvant:* Complete Freund's Adjuvant (CFA)
Species (Isotype) mouse (IgG)
Ab Type N-term
Research Contact Dr. J.-L. Guesdon, Institut Pasteur, Paris
References Belliard *et al.* 2003
Keywords subtype comparisons

- This is one of 5 anti-Tat murine monoclonal antibodies generated in this study. TA9 is clade B specific, and does not recognize Tat from clade A, C, D, or CRF01 (AE). TA9 binds to the Tat peptide aa 1-61 strongly, and is also able to bind to Tat aa 1-20, and Tat peptide aa 8-53. Belliard *et al.* [2003] (**subtype comparisons**)

No. 266

MAb ID TD84
HXB2 Location Tat (1–20)
Author Location Tat (1–20 Lai/Bru)
Epitope MEPVDPRLEPGSQPKT
Subtype B
Neutralizing
Immunogen vaccine
Vector/Type: protein *Strain:* B clade BRU
HIV component: Tat *Adjuvant:* Complete Freund's Adjuvant (CFA)

Species (Isotype) mouse (IgG)
Ab Type N-term
Research Contact Dr. J.-L. Guesdon, Institut Pasteur, Paris
References Belliard *et al.* 2003

Keywords subtype comparisons
 • This is one of 5 anti-Tat murine monoclonal antibodies generated in this study. TD84 is clade B specific, and does not recognize Tat from clade A, C, D, or CRF01 (AE). It reacts strongly with aa 1-61, and is able to react with aa 1-20. Belliard *et al.* [2003] (**subtype comparisons**)

No. 267
MAb ID TE135
HXB2 Location Tat (1–20)
Author Location Tat (1–20 Lai/Bru)
Epitope MEPVDPRLEPGSQPKT
Subtype B
Neutralizing
Immunogen vaccine
Vector/Type: protein *Strain:* B clade BRU
HIV component: Tat *Adjuvant:* Complete Freund's Adjuvant (CFA)

Species (Isotype) mouse (IgG)
Ab Type N-term
Research Contact Dr. J.-L. Guesdon, Institut Pasteur, Paris
References Belliard *et al.* 2003

Keywords subtype comparisons
 • This is one of 5 anti-Tat murine monoclonal antibodies generated in this study. TE135 is clade B specific, and does not recognize Tat from clade A, C, D, or CRF01 (AE). It reacts strongly with aa 1-61, and is able to react with aa 1-20. Belliard *et al.* [2003] (**subtype comparisons**)

No. 268
MAb ID polyclonal
HXB2 Location Tat (1–24)
Author Location Tat (1–24)
Epitope MEPVDPRLEPKHPGSQPKTACTN
Neutralizing
Immunogen HIV-1 infection, vaccine
Vector/Type: protein *Strain:* B clade *HIV component:* Tat *Adjuvant:* Montanide (ISA 51)

Species (Isotype) human (IgG)
Ab Type N-term
References Noonan *et al.* 2003
Keywords immunotherapy, vaccine-specific epitope characteristics

• Intramuscular injection of Tat-toxoid induced high titers of anti-Tat reactivity in serum samples of six HIV-1 positive and of four HIV negative study subjects. Anti-Tat antibodies successfully blocked extracellular Tat from transactivating HIV Tat-sensitive promoters. The anti-Tat IgG response in sera from two healthy and HIV infected patients inhibited cell entry of synthetic Tat, thus blocking its functional activity. Additionally, the anti-Tat antibodies inhibited intercellular Tat transfer as demonstrated by a co-culture cell system. All HIV-1 infected patients had Ab responses to the N-term region of Tat, and 4/4 HIV-1 + and 5/6 HIV-1 negative patients responded to the basic domain. Several additional peptides were recognized either exclusively or more commonly in the HIV+ people. The N-terminus region of Tat mediates binding to CD26, that may be involved in modulation of chemokine function, and may also mediate T-cell apoptosis. Noonan *et al.* [2003] (**vaccine-specific epitope characteristics, immunotherapy**)

No. 269
MAb ID NT3/2D1.1
HXB2 Location Tat (2–15)
Author Location Tat
Epitope EPVDPNLEPWNHPS
Neutralizing
Immunogen vaccine
Vector/Type: peptide *HIV component:* Tat
Species (Isotype) mouse (IgG1a)
Ab Type N-term

References Dingwall *et al.* 1989
 • NT3/2D1.1: UK Medical Research Council AIDS reagent: ARP352.
 • NT3/2D1.1: Immunoprecipitates and immunoblots HIV-1 tat protein. Dingwall *et al.* [1989]

No. 270
MAb ID 1.2
HXB2 Location Tat (2–17)
Author Location Tat (1–16)
Epitope EPVDPRLWKHPGSQ
Neutralizing
Immunogen
Species (Isotype)
References Ranki *et al.* 1995; Ovod *et al.* 1992
 • 1.2: Weak expression of Tat observed in HIV+ brain tissue sample, in contrast to Nef. Ranki *et al.* [1995]

No. 271
MAb ID 1D9D5
HXB2 Location Tat (2–21)
Author Location Tat
Epitope EPVDPRLWKHPGSQPKTA
Neutralizing
Immunogen vaccine
Vector/Type: protein *HIV component:* Tat
Species (Isotype) mouse (IgG1)
Ab Type N-term
References Valvatne *et al.* 1996; Mhashilkar *et al.* 1995

- 1D9D5: Exogenously delivered Tat can efficiently transactivate an HIV-LTR-CAT construct in HeLa cells in the presence of 1D9D5, suggesting when considered with the results of Mhashilkar *et al.* [1995], that free Tat and not Ab bound is taken up by cells Valvatne *et al.* [1996]. Mhashilkar *et al.* [1995]; Valvatne *et al.* [1996]
- 1D9D5: Single chain antibodies, intrabodies, were engineered that can be stably expressed in the cytoplasm of mammalian cells – co-expression of an N-term intrabody can inhibit transactivation of an HIV LTR-CAT construct and block import into nucleus, but intrabody specific for exon 2 did not inhibit activity. Mhashilkar *et al.* [1995]

No. 272

MAb ID TB12**HXB2 Location** Tat (44–60)**Author Location** Tat (44–61 Lai/Bru)**Epitope** GISYGRKKRRQRRPPQG**Subtype** B**Neutralizing****Immunogen** vaccine

Vector/Type: protein *Strain:* B clade BRU
HIV component: Tat *Adjuvant:* Complete Freund's Adjuvant (CFA)

Species (Isotype) mouse (IgG)**Ab Type** Tat basic region**Research Contact** Dr. J.-L. Guesdon, Institut Pasteur, Paris**References** Belliard *et al.* 2003**Keywords** subtype comparisons

- This is one of 5 anti-Tat murine monoclonal antibodies generated in this study. TB12 is clade B and D specific, and does not recognize Tat from clade A, C, or CRF01 (AE). It reacts strongly with aa 1-61, and is also able to react with aa 44-61, in the basic region involved in Tat uptake. Belliard *et al.* [2003] (**subtype comparisons**)

No. 273

MAb ID polyclonal**HXB2 Location** Tat (46–60)**Author Location** Tat (46–60 IIIB BH10)**Epitope** SYGRKKRRQRRRAHQ?**Subtype** B**Neutralizing****Immunogen** vaccine

Vector/Type: protein *Strain:* B clade IIIB
HIV component: Tat *Adjuvant:* Incomplete Freund's Adjuvant (IFA), macrophage activating lipopeptide-2 (MALP-2)

Species (Isotype) mouse (IgA, IgG)**References** Borsutzky *et al.* 2003**Keywords** adjuvant comparison, genital and mucosal immunity, immunodominance, mucosal immunity, Th1, Th2, vaccine-induced epitopes

- Intranasal immunization of BALB/c mice Tat with MALP-2 induced stronger immune responses than i.p. vaccination of Tat with IFA. Also i.n. MALP-2 vaccination favored Th1 responses, while i.p. IFA favored Th2. Ab, T help and CTL responses were observed. MALP-2 enhanced Tat-specific IgA responses in the lung and in the genital tract. Three linear Ab epitopes were recognized. The most frequent response

(80% of vaginal lavage, 100% of sera and lung lavage) was to Tat peptide 1-20. The second strongest to Tat 46-60 (20% of vaginal lavage, 50% of lung lavage, 50% of sera). Finally, 50% of the sera of Tat+ IFA i.p. immunized mice recognized Tat 73-86. Borsutzky *et al.* [2003] (**adjuvant comparison, genital and mucosal immunity, vaccine-induced epitopes, immunodominance, mucosal immunity, Th1, Th2**)

No. 274

MAb ID polyclonal**HXB2 Location** Tat (46–60)**Author Location** Tat (46–60 89.6)**Epitope** SYGRKKRRQRRRAHQ**Subtype** B**Neutralizing****Immunogen** vaccine

Vector/Type: protein *Strain:* B clade 89.6,
 B clade HXBc2 *HIV component:* Tat *Adjuvant:* Incomplete Freund's Adjuvant (IFA)

Species (Isotype) macaque (IgG)**Ab Type** C-term, N-term, Tat basic region**References** Silvera *et al.* 2002**Keywords** antibody binding site definition and exposure, vaccine antigen design

- Anti-Tat and Tat toxoid responses were raised in rhesus macaques using HxBc2 and 89.6P Tat, and Tat toxoids. High anti-Tat IgG responses were observed in all animals, and helper responses were detected in 8/16, and IFN gamma CTL in 11/16.. Ab and proliferative responses were observed, and the truncated 86 amino acid IIIB Tat was more immunogenic than the full 102 amino acid Tat. Tat vaccinated animals when challenged with SHIV89.6 were infected despite a robust immune response. The most consistent reactions to the vaccinations were to peptides in regions: N-term, 1-15 (MEPVDRPLEP-WKHPG), basic domain 46-60 (SYGRKKRRQRRRAHQ), and 61-91, particularly C-term 76-90 (QPRGDPTGPKQKKK). Silvera *et al.* [2002] (**antibody binding site definition and exposure, vaccine antigen design**)

No. 275

MAb ID polyclonal**HXB2 Location** Tat (46–60)**Author Location** Tat (46–60 89.6)**Epitope** SYGRKKRRQRRRAHQ**Subtype** B**Neutralizing****Immunogen** vaccine

Vector/Type: protein *Strain:* B clade 89.6,
 B clade HXBc2 *HIV component:* Tat *Adjuvant:* Incomplete Freund's Adjuvant (IFA)

Species (Isotype) macaque (IgG)**Ab Type** C-term, N-term, Tat basic region**References** Silvera *et al.* 2002**Keywords** antibody binding site definition and exposure, vaccine antigen design

- Anti-Tat and Tat toxoid responses were raised in rhesus macaques using HxBc2 and 89.6P Tat, and Tat toxoids. High anti-Tat IgG responses were observed in all animals, and helper responses were detected in 8/16, and IFN gamma CTL in 11/16..

Ab and proliferative responses were observed, and the truncated 86 amino acid IIIB Tat was more immunogenic than the full 102 amino acid Tat. Tat vaccinated animals when challenged with SHIV89.6 were infected despite a robust immune response. The most consistent reactions to the vaccinations were to peptides in regions: N-term, 1-15 (MEPVDRPLEP-WKHPG), basic domain 46-60 (SYGRKKRRQRRRAHQ), and 61-91, particularly C-term 76-90 (QPRGDPTGPKQKKK). Silvera *et al.* [2002] (**antibody binding site definition and exposure, vaccine antigen design**)

- No.** 276
MAb ID polyclonal
HXB2 Location Tat (47–60)
Author Location Tat (46–60)
Epitope YGRKKRRQRRPPQ
Neutralizing Immunogen HIV-1 infection, vaccine
Vector/Type: protein *Strain:* B clade *HIV component:* Tat *Adjuvant:* Montanide (ISA 51)
Species (Isotype) human (IgG)
Ab Type Tat basic region
References Noonan *et al.* 2003
Keywords immunotherapy, vaccine-specific epitope characteristics
- Intramuscular injection of Tat-toxoid induced high titers of anti-Tat reactivity in serum samples of six HIV-1 positive and of four HIV negative study subjects. Anti-Tat Abs successfully blocked extracellular Tat from transactivating HIV Tat-sensitive promoters. The anti-Tat IgG response in sera from two healthy and HIV infected patients inhibited cell entry of synthetic Tat, thus blocking its functional activity. Additionally, the anti-Tat Abs inhibited intercellular Tat transfer in a co-culture cell system. All HIV-1 infected patients had Ab responses to the N-term region of Tat, and 4/4 HIV-1 + and 5/6 HIV-1 negative patients responded to the basic domain. Several additional peptides were recognized either exclusively or more commonly in the HIV+ people. The basic region of Tat mediates binding to VEGFR2 on Kaposi's sarcoma cells and endothelial cells, and HIV patients with Kaposi's sarcoma lack Abs to this domain. Noonan *et al.* [2003] (**vaccine-specific epitope characteristics, immunotherapy**)

- No.** 277
MAb ID 1D2F11
HXB2 Location Tat (49–86)
Author Location Tat
Epitope RKKRRQRRPPQGSQTHQVLSKQPTSQSRGD-PTGPKE
Neutralizing Immunogen vaccine
Vector/Type: protein *HIV component:* Tat
Species (Isotype) mouse (IgG1)
Ab Type C-term
References Valvatne *et al.* 1996
- 1D2F11: MAb did not bind shorter peptides – this MAb inhibited exogenously delivered Tat transactivation of an HIV-LTR-CAT construct in HeLa cells by inhibition of cellular uptake of Tat. Valvatne *et al.* [1996]

- No.** 278
MAb ID 2D9E7
HXB2 Location Tat (49–86)
Author Location Tat
Epitope RKKRRQRRPPQGSQTHQVLSKQPTSQSRGD-PTGPKE
Neutralizing Immunogen vaccine
Vector/Type: protein *HIV component:* Tat
Species (Isotype) mouse (IgG1)
Ab Type C-term
References Valvatne *et al.* 1996
- 2D9E7: MAb did not bind shorter peptides – this MAb inhibited exogenously delivered Tat transactivation of an HIV-LTR-CAT construct in HeLa cells by inhibition of cellular uptake of Tat, but less efficiently than MAbs 1D2F11 or 4B4C4. Valvatne *et al.* [1996]

- No.** 279
MAb ID 4B4C4 (4B4)
HXB2 Location Tat (49–86)
Author Location Tat
Epitope RKKRRQRRPPQGSQTHQVLSKQPTSQSRGD-PTGPKE
Neutralizing Immunogen vaccine
Vector/Type: protein *HIV component:* Tat
Species (Isotype) mouse (IgG1)
Ab Type C-term
References Jensen *et al.* 1997; Valvatne *et al.* 1996
- 4B4C4: MAb did not bind shorter peptides – this MAb inhibited exogenously delivered Tat transactivation of an HIV-LTR-CAT construct in HeLa cells by inhibition of cellular uptake of Tat. Valvatne *et al.* [1996]

- No.** 280
MAb ID 5G7D8
HXB2 Location Tat (49–86)
Author Location Tat
Epitope RKKRRQRRPPQGSQTHQVLSKQPTSQSRGD-PTGPKE
Neutralizing Immunogen vaccine
Vector/Type: protein *HIV component:* Tat
Species (Isotype) mouse (IgG1)
Ab Type C-term
References Valvatne *et al.* 1996
- 5G7D8: MAb did not bind shorter peptides – this MAb inhibited exogenously delivered Tat transactivation of an HIV-LTR-CAT construct in HeLa cells by inhibition of cellular uptake of Tat, but less efficiently than 1D2F11 or 4B4C4. Valvatne *et al.* [1996]

- No.** 281
MAb ID polyclonal
HXB2 Location Tat (73–86)
Author Location Tat (73–86 IIIB BH10)
Epitope PTSQPRGDPTGPKE?
Subtype B
Neutralizing

- Immunogen** vaccine
Vector/Type: protein *Strain:* B clade IIIB
HIV component: Tat *Adjuvant:* Incomplete Freund's Adjuvant (IFA), macrophage activating lipopeptide-2 (MALP-2)
- Species (Isotype)** mouse (IgA, IgG)
- References** Borsutzky *et al.* 2003
- Keywords** adjuvant comparison, genital and mucosal immunity, immunodominance, mucosal immunity, Th1, Th2, vaccine-induced epitopes
- Intranasal immunization of BALB/c mice Tat with MALP-2 induced stronger immune responses than i.p. vaccination of Tat with IFA. Also i.n. MALP-2 vaccination favored Th1 responses, while i.p. IFA favored Th2. Ab, T help and CTL responses were observed. MALP-2 enhanced Tat-specific IgA responses in the lung and in the genital tract. Three linear Ab epitopes were recognized. The most frequent response (80% of vaginal lavage, 100% of sera and lung lavage) was to Tat peptide 1-20. The second strongest to Tat 46-60 (20% of vaginal lavage, 50% of lung lavage, 50% of sera). Finally, 50% of the sera of Tat+ IFA i.p. immunized mice recognized Tat 73-86. Borsutzky *et al.* [2003] (**adjuvant comparison, genital and mucosal immunity, vaccine-induced epitopes, immunodominance, mucosal immunity, Th1, Th2**)

No. 282

- MAb ID** NT2/4D5.24
- HXB2 Location** Tat (73-86)
- Author Location** Tat
- Epitope** PTSQPRGDPTGPKE
- Neutralizing**
- Immunogen** vaccine
Vector/Type: peptide *HIV component:* Tat
- Species (Isotype)** mouse
- Ab Type** C-term
- References** Dingwall *et al.* 1989
- NT2/4D5.24: Immunoprecipitates and immunoblots HIV-1 tat protein. Dingwall *et al.* [1989]

No. 283

- MAb ID** polyclonal
- HXB2 Location** Tat (76-89)
- Author Location** Tat (76-90 89.6)
- Epitope** QPRGDPTGPKQKKK
- Subtype** B
- Neutralizing**
- Immunogen** vaccine
Vector/Type: protein *Strain:* B clade 89.6, B clade HXBc2 *HIV component:* Tat *Adjuvant:* Incomplete Freund's Adjuvant (IFA)
- Species (Isotype)** macaque (IgG)
- Ab Type** C-term, N-term, Tat basic region
- References** Silvera *et al.* 2002
- Keywords** antibody binding site definition and exposure, vaccine antigen design
- Anti-Tat and Tat toxoid responses were raised in rhesus macaques using HxBc2 and 89.6P Tat, and Tat toxoids. High anti-Tat IgG responses were observed in all animals, and helper responses were detected in 8/16, and IFN gamma CTL in 11/16..

Ab and proliferative responses were observed, and the truncated 86 amino acid IIIB Tat was more immunogenic than the full 102 amino acid Tat. Tat vaccinated animals when challenged with SHIV89.6 were infected despite a robust immune response. The most consistent reactions to the vaccinations were to peptides in regions: N-term, 1-15 (MEPVDRPLEP-WKHPG), basic domain 46-60 (SYGRKKRRQRRRAHQ), and 61-91, particularly C-term 76-90 (QPRGDPTGPKQKKK). Silvera *et al.* [2002] (**antibody binding site definition and exposure, vaccine antigen design**)

No. 284

- MAb ID**
- HXB2 Location** Tat
- Author Location** Tat
- Epitope**
- Subtype** B
- Neutralizing**
- Immunogen** vaccine
Vector/Type: protein *Strain:* B clade IIIB
HIV component: Tat *Adjuvant:* Incomplete Freund's Adjuvant (IFA), Montanide (ISA 51)
- Species (Isotype)** human
- References** Gringeri *et al.* 1998
- Keywords** immunotherapy
- 14 HIV-1 infected individuals were vaccinated with inactivated Tat (called Tat-toxoid), with the intent of enhancing Tat Ab levels to suppress the negative impact of secreted Tat on immune function. Tat vaccinations were safe and patients developed increased levels of Tat-specific Abs; some patients had increased Tat-specific proliferative responses. CD4 T cells tended to increase a small but significant amount after immunization, and in several patients viral load decreased. Gringeri *et al.* [1998] (**immunotherapy**)

No. 285

- MAb ID** L-anti-Tat
- HXB2 Location** Tat
- Author Location** Tat
- Epitope**
- Neutralizing** L P (when lipidated)
- Immunogen** vaccine
Vector/Type: protein *HIV component:* Tat
- Species (Isotype)** mouse (IgG1)
- Research Contact** AGMED, Inc., Bedford, MA USA
- References** Cruikshank *et al.* 1997
- L-anti-Tat: Lipidated antibody can be taken up by cells and effectively block IIIB and primary virus HIV-1 replication in actively and latently infected cells. Cruikshank *et al.* [1997]

No. 286

- MAb ID** polyclonal
- HXB2 Location** Tat
- Author Location** Tat
- Epitope**
- Subtype** A, B, C, CRF01_AE, D
- Neutralizing**
- Immunogen** HIV-1 infection
- Species (Isotype)** human (IgG)
- References** Belliard *et al.* 2003

Country France
Keywords rate of progression, subtype comparisons
 • Sera from 20 HIV-1 positive individuals were tested for their ability to react with Tat proteins from different clades, and were found to react with subtype A, B, and D, but not with subtype C or CRF01 (AE). Sera from 101 slow progressors and 42 fast progressors were tested for responses to Tat peptides, and compared to responses to gp41 peptide, as anti-Tat antibodies have been shown by others to be elevated in slow progressors. In this study, overall levels of Tat antibodies were not different in the two groups, however relative levels of antibodies to different Tat and gp41 peptides were observed. Belliard *et al.* [2003] (**subtype comparisons, rate of progression**)

No. 287
MAb ID polyclonal
HXB2 Location Tat
Author Location Tat
Epitope
Neutralizing yes
Immunogen vaccine
Vector/Type: protein *HIV component:* Tat
Adjuvant: Complete Freund's Adjuvant (CFA), red blood cells
Species (Isotype) mouse (IgG1, IgG2a, IgG3)
References Dominici *et al.* 2003
Keywords adjuvant comparison, immunotherapy, Th1, Th2

• BALB/c mice were immunized intra-peritoneally with Tat protein bound to red blood cells via biotin-avidin conjugation. This antigen delivery system was successfully internalized by dendritic cells, and induced more consistent anti-Tat NAb responses and slightly increased Tat-specific CTL responses relative to Tat protein with CFA. RBC-Tat immunization induced Th1 (IgG2a) and Th2 (IgG1 and IgG3) type immune responses. (**adjuvant comparison, immunotherapy, Th1, Th2**)

No. 288
MAb ID polyclonal
HXB2 Location Tat
Author Location Tat
Epitope
Neutralizing
Immunogen vaccine
Vector/Type: chitosan nanoparticles *HIV component:* Tat *Adjuvant:* adjuvant oily structure (IMS)
Species (Isotype) mouse (IgA, IgG)
References Le Buanec *et al.* 2001
Keywords adjuvant comparison, mucosal immunity
 • Mice were immunized with Tat toxoid (Tat detoxified by carbamidation) either intranasally or orally using either adjuvant oily structure (IMS), nanoparticles of chitosan, or microparticles of polylactide-co-glycolide. Each of these strategies triggered IgG and IgA that inhibited Tat activity. Le Buanec *et al.* [2001] (**adjuvant comparison, mucosal immunity**)

No. 289
MAb ID polyclonal
HXB2 Location Tat

Author Location Tat (IIB)
Epitope
Subtype B
Neutralizing
Immunogen vaccine
Vector/Type: protein *Strain:* B clade IIB
HIV component: Tat *Adjuvant:* Cholera toxin (CT), E. coli mutant heat labile enterotoxin (LT-R72), E. coli heat labile enterotoxin

Species (Isotype) mouse (IgG)
References Marinaro *et al.* 2003
Keywords adjuvant comparison, mucosal immunity
 • Intranasal immunization of BALB/c mice with Tat and e.coli heat-labile enterotoxin (LT) and non-toxic LT-R72 LT induced strong antigen-specific IgG Abs which remained stable for one year. Tat-specific IgA responses were measured in vaginal and intestinal secretions. Immunization of BALB/c mice with native Tat (aa1-86) induced serum IgG directed against an immunodominant epitope (aa1-20) and against a second epitope (aa 46-60). CTL responses were also observed. Anti-Tat serum Abs neutralized Tat activity in a dose-independent manner. C57BL/6 remained unresponsive to Tat immunizations when Tat was co-administered with LT or cholera toxin (CT) as adjuvant; BALB/c mice are H-2d, C57BL/6 are H-2b. Congenic BALB.C mice that express H-2b rather than H-2d also could not respond to Tat, suggesting the response to Tat is constrained by the haplotype. Marinaro *et al.* [2003] (**adjuvant comparison, mucosal immunity**)

No. 290
MAb ID polyclonal
HXB2 Location Tat
Author Location Tat
Epitope
Neutralizing
Immunogen vaccine
Vector/Type: protein, vaccinia *Strain:* B clade MN *HIV component:* gp160, Tat *Adjuvant:* Incomplete Freund's Adjuvant (IFA), polyphosphazene
Species (Isotype) macaque (IgG)
References Pauza *et al.* 2000

• 16 Macaques mulatta were immunized with Tat toxoid, or with Tat plus gp160, and challenged with the SHIV 89.6PD isolate. Sera from 14/16 animals neutralized Tat *in vitro*. 8 macaques developed both cellular and humoral responses to Tat, and 7/8 of these had low viral set points after rectal challenge with SHIV89.6PD. CD4+ T cells in Tat vaccinated infected animals had lower IFN-alpha and chemokine receptor expression, features of infection associated with extracellular Tat. Pauza *et al.* [2000]

No. 291
MAb ID polyclonal
HXB2 Location Tat
Author Location Tat
Epitope
Subtype B
Neutralizing
Immunogen vaccine

Vector/Type: protein *Strain:* B clade BH10
HIV component: gp120, Nef, Tat *Adjuvant:* AS02A (oil-in-water emulsion, 3D-monophosphoryl lipid A, QS21), AS06 (CpG, aluminum hydroxide)

Species (Isotype) macaque (IgG)

References Voss *et al.* 2003

Keywords adjuvant comparison, variant cross-recognition or cross-neutralization

- Monkeys were immunized with different combinations of gp120/NefTat/SIV-Tat three times over a three-month time period and intravenously challenged with SHIV 89.6P four weeks after the last immunization. Vaccination induced anti-Tat, -Nef and -gp120 Ab responses that decreased until challenge. Neutralizing Ab responses against HIV-1 MN and HIV-1 W61D were observed. Vaccination with the combination of all three proteins reduced viral load and kept animals from a CD4+ T cell decline, preventing AIDS for more than 2.5 years. The adjuvant AS02A elicited NAb and protected from disease, while AS06 did not. gp120 alone or TatNef/SIV-Tat without gp120 could not protect from disease. Voss *et al.* [2003] (**adjuvant comparison, variant cross-recognition or cross-neutralization**)

No. 292

MAb ID polyclonal

HXB2 Location Tat

Author Location Tat

Epitope

Subtype B

Neutralizing

Immunogen HIV-1 infection

Species (Isotype) human

References Zagury *et al.* 1998

Country France

Keywords immunotherapy, rate of progression

- Comparing 67 fast progressors with 182 non-progressors in the GRIV cohort, only anti-Tat Ab levels, not Abs to Env, Gag, or Nef, were correlated as a serological indicator of rate of progression. This suggests that raising Tat Abs may be beneficial as immunotherapy or in a vaccine. Zagury *et al.* [1998] (**immunotherapy, rate of progression**)

No. 293

MAb ID 2D9D5

HXB2 Location Tat

Author Location Tat

Epitope

Neutralizing

Immunogen vaccine

Vector/Type: protein *HIV component:* Tat

Species (Isotype) mouse (IgG)

Ab Type C-term

References Mhashilkar *et al.* 1995

- 2D9D5: Single chain antibodies, intrabodies, were engineered that can be stably expressed in the cytoplasm of mammalian cells – co-expression of C-term intrabody did not inhibit transactivation of an HIV LTR-CAT construct, in contrast to MAb 1D9D5. Mhashilkar *et al.* [1995]

No. 294

MAb ID polyclonal

HXB2 Location Tat

Author Location Tat (IIIB, 89.6, CMU08)

Epitope

Subtype B, CRF01_AE

Neutralizing

Immunogen HIV-1 infection, vaccine

Vector/Type: protein *Strain:* B clade *HIV component:* Tat

Species (Isotype) human (IgG)

Ab Type C-term, N-term, Tat basic region

References Richardson *et al.* 2003

Country France

Keywords antibody binding site definition and exposure, rate of progression, subtype comparisons, vaccine-specific epitope characteristics

- Serum samples were obtained from the French GRIV (genetic resistance to HIV) cohort and tested for anti-Tat and anti-Vpr responses as both may contribute as extracellular proteins to pathogenesis. Serum anti-Tat IgG responses were significantly higher and maintained for up to 20 months in stable non-progressors (CD4+ T cell counts greater than 500 cell/ul after being positive for 8 years with no ART) compared to unstable non-progressors and fast progressors (CD4+ T less than 300 cells/ul within 2 years of seroconversion, some HAART). Anti-Tat IgG from GRIV stable non-progressors recognized linear epitopes located within the N-terminal, basic and the C-terminal domains of Tat. Humoral responses of fast-progressors and of one unstable non-progressor were restricted to the basic region of Tat. Tat toxoid vaccinees from Milan tended to recognize N-terminal and C-terminal domains. Sera from some GRIV and Tat toxoid vaccinees cross-reacted in an ELISA assay with a truncated 89.6 S/HIV 89.6P Tat, 89.6P Tat, HIV-1 subtype E (CMU08) and with SIVmac251 Tat (one sample). Richardson *et al.* [2003] (**antibody binding site definition and exposure, vaccine-specific epitope characteristics, subtype comparisons, rate of progression**)

No. 295

MAb ID polyclonal

HXB2 Location Tat

Author Location Tat

Epitope

Subtype B, CRF01_AE

Neutralizing

Immunogen vaccine

Vector/Type: protein *Strain:* B clade 89.6, B clade IIIB *HIV component:* Tat

Species (Isotype) macaque (IgG)

Ab Type C-term, N-term, Tat basic region

References Richardson *et al.* 2002

Keywords antibody binding site definition and exposure, vaccine antigen design, variant cross-recognition or cross-neutralization

- Anti-Tat responses were raised in rhesus macaques using IIIB Tat, SHIV89.6P Tat, carboxymethylated Tat and 89.6P Tat toxoids. Tat IgG responses to the vaccine were cross-reactive with subtype E and MAC 251. Ab and proliferative responses were observed, and the truncated 86 amino acid IIIB Tat was more

immunogenic than the full 102 amino acid Tat. Tat vaccinated animals when challenged with SHIV89.6 were infected despite a robust immune response and were not distinguishable from controls. Richardson *et al.* [2002] (**antibody binding site definition and exposure, vaccine antigen design, variant cross-recognition or cross-neutralization**)

No. 296
MAb ID polyclonal
HXB2 Location Tat
Author Location Tat (IIIB, 89.6, CMU08)
Epitope
Subtype B, CRF01_AE
Neutralizing
Immunogen HIV-1 infection, vaccine
Vector/Type: protein *Strain:* B clade *HIV component:* Tat
Species (Isotype) human (IgG)
Ab Type C-term, N-term, Tat basic region
References Richardson *et al.* 2003
Country France
Keywords antibody binding site definition and exposure, rate of progression, subtype comparisons, vaccine-specific epitope characteristics

- Serum samples were obtained from the French GRIV (genetic resistance to HIV) cohort and tested for anti-Tat and anti-Vpr responses as both may contribute as extracellular proteins to pathogenesis. Serum anti-Tat IgG responses were significantly higher and maintained for up to 20 months in stable non-progressors (CD4+ T cell counts greater than 500 cell/ul after being positive for 8 years with no ART) compared to unstable non-progressors and fast progressors (CD4+ T less than 300 cells/ul within 2 years of seroconversion, some HAART). Anti-Tat IgG from GRIV stable non-progressors recognized linear epitopes located within the N-terminal, basic and the C-terminal domains of Tat. Humoral responses of fast-progressors and of one unstable non-progressor were restricted to the basic region of Tat. Tat toxoid vaccinees from Milan tended to recognize N-terminal and C-terminal domains. Sera from some GRIV and Tat toxoid vaccinees cross-reacted in an ELISA assay with a truncated 89.6 S/HIV 89.6P Tat, 89.6P Tat, HIV-1 subtype E (CMU08) and with SIVmac251 Tat (one sample). Richardson *et al.* [2003] (**antibody binding site definition and exposure, vaccine-specific epitope characteristics, subtype comparisons, rate of progression**)

No. 297
MAb ID G1
HXB2 Location Tat
Author Location Tat (1–15)
Epitope
Subtype B
Neutralizing yes
Immunogen vaccine
Strain: B clade *HIV component:* Tat
Species (Isotype) human (IgG1 κ)
Ab Type N-term
References Moreau *et al.* 2004

Keywords antibody binding site definition and exposure, antibody sequence, variable domain, subtype comparisons

- G1: G1 is a single-chain fragment-variable scFv antibody derived from a Tat-toxoid vaccinated uninfected volunteer. G1 binds strongly to soluble rTAT protein and to denatured rTAT, suggesting that the epitope is linear. G1 recognized HIV-1 clade B Tat proteins Bru and HXB2, but did not bind to clade E (CM240), clade C (92Br), clade D (Eli) and clade A (Ug11RP). G1 inhibited Tat-transactivation of viral replication. The VH3 heavy chains of the two phage scFvG1 VH3 heavy chain sequences of scFvG1 and scFvG2 vary (G1 CDR3, RGSTGKALDYCSPTL; G2 CDR3, ERSQQHCN-PLLHSGKNYAE) although both share identical Vk light chain sequences. Moreau *et al.* [2004] (**antibody binding site definition and exposure, subtype comparisons, antibody sequence, variable domain**)

No. 298
MAb ID G2
HXB2 Location Tat
Author Location Tat (1–15)
Epitope
Subtype B
Neutralizing yes
Immunogen vaccine
Strain: B clade *HIV component:* Tat
Species (Isotype) human (IgG1 κ)
Ab Type N-term
References Moreau *et al.* 2004
Keywords antibody binding site definition and exposure, antibody sequence, variable domain, subtype comparisons

- G2: G2 is a single-chain fragment-variable scFv antibody derived from a Tat-toxoid vaccinated uninfected volunteer. G2 binds strongly to soluble rTAT protein and to denatured rTAT, suggesting that the epitope is linear. G2 recognized HIV-1 clade B Tat proteins Bru and HXB2, but did not bind to clade E (CM240), clade C (92Br), clade D (Eli) and clade A (Ug11RP). G2 inhibited Tat-transactivation of viral replication. The VH3 heavy chains of the two phage scFvG1 VH3 heavy chain sequences of scFvG1 and scFvG2 vary (G1 CDR3, RGSTGKALDYCSPTL; G2 CDR3, ERSQQHCN-PLLHSGKNYAE) although both share identical Vk light chain sequences and Tat binding sites. Moreau *et al.* [2004] (**antibody binding site definition and exposure, subtype comparisons, antibody sequence, variable domain**)

No. 299
MAb ID J1
HXB2 Location Tat
Author Location Tat (1–15)
Epitope
Subtype B
Neutralizing yes
Immunogen vaccine
Strain: B clade *HIV component:* Tat
Species (Isotype) human (IgG1 λ)
Ab Type N-term
References Moreau *et al.* 2004

Keywords antibody binding site definition and exposure, antibody sequence, variable domain, subtype comparisons

- J1: J1 is a single-chain fragment-variable scFv antibody derived from a Tat-toxoid vaccinated uninfected volunteer. J1 binds strongly to soluble rTAT protein and to denatured rTAT, suggesting that the epitope is linear. J1 recognized HIV-1 clade B Tat proteins Bru and HXB2, but did not bind to clade E (CM240), clade C (92Br), clade D (Eli) and clade A (Ug11RP). J1 inhibited Tat-transactivation of viral replication. Of three scFv antibodies, all bound the N-terminal amino acids 1-15, but G1 and G2 had kappa light chains and J1 had lambda, and the CDR3 of each was distinct, with J1's CDR3 sequence being: RDRYC-SSPGCYKGADGGRLKDY. Moreau *et al.* [2004] (**antibody binding site definition and exposure, subtype comparisons, antibody sequence, variable domain**)

No. 300

MAb ID TC15

HXB2 Location Tat

Author Location Tat (Lai/Bru)

Epitope

Subtype B

Neutralizing

Immunogen vaccine

Vector/Type: protein *Strain:* B clade BRU
HIV component: Tat *Adjuvant:* Complete Freund's Adjuvant (CFA)

Species (Isotype) mouse (IgG)

Ab Type N-term

Research Contact Dr. J.-L. Guesdon, Institut Pasteur, Paris

References Belliard *et al.* 2003

Keywords subtype comparisons

- TC15: This is one of 5 anti-Tat murine monoclonal antibodies generated in this study. It is conformational reacting only with intact protein. It reacts with B and D clade Tat proteins, and does not recognize Tat from clade A, C, or CRF01 (AE). Belliard *et al.* [2003] (**subtype comparisons**)

No. 301

MAb ID polyclonal

HXB2 Location Tat

Author Location Tat (Lai/Bru)

Epitope

Subtype B

Neutralizing

Immunogen SHIV infection, vaccine

Vector/Type: peptide *Strain:* B clade BRU
HIV component: Tat *Adjuvant:* aluminum phosphate, CpG immunostimulatory sequence (ISS), Montanide (ISA 720)

Species (Isotype) macaque (IgG)

Ab Type N-term

References Belliard *et al.* 2003

Keywords rate of progression

- Macaques were immunized with different combinations of Tat peptides. Serum from these animals was able to inhibit Tat-induced apoptosis, and Tat antibodies are associated with long term survival. Anti-Tat antibodies generated in infected macaques tended to be restricted to the peptide 44-61, while

sera from infected humans could react with several different peptides. Belliard *et al.* [2003] (**rate of progression**)

No. 302

MAb ID polyclonal

HXB2 Location Tat

Author Location Tat (Lai/Bru)

Epitope

Subtype B

Neutralizing

Immunogen SHIV infection, vaccine

Vector/Type: peptide *Strain:* B clade BRU
HIV component: Tat *Adjuvant:* BSA, Complete Freund's Adjuvant (CFA)

Species (Isotype) rabbit (IgG)

Ab Type N-term

References Belliard *et al.* 2003

Keywords rate of progression

- 12 rabbits were immunized with different combinations of Tat peptides. Abs raised against peptide aa 8-53 did not react with the peptide 19-53, suggesting that the N-terminal region is important. Serum from these animals was able to inhibit Tat-induced apoptosis, and Tat antibodies in humans are associated with long term survival. Belliard *et al.* [2003] (**rate of progression**)

No. 303

MAb ID B1E3

HXB2 Location Tat

Author Location Tat (44-61)

Epitope

Subtype B

Neutralizing yes

Immunogen vaccine

Strain: B clade *HIV component:* Tat

Species (Isotype) human (IgG1 κ)

Ab Type Tat basic region

References Moreau *et al.* 2004

Keywords antibody binding site definition and exposure, subtype comparisons

- B1E3: B1E3 is a MAb derived from a Tat-toxoid vaccinated uninfected volunteer. B1E3 recognized two Tat peptides, aa19-53 and aa44-61 of an unspecified HIV-1 clade B Tat protein. B1E3 demonstrates a weak binding affinity to rTAT protein in solution, suggesting that epitope recognition may be conformation dependent B1E3 did not recognize synthetic HIV-1 clade B Tat proteins Bru and HXB2, clade E (CM240), clade C (92Br), clade D (Eli) and clade A (Ug11RP). It only bound to native TAT protein, and could inhibit Tat-transactivation. Moreau *et al.* [2004] (**antibody binding site definition and exposure, subtype comparisons**)

No. 304

MAb ID J3B2

HXB2 Location Tat

Author Location Tat (44-61)

Epitope

Subtype B

Neutralizing yes

Immunogen vaccine

Strain: B clade *HIV component:* Tat
Species (Isotype) human (IgG1 λ)
Ab Type Tat basic region
References Moreau *et al.* 2004
Keywords antibody binding site definition and exposure, subtype comparisons

- J3B2: J3B2 is a MAb derived from a Tat-toxoid vaccinated uninfected volunteer. B1E3 recognized two Tat peptides, aa33-37 and aa37-51 of an unspecified HIV-1 clade B Tat protein. J3B2 demonstrates a weak binding affinity to rTAT protein in solution, suggesting that epitope recognition may be conformation dependent, B1E3 did not recognize synthetic HIV-1 clade B Tat proteins Bru and HXB2, clade E (CM240), clade C (92Br), clade D (Eli) and clade A (Ug1 1RP). It only bound to native TAT protein, and could inhibit Tat-transactivation. Moreau *et al.* [2004] (**antibody binding site definition and exposure, subtype comparisons**)

IV-C-14 Rev Antibodies

No. 305
MAb ID 4G9
HXB2 Location Rev (5–15)
Author Location Rev (5–15)
Epitope SGDSDEELIRT?
Neutralizing
Immunogen vaccine
Vector/Type: protein *HIV component:* Rev
Species (Isotype) mouse
References Jensen *et al.* 1997

- 4G9: Mapped binding location by protein footprinting. Jensen *et al.* [1997]

No. 306
MAb ID Ab2
HXB2 Location Rev (32–50)
Author Location Rev (32–49 BRU)
Epitope EGTRQARRRRWRERQR
Neutralizing
Immunogen vaccine
Vector/Type: protein *HIV component:* Rev
Species (Isotype) (IgG1)
Research Contact Tony Lowe and Jonathan Karn, MRC Center, Cambridge
References Henderson & Percipalle 1997

- Ab2: The Ab2 binding site overlaps the nuclear localization signal – Ab2 binding to Rev was blocked by bound HIV RNA – the cellular protein importin-beta can bind in this Arg rich region – atypically, the Rev binds specifically to importin-beta, but not to the importin-beta-importin-alpha dimer. Henderson & Percipalle [1997]

No. 307
MAb ID 10.1
HXB2 Location Rev (33–48)
Author Location Rev (33–48)
Epitope GTRQARRRRWRER?
Neutralizing

Immunogen
Species (Isotype)
References Maksiutov *et al.* 2002; Ranki *et al.* 1995; Ranki *et al.* 1994; Ovod *et al.* 1992

- 10.1: This epitope is similar to a fragment of the human protein Complement 4 (containing C4A anaphylatoxin), GRRNRRRR. Maksiutov *et al.* [2002]
- 10.1: Binds to the RRE binding site – polyclonal anti-Rev Ab detected Rev in astrocytes in 4/5 brain autopsy samples, but only one of these was positive using 10.1, suggesting most Rev was bound to RRE. Ranki *et al.* [1995]

No. 308
MAb ID 3H6
HXB2 Location Rev (38–43)
Author Location Rev (38–44)
Epitope RRNRRR
Neutralizing
Immunogen vaccine
Vector/Type: protein *HIV component:* Rev
Species (Isotype) mouse (IgG1 κ)
References Maksiutov *et al.* 2002; Orsini *et al.* 1995

- 3H6: There is another MAb with this ID that recognizes gp41.
- 3H6: This epitope is similar to a fragment of the human protein Complement 4 (containing C4A anaphylatoxin), GRRNRRRR. Maksiutov *et al.* [2002]
- 3H6: Directed against nucleolar localization/RRE binding domain – antigenic domain tentative, MAb failed to bind a RRN-RRR Rev deletion mutant. Orsini *et al.* [1995]

No. 309
MAb ID 8E7
HXB2 Location Rev (70–84)
Author Location Rev (70–84)
Epitope PVPLQLPPLERLTLTD
Neutralizing
Immunogen vaccine
Vector/Type: protein *HIV component:* Rev
Species (Isotype) mouse (IgG2a κ)
References Maksiutov *et al.* 2002; Boe *et al.* 1998; Jensen *et al.* 1997; Szilvay *et al.* 1995; Kalland *et al.* 1994b; Kalland *et al.* 1994a

- 8E7: This epitope is similar fragments of the human protein Epidermal growth factor receptor substrate 15, EPVPM SLPPA, and Insulin-like growth factor binding protein complex acid labile chain precursor, QPPGLERLWLEGNPWDCG. Maksiutov *et al.* [2002]
- 8E7: HIV-1 RNA and Rev localize to the same region in the nucleoplasm, but the splicing factor SC-35 localizes in different speckles with the nucleoplasm than Rev – intron containing beta-globin was distributed similarly to HIV-1, suggesting Rev and HIV-1 RNAs interact at putative sites of mRNA transcriptions and splicing. Boe *et al.* [1998]
- 8E7: Peptide interaction mapped to aa 70-84, 75-88 – protein footprint to 65-88. Jensen *et al.* [1997]
- 8E7: 8E7 worked in indirect immunofluorescence and also detected Rev in WB assays – used to detect localization of Rev in several compartments including the nucleoli, nucleoplasm, perinuclear zone, and cytoplasm – Rev co-localized with host cell factors known to assemble on nascent transcripts – Rev

shuttles continuously between cytoplasmic and nucleoplasmic compartments. Kalland *et al.* [1994a,b]; Szilvay *et al.* [1995]

No. 310
MAb ID 9G2 (9G2G4D6E8)
HXB2 Location Rev (70–84)
Author Location Rev (70–84)
Epitope PVPLQLPPLERLTLTD
Neutralizing
Immunogen vaccine
Vector/Type: protein *HIV component:* Rev
Species (Isotype) mouse (IgG2 α)
Research Contact Anne Marie Szilvay
References Maksutov *et al.* 2002; Jensen *et al.* 1997; Kalland *et al.* 1994a

- 9G2: Called 9G2G4D6E8: UK Medical Research Council AIDS reagent: ARP3058.
- 9G2: This epitope is similar fragments of the human protein Epidermal growth factor receptor substrate 15, EPVMSLPPA, and Insulin-like growth factor binding protein complex acid labile chain precursor, QPPGLERLWLEGNPWDCG. Maksutov *et al.* [2002]
- 9G2: Peptide interaction mapped to aa 70-84, 75-88 – protein footprint to 65-88. Jensen *et al.* [1997]
- 9G2: Worked in indirect immunofluorescence and also detected Rev in WB assays – used to detect localization of Rev throughout the cell. Kalland *et al.* [1994a]

No. 311
MAb ID Ab4
HXB2 Location Rev (72–91)
Author Location Rev (72–91 BRU)
Epitope PLQLPPLERLTLDCNEDCGT
Neutralizing
Immunogen vaccine
Vector/Type: protein *HIV component:* Rev
Species (Isotype) (IgG1)
Research Contact Tony Lowe and Jonathan Karn, MRC Center, Cambridge
References Maksutov *et al.* 2002; Henderson & Percipalle 1997

- Ab4: This epitope is similar fragments of the human protein Epidermal growth factor receptor substrate 15, EPVMSLPPA, and Insulin-like growth factor binding protein complex acid labile chain precursor, QPPGLERLWLEGNPWDCG. Maksutov *et al.* [2002]
- Ab4: The binding site overlaps the nuclear export signal – binding was not blocked by bound HIV RNA and may be accessible for protein interaction. Henderson & Percipalle [1997]

No. 312
MAb ID 3G4
HXB2 Location Rev (90–116)
Author Location Rev (90–116)
Epitope GTSQTQGVGSPQILVESPTVLESGTKE?
Neutralizing
Immunogen vaccine
Vector/Type: protein *HIV component:* Rev
Species (Isotype) mouse (IgG1 κ)

References Orsini *et al.* 1995

- 3G4: Binds to a region that can be dispensed with and still retain Rev function. Orsini *et al.* [1995]

No. 313
MAb ID 1G10 (IG10F4)
HXB2 Location Rev (96–105)
Author Location Rev (95–105)
Epitope GVGSPQILVE
Neutralizing
Immunogen vaccine
Vector/Type: protein *HIV component:* Rev
Species (Isotype) mouse (IgG2b κ)
Research Contact Anne Marie Szilvay
References Jensen *et al.* 1997; Kalland *et al.* 1994a

- 1G10: Called IG10F4: UK Medical Research Council AIDS reagent: ARP3060.
- 1G10: Peptide interaction mapped to aa 91-105, 96-110 – protein footprint to aa 10-20, and 95-105. Jensen *et al.* [1997]
- 1G10: Bound Rev in indirect immunofluorescence and also detected Rev in WB – used to detect localization of Rev throughout the cell. Kalland *et al.* [1994a]

No. 314
MAb ID 1G7
HXB2 Location Rev (96–105)
Author Location Rev (95–105)
Epitope GVGSPQILVE
Neutralizing
Immunogen vaccine
Vector/Type: protein *HIV component:* Rev
Species (Isotype) mouse (IgG2b κ)
References Jensen *et al.* 1997; Kalland *et al.* 1994a

- 1G7: Peptide interaction mapped to aa 91-105, 96-110 – protein footprint to aa 95-105. Jensen *et al.* [1997]
- 1G7: Worked in indirect immunofluorescence and also detected Rev in WB – used to detect localization of Rev throughout the cell. Kalland *et al.* [1994a]

No. 315
MAb ID Ab3
HXB2 Location Rev (102–116)
Author Location Rev (102–116 BRU)
Epitope ILVESPTVLESDKTE
Neutralizing
Immunogen vaccine
Vector/Type: protein *HIV component:* Rev
Species (Isotype) (IgG1)
Research Contact Tony Lowe and Jonathan Karn, MRC, Cambridge
References Henderson & Percipalle 1997

- Ab3: This binding site is at the carboxy end of Rev – Ab3 binding was not blocked by bound HIV RNA. Henderson & Percipalle [1997]

No. 316
MAb ID 2G2
HXB2 Location Rev
Author Location Rev
Epitope

Neutralizing**Immunogen** vaccine*Vector/Type:* protein *HIV component:* Rev**Species (Isotype)** mouse (IgG1κ)**References** Orsini *et al.* 1995

- 2G2: Does not bind to any of a set of glutathione S-transferase (GST) Rev fusion proteins, or to Rev in a RIPA buffer, suggesting a conformational epitope. Orsini *et al.* [1995]

IV-C-15 Vpu Antibodies**No.** 317**MAb ID** DE7**HXB2 Location** Vpu (42–63)**Author Location** Vpu (41–62)**Epitope** LIDRLIERAEDSGNESEGEISA**Neutralizing****Immunogen** vaccine*Vector/Type:* peptide *HIV component:* Vpu*Adjuvant:* BSA**Species (Isotype)** mouse (IgG1)**References** Gharbi-Benarous *et al.* 2004**Keywords** antibody binding site definition and exposure, antibody generation

- DE7: This MAb was generated against the phosphorylated Vpu41-62 peptide. Phosphorylation of Vpu, at the Serines of the DSGXXS motif, is required for interaction of Vpu with the ubiquitin ligase that triggers CD4 degradation and infectious virion release. DE7 bound peptide conformation was analyzed using STD NMR epitope mapping, TRNOESY conformational analysis and molecular dynamics simulation, and found to adopt a compact structure with several bends, including a tight bend at DpSGNEpS. Gharbi-Benarous *et al.* [2004] (**antibody binding site definition and exposure, antibody generation**)

IV-C-16 gp160 Antibodies**No.** 318**MAb ID** M85**HXB2 Location** gp160 (30–51)**Author Location** gp120 (30–51 LAI)**Epitope** ATEKLWVTVYGGVPVWKEATTT**Subtype** B**Neutralizing** no**Immunogen** vaccine*Vector/Type:* protein *HIV component:* Env**Species (Isotype)** mouse (IgG1)**Ab Type** gp120 C1**Research Contact** Fulvia di Marzo Veronese**References** Koefoed *et al.* 2005; Wyatt *et al.* 1997; Ditzel *et al.* 1997; Moore & Sodroski 1996; Moore *et al.* 1994d; Moore *et al.* 1994c; di Marzo Veronese *et al.* 1992**Keywords** antibody binding site definition and exposure

- M85: IgG antibody phage display libraries were created from HIV-1 + individuals after pre-selection of PBMC with gp120, as an alternative to using bone marrow for generating libraries. M85 was among a set of Abs used for competition studies to define the binding sites of the newly isolated MAbs, and has a linear C1 epitope. Koefoed *et al.* [2005] (**antibody binding site definition and exposure**)
- M85: Binds efficiently to sgp120 but not soluble gp120+gp41, suggesting its gp120 epitope is blocked by gp41 binding. Wyatt *et al.* [1997]
- M85: Binding inhibited by MAb 4D4#85, enhanced by conformationally sensitive anti-V3 MAb 5G11, and some anti-18 MAbs. Moore & Sodroski [1996]
- M85: C1 domain – mutation 40 Y/D impairs binding – the relative affinity for denatured/native gp120 is < .01, suggesting conformational component. Moore *et al.* [1994c]
- M85: Immunoblot and RIP reactive for strains IIIB, 451, MN, RF, and RUTZ – binds deglycosylated gp120. di Marzo Veronese *et al.* [1992]

No. 319**MAb ID** 7E2/4**HXB2 Location** gp160 (31–50)**Author Location** gp120 (31–50 LAI)**Epitope** TEKLWVTVYGGVPVWKEATT**Subtype** B**Neutralizing****Immunogen** vaccine*Vector/Type:* protein *HIV component:* Env**Species (Isotype)** mouse (IgG)**Ab Type** gp120 C1**Research Contact** S. Ranjbar, NIBSC, UK**References** Maksiutov *et al.* 2002; Moore *et al.* 1994c

- 7E2/4: UK Medical Research Council AIDS reagent: ARP3050.
- 7E2/4: This epitope has a high degree of similarity with the platelet membrane glycoprotein IIIA precursor (GLIIIA) (integrin beta- 3) (CD61): PLYKEATSTF. Maksiutov *et al.* [2002]
- 7E2/4: C1 domain – the relative affinity for denatured/native gp120 is .07, suggesting conformational component. Moore *et al.* [1994c]

No. 320**MAb ID** 4D4#85**HXB2 Location** gp160 (41–50)**Author Location** gp120 (LAI)**Epitope** GVPVWKEATT**Subtype** B**Neutralizing****Immunogen** vaccine*Strain:* B clade LAI *HIV component:* Env**Species (Isotype)** mouse (IgG)**Ab Type** gp120 C1**Research Contact** S. Nigida and L. Arthur, NCI, Frederick, MD USA**References** Maksiutov *et al.* 2002; Binley *et al.* 1998; Wyatt *et al.* 1997; Moore & Sodroski 1996; Moore *et al.* 1994d; Moore *et al.* 1994c

- 4D4#85: This epitope has a high degree of similarity with the platelet membrane glycoprotein IIIA precursor (GLIIIA) (integrin beta- 3) (CD61): PLYKEATSTF. Maksutov *et al.* [2002]
- 4D4#85: A panel of MAbs were shown to bind with similar or greater affinity and similar competition profiles to a deglycosylated or variable loop deleted core gp120 protein (Delta V1, V2, and V3), thus such a core protein produces a structure closely approximating full length folded monomer. Binley *et al.* [1998]
- 4D4#85: Binds efficiently to sgp120 but not soluble gp120+gp41, suggesting its gp120 epitope is blocked by gp41 binding – does not bind to HXBc2 gp120 if the 19 C-term amino acids, in conjunction with C1 positions 31-50, are deleted. Wyatt *et al.* [1997]
- 4D4#85: Inhibits binding of C1 MAb M85, C1-C5 discontinuous epitope MAbs 181 and 212A, and CD4 binding induced MAbs 48d and 17b. Moore & Sodroski [1996]
- 4D4#85: C1 domain – the relative affinity, denatured/native gp120 is 0.1 – mutation 45 W/S impairs binding. Moore *et al.* [1994c]

No. 321

Mab ID M92

HXB2 Location gp160 (41–50)

Author Location gp120 (31–50 LAI)

Epitope GVPVWKEATT

Subtype B

Neutralizing no

Immunogen vaccine

Vector/Type: protein *HIV component:* Env

Species (Isotype) rat (IgG1)

Ab Type gp120 C1

Research Contact Fulvia di Marzo Veronese

References Maksutov *et al.* 2002; Moore *et al.* 1994d; Moore *et al.* 1994c; di Marzo Veronese *et al.* 1992

- M92: This epitope has a high degree of similarity with the platelet membrane glycoprotein IIIA precursor (GLIIIA) (integrin beta- 3) (CD61): PLYKEATSTF. Maksutov *et al.* [2002]
- M92: The relative affinity for denatured/native gp120 is 1. Moore *et al.* [1994c]
- M92: Immunoblot reactive, RIP negative, but precipitates deglycosylated gp120 – reacts with strains IIIB, 451, MN, RF, and RUTZ. di Marzo Veronese *et al.* [1992]

No. 322

Mab ID M86

HXB2 Location gp160 (42–61)

Author Location gp120 (42–61 LAI)

Epitope VPVWKEATTLFCASDAKAY

Subtype B

Neutralizing no

Immunogen vaccine

Vector/Type: protein *HIV component:* Env

Species (Isotype) mouse (IgG1)

Ab Type gp120 C1

Research Contact Fulvia di Marzo Veronese

References Maksutov *et al.* 2002; Moore *et al.* 1994c; di Marzo Veronese *et al.* 1992

- M86: This epitope has a high degree of similarity with the platelet membrane glycoprotein IIIA precursor (GLIIIA) (integrin beta- 3) (CD61): PLYKEATSTF. Maksutov *et al.* [2002]
- M86: C1 domain – the relative affinity for denatured/native gp120 is 1. Moore *et al.* [1994c]
- M86: Immunoblot and RIP reactive for strains IIIB, 451, MN, RF, and RUTZ – binds deglycosylated gp120. di Marzo Veronese *et al.* [1992]

No. 323

Mab ID polyclonal

HXB2 Location gp160 (52–71)

Author Location Env (42–61 LAI)

Epitope LFCASDAKAYDTEVHNVWAT

Subtype B

Neutralizing no

Immunogen vaccine

Vector/Type: vaccinia *HIV component:* Env

Species (Isotype) mouse

Ab Type gp120 C1

References Collado *et al.* 2000

- Vaccinia p14 can elicit NAbs and p39 tends to be immunodominant, so these two proteins were fused to regions of HIV-1 Env – reduced glycosylation was noted when p14 or p39 was placed in the N-term region of the fusion protein – chimeric proteins shifted the Env Ab response from V3 to either a C1 or C4 domain, depending on the construct – all chimeric Env proteins: 14kEnv, 39kEnv, and Env39k elicited a strong Ab response to the C1 region of gp120 (LFCASDAKAYDTEVHNVWAT), and Env39k mounted a strong response to the C4 region (KAMYAPPISGQIRCSSNITG) Collado *et al.* [2000]

No. 324

Mab ID 133/237

HXB2 Location gp160 (61–70)

Author Location gp120 (51–70 LAI)

Epitope YDTEVHNVWA

Subtype B

Neutralizing L

Immunogen vaccine

Vector/Type: protein *Strain:* B clade IIIB*HIV component:* gp120

Species (Isotype) mouse (IgG1)

Ab Type gp120 C1

References Pantophlet *et al.* 2004; Moore *et al.* 1994d; Moore *et al.* 1994c; Niedrig *et al.* 1992b

Keywords vaccine antigen design

- 133/237: By adding N-linked glycosylation sites to gp120, epitope masking of non-neutralizing epitopes can be achieved leaving the IgG1b12 binding site intact. This concept was originally tested with the addition of four glycosylation sites, but binding to b12 was reduced. It was modified here to exclude the C1 N-terminal region, and to include only three additional glycosylation sites. This modified protein retains full b12 binding affinity and it masks other potentially competing epitopes, and does not bind to 21 other MAbs to 7 epitopes on gp120, including 133/237. Pantophlet *et al.* [2004] (**vaccine antigen design**)

- 133/237: The relative affinity, denatured/native gp120 is 1.4 – mutation of position 69 W/L impairs binding. Moore *et al.* [1994c]
- 133/237: Region of overlap for reactive peptides is WATHA – weak neutralization of lab strains. Niedrig *et al.* [1992b]

No. 325

MAb ID 133/290

HXB2 Location gp160 (61–70)

Author Location gp120 (61–70 LAI)

Epitope YDTEVHNVWA

Subtype B

Neutralizing L

Immunogen vaccine

Vector/Type: protein *Strain:* B clade IIIB

HIV component: gp120

Species (Isotype) mouse (IgG1)

Ab Type gp120 C1

Research Contact M. Niedrig

References Pantophlet *et al.* 2003b; Yang *et al.* 2000; Binley *et al.* 1998; Wyatt *et al.* 1997; Binley *et al.* 1997a; Moore & Sodroski 1996; Wyatt *et al.* 1995; Moore *et al.* 1994d; Moore *et al.* 1994c; Thali *et al.* 1993; Niedrig *et al.* 1992b

Keywords vaccine antigen design

- 133/290: A gp120 molecule was designed to focus the immune response onto the IgG1b12 epitope. Ala substitutions that enhance the binding of IgG1b12 and reduce the binding of non-neutralizing MAbs were combined with additional N-linked glycosylation site sequons inhibiting binding of non-neutralizing MAbs; b12 bound to the mutated gp120. C1 and C5 were also removed, but this compromised b12 binding. Pantophlet *et al.* [2003b] (**vaccine antigen design**)
- 133/290: A combination of gp41 fusion with the GNC4 trimeric sequences and disruption of the YU2 gp120-gp41 cleavage site resulted in stable gp140 trimers (gp140-GNC4) that preserve and expose some neutralizing epitopes while occluding some non-neutralizing epitopes – CD4BS MAbs (F105 and F91) and CD4i (17b and 48d) recognized gp140-GNC4 as well as gp120 or gp140 – non-neutralizing MAbs C11, A32, 522-149, M90, and #45 bound to the gp140-GNC4 glycoprotein at reduced levels compared to gp120 – MAbs directed at the extreme termini of gp120 C1 (135/9 and 133/290) and C5 (CRA-1 and M91) bound efficiently to gp140-GNC4. Yang *et al.* [2000]
- 133/290: A panel of MAbs were shown to bind with similar or greater affinity and similar competition profiles to a deglycosylated or variable loop deleted core gp120 protein (Delta V1, V2, and V3), thus such a core protein produces a structure closely approximating full length folded monomer. Binley *et al.* [1998]
- 133/290: Binds efficiently to sgp120 but not soluble gp120+gp41, suggesting its gp120 epitope is blocked by gp41 binding. Wyatt *et al.* [1997]
- 133/290: Reciprocal binding inhibition with the antibody 522-149, that binds to a discontinuous epitope – binding is enhanced by some C5 and C1 binding site antibodies. Moore & Sodroski [1996]

- 133/290: Used for antigen capture assay, either to bind gp120 to the ELISA plate, or to quantify bound gp120. Wyatt *et al.* [1995]
- 133/290: The relative affinity for denatured/native gp120 is 2.2 – mutation in position 69 W/L impairs binding. Moore *et al.* [1994c]
- 133/290: Region of overlap for reactive peptides is WATHA – weak neutralization of lab strains. Niedrig *et al.* [1992b]

No. 326

MAb ID 133/11

HXB2 Location gp160 (64–78)

Author Location gp120 (64–78)

Epitope EVHNVWATHACVPTD

Neutralizing L

Immunogen vaccine

Vector/Type: protein *Strain:* B clade IIIB

HIV component: gp120

Species (Isotype) mouse (IgG1)

Ab Type gp120 C1

References Niedrig *et al.* 1992b

- 133/11: Region of overlap for reactive peptides is WATHA – weak neutralization of lab strains. Niedrig *et al.* [1992b]

No. 327

MAb ID D/3G5

HXB2 Location gp160 (73–82)

Author Location gp120 (73–82 LAI)

Epitope ACVPTDPNPQ

Subtype B

Neutralizing no

Immunogen vaccine

Vector/Type: protein *Strain:* B clade LAI

HIV component: gp120

Species (Isotype) mouse (IgG1)

Ab Type gp120 C1

References Bristow *et al.* 1994

- D/3G5: C1 MAb generated in a study of the humoral immune response to Baculovirus-expressed mis-folded rgp120 and rgp160. Bristow *et al.* [1994]

No. 328

MAb ID D/6A11

HXB2 Location gp160 (73–82)

Author Location gp120 (73–82 LAI)

Epitope ACVPTDPNPQ

Subtype B

Neutralizing no

Immunogen vaccine

Vector/Type: protein *Strain:* B clade LAI

HIV component: gp120

Species (Isotype) mouse

Ab Type gp120 C1

References Bristow *et al.* 1994

- D/6A11: C1 MAb generated in a study of the humoral immune response to Baculovirus-expressed mis-folded rgp120 and rgp160. Bristow *et al.* [1994]

No. 329

MAb ID D/5E12

HXB2 Location gp160 (73–92)
Author Location gp120 (73–92 LAI)
Epitope ACVPTDPNPQEVVLVNVTEN
Subtype B
Neutralizing no
Immunogen vaccine
Vector/Type: protein *Strain:* B clade LAI
HIV component: gp120
Species (Isotype) mouse
Ab Type gp120 C1
References Bristow *et al.* 1994
 • D/5E12: C1 MAb generated in a study of the humoral immune response to Baculovirus-expressed mis-folded rgp120 and rgp160. Bristow *et al.* [1994]

No. 330
MAb ID L5.1
HXB2 Location gp160 (79–93)
Author Location gp120 (89–103 IIIB)
Epitope PNPQEVVLVNVTENF
Neutralizing
Immunogen vaccine
Vector/Type: vaccinia *Strain:* B clade IIIB
HIV component: gp160
Species (Isotype) mouse (IgG)
Ab Type gp120 C1
References Akerblom *et al.* 1990

No. 331
MAb ID 4A7C6
HXB2 Location gp160 (81–90)
Author Location gp120 (81–90 LAI)
Epitope PQEVVLVNVT
Subtype B
Neutralizing
Immunogen vaccine
Vector/Type: protein *HIV component:* Env
Species (Isotype) mouse (IgG)
Ab Type gp120 C1
Research Contact R. Tedder
References Moore & Sodroski 1996; Moore *et al.* 1994d; Moore *et al.* 1994c; Moore & Ho 1993; Thali *et al.* 1993; Thiriart *et al.* 1989
 • 4A7C6: UK Medical Research Council AIDS reagent: ARP 360.
 • 4A7C6: Reciprocal binding inhibition with the antibody 133/192 – enhanced by anti-C5 antibodies, and C1 antibody 135/9. Moore & Sodroski [1996]
 • 4A7C6: The relative affinity for denatured/native gp120 is 7.9 – mutation 88 N/P impairs binding. Moore *et al.* [1994c]
 • 4A7C6: C1 region epitope (88 N/P substitutions abrogates binding), but substitutions 380 G/F and 420 I/R also impaired binding. Moore *et al.* [1994d]
 • 4A7C6: Bound preferentially to denatured IIIB gp120. Moore & Ho [1993]

No. 332
MAb ID 1D10
HXB2 Location gp160 (81–100)
Author Location gp120 (81–100 LAI)

Epitope PQEVVLVNVTENFDMWKNNDM
Subtype B
Neutralizing L
Immunogen vaccine
Vector/Type: protein *Strain:* B clade IIIB
HIV component: gp120
Species (Isotype) rat
Ab Type gp120 C1
References Moore *et al.* 1994c; Nakamura *et al.* 1992; Berman *et al.* 1991; Dowbenko *et al.* 1988
 • 1D10: The relative affinity for denatured/native gp120 is 13 – mutation 88 N/P impairs binding. Moore *et al.* [1994c]
 • 1D10: Cross-blocks 5B3 in IIIB-rsgp160 ELISA – type specific in rgp120 ELISA binding. Nakamura *et al.* [1992]

No. 333
MAb ID B242
HXB2 Location gp160 (83–92)
Author Location gp120 (83–92 LAI)
Epitope EVVLVNVTEN
Subtype B
Neutralizing no
Immunogen vaccine
Vector/Type: protein *Strain:* B clade NL43
HIV component: gp160
Species (Isotype) mouse (IgG1)
Ab Type gp120 C1
References Bristow *et al.* 1994
 • B242: C1 MAb generated in a study of the humoral immune response to Baculovirus-expressed mis-folded rgp160 IIIB:NL43, MicroGenSys. Bristow *et al.* [1994]

No. 334
MAb ID 133/192
HXB2 Location gp160 (91–100)
Author Location gp120 (91–100 LAI)
Epitope ENFDMWKNNDM
Subtype B
Neutralizing L
Immunogen vaccine
Vector/Type: protein *Strain:* B clade IIIB
HIV component: gp120
Species (Isotype) mouse (IgG1)
Ab Type gp120 C1
Research Contact Matthias Niedrig
References Pantophlet *et al.* 2004; Pantophlet *et al.* 2003b; Binley *et al.* 1998; Binley *et al.* 1997a; Trkola *et al.* 1996a; Moore & Sodroski 1996; Moore *et al.* 1994d; Moore *et al.* 1994c; Moore *et al.* 1993b; Niedrig *et al.* 1992b

Keywords vaccine antigen design
 • 133/192: By adding N-linked glycosylation sites to gp120, epitope masking of non-neutralizing epitopes can be achieved leaving the IgG1b12 binding site intact. This concept was originally tested with the addition of four glycosylation sites, but binding to b12 was reduced. It was modified here to exclude the C1 N-terminal region, and to include only three additional glycosylation sites. This modified protein retains full b12 binding affinity and it masks other potentially competing epitopes, and does not bind to 21 other MAbs to 7 epitopes on gp120,

including 133/192. Pantophlet *et al.* [2004] (**vaccine antigen design**)

- 133/192: A gp120 molecule was designed to focus the immune response onto the IgG1b12 epitope. Ala substitutions that enhance the binding of IgG1b12 and reduce the binding of non-neutralizing MAbs were combined with additional N-linked glycosylation site sequons inhibiting binding of non-neutralizing MAbs; b12 bound to the mutated gp120. C1 and C5 were also removed, but this compromised b12 binding. Pantophlet *et al.* [2003b] (**vaccine antigen design**)
- 133/192: A panel of MAbs were shown to bind with similar or greater affinity and similar competition profiles to a deglycosylated or variable loop deleted core gp120 protein (Delta V1, V2, and V3), thus such a core protein produces a structure closely approximating full length folded monomer. Binley *et al.* [1998]
- 133/192: Reciprocal binding inhibition with the antibody 4A7C6 – enhanced by some anti-C5 and-C1 antibodies. Moore & Sodroski [1996]
- 133/192: Does not neutralize JR-FL nor block gp120 interaction with CCR-5 in a MIP-1beta-CCR-5 competition study. Trkola *et al.* [1996a]
- 133/192: The relative affinity for denatured/native gp120 is 1.8. Moore *et al.* [1994c]
- 133/192: C1 region – substitutions 76P/Y, 113 D/A or R, 117 K/W, 420 I/R, 427 W/S impair binding, other substitutions enhanced binding. Moore *et al.* [1994d]
- 133/192: Epitope seems complex, binds multiple peptides – weak neutralization of lab strain. Niedrig *et al.* [1992b]

No. 335

MAb ID 489.1(961)

HXB2 Location gp160 (91–100)

Author Location gp120 (91–100 LAI)

Epitope ENFDMWKNDM

Subtype B

Neutralizing

Immunogen vaccine

Strain: B clade LAI *HIV component:* Env

Species (Isotype) mouse (IgG)

Ab Type gp120 C1

Research Contact C. Bruck, SKB, Belgium

References Moore *et al.* 1994c

- 489.1(961): NIH AIDS Research and Reference Reagent Program: 961.
- 489.1(961): The relative affinity for denatured/native gp120 is 1. Moore *et al.* [1994c]

No. 336

MAb ID 5B3

HXB2 Location gp160 (91–100)

Author Location gp120 (91–100 LAI)

Epitope ENFDMWKNDM

Subtype B

Neutralizing no

Immunogen vaccine

Vector/Type: protein *Strain:* B clade IIIB

HIV component: gp160

Species (Isotype) mouse (IgG)

Ab Type gp120 C1

References Moore *et al.* 1994c; Beretta & Dalgleish 1994; Nakamura *et al.* 1992; Berman *et al.* 1991

- 5B3: The relative affinity of denatured/native gp120 is 8.3. Moore *et al.* [1994c]
- 5B3: Cross-blocks 1D10 in competitive IIIB-rsgp160 ELISA – no neutralization – blocks IIIB-gp120 sCD4 binding – localized binding to residues 72-106. Nakamura *et al.* [1992]
- 5B3: Blocks gp120 -CD4 binding. Berman *et al.* [1991]

No. 337

MAb ID B10

HXB2 Location gp160 (91–100)

Author Location gp120 (91–100 LAI)

Epitope ENFDMWKNDM

Subtype B

Neutralizing

Immunogen vaccine

Vector/Type: protein *Strain:* B clade LAI

HIV component: gp160

Species (Isotype) mouse (IgG1)

Ab Type gp120 C1

References Moore *et al.* 1994c; Abacioglu *et al.* 1994

- B10: There is FNM/FDM polymorphism in LAI-based peptides, and N is essential (J. P. Moore, per. comm.)
- B10: C1 region – epitope boundaries mapped by peptide scanning, FNMW core. Abacioglu *et al.* [1994]
- B10: The relative affinity for denatured/native gp120 is 0.4. Moore *et al.* [1994c]

No. 338

MAb ID B2

HXB2 Location gp160 (91–100)

Author Location gp120 (91–100 LAI)

Epitope ENFDMWKNDM

Subtype B

Neutralizing

Immunogen vaccine

Vector/Type: protein *Strain:* B clade LAI

HIV component: gp160

Species (Isotype) mouse (IgG2b)

Ab Type gp120 C1

References Binley *et al.* 1997a; Moore *et al.* 1994d;

- Moore *et al.* 1994c; Abacioglu *et al.* 1994; Thali *et al.* 1993
- B2: There is FNM/FDM polymorphism in LAI-based peptides, and N is essential (J. P. Moore, per. comm.)
 - B2: C1 region – epitope boundaries mapped by peptide scanning, FNMW core. Abacioglu *et al.* [1994]
 - B2: The relative affinity for denatured/native gp120 is 1.4. Moore *et al.* [1994c]

No. 339

MAb ID C6 (Ch6)

HXB2 Location gp160 (91–100)

Author Location gp120 (91–100 LAI)

Epitope ENFDMWKNDM

Subtype B

Neutralizing

Immunogen vaccine

Vector/Type: protein *Strain:* B clade LAI
HIV component: gp160

Species (Isotype) mouse (IgG1)
Ab Type gp120 C1
References Pincus *et al.* 1996; Moore *et al.* 1994c; Abacioglu *et al.* 1994; Pincus & McClure 1993

- C6: There is FNM/FDM polymorphism in LAI-based peptides – N is essential (J. P. Moore, per. comm.)
- C6: NIH AIDS Research and Reference Reagent Program: 810.
- C6: Called Ch6 – binds to gp120 but not to infected cells – when linked to ricin A, the immunotoxin did not mediate cell killing – sCD4 has no effect. Pincus & McClure [1993]; Pincus *et al.* [1996]
- C6: C1 region – epitope boundaries mapped by peptide scanning, FNMW core. Abacioglu *et al.* [1994]
- C6: The relative affinity for denatured/native gp120 is 0.9. Moore *et al.* [1994c]

No. 340
MAb ID MF49.1
HXB2 Location gp160 (91–100)
Author Location gp120 (91–100 LAI)
Epitope ENFDMWKNDM
Subtype B
Neutralizing
Immunogen vaccine
Strain: B clade LAI *HIV component:* Env

Species (Isotype) mouse (IgG)
Ab Type gp120 C1
References Moore *et al.* 1994c; Thiriart *et al.* 1989

- MF49.1: The relative affinity of denatured/native gp120 is 3.8. Moore *et al.* [1994c]

No. 341
MAb ID T1.1
HXB2 Location gp160 (91–100)
Author Location gp120 (91–100 LAI)
Epitope ENFDMWKNDM
Subtype B
Neutralizing
Immunogen vaccine
Vector/Type: vaccinia *HIV component:* gp160

Species (Isotype) mouse (IgG)
Ab Type gp120 C1
References Moore *et al.* 1994c; Broliden *et al.* 1990; Akerblom *et al.* 1990

- T1.1: C1 region – the relative affinity for denatured/native gp120 is 1. Moore *et al.* [1994c]
- T1.1: Also reacted in solid phase with gp120(234-248) NGTG-PCTNVSTQCT. Akerblom *et al.* [1990]
- T1.1: No ADCC activity – reactive peptide: NVTENFN-MWKNDMVEQ, IIIB. Broliden *et al.* [1990]

No. 342
MAb ID T7.1
HXB2 Location gp160 (91–100)
Author Location gp120 (91–100 LAI)
Epitope ENFDMWKNDM

Subtype B
Neutralizing
Immunogen vaccine
Strain: B clade LAI *HIV component:* Env

Species (Isotype) mouse (IgG)
Ab Type gp120 C1
References Moore *et al.* 1994d; Moore *et al.* 1994c; Bolmstedt *et al.* 1990; Akerblom *et al.* 1990

- T7.1: The relative affinity of denatured/native gp120 is 4.0. Moore *et al.* [1994c]

No. 343
MAb ID T9
HXB2 Location gp160 (91–100)
Author Location gp120 (91–100 LAI)
Epitope ENFDMWKNDM
Subtype B
Neutralizing
Immunogen vaccine
Strain: B clade LAI *HIV component:* Env

Species (Isotype) mouse (IgG)
Ab Type gp120 C1
Research Contact Lennart Akerblom, Britta Wahren and Jorma Hinkula
References Binley *et al.* 1997a; Moore *et al.* 1994d; Moore *et al.* 1994c; Bolmstedt *et al.* 1990; Akerblom *et al.* 1990

- T9: There are two HIV-Abs with the name T9, one binds to gp41, one to gp120.
- T9: The relative affinity of denatured/native gp120 is 7.9. Moore *et al.* [1994c]
- T9: Binds to the C1 region – 45 W/S, 88 N/P, 256 S/Y, 262 N/T, 475 M/S, 485 I.83, and 491 I/F enhanced binding, no substitution tested significantly inhibited. Moore *et al.* [1994d]

No. 344
MAb ID GV4D3
HXB2 Location gp160 (92–100)
Author Location gp120 (92–100 IIIB)
Epitope NFNMWKNDM
Neutralizing
Immunogen vaccine
Vector/Type: protein-Ab complex *HIV component:* gp120-Mab complex

Species (Isotype) mouse
Ab Type gp120 C1
Research Contact Patricia Earl and Christopher Broder, NIH
References Denisova *et al.* 1996

- GV4D3: When anti-V3 MAb M77 was bound to gp120 and used as an immunogen, it stimulated many MAbs to linear epitopes – MAbs GV4H4 and GV5F9 are homologous to GV4D3 and were generated in the same experiment. Denisova *et al.* [1996]

No. 345
MAb ID B27
HXB2 Location gp160 (93–96)
Author Location gp120 (94–97 BH10)
Epitope FNMW
Neutralizing no

Immunogen vaccine
Vector/Type: protein *Strain:* B clade NL43
HIV component: gp160
Species (Isotype) mouse (IgG1)
Ab Type gp120 C1
References Bristow *et al.* 1994; Abacioglu *et al.* 1994
 • B27: C1 region – epitope boundaries mapped by peptide scanning. Abacioglu *et al.* [1994]
 • B27: C1 MAb generated in a study of the humoral immune response to Baculovirus-expressed mis-folded rgp160 IIIB:NL43, MicroGenSys. Bristow *et al.* [1994]

No. 346
MAb ID B9
HXB2 Location gp160 (93–96)
Author Location gp120 (93–96 LAI)
Epitope FNMW
Subtype B
Neutralizing
Immunogen vaccine
Vector/Type: protein *Strain:* B clade LAI
HIV component: gp160
Species (Isotype) mouse (IgG1)
Ab Type gp120 C1
References Abacioglu *et al.* 1994
 • B9: Binds C1 region – epitope boundaries mapped by peptide scanning. Abacioglu *et al.* [1994]

No. 347
MAb ID B35
HXB2 Location gp160 (93–98)
Author Location gp120 (94–99 BH10)
Epitope FNMWKN
Neutralizing
Immunogen vaccine
Vector/Type: protein *Strain:* B clade LAI
HIV component: gp160
Species (Isotype) mouse (IgG1)
Ab Type gp120 C1
References Abacioglu *et al.* 1994
 • B35: C1 region – epitope boundaries mapped by peptide scanning. Abacioglu *et al.* [1994]

No. 348
MAb ID D/4B5
HXB2 Location gp160 (93–101)
Author Location gp120 (93–101 LAI)
Epitope FNMWKNDMV
Subtype B
Neutralizing no
Immunogen vaccine
Vector/Type: protein *Strain:* B clade LAI
HIV component: gp120
Species (Isotype) mouse
Ab Type gp120 C1
References Bristow *et al.* 1994
 • D/4B5: C1 MAb generated in a study of the humoral immune response to Baculovirus-expressed mis-folded rgp120 and rgp160. Bristow *et al.* [1994]

No. 349
MAb ID D/5A11
HXB2 Location gp160 (93–101)
Author Location gp120 (93–101 LAI)
Epitope FNMWKNDMV
Subtype B
Neutralizing no
Immunogen vaccine
Vector/Type: protein *Strain:* B clade LAI
HIV component: gp120
Species (Isotype) mouse
Ab Type gp120 C1
References Bristow *et al.* 1994
 • D/5A11: C1 MAb generated in a study of the humoral immune response to Baculovirus-expressed mis-folded rgp120 and rgp160. Bristow *et al.* [1994]

No. 350
MAb ID D/6B2
HXB2 Location gp160 (93–101)
Author Location gp120 (93–101 LAI)
Epitope FNMWKNDMV
Subtype B
Neutralizing no
Immunogen vaccine
Vector/Type: protein *Strain:* B clade LAI
HIV component: gp120
Species (Isotype) mouse (IgG1)
Ab Type gp120 C1
References Bristow *et al.* 1994
 • D/6B2: C1 MAb generated in a study of the humoral immune response to Baculovirus-expressed mis-folded rgp120 and rgp160. Bristow *et al.* [1994]

No. 351
MAb ID B18
HXB2 Location gp160 (101–110)
Author Location gp120 (101–110 LAI)
Epitope VEQMHEIIS
Subtype B
Neutralizing
Immunogen vaccine
Vector/Type: protein *Strain:* B clade LAI
HIV component: gp160
Species (Isotype) mouse (IgG2a)
Ab Type gp120 C1
References Moore *et al.* 1994c; Abacioglu *et al.* 1994
 • B18: C1 region – epitope boundaries mapped by peptide scanning, HEDII core. Abacioglu *et al.* [1994]
 • B18: The relative affinity for denatured/native gp120 is 1. Moore *et al.* [1994c]

No. 352
MAb ID B20
HXB2 Location gp160 (101–110)
Author Location gp120 (101–110 LAI)
Epitope VEQMHEIIS
Subtype B
Neutralizing
Immunogen vaccine

- Vector/Type:* protein *Strain:* B clade LAI
HIV component: gp160
- Species (Isotype)** mouse (IgG2a)
Ab Type gp120 C1
- References** Moore *et al.* 1994c; Abacioglu *et al.* 1994
- B20: C1 region – epitope boundaries mapped by peptide scanning – HEDII core. Abacioglu *et al.* [1994]
 - B20: The relative affinity for denatured/native gp120 is 1. Moore *et al.* [1994c]
- No.** 353
MAb ID MF39.1 (39.1)
HXB2 Location gp160 (101–110)
Author Location gp120 (101–110 LAI)
Epitope VEQMHEDIIS
Subtype B
Neutralizing
Immunogen vaccine
Strain: B clade LAI *HIV component:* Env
- Species (Isotype)** mouse (IgG)
Ab Type gp120 C1
References Moore *et al.* 1994c; Cook *et al.* 1994; Thiriart *et al.* 1989
- MF39.1: Called 39.1, and is probably the same as MF39.1 – MAbs against the glycosphingolipid GalCer block HIV infection of normally susceptible CD4 negative cells from the brain and colon – MAbs against the N-terminal half of gp120 do not inhibit gp120 binding to GalCer – binding of GalCer to gp120 does not inhibit MAb binding. Cook *et al.* [1994]
 - MF39.1: The relative affinity of denatured/native gp120 is 30. Moore *et al.* [1994c]
- No.** 354
MAb ID 187.2.1 (187.1)
HXB2 Location gp160 (101–120)
Author Location gp120 (101–120 LAI)
Epitope VEQMHEDIISLWDQSLKPCV
Subtype B
Neutralizing
Immunogen vaccine
Vector/Type: protein *HIV component:* Env
- Species (Isotype)** mouse (IgG)
Ab Type gp120 C1
Research Contact Claudine Bruck and Clothilde Thiriart
References Moore *et al.* 1994d; Moore *et al.* 1994c; Cook *et al.* 1994; Moore & Ho 1993; Thiriart *et al.* 1989
- 187.2.1: UK Medical Research Council AIDS reagent: ARP332.
 - 187.2.1: Called 187.1, and is probably the same as 187.2.1 – MAbs against the glycosphingolipid GalCer block HIV infection of normally susceptible CD4 negative cells from the brain and colon – MAbs against the N-terminal half of gp120 do not inhibit gp120 binding to GalCer – binding of GalCer to gp120 does not inhibit MAb binding. Cook *et al.* [1994]
 - 187.2.1: The relative affinity for denatured/native gp120 is 7 – mutations 113 D/A (not D/R) and 117 K/W impair binding. Moore *et al.* [1994c]
- 187.2.1: Called 187.1, and is probably the same as 187.2.1 – bound preferentially to denatured IIIB gp120. Moore & Ho [1993]
- No.** 355
MAb ID 37.1.1(ARP 327) (37.1)
HXB2 Location gp160 (101–120)
Author Location gp120 (101–120 LAI)
Epitope VEQMHEDIISLWDQSLKPCV
Subtype B
Neutralizing
Immunogen vaccine
Vector/Type: protein *HIV component:* Env
- Species (Isotype)** mouse (IgG)
Ab Type gp120 C1
Research Contact Claudine Bruck
References Moore *et al.* 1994c; Moore & Ho 1993; Thiriart *et al.* 1989
- 37.1.1: UK Medical Research Council AIDS reagent: ARP327.
 - 37.1.1: The relative affinity for denatured/native gp120 is 8.6 – mutations 113 D/R (not D/A) and 117 K/W impair binding. Moore *et al.* [1994c]
 - 37.1.1: Called 37.1 – bound preferentially to denatured IIIB gp120. Moore & Ho [1993]
- No.** 356
MAb ID 6D8
HXB2 Location gp160 (101–120)
Author Location gp120 (101–120 LAI)
Epitope VEQMHEDIISLWDQSLKPCV
Subtype B
Neutralizing
Immunogen vaccine
Vector/Type: protein *Strain:* B clade IIIB
HIV component: gp120
- Species (Isotype)** rat
Ab Type gp120 C1
References Moore *et al.* 1994c; Nakamura *et al.* 1992; Dowbenko *et al.* 1988
- 6D8: The relative affinity for denatured/native gp120 is 15 – mutations 113 D/R and 113 D/A impair binding. Moore *et al.* [1994c]
 - 6D8: Highly cross reactive with multiple stains by rgp120 ELISA. Nakamura *et al.* [1992]
- No.** 357
MAb ID M96
HXB2 Location gp160 (101–120)
Author Location gp120 (101–120 LAI)
Epitope VEQMHEDIISLWDQSLKPCV
Subtype B
Neutralizing no
Immunogen vaccine
Vector/Type: protein *HIV component:* Env
- Species (Isotype)** rat (IgG2a)
Ab Type gp120 C1
Research Contact Fulvia di Marzo Veronese
References Moore *et al.* 1994d; Moore *et al.* 1994c; di Marzo Veronese *et al.* 1992

- M96: C1 region – the relative affinity for denatured/native gp120 is 6. Moore *et al.* [1994c]
- M96: Immunoblot reactive for strains IIIB, 451, MN, RF, and RUTZ. di Marzo Veronese *et al.* [1992]

No. 358
MAb ID MF119.1
HXB2 Location gp160 (101–120)
Author Location gp120 (101–120 LAI)
Epitope VEQMHEDIISLWDQSLKPCV
Subtype B
Neutralizing
Immunogen vaccine
Strain: B clade LAI *HIV component:* Env
Species (Isotype) mouse (IgG)
Ab Type gp120 C1
References Moore *et al.* 1994c; Thiriart *et al.* 1989

- MF119.1: The relative affinity for denatured/native gp120 is 30 – mutations 113 D/A, 113 D/R, and 117 K/W impair binding. Moore *et al.* [1994c]

No. 359
MAb ID MF4.1
HXB2 Location gp160 (101–120)
Author Location gp120 (101–120 LAI)
Epitope VEQMHEDIISLWDQSLKPCV
Subtype B
Neutralizing
Immunogen vaccine
Strain: B clade LAI *HIV component:* Env
Species (Isotype) mouse (IgG)
Ab Type gp120 C1
References Moore *et al.* 1994c; Thiriart *et al.* 1989

- MF4.1: The relative affinity for denatured/native gp120 is 8. Moore *et al.* [1994c]

No. 360
MAb ID MF53.1
HXB2 Location gp160 (101–120)
Author Location gp120 (101–120 LAI)
Epitope VEQMHEDIISLWDQSLKPCV
Subtype B
Neutralizing
Immunogen vaccine
Strain: B clade LAI *HIV component:* Env
Species (Isotype) mouse (IgG)
Ab Type gp120 C1
References Moore *et al.* 1994c; Thiriart *et al.* 1989

- MF53.1: The relative affinity for denatured/native gp120 is 10. Moore *et al.* [1994c]

No. 361
MAb ID MF58.1
HXB2 Location gp160 (101–120)
Author Location gp120 (101–120 LAI)
Epitope VEQMHEDIISLWDQSLKPCV
Subtype B
Neutralizing
Immunogen vaccine
Strain: B clade LAI *HIV component:* Env

Species (Isotype) mouse (IgG)
Ab Type gp120 C1
References Moore *et al.* 1994c; Thiriart *et al.* 1989

No. 362
MAb ID MF77.1
HXB2 Location gp160 (101–120)
Author Location gp120 (101–120 LAI)
Epitope VEQMHEDIISLWDQSLKPCV
Subtype B
Neutralizing
Immunogen vaccine
Strain: B clade LAI *HIV component:* Env
Species (Isotype) mouse (IgG)
Ab Type gp120 C1
References Moore *et al.* 1994c; Thiriart *et al.* 1989

- MF77.1: The relative affinity for denatured/native gp120 is 11. Moore *et al.* [1994c]

No. 363
MAb ID T2.1
HXB2 Location gp160 (101–120)
Author Location gp120 (101–120 LAI)
Epitope VEQMHEDIISLWDQSLKPCV
Subtype B
Neutralizing
Immunogen vaccine
Strain: B clade LAI *HIV component:* Env
Species (Isotype) mouse (IgG)
Ab Type gp120 C1
Research Contact Lennart Akerblom, Britta Wahren and Jorma Hinkula
References Moore *et al.* 1994d; Moore *et al.* 1994c; Bolmstedt *et al.* 1990; Akerblom *et al.* 1990

- T2.1: The relative affinity for denatured/native gp120 is .27 – mutations 113 D/R, 106 E/A, and 117 D/A impair binding. Moore *et al.* [1994c]

No. 364
MAb ID 11/65 (11/65a/5h)
HXB2 Location gp160 (102–121)
Author Location gp120 (311–321 HXB10)
Epitope EQMHEDIISLWDQSLKPCVK
Neutralizing
Immunogen vaccine
Vector/Type: protein *Strain:* B clade BH10
HIV component: gp120
Species (Isotype) rat (IgG2b)
Ab Type gp120 C1
References Peet *et al.* 1998; McKeating *et al.* 1993b; McKeating *et al.* 1992a

- 11/65: UK Medical Research Council AIDS reagent: ARP3076.
- 11/65: Called 11/65a/5h – The most variable amino acids in the V3 loop were replaced with serines to make the immunodominant V3 loop less immunogenic – these changes did not affect the ability of sCD4 or MAbs to V1/V2, C1 and C4 to bind – 11/65 was not affected by V3 serine substitutions –

mice injected with serine substituted gp120 had a reduced response relative to wildtype, and no enhanced immunogenicity of conserved regions. Peet *et al.* [1998]

- 11/65: Binds only soluble gp120, not virion bound – used to quantify gp120 shedding – (numbering is incorrect in original?) McKeating *et al.* [1992a]

No. 365

MAb ID W1

HXB2 Location gp160 (102–121)

Author Location gp120 (102–121 LAI)

Epitope EQMHEDIISLWDQSLKPCVK

Subtype B

Neutralizing

Immunogen vaccine

Strain: B clade LAI *HIV component:* Env

Species (Isotype) mouse (IgG)

Ab Type gp120 C1

Research Contact D. Weiner, U. Penn.

References Moore *et al.* 1994c

- W1: The relative affinity for denatured/native gp120 is 6 – mutations 113 D/A, 113 D/R, and 117 K/W impair binding. Moore *et al.* [1994c]

No. 366

MAb ID T11

HXB2 Location gp160 (102–125)

Author Location gp120 (102–125)

Epitope EQMHEDIISLWDQSLKPCVKLTPL

Neutralizing

Immunogen vaccine

Vector/Type: protein *HIV component:* oligomeric gp140

Species (Isotype) mouse

Ab Type gp120 C1

Research Contact R. Doms, Univ. of Pennsylvania

References Jagodzinski *et al.* 1996; Earl *et al.* 1994

- T11: The sulfated polysaccharide, curdlan sulfate (CRDS), binds to the Envelope of T-tropic viruses and neutralizes virus – deletion of the V3 loop from gp120 results in more potent T11 inhibition by CRDS. Jagodzinski *et al.* [1996]
- T11: Generated during a study of the influence of the oligomeric structure of Env in determining the repertoire of the Ab response. Earl *et al.* [1994]

No. 367

MAb ID GV1A8

HXB2 Location gp160 (105–113)

Author Location gp120 (105–113 IIIB)

Epitope HEDIISLWD

Neutralizing

Immunogen vaccine

Vector/Type: protein-Ab complex *HIV component:* gp120-Mab complex

Species (Isotype) mouse

Ab Type gp120 C1

References Denisova *et al.* 1996

- GV1A8: When anti-V3 MAb M77 was bound to gp120 and used as an immunogen, it stimulated many MAbs to linear epitopes – MAbs GV7A4 and GV5H5 are homologous to GV1A8 and were generated in the same experiment. Denisova *et al.* [1996]

No. 368

MAb ID 11

HXB2 Location gp160 (111–120)

Author Location gp120 (101–120 LAI)

Epitope LWDQSLKPCV

Subtype B

Neutralizing

Immunogen vaccine

Strain: B clade LAI *HIV component:* Env

Species (Isotype) mouse (IgG)

Ab Type gp120 C1

References Moore *et al.* 1994c; Thiriart *et al.* 1989

- 11: The relative affinity for denatured/native gp120 is 7.8 – mutation 113 D/R impairs binding. Moore *et al.* [1994c]

No. 369

MAb ID 12G10

HXB2 Location gp160 (111–120)

Author Location gp120 (101–120 LAI)

Epitope LWDQSLKPCV

Subtype B

Neutralizing

Immunogen vaccine

Strain: B clade LAI *HIV component:* Env

Species (Isotype) mouse (IgG)

Ab Type gp120 C1

References Moore *et al.* 1994c; Thiriart *et al.* 1989

- 12G10: The relative affinity for denatured/native gp120 is 17 – mutation 117 K/W impairs binding. Moore *et al.* [1994c]

No. 370

MAb ID 135/9 (87-135/9)

HXB2 Location gp160 (111–120)

Author Location gp120 (111–120 LAI)

Epitope LWDQSLKPCV

Subtype B

Neutralizing L

Immunogen vaccine

Vector/Type: protein *Strain:* B clade IIIB

HIV component: gp120

Species (Isotype) mouse (IgG1)

Ab Type gp120 C1

Research Contact Matthias Niedrig

References Yang *et al.* 2000; Kropelin *et al.* 1998; Binley *et al.* 1998; Binley *et al.* 1997a; Trkola *et al.* 1996a; Moore & Sodroski 1996; Moore *et al.* 1994d; Moore *et al.* 1994c; Niedrig *et al.* 1992b

- 135/9: A combination of gp41 fusion with the GNC4 trimeric sequences and disruption of the YU2 gp120-gp41 cleavage site resulted in stable gp140 trimers (gp140-GNC4) that preserve and expose some neutralizing epitopes while occluding some non-neutralizing epitopes – CD4BS MAbs (F105 and F91) and CD4i (17b and 48d) recognized gp140-GNC4 as well as gp120

- or gp140 – non-neutralizing MAbs C11, A32, 522-149, M90, and #45 bound to the gp140-GNC4 glycoprotein at reduced levels compared to gp120 – MAbs directed at the extreme termini of gp120 C1 (135/9 and 133/290) and C5 (CRA-1 and M91) bound efficiently to gp140-GNC4. Yang *et al.* [2000]
- 135/9: A panel of MAbs were shown to bind with similar or greater affinity and similar competition profiles to a deglycosylated or variable loop deleted core gp120 protein (Delta V1, V2, and V3), thus such a core protein produces a structure closely approximating full length folded monomer. Binley *et al.* [1998]
 - 135/9: Noted to bind to C1 peptide HEDIISLWDQSLK – blocks gp120 interaction with CD4+ cells – blocking activity is additive when combined with antibodies which bind in the C4 region of gp120 (F105, 388/389, and b12) Kropelin *et al.* [1998]
 - 135/9: Binding is enhanced by some anti-C1 and anti-C5 antibodies – enhances binding of some anti-V3, anti-C4 and anti-V2 MAbs – 135/9 binds to predicted alpha-helix in C1. Moore & Sodroski [1996]
 - 135/9: Does not neutralize JR-FL nor block gp120 interaction with CCR-5 in a MIP-1beta-CCR-5 competition study. Trkola *et al.* [1996a]
 - 135/9: The relative affinity for denatured/native gp120 is 15 – mutation 113 D/R impairs binding to native and denatured, 113 D/A only to denatured. Moore *et al.* [1994c]
 - 135/9: Substitutions 106 E/A, 113 D/A or R, and 117 K/W impair binding, some substitutions enhance binding. Moore *et al.* [1994d]
 - 135/9: Defines the epitope as gp120(114-123) MHEDIISLWD (core LWD?) – weak neutralization of lab strain. Niedrig *et al.* [1992b]

No. 371

MAb ID 7C10

HXB2 Location gp160 (111–120)

Author Location gp120 (101–120 LAI)

Epitope LWDQSLKPCV

Subtype B

Neutralizing

Immunogen vaccine

Strain: B clade LAI HIV component: Env

Species (Isotype) mouse (IgG)

Ab Type gp120 C1

References Moore *et al.* 1994c; Thiriart *et al.* 1989

- 7C10: The relative affinity for denatured/native gp120 is 5.8 – mutation 117 K/W impairs binding. Moore *et al.* [1994c]

No. 372

MAb ID C4

HXB2 Location gp160 (111–120)

Author Location gp120 (101–120 LAI)

Epitope LWDQSLKPCV

Subtype B

Neutralizing

Immunogen vaccine

Vector/Type: protein Strain: B clade LAI

HIV component: gp160

Species (Isotype) mouse (IgG1)

Ab Type gp120 C1

Research Contact George Lewis

References Moore *et al.* 1994c; Moore & Ho 1993; Abacioglu *et al.* 1994

- C4: C1 region – epitope boundaries mapped by peptide scanning, BH10 core IISLW. Abacioglu *et al.* [1994]
- C4: The relative affinity for denatured/native gp120 is 10. Moore *et al.* [1994c]
- C4: Bound preferentially to denatured IIIB gp120. Moore & Ho [1993]

No. 373

MAb ID MF46.1

HXB2 Location gp160 (111–120)

Author Location gp120 (101–120 LAI)

Epitope LWDQSLKPCV

Subtype B

Neutralizing

Immunogen vaccine

Strain: B clade LAI HIV component: Env

Species (Isotype) mouse (IgG)

Ab Type gp120 C1

References Moore *et al.* 1994c; Thiriart *et al.* 1989

- MF46.1: The relative affinity for denatured/native gp120 is 8.5. Moore *et al.* [1994c]

No. 374

MAb ID 6D5

HXB2 Location gp160 (122–141)

Author Location gp120 (122–141 LAI)

Epitope LTPLCVSLKCTDLKNDTNTN

Subtype B

Neutralizing

Immunogen vaccine

Strain: B clade LAI HIV component: Env

Species (Isotype) mouse (IgG)

Ab Type gp120 V2

Research Contact S. Nigida and L. Arthur, NCI, Frederick, MD USA

References Moore *et al.* 1994d; Moore *et al.* 1994c

- 6D5: The relative affinity for denatured/native gp120 is 15 – mutations Delta119-205 and 125 L/G impair binding. Moore *et al.* [1994c]

No. 375

MAb ID B33

HXB2 Location gp160 (123–142)

Author Location gp120 (123–142 LAI)

Epitope TPLCVSLKCTDLGNATNTNS

Subtype B

Neutralizing no

Immunogen vaccine

Vector/Type: protein Strain: B clade NL43

HIV component: gp160

Species (Isotype) mouse (IgG2bκ)

Ab Type gp120 V2

Research Contact Daniels

References Bristow *et al.* 1994; Abacioglu *et al.* 1994

- B33: UK Medical Research Council AIDS reagent: ARP304, gp160/41 binding.

- B33: There are two MAbs in the literature named B33, see also gp160(727-734) Abacioglu *et al.* [1994]
- B33: Epitope boundaries mapped by peptide scanning. Abacioglu *et al.* [1994]
- B27: C1 MAb generated in a study of the humoral immune response to Baculovirus-expressed mis-folded rgp160 IIIB:NL43, MicroGenSys. Bristow *et al.* [1994]

No. 376

MAB ID polyclonal (VEI1)

HXB2 Location gp160 (131–151)

Author Location Env (131–151)

Epitope CTDLKNDTNTNSSSGRMMMEK

Neutralizing

Immunogen HIV-1 infection

Species (Isotype) human

References Carlos *et al.* 1999

- Antibody response to the epitopes in a vaccine construct (VEI) containing peptides from 5 hypervariable regions of gp120 was detected in the sera of HIV-1 positive subjects, including sera from 6 non-subtype B infections – serum samples from San Francisco, Canada and Puerto Rico cohort showed presence of antibodies against all five VEI hypervariable regions, but most consistently against the V3 region peptide NNNTRKSIRIGP-GRAFYYTTGDIGNIRQ. Carlos *et al.* [1999]

No. 377

MAB ID 35D10/D2

HXB2 Location gp160 (139–155)

Author Location gp120

Epitope NTKSSNWKEMDGEIK

Neutralizing L

Immunogen vaccine

Vector/Type: protein *Strain:* B clade SF162*HIV component:* gp120 *Adjuvant:* Ribi adjuvant (MPL+TDM) (RIBI)

Species (Isotype) transgenic mouse (IgG2κ)

Ab Type gp120 V1

Research Contact Dr. Abraham Pinter, Public Health Research Institute, Newark, NJ, pinter@phri.org

References Gorny & Zolla-Pazner 2004; He *et al.* 2002

Keywords antibody binding site definition and exposure, antibody generation, review, variant cross-recognition or cross-neutralization

- 35D10/D2: In an extensive review of gp120 binding MAbs in this database, V1-specific MAbs are noted to be unusual, but in one study transgenic mouse immunization with SF162 yielded ten V1 MAbs with highly strain-specific autologous NAb responses, and V1 was immunodominant. Human MAbs to V1 may be difficult to isolate due to selection with heterologous strains. Gorny & Zolla-Pazner [2004] (**variant cross-recognition or cross-neutralization, review**)
- 35D10/D2: Transgenic mice (strain XenoMouse G2) carrying human genes allowing production of fully human IgG2kappa MAbs were used to rapidly create a panel of anti-HIV gp120 MAb-producing hybridomas by immunization with HIV SF162 gp120 – several of the MAbs obtained were effective at neutralizing the autologous strain – C-term-V1- region was immunodominant in these mice and the ten V1-specific MAbs could potentially neutralize autologous strain SF162 but were

highly type specific. He *et al.* [2002] (**antibody binding site definition and exposure, antibody generation**)

No. 378

MAB ID 40H2/C7

HXB2 Location gp160 (139–155)

Author Location gp120

Epitope NTKSSNWKEMDGEIK

Neutralizing L

Immunogen vaccine

Vector/Type: protein *Strain:* B clade SF162*HIV component:* gp120 *Adjuvant:* Ribi adjuvant (MPL+TDM) (RIBI)

Species (Isotype) transgenic mouse (IgG2κ)

Ab Type gp120 V1

Research Contact Dr. Abraham Pinter, Public Health Research Institute, Newark, NJ, pinter@phri.org

References Gorny & Zolla-Pazner 2004; He *et al.* 2002

Keywords antibody binding site definition and exposure, antibody generation, review, variant cross-recognition or cross-neutralization

- 40H2/C7: In an extensive review of gp120 binding MAbs in this database, V1-specific MAbs are noted to be unusual, but in one study transgenic mouse immunization with SF162 yielded ten V1 MAbs with highly strain-specific autologous NAb responses, and V1 was immunodominant. Human MAbs to V1 may be difficult to isolate due to selection with heterologous strains. Gorny & Zolla-Pazner [2004] (**variant cross-recognition or cross-neutralization, review**)
- 40H2/C7: Transgenic mice (strain XenoMouse G2) carrying human genes allowing production of fully human IgG2kappa MAbs were used to rapidly create a panel of anti-HIV gp120 MAb-producing hybridomas by immunization with HIV SF162 gp120 – several of the MAbs obtained were effective at neutralizing the autologous strain – C-term-V1- region was immunodominant in these mice and the ten V1-specific MAbs could potentially neutralize autologous strain SF162 but were highly type specific. He *et al.* [2002] (**antibody binding site definition and exposure, antibody generation**)

No. 379

MAB ID 43A3/E4

HXB2 Location gp160 (139–155)

Author Location gp120

Epitope NTKSSNWKEMDGEIK

Neutralizing

Immunogen vaccine

Vector/Type: protein *Strain:* B clade SF162*HIV component:* gp120 *Adjuvant:* Ribi adjuvant (MPL+TDM) (RIBI)

Species (Isotype) transgenic mouse (IgG2κ)

Ab Type gp120 V1

Research Contact Dr. Abraham Pinter, Public Health Research Institute, Newark, NJ, pinter@phri.org

References Gorny & Zolla-Pazner 2004; He *et al.* 2002

Keywords antibody binding site definition and exposure, antibody generation, review, variant cross-recognition or cross-neutralization

- 43A3/E4: In an extensive review of gp120 binding MAbs in this database, V1-specific MAbs are noted to be unusual, but in one study transgenic mouse immunization with SF162 yielded ten V1 MAbs with highly strain-specific autologous NAb responses, and V1 was immunodominant. Human MAbs to V1 may be difficult to isolate due to selection with heterologous strains. Gorny & Zolla-Pazner [2004] (**variant cross-recognition or cross-neutralization, review**)
- 43A3/E4: Transgenic mice (strain XenoMouse G2) carrying human genes allowing production of fully human IgG2kappa MAbs were used to rapidly create a panel of anti-HIV gp120 MAb-producing hybridomas by immunization with HIV SF162 gp120 – several of the MAbs obtained were effective at neutralizing the autologous strain – C-term-V1- region was immunodominant in these mice and the ten V1-specific MAbs could potentially neutralize autologous strain SF162 but were highly type specific. He *et al.* [2002] (**antibody binding site definition and exposure, antibody generation**)

No. 380

MAb ID 43C7/B9

HXB2 Location gp160 (139–155)

Author Location gp120

Epitope NTKSSNWKEMDGEIK

Neutralizing L

Immunogen vaccine

Vector/Type: protein *Strain:* B clade SF162*HIV component:* gp120 *Adjuvant:* Ribi adjuvant (MPL+TDM) (RIBI)

Species (Isotype) transgenic mouse (IgG2κ)

Ab Type gp120 V1

Research Contact Dr. Abraham Pinter, Public Health Research Institute, Newark, NJ, pinter@phri.org

References Gorny & Zolla-Pazner 2004; He *et al.* 2002

Keywords antibody binding site definition and exposure, antibody generation, review, variant cross-recognition or cross-neutralization

- 43C7/B9: In an extensive review of gp120 binding MAbs in this database, V1-specific MAbs are noted to be unusual, but in one study transgenic mouse immunization with SF162 yielded ten V1 MAbs with highly strain-specific autologous NAb responses, and V1 was immunodominant. Human MAbs to V1 may be difficult to isolate due to selection with heterologous strains. Gorny & Zolla-Pazner [2004] (**variant cross-recognition or cross-neutralization, review**)
- 43C7/B9: Transgenic mice (strain XenoMouse G2) carrying human genes allowing production of fully human IgG2kappa MAbs were used to rapidly create a panel of anti-HIV gp120 MAb-producing hybridomas by immunization with HIV SF162 gp120 – several of the MAbs obtained were effective at neutralizing the autologous strain – C-term-V1- region was immunodominant in these mice and the ten V1-specific MAbs could potentially neutralize autologous strain SF162 but were highly type specific. He *et al.* [2002] (**antibody binding site definition and exposure, antibody generation**)

No. 381

MAb ID 45D1/B7

HXB2 Location gp160 (139–155)

Author Location gp120

Epitope NTKSSNWKEMDGEIK

Neutralizing L

Immunogen vaccine

Vector/Type: protein *Strain:* B clade SF162*HIV component:* gp120 *Adjuvant:* Ribi adjuvant (MPL+TDM) (RIBI)

Species (Isotype) transgenic mouse (IgG2κ)

Ab Type gp120 V1

Research Contact Dr. Abraham Pinter, Public Health Research Institute, Newark, NJ, pinter@phri.org

References Gorny & Zolla-Pazner 2004; He *et al.* 2002

Keywords antibody binding site definition and exposure, antibody generation, review, variant cross-recognition or cross-neutralization

- 45D1/B7: In an extensive review of gp120 binding MAbs in this database, V1-specific MAbs are noted to be unusual, but in one study transgenic mouse immunization with SF162 yielded ten V1 MAbs with highly strain-specific autologous NAb responses, and V1 was immunodominant. Human MAbs to V1 may be difficult to isolate due to selection with heterologous strains. Gorny & Zolla-Pazner [2004] (**variant cross-recognition or cross-neutralization, review**)
- 45D1/B7: Transgenic mice (strain XenoMouse G2) carrying human genes allowing production of fully human IgG2kappa MAbs were used to rapidly create a panel of anti-HIV gp120 MAb-producing hybridomas by immunization with HIV SF162 gp120 – several of the MAbs obtained were effective at neutralizing the autologous strain – C-term-V1- region was immunodominant in these mice and the ten V1-specific MAbs could potentially neutralize autologous strain SF162 but were highly type specific. He *et al.* [2002] (**antibody binding site definition and exposure, antibody generation**)

No. 382

MAb ID 46E3/E6

HXB2 Location gp160 (139–155)

Author Location gp120

Epitope NTKSSNWKEMDGEIK

Neutralizing

Immunogen vaccine

Vector/Type: protein *Strain:* B clade SF162*HIV component:* gp120 *Adjuvant:* Ribi adjuvant (MPL+TDM) (RIBI)

Species (Isotype) transgenic mouse (IgG2κ)

Ab Type gp120 V1

Research Contact Dr. Abraham Pinter, Public Health Research Institute, Newark, NJ, pinter@phri.org

References Gorny & Zolla-Pazner 2004; He *et al.* 2002

Keywords antibody binding site definition and exposure, antibody generation, review, variant cross-recognition or cross-neutralization

- 46E3/E6: In an extensive review of gp120 binding MAbs in this database, V1-specific MAbs are noted to be unusual, but in one study transgenic mouse immunization with SF162 yielded ten V1 MAbs with highly strain-specific autologous NAb responses, and V1 was immunodominant. Human MAbs to V1 may be difficult to isolate due to selection with heterologous strains. Gorny & Zolla-Pazner [2004] (**variant cross-recognition or cross-neutralization, review**)

- 46E3/E6: Transgenic mice (strain XenoMouse G2) carrying human genes allowing production of fully human IgG2kappa MAbs were used to rapidly create a panel of anti-HIV gp120 MAb-producing hybridomas by immunization with HIV SF162 gp120 – several of the MAbs obtained were effective at neutralizing the autologous strain – C-term-V1- region was immunodominant in these mice and the ten V1-specific MAbs could potentially neutralize autologous strain SF162 but were highly type specific. He *et al.* [2002] (**antibody binding site definition and exposure, antibody generation**)

No. 383

Mab ID 58E1/B3

HXB2 Location gp160 (139–155)

Author Location gp120

Epitope NTKSSNWKEMDGEIK

Neutralizing L

Immunogen vaccine

Vector/Type: protein *Strain:* B clade SF162
HIV component: gp120 *Adjuvant:* Ribi adjuvant (MPL+TDM) (RIBI)

Species (Isotype) transgenic mouse (IgG2κ)

Ab Type gp120 V1

Research Contact Dr. Abraham Pinter, Public Health Research Institute, Newark, NJ, pinter@phri.org

References Gorny & Zolla-Pazner 2004; He *et al.* 2002

Keywords antibody binding site definition and exposure, antibody generation, review, variant cross-recognition or cross-neutralization

- 58E1/B3: In an extensive review of gp120 binding MAbs in this database, V1-specific MAbs are noted to be unusual, but in one study transgenic mouse immunization with SF162 yielded ten V1 MAbs with highly strain-specific autologous NAb responses, and V1 was immunodominant. Human MAbs to V1 may be difficult to isolate due to selection with heterologous strains. Gorny & Zolla-Pazner [2004] (**variant cross-recognition or cross-neutralization, review**)
- 58E1/B3: Transgenic mice (strain XenoMouse G2) carrying human genes allowing production of fully human IgG2kappa MAbs were used to rapidly create a panel of anti-HIV gp120 MAb-producing hybridomas by immunization with HIV SF162 gp120 – several of the MAbs obtained were effective at neutralizing the autologous strain – C-term-V1- region was immunodominant in these mice and the ten V1-specific MAbs could potentially neutralize autologous strain SF162 but were highly type specific. He *et al.* [2002] (**antibody binding site definition and exposure, antibody generation**)

No. 384

Mab ID 64B9/A6

HXB2 Location gp160 (139–155)

Author Location gp120

Epitope NTKSSNWKEMDGEIK

Neutralizing L

Immunogen vaccine

Vector/Type: protein *Strain:* B clade SF162
HIV component: gp120 *Adjuvant:* Ribi adjuvant (MPL+TDM) (RIBI)

Species (Isotype) transgenic mouse (IgG2κ)

Ab Type gp120 V1

Research Contact Dr. Abraham Pinter, Public Health Research Institute, Newark, NJ, pinter@phri.org

References Gorny & Zolla-Pazner 2004; He *et al.* 2002

Keywords antibody binding site definition and exposure, antibody generation, review, variant cross-recognition or cross-neutralization

- 64B9/A6: In an extensive review of gp120 binding MAbs in this database, V1-specific MAbs are noted to be unusual, but in one study transgenic mouse immunization with SF162 yielded ten V1 MAbs with highly strain-specific autologous NAb responses, and V1 was immunodominant. Human MAbs to V1 may be difficult to isolate due to selection with heterologous strains. Gorny & Zolla-Pazner [2004] (**variant cross-recognition or cross-neutralization, review**)
- 64B9/A6: Transgenic mice (strain XenoMouse G2) carrying human genes allowing production of fully human IgG2kappa MAbs were used to rapidly create a panel of anti-HIV gp120 MAb-producing hybridomas by immunization with HIV SF162 gp120 – several of the MAbs obtained were effective at neutralizing the autologous strain – C-term-V1- region was immunodominant in these mice and the ten V1-specific MAbs could potentially neutralize autologous strain SF162 but were highly type specific. He *et al.* [2002] (**antibody binding site definition and exposure, antibody generation**)

No. 385

Mab ID 69D2/A1

HXB2 Location gp160 (139–155)

Author Location gp120

Epitope NTKSSNWKEMDGEIK

Neutralizing L

Immunogen vaccine

Vector/Type: protein *Strain:* B clade SF162
HIV component: gp120 *Adjuvant:* Ribi adjuvant (MPL+TDM) (RIBI)

Species (Isotype) transgenic mouse (IgG2κ)

Ab Type gp120 V1

Research Contact Dr. Abraham Pinter, Public Health Research Institute, Newark, NJ, pinter@phri.org

References Gorny & Zolla-Pazner 2004; He *et al.* 2002

Keywords antibody binding site definition and exposure, antibody generation, review, variant cross-recognition or cross-neutralization

- 69D2/A1: In an extensive review of gp120 binding MAbs in this database, V1-specific MAbs are noted to be unusual, but in one study transgenic mouse immunization with SF162 yielded ten V1 MAbs with highly strain-specific autologous NAb responses, and V1 was immunodominant. Human MAbs to V1 may be difficult to isolate due to selection with heterologous strains. Gorny & Zolla-Pazner [2004] (**variant cross-recognition or cross-neutralization, review**)
- 69D2/A1: Transgenic mice (strain XenoMouse G2) carrying human genes allowing production of fully human IgG2kappa MAbs were used to rapidly create a panel of anti-HIV gp120 MAb-producing hybridomas by immunization with HIV SF162 gp120 – several of the MAbs obtained were effective at neutralizing the autologous strain – C-term-V1- region was immunodominant in these mice and the ten V1-specific MAbs could potentially neutralize autologous strain SF162 but were

highly type specific. He *et al.* [2002] (**antibody binding site definition and exposure, antibody generation**)

- No.** 386
MAb ID 82D3/C3
HXB2 Location gp160 (139–155)
Author Location gp120
Epitope NTKSSNWKEMDGEIK
Neutralizing
Immunogen vaccine
Vector/Type: protein *Strain:* B clade SF162
HIV component: gp120 *Adjuvant:* Ribi adjuvant (MPL+TDM) (RIBI)
Species (Isotype) transgenic mouse (IgG2κ)
Ab Type gp120 V1
Research Contact Dr. Abraham Pinter, Public Health Research Institute, Newark, NJ, pinter@phri.org
References Gorny & Zolla-Pazner 2004; He *et al.* 2002
Keywords antibody binding site definition and exposure, antibody generation, review, variant cross-recognition or cross-neutralization
- 82D3/C3: In an extensive review of gp120 binding MAbs in this database, V1-specific MAbs are noted to be unusual, but in one study transgenic mouse immunization with SF162 yielded ten V1 MAbs with highly strain-specific autologous NAb responses, and V1 was immunodominant. Human MAbs to V1 may be difficult to isolate due to selection with heterologous strains. Gorny & Zolla-Pazner [2004] (**variant cross-recognition or cross-neutralization, review**)
 - 82D3/C3: Transgenic mice (strain Xenomouse G2) carrying human genes allowing production of fully human IgG2κappa MAbs were used to rapidly create a panel of anti-HIV gp120 MAb-producing hybridomas by immunization with HIV SF162 gp120 – several of the MAbs obtained were effective at neutralizing the autologous strain – C-term-V1- region was immunodominant in these mice and the ten V1-specific MAbs could potentially neutralize autologous strain SF162 but were highly type specific. He *et al.* [2002] (**antibody binding site definition and exposure, antibody generation**)

- No.** 387
MAb ID 2H1B
HXB2 Location gp160 (155–161)
Author Location gp120 (370–376 HIV2ROD)
Epitope RNISFKA
Neutralizing no
Immunogen vaccine
Vector/Type: peptide *Strain:* HIV-2 ROD
Species (Isotype) mouse
Ab Type gp120 C3
References Matsushita *et al.* 1995
- 2H1B: Binds in WB, but binds poorly to Env on the cell surface. Matsushita *et al.* [1995]

- No.** 388
MAb ID 697-D (697D, 697-30D)
HXB2 Location gp160 (161–180)
Author Location gp120 (161–180 IIIB)
Epitope ISTSIRGKVQKEYAFFYKLD
Neutralizing P (weak)

Immunogen HIV-1 infection
Species (Isotype) human (IgG1λ)
Ab Type gp120 V2

Research Contact Susan Zolla-Pazner (Zolla-Pazner@mcrcr6.med.nyu) (NYU Med. Center) or Cellular Products Inc, Buffalo NY

References Selvarajah *et al.* 2005; Gorny & Zolla-Pazner 2004; He *et al.* 2002; Maksutov *et al.* 2002; Edwards *et al.* 2002; Nyambi *et al.* 2000; Hioe *et al.* 2000; Gorny *et al.* 2000; Stamatatos & Cheng-Mayer 1998; Nyambi *et al.* 1998; Parren *et al.* 1997b; Fouts *et al.* 1997; Binley *et al.* 1997a; Trkola *et al.* 1996a; Moore & Ho 1995; Forthal *et al.* 1995; Gorny *et al.* 1994

Keywords ADCC, antibody binding site definition and exposure, co-receptor, enhancing activity, review, subtype comparisons, vaccine antigen design, vaccine-specific epitope characteristics, variant cross-recognition or cross-neutralization

- 697-D: Antigens were designed to attempt to target immune responses toward the IgG1b12 epitope, while minimizing antibody responses to less desirable epitopes. One construct had a series of substitutions near the CD4 binding site (GDMR), the other had 7 additional glycans (mCHO). The 2 constructs did not elicit b12-like neutralizing antibodies, but both antigens successfully dampened other responses that were intended to be dampened while not obscuring b12 binding. V2 MAb 697-D did not bind to mCHO and had diminished binding to GDMR, while V2 MAb 8.22.2 bound to GDMR but not mCHO. Selvarajah *et al.* [2005] (**vaccine antigen design, vaccine-specific epitope characteristics**)
- 697-D: In a review of Envelope binding MAbs in this database, V2-specific MAbs are noted to have some ability to neutralize HIV-1, but generally weak with limited cross-reactivity; it weakly neutralizes some primary but not TCLA strains. 697-D is the best characterized of the anti-V2 MAbs, and binds weakly and sporadically to isolates from clades A-D. Gorny & Zolla-Pazner [2004] (**variant cross-recognition or cross-neutralization, review, subtype comparisons**)
- 697-D: Called 697D – Truncation of the gp41 cytoplasmic domain of X4, R5, and X4R5 viruses forces a conformation that more closely resembles the CD4 bound state of the external Envelope, enhancing binding of CD4i MAbs 17b and 48d and of CD4BS MAbs F105, b12, and in most cases of glycosylation site dependent MAb 2G12 and the anti-gp41 MAb 246D – in contrast, binding of the anti-V2 MAb 697D and the anti-V3 MAb 694/98D were not affected – viruses bearing the truncation were more sensitive to neutralization by MAbs 48d, b12, and 2G12 – the anti-C5 MAb 1331A was used to track levels of cell surface expression of the mutated proteins. Edwards *et al.* [2002] (**antibody binding site definition and exposure**)
- 697-D: Called 697D – Transgenic mice carrying human genes allowing production of fully human MAbs were used to rapidly create a panel of anti-HIV gp120 MAb producing hybridomas by immunization with HIV SF162 gp120 – the previously described human MAbs 5145A, 4117C and 697D were used as controls. He *et al.* [2002]

- 697-D: This epitope is similar to a fragment of the human protein macrophage colony stimulating factor I receptor SISIR-LKVQK. Maksiutov *et al.* [2002]
- 697-D: Binding of panel of 21 MAbs to soluble oligomeric gp140 versus gp41 or gp120 monomers was compared – no MAb was oligomer specific, though anti-V3 and CD4BS MAbs reacted better with the oligomer and V2 and C5 tended to favor the monomer – V2 MAbs 697-D, 1357 and 1361 favored the monomer by approximately 2 fold. Gorny *et al.* [2000] (**antibody binding site definition and exposure**)
- 697-D: Ab responses, because of their capacity to alter antigen uptake and processing, can influence helper T cell responses – CD4BS MAbs or serum Ig from HIV+ individuals inhibited proliferative responses of gp120 specific T cells – V2 MAb 697-D did not effect proliferation. Hioe *et al.* [2000]
- 697-D: 26 HIV-1 group M isolates (clades A to H) were tested for binding to 47 MAbs, including 5 anti-V2 MAbs, which showed weak and sporadic binding, with the most frequent binding to C and D clades. Nyambi *et al.* [2000] (**subtype comparisons**)
- 697-D: Using a whole virion-ELISA method, 18 human MAbs were tested for their ability to bind to a panel of 9 viruses from clades A, B, D, F, G, and H – V2 Abs 697-D, 1361, and 1357 tended to bind weakly with a similar pattern of specificity to virions, and bound well to soluble gp120: weak binding to 1/4 B clade viruses (CA5), and weak binding to viruses from subtype A and D. Nyambi *et al.* [1998] (**subtype comparisons**)
- 697-D: Called 697-30D – deleting the V2 loop of neutralization-resistant HIV-1 isolate SF162 does not abrogate its replication in PBMC or macrophages, but it enhances its neutralization sensitivity to sera from patients with B clade infection up to 170-fold, and also enhances sensitivity to sera from clades A through F – deletion of V1 or V2 did not enable neutralization by V2 MAbs G3.4, G3.136, or 687-30D. Stamatatos & Cheng-Mayer [1998] (**variant cross-recognition or cross-neutralization**)
- 697-D: Study shows neutralization is not predicted by MAb binding to JRFL monomeric gp120, but is associated with oligomeric Env binding – 697-D bound monomer, did not bind oligomer or neutralize JRFL. Fouts *et al.* [1997] (**antibody binding site definition and exposure**)
- 697-D: Does not neutralize TCLA strains but neutralizes some primary isolates weakly. Parren *et al.* [1997b] (**variant cross-recognition or cross-neutralization**)
- 697-D: Partial inhibition of gp120 interaction with CCR-5 in a MIP-1beta-CCR-5 competition study. Trkola *et al.* [1996a] (**co-receptor**)
- 697-D: Not neutralizing, no ADCC activity, and no viral enhancing activity. Forthal *et al.* [1995] (**ADCC, enhancing activity**)
- 697-D: Review: called 697/30D – neutralizes some primary, but not lab adapted strains. Moore & Ho [1995] (**variant cross-recognition or cross-neutralization, review**)
- 697-D: Conformational with weak reactivity to V2 peptide IST-SIRGKVQKEYAFFYKLD – neutralized 3/4 primary isolates, but none of 4 lab strains – V2 substitutions 176/177 FY/AT, 179/180 LD/DL, 183/184 PI/SG, and 192-194 YSL/GSS abrogate binding – anti-C4 MAbs G3-536 and G45-60 enhance

binding – mild oxidation of carbohydrate moieties inhibits binding. Gorny *et al.* [1994] (**antibody binding site definition and exposure**)

No. 389

MAb ID 6C4/S

HXB2 Location gp160 (162–169)

Author Location gp120 (BH10)

Epitope STSIRGKV

Neutralizing

Immunogen vaccine

Vector/Type: protein Strain: B clade BH10

HIV component: gp120

Species (Isotype)

Research Contact S. Ranjbar (NIBSC, UK)

References Moore *et al.* 1993a

- 6C4/S: UK Medical Research Council AIDS reagent: ARP3049.

No. 390

MAb ID C108G (C108g)

HXB2 Location gp160 (162–169)

Author Location gp120 (162–169 HXB2)

Epitope STSIRGKV

Subtype B

Neutralizing L

Immunogen HIV-1 infection

Species (Isotype) chimpanzee (IgG1κ)

Ab Type gp120 V2

Research Contact S. Tilley, Public Health Research Institute, NY, NY

References Pinter *et al.* 2005; Gorny & Zolla-Pazner 2004; Alsmadi & Tilley 1998; Mondor *et al.* 1998; Ugolini *et al.* 1997; Warrier *et al.* 1996; Warrier *et al.* 1995; Wu *et al.* 1995; Warrier *et al.* 1994

Keywords ADCC, antibody binding site definition and exposure, antibody generation, antibody interactions, antibody sequence, variable domain, review, variant cross-recognition or cross-neutralization

- C108G: This MAb is type-specific and neutralizes BaL and HXB2. It is the most potent anti-V2 MAb, is glycan dependent, and contrary to earlier reports requires disulfide bonds. Neutralization by C108g is not mediated by CD4 or CCR5 receptor blockage on the cell surface. Binding to CD4 was inhibited by b12, but not by C108g. Binding to CCR5 was completely inhibited by two V3 MAbs, 4117C and 2219, and was substantially inhibited by 2G12, but was not inhibited by C108g. JR-FL is a neutralization resistant strain; modification of JRFL at positions 167 and 168 (GK->DE) created a C108g epitope, and C108g could potentially neutralize the modified JR-FL. The MAb 10/76b, that binds to a linear V2 epitope that is unaffected by deglycosylation or reduction eliminating disulfide bonds, could only weakly neutralize this modified JR-FL. Similarly SF162 substitutions in the neutralization sensitive virus SF162 GVK->NMK (167-169) plus the glycosylation site at 160, created a G108g neutralization sensitive virus. In contrast, 10/76b binds to the NMK substituted variant, but addition of the glycosylation site inhibited binding. Pinter *et al.* [2005] (**antibody binding**)

site definition and exposure, variant cross-recognition or cross-neutralization)

- C108G: This MAb is unusual among V2-directed MAbs. It is glycan dependent and can neutralize both a primary isolate (BaL and a TCLA (IIIB) strain. Gorny & Zolla-Pazner [2004] (**antibody binding site definition and exposure, review**)
- C108G: A study of 6 anti-Env MAbs and their ability to bind or direct ADCC against target cells infected with IIIB, MN, SF-2, and RF – C108G bound and directed lysis against only IIIB – this is first demonstration of ADCC directed by a V2 specific MAb. Alsmadi & Tilley [1998] (**ADCC, variant cross-recognition or cross-neutralization**)
- C108G: Inhibits HX10 binding to both CD4 positive and negative HeLa cells. Mondor *et al.* [1998]
- C108G: Viral binding inhibition by C108G was correlated with neutralization (all other neutralizing MAbs tested showed some correlation except 2F5) Ugolini *et al.* [1997] (**antibody binding site definition and exposure**)
- C108G: Synergistic neutralization of HIV-1 when combined with anti-V3 MAbs 0.5beta and C311E, or anti-CD4BS MAbs, 1125H and 5145A – neutralization further enhanced by presence of both 1125H and 0.5beta. Warriar *et al.* [1996] (**antibody interactions**)
- C108G: Characterization of MAb variable region. Warriar *et al.* [1995] (**antibody sequence, variable domain**)
- C108G: Strain specificity: LAI, BaL, HXB2 – conformational character – glycosylation site at 160 critical – mutation of conserved glycosylation site at 156 increased epitope exposure. Wu *et al.* [1995] (**antibody binding site definition and exposure, variant cross-recognition or cross-neutralization**)
- C108G: Chimps were infected with HIV-1 IIIB, and this high affinity MAb was obtained from an Epstein-Barr virus transformed B-cell line. It gave potent neutralization of HIV-1 IIIB. Binding was not affected by reduction of disulfide bonds. Binding was disrupted by removal of N-linked glycans. The peptide binds with lower affinity than glycosylated Env. Warriar *et al.* [1994] (**antibody binding site definition and exposure, antibody generation**)

No. 391

MAb ID 10/76b

HXB2 Location gp160 (162–170)

Author Location gp120 (162–171 BH10)

Epitope STSIRGKVQ

Neutralizing L (HXB10)

Immunogen vaccine

Vector/Type: protein Strain: B clade BH10
HIV component: gp120

Species (Isotype) rat (IgG2a)

Research Contact Jane McKeating

References Pinter *et al.* 2005; McKeating *et al.* 1996; Wu *et al.* 1995; Shotton *et al.* 1995; McKeating *et al.* 1993a; McKeating *et al.* 1993b

Keywords antibody binding site definition and exposure, antibody generation, variant cross-recognition or cross-neutralization

- 10/76b: UK Medical Research Council AIDS reagent: ARP3077.

- 10/76b: This study is about the MAb C108g, and 10/76b was a control. C108g is type-specific and neutralizes BaL and HXB2. It is the most potent anti-V2 MAb, and is glycan dependent and contrary to earlier reports requires disulfide bonds. Neutralization by C108g is not mediated by CD4 or CCR5 receptor blockage on the cell surface. JR-FL is a neutralization resistant strain; modification of JRFL at positions 167 and 168 (GK->DE) created a C108g epitope, and C108g could potentially neutralize the modified JR-FL. The MAb 10/76b, that binds to a linear V2 epitope that is unaffected by deglycosylation or reduction eliminating disulfide bonds, could only weakly neutralize this modified JR-FL. Similarly SF162 substitutions in the neutralization sensitive virus SF162 GVK->NMK (167-169) plus the glycosylation site at 160, created a G108g neutralization sensitive virus. In contrast, 10/76b binds to the NMK substituted variant, but addition of the glycosylation site inhibited binding. Pinter *et al.* [2005] (**antibody binding site definition and exposure**)
- 10/76b: Neutralizes HXB2, but fails to neutralize chimeric virus with gp120 from primary isolates in an HXB2 background. McKeating *et al.* [1996]
- 10/76b: Cross-competes with MAbs 10/76b and 11/4b – HXB2 neutralization escape mutant has the substitution I/T at residue 165. Shotton *et al.* [1995] (**antibody binding site definition and exposure**)
- 10/76b: Included in cross-competition and neutralization studies. Shotton *et al.* [1995] (**antibody binding site definition and exposure**)
- 10/76b: HX10 strain specificity – binds native, deglycosylated, or denatured gp120. Wu *et al.* [1995] (**antibody binding site definition and exposure, variant cross-recognition or cross-neutralization**)
- 10/76b: This MAb was obtained from a hybridoma cell line. An R to L substitution abrogated binding. Human sera recognize the 10/76 epitope. McKeating *et al.* [1993b] (**antibody generation**)

No. 392

MAb ID 11/41e

HXB2 Location gp160 (162–170)

Author Location gp120 (162–171)

Epitope STSIRGKVQ

Neutralizing L (HXB10)

Immunogen vaccine

Vector/Type: protein Strain: B clade BH10
HIV component: gp120

Species (Isotype) rat (IgG1)

References Wu *et al.* 1995; Shotton *et al.* 1995; McKeating *et al.* 1993b

- 11/41e: Included in cross-competition and neutralization studies. Shotton *et al.* [1995]
- 11/41e: HX10 strain specificity – binds native and deglycosylated gp120. Wu *et al.* [1995]
- 11/41e: R to L abrogated binding – human sera recognize the epitope. McKeating *et al.* [1993b]

No. 393

MAb ID 11/4b

HXB2 Location gp160 (162–170)

Author Location gp120 (162–171)

Epitope STSIRGKVV
Neutralizing L (HXB10)
Immunogen vaccine
Vector/Type: protein *Strain:* B clade BH10
HIV component: gp120

Species (Isotype) rat (IgG2a)

References Moore & Sodroski 1996; Wu *et al.* 1995; Shotton *et al.* 1995; McKeating *et al.* 1993b

- 11/4b: Linear V2 epitope – reciprocal binding enhancement of anti-V2 discontinuous epitope antibodies (in contrast to BAT085) and CD4 inducible antibody 48d. Reciprocal inhibits BAT085 binding – inhibits CRA-3 binding CRA-3 does not inhibit 11/4b. Moore & Sodroski [1996]
- 11/4b: Cross-competes with MAbs 10/76b and 11/4c – HXB2 neutralization escape mutant has the substitution I/T at residue 165. Shotton *et al.* [1995]
- 11/4b: HXB10 strain specificity – binds native, deglycosylated, or denatured gp120. Wu *et al.* [1995]
- 11/4b: A change from R to L abrogated binding – human sera recognize epitope. McKeating *et al.* [1993b]

No. 394

MAb ID RSD-33

HXB2 Location gp160 (162–170)

Author Location gp120 (162–171)

Epitope STSIRGKVV

Neutralizing

Immunogen vaccine

Vector/Type: protein *Strain:* B clade BH10
HIV component: gp120

Species (Isotype)

Research Contact R. Daniels (NIMR, UK)

References Moore *et al.* 1993a

No. 395

MAb ID 11/4c (11/4c/1j/4j)

HXB2 Location gp160 (162–170)

Author Location gp120 (152–181)

Epitope STSIRGKVV

Neutralizing L (HXB2)

Immunogen vaccine

Vector/Type: protein *Strain:* B clade BH10
HIV component: gp120

Species (Isotype) rat (IgG2a)

Ab Type gp120 V2

References Peet *et al.* 1998; Shotton *et al.* 1995; Wu *et al.* 1995; McKeating *et al.* 1993b

- 11/4c: UK Medical Research Council AIDS reagent: ARP3035.
- 11/4c: Called 11/4c/1j/4j – The most variable amino acids in the V3 loop were replaced with serines to make the immunodominant V3 loop less immunogenic – these changes did not affect the ability of sCD4 or MAbs to V1/V2, C1 and C4 to bind – 11/4c was not affected by V3 serine substitutions – mice injected with serine substituted gp120 had a reduced response relative to wildtype, and no enhanced immunogenicity of conserved regions. Peet *et al.* [1998]
- 11/4c: Cross-competes with MAbs 10/76b and 11/4b – HXB2 neutralization escape mutant has the substitution I/T at residue 165. Shotton *et al.* [1995]

- 11/4c: HX10 strain specificity – binds native, deglycosylated, or denatured gp120. Wu *et al.* [1995]
- 11/4c: R to L substitution abrogated binding – human sera recognize epitope. McKeating *et al.* [1993b]

No. 396

MAb ID 8.22.2

HXB2 Location gp160 (162–178)

Author Location gp120

Epitope TTSIRDKVQKEYALFYK

Neutralizing

Immunogen vaccine

Vector/Type: protein *Strain:* B clade SF162
HIV component: gp120 *Adjuvant:* Ribi adjuvant (MPL+TDM) (RIBI)

Species (Isotype) transgenic mouse (IgG2 κ)

Ab Type gp120 V2

Research Contact Dr. Abraham Pinter, Public Health Research Institute, Newark, NJ, pinter@phri.org

References Selvarajah *et al.* 2005; Pinter *et al.* 2004; Pantophlet *et al.* 2004; Gorny & Zolla-Pazner 2004; Maksutov *et al.* 2002; He *et al.* 2002

Keywords antibody binding site definition and exposure, antibody generation, review, subtype comparisons, vaccine antigen design, vaccine-specific epitope characteristics, variant cross-recognition or cross-neutralization

- 8.22.2: Antigens were designed to attempt to target immune responses toward the IgG1b12 epitope, while minimizing antibody responses to less desirable epitopes. One construct had a series of substitutions near the CD4 binding site (GDMR), the other had 7 additional glycans (mCHO). The 2 constructs did not elicit b12-like neutralizing antibodies, but both antigens successfully dampened other responses that were intended to be dampened while not obscuring b12 binding. V2 MAb 697-D did not bind to mCHO and had diminished binding to GDMR, while V2 MAb 8.22.2 bound to GDMR but not mCHO. Selvarajah *et al.* [2005] (**vaccine antigen design, vaccine-specific epitope characteristics**)
- 8.22.2: This broad review of anti-Envelope MAbs notes that V2 MAbs are generally weakly neutralizing at best, and somewhat strain specific. 8.22.2 weakly neutralizes SF162. Gorny & Zolla-Pazner [2004] (**review**)
- 8.22.2: By adding N-linked glycosylation sites to gp120, epitope masking of non-neutralizing epitopes can be achieved leaving the IgG1b12 binding site intact. This concept was originally tested with the addition of four glycosylation sites, but binding to b12 was reduced. It was modified here to exclude the C1 N-terminal region, and to include only three additional glycosylation sites. This modified protein retains full b12 binding affinity and it masks other potentially competing epitopes, and does not bind to 21 other MAbs to 7 epitopes on gp120, including 8.22.2. Pantophlet *et al.* [2004] (**vaccine antigen design**)
- 8.22.2: V1V2 was determined to be the region that conferred the neutralization phenotype differences between two R5-tropic primary HIV-1 isolates, JRFL and SF162. JRFL is resistant to neutralization by many sera and MAbs, while SF162 is sensitive. All MAbs tested, anti-V3, -V2, -CD4BS, and -CD4i, (except the broadly neutralizing MAbs IgG1b12, 2F5, and

2G12, which neutralized both strains), neutralized the SF162 pseudotype but not JRFL, and chimeras that exchanged the V1V2 loops transferred the neutralization phenotype. Three anti-V2 MAb were tested – 8.22.2 weakly neutralized SF162, and did not neutralize JRFL at all. Pinter *et al.* [2004] (**variant cross-recognition or cross-neutralization**)

- 8.22.2 : Transgenic mice (strain XenoMouse G2) carrying human genes allowing production of fully human IgG2kappa MAbs were used to rapidly create a panel of anti-HIV gp120 MAb-producing hybridomas by immunization with HIV SF162 gp120 – several of the MAbs obtained were effective at neutralizing the autologous strain – 8.22.2 was the only V2-specific MAb created and it could cross-compete with MAb 697D – 8.22.2 could cross-react with BaL and JR-FL, two B clade R5 strains, but not B clade X4 or E clade viruses, and it could weakly neutralize autologous strain SF162. He *et al.* [2002] (**antibody binding site definition and exposure, antibody generation, variant cross-recognition or cross-neutralization, subtype comparisons**)
- 8.22.2: This epitope is similar to a fragment of the human protein macrophage colony stimulating factor I receptor SISIR-LKVQK. Maksutov *et al.* [2002]

No. 397

MAb ID 12b

HXB2 Location gp160 (162–181)

Author Location gp120 (162–181)

Epitope STSIRGKVQKEYAFFYKLDI

Neutralizing L (HXB10)

Immunogen vaccine

Vector/Type: protein *Strain:* B clade BH10
HIV component: gp120

Species (Isotype) rat (IgG2a)

Ab Type gp120 V2

References Maksutov *et al.* 2002; McKeating *et al.* 1996; Shotton *et al.* 1995

- 12b: This epitope is similar to a fragment of the human protein macrophage colony stimulating factor I receptor SISIR-LKVQK. Maksutov *et al.* [2002]
- 12b: Neutralizes HXB2, but fails to neutralize chimeric virus with gp120 from primary isolates in an HXB2 background. McKeating *et al.* [1996]
- 12b: V2 MAb neutralized HXB2 – position 179-180 LD to DL abrogates binding – competes with 60b, but not 74. Shotton *et al.* [1995]

No. 398

MAb ID G3-136 (G3.136)

HXB2 Location gp160 (170–180)

Author Location gp120 (170–180 IIIB)

Epitope QKEYAFFYKLD

Neutralizing L

Immunogen vaccine

Vector/Type: protein *Strain:* B clade IIIB
HIV component: gp120

Species (Isotype) mouse (IgG)

Ab Type gp120 V2

Research Contact Tanox Biosystems Inc and David Ho, ADARC, NY

References Pantophlet *et al.* 2003b; Zwick *et al.* 2003; Ly & Stamatatos 2000; Stamatatos & Cheng-Mayer 1998; Parren *et al.* 1998a; Wyatt *et al.* 1997; Ditzel *et al.* 1997; Stamatatos *et al.* 1997; Binley *et al.* 1997a; Poignard *et al.* 1996a; Moore & Sodroski 1996; Stamatatos & Cheng-Mayer 1995; Sattentau & Moore 1995; Yoshiyama *et al.* 1994; Moore *et al.* 1993a; Moore & Ho 1993; Thali *et al.* 1993; Pirofski *et al.* 1993; Fung *et al.* 1992

Keywords antibody interactions, vaccine antigen design

- G3-136: A gp120 molecule was designed to focus the immune response onto the IgG1b12 epitope. Ala substitutions that enhance the binding of IgG1b12 and reduce the binding of non-neutralizing MAbs were combined with additional N-linked glycosylation site sequons inhibiting binding of non-neutralizing MAbs; b12 bound to the mutated gp120. C1 and C5 were also removed, but this compromised b12 binding. Pantophlet *et al.* [2003b] (**vaccine antigen design**)
- G3-136: scFv 4KG5 reacts with a conformational epitope that is formed by the V1V2 and V3 loops and the bridging sheet (C4) region of gp120 and is influenced by carbohydrates. Of a panel of MAbs tested, only NAb b12 enhanced 4KG5 binding to gp120 JRFL. MAbs to the following regions diminished 4KG5 binding: V2 loop, V3 loop, V3-C4 region, CD4BS. MAbs directed against C1, CD4i, C5 regions didn't impact 4KG5 binding. These results suggest that the orientation or dynamics of the V1/V2 and V3 loops restricts CD4BS access on the envelope spike, and IgG1b12 can uniquely remain unaffected by these loops. This was one of the V2 MAb used. Zwick *et al.* [2003] (**antibody interactions**)
- G3-136: Called G3.136 – SF162 is a neutralization-resistant HIV-1 isolate – N-linked glycosylation modifications in the V2 loop of the SF162 gp120 revealed that these sites prevent neutralization by CD4BS MAbs (IgG1b12 and IgGCD4), and protect against neutralization by V3 MAbs (447-D and 391-95D) – V2-region glycosylation site mutations did not alter neutralization resistance to V2 MAbs (G3.4 and G3.136) or CD4i MAbs (17b and 48d) – V2 glycosylation site modification allows infection of macrophages, probably due to glycosylated forms requiring fewer CCR5 molecules for viral entry. Ly & Stamatatos [2000]
- G3-136: The MAb and Fab binding to the oligomeric form of gp120 and neutralization were highly correlated – authors suggest that neutralization is determined by the fraction of Ab sites occupied on a virion irrespective of the epitope. Parren *et al.* [1998a]
- G3-136: Called G3.136 – deleting the V2 loop of neutralization-resistant HIV-1 isolate SF162 does not abrogate its replication in PBMC or macrophages, but it enhances its neutralization sensitivity to sera from patients with B clade infection up to 170-fold, and also enhances sensitivity to sera from clades A through F – deletion of V1 or V2 did not enable neutralization by V2 MAbs G3.4, G3.136, or 687-30D. Stamatatos & Cheng-Mayer [1998]
- G3-136: Called G3.136 – does not mediate gp120 virion dissociation in contrast to anti-V2 MAb G3-4 – not neutralizing for SF162 or SF128A in either primary macrophages or PBMC. Stamatatos *et al.* [1997]

- G3-136: Binds both gp120 and soluble gp120+gp41 complex efficiently, suggesting its gp120 epitope is not blocked by gp41 binding. Wyatt *et al.* [1997]
- G3-136: Described epitope as STSIRGKVKEYAFFYKLDI – binds oligomer – binding of V2 MAbs G3-136, G3-4 or BAT123 did not significantly alter gp120 dissociation from virus or expose the gp41 epitope of MAbs 50-69, in contrast to anti-V3 MAbs. Poignard *et al.* [1996a]
- G3-136: Bound preferentially to the monomeric rather than oligomeric form of LAI gp120 – neutralizes cell free Hx10. Sattentau & Moore [1995]
- G3-136: The binding of conformation-dependent anti-V2, anti-V3, and anti-CD4BS MAbs to monomeric and virion-associated gp120 from HIV-1 isolates with differences in cell tropism was studied – V2 loop epitopes are somewhat occluded in the oligomeric gp120 epitopes on the virion surface relative to the gp120 monomer as indicated by an increase in the half-maximal binding values to macrophage-tropic isolates SF162 and SF128a – anti-V2 MAbs G3-4 and G3.136 don't bind to T-cell tropic SF2. Stamatatos & Cheng-Mayer [1995]
- G3-136: HIV-1 RF V2 substitutions 177 Y/H and 179 L/P in the V2 loop of RF reduce affinity. Yoshiyama *et al.* [1994]
- G3-136: Conformational, does not bind well to denatured gp120 – not reactive with SF-2 gp120, and does not inhibit HIV-1 sera from binding to IIIB gp120. Moore & Ho [1993]
- G3-136: Marginal binding to peptide, binding inhibited by 183/184 PI/SG substitution. Moore *et al.* [1993a]
- G3-136: Binding enhanced by selected antibodies to C1, C4, C5, V3 and anti-CD4 binding site MAbs – enhances binding of selected V3, C4 and anti-CD4 binding site MAbs. Moore *et al.* [1993a]
- G3-136: V2 region – binds and neutralizes IIIB and RF in CEM-SS cells, but not MN – neutralization activity against a few primary isolates in PBMC – sCD4 binding inhibits binding (contrast with BAT085) – deglycosylation or reduction of gp120 by DTT diminishes reactivity. Fung *et al.* [1992]

No. 399

MAB ID G3-4 (G3.4)

HXB2 Location gp160 (170–180)

Author Location gp120 (170–180 BH10)

Epitope QKEYAFFYKLD

Neutralizing L

Immunogen vaccine

Vector/Type: protein Strain: B clade IIIB
HIV component: gp120

Species (Isotype) mouse (IgG2bκ)

Ab Type gp120 V2

Research Contact Tanox Biosystems Inc and David Ho, ADARC, NY

References Gorny *et al.* 2005; Pantophlet *et al.* 2004; McCaffrey *et al.* 2004; Pantophlet *et al.* 2003b; Zwick *et al.* 2003; Srivastava *et al.* 2002; Ly & Stamatatos 2000; Stamatatos & Cheng-Mayer 1998; Paren *et al.* 1998a; Wyatt *et al.* 1997; Ditzel *et al.* 1997; Stamatatos *et al.* 1997; Binley *et al.* 1997a; Poignard *et al.* 1996a; Moore & Sodroski 1996; Jagodzinski *et al.* 1996; Sattentau & Moore 1995; Wu *et al.* 1995; Stamatatos & Cheng-Mayer 1995; Yoshiyama

et al. 1994; Thali *et al.* 1994; Gorny *et al.* 1994; Moore *et al.* 1994b; Moore *et al.* 1993a; Thali *et al.* 1993; Sattentau *et al.* 1993; Sullivan *et al.* 1993; Moore & Ho 1993; McKeating *et al.* 1992a; Fung *et al.* 1992; Ho *et al.* 1992; Ho *et al.* 1991a

Keywords antibody binding site definition and exposure, antibody interactions, vaccine antigen design

- G3-4: 2909 is a human anti-Env NAb that was selected by neutralization assay and binds to the quaternary structure on the intact virion. G3-4 was used as a positive control for defining the binding properties of 2909. Gorny *et al.* [2005]
- G3-4: Sera from two HIV+ people and a panel of MAbs were used to explore susceptibility to neutralization in the presence or absence of glycans within or adjacent to the V3 loop and within the C2, C4 and V5 regions of HIV-1 SF162 env gp120. The SF2 and all five glycan mutants were resistant to G3-4. V3 glycans tended to shield V3 loop, CD4 and co-receptor MAb binding sites, while C4 and V5 glycans shielded V3 loop, CD4, gp41 but not co-receptor MAb binding sites. Selective removal of glycans from a vaccine candidate may enable greater access to neutralization susceptible epitopes. McCaffrey *et al.* [2004] (**antibody binding site definition and exposure, vaccine antigen design**)
- G3-4: By adding N-linked glycosylation sites to gp120, epitope masking of non-neutralizing epitopes can be achieved leaving the IgG1b12 binding site intact. This concept was originally tested with the addition of four glycosylation sites, but binding to b12 was reduced. It was modified here to exclude the C1 N-terminal region, and to include only three additional glycosylation sites. This modified protein retains full b12 binding affinity and it masks other potentially competing epitopes, and does not bind to 21 other MAbs to 7 epitopes on gp120, including G3-4. Pantophlet *et al.* [2004] (**vaccine antigen design**)
- G3-4: A gp120 molecule was designed to focus the immune response onto the IgG1b12 epitope. Ala substitutions that enhance the binding of IgG1b12 and reduce the binding of non-neutralizing MAbs were combined with additional N-linked glycosylation site sequons inhibiting binding of non-neutralizing MAbs; b12 bound to the mutated gp120. C1 and C5 were also removed, but this compromised b12 binding. Pantophlet *et al.* [2003b] (**vaccine antigen design**)
- G3-4: scFv 4KG5 reacts with a conformational epitope that is formed by the V1V2 and V3 loops and the bridging sheet (C4) region of gp120 and is influenced by carbohydrates. Of a panel of MAbs tested, only NAb b12 enhanced 4KG5 binding to gp120 JRFL. MAbs to the following regions diminished 4KG5 binding: V2 loop, V3 loop, V3-C4 region, CD4BS. MAbs directed against C1, CD4i, C5 regions didn't impact 4KG5 binding. These results suggest that the orientation or dynamics of the V1/V2 and V3 loops restricts CD4BS access on the envelope spike, and IgG1b12 can uniquely remain unaffected by these loops. This was one of the V2 MAbs used. Zwick *et al.* [2003] (**antibody interactions**)
- G3-4: Called G3.4 – Oligomeric gp140 (o-gp140) derived from R5 primary isolate US4 was characterized for use as a vaccine reagent – antigen capture ELISA was used to compare the antigenicity of gp120 and o-gp140 using a panel of well

- characterized MAbs – G3.4 recognized o-gp140. Srivastava *et al.* [2002]
- G3-4: Called G3.4 – SF162 is a neutralization-resistant HIV-1 isolate – N-linked glycosylation modifications in the V2 loop of the SF162 gp120 revealed that these sites prevent neutralization by CD4BS MAbs (IgG1b12 and IgGCD4), and protect against neutralization by V3 MAbs (447-D and 391-95D) – V2-region glycosylation site mutations did not alter neutralization resistance to V2 MAbs (G3.4 and G3.136) or CD4i MAbs (17b and 48d) – V2 glycosylation site modification allows infection of macrophages, probably due to glycosylated forms requiring fewer CCR5 molecules for viral entry. Ly & Stamatatos [2000]
 - G3-4: The MAb and Fab binding to the oligomeric form of gp120 and neutralization were highly correlated – authors suggest that neutralization is determined by the fraction of Ab sites occupied on a virion irrespective of the epitope. Parren *et al.* [1998a]
 - G3-4: Called G3.4 – Deleting the V2 loop of neutralization-resistant HIV-1 isolate SF162 does not abrogate its replication in PBMC or macrophages, but it enhances its neutralization sensitivity to sera from patients with B clade infection up to 170-fold, and also enhances sensitivity to sera from clades A through F – deletion of V1 or V2 did not enable neutralization by V2 MAbs G3.4, G3.136, or 687-30D. Stamatatos & Cheng-Mayer [1998]
 - G3-4: Called G3.4 – mediates gp120 virion dissociation in contrast to anti-V2 MAb G3-136 – not neutralizing for SF162 or SF128A in either primary macrophages or PBMC. Stamatatos *et al.* [1997]
 - G3-4: Binds both gp120 and soluble gp120+gp41 complex efficiently, suggesting its gp120 epitope is not blocked by gp41 binding. Wyatt *et al.* [1997]
 - G3-4: The sulfated polysaccharide curdlan sulfate (CRDS) binds to the Envelope of T-tropic viruses and neutralizes virus – deletion of the V3 loop from gp120 results in more potent G3-4 binding inhibition by CRDS – G3-4 epitope described as 176-184 FYKLDIPI and 191-193 YSL. Jagodzinski *et al.* [1996]
 - G3-4: Binding enhanced by selected antibodies to C1, C4, C5, V3 and anti-CD4 binding site MAbs – enhances binding of selected V3, C4 and anti-CD4 binding site MAbs. Moore & Sodroski [1996]
 - G3-4: Described epitope as STSIRGKVKEYAFFYKLDI – binds oligomer – binding of V2 MAbs G3-136, G3-4 or BAT085 did not significantly alter gp120 dissociation from virus or expose the gp41 epitope of MAb 50-69, in contrast to anti-V3 MAbs. Poignard *et al.* [1996a]
 - G3-4: Bound preferentially to the monomeric rather than oligomeric form of LAI gp120 – neutralizes Hx10 cell-free virus. Sattentau & Moore [1995]
 - G3-4: The binding of conformation-dependent anti-V2, anti-V3, and anti-CD4BS MAbs to monomeric and virion-associated gp120 from HIV-1 isolates with differences in cell tropism was studied – V2 loop epitopes are somewhat occluded in the oligomeric gp120 epitopes on the virion surface relative to the gp120 monomer as indicated by an increase in the half-maximal binding values to macrophage-tropic isolates SF162 and SF128a – anti-V2 MAbs G3-4 and G3.136 don't bind to T-cell tropic SF2. Stamatatos & Cheng-Mayer [1995]
 - G3-4: Reactive with BH10, RF, and MN – binds native, but not denatured or deglycosylated gp120, binds to deglycosylated V1V2 fusion protein, suggesting importance of glycans outside the V1V2 region. Wu *et al.* [1995]
 - G3-4: Weakly neutralizing, IC 50 = 53 mug/ml. Gorny *et al.* [1994]
 - G3-4: Conformationally sensitive – sporadic cross-reactivity among, and outside, B clade gp120s. Moore *et al.* [1994b]
 - G3-4: gp41 mutation (582 A/T) that reduces neutralization of anti-CD4 binding site MAbs does not alter G3-4s ability to neutralize. Thali *et al.* [1994]
 - G3-4: Neutralizes RF – substitutions 177 Y/H and 179 L/P in the V2 loop of RF reduce affinity and result in neutralization escape. Yoshiyama *et al.* [1994]
 - G3-4: Conformational, does not bind well to denatured gp120 – not reactive with SF-2 gp120, and does not inhibit HIV-1 sera from binding to IIIB gp120. Moore & Ho [1993]
 - G3-4: V2 region, marginal binding to peptide, binding inhibited by 183/184 PI/SG substitution. Moore *et al.* [1993a]
 - G3-4: Increased binding in the presence of sCD4. Sattentau *et al.* [1993]
 - G3-4: Substitutions in residues 176 to 184 affect MAb recognition – substitutions in V2 can result in gp120-gp41 dissociation. Sullivan *et al.* [1993]
 - G3-4: Neutralizes IIIB and RF, not MN – blocks sCD4-gp120, not as potent as MAb 15e – V2 binding MAbs BAT085 and G3-136 block G3-4 gp120 binding – sensitive to reduction of gp120 by DTT. Ho *et al.* [1992]
 - G3-4: Binding is sensitive to removal of glycans by endo H – 50% neutralization of 4/9 primary isolates – has conformational features. Ho *et al.* [1991a]

No. 400**MAb ID** BAT085 (BAT-085)**HXB2 Location** gp160 (171–180)**Author Location** gp120 (170–180 IIIB)**Epitope** KEYAFFYKLD**Neutralizing L****Immunogen** vaccine*Vector/Type:* inactivated HIV *Strain:* B clade IIIB *HIV component:* HIV-1**Species (Isotype)** mouse (IgG1)**Research Contact** Tanox Biosystems Inc and David Ho, ADARC, NY**References** Parren *et al.* 1998a; Ditzel *et al.* 1997; Binley *et al.* 1997a; Poignard *et al.* 1996a; Moore & Sodroski 1996; Sattentau & Moore 1995; Wu *et al.* 1995; Yoshiyama *et al.* 1994; Gorny *et al.* 1994; Moore *et al.* 1994d; D'Souza *et al.* 1994; Moore *et al.* 1993a; Thali *et al.* 1993; Pirofski *et al.* 1993; Moore & Ho 1993; Fung *et al.* 1992; Fung *et al.* 1987

- BAT085: The MAb and Fab binding to the oligomeric form of gp120 and neutralization were highly correlated – authors suggest that neutralization is determined by the fraction of Ab sites occupied on a virion irrespective of the epitope. Parren *et al.* [1998a]

- BAT085: Binding is blocked by other V2 region antibodies, enhanced by several anti-C1 MAbs, and anti-V3 MAb G511 – reciprocal enhancement of CD4i MAb 48d binding. Moore & Sodroski [1996]
- BAT085: Epitope suggested to be QKEYAFFYKLD – binds oligomer – binding of V2 MAbs G3-136, G3-4 or BAT123 did not significantly alter gp120 dissociation from virus or expose the gp41 epitope of MAb 50-69, in contrast to anti-V3 MAbs. Poignard *et al.* [1996a]
- BAT085: Bound preferentially to the monomeric rather than oligomeric form of LAI gp120 – neutralizes cell free Hx10. Sattentau & Moore [1995]
- BAT085: HXB10 strain specificity – binds native, deglycosylated, or denatured gp120. Wu *et al.* [1995]
- BAT085: Multi-lab study for antibody characterization and assay comparison – did not bind MN or SF2. D'Souza *et al.* [1994]
- BAT085: Interacts with two overlapping peptides with region of overlap KEYAFFYKLD. Gorny *et al.* [1994]
- BAT085: Neutralizes RF – substitution 177 Y/H in the V2 loop of RF does not inhibit neutralization, in contrast to MAbs G3-4 and SC258. Yoshiyama *et al.* [1994]
- BAT085: Called BAT-85 – conformational, does not bind well to denatured gp120 – not reactive with SF-2 gp120, and does not inhibit HIV-1 sera from binding to IIIB gp120. Moore & Ho [1993]
- BAT085: 7/8 V2 murine MAbs required gp120 native structure to bind, but BAT085 was the exception – type-specific. Moore *et al.* [1993a]
- BAT085: Peptide affinities of G3-136 and G3-4 are 100-fold less than BAT085, but BAT085 has lower affinity for BH10 gp120 and is weaker at neutralization. Moore *et al.* [1993a]
- BAT085: V2 region – sCD4 does not block – neutralizes IIIB and some primary isolates, but not MN or RF – binds MN – deglycosylation or DDT reduction of gp120 does not diminish reactivity. Fung *et al.* [1992]

No. 401

Mab ID 60b

HXB2 Location gp160 (172–181)

Author Location gp120 (172–181 HXB2)

Epitope EYAFFYKLDI

Subtype B

Neutralizing no

Immunogen vaccine

Vector/Type: protein *Strain:* B clade BH10*HIV component:* gp120

Species (Isotype) rat (IgG2b)

References Shotton *et al.* 1995

- 60b: V2 MAb did not neutralize HXB2 – bound to rgp120 in ELISA – substitutions 179-180 LD/DL and 191-193 YSL/GSS abrogate binding, as do changes outside the minimum epitope – competes with 12b, but not 74. Shotton *et al.* [1995]

No. 402

Mab ID 74

HXB2 Location gp160 (172–181)

Author Location gp120 (172–181)

Epitope EYAFFYKLDI

Neutralizing no

Immunogen vaccine

Vector/Type: protein *Strain:* B clade BH10*HIV component:* gp120

Species (Isotype) rat (IgG1)

References Shotton *et al.* 1995

- 74: V2 MAb did not neutralize HXB2 – did not bind rgp120 ELISA – position 179-180 LD to DL abrogates binding, as do changes outside the minimum epitope – does not compete with 60b or 12b, and is enhanced by two conformation dependent MAbs. Shotton *et al.* [1995]

No. 403

Mab ID 38/12b

HXB2 Location gp160 (172–191)

Author Location gp120 (172–191 HXB2)

Epitope EYAFFYKLDIIPIDNDTTSY

Subtype B

Neutralizing

Immunogen vaccine

Vector/Type: protein *Strain:* B clade BH10*HIV component:* gp120

Species (Isotype) rat

References Wu *et al.* 1995

- 38/12b: Broad specificity: HXB2, MN, SF162 – binds native and deglycosylated gp120. Wu *et al.* [1995]

No. 404

Mab ID 38/60b

HXB2 Location gp160 (172–191)

Author Location gp120 (172–191 HXB2)

Epitope EYAFFYKLDIIPIDNDTTSY

Subtype B

Neutralizing

Immunogen vaccine

Vector/Type: protein *Strain:* B clade BH10*HIV component:* gp120

Species (Isotype) rat

References Wu *et al.* 1995

- 38/60b: Strain specificity: HXB2 – binds native and deglycosylated gp120. Wu *et al.* [1995]

No. 405

Mab ID polyclonal (VEI2)

HXB2 Location gp160 (176–196)

Author Location Env

Epitope FYKLDIVPIDNTTTSYRLISC

Neutralizing

Immunogen HIV-1 infection

Species (Isotype) human

References Carlos *et al.* 1999

- Antibody response to the epitopes in a vaccine construct (VEI) containing peptides from 5 hypervariable regions of gp120 was detected in the sera of HIV-1 positive subjects, including sera from 6 non-subtype B infections – serum samples from San Francisco, Canada and Puerto Rico cohort showed presence of antibodies against all five VEI hypervariable regions, but most consistently against the V3 region peptide NNNTRKSIRIGP-GRAFYTTGDIGNIRQ. Carlos *et al.* [1999]

No. 406

MAb ID 322-151
HXB2 Location gp160 (211–221)
Author Location gp120 (201–220 LAI)
Epitope EPIPIHYCAPA
Subtype B
Neutralizing
Immunogen vaccine
Vector/Type: protein *HIV component:* Env
Species (Isotype) mouse (IgG)
Research Contact G. Robey, Abbot Labs
References Moore *et al.* 1994c; Moore *et al.* 1994c
 • 322-151: The relative affinity denatured/native gp120 is 30. Moore *et al.* [1994c]

No. 407
MAb ID 3D3.B8
HXB2 Location gp160 (211–221)
Author Location gp120 (211–220 LAI)
Epitope EPIPIHYCAPA
Subtype B
Neutralizing
Immunogen vaccine
Vector/Type: protein *HIV component:* Env
Species (Isotype) mouse (IgG)
References Moore *et al.* 1994c; Bolmstedt *et al.* 1990
 • 3D3.B8: The relative affinity denatured/native gp120 is greater than 10. Moore *et al.* [1994c]

No. 408
MAb ID 4C11.D8
HXB2 Location gp160 (211–221)
Author Location gp120 (211–220 LAI)
Epitope EPIPIHYCAPA
Subtype B
Neutralizing
Immunogen vaccine
Vector/Type: protein *HIV component:* Env
Species (Isotype) mouse (IgM)
References Moore *et al.* 1994c; Bolmstedt *et al.* 1990
 • 4C11.D8: The relative affinity denatured/native gp120 is greater than 10. Moore *et al.* [1994c]

No. 409
MAb ID 493-156
HXB2 Location gp160 (211–230)
Author Location gp120 (211–230 LAI)
Epitope EPIPIHYCAPAGFAILKCNN
Subtype B
Neutralizing
Immunogen vaccine
Vector/Type: protein *HIV component:* Env
Species (Isotype) mouse (IgG)
Research Contact G. Robey, Abbot Labs
References Moore *et al.* 1994c
 • 493-156: The relative affinity denatured/native gp120 is >10. Moore *et al.* [1994c]

No. 410
MAb ID 110.1
HXB2 Location gp160 (212–221)

Author Location gp120 (200–217)
Epitope PIPHYCAPA
Neutralizing no
Immunogen vaccine
Vector/Type: protein *HIV component:* Env
Species (Isotype) human
References Valenzuela *et al.* 1998; Pincus *et al.* 1996; Pincus & McClure 1993
 • 110.1: There is another antibody with this ID that binds to Env at positions 491-500 in LAI, see.
 • 110.1: A panel of immunotoxins were generated by linking Env MAbs to ricin A – immunotoxins mediated cell killing, but killing was not directly proportional to binding – 110.1-RAC did not mediate cell killing, and sCD4 has no effect. Pincus & McClure [1993]; Pincus *et al.* [1996]

No. 411
MAb ID GV4H3
HXB2 Location gp160 (219–226)
Author Location gp120 (219–226 IIIB)
Epitope APAGFAIL
Neutralizing
Immunogen vaccine
Vector/Type: protein-Ab complex *HIV component:* gp120-Mab complex
Species (Isotype) mouse
References Denisova *et al.* 1996
 • GV4H3: When anti-V3 MAb M77 was bound to gp120 and used as an immunogen, it stimulated many MAbs to linear epitopes. Denisova *et al.* [1996]

No. 412
MAb ID J1
HXB2 Location gp160 (222–231)
Author Location gp120 (222–231 LAI)
Epitope GFAILKCNNK
Subtype B
Neutralizing
Immunogen vaccine
Vector/Type: peptide *Strain:* B clade LAI
Species (Isotype) mouse (IgG1)
Research Contact J. Hoxie, U. Penn.
References Cook *et al.* 1994; Moore *et al.* 1994d; Moore *et al.* 1994c
 • J1: MAbs against the glycosphingolipid GalCer block HIV infection of normally susceptible CD4 negative cells from the brain and colon – MAbs against the N-terminal half of gp120 do not inhibit gp120 binding to GalCer – binding of GalCer to gp120 does not inhibit MAb binding. Cook *et al.* [1994]
 • J1: The relative affinity denatured/native gp120 is 30. Moore *et al.* [1994c]

No. 413
MAb ID J3
HXB2 Location gp160 (222–231)
Author Location gp120 (222–231 LAI)
Epitope GFAILKCNNK
Subtype B
Neutralizing
Immunogen vaccine

Vector/Type: peptide *Strain:* B clade LAI
Species (Isotype) mouse (IgG1)
Research Contact J. Hoxie, U. Penn.

References Cook *et al.* 1994; Moore *et al.* 1994c

- J3: MAbs against the glycosphingolipid GalCer block HIV infection of normally susceptible CD4 negative cells from the brain and colon – MAbs against the N-terminal half of gp120 do not inhibit gp120 binding to GalCer – binding of GalCer to gp120 does not inhibit MAb binding. Cook *et al.* [1994]
- J3: The relative affinity denatured/native gp120 is 30. Moore *et al.* [1994c]

No. 414

MAb ID 1006-30-D

HXB2 Location gp160 (236–245)

Author Location gp120 (241–251)

Epitope KGSKNVSTV

Neutralizing

Immunogen

Species (Isotype) human (IgG1 λ)

Ab Type gp120 C2

References Nyambi *et al.* 2000; Hioe *et al.* 2000

- 1006-30-D: Ab responses, because of their capacity to alter antigen uptake and processing, can influence helper T cell responses – CD4BS MAbs or serum Ig from HIV+ individuals inhibited proliferative responses of gp120 specific T cells – C2 MAbs 1006-30-D and 847-D did not effect proliferation. Hioe *et al.* [2000]
- 847-D: 26 HIV-1 group M isolates (clades A to H) were tested for binding to 47 MAbs, including two C2 MAbs – the binding of anti-C2 MAbs was weak to isolates from clades B, C, D, E, F, G, and they did not bind to isolates from subtypes A and H – epitope is suggested to be in a 20 amino acid peptide KGSKNVSTVQCTHGIRPVV. Nyambi *et al.* [2000]

No. 415

MAb ID 847-D

HXB2 Location gp160 (236–245)

Author Location gp120 (241–251)

Epitope KGSKNVSTV

Neutralizing

Immunogen

Species (Isotype) human (IgG1 λ)

Ab Type gp120 C2

References Nyambi *et al.* 2000; Hioe *et al.* 2000

- 847-D: Ab responses, because of their capacity to alter antigen uptake and processing, can influence helper T cell responses – CD4BS MAbs or serum Ig from HIV+ individuals inhibited proliferative responses of gp120 specific T cells – C2 MAbs 1006-30-D and 847-D did not effect proliferation. Hioe *et al.* [2000]
- 847-D: 26 HIV-1 group M isolates (clades A to H) were tested for binding to 47 MAbs, including two C2 MAbs – the binding of anti-C2 MAbs was weak to isolates from clades B, C, D, E, F, G, and they did not bind to isolates from subtypes A and H – epitope is suggested to be in a 20 amino acid peptide KGSKNVSTVQCTHGIRPVV. Nyambi *et al.* [2000]

No. 416

MAb ID MF169.1

HXB2 Location gp160 (252–261)

Author Location gp120 (242–261 LAI)

Epitope RPVVSTQLLL

Subtype B

Neutralizing

Immunogen vaccine

Strain: B clade LAI *HIV component:* Env

Species (Isotype) mouse (IgG)

References Moore *et al.* 1994d; Moore *et al.* 1994c; Thiriart *et al.* 1989

- MF169.1: The relative affinity denatured/native gp120 is 11 – mutations 252 R/W, 257 T/G, and 257 T/R impair binding. Moore *et al.* [1994c]

No. 417

MAb ID MF170.1

HXB2 Location gp160 (252–261)

Author Location gp120 (242–261 LAI)

Epitope RPVVSTQLLL

Subtype B

Neutralizing

Immunogen vaccine

Strain: B clade LAI *HIV component:* Env

Species (Isotype) mouse (IgG)

References Moore *et al.* 1994d; Moore *et al.* 1994c; Thiriart *et al.* 1989

- MF170.1: The relative affinity denatured/native gp120 is 15 – mutations 252 R/W, 257 T/G, and 257 T/R impair binding to denatured and native gp120, and 262N/T, 269 E/L and 281 A/V to only native gp120. Moore *et al.* [1994c]

No. 418

MAb ID MF87.1

HXB2 Location gp160 (252–261)

Author Location gp120 (242–261 LAI)

Epitope RPVVSTQLLL

Subtype B

Neutralizing

Immunogen vaccine

Strain: B clade LAI *HIV component:* Env

Species (Isotype) mouse (IgG)

References Moore *et al.* 1994c; Thiriart *et al.* 1989

- MF87.1: The relative affinity denatured/native gp120 is 10 – mutations 252 R/W, 257 T/G, and 257 T/R impair binding. Moore *et al.* [1994c]

No. 419

MAb ID 213.1

HXB2 Location gp160 (252–261)

Author Location gp120 (242–261 LAI)

Epitope RPVVSTQLLL

Subtype B

Neutralizing

Immunogen vaccine

Vector/Type: protein *HIV component:* Env

Species (Isotype) mouse (IgG1)

Ab Type gp120 C2

Research Contact Claudine Bruck

References Moore *et al.* 1994c; Moore & Ho 1993; Thiriart *et al.* 1989

- 213.1: UK Medical Research Council AIDS reagent: ARP334.
- 213.1: The relative affinity denatured/native gp120 is 100 – mutations 252 R/W, 257 T/G or T/R impair binding. Moore *et al.* [1994c]
- 213.1: Bound preferentially to denatured IIIB and SF2 gp120. Moore & Ho [1993]

No. 420

MAb ID B12

HXB2 Location gp160 (252–271)

Author Location gp120 (252–271 LAI)

Epitope RPVVSTQLLLLNGSLAEEVV

Subtype B

Neutralizing

Immunogen vaccine

Vector/Type: protein *Strain:* B clade LAI
HIV component: gp160

Species (Isotype) mouse (IgG)

Ab Type gp120 C2

References Maksiutov *et al.* 2002; Moore *et al.* 1994c

- B12: This epitope is similar to a fragment of human protein lymphatic endothelium-specific hyaluronan receptor LYVE-1, TTRLLVQGSLRAEE. Maksiutov *et al.* [2002]
- B12: C2 region – the relative affinity for denatured/native gp120 is 27 – mutations 257 T/R and 262 N/T impair binding. Moore *et al.* [1994c]

No. 421

MAb ID B13 (Bh13, Chessie B13)

HXB2 Location gp160 (252–271)

Author Location gp120 (252–271 LAI)

Epitope RPVVSTQLLLLNGSLAEEVV

Subtype B

Neutralizing

Immunogen vaccine

Vector/Type: protein *Strain:* B clade LAI
HIV component: gp160

Species (Isotype) mouse (IgG2a)

Ab Type gp120 C2

Research Contact George Lewis, Institute of Human Virology, Baltimore MD, USA

References Maksiutov *et al.* 2002; Wang *et al.* 2002c; Connor *et al.* 1998; Pincus *et al.* 1996; Moore *et al.* 1994d; Abacioglu *et al.* 1994; Moore *et al.* 1994c; Moore & Ho 1993; Pincus & McClure 1993

- B13: This epitope is similar to a fragment of human protein lymphatic endothelium-specific hyaluronan receptor LYVE-1, TTRLLVQGSLRAEE. Maksiutov *et al.* [2002]
- B13: Called Bh13 – binds to gp120 but not to infected cells – when linked to ricin A, the immunotoxin did not mediate cell killing – sCD4 has no effect. Pincus & McClure [1993]; Pincus *et al.* [1996]
- B13: C2 region – epitope boundaries mapped by peptide scanning, core epitope: TQLLL. Abacioglu *et al.* [1994]
- B13: The relative affinity for denatured/native gp120 is 30 – mutations 257 T/R and 269 E/L impair binding. Moore *et al.* [1994c]
- B13: Bound preferentially to denatured IIIB gp120. Moore & Ho [1993]

No. 422

MAb ID C13

HXB2 Location gp160 (252–271)

Author Location gp120 (252–271 LAI)

Epitope RPVVSTQLLLLNGSLAEEVV

Subtype B

Neutralizing

Immunogen vaccine

Vector/Type: protein *Strain:* B clade LAI
HIV component: gp160

Species (Isotype) mouse (IgG1)

Ab Type gp120 C2

Research Contact George Lewis

References Maksiutov *et al.* 2002; Abacioglu *et al.* 1994; Moore *et al.* 1994c; Moore & Ho 1993

- C13: NIH AIDS Research and Reference Reagent Program: 1209.
- C13: This epitope is similar to a fragment of human protein lymphatic endothelium-specific hyaluronan receptor LYVE-1, TTRLLVQGSLRAEE. Maksiutov *et al.* [2002]
- C13: Epitope boundary extended to RPVVSTQLLLL-NGSLAEEVVIR, to take into account the effect of a point mutation. Abacioglu *et al.* [1994]
- C13: The relative affinity for denatured/native gp120 is 36 – mutations 257 T/R, 267 E/L, and 269 E/L impair binding. Moore *et al.* [1994c]
- C13: Bound preferentially to denatured IIIB gp120. Moore & Ho [1993]

No. 423

MAb ID M89

HXB2 Location gp160 (252–271)

Author Location gp120 (252–271 LAI)

Epitope RPVVSTQLLLLNGSLAEEVV

Subtype B

Neutralizing no

Immunogen vaccine

Vector/Type: protein *HIV component:* Env

Species (Isotype) mouse (IgG1)

Ab Type gp120 C2

Research Contact Fulvia di Marzo Veronese

References Maksiutov *et al.* 2002; Moore *et al.* 1994d; Moore *et al.* 1994c; di Marzo Veronese *et al.* 1992

- M89: This epitope is similar to a fragment of human protein lymphatic endothelium-specific hyaluronan receptor LYVE-1, TTRLLVQGSLRAEE. Maksiutov *et al.* [2002]
- M89: C2 region – the relative affinity for denatured/native gp120 is >30 – mutations 257 T/R and 269 E/L impair binding. Moore *et al.* [1994c]
- M89: Immunoblot reactive, RIP negative, for strains IIIB, 451, MN, RF, and RUTZ. di Marzo Veronese *et al.* [1992]

No. 424

MAb ID B21

HXB2 Location gp160 (257–262)

Author Location gp120 (257–262 BH10)

Epitope TQLLL

Neutralizing

Immunogen vaccine

Vector/Type: protein *Strain:* B clade LAI
HIV component: gp160
Species (Isotype) mouse (IgG1)
Ab Type gp120 C2
References Abacioglu *et al.* 1994

- B21: C2 region, epitope boundaries mapped by peptide scanning. Abacioglu *et al.* [1994]

No. 425
MAb ID B23
HXB2 Location gp160 (257–262)
Author Location gp120 (257–262 BH10)
Epitope TQLLLN
Neutralizing
Immunogen vaccine
Vector/Type: protein *Strain:* B clade LAI
HIV component: gp160
Species (Isotype) mouse (IgG2a)
Ab Type gp120 C2
References Abacioglu *et al.* 1994

- B23: C2 region, epitope boundaries mapped by peptide scanning. Abacioglu *et al.* [1994]

No. 426
MAb ID B24
HXB2 Location gp160 (257–262)
Author Location gp120 (257–262 BH10)
Epitope TQLLLN
Neutralizing
Immunogen vaccine
Vector/Type: protein *Strain:* B clade LAI
HIV component: gp160
Species (Isotype) mouse (IgG2a)
Ab Type gp120 C2
References Abacioglu *et al.* 1994

- B24: C2 region, epitope boundaries mapped by peptide scanning. Abacioglu *et al.* [1994]

No. 427
MAb ID B25
HXB2 Location gp160 (257–262)
Author Location gp120 (257–262 BH10)
Epitope TQLLLN
Neutralizing
Immunogen vaccine
Vector/Type: protein *Strain:* B clade LAI
HIV component: gp160
Species (Isotype) mouse (IgG1)
Ab Type gp120 C2
References Abacioglu *et al.* 1994

- B25: C2 region, epitope boundaries mapped by peptide scanning. Abacioglu *et al.* [1994]

No. 428
MAb ID B3
HXB2 Location gp160 (257–262)
Author Location gp120 (257–262 BH10)
Epitope TQLLLN
Neutralizing
Immunogen vaccine

Vector/Type: protein *Strain:* B clade LAI
HIV component: gp160
Species (Isotype) mouse (IgG1)
Ab Type gp120 C2
References Abacioglu *et al.* 1994

- B3: C2 region, epitope boundaries mapped by peptide scanning. Abacioglu *et al.* [1994]

No. 429
MAb ID B26
HXB2 Location gp160 (257–263)
Author Location gp120 (257–263 BH10)
Epitope TQLLLNG
Neutralizing
Immunogen vaccine
Vector/Type: protein *Strain:* B clade LAI
HIV component: gp160
Species (Isotype) mouse (IgG1)
Ab Type gp120 C2
References Abacioglu *et al.* 1994

- B26: C2 region, epitope boundaries mapped by peptide scanning. Abacioglu *et al.* [1994]

No. 430
MAb ID B29
HXB2 Location gp160 (257–263)
Author Location gp120 (257–263 BH10)
Epitope TQLLLNG
Neutralizing
Immunogen vaccine
Vector/Type: protein *Strain:* B clade LAI
HIV component: gp160
Species (Isotype) mouse (IgG2a)
Ab Type gp120 C2
References Abacioglu *et al.* 1994

- B29: C2 region, epitope boundaries mapped by peptide scanning. Abacioglu *et al.* [1994]

No. 431
MAb ID B36
HXB2 Location gp160 (257–263)
Author Location gp120 (257–263 BH10)
Epitope TQLLLNG
Neutralizing
Immunogen vaccine
Vector/Type: protein *Strain:* B clade LAI
HIV component: gp160
Species (Isotype) mouse (IgG1)
Ab Type gp120 C2
References Abacioglu *et al.* 1994

- B36: C2 region, epitope boundaries mapped by peptide scanning. Abacioglu *et al.* [1994]

No. 432
MAb ID 110.E
HXB2 Location gp160 (262–281)
Author Location gp120 (262–281 LAI)
Epitope NGSLAEIEVVIRSVNFTDNA
Subtype B
Neutralizing

Immunogen vaccine
Vector/Type: protein *Strain:* B clade LAI
HIV component: Env
Species (Isotype) mouse (IgG)
Ab Type gp120 C2
Research Contact F. Traincard
References Maksutov *et al.* 2002; Moore *et al.* 1994d; Moore *et al.* 1994c

- 110.E: This epitope is similar to a fragment of human protein lymphatic endothelium-specific hyaluronan receptor LYVE-1, TTRLLVQGSLRAEE. Maksutov *et al.* [2002]
- 110.E: The relative affinity for denatured/native gp120 is 7.3. Moore *et al.* [1994c]

No. 433
MAb ID 110.C
HXB2 Location gp160 (271–280)
Author Location gp120 (271–280 LAI)
Epitope VIRSVNFTDN
Subtype B
Neutralizing
Immunogen vaccine
Vector/Type: protein *Strain:* B clade LAI
HIV component: Env
Species (Isotype) mouse (IgG)
Ab Type gp120 C2
Research Contact F. Traincard, Hybridolabs, Institut Pasteur
References Valenzuela *et al.* 1998; Moore *et al.* 1994d; Moore *et al.* 1994c

- 110.C: Only slightly reduces LAI viral binding or entry into CEM cells. Valenzuela *et al.* [1998]
- 110.C: The relative affinity for denatured/native gp120 is 1. Moore *et al.* [1994c]

No. 434
MAb ID IIIB-V3-26
HXB2 Location gp160 (291–307)
Author Location gp120 (299–304 IIIB)
Epitope SVEINCRPNNNTRKSI
Neutralizing no
Immunogen vaccine
Vector/Type: peptide *Strain:* B clade IIIB
Species (Isotype) mouse (IgG1)
Ab Type gp120 V3
References Maksutov *et al.* 2002; Laman *et al.* 1992

- IIIB-V3-26: This epitope is similar to a fragment of the FasI receptor precursor (Apptosis-mediating surface antigen fas) (APO- 1 antigen) (CD95 antigen), VEINCTRQN. Maksutov *et al.* [2002]
- IIIB-V3-26: Binds to the base of the V3 loop on denatured gp120. Laman *et al.* [1992]

No. 435
MAb ID IIIB-V3-21 (V3-21)
HXB2 Location gp160 (294–299)
Author Location gp120 (299–304 IIIB)
Epitope INCTRP
Neutralizing no
Immunogen vaccine
Vector/Type: peptide *Strain:* B clade IIIB

Species (Isotype) mouse (IgG1)
Ab Type gp120 V3
Research Contact J. Laman
References Ling *et al.* 2004; Maksutov *et al.* 2002; Zhang *et al.* 2002; Valenzuela *et al.* 1998; Laman *et al.* 1993; Laman *et al.* 1992

Keywords antibody binding site definition and exposure

- IIIB-V3-21: UK Medical Research Council AIDS reagent: ARP3048.
- IIIB-V3-21: NIH AIDS Research and Reference Reagent Program: 1725.
- IIIB-V3-21: The role of serine proteases on HIV infection was explored. Trypsin decreased the binding of most Env MAb tested and diminished cell fusion of H9 cells infected with HIV-1 LAI virus (H9/IIIB) to MAGI cells. In contrast, thrombin increased the binding of MAbs to gp120 epitopes near the CD4 and CCR5 binding sites, and increased cell fusion. Binding of the V3 MAbs 694-98D and 447-52D, that both bind near the tip of the loop, was decreased by both thrombin and trypsin, but anti-V3 MAb IIIB-V3-21 was not decreased in either case. Ling *et al.* [2004] (**antibody binding site definition and exposure**)
- IIIB-V3-21: This epitope is similar to a fragment of the FasI receptor precursor (Apptosis-mediating surface antigen fas) (APO- 1 antigen) (CD95 antigen), VEINCTRQN. Maksutov *et al.* [2002]
- IIIB-V3-21: A rare mutation in the neutralization sensitive R2-strain in the proximal limb of the V3 region caused Env to become sensitive to neutralization by MAbs directed against the CD4 binding site (CD4BS), CD4-induced (CD4i) epitopes, soluble CD4 (sCD4), and HNS2, a broadly neutralizing sera – 2/12 anti-V3 MAbs tested (19b and 694/98-D) neutralized R2, as did 2/3 anti-CD4BS MAbs (15e and IgG1b12), 2/2 CD4i MAbs (17b and 4.8D), and 2G12 and 2F5 – thus multiple epitopes on R2 are functional targets for neutralization and the neutralization sensitivity profile of R2 is intermediate between the highly sensitive MN-TCLA strain and the typically resistant MN-primary strain. Zhang *et al.* [2002]
- IIIB-V3-21: Does not block HIV-1 LAI binding or entry into CEM cells. Valenzuela *et al.* [1998]
- IIIB-V3-21: Binds to NP40 treated gp120, and epitope is probably obscured by local glycosylation. Laman *et al.* [1993]
- IIIB-V3-21: Binds to the base of the V3 loop on denatured gp120. Laman *et al.* [1992]

No. 436
MAb ID 168B8
HXB2 Location gp160 (296–317)
Author Location gp120 (BaL)
Epitope CTRPNYNKRKHIGPGRAF
Subtype B
Neutralizing no
Immunogen vaccine
Vector/Type: gp120-CD4 complex *HIV component:* gp120 *Adjuvant:* Ribi adjuvant (MPL+TDM) (RIBI)
Species (Isotype) humanized mouse (IgG2κ)
Ab Type gp120 V3
Research Contact Abraham Pinter, Lab. of Retrovirology, Public Research Institute, pinter@phri.org

References He *et al.* 2003**Keywords** antibody binding site definition and exposure, vaccine antigen design

- 168B8: Vaccination of a gp120-CD4 fusion complex in six transgenic XMG2 XenoMouse mice that produce human IgG2 with K light chain did not produce any neutralizing antibodies. 36/39 MAbs derived from one of these mice were in one of two competition groups that were conformational and specific for the complex, suggesting this chimeric vaccine may be of little value, as immunodominant responses are to epitopes unique to the complex, not present in native Env. This MAb is one of the 3/36 non-neutralizing MAbs that bound to linear epitopes on gp120. He *et al.* [2003] (**antibody binding site definition and exposure, vaccine antigen design**)

No. 437**MAb ID** polyclonal**HXB2 Location** gp160 (296–331)**Author Location** gp120 (MN)**Epitope** CNYNKRKR.IHIGPGRAFYTTKNIIGTIC**Neutralizing L****Immunogen****Species (Isotype)** rabbit (IgA, IgG)**Ab Type** gp120 V3**References** FitzGerald *et al.* 1998

- Polyclonal response to MN, or Thai E V3 loop inserted into Pseudomonas Exotoxin for vaccination – inserts of 14 or 26 amino acids were used from MN or a Thai E strain, constrained by disulfide bond – sera from vaccinated rabbit were reactive with strain-specific gp120 – administration to mucosal surfaces elicits IgA. FitzGerald *et al.* [1998]

No. 438**MAb ID** polyclonal**HXB2 Location** gp160 (297–330)**Author Location** Env (303–335 LAI)**Epitope** TRPNNTRKRSIHIGPGRAFYATGEIIGDIRQAH**Subtype** B**Neutralizing** no**Immunogen** vaccine*Vector/Type:* lipopeptide *Strain:* B clade LAI *HIV component:* V3 *Adjuvant:* QS21**Species (Isotype)** human (IgG)**Ab Type** gp120 V3**References** Pialoux *et al.* 2001

- 28 subjects were vaccinated with six HIV-1 peptides that were selected to be particularly rich in CTL epitopes, presented in lipopeptides with or without adjuvant QS21 – HIV-specific Ab responses were detected in 25/28 (89%), proliferative in 19/28 (79%), and CTL in 13/24 (54%) of testable volunteers – 14/28 had non-neutralizing Ab responses to this peptide (E), 7/24 had proliferative responses, and multiple CTL responses were detected. Pialoux *et al.* [2001]

No. 439**MAb ID** MO97/V3**HXB2 Location** gp160 (299–308)**Author Location** gp120 (299–308 IIIB)**Epitope** PNNNTRKSIR**Neutralizing** no**Immunogen** *in vitro* stimulation or selection**Species (Isotype)** human (IgM)**Ab Type** gp120 V3**References** Gorny & Zolla-Pazner 2004; Ohlin *et al.* 1992**Keywords** review

- M097/V3: Review provides summaries of Abs that bind to HIV-1 Env. There are many V3 MAbs, many neutralize some TCLA strains; a subset can also neutralize some primary isolates. The three IgMs, M096, M097, and M099, are non-neutralizing. Gorny & Zolla-Pazner [2004] (**review**)
- M097: Generated through *in vitro* stimulation of uninfected-donor lymphocytes with rpB1 (IIIB Env 286–467) Ohlin *et al.* [1992]

No. 440**MAb ID** polyclonal**HXB2 Location** gp160 (299–331)**Author Location** gp120 (306–338 BH10)**Epitope** PNNNTRKSIR.IQRGPGRAFVTIGKIGNMRQAH**Neutralizing L****Immunogen** vaccine*Vector/Type:* peptide *Strain:* B clade BH10**Species (Isotype)** rabbit (IgG)**Ab Type** gp120 V3**References** Neurath & Strick 1990

- 21 V3 loop variant peptides spanning this region were tested and serological cross-reactivity correlated with divergence. Neurath & Strick [1990]

No. 441**MAb ID** 55/11**HXB2 Location** gp160 (300–315)**Author Location** gp120 (300–315)**Epitope** NNNTRKRIR.IQRGPGR?**Neutralizing****Immunogen****Species (Isotype)****Ab Type** gp120 V3**References** Peet *et al.* 1998

- 55/11: The most variable amino acids in the V3 loop were replaced with serines to make the immunodominant V3 loop less immunogenic – these changes did not affect the ability of sCD4 or MAbs to V1/V2, C1 and C4 to bind, and anti-V3 MAb 55/11 binding was abrogated by V3 serine substitutions in the V3 loop – mice injected with serine substituted gp120 had a reduced response relative to wildtype, and no enhanced immunogenicity of conserved regions. Peet *et al.* [1998]

No. 442**MAb ID** 8/38c (8/38/1c)**HXB2 Location** gp160 (300–315)**Author Location** gp120 (300–315 HXB10)**Epitope** NNNTRKRIR.IQRGPGR**Neutralizing L****Immunogen** vaccine*Vector/Type:* protein *Strain:* B clade BH10*HIV component:* gp120**Species (Isotype)** rat (IgG2a)**Ab Type** gp120 V3

Research Contact C. Dean and C. Shotton, Institute for Cancer Research, Surrey, UK

References Peet *et al.* 1998; Parren *et al.* 1998a; Jeffs *et al.* 1996; Sattentau & Moore 1995; McKeating *et al.* 1992a

- 8/38c: UK Medical Research Council AIDS reagent: ARP3039.
- 8/38c: The MAb and Fab binding to the oligomeric form of gp120 and neutralization were highly correlated – authors suggest that neutralization is determined by the fraction of Ab sites occupied on a virion irrespective of the epitope. Parren *et al.* [1998a]
- 8/38c: Called 8/38/1c: The most variable amino acids in the V3 loop were replaced with serines to make the immunodominant V3 loop less immunogenic – these changes did not affect the ability of sCD4 or MAbs to V1/V2, C1 and C4 to bind, and anti-V3 MAb 8/38c binding was only diminished by V3 serine substitutions C-term to the tip of the loop – mice injected with serine substituted gp120 had a reduced response relative to wildtype, and no enhanced immunogenicity of conserved regions. Peet *et al.* [1998]
- 8/38c: Deletion of the V1V2 regions did not affect anti-V3 Abs ability to bind when compared to intact rec gp120. Jeffs *et al.* [1996]
- 8/38c: Binds equally well to monomer and oligomer, less rapid association rate than other anti-V3 antibodies, and an associated less potent neutralization of lab strains. Sattentau & Moore [1995]
- 8/38c: Binds to virion gp120 and neutralizes only in the presence of sCD4. McKeating *et al.* [1992a]

No. 443

MAb ID 8/64b

HXB2 Location gp160 (300–315)

Author Location gp120 (300–315 HXB10)

Epitope NNNTRKRIRIQRGPR

Neutralizing L

Immunogen vaccine

Vector/Type: protein *Strain:* B clade BH10

HIV component: gp120

Species (Isotype) rat (IgM)

Ab Type gp120 V3

References Peet *et al.* 1998; McKeating *et al.* 1992a

- 8/64b: UK Medical Research Council AIDS reagent: ARP3036.
- 8/64b: The most variable amino acids in the V3 loop were replaced with serines to make the immunodominant V3 loop less immunogenic – these changes did not affect the ability of sCD4 or MAbs to V1/V2, C1 and C4 to bind, and anti-V3 MAb 8/64b binding was abrogated by V3 serine substitutions C-term to the tip of the loop – mice injected with serine substituted gp120 had a reduced response relative to wildtype, and no enhanced immunogenicity of conserved regions. Peet *et al.* [1998]
- 8/64b: Binds to virion gp120 and neutralizes only in the presence of sCD4. McKeating *et al.* [1992a]

No. 444

MAb ID polyclonal

HXB2 Location gp160 (300–321)

Author Location gp120

Epitope NYNKRKRIHIGPGRAFYTTK

Neutralizing L

Immunogen HIV-1 infection, vaccine

Vector/Type: peptide *HIV component:* V3

Species (Isotype) human

Ab Type gp120 V3

References Bartlett *et al.* 1998

- V3 peptide vaccine (MN, RF, EV91, and Can0A) with a C4 helper T cell epitope were used to vaccinate HLA-B7 HIV-infected patients – V3 Ab levels and the anti-HIV proliferative response, but no decrease in HIV-1 RNA levels or increase in CD4 levels was observed. Bartlett *et al.* [1998]

No. 445

MAb ID polyclonal

HXB2 Location gp160 (300–321)

Author Location gp120

Epitope NYNKRKRIHIGPGRAFYTTK

Neutralizing

Immunogen HIV-1 exposed seronegative

Species (Isotype) human (IgA)

Ab Type gp120 V3

References Kaul *et al.* 1999

- HIV-1 Env-specific mucosal IgA found in genital track of 16/21 HIV-1 resistant chronically exposed Kenyan sex workers – 11/21 had detectable Th responses. Kaul *et al.* [1999]

No. 446

MAb ID polyclonal

HXB2 Location gp160 (300–322)

Author Location gp120 (IIIB)

Epitope CNNTRKSIRIQRGPGRAFVTIGK

Neutralizing L

Immunogen

Species (Isotype) guinea pig (IgG)

Ab Type gp120 V3

Research Contact D. Bolognesi and T. Matthews, Duke University

References Allaway *et al.* 1993

- Synergy with combinations of CD4-based molecules in inhibition of HIV-1 Env mediated cell fusion. Allaway *et al.* [1993]

No. 447

MAb ID polyclonal (VEI3)

HXB2 Location gp160 (300–328)

Author Location Env

Epitope NNNTRKSIRIGPGRAFYTGDIGNIRQ

Neutralizing

Immunogen HIV-1 infection

Species (Isotype) human

Ab Type gp120 V3

References Carlos *et al.* 1999

- Antibody response to the epitopes in a vaccine construct (VEI) containing peptides from 5 hypervariable regions of gp120 was detected in the sera of HIV-1 positive subjects, including sera from 6 non-subtype B infections – serum samples from San Francisco, Canada and Puerto Rico cohort showed presence of antibodies against all five VEI hypervariable regions, but most

consistently against the V3 region peptide NNNTRKSIRIGP-
GRAFYTTGDIGNIRQ. Carlos *et al.* [1999]

No. 448
MAb ID 9284 (NEA 9284)
HXB2 Location gp160 (301–312)
Author Location gp120 (307–318 IIIB)
Epitope NNTRKSIRIQRG
Neutralizing L
Immunogen vaccine
Vector/Type: inactivated HIV *Strain:* B
 clade IIIB *HIV component:* HIV-1
Species (Isotype) mouse (IgG1)
Ab Type gp120 V3
Research Contact Dupont de Nemours, Les Ulis, France or
 Wilmington, Delaware
References Schonning *et al.* 1998; Parren *et al.* 1998a;
 Binley *et al.* 1997a; Cao *et al.* 1997b;
 Pognard *et al.* 1996a; Moore & Sodroski
 1996; Fontenot *et al.* 1995; VanCott *et al.*
 1995; Sattentau & Moore 1995; Sorensen
et al. 1994; Okada *et al.* 1994; Cook *et al.*
 1994; Thali *et al.* 1994; VanCott *et al.* 1994;
 Thali *et al.* 1993; Trujillo *et al.* 1993; Moore
et al. 1993b; Sattentau *et al.* 1993; McKeating
et al. 1992a; Wyatt *et al.* 1992; Sattentau &
 Moore 1991; Skinner *et al.* 1988a; Skinner
et al. 1988b

- 9284: The MAb and Fab binding to the oligomeric form of gp120 and neutralization were highly correlated – authors suggest that neutralization is determined by the fraction of Ab sites occupied on a virion irrespective of the epitope. Parren *et al.* [1998a]
- 9284: In a study of the influence of the glycan at position 306 of the V3 loop on MAb recognition, 9284 was found to have an inaccessible epitope on the oligomeric form of Env and anti-V3 MAbs were found to neutralize an HIV-BRU mutant virus that lacks the V3 loop glycan more efficiently than HIV-BRU. Schonning *et al.* [1998]
- 9284: Virus with the V1-V2 loop deleted was viable and more susceptible to neutralization by CD4i MAb 17b, and anti-V3 MAbs 1121, 9284, and 110.4, but not to and CD4BS MAb F105 or sCD4. Cao *et al.* [1997b]
- 9284: Binds V3 loop – anti-C1 MAbs 133/290 and 135/9 enhance binding – reciprocal binding inhibition of other anti-V3 MAbs. Moore & Sodroski [1996]
- 9284: V3 MAbs 9284, BAT123, 110.5, and 110.I could each significantly increase gp120 dissociation from virus, mimicking sCD4, and expose the gp41 epitope for MAb 50-69, in contrast to anti-V2 MAbs. Pognard *et al.* [1996a]
- 9284: Binds equally well to monomer and oligomer, rapid association and potent neutralization of lab strains – neutralizes cell-free virus Hx10. Sattentau & Moore [1995]
- 9284: Used to monitor HIV-1 Env expression in infected H9 cells, binds native and reduced gp120s similarly. VanCott *et al.* [1995]
- 9284: MAbs against the glycosphingolipid GalCer block HIV infection of normally susceptible CD4 negative cells from the brain and colon – this MAb can inhibit gp120 binding to GalCer *in vitro*. Cook *et al.* [1994]

- 9284: Binding domain aa 301-310: TRKSIRIQRG – mutations in the V3 loop from basic residues can destroy virus infectivity and syncytium formation: R306T, R309T and R313G can also reduce binding of V3 MAbs with two different binding sites: 9284 and 0.5beta – called NEA9284. Okada *et al.* [1994]
- 9284: Did not neutralize infection of HIV/HTLV-I pseudotype. Sorensen *et al.* [1994]
- 9284: gp41 mutation that confers resistance to neutralization by anti-CD4 binding site antibodies does not reduce neutralizing efficiency of this V3 region MAb. Thali *et al.* [1994]
- 9284: Does not bind MN gp120, just IIIB. VanCott *et al.* [1994]
- 9284: Inhibits C4 region antibodies (G3-299, G3-519) which have conformational requirements. Moore *et al.* [1993b]
- 9284: Increased binding in the presence of sCD4. Sattentau *et al.* [1993]
- 9284: Peptide RIQRGPGRAFVTIGKIGNMRQA – Reacts with three human brain proteins of 35, 55, 110 kd – called NEA-9284. Trujillo *et al.* [1993]
- 9284: Single amino acid substitutions in the C4 region (427 W/V or W/S) or at the base of the V3 loop (298 R/G) can significantly increase binding and neutralization – position 427 is also important for CD4 binding and anti-CD4 binding site MAbs. Wyatt *et al.* [1992]
- 9284: Two fold increase in binding to gp120 in the presence of bound sCD4. Sattentau & Moore [1991]
- 9284: IIIB type-specific binding and neutralization. Skinner *et al.* [1988b]

No. 449
MAb ID polyclonal
HXB2 Location gp160 (301–325)
Author Location gp120 (IIIB)
Epitope NNTRKSIRIQRGPGRAFVTIGKIGN
Neutralizing L
Immunogen vaccine
Vector/Type: peptide *Strain:* B clade IIIB
Adjuvant: Cholera toxin (CT)
Species (Isotype) mouse (IgA)
Ab Type gp120 V3
References Bukawa *et al.* 1995
 • Polyclonal secretory IgA antibody raised by mucosal immunization is able to neutralize IIIB, SF2, and MN – HIV-1 neutralization may be due to V3, CD4 or HPG30 component of the multicomponent peptide immunogen. Bukawa *et al.* [1995]

No. 450
MAb ID polyclonal
HXB2 Location gp160 (301–325)
Author Location gp120 (IIIB)
Epitope NNTRKSIRIQRGPGRAFVTIGKIGN
Neutralizing L
Immunogen vaccine
Vector/Type: DNA *Strain:* B clade IIIB
HIV component: Env, Rev
Species (Isotype) mouse (IgA22a)
Ab Type gp120 V3
References Sasaki *et al.* 1998

- An anti-env response was sought, and co-expression of Rev was required – intramuscular versus nasal vaccination with DNA vaccine with a QS21 adjuvant was studied – QS21 enhanced the IgG2a response mediated via Th1 cytokines IFN γ and IL-2. Sasaki *et al.* [1998]

No. 451
MAb ID polyclonal
HXB2 Location gp160 (302–317)
Author Location Env (B consensus)
Epitope NTRKSIHIGPGRAF
Subtype B
Neutralizing
Immunogen HIV-1 infection
Species (Isotype) human
Ab Type gp120 V3
References Morris *et al.* 2001

- Ab responses before HAART therapy and after one year of therapy were measured in 8 individuals that were classified HAART successes, and 10 patients who were classified as HAART failures – V3 peptide antibody binding titers to the B-consensus and MN and SF2 variants, and neutralization of HIV-1 MN and four subtype B clinical isolates were tested – subjects with strong anti-V3 and NAb humoral immune responses before starting HAART were more likely to achieve sustained viral suppression to <500 copies RNA/ml on HAART – HIV-specific Ab responses declined after 1 year of successful viral suppression on HAART. Morris *et al.* [2001]

No. 452
MAb ID polyclonal
HXB2 Location gp160 (302–318)
Author Location Env
Epitope NTRKSIHIGPGRAFY
Neutralizing L P
Immunogen HIV-1 infection
Species (Isotype) human
Ab Type gp120 V3
References Bongertz *et al.* 2001

- Non-transmitting mothers had an increased frequency of high neutralizing plasma Ab titers against HIV-1 MN (1:50 dilution, >90% neutralization, 33/88 pregnant women), compared to plasma from transmitting mothers (0/8 pregnant women) – non-transmitting mothers also had more potent neutralization against primary isolates from transmitting mothers, but neutralization of autologous virus was comparable for non-transmitting (7/13) and transmitting mothers (2/4) Bongertz *et al.* [2001]

No. 453
MAb ID MAG 109
HXB2 Location gp160 (302–321)
Author Location gp120 (302–321 BH10)
Epitope NTRKSIRIQRGPGRAFVTIG
Neutralizing L
Immunogen vaccine
Vector/Type: sCD4-gp120 complex *Strain:*
 B clade HXB2 *HIV component:* gp120
Species (Isotype) mouse
Ab Type gp120 V3

References Kang *et al.* 1994

- MAG 109: Binds a V3 loop peptide – sensitive to both V3 loop mutations and a mutation at the base of the V1/V2 loop structure (120/121 VK/LE) Kang *et al.* [1994]

No. 454
MAb ID MAG 49 (#49)
HXB2 Location gp160 (302–321)
Author Location gp120 (302–321 BH10)
Epitope NTRKSIRIQRGPGRAFVTIG
Neutralizing L
Immunogen vaccine
Vector/Type: sCD4-gp120 complex *Strain:*
 B clade HXB2 *HIV component:* gp120

Species (Isotype) mouse
Ab Type gp120 V3
References Moore & Sodroski 1996; Kang *et al.* 1994

- MAG 49: Called #49 in this text. Binding enhanced by anti-C1 MABs 133/290, 135/9, and by many anti-CD4 binding site MABs – reciprocal enhancement of some anti-V2 MABs – reciprocal binding inhibition of anti-V3 MABs. Moore & Sodroski [1996]
- MAG 49: Binds a V3 loop peptide – sensitive to both V3 loop mutations and a mutation at the base of the V1/V2 loop structure (120/121 VK/LE) Kang *et al.* [1994]

No. 455
MAb ID MAG 53
HXB2 Location gp160 (302–321)
Author Location gp120 (302–321 BH10)
Epitope NTRKSIRIQRGPGRAFVTIG
Neutralizing L
Immunogen vaccine
Vector/Type: sCD4-gp120 complex *Strain:*
 B clade HXB2 *HIV component:* gp120

Species (Isotype) mouse
Ab Type gp120 V3
References Kang *et al.* 1994

- MAG 53: Binds a V3 loop peptide – sensitive to both V3 loop mutations and a mutation at the base of the V1/V2 loop structure (120/121 VK/LE) Kang *et al.* [1994]

No. 456
MAb ID MAG 56
HXB2 Location gp160 (302–321)
Author Location gp120 (302–321)
Epitope NTRKSIRIQRGPGRAFVTIG
Neutralizing L
Immunogen vaccine
Vector/Type: sCD4-gp120 complex *Strain:*
 B clade HXB2 *HIV component:* gp120

Species (Isotype) mouse
Ab Type gp120 V3
References Kang *et al.* 1994

- MAG 56: Binds a V3 loop peptide – sensitive to both V3 loop mutations and a mutation at the base of the V1/V2 loop structure (120/121 VK/LE) Kang *et al.* [1994]

No. 457
MAb ID 1324-E (1324E)

HXB2 Location gp160 (303–308)
Author Location Env (subtype CRF01)
Epitope TRTSVR
Subtype CRF01_AE
Neutralizing L
Immunogen HIV-1 infection
Species (Isotype) human (IgG1κ)
Ab Type gp120 V3
Research Contact Susan Zolla-Pazner (Zollas01@mcr-cr6.med.nyu) (NYU Med. Center)
References Gorny & Zolla-Pazner 2004; Nyambi *et al.* 2000; Zolla-Pazner *et al.* 1999b; Zolla-Pazner *et al.* 1999a; Gorny *et al.* 1998

Keywords antibody generation, review, subtype comparisons, variant cross-recognition or cross-neutralization

- 1324-E: This review provides summaries of Abs that bind to HIV-1 Env. There are many V3 MAbs, many neutralize some TCLA strains, and a subset can also neutralize some primary isolates. Gorny & Zolla-Pazner [2004] (**review**)
- 1324-E: Called 1324E – A panel of 47 human MAbs was tested against 26 HIV-1 group M primary isolates from clades A through H – 19 V3 MAbs were tested, and of 494 combinations, 44% displayed some viral binding – V3 MAbs tended to have the most cross-reactive binding to clade A, B, C, and D isolates, less to E, F, G, and H – 1324E showed poor cross-reactivity, and was the only MAb tested that was derived from a non-B clade infected patient, an E clade infection was the source of 1324E. Nyambi *et al.* [2000] (**subtype comparisons**)
- 1324-E: E clade stimulated MAb did not cross-react with B clade peptides nor did B clade derived peptides with an E clade V3 loop, but both E and B clade stimulated Abs can cross-react with some peptides from other clades – this Ab showed strong binding to several E, A and F peptides, one C peptide, and no reactivity with B peptides and most D peptides. Zolla-Pazner *et al.* [1999a] (**subtype comparisons**)
- 1324-E: MAb reacted with peptides from E clade, while B clade derived MAbs could not. Zolla-Pazner *et al.* [1999b] (**subtype comparisons**)
- 1324-E: A human MAb was derived from an HIV-1 E clade infection from a US service man who had served in Thailand, selected with the consensus V3 peptide from clade E – cross-reactive with V3 peptides, and gp120 from E, C and A clades, as well as cells infected with a C-clade primary isolate, but not with B and D clade V3 peptides or rgp120 – neutralizes E clade virus adapted for growth in H9 cells, but not 5 primary E clade isolates, including the autologous isolate – kinetic parameters were measured, 1324E was comparable to 447-52D. Gorny *et al.* [1998] (**antibody generation, variant cross-recognition or cross-neutralization, subtype comparisons**)

No. 458

MAb ID polyclonal
HXB2 Location gp160 (303–319)
Author Location gp120 (subtype C)
Epitope CKRKIHIGPGQAFYT
Subtype C
Neutralizing
Immunogen vaccine

Vector/Type: peptide in ISCOM, peptide in liposome
HIV component: V3
Adjuvant: Immune stimulating complexes (ISCOM)

Species (Isotype) mouse (IgG2a, IgG2b)

Ab Type gp120 V3

References Ahluwalia *et al.* 1997

- A V3 loop peptide modified to resemble an Indian form (GPGQ) was incorporated into ISCOMS (immune stimulating complexes) or liposomes, and used to immunize mice – the IgG2a/IgG2b antibody response was enhanced by the presentation in the ISCOM suggestive of a Th1 response. Ahluwalia *et al.* [1997]

No. 459

MAb ID MO99/V3

HXB2 Location gp160 (304–308)

Author Location gp120 (304–308 IIIB)

Epitope RKSIR

Neutralizing no

Immunogen *in vitro* stimulation or selection

Species (Isotype) human (IgM)

Ab Type gp120 V3

References Gorny & Zolla-Pazner 2004; Ohlin *et al.* 1992

Keywords antibody binding site definition and exposure, antibody generation

- MO99/V3: Review provides summaries of Abs that bind to HIV-1 Env. There are many V3 MAbs, many neutralize some TCLA strains; a subset can also neutralize some primary isolates. The three IgMs, M096, M097, and M099, are non-neutralizing. Gorny & Zolla-Pazner [2004]
- MO99: Generated through *in vitro* stimulation of uninfected-donor lymphocytes with rpB1 (IIIB Env 286–467) Ohlin *et al.* [1992] (**antibody binding site definition and exposure, antibody generation**)

No. 460

MAb ID C311E

HXB2 Location gp160 (304–313)

Author Location gp120 (309–316 MN)

Epitope RKRIHIGP

Neutralizing L

Immunogen HIV-1 infection

Species (Isotype) chimpanzee (IgG1)

Ab Type gp120 V3

References Alsmadi & Tilley 1998; Warriar *et al.* 1996

- C311E: A study of 6 anti-Env MAbs and their ability to bind or direct ADCC against target cells infected with IIIB, MN, SF-2, and RF – C311E bound and directed lysis against all four strains. Alsmadi & Tilley [1998]
- C311E: Chimps were infected with HIV-1 IIIB, and this resulting MAb gave synergistic neutralization of HIV-1 when combined with anti-V2 MAb C108G. Warriar *et al.* [1996]

No. 461

MAb ID 907

HXB2 Location gp160 (304–314)

Author Location gp120 (309–318)

Epitope RKSIRIQRGPG

Neutralizing L

Immunogen vaccine

Vector/Type: vaccinia *Strain:* B clade IIIB
HIV component: gp160

Species (Isotype) mouse (IgG1κ)

References Pincus *et al.* 1996; Pincus *et al.* 1991; Pincus *et al.* 1989; Chesebro & Wehrly 1988

- 907: A panel of immunotoxins were generated by linking Env MABs to ricin A – immunotoxins mediated cell killing, but killing was not directly proportional to binding. Pincus *et al.* [1996]
- 907: Epitope sequence is based on database count of a specified location – 924-RAC immunotoxin is IIIB strain-specific. Pincus *et al.* [1991]
- 907: Coupled to ricin A chain (RAC), MAb 907 inhibited protein synthesis and cell growth in HIV-infected cells. Pincus *et al.* [1989]
- 907: Strain specific binding, and neutralization of only the LAV strain. Chesebro & Wehrly [1988]

No. 462

MAb ID 924

HXB2 Location gp160 (304–314)

Author Location gp120 (309–318 IIIB)

Epitope RKSIRIQRGPG

Neutralizing

Immunogen vaccine

Vector/Type: vaccinia *Strain:* B clade IIIB
HIV component: gp160

Species (Isotype) mouse (IgG1κ)

Ab Type gp120 V3

References Pincus *et al.* 1998; Pincus *et al.* 1996; Cook *et al.* 1994; Pincus *et al.* 1993; Pincus & McClure 1993; Pincus *et al.* 1991; Chesebro & Wehrly 1988

- 924: A panel of immunotoxins were generated by linking Env MABs to ricin A – immunotoxins mediated cell killing, but killing was not directly proportional to binding. Pincus *et al.* [1996]
- 924: MABs against the glycosphingolipid GalCer block HIV infection of normally susceptible CD4 negative cells from the brain and colon – this MAB can inhibit gp120 binding to GalCer *in vitro*. Cook *et al.* [1994]
- 924: MAB was coupled to ricin A chain (RAC) – immunotoxin efficacy was not significantly decreased by sCD4, although the efficacy of gp41 MAB immunotoxins *in vitro* increased 30-fold by sCD4. Pincus & McClure [1993]
- 924: Ab response in IIIB lab workers was compared to gp160 LAI vaccine recipients – MAB 924 was used as a control – infected lab workers and a vaccinia gp160 vaccine had strong V3 MAB response, but alum absorbed rec gp160 did not generate anti-V3 response. Pincus *et al.* [1993]
- 924: Epitope sequence is based on database count of a specified location – 924-RAC immunotoxin is IIIB strain-specific. Pincus *et al.* [1991]
- 924: HIV IIIB strain specific. Chesebro & Wehrly [1988]

No. 463

MAb ID polyclonal

HXB2 Location gp160 (304–318)

Author Location gp120 (304–318 LAI)

Epitope RKSIRIQRGPGRAFV

Subtype B

Neutralizing

Immunogen *in vitro* stimulation or selection

Species (Isotype) human (IgG, IgM)

Ab Type gp120 V3

References Chin *et al.* 1995

- Mimicking the humoral immune response *in vitro* supports isotype switching – human IgG MABs were generated from naive donors. Chin *et al.* [1995]

No. 464

MAb ID polyclonal

HXB2 Location gp160 (304–318)

Author Location gp120 (304–318 LAI)

Epitope RKSIRIQRGPGRAFV

Subtype B

Neutralizing

Immunogen vaccine

Vector/Type: peptide *Strain:* B clade LAI

Species (Isotype) human (IgG, IgM)

Ab Type gp120 V3

References Zafiroopoulos *et al.* 1997

- IgG to IgM isotype switching in response to primary and secondary peptide vaccinations was studied – the immunogen contained a V3 loop fragment and a tetanus toxin helper epitope. Zafiroopoulos *et al.* [1997]

No. 465

MAb ID polyclonal

HXB2 Location gp160 (304–318)

Author Location gp120 (NY5)

Epitope KKGIAIGPGRTLY

Neutralizing

Immunogen

Species (Isotype) (IgM)

Ab Type gp120 V3

References Metlas *et al.* 1999a; Metlas *et al.* 1999b

- Auto-Abs that react with the V3 loop of NY5 are present in the sera of HIV- individuals, and are predominantly IgM. Metlas *et al.* [1999b]

No. 466

MAb ID D19

HXB2 Location gp160 (304–320)

Author Location gp120 (V3) (MN)

Epitope RKRIHIGPGRFYTT

Subtype A, B, F

Neutralizing yes

Immunogen vaccine

Vector/Type: protein *Strain:* B clade BH8

HIV component: gp140

Species (Isotype) mouse (IgG)

Ab Type gp120 CD4i, gp120 V3

Research Contact Paolo Lusso, Human Virology, San Raffaele Scientific Institute, Milan, Italy. paolo@hsr.it

References Lusso *et al.* 2005

Keywords antibody binding site definition and exposure, antibody generation, subtype comparisons, variant cross-recognition or cross-neutralization

- D19: The epitope for D19 is conserved and embedded in V3. D19 is unique because for R5 viruses, it was cryptic and did not bind without exposure to sCD4, but for X4 and R5X4 isolates it was constitutively exposed. It had a similar overlapping binding region with MAbs 447-52D, B4e8, and 268-D, but different reactivity patterns and fine specificity; D19 binding to monomeric gp120 was independent of sCD4, the dependence was only seen in the context of native oligomeric Env. D19 reacted with 23/29 B clade Envs, but to only 2/14 viruses from other clades: one A and one F, but no C, D or E clade strains. D19 can neutralize X4 and R5X4 isolates, but could only neutralize R5 isolates in the presence of sCD4. The authors suggest that a more exposed V3 loop may facilitate CXCR4 coreceptor usage, but that this phenotype is limited in vivo by neutralizing antibodies until the onset of progressive disease. Lusso *et al.* [2005] (**antibody binding site definition and exposure, antibody generation, variant cross-recognition or cross-neutralization, subtype comparisons**)

No. 467

MAb ID 10F10

HXB2 Location gp160 (304–320)

Author Location gp120 (MN)

Epitope RKRIHIGPGRAFYT

Neutralizing L

Immunogen vaccine

Vector/Type: peptide *Strain:* B clade MN*HIV component:* gp120

Species (Isotype) mouse (IgG1)

Ab Type gp120 V3

References Duarte *et al.* 1994

- 2C4: Putative epitope lies within IHIGPGRAFYT – generated by multi-epitope polypeptide immunization – recognize MN and SC (TRSIHIGPGRAFYT) peptides, lower affinity for SF2. Duarte *et al.* [1994]

No. 468

MAb ID 2C4

HXB2 Location gp160 (304–320)

Author Location gp120 (MN)

Epitope RKRIHIGPGRAFYT

Neutralizing L (MN)

Immunogen vaccine

Vector/Type: peptide *Strain:* B clade MN

Species (Isotype) mouse (IgG2a)

Ab Type gp120 V3

References Duarte *et al.* 1994

- 2C4: Putative epitope lies within IHIGPGRAFYT – neutralizes MN, not IIIB and SF2 – generated by multi-epitope polypeptide immunization – recognize MN and SC (TRSIHIGPGRAFYT) peptides, lower affinity for SF2. Duarte *et al.* [1994]

No. 469

MAb ID 412-D (412-10D, 412, 412D)

HXB2 Location gp160 (304–320)

Author Location gp120 (MN)

Epitope RKRIHIGPGRAFYT

Subtype B

Neutralizing L

Immunogen HIV-1 infection

Species (Isotype) human (IgG1κ)

Ab Type gp120 V3

Research Contact Susan Zolla-Pazner (Zollas01@mrcr6.med.nyu) (NYU Med. Center)

References Gorny *et al.* 2004; Gorny & Zolla-Pazner 2004; Nyambi *et al.* 2000; Zolla-Pazner *et al.* 1999b; Zolla-Pazner *et al.* 1999a; Nyambi *et al.* 1998; Gorny *et al.* 1998; Fontenot *et al.* 1995; VanCott *et al.* 1994; Spear *et al.* 1993; Gorny *et al.* 1993

Keywords antibody binding site definition and exposure, binding affinity, complement, kinetics, review, subtype comparisons, vaccine antigen design, variant cross-recognition or cross-neutralization

- 412-D: This review provides summaries of Abs that bind to HIV-1 Env. There are many V3 MAbs, many neutralize some TCLA strains, and a subset can also neutralize some primary isolates. Gorny & Zolla-Pazner [2004] (**review**)
- 412-D: Called 412: V3 MAB neutralization is influenced by retaining the epitope, exposure on the intact virion, mobility during CD4-induced conformational change, and affinity. Anti-V3 MAbs selected using V3 peptides neutralize less effectively than V3 MAbs selected using fusion proteins or gp120, suggesting antigenic conformation is important. This MAB was selected using V3 peptides. Gorny *et al.* [2004] (**antibody binding site definition and exposure**)
- 412-D: A panel of 47 human MAbs was tested against 26 HIV-1 group M primary isolates from clades A through H – 19 V3 MAbs were tested, and of 494 combinations, 44% displayed some viral binding – V3 MAbs tended to have the most cross-reactive binding to clade A, B, C, and D isolates, less to E, F, G, and H – 412-D showed limited reactivity. Nyambi *et al.* [2000] (**subtype comparisons**)
- 412-D: Review of clade specificity and anti-V3 HIV-1-Abs. Zolla-Pazner *et al.* [1999a] (**review, subtype comparisons**)
- 412-D: MAB peptide-reactivity pattern clustered with immunological related MAbs: 391.5, 412 and 418, all selected with MN V3 peptide – the core amino acids HIGPGR tended to be critical for reactivity in this group. Zolla-Pazner *et al.* [1999b] (**antibody binding site definition and exposure**)
- 412-D: Kinetic parameters were measured, and the association rates were similar, but dissociation rate constants were quite variable for V3 MAbs, 412-D has a relatively fast dissociation, thus low affinity among V3 MAbs. Gorny *et al.* [1998] (**kinetics**)
- 412-D: Using a whole virion-ELISA method, 18 human MAbs were tested for their ability to bind to a panel of 9 viruses from clades A, B, D, F, G, and H – 412-D was bound only to B clade virions and to D clade MAL. Nyambi *et al.* [1998] (**subtype comparisons**)
- 412-D: Called 412 – The tip of the V3 loop was presented in a mucin backbone – higher valency correlates with higher affinity constant. Fontenot *et al.* [1995] (**vaccine antigen design, binding affinity**)
- 412-D: Called 412-10D – relatively rapid dissociation and weak homologous neutralization. VanCott *et al.* [1994] (**binding affinity**)

- 412-D: Neutralizes MN, does not bind SF2 or HXB2 – not reactive with hexa or heptapeptides by Pepscan. Gorny *et al.* [1993] (**variant cross-recognition or cross-neutralization**)
- 412-D: Mediated deposition of complement component C3 on HIV infected cells, enhanced by second Ab binding, rabbit anti-human IgG. Spear *et al.* [1993] (**complement**)

No. 470

MAb ID polyclonal
HXB2 Location gp160 (304–320)
Author Location gp120 (MN)
Epitope RKRIHIGPGRAFYT
Neutralizing L (MN ALA-1)
Immunogen HIV-1 infection
Species (Isotype) human
Ab Type gp120 V3
References Spear *et al.* 1994

- 40% of antibody in serum that can bind to native viral proteins on MN-infected cells can be blocked by the peptide RKRIHIGPGRAFYT, which can also block 75-95% of the complement activation on HIV infected cells. Spear *et al.* [1994]

No. 471

MAb ID CGP 47 439
HXB2 Location gp160 (304–322)
Author Location gp120
Epitope RKRIIRIQRGPGRAFVTIGK?
Neutralizing L
Immunogen vaccine
Vector/Type: protein *Strain:* B clade IIIB
HIV component: gp120

Species (Isotype) human
Ab Type gp120 V3
References Jacobson 1998; Gauduin *et al.* 1998; Gunthard *et al.* 1994; Safrit *et al.* 1993; Liou *et al.* 1989

- CGP 47 439: Post-exposure passive transfer of murine BAT123 can confer protection to hu-PBL-SCID mice challenged with HIV-1 LAI – this protection is not elicited by CGP 47 439, suggesting that the protection is mediated by complement – the protective ability of BAT123 is lost when mice were treated with cobra venom factor, which inactivates serum complement – in this circumstance complement activation provided a protective advantage. Gauduin *et al.* [1998]
- CGP 47 439: Review of passive immunotherapy, summarizing Gunthard *et al.* [1994] in relation to other studies Jacobson [1998]. Gunthard *et al.* [1994]; Jacobson [1998]
- CGP 47 439: Phase I/IIA clinical trial studying multidose tolerability, immunogenicity and pharmacokinetic responses – GP 47 439 was well tolerated, serum t_{1/2} was 8-16 days, and a virus burden reduction was noted in some patients. Gunthard *et al.* [1994]
- CGP 47 439: passive transfer to Hu-PBS-SCID mice confers protection against challenge with homologous cell-free virus – CGP 47 439 is a BAT123-human Ig chimera. Safrit *et al.* [1993]

No. 472

MAb ID polyclonal
HXB2 Location gp160 (304–322)

Author Location (MN)
Epitope RKRIHIGPGRAFYT
Subtype multiple

Neutralizing
Immunogen HIV-1 infection

Species (Isotype) human
Ab Type gp120 V3

References Cheingsong-Popov *et al.* 1992

- The Ab response of 829 HIV-1 infected subjects from eight geographic areas to a set of different V3 peptides was determined by ELISA and cross-inhibition studies – the Ab binding pattern was highly variable, depended on the geographic origin of the sample – 297 sera were tested in a neutralization assay – there was a correlation between Ab binding to the MN V3 loop and MN neutralizing titer, but with neutralization of IIIB or CBL-4. Cheingsong-Popov *et al.* [1992]

No. 473

MAb ID 178.1 (178.1.1)
HXB2 Location gp160 (305–309)
Author Location gp120 (305–309 BH10)
Epitope KSiRI

Neutralizing L
Immunogen vaccine
Vector/Type: protein *Strain:* B clade IIIB
HIV component: Env

Species (Isotype) mouse (IgG2a)
Ab Type gp120 V3

Research Contact C. Thiriart, Smith Kline and MRC AIDS reagent project

References Cook *et al.* 1994; Moore & Ho 1993; Back *et al.* 1993; Thiriart *et al.* 1989

- 178.1: UK Medical Research Council AIDS reagent: ARP331.
- 178.1: MAbs against the glycosphingolipid GalCer block HIV infection of normally susceptible CD4 negative cells from the brain and colon – this MAb can inhibit gp120 binding to GalCer *in vitro* – binding of GalCer to gp120 inhibited but did not completely block MAb binding. Cook *et al.* [1994]
- 178.1: gp41 amino acid substitutions 668 (N/S) and 675 (I/M) in gp41 interfere with 5023s neutralization potency, region 662-675 is ELDKWANLWNWFNI. Back *et al.* [1993]
- 178.1: Called 178.1.1 – conformational, does not bind well to denatured gp120. Moore & Ho [1993]
- 178.1: Reacts to gp120 and gp160 in RIPA EIA and immunoblot. Thiriart *et al.* [1989]

No. 474

MAb ID 257-D (257, 257-2-D-IV, 257-D-IV, 257, 257-2D, 257D, ARP3023)
HXB2 Location gp160 (305–309)
Author Location gp120 (MN)
Epitope KRIHI
Subtype B
Neutralizing L
Immunogen HIV-1 infection
Species (Isotype) human (IgG1λ)
Ab Type gp120 V3

Research Contact Susan Zolla-Pazner (Zolla-Pazner@mcrcr6.med.nyu) (NYU Med. Center)

References Gorny *et al.* 2004; Gorny & Zolla-Pazner 2004; Zhang *et al.* 2002; Vella *et al.* 2002; York *et al.* 2001; Park *et al.* 2000; Nyambi *et al.* 2000; Oggioni *et al.* 1999; Beddows *et al.* 1999; Zolla-Pazner *et al.* 1999b; Zolla-Pazner *et al.* 1999a; Stamatatos & Cheng-Mayer 1998; Gorny *et al.* 1998; Yang *et al.* 1998; LaCasse *et al.* 1998; Hioe *et al.* 1997b; Hill *et al.* 1997; Stamatatos *et al.* 1997; Schutten *et al.* 1997; Schutten *et al.* 1996; Wisniewski *et al.* 1996; Fontenot *et al.* 1995; Schutten *et al.* 1995b; Schutten *et al.* 1995a; Zolla-Pazner *et al.* 1995; D'Souza *et al.* 1995; Stamatatos & Cheng-Mayer 1995; VanCott *et al.* 1994; D'Souza *et al.* 1994; Spear *et al.* 1993; Cavacini *et al.* 1993a; Gorny *et al.* 1993; Karwowska *et al.* 1992b; D'Souza *et al.* 1991; Gorny *et al.* 1991

Keywords antibody binding site definition and exposure, antibody interactions, antibody sequence, variable domain, assay development, binding affinity, co-receptor, complement, enhancing activity, kinetics, review, subtype comparisons, vaccine antigen design, vaccine-specific epitope characteristics, variant cross-recognition or cross-neutralization

- 257-D: UK Medical Research Council AIDS reagent: ARP3023.
- 257-D: NIH AIDS Research and Reference Reagent Program: 1510.
- 257-D: This review provides summaries of Abs that bind to HIV-1 Env. There are many V3 MAbs, many neutralize some TCLA strains, and a subset can also neutralize some primary isolates. Gorny & Zolla-Pazner [2004] (**review**)
- 257-D: Called 257: V3 MAb neutralization is influenced by retaining the epitope, exposure on the intact virion, mobility during CD4-induced conformational change, and affinity. Anti-V3 MAbs selected using V3 peptides do not show as much ability to neutralize as V3 MAbs selected using fusion proteins or gp120, suggesting antigenic conformation is important. 257 was selected using V3 peptides. Gorny *et al.* [2004] (**antibody binding site definition and exposure**)
- 257-D: Called ARP3023: Herpesvirus saimiri-immortalized CD4+ T lymphocytes (HVS T cells) were used to isolate virus and perform HIV-1 neutralization assays, and compared with a standard PBMC protocol – neutralization sensitivities to a panel of MAbs and to homologous or heterologous plasma/sera were similar for HVS T cells (CN-2 cells) and PBMCs. Vella *et al.* [2002] (**assay development**)
- 257-D: A rare mutation in the neutralization sensitive R2-strain in the proximal limb of the V3 region caused Env to become sensitive to neutralization by MAbs directed against the CD4 binding site (CD4BS), CD4-induced (CD4i) epitopes, soluble CD4 (sCD4), and HNS2, a broadly neutralizing sera – 2/12 anti-V3 MAbs tested (19b and 694/98-D) neutralized R2, as did 2/3 anti-CD4BS MAbs (15e and IgG1b12), 2/2 CD4i MAbs (17b and 4.8D), and 2G12 and 2F5 – thus multiple epitopes on R2 are functional targets for neutralization and the neutralization sensitivity profile of R2 is intermediate between the highly

sensitive MN-TCLA strain and the typically resistant MN-primary strain. Zhang *et al.* [2002] (**variant cross-recognition or cross-neutralization**)

- 257-D: Abs against the V3 loop (50.1, 58.2, 59.1, 257-D, 268-D, 447-52D), CD4BS (IgG1b12, 559-64D, F105), CD4i (17b), and to gp41 (2F5, F240) each showed similar binding efficiency to Env derived from related pairs of primary and TCLA lines (primary: 168P and 320SI, and TCLA: 168C and 320SI-C3.3), but the TCLA lines were much more susceptible to neutralization suggesting that the change in TCLA lines that make them more susceptible to NAbs alters some step after binding. York *et al.* [2001]
- 257-D: A panel of 47 human MAbs was tested against 26 HIV-1 group M primary isolates from clades A through H – 19 V3 MAbs were tested, and of 494 combinations, 44% displayed some viral binding – V3 MAbs tended to have the most cross-reactive binding to clade A, B, C, and D isolates, less to E, F, G, and H – 257-D showed intermediate reactivity. Nyambi *et al.* [2000] (**subtype comparisons**)
- 257-D: Called 257D – six mutations in MN change the virus from a high-infectivity neutralization resistant phenotype to low-infectivity neutralization sensitive – V3, CD4BS, and CD4i MAbs are 20-100 fold more efficient at neutralizing the sensitive form – the mutation L544P reduced binding of all MAbs against gp120 by causing conformational changes. Park *et al.* [2000]
- 257-D: rgp120 derived from a R5X4 subtype B virus, HIV-1 W61D, was used to vaccinate healthy volunteers and the resulting sera were compared with sera from HIV-1 positive subjects and neutralizing MAbs – 257-D bound rgp120 W61D but could only neutralize the W61D isolate following T-cell line adaptation. Beddows *et al.* [1999] (**vaccine antigen design, variant cross-recognition or cross-neutralization, vaccine-specific epitope characteristics**)
- 257-D: Study of a live-vector mucosal vaccine that expresses HIV-1 V3 domains using the bacterium *Streptococcus gordonii* which can express heterologous Ag and can colonize the oral cavity and vagina of mice – 268-D and 257-D recognized *S. gordonii* expressing the V3 domain of MN – the vaccine stimulated V3-specific IgG2a in mice. Oggioni *et al.* [1999] (**vaccine antigen design**)
- 257-D: Review of clade specificity and anti-V3 HIV-1-Abs. Zolla-Pazner *et al.* [1999a] (**review, subtype comparisons**)
- 257-D: MAb peptide reactivity pattern clustered with immunological related MAbs: 1108, 386, 268, 311, 257, 694.8 – the amino acids HI tended to be critical for reactivity in this group. Zolla-Pazner *et al.* [1999b] (**antibody binding site definition and exposure**)
- 257-D: Kinetic parameters were measured, and the association rates were similar, but dissociation rate constants were quite variable for V3 MAbs, 257-D has a slow dissociation, thus the highest affinity among V3 MAbs. Gorny *et al.* [1998] (**kinetics, binding affinity**)
- 257-D: A T-cell line-adapted (TCLA) derivative of SI primary isolate 168P acquired the ability to be neutralized by anti-V3 MAbs – the primary isolate could use either CCR5 or CXCR4, and was not neutralized when infection was directed via either pathway, however the TCLA derivative uses CXCR4 only and

- is neutralized. LaCasse *et al.* [1998] (**co-receptor, variant cross-recognition or cross-neutralization**)
- 257-D: Called 257D – deleting the V2 loop of neutralization-resistant HIV-1 isolate SF162 does not abrogate its replication in PBMC or macrophages, but it enhances its neutralization sensitivity to sera from patients with B clade infection up to 170-fold, and also enhances sensitivity to sera from clades A through F – deletion of V1 or V2 did not enable neutralization by V3 MAbs 391-95D or 257D. Stamatatos & Cheng-Mayer [1998] (**vaccine antigen design, subtype comparisons**)
 - 257-D: A neutralization assay was developed based on hemi-nested PCR amplification of the LTR (HNPCR) – LTR-HNPCR consistently revealed HIV DNA and was shown to be a rapid, specific and reliable neutralization assay based on tests with 6 MAbs and 5 isolates. Yang *et al.* [1998] (**assay development**)
 - 257-D: Called 257 – gp120 can inhibit MIP-1alpha from binding to CCR5, but this inhibitory effect is blocked by pre-incubation of gp120 with three anti-V3 MAbs: 447, 257, 1027 – MAb 670 which binds in the C5 region had no effect. Hill *et al.* [1997] (**antibody binding site definition and exposure, co-receptor**)
 - 257-D: Neutralized (>90%) an SI-env chimeric virus and enhanced (>200%) an NSI-env chimeric virus. Schutten *et al.* [1997] (**enhancing activity, variant cross-recognition or cross-neutralization**)
 - 257-D: Binds less extensively than MAb 391-95D on the surface of HIV-1 isolates SF162 and SF128A – neutralizes less potently than 391-95D – stronger neutralization of primary macrophage targets than PBMC. Stamatatos *et al.* [1997] (**variant cross-recognition or cross-neutralization**)
 - 257-D: IIIB neutralizing MAbs *in vitro* fail to neutralize in a mouse model *in vivo*. Schutten *et al.* [1996]
 - 257-D: 257-D is V H5 – V-region heavy chain usage was examined and a bias of enhanced V H1 and V H4, and reduced V H3, was noted among HIV infected individuals. Wisniewski *et al.* [1996] (**antibody sequence, variable domain**)
 - 257-D: Called 257-D-IV – could neutralize MN and closely related JRCSF, but not 2 B subtype and 1 D subtype primary isolates in a multi-laboratory study involving 11 labs. D'Souza *et al.* [1995] (**variant cross-recognition or cross-neutralization, subtype comparisons**)
 - 257-D: Only inhibition of SI phenotype virus, and strong enhancement of NSI phenotype chimeric viruses, that incorporated different envs from the same donor. Schutten *et al.* [1995a] (**enhancing activity, variant cross-recognition or cross-neutralization**)
 - 257-D: Comparable affinity for SI and NSI viruses, in contrast to MAb MN215. Schutten *et al.* [1995b] (**variant cross-recognition or cross-neutralization**)
 - 257-D: The binding of conformation-dependent anti-V2, anti-V3, and anti-CD4BS MAbs to monomeric and virion-associated gp120 from HIV-1 isolates with differences in cell tropism was studied – V3 loop epitopes were less accessible to Ab binding on the virion surface than in the gp120 monomer, particularly for macrophage-tropic isolates SF162 and SF128a, relative to T-cell tropic SF2 – sCD4 association with gp120 better revealed this V3 epitope on TCLA SF2 and dual tropic (MU3) viruses than on macrophage tropic isolates. Stamatatos & Cheng-Mayer [1995] (**antibody binding site definition and exposure, variant cross-recognition or cross-neutralization**)
 - 257-D: In serotyping study using flow-cytometry, bound only to virus with KRIHI. Zolla-Pazner *et al.* [1995] (**antibody binding site definition and exposure, variant cross-recognition or cross-neutralization**)
 - 257-D: Included a multi-lab study for antibody characterization and assay comparison – best NAb against MN, but not IIIB. D'Souza *et al.* [1994] (**variant cross-recognition or cross-neutralization**)
 - 257-D: Potent MN neutralization, slow dissociation constant. VanCott *et al.* [1994] (**binding affinity**)
 - 257-D: Additive MN or SF2 neutralization when combined with CD4 binding site MAb F105 – does not neutralize RF. Cavacini *et al.* [1993a] (**antibody interactions, variant cross-recognition or cross-neutralization**)
 - 257-D: Neutralizes MN – binds SF2: epitope KSIYI – specificity: MN, SF2, NY5, RF. Gorny *et al.* [1993] (**antibody binding site definition and exposure, variant cross-recognition or cross-neutralization**)
 - 257-D: Mediated deposition of complement component C3 on HIV infected cells, enhanced by second Ab binding, rabbit anti-human IgG – complement mediated virolysis of MN, but not in the presence of sCD4. Spear *et al.* [1993] (**complement**)
 - 257-D: Reacts with MN, NY5, CDC4 and SF2, does not cross-react with RF, WM52, or HXB2. Karwowska *et al.* [1992b] (**variant cross-recognition or cross-neutralization**)
 - 257-D: Called 257-2-D-IV – potent neutralizing MAb. D'Souza *et al.* [1991]
- No. 475
- MAb ID** 311-11-D (311-11D, 311, 311D, 311-D)
- HXB2 Location** gp160 (305–313)
- Author Location** gp120 (MN)
- Epitope** KRIHIGP
- Subtype** B
- Neutralizing** L
- Immunogen** HIV-1 infection
- Species (Isotype)** human (IgG1λ)
- Ab Type** gp120 V3
- Research Contact** Susan Zolla-Pazner (Zollas01@mcr6.med.nyu) (NYU Med. Center)
- References** Gorny *et al.* 2004; Gorny & Zolla-Pazner 2004; Nyambi *et al.* 2000; Zolla-Pazner *et al.* 1999b; Zolla-Pazner *et al.* 1999a; Gorny *et al.* 1998; Spear *et al.* 1993; Gorny *et al.* 1993; Gorny *et al.* 1991
- Keywords** antibody binding site definition and exposure, antibody generation, complement, review, subtype comparisons
- 311-11-D: This review provides summaries of Abs that bind to HIV-1 Env. There are many V3 MAbs, many neutralize some TCLA strains, and a subset can also neutralize some primary isolates. Gorny & Zolla-Pazner [2004] (**review**)
 - 311-11-D: Called 311: V3 MAb neutralization is influenced by retaining the epitope, exposure on the intact virion, mobility during CD4-induced conformational change, and affinity. Anti-V3 MAbs selected using V3 peptides do not neutralize as

well as V3 MAbs selected using fusion proteins or gp120, suggesting antigenic conformation is important. 311 was selected using V3 peptides. Gorny *et al.* [2004] (**antibody binding site definition and exposure**)

- 311-11-D: A panel of 47 human MAbs was tested against 26 HIV-1 group M primary isolates from clades A through H – 19 V3 MAbs were tested, and of 494 combinations, 44% displayed some viral binding – V3 MAbs tended to have the most cross-reactive binding to clade A, B, C, and D isolates, less to E, F, G, and H – 311-11-D showed weak reactivity. Nyambi *et al.* [2000] (**subtype comparisons**)
- 311-11-D: Review of clade specificity and anti-V3 HIV-1-Abs. Zolla-Pazner *et al.* [1999a] (**review, subtype comparisons**)
- 311-11-D: MAb peptide reactivity pattern clustered with immunological related MAbs: 1108, 386, 268, 311, 257, 694.8 – the amino acids HI tended to be critical for reactivity in this group. Zolla-Pazner *et al.* [1999b] (**antibody binding site definition and exposure**)
- 311-11-D: Neutralizes MN – binds SF2: KSIYIGP. Gorny *et al.* [1993] (**antibody binding site definition and exposure, antibody generation**)
- 311-11-D: Mediated deposition of complement component C3 on HIV infected cells, enhanced by second Ab binding, rabbit anti-human IgG. Spear *et al.* [1993] (**complement**)

No. 476

MAb ID 41148D

HXB2 Location gp160 (305–313)

Author Location gp120 (MN)

Epitope KRIHIGP

Neutralizing L

Immunogen HIV-1 infection

Species (Isotype) human (IgG1)

Ab Type gp120 V3

References Gorny & Zolla-Pazner 2004; Alsmadi & Tilley 1998; Pinter *et al.* 1993b

Keywords ADCC, review, variant cross-recognition or cross-neutralization

- 41148D: This review provides summaries of Abs that bind to HIV-1 Env. There are many V3 MAbs, many neutralize some TCLA strains, and a subset can also neutralize some primary isolates. 4117C and 41148D are anti-V3 MAbs that neutralize TCLA strains. Gorny & Zolla-Pazner [2004] (**review**)
- 41148D: A study of 6 anti-Env MAbs and their ability to bind or direct ADCC against target cells infected with IIIB, MN, SF-2, and RF – bound and directed lysis against strains IIIB, MN, SF-2, comparable to 4117C, however 41148D is 10x less efficient at neutralization, showing ADCC and neutralization don't always correlate. Alsmadi & Tilley [1998] (**ADCC**)
- 41148D: Neutralizes less potently than 4117C, reacts with MN, IIIB, SF2. Pinter *et al.* [1993b] (**variant cross-recognition or cross-neutralization**)

No. 477

MAb ID 391/95-D (391-95D, 391.5, 391/95D, 391/95)

HXB2 Location gp160 (305–318)

Author Location gp120 (MN)

Epitope KRIHIGPGRAFY

Subtype B

Neutralizing L

Immunogen HIV-1 infection

Species (Isotype) human (IgG1κ)

Ab Type gp120 V3

Research Contact Susan Zolla-Pazner (Zolla-Pazner@mcrcr6.med.nyu) (NYU Med. Center)

References McCaffrey *et al.* 2004; Gorny *et al.* 2004; Gorny & Zolla-Pazner 2004; Zhang *et al.* 2002; Lawson *et al.* 2002; Guillon *et al.* 2002b; Park *et al.* 2000; Ly & Stamatatos 2000; Zolla-Pazner *et al.* 1999b; Zolla-Pazner *et al.* 1999a; Stamatatos & Cheng-Mayer 1998; Stamatatos *et al.* 1997; Seligman *et al.* 1996; Stamatatos & Cheng-Mayer 1995; Fontenot *et al.* 1995; Gorny *et al.* 1993; Gorny *et al.* 1991

Keywords acute/early infection, antibody binding site definition and exposure, co-receptor, enhancing activity, review, subtype comparisons, vaccine antigen design, variant cross-recognition or cross-neutralization

- 391/95-D: This review provides summaries of Abs that bind to HIV-1 Env. There are many V3 MAbs, many neutralize some TCLA strains, and a subset can also neutralize some primary isolates. Gorny & Zolla-Pazner [2004] (**review**)
- 391/95-D: Called 391/95: V3 MAb neutralization is influenced by retaining the epitope, exposure on the intact virion, mobility during CD4-induced conformational change, and affinity. Anti-V3 MAbs selected using V3 peptides do not show as much ability to neutralize as V3 MAbs selected using fusion proteins or gp120, suggesting antigenic conformation is important. 391/95 was selected using V3 peptides. Gorny *et al.* [2004] (**antibody binding site definition and exposure**)
- 391/95-D: Sera from two HIV+ people and a panel of MAbs were used to explore susceptibility to neutralization in the presence or absence of glycans within or adjacent to the V3 loop and within the C2, C4 and V5 regions of HIV-1 SF162 env gp120. The loss of any of the five glycans, within the V3 loop (GM299 V3), C2 (GM292 C2), C3 (GM329 C3), C4 (GM438 C4), or V5 (GM454 V5) made SF162 become sensitive to 391/95-D; SF162 is resistant to 391/95-D neutralization. V3 glycans tended to shield V3 loop, CD4 and co-receptor MAb binding sites, while C4 and V5 glycans shielded V3 loop, CD4, gp41 but not co-receptor MAb binding sites. Selective removal of glycans from a vaccine candidate may enable greater access to neutralization susceptible epitopes. McCaffrey *et al.* [2004] (**antibody binding site definition and exposure, vaccine antigen design**)
- 391/95-D: The affect of Ab binding on infectivity was studied by pseudotyping three related envs with different phenotypes – R5 viruses were preferentially enhanced, not X4 – the V3 region was the main determinant of Ab-mediated enhancement and modulation of the interaction between CCR5 and gp120 is critical – tests with MAbs anti-V3 391/95-D and CD4BS-specific GP68 indicate that Ab specificity did not determine whether or not infectivity was enhanced or neutralized, rather the phenotype was determined by Env conformation. Guillon *et al.* [2002b] (**co-receptor, enhancing activity**)

- 391/95-D: The phenotype and genotype of viral env sequences were studied over a period of seroconversion in one individual – Env trans-complementation demonstrated infectivity of clones derived pre-seroconversion were not influenced by MAb 391/95-D, but post-seroconversion clones were enhanced in the presence of 391/95-D, although the V3 binding region was unchanged – a change in the CD4-binding site was observed (NL43 427 Glu→Lys) to be present in the post-seroconversion 391/95-D enhanced clone (see Guillon *et al.* [2002b]) Lawson *et al.* [2002]. Guillon *et al.* [2002b]; Lawson *et al.* [2002] (**enhancing activity, acute/early infection**)
 - 391/95-D: A rare mutation in the neutralization sensitive R2-strain in the proximal limb of the V3 region caused Env to become sensitive to neutralization by MAbs directed against the CD4 binding site (CD4BS), CD4-induced (CD4i) epitopes, soluble CD4 (sCD4), and HNS2, a broadly neutralizing sera – 2/12 anti-V3 MAbs tested (19b and 694/98-D) neutralized R2, as did 2/3 anti-CD4BS MAbs (15e and IgG1b12), 2/2 CD4i MAbs (17b and 4.8D), and 2G12 and 2F5 – thus multiple epitopes on R2 are functional targets for neutralization and the neutralization sensitivity profile of R2 is intermediate between the highly sensitive MN-TCLA strain and the typically resistant MN-primary strain. Zhang *et al.* [2002] (**antibody binding site definition and exposure, variant cross-recognition or cross-neutralization**)
 - 391/95-D: Called 391-95D – SF162 is a neutralization-resistant HIV-1 isolate – N-linked glycosylation modifications in the V2 loop of the SF162 gp120 revealed that these sites prevent neutralization by CD4BS MAbs (IgG1b12 and IgGCD4), and protect against neutralization by V3 MAbs (447-D and 391-95D) – V2-region glycosylation site mutations did not alter neutralization resistance to V2 MAbs (G3.4 and G3.136) or CD4i MAbs (17b and 48d) – V2 glycosylation site modification allows infection of macrophages, probably due to glycosylated forms requiring fewer CCR5 molecules for viral entry. Ly & Stamatatos [2000] (**antibody binding site definition and exposure**)
 - 391/95-D: Called 391/95D – six mutations in MN change the virus from a high-infectivity neutralization resistant phenotype to low-infectivity neutralization sensitive – V3, CD4BS, and CD4i MAbs are 20-100 fold more efficient at neutralizing the sensitive form – the mutation L544P reduced binding of all MAbs against gp120 by causing conformational changes. Park *et al.* [2000] (**antibody binding site definition and exposure**)
 - 391/95-D: Review of clade specificity and anti-V3 HIV-1-Abs. Zolla-Pazner *et al.* [1999a] (**review, subtype comparisons**)
 - 391/95-D: Called 391.5 – MAb peptide-reactivity pattern clustered with immunological related MAbs: 391.5, 412 and 418, all selected with MN V3 peptide – the core amino acids HIGPGR tended to be critical for reactivity in this group. Zolla-Pazner *et al.* [1999b] (**antibody binding site definition and exposure**)
 - 391/95-D: Called 391-95D – deleting the V2 loop of neutralization-resistant HIV-1 isolate SF162 does not abrogate its replication in PBMC or macrophages, but it enhances its neutralization sensitivity to sera from patients with B clade infection up to 170-fold, and also enhances sensitivity to sera from clades A through F – deletion of V1 or V2 did not enable neutralization by V3 MAbs 391-95D or 257D. Stamatatos & Cheng-Mayer [1998] (**antibody binding site definition and exposure, subtype comparisons**)
 - 391/95-D: Called 391-95D – binds more extensively than MAb 257-D on the surface of HIV-1 isolates SF162 and SF128A – neutralizes more potently than 257-D – stronger neutralization of primary macrophage targets than PBMC – binding post-gp120-sCD4 association related to anti-V3 Abs neutralizing capacity. Stamatatos *et al.* [1997] (**variant cross-recognition or cross-neutralization**)
 - 391/95-D: Competition ELISAs with serial deletions estimated the epitope to be KRIHIGPGRAFHY – unconstrained peptide had higher affinity than cyclic. Seligman *et al.* [1996] (**antibody binding site definition and exposure**)
 - 391/95-D: The binding of conformation-dependent anti-V2, anti-V3, and anti-CD4BS MAbs to monomeric and virion-associated gp120 from HIV-1 isolates with differences in cell tropism was studied – V3 loop epitopes were less accessible to Ab binding on the virion surface than in the gp120 monomer, particularly for macrophage-tropic isolates SF162 and SF128a, relative to T-cell tropic SF2 – sCD4 association with gp120 better revealed this V3 epitope on macrophage tropic and dual tropic (MU3) viruses, but not in TCLA SF2. Stamatatos & Cheng-Mayer [1995] (**antibody binding site definition and exposure**)
 - 391/95-D: Neutralizes MN – binds to SF2, not IIIB. Gorny *et al.* [1993]
- No. 478**
- MAB ID** Aw
- HXB2 Location** gp160 (305–320)
- Author Location** gp120 (Gun-1wt)
- Epitope** KSITIGPGRAFHAI
- Neutralizing L**
- Immunogen** vaccine
- Vector/Type:* peptide *Strain:* Gun-1 *HIV component:* V3
- Species (Isotype)** rat
- Ab Type** gp120 V3
- References** McKnight *et al.* 1995
- Aw: Rat antibodies were raised against V3 peptides that represent either the wildtype (wt), or brain-cell tropic variant (v) of the isolate Gun-1 – Aw gives weak neutralization of both wildtype and v strains. McKnight *et al.* [1995]
- No. 479**
- MAB ID** Bw
- HXB2 Location** gp160 (305–320)
- Author Location** gp120 (Gun-1wt)
- Epitope** KSITIGPGRAFHAI
- Neutralizing L**
- Immunogen** vaccine
- Vector/Type:* peptide *Strain:* Gun-1 *HIV component:* V3
- Species (Isotype)** rat
- Ab Type** gp120 V3
- References** McKnight *et al.* 1995

- Bw: Rat antibodies were raised against V3 peptides that represent either the wildtype (wt), or brain-cell tropic variant (v) of the isolate Gun-1 – Bw gives weak neutralization of only the wildtype strain, does not bind to variant. McKnight *et al.* [1995]

No. 480

MAb ID DO142-10 (DO 142-10)

HXB2 Location gp160 (305–320)

Author Location gp120 (MN)

Epitope KRIHIGPGRAFYTT

Neutralizing L

Immunogen HIV-1 infection

Species (Isotype) human (IgG1)

Ab Type gp120 V3

References Gorny & Zolla-Pazner 2004; Kwong *et al.* 2002; Sullivan *et al.* 1998a; Parren *et al.* 1998a; Parren & Burton 1997; Parren *et al.* 1997b; Ditzel *et al.* 1997; Seligman *et al.* 1996

Keywords antibody binding site definition and exposure, antibody generation, binding affinity, enhancing activity, review, variant cross-recognition or cross-neutralization

- DO124-10: This review provides summaries of Abs that bind to HIV-1 Env. There are many V3 MAbs, many neutralize some TCLA strains, and a subset can also neutralize some primary isolates. DO124-10 neutralizes some TCLA strains. Gorny & Zolla-Pazner [2004] (**variant cross-recognition or cross-neutralization, review**)
- DO124-10: Called D0124. Thermodynamics of binding to gp120 was measured using isothermal titration calorimetry for sCD4, 17b, b12, 48d, F105, 2G12 and C11 to intact YU2 and the HXBc2 core. The free energy of binding was similar, and not only CD4 but MAb ligands induced thermodynamic changes in gp120 that were independent of whether the core or the full gp120 protein was used. Non-neutralizing CD4BS and CD4i MAbs had large entropy contributions to free energy (mean: 26.1 kcal/mol) of binding to the gp120 monomer, except the potent CD4BS neutralizing MAb b6 had a much smaller value of 5.7 kcal/mol. High values suggest surface burial or protein folding and ordering of amino acids. Variable loop MAbs (L17, L78, 19b, 39F, Ag1211, D0142, and G3-2999) MAbs that bind to the N and C termini (211/c, A32, L100, P35, and C11) do not have dramatic entropy changes. These results suggest that while the trimeric Env complex has four surfaces, a non-neutralizing face (occluded on the oligomer), a variable face, a neutralizing face and a silent face (protected by carbohydrate masking), gp120 monomers further protect receptor binding sites by conformational or entropic masking, requiring a large energy handicap for Ab binding not faced by other anti-gp120 Abs. Kwong *et al.* [2002] (**antibody binding site definition and exposure**)
- DO142-10: The rank order of Fab binding affinity to monomeric gp120 (Loop 2 > 3B3 > b12 = DO8i > b11 > b3 > b14 > b13 > DO142-10 > DA48 > L17) was markedly different that Fab binding affinity to the mature oligomeric form (3B3 > b12 > DO142-10 > Loop 2 > b11 > L17 > b6 > DO8i > b14 > DA48 > b3 > b13) and binding to oligomeric form and neutralization were correlated for both Fabs and MAbs – authors suggest that neutralization is determined

by the fraction of Ab sites occupied on a virion irrespective of the epitope. Parren *et al.* [1998a] (**variant cross-recognition or cross-neutralization, binding affinity**)

- DO124-10: The HIV-1 virus YU2 entry can be enhanced by MAbs binding to the CD4BS, V3 loop, and CD4i epitopes – the activation for this enhanced entry state could be conferred on HxB2 by introducing the YU2 V3 loop, or the YU2 V3 and V1/V2 loops – a similar effect is observed by sub-neutralizing concentrations of sCD4 and the effect is dependent of CCR5 – Fab Ab fragment DO124-10 also enhances YU2 entry, ruling out Fc interactions or Env cross-linking as a mechanism – while DO124-10 enhances YU2 entry 6-fold, it neutralizes HXBc2 under identical conditions. Sullivan *et al.* [1998a] (**enhancing activity, variant cross-recognition or cross-neutralization**)
- DO142-10: Phage expression libraries panned against MN peptide were used to select Fab DO142-10 – Fab binds MN gp120, but not a primary isolate rec gp120. Ditzel *et al.* [1997] (**antibody binding site definition and exposure, variant cross-recognition or cross-neutralization**)
- DO142-10: Neutralizes TCLA strains but not primary isolates. Parren *et al.* [1997b] (**variant cross-recognition or cross-neutralization**)
- DO142-10: Binds to gp120 MN and an MN V3 peptide with equal affinity, but binds a consensus B peptide and JRCSF less well, and to IIIB gp120 not at all. Parren & Burton [1997] (**variant cross-recognition or cross-neutralization, binding affinity**)
- DO142-10: Fab fragment – competition ELISAs with serial deletions defined the epitope KRIHIGPGRAFYTT. Seligman *et al.* [1996] (**antibody binding site definition and exposure, antibody generation**)

No. 481

MAb ID Dv

HXB2 Location gp160 (305–320)

Author Location gp120 (Gun-1v)

Epitope KSITIGSGRAFHAI

Neutralizing L

Immunogen vaccine

Vector/Type: peptide *Strain:* Gun-1 *HIV component:* V3

Species (Isotype) rat

Ab Type gp120 V3

References McKnight *et al.* 1995

- Dv: Rat antibodies were raised against V3 peptides that represent either the wildtype (wt), or brain-cell tropic variant (v) of the isolate Gun-1 – neutralization of only the variant strain, does not bind to wildtype. McKnight *et al.* [1995]

No. 482

MAb ID Fv

HXB2 Location gp160 (305–320)

Author Location gp120 (Gun-1v)

Epitope KSITIGSGRAFHAI

Neutralizing L

Immunogen vaccine

Vector/Type: peptide *Strain:* Gun-1 *HIV component:* V3

Species (Isotype) rat

Ab Type gp120 V3

References McKnight *et al.* 1995

- Fv: Rat antibodies were raised against V3 peptides that represent either the wildtype (wt), or brain-cell tropic variant (v) of the isolate Gun-1 – neutralization of only the variant strain, does not bind to wildtype. McKnight *et al.* [1995]

No. 483

MAb ID Gv**HXB2 Location** gp160 (305–320)**Author Location** gp120 (Gun-1v)**Epitope** KSITIGSGRAFHAI**Neutralizing** L**Immunogen** vaccine*Vector/Type:* peptide *Strain:* Gun-1 *HIV component:* V3**Species (Isotype)** rat**Ab Type** gp120 V3**References** McKnight *et al.* 1995

- Gv: Rat antibodies were raised against V3 peptides that represent either the wildtype (wt), or brain-cell tropic variant (v) of the isolate Gun-1 – neutralization of only the variant strain, does not bind to wildtype. McKnight *et al.* [1995]

No. 484

MAb ID Hv**HXB2 Location** gp160 (305–320)**Author Location** gp120 (Gun-1v)**Epitope** KSITIGSGRAFHAI**Neutralizing** L**Immunogen** vaccine*Vector/Type:* peptide *Strain:* Gun-1 *HIV component:* V3**Species (Isotype)** rat**Ab Type** gp120 V3**References** McKnight *et al.* 1995

- Hv: Rat antibodies were raised against V3 peptides that represent either the wildtype (wt), or brain-cell tropic variant (v) of the isolate Gun-1 – neutralization of only the variant strain, does not bind to wildtype. McKnight *et al.* [1995]

No. 485

MAb ID polyclonal**HXB2 Location** gp160 (305–322)**Author Location** gp140 (SF162)**Epitope** KSITIGPGRAFYATGD**Neutralizing** yes**Immunogen** vaccine*Vector/Type:* DNA with CMV promotor
Strain: B clade SF162 *HIV component:* gp140
Adjuvant: MF59**Species (Isotype)** macaque, rabbit (IgG)**Ab Type** gp120 V3**References** Barnett *et al.* 2001

- SF162ΔV2 is a virus that has a 30 amino acids deletion in the V2 loop that does not abrogate its infectivity but renders it highly susceptible to neutralization – when incorporated into a codon-optimized DNA vaccine with a CMV promoter, delivered by gene gun, SF162Δ2 gave higher neutralizing Ab titers against SF162 than did SF162 itself, and Abs that cross-neutralized non-homologous primary isolates were obtained

only when SF162ΔV2, but not intactSF162, was used as the immunogen – NAbs titers specific for SF162 increased with multiple immunizations, while titers for non-homologous isolates decreased, but anti-V3 peptide binding Abs were not likely the source of this distinction because anti-V3 titers were much lower than those against the entire envelope, and the second booster immunization did not increase the titer of anti-V3 loop Abs. Barnett *et al.* [2001]

No. 486

MAb ID 50.1 (R/V3-50.1, Fab 50.1)**HXB2 Location** gp160 (306–310)**Author Location** gp120 (MN)**Epitope** RIHIG**Neutralizing** L**Immunogen** vaccine*Vector/Type:* peptide *Strain:* B clade MN
HIV component: V3**Species (Isotype)** mouse (IgG1κ)**Ab Type** gp120 V3**Research Contact** Mary White-Scharf, Repligen Corporation, Cambridge, MA**References** Zhang *et al.* 2002; York *et al.* 2001; Park *et al.* 2000; Hoffman *et al.* 1999; Stanfield *et al.* 1999; LaCasse *et al.* 1998; Berman *et al.* 1997; Seligman *et al.* 1996; Fontenot *et al.* 1995; VanCott *et al.* 1995; Moore *et al.* 1994b; Robert-Guroff *et al.* 1994; VanCott *et al.* 1994; Bou-Habib *et al.* 1994; Rini *et al.* 1993; Ghiara *et al.* 1993; Potts *et al.* 1993; White-Scharf *et al.* 1993; D'Souza *et al.* 1991

- 50.1: NIH AIDS Research and Reference Reagent Program: 1289.
- 50.1: Called R/V3-50.1 – A rare mutation in the neutralization sensitive R2-strain in the proximal limb of the V3 region caused Env to become sensitive to neutralization by MAbs directed against the CD4 binding site (CD4BS), CD4-induced (CD4i) epitopes, soluble CD4 (sCD4), and HNS2, a broadly neutralizing sera – 2/12 anti-V3 MAbs tested (19b and 694/98-D) neutralized R2, as did 2/3 anti-CD4BS MAbs (15e and IgG1b12), 2/2 CD4i MAbs (17b and 4.8D), and 2G12 and 2F5 – thus multiple epitopes on R2 are functional targets for neutralization and the neutralization sensitivity profile of R2 is intermediate between the highly sensitive MN-TCLA strain and the typically resistant MN-primary strain. Zhang *et al.* [2002]
- 50.1: Abs against the V3 loop (50.1, 58.2, 59.1, 257-D, 268-D, 447-52D), CD4BS (IgG1b12, 559-64D, F105), CD4i (17b), and to gp41 (2F5, F240) each showed similar binding efficiency to Env derived from related pairs of primary and TCLA lines (primary: 168P and 320SI, and TCLA: 168C and 320SI-C3.3), but the TCLA lines were much more susceptible to neutralization suggesting that the change in TCLA lines that make them more susceptible to NAbs alters some step after binding – the dissociation constant, Kd of 50.1 for the cell associated primary and TCLA Envs was equal, 7nM. York *et al.* [2001]
- 50.1: Called R/V3-50.1 – six mutations in MN change the virus from a high-infectivity neutralization resistant phenotype to low-infectivity neutralization sensitive – V3, CD4BS, and CD4i MAbs are 20-100 fold more efficient at neutralizing the

sensitive form – the mutation L544P reduced binding of all MAbs against gp120 by causing conformational changes – 50.1 could only neutralize the sensitive form. Park *et al.* [2000]

- 50.1: The crystal structure of V3 loop peptides bound to Fabs was obtained – conformational changes in the tip of the V3 loop (GPGR) were observed when different Fabs were bound. Stanfield *et al.* [1999]
- 50.1: A T-cell line-adapted (TCLA) derivative of SI primary isolate 168P acquired the ability to be neutralized by anti-V3 MAbs – the primary isolate could use either CCR5 or CXCR4, and was not neutralized when infection was directed via either pathway, however the TCLA derivative uses CXCR4 only and is neutralized. LaCasse *et al.* [1998]
- 50.1: Binds to 6/7 isolates from breakthrough cases from a MN gp120 vaccine trial. Berman *et al.* [1997]
- 50.1: Competition ELISAs with serial deletions produced comparable estimate of epitope length to crystal structure and alanine substitution – KRIHIGP. Seligman *et al.* [1996]
- 50.1: Used to monitor HIV-1 Env expression in infected H9 cells. VanCott *et al.* [1995]
- 50.1: No neutralization of primary isolate JR-CSF – greater affinity for and neutralization of T cell tropic strain T-CSF, derived from JR-CSF. Bou-Habib *et al.* [1994]
- 50.1: Shows modest cross-reactivity among B clade gp120s, little outside B clade. Moore *et al.* [1994b]
- 50.1: Chimeric MN V3 loop in an HXB2 background allows increased FACS signal, Ab affinity, and viral neutralization. Robert-Guroff *et al.* [1994]
- 50.1: Potent MN neutralization, slow dissociation rate. VanCott *et al.* [1994]
- 50.1: Crystal structure of a 24 amino acid peptide from the V3 loop bound to 59.1 and 50.1 Fab fragments – epitope KRIHIGP. Ghiara *et al.* [1993]
- 50.1: No synergistic neutralization of MN when combined with CD4BS MAb F105 – isotype stated to be IgG2a. Potts *et al.* [1993]
- 50.1: Crystal structure of V3 loop bound to 50.1 – light chain binds just to the left of GPG, heavy chain binds further to the left. Rini *et al.* [1993]
- 50.1: Epitope defined by peptide reactivity and changes affinity with amino acid substitutions – epitope RIHIGP. White-Scharf *et al.* [1993]
- 50.1: Called R/V3-50.1 – potent neutralizing of lab strains. D'Souza *et al.* [1991]

No. 487

MAb ID

HXB2 Location gp160 (306–322)

Author Location gp160

Epitope RIRPGRAFVTIGK

Subtype B

Neutralizing

Immunogen vaccine

Vector/Type: influenza *Strain:* B clade IIIB

HIV component: V3

Species (Isotype) human (IgA, IgG)

Ab Type gp120 V3

References Garulli *et al.* 2004

Keywords mucosal immunity

- Progesterone-treated BALB/c mice were intravaginally infected with recombinant influenza A virus (Flu/P18IIIB), expressing the immunodominant CTL epitope (P18IIIB, RIRPGRAFVTIGK, H-2Dd). A second immunization administered 2 weeks after the first doubled serum IgG levels and enabled detection of vaginal IgG. Low levels of vaginal IgA were detected in some animals. Garulli *et al.* [2004] (**mucosal immunity**)

No. 488

MAb ID BAT123 (BAT-123, CGP 47 439)

HXB2 Location gp160 (306–322)

Author Location gp120 (308–322 HXB2)

Epitope RIRIQRGPGRAFVTIGK

Subtype B

Neutralizing L

Immunogen vaccine

Vector/Type: inactivated HIV *Strain:* B

clade IIIB *HIV component:* HIV-1

Species (Isotype) mouse (IgG1κ)

Ab Type gp120 V3

Research Contact Tanox Biosystems Inc and David Ho, ADARC, NY

References Gauduin *et al.* 1998; Parren *et al.* 1998a; Andrus *et al.* 1998; Poignard *et al.* 1996a; Sattentau & Moore 1995; Gauduin *et al.* 1995; Pirofski *et al.* 1993; Thali *et al.* 1993; Safrit *et al.* 1993; Moore & Ho 1993; Fung *et al.* 1990; Liou *et al.* 1989; Fung *et al.* 1987

- BAT123: CGP 47 439 is a BAT123 chimera that has a human IgG1 Fc domain.
- BAT123: Post-exposure prophylaxis was effective when MAb 694/98-D was delivered 15 min post-exposure to HIV-1 LAI in hu-PBL-SCID mice, but declined to 50% if delivered 60 min post-exposure, and similar time constraints have been observed for HIVIG, 2F5 and 2G12, in contrast to MAb BAT123 that could protect delivered 4 hours post infection. Andrus *et al.* [1998]
- BAT123: Post-exposure passive transfer of murine BAT123 can confer protection to hu-PBL-SCID mice challenged with HIV-1 LAI – this protection is not elicited by CGP 47 439, a BAT123 chimera that has a human IgG1 Fc domain, suggesting that the protection is mediated by complement – the protective ability of BAT123 is lost when mice were treated with cobra venom factor, which inactivates serum complement – IgG1 does not fix complement efficiently so an IgG2 MAb might perform better. Gauduin *et al.* [1998]
- BAT123: The MAb and Fab binding to the oligomeric form of gp120 and neutralization were highly correlated – authors suggest that neutralization is determined by the fraction of Ab sites occupied on a virion irrespective of the epitope. Parren *et al.* [1998a]
- BAT123: Epitope described as RGPGRFVTIGK – V3 MAbs 9284, BAT123, 110.5, and 110.I could each significantly increase gp120 dissociation from virus (BAT123 less so than the others), mimicking sCD4, and expose the gp41 epitope for MAb 50-69, in contrast to anti-V2 MAbs. Poignard *et al.* [1996a]
- BAT123: Passive transfer of BAT123 to hu-PBL-SCID mice 1 hour prior to inoculation with HIV-1 LAI, or up to four hours

post-exposure, could protect mice from infection – the protection, like the MAb, was specific for the viral strain LAI. Gauduin *et al.* [1995]

- BAT123: Binds with high affinity to monomer and oligomer, rapid association and potent neutralization of lab strain. Satten-tau & Moore [1995]
- BAT123: Called BAT-123 – conformational, does not bind well to denatured gp120 – not reactive with SF-2 gp120 – does not inhibit HIV-1 sera from binding to IIIB gp120. Moore & Ho [1993]
- BAT123: Variable region sequenced – heavy chain: V 3660-SB32, D unknown, J H3 – light chain: V kappa21, J kappa2. Pirofski *et al.* [1993]
- BAT123: Passive transfer to Hu-PBS-SCID mice confers protection against challenge with homologous cell-free virus. Safrit *et al.* [1993]
- BAT123: Anti-idiotypic MAb, AB19-4i, stimulates anti-anti-ID which neutralizes MN and IIIB. Fung *et al.* [1990]

No. 489

MAb ID 838-D (838)

HXB2 Location gp160 (307–311)

Author Location Env (RF)

Epitope KSITK

Subtype B

Neutralizing L

Immunogen HIV-1 infection

Species (Isotype) human (IgG1 λ)

Ab Type gp120 V3

Research Contact Susan Zolla-Pazner (Zolla-Pazner@mcrcr6.med.nyu) (NYU Med. Center)

References Gorny *et al.* 2004; Gorny & Zolla-Pazner 2004; Zhang *et al.* 2002; He *et al.* 2002; Nyambi *et al.* 2000; Gorny *et al.* 2000; Zolla-Pazner *et al.* 1999b; Zolla-Pazner *et al.* 1999a; Nyambi *et al.* 1998; Hioe *et al.* 1997b; Gorny *et al.* 1997

Keywords antibody binding site definition and exposure, antibody generation, review, subtype comparisons, variant cross-recognition or cross-neutralization

- 838-D: This review provides summaries of Abs that bind to HIV-1 Env. There are many V3 MAbs, many neutralize some TCLA strains, and a subset can also neutralize some primary isolates. Gorny & Zolla-Pazner [2004] (**variant cross-recognition or cross-neutralization, review**)
- 838-D: Called 838: V3 MAb neutralization is influenced by retaining the epitope, exposure on the intact virion, mobility during CD4-induced conformational change, and affinity. Anti-V3 MAbs selected using V3 peptides neutralize less effectively than V3 MAbs selected using fusion proteins or gp120, suggesting antigenic conformation is important. This MAb was selected using V3 peptides. Gorny *et al.* [2004] (**antibody binding site definition and exposure**)
- 838-D: Called 838 – Transgenic mice carrying human genes allowing production of fully human MAbs were used to rapidly create a panel of anti-HIV gp120 MAb producing hybridomas by immunization with HIV SF162 gp120 – the previously described human MAbs 5145A(CD4BS), 4117C (plus others, V3) and 697D (and SC258, V2) were used as controls. He *et al.* [2002]
- 838-D: A rare mutation in the neutralization sensitive R2-strain in the proximal limb of the V3 region caused Env to become sensitive to neutralization by MAbs directed against the CD4 binding site (CD4BS), CD4-induced (CD4i) epitopes, soluble CD4 (sCD4), and HNS2, a broadly neutralizing sera – 2/12 anti-V3 MAbs tested (19b and 694/98-D) neutralized R2, as did 2/3 anti-CD4BS MAbs (15e and IgG1b12), 2/2 CD4i MAbs (17b and 4.8D), and 2G12 and 2F5 – thus multiple epitopes on R2 are functional targets for neutralization and the neutralization sensitivity profile of R2 is intermediate between the highly sensitive MN-TCLA strain and the typically resistant MN-primary strain. Zhang *et al.* [2002]
- 838-D: Binding of panel of 21 MAbs to soluble oligomeric gp140 versus gp41 or gp120 monomers was compared – no MAb was oligomer specific, though anti-V3 and CD4BS MAbs reacted better with the oligomer and V2 and C5 tended to favor the monomer – V3 MAbs 447-52D, 838-D, and 1334 bound with a 7-10 fold preference for the oligomer. Gorny *et al.* [2000] (**antibody binding site definition and exposure, variant cross-recognition or cross-neutralization**)
- 838-D: A panel of 47 human MAbs was tested against 26 HIV-1 group M primary isolates from clades A through H – 19 V3 MAbs were tested, and of 494 combinations, 44% displayed some viral binding – V3 MAbs tended to have the most cross-reactive binding to clade A, B, C, and D isolates, less to E, F, G, and H – 838-D showed intermediate reactivity. Nyambi *et al.* [2000] (**subtype comparisons**)
- 838-D: Review of clade specificity and anti-V3 HIV-1-Abs – this Ab showed strong binding to many A, B, C and F peptides, poor binding to D and E. Zolla-Pazner *et al.* [1999a] (**review, subtype comparisons**)
- 838-D: MAb peptide-reactivity pattern clustered with immunological related MAbs: 838, 782, 1027, 908, and 1006, all selected with RF V3 peptide – the core amino acids KSITK tended to be critical for reactivity in this group. Zolla-Pazner *et al.* [1999b] (**antibody binding site definition and exposure**)
- 838-D: Using a whole virion-ELISA method, 18 human MAbs were tested for their ability to bind to a panel of 9 viruses from clades A, B, D, F, G, and H – 838-D bound B clade virions but had limited cross-reactivity with other clades, with low levels of binding to A and D virions. Nyambi *et al.* [1998] (**subtype comparisons**)
- 838-D: Five human MAbs against were derived from HIV-infected North American subjects after selection by the V3 RF peptide – 838-D was cross-reactive with V3 peptides from clade A and C, and could bind to 5/8 B clade V3 peptides – 50% neutralization of RF was obtained. Gorny *et al.* [1997] (**antibody generation, variant cross-recognition or cross-neutralization, subtype comparisons**)
- 838-D: Four primary isolates showed distinct patterns of sensitivity to neutralization by polyclonal sera or plasma and MAbs – BZ167 was the only isolate inhibited by all polyclonal sera and plasma tested, and was also neutralized by 8/17 MAbs, in particular anti-V3 loop (419-D, 447-52D, 782-D, and 838-D), anti-CD4bd (559/64-D, 654-D and 830-D and a cluster II of gp41 directed MAb (98-6) – isolates 92HT593 and 91US056

were neutralized by V3 loop (419-D, and 447-52D) and cluster II gp41 (98-6) MAbs at higher concentrations – US4 was neutralized by some of the polyclonal sera/plasma tested and not at all by MAbs individually or by a cocktail of ten MAbs consisting of 419-D, 447-52D, 782-D, 838-D, 559/64-D, 654-D, 450-D, 670-D, 1281-D and 98-6. Hioe *et al.* [1997b] (**variant cross-recognition or cross-neutralization**)

No. 490
MAB ID 1006-15D (1006)
HXB2 Location gp160 (307–312)
Author Location gp120 (RF)
Epitope KSITKG
Subtype B
Neutralizing no
Immunogen HIV-1 infection
Species (Isotype) human (IgG1 λ)
Ab Type gp120 V3
Research Contact Susan Zolla-Pazner (Zollas01@mrcrcr6.med.nyu) (NYU Med. Center)
References Gorny *et al.* 2004; Gorny & Zolla-Pazner 2004; He *et al.* 2002; Nyambi *et al.* 2000; Zolla-Pazner *et al.* 1999b; Zolla-Pazner *et al.* 1999a; Gorny *et al.* 1997
Keywords antibody binding site definition and exposure, antibody generation, review, subtype comparisons

- 1006-15D: This review provides summaries of Abs that bind to HIV-1 Env. There are many V3 MAbs, many neutralize some TCLA strains, and a subset can also neutralize some primary isolates. Gorny & Zolla-Pazner [2004] (**review**)
- 1006-15D: Called 1006-15: V3 MAb neutralization is influenced by retaining the epitope, exposure on the intact virion, mobility during CD4-induced conformational change, and affinity. Anti-V3 MAbs selected using V3 peptides neutralize less effectively than V3 MAbs selected using fusion proteins or gp120, suggesting antigenic conformation is important. This MAb was selected using V3 peptides. Gorny *et al.* [2004] (**antibody binding site definition and exposure**)
- 1006-15D: Called 1006 – Transgenic mice carrying human genes allowing production of fully human MAbs were used to rapidly create a panel of anti-HIV gp120 MAb producing hybridomas by immunization with HIV SF162 gp120 – the previously described human MAbs 5145A(CD4BS), 4117C (plus others, V3) and 697D (and SC258, V2) were used as controls. He *et al.* [2002]
- 1006-15D: A panel of 47 human MAbs was tested against 26 HIV-1 group M primary isolates from clades A through H – 19 V3 MAbs were tested, and of 494 combinations, 44% displayed some viral binding – V3 MAbs tended to have the most cross-reactive binding to clade A, B, C, and D isolates, less to E, F, G, and H – 1006-15D showed strong cross-reactivity. Nyambi *et al.* [2000] (**subtype comparisons**)
- 1006-15D: Review of clade specificity and anti-V3 HIV-1-Abs – this Ab showed strong binding to several B and F peptides, one C peptide, and some reactivity with A peptides – no binding was observed with D and E peptides. Zolla-Pazner *et al.* [1999a] (**review, subtype comparisons**)

- 1006-15D: MAb peptide-reactivity pattern clustered with immunological related MAbs: 838, 782, 1027, 908, and 1006, all selected with RF V3 peptide – the core amino acids KSITK tended to be critical for reactivity in this group. Zolla-Pazner *et al.* [1999b] (**antibody binding site definition and exposure**)
- 1006-15D: Five human MAbs against were derived from HIV-infected North American subjects after selection by the V3 RF peptide – was somewhat cross-reactive with V3 peptides from clade A, C and other B clade V3 peptides, but not E clade. Gorny *et al.* [1997] (**antibody generation, subtype comparisons**)

No. 491
MAB ID 782-D (782)
HXB2 Location gp160 (307–312)
Author Location Env (RF)
Epitope KSITKG
Subtype B
Neutralizing L
Immunogen HIV-1 infection
Species (Isotype) human (IgG1 λ)
Ab Type gp120 V3
Research Contact Susan Zolla-Pazner (Zollas01@mrcrcr6.med.nyu) (NYU Med. Center)
References Gorny *et al.* 2004; Gorny & Zolla-Pazner 2004; Nyambi *et al.* 2000; Zolla-Pazner *et al.* 1999b; Zolla-Pazner *et al.* 1999a; Hioe *et al.* 1997b; Gorny *et al.* 1997
Keywords antibody binding site definition and exposure, antibody generation, review, subtype comparisons, variant cross-recognition or cross-neutralization

- 782-D: This review provides summaries of Abs that bind to HIV-1 Env. There are many V3 MAbs, many neutralize some TCLA strains, and a subset can also neutralize some primary isolates. Gorny & Zolla-Pazner [2004] (**variant cross-recognition or cross-neutralization, review**)
- 782-D: Called 782: V3 MAb neutralization is influenced by retaining the epitope, exposure on the intact virion, mobility during CD4-induced conformational change, and affinity. Anti-V3 MAbs selected using V3 peptides neutralize less effectively than V3 MAbs selected using fusion proteins or gp120, suggesting antigenic conformation is important. This MAb was selected using V3 peptides. Gorny *et al.* [2004] (**antibody binding site definition and exposure**)
- 782-D: A panel of 47 human MAbs was tested against 26 HIV-1 group M primary isolates from clades A through H – 19 V3 MAbs were tested, and of 494 combinations, 44% displayed some viral binding – V3 MAbs tended to have the most cross-reactive binding to clade A, B, C, and D isolates, less to E, F, G, and H – 782-D showed intermediate reactivity. Nyambi *et al.* [2000] (**subtype comparisons**)
- 782-D: Review of clade specificity and anti-V3 HIV-1-Abs – this Ab showed strong binding to several B and F peptides, one C peptide, and some reactivity with A and D peptides. Zolla-Pazner *et al.* [1999a] (**variant cross-recognition or cross-neutralization, review, subtype comparisons**)

- 782-D: MAb peptide-reactivity pattern clustered with immunological related MAbs: 838, 782, 1027, 908, and 1006, all selected with RF V3 peptide – the core amino acids KSITK tended to be critical for reactivity in this group. Zolla-Pazner *et al.* [1999b] (**antibody binding site definition and exposure**)
- 782-D: Five human MAbs against were derived from HIV-infected North American subjects after selection by the V3 RF peptide – 782-D was not cross-reactive with V3 peptides from clade A or E, but could bind to 3/8 B clade V3 peptides, and 1/2 C clade V3 peptides – 50% neutralization of RF was obtained. Gorny *et al.* [1997] (**antibody generation, variant cross-recognition or cross-neutralization, subtype comparisons**)
- 782-D: Four primary isolates showed distinct patterns of sensitivity to neutralization by polyclonal sera or plasma and MAbs – BZ167 was the only isolate inhibited by all polyclonal sera and plasma tested, and was also neutralized by 8/17 MAbs, in particular anti-V3 loop (419-D, 447-52D, 782-D, and 838-D), anti-CD4bd (559/64-D, 654-D and 830-D and a cluster II of gp41 directed MAb (98-6) – isolates 92HT593 and 91US056 were neutralized by V3 loop (419-D, and 447-52D) and cluster II gp41 (98-6) MAbs at higher concentrations – US4 was neutralized by some of the polyclonal sera/plasma tested and not at all by MAbs individually or by a cocktail of ten MAbs consisting of 419-D, 447-52D, 782-D, 838-D, 559/64-D, 654-D, 450-D, 670-D, 1281-D and 98-6. Hioe *et al.* [1997b] (**variant cross-recognition or cross-neutralization**)

No. 492

MAb ID 908-D (908, 908-12D)

HXB2 Location gp160 (307–312)

Author Location gp120 (RF)

Epitope KSITKG

Subtype B

Neutralizing L

Immunogen HIV-1 infection

Species (Isotype) human (IgG1λ)

Ab Type gp120 V3

Research Contact Susan Zolla-Pazner (Zollas01@mccr6.med.nyu) (NYU Med. Center)

References Gorny *et al.* 2004; Gorny & Zolla-Pazner 2004; Nyambi *et al.* 2000; Zolla-Pazner *et al.* 1999b; Zolla-Pazner *et al.* 1999a; Gorny *et al.* 1997

Keywords antibody binding site definition and exposure, antibody generation, review, subtype comparisons

- 908-D: This review provides summaries of Abs that bind to HIV-1 Env. There are many V3 MAbs, many neutralize some TCLA strains, and a subset can also neutralize some primary isolates. Gorny & Zolla-Pazner [2004] (**review**)
- 908-D: Called 908: V3 MAb neutralization is influenced by retaining the epitope, exposure on the intact virion, mobility during CD4-induced conformational change, and affinity. Anti-V3 MAbs selected using V3 peptides neutralize less effectively than V3 MAbs selected using fusion proteins or gp120, suggesting antigenic conformation is important. This MAb was

selected using V3 peptides. Gorny *et al.* [2004] (**antibody binding site definition and exposure**)

- 908-D: A panel of 47 human MAbs was tested against 26 HIV-1 group M primary isolates from clades A through H – 19 V3 MAbs were tested, and of 494 combinations, 44% displayed some viral binding – V3 MAbs tended to have the most cross-reactive binding to clade A, B, C, and D isolates, less to E, F, G, and H – 908-D showed strong cross-reactivity, but achieved only 50% neutralization on 2/5 isolates tested. Nyambi *et al.* [2000] (**subtype comparisons**)
- 908-D: Review of clade specificity and anti-V3 HIV-1-Abs – this Ab showed strong binding to several A, B, C and F peptides, and poor binding to E and D peptides. Zolla-Pazner *et al.* [1999a] (**review, subtype comparisons**)
- 908-D: MAb peptide-reactivity pattern clustered with immunological related MAbs: 838, 782, 1027, 908, and 1006, all selected with RF V3 peptide – the core amino acids KSITK tended to be critical for reactivity in this group. Zolla-Pazner *et al.* [1999b] (**antibody binding site definition and exposure**)
- 908-D: Five human MAbs against were derived from HIV-infected North American subjects after selection by the V3 RF peptide – 908-D was not cross-reactive with V3 peptides from clade E, but could bind to 6/8 B clade V3 peptides, 2/4 A clade, and 1/2 C clade – 50% neutralization of RF was obtained. Gorny *et al.* [1997] (**antibody binding site definition and exposure, antibody generation, subtype comparisons**)

No. 493

MAb ID 1027-15D (1027, 1027-D, 1027D, 1027-15)

HXB2 Location gp160 (307–313)

Author Location Env (RF)

Epitope KSITKGP

Subtype B

Neutralizing no

Immunogen HIV-1 infection

Species (Isotype) human (IgG1λ)

Ab Type gp120 V3

Research Contact Susan Zolla-Pazner (Zollas01@mccr6.med.nyu) (NYU Med. Center)

References Gorny *et al.* 2004; Gorny & Zolla-Pazner 2004; Zhang *et al.* 2002; Nyambi *et al.* 2000; Zolla-Pazner *et al.* 1999b; Zolla-Pazner *et al.* 1999a; Gorny *et al.* 1997

Keywords antibody binding site definition and exposure, antibody generation, review, subtype comparisons

- 1027-15D: This review provides summaries of Abs that bind to HIV-1 Env. There are many V3 MAbs, many neutralize some TCLA strains, and a subset can also neutralize some primary isolates. Gorny & Zolla-Pazner [2004] (**review**)
- 1027-15S: Called 1027-15: V3 MAb neutralization is influenced by retaining the epitope, exposure on the intact virion, mobility during CD4-induced conformational change, and affinity. Anti-V3 MAbs selected using V3 peptides neutralize less effectively than V3 MAbs selected using fusion proteins or gp120, suggesting antigenic conformation is important. This MAb was selected using V3 peptides. Gorny *et al.* [2004] (**antibody binding site definition and exposure**)

- 1027-15D: Called 1027-D – A rare mutation in the neutralization sensitive R2-strain in the proximal limb of the V3 region caused Env to become sensitive to neutralization by MAbs directed against the CD4 binding site (CD4BS), CD4-induced (CD4i) epitopes, soluble CD4 (sCD4), and HNS2, a broadly neutralizing sera – 2/12 anti-V3 MAbs tested (19b and 694/98-D) neutralized R2, as did 2/3 anti-CD4BS MAbs (15e and IgG1b12), 2/2 CD4i MAbs (17b and 4.8D), and 2G12 and 2F5 – thus multiple epitopes on R2 are functional targets for neutralization and the neutralization sensitivity profile of R2 is intermediate between the highly sensitive MN-TCLA strain and the typically resistant MN-primary strain. Zhang *et al.* [2002] (**antibody binding site definition and exposure**)
- 1027-15D: A panel of 47 human MAbs was tested against 26 HIV-1 group M primary isolates from clades A through H – 19 V3 MAbs were tested, and of 494 combinations, 44% displayed some viral binding – V3 MAbs tended to have the most cross-reactive binding to clade A, B, C, and D isolates, less to E, F, G, and H – 1027-15D showed strong cross-reactivity. Nyambi *et al.* [2000] (**subtype comparisons**)
- 1027-15D: Review of clade specificity and anti-V3 HIV-1-Abs – this Ab showed moderate binding to several B and F peptides, one C peptide, and was not reactivity with A, D and E peptides. Zolla-Pazner *et al.* [1999a] (**review, subtype comparisons**)
- 1027-15D: MAb peptide-reactivity pattern clustered with immunological related MAbs: 838, 782, 1027, 908, and 1006, all selected with RF V3 peptide – the core amino acids KSITK tended to be critical for reactivity in this group. Zolla-Pazner *et al.* [1999b] (**antibody binding site definition and exposure**)
- 1027-15D: Five human MAbs against were derived from HIV-infected North American subjects after selection by the V3 RF peptide – 1027-15D was not cross-reactive with V3 peptides from clade A or E, but could bind to 3/8 B clade V3 peptides, and 1/2 C clade V3 peptides. Gorny *et al.* [1997] (**antibody binding site definition and exposure, antibody generation, subtype comparisons**)

No. 494

MAb ID F19.26-4

HXB2 Location gp160 (307–319)

Author Location gp120 (312–324 LAI)

Epitope IRIQRGPGRAFVT

Subtype B

Neutralizing L

Immunogen vaccine

Vector/Type: protein *Strain:* B clade IIIB*HIV component:* gp120**Species (Isotype)** mouse (IgG2aκ)**Ab Type** gp120 V3**References** Boudet *et al.* 1994

- F19.26-4: Strain specific – used to raise anti-idiotypic antibodies. Boudet *et al.* [1994]

No. 495

MAb ID F19.48-3

HXB2 Location gp160 (307–319)

Author Location gp120 (312–324 LAI)

Epitope IRIQRGPGRAFVT

Subtype B

Neutralizing L**Immunogen** vaccine*Vector/Type:* protein *Strain:* B clade IIIB*HIV component:* gp120**Species (Isotype)** mouse (IgG2aκ)**Ab Type** gp120 V3**References** Boudet *et al.* 1994

- F19.48-3: Strain specific – used to raise anti-idiotypic antibodies. Boudet *et al.* [1994]

No. 496

MAb ID F19.57-11

HXB2 Location gp160 (307–319)

Author Location gp120 (312–324 LAI)

Epitope IRIQRGPGRAFVT

Subtype B

Neutralizing L (LAI)

Immunogen vaccine

Vector/Type: protein *Strain:* B clade IIIB*HIV component:* gp120**Species (Isotype)** mouse (IgG1κ)**Ab Type** gp120 V3**References** Boudet *et al.* 1995; Boudet *et al.* 1994; Boudet *et al.* 1991

- F19.57-11: Anti-anti-idiotypic antibodies (Ab3) were raised in BALBc mice that had greater breadth of reactivity than the original F19.57-11 (Ab3 could also recognize I282 and SF2, with aa TRK(R or S)IYIGPGRA(WY or FH)T) Boudet *et al.* [1995]
- F19.57-11: MAb F19.57-11 is strain specific for LAI – used to raise anti-idiotypic rabbit antibodies (called 57-B Ab2) Boudet *et al.* [1994]

No. 497

MAb ID 13105100

HXB2 Location gp160 (307–320)

Author Location gp120 (HXB2)

Epitope IRIQRGPGRAFVTI

Subtype B

Neutralizing

Immunogen vaccine

Vector/Type: peptide *Strain:* B clade IIIB*HIV component:* V3**Species (Isotype)** mouse (IgG1)**Ab Type** gp120 V3**Research Contact** ABI, Columbia, MD**References** Dairou *et al.* 2004**Keywords** antibody binding site definition and exposure

- 13105100: This MAb was raised against the peptide IRIQRGPGRAFVTI, located within the V3 loop flanking the GPGR apical motif. Two MAbs were used to determine the photo-damage location in HIV-1 Env induced by sulfonated anionic porphyrins. The negatively charged porphyrins interact with positive charge in the V3 loop. When light activated, they damage amino acid side chains in the C5 region of Env, as evidenced by inhibition of binding of C5 MAb 9201, but not V3 MAb 13105100. Anionic porphyrins could be used in targeted photodynamic decontamination of biological fluids, such as blood, killing HIV without disabling the function of desirable

transfusion products. Dairou *et al.* [2004] (**antibody binding site definition and exposure**)

No. 498

MAb ID M77

HXB2 Location gp160 (307–320)

Author Location gp120 (IIIB)

Epitope IRIQRGPGRAFVTI

Neutralizing L

Immunogen HIV-1 infection

Species (Isotype) human (IgG)

Ab Type gp120 V3

Research Contact Advanced BioScience Laboratories, Rockville, MD, commercial

References Gorny & Zolla-Pazner 2004; Finnegan *et al.* 2002; Denisova *et al.* 2000; Watkins *et al.* 1996; Denisova *et al.* 1996; Denisova *et al.* 1995; DeVico *et al.* 1995; Cook *et al.* 1994; Watkins *et al.* 1993; di Marzo Veronese *et al.* 1993; di Marzo Veronese *et al.* 1992; Pal *et al.* 1992

Keywords antibody binding site definition and exposure, escape, review, vaccine-specific epitope characteristics, variant cross-recognition or cross-neutralization

- M77: This review provides summaries of Abs that bind to HIV-1 Env. There are many V3 MAbs, many neutralize some TCLA strains, and a subset can also neutralize some primary isolates. M77 neutralizes some TCLA strains. Gorny & Zolla-Pazner [2004] (**review**)
- M77: Anti-gp41 MAbs were tested in a cell-cell fusion system to investigate the antigenic changes in gp41 during binding and fusion. Cluster I and Cluster II MAbs required CD4 expression on HIV HXB2 Env expressing HeLa target cells, but not the CXCR4 co-receptor, binding to a fusion intermediate. Cluster I and II MAbs bound to gp120/gp41 complexes at the cell-to-cell contact interface, in contrast to M77 which bound to gp120 that was evenly dispersed over the target cell surface. Finnegan *et al.* [2002]
- M77: M77 is highly strain specific for IIIB, but anti-idiotypic Abs directed against M77 can in turn elicit an Ab response with expanded HIV cross-reactivity – this mechanism may serve to prolong the primary response and to counter-balance viral immune evasion by mutation. Denisova *et al.* [2000] (**variant cross-recognition or cross-neutralization**)
- M77: Used M77 bound to gp120 as an immunogen – analysis of polyclonal and monoclonal (62 MAbs were generated) response suggests the M77-gp120 immunogen generated MAbs to more linear epitopes than gp120 alone or gp120 bound to CD4. Denisova *et al.* [1996] (**vaccine-specific epitope characteristics**)
- M77: Native M77 is highly strain specific, and V3 binding is primarily dependent on its heavy chain – a light chain switched Fab version of M77 could recognize HIV-1 strains that had substitutions on the left side of the V3 loop – R in GPGR is likely to be critical for binding. Watkins *et al.* [1996] (**variant cross-recognition or cross-neutralization**)
- M77: Reacted with both reduced and non-reduced covalently cross-linked gp120-CD4 complex. DeVico *et al.* [1995] (**antibody binding site definition and exposure**)
- M77: Conformational rearrangements upon binding of M77 to gp120 generates novel epitopes called metatopes. Denisova *et al.* [1995]
- M77: MAbs against the glycosphingolipid GalCer block HIV infection of normally susceptible CD4 negative cells from the brain and colon – this MAb can inhibit gp120 binding to GalCer *in vitro*. Cook *et al.* [1994]
- M77: Stated to be a murine MAb – a neutralization escape mutant (HXB2 A281V) was selected by growth of HXB2 in the presence of broadly neutralizing sera – M77 neutralization was only slightly reduced by this mutation. Watkins *et al.* [1993] (**escape**)
- M77: Antibody binding to viral isolates from IIIB infected lab worker followed through time – A to T substitution resulted in the loss of neutralization and native gp120 binding, but not peptide binding. di Marzo Veronese *et al.* [1993] (**escape**)
- M77: IIIB-specific MAb, immunoprecipitates deglycosylated form. di Marzo Veronese *et al.* [1992] (**variant cross-recognition or cross-neutralization**)

No. 499

MAb ID polyclonal

HXB2 Location gp160 (307–321)

Author Location gp120 (307–321)

Epitope IRIQRGPGRAFVTIG

Subtype B

Neutralizing L

Immunogen HIV-1 infection

Species (Isotype) chimpanzee

Ab Type gp120 V3

References Goudsmit *et al.* 1988

Keywords antibody binding site definition and exposure, autologous responses, variant cross-recognition or cross-neutralization

- By three months post infection, chimpanzees infected with four strains of HIV-1 developed persistent Ab responses. The V3 loop was a critical binding domain for strain-specific NAbs in sera from the infected chimpanzees. Goudsmit *et al.* [1988] (**antibody binding site definition and exposure, autologous responses, variant cross-recognition or cross-neutralization**)

No. 500

MAb ID SP.BAL114

HXB2 Location gp160 (308–317)

Author Location gp120 (BAL)

Epitope SIHIGPGRAF

Neutralizing L

Immunogen

Species (Isotype) mouse (IgG2aκ)

Ab Type gp120 V3

References Arendrup *et al.* 1995

- Authors suggest that during *in vivo* immunoselection of escape virus, the V3 domain gains increasing resemblance to that of lab strains. Arendrup *et al.* [1995]

No. 501

MAb ID SP.SF2:104

HXB2 Location gp160 (308–317)

Author Location gp120 (SF2)

Epitope SIYIGPGRAF
Neutralizing L
Immunogen HIV-1 infection
Species (Isotype) (IgG2aκ)
Ab Type gp120 V3

- References** Arendrup *et al.* 1995; Arendrup *et al.* 1993
- SP.SF2:104: Authors suggest that during *in vivo* immunoselection of escape virus, the V3 domain gains increasing resemblance to lab strains. Arendrup *et al.* [1995]
 - SP.SF2:104: Anti-V3 antibody that could neutralize primary virus isolated from a time point of neutralization resistance of autologous virus. Arendrup *et al.* [1993]

No. 502
MAb ID polyclonal
HXB2 Location gp160 (308–319)
Author Location gp120 (304–318 LAI)
Epitope RIHIGPGRAFYT
Subtype B
Neutralizing
Immunogen HIV-1 infection
Species (Isotype) human (IgG, IgM)
Ab Type gp120 V3
References Langedijk *et al.* 1995

- Polyclonal sera from six individuals tested for reactivity against a panel of peptides based on autologous sequences provide evidence for immunological escape mutations in the tip of the V3 loop. Langedijk *et al.* [1995]

No. 503
MAb ID 19b
HXB2 Location gp160 (308–320)
Author Location gp120
Epitope -I----G--FY-T
Neutralizing L
Immunogen HIV-1 infection
Species (Isotype) human (IgG1)
Ab Type gp120 V3
Research Contact James Robinson, University of Connecticut, Storrs

- References** Selvarajah *et al.* 2005; Gorny & Zolla-Pazner 2004; Pantophlet *et al.* 2003b; Zwick *et al.* 2003; Poignard *et al.* 2003; Kwong *et al.* 2002; Zhang *et al.* 2002; Schulke *et al.* 2002; Kolchinsky *et al.* 2001; Park *et al.* 2000; Binley *et al.* 1999; Trkola *et al.* 1998; Parren *et al.* 1998a; Mondor *et al.* 1998; Parren *et al.* 1997b; Boots *et al.* 1997; Ugolini *et al.* 1997; Fouts *et al.* 1997; Binley *et al.* 1997a; D'Souza *et al.* 1997; Trkola *et al.* 1996a; Wu *et al.* 1996; Gauduin *et al.* 1996; Sattentau *et al.* 1995; Moore & Ho 1995; Moore *et al.* 1995a; Moore *et al.* 1995b; Sattentau 1995; Moore *et al.* 1994a; Moore *et al.* 1994b; Scott *et al.* 1990

Keywords antibody binding site definition and exposure, antibody interactions, review, vaccine antigen design, vaccine-specific epitope characteristics

- 19b: Antigens were designed to attempt to target immune responses toward the IgG1b12 epitope, while minimizing antibody responses to less desirable epitopes. One construct had a series of substitutions near the CD4 binding site (GDMR), the other had 7 additional glycans (mCHO). The 2 constructs did not elicit b12-like neutralizing antibodies, but both antigens successfully dampened other responses that were intended to be dampened while not obscuring b12 binding. V3 MAbs (447-52D, 19b, F245-B4e8 and 39F) bound to the GDMR antigen, but either did not bind or had diminished binding to mCHO. Selvarajah *et al.* [2005] (**vaccine antigen design, vaccine-specific epitope characteristics**)
- 19b: This review provides summaries of Abs that bind to HIV-1 Env. There are many V3 MAbs, many neutralize some TCLA strains, and a subset also neutralize some primary isolates. Gorny & Zolla-Pazner [2004] (**review**)
- 19b: This paper attempts to engineer a gp120 molecule that would focus the immune response onto the IgG1b12 epitope. Adding a glycosylation sequon (P313N) to the V3 loop knocked out binding to anti-V3 MAbs loop 2, 19b and 447-52-D. Pantophlet *et al.* [2003b] (**vaccine antigen design**)
- 19b: Virion capture assays are not a good predictor of neutralization, and the presentation of epitopes using this assay seems to be different from that of functional Envelope spikes on primary isolates – F105 and b6 could efficiently block the b12-mediated capture of infectious virions in a virus capture, but did not inhibit b12 neutralization – while b12 was potent at neutralizing the three primary virions JR-CSF, A DA, and 89.6, the Abs F105, 19b, and Fab b6 were overall very poor neutralizers. Poignard *et al.* [2003]
- 19b: scFv 4KG5 reacts with a conformational epitope that is formed by the V1V2 and V3 loops and the bridging sheet (C4) region of gp120 and is influenced by carbohydrates. Of a panel of MAbs tested, only NAb b12 enhanced 4KG5 binding to gp120 JRFL. MAbs to the following regions diminished 4KG5 binding: V2 loop, V3 loop, V3-C4 region, CD4BS. MAbs directed against C1, CD4i, C5 regions didn't impact 4KG5 binding. These results suggest that the orientation or dynamics of the V1/V2 and V3 loops restricts CD4BS access on the envelope spike, and IgG1b12 can uniquely remain unaffected by these loops. This was one of the V3 MAbs used. Zwick *et al.* [2003] (**antibody interactions**)
- 19b: Thermodynamics of binding to gp120 was measured using isothermal titration calorimetry for sCD4, 17b, b12, 48d, F105, 2G12 and C11 to intact YU2 and the HXBc2 core. The free energy of binding was similar, and not only CD4 but MAb ligands induced thermodynamic changes in gp120 that were independent of whether the core or the full gp120 protein was used. Non-neutralizing CD4BS and CD4i MAbs had large entropy contributions to free energy (mean: 26.1 kcal/mol) of binding to the gp120 monomer, except the potent CD4BS neutralizing MAb b6 had a much smaller value of 5.7 kcal/mol. High values suggest surface burial or protein folding and ordering of amino acids. Variable loop MAbs (L17, L78, 19b, 39F, Ag1211, D0142, and G3-2999) MAbs that bind to the N and C termini (211/c, A32, L100, P35, and C11) do not have dramatic entropy changes. These results suggest that while the trimeric Env complex has four surfaces, a non-neutralizing face (occluded on the oligomer), a variable face, a neutralizing face

- and a silent face (protected by carbohydrate masking), gp120 monomers further protect receptor binding sites by conformational or entropic masking, requiring a large energy handicap for Ab binding not faced by other anti-gp120 Abs. Kwong *et al.* [2002] (**antibody binding site definition and exposure**)
- 19b: Ab binding characteristics of SOS gp140 were tested using SPR and RIPA – SOS gp140 is gp120-gp41 bound by a disulfide bond – NAbs 2G12, 2F5, IgG1b12, CD4 inducible 17b, and 19b bound to SOS gp140 better than uncleaved gp140 (gp140unc) and gp120 – non-neutralizing MAbs 2.2B (binds to gp41 in gp140unc) and 23A (binds gp120) did not bind SOS gp140. Schulke *et al.* [2002]
 - 19b: A rare mutation in the neutralization sensitive R2-strain in the proximal limb of the V3 region caused Env to become sensitive to neutralization by MAbs directed against the CD4 binding site (CD4BS), CD4-induced (CD4i) epitopes, soluble CD4 (sCD4), and HNS2, a broadly neutralizing sera – 2/12 anti-V3 MAbs tested (19b and 694/98-D) neutralized R2, as did 2/3 anti-CD4BS MAbs (15e and IgG1b12), 2/2 CD4i MAbs (17b and 4.8D), and 2G12 and 2F5 – thus multiple epitopes on R2 are functional targets for neutralization and the neutralization sensitivity profile of R2 is intermediate between the highly sensitive MN-TCLA strain and the typically resistant MN-primary strain. Zhang *et al.* [2002]
 - 19b: Mutations in two glycosylation sites in the V2 region of HIV-1 ADA at positions 190 and 197 (187 DNTSYRLINCNTS 199) cause the virus to become CD4-independent and able to enter cells through CCR5 alone – these same mutations tended to increase the neutralization sensitivity of the virus, including to 19b. Kolchinsky *et al.* [2001]
 - 19b: Six mutations in MN change the virus from a high-infectivity neutralization resistant phenotype to low-infectivity neutralization sensitive – V3, CD4BS, and CD4i MAbs are 20-100 fold more efficient at neutralizing the sensitive form but 19b was an exception and required around 950 ng/ml to neutralize either form. Park *et al.* [2000]
 - 19b: The MAbs with the broadest neutralizing activity, IgG1b12, 2G12 and 2F5, all have high affinity for the native trimer, indicating that they were raised in an immune response to the oligomer on the virion surface rather than dissociated subunits – a disulfide linked gp120-gp41 (SOS gp140) was created to mimic the native conformation of Env and explore its potential as an immunogen – SOS gp140 is recognized by NAbs IgG1b12, 2G12, and CD4-IgG2, and also by anti-V3 MAbs 19b and 83.1 – SOSgp140 is not recognized by C4 region MAbs that neutralize only TCLA strains, G3-42 and G3-519 – nor did it bind C11, 23A, and M90, MAbs that bind to gp120 C1 and C5, where it interacts with gp41 – MAbs that bind CD4 inducible epitopes, 17b and A32 were very strongly induced by CD4 in SOS gp140 – anti-gp41 MAbs that bind in the region that interacts with gp120, 7B2, 2.2B, T4, T15G1 and 4D4, did not bind to SOSgp140, in contrast to 2F5, which binds to the only gp41 epitope that is well exposed in native gp120-gp41 complexes. Binley *et al.* [1999]
 - 19b: Used as a control in this Hx10 binding and neutralizing MAb study because 19b does not bind to Hx10. Mondor *et al.* [1998]
 - 19b: The MAb and Fab binding to the oligomeric form of gp120 and neutralization were highly correlated – authors suggest that neutralization is determined by the fraction of Ab sites occupied on a virion irrespective of the epitope. Parren *et al.* [1998a]
 - 19b: No detectable neutralizing activity among primary isolates with different co-receptor usage – some neutralization of TCLA strains. Trkola *et al.* [1998]
 - 19b: Abs that recognize discontinuous epitopes can identify mimotopes from a phage peptide display library – 19b has an epitope involving the tip of the V3 loop, with 5 or 6 essential amino acids distributed within a 12 amino acid stretch – the previously determined binding site was confirmed -I—G—FY—T and some tolerated variants described, the I can be I, V, or L, the Y can be Y, F, or W – probably a beta-turn is required for FY or FF binding, but WY in can bind with out the context of the turn. Boots *et al.* [1997]
 - 19b: In a multilaboratory blinded study, failed to consistently neutralize any of nine B clade primary isolates – there were four sequences with variations in the defined epitope among the 9 isolates tested. D'Souza *et al.* [1997]
 - 19b: Study shows neutralization is not predicted by MAb binding to JRFL monomeric gp120, but is associated with oligomeric Env binding – 19b bound monomer, did not bind oligomer or neutralize JRFL. Fouts *et al.* [1997]
 - 19b: Neutralizes TCLA strains but not primary isolates. Parren *et al.* [1997b]
 - 19b: Viral binding inhibition by 19b was weakly correlated with neutralization (all other neutralizing MAbs tested showed some correlation except 2F5) Ugolini *et al.* [1997]
 - 19b: Not as effective as IgG1b12 at neutralization *ex vivo* of virus direct from plasma of HIV-1 infected individuals. Gauduin *et al.* [1996]
 - 19b: Inhibits gp120 interaction with CCR-5 in a MIP-1beta-CCR-5 competition study. Trkola *et al.* [1996a]
 - 19b: MIP-1alpha binding to CCR-5 expressing cells can be inhibited by gp120-sCD4 – binding of 19b blocks this inhibition. Wu *et al.* [1996]
 - 19b: Binds to some gp120s from clades A,B,C,E, and F – weakly neutralized some B and one C clade virus. Moore *et al.* [1995b]
 - 19b: Despite broad gp120 binding reactivity, not broadly neutralizing. Moore *et al.* [1995a]
 - 19b: Review: more broadly cross-reactive than anti-V3 tip MAb 447-D. Moore & Ho [1995]
 - 19b: Formalin inactivation of virus at 0.1% formalin for 10 hours at 4 degrees was optimal for inactivation of virus while maintaining epitope integrity. Sattentau *et al.* [1995]
 - 19b: V3 loop binding MAb that is more broadly clade cross-reactive than most (binds to 19/29 clade B and 10/12 clade E gp120s) Moore *et al.* [1994b]
 - 19b: Competition studies with human sera from seroconverting individuals showed that anti-CD4 BS antibodies can arise very early in infection, comparable or prior to anti-V3 antibodies. Moore *et al.* [1994a]
- No. 504**
MAb ID loop 2 (Loop 2, IgG1 Loop 2, loop2)
HXB2 Location gp160 (308–321)
Author Location gp120
Epitope SISGPGRAFYTG
Neutralizing L

Immunogen HIV-1 infection**Species (Isotype)** human**Ab Type** gp120 V3**Research Contact** D. Burton, Scripps Research Institute, La Jolla, CA**References** Gorny & Zolla-Pazner 2004; Pantophlet *et al.* 2003b; Zwick *et al.* 2003; Sullivan *et al.* 1998a; Parren *et al.* 1998a; Mondor *et al.* 1998; Parren & Burton 1997; Parren *et al.* 1997b; Ugolini *et al.* 1997; Ditzel *et al.* 1997; Wu *et al.* 1996; Moore *et al.* 1994b; Barbas III *et al.* 1993**Keywords** antibody generation, antibody interactions, antibody sequence, variable domain, binding affinity, co-receptor, review, subtype comparisons, vaccine antigen design, variant cross-recognition or cross-neutralization

- loop 2: Also known as Loop 2, IgG1 Loop 2 was a obtained by engineering Fab loop2 into an IgG1 molecule. (**antibody generation**)
- loop 2: Called loop2. This review provides summaries of Abs that bind to HIV-1 Env. There are many V3 MAbs, many neutralize some TCLA strains, and a subset can also neutralize some primary isolates. loop 2 neutralizes some TCLA strains. Gorny & Zolla-Pazner [2004] (**variant cross-recognition or cross-neutralization, review**)
- loop 2: This paper attempts to engineer a gp120 molecule that would focus the immune response onto the IgG1b12 epitope. Adding a glycosylation sequon (P313N) to the V3 loop knocked out binding to anti-V3 MAbs loop 2, 19b and 447-52-D. Pantophlet *et al.* [2003b] (**vaccine antigen design**)
- loop 2: Called loop2. scFv 4KG5 reacts with a conformational epitope that is formed by the V1V2 and V3 loops and the bridging sheet (C4) region of gp120 and is influenced by carbohydrates. Of a panel of MAbs tested, only NAb b12 enhanced 4KG5 binding to gp120 JRFL. MAbs to the following regions diminished 4KG5 binding: V2 loop, V3 loop, V3-C4 region, CD4BS. MAbs directed against C1, CD4i, C5 regions didn't impact 4KG5 binding. These results suggest that the orientation or dynamics of the V1/V2 and V3 loops restricts CD4BS access on the envelope spike, and IgG1b12 can uniquely remain unaffected by these loops. This was one of the V3 MAbs used. Zwick *et al.* [2003] (**antibody interactions**)
- loop 2: The rank order of Fab binding affinity to monomeric gp120 (Loop 2 > 3B3 > b12 = DO8i > b11 > b3 > b14 > b13 > DO142-10 > DA48 > L17) was markedly different than Fab binding affinity to the mature oligomeric form (3B3 > b12 > DO142-10 > Loop 2 > b11 > L17 > b6 > DO8i > b14 > DA48 > b3 > b13) and binding to oligomeric form and neutralization were correlated for both Fabs and MAbs – authors suggest that neutralization is determined by the fraction of Ab sites occupied on a virion irrespective of the epitope – binding affinity of divalent IgG1 loop 2 is only 2-fold greater than monovalent Fab loop 2, suggesting the IgG1 form may bind with only one arm. Parren *et al.* [1998a] (**binding affinity**)
- loop 2: The HIV-1 virus YU2 entry can be enhanced by MAbs binding to the CD4BS, V3 loop, and CD4i epitopes – the activation for this enhanced entry state could be conferred on HxB2 by introducing the YU2 V3 loop, or the YU2 V3 and V1/V2 loops – a similar effect is observed by sub-neutralizing concentrations of sCD4 and the effect is dependent of CCR5 – loop 2 enhances YU2 at concentrations up to 20 ug/ml. Sullivan *et al.* [1998a]
- loop 2: Binds to gp120 from MN and SF2 but not LAI. Ditzel *et al.* [1997] (**variant cross-recognition or cross-neutralization**)
- loop 2: Epitope is suggested to be GPGRAPH – binds to 10/17 US clade B monomeric gp120s – IgG1 form can neutralize MN and 2 primary isolates tested. Parren & Burton [1997]
- loop 2: Neutralizes TCLA strains but not primary isolates. Parren *et al.* [1997b] (**variant cross-recognition or cross-neutralization**)
- loop 2: Viral binding inhibition by loop 2 MAb or Fab was correlated with neutralization (all other neutralizing MAbs tested showed some correlation except 2F5) Ugolini *et al.* [1997]
- loop 2: MIP-1alpha binding to CCR-5 expressing cells can be inhibited by gp120-sCD4 – binding of loop 2 blocks this inhibition. Wu *et al.* [1996] (**co-receptor**)
- loop 2: Called Loop 2 – shows modest cross-reactivity among B clade gp120s, little outside B clade. Moore *et al.* [1994b] (**variant cross-recognition or cross-neutralization, subtype comparisons**)
- loop 2: Sequences of the heavy and light chain Fab variable regions were generated. Barbas III *et al.* [1993] (**antibody sequence, variable domain**)

No. 505**MAb ID** 4G10**HXB2 Location** gp160 (308–322)**Author Location** gp120 (308–322 LAI)**Epitope** RIQRGPGRAFVTGK**Subtype** B**Neutralizing****Immunogen** vaccine*Vector/Type:* HBcAg fusion *HIV component:* V3**Species (Isotype)** mouse**Ab Type** gp120 V3**Research Contact** Dr. Albrecht von Brunn, Max-von-Pettenkofer-Institut, Ludwig-Maximilians-Universität München, Germany**References** von Brunn *et al.* 1993

- 4G10: NIH AIDS Research and Reference Reagent Program: 2534.
- 4G10: A 25 amino acid V3-loop sequence fused to HBcAg enhanced V3 immunogenicity. von Brunn *et al.* [1993]

No. 506**MAb ID** 5F7**HXB2 Location** gp160 (308–322)**Author Location** gp120 (308–322 LAI)**Epitope** RIQRGPGRAFVTGK**Subtype** B**Neutralizing****Immunogen** vaccine*Vector/Type:* HBcAg fusion *HIV component:* V3**Species (Isotype)** mouse**Ab Type** gp120 V3

Research Contact Dr. Albrecht von Brunn, Max-von-Pettenkofer-Institut, Ludwig-Maximilians-Universität München, Germany

References von Brunn *et al.* 1993

- 5F7: NIH AIDS Research and Reference Reagent Program: 2533.
- 5F7: A 25 amino acid V3-loop sequence fused to HBcAg enhanced V3 immunogenicity. von Brunn *et al.* [1993]

No. 507

MAb ID G3-523

HXB2 Location gp160 (308–322)

Author Location gp120 (308–322)

Epitope RIQRGPGRAFVTIGK

Neutralizing

Immunogen

Species (Isotype) mouse

Ab Type gp120 V3

References Jagodzinski *et al.* 1996; Matsushita *et al.* 1988

- G3-523: The sulfated polysaccharide curdlan sulfate (CRDS) binds to the Envelope of T-tropic viruses and neutralizes virus – CRDS inhibits G3-523 binding. Jagodzinski *et al.* [1996]

No. 508

MAb ID MN215

HXB2 Location gp160 (308–322)

Author Location gp120 (MN)

Epitope RIHIGPGRAFYTTKN

Neutralizing L

Immunogen HIV-1 infection

Species (Isotype) human (IgG1)

Ab Type gp120 V3

References Zipeto *et al.* 2005; Gorny & Zolla-Pazner 2004; Schutten *et al.* 1995b

Keywords antibody binding site definition and exposure, review, vaccine antigen design, variant cross-recognition or cross-neutralization

- MN215: MRC Centralized Facility for AIDS Reagents, NIBSC, UK, EVA3056
- MN215: HIV-1 fusion complexes were prepared from cell lines expressing R5 HIV-1 gp120/gp41 and CD4-CCR5. Neutralizing Abs were raised against both R5 (strain BaL) and X4 (strain 213) viruses. MN215 was used to detect gp120/gp41. Zipeto *et al.* [2005] (**vaccine antigen design**)
- MN215: This review provides summaries of Abs that bind to HIV-1 Env. There are many V3 MAbs, many neutralize some TCLA strains, and a subset can also neutralize some primary isolates. MN215 neutralizes some TCLA strains. Gorny & Zolla-Pazner [2004] (**review**)
- MN215: Minimum epitope for MAB using the Dutch consensus is AFYTTGE, different than defined for MN – generated by EBV transformation of PBMC – displayed higher affinity for NSI than for SI glycoproteins – amino acids HIGP were essential for binding. Schutten *et al.* [1995b] (**antibody binding site definition and exposure, variant cross-recognition or cross-neutralization**)

No. 509

MAb ID Nea 9301

HXB2 Location gp160 (308–323)

Author Location gp120 (IIIB)

Epitope RIQRGPGRAFVTIGKI

Neutralizing

Immunogen

Species (Isotype) mouse

Ab Type gp120 V3

Research Contact Dupont, commercial

References Wagner *et al.* 1996

No. 510

MAb ID 4117C (4117c)

HXB2 Location gp160 (309–315)

Author Location gp120

Epitope IXIGPGR

Subtype B

Neutralizing L

Immunogen HIV-1 infection

Species (Isotype) human (IgG1 λ)

Ab Type gp120 V3

Research Contact Abraham Pinter, Public Health Research Institute, Newark, NJ, 07103. pinter@phri.org.

References Pinter *et al.* 2005; Krachmarov *et al.* 2005; Pinter *et al.* 2004; Gorny & Zolla-Pazner 2004; He *et al.* 2002; Alsmadi & Tilley 1998; Pinter *et al.* 1993b; Pinter *et al.* 1993a; di Marzo Veronese *et al.* 1993; Tilley *et al.* 1992; Tilley *et al.* 1991a

Keywords ADCC, antibody binding site definition and exposure, antibody interactions, review, subtype comparisons, variant cross-recognition or cross-neutralization

- 4117c: Sera from subtype A infected individuals from Cameroon have antibodies that react strongly with subtype A and subtype B V3 loops in fusion proteins, and neutralize SF162 pseudotypes, while sera from subtype B infected individuals reacted only with subtype B. Sera from Cameroon did not neutralize primary A or B isolates, due to indirect masking by the V1/V2 domain rather than due to loss of the target epitope. Neutralization by anti-V3 B clade specific MAbs 447-52D and 4117C was fully blocked by a clade V3 loop fusion protein, but not an A clade fusion protein, while Cameroonian sera neutralization was fully blocked by both A and B clade fusion proteins. Krachmarov *et al.* [2005] (**variant cross-recognition or cross-neutralization, subtype comparisons**)
- 4117c: This study is about the MAb C108g, and 4117C was a control. 4117C is a linear V3 epitope unaffected by reduction, whereas C108g, contrary to earlier reports, requires disulfide bonds. C108g is type-specific and neutralizes BaL and HXB2. JR-FL is a neutralization resistant strain; modification of JRFL at V2 positions 167 and 168 (GK->DE) created a C108g epitope, and C108g could potentially neutralize the modified JR-FL. The modification in V2 also increased neutralization sensitivity to V3 MAbs 4117c, 2219, 2191, and 447-52D, but only had minor effects on neutralization by CD4BS MAb 5145A, and broadly neutralizing MAbs IgG1b12, 2G12, and 2F5. Binding to CCR5 was completely inhibited by two V3 MAbs, 4117C and 2219, and was substantially inhibited by 2G12, but was not inhibited by C108g. Pinter *et al.* [2005] (**antibody binding site definition and exposure**)

- 4117c: This review provides summaries of Abs that bind to HIV-1 Env. There are many V3 MAbs, many neutralize some TCLA strains, and a subset can also neutralize some primary isolates. 4117C and 4118D are anti-V3 MAbs that neutralize TCLA strains. Gorny & Zolla-Pazner [2004] (**review**)
- 4117c: V1V2 was determined to be the region that conferred the neutralization phenotype differences between two R5-tropic primary HIV-1 isolates, JRFL and SF162. JRFL is resistant to neutralization by many sera and MAbs, while SF162 is sensitive. All MAbs tested, anti-V3, -V2, -CD4BS, and -CD4i, (except the broadly neutralizing MAbs IgG1b12, 2F5, and 2G12 which neutralized both strains), neutralized the SF162 pseudotype but not JRFL, and chimeras that exchanged the V1V2 loops transferred the neutralization phenotype. 5/6 anti-V3 MAbs, including 4117c, had similar binding affinity to soluble SF162 and JR-FL rgp120s, although the V3 loop differs at three positions (HigpgrafyTtgE for JR-FL and TigpgrafyAtgD for SF162). Pinter *et al.* [2004] (**variant cross-recognition or cross-neutralization**)
- 4117C: Transgenic mice carrying human genes allowing production of fully human MAbs were used to rapidly create a panel of anti-HIV gp120 MAb producing hybridomas by immunization with HIV SF162 gp120 – the previously described human MAbs 5145A(CD4BS) , 4117C (plus others, V3) and 697D (and SC258, V2) were used as controls. He *et al.* [2002]
- 4117C: A study of 6 anti-Env MAbs and their ability to bind or direct ADCC against target cells infected with IIIB, MN, SF-2, and RF – bound and directed lysis against MN and SF2, but not IIIB and RF. Alsmadi & Tilley [1998] (**ADCC, variant cross-recognition or cross-neutralization**)
- 4117C: Neutralizes SF2 and MN synergistically combined with anti-CD4 binding site discontinuous MAb. Pinter *et al.* [1993a]; Tilley *et al.* [1992] (**antibody interactions, variant cross-recognition or cross-neutralization**)
- 4117C: Binds V3 loop – does not immunoprecipitate soluble gp120, does react with gp120 on intact virions. Pinter *et al.* [1993b] (**antibody binding site definition and exposure**)
- 4117C: Potent neutralizing activity against MN, SF-2, and NY-5 – synergy with CD4BS MAb 1125H. Tilley *et al.* [1991a] (**antibody binding site definition and exposure, antibody interactions, variant cross-recognition or cross-neutralization**)

No. 511

MAb ID 419-D (419, 419D)

HXB2 Location gp160 (309–315)

Author Location gp120 (MN)

Epitope IHIGPGR

Subtype B

Neutralizing L

Immunogen HIV-1 infection

Species (Isotype) human (IgG1 λ)

Ab Type gp120 V3

Research Contact Susan Zolla-Pazner (Zolla-Pazner) (NYU Med. Center)

References Gorny *et al.* 2004; Gorny & Zolla-Pazner 2004; He *et al.* 2002; Nyambi *et al.* 2000; Zolla-Pazner *et al.* 1999b; Zolla-Pazner *et al.* 1999a; Nyambi *et al.* 1998; Hioe *et al.* 1997b;

Fontenot *et al.* 1995; Spear *et al.* 1993; Gorny *et al.* 1993; Karwowska *et al.* 1992b

Keywords antibody binding site definition and exposure, complement, mimotopes, review, subtype comparisons, superinfection, variant cross-recognition or cross-neutralization

- 419-D: This review provides summaries of Abs that bind to HIV-1 Env. There are many V3 MAbs, many neutralize some TCLA strains, and a subset can also neutralize some primary isolates. Gorny & Zolla-Pazner [2004] (**review**)
- 419-D: Called 419: V3 MAb neutralization is influenced by retaining the epitope, exposure on the intact virion, mobility during CD4-induced conformational change, and affinity. Anti-V3 MAbs selected using V3 peptides neutralize less effectively than V3 MAbs selected using fusion proteins or gp120, suggesting antigenic conformation is important. This MAb was selected using V3 peptides. Gorny *et al.* [2004] (**mimotopes, superinfection**)
- 419-D: Called 419 – Transgenic mice carrying human genes allowing production of fully human MAbs were used to rapidly create a panel of anti-HIV gp120 MAb producing hybridomas by immunization with HIV SF162 gp120 – the previously described human MAbs 5145A(CD4BS) , 4117C (plus others, V3) and 697D (and SC258, V2) were used as controls. He *et al.* [2002]
- 419-D: A panel of 47 human MAbs was tested against 26 HIV-1 group M primary isolates from clades A through H – 19 V3 MAbs were tested, and of 494 combinations, 44% displayed some viral binding – V3 MAbs tended to have the most cross-reactive binding to clade A, B, C, and D isolates, less to E, F, G, and H – 419-D showed intermediate reactivity, and no neutralization when tested against five strains – discrepancy between the epitope as described in earlier papers and as described here, KRIHIGP. Nyambi *et al.* [2000] (**subtype comparisons**)
- 419-D: Review of clade specificity and anti-V3 HIV-1-Abs – epitope is described as KRIHIGP. Zolla-Pazner *et al.* [1999a] (**antibody binding site definition and exposure, review**)
- 419-D: MAb peptide-reactivity pattern clustered with immunological related MAbs: 1334, 419, 504, 447, 453 and 537 – the core amino acids GP tended to be critical for reactivity in this group. Zolla-Pazner *et al.* [1999b] (**antibody binding site definition and exposure**)
- 419-D: Using a whole virion-ELISA method, 18 human MAbs were tested for their ability to bind to a panel of 9 viruses from clades A, B, D, F, G, and H – 419-D bound to 3/4 B clade virions, and to D clade MAL. Nyambi *et al.* [1998] (**subtype comparisons**)
- 419-D: Four primary isolates showed distinct patterns of sensitivity to neutralization by polyclonal sera or plasma and MAbs – BZ167 was the only isolate inhibited by all polyclonal sera and plasma tested, and was also neutralized by 8/17 MAbs, in particular anti-V3 loop (419-D, 447-52D, 782-D, and 838-D), anti-CD4bd (559/64-D, 654-D and 830-D and a cluster II of gp41 directed MAb (98-6) – isolates 92HT593 and 91US056 were neutralized by V3 loop (419-D, and 447-52D) and cluster II gp41 (98-6) MAbs at higher concentrations – US4 was neutralized by some of the polyclonal sera/plasma tested and not at all by MAbs individually or by a cocktail of ten MAbs consisting of 419-D, 447-52D, 782-D, 838-D, 559/64-D, 654-D,

450-D, 670-D, 1281-D and 98-6. Hioe *et al.* [1997b] (**variant cross-recognition or cross-neutralization**)

- 419-D: Neutralizes MN – binds SF2: IYIGPGR. Gorny *et al.* [1993] (**variant cross-recognition or cross-neutralization**)
- 419-D: Mediated deposition of complement component C3 on HIV infected cells, enhanced by second Ab binding, rabbit anti-human IgG. Spear *et al.* [1993] (**complement**)
- 419-D: MN, NY5 and SF2 strain specific, does not cross-react with RF, CDC4, WM52 or HXB2. Karwowska *et al.* [1992b] (**variant cross-recognition or cross-neutralization**)

No. 512

MAb ID 453-D (453)

HXB2 Location gp160 (309–315)

Author Location gp120 (MN)

Epitope IHIGPGR

Subtype B

Neutralizing L

Immunogen HIV-1 infection

Species (Isotype) human (IgG1 λ)

Ab Type gp120 V3

Research Contact Susan Zolla-Pazner (Zollas01@mrcrcr6.med.nyu) (NYU Med. Center)

References Gorny *et al.* 2004; Gorny & Zolla-Pazner 2004; Nyambi *et al.* 2000; Zolla-Pazner *et al.* 1999b; Zolla-Pazner *et al.* 1999a; Fontenot *et al.* 1995; VanCott *et al.* 1994; Gorny *et al.* 1993; Gorny *et al.* 1991

Keywords antibody binding site definition and exposure, binding affinity, review, subtype comparisons, vaccine antigen design, variant cross-recognition or cross-neutralization

- 453-D: This review provides summaries of Abs that bind to HIV-1 Env. There are many V3 MAbs, many neutralize some TCLA strains, and a subset can also neutralize some primary isolates. Gorny & Zolla-Pazner [2004] (**variant cross-recognition or cross-neutralization**)
- 453-D: Called 453: V3 MAb neutralization is influenced by retaining the epitope, exposure on the intact virion, mobility during CD4-induced conformational change, and affinity. Anti-V3 MAbs selected using V3 peptides neutralize less effectively than V3 MAbs selected using fusion proteins or gp120, suggesting antigenic conformation is important. This MAb was selected using V3 peptides. Gorny *et al.* [2004] (**antibody binding site definition and exposure**)
- 453-D: A panel of 47 human MAbs was tested against 26 HIV-1 group M primary isolates from clades A through H – 19 V3 MAbs were tested, and of 494 combinations, 44% displayed some viral binding – V3 MAbs tended to have the most cross-reactive binding to clade A, B, C, and D isolates, less to E, F, G, and H – 453-D showed intermediate reactivity. Nyambi *et al.* [2000] (**subtype comparisons**)
- 453-D: Review of clade specificity and anti-V3 HIV-1-Abs. Zolla-Pazner *et al.* [1999a] (**review, subtype comparisons**)
- 453-D: MAb peptide-reactivity pattern clustered with immunological related MAbs: 1334, 419, 504, 447, 453 and 537 – the core amino acids GP tended to be critical for reactivity in this group – MAb 268, with a previously defined core epitope identical to 453 (HIGPGR), was not part of this reactivity group,

illustrating that context can be critical. Zolla-Pazner *et al.* [1999b] (**antibody binding site definition and exposure**)

- 453-D: Called 453, epitope described as KRIHIGPGR – the tip of the V3 loop was presented in a mucin backbone – higher valency correlates with stronger affinity constant. Fontenot *et al.* [1995] (**antibody binding site definition and exposure, vaccine antigen design**)
- 453-D: Moderate homologous neutralization, moderately slow dissociation rate. VanCott *et al.* [1994] (**binding affinity**)
- 453-D: Neutralizes MN – binds SF2: IYIGPGR – specificity: MN, SF2, NY5, RF. Gorny *et al.* [1993] (**antibody binding site definition and exposure**)

No. 513

MAb ID 504-D (504, 504-10D)

HXB2 Location gp160 (309–315)

Author Location gp120 (MN)

Epitope IHIGPGR

Subtype B

Neutralizing L

Immunogen HIV-1 infection

Species (Isotype) human (IgG1 κ)

Ab Type gp120 V3

Research Contact Susan Zolla-Pazner (Zollas01@mrcrcr6.med.nyu) (NYU Med. Center)

References Gorny *et al.* 2004; Gorny & Zolla-Pazner 2004; Nyambi *et al.* 2000; Zolla-Pazner *et al.* 1999b; Zolla-Pazner *et al.* 1999a; Gorny *et al.* 1993

Keywords antibody binding site definition and exposure, review, subtype comparisons

- 504-D: This review provides summaries of Abs that bind to HIV-1 Env. There are many V3 MAbs, many neutralize some TCLA strains, and a subset can also neutralize some primary isolates. Gorny & Zolla-Pazner [2004] (**review**)
- 504-D: Called 504: V3 MAb neutralization is influenced by retaining the epitope, exposure on the intact virion, mobility during CD4-induced conformational change, and affinity. Anti-V3 MAbs selected using V3 peptides neutralize less effectively than V3 MAbs selected using fusion proteins or gp120, suggesting antigenic conformation is important. This MAb was selected using V3 peptides. Gorny *et al.* [2004] (**antibody binding site definition and exposure**)
- 504-D: A panel of 47 human MAbs was tested against 26 HIV-1 group M primary isolates from clades A through H – 19 V3 MAbs were tested, and of 494 combinations, 44% displayed some viral binding – V3 MAbs tended to have the most cross-reactive binding to clade A, B, C, and D isolates, less to E, F, G, and H – 504-D showed weak reactivity. Nyambi *et al.* [2000] (**subtype comparisons**)
- 504-D: Review of clade specificity and anti-V3 HIV-1-Abs. Zolla-Pazner *et al.* [1999a] (**review**)
- 504-D: MAb peptide-reactivity pattern clustered with immunological related MAbs: 1334, 419, 504, 447, 453 and 537 – the core amino acids GP tended to be critical for reactivity in this group. Zolla-Pazner *et al.* [1999b] (**antibody binding site definition and exposure**)
- 504-D – Neutralizes MN – binds SF2: IYIGPGR. Gorny *et al.* [1993] (**antibody binding site definition and exposure**)

- No.** 514
MAb ID 83.1 (MAb 83.1)
HXB2 Location gp160 (309–315)
Author Location gp120 (SF2)
Epitope IYIGPGR
Neutralizing L
Immunogen vaccine
Vector/Type: peptide *Strain:* B clade MN
HIV component: V3
Species (Isotype) mouse (IgG1)
Ab Type gp120 V3
Research Contact Mary White-Scharf, Repligen Corporation, Cambridge, MA
References Binley *et al.* 1999; Keller & Arora 1999; Jelonek *et al.* 1999; Potts *et al.* 1993; White-Scharf *et al.* 1993
- 83.1: The MAbs with the broadest neutralizing activity, IgG1b12, 2G12 and 2F5, all have high affinity for the native trimer, indicating that they were raised in an immune response to the oligomer on the virion surface rather than dissociated subunits – a disulfide linked gp120-gp41 (SOS gp140) was created to mimic the native conformation of Env and explore its potential as an immunogen – SOS gp140 is recognized by NAbs IgG1b12, 2G12, and CD4-IgG2, and also by anti-V3 MAbs 19b and 83.1 – SOSgp140 is not recognized by C4 region MAbs that neutralize only TCLA strains, G3-42 and G3-519 – nor did it bind C11, 23A, and M90, MAbs that bind to gp120 C1 and C5, where it interacts with gp41 – MAbs that bind CD4 inducible epitopes, 17b and A32 were very strongly induced by CD4 in SOS gp140 – anti-gp41 MAbs that bind in the region that interacts with gp120, 7B2, 2.2B, T4, T15G1 and 4D4, did not bind to SOSgp140, in contrast to 2F5, which binds to the only gp41 epitope that is well exposed in native gp120-gp41 complexes. Binley *et al.* [1999]
 - 83.1: Maternally transferred anti-V3 loop MAb selectively inhibits the anti-V3 loop Ab component of the IgG response to rgp120 SF2 in 21 day old BALBc mice. Jelonek *et al.* [1999]
 - 83.1: 19 day old mice injected with 83.1 have a shift in IgG1 response away from the V3 loop upon vaccination, without decreasing the total IgG anti-gp120 response, suggesting that prior treatment with a MAb can mask immunogenic sites and shift the immune response to vaccination. Keller & Arora [1999]
 - 83.1: Study of synergism of neutralization and binding comparing F105 and sCD4 with the V3 MAbs: 50.1, 59.1, 83.1, and 58.2 – synergy was observed, and the data suggest that binding of one ligand (F105) can increase the binding of the second (e. g. V3 loop MAbs) due to conformational changes. Potts *et al.* [1993]
 - 83.1: Neutralizes SF2. White-Scharf *et al.* [1993]

- No.** 515
MAb ID 5023B
HXB2 Location gp160 (309–316)
Author Location gp120 (309–316 BH10)
Epitope IQRGPGra
Neutralizing no
Immunogen vaccine
Vector/Type: peptide *Strain:* B clade BH10
HIV component: V3

- Species (Isotype)** mouse (IgG)
Ab Type gp120 V3
References Langedijk *et al.* 1991
- 5023B: Generation and fine mapping of murine MAbs. Langedijk *et al.* [1991]

- No.** 516
MAb ID F58/D1 (F58)
HXB2 Location gp160 (309–316)
Author Location gp120 (IIIB)
Epitope IxxGPGRA
Neutralizing L
Immunogen vaccine
Vector/Type: virus derived protein *HIV component:* gp120
Species (Isotype) mouse (IgG1)
Ab Type gp120 V3
References Heap *et al.* 2005b; Jackson *et al.* 1999; Millar *et al.* 1998; Moore *et al.* 1993b; Levi *et al.* 1993; Broliden *et al.* 1991; Akerblom *et al.* 1990

- Keywords** antibody binding site definition and exposure, antibody sequence, variable domain, structure
- F58/D1: Called F58. A 17 amino acid peptide from the CDR-H3 region of F58 retained specificity for gp120 and could neutralize IIIB, although less efficiently than the intact antibody. The F58 MicroAb has a 3-fold faster association rate and a 37.5-fold more rapid dissociation rate than the intact antibody. Such Ab binding site fragments, that retain binding specificity, are called microantibodies. Alanine-substitutions in F58 MicroAb at three positions significantly compromised neutralization but did not reduce binding to soluble gp120, while substitutions at three other positions abrogated both binding and neutralization. The microAb forms a conformationally constrained beta sheet. Heap *et al.* [2005b] (**antibody binding site definition and exposure, antibody sequence, variable domain, structure**)
 - F58/D1: A 17 amino acid MicroAB was made from the third complementarity-determining region of the heavy chain of MAb – F58 neutralized 5x's more efficiently in terms of mass than the original MAb, 32-fold less on a molar basis – neutralization does not involve initial attachment, but fusion and events in early infection. Jackson *et al.* [1999]
 - F58/D1: The interaction of a 17-amino-acid neutralizing microantibody (MicroAB) based on F58 and HIV-1 env was studied by electrospray ionization mass spectrometry. Millar *et al.* [1998]
 - F58/D1: Called F58. The complementarity-determining region of F58 was used to create a miniantibody that could neutralize both HIV-1 IIIB and SF2 in vitro. Levi *et al.* [1993] (**antibody binding site definition and exposure, antibody sequence, variable domain**)
 - F58/D1: Binding to native gp120 1-3 fold greater than to denatured – 314G/W substitution abolishes binding, changes outside the loop have little effect. Moore *et al.* [1993b]

- No.** 517
MAb ID P1/D12
HXB2 Location gp160 (309–316)
Author Location gp120
Epitope IxxGPGRA

Neutralizing L**Immunogen** vaccine

Vector/Type: virus derived protein *Strain:* B clade IIIB *HIV component:* gp120

Species (Isotype) mouse (IgG)

Ab Type gp120 V3

References Moore *et al.* 1993b; Akerblom *et al.* 1990

- P1/D12: Binding to native gp120 1-3 fold greater than to denatured – 314G/W substitution abolishes binding, changes outside the loop have little effect. Moore *et al.* [1993b]

No. 518

MAb ID P4/D10 (P4D10)

HXB2 Location gp160 (309–316)

Author Location gp120

Epitope IxxGPGRA

Neutralizing L**Immunogen** vaccine

Vector/Type: virus derived protein *Strain:* B clade IIIB *HIV component:* gp120

Species (Isotype) mouse (IgG1κ)

Ab Type gp120 V3

References Schonning *et al.* 1999; Schonning *et al.* 1998; Jacobson 1998; Hinkula *et al.* 1994; Arendrup *et al.* 1993; Moore *et al.* 1993b; Marks *et al.* 1992; Broliden *et al.* 1991; Broliden *et al.* 1990; Akerblom *et al.* 1990

- P4/D10: Called P4D10 – the stoichiometry of MAb neutralization was tested and the data indicated that binding for neutralization was incremental not all or none, i.e., each envelope oligomer binds a single MAb and each Env oligomer bound reduces the chances of infection – MAb BC1071 was used for virion quantification – P4D10 binds only to Env with a glycosylation site mutation at the base of the V3 loop A308T. Schonning *et al.* [1999]
- P4/D10: Review of passive immunotherapy, summarizing Hinkula *et al.* [1994] in relation to other studies Jacobson [1998]. Hinkula *et al.* [1994]; Jacobson [1998]
- P4/D10: Called P4D10 – In a study of the influence of the glycan at position 306 of the V3 loop on MAb recognition, anti-V3 MAbs were found to neutralize an HIV-BRU mutant virus that lacks the V3 loop glycan more efficiently than HIV-BRU – Ab binding site was suggested to be 314-323 of BRU. Schonning *et al.* [1998]
- P4/D10: Used for passive immunotherapy in four late-stage HIV-infected patients – the serum level of p24 did not decrease in any of these four – see also MAb F58/H3. Hinkula *et al.* [1994]
- P4/D10: Primary isolates from different time points from one individual were not susceptible to neutralization by P4/D10. Arendrup *et al.* [1993]
- P4/D10: Binding to native gp120 3 fold greater than to denatured – 314G/W substitution abolishes binding, changes outside the loop have little effect. Moore *et al.* [1993b]
- P4/D10: Variable domain sequenced and is identical to F58/H3. Marks *et al.* [1992]
- P4/D10: Neutralizing and ADCC activity. Broliden *et al.* [1990]

No. 519

MAb ID IIIB-13 V3 (1044-13 IIIB-V3-13 1727)

HXB2 Location gp160 (309–317)

Author Location gp120 (308–316 IIIB)

Epitope IQRGPGRAF

Neutralizing L**Immunogen** vaccine

Vector/Type: peptide *Strain:* B clade IIIB

Species (Isotype) mouse (IgG1)

Ab Type gp120 V3

References Zhang *et al.* 2002; Chakrabarti *et al.* 2002; Watkins *et al.* 1993; D'Souza *et al.* 1994; Laman *et al.* 1993; Laman *et al.* 1992

- IIIB-13 V3: Also known as 1044-13 and as IIIB-V3-13 (J. P. Moore, per. comm.)
- IIIB-13 V3: UK Medical Research Council AIDS reagent: ARP3046.
- IIIB-13 V3: NIH AIDS Research and Reference Reagent Program: 1727.
- IIIB-13 V3: Called 1727: Used as a standard for comparing immune responses to modified gp140 (gp140deltaCFI), with C-term mutations intended to mimic a fusion intermediate and stabilize trimer formation – experiment showed enhanced humoral immunity without diminishing the CTL response in mice injected with a DNA vaccine. Chakrabarti *et al.* [2002]
- IIIB-13 V3: A rare mutation in the neutralization sensitive R2-strain in the proximal limb of the V3 region caused Env to become sensitive to neutralization by MAbs directed against the CD4 binding site (CD4BS), CD4-induced (CD4i) epitopes, soluble CD4 (sCD4), and HNS2, a broadly neutralizing sera – 2/12 anti-V3 MAbs tested (19b and 694/98-D) neutralized R2, as did 2/3 anti-CD4BS MAbs (15e and IgG1b12), 2/2 CD4i MAbs (17b and 4.8D), and 2G12 and 2F5 – thus multiple epitopes on R2 are functional targets for neutralization and the neutralization sensitivity profile of R2 is intermediate between the highly sensitive MN-TCLA strain and the typically resistant MN-primary strain. Zhang *et al.* [2002]
- IIIB-13 V3: Included in a panel of antibodies used in a multi-lab study for antibody characterization and assay comparison, some neutralization of strains other than IIIB. D'Souza *et al.* [1994]
- IIIB-13 V3: Called IIIB-V3-13 – a neutralization escape mutant (HXB2 A281V) was selected by growth of HXB2 in the presence of broadly neutralizing sera – IIIB-V3-13 neutralization was only slightly reduced by this mutation. Watkins *et al.* [1993]
- IIIB-13 V3: Neutralizes IIIB but not MN. Laman *et al.* [1992]

No. 520

MAb ID IIIB-34 V3 (IIIB-V3-34)

HXB2 Location gp160 (309–317)

Author Location gp120 (308–316 IIIB)

Epitope IQRGPGRAF

Neutralizing L**Immunogen** vaccine

Vector/Type: peptide *Strain:* B clade IIIB

Species (Isotype) mouse (IgG1)

Ab Type gp120 V3

References Laman *et al.* 1993; Laman *et al.* 1992

- IIIB-34 V3: UK Medical Research Council AIDS reagent: ARP3047.

- IIB-34 V3: Called IIB-V3-34 – IIB strain specific neutralization – binding is reduced somewhat by DTT or SDS-DTT, enhanced by NP40, but binds to native and denatured gp120. Laman *et al.* [1993]
- IIB-34 V3: Neutralizes IIB but not MN – QXGPG are critical amino acids for binding by Pepscan analysis. Laman *et al.* [1992]

No. 521

MAB ID A47/B1

HXB2 Location gp160 (309–318)

Author Location gp120 (307–316 IIB)

Epitope IQRGPGRAV

Neutralizing L

Immunogen vaccine

Vector/Type: protein *Strain:* B clade IIB*HIV component:* gp120

Species (Isotype) mouse (IgG)

Ab Type gp120 V3

References Akerblom *et al.* 1990

No. 522

MAB ID D59/A2

HXB2 Location gp160 (309–318)

Author Location gp120 (307–316 IIB)

Epitope IQRGPGRAV

Neutralizing L

Immunogen vaccine

Vector/Type: protein *Strain:* B clade IIB*HIV component:* gp120

Species (Isotype) mouse (IgG)

Ab Type gp120 V3

References Akerblom *et al.* 1990

No. 523

MAB ID G44/H7

HXB2 Location gp160 (309–318)

Author Location gp120 (307–316 IIB)

Epitope IQRGPGRAV

Neutralizing L

Immunogen vaccine

Vector/Type: protein *Strain:* B clade IIB*HIV component:* gp120

Species (Isotype) mouse (IgG)

Ab Type gp120 V3

References Akerblom *et al.* 1990

No. 524

MAB ID MO96/V3 (M096, M096/V3)

HXB2 Location gp160 (309–318)

Author Location gp120 (309–318)

Epitope IQRGPGRAV+AHCNISRAKW

Neutralizing

Immunogen in vitro stimulation or selection

Species (Isotype) human (IgM)

Ab Type gp120 V3

References Gorny & Zolla-Pazner 2004; Ohlin *et al.* 1992

Keywords antibody binding site definition and exposure, antibody generation, review

- M093/V3: Review. provides summaries of Abs that bind to HIV-1 Env. There are many V3 MAbs, many neutralize some TCLA strains; a subset can also neutralize some primary isolates. The three IgMs, M096, M097, and M099, are non-neutralizing. Gorny & Zolla-Pazner [2004] (review)
- M096/V3: Generated in response to IIB Env 286-467 upon *in vitro* stimulation of uninfected-donor lymphocytes, and binds to two peptides: 309-318 + 329-338. Ohlin *et al.* [1992] (antibody binding site definition and exposure, antibody generation)

No. 525

MAB ID μ 5.5 (5.5, mu5.5, Rmu5.5)

HXB2 Location gp160 (309–319)

Author Location gp120 (MN)

Epitope IHIGPGRAFYT

Neutralizing L P

Immunogen

Species (Isotype) mouse (IgG1 κ)

Ab Type gp120 V3

References Okamoto *et al.* 1998; Maeda *et al.* 1992

- mu5.5: Rmu5.5 is a humanized antibody of mouse MAb m5.5 – neutralized primary isolates with similar V3 loops – passive transfer of MAb to SCID-hu or hu-PBL-SCID mice conferred protection. Okamoto *et al.* [1998]
- mu5.5: sCD4 causes loss of IIB type-specificity for MAb 0.5beta, allowing binding and neutralization of MN, in contrast to MAb mu5.5. Maeda *et al.* [1992]

No. 526

MAB ID 268-D (268-11-D-IV, 268D, 268, 268-11D, 268-10D, MAb 268, 268-10-D, ARP)

HXB2 Location gp160 (310–315)

Author Location gp120 (MN)

Epitope HIGPGR

Subtype B

Neutralizing L

Immunogen HIV-1 infection

Species (Isotype) human (IgG1 λ)

Ab Type gp120 V3

Research Contact Susan Zolla-Pazner (Zolla-Pazner@mcrcr6.med.nyu) (NYU Med. Center)

References Lusso *et al.* 2005; Gorny *et al.* 2004; Gorny & Zolla-Pazner 2004; Zhang *et al.* 2002; Vella *et al.* 2002; York *et al.* 2001; Park *et al.* 2000; Nyambi *et al.* 2000; Hioe *et al.* 2000; Laisney & Strosberg 1999; Oggioni *et al.* 1999; Beddows *et al.* 1999; Zolla-Pazner *et al.* 1999b; Zolla-Pazner *et al.* 1999a; LaCasse *et al.* 1998; Stamatatos *et al.* 1997; Hioe *et al.* 1997b; Wisniewski *et al.* 1996; McKeating *et al.* 1996; Fontenot *et al.* 1995; Zolla-Pazner *et al.* 1995; Stamatatos & Cheng-Mayer 1995; VanCott *et al.* 1994; Spear *et al.* 1993; Gorny *et al.* 1993; Karwowska *et al.* 1992b; D'Souza *et al.* 1991; Gorny *et al.* 1991

Keywords antibody binding site definition and exposure, review

- 268-D: UK Medical Research Council AIDS reagent: ARP3024.
- 268-D: NIH AIDS Research and Reference Reagent Program: 1511.
- 268-D: The epitope for the MAb D19 is conserved and embedded in V3. D19 is unique in that for R5 viruses, it was cryptic and did not bind without exposure to sCD4, and for X4 and R5X4 isolates it was constitutively exposed. It had an overlapping binding region with MAbs 447-52D, B4e8, and 268-D, but different reactivity patterns and fine specificity. Lusso *et al.* [2005]
- 268-D: This review provides summaries of Abs that bind to HIV-1 Env. There are many V3 MAbs, while many neutralize some TCLA strains, a subset can also neutralize some primary isolates. Gorny & Zolla-Pazner [2004] (**review**)
- 268-D: Called 268: V3 MAb neutralization is influenced by retaining the epitope, exposure on the intact virion, mobility during CD4 induced conformational change, and affinity. Anti-V3 MAbs selected using V3 peptides do not show as much ability to neutralize as V3 MAbs selected using fusion proteins or gp120, suggesting antigenic conformation is important. 268 was selected using V3 peptides. Gorny *et al.* [2004] (**antibody binding site definition and exposure**)
- 268-D: Called ARP3024: Herpesvirus saimiri-immortalized CD4+ T lymphocytes (HVS T cells) were used to isolate virus and perform HIV-1 neutralization assays, and compared with a standard PBMC protocol – neutralization sensitivities to a panel of MAbs and to homologous or heterologous plasma/sera were similar for HVS T cells (CN-2 cells) and PBMCs. Vella *et al.* [2002]
- 268-D: A rare mutation in the neutralization sensitive R2-strain in the proximal limb of the V3 region caused Env to become sensitive to neutralization by MAbs directed against the CD4 binding site (CD4BS), CD4-induced (CD4i) epitopes, soluble CD4 (sCD4), and HNS2, a broadly neutralizing sera—2/12 anti-V3 MAbs tested (19b and 694/98-D) neutralized R2, as did 2/3 anti-CD4BS MAbs (15e and IgG1b12), 2/2 CD4i MAbs (17b and 4.8D), and 2G12 and 2F5—thus multiple epitopes on R2 are functional targets for neutralization and the neutralization sensitivity profile of R2 is intermediate between the highly sensitive MN-TCLA strain and the typically resistant MN-primary strain. Zhang *et al.* [2002]
- 268-D: Abs against the V3 loop (50.1, 58.2, 59.1, 257-D, 268-D, 447-52D), CD4BS (IgG1b12, 559-64D, F105), CD4i (17b), and to gp41 (2F5, F240) each showed similar binding efficiency to Env derived from related pairs of primary and TCLA lines (primary: 168P and 320SI, and TCLA: 168C and 320SI-C3.3), but the TCLA lines were much more susceptible to neutralization suggesting that the change in TCLA lines that make them more susceptible to NAb alters some step after binding – one of the TCLA V3 viruses 320SI-C3.3 shows reduced binding with this MAb, the sequence of the epitope in 320SI is HIGPGR and in 320SI-C3.3 is RIGPGR. York *et al.* [2001]
- 268-D: Ab responses, because of their capacity to alter antigen uptake and processing, can influence helper T cell responses – CD4BS MAbs or serum Ig from HIV+ individuals inhibited proliferative responses of gp120 specific T cells – V3 MAbs 447-52-D and 268-10-D did not effect proliferation. Hioe *et al.* [2000]
- 268-D: A panel of 47 human MAbs was tested against 26 HIV-1 group M primary isolates from clades A through H – 19 V3 MAbs were tested, and of 494 combinations, 44% displayed some viral binding – V3 MAbs tended to have the most cross-reactive binding to clade A, B, C, and D isolates, less to E, F, G, and H – 268-D showed weak reactivity. Nyambi *et al.* [2000]
- 268-D: Called 268D – six mutations in MN change the virus from a high-infectivity neutralization resistant phenotype to low-infectivity neutralization sensitive – V3, CD4BS, and CD4i MAbs are 20-100 fold more efficient at neutralizing the sensitive form – the mutation L544P reduced binding of all MAbs against gp120 by causing conformational changes. Park *et al.* [2000]
- 268-D: rgp120 derived from a R5X4 subtype B virus, HIV-1 W61D, was used to vaccinate healthy volunteers and the resulting sera were compared with sera from HIV-1 positive subjects and neutralizing MAbs – 268-D bound rgp120 W61D but could only neutralize the W61D isolate following T-cell line adaptation. Beddows *et al.* [1999]
- 268-D: Called MAb 268 – To identify potential mimotopes of V3, a hexapeptide phage library was screened with MAb 268 – two hexamers were identified, HLGPGR or KAIHRI that bind to 268 with the same binding site as the V3 loop and inhibit 268 MN gp120 – KLH conjugated hexamer KAIHRI stimulates Abs in rabbits that cross-react with ML gp120. Laisney & Strosberg [1999]
- 268-D: Called 268-11D – Study of a live-vector mucosal vaccine that expresses HIV-1 V3 domains using the bacterium *Streptococcus gordonii* which can express heterologous Ag and can colonize the oral cavity and vagina of mice – 268-D and 257-D recognized *S. gordonii* expressing the V3 domain of MN – the vaccine stimulated V3-specific IgG2a in mice. Oggioni *et al.* [1999]
- 268-D: Review of clade specificity and anti-V3 HIV-1-Abs. Zolla-Pazner *et al.* [1999a]
- 268-D: Peptide reactivity pattern clustered with immunological related MAbs: 1108, 386, 268, 311, 257, 694.8 – the amino acids HI tended to be critical for reactivity in this group – MAb 453, with an identical core epitope to 268 based on prior experiments (HIGPGR), was not part of this reactivity group, illustrating that context can be critical. Zolla-Pazner *et al.* [1999b]
- 268-D: A T-cell line-adapted (TCLA) derivative of SI primary isolate 168P acquired the ability to be neutralized by anti-V3 MAbs – the primary isolate could use either CCR5 or CXCR4, and was not neutralized when infection was directed via either pathway, however the TCLA derivative uses CXCR4 only and is neutralized. LaCasse *et al.* [1998]
- 268-D: Poor reactivity against HIV-1 isolates SF162 and SF128A and no neutralization, in contrast to MAbs 391/95-D and 257-D. Stamatatos *et al.* [1997]
- 268-D: Failed to neutralize HXB2 and chimeric virus with gp120 from primary isolates in an HXB2 background. McKeeating *et al.* [1996]
- 268-D: 268-D is V H4 – V-region heavy chain usage was examined and a bias of enhanced V H1 and V H4, and reduced V H3, was noted among HIV infected individuals. Wisniewski *et al.* [1996]

- 268-D: The binding of conformation-dependent anti-V2, anti-V3, and anti-CD4BS MAbs to monomeric and virion-associated gp120 from HIV-1 isolates with differences in cell tropism was studied – V3 loop epitopes were less accessible to Ab binding on the virion surface than in the gp120 monomer, particularly for macrophage-tropic isolates SF162 and SF128a, relative to T-cell tropic SF2 – sCD4 association with gp120 did not influence the binding of 268-D to virion-associated gp120, although sCD4 binding did alter epitope exposure for other anti-V3 MAbs. Stamatatos & Cheng-Mayer [1995]
- 268-D: Serotyping study using flow-cytometry, if H of HIGPGR was substituted in virus, 268-D did not bind. Zolla-Pazner *et al.* [1995]
- 268-D: Moderate dissociation rate and homologous neutralization titer. VanCott *et al.* [1994]
- 268-D: Neutralizes MN – binds SF2: YIGPGR – specificity: MN, SF2, NY5, RF, CDC4. Gorny *et al.* [1993]
- 268-D: Mediated deposition of complement component C3 on HIV infected cells, but not in the presence of sCD4. Spear *et al.* [1993]
- 268-D: Reacts with MN, NY5, CDC4, RF and SF2, does not cross-react with WM52 or HXB2. Karwowska *et al.* [1992b]
- 268-D: Called 268-11-D-IV – strain specific weakly neutralizing. D'Souza *et al.* [1991]

No. 527

MAB ID 386-D (386, 386-10D, 386D)

HXB2 Location gp160 (310–315)

Author Location gp120 (MN)

Epitope HIGPGR

Subtype B

Neutralizing L

Immunogen HIV-1 infection

Species (Isotype) human (IgG1 λ)

Ab Type gp120 V3

Research Contact Susan Zolla-Pazner (Zollas01@mcr6.med.nyu) (NYU Med. Center)

References Gorny *et al.* 2004; Gorny & Zolla-Pazner 2004; Nyambi *et al.* 2000; Zolla-Pazner *et al.* 1999b; Zolla-Pazner *et al.* 1999a; Fontenot *et al.* 1995; VanCott *et al.* 1994; Gorny *et al.* 1993; Karwowska *et al.* 1992b

Keywords antibody binding site definition and exposure, binding affinity, isotype switch, review, subtype comparisons

- 386-D: This review provides summaries of Abs that bind to HIV-1 Env. There are many V3 MAbs, many neutralize some TCLA strains, and a subset can also neutralize some primary isolates. Gorny & Zolla-Pazner [2004] (**review**)
- 386-D: Called 386: V3 MAb neutralization is influenced by retaining the epitope, exposure on the intact virion, mobility during CD4-induced conformational change, and affinity. Anti-V3 MAbs selected using V3 peptides do not show as much ability to neutralize as V3 MAbs selected using fusion proteins or gp120, suggesting antigenic conformation is important. 386 was selected using V3 peptides. Gorny *et al.* [2004] (**antibody binding site definition and exposure**)

- 386-D: A panel of 47 human MAbs was tested against 26 HIV-1 group M primary isolates from clades A through H – 19 V3 MAbs were tested, and of 494 combinations, 44% displayed some viral binding – V3 MAbs tended to have the most cross-reactive binding to clade A, B, C, and D isolates, less to E, F, G, and H – 386-D showed intermediate reactivity. Nyambi *et al.* [2000] (**isotype switch, subtype comparisons**)
- 386-D: Review of clade specificity and anti-V3 HIV-1-Abs. Zolla-Pazner *et al.* [1999a] (**review, subtype comparisons**)
- 386-D: Peptide reactivity pattern clustered with immunological related MAbs: 1108, 386, 268, 311, 257, 694.8 – the amino acids HI tended to be critical for reactivity in this group. Zolla-Pazner *et al.* [1999b] (**antibody binding site definition and exposure**)
- 386-D: Slow dissociation rate, potent homologous neutralization. VanCott *et al.* [1994] (**binding affinity**)
- 386-D: Neutralizes MN – binds SF2: YIGPGR – specificity: MN, SF2, NY5, RF, CDC4. Gorny *et al.* [1993] (**antibody binding site definition and exposure**)

No. 528

MAB ID 5042A

HXB2 Location gp160 (310–315)

Author Location gp120 (310–315 BH10)

Epitope QrGPGR

Neutralizing L

Immunogen vaccine

Vector/Type: peptide Strain: B clade BH10

HIV component: V3

Species (Isotype) mouse (IgG)

Ab Type gp120 V3

References Gorny *et al.* 1991; Langedijk *et al.* 1991

- 5042A: Generation and fine mapping of murine MAbs. Langedijk *et al.* [1991]

No. 529

MAB ID 5042B

HXB2 Location gp160 (310–315)

Author Location gp120 (310–315 BH10)

Epitope QRGPGr

Neutralizing no

Immunogen vaccine

Vector/Type: peptide Strain: B clade BH10

HIV component: V3

Species (Isotype) mouse (IgG)

Ab Type gp120 V3

References Langedijk *et al.* 1991

- 5042B: Generation and fine mapping of murine MAbs. Langedijk *et al.* [1991]

No. 530

MAB ID 418-D (418, 418D)

HXB2 Location gp160 (310–316)

Author Location gp120 (MN)

Epitope HIGPGRA

Subtype B

Neutralizing L

Immunogen HIV-1 infection

Species (Isotype) human (IgG1 κ)

Ab Type gp120 V3

Research Contact Susan Zolla-Pazner (Zollas01@mrcrcr6.med.nyu) (NYU Med. Center)

References Gorny *et al.* 2004; Gorny & Zolla-Pazner 2004; Zhang *et al.* 2002; Nyambi *et al.* 2000; Zolla-Pazner *et al.* 1999b; Zolla-Pazner *et al.* 1999a; Gorny *et al.* 1993; Karwowska *et al.* 1992b

Keywords antibody binding site definition and exposure, review, subtype comparisons, variant cross-recognition or cross-neutralization

- 418-D: This review provides summaries of Abs that bind to HIV-1 Env. There are many V3 MAbs, many neutralize some TCLA strains, and a subset can also neutralize some primary isolates. Gorny & Zolla-Pazner [2004] (**review**)
- 418-D: Called 418: V3 MAb neutralization is influenced by retaining the epitope, exposure on the intact virion, mobility during CD4-induced conformational change, and affinity. Anti-V3 MAbs selected using V3 peptides neutralize less effectively than V3 MAbs selected using fusion proteins or gp120, suggesting antigenic conformation is important. 418 was selected using V3 peptides. Gorny *et al.* [2004] (**antibody binding site definition and exposure**)
- 418-D: A rare mutation in the neutralization sensitive R2-strain in the proximal limb of the V3 region caused Env to become sensitive to neutralization by MAbs directed against the CD4 binding site (CD4BS), CD4-induced (CD4i) epitopes, soluble CD4 (sCD4), and HNS2, a broadly neutralizing sera – 2/12 anti-V3 MAbs tested (19b and 694/98-D) neutralized R2, as did 2/3 anti-CD4BS MAbs (15e and IgG1b12), 2/2 CD4i MAbs (17b and 4.8D), and 2G12 and 2F5 – thus multiple epitopes on R2 are functional targets for neutralization and the neutralization sensitivity profile of R2 is intermediate between the highly sensitive MN-TCLA strain and the typically resistant MN-primary strain. Zhang *et al.* [2002]
- 418-D: A panel of 47 human MAbs was tested against 26 HIV-1 group M primary isolates from clades A through H – 19 V3 MAbs were tested, and of 494 combinations, 44% displayed some viral binding – V3 MAbs tended to have the most cross-reactive binding to clade A, B, C, and D isolates, less to E, F, G, and H – 418-D showed intermediate reactivity. Nyambi *et al.* [2000] (**variant cross-recognition or cross-neutralization, subtype comparisons**)
- 418-D: Review of clade specificity and anti-V3 HIV-1-Abs. Zolla-Pazner *et al.* [1999a] (**review, subtype comparisons**)
- 418-D: Called 418 – MAb peptide-reactivity pattern clustered with immunological related MAbs: 391.5, 412 and 418, all selected with MN V3 peptide – the core amino acids HIGPGR tended to be critical for reactivity in this group. Zolla-Pazner *et al.* [1999b] (**antibody binding site definition and exposure**)
- 418-D: Neutralizes MN, does not bind to SF2 or HXB2. Gorny *et al.* [1993] (**variant cross-recognition or cross-neutralization**)
- 418-D: MN strain specific, does not cross-react with SF2, NY5, RF, CDC4 WM52 or HXB2. Karwowska *et al.* [1992b] (**variant cross-recognition or cross-neutralization**)

No. 531

MAb ID 5021

HXB2 Location gp160 (310–316)

Author Location gp120

Epitope QrGPGRa

Neutralizing L

Immunogen vaccine

Vector/Type: peptide *Strain:* B clade BH10

HIV component: V3

Species (Isotype) mouse (IgG)

Ab Type gp120 V3

References Moore *et al.* 1993b; Langedijk *et al.* 1991; Durda *et al.* 1990; Durda *et al.* 1988

- 5021: Binding to native gp120 100-300 fold greater than to denatured – 314G/W substitution abolishes binding, changes outside the loop have little effect. Moore *et al.* [1993b]
- 5021: Generation and fine mapping of murine MAbs. Langedijk *et al.* [1991]

No. 532

MAb ID 5025B

HXB2 Location gp160 (310–316)

Author Location gp120 (310–316 BH10)

Epitope QRGPGRa

Neutralizing no

Immunogen vaccine

Vector/Type: peptide *Strain:* B clade BH10

HIV component: V3

Species (Isotype) mouse (IgG)

Ab Type gp120 V3

References Langedijk *et al.* 1991

- 5025B: Generation and fine mapping of murine MAbs. Langedijk *et al.* [1991]

No. 533

MAb ID 5042

HXB2 Location gp160 (310–316)

Author Location gp120

Epitope QRGPGRa

Neutralizing L

Immunogen vaccine

Vector/Type: peptide

Species (Isotype) mouse

Ab Type gp120 V3

References Moore *et al.* 1993b; Durda *et al.* 1990; Durda *et al.* 1988

- 5042: Binding to native gp120 100-300 fold greater than to denatured – 314G/W substitution abolishes binding, changes outside the loop have little effect. Moore *et al.* [1993b]

No. 534

MAb ID 110.3

HXB2 Location gp160 (310–317)

Author Location gp120 (308–328 BRU)

Epitope QRGPGRaF

Neutralizing L

Immunogen vaccine

Vector/Type: HIV infected-cell lysate

Strain: B clade BRU *HIV component:* HIV-1

Species (Isotype) mouse (IgG1κ)

Ab Type gp120 V3

References Connelly *et al.* 1994; Pirofski *et al.* 1993; Langedijk *et al.* 1992; Evans *et al.* 1989; Thomas *et al.* 1988

- 110.3: An anti-idiotypic MAb generated against 110.3 both mimics and binds to V3, suggesting that the V3 loop may be associated with itself. Connelly *et al.* [1994]
- 110.3: MAb variable region sequenced – heavy chain: V 7138(40), D deletion, J H4 – light chain: V kappa21(47), J kappa2. Pirofski *et al.* [1993]
- 110.3: Included as a control. Evans *et al.* [1989]

No. 535

MAb ID 110.4

HXB2 Location gp160 (310–317)

Author Location gp120 (308–328 BRU)

Epitope QRGPGRAF

Neutralizing L

Immunogen vaccine

Vector/Type: HIV infected-cell lysate

Strain: B clade BRU *HIV component:* HIV-1

Species (Isotype) mouse (IgG1κ)

Ab Type gp120 V3

Research Contact Genetic Systems Corp, Seattle WA, E. Kinney-Thomas

References Guillerm *et al.* 1998; Cao *et al.* 1997b; Valenzuela *et al.* 1998; McDougal *et al.* 1996; Connelly *et al.* 1994; Boudet *et al.* 1994; Thali *et al.* 1994; Arendrup *et al.* 1993; Pirofski *et al.* 1993; Thali *et al.* 1993; Langedijk *et al.* 1992; Thali *et al.* 1992b; Callahan *et al.* 1991; Thomas *et al.* 1988

Keywords anti-idiotypic, antibody binding site definition and exposure, antibody sequence, variable domain, escape

- 110.4: Used for flow cytometry in a study of the anti-CD4, CDR3 loop MAb called 13B8.2, in a study of HIV-1 induced programmed cell death. Guillerm *et al.* [1998]
- 110.4: Neutralization of LAI in CEM cells by anti-V3 MAbs 110.4 and N11-20 is through inhibition of viral binding to the cell. Valenzuela *et al.* [1998]
- 110.4: Virus with the V1-V2 loop deleted was viable and more susceptible to neutralization by CD4i MAb 17b, and anti-V3 MAbs 1121, 9284, and 110.4, but not to and CD4BS MAb F105 or sCD4. Cao *et al.* [1997b] (**antibody binding site definition and exposure**)
- 110.4: Neutralizes HIV-1 LAI. McDougal *et al.* [1996]
- 110.4: An anti-idiotypic MAb generated against 110.3 also blocks binding of 110.4. Connelly *et al.* [1994] (**anti-idiotypic**)
- 110.4: gp41 mutation that confers resistance to neutralization by anti-CD4 binding site antibodies does not reduce neutralizing efficiency of this V3 region MAb. Thali *et al.* [1994] (**antibody binding site definition and exposure**)
- 110.4: Primary isolates from different time points from one individual were not susceptible to neutralization by 110.4. Arendrup *et al.* [1993]
- 110.4: MAb variable region sequenced – heavy chain: V 3660-SB32, D closest to DSP2.3, 2.4 and .6, J H2 – light chain: V kappa21, J kappa2. Pirofski *et al.* [1993] (**antibody sequence, variable domain**)

- 110.4: 313 P/S substitution in the V3 region disrupts binding. Thali *et al.* [1992b] (**antibody binding site definition and exposure, escape**)

- 110.4: Polyanionic polysaccharides were proposed to inhibit viral functions such as binding and syncytia formation through interactions mediated through the local high positive charge density in the V3 loop. The binding of this anti-V3 antibody is inhibited by dextran sulfate. Callahan *et al.* [1991]

No. 536

MAb ID 110.5

HXB2 Location gp160 (310–317)

Author Location gp120 (308–328 BRU)

Epitope QRGPGRAF

Neutralizing L

Immunogen vaccine

Vector/Type: HIV infected-cell lysate

Strain: B clade BRU *HIV component:* HIV-1

Species (Isotype) mouse (IgG1κ)

Ab Type gp120 V3

Research Contact E. Kinney-Thomas or Genetic Systems, Seattle WA

References Parren *et al.* 1998a; Ugolini *et al.* 1997; Binley *et al.* 1997a; Jeffs *et al.* 1996; McDougal *et al.* 1996; Poignard *et al.* 1996a; Moore & Sodroski 1996; Sattentau & Moore 1995; Sattentau *et al.* 1995; Klasse *et al.* 1993a; Thali *et al.* 1993; Moore *et al.* 1993b; Pirofski *et al.* 1993; McKeating *et al.* 1992a; Langedijk *et al.* 1992; Sattentau & Moore 1991; Cordell *et al.* 1991; Moore *et al.* 1990; Thomas *et al.* 1988; Reitz *et al.* 1988

- 110.5: The MAb and Fab binding to the oligomeric form of gp120 and neutralization were highly correlated – authors suggest that neutralization is determined by the fraction of Ab sites occupied on a virion irrespective of the epitope. Parren *et al.* [1998a]
- 110.5: Viral binding inhibition by 110.5 was correlated with neutralization (all other neutralizing MAbs tested showed some correlation except 2F5) Ugolini *et al.* [1997]
- 110.5: Deletion of the V1V2 regions did not affect anti-V3 Abs ability to bind when compared to intact rec gp120. Jeffs *et al.* [1996]
- 110.5: Neutralizes HIV-1 LAI. McDougal *et al.* [1996]
- 110.5: Reciprocal binding inhibition with other anti-V3 MAbs – enhances binding of some anti-V2 MAbs – binding enhanced by some CD4 binding site MAbs. Moore & Sodroski [1996]
- 110.5: Did not induce dissociation of gp120, as sCD4 did – discrepancy with Poignard *et al.* [1996a], that was suggested to be due to MAb interference with detection, as the gp120-MAb complex was denatured in the Poignard study Moore *et al.* [1990]. Moore *et al.* [1990]; Poignard *et al.* [1996a]
- 110.5: V3 MAbs 9284, BAT123, 110.5, and 110.I could each significantly increase gp120 dissociation from virus, mimicking sCD4, and expose the gp41 epitope for MAb 50-69, in contrast to anti-V2 MAbs. Poignard *et al.* [1996a]
- 110.5: Pretreatment of HX10-infected H9 cells with sCD4 decreases signal from 110.5 at 37 degrees due to dissociation of gp120-gp41. Sattentau *et al.* [1995]

- 110.5: Binds with high affinity to monomer and oligomer, rapid association and potent neutralization of lab strains – neutralizes cell-free Hx10. Sattentau & Moore [1995]
- 110.5: The gp41 mutation 582(Ala to Thr) results in conformational changes in gp120 that confer neutralization resistance to conformationally sensitive neutralizing MAbs – neutralization efficiency of 110.5 is not affected. Klasse *et al.* [1993a]; Reitz *et al.* [1988]
- 110.5: Thrombin cleavage of V3 loop between R-315 and A-316 abrogates binding – can inhibit C4 region antibody which has conformational requirements (G3-299) – binding to native gp120 100-300 fold greater than to denatured. Moore *et al.* [1993b]
- 110.5: Variable region sequenced – heavy chain: V 3660-SB32, D closest to DSP2.3, 2.4 and .6, J H2 – light chain: V kappa21, J kappa2. Pirofski *et al.* [1993]
- 110.5: Binding insensitive to gp120 reduction. Cordell *et al.* [1991]
- 110.5: Two fold increase in binding to gp120 in the presence of bound sCD4. Sattentau & Moore [1991]

No. 537

MAb ID 58.2

HXB2 Location gp160 (310–317)

Author Location gp120 (MN)

Epitope HIGPGRAF

Neutralizing L

Immunogen vaccine

Vector/Type: peptide *Strain:* B clade MN
HIV component: V3

Species (Isotype) mouse (IgG1κ)

Ab Type gp120 V3

Research Contact Repligen Corp.

References Binley *et al.* 2004; York *et al.* 2001; Stanfield *et al.* 1999; Seligman *et al.* 1996; Moore *et al.* 1994b; Potts *et al.* 1993; White-Scharf *et al.* 1993

Keywords subtype comparisons, variant cross-recognition or cross-neutralization

- 58.2: 93 viruses from different clades were tested for their neutralization cross-reactivity using a panel of HIV antibodies. 58.2 could only neutralize B subtype viruses, and seemed to have a minimal epitope of (H/T)IGPGR(A/T)(F/L). Binley *et al.* [2004] (**variant cross-recognition or cross-neutralization, subtype comparisons**)
- 58.2: 58.2's epitope was noted to be IGPGRAF – Abs against the V3 loop (50.1, 58.2, 59.1, 257-D, 268-D, 447-52D), CD4BS (IgG1b12, 559-64D, F105), CD4i (17b), and to gp41 (2F5, F240) each showed similar binding efficiency to Env derived from related pairs of primary and TCLA lines (primary: 168P and 320SI, and TCLA: 168C and 320SI-C3.3), but the TCLA lines were much more susceptible to neutralization suggesting that the change in TCLA lines that make them more susceptible to NAbs alters some step after binding. York *et al.* [2001]
- 58.2: The crystal structure of Fab 58.2 bound to V3 loop peptides was obtained – conformational changes in the tip of the V3 loop (GPGR) were observed when different MAbs were bound – 58.2's epitope was defined as KRKRIHIGPGRAFY. Stanfield *et al.* [1999]

- 58.2: Competition ELISAs with serial deletions produced longer estimates of epitope length, RIHIGPGRAFY, than Alanine substitution, suggesting significance of non-contact residues. Seligman *et al.* [1996]
- 58.2: Modest cross-reactivity among B clade gp120s, little outside B clade – core epitope as I-IHIG. Moore *et al.* [1994b]
- 58.2: Did not synergistically neutralize MN in combination with MAb F105 – there was synergistic neutralization when combined with sCD4. Potts *et al.* [1993]
- 58.2: Epitope defined by peptide reactivity and changes in affinity with amino acid substitutions – 4/7 primarily isolates were neutralized. White-Scharf *et al.* [1993]

No. 538

MAb ID polyclonal

HXB2 Location gp160 (310–318)

Author Location gp120

Epitope QRGPGRAFV?

Neutralizing L

Immunogen vaccine

Vector/Type: peptide keyhole limpet hemocyanin (KLH) conjugate, peptide Brucella abortus (Ba) conjugate, peptide lipopolysaccharide (LPS) conjugate *Strain:* B clade MN *HIV component:* V3

Species (Isotype) mouse (IgA, IgG1, IgG2a)

References Golding *et al.* 2002a

- Internasal (i.n.) immunization with V3-Ba induced mucosal anti-V3 NAb and IFN-gamma secreting T cells – V3-Ba, V3-KLH and V3-LPS could each induce serum and mucosal IgA and IgG in BALB/c mice – i.n. plus i.p. immunizations gave higher titers than i.n. alone – the response to V3-KLH was mainly restricted to IgG1, and to V3-Ba, IgG2a – class II KO mice (CD4+ deficient) did not respond to V3-KLH, but did respond to V3-Ba, suggesting that V3-Ba may be effective in eliciting Ab responses in HIV-1 infected individuals that have impaired CD4+ T cell function. Golding *et al.* [2002a]

No. 539

MAb ID 537-D (537)

HXB2 Location gp160 (311–315)

Author Location gp120 (MN)

Epitope IGPGR

Subtype B

Neutralizing L

Immunogen HIV-1 infection

Species (Isotype) human (IgG1λ)

Ab Type gp120 V3

Research Contact Susan Zolla-Pazner (Zollas01@mccr6.med.nyu) (NYU Med. Center)

References Gorny *et al.* 2004; Nyambi *et al.* 2000; Zolla-Pazner *et al.* 1999b; Zolla-Pazner *et al.* 1999a; Fontenot *et al.* 1995; VanCott *et al.* 1994; Gorny *et al.* 1993; Gorny *et al.* 1992; Karwowska *et al.* 1992b

Keywords antibody binding site definition and exposure

- 537-D: Called 537: V3 MAb neutralization is influenced by retaining the epitope, exposure on the intact virion, mobility during CD4-induced conformational change, and affinity. Anti-V3 MAbs selected using V3 peptides neutralize less effectively than V3 MAbs selected using fusion proteins or gp120, suggesting antigenic conformation is important. This MAb was selected using V3 peptides. Gorny *et al.* [2004] (**antibody binding site definition and exposure**)
- 537-D: A panel of 47 human MAbs was tested against 26 HIV-1 group M primary isolates from clades A through H – 19 V3 MAbs were tested, and of 494 combinations, 44% displayed some viral binding – V3 MAbs tended to have the most cross-reactive binding to clade A, B, C, and D isolates, less to E, F, G, and H – 537-D showed weak reactivity. Nyambi *et al.* [2000]
- 537-D: Review of clade specificity and anti-V3 HIV-1-Abs. Zolla-Pazner *et al.* [1999a]
- 537-D: MAb peptide-reactivity pattern clustered with immunological related MAbs: 1334, 419, 504, 447, 453 and 537 – the core amino acids GP tended to be critical for reactivity in this group. Zolla-Pazner *et al.* [1999b]
- 537-D: Moderate homologous neutralization, relatively rapid dissociation constant. VanCott *et al.* [1994]
- 537-D: MN type specific neutralization observed – binds SF2, also IGPGR. Gorny *et al.* [1992, 1993]
- 537-D: Reacts with MN, NY5, CDC4, RF, WM52 and SF2, but does not cross-react with HXB2. Karwowska *et al.* [1992b]

No. 540

Mab ID 5020

HXB2 Location gp160 (311–316)

Author Location gp120 (311–316 BH10)

Epitope RGPGRA

Neutralizing no

Immunogen vaccine

Vector/Type: peptide Strain: B clade BH10

HIV component: V3

Species (Isotype) mouse (IgG)

Ab Type gp120 V3

References Langedijk *et al.* 1991

- 5020: Generation and fine mapping of murine MAbs. Langedijk *et al.* [1991]

No. 541

Mab ID RC25

HXB2 Location gp160 (311–316)

Author Location gp120 (JRFL)

Epitope IGPGRA

Subtype B

Neutralizing L

Immunogen

Species (Isotype) humanized mouse

Ab Type gp120 V3

References Kaizu *et al.* 2003; Kimura *et al.* 2002

Keywords co-receptor, HAART, ART

- RC25: MD14 is a R5X4 SHIV with a B clade Env; the V3 loop of an E-clade Env was inserted into MD14 to create SHIV-TH09V3, an R5 virus. SHIV-TH09V3 could infect both cynomolgous and pig-tailed macaques, and the R5 co-receptor usage was maintained after passage through macaques. The MAb RC25 recognized B clade V3 loops, and reacted with

SHIV-MD14. Rabbit anti-sera raised against a NSI Clade E consensus preferentially recognized SHIV-TH09V3. Kaizu *et al.* [2003] (**co-receptor**)

- RC25: RC25 is a humanized MAb that recognizes the epitope IGPGRA – it has strong neutralizing activity against JRFL (R5 virus) and weak against NL4-3 (X4 virus) and is used as a control in a study of NAb activity in patients undergoing HAART. Kimura *et al.* [2002] (**HAART, ART**)

No. 542

Mab ID 5023A (5023, NEA-9205, NEA 9205)

HXB2 Location gp160 (311–317)

Author Location gp120 (311–317 BH10)

Epitope RgPGRAF

Neutralizing L

Immunogen vaccine

Vector/Type: peptide Strain: B clade BH10

HIV component: V3

Species (Isotype) mouse (IgG)

Ab Type gp120 V3

Research Contact Paul Durda, Du Pont de Nemours and Co

References Schonning *et al.* 1998; Rovinski *et al.* 1995; Back *et al.* 1993; D'Souza *et al.* 1991; Langedijk *et al.* 1991

- 5023A: Called NEA-9205 – The N306 glycan of the V3 loop makes the tip of the V3 loop inaccessible to this MAb in oligomeric Env, loss of this glycan enhances neutralization sensitivity. Schonning *et al.* [1998]
- 5023A: Called 5023 in this paper – Used to precipitate gp160 in immunoblots in a study examining the feasibility of using unprocessed gp160 glycoprotein as an immunogen. Rovinski *et al.* [1995]
- 5023A: Called 5023 – Langedijk also has an MAb called 5023B – gp41 amino acid substitutions 668 (N/S) and 675 (I/M) in gp41 interfere with 5023s neutralization potency, region 662-675 is ELDKWANLWNWFNI. Back *et al.* [1993]
- 5023A: Called 5023 – Langedijk also has an MAb called 5023B – strong cross-reactive neutralizing MAb. D'Souza *et al.* [1991]
- 5023A: Generation and Fine mapping of murine MAbs. Langedijk *et al.* [1991]

No. 543

Mab ID 110.6

HXB2 Location gp160 (311–318)

Author Location gp120 (BRU)

Epitope RGPGRAFV

Neutralizing L (weak)

Immunogen vaccine

Vector/Type: HIV infected-cell lysate

Strain: B clade BRU HIV component:

HIV-1

Species (Isotype) mouse (IgG1 λ)

Ab Type gp120 V3

References Langedijk *et al.* 1992; Pirofski *et al.* 1993; Thomas *et al.* 1988

- 110.6: Variable region sequenced – heavy chain: V J558-146b.1alpha, D closest to DSP16.2, J H3 – light chain: V lambda1, J lambda1. Pirofski *et al.* [1993]

No. 544

MAb ID polyclonal
HXB2 Location gp160 (311–318)
Author Location gp120 (MN)
Epitope IGPGRAPHY
Neutralizing L
Immunogen vaccine
Vector/Type: B. abortus complex *Strain:* B clade MN, B clade SF2 *HIV component:* gp120
Species (Isotype) mouse (IgG2a)
Ab Type gp120 V3
References Golding *et al.* 1995
 • Ab is evoked even in mice depleted of CD4+ cells.

No. 545
MAb ID 10/36e
HXB2 Location gp160 (311–321)
Author Location gp120 (311–321 HXB10)
Epitope RGPGRAPHVTIG
Neutralizing L (HXB10)
Immunogen vaccine
Vector/Type: protein *Strain:* B clade BH10 *HIV component:* gp120
Species (Isotype) rat (IgG2a)
Ab Type gp120 V3
References Peet *et al.* 1998; McKeating *et al.* 1993b; McKeating *et al.* 1992a
 • 10/36e: The most variable amino acids in the V3 loop were replaced with serines to make the immunodominant V3 loop less immunogenic – these changes did not affect the ability of sCD4 or MAbs to V1/V2, C1 and C4 to bind, but anti-V3 MAb 10/36e binding was dramatically diminished by V3 serine substitutions – mice injected with serine substituted gp120 had a reduced response relative to wildtype, and no enhanced immunogenicity of conserved regions. Peet *et al.* [1998]
 • 10/36e: Binding to virion gp120 enhanced by sCD4. McKeating *et al.* [1992a]

No. 546
MAb ID 10/54 (10/54ow/6i/6i)
HXB2 Location gp160 (311–321)
Author Location gp120 (311–321 HXB10)
Epitope RGPGRAPHVTIG
Neutralizing L (HXB10)
Immunogen vaccine
Vector/Type: protein *Strain:* B clade BH10 *HIV component:* gp120
Species (Isotype) rat (IgG1)
Ab Type gp120 V3
References Peet *et al.* 1998; McKeating *et al.* 1993b; McKeating *et al.* 1993a; McKeating *et al.* 1992a
 • 10/54: Called 10/54ow/6i/6i: The most variable amino acids in the V3 loop were replaced with serines to make the immunodominant V3 loop less immunogenic – these changes did not affect the ability of sCD4 or MAbs to V1/V2, C1 and C4 to bind, but anti-V3 MAb 10/54 binding was dramatically diminished by V3 serine substitutions – mice injected with serine substituted gp120 had a reduced response relative to wildtype,

and no enhanced immunogenicity of conserved regions. Peet *et al.* [1998]
 • 10/54: Studied in the context of a neutralization escape mutant. McKeating *et al.* [1993a]
 • 10/54: Binding to virion gp120 enhanced by sCD4. McKeating *et al.* [1992a]

No. 547
MAb ID 11/85b (11/85b/14I/14I)
HXB2 Location gp160 (311–321)
Author Location gp120 (311–321 HXB10)
Epitope RGPGRAPHVTIG
Neutralizing L (HXB2)
Immunogen vaccine
Vector/Type: protein *Strain:* B clade BH10 *HIV component:* gp120
Species (Isotype) rat (IgG2b)
Ab Type gp120 V3
References McKeating *et al.* 1993b; McKeating *et al.* 1992a
 • 11/85b: Binding to virion gp120 enhanced by sCD4. McKeating *et al.* [1992a]

No. 548
MAb ID polyclonal
HXB2 Location gp160 (311–322)
Author Location gp120 (MN)
Epitope IGPGRAPHYTTKN
Neutralizing L (MN ALA-1)
Immunogen vaccine
Vector/Type: human rhinovirus 14 *Strain:* B clade MN *HIV component:* V3
Species (Isotype) guinea pig
Ab Type gp120 V3
References Smith *et al.* 1998
 • The tip of the MN V3 loop (IGPGRAPHYTTKN) was inserted into cold-causing human rhinovirus 14 (HRV14) – chimeras were immunoselected, and chimeric viruses were neutralized by anti-V3 loop antibodies – chimeric viruses elicited potent NAbs against ALA-1 and MN. Smith *et al.* [1998]

No. 549
MAb ID 0.5 β (0.5 beta, 0.5beta)
HXB2 Location gp160 (311–324)
Author Location gp120 (316–330 HXB2)
Epitope RGPGRAPHVTIGKIG
Subtype B
Neutralizing L (IIIB)
Immunogen vaccine
Vector/Type: protein *Strain:* B clade IIIB *HIV component:* Env
Species (Isotype) mouse (IgG1 κ)
Ab Type gp120 V3
Research Contact Shuzo Matsushita or Toshio Hattori of Kumamoto University

References Harada *et al.* 2004; Kawai *et al.* 2003; Zvi *et al.* 2000; Tugarinov *et al.* 2000; Jagodzinski & Trzeciak 2000; Fortin *et al.* 2000; Tugarinov *et al.* 1999; Faiman & Horovitz 1997; Wyatt *et al.* 1997; Zvi *et al.* 1997; Huang *et al.* 1997; Faiman *et al.* 1996; Jeffs *et al.* 1996; McDougal *et al.* 1996; Warrier *et al.* 1996; Jagodzinski *et al.* 1996; Zvi *et al.* 1995a; Zvi *et al.* 1995b; Broder *et al.* 1994; Boudet *et al.* 1994; Okada *et al.* 1994; Thali *et al.* 1994; Cook *et al.* 1994; Watkins *et al.* 1993; Klasse *et al.* 1993a; Moore *et al.* 1993b; di Marzo Veronese *et al.* 1993; Sperlagh *et al.* 1993; McKeating *et al.* 1992a; Maeda *et al.* 1992; Emini *et al.* 1992; Matsushita *et al.* 1992; D'Souza *et al.* 1991; Nara *et al.* 1990; Reitz *et al.* 1988; Skinner *et al.* 1988a; Skinner *et al.* 1988b; Matsushita *et al.* 1988

Keywords anti-idiotypic, antibody binding site definition and exposure, antibody generation, antibody interactions, brain/CSF, co-receptor, complement, escape, structure, variant cross-recognition or cross-neutralization

- 0.5beta: UK Medical Research Council AIDS reagent: ARP3025.
- 0.5beta: NIH AIDS Research and Reference Reagent Program: 1591.
- 0.5beta: Studies on the temperature dependence of infectious virus (increased temperatures up to 37 degrees increases infectivity) showed that X4 pseudoviruses that were infectious at room temperature were also more resistant to anti-V3 0.5beta and anti-CXCR4 blocking peptide T140. This implies that virus more heavily populated with functional envelopes are more infectious. Harada *et al.* [2004] (**co-receptor**)
- 0.5beta: 0.5beta was used as a control for gp120 expression relative to Nef expression soon after infection of cultures. The goal of this study was to elicit anti-Nef IgM human Abs in trans-chromosome mice that carry human chromosomes responsible for Ig production. These mice were immunized with recombinant Nef protein. Human heavy chain, mouse light chain anti-Nef IgM were obtained. The hope was that these human IgM anti-Nef chimeric Abs would activate complement mediated cytolysis; C3 deposition was induced but not at high enough levels to induce lysis. Kawai *et al.* [2003] (**complement**)
- 0.5beta: Host encoded intercellular adhesion molecule (ICAM-1) is incorporated by the HIV-1 virion and enhances viral infectivity – ICAM-1 does not modify virus sensitivity to antibodies 0.5beta or 4.8D or sCD4, but neutralizing ability of F105 was diminished in ICAM bearing virions in the presence of lymphocyte function-association antigen-1 (LFA-1) Ab. Fortin *et al.* [2000] (**antibody interactions**)
- 0.5beta: MAbs 0.5beta and G3-42 were used to study synthesis of oligomeric and monomeric forms of Env – inhibition of glycosylation by tunicamycin results in reduction of oligomeric gp120 at the cell surface and of monomer in the cytoplasm – neither MAb recognized non-glycosylated Env precursor. Jagodzinski & Trzeciak [2000]
- 0.5beta: 14/18 residues of peptide P1053, RKSIRIQRGP-GRAFVTIG, were shown to be involved in the Ab recognition site using NMR – QRGPGR forms a beta-hairpin turn at the center of the binding pocket. Tugarinov *et al.* [2000] (**antibody binding site definition and exposure**)
- 0.5beta: NMR and mutation cycles were employed to generate a model of the peptide-antibody complex, showing aa residues that interact or do not contribute to the binding of MAb 0.5beta Fv with the peptide – F96(L) of 0.5beta binds to Pro13, H52(H) interacts with Ile7, Ile9, Gln10, and D56(H) interacts with Arg11 of the V3 loop peptide – RGPGR retains hairpin conformation binds in the center of a groove. Zvi *et al.* [2000] (**structure**)
- 0.5beta: NMR structure reveals that Ab bound IIIB-V3 peptide adopts an unexpected type VI cis proline beta-turn. Tugarinov *et al.* [1999] (**structure**)
- 0.5beta: The Fv fragment was purified and the temperature dependence and effect of mutations was studied. Faiman & Horovitz [1997]
- 0.5beta: Relative to the native peptide, an O-linked alpha-galactosamine modified V3 peptide enhanced binding to 0.5 beta, while an N-linked beta-glucosamine modified peptide showed reduced binding. Huang *et al.* [1997] (**antibody binding site definition and exposure**)
- 0.5beta: Binds both gp120 and soluble gp120+gp41 complex efficiently, suggesting its gp120 epitope is not blocked by gp41 binding. Wyatt *et al.* [1997] (**antibody binding site definition and exposure**)
- 0.5beta: The structure of a 17 amino acid V3 peptide bound to the Fab was studied using NMR. Zvi *et al.* [1997] (**structure**)
- 0.5beta: For Fv fragment of 0.5beta, the combined variable regions of the heavy and light chain residues, were purified. Binding of the V3 peptide epitope TRKSIRIQRGPGRGFVVTIGK was studied through mutagenesis of arginines and the free energy of binding in various salt concentrations. R4A, R8A, and R11A all reduce the free energy; R8 is embedded in the peptide-Fv fragment, while R11 is more solvent exposed. Faiman *et al.* [1996] (**antibody binding site definition and exposure**)
- 0.5beta: The sulfated polysaccharide curdlan sulfate (CRDS) binds to the Envelope of T-tropic viruses and neutralizes virus – CRDS inhibits 0.5beta binding – 0.5beta epitope described as GPGRGFVVTIG. Jagodzinski *et al.* [1996]
- 0.5beta: Deletion of the V1V2 regions did not affect anti-V3 Abs ability to bind when compared to intact rec gp120. Jeffs *et al.* [1996] (**antibody binding site definition and exposure**)
- 0.5beta: Synergistic neutralization of HIV-1 when combined with anti-V2 MAb C108G. Warrier *et al.* [1996] (**antibody interactions**)
- 0.5beta: The interactions of the peptide RKSIRIQRGP-GRAFVT 0.5beta were studied by NMR, and hydrophobic interactions between the two I's and the V form the base of a 12 amino acid loop with GPGR at the apex. Zvi *et al.* [1995b] (**antibody binding site definition and exposure**)
- 0.5beta: NMR of 0.5beta bound NNRKSIRIQRGP-GRAFVTIGKIG suggests that the bound amino acids are in the region SIRIQRGPGRGFVVT. Zvi *et al.* [1995a] (**antibody binding site definition and exposure**)

- 0.5beta: Type-specific neutralization of IIIB – does not neutralize SF2. Broder *et al.* [1994] (**variant cross-recognition or cross-neutralization**)
- 0.5beta: MAbs against the glycosphingolipid GalCer block HIV infection of normally susceptible CD4 negative cells from the brain and colon – this MAb can inhibit gp120 binding to GalCer *in vitro*. Cook *et al.* [1994] (**brain/CSF**)
- 0.5beta: Binding domain aa 310-319: RGPGRFVTIGKIG – mutations in the V3 loop from basic residues can destroy virus infectivity and syncytium formation: R306T, R309T and R313G can also reduce binding of V3 MAbs with two different binding sites: 9284 and 0.5beta. Okada *et al.* [1994] (**antibody binding site definition and exposure**)
- 0.5beta: gp41 mutation that confers resistance to neutralization by anti-CD4 binding site antibodies does not reduce neutralizing efficiency of this V3 region MAb. Thali *et al.* [1994]
- 0.5beta: The gp41 mutation 582(Ala to Thr) results in conformational changes in gp120 that confer neutralization resistance to some antiserum and conformationally sensitive neutralizing MAbs – neutralization efficiency of 0.5beta is not affected. Klasse *et al.* [1993a]; Reitz *et al.* [1988] (**antibody binding site definition and exposure**)
- 0.5beta: Binding to native gp120 100-300 fold greater than to denatured. Moore *et al.* [1993b] (**antibody binding site definition and exposure**)
- 0.5beta: Monoclonal anti-idiotypic antibodies that mimic the 0.5beta epitope were generated. Sperlagh *et al.* [1993] (**anti-idiotypic**)
- 0.5beta: A neutralization escape mutant (HXB2 A281V) was selected by growth of HXB2 in the presence of broadly neutralizing sera – of the MAbs tested, 0.5beta neutralization was the most profoundly affected by this mutation. Watkins *et al.* [1993] (**escape**)
- 0.5beta: Neutralization of virus carrying an A to T substitution (contrast with MAb M77) di Marzo Veronese *et al.* [1993]
- 0.5beta: sCD4 causes loss of IIIB type-specificity, allowing binding and neutralization of MN, in contrast to MAb mu5.5. Maeda *et al.* [1992]
- 0.5beta: Chimeric mouse-human MAb Cbeta1 was constructed by combining the human Cgamma1 and Ckappa constant regions with the 0.5beta murine MAb – ADCC and neutralizing activity. Matsushita *et al.* [1992] (**complement**)
- 0.5beta: Potent neutralizing activity. D'Souza *et al.* [1991]
- 0.5beta: Emergence of virus resistant to MAb 0.5beta and autologous sera neutralization in IIIB infected chimps. Nara *et al.* [1990] (**escape**)
- 0.5beta: Type-specific neutralization of IIIB – does not neutralize MN or RF. Matsushita *et al.* [1988]; Skinner *et al.* [1988b] (**antibody generation**)

No. 550

Mab ID Cβ1, 0.5β

HXB2 Location gp160 (311–324)

Author Location gp120 (316–330 HXB2)

Epitope RGPGRFVTIGKIG

Subtype B

Neutralizing L

Immunogen vaccine

Vector/Type: protein Strain: B clade IIIB

HIV component: Env

Species (Isotype) humanized mouse (IgG1)

Ab Type gp120 V3

References Ferrantelli & Ruprecht 2002; Kimura *et al.* 2002; Matsushita *et al.* 1992; Emini *et al.* 1992

- Cbeta1: Review of passive immunoprophylaxis with human NAb that also includes this chimeric mouse-human MAb, noting it protected 2/2 Chimpanzees from HIV-1 IIIB infection in the Emini *et al.* study published in 1992. Ferrantelli & Ruprecht [2002]
- Cbeta1: Defines epitope as IQRGPGR – strong neutralizing activity against NL4-3 (X4 virus) and none against JRFL (R5 virus) – used as a control in a study of NAb activity in patients undergoing HAART. Kimura *et al.* [2002]
- Cbeta1: passive transfer to chimpanzees confers protection against challenge with homologous cell-free virus – mouse 0.5beta human IgG1 chimera. Emini *et al.* [1992]
- Cbeta1: Chimeric mouse-human MAb Cbeta1 was constructed by combining the human Cgamma1 and Ckappa constant regions with the 0.5beta murine MAb – ADCC and neutralizing activity. Matsushita *et al.* [1992]

No. 551

Mab ID NM-01 (hNM01, hNM-01)

HXB2 Location gp160 (312–315)

Author Location gp120 (MN)

Epitope GPGR

Neutralizing L

Immunogen vaccine

Vector/Type: human rhinovirus 14 Strain: B clade MN HIV component: V3

Species (Isotype) mouse (IgG)

Ab Type gp120 V3

Research Contact M. Terada, Jason Grabely

References Zwick *et al.* 2003; Nakamura *et al.* 2000; Smith *et al.* 1998; Yoshida *et al.* 1997; Ohno *et al.* 1991

Keywords antibody interactions, complement, immunotherapy

- NM-01: Called hNM01. scFv 4KG5 reacts with a conformational epitope that is formed by the V1V2 and V3 loops and the bridging sheet (C4) region of gp120 and is influenced by carbohydrates. Of a panel of MAbs tested, only NAb b12 enhanced 4KG5 binding to gp120 JRFL. MAbs to the following regions diminished 4KG5 binding: V2 loop, V3 loop, V3-C4 region, CD4BS. MAbs directed against C1, CD4i, C5 regions didn't impact 4KG5 binding. These results suggest that the orientation or dynamics of the V1/V2 and V3 loops restricts CD4BS access on the envelope spike, and IgG1b12 can uniquely remain unaffected by these loops. The humanized version of this MAb was one of the V3 MAbs used. Zwick *et al.* [2003] (**antibody interactions**)
- NM-01: Called hNM01. The CDR region of the murine MAb NM-01 was put into a human IgG frame. The epitope recognition was preserved, but the neutralizing potency of the humanized form was enhanced. It could activate complement. Nakamura *et al.* [2000] (**complement, immunotherapy**)

- NM-01: The tip of the MN V3 loop was inserted into cold-causing human rhinovirus 14 (HRV14) – chimeras were immunoselected, and chimeric viruses were neutralized by anti-V3 loop antibodies, and NM-01 was among the Abs used – chimeric viruses elicited potent NAbs in guinea pigs against ALA-1 and MN. Smith *et al.* [1998]
- NM-01: Resistance mutation selected by propagation of molecular cloned isolate in the presence of NM-01. Yoshida *et al.* [1997]

No. 552

MAb ID 1026

HXB2 Location gp160 (312–317)

Author Location gp120 (MN)

Epitope GPGRF

Neutralizing L

Immunogen vaccine

Vector/Type: protein Strain: B clade MN
HIV component: gp120

Species (Isotype) mouse (IgG)

Ab Type gp120 V3

References Bou-Habib *et al.* 1994; Nakamura *et al.* 1993

- 1026: Greater affinity for T cell-tropic strain T-CSF, derived from JR-CSF, than to the primary isolate JR-CSF. Bou-Habib *et al.* [1994]
- 1026: Bound diverse strains, neutralizing activity against MN, close to GPGRF. Nakamura *et al.* [1993]

No. 553

MAb ID 1034

HXB2 Location gp160 (312–317)

Author Location gp120 (MN)

Epitope GPGRF

Neutralizing L

Immunogen vaccine

Vector/Type: protein Strain: B clade MN
HIV component: gp120

Species (Isotype) mouse (IgG)

Ab Type gp120 V3

References Berman *et al.* 1997; Bou-Habib *et al.* 1994

- 1034: Binds to 5/7 isolates from breakthrough cases from a MN gp120 vaccine trial. Berman *et al.* [1997]
- 1034: Greater affinity for T cell tropic T-CSF, derived from JR-CSF, than to the primary isolate JR-CSF, close to GPGRF. Bou-Habib *et al.* [1994]

No. 554

MAb ID 59.1 (R/V3-59.1)

HXB2 Location gp160 (312–317)

Author Location gp120 (308–313 MN)

Epitope GPGRF

Neutralizing L

Immunogen vaccine

Vector/Type: peptide Strain: B clade MN
HIV component: V3

Species (Isotype) mouse (IgG1)

Ab Type gp120 V3

Research Contact Mary White-Scharf and A. Profy, Repligen Corporation

References York *et al.* 2001; Stanfield *et al.* 1999; Smith *et al.* 1998; Ghiara *et al.* 1997; Seligman *et al.* 1996; D'Souza *et al.* 1994; Bou-Habib *et al.* 1994; Ghiara *et al.* 1993; Potts *et al.* 1993; White-Scharf *et al.* 1993; D'Souza *et al.* 1991

- 59.1: Abs against the V3 loop (50.1, 58.2, 59.1, 257-D, 268-D, 447-52D), CD4BS (IgG1b12, 559-64D, F105), CD4i (17b), and to gp41 (2F5, F240) each showed similar binding efficiency to Env derived from related pairs of primary and TCLA lines (primary: 168P and 320SI, and TCLA: 168C and 320SI-C3.3), but the TCLA lines were much more susceptible to neutralization suggesting that the change in TCLA lines that make them more susceptible to NAbs alters some step after binding. York *et al.* [2001]
- 59.1: The crystal structure of V3 loop peptides bound to Fabs was obtained – conformational changes in the tip of the V3 loop (GPGR) were observed when different MAbs were bound. Stanfield *et al.* [1999]
- 59.1: The tip of the MN V3 loop was inserted into cold causing human rhinovirus 14 (HRV14) – chimeras were immunoselected, and chimeric viruses were neutralized by anti-V3 loop antibodies, and 59.1 was among the Abs used – chimeric viruses elicited potent NAbs in guinea pigs against ALA-1 and MN. Smith *et al.* [1998]
- 59.1: A conformationally restricted analog of the tip of the V3 loop was constructed and bound with Fab 59.1 – crystal structure shows interactions between 59.1 and an MN peptide and 59.1 and the modified peptide are similar, but NMR studies reveal that the modified peptide is more ordered in solution, retaining the Fab bound form. Ghiara *et al.* [1997]
- 59.1: Competition ELISAs with serial deletions produced longer estimate of epitope length than x-ray crystallography or Alanine substitution, RIHIGPGRFYTT, suggesting significance of non-contact residues. Seligman *et al.* [1996]
- 59.1: Greater affinity for T-cell tropic strain T-CSF than the primary isolate JR-CSF, from which T-CSF was derived. Bou-Habib *et al.* [1994]
- 59.1: Multi-lab study for antibody characterization and assay comparison – neutralizes MN and IIIB. D'Souza *et al.* [1994]
- 59.1: Crystal structure of a 24 amino acid peptide from the V3 loop bound to 59.1 Fab fragment – contact residues IGPGRAF. Ghiara *et al.* [1993]
- 59.1: Synergistic neutralization of MN when combined with sCD4 or the CD4BS MAb F105. Potts *et al.* [1993]
- 59.1: Epitope defined by peptide reactivity and binding affinity with amino acid substitutions – GPGRF. White-Scharf *et al.* [1993]
- 59.1: Called R/V3-59.1 – potent neutralizing MAb. D'Souza *et al.* [1991]

No. 555

MAb ID polyclonal

HXB2 Location gp160 (312–317)

Author Location gp120 (316–321)

Epitope GPGRF

Neutralizing

Immunogen vaccine

Vector/Type: protein, polyepitope HIV component: gp160 Adjuvant: BSA

Species (Isotype) rabbit

Ab Type gp120 V3
References Lu *et al.* 2000b; Lu *et al.* 2000c
 • High titer response to ELDKWA and RILAVERYLKD was observed upon vaccination with multiple-epitope vaccine CG-GPGRIFY-G-ELDKWA-G-RILAVERYLKD conjugated to BSA, a weak response to GPGRIFY – immunization with CG-(ELDKWA-GPGRIFY)_2-K was also tried, yielding a strong Ab response to ELDKWA, weak to GPGRIFY – gp160 vaccination yielded strong Ab response but not to any of the peptides studied here. Lu *et al.* [2000c,b]

No. 556
MAb ID 10E3
HXB2 Location gp160 (312–318)
Author Location gp120 (317–323 IIIB)
Epitope GPGRIFY
Neutralizing
Immunogen vaccine
Vector/Type: peptide keyhole limpet hemocyanin (KLH) conjugate *Strain:* B clade IIIB *HIV component:* V3

Species (Isotype) mouse (IgG)
Ab Type gp120 V3
References Li *et al.* 2002; Tian *et al.* 2001
Keywords vaccine antigen design
 • 10E3: A polyepitope vaccine was designed based on a recombinant GST fusion protein containing three repeats of the 2F5 core epitope ELDKWA combined with the V3 region peptide GPGRIFY. Abs raised in mice could recognize the peptides, sgp41, and CHO-WT cells that expressed HIV-1 Env on their surface. Li *et al.* [2002] (**vaccine antigen design**)
 • 10E3: Peptides GPGRIFY and ELDKWAG were conjugated to KLH and used to raise mouse monoclonal Ab – MAb hybridomas were generated with defined specificity – 10E3 binds to the peptide GPGRIFY and to rgp160. Tian *et al.* [2001]

No. 557
MAb ID polyclonal
HXB2 Location gp160 (312–318)
Author Location gp120 (317–323)
Epitope GPGRIFY
Neutralizing
Immunogen vaccine
Vector/Type: peptide *HIV component:* V3
Adjuvant: BSA

Species (Isotype) rabbit, mouse
Ab Type gp120 V3
References Yu *et al.* 2000
 • High levels of epitope-specific Abs were induced by the peptide-BSA conjugates C-(GPGRIFY)_4-BSA or C-(TRPNNNTRKSIRIQRGPGRIFYTIG KI)-BSA but not by rgp160 vaccine. Yu *et al.* [2000]

No. 558
MAb ID N11-20 (110-H)
HXB2 Location gp160 (312–320)
Author Location gp120 (317–325)
Epitope GPGRIFYTIG
Neutralizing L (LAI)
Immunogen

Species (Isotype) mouse (IgG1κ)
Ab Type gp120 V3
Research Contact J. C. Mazie, Hybridolab, Institut Pasteur
References Valenzuela *et al.* 1998
 • N11-20: Neutralization of LAI in CEM cells by anti-V3 MAbs 110.4 and N11-20 is through inhibition of virus binding to the cell. Valenzuela *et al.* [1998]

No. 559
MAb ID 5025A (5025)
HXB2 Location gp160 (313–317)
Author Location gp120 (313–317 BH10)
Epitope pgRAF
Neutralizing L
Immunogen vaccine
Vector/Type: peptide *Strain:* B clade BH10
HIV component: V3

Species (Isotype) mouse (IgG)
Ab Type gp120 V3
Research Contact Paul Durda, Du Pont de Nemours and Co
References D'Souza *et al.* 1991; Langedijk *et al.* 1991
 • 5025: Called 5025 – strain specific weakly neutralizing. D'Souza *et al.* [1991]
 • 5025A: Generation and fine mapping of murine MAbs. Langedijk *et al.* [1991]

No. 560
MAb ID N70-1.9b
HXB2 Location gp160 (313–318)
Author Location gp120 (316–322)
Epitope PGRIFY
Neutralizing L
Immunogen HIV-1 infection
Species (Isotype) human (IgG1)
Ab Type gp120 V3
References Gorny & Zolla-Pazner 2004; Scott *et al.* 1990; Robinson *et al.* 1990a
Keywords ADCC, review, variant cross-recognition or cross-neutralization

• N70-1.9b: This review provides summaries of Abs that bind to HIV-1 Env. There are many V3 MAbs, many neutralize some TCLA strains, and a subset can also neutralize some primary isolates. Gorny & Zolla-Pazner [2004] (**review**)
 • N70-1.9b: Type specificity. Robinson *et al.* [1990a] (**variant cross-recognition or cross-neutralization**)
 • N70-1.9b: Type specific neutralization, ADCC directed against MN infected cells. Scott *et al.* [1990] (**ADCC, variant cross-recognition or cross-neutralization**)

No. 561
MAb ID 902
HXB2 Location gp160 (313–324)
Author Location gp120 (IIIB)
Epitope PGRIFYTIGKIG
Neutralizing L
Immunogen vaccine
Vector/Type: vaccinia *Strain:* B clade IIIB
HIV component: gp160
Species (Isotype) mouse (IgG1κ)
Ab Type gp120 V3

Research Contact Bruce Chesebro, Rocky Mountain National Laboratory, Montana

References Ling *et al.* 2004; Sakaida *et al.* 1997; Earl *et al.* 1994; Broder *et al.* 1994; Laman *et al.* 1993; Chesebro & Wehrly 1988

Keywords antibody binding site definition and exposure

- 902: NIH AIDS Research and Reference Reagent Program: 522.
- 902: The role of serine proteases on HIV infection was explored. Trypsin decreased the binding of most Env MAb tested and diminished cell fusion of H9 cells infected with HIV-1 LAI virus (H9/IIIB) to MAGI cells. In contrast, thrombin increased the binding of MAbs to gp120 epitopes near the CD4 and CCR5 binding sites, and increased cell fusion. Binding of the V3 MAbs 694-98D and 447-52D, that both bind near the tip of the loop, was decreased by both thrombin and trypsin. 932 binding was only decreased by trypsin. Ling *et al.* [2004] (**antibody binding site definition and exposure**)
- 902: V3-BH10 peptide with loop-structure inhibits IL-2 induced T-cell proliferation, thought to be due to altering intracellular signaling, and MAb 908 can block the peptide inhibition. Sakaida *et al.* [1997]
- 902: Epitope may be partially masked or altered in the oligomeric molecule. Broder *et al.* [1994]
- 902: Used as a control in a study of the influence of oligomeric structure of Env in determining the repertoire of the Ab response. Earl *et al.* [1994]
- 902: Strain specific neutralization of HIV. Chesebro & Wehrly [1988]

No. 562

MAb ID 694/98-D (694/98, 694.8, 694/98D)

HXB2 Location gp160 (314–317)

Author Location gp120 (IIIB)

Epitope GRAF

Subtype B

Neutralizing L

Immunogen HIV-1 infection

Species (Isotype) human (IgG1 λ)

Ab Type gp120 V3

Research Contact Dr. Zolla-Pazner, Veterans Affairs Center, NY, NY. zollas01@endeavor.med.nyu.edu

References Ling *et al.* 2004; Gorny *et al.* 2004; Gorny & Zolla-Pazner 2004; Zwick *et al.* 2003; Zhang *et al.* 2002; He *et al.* 2002; Edwards *et al.* 2002; Park *et al.* 2000; Nyambi *et al.* 2000; Altmeyer *et al.* 1999; Zolla-Pazner *et al.* 1999b; Zolla-Pazner *et al.* 1999a; Schonning *et al.* 1998; Nyambi *et al.* 1998; Andrus *et al.* 1998; Li *et al.* 1998; Smith *et al.* 1998; Zolla-Pazner *et al.* 1997; Li *et al.* 1997; Forthal *et al.* 1995; Zolla-Pazner *et al.* 1995; VanCott *et al.* 1995; Cook *et al.* 1994; VanCott *et al.* 1994; Laal *et al.* 1994; Gorny *et al.* 1994; Spear *et al.* 1993; Cavacini *et al.* 1993a; Gorny *et al.* 1993; Gorny *et al.* 1992; Gorny *et al.* 1991; Skinner *et al.* 1988b

Keywords antibody binding site definition and exposure, antibody interactions, review, variant cross-recognition or cross-neutralization

- 694/98D: This review provides summaries of Abs that bind to HIV-1 Env. There are many V3 MAbs, many neutralize some TCLA strains, and a subset can also neutralize some primary isolates. Gorny & Zolla-Pazner [2004] (**variant cross-recognition or cross-neutralization, review**)
- 694/98-D: Called 694/98. V3 MAb neutralization is influenced by retaining the epitope, exposure on the intact virion, mobility during CD4-induced conformational change, and affinity. Anti-V3 MAbs selected using V3 peptides neutralize less effectively than V3 MAbs selected using fusion proteins or gp120, suggesting antigenic conformation is important. This MAb was selected using IIIB gp120. Gorny *et al.* [2004] (**antibody binding site definition and exposure**)
- 694-98D: The role of serine proteases on HIV infection was explored. Trypsin decreased the binding of most Env MAb tested and diminished cell fusion of H9 cells infected with HIV-1 LAI virus (H9/IIIB) to MAGI cells. In contrast, thrombin increased the binding of MAbs to gp120 epitopes near the CD4 and CCR5 binding sites, and increased cell fusion. Binding of the V3 MAbs 694-98D and 447-52D, that both bind near the tip of the loop, was decreased by both thrombin and trypsin. Ling *et al.* [2004] (**antibody binding site definition and exposure**)
- 694/98D: scFv 4KG5 reacts with a conformational epitope that is formed by the V1V2 and V3 loops and the bridging sheet (C4) region of gp120 and is influenced by carbohydrates. Of a panel of MAbs tested, only NAb b12 enhanced 4KG5 binding to gp120 JRFL. MAbs to the following regions diminished 4KG5 binding: V2 loop, V3 loop, V3-C4 region, CD4BS. MAbs directed against C1, CD4i, C5 regions didn't impact 4KG5 binding. These results suggest that the orientation or dynamics of the V1/V2 and V3 loops restricts CD4BS access on the envelope spike, and IgG1b12 can uniquely remain unaffected by these loops. This was one of the V3 MAbs used. Zwick *et al.* [2003] (**antibody interactions**)
- 694/98-D: Called 694/98D – Truncation of the gp41 cytoplasmic domain of X4, R5, and X4R5 viruses forces a conformation that more closely resembles the CD4 bound state of the external Envelope, enhancing binding of CD4i MAbs 17b and 48d and of CD4BS MAbs F105, b12, and in most cases of glycosylation site dependent MAb 2G12 and the anti-gp41 MAb 246D – in contrast, binding of the anti-V2 MAb 697D and the anti-V3 MAb 694/98D were not affected – viruses bearing the truncation were more sensitive to neutralization by MAbs 48d, b12, and 2G12 – the anti-C5 MAb 1331A was used to track levels of cell surface expression of the mutated proteins. Edwards *et al.* [2002]
- 694/98-D: Called 694 – Transgenic mice carrying human genes allowing production of fully human MAbs were used to rapidly create a panel of anti-HIV gp120 MAb producing hybridomas by immunization with HIV SF162 gp120 – the previously described human MAbs 5145A(CD4BS), 4117C (plus others, V3) and 697D (and SC258, V2) were used as controls. He *et al.* [2002]
- 694/98-D: A panel of 47 human MAbs was tested against 26 HIV-1 group M primary isolates from clades A through H – 19 V3 MAbs were tested, and of 494 combinations, 44% displayed some viral binding – V3 MAbs tended to have the most cross-reactive binding to clade A, B, C, and D isolates, less to E, F,

- G, and H – 694/98-D showed intermediate reactivity. Nyambi *et al.* [2000]
- 694/98-D: Called 694/98D – six mutations in MN change the virus from a high-infectivity neutralization resistant phenotype to low-infectivity neutralization sensitive – V3, CD4BS, and CD4i MAbs are 20-100 fold more efficient at neutralizing the sensitive form – the mutation L544P reduced binding of all MAbs against gp120 by causing conformational changes. Park *et al.* [2000]
 - 694/98-D: A Semliki Forest virus (SFV) expression system carrying BX08 env was used to study the conformation of gp120 – intracytoplasmic gp120 was recognized by the anti-V3 MAbs K24 and F5.5, while gp120 at the plasma membrane was detected only by conformation dependent MAbs 2G12, 670-D and 694/98D and not linear V3 MAbs – expression in rat brain also showed that surface-expressed Env was recognized only by the conformation-dependent antibodies and not by anti-V3 antibodies. Altmeyer *et al.* [1999]
 - 694/98-D: Review of clade specificity and anti-V3 HIV-1-Abs. Zolla-Pazner *et al.* [1999a]
 - 694/98-D: MAb peptide reactivity pattern clustered with immunological related MAbs: 1108, 386, 268, 311, 257, 694.8 – the amino acids HI tended to be critical for reactivity in this group. Zolla-Pazner *et al.* [1999b]
 - 694/98-D: Used to study pre- and post-exposure prophylaxis Hu-PBL-SCID mice infected by an intraperitoneal injection of HIV-1 LAI – MAb half-life in plasma in mice is 9 days – 2 hours post-694/98-D mice were challenged with LAI, and at an Ab concentration of 1.32 mg/Kg, 50% of the mice were infected – one of the infected mice carried the resistant form GRTF rather than GRAF (critical amino acids for binding are GRA) – post-exposure prophylaxis was effective if delivered 15 min post-exposure, but declined to 50% if delivered 60 min post-exposure, and similar time constraints have been observed for HIVIG, 2F5 and 2G12, in contrast to MAb BAT123 that could protect delivered 4 hours post infection. Andrus *et al.* [1998]
 - 694/98-D: Neutralization synergy was observed when the MAbs 694/98-D (V3), 2F5 (gp41), and 2G12 (gp120 discontinuous) were used in combination, and even greater neutralizing potential was seen with the addition of a fourth MAb, F105 (CD4 BS) Li *et al.* [1998]
 - 694/98-D: Using a whole virion-ELISA method, 18 human MAbs were tested for their ability to bind to a panel of 9 viruses from clades A, B, D, F, G, and H – 694/98-D bound only to B and D clade virions and had limited cross reactivity. Nyambi *et al.* [1998]
 - 694/98-D: In a study of the influence of the glycan at position 306 of the V3 loop on MAb recognition, anti-V3 MAbs were found to neutralize an HIV-BRU mutant virus that lacks the V3 loop glycan more efficiently than HIV-BRU. Schonning *et al.* [1998]
 - 694/98-D: The tip of the MN V3 loop was inserted into cold causing human rhinovirus 14 (HRV14) – chimeras were immunoselected, and chimeric viruses were neutralized by anti-V3 loop antibodies, and 694/98-D was among the Abs used – chimeric viruses elicited potent NAb in guinea pigs against ALA-1 and MN. Smith *et al.* [1998]
 - 694/98-D: One of 14 human MAbs tested for ability to neutralize a chimeric SHIV-vpu+, which expressed HIV-1 IIIB env – could only achieve 50% neutralization alone – all Ab combinations tested showed synergistic neutralization – 694/98-D has synergistic response with MAbs F105, 15e, b12, 2F5, 17b, 2G12, and 48d, and with HIVIG. Li *et al.* [1997]
 - 694/98-D: ADCC activity, and no viral enhancing activity. Forthal *et al.* [1995]
 - 694/98-D: Human HIV-1 infected sera and MAb 694/98 have high reactivity to MN and RF infected H9 cells, but Genentech rec gp120 IIIB vaccine recipients do not. VanCott *et al.* [1995]
 - 694/98-D: Serotyping study using flow-cytometry – bound GRAX bearing virus in 10/11 cases – somewhat conformation dependent. Zolla-Pazner *et al.* [1995]
 - 694/98-D: MAbs against the glycosphingolipid GalCer block HIV infection of normally susceptible CD4 negative cells from the brain and colon – V3 MAbs can inhibit gp120 binding to GalCer *in vitro* – binding of GalCer to gp120 inhibited but did not completely block MAb binding. Cook *et al.* [1994]
 - 694/98-D: 50% neutralization of HIV-IIIB at a concentration of 0.15µg/ml. Gorny *et al.* [1994]
 - 694/98-D: Potent neutralization of IIIB – no neutralization synergy in combination with CD4 binding domain MAbs. Laal *et al.* [1994]
 - 694/98-D: GRVY did not alter peptide binding – GRVI and GQAW enhanced dissociation – GQVF and GQAL did not bind. VanCott *et al.* [1994]
 - 694/98-D: Neutralizes MN and IIIB (GRAF) – binds SF2 (GRAF) – binding reactivity: MN, IIIB, SF2, NY5, RF, CDC4, WM52. Gorny *et al.* [1993]
 - 694/98-D: Called 694-D – complement mediated virolysis of IIIB, but not in the presence of sCD4. Spear *et al.* [1993]
 - 694/98-D: Type-specific lab isolate neutralization was observed – binds with 1-3 fold greater affinity to gp120 than to peptides. Gorny *et al.* [1992]
 - 694/98-D: This MAb was first described here. Skinner *et al.* [1988b]

No. 563

MAb ID MO101/V3,C4

HXB2 Location gp160 (314–323)

Author Location gp120 (314–323)

Epitope GRAFVTIGKI+LGVAPTKAKR

Neutralizing

Immunogen *in vitro* stimulation or selection

Species (Isotype) human (IgM)

Ab Type gp120 V3-C4

References Ohlin *et al.* 1992

- MO101: Generated in response to IIIB Env 286-467 upon *in vitro* stimulation of uninfected-donor lymphocytes – reacts with peptides 314-323 + 494-503 from the V3 and C4 regions. Ohlin *et al.* [1992]

No. 564

MAb ID MO101/V3,C4

HXB2 Location gp160 (314–323)

Author Location gp120 (314–323)

Epitope GRAFVTIGKI+LGVAPTKAKR

Neutralizing

Immunogen *in vitro* stimulation or selection

Species (Isotype) human (IgM)

Ab Type gp120 V3-C5

References Ohlin *et al.* 1992

- MO101: Generated through *in vitro* stimulation of uninfected-donor lymphocytes with pB1 containing IIIIB Env 286-467 – reacts with peptides from the V3 and C4 regions, positions 314-323 + 494-503, peptides GRAFVTIGKI + LGVAPTKAKR. Ohlin *et al.* [1992]

No. 565

MAb ID MO101/V3,C4

HXB2 Location gp160 (314–323)

Author Location gp120 (494–503)

Epitope GRAFVTIGKI+LGVAPTKAKR

Neutralizing

Immunogen *in vitro* stimulation or selection

Species (Isotype) human (IgM)

Ab Type gp120 V3-C5

References Ohlin *et al.* 1992

- MO101: Generated through *in vitro* stimulation of uninfected-donor lymphocytes with pB1 containing IIIIB Env 286-467 – reacts with peptides from the V3 and C4 regions, positions 314-323 + 494-503, peptides GRAFVTIGKI + LGVAPTKAKR. Ohlin *et al.* [1992]

No. 566

MAb ID 9205 (NEA-9205 NEA9205)

HXB2 Location gp160 (315–317)

Author Location gp120 (IIIB)

Epitope RAF (core reactivity)

Neutralizing L

Immunogen vaccine

Vector/Type: peptide *Strain:* B clade IIIIB
HIV component: V3

Species (Isotype) mouse (IgG1)

Ab Type gp120 V3

Research Contact NEN, Boston MA, commercial

References Gram *et al.* 2002; Schonning *et al.* 1999; Schonning *et al.* 1998; Fontenot *et al.* 1995; VanCott *et al.* 1994; Allaway *et al.* 1993; Trujillo *et al.* 1993; Durda *et al.* 1990

- 9205: Also see MAb called 5023A.
- 9205: Called NEA9205 – gp120 capture ELISAs with MAbs D7324 (anti-C-term) or 9205 (anti-V3) were compared in a study of orientation of glycosylation sites – CD4 binding could only inhibit deglycosylation when gp120 was bound to the plate by D7324, not by 9205, while Abs from HIV-1 infected people inhibited deglycosylation most effectively when gp120 was caught by 9205. Gram *et al.* [2002]
- 9205: Called NEA-9205 – the stoichiometry of MAb neutralization was tested and the data indicated that binding for neutralization was incremental not all or none, i.e., each envelope oligomer binds a single MAb and each Env oligomer bound reduces the chances of infection – 9205 binds only to Env with a glycosylation site mutation in the V3 loop, A308T. Schonning *et al.* [1999]
- 9205: Called NEA-9205 – The N306 glycan of the V3 loop makes the tip of the V3 loop inaccessible to this MAb in oligomeric Env, loss of this glycan enhances neutralization sensitivity. Schonning *et al.* [1998]

- 9205: Neutralizes IIIIB but not MN – significantly slower dissociation constant for IIIIB than MN. VanCott *et al.* [1994]
- 9205: Synergy with combinations of CD4-based molecules in inhibition of HIV-1 Env mediated cell fusion. Allaway *et al.* [1993]
- 9205: Called NEA-9205, epitope RIQRGPGRAFVTIGK – reacts with three human brain proteins of 35, 55, 110 kd molecular weight – similar to 9284 – RAF is the core reactivity. Trujillo *et al.* [1993]

No. 567

MAb ID 110.I

HXB2 Location gp160 (316–322)

Author Location gp120 (316–322)

Epitope AFVTIGK

Neutralizing L

Immunogen vaccine

Vector/Type: protein *HIV component:*
gp120

Species (Isotype) mouse

Ab Type gp120 V3

Research Contact F. Traincard, Pasteur Institute, France

References Parren *et al.* 1998a; Wyatt *et al.* 1997; Poignard *et al.* 1996a; Moore & Sodroski 1996; Sattentau & Moore 1995; Moore *et al.* 1994c; Moore *et al.* 1993b

- 110.I: The MAb and Fab binding to the oligomeric form of gp120 and neutralization were highly correlated – authors suggest that neutralization is determined by the fraction of Ab sites occupied on a virion irrespective of the epitope. Parren *et al.* [1998a]
- 110.I: Binds both gp120 and soluble gp120+gp41 complex efficiently, suggesting its gp120 epitope is not blocked by gp41 binding. Wyatt *et al.* [1997]
- 110.I: Reciprocal binding inhibition with other anti-V3 and anti-C4 MAbs – and enhances binding of some anti-V2 MAbs – binding enhanced by some anti-CD4 binding site MAbs. Moore & Sodroski [1996]
- 110.I: Epitope suggested to be RAFVTIGK – V3 MAbs 9284, BAT123, 110.5, and 110.I could each significantly increase gp120 dissociation from virus, mimicking sCD4, and expose the gp41 epitope for MAb 50-69, in contrast to anti-V2 MAbs. Poignard *et al.* [1996a]
- 110.I: Binds equally well to monomer and oligomer, rapid association and potent neutralization of lab strains. Sattentau & Moore [1995]
- 110.I: Binds to carboxy-terminal side of the V3 loop – inhibits binding of C4 region MAb G3-299. Moore *et al.* [1993b]

No. 568

MAb ID anti-HIV-2 polyclonal

HXB2 Location gp160 (317–320)

Author Location gp120 (315–318 SBL6669 HIV-2)

Epitope FHSQ+WCR

Neutralizing

Immunogen vaccine

Vector/Type: peptide *Strain:* HIV-2
SBL6669-ISY *HIV component:* V3

Species (Isotype) guinea pig (IgG)

Ab Type gp120 V3

References Morner *et al.* 1999

- Neutralizing Abs against HIV-2 V3 are produced when peptides spanning two non-contiguous parts of the V3 loop are used for vaccination including amino acids 315-318 near the tip (FHSQ) and 329-331 (WCR) at the C-term Cys. Morner *et al.* [1999]

No. 569

MAb ID IIIB-V3-01**HXB2 Location** gp160 (320–328)**Author Location** gp120 (IIIB)**Epitope** IGKIGNMRQ**Neutralizing** no**Immunogen** vaccine*Vector/Type:* peptide *Strain:* B clade IIIB*HIV component:* V3**Species (Isotype)** mouse (IgG1)**Ab Type** gp120 V3**Research Contact** Jon Laman**References** Laman *et al.* 1993

- IIIB-V3-01: UK Medical Research Council AIDS reagent: ARP3046.
- IIIB-V3-01: NIH AIDS Research and Reference Reagent Program: 1726.
- IIIB-V3-01: Specific for carboxy-terminal flank of the IIIB V3 loop – epitope is hidden native gp120, exposed on denaturation. Laman *et al.* [1993]

No. 570

MAb ID D/6D1**HXB2 Location** gp160 (346–377)**Author Location** gp120 (351–382 LAI)**Epitope** ASKLREQFGNKTIIIFKQSSGGDPEIVTHSFN**Subtype** B**Neutralizing** no**Immunogen** vaccine*Vector/Type:* protein *Strain:* B clade LAI*HIV component:* gp120**Species (Isotype)** mouse (IgG1)**Ab Type** gp120 V4**References** Bristow *et al.* 1994

- D/6D1: V4 MAb generated in a study of the humoral immune response to Baculovirus-expressed mis-folded rgp120 and rgp160. Bristow *et al.* [1994]

No. 571

MAb ID 4D7/4**HXB2 Location** gp160 (360–380)**Author Location** gp120 (361–380 LAI)**Epitope** IFKQSSGGDPEIVTHSFNCGG**Subtype** B**Neutralizing****Immunogen** vaccine*Vector/Type:* protein *Strain:* B clade LAI*HIV component:* Env**Species (Isotype)** mouse (IgG)**Ab Type** gp120 V4**Research Contact** S. Ranjbar, NIBSC, UK**References** Moore *et al.* 1994c

- 4D7/4: UK Medical Research Council AIDS reagent: ARP3051.
- 4D7/4: C3 region – the relative affinity for denatured/native gp120 is >10. Moore *et al.* [1994c]

No. 572

MAb ID 36.1(ARP 329)**HXB2 Location** gp160 (361–381)**Author Location** gp120 (362–381 LAI)**Epitope** FKQSSGGDPEIVTHSFNCGGE**Subtype** B**Neutralizing****Immunogen** vaccine*Vector/Type:* protein *Strain:* B clade LAI*HIV component:* Env**Species (Isotype)** mouse (IgG)**Ab Type** gp120 V4**References** Moore *et al.* 1994c; Thiriart *et al.* 1989

- 36.1: UK Medical Research Council AIDS reagent: ARP329.
- 36.1: The relative affinity for denatured/native gp120 is >30 – mutations 380 G/F, 381 E/P impair binding. Moore *et al.* [1994c]

No. 573

MAb ID C12**HXB2 Location** gp160 (361–381)**Author Location** gp120 (362–381 LAI)**Epitope** FKQSSGGDPEIVTHSFNCGGE**Subtype** B**Neutralizing****Immunogen** vaccine*Vector/Type:* protein *Strain:* B clade LAI*HIV component:* gp160**Species (Isotype)** mouse (IgG1)**Ab Type** gp120 V4**Research Contact** George Lewis**References** Moore *et al.* 1994d; Abacioglu *et al.* 1994; Moore *et al.* 1994c; Moore & Ho 1993

- C12: C3 region – epitope boundaries mapped by peptide scanning, core FNCGG. Abacioglu *et al.* [1994]
- C12: The relative affinity for denatured/native gp120 is >30 – mutations 380 G/F, 381 E/P, and 384 Y/E impair binding – also binds GEFYCNSTQLFNS, gp120(380-393 LAI) Moore *et al.* [1994c]
- C12: Bound preferentially to denatured IIIB gp120. Moore & Ho [1993]

No. 574

MAb ID 110.D**HXB2 Location** gp160 (380–393)**Author Location** gp120 (380–393 LAI)**Epitope** GEFYCNSTQLFNS**Subtype** B**Neutralizing** no**Immunogen** vaccine*Vector/Type:* protein *Strain:* B clade LAI*HIV component:* Env**Species (Isotype)** mouse (IgG)**Ab Type** gp120 C3**Research Contact** F. Traincard, Pasteur Institute, France

- References** Valenzuela *et al.* 1998; Moore *et al.* 1994c
- 110.D: The relative affinity for denatured/native gp120 is >50. Moore *et al.* [1994c]

No. 575
MAb ID B32
HXB2 Location gp160 (380–393)
Author Location gp120 (380–393 LAI)
Epitope GEFFYCNSTQLFNS
Subtype B
Neutralizing
Immunogen vaccine
Vector/Type: protein *Strain:* B clade LAI
HIV component: gp160

Species (Isotype) mouse (IgG1)

Ab Type gp120 C3

- References** Abacioglu *et al.* 1994; Moore *et al.* 1994c
- B32: C3 region – epitope boundaries mapped by peptide scanning – FFY(core) Abacioglu *et al.* [1994]
 - B32: The relative affinity for denatured/native gp120 is >100 – mutations 380 G/F, 381 G/P, 382 F/L, 384 Y/E, and 386 N/R impair binding. Moore *et al.* [1994c]

No. 576
MAb ID polyclonal (VEI4)
HXB2 Location gp160 (391–413)
Author Location Env
Epitope FNSTWFNSTWSTEGSNNTGSDT
Neutralizing
Immunogen HIV-1 infection
Species (Isotype) human
Ab Type gp120 V4
References Carlos *et al.* 1999

- Antibody response to the epitopes in a vaccine construct (VEI) containing peptides from 5 hypervariable regions of gp120 was detected in the sera of HIV-1 positive subjects, including sera from 6 non-subtype B infections – serum samples from San Francisco, Canada and Puerto Rico cohort showed presence of antibodies against all five VEI hypervariable regions, but most consistently against the V3 region peptide NNNTRKSIRIGP-GRAFYTTGDIGNIRQ. Carlos *et al.* [1999]

No. 577
MAb ID B15
HXB2 Location gp160 (395–400)
Author Location gp120 (395–400 BH10)
Epitope WFNSTW
Neutralizing
Immunogen vaccine
Vector/Type: protein *Strain:* B clade LAI
HIV component: gp160

Species (Isotype) mouse (IgG2b)

Ab Type gp120 V4

Research Contact George Lewis

- References** Abacioglu *et al.* 1994; Moore *et al.* 1993b; Moore & Ho 1993
- B15: V4 region – epitope boundaries mapped by peptide scanning. Abacioglu *et al.* [1994]
 - B15: Bound preferentially to denatured IIIB gp120. Moore & Ho [1993]

- B15: Binds native BH10 gp120 with 5 fold less affinity than denatured – does not bind native or denatured MN gp120. Moore *et al.* [1993b]

No. 578
MAb ID B34
HXB2 Location gp160 (395–400)
Author Location gp120 (395–400 BH10)
Epitope WFNSTW
Neutralizing
Immunogen vaccine
Vector/Type: protein *Strain:* B clade LAI
HIV component: gp160

Species (Isotype) mouse (IgG2b)

Ab Type gp120 V4

- References** Abacioglu *et al.* 1994
- B34: V4 region – epitope boundaries mapped by peptide scanning. Abacioglu *et al.* [1994]

No. 579
MAb ID 7F11
HXB2 Location gp160 (397–439)
Author Location gp120 (IIIB)
Epitope
Neutralizing
Immunogen vaccine
Vector/Type: protein *HIV component:* gp120

Species (Isotype) mouse

References Nilsen *et al.* 1996; Lasky *et al.* 1987

- 7F11: There is another MAb with this name that binds to integrase. Nilsen *et al.* [1996]

No. 580
MAb ID E51
HXB2 Location gp160 (420–423)
Author Location gp120 (420–423 HXB2)
Epitope IKQI
Subtype B
Neutralizing P
Immunogen

Species (Isotype) human

Ab Type gp120 CD4i, gp120 CCR5BS

Research Contact Joseph Sodroski,
joseph_sodroski@dfci.harvard.edu

References Haynes *et al.* 2005; Xiang *et al.* 2003

- Keywords** antibody binding site definition and exposure, antibody generation, co-receptor, subtype comparisons, variant cross-recognition or cross-neutralization
- E51: Of 35 Env-specific MAbs tested, only 2F5, 4E10, IgG1b12, and two CD4BS adjacent MAbs (A32 and 1.4G) and gp41 MAbs (2.2B and KU32) had binding patterns suggesting polyspecific autoreactivity, and similar reactivities may be difficult to induce with vaccines because of elimination of such autoreactivity. E51 has no indication of polyspecific autoreactivity. Haynes *et al.* [2005] (**antibody binding site definition and exposure**)

- E51: E51 recognizes a highly conserved epitope localized in the basic β 19-strand (gp120 aa420-423), a region involved in CCR5 binding. The MAb was isolated from a EBV transformed B-cell line established from an HIV+ individual undergoing early STI. Fab fragments were also produced. E51, like CD4i MAb 17b, blocks CCR5 binding to sCD4-bound gp120. The presence of sCD4 induces a conformational change in gp120, which enhances ligand recognition. The substitutions E381R, F383S, R419D I420R, K421D, Q422L, I423S, and Y435S (HXB2 numbering) all severely reduce 17b and E51 binding. All but I423S also diminish CCR5 binding by more than 50%. The mutation F383S also inhibits sCD4 binding and CD4BS MAb F105 binding, and K421D inhibits F105 binding, but not sCD4. E51 has more cross-neutralizing potency than other prototype CD4i MAbs (17b) for B and C clade isolates. E51 and 17b both neutralized HIV-1 clade B strains HXBc2 and ADA, while JR-FL and 89.6 were only neutralized by E51, not 17b. Clade C strains MCGP1.3 and SA32 were both inhibited by 17b and E51, but E51 was more potent against SA32. Xiang *et al.* [2003] (**antibody binding site definition and exposure, antibody generation, co-receptor, variant cross-recognition or cross-neutralization, subtype comparisons**)

No. 581

Mab ID JL413

HXB2 Location gp160 (421-436)

Author Location gp160 (421-436)

Epitope KQIINMWQEVGKAMYA

Subtype B

Neutralizing P

Immunogen autoimmune disease

Species (Isotype) human

Ab Type gp120 CD4BS

References Karle *et al.* 2004

Keywords antibody generation, antibody sequence, variable domain, co-receptor, subtype comparisons

- JL413: Phage display was used to create a library of gp120-binding single-chain fragments containing V domain (scFv) constructs derived from PBMC of lupus patients. Lupus patients rarely get HIV/AIDS and can make antibodies that bind to a conserved gp120 determinant. The scFV clone JL413 was able to induce dose-dependent, cross-clade neutralization of primary HIV-1 isolates ZA009 (R5, clade C); BR004 (R5, clade C); Ug046 (X4, clade D); SF162 (R5, clade B), and 231135 (clade B). The scFV clone JL413 recognizes a linear region that overlaps the CD4 T-cell binding site, in contrast to HIV-induced MAbs that bind to this region and are conformation dependent. Karle *et al.* [2004] (**antibody generation, co-receptor, subtype comparisons, antibody sequence, variable domain**)

No. 582

Mab ID 5C2E5

HXB2 Location gp160 (422-431)

Author Location gp120 (406-415 IIIB)

Epitope QFINMWQEVK

Neutralizing

Immunogen vaccine

Vector/Type: protein *HIV component:* gp120

Species (Isotype) mouse

Ab Type gp120 C4

Research Contact T. Gregory and R. Ward, Genentech, San Francisco

References Cordell *et al.* 1991; Lasky *et al.* 1987

- 5C2E5: Cross-competition with MAbs 5C2E5, ICR38.8f and ICR38.1a. Cordell *et al.* [1991]
- 5C2E5: Blocks the gp120-CD4 interaction. Lasky *et al.* [1987]

No. 583

Mab ID G3-211 (211/C)

HXB2 Location gp160 (423-437)

Author Location gp120 (423-437 IIIB)

Epitope IINMWQKVGKAMYAP

Neutralizing L

Immunogen vaccine

Vector/Type: virus derived protein *Strain:* B clade IIIB *HIV component:* gp120

Species (Isotype) mouse (IgG1)

Ab Type gp120 C4

References Pantophlet *et al.* 2004; Sun *et al.* 1989

Keywords vaccine antigen design

- G3-211: Note – it is not clear if 211/C and G3-211 are the same antibodies. By adding N-linked glycosylation sites to gp120, epitope masking of non-neutralizing epitopes can be achieved leaving the IgG1b12 binding site intact. This concept was originally tested with the addition of four glycosylation sites, but binding to b12 was reduced. It was modified here to exclude the C1 N-terminal region, and to include only three additional glycosylation sites. This modified protein retains full b12 binding affinity and it masks other potentially competing epitopes, and does not bind to 21 other MAbs to 7 epitopes on gp120, including 211/C Pantophlet *et al.* [2004] (**vaccine antigen design**)
- G3-211: G3-211, 42, 299, 508, 519, 536, 537: Cross-react with diverse strains by immunofluorescence – blocks HIV binding to CD4+ cells – different neutralization efficiencies. Sun *et al.* [1989]

No. 584

Mab ID G3-537

HXB2 Location gp160 (423-437)

Author Location gp120 (423-437 IIIB)

Epitope IINMWQKVGKAMYAP

Neutralizing L

Immunogen vaccine

Vector/Type: virus derived protein *Strain:* B clade IIIB *HIV component:* gp120

Species (Isotype) mouse (IgG1)

Ab Type gp120 C4

References Zwick *et al.* 2003; McKeating *et al.* 1992b; Ho *et al.* 1991b; Sun *et al.* 1989

Keywords antibody interactions

- G3-537: scFv 4KG5 reacts with a conformational epitope that is formed by the V1V2 and V3 loops and the bridging sheet (C4) region of gp120 and is influenced by carbohydrates. Of a panel of MAbs tested, only NAb b12 enhanced 4KG5 binding to gp120 JRFL. MAbs to the following regions diminished 4KG5 binding: V2 loop, V3 loop, V3-C4 region, CD4BS. MAbs directed against C1, CD4i, C5 regions didn't impact

4KG5 binding. These results suggest that the orientation or dynamics of the V1/V2 and V3 loops restricts CD4BS access on the envelope spike, and IgG1b12 can uniquely remain unaffected by these loops. This was one of the C4 MAbs used. Zwick *et al.* [2003] (**antibody interactions**)

- G3-537: Weakly neutralizing – binds to a linear binding domain of gp120, NMWQEVGKAMYAPPISG. McKeating *et al.* [1992b]
- G3-537, 211, 299, 508, 519, 536, 42: Cross-react with diverse strains by immunofluorescence – blocks HIV binding to CD4+ cells – different neutralization efficiencies. Sun *et al.* [1989]

No. 585

MAb ID polyclonal

HXB2 Location gp160 (425–436)

Author Location gp120

Epitope NMWQEVGKAMYA

Neutralizing L

Immunogen vaccine

Vector/Type: peptide *Strain:* B clade IIIB

Adjuvant: Cholera toxin (CT)

Species (Isotype) mouse (IgA)

Ab Type gp120 CD4BS

References Bukawa *et al.* 1995

- Polyclonal secretory IgA antibody raised by mucosal immunization is able to neutralize IIIB, SF2, and MN – HIV-1 neutralization may be due to the V3, CD4 or HPG30 component of the multicomponent peptide immunogen. Bukawa *et al.* [1995]

No. 586

MAb ID 1795

HXB2 Location gp160 (425–441)

Author Location gp120 (425–441 IIIB)

Epitope NMWQEVGKAMYAPPISG

Neutralizing L

Immunogen vaccine

Vector/Type: poliovirus *HIV component:* Env

Species (Isotype)

Ab Type gp120 CD4BS

References McKeating *et al.* 1992b

- 1795: CD4 binding site – weakly neutralizing – binding inhibited by WQEVGKAMYA, GKAM may be involved. McKeating *et al.* [1992b]

No. 587

MAb ID ICR38.1a (38.1a, 388/389, ARP388/389)

HXB2 Location gp160 (429–438)

Author Location gp120 (427–436 BRU)

Epitope EVGKAMYAPP

Neutralizing L

Immunogen vaccine

Vector/Type: protein *Strain:* B clade BH10

HIV component: gp120

Species (Isotype) rat (IgG2b)

Ab Type gp120 C3, gp120 C4

References Vella *et al.* 2002; Kropelin *et al.* 1998; Peet *et al.* 1998; Jeffs *et al.* 1996; Moore *et al.* 1993b; McKeating *et al.* 1993a; McKeating *et al.* 1993b; McKeating *et al.* 1992c; McKeating *et al.* 1992a; McKeating *et al.* 1992b; Cordell *et al.* 1991

• ICR38.1a: UK Medical Research Council AIDS reagent: ARP388/ARP389.

• ICR38.1a: Called ARP388/ARP389: Herpesvirus saimiri-immortalized CD4+ T lymphocytes (HVS T cells) were used to isolate virus and perform HIV-1 neutralization assays, and compared with a standard PBMC protocol – neutralization sensitivities to a panel of MAbs and to homologous or heterologous plasma/sera were similar for HVS T cells (CN-2 cells) and PBMCs – lists epitope as WQEVGKAMYA. Vella *et al.* [2002]

• ICR38.1a: Called 388/389 – anti-C1 region MAb 87-135/9 blocks gp120 interaction with CD4+ cells – blocking activity is additive when combined with antibodies which bind in the C4 region of gp120 (F105, 388/389, and b12) Kropelin *et al.* [1998]

• ICR38.1a: The most variable amino acids in the V3 loop were replaced with serines to make the immunodominant V3 loop less immunogenic – these changes did not affect the ability of sCD4 or MAbs to V1/V2, C1 and C4 to bind – ICR38.1a was not affected by V3 serine substitutions – mice injected with serine substituted gp120 had a reduced response relative to wildtype, and no enhanced immunogenicity of conserved regions. Peet *et al.* [1998]

• ICR38.1a: Called 38.1a – 10 to 20 fold increased binding when V1/V2 or V1/V2 and V3 were deleted from gp120. Jeffs *et al.* [1996]

• ICR38.1a: Studied in the context of a neutralization escape mutant. McKeating *et al.* [1993a]

• ICR38.1a: Unreactive with solid-phase decapeptide, competed in solution phase assay – ICR 38.1a and ICR 38.8f were initially reported to be independent MAbs, but are actually subclones of the same MAb. Moore *et al.* [1993b]

• ICR38.1a: Weakly neutralizing – binds linear determinant in the CD4 binding domain – cross-competition with MAbs G3-536, 5C2E5, and ICR38.8f. Cordell *et al.* [1991]; McKeating *et al.* [1992b]

• ICR38.1a: Unable to exert a synergistic effect in combination with V3 directed MAbs, in contrast to MAb 39.13g, that binds to a conformational epitope involved in CD4 binding. McKeating *et al.* [1992a]

No. 588

MAb ID G3-299

HXB2 Location gp160 (429–438)

Author Location gp120 (429–438 BRU)

Epitope EVGKAMYAPP

Neutralizing L

Immunogen vaccine

Vector/Type: virus derived protein *HIV component:* gp120

Species (Isotype) mouse (IgG1)

Ab Type gp120 C4

Research Contact M. Fung and Tanox Biosystems Inc and David Ho, ADARC, NY

References Zwick *et al.* 2003; Kwong *et al.* 2002; Parren *et al.* 1998a; Wyatt *et al.* 1997; Ditzel *et al.* 1997; Binley *et al.* 1997a; Poignard *et al.* 1996a; Moore & Sodroski 1996; Sattentau & Moore 1995; Moore *et al.* 1993b; Sun *et al.* 1989

Keywords antibody binding site definition and exposure, antibody interactions

- G3-299: scFv 4KG5 reacts with a conformational epitope that is formed by the V1V2 and V3 loops and the bridging sheet (C4) region of gp120 and is influenced by carbohydrates. Of a panel of MAbs tested, only NAb b12 enhanced 4KG5 binding to gp120 JRFL. MAbs to the following regions diminished 4KG5 binding: V2 loop, V3 loop, V3-C4 region, CD4BS. MAbs directed against C1, CD4i, C5 regions didn't impact 4KG5 binding. These results suggest that the orientation or dynamics of the V1/V2 and V3 loops restricts CD4BS access on the envelope spike, and IgG1b12 can uniquely remain unaffected by these loops. This was one of the C4-V3 MAbs used. Zwick *et al.* [2003] (**antibody interactions**)
- G3-299: Thermodynamics of binding to gp120 was measured using isothermal titration calorimetry for sCD4, 17b, b12, 48d, F105, 2G12 and C11 to intact YU2 and the HXBc2 core. The free energy of binding was similar, and not only CD4 but MAb ligands induced thermodynamic changes in gp120 that were independent of whether the core or the full gp120 protein was used. Non-neutralizing CD4BS and CD4i MAbs had large entropy contributions to free energy (mean: 26.1 kcal/mol) of binding to the gp120 monomer, except the potent CD4BS neutralizing MAb b6 had a much smaller value of 5.7 kcal/mol. High values suggest surface burial or protein folding and ordering of amino acids. Variable loop MAbs (L17, L78, 19b, 39F, Ag1211, D0142, and G3-299) MAbs that bind to the N and C termini (211/c, A32, L100, P35, and C11) do not have dramatic entropy changes. These results suggest that while the trimeric Env complex has four surfaces, a non-neutralizing face (occluded on the oligomer), a variable face, a neutralizing face and a silent face (protected by carbohydrate masking), gp120 monomers further protect receptor binding sites by conformational or entropic masking, requiring a large energy handicap for Ab binding not faced by other anti-gp120 Abs. Authors describe the G3-299 epitope as V3 loop/outer domain. Kwong *et al.* [2002] (**antibody binding site definition and exposure**)
- G3-299: The MAb and Fab binding to the oligomeric form of gp120 and neutralization were highly correlated – authors suggest that neutralization is determined by the fraction of Ab sites occupied on a virion irrespective of the epitope. Parren *et al.* [1998a]
- G3-299: Binds both gp120 and soluble gp120+gp41 complex efficiently, suggesting its gp120 epitope is not blocked by gp41 binding. Wyatt *et al.* [1997]
- G3-299: Discontinuous V3-C4 epitope, binding enhanced by a few anti-C1, anti-CD4 binding site, and V2 MAbs – binding reciprocally inhibited by anti-V3 MAbs – G3-229 enhances the binding of some anti-V2 MAbs. Moore & Sodroski [1996]
- G3-299: Epitope described as KQIINMWQKVGKAMYAPPIS – binding resulted in slight gp120 dissociation from virus and exposure of the gp41 epitope for MAb 50-69. Poignard *et al.* [1996a]

- G3-299: Binds with higher affinity to monomer than to oligomer, slow association rate, although faster than other C4 MAbs tested, with more potent neutralization of lab strain. Sattentau & Moore [1995]
- G3-299: C4 region – binds HXB2 20mer KQIINMWQKVGKAMYAPPIS, and SF-2 and MN gp120s – G3-42, G3-299 lower affinity than G3-508, G3-519, and G3-536 – bound native gp120, not denatured – poor peptide binding, epitope spans V3-C4 regions – 433A/L, 435Y/H and 430V/S substitutions impaired binding, V3 loop cleavage or insertion abolished binding. Moore *et al.* [1993b]
- G3-299: Best neutralization of IIIIB in panel of 7 MAbs that bind overlapping epitope. Sun *et al.* [1989]

No. 589

MAb ID G3-42 (G3 42)

HXB2 Location gp160 (429–438)

Author Location gp120 (429–438 BRU)

Epitope EVGKAMYAPP

Neutralizing L

Immunogen vaccine

Vector/Type: virus derived protein *Strain:* B clade IIIIB *HIV component:* gp120

Species (Isotype) mouse (IgG1)

Ab Type gp120 C4

Research Contact Tanox Biosystems Inc and David Ho, ADARC, NY, NY

References Koefoed *et al.* 2005; Zwick *et al.* 2003; Jagodzinski & Trzeciak 2000; Binley *et al.* 1999; Binley *et al.* 1997a; Trkola *et al.* 1996a; Poignard *et al.* 1996a; Moore & Sodroski 1996; Jagodzinski *et al.* 1996; Sattentau & Moore 1995; Thali *et al.* 1993; Moore *et al.* 1993b; Sun *et al.* 1989

Keywords antibody binding site definition and exposure, antibody interactions

- G3-42: IgG antibody phage display libraries were created from HIV-1 + individuals after pre-selection of PBMC with gp120, as an alternative to using bone marrow for generating libraries. G3-42 was among a set of Abs used for competition studies to define the binding sites of the newly isolated MAbs, representing a MAb with a linear C4/V3 epitope. Koefoed *et al.* [2005] (**antibody binding site definition and exposure**)
- G3-42: scFv 4KG5 reacts with a conformational epitope that is formed by the V1V2 and V3 loops and the bridging sheet (C4) region of gp120 and is influenced by carbohydrates. Of a panel of MAbs tested, only NAb b12 enhanced 4KG5 binding to gp120 JRFL. MAbs to the following regions diminished 4KG5 binding: V2 loop, V3 loop, V3-C4 region, CD4BS. MAbs directed against C1, CD4i, C5 regions didn't impact 4KG5 binding. These results suggest that the orientation or dynamics of the V1/V2 and V3 loops restricts CD4BS access on the envelope spike, and IgG1b12 can uniquely remain unaffected by these loops. This was one of the C4-V3 MAbs used. Zwick *et al.* [2003] (**antibody interactions**)
- 0.5beta: MAbs 0.5beta and G3-42 were used to study synthesis of oligomeric and monomeric forms of Env – inhibition of glycosylation by tunicamycin results in reduction of oligomeric gp120 at the cell surface and of monomer in the

cytoplasm – neither MAb recognized non-glycosylated Env precursor. Jagodzinski & Trzeciak [2000]

- G3-42: The MAbs with the broadest neutralizing activity, IgG1b12, 2G12 and 2F5, all have high affinity for the native trimer, indicating that they were raised in an immune response to the oligomer on the virion surface rather than dissociated subunits – a disulfide linked gp120-gp41 (SOS gp140) was created to mimic the native conformation of Env and explore its potential as an immunogen – SOS gp140 is recognized by NAb IgG1b12, 2G12, and CD4-IgG2, and also by anti-V3 MAbs 19b and 83.1 – SOSgp140 is not recognized by C4 region MAbs that neutralize only TCLA strains, G3-42 and G3-519 – nor did it bind C11, 23A, and M90, MAbs that bind to gp120 C1 and C5, where it interacts with gp41 – MAbs that bind CD4 inducible epitopes, 17b and A32 were very strongly induced by CD4 in SOS gp140 – anti-gp41 MAbs that bind in the region that interacts with gp120, 7B2, 2.2B, T4, T15G1 and 4D4, did not bind to SOSgp140, in contrast to 2F5, which binds to the only gp41 epitope that is well exposed in native gp120-gp41 complexes. Binley *et al.* [1999]
- G3-42: The sulfated polysaccharide curdlan sulfate (CRDS) binds to the Envelope of T-tropic viruses and neutralizes virus – CRDS potently inhibits G3-42 binding – G3-42 epitope described as KVGKAMYAPP. Jagodzinski *et al.* [1996]
- G3-42: Inhibits binding of many anti-V3, -CD4 binding site, and -C4 region MAbs – enhances binding of some anti-V2 region MAbs. Moore & Sodroski [1996]
- G3-42: Epitope described as KQIINMWQKVGKAMYAPPIS – binding resulted in slight gp120 dissociation from virus and exposure of the gp41 epitope for MAb 50-69. Poignard *et al.* [1996a]
- G3-42: Called G3 42 – Does not inhibit gp120 interaction with CCR-5 in a MIP-1beta-CCR-5 competition study – described as V3-C4 discontinuous epitope. Trkola *et al.* [1996a]
- G3-42: Binds with higher affinity to monomer than to oligomer, slow association rate. Sattentau & Moore [1995]
- G3-42: C4 region – binds HXB2 20mer KQIINMWQKVGKAMYAPPIS, and SF-2 and MN gp120s – G3-42, G3-299 have lower affinity than G3-508, G3-519, and G3-536 – bound native gp120, not denatured – poor peptide binding, epitope spans V3-C4 regions – 433A/L, 435Y/H and 430V/S substitutions impaired binding, V3 loop insertion abolished binding. Moore *et al.* [1993b]
- G3-42: Inhibits binding of CD4 inducible MAb 48d. Thali *et al.* [1993]
- G3-42: Neutralization of IIIB but not RF. Sun *et al.* [1989]

No. 590

MAb ID G3-508 (G3 508)

HXB2 Location gp160 (429–438)

Author Location gp120 (429–438 BRU)

Epitope EVGKAMYAPP

Neutralizing L

Immunogen vaccine

Vector/Type: virus derived protein *Strain:* B clade IIIB *HIV component:* gp120

Species (Isotype) mouse (IgG1)

Ab Type gp120 C4

Research Contact M. Fung and Tanox Biosystems Inc and David Ho, ADARC, NY

References Binley *et al.* 1998; Parren *et al.* 1998a; Binley *et al.* 1997a; Trkola *et al.* 1996a; Poignard *et al.* 1996a; Moore & Sodroski 1996; Sattentau & Moore 1995; Moore *et al.* 1993b; Thali *et al.* 1993; Sun *et al.* 1989

- G3-508: A panel of MAbs were shown to bind with similar or greater affinity and similar competition profiles to a deglycosylated or variable loop deleted core gp120 protein (Delta V1, V2, and V3), thus such a core protein produces a structure closely approximating full length folded monomer. Binley *et al.* [1998]
- G3-508: The MAb and Fab binding to the oligomeric form of gp120 and neutralization were highly correlated – authors suggest that neutralization is determined by the fraction of Ab sites occupied on a virion irrespective of the epitope. Parren *et al.* [1998a]
- G3-508: Inhibits binding of some V3, C4 and CD4 binding site MAbs, enhances binding of V2 region MAbs. Moore & Sodroski [1996]
- G3-508: Binding resulted in slight gp120 dissociation from virus and exposure of the gp41 epitope for MAb 50-69. Poignard *et al.* [1996a]
- G3-508: Called G3 508 – inhibits gp120 interaction with CCR-5 in a MIP-1beta-CCR-5 competition study. Trkola *et al.* [1996a]
- G3-508: Binds with higher affinity to monomer than to oligomer, slow association rate. Sattentau & Moore [1995]
- G3-508: C4 region – binds HXB2 20mer KQIINMWQKVGKAMYAPPIS, and SF-2 and MN gp120s – bound denatured with 10 fold greater affinity than native – 433A/L, 435Y/H and 430V/S substitutions impaired binding. Moore *et al.* [1993b]
- G3-508: Inhibits binding of CD4 inducible MAb 48d. Thali *et al.* [1993]
- G3-508: Neutralization of IIIB and RF. Sun *et al.* [1989]

No. 591

MAb ID G3-519

HXB2 Location gp160 (429–438)

Author Location gp120 (429–438 BRU)

Epitope EVGKAMYAPP

Neutralizing L

Immunogen vaccine

Vector/Type: virus derived protein *Strain:* B clade IIIB *HIV component:* gp120

Species (Isotype) mouse (IgG1)

Ab Type gp120 C4

Research Contact Tanox Biosystems Inc and David Ho, ADARC, NY

References Zwick *et al.* 2003; Binley *et al.* 1999; Parren *et al.* 1998a; Wyatt *et al.* 1997; Binley *et al.* 1997a; Poignard *et al.* 1996a; Moore & Sodroski 1996; Sattentau & Moore 1995; D'Souza *et al.* 1994; Moore *et al.* 1993b; Moore & Ho 1993; Sun *et al.* 1989

Keywords antibody interactions

- G3-519: scFv 4KG5 reacts with a conformational epitope that is formed by the V1V2 and V3 loops and the bridging sheet (C4) region of gp120 and is influenced by carbohydrates. Of a panel of MAbs tested, only NAb b12 enhanced 4KG5 binding

to gp120 JRFL. MAbs to the following regions diminished 4KG5 binding: V2 loop, V3 loop, V3-C4 region, CD4BS. MAbs directed against C1, CD4i, C5 regions didn't impact 4KG5 binding. These results suggest that the orientation or dynamics of the V1/V2 and V3 loops restricts CD4BS access on the envelope spike, and IgG1b12 can uniquely remain unaffected by these loops. This was one of the C4 MAbs used. Zwick *et al.* [2003] (**antibody interactions**)

- G3-519: The MAbs with the broadest neutralizing activity, IgG1b12, 2G12 and 2F5, all have high affinity for the native trimer, indicating that they were raised in an immune response to the oligomer on the virion surface rather than dissociated subunits – a disulfide linked gp120-gp41 (SOS gp140) was created to mimic the native conformation of Env and explore its potential as an immunogen – SOS gp140 is recognized by NAb IgG1b12, 2G12, and CD4-IgG2, and also by anti-V3 MAbs 19b and 83.1 – SOSgp140 is not recognized by C4 region MAbs that neutralize only TCLA strains, G3-42 and G3-519 – nor did it bind C11, 23A, and M90, MAbs that bind to gp120 C1 and C5, where it interacts with gp41 – MAbs that bind CD4 inducible epitopes, 17b and A32 were very strongly induced by CD4 in SOS gp140 – anti-gp41 MAbs that bind in the region that interacts with gp120, 7B2, 2.2B, T4, T15G1 and 4D4, did not bind to SOSgp140, in contrast to 2F5, which binds to the only gp41 epitope that is well exposed in native gp120-gp41 complexes. Binley *et al.* [1999]
- G3-519: The MAb and Fab binding to the oligomeric form of gp120 and neutralization were highly correlated – authors suggest that neutralization is determined by the fraction of Ab sites occupied on a virion irrespective of the epitope. Parren *et al.* [1998a]
- G3-519: Binds both gp120 and soluble gp120+gp41 complex efficiently, suggesting its gp120 epitope is not blocked by gp41 binding. Wyatt *et al.* [1997]
- G3-519: Non-reciprocal enhanced binding in the presence of the C5 MAb 1C1 and the C1 MAb 135/9 – reciprocal enhanced binding with some V2 MAbs. Inhibited binding the presence of some C4, V3 and CD4 binding site MAbs. Moore & Sodroski [1996]
- G3-519: Epitope described as KVGKAMYAPP – binding resulted in slight gp120 dissociation from virus but no significant exposure of the gp41 epitope for MAb 50-69. Pognard *et al.* [1996a]
- G3-519: Binds with higher affinity to monomer than to oligomer, slow association rate. Sattentau & Moore [1995]
- G3-519: Included in a multi-lab study for antibody characterization, and binding and neutralization assay comparison, also binds IIIB: IINMWQKVGKAMYAPP. D'Souza *et al.* [1994]
- G3-519: Neutralizes IIIB, is reactive with SF-2 gp120, mild inhibition of HIV-1 + sera binding to IIIB gp120. Moore & Ho [1993]
- G3-519: C4 region – binds HXB2 20mer KQIIN-MWQKVGKAMYAPPIS, and SF-2 and MN gp120s – bound denatured with 5 fold greater affinity than native – 433A/L, 435Y/H, 438P/R and 430V/S substitutions impaired binding. Moore *et al.* [1993b]
- G3-519: Best neutralization of RF in panel of 7 MAbs that bind overlapping epitope. Sun *et al.* [1989]

No. 592

- MAb ID** G3-536
HXB2 Location gp160 (429–438)
Author Location gp120 (429–438 BRU)
Epitope EVGKAMYAPP
Neutralizing L
Immunogen vaccine
Vector/Type: virus derived protein *Strain:* B clade IIIB *HIV component:* gp120
- Species (Isotype)** mouse (IgG1)
Ab Type gp120 C4
Research Contact Tanox Biosystems Inc and David Ho, ADARC, NY
- References** Parren *et al.* 1998a; Pognard *et al.* 1996a; Moore & Sodroski 1996; Sattentau & Moore 1995; Gorny *et al.* 1994; Moore *et al.* 1993b; Moore & Ho 1993; McKeating *et al.* 1992b; Cordell *et al.* 1991; Ho *et al.* 1991b; Sun *et al.* 1989
- G3-536: The MAb and Fab binding to the oligomeric form of gp120 and neutralization were highly correlated – authors suggest that neutralization is determined by the fraction of Ab sites occupied on a virion irrespective of the epitope. Parren *et al.* [1998a]
 - G3-536: Inhibits binding of some V3, C4 and CD4 binding site MAbs, enhances binding of V2 region MAbs. Moore & Sodroski [1996]
 - G3-536: Epitope described as KVGKAMYAPP. Pognard *et al.* [1996a]
 - G3-536: Binds with higher affinity to monomer than to oligomer, slow association rate. Sattentau & Moore [1995]
 - G3-536: Enhances binding of anti-V2 MAb 697-D. Gorny *et al.* [1994]
 - G3-536: Neutralizes IIIB, is reactive with SF-2 gp120, mild inhibition of HIV-1 + sera binding to IIIB gp120. Moore & Ho [1993]
 - G3-536: C4 region – binds HXB2 20mer KQIIN-MWQKVGKAMYAPPIS, and SF-2 and MN gp120s – bound denatured with 15 fold greater affinity than native – 433A/L, 435Y/H, 438P/R, and 430V/S substitutions impaired binding. Moore *et al.* [1993b]
 - G3-536: Weakly neutralizing – binds to a linear determinant in the CD4 binding domain of gp120. McKeating *et al.* [1992b]
 - G3-536: Cross-competition with MAbs 5C2E5, ICR38.8f and ICR38.1a. Cordell *et al.* [1991]
 - G3-536: Weak neutralization of IIIB and RF – cross-react with diverse strains by immunofluorescence – blocks HIV binding to CD4+ cells – epitope: IINMWQKVGKAMYAP. Sun *et al.* [1989]
- No.** 593
MAb ID ICR38.8f
HXB2 Location gp160 (429–438)
Author Location gp120 (429–438 BRU)
Epitope EVGKAMYAPP
Neutralizing L
Immunogen vaccine
Vector/Type: protein *Strain:* B clade BH10 *HIV component:* gp120
- Species (Isotype)** rat (IgG2b)
Ab Type gp120 C4

- References** Moore *et al.* 1993b; Cordell *et al.* 1991
- ICR38.8f: ICR 38.1a and ICR 38.8f were initially reported to be independent MAbs, but are actually subclones of the same MAb. Moore *et al.* [1993b]
 - ICR38.8f: Weakly neutralizing – binds linear determinant in the CD4 binding domain – cross-competition with ICR38.1a, 5C2E5, and G3-536. Cordell *et al.* [1991]

No. 594

MAb ID MO86/C3

HXB2 Location gp160 (429–443)

Author Location gp120 (429–443)

Epitope EVGKAMYAPPISGQI

Neutralizing

Immunogen *in vitro* stimulation or selection

Species (Isotype) human (IgM)

Ab Type gp120 C4

References Ohlin *et al.* 1992

- MO86: Generated in response to IIIB Env 286–467 upon *in vitro* stimulation of uninfected-donor lymphocytes. Ohlin *et al.* [1992]

No. 595

MAb ID 13H8

HXB2 Location gp160 (431–440)

Author Location gp120 (412–453)

Epitope GKAMYAPPIS

Neutralizing L

Immunogen vaccine

Vector/Type: protein *Strain:* B clade MN

Species (Isotype) mouse (IgG)

Ab Type gp120 C4

References Jeffs *et al.* 1996; Nakamura *et al.* 1993; Nakamura *et al.* 1992

- 13H8: Binds V3 and C4 peptides (J. P. Moore, per. comm.)
- 13H8: 3 and 4.5 fold increased binding when V1/V2 or V1/V2 and V3 were deleted from gp120, respectively. Jeffs *et al.* [1996]
- 13H8: Bound diverse strains, neutralizing activity against MN. Nakamura *et al.* [1993]
- 13H8: Cross blocks 5C2 in IIIB-rsgp160 ELISA – reactive with diverse strains in rgp120 ELISA. Nakamura *et al.* [1992]

No. 596

MAb ID G45-60

HXB2 Location gp160 (431–440)

Author Location gp120 (429–438 BRU)

Epitope GKAMYAPPIS

Neutralizing L

Immunogen vaccine

Vector/Type: virus derived protein *Strain:* B clade IIIB *HIV component:* gp120

Species (Isotype) mouse (IgG1)

Ab Type gp120 C4

References Jagodzinski *et al.* 1996; Moore & Sodroski 1996; Gorny *et al.* 1994; Moore *et al.* 1993b; Sun *et al.* 1989

- G45-60: The sulfated polysaccharide curdlan sulfate (CRDS) binds to the Envelope of T-tropic viruses and neutralizes virus CRDS inhibits G45-60 binding. Jagodzinski *et al.* [1996]

- G45-60: Non-reciprocal enhancement of G45-60 binding by some C1 and C5 antibodies – reciprocal enhancement of some V2 region MAbs – reciprocal inhibition with many MAbs that bind to the V3, C4 and CD4 binding site regions. Moore & Sodroski [1996]
- G45-60: Enhances binding of anti-V2 MAb 697-D. Gorny *et al.* [1994]
- G45-60: C4 region – binds HXB2 20mer KQIIN-MWQKVGKAMYAPPI, decapeptide flanking peptides also bound – bound equivalently to native and denatured gp120 – 433A/L and 435Y/H (not 430V/S) substitutions impaired binding. Moore *et al.* [1993b]

No. 597

MAb ID polyclonal

HXB2 Location gp160 (432–451)

Author Location gp120 (42–61 LAI)

Epitope KAMYAPPISGQIRCSSNITG

Subtype B

Neutralizing no

Immunogen vaccine

Vector/Type: vaccinia *HIV component:* Env

Species (Isotype) mouse

Ab Type gp120 C4

References Collado *et al.* 2000

- Vaccinia p14 can elicit NAb and p39 tends to be immunodominant, so these two proteins were fused to regions of HIV-1 Env – reduced glycosylation was noted when p14 or p39 was placed in the N-term region of the fusion protein – chimeric proteins shifted the Env Ab response from V3 to either a C1 or C4 domain, depending on the construct – all chimeric Env proteins: 14kEnv, 39kEnv, and Env39k elicited a strong Ab response to the C1 region of gp120 (LFCASDAKAYDTEVH-NVWAT), and Env39k mounted a strong response to the C4 region (KAMYAPPISGQIRCSSNITG) Collado *et al.* [2000]

No. 598

MAb ID 1662

HXB2 Location gp160 (433–439)

Author Location gp120 (IIIB)

Epitope AMYAPPI

Neutralizing no

Immunogen vaccine

Vector/Type: poliovirus *HIV component:* Env

Species (Isotype)

Ab Type gp120 C4

References McKeating *et al.* 1992b

- 1662: Did not bind to native gp120, epitope not exposed. McKeating *et al.* [1992b]

No. 599

MAb ID 1663

HXB2 Location gp160 (433–439)

Author Location gp120 (IIIB)

Epitope AMYAPPI

Neutralizing no

Immunogen vaccine

Vector/Type: poliovirus *HIV component:* Env

Species (Isotype)**Ab Type** gp120 C4**References** McKeating *et al.* 1992b

- 1663: Did not bind to native gp120, epitope not exposed. McKeating *et al.* [1992b]

No. 600**MAb ID** 1664**HXB2 Location** gp160 (433–439)**Author Location** gp120 (IIIB)**Epitope** AMYAPPI**Neutralizing** no**Immunogen** vaccine*Vector/Type:* poliovirus *HIV component:* Env**Species (Isotype)****Ab Type** gp120 C4**References** McKeating *et al.* 1992b

- 1664: Did not bind to native gp120, epitope not exposed. McKeating *et al.* [1992b]

No. 601**MAb ID** 1697**HXB2 Location** gp160 (433–439)**Author Location** gp120 (IIIB)**Epitope** AMYAPPI**Neutralizing** no**Immunogen** vaccine*Vector/Type:* poliovirus *HIV component:* Env**Species (Isotype)****Ab Type** gp120 C4**References** McKeating *et al.* 1992b

- 1697: Did not bind to native gp120, epitope not exposed. McKeating *et al.* [1992b]

No. 602**MAb ID** 1794**HXB2 Location** gp160 (433–442)**Author Location** gp120 (IIIB)**Epitope** AMYAPPISGQ**Neutralizing** no**Immunogen** vaccine*Vector/Type:* poliovirus *HIV component:* Env**Species (Isotype)****Ab Type** gp120 C4**References** McKeating *et al.* 1992b

- 1794: Did not bind to native gp120, epitope not exposed. McKeating *et al.* [1992b]

No. 603**MAb ID** 1804**HXB2 Location** gp160 (433–442)**Author Location** gp120 (IIIB)**Epitope** AMYAPPISGQ**Neutralizing** no**Immunogen** vaccine*Vector/Type:* poliovirus *HIV component:* Env**Species (Isotype)****Ab Type** gp120 C4**References** McKeating *et al.* 1992b

- 1804: Did not bind to native gp120, epitope not exposed. McKeating *et al.* [1992b]

No. 604**MAb ID** 1807**HXB2 Location** gp160 (433–442)**Author Location** gp120 (IIIB)**Epitope** AMYAPPISGQ**Neutralizing** no**Immunogen** vaccine*Vector/Type:* poliovirus *HIV component:* Env**Species (Isotype)****Ab Type** gp120 C4**References** McKeating *et al.* 1992b

- 1807: Did not bind to native gp120, epitope not exposed. McKeating *et al.* [1992b]

No. 605**MAb ID** 1808**HXB2 Location** gp160 (433–442)**Author Location** gp120 (IIIB)**Epitope** AMYAPPISGQ**Neutralizing** no**Immunogen** vaccine*Vector/Type:* poliovirus *HIV component:* Env**Species (Isotype)****Ab Type** gp120 C4**References** McKeating *et al.* 1992b

- 1808: Did not bind to native gp120, epitope not exposed. McKeating *et al.* [1992b]

No. 606**MAb ID** polyclonal (VEI5)**HXB2 Location** gp160 (454–474)**Author Location** Env**Epitope** LTRDGGNNNESEIFRPGGGD**Neutralizing****Immunogen** HIV-1 infection**Species (Isotype)** human**Ab Type** gp120 V1, gp120 V2, gp120 V3, gp120 V4, gp120 V5**References** Carlos *et al.* 1999

- Antibody response to the epitopes in a vaccine construct (VEI) containing peptides from 5 hypervariable regions of gp120 was detected in the sera of HIV-1 positive subjects, including sera from 6 non-subtype B infections – serum samples from San Francisco, Canada and Puerto Rico cohort showed presence of antibodies against all five VEI hypervariable regions, but most consistently against the V3 region peptide NNNTRKSIRIGP-GRAFYYTTGDIGNIRQ. Carlos *et al.* [1999]

No. 607**MAb ID** polyclonal**HXB2 Location** gp160 (460–467)**Author Location** gp120 (LAI)

Epitope NNNNGSEI
Subtype B
Neutralizing
Immunogen HIV-1 infection, vaccine
Vector/Type: protein *Strain:* B clade LAI
HIV component: gp160
Species (Isotype) human
Ab Type gp120 V5
References Loomis-Price *et al.* 1997

- HIV-1 + positive individuals were given a gp160 vaccine as immunotherapy, and this region was the most reactive new epitope as measured by a modified Pepsan technique which improved sensitivity – 4/14 showed vaccine-induced reactivity. Loomis-Price *et al.* [1997]

No. 608
MAb ID CRA1 (CRA-1, CRA1(ARP 323))
HXB2 Location gp160 (461–470)
Author Location gp120 (451–470 LAI)
Epitope SNNSEEIFRL
Subtype B
Neutralizing no
Immunogen vaccine
Vector/Type: protein *Strain:* B clade LAI
HIV component: Env
Species (Isotype) mouse (IgG)
Ab Type gp120 V5-C5
Research Contact M. Page, NIBSC, UK

References Koefoed *et al.* 2005; Yang *et al.* 2000; Trkola *et al.* 1996a; Moore & Sodroski 1996; Moore *et al.* 1994c; Moore *et al.* 1994d; Moore & Ho 1993

Keywords antibody binding site definition and exposure

- CRA1: UK Medical Research Council AIDS reagent: ARP323.
- CRA1: IgG antibody phage display libraries were created from HIV-1 + individuals after pre-selection of PBMC with gp120, as an alternative to using bone marrow for generating libraries. CRA1 was among a set of Abs used for competition studies to define the binding sites of the newly isolated MAbs, representing a MAb with a linear C5 epitope. Koefoed *et al.* [2005] (**antibody binding site definition and exposure**)
- CRA1: A combination of gp41 fusion with the GNC4 trimeric sequences and disruption of the YU2 gp120-gp41 cleavage site resulted in stable gp140 trimers (gp140-GNC4) that preserve and expose some neutralizing epitopes while occluding some non-neutralizing epitopes – CD4BS MAbs (F105 and F91) and CD4i (17b and 48d) recognized gp140-GNC4 as well as gp120 or gp140 – non-neutralizing MAbs C11, A32, 522-149, M90, and #45 bound to the gp140-GNC4 glycoprotein at reduced levels compared to gp120 – MAbs directed at the extreme termini of gp120 C1 (135/9 and 133/290) and C5 (CRA-1 and M91) bound efficiently to gp140-GNC4. Yang *et al.* [2000]
- CRA1: C5 region linear epitope, binds weakly to nondenatured monomeric gp120 – reciprocal binding inhibition with anti-C5 antibodies 1C1 and M91 – non-reciprocal binding enhancement some C1 and V2 antibodies – non-reciprocal binding inhibition of some CD4 binding site antibodies. Moore & Sodroski [1996]
- CRA1: Does not neutralize JR-FL nor block gp120 interaction with CCR-5 in a MIP-1beta-CCR-5 competition study. Trkola *et al.* [1996a]

- CRA1: Some C5 mutations abrogate binding 470 P/L or G, 475 M/S, some C2 mutations enhance binding. Moore *et al.* [1994d]
- CRA1: The relative affinity for denatured/native gp120 is 24 – C5 mutations 470 P/L or G, 475 M/S impairs binding to the native gp120 – only mutation 470 P/L impairs binding to denatured. Moore *et al.* [1994c]
- CRA1: Bound preferentially to denatured IIIB and SF2 gp120. Moore & Ho [1993]

No. 609
MAb ID M91
HXB2 Location gp160 (461–470)
Author Location gp120 (451–470 LAI)
Epitope SNNSEEIFRL
Subtype B
Neutralizing no
Immunogen vaccine
Vector/Type: protein *HIV component:* Env
Species (Isotype) rat (IgG2a)
Ab Type gp120 V5-C5
Research Contact Fulvia di Marzo Veronese
References Zwick *et al.* 2003; Yang *et al.* 2000; Binley *et al.* 1998; Ditzel *et al.* 1997; Moore & Sodroski 1996; Moore *et al.* 1994d; Moore *et al.* 1994c; di Marzo Veronese *et al.* 1992

Keywords antibody interactions

- M91: scFv 4KG5 reacts with a conformational epitope. Of a panel of MAbs tested, only NAb b12 enhanced 4KG5 binding to gp120. MAbs to the V2 loop, V3 loop, V3-C4 region, and CD4BS diminished binding, while MAbs directed against C1, CD4i, C5 regions didn't impact 4KG5 binding. These results suggest that the orientation or dynamics of the V1/V2 and V3 loops restricts CD4BS access on the envelope spike, and IgG1b12 can uniquely remain unaffected. This is a C5-binding MAb that had no impact on 4KG5 binding. Zwick *et al.* [2003] (**antibody interactions**)
- M91: A combination of gp41 fusion with the GNC4 trimeric sequences and disruption of the YU2 gp120-gp41 cleavage site resulted in stable gp140 trimers (gp140-GNC4) that preserve and expose some neutralizing epitopes while occluding some non-neutralizing epitopes – CD4BS MAbs (F105 and F91) and CD4i (17b and 48d) recognized gp140-GNC4 as well as gp120 or gp140 – non-neutralizing MAbs C11, A32, 522-149, M90, and #45 bound to the gp140-GNC4 glycoprotein at reduced levels compared to gp120 – MAbs directed at the extreme termini of gp120 C1 (135/9 and 133/290) and C5 (CRA-1 and M91) bound efficiently to gp140-GNC4. Yang *et al.* [2000]
- M91: A panel of MAbs were shown to bind with similar or greater affinity and similar competition profiles to a deglycosylated or variable loop deleted core gp120 protein (Delta V1, V2, and V3), thus such a core protein produces a structure closely approximating full length folded monomer. Binley *et al.* [1998]
- M91: C5 region linear epitope, binds weakly to nondenatured monomeric gp120 – M91 binding was enhanced by 1C1, but 1C1 binding was inhibited by M91 – non-reciprocal binding enhancement of C1 and V2 antibodies – non-reciprocal binding inhibition of CD4 binding site antibodies. Moore & Sodroski [1996]

- M91: The relative affinity for denatured/native gp120 is 24 – mutation in position 470 P/L impairs binding. Moore *et al.* [1994c]
- M91: 470 P/L impairs binding, but not 475 D/V, in contrast to CRA1 – some C2 mutations can enhance binding. Moore *et al.* [1994d]
- M91: Immunoblot reactive, RIP negative, but precipitates deglycosylated gp120 – reacts with strains IIIB, 451, MN, RF, and RUTZ. di Marzo Veronese *et al.* [1992]

No. 610

MAb ID 9201

HXB2 Location gp160 (471–482)

Author Location gp120 (475–486 LAI)

Epitope GGGDMRDNRWSE

Subtype B

Neutralizing no

Immunogen vaccine

Vector/Type: peptide

Species (Isotype) mouse (IgG1)

Ab Type gp120 C5

Research Contact Du Pont de Nemours, Boston, MA

References Dairou *et al.* 2004; McDougal *et al.* 1996

Keywords antibody binding site definition and exposure

- 9201: This paper describes a slightly different epitope, stating 9201 was raised against the peptide MRDNRWSELIKY, located within the alpha 5 helix in the C5 terminal region of gp120. Two MAbs were used to determine the photodamage location in HIV-1 Env induced by sulfonated anionic porphyrins. The negatively charged porphyrins interact with positive charge in the V3 loop. When light activated, they damage amino acid side chains in the C5 region of Env, as evidenced by inhibition of binding of C5 MAb 9201, but not V3 MAb 13105100. Anionic porphyrins could be used in targeted photodynamic decontamination of biological fluids, such as blood, killing HIV without disabling the function of desirable transfusion products. Dairou *et al.* [2004] (**antibody binding site definition and exposure**)
- 9201: Does not neutralize LAI. This paper notes the peptide binding region is GGGDMRDNRWSE. McDougal *et al.* [1996] (**antibody binding site definition and exposure**)

No. 611

MAb ID 1C1

HXB2 Location gp160 (471–490)

Author Location gp120 (471–490 LAI)

Epitope GGGDMRDNRSELYKYKVVK

Subtype B

Neutralizing

Immunogen vaccine

Vector/Type: protein Strain: B clade LAI
HIV component: Env

Species (Isotype) mouse (IgG)

Ab Type gp120 C5

Research Contact Repligen Inc, Cambridge, MA, commercial

References Zwick *et al.* 2003; Moore & Sodroski 1996; VanCott *et al.* 1995; Moore *et al.* 1994d; Moore *et al.* 1994c

Keywords antibody interactions

- 1C1: scFv 4KG5 reacts with a conformational epitope. Of a panel of MAbs tested, only NAb b12 enhanced 4KG5 binding to gp120. MAbs to the V2 loop, V3 loop, V3-C4 region, and CD4BS diminished binding, while MAbs directed against C1, CD4i, C5 regions didn't impact 4KG5 binding. These results suggest that the orientation or dynamics of the V1/V2 and V3 loops restricts CD4BS access on the envelope spike, and IgG1b12 can uniquely remain unaffected. This is a C5-binding MAb that had no impact on 4KG5 binding. Zwick *et al.* [2003] (**antibody interactions**)

- 1C1: C5 region linear epitope, binds weakly to non-denatured monomeric gp120 – M91 binding was enhanced by 1C1, but 1C1 binding was inhibited by M91 – non-reciprocal binding enhancement of some C1 and V2 antibodies – non-reciprocal binding inhibition of some CD4 binding site antibodies. Moore & Sodroski [1996]
- 1C1: Linear epitope not exposed on conformationally intact gp120. VanCott *et al.* [1995]
- 1C1: The relative affinity for denatured/native gp120 is 15. Moore *et al.* [1994c]
- 1C1: C2 and V3 regions substitutions can influence binding. Moore *et al.* [1994d]

No. 612

MAb ID 3F5

HXB2 Location gp160 (471–490)

Author Location gp120 (471–490 LAI)

Epitope GGGDMRDNRSELYKYKVVK

Subtype B

Neutralizing

Immunogen vaccine

Strain: B clade LAI HIV component: Env

Species (Isotype) mouse (IgG)

Ab Type gp120 C5

Research Contact S. Nigida, NCI, USA

References Moore *et al.* 1994c

- 3F5: The relative affinity for denatured/native gp120 is 100. Moore *et al.* [1994c]

No. 613

MAb ID 5F4/1

HXB2 Location gp160 (471–490)

Author Location gp120 (471–490 LAI)

Epitope GGGDMRDNRSELYKYKVVK

Subtype B

Neutralizing

Immunogen vaccine

Vector/Type: peptide Strain: HIV-2 ROD

Species (Isotype) mouse

Ab Type gp120 C5

Research Contact S. Ranjbar, NIBSC, UK

References Moore *et al.* 1994c

- 5F4/1: V5-C5 region – preferentially binds SDS-DTT denatured gp120 (>10 fold) – mutation 485 K/V impairs binding. Moore *et al.* [1994c]

No. 614

MAb ID 660-178

HXB2 Location gp160 (471–490)

Author Location gp120 (471–490 LAI)

Epitope GGGDMRDNRSELYKYKVVK
Subtype B
Neutralizing
Immunogen vaccine
Vector/Type: protein *Strain:* B clade LAI
HIV component: Env
Species (Isotype) mouse (IgG)
Ab Type gp120 C5
Research Contact G. Robey, Abbott Labs
References Moore *et al.* 1994d; Moore *et al.* 1994c
 • 660-178: The relative affinity for denatured/native gp120 is >100. Moore *et al.* [1994c]
 • 660-178: DeltaV1/V2 and DeltaV1/V2/V3 reduce binding – C2 and C5 mutations enhance binding. Moore *et al.* [1994d]

No. 615
MAb ID 9301
HXB2 Location gp160 (471–490)
Author Location gp120 (471–490 LAI)
Epitope GGGDMRDNRSELYKYKVVK
Subtype B
Neutralizing
Immunogen vaccine
Vector/Type: protein *Strain:* B clade LAI
HIV component: Env
Species (Isotype) mouse (IgG)
Ab Type gp120 C5
Research Contact Dupont, commercial
References Wagner *et al.* 1996; Moore *et al.* 1994d; Moore *et al.* 1994c; Moore & Ho 1993; Skinner *et al.* 1988b
 • 9301: Wagner *et al.* claim that Nea 9301 is anti-V3 – might they have meant MAb 9305? Wagner *et al.* [1996]
 • 9301: The relative affinity for denatured/native gp120 is 19. Moore *et al.* [1994d]
 • 9301: Bound preferentially to denatured IIIB gp120. Moore & Ho [1993]

No. 616
MAb ID B221 (221)
HXB2 Location gp160 (471–490)
Author Location gp120 (471–490 LAI)
Epitope GGGDMRDNRSELYKYKVVK
Subtype B
Neutralizing
Immunogen vaccine
Vector/Type: protein *Strain:* B clade NL43
HIV component: gp160
Species (Isotype) mouse (IgG1κ)
Ab Type gp120 C5
Research Contact Rod Daniels
References Moore *et al.* 1994d; Moore *et al.* 1994c; Bristow *et al.* 1994; Moore & Ho 1993
 • B221: UK Medical Research Council AIDS reagent: ARP301.
 • B221: MAb generated in a study of the humoral immune response to Baculovirus-expressed mis-folded rgp160 IIIB:NL43, MicroGenSys. Bristow *et al.* [1994]
 • B221: The relative affinity for denatured/native gp120 is 12 – mutation 477 D/V impairs binding. Moore *et al.* [1994c]

• B221: Called 221 – C2 and V3 substitutions influence binding. Moore *et al.* [1994d]
 • B221: Called 221 – bound preferentially to denatured IIIB gp120. Moore & Ho [1993]

No. 617
MAb ID 8C6/1
HXB2 Location gp160 (471–490)
Author Location gp120 (471–490 LAI)
Epitope GGGDMRDNRSELYKYKVVK
Subtype B
Neutralizing
Immunogen vaccine
Strain: B clade LAI
Species (Isotype) mouse (IgG)
Ab Type gp120 V5-C5
Research Contact S. Ranjbar, NIBSC, UK
References Moore *et al.* 1994c
 • 8C6/1: UK Medical Research Council AIDS reagent: ARP3052.
 • 8C6/1: V5-C5 region – preferentially binds SDS-DTT denatured gp120 (>30 fold) – mutation 485 K/V impairs binding. Moore *et al.* [1994c]

No. 618
MAb ID H11
HXB2 Location gp160 (472–477)
Author Location gp120 (472–477 HXB2)
Epitope GGDMRD
Subtype B
Neutralizing
Immunogen
Species (Isotype) mouse
Ab Type gp120 C5
References Pincus *et al.* 1996; Pincus & McClure 1993
 • H11: Binds to gp120 but not to infected cells – when linked to ricin A, the immunotoxin did not mediate cell killing – sCD4 has no effect. Pincus & McClure [1993]; Pincus *et al.* [1996]

No. 619
MAb ID W2
HXB2 Location gp160 (472–491)
Author Location gp120 (472–491 LAI)
Epitope GGGDMRDNRSELYKYKVVKI
Subtype B
Neutralizing
Immunogen vaccine
Strain: B clade LAI *HIV component:* Env
Species (Isotype) mouse (IgG)
Ab Type gp120 C5
Research Contact D. Weiner, U. Penn., USA
References Moore *et al.* 1994c
 • W2: The relative affinity for denatured/native gp120 is 30 – mutation 485 K/V impairs binding. Moore *et al.* [1994c]

No. 620
MAb ID M38
HXB2 Location gp160 (485–504)
Author Location gp120 (490–508)
Epitope KYKVVKEIPLGVAPTAKRR

Neutralizing no
Immunogen vaccine
Vector/Type: virus *Strain:* B clade IIB
HIV component: HIV-1

Species (Isotype) mouse
Ab Type gp120 C5
References Maksiutov *et al.* 2002; Beretta & Dalgleish 1994; DeSantis *et al.* 1994; Lopalco *et al.* 1993; Grassi *et al.* 1991; Beretta *et al.* 1987

- M38: This epitope is similar to a fragment of the human protein mast/stem cell growth factor receptor precursor, VVPTKAD-KRRSV, as well as to a fragment of IFN-related IFRD2 (PC4-B) protein, ARTKARSVRDKRA. Maksiutov *et al.* [2002]
- M38: Infected individuals have HLA class I-gp120 cross-reactive antibodies. DeSantis *et al.* [1994]
- M38: Binds to the carboxy terminus of gp120, in a gp41 binding region, and also to denatured human HLAs (antigenic homology) Lopalco *et al.* [1993]
- M38: Binds to gp120 and to a 80 kd human protein expressed on a small fraction of mononuclear cells in the lymph nodes. Beretta *et al.* [1987]

No. 621

MAb ID Chim 1 (C-1)
HXB2 Location gp160 (487–493)
Author Location gp120 (492–498 HXB2)
Epitope KVVKEIP
Subtype B
Neutralizing
Immunogen

Species (Isotype) humanized chimpanzee
References Pincus *et al.* 1996; Pincus & McClure 1993

- Chim 1: Binds to gp120 but not to infected cells – when linked to ricin A, the immunotoxin did not mediate cell killing – sCD4 has no effect. Pincus & McClure [1993]; Pincus *et al.* [1996]

No. 622

MAb ID polyclonal
HXB2 Location gp160 (490–511)
Author Location gp120 (495–516 BRU)
Epitope KIEPLGVAPTAKRRVVQREKR

Neutralizing no
Immunogen HIV-1 infection
Species (Isotype) human
References Maksiutov *et al.* 2002; Hernandez *et al.* 2000

- This epitope is similar to a fragment of the human protein mast/stem cell growth factor receptor precursor, VVPTKAD-KRRSV, as well as to a fragment of IFN-related IFRD2 (PC4-B) protein, ARTKARSVRDKRA. Maksiutov *et al.* [2002]
- Chimeric peptide combining two peptides gp160(495-516 and 584-612) served as a specific and broadly reactive antigen for diagnostic detection of HIV-1. Hernandez *et al.* [2000]

No. 623

MAb ID 110.1
HXB2 Location gp160 (491–500)
Author Location gp120 (491–500 LAI)
Epitope IEPLGVAPT
Subtype B
Neutralizing no

Immunogen vaccine
Vector/Type: HIV infected-cell lysate
Strain: B clade BRU *HIV component:* HIV-1

Species (Isotype) mouse (IgG1κ)
Ab Type gp120 C5
Research Contact Genetic Systems Corp, Seattle WA, E. Kinney-Thomas
References Maksiutov *et al.* 2002; Valenzuela *et al.* 1998; Binley *et al.* 1997a; McDougal *et al.* 1996; Cook *et al.* 1994; Moore *et al.* 1994c; Callahan *et al.* 1991; Pincus *et al.* 1991; Thomas *et al.* 1988; Linsley *et al.* 1988; Gosting *et al.* 1987

Keywords antibody binding site definition and exposure, immunotoxin

- 110.1: There is another antibody with this ID that binds to gp120, but at aa 200-217.
- 110.1: This epitope is similar to a fragment of the human protein mast/stem cell growth factor receptor precursor, VVPTKADKRRSV. Maksiutov *et al.* [2002]
- 110.1: Does not effect LAI viral binding or entry into CEM cells. Valenzuela *et al.* [1998]
- 110.1: Does not neutralize HIV-1 LAI. McDougal *et al.* [1996]
- 110.1: MAbs against the glycosphingolipid GalCer block HIV infection of normally susceptible CD4 negative cells from the brain and colon – MAbs against the carboxy-terminus of gp120 inhibit gp120 binding to GalCer but not as potently as anti-V3 MAbs – binding of GalCer to gp120 does not inhibit MAb binding. Cook *et al.* [1994]
- 110.1: The relative affinity for denatured/native gp120 is 0.7. Moore *et al.* [1994c] (**antibody binding site definition and exposure**)
- 110.1: Polyanionic polysaccharides were proposed to inhibit viral functions such as binding and syncytia formation through interactions mediated through the local high positive charge density in the V3 loop. The binding of this antibody is not inhibited by dextran sulfate, in contrast to anti-V3 antibodies. Callahan *et al.* [1991]
- 110.1: Difference was noted in the epitope: mapped to aa 421-429 (KQIINMWQE), the T1 sequence – poor efficacy as an immunotoxin when linked to RAC. Pincus *et al.* [1991] (**antibody binding site definition and exposure, immunotoxin**)
- 110.1: Referred to as 110-1 – does not inhibit CD4-gp120 binding or neutralize HIV-1 strains. Linsley *et al.* [1988]

No. 624

MAb ID 42F
HXB2 Location gp160 (491–500)
Author Location gp120 (491–500 HXB2)
Epitope IEPLGVAPT
Subtype B
Neutralizing no
Immunogen HIV-1 infection
Species (Isotype) human (IgG1λ)
Ab Type gp120 C5
References Maksiutov *et al.* 2002; Alsmadi & Tilley 1998; Alsmadi *et al.* 1997

- 42F: This epitope is similar to a fragment of the human protein mast/stem cell growth factor receptor precursor, VVPTKAD-KRRSV. Maksiutov *et al.* [2002]
- 42F: A study of 6 anti-Env MAbs and their ability to bind or direct ADCC against target cells infected with IIIB, MN, SF-2, and RF – bound and directed lysis against strains IIIB, MN, SF-2, and RF, but not a clone of MN. Alsmadi & Tilley [1998]
- 42F: 42F and 43F were isolated from a long term non-progressor by EBV transformation of PBMC – samples were taken 14 months apart – both MAbs stained diverse strains of infected cells and directed ADCC – were more potent for ADCC if the cell was infected with HIV-1, rather than just presenting absorbed gp120. Alsmadi *et al.* [1997]

No. 625

MAb ID 43F

HXB2 Location gp160 (491–500)

Author Location gp120 (491–500 HXB2)

Epitope IEPLGVAPTK

Subtype B

Neutralizing no

Immunogen HIV-1 infection

Species (Isotype) human (IgG1 λ)

Ab Type gp120 C5

References Maksiutov *et al.* 2002; Alsmadi *et al.* 1997

- 43F: This epitope is similar to a fragment of the human protein mast/stem cell growth factor receptor precursor, VVPTKAD-KRRSV. Maksiutov *et al.* [2002]
- 43F: 42F and 43F were isolated from a long term non-progressor by EBV transformation of PBMC – samples were taken 14 months apart – both MAbs stained diverse strains of infected cells and directed ADCC – were more potent for ADCC if the cell was infected with HIV-1, rather than just presenting absorbed gp120. Alsmadi *et al.* [1997]

No. 626

MAb ID RV110026

HXB2 Location gp160 (491–500)

Author Location gp120 (491–500 LAI)

Epitope IEPLGVAPTK

Subtype B

Neutralizing

Immunogen vaccine

Vector/Type: peptide *Strain:* B clade LAI

Species (Isotype) human

Ab Type gp120 C5

Research Contact Commercial, Olympus Inc

References Maksiutov *et al.* 2002; Moore *et al.* 1994d; Moore *et al.* 1994c

- RV110026: This epitope is similar to a fragment of the human protein mast/stem cell growth factor receptor precursor, VVPTKADKRRSV. Maksiutov *et al.* [2002]
- RV110026: Preferentially binds SDS-DTT denatured gp120 (15 fold using R1/87 as capture reagent) Moore *et al.* [1994c]

No. 627

MAb ID 105-306

HXB2 Location gp160 (492–500)

Author Location gp120 (498–505 HAM112, O group)

Epitope KPFSVAPTP

Neutralizing

Immunogen vaccine

Vector/Type: protein *Strain:* O group HAM112 *HIV component:* gp160Species (Isotype) mouse (IgG1 κ)

Ab Type C-term

References Scheffel *et al.* 1999

- 105-306: Overlapping peptides based on group O HAM112 Env were tested for MAb reactivity – 105-306 bound to two overlapping peptides. Scheffel *et al.* [1999]

No. 628

MAb ID GV1G2

HXB2 Location gp160 (494–499)

Author Location gp120 (494–499 IIIB)

Epitope LGVAPT

Neutralizing

Immunogen vaccine

Vector/Type: protein-Ab complex *HIV component:* gp120-Mab complex

Species (Isotype) mouse

Ab Type gp120 C5

References Denisova *et al.* 1996

- GV1G2: When anti-V3 MAb M77 was bound to gp120 and used as an immunogen, it stimulated many MAbs to linear epitopes – MAbs GV12F6 and GV3H1 are homologous to GV1G2 and were generated in the same experiment. Denisova *et al.* [1996]

No. 629

MAb ID 750-D

HXB2 Location gp160 (498–504)

Author Location gp120 (503–509)

Epitope PTKAKRR

Neutralizing no

Immunogen HIV-1 infection

Species (Isotype) human (IgG3 λ)

Ab Type C-term

References Hioe *et al.* 2000; Forthal *et al.* 1995

- 750-D: Ab responses, because of their capacity to alter antigen uptake and processing, can influence helper T cell responses – CD4BS MAbs or serum Ig from HIV+ individuals inhibited proliferative responses of gp120 specific T cells – C5 MAbs 450-D and 750-D did not effect proliferation. Hioe *et al.* [2000]
- 750-D: Not neutralizing, positive ADCC activity, and no viral enhancing activity. Forthal *et al.* [1995]

No. 630

MAb ID 450-D (450-D-3, 450D)

HXB2 Location gp160 (498–504)

Author Location gp120 (475–486 BH10)

Epitope PTKAKRR (orRRVVQRE, orMRDNWRSELYKY - depending on reference)

Neutralizing no

Immunogen HIV-1 infection

Species (Isotype) human (IgG1 λ)

Ab Type gp120 C5

Research Contact Susan Zolla-Pazner (Zollas01@mcr6.med.nyu), NYU Med Center, NY, NY

References Verrier *et al.* 2001; Hioe *et al.* 2001; Hioe *et al.* 2000; Hioe *et al.* 1997b; Li *et al.* 1997; Manca *et al.* 1995a; Forthal *et al.* 1995; Cook *et al.* 1994; Gorny *et al.* 1994; Laal *et al.* 1994; Spear *et al.* 1993; Karwowska *et al.* 1992b; Karwowska *et al.* 1992a; Durda *et al.* 1988

- 450-D: CD4BS MAbs when complexed with gp120, inhibit proliferation of gp120-specific CD4 T-cells and IFN gamma production – 450-D does not have this effect and was used as a control in this study. Hioe *et al.* [2001]
- 450-D: A panel of 12 MAbs was used to identify those that could neutralize the dual-tropic primary isolate HIV-1 89.6 – six gave significant neutralization at 2 to 10 ug/ml: 2F5, 50-69, IgG1b12, 447-52D, 2G12, and 670-D six did not have neutralizing activity: 654-D, 4.8D, 450-D, 246-D, 98-6, and 1281 – no synergy, only additive effects were seen for pairwise combinations of MAbs, and antagonism was noted between gp41 MAbs 50-69 and 98-6, as well as 98-6 and 2F5. Verrier *et al.* [2001]
- 450-D: Ab responses, because of their capacity to alter antigen uptake and processing, can influence helper T cell responses – CD4BS MAbs or serum Ig from HIV+ individuals inhibited proliferative responses of gp120 specific T cells – C5 MAbs 450-D and 750-D did not effect proliferation. Hioe *et al.* [2000]
- 450-D: Four primary isolates showed distinct patterns of sensitivity to neutralization by polyclonal sera or plasma and MAbs – BZ167 was the only isolate inhibited by all polyclonal sera and plasma tested, and was also neutralized by 8/17 MAbs, in particular anti-V3 loop (419-D, 447-52D, 782-D, and 838-D), anti-CD4bd (559/64-D, 654-D and 830-D and a cluster II of gp41 directed MAb (98-6) – isolates 92HT593 and 91US056 were neutralized by V3 loop (419-D, and 447-52D) and cluster II gp41 (98-6) MAbs at higher concentrations – US4 was neutralized by some of the polyclonal sera/plasma tested and not at all by MAbs individually or by a cocktail of ten MAbs consisting of 419-D, 447-52D, 782-D, 838-D, 559/64-D, 654-D, 450-D, 670-D, 1281-D and 98-6. Hioe *et al.* [1997b]
- 450-D: One of 14 human MAbs tested for ability to neutralize a chimeric SHIV-vpu+, which expressed HIV-1 IIIB env – 50% neutralization could not be achieved at a maximal concentration of 6 mug/ml. Li *et al.* [1997]
- 450-D: No neutralizing activity, no ADCC activity, and no viral enhancing activity. Forthal *et al.* [1995]
- 450-D: Virions complexed to gp120 Ab facilitate presentation of p66 RT epitopes to Th cells. Manca *et al.* [1995a]
- 450-D: MAbs against the glycosphingolipid GalCer block HIV infection of normally susceptible CD4 negative cells from the brain and colon – MAbs against the carboxy-terminus of gp120 do not inhibit gp120 binding to GalCer – binding of GalCer to gp120 does not inhibit MAb binding. Cook *et al.* [1994]
- 450-D: Epitope is defined as PTKAKRR. Gorny *et al.* [1994]
- 450-D: Not neutralizing alone, could synergize anti-CD4 binding site antibody neutralization. Laal *et al.* [1994]
- 450-D: Did not mediate deposition of complement component C3 on HIV infected cells. Spear *et al.* [1993]
- 450-D: Bound to MN, SF-2 and IIIB, but was not neutralizing. Karwowska *et al.* [1992a]

No. 631

MAb ID 670-D (670)

HXB2 Location gp160 (498–504)

Author Location gp120 (503–509)

Epitope PTKAKRR

Neutralizing no

Immunogen HIV-1 infection

Species (Isotype) human (IgG1λ)

Ab Type gp120 C5

Research Contact Susan Zolla-Pazner (Zollas01@mrcrc6.med.nyu), NYU, NY

References Gorny *et al.* 2005; Zwick *et al.* 2003; Verrier *et al.* 2001; Nyambi *et al.* 2000; Gorny & Zolla-Pazner 2000; Altmeyer *et al.* 1999; Nyambi *et al.* 1998; Gorny *et al.* 1998; Hioe *et al.* 1997b; Gorny *et al.* 1997; Hill *et al.* 1997; Forthal *et al.* 1995; Zolla-Pazner *et al.* 1995

Keywords antibody interactions

- 670: 2909 is a human anti-Env NAb that was selected by neutralization assay and binds to the quaternary structure on the intact virion. ELISA-based competition assays and subsequent mutational analysis determined that the CD4BS and V2 and V3 loops contribute to the 2909 epitope: 2909 binding was inhibited by MAbs 447-52d (anti-V3), 830A (anti-V2), and IgG1b12 (anti-CD4BS) and sCD4. 2909 was not inhibited by MAbs 670, 1418, nor 2G12. Gorny *et al.* [2005]
- 670-D: scFv 4KG5 reacts with a conformational epitope. Of a panel of MAbs tested, only NAb b12 enhanced 4KG5 binding to gp120. MAbs to the V2 loop, V3 loop, V3-C4 region, and CD4BS diminished binding, while MAbs directed against C1, CD4i, C5 regions didn't impact 4KG5 binding. These results suggest that the orientation or dynamics of the V1/V2 and V3 loops restricts CD4BS access on the envelope spike, and IgG1b12 can uniquely remain unaffected. This is a C5-binding MAb that had no impact on 4KG5 binding. Zwick *et al.* [2003] (**antibody interactions**)
- 670-D: A panel of 12 MAbs was used to identify those that could neutralize the dual-tropic primary isolate HIV-1 89.6 – six gave significant neutralization at 2 to 10 ug/ml: 2F5, 50-69, IgG1b12, 447-52D, 2G12, and 670-D six did not have neutralizing activity: 654-D, 4.8D, 450-D, 246-D, 98-6, and 1281 – no synergy, only additive effects were seen for pairwise combinations of MAbs, and antagonism was noted between gp41 MAbs 50-69 and 98-6, as well as 98-6 and 2F5. Verrier *et al.* [2001]
- 670-D: A gp120 C5 MAb used as a negative control in a study of anti-gp41 MAbs. Gorny & Zolla-Pazner [2000]
- 670-D: 26 HIV-1 group M isolates (clades A to H) were tested for binding to 47 MAbs, including 4 C5 MAbs, 2 bound well, 2 bound weakly – MAb 670-D bound 21/26, and was the most cross-reactive C5 MAb. Nyambi *et al.* [2000]
- 670-D: A Semliki Forest virus (SFV) expression system carrying BX08 env was used to study the conformation of gp120 – intracytoplasmic gp120 was recognized by the anti-V3 MAbs K24 and F5.5, while gp120 at the plasma membrane was detected only by conformation dependent MAbs 2G12, 670-D and 694/98D and not V3 MAbs – expression in rat brain also showed that surface-expressed Env was recognized only by the conformation-dependent antibodies and not by anti-V3 antibodies. Altmeyer *et al.* [1999]

- 670-D: Using a whole virion-ELISA method, 18 human MABs were tested for their ability to bind to a panel of 9 viruses from clades A, B, D, F, G, and H – anti-C5 Abs 670-D and 1331A bound to 3/4 B clade viruses (they didn't bind to IIIB), and to subtype D MAL – 670-D also reacted with subtype A. Nyambi *et al.* [1998]
- 670-D: gp120 can inhibit MIP-1alpha from binding to CCR5, but this inhibitory effect is blocked by pre-incubation of gp120 with three anti-V3 MABs: 447, 257, 1027 – MAB 670 which binds in the C5 region had no effect. Hill *et al.* [1997]
- 670-D: Four primary isolates showed distinct patterns of sensitivity to neutralization by polyclonal sera or plasma and MABs – BZ167 was the only isolate inhibited by all polyclonal sera and plasma tested, and was also neutralized by 8/17 MABs, in particular anti-V3 loop (419-D, 447-52D, 782-D, and 838-D), anti-CD4bd (559/64-D, 654-D and 830-D and a cluster II of gp41 directed MAB (98-6) – isolates 92HT593 and 91US056 were neutralized by V3 loop (419-D, and 447-52D) and cluster II gp41 (98-6) MABs at higher concentrations – US4 was neutralized by some of the polyclonal sera/plasma tested and not at all by MABs individually or by a cocktail of ten MABs consisting of 419-D, 447-52D, 782-D, 838-D, 559/64-D, 654-D, 450-D, 670-D, 1281-D and 98-6. Hioe *et al.* [1997b]
- 670-D: Not neutralizing, positive ADCC activity, and no viral enhancing activity, numbering provided suggests epitope is RRVVQRE. Forthal *et al.* [1995]
- 670-D: Group specific cross-clade binding in serotyping study using flow-cytometry. Zolla-Pazner *et al.* [1995]

No. 632

MAB ID 158F3**HXB2 Location** gp160 (499–511)**Author Location** gp120 (BaL)**Epitope** TKAKRRVVQREKR**Subtype** B**Neutralizing** no**Immunogen** vaccine*Vector/Type:* gp120-CD4 complex *HIV component:* gp120 *Adjuvant:* Ribi adjuvant (MPL+TDM) (RIBI)**Species (Isotype)** humanized mouse (IgG2κ)**Ab Type** C-term**Research Contact** Abraham Pinter, Lab. of Retrovirology, Public Research Institute, pinter@phri.org**References** He *et al.* 2003**Keywords** antibody binding site definition and exposure, vaccine antigen design

- 158F3: Vaccination of a gp120-CD4 fusion complex in six transgenic XMG2 XenoMouse mice that produce human IgG2 with K light chain did not produce any neutralizing antibodies. 36/39 MABs derived from one of these mice were in one of two competition groups that were conformational and specific for the complex, suggesting this chimeric vaccine may be of little value, as immunodominant responses are to epitopes unique to the complex, not present in native Env. This MAB is one of the 3/36 non-neutralizing MABs that bound to linear epitopes on gp120. He *et al.* [2003] (**antibody binding site definition and exposure, vaccine antigen design**)

No. 633

MAB ID 161D7**HXB2 Location** gp160 (499–511)**Author Location** gp120 (BaL)**Epitope** TKAKRRVVQREKR**Subtype** B**Neutralizing** no**Immunogen** vaccine*Vector/Type:* gp120-CD4 complex *HIV component:* gp120 *Adjuvant:* Ribi adjuvant (MPL+TDM) (RIBI)**Species (Isotype)** humanized mouse (IgG2κ)**Ab Type** C-term**Research Contact** Abraham Pinter, Lab. of Retrovirology, Public Research Institute, pinter@phri.org**References** He *et al.* 2003**Keywords** antibody binding site definition and exposure, vaccine antigen design

- 161D7: Vaccination of a gp120-CD4 fusion complex in six transgenic XMG2 XenoMouse mice that produce human IgG2 with K light chain did not produce any neutralizing antibodies. 36/39 MABs derived from one of these mice were in one of two competition groups that were conformational and specific for the complex, suggesting this chimeric vaccine may be of little value, as immunodominant responses are to epitopes unique to the complex, not present in native Env. This MAB is one of the 3/36 non-neutralizing MABs that bound to linear epitopes on gp120. He *et al.* [2003] (**antibody binding site definition and exposure, vaccine antigen design**)

No. 634

MAB ID polyclonal**HXB2 Location** gp160 (503–509)**Author Location** gp120 (471–477)**Epitope** RRVVQRE**Neutralizing****Immunogen** vaccine*Vector/Type:* peptide *HIV component:* gp120**Species (Isotype)** mouse (IgG)**References** Jeyarajah *et al.* 1998

- Mice were immunized with peptide APTKAKRRVVQREKR – epitope excision and extraction combined with mass spectrometry was used to map the fine structure of epitopes recognized by polyclonal Ab to HIV-1 Env – a major epitope was identified between positions 472 and 478. Jeyarajah *et al.* [1998]

No. 635

MAB ID 722-D**HXB2 Location** gp160 (503–509)**Author Location** gp120 (503–509)**Epitope** RRVVQRE**Neutralizing** no**Immunogen** HIV-1 infection**Species (Isotype)** human (IgG1κ)**Ab Type** C-term**References** Forthal *et al.* 1995; Laal *et al.* 1994

- 722-D: No neutralizing activity, no ADCC activity, and no viral enhancing activity. Forthal *et al.* [1995]
- 722-D: Not neutralizing alone, could synergize anti-CD4 binding site antibody neutralization. Laal *et al.* [1994]

No. 636

MAb ID polyclonal**HXB2 Location** gp160 (503–511)**Author Location** gp120 (508–516)**Epitope** RRVVQREKR**Neutralizing****Immunogen** HIV-1 infection**Species (Isotype)** human**Ab Type** C-term**References** Loomis-Price *et al.* 1997; Palker *et al.* 1987

- Most HIV-1 + individuals have an antibody response to this epitope – in this study, reactivity to RRVVQREKR was used as a positive control for HIV-1 + gp160 vaccine recipients. Loomis-Price *et al.* [1997]

No. 637

MAb ID 1331A**HXB2 Location** gp160 (503–511)**Author Location** gp120 (510–516)**Epitope** dwVVQREKR**Neutralizing****Immunogen** HIV-1 infection**Species (Isotype)** human (IgG3 λ)**Ab Type** gp120 C5

Research Contact Susan Zolla-Pazner (Zollas01@mrcrcr6.med.nyu) (NYU Med. Center)

References Zwick *et al.* 2003; Edwards *et al.* 2002; Gorny *et al.* 2002; Nyambi *et al.* 2000; Hochleitner *et al.* 2000b; Gorny *et al.* 2000; Nyambi *et al.* 1998

- 1331A: scFv 4KG5 reacts with a conformational epitope. Of a panel of MAbs tested, only NAb b12 enhanced 4KG5 binding to gp120. MAbs to the V2 loop, V3 loop, V3-C4 region, and CD4BS diminished binding, while MAbs directed against C1, CD4i, C5 regions didn't impact 4KG5 binding. These results suggest that the orientation or dynamics of the V1/V2 and V3 loops restricts CD4BS access on the envelope spike, and IgG1b12 can uniquely remain unaffected. This is a C5-binding MAb that had no impact on 4KG5 binding. Zwick *et al.* [2003]
- 1331A: Truncation of the gp41 cytoplasmic domain of X4, R5, and X4R5 viruses forces a conformation that more closely resembles the CD4 bound state of the external Envelope, enhancing binding of CD4i MAbs 17b and 48d and of CD4BS MAbs F105, b12, and in most cases of glycosylation site dependent MAb 2G12 and the anti-gp41 MAb 246D – in contrast, binding of the anti-V2 MAb 697D and the anti-V3 MAb 694/98D were not affected – viruses bearing the truncation were more sensitive to neutralization by MAbs 48d, b12, and 2G12 – the anti-C5 MAb 1331A was used to track levels of cell surface expression of the mutated proteins. Edwards *et al.* [2002]
- 1331A: Conformation-dependent anti-V3 loop Abs may be more cross-reactive, so six new V3 MAbs were generated – the six new MAbs all bind to the tip of the V3 loop and cross-compete with the MAb 447-52D and are conformationally sensitive – MAbs showed cross-clade binding to native, intact virions and the strength binding was highly correlated with percent neutralization using the ghost cell or PHA blast assay – five well-characterized MAbs were used as controls: anti-V3 447-52D (anti-V3 MAb for competition and neutralization

studies), 654 (anti-CD4BS used as a conformation-sensitive MAb control), 1331A (anti-C5 used as a linear binding site MAb control as binding was not diminished by treating gp120 with DTT or sodium metaperiodate to reduce disulfide bonds), and MAb 246 (anti-gp41 MAb that bound to primary isolates of all clades). Gorny *et al.* [2002]

- 1331A: Core epitope dwVVQREKR maps to gp120(510-516) – binding of panel of 21 MAbs to soluble oligomeric gp140 versus gp41 or gp120 monomers was compared – no MAb was oligomer specific, though anti-V3 and CD4BS MAbs reacted better with the oligomer and V2 and C5 tended to favor the monomer – C5 MAbs 858-D, 989-D and 1331A bound with a 5-10 fold preference for the monomer. Gorny *et al.* [2000]
- 1331A: The Ab binding site was studied with epitope excision (protein is bound in native conformation to immobilized MAb, then digested with proteolytic enzymes) and extraction (protein is digested then allowed to react with Ab), followed by mass spectroscopy – two non-contiguous aa in C5 were protected, E-507 and I-487, which are thought to be located on opposite sides of hydrophobic pocket involved in gp120/gp41 interaction. Hochleitner *et al.* [2000b]
- 1331A: 26 HIV-1 group M isolates (clades A to H) were tested for binding to 47 MAbs, including 4 C5 MAbs, 2 bound well, 2 bound weakly – MAb 858-D bound only 4/26, the worst of all anti-C5 MAbs tested, while MAb 1331A, which shares the same core epitope (positions 495-516), bound to 18/26. Nyambi *et al.* [2000]
- 1331A: Using a whole virion-ELISA method, 18 human MAbs were tested for their ability to bind to a panel of 9 viruses from clades A, B, D, F, G, and H – anti-C5 Abs 670-D and 1331A bound to 3/4 B clade viruses (they don't bind to IIIB), and to subtype D MAL. Nyambi *et al.* [1998]

No. 638

MAb ID 1131-A**HXB2 Location** gp160 (505–511)**Author Location** gp120 (510–516 LAI)**Epitope** VVQREKR**Subtype** B**Neutralizing** no**Immunogen** HIV-1 infection**Species (Isotype)** human (IgG3 λ)**Ab Type** C-term**References** Bandres *et al.* 1998

- 1131-A: A very high affinity antibody used in studies that demonstrate that CXCR4 can bind to gp120 in the absence of CD4-gp120 interactions, and that this binding can be enhanced by Env deglycosylation. Bandres *et al.* [1998]

No. 639

MAb ID 858-D**HXB2 Location** gp160 (505–511)**Author Location** gp120 (510–516 LAI)**Epitope** VVQREKR**Subtype** B**Neutralizing** no**Immunogen** HIV-1 infection**Species (Isotype)** human (IgG)**Ab Type** C-term

Research Contact Susan Zolla-Pazner (Zollas01@mcrcr6.med.nyu) (NYU Med. Center)

References Nyambi *et al.* 2000; Gorny *et al.* 2000; Forthal *et al.* 1995; Zolla-Pazner *et al.* 1995

- 858-D: Binding of panel of 21 MAbs to soluble oligomeric gp140 versus gp41 or gp120 monomers was compared – no MAb was oligomer specific, though anti-V3 and CD4BS MAbs reacted better with the oligomer and V2 and C5 tended to favor the monomer – C5 MAbs 858-D, 989-D and 1331A bound with a 5-10 fold preference for the monomer. Gorny *et al.* [2000]
- 858-D: 26 HIV-1 group M isolates (clades A to H) were tested for binding to 47 MAbs, including 4 C5 MAbs, 2 bound well, 2 bound weakly – MAb 858-D bound only 4/26, the worst of all anti-C5 MAbs tested, while MAb 1331A, which shares the same core epitope (positions 495-516), bound to 18/26 isolates. Nyambi *et al.* [2000]
- 858-D: No neutralizing activity, no ADCC activity, and no viral enhancing activity. Forthal *et al.* [1995]
- 858-D: Group specific cross-clade binding in serotyping study using flow-cytometry. Zolla-Pazner *et al.* [1995]

No. 640

MAb ID 989-D

HXB2 Location gp160 (505–511)

Author Location gp120 (LAI)

Epitope VVQREKR

Subtype B

Neutralizing

Immunogen HIV-1 infection

Species (Isotype) human (IgG)

Ab Type C-term

Research Contact Susan Zolla-Pazner (Zollas01@mcrcr6.med.nyu) (NYU Med. Center)

References Nyambi *et al.* 2000; Gorny *et al.* 2000; Zolla-Pazner *et al.* 1995

- 989-D: Binding of panel of 21 MAbs to soluble oligomeric gp140 versus gp41 or gp120 monomers was compared – no MAb was oligomer specific, though anti-V3 and CD4BS MAbs reacted better with the oligomer and V2 and C5 tended to favor the monomer – C5 MAbs 858-D, 989-D and 1331A bound with a 5-10 fold preference for the monomer. Gorny *et al.* [2000]
- 989-D: 26 HIV-1 group M isolates (clades A to H) were tested for binding to 47 MAbs, including 4 C5 MAbs, 2 bound well, 2 bound weakly – MAb 989-D bound to 6/26 isolates. Nyambi *et al.* [2000]
- 989-D: In serotyping study using flow-cytometry, showed B clade specificity, but only reacted with 7/11 B clade virus. Zolla-Pazner *et al.* [1995]

No. 641

MAb ID 1A1

HXB2 Location gp160 (525–543)

Author Location gp41 (526–543 BH10)

Epitope AAGSTMGAASMTLVQARQ

Neutralizing no

Immunogen HIV-1 infection

Species (Isotype) human (IgG1κ)

Research Contact H. Katinger, Inst. Appl. Microbiol., Vienna, Austria

References Maksutov *et al.* 2002; Buchacher *et al.* 1994

- 1A1: This epitope is similar to a fragment of the HLA class II histocompatibility antigen, GGSCMAALTVTLTV. Maksutov *et al.* [2002]
- 1A1: Human MAb generated using EBV transformation of PBL from HIV-1 + volunteers. Buchacher *et al.* [1994]

No. 642

MAb ID 24G3

HXB2 Location gp160 (525–543)

Author Location gp41 (526–543 BH10)

Epitope AAGSTMGAASMTLVQARQ

Neutralizing no

Immunogen HIV-1 infection

Species (Isotype) human (IgG1κ)

Research Contact H. Katinger, Inst. Appl. Microbiol., Vienna, Austria

References Maksutov *et al.* 2002; Buchacher *et al.* 1994; Buchacher *et al.* 1992

- 24G3: This epitope is similar to a fragment of the HLA class II histocompatibility antigen, GGSCMAALTVTLTV. Maksutov *et al.* [2002]
- 24G3: Human MAb generated by electrofusion of PBL from HIV-1 + volunteers with CB-F7 cells. Buchacher *et al.* [1994]

No. 643

MAb ID 25C2 (IAM 41-25C2)

HXB2 Location gp160 (525–543)

Author Location gp41 (526–543 BH10)

Epitope AAGSTMGAASMTLVQARQ

Neutralizing no

Immunogen HIV-1 infection

Species (Isotype) human (IgG1κ)

Research Contact H. Katinger, Inst. Appl. Microbiol., Vienna, Austria and Viral Testing Systems, Houston, TX

References Maksutov *et al.* 2002; Sattentau *et al.* 1995; Buchacher *et al.* 1994; Buchacher *et al.* 1992

- 25C2: This epitope is similar to a fragment of the HLA class II histocompatibility antigen, GGSCMAALTVTLTV. Maksutov *et al.* [2002]
- 25C2: Called IAM 41-25C2 – Binding domain overlaps sites that are critical for gp120-gp41 association – binding is enhanced by sCD4 – binding region defined as: gp41(21-38 BH10). Sattentau *et al.* [1995]
- 25C2: Human MAb generated by electrofusion of PBL from HIV-1 + volunteers with CB-F7 cells – binds oligomeric and monomeric gp41, and gp160. Buchacher *et al.* [1994]

No. 644

MAb ID 5F3

HXB2 Location gp160 (525–543)

Author Location gp41 (526–543 BH10)

Epitope AAGSTMGAASMTLVQARQ

Neutralizing no

Immunogen HIV-1 infection

Species (Isotype) human (IgG1κ)

Research Contact H. Katinger, Inst. Appl. Microbiol., Vienna, Austria

- References** Maksutov *et al.* 2002; Buchacher *et al.* 1994
- 5F3: This epitope is similar to a fragment of the HLA class II histocompatibility antigen, GGSCMAALTVTLTV. Maksutov *et al.* [2002]
 - 5F3: Human MAb generated by electrofusion of PBL from HIV-1 + volunteers with CB-F7 cells. Buchacher *et al.* [1994]

No. 645

MAb ID α (566-586)

HXB2 Location gp160 (561–581)

Author Location gp41 (566–586 BRU)

Epitope AQQHLLQLTVWGIKQLQARIL

Neutralizing

Immunogen HIV-1 infection

Species (Isotype) human

References Poubourios *et al.* 1992

No. 646

MAb ID PC5009

HXB2 Location gp160 (572–591)

Author Location gp41 (577–596 BRU)

Epitope GIKQLQARILAVERYLKDQQ

Neutralizing

Immunogen vaccine

Vector/Type: protein *HIV component:* gp160

Species (Isotype) mouse

References Poubourios *et al.* 1992

- PC5009: Recognized only monomeric gp41. Poubourios *et al.* [1992]

No. 647

MAb ID polyclonal α 577-596

HXB2 Location gp160 (572–591)

Author Location gp41 (577–596 BRU)

Epitope GIKQLQARILAVERYLKDQQ

Neutralizing

Immunogen HIV-1 infection

Species (Isotype) human

References Poubourios *et al.* 1992

- alpha(577-596): Affinity purified from HIV-1 + plasma – preferentially bind oligomer. Poubourios *et al.* [1992]

No. 648

MAb ID polyclonal

HXB2 Location gp160 (576–592)

Author Location gp41 (583–599)

Epitope LQARILAVERYLKDQQ

Neutralizing

Immunogen HIV-1 infection

Species (Isotype) human

References Klasse *et al.* 1993b

- 42 HIV-1 positive human sera were tested against wildtype peptide, and peptide with substitution 589 A to T: 11/42 reacted strongly with wildtype, weakly with A589T – 31 reacted weakly with parental, even more weakly with substituted. Klasse *et al.* [1993b]

No. 649

MAb ID

HXB2 Location gp160 (577–583)

Author Location gp41 (582–589)

Epitope QARILAV

Subtype B

Neutralizing yes

Immunogen HIV-1 exposed seronegative

Species (Isotype) human (IgA)

Ab Type Leucine zipper motif

References Clerici *et al.* 2002a

- Six sera from HIV-exposed uninfected individuals(EU), HIV-infected individuals and healthy controls were analyzed for IgA Abs – neutralizing activity was observed with total IgA from both EU and HIV+ – the EU IgA exclusively bound to a distinctive epitope within gp41, QARILAV, in the coiled coil pocket important for gp120-gp41 interactions – sera of QAFILAV-immunized BALB/c mice was neutralizing with the dose-dependent behavior similar to 2F5. Clerici *et al.* [2002a]

No. 650

MAb ID

HXB2 Location gp160 (577–583)

Author Location gp41 (582–589)

Epitope QARILAV

Subtype B

Neutralizing yes

Immunogen vaccine

Vector/Type: peptide *HIV component:* gp41

Adjuvant: Keyhole Limpit Haemocyanin (KLH)

Species (Isotype) mouse (IgA)

Ab Type Leucine zipper motif

References Clerici *et al.* 2002a

- Six sera from HIV-exposed uninfected individuals(EU), HIV-infected individuals and healthy controls were analyzed for IgA Abs – neutralizing activity was observed with total IgA from both EU and HIV+ – the EU IgA exclusively bound to a distinctive epitope within gp41, QARILAV – sera of QAFILAV-immunized BALB/c mice was neutralizing with the dose-dependent behavior similar to 2F5. Clerici *et al.* [2002a]

No. 651

MAb ID 1F11

HXB2 Location gp160 (578–612)

Author Location gp41 (579–613 BH10)

Epitope ARILAVERYLKDQQLLGIWGC SGKLICTTAVP-WNA

Neutralizing no

Immunogen HIV-1 infection

Species (Isotype) human (IgG1 κ)

Research Contact H. Katinger, Inst. Appl. Microbiol., Vienna, Austria

References Gorny & Zolla-Pazner 2004; Buchacher *et al.* 1994; Buchacher *et al.* 1992

Keywords antibody generation, review

- 1F11: One of 24 MAbs and Fabs in this database that bind to the highly immunogenic gp41 cluster I region (aa 579 - 604). Only one of these has any neutralizing potential, clone 3. Gorny & Zolla-Pazner [2004] (**review**)

- 1F11: Generated by electrofusion of PBL from HIV-1 positive volunteers with CB-F7 cells. Buchacher *et al.* [1994] (**antibody generation**)

No. 652
MAb ID 1H5
HXB2 Location gp160 (578–612)
Author Location gp41 (579–613 BH10)
Epitope ARILAVERYLKDQQLLGIWGCSGKLICTTAVP-WNA
Neutralizing no
Immunogen HIV-1 infection
Species (Isotype) human (IgG1 κ)
References Gorny & Zolla-Pazner 2004; Buchacher *et al.* 1994; Buchacher *et al.* 1992

- **Keywords** antibody generation, review
- 1H5: One of 24 MAbs and Fabs in this database that bind to the highly immunogenic gp41 cluster I region (aa 579 - 604). Only one of these has any neutralizing potential, clone 3. Gorny & Zolla-Pazner [2004] (**review**)
- 1H5: Generated by electrofusion of PBL from HIV-1 positive volunteers with CB-F7 cells. Buchacher *et al.* [1994] (**antibody generation**)

No. 653
MAb ID 3D9
HXB2 Location gp160 (578–612)
Author Location gp41 (579–613 BH10)
Epitope ARILAVERYLKDQQLLGIWGCSGKLICTTAVP-WNA
Neutralizing no
Immunogen HIV-1 infection
Species (Isotype) human (IgG1 κ)
Research Contact H. Katinger, Inst. Appl. Microbiol., Vienna, Austria
References Gorny & Zolla-Pazner 2004; Buchacher *et al.* 1994; Buchacher *et al.* 1992

- **Keywords** antibody generation, review
- 3D9: One of 24 MAbs and Fabs in this database that bind to the highly immunogenic gp41 cluster I region (aa 579 - 604). Only one of these has any neutralizing potential, clone 3. Gorny & Zolla-Pazner [2004] (**review**)
- 3D9: Generated by electrofusion of PBL from HIV-1 positive volunteers with CB-F7 cells. Buchacher *et al.* [1994] (**antibody generation**)

No. 654
MAb ID 4B3
HXB2 Location gp160 (578–612)
Author Location gp41 (579–613 BH10)
Epitope ARILAVERYLKDQQLLGIWGCSGKLICTTAVP-WNA
Neutralizing no
Immunogen HIV-1 infection
Species (Isotype) human (IgG1 λ)
Research Contact H. Katinger, Inst. Appl. Microbiol., Vienna, Austria
References Gorny & Zolla-Pazner 2004; Chen *et al.* 1994b; Buchacher *et al.* 1994; Buchacher *et al.* 1992

- **Keywords** antibody generation, review
- 4B3: One of 24 MAbs and Fabs in this database that bind to the highly immunogenic gp41 cluster I region (aa 579 - 604). Only one of these has any neutralizing potential, clone 3. Gorny & Zolla-Pazner [2004] (**review**)
- 4B3: Generated by electrofusion of PBL from HIV-1 positive volunteers with CB-F7 cells. Buchacher *et al.* [1994] (**antibody generation**)

No. 655
MAb ID 4D4
HXB2 Location gp160 (578–612)
Author Location gp41 (579–613 BH10)
Epitope ARILAVERYLKDQQLLGIWGCSGKLICTTAVP-WNA

- **Neutralizing** no
- **Immunogen** HIV-1 infection
- **Species (Isotype)** human (IgG1 λ)
- **Research Contact** H. Katinger, Inst. Appl. Microbiol., Vienna, Austria and Viral Testing Systems, Houston, TX
- **References** Gorny & Zolla-Pazner 2004; Binley *et al.* 1999; Sattentau *et al.* 1995; Chen *et al.* 1994b; Buchacher *et al.* 1994; Buchacher *et al.* 1992

Keywords antibody binding site definition and exposure, antibody generation, review, vaccine antigen design

- 4D4: One of 24 MAbs and Fabs in this database that bind to the highly immunogenic gp41 cluster I region (aa 579 - 604). Only one of these has any neutralizing potential, clone 3. Gorny & Zolla-Pazner [2004] (**review**)
- 4D4: The MAbs with the broadest neutralizing activity, IgG1b12, 2G12 and 2F5, all have high affinity for the native trimer, indicating that they were raised in an immune response to the oligomer on the virion surface rather than dissociated subunits – a disulfide linked gp120-gp41 (SOS gp140) was created to mimic the native conformation of Env and explore its potential as an immunogen – SOS gp140 is recognized by NAbs IgG1b12, 2G12, and CD4-IgG2, and also by anti-V3 MAbs 19b and 83.1 – SOSgp140 is not recognized by C4 region MAbs that neutralize only TCLA strains, G3-42 and G3-519 – nor did it bind C11, 23A, and M90, MAbs that bind to gp120 C1 and C5, where it interacts with gp41 – MAbs that bind CD4 inducible epitopes, 17b and A32 were very strongly induced by CD4 in SOS gp140 – anti-gp41 MAbs that bind in the region that interacts with gp120, 7B2, 2.2B, T4, T15G1 and 4D4, did not bind to SOSgp140, in contrast to 2F5, which binds to the only gp41 epitope that is well exposed in native gp120-gp41 complexes. Binley *et al.* [1999] (**antibody binding site definition and exposure, vaccine antigen design**)
- 4D4: Generated by electrofusion of PBL from HIV-1 positive volunteers with CB-F7 cells. Buchacher *et al.* [1994] (**antibody generation**)

No. 656
MAb ID 4G2
HXB2 Location gp160 (578–612)
Author Location gp41 (579–613 BH10)
Epitope ARILAVERYLKDQQLLGIWGCSGKLICTTAVP-WNA

Neutralizing no
Immunogen HIV-1 infection
Species (Isotype) human (IgG1κ)
Research Contact H. Katinger, Inst. Appl. Microbiol., Vienna, Austria

References Gorny & Zolla-Pazner 2004; Buchacher *et al.* 1994; Buchacher *et al.* 1992

- Keywords** antibody generation, review
- 4G2: One of 24 MAbs and Fabs in this database that bind to the highly immunogenic gp41 cluster I region (aa 579 - 604). Only one of these has any neutralizing potential, clone 3. Gorny & Zolla-Pazner [2004] (**review**)
 - 4G2: Generated by electrofusion of PBL from HIV-1 positive volunteers with CB-F7 cells. Buchacher *et al.* [1994] (**antibody generation**)

No. 657

MAb ID polyclonal
HXB2 Location gp160 (579–589)
Author Location gp41 (586–596 IIIB)

Epitope RILAVERYLKD

Neutralizing

Immunogen vaccine
Vector/Type: peptide *HIV component:* gp41
Adjuvant: BSA

Species (Isotype) rabbit, mouse

Ab Type C-domain

References Xiao *et al.* 2000b

- Strong epitope-specific neutralizing antibody responses were induced using the peptide C(RILAVERYLKD)₂-BSA, but not full gp160. Xiao *et al.* [2000b]

No. 658

MAb ID polyclonal
HXB2 Location gp160 (579–589)
Author Location gp41 (586–596)

Epitope RILAVERYLKD

Neutralizing

Immunogen vaccine
Vector/Type: protein, polyepitope *HIV component:* gp160 *Adjuvant:* BSA

Species (Isotype) rabbit

Ab Type N-term

References Lu *et al.* 2000b; Lu *et al.* 2000c

- High titer response to ELDKWA and RILAVERYLKD was observed upon vaccination with multiple-epitope vaccine CG-GPGRIFY-G-ELDKWA-G-RILAVERYLKD conjugated to BSA, a weak response to GPGRIFY – immunization with CG-(ELDKWA-GPGRIFY)₂-K was also tried, yielding a strong Ab response to both ELDKWA and GPGRIFY – gp160 vaccination yielded strong Ab response but not to any of the peptides studied here. Lu *et al.* [2000c,b]

No. 659

MAb ID
HXB2 Location gp160 (579–599)
Author Location gp41 (586–606)

Epitope RILAVERYLKDQQLLGIWGCS

Subtype B

Neutralizing

Immunogen HIV-1 infection
Species (Isotype) human

References Wang *et al.* 1986

Keywords assay standardization/improvement

- Immunoabsorbant peptide antigen RIAVERYLKDQQLLGIWGCS was used in a solid-phase enzyme immunoassay (EIA) to detect gp41-specific Abs in sera of virtually all HIV-1 infected individuals tested, with no false positives. This one 21 amino acid long peptide is recognized by sera from almost all AIDS patients, can be easily synthesized and employed for serological testing for HIV infection. Wang *et al.* [1986] (**assay standardization/improvement**)

No. 660

MAb ID polyclonal
HXB2 Location gp160 (579–599)
Author Location gp41 (583–604)
Epitope RILAVERYLKDQQLLGIWGCS

Neutralizing no

Immunogen vaccine
Vector/Type: protein *HIV component:* desialylated gp160

Species (Isotype) rabbit

References Benjouad *et al.* 1993

- MAbs raised against desialylated HIV-1 gp160 cross-react with HIV-2 gp140 due to immunodominant conserved epitope in gp41. Benjouad *et al.* [1993]

No. 661

MAb ID 2A2/26
HXB2 Location gp160 (579–601)
Author Location gp41 (584–606 BRU)
Epitope RILAVERYLKDQQLLGIWGCSGK

Neutralizing

Immunogen vaccine
Vector/Type: protein *HIV component:* gp41

Species (Isotype) mouse (IgG)

References Pombourios *et al.* 1995; Pombourios *et al.* 1992

- 2A2/26: Delta 550-561 (Delta LLRAIEAQQHLL), a region important for oligomer formation diminishes binding, Delta (550-561 +571-581) abrogates binding. Pombourios *et al.* [1995]
- 2A2/26: Immunodominant region, binds both oligomer and monomer. Pombourios *et al.* [1992]

No. 662

MAb ID 50-69 (SZ-50.69, 50-69D)
HXB2 Location gp160 (579–603)
Author Location gp41 (579–603 BH10)
Epitope RILAVERYLKDQQLLGIWGCSGKLI

Neutralizing no

Immunogen HIV-1 infection

Species (Isotype) human (IgG2κ)

Ab Type gp41 cluster I

Research Contact Susan Zolla-Pazner (Zollas01@mcr6.med.nyu), NYU, NY

References McCaffrey *et al.* 2004; Ling *et al.* 2004; Gorny & Zolla-Pazner 2004; Finnegan *et al.* 2002; Follis *et al.* 2002; Verrier *et al.* 2001; Zwick *et al.* 2001b; Nyambi *et al.* 2000; Gorny *et al.* 2000; Gorny & Zolla-Pazner 2000; Mitchell *et al.* 1998; Hioe *et al.* 1997b; Boots *et al.* 1997; Stamatatos *et al.* 1997; Klasse & Sattentau 1996; Binley *et al.* 1996; Poignard *et al.* 1996a; McDougal *et al.* 1996; Manca *et al.* 1995a; Sattentau *et al.* 1995; Chen *et al.* 1995; Laal *et al.* 1994; Spear *et al.* 1993; Eddleston *et al.* 1993; Sattentau & Moore 1991; Robinson *et al.* 1991; Xu *et al.* 1991; Gorny *et al.* 1989; Pinter *et al.* 1989; Till *et al.* 1989

Keywords antibody binding site definition and exposure, antibody interactions, complement, enhancing activity, immunotoxin, kinetics, mimotopes, review, subtype comparisons, vaccine antigen design, variant cross-recognition or cross-neutralization

- 50-69: NIH AIDS Research and Reference Reagent Program: 531.
- 50-69: This is one of 24 MAbs and Fabs in this database that bind to the highly immunogenic gp41 cluster I region (aa 579 - 604). Only one of these has any neutralizing potential, clone 3. Gorny & Zolla-Pazner [2004] (**review**)
- 50-69: The role of serine proteases on HIV infection was explored. Trypsin decreased the binding of most Env MAb tested and diminished cell fusion of H9 cells infected with HIV-1 LAI virus (H9/IIIB) to MAGI cells. In contrast, thrombin increased the binding of MAbs to gp120 epitopes near the CD4 and CCR5 binding sites, and increased cell fusion. Binding of 17b and F105 was decreased by trypsin, but increased by thrombin. gp41 MAbs 246D, 98.6, 50-69, were decreased by trypsin, unaltered by thrombin, while NAb 2F5 binding was increased by thrombin. Thrombin may increase HIV-induced cell fusion in blood by causing a conformational activating shift in gp120. Ling *et al.* [2004] (**antibody binding site definition and exposure**)
- 50-69: Sera from two HIV+ people and a panel of MAbs were used to explore susceptibility to neutralization in the presence or absence of glycans within or adjacent to the V3 loop and within the C2, C4 and V5 regions of HIV-1 SF162 env gp120. SF162 and each of the five glycosylation mutants studied were all neutralization resistant to 50-69. V3 glycans tended to shield V3 loop, CD4 and co-receptor MAb binding sites, while C4 and V5 glycans shielded V3 loop, CD4, gp41 but not co-receptor MAb binding sites. Selective removal of glycans from a vaccine candidate may enable greater access to neutralization susceptible epitopes. McCaffrey *et al.* [2004] (**antibody binding site definition and exposure, vaccine antigen design**)
- 50-69: Anti-gp41 MAbs were tested in a cell-cell fusion system to investigate the antigenic changes in gp41 during binding and fusion. Cluster I MAbs 50-69, F240, 240-D, 3D6, and 246-D recognize a nonhelical hydrophobic region, positions 598-604, that forms a disulfide loop in the six-helix bundle. Cluster II MAbs 98-6 and 126-6 recognized residues 644-663 of gp41, a portion of the second heptad repeat. These MAbs were

found to behave similarly, so 50-69 and 98-6 were used as representatives. Exposure of cluster I and cluster II epitopes required CD4 expression on HIV HXB2 Env expressing HeLa target cells, but not the CXCR4 co-receptor. Binding to CD4 exposed hidden cluster I and II epitopes. The MAbs were found to bind to gp120/gp41 complexes, not to gp41 after shedding of gp120, and were localized to at fusing-cell interfaces. Kinetic and binding results indicate that these MAbs are exposed in transitional structures during the fusion process, possibly the prehairpin intermediate prior to co-receptor binding, although other intermediate structures may be involved. They do not bind once syncytia begin to show extensive cytoplasmic mixing. These MAbs failed to inhibit fusion. The NAb 2F5 has a very different behavior in this study. Finnegan *et al.* [2002] (**antibody binding site definition and exposure, kinetics**)

- 50-69: Called 50-69D. Alanine mutations were introduced into the N- and C-terminal alpha-helices of gp41 to destabilize interhelical packing interactions in order to study their inhibitory effect on viral infectivity. These mutations were shown to inhibit viral replication though affecting the conformational transition to the fusion-active form of gp41, and allow increased inhibition by gp41 peptides. 2F5 sensitivity is increased in the mutated viruses, presumably because 2F5s neutralization activity is focused on the transition to the fusion active state. No other gp41 MAb against tested, including NC-1, 50-69D, 1281, 98-6D, 246-D and F240, neutralized the parental or the fusion-deficient mutated viruses. Follis *et al.* [2002] (**antibody binding site definition and exposure**)
- 50-69: A panel of 12 MAbs was used to identify those that could neutralize the dual-tropic primary isolate HIV-1 89.6 – six gave significant neutralization at 2 to 10 ug/ml: 2F5, 50-69, IgG1b12, 447-52D, 2G12, and 670-D six did not have neutralizing activity: 654-D, 4.8D, 450-D, 246-D, 98-6, and 1281 – no synergy, only additive effects were seen for pairwise combinations of MAbs, and antagonism was noted between gp41 MAbs 50-69 and 98-6, as well as 98-6 and 2F5. Verrier *et al.* [2001] (**antibody interactions**)
- 50-69: This paper primarily concerns 4E10 and Z13, MAbs that both bind proximally to the 2F5 binding site to a conserved epitope, and that neutralize some primary isolates from clades B, C, and E – MAb 50-69 binding to infected cells is enhanced by sCD4, while 4E10 and Z13 binding is essentially unaltered. Zwick *et al.* [2001b] (**antibody binding site definition and exposure**)
- 50-69: A cluster I epitope that binds to rgp41 567-647, recognizes a peptide N51-C43 complex trimer of heterodimers that approximates the core of the fusogenic form of gp41 – this MAb doesn't react with either of the peptides N51 or C43 individually – MAbs 50-69 and 1367 had similar properties – MAb 50-69 bound the fusogenic form of the protein in liquid phase. Gorny & Zolla-Pazner [2000] (**antibody binding site definition and exposure**)
- 50-69: Binding of panel of 21 MAbs to soluble oligomeric gp140 versus gp41 or gp120 monomers was compared – no MAb was oligomer specific, but gp41 MAb 50-69 bound with a 5 fold preference for the oligomer, while other gp41 MAbs (1367, 98-6, 167-D, 1281, 1342, and 1379) did not show a preference. Gorny *et al.* [2000] (**antibody binding site definition and exposure**)

- 50-69: 26 HIV-1 group M isolates (clades A to H) were tested for binding to 47 MAbs, including 5 cluster I anti-gp41 MAbs which showed good cross clade reactivity – 50-69 bound the majority of isolates although binding was moderate to weak – specifies discontinuous binding site range as aa 579-613. Nyambi *et al.* [2000] (**variant cross-recognition or cross-neutralization, subtype comparisons**)
 - 50-69: Mutations in BH10 gp160, W596Y and T605A, as well as deletions of 605-609 (TTAVP) and 597-609 (GCSGK-LICTTAVP), abrogate binding of enhancing MAbs 86, 240D, 50-69, and 246-D – 5/6 enhancing MAbs identified to date bind to the immunodominant region 579-613 – identifies non-contiguous W596-G597-C598 and C604-T605 as minimal epitope. Mitchell *et al.* [1998] (**antibody binding site definition and exposure**)
 - 50-69: Abs that recognize discontinuous epitopes can identify mimotopes from a phage peptide display library – 50-69 maps to an immunodominant domain in gp41 – three groups of peptides were selected, one which seems most closely related to gp41 sequence peptide consensus is WGCxx(RK)(x n)LxC – the analogous gp41 sequence WGCSGKLIC is present in most M group clades, except D with a common L to H substitution. Boots *et al.* [1997] (**mimotopes**)
 - 50-69: Binding of anti-gp120 MAbs IgG1b12 or 654-30D does not mediate significant exposure of the gp41 epitopes for MAbs 2F5 and 50-69. Stamatatos *et al.* [1997] (**antibody interactions**)
 - 50-69: Binds to a linear epitope located in the cluster I region – binding of 50-69 and 240-D inhibited by Fabs A1, A4, M8B, M26B, M12B and T2. Binley *et al.* [1996] (**antibody binding site definition and exposure**)
 - 50-69: Used to test exposure of gp41 upon sCD4 binding. Klasse & Sattentau [1996]
 - 50-69: Does not neutralize HIV-1 LAI. McDougal *et al.* [1996] (**variant cross-recognition or cross-neutralization**)
 - 50-69: Prebinding of anti-V3, and CD4i MAbs 48d and 17b, but not anti-V2 neutralizing MAbs, expose the 50-69 epitope. Pognard *et al.* [1996a] (**antibody interactions**)
 - 50-69: One of several anti-gp41 MAbs that bind to a gp41-maltose binding fusion protein designed to study the leucine zipper domain of gp41, showing that the construct has retained aspects of normal gp41 conformation. Chen *et al.* [1995] (**antibody binding site definition and exposure**)
 - 50-69: Virions complexed to gp41 Ab facilitate presentation of p66 RT epitopes to Th cells. Manca *et al.* [1995a]
 - 50-69: Preferentially binds oligomer – binding increased after pretreatment of infected cells with sCD4 – binding domain overlaps site that is critical for gp120-gp41 association. Sattentau *et al.* [1995] (**antibody binding site definition and exposure**)
 - 50-69: Epitope described as cluster I, 601-604, conformational – does not neutralize IIIB or synergize neutralization by anti-V3 MAb 447-52D or by CD4 BS MAbs. Laal *et al.* [1994] (**antibody binding site definition and exposure, antibody interactions**)
 - 50-69: Called SZ-50.69 – binds to an epitope within aa 579-613. Eddleston *et al.* [1993] (**antibody binding site definition and exposure**)
 - 50-69: Did not mediate deposition of complement component C3 on HIV infected cells unless cells were pre-incubated with sCD4 – complement mediated virolysis of MN and IIIB in the presence of sCD4. Spear *et al.* [1993] (**complement**)
 - 50-69: Enhances HIV-1 infection *in vitro* – synergizes with huMAb 120-16 *in vitro* to enhance HIV-1 infection to level approaching that found in polyclonal anti-HIV serum. Robinson *et al.* [1991] (**antibody interactions, enhancing activity**)
 - 50-69: Two fold increase in binding to gp120 in the presence of bound sCD4. Sattentau & Moore [1991] (**antibody binding site definition and exposure**)
 - 50-69: The epitope is affected by the conformation conferred by the two cysteines at amino acids 598 and 604. Xu *et al.* [1991] (**antibody binding site definition and exposure**)
 - 50-69: Kills HIV-infected cells when coupled to deglycosylated ricin A chain. Gorny *et al.* [1989] (**immunotoxin**)
 - 50-69: Reacts preferentially with gp160 oligomer, compared to gp41 monomer. Pinter *et al.* [1989] (**antibody binding site definition and exposure**)
 - 50-69: Combined with deglycosylated A chain of ricin is toxic to lines of HIV-infected T cells (H9) and monocytes (U937). Till *et al.* [1989] (**immunotoxin**)
- No. 663**
MAb ID 9-11
HXB2 Location gp160 (579–604)
Author Location gp41 (584–609)
Epitope RILAVERYLKDQQLLGIWGCSGKLIC
Neutralizing
Immunogen vaccine
Vector/Type: protein *HIV component:* gp160
Species (Isotype) mouse (IgG1)
References Mani *et al.* 1994
- 9-11: required the C-C disulfide bridge and loop formation, can bind simultaneously with 41-1. Mani *et al.* [1994]
- No. 664**
MAb ID 98-43
HXB2 Location gp160 (579–604)
Author Location gp41 (579–604 HXB2)
Epitope RILAVERYLKDQQLLGIWGCSGKLIC
Subtype B
Neutralizing no
Immunogen HIV-1 infection
Species (Isotype) human (IgG2κ)
References Xu *et al.* 1991; Tyler *et al.* 1990; Gorny *et al.* 1989; Pinter *et al.* 1989
- 98-43: NIH AIDS Research and Reference Reagent Program: 1241.
 - 98-43: 579-604 binds in the immunodominant region. Xu *et al.* [1991]
 - 98-43: Poor ADCC (in contrast to MAb 120-16, gp41(644-663)). Tyler *et al.* [1990]
 - 98-43: Reacts equally well with oligomer and monomer. Pinter *et al.* [1989]
- No. 665**
MAb ID 41-1 (41.1)
HXB2 Location gp160 (579–608)
Author Location gp41 (584–609)
Epitope RILAVERYLKDQQLLGIWGCSGKLICTTAV

Neutralizing**Immunogen** vaccine

Vector/Type: protein *HIV component:* gp160

Species (Isotype) mouse (IgG1κ)

References Pincus *et al.* 1998; Pincus *et al.* 1996; Mani *et al.* 1994; Pincus & McClure 1993; Pincus *et al.* 1991; Dalgleish *et al.* 1988; Gosting *et al.* 1987

- 41-1: Also called 41.1, although possibly not, the literature is confusing because two gp41 MAbs that bind to this region with similar names (dash versus period) are listed as murine and human.
- 41-1: Called 41.1, and described as a human MAb, binding 579-604 – a panel of immunotoxins was generated by linking Env MAbs to ricin A – immunotoxins mediated cell killing, but killing was not directly proportional to binding. Pincus *et al.* [1996]
- 41-1: This antibody to gp41(584-609) Mani *et al.* [1994] seems to have been named the same as a different MAb to gp41(735-752 IIIB) Dalgleish *et al.* [1988]. Dalgleish *et al.* [1988]; Mani *et al.* [1994]
- 41-1: Did not require the C-C disulfide bridge and loop formation, can bind simultaneously with 9-11. Mani *et al.* [1994]
- 41-1: Called 41.1, and described as a human MAb – cross-competes with 41.4 – sCD4 enhances the efficacy of immunotoxins *in vitro* 30-fold – MAb was coupled to ricin A chain (RAC). Pincus & McClure [1993]
- 41-1: Efficacious as an immunotoxin when coupled to RAC – gave linear epitope as gp160 579-603. Pincus *et al.* [1991]
- 41-1: This antibody seems to have been named the same as a different MAb to gp41(735-752). Dalgleish *et al.* [1988]
- 41-1: Broadly reactive. Gosting *et al.* [1987]

No. 666

MAb ID 41.4

HXB2 Location gp160 (579–608)

Author Location gp41 (584–609)

Epitope RILAVERYLKDQQLLGIWGCSGKLICTTAV

Neutralizing**Immunogen**

Species (Isotype)

Research Contact Jan McClure, Bristol-Myers Squibb Pharmaceutical Res Inst, Seattle, WA

References Pincus & McClure 1993

- 41.4: Binds to peptide weakly, but to gp160 with higher affinity than 41.1, and cross-competes with 41.1 – probably conformational – MAb was coupled to ricin A chain (RAC) – sCD4 enhances the efficacy of immunotoxins *in vitro* 30-fold. Pincus & McClure [1993]

No. 667

MAb ID Fab A1 (A1)

HXB2 Location gp160 (579–608)

Author Location gp41 (584–609 LAI)

Epitope RILAVERYLKDQQLLGIWGCSGKLICTTAV

Subtype B

Neutralizing no**Immunogen** HIV-1 infection

Species (Isotype) human (IgG1κ)

References Gorny & Zolla-Pazner 2004; Binley *et al.* 1996

Keywords anti-idiotypic, antibody generation, antibody sequence, variable domain, review

- Fab A1: Called A1. One of 24 MAbs and Fabs in this database that bind to the highly immunogenic gp41 cluster I region (aa 579 - 604). Only one of these has any neutralizing potential, clone 3. Gorny & Zolla-Pazner [2004] (**review**)
- Fab A1: Binds to cluster I region – competes with MAbs 240-D and 50-69 – conformation sensitive – variable regions sequenced. Binley *et al.* [1996] (**anti-idiotypic, antibody generation, antibody sequence, variable domain**)

No. 668

MAb ID Fab A4 (A4)

HXB2 Location gp160 (579–608)

Author Location gp41 (584–609 LAI)

Epitope RILAVERYLKDQQLLGIWGCSGKLICTTAV

Subtype B

Neutralizing no**Immunogen** HIV-1 infection

Species (Isotype) human (IgG1κ)

References Gorny & Zolla-Pazner 2004; Binley *et al.* 1996

Keywords antibody binding site definition and exposure, antibody generation, antibody sequence, variable domain, review

- Fab A4: Called A4. One of 24 MAbs and Fabs in this database that bind to the highly immunogenic gp41 cluster I region (aa 579 - 604). Only one of these has any neutralizing potential, clone 3. Gorny & Zolla-Pazner [2004] (**review**)
- Fab A4: Binds to cluster I region – competes with MAbs 240-D and 50-69 – conformation sensitive – variable regions sequenced. Binley *et al.* [1996] (**antibody binding site definition and exposure, antibody generation, antibody sequence, variable domain**)

No. 669

MAb ID Fab M12B (M12B)

HXB2 Location gp160 (579–608)

Author Location gp41 (584–609 LAI)

Epitope RILAVERYLKDQQLLGIWGCSGKLICTTAV

Subtype B

Neutralizing no**Immunogen** HIV-1 infection

Species (Isotype) human (IgG1κ)

References Gorny & Zolla-Pazner 2004; Binley *et al.* 1996

Keywords antibody binding site definition and exposure, antibody generation, antibody sequence, variable domain, review

- Fab M12B: Called M12B. One of 24 MAbs and Fabs in this database that bind to the highly immunogenic gp41 cluster I region (aa 579 - 604). Only one of these has any neutralizing potential, clone 3. Gorny & Zolla-Pazner [2004] (**review**)
- Fab M12B: Binds to cluster I region – competes with MAbs 240-D and 50-69 – conformation sensitive – variable regions sequenced. Binley *et al.* [1996] (**antibody binding site definition and exposure, antibody generation, antibody sequence, variable domain**)

- No.** 670
MAb ID Fab M26B (M26B)
HXB2 Location gp160 (579–608)
Author Location gp41 (584–609 LAI)
Epitope RILAVERYLKDQQLLGIWGCSGKLICTTAV
Subtype B
Neutralizing no
Immunogen HIV-1 infection
Species (Isotype) human (IgG1 κ)
References Gorny & Zolla-Pazner 2004; Binley *et al.* 1996
Keywords antibody binding site definition and exposure, antibody generation, antibody sequence, variable domain, review
- Fab M26B: Called M26B. One of 24 MAbs and Fabs in this database that bind to the highly immunogenic gp41 cluster I region (aa 579 - 604). Only one of these has any neutralizing potential, clone 3. Gorny & Zolla-Pazner [2004] (**review**)
 - Fab M26B: Binds to cluster I region – competes with MAbs 240-D and 50-69 – conformation sensitive – variable regions sequenced. Binley *et al.* [1996] (**antibody binding site definition and exposure, antibody generation, antibody sequence, variable domain**)

- No.** 671
MAb ID Fab M8B (M8B)
HXB2 Location gp160 (579–608)
Author Location gp41 (584–609 LAI)
Epitope RILAVERYLKDQQLLGIWGCSGKLICTTAV
Subtype B
Neutralizing no
Immunogen HIV-1 infection
Species (Isotype) human (IgG1 κ)
References Gorny & Zolla-Pazner 2004; Binley *et al.* 1996
Keywords antibody binding site definition and exposure, antibody generation, antibody sequence, variable domain, review
- Fab M8B: Called M8B. One of 24 MAbs and Fabs in this database that bind to the highly immunogenic gp41 cluster I region (aa 579 - 604). Only one of these has any neutralizing potential, clone 3. Gorny & Zolla-Pazner [2004] (**review**)
 - Fab M8B: Binds to cluster I region – competes with MAbs 240-D and 50-69 – conformation sensitive – variable regions sequenced. Binley *et al.* [1996] (**antibody binding site definition and exposure, antibody generation, antibody sequence, variable domain**)

- No.** 672
MAb ID Fab T2 (T2)
HXB2 Location gp160 (579–608)
Author Location gp41 (584–609 LAI)
Epitope RILAVERYLKDQQLLGIWGCSGKLICTTAV
Subtype B
Neutralizing no
Immunogen HIV-1 infection
Species (Isotype) human (IgG1 κ)
References Gorny & Zolla-Pazner 2004; Binley *et al.* 1996

- Keywords** antibody binding site definition and exposure, antibody generation, antibody sequence, variable domain, review
- Fab T2: Called T2. One of 24 MAbs and Fabs in this database that bind to the highly immunogenic gp41 cluster I region (aa 579 - 604). Only one of these has any neutralizing potential, clone 3. Gorny & Zolla-Pazner [2004] (**review**)
 - Fab T2: Binds to cluster I region – competes with MAbs 240-D and 50-69 – conformation sensitive – variable regions sequenced. Binley *et al.* [1996] (**antibody binding site definition and exposure, antibody generation, antibody sequence, variable domain**)

- No.** 673
MAb ID polyclonal
HXB2 Location gp160 (579–608)
Author Location gp41
Epitope RVAVERYLKDQQLLGIWGCSGKLICTTAV
Subtype D, multiple
Neutralizing
Immunogen HIV-1 infection
Species (Isotype) human
References Barin *et al.* 2005
Country France
Keywords acute/early infection, assay development
- A combination of 4 antigenic regions was used to differentiate between early (<180 days) and chronic infection. These regions were: p24; the gp41 peptide spanning the immunodominant epitope (IDE) of gp41, RVAVERYLKDQQLLGIWGCSGKLICTTAV, and a subtype D version of this peptide; 5 V3 consensus peptides including A, B, C, D, and CRF01-AE; and Integrase. V3 and the IDE provide the best discrimination, with >20 fold higher levels in chronic infection when assayed by EIA using dried serum spots. Antibodies to Integrase and p24 were not as distinctive, and people tend to lose, not increase, responses to p24 over time. This assay can be used to identify samples from early infection with high sensitivity and specificity. Barin *et al.* [2005] (**assay development, acute/early infection**)

- No.** 674
MAb ID 86 (No. 86)
HXB2 Location gp160 (579–613)
Author Location gp41 (586–620 IIIB)
Epitope RILAVERYLKDQQLLGIWGCSGKLICTTAVPW-NAS
Neutralizing no
Immunogen HIV-1 infection
Species (Isotype) human (IgG1 κ)
Research Contact Evan Hersh and Yoh-Ichi Matsumoto
References Gorny & Zolla-Pazner 2004; Mitchell *et al.* 1998; Wisniewski *et al.* 1996; Moran *et al.* 1993; Pincus *et al.* 1991; Robinson *et al.* 1990c; Robinson *et al.* 1990b; Sugano *et al.* 1988
Keywords antibody binding site definition and exposure, antibody sequence, variable domain, complement, enhancing activity, immunotoxin, review, variant cross-recognition or cross-neutralization

- 86: NIH AIDS Research and Reference Reagent Program: 380.
 - 86: This is one of 24 MAbs and Fabs in this database that bind to the highly immunogenic gp41 cluster I region (aa 579 - 604). Only one of these has any neutralizing potential, clone 3. Gorny & Zolla-Pazner [2004] (**review**)
 - 86: Mutations in BH10 gp160, W596Y and T605A, as well as deletions of 605-609 (TTAVP) and 597-609 (GCSGK-LICTTAVP), abrogate binding of enhancing MAbs 86, 240D, 50-69, and 246-D – 5/6 enhancing MAbs identified to date bind to the immunodominant region 579-613. Mitchell *et al.* [1998] (**enhancing activity, variant cross-recognition or cross-neutralization**)
 - 86: 86 is V H1 – V-region heavy chain usage was examined and a bias of enhanced V H1 and V H4, and reduced V H3, was noted among HIV infected individuals. Wisniewski *et al.* [1996] (**antibody sequence, variable domain**)
 - 86: Heavy (V H1) and light (V kappa1) chain sequenced – enhancing activity – similar germline sequence to MAb S1-1, but very different activity. Moran *et al.* [1993] (**enhancing activity, antibody sequence, variable domain**)
 - 86: Poor immunotoxin activity when coupled to RAC – peptide binding stated to be aa 579-603. Pincus *et al.* [1991] (**antibody binding site definition and exposure, immunotoxin**)
 - 86: Antibody dependent enhancement (ADE) of HIV-1 IIIB infectivity in the presence of complement. Robinson *et al.* [1990b] (**complement, enhancing activity**)
 - 86: Peptide 586-620 blocks complement mediated ADE. Robinson *et al.* [1990c] (**enhancing activity**)
 - 86: Reacts with gp41 and also reacted weakly with gp120. Sugano *et al.* [1988] (**antibody binding site definition and exposure**)
- No. 675**
- MAb ID** polyclonal
HXB2 Location gp160 (580–597)
Author Location gp41 (584–602)
Epitope ILAVERYLKDQQLLGIWG
Neutralizing no
Immunogen HIV-1 infection
Species (Isotype) human
References Petrov *et al.* 1990
- Immunodominant and broadly reactive peptide. Petrov *et al.* [1990]
- No. 676**
- MAb ID** V10-9
HXB2 Location gp160 (580–613)
Author Location gp41 (586–620 IIIB)
Epitope ILAVERYLKDQQLLGIWGCSGKLICTTAVPWN-AS
Neutralizing no
Immunogen HIV-1 infection
Species (Isotype) human (IgG1 κ)
References Gorny & Zolla-Pazner 2004; Robinson *et al.* 1990c; Robinson *et al.* 1990b
Keywords antibody interactions, enhancing activity, review
- V10-9: One of 24 MAbs and Fabs in this database that bind to the highly immunogenic gp41 cluster I region (aa 579 - 604). Only one of these has any neutralizing potential, clone 3. Gorny & Zolla-Pazner [2004] (**review**)
 - V10-9: Antibody dependent enhancement (ADE) of HIV-1 IIIB infectivity, synergistically enhanced by MAb 120-16. Robinson *et al.* [1990b] (**antibody interactions, enhancing activity**)
 - V10-9: Peptide 586-620 blocks complement mediated ADE. Robinson *et al.* [1990c] (**enhancing activity**)
- No. 677**
- MAb ID** polyclonal
HXB2 Location gp160 (582–589)
Author Location gp41 (589–596)
Epitope AVERYLKD
Neutralizing
Immunogen HIV-1 infection
Species (Isotype) human
References Klasse *et al.* 1991
- Substitutions and deletions in peptide 583-599 were systematically studied – alterations in AVERYLKD abrogated the antigenicity of peptides with most of 14 human sera. Klasse *et al.* [1991]
- No. 678**
- MAb ID** anti-P1
HXB2 Location gp160 (582–592)
Author Location gp41 (579–613)
Epitope AVERYLKDQQL
Subtype B
Neutralizing no
Immunogen HIV-1 infection
Species (Isotype)
References Ferraz *et al.* 2004
Keywords assay development
- The B-cell epitope of P1 was incorporated into the solvent-exposed loop of the E. coli betagalactosidase enzyme for use as an analytical biosensor to permit enzyme substrate analysis to better understand the conversion of conformational stimulus into enzymatic signal. Ferraz *et al.* [2004] (**assay development**)
- No. 679**
- MAb ID** polyclonal
HXB2 Location gp160 (584–604)
Author Location gp41 (74–94)
Epitope ERYLKDQQLLGIWGCSGKLI
Neutralizing
Immunogen HIV-1 infection
Species (Isotype) human
References Shafferman *et al.* 1989
- Immunogenic domain useful for diagnostics. Shafferman *et al.* [1989]
- No. 680**
- MAb ID** polyclonal
HXB2 Location gp160 (584–612)
Author Location gp41 (587–617 BRU)
Epitope ERYLKDQQLLGIWGCSGKLICTTAVPWNA

Neutralizing no
Immunogen HIV-1 infection
Species (Isotype) human
References Hernandez *et al.* 2000
 • Chimeric peptide combining two peptides gp160(495-516 and 584-612) served as a specific and broadly reactive antigen for diagnostic detection of HIV-1. Hernandez *et al.* [2000]

No. 681
MAb ID 2F11
HXB2 Location gp160 (589–600)
Author Location gp41 (589–600 HXB2)
Epitope DQQLLGIWGC5G
Subtype B

Neutralizing no
Immunogen HIV-1 infection
Species (Isotype) human (IgG1)
References Gorny & Zolla-Pazner 2004; Enshell-Seijffers *et al.* 2001; Eaton *et al.* 1994

Keywords ADCC, enhancing activity, review
 • 2F11: One of 24 MAbs and Fabs in this database that bind to the highly immunogenic gp41 cluster I region (aa 579 - 604). Only one of these has any neutralizing potential, clone 3. Gorny & Zolla-Pazner [2004] (**review**)
 • 2F11: Monoclonal antibodies to this epitope have distinct phenotypes—41-7 and 1B8.env were found to be not neutralizing, 2F11 possibly enhancing, and clone 3 beneficial. Enshell-Seijffers *et al.* [2001] (**enhancing activity**)
 • 2F11: Enhances infectivity even in the absence of complement – does not mediate ADCC or neutralize virus. Eaton *et al.* [1994] (**ADCC, enhancing activity**)

No. 682
MAb ID 246-D (SZ-246.D, 246, 246D)
HXB2 Location gp160 (590–597)
Author Location gp41 (579–604 HXB2)
Epitope qqLLGIWg
Subtype B
Neutralizing no
Immunogen HIV-1 infection
Species (Isotype) human (IgG1 κ)
Ab Type gp41 cluster I
Research Contact Susan Zolla-Pazner (Zollas01@mcr6.med.nyu), NYU Med Center, NY, NY

References Ling *et al.* 2004; Gorny & Zolla-Pazner 2004; Finnegan *et al.* 2002; Follis *et al.* 2002; Edwards *et al.* 2002; Gorny *et al.* 2002; Verrier *et al.* 2001; Nyambi *et al.* 2000; Gorny & Zolla-Pazner 2000; Mitchell *et al.* 1998; Hioe *et al.* 1997b; Earl *et al.* 1997; Saarloos *et al.* 1995; Manca *et al.* 1995a; Forthal *et al.* 1995; Eddleston *et al.* 1993; Spear *et al.* 1993; Robinson *et al.* 1991; Xu *et al.* 1991

Keywords antibody binding site definition and exposure, antibody interactions, complement, enhancing activity, kinetics, review, subtype comparisons, variant cross-recognition or cross-neutralization

- 246-D: NIH AIDS Research and Reference Reagent Program: 1245.
- 246-D: One of 24 MAbs and Fabs in this database that bind to the highly immunogenic gp41 cluster I region (aa 579 - 604). Only one of these has any neutralizing potential, clone 3. Gorny & Zolla-Pazner [2004] (**review**)
- 246-D: Called 246D. The role of serine proteases on HIV infection was explored. Trypsin decreased the binding of most Env MAb tested and diminished cell fusion of H9 cells infected with HIV-1 LAI virus (H9/IIIB) to MAGI cells. In contrast, thrombin increased the binding of MAbs to gp120 epitopes near the CD4 and CCR5 binding sites, and increased cell fusion. Binding of 17b and F105 was decreased by trypsin, but increased by thrombin. gp41 MAbs 246D, 98.6, 50-69, were decreased by trypsin, unaltered by thrombin, while NAb 2F5 binding was increased by thrombin. Thrombin may increase HIV-induced cell fusion in blood by causing a conformational activating shift in gp120. Ling *et al.* [2004] (**antibody binding site definition and exposure**)
- 246-D: Called 246D – Truncation of the gp41 cytoplasmic domain of X4, R5, and X4R5 viruses forces a conformation that more closely resembles the CD4 bound state of the external Envelope, enhancing binding of CD4i MAbs 17b and 48d and of CD4BS MAbs F105, b12, and in most cases of glycosylation site dependent MAb 2G12 and the anti-gp41 MAb 246D – in contrast, binding of the anti-V2 MAb 697D and the anti-V3 MAb 694/98D were not affected – viruses bearing the truncation were more sensitive to neutralization by MAbs 48d, b12, and 2G12 – the anti-C5 MAb 1331A was used to track levels of cell surface expression of the mutated proteins. Edwards *et al.* [2002] (**antibody binding site definition and exposure**)
- 246-D: Anti-gp41 MAbs were tested in a cell-cell fusion system to investigate the antigenic changes in gp41 during binding and fusion. Cluster I MAbs 50-69, F240, 240-D, 3D6, and 246-D recognize a nonhelical hydrophobic region, positions 598-604, that forms a disulfide loop in the six-helix bundle. Cluster II MAbs 98-6 and 126-6 recognized residues 644-663 of gp41, a portion of the second heptad repeat. These MAbs were found to behave similarly, so 50-69 and 98-6 were used as representatives. Exposure of cluster I and cluster II epitopes required CD4 expression on HIV HXB2 Env expressing HeLa target cells, but not the CXCR4 co-receptor. Binding to CD4 exposed hidden cluster I and II epitopes. The MAbs were found to bind to gp120/gp41 complexes, not to gp41 after shedding of gp120, and were localized to at fusing-cell interfaces. Kinetic and binding results indicate that these MAbs are exposed in transitional structures during the fusion process, possibly the prehairpin intermediate prior to co-receptor binding, although other intermediate structures may be involved. They do not bind once syncytia begin to show extensive cytoplasmic mixing. These MAbs failed to inhibit fusion. The NAb 2F5 has a very different behavior in this study. Finnegan *et al.* [2002] (**antibody binding site definition and exposure, kinetics**)
- 246-D: Alanine mutations were introduced into the N- and C-terminal alpha-helices of gp41 to destabilize interhelical packing interactions in order to study their inhibitory effect on viral infectivity. These mutations were shown to inhibit viral replication though affecting the conformational transition to the fusion-active form of gp41, and allow increased inhibition

by gp41 peptides. 2F5 sensitivity is increased in the mutated viruses, presumably because 2F5s neutralization activity is focused on the transition to the fusion active state. No other gp41 MAb against tested, including NC-1, 50-69D, 1281, 98-6D, 246-D and F240, neutralized the parental or the fusion-deficient mutated viruses. Follis *et al.* [2002] (**antibody binding site definition and exposure**)

- 246-D: Called 246 – Conformation-dependent anti-V3 loop Abs may be more cross-reactive, so six new V3 MAbs were generated – the six new MAbs all bind to the tip of the V3 loop and cross-compete with the MAb 447-52D and are conformationally sensitive – MAbs showed cross-clade binding to native, intact virions and the strength binding was highly correlated with percent neutralization using the ghost cell or PHA blast assay – five well-characterized MAbs were used as controls: anti-V3 447-52D (anti-V3 MAb for competition and neutralization studies), 654 (anti-CD4BS used as a conformation-sensitive MAb control), 1331A (anti-C5 used as a linear binding site MAb control), and MAb 246 (anti-gp41 MAb that bound to primary isolates of all clades tested, A, B, C, D, F and CRF01 (clade E). Gorny *et al.* [2002] (**variant cross-recognition or cross-neutralization, subtype comparisons**)
- 246-D: A panel of 12 MAbs was used to identify those that could neutralize the dual-tropic primary isolate HIV-1 89.6 – six gave significant neutralization at 2 to 10 µg/ml: 2F5, 50-69, IgG1b12, 447-52D, 2G12, and 670-D six did not have neutralizing activity: 654-D, 4.8D, 450-D, 246-D, 98-6, and 1281 – no synergy, only additive effects were seen for pairwise combinations of MAbs, and antagonism was noted between gp41 MAbs 50-69 and 98-6, as well as 98-6 and 2F5. Verrier *et al.* [2001] (**antibody interactions**)
- 246-D: Core epitope aa 591 to 597, a cluster I epitope that does not bind to either a peptide complex that approximates the core of the fusogenic form of gp41 or the individual peptides N51 and C43 that form this structure – MAbs 181-D and 246-D had similar properties. Gorny & Zolla-Pazner [2000] (**antibody binding site definition and exposure**)
- 246-D: 26 HIV-1 group M isolates (clades A to H) were tested for binding to 47 MAbs, including 5 cluster I anti-gp41 MAbs which showed good cross clade reactivity – 246-D bound strongly or moderately to all 26 HIV-1 group M clades viruses tested and showed the strongest binding of all anti-Env MAbs tested, including the V3 and C5 region MAbs – notes core epitope as LLGI – no neutralizing activity was observed when 246-D was tested with five isolates. Nyambi *et al.* [2000] (**subtype comparisons**)
- 246-D: Mutations in BH10 gp160, W596Y and T605A, as well as deletions of 605-609 (TTAVP) and 597-609 (GCSGKLICTAVP), abrogate binding of enhancing MAbs 86, 240D, 50-69, and 246-D – 5/6 enhancing MAbs identified to date bind to the immunodominant region 579-613. Mitchell *et al.* [1998] (**antibody binding site definition and exposure**)
- 246-D: This antibody, along with murine MAb D61, can be blocked by any of a group of 8 conformational MAbs (M10, D41, D54, T4, T6, T9, T10 and T35). Earl *et al.* [1997] (**antibody interactions**)
- 246-D: Four primary isolates showed distinct patterns of sensitivity to neutralization by polyclonal sera or plasma and MAbs – BZ167 was the only isolate inhibited by all polyclonal sera

and plasma tested, and was also neutralized by 8/17 MAbs, in particular anti-V3 loop (419-D, 447-52D, 782-D, and 838-D), anti-CD4bd (559/64-D, 654-D and 830-D and a cluster II of gp41 directed MAb (98-6) – isolates 92HT593 and 91US056 were neutralized by V3 loop (419-D, and 447-52D) and cluster II gp41 (98-6) MAbs at higher concentrations and 246-D neutralized 91US056 – US4 was neutralized by some of the polyclonal sera/plasma tested and not at all by MAbs individually or by a cocktail of ten MAbs consisting of 419-D, 447-52D, 782-D, 838-D, 559/64-D, 654-D, 450-D, 670-D, 1281-D and 98-6. Hioe *et al.* [1997b] (**variant cross-recognition or cross-neutralization**)

- 246-D: No neutralizing activity, both ADCC and viral enhancing activity. Forthal *et al.* [1995] (**complement, enhancing activity**)
- 246-D: Virions complexed to gp41 Ab facilitate presentation of p66 RT epitopes to Th cells. Manca *et al.* [1995a]
- 246-D: Ab-mediated activation of complement on HIV+ cells is higher than Ab independent activation—what has been termed “Ab independent” in fact results in part from IgM in normal human serum that is HIV-cross-reactive. Saarloos *et al.* [1995] (**complement**)
- 246-D: Called SZ-246.D. Eddleston *et al.* [1993]
- 246-D: Did not mediate deposition of complement component C3 on HIV infected cells unless cells were pre-incubated with sCD4. Spear *et al.* [1993] (**complement**)
- 246-D: No neutralizing activity, some enhancing activity. Robinson *et al.* [1991] (**enhancing activity**)
- 246-D: Fine mapping indicates core is LLGI. Xu *et al.* [1991] (**antibody binding site definition and exposure**)

No. 683

MAb ID polyclonal

HXB2 Location gp160 (590–607)

Author Location gp41

Epitope QLLGLGIWGC SGKLICTTA

Subtype B, CRF01_AE

Neutralizing no

Immunogen HIV-1 infection

Species (Isotype) human (IgG)

References Parekh *et al.* 2002

- A simple enzyme immunoassay (EIA) that detects increasing levels of anti-HIV IgG after seroconversion can be used for detecting recent HIV-1 infection – longitudinal specimens from 139 incident infections in the US and Thailand were used in the study – the method was generally applicable for HIV-1 subtypes A, B, C, D and E(CRF01). Parekh *et al.* [2002]

No. 684

MAb ID 9G5A

HXB2 Location gp160 (591–594)

Author Location gp41 (596–599 IIIB)

Epitope QLLG

Neutralizing

Immunogen anti-idiotypic

Species (Isotype) mouse (IgM)

References Beretta & Dalgleish 1994; Lopalco *et al.* 1993

- 9G5A: Anti-idiotypic to gp120 C terminus (C5 region) MAb M38. Lopalco *et al.* [1993]

No. 685
MAb ID 181-D (SZ-181.D)
HXB2 Location gp160 (591–597)
Author Location gp41 (591–597 HXB2)
Epitope qLLGIWg
Subtype B
Neutralizing no
Immunogen HIV-1 infection
Species (Isotype) human (IgG2κ)
Ab Type gp41 cluster I
Research Contact Susan Zolla-Pazner (Zol-
 las01@mrcr6.med.nyu), NYU, NY

References Gorny & Zolla-Pazner 2004; Nyambi *et al.* 2000; Gorny & Zolla-Pazner 2000; Fontenot *et al.* 1995; Forthal *et al.* 1995; Eddleston *et al.* 1993; Robinson *et al.* 1991; Xu *et al.* 1991

Keywords ADCC, antibody binding site definition and exposure, enhancing activity, review, subtype comparisons, variant cross-recognition or cross-neutralization

- 181-D: This is one of 24 MAbs and Fabs in this database that bind to the highly immunogenic gp41 cluster I region (aa 579 - 604). Only one of these has any neutralizing potential, clone 3. Gorny & Zolla-Pazner [2004] (**review**)
- 181-D: Core epitope aa 591 to 597, a cluster I epitope that does not bind to either a peptide complex that approximates the core of the fusogenic form of gp41 or the individual peptides N51 and C43 that form this structure – MAbs 181-D and 246-D had similar properties. Gorny & Zolla-Pazner [2000] (**antibody binding site definition and exposure**)
- 181-D: 26 HIV-1 group M isolates (clades A to H) were tested for binding to 47 MAbs, including 5 cluster I anti-gp41 MAbs which showed good cross clade reactivity – 181-D bound the majority of isolates although binding was moderate to weak. Nyambi *et al.* [2000] (**variant cross-recognition or cross-neutralization, subtype comparisons**)
- 181-D: No neutralizing, no ADCC, and no viral enhancing activity. Forthal *et al.* [1995] (**ADCC, enhancing activity**)
- 181-D: Called SZ-181.D. Eddleston *et al.* [1993]
- 181-D: No enhancing or neutralization activity. Robinson *et al.* [1991] (**enhancing activity**)
- 181-D: Fine mapping indicates core is LLGIW. Xu *et al.* [1991] (**antibody binding site definition and exposure**)

No. 686
MAb ID 240-D (F240)
HXB2 Location gp160 (592–600)
Author Location gp41 (592–600 HXB2)
Epitope LLGIWGCSG
Subtype B
Neutralizing no
Immunogen HIV-1 infection
Species (Isotype) human
Ab Type gp41 cluster I
Research Contact Susan Zolla-Pazner (Zol-
 las01@mrcr6.med.nyu), NYU, NY

References Gorny & Zolla-Pazner 2004; Finnegan *et al.* 2002; Nyambi *et al.* 2000; Mitchell *et al.* 1998; Wisnewski *et al.* 1996; Wisnewski *et al.* 1995; Binley *et al.* 1996; Spear *et al.* 1993; Robinson *et al.* 1991; Xu *et al.* 1991

Keywords antibody binding site definition and exposure, antibody sequence, variable domain, complement, enhancing activity, kinetics, review, subtype comparisons, variant cross-recognition or cross-neutralization

- 240-D: NIH AIDS Research and Reference Reagent Program: 1242.
- 240-D: One of 24 MAbs and Fabs in this database that bind to the highly immunogenic gp41 cluster I region (aa 579 - 604). Only one of these has any neutralizing potential, clone 3. Gorny & Zolla-Pazner [2004] (**review**)
- 240-D: Anti-gp41 MAbs were tested in a cell-cell fusion system to investigate the antigenic changes in gp41 during binding and fusion. Cluster I MAbs 50-69, F240, 240-D, 3D6, and 246-D recognize a nonhelical hydrophobic region, positions 598-604, that forms a disulfide loop in the six-helix bundle. Cluster II MAbs 98-6 and 126-6 recognized residues 644-663 of gp41, a portion of the second heptad repeat. These MAbs were found to behave similarly, so 50-69 and 98-6 were used as representatives. Exposure of cluster I and cluster II epitopes required CD4 expression on HIV HXB2 Env expressing HeLa target cells, but not the CXCR4 co-receptor. Binding to CD4 exposed hidden cluster I and II epitopes. The MAbs were found to bind to gp120/gp41 complexes, not to gp41 after shedding of gp120, and were localized to at fusing-cell interfaces. Kinetic and binding results indicate that these MAbs are exposed in transitional structures during the fusion process, possibly the prehairpin intermediate prior to co-receptor binding, although other intermediate structures may be involved. They do not bind once syncytia begin to show extensive cytoplasmic mixing. These MAbs failed to inhibit fusion. The NAb 2F5 has a very different behavior in this study. Finnegan *et al.* [2002] (**antibody binding site definition and exposure, kinetics**)
- 240-D: 26 HIV-1 group M isolates (clades A to H) were tested for binding to 47 MAbs, including 5 cluster I anti-gp41 MAbs which showed good cross clade reactivity – 246-D bound strongly or moderately to 24/26 HIV-1 group M clades viruses tested. Nyambi *et al.* [2000] (**variant cross-recognition or cross-neutralization, subtype comparisons**)
- 240-D: Mutations in BH10 gp160, W596Y and T605A, as well as deletions of 605-609 (TTAVP) and 597-609 (GCSGKLICT-TAVP), abrogate binding of enhancing MAbs 86, 240D, 50-69, and 246-D – 5/6 enhancing MAbs identified to date bind to the immunodominant region 579-613. Mitchell *et al.* [1998] (**enhancing activity**)
- 240-D: Binds to a linear epitope located in the cluster I region – binding of 50-69 and 240-D inhibited by Fabs A1, A4, M8B, M26B, M12B and T2. Binley *et al.* [1996] (**antibody binding site definition and exposure**)
- 240-D: V-region heavy chain usage was examined and a bias of enhanced V H1 and V H4, and reduced V H3, was noted among HIV infected individuals. Wisnewski *et al.* [1996] (**antibody sequence, variable domain**)

- 240-D: Did not mediate deposition of complement component C3 on HIV infected cells. Spear *et al.* [1993] (**complement**)
- 240-D: No neutralizing activity, some enhancing activity. Robinson *et al.* [1991] (**enhancing activity**)
- 240-D: Fine mapping indicates core is IWG. Xu *et al.* [1991] (**antibody binding site definition and exposure**)

No. 687

MAb ID F240

HXB2 Location gp160 (592–606)

Author Location gp41 (592–606 BH10)

Epitope LLGIWGCSGKLICTT

Neutralizing no

Immunogen HIV-1 infection

Species (Isotype) human (IgG1κ)

Ab Type gp41 cluster I

Research Contact L. Cavacina or M. Posner, Dept. of Med. Harvard Med. School, Boston MA, USA

References Liu *et al.* 2005a; Gorny & Zolla-Pazner 2004; Finnegan *et al.* 2002; Follis *et al.* 2002; Cavacini *et al.* 2003; Cavacini *et al.* 2002; York *et al.* 2001; Cavacini *et al.* 1998a

Keywords antibody binding site definition and exposure, antibody interactions, antibody sequence, variable domain, co-receptor, enhancing activity, review, variant cross-recognition or cross-neutralization

- F240: Transduction of human CD4+ H9 T cells with both the intracellularly expressed and secreted forms of the single-chain F240 Ab inhibited MN virus production. The secreted form was more potent. Viral replication of HIV-1 primary isolates was not reduced. Liu *et al.* [2005a]
- F240: One of 24 MAbs and Fabs in this database that bind to the highly immunogenic gp41 cluster I region (aa 579 - 604). Only one of these has any neutralizing potential, clone 3. Gorny & Zolla-Pazner [2004] (**review**)
- F240: The MAb B4e8 binds to the base of the V3 loop, neutralizes multiple primary isolates and was studied for interaction with other MAbs. Anti-gp41 MAb F240 could inhibit B4e8 neutralization. Cavacini *et al.* [2003] (**antibody interactions**)
- F240: This study examined antibody interactions, binding and neutralization with a B clade R5 isolate (92US660) and R5X4 isolate (92HT593). Abs generally bound and neutralized the R5X4 isolate better than the R5 isolate, with the exception of F240 which bound both equally well, which captured more virus than any other human MAb tested, and didn't neutralize either isolate. F240 enhanced the binding of CD4BS MAbs IgG1b12 and F105 and the gp41 MAb 2F5 for both R5X4 and R5 isolates. F240 binding to gp41 was not affected by the binding of the V3 loop MAb B4a1, but preincubation with F240 could enhance B4a1 binding of the R5 isolate. Synergistic neutralization between F240 and CD4i MAbs 17b and 48d was noted for the R5X4 but not the R5 isolate, and F240 also enhanced neutralization of the R5X4 isolate by 2F5, but had no effect on R5 virus. In contrast, F240 combined with 2G12 demonstrated enhanced neutralization of R5 virus at low Ab concentrations. Cavacini *et al.* [2002] (**antibody interactions, co-receptor**)

- F240: Anti-gp41 MAbs were tested in a cell-cell fusion system to investigate the antigenic changes in gp41 during binding and fusion. Cluster I MAbs 50-69, F240, 240-D, 3D6, and 246-D recognize a nonhelical hydrophobic region, positions 598-604, that forms a disulfide loop in the six-helix bundle. Cluster II MAbs 98-6 and 126-6 recognized residues 644-663 of gp41, a portion of the second heptad repeat. These MAbs were found to behave similarly, so 50-69 and 98-6 were used as representatives. Exposure of cluster I and cluster II epitopes required CD4 expression on HIV HXB2 Env expressing HeLa target cells, but not the CXCR4 co-receptor. Binding to CD4 exposed hidden cluster I and II epitopes. The MAbs were found to bind to gp120/gp41 complexes, not to gp41 after shedding of gp120, and were localized to at fusing-cell interfaces. Kinetic and binding results indicate that these MAbs are exposed in transitional structures during the fusion process, possibly the prehairpin intermediate prior to co-receptor binding, although other intermediate structures may be involved. They do not bind once syncytia begin to show extensive cytoplasmic mixing. These MAbs failed to inhibit fusion. The Nab 2F5 has a very different behavior in this study. Finnegan *et al.* [2002] (**antibody binding site definition and exposure**)
- F240: Alanine mutations were introduced into the N- and C-terminal alpha-helices of gp41 to destabilize interhelical packing interactions in order to study their inhibitory effect on viral infectivity. These mutations were shown to inhibit viral replication though affecting the conformational transition to the fusion-active form of gp41, and allow increased inhibition by gp41 peptides. 2F5 sensitivity is increased in the mutated viruses, presumably because 2F5s neutralization activity is focused on the transition to the fusion active state. No other gp41 MAb against tested, including NC-1, 50-69D, 1281, 98-6D, 246-D and F240, neutralized the parental or the fusion-deficient mutated viruses. Follis *et al.* [2002] (**antibody binding site definition and exposure**)
- F240: Abs against the V3 loop (50.1, 58.2, 59.1, 257-D, 268-D, 447-52D), CD4BS (IgG1b12, 559-64D, F105), CD4i (17b), and to gp41 (2F5, F240) each showed similar binding efficiency to Env derived from related pairs of primary and TCLA lines (primary: 168P and 320SI, and TCLA: 168C and 320SI-C3.3), but the TCLA lines were much more susceptible to neutralization suggesting that the change in TCLA lines that make them more susceptible to NAb alters some step after binding. York *et al.* [2001] (**variant cross-recognition or cross-neutralization**)
- F240: Distinct from MAb 240-D, an antibody with a similar epitope in the immunodominant region of gp41 – dose-dependent reactivity with HIV isolates RF, SF2, IIIB, and MN was observed – F240 had no neutralizing activity and enhances infection in the presence of complement – reactivity of F240 is enhanced by preincubation of cells with sCD4 or anti-CD4BS MAb F105 – heavy and light chain variable domains were sequenced, and a strong homology to hu MAb 3D6 was observed, as 3D6 binds to the same epitope, these MAbs may define a human Ab clonotype. Cavacini *et al.* [1998a] (**enhancing activity, variant cross-recognition or cross-neutralization, antibody sequence, variable domain**)

No. 688

MAb ID D49

HXB2 Location gp160 (592–608)

Author Location gp41 (597–613)

Epitope LLGIWGCSGKLICTTAV

Neutralizing

Immunogen vaccine

Vector/Type: protein *HIV component:* dimeric Env

Species (Isotype) mouse

Ab Type gp41 cluster I

References Earl *et al.* 1997; Earl *et al.* 1994

- D49: Binding maps to region 597-613: WGCSGKLICTTAVP-WNA – immunodominant region containing two Cys residues. Earl *et al.* [1997]
- D49: Generated during a study of the influence of the oligomeric structure of Env in determining the repertoire of the Ab response. Earl *et al.* [1994]

No. 689

MAb ID D61

HXB2 Location gp160 (592–608)

Author Location gp41 (592–608 HXB2)

Epitope LLGIWGCSGKLICTTAV

Subtype B

Neutralizing

Immunogen vaccine

Vector/Type: protein *HIV component:* dimeric Env

Species (Isotype) mouse

Ab Type gp41 cluster I

Research Contact Patricia Earl and Christopher Broder, NIH

References Golding *et al.* 2002b; Earl *et al.* 1997; Weissenhorn *et al.* 1996; Richardson *et al.* 1996; Earl *et al.* 1994

Keywords antibody binding site definition and exposure, antibody generation

- D61: The fusion process was slowed by using a suboptimal temperature (31.5 C) to re-evaluate the potential of Abs targeting fusion intermediates to block HIV entry – preincubation of E/T cells at 31.5 C enabled polyclonal anti-N-HR Ab and anti-six-helix bundle Abs to inhibit fusion, indicating six-helix bundles form prior to fusion – the preincubation 31.5 C step did not alter the inhibitory activity of neutralizing Abs anti-gp41 2F5, or anti-gp120 2G12, IG1b12, 48d, and 17b – nor did it alter two gp41 MAbs, T9 and D61, inability to inhibit fusion. Golding *et al.* [2002b] (**antibody binding site definition and exposure**)
- D61: Binding maps to region 597-613: WGCSGKLICTTAVP-WNA – immunodominant region containing two Cys residues – this antibody, along with human MAb 246-D, can be blocked by any of a group of 8 conformational MAbs (M10, D41, D54, T4, T6, T9, T10 and T35) – members of this competition group are blocked by sera from HIV-1 + individuals. Earl *et al.* [1997] (**antibody binding site definition and exposure**)
- D61: Linear gp41 epitope in the cluster I region – human sera blocked binding in oligomeric ELISA assay to a similar extent for gp41 MAbs D20, D43, D61, and T4. Richardson *et al.* [1996] (**antibody binding site definition and exposure**)

- D61: Does not precipitate gp41(21-166), but due to a structural difference in the disulfide bonding region near the two cysteines – the authors propose that this region may change conformation during the activation of the membrane fusion state of the HIV-1 glycoprotein. Weissenhorn *et al.* [1996] (**antibody binding site definition and exposure**)
- D61: Generated during a study of the influence of the oligomeric structure of Env in determining the repertoire of the Ab response. Earl *et al.* [1994] (**antibody generation**)

No. 690

MAb ID T32

HXB2 Location gp160 (592–608)

Author Location gp41 (597–613)

Epitope LLGIWGCSGKLICTTAV

Neutralizing

Immunogen vaccine

Vector/Type: tetrameric Env *HIV component:* Env

Species (Isotype) mouse

Ab Type gp41 cluster I

Research Contact Patricia Earl and Christopher Broder, NIH

References Earl *et al.* 1997; Earl *et al.* 1994

- T32: Binding maps to region 597-613: WGCSGKLICTTAVP-WNA – immunodominant region containing two Cys residues. Earl *et al.* [1997]
- T32: Generated during a study of the influence of the oligomeric structure of Env in determining the repertoire of the Ab response. Earl *et al.* [1994]

No. 691

MAb ID T34

HXB2 Location gp160 (592–608)

Author Location gp41 (597–613)

Epitope LLGIWGCSGKLICTTAV

Neutralizing

Immunogen vaccine

Vector/Type: tetrameric Env *HIV component:* Env

Species (Isotype) mouse

Ab Type gp41 cluster I

Research Contact Patricia Earl and Christopher Broder, NIH

References Earl *et al.* 1997; Earl *et al.* 1994

- T34: Binding maps to region 597-613: WGCSGKLICTTAVP-WNA – immunodominant region containing two Cys residues. Earl *et al.* [1997]
- T34: Generated during a study of the influence of the oligomeric structure of Env in determining the repertoire of the Ab response – an oligomer with no gp120/gp41 cleavage site was used as the immunogen. Earl *et al.* [1994]

No. 692

MAb ID 115.8

HXB2 Location gp160 (593–604)

Author Location gp41 (598–609)

Epitope LGLIWGCSGKLIC

Neutralizing

Immunogen vaccine

Vector/Type: peptide *HIV component:* gp41

Species (Isotype) mouse (IgM)

- References** Oldstone *et al.* 1991
- 115.8: Stimulated by immunization with the peptide: LGLI-WGCSGKLIC (aa 598-609) – poor reactivity with CSGKLIC – reacts well with longer HIV-2 peptide NSWGCAFRQVC as well as CAFRQVC – disulfide bond between cysteines required. Oldstone *et al.* [1991]

No. 693

MAb ID M-1

HXB2 Location gp160 (593–604)

Author Location gp41 (598–609)

Epitope LGIWGCSGKLIC

Neutralizing

Immunogen vaccine

Vector/Type: peptide *HIV component:* gp41

Species (Isotype) mouse (IgG1, IgG2b)

References Yamada *et al.* 1991

- M-1: Unlike M-22, did not react to 43-kd protein found in rat and human astrocytes. Yamada *et al.* [1991]

No. 694

MAb ID M-11

HXB2 Location gp160 (593–604)

Author Location gp41 (598–609)

Epitope LGIWGCSGKLIC

Neutralizing

Immunogen vaccine

Vector/Type: peptide *HIV component:* gp41

Species (Isotype) mouse (IgG1)

References Yamada *et al.* 1991

- M-11: Strongly reacted with a cellular 43-kd protein found in rat and human astrocytes as well as with gp41. Yamada *et al.* [1991]

No. 695

MAb ID M-13

HXB2 Location gp160 (593–604)

Author Location gp41 (598–609)

Epitope LGIWGCSGKLIC

Neutralizing

Immunogen vaccine

Vector/Type: peptide *HIV component:* gp41

Species (Isotype) mouse (IgG2b)

References Yamada *et al.* 1991

- M-13: Reacted with a cellular 43-kd protein found in rat and human astrocytes as well as with gp41. Yamada *et al.* [1991]

No. 696

MAb ID M-2

HXB2 Location gp160 (593–604)

Author Location gp41 (598–609)

Epitope LGIWGCSGKLIC

Neutralizing

Immunogen vaccine

Vector/Type: peptide *HIV component:* gp41

Species (Isotype) mouse (IgG2b)

References Yamada *et al.* 1991

- M-2: Strongly reacted with a cellular 43-kd protein found in rat and human astrocytes as well as with gp41. Yamada *et al.* [1991]

No. 697

MAb ID M-22

HXB2 Location gp160 (593–604)

Author Location gp41 (598–609)

Epitope LGIWGCSGKLIC

Neutralizing

Immunogen vaccine

Vector/Type: peptide *HIV component:* gp41

Species (Isotype) mouse (IgG2b)

References Yamada *et al.* 1991

- M-22: Strongest reaction of 12 anti-HIV-1 gp41 MAbs to a cellular 43-kd protein found in rat and human astrocytes. Yamada *et al.* [1991]

No. 698

MAb ID M-24

HXB2 Location gp160 (593–604)

Author Location gp41 (598–609)

Epitope LGIWGCSGKLIC

Neutralizing

Immunogen vaccine

Vector/Type: peptide *HIV component:* gp41

Species (Isotype) mouse (IgG1)

References Yamada *et al.* 1991

- M-24: Strongly reacted with a cellular 43-kd protein found in rat and human astrocytes as well as with gp41. Yamada *et al.* [1991]

No. 699

MAb ID M-25

HXB2 Location gp160 (593–604)

Author Location gp41 (598–609)

Epitope LGIWGCSGKLIC

Neutralizing

Immunogen vaccine

Vector/Type: peptide *HIV component:* gp41

Species (Isotype) mouse (IgG1)

References Yamada *et al.* 1991

- M-25: Reacted with a cellular 43-kd protein found in rat and human astrocytes as well as with gp41. Yamada *et al.* [1991]

No. 700

MAb ID M-28

HXB2 Location gp160 (593–604)

Author Location gp41 (598–609)

Epitope LGIWGCSGKLIC

Neutralizing

Immunogen vaccine

Vector/Type: peptide *HIV component:* gp41

Species (Isotype) mouse (IgG1)

References Yamada *et al.* 1991

- M-28: Strongly reacted with a cellular 43-kd protein found in rat and human astrocytes as well as with gp41. Yamada *et al.* [1991]

No. 701

MAb ID M-29

HXB2 Location gp160 (593–604)

Author Location gp41 (598–609)

Epitope LGIWGCSGKLIC

Neutralizing
Immunogen vaccine
Vector/Type: peptide *HIV component:* gp41
Species (Isotype) mouse (IgG1)
References Yamada *et al.* 1991
 • M-29: Unlike M-22, did not react to 43-kd protein found in rat and human astrocytes. Yamada *et al.* [1991]

No. 702
MAb ID M-36
HXB2 Location gp160 (593–604)
Author Location gp41 (598–609)
Epitope LGIWGCSGKLIC
Neutralizing
Immunogen vaccine
Vector/Type: peptide *HIV component:* gp41
Species (Isotype) mouse (IgG1)
References Yamada *et al.* 1991
 • M-36: Unlike M-22, did not react to 43-kd protein found in rat and human astrocytes. Yamada *et al.* [1991]

No. 703
MAb ID M-4
HXB2 Location gp160 (593–604)
Author Location gp41 (598–609)
Epitope LGIWGCSGKLIC
Neutralizing
Immunogen vaccine
Vector/Type: peptide *HIV component:* gp41
Species (Isotype) mouse (IgG2b)
References Yamada *et al.* 1991
 • M-4: Unlike M-22, did not react to 43-kd protein found in rat and human astrocytes. Yamada *et al.* [1991]

No. 704
MAb ID M-6
HXB2 Location gp160 (593–604)
Author Location gp41 (598–609)
Epitope LGIWGCSGKLIC
Neutralizing
Immunogen vaccine
Vector/Type: peptide *HIV component:* gp41
Species (Isotype) mouse (IgG2b)
References Yamada *et al.* 1991
 • M-6: Unlike M-22, did not react to 43-kd protein found in rat and human astrocytes. Yamada *et al.* [1991]

No. 705
MAb ID polyclonal α 598-609
HXB2 Location gp160 (594–601)
Author Location gp41 (598–609)
Epitope GIWGCSSGK
Neutralizing
Immunogen HIV-1 infection
Species (Isotype) human
References Poubourios *et al.* 1992
 • alpha(598-609): Affinity purified from HIV-1 + plasma – immunodominant region, binds oligomer and monomer. Poubourios *et al.* [1992]

No. 706
MAb ID 1B8.env (1B8)
HXB2 Location gp160 (594–604)
Author Location gp41 (594–605 HXB2)
Epitope GIWGCSSGKLIC
Subtype B
Neutralizing no
Immunogen HIV-1 infection
Species (Isotype) human (IgG2 λ)
References Gorny & Zolla-Pazner 2004; Enshell-Seijffers *et al.* 2001; Banapour *et al.* 1987
Keywords antibody binding site definition and exposure, review, variant cross-recognition or cross-neutralization
 • 1B8B.env: Called 1B8. There are 24 MAbs and Fabs in this database that bind to the highly immunogenic gp41 cluster I region (aa 579 - 604). Only one of these has any neutralizing potential, clone 3. Gorny & Zolla-Pazner [2004] (**review**)
 • 1B8.env: Monoclonal antibodies to this epitope have distinct phenotypes—41-7 and 1B8.env were found to be not neutralizing, 2F11 possibly enhancing, and clone 3 beneficial. Enshell-Seijffers *et al.* [2001]
 • 1B8.env: Highly conserved epitope recognized by the majority of HIV-1 infected people – MAb does not neutralize. Banapour *et al.* [1987] (**antibody binding site definition and exposure, variant cross-recognition or cross-neutralization**)

No. 707
MAb ID polyclonal
HXB2 Location gp160 (594–609)
Author Location gp41 (601–616)
Epitope GIWGCSSGKLICTTAVP
Neutralizing no
Immunogen HIV-1 infection
Species (Isotype) human
References Petrov *et al.* 1990
 • Immunodominant and broadly reactive peptide. Petrov *et al.* [1990]

No. 708
MAb ID polyclonal
HXB2 Location gp160 (595–607)
Author Location gp41 (600–612)
Epitope IWGCSSGKLICTTA
Subtype B
Neutralizing
Immunogen HIV-1 infection
Species (Isotype) human (IgG)
References Belliard *et al.* 2003
Country France
Keywords rate of progression
 • Sera from 101 slow progressors and 42 fast progressors were tested for responses to Tat peptides, and compared to responses to gp41 peptide 600-612, as anti-Tat antibodies had been shown by others to be elevated in slow progressors. Most patient sera react with this peptide, it is used in diagnostics. In this study, overall levels of Tat antibodies were not different in the two groups, however relative levels of antibodies to different Tat peptides and to this gp41 peptide were observed. Belliard *et al.* [2003] (**rate of progression**)

No. 709
MAb ID clone 3 (CL3)
HXB2 Location gp160 (597–606)
Author Location gp41 (597–606)
Epitope GCSGKLICTT
Subtype B
Neutralizing L P
Immunogen HIV-1 infection
Species (Isotype) human (IgG1)
Research Contact BioClonetics (Philadelphia)
References Ferrantelli *et al.* 2004a; Gorny & Zolla-Pazner 2004; Enshell-Seijffers *et al.* 2001; Cotropia *et al.* 1996; Cotropia *et al.* 1992; Broliden *et al.* 1989
Keywords antibody binding site definition and exposure, rate of progression, responses in children, review, subtype comparisons, variant cross-recognition or cross-neutralization

- clone 3: Called CL3 here. Nabs against HIV-1 M group isolates were tested for their ability to neutralize 6 randomly selected HIV-1 O group strains. Clone 3 could neutralize some O group strains. CL3 is specific for a linear epitope containing 2 cysteines that generate a loop that could be important during the fusion of the virus with the target cell. This epitope is represented as GCxGxxxCxT HIV-1 group O isolates. Ferrantelli *et al.* [2004a] (**variant cross-recognition or cross-neutralization**)
- clone 3: One of 24 MAbs and Fabs in this database that bind to the highly immunogenic gp41 cluster I region (aa 579–604). Only one of these has any neutralizing potential, clone 3. clone 3 neutralized 3 diverse B clade TCLA strains and 3 primary O group strains. Gorny & Zolla-Pazner [2004] (**variant cross-recognition or cross-neutralization, review, subtype comparisons**)
- clone 3: Monoclonal antibodies to this epitope have distinct phenotypes—41-7 and 1B8.env were found to be not neutralizing, 2F11 possibly enhancing, and clone 3 beneficial. Enshell-Seijffers *et al.* [2001] (**variant cross-recognition or cross-neutralization**)
- clone 3: Inhibits replication of three diverse HIV-1 laboratory strains, as well as an AZT-resistant isolate. Cotropia *et al.* [1996] (**variant cross-recognition or cross-neutralization**)
- clone 3: Core binding domain gcsgkLIC – lack of serological activity to this region correlates with rapid progression in infants (Broliden *et al.* [1989]) Cotropia *et al.* [1992]. Broliden *et al.* [1989]; Cotropia *et al.* [1992] (**antibody binding site definition and exposure, responses in children, rate of progression**)

No. 710
MAb ID 4
HXB2 Location gp160 (598–604)
Author Location gp41 (598–609)
Epitope CSGKLIC
Neutralizing
Immunogen vaccine
Vector/Type: peptide *HIV component:* gp41
Species (Isotype) mouse (IgG2b)
References Bizub-Bender *et al.* 1994; Oldstone *et al.* 1991

- There is another MAb with this ID that reacts with integrase. Bizub-Bender *et al.* [1994]; Oldstone *et al.* [1991]
- 4: Stimulated by immunization with the peptide: LGLIWGCSGKLIC (aa 598-609) – poor cross-reactivity with HIV-2 peptide CAFRQVC – slightly more reactive with longer HIV-2 peptide NSWGCAFRQVC. Oldstone *et al.* [1991]

No. 711
MAb ID 41-6
HXB2 Location gp160 (598–604)
Author Location gp41 (598–609)
Epitope CSGKLIC
Neutralizing
Immunogen vaccine
Vector/Type: peptide *HIV component:* gp41
Species (Isotype) mouse (IgG2b)
References Oldstone *et al.* 1991

- 41-6: Stimulated by immunization with the peptide: LGLIWGCSGKLIC (aa 598-609) – poor cross-reactivity with HIV-2 peptide CAFRQVC – slightly more reactive with LGLIWGCSGKLIC and HIV-2 form NSWGCAFRQVC – disulfide bond between cysteines required. Oldstone *et al.* [1991]

No. 712
MAb ID 41-7
HXB2 Location gp160 (598–604)
Author Location gp41 (605–611)
Epitope CSGKLIC
Neutralizing no
Immunogen HIV-1 infection
Species (Isotype) human (IgG1κ)
References Enshell-Seijffers *et al.* 2001; Bugge *et al.* 1990

- 41-7: Monoclonal antibodies to this epitope have distinct phenotypes—41-7 and 1B8.env were found to be not neutralizing, 2F11 possibly enhancing, and clone 3 beneficial. Enshell-Seijffers *et al.* [2001]
- 41-7: Sera from 6/6 HIV-1 positive, but no HIV-2 positive individuals, interfered with 41-7 binding – Ab does not neutralize. Bugge *et al.* [1990]

No. 713
MAb ID 68.1
HXB2 Location gp160 (598–604)
Author Location gp41 (598–609)
Epitope CSGKLIC
Neutralizing
Immunogen vaccine
Vector/Type: peptide *HIV component:* gp41
Species (Isotype) mouse (IgM)
References Oldstone *et al.* 1991

- 68.1: Stimulated by immunization with the peptide: LGLIWGCSGKLIC (aa 598-609) – cross-reactive with HIV-2 peptide CAFRQVC – more reactive with longer HIV-1 peptide LGLIWGCSGKLIC and HIV-2 peptide NSWGCAFRQVC. Oldstone *et al.* [1991]

No. 714
MAb ID 68.11
HXB2 Location gp160 (598–604)

Author Location gp41 (598–609)

Epitope CSGKLLIC

Neutralizing

Immunogen vaccine

Vector/Type: peptide *HIV component:* gp41

Species (Isotype) mouse (IgM)

References Oldstone *et al.* 1991

- 68.11: Stimulated by immunization with the peptide: LGLIWGCSGKLLIC (aa 598-609) – cross-reactive with HIV-2 peptide CAFRQVC – more reactive with longer HIV-1 peptide LGLIWGCSGKLLIC and HIV-2 peptide NSWGCAFRQVC. Oldstone *et al.* [1991]

No. 715

MAb ID 75

HXB2 Location gp160 (598–604)

Author Location gp41 (598–609)

Epitope CSGKLLIC

Neutralizing

Immunogen vaccine

Vector/Type: peptide *HIV component:* gp41

Species (Isotype) rat (IgG)

References Oldstone *et al.* 1991

- 75: Stimulated by immunization with the peptide: LGLIWGCSGKLLIC (aa 598-609) – poor cross-reactivity with HIV-2 peptide CAFRQVC – more reactive with longer HIV-2 peptide NSWGCAFRQVC. Oldstone *et al.* [1991]

No. 716

MAb ID polyclonal

HXB2 Location gp160 (598–604)

Author Location gp41 (603–609)

Epitope CSGKLLIC

Neutralizing

Immunogen HIV-1 infection

Species (Isotype) human

References Enshell-Seijffers *et al.* 2001

- Monoclonal antibodies to this epitope have distinct phenotypes – 41-7 and 1B8.env were found to be not neutralizing, 2F11 possibly enhancing, and clone 3 beneficial – isolated mimotope-presenting phages corresponding to the immunodominant gp41 epitope CSGKLLIC were used to study the diversity of polyclonal responses in 30 HIV+ sera, and all but one of the patients reacted showing distinctive variable polyclonal recognition patterns. Enshell-Seijffers *et al.* [2001]

No. 717

MAb ID 105-732

HXB2 Location gp160 (599–606)

Author Location gp41 (601–608 HAM112, O group)

Epitope KGRLICYT

Neutralizing

Immunogen vaccine

Vector/Type: protein *Strain:* O group HAM112 *HIV component:* gp160

Species (Isotype) mouse (IgG2bκ)

References Scheffel *et al.* 1999

- 105-732: Overlapping peptides based on group O HAM112 Env were tested for MAb reactivity – MAb 105-732 bound to two overlapping peptides. Scheffel *et al.* [1999]

No. 718

MAb ID 3D6 (IAM 41-3D6)

HXB2 Location gp160 (599–613)

Author Location gp41 (604–617 BH10)

Epitope SGKLLICTTAVPWNAS

Neutralizing no

Immunogen HIV-1 infection

Species (Isotype) human (IgG1κ)

Ab Type gp41 cluster I, immunodominant region

Research Contact H. Katinger, Inst. Appl. Microbiol., Vienna, Austria and Viral Testing Systems, Houston, TX

References Gorny & Zolla-Pazner 2004; Finnegan *et al.* 2002; Cavacini *et al.* 1999; Cavacini *et al.* 1998a; Cavacini *et al.* 1998b; Kunert *et al.* 1998; Wisnewski *et al.* 1996; Stigler *et al.* 1995; Sattentau *et al.* 1995; Chen *et al.* 1994b; He *et al.* 1992; Felgenhauer *et al.* 1990

Keywords antibody binding site definition and exposure, antibody sequence, variable domain, kinetics, review, structure

- 3D6: One of 24 MAbs and Fabs in this database that bind to the highly immunogenic gp41 cluster I region (aa 579 - 604). Only one of these has any neutralizing potential, clone 3. Gorny & Zolla-Pazner [2004] (**review**)
- 3D6: Anti-gp41 MAbs were tested in a cell-cell fusion system to investigate the antigenic changes in gp41 during binding and fusion. Cluster I MAbs 50-69, F240, 240-D, 3D6, and 246-D recognize a nonhelical hydrophobic region, positions 598-604, that forms a disulfide loop in the six-helix bundle. Cluster II MAbs 98-6 and 126-6 recognized residues 644-663 of gp41, a portion of the second heptad repeat. These MAbs were found to behave similarly, so 50-69 and 98-6 were used as representatives. Exposure of cluster I and cluster II epitopes required CD4 expression on HIV HXB2 Env expressing HeLa target cells, but not the CXCR4 co-receptor. Binding to CD4 exposed hidden cluster I and II epitopes. The MAbs were found to bind to gp120/gp41 complexes, not to gp41 after shedding of gp120, and were localized to at fusing-cell interfaces. Kinetic and binding results indicate that these MAbs are exposed in transitional structures during the fusion process, possibly the prehairpin intermediate prior to co-receptor binding, although other intermediate structures may be involved. They do not bind once syncytia begin to show extensive cytoplasmic mixing. These MAbs failed to inhibit fusion. The NAb 2F5 has a very different behavior in this study. Finnegan *et al.* [2002] (**antibody binding site definition and exposure, kinetics**)
- 3D6: Cavacini *et al.* note that both MAbs F223 and 3D6 are anti-HIV-1 Env MAbs that have an autoimmune response and that both use uses VH3 germline genes. Cavacini *et al.* [1999]
- 3D6: Binds to the immunodominant region of gp41 – a strong homology between heavy variable domains of hu MAb 3D6 and MAb F20 was observed, these MAbs may define a human Ab clonotype. Cavacini *et al.* [1998a] (**antibody sequence, variable domain**)
- 3D6: The complete V, J and D(H) domain was sequenced – in contrast the sequences of five neutralizing MAbs, 3D6 had very little somatic mutation, with homologies of 97-98% relative

to germline genes. Kunert *et al.* [1998] (**antibody sequence, variable domain**)

- 3D6: 3D6 is V H3 – V-region heavy chain usage was examined and a bias of enhanced V H1 and V H4, and reduced V H3, was noted among HIV infected individuals. Wisniewski *et al.* [1996] (**antibody sequence, variable domain**)
- 3D6: Called IAM 41-3D6: binding increased after pretreatment of infected cells with sCD4 – binding domain overlaps site that is critical for gp120-gp41 association. Sattentau *et al.* [1995] (**antibody binding site definition and exposure**)
- 3D6: Optimum peptide for binding 3D6 Fab was CSGKLICT-TAVPW. Stigler *et al.* [1995] (**antibody binding site definition and exposure**)
- 3D6: This MAb binds to HIV gp41, and to a 43 kd protein found in human T, B and monocyte cell lines, proposed molecular mimicry. Chen *et al.* [1994b]
- 3D6: Fab fragment crystal structure. He *et al.* [1992] (**structure**)
- 3D6: Sequence of cDNA encoding V-regions. Felgenhauer *et al.* [1990] (**antibody sequence, variable domain**)

No. 719

MAb ID F172-D8 (F172-D8, scFvD8)

HXB2 Location gp160 (604–615)

Author Location gp41 (609–620)

Epitope CTTAVPWNASWS?

Neutralizing

Immunogen

Species (Isotype) human

References Legastelois & Desgranges 2000

- F172-D8: As an approach to intercellular immunization using a single-chain variable fragment, scFvD8 was constructed based on the MAb F172-D8, directed at a loop in gp41 between the two heptad repeat regions – intracellular scFvD8 expression decreased gp160 expression and a scFvD8 transfected cell line did not support infection by HIV-1 Ba-L or primary isolates. Legastelois & Desgranges [2000]

No. 720

MAb ID D50

HXB2 Location gp160 (632–655)

Author Location gp41 (642–665)

Epitope

Subtype B

Neutralizing

Immunogen vaccine

Vector/Type: protein *HIV component:* dimeric Env

Species (Isotype) mouse

Ab Type gp41 cluster II

Research Contact Patricia Earl and Christopher Broder, NIH

References de Rosny *et al.* 2004a; de Rosny *et al.* 2004b; Srivastava *et al.* 2002; Yang *et al.* 2000; Earl *et al.* 1997; Richardson *et al.* 1996; Binley *et al.* 1996; Earl *et al.* 1994

Keywords antibody binding site definition and exposure, antibody generation

- D50: The MAb 2F5 binds to the C-heptad and is neutralizing, but the MAb D50 binds to the C-heptad and is not neutralizing. 2F5 binds preferentially to native gp41 prior to receptor activation. D50 prefers the triggered form after receptor activation. Trapped fusion-intermediates suggest 2F5 remains present shortly after gp120 triggering by CD4, but may be lost by the time the six-helix bundle is formed. D50 binds equally to the fusion-intermediate and six-helix bundle. 2F5 neutralization seems to block a later step of the fusion process. de Rosny *et al.* [2004b] (**antibody binding site definition and exposure**)
- D50: The mechanism of 2F5 neutralization was explored, and experiments suggest it is due to interference with a late step in viral entry. sCD4 binding to gp120 triggers conformational changes in gp41 allowing formation of the six helix bundle. The NAb 2F5 preferentially bound native gp41, prior to receptor triggering, while the antibody D50 that also binds to the heptad region, near 2F5, is not neutralizing, and preferentially bound the CD4 triggered gp41. The C and N peptides that can be used to block the formation of the six helix bundle and lock gp41 in the fusion intermediate state after sCD4 triggering enabled 2F5 to bind after sCD4 triggering, while D50 was able to bind to both the peptide-trapped and sCD4 induced six helix bundle equally well, suggesting the D50 epitope is linear and more exposed after sCD4 binding. de Rosny *et al.* [2004a] (**antibody binding site definition and exposure**)
- D50: Oligomeric gp140 (o-gp140) derived from R5 primary isolate US4 was characterized for use as a vaccine reagent – D50 was used to capture the o-gp140 for ELISA to test the antigenicity of o-gp140 using a panel of well characterized MAbs. Srivastava *et al.* [2002]
- D50: A combination of gp41 fusion with the GNC4 trimeric sequences and disruption of the YU2 gp120-gp41 cleavage site resulted in stable gp140 trimers (gp140-GNC4) – gp41 MAbs T4, D12, T3, and D50 bound less efficiently to gp140-GNC4 than did pooled sera, but T4 and D12 recognized the gp140-GNC4 trimer equivalently to gp140(-), and T3 and D50 recognized the trimer at greater levels than gp140(-). Yang *et al.* [2000] (**antibody binding site definition and exposure**)
- D50: Found to bind to a linear peptide, between Env amino acids 642-655 – can be blocked by the conformation dependent MAbs D16, D17, D31, D36, D37, D40, D44, D55, D59, T37, and T45 – the region is in the immunogenic cluster two region – reactive with 9/10 HIV-1 strains tested, all except HIV-1 ADA, in which the change E659D and E662A may result in the loss of binding (ELLE to DLLA). Earl *et al.* [1997] (**antibody binding site definition and exposure**)
- D50: Thought to be a discontinuous epitope recognizing residues between 649-668 – designated cluster II – Fabs D5, D11, G1, T3, M12, M15, S6, S8, S9, S10 block binding. Binley *et al.* [1996] (**antibody binding site definition and exposure**)
- D50: Richardson suggests this is a linear gp41 epitope. Richardson *et al.* [1996] (**antibody binding site definition and exposure**)
- D50: Generated during a study of the influence of the oligomeric structure of Env in determining the repertoire of the Ab response. Earl *et al.* [1994] (**antibody generation**)

No. 721

MAb ID 5-21-3

HXB2 Location gp160 (642–665)
Author Location gp41 (642–665 HXB2)
Epitope IHSLIEESQNQQEKNEQELLELDK
Subtype B
Neutralizing
Immunogen vaccine
Vector/Type: protein *HIV component:* gp41
Species (Isotype) mouse
References Scheffel *et al.* 1999; Hunt *et al.* 1990
 • 5-21-3: Binds group M gp41, used as a control in a study of group O MAbs. Scheffel *et al.* [1999]
 • 5-21-3: Recognizes a contiguous, conformation-dependent epitope in a hydrophilic region. Hunt *et al.* [1990]

No. 722
MAB ID 120-16 (SZ-120.16)
HXB2 Location gp160 (644–663)
Author Location gp41 (644–663 HXB2)
Epitope SLIEESQNQQEKNEQELLEL
Subtype B
Neutralizing no
Immunogen HIV-1 infection
Species (Isotype) human (IgG2κ)
References Wisnewski *et al.* 1996; Forthal *et al.* 1995; Eddleston *et al.* 1993; Robinson *et al.* 1991; Xu *et al.* 1991; Tyler *et al.* 1990; Robinson *et al.* 1990b; Andris *et al.* 1992
 • 120-16: 120-16 is V H4 – V-region heavy chain usage was examined and a bias of enhanced V H1 and V H4, and reduced V H3, was noted among HIV infected individuals. Wisnewski *et al.* [1996]
 • 120-16: No neutralizing activity, both ADCC and viral enhancing activity. Forthal *et al.* [1995]
 • 120-16: Called SZ-120.16. Eddleston *et al.* [1993]
 • 120-16: Synergizes with huMAb 50-69 *in vitro* to enhance HIV-1 infection. Robinson *et al.* [1991]
 • 120-16: Less reactive region than AVERY region – most Abs involving this region bound conformational epitopes, this was the only linear one. Xu *et al.* [1991]
 • 120-16: Antibody dependent enhancement (ADE) of HIV-1 IIIB infectivity, synergistically enhanced by MAb V10-9. Robinson *et al.* [1990b]
 • 120-16: Potent ADCC (in contrast to MAb 98-43, gp41(579-604)). Tyler *et al.* [1990]

No. 723
MAB ID 98-6 (SZ-98.6, 98.6, 98-6D)
HXB2 Location gp160 (644–663)
Author Location gp41 (644–663 HXB2)
Epitope SLIEESQNQQEKNEQELLEL
Subtype B
Neutralizing no
Immunogen HIV-1 infection
Species (Isotype) human (IgG2κ)
Ab Type gp41 alpha-helical hairpin intermediate, gp41 cluster II
Research Contact Susan Zolla-Pazner (Zolla01@mcr6.med.nyu), NYU, NY

References Ling *et al.* 2004; Gorny & Zolla-Pazner 2004; Finnegan *et al.* 2002; Follis *et al.* 2002; Golding *et al.* 2002b; Verrier *et al.* 2001; Taniguchi *et al.* 2000; Nyambi *et al.* 2000; Gorny *et al.* 2000; Gorny & Zolla-Pazner 2000; Nyambi *et al.* 1998; Hioe *et al.* 1997b; Wisnewski *et al.* 1996; Sattentau *et al.* 1995; Manca *et al.* 1995a; Forthal *et al.* 1995; Chen *et al.* 1995; Laal *et al.* 1994; Tani *et al.* 1994; Spear *et al.* 1993; Eddleston *et al.* 1993; Xu *et al.* 1991; Robinson *et al.* 1991; Sattentau & Moore 1991; Andris *et al.* 1992; Tyler *et al.* 1990; Robinson *et al.* 1990b; Till *et al.* 1989; Gorny *et al.* 1989; Pinter *et al.* 1989

Keywords ADCC, antibody binding site definition and exposure, antibody interactions, antibody sequence, variable domain, binding affinity, complement, enhancing activity, immunotoxin, kinetics, review, subtype comparisons, variant cross-recognition or cross-neutralization

- 98-6: NIH AIDS Research and Reference Reagent Program: 1240.
- 98-6: One of 19 MAbs and Fabs in this database that bind to the highly immunogenic gp41 cluster II region (aa 644-663); none have any neutralizing activity. Gorny & Zolla-Pazner [2004] (**review**)
- 98-6: The role of serine proteases on HIV infection was explored. Trypsin decreased the binding of most Env MAb tested and diminished cell fusion of H9 cells infected with HIV-1 LAI virus (H9/IIIB) to MAGI cells. In contrast, thrombin increased the binding of MAbs to gp120 epitopes near the CD4 and CCR5 binding sites, and increased cell fusion. Binding of 17b and F105 was decreased by trypsin, but increased by thrombin. gp41 MAbs 246D, 98.6, 50-69, were decreased by trypsin, unaltered by thrombin, while NAb 2F5 binding was increased by thrombin. Thrombin may increase HIV-induced cell fusion in blood by causing a conformational activating shift in gp120. Ling *et al.* [2004] (**antibody binding site definition and exposure**)
- 98-6: Anti-gp41 MAbs were tested in a cell-cell fusion system to investigate the antigenic changes in gp41 during binding and fusion. Cluster I MAbs 50-69, F240, 240-D,3D6, and 246-D recognize a nonhelical hydrophobic region, positions 598-604, that forms a disulfide loop in the six-helix bundle. Cluster II MAbs 98-6 and 126-6 recognized residues 644-663 of gp41, a portion of the second heptad repeat. These MAbs were found to behave similarly, so 50-69 and 98-6 were used as representatives. Exposure of cluster I and cluster II epitopes required CD4 expression on HIV HXB2 Env expressing HeLa target cells, but not the CXCR4 co-receptor. Binding to CD4 exposed hidden cluster I and II epitopes. The MAbs were found to bind to gp120/gp41 complexes, not to gp41 after shedding of gp120, and were localized to at fusing-cell interfaces. Kinetic and binding results indicate that these MAbs are exposed in transitional structures during the fusion process, possibly the prehairpin intermediate prior to co-receptor binding, although other intermediate structures may be involved. They do not bind once syncytia begin to show extensive cytoplasmic mixing.

- These MAbs failed to inhibit fusion. The NAb 2F5 has a very different behavior in this study. Finnegan *et al.* [2002] (**antibody binding site definition and exposure, kinetics**)
- 98-6: Called 98-6D. Alanine mutations were introduced into the N- and C-terminal alpha-helices of gp41 to destabilize interhelical packing interactions in order to study their inhibitory effect on viral infectivity. These mutations were shown to inhibit viral replication though affecting the conformational transition to the fusion-active form of gp41, and allow increased inhibition by gp41 peptides. 2F5 sensitivity is increased in the mutated viruses, presumably because 2F5s neutralization activity is focused on the transition to the fusion active state. No other gp41 MAb against tested, including NC-1, 50-69D, 1281, 98-6D, 246-D and F240, neutralized the parental or the fusion-deficient mutated viruses. Follis *et al.* [2002] (**antibody binding site definition and exposure**)
 - 98-6: The fusion process was slowed by using a suboptimal temperature (31.5 C) to re-evaluate the potential of Abs targeting fusion intermediates to block HIV entry – preincubation of E/T cells at 31.5 C enabled polyclonal anti-N-HR Ab and anti-six-helix bundle Abs to inhibit fusion, indicating six-helix bundles form prior to fusion – 98-6 binds to a C-HR hairpin epitope and blocks fusion when added to a 2 hour E/T preincubation at 31.5 C, but if added after 1 hour, doesn't inhibit – this is in contrast to six-helix bundle Abs 167-D and 1281 that inhibit more efficiently when added after one hour of incubation. Golding *et al.* [2002b] (**antibody binding site definition and exposure**)
 - 98-6: A panel of 12 MAbs was used to identify those that could neutralize the dual-tropic primary isolate HIV-1 89.6—six gave significant neutralization at 2 to 10 ug/ml: 2F5, 50-69, IgG1b12, 447-52D, 2G12, and 670-D, while six did not have neutralizing activity: 654-D, 4.8D, 450-D, 246-D, 98-6, and 1281 – no synergy, only additive effects were seen for pairwise combinations of MAbs, and antagonism was noted between gp41 MAbs 50-69 and 98-6, as well as 98-6 and 2F5. Verrier *et al.* [2001] (**antibody interactions, variant cross-recognition or cross-neutralization**)
 - 98-6: 98-6 and 2F5 both bind to a peptide N51-C43 complex trimer of heterodimers that approximates the core of the fusogenic form of gp41, and to C43 alone but not to N51 alone – 98-6 and 2F5 have comparable affinities for C43, but 98-6 has a higher affinity for the complex and the binding of 98-6 is not inhibited by N51. Gorny & Zolla-Pazner [2000] (**antibody binding site definition and exposure, binding affinity**)
 - 98-6: Binding of panel of 21 MAbs to soluble oligomeric gp140 versus gp41 or gp120 monomers was compared – no MAb was oligomer specific, but gp41 MAb 50-69 bound with a 5 fold preference for the oligomer, while other gp41 MAbs (1367, 98-6, 167-D, 1281, 1342, and 1379) did not show a preference. Gorny *et al.* [2000] (**antibody binding site definition and exposure**)
 - 98-6: 26 HIV-1 group M isolates (clades A to H) were tested for binding to 47 MAbs, including 6 cluster II anti-gp41 MAbs – of these 2F5, 167-D, 126-6, and 1281 bound across clades, but usually weakly, while 98-6 and 1342 had poor cross reactivity – Clade D isolates bound most consistently to cluster II MAbs – no neutralizing activity was observed when tested against 5 isolates, but 98-6 did not bind to these isolates. Nyambi *et al.* [2000] (**subtype comparisons**)
 - 98-6: The fusogenic form of gp41 is recognized by 98-6, and the epitope is a conformational epitope formed by the interaction of two regions of gp41 which form an alpha-helical bundle. Taniguchi *et al.* [2000] (**antibody binding site definition and exposure**)
 - 98-6: Using a whole virion-ELISA method, 18 human MAbs were tested for their ability to bind to a panel of 9 viruses from clades A, B, D, F, G, and H – anti-gp41 Abs 98-6, 1367 and 1342 were not able to bind detectably with any of the viruses from any clade. Nyambi *et al.* [1998] (**variant cross-recognition or cross-neutralization**)
 - 98-6: Four primary isolates showed distinct patterns of sensitivity to neutralization by polyclonal sera or plasma and MAbs – BZ167 was the only isolate inhibited by all polyclonal sera and plasma tested, and was also neutralized by 8/17 MAbs, in particular anti-V3 loop (419-D, 447-52D, 782-D, and 838-D), anti-CD4bd (559/64-D, 654-D and 830-D and a cluster II of gp41 directed MAb (98-6) – isolates 92HT593 and 91US056 were neutralized by V3 loop (419-D, and 447-52D) and cluster II gp41 (98-6) MAbs at higher concentrations – US4 was neutralized by some of the polyclonal sera/plasma tested and not at all by MAbs individually or by a cocktail of ten MAbs consisting of 419-D, 447-52D, 782-D, 838-D, 559/64-D, 654-D, 450-D, 670-D, 1281-D and 98-6. Hioe *et al.* [1997b] (**variant cross-recognition or cross-neutralization**)
 - 98-6: 98-6 is V H4 – V-region heavy chain usage was examined and a bias of enhanced V H1 and V H4, and reduced V H3, was noted among HIV infected individuals. Wisniewski *et al.* [1996] (**antibody sequence, variable domain**)
 - 98-6: One of several anti-gp41 MAbs that bind to a gp41-maltose binding fusion protein designed to study the leucine zipper domain of gp41, showing that the construct has retained aspects of normal gp41 conformation. Chen *et al.* [1995] (**antibody binding site definition and exposure**)
 - 98-6: No neutralizing activity, positive ADCC activity, and no viral enhancing activity. Forthal *et al.* [1995] (**ADCC, enhancing activity**)
 - 98-6: Virions complexed to gp41 Ab facilitate presentation of p66 RT epitopes to Th cells. Manca *et al.* [1995a]
 - 98-6: Preferentially recognizes oligomeric form of gp41 – enhanced binding to HIV-1 infected cells at 37 degrees relative to 4 degrees – addition of sCD4 enhances binding. Sattentau *et al.* [1995] (**antibody binding site definition and exposure**)
 - 98-6: Epitope described as cluster II, 644-663, conformational – does not neutralize IIIB or synergize neutralization by anti-V3 MAb 447-52D or by CD4 BS MAbs. Laal *et al.* [1994] (**antibody binding site definition and exposure, antibody interactions, variant cross-recognition or cross-neutralization**)
 - 98-6: This MAb was expressed as a surface anti-gp41 monoclonal antibody receptor for gp41 on a CD4-negative B-cell line. Transfected cells could bind HIV Envelope, but could not be infected by HIV-1. When CD4 delivered by retroviral constructs was expressed on these cells, they acquired the ability to replicate HIV-1, and sIg/gp41 specifically enhanced viral replication. Tani *et al.* [1994]

- 98-6: Called SZ-98.6 – binds to a conformational domain within aa 644-663 of gp41, and reacts with astrocytes, as do 167-7 and ND-15G1. Eddleston *et al.* [1993] (**antibody binding site definition and exposure**)
- 98-6: Did not mediate deposition of complement component C3 on HIV infected cells, binding enhanced by sCD4. Spear *et al.* [1993] (**complement**)
- 98-6: No neutralizing or enhancing activity. Robinson *et al.* [1991] (**enhancing activity**)
- 98-6: Two fold increase in binding to gp120 in the presence of bound sCD4. Sattentau & Moore [1991] (**antibody binding site definition and exposure**)
- 98-6: Appeared to be specific for a conformational or discontinuous epitope. Xu *et al.* [1991] (**antibody binding site definition and exposure**)
- 98-6: No neutralizing or enhancing activity for HIV-1 IIIB. Robinson *et al.* [1990b] (**enhancing activity**)
- 98-6: Serves as target for antibody-dependent cellular cytotoxicity, ADCC. Tyler *et al.* [1990] (**ADCC**)
- 98-6: Kills HIV-infected cells when coupled to deglycosylated ricin A chain. Gorny *et al.* [1989] (**immunotoxin**)
- 98-6: Reacts preferentially with gp160 oligomer, compared to gp41 monomer. Pinter *et al.* [1989] (**antibody binding site definition and exposure**)
- 98-6: Toxic to HIV-infected T cells (H9) and monocytes (U937) when coupled to deglycosylated A chain of ricin. Till *et al.* [1989] (**immunotoxin**)

No. 724

Mab ID 167-7 (SZ-167.7)

HXB2 Location gp160 (644–663)

Author Location gp41 (644–663)

Epitope SLIEESQNQQEKNEQELLEL

Neutralizing

Immunogen HIV-1 infection

Species (Isotype) human (IgG2 λ)

Ab Type gp41 cluster II

References Eddleston *et al.* 1993; Xu *et al.* 1991

- 167-7: Called SZ-167.7 – binds to a conformational domain within aa 644-663 of gp41, and reacts with astrocytes, as do 98-6 and ND-15G1. Eddleston *et al.* [1993]
- 167-7: Specific for a conformational epitope. Xu *et al.* [1991]

No. 725

Mab ID ND-15G1 (ND-15G1)

HXB2 Location gp160 (644–663)

Author Location gp41 (644–663 HXB2)

Epitope SLIEESQNQQEKNEQELLEL

Subtype B

Neutralizing

Immunogen HIV-1 infection

Species (Isotype) human (IgG1 κ)

Ab Type gp41 cluster II

References Gorny & Zolla-Pazner 2004; Eddleston *et al.* 1993

Keywords antibody binding site definition and exposure, review

- ND-15G1: One of 19 MAbs and Fabs in this database that bind to the highly immunogenic gp41 cluster II region (aa 644-663); none have neutralizing activity. Gorny & Zolla-Pazner [2004] (**review**)
- ND-15G1: Mapped to the conformational epitope within aa 644-663, and reacts with astrocytes, as do 98-6 and 167-7. Eddleston *et al.* [1993] (**antibody binding site definition and exposure**)

No. 726

Mab ID 167-D (167)

HXB2 Location gp160 (644–663)

Author Location gp41 (644–663 HXB2)

Epitope SLIEESQNQQEKNEQELLEL

Subtype B

Neutralizing no

Immunogen HIV-1 infection

Species (Isotype) human (IgG1 λ)

Ab Type gp41 cluster II, gp41 six-helix bundle

Research Contact Susan Zolla-Pazner (Zollas01@mrcr6.med.nyu), NYU, NY

References Gorny & Zolla-Pazner 2004; Golding *et al.* 2002b; Nyambi *et al.* 2000; Gorny *et al.* 2000; Gorny & Zolla-Pazner 2000; Manca *et al.* 1995a; Forthal *et al.* 1995; Spear *et al.* 1993

Keywords ADCC, antibody binding site definition and exposure, complement, enhancing activity, review, subtype comparisons, variant cross-recognition or cross-neutralization

- 167-D: Called 167. One of 19 MAbs and Fabs in this database that bind to the highly immunogenic gp41 cluster II region (aa 644-663); none have neutralizing activity. Gorny & Zolla-Pazner [2004] (**review**)
- 167-D: The fusion process was slowed by using a suboptimal temperature (31.5 C) to re-evaluate the potential of Abs targeting fusion intermediates to block HIV entry – preincubation of E/T cells at 31.5 C enabled polyclonal anti-N-HR Ab and anti-six-helix bundle Abs to inhibit fusion, indicating six-helix bundles form prior to fusion – 98-6 binds to a C-HR hairpin epitope and blocks fusion when added to a 2 hour E/T preincubation at 31.5 C, but if added after 1 hour, doesn't inhibit – this is in contrast to six-helix bundle Abs 167-D and 1281 that inhibit more efficiently when added after one hour of incubation. Golding *et al.* [2002b] (**antibody binding site definition and exposure**)
- 167-D: This cluster II MAb binds to a conformational epitope in the region 644-663 – like most cluster II MAbs (126-6, 167-D, 1281, 1342, and 1379 all reacted similarly) it binds to a peptide N51-C43 complex trimer of heterodimers that approximates the core of the fusogenic form of gp41, but not to C43 nor to N51 alone. Gorny & Zolla-Pazner [2000] (**antibody binding site definition and exposure**)
- 167-D: Binding of panel of 21 MAbs to soluble oligomeric gp140 versus gp41 or gp120 monomers was compared – no MAb was oligomer specific, but gp41 MAb 50-69 bound with a 5 fold preference for the oligomer, while other gp41 MAbs (1367, 98-6, 167-D, 1281, 1342, and 1379) did not show a preference. Gorny *et al.* [2000] (**antibody binding site definition and exposure**)

- 167-D: 26 HIV-1 group M isolates (clades A to H) were tested for binding to 47 MAbs, including 6 cluster II anti-gp41 MAbs – of these 2F5, 167-D, 126-6, and 1281 bound across clades, but usually weakly, while 98-6 and 1342 had poor cross reactivity – Clade D isolates bound most consistently to cluster II MAbs. Nyambi *et al.* [2000] (**subtype comparisons**)
- 167-D: No neutralizing activity, no ADCC activity, and no viral enhancing activity. Forthal *et al.* [1995] (**ADCC, enhancing activity, variant cross-recognition or cross-neutralization**)
- 167-D: Virions complexed to gp41 Ab facilitate presentation of p66 RT epitopes to Th cells. Manca *et al.* [1995a]
- 167-D: Did not mediate deposition of complement component C3 on HIV infected cells – complement mediated virolysis of MN and IIIB in the presence of sCD4. Spear *et al.* [1993] (**complement**)

No. 727

MAB ID polyclonal

HXB2 Location gp160 (659–670)

Author Location gp41 (659–670)

Epitope ELLELDKWASLW

Subtype B

Neutralizing no

Immunogen vaccine

Vector/Type: peptide *Strain:* B clade *HIV component:* gp41 *Adjuvant:* QS21

Species (Isotype) guinea pig

References McGaughey *et al.* 2003

Keywords antibody binding site definition and exposure, binding affinity, vaccine antigen design

- 2F5: Cyclic peptides ELLELDKWASLW that adopt constrained beta-turn conformation of the 2F5 epitope beta-turn in the complexed crystal structure were synthesized and optimize 2F5 binding affinity. This peptide elicits high titer peptide-specific immune responses in guinea pigs that do not neutralize; the authors propose this may be the result of a short CDR3 loop in guinea pigs and additional recessed contact points between 2F5 and gp41. McGaughey *et al.* [2003] (**antibody binding site definition and exposure, vaccine antigen design, binding affinity**)

No. 728

MAB ID polyclonal

HXB2 Location gp160 (662–667)

Author Location gp41 (662–667)

Epitope ELDKWA

Neutralizing no

Immunogen vaccine

HIV component: gp41

Species (Isotype) guinea pig

References Joyce *et al.* 2002

- 2F5: DP178 is a peptide derived from the C-term heptad repeat of gp41 that is a potent inhibitor of viral-mediated fusion – it contains ELDKWA but fails to stimulate 2F5-like NABs upon immunization – the peptide was extended to force an increase in helicity, and the modified peptide had a increase in affinity for 2F5, but upon guinea pig immunization although high peptide-specific Ab titers were achieved the sera were incapable of viral neutralization – the authors propose that 2F5 may be a low affinity maturation intermediate, which may account for its

breadth and why it is hard to recreate the NAb response, but also suggests that the high concentrations required for neutralization are not relevant *in vivo*. Joyce *et al.* [2002]

No. 729

MAB ID polyclonal

HXB2 Location gp160 (662–667)

Author Location gp41

Epitope ELDKWA

Subtype B

Neutralizing

Immunogen vaccine

Vector/Type: peptide *HIV component:* gp41*Adjuvant:* Complete Freund's Adjuvant (CFA), Incomplete Freund's Adjuvant (IFA)

Species (Isotype) mouse

References Liu *et al.* 2005b

Keywords vaccine antigen design, vaccine-specific epitope characteristics

- A peptide containing eight copies of the MAb 2F5's ELDKWA-epitope separated by aa spacers GSGGGGS, RS, and GS was used to test the impact of spacers on eliciting antibody responses to peptides. Both GSGGGGS and GS induced high titers of ELDKWA peptide-specific Abs in BALB/c mice, which reacted with rsgp41. Liu *et al.* [2005b] (**vaccine antigen design, vaccine-specific epitope characteristics**)

No. 730

MAB ID 5B2

HXB2 Location gp160 (662–667)

Author Location Env (669–674 IIIB)

Epitope ELDKWA

Neutralizing

Immunogen vaccine

Vector/Type: peptide keyhole limpet hemocyanin (KLH) conjugate *Strain:* B cladeIIIB *HIV component:* gp41

Species (Isotype) mouse (IgG)

Ab Type C-domain

References Tian *et al.* 2001

- 5B2: There is an RT specific Ab Szilvay *et al.* [1992] and a gp41 specific Ab Tian *et al.* [2001] both called 5B2. Tian *et al.* [2001]
- 5B2: Peptides GPGRIFY and ELDKWA were conjugated to keyhole limpet hemocyanin and used to raise mouse MAbs – MAb hybridomas were generated with defined specificity – 5B2 and 9G11 bind to the peptide and to rgp41. Tian *et al.* [2001]

No. 731

MAB ID 9G11

HXB2 Location gp160 (662–667)

Author Location Env (669–674 IIIB)

Epitope ELDKWA

Neutralizing

Immunogen vaccine

Vector/Type: peptide keyhole limpet hemocyanin (KLH) conjugate *Strain:* B cladeIIIB *HIV component:* gp41

Species (Isotype) mouse (IgG)

Ab Type C-domain
References Tian *et al.* 2001
 • 9G11: Peptides GPGRAPHY and ELDKWA were conjugated to KLH and used to raise mouse monoclonal Ab—MAB hybridomas were generated with defined specificity—5B2 and 9G11 bind to the peptide and to rgp41. Tian *et al.* [2001]

No. 732
MAb ID TH-Ab1
HXB2 Location gp160 (662–667)
Author Location gp41 (669–674)
Epitope ELNKWA
Neutralizing L P
Immunogen vaccine
Vector/Type: peptide keyhole limpet hemocyanin (KLH) conjugate *Strain:* B clade TH936705 *HIV component:* gp41 *Adjuvant:* Complete Freund's Adjuvant (CFA)

Species (Isotype) rabbit (IgG1)

Ab Type C-domain
References Dong *et al.* 2001; Xiao *et al.* 2000a
 • TH-Ab1: ELNKWA is an escape variant not recognized by the broadly neutralizing MAb 2F5, which recognizes the core epitope ELDKWA—Abs were raised against the peptide escape variant CGELNKWAGELNKWA linked to KLH carrier—these polyclonal antibodies, like the MAb TH-Ab1 also raised to ELNKWA, could recognize ELDKWA and escape mutant peptide epitopes ELEKWA and ELDEWA. Dong *et al.* [2001]

No. 733
MAb ID polyclonal
HXB2 Location gp160 (662–667)
Author Location gp41
Epitope ELDKWA
Neutralizing L P
Immunogen vaccine
Vector/Type: peptide *HIV component:* gp41

Species (Isotype) rabbit

Ab Type C-domain
References Liao *et al.* 2000
 • Low levels of anti-ELDKWA antibodies are observed in HIV-1 + individuals, so a C-domain P2 peptide linked to a carrier was used to immunize mice and rabbits, and stimulated a high-level anti-ELDKWA response in mice and rabbits – vaccine was C-TSLIHSLIEESQNQQEKNEQELLELDKWA linked to carrier peptide K/G [(KGGG)_7-K]. Liao *et al.* [2000]

No. 734
MAb ID polyclonal
HXB2 Location gp160 (662–667)
Author Location gp41 (669–674)
Epitope ELDKWA
Neutralizing
Immunogen vaccine
Vector/Type: peptide *HIV component:* Env *Adjuvant:* BSA

Species (Isotype) rabbit, mouse

Ab Type C-domain
References Xiao *et al.* 2000b

• Strong epitope-specific neutralizing antibody responses were induced using a Env peptide bound to BSA, C(ELDKWAG)_4-BSA, but not full gp160. Xiao *et al.* [2000b]

No. 735
MAb ID polyclonal
HXB2 Location gp160 (662–667)
Author Location gp41 (662–667 BH10)
Epitope ELDKWA
Neutralizing L
Immunogen vaccine
Vector/Type: influenza *Strain:* B clade BH10 *HIV component:* gp41

Species (Isotype) mouse (IgA, IgG)

Ab Type C-domain
References Muster *et al.* 1995; Muster *et al.* 1994
 • Sustained ELDKWA specific IgA response in mucosa of immunized mice. Muster *et al.* [1995]

No. 736
MAb ID polyclonal
HXB2 Location gp160 (662–667)
Author Location gp120 (669–674)
Epitope ELDKWA
Neutralizing
Immunogen vaccine
Vector/Type: protein, polyepitope *HIV component:* gp160 *Adjuvant:* BSA

Species (Isotype) rabbit

Ab Type C-domain
References Lu *et al.* 2000b; Lu *et al.* 2000c
 • High titer response to ELDKWA and RILAVERYLKD was observed upon vaccination with multiple-epitope vaccine CG-GPGRAPHY-G-ELDKWA-G-RILAVERYLKD conjugated to BSA, with a weak response to GPGRAPHY – immunization with CG-(ELDKWA-GPGRAPHY)_2-K was also tried, yielding a strong Ab response to both ELDKWA and GPGRAPHY – gp160 vaccination yielded strong Ab response but not to any of the peptides studied here. Lu *et al.* [2000c,b]

No. 737
MAb ID 14D9
HXB2 Location gp160 (662–667)
Author Location gp41 (669–674 MVP5180)
Epitope ELDEWA
Subtype B, CRF01_AE, O
Neutralizing
Immunogen vaccine

Vector/Type: peptide keyhole limpet hemocyanin (KLH) conjugate *Strain:* natural variants *HIV component:* gp41 *Adjuvant:* Complete Freund's Adjuvant (CFA)

Species (Isotype) mouse (IgG1)

Ab Type gp41 adjacent to cluster II, C-term
References Huang *et al.* 2002
Keywords antibody binding site definition and exposure, antibody generation, subtype comparisons, variant cross-recognition or cross-neutralization

- 14D9: This mouse MAb was raised against a variant of ELD-KWA core epitope of the NAb 2F5, eldEwa, derived from the 2F5 neutralization resistance variant MVP5180. The eldEwa peptide was conjugated to the carrier protein keyhole limpet hemocyanin (KLH) and administered to BALB/c mice and 14D9 was prepared using standard hybridoma methods. 2F5 does not bind to the variants eldEwa, elNkwa (B.TH.TH936705) or elEkwa, while 14D9 binds only to eldEwa and not ELDKWA. The eldEwa variant is common in the HIV-1 O group. Huang *et al.* [2002] (**antibody binding site definition and exposure, antibody generation, variant cross-recognition or cross-neutralization, subtype comparisons**)

No. 738

MAb ID 2F5 (IAM 2F5, IAM-41-2F5, IAM2F5, c2F5)

HXB2 Location gp160 (662–667)

Author Location gp41 (662–667 BH10)

Epitope ELDKWA

Neutralizing L P

Immunogen HIV-1 infection

Species (Isotype) human (IgG3κ)

Ab Type gp41 adjacent to cluster II, C-term

Research Contact Hermann Katinger, Institute of Applied Microbiology, Vienna, or Polymun Scientific Inc., Vienna, Austria, or Viral Testi

References Zwick *et al.* 2005; Wang *et al.* 2005; Srisurapanon *et al.* 2005; Ren *et al.* 2005; Pinter *et al.* 2005; Nakowitsch *et al.* 2005; Lusso *et al.* 2005; Luo *et al.* 2006; Louis *et al.* 2005; Liu *et al.* 2005b; Krachmarov *et al.* 2005; Ho *et al.* 2005; Haynes *et al.* 2005; Chakrabarti *et al.* 2005; Dong *et al.* 2005; Biron *et al.* 2005; Zwick *et al.* 2004; Menendez *et al.* 2004; Safrit *et al.* 2004; Pugach *et al.* 2004; Pinter *et al.* 2004; Opalka *et al.* 2004; Nabatov *et al.* 2004; McCaffrey *et al.* 2004; Lorin *et al.* 2004; Ling *et al.* 2004; Liao *et al.* 2004; Jeffs *et al.* 2004; Ferrantelli *et al.* 2004a; Ferrantelli *et al.* 2004b; de Rosny *et al.* 2004a; de Rosny *et al.* 2004b; Binley *et al.* 2004; Gorny & Zolla-Pazner 2004; Wolbank *et al.* 2003; Ohagen *et al.* 2003; Montefiori *et al.* 2003; McGaughey *et al.* 2003; Mascola *et al.* 2003; Kitabwalla *et al.* 2003; Wang 2003; Richman *et al.* 2003; Mascola 2003; Hart *et al.* 2003; Ferrantelli *et al.* 2003; Dey *et al.* 2003; Binley *et al.* 2003; Stiegler *et al.* 2002; Li *et al.* 2002; Huang *et al.* 2002; Gorry *et al.* 2002; Finnegan *et al.* 2002; Follis *et al.* 2002; Cavacini *et al.* 2002; Bures *et al.* 2002; Liu *et al.* 2002; Ferrantelli & Ruprecht 2002; Zhang *et al.* 2002; Kunert *et al.* 2002; Mascola 2002; Grundner *et al.* 2002; Xiang *et al.* 2002b; Clerici *et al.* 2002a; Joyce *et al.* 2002; Chakrabarti *et al.* 2002; Xu *et al.* 2002; Ho *et al.* 2002; Tian *et al.* 2002; Schulke *et al.* 2002; Golding *et al.* 2002b; Srivastava *et al.* 2002; Armbruster *et al.* 2002;

Root *et al.* 2001; Xu *et al.* 2001; Hofmann-Lehmann *et al.* 2001; Stiegler *et al.* 2001; Verrier *et al.* 2001; Spenlehauer *et al.* 2001; Parker *et al.* 2001; Zeder-Lutz *et al.* 2001; Moore *et al.* 2001; Barnett *et al.* 2001; Mascola & Nabel 2001; Zwick *et al.* 2001c; Zwick *et al.* 2001b; York *et al.* 2001; Tumanova *et al.* 2001; Kolchinsky *et al.* 2001; Dong *et al.* 2001; Si *et al.* 2001; Yang *et al.* 2000; Xiao *et al.* 2000c; Coeffier *et al.* 2000; Sanhadji *et al.* 2000; Pai *et al.* 2002; Park *et al.* 2000; Nyambi *et al.* 2000; Lu *et al.* 2000b; Lu *et al.* 2000c; Liao *et al.* 2000; Kunert *et al.* 2000; Gorny & Zolla-Pazner 2000; Robert-Guroff 2000; Baba *et al.* 2000; Mascola *et al.* 2000; Mascola *et al.* 1999; Parren *et al.* 1999; Muhlbacher *et al.* 1999; Beddows *et al.* 1999; Poignard *et al.* 1999; Montefiori & Evans 1999; Frankel *et al.* 1998; Kunert *et al.* 1998; Geffin *et al.* 1998; Parren *et al.* 1998b; Jiang *et al.* 1998; Li *et al.* 1998; Takefman *et al.* 1998; Ernst *et al.* 1998; Fouts *et al.* 1998; Trkola *et al.* 1998; Yang *et al.* 1998; Parren *et al.* 1998a; Connor *et al.* 1998; Mondor *et al.* 1998; Andrus *et al.* 1998; Gorny *et al.* 1997; Earl *et al.* 1997; Burton & Montefiori 1997; Ugolini *et al.* 1997; Turbica *et al.* 1997; Stamatos *et al.* 1997; Mascola *et al.* 1997; Moore & Trkola 1997; Kessler II *et al.* 1997; Li *et al.* 1997; Mo *et al.* 1997; D'Souza *et al.* 1997; Schutten *et al.* 1997; Purtscher *et al.* 1996; Stoiber *et al.* 1996; McKeating *et al.* 1996; Pincus *et al.* 1996; Conley *et al.* 1996; Sattentau 1996; Poignard *et al.* 1996b; McKeating 1996; Calarota *et al.* 1996; Kessler *et al.* 1995; Neurath *et al.* 1995; Moore & Ho 1995; Sattentau *et al.* 1995; Trkola *et al.* 1995; D'Souza *et al.* 1995; Beretta & Dalgleish 1994; Muster *et al.* 1994; McGaughey *et al.* 2004; Chen *et al.* 1994b; Thali *et al.* 1994; Conley *et al.* 1994b; D'Souza *et al.* 1994; Dacheux *et al.* 2004; Buchacher *et al.* 1994; Laal *et al.* 1994; Purtscher *et al.* 1994; Klasse *et al.* 1993a; Allaway *et al.* 1993; Muster *et al.* 1993; Buchacher *et al.* 1992

Keywords acute/early infection, adjuvant comparison, antibody binding site definition and exposure, assay standardization/improvement, coreceptor, escape, immunoprophylaxis, immunotherapy, kinetics, mimotopes, mother-to-infant transmission, neutralization potency, rate of progression, reversion, viral fitness, review, structure, subtype comparisons, vaccine antigen design, vaccine-specific epitope characteristics, variant cross-recognition or cross-neutralization

- 2F5: UK Medical Research Council AIDS reagent: ARP3063.
- 2F5: NIH AIDS Research and Reference Reagent Program: 1475.

- 2F5: gp41 and p15E of the porcine endogenous retrovirus (PERV) share structural and functional similarities, and epitopes in the membrane proximal region of p15E are able to elicit NAb upon immunization with soluble p15E. Rabbits immunized with a VSV recombinant expressing an HIV-1 membrane-proximal external region (MPER) fused to PERV p15E, with a fusion p15E-HIV MPER protein boost, elicited HIV specific NAb. The MPER contains the 2F5 epitope, and the 2F5 MAb was used as a positive control for neutralization in this study, and could bind to the vaccine construct. Luo *et al.* [2006] (**vaccine antigen design**)
- 2F5: Circular dichroism and NMR were used to analyze the structure of the HIV-1 inhibitor peptide T-20 (gp41 HXB2 aa 638-673) that contains the full 2F5 and partial 4E10 epitope. T-20 was unstructured towards the N terminus, and helical in the central and C-terminal regions. The 2F5 epitope sequence (gp41 HXB2 657-670) forms an intrinsic helical structure, which is stable in water. Biron *et al.* [2005] (**structure**)
- 2F5: Guinea pigs were immunized with a hybrid HXB2/BaL Env (HIV HXB/BaL gp140 δ CFI, clade B) in which the tip of the V3 loop (GPGRA) was replaced with the 2F5 epitope LELDKWAS. 2F5 bound to the Env that carried the V3-replacement 2F5 epitope, but antibodies against this construct only neutralized the X4-tropic lab adapted HIV strain IIIB, and not CCR5-HIV BaL or SF162 isolates. Chakrabarti *et al.* [2005] (**vaccine antigen design, variant cross-recognition or cross-neutralization**)
- 2F5: 2F5 recognizes the epitope ELDKWA, but does not neutralize viruses carrying the commonly found mutated epitope variants: ELDEWA, ELDSWA, ELDNWA, ELDQWA, ELDTWA, or ELNKWA. Peptide cocktails containing ELDKWA, ELNKWA, ELDEWA, and ELEKWA elicit polyclonal antibodies in rabbits that can bind to all of the natural variants that are escape variants for 2F5 expressed in gp41 via WB, as well as ELDERWA. Dong *et al.* [2005] (**vaccine antigen design, variant cross-recognition or cross-neutralization, escape**)
- 2F5: 2F5 and 4E10 both bind to membrane proximal regions of gp41, and have long hydrophobic CDR3 regions characteristic of polyspecific autoreactive antibodies. Of 35 Env-specific MAbs tested, only 2F5 and 4E10 were reactive with phospholipid cardiolipin. Vaccine induction of antibodies that react with these gp41 membrane proximal regions may be rare because of elimination due to autoantigen mimicry. 2F5 also reacted with centromere B and histone autoantigens, and both 4E10 and 2F5 reacted with HEP-2 cells with diffuse cytoplasmic and nuclear patterns indicating polyspecific autoreactivity. Haynes *et al.* [2005] (**antibody binding site definition and exposure**)
- 2F5: In an attempt to elicit 2F5-like antibodies, the 2F5 epitope ELDKWAS was constrained in the beta-turn sites of the immunoglobulin heavy chain, or alternatively was attached at the C-terminal ends of the immunoglobulin light chain. The constrained heavy chain inserted epitopes bound to 2F5 with 10-fold higher affinity than the light chain unconstrained versions, and when used as an immunogen, elicited epitope-specific antibodies in rabbits, but these antibodies could not neutralize the virus. Ho *et al.* [2005] (**vaccine antigen design, vaccine-specific epitope characteristics**)
- 2F5: Sera from subtype A infected individuals from Cameroon have antibodies that react strongly with subtype A and subtype B V3 loops in fusion proteins, and neutralize SF162 pseudotypes, while sera from 47 subtype B infected individuals reacted only with subtype B V3s. Sera from Cameroon did not neutralize primary A or B isolates, due to indirect masking by the V1/V2 domain rather than due to loss of the target epitope. Neutralization by Cameroonian sera MAbs was blocked by Clade A and B V3 loop fusion proteins, while NAb to non-V3 epitopes, 2F5, 2G12, and b12, were not blocked. Krachmarov *et al.* [2005] (**antibody binding site definition and exposure, variant cross-recognition or cross-neutralization, subtype comparisons**)
- 2F5: A peptide containing eight copies of the ELDKWA-epitope separated by aa spacers GSGGGGS, RS, and GS was used to test the impact of spacers on eliciting antibody responses to peptides. Both GSGGGGS and GS induced high titers of ELDKWA peptide-specific Abs in BALB/c mice, which reacted with rsgp41. 2F5 served as a positive control in a Western Blot to determine whether epitope-specific Abs bound to recombinant protein rsgp41. Liu *et al.* [2005b] (**vaccine antigen design, vaccine-specific epitope characteristics**)
- 2F5: Nine anti-gp41 bivalent Fabs that interacted with either or both of the 6-helix bundle and the internal coiled-coil of N-helices of gp41 were selected from a non-immune human phage display library. The IC₅₀ range for the inhibition of LAV ENV-mediated cell-fusion was 6-61 μ g/ml. For context, 2F5 and 2G12 (IC₅₀s of 0.5-1.5 μ g/ml) were about an order of magnitude more potent in this assay than the best Fabs generated here. Louis *et al.* [2005] (**neutralization potency**)
- 2F5: Passive immunization of 8 HIV-1 infected patients with 4E10, 2F5 and 2G12 (day 0, 4E10; days 7, 14 and 21 4E10+2G12+2F5; virus isolated on days 0 and 77) resulted in 0/8 patients with virus that escaped all three NAb. No viruses fully escaped 2F5, although 5/8 developed a more than 2-fold increase in 2F5 IC₅₀ concentrations at day 77. No changes in the 2F5 epitope were observed in the 77 day study period, although 3 patients had unusual 2F5 epitope sequences to start with (not A/ELDKWA but SLNNWN, ALDTWE, or KFDNWA); all viruses were susceptible to 2F5 neutralization, although to varying degrees. In a companion in vitro study, resistance to a single MAb emerged in 3-22 weeks, but triple combination resistance was slower and characterized by decreased viral fitness. In the core of the 2F5 epitope, LDKW, the L and W were completely conserved in the in vitro study, but 9/13 cases had a D->N change, 1/13 a K->N, and 1/13 a K->Q. The lack of resistance to the combination of MAbs in vivo and the reduced fitness of the escape mutants selected in vitro suggests passive immunotherapy may be of value in HIV infection. Nakowitsch *et al.* [2005] (**escape, immunotherapy**)
- 2F5: This study is about the V2 MAb C108g, that is type-specific and neutralizes BaL and HXB2. JR-FL is a neutralization resistant strain; modification of JRFL at V2 positions 167 and 168 (GK->DE) created a C108g epitope, and C108g could potentially neutralize the modified JR-FL. The modification in V2 also increased neutralization sensitivity to V3 MAbs 4117c, 2219, 2191, and 447-52D, but only had minor effects on neutralization by CD4BS MAb 5145A, and broadly neutralizing MAbs IgG1b12, 2G12, and 2F5. Pinter *et al.* [2005] (**antibody**)

binding site definition and exposure)

- 2F5: The antibody M2 is specific for a peptide flag inserted into the V4 loop of YU-2, a neutralization resistant variant with a short V4 loop. IgG1b12 and 2F5 could neutralize both the WT YU-2 and the modified variant. The high diversity of V4 suggests it does not play a direct role in receptor binding or viral entry, yet M2, specific for the peptide insert tag, can neutralize the modified virus, demonstrating that neutralizing activity doesn't have to block functionality of the virus. Ren *et al.* [2005] (**neutralization potency**)
- 2F5: Ab titers to the 2F5 binding peptide ELDKWA were tested by peptide ELISA in sera from Thais infected with CRF01 virus who were asymptomatic versus those who had AIDS, and antibody titers were found to be significantly lower in AIDS patients. The frequency of recognition of this peptide was low overall (15-35%) in CRF01 infections, as well as infections with clades A-G. Srisurapanon *et al.* [2005] (**variant cross-recognition or cross-neutralization, subtype comparisons, rate of progression**)
- 2F5: A multi-epitope ELDKWA/ELDEWA string in a glutathione S-transferase (GST) backbone elicited Abs in mice and rabbits that could bind to gp41 carrying either the 2F5 susceptible ELDKWA variant, or the ELDEWA escape variant. Vaccinations with only the ELDKWA epitope or the ELDEWA embedded-peptide constructs yielded type specific Abs. Wang *et al.* [2005] (**vaccine antigen design, vaccine-specific epitope characteristics, escape**)
- 2F5: Alanine scanning mutations of the 21 amino acid region between positions 660-680 showed that only Ala substitutions in the DKW at the core of the epitope reduced binding, positions llelDKWanlwnwfdisnwlw. No single Ala mutation was resistant to both 2F4 and 4E10. Ala substitutions in 12 of the 20 positions enhanced neutralization sensitivity, LLeLdkwanLWNWfIdSnWLW. 2F5 inhibits the neutralization activity of peptide T20. Zwick *et al.* [2005] (**antibody binding site definition and exposure, escape**)
- 2F5: 93 viruses from different clades were tested for their neutralization cross-reactivity using a panel of HIV antibodies. 2F5 was cross-reactive with A, B, and E subtype viruses, some D, and no C clade viruses. DKW was defined as the core motif, and was found in only 25% of C clade sequences in the database. It was found in C clade viruses in a country specific manner – common in Burundi, Brazil and Ethiopia, rare in Botswana, India, and S. Africa. The potency of the neutralizing activity was somewhat context-dependent. DQW is a common D clade variant from Uganda, and all D viruses in this study were Ugandan. Binley *et al.* [2004] (**variant cross-recognition or cross-neutralization, subtype comparisons**)
- 2F5: Env sequences were derived from 4 men at primary infection and four years later; the antigenicity in terms of the ability to bind to 2G12, 2F5 and IgG1b12 was determined. 2G12 bound primarily to late clones in 3 of the 4 patients, and to both early and late in the other patient. Neither 2F5 nor IgG1b12 showed a difference in binding affinity to early or late envelopes. Dacheux *et al.* [2004] (**antibody binding site definition and exposure, acute/early infection, kinetics**)
- 2F5: Neonatal rhesus macaques were exposed orally to a pathogenic SHIV, 89.6P. 4/8 were given an intramuscular, passive immunization consisting of NAbS 2G12, 2F5 and 4E10, each given at a different body sites at 40 mg/kg per Ab, at one hour and again at 8 days after exposure to 89.6P. The four animals that were untreated all died with a mean survival time of 5.5 weeks, the four animals that got the NAb combination were protected from infection. This model suggests antibodies may be protective against mother-to-infant transmission of HIV. Ferrantelli *et al.* [2004b] (**mother-to-infant transmission**)
- 2F5: Nabs against HIV-1 M group isolates were tested for their ability to neutralize 6 randomly selected HIV-1 O group strains. IgG1b12 could neutralize some O group strains when used on its own, and quadruple combination of b12, 2F5, 2G12, and 4E10, could neutralize the six Group O viruses tested between 62-97%. The 2F5 epitope in the O group viruses was : ELDEWA. Ferrantelli *et al.* [2004a] (**variant cross-recognition or cross-neutralization**)
- 2F5: This paper reviews MAbs that bind to HIV-1 Env. 2F5 binds to a region of gp41 proximal to cluster II (aa 662-676), neighboring the binding site of the broadly neutralizing MAb 4E10 and of neutralizing Fab Z13. 2F5 is broadly neutralizing. Gorny & Zolla-Pazner [2004]
- 2F5: A set of oligomeric envelope proteins were made from six primary isolates for potential use as vaccine antigens: 92/UG/037 (clade A), HAN2/2 (clade B), 92/BR25/025 (clade C), 92/UG/021 (clade D), 93/BR/029 (clade F) and MVP5180 (clade O). This was one of a panel of MAbs used to explore folding and exposure of well characterized epitopes. The clade C isolate BR25 is apparently misfolded, as conformation-dependent antibodies did not bind to it. 2F5 bound to clade A, B, D and F HIV-1 primary isolates. Polyclonal sera raised in rabbits against these antigens cross-bound the other antigens, but none of the sera had neutralizing activity. Jeffs *et al.* [2004]
- 2F5: 2F5 was used as a positive control in a study that showed that A32-rgp120 complexes open up the CCR5 co-receptor binding site, but did not induce neutralizing antibodies with greater breadth among B subtype isolates than did uncomplexed rgp120 in vaccinated guinea pigs. Liao *et al.* [2004]
- 2F5: The role of serine proteases on HIV infection was explored. Trypsin decreased the binding of most Env MAb tested and diminished cell fusion of H9 cells infected with HIV-1 LAI virus (H9/IIIB) to MAGI cells. In contrast, thrombin increased the binding of MAbs to gp120 epitopes near the CD4 and CCR5 binding sites, and increased cell fusion. Binding of 17b and F105 was decreased by trypsin, but increased by thrombin. gp41 MAbs 246D, 98.6, 50-69, were decreased by trypsin, unaltered by thrombin, while NAb 2F5 binding was increased by thrombin. Thrombin may increase HIV-induced cell fusion in blood by causing a conformational activating shift in gp120. Ling *et al.* [2004] (**antibody binding site definition and exposure**)
- 2F5: Mice susceptible to MV infection were intraperitoneally immunized with native HIV-1 89.6 env gp160 and gp140 and δ V3 HIV-1 89.6 mutants expressed in live attenuated Schwarz measles vector (MV). The gp160 Δ V3 construct raised more cross-reactive NAbS to primary isolates. The constructs had an additional 2F5 MAb epitope, ELDKWAS, but responses were not directed towards this epitope. A HIVIG/2F5/2G12 combination was used as a positive control and could neutralize all isolates. Lorin *et al.* [2004] (**vaccine antigen design**)

- 2F5: Sera from two HIV+ people and a panel of MAbs were used to explore susceptibility to neutralization in the presence or absence of glycans within or adjacent to the V3 loop and within the C2, C4 and V5 regions of HIV-1 SF162 env gp120. The loss of the glycan within the V3 loop (GM299 V3) and adjacent to the C-terminal end of the V3 loop (GM329 C3) did not alter neutralization susceptibility to 2F5, but the loss of glycans in C2 (GM292 C2), C4 (GM438 C4), or V5 (GM454 V5) increased 2F5 neutralization susceptibility. V3 glycans tended to shield V3 loop, CD4 and co-receptor MAb binding sites, while C4 and V5 glycans shielded V3 loop, CD4, gp41 but not co-receptor MAb binding sites. Selective removal of glycans from a vaccine candidate may enable greater access to neutralization susceptible epitopes. McCaffrey *et al.* [2004] (**antibody binding site definition and exposure, vaccine antigen design**)
- 2F5: This review summarizes properties of 2F5 and its binding to the prefusogenic membrane proximal region of gp41. The linear core epitope does not stimulate cross-reactive NAb when placed outside the context of gp41, suggesting its presentation in a highly specific molecular framework is critical. McGaughey *et al.* [2004] (**vaccine antigen design, review**)
- 2F5: 2F5 was used for screening of phage-displayed peptide libraries. 2F5 requires the DKW core for synthetic and phage-displayed peptide recognition, but is multispecific for amino acid residues flanking C-terminally the DKW core epitope. Three clones from the AADKW-X12 library had high affinity for 2F5, but did not share obvious homology with gp41 or each other; Ala substitution showed each bound to 2F5 with a different mechanism. Menendez *et al.* [2004] (**antibody binding site definition and exposure, mimotopes**)
- 2F5: A set of HIV-1 chimeras that altered V3 net charge and glycosylation patterns in V1V2 and V3, involving inserting V1V2 loops from a late stage primary isolate taken after the R5 to X4 switch, were studied with regard to phenotype, co-receptor usage, and MAb neutralization. The loops were cloned into a HXB2 envelope with a LAI viral backbone. It was observed that the addition of the late-stage isolate V1V2 region and the loss of V3-linked glycosylation site in the context of high positive charge gave an X4 phenotype. R5X4, R5, and X4 viruses were generated, and sCD4, 2G12 and b12 neutralization resistance patterns were modified by addition of the late stage V1V2, glycosylation changes, and charge in concert, while neutralization by 2F5 was unaffected. Nabatov *et al.* [2004] (**antibody binding site definition and exposure, co-receptor**)
- 2F5: An antigen panel representing different regions of gp41 was generated, and sera from 23 individuals were screened. Anti-gp41 titers were very high, and sera bound to many regions of gp41, there were no immunologically silent regions. Many individuals had broad responses to diverse regions. High titer responses tended to focus on the N-heptad, C-heptad and 2F5-4E10 regions, but there was no correlation between neutralization capacity of sera and the particular peptides recognized. 2F5 responded to the four antigens that carried the minimal EDLKWA epitope. 2F5 did not bind to the minimal epitope embedded in an alpha helix, supporting that the 2F5 conformation of EDLKWA is embedded in a beta sheet. 2F5 bound better to a synthetic peptide containing the proximal regions than to the native gp41. Opalka *et al.* [2004] (**assay standardization/improvement**)
- 2F5: V1V2 was determined to be the region that conferred the neutralization phenotype differences between two R5-tropic primary HIV-1 isolates, JRFL and SF162. JRFL is resistant to neutralization by many sera and MAbs, while SF162 is sensitive. All MAbs tested, anti-V3, -V2, -CD4BS, and -CD4i, (except the broadly neutralizing MAbs IgG1b12, 2F5, and 2G12, which neutralized both strains), neutralized the SF162 pseudotype but not JRFL, and chimeras that exchanged the V1V2 loops transferred the neutralization phenotype. Pinter *et al.* [2004] (**variant cross-recognition or cross-neutralization**)
- 2F5: A primary isolate, CC1/85, was passaged 19 times in PBMC and gradually acquired increased sensitivity to FAb b12 and sCD4 that was attributed to changes in the V1V2 loop region, in particular the loss of a potential glycosylation site. The affinity for sCD4 was unchanged in the monomer, suggesting that the structural impact of the change was manifested at the level of the trimer. The passaged virus, CCcon19, retained an R5 phenotype and its neutralization susceptibility to other Abs was essentially the same as CC1/85. The IC50 for 2F5 was greater than 50 for CC1/85, and was 35 for CCcon19, so the passaged virus was weakly neutralized by 2F5. Pugach *et al.* [2004] (**reversion, viral fitness, variant cross-recognition or cross-neutralization**)
- 2F5: The MAb 2F5 binds to the C-heptad and is neutralizing, but the MAb D50 binds to the C-heptad and is not neutralizing. 2F5 binds preferentially to native gp41 prior to receptor activation. D50 prefers the triggered form after receptor activation. Trapped fusion-intermediates suggest 2F5 remains present shortly after gp120 triggering by CD4, but may be lost by the time the six-helix bundle is formed. D50 binds equally to the fusion-intermediate and six-helix bundle. 2F5 neutralization seems to block a later step of the fusion process, but it does not inhibit binding of NC-1, a MAb specific for the six-helix bundle, so it does not prevent formation of the six-helix bundle. The results are most consistent with 2F5 inhibiting a post-fusion-intermediate step. de Rosny *et al.* [2004b]
- 2F5: The mechanism of 2F5 neutralization was explored, and experiments suggest it is due to interference with a late step in viral entry. sCD4 binding to gp120 triggers conformational changes in gp41 allowing formation of the six helix bundle. The NAb 2F5 preferentially bound native gp41, prior to receptor triggering, while the antibody D50 that also binds to the heptad region, near 2F5, is not neutralizing, and preferentially bound the CD4-triggered gp41. The C and N peptides that can be used to block the formation of the six helix bundle and lock gp41 in the fusion intermediate state after sCD4 triggering enabled 2F5 to bind after sCD4, while D50 was able to bind to both the peptide-trapped and sCD4 induced six helix bundle equally well. The peptide-trapping studies suggest that 2F5 does not fix Env in the native conformation, but interferes with entry after the initial conformation changes occur. Nor does it block six-helix bundle formation, as 2F5 prebinding does not inhibit NC-1 binding, a MAb that binds specifically to the six-helix bundle. de Rosny *et al.* [2004a]
- 2F5: This review discusses research presented at the Ghent Workshop of prevention of breast milk transmission and immunoprophylaxis for HIV-1 in pediatrics (Seattle, Oct. 2002),

and makes the case for developing passive or active immunoprophylaxis in neonates to prevent mother-to-infant transmission. Macaque studies have shown that passive transfer of NAb combinations (for example, IgG1b12, 2G12, 2F5, and 4E10; or 2G12 and 2F5) can confer partial or complete protection to infant macaques from subsequent oral SHIV challenge. Safrit *et al.* [2004] (**immunoprophylaxis, mother-to-infant transmission**)

- 2F5: A complex of the epitope peptide ELDKWAS bound to 2F5 was crystalized, and the peptide was found to interact with amino acids near the base of the very long (22 residue) CDR 3H region of the Ab. Ala substitution of the CDR H3 region confirmed the importance of these sites near the base of the H3 loop for interaction with the epitope in the context of intact gp41 as well as the peptide. A Phe at the apex of the loop was not located directly in the binding site, however binding of 2F5 to the epitope was very sensitive to non-conservative substitutions in this position (F100G, F100H, and F100R); these diminished both binding affinity and 2F5 neutralization, suggesting a role for the very long CDR 3H region. The authors suggest that particularly long CDR H3 regions may be a common feature of HIV-1 NAbs, based on the 22 residues in H3 of 2F5, the 18 H3 residues in b12, and the 22 H3 residues in X5. They express concern that because small animals like mice are unable to elicit Ab responses with such long H3s, they may be poor model systems for HIV vaccine studies. Zwick *et al.* [2004]
- 2F5: The SOS mutant envelope protein introduces a covalent disulfide bond between gp120 surface and gp41 transmembrane proteins into the R5 isolate JR-FL by adding cysteines at residues 501 and 605. Pseudovirions bearing this protein bind to CD4 and co-receptor bearing cells, but do not fuse until treatment with a reducing agent, and are arrested prior to fusion after CD4 and co-receptor engagement. gp41 NAbs 2F5 and 4E10 are able to potently neutralize the SOS pseudovirion post-attachment, although 2F5 performed relatively poorly in the pre-attachment assay, a further support for previous studies that indicated it does not bind well to native Env, and may bind best after the virus is attached to cells. Binley *et al.* [2003]
- 2F5: A sCD4-17b single chain chimera was made that can bind to the CD4 binding site, then bind and block co-receptor interaction. This chimeric protein is a very potent neutralizing agent, more potent than IgG1b12, 2G12 or 2F5 against Ba-L infection of CCR5-MAGI cells. It has potential for prophylaxis or therapy. Dey *et al.* [2003]
- 2F5: Four newborn macaques were challenged with pathogenic SHIV 89.6 and given post exposure prophylaxis using a combination of NAbs 2F5, 2G12, 4E10 and IgG1b12. 2/4 treated animals did not show signs of infection, and 2/4 macaques maintained normal CD4+ T cell counts and had a lower delayed peak viremia compared to the controls. Ferrantelli *et al.* [2003]
- 2F5: This study investigates the effects of glycosylation inhibitors on the binding between HIV-1 gp120 and mannose-binding lectin (MBL). Mannosidase I inhibitor deoxymannojirimycin (dMM) inhibits formation of complex and hybrid N-linked saccharides and yields virus with more mannose residues. dMM added during viral production significantly enhanced the binding 2F5 and 2G12, but not IgG1b12 in a viral capture assay. Hart *et al.* [2003]
- 2F5: MAbs IgG1b12, 2G12, 2F5 and 4E10 were tested for their ability to neutralize two primary HIV-1 clade A isolates (UG/92/031 and UG/92/037) and two primary HIV-1 clade D isolates (UG/92/001 and UG/92/005). 4E10 demonstrated the most potent cross-neutralization activity. Quadruple administration of MAbs IgG1b12, 2G12, 2F5, and 4E10 induced strong synergistic neutralization of 4 clade A isolates (UG/92/031, UG/92/037, RW/92/020 and RW/92/025) as well as 5 clade D isolates (UG/92/001, UG/9/005, /93/086/RUG/94/108, UG/94/114). The authors note this combination of 4 MAbs neutralizes primary HIV A, B, C, and D isolates. Kitabwalla *et al.* [2003]
- 2F5: This review discusses the importance and function of protective antibody responses in animal model studies in the context of effective vaccine development. SHIV models have shown protection using high levels of MAbs can prevent infection, and partial protection that can influence disease course can be obtained from modest levels of NAbs. SHIV challenges studies conducted with infusions of combinations of MAbs b12, 2G12, and 2F5 are reviewed. Mascola [2003]
- 2F5: Infusions of 2F5 and 2G12 intravenously administered 24h prior to vaginal SHIV-89.P challenge are able to protect macaques from infections. Animals that receive a IL-2 adjuvanted DNA immunization SIV Gag and HIV Env have T-cell responses and lower viral loads, but were not protected. Sub-optimal levels of 2F5 and 2G12 were not able to confer sterile protection in combination with the T-cell responses stimulated by DNA immunizations. Mascola *et al.* [2003] (**adjuvant comparison, vaccine-specific epitope characteristics**)
- 2F5: Cyclic peptides ELLELDKWASLW that adopt constrained beta-turn conformation of the 2F5 epitope beta-turn in the complexed crystal structure were synthesized and optimized 2F5 binding affinity. This peptide elicits high titer peptide-specific immune responses in guinea pigs that do not neutralize; the authors propose this may be the result of a short CDR3 loop in guinea pigs. McGaughey *et al.* [2003]
- 2F5: AC10 is a subject who was given treatment early after infection, and had a viral rebound after cessation of therapy, which then declined to a low level. The polyclonal sera from AC10 could potently neutralize the rebound virus, and NAb escape followed with a neutralizing response against the escape variant and subsequent escape from that response. Viral loads remained low in this subject despite escape. The rebound isolate that was potently neutralized by autologous sera was not particularly neutralization sensitive, as it resisted neutralization by sCD4 and MAbs IgG1b12, 2G12 and 2F5, and was only moderately sensitive to sera from other HIV+ individuals that had high titers of NAbs to TCLA strains. Montefiori *et al.* [2003]
- 2F5: Env genes derived from uncultured brain biopsy samples from four HIV-1 infected patients with late-stage AIDS were compared to env genes from PBMC samples. Brain isolates did not differ in the total number or positions of N-glycosylation sites, patterns of coreceptor usage, or ability to be recognized by gp160 and gp41 MAbs. 2F5 recognized most variants from 3/4 individuals by gp41 WB; the 4th individual had the ELDKWA

- variant Aldkwa in all three isolates. The other single Env that was not recognized carried eldRwa. Ohagen *et al.* [2003]
- 2F5: Most plasma samples of patients from early infection had NAb responses to early autologous viruses, and NAb responses against heterologous strains tended to be delayed. Serial plasma samples were tested against serial isolates, and neutralization escape was shown to be rapid and continuous throughout infection. Autologous neutralization-susceptible and resistant viruses from four patients were tested for susceptibility to neutralizing Ab responses using MAbs 2G12, IgG1b12 and 2F5. No correlation was established, all viruses tested were susceptible to at least one of the neutralizing MAbs. Two patients that did not have an autologous NAb response also did not evolve changes in susceptibility to these MAbs, while one patient with a pattern of autologous neutralization and escape acquired a 2G12 sensitive virus at month 6, and lost IgG1b12 sensitivity at month 21. Richman *et al.* [2003]
 - 2F5: Review of current neutralizing antibody-based HIV vaccine candidates and strategies of vaccine design. Strategies for targeting of the epitopes for NAb 2F5, 2G12, 4E10, b12, and Z13 are described. Wang [2003]
 - 2F5: The broadly neutralizing antibodies 2F5 and 2G12 were class-switched from IgG to IgA and IgM isotypes. Neutralizing potency was increased with valence for 2G12 so the IgM form was most potent, but for 2F5 the IgG form was most potent. Eight primary isolates were tested including two subtype A isolates. The polymeric IgM and IgA Abs, but not the corresponding IgGs, could interfere with HIV-1 entry across a mucosal epithelial layer, although they were limited in a standard neutralization assay. All isotypes could interact with activated human sera, presumably through complement, to inhibit HIV replication. Wolbank *et al.* [2003]
 - 2F5: A combination of MAbs 2F5 and 2G12 given in multiple infusions was found to be safe and well tolerated even in high doses in a phase I study of seven HIV-1 infected healthy volunteers—the median elimination half-life was 7.94 days for 2F5, and 16.48 for 2G12—no anti-2F5 or anti-2G12 IgM or IgG responses were detected—although there was some transient increases, overall plasma viral RNA levels decreased in 6/7 volunteers, by a median of 0.62 log₁₀. Armbruster *et al.* [2002]
 - 2F5: IgG1b12 neutralized many South African (5/8) and Malawian (4/8) clade C primary HIV-1 isolates, being more effective than 2F5 which neutralized only two Malawian and no South African isolates. 2G12 did not neutralize any of the 16 isolates. Bures *et al.* [2002]
 - 2F5: This study examined antibody interactions, binding and neutralization with a B clade R5 isolate (92US660) and R5X4 isolate (92HT593). Abs generally bound and neutralized the R5X4 isolate better than the R5 isolate, with the exception of F240 which bound both equally well, which captured more virus than any other human MAb tested, and didn't neutralize either isolate. F240 enhanced the binding of CD4BS MAbs IgG1b12 and F105 and the gp41 MAb 2F5 for both R5X4 and R5 isolates. F240 also enhanced neutralization of the R5X4 isolate by 2F5, but had no effect on R5 virus. Anti-V3 MAb B4a1 did not impact 2F5 neutralization. Cavacini *et al.* [2002]
 - 2F5: A modified gp140 (gp140deltaCFI), with C-term mutations intended to mimic a fusion intermediate and stabilize trimer formation, retained antigenic conformational determinants as defined by binding to CD4 and to MAbs 2F5, 2G12, F105, and b12, and enhanced humoral immunity without diminishing the CTL response in mice injected with a DNA vaccine. Chakrabarti *et al.* [2002]
 - 2F5: Six sera from HIV-exposed uninfected individuals (EU) had IgA neutralizing activity dominated by recognition of a distinctive epitope within gp41, QARILAV – sera of QAFILAV-immunized BALB/c mice was neutralizing with the dose-dependent behavior similar to 2F5. Clerici *et al.* [2002a]
 - 2F5: Review of NAb that notes that 2F5 alone or in combination with other MAbs can protect some macaques against SHIV infection, that it is safe and well tolerated in humans, and that illustrates gp41's conformational change and exposure of the 2F5 epitope in the transient pre-hairpin form. Ferrantelli & Ruprecht [2002]
 - 2F5: Anti-gp41 MAbs were tested in a cell-cell fusion system to investigate the antigenic changes in gp41 during binding and fusion. Cluster I and Cluster II MAbs required CD4 expression on HIV HXB2 Env expressing HeLa target cells, but not the CXCR4 co-receptor, binding to a fusion intermediate. 2F5 behaved very differently than these non-neutralizing antibodies: it bound to Env in the absence of target cells, and it was distributed evenly all over the cell surface, not localized in fusion domains. It did not interact with cells that exhibited cytoplasmic mixing. 2F5 was unusual in that it exhibited temperature dependence, and did not interact below 19 degrees C, in contrast to 2G12, M77 98-6 and IgG1b12 which bound strongly at temperatures ranging between 4-37 degrees. The authors suggest the temperature dependence of 2F5 may be due to increased flexibility of the Envelope spike at warmer temperatures facilitating epitope exposure. Finnegan *et al.* [2002]
 - 2F5: Alanine mutations were introduced into the N- and C-terminal alpha-helices of gp41 to destabilize interhelical packing interactions in order to study their inhibitory effect on viral infectivity. These mutations were shown to inhibit viral replication though affecting the conformational transition to the fusion-active form of gp41, and allow increased inhibition by gp41 peptides. 2F5 sensitivity is increased in the mutated viruses, presumably because 2F5's neutralization activity is focused on the transition to the fusion active state. No other MAb against gp41 tested, including NC-1, 50-69D, 1281, 98-6D, 246-D and F240, neutralized the parental or the fusion-deficient mutated viruses. Follis *et al.* [2002]
 - 2F5: The fusion process was slowed by using a suboptimal temperature (31.5 C) to re-evaluate the potential of Abs targeting fusion intermediates to block HIV entry – preincubation of E/T cells at 31.5 C enabled polyclonal anti-N-HR Ab and anti-six-helix bundle Abs to inhibit fusion, indicating six-helix bundles form prior to fusion – the preincubation 31.5 C step did not alter the inhibitory activity of neutralizing Abs anti-gp41 2F5, or anti-gp120 2G12, IG1b12, 48d, and 17b. Golding *et al.* [2002b]
 - 2F5: UK1-br and MACS2-br are R5 isolates derived from brain tissue samples from AIDS patients with dementia and HIV-1 encephalitis; both are neurotropic, but only UK1-br induced neuronal apoptosis and high levels of syncytium formation in macrophages. UK1-br Env had a greater affinity for CCR5 than MACS-br, and required low levels of CCR5 and

- CD4 for cell-to-cell fusion and single round infection. PBMC infected with UK1-br and MACS2-br virus isolates were resistant to neutralization by MAb 2G12. UK1-br was more sensitive than MACS2-br to IgG1b12, 2F5 and CD4-IgG2 neutralization. This pattern of Ab reactivity was similar to the CD4-independent variant ADA197N/K, and thought to result from conformational changes which better expose the CCR5 binding regions, although the loss of the particular N-linked glycosylation site in the V1V2 stem region of ADA was experimentally shown to not be responsible for the CD4-independent phenotype of UK1-br. Gorry *et al.* [2002]
- 2F5: HIV-1 gp160 Δ ACT (cytoplasmic tail-deleted) proteoliposomes (PLs) containing native, trimeric envelope glycoproteins from R5 strains YU2 and JRFL, and X4 strain HXBc2, were made in a physiologic membrane setting as candidate immunogens for HIV vaccines—2F5 bound to gp160 Δ ACT with a reconstituted membrane ten-fold better than the same protein on beads (except for the YU2 form that doesn't bind 2F5)—anti-CD4BS MAbs IgG1b12 and F105, A32 (C1-C4), C11 (C1-C5), and 39F (V3) MAbs bound gp160 Δ ACT PLs indistinguishably from gp160 Δ ACT expressed on the cell surface. Grundner *et al.* [2002]
 - 2F5: ELDKWAS was embedded into a beta-turn-like conformational site on a framework of an antibody specific for human leukocyte antigen HLA-DR – this construct was recognized by 2F5, and is suggested as an adjuvant-independent vaccine candidate. Ho *et al.* [2002]
 - 2F5: A mouse MAb was raised against a variant of ELDKWA core epitope of the NAb 2F5, eldEwa, derived from the 2F5 neutralization resistant variant MVP5180. 2F5 does not bind to the variants eldEwa, elNkwa (B.TH.TH936705) or elEkwa, while 14D9 binds only to eldEwa and not ELDKWA. The eldEwa variant is common in the HIV-1 O group. Huang *et al.* [2002]
 - 2F5: DP178 is a peptide derived from the C-term heptad repeat of gp41 that is a potent inhibitor of viral-mediated fusion—it contains the 2F5 epitope but fails to stimulate 2F5-like NAb upon immunization—the peptide was extended to force an increase in helicity, and the modified peptide had a increase in affinity for 2F5, but upon guinea pig immunization although high peptide-specific Ab titers were achieved the sera were incapable of viral neutralization—the authors propose that 2F5 may bind with low affinity to a maturation intermediate, which may account for its breadth and why it is hard to recreate the epitope, but also suggests that the high concentrations required for neutralization are not relevant *in vivo*. Joyce *et al.* [2002]
 - 2F5: A 2F5 anti-idiotypic murine MAb Ab2/3H6 was developed that blocks 2F5 binding to a synthetic epitope peptide and to gp160 in an ELISA competition assay – Ab2/3H6 diminished the neutralizing potency of 2F5 – Ab2/3H6 Fab fragments were capable of inducing neutralizing Abs and 2F5-epitope specific responses in immunized B6D2F1 mice. Kunert *et al.* [2002]
 - 2F5: A polyepitope vaccine was designed based on three repeats of the 2F5 core epitope ELDKWA combined with the V3 region peptide GPGRIFY. Abs raised in mice could recognize the peptides, sgp41, and CHO-WT cells that expressed HIV-1 Env on their surface. Li *et al.* [2002]
 - 2F5: Review of NAb that discusses mechanisms of neutralization, passive transfer of NAb and protection in animal studies, and vaccine strategies. Liu *et al.* [2002]
 - 2F5: Rhesus macaques were better protected from vaginal challenge with SHIV89.6D (MAb 2G12, 2/4; MAbs 2F5/2G12, 2/5; and HIVIG/2F5/2G12, 4/5 infected) than from intravenous challenge (MAb 2G12, 0/3; MAbs 2F5/2G12, 1/3; and HIVIG/2F5/2G12, 3/6 infected)—the animals that were infected by vaginal challenge after Ab infusion had low or undetectable viral RNA levels and modest CD4 T-cell decline. Mascola [2002]
 - 2F5: ELDKWAS co-crystallized bound to the Fab' 2F5 fragment showed the epitope peptide in a type I beta-turn conformation. Pai *et al.* [2002]
 - 2F5: Ab binding characteristics of SOS gp140 were tested using SPR and RIPA – SOS gp140 is gp120-gp41 bound by a disulfide bond – NAb 2G12, 2F5, IgG1b12, CD4 inducible 17b, and 19b bound to SOS gp140 better than uncleaved gp140 (gp140unc) and gp120 – non-neutralizing MAbs 2.2B (binds to gp41 in gp140unc) and 23A (binds gp120) did not bind SOS gp140 – SOS gp140-2F5-IgG1b12 formed multiple ring structures composed of two SOS gp140 proteins bridged by two Ab molecules, while 2F5 and 2G12 formed extended chains rather than closed rings. Schulke *et al.* [2002]
 - 2F5: Oligomeric gp140 (o-gp140) derived from R5 primary isolate US4 was characterized for use as a vaccine reagent – antigen capture ELISA was used to compare the antigenicity of gp120 and o-gp140 using a panel of well characterized MAbs – 2F5 recognized o-gp140. Srivastava *et al.* [2002]
 - 2F5: The antiviral response to intravenously administered MAbs 2F5 and 2G12 was evaluated in 7 HAART-naive asymptomatic HIV-1 infected patients during a treatment period of 28 days. MAb therapy reduced plasma HIV RNA in 3/7 patients during the treatment period, and transiently reduced viral load in two more. CD4 counts were up in 3/7 through day 28, and transiently increased in three more. Vigorous complement activation was observed after 48/56 Ab infusions. Before treatment, 2F5 neutralized isolates from five patients and no escape was observed during treatment. Stiegler *et al.* [2002]
 - 2F5: Expanding the minimal epitope ELDKWA to an end-capped, linear nonapeptide, Ac-LELDKWASL-amide attained maximal affinity within a set of native gp41-sequence peptides – scanning single residue substitutions confirmed that essential recognition requirements were the central DKW core sequence and the importance of the terminal Leu residues for high-affinity binding – high specificity binding pockets at central Lys and Trp side-chains and an absolute requirement for the carboxylate group of the Asp side chain were found – the nine residue fragment flanked by pairs of Ser and constrained by a disulfide bridge had high affinity for 2F5. Tian *et al.* [2002]
 - 2F5: A series of mutational changes were introduced into the YU2 gp120 that favored different conformations – 375 S/W seems to favor a conformation of gp120 closer to the CD4-bound state, and is readily bound by sCD4 and CD4i MAbs (17b, 48d, 49e, 21c and 23e) but binding of anti-CD4BS MAbs (F105, 15e, IgG1b12, 21h and F91) was markedly reduced – IgG1b12 failed to neutralize this mutant, while neutralization by 2G12 was enhanced – 2F5 did not neutralize either WT or mutant, probably due to polymorphism in the YU2 epitope – another mutant, 423 I/P, disrupted the gp120 bridging sheet, favored a different conformation and did not bind CD4, CCR5,

- or CD4i antibodies, but did bind to CD4BS MAbs. Xiang *et al.* [2002b]
- 2F5: Passive immunization of neonate macaques with a combination of F105+2G12+2F5 conferred complete protection against oral challenge with SHIV-vpu+ or – the combination b12+2G12+2F5 conferred partial protection against SHIV89.6 – such combinations may be useful for prophylaxis at birth and against milk born transmission – the synergistic combination of IgG1b12, 2G12, 2F5, and 4E10 neutralized a collection of HIV clade C primary isolates. Xu *et al.* [2002]
 - 2F5: A rare mutation in the neutralization sensitive R2-strain in the proximal limb of the V3 region caused Env to become sensitive to neutralization by MAbs directed against the CD4 binding site (CD4BS), CD4-induced (CD4i) epitopes, soluble CD4 (sCD4), and HNS2, a broadly neutralizing sera – 2/12 anti-V3 MAbs tested (19b and 694/98-D) neutralized R2, as did 2/3 anti-CD4BS MAbs (15e and IgG1b12), 2/2 CD4i MAbs (17b and 4.8D), and 2G12 and 2F5 – thus multiple epitopes on R2 are functional targets for neutralization and the neutralization sensitivity profile of R2 is intermediate between the highly sensitive MN-TCLA strain and the typically resistant MN-primary strain. Zhang *et al.* [2002]
 - 2F5: ELNKWA is an escape variant not recognized by the broadly neutralizing MAb 2F5, which recognizes the core epitope ELDKWA – Abs were raised against the peptide escape variant CGELNKWAGELNKWA linked to KLH carrier – these polyclonal antibodies, like the monoclonal antibody TH-Ab1 also raised to ELNKWA, could recognize ELDKWA and escape mutant peptide epitopes ELEKWA and ELDEWA. Dong *et al.* [2001]
 - 2F5: A combination of MAbs IgG1b12, 2F5, and 2G12 was given postnatally to four neonates macaques that were then challenged with highly pathogenic SHIV89.6P – one of the four infants remained uninfected after oral challenge, two infants had no or a delayed CD4(+) T-cell decline. Hofmann-Lehmann *et al.* [2001]
 - 2F5: Mutations in two glycosylation sites in the V2 region of HIV-1 ADA at positions 190 and 197 (187 DNTSYRLINCNTS 199) cause the virus to become CD4-independent and able to enter cells through CCR5 alone – these same mutations tended to increase the neutralization sensitivity of the virus, including to antibody 2F5. Kolchinsky *et al.* [2001]
 - 2F5: Review of studies in macaques that have shown immune control of pathogenic SHIV viremia, improved clinical outcome, and protection, and the implications of the observations for HIV vaccines. Mascola & Nabel [2001]
 - 2F5: Moore and colleagues review the data concerning the lack of a clear relationship between genetic subtype and serotype – 2F5 is considered in some detail, as it represents a rare vulnerability from the neutralizing antibody perspective, although while it is apparently linear, attempts to present the peptide to the immune system have failed to elicit neutralizing Abs. Moore *et al.* [2001]
 - 2F5: Matrix-assisted laser desorption ionization mass spectrometry (MALDI-MS) in combination with proteolytic protection was used to identify the functional epitope for MAb 2F5, NEQELLELDKWASLWN, in the disulfide bond associated gp120/gp41 protein SOS-gp140 (JRFL) – this minimal epitope is much larger than the ELDKWA core epitope previously defined by peptide ELISA, and this could help explain why ELDKWA-peptides are poor immunogens in terms of eliciting a 2F5-like antibody response. Parker *et al.* [2001]
 - 2F5: A peptide called 5-Helix was designed that binds to the C-peptide region of gp41 – 5-Helix is a potent inhibitor of HIV-1 entry that binds immediately COOH-terminal to the C-peptide region targeted by 5-Helix – the conformation of the bound 2F5 epitope is a hairpin turn. Root *et al.* [2001]
 - 2F5: SHIV-HXBc2 is a neutralization sensitive non-pathogenic virus, and several *in vivo* passages through monkey's yielded highly pathogenic SHIV KU-1 – HXBc2 and the KU-1 clone HXBc2P3.2 differ in 12 amino acids in gp160 – substitutions in both gp120 and gp41 reduced the ability of sCD4, IgG1b12, F105 and AG1121 to Env achieve saturation and full occupancy, and neutralize KU-1 – 17b and 2F5 also bound less efficiently to HXBc2P3.2, although 2G12 was able to bind both comparably. Si *et al.* [2001]
 - 2F5: A luciferase-reporter gene-expressing T-cell line was developed to facilitate neutralization and drug-sensitivity assays – luciferase and p24 antigen neutralization titer end points were found comparable using NAb from sera from HIV+ donors, and MAbs 2F5, 2G12 and IgG1b12. Spenlehauer *et al.* [2001]
 - 2F5: 4E10 binds proximal to 2F5 and neutralizes primary isolates of clades A, B, C, D, and E – viruses that were resistant to 2F5 were neutralized by 4E10 and vice versa. Stiegler *et al.* [2001]
 - 2F5: A phage peptide library was screened with MAb 2F5, and from the peptides that bound the amino acids DKW were found to be most critical for binding – the mimetic peptide RDWSFDRWSLSEFWL elicited a cross-reactive Ab response to gp41 when used to immunize rabbits. Tumanova *et al.* [2001]
 - 2F5: A panel of 12 MAbs was used to identify those that could neutralize the dual-tropic primary isolate HIV-1 89.6 – six gave significant neutralization at 2 to 10 ug/ml: 2F5, 50-69, IgG1b12, 447-52D, 2G12, and 670-D six did not have neutralizing activity: 654-D, 4.8D, 450-D, 246-D, 98-6, and 1281 – no synergy, only additive effects were seen for pairwise combinations of MAbs, and antagonism was noted between gp41 MAbs 50-69 and 98-6, as well as 98-6 and 2F5. Verrier *et al.* [2001]
 - 2F5: Twenty HIV clade C isolates from five different countries were susceptible to neutralization by anti-clade B MAbs in a synergistic quadruple combination of mAbs IgG1b12, 2G12, 2F5, and 4E10. Xu *et al.* [2001]
 - 2F5: Abs against the V3 loop (50.1, 58.2, 59.1, 257-D, 268-D, 447-52D), CD4BS (IgG1b12, 559-64D, F105), CD4i (17b), and to gp41 (2F5, F240) each showed similar binding efficiency to Env derived from related pairs of primary and TCLA lines (primary: 168P and 320SI, and TCLA: 168C and 320SI-C3.3), but the TCLA lines were much more susceptible to neutralization suggesting that the change in TCLA lines that make them more susceptible to NAbs alters some step after binding. York *et al.* [2001]
 - 2F5: Neutralizing synergy between MAbs 1b12, 2G12 and 2F5 was studied using surface plasmon resonance to determine the binding kinetics for these three mAbs with respect to monomeric and oligomeric env protein gp160 IIIB – the 2G12 epitope is highly accessible on both monomeric and oligomeric Envs, 1b12 is highly accessible on monomers but not

- oligomers, and 2F5 on neither form – binding of 2G12 exposes the 2F5 epitope on gp160 oligomers. Zeder-Lutz *et al.* [2001]
- 2F5: This paper primarily concerns 4E10 and Z13, MAbs that both bind proximally to the 2F5 binding site to a conserved epitope, and that neutralize some primary isolates from clades B, C, and E – the minimal 2F5 epitope is determined to be EQELLELDKWASLW, based on screening a gp160 fragment expression library, longer than previous studies – broadly neutralizing MAbs 2F5, IgG1b12, and 4E10 and Z13 fail to neutralize different subsets of viruses. Zwick *et al.* [2001b]
 - 2F5: Neutralization synergy between anti-HIV NABs b12, 2G12, 2F5, and 4E10 was studied – a classic fixed-ratio method was used, as well as a method where one Ab was fixed at a low neutralization titer and the other was varied – using primary isolates, a two-four fold enhancement of neutralization was observed with MAb pairs, and a ten-fold enhancement with a quadruple Ab combination – no synergy was observed with any MAb pair in the neutralization of TCLA strain HXB2. Zwick *et al.* [2001c]
 - 2F5: Paper uses IgG1 form of 2F5 – a triple combination of 2F5, F105 and 2G12 effectively neutralized perinatal infection of macaque infants when challenged with SHIV-vpu+ – the plasma half-life was 4.2 +/- 0.8 days. Baba *et al.* [2000]
 - 2F5: MAbs 98-6 and 2F5 both bind to a peptide N51-C43 complex trimer of heterodimers that approximates the core of the fusogenic form of gp41, and to C43 alone but not to N51 alone – 98-6 and 2F5 have comparable affinities for C43, but 98-6 has a higher affinity for the complex and 2F5 may bind to an epitope of C43 that is directly involved with complex formation – and IgG1 rec form of the Ab was used in this study. Gorny & Zolla-Pazner [2000]
 - 2F5: 2F5 is a candidate for immunotherapy, but generally IgG1 has a longer half life in humans than IgG3, so the isotype was switched – rec CHO-derived MAb 2F5 IgG1kappa and hybridoma-derived MAb 2F5 IgG3kappa displayed identical specificity, *in vitro* function, and epitope (ELDKWA) – it remains to be determined if isotype switching will prolongs beta-clearance. Kunert *et al.* [2000]
 - 2F5: Low levels of anti-ELDKWA antibodies are observed in HIV-1 + individuals, so a C-domain P2 peptide linked to a carrier was used to immunize mice and rabbits, and stimulated a high-level anti-ELDKWA response. Liao *et al.* [2000]
 - 2F5: ELDKWA peptide vaccine study. Lu *et al.* [2000c]
 - 2F5: ELDKWA peptide vaccine study. Lu *et al.* [2000b]
 - 2F5: Because HIV-1 is most often transmitted across mucosal surfaces, the ability of passive transfer of infused HIVIG/2F5/2G12 to protect against mucosal exposure of macaques to pathogenic SHIV 89.6PD was studied – HIVIG/2F5/2G12 protected 4/5 animals against vaginal challenge, 2F5/2G12 combined protected 2/5 animals, and 2G12 alone protected 2/4 animals – in contrast, Mascola and co-workers had previously shown single MAbs could not protect against intervenous challenge – Ab treated animals that got infected through vaginal inoculation had low viral loads and only modest declines in CD4 counts – the infused Abs were detected in the nasal, vaginal, and oral mucosa. Mascola *et al.* [2000]
 - 2F5: 26 HIV-1 group M isolates (clades A to H) were tested for binding to 47 MAbs, including 6 cluster II anti-gp41 MAbs – of these 2F5, 167-D, 126-6, and 1281 bound across clades, but usually weakly, while 98-6 and 1342 had poor cross reactivity – Clade D isolates bound most consistently to cluster II MAbs. Nyambi *et al.* [2000]
 - 2F5: A mini-review of observations of passive administration of IgG NABs conferring protection against intervenous or vaginal SHIV challenge, that considers why IgG MAbs might protect against mucosal challenge. Robert-Guroff [2000]
 - 2F5: 2F5 or sCD4-IgG chimeric immunoadhesin were transferred into 3T3 cells, incorporated into a collagen structure called the neo-organ, and transplanted into SCIDhu mice that were then challenged with MN or LAI – the continuous production of the therapeutic molecules in this context resulted in dramatic reduction of viral load. Sanhadji *et al.* [2000]
 - 2F5: A combination of gp41 fusion with the GNC4 trimeric sequences and disruption of the YU2 gp120-gp41 cleavage site resulted in stable gp140 trimers (gp140-GNC4) – gp41 MAbs T4, D12, T3, and D50 bound less efficiently to gp140-GNC4 than did pooled sera, but T4 and D12 recognized the gp140-GNC4 trimer equivalently to gp140(-), and T3 and D50 recognized the trimer at greater levels than gp140(-) – 2F5 did not bind efficiently to these constructs, presumably because of the YU2 strain has a substitution in the 2F5 epitope (ALDKWA instead of ELDKWA). Yang *et al.* [2000]
 - 2F5: rgp120 derived from a R5X4 subtype B virus was used to vaccinate healthy volunteers and the resulting sera were compared with sera from HIV-1 positive subjects and neutralizing MAbs. Beddows *et al.* [1999]
 - 2F5: Combinations of HIVIG, 2F5, 2G12 were administered in passive-transfer experiments 24 hours prior to challenge with pathogenic SHIV 89.6PD – 3/6 animals given HIVIG/2F5/2G12 were completely protected, the others had reduced viremia and normal CD4 counts – 1/3 monkeys given 2F5/2G12 showed transient infection, the other two had reduced viral load – all monkeys that received HIVIG, 2F5, or 2G12 alone became infected and developed high-level plasma viremia, although animals that got HIVIG or 2G12 had a less profound CD4 T cell decline. Mascola *et al.* [1999]
 - 2F5: A meeting summary presented results regarding neutralization – MAbs 2G12 and 2F5 tested for their ability to neutralize primary isolate infection of genetically engineered cell lines (cMAGI and others, presented by T. Matthews, A. Trkola, J. Bradac) – an advantage of such cell lines over PBMCs is that markers (X-Gal) can be added for staining to simplify the assay – the consensus of the meeting was that these engineered cell lines did not improve the sensitivity of detection of primary isolate neutralization – D. Burton and J. Mascola presented results concerning passive immunization and protection of hu-PBL-SCID mice and macaques, respectively, and both found combinations of MAbs that were able to achieve 99% neutralization *in vitro* corresponded to efficacy *in vivo*. Montefiori & Evans [1999]
 - 2F5: In a study of 116 HIV-1 + individuals, Ab reactivity to a peptide encompassing the ELDKWA peptide decreased in CDC stage C patients compared with stage A patients, and longitudinal studies showed a decline in 6/8 patients, while overall Ab reactivity to rec soluble gp160 stayed constant. Muhlbacher *et al.* [1999]

- 2F5: Review of the neutralizing Ab response to HIV-1. Parren *et al.* [1999]
- 2F5: Hu-PBL-SCID mice were infected with HIV-1s JRCSF and SF162 to study the effect of NAb on an established infection – no significant differences in the initial rate of decrease in viral load or the plateau levels of viral RNA between the b12 treated and control mice were seen – in most of the Ab treated mice b12 escape mutants were observed with varying patterns of mutations – a combination of b12, 2G12 and 2F5 protected 1/3 mice, and an isolate from one of the other two was resistant to neutralization by all three MABs. Poignard *et al.* [1999]
- 2F5: Post-exposure prophylaxis was effective when MAb 694/98-D was delivered 15 min post-exposure to HIV-1 LAI in hu-PBL-SCID mice, but declined to 50% if delivered 60 min post-exposure, and similar time constraints have been observed for HIVIG, 2F5 and 2G12, in contrast to MAb BAT123 that could protect delivered 4 hours post infection. Andrus *et al.* [1998]
- 2F5: Ab from gp120 vaccinated individuals prior to infection, who subsequently became HIV infected, could not achieve 90% neutralization of the primary virus by which the individuals were ultimately infected – these viruses were not particularly refractive to neutralization, as determined by their susceptibility to neutralization by MABs 2G12, IgG1b12, 2F5 and 447-52D. Connor *et al.* [1998]
- 2F5: The ELDKWA epitope was inserted into the antigenic site B of influenza hemagglutinin and expressed on baculovirus infected insect cells, flanked by 3 additional random amino acids, xELDKWaxx – FACS was used to isolate the clone that displayed the epitope with the most markedly increased binding capacity for 2F5, to identify particularly specific immunogenic constructs – PELDKWAPP was a high affinity form selected by FACS. Ernst *et al.* [1998]
- 2F5: Points out that 2G12 and 2F5, potent neutralizing antibodies, were identified by screening for cell surface (oligomeric Envelope) reactivity. Fouts *et al.* [1998]
- 2F5: Infection of dendritic cells cultured from CD14+ blood cells or from cadaveric human skin was blocked by neutralizing MABs IgG1b12, or 2F5 and 2G12 delivered together, but not by control non-neutralizing anti-gp120 MAb 4.8D, indicating that NABs could interrupt early mucosal transmission events. Frankel *et al.* [1998]
- 2F5: The natural immune response to the epitope of 2F5, ELDKWA, was studied in perinatally infected children and levels of reactivity to this epitope were correlated with absolute CD4 numbers over time and health status – 3/10 children who had no antibody reactivity to ELDKWA had substitutions in the epitope (ALDKWA, ELDQWA, and KLDKWA) – 2F5 competed with the ELDKWA-reactive sera depending on the serum titer. Geffin *et al.* [1998]
- 2F5: Used as a control in the study of anti-gp41 MAb NC-1 – 2F5 does not react with HIV-2 gp41 or gp160. Jiang *et al.* [1998]
- 2F5: The complete V, J and D(H) domain was sequenced – unlike non-neutralizing anti-gp41 MAb 3D6, five neutralizing MABs (2F5, 2G12, 1B1, 1F7, and 3D5) showed extensive somatic mutations giving evidence of persistent antigenic pressure over long periods – in contrast to Geffin98, where multiple pediatric sera were found to compete with 2F5, cross-competition was noted to be very rare in sera from HIV+ adults – Kunert *et al.* propose that because there is a binding site of human complement factor H which overlaps the 2F5 binding site, it may generally be masked from the immune system – 2F5 also has a remarkably long CDR3 loop of 22 amino acids, and this region could not be readily assigned to any described D(H) fragment, leading to the suggestion of recombination of two fragments from novel regions. Kunert *et al.* [1998]
- 2F5: Neutralization synergy was observed when the MABs 694/98-D (V3), 2F5 (gp41), and 2G12 (gp120 discontinuous) were used in combination, and even greater neutralizing potential was seen with the addition of a fourth MAB, F105 (CD4 BS). Li *et al.* [1998]
- 2F5: This MAB and the results of Ugolini *et al.* [1997] are discussed – the authors propose that an Ab bound to gp41 would typically project less from the surface of the virion and so be unable to interfere with attachment Parren *et al.* [1998a]. Parren *et al.* [1998a]; Ugolini *et al.* [1997]
- 2F5: MABs 2G12, 2F5 and b12 are broadly neutralizing, as are some human polyclonal sera, but this paper describes a set of primary isolates that are resistant to all three MABs and 2 broadly neutralizing sera – results indicate that resistance levels of pediatric isolates might be higher than adult isolates – resistance in general did not seem to be conferred by a loss of binding affinity for gp120 or gp41, rather by a more global perturbation of oligomeric Envelope. Parren *et al.* [1998b]
- 2F5: Induces complement-mediated lysis in MN but not primary isolates – primary isolates are refractive to CML. Takefman *et al.* [1998]
- 2F5: A wide range of neutralizing titers was observed that was independent of co-receptor usage – 2F5 was the most potent of the MABs tested. Trkola *et al.* [1998]
- 2F5: A neutralization assay was developed based on hemi-nested PCR amplification of the LTR (HNPCR) – LTR-HNPCR consistently revealed HIV DNA and was shown to be a rapid, specific and reliable neutralization assay based on tests with 6 MABs and 5 isolates. Yang *et al.* [1998]
- 2F5: This review summarizes results about 2F5: it binds extracellularly, near the transmembrane domain, it is the only gp41 MAB that is neutralizing, it reacts with many non-B clade viruses and has a paradoxically weak binding to virus, given the neutralizing titers. Burton & Montefiori [1997]
- 2F5: In a multilab evaluation of monoclonal antibodies, only IgG1b12, 2G12, and 2F5 could neutralize at least half of the 9 primary test isolates at a concentration of < 25 mug per ml for 90% viral inhibition – the isolates with no 2F5 neutralizing susceptibility had the sequences ALGQWA or ELDTWA instead of EDLKWA – 7/9 primary isolates were neutralized, and ALDKWQ and ALDKWA were susceptible to neutralization. D'Souza *et al.* [1997]
- 2F5: One of 14 human MABs tested for ability to neutralize a chimeric SHIV-vpu+, which expressed HIV-1 IIIB Env – strong neutralizer of SHIV-vpu+ – all Ab combinations tested showed synergistic neutralization – 2F5 has synergistic response with MABs 694/98-D (anti-V3), 2G12, b12, and F105. Li *et al.* [1997]
- 2F5: Using concentrations of Abs achievable *in vivo*, the triple combination of 2F5, 2G12 and HIVIG was found to be syner-

- gistic to have the greatest breadth and magnitude of response against 15 clade B primary isolates. Mascola *et al.* [1997]
- 2F5: A JRCSF variant that was selected for IgG1b12 resistance remained sensitive to MAbs 2G12 and 2F5, for combination therapy. Mo *et al.* [1997]
 - 2F5: Review: MAbs 2F5, 2G12 and IgG1b12 have potential for use in combination with CD4-IgG2 as an immunotherapeutic or immunoprophylactic – homologous MAbs to these are rare in humans and vaccine strategies should consider including constructs that may enhance exposure of these MAbs' epitopes. Moore & Trkola [1997]
 - 2F5: Called IAM 2F5 – antibody mediated enhancement or inhibition seemed to be determined by isolate rather than antibody specificity – in this study, only 2F5 inhibited the entry of all the viruses studied, irrespective of their phenotype, and directly proportional to its affinity to monomeric HIV-1 gp160. Schutten *et al.* [1997]
 - 2F5: Of three neutralizing MAbs (257-D, IgG1b12, and 2F5), 2F5 was the only one to inhibit the entry of all viruses studied, both SI and NSI, with a potency proportional to its affinity for monomeric gp126. Schutten *et al.* [1997]
 - 2F5: Binding of anti-gp120 MAbs IgG1b12 or 654-30D does not mediate significant exposure of the gp41 epitopes for MAbs 2F5 and 50-69. Stamatatos *et al.* [1997]
 - 2F5: Used to standardize polyclonal response to CD4 BS. Turbica *et al.* [1997]
 - 2F5: The only MAb out of a large panel to show no correlation between viral binding inhibition and neutralization. Ugolini *et al.* [1997]
 - 2F5: IgG1b12 was more potent with greater breadth than MAb 2F5 in an infection reduction assay including 35 primary isolates. Kessler II *et al.* [1997]
 - 2F5: Only 4/20 Argentinian and 3/43 Swedish HIV+ sera reacted with LLELDKWASL – sera reacting with peptides that contained ELDKWA tended to have high neutralization titers – the region carboxyl terminal to EDLKWA was found to be more important for polyclonal sera AB binding, 670-675 WNWFDI – 2F5 bound most strongly to the peptide QELLELDKWA. Calarota *et al.* [1996]
 - 2F5: 2F5 was infused into two chimpanzees which were then given an intravenous challenge with a primary HIV-1 isolate – both became infected, but with delayed detection and prolonged decrease in viral load relative to controls, indicating that preexisting, neutralizing antibodies (passively administered or actively elicited) affect the course of acute-phase virus replication and can be influential after the Ab can no longer be detected in the peripheral circulation. Conley *et al.* [1996]
 - 2F5: Neutralizes HXB2, primary isolates, and chimeric virus with gp120 from primary isolates in an HXB2 background. McKeating *et al.* [1996]
 - 2F5: A panel of immunotoxins were generated by linking Env MAbs to ricin A – immunotoxins mediated cell killing, but killing was not directly proportional to binding. Pincus *et al.* [1996]
 - 2F5: Review: one of three MAbs (IgG1b12, 2G12, and 2F5) generally accepted as having significant potency against primary isolates. Poignard *et al.* [1996b]
 - 2F5: Primary isolates from clade A, B, and E are neutralized by 2F5 – neutralization requires the LDKW motif – neutralization resistant isolates or 2F5 selected variants all had substitutions in the D or K. Purtscher *et al.* [1996]
 - 2F5: Review: only four epitopes have been described which can stimulate a useful neutralizing response to a broad spectrum of primary isolates, represented by the binding sites of MAbs: 447-52-D, 2G12, Fab b12, and 2F5. Sattentau [1996]
 - 2F5: ELDKWAS is in a gp41 binding region for the negative regulator of complement factor H (CFH) – Abs to HIV generally do not cause efficient complement-mediated lysis, but binding of 2F5 can interfere with CHF binding, facilitating HIV destruction by complement. Stoiber *et al.* [1996]
 - 2F5: Found to neutralize MN, JRCSF, and two B subtype primary isolates, but not a D subtype primary isolate, by most labs in a multi-laboratory study involving 11 labs. D'Souza *et al.* [1995]
 - 2F5: Broad cross-clade neutralization of primary isolates – additive neutralization in combination with anti-CD4BS MAb IgG1b12 (Called BM12). Kessler *et al.* [1995]
 - 2F5: Review: binds to the only generally accepted strong neutralizing epitope outside of gp120, one of only 3 MAbs with strong broad activity against primary viruses, the others are 2G12 and IgG1b12 – unique member of epitope cluster Moore & Ho [1995] and John Moore, per comm 1996. Moore & Ho [1995]
 - 2F5: MAb binding decreases the accessibility or alters the conformation of the gp41 fusion domain and of gp120 domains, including the binding site for the CD4 cell receptor. Neurath *et al.* [1995]
 - 2F5: Called IAM 41-2F5 – exposed in the presence of gp120 on the cell surface, while most of gp41 is masked – binds proximal to transmembrane region. Sattentau *et al.* [1995]
 - 2F5: Cross-clade primary virus neutralizing activity – LDKW defined as the core epitope. Trkola *et al.* [1995]
 - 2F5: MAb generated by electrofusion of PBL from HIV-1 positive volunteers with CB-F7 cells. Buchacher *et al.* [1994]
 - 2F5: Called IAM-41-2F5 – neutralized lab and primary isolates – t 1/2 dissociation 122 min for the peptide, and 156 min for gp41 – core D(K/R)W – Ab resistant isolate had the sequence KLDNWA. Conley *et al.* [1994b]
 - 2F5: Included in a multi-lab study for antibody characterization binding and neutralization assay comparison. D'Souza *et al.* [1994]
 - 2F5: Failed to show synergy with anti-CD4 binding site IIIB neutralizing antibodies. Laal *et al.* [1994]
 - 2F5: 2F5 epitope ELDKWA inserted into an immunogenic loop in influenza virus hemagglutinin can elicit IIIB, MN and RF neutralizing sera in immunized mice. Muster *et al.* [1994]
 - 2F5: Broadly reactive neutralizing activity, ELDKWA is relatively conserved – neutralized 2 primary isolates. Purtscher *et al.* [1994]
 - 2F5: gp41 mutation (582 A/T) that reduces neutralization of anti-CD4 binding site MAbs does not alter 2F5's ability to neutralize. Thali *et al.* [1994]
 - 2F5: Synergy with combinations of CD4-based molecules in inhibition of HIV-1 Env mediated cell fusion. Allaway *et al.* [1993]
 - 2F5: Called IAM-41-2F5 – reports MAb to be IgG1 – the gp41 mutation 582(Ala to Thr) results in conformational changes in gp120 that confer neutralization resistance to conformationally

sensitive neutralizing MAbs – neutralization efficiency of 2F5 is not affected. Klasse *et al.* [1993a]

- 2F5: DKWA defined as the core sequence – highly conserved epitope neutralizing MAb. Buchacher *et al.* [1992]; Muster *et al.* [1993]

No. 739

MAb ID 4E10

HXB2 Location gp160 (671–676)

Author Location gp160 (671–676 MN)

Epitope NWFDTIT

Neutralizing P

Immunogen HIV-1 infection

Species (Isotype) human (IgG3κ)

Ab Type C-term

Research Contact Herman Katinger, Inst. Appl. Microbiol. University of Agricultural Science, Vienna, Austria, or Polymun Scientific Inc.,

References Luo *et al.* 2006; Zwick *et al.* 2005; Raviv *et al.* 2005; Nakowitsch *et al.* 2005; Haynes *et al.* 2005; Cardoso *et al.* 2005; Safrit *et al.* 2004; Pugach *et al.* 2004; Opalka *et al.* 2004; Ferrantelli *et al.* 2004a; Ferrantelli *et al.* 2004b; Binley *et al.* 2004; Gorny & Zolla-Pazner 2004; Kitabwalla *et al.* 2003; Wang 2003; Fiebig *et al.* 2003; Ferrantelli *et al.* 2003; Binley *et al.* 2003; Ferrantelli & Ruprecht 2002; Xu *et al.* 2002; Xu *et al.* 2001; Zwick *et al.* 2001c; Zwick *et al.* 2001b; Stiegler *et al.* 2001; D'Souza *et al.* 1994; Buchacher *et al.* 1994; Buchacher *et al.* 1992

Keywords antibody binding site definition and exposure, antibody generation, antibody interactions, assay development, assay standardization/improvement, escape, immunoprophylaxis, immunotherapy, mother-to-infant transmission, reversion, viral fitness, review, structure, subtype comparisons, vaccine antigen design, variant cross-recognition or cross-neutralization

- 4E10: gp41 and p15E of the porcine endogenous retrovirus (PERV) share structural and functional similarities, and epitopes in the membrane proximal region of p15E are able to elicit NAbs upon immunization with soluble p15E. Rabbits immunized with a VSV recombinant expressing an HIV-1 membrane-proximal external region (MPER) fused to PERV p15E, with a fusion p15E-HIV MPER protein boost, elicited HIV specific NAbs. The MPER contains the 4E10 epitope. Luo *et al.* [2006] (**vaccine antigen design**)
- 4E10: The crystal structure of 4E10 complexed with a 13 aa peptide (KGWNWFDITNWGK) that contains the NWFDTIT binding site was resolved to 2.2 Å resolution. 4E10 has a canonical beta sandwich Ig-fold, with H3/H2 loop hydrophobicity and a long CDR H3 loop that mediates C-terminal base and central amino acid interactions; it extends beyond the peptide and its orientation suggests it could potentially allow hydrophobic contacts with the viral membrane. 4E10 complex formation induces a conformational change in the peptide such that it forms an amphipathic alpha-helix with a hydrophobic face that interacts with 4E10, with Trp672 primary, and Phe673, Ile675

and Thr676 secondary, contact points. Cardoso *et al.* [2005] (**structure**)

- 4E10: 2F5 and 4E10 both bind to membrane proximal regions of gp41, and have long hydrophobic CDR3 regions characteristic of polyspecific autoreactive antibodies. Of 35 Env-specific MAbs tested, only 2F5 and 4E10 were found to be reactive with phospholipid cardiolipin. Vaccine induction of antibodies that react with these gp41 membrane proximal regions may be rare because of elimination due to autoantigen mimicry. 4E10 also reacted with systemic lupus erythematosus (SLE) autoantigen SS-A/Ro, and both 4E10 and 2F5 reacted with HEp-2 cells with diffuse cytoplasmic and nuclear patterns indicating polyspecific autoreactivity. Haynes *et al.* [2005] (**antibody binding site definition and exposure**)
- 4E10: Passive immunization of 8 HIV-1 infected patients with 4E10, 2F5 and 2G12 (day 0, 4E10; days 7, 14 and 21 4E10+2G12+2F5; virus isolated on days 0 and 77) resulted in 0/8 patients with virus that escaped all three NAbs. No viruses escaped 4E10, but only one virus in one patient had the NWFDTIT epitope sequence; the W, F and I were conserved in all patients but the other amino acids varied both before and after treatment. A patient carrying the epitope sequence nwfSit had the least 4E10 sensitive virus. In a companion in vitro study, resistance to a single MAb emerged in 3–22 weeks, but triple combination resistance was slower and characterized by decreased viral fitness. In the core of the 4E10 epitope, NWFDTIT, 5/11 cases had a T->I escape; 2/11 had a F->L change; and 2/11 had substantial deletions, of WNWF overlapping, or NWLWYI adjacent to the epitope. The lack of resistance to the combination of MAbs in vivo and the reduced fitness of the escape mutants selected in vitro suggests passive immunotherapy may be of value in HIV infection. Nakowitsch *et al.* [2005] (**escape, immunotherapy**)
- 4E10: Retrovirus inactivation for vaccine antigen delivery was explored through lipid modification by hydrophobic photoinduced alkylating probe 1.5 iodonaphthylazide (INA). The viral proteins were shown to be structurally intact in the treated non-infectious virus, through the preservation of antibody binding sites for polyclonal anti-gp120 serum, and for broadly neutralizing MAbs 2G12, b12 and 4E10, although the modifications of the lipid disabled viral infection. Raviv *et al.* [2005] (**vaccine antigen design**)
- 4E10: Alanine scanning mutations of the 21 amino acid region between positions 660–680 showed only 3 substitutions that reduced 4E10 binding, positions IlleldkwanlwnWFDIsnwlW. No single Ala mutation was resistant to both 2F4 and 4E10. Ala substitutions in 11/20 positions enhanced neutralization sensitivity, LLeLdkWanLWNwfdIsNWLw. For peptides T20 and 4E10 neutralization was synergistic. Zwick *et al.* [2005] (**antibody binding site definition and exposure, escape**)
- 4E10: 93 viruses from different clades were tested for their neutralization cross-reactivity using a panel of HIV antibodies. 4E10 was the most cross-reactive, moderately reactive in all 93 viruses tested from each subtype. WFXI was defined as the core motif, and this core is highly conserved in all M group gp41 sequences. How potent the neutralizing activity is is somewhat context dependent. Binley *et al.* [2004] (**variant cross-recognition or cross-neutralization, subtype comparisons**)

- 4E10; Neonatal rhesus macaques were exposed orally to a pathogenic SHIV, 89.6P. 4/8 were given an intramuscular, passive immunization consisting of NAbs 2G12, 2F5 and 4E10, each given at a different body sites at 40 mg/kg per Ab, at one hour and again at 8 days after exposure to 89.6P. The four animals that were untreated all died with a mean survival time of 5.5 weeks, the four animals that got the NAb combination were protected from infection. This model suggests antibodies may be protective against mother-to-infant transmission of HIV. Ferrantelli *et al.* [2004b] (**mother-to-infant transmission**)
- 4E10: Nabs against HIV-1 M group isolates were tested for their ability to neutralize 6 randomly selected HIV-1 O group strains. IgG1b12 could neutralize some O group strains when used on its own, and quadruple combination of b12, 2F5, 2G12, and 4E10, could neutralize the six Group O viruses tested between 62-97%. The linear epitope, NWFDTI, of 4E10 is conserved in 3/6 group O strains. Ferrantelli *et al.* [2004a] (**variant cross-recognition or cross-neutralization**)
- 4E10: This paper reviews MAbs that bind to HIV-1 Env. 4E10 binds to a region of gp41 proximal to cluster II (aa 662-676), neighboring the binding site of the broadly neutralizing MAb 2F5 and overlapping the epitope of neutralizing Fab Z13. 4E10 is the most broadly neutralizing MAb, neutralizing primary isolates from clades A, B, C, D, and CRF01 (E), although not the most potent. Gorny & Zolla-Pazner [2004] (**antibody binding site definition and exposure, variant cross-recognition or cross-neutralization, subtype comparisons**)
- 4E10: An antigen panel representing different regions of gp41 was generated, and sera from 23 individuals were screened. Anti-gp41 titers were very high, and sera bound to many regions of gp41, there were no immunologically silent regions. Many individuals had broad responses to diverse regions. High titer responses tended to focus on the N-heptad, C-heptad and 2F5-4E10 regions, but there was no correlation between neutralization capacity of sera and the particular peptides recognized. 4E10 responded to the three antigens that carried the minimal NWFNTI epitope, but was conformation and context sensitive. Opalka *et al.* [2004] (**assay development, assay standardization/improvement**)
- 4E10: A primary isolate, CC1/85, was passaged 19 times in PBMC and gradually acquired increased sensitivity to FAb b12 and sCD4 that was attributed to changes in the V1V2 loop region, in particular the loss of a potential glycosylation site. The affinity for sCD4 was unchanged in the monomer, suggesting that the structural impact of the change was manifested at the level of the trimer. The passaged virus, CCcon19, retained an R5 phenotype and its neutralization susceptibility to other Abs was essentially the same as CC1/85. The IC50 for 4E10 was greater than 50 for CCcon19, and was 44 for CC1/85, so the primary virus was weakly neutralized by 4E10. Pugach *et al.* [2004] (**reversion, viral fitness, variant cross-recognition or cross-neutralization**)
- 4E10: This review discusses research presented at the Ghent Workshop of prevention of breast milk transmission and immunoprophylaxis for HIV-1 in pediatrics (Seattle, Oct. 2002), and makes the case for developing passive or active immunoprophylaxis in neonates to prevent mother-to-infant transmission. Macaque studies have shown that passive transfer of NAb combinations (for example, IgG1b12, 2G12, 2F5, and 4E10) can confer partial or complete protection to infant macaques from subsequent oral SHIV challenge. Safrit *et al.* [2004] (**immunoprophylaxis, mother-to-infant transmission**)
- 4E10: The SOS mutant envelope protein introduces a covalent disulfide bond between gp120 surface and gp41 transmembrane proteins into the R5 isolate JR-FL by adding cysteines at residues 501 and 605. Pseudovirions bearing this protein bind to CD4 and co-receptor bearing cells, but do not fuse until treatment with a reducing agent, and are arrested prior to fusion after CD4 and co-receptor engagement. gp41 NAbs 2F5 and 4E10 are able to potently neutralize the SOS pseudovirion post-attachment. Binley *et al.* [2003] (**vaccine antigen design**)
- 4E10: Four newborn macaques were challenged with pathogenic SHIV 89.6 and given post exposure prophylaxis using a combination of NAbs 2F5, 2G12, 4E10 and IgG1b12. 2/4 treated animals did not show signs of infection, and 2/4 macaques maintained normal CD4+ T cell counts and had a lower delayed peak viremia compared to the controls. Ferrantelli *et al.* [2003] (**antibody interactions, immunoprophylaxis, mother-to-infant transmission**)
- 4E10: Porcine endogenous retroviruses (PERVs) are a concern in the context of porcine xenotransplantation into humans; possible strategies for protection include PERV knockout animals or vaccines. Goats immunized with the PERV transmembrane protein revealed two NAb epitope, E1 and E2. E2's epitope (FEGWFN) binds to a sequence that is perfectly preserved in all PERVs and highly conserved in all gammaretroviruses: MuLV carries FEGLFN, FeLV FEGWFN, and it shares three amino acids with the core epitope for the anti-HIV human neutralizing MAb 4E10, (LWNWFN). Fiebig *et al.* [2003]
- 4E10: MAbs IgG1b12, 2G12, 2F5 and 4E10 were tested for their ability to neutralize two primary HIV-1 clade A isolates (UG/92/031 and UG/92/037) and two primary HIV-1 clade D isolates (UG/92/001 and UG/92/005). 4E10 demonstrated the most potent cross-neutralization activity. Quadruple administration of MAbs IgG1b12, 2G12, 2F5, and 4E10 induced strong synergistic neutralization of 4 clade A isolates (UG/92/031, UG/92/037, RW/92/020 and RW/92/025) as well as 5 clade D isolates (UG/92/001, UG/9/005, /93/086/RUG/94/108, UG/94/114). The authors note this combination of 4 MAbs neutralizes primary HIV A, B, C, and D isolates. Kitabwalla *et al.* [2003] (**antibody interactions, immunoprophylaxis, variant cross-recognition or cross-neutralization, mother-to-infant transmission, subtype comparisons**)
- 4E10: Review of current neutralizing antibody-based HIV vaccine candidates and strategies of vaccine design. Strategies for targeting of the epitopes for NAbs 2F5, 2G12, 4E10, b12, and Z13 are described. Wang [2003] (**vaccine antigen design, review**)
- 4E10: Review of NAbs illustrating gp41's conformational change and exposure of the 4E10/Z13 epitope in the transient pre-hairpin form. Ferrantelli & Ruprecht [2002] (**antibody binding site definition and exposure**)
- 4E10: Passive immunization of neonate macaques with a combination of F105+2G12+2F5 conferred complete protection against oral challenge with SHIV-vpu+ —the combination b12+2G12+2F5 conferred partial protection against SHIV89.6—such combinations may be useful for prophylaxis at birth and against milk born transmission—the synergistic

- combination of IgG1b12, 2G12, 2F5, and 4E10 neutralized a collection of HIV clade C primary isolates. Xu *et al.* [2002] (**antibody interactions, immunoprophylaxis, subtype comparisons**)
- 4E10: 4E10 binds proximal to 2F5 and neutralizes primary isolates of clades A, B, C, D, and E. Viruses that were resistant to 2F5 were neutralized by 4E10 and vice versa. Stiegler *et al.* [2001] (**antibody binding site definition and exposure**)
 - 4E10: Twenty HIV clade C isolates from five different countries were susceptible to neutralization by anti-clade B MAbs in a synergistic quadruple combination of mAbs IgG1b12, 2G12, 2F5, and 4E10. Xu *et al.* [2001] (**antibody interactions, subtype comparisons**)
 - 4E10: MAbs 4E10 and Z13 both bind proximally to 2F5 to a conserved linear epitope that has some conformational aspects – both bind to MN virions, bind weakly to infected cells in a manner that is not disrupted by sCD4 and neutralize some primary isolates from clades B, C, and E – maps minimal 4E10 epitope to NWFDTIT, contrary to an earlier report – different strains were refractive to neutralization by broadly neutralizing Abs IgG1b12, 2F5, Z13 and 4E10. Zwick *et al.* [2001b] (**variant cross-recognition or cross-neutralization, subtype comparisons**)
 - 4E10: Neutralization synergy between anti-HIV NABs b12, 2G12, 2F5, and 4E10 was studied – a classic fixed-ratio method was used, as well as a method where one Ab was fixed at a low neutralization titer and the other was varied – using primary isolates, a two-four fold enhancement of neutralization was observed with MAb pairs, and a ten-fold enhancement with a quadruple Ab combination – no synergy was observed with any MAb pair in the neutralization of TCLA strain HXB2. Zwick *et al.* [2001c] (**antibody interactions**)
 - 4E10: MAbs generated by hybridoma, electrofusion of PBL from HIV-1 + volunteers with CB-F7 heteromyeloma cells – also binds to MHC class II proteins – anti-class II Abs are only found in HIV-1 positive people – this paper maps 4E10's binding site to AEGTDRV, gp160(823-829), but the later Zwick *et al.* study in 2001 revised the epitope location. Buchacher *et al.* [1994] (**antibody binding site definition and exposure, antibody generation**)
 - 4E10: Included in a multi-lab study for antibody characterization, binding and neutralization assay comparison. D'Souza *et al.* [1994] (**variant cross-recognition or cross-neutralization**)
- No. 740
MAB ID Z13
HXB2 Location gp160 (671–676)
Author Location gp41 (671–676 MN)
Epitope NWFDTIT
Subtype B
Neutralizing P
Immunogen HIV-1 infection
Species (Isotype) human (IgG1κ)
Ab Type C-term
References Luo *et al.* 2006; Gorny & Zolla-Pazner 2004; Wang 2003; Ferrantelli & Ruprecht 2002; Zwick *et al.* 2001b
- Keywords** antibody binding site definition and exposure, antibody generation, review, vaccine antigen design, variant cross-recognition or cross-neutralization
- Z13:gp41 and p15E of the porcine endogenous retrovirus (PERV) share structural and functional similarities, and epitopes in the membrane proximal region of p15E are able to elicit NABs upon immunization with soluble p15E. Rabbits immunized with a VSV recombinant expressing an HIV-1 membrane-proximal external region (MPER) fused to PERV p15E, with a fusion p15E-HIV MPER protein boost, elicited HIV specific NABs. The MPER contains the Z13 epitope. Luo *et al.* [2006] (**vaccine antigen design**)
 - Z13: This paper reviews MAbs and Fabs that bind to HIV-1 Env. Z13 binds to a region of gp41 proximal to cluster II (aa 662-676), neighboring the binding site of the broadly neutralizing MAb 2F5 and overlapping the epitope of neutralizing MAb 4E10. Z13 is broadly neutralizing, neutralizing primary isolates from clades A, B, C, D and CRF01 (E). Gorny & Zolla-Pazner [2004] (**antibody binding site definition and exposure, review**)
 - Z13: Review of current neutralizing antibody-based HIV vaccine candidates and strategies of vaccine design. Strategies for targeting of the epitopes for NABs 2F5, 2G12, 4E10, b12, and Z13 are described. Wang [2003] (**vaccine antigen design, review**)
 - Z13: Review of NABs that notes Z13 is a phage display generated FAb fragment from a B clade infected individual and that illustrates gp41's conformational change and exposure of the 4E10/Z13 epitope in the transient pre-hairpin form. Ferrantelli & Ruprecht [2002] (**antibody binding site definition and exposure, antibody generation**)
 - Z13: MAb 4E10 and FAb Z13 both bind proximally to 2F5 to a relatively conserved linear epitope that has some conformational aspects – both bind to MN virions, bind weakly to infected cells in a manner that is not disrupted by sCD4 and can neutralize some primary isolates from clades B, C, and E – Z13 was selected using a phage display library with the MN gp41 peptide LLELDKWASLWNWFDITNWSW from an HIV infected donor who had an exceptionally broad NAB response – different strains were refractive to neutralization by broadly neutralizing Abs IgG1b12, 2F5, Z13 and 4E10 – epitope location noted here is by analogy to MAb 4E10. Zwick *et al.* [2001b] (**antibody binding site definition and exposure, antibody generation, variant cross-recognition or cross-neutralization**)
- No. 741
MAB ID B30
HXB2 Location gp160 (720–734)
Author Location gp41 (720–734 BH10)
Epitope HLPPIPRGPDRPEGIE
Neutralizing
Immunogen vaccine
Vector/Type: protein Strain: B clade LAI
HIV component: gp160
Species (Isotype) mouse (IgG1)
Research Contact George Lewis
References Abacioglu *et al.* 1994

- B30: Epitope boundaries mapped by peptide scanning. Abacioglu *et al.* [1994]

No. 742

MAb ID polyclonal

HXB2 Location gp160 (724–745)

Author Location gp41 (731–752)

Epitope PRGPDRPEGIEEEGERDRDRS

Neutralizing

Immunogen vaccine

Vector/Type: Cowpea mosaic virus *Strain:*

B clade IIIB *HIV component:* gp41

Species (Isotype) mouse (IgA, IgG2a)

References Durrani *et al.* 1998

- Comparison of intranasal and oral immunization of HIV-1 peptide expressed in a plant viral vector – intranasal gave the better response. Durrani *et al.* [1998]

No. 743

MAb ID 41S-2

HXB2 Location gp160 (725–745)

Author Location gp160 (732–750)

Epitope RGPDRPEGIEEEGERDRDRS

Neutralizing yes

Immunogen vaccine

Vector/Type: peptide keyhole limpet hemocyanin (KLH) conjugate *HIV component:* gp41

Species (Isotype) mouse (IgG2bk)

References Hifumi *et al.* 2003; Hifumi *et al.* 2002; Hifumi *et al.* 2000b; Hifumi *et al.* 2000a

Keywords anti-idiotypic, antibody sequence, variable domain

- 41S-2: A murine Ab called i41SL1-2 was raised against the complementary determining region of the 41S-2 light chain, CRDL-1 (RSSKSLLYSNGNTYLY). As with 41S-2-L, the light chain of i41SL1-2 also had catalytic activity and degraded the immunizing peptide, initially cleaving between the Arg1 and Ser2. i41SL1-2 did not cross-react with gp41 peptide, gp120 V3 loop peptide and bound weakly to 41S-2-L. i41SL1-2 shows homology to the anti-VIP Ab (VIP, vasoactive intestinal peptide) that also has peptidase character. Both light chains contain a catalytic triad composed of Asp, Ser, and His (for i41SL1-2: Asp73, Ser 76 or Ser70 and His 79). Intact i41SL1-2 was unable to degrade CDRL-1, possibly due to an immobile inactive conformation of the catalytic triad. Hifumi *et al.* [2003] (**anti-idiotypic, antibody sequence, variable domain**)
- 41S-2: 41S-2-L refers to the light chain of 41S-2, which can enzymatically decompose the gp41 protein of HIV-1, but doesn't degrade unreacted proteins. The peptide RGPDRPEGIEEEGERDRDRS, against which the MAb was raised, can also be cleaved, initially between Glu12-Gly13, followed by successive cleavage reactions. Hifumi *et al.* [2002]
- 41S-2: BALBc mice were immunized with gp41 peptide and a MAb specific for the peptide was generated – isolated MAb light chains displayed proteolytic activity toward the peptide epitope which may be due to a catalytic triad on light chain (Asp73, Ser76, and His79) – no catalytic activity was observed for the whole antibody. Hifumi *et al.* [2000a]

- 41S-2: The complementary determining region of 41S-2-L, the light chain of 41S-2, is strongly involved in gp41 recognition. This light chain can serve as a molecular catalyst for gp41 degradation. Hifumi *et al.* [2000b]

No. 744

MAb ID 447-52D (447/52-DII, 447-52-D, 447d, 447-52-D, 447-D, 447, 447D)

HXB2 Location gp160 (726–729)

Author Location gp120 (MN)

Epitope GPXR

Subtype B

Neutralizing L P

Immunogen HIV-1 infection

Species (Isotype) human (IgG3λ)

Ab Type gp120 V3

Research Contact Dr. Susan Zolla-Pazner, NYU Med Center NY, NY; Veteran Affairs Med Center NY, NY; or Cellular Products Inc, Buffalo, NY,

References Selvarajah *et al.* 2005; Pinter *et al.* 2005; Martín-García *et al.* 2005; Lusso *et al.* 2005; Krachmarov *et al.* 2005; Haynes *et al.* 2005; Gorny *et al.* 2005; Sharpe *et al.* 2004; Pugach *et al.* 2004; Pinter *et al.* 2004; Pantophlet *et al.* 2004; McCaffrey *et al.* 2004; Ling *et al.* 2004; Gorny *et al.* 2004; Binley *et al.* 2004; Gorny & Zolla-Pazner 2004; Pantophlet *et al.* 2003b; Zwick *et al.* 2003; Kessler *et al.* 2003; Binley *et al.* 2003; Poignard *et al.* 2003; Ferrantelli & Ruprecht 2002; He *et al.* 2002; Gorny *et al.* 2002; Sharon *et al.* 2002; Srivastava *et al.* 2002; Verrier *et al.* 2001; York *et al.* 2001; Park *et al.* 2000; Nyambi *et al.* 2000; Ly & Stamatatos 2000; Hioe *et al.* 2000; Grovit-Ferbas *et al.* 2000; Gorny *et al.* 2000; Beddows *et al.* 1999; Hioe *et al.* 1999; Nyambi *et al.* 1998; Gorny *et al.* 1998; Connor *et al.* 1998; Zolla-Pazner *et al.* 1999b; Zolla-Pazner *et al.* 1999a; Parren *et al.* 1998a; Smith *et al.* 1998; Mondor *et al.* 1998; Inouye *et al.* 1998; Ugolini *et al.* 1997; Gorny *et al.* 1997; Hill *et al.* 1997; Parren *et al.* 1997b; Boots *et al.* 1997; Hioe *et al.* 1997b; Hioe *et al.* 1997a; Fouts *et al.* 1997; Binley *et al.* 1997a; D'Souza *et al.* 1997; Sattentau 1996; Trkola *et al.* 1996a; Jagodzinski *et al.* 1996; Forthal *et al.* 1995; Moore & Ho 1995; Moore *et al.* 1995a; Zolla-Pazner & Sharpe 1995; Zolla-Pazner *et al.* 1995; Sattentau *et al.* 1995; Saarloos *et al.* 1995; Fontenot *et al.* 1995; Sattentau 1995; Moore *et al.* 1994a; Gorny *et al.* 1994; VanCott *et al.* 1994; Laal *et al.* 1994; Conley *et al.* 1994a; Spear *et al.* 1993; Cavacini *et al.* 1993a; Keller *et al.* 1993; Gorny *et al.* 1993; Karwowska *et al.* 1992b; Buchbinder *et al.* 1992; Gorny *et al.* 1992

Keywords acute/early infection, ADCC, antibody binding site definition and exposure, antibody interactions, antibody sequence, variable domain, assay development, assay standard-

- ization/improvement, binding affinity, co-receptor, complement, enhancing activity, kinetics, mimotopes, reversion, viral fitness, review, structure, subtype comparisons, Th2, vaccine antigen design, vaccine-specific epitope characteristics, variant cross-recognition or cross-neutralization
- 447-52d: 2909 is a human anti-Env NAb that was selected by a neutralization assay and binds to the quaternary structure on the intact virion. ELISA-based competition assays and subsequent mutational analysis determined that the CD4BS and V2 and V3 loops contribute to the 2909 epitope: 2909 binding was inhibited by MAbs 447-52d (anti-V3), 830A (anti-V2), and IgG1b12 (anti-CD4BS) and sCD4. 2909 was not inhibited by MAbs 670, 1418, nor 2G12. Gorny *et al.* [2005]
 - 447-52D: Of 35 Env-specific MAbs tested, only 2F5, 4E10, IgG1b12, and two CD4BS adjacent MAbs (A32 and 1.4G) and gp41 MAbs (2.2B and KU32) had binding patterns suggesting polyspecific autoreactivity, and similar reactivities may be difficult to induce with vaccines because of elimination of such autoreactivity. 447-52D has no indication of polyspecific autoreactivity. Haynes *et al.* [2005] (**antibody binding site definition and exposure**)
 - 447-52D: Sera from subtype A infected individuals from Cameroon have antibodies that react strongly with subtype A and subtype B V3 loops in fusion proteins, and neutralize SF162 pseudotypes, while sera from 47 subtype B infected individuals reacted only with subtype B. Sera from Cameroon did not neutralize primary A or B isolates, due to indirect masking by the V1/V2 domain rather than due to loss of the target epitope. Neutralization by anti-V3 B clade specific MAbs 447-52D and 4117C was fully blocked by a clade V3 loop fusion protein, but not an A clade fusion protein, while Cameroonian sera neutralization was fully blocked by both A and B clade fusion proteins. Krachmarov *et al.* [2005] (**antibody binding site definition and exposure, variant cross-recognition or cross-neutralization, subtype comparisons**)
 - 447-52D: The epitope for the MAb D19 is conserved and embedded in V3. D19 is unique in that for R5 viruses, it was cryptic and did not bind without exposure to sCD4, and for X4 and R5X4 isolates it was constitutively exposed. It had an overlapping binding region with MAbs 447-52D, B4e8, and 268-D, but different reactivity patterns and fine specificity. While B4e8 and 447-52D could bind to the R5 virus BaL in the absence of sCD4, treatment with sCD4 did increase the binding of both B4e8 and 447-52D, but did not impact their ability to neutralize BaL. Lusso *et al.* [2005] (**antibody binding site definition and exposure**)
 - 447-52D: The HIV-1 Bori-15 variant was adapted from the Bori isolate for replication in microglial cells. Bori-15 had increased replication in microglial cells and a robust syncytium-forming phenotype, ability to use low levels of CD4 for infection, and increased sensitivity to neutralization by sCD4 and 17b. Four amino acid changes in gp120 V1-V2 were responsible for this change. Protein functionality and integrity of soluble, monomeric gp120-molecules derived from parental HIV-1 Bori and microglial-adapted HIV-1 Bori-15 was assessed in ELISA binding assays using CD4BS MAbs F105 and IgG1b12, glycan-specific 2G12, and V3-specific 447-52D, and were unchanged. Association rates of sCD4 and 17b were not changed, but dissociation rates were 3-fold slower for sCD4 and 14-fold slower for 17b. Martín-García *et al.* [2005] (**antibody binding site definition and exposure**)
 - 447-52D: This study is about the V2 MAb C108g, which is type-specific and neutralizes BaL and HXB2. JR-FL is a neutralization resistant strain; modification of JRFL at V2 positions 167 and 168 (GK->DE) created a C108g epitope, and C108g could potentially neutralize the modified JR-FL. The modification in V2 also increased neutralization sensitivity to V3 MAbs 4117c, 2219, 2191, and 447-52D (447-52D was the only one of the 4 V3 MAbs that could neutralize the unmodified JRFL); but only had minor effects on neutralization by CD4BS MAb 5145A, and broadly neutralizing MAbs IgG1b12, 2G12, and 2F5. Pinter *et al.* [2005] (**antibody binding site definition and exposure**)
 - 447-52-D: Antigens were designed to attempt to target immune responses toward the IgG1b12 epitope, while minimizing antibody responses to less desirable epitopes. One construct had a series of substitutions near the CD4 binding site (GDMR), the other had 7 additional glycans (mCHO). The 2 constructs did not elicit b12-like neutralizing antibodies, but both antigens successfully dampened other responses that were intended to be dampened while not obscuring b12 binding. V3 MAbs (447-52D, 19b, F245-B4e8 and 39F) bound to the GDMR antigen, but either did not bind or had diminished binding to mCHO. Selvarajah *et al.* [2005] (**vaccine-specific epitope characteristics, Th2**)
 - 447-52D: 93 viruses from different clades were tested for their neutralization cross-reactivity using a panel of HIV antibodies. Neutralization outside of the B clade was very rare, and seemed to depend on the presence of a GPGR V3 tip, which is rare outside of the B clade. Binley *et al.* [2004] (**variant cross-recognition or cross-neutralization, subtype comparisons**)
 - 447-52D: This review provides summaries of Abs that bind to HIV-1 Env. There are many V3 MAbs, many neutralize some TCLA strains, and a subset can also neutralize some primary isolates. The set that can cross-neutralize primary isolates (2182, 2191, 2219, 2412, 2442, 2456) bind V3 but are conformationally sensitive, suggesting some structural conservation despite sequence variation. These MAbs have distinct epitopes relative to 447-52D, a MAb directed at the tip of the V3 loop that also can neutralize many primary isolates. Although 447-52D was selected using a peptide, it has conformational characteristics. Inter-clade cross-neutralization by anti-V3 conformation-dependent MAbs is reduced. Gorny & Zolla-Pazner [2004] (**antibody binding site definition and exposure, review**)
 - 447-52D: V3 MAb neutralization is influenced by retaining the epitope, exposure on the intact virion, mobility during CD4-induced conformational change, and affinity. Anti-V3 MAbs selected using V3 peptides neutralize less effectively than V3 MAbs selected using fusion proteins or gp120, suggesting antigenic conformation is important. This MAb was selected using V3 peptides, but was an exception in that it is cross-neutralizing. 447-52D neutralized 12/13 clade B viruses. Gorny *et al.* [2004] (**antibody binding site definition and exposure**)
 - 447-52D: The role of serine proteases on HIV infection was explored. Trypsin decreased the binding of most Env MAb tested

- and diminished cell fusion of H9 cells infected with HIV-1 LAI virus (H9/IIIB) to MAGI cells. In contrast, thrombin increased the binding of MAbs to gp120 epitopes near the CD4 and CCR5 binding sites, and increased cell fusion. Binding of the V3 MAbs 694-98D and 447-52D, that both bind near the tip of the loop, was decreased by both thrombin and trypsin. Ling *et al.* [2004] (**antibody binding site definition and exposure**)
- 447-52D: Sera from two HIV+ people and a panel of MAbs were used to explore susceptibility to neutralization in the presence or absence of glycans within or adjacent to the V3 loop and within the C2, C4 and V5 regions of HIV-1 SF162 env gp120. The loss of any of three glycans within or adjacent to the V3 loop (GM299 V3), C2 (GM292 C2), C3 (GM329 C3) increased neutralization susceptibility to 447-52D, but C4 (GM438 C4) or V5 (GM454 V5) removal did not make SF162 more sensitive. V3 glycans tended to shield V3 loop, CD4 and co-receptor MAb binding sites, while C4 and V5 glycans shielded V3 loop, CD4, gp41 but not co-receptor MAb binding sites. Selective removal of glycans from a vaccine candidate may enable greater access to neutralization susceptible epitopes. McCaffrey *et al.* [2004] (**antibody binding site definition and exposure, vaccine antigen design**)
 - 447-52D: By adding N-linked glycosylation sites to gp120, epitope masking of non-neutralizing epitopes can be achieved leaving the IgG1b12 binding site intact. This concept was originally tested with the addition of four glycosylation sites, but binding to b12 was reduced. It was modified here to exclude the C1 N-terminal region, and to include only three additional glycosylation sites. This modified protein retains full b12 binding affinity and it masks other potentially competing epitopes, and does not bind to 21 other MAbs to 7 epitopes on gp120, including 447-52D. Pantophlet *et al.* [2004] (**vaccine antigen design**)
 - 447-52D: V1V2 was determined to be the region that conferred the neutralization phenotype differences between two R5-tropic primary HIV-1 isolates, JRFL and SF162. JRFL is resistant to neutralization by many sera and MAbs, while SF162 is sensitive. All MAbs tested, anti-V3, -V2, -CD4BS, and -CD4i, (except the broadly neutralizing MAbs IgG1b12, 2F5, and 2G12, which neutralized both strains), neutralized the SF162 pseudotype but not JRFL, and chimeras that exchanged the V1V2 loops transferred the neutralization phenotype. 5/6 anti-V3 MAbs, including 447-52D, had similar binding affinity to soluble SF162 and JR-FL rgp120s, although the V3 loop differs at three positions (HigpgrafyTtGE for JR-FL and TigpgrafyAtGD for SF162). Pinter *et al.* [2004] (**variant cross-recognition or cross-neutralization**)
 - 447-52D: A primary isolate, CC1/85, was passaged 19 times in PBMC and gradually acquired increased sensitivity to FAb b12 and sCD4 that was attributed to changes in the V1V2 loop region, in particular the loss of a potential glycosylation site. The affinity for sCD4 was unchanged in the monomer, suggesting that the structural impact of the change was manifested at the level of the trimer. The passaged virus, CCcon19, retained an R5 phenotype and its neutralization susceptibility to other Abs was essentially the same as CC1/85. 447-52D did not neutralize the primary or passaged variant. Pugach *et al.* [2004] (**reversion, viral fitness, variant cross-recognition or cross-neutralization**)
 - 447-52D: Analysis of the conformation of 447-52D in complex with the V3MN18 peptide (gp12 aa 310-329, KRKRIHIGP-GRAFYTTKN) was undertaken using solid state NMR. The bound peptide had a well defined constrained structure that was in good agreement with solution NMR and crystallographic studies. Sharpe *et al.* [2004] (**structure**)
 - 447-52D: The SOS mutant envelope protein introduces a covalent disulfide bond between gp120 surface and gp41 transmembrane proteins into the R5 isolate JR-FL by adding cysteines at residues 501 and 605. Pseudovirions bearing this protein bind to CD4 and co-receptor bearing cells, but do not fuse until treatment with a reducing agent, and are arrested prior to fusion after CD4 and co-receptor engagement. 447-52D was able to neutralize the SOS protein better than the wildtype, but did not neutralize SOS well when added post-attachment, as the V3 loop is involved in co-receptor engagement. Binley *et al.* [2003] (**vaccine antigen design**)
 - 447-52D: The Fv fragment (composed of just the light and heavy variable regions, and the smallest intact binding unit of an Ab) of 447-52 D was expressed and purified. Preliminary NMR with the peptide epitope indicates that an NMR structure determination is feasible. Kessler *et al.* [2003] (**antibody sequence, variable domain, structure**)
 - 447-52D: This paper attempts to engineer a gp120 molecule that would focus the immune response onto the IgG1b12 epitope. Adding a glycosylation sequon (P313N) to the V3 loop knocked out binding to anti-V3 MAbs loop 2, 19b and 447-52D. Pantophlet *et al.* [2003b] (**vaccine antigen design**)
 - 447-52D: Virion capture assays are not a good predictor of neutralization, and the presentation of epitopes using this assay seems to be different from that of functional Envelope spikes on primary isolates – F105 and b6 could efficiently block the b12-mediated capture of infectious virions in a virus capture, but did not inhibit b12 neutralization – Ab 447-52D was able to potently neutralize 89.6 and to neutralize JR-CSF at a high concentration but poorly neutralized ADA – b12 was potent at neutralizing the three primary virions JR-CSF, ADA, and 89.6, but anti-V3 Abs 447-52D and 19b, which did not neutralize JR-CSF and ADA, captured amounts of p24 equal to or higher than the amounts captured by the neutralizing Ab b12. Pognard *et al.* [2003] (**antibody binding site definition and exposure, assay development, variant cross-recognition or cross-neutralization**)
 - 447-52D: scFv 4KG5 reacts with a conformational epitope that is formed by the V1V2 and V3 loops and the bridging sheet (C4) region of gp120 and is influenced by carbohydrates. Of a panel of MAbs tested, only NAb b12 enhanced 4KG5 binding to gp120 JRFL. MAbs to the following regions diminished 4KG5 binding: V2 loop, V3 loop, V3-C4 region, CD4BS. MAbs directed against C1, CD4i, C5 regions didn't impact 4KG5 binding. These results suggest that the orientation or dynamics of the V1/V2 and V3 loops restricts CD4BS access on the envelope spike, and IgG1b12 can uniquely remain unaffected by these loops. This was one of the V3 MAbs used. Zwick *et al.* [2003] (**antibody interactions**)
 - 447-52D: Review of NAbs. Ferrantelli & Ruprecht [2002]
 - 447-52D: Conformation-dependent anti-V3 loop Abs may be more cross-reactive, so six new V3 MAbs were generated – the six new MAbs all bind to the tip of the V3 loop and cross-

- compete with the MAb 447-52D and are conformationally sensitive – MAbs showed cross-clade binding to native, intact virions of clades A(N=2), B(N=4), and F(N=2), limited binding to C(N=3) and D(N=3), and did not bind to CRF01(subtype E, N=2) – the strength binding was highly correlated with percent neutralization using the ghost cell or PHA blast assay – five well-characterized MAbs were used as controls: anti-V3 447-52D (anti-V3 MAb for competition and neutralization studies), 654 (anti-CD4BS used as a conformation-sensitive MAb control), 1331A (anti-C5 used as a linear binding site MAb control), MAb 246 (anti-gp41 MAb that bound to primary isolates of all clades) – 447-52D bound to primary isolates from all clades except CRF01 (E), was conformationally sensitive and showed the some of the most potent neutralizing activity. Gorny *et al.* [2002] (**variant cross-recognition or cross-neutralization**)
- 447-52D: Transgenic mice carrying human genes allowing production of fully human MAbs were used to rapidly create a panel of anti-HIV gp120 MAb producing hybridomas by immunization with HIV SF162 gp120 – the previously described human MAbs 5145A(CD4BS), 4117C (plus others, V3) and 697D (and SC258, V2) were used as controls. He *et al.* [2002]
 - 447-52D: The feasibility of determining the NMR structure of the V3(MN) peptide bound to the 447-52D Fab fragment was tested and a general strategy for obtaining NMR structures of V3 peptide-Fab fragments developed – preliminary NMR spectra for 447-52D complexed to a 23 amino acid V3 peptide was obtained. Sharon *et al.* [2002] (**structure**)
 - 447-52D: Oligomeric gp140 (o-gp140) derived from R5 primary isolate US4 was characterized for use as a vaccine reagent—antigen capture ELISA was used to compare the antigenicity of gp120 and o-gp140 using a panel of well characterized MAbs—447-D recognized the gp120 monomer much more readily than o-gp140, suggesting the V3 loop is less exposed on o-gp140 and on intact virions. Srivastava *et al.* [2002] (**antibody binding site definition and exposure, vaccine antigen design**)
 - 447-52D: A panel of 12 MAbs was used to identify those that could neutralize the dual-tropic primary isolate HIV-1 89.6 – six gave significant neutralization at 2 to 10 ug/ml: 2F5, 50-69, IgG1b12, 447-52D, 2G12, and 670-D six did not have neutralizing activity: 654-D, 4.8D, 450-D, 246-D, 98-6, and 1281 – no synergy, only additive effects were seen for pairwise combinations of MAbs, and antagonism was noted between gp41 MAbs 50-69 and 98-6, as well as 98-6 and 2F5. Verrier *et al.* [2001] (**antibody interactions, variant cross-recognition or cross-neutralization**)
 - 447-52D: Abs against the V3 loop (50.1, 58.2, 59.1, 257-D, 268-D, 447-52D), CD4BS (IgG1b12, 559-64D, F105), CD4i (17b), and to gp41 (2F5, F240) each showed similar binding efficiency to Env derived from related pairs of primary and TCLA lines (primary: 168P and 320SI, and TCLA: 168C and 320SI-C3.3), but the TCLA lines were much more susceptible to neutralization suggesting that the change in TCLA lines that make them more susceptible to NAbs alters some step after binding – the dissociation constant, Kd of 447-52D for the cell associated primary and TCLA Envs was equal, 3nM. York *et al.* [2001] (**antibody binding site definition and exposure, variant cross-recognition or cross-neutralization, binding affinity**)
 - 447-52D: Binding of panel of 21 MAbs to soluble oligomeric gp140 versus gp41 or gp120 monomers was compared – no MAb was oligomer specific, though anti-V3 and CD4BS MAbs reacted better with the oligomer and V2 and C5 tended to favor the monomer – V3 MAbs 447-52D, 838-D, and 1334 bound with a 7-10 fold preference for the oligomer. Gorny *et al.* [2000] (**antibody binding site definition and exposure**)
 - 447-52D: To determine the antigenicity of virus killed by thermal and chemical inactivation, retention of conformation-dependent neutralization epitopes was examined, and exposure of CD4BS epitopes was found to be enhanced (MAbs IgG1b12, 205-46-9, and 205-43-1) – binding to 2G12 and 447-52D epitopes was essentially unaltered – the 17b CD4i epitope was also exposed. Grovit-Ferbas *et al.* [2000] (**vaccine antigen design**)
 - 447-52D: Ab responses, because of their capacity to alter antigen uptake and processing, can influence helper T cell responses – CD4BS MAbs or serum Ig from HIV+ individuals inhibited proliferative responses of gp120 specific T cells – V3 MAbs 447-52-D and 268-10-D did not effect proliferation. Hioe *et al.* [2000]
 - 447-52D: Called 447D – SF162 is a neutralization-resistant HIV-1 isolate – N-linked glycosylation modifications in the V2 loop of the SF162 gp120 revealed that these sites prevent neutralization by CD4BS MAbs (IgG1b12 and IgGCD4), and protect against neutralization by V3 MAbs (447D and 391-95D) – V2-region glycosylation site mutations did not alter neutralization resistance to V2 MAbs (G3.4 and G3.136) or CD4i MAbs (17b and 48d) – V2 glycosylation site modification allows infection of macrophages, probably due to glycosylated forms requiring fewer CCR5 molecules for viral entry. Ly & Stamatatos [2000] (**antibody binding site definition and exposure**)
 - 447-52D: A panel of 47 human MAbs was tested against 26 HIV-1 group M primary isolates from clades A through H – 19 V3 MAbs were tested, and of 494 combinations, 44% displayed some viral binding – V3 MAbs tended to have the most cross-reactive binding to clade A, B, C, and D isolates, less to E, F, G, and H – 447-52D showed the highest cross-reactivity, bound to 24/26 viruses tested, but achieved 90% neutralization only against MN, 50% against CA5, and no neutralization was observed for 3 other isolates tested. Nyambi *et al.* [2000] (**subtype comparisons**)
 - 447-52D: Six mutations in MN change the virus from a high-infectivity neutralization resistant phenotype to low-infectivity neutralization sensitive – V3, CD4BS, and CD4i MAbs are 20-100 fold more efficient at neutralizing the sensitive form – the mutation L544P reduced binding of all MAbs against gp120 by causing conformational changes. Park *et al.* [2000] (**antibody binding site definition and exposure**)
 - 447-52D: rgp120 derived from a R5X4 subtype B virus, HIV-1 W61D, was used to vaccinate healthy volunteers and the resulting sera were compared with sera from HIV-1 positive subjects and neutralizing MAbs – TCLA strains showed enhanced 447-52D neutralization sensitivity relative to PBMC-adapted lines (32X increase between HIV-1 (M2424/PBMC(p0)) and HIV-1 (M2424/H9(p9)) and a >128X increase between HIV-1

- (W61D/PBMC) and HIV-1 (W61D/SupT1) isolates) Beddows *et al.* [1999] (**variant cross-recognition or cross-neutralization**)
- 447-52D: The presence of leukocyte function-associated molecule 1 (LFA-1) promotes virus infectivity and hinders neutralization, and anti-LFA-1 MAbs can enhance the neutralizing effect of anti-HIV V3 MAb 447-52D and anti-HIV CD4BS MAb IgG1b12 – non-neutralizing anti-HIV CD4BS MAb 654-D did not become neutralizing in the presence of anti-LFA-1 MAbs. Hioe *et al.* [1999]
 - 447-52D: Review of clade specificity and anti-V3 HIV-1-Abs. Zolla-Pazner *et al.* [1999a] (**review, subtype comparisons**)
 - 447-52D: MAb peptide-reactivity pattern clustered with the immunological related MAbs: 1334, 419, 504, 447, 453 and 537 – the core amino acids GP tended to be critical for reactivity in this group – 447 reacted with peptides containing GPGR, but also with many lacking this sequence (GPGQ, for example), and it failed to react with 2/14 peptides containing GPGR, illustrating the importance of context. Zolla-Pazner *et al.* [1999b] (**antibody binding site definition and exposure, variant cross-recognition or cross-neutralization**)
 - 447-52D: Ab from gp120 vaccinated individuals prior to infection, who subsequently became HIV infected, could not achieve 90% neutralization of the primary virus by which the individuals were ultimately infected – these viruses were not particularly refractive to neutralization, as determined by their susceptibility to neutralization by MAbs 2G12, IgG1b12, 2F5 and 447-52D. Connor *et al.* [1998]
 - 447-52D: Kinetic parameters were measured, and the association rates were similar, but dissociation rate constants were quite variable for V3 MAbs, 1324E was comparable to 447-52D. Gorny *et al.* [1998] (**kinetics**)
 - 447-52D: Called 447-D – 447-D resistance took longer to acquire in virus with the M184V substituted RT, and had the form (AAC N to TAC Y) at position 5 of the V3 loop, rather than the GPGR to GPGR resistance found with wildtype RT. Inouye *et al.* [1998]
 - 447-52D: Inhibits binding of Hx10 to both CD4 positive and negative HeLa cells. Mondor *et al.* [1998] (**variant cross-recognition or cross-neutralization**)
 - 447-52D: Using a whole virion-ELISA method, 18 human MAbs were tested for their ability to bind to a panel of 9 viruses from clades A, B, D, F, G, and H – 447-52D was the most potent and cross-reactive of 18 human MAbs tested and was the only MAb which bound to virions from isolates CA20 (subtype F), CA13 (subtype H), and VI526 (subtype G) Nyambi *et al.* [1998] (**subtype comparisons**)
 - 447-52D: The MAb and Fab binding to the oligomeric form of gp120 and neutralization were highly correlated – authors suggest that neutralization is determined by the fraction of Ab sites occupied on a virion irrespective of the epitope. Parren *et al.* [1998a] (**antibody binding site definition and exposure**)
 - 447-52D: Called 447-52-D – The tip of the MN V3 loop was inserted into cold causing human rhinovirus 14 (HRV14) – chimeras were immunoselected, and chimeric viruses were neutralized by anti-V3 loop antibodies, and 447-52D was among the Abs used – chimeric viruses elicited potent NAb in guinea pigs against ALA-1 and MN. Smith *et al.* [1998] (**vaccine antigen design**)
 - 447-52D: Abs that recognize discontinuous epitopes can identify mimotopes from a phage peptide display library – 447-52D has an epitope involving the tip of the V3 loop, that was previously studied with this method Keller *et al.* [1993] – in Keller *et al.*, with no competition, LxGPxR was the most common six-mer, 38% of the peptides – after competition with a gp120 IIIB ligand (QRGPGR)i, RGPxR was the most common and one peptide had the sequence QRGPGR, showing type specific mimotopes can be enriched by strain specific ligand competition protocols Boots *et al.* [1997]. Boots *et al.* [1997]; Keller *et al.* [1993] (**antibody binding site definition and exposure, mimotopes**)
 - 447-52D: In a multilaboratory blinded study, failed to consistently neutralize any of nine B clade primary isolates – many of these isolates had the GPGR motif at the apex of the V3 loop. D'Souza *et al.* [1997] (**variant cross-recognition or cross-neutralization, assay standardization/improvement**)
 - 447-52D: Study shows neutralization is not predicted by MAb binding to JRFL monomeric gp120, but is associated with oligomeric Env binding – 447-52D bound monomer, oligomer, and neutralized JRFL. Fouts *et al.* [1997] (**antibody binding site definition and exposure**)
 - 447-52D: Used as a control for comparison to five V3 RF selected antibodies – 447-52D was reactive with A, B, and C clade peptides, but not E. Gorny *et al.* [1997] (**subtype comparisons**)
 - 447-52D: Called 447 – gp120 can inhibit MIP-1alpha from binding to CCR5, but this inhibitory effect is blocked by pre-incubation of gp120 with three anti-V3 MAbs: 447, 257, 1027 – MAb 670 which binds in the C5 region had no effect. Hill *et al.* [1997] (**co-receptor**)
 - 447-52D: Tested using a resting cell neutralization assay. Hioe *et al.* [1997a] (**assay standardization/improvement**)
 - 447-52D: Four primary isolates showed distinct patterns of sensitivity to neutralization by polyclonal sera or plasma and MAbs – BZ167 was the only isolate inhibited by all polyclonal sera and plasma tested, and was also neutralized by 8/17 MAbs, in particular anti-V3 loop (419-D, 447-52D, 782-D, and 838-D), anti-CD4bd (559/64-D, 654-D and 830-D and a cluster II of gp41 directed MAb (98-6) – isolates 92HT593 and 91US056 were neutralized by V3 loop (419-D, and 447-52D) and cluster II gp41 (98-6) MAbs at higher concentrations – US4 was neutralized by some of the polyclonal sera/plasma tested and not at all by MAbs individually or by a cocktail of ten MAbs consisting of 419-D, 447-52D, 782-D, 838-D, 559/64-D, 654-D, 450-D, 670-D, 1281-D and 98-6. Hioe *et al.* [1997b] (**variant cross-recognition or cross-neutralization**)
 - 447-52D: Neutralizes TCLA strains but not primary isolates. Parren *et al.* [1997b] (**variant cross-recognition or cross-neutralization**)
 - 447-52D: Viral binding inhibition by 447-D was correlated with neutralization (all other neutralizing MAbs tested showed some correlation except 2F5) Ugolini *et al.* [1997] (**antibody binding site definition and exposure**)
 - 447-52D: Called 447-52-D – The sulfated polysaccharide curdlan sulfate (CRDS) binds to the Envelope of T-tropic viruses and neutralizes virus – CRDS inhibits 447-52D binding. Jagodzinski *et al.* [1996] (**antibody binding site definition and exposure**)

- 447-52D: Review: called 447-52-D – only four epitopes have been described which can stimulate a useful neutralizing response to a broad spectrum of primary isolates, represented by the binding sites of MAbs: 447-52-D, 2G12, Fab b12, and 2F5. Sattentau [1996] (**variant cross-recognition or cross-neutralization, review**)
- 447-52D: Neutralizes JR-FL – strongly inhibits gp120 interaction with CCR-5 in a MIP-1beta-CCR-5 competition study. Trkola *et al.* [1996a] (**co-receptor, variant cross-recognition or cross-neutralization**)
- 447-52D: Called 447 – The tip of the V3 loop was presented in a mucin backbone – higher valency correlates with stronger affinity constant. Fontenot *et al.* [1995] (**vaccine antigen design**)
- 447-52D: Neutralizing (- complement), no ADCC activity, and no viral enhancing activity. Forthall *et al.* [1995] (**ADCC, complement, enhancing activity**)
- 447-52D: Binding affected by identity of amino acids flanking GPGR core – poor breadth of primary virus neutralization. Moore *et al.* [1995a] (**variant cross-recognition or cross-neutralization**)
- 447-52D: Review: the V3 loop motif GPGR is not common outside subtype B isolates, MAb 19b is more cross-reactive than 447-52D. Moore & Ho [1995] (**variant cross-recognition or cross-neutralization**)
- 447-52D: Ab-mediated activation of complement on HIV+ cells is higher than Ab independent activation—what has been termed “Ab independent” in fact results in part from IgM in normal human serum that is HIV-cross-reactive. Saarloos *et al.* [1995] (**complement**)
- 447-52D: Called 447d – Formalin inactivation of virus at 0.1% formalin for 10 hours at 4 degrees was optimal for inactivation of virus while maintaining epitope integrity. Sattentau *et al.* [1995] (**vaccine antigen design**)
- 447-52D: Serotyping study using flow-cytometry – bound only to GPGR V3 loop tips. Zolla-Pazner *et al.* [1995] (**antibody binding site definition and exposure**)
- 447-52D: Neutralization of primary and prototype laboratory HIV-1 isolates using a resting cell assay enhances sensitivity. Zolla-Pazner & Sharpe [1995] (**assay development, variant cross-recognition or cross-neutralization**)
- 447-52D: Requires GPxR at the tip of the V3 loop, common in B clade – neutralized primary isolates. Conley *et al.* [1994a] (**antibody binding site definition and exposure, variant cross-recognition or cross-neutralization**)
- 447-52D: Mild oxidation of carbohydrate moieties does not alter binding. Gorny *et al.* [1994] (**antibody binding site definition and exposure**)
- 447-52D: Neutralization synergy in combination with CD4 binding domain MAbs. Laal *et al.* [1994] (**antibody interactions**)
- 447-52D: Competition studies with human sera from seroconverting individuals showed that anti-CD4 BS antibodies can arise very early in infection, comparable or prior to anti-V3 antibodies. Moore *et al.* [1994a] (**acute/early infection**)
- 447-52D: GPGQ in MAL resulted in enhanced dissociation – GPGQ in CM234 or K14T did not bind – binding affected by identity of amino acids flanking GPGR core. VanCott *et al.* [1994] (**antibody binding site definition and exposure**)
- 447-52D: Additive neutralization of MN and SF2 when combined with CD4 binding site MAb F105 – supra-additive neutralization of RF. Cavacini *et al.* [1993a] (**antibody interactions**)
- 447-52D: Neutralizes MN and IIIB: GPGR, and binds SF2: GPGR. Gorny *et al.* [1993] (**variant cross-recognition or cross-neutralization**)
- 447-52D: Peptide phage library showed that any of the residues ADGLMNQRS in the X position tolerated in peptides that react well with the antibody. Keller *et al.* [1993] (**antibody binding site definition and exposure, variant cross-recognition or cross-neutralization**)
- 447-52D: Complement mediated virolysis of IIIB, but not in the presence of sCD4. Spear *et al.* [1993] (**complement**)
- 447-52D: 60-fold increase in neutralization potency when combined 1:1 with human MAb 588-D. Buchbinder *et al.* [1992] (**antibody interactions**)
- 447-52D: Requires GPXR at the tip of the V3 loop – neutralizes a broad array of B clade lab isolates. Gorny *et al.* [1992] (**antibody binding site definition and exposure, variant cross-recognition or cross-neutralization**)
- 447-52D: Reacts with MN, NY5, CDC4, SF2, RF, WM52, and HXB2. Karwowska *et al.* [1992b] (**variant cross-recognition or cross-neutralization**)

No. 745

MAb ID C8

HXB2 Location gp160 (727–732)

Author Location gp41 (727–732 BH10)

Epitope PDRPEG

Subtype B

Neutralizing no

Immunogen vaccine

Vector/Type: protein Strain: B clade LAI

HIV component: gp160

Species (Isotype) mouse (IgG1)

Ab Type C-term

References Heap *et al.* 2005a; Dimmock 2005; McLain *et al.* 2001; Abacioglu *et al.* 1994; Pincus *et al.* 1993; Pincus & McClure 1993

Keywords review

- C8: This review summarizes the complex antigenic properties of an external loop in the gp41 tail (spanning the Kennedy sequence), highlighting specific MAbs. C8 binds to the epitope PDRPEG and does not neutralize virus. Dimmock [2005] (**review**)
- C8: Unlike SAR1, a MAb that binds near the C8 epitope within the Kennedy peptide, C8 cannot inhibit fusion between HIV-1 infected and target cells. C8 recognizes PDRPEG on the surface of HIV-1 infected cells, but not on virions and is non-neutralizing. Heap *et al.* [2005a]
- C8: The substitution 725 RG (P[R->G]GPDPRPEGIEEEGGGERDRDRS) alters the antigenic exposure of this region on the virion resulting in the loss of the downstream neutralizing epitope ERDRD, increased exposure of the epitope GPDPRPEG in the virion, while the epitope IEEE remains unchanged. McLain *et al.* [2001]
- C8: Epitope boundaries mapped by peptide scanning. Abacioglu *et al.* [1994]

- C8: Immunotoxin of C8 coupled to ricin-A does not mediate cells killing, and is not affected by sCD4. Pincus & McClure [1993]
- C8: Ab response in IIIB lab workers was compared to gp160 LAI vaccine recipients – C8 was used as a control – the dominant response among vaccinees was to this mid-gp41 region, but not among the infected lab workers – Abs binding this region do not neutralize, bind to infected cells, nor serve as immunotoxins. Pincus *et al.* [1993]

No. 746

MAb ID B31

HXB2 Location gp160 (727–734)

Author Location gp41 (727–734 BH10)

Epitope PDRPEGIE

Neutralizing

Immunogen vaccine

Vector/Type: protein *Strain:* B clade LAI
HIV component: gp160

Species (Isotype) mouse (IgG1)

References Abacioglu *et al.* 1994

- B31: Epitope boundaries mapped by peptide scanning. Abacioglu *et al.* [1994]

No. 747

MAb ID B33

HXB2 Location gp160 (727–734)

Author Location gp41 (727–734 BH10)

Epitope PDRPEGIE

Neutralizing no

Immunogen vaccine

Vector/Type: protein *Strain:* B clade NL43
HIV component: gp160

Species (Isotype) mouse (IgG1)

References Bristow *et al.* 1994; Abacioglu *et al.* 1994

- B33: Epitope boundaries mapped by peptide scanning IgG1. Abacioglu *et al.* [1994]
- B33: There are two MAbs in the literature named B33, see also gp120, positions 123–142 – MAb generated in a study of the humoral immune response to Baculovirus-expressed mis-folded rgp160 IIIB:NL43, MicroGenSys. Bristow *et al.* [1994]

No. 748

MAb ID 1576

HXB2 Location gp160 (728–745)

Author Location gp41 (735–752 IIIB)

Epitope DRPEGIEEEGGERDRDRS

Neutralizing no

Immunogen vaccine

Vector/Type: poliovirus *Strain:* B clade IIIB
HIV component: gp41

Species (Isotype) mouse

References Vella *et al.* 1993

- 1576: Not neutralizing. Vella *et al.* [1993]

No. 749

MAb ID 1578

HXB2 Location gp160 (728–745)

Author Location gp41 (735–752 IIIB)

Epitope DRPEGIEEEGGERDRDRS

Neutralizing no

Immunogen vaccine

Vector/Type: poliovirus *Strain:* B clade IIIB
HIV component: gp41

Species (Isotype) mouse

References Vella *et al.* 1993; Evans *et al.* 1989

- 1578: Core epitope: IEEE – in this study, neutralized IIIB, but not RF or MN. Vella *et al.* [1993]
- 1578: No neutralizing activity – epitope may be formed by regions from both poliovirus and HIV. Evans *et al.* [1989]

No. 750

MAb ID 1579

HXB2 Location gp160 (728–745)

Author Location gp41 (735–752 IIIB)

Epitope DRPEGIEEEGGERDRDRS

Neutralizing no

Immunogen vaccine

Vector/Type: poliovirus *Strain:* B clade IIIB
HIV component: gp41

Species (Isotype) mouse

References Vella *et al.* 1993

- 1579: Core epitope: IEEE – neutralized IIIB, but not RF or MN. Vella *et al.* [1993]

No. 751

MAb ID 1583

HXB2 Location gp160 (728–745)

Author Location gp41 (735–752 IIIB)

Epitope DRPEGIEEEGGERDRDRS

Neutralizing no

Immunogen vaccine

Vector/Type: poliovirus *Strain:* B clade IIIB
HIV component: gp41

Species (Isotype) mouse

References Heap *et al.* 2005a; Dimmock 2005; Sattentau *et al.* 1995; Vella *et al.* 1993; Evans *et al.* 1989

Keywords review

- 1583: This review summarizes the complex antigenic properties of an external loop in the gp41 tail (Kennedy sequence), highlighting specific MAbs. 1577 and 1583 bind to the epitope ERDRD and do not neutralize virus. Dimmock [2005] (**review**)
- 1583: Unlike SAR1, a MAb that binds near the 1583 epitope within the Kennedy peptide, 1583 cannot inhibit fusion between HIV-1 infected and target cells. 1583 and 1577 neutralize only in the presence of complement. Heap *et al.* [2005a]
- 1583: Suggested to bind to a cytoplasmic domain, epitope not exposed at the surface of HIV-1 infected cells. Sattentau *et al.* [1995]
- 1583: Core epitope: ERDRD – Could neutralize HIV IIIB but not HIV RF. Vella *et al.* [1993]
- 1583: Neutralizing activity, less broad than 1577. Evans *et al.* [1989]

No. 752

MAb ID 1899

HXB2 Location gp160 (728–745)

Author Location gp41 (735–752 IIIB)

Epitope DRPEGIEEEGGGERDRDRS
Neutralizing no
Immunogen vaccine
Vector/Type: poliovirus *Strain:* B clade IIIB
HIV component: gp41
Species (Isotype) mouse
References Vella *et al.* 1993
 • 1899: Could neutralize HIV IIIB and HIV RF. Vella *et al.* [1993]

No. 753
MAb ID 1907
HXB2 Location gp160 (728–745)
Author Location gp41 (735–752 IIIB)
Epitope DRPEGIEEEGGGERDRDRS
Neutralizing no
Immunogen vaccine
Vector/Type: poliovirus *Strain:* B clade IIIB
HIV component: gp41
Species (Isotype) mouse
References Vella *et al.* 1993
 • 1907: Could not neutralize HIV IIIB, RF or MN. Vella *et al.* [1993]

No. 754
MAb ID 1908
HXB2 Location gp160 (728–745)
Author Location gp41 (735–752 IIIB)
Epitope DRPEGIEEEGGGERDRDRS
Neutralizing no
Immunogen vaccine
Vector/Type: poliovirus *Strain:* B clade IIIB
HIV component: gp41
Species (Isotype) mouse
References Sattentau *et al.* 1995; Vella *et al.* 1993; Evans *et al.* 1989
 • 1908: Cytoplasmic domain, epitope not exposed at the surface of HIV-1 infected cells. Sattentau *et al.* [1995]
 • 1908: Neutralized IIIB, but not RF or MN. Vella *et al.* [1993]

No. 755
MAb ID 1909
HXB2 Location gp160 (728–745)
Author Location gp41 (735–752 IIIB)
Epitope DRPEGIEEEGGGERDRDRS
Neutralizing no
Immunogen vaccine
Vector/Type: poliovirus *Strain:* B clade IIIB
HIV component: gp41
Species (Isotype) mouse
References Vella *et al.* 1993
 • 1909: Neutralized HIV IIIB but not HIV RF. Vella *et al.* [1993]

No. 756
MAb ID 41-1
HXB2 Location gp160 (728–745)
Author Location gp41 (735–752 IIIB)
Epitope DRPEGIEEEGGGERDRDRS
Neutralizing no
Immunogen vaccine

Vector/Type: peptide *Strain:* B clade IIIB
HIV component: gp41
Species (Isotype) mouse (IgMκ)
References Dalgleish *et al.* 1988; Mani *et al.* 1994
 • 41-1: This antibody gp41(735-752 IIIB) Dalgleish *et al.* [1988] seems to have been named the same as a different MAb to gp41(584-609) Mani *et al.* [1994]. Dalgleish *et al.* [1988]; Mani *et al.* [1994]
 • 41-1: Neutralizes HIV-1 but not HIV-2 strains. Dalgleish *et al.* [1988]

No. 757
MAb ID 41-2
HXB2 Location gp160 (728–745)
Author Location gp41 (735–752 IIIB)
Epitope DRPEGIEEEGGGERDRDRS
Neutralizing no
Immunogen vaccine
Vector/Type: peptide *Strain:* B clade IIIB
HIV component: gp41
Species (Isotype) mouse (IgMκ)
References Dalgleish *et al.* 1988
 • 41-2: Neutralizes HIV-1 but not HIV-2 strains. Dalgleish *et al.* [1988]

No. 758
MAb ID 41-3
HXB2 Location gp160 (728–745)
Author Location gp41 (735–752 IIIB)
Epitope DRPEGIEEEGGGERDRDRS
Neutralizing no
Immunogen vaccine
Vector/Type: peptide *Strain:* B clade IIIB
HIV component: gp41
Species (Isotype) mouse (IgMκ)
References Dalgleish *et al.* 1988
 • 41-3: Neutralizes HIV-1 but not HIV-2 strains. Dalgleish *et al.* [1988]

No. 759
MAb ID ED6
HXB2 Location gp160 (728–745)
Author Location gp41 (735–752 IIIB)
Epitope DRPEGIEEEGGGERDRDRS
Neutralizing no
Immunogen vaccine
Species (Isotype) mouse (IgM)
References Evans *et al.* 1989

No. 760
MAb ID LA9 (121-134)
HXB2 Location gp160 (728–745)
Author Location gp41 (735–752 IIIB)
Epitope DRPEGIEEEGGGERDRDRS
Neutralizing no
Immunogen vaccine
Species (Isotype) mouse (IgM)
References Evans *et al.* 1989

No. 761

MAb ID 1575
HXB2 Location gp160 (728–745)
Author Location gp41 (735–752 IIIB)
Epitope DRPEGIEEEGGGERDRDRS
Neutralizing no
Immunogen vaccine
Vector/Type: poliovirus *Strain:* B clade IIIB
HIV component: gp41
Species (Isotype) mouse
Ab Type C-term
Research Contact C. Vella, NIBSC, Potters Bar UK
References Heap *et al.* 2005a; Dimmock 2005; Cleveland *et al.* 2000a; Buratti *et al.* 1997; Vella *et al.* 1993; Evans *et al.* 1989

Keywords review

- 1575: This review summarizes the complex antigenic properties of an external loop in the gp41 tail (Kennedy sequence), highlighting specific MAbs. 1575 is noted to bind to the epitope IEEE and does not neutralize virus. Dimmock [2005] (review)
- 1575: Unlike SAR1, a MAb that binds near the 1575 epitope within the Kennedy peptide, 1575 cannot inhibit fusion between HIV-1 infected and target cells. Heap *et al.* [2005a]
- 1575: Ab binding to IEEE suppresses neutralizing Ab binding to adjacent epitope ERDRD. Cleveland *et al.* [2000a]
- 1575: Study shows that MAb 1575 can recognize the IEEE sequence in both gp41, and in the HPG30 region of the p17 protein – motif is conserved in both regions in different HIV-1 clades. Buratti *et al.* [1997]
- 1575: Core epitope: IEEE – neutralized IIIB, but not RF or MN. Vella *et al.* [1993]
- 1575: Neutralizing activity, less broad than 1577. Evans *et al.* [1989]

No. 762

MAb ID 88-158/02
HXB2 Location gp160 (732–747)
Author Location gp41 (732–752 IIIB)
Epitope GIEEEGGGERDRDRSIR
Neutralizing
Immunogen vaccine
Vector/Type: protein *Strain:* B clade IIIB
HIV component: gp41
Species (Isotype) mouse (IgG2b)
References Niedrig *et al.* 1992a
 • 88-158/02: Mild inhibition of *in vitro* activity at high MAb concentrations – profound enhancing activity at low concentrations – significant reactivity to virion – domain non-immunogenic in humans. Niedrig *et al.* [1992a]

No. 763

MAb ID 88-158/022
HXB2 Location gp160 (732–747)
Author Location gp41 (732–752 IIIB)
Epitope GIEEEGGGERDRDRSIR
Neutralizing
Immunogen vaccine
Vector/Type: protein *Strain:* B clade IIIB
HIV component: gp41
Species (Isotype) mouse (IgG2b)

References Niedrig *et al.* 1992a

- 88-158/022: Mild inhibition of *in vitro* activity at high MAb concentrations – profound enhancing activity at low concentrations – significant reactivity to virion – domain non-immunogenic in humans. Niedrig *et al.* [1992a]

No. 764

MAb ID 88-158/079
HXB2 Location gp160 (732–747)
Author Location gp41 (732–752 IIIB)
Epitope GIEEEGGGERDRDRSIR
Neutralizing
Immunogen vaccine
Vector/Type: protein *Strain:* B clade IIIB
HIV component: gp41
Species (Isotype) mouse (IgG1)
References Niedrig *et al.* 1992a
 • 88-158/079: Mild inhibition of HIV *in vitro* at high MAb concentrations – profound enhancing activity at low concentrations – weak binding to virion – domain non-immunogenic in humans. Niedrig *et al.* [1992a]

No. 765

MAb ID polyclonal
HXB2 Location gp160 (733–736)
Author Location gp41 (735–752 IIIB)
Epitope IEEE
Neutralizing L
Immunogen vaccine
Vector/Type: Cowpea mosaic virus *HIV component:* gp41
Species (Isotype) mouse (IgG)
Ab Type C-term
References McLain *et al.* 2001; Cleveland *et al.* 2000b
 • The substitution 725 RG (P[R->G]GPDPRPEGIEEEGGGERDRDRS) alters the antigenic exposure of this region on the virion resulting in the loss of the downstream neutralizing epitope ERDRD, increased exposure of the epitope GPDRPEG in the virion, while the epitope IEEE remains unchanged. McLain *et al.* [2001]
 • When PRGPDPRPEGIEEEGGGERDRDRS was used as antigen an immunodominant, non-neutralizing response to IEEE was observed, but immunization GERDRDR shifts the response to ERDRD. Cleveland *et al.* [2000b]

No. 766

MAb ID polyclonal
HXB2 Location gp160 (733–736)
Author Location gp41 (735–752 NL43)
Epitope IEEE
Neutralizing L
Immunogen vaccine
Vector/Type: Cowpea mosaic virus *HIV component:* gp41
Species (Isotype) mouse (IgG)
Ab Type C-term
References McLain *et al.* 2001

- The substitution 725 RG (P[R->G]GPDPRPEGIEEEGGDRDRS) alters the antigenic exposure of this region on the virion resulting in the loss of the downstream neutralizing epitope ERDRD, increased exposure of the epitope GPDPRPEG in the virion, while the epitope IEEE remains unchanged. McLain *et al.* [2001]

No. 767

MAb ID B8

HXB2 Location gp160 (733–741)

Author Location gp41 (733–741 BH10)

Epitope IEEEGGERD

Neutralizing no

Immunogen vaccine

Vector/Type: protein Strain: B clade LAI
HIV component: gp160

Species (Isotype) mouse (IgG1)

References Abacioglu *et al.* 1994; Pincus *et al.* 1993

- B8: Epitope boundaries mapped by peptide scanning. Abacioglu *et al.* [1994]
- B8: Ab response in IIB lab workers was compared to gp160 LAI vaccine recipients – B8 was used as a control – the dominant response among vaccinees was to this mid-gp41 region, but not among the infected lab workers – Abs binding this region do not neutralize, bind to infected cells, nor serve as immunotoxins. Pincus *et al.* [1993]

No. 768

MAb ID SAR1

HXB2 Location gp160 (738–744)

Author Location gp41 (735–752 IIB)

Epitope GERDRDR

Subtype B

Neutralizing no

Immunogen vaccine

Vector/Type: Cowpea mosaic virus HIV
component: gp41

Species (Isotype) mouse (IgG2aκ)

Ab Type C-term

References Heap *et al.* 2005a; Dimmock 2005

Keywords antibody binding site definition and exposure, review

- SAR1: This ERDRD-specific MAb recognizes an externalized loop of the gp41 C-terminal domain, and can reduce the yield of infectious progeny and inhibit fusion post-attachment, but not neutralize free virus. Dimmock [2005] (review)
- SAR1: This paper confirms the post-attachment neutralization (PAN) activity of this gp41 C-terminal tail-specific Ab – cell fusion between infected and uninfected cells is inhibited and is temperature dependent. This MAb does not neutralize free virus, and due to PAN activity, is considered to bind an epitope on the external surface of the membrane. The SAR1 epitope is exposed optimally after infected and non-infected cells have attached, prior to fusion. sCD4 binding does not enhance binding of SAR1. MAbs to adjacent epitopes do not have PAN activity. Heap *et al.* [2005a] (antibody binding site definition and exposure)

No. 769

MAb ID 1577

HXB2 Location gp160 (739–743)

Author Location gp41 (735–752 IIB)

Epitope ERDRD

Neutralizing no

Immunogen vaccine

Vector/Type: poliovirus Strain: B clade IIB
HIV component: gp41

Species (Isotype) mouse

Ab Type C-term

Research Contact C. Vella or Morag Ferguson (NIBSC, Potters Bar UK)

References Heap *et al.* 2005a; Dimmock 2005; Cleveland *et al.* 2000a; Vella *et al.* 1993; D'Souza *et al.* 1991; Evans *et al.* 1989

Keywords review

- 1577: UK Medical Research Council AIDS reagent: ARP317.
- 1577: NIH AIDS Research and Reference Reagent Program: 1172.
- 1577: This review summarizes the complex antigenic properties of an external loop in the gp41 tail (Kennedy sequence), highlighting specific MAbs. 1577 and 1583 bind to the epitope ERDRD and do not neutralize virus. Dimmock [2005] (review)
- 1577: Unlike SAR1, a MAb that binds near the 1577 epitope within the Kennedy peptide, 1577 cannot inhibit fusion between HIV-1 infected and target cells. Heap *et al.* [2005a]
- 1577: Ab binding to IEEE suppresses neutralizing Ab binding to adjacent epitope ERDRD. Cleveland *et al.* [2000a]
- 1577: Core epitope: ERDRD – could neutralize HIV IIB and HIV RF. Vella *et al.* [1993]
- 1577: Non-neutralizing in this multi-lab study. D'Souza *et al.* [1991]
- 1577: Raised against IIB peptide chimera – neutralized African and American HIV-1 lab strains. Evans *et al.* [1989]

No. 770

MAb ID polyclonal (EPES)

HXB2 Location gp160 (739–743)

Author Location gp41 (735–752 IIB)

Epitope ERDRD

Subtype B

Neutralizing L

Immunogen vaccine

Vector/Type: Cowpea mosaic virus HIV
component: gp41

Species (Isotype) mouse (IgG1, IgG2a, IgG2b)

Ab Type C-term

References Dimmock 2005; McLain *et al.* 2001; Cleveland *et al.* 2000b

Keywords review

- ERDRD-specific IgG recognizes an externalized loop of the gp41 C-terminal domain, and these polyclonal antibodies are the only ones known to bind to this domain that can neutralize cell-free virus. This paper calls these antibodies EPES for Epitope Purified and ERDRD specific. Dimmock [2005] (review)

- The substitution 725 RG (P[R->G]GPDRPEGIEEGGERDRDRS) alters the antigenic exposure of this region on the virion resulting in the loss of the downstream neutralizing epitope ERDRD, increased exposure of the epitope GPDRPEG in the virion, while the epitope IEEE remains unchanged. McLain *et al.* [2001]
- ERDRD-specific IgG recognizes an externalized loop of the gp41 C-terminal tail with high affinity – neutralized HIV-1 B clade strains IIIB, NL-4.3, RF, MN and D clade virus CBL-4, but HXB-2D (clade B) was not recognized – when PRGPDRPEGIEEGGERDRDRS was used as antigen an immunodominant, non-neutralizing response to IEEE was observed, but immunization GERDRDR shifts the response to ERDRD – NAb does not inhibit attachment of free virus, but does inhibit by an event that precedes fusion-entry. Cleveland *et al.* [2000b]

No. 771

MAb ID DZ

HXB2 Location gp160 (822–855)

Author Location gp41 (827–860 BRU)

Epitope VAEGTDRVIEVQGACRAIRHPRRIRQGLER-IL

Neutralizing L

Immunogen vaccine

Vector/Type: vaccinia Strain: B clade IIIB

HIV component: Env

Species (Isotype) human (IgG1 λ)References Boyer *et al.* 1991

- DZ: Weakly neutralizing IIIB – binds to peptides 827-843 and 846-860 of BRU – reacted specifically with IIIB and RF. Boyer *et al.* [1991]

No. 772

MAb ID 1010

HXB2 Location gp160

Author Location gp41

Epitope

Subtype B

Neutralizing

Immunogen in vitro stimulation or selection

Species (Isotype) human

Ab Type gp41 six-helix bundle and the internal trimeric coiled-coil of N-helices

Research Contact G. Marius Clore or Carole Be-
wley, NIH, Bethesda, Maryland.
marius@intra.niddk.nih.gov or car-
oleb@mail.nih.gov

References Louis *et al.* 2005

Keywords antibody binding site definition and exposure,
antibody generation

- 1010: This is one of nine anti-gp41 bivalent Fabs selected from a non-immune human phage display library. This Fab was classified as class B, and inhibits LAV mediated Env-mediated cell fusion with an IC50 of 6 +/- 2 ug/ml (the range for the 9 new Fabs was 6-61 ug/ml – for context, 2F5 and 2G12 (IC50s of 0.5-1.5 ug/ml) were about an order of magnitude more potent in this assay than the best Fabs generated here). 1010 and 1018, both class B, were the most potent Fabs. The class B Fabs interact with the six-helix bundle and the internal coiled-coil

of N-helices of gp41. Louis *et al.* [2005] (**antibody binding site definition and exposure, antibody generation**)

No. 773

MAb ID 1014

HXB2 Location gp160

Author Location gp41

Epitope

Subtype B

Neutralizing

Immunogen in vitro stimulation or selection

Species (Isotype) human

Ab Type gp41 six-helix bundle

Research Contact G. Marius Clore or Carole Be-
wley, NIH, Bethesda, Maryland.
marius@intra.niddk.nih.gov or car-
oleb@mail.nih.gov

References Louis *et al.* 2005

Keywords antibody binding site definition and exposure,
antibody generation

- 1014: This is one of nine anti-gp41 bivalent Fabs selected from a non-immune human phage display library. This Fab was classified as class A, and inhibits LAV mediated Env-mediated cell fusion with an IC50 of 36 +/- 1 ug/ml (the range for the 9 new Fabs was 6-61 ug/ml – for context, 2F5 and 2G12 were about an order of magnitude more potent in this assay than the best Fabs generated here). Class A Fabs interact with the six-helix bundle of gp41. Louis *et al.* [2005] (**antibody binding site definition and exposure, antibody generation**)

No. 774

MAb ID 1018

HXB2 Location gp160

Author Location gp41

Epitope

Subtype B

Neutralizing

Immunogen in vitro stimulation or selection

Species (Isotype) human

Ab Type gp41 six-helix bundle and the internal trimeric coiled-coil of N-helices

Research Contact G. Marius Clore or Carole Be-
wley, NIH, Bethesda, Maryland.
marius@intra.niddk.nih.gov or car-
oleb@mail.nih.gov

References Louis *et al.* 2005

Keywords antibody binding site definition and exposure,
antibody generation

- 1018: This is one of nine anti-gp41 bivalent Fabs selected from a non-immune human phage display library. This Fab was classified as class B, and inhibits LAV mediated Env-mediated cell fusion with an IC50 of 7 +/- 1 ug/ml (the range for the 9 new Fabs was 6-61 ug/ml – for context, 2F5 and 2G12 (IC50s of 0.5-1.5 ug/ml) were about an order of magnitude more potent in this assay than the best Fabs generated here). 1010 and 1018, both class B, were the most potent Fabs. The class B Fabs interact with the six-helix bundle and the internal coiled-coil of N-helices of gp41. Louis *et al.* [2005] (**antibody binding site definition and exposure, antibody generation**)

No. 775
MAb ID 1019
HXB2 Location gp160
Author Location gp41
Epitope
Subtype B
Neutralizing
Immunogen in vitro stimulation or selection
Species (Isotype) human
Ab Type gp41 six-helix bundle
Research Contact G. Marius Clore or Carole Bewley, NIH, Bethesda, Maryland. marius@intra.niddk.nih.gov or caroleb@mail.nih.gov
References Louis *et al.* 2005
Keywords antibody binding site definition and exposure, antibody generation

- 1019: This is one of nine anti-gp41 bivalent Fabs selected from a non-immune human phage display library. This Fab was classified as class A, and inhibits LAV mediated Env-mediated cell fusion with an IC50 of 61 +/- 20 ug/ml (the range for the 9 new Fabs was 6-61 ug/ml – for context, 2F5 and 2G12 were about an order of magnitude more potent in this assay than the best Fabs generated here). Class A Fabs interact with the six-helix bundle of gp41. Louis *et al.* [2005] (**antibody binding site definition and exposure, antibody generation**)

No. 776
MAb ID 1020
HXB2 Location gp160
Author Location gp41
Epitope
Subtype B
Neutralizing
Immunogen in vitro stimulation or selection
Species (Isotype) human
Ab Type gp41 six-helix bundle and the internal trimeric coiled-coil of N-helices
Research Contact G. Marius Clore or Carole Bewley, NIH, Bethesda, Maryland. marius@intra.niddk.nih.gov or caroleb@mail.nih.gov
References Louis *et al.* 2005
Keywords antibody binding site definition and exposure, antibody generation

- 1020: This is one of nine anti-gp41 bivalent Fabs selected from a non-immune human phage display library. This Fab was classified as class B, and inhibits LAV mediated Env-mediated cell fusion with an IC50 of 20 +/- 3 ug/ml (the range for the 9 new Fabs was 6-61 ug/ml – for context, 2F5 and 2G12 (IC50s of 0.5-1.5 ug/ml) were about an order of magnitude more potent in this assay than the best Fabs generated here). The class B Fabs interact with the six-helix bundle and the internal coiled-coil of N-helices of gp41. Louis *et al.* [2005] (**antibody binding site definition and exposure, antibody generation**)

No. 777
MAb ID 1022
HXB2 Location gp160
Author Location gp41

Epitope
Subtype B
Neutralizing
Immunogen in vitro stimulation or selection
Species (Isotype) human
Ab Type gp41 six-helix bundle and the internal trimeric coiled-coil of N-helices
Research Contact G. Marius Clore or Carole Bewley, NIH, Bethesda, Maryland. marius@intra.niddk.nih.gov or caroleb@mail.nih.gov
References Louis *et al.* 2005
Keywords antibody binding site definition and exposure, antibody generation

- 1022: This is one of nine anti-gp41 bivalent Fabs selected from a non-immune human phage display library. This Fab was classified as class B, and inhibits LAV mediated Env-mediated cell fusion with an IC50 of 40 +/- 10 ug/ml (the range for the 9 new Fabs was 6-61 ug/ml – for context, 2F5 and 2G12 (IC50s of 0.5-1.5 ug/ml) were about an order of magnitude more potent in this assay than the best Fabs generated here). The class B Fabs interact with the six-helix bundle and the internal coiled-coil of N-helices of gp41. Louis *et al.* [2005] (**antibody binding site definition and exposure, antibody generation**)

No. 778
MAb ID 1034
HXB2 Location gp160
Author Location gp41
Epitope
Subtype B
Neutralizing
Immunogen in vitro stimulation or selection
Species (Isotype) human
Ab Type gp41 internal trimeric coiled-coil of N-helices
Research Contact G. Marius Clore or Carole Bewley, NIH, Bethesda, Maryland. marius@intra.niddk.nih.gov or caroleb@mail.nih.gov
References Louis *et al.* 2005
Keywords antibody binding site definition and exposure, antibody generation

- 1034: This is one of nine anti-gp41 bivalent Fabs selected from a non-immune human phage display library. This Fab was classified as class C, and inhibits LAV mediated Env-mediated cell fusion with an IC50 of 17 +/- 2 ug/ml (the range for the 9 new Fabs was 6-61 ug/ml – for context, 2F5 and 2G12 (IC50s of 0.5-1.5 ug/ml) were about an order of magnitude more potent in this assay than the best Fabs generated here). The class C Fabs interact with the internal coiled-coil of N-helices of gp41. Louis *et al.* [2005] (**antibody binding site definition and exposure, antibody generation**)

No. 779
MAb ID 1492
HXB2 Location gp160
Author Location gp41
Epitope
Subtype B
Neutralizing

Immunogen in vitro stimulation or selection

Species (Isotype) human

Ab Type gp41 internal trimeric coiled-coil of N-helices

Research Contact G. Marius Clore or Carole Be-
wley, NIH, Bethesda, Maryland.
marius@intra.niddk.nih.gov or car-
oleb@mail.nih.gov

References Louis *et al.* 2005

Keywords antibody binding site definition and exposure,
antibody generation

- 1492: This is one of nine anti-gp41 bivalent Fabs selected from a non-immune human phage display library. This Fab was classified as class C, and inhibits LAV mediated Env-mediated cell fusion with an IC50 of 25 +/- 2 ug/ml (the range for the 9 new Fabs was 6-61 ug/ml – for context, 2F5 and 2G12 (IC50s of 0.5-1.5 ug/ml) were about an order of magnitude more potent in this assay than the best Fabs generated here). The class C Fabs interact with the internal coiled-coil of N-helices of gp41. Louis *et al.* [2005] (**antibody binding site definition and exposure, antibody generation**)

No. 780

MAb ID polyclonal

HXB2 Location gp160

Author Location gp120 (V3)

Epitope

Subtype multiple

Neutralizing

Immunogen HIV-1 infection

Species (Isotype) human

Ab Type gp120 V3

References Barin *et al.* 2005

Country France

Keywords acute/early infection, assay development

- A combination of 4 antigenic regions was used to differentiate between early (<180 days) and chronic infection. These regions were: p24; the gp41 peptide spanning the immunodominant epitope (IDE) of gp41, RVAVERYLKDQQLGIWGC-SGKICTTAV, and a subtype D version of this peptide; 5 V3 consensus peptides including A, B, C, D, and CRF01-AE; and Integrase. V3 and the IDE provide the best discrimination, with >20 fold higher levels in chronic infection when assayed by EIA using dried serum spots. Antibodies to Integrase and p24 were not as distinctive, and people tend to lose, not increase, responses to p24 over time. This assay can be used to identify samples from early infection with high sensitivity and specificity. Barin *et al.* [2005] (**assay development, acute/early infection**)

No. 781

MAb ID polyclonal

HXB2 Location gp160

Author Location Env (gp160)

Epitope

Subtype B

Neutralizing

Immunogen HIV-1 infection

Species (Isotype) human (IgG)

References Bettaieb *et al.* 1992

Keywords mimics

- gp160-specific Abs were detected in platelet eluates from HIV-1 infected patients with immunologic thrombocytopenia purpura (ITP). One patient with high titer anti-gp160/120 Abs had IgG that bound specifically to both gp160/120 and to platelet GPIIb/IIIa, apparent molecular mimicry. The cross-reactive epitope on gp120 has not been defined, however a conformational aspect and/or glycosylation is likely to be involved. Bettaieb *et al.* [1992] (**mimics**)

No. 782

MAb ID 2F19C

HXB2 Location gp160

Author Location gp120 (HIV2ROD)

Epitope APGK

Neutralizing no

Immunogen vaccine

Vector/Type: peptide *Strain:* HIV-2 ROD

Species (Isotype) mouse

Ab Type gp120 C3

References Matsushita *et al.* 1995

- 2F19C: Binds in WB, but binds poorly to Env on the cell surface, APGK is the core binding region. Matsushita *et al.* [1995]

No. 783

MAb ID 1334-D (1334, 1334D)

HXB2 Location gp160

Author Location gp120 (HIV451)

Epitope TRTSV

Neutralizing

Immunogen HIV-1 infection

Species (Isotype) human (IgG1κ)

Ab Type gp120 V3

Research Contact Susan Zolla-Pazner (Zol-
las01@mrcr6.med.nyu) (NYU Med.
Center)

References Gorny *et al.* 2004; Gorny & Zolla-Pazner
2004; Nyambi *et al.* 2000; Gorny *et al.* 2000;
Zolla-Pazner *et al.* 1999b; Zolla-Pazner *et al.*
1999a

Keywords antibody binding site definition and exposure

- 1334-D: This review provides summaries of Abs that bind to HIV-1 Env. There are many V3 MAbs, many neutralize some TCLA strains, and a subset can also neutralize some primary isolates. Gorny & Zolla-Pazner [2004]
- 1334-D: Called 1334. V3 MAb neutralization is influenced by retaining the epitope, exposure on the intact virion, mobility during CD4-induced conformational change, and affinity. Anti-V3 MAbs selected using V3 peptides neutralize less effectively than V3 MAbs selected using fusion proteins or gp120, suggesting antigenic conformation is important. This MAb was selected using HIV451 gp120. Gorny *et al.* [2004] (**antibody binding site definition and exposure**)
- 1334-D: Called 1334 – binds to V3 peptides from MN, SF2, NY5, RF, and CDC4 strains as well as x-reactivity with peptides from A, C, D, F, G, and H subtypes – was suggested to be IgG1λ here – binding of panel of 21 MAbs to soluble oligomeric gp140 versus gp41 or gp120 monomers was compared – no MAb was oligomer specific, though anti-V3 and CD4BS MAbs reacted better with the oligomer and V2 and

C5 tended to favor the monomer – V3 MAbs 447-52D, 838-D, and 1334 bound with a 7-10 fold preference for the oligomer. Gorny *et al.* [2000]

- 1334-D: Called 1334D – A panel of 47 human MAbs was tested against 26 HIV-1 group M primary isolates from clades A through H – 19 V3 MAbs were tested, and of 494 combinations, 44% displayed some viral binding – V3 MAbs tended to have the most cross-reactive binding to clade A, B, C, and D isolates, less to E, F, G, and H – 1334D showed intermediate cross-reactivity. Nyambi *et al.* [2000]
- 1334-D: This MAb was selected using oligomeric gp160 from HIV451. Zolla-Pazner *et al.* [1999a]
- 1334-D: MAb peptide-reactivity pattern clustered with immunological related MAbs: 1334, 419, 504, 447, 453 and 537 – the core amino acids GP tended to be critical for reactivity in this group. Zolla-Pazner *et al.* [1999b]

IV-C-17 Env Antibodies

No. 784

MAb ID

HXB2 Location Env

Author Location gp120 (IIIB)

Epitope

Neutralizing

Immunogen vaccine

Vector/Type: vaccinia *Strain:* B clade IIIB

HIV component: gp120 *Adjuvant:* GM-CSF

Species (Isotype) mouse (IgG1)

References Rodríguez *et al.* 1999

- The murine Ab response to a chimeric of granulocyte-macrophage colony stimulating factor GM-CSF/gp120 in vaccinia was not higher titer than the response to a gp120-vaccinia construct, but the breadth of the Ab response was greater, in particular to the C-term region of gp120 – a cellular response of greater intensity was triggered to the GM-CSF/gp120 vaccinia construct, as measured by Elispot assay. Rodríguez *et al.* [1999]

No. 785

MAb ID

HXB2 Location Env

Author Location Env (384–467)

Epitope

Neutralizing

Immunogen vaccine

Vector/Type: hepatitis B surface antigen lipoprotein particles (HsBAg) *HIV component:* V3

Species (Isotype) macaque, rabbit

References Michel *et al.* 1993

- Immunization with recombinant HIV1 V3/HBsAg hybrid particles into rabbits or macaques elicited and maintained for several months anti-V3 or HIV-1 Env proliferative, CTL and Ab responses. Michel *et al.* [1993]

No. 786

MAb ID

HXB2 Location Env

Author Location

Epitope

Neutralizing yes

Immunogen HIV-1 infection, vaccine

Species (Isotype) human

References Burton & Parren 2000

- This review article touches on why natural immune responses do not tend to favor potent neutralizing Ab production, and discusses possible vaccine strategies to counter this problem. Burton & Parren [2000]

No. 787

MAb ID

HXB2 Location Env

Author Location

Epitope

Neutralizing P

Immunogen HIV-1 infection

Species (Isotype) human

References Pellegrin *et al.* 1996

- Detection of an autologous NAb response in 12 patients with primary infections was delayed – for patients with a viral isolate obtained at month 1, autologous NAbs to viral isolates were generally not observed before month 6, and there was no apparent relationship between the emergence of neutralizing activity and the decrease of plasma viral load. Pellegrin *et al.* [1996]

No. 788

MAb ID

HXB2 Location Env

Author Location Env

Epitope

Neutralizing

Immunogen HIV-1 infection

Species (Isotype)

References Berger 2002

Keywords immunotherapy

- This medical hypothesis proposes that HIV shares domains with human proteins are masked from the immune response as they are seen as self. They propose blocking the shared determinants on human proteins in the thymus with antibodies, to allow anti-self responses which are normally inhibited to occur in HIV+ people. (**immunotherapy**)

No. 789

MAb ID 102-135

HXB2 Location Env

Author Location gp41 (HAM112, O group)

Epitope

Neutralizing

Immunogen vaccine

Vector/Type: protein *Strain:* O group HAM112 *HIV component:* gp160

Species (Isotype) mouse (IgG1 κ)

References Scheffel *et al.* 1999

- 102-135: Overlapping peptides based on group O HAM112 Env were tested for MAb reactivity – 102-135 bound to two non-contiguous peptides in combination, assumed to form some type of helical structure, and not to either individually. Scheffel *et al.* [1999]

No. 790
MAb ID 1025
HXB2 Location Env
Author Location gp120
Epitope
Neutralizing
Immunogen
Species (Isotype)

References Berman *et al.* 1997

- 1025: Binds to 1/7 isolates from breakthrough cases from a MN gp120 vaccine trial. Berman *et al.* [1997]

No. 791
MAb ID 105-134
HXB2 Location Env
Author Location gp41 (652–681 HAM112, O group)
Epitope
Neutralizing
Immunogen vaccine

Vector/Type: protein *Strain:* O group
 HAM112 *HIV component:* gp160

Species (Isotype) mouse (IgG1 κ)

References Scheffel *et al.* 1999

- 105-134: Overlapping peptides based on group O HAM112 Env were tested for MAb reactivity. Scheffel *et al.* [1999]

No. 792
MAb ID 10E9
HXB2 Location Env
Author Location gp41
Epitope

Neutralizing
Immunogen HIV-1 infection

Species (Isotype) mouse (IgG1)

References Papsidero *et al.* 1988

- 10E9: 100/100 HIV+ human sera could inhibit 10E9 binding. Papsidero *et al.* [1988]

No. 793
MAb ID 126-50
HXB2 Location Env
Author Location gp41 (HXB2)
Epitope

Subtype B
Neutralizing no

Immunogen HIV-1 infection
Species (Isotype) human (IgG2 κ)

References Xu *et al.* 1991; Robinson *et al.* 1991; Tyler *et al.* 1990; Robinson *et al.* 1990b

- 126-50: No enhancing or neutralizing activity. Robinson *et al.* [1991]
- 126-50: Specific for a conformational epitope. Xu *et al.* [1991]
- 126-50: No enhancing activity for HIV-1 IIIB. Robinson *et al.* [1990b]

- 126-50: Serves as target for antibody-dependent cellular cytotoxicity ADCC. Tyler *et al.* [1990]

No. 794
MAb ID 12H2
HXB2 Location Env
Author Location gp41 (530–677 HXB2)
Epitope

Subtype B
Neutralizing no
Immunogen vaccine

Vector/Type: Semliki-Forest Virus *HIV component:* Env

Species (Isotype) mouse (IgM κ)

References Giraud *et al.* 1999

- 12H2: Env in a Semliki-Forest Virus (SFV) vector was used to vaccinate mice intramuscularly as naked RNA, and an Ab response was induced to Env from which 12H2 was derived – and advantage of this method is that the protein is properly expressed. Giraud *et al.* [1999]

No. 795
MAb ID 13.10 (No. 13)
HXB2 Location Env
Author Location gp120
Epitope

Neutralizing no
Immunogen HIV-1 infection
Species (Isotype) human (IgG1 λ)

Research Contact Evan Hersh and Yoh-Ichi Matsumoto

References Wisniewski *et al.* 1996; Moran *et al.* 1993; Lake *et al.* 1989

- 13.10: NIH AIDS Research and Reference Reagent Program: 377.
- 13.10: 13.10 is V H1 – V-region heavy chain usage was examined and a bias of enhanced V H1 and V H4, and reduced V H3, was noted among HIV infected individuals. Wisniewski *et al.* [1996]
- 13.10: Heavy (V HI) and light (V lambdaII) chain sequenced – no enhancing or neutralizing activity – called No. 13. Moran *et al.* [1993]
- 13.10: First HIV-1 specific human-mouse hybridoma that produces a MAb that binds to gp120 and gp160. Lake *et al.* [1989]

No. 796
MAb ID 1B1
HXB2 Location Env
Author Location Env
Epitope

Neutralizing L
Immunogen HIV-1 infection
Species (Isotype) human

Research Contact Herman Katinger, Inst. Appl. Microbiol. University of Agricultural Science, Vienna, Austria

References Kunert *et al.* 1998; Purtscher *et al.* 1994; Buchacher *et al.* 1994

- 1B1: The complete V, J and D(H) domain was sequenced – unlike non-neutralizing anti-gp41 MAb 3D6, five neutralizing MABs (2F5, 2G12, 1B1, 1F7, and 3D5) showed extensive somatic mutations giving evidence of persistent antigenic pressure over long periods. Kunert *et al.* [1998]
- 1B1: Generated by electrofusion of PBL from HIV-1 positive volunteers with CB-F7 cells. Buchacher *et al.* [1994]

No. 797

MAB ID 1D10

HXB2 Location Env

Author Location gp120 (34–55)

Epitope

Neutralizing

Immunogen vaccine

Species (Isotype)

Research Contact Phil Berman

References Callahan *et al.* 1991

- Isolation of antibody.
- 1D10: Polyanionic polysaccharides were proposed to inhibit viral functions such as binding and syncytia formation through interactions mediated through the local high positive charge density in the V3 loop. The binding of this N-term binding antibody is increased by dextran sulfate, in contrast to anti-V3 antibodies that are inhibited. Callahan *et al.* [1991]

No. 798

MAB ID 1F7

HXB2 Location Env

Author Location Env

Epitope

Neutralizing L

Immunogen HIV-1 infection

Species (Isotype) human

Research Contact Herman Katinger, Inst. Appl. Microbiol. University of Agricultural Science, Vienna, Austria

References Grant *et al.* 2000; Kunert *et al.* 1998; Purtscher *et al.* 1994; Buchacher *et al.* 1994

- 1F7: There is an anti-idiotypic MAB named 1F7 that was raised against pooled IgG from HIV-1 + subjects that recognizes a set of antibodies against HIV Gag, Pol, and Env, and this MAB is reported to inhibit anti-HIV CTL activity—this is not the same as the 1F7 described by Buchacher *et al.*. Grant *et al.* [2000]
- 1F7: The complete V, J and D(H) domain was sequenced – unlike non-neutralizing anti-gp41 MAB 3D6, five neutralizing MABs (2F5, 2G12, 1B1, 1F7, and 3D5) showed extensive somatic mutations giving evidence of persistent antigenic pressure over long periods. Kunert *et al.* [1998]
- 1F7: Generated by electrofusion of PBL from HIV-1 positive volunteers with CB-F7 cells. Buchacher *et al.* [1994]

No. 799

MAB ID 2G12 (c2G12)

HXB2 Location Env

Author Location gp120

Epitope

Subtype B

Neutralizing L P

Immunogen HIV-1 infection

Species (Isotype) human (IgG1κ)

Ab Type gp120 carbohydrates at glycosylation residues in C2, C3, C4, and V4

Research Contact Herman Katinger, Inst. Appl. Microbiol. or Polymun Scientific Inc., Vienna, Austria,

References Selvarajah *et al.* 2005; Raviv *et al.* 2005; Pinter *et al.* 2005; Pashov *et al.* 2005; Nakowitz *et al.* 2005; Martín-García *et al.* 2005; Lusso *et al.* 2005; Louis *et al.* 2005; Krachmarov *et al.* 2005; Haynes *et al.* 2005; Gorny *et al.* 2005; Chen *et al.* 2005; Calarese *et al.* 2005; Wang *et al.* 2004; Safrit *et al.* 2004; Pugach *et al.* 2004; Pinter *et al.* 2004; Pantophlet *et al.* 2004; Opalka *et al.* 2004; Nabatov *et al.* 2004; Lorin *et al.* 2004; Liao *et al.* 2004; Jeffs *et al.* 2004; Ferrantelli *et al.* 2004a; Ferrantelli *et al.* 2004b; Dacheux *et al.* 2004; Biorn *et al.* 2004; Binley *et al.* 2004; Gorny & Zolla-Pazner 2004; Pantophlet *et al.* 2003b; Zwick *et al.* 2003; Wolbank *et al.* 2003; Ohagen *et al.* 2003; Montefiori *et al.* 2003; Louis *et al.* 2003; Kitabwalla *et al.* 2003; Raja *et al.* 2003; Singh *et al.* 2003; Wang 2003; Richman *et al.* 2003; Mascola 2003; Mascola *et al.* 2003; Hart *et al.* 2003; Ferrantelli *et al.* 2003; Dey *et al.* 2003; Cavacini *et al.* 2003; Binley *et al.* 2003; Abrahamyan *et al.* 2003; Albu *et al.* 2003; Herrera *et al.* 2003; Pantophlet *et al.* 2003a; Calarese *et al.* 2003; Stiegler *et al.* 2002; Kwong *et al.* 2002; Gorry *et al.* 2002; Cavacini *et al.* 2002; Bures *et al.* 2002; Liu *et al.* 2002; Ferrantelli & Ruprecht 2002; Zhang *et al.* 2002; Mascola 2002; Grundner *et al.* 2002; Edwards *et al.* 2002; Armbruster *et al.* 2002; Chakrabarti *et al.* 2002; Xu *et al.* 2002; Yang *et al.* 2002; Schulke *et al.* 2002; Scanlan *et al.* 2002; Sanders *et al.* 2002; Golding *et al.* 2002b; Savarino *et al.* 2001; Xu *et al.* 2001; Hofmann-Lehmann *et al.* 2001; Spenlehauer *et al.* 2001; Stiegler *et al.* 2001; Verrier *et al.* 2001; Zeder-Lutz *et al.* 2001; Poignard *et al.* 2001; Moore *et al.* 2001; Barnett *et al.* 2001; Zwick *et al.* 2001c; Mascola & Nabel 2001; Si *et al.* 2001; Park *et al.* 2000; Grovit-Ferbas *et al.* 2000; Baba *et al.* 2000; Robert-Guroff 2000; Binley *et al.* 1999; Mascola *et al.* 2000; Mascola *et al.* 1999; Parren *et al.* 1999; Poignard *et al.* 1999; Crawford *et al.* 1999; Altmeyer *et al.* 1999; Beddows *et al.* 1999; Montefiori & Evans 1999; Schoning *et al.* 1998; Kunert *et al.* 1998; Frankel *et al.* 1998; Wyatt & Sodroski 1998; Li *et al.* 1998; Parren *et al.* 1998b; Takefman *et al.* 1998; Fouts *et al.* 1998; Trkola *et al.* 1998; Binley *et al.* 1998; Connor *et al.* 1998; Sullivan *et al.* 1998b; Parren *et al.* 1998a; Mondor *et al.* 1998; Wyatt *et al.* 1998; Andrus *et al.* 1998; Parren *et al.* 1997b; Burton & Montefiori 1997; Ugolini *et al.* 1997; Mas-

cola *et al.* 1997; Moore & Trkola 1997; Li *et al.* 1997; Fouts *et al.* 1997; Binley *et al.* 1997a; Mo *et al.* 1997; D'Souza *et al.* 1997; Sattentau 1996; Trkola *et al.* 1996a; Poignard *et al.* 1996b; Moore & Sodroski 1996; Trkola *et al.* 1996b; McKeating 1996; McKeating *et al.* 1996; Moore & Ho 1995; Trkola *et al.* 1995; Buchacher *et al.* 1994

Keywords acute/early infection, antibody binding site definition and exposure, antibody generation, antibody interactions, antibody sequence, variable domain, assay development, assay standardization/improvement, autologous responses, brain/CSF, co-receptor, complement, escape, immunoprophylaxis, immunotherapy, isotype switch, kinetics, mother-to-infant transmission, mucosal immunity, neutralization potency, reversion, viral fitness, review, structure, subtype comparisons, vaccine antigen design, vaccine-specific epitope characteristics, variant cross-recognition or cross-neutralization

- 2G12: UK Medical Research council AIDS reagent: ARP3030.
- 2G12: NIH AIDS Research and Reference Reagent Program: 1476.
- 2G12: Precise characterization of 2G12 binding to carbohydrate was undertaken; the 2G12 Fab was co-crystallized with four oligomannose derivatives, Man4, Man5, Man7 and Man8. 2G12 recognizes the terminal Man α 1-2Man both in the context of the D1 arm (Man α 1-2Man α 1-2Man) and D3 arm (Man α 1-2Man α 1-6Man) of the Man9GlcNAc2 moiety, but not the D2 arm. This gives the 2G12 more binding flexibility than previously thought, as only the D1 arm binding had been shown previously. Calarese *et al.* [2005] (**antibody binding site definition and exposure, structure**)
- 2G12: The lack of glycosylation sites at residues Asn 295 and Thy 394 within C-clade gp120s generally causes the loss of 2G12 recognition. Introduction of glycans in the subtype C strain HIV-1CN54 at these positions restored 2G12 binding, and addition of just a single glycan partially restored binding (V295N + A394T » V295N > A395T). 2G12 epitope recovery decreased b12 binding. Chen *et al.* [2005] (**antibody binding site definition and exposure**)
- 2G12: 2909 is a human anti-Env NAb that was selected by a neutralization assay and binds to the quaternary structure on the intact virion. ELISA-based competition assays and subsequent mutational analysis determined that the CD4BS and V2 and V3 loops contribute to the 2909 epitope: 2909 binding was inhibited by MAbs 447-52d (anti-V3), 830A (anti-V2), and IgG1b12 (anti-CD4BS) and sCD4. 2909 was not inhibited by MAbs 670, 1418, nor 2G12; in fact, 2G12 enhanced 2909 binding. Gorny *et al.* [2005]
- 2G12: Of 35 Env-specific MAbs tested, only 2F5, 4E10, IgG1b12, and two CD4BS adjacent MAbs (A32 and 1.4G) and gp41 MAbs (2.2B and KU32) had binding patterns suggesting polyspecific autoreactivity, and similar reactivities may be difficult to induce with vaccines because of elimination of such autoreactivity. Unlike the other three broadly neutralizing human anti-HIV-1 MAbs, 2G12 has no indication of polyspecific autoreactivity. Haynes *et al.* [2005] (**antibody binding site definition and exposure**)
- 2G12: Sera from subtype A infected individuals from Cameroon have antibodies that react strongly with subtype A and subtype B V3 loops in fusion proteins, and neutralize SF162 pseudotypes, while sera from 47 subtype B infected individuals reacted only with subtype B V3s. Sera from Cameroon did not neutralize primary A or B isolates, due to indirect masking by the V1/V2 domain rather than due to loss of the target epitope. Neutralization by Cameroonian sera MAbs was blocked by Clade A and B V3 loop fusion proteins, while NAb to non-V3 epitopes, 2F5, 2G12, and b12, were not blocked. Krachmarov *et al.* [2005] (**antibody binding site definition and exposure, variant cross-recognition or cross-neutralization, subtype comparisons**)
- 2G12: Nine anti-gp41 bivalent Fabs that interacted with either or both of the six-helix bundle and the internal coiled-coil of N-helices of gp41 were selected from a non-immune human phage display library. The IC50 the range for the inhibition of LAV ENV-mediated cell-fusion was 6-61 ug/ml – for context, 2F5 and 2G12 (IC50s of 0.5-1.5 ug/ml) were about an order of magnitude more potent in this assay than the best Fabs generated here. Louis *et al.* [2005] (**neutralization potency**)
- 2G12: The HIV-1 Bori-15 variant was adapted from the Bori isolate for replication in microglial cells. Bori-15 had increased replication in microglial cells and a robust syncytium-forming phenotype, ability to use low levels of CD4 for infection, and increased sensitivity to neutralization by sCD4 and 17b. Four amino acid changes in gp120 V1-V2 were responsible for this change. Protein functionality and integrity of soluble, monomeric gp120-molecules derived from parental HIV-1 Bori and microglia-adapted HIV-1 Bori-15 was assessed in ELISA binding assays using CD4BS MAbs F105 and IgG1b12, glycan-specific 2G12, and V3-specific 447-52D, and were unchanged. Association rates of sCD4 and 17b were not changed, but dissociation rates were 3-fold slower for sCD4 and 14-fold slower for 17b. Martín-García *et al.* [2005] (**antibody binding site definition and exposure**)
- 2G12: Passive immunization of 8 HIV-1 infected patients with 4E10, 2F5 and 2G12 (day 0, 4E10; days 7, 14 and 21 4E10+2G12+2F5; virus isolated on days 0 and 77) resulted in 0/8 patients with virus that escaped all three NABs. Three patients had viruses that escaped 2G12, and two of these were sequenced. Each had lost two of the glycosylation sites required for 2G12 binding (one had 295 N->D and 332 N->T changes, the other had 295 N->T and 392 N->T changes). In a companion in vitro study, resistance to a single MAb emerged in 3-22 weeks, but triple combination resistance was slower and characterized by decreased viral fitness. In contrast to the in vivo escape study, only one N was lost in the in vitro experiments, a 386 N->K change in a triple resistant mutant. The lack of resistance to the combination of MAbs in vivo and the reduced fitness of the escape mutants selected in vitro suggests passive immunotherapy may be of value in HIV infection. Nakowitz *et al.* [2005] (**escape, immunotherapy**)
- 2G12: Concanavalin A (ConA) binds to mannose and blocks 2G12 binding, but 2G12 does not block ConA binding. ConA binding is less sensitive to mutations in glycosylation sites than 2G12. Furthermore, ConA neutralizes HIV-1 at a post-CD4

binding step. Thus, this report indicates that designing antigens based on the HIV-1 mannose residues that bind ConA may be an effective vaccine strategy, as antibodies elicited might be broadly cross-reactive. Pashov *et al.* [2005] (**vaccine antigen design**)

- 2G12: This study is about the V2 MAb C108g, that is type-specific and neutralizes BaL and HXB2. JR-FL is a neutralization resistant strain; modification of JRFL at V2 positions 167 and 168 (GK->DE) created a C108g epitope, and C108g could potentially neutralize the modified JR-FL. The modification in V2 also increased neutralization sensitivity to V3 MABs 4117c, 2219, 2191, and 447-52D, but only had minor effects on neutralization by CD4BS MAb 5145A, and broadly neutralizing MABs IgG1b12, 2G12, and 2F5. Pinter *et al.* [2005] (**antibody binding site definition and exposure**)
- 2G12: Retrovirus inactivation for vaccine antigen delivery was explored through lipid modification by hydrophobic photoinduced alkylating probe 1.5 idonaphthylazide (INA). The viral proteins were shown to be structurally intact in the treated non-infectious virus, through the preservation of antibody binding sites for polyclonal anti-gp120 serum, and for broadly neutralizing MABs 2G12, b12 and 4E10, although the modifications of the lipid disabled viral infection. Raviv *et al.* [2005] (**vaccine antigen design**)
- 2G12: Antigens were designed to attempt to target immune responses toward the IgG1b12 epitope, while minimizing antibody responses to less desirable epitopes. One construct had a series of substitutions near the CD4 binding site (GDMR), the other had 7 additional glycans (mCHO). The 2 constructs did not elicit b12-like neutralizing antibodies, but both antigens successfully dampened other responses that were intended to be dampened while not obscuring b12 binding. 2G12 had diminished binding to both antigen constructs. Selvarajah *et al.* [2005] (**vaccine antigen design, vaccine-specific epitope characteristics**)
- 2G12: 93 viruses from different clades were tested for their neutralization cross-reactivity using a panel of HIV antibodies. 2G12 primarily neutralized B clade viruses with sporadic neutralization of A, D, and two AC recombinants, and no C or CRF01 (E) isolates. Envelopes from subtypes C and E have generally lost critical glycans for 2G12 binding. Binley *et al.* [2004] (**variant cross-recognition or cross-neutralization, subtype comparisons**)
- 2G12: The peptide 12p1 (RINNIPWSEAMM) inhibits direct binding of YU2 gp120 or Env trimer to CD4, CCR5 and MAb 17b in a concentration-dependent allosteric manner. 12p1 is thought to bind to unbound gp120 near the CD4 binding site, with a 1:1 stoichiometry. 12p1 also inhibited MAb F105 binding, presumably because F105 favors an unactivated conformation, but not MABs 2G12 or b12. The 1:1 stoichiometry, the fact that the peptide binding site is accessible on the trimer, the non-CD4 like aspect of the binding, and an ability to inhibit viral infection in cell cultures make it a promising lead for therapeutic design. Biorn *et al.* [2004]
- 2G12: Env sequences were derived from 4 men at primary infection and four years later; the antigenicity in terms of the ability to bind to 2G12, 2F5 and IgG1b12 was determined. 2G12 bound primarily to late clones in 3 of the 4 patients, and to both early and late in the other patient. Neither 2F5 nor IgG1b12 showed a difference in binding affinity to early or late envelopes. The number of glycosylation sites increased in the three patients. The ability to bind to 2G12 correlated perfectly with having all three sites known to be important for binding: N295 in C2, N332 in C3, and N392 in the V4 loop. Dacheux *et al.* [2004] (**antibody binding site definition and exposure, acute/early infection, kinetics**)
- 2G12: Neonatal rhesus macaques were exposed orally to a pathogenic SHIV, 89.6P. 4/8 were given an intramuscular, passive immunization consisting of NABs 2G12, 2F5 and 4E10, each given at a different body sites at 40 mg/kg per Ab, at one hour and again at 8 days after exposure to 89.6P. The four animals that were untreated all died with a mean survival time of 5.5 weeks, the four animals that got the NAb combination were protected from infection. This model suggests Abs may be protective against mother-to-infant transmission of HIV. Ferrantelli *et al.* [2004b] (**mother-to-infant transmission**)
- 2G12: Nabs against HIV-1 M group isolates were tested for their ability to neutralize 6 randomly selected HIV-1 O group strains. 2G12 didn't neutralize O group strains, although it was included in a quadruple combination of b12, 2F5, 2G12, and 4E10, that neutralized the six Group O viruses between 62-97%. Ferrantelli *et al.* [2004a] (**variant cross-recognition or cross-neutralization**)
- 2G12: This paper is a review of anti-HIV-1 Envelope antibodies. This unique epitope is formed from carbohydrates. The mechanism of MAb neutralization is thought to be steric inhibition of CCR5 binding. 2G12 neutralizes many TCLA strains and about 40% of primary isolates tested. Gorny & Zolla-Pazner [2004] (**review**)
- 2G12: A set of oligomeric envelope proteins were made from six primary isolates for potential use as vaccine antigens: 92/UG/037 (clade A), HAN2/2 (clade B), 92/BR25/025 (clade C), 92/UG/021 (clade D), 93/BR/029 (clade F) and MVP5180 (clade O). This was one of a panel of MABs used to explore folding and exposure of well characterized epitopes. The clade C isolate BR25 is apparently misfolded, as conformation-dependent antibodies did not bind to it. 2G12 bound to clade A, B, D and F HIV-1 primary isolates. Polyclonal sera raised in rabbits against these antigens cross-bound the other antigens, but none of the sera had neutralizing activity. Jeffs *et al.* [2004] (**vaccine antigen design, subtype comparisons**)
- 2G12: 2G12 was used as a positive control in a study that showed that A32-rgp120 complexes open up the CCR5 co-receptor binding site, but did not induce neutralizing antibodies with greater breadth among B subtype isolates than did uncomplexed rgp120 in vaccinated guinea pigs. Liao *et al.* [2004] (**vaccine antigen design**)
- 2G12: Mice susceptible to MV infection were intraperitoneally immunized with native HIV-1 89.6 env gp160 and gp140 and δ V3 HIV-1 89.6 mutants expressed in live attenuated Schwarz measles vector (MV). The gp160 Δ V3 construct raised more cross-reactive NABs to primary isolates. A HIVIG/2F5/2G12 combination was used as a positive control and could neutralize all isolates. Lorin *et al.* [2004] (**vaccine antigen design**)
- 2G12: A set of HIV-1 chimeras that altered V3 net charge and glycosylation patterns in V1V2 and V3, involving inserting V1V2 loops from a late stage primary isolate taken after the R5 to X4 switch, were studied with regard to phenotype, co-

receptor usage, and MAb neutralization. The loops were cloned into a HXB2 envelope with a LAI viral backbone. It was observed that the addition of the late-stage isolate V1V2 region and the loss of V3-linked glycosylation site in the context of high positive charge gave an X4 phenotype. R5X4 viruses were more sCD4 and 2G12 neutralization resistant than either R5 or X4, but the opposite pattern was observed for b12. Addition of the late stage V1V2 altered neutralization for both MAbs, but this alteration was reversed with the loss of the V3 glycan. Nabatov *et al.* [2004] (**antibody binding site definition and exposure, co-receptor**)

- 2G12: An antigen panel representing different regions of gp41 was generated, and sera from 23 individuals were screened. 2G12 was a control, binding to gp120 but to none of the gp41 peptides in the experiment. Opalka *et al.* [2004] (**assay development, assay standardization/improvement**)
- 2G12: By adding N-linked glycosylation sites to gp120, epitope masking of non-neutralizing epitopes can be achieved leaving the IgG1b12 binding site intact. This concept was originally tested with the addition of four glycosylation sites, but binding to b12 was reduced. It was modified here to exclude the C1 N-terminal region, and to include only three additional glycosylation sites. This modified protein retains full b12 binding affinity and it binds to the neutralizing MAb 2G12. It masks other potentially competing epitopes, and does not bind to 21 other MAbs to 7 epitopes on gp120. Pantophlet *et al.* [2004] (**vaccine antigen design**)
- 2G12: V1V2 was determined to be the region that conferred the neutralization phenotype differences between two R5-tropic primary HIV-1 isolates, JRFL and SF162. JRFL is resistant to neutralization by many sera and MAbs, while SF162 is sensitive. All MAbs tested, anti-V3, -V2, -CD4BS, and -CD4i, (except the broadly neutralizing MAbs IgG1b12, 2F5, and 2G12, which neutralized both strains), neutralized the SF162 pseudotype but not JRFL, and chimeras that exchanged the V1V2 loops transferred the neutralization phenotype. 2G12 was the only MAb that neutralized JRFL more efficiently than SF162, with a 6-fold lower ND50 for JRFL. 2G12 also had a higher affinity for JRFL. Pinter *et al.* [2004] (**variant cross-recognition or cross-neutralization**)
- 2G12: A primary isolate, CC1/85, was passaged 19 times in PBMC and gradually acquired increased sensitivity to Fab b12 and sCD4 that was attributed to changes in the V1V2 loop region, in particular the loss of a potential glycosylation site. The affinity for sCD4 was unchanged in the monomer, suggesting that the structural impact of the change was manifested at the level of the trimer. The passaged virus, CCcon19, retained an R5 phenotype and its neutralization susceptibility to other Abs was essentially the same as CC1/85. The IC50 for 2G12 was 1.8 for CC1/85, and was 4.2 for CCcon19, so both the primary and passaged viruses were neutralized. Pugach *et al.* [2004] (**reversion, viral fitness, variant cross-recognition or cross-neutralization**)
- 2G12: This review discusses research presented at the Ghent Workshop of prevention of breast milk transmission and immunoprophylaxis for HIV-1 in pediatrics (Seattle, Oct. 2002), and makes the case for developing passive or active immunoprophylaxis in neonates to prevent mother-to-infant transmission. Macaque studies have shown that passive transfer of

NAb combinations (for example, IgG1b12, 2G12, 2F5, and 4E10; or 2G12 and 2F5) can confer partial or complete protection to infant macaques from subsequent oral SHIV challenge. Safrit *et al.* [2004] (**immunoprophylaxis, mother-to-infant transmission**)

- 2G12: Synthetic mannose Man9 clusters arranged on a scaffold were used to mimic the epitope of 2G12. Bi-, tri, and tetra-valent clusters had a 7-, 22-, and 73-fold higher affinities for 2G12 than the monomers, suggesting that 2G12 binds best to multiple carbohydrate moieties. 2G12 bound larger mannose oligosaccharides with higher affinity: Ma9GlcNAc bound 210- and 74-fold more effectively than Man6GlcNAc and Man5GlcNAc, respectively. Wang *et al.* [2004] (**antibody binding site definition and exposure**)
- 2G12: SOS-Env is a mutant protein engineered to have a disulfid bond between gp120 and gp41. Cells expressing SOS-Env due not fuse with target cells expressing CD4 and CCR5, although the fusion process proceeds to an intermediate state associated with CD4 and co-receptors, prior to the formation of the six helix bundle that allows fusion. 2G12 was used to monitor surface expression of SOS-Env compared to wildtype. Abrahamyan *et al.* [2003] (**co-receptor, vaccine antigen design**)
- 2G12: 2G12 was used as a positive control to test for a NAb activity in mice intranasally immunized with gp120 or gp140 with IL-12 and Cholera Toxin B. Albu *et al.* [2003]
- 2G12: The SOS mutant envelope protein introduces a covalent disulfide bond between gp120 surface and gp41 transmembrane proteins into the R5 isolate JR-FL by adding cysteines at residues 501 and 605. Pseudovirions bearing this protein bind to CD4 and co-receptor bearing cells, but do not fuse until treatment with a reducing agent, and are arrested prior to fusion after CD4 and co-receptor engagement. 2G12 is able to neutralize both the wildtype and SOS protein comparably, but 2G12 could not neutralize SOS when added post-attachment. Binley *et al.* [2003] (**vaccine antigen design**)
- 2G12: Crystal structure analysis of Fab 2G12 alone or complexed with Man α 1-2Man or Man9GlcNAc2 demonstrates that the exchange of VH domains forms stable dimers for gp120 binding. Two Fabs assemble in an interlocked VH domain swapped dimer, providing an extended surface for multivalent interaction with the cluster of oligomannose on gp120, allowing high-affinity recognition of repeated epitopes in the carbohydrate structure. Ala substitutions of the 2G12 VH/VH' interface residues Ile H19, Arg H57, Phe H77, Tyr H80, Val H84 and Pro H113 result in the loss of 2G12-gp120 JR-FL binding. Calarese *et al.* [2003] (**antibody binding site definition and exposure, antibody sequence, variable domain, structure**)
- 2G12: The MAb B4e8 binds to the base of the V3 loop, neutralizes multiple primary isolates and was studied for interaction with other MAbs. B4e8 and 2G12 enhanced each others binding, and gave synergistic neutralization. B4e8 could neutralize R5X4 virus 92HT593 better than 2G12, while 2G12 was better at neutralizing R5 virus 92US660. Cavacini *et al.* [2003] (**antibody interactions**)
- 2G12: A sCD4-17b single chain chimera was made that can bind to the CD4 binding site, then bind and block co-receptor interaction. This chimeric protein is a very potent neutralizing

- agent, more potent than IgG1b12, 2G12 or 2F5 against Ba-L infection of CCR5-MAGI cells. It has potential for prophylaxis or therapy. Dey *et al.* [2003] (**co-receptor**)
- 2G12: Four newborn macaques were challenged with pathogenic SHIV 89.6 and given post exposure prophylaxis using a combination of NAbS 2F5, 2G12, 4E10 and IgG1b12. 2/4 treated animals did not show signs of infection, and 2/4 macaques maintained normal CD4+ T cell counts and had a lower delayed peak viremia compared to the controls. Ferrantelli *et al.* [2003] (**immunoprophylaxis, mother-to-infant transmission**)
 - 2G12: This study investigates the effects of glycosylation inhibitors on the binding between HIV-1 gp120 and mannose-binding lectin (MBL). Mannosidase I inhibitor deoxymannojirimycin (dMM) inhibits formation of complex and hybrid N-linked saccharides and yields virus with more mannose residues. dMM added during viral production significantly enhanced the binding 2F5 and 2G12, but not IgG1b12 in a viral capture assay. Hart *et al.* [2003] (**antibody binding site definition and exposure**)
 - 2G12: CD4BS MAbs b12 (neutralizing) and 205-42-15, 204-43-1, 205-46-9 (non-neutralizing) all cross-competed for binding to monomeric gp120, indicating the topological proximity of their epitopes, however, the non-neutralizing CD4BS MAbs did not interfere with the neutralization activity of MAb b12 – 2G12 was used to normalize and as a control in these experiments. Herrera *et al.* [2003] (**antibody interactions**)
 - 2G12: MAbs IgG1b12, 2G12, 2F5 and 4E10 were tested for their ability to neutralize two primary HIV-1 clade A isolates (UG/92/031 and UG/92/037) and two primary HIV-1 clade D isolates (UG/92/001 and UG/92/005). 4E10 demonstrated the most potent cross-neutralization activity. Quadruple administration of MAbs IgG1b12, 2G12, 2F5, and 4E10 induced strong synergistic neutralization of 4 clade A isolates (UG/92/031, UG/92/037, RW/92/020 and RW/92/025) as well as 5 clade D isolates (UG/92/001, UG/9/005, /93/086/RUG/94/108, UG/94/114). The authors note this combination of 4 MAbs neutralizes primary HIV A, B, C, and D isolates. Kitabwalla *et al.* [2003] (**antibody interactions, immunoprophylaxis, variant cross-recognition or cross-neutralization, mother-to-infant transmission, subtype comparisons**)
 - 2G12: Polyclonal Abs raised against soluble trivalently linked N35CCG-N13 and N34CCG, the internal trimeric core of the coiled-coil ectodomain, inhibit HIV-1 Env-mediated cell fusion at levels comparable to 2G12. Louis *et al.* [2003] (**vaccine antigen design**)
 - 2G12: This review discusses the importance and function of protective antibody responses in animal model studies in the context of effective vaccine development. SHIV models have shown protection using high levels of MAbs can prevent infection, and partial protection that can influence disease course can be obtained from modest levels of NAbS. SHIV challenges studies conducted with infusions of combinations of MAbs b12, 2G12, and 2F5 are reviewed. Mascola [2003] (**immunoprophylaxis, review**)
 - 2G12: Infusions of 2F5 and 2G12 intravenously administered 24h prior to vaginal SHIV-89.P challenge are able to protect macaques from infections. Animals that receive a IL-2 adjuvanted DNA immunization SIV Gag and HIV Env have T-cell responses and lower viral loads, but were not protected. Sub-optimal levels of 2F5 and 2G12 were not able to confer sterile protection in combination with the T-cell responses stimulated by DNA immunizations. Mascola *et al.* [2003]
 - 2G12: AC10 is a subject who was given treatment early after infection, and had a viral rebound after cessation of therapy, which then declined to a low level. The polyclonal sera from AC10 could potentially neutralize the rebound virus, and NAb escape followed with a neutralizing response against the escape variant and subsequent escape from that response. Viral loads remained low in this subject despite escape. The rebound isolate that was potentially neutralized by autologous sera was not particularly neutralization sensitive, as it resisted neutralization by sCD4 and MAbs IgG1b12, 2G12 and 2F5, and was only moderately sensitive to sera from other HIV+ individuals that had high titers of NAbS to TCLA strains. Montefiori *et al.* [2003] (**acute/early infection, escape**)
 - 2G12: Env genes derived from uncultured brain biopsy samples from four HIV-1 infected patients with late-stage AIDS were compared to env genes from PBMC samples. Brain isolates did not differ in the total number or positions of N-glycosylation sites, patterns of coreceptor usage, or ability to be recognized by gp160 and gp41 MAbs. 2G12 was the only MAb tested to recognize all blood and brain isolates from all four patients by gp120 immunoprecipitation. Ohagen *et al.* [2003] (**variant cross-recognition or cross-neutralization**)
 - 2G12: Alanine scanning mutagenesis was used to compare substitutions that affected anti-CD4BS NAb b12 – rec gp120s were engineered to contain combinations of Alanine substitutions that enhanced b12 binding, and while binding of b12 to these gp120 monomers was generally maintained or increased, binding by five non-neutralizing anti-CD4bs MAbs (b3, b6, F105, 15e, and F91) was reduced or completely abolished – 2G12 binding was largely unperturbed, indicating these proteins were not grossly misfolded. Pantophlet *et al.* [2003a] (**antibody binding site definition and exposure**)
 - 2G12: A gp120 molecule was designed to focus the immune response onto the IgG1b12 epitope. Ala substitutions that enhance the binding of IgG1b12 and reduce the binding of non-neutralizing MAbs were combined with additional N-linked glycosylation site sequons inhibiting binding of non-neutralizing MAbs; b12 bound to the mutated gp120. C1 and C5 were also removed, but this compromised b12 binding. Pantophlet *et al.* [2003b] (**vaccine antigen design**)
 - 2G12: This paper shows that binding of CD4BS MAbs to Env blocks the conformational shift that allows co-receptor CCR5 binding and CD4-independent mediated cell fusion. CD4BS MAbs IgG1b12, F91 and F105 and their Fab counterparts (except for C11, used as a negative control) inhibited CD4-independent JR-FL and YU-2 gp120-CCR5 binding to CCR5-expressing Cf2Th cells and syncytium formation. The carbohydrate binding MAb 2G12 also inhibited CD4-independent syncytium formation. Raja *et al.* [2003] (**co-receptor**)
 - 2G12: Most plasma samples of patients from early infection had NAb responses to early autologous viruses, and NAbS against heterologous strains tended to be delayed. Serial plasma samples were tested against serial isolates, and neutralization escape was shown to be rapid and continuous throughout infection. Autologous neutralization-susceptible and resistant

viruses from four patients were tested for susceptibility to neutralizing Ab responses using MAbs 2G12, IgG1b12 and 2F5. No correlation was established, all viruses tested were susceptible to at least one of the neutralizing MAbs. Two patients that did not have an autologous NAb response also did not evolve changes in susceptibility to these MAbs, while one patient with a pattern of autologous neutralization and escape acquired a 2G12 sensitive virus at month 6, and lost IgG1b12 sensitivity at month 21. Richman *et al.* [2003] (**autologous responses, acute/early infection, escape**)

- 2G12: To begin to design vaccine antigens that can mimic the carbohydrate structure, the gp120 peptide 336-342 was synthesized with Man(9), Man(6), and Man(5) moieties attached. Singh *et al.* [2003] (**vaccine antigen design**)
- 2G12: Review of current neutralizing antibody-based HIV vaccine candidates and strategies of vaccine design. Strategies for targeting of the epitopes for NAb 2F5, 2G12, 4E10, b12, and Z13 are described. They have shown that both N-glycans, at 295N and 332N are required for 2G12 binding, emphasizing the oligosaccharide cluster nature of the epitope, and suggest the uniqueness of the target structure may not result in autoimmune reactions. Wang [2003] (**vaccine antigen design, review**)
- 2G12: The broadly neutralizing antibodies 2F5 and 2G12 were class-switched from IgG to IgA and IgM isotypes. Neutralizing potency was increased with valence for 2G12 so the IgM form was most potent, but for 2F5 the IgG form was most potent. Eight primary isolates were tested including two subtype A isolates. The polymeric IgM and IgA Abs, but not the corresponding IgGs, could interfere with HIV-1 entry across a mucosal epithelial layer, although they were limited in a standard neutralization assay. All isotypes could interact with activated human sera, presumably through complement, to inhibit HIV replication. Wolbank *et al.* [2003] (**complement, isotype switch, variant cross-recognition or cross-neutralization, mucosal immunity, subtype comparisons**)
- 2G12: scFv 4KG5 reacts with a conformational epitope. Of a panel of MAbs tested, only NAb b12 enhanced 4KG5 binding to gp120. MAbs to the V2 loop, V3 loop, V3-C4 region, and CD4BS diminished binding, while MAbs directed against C1, CD4i, C5 regions didn't impact 4KG5 binding. These results suggest that the orientation or dynamics of the V1/V2 and V3 loops restricts CD4BS access on the envelope spike, and IgG1b12 can uniquely remain unaffected. 2G12 had no impact on 4KG5 binding. Zwick *et al.* [2003] (**antibody interactions**)
- 2G12: A phase I trial in seven HIV+ individuals was conducted with MAbs 2F5 and 2G12 – no clinical or laboratory abnormalities were observed throughout the study – eight infusions were administered over a 4-week period (total dose 14 g) – the elimination half-life ($t_{1/2}$) was calculated to be 7.94 (range, 3.46–8.31) days for 2F5 and 16.48 (range, 12.84–24.85) days for 2G12. Armbruster *et al.* [2002] (**kinetics, immunotherapy**)
- 2G12: IgG1b12 neutralized many South African (5/8) and Malawian (4/8) clade C primary HIV-1 isolates, being more effective than 2F5 which neutralized only two Malawian and no South African isolates. 2G12 did not neutralize any of the 16 isolates. Bures *et al.* [2002] (**subtype comparisons**)
- 2G12: This study examined Ab interactions, binding and neutralization with a B clade R5 isolate (92US660) and R5X4 isolate (92HT593). Abs generally bound and neutralized the R5X4 isolate better than the R5 isolate. Anti-gp41 MAb F240 did not affect binding of 2G12 to either R5X4 and R5 isolates, and anti-V3 MAb B4a1 increased 2G12 binding to R5X4 virions but not R5. Neutralization with B4a1 and 2G12 was additive for the R5X4 virus, and was enhanced for the R5 virus. Cavacini *et al.* [2002] (**antibody interactions, co-receptor, variant cross-recognition or cross-neutralization**)
- 2G12: A modified gp140 (gp140deltaCFI), with C-term mutations intended to mimic a fusion intermediate and stabilize trimer formation, retained antigenic conformational determinants as defined by binding to CD4 and to MAbs 2F5, 2G12, F105, and b12, and enhanced humoral immunity without diminishing the CTL response in mice injected with a DNA vaccine. Chakrabarti *et al.* [2002] (**vaccine antigen design**)
- 2G12: Truncation of the gp41 cytoplasmic domain of X4, R5, and X4R5 viruses forces a conformation that more closely resembles the CD4 bound state of the external Envelope, enhancing binding of CD4i MAbs 17b and 48d and of CD4BS MAbs F105, b12, and in most cases of glycosylation site dependent MAb 2G12 and the anti-gp41 MAb 246D – in contrast, binding of the anti-V2 MAb 697D and the anti-V3 MAb 694/98D were not affected – viruses bearing the truncation were more sensitive to neutralization by MAbs 48d, b12, and 2G12 – the anti-C5 MAb 1331A was used to track levels of cell surface expression of the mutated proteins. Edwards *et al.* [2002] (**antibody binding site definition and exposure**)
- 2G12: Review of NAb that notes 2G12 alone or in combination with other MAbs can protect some macaques against SHIV infection, that it has strong ADCC activity, and that it is safe and well tolerated in humans. Ferrantelli & Ruprecht [2002] (**immunoprophylaxis**)
- 2G12: The fusion process was slowed by using a suboptimal temperature (31.5 C) to re-evaluate the potential of Abs targeting fusion intermediates to block HIV entry – preincubation of E/T cells at 31.5 C enabled polyclonal anti-N-HR Ab and anti-six-helix bundle Abs to inhibit fusion, indicating six-helix bundles form prior to fusion – the preincubation 31.5 C step did not alter the inhibitory activity of neutralizing Abs anti-gp41 2F5, or anti-gp120 2G12, IG1b12, 48d, and 17b. Golding *et al.* [2002b] (**antibody binding site definition and exposure**)
- 2G12: UK1-br and MACS2-br are R5 isolates derived from brain tissue samples from AIDS patients with dementia and HIV-1 encephalitis; both are neurotropic, but only UK1-br induced neuronal apoptosis and high levels of syncytium formation in macrophages. UK1-br Env had a greater affinity for CCR5 than MACS-br, and required low levels of CCR5 and CD4 for cell-to-cell fusion and single round infection. PBMC infected with UK1-br and MACS2-br virus isolates were resistant to neutralization by MAb 2G12. UK1-br was more sensitive than MACS2-br to IgG1b12, 2F5 and CD4-IgG2 neutralization. Gorry *et al.* [2002] (**brain/CSF, co-receptor**)
- 2G12: HIV-1 gp160deltaCT (cytoplasmic tail-deleted) proteoliposomes (PLs) containing native, trimeric envelope glycoproteins from R5 strains YU2 and JRFL, and X4 strain HXBc2, were made in a physiologic membrane setting as candidate immunogens for HIV vaccines – 2F5 bound to gp160deltaCT

- with a reconstituted membrane ten-fold better than the same protein on beads, while such an affinity difference was not seen with F105 and 2G12 – anti-CD4BS MAbs IgG1b12 and F105, A32 (C1-C4), C11 (C1-C5), and 39F (V3) MAbs bound gp160deltaCT PLs indistinguishably from gp160deltaCT expressed on the cell surface. Grundner *et al.* [2002] (**antibody binding site definition and exposure, vaccine antigen design**)
- 2G12: Thermodynamics of binding to gp120 was measured using isothermal titration calorimetry for sCD4, 17b, b12, 48d, F105, 2G12 and C11 to intact YU2 and the HXBc2 core. The free energy of binding was similar, except for 2G12, which might not have bound well to the carbohydrate additions on the Drosophila expressed core. Enthalpy and entropy changes were divergent, but compensated. Not only CD4 but MAb ligands induced thermodynamic changes in gp120 that were independent of whether the core or the full gp120 protein was used. Non-neutralizing CD4BS and CD4i MAbs (17b, 48d, 1.5e, b6, F105 and F91) had large entropy contributions to free energy (mean: 26.1 kcal/mol) of binding to the gp120 monomer, but the potent CD4BS neutralizing MAb b6 had a much smaller value of 5.7 kcal/mol. The high values suggest surface burial or protein folding an ordering of amino acids. 2G12 had an entropy value of -1.6. These results suggest that while the trimeric Env complex has four surfaces, a non-neutralizing face (occluded on the oligomer), a variable face, a neutralizing face and a silent face (protected by carbohydrate masking), gp120 monomers further protect receptor binding sites by conformational or entropic masking, requiring a large energy handicap for Ab binding not faced by other anti-gp120 Abs. Kwong *et al.* [2002] (**antibody binding site definition and exposure**)
 - 2G12: Review of NAbs that discusses mechanisms of neutralization, passive transfer of NAbs and protection in animal studies, and vaccine strategies. Liu *et al.* [2002] (**review**)
 - 2G12: Rhesus macaques were better protected from vaginal challenge with SHIV89.6D (MAb 2G12, 2/4; MAbs 2F5/2G12, 2/5; and HIVIG/2F5/2G12, 4/5 infected) than from intravenous challenge (MAb 2G12, 0/3; MAbs 2F5/2G12, 1/3; and HIVIG/2F5/2G12, 3/6 infected)– the animals that were infected by vaginal challenge after Ab infusion had low or undetectable viral RNA levels and modest CD4 T-cell decline. Mascola [2002] (**immunoprophylaxis, mucosal immunity**)
 - 2G12: The 2G12 epitope is composed of carbohydrates involving high-mannose and hybrid glycans of residues 295, 332, and 392, with peripheral glycans from 386 and 448 contributing on either flank, and with little direct gp120 protein surface involvement – these mannose residues are proximal to each other near the chemokine receptor binding surface. Sanders *et al.* [2002] (**antibody binding site definition and exposure**)
 - 2G12: Alanine scanning mutagenesis used in conjunction with competition and replacement studies of N-linked carbohydrates and sugars suggest that the 2G12 epitope is formed from mannose residues contributed by the glycans attached to N295 and N332, with the other N-linked carbohydrates in positions N339, N386, and N392 playing a role in maintaining conformation relevant to 2G12 binding – N295A and N332A mutants showed essentially unchanged anti-CD4BS NAb b12 binding affinities, while N339A, N386A and N392A mutants displayed significantly lowered b12 affinity, presumably due to conformational changes. Scanlan *et al.* [2002] (**antibody binding site definition and exposure**)
 - 2G12: Ab binding characteristics of SOS gp140 were tested using SPR and RIPA – SOS gp140 is gp120-gp41 bound by a disulfide bond – NAbs 2G12, 2F5, IgG1b12, CD4 inducible 17b, and 19b bound to SOS gp140 better than uncleaved gp140 (gp140unc) and gp120 – non-neutralizing MAbs 2.2B (binds to gp41 in gp140unc) and 23A (binds gp120) did not bind SOS gp140 – 2G12 complexes with SOS gp140 or with gp120 had a very unusual linear structure. Schulke *et al.* [2002] (**antibody binding site definition and exposure, vaccine antigen design**)
 - 2G12: The antiviral response to intravenously administered MAbs 2F5 and 2G12 was evaluated in 7 HAART-naïve asymptomatic HIV-1 infected patients during a treatment period of 28 days. MAb therapy reduced plasma HIV RNA in 3/7 patients during the treatment period, and transiently reduced viral load in two more. CD4 counts were up in 3/7 through day 28, and transiently increased in three more. Vigorous complement activation was observed after 48/56 Ab infusions. Virus derived from 2/7 patients could be neutralized by 2G12, and escape from 2G12 was observed in both cases after infusion; one year after the infusion, isolates were again sensitive to 2G12. Stiegler *et al.* [2002] (**complement, variant cross-recognition or cross-neutralization, escape, immunotherapy**)
 - 2G12: Passive immunization of neonate macaques with a combination of F105+2G12+2F5 conferred complete protection against oral challenge with SHIV-vpu+ or – the combination b12+2G12+2F5 conferred partial protection against SHIV89.6 – such combinations may be useful for prophylaxis at birth and against milk born transmission – the synergistic combination of IgG1b12, 2G12, 2F5, and 4E10 neutralized a collection of HIV clade C primary isolates. Xu *et al.* [2002] (**antibody interactions, immunoprophylaxis, mother-to-infant transmission**)
 - 2G12: Uncleaved soluble gp140 (YU2 strain, R5 primary isolate) can be stabilized in an oligomer by fusion with a C-term trimeric GCN4 motif or using a T4 trimeric motif derived from T4 bacteriophage fibrin – stabilized oligomer gp140 delta683(-FT) showed strong preferential recognition by NAbs IgG1b12 and 2G12 relative to the gp120 monomer, in contrast to poorly neutralizing MAbs F105, F91, 17b, 48d, and 39F which showed reduced levels of binding, and MAbs C11, A32, and 30D which did not bind the stabilized oligomer. Yang *et al.* [2002] (**antibody binding site definition and exposure**)
 - 2G12: A rare mutation in the neutralization sensitive R2-strain in the proximal limb of the V3 region caused Env to become sensitive to neutralization by MAbs directed against the CD4 binding site (CD4BS), CD4-induced (CD4i) epitopes, soluble CD4 (sCD4), and HNS2, a broadly neutralizing sera – 2/12 anti-V3 MAbs tested (19b and 694/98-D) neutralized R2, as did 2/3 anti-CD4BS MAbs (15e and IgG1b12), 2/2 CD4i MAbs (17b and 4.8D), and 2G12 and 2F5 – thus multiple epitopes on R2 are functional targets for neutralization and the neutralization sensitivity profile of R2 is intermediate between the highly sensitive MN-TCLA strain and the typically resistant MN-primary strain. Zhang *et al.* [2002] (**antibody binding site definition and exposure**)

- 2G12: SF162DeltaV2 is a virus that has a 30 amino acids deletion in the V2 loop that does not abrogate its infectivity but renders it highly susceptible to neutralization – when incorporated into a codon-optimized DNA vaccine with a CMV promoter and delivered by gene gun, SF162DeltaV2 gave higher neutralizing Ab titers against SF162 than did SF162 itself, and Abs that cross-neutralized non-homologous primary isolates were obtained only when SF162DeltaV2, but not intact SF162, was used as the immunogen – Control MABs 2F5 and 2G12 could neutralize all of the following primary isolates: 91US056(R5), 92US714(R5), 92US660(R5), 92HT593(R5X4), and BZ167(R5X4), while after the first protein boost, the sera from two SF162DeltaV2 immunized macaques could neutralize 91US056(R5), 92US714(R5), 92US660(R5) and ADA(R5), but not 92HT593(R5X4) or 92US657(R5) – the pattern of cross-recognition shifted after the second boost. Barnett *et al.* [2001] (**vaccine antigen design**)
- 2G12: A combination of MABs IgG1b12, 2F5, and 2G12 was given postnatally to four neonates macaques that were then challenged with highly pathogenic SHIV89.6P – one of the four infants remained uninfected after oral challenge, two infants had no or a delayed CD4(+) T-cell decline. Hofmann-Lehmann *et al.* [2001] (**immunoprophylaxis, mother-to-infant transmission**)
- 2G12: Review of studies in macaques that have shown immune control of pathogenic SHIV viremia, improved clinical outcome, and protection, and the implications of the observations for HIV vaccines. Mascola & Nabel [2001] (**review**)
- 2G12: Moore and colleagues review structural aspects of gp120 and how they relate to antigenic domains, and review the data concerning the lack of a clear relationship between genetic subtype and serotype – an exception exists for human MAB 2G12, which does not recognize CRF01 envelopes because of an unusual additional disulfide bond in the V4 loop region that appears to be unique to the subtype E, CRF01 gp120 protein. Moore *et al.* [2001] (**antibody binding site definition and exposure, review**)
- 2G12: Structural aspects of the interaction of neutralizing Abs with HIV-1 Env are reviewed – Env essentially has three faces, one is largely inaccessible on the native trimer, and two that exposed but have low immunogenicity on primary viruses – neutralization is suggested to occur by inhibition of the interaction between gp120 and the target cell membrane receptors as a result of steric hindrance and it is noted that the attachment of approximately 70 IgG molecules per virion is required for neutralization, which is equivalent to about one IgG molecule per spike – the 2G12, 17b and b12 epitopes are discussed in detail – although it is potently neutralizing, 2G12 does not interfere with CD4 and coreceptor binding, and this Ab specificity is uncommon in sera from HIV-1-infected individuals. Poignard *et al.* [2001] (**antibody binding site definition and exposure, review**)
- 2G12: Chloroquine reduces the HIV-1-infectivity of H9 IIIB cells, apparently through altering the conformation of envelope – there is a reduction of reactivity of 2G12 to its epitope in chloroquine treated cultures. Savarino *et al.* [2001] (**antibody binding site definition and exposure**)
- 2G12: SHIV-HXBc2 is a neutralization sensitive non-pathogenic virus, and several *in vivo* passages through monkey's yielded highly pathogenic SHIV KU-1 – HXBc2 and the KU-1 clone HXBc2P3.2 differ in 12 amino acids in gp160 – substitutions in both gp120 and gp41 reduced the ability of sCD4, IgG1b12, F105 and AG1121 to Env achieve saturation and full occupancy, and neutralize KU-1 – 17b and 2F5 also bound less efficiently to HXBc2P3.2, although 2G12 was able to bind both comparably. Si *et al.* [2001]
- 2G12: A luciferase-reporter gene-expressing T-cell line was developed to facilitate neutralization and drug-sensitivity assays – luciferase and p24 antigen neutralization titer end points were found comparable using NAb from sera from HIV+ donors, and MABs 2F5, 2G12 and IgG1b12. Spenlehauer *et al.* [2001] (**assay development**)
- 2G12: A panel of 12 MABs was used to identify those that could neutralize the dual-tropic primary isolate HIV-1 89.6 – six gave significant neutralization at 2 to 10 ug/ml: 2F5, 50-69, IgG1b12, 447-52D, 2G12, and 670-D six did not have neutralizing activity: 654-D, 4.8D, 450-D, 246-D, 98-6, and 1281 – no synergy, only additive effects were seen for pairwise combinations of MABs, and antagonism was noted between gp41 MABs 50-69 and 98-6, as well as 98-6 and 2F5. Verrier *et al.* [2001] (**antibody interactions**)
- 2G12: Twenty HIV clade C isolates from five different countries were susceptible to neutralization by anti-clade B MABs in a synergistic quadruple combination of mAbs IgG1b12, 2G12, 2F5, and 4E10. Xu *et al.* [2001] (**antibody interactions, variant cross-recognition or cross-neutralization, subtype comparisons**)
- 2G12: Neutralizing synergy between MABs 1b12, 2G12 and 2F5 was studied using surface plasmon resonance to determine the binding kinetics for these three MABs with respect to monomeric and oligomeric Env protein gp160 IIIB – the 2G12 epitope is highly accessible on both monomeric and oligomeric Envs, 1b12 is highly accessible on monomers but not oligomers, and 2F5 on neither form – binding of 2G12 exposes the 2F5 epitope on gp160 oligomers – 2G12-gp160 oligomer interactions were best fitted to a two state model, with the first complex having a high association constant and fast dissociation, stabilized by conformational changes induced by the binding of a second MAB. Zeder-Lutz *et al.* [2001] (**antibody binding site definition and exposure, antibody interactions, kinetics**)
- 2G12: Neutralization synergy between anti-HIV NABs b12, 2G12, 2F5, and 4E10 was studied – a classic fixed-ratio method was used, as well as a method where one Ab was fixed at a low neutralization titer and the other was varied – using primary isolates, a two-four fold enhancement of neutralization was observed with MAB pairs, and a ten-fold enhancement with a quadruple Ab combination – no synergy was observed with any MAB pair in the neutralization of TCLA strain HXB2 – there was no evidence for cooperativity of binding between b12 and 2G12 to envelope spikes expressed on the cell surface of TCLA or primary isolates. Zwick *et al.* [2001c] (**antibody interactions**)
- 2G12: A triple combination of 2F5, F105 and 2G12 effectively neutralized perinatal infection of macaque infants when challenged with SHIV-vpu+ – the mean plasma half-life was 14.0

- +/- 7.9 days, the longest of the three Abs. Baba *et al.* [2000] (**immunoprophylaxis, mother-to-infant transmission**)
- 2G12: To determine the antigenicity of virus killed by thermal and chemical inactivation, retention of conformation-dependent neutralization epitopes was examined, and exposure of CD4BS epitopes was found to be enhanced (MAbs IgG1b12, 205-46-9, and 205-43-1) – binding to 2G12 and 447-52D epitopes was essentially unaltered – the 17b CD4i epitope was also exposed. Grovit-Ferbas *et al.* [2000] (**vaccine antigen design**)
 - 2G12: Because HIV-1 is most often transmitted across mucosal surfaces, the ability of passive transfer of infused HIVIG/2F5/2G12 to protect against mucosal exposure of macaques to pathogenic SHIV 89.6PD was studied – HIVIG/2F5/2G12 protected 4/5 animals against vaginal challenge, 2F5/2G12 combined protected 2/5 animals, and 2G12 alone protected 2/4 animals – in contrast, Mascola and co-workers had previously shown single MAbs could not protect against intervenous challenge – Ab treated animals that got infected through vaginal inoculation had low viral loads and only modest declines in CD4 counts – the infused Abs were detected in the nasal, vaginal, and oral mucosa. Mascola *et al.* [2000] (**immunoprophylaxis, mucosal immunity**)
 - 2G12: Six mutations in MN change the virus from a high-infectivity neutralization resistant phenotype to low-infectivity neutralization sensitive – V3, CD4BS, and CD4i MAbs are 20-100 fold more efficient at neutralizing the sensitive form – 2G12 was an exception and could not neutralize MN in either form. Park *et al.* [2000]
 - 2G12: A mini-review of observations of passive administration of IgG NAb conferring protection against intervenous or vaginal SHIV challenge, that considers why IgG MAbs might protect against mucosal challenge. Robert-Guroff [2000] (**immunoprophylaxis, mucosal immunity, review**)
 - 2G12: A Semliki Forest virus (SFV) expression system carrying BX08 Env was used to study the conformation of gp120 Env – intracytoplasmic gp120 was recognized by the anti-V3 MAbs K24 and F5.5, while gp120 at the plasma membrane was detected only by conformation dependent MAbs 2G12, 670-D and 694/98D and not V3 MAbs – expression in rat brain also showed that surface expressed Env was recognized only by the conformation-dependent Abs and not by anti-V3 Abs. Altmeyer *et al.* [1999]
 - 2G12: rgp120 derived from a R5X4 subtype B virus was used to vaccinate healthy volunteers and the resulting sera were compared with sera from HIV-1 positive subjects and neutralizing MAbs – 2G12 was able to bind with low affinity to the rgp120 monomer HIV-1 W61D. Beddows *et al.* [1999]
 - 2G12: The MAbs with the broadest neutralizing activity, IgG1b12, 2G12 and 2F5, all have high affinity for the native trimer, indicating that they were raised in an immune response to the oligomer on the virion surface rather than dissociated subunits – a disulfide linked gp120-gp41 (SOS gp140) was created to mimic the native conformation of Env and explore its potential as an immunogen – SOS gp140 is recognized by NAb IgG1b12, 2G12, and CD4-IgG2, and also by anti-V3 MAbs 19b and 83.1 – SOSgp140 is not recognized by C4 region MAbs that neutralize only TCLA strains, G3-42 and G3-519 – nor did it bind C11, 23A, and M90, MAbs that bind to gp120 C1 and C5, where it interacts with gp41 – MAbs that bind CD4 inducible epitopes, 17b and A32 were very strongly induced by CD4 in SOS gp140 – anti-gp41 MAbs that bind in the region that interacts with gp120, 7B2, 2.2B, T4, T15G1 and 4D4, did not bind to SOSgp140, in contrast to 2F5, which binds to the only gp41 epitope that is well exposed in native gp120-gp41 complexes. Binley *et al.* [1999] (**antibody binding site definition and exposure, vaccine antigen design**)
 - 2G12: Neutralization assays with rsCD4, MAbs, and serum samples from SHIV-infected macaques and HIV-1 infected individuals were used to characterize the antigenic properties of the env glycoprotein of six primary isolate-like or TCLA SHIV variants. 2G12 neutralized the five SHIV strains tested, HXBc2, KU2, 89.6, 89.6P and KB9, in MT-2 cells. Crawford *et al.* [1999] (**variant cross-recognition or cross-neutralization**)
 - 2G12: Combinations of HIVIG, 2F5, 2G12 were administered in passive-transfer experiments 24 hours prior to challenge with pathogenic SHIV 89.6PD – 3/6 animals given HIVIG/2F5/2G12 were completely protected, the others had reduced viremia and normal CD4 counts – 1/3 monkeys given 2F5/2G12 showed transient infection, the other two had reduced viral load – all monkeys that received HIVIG, 2F5, or 2G12 alone became infected and developed high-level plasma viremia, although animals that got HIVIG or 2G12 had a less profound CD4 T cell decline. Mascola *et al.* [1999] (**antibody interactions**)
 - 2G12: A meeting summary presented results regarding neutralization – MAbs 2G12 and 2F5 tested for their ability to neutralize primary isolate infection of genetically engineered cell lines (cMAGI and others, presented by T. Matthews, A. Trkola, J. Bradac) – an advantage of such cell lines over PBMCs is that markers (X-Gal) can be added for staining to simplify the assay – the consensus of the meeting was that these engineered cell lines did not improve the sensitivity of detection of primary isolate neutralization – D. Burton and J. Mascola presented results concerning passive immunization and protection of hu-PBL-SCID mice and macaques, respectively, and both found combinations of MAbs that were able to achieve 99% neutralization *in vitro* corresponded to efficacy *in vivo*. Montefiori & Evans [1999] (**review**)
 - 2G12: Review of the neutralizing Ab response to HIV-1. Parren *et al.* [1999] (**review**)
 - 2G12: Hu-PBL-SCID mice were infected with HIV-1s JRCSF and SF162 to study the effect of NAb on an established infection – no significant differences in the initial rate of decrease in viral load or the plateau levels of viral RNA between the b12 treated and control mice were seen – in most of the Ab treated mice b12 escape mutants were observed with varying patterns of mutations – a combination of b12, 2G12 and 2F5 protected 1/3 mice, and an isolate from one of the other two was resistant to neutralization by all three MAbs. Poignard *et al.* [1999] (**antibody interactions, escape**)
 - 2G12: Post-exposure prophylaxis was effective when MAb 694/98-D was delivered 15 min post-exposure to HIV-1 LAI in hu-PBL-SCID mice, but declined to 50% if delivered 60 min post-exposure, and similar time constraints have been observed for HIVIG, 2F5 and 2G12, in contrast to MAb BAT123 that could protect when delivered 4 hours post infection. Andrus *et al.* [1998] (**immunoprophylaxis**)

- 2G12: A panel of MAbs were shown to bind with similar or greater affinity and similar competition profiles to a deglycosylated or variable loop deleted core gp120 protein (Delta V1, V2, and V3), thus such a core protein produces a structure closely approximating full length folded monomer – MAb 2G12 was the only exception to this, showing reduced binding efficiency. Binley *et al.* [1998] (**antibody binding site definition and exposure**)
- 2G12: Ab from gp120 vaccinated individuals prior to infection, who subsequently became HIV infected, could not achieve 90% neutralization of the primary virus by which the individuals were ultimately infected – these viruses were not particularly refractive to neutralization, as determined by their susceptibility to neutralization by MAbs 2G12, IgG1b12, 2F5 and 447-52D. Connor *et al.* [1998]
- 2G12: Notes that 2G12 and 2F5, potent neutralizing antibodies, were identified by screening for cell surface (oligomeric Envelope) reactivity. Fouts *et al.* [1998] (**antibody binding site definition and exposure**)
- 2G12: Infection of dendritic cells cultured from CD14+ blood cells or from cadaveric human skin was blocked by neutralizing MAbs IgG1b12, or 2F5 and 2G12 delivered together, but not by control non-neutralizing anti-gp120 MAb 4.8D, indicating that NAb could interrupt early mucosal transmission events. Frankel *et al.* [1998] (**mucosal immunity**)
- 2G12: The complete V, J and D(H) domain was sequenced – unlike non-neutralizing anti-gp41 MAb 3D6, five neutralizing MAbs (2F5, 2G12, 1B1, 1F7, and 3D5) showed extensive somatic mutations giving evidence of persistent antigenic pressure over long periods – 2G12 D(H) has the best homology to a D(H) segment between D3-22 and D4-23, a region not usually considered for heavy-chain rearrangement because it lacks associated recombination signals in the flanking regions, Kunert *et al.* suggest this may be why Abs that compete with 2G12 are rare. Kunert *et al.* [1998] (**antibody sequence, variable domain**)
- 2G12: Neutralization synergy was observed when the MAbs 694/98-D (V3), 2F5 (gp41), and 2G12 (gp120 discontinuous) were used in combination, and even greater neutralizing potential was seen with the addition of a fourth MAb, F105 (CD4 BS). Li *et al.* [1998] (**antibody interactions**)
- 2G12: Enhances Hx10 binding to CD4 positive or negative HeLa cells, but inhibited binding to CD4+ T-cell line A3.01 – neutralizes Hx10 infection of the HeLa cells. Mondor *et al.* [1998]
- 2G12: The MAb and Fab binding to the oligomeric form of gp120 and neutralization were highly correlated – authors suggest that neutralization is determined by the fraction of Ab sites occupied on a virion irrespective of the epitope. Parren *et al.* [1998a] (**antibody binding site definition and exposure**)
- 2G12: MAbs 2G12, 2F5 and b12 are broadly neutralizing, as are some human polyclonal sera, but this paper describes a set of primary isolates that are resistant to all three MAbs and 2 broadly neutralizing sera – results indicate that resistance levels of pediatric isolates might be higher than adult isolates – resistance in general did not seem to be conferred by a loss of binding affinity for gp120 or gp41, rather by a more global perturbation of oligomeric Envelope. Parren *et al.* [1998b] (**variant cross-recognition or cross-neutralization**)
- 2G12: In a study of the influence of the glycan at position 306 of the V3 loop on MAb recognition, 2G12 was found to neutralize an HIV-BRU mutant virus that lacks the V3 loop glycan and has a mutation at the tip of the loop more efficiently than it neutralizes HIV-BRU. Schonning *et al.* [1998] (**antibody binding site definition and exposure**)
- 2G12: Does not compete with binding of MAb generated in response to gp120-CD4 complex, CG10. Sullivan *et al.* [1998b] (**antibody interactions**)
- 2G12: Induces complement-mediated lysis in MN but not primary isolates – primary isolates are refractive to CML. Takefman *et al.* [1998] (**complement, variant cross-recognition or cross-neutralization**)
- 2G12: A wide range of neutralizing titers was observed that was independent of co-receptor usage. Trkola *et al.* [1998] (**co-receptor, variant cross-recognition or cross-neutralization**)
- 2G12: Summary of the implications of the crystal structure of gp120 combined with what is known about mutations that reduce NAb binding – probable mechanism of neutralization by 2G12 is unknown, but dependent on proper glycosylation and 2G12 is predicted to be oriented toward the target cell when bound, so neutralization may be due to steric hindrance – mutations in positions N 295, T 297, S 334, N 386, N 392 and N 397 HXBc2 (IIIB) decrease 2G12 binding, and the binding region is 25 angstroms from the CD4 binding site – probably the Ab binds in part to carbohydrates, which may account for both its broad reactivity and the scarcity of Abs in the same competition group. Wyatt *et al.* [1998] (**antibody binding site definition and exposure**)
- 2G12: Review of the antigenic and receptor binding-domains of gp120 in relation to the structure of the molecule – MAbs are discussed by category (anti-V2, anti-V3, CD4i, CD4BS...), however as 2G12 binds to a rarely immunogenic region, and it is dependent on glycosylation, it was discussed individually. Wyatt & Sodroski [1998] (**review**)
- 2G12: Review that discusses this MAb – reacts with residues at the base of the V3 loop and V4, and most of the changes that reduce binding are glycosylation sites – it is not clear whether the binding site is peptidic or direct carbohydrate. Burton & Montefiori [1997] (**antibody binding site definition and exposure, review**)
- 2G12: In a multilab evaluation of monoclonal antibodies, only IgG1b12, 2G12, and 2F5 could neutralize at least half of the 9 primary test isolates at a concentration of < 25 mug per ml for 90% viral inhibition – neutralized 6 of 9 primary isolates. D'Souza *et al.* [1997] (**variant cross-recognition or cross-neutralization**)
- 2G12: Study shows neutralization is not predicted by MAb binding to JRFL monomeric gp120, but is associated with oligomeric Env binding – 2G12 bound monomer, and weakly bound oligomer and neutralized JRFL. Fouts *et al.* [1997] (**antibody binding site definition and exposure**)
- 2G12: One of 14 human MAbs tested for ability to neutralize a chimeric SHIV-vpu+, which expressed HIV-1 IIIB Env – 2G12 was a strong neutralizer of SHIV-vpu+ – all Ab combinations tested showed synergistic neutralization – 2G12 has synergistic response with MAbs 694/98-D (anti-V3), 2F5, F105, and b12. Li *et al.* [1997] (**antibody interactions**)

- 2G12: Using concentrations of Abs achievable *in vivo*, the triple combination of 2F5, 2G12 and HIVIG was found to be synergistic to have the greatest breadth and magnitude of response against 15 clade B primary isolates. Mascola *et al.* [1997] (**antibody interactions, variant cross-recognition or cross-neutralization**)
- 2G12: A JRCSF variant that was selected for IgG1b12 resistance remained sensitive to MAb 2G12 and 2F5, for combination therapy. Mo *et al.* [1997] (**escape**)
- 2G12: Review: MAbs 2F5, 2G12 and IgG1b12 have potential for use in combination with CD4-IgG2 as an immunotherapeutic or immunoprophylactic – homologous MAbs to these are rare in humans and vaccine strategies should consider including constructs that may enhance exposure of these MAbs' epitopes. Moore & Trkola [1997] (**immunoprophylaxis, immunotherapy, review**)
- 2G12: Neutralizes TCLA strains and primary isolates. Parren *et al.* [1997b] (**variant cross-recognition or cross-neutralization**)
- 2G12: Viral binding inhibition by 2G12 was strongly correlated with neutralization (all other neutralizing MAbs tested showed some correlation except 2F5). Ugolini *et al.* [1997] (**antibody binding site definition and exposure**)
- 2G12: Neutralizes primary isolates, HXB2, and chimeric virus with gp120 from primary isolates in an HXB2 background. McKeating *et al.* [1996] (**variant cross-recognition or cross-neutralization**)
- 2G12: Binding weakly enhanced by some anti-C1, -C4, -V3, and CD4 binding site MAbs – unusual in that 2G12 binding neither enhanced or inhibited the binding of other MAbs included in the study. Moore & Sodroski [1996] (**antibody interactions**)
- 2G12: Review: exceptional capacity to neutralize primary isolates in terms of both breadth and potency – one of three MAbs (IgG1b12, 2G12, and 2F5) generally accepted as having significant potency against primary isolates. Poignard *et al.* [1996b] (**variant cross-recognition or cross-neutralization, review**)
- 2G12: Review: Only four epitopes have been described which can stimulate a useful neutralizing response to a broad spectrum of primary isolates, represented by the binding sites of MAbs: 447-52-D, 2G12, Fab b12, and 2F5. Sattentau [1996] (**review**)
- 2G12: Conformationally sensitive epitope destroyed by mutations altering the N-linked glycosylation sites near the base of the V3 loop and the amino-terminal flank of the V4 loop. Trkola *et al.* [1996b] (**antibody binding site definition and exposure**)
- 2G12: Neutralizes JR-FL – inhibits gp120 interaction with CCR-5 in a MIP-1beta-CCR-5 competition study. Trkola *et al.* [1996a] (**co-receptor**)
- 2G12: Review: binding site is distinct from CD4BS MAbs epitope and is unique among known gp120 MAbs, human or rodent. Moore & Ho [1995] (**review**)
- 2G12: Highly potent Cross-clade neutralizing activity. Trkola *et al.* [1995] (**subtype comparisons**)
- 2G12: Human MAb generated by electrofusion of PBL from HIV-1 + volunteers with CB-F7 cells. Buchacher *et al.* [1994] (**antibody generation**)

No. 800

MAb ID 30D
HXB2 Location Env
Author Location gp120
Epitope
Neutralizing no
Immunogen
Species (Isotype)

References Yang *et al.* 2002

- 30D: Uncleaved soluble gp140 (YU2 strain, R5 primary isolate) can be stabilized in an oligomer by fusion with a C-term trimeric GCN4 motif or using a T4 trimeric motif derived from T4 bacteriophage fibrin—stabilized oligomer gp140Δ683(-FT) showed strong preferential recognition by NAb IgG1b12 and 2G12 relative to the gp120 monomer, in contrast to poorly neutralizing MAbs F105, F91, 17b, 48d, and 39F which showed reduced levels of binding, and C11, A32, and 30D which did not bind the stabilized oligomer. Yang *et al.* [2002]

No. 801
MAb ID 31710B
HXB2 Location Env
Author Location gp41
Epitope
Neutralizing
Immunogen
Species (Isotype) human (IgG1)
References Alsmadi & Tilley 1998

- 31710B: A study of 6 anti-Env MAbs and their ability to bind or direct ADCC against target cells infected with IIIB, MN, SF-2, and RF – bound and directed lysis against all four strains. Alsmadi & Tilley [1998]

No. 802
MAb ID 38B5/C9
HXB2 Location Env
Author Location gp120 (SF162)
Epitope
Subtype B
Neutralizing no
Immunogen vaccine

Vector/Type: protein *Strain:* B clade SF162
HIV component: gp120 *Adjuvant:* Ribi adjuvant (MPL+TDM) (RIBI)

Species (Isotype) transgenic mouse (IgG2κ)
Research Contact Dr. Abraham Pinter, Public Health Research Institute, Newark, NJ, pinter@phri.org

References He *et al.* 2002

- 38B5/C9: Transgenic mice (strain XenoMouse G2) carrying human genes allowing production of fully human IgG2κ MAbs were used to rapidly create a panel of anti-HIV gp120 MAb-producing hybridomas by immunization with HIV SF162 gp120—11 of the MAbs were conformation dependent, but did not block sCD4 binding—these MAbs were part of the same competition group, and enhanced binding of the CD4BS MAb 38G3/A9 and anti-CD4BS MAbs also enhanced their binding—these MAbs tended to be very cross-reactive but could not neutralize autologous SF162—38B5/C9 bound to most R5 and X4 B clade viruses, as well as one of two E clade viruses. He *et al.* [2002]

No. 803
MAb ID 39H10/A11
HXB2 Location Env
Author Location gp120 (SF162)
Epitope
Subtype B
Neutralizing no
Immunogen vaccine
Vector/Type: protein *Strain:* B clade SF162
HIV component: gp120 *Adjuvant:* Ribi adjuvant (MPL+TDM) (RIBI)
Species (Isotype) transgenic mouse (IgG2κ)
Research Contact Dr. Abraham Pinter, Public Health Research Institute, Newark, NJ, pinter@phri.org

- References** He *et al.* 2002
- 39H10/A11: Transgenic mice (strain XenoMouse G2) carrying human genes allowing production of fully human IgG2κ MAbs were used to rapidly create a panel of anti-HIV gp120 MAb-producing hybridomas by immunization with HIV SF162 gp120—11 of the MAbs were conformation dependent, but did not block sCD4 binding—these MAbs were part of the same competition group, and enhanced binding of the CD4BS MAb 38G3/A9 and anti-CD4BS MAbs also enhanced their binding—these MAbs tended to be very cross-reactive but could not neutralize autologous SF162—39H10/A11 bound to three R5 and three X4 B clade viruses, as well as two E clade viruses. He *et al.* [2002]

No. 804
MAb ID 3C9
HXB2 Location Env
Author Location gp120
Epitope
Subtype B
Neutralizing L
Immunogen vaccine
Strain: B clade SF2
Species (Isotype) mouse
References Kang *et al.* 1992
Keywords anti-idiotypic, vaccine antigen design, variant cross-recognition or cross-neutralization

- C39: Murine antibodies were raised against human polyclonal antibodies against gp120, pooled from HIV-1 infected individuals. One anti-idiotypic MAb was shown to bind to the CD4-binding site, and this MAb could raise anti-anti-idiotypic antibodies when injected into cyngomolgous monkeys. The monkey MAbs neutralized laboratory strains MN, RF, and IIIB. Kang *et al.* [1992] (**anti-idiotypic, vaccine antigen design, variant cross-recognition or cross-neutralization**)

No. 805
MAb ID 3D5
HXB2 Location Env
Author Location Env
Epitope
Neutralizing L
Immunogen HIV-1 infection
Species (Isotype) human

Research Contact Herman Katinger, Inst. Appl. Microbiol. University of Agricultural Science, Vienna, Austria

- References** Kunert *et al.* 1998; Purtscher *et al.* 1994; Buchacher *et al.* 1994
- 3D5: The complete V, J and D(H) domain was sequenced – unlike non-neutralizing anti-gp41 MAb 3D6, five neutralizing MAbs (2F5, 2G12, 1B1, 1F7, and 3D5) showed extensive somatic mutations giving evidence of persistent antigenic pressure over long periods. Kunert *et al.* [1998]
 - 3D5: Generated by electrofusion of PBL from HIV-1 positive volunteers with CB-F7 cells. Buchacher *et al.* [1994]

No. 806
MAb ID 3H6
HXB2 Location Env
Author Location gp41
Epitope
Neutralizing
Immunogen
Species (Isotype) mouse
References Pinter *et al.* 1995

- 3H6: There is another MAb with this ID that recognizes Rev.
- 3H6: Generated in response to virus grown in protein-free medium. Pinter *et al.* [1995]

No. 807
MAb ID 40D3/C11
HXB2 Location Env
Author Location gp120 (SF162)
Epitope
Subtype B
Neutralizing no
Immunogen vaccine
Vector/Type: protein *Strain:* B clade SF162
HIV component: gp120 *Adjuvant:* Ribi adjuvant (MPL+TDM) (RIBI)
Species (Isotype) transgenic mouse (IgG2κ)
Research Contact Dr. Abraham Pinter, Public Health Research Institute, Newark, NJ, pinter@phri.org
References He *et al.* 2002

- 40D3/C11: Transgenic mice (strain XenoMouse G2) carrying human genes allowing production of fully human IgG2κ MAbs were used to rapidly create a panel of anti-HIV gp120 MAb-producing hybridomas by immunization with HIV SF162 gp120—11 of the MAbs were conformation dependent, but did not block sCD4 binding—these MAbs were part of the same competition group, and enhanced binding of the CD4BS MAb 38G3/A9 and anti-CD4BS MAbs also enhanced their binding—these MAbs tended to be very cross-reactive but could not neutralize autologous SF162—40D3/C11 bound to most R5 and X4 B clade viruses, as well as one of two E clade viruses. He *et al.* [2002]

No. 808
MAb ID 49B11/A1
HXB2 Location Env
Author Location gp120 (SF162)
Epitope
Subtype B

Neutralizing no**Immunogen** vaccine*Vector/Type:* protein *Strain:* B clade SF162
HIV component: gp120 *Adjuvant:* Ribi adjuvant (MPL+TDM) (RIBI)**Species (Isotype)** transgenic mouse (IgG2 κ)**Research Contact** Dr. Abraham Pinter, Public Health Research Institute, Newark, NJ, pinter@phri.org**References** He *et al.* 2002

- 49B11/A1: Transgenic mice (strain XenoMouse G2) carrying human genes allowing production of fully human IgG2 κ MAbs were used to rapidly create a panel of anti-HIV gp120 MAb-producing hybridomas by immunization with HIV SF162 gp120—11 of the MAbs were conformation dependent, but did not block sCD4 binding—these MAbs were part of the same competition group, and enhanced binding of the CD4BS MAb 38G3/A9 and anti-CD4BS MAbs also enhanced their binding—these MAbs tended to be very cross-reactive but could not neutralize autologous SF162—49B11/A1 bound to most R5 and X4 B clade viruses, as well as one of two E clade viruses. He *et al.* [2002]

No. 809**MAb ID** 52G5/B9**HXB2 Location** Env**Author Location** gp120 (SF162)**Epitope****Subtype** B**Neutralizing** no**Immunogen** vaccine*Vector/Type:* protein *Strain:* B clade SF162
HIV component: gp120 *Adjuvant:* Ribi adjuvant (MPL+TDM) (RIBI)**Species (Isotype)** transgenic mouse (IgG2 κ)**Research Contact** Dr. Abraham Pinter, Public Health Research Institute, Newark, NJ, pinter@phri.org**References** He *et al.* 2002

- 52G5/B9: Transgenic mice (strain XenoMouse G2) carrying human genes allowing production of fully human IgG2 κ MAbs were used to rapidly create a panel of anti-HIV gp120 MAb-producing hybridomas by immunization with HIV SF162 gp120—11 of the MAbs were conformation dependent, but did not block sCD4 binding—these MAbs were part of the same competition group, and enhanced binding of the CD4BS MAb 38G3/A9 and anti-CD4BS MAbs also enhanced their binding—these MAbs tended to be very cross-reactive but could not neutralize autologous SF162—52G5/B9 bound to most R5 and X4 B clade viruses, as well as one of two E clade viruses. He *et al.* [2002]

No. 810**MAb ID** 55E4/H1**HXB2 Location** Env**Author Location** gp120 (SF162)**Epitope****Subtype** B**Neutralizing** no**Immunogen** vaccine*Vector/Type:* protein *Strain:* B clade SF162
HIV component: gp120 *Adjuvant:* Ribi adjuvant (MPL+TDM) (RIBI)**Species (Isotype)** transgenic mouse (IgG2 κ)**Research Contact** Dr. Abraham Pinter, Public Health Research Institute, Newark, NJ, pinter@phri.org**References** He *et al.* 2002

- 55E4/H1: Transgenic mice (strain XenoMouse G2) carrying human genes allowing production of fully human IgG2 κ MAbs were used to rapidly create a panel of anti-HIV gp120 MAb-producing hybridomas by immunization with HIV SF162 gp120—11 of the MAbs were conformation dependent, but did not block sCD4 binding—these MAbs were part of the same competition group, and enhanced binding of the CD4BS MAb 38G3/A9 and anti-CD4BS MAbs also enhanced their binding—these MAbs tended to be very cross-reactive but could not neutralize autologous SF162—55E4/H1 bound to most R5 and X4 B clade viruses, as well as one of two E clade viruses. He *et al.* [2002]

No. 811**MAb ID** 56C4/C8**HXB2 Location** Env**Author Location** gp120 (SF162)**Epitope****Subtype** B**Neutralizing** no**Immunogen** vaccine*Vector/Type:* protein *Strain:* B clade SF162
HIV component: gp120 *Adjuvant:* Ribi adjuvant (MPL+TDM) (RIBI)**Species (Isotype)** transgenic mouse (IgG2 κ)**Research Contact** Dr. Abraham Pinter, Public Health Research Institute, Newark, NJ, pinter@phri.org**References** He *et al.* 2002

- 56C4/C8: Transgenic mice (strain XenoMouse G2) carrying human genes allowing production of fully human IgG2 κ MAbs were used to rapidly create a panel of anti-HIV gp120 MAb-producing hybridomas by immunization with HIV SF162 gp120—11 of the MAbs were conformation dependent, but did not block sCD4 binding—these MAbs were part of the same competition group, and enhanced binding of the CD4BS MAb 38G3/A9 and anti-CD4BS MAbs also enhanced their binding—these MAbs tended to be very cross-reactive but could not neutralize autologous SF162—56C4/C8 bound to some R5 and X4 B clade viruses, as well as one of two E clade viruses. He *et al.* [2002]

No. 812**MAb ID** 57B6/F1**HXB2 Location** Env**Author Location** gp120 (SF162)**Epitope****Subtype** B**Neutralizing** no**Immunogen** vaccine*Vector/Type:* protein *Strain:* B clade SF162
HIV component: gp120 *Adjuvant:* Ribi adjuvant (MPL+TDM) (RIBI)**Species (Isotype)** transgenic mouse (IgG2 κ)

Research Contact Dr. Abraham Pinter, Public Health Research Institute, Newark, NJ, pinter@phri.org

References He *et al.* 2002

- 57B6/F1: Transgenic mice (strain XenoMouse G2) carrying human genes allowing production of fully human IgG2 κ MAbs were used to rapidly create a panel of anti-HIV gp120 MAb-producing hybridomas by immunization with HIV SF162 gp120—11 of the MAbs were conformation dependent, but did not block sCD4 binding—these MAbs were part of the same competition group, and enhanced binding of the CD4BS MAb 38G3/A9 and anti-CD4BS MAbs also enhanced their binding—these MAbs tended to be very cross-reactive but could not neutralize autologous SF162—57B6/F1 bound some R5 and X4 B clade viruses, and no E clade viruses. He *et al.* [2002]

No. 813

MAb ID 57H5/D7

HXB2 Location Env

Author Location gp120 (SF162)

Epitope

Subtype B

Neutralizing no

Immunogen vaccine

Vector/Type: protein *Strain:* B clade SF162

HIV component: gp120 *Adjuvant:* Ribi adjuvant (MPL+TDM) (RIBI)

Species (Isotype) transgenic mouse (IgG2 κ)

Research Contact Dr. Abraham Pinter, Public Health Research Institute, Newark, NJ, pinter@phri.org

References He *et al.* 2002

- 57H5/D7: Transgenic mice (strain XenoMouse G2) carrying human genes allowing production of fully human IgG2 κ MAbs were used to rapidly create a panel of anti-HIV gp120 MAb-producing hybridomas by immunization with HIV SF162 gp120—11 of the MAbs were conformation dependent, but did not block sCD4 binding—these MAbs were part of the same competition group, and enhanced binding of the CD4BS MAb 38G3/A9 and anti-CD4BS MAbs also enhanced their binding—these MAbs tended to be very cross-reactive but could not neutralize autologous SF162—57H5/D7 bound to most R5 and X4 B clade viruses, as well as one of two E clade viruses. He *et al.* [2002]

No. 814

MAb ID 63G4/E2

HXB2 Location Env

Author Location gp120 (SF162)

Epitope

Subtype B

Neutralizing no

Immunogen vaccine

Vector/Type: protein *Strain:* B clade SF162

HIV component: gp120 *Adjuvant:* Ribi adjuvant (MPL+TDM) (RIBI)

Species (Isotype) transgenic mouse (IgG2 κ)

Research Contact Dr. Abraham Pinter, Public Health Research Institute, Newark, NJ, pinter@phri.org

References He *et al.* 2002

- 63G4/E2: Transgenic mice (strain XenoMouse G2) carrying human genes allowing production of fully human IgG2 κ MAbs were used to rapidly create a panel of anti-HIV gp120 MAb-producing hybridomas by immunization with HIV SF162 gp120—11 of the MAbs were conformation dependent, but did not block sCD4 binding—these MAbs were part of the same competition group, and enhanced binding of the CD4BS MAb 38G3/A9 and anti-CD4BS MAbs also enhanced their binding—these MAbs tended to be very cross-reactive but could not neutralize autologous SF162—63G4/E2 bound to three R5 and three X4 B clade viruses, as well as two E clade viruses. He *et al.* [2002]

No. 815

MAb ID 65B12/C5

HXB2 Location Env

Author Location gp120 (SF162)

Epitope

Subtype B

Neutralizing no

Immunogen vaccine

Vector/Type: protein *Strain:* B clade SF162

HIV component: gp120 *Adjuvant:* Ribi adjuvant (MPL+TDM) (RIBI)

Species (Isotype) transgenic mouse (IgG2 κ)

Research Contact Dr. Abraham Pinter, Public Health Research Institute, Newark, NJ, pinter@phri.org

References He *et al.* 2002

- 65B12/C5: Transgenic mice (strain XenoMouse G2) carrying human genes allowing production of fully human IgG2 κ MAbs were used to rapidly create a panel of anti-HIV gp120 MAb-producing hybridomas by immunization with HIV SF162 gp120—11 of the MAbs were conformation dependent, but did not block sCD4 binding—these MAbs were part of the same competition group, and enhanced binding of the CD4BS MAb 38G3/A9 and anti-CD4BS MAbs also enhanced their binding—these MAbs tended to be very cross-reactive but could not neutralize autologous SF162—65B12/C5 bound some R5 and X4 B clade viruses, and no E clade viruses. He *et al.* [2002]

No. 816

MAb ID 694/98D

HXB2 Location Env

Author Location Env (LAI)

Epitope

Neutralizing

Immunogen HIV-1 infection

Species (Isotype) human

References Ling *et al.* 2004

- 694-98D: The role of serine proteases on HIV infection was explored. Trypsin decreased the binding of most Env MAb tested and diminished cell fusion of H9 cells infected with HIV-1 LAI virus (H9/IIIB) to MAGI cells. In contrast, thrombin increased the binding of MAbs to gp120 epitopes near the CD4 and CCR5 binding sites, and increased cell fusion. Binding of the V3 MAb 694-98D to its epitope was decreased by both thrombin and trypsin. Ling *et al.* [2004] (**antibody binding site definition and exposure**)

No. 817
MAb ID 6D8
HXB2 Location Env
Author Location gp120 (21–85)
Epitope
Neutralizing
Immunogen
Species (Isotype)

Research Contact Phil Berman

References Callahan *et al.* 1991

- Isolation of antibody.
- 6D8: Polyanionic polysaccharides were proposed to inhibit viral functions such as binding and syncytia formation through interactions mediated through the local high positive charge density in the V3 loop. The binding of this N-term binding antibody is increased by dextran sulfate, in contrast to anti-V3 antibodies that are inhibited. Callahan *et al.* [1991]

No. 818
MAb ID 6E10
HXB2 Location Env
Author Location gp120
Epitope
Neutralizing L
Immunogen
Species (Isotype)

Research Contact Phil Berman

References Callahan *et al.* 1991; Berman *et al.* 1991

- Isolation of antibody. Berman *et al.* [1991]
- 6E10: Polyanionic polysaccharides were proposed to inhibit viral functions such as binding and syncytia formation through interactions mediated through the local high positive charge density in the V3 loop. The binding of this antibody is not inhibited by dextran sulfate, in contrast to anti-V3 antibodies. Callahan *et al.* [1991]

No. 819
MAb ID 7-1054
HXB2 Location Env
Author Location gp36 (HIV-2)
Epitope
Neutralizing no
Immunogen
Species (Isotype) mouse

References Scheffel *et al.* 1999

- Binds HIV-2 gp36, used as a control in a study of group O MAbs. Scheffel *et al.* [1999]

No. 820
MAb ID 85G11/D8
HXB2 Location Env
Author Location gp120 (SF162)
Epitope
Subtype B
Neutralizing no
Immunogen vaccine

Vector/Type: protein *Strain:* B clade SF162
HIV component: deglycosylated gp120 *Adjuvant:* Ribi adjuvant (MPL+TDM) (RIBI)

Species (Isotype) transgenic mouse (IgG2 κ)

Research Contact Dr. Abraham Pinter, Public Health Research Institute, Newark, NJ, pinter@phri.org

References He *et al.* 2002

- 85G11/D8: Transgenic mice (strain XenoMouse G2) carrying human genes allowing production of fully human IgG2 κ MAbs were used to rapidly create a panel of anti-HIV gp120 MAb-producing hybridomas by immunization with HIV SF162 gp120—three of the MAbs were conformation dependent, but did not block sCD4 binding and were part of the same competition group—these MAbs were all raised against a deglycosylated form of gp120—they could not neutralize autologous SF162 and bound some R5 and X4 B clade viruses, and no E clade viruses. He *et al.* [2002]

No. 821
MAb ID 87E4/A8
HXB2 Location Env
Author Location gp120 (SF162)
Epitope
Subtype B
Neutralizing no
Immunogen vaccine

Vector/Type: protein *Strain:* B clade SF162
HIV component: deglycosylated gp120 *Adjuvant:* Ribi adjuvant (MPL+TDM) (RIBI)

Species (Isotype) transgenic mouse (IgG2 κ)

Research Contact Dr. Abraham Pinter, Public Health Research Institute, Newark, NJ, pinter@phri.org

References He *et al.* 2002

- 87E4/A8: Transgenic mice (strain XenoMouse G2) carrying human genes allowing production of fully human IgG2 κ MAbs were used to rapidly create a panel of anti-HIV gp120 MAb-producing hybridomas by immunization with HIV SF162 gp120—three of the MAbs were conformation dependent, but did not block sCD4 binding and were part of the same competition group—these MAbs were all raised against a deglycosylated form of gp120—they could not neutralize autologous SF162 and bound some R5 and X4 B clade viruses, and no E clade viruses. He *et al.* [2002]

No. 822
MAb ID 97B1/E8
HXB2 Location Env
Author Location gp120 (SF162)
Epitope
Subtype B
Neutralizing no
Immunogen vaccine

Vector/Type: protein *Strain:* B clade SF162
HIV component: deglycosylated gp120 *Adjuvant:* Ribi adjuvant (MPL+TDM) (RIBI)

Species (Isotype) transgenic mouse (IgG2 κ)

Research Contact Dr. Abraham Pinter, Public Health Research Institute, Newark, NJ, pinter@phri.org

References He *et al.* 2002

- 97B1/E8: Transgenic mice (strain XenoMouse G2) carrying human genes allowing production of fully human IgG2 κ MAbs were used to rapidly create a panel of anti-HIV gp120 MAb-producing hybridomas by immunization with HIV SF162 gp120—three of the MAbs were conformation dependent, but

did not block sCD4 binding and were part of the same competition group—these MAbs were all raised against a deglycosylated form of gp120—they could not neutralize autologous SF162 and bound some R5 and X4 B clade viruses, and no E clade viruses. He *et al.* [2002]

No. 823
MAb ID A9
HXB2 Location Env
Author Location gp120 (IIIB)
Epitope
Neutralizing
Immunogen vaccine
Vector/Type: chimeric GM-CSF *Strain:* B clade IIIB *HIV component:* gp120 *Adjuvant:* GM-CSF
Species (Isotype) mouse (IgG1)
References del Real *et al.* 1999

- A9: Murine antibody response to the chimeric construction granulocyte-macrophage colony stimulating factor GM-CSF/gp120 was tested, MAbs from normal mice were gp120 specific, MAbs from nude mice bound gp120 but were polyreactive, and from reconstituted mice were half way between – the anti-gp120 response used a high frequency of VH81X, VHQ52, and VH7183 genes, a family used during fetal life and associated with autoimmunity – A9 was a gp120 from a BALBc reconstructed nude mouse and had VH gene 7183-2. del Real *et al.* [1999]

No. 824
MAb ID ADP421 polyclonal
HXB2 Location Env
Author Location Env
Epitope
Subtype A
Neutralizing
Immunogen vaccine
Vector/Type: protein *Strain:* B clade IIIB *HIV component:* gp120
Species (Isotype) rabbit
References Jeffs *et al.* 2004
Keywords subtype comparisons, vaccine antigen design

- ADP421: A set of oligomeric envelope proteins were made from six primary isolates for potential use as vaccine antigens: 92/UG/037 (clade A), HAN2/2 (clade B), 92/BR25/025 (clade C), 92/UG/021 (clade D), 93/BR/029 (clade F) and MVP5180 (clade O). This was one of a panel of MAbs used to explore folding and exposure of well characterized epitopes. The clade C isolate BR25 is apparently misfolded, as conformation-dependent antibodies did not bind to it. ADP421 is a polyclonal rabbit sera raised against CHO-derived IIIB gp120. ADP421 bound to antigens from all clades A-F, as well as group O. Polyclonal sera raised in rabbits against these antigens cross-bound the other antigens, but none of the sera had neutralizing activity. Jeffs *et al.* [2004] (**vaccine antigen design, subtype comparisons**)

No. 825
MAb ID AG10H9
HXB2 Location Env

Author Location gp41 (717–751)
Epitope
Neutralizing
Immunogen
Species (Isotype)
Research Contact BabCO
References Ohagen *et al.* 2003
Keywords brain/CSF, variant cross-recognition or cross-neutralization

- AG10H9: Env genes derived from uncultured brain biopsy samples from four HIV-1 infected patients with late-stage AIDS were compared to env genes from PBMC samples. Brain isolates did not differ in the total number or positions of N-glycosylation sites, patterns of coreceptor usage, or ability to be recognized by gp160 and gp41 MAbs. AG10H9 recognized most variants gp41 and gp160 from 3/4 individuals by WB, but not the 4th. Ohagen *et al.* [2003] (**brain/CSF, variant cross-recognition or cross-neutralization**)

No. 826
MAb ID AH48
HXB2 Location Env
Author Location gp120 (V3)
Epitope
Neutralizing
Immunogen HIV-1 infection
Species (Isotype) human
References Zwick *et al.* 2003
Keywords antibody generation, antibody interactions

- AH-48: scFv 4KG5 reacts with a conformational epitope that is formed by the V1V2 and V3 loops and the bridging sheet (C4) region of gp120 and is influenced by carbohydrates. Of a panel of MAbs tested, only NAb b12 enhanced 4KG5 binding to gp120 JRFL. MAbs to the following regions diminished 4KG5 binding: V2 loop, V3 loop, V3-C4 region, CD4BS. MAbs directed against C1, CD4i, C5 regions didn't impact 4KG5 binding. These results suggest that the orientation or dynamics of the V1/V2 and V3 loops restricts CD4BS access on the envelope spike, and IgG1b12 can uniquely remain unaffected by these loops. AH48 is a novel anti-V3 Fab first used in this study. Zwick *et al.* [2003] (**antibody generation, antibody interactions**)

No. 827
MAb ID B4
HXB2 Location Env
Author Location gp120 (IIIB)
Epitope
Neutralizing
Immunogen vaccine
Vector/Type: chimeric GM-CSF *Strain:* B clade IIIB *HIV component:* gp120
Species (Isotype) mouse (IgM)
References del Real *et al.* 1999

- B4: Murine antibody response to the chimeric construction granulocyte-macrophage colony stimulating factor GM-CSF/gp120 was tested, MAbs from normal mice were gp120 specific, MAbs from nude mice bound gp120 but were polyreactive, and from reconstituted mice were half way between – the anti-gp120 response used a high frequency of VH81X,

VHQ52, and VH7183 genes, a family used during fetal life and associated with autoimmunity – B4 was an anti-gp120 from a BALBc reconstructed nude mouse and had VH gene J606. del Real *et al.* [1999]

No. 828
MAb ID B5
HXB2 Location Env
Author Location gp120 (IIIB)
Epitope
Neutralizing
Immunogen vaccine
Vector/Type: chimeric GM-CSF *Strain:* B clade III B *HIV component:* gp120 *Adjuvant:* GM-CSF

Species (Isotype) mouse (IgG1)

References del Real *et al.* 1999

- B5: Murine antibody response to the chimeric construction granulocyte-macrophage colony stimulating factor GM-CSF/gp120 was tested, MAbs from normal mice were gp120 specific, MAbs from nude mice bound gp120 but were polyreactive, and from reconstituted mice were half way between – the anti-gp120 response used a high frequency of VH81X, VHQ52, and VH7183 genes, a family used during fetal life and associated with autoimmunity – B5 was a gp120 specific MAb from a BALBc mouse and had VH gene J558. del Real *et al.* [1999]

No. 829
MAb ID B6
HXB2 Location Env
Author Location gp120 (IIIB)
Epitope
Neutralizing
Immunogen vaccine

Vector/Type: chimeric GM-CSF *Strain:* B clade III B *HIV component:* gp120

Species (Isotype) mouse (IgM)

References del Real *et al.* 1999

- B6: Murine antibody response to the chimeric construction granulocyte-macrophage colony stimulating factor GM-CSF/gp120 was tested, MAbs from normal mice were gp120 specific, MAbs from nude mice bound gp120 but were polyreactive, and from reconstituted mice were half way between – the anti-gp120 response used a high frequency of VH81X, VHQ52, and VH7183 genes, a family used during fetal life and associated with autoimmunity – B6 was a gp120 from a BALBc reconstructed nude mouse and had VH gene J558. del Real *et al.* [1999]

No. 830
MAb ID BAT267
HXB2 Location Env
Author Location gp120
Epitope
Neutralizing L
Immunogen vaccine
Vector/Type: inactivated HIV *Strain:* B clade III B *HIV component:* HIV-1
Species (Isotype) mouse (IgG1)

References Fung *et al.* 1987

No. 831
MAb ID BAT401
HXB2 Location Env
Author Location gp120
Epitope
Neutralizing L
Immunogen vaccine
Vector/Type: inactivated HIV *Strain:* B clade III B *HIV component:* HIV-1

Species (Isotype) mouse (IgG1)

References Fung *et al.* 1987

No. 832
MAb ID BAT509
HXB2 Location Env
Author Location gp120
Epitope
Neutralizing L
Immunogen vaccine
Vector/Type: inactivated HIV *Strain:* B clade III B *HIV component:* HIV-1

Species (Isotype) mouse (IgG1)

References Fung *et al.* 1987

No. 833
MAb ID C31
HXB2 Location Env
Author Location gp120
Epitope
Neutralizing no
Immunogen HIV-1 infection
Species (Isotype) human (IgG1 κ)
References Boyer *et al.* 1991

- C31: Broadly-reactive group specific MAb – high yield cultivation of human MAb. Boyer *et al.* [1991]

No. 834
MAb ID CO11
HXB2 Location Env
Author Location gp120 (V3)
Epitope
Neutralizing
Immunogen
Species (Isotype)
Ab Type gp120 V3

Research Contact James Robinson, Tulane University, New Orleans, LA, USA

References Haynes *et al.* 2005; Pantophlet *et al.* 2004; Grundner *et al.* 2002

Keywords antibody binding site definition and exposure, vaccine antigen design

- CO11: Of 35 Env-specific MAbs tested, only 2F5, 4E10, IgG1b12, and two CD4BS adjacent MAbs (A32 and 1.4G) and gp41 MAbs (2.2B and KU32) had binding patterns suggesting polyspecific autoreactivity, and similar reactivities may be difficult to induce with vaccines because of elimination of such autoreactivity. CO11 has no indication of polyspecific

autoreactivity. Haynes *et al.* [2005] (**antibody binding site definition and exposure**)

- CO11: By adding N-linked glycosylation sites to gp120, epitope masking of non-neutralizing epitopes can be achieved leaving the IgG1b12 binding site intact. This concept was originally tested with the addition of four glycosylation sites, but binding to b12 was reduced. It was modified here to exclude the C1 N-terminal region, and to include only 3 additional glycosylation sites. This modified protein retains full b12 binding affinity and it masks other potentially competing epitopes, and does not bind to 21 other MAbs to 7 epitopes on gp120, including CO11. Pantophlet *et al.* [2004] (**vaccine antigen design**)

No. 835

MAb ID D1

HXB2 Location Env

Author Location gp41 (IIIB)

Epitope

Neutralizing

Immunogen vaccine

Vector/Type: vaccinia *Strain:* B clade IIIB
HIV component: oligomeric gp140

Species (Isotype) mouse (IgG)

References Otteken *et al.* 1996

- D1: MAbs D1, D16, had T37 bind to oligomeric gp160 equally well – pulse label experiments of MAb binding to noncleavable gp160 revealed that these MAbs bound with a delay, epitopes forming with a half life of 30 min. Otteken *et al.* [1996]

No. 836

MAb ID D12

HXB2 Location Env

Author Location gp41 (IIIB)

Epitope

Neutralizing L

Immunogen vaccine

Vector/Type: vaccinia *Strain:* B clade IIIB
HIV component: oligomeric gp140

Species (Isotype) mouse (IgG)

Research Contact Patricia Earl and Christopher Broder, NIH

References Yang *et al.* 2000; LaBranche *et al.* 1999; Otteken *et al.* 1996; Earl *et al.* 1997; Richardson *et al.* 1996; Broder *et al.* 1994; Earl *et al.* 1994

Keywords antibody binding site definition and exposure, antibody generation, antibody interactions, vaccine antigen design

- D12: A combination of gp41 fusion with the GNC4 trimeric sequences and disruption of the YU2 gp120-gp41 cleavage site resulted in stable gp140 trimers (gp140-GNC4) – gp41 MAbs T4, D12, T3, and D50 bound less efficiently to gp140-GNC4 than did pooled sera, but T4 and D12 recognized the gp140-GNC4 trimer equivalently to gp140(-), and T3 and D50 recognized the trimer at greater levels than gp140(-). Yang *et al.* [2000] (**vaccine antigen design**)
- D12: D12 was used in WB of HIV-1 transmembrane proteins in a study which showed that determinants of HIV-1 CD4 independence map outside regions required for coreceptor specificity – IIIBx, a CD4-independent variant of IIIB, has a truncated gp41. LaBranche *et al.* [1999]

- D12: MAbs D10 and D12 are very easily blocked by human sera from HIV+ individuals. Earl *et al.* [1997]

- D12: MAbs D4, D10, D11, D12, and D41 all bind only to complete oligomer – pulse label experiments of MAb binding to noncleavable gp160 revealed that these MAbs bound with a delay, epitopes forming with a half life of 30 min. Otteken *et al.* [1996] (**antibody binding site definition and exposure**)

- D12: This antibody was blocked more strongly by human sera than other anti-gp41 MAbs (D20, D43, D61, and T4) in a oligomeric ELISA assay. Richardson *et al.* [1996] (**antibody interactions**)

- D12: One of 18 MAbs (e. g. D4 and D40) that bind to a conformation-dependent epitope in gp41 that bind preferentially, but not exclusively, to oligomers – neutralizes IIIB and SF2. Broder *et al.* [1994] (**antibody binding site definition and exposure**)

- D12: Generated during a study of the influence of the oligomeric structure of Env in determining the repertoire of the Ab response. Earl *et al.* [1994] (**antibody generation**)

No. 837

MAb ID D16

HXB2 Location Env

Author Location gp41 (IIIB)

Epitope

Neutralizing L

Immunogen vaccine

Vector/Type: protein *HIV component:* dimeric Env

Species (Isotype) mouse (IgG)

Research Contact Patricia Earl and Christopher Broder, NIH

References Earl *et al.* 1997; Weissenhorn *et al.* 1996; Earl *et al.* 1994

- D16: One of eleven MAbs (D16, D17, D31, D36, D37, D40, D44, D55, D59, T37, and T45) that are conformation dependent and that can block the binding of the MAb D50 that binds to the linear peptide gp41(642-665) – reactive with 9/10 HIV-1 strains all except HIV-1 ADA, which has the change E659D and E662A that may result in the loss of binding (ELLE to DLLA). Earl *et al.* [1997]

- D16: Precipitates both oligomeric gp140 and soluble monomeric gp41(21-166) that lacks the fusion peptide and membrane anchor, along with MAbs D16, D38, D40, D41, and D54. Weissenhorn *et al.* [1996]

- D16: Generated during a study of the influence of the oligomeric structure of Env in determining the repertoire of the Ab response. Earl *et al.* [1994]

No. 838

MAb ID D4

HXB2 Location Env

Author Location gp120 (IIIB)

Epitope

Neutralizing

Immunogen vaccine

Vector/Type: chimeric GM-CSF *Strain:* B clade IIIB *HIV component:* gp120

Species (Isotype) mouse (IgG1)

References del Real *et al.* 1999

- D4: Murine antibody response to the chimeric construction granulocyte-macrophage colony stimulating factor GM-CSF/gp120 was tested, MAbs from normal mice were gp120 specific, MAbs from nude mice bound gp120 but were polyreactive, and from reconstituted mice were half way between – the anti-gp120 response used a high frequency of VH81X, VHQ52, and VH7183 genes, a family used during fetal life and associated with autoimmunity – D4 was a gp120 from a BALBc reconstructed nude mouse and had VH gene J558. del Real *et al.* [1999]

No. 839

MAb ID D43

HXB2 Location Env

Author Location gp41 (HXB2)

Epitope

Subtype B

Neutralizing

Immunogen vaccine

Vector/Type: protein HIV component:
dimeric Env

Species (Isotype) mouse (IgG)

Research Contact Patricia Earl and Christopher Broder, NIH

References Earl *et al.* 1997; Richardson *et al.* 1996; Earl *et al.* 1994

- D43: Partially conformation dependent – doesn't bind to short peptides, but does bind to the region spanning 641-683 – binding can be blocked by MAbs T3, D38 and D45 – MAbs in this competition group reacted with 9/10 HIV-1 strains, not binding to JRFL. Earl *et al.* [1997]
- D43: This is a linear gp41 epitope, mapping in the region 635-678 – human sera blocked binding in oligomeric ELISA assay to a similar extent for gp41 MAbs D20, D43, D61, and T4. Richardson *et al.* [1996]
- D43: Generated during a study of the influence of the oligomeric structure of Env in determining the repertoire of the Ab response. Earl *et al.* [1994]

No. 840

MAb ID F223

HXB2 Location Env

Author Location gp120

Epitope

Neutralizing no

Immunogen HIV-1 infection

Species (Isotype) human (IgG3 λ)

References Cavacini *et al.* 1999

- F223: binds to HIV-1 gp120 and to uninfected lymphocytes binding to a 159-kd auto-antigen expressed on most B cells and a small fraction of T and NK cells – the antibody enhances HIV-1 infection in a complement-dependent manner – F223 light chains have a strong homology with VLgamma2, the heavy chain to the germline gene VH3-H.11 – N-linked carbohydrates are key for recognition of both gp120 and the autoantigen – MAb 3D6 also uses VH3 and has autoreactivity. Cavacini *et al.* [1999]

No. 841

MAb ID F285

HXB2 Location Env

Author Location Env

Epitope

Neutralizing

Immunogen HIV-1 infection

Species (Isotype) human (IgG1)

References Wisnewski *et al.* 1996; Wisnewski *et al.* 1995

- F285: F285 is V H1 – V-region heavy chain usage was examined and a bias of enhanced V H1 and V H4, and reduced V H3, was noted among HIV infected individuals. Wisnewski *et al.* [1996]

No. 842

MAb ID F424

HXB2 Location Env

Author Location gp120

Epitope

Subtype B

Neutralizing

Immunogen HIV-1 infection

Species (Isotype) human

References Ferrantelli *et al.* 2004a

Keywords variant cross-recognition or cross-neutralization

- F424: Nabs against HIV-1 M group isolates were tested for their ability to neutralize 6 randomly selected HIV-1 O group strains. F424 is noted to be a MAb derived from a subtype B infected individual, that binds to an undefined epitope in gp120 and can neutralize some M group viruses, but it was not particularly effective at neutralization of the O group viruses tested. Ferrantelli *et al.* [2004a] (**variant cross-recognition or cross-neutralization**)

No. 843

MAb ID F425 B4e8 (F425-B4e8)

HXB2 Location Env

Author Location gp120 (V3)

Epitope

Neutralizing

Immunogen

Species (Isotype)

Ab Type gp120 V3

Research Contact L. Cavacini

References Selvarajah *et al.* 2005; Pantophlet *et al.* 2004; Cavacini *et al.* 2003

Keywords vaccine antigen design, vaccine-specific epitope characteristics

- F425 B4e8: Antigens were designed to attempt to target immune responses toward the IgG1b12 epitope, while minimizing antibody responses to less desirable epitopes. One construct had a series of substitutions near the CD4 binding site (GDMR), the other had 7 additional glycans (mCHO). The 2 constructs did not elicit b12-like neutralizing antibodies, but both antigens successfully dampened other responses that were intended to be dampened while not obscuring b12 binding. V3 MAbs (447-52D, 19b, F245-B4e8 and 39F) bound to the GDMR antigen, but either did not bind or had diminished binding to mCHO. Selvarajah *et al.* [2005] (**vaccine antigen design, vaccine-specific epitope characteristics**)

• F425 B4e8: By adding N-linked glycosylation sites to gp120, epitope masking of non-neutralizing epitopes can be achieved leaving the IgG1b12 binding site intact. This concept was originally tested with the addition of four glycosylation sites, but binding to b12 was reduced. It was modified here to exclude the C1 N-terminal region, and to include only three additional glycosylation sites. This modified protein retains full b12 binding affinity and it masks other potentially competing epitopes, and does not bind to 21 other MAbs to 7 epitopes on gp120, including F425 B4e8. This MAb bound to the initial construct, but introduction of glycosylation sites at positions 320 and 325 inhibited binding. Pantophlet *et al.* [2004]

No. 844

MAb ID F7

HXB2 Location Env

Author Location gp120 (IIIB)

Epitope

Neutralizing

Immunogen vaccine

Vector/Type: chimeric GM-CSF *Strain:* B clade IIIB *HIV component:* gp120 *Adjuvant:* GM-CSF

Species (Isotype) mouse (IgG1)

References del Real *et al.* 1999

• F7: Murine antibody response to the chimeric construction granulocyte-macrophage colony stimulating factor GM-CSF/gp120 was tested, MAbs from normal mice were gp120 specific, MAbs from nude mice bound gp120 but were polyreactive, and from reconstituted mice were half way between – the anti-gp120 response used a high frequency of VH81X, VHQ52, and VH7183 genes, a family used during fetal life and associated with autoimmunity – F7 was a gp120 specific MAb from a BALBc mouse and had VH gene 7183(81X), previously found expressed only in fetal liver. del Real *et al.* [1999]

No. 845

MAb ID Fab A12

HXB2 Location Env

Author Location gp41 (LAI)

Epitope

Subtype B

Neutralizing no

Immunogen HIV-1 infection

Species (Isotype) human (IgG1 κ)

References Binley *et al.* 1996

• Fab A12: Uncharacterized epitope – variable regions sequenced. Binley *et al.* [1996]

No. 846

MAb ID Fab A2

HXB2 Location Env

Author Location gp41 (LAI)

Epitope

Subtype B

Neutralizing no

Immunogen HIV-1 infection

Species (Isotype) human (IgG1 λ)

References Binley *et al.* 1996

• Fab A2: Uncharacterized epitope – variable regions sequenced. Binley *et al.* [1996]

No. 847

MAb ID Fab L9

HXB2 Location Env

Author Location gp41 (LAI)

Epitope

Subtype B

Neutralizing no

Immunogen HIV-1 infection

Species (Isotype) human (IgG1 κ)

References Binley *et al.* 1996

• Fab L9: Uncharacterized epitope – variable regions sequenced. Binley *et al.* [1996]

No. 848

MAb ID G12

HXB2 Location Env

Author Location gp120 (IIIB)

Epitope

Neutralizing

Immunogen vaccine

Vector/Type: chimeric GM-CSF *Strain:* B clade IIIB *HIV component:* gp120

Species (Isotype) mouse (IgM)

References del Real *et al.* 1999

• G12: Murine antibody response to the chimeric construction granulocyte-macrophage colony stimulating factor GM-CSF/gp120 was tested, MAbs from normal mice were gp120 specific, MAbs from nude mice bound gp120 but were polyreactive, and from reconstituted mice were half way between – the anti-gp120 response used a high frequency of VH81X, VHQ52, and VH7183 genes, a family used during fetal life and associated with autoimmunity – G12 was a gp120 from a BALBc reconstructed nude mouse and had VH gene 7183-6. del Real *et al.* [1999]

No. 849

MAb ID G2

HXB2 Location Env

Author Location gp120 (IIIB)

Epitope

Neutralizing

Immunogen vaccine

Vector/Type: chimeric GM-CSF *Strain:* B clade IIIB *HIV component:* gp120

Species (Isotype) mouse (IgM)

References del Real *et al.* 1999

• G2: Murine antibody response to the chimeric construction granulocyte-macrophage colony stimulating factor GM-CSF/gp120 was tested, MAbs from normal mice were gp120 specific, MAbs from nude mice bound gp120 but were polyreactive, and from reconstituted mice were half way between – the anti-gp120 response used a high frequency of VH81X, VHQ52, and VH7183 genes, a family used during fetal life and associated with autoimmunity – G2 was a gp120 from a BALBc reconstructed nude mouse and had VH gene Q52. del Real *et al.* [1999]

No. 850
MAb ID H2
HXB2 Location Env
Author Location gp41
Epitope
Neutralizing
Immunogen
Species (Isotype) human (IgMκ)
Research Contact BioInvent, Lund, Sweden, commercial
References Muller *et al.* 1991

- H2: Anti-idiotypic MAbs (10B3 and 2All) against MAb H2 were generated by immunization of BALBc mice with H2 – they also react with seropositive sera. Muller *et al.* [1991]

No. 851
MAb ID H8
HXB2 Location Env
Author Location gp120 (IIIB)
Epitope
Neutralizing
Immunogen vaccine
Vector/Type: chimeric GM-CSF *Strain:* B clade IIIB *HIV component:* gp120

Species (Isotype) mouse (IgM)
References del Real *et al.* 1999

- H8: Murine antibody response to the chimeric construction granulocyte-macrophage colony stimulating factor GM-CSF/gp120 was tested, MAbs from normal mice were gp120 specific, MAbs from nude mice bound gp120 but were polyreactive, and from reconstituted mice were half way between – the anti-gp120 response used a high frequency of VH81X, VHQ52, and VH7183 genes, a family used during fetal life and associated with autoimmunity – H8 was a gp120 from a BALBc reconstructed nude mouse and had VH gene Q52. del Real *et al.* [1999]

No. 852
MAb ID HBW4
HXB2 Location Env
Author Location gp120 (IIIB)
Epitope
Neutralizing
Immunogen HIV-1 infection
Species (Isotype) human (IgG1λ)
References Wisnewski *et al.* 1996; Wisnewski *et al.* 1995; Moran *et al.* 1993

- HBW4: HBW4 is V H2 – V-region heavy chain usage was examined and a bias of enhanced V H1 and V H4, and reduced V H3, was noted among HIV infected individuals. Wisnewski *et al.* [1996]
- HBW4: Heavy (V HIII) and light (V lambdaII) chain sequenced. Moran *et al.* [1993]

No. 853
MAb ID HIVIG
HXB2 Location Env
Author Location gp120
Epitope
Neutralizing P
Immunogen HIV-1 infection

Species (Isotype) human
References Nichols *et al.* 2002

- NYBC-HIVIG derived from patients with high NAb titers and NABI-HIVIG derived from patients with high anti-p24 Ab titers were compared in neutralizing assay against a panel of six primary isolates – both could neutralize all isolates tested but the NYBC-HIVIG dose required for 50% neutralization was of 3.2 fold lower, showing source plasmas influence the effective concentration of NAb present in HIVIG. Nichols *et al.* [2002]

No. 854
MAb ID IVI-4G6
HXB2 Location Env
Author Location gp41
Epitope
Neutralizing
Immunogen vaccine
Species (Isotype) mouse (IgG2b)
Research Contact K. Miyakoshi (Feji-Rebio Co, Tokyo, Japan)
References Yin *et al.* 2001

- IVI-4G6: A bi-specific Ab (BFA) was made by combining Fab fragments of gp41-specific MAb IVI-4G6 and CD3-specific Mab UCHT1 – the BFA suppressed HIV-1 propagation culture and eliminated latently infected cells. Yin *et al.* [2001]

No. 855
MAb ID IgA6/30λ
HXB2 Location Env
Author Location gp120
Epitope
Neutralizing yes
Immunogen HIV-1 exposed seronegative
Species (Isotype) human
References Berry *et al.* 2003
Country Kenya
Keywords antibody generation, antibody sequence, variable domain, genital and mucosal immunity, HIV exposed persistently seronegative (HEPS)

- A panel of anti-gp120 single-chain variable fragment (scFv) Ab was isolated from cervical B lymphocytes of unexposed uninfected Kenyan prostitutes. These Abs recognize gp120 in ELISA and using flow cytometry. IgG1b12 does not inhibit binding of the new clones to HIV, so the epitopes are distinct. Sequencing of the V genes of the scFv clones show they are unique. Berry *et al.* [2003] (**antibody generation, genital and mucosal immunity, HIV exposed persistently seronegative (HEPS), antibody sequence, variable domain**)

No. 856
MAb ID IgA6/5k
HXB2 Location Env
Author Location gp120
Epitope
Neutralizing yes
Immunogen HIV-1 exposed seronegative
Species (Isotype) human
References Berry *et al.* 2003
Country Kenya

Keywords antibody generation, antibody sequence, variable domain, genital and mucosal immunity, HIV exposed persistently seronegative (HEPS)

- A panel of anti-gp120 single-chain variable fragment (scFv) Ab was isolated from cervical B lymphocytes of unexposed uninfected Kenyan prostitutes. These Abs recognize gp120 in ELISA and using flow cytometry. IgG1b12 does not inhibit binding of the new clones to HIV, so the epitopes are distinct. Sequencing of the V genes of the scFv clones show they are unique. Berry *et al.* [2003] (**antibody generation, genital and mucosal immunity, HIV exposed persistently seronegative (HEPS), antibody sequence, variable domain**)

No. 857

MAb ID IgA6/L4

HXB2 Location Env

Author Location gp120

Epitope

Neutralizing yes

Immunogen HIV-1 exposed seronegative

Species (Isotype) human

References Berry *et al.* 2003

Country Kenya

Keywords antibody generation, antibody sequence, variable domain, genital and mucosal immunity, HIV exposed persistently seronegative (HEPS)

- A panel of anti-gp120 single-chain variable fragment (scFv) Ab was isolated from cervical B lymphocytes of unexposed uninfected Kenyan prostitutes. These Abs recognize gp120 in ELISA and using flow cytometry. IgG1b12 does not inhibit binding of the new clones to HIV, so the epitopes are distinct. IgA6/4L is neutralizing. Sequencing of the V genes of the scFv clones show they are unique. Berry *et al.* [2003] (**antibody generation, genital and mucosal immunity, HIV exposed persistently seronegative (HEPS), antibody sequence, variable domain**)

No. 858

MAb ID K14

HXB2 Location Env

Author Location gp41

Epitope

Neutralizing no

Immunogen

Species (Isotype) human (IgG1)

References Schutten *et al.* 1997; Schutten *et al.* 1996; Schutten *et al.* 1995b; Schutten *et al.* 1995a; Teeuwesen *et al.* 1990

- K14: In a study of NSI and SI virus neutralization, K14 did not influence viral entry. Schutten *et al.* [1997]
- K14: Reduced affinity for both SI and NSI viruses relative to MAb MN215, failed to neutralize SI strain. Schutten *et al.* [1995b]
- K14: Did not bind to peptides spanning gp41, but it does not react with Env deletion mutant 643-692 – does not react with HIV-2– competition experiments showed this was an immunodominant conserved epitope in HIV-1 positive sera from Europe and Africa. Teeuwesen *et al.* [1990]

No. 859

MAb ID KU32

HXB2 Location Env

Author Location gp41

Epitope

Neutralizing

Immunogen

Species (Isotype) human

References Haynes *et al.* 2005

Keywords antibody binding site definition and exposure

- KU32: Of 35 Env-specific MAbs tested, only 2F5, 4E10, IgG1b12, and two CD4BS adjacent MAbs (A32 and 1.4G) and gp41 MAbs (2.2B and KU32) had binding patterns suggesting polyspecific autoreactivity, and similar reactivities may be difficult to induce with vaccines because of elimination of such autoreactivity. KU32 was noted to have some polyspecific autoreactivity in the text, but it was not clear how this was manifested from the results. Haynes *et al.* [2005] (**antibody binding site definition and exposure**)

No. 860

MAb ID M25

HXB2 Location Env

Author Location gp41

Epitope

Neutralizing

Immunogen vaccine

Vector/Type: purified HIV-1

Species (Isotype) mouse (IgGκ)

References Watkins *et al.* 1996; di Marzo Veronese *et al.* 1985

- M25: heavy and light chains cloned and sequenced – binding requires heavy and light chain in combination, in contrast to M77. Watkins *et al.* [1996]

No. 861

MAb ID MAG 6B

HXB2 Location Env

Author Location gp120

Epitope

Neutralizing no

Immunogen vaccine

Vector/Type: sCD4-gp120 complex *Strain:* B clade HXB2 *HIV component:* gp120

Species (Isotype) mouse

Research Contact C. Y. Kang, IDEC Inc

References Kang *et al.* 1994

- MAG 6B: Amino acid substitutions that reduce binding 10 fold: 256 S/Y, 257 T/R or G or A, 262 N/T, 368 D/R or T, 370 E/R or Q, 381 E/P, 384 Y/E, 421 K/L, 475 M/S, 477 D/V. Kang *et al.* [1994]

No. 862

MAb ID MO28

HXB2 Location Env

Author Location gp41

Epitope

Neutralizing no

Immunogen in vitro stimulation or selection

Species (Isotype) human (IgM)

References Ohlin *et al.* 1989

- MO28: This antibody was raised by *in vitro* stimulation with a recombinant Env penv9 – the discontinuous epitope involves hydrophobic regions 632-646, 677-681 and 687-691, proximal to and spanning the transmembrane region – this specificity is unusual in HIV-1 positive sera. Ohlin *et al.* [1989]

No. 863

MAB ID MO30

HXB2 Location Env

Author Location gp41

Epitope

Neutralizing no

Immunogen *in vitro* stimulation or selection

Species (Isotype) human (IgM)

References Ohlin *et al.* 1989

- MO30: This antibody was raised by *in vitro* stimulation with a recombinant Env penv9 – the discontinuous epitope involves hydrophobic regions 632-646, 677-681 and 687-691, proximal to and spanning the transmembrane region – this specificity is unusual in HIV-1 positive sera. Ohlin *et al.* [1989]

No. 864

MAB ID MO43

HXB2 Location Env

Author Location gp41

Epitope

Neutralizing no

Immunogen *in vitro* stimulation or selection

Species (Isotype) human (IgM)

References Ohlin *et al.* 1989

- MO43: This antibody was raised by *in vitro* stimulation with a recombinant Env penv9 – the discontinuous epitope of MO43 involves hydrophobic regions 632-646, 677-681 and 687-691, proximal to and spanning the transmembrane region – this specificity is unusual in HIV-1 positive sera. Ohlin *et al.* [1989]

No. 865

MAB ID N2-4

HXB2 Location Env

Author Location gp41

Epitope

Neutralizing no

Immunogen HIV-1 infection

Species (Isotype) human (IgG1 κ)**Research Contact** Evan Hersh and Yoh-Ichi Matsumoto**References** Robinson *et al.* 1990b

- N2-4: NIH AIDS Research and Reference Reagent Program: 528.
- N2-4: No enhancing activity for HIV-1 IIIB. Robinson *et al.* [1990b]

No. 866

MAB ID N70-2.3a

HXB2 Location Env

Author Location gp120

Epitope

Neutralizing no

Immunogen HIV-1 infection

Species (Isotype) human (IgG1)

Research Contact James Robinson, Tulane University, LA**References** Takeda *et al.* 1992; Robinson *et al.* 1990a

- N70-2.3a: Fc receptor mediated enhancement of HIV-1 infection – binds a conformational site in the carboxyl half of gp120, distinct from 1.5e. Takeda *et al.* [1992]
- N70-2.3a: Broad reactivity. Robinson *et al.* [1990a]

No. 867

MAB ID P43110

HXB2 Location Env

Author Location gp120

Epitope

Neutralizing

Immunogen

Species (Isotype)

Research Contact Advanced Biosciences (Kensington, MD)**References** VanCott *et al.* 1995; di Marzo Veronese *et al.* 1992

- P43110: Does not recognize denatured form of the gp120 protein. VanCott *et al.* [1995]

No. 868

MAB ID P5-3

HXB2 Location Env

Author Location gp120

Epitope

Neutralizing

Immunogen HIV-1 infection

Species (Isotype) human (IgG1 λ)**Research Contact** Evan Hersh and Yoh-Ichi Matsumoto**References** Pincus *et al.* 1991; Robinson *et al.* 1990b

- P5-3: NIH AIDS Research and Reference Reagent Program: 378.
- P5-3: Poor immunotoxin activity when coupled to RAC – isotype specified as: IgG3 λ . Pincus *et al.* [1991]
- P5-3: No enhancing activity for HIV-1 IIIB. Robinson *et al.* [1990b]

No. 869

MAB ID T15G1

HXB2 Location Env

Author Location gp41

Epitope

Neutralizing no

Immunogen

Species (Isotype)

References Binley *et al.* 1999

- T15G1: The MABs with the broadest neutralizing activity, IgG1b12, 2G12 and 2F5, all have high affinity for the native trimer, indicating that they were raised in an immune response to the oligomer on the virion surface rather than dissociated subunits – a disulfide linked gp120-gp41 (SOS gp140) was created to mimic the native conformation of Env and explore its potential as an immunogen – SOS gp140 is recognized by NABs IgG1b12, 2G12, and CD4-IgG2, and also by anti-V3 MABs 19b and 83.1 – SOSgp140 is not recognized by C4 region MABs that neutralize only TCLA strains, G3-42 and G3-519 – nor did it bind C11, 23A, and M90, MABs that bind to gp120 C1 and C5, where it interacts with gp41 – MABs that bind CD4 inducible epitopes, 17b and A32 were very strongly

induced by CD4 in SOS gp140 – anti-gp41 MAbs that bind in the region that interacts with gp120, 7B2, 2.2B, T4, T15G1 and 4D4, did not bind to SOSgp140, in contrast to 2F5, which binds to the only gp41 epitope that is well exposed in native gp120-gp41 complexes. Binley *et al.* [1999]

No. 870
MAb ID T20
HXB2 Location Env
Author Location gp120 (IIIB)
Epitope
Neutralizing no
Immunogen vaccine
Vector/Type: vaccinia *Strain:* B clade IIIB
HIV component: oligomeric gp140
Species (Isotype) mouse (IgG)
Research Contact P. Earl, National Institute of Allergy and Infectious Diseases, NIH, Bethesda, MD
References Sugiura *et al.* 1999; Otteken *et al.* 1996; Earl *et al.* 1994

- T20: A comparison of 25 gp120 specific, conformation dependent MAbs was done – T20 is part of a group of MAbs labeled AII – all AII MAbs were broadly cross-reactive with gp160 from B-clade R5, X4, and R5X4 viruses, and could only partially blocked CD4 binding. Sugiura *et al.* [1999]
- T20: Pulse label experiments of 4 MAbs (D20, D27, T20, and T22) binding to noncleavable gp140 revealed that these anti-CD4BS MAbs bound with a delay, and that the epitope formed with a t 1/2 of about 10 minutes. Otteken *et al.* [1996]
- T20: Generated during a study of the influence of the oligomeric structure of Env in determining the repertoire of the Ab response. Earl *et al.* [1994]

No. 871
MAb ID T27
HXB2 Location Env
Author Location gp120 (IIIB)
Epitope
Neutralizing no
Immunogen vaccine
Vector/Type: vaccinia *Strain:* B clade IIIB
HIV component: oligomeric gp140
Species (Isotype) mouse (IgG)
Research Contact P. Earl, National Institute of Allergy and Infectious Diseases, NIH, Bethesda, MD
References Sugiura *et al.* 1999; Earl *et al.* 1994

- T27: A comparison of 25 gp120 specific, conformation dependent MAbs was done – T27 is part of a group of MAbs labeled AII – all AII MAbs were broadly cross-reactive with gp160 from B-clade R5, X4, and R5X4 viruses, and could only partially blocked CD4 binding. Sugiura *et al.* [1999]
- T27: Generated during a study of the influence of the oligomeric structure of Env in determining the repertoire of the Ab response. Earl *et al.* [1994]

No. 872
MAb ID T3
HXB2 Location Env
Author Location gp41 (HXB2)
Epitope

Subtype B
Neutralizing
Immunogen vaccine

Vector/Type: tetrameric Env *HIV component:* Env

Species (Isotype) mouse (IgG)
References Yang *et al.* 2000; Zwick *et al.* 2001b; Earl *et al.* 1997; Earl *et al.* 1994

- T3: T3 partially competes with MAb Z13, but not MAb 4E10, both of which bind to gp41 proximally to the 2F5 epitope and have a broad neutralizing potential. Zwick *et al.* [2001b]
- T3: A combination of gp41 fusion with the GNC4 trimeric sequences and disruption of the YU2 gp120-gp41 cleavage site resulted in stable gp140 trimers (gp140-GNC4) – gp41 MAbs T4, D12, T3, and D50 bound less efficiently to gp140-GNC4 than did pooled sera, but T4 and D12 recognized the gp140-GNC4 trimer equivalently to gp140(-), and T3 and D50 recognized the trimer at greater levels than gp140(-). Yang *et al.* [2000]
- T3: Partially conformation dependent – doesn't bind to short peptides, but does bind to the region spanning 641-683 – binding can be blocked by MAbs D43, D38 and D45 – MAbs in this competition group reacted with 9/10 HIV-1 strains, not binding to JRFL. Earl *et al.* [1997]
- T3: Generated during a study of the influence of the oligomeric structure of Env in determining the repertoire of the Ab response. Earl *et al.* [1994]

No. 873
MAb ID T30
HXB2 Location Env
Author Location gp41
Epitope

Neutralizing no
Immunogen vaccine

Vector/Type: tetrameric Env *HIV component:* Env

Species (Isotype) mouse
Research Contact C. Broder
References Ohagen *et al.* 2003; Earl *et al.* 1997; Earl *et al.* 1994

Keywords antibody binding site definition and exposure, antibody generation, brain/CSF, escape

- T30: Env genes derived from uncultured brain biopsy samples from four HIV-1 infected patients with late-stage AIDS were compared to env genes from PBMC samples. Brain isolates did not differ in the total number or positions of N-glycosylation sites, patterns of coreceptor usage, or ability to be recognized by gp160 and gp41 MAbs. T30 recognized most variants (10/13) gp41 by WB, and all of the gp160s. Ohagen *et al.* [2003] (**brain/CSF, escape**)
- T30: Binds in the region 580 to 640, but does not bind to peptides spanning this region – binding depends on N-linked glycosylation of Asn 616 – no other antibody tested inhibited binding, but binding could be inhibited by sera from HIV+ individuals. Earl *et al.* [1997] (**antibody binding site definition and exposure**)
- T30: Generated during a study of the influence of the oligomeric structure of Env in determining the repertoire of the Ab response. Earl *et al.* [1994] (**antibody generation**)

No. 874
MAb ID T4
HXB2 Location Env
Author Location gp41 (IIIB)
Epitope
Neutralizing L
Immunogen vaccine
Vector/Type: vaccinia Strain: B clade IIIB
HIV component: oligomeric gp140

Species (Isotype) mouse (IgG)

References Srivastava *et al.* 2002; Yang *et al.* 2000; Stamatatos *et al.* 2000; Binley *et al.* 1999; Earl *et al.* 1997; Otteken *et al.* 1996; Weissenhorn *et al.* 1996; Richardson *et al.* 1996; Broder *et al.* 1994; Earl *et al.* 1994

Keywords antibody binding site definition and exposure, antibody generation, antibody interactions, vaccine antigen design

- T4: Oligomeric gp140 (o-gp140) derived from R5 primary isolate US4 was characterized for use as a vaccine reagent – antigen capture ELISA was used to compare the antigenicity of gp120 and o-gp140 using a panel of well characterized MAbs – T4 recognized o-gp140. Srivastava *et al.* [2002] (**antibody binding site definition and exposure**)
- T4: Soluble gp140 derived from SF162, a neutralization-resistant primary isolate, and SF162AV2 a neutralization-susceptible isolate with 30 amino acids deleted from the V2 loop, were generated with or without the gp120-gp41 cleavage site intact – all forms are recognized by oligomer-specific MAb T4 and show enhanced binding of CD4i MAb 17b when sCD4 is bound – the fused forms are less efficiently recognized than the cleaved forms by polyclonal neutralizing sera from HIV-infected patients – the V3 loop is more exposed on the fused form. Stamatatos *et al.* [2000] (**vaccine antigen design**)
- T4: A combination of gp41 fusion with the GNC4 trimeric sequences and disruption of the YU2 gp120-gp41 cleavage site resulted in stable gp140 trimers (gp140-GNC4) – gp41 MAbs T4, D12, T3, and D50 bound less efficiently to gp140-GNC4 than did pooled sera, but T4 and D12 recognized the gp140-GNC4 trimer equivalently to gp140(-), and T3 and D50 recognized the trimer at greater levels than gp140(-). Yang *et al.* [2000] (**vaccine antigen design**)
- T4: The MAbs with the broadest neutralizing activity, IgG1b12, 2G12 and 2F5, all have high affinity for the native trimer, indicating that they were raised in an immune response to the oligomer on the virion surface rather than dissociated subunits – a disulfide linked gp120-gp41 (SOS gp140) was created to mimic the native conformation of Env and explore its potential as an immunogen – SOS gp140 is recognized by NAb IgG1b12, 2G12, and CD4-IgG2, and also by anti-V3 MAbs 19b and 83.1 – SOSgp140 is not recognized by C4 region MAbs that neutralize only TCLA strains, G3-42 and G3-519 – nor did it bind C11, 23A, and M90, MAbs that bind to gp120 C1 and C5, where it interacts with gp41 – MAbs that bind CD4 inducible epitopes, 17b and A32 were very strongly induced by CD4 in SOS gp140 – anti-gp41 MAbs that bind in the region that interacts with gp120, 7B2, 2.2B, T4, T15G1 and 4D4, did not bind to SOSgp140, in contrast to 2F5, which binds to the

only gp41 epitope that is well exposed in native gp120-gp41 complexes. Binley *et al.* [1999] (**vaccine antigen design**)

- T4: This antibody, along with 7 others (M10, D41, D54, T6, T9, T10 and T35), can block the linear murine MAb D61, and the human MAb 246-D, which both bind to the immunodominant region near the two Cys in gp41 – most of these antibodies are oligomer dependent – all of the MAbs are reactive with ten different HIV-1 strains – members of this competition group are blocked by sera from HIV-1 + individuals. Earl *et al.* [1997] (**antibody interactions**)
- T4: MAbs T4 and T6 bind only to oligomer, and pulse chase experiments indicate that the epitope is very slow to form, requiring one to two hours. Otteken *et al.* [1996] (**antibody binding site definition and exposure**)
- T4: Does not bind to soluble monomeric gp41(21-166) that lacks the fusion peptide and membrane anchor, only to the oligomer gp140, as does T6. Weissenhorn *et al.* [1996] (**antibody binding site definition and exposure**)
- T4: one of five MAbs (T4, T6, T9, T10 and T35) in a competition group that bind to a conformation-dependent epitope in gp41 and is oligomer specific – neutralizes IIIB and SF2. Broder *et al.* [1994] (**antibody binding site definition and exposure**)
- T4: Generated during a study of the influence of the oligomeric structure of Env in determining the repertoire of the Ab response. Earl *et al.* [1994] (**antibody generation**)

No. 875

MAb ID m18 (M18, Fab M18)

HXB2 Location Env

Author Location Env

Epitope

Neutralizing P

Immunogen HIV-1 infection

Species (Isotype) human

Research Contact D. S. Dimitrov

References McCaffrey *et al.* 2004; Zhang *et al.* 2003

Keywords antibody binding site definition and exposure, antibody generation, subtype comparisons, vaccine antigen design, variant cross-recognition or cross-neutralization

- m18: Called M18. Sera from two HIV+ people and a panel of MAbs were used to explore susceptibility to neutralization in the presence or absence of glycans within or adjacent to the V3 loop and within the C2, C4 and V5 regions of HIV-1 SF162 env gp120. The loss of the glycan within the V3 loop (GM299 V3) or adjacent to V3 in C2 (GM292 C2), left SF162 susceptible to neutralization by Fab M18, and the glycan mutants in C3 (GM329 C3), C4 (GM438 C4), or V5 (GM454 V5) became resistant to M18 neutralization. The M18 epitope is unknown. V3 glycans tended to shield V3 loop, CD4 and co-receptor MAb binding sites, while C4 and V5 glycans shielded V3 loop, CD4, gp41 but not co-receptor MAb binding sites. Selective removal of glycans from a vaccine candidate may enable greater access to neutralization susceptible epitopes. McCaffrey *et al.* [2004] (**antibody binding site definition and exposure, vaccine antigen design**)
- m18: m18 was selected from a human Fab phage display library by a new method called sequential antigen panning (SAP), using a series of antigens to screen the library to pick

broadly cross-reactive isolates. The epitope of m18 is independent of CD4 binding. The phage display library was constructed using the combined bone marrow of three long term non-progressors with potent NAb activity in their sera. m18 bound to gp140s from primary isolates from clades A-F with nM affinities. The ability to block cell mediated fusion by m18 was compared to Fabs X5 and b12 for a clade A, CRF01 EA, G, and 6 clade B isolates, and the inhibitory activity of m18 was slightly lower but comparable to neutralizing Fabs b12 and X5. It also showed broad cross-neutralization; 11/15 pseudotyped Envs from primary isolates from clades A-F were inhibited in an IC50 assay at concentration less than or equal to 100 ug/ml; X5 was also tested and somewhat more potent, generally requiring lower concentrations and inhibiting 13/15 primary isolates. Zhang *et al.* [2003] (**antibody generation, variant cross-recognition or cross-neutralization, subtype comparisons**)

No. 876

MAb ID multiple Fabs

HXB2 Location Env

Author Location gp120

Epitope

Neutralizing

Immunogen HIV-1 infection

Species (Isotype) human

References Burton *et al.* 1991

- A panel of anti-gp120 Fabs was generated by antigen selection from a random combinatorial library prepared from bone marrow from an asymptomatic individual. Burton *et al.* [1991]

No. 877

MAb ID multiple MAbs

HXB2 Location Env

Author Location gp120

Epitope

Neutralizing

Immunogen vaccine

Vector/Type: protein *HIV component:* gp120

Species (Isotype) mouse

References Denisova *et al.* 1996

- When gp120 was used as an immunogen, in contrast to gp120 bound to an anti-V3 MAb, few MAbs were generated and all bound better to the native than to the denatured protein – MAbs generated were: G1B12, G2F7, G9G8, G12F12, G1B8, G11F11, G9E8, G1B11, G1B6, G6F2, G2E7. Denisova *et al.* [1996]

No. 878

MAb ID multiple MAbs

HXB2 Location Env

Author Location gp120

Epitope

Neutralizing

Immunogen vaccine

Vector/Type: gp120-CD4 complex *HIV component:* gp120

Species (Isotype) mouse

References Denisova *et al.* 1996

- When gp120-CD4 was used as an immunogen, in contrast to gp120 bound to an anti-V3 MAb, few MAbs were generated and all bound better to the native than to the denatured protein – MAbs generated were: CG43, CG41, CG49, CG53, CG42, CG4, CG46, CG40, CG52, CG51, CG48, CG50, CG125, CG124, CG121. Denisova *et al.* [1996]

No. 879

MAb ID multiple MAbs

HXB2 Location Env

Author Location gp120

Epitope

Neutralizing

Immunogen vaccine

Vector/Type: protein-Ab complex *HIV component:* gp120-Mab complex

Species (Isotype) mouse

References Denisova *et al.* 1996

- When anti-V3 MAb M77 was bound to gp120 and used as an immunogen, it stimulated many MAbs to linear epitopes, as well as an array of MAbs to discontinuous epitope – 10 of 36 MAbs were mapped to linear epitopes and are mentioned elsewhere in this database, the others are: GV5H1, GV4D5, GV4G10, GV1A8, GV10H5, GV8E11, GV2H4, GV6E6, GV1F7, GV1G9, GV4G5, GV6B12, GV1E8, GV2B7, GV1B11, GV6H5, GV6G2, GV6B5, GV1E10, GV5E3, GV5B9, GV5F4, GV6G4, GV1A12, GV5C11, GV6B6, GV3C10. Denisova *et al.* [1996]

No. 880

MAb ID polyclonal

HXB2 Location Env

Author Location Env

Epitope

Neutralizing L P

Immunogen HIV-1 infection

Species (Isotype) human (IgG3)

References Scharf *et al.* 2001

- IgG3: HIVIG was separated into immunoglobulin classes and IgG3 neutralization of HIV strains X4, R5 and X4R5 strains was superior to IgG1 and IgG2, and IgG3 was also a more potent inhibitor of viral fusion – the IgG3 advantage was lost when only Fabs were considered, indicating the IgG3 neutralization efficacy is enhanced due to a longer hinge region of the heavy chain in comparison to IgG1 and IgG2. Scharf *et al.* [2001]

No. 881

MAb ID polyclonal

HXB2 Location Env

Author Location gp140 (IIIB)

Epitope

Neutralizing L

Immunogen vaccine

Vector/Type: protein *Strain:* B clade IIIB *HIV component:* gp120, gp140 *Adjuvant:* MPL-SE adjuvant, QS21

Species (Isotype) rabbit (IgG)

References Earl *et al.* 2001

- Immunization of rabbits with oligomeric gp140 induced production of higher levels of cross-reactive neutralizing Abs than immunization with gp120 – immunization of Rhesus macaques with gp140 yielded strong NAb against IIB, modest against other lab-adapted strains, and no NAb activity against primary isolates – most neutralizing activity could not be blocked by a V3 peptide – 3/4 vaccinated macaques showed no viral replication upon intravenous challenge with SHIV-HXB2. Earl *et al.* [2001]

No. 882

MAb ID polyclonal

HXB2 Location Env

Author Location gp160 (IIB)

Epitope

Neutralizing

Immunogen HIV-1 infection, vaccine

Vector/Type: protein *Strain:* B clade NL43
HIV component: gp160 *Adjuvant:* aluminum hydroxide

Species (Isotype) human

References Cox *et al.* 1999

- 60 asymptomatic HIV-1 infected patients were vaccinated with rec gp160 in alum, produced in a baculovirus expression vector in insect cells (VaxSyn), 64 received placebo, and all were followed in a 5 year longitudinal study – a mean of 78% of vaccinated and 82% of those receiving placebo had demonstrable ADCC at the different time intervals in the study, and the vaccine did not enhance ADCC production – patients with rapid and slow disease progression showed similar ADCC levels. Cox *et al.* [1999]

No. 883

MAb ID polyclonal

HXB2 Location Env

Author Location gp160 (89.6)

Epitope

Neutralizing yes

Immunogen vaccine

Vector/Type: modified vaccinia Ankara (MVA) *Strain:* B clade 89.6 *HIV component:* Env, Gag-Pol *Adjuvant:* IL-2/Ig

Species (Isotype) macaque

References Barouch *et al.* 2001b

- Four rhesus macaques were vaccinated with a modified vaccinia Ankara (MVA) vaccine that elicited strong CTL responses as well as antibody responses. The animals were infected when challenged with pathogenic SHIV-89.6P, but had potent CTL responses, secondary NAb responses upon challenge, partial preservation of CD4+ T-cell counts, lower viral loads, and no evidence of disease or mortality by day 168 after challenge—monkeys that got a sham vaccine had high viral load, progressed to disease, and 2/4 were dead by day 168. Barouch *et al.* [2001b]

No. 884

MAb ID polyclonal

HXB2 Location Env

Author Location gp160

Epitope

Neutralizing no

Immunogen HIV-1 infection

Species (Isotype) human

References Ahmad *et al.* 2001

- High CD4+ T-cell count and low viral load was correlated with high ADCC anti-HIV-1 Env Ab titers in a study of 46 HIV-1 infected individuals from all disease stages. Ahmad *et al.* [2001]

No. 885

MAb ID polyclonal

HXB2 Location Env

Author Location gp160

Epitope

Neutralizing P

Immunogen HIV-1 infection

Species (Isotype) human (IgG)

References Beirnaert *et al.* 2001

- Neutralizing antibodies are thought to inhibit HIV entry by blocking either binding or fusion – six broadly cross-neutralizing sera that can neutralize group M and O viruses inhibit the binding to PBMCs – the nine primary isolates tested in this study represented very diverse subtypes and recombinant forms, and different co-receptor usage. Beirnaert *et al.* [2001]

No. 886

MAb ID polyclonal

HXB2 Location Env

Author Location gp160

Epitope

Neutralizing P

Immunogen HIV-1 infection

Species (Isotype) human (IgG)

References Beirnaert *et al.* 2000

- Sera from 66 HIV individuals from diverse geographic locations could neutralize primary isolates to different extents: broad cross-neutralizing isolates could neutralize 14 primary isolates from HIV-1 group M clades A-H and three O isolates, limited cross-neutralizing sera neutralized some isolates, and non-neutralizing sera—6/7 broadly neutralizing sera were from African women, despite only 14/66 study subjects being women—ability to neutralize three key isolates, MN lab (envB/gagB, X4 coreceptor), VI525 (envG/gagH, envA/gagA, R5X4) and CA9 (Group O, R5) was predictive of being able to neutralize an additional set of 14 primary isolates. Beirnaert *et al.* [2000]

No. 887

MAb ID polyclonal

HXB2 Location Env

Author Location gp120 (SF2)

Epitope

Neutralizing L

Immunogen vaccine

Vector/Type: protein *Strain:* B clade SF2
HIV component: gp120 *Adjuvant:* MF59, PLG

Species (Isotype) mouse, baboon

References O'Hagan *et al.* 2000

- Microparticles were used as an adjuvant for entrapped HIV-1 gp120 and induced strong serum IgG responses in mice – poly-lactide co-glycolide polymer (PLG) microparticles in combination with MF-59 had the highest response. O'Hagan *et al.* [2000]

No. 888

MAb ID polyclonal

HXB2 Location Env

Author Location gp120 (SF2, US4)

Epitope

Neutralizing

Immunogen vaccine

Vector/Type: DNA, protein *Strain:* B clade SF2, B clade US4 *HIV component:* gp120
Adjuvant: aluminum phosphate, MF59, PLG

Species (Isotype) macaque, guinea pig, mouse

References O'Hagan *et al.* 2001

- DNA vaccines of codon-optimized Env and Gag genes driven by CMV promoters and adsorbed on to PLG microparticles were more effective than naked DNA at eliciting strong Ab responses (more rapid, higher titer, more stable), comparable to gp120 in MF-59. O'Hagan *et al.* [2001]

No. 889

MAb ID polyclonal

HXB2 Location Env

Author Location gp120

Epitope

Neutralizing L

Immunogen HIV-1 infection

Species (Isotype) chimpanzee (IgG)

References Moore & Burton 1999; Shibata *et al.* 1999

- polyclonal: Commentary discussing this finding noting the particularly high neutralization titer and limited breadth of the chimpanzee sera used in this study. Moore & Burton [1999]
- polyclonal: Purified IgG from chimpanzee sera infected with several HIV-1 strains was used for passive administration to macaques which were subsequently challenged with the virulent SHIV bearing the HIV-1 env DH12 – *in vitro* neutralization correlated with protection *in vivo*. Shibata *et al.* [1999]

No. 890

MAb ID polyclonal

HXB2 Location Env

Author Location gp160 (MN)

Epitope

Neutralizing L P

Immunogen HIV-1 infection

Species (Isotype) human (IgA)

References Moja *et al.* 2000

- 15 samples isolated from parotid saliva were selected for study as they had anti-Env IgA – IgA neutralizing activity was detected that was not directed at either EDELKWA or the V3 loop. Moja *et al.* [2000]

No. 891

MAb ID polyclonal

HXB2 Location Env

Author Location gp120

Epitope

Neutralizing L

Immunogen vaccine

Vector/Type: protein *Strain:* B clade MN, B clade SF2 *HIV component:* gp120

Species (Isotype)

References McElrath *et al.* 2000

- After 3 immunizations, 210/241 (87%) HIV-1 uninfected vaccinees in a phase II trial developed NAb – of 140 patients receiving 4 vaccinations, 53% had persistent neutralizing antibodies to homologous virus, and 34% to heterologous virus, measured at day 728 after initial immunization – immunogens were well tolerated – but IVDUs had a decreased Ab response relative to lower risk groups. McElrath *et al.* [2000]

No. 892

MAb ID polyclonal

HXB2 Location Env

Author Location gp120

Epitope

Neutralizing

Immunogen vaccine

Vector/Type: vaccinia *Strain:* B clade IIIB
HIV component: gp120 *Adjuvant:* GM-CSF/gp120 chimera

Species (Isotype) mouse

References Rodríguez *et al.* 1999

- The murine Ab response to a chimeric of granulocyte-macrophage colony stimulating factor GM-CSF/gp120 in vaccinia was not higher titer than the response to a gp120-vaccinia construct, but the breadth of the Ab response was greater – a cellular response of greater intensity was triggered to the GM-CSF/gp120 vaccinia construct, as measured by proliferation and Elispot. Rodríguez *et al.* [1999]

No. 893

MAb ID polyclonal

HXB2 Location Env

Author Location gp120 (YU2)

Epitope

Neutralizing

Immunogen vaccine

Vector/Type: stabilized Env trimer *Strain:* B clade HXBc2, B clade YU2 *HIV component:* Env

Species (Isotype) mouse (IgG)

Research Contact Joseph Sodroski, Harvard Medical School

References Yang *et al.* 2001

- Soluble Env trimers were created that were designed to mimic functional Env oligomers – stabilized trimers could induce neutralizing antibodies more effectively than gp120, and Abs to the YU2 trimer were cross-reactive within clade B and could neutralize several primary and TCLA reactive strains – the stabilized primers did not neutralize primary isolates outside the B clade, from clades C, D, and E – HXBc2 stabilized trimer antigen elicited strong neutralizing Abs against the homologous isolate HXBc2 TCLA strain, but not against primary isolates. Yang *et al.* [2001]

No. 894

MAb ID polyclonal
HXB2 Location Env
Author Location gp120 (MN)
Epitope
Neutralizing
Immunogen vaccine
Vector/Type: protein *Strain:* B clade MN
HIV component: gp120 *Adjuvant:* aluminum hydroxide, QS21

Species (Isotype) human

References Evans *et al.* 2001

- Vaccination with QS21 adjuvant and rsgp120 elicited stronger and more sustained neutralizing antibody responses and lymphocyte proliferation with lower doses of rsgp120 than alum formulations, suggesting QS21 may be a means to reduce the doses of soluble protein. Evans *et al.* [2001]

No. 895

MAb ID polyclonal
HXB2 Location Env
Author Location gp120
Epitope
Neutralizing yes
Immunogen HIV-1 infection

Species (Isotype) human

References Binley *et al.* 2000

- HAART inhibited the development of anti-gp120 Ab when initiated during primary infection and sometimes in patients treated within 2 years of HIV-1 infection – HAART during primary infection usually did not inhibit the development of weak NAb responses against autologous virus – 3/4 patients intermittently adherent developed high titers of autologous NABs, largely coincident with brief viremic periods. Binley *et al.* [2000]

No. 896

MAb ID polyclonal
HXB2 Location Env
Author Location gp120 (SIV)
Epitope

Neutralizing yes
Immunogen HIV-1 infection
Species (Isotype) macaque

References Reitter *et al.* 1998

- This study concerned an SIV mutated strain that lacked 4th, 5th and 6th sites for N-linked glycosylation – monkeys infected with the mutant viruses had increased neutralizing activity in their sera relative to monkeys infected with the parental strain. Reitter *et al.* [1998]

No. 897

MAb ID polyclonal
HXB2 Location Env
Author Location Env
Epitope
Neutralizing yes
Immunogen HIV-1 infection

Species (Isotype) human

References Kim *et al.* 2001

- After HAART reduction of viral load to <400 for three visits over a 12 month interval, 2/11 patients were found to have increased anti-Env Ab binding titers, and neutralizing Abs titers increased against primary isolates US1, and CM237 – no NAB titer increase was seen to more readily neutralized isolate BZ167 – this suggests that in certain individuals the control of HIV-1 by HAART may augment immune control of HIV. Kim *et al.* [2001]

No. 898

MAb ID polyclonal
HXB2 Location Env
Author Location Env
Epitope
Neutralizing yes
Immunogen HIV-1 exposed seronegative
Species (Isotype) human (IgA)

References Kaul *et al.* 2001b

- Kaul *et al.* provide a concise summary of the findings concerning the presence of Mucosal IgA in highly exposed, uninfected subjects, arguing for a role in protection. Kaul *et al.* [2001b]

No. 899

MAb ID polyclonal
HXB2 Location Env
Author Location gp120
Epitope
Neutralizing yes
Immunogen vaccine
Vector/Type: protein *Strain:* B clade SF2
HIV component: gp120 *Adjuvant:* MF59

Species (Isotype) human

References Nitayaphan *et al.* 2000

- A phase I/II trial was conducted in 52 seronegative Thais immunizing with rgp120 SF2 – the vaccine was safe and 39/40 developed NAb responses to the autologous SF2, while 22/40 were able to cross-neutralize the heterologous strain MN. Nitayaphan *et al.* [2000]

No. 900

MAb ID polyclonal
HXB2 Location Env
Author Location gp120 (SF2)
Epitope
Neutralizing yes
Immunogen vaccine
Vector/Type: protein *Strain:* B clade SF2
HIV component: gp120, p24 Gag *Adjuvant:* Immune stimulating complexes (ISCOM)

Species (Isotype) macaque

References Heeney *et al.* 1998a

- The immune responses induced in Rhesus monkeys using two different immunization strategies was studied – one vaccine group was completely protected from challenge infection, the other vaccinees and controls became infected – protected animals had high titers of heterologous NABs, and HIV-1-specific T helper responses – increases in RANTES, MIP 1 alpha and MIP 1 beta produced by circulating CD8+ T cells were also associated with protection. Heeney *et al.* [1998a]

No. 901
MAb ID polyclonal
HXB2 Location Env
Author Location gp120
Epitope
Neutralizing
Immunogen vaccine
Vector/Type: peptide, protein *Strain:* B clade SF2, B clade SF33 *HIV component:* gp120 *Adjuvant:* Immune stimulating complexes (ISCOM), MF59

Species (Isotype) macaque

References Verschoor *et al.* 1999

- Attempts were made to broaden immune responses induced in Rhesus monkeys by immunization of animals previously immunized that had resisted homologous challenge, with a second immunization with ISCOM-peptides or a boost with gp120 from SF33 – animals didn't survive a second challenge heterologous challenge virus SHIV(SF33) raising concerns about early antigenic sin. Verschoor *et al.* [1999]

No. 902
MAb ID polyclonal
HXB2 Location Env
Author Location gp120
Epitope
Neutralizing yes
Immunogen vaccine
Vector/Type: protein *Strain:* B clade SF2, CRF01 CM235 *HIV component:* gp120 *Adjuvant:* MF59

Species (Isotype) baboon

References VanCott *et al.* 1999

- Immunization with rgp120 CM235 (CRF01) induced Abs capable of neutralizing TCLA subtype E (CRF01) and subtype B isolates, while rgp120SF2 induced Abs could only neutralize subtype B TCLA isolates – neither immunogen induced Abs capable of neutralizing primary HIV-1 isolates – both rgp120CM235 and rgp120SF2 induced Abs to regions within C1, V1/V2, V3, and C5, but unique responses were induced by rgp120CM235 to epitopes within C2, and by rgp120SF2 to multiple epitopes within C3, V4, and C4 – CM235 baboon sera bound 3- to 12-fold more strongly than the SF2 baboon sera to all subtype E gp120s while binding to subtype B gp120s (except SF2) were within two to threefold for the SF2 and CM235 baboon sera. VanCott *et al.* [1999]

No. 903
MAb ID polyclonal
HXB2 Location Env
Author Location gp140 (SF162DeltaV2)
Epitope
Neutralizing yes
Immunogen vaccine
Vector/Type: DNA with CMV promotor *Strain:* B clade SF162 *HIV component:* gp140 *Adjuvant:* MF59

Species (Isotype) macaque, rabbit (IgG)

References Barnett *et al.* 2001

- SF162ΔV2 is a virus that has a 30 amino acids deletion in the V2 loop that does not abrogate its infectivity but renders it highly susceptible to neutralization—when incorporated into a codon-optimized DNA vaccine with a CMV promoter and delivered by gene gun, SF162ΔV2 gave higher neutralizing Ab titers against SF162 than did SF162 itself, and Abs that cross-neutralized non-homologous primary isolates were obtained only when SF162ΔV2, but not intact SF162, was used as the immunogen—Control MABs 2F5 and 2G12 could neutralize all of the following primary isolates: 91US056(R5), 92US714(R5), 92US660(R5), 92HT593(R5X4), and BZ167(R5X4), while after the first protein boost, the sera from two SF162ΔV2 immunized macaques could neutralize 91US056(R5), 92US714(R5), 92US660(R5) and ADA(R5), but not 92HT593(R5X4) or 92US657(R5)—the pattern of cross-recognition shifted after the second boost. Barnett *et al.* [2001]

No. 904
MAb ID polyclonal
HXB2 Location Env
Author Location gp120
Epitope
Neutralizing
Immunogen HIV-1 infection
Species (Isotype) human (IgG)
References Binley *et al.* 1997b

- Retention of anti-Env antibodies and loss of anti-Gag antibodies during progression was studied, and suggested to be the result of the loss of T-cell help and the unique ability of Env to stimulate B cells even in a backdrop of declining CD4 cells, because of the ability of Env to bind to the CD4 molecule. Binley *et al.* [1997b]

No. 905
MAb ID polyclonal
HXB2 Location Env
Author Location gp120 (W61D)
Epitope
Neutralizing L
Immunogen vaccine
Vector/Type: protein *Strain:* B clade W61D *HIV component:* gp120

Species (Isotype) human

References Beddows *et al.* 1999

- rgp120 derived from a R5X4 subtype B virus, HIV-1 W61D, was used to vaccinate healthy volunteers and the resulting sera were compared with HIV-1 positive subjects – vaccinee sera had more potent responses to linear V1/V2 and V3 epitopes than did the sera from HIV-1 + individuals, but could only neutralize homologous or heterologous virus only after adaptation to T-cell lines – neutralization activity was lost after re-adaptation to growth in PBMCs – in contrast, sera from infected individuals could neutralize both PBMC and T-cell line adapted viruses. Beddows *et al.* [1999]

No. 906
MAb ID polyclonal
HXB2 Location Env
Author Location gp120

- Epitope**
Neutralizing L
Immunogen vaccine
Vector/Type: virus-like particle (VLP) *HIV component:* Gag, gp120, V3
- Species (Isotype)** macaque
References Wagner *et al.* 1998b
- A VLP is a non-infectious virus-like particle self-assembled from HIV Pr55 gag – macaques were immunized with VLPs bound to either gp120 or V3+CD4 linear domains – Gag and Env specific CTL were stimulated in each case, and Ab response to gag and gp120 and was elicited, but the gp120 neutralizing response occurred only with whole gp120, not V3+CD4 – despite the CTL and Ab response, immunized macaques were infected by interavenous challenge with SHIV chimeric challenge stock. Wagner *et al.* [1998b]
- No.** 907
MAB ID polyclonal
HXB2 Location Env
Author Location gp120 (IIIB)
Epitope
Neutralizing
Immunogen vaccine
Vector/Type: DNA *HIV component:* gp120, gp160
- Species (Isotype)** mouse
References Shiver *et al.* 1997
- DNA vaccinations of BALBc mice with a gp120 or gp160 DNA vaccine elicited a strong T cell proliferative response with Th1-like secretion of gamma interferon and IL-2, with little or no IL-4, as well as antigen specific gp120 Abs. Shiver *et al.* [1997]
- No.** 908
MAB ID polyclonal
HXB2 Location Env
Author Location gp120
Epitope
Neutralizing L
Immunogen vaccine
Vector/Type: DNA *HIV component:* Env, Gag, Pol, Vif *Adjuvant:* B7, IL-12
- Species (Isotype)** mouse
References Kim *et al.* 1997b
- A gag/pol, vif or CMN160 DNA vaccine, when delivered in conjunction with the plasmid encoding the co-stimulatory molecules B7 and IL-12, gave a dramatic increase in both the cytotoxic and proliferative responses in mice – the Ab response was detected by ELISA, but the CMN160 DNA vaccinated mice showed a neutralizing Ab response. Kim *et al.* [1997b]
- No.** 909
MAB ID polyclonal
HXB2 Location Env
Author Location gp120
Epitope
Neutralizing P
Immunogen HIV-1 infection
Species (Isotype) human

- References** Bradney *et al.* 1999
- Sera were taken from long term non-progressors and evidence for viral escape was noted – serum could neutralize earlier autologous isolates, but not contemporary isolates. Bradney *et al.* [1999]
- No.** 910
MAB ID polyclonal
HXB2 Location Env
Author Location gp120
Epitope
Neutralizing L P
Immunogen vaccine
Vector/Type: canarypox prime with gp120 boost *Strain:* B clade SF2 *HIV component:* Env, Gag
- Species (Isotype)** human
References Belshe *et al.* 1998
- NAbS were obtained by a HIV-1 gag/env in canary pox vaccination of eight volunteers after boosting with rgp120 against lab strains – 1/8 primary isolates was neutralized, BZ167. Belshe *et al.* [1998]
- No.** 911
MAB ID polyclonal
HXB2 Location Env
Author Location gp120
Epitope
Neutralizing L
Immunogen vaccine
Vector/Type: canarypox prime with gp120 boost *Strain:* B clade LAI, B clade MN, B clade SF2 *HIV component:* Gag, gp120, Protease *Adjuvant:* MF59
- Species (Isotype)** human
References Belshe *et al.* 2001; Belshe *et al.* 1998
- A phase 2 trial was conducted in 435 volunteers with vCP201, a canary pox vector carrying gp120 (MN in vCP201, and SF2 in the boost), p55 (LAI) and protease (LAI), either alone or with a gp120 boost – NAbS against MN were obtained in 56% of those who received vCP201 alone, and in 94% of those who got the prime with the gp120 boost. Belshe *et al.* [1998]
- No.** 912
MAB ID polyclonal
HXB2 Location Env
Author Location gp120
Epitope
Neutralizing
Immunogen
Species (Isotype) human
References Neshat *et al.* 2000
- HIV-1 gp120 appears to be a B cell superantigen that binds to members of the V_{H3} Ig gene family—the gp120 binding site was localized to the Fab portion of the Ab, and discontinuous residues in the V_H region were critical. Neshat *et al.* [2000]
- No.** 913
MAB ID polyclonal
HXB2 Location Env

Author Location gp41 (539–684 BH10)

Epitope

Neutralizing

Immunogen vaccine

Vector/Type: protein *HIV component:* gp41

Species (Isotype) mouse (IgG)

References Bai *et al.* 2000

- Murine rsgp41 antisera recognized a common epitope on human IFN α (aa 29-35 and aa 123-140) and on human IFN β (aa 31-37 and aa 125-142), suggesting that elevated levels of Ab to IFNs found in HIV+ individuals may be due to a cross-reactive gp41 response. Bai *et al.* [2000]

No. 914

MAb ID polyclonal

HXB2 Location Env

Author Location gp120 (BH10)

Epitope

Neutralizing

Immunogen vaccine

Vector/Type: DNA *Strain:* B clade 89.6, B clade ADA, B clade IIIB *HIV component:* gp120 *Adjuvant:* C3d fusion

Species (Isotype) mouse (IgG)

References Ross *et al.* 2001

- gp120 was fused with murine complement protein C3d in a DNA vaccine to enhance the titers of Ab to Env – fusion to C3d resulted in a more rapid onset of Ab response and avidity maturation, after three immunizations in BALB/c mice with DNA on a gold bead delivered with a gene gun, but not in strong neutralizing Ab response. Ross *et al.* [2001]

No. 915

MAb ID polyclonal

HXB2 Location Env

Author Location gp120 (SF162DeltaV2)

Epitope

Neutralizing

Immunogen vaccine

Vector/Type: DNA prime with protein boost *Strain:* B clade SF162 *HIV component:* gp140 *Adjuvant:* MF59

Species (Isotype) macaque

References Cherpelis *et al.* 2001a; Cherpelis *et al.* 2001b

- Two animals were immunized both intradermally and intramuscularly at weeks 0, 4, and 8 with a codon optimized DNA vector expressing the SF162V2 gp140 envelope with an intact gp120-gp41 cleavage site, and both developed lymphoproliferative responses and potent neutralizing Abs – CD8+ T lymphocytes were depleted in the animals and they were challenged with SHIV162P4 – at peak viremia, plasma viral levels in the vaccinated animals were 1 to 4 logs lower than those in the unvaccinated animals. Cherpelis *et al.* [2001b]
- HIV-1 SF162 Δ V2 gp140 envelope was used in a DNA-prime plus protein-boost vaccination methodology in Rhesus macaques, the animals were depleted of their CD8+ T lymphocytes, and challenged with pathogenic SHIV(SF162P4)—the vaccinated macaques had lower peak viremia, rapidly cleared

virus from the periphery, and developed delayed seroconversion to SIV core antigens relative to non-vaccinated controls. Cherpelis *et al.* [2001a]

No. 916

MAb ID polyclonal

HXB2 Location Env

Author Location gp120

Epitope

Neutralizing P

Immunogen HIV-1 infection

Species (Isotype) human

References Sarmati *et al.* 2001

- Some HIV-1 infected patients have increasing CD4 counts despite failing ARV, and CD4 levels are correlated with HIV-1 specific NAb – no correlation was found between NAb and viral load in this patients. Sarmati *et al.* [2001]

No. 917

MAb ID polyclonal

HXB2 Location Env

Author Location gp41 (539–684 BH10)

Epitope

Neutralizing

Immunogen vaccine

Vector/Type: protein *HIV component:* gp41

Species (Isotype) mouse (IgG)

References Bai *et al.* 2000

- There is a common epitope in HIV-1 gp41, and IFN α and IFN β . Bai *et al.* [2000]

No. 918

MAb ID polyclonal

HXB2 Location Env

Author Location gp120 (IIIB)

Epitope

Neutralizing no

Immunogen

Species (Isotype) human (IgM)

References Llorente *et al.* 1999

- Combinatorial antibody analysis by phage display and flow cytometry demonstrated that gp120 in HIV-1 negative people is recognized by IgM, but not IgG Abs – IgM Fab reactivity is observed throughout the entire sequence of HIV-1 IIIB gp120 and is characterized by low affinity binding and near germline configuration reflecting a lack of maturation of the IgM repertoire – no neutralizing activity was observed in a non-infected individual before isotope switching. Llorente *et al.* [1999]

No. 919

MAb ID polyclonal

HXB2 Location Env

Author Location gp120 (SF2)

Epitope

Neutralizing L

Immunogen vaccine

Vector/Type: protein *Strain:* B clade SF2 *HIV component:* gp120

Species (Isotype) human (IgM)

References Locher *et al.* 1999

- High risk volunteers were vaccinated with SF2 gp120 – 3 breakthrough cases were studied – SF2 neutralizing Abs were observed, but Ab titers to autologous virus were never high and took 6 months after HIV-1 infection to develop – viral loads were similar to HIV-1 infected individuals who had not been vaccinated. Locher *et al.* [1999]

No. 920

MAb ID polyclonal

HXB2 Location Env

Author Location gp120 (subtype A, B, C, D, CRF01)

Epitope

Subtype A, B, C

Neutralizing yes

Immunogen vaccine

Vector/Type: formaldehyde-fixed whole-cell

HIV component: gp120

Species (Isotype) mouse (IgG)

References Nunberg 2002; LaCasse *et al.* 1999

- A retraction was printed (Science 296:1025, 2002) noting that an unknown cytotoxic effect of these complex sera accounted for a major fraction of the neutralization reported in LaCasse *et al.* [1999] Nunberg [2002]. LaCasse *et al.* [1999]; Nunberg [2002]
- In this study, immunogens were generated that were thought to capture transient envelope-CD4-coreceptor structures that arise during HIV binding and fusion by formaldehyde-fixation of co-cultures of cells expressing HIV-1 Env and those expressing CD4 and CCR5 receptors – these cells elicited NABs in CD4- and CCR5-transgenic mice that neutralized 23/24 primary isolates from clades A-E. LaCasse *et al.* [1999]

No. 921

MAb ID polyclonal

HXB2 Location Env

Author Location (B consensus)

Epitope

Subtype B

Neutralizing P

Immunogen HIV-1 infection

Species (Isotype) human

References Morris *et al.* 2001

- Ab responses before HAART therapy and after one year of therapy were measured in 8 individuals that were classified HAART successes, and 10 patients who were classified as HAART failures – V3 peptide antibody binding titers to the B-consensus and MN and SF2 variants, and neutralization of HIV-1 MN and four subtype B clinical isolates were tested – subjects with strong anti-V3 and NAb humoral immune responses before starting HAART were more likely to achieve sustained viral suppression to <500 copies RNA/ml on HAART – HIV-specific Ab responses declined after 1 year of successful viral suppression on HAART. Morris *et al.* [2001]

No. 922

MAb ID polyclonal

HXB2 Location Env

Author Location

Epitope

Neutralizing P

Immunogen HIV-1 infection

Species (Isotype) human (IgG)

References Pilgrim *et al.* 1997

- Sera from long-term nonprogressors(LTNP) had broader NABs against heterologous primary isolates and were more likely to neutralize the contemporaneous autologous isolate than were sera from short-term nonprogressors and normal progressors – in 4 individuals followed from acute infection, NABs were detected against the early autologous isolate by 5-40 weeks, and not detected in an additional 2 cases after 27-45 weeks. Pilgrim *et al.* [1997]

No. 923

MAb ID polyclonal

HXB2 Location Env

Author Location

Epitope

Neutralizing P

Immunogen HIV-1 infection

Species (Isotype) human

References Moog *et al.* 1997

- Autologous and heterologous NABs were studied in 18 individuals who were sampled early after sero-conversion and followed longitudinally – autologous NABs were not detected in sera collected at the same time as the viruses were isolated – NABs detected against the seroconversion autologous strains were not detected one year after seroconversion, and were highly specific to the virus present at the early phase of HIV infection – heterologous neutralization of primary isolates were not detected until after 2 years. Moog *et al.* [1997]

No. 924

MAb ID polyclonal

HXB2 Location Env

Author Location

Epitope

Neutralizing yes

Immunogen HIV-1 infection

Species (Isotype) human

References Montefiori *et al.* 2001

- In 7/9 patients in whom HAART was initiated during early seroconversion, NABs to autologous strains were not found immediately following treatment interruption after 1-3 years, and Env and Gag Abs were low or undetected by ELISA indicating, that early HAART suppresses the normal antibody response to HIV-1, presumably by limiting the concentration of viral antigens needed to drive B-cell maturation – in 3 patients with a viral rebound autologous NABs rapidly appeared and correlated with spontaneous down-regulation of viremia – prolonged control of viremia after stopping treatment persisted in the absence of detectable NABs, suggesting that cellular immune responses alone can control viremia under certain circumstances – these results support the notion that virus-specific B-cell priming, combined with CD8+ CTL induction, may be beneficial for HIV-1 vaccines that aim to suppress viremia in the absence of complete protection to prevent disease and reduce the rate of virus transmission. Montefiori *et al.* [2001]

No. 925

MAb ID polyclonal

HXB2 Location Env
Author Location
Epitope
Subtype B
Neutralizing
Immunogen HIV-1 infection
Species (Isotype) human (IgG)
References Scala *et al.* 1999

- Random peptide libraries were screened using sera from HIV-infected subjects to identify mimotopes, peptides that mimic conformational or linear epitopes specifically recognized by Abs from HIV-1 infected individuals – the sera of simian SHIV-infected monkeys also recognized the specific peptides, and mice immunized with the selected peptides elicited HIV-specific Abs that neutralized HIV-1 isolates IIIB and NL4-3. Scala *et al.* [1999]

No. 926
MAb ID polyclonal
HXB2 Location Env
Author Location
Epitope
Neutralizing L
Immunogen vaccine
Vector/Type: peptide *HIV component:* mimotopes
Species (Isotype) mouse (IgG)
References Scala *et al.* 1999

- Random peptide libraries were screened using sera from HIV-infected subjects to identify mimotopes, peptides that mimic conformational or linear epitopes specifically recognized by Abs from HIV-1 infected individuals – the sera of simian SHIV-infected monkeys also recognized the specific peptides, and mice immunized with the selected peptides elicited HIV-specific Abs that neutralized HIV-1 isolates IIIB and NL4-3. Scala *et al.* [1999]

No. 927
MAb ID polyclonal
HXB2 Location Env
Author Location
Epitope
Neutralizing
Immunogen vaccine
Vector/Type: virus-like particle (VLP) *HIV component:* Env, Gag *Adjuvant:* Complete Freund's Adjuvant (CFA)
Species (Isotype) mouse (IgG)
References Lebedev *et al.* 2000

- Virus-like particles (VLPs) in the form of spherical particles with yeast dsRNA enveloped in a polysaccharide matrix carrying the protein TBI, that contains fragments of HIV Env and Gag, were used to immunize BALB/c mice and induced specific Abs against HIV-1 as measured by ELISA with TBI. Lebedev *et al.* [2000]

No. 928
MAb ID polyclonal
HXB2 Location Env
Author Location

Epitope
Neutralizing P
Immunogen HIV-1 infection
Species (Isotype) human
References Donners *et al.* 2002

- A difference in neutralization patterns between African and European plasma is observed, especially in African women, who tended to have cross-neutralizing Abs against primary isolates. Donners *et al.* [2002]

No. 929
MAb ID polyclonal
HXB2 Location Env
Author Location
Epitope
Neutralizing L
Immunogen HIV-1 infection
Species (Isotype) human (IgG)
References Dianzani *et al.* 2002

- Immune complexes (ICs) in the plasma contained HIV RNA (80%-100%) in association with HIV-specific IgG NABs indicating that the HIV in the plasma of carriers is frequently composed of antibody-neutralized HIV as ICs. Dianzani *et al.* [2002]

No. 930
MAb ID polyclonal
HXB2 Location Env
Author Location Env
Epitope
Neutralizing P
Immunogen HIV-1 infection
Species (Isotype) human (IgG)
References Kimura *et al.* 2002

- Significant neutralization activity against autologous isolates was observed in 13/19 HIV+ patients at initiation of HAART therapy which persisted during therapy, increasing in one patient, and declining in one patient – 3/6 patients with no detectable NAB at the start of therapy developed NAB responses – of the four patients with increased NAB responses, three had low level viral rebounds (blips). Kimura *et al.* [2002]

No. 931
MAb ID polyclonal
HXB2 Location Env
Author Location
Epitope
Neutralizing P
Immunogen HIV-1 exposed seronegative
Species (Isotype) human (IgA)
References Devito *et al.* 2000b

- Mucosal and plasma HIV-specific IgA that can neutralize primary isolates is present saliva (11/15 tested) and plasma (11/15) and cervicovaginal fluid (11/14) from highly exposed persistently seronegative (HEPS) individuals. Devito *et al.* [2000b]

No. 932
MAb ID polyclonal
HXB2 Location Env
Author Location

Epitope
Neutralizing P
Immunogen HIV-1 exposed seronegative
Species (Isotype) human (IgA)
References Devito *et al.* 2000a

- IgA from the genital tract, saliva and plasma from highly exposed persistently seronegative (HEPS) individuals can inhibit transcytosis of HIV-1 across a transwell system that provides a tight epithelial cell layer—50% of the IgA samples studied were able to inhibit transcytosis of at least one of two primary isolates tested, indicating this may be an important mechanism against sexual acquisition of HIV-1. Devito *et al.* [2000a]

No. 933
MAb ID polyclonal
HXB2 Location Env
Author Location
Epitope
Subtype A, B, D
Neutralizing P
Immunogen HIV-1 exposed seronegative
Species (Isotype) human (IgA)
References Broliden *et al.* 2001

- IgA isolated from the saliva, genital tract, and plasma of most highly exposed persistently seronegative (HEPS) sex workers in a Kenyan cohort could neutralize a B, A and D clade primary isolates and could inhibit transcytosis of HIV across a transwell model of the human mucosal epithelium. Broliden *et al.* [2001]

No. 934
MAb ID polyclonal
HXB2 Location Env
Author Location
Epitope
Subtype A, B, D
Neutralizing P
Immunogen HIV-1 exposed seronegative
Species (Isotype) human (IgA)
References Devito *et al.* 2002

- IgA isolated from the saliva, genital tract, and plasma of most highly exposed persistently seronegative (HEPS) Kenyan sex workers mediated broad cross-clade neutralization of primary isolates (A, B, C, D, and CRF01) – 6/10 HEPS individuals that were persistently exposed to a stable HIV+ B clade infected partner showed less breadth of neutralization, and were able to neutralize clade A and B primary isolates, but not clades C, D, or CRF01. Devito *et al.* [2002]

No. 935
MAb ID polyclonal
HXB2 Location Env
Author Location
Epitope
Neutralizing P
Immunogen HIV-1 exposed seronegative
Species (Isotype) human (IgA)
References Mazzoli *et al.* 1999

- Serum HIV-specific IgA is present in highly exposed persistently seronegative individuals (HEPS) in the absence of serum IgG – serum IgA can be found in productively infected individuals and exposed seronegatives at similar titers – 5/15 sera from HEPS had neutralizing activity, 2 of these in purified IgA – HIV-1 specific serum IgA concentrations declined after one year of interruption of at-risk sex. Mazzoli *et al.* [1999]

No. 936
MAb ID polyclonal
HXB2 Location Env
Author Location
Epitope
Neutralizing P
Immunogen HIV-1 exposed seronegative
Species (Isotype) human (IgA)
References Beyrer *et al.* 1999

- HIV-specific anti-gp160 IgA is present in cervical lavage from 6/13 HIV-exposed seronegative Thai female sex workers. Beyrer *et al.* [1999]

No. 937
MAb ID polyclonal
HXB2 Location Env
Author Location
Epitope
Subtype B
Neutralizing
Immunogen vaccine
Vector/Type: DNA *Strain:* B clade HXB2/Bal
Species (Isotype) mouse
References Chakrabarti *et al.* 2002

- A modified gp140 (gp140ΔCFI), with C-term mutations intended to mimic a fusion intermediate and stabilize trimer formation, retained antigenic conformational determinants as defined by binding to CD4 and to MAbs 2F5, 2G12, F105, and b12, and enhanced humoral immunity without diminishing the CTL response in mice injected with a DNA vaccine. Chakrabarti *et al.* [2002]

No. 938
MAb ID polyclonal
HXB2 Location Env
Author Location
Epitope
Subtype C
Neutralizing
Immunogen vaccine
Vector/Type: protein *Strain:* B clade 89.6, B clade IIIB *HIV component:* Env *Adjuvant:* alpha2-macroglobin, Complete Freund's Adjuvant (CFA), GM-CSF, monophosphoryl lipid A
Species (Isotype) mouse
References Liao *et al.* 2002

- HIV-envelope peptides coupled to $\alpha 2$ -macroglobin were much more immunogenic when formulated in monophosphoryl lipid A with GM-CSF than in complete or incomplete Freund's adjuvant or in monophosphoryl lipid A with GM-CSF alone. Liao *et al.* [2002]

No. 939
MAb ID polyclonal
HXB2 Location Env
Author Location gp120
Epitope
Neutralizing P
Immunogen vaccine
Vector/Type: gp120-CD4 complex, gp140-CD4 complex *Strain:* B clade IIIB *HIV component:* gp120, gp140 *Adjuvant:* QS21

Species (Isotype) macaque

References Fouts *et al.* 2002

- gp120-CD4 and gp140-CD4 complexes were used for i.m. vaccination of rhesus macaques and neutralizing Ig was recovered using affinity chromatography using a chimeric HIV-BAL gp120 with a mimetic peptide that induces a CD4-triggered mimetic structure – the sera and affinity purified Ab were broadly neutralizing against primary X4, R5, and R5X4 isolates from multiple subtypes but did not react as well against lab-adapted isolates. Fouts *et al.* [2002]

No. 940
MAb ID polyclonal
HXB2 Location Env
Author Location
Epitope
Neutralizing P
Immunogen HIV-1 infection

Species (Isotype) human

References Pastori *et al.* 2002

- HAART initiated during primary infection was studied in seven patients and had different effects on NAb production—in some cases, α -Env Abs were inhibited during primary infection, and in some cases strong NABs against autologous virus were induced. Pastori *et al.* [2002]

No. 941
MAb ID polyclonal
HXB2 Location Env
Author Location gp120
Epitope
Neutralizing L
Immunogen HIV-1 infection

Species (Isotype) chimpanzee (IgG)

References Moore & Burton 1999; Igarashi *et al.* 1999

- The rate of virus clearance in the circulation in rhesus macaques receiving a continuous infusion of cell-free viral dual-tropic virus isolate HIV-1DH12 particles in the presence and absence of virus-specific antibodies was measured – the clearance of physical and infectious viral particles is very rapid in naive animals, with half-lives ranging from 13 to 26 minutes, but clearance could be achieved with a half life of 3.9-7.2 minutes when chimpanzee neutralizing Abs were present to help to remove virions from the blood. Igarashi *et al.* [1999]

- polyclonal: Commentary discussing this finding noting the particularly high neutralization titer and limited breadth of the chimpanzee sera used in this study. Moore & Burton [1999]

No. 942
MAb ID polyclonal
HXB2 Location Env
Author Location gp120
Epitope
Neutralizing L
Immunogen vaccine
Vector/Type: canarypox prime with gp120 boost *Strain:* B clade LAI, B clade MN, B clade SF2 *HIV component:* gp120, gp41 *Adjuvant:* MF59

Species (Isotype) human

References Gupta *et al.* 2002

- Different HIV strains were used for different regions: gp120 MN and gp41 LAI, rgp120 SF2.
- Vaccine trial protocol 022A in 150 HIV-1 uninfected adults (130 completed the study) showed high titer ALVAC vaccine in combination with gp120 was safe and immunogenic in HIV-1 negative volunteers – NAb responses were detected in 95% of vaccinees, with higher titers in recipients of sequential versus simultaneous dosing of the two vaccines and in vaccinia naive volunteers. Gupta *et al.* [2002]

No. 943
MAb ID polyclonal
HXB2 Location Env
Author Location gp120
Epitope
Neutralizing yes
Immunogen vaccine

Vector/Type: protein *Strain:* B clade 89.6 *HIV component:* gp120, gp140 *Adjuvant:* Cholera toxin (CT), IL-12

Species (Isotype) mouse (IgA, IgG, IgG1, IgG2a)

References Albu *et al.* 2003

Keywords genital and mucosal immunity, mucosal immunity, Th1, Th2

- Mice were intranasally immunized with gp120 or gp140 with IL-12 and Cholera toxin as adjuvants. Adjuvants enhanced NAb stimulation in mucosa and genital tissues and in serum. Albu *et al.* [2003] (**genital and mucosal immunity, mucosal immunity, Th1, Th2**)

No. 944
MAb ID polyclonal
HXB2 Location Env
Author Location gp120
Epitope
Subtype A
Neutralizing yes
Immunogen vaccine
Vector/Type: virus-like particle (VLP) *Strain:* A clade UG5.94UG018 *HIV component:* Gag, gp120

Species (Isotype) mouse

References Buonaguro *et al.* 2002

Country Uganda

Keywords subtype comparisons

- BALB/c mice were immunized with VLPs carrying a subtype A gp120. Humoral immune responses directed against B-clade derived Gag (p24) peptides or gp120-Env V3 loop peptide were readily induced following a multi-dose immunization with VLP particles presenting a gp120 molecule from a HIV-1 isolate of clade A. VLP-immunized mice showed autologous and heterologous (against B-clade HIV-1 IIIB strain) neutralization activity. Proliferative responses and CTL were also observed. Buonaguro *et al.* [2002] (**subtype comparisons**)

No. 945

MAb ID polyclonal

HXB2 Location Env

Author Location gp120

Epitope

Subtype A, B, D

Neutralizing

Immunogen vaccine

Vector/Type: canarypox, protein *Strain:* B clade LAI, B clade MN *HIV component:* Env, Gag, Protease

Species (Isotype) human

References Cao *et al.* 2003

Country Uganda

Keywords subtype comparisons

- 20 Ugandan seronegative individuals were intramuscularly immunized in this study with an ALVAC HIV GagPol and Env vaccine carrying B clade antigens. 3/20 of subjects produced neutralizing antibodies against the autologous HIV-1 clade B strain MN that was T-cell line adapted; 2 also had NAb reactivity against a primary B clade cell line. No NAb cross-reaction was observed with primary viral isolates UG92029 (subtype A) or UG92046 (subtype D). 4/20 had detectable CTL activity against B clade antigen, and one of these cross-reacted with A clade antigen, one with D clade. Cao *et al.* [2003] (**subtype comparisons**)

No. 946

MAb ID polyclonal

HXB2 Location Env

Author Location gp160

Epitope

Neutralizing

Immunogen SHIV infection

Species (Isotype) macaque

References Crawford *et al.* 1999

Keywords variant cross-recognition or cross-neutralization

- Neutralization assays with rsCD4, MAbs, and serum samples from SHIV-infected macaques and HIV-1 infected individuals were used to characterize the antigenic properties of the env glycoprotein of six primary isolate or TCLA SHIV variants. SHIV infected macaques could neutralize autologous virus very effectively, but serum from HXB2c or 89.6 infected animals could not neutralize heterologous SHIVs. Serum from KU infected animals could neutralize only HXB2c, and serum from 89.6PD infected animals could neutralize 89.6, 89.6P, 89.6PD and KB9 (all derived from 89.6) well. Many sera

from the SHIV infected macaques could also neutralize HIV-1 strains MN and SF2. Crawford *et al.* [1999] (**variant cross-recognition or cross-neutralization**)

No. 947

MAb ID polyclonal

HXB2 Location Env

Author Location gp160

Epitope

Neutralizing

Immunogen HIV-1 infection

Species (Isotype) human

References Crawford *et al.* 1999

Keywords variant cross-recognition or cross-neutralization

- Neutralization assays with rsCD4, MAbs, and serum samples from SHIV-infected macaques and HIV-1 infected individuals were used to characterize the antigenic properties of the env glycoprotein of six primary isolate or TCLA SHIV variants. Serum from 9 HIV-1 infected people were tested for their ability to neutralize SHIVs. KU2 was least sensitive, 89.6, 89.6P, 89.6PD and KB9 (all derived from 89.6) were moderately susceptible, and SHIV HXB2c was less sensitive than IIIB, the strain from which it was derived. Crawford *et al.* [1999] (**variant cross-recognition or cross-neutralization**)

No. 948

MAb ID polyclonal

HXB2 Location Env

Author Location Env

Epitope

Subtype B, C, CRF01_AE

Neutralizing yes

Immunogen vaccine

Vector/Type: Venezuelan equine encephalitis virus (VEE) *Strain:* B clade R2 *HIV component:* gp160ΔCT

Species (Isotype) rabbit, mouse (IgG)

References Dong *et al.* 2003

Keywords subtype comparisons, variant cross-recognition or cross-neutralization

- Subcutaneous or intradermal immunization with VEE replicons expressing HIV-1 R2 gp140 and with HIV-1 R2 gp160 lacking the cytoplasmic tail. Sera from 3/3 rabbits inhibited SF162 infectivity and 2/3 rabbits were able to neutralize the R2 strain.
- C3H/He mice immunized with replicons expressing RT env protein or the VEE env vector pGP expressing either gp140 or gp160 showed cross-reactive neutralizing Ab responses to five clade B env proteins, a chinese clade C strain and weakly against a chinese clade E (CRF-1) strain.
- Mice and rabbits were immunized with Venezuelan equine encephalitis virus (VEE) replicon system particles expressing HIV-1 Env from the clone R2 that was derived from a virus that was neutralization sensitive and isolated from an individual that made strong NAb responses. Stronger and faster NAb responses were induced with replicons expressing gp160 with the cytoplasmic tail deleted than with gp160 or gp140. NAb responses against heterologous strain SF162 were similar in BALB/c and C3H/He mice and enhanced compared to

responses elicited in C57BL/6 mice. Serum from mice neutralized 5 primary clade B env proteins, a chinese clade C strain, but not a chinese clade E (CRF-1) strain. Sera from 3/3 immunized rabbits could neutralize SF162, and from 2/3 neutralized the autologous R2 strain. Dong *et al.* [2003] (**variant cross-recognition or cross-neutralization, subtype comparisons**)

No. 949
MAb ID polyclonal
HXB2 Location Env
Author Location
Epitope
Subtype multiple, M, O
Neutralizing P
Immunogen HIV-1 infection
Species (Isotype) human
References Donners *et al.* 2003
Country Belgium
Keywords assay development, assay standardization/improvement, co-receptor, kinetics, subtype comparisons

- Plasma samples from six HIV-1 + Belgians showed broad cross-neutralization ability against primary isolates from group M (subtypes A-H) and Group O. Viruses with R5, X4, and R5X4 co-receptor usage were all represented in the test panel. Kinetics of neutralization showed that NAb responses detected using a PBMC assay with a short incubation period could be lost upon extended culture. No preincubation with Ab was needed to see some inhibition of virus replication, indicating that at least partial neutralization occurs post-virus binding to target cells. Donners *et al.* [2003] (**assay development, co-receptor, kinetics, subtype comparisons, assay standardization/improvement**)

No. 950
MAb ID polyclonal
HXB2 Location Env
Author Location Env
Epitope
Neutralizing
Immunogen HIV-1 infection
Species (Isotype) human
Research Contact Rebeca Geffin, Miami School of Medicine
References Geffin *et al.* 2003
Keywords autologous responses, escape, rate of progression, responses in children

- A longitudinal study of NAb responses in perinatally HIV-1 infected infants and children was undertaken, including 7 with rapid progression (RP) and 9 who did not progress rapidly (NRP). A subset of both RPs and NRPs had some plasma samples that could neutralize contemporaneous autologous viral isolates after 6 months of age, but most isolates could not be neutralized by contemporaneous plasma, only by later samples. The non-contemporaneous NABs would persist for years, had highest titers against earlier isolates, and tended to be more potent in NRP children. This study indicates that there is ongoing NAb escape in HIV-1 + children. No correlation between HIV RNA levels and Ab production was established, although this might have been complicated by treatment. Geffin *et al.* [2003]

(**autologous responses, escape, responses in children, rate of progression**)

No. 951
MAb ID polyclonal
HXB2 Location Env
Author Location
Epitope
Neutralizing
Immunogen HIV-1 infection
Species (Isotype)
Research Contact Mascola2003b
References Mascola & Montefiori 2003
Keywords escape, review

- This paper reviews the paper by Wei *et al.* (Nature 2003) that substantiates the notion that HIV evolves to change the number and position of glycosylation sites in Envelope and this facilitates neutralization escape *in vivo*. This NAb escape mechanism is called a glycan shield. Mascola & Montefiori [2003] (**escape, review**)

No. 952
MAb ID polyclonal
HXB2 Location Env
Author Location
Epitope
Neutralizing
Immunogen
Species (Isotype) macaque
References Mascola 2003
Keywords immunoprophylaxis, review

- This review discusses the importance and function of protective antibody responses in animal model studies in the context of effective vaccine development. SHIV models have shown protection using high levels of MAbs can prevent infection, and partial protection that can influence disease course can be obtained from modest levels of NABs. The binding properties and SHIV challenges studies conducted with infusions of combinations of MAbs b12, 2G12, and 2F5 are reviewed. Mascola [2003] (**immunoprophylaxis, review**)

No. 953
MAb ID polyclonal
HXB2 Location Env
Author Location gp120
Epitope
Subtype B
Neutralizing
Immunogen vaccine
Vector/Type: DNA prime with virus-like particle (VLP) boost, fowlpoxvirus prime with virus-like particle (VLP) boost *Strain:* B clade 89.6P *HIV component:* Env
Species (Isotype) rabbit
References Radaelli *et al.* 2003
Keywords Th1, Th2

- Three different immunization protocols using two recombinant fowlpox (FP) constructs and two expression plasmids (SIV mac239 gg/pol or HIV-1 env 89.6P) for priming and VLP particles for boosting were tested for their ability to elicit neutralizing Ab and cell-mediated immune responses. NAb responses against SHIV 89.6P were elicited in all protocols tested. Plasmid DNA (pcDNA3gag/pol SIV) was more efficient than the FP vector (FPgag/polSIV) in inducing Ab responses to the gag core protein (p27). DNA plasmid followed by a VLP boost elicited a Th0 profile. Radaelli *et al.* [2003] (**Th1, Th2**)

No. 954
MAb ID polyclonal
HXB2 Location Env
Author Location
Epitope
Subtype B, CRF01_AE
Neutralizing
Immunogen HIV-1 infection
Species (Isotype) human
References Polonis *et al.* 2003
Country Thailand

- **Keywords** co-receptor, escape, subtype comparisons
- Neutralization of 49 subtype E HIV-1 isolates from various stages of disease and 21 subtype B viruses was compared using polyclonal Ab pools and single subtype E plasmids. Non-syncytium-inducing (NSI) CRF01 (subtype E) HIV-1 isolates showed increased sensitivity to neutralization (42%) than syncytium-inducing (SI) subtype E isolates (9%). In contrast, the viral phenotype of subtype B isolates did not correlate with neutralization sensitivity. SI viruses were primarily X4 (one X4R5 was identified), NSI were R5. Low CD4+ T cell numbers in subtype E infected patients correlated with concurrent isolate resistance to neutralizing Ab responses. Polonis *et al.* [2003] (**co-receptor, escape, subtype comparisons**)

No. 955
MAb ID polyclonal
HXB2 Location Env
Author Location gp120
Epitope
Subtype B
Neutralizing
Immunogen vaccine
Vector/Type: protein *Strain:* B clade W61D
HIV component: gp120, Nef, Tat *Adjuvant:* AS02A (oil-in-water emulsion, 3D-monophosphoryl lipid A, QS21), AS06 (CpG, aluminum hydroxide)

- Species (Isotype)** macaque (IgG)
References Voss *et al.* 2003
Keywords adjuvant comparison, variant cross-recognition or cross-neutralization
- Monkeys were immunized with different combinations of gp120/NefTat/SIV-Tat three times over a three-month time period and intravenously challenged with SHIV 89.6P four weeks after the last immunization. Vaccination induced anti-Tat, -Nef and -gp120 Ab responses that decreased until challenge. Neutralizing Ab responses against HIV-1 MN and HIV-1 W61D were observed. Vaccination with the combination of all three

proteins reduced viral load and kept animals from a CD4+ T cell decline, preventing AIDS for more than 2.5 years. The adjuvant AS02A elicited NAb and protected from disease, while AS06 did not. gp120 alone or TatNef/SIV-Tat without gp120 could not protect from disease. Voss *et al.* [2003] (**adjuvant comparison, variant cross-recognition or cross-neutralization**)

No. 956
MAb ID polyclonal
HXB2 Location Env
Author Location Env
Epitope
Subtype B
Neutralizing
Immunogen vaccine
Vector/Type: peptide *Adjuvant:* QS21
Species (Isotype) mouse
References Cunto-Amesty *et al.* 2001
Keywords mimotopes, vaccine antigen design

- Concanavalin A binds to mannose/glucose, and binds to HIV-1. Con A was used to select peptide mimics of carbohydrates that bound to Con A, and the mimetic peptides were then used for BALB/c mouse immunization. Abs raised against the mimetic peptides binds to HIV+ cells, and could weakly neutralize T cell lab adapted strains. Cunto-Amesty *et al.* [2001] (**mimotopes, vaccine antigen design**)

No. 957
MAb ID polyclonal
HXB2 Location Env
Author Location Env
Epitope
Neutralizing
Immunogen vaccine
Vector/Type: E. Coli recombinant protein
HIV component: gp120, gp41 *Adjuvant:* Complete Freund's Adjuvant (CFA), Incomplete Freund's Adjuvant (IFA)

- Species (Isotype)** mouse
References Li *et al.* 2002
Keywords vaccine antigen design
- A polyepitope vaccine was designed based on a recombinant GST fusion protein containing three repeats of the 2F5 core epitope ELDKWA combined with the V3 region peptide GP-GRIFY. Abs raised in mice could recognize the peptides, sgp41, and CHO-WT cells that expressed HIV-1 Env on their surface. Li *et al.* [2002] (**vaccine antigen design**)

No. 958
MAb ID polyclonal
HXB2 Location Env
Author Location Env
Epitope
Neutralizing
Immunogen HIV-1 infection
Species (Isotype) human
References Montefiori *et al.* 2003
Keywords acute/early infection, autologous responses, escape

- AC10 is a subject who was given treatment early after infection, and had a viral rebound after cessation of therapy, which then declined to a low level. The polyclonal sera from AC10 could potentially neutralize the rebound virus, and NAb escape followed with a neutralizing response against the escape variant and subsequent escape from that response. Viral loads remained low in this subject despite escape. The rebound isolate that was potentially neutralized by autologous sera was not particularly neutralization sensitive, as it resisted neutralization by sCD4 and MAbs IgG1b12, 2G12 and 2F5, and was only moderately sensitive to sera from other HIV+ individuals that had high titers of NAbs to TCLA strains. Montefiori *et al.* [2003] (**autologous responses, acute/early infection, escape**)

No. 959

MAb ID polyclonal
HXB2 Location Env
Author Location gp120 (DH012)
Epitope
Neutralizing
Immunogen HIV-1 infection, vaccine
Vector/Type: protein
Species (Isotype) chimpanzee
References Zhu *et al.* 2003

Keywords vaccine-specific epitope characteristics

- This study compares the immunogenicity of the HIV DH012 strain in chimpanzees during a natural infection with DH012 vaccinations. Naturally infected chimpanzees have sera containing potent anti-DH012 neutralization Abs, but the primary epitope is a discontinuous conformational epitope called CEV that involves the V1/V2 region, the bridging sheet, and the V3 loop. Abs that are raised upon gp120 vaccination, in contrast, are primarily against V3. DH012 has preserved the epitopes for the MAbs IgG1b12, 2G12, 17b, however natural DH012 infection in chimpanzees and DH012 gp120 vaccination in guinea pigs does not give rise to Abs against these epitopes. Zhu *et al.* [2003] (**vaccine-specific epitope characteristics**)

No. 960

MAb ID polyclonal
HXB2 Location Env
Author Location gp120 (IIIB)
Epitope
Neutralizing yes
Immunogen HIV-1 infection
Species (Isotype) human
References Aasa-Chapman *et al.* 2004

Keywords acute/early infection, autologous responses

- Neutralizing Ab responses to autologous virus envelopes were studied in four acutely HIV-1 infected, treatment-naive, homosexual men (MM1, MM2, MM4 and MM8). Detection of gp120 antibodies was rapid using ELISPOT, within a few weeks, but detection of neutralizing antibodies took between 3 and 16 months, precluding involvement of detectable NAbs with resolution of viremia. Heterologous NAb responses arose even later, by 3 months or more, suggesting gradual broadening of the immune response. Aasa-Chapman *et al.* [2004] (**autologous responses, acute/early infection**)

No. 961

No. 962

MAb ID polyclonal
HXB2 Location Env
Author Location gp120 (V3) (IIIB)
Epitope
Subtype B
Neutralizing yes
Immunogen vaccine
Vector/Type: protein *Strain:* B clade IIIB, B clade MN *HIV component:* gp120 *Adjuvant:* Complete Freund's Adjuvant (CFA), Incomplete Freund's Adjuvant (IFA)
Species (Isotype) rabbit, guinea pig
References Berman *et al.* 1992
Keywords vaccine-specific epitope characteristics

- Abs derived from immunizations of rabbits and guinea pigs with either IIIB- or MN-gp120 were compared. Both could block gp120 binding to CD4, and this activity was strain-specific. Antisera from IIIB-rgp120 immunizations could only neutralize displayed homologous virus, while sera from MN-rgp120 rabbit vaccinations could neutralize MN 3/8 additional tested viruses. Berman *et al.* [1992] (**vaccine-specific epitope characteristics**)

No. 962

MAb ID polyclonal
HXB2 Location Env
Author Location Env (YU-2)
Epitope
Subtype B
Neutralizing yes
Immunogen vaccine
Vector/Type: DNA with CMV promotor, DNA prime with protein boost *Strain:* B clade YU2 *HIV component:* gp140 *Adjuvant:* monophosphoryl lipid A, trehalose dicorynomycolate
Species (Isotype) mouse (IgG)
References Bower *et al.* 2004

Keywords adjuvant comparison, vaccine antigen design

- DNA vaccines encoding an uncleaved form of YU-2 gp140 stabilized with a synthetic trimerization domain isolated from the fibrin (FT) protein of the T4 bacteriophage and fused to murine C3d as a molecular adjuvant, could induce low titers of neutralizing antibodies against primary isolates HIV-1 YU-2 and HIV-1 ADA. DNA was administered by gene gun immunization to BALB/c mice, protein boost was performed by intraperitoneal injection. C3d is a component of the innate immune system that can serve as a molecular adjuvant and had been previously shown to enhance immunogenicity. Bower *et al.* [2004] (**adjuvant comparison, vaccine antigen design**)

No. 963

MAb ID polyclonal
HXB2 Location Env
Author Location Env
Epitope
Subtype multiple
Neutralizing no
Immunogen vaccine

Vector/Type: protein *Strain:* B clade IIIB, A clade UG37, B clade HAN2, D clade UG21, F clade BR29 *HIV component:* gp140, gp120ΔV1, V2, and V3 *Adjuvant:* Complete Freund's Adjuvant (CFA), Incomplete Freund's Adjuvant (IFA)

Species (Isotype) rabbit

References Jeffs *et al.* 2004

Keywords subtype comparisons, vaccine antigen design

- A set of oligomeric envelope proteins were made from six primary isolates for potential use as vaccine antigens: 92/UG/037 (clade A), HAN2/2 (clade B), 92/BR25/025 (clade C), 92/UG/021 (clade D), 93/BR/029 (clade F) and MVP5180 (clade O). This was one of a panel of MAbs used to explore folding and exposure of well characterized epitopes. The clade C isolate BR25 is apparently misfolded, as conformation-dependent antibodies did not bind to it. Polyclonal sera raised in rabbits against the A, B, D and F antigens, which were deemed pure enough for immunization, as well as IIIB and IIIB with the V1, V2 and V3 loops deleted, cross-bound the other antigens, so shared epitopes across clades, but none of the sera had neutralizing activity. Jeffs *et al.* [2004] (**vaccine antigen design, subtype comparisons**)

No. 964

MAb ID polyclonal

HXB2 Location Env

Author Location Env

Epitope

Subtype B, CRF01_AE

Neutralizing

Immunogen HIV-1 infection, vaccine

Vector/Type: protein *Strain:* B clade MN, B clade GNE8, E clade CM244 *HIV component:* gp120 *Adjuvant:* aluminum hydroxide

Species (Isotype) human

References Lee *et al.* 2001

Keywords assay development, subtype comparisons, vaccine antigen design, vaccine-induced epitopes

- An assay was developed that characterizes antibody binding to primary isolates, and using this system there was a correlation between binding activity and neutralization by sera from HIV-infected people and gp120 vaccinated individuals. The magnitude and breadth of oligomeric, cell surface gp120 binding Abs induced by HIV-1 subtype B vaccines was characterized. The responses in people vaccinated with mono- and bivalent rgp120 vaccines (AIDSVAX B and AIDSVAX B/B AIDSVAX B/E) indicated that increasing the number of antigens increased the cross-binding activities, in support of polyvalent vaccines. Lee *et al.* [2001] (**assay development, vaccine antigen design, vaccine-induced epitopes, subtype comparisons**)

No. 965

MAb ID polyclonal

HXB2 Location Env

Author Location Env

Epitope

Subtype B

Neutralizing

Immunogen vaccine

Vector/Type: gp120-MAb A32 complex *Strain:* B clade 89.6, B clade BaL *HIV component:* gp120-Mab complex *Adjuvant:* Cholera toxin (CT), Complete Freund's Adjuvant (CFA), Incomplete Freund's Adjuvant (IFA), Ribi adjuvant (MPL+TDM) (RIBI)

Species (Isotype) guinea pig

References Liao *et al.* 2004

Keywords vaccine antigen design

- A32-rgp120 complexes opened up the CCR5 co-receptor binding site, but did not induce neutralizing antibodies with greater breadth among B subtype isolates than did uncomplexed rgp120 in vaccinated guinea pigs. The vaccine that gave the greatest breadth comparing A32-rgp120 BaL, A32-rgp120 89.6, rgp120 BaL, and rgp120 89.6, was the uncomplexed rgp120 BaL, as it neutralized 9/14 B clade isolates tested (60%). Liao *et al.* [2004] (**vaccine antigen design**)

No. 966

MAb ID polyclonal

HXB2 Location Env

Author Location gp120 (JRFL)

Epitope

Subtype B

Neutralizing yes

Immunogen vaccine

Vector/Type: DNA *Strain:* B clade JRFL *HIV component:* gp120 *Adjuvant:* C3d fusion

Species (Isotype) humanized mouse (IgG)

References Liu *et al.* 2004

Keywords adjuvant comparison

- BALB/c mice were immunized with codon-optimized or C3d-fused DNA vaccine constructs and analyzed for their ability to elicit humoral and cell-mediated immune responses. Each strategy increased binding and gave rise to earlier appearance of neutralizing antibody responses against IIIB and MN viruses, but the combination did not act synergistically. C3d and codon optimization also gave enhanced CD8+ T cell responses to the epitope SIHIGPGRAFYYTTGE. Liu *et al.* [2004] (**adjuvant comparison**)

No. 967

MAb ID polyclonal

HXB2 Location Env

Author Location Env (SF2)

Epitope

Subtype multiple

Neutralizing yes

Immunogen vaccine

Vector/Type: protein *Strain:* B clade SF2 *HIV component:* gp120 *Adjuvant:* aluminum hydroxide, Incomplete Freund's Adjuvant (IFA), MF59, Other

Species (Isotype) baboon

References Haigwood *et al.* 1992

Keywords adjuvant comparison, vaccine antigen design, vaccine-specific epitope characteristics, variant cross-recognition or cross-neutralization

- Baboons were given intramuscular immunization with env 2-3 SF2 (aa Ile-26 to Ala-510) or rgp120SF2. Native, glycosylated rgp120 SF2, gave a broader range of heterologous neutralizing Ab responses than denatured, non-glycosylated env 2-3 SF2. Repeated immunizations with the native rgp120 gave rise to weak but detectable NABs against two African strains, NDK and ZR6. IFA/MTP-PE gave the highest titer antibodies of many adjuvant combinations tested. Haigwood *et al.* [1992] (**adjuvant comparison, vaccine antigen design, variant cross-recognition or cross-neutralization, vaccine-specific epitope characteristics**)

No. 968

MAb ID polyclonal

HXB2 Location Env

Author Location Env (89.6)

Epitope

Subtype B

Neutralizing yes

Immunogen vaccine

Strain: B clade 89.6 *HIV component:* gp140, gp160, gp160ΔV3, gp140ΔV3

Species (Isotype) macaque, mouse

References Lorin *et al.* 2004

Keywords vaccine antigen design, variant cross-recognition or cross-neutralization

- Mice susceptible to MV infection were intraperitoneally immunized with native HIV-1 89.6 env gp160 and gp140 and ΔV3 HIV-1 89.6 mutants expressed in live attenuated Schwarz measles vector (MV). The gp160ΔV3 construct raised more cross-reactive NABs to primary isolates than did native gp160, and sera from the gp160ΔV3 animals neutralized SHIV 89.6, clade B strains Bx09, 92US660 and 92US714, and clade A virus 3253 but not to clade B 92HT593, at a 1:30 dilution. A HIVIG/2F5/2G12 combination was used as a positive control and could neutralize all isolates. The vaccine constructs had an additional 2F5 MAb epitope, ELDKWAS, but responses were not directed towards this epitope. Mice and macaques could raise anti-HIV responses in mice and macaques with pre-existing MV immunity. Lorin *et al.* [2004] (**vaccine antigen design, variant cross-recognition or cross-neutralization**)

No. 969

MAb ID polyclonal

HXB2 Location Env

Author Location Env

Epitope

Subtype B

Neutralizing

Immunogen HIV-1 infection

Species (Isotype) human

References McCaffrey *et al.* 2004

Keywords antibody binding site definition and exposure, vaccine antigen design

- Sera from two HIV+ people and a panel of MAbs were used to explore susceptibility to neutralization in the presence or absence of glycans within or adjacent to the V3 loop and within the C2, C4 and V5 regions of HIV-1 SF162 env gp120. The loss of the glycan within the V3 loop (GM299 V3) and adjacent to the C-terminal end of the V3 loop (GM329 C3) increased neutralization susceptibility to both sera, but the loss of sites in C2, C4, and V5 did not alter neutralization susceptibility. Selective removal of glycans from a vaccine candidate may enable greater access to neutralization susceptible epitopes. McCaffrey *et al.* [2004] (**antibody binding site definition and exposure, vaccine antigen design**)

No. 970

MAb ID polyclonal

HXB2 Location Env

Author Location gp120 (HXBc2)

Epitope

Subtype B

Neutralizing

Immunogen vaccine

Vector/Type: Con A-NS *Strain:* B clade HXBc2 *HIV component:* Env

Species (Isotype) macaque (IgA, IgG)

References Miyake *et al.* 2004

Keywords genital and mucosal immunity

- Intranasal immunizations of three macaques with SHIV-nanospheres (SHIV-NS) induced vaginal anti-HIV-1 gp120 IgA and IgG antibodies. After intra-vaginal challenge with SHIV KU-2, 1/3 control animals and 1/3 SHIV vaccinated animals were infected, but the SHIV vaccinated animals had low viral loads that fell to undetectable levels. After intravenous re-challenge, all animals were infected, but SHIV immunized animals had lower viral loads. Miyake *et al.* [2004] (**genital and mucosal immunity**)

No. 971

MAb ID polyclonal

HXB2 Location Env

Author Location gp41 (HXB2)

Epitope

Subtype B

Neutralizing

Immunogen HIV-1 infection

Species (Isotype) human (IgG)

References Opalka *et al.* 2004

Keywords assay development, assay standardization/improvement

- An antigen panel representing different regions of gp41 was generated, and sera from 23 individuals were screened. Anti-gp41 titers were very high, and sera bound to many regions of gp41, there were no immunologically silent regions. Many individuals had broad responses to diverse regions. High titer responses tended to focus on the N-heptad, C-heptad and 2F5-4E10 regions, but there was no correlation between neutralization capacity of sera and the particular peptides recognized. Opalka *et al.* [2004] (**assay development, assay standardization/improvement**)

No. 972

MAb ID polyclonal
HXB2 Location Env
Author Location
Epitope
Subtype B
Neutralizing
Immunogen HIV-1 infection
Species (Isotype) human
Research Contact Abraham Pinter, Public Health Research Institute, Newark, NJ, 07103. pinter@phri.o
References Pinter *et al.* 2004
Country United States
Keywords variant cross-recognition or cross-neutralization

- V1V2 was determined to be the region that conferred the neutralization phenotype differences between two R5-tropic primary HIV-1 isolates, JRFL and SF162. JRFL is resistant to neutralization by many sera and MAbs, while SF162 is sensitive. All MAbs tested, anti-V3, -V2, -CD4BS, and -CD4i, (except the broadly neutralizing MAbs IgG1b12, 2F5, and 2G12, which neutralized both strains), neutralized the SF162 pseudotype but not JRFL, and chimeras that exchanged the V1V2 loops transferred the neutralization phenotype. 28 sera were tested – 24/28 sera gave greater than 90% neutralization of SF162 at dilutions of 1:180, while only 2/28 could give 90% neutralization of JRFL, and only 9/28 gave 50% neutralization at dilutions of 1:180. A chimera with SF162 V1V2 in a JRFL Env backbone was neutralization sensitive to most sera at a comparable level to SF162 Env, and in some cases the JRFL-SF162 V1V2 chimera was even more sensitive than JRFL. Pinter *et al.* [2004] (**variant cross-recognition or cross-neutralization**)

No. 973
MAb ID polyclonal
HXB2 Location Env
Author Location Env (gp160)
Epitope
Subtype multiple
Neutralizing
Immunogen vaccine
Vector/Type: DNA, DNA prime with protein boost *Strain:* B clade LAI, A clade 92UG031, C clade 92BR025 *HIV component:* gp160 *Adjuvant:* GM-CSF
Species (Isotype) mouse (IgG)
References Rollman *et al.* 2004
Keywords adjuvant comparison, enhancing activity, Th1, Th2, vaccine antigen design, variant cross-recognition or cross-neutralization

- Vaccination of mice with subtype B Env raised antibodies primarily against subtype B alone, while A+B+C clade Envs raised antibodies that could neutralize the autologous B, C strains, and weakly neutralize the A strain. Serum IgG responses to gp120s including all gp120 variable regions were induced in animals vaccinated with subtypes A, B and C of HIV-1 gp160 with rGM-CSF as adjuvant. Boosting with rgp160 with CpG-ODN enhanced IgG responses, shifted the Th1/Th2 to be more balanced, and these animals made both IgG and Ig2a responses and had expanded recognition of constant regions. The

B clade vaccine was LAI, and the A and C clade vaccines were actually V1-V5 of the A and C strains cloned into a LAI backbone. gp41 peptides were also recognized by sera. T cell responses to the multi-clade vaccine had enhanced cross-reactive CD4 T-cell proliferative responses, but diminished gamma IFN CD8 T-cell responses. Rollman *et al.* [2004] (**adjuvant comparison, enhancing activity, vaccine antigen design, variant cross-recognition or cross-neutralization, Th1, Th2**)

No. 974
MAb ID polyclonal
HXB2 Location Env
Author Location gp120
Epitope
Subtype B
Neutralizing
Immunogen vaccine
Vector/Type: DNA *Strain:* B clade IIIB
HIV component: gp120 *Adjuvant:* C3d fusion

Species (Isotype) mouse (IgG, IgG2a)

References Toapanta & Ross 2004

Keywords adjuvant comparison, Th1, Th2

- Mice [C57BL/6 (H-2b), BALB/c (H-2d), C3H/H3 (H-2k) and CD-1 Swiss] were vaccinated DNA carrying with 2 or 3 complement C3d genes fused to secreted sgp120. Responses were enhanced with C3d, particularly in outbred mice. sgp120-C3d-DNA vaccination induced a primarily IgG1 anti-Env Ab response in inbred mouse strains, while outbred mice had mixed IgG1/IgG2a responses; similarly IL4 (Th2) T-cell responses were observed in inbred mice, and mixed IL4 and IFN gamma (Th1/Th2) responses were observed in outbred mice. An increased avidity maturation of anti-Env Abs in outbred mice was also observed. Toapanta & Ross [2004] (**adjuvant comparison, Th1, Th2**)

No. 975
MAb ID polyclonal
HXB2 Location Env
Author Location gp120
Epitope
Subtype B
Neutralizing
Immunogen vaccine
Vector/Type: canarypox prime with gp120 boost *Strain:* B clade LAI, B clade MN
HIV component: Gag, gp120, Protease

Species (Isotype) human (IgA, IgG)

References Wright *et al.* 2004

Keywords genital and mucosal immunity, vaccine antigen design

- HIV-1 specific responses were seldom detected after systemic or mucosal vaccination with HIV gp120 in a canarypox vector with a rgp120 boost. A limited IgA and CTL response was observed after rectal vaccination, but overall, canary pox virus was not an effective mucosal immunogen. Wright *et al.* [2004] (**genital and mucosal immunity, vaccine antigen design**)

No. 976
MAb ID polyclonal

HXB2 Location Env
Author Location Env (735–752)
Epitope
Neutralizing
Immunogen vaccine
Vector/Type: peptide *HIV component:* gp41
Adjuvant: Complete Freund's Adjuvant (CFA)

Species (Isotype) human, rabbit

References Kennedy *et al.* 1986

Keywords assay standardization/improvement

- Rabbits intramuscularly immunized with peptide KLH ("HTLV-III aa 735-752") produced peptide-specific, serum Ab responses. In an ELISA, AIDS patient derived antisera tested positive for gp41-specific Ab. Kennedy *et al.* [1986] (**assay standardization/improvement**)

No. 977

MAb ID polyclonal

HXB2 Location Env

Author Location Env

Epitope

Neutralizing

Immunogen HIV-1 infection, vaccine

Species (Isotype) human

References Zolla-Pazner 2004

Keywords review, vaccine antigen design

- This review summarizes neutralizing epitopes on Env and their use as vaccine antigens. Most antibodies are not neutralizing, and while some antibodies directed to conserved domains can neutralize the virus, these are generally poorly immunogenic. Variable loops do not elicit much cross-reactive neutralization, although the stem regions of these loops are more conserved so may have some promise. Polyclonal pooled sera from infected people can generally neutralize heterologous virus, suggesting that neutralizing epitopes are yet to be discovered. Polyvalent vaccine design is considered key. Zolla-Pazner [2004] (**vaccine antigen design, review**)

No. 978

MAb ID polyclonal

HXB2 Location Env

Author Location gp120

Epitope

Neutralizing yes

Immunogen vaccine

Strain: B clade IIIB *HIV component:* gp120, gp160 *Adjuvant:* aluminum hydroxide

Species (Isotype) human, chimpanzee

References Berman *et al.* 1994

Keywords variant cross-recognition or cross-neutralization

- Antisera derived from human or chimpanzee immunized with IIIB-rgp120 showed broad cross-reactivity to HIV-1 isolates MN, IIIB, JRcsf and NY-5 (subtype B), Z6 (subtype D), A244 (subtype E) and Z321 (subtype A). Sera of IIIB-rgp120 chimpanzees cross-reacted with 6/8 V3 peptides derived from HIV-1 isolates (MN, NY5, SF2, RF, CDC4 and IIIB). Human sera

only recognized 1/8 V3 peptides, HIV-1 MN. The magnitude, duration, avidity and half-life of IIIB-rgp120-specific Ab-responses were species specific. Sera derived from IIIB-rgp120-immunized humans and chimpanzees inhibited binding of both IIIB- and MN-derived rgp120 to cell-surface CD4. Berman *et al.* [1994] (**variant cross-recognition or cross-neutralization**)

No. 979

MAb ID polyclonal

HXB2 Location Env

Author Location gp120 (V3)

Epitope

Subtype A

Neutralizing

Immunogen vaccine

Vector/Type: hepatitis B surface antigen lipoprotein particles (HsBAG) *Strain:* A clade *HIV component:* CD4BS, V3 *Adjuvant:* Complete Freund's Adjuvant (CFA), Incomplete Freund's Adjuvant (IFA)

Species (Isotype) mouse

References Cruz *et al.* 2004

Keywords variant cross-recognition or cross-neutralization

- Vaccinations with either the subtype A V3 consensus in a Hepatitis B carrier protein, or a multiple antigen peptide (MAP) construct (mixotope) carrying some 5000 V3s representing the diversity of subtype A V3 loops, were compared. Each was combined with a C4 peptide spanning a region involved in CD4 binding. BALB/c mice were used for immunization. The consensus V3 gave higher and more cross-reactive responses than the mixotope. The mixotope response was restricted to the most conserved region of V3, while the consensus antibodies tended to recognize heptamers representing both sides and the tip of the loop. Antibodies against the C4 region were also raised. Cruz *et al.* [2004] (**variant cross-recognition or cross-neutralization**)

No. 980

MAb ID polyclonal

HXB2 Location Env

Author Location gp120 (IIIB)

Epitope

Subtype B

Neutralizing

Immunogen vaccine

Vector/Type: DNA with CMV promotor, modified vaccinia Ankara (MVA) *Strain:* B clade IIIB *HIV component:* gp120 *Adjuvant:* Cholera toxin (CT)

Species (Isotype) mouse (IgA, IgG, IgG1)

References Gherardi *et al.* 2004

Keywords adjuvant comparison, genital and mucosal immunity

- Env-specific IgG and IgA Abs were detected in vaginal washings of BALB/c mice (H-2Dd) following intranasal immunization of rMVA + CT in both MVA/MVA and DNA/MVA schemes. Coadministration of CT as adjuvant resulted in an

increased responses. Gherardi *et al.* [2004] (**adjuvant comparison, genital and mucosal immunity**)

No. 981
MAb ID polyclonal
HXB2 Location Env
Author Location
Epitope
Subtype B
Neutralizing yes
Immunogen SHIV infection
Species (Isotype) macaque
References Montefiori *et al.* 1998
Keywords variant cross-recognition or cross-neutralization

- Neutralizing antibody responses in rhesus macaques infected with SHIV variants HXB2, 89.6, and 89.6PD were studied. The SHIV infections resulted in induction of high-titer neutralizing Abs to homologous SHIV and HIV-1 strains; heterologous NAb responses were infrequent and only detected after 40 weeks of infection. Montefiori *et al.* [1998] (**variant cross-recognition or cross-neutralization**)

No. 982
MAb ID polyclonal
HXB2 Location Env
Author Location gp160 (IIIB)
Epitope
Subtype B
Neutralizing yes
Immunogen vaccine
Vector/Type: DNA prime with gp160 boost
Strain: B clade IIIB *HIV component:* gp160
Adjuvant: Incomplete Freund's Adjuvant (IFA), IL-12
Species (Isotype) macaque
References Rasmussen *et al.* 2002
Keywords adjuvant comparison, vaccine-induced epitopes

- DNA prime vaccinations by intradermal or gene-gun delivery were given to neonatal macaques, with or without IL-12, followed by boosting with gp160, or else gp160 was given without the DNA prime. Many of the animals had neutralizing antibodies against autologous Env, and no CTL was detected prior to challenge after DNA inoculation. Autologous SHIV-vpu+ challenge was contained in 4/15 DNA prime-gp160 boost-vaccinated macaques and in 3/4 animals only receiving gp160. Six animals that contained virus were rechallenged with autologous virus, and the virus was rapidly cleared. After an additional challenge with heterologous pathogenic SHIV 89.6P, 4/6 maintained low or limited viral infection and normal CD4 counts. Two animals gave evidence of Gag specific CTL and proliferative responses after pathogenic SHIV challenge with 89.6P, with no other evidence of infection. Rasmussen *et al.* [2002] (**adjuvant comparison, vaccine-induced epitopes**)

No. 983
MAb ID polyclonal
HXB2 Location Env
Author Location gp140 (SF162)

Epitope
Subtype B
Neutralizing yes
Immunogen vaccine
Vector/Type: DNA prime with protein boost
Strain: B clade SF162 *HIV component:* gp140, gp140ΔV2
Species (Isotype) macaque
Ab Type gp120 C5, gp120 C1-C2, gp120 CD4BS, gp120 V3, gp120 V1-V2
References Srivastava *et al.* 2003
Keywords vaccine antigen design, vaccine-induced epitopes

- Vaccination of macaques with SF162gp140 was compared with vaccination with SF162 deltaV2gp140. V1, V2, V3, CD4BS, C1 and C2 antibodies were elicited by the intact SF162, and the antibodies were able to neutralize some heterologous strains. Deletion of the V2 loop altered the response so that there was a higher ratio of CD4BS antibody made relative to V3 antibody, but did not increase overall amount of CD4BS antibodies. Antibodies against C5 were also elicited by the deltaV2 construct. Overall, the deltaV2 construct was better able to raise antibodies that could cross-neutralize heterologous strains. Using a cleaved versus fused form of gp120 altered the ratio of C1 to C5 antibodies raised, with more C5 response to the fused form. Srivastava *et al.* [2003] (**vaccine antigen design, vaccine-induced epitopes**)

No. 984
MAb ID polyclonal
HXB2 Location Env
Author Location gp120 (SF2)
Epitope
Subtype B
Neutralizing yes
Immunogen HIV-1 infection, vaccine
Vector/Type: protein *Strain:* B clade SF2
HIV component: gp120 *Adjuvant:* aluminum hydroxide, Incomplete Freund's Adjuvant (IFA), muramyl-dipeptide base adjuvant (Syntex)
Species (Isotype) human, baboon
References Steimer & Haigwood 1991
Keywords adjuvant comparison, vaccine antigen design, vaccine-specific epitope characteristics, variant cross-recognition or cross-neutralization

- Immunization with native glycosylated rgp120SF2 produced Abs directed against linear and conformational epitopes. Denatured, deglycosylated env2-3 (SF2) produced Abs against only linear determinants. Sera from 8/8 rgp120SF2 vs 3/8 env2-3SF2 immunized baboons cross-neutralized HIV-MN. Only 5/8 rgp120SF2 vaccinated animals had neutralizing activity against HIV-HTLV-IIIB and HIV-BRU. Abs from infected people who reacted with rgp120SF2 showed broad cross-neutralization of HIV-1MN, HIV-BRU, HIV-Zr6 and HIV-SF2 isolates, in comparison to env2-3(SF2)immunization, which only neutralized HIV-1 MN. Stronger neutralization potency of Ab responses was observed in baboons using Alum and MF101 as adjuvants. Steimer & Haigwood [1991] (**adjuvant comparison,**

vaccine antigen design, variant cross-recognition or cross-neutralization, vaccine-specific epitope characteristics)

No. 985
MAb ID polyclonal
HXB2 Location Env
Author Location gp120
Epitope
Neutralizing
Immunogen HIV-1 infection
Species (Isotype)

References Balzarini 2005

Keywords antibody binding site definition and exposure

- Author hypothesizes that resistance to drugs that target glycosylation sites of gp120 might stimulate deletions within the glycan shield, thus exposing novel epitopes that enhance neutralization susceptibility. Balzarini [2005] (**antibody binding site definition and exposure**)

No. 986
MAb ID polyclonal
HXB2 Location Env
Author Location gp120
Epitope
Subtype A
Neutralizing yes
Immunogen vaccine

Vector/Type: virus-like particle (VLP)
Strain: A clade 94UG018 *HIV component:* anchored gp120

Species (Isotype) mouse (IgA, IgG)

References Buonaguro *et al.* 2005

Keywords vaccine antigen design, variant cross-recognition or cross-neutralization

- The impact of vaccination routes was studied in BALB/c mice for clade A gp120 in VLPs. I.n. and i.p. vaccination gave a systemic and mucosal IgG and IgA response, and a CTL response. Higher specific IgA titers were detected in i.n. vaccinated mice, and CTL responses were stronger in the i.p. group. The oral route did not induce NAb responses. gp120-Env (V3 loop, TRPYNNTQRSTHIGPGQALYTTNIIGDIRQAHG) specific IgG and IgA Ab were detected at 1-2-dilution lower dilutions than p24 Abs. Neutralizing activity (>50%) against the autologous clade A Ugandan and a heterologous clade B Italian field isolate was observed. No adjuvants were used. Buonaguro *et al.* [2005] (**vaccine antigen design, variant cross-recognition or cross-neutralization**)

No. 987
MAb ID polyclonal
HXB2 Location Env
Author Location Env
Epitope
Subtype CRF02_AG
Neutralizing no
Immunogen vaccine

Vector/Type: virus-like particle (VLP), DNA prime with modified vaccinia Ankara (MVA) boost *Strain:* CRF02 IC0928 *HIV component:* Env, Gag, Pol

Species (Isotype) macaque (IgG)

References Ellenberger *et al.* 2005

Keywords vaccine antigen design, vaccine-specific epitope characteristics, variant cross-recognition or cross-neutralization

- Macaques were given a Gag-Pol-Env DNA prime followed by a MVA boost, comparing two DNA constructs, one that resulted mature VLPs with processed Gag (IC48) and one that had a point mutation in Gag that resulted in immature VLPs (IC1-90). Both vaccines gave antibody and T-cell responses to Env and Gag, although negligible neutralizing antibody responses were found. Autologous virus is difficult to neutralize, but the antibodies in the vaccinated macaques also did not neutralize the laboratory adapted B clade MN strain. Ellenberger *et al.* [2005] (**vaccine antigen design, variant cross-recognition or cross-neutralization, vaccine-specific epitope characteristics**)

No. 988
MAb ID polyclonal
HXB2 Location Env
Author Location
Epitope
Subtype A, B, C
Neutralizing P
Immunogen vaccine

Vector/Type: DNA, adenovirus *Strain:* B clade HXB2, A clade 92RW020, C clade 97ZA012 *HIV component:* gp140ΔCFI

Species (Isotype) guinea pig

Ab Type gp120 V3

References Chakrabarti *et al.* 2005

Keywords vaccine antigen design, vaccine-specific epitope characteristics, variant cross-recognition or cross-neutralization

- Guinea pigs were immunized with a hybrid HXB2/BaL Env (HIV HXB/BaL gp140δCFI, clade B) in which the tip of the V3 loop (GPGR) was replaced with the 2F5 epitope LELD-KWAS. 2F5 bound to the Env that carried the V3-replacement 2F5 epitope, but antibodies against this construct only neutralized the X4-tropic lab adapted HIV strain IIIIB, and not CCR5-HIV BaL or SF162 isolates. This immunogen, a single B clade immunogen, and a mixture of A + B + C clade envelopes, were compared. The single B clade immunogen had neutralizing activity against some B clade viruses. The A+B+C mixture was found to maintain the B clade responses, while eliciting NABs with greater breadth when tested against a panel 19 A, B and C clade primary isolates. Chakrabarti *et al.* [2005] (**vaccine antigen design, variant cross-recognition or cross-neutralization, vaccine-specific epitope characteristics**)

No. 989
MAb ID polyclonal
HXB2 Location Env
Author Location gp120
Epitope
Neutralizing
Immunogen vaccine

Vector/Type: virus-like particle (VLP)
Strain: B clade BaL *HIV component:* Env, Gag *Adjuvant:* block copolymer CRL8623

Species (Isotype) guinea pig

References Hammonds *et al.* 2005

Keywords adjuvant comparison, vaccine antigen design

- Adjuvanted (either with a block copolymer or with a CpG aluminum hydroxide adjuvant) pseudovirions and with a recombinant gp120 boost gave significant gp120-specific NAb responses to autologous virus relative to pseudoviruses alone and to 2/5 additional primary isolates (SS1196 and Pvo) tested. Hammonds *et al.* [2005] (**adjuvant comparison, vaccine antigen design**)

No. 990

MAb ID polyclonal

HXB2 Location Env

Author Location gp120

Epitope

Neutralizing

Immunogen vaccine

Vector/Type: protein *HIV component:* gp120 *Adjuvant:* C3d fusion, Ribl adjuvant (MPL+TDM) (RIBI)

Species (Isotype) mouse (IgG)

References Koch *et al.* 2005

Keywords adjuvant comparison

- Fusion of C3d repeats and the addition of Ribl adjuvant to gp120 variant glycoprotein (gp120 δ C1/C5(C3d)₂, enhanced gp120-specific Ab responses, but Ribl alone gave almost comparable enhancement. Thus C3d as an adjuvant may be of particular value when used alone in conditions where avoiding denaturation and preservation of the native structure is important. Koch *et al.* [2005] (**adjuvant comparison**)

No. 991

MAb ID polyclonal

HXB2 Location Env

Author Location Env (JRFT)

Epitope

Subtype B

Neutralizing

Immunogen vaccine

Vector/Type: adenovirus *Strain:* B clade JRFL *HIV component:* Gag, gp140

Species (Isotype) macaque

References Liang *et al.* 2005

Keywords vaccine antigen design, vaccine-induced epitopes

- 4/4 Mamu-A*01-negative rhesus monkeys that were vaccinated with gp140 and challenged intravenously with SHIV-89.6P produced significant neutralizing Ab titers by day 28 relative to other challenge groups, even though no pre-challenge NAb was detected, suggesting the existence of prechallenge memory neutralizing Ab responses. The viral set point was associated with the strength of the cellular immune response to Gag and Env, but not to Tat. Liang *et al.* [2005] (**vaccine antigen design, vaccine-induced epitopes**)

No. 992

MAb ID polyclonal

HXB2 Location Env

Author Location (MN)

Epitope

Neutralizing

Immunogen HIV-1 infection

Species (Isotype) human

References Raviv *et al.* 2005

Keywords vaccine antigen design

- Retrovirus inactivation for vaccine antigen delivery was explored through lipid modification by hydrophobic photoinduced alkylating probe 1.5 iodonaphthylazide (INA). The viral proteins were shown to be structurally intact in the treated non-infectious virus, through the preservation of antibody binding sites for polyclonal anti-gp120 serum, and for broadly neutralizing MAbs 2G12, b12 and 4E10, although the modifications of the lipid disabled viral infection. Raviv *et al.* [2005] (**vaccine antigen design**)

No. 993

MAb ID polyclonal

HXB2 Location Env

Author Location gp120

Epitope

Neutralizing

Immunogen

Species (Isotype)

References Rossi *et al.* 1989

Keywords mother-to-infant transmission

- Abs that bound to gp120 peptides were found to correlate with lack of transmission in infants less than 6 months old and born to HIV+ mothers. Maternal Abs to these same peptides were also enriched in mothers that did not transmit. Rossi *et al.* [1989] (**mother-to-infant transmission**)

No. 994

MAb ID polyclonal

HXB2 Location Env

Author Location gp41

Epitope

Neutralizing

Immunogen vaccine

Vector/Type: peptide *Adjuvant:* gp41 N-HR and C-HR helical peptides

Species (Isotype) rabbit (IgG)

Ab Type C-HR, N-HR, gp41six-helix bundle

References Golding *et al.* 2002b; de Rosny *et al.* 2001

- The fusion process was slowed by using a suboptimal temperature (31.5 C) to re-evaluate the potential of Abs targeting fusion intermediates to block HIV entry – preincubation of E/T cells at 31.5 C enabled polyclonal anti-N-HR Ab and anti-six-helix bundle Abs to inhibit fusion, indicating six-helix bundles form prior to fusion – the preincubation 31.5 C step did not alter anti-C-HR Abs inability to inhibit fusion. Golding *et al.* [2002b]
- A panel of Abs against gp41 heptad repeats N-HR, C-HR, and self-assembled stable N-HR and C-HR six helix bundles were generated. de Rosny *et al.* [2001]

No. 995

MAb ID 101-342

HXB2 Location Env

Author Location gp120 (476–505 HAM112, O group)

Epitope
Neutralizing
Immunogen vaccine
Vector/Type: protein *Strain:* O group
 HAM112 *HIV component:* gp160
Species (Isotype) mouse (IgG2aκ)
Ab Type C-term
References Scheffel *et al.* 1999
 • 101-342: Overlapping peptides based on group O HAM112 Env were tested for MAb reactivity. Scheffel *et al.* [1999]

No. 996
MAb ID 101-451
HXB2 Location Env
Author Location gp120 (498–527 HAM112, O group)
Epitope
Neutralizing
Immunogen vaccine
Vector/Type: protein *Strain:* O group
 HAM112 *HIV component:* gp160
Species (Isotype) mouse (IgG2bκ)
Ab Type C-term
References Scheffel *et al.* 1999
 • 101-451: Overlapping peptides based on group O HAM112 Env were tested for MAb reactivity. Scheffel *et al.* [1999]

No. 997
MAb ID 120-1
HXB2 Location Env
Author Location gp120 (503–532)
Epitope
Neutralizing no
Immunogen vaccine
Vector/Type: peptide
Species (Isotype) mouse (IgMκ)
Ab Type C-term
References Dalgleish *et al.* 1988; Chanh *et al.* 1986

No. 998
MAb ID T26
HXB2 Location Env
Author Location gp41
Epitope
Neutralizing
Immunogen vaccine
Vector/Type: protein
Species (Isotype) mouse
Ab Type C-term
Research Contact Patricia Earl, National Institute of Allergy and Infectious Diseases
References Kilgore *et al.* 2003; Earl *et al.* 1997; Earl *et al.* 1994
Keywords antibody binding site definition and exposure, antibody generation, variant cross-recognition or cross-neutralization

- T26: MAb is restricted in its binding to gp41 of the LAI isolate and not to gp41 of the MN, Ada and RF isolates. Antibody specificity may be determined by LAI residues D637E, N641D and H648Y. T26 binds to the N-terminal half of the C helix (aa630-680) of the LAI envelope, specifically targeting a conformational epitope within the six-helix bundle of gp41. Addition of the C-helical peptide inhibitor from LAI (T26 reactive) rescued the binding activity of MAb T26 to cell-surface expressed RF envelope (T26 non-reactive) triggered with sCD4 or cell-surface expressed receptors in a surface immunoprecipitation assay. This supports that C-peptide entry inhibitors bind to the gp41 N-helical coiled-coil, disrupting native six-helix bundles. Kilgore *et al.* [2003] (**antibody binding site definition and exposure**)
- T26: T26 was raised against the gp140 tetramer, binds to gp41 and is a highly strain specific. Earl *et al.* [1997] (**antibody binding site definition and exposure, variant cross-recognition or cross-neutralization**)
- T26: A panel of 138 MAb raised against different forms of soluble Env. Earl *et al.* [1994] (**antibody generation**)

No. 999
MAb ID D33
HXB2 Location Env
Author Location gp120 (IIIB)
Epitope
Neutralizing
Immunogen vaccine
Vector/Type: vaccinia *Strain:* B clade IIIB
HIV component: oligomeric gp140
Species (Isotype) mouse (IgG)
Ab Type gp120 CD4BS, C-term, N-term
Research Contact P. Earl, National Institute of Allergy and Infectious Diseases, NIH, Bethesda, MD
References Sugiura *et al.* 1999; Earl *et al.* 1994
 • D33: A comparison of 25 gp120 specific, conformation dependent MAbs was done – D33 is part of a group of MAbs labeled A1 – all A1 MAbs were broadly cross-reactive with gp160 from B-clade R5, X4, and R5X4 viruses, blocked CD4 binding, were sensitive to mutations in gp120 positions 368 and 370 that directly contact CD4 – D33 was unusual for the group of A1 MAbs, because while it blocked CD4 binding completely, but competed with MAbs that did not in a BIAcore assay – both the N- and C-terminal ends of gp120 are involved in D33 binding. Sugiura *et al.* [1999]
 • D33: Generated during a study of the influence of the oligomeric structure of Env in determining the repertoire of the Ab response. Earl *et al.* [1994]

No. 1000
MAb ID polyclonal
HXB2 Location Env
Author Location
Epitope
Neutralizing
Immunogen HIV-1 infection
Species (Isotype) human (IgA)
Ab Type gp120 CD4BS, C-term, gp120 V3-C4
References Vincent *et al.* 2004
Country France

Keywords genital and mucosal immunity

- IgA derived from sera and saliva from 5 HIV-1 infected patients undergoing ART therapy reacted to peptide antigens corresponding to the C3-V4 region of gp120 and the C-terminal part of gp41. HIV-1-specific IgA obtained in 6/26 sera and 5/25 saliva samples inhibited gp120-sCD4 protein binding. Vincent *et al.* [2004] (**genital and mucosal immunity**)

No. 1001

MAB ID 212A

HXB2 Location Env

Author Location gp120

Epitope

Neutralizing no

Immunogen HIV-1 infection

Species (Isotype) human

Ab Type gp120 C1

Research Contact James Robinson, Tulane University, LA

References Pantophlet *et al.* 2004; Pantophlet *et al.* 2003b; Binley *et al.* 1998; Sullivan *et al.* 1998b; Parren *et al.* 1997b; Wyatt *et al.* 1997; Ditzel *et al.* 1997; Fouts *et al.* 1997; Binley *et al.* 1997a; Moore & Sodroski 1996; Moore *et al.* 1994d; Robinson *et al.* 1992

Keywords vaccine antigen design

- 212A: By adding N-linked glycosylation sites to gp120, epitope masking of non-neutralizing epitopes can be achieved leaving the IgG1b12 binding site intact. This concept was originally tested with the addition of four glycosylation sites, but binding to b12 was reduced. It was modified here to exclude the C1 N-terminal region, and to include only three additional glycosylation sites. This modified protein retains full b12 binding affinity and it masks other potentially competing epitopes, and does not bind to 21 other MAbs to 7 epitopes on gp120, including 212A. Pantophlet *et al.* [2004] (**vaccine antigen design**)
- 212A: A gp120 molecule was designed to focus the immune response onto the IgG1b12 epitope. Ala substitutions that enhance the binding of IgG1b12 and reduce the binding of non-neutralizing MAbs were combined with additional N-linked glycosylation site sequons inhibiting binding of non-neutralizing MAbs; b12 bound to the mutated gp120. C1 and C5 were also removed, but this compromised b12 binding. Pantophlet *et al.* [2003b] (**vaccine antigen design**)
- 212A: A panel of MAbs were shown to bind with similar or greater affinity and similar competition profiles to a deglycosylated or variable loop deleted core gp120 protein (Delta V1, V2, and V3), thus such a core protein produces a structure closely approximating full length folded monomer. Binley *et al.* [1998]
- 212A: Does not compete with binding of MAb generated in response to gp120-CD4 complex, CG10. Sullivan *et al.* [1998b]
- 212A: Study shows neutralization is not predicted by MAb binding to JRFL monomeric gp120, but is associated with oligomeric Env binding – 212A bound monomer, did not bind oligomer or neutralize JRFL. Fouts *et al.* [1997]
- 212A: Does not neutralize TCLA strains or primary isolates. Parren *et al.* [1997b]
- 212A: Binds efficiently to sgp120 but not soluble gp120+gp41, suggesting its gp120 epitope is blocked by gp41 binding – does

not bind to HXBc2 gp120 if the 19 C-term amino acids are deleted. Wyatt *et al.* [1997]

- 212A: Binding enhanced by anti-V3 MAb 5G11 – reciprocal inhibition with anti-C1 MAbs. Moore & Sodroski [1996]
- 212A: Mutations that inhibit binding: C1 (45 W/S) and V5 (463 N/D) – and enhance binding: V2 (179/180 LD/DL) and C5 (495 G/K). Moore *et al.* [1994d]

No. 1002

MAB ID 522-149

HXB2 Location Env

Author Location gp120

Epitope

Neutralizing no

Immunogen vaccine

Vector/Type: protein *HIV component:* Env

Species (Isotype) mouse

Ab Type gp120 C1

Research Contact G. Robey, Abbott Inc.

References Pantophlet *et al.* 2004; Pantophlet *et al.* 2003b; Zwick *et al.* 2003; Yang *et al.* 2000; Binley *et al.* 1998; Trkola *et al.* 1996a; Moore & Sodroski 1996

Keywords antibody interactions, vaccine antigen design

- 522-149: By adding N-linked glycosylation sites to gp120, epitope masking of non-neutralizing epitopes can be achieved leaving the IgG1b12 binding site intact. This concept was originally tested with the addition of four glycosylation sites, but binding to b12 was reduced. It was modified here to exclude the C1 N-terminal region, and to include only three additional glycosylation sites. This modified protein retains full b12 binding affinity and it masks other potentially competing epitopes, and does not bind to 21 other MAbs to 7 epitopes on gp120, including 522-149. Pantophlet *et al.* [2004] (**vaccine antigen design**)
- 522-149: A gp120 molecule was designed to focus the immune response onto the IgG1b12 epitope. Ala substitutions that enhance the binding of IgG1b12 and reduce the binding of non-neutralizing MAbs were combined with additional N-linked glycosylation site sequons inhibiting binding of non-neutralizing MAbs; b12 bound to the mutated gp120. C1 and C5 were also removed, but this compromised b12 binding. Pantophlet *et al.* [2003b] (**vaccine antigen design**)
- 522-149: scFv 4KG5 reacts with a conformational epitope. Of a panel of MAbs tested, only NAb b12 enhanced 4KG5 binding to gp120. MAbs to the V2 loop, V3 loop, V3-C4 region, and CD4BS diminished binding, while MAbs directed against C1, CD4i, C5 regions didn't impact 4KG5 binding. These results suggest that the orientation or dynamics of the V1/V2 and V3 loops restricts CD4BS access on the envelope spike, and IgG1b12 can uniquely remain unaffected. This is a C1-binding Fab that had no impact on 4KG5 binding. Zwick *et al.* [2003] (**antibody interactions**)
- 522-149: A combination of gp41 fusion with the GNC4 trimeric sequences and disruption of the YU2 gp120-gp41 cleavage site resulted in stable gp140 trimers (gp140-GNC4) that preserve and expose some neutralizing epitopes while occluding some non-neutralizing epitopes – CD4BS MAbs (F105 and F91) and CD4i (17b and 48d) recognized gp140-GNC4 as well as gp120 or gp140 – non-neutralizing MAbs C11, A32,

522-149, M90, and #45 bound to the gp140-GNC4 glycoprotein at reduced levels compared to gp120 – MAbs directed at the extreme termini of gp120 C1 (135/9 and 133/290) and C5 (CRA-1 and M91) bound efficiently to gp140-GNC4. Yang *et al.* [2000]

- 522-149: A panel of MAbs were shown to bind with similar or greater affinity and similar competition profiles to a deglycosylated or variable loop deleted core gp120 protein (Delta V1, V2, and V3), thus such a core protein produces a structure closely approximating full length folded monomer. Binley *et al.* [1998]
- 522-149: Binding is enhanced by C5 antibodies M91 and 1C1 – mutual binding-inhibition with anti-C1 antibody 133/290 – binding is destroyed by a W/L (position 61, LAI) gp120 amino acid substitution – other C1 antibodies enhance binding to gp120. Moore & Sodroski [1996]
- 522-149: Does not neutralize JR-FL nor block gp120 interaction with CCR-5 in a MIP-1beta-CCR-5 competition study. Trkola *et al.* [1996a]

No. 1003

MAb ID CA1 (ARP3117)

HXB2 Location Env

Author Location Env

Epitope

Subtype A

Neutralizing

Immunogen vaccine

Vector/Type: vaccinia prime with gp120 boost

Strain: A clade *HIV component:* Env

Species (Isotype) mouse

Ab Type gp120 C1

References Jeffs *et al.* 2004

Keywords subtype comparisons, vaccine antigen design

- CA1: A set of oligomeric envelope proteins were made from six primary isolates for potential use as vaccine antigens: 92/UG/037 (clade A), HAN2/2 (clade B), 92/BR25/025 (clade C), 92/UG/021 (clade D), 93/BR/029 (clade F) and MVP5180 (clade O). This was one of a panel of MAbs used to explore folding and exposure of well characterized epitopes. The clade C isolate BR25 is apparently misfolded, as conformation-dependent antibodies did not bind to it. CA1 is a MAb that binds to a linear epitope in the C1 region of gp120 that was raised against clade A variant 92/UG/029. CA1 was subtype-specific and bound only to the antigen from all clade A. Polyclonal sera raised in rabbits against these antigens cross-bound the other antigens, but none of the sera had neutralizing activity. Jeffs *et al.* [2004] (**vaccine antigen design, subtype comparisons**)

No. 1004

MAb ID CA13 (ARP3119)

HXB2 Location Env

Author Location Env

Epitope

Subtype A

Neutralizing

Immunogen vaccine

Vector/Type: vaccinia prime with gp120 boost

Strain: A clade *HIV component:* Env

Species (Isotype) mouse

Ab Type gp120 C1

References Zipeto *et al.* 2005; Jeffs *et al.* 2004

Keywords subtype comparisons, vaccine antigen design

- CA13: MRC Centralized Facility for AIDS Reagents, NIBSC, UK, ARP3119.
- CA13: HIV-1 fusion complexes were prepared from cell lines expressing R5 HIV-1 gp120/gp41 and CD4-CCR5. Neutralizing Abs were raised against both R5 (strain BaL) and X4 (strain 213) viruses. CA13 was used to detect gp120/gp41. Zipeto *et al.* [2005] (**vaccine antigen design**)
- CA13: A set of oligomeric envelope proteins were made from six primary isolates for potential use as vaccine antigens: 92/UG/037 (clade A), HAN2/2 (clade B), 92/BR25/025 (clade C), 92/UG/021 (clade D), 93/BR/029 (clade F) and MVP5180 (clade O). This was one of a panel of MAbs used to explore folding and exposure of well characterized epitopes. The clade C isolate BR25 is apparently misfolded, as conformation-dependent antibodies did not bind to it. CA13 is a MAb that binds to a linear epitope in the C13 region of gp120 that was raised against clade A variant 92/UG/029. C13 bound to antigens from all clades A-F, as well as group O. Polyclonal sera raised in rabbits against these antigens cross-bound the other antigens, but none of the sera had neutralizing activity. Jeffs *et al.* [2004] (**vaccine antigen design, subtype comparisons**)

No. 1005

MAb ID L19

HXB2 Location Env

Author Location gp120 (HXBc2)

Epitope

Neutralizing

Immunogen HIV-1 infection

Species (Isotype) human (IgG1)

Ab Type gp120 C1

References Ditzel *et al.* 1997

- L19: gp120 immobilized on solid phase by capture with anti-CD4 BS MAb L72 was used for the selection of Fabs – six N-term Fabs, L19 L34, L35, L52, L59, and L69, were obtained that have a similar epitope to Fab p7. Ditzel *et al.* [1997]

No. 1006

MAb ID M90

HXB2 Location Env

Author Location gp120

Epitope

Neutralizing no

Immunogen vaccine

Vector/Type: protein *HIV component:* Env

Species (Isotype) (IgG1)

Ab Type gp120 C1

Research Contact Fulvia di Marzo Veronese

References Koefoed *et al.* 2005; Pantophlet *et al.* 2003b; Yang *et al.* 2000; Binley *et al.* 1999; Binley *et al.* 1998; Wyatt *et al.* 1997; Ditzel *et al.* 1997; Moore & Sodroski 1996; DeVico *et al.* 1995; di Marzo Veronese *et al.* 1992

Keywords antibody binding site definition and exposure

- M90: IgG antibody phage display libraries were created from HIV-1 + individuals after pre-selection of PBMC with gp120, as an alternative to using bone marrow for generating libraries. M90 was among a set of Abs used for competition studies to define the binding sites of the newly isolated MAbs, and has a conformational C1 epitope. Koefoed *et al.* [2005] (**antibody binding site definition and exposure**)
 - M90: A gp120 molecule was designed to focus the immune response onto the IgG1b12 epitope. Ala substitutions that enhance the binding of IgG1b12 and reduce the binding of non-neutralizing MAbs were combined with additional N-linked glycosylation site sequons inhibiting binding of non-neutralizing MAbs; b12 bound to the mutated gp120. C1 and C5 were also removed, but this compromised b12 binding. Pantophlet *et al.* [2003b]
 - M90: A combination of gp41 fusion with the GNC4 trimeric sequences and disruption of the YU2 gp120-gp41 cleavage site resulted in stable gp140 trimers (gp140-GNC4) that preserve and expose some neutralizing epitopes while occluding some non-neutralizing epitopes – CD4BS MAbs (F105 and F91) and CD4i (17b and 48d) recognized gp140-GNC4 as well as gp120 or gp140 – non-neutralizing MAbs C11, A32, 522-149, M90, and #45 bound to the gp140-GNC4 glycoprotein at reduced levels compared to gp120 – MAbs directed at the extreme termini of gp120 C1 (135/9 and 133/290) and C5 (CRA-1 and M91) bound efficiently to gp140-GNC4. Yang *et al.* [2000]
 - M90: The MAbs with the broadest neutralizing activity, IgG1b12, 2G12 and 2F5, all have high affinity for the native trimer, indicating that they were raised in an immune response to the oligomer on the virion surface rather than dissociated subunits – a disulfide linked gp120-gp41 (SOS gp140) was created to mimic the native conformation of Env and explore its potential as an immunogen – SOS gp140 is recognized by NAbs IgG1b12, 2G12, and CD4-IgG2, and also by anti-V3 MAbs 19b and 83.1 – SOSgp140 is not recognized by C4 region MAbs that neutralize only TCLA strains, G3-42 and G3-519 – nor did it bind C11, 23A, and M90, MAbs that bind to gp120 C1 and C5, where it interacts with gp41 – MAbs that bind CD4 inducible epitopes, 17b and A32 were very strongly induced by CD4 in SOS gp140 – anti-gp41 MAbs that bind in the region that interacts with gp120, 7B2, 2.2B, T4, T15G1 and 4D4, did not bind to SOSgp140, in contrast to 2F5, which binds to the only gp41 epitope that is well exposed in native gp120-gp41 complexes. Binley *et al.* [1999]
 - M90: A panel of MAbs were shown to bind with similar or greater affinity and similar competition profiles to a deglycosylated or variable loop deleted core gp120 protein (Delta V1, V2, and V3), thus such a core protein produces a structure closely approximating full length folded monomer. Binley *et al.* [1998]
 - M90: Binds efficiently to sgp120 but not soluble gp120+gp41, suggesting its gp120 epitope is blocked by gp41 binding – does not bind to HXBc2 gp120 if the 19 C-term amino acids, in conjunction with C1 positions 31-82, are deleted. Wyatt *et al.* [1997]
 - M90: Reciprocal inhibition of binding of other anti-C1 MAbs – inhibits CD4 binding site MAbs – enhances binding of V2 MAbs G3-4 and SC258. Moore & Sodroski [1996]
 - M90: Reacted with both non-reduced (but not denatured) covalently cross-linked gp120-CD4 complex. DeVico *et al.* [1995]
 - M90: Reactive only with native gp120, so binds to a discontinuous epitope – reacts with multiple strains. di Marzo Veronese *et al.* [1992]
- No.** 1007
MAb ID MAG 104
HXB2 Location Env
Author Location gp120
Epitope
Neutralizing no
Immunogen vaccine
Vector/Type: sCD4-gp120 complex *Strain:* B clade HXB2 *HIV component:* gp120
- Species (Isotype)** mouse
Ab Type gp120 C1
Research Contact C. Y. Kang, IDEC Inc
References Kang *et al.* 1994
- MAG 104: Only observed amino acid substitution that reduces binding: 88 N/P and 106 E/A – does not bind to C1 region 20 mer peptides, tentative classification conformationally sensitive anti-C1 MAb. Kang *et al.* [1994]
- No.** 1008
MAb ID MAG 45 (#45, MAG45)
HXB2 Location Env
Author Location gp120
Epitope
Neutralizing no
Immunogen vaccine
Vector/Type: sCD4-gp120 complex *Strain:* B clade HXB2 *HIV component:* gp120
- Species (Isotype)** mouse
Ab Type gp120 C1
Research Contact C. Y. Kang, IDEC Inc, or Dr. Hariharam, IDEC Pharmaceuticals Corporation, La Jolla, CA
References Koefoed *et al.* 2005; Yang *et al.* 2000; Wyatt *et al.* 1997; Moore & Sodroski 1996; Kang *et al.* 1994
- Keywords** antibody binding site definition and exposure
- MAG 45: IgG antibody phage display libraries were created from HIV-1 + individuals after pre-selection of PBMC with gp120, as an alternative to using bone marrow for generating libraries. MAG 45 was among a set of Abs used for competition studies to define the binding sites of the newly isolated MAbs, representing a MAb with a C1 epitope. Koefoed *et al.* [2005] (**antibody binding site definition and exposure**)
 - MAG 45: Called #45 – a combination of gp41 fusion with the GNC4 trimeric sequences and disruption of the YU2 gp120-gp41 cleavage site resulted in stable gp140 trimers (gp140-GNC4) that preserve and expose some neutralizing epitopes while occluding some non-neutralizing epitopes – CD4BS MAbs (F105 and F91) and CD4i (17b and 48d) recognized gp140-GNC4 as well as gp120 or gp140 – non-neutralizing MAbs C11, A32, 522-149, M90, and #45 bound to the gp140-GNC4 glycoprotein at reduced levels compared to gp120 – MAbs directed at the extreme termini of gp120 C1 (135/9

and 133/290) and C5 (CRA-1 and M91) bound efficiently to gp140-GNC4. Yang *et al.* [2000]

- MAG 45: Called #45 – binds to efficiently sgp120 but not soluble gp120+gp41, suggesting its gp120 epitope is blocked by gp41 binding – does not bind to HXBc2 gp120 if the 19 C-term amino acids, in conjunction with C1 positions 31-50, are deleted. Wyatt *et al.* [1997]
- MAG 45: Reciprocal binding inhibition with anti-C1-C5 and anti-C1-C4 discontinuous MAbs – binding enhanced by anti-V3 5G11 – inhibits binding of anti-CD4 binding site MAbs. Moore & Sodroski [1996]
- MAG 45: Only observed amino acid substitution that reduces binding: 88 N/P – does not bind to C1 region 20 mer peptides, tentative classification conformationally sensitive anti-C1 MAb. Kang *et al.* [1994]

No. 1009

MAb ID MAG 95

HXB2 Location Env

Author Location gp120

Epitope

Neutralizing no

Immunogen vaccine

Vector/Type: sCD4-gp120 complex Strain:
B clade HXB2 HIV component: gp120

Species (Isotype) mouse

Ab Type gp120 C1

Research Contact C. Y. Kang, IDEC Inc

References Kang *et al.* 1994

- MAG 95: Only observed amino acid substitution that reduces binding: 88 N/P – does not bind to C1 region 20 mer peptides, tentative classification conformationally sensitive anti-C1 MAb. Kang *et al.* [1994]

No. 1010

MAb ID MAG 97

HXB2 Location Env

Author Location gp120

Epitope

Neutralizing no

Immunogen vaccine

Vector/Type: sCD4-gp120 complex Strain:
B clade HXB2 HIV component: gp120

Species (Isotype) mouse

Ab Type gp120 C1

Research Contact C. Y. Kang, IDEC Inc

References Kang *et al.* 1994

- MAG 97: Only observed amino acid substitution that reduces binding: 88 N/P – does not bind to C1 region 20 mer peptides, tentative classification conformationally sensitive anti-C1 MAb. Kang *et al.* [1994]

No. 1011

MAb ID P35

HXB2 Location Env

Author Location Env

Epitope

Neutralizing

Immunogen

Species (Isotype) human

Ab Type gp120 C1

References Zwick *et al.* 2003; Kwong *et al.* 2002

Keywords antibody binding site definition and exposure, antibody interactions

- P35: called p35. scFv 4KG5 reacts with a conformational epitope. Of a panel of MAbs tested, only NAb b12 enhanced 4KG5 binding to gp120. MAbs to the V2 loop, V3 loop, V3-C4 region, and CD4BS diminished binding, while MAbs directed against C1, CD4i, C5 regions didn't impact 4KG5 binding. These results suggest that the orientation or dynamics of the V1/V2 and V3 loops restrict CD4BS access on the envelope spike, and IgG1b12 can uniquely remain unaffected. This is a C1-binding Fab with a discontinuous epitope that had no impact on 4KG5 binding. Zwick *et al.* [2003] (**antibody interactions**)
- P35: Thermodynamics of binding to gp120 was measured using isothermal titration calorimetry for sCD4, 17b, b12, 48d, F105, 2G12 and C11 to intact YU2 and the HXBc2 core. The free energy of binding was similar, and not only CD4 but MAb ligands induced thermodynamic changes in gp120 that were independent of whether the core or the full gp120 protein was used. Non-neutralizing CD4BS and CD4i MAbs had large entropy contributions to free energy (mean: 26.1 kcal/mol) of binding to the gp120 monomer, except the potent CD4BS neutralizing MAb b6 had a much smaller value of 5.7 kcal/mol. High values suggest surface burial or protein folding and ordering of amino acids. Variable loop MAbs (L17, L78, 19b, 39F, Ag1211, D0142, and G3-299) MAbs that bind to the N and C termini (211/c, A32, L100, P35, and C11) do not have dramatic entropy changes. These results suggest that while the trimeric Env complex has four surfaces, a non-neutralizing face (occluded on the oligomer), a variable face, a neutralizing face and a silent face (protected by carbohydrate masking), gp120 monomers further protect receptor binding sites by conformational or entropic masking, requiring a large energy handicap for Ab binding not faced by other anti-gp120 Abs. Authors describe the epitope as N-terminal, linear. Kwong *et al.* [2002] (**antibody binding site definition and exposure**)

No. 1012

MAb ID T9

HXB2 Location Env

Author Location gp41

Epitope

Neutralizing

Immunogen vaccine

HIV component: oligomeric gp140

Species (Isotype) mouse (IgG)

Ab Type gp120 C1

Research Contact Patricia Earl and Christopher Broder, NIH

References Golding *et al.* 2002b; Earl *et al.* 1997; Broder *et al.* 1994

Keywords antibody binding site definition and exposure, antibody generation, variant cross-recognition or cross-neutralization

- There are two HIV-Abs with the name T9, one binds to gp41, one to gp120.
- T9: The fusion process was slowed by using a suboptimal temperature (31.5 C) to re-evaluate the potential of Abs targeting fusion intermediates to block HIV entry – preincubation of E/T cells at 31.5 C enabled polyclonal anti-N-HR Ab and

anti-six-helix bundle Abs to inhibit fusion, indicating six-helix bundles form prior to fusion – the preincubation 31.5 C step did not alter the inhibitory activity of neutralizing Abs anti-gp41 2F5, or anti-gp120 2G12, IG1b12, 48d, and 17b – nor did it alter two gp41 MAbs, T9 and D61, inability to inhibit fusion. Golding *et al.* [2002b] (**antibody binding site definition and exposure**)

- T9: This antibody, along with 7 others (M10, D41, D54, T6, T4, T10 and T35), can block the linear murine MAb D61, and the human MAb 246-D, which both bind to the immunodominant region near the two Cys in gp41 – most of these antibodies are oligomer dependent – all of the MAbs are reactive with ten different HIV-1 strains – members of this competition group are blocked by sera from HIV-1 + individuals. Earl *et al.* [1997] (**antibody binding site definition and exposure**)
- T9: One of five MAbs (T4, T6, T9, T10 and T35) in a competition group that bind to a conformation-dependent epitope in gp41 and is oligomer specific – neutralizes IIIB and SF2. Broder *et al.* [1994] (**antibody generation, variant cross-recognition or cross-neutralization**)

No. 1013

MAb ID p7

HXB2 Location Env

Author Location gp120 (HXBc2)

Epitope

Neutralizing

Immunogen HIV-1 infection

Species (Isotype) human (IgG1)

Ab Type gp120 C1

References Parren *et al.* 1997b; Ditzel *et al.* 1997

- p7: gp120 immobilized on solid phase by capture with sCD4 was used for selection of Fabs – three novel N-term Fabs were obtained that bind to similar epitopes, p7, p20, and p35 – a C1 W/S substitution at position 45 abolished binding, a Y/D at position 45 reduced binding, and C5 region substitutions 475 M/S and 493 P/K enhanced binding – compete with MAbs M85, M90 and 212A, but not M91 and G3-299. Ditzel *et al.* [1997]
- p7: Does not neutralize TCLA strains or primary isolates. Parren *et al.* [1997b]

No. 1014

MAb ID L100

HXB2 Location Env

Author Location gp120 (HXBc2)

Epitope

Neutralizing

Immunogen HIV-1 infection

Species (Isotype) human (IgG1)

Ab Type gp120 C1-C2

References Kwong *et al.* 2002; Parren & Burton 1997; Parren *et al.* 1997b; Ditzel *et al.* 1997

Keywords antibody binding site definition and exposure, antibody generation, variant cross-recognition or cross-neutralization

- L100: Thermodynamics of binding to gp120 was measured using isothermal titration calorimetry for sCD4, 17b, b12, 48d, F105, 2G12 and C11 to intact YU2 and the HXBc2 core. The free energy of binding was similar, and not only CD4 but MAb

ligands induced thermodynamic changes in gp120 that were independent of whether the core or the full gp120 protein was used. Non-neutralizing CD4BS and CD4i MAbs had large entropy contributions to free energy (mean: 26.1 kcal/mol) of binding to the gp120 monomer, except the potent CD4BS neutralizing MAb b6 had a much smaller value of 5.7 kcal/mol. High values suggest surface burial or protein folding and ordering of amino acids. Variable loop MAbs (L17, L78, 19b, 39F, Ag1211, D0142, and G3-299) MAbs that bind to the N and C termini (211/c, A32, L100, P35, and C11) do not have dramatic entropy changes. These results suggest that while the trimeric Env complex has four surfaces, a non-neutralizing face (occluded on the oligomer), a variable face, a neutralizing face and a silent face (protected by carbohydrate masking), gp120 monomers further protect receptor binding sites by conformational or entropic masking, requiring a large energy handicap for Ab binding not faced by other anti-gp120 Abs. Authors describe the epitope as N-terminal, discontinuous. Kwong *et al.* [2002] (**antibody binding site definition and exposure**)

- L100: gp120 immobilized on solid phase by capture with sCD4 and then masked with Fab p7 allowed selection of a new Fab, L100, with a novel specificity for C1 and C2 – gp120 C1 substitutions 69 W/L and 76 P/Y abolish L100 binding, and C2 substitutions 252 R/W, 256 S/Y, 262 N/T and 267 E/L abolish or strongly inhibit L100 binding – inhibits binding of MAbs M90 and G3-299, but not M85, 212A, and M91. Ditzel *et al.* [1997]; Parren & Burton [1997] (**antibody binding site definition and exposure, antibody generation**)
- L100: Does not neutralize TCLA strains or primary isolates. Parren *et al.* [1997b] (**variant cross-recognition or cross-neutralization**)

No. 1015

MAb ID 2/11c (211c, 2.11c, 211/c, 2-11c)

HXB2 Location Env

Author Location gp120

Epitope

Neutralizing L (weak)

Immunogen HIV-1 infection

Species (Isotype) human

Ab Type gp120 C1-C4

Research Contact James Robinson, Tulane University, LA

References Kwong *et al.* 2002; Xiang *et al.* 2002a; Binley *et al.* 1998; Wyatt *et al.* 1997; Li *et al.* 1997; Fouts *et al.* 1997; Binley *et al.* 1997a; Trkola *et al.* 1996a; Moore & Sodroski 1996

Keywords antibody binding site definition and exposure

- 2/11c: Called 211/c. Thermodynamics of binding to gp120 was measured using isothermal titration calorimetry for sCD4, 17b, b12, 48d, F105, 2G12 and C11 to intact YU2 and the HXBc2 core. The free energy of binding was similar, and not only CD4 but MAb ligands induced thermodynamic changes in gp120 that were independent of whether the core or the full gp120 protein was used. Non-neutralizing CD4BS and CD4i MAbs had large entropy contributions to free energy (mean: 26.1 kcal/mol) of binding to the gp120 monomer, except the potent CD4BS neutralizing MAb b6 had a much smaller value of 5.7 kcal/mol. High values suggest surface burial or protein folding and ordering of amino acids. Variable loop MAbs (L17, L78, 19b, 39F, Ag1211, D0142, and G3-299)

MAbs that bind to the N and C termini (211/c, A32, L100, P35, and C11) do not have dramatic entropy changes. These results suggest that while the trimeric Env complex has four surfaces, a non-neutralizing face (occluded on the oligomer), a variable face, a neutralizing face and a silent face (protected by carbohydrate masking), gp120 monomers further protect receptor binding sites by conformational or entropic masking, requiring a large energy handicap for Ab binding not faced by other anti-gp120 Abs. Authors describe the epitope as N-terminus, discontinuous. Kwong *et al.* [2002] (**antibody binding site definition and exposure**)

- 2/11c: Used as a negative control in a study of CD4i MAbs. Xiang *et al.* [2002a]
- 2/11c: Called 211/c – a panel of MAbs were shown to bind with similar or greater affinity and similar competition profiles to a deglycosylated or variable loop deleted core gp120 protein (Delta V1, V2, and V3), thus such a core protein produces a structure closely approximating full length folded monomer. Binley *et al.* [1998]
- 2/11c: Study shows neutralization is not predicted by MAb binding to JRFL monomeric gp120, but is associated with oligomeric env binding – 2/11c bound monomer, did not bind oligomer or neutralize JRFL. Fouts *et al.* [1997]
- 2/11c: Called 2.11c – One of 14 human MAbs tested for ability to neutralize a chimeric SHIV-vpu+, which expressed HIV-1 IIIB env – 50% neutralization could not be achieved at a maximal concentration of 67 mug/ml. Li *et al.* [1997]
- 2/11c: Binds efficiently to sgp120 but not soluble gp120+gp41, suggesting its gp120 epitope is blocked by gp41 binding – does not bind to HXBc2 gp120 if the 19 C-term amino acids, in conjunction with C1 positions 31-74, are deleted. Wyatt *et al.* [1997]
- 2/11c: Inhibits binding of anti-C1, -C5, -C4, -V3 and anti-CD4 binding site MAbs – induces binding of some anti-V2 and CD4i MAbs (48d and 17b) – similar reactivity pattern to A32, but less cross-reactive and lower affinity – A32 and 211/c are unique among known human and rodent MAbs. Moore & Sodroski [1996]
- 2/11c: Called 211c – does not neutralize JR-FL nor block gp120 interaction with CCR-5 in a MIP-1beta-CCR-5 competition study. Trkola *et al.* [1996a]

No. 1016

MAb ID A32

HXB2 Location Env

Author Location gp120

Epitope

Neutralizing no

Immunogen HIV-1 infection

Species (Isotype) human (IgG1)

Ab Type gp120 C1-C4, gp120 adjacent to CD4BS

Research Contact James Robinson, Tulane University, New Orleans, LA, USA

References Selvarajah *et al.* 2005; Haynes *et al.* 2005; Pantophlet *et al.* 2004; Liao *et al.* 2004; Pantophlet *et al.* 2003b; Zwick *et al.* 2003; Kwong *et al.* 2002; Grundner *et al.* 2002; Yang *et al.* 2002; Finnegan *et al.* 2001; Yang *et al.* 2000; Binley *et al.* 1999; Binley *et al.* 1998; Sullivan *et al.* 1998b; Parren *et al.*

1997b; Boots *et al.* 1997; Wyatt *et al.* 1997; Burton & Montefiori 1997; Fouts *et al.* 1997; Binley *et al.* 1997a; Trkola *et al.* 1996a; Wu *et al.* 1996; Moore & Sodroski 1996; Moore & Ho 1995; Wyatt *et al.* 1995; Moore *et al.* 1994b

Keywords antibody binding site definition and exposure, antibody interactions, co-receptor, mimotopes, review, subtype comparisons, vaccine antigen design, vaccine-specific epitope characteristics, variant cross-recognition or cross-neutralization

- A32: Of 35 Env-specific MAbs tested, only 2F5, 4E10, IgG1b12, and two CD4BS adjacent MAbs (A32 and 1.4G) and gp41 MAbs (2.2B and KU32) had binding patterns suggesting polyspecific autoreactivity, and similar reactivities may be difficult to induce with vaccines because of elimination of such autoreactivity. Haynes *et al.* [2005] (**antibody binding site definition and exposure**)
- A32: Antigens were designed to attempt to target immune responses toward the IgG1b12 epitope, while minimizing antibody responses to less desirable epitopes. One construct had a series of substitutions near the CD4 binding site (GDMR), the other had 7 additional glycans (mCHO). The 2 constructs did not elicit b12-like neutralizing antibodies, but both antigens successfully dampened other responses that were intended to be dampened while not obscuring b12 binding. V1/V2/V3 MAb 4KG2, C1-C4 MAb A32, C1-C5 MAb C11, and HIVIG all either did not bind or had significantly diminished binding to both antigen constructs. Selvarajah *et al.* [2005] (**vaccine antigen design, vaccine-specific epitope characteristics**)
- A32: A32-rgp120 complexes opened up the CCR5 co-receptor binding site, but did not induce neutralizing antibodies with greater breadth among B subtype isolates than did uncomplexed rgp120 in vaccinated guinea pigs. Liao *et al.* [2004] (**vaccine antigen design**)
- A32: By adding N-linked glycosylation sites to gp120, epitope masking of non-neutralizing epitopes can be achieved leaving the IgG1b12 binding site intact. This concept was originally tested with the addition of four glycosylation sites, but binding to b12 was reduced. It was modified here to exclude the C1 N-terminal region, and to include only three additional glycosylation sites. This modified protein retains full b12 binding affinity and it masks other potentially competing epitopes, and does not bind to 21 other MAbs to 7 epitopes on gp120, including A32. Pantophlet *et al.* [2004] (**vaccine antigen design**)
- A32: A gp120 molecule was designed to focus the immune response onto the IgG1b12 epitope. Ala substitutions that enhance the binding of IgG1b12 and reduce the binding of non-neutralizing MAbs were combined with additional N-linked glycosylation site sequons inhibiting binding of non-neutralizing MAbs; b12 bound to the mutated gp120. C1 and C5 were also removed, but this compromised b12 binding. Pantophlet *et al.* [2003b] (**vaccine antigen design**)
- A32: scFv 4KG5 reacts with a conformational epitope. Of a panel of MAbs tested, only NAb b12 enhanced 4KG5 binding to gp120. MAbs to the V2 loop, V3 loop, V3-C4 region, and CD4BS diminished binding, while MAbs directed against C1, CD4i, C5 regions didn't impact 4KG5 binding. These results

- suggest that the orientation or dynamics of the V1/V2 and V3 loops restricts CD4BS access on the envelope spike, and IgG1b12 can uniquely remain unaffected. A32 is described as having a C1-C4 discontinuous CD4i epitope, and had no impact on 4KG5 binding. Zwick *et al.* [2003] (**antibody interactions**)
- A32: HIV-1 gp160deltaCT (cytoplasmic tail-deleted) proteoliposomes (PLs) containing native, trimeric envelope glycoproteins from R5 strains YU2 and JRFL, and X4 strain HXBc2, were made in a physiologic membrane setting as candidate immunogens for HIV vaccines – 2F5 bound to gp160deltaCT with a reconstituted membrane ten-fold better than the same protein on beads – anti-CD4BS MAbs IgG1b12 and F105, A32 (C1-C4), C11 (C1-C5), and 39F (V3) MAbs bound gp160deltaCT PLs indistinguishably from gp160deltaCT expressed on the cell surface – non-neutralizing MAbs C11 and A32 bound with lower affinity than NAb IgG1b12 – the MAb 17b was sCD4 inducible on gp160deltaCT PL. Grundner *et al.* [2002] (**vaccine antigen design**)
 - A32: Thermodynamics of binding to gp120 was measured using isothermal titration calorimetry for sCD4, 17b, b12, 48d, F105, 2G12 and C11 to intact YU2 and the HXBc2 core. The free energy of binding was similar, and not only CD4 but MAb ligands induced thermodynamic changes in gp120 that were independent of whether the core or the full gp120 protein was used. Non-neutralizing CD4BS and CD4i MAbs had large entropy contributions to free energy (mean: 26.1 kcal/mol) of binding to the gp120 monomer, except the potent CD4BS neutralizing MAb b6 had a much smaller value of 5.7 kcal/mol. High values suggest surface burial or protein folding and ordering of amino acids. Variable loop MAbs (L17, L78, 19b, 39F, Ag1211, D0142, and G3-299) MAbs that bind to the N and C termini (211/c, A32, L100, P35, and C11) do not have dramatic entropy changes. These results suggest that while the trimeric Env complex has four surfaces, a non-neutralizing face (occluded on the oligomer), a variable face, a neutralizing face and a silent face (protected by carbohydrate masking), gp120 monomers further protect receptor binding sites by conformational or entropic masking, requiring a large energy handicap for Ab binding not faced by other anti-gp120 Abs. Authors describe the epitope as N-terminal, discontinuous. Kwong *et al.* [2002] (**antibody binding site definition and exposure**)
 - A32: Uncleaved soluble gp140 (YU2 strain, R5 primary isolate) can be stabilized in an oligomer by fusion with a C-term trimeric GCN4 motif or using a T4 trimeric motif derived from T4 bacteriophage fibrin – stabilized oligomer gp140 delta683(-FT) showed strong preferential recognition by NAb IgG1b12 and 2G12 relative to the gp120 monomer, in contrast to poorly neutralizing MAbs F105, F91, 17b, 48d, and 39F which showed reduced levels of binding, and C11, A32, and 30D which did not bind the stabilized oligomer. Yang *et al.* [2002] (**antibody binding site definition and exposure**)
 - A32: Using a cell-fusion system, it was found CD4i antibodies 17b, 48d, and CG10 reacted faintly with Env expressing HeLa cells even in the absence of sCD4 or CD4 expressing target cells. Reactivity increased after sCD4 addition, but not after CD4 expressing target cell addition, and binding was not increased at the cell-to-cell CD4-Env interface. This suggests the CD4i co-receptor binding domain is largely blocked at the cell-fusion interface, and so CD4i antibodies would not be able access this site and neutralize cell-mediated viral entry. However, CD4i MAbs 8F101 and A32, that bind outside the co-receptor domain, had a different pattern. They reacted after the formation of gp120-CD4-CXCR4 tri-complexes, so co-receptor interactions allowed exposure of their epitopes. Finnegan *et al.* [2001] (**antibody binding site definition and exposure**)
 - A32: A combination of gp41 fusion with the GNC4 trimeric sequences and disruption of the YU2 gp120-gp41 cleavage site resulted in stable gp140 trimers (gp140-GNC4) that preserve and expose some neutralizing epitopes while occluding some non-neutralizing epitopes – CD4BS MAbs (F105 and F91) and CD4i (17b and 48d) recognized gp140-GNC4 as well as gp120 or gp140 – non-neutralizing MAbs C11, A32, 522-149, M90, and #45 bound to the gp140-GNC4 glycoprotein at reduced levels compared to gp120 – MAbs directed at the extreme termini of gp120 C1 (135/9 and 133/290) and C5 (CRA-1 and M91) bound efficiently to gp140-GNC4. Yang *et al.* [2000] (**vaccine antigen design**)
 - A32: The MAbs with the broadest neutralizing activity, IgG1b12, 2G12 and 2F5, all have high affinity for the native trimer, indicating that they were raised in an immune response to the oligomer on the virion surface rather than dissociated subunits – a disulfide linked gp120-gp41 (SOS gp140) was created to mimic the native conformation of Env and explore its potential as an immunogen – SOS gp140 is recognized by NAb IgG1b12, 2G12, and CD4-IgG2, and also by anti-V3 MAbs 19b and 83.1 – SOSgp140 is not recognized by C4 region MAbs that neutralize only TCLA strains, G3-42 and G3-519 – nor did it bind C11, 23A, and M90, MAbs that bind to gp120 C1 and C5, where it interacts with gp41 – MAbs that bind CD4 inducible epitopes, 17b and A32 were very strongly induced by CD4 in SOS gp140 – anti-gp41 MAbs that bind in the region that interacts with gp120, 7B2, 2.2B, T4, T15G1 and 4D4, did not bind to SOSgp140, in contrast to 2F5, which binds to the only gp41 epitope that is well exposed in native gp120-gp41 complexes. Binley *et al.* [1999] (**antibody binding site definition and exposure**)
 - A32: A panel of MAbs were shown to bind with similar or greater affinity and similar competition profiles to a deglycosylated or variable loop deleted core gp120 protein (Delta V1, V2, and V3), thus such a core protein produces a structure closely approximating full length folded monomer. Binley *et al.* [1998] (**antibody binding site definition and exposure**)
 - A32: Enhances binding of CD4i MAbs 17b and 48d, and a MAb generated in response to gp120-CD4 complex, CG10. Sullivan *et al.* [1998b] (**antibody interactions**)
 - A32: Abs that recognize discontinuous epitopes can identify mimotopes from a phage peptide display library – A32 has a unique epitope involving mostly C2 but C1 and C4 contribute – six quite variable phage inserts were recognized, with a consensus of LPWYN – a central Trp was the most conserved element, consistent with W427 being an important residue for binding gp120. Boots *et al.* [1997] (**antibody binding site definition and exposure, mimotopes**)
 - A32: Review. Burton & Montefiori [1997] (**review**)
 - A32: Study shows neutralization is not predicted by MAb binding to JRFL monomeric gp120, but is associated with oligomeric env binding – A32 bound monomer, did not bind

- oligomer or neutralize JRFL. Fouts *et al.* [1997] (**antibody binding site definition and exposure**)
- A32: Does not neutralize TCLA strains or primary isolates. Parren *et al.* [1997b] (**variant cross-recognition or cross-neutralization**)
 - A32: Binds efficiently to sgp120 but not soluble gp120+gp41, suggesting its gp120 epitope is blocked by gp41 binding. Wyatt *et al.* [1997] (**antibody binding site definition and exposure**)
 - A32: Reciprocal inhibition of binding of anti-C1, -C5, -C4, -V3 and anti-CD4 binding site MAbs – induces binding of some anti-V2 and sCD4 inducible MAbs (48d and 17b) – very similar competition pattern between 2/11c, A32 and 211/c are unique among known human and rodent MAbs. Moore & Sodroski [1996] (**antibody binding site definition and exposure, antibody interactions**)
 - A32: Does not neutralize JR-FL, or any strain strongly – partial inhibition of gp120 interaction with CCR-5 in a MIP-1beta-CCR-5 competition study. Trkola *et al.* [1996a] (**co-receptor**)
 - A32: Not neutralizing – binds domains that interact with gp41 – MIP-1alpha binding to CCR-5 expressing cells can be inhibited by gp120-sCD4 and binding of A32 does not block this inhibition. Wu *et al.* [1996] (**antibody binding site definition and exposure**)
 - A32: Review: epitope is distinct from CD4BS MAbs, 48d and 17b, and 2G12. Moore & Ho [1995] (**antibody binding site definition and exposure**)
 - A32: Epitope is better exposed upon CD4 binding to gp120 – binding of A32 enhances binding of 48d and 17b – studies using a V1/V2 deletion mutant demonstrated that enhanced binding of 48d in the presence sCD4 involves the V1/V2 loops, with more significant involvement of V2. Wyatt *et al.* [1995] (**antibody binding site definition and exposure, antibody interactions**)
 - A32: Reacted with virtually every gp120 monomer of every clade tested, most conserved gp120 monomer epitope known. Moore *et al.* [1994b] (**variant cross-recognition or cross-neutralization, subtype comparisons**)
 - C11: Of 35 Env-specific MAbs tested, only 2F5, 4E10, IgG1b12, and two CD4BS adjacent MAbs (A32 and 1.4G) and gp41 MAbs (2.2B and KU32) had binding patterns suggesting polyspecific autoreactivity, and similar reactivities may be difficult to induce with vaccines because of elimination of such autoreactivity. C11 has no indication of polyspecific autoreactivity. Haynes *et al.* [2005]
 - C11: Antigens were designed to attempt to target immune responses toward the IgG1b12 epitope, while minimizing antibody responses to less desirable epitopes. One construct had a series of substitutions near the CD4 binding site (GDMR), the other had 7 additional glycans (mCHO). The 2 constructs did not elicit b12-like neutralizing antibodies, but both antigens successfully dampened other responses that were intended to be dampened while not obscuring b12 binding. V1/V2/V3 MAb 4KG2, C1-C4 MAb A32, C1-C5 MAb C11, and HIVIG all either did not bind or had significantly diminished binding to both antigen constructs. Selvarajah *et al.* [2005] (**vaccine antigen design, vaccine-specific epitope characteristics**)
 - C11: By adding N-linked glycosylation sites to gp120, epitope masking of non-neutralizing epitopes can be achieved leaving the IgG1b12 binding site intact. This concept was originally tested with the addition of four glycosylation sites, but binding to b12 was reduced. It was modified here to exclude the C1 N-terminal region, and to include only three additional glycosylation sites. This modified protein retains full b12 binding affinity and it masks other potentially competing epitopes, and does not bind to 21 other MAbs to 7 epitopes on gp120, including C11. Pantophlet *et al.* [2004]
 - C11: Env genes derived from uncultured brain biopsy samples from four HIV-1 infected patients with late-stage AIDS were compared to env genes from PBMC samples. Brain isolates did not differ in the total number or positions of N-glycosylation sites, patterns of coreceptor usage, or ability to be recognized by gp160 and gp41 MAbs. C11 recognized most variants, some from each of the four individuals, by gp120 immunoprecipitation. Ohagen *et al.* [2003]
 - C11: A gp120 molecule was designed to focus the immune response onto the IgG1b12 epitope. Ala substitutions that enhance the binding of IgG1b12 and reduce the binding of non-neutralizing MAbs were combined with additional N-linked glycosylation site sequons inhibiting binding of non-neutralizing MAbs; b12 bound to the mutated gp120. C1 and C5 were also removed, but this compromised b12 binding. Pantophlet *et al.* [2003b]
 - C11: This paper shows that binding of CD4BS MAbs to Env blocks the conformational shift that allows co-receptor CCR5 binding and CD4-independent mediated cell fusion. C11 was used as a negative control, as C11 binding did not alter binding of CD4-independent gp120 to CCR5, nor binding to CCR5-expressing Cf2Th cells. Raja *et al.* [2003]
 - C11: gp120 mutants were used to define the CXCR4 binding site using CXCR4 displayed on paramagnetic proteoliposomes (PMPLs) to reduce non-specific gp120 binding – basic residues in the V3 loop and the beta19 strand (RIKQ, positions 419-422) were involved, and deletion of the V1-V2 loops allowed CD4-independent CXCR4 binding – MAbs 17b (CD4i) and F105 (CD4BS) were used to study conformational changes in

No. 1017

Mab ID C11 (c11)

HXB2 Location Env

Author Location gp120

Epitope

Neutralizing no

Immunogen HIV-1 infection

Species (Isotype) human

Ab Type gp120 C1-C5

Research Contact James Robinson, Tulane University, LA

References Selvarajah *et al.* 2005; Haynes *et al.* 2005; Pantophlet *et al.* 2004; Pantophlet *et al.* 2003b; Ohagen *et al.* 2003; Raja *et al.* 2003; Kwong *et al.* 2002; Basmaciogullari *et al.* 2002; Grundner *et al.* 2002; Yang *et al.* 2002; Binley *et al.* 1999; Sullivan *et al.* 1998b; Parren *et al.* 1997b; Wyatt *et al.* 1997; Fouts *et al.* 1997; Binley *et al.* 1997a; Wu *et al.* 1996; Trkola *et al.* 1996a; Moore & Sodroski 1996; Moore *et al.* 1994d; Robinson *et al.* 1992

Keywords vaccine antigen design, vaccine-specific epitope characteristics

- the mutants – C11 was used to detect gp120 binding to CXCR4 or CCR5 on PMPLs. Basmaciogullari *et al.* [2002]
- C11: HIV-1 gp160deltaCT (cytoplasmic tail-deleted) proteoliposomes (PLs) containing native, trimeric envelope glycoproteins from R5 strains YU2 and JRFL, and X4 strain HXBc2, were made in a physiologic membrane setting as candidate immunogens for HIV vaccines – 2F5 bound to gp160deltaCT with a reconstituted membrane ten-fold better than the same protein on beads – anti-CD4BS MAbs IgG1b12 and F105, A32 (C1-C4), C11 (C1-C5), and 39F (V3) MAbs bound gp160deltaCT PLs indistinguishably from gp160deltaCT expressed on the cell surface – non-neutralizing MAbs C11 and A32 bound with lower affinity than NAb IgG1b12 – the MAb 17b was sCD4 inducible on gp160deltaCT PL. Grundner *et al.* [2002]
 - C11: Thermodynamics of binding to gp120 was measured using isothermal titration calorimetry for sCD4, 17b, b12, 48d, F105, 2G12 and C11 to intact YU2 and the HXBc2 core. The free energy of binding was similar, and not only CD4 but MAb ligands induced thermodynamic changes in gp120 that were independent of whether the core or the full gp120 protein was used. Non-neutralizing CD4BS and CD4i MAbs had large entropy contributions to free energy (mean: 26.1 kcal/mol) of binding to the gp120 monomer, except the potent CD4BS neutralizing MAb b6 had a much smaller value of 5.7 kcal/mol. High values suggest surface burial or protein folding and ordering of amino acids. Variable loop MAbs (L17, L78, 19b, 39F, Ag1211, D0142, and G3-299) MAbs that bind to the N and C termini (211/c, A32, L100, P35, and C11) do not have dramatic entropy changes. These results suggest that while the trimeric Env complex has four surfaces, a non-neutralizing face (occluded on the oligomer), a variable face, a neutralizing face and a silent face (protected by carbohydrate masking), gp120 monomers further protect receptor binding sites by conformational or entropic masking, requiring a large energy handicap for Ab binding not faced by other anti-gp120 Abs. Authors describe the epitope as N-term and C-term binding. Kwong *et al.* [2002]
 - C11: Uncleaved soluble gp140 (YU2 strain, R5 primary isolate) can be stabilized in an oligomer by fusion with a C-term trimeric GCN4 motif or using a T4 trimeric motif derived from T4 bacteriophage fibrin – stabilized oligomer gp140 delta683(-FT) showed strong preferential recognition by NAb IgG1b12 and 2G12 relative to the gp120 monomer, in contrast to poorly neutralizing MAbs F105, F91, 17b, 48d, and 39F which showed reduced levels of binding, and C11, A32, and 30D which did not bind the stabilized oligomer. Yang *et al.* [2002]
 - C11: The MAbs with the broadest neutralizing activity, IgG1b12, 2G12 and 2F5, all have high affinity for the native trimer, indicating that they were raised in an immune response to the oligomer on the virion surface rather than dissociated subunits – a disulfide linked gp120-gp41 (SOS gp140) was created to mimic the native conformation of Env and explore its potential as an immunogen – SOS gp140 is recognized by NAb IgG1b12, 2G12, and CD4-IgG2, and also by anti-V3 MAbs 19b and 83.1 – SOSgp140 is not recognized by C4 region MAbs that neutralize only TCLA strains, G3-42 and G3-519 – nor did it bind C11, 23A, and M90, MAbs that bind to gp120 C1 and C5, where it interacts with gp41 – MAbs that bind CD4 inducible epitopes, 17b and A32 were very strongly induced by CD4 in SOS gp140 – anti-gp41 MAbs that bind in the region that interacts with gp120, 7B2, 2.2B, T4, T15G1 and 4D4, did not bind to SOSgp140, in contrast to 2F5, which binds to the only gp41 epitope that is well exposed in native gp120-gp41 complexes. Binley *et al.* [1999]
 - C11: Does not compete with binding of MAb generated in response to gp120-CD4 complex, CG10. Sullivan *et al.* [1998b]
 - C11: Study shows neutralization is not predicted by MAb binding to JRFL monomeric gp120, but is associated with oligomeric Env binding – C11 bound monomer, did not bind oligomer or neutralize JRFL. Fouts *et al.* [1997]
 - C11: Does not neutralize TCLA strains or primary isolates. Parren *et al.* [1997b]
 - C11: Binds efficiently to sgp120 but not soluble gp120+gp41, suggesting its gp120 epitope is blocked by gp41 binding – partial re-exposure if sCD4 was bound – does not bind to HXBc2 gp120 if the 19 C-term amino acids are deleted. Wyatt *et al.* [1997]
 - C11: Binding enhanced by anti-V3 MAb 5G11 – reciprocal inhibition with anti-C1 MAbs. Moore & Sodroski [1996]
 - C11: Does not neutralize JR-FL nor block gp120 interaction with CCR-5 in a MIP-1beta-CCR-5 competition study. Trkola *et al.* [1996a]
 - C11: Did not block ability of gp120-sCD4 complexes to inhibit MIP-1alpha binding – binds to gp41-binding domain. Wu *et al.* [1996]
 - C11: Mutations that inhibit binding: C1 (45 W/S, 88 N/P) – V5 (463 N/D) – and C5 (491 I/F, 493 P/K and 495 G/K) and enhance binding: C1 (36 V/L) – V1-V2 (152/153 GE/SM) – and DeltaV1/V2/V3. Moore *et al.* [1994d]
- No.** 1018
MAb ID L81
HXB2 Location Env
Author Location gp120
Epitope
Neutralizing no
Immunogen HIV-1 infection
Species (Isotype) human (IgG1)
Ab Type gp120 C1-C5
References Parren *et al.* 1997b; Ditzel *et al.* 1997
- L81: gp120 immobilized on solid phase by capture with anti-CD4 BS MAb L72 was used for selection of Fabs – L81 binding is abolished by C1 substitution 45 W/S, C5 substitution 491 I/F, and C3 substitution L/A. Ditzel *et al.* [1997]
 - L81: Does not neutralize TCLA strains or primary isolates. Parren *et al.* [1997b]
- No.** 1019
MAb ID B2C
HXB2 Location Env
Author Location gp120 (HIV2ROD)
Epitope HYQ (core)
Neutralizing L
Immunogen vaccine
Vector/Type: peptide *Strain:* HIV-2 ROD
Species (Isotype) mouse
Ab Type gp120 C3
References Matsushita *et al.* 1995

- B2C: Viral neutralization was type-specific for HIV-2 ROD. Matsushita *et al.* [1995]

No. 1020
MAb ID polyclonal
HXB2 Location Env
Author Location
Epitope
Neutralizing P
Immunogen HIV-1 infection
Species (Isotype) human (IgG)
Ab Type gp120 C3
References Wang *et al.* 2002b

- Autologous NABs were studied in 3 patients on HAART that rebounded – phylogenetic analysis of env (V1-V5) sequences indicated that rebound viruses had evolved from or preexisted in baseline populations – HIV-1 rebound viruses from all 3 patients were resistant to neutralization by autologous IgG, unlike the baseline viruses – mutations in the C3 region was responsible for conferring neutralization resistance against autologous antibody in 2 of 3 patients. Wang *et al.* [2002b]

No. 1021
MAb ID 1024
HXB2 Location Env
Author Location gp120
Epitope
Neutralizing
Immunogen
Species (Isotype)
Ab Type gp120 C4
References Berman *et al.* 1997

- 1024: Binds to 1/7 isolates from breakthrough cases from a MN gp120 vaccine trial. Berman *et al.* [1997]

No. 1022
MAb ID 4KG5
HXB2 Location Env
Author Location gp120 (JR-FL)
Epitope
Neutralizing no
Immunogen HIV-1 infection
Species (Isotype) human (IgG)
Ab Type gp120 C4, gp120 V3, gp120 V1-V2
References Selvarajah *et al.* 2005; Zwick *et al.* 2003

- Keywords** antibody binding site definition and exposure, antibody generation, antibody interactions, structure, vaccine antigen design, vaccine-specific epitope characteristics, variant cross-recognition or cross-neutralization
- 4KG5: Antigens were designed to attempt to target immune responses toward the IgG1b12 epitope, while minimizing antibody responses to less desirable epitopes. One construct had a series of substitutions near the CD4 binding site (GDMR), the other had 7 additional glycans (mCHO). The 2 constructs did not elicit b12-like neutralizing antibodies, but both antigens successfully dampened other responses that were intended to be dampened while not obscuring b12 binding. V1/V2/V3 MAb 4KG2, C1-C4 MAb A32, C1-C5 MAb C11, and HIVIG all either did not bind or had significantly diminished binding

to both antigen constructs. Selvarajah *et al.* [2005] (**vaccine antigen design, vaccine-specific epitope characteristics**)

- 4KG5: 4KG5, a single-chain Fv (scFv), reacts with a conformational epitope that is formed by the V1, V2 and V3 loops and the bridging sheet (C4) region of gp120 and is influenced by carbohydrates. 4KG5 was derived from the serum of HIV-1 infected patient FDA2, who showed broad neutralizing activity, but is not itself neutralizing. Denaturation of gp120 abolished binding of 4KG5 and Fab b12. Additionally, binding of 4KG5 was abrogated when any of the V1, V2 or V3 loops were deleted. Of a panel of Abs tested, only NAb b12 enhanced 4KG5 binding to gp120 JR-FL. MAbs to the following regions diminished or abrogated binding: V2 loop MAbs (G3-4, G3-136), V3 loop MAbs (19b, 447-52D, hNM01, AH48, loop2, F425 B4e8, 694-88D), V3-C4 (G3-299, G3-42, G3-519, G3-537), CD4BS (b6, b3, F91, F105, 15e, L33, 1008-D, 654-30D, 559-64D, 1027-30D, Ia3, Ia7, FG39, Fbb14). MAbs directed against C1, CD4i, C5 regions didn't impact 4KG5 binding. These results suggest that the orientation or dynamics of the V1, V2 and V3 loops restricts CD4BS access on the envelope spike, and IgG1b12 can uniquely remain unaffected by these loops. 4KG5 recognized HIV-1 envelope proteins derived from JR-FL, JR-CSF, BaL, ADA and R2, but not MN, DH123, HxB2, YU2, SF2 and 89.6. Binding of 4KG5 to different strains of HIV-1 env is probably due to sequence differences in V3 and C4, rather than V1 or V2. Zwick *et al.* [2003] (**antibody binding site definition and exposure, antibody generation, antibody interactions, variant cross-recognition or cross-neutralization, structure**)

No. 1023
MAb ID 23A (2.3A)
HXB2 Location Env
Author Location gp120
Epitope
Neutralizing no
Immunogen
Species (Isotype)
Ab Type gp120 C5

- Research Contact** James Robinson, Tulane University, LA
References Schulke *et al.* 2002; Binley *et al.* 1999; Fouts *et al.* 1997; Trkola *et al.* 1996a; Wu *et al.* 1996; Thali *et al.* 1993; Thali *et al.* 1992a
- 23A: Ab binding characteristics of SOS gp140 were tested using SPR and RIPA – SOS gp140 is gp120-gp41 bound by a disulfide bond – NABs 2G12, 2F5, IgG1b12, CD4 inducible 17b, and 19b bound to SOS gp140 better than uncleaved gp140 (gp140unc) and gp120 – non-neutralizing MAbs 2.2B (binds to gp41 in gp140unc) and 23A (binds gp120) did not bind SOS gp140. Schulke *et al.* [2002]
 - 23A: The MAbs with the broadest neutralizing activity, IgG1b12, 2G12 and 2F5, all have high affinity for the native trimer, indicating that they were raised in an immune response to the oligomer on the virion surface rather than dissociated subunits – a disulfide linked gp120-gp41 (SOS gp140) was created to mimic the native conformation of Env and explore its potential as an immunogen – SOS gp140 is recognized by NABs IgG1b12, 2G12, and CD4-IgG2, and also by anti-V3 MAbs 19b and 83.1 – SOSgp140 is not recognized by C4 region MAbs that neutralize only TCLA strains, G3-42 and

G3-519 – nor did it bind C11, 23A, and M90, MAbs that bind to gp120 C1 and C5, where it interacts with gp41 – MAbs that bind CD4 inducible epitopes, 17b and A32 were very strongly induced by CD4 in SOS gp140 – anti-gp41 MAbs that bind in the region that interacts with gp120, 7B2, 2.2B, T4, T15G1 and 4D4, did not bind to SOSgp140, in contrast to 2F5, which binds to the only gp41 epitope that is well exposed in native gp120-gp41 complexes. Binley *et al.* [1999]

- 23A: Study shows neutralization is not predicted by MAb binding to JRFL monomeric gp120, but is associated with oligomeric env binding – 23A bound monomer, did not bind oligomer or neutralize JRFL. Fouts *et al.* [1997]
- 23A: C5 binding MAb – does not inhibit gp120 interaction with CCR-5 in a MIP-1beta-CCR-5 competition study. Trkola *et al.* [1996a]
- 23A: Called 2.3A – Did not block ability of gp120-sCD4 complexes to inhibit MIP-1alpha binding – binds to gp41-binding domain of gp120. Wu *et al.* [1996]

No. 1024

MAb ID D7324

HXB2 Location Env

Author Location gp120

Epitope

Neutralizing

Immunogen vaccine

HIV component: gp120

Species (Isotype) sheep

Ab Type gp120 C5

Research Contact Aalto BioReagents Ltd, Dublin, Ireland or Clinia Inc., Fallbrook, CA, USA

References Martín-García *et al.* 2005; Koefoed *et al.* 2005; Jeffs *et al.* 2004; Zwick *et al.* 2003; Herrera *et al.* 2003; Poignard *et al.* 2003; Basmaciogullari *et al.* 2002; Xiang *et al.* 2002a; Gram *et al.* 2002; Sanders *et al.* 2002; Binley *et al.* 1998; Mondor *et al.* 1998; Ugolini *et al.* 1997; Ditzel *et al.* 1997; Trkola *et al.* 1996a; Wyatt *et al.* 1995; Moore *et al.* 1993b; Moore *et al.* 1993a; Sattentau & Moore 1991; Moore 1990

Keywords antibody binding site definition and exposure, antibody interactions, subtype comparisons, vaccine antigen design

- D7324: IgG antibody phage display libraries were created from HIV-1 + individuals after pre-selection of PBMC with gp120, as an alternative to using bone marrow for generating libraries. D7324 was among a set of Abs used for competition studies to define the binding sites of the newly isolated MAbs, representing a MAb with a C5 epitope. Koefoed *et al.* [2005] (**antibody binding site definition and exposure**)
- D7324: The HIV-1 Bori-15 variant was adapted from the Bori isolate for replication microglial cells. Bori-15 had increased replication in microglial cells and a robust syncytium-forming phenotype, ability to use low levels of CD4 for infection, and increased sensitivity to neutralization by sCD4 and 17b. Four amino acid changes in gp120 V1-V2 were responsible for this change. Protein functionality and integrity of soluble, monomeric gp120-molecules derived from parental HIV-1 Bori and microglia-adapted HIV-1 Bori-15 was assessed in ELISA

binding assays using F105, IgG1b12, 17b and 48d, 2G12 and 447-52D. Association rates of sCD4 and 17b were not changed, but dissociation rates were 3-fold slower for sCD4 and 14-fold slower for 17b. The kinetics of D7324 binding were tested as a control, and were unchanged. Martín-García *et al.* [2005] (**antibody binding site definition and exposure**)

- D7324: A set of oligomeric envelope proteins were made from six primary isolates for potential use as vaccine antigens: 92/UG/037 (clade A), HAN2/2 (clade B), 92/BR25/025 (clade C), 92/UG/021 (clade D), 93/BR/029 (clade F) and MVP5180 (clade O). This was one of a panel of MAbs used to explore folding and exposure of well characterized epitopes. The clade C isolate BR25 is apparently misfolded, as conformation-dependent antibodies did not bind to it. D7324 bound to clade A, B, C, D and F HIV-1 primary isolates, but not to the group O protein. Polyclonal sera raised in rabbits against these antigens cross-bound the other antigens, but none of the sera had neutralizing activity. Jeffs *et al.* [2004] (**vaccine antigen design, subtype comparisons**)
- D7324: Used to capture gp120 onto solid phase for epitope mapping. Basmaciogullari *et al.* [2002]; Binley *et al.* [1998]; Ditzel *et al.* [1997]; Herrera *et al.* [2003]; Moore *et al.* [1993a,b]; Poignard *et al.* [2003]; Sanders *et al.* [2002]; Xiang *et al.* [2002a]
- D7324: scFv 4KG5 reacts with a conformational epitope. Of a panel of MAbs tested, only NAb b12 enhanced 4KG5 binding to gp120. MAbs to the V2 loop, V3 loop, V3-C4 region, and CD4BS diminished binding, while MAbs directed against C1, CD4i, C5 regions didn't impact 4KG5 binding. These results suggest that the orientation or dynamics of the V1/V2 and V3 loops restricts CD4BS access on the envelope spike, and IgG1b12 can uniquely remain unaffected. This is a C5-binding polyclonal Ab that had no impact on 4KG5 binding. Zwick *et al.* [2003] (**antibody interactions**)
- D7324: Called NEA9205 – gp120 capture ELISAs with MAbs D7324 (anti-C-term) or 9205 (anti-V3) were compared in a study of orientation of glycosylation sites – CD4 binding could only inhibit deglycosylation when gp120 was bound to the plate by D7324, not by 9205, while Abs from HIV-1 infected people inhibited deglycosylation most effectively when gp120 was caught by 9205. Gram *et al.* [2002]
- D7324: Epitope in C5 – Does not neutralize JR-FL nor block gp120 interaction with CCR-5 in a MIP-1beta-CCR-5 competition study. Trkola *et al.* [1996a]
- D7324: Binds to the last 15 amino acids in gp120 – used for antigen capture ELISA. Wyatt *et al.* [1995]
- D7324: Binding unaltered by gp120 binding to sCD4, in contrast to 110.5, 9284, 50-69 and 98-6. Sattentau & Moore [1991]

No. 1025

MAb ID 10/46c

HXB2 Location Env

Author Location gp120

Epitope

Neutralizing

Immunogen vaccine

Vector/Type: protein HIV component: gp120

Species (Isotype) rat

Ab Type gp120 CD4BS

References Peet *et al.* 1998; Jeffs *et al.* 1996; Cordell *et al.* 1991

- 10/46c: The most variable amino acids in the V3 loop were replaced with serines to make the immunodominant V3 loop less immunogenic – these changes did not affect the ability of sCD4 or MAbs to V1/V2, C1 and C4 to bind – 10/46c was not affected by V3 serine substitutions – mice injected with serine substituted gp120 had a reduced response relative to wildtype, and no enhanced immunogenicity of conserved regions. Peet *et al.* [1998]
- 10/46c: Increased binding when V1/V2 or V1/V2 and V3 were deleted from gp120. Jeffs *et al.* [1996]

No. 1026

MAb ID 1008-D

HXB2 Location Env

Author Location gp120

Epitope

Neutralizing

Immunogen HIV-1 infection

Species (Isotype) human

Ab Type gp120 CD4BS

Research Contact Susan Zolla-Pazner (Zollas01@mcrcr6.med.nyu), NYU Med Center, NY, NY

References Zwick *et al.* 2003; Zolla-Pazner *et al.* 1995

Keywords antibody interactions

- scFv 4KG5 reacts with a conformational epitope that is formed by the V1V2 and V3 loops and the bridging sheet (C4) region of gp120 and is influenced by carbohydrates. Of a panel of MAbs tested, only NAb b12 enhanced 4KG5 binding to gp120 JRFL. MAbs to the following regions diminished 4KG5 binding: V2 loop, V3 loop, V3-C4 region, CD4BS. MAbs directed against C1, CD4i, C5 regions didn't impact 4KG5 binding. These results suggest that the orientation or dynamics of the V1/V2 and V3 loops restricts CD4BS access on the envelope spike, and IgG1b12 can uniquely remain unaffected by these loops. This was one of the CD4BS MAbs used. Zwick *et al.* [2003] (**antibody interactions**)

No. 1027

MAb ID 1027-30-D (1027-30D)

HXB2 Location Env

Author Location Env

Epitope

Neutralizing

Immunogen

Species (Isotype) human (IgG1κ)

Ab Type gp120 CD4BS

Research Contact Susan Zolla-Pazner (Zollas01@mcrcr6.med.nyu) (NYU Med. Center)

References Gorny & Zolla-Pazner 2004; Zwick *et al.* 2003; Hioe *et al.* 2000

Keywords antibody interactions, review

- 1027-30D: This review summarizes MAbs directed to HIV-1 Env. There are 51 CD4BS MAbs and Fabs in the database; most, like this MAb, neutralize TCLA strains only. Gorny & Zolla-Pazner [2004] (**review**)

- 1027-30-D: Called 1027-30D. scFv 4KG5 reacts with a conformational epitope that is formed by the V1V2 and V3 loops and the bridging sheet (C4) region of gp120 and is influenced by carbohydrates. Of a panel of MAbs tested, only NAb b12 enhanced 4KG5 binding to gp120 JRFL. MAbs to the following regions diminished 4KG5 binding: V2 loop, V3 loop, V3-C4 region, CD4BS. MAbs directed against C1, CD4i, C5 regions didn't impact 4KG5 binding. These results suggest that the orientation or dynamics of the V1/V2 and V3 loops restricts CD4BS access on the envelope spike, and IgG1b12 can uniquely remain unaffected by these loops. This was one of the CD4BS MAbs used. Zwick *et al.* [2003] (**antibody interactions**)
- 1027-30-D: Ab responses, because of their capacity to alter antigen uptake and processing, can influence helper T cell responses – anti-CD4 binding site MAbs or serum Ig from HIV+ individuals inhibited proliferative responses of gp120 specific T cells – CD4BS MAbs 654-D, 559/64-D, 588-D, 830-D, 1027-30-D, and 1202-30D strongly diminished proliferation. Hioe *et al.* [2000]

No. 1028

MAb ID 1125H (1125h)

HXB2 Location Env

Author Location gp120

Epitope

Neutralizing L (MN)

Immunogen HIV-1 infection

Species (Isotype) human (IgG1κ)

Ab Type gp120 CD4BS

Research Contact Shermaine Tilley, Public Health Research Institute, USA

References Yang *et al.* 1998; Alsmadi & Tilley 1998; Wyatt *et al.* 1998; Pincus *et al.* 1996; Warrior *et al.* 1996; D'Souza *et al.* 1995; Pinter *et al.* 1993b; Wyatt *et al.* 1992; Thali *et al.* 1992a; Tilley *et al.* 1991a; Tilley *et al.* 1991b

- 1125H: A study of 6 anti-Env MAbs and their ability to bind or direct ADCC against target cells infected with IIB, MN, SF-2, and RF – bound and directed lysis against all four strains. Alsmadi & Tilley [1998]
- 1125H: Called 1125h – summary of the implications of the crystal structure of the core of gp120 bound to CD4 and 17b with what is known about mutations that reduce NAb binding – probable mechanism of neutralization by CD4BS Ab is direct interference with CD4 binding. Wyatt *et al.* [1998]
- 1125H: A neutralization assay was developed based on hemi-nested PCR amplification of the LTR (HNPCR) – LTR-HNPCR consistently revealed HIV DNA and was shown to be a rapid, specific and reliable neutralization assay based on tests with 6 MAbs and 5 isolates. Yang *et al.* [1998]
- 1125H: A panel of immunotoxins were generated by linking Env MAbs to ricin A – immunotoxins mediated cell killing, but killing was not directly proportional to binding. Pincus *et al.* [1996]
- 1125H: Synergistic neutralization of HIV-1 when combined with anti-V2 MAb C108G. Warrior *et al.* [1996]
- 1125H: Neutralization was MN specific – failed to neutralize JRCSF, and 2 B subtype and 1 D subtype primary isolates in a multi-laboratory study involving 11 labs. D'Souza *et al.* [1995]

- 1125H: Binding to soluble gp120 enhanced by the presence of an anti-V3 HuMAb, 41148D. Pinter *et al.* [1993b]
- 1125H: Amino acid substitutions in HXB2 that strongly inhibit binding: 88, 102, 117, 113, 257, 368, 370, 421, 427, 457, 470, 480. Thali *et al.* [1992a]
- 1125H: Precipitation of Delta 297-329 env glycoprotein, with has a deleted V3 loop, is much more efficient than precipitation of wild type. Wyatt *et al.* [1992]
- 1125H: Binding to gp120 inhibited by CD4 – epitope is destroyed by reduction, but not by removal of N-linked sugars – potent neutralization of MN, RF, SF-2 and IIIB – neutralization synergy with anti-V3 MAb 4117C. Tilley *et al.* [1991a]

No. 1029

MAb ID 1125H (1125h)

HXB2 Location Env

Author Location gp120

Epitope

Subtype B

Neutralizing L (MN)

Immunogen HIV-1 infection

Species (Isotype) human (IgG1 κ)

Ab Type gp120 CD4BS

Research Contact Shermaine Tilley, Public Health Research Institute, USA

References Pinter *et al.* 2004; Gorny & Zolla-Pazner 2004; Yang *et al.* 1998; Alsmadi & Tilley 1998; Wyatt *et al.* 1998; Pincus *et al.* 1996; Warriar *et al.* 1996; D'Souza *et al.* 1995; Pinter *et al.* 1993b; Wyatt *et al.* 1992; Thali *et al.* 1992a; Tilley *et al.* 1991a; Tilley *et al.* 1991b

Keywords ADCC, antibody binding site definition and exposure, antibody interactions, assay development, immunotoxin, review, structure, subtype comparisons, variant cross-recognition or cross-neutralization

- 1125H: This review summarizes MAbs directed to HIV-1 Env. There are 51 CD4BS MAbs and Fabs in the database; most, like this MAb, neutralize TCLA strains only. Gorny & Zolla-Pazner [2004] (**review**)
- 1125H: V1V2 was determined to be the region that conferred the neutralization phenotype differences between two R5-tropic primary HIV-1 isolates, JRFL and SF162. JRFL is resistant to neutralization by many sera and MAbs, while SF162 is sensitive. All MAbs tested, anti-V3, -V2, -CD4BS, and -CD4i, (except the broadly neutralizing MAbs IgG1b12, 2F5, and 2G12, which neutralized both strains), neutralized the SF162 pseudotype but not JRFL, and chimeras that exchanged the V1V2 loops transferred the neutralization phenotype. Three anti-CD4BS MAbs were tested, including IgG1b12 which neutralizes both JRFL and SF162. The affinities for IgG1b12 and 5145A were similar for both JRFL and SF162, but 1125A bound with 2.5 fold higher affinity to SF162. 5145A and 1125H both preferentially neutralize SF162, but not JRFL, and the CD4BS is more sensitive to neutralization in the context of the SF162 V1V2 loop. This was also true for neutralization by sCD4. Pinter *et al.* [2004] (**variant cross-recognition or cross-neutralization**)

- 1125H: A study of 6 anti-Env MAbs and their ability to bind or direct ADCC against target cells infected with IIIB, MN, SF-2, and RF – bound and directed lysis against all four strains. Alsmadi & Tilley [1998] (**ADCC**)
- 1125H: Called 1125h – summary of the implications of the crystal structure of the core of gp120 bound to CD4 and 17b with what is known about mutations that reduce NAb binding – probable mechanism of neutralization by CD4BS Ab is direct interference with CD4 binding. Wyatt *et al.* [1998] (**structure**)
- 1125H: A neutralization assay was developed based on hemi-nested PCR amplification of the LTR (HNPCR) – LTR-HNPCR consistently revealed HIV DNA and was shown to be a rapid, specific and reliable neutralization assay based on tests with 6 MAbs and 5 isolates. Yang *et al.* [1998] (**assay development**)
- 1125H: A panel of immunotoxins were generated by linking Env MAbs to ricin A – immunotoxins mediated cell killing, but killing was not directly proportional to binding. Pincus *et al.* [1996] (**immunotoxin**)
- 1125H: Synergistic neutralization of HIV-1 when combined with anti-V2 MAb C108G. Warriar *et al.* [1996] (**antibody interactions**)
- 1125H: Neutralization was MN specific – failed to neutralize JRCSF, and 2 B subtype and 1 D subtype primary isolates in a multi-laboratory study involving 11 labs. D'Souza *et al.* [1995] (**variant cross-recognition or cross-neutralization, subtype comparisons**)
- 1125H: Binding to soluble gp120 enhanced by the presence of an anti-V3 HuMAb, 41148D. Pinter *et al.* [1993b] (**antibody interactions**)
- 1125H: Amino acid substitutions in HXB2 that strongly inhibit binding: 88, 102, 117, 113, 257, 368, 370, 421, 427, 457, 470, 480. Thali *et al.* [1992a] (**antibody binding site definition and exposure**)
- 1125H: Precipitation of Delta 297-329 env glycoprotein, with has a deleted V3 loop, is much more efficient than precipitation of wild type. Wyatt *et al.* [1992] (**antibody binding site definition and exposure**)
- 1125H: Binding to gp120 inhibited by CD4 – epitope is destroyed by reduction, but not by removal of N-linked sugars – neutralization of MN, RF, SF-2 and IIIB – neutralization synergy with anti-V3 MAb 4117C. Tilley *et al.* [1991a] (**antibody binding site definition and exposure, antibody interactions, variant cross-recognition or cross-neutralization**)

No. 1030

MAb ID 120-1B1

HXB2 Location Env

Author Location gp120

Epitope

Neutralizing L

Immunogen

Species (Isotype) human

Ab Type gp120 CD4BS

Research Contact Virus Testing Systems Corp., Houston, TX

References Gorny & Zolla-Pazner 2004; Watkins *et al.* 1993

Keywords antibody binding site definition and exposure, review

- 120-1B1: This review summarizes MAbs directed to HIV-1 Env. There are 51 CD4BS MAbs and Fabs in the database; most, like this MAb, neutralize TCLA strains only. Gorny & Zolla-Pazner [2004] (**review**)
- 120-1B1: A neutralization escape mutant (HXB2 A281V) was selected by growth of HXB2 in the presence of broadly neutralizing sera – 120-1B1 was not affected by this mutation. Watkins *et al.* [1993] (**antibody binding site definition and exposure**)

No. 1031

MAb ID 1202-D (1202-30-D)

HXB2 Location Env

Author Location Env

Epitope

Neutralizing

Immunogen

Species (Isotype) human (IgG1 κ)

Ab Type gp120 CD4BS

Research Contact Susan Zolla-Pazner (Zollas01@mcr6.med.nyu) (NYU Med. Center)

References Gorny & Zolla-Pazner 2004; Nyambi *et al.* 2000; Hioe *et al.* 2000; Nyambi *et al.* 1998

Keywords review, subtype comparisons

- 1202-D: This review summarizes MAbs directed to HIV-1 Env. There are 51 CD4BS MAbs and Fabs in the database; most, like this MAb, neutralize TCLA strains only. Gorny & Zolla-Pazner [2004] (**review**)
- 1202-D: Called 1202-30D – Ab responses, because of their capacity to alter antigen uptake and processing, can influence helper T cell responses – anti-CD4 binding site MAbs or serum Ig from HIV+ individuals inhibited proliferative responses of gp120 specific T cells – CD4BS MAbs 654-D, 559/64-D, 588-D, 830-D, 1027-30-D, and 1202-30D strongly diminished proliferation. Hioe *et al.* [2000]
- 1202-D: 26 HIV-1 group M isolates (clades A to H) were tested for binding to 47 MAbs, including 6 CD4BS MAbs – CD4BS MAbs bound consistently to most isolates of clade D, but poorly to isolates of other clades with the exception of broadly reactive MAb IgG1b12. Nyambi *et al.* [2000] (**subtype comparisons**)
- 1202-D: Using a whole virion-ELISA method, 18 human MAbs were tested for their ability to bind to a panel of 9 viruses from clades A, B, D, F, G, and H – CD4-BS Abs tended to bind weakly without clade specificity to virions, but bound well to soluble gp120 – 1202-D did not bind to any B clade viruses, and weakly bound A, C, and G clade isolates – 559/64-D, 558-D and 1202-D had similar reactivities. Nyambi *et al.* [1998] (**subtype comparisons**)

No. 1032

MAb ID 1331E

HXB2 Location Env

Author Location gp120 (IIIB)

Epitope

Neutralizing

Immunogen HIV-1 infection

Species (Isotype) human (IgG1 κ)

Ab Type gp120 CD4BS

Research Contact Susan Zolla-Pazner (Zollas01@mcr6.med.nyu) (NYU Med. Center)

References Gorny & Zolla-Pazner 2004; Gorny *et al.* 2000

Keywords antibody binding site definition and exposure, review

- 1331E: This review summarizes MAbs directed to HIV-1 Env. There are 51 CD4BS MAbs and Fabs in the database; most, like this MAb, neutralize TCLA strains only. Gorny & Zolla-Pazner [2004] (**review**)
- 1331E: Inhibits sCD4 binding to rec gp120 LAI – binding of panel of 21 MAbs to soluble oligomeric gp140 versus gp41 or gp120 monomers was compared – no MAb was oligomer specific, though anti-V3 and CD4BS MAbs reacted better with the oligomer and V2 and C5 tended to favor the monomer – CD4BS MAbs 559/64-D, 654-D, 729-D, 9CL and 1331E bound with a 5-13 fold preference for the oligomer. Gorny *et al.* [2000] (**antibody binding site definition and exposure**)

No. 1033

MAb ID 1570 (1570A, 1570C, 1570D)

HXB2 Location Env

Author Location Env (PR12, BH10)

Epitope

Neutralizing

Immunogen HIV-1 infection

Species (Isotype) human

Ab Type gp120 CD4BS

References Gorny & Zolla-Pazner 2004; Jeffs *et al.* 2001

Keywords antibody binding site definition and exposure, antibody generation, review, subtype comparisons, variant cross-recognition or cross-neutralization

- 1570: This review summarizes MAbs directed to HIV-1 Env. There are 51 CD4BS MAbs and Fabs in the database; most, like this MAb, neutralize TCLA strains only. Gorny & Zolla-Pazner [2004] (**review**)
- 1570: BH10 was mutated to form the PR12 protein with the first 74 C-terminal amino acids and the V1, V2 and V3 hyper-variable loops deleted and a very well exposed CD4 binding domain (CD4bd) – this proteins was used to select three new human CD4BS MAbs 1570, 1595 and 1599 – three MAbs were isolated from one individual, 1570A, C and D but all were determined to have the same V(H)3 region – 1570 was able to bind to a panel of recombinant proteins from the A, B, C, D, and E subtypes. Jeffs *et al.* [2001] (**antibody binding site definition and exposure, antibody generation, variant cross-recognition or cross-neutralization, subtype comparisons**)

No. 1034

MAb ID 1595

HXB2 Location Env

Author Location Env (PR12, BH10)

Epitope

Neutralizing

Immunogen HIV-1 infection

Species (Isotype) human

Ab Type gp120 CD4BS

References Gorny & Zolla-Pazner 2004; Jeffs *et al.* 2001

Keywords antibody binding site definition and exposure, antibody generation, review, subtype comparisons, variant cross-recognition or cross-neutralization

- 1595: This review summarizes MAbs directed to HIV-1 Env. There are 51 CD4BS MAbs and Fabs in the database; most, like this MAb, neutralize TCLA strains only. Gorny & Zolla-Pazner [2004] (**review**)
- 1595: BH10 was mutated to form the PR12 protein with the first 74 C-terminal amino acids and the V1, V2 and V3 hypervariable loops deleted and a very well exposed CD4 binding domain (CD4bd) – this proteins was used to select three new human CD4BS MAbs 1570, 1595 and 1599 – 1595 was able to bind gp120 from the A, B, and D clades from a panel of recombinant proteins from the A, B, C, D, and E subtypes. Jeffs *et al.* [2001] (**antibody binding site definition and exposure, antibody generation, variant cross-recognition or cross-neutralization, subtype comparisons**)

No. 1035

MAb ID 1599

HXB2 Location Env

Author Location Env (PR12, BH10)

Epitope

Neutralizing

Immunogen HIV-1 infection

Species (Isotype) human

Ab Type gp120 CD4BS

References Gorny & Zolla-Pazner 2004; Jeffs *et al.* 2001

Keywords antibody binding site definition and exposure, antibody generation, review, subtype comparisons, variant cross-recognition or cross-neutralization

- 1599: This review summarizes MAbs directed to HIV-1 Env. There are 51 CD4BS MAbs and Fabs in the database; most, like this MAb, neutralize TCLA strains only. Gorny & Zolla-Pazner [2004] (**review**)
- 1599: BH10 was mutated to form the PR12 protein with the first 74 C-terminal amino acids and the V1, V2 and V3 hypervariable loops deleted and a very well exposed CD4 binding domain (CD4bd) – this proteins was used to select three new human CD4BS MAbs 1570, 1595 and 1599 – 1599 was able to bind gp120 only from the B clade from a panel of recombinant proteins from the A, B, C, D, and E subtypes. Jeffs *et al.* [2001] (**antibody binding site definition and exposure, antibody generation, variant cross-recognition or cross-neutralization, subtype comparisons**)

No. 1036

MAb ID 15e (1.5e, 1.5E, 15E)

HXB2 Location Env

Author Location gp120

Epitope

Neutralizing L

Immunogen HIV-1 infection

Species (Isotype) human (IgG1 κ)

Ab Type gp120 CD4BS

Research Contact James Robinson, Tulane University, LA, and David Ho, ADARC, NY, NY

References Nabatov *et al.* 2004; Pantophlet *et al.* 2004;

Gorny & Zolla-Pazner 2004; Pantophlet *et al.* 2003b; Zwick *et al.* 2003; Raja *et al.* 2003; Pantophlet *et al.* 2003a; Kwong *et al.* 2002; Zhang *et al.* 2002; Xiang *et al.* 2002b; Kolchinsky *et al.* 2001; Park *et al.* 2000; Sullivan *et al.* 1998a; Fouts *et al.* 1998; Trkola *et al.* 1998; Binley *et al.* 1998; Sullivan *et al.* 1998b; Parren *et al.* 1998a; Wyatt *et al.* 1998; Parren *et al.* 1997b; Berman *et al.* 1997; Wyatt *et al.* 1997; Li *et al.* 1997; Fouts *et al.* 1997; Binley *et al.* 1997a; Wisniewski *et al.* 1996; McDougal *et al.* 1996; Trkola *et al.* 1996a; Poignard *et al.* 1996a; Moore & Sodroski 1996; McKeeating *et al.* 1996; Lee *et al.* 1995; Sattentau & Moore 1995; Moore *et al.* 1994a; Moore *et al.* 1994b; Cook *et al.* 1994; Thali *et al.* 1994; Bagley *et al.* 1994; Wyatt *et al.* 1993; Watkins *et al.* 1993; Thali *et al.* 1993; Moore & Ho 1993; Takeda *et al.* 1992; Thali *et al.* 1992a; Wyatt *et al.* 1992; Ho *et al.* 1992; Koup *et al.* 1991; Ho *et al.* 1991b; Cordell *et al.* 1991; Thali *et al.* 1991; Robinson *et al.* 1990a

Keywords ADCC, adjuvant comparison, antibody binding site definition and exposure, antibody interactions, antibody sequence, variable domain, brain/CSF, co-receptor, enhancing activity, review, structure, subtype comparisons, vaccine antigen design, variant cross-recognition or cross-neutralization

- 15e: UK Medical Research Council AIDS reagent: ARP3016.
- 15e: This review summarizes MAbs directed to HIV-1 Env. There are 51 CD4BS MAbs and Fabs in the database; most, like this MAb, neutralize TCLA strains only. Gorny & Zolla-Pazner [2004] (**review**)
- 15e: A set of HIV-1 chimeras that altered V3 net charge and glycosylation patterns in V1V2 and V3, involving inserting V1V2 loops from a late stage primary isolate taken after the R5 to X4 switch, were studied with regard to phenotype, co-receptor usage, and MAb neutralization. The loops were cloned into a HXB2 envelope with a LAI viral backbone. It was observed that the addition of the late-stage isolate V1V2 region and the loss of V3-linked glycosylation site in the context of high positive charge gave an X4 phenotype. R5X4, R5, and X4 viruses were generated, and sCD4, 2G12 and b12 neutralization resistance patterns were modified by addition of the late stage V1V2, glycosylation changes, and charge in concert, while neutralization by 2F5 was unaffected. 15e, 17b, and 48d could not neutralize any of the variants tested. Nabatov *et al.* [2004] (**antibody binding site definition and exposure, co-receptor**)
- 15e: By adding N-linked glycosylation sites to gp120, epitope masking of non-neutralizing epitopes can be achieved leaving the IgG1b12 binding site intact. This concept was originally tested with the addition of four glycosylation sites, but binding to b12 was reduced. It was modified here to exclude the C1 N-terminal region, and to include only three additional glycosylation sites. This modified protein retains full b12 binding affinity and it masks other potentially competing epitopes, and

does not bind to 21 other MAbs to 7 epitopes on gp120, including 15e. Pantophlet *et al.* [2004] (**vaccine antigen design**)

- 15e: Alanine scanning mutagenesis was used to compare substitutions that affected anti-CD4BS NAb b12 – rec gp120s were engineered to contain combinations of Alanine substitutions that enhanced b12 binding, and while binding of b12 to these gp120 monomers was generally maintained or increased, binding by five non-neutralizing anti-CD4bs MAbs (b3, b6, F105, 15e, and F91) was reduced or completely abolished. Pantophlet *et al.* [2003a] (**antibody binding site definition and exposure**)
- 15e: A gp120 molecule was designed to focus the immune response onto the IgG1b12 epitope. Ala substitutions that enhance the binding of IgG1b12 and reduce the binding of non-neutralizing MAbs were combined with additional N-linked glycosylation site sequons inhibiting binding of non-neutralizing MAbs; b12 bound to the mutated gp120. C1 and C5 were also removed, but this compromised b12 binding. Pantophlet *et al.* [2003b] (**vaccine antigen design**)
- 15e: This paper shows that binding of CD4BS MAbs to Env blocks the conformational shift that allows co-receptor CCR5 binding and CD4-independent mediated cell fusion. CD4BS MAbs F105, 15e, and IgG1b12 as well as their Fab fragments inhibited CD4-independent binding of the V1/V2 loop-deleted gp120 glycoproteins of R5 HIV-1 isolates ADA, YU2 and JRFL and to CCR5 in a concentration dependent manner. Raja *et al.* [2003] (**co-receptor**)
- 15e: scFv 4KG5 reacts with a conformational epitope that is formed by the V1V2 and V3 loops and the bridging sheet (C4) region of gp120 and is influenced by carbohydrates. Of a panel of MAbs tested, only NAb b12 enhanced 4KG5 binding to gp120 JRFL. MAbs to the following regions diminished 4KG5 binding: V2 loop, V3 loop, V3-C4 region, CD4BS. MAbs directed against C1, CD4i, C5 regions didn't impact 4KG5 binding. These results suggest that the orientation or dynamics of the V1/V2 and V3 loops restricts CD4BS access on the envelope spike, and IgG1b12 can uniquely remain unaffected by these loops. This was one of the CD4BS MAbs used. Zwick *et al.* [2003] (**antibody interactions**)
- 15e: Called 1.5e. Thermodynamics of binding to gp120 was measured using isothermal titration calorimetry for sCD4, 17b, b12, 48d, F105, 2G12 and C11 to intact YU2 and the HXBc2 core. The free energy of binding was similar. Enthalpy and entropy changes were divergent, but compensated. Not only CD4 but MAb ligands induced thermodynamic changes in gp120 that were independent of whether the core or the full gp120 protein was used. Non-neutralizing CD4BS and CD4i MAbs (17b, 48d, 1.5e, b6, F105 and F91) had large entropy contributions to free energy (mean: 26.1 kcal/mol) of binding to the gp120 monomer, but the potent CD4BS neutralizing MAb b6 had a much smaller value of 5.7 kcal/mol. The high values suggest surface burial or protein folding an ordering of amino acids. These results suggest that while the trimeric Env complex has four surfaces, a non-neutralizing face (occluded on the oligomer), a variable face, a neutralizing face and a silent face (protected by carbohydrate masking), gp120 monomers further protect receptor binding sites by conformational or entropic masking, requiring a large energy handicap for Ab binding not faced by other anti-gp120 Abs. Kwong *et al.* [2002] (**antibody binding site definition and exposure**)
- 15e: A series of mutational changes were introduced into the YU2 gp120 that favored different conformations – 375 S/W seems to favor a conformation of gp120 closer to the CD4-bound state, and is readily bound by sCD4 and CD4i MAbs (17b, 48d, 49e, 21c and 23e) but binding of anti-CD4BS MAbs (F105, 15e, IgG1b12, 21h and F91) was markedly reduced – IgG1b12 failed to neutralize this mutant, while neutralization by 2G12 was enhanced – 2F5 did not neutralize either WT or mutant, probably due to polymorphism in the YU2 epitope – another mutant, 423 I/P, disrupted the gp120 bridging sheet, favored a different conformation and did not bind CD4, CCR5, or CD4i antibodies, but did bind to CD4BS MAbs. Xiang *et al.* [2002b] (**antibody binding site definition and exposure**)
- 15e: A rare mutation in the neutralization sensitive R2-strain in the proximal limb of the V3 region caused Env to become sensitive to neutralization by MAbs directed against the CD4 binding site (CD4BS), CD4-induced (CD4i) epitopes, soluble CD4 (sCD4), and HNS2, a broadly neutralizing sera – 2/12 anti-V3 MAbs tested (19b and 694/98-D) neutralized R2, as did 2/3 anti-CD4BS MAbs (15e and IgG1b12), 2/2 CD4i MAbs (17b and 4.8D), and 2G12 and 2F5 – thus multiple epitopes on R2 are functional targets for neutralization and the neutralization sensitivity profile of R2 is intermediate between the highly sensitive MN-TCLA strain and the typically resistant MN-primary strain. Zhang *et al.* [2002] (**antibody binding site definition and exposure**)
- 15e: Mutations in two glycosylation sites in the V2 region of HIV-1 ADA at positions 190 and 197 (187 DNTSYRLINCNTS 199) cause the virus to become CD4-independent and able to enter cells through CCR5 alone – these same mutations tended to increase the neutralization sensitivity of the virus, including to 15e. Kolchinsky *et al.* [2001] (**antibody binding site definition and exposure**)
- 15e: Six mutations in MN change the virus from a high-infectivity neutralization resistant phenotype to low-infectivity neutralization sensitive – V3, CD4BS, and CD4i MAbs are 20-100 fold more efficient at neutralizing the sensitive form – the mutation L544P reduced binding of all MAbs against gp120 by causing conformational changes. Park *et al.* [2000] (**antibody binding site definition and exposure**)
- 15e: A panel of MAbs were shown to bind with similar or greater affinity and similar competition profiles to a deglycosylated or variable loop deleted core gp120 protein (Delta V1, V2, and V3), thus such a core protein produces a structure closely approximating full length folded monomer – CD4BS MAbs 15e, F91 and IgG1b12 bound better to the deleted protein than to wild type. Binley *et al.* [1998] (**antibody binding site definition and exposure**)
- 15e: CD4BS MAbs 15e, 21h, and F91 bind with even lower affinity than 205-43-1 and 205-42-15 to JRFL oligomer. Fouts *et al.* [1998] (**antibody binding site definition and exposure**)
- 15e: The MAb and Fab binding to the oligomeric form of gp120 and neutralization were highly correlated – authors suggest that neutralization is determined by the fraction of Ab sites occupied on a virion irrespective of the epitope. Parren *et al.* [1998a] (**antibody binding site definition and exposure**)

- 15e: Competes with CG-10 binding, a MAb raised against a gp120 CD4 complex, this was probably due to the disruption of CD4-gp120 by 15e. Sullivan *et al.* [1998b] (**antibody binding site definition and exposure, antibody interactions**)
- 15e: Called 1.5e – the HIV-1 virus YU2 entry can be enhanced by MAbs binding to the CD4BS, V3 loop, and CD4i epitopes – the activation for this enhanced entry state could be conferred on HxB2 by introducing the YU2 V3 loop, or the YU2 V3 and V1/V2 loops – a similar effect is observed by sub-neutralizing concentrations of sCD4 and the effect is dependent of CCR5 – 1.5e enhances and does not neutralize YU2 env even at 50 ug/ml. Sullivan *et al.* [1998a] (**antibody binding site definition and exposure**)
- 15e: No detectable neutralizing activity among primary isolates with different co-receptor usage – some neutralization of TCLA strains. Trkola *et al.* [1998] (**variant cross-recognition or cross-neutralization**)
- 15e: Summary of the implications of the crystal structure of the core of gp120 bound to CD4 and 17b with what is known about mutations that reduce NAB binding – probable mechanism of neutralization by CD4BS Ab is direct interference with CD4 binding. Wyatt *et al.* [1998] (**structure**)
- 15e: Called 1.5E – Binds to 7/7 isolates from breakthrough cases from a MN gp120 vaccine trial. Berman *et al.* [1997] (**variant cross-recognition or cross-neutralization**)
- 15e: Study shows neutralization is not predicted by MAb binding to JRFL monomeric gp120, but is associated with oligomeric Env binding – 15e bound monomer, did not bind oligomer or neutralize JRFL. Fouts *et al.* [1997] (**antibody binding site definition and exposure**)
- 15e: One of 14 human MAbs tested for ability to neutralize a chimeric SHIV-vpu+, which expressed HIV-1 IIIB env – 15e could only achieve 50% neutralization, but could act synergistically with anti-V3 MAb 694/98-D to achieve 90%. Li *et al.* [1997] (**antibody interactions**)
- 15e: Neutralizes TCLA strains, but not primary isolates. Parren *et al.* [1997b]
- 15e: Does not bind to HXBc2 gp120 if the 19 C-term amino acids, in conjunction with C1 positions 31-93, are deleted. Wyatt *et al.* [1997] (**antibody binding site definition and exposure**)
- 15e: Neutralizes HIV-1 LAI less potently than V3 specific MAbs. McDougal *et al.* [1996]
- 15e: Called 1.5e – Neutralizes HXB2, but fails to neutralize chimeric virus with gp120 from primary isolates in an HXB2 background. McKeating *et al.* [1996] (**variant cross-recognition or cross-neutralization**)
- 15e: gp120 binding enhanced by anti-V3 MAb 5G11 and anti-V2 MAb G3-136 – binding inhibited by other CD4 binding site MAbs, antibodies that bind to gp120 only when CD4 is bound, and CD4-IgG. Moore & Sodroski [1996] (**antibody interactions**)
- 15e: Anti-CD4BS MAbs 15e, 21h, and IgG1b12 did not cause gp120 dissociation from virus, or exposure of the gp41 epitope of MAb 50-69, in contrast to CD4i MAb 48d and anti-V3 neutralizing MAbs. Poignard *et al.* [1996a] (**antibody interactions**)
- 15e: Inhibits gp120 interaction with CCR-5 in a MIP-1beta-CCR-5 competition study. Trkola *et al.* [1996a] (**antibody binding site definition and exposure**)
- 15e: 15e is V H4 – V-region heavy chain usage was examined and a bias of enhanced V H1 and V H4, and reduced V H3, was noted among HIV infected individuals. Wisniewski *et al.* [1996] (**antibody sequence, variable domain**)
- 15e: The V4 and V5 domains are essential for 1.5e binding, in contrast to the V1, V2, and V3 loops. Lee *et al.* [1995] (**antibody binding site definition and exposure**)
- 15e: Binds with higher affinity to monomer than to oligomer, moderate association rate. Sattentau & Moore [1995] (**antibody binding site definition and exposure**)
- 15e: Heavy chain is V HIV, V2-1 – light chain is V_kappaI, Hum01/012. Compared to 21h and F105. Bagley *et al.* [1994] (**antibody sequence, variable domain**)
- 15e: MAbs against the glycosphingolipid GalCer block HIV infection of normally susceptible CD4 negative cells from the brain and colon – anti-CD4 MAbs moderately inhibit gp120 binding to GalCer, possibly through steric hindrance – binding of GalCer to gp120 inhibited but did not completely block 15e binding. Cook *et al.* [1994] (**antibody binding site definition and exposure, brain/CSF**)
- 15e: Cross-reactive with gp120 proteins from clades B and D, less so with A and C, and not reactive with clade E and F. Moore *et al.* [1994b] (**subtype comparisons**)
- 15e: A mutation in gp41, 582 A/T, confers resistance to neutralization (also confers resistance to MAbs F105, 48d, 21h and 17b).. Thali *et al.* [1994] (**antibody binding site definition and exposure**)
- 15e: Conformational, does not bind denatured gp120 – neutralizes IIIB – reactive with SF-2 gp120 – strong inhibition of HIV+ human sera binding to IIIB gp120. Moore & Ho [1993] (**antibody binding site definition and exposure, variant cross-recognition or cross-neutralization**)
- 15e: Called 15E – a neutralization escape mutant (HXB2 A281V) was selected by growth of HXB2 in the presence of broadly neutralizing sera – 15E neutralization was not affected by this mutation. Watkins *et al.* [1993] (**antibody binding site definition and exposure**)
- 15e: Binding to Delta V1/2 and Delta V1/2/3 mutant glycoproteins is greater than binding to wildtype gp120. Wyatt *et al.* [1993] (**antibody binding site definition and exposure**)
- 15e: gp120 mutants that affect 15e epitope binding: 113, 257, 368, 370, 421, 427, 475 – four of these coincide with amino acids important for the CD4 binding domain. Ho *et al.* [1992] (**antibody binding site definition and exposure**)
- 15e: Amino acid substitutions in HXB2 that strongly inhibit binding, similar to Ho *et al.* [1992], some additional, 88, 102, 117, 113, 257, 368, 370, 421, 427, 457, 470, 480 Thali *et al.* [1992a]. Ho *et al.* [1992]; Thali *et al.* [1992a] (**antibody binding site definition and exposure**)
- 15e: Called N70-1.5e – does not enhance infection of HIV-1 IIIB and MN. Thali *et al.* [1992a] (**enhancing activity**)
- 15e: Precipitation of Delta 297-329 env glycoprotein, with a deleted V3 loop, is much more efficient that precipitation of wild type. Wyatt *et al.* [1992] (**antibody binding site definition and exposure**)

- 15e: Cross-competes with MAbs ICR 39.13g and ICR 39.3b. Cordell *et al.* [1991] (**antibody interactions**)
 - 15e: Broadly neutralizing, binds multiple strains, competes with CD4 for gp120 binding, DTT reduction of env abrogates binding – more potent blocking of gp120-sCD4 binding than MAbs G3-536 and G3-537. Ho *et al.* [1991b] (**adjuvant comparison, variant cross-recognition or cross-neutralization**)
 - 15e: Binds to gp120 of HIV-1 IIIB, but not RF – mediates ADCC – deletion of the V3 loop from gp120 does not alter ADCC activity. Koup *et al.* [1991] (**ADCC, variant cross-recognition or cross-neutralization**)
- No. 1037
- MAb ID** 21h (2.1H)
- HXB2 Location** Env
- Author Location** gp120
- Epitope**
- Neutralizing** L
- Immunogen** HIV-1 infection
- Species (Isotype)** human (IgG1)
- Ab Type** gp120 CD4BS
- Research Contact** James Robinson, Tulane University, LA
- References** Gorny & Zolla-Pazner 2004; Xiang *et al.* 2002b; Fouts *et al.* 1998; Parren *et al.* 1998a; Wyatt *et al.* 1998; Parren *et al.* 1997b; Wyatt *et al.* 1997; Ugolini *et al.* 1997; Li *et al.* 1997; Fouts *et al.* 1997; Binley *et al.* 1997a; McKeating *et al.* 1996; Wisniewski *et al.* 1996; Poignard *et al.* 1996a; Moore & Sodroski 1996; Sattentau & Moore 1995; Thali *et al.* 1994; Bagley *et al.* 1994; Moore *et al.* 1994a; Moore *et al.* 1994b; Moore & Ho 1993; Wyatt *et al.* 1993; Ho *et al.* 1992; Thali *et al.* 1992a; Ho *et al.* 1991b
- Keywords** acute/early infection, antibody binding site definition and exposure, antibody interactions, antibody sequence, variable domain, binding affinity, review, structure, subtype comparisons, variant cross-recognition or cross-neutralization
- 21h: UK Medical Research Council AIDS reagent: ARP3017.
 - 21h: This review summarizes MAbs directed to HIV-1 Env. There are 51 CD4BS MAbs and Fabs in the database; most, like this MAb, neutralize TCLA strains only. Gorny & Zolla-Pazner [2004] (**review**)
 - 21h: A series of mutational changes were introduced into the YU2 gp120 that favored different conformations—375 S/W seems to favor a conformation of gp120 closer to the CD4-bound state, and is readily bound by sCD4 and CD4i MAbs (17b, 48d, 49e, 21c and 23e) but binding of anti-CD4BS MAbs (F105, 15e, IgG1b12, 21h and F91) was markedly reduced—IgG1b12 failed to neutralize this mutant, while neutralization by 2G12 was enhanced—2F5 did not neutralize either WT or mutant, probably due to polymorphism in the YU2 epitope—another mutant, 423 I/P, disrupted the gp120 bridging sheet, favored a different conformation and did not bind CD4, CCR5, or CD4i antibodies, but did bind to CD4BS MAbs. Xiang *et al.* [2002b] (**antibody binding site definition and exposure**)
 - 21h: CD4BS MAbs 15e, 21h, and F91 bind with even lower affinity than 205-43-1 and 205-42-15 to JRFL oligomer – conclusions of this paper contrast with Parren *et al.* [1998a] Fouts *et al.* [1998]. Fouts *et al.* [1998]; Parren *et al.* [1998a] (**binding affinity**)
 - 21h: The MAb and Fab binding to the oligomeric form of gp120 and neutralization were highly correlated – authors suggest that neutralization is determined by the fraction of Ab sites occupied on a virion irrespective of the epitope. Parren *et al.* [1998a] (**antibody binding site definition and exposure**)
 - 21h: Summary of the implications of the crystal structure of the core of gp120 bound to CD4 and 17b with what is known about mutations that reduce NAb binding – probable mechanism of neutralization by CD4BS Ab is direct interference with CD4 binding. Wyatt *et al.* [1998] (**antibody binding site definition and exposure, structure**)
 - 21h: Study shows neutralization is not predicted by MAb binding to JRFL monomeric gp120, but is associated with oligomeric Env binding – 21h bound monomer, did not bind oligomer or neutralize JRFL. Fouts *et al.* [1997] (**antibody binding site definition and exposure**)
 - 21h: One of 14 human MAbs tested for ability to neutralize a chimeric SHIV-vpu+, which expressed HIV-1 IIIB env – 50% neutralization could not be achieved at a maximal concentration of 67 mug/ml. Li *et al.* [1997] (**variant cross-recognition or cross-neutralization**)
 - 21h: Neutralizes TCLA strains, but not primary isolates. Parren *et al.* [1997b] (**variant cross-recognition or cross-neutralization**)
 - 21h: Viral binding inhibition by 21h strongly correlated with neutralization (all other neutralizing MAbs tested showed some correlation except 2F5). Ugolini *et al.* [1997] (**antibody binding site definition and exposure**)
 - 21h: Binds both gp120 and soluble gp120+gp41 complex efficiently, suggesting its gp120 epitope is not blocked by gp41 binding – major deletions in C1 and C5 and deletions of the V1V2 and V3 loops do not diminish binding. Wyatt *et al.* [1997] (**antibody binding site definition and exposure**)
 - 21h: Called 2.1H – Neutralizes HXB2, but fails to neutralize chimeric virus with gp120 from primary isolates in an HXB2 background. McKeating *et al.* [1996] (**variant cross-recognition or cross-neutralization**)
 - 21h: Anti-CD4 binding site MAb – reciprocal inhibition by anti-C1, -C4 and other anti-CD4 binding site antibodies – enhanced by some anti-V2 MAbs and anti-V3 MAb 5G11 – enhances binding of some anti-V3 and -V2 MAbs. Moore & Sodroski [1996] (**antibody interactions**)
 - 21h: Anti-CD4BS MAbs 15e, 21h, and IgG1b12 did not cause gp120 dissociation from virus, or exposure of the gp41 epitope of MAb 50-69, in contrast to CD4i MAb 48d and anti-V3 neutralizing MAbs. Poignard *et al.* [1996a] (**antibody binding site definition and exposure, antibody interactions**)
 - 21h: 21h is V H3 – V-region heavy chain usage was examined and a bias of enhanced V H1 and V H4, and reduced V H3, was noted among HIV infected individuals. Wisniewski *et al.* [1996] (**antibody sequence, variable domain**)
 - 21h: Binds with higher affinity to monomer than to oligomer, moderate association rate. Sattentau & Moore [1995] (**antibody binding site definition and exposure**)

- 21h: Heavy chain is V HIII, VDP-35 – light chain is V_{lambda}IIIa, Hum318. Compared to 15e and F105. Bagley *et al.* [1994] (**antibody sequence, variable domain**)
- 21h: Has strong cross-reactivity with gp120 monomers from most subtypes, A-F, with the least reactivity to clade E. Moore *et al.* [1994b] (**subtype comparisons**)
- 21h: Competition studies with human sera from seroconverting individuals showed that anti-CD4 BS antibodies can arise very early in infection, comparable or prior to anti-V3 antibodies. Moore *et al.* [1994a] (**acute/early infection**)
- 21h: A mutation in gp41, 582 A/T, confers resistance to neutralization (also confers resistance to MAbs F105, 48d, 15e and 17b). Thali *et al.* [1994] (**variant cross-recognition or cross-neutralization**)
- 21h: Conformational, does not bind denatured gp120 – neutralizes IIIB – reactive with SF-2 gp120 – strong inhibition of HIV+ human sera binding to IIIB gp120. Moore & Ho [1993] (**antibody binding site definition and exposure**)
- 21h: Binding to Delta V1/2 and Delta V1/2/3 mutant glycoproteins is greater than binding to wildtype gp120. Wyatt *et al.* [1993] (**antibody binding site definition and exposure**)
- 21h: Amino acid substitutions in HXB2 that inhibit binding, some shared with CD4 binding inhibition, 88, 113, 257, 368, 370, 421, 470, 480. Thali *et al.* [1992a] (**antibody binding site definition and exposure**)

No. 1038

Mab ID 28A11/B1

HXB2 Location Env

Author Location gp120 (SF162)

Epitope

Subtype B

Neutralizing L

Immunogen vaccine

Vector/Type: protein *Strain:* B clade SF162*HIV component:* gp120 *Adjuvant:* Ribi adjuvant (MPL+TDM) (RIBI)**Species (Isotype)** transgenic mouse (IgG2 κ)**Ab Type** gp120 CD4BS**Research Contact** Dr. Abraham Pinter, Public Health Research Institute, Newark, NJ, pinter@phri.org**References** Gorny & Zolla-Pazner 2004; He *et al.* 2002**Keywords** review, subtype comparisons, variant cross-recognition or cross-neutralization

- 28A11/B1: This review summarizes MAbs directed to HIV-1 Env. There are 51 CD4BS MAbs and Fabs in the database; most, like this MAb, neutralize TCLA strains only. Gorny & Zolla-Pazner [2004] (**review**)
- 28A11/B1: Transgenic mice (strain XenoMouse G2) carrying human genes allowing production of fully human IgG2 κ MAbs were used to rapidly create a panel of anti-HIV gp120 MAb-producing hybridomas by immunization with HIV SF162 gp120—6 anti-CD4BS MAbs competed with anti-CD4BS MAb 5145A, blocked sCD4 binding and were conformationally sensitive—4/6 could neutralize the autologous strain SF162, and were broadly cross-reactive with B clade R5 and X4 strains (not E clade)—28A11/B1 was one of these four MAbs. He *et al.* [2002] (**variant cross-recognition or cross-neutralization, subtype comparisons**)

No. 1039

Mab ID 2G6

HXB2 Location Env

Author Location gp120

Epitope

Neutralizing

Immunogen

Species (Isotype)**Ab Type** gp120 CD4BS**Research Contact** Herman Katinger, Inst. Appl. Microbiol. University of Agricultural Science, or Polymun Scientific Inc., Vienna, Austria**References** Gorny & Zolla-Pazner 2004; Parren *et al.* 1998a; Fouts *et al.* 1998**Keywords** antibody binding site definition and exposure, review, variant cross-recognition or cross-neutralization

- 2G6: This review summarizes MAbs directed to HIV-1 Env. There are 51 CD4BS MAbs and Fabs in the database; most, like this Fab, neutralize TCLA strains only. Gorny & Zolla-Pazner [2004] (**review**)
- 2G6: Binds to JRFL oligomer with an affinity comparable to IgG1b12, but does not neutralize the virus, so binding of oligomer is not always predictive of neutralization – conclusions of this paper contrast with Parren *et al.* [1998a] – authors propose a model where 205-46-9 and 2G6 may inhibit CD4 binding, but cause a conformational shift which enhances CCR5 binding and thus counteracts the neutralizing effect Fouts *et al.* [1998]. Fouts *et al.* [1998]; Parren *et al.* [1998a] (**antibody binding site definition and exposure, variant cross-recognition or cross-neutralization**)

No. 1040

Mab ID 35F3/E2

HXB2 Location Env

Author Location gp120 (SF162)

Epitope

Subtype B

Neutralizing L

Immunogen vaccine

Vector/Type: protein *Strain:* B clade SF162*HIV component:* gp120 *Adjuvant:* Ribi adjuvant (MPL+TDM) (RIBI)**Species (Isotype)** transgenic mouse (IgG2 κ)**Ab Type** gp120 CD4BS**Research Contact** Dr. Abraham Pinter, Public Health Research Institute, Newark, NJ, pinter@phri.org**References** Gorny & Zolla-Pazner 2004; He *et al.* 2002**Keywords** review, subtype comparisons, variant cross-recognition or cross-neutralization

- 35F3/E2: This review summarizes MAbs directed to HIV-1 Env. There are 51 CD4BS MAbs and Fabs in the database; most, like this MAb, neutralize TCLA strains only. Gorny & Zolla-Pazner [2004] (**review**)
- 35F3/E2: Transgenic mice (strain XenoMouse G2) carrying human genes allowing production of fully human IgG2 κ MAbs were used to rapidly create a panel of anti-HIV gp120 MAb-producing hybridomas by immunization with HIV SF162 gp120—6 anti-CD4BS MAbs competed with anti-CD4BS MAb 5145A, blocked sCD4 binding and were conformationally

sensitive—4/6 could neutralize the autologous strain SF162, and were broadly cross-reactive with B clade R5 and X4 strains (not E clade)—35F3/E2 was one of these four MAbs. He *et al.* [2002] (**variant cross-recognition or cross-neutralization, subtype comparisons**)

No. 1041

MAb ID 38G3/A9

HXB2 Location Env

Author Location gp120 (SF162)

Epitope

Subtype B

Neutralizing L

Immunogen vaccine

Vector/Type: protein Strain: B clade SF162

HIV component: gp120 Adjuvant: Ribi adjuvant (MPL+TDM) (RIBI)

Species (Isotype) transgenic mouse (IgG2κ)

Ab Type gp120 CD4BS

Research Contact Dr. Abraham Pinter, Public Health Research Institute, Newark, NJ, pinter@phri.org

References Gorny & Zolla-Pazner 2004; He *et al.* 2002

Keywords variant cross-recognition or cross-neutralization

- 38G3/A9: This review summarizes MAbs directed to HIV-1 Env. There are 51 CD4BS MAbs and Fabs in the database; most, like this MAb, neutralize TCLA strains only. Gorny & Zolla-Pazner [2004] (**variant cross-recognition or cross-neutralization**)
- 38G3/A9: Transgenic mice (strain XenoMouse G2) carrying human genes allowing production of fully human IgG2κ MAbs were used to rapidly create a panel of anti-HIV gp120 MAb-producing hybridomas by immunization with HIV SF162 gp120—6 anti-CD4BS MAbs competed with anti-CD4BS MAb 5145A, blocked sCD4 binding and were conformationally sensitive—4/6 could neutralize the autologous strain SF162, and were broadly cross-reactive with B clade R5 and X4 strains (not E clade)—38G3/A9 was one of these four MAbs. He *et al.* [2002] (**variant cross-recognition or cross-neutralization**)

No. 1042

MAb ID 428

HXB2 Location Env

Author Location gp120

Epitope

Neutralizing

Immunogen HIV-1 infection

Species (Isotype) human

Ab Type gp120 CD4BS

References Jeffs *et al.* 1996; Karwowska *et al.* 1992a

- 428: Slight, not significant increased binding when V1/V2 or V1/V2 and V3 were deleted from gp120. Jeffs *et al.* [1996]

No. 1043

MAb ID 448-D (448D)

HXB2 Location Env

Author Location gp120

Epitope

Neutralizing L

Immunogen HIV-1 infection

Species (Isotype) human (IgG1λ)

Ab Type gp120 CD4BS

Research Contact Susan Zolla-Pazner (Zollas01@mcr6.med.nyu), NYU Med Center, NY, NY

References Gorny & Zolla-Pazner 2004; Nyambi *et al.* 2000; Wyatt *et al.* 1998; Li *et al.* 1997; Manca *et al.* 1995a; Forthal *et al.* 1995; Laal *et al.* 1994; Spear *et al.* 1993; McKeating *et al.* 1992c; Karwowska *et al.* 1992a

Keywords ADCC, antibody binding site definition and exposure, antibody interactions, complement, enhancing activity, review, structure, subtype comparisons, variant cross-recognition or cross-neutralization

- 448-D: This review summarizes MAbs directed to HIV-1 Env. There are 51 CD4BS MAbs and Fabs in the database; most, like this MAb, neutralize TCLA strains only. Gorny & Zolla-Pazner [2004] (**review**)
- 448-D: 26 HIV-1 group M isolates (clades A to H) were tested for binding to 47 MAbs, including 6 CD4BS MAbs – CD4BS MAbs bound consistently to most isolates of clade D, but poorly to isolates of other clades with the exception of broadly reactive MAb IgG1b12. Nyambi *et al.* [2000] (**variant cross-recognition or cross-neutralization, subtype comparisons**)
- 448-D: Summary of the implications of the crystal structure of the core of gp120 bound to CD4 and 17b with what is known about mutations that reduce NAb binding – probable mechanism of neutralization by CD4BS Ab is direct interference with CD4 binding. Wyatt *et al.* [1998] (**structure**)
- 448-D: One of 14 human MAbs tested for ability to neutralize a chimeric SHIV-vpu+, which expressed HIV-1 IIIB env. Li *et al.* [1997] (**variant cross-recognition or cross-neutralization**)
- 448-D: Neutralizing activity, positive ADCC activity, and no viral enhancing activity. Forthal *et al.* [1995] (**ADCC, enhancing activity**)
- 448-D: Virions complexed to gp120 Ab facilitate presentation of p66 RT epitopes to Th cells. Manca *et al.* [1995a]
- 448-D: Dissociation constant gp120 IIIB 0.029 – neutralizes IIIB, acts synergistically with anti-V3 MAb 447-52D. Laal *et al.* [1994] (**antibody interactions**)
- 448-D: Did not mediate deposition of complement component C3 on HIV infected cells. Spear *et al.* [1993] (**complement**)
- 448-D: Conformational – reactive with IIIB gp120 in RIP, but not WB assay. Karwowska *et al.* [1992a] (**antibody binding site definition and exposure**)
- 448-D: Called 448D – blocks gp120-CD4 binding – substitutions at gp120 residues 88, 113, 117, 257, 368 and 370 reduce binding – epitope similar to rat MAbs 39.13g and 39.3b. McKeating *et al.* [1992c] (**antibody binding site definition and exposure**)

No. 1044

MAb ID 46D2/D5

HXB2 Location Env

Author Location gp120 (SF162)

Epitope

Subtype B

Neutralizing no

Immunogen vaccine

Vector/Type: protein *Strain:* B clade SF162
HIV component: gp120 *Adjuvant:* Ribi adjuvant (MPL+TDM) (RIBI)

Species (Isotype) transgenic mouse (IgG2 κ)

Ab Type gp120 CD4BS

Research Contact Dr. Abraham Pinter, Public Health Research Institute, Newark, NJ, pinter@phri.org

References He *et al.* 2002

- 44D2/D5: Transgenic mice (strain XenoMouse G2) carrying human genes allowing production of fully human IgG2 κ MAbs were used to rapidly create a panel of anti-HIV gp120 MAb-producing hybridomas by immunization with HIV SF162 gp120—6 anti-CD4BS MAbs competed with anti-CD4BS MAb 5145A, blocked sCD4 binding and were conformationally sensitive—4/6 could neutralize the autologous strain SF162, and were broadly cross-reactive with B clade R5 and X4 strains (not E clade)—44D2/D5 could not neutralize autologous SF162, and while it was cross-reactive, it was at lower affinity. He *et al.* [2002]

No. 1045

MAb ID 48-16

HXB2 Location Env

Author Location gp120

Epitope

Neutralizing no

Immunogen HIV-1 infection

Species (Isotype) human (IgG κ)

Ab Type gp120 CD4BS

References Gorny & Zolla-Pazner 2004; Fevrier *et al.* 1995

Keywords antibody binding site definition and exposure, binding affinity, review, variant cross-recognition or cross-neutralization

- 48-16: This review summarizes MAbs directed to HIV-1 Env. There are 51 CD4BS MAbs and Fabs in the database. Most neutralize TCLA strains only, 48-16 is one of four that are non-neutralizing. Gorny & Zolla-Pazner [2004] (**review**)
- 48-16: Broadly cross-reactive, reacts outside the CD4 binding site and V3 region—competes with sera from 45 seropositive subjects—binding affinity $2-5 \times 10^{-9}$ M. Fevrier *et al.* [1995] (**antibody binding site definition and exposure, variant cross-recognition or cross-neutralization, binding affinity**)

No. 1046

MAb ID 50-61A

HXB2 Location Env

Author Location gp120

Epitope

Neutralizing L

Immunogen HIV-1 infection

Species (Isotype) human (IgG κ)

Ab Type gp120 CD4BS

References Gorny & Zolla-Pazner 2004; Fevrier *et al.* 1995

Keywords binding affinity, review, variant cross-recognition or cross-neutralization

- 50-61A: Neutralizes lab strains LAI and SF2 – competes with sera from 45 seropositive subjects – binding affinity 2.4×10^{-10} M. (**variant cross-recognition or cross-neutralization, binding affinity**)
- 50-61A: This review summarizes MAbs directed to HIV-1 Env. There are 51 CD4BS MAbs and Fabs in the database; most, like this MAb, neutralize TCLA strains only. Gorny & Zolla-Pazner [2004] (**review**)

No. 1047

MAb ID 5145A

HXB2 Location Env

Author Location gp120

Epitope

Subtype B

Neutralizing L

Immunogen HIV-1 infection

Species (Isotype) human (IgG1)

Ab Type gp120 CD4BS

Research Contact Abraham Pinter, Public Health Research Institute, Newark, NJ, 07103. pinter@phri.org.

References Pinter *et al.* 2005; Pinter *et al.* 2004; Gorny & Zolla-Pazner 2004; He *et al.* 2002; Alsmadi & Tilley 1998; Pincus *et al.* 1996; Warrier *et al.* 1996; Pinter *et al.* 1993a

Keywords ADCC, antibody binding site definition and exposure, antibody interactions, immunotoxin, variant cross-recognition or cross-neutralization

- 5145A: This study is about the MAb C108g, and 5145A was a control. 5145A is a disulfide-dependent epitope in the CD4 binding domain that is lost after reduction; C108g, contrary to earlier reports, was also shown to require disulfide bonds. Pinter *et al.* [2005] (**antibody binding site definition and exposure**)
- 5145A: This review summarizes MAbs directed to HIV-1 Env. There are 51 CD4BS MAbs and Fabs in the database; most, like this MAb, neutralize TCLA strains only. Gorny & Zolla-Pazner [2004] (**variant cross-recognition or cross-neutralization**)
- 5145A: V1V2 was determined to be the region that conferred the neutralization phenotype differences between two R5-tropic primary HIV-1 isolates, JRFL and SF162. JRFL is resistant to neutralization by many sera and MAbs, while SF162 is sensitive. All MAbs tested, anti-V3, -V2, -CD4BS, and -CD4i, (except the broadly neutralizing MAbs IgG1b12, 2F5, and 2G12, which neutralized both strains), neutralized the SF162 pseudotype but not JRFL, and chimeras that exchanged the V1V2 loops transferred the neutralization phenotype. Three anti-CD4BS MAbs were tested, including IgG1b12, which neutralizes both JRFL and SF162. The affinities for IgG1b12 and 5145A were similar for both JRFL and SF162, but 1125A bound with 2.5 fold higher affinity to SF162. 5145A and 1125H both preferentially neutralize SF162, but not JRFL, and the CD4BS is more sensitive to neutralization in the context of the SF162 V1V2 loop. This was also true for neutralization by sCD4. Pinter *et al.* [2004] (**variant cross-recognition or cross-neutralization**)
- 5145A: Transgenic mice carrying human genes allowing production of fully human MAbs were used to rapidly create a

panel of anti-HIV gp120 MAb producing hybridomas by immunization with HIV SF162 gp120 – the previously described human MAbs 5145A, 4117C and 697D were used as controls. He *et al.* [2002]

- 5145A: A study of 6 anti-Env MAbs and their ability to bind or direct ADCC against target cells infected with IIIB, MN, SF-2, and RF – bound and directed lysis against all four strains. Alsmadi & Tilley [1998] (**ADCC**)
- 5145A: A panel of immunotoxins were generated by linking Env MAbs to ricin A – immunotoxins mediated cell killing, but killing was not directly proportional to binding. Pincus *et al.* [1996] (**immunotoxin**)
- 5145A: Synergistic neutralization of HIV-1 when combined with anti-V2 MAb C108G. Warriar *et al.* [1996] (**antibody interactions**)
- 5145A: Potent and broadly cross-reactive neutralization of lab strains. Pinter *et al.* [1993a] (**variant cross-recognition or cross-neutralization**)

No. 1048

MAb ID 558-D

HXB2 Location Env

Author Location gp120

Epitope

Neutralizing L

Immunogen HIV-1 infection

Species (Isotype) human

Ab Type gp120 CD4BS

Research Contact Susan Zolla-Pazner (Zollas01@mcrcr6.med.nyu), NYU Med Center, NY, NY

References Gorny & Zolla-Pazner 2004; Nyambi *et al.* 1998; McKeating *et al.* 1992c

Keywords antibody binding site definition and exposure, review, subtype comparisons, variant cross-recognition or cross-neutralization

- 558-D: This review summarizes MAbs directed to HIV-1 Env. There are 51 CD4BS MAbs and Fabs in the database; most, like this MAb, neutralize TCLA strains only. Gorny & Zolla-Pazner [2004] (**review**)
- 558-D: Using a whole virion-ELISA method, 18 human MAbs were tested for their ability to bind to a panel of 9 viruses from clades A, B, D, F, G, and H – CD4BS Abs tended to bind weakly without clade specificity to virions, but bound well to soluble gp120 – 558-D did not bind to any B clade viruses, and weakly bound to clade A, C, and G isolates – 559/64-D, 558-D and 1202-D had similar reactivities. Nyambi *et al.* [1998] (**variant cross-recognition or cross-neutralization, subtype comparisons**)
- 558-D: Blocks gp120-CD4 binding – binds a panel of mutants all except for 256 S/Y and 262 N/T, which are probably conformationally disruptive. McKeating *et al.* [1992c] (**antibody binding site definition and exposure**)

No. 1049

MAb ID 559/64-D (559, 559-64D)

HXB2 Location Env

Author Location gp120 (LAI)

Epitope

Subtype B

Neutralizing L

Immunogen HIV-1 infection

Species (Isotype) human (IgG1κ)

Ab Type gp120 CD4BS

Research Contact Susan Zolla-Pazner (Zollas01@mcrcr6.med.nyu), NYU Med Center, NY, NY

References Gorny & Zolla-Pazner 2004; Zwick *et al.* 2003; York *et al.* 2001; Hioe *et al.* 2001; Nyambi *et al.* 2000; Hioe *et al.* 2000; Gorny *et al.* 2000; Nyambi *et al.* 1998; Hioe *et al.* 1997b; Hioe *et al.* 1997a; Jeffs *et al.* 1996; Forthal *et al.* 1995; Stamatatos & Cheng-Mayer 1995; Spear *et al.* 1993; McKeating *et al.* 1992c; Karwowska *et al.* 1992a

Keywords ADCC, antibody binding site definition and exposure, antibody interactions, assay development, complement, enhancing activity, review, subtype comparisons, variant cross-recognition or cross-neutralization

- 559/64D: This review summarizes MAbs directed to HIV-1 Env. There are 51 CD4BS MAbs and Fabs in the database; most, like this MAb, neutralize TCLA strains only. Gorny & Zolla-Pazner [2004] (**review**)
- 559/64D: called 559-64D: scFv 4KG5 reacts with a conformational epitope that is formed by the V1V2 and V3 loops and the bridging sheet (C4) region of gp120 and is influenced by carbohydrates. Of a panel of MAbs tested, only NAb b12 enhanced 4KG5 binding to gp120 JRFL. MAbs to the following regions diminished 4KG5 binding: V2 loop, V3 loop, V3-C4 region, CD4BS. MAbs directed against C1, CD4i, C5 regions didn't impact 4KG5 binding. These results suggest that the orientation or dynamics of the V1/V2 and V3 loops restricts CD4BS access on the envelope spike, and IgG1b12 can uniquely remain unaffected by these loops. This was one of the CD4BS MAbs used. Zwick *et al.* [2003] (**antibody interactions**)
- 559/64-D: CD4BS MAbs when complexed with gp120, inhibit proliferation of gp120-specific CD4 T-cells and IFN γ production—anti-CD4BS MAbs inhibit gp120 presentation by altering the uptake and/or processing of gp120 by the APCs, not by blocking of gp120 attachment to CD4 on the surface of APCs. Hioe *et al.* [2001]
- 559/64-D: Abs against the V3 loop (50.1, 58.2, 59.1, 257-D, 268-D, 447-52D), CD4BS (IgG1b12, 559-64D, F105), CD4 induced or CD4i (17b), and to gp41 (2F5, F240) each showed similar binding efficiency to Env derived from related pairs of primary and TCLA lines (primary: 168P and 320SI, and TCLA: 168C and 320SI-C3.3), but the TCLA lines were much more susceptible to neutralization suggesting that the change in TCLA lines that make them more susceptible to NAbs alters some step after binding. York *et al.* [2001] (**antibody binding site definition and exposure, variant cross-recognition or cross-neutralization**)
- 559/64-D: Binding of panel of 21 MAbs to soluble oligomeric gp140 versus gp41 or gp120 monomers was compared – no MAb was oligomer specific, though anti-V3 and CD4BS MAbs reacted better with the oligomer and V2 and C5 tended to favor the monomer – CD4BS MAbs 559/64-D, 654-D, 729-D, 9CL and 1331E bound with a 5-13 fold preference for the oligomer.

- Gorny *et al.* [2000] (**antibody binding site definition and exposure, variant cross-recognition or cross-neutralization**)
- 559/64-D: Ab responses, because of their capacity to alter antigen uptake and processing, can influence helper T cell responses – anti-CD4 binding site MAbs or serum Ig from HIV+ individuals inhibited proliferative responses of gp120 specific T cells – CD4BS MAbs 654-D, 559/64-D, 588-D, 830-D, 1027-30-D, and 1202-30D strongly diminished proliferation. Hioe *et al.* [2000]
 - 559/64-D: 26 HIV-1 group M isolates (clades A to H) were tested for binding to 47 MAbs, including 6 CD4BS MAbs – CD4BS MAbs bound consistently to most isolates of clade D, but poorly to isolates of other clades with the exception of broadly reactive MAb IgG1b12. Nyambi *et al.* [2000] (**subtype comparisons**)
 - 559/64-D: Using a whole virion-ELISA method, 18 human MAbs were tested for their ability to bind to a panel of 9 viruses from clades A, B, D, F, G, and H – CD4BS Abs tended to bind weakly without clade specificity to virions, but bound well to soluble gp120 – 559/64-D did not bind to any B clade viruses, and weakly bound clade A, C, and G isolates – 559/64-D, 558-D and 1202-D had similar reactivities. Nyambi *et al.* [1998] (**antibody binding site definition and exposure, subtype comparisons**)
 - 559/64-D: Used in the development of resting cell neutralization assay. Hioe *et al.* [1997a] (**assay development**)
 - 559/64-D: Four primary isolates showed distinct patterns of sensitivity to neutralization by polyclonal sera or plasma and MAbs – BZ167 was the only isolate inhibited by all polyclonal sera and plasma tested, and was also neutralized by 8/17 MAbs, in particular anti-V3 loop (419-D, 447-52D, 782-D, and 838-D), anti-CD4bd (559/64-D, 654-D and 830-D and a cluster II of gp41 directed MAb (98-6) – isolates 92HT593 and 91US056 were neutralized by V3 loop (419-D, and 447-52D) and cluster II gp41 (98-6) MAbs at higher concentrations – US4 was neutralized by some of the polyclonal sera/plasma tested and not at all by MAbs individually or by a cocktail of ten MAbs consisting of 419-D, 447-52D, 782-D, 838-D, 559/64-D, 654-D, 450-D, 670-D, 1281-D and 98-6. Hioe *et al.* [1997b] (**variant cross-recognition or cross-neutralization**)
 - 559/64-D: Called 559 – slight, not significant increased binding when V1/V2 or V1/V2 and V3 were deleted from gp120. Jeffs *et al.* [1996] (**antibody binding site definition and exposure**)
 - 559/64-D: Neutralizing activity, no ADCC activity, and no viral enhancing activity. Forthal *et al.* [1995] (**ADCC, enhancing activity, variant cross-recognition or cross-neutralization**)
 - 559/64-D: Called 559-64D – The binding of conformation-dependent anti-V2, anti-V3, and anti-CD4BS MAbs to monomeric and virion-associated gp120 from HIV-1 isolates with differences in cell tropism was studied – CD4BS loop epitopes are somewhat occluded in the oligomeric gp120 epitopes on the virion surface relative to the gp120 monomer as indicated by an increase in the half-maximal binding values to macrophage-tropic isolates SF162 and SF128a and to T-cell tropic SF2 – binding of anti-CD4BS MAbs to SF2 resulted in a significant amount of dissociation of gp120 from virion surface. Stamatatos & Cheng-Mayer [1995] (**antibody binding site definition and exposure**)
 - 559/64-D: Did not mediate deposition of complement component C3 on HIV infected cells. Spear *et al.* [1993] (**complement**)
 - 559/64-D: Conformational – reactive with IIIB gp120 in RIP, but not WB assay. Karwowska *et al.* [1992a] (**antibody binding site definition and exposure**)
- No.** 1050
MAb ID 55D5/F9
HXB2 Location Env
Author Location gp120 (SF162)
Epitope
Subtype B
Neutralizing L
Immunogen vaccine
Vector/Type: protein *Strain:* B clade SF162
HIV component: gp120 *Adjuvant:* Ribi adjuvant (MPL+TDM) (RIBI)
Species (Isotype) transgenic mouse (IgG2κ)
Ab Type gp120 CD4BS
Research Contact Dr. Abraham Pinter, Public Health Research Institute, Newark, NJ, pinter@phri.org
References Gorny & Zolla-Pazner 2004; He *et al.* 2002
Keywords review, variant cross-recognition or cross-neutralization
- 55D5/F9: This review summarizes MAbs directed to HIV-1 Env. There are 51 CD4BS MAbs and Fabs in the database. Most neutralize TCLA strains only, this is one of four that are non-neutralizing. Gorny & Zolla-Pazner [2004] (**review**)
 - 55D5/F9: Transgenic mice (strain XenoMouse G2) carrying human genes allowing production of fully human IgG2κ MAbs were used to rapidly create a panel of anti-HIV gp120 MAb-producing hybridomas by immunization with HIV SF162 gp120—6 anti-CD4BS MAbs competed with anti-CD4BS MAb 5145A, blocked sCD4 binding and were conformationally sensitive—4/6 could neutralize the autologous strain SF162, and were broadly cross-reactive with B clade R5 and X4 strains (not E clade)—55D5/F9 was one of these four MAbs. He *et al.* [2002] (**variant cross-recognition or cross-neutralization**)
- No.** 1051
MAb ID 588-D (588)
HXB2 Location Env
Author Location gp120
Epitope
Neutralizing L
Immunogen HIV-1 infection
Species (Isotype) human (IgG1κ)
Ab Type gp120 CD4BS
Research Contact Susan Zolla-Pazner (Zollas01@mcr6.med.nyu), NYU Med Center, NY, NY
References Nyambi *et al.* 2000; Hioe *et al.* 2000; Nyambi *et al.* 1998; Jeffs *et al.* 1996; Moore & Ho 1993; Buchbinder *et al.* 1992; Karwowska *et al.* 1992a

- 588-D: Ab responses, because of their capacity to alter antigen uptake and processing, can influence helper T cell responses – anti-CD4 binding site MAbs or serum Ig from HIV+ individuals inhibited proliferative responses of gp120 specific T cells – CD4BS MAbs 654-D, 559/64-D, 588-D, 830-D, 1027-30-D, and 1202-30D strongly diminished proliferation. Hioe *et al.* [2000]
- 588-D: 26 HIV-1 group M isolates (clades A to H) were tested for binding to 47 MAbs, including 6 CD4BS MAbs – CD4BS MAbs bound consistently to most isolates of clade D, but poorly to isolates of other clades with the exception of broadly reactive MAb IgG1b12. Nyambi *et al.* [2000]
- 588-D: Using a whole virion-ELISA method, 18 human MAbs were tested for their ability to bind to a panel of 9 viruses from clades A, B, D, F, G, and H – CD4-BS Abs tended to bind weakly without clade specificity to virions, but bound well to soluble gp120 – 588-D did not bind to any B clade viruses, and weakly bound a clade A, C, and G clade isolate – 559/64-D, 558-D and 1202-D reacted had similar reactivities. Nyambi *et al.* [1998]
- 588-D: Called 588 – slight, not significant increased binding when V1/V2 or V1/V2 and V3 were deleted from gp120. Jeffs *et al.* [1996]
- 588-D: Weak neutralization of IIIB – strong inhibition of HIV+ human sera binding to IIIB gp120. Moore & Ho [1993]
- 588-D: 4-fold increase in neutralization potency for 588-D when combined 1:1 with human MAb 447-D. Buchbinder *et al.* [1992]
- 588-D: Conformational – reactive with IIIB gp120 in RIP, but not WB assay. Karwowska *et al.* [1992a]

No. 1052

MAb ID 654-D (654-30D, 654/30D, 654-D100, 654.30D, 654)

HXB2 Location Env

Author Location gp120 (LAI)

Epitope

Subtype B

Neutralizing L

Immunogen HIV-1 infection

Species (Isotype) human (IgGκ)

Ab Type gp120 CD4BS

Research Contact Susan Zolla-Pazner (Zollas01@mccr6.med.nyu), NYU Med Center, NY, NY

References Gorny & Zolla-Pazner 2004; Zwick *et al.* 2003; Gorny *et al.* 2002; Verrier *et al.* 2001; Nyambi *et al.* 2000; Hioe *et al.* 2001; Hioe *et al.* 2000; Gorny *et al.* 2000; Hioe *et al.* 1999; Stamatatos & Cheng-Mayer 1998; Nyambi *et al.* 1998; Schonning *et al.* 1998; Gorny *et al.* 1998; Hioe *et al.* 1997b; Gorny *et al.* 1997; Stamatatos *et al.* 1997; Li *et al.* 1997; Stamatatos & Cheng-Mayer 1995; Gorny *et al.* 1994; Laal *et al.* 1994; Karwowska *et al.* 1993

Keywords antibody binding site definition and exposure, antibody interactions, binding affinity, enhancing activity, kinetics, review, subtype com-

parisons, variant cross-recognition or cross-neutralization

- 654-D: This review summarizes MAbs directed to HIV-1 Env. There are 51 CD4BS MAbs and Fabs in the database; most, like this MAb, neutralize TCLA strains only. Gorny & Zolla-Pazner [2004] (**review**)
- 654-D: Called 654-30D. scFv 4KG5 reacts with a conformational epitope that is formed by the V1V2 and V3 loops and the bridging sheet (C4) region of gp120 and is influenced by carbohydrates. Of a panel of MAbs tested, only NAb b12 enhanced 4KG5 binding to gp120 JRFL. MAbs to the following regions diminished 4KG5 binding: V2 loop, V3 loop, V3-C4 region, CD4BS. MAbs directed against C1, CD4i, C5 regions didn't impact 4KG5 binding. These results suggest that the orientation or dynamics of the V1/V2 and V3 loops restricts CD4BS access on the envelope spike, and IgG1b12 can uniquely remain unaffected by these loops. This was one of the CD4BS MAbs used. Zwick *et al.* [2003] (**antibody interactions**)
- 654-D: Called 654: Conformation-dependent anti-V3 loop Abs may be more cross-reactive, so six new V3 MAbs were generated – the six new MAbs all bind to the tip of the V3 loop and cross-compete with the MAb 447-52D and are conformationally sensitive – MAbs showed cross-clade binding to native, intact virions and the strength binding was highly correlated with percent neutralization using the ghost cell or PHA blast assay – five well-characterized MAbs were used as controls: anti-V3 447-52D (anti-V3 MAb for competition and neutralization studies), 654 (anti-CD4BS used as a conformation-sensitive MAb control), 1331A (anti-C5 used as a linear binding site MAb control), and MAb 246 (anti-gp41 MAb that bound to primary isolates of all clades) Gorny *et al.* [2002]
- 654-D: CD4BS MAbs when complexed with gp120, inhibit proliferation of gp120-specific CD4 T-cells and IFN gamma production – anti-CD4BS MAbs inhibit gp120 presentation by altering the uptake and/or processing of gp120 by the APCs, not by blocking of gp120 attachment to CD4 on the surface of APCs. Hioe *et al.* [2001]
- 654-D: A panel of 12 MAbs was used to identify those that could neutralize the dual-tropic primary isolate HIV-1 89.6—six gave significant neutralization at 2 to 10 ug/ml: 2F5, 50-69, IgG1b12, 447-52D, 2G12, and 670-D, while six did not have neutralizing activity: 654-D, 4.8D, 450-D, 246-D, 98-6, and 1281—no synergy, only additive effects were seen for pairwise combinations of MAbs, and antagonism was noted between gp41 MAbs 50-69 and 98-6, as well as 98-6 and 2F5. Verrier *et al.* [2001] (**antibody interactions, variant cross-recognition or cross-neutralization**)
- 654-D: Binding of panel of 21 MAbs to soluble oligomeric gp140 versus gp41 or gp120 monomers was compared – no MAb was oligomer specific, though anti-V3 and CD4BS MAbs reacted better with the oligomer and V2 and C5 tended to favor the monomer – CD4BS MAbs 559/64-D, 654-D, 729-D, 9CL and 1331E bound with a 5-13 fold preference for the oligomer. Gorny *et al.* [2000] (**antibody binding site definition and exposure, variant cross-recognition or cross-neutralization**)
- 654-D: Ab responses, because of their capacity to alter antigen uptake and processing, can influence helper T cell responses – CD4BS MAbs or serum Ig from HIV+ individuals inhibited proliferative responses of gp120 specific T cells – MAb 654-D

- strongly diminished proliferation – there is a discrepancy in isotyping this antibody, previous reports indicated IgG1kappa, while Hioe suggests it is IgG1lambda. Hioe *et al.* [2000]
- 654-D: 26 HIV-1 group M isolates (clades A to H) were tested for binding to 47 MAbs, including 6 CD4BS MAbs – CD4BS MAbs bound consistently to most isolates of clade D, but poorly to isolates of other clades with the exception of broadly reactive MAb IgG1b12 – 654-D had the weakest binding among CD4BS MAbs, binding to only 4/26 isolates. Nyambi *et al.* [2000] (**variant cross-recognition or cross-neutralization, subtype comparisons**)
 - 654-D: The presence of leukocyte function-associated molecule 1 (LFA-1) promotes virus infectivity and hinders neutralization, and anti-LFA-1 MAbs can enhance the neutralizing effect of anti-HIV V3 MAb 447-52D and anti-HIV CD4BS MAb IgG1b12 – non-neutralizing anti-HIV CD4BS MAb 654-D did not become neutralizing in the presence of anti-LFA-1 MAbs. Hioe *et al.* [1999]
 - 654-D: Using a whole virion-ELISA method, 18 human MAbs were tested for their ability to bind to a panel of 9 viruses from clades A, B, D, F, G, and H – CD4-BS Abs tended to bind very weakly without clade specificity to virions, but bound well to soluble gp120 – 654-D bound only to JRFL. Nyambi *et al.* [1998] (**variant cross-recognition or cross-neutralization, subtype comparisons**)
 - 654-D: Called 654-D100 – 654-D100 and IgG1b12 neutralized viruses HIV-BRU and a mutated virus that lacks the V3 loop glycan equally effectively – in contrast, sera from guinea pigs immunized with BRU gp120 neutralize viruses more effectively that lack the V3 glycan. Schonning *et al.* [1998] (**variant cross-recognition or cross-neutralization**)
 - 654-D: Called 654.30D – deleting the V2 loop of neutralization-resistant HIV-1 isolate SF162 does not abrogate its replication in PBMC or macrophages, but it enhances its neutralization sensitivity to sera from patients with B clade infection up to 170-fold, and also enhances sensitivity to sera from clades A through F – deletion of V2 but not V1 slightly allowed neutralization by CD4BS MAb 654.30D. Stamatatos & Cheng-Mayer [1998] (**antibody binding site definition and exposure, subtype comparisons**)
 - 654-D: Four primary isolates showed distinct patterns of sensitivity to neutralization by polyclonal sera or plasma and MAbs – BZ167 was the only isolate inhibited by all polyclonal sera and plasma tested, and was also neutralized by 8/17 MAbs, in particular anti-V3 loop (419-D, 447-52D, 782-D, and 838-D), anti-CD4bd (559/64-D, 654-D and 830-D and a cluster II of gp41 directed MAb (98-6) – isolates 92HT593 and 91US056 were neutralized by V3 loop (419-D, and 447-52D) and cluster II gp41 (98-6) MAbs at higher concentrations – US4 was neutralized by some of the polyclonal sera/plasma tested and not at all by MAbs individually or by a cocktail of ten MAbs consisting of 419-D, 447-52D, 782-D, 838-D, 559/64-D, 654-D, 450-D, 670-D, 1281-D and 98-6. Hioe *et al.* [1997b] (**variant cross-recognition or cross-neutralization**)
 - 654-D: Called 654-30D – One of 14 human MAbs tested for ability to neutralize a chimeric SHIV-vpu+, which expressed HIV-1 IIIB env. Li *et al.* [1997] (**variant cross-recognition or cross-neutralization**)
 - 654-D: Anti-CD4 BS MAb 654-30D and IgG1b12 have comparable binding affinities, neither mediates gp120-virion dissociation, but IgG1b12 can neutralize SF128A and SF162 and 654-D cannot – 654-D actually enhances infection by both viruses in primary macrophages. Stamatatos *et al.* [1997] (**enhancing activity, binding affinity**)
 - 654-D: Called 654-30D – The binding of conformation-dependent anti-V2, anti-V3, and anti-CD4BS MAbs to monomeric and virion-associated gp120 from HIV-1 isolates with differences in cell tropism was studied – CD4BS loop epitopes are somewhat occluded in the oligomeric gp120 epitopes on the virion surface relative to the gp120 monomer as indicated by an increase in the half-maximal binding values to macrophage-tropic isolates SF162 and SF128a and to T-cell tropic SF2 – binding of anti-CD4BS MAbs to SF2 resulted in a significant amount of dissociation of gp120 from virion surface. Stamatatos & Cheng-Mayer [1995] (**antibody binding site definition and exposure**)
 - 654-D: Mild oxidation of carbohydrate moieties inhibits binding. Gorny *et al.* [1994] (**antibody binding site definition and exposure**)
 - 654-D: Dissociation constant gp120 IIIB 0.008 – neutralizes IIIB, acts synergistically with anti-V3 MAb 447-52D – reported to be human(IgG1lambda) Laal *et al.* [1994] (**antibody interactions, kinetics**)

No. 1053

MAb ID 67G6/C4

HXB2 Location Env

Author Location gp120 (SF162)

Epitope

Subtype B

Neutralizing no

Immunogen vaccine

Vector/Type: protein Strain: B clade SF162

HIV component: gp120 Adjuvant: Ribi adjuvant (MPL+TDM) (RIBI)

Species (Isotype) transgenic mouse (IgG2κ)

Ab Type gp120 CD4BS

Research Contact Dr. Abraham Pinter, Public Health Research Institute, Newark, NJ, pinter@phri.org

References Gorny & Zolla-Pazner 2004; He *et al.* 2002

Keywords review, variant cross-recognition or cross-neutralization

- 67G6/C4: This review summarizes MAbs directed to HIV-1 Env. There are 51 CD4BS MAbs and Fabs in the database. Most neutralize TCLA strains only, this MAb is one of four that are non-neutralizing. Gorny & Zolla-Pazner [2004] (**review**)

- 67G6/C4: Transgenic mice (strain XenoMouse G2) carrying human genes allowing production of fully human IgG2κ MAbs were used to rapidly create a panel of anti-HIV gp120 MAb-producing hybridomas by immunization with HIV SF162 gp120—6 anti-CD4BS MAbs competed with anti-CD4BS MAb 5145A, blocked sCD4 binding and were conformationally sensitive—4/6 could neutralize the autologous strain SF162, and were broadly cross-reactive with B clade R5 and X4 strains (not E clade)—67G6/C4 could not neutralize autologous SF162, and its binding was strain-specific. He *et al.* [2002] (**variant cross-recognition or cross-neutralization**)

No. 1054
MAb ID 729-D (729-30D)
HXB2 Location Env
Author Location gp120 (LAI)
Epitope
Subtype B
Neutralizing L
Immunogen HIV-1 infection
Species (Isotype) human (IgG1 κ)
Ab Type gp120 CD4BS
Research Contact Susan Zolla-Pazner (Zollas01@mcr6.med.nyu), NYU Med Center, NY, NY

References Gorny & Zolla-Pazner 2004; Gorny *et al.* 2000; Parren *et al.* 1997b; Li *et al.* 1997; D'Souza *et al.* 1997; Laal *et al.* 1994

Keywords antibody binding site definition and exposure, antibody interactions, kinetics, review, variant cross-recognition or cross-neutralization

- 729-D: This review summarizes MAbs directed to HIV-1 Env. There are 51 CD4BS MAbs and Fabs in the database; most, like this MAb, neutralize TCLA strains only. Gorny & Zolla-Pazner [2004] (**review**)
- 729-D: Binding of panel of 21 MAbs to soluble oligomeric gp140 versus gp41 or gp120 monomers was compared – no MAb was oligomer specific, though anti-V3 and CD4BS MAbs reacted better with the oligomer and V2 and C5 tended to favor the monomer – CD4BS MAbs 559/64-D, 654-D, 729-D, 9CL and 1331E bound with a 5-13 fold preference for the oligomer. Gorny *et al.* [2000] (**antibody binding site definition and exposure**)
- 729-D: In a multilaboratory blinded study, failed to consistently neutralize any of nine B clade primary isolates – reported here to have a lambda light chain, but originally reported in Laal *et al.* [1994] to be IgG1kappa D'Souza *et al.* [1997]. D'Souza *et al.* [1997]; Laal *et al.* [1994] (**variant cross-recognition or cross-neutralization**)
- 729-D: Called 720-30D – one of 14 human MAbs tested for ability to neutralize chimeric SHIV-vpu+, which expressed HIV-1 IIIB env. Li *et al.* [1997] (**variant cross-recognition or cross-neutralization**)
- 729-D: Neutralizes TCLA strains, but not primary isolates. Parren *et al.* [1997b] (**variant cross-recognition or cross-neutralization**)
- 729-D: Dissociation constant gp120 IIIB 0.025 – neutralizes IIIB, acts synergistically with anti-V3 MAb 447-52D. Laal *et al.* [1994] (**antibody interactions, kinetics**)

No. 1055
MAb ID 830D (830-D)
HXB2 Location Env
Author Location gp120
Epitope
Neutralizing L
Immunogen
Species (Isotype) human (IgG1 κ)
Ab Type gp120 CD4BS
References Gorny & Zolla-Pazner 2004; Hioe *et al.* 2000; Wyatt *et al.* 1998; Hioe *et al.* 1997b

Keywords review, structure, variant cross-recognition or cross-neutralization

- 830D: This review summarizes MAbs directed to HIV-1 Env. There are 51 CD4BS MAbs and Fabs in the database; most, like this MAb, neutralize TCLA strains only. Gorny & Zolla-Pazner [2004] (**review**)
- 830D: Ab responses, because of their capacity to alter antigen uptake and processing, can influence helper T cell responses – anti-CD4 binding site MAbs or serum Ig from HIV+ individuals inhibited proliferative responses of gp120 specific T cells – CD4BS MAbs 654-D, 559/64-D, 588-D, 830-D, 1027-30-D, and 1202-30D strongly diminished proliferation. Hioe *et al.* [2000]
- 830D: Summary of the implications of the crystal structure of the core of gp120 bound to CD4 and 17b with what is known about mutations that reduce NAb binding – probable mechanism of neutralization by CD4BS Ab is direct interference with CD4 binding. Wyatt *et al.* [1998] (**structure**)
- 830D: Called 830-D: Four primary isolates showed distinct patterns of sensitivity to neutralization by polyclonal sera or plasma and MAbs – BZ167 was the only isolate inhibited by all polyclonal sera and plasma tested, and was also neutralized by 8/17 MAbs, in particular anti-V3 loop (419-D, 447-52D, 782-D, and 838-D), anti-CD4bd (559/64-D, 654-D and 830-D and a cluster II of gp41 directed MAb (98-6) – isolates 92HT593 and 91US056 were neutralized by V3 loop (419-D, and 447-52D) and cluster II gp41 (98-6) MAbs at higher concentrations – US4 was neutralized by some of the polyclonal sera/plasma tested and not at all by MAbs individually or by a cocktail of ten MAbs consisting of 419-D, 447-52D, 782-D, 838-D, 559/64-D, 654-D, 450-D, 670-D, 1281-D and 98-6. Hioe *et al.* [1997b] (**variant cross-recognition or cross-neutralization**)

No. 1056
MAb ID 9CL
HXB2 Location Env
Author Location gp120 (LAI)
Epitope
Subtype B
Neutralizing
Immunogen HIV-1 infection
Species (Isotype) human
Ab Type gp120 CD4BS
Research Contact Susan Zolla-Pazner (Zollas01@mcr6.med.nyu), NYU Med Center, NY, NY

References Gorny & Zolla-Pazner 2004; Gorny *et al.* 2000

Keywords antibody binding site definition and exposure, review

- 9CL: This review summarizes MAbs directed to HIV-1 Env. There are 51 CD4BS MAbs and Fabs in the database; most, like this MAb, neutralize TCLA strains only. Gorny & Zolla-Pazner [2004] (**review**)
- 9CL: Binding of panel of 21 MAbs to soluble oligomeric gp140 versus gp41 or gp120 monomers was compared – no MAb was oligomer specific, though anti-V3 and CD4BS MAbs reacted better with the oligomer and V2 and C5 tended to favor the monomer – CD4BS MAbs 559/64-D, 654-D, 729-D, 9CL and 1331E bound with a 5-13 fold preference for the oligomer.

Gorny *et al.* [2000] (antibody binding site definition and exposure)

No. 1057
MAb ID BM12
HXB2 Location Env
Author Location gp120
Epitope
Neutralizing L
Immunogen HIV-1 infection
Species (Isotype) human
Ab Type gp120 CD4BS
References Kessler *et al.* 1995

- BM12: Broad cross-clade neutralization of primary isolates – additive effect in combination with MAb 2F5. Kessler *et al.* [1995]

No. 1058
MAb ID D20
HXB2 Location Env
Author Location gp120 (IIIB)
Epitope
Neutralizing no
Immunogen vaccine

Vector/Type: vaccinia *Strain:* B clade IIIB
HIV component: oligomeric gp140
Species (Isotype) mouse (IgG)
Ab Type gp120 CD4BS
Research Contact P. Earl, National Institute of Allergy and Infectious Diseases, NIH, Bethesda, MD
References Sugiura *et al.* 1999; Earl *et al.* 1997; Otteken *et al.* 1996; Richardson *et al.* 1996; Broder *et al.* 1994; Earl *et al.* 1994

- Keywords** antibody binding site definition and exposure, antibody generation
- D20: A comparison of 25 gp120 specific, conformation dependent MAbs was done – D20 is part of a group of MAbs labeled A1 – all A1 MAbs were broadly cross-reactive with gp160 from B-clade R5, X4, and R5X4 viruses, blocked CD4 binding, were sensitive to mutations in gp120 positions 368 and 370 that directly contact CD4. Sugiura *et al.* [1999] (antibody binding site definition and exposure)
 - D20: Used for comparison in a study of gp41 antibodies – D20 binds to a greater extent to cell surface expressed Env than any of 38 conformation dependent anti-gp41 MAbs. Earl *et al.* [1997] (antibody binding site definition and exposure)
 - D20: Pulse label experiments of 4 MAbs (D20, D27, T20, and T22) binding to noncleavable gp160 revealed that these anti-CD4 MAbs bound with a delay, and that the epitope formed with a $t_{1/2}$ of about 10 minutes. Otteken *et al.* [1996]
 - D20: Human sera blocked binding in oligomeric ELISA assay to a similar extent for gp41 MAbs D20, D43, D61, and T4. Richardson *et al.* [1996]
 - D20: Binding completely blocked by pooled human sera. Broder *et al.* [1994]
 - D20: Generated during a study of the influence of the oligomeric structure of Env in determining the repertoire of the Ab response. Earl *et al.* [1994] (antibody generation)

No. 1059

MAb ID D21
HXB2 Location Env
Author Location gp120 (IIIB)
Epitope
Neutralizing
Immunogen vaccine
Vector/Type: vaccinia *Strain:* B clade IIIB
HIV component: oligomeric gp140
Species (Isotype) mouse (IgG)
Ab Type gp120 CD4BS

Research Contact P. Earl, National Institute of Allergy and Infectious Diseases, NIH, Bethesda, MD

References Sugiura *et al.* 1999; Earl *et al.* 1994

- D21: A comparison of 25 gp120 specific, conformation dependent MAbs was done – D21 is part of a group of MAbs labeled A1 – all A1 MAbs were broadly cross-reactive with gp160 from B-clade R5, X4, and R5X4 viruses, blocked CD4 binding, were sensitive to mutations in gp120 positions 368 and 370 that directly contact CD4. Sugiura *et al.* [1999]
- D21: Generated during a study of the influence of the oligomeric structure of Env in determining the repertoire of the Ab response. Earl *et al.* [1994]

No. 1060
MAb ID D24
HXB2 Location Env
Author Location gp120 (IIIB)
Epitope
Neutralizing no
Immunogen vaccine

Vector/Type: vaccinia *Strain:* B clade IIIB
HIV component: oligomeric gp140
Species (Isotype) mouse (IgG)
Ab Type gp120 CD4BS

Research Contact P. Earl, National Institute of Allergy and Infectious Diseases, NIH, Bethesda, MD
References Sugiura *et al.* 1999; Earl *et al.* 1994

- D24: A comparison of 25 gp120 specific, conformation dependent MAbs was done – D24 is part of a group of MAbs labeled B-I, that had limited cross-reactivity – of seven clade B isolates BH8 and B-al were they only two that consistently reacted with B-I MAbs – B-I MAbs fully blocked CD4 binding. Sugiura *et al.* [1999]
- D24: Generated during a study of the influence of the oligomeric structure of Env in determining the repertoire of the Ab response. Earl *et al.* [1994]

No. 1061
MAb ID D25
HXB2 Location Env
Author Location gp120 (IIIB)
Epitope
Neutralizing
Immunogen vaccine

Vector/Type: vaccinia *Strain:* B clade IIIB
HIV component: oligomeric gp140
Species (Isotype) mouse (IgG)
Ab Type gp120 CD4BS

Research Contact P. Earl, National Institute of Allergy and Infectious Diseases, NIH, Bethesda, MD

References Sugiura *et al.* 1999; Earl *et al.* 1994

- D25: A comparison of 25 gp120 specific, conformation dependent MABs was done – D25 is part of a group of MABs labeled A1 – all A1 MABs were broadly cross-reactive with gp160 from B-clade R5, X4, and R5X4 viruses, blocked CD4 binding, were sensitive to mutations in gp120 positions 368 and 370 that directly contact CD4. Sugiura *et al.* [1999]
- D25: Generated during a study of the influence of the oligomeric structure of Env in determining the repertoire of the Ab response. Earl *et al.* [1994]

No. 1062

MAB ID D28**HXB2 Location** Env**Author Location** gp120 (IIIB)**Epitope****Neutralizing** no**Immunogen** vaccine*Vector/Type:* vaccinia *Strain:* B clade IIIB*HIV component:* oligomeric gp140**Species (Isotype)** mouse (IgG)**Ab Type** gp120 CD4BS**Research Contact** P. Earl, National Institute of Allergy and Infectious Diseases, NIH, Bethesda, MD**References** Sugiura *et al.* 1999; Earl *et al.* 1994

- D28: A comparison of 25 gp120 specific, conformation dependent MABs was done – D28 is part of a group of MABs labeled B-I, that had limited cross-reactivity – of seven clade B isolates BH8 and B-al were they only two that consistently reacted with B-I MABs – B-I MABs fully blocked CD4 binding. Sugiura *et al.* [1999]
- D28: Generated during a study of the influence of the oligomeric structure of Env in determining the repertoire of the Ab response. Earl *et al.* [1994]

No. 1063

MAB ID D35**HXB2 Location** Env**Author Location** gp120 (IIIB)**Epitope****Neutralizing****Immunogen** vaccine*Vector/Type:* vaccinia *Strain:* B clade IIIB*HIV component:* oligomeric gp140**Species (Isotype)** mouse (IgG)**Ab Type** gp120 CD4BS**Research Contact** P. Earl, National Institute of Allergy and Infectious Diseases, NIH, Bethesda, MD**References** Sugiura *et al.* 1999; Earl *et al.* 1994

- D35: A comparison of 25 gp120 specific, conformation dependent MABs was done – D35 is part of a group of MABs labeled B-I, that had limited cross-reactivity – of seven clade B isolates BH8 and B-al were they only two that consistently reacted with B-I MABs – B-I MABs fully blocked CD4 binding. Sugiura *et al.* [1999]
- D35: Generated during a study of the influence of the oligomeric structure of Env in determining the repertoire of the Ab response. Earl *et al.* [1994]

No. 1064

MAB ID D39**HXB2 Location** Env**Author Location** gp120 (IIIB)**Epitope****Neutralizing****Immunogen** vaccine*Vector/Type:* vaccinia *Strain:* B clade IIIB*HIV component:* oligomeric gp140**Species (Isotype)** mouse (IgG)**Ab Type** gp120 CD4BS**Research Contact** P. Earl, National Institute of Allergy and Infectious Diseases, NIH, Bethesda, MD**References** Sugiura *et al.* 1999; Earl *et al.* 1994

- D39: A comparison of 25 gp120 specific, conformation dependent MABs was done – D39 is part of a group of MABs labeled A1 – all A1 MABs were broadly cross-reactive with gp160 from B-clade R5, X4, and R5X4 viruses, blocked CD4 binding, were sensitive to mutations in gp120 positions 368 and 370 that directly contact CD4. Sugiura *et al.* [1999]
- D39: Generated during a study of the influence of the oligomeric structure of Env in determining the repertoire of the Ab response. Earl *et al.* [1994]

No. 1065

MAB ID D42**HXB2 Location** Env**Author Location** gp120 (IIIB)**Epitope****Neutralizing****Immunogen** vaccine*Vector/Type:* vaccinia *Strain:* B clade IIIB*HIV component:* oligomeric gp140**Species (Isotype)** mouse (IgG)**Ab Type** gp120 CD4BS**Research Contact** P. Earl, National Institute of Allergy and Infectious Diseases, NIH, Bethesda, MD**References** Sugiura *et al.* 1999; Earl *et al.* 1994

- D42: A comparison of 25 gp120 specific, conformation dependent MABs was done – D42 is part of a group of MABs labeled B-I, that had limited cross-reactivity – of seven clade B isolates BH8 and B-al were they only two that consistently reacted with B-I MABs – B-I MABs fully blocked CD4 binding. Sugiura *et al.* [1999]
- D42: Generated during a study of the influence of the oligomeric structure of Env in determining the repertoire of the Ab response. Earl *et al.* [1994]

No. 1066

MAB ID D52**HXB2 Location** Env**Author Location** gp120 (IIIB)**Epitope****Neutralizing****Immunogen** vaccine*Vector/Type:* vaccinia *Strain:* B clade IIIB*HIV component:* oligomeric gp140**Species (Isotype)** mouse (IgG)**Ab Type** gp120 CD4BS**Research Contact** P. Earl, National Institute of Allergy and Infectious Diseases, NIH, Bethesda, MD

References Sugiura *et al.* 1999; Earl *et al.* 1994

- D52: A comparison of 25 gp120 specific, conformation dependent MAbs was done – D52 is part of a group of MAbs labeled B-I, that had limited cross-reactivity – of seven clade B isolates BH8 and B-al were they only two that consistently reacted with B-I MAbs – B-I MAbs fully blocked CD4 binding. Sugiura *et al.* [1999]
- D52: Generated during a study of the influence of the oligomeric structure of Env in determining the repertoire of the Ab response. Earl *et al.* [1994]

No. 1067

Mab ID D53

HXB2 Location Env

Author Location gp120 (IIIB)

Epitope

Neutralizing

Immunogen vaccine

Vector/Type: vaccinia *Strain:* B clade IIIB
HIV component: oligomeric gp140

Species (Isotype) mouse (IgG)

Ab Type gp120 CD4BS

Research Contact P. Earl, National Institute of Allergy and Infectious Diseases, NIH, Bethesda, MD

References Sugiura *et al.* 1999; Earl *et al.* 1994

- D53: A comparison of 25 gp120 specific, conformation dependent MAbs was done – D53 is part of a group of MAbs labeled B-I, that had limited cross-reactivity – of seven clade B isolates BH8 and B-al were they only two that consistently reacted with B-I MAbs – B-I MAbs fully blocked CD4 binding. Sugiura *et al.* [1999]
- D53: Generated during a study of the influence of the oligomeric structure of Env in determining the repertoire of the Ab response. Earl *et al.* [1994]

No. 1068

Mab ID D60

HXB2 Location Env

Author Location gp120 (IIIB)

Epitope

Neutralizing no

Immunogen vaccine

Vector/Type: vaccinia *Strain:* B clade IIIB
HIV component: oligomeric gp140

Species (Isotype) mouse (IgG)

Ab Type gp120 CD4BS

Research Contact P. Earl, National Institute of Allergy and Infectious Diseases, NIH, Bethesda, MD

References Sugiura *et al.* 1999; Richardson *et al.* 1996; Earl *et al.* 1994

- D60: A comparison of 25 gp120 specific, conformation dependent MAbs was done – D60 is part of a group of MAbs labeled B-I, that had limited cross-reactivity – of seven clade B isolates BH8 and B-al were they only two that consistently reacted with B-I MAbs – B-I MAbs fully blocked CD4 binding. Sugiura *et al.* [1999]
- D60: Generated during a study of the influence of the oligomeric structure of Env in determining the repertoire of the Ab response. Earl *et al.* [1994]

No. 1069

Mab ID DA48

HXB2 Location Env

Author Location gp120 (BRU)

Epitope

Neutralizing

Immunogen HIV-1 infection

Species (Isotype) human

Ab Type gp120 CD4BS

References Gorny & Zolla-Pazner 2004; Sullivan *et al.* 1998a; Parren *et al.* 1998a

Keywords antibody binding site definition and exposure, antibody generation, binding affinity, review, variant cross-recognition or cross-neutralization

- DO8i: This review summarizes MAbs directed to HIV-1 Env. There are 51 CD4BS MAbs and Fabs in the database; most, like this Fab, neutralize TCLA strains only. Gorny & Zolla-Pazner [2004] (**review**)
- DA48: The rank order of Fab binding affinity to monomeric gp120 (Loop 2 > 3B3 > b12 = DO8i > b11 > b3 > b14 > b13 > DO142-10 > DA48 > L17) was markedly different than Fab binding affinity to the mature oligomeric form (3B3 > b12 > DO142-10 > Loop 2 > b11 > L17 > b6 > DO8i > b14 > DA48 > b3 > b13) and binding to oligomeric form and neutralization were correlated for both Fabs and MAbs – authors suggest that neutralization is determined by the fraction of Ab sites occupied on a virion irrespective of the epitope. Parren *et al.* [1998a] (**binding affinity**)
- DA48: The HIV-1 virus YU2 entry can be enhanced by MAbs binding to the CD4BS, V3 loop, and CD4i epitopes – the activation for this enhanced entry state could be conferred on HxB2 by introducing the YU2 V3 loop, or the YU2 V3 and V1/V2 loops – a similar effect is observed by sub-neutralizing concentrations of sCD4 and the effect is dependent of CCR5 – Fab Ab fragment DA48 also enhances YU2 entry, ruling out Fc interactions or Env cross-linking as a mechanism – while DA48 enhances YU2, it neutralizes HXBc2 – DA48 was obtained by panning libraries derived from bone marrow from a >15 year long term non-progressor against BRU gp120. Sullivan *et al.* [1998a] (**antibody binding site definition and exposure, antibody generation, variant cross-recognition or cross-neutralization**)

No. 1070

Mab ID DO8i

HXB2 Location Env

Author Location gp120 (BRU)

Epitope

Neutralizing

Immunogen HIV-1 infection

Species (Isotype) human

Ab Type gp120 CD4BS

References Sullivan *et al.* 1998a; Parren *et al.* 1998a

- DO8i: The rank order of Fab binding affinity to monomeric gp120 (Loop 2 > 3B3 > b12 = DO8i > b11 > b3 > b14 > b13 > DO142-10 > DA48 > L17) was markedly different than Fab binding affinity to the mature oligomeric form (3B3 > b12 > DO142-10 > Loop 2 > b11 > L17 > b6 > DO8i > b14 > DA48 > b3 > b13) and binding to oligomeric form and neutralization

were correlated for both Fabs and MAbs – authors suggest that neutralization is determined by the fraction of Ab sites occupied on a virion irrespective of the epitope. Parren *et al.* [1998a]

- DO8i – the HIV-1 virus YU2 entry can be enhanced by MAbs binding to the CD4BS, V3 loop, and CD4i epitopes – the activation for this enhanced entry state could be conferred on HxB2 by introducing the YU2 V3 loop, or the YU2 V3 and V1/V2 loops – a similar effect is observed by sub-neutralizing concentrations of sCD4 and the effect is dependent of CCR5 – Fab fragment DO8i also enhances YU2 entry, ruling out Fc interactions or Env cross-linking as a mechanism, while neutralizing HXBc2 – DO8i was obtained by panning libraries derived from bone marrow from a long term asymptomatic donor against BRU gp120. Sullivan *et al.* [1998a]

No. 1071

MAb ID F105 (F-105)

HXB2 Location Env

Author Location gp120

Epitope

Neutralizing L

Immunogen HIV-1 infection

Species (Isotype) human (IgG1κ)

Ab Type gp120 CD4BS

Research Contact Marshall Posner, Boston MA

References Wilkinson *et al.* 2005; Selvarajah *et al.* 2005; Martín-García *et al.* 2005; Pantophlet *et al.* 2004; Ling *et al.* 2004; Biorn *et al.* 2004; Gorny & Zolla-Pazner 2004; Pantophlet *et al.* 2003b; Zwick *et al.* 2003; Ohagen *et al.* 2003; Raja *et al.* 2003; Xiang *et al.* 2003; Poignard *et al.* 2003; Pantophlet *et al.* 2003a; Kwong *et al.* 2002; Ferrantelli *et al.* 2004a; Cavacini *et al.* 2002; Ling *et al.* 2002; Liu *et al.* 2002; Ferrantelli & Ruprecht 2002; Zhang *et al.* 2002; Basmaciogullari *et al.* 2002; Grundner *et al.* 2002; Edwards *et al.* 2002; Xiang *et al.* 2002b; Chakrabarti *et al.* 2002; Xu *et al.* 2002; Yang *et al.* 2002; York *et al.* 2001; Kolchinsky *et al.* 2001; Si *et al.* 2001; Yang *et al.* 2000; Park *et al.* 2000; Fortin *et al.* 2000; Baba *et al.* 2000; Robert-Guroff 2000; Oscherwitz *et al.* 1999a; Cavacini *et al.* 1999; Giraud *et al.* 1999; Sugiura *et al.* 1999; Kropelin *et al.* 1998; Sullivan *et al.* 1998a; Brand *et al.* 1998; Cavacini *et al.* 1998a; Li *et al.* 1998; Cavacini *et al.* 1998b; Wyatt *et al.* 1998; Wyatt *et al.* 1997; Cao *et al.* 1997b; Li *et al.* 1997; D'Souza *et al.* 1997; Parren *et al.* 1997b; Chen *et al.* 1996; Litwin *et al.* 1996; Pincus *et al.* 1996; Wisniewski *et al.* 1996; McDougal *et al.* 1996; Wolfe *et al.* 1996; Jagodzinski *et al.* 1996; Khouri *et al.* 1995; Sullivan *et al.* 1995; Cavacini *et al.* 1995; Posner *et al.* 1995; Turbica *et al.* 1995; Chen *et al.* 1994a; Earl *et al.* 1994; Cavacini *et al.* 1994a; Cavacini *et al.* 1994b; Cook *et al.* 1994; Thali *et al.* 1994; Bagley *et al.* 1994; Marasco *et al.* 1993; Watkins *et al.* 1993; Pincus *et al.* 1993; Klasse

et al. 1993a; Potts *et al.* 1993; Montefiori *et al.* 1993; Wyatt *et al.* 1993; Cavacini *et al.* 1993b; Cavacini *et al.* 1993a; Posner *et al.* 1993; Moore & Ho 1993; Posner *et al.* 1992a; Posner *et al.* 1992b; Wyatt *et al.* 1992; Marasco *et al.* 1992; Thali *et al.* 1992a; Thali *et al.* 1991; Posner *et al.* 1991

Keywords ADCC, antibody binding site definition and exposure, antibody generation, antibody interactions, antibody sequence, variable domain, assay development, brain/CSF, co-receptor, complement, enhancing activity, escape, immunoprophylaxis, immunotherapy, immunotoxin, kinetics, mother-to-infant transmission, mucosal immunity, rate of progression, review, structure, subtype comparisons, vaccine antigen design, vaccine-specific epitope characteristics, variant cross-recognition or cross-neutralization

- F105: No neutralization of primary isolates observed (John Moore, pers comm). (**variant cross-recognition or cross-neutralization**)
- F105: NIH AIDS Research and Reference Reagent Program: 857.
- F105: The HIV-1 Bori-15 variant was adapted from the Bori isolate for replication microglial cells. Bori-15 had increased replication in microglial cells and a robust syncytium-forming phenotype, ability to use low levels of CD4 for infection, and increased sensitivity to neutralization by sCD4 and 17b. Four amino acid changes in gp120 V1-V2 were responsible for this change. Protein functionality and integrity of soluble, monomeric gp120-molecules derived from parental HIV-1 Bori and microglia-adapted HIV-1 Bori-15 was assessed in ELISA binding assays using CD4BS MAbs F105 and IgG1b12, glycan-specific 2G12, and V3-specific 447-52D, and were unchanged. Association rates of sCD4 and 17b were not changed, but dissociation rates were 3-fold slower for sCD4 and 14-fold slower for 17b. Martín-García *et al.* [2005] (**antibody binding site definition and exposure**)
- F105: Antigens were designed to attempt to target immune responses toward the IgG1b12 epitope, while minimizing antibody responses to less desirable epitopes. One construct had a series of substitutions near the CD4 binding site (GDMR), the other had 7 additional glycans (mCHO). The 2 constructs did not elicit b12-like neutralizing antibodies, but both antigens successfully dampened other responses that were intended to be dampened while not obscuring b12 binding. CD4BS MAbs except Fab b12 (b6, b3, F105) did not bind to either GDMR or mCHO. Selvarajah *et al.* [2005] (**vaccine antigen design, vaccine-specific epitope characteristics**)
- F105: The crystal structure of the Fab fragment from F105 was solved. It has an extended CDR H3 loop, with a Phe at the apex that may recognize the binding pocket of gp120 used by the Phe-42 residue of CD4. The potent NAB IgG1b12 recognizes an overlapping binding site, the main difference is that F105 extends across the interface of the inner and outer domains of gp120 while b12 does not. IgG1b12 also has undergone extensive affinity maturation (45 mutations) while F105 has not (13 mutations) – an average for gp120 MAbs is 22 mutations.

- Wilkinson *et al.* [2005] (**antibody sequence, variable domain, structure**)
- F105: The peptide 12p1 (RINNIPWSEAMM) inhibits direct binding of YU2 gp120 or Env trimer to CD4, CCR5 and MAb 17b in a concentration-dependent allosteric manner. 12p1 is thought to bind to unbound gp120 near the CD4 binding site, with a 1:1 stoichiometry. 12p1 also inhibited MAb F105 binding, presumably because F105 favors an unactivated conformation, but not MAbs 2G12 or b12. The 1:1 stoichiometry, the fact that the peptide binding site is accessible on the trimer, the non-CD4 like aspect of the binding, and an ability to inhibit viral infection in cell cultures make 12p1 a promising lead for therapeutic design. Biorn *et al.* [2004]
 - F105: NAbs against HIV-1 M group isolates were tested for their ability to neutralize 6 randomly selected HIV-1 O group strains. F105 was not particularly effective at neutralizing HIV-1 group O strains. Ferrantelli *et al.* [2004a] (**variant cross-recognition or cross-neutralization**)
 - F105: This review summarizes MAbs directed to HIV-1 Env. There are 51 CD4BS MAbs and Fabs in the database; most, like this MAb, neutralize TCLA strains only. Gorny & Zolla-Pazner [2004] (**review**)
 - F105: The role of serine proteases on HIV infection was explored. Trypsin decreased the binding of most Env MAb tested and diminished cell fusion of H9 cells infected with HIV-1 LAI virus (H9/IIIB) to MAGI cells. In contrast, thrombin increased the binding of MAbs to gp120 epitopes near the CD4 and CCR5 binding sites, and increased cell fusion. Binding of CD4BS MAb F105 was decreased by trypsin, but increased by thrombin. Thrombin may increase HIV-induced cell fusion in blood by causing a conformational activating shift in gp120. Ling *et al.* [2004] (**antibody binding site definition and exposure**)
 - F105: By adding N-linked glycosylation sites to gp120, epitope masking of non-neutralizing epitopes can be achieved leaving the IgG1b12 binding site intact. This concept was originally tested with the addition of four glycosylation sites, but binding to b12 was reduced. It was modified here to exclude the C1 N-terminal region, and to include only three additional glycosylation sites. This modified protein retains full b12 binding affinity and it masks other potentially competing epitopes, and does not bind to 21 other MAbs to 7 epitopes on gp120, including F105. Pantophlet *et al.* [2004] (**vaccine antigen design**)
 - F105: Env genes derived from uncultured brain biopsy samples from four HIV-1 infected patients with late-stage AIDS were compared to env genes from PBMC samples. Brain isolates did not differ in the total number or positions of N-glycosylation sites, patterns of coreceptor usage, or ability to be recognized by gp160 and gp41 MAbs. F105 recognized most variants, some from each of the four individuals by gp120 immunoprecipitation. Ohagen *et al.* [2003] (**brain/CSF, variant cross-recognition or cross-neutralization**)
 - F105: Alanine scanning mutagenesis was used to compare substitutions that affected anti-CD4BS NAb b12 – rec gp120s were engineered to contain combinations of Alanine substitutions that enhanced b12 binding, and while binding of b12 to these gp120 monomers was generally maintained or increased, binding by five non-neutralizing anti-CD4bs MAbs (b3, b6, F105, 15e, and F91) was reduced or completely abolished. Pantophlet *et al.* [2003a] (**antibody binding site definition and exposure**)
 - F105: A gp120 molecule was designed to focus the immune response onto the IgG1b12 epitope. Ala substitutions that enhance the binding of IgG1b12 and reduce the binding of non-neutralizing MAbs were combined with additional N-linked glycosylation site sequons inhibiting binding of non-neutralizing MAbs; b12 bound to the mutated gp120. C1 and C5 were also removed, but this compromised b12 binding. Pantophlet *et al.* [2003b] (**vaccine antigen design**)
 - F105: Virion capture assays are not a good predictor of neutralization, and the presentation of epitopes using this assay seems to be different from that of functional Envelope spikes on primary isolates – F105 and b6 could efficiently block the b12-mediated capture of infectious virions in a virus capture, but did not inhibit b12 neutralization – while b12 was potent at neutralizing the three primary virions JR-CSF, ADA, and 89.6, the Abs F105, 19b, and Fab b6 were overall very poor neutralizers. Poignard *et al.* [2003] (**antibody interactions**)
 - F105: This paper shows that binding of CD4BS MAbs to Env blocks the conformational shift that allows co-receptor CCR5 binding and CD4-independent mediated cell fusion. CD4BS MAbs F105, 15e, and IgG1b12 as well as their Fab fragments inhibited CD4-independent binding of the V1/V2 loop-deleted gp120 glycoproteins of R5 HIV-1 isolates ADA, YU2 and JR-FL and to CCR5 in a concentration dependent manner. CD4BS MAbs IgG1b12, F91 and F105 and their Fab counterparts (except for C11, used as a negative control) inhibited CD4-independent JR-FL and YU-2 gp120-CCR5 binding to CCR5-expressing Cf2Th cells and syncytium formation. Raja *et al.* [2003] (**antibody binding site definition and exposure, co-receptor**)
 - F105: 17b: This paper describes the generation of CD4i MAb E51, that like CD4i MAb 17b, blocks CCR5 binding to sCD4-bound gp120. The substitutions E381R, F383S, R419D I420R, K421D, Q422L, I423S, and Y435S (HXB2 numbering) all severely reduce 17b and E51 binding. All but I423S also diminish CCR5 binding by more than 50%. The mutation F383S also inhibits sCD4 binding and F105 binding, and K421D inhibits F105 binding, but not sCD4. Xiang *et al.* [2003] (**antibody binding site definition and exposure**)
 - F105: scFv 4KG5 reacts with a conformational epitope that is formed by the V1V2 and V3 loops and the bridging sheet (C4) region of gp120 and is influenced by carbohydrates. Of a panel of MAbs tested, only NAb b12 enhanced 4KG5 binding to gp120 JRFL. MAbs to the following regions diminished 4KG5 binding: V2 loop, V3 loop, V3-C4 region, CD4BS. MAbs directed against C1, CD4i, C5 regions didn't impact 4KG5 binding. These results suggest that the orientation or dynamics of the V1/V2 and V3 loops restricts CD4BS access on the envelope spike, and IgG1b12 can uniquely remain unaffected by these loops. This was one of the CD4BS MAbs used. Zwick *et al.* [2003] (**antibody interactions**)
 - F105: gp120 mutants were used to define the CXCR4 binding site using CXCR4 displayed on paramagnetic proteoliposomes (PMPLs) to reduce non-specific gp120 binding—basic residues in the V3 loop and the β 19 strand (RIKQ, positions 419-422) were involved, and deletion of the V1-V2 loops allowed CD4-independent CXCR4 binding—MAbs 17b (CD4i)

- and F105 (CD4BS) were used to study conformational changes in the mutants—the affinity of $\Delta V1$ and $\Delta V1$ -V2 mutants for F105 was comparable to the wildtype—V3 mutants did not affect F105 binding—the K421A mutation in the $\beta 19$ strand dramatically reduced F105 affinity, consistent with what is known about the F105 epitope. Basmaciogullari *et al.* [2002] (**antibody binding site definition and exposure**)
- F105: This study examined Ab interactions, binding and neutralization with a B clade R5 isolate (92US660) and R5X4 isolate (92HT593). Abs generally bound and neutralized the R5X4 isolate better than the R5 isolate. Anti-gp41 MAb F240 enhanced the binding of CD4BS MAbs IgG1b12 and F105 to both R5X4 and R5 isolates, but had no effect on neutralization. Anti-V3 MAb B4a1 increased CD4BS MAbs IgG1b12 and F105 to R5X4 virions, but only IgG1b12 binding was increased by B4a1 to the R5 isolate, and neutralization was not impacted. Cavacini *et al.* [2002] (**co-receptor**)
 - F105: A modified gp140 (gp140deltaCFI), with C-term mutations intended to mimic a fusion intermediate and stabilize trimer formation, retained antigenic conformational determinants as defined by binding to CD4 and to MAbs 2F5, 2G12, F105, and b12, and enhanced humoral immunity without diminishing the CTL response in mice injected with a DNA vaccine. Chakrabarti *et al.* [2002] (**vaccine antigen design**)
 - F105: Review of NABs that notes that F105 binds the CD4BS, in combination with other MAbs it can protect some macaques against SHIV infection, and that it has strong ADCC activity. Ferrantelli & Ruprecht [2002] (**ADCC, antibody interactions, immunoprophylaxis, review**)
 - F105: HIV-1 gp160 δ CT (cytoplasmic tail-deleted) proteoliposomes (PLs) containing native, trimeric envelope glycoproteins from R5 strains YU2 and JRFL, and X4 strain HXBc2, were made in a physiologic membrane setting as candidate immunogens for HIV vaccines—2F5 bound to gp160 δ CT with a reconstituted membrane ten-fold better than the same protein on beads, while such an affinity difference was not seen with F105 and 2G12—anti-CD4BS MAbs IgG1b12 and F105, A32 (C1-C4), C11 (C1-C5), and 39F (V3) MAbs bound gp160 δ CT PLs indistinguishably from gp160 δ CT expressed on the cell surface. Grundner *et al.* [2002] (**antibody binding site definition and exposure**)
 - F105: Thermodynamics of binding to gp120 was measured using isothermal titration calorimetry for sCD4, 17b, b12, 48d, F105, 2G12 and C11 to intact YU2 and the HXBc2 core. The free energy of binding was similar. Enthalpy and entropy changes were divergent, but compensated. Not only CD4 but MAb ligands induced thermodynamic changes in gp120 that were independent of whether the core or the full gp120 protein was used. Non-neutralizing CD4BS and CD4i MAbs (17b, 48d, 1.5e, b6, F105 and F91) had large entropy contributions to free energy (mean: 26.1 kcal/mol) of binding to the gp120 monomer, but the potent CD4BS neutralizing MAb b6 had a much smaller value of 5.7 kcal/mol. The high values suggest surface burial or protein folding and ordering of amino acids. These results suggest that while the trimeric Env complex has four surfaces, a non-neutralizing face (occluded on the oligomer), a variable face, a neutralizing face and a silent face (protected by carbohydrate masking), gp120 monomers further protect receptor binding sites by conformational or entropic masking, requiring a large energy handicap for Ab binding not faced by other anti-gp120 Abs. Kwong *et al.* [2002] (**antibody binding site definition and exposure**)
 - F105: A pseudotyping assay showed that an X4 V3 loop peptide could enhance infectivity of X4 virus, R5 and R5X4 V3 loops peptides could enhance infectivity of an R5 virus, and R5X4 peptides could enhance infectivity of an R5X4 virus. Neither R5 nor R5X4 peptides influenced binding of CD4BS MAbs F105 and Ig1Gb12, but did increase binding of CD4i MAb 17b. Ling *et al.* [2002] (**antibody binding site definition and exposure, co-receptor**)
 - F105: Review of NABs that discusses mechanisms of neutralization, passive transfer of NABs and protection in animal studies, and vaccine strategies. Liu *et al.* [2002] (**immunoprophylaxis**)
 - F105: A series of mutational changes were introduced into the YU2 gp120 that favored different conformations – 375 S/W seems to favor a conformation of gp120 closer to the CD4-bound state, and is readily bound by sCD4 and CD4i MAbs (17b, 48d, 49e, 21c and 23e) but binding of anti-CD4BS MAbs (F105, 15e, IgG1b12, 21h and F91 was markedly reduced – IgG1b12 failed to neutralize this mutant, while neutralization by 2G12 was enhanced – 2F5 did not neutralize either WT or mutant, probably due to polymorphism in the YU2 epitope – another mutant, 423 I/P, disrupted the gp120 bridging sheet, favored a different conformation and did not bind CD4, CCR5, or CD4i antibodies, but did bind to CD4BS MAbs. Xiang *et al.* [2002b] (**antibody binding site definition and exposure**)
 - F105: Passive immunization of neonate macaques with a combination of F105+2G12+2F5 conferred complete protection against oral challenge with SHIV-vpu+ or – the combination b12+2G12+2F5 conferred partial protection against SHIV89.6 – such combinations may be useful for prophylaxis at birth and against milk born transmission – the synergistic combination of IgG1b12, 2G12, 2F5, and 4E10 neutralized a collection of HIV clade C primary isolates. Xu *et al.* [2002] (**immunoprophylaxis, mother-to-infant transmission**)
 - F105: Uncleaved soluble gp140 (YU2 strain, R5 primary isolate) can be stabilized in an oligomer by fusion with a C-term trimeric GCN4 motif or using a T4 trimeric motif derived from T4 bacteriophage fibrin—stabilized oligomer gp140 δ 683(-FT) showed strong preferential recognition by NABs IgG1b12 and 2G12 relative to the gp120 monomer, in contrast to poorly neutralizing MAbs F105, F91, 17b, 48d, and 39F which showed reduced levels of binding, and C11, A32, and 30D which did not bind the stabilized oligomer. Yang *et al.* [2002] (**vaccine antigen design**)
 - F105: A rare mutation in the neutralization sensitive R2-strain in the proximal limb of the V3 region caused Env to become sensitive to neutralization by MAbs directed against the CD4 binding site (CD4BS), CD4-induced (CD4i) epitopes, soluble CD4 (sCD4), and HNS2, a broadly neutralizing sera – 2/12 anti-V3 MAbs tested (19b and 694/98-D) neutralized R2, as did 2/3 anti-CD4BS MAbs (15e and IgG1b12), 2/2 CD4i MAbs (17b and 4.8D), and 2G12 and 2F5 – thus multiple epitopes on R2 are functional targets for neutralization and the neutralization sensitivity profile of R2 is intermediate between the highly sensitive MN-TCLA strain and the typically resistant MN-

- primary strain. Zhang *et al.* [2002] (**antibody binding site definition and exposure**)
- F105: Mutations in two glycosylation sites in the V2 region of HIV-1 ADA at positions 190 and 197 (187 DNTSYRLINCNTS 199) cause the virus to become CD4-independent and able to enter cells through CCR5 alone – these same mutations tended to increase the neutralization sensitivity of the virus, including to F105. Kolchinsky *et al.* [2001] (**antibody binding site definition and exposure**)
 - F105: SHIV-HXBc2 is a neutralization sensitive non-pathogenic virus, and several *in vivo* passages through monkeys yielded highly pathogenic SHIV KU-1—HXBc2 and the KU-1 clone HXBc2P3.2 differ in 12 amino acids in gp160—substitutions in both gp120 and gp41 reduced the ability of sCD4, IgG1b12, F105 and AG1121 to Env achieve saturation and full occupancy, and neutralize KU-1—17b and 2F5 also bound less efficiently to HXBc2P3.2, although 2G12 was able to bind both comparably. Si *et al.* [2001] (**antibody binding site definition and exposure**)
 - F105: Abs against the V3 loop (50.1, 58.2, 59.1, 257-D, 268-D, 447-52D), CD4BS (IgG1b12, 559-64D, F105), CD4i (17b), and to gp41 (2F5, F240) each showed similar binding efficiency to Env derived from related pairs of primary and TCLA lines (primary: 168P and 320SI, and TCLA: 168C and 320SI-C3.3), but the TCLA lines were much more susceptible to neutralization suggesting that the change in TCLA lines that make them more susceptible to NAbs alters some step after binding. York *et al.* [2001] (**antibody binding site definition and exposure**)
 - F105: A triple combination of 2F5, F105 and 2G12 effectively neutralized perinatal infection of macaque infants when challenged with SHIV-vpu+ – the plasma half-life was 7.2 +/- 2.2 days. Baba *et al.* [2000] (**immunoprophylaxis, mother-to-infant transmission**)
 - F105: Host encoded intercellular adhesion molecule (ICAM-1) is incorporated by the HIV-1 virion and enhances viral infectivity – ICAM-1 does not modify virus sensitivity to antibodies 0.5beta or 4.8D or sCD4, but neutralizing ability of F105 was diminished in ICAM bearing virions in the presence of lymphocyte function-association antigen-1 (LFA-1) Ab. Fortin *et al.* [2000]
 - F105: Six mutations in MN change the virus from a high-infectivity neutralization resistant phenotype to low-infectivity neutralization sensitive – V3, CD4BS, and CD4i MAbs are 20-100 fold more efficient at neutralizing the sensitive form, although F105 was an exception and cannot neutralize either form of MN – the mutation L544P reduced binding of all MAbs against gp120 by causing conformational changes. Park *et al.* [2000]
 - F105: A mini-review of observations of passive administration of IgG NAbs conferring protection against intervenous or vaginal SHIV challenge, that considers why IgG MAbs might protect against mucosal challenge. Robert-Guroff [2000] (**immunoprophylaxis, mucosal immunity, review**)
 - F105: A combination of gp41 fusion with the GNC4 trimeric sequences and disruption of the YU2 gp120-gp41 cleavage site resulted in stable gp140 trimers (gp140-GNC4) that preserve and expose some neutralizing epitopes while occluding some non-neutralizing epitopes – CD4BS MAbs (F105 and F91) and CD4i (17b and 48d) recognized gp140-GNC4 as well as gp120 or gp140 – non-neutralizing MAbs C11, A32, 522-149, M90, and #45 bound to the gp140-GNC4 glycoprotein at reduced levels compared to gp120 – MAbs directed at the extreme termini of gp120 C1 (135/9 and 133/290) and C5 (CRA-1 and M91) bound efficiently to gp140-GNC4. Yang *et al.* [2000] (**vaccine antigen design**)
 - F105: A comparison of 25 gp120 specific, conformation dependent MAbs was done and F105 was used for competition studies – F105 did cross-compete with multiple CD4BS specific MAbs, however most could not neutralize even the autologous NL4-3 strains. Sugiura *et al.* [1999] (**antibody interactions**)
 - F105: Immunoprecipitation of gp120 and gp160 expressed from a rec Semliki Forest virus by F105 and IgG1b12 indicated that the SFV expressed HIV-1 Env was folded appropriately – and SVF-HIV-1 Env vaccine gave the strongest anti-HIV-1 Env response in mice, when compared to an HIV-1 Env DNA vaccine and a rgp160 protein. Brand *et al.* [1998] (**vaccine antigen design**)
 - F105: Phase I dose escalation study, single dose of 100 or 500 mg/m2 was given to 4 HIV+ patients – sustained levels, no immune response against F105, no toxicity, infused Ab retained function – there was no evidence of anti-HIV-1 activity and virus was not diminished at day 1 or 7, by culture or plasma RNA. Cavacini *et al.* [1998b] (**kinetics, immunotherapy**)
 - F105: The MAb F240 binds to the immunodominant region of gp41 and enhances infection in the presence of complement – reactivity of F240 is enhanced by preincubation of cells with sCD4 or anti-CD4BS MAb F105. Cavacini *et al.* [1998a] (**antibody interactions**)
 - F105: Anti-C1 region MAb 87-135/9 blocks gp120 interaction with CD4+ cells – blocking activity is additive when combined with antibodies which bind in the C4 region of gp120 (F105, 388/389, and b12). Kropelin *et al.* [1998] (**antibody interactions**)
 - F105: Neutralization synergy was observed when the MAbs 694/98-D (V3), 2F5 (gp41), and 2G12 (gp120 discontinuous) were used in combination, and even greater neutralizing potential was seen with the addition of a fourth MAb, F105 (CD4 BS). Li *et al.* [1998] (**antibody interactions**)
 - F105: F105 enhances viral entry of viruses carrying the YU2 envelope glycoproteins, but neutralizes HXBc2. Sullivan *et al.* [1998a] (**enhancing activity**)
 - F105: Summary of the implications of the crystal structure of the core of gp120 bound to CD4 and 17b with what is known about mutations that reduce NAb binding – probable mechanism of neutralization by CD4BS Ab is direct interference with CD4 binding. Wyatt *et al.* [1998] (**antibody binding site definition and exposure, structure**)
 - F105: Virus with the V1-V2 loop deleted was viable and more susceptible to neutralization by CD4i MAb 17b, and anti-V3 MAbs 1121, 9284, and 110.4, but not to a CD4BS MAb, F105 or sCD4. Cao *et al.* [1997b] (**antibody binding site definition and exposure**)
 - F105: In a multilaboratory blinded study, failed to neutralize any of nine B clade primary isolates. D'Souza *et al.* [1997] (**variant cross-recognition or cross-neutralization**)
 - F105: One of 14 human MAbs tested for ability to neutralize a chimeric SHIV-vpu+, which expressed HIV-1 IIIB env – F105

- could only achieve 50% neutralization alone – all Ab combinations tested showed synergistic neutralization – F105 has synergistic response with MAbs 694/98-D (anti-V3), 48d, 2F5, and 2G12, and also with HIVIG. Li *et al.* [1997] (**antibody interactions, variant cross-recognition or cross-neutralization**)
- F105: Neutralizes TCLA strains, but not primary isolates. Parren *et al.* [1997b] (**variant cross-recognition or cross-neutralization**)
 - F105: Binds both gp120 and soluble gp120+gp41 complex efficiently, suggesting its gp120 epitope is not blocked by gp41 binding – does not bind to HXBc2 gp120 if the 19 C-term amino acids, in conjunction with C1 positions 31-93, are deleted. Wyatt *et al.* [1997] (**antibody binding site definition and exposure**)
 - F105: Intracellular co-expression of heavy and light chains of the Fab105 fragment MAb F105 was enhanced by inclusion of an internal ribosome entry site (IRES) sequence – the Fab105 IRES expression cassette was cloned into an adeno-associated virus (AAV) shuttle vector, and transduced into human lymphocytes which were able to produce and secrete the Fab105 fragments while maintaining normal growth – several primary HIV-1 patient isolates were effectively blocked. Chen *et al.* [1996] (**immunotherapy**)
 - F105: The sulfated polysaccharide curdlan sulfate (CRDS) binds to the Envelope of T-tropic viruses and neutralizes virus – deletion of the V3 loop results in less potent inhibition of F105 binding by CRDS – binding site of F105 described as 256-257 ST, 368-370 DPE, 421 K, and 470-484 PGGGDMRD-NWRSELY. Jagodzinski *et al.* [1996] (**antibody binding site definition and exposure**)
 - F105: Binding of F105 to oligomeric gp120 occurs despite the fact it cannot neutralize primary isolates. Litwin *et al.* [1996]
 - F105: Neutralizes HIV-1 LAI less potently than V3 specific MAbs. McDougal *et al.* [1996]
 - F105: A panel of immunotoxins were generated by linking Env MAbs to ricin A – immunotoxins mediated cell killing, but killing was not directly proportional to binding. Pincus *et al.* [1996] (**immunotoxin**)
 - F105: F105 is V H4 – V-region heavy chain usage was examined and a bias of enhanced V H1 and V H4, and reduced V H3, was noted among HIV infected individuals. Wisniewski *et al.* [1996] (**antibody sequence, variable domain**)
 - F105: Phase I study – MAb clearance in plasma has a 13 day half-life. Wolfe *et al.* [1996] (**kinetics, immunotherapy**)
 - F105: Changing heavy chain from IgG1 to IgG3 increased neutralization efficiency. Cavacini *et al.* [1995]
 - F105: Biotinylated F105 was used for competition studies with Ab derived from pregnant HIV-1 + women – a correlation between maternal anti-CD4 BS Abs overlapping the F105 binding site and lack of HIV-1 transmission to infants was noted. Khouri *et al.* [1995] (**mother-to-infant transmission**)
 - F105: Eight patient phase Ia trial for use as an immunotherapeutic – no clinical or biochemical side effects observed, plasma levels of 10 ug/ml maintained for 21 days. Posner *et al.* [1995] (**immunotherapy**)
 - F105: Efficient neutralization of T-cell adapted lines HXBc2 and MN, no neutralization of primary isolates 89.6, ADA and YU2 – even some enhancement of infection of ADA and YU2 was observed. Sullivan *et al.* [1995] (**enhancing activity, variant cross-recognition or cross-neutralization**)
 - F105: An immunoassay for titrating CD4BS serum antibody was developed using a gp120-coated solid phase and competition with MAb F105 – 109/110 French HIV-1 + sera and 51/56 HIV-1 + African sera had detectable CD4BS Abs using this assay, demonstrating CD4 binding site conservation among diverse subtypes – CD4BS Abs were detected soon after seroconversion and persisted – 0/21 HIV-2 + sera reacted, indicating that the HIV-1 and HIV-2 CD4BS Abs are not cross-reactive. Turbica *et al.* [1995] (**assay development, subtype comparisons**)
 - F105: Comparison of MAb F105 sequences with those of MAbs 21h and 15e. Bagley *et al.* [1994] (**antibody sequence, variable domain**)
 - F105: Administered intravenously to four cynomolgus monkeys, plasma pharmacokinetics and biological activity tested. Cavacini *et al.* [1994b] (**kinetics**)
 - F105: Fab fragments show reduced capacity to neutralize IIIB, MN, and RF compared to intact IgG1, suggesting bivalent interaction may be important in binding and neutralization. Cavacini *et al.* [1994a] (**variant cross-recognition or cross-neutralization**)
 - F105: A human CD4+ T lymphocyte line was transduced to express Fab fragments of F105 – heavy and light chains are joined by an inter-chain linker – in the transduced cells infected with HIV-1, the Fab binds intracellularly to the envelope protein and inhibits HIV-1 production – secreted Fab fragments neutralize cell-free HIV-1 – combined intra- and extracellular binding activities of the expressed Fab make transduced cells resistant to HIV-1 infection and also can protect surrounding lymphocytes by secreting neutralizing antibodies. Chen *et al.* [1994a]; Marasco *et al.* [1993] (**variant cross-recognition or cross-neutralization**)
 - F105: MAbs against the glycosphingolipid GalCer block HIV infection of normally susceptible CD4 negative cells from the brain and colon – anti-CD4 MAbs moderately inhibit gp120 binding to GalCer, possibly through steric hindrance – binding of GalCer to gp120 inhibited but did not completely block F105 binding. Cook *et al.* [1994] (**brain/CSF**)
 - F105: Used as a positive control for CD4 BS antibodies in a study of the influence of oligomeric structure of Env in determining the repertoire of the Ab response. Earl *et al.* [1994] (**antibody binding site definition and exposure**)
 - F105: A mutation in gp41, 582 A/T, confers resistance to neutralization (also confers resistance to MAbs 48d, 21h, 15e and 17b). Thali *et al.* [1994] (**antibody binding site definition and exposure**)
 - F105: Additive MN or SF2 neutralization when combined with anti-V3 MAbs 447-52D and 257-D. Cavacini *et al.* [1993a] (**antibody interactions**)
 - F105: Serum from all asymptomatic HIV-1 positive people tested block F105 binding, but only from 27% of symptomatic individuals. Cavacini *et al.* [1993b] (**rate of progression**)
 - F105: The gp41 mutation 582(Ala to Thr) results in conformational changes in gp120 that confer neutralization resistance to a class of conformation sensitive neutralizing MAbs – required >81 fold higher concentrations to neutralize the mutant than wild type. Klasse *et al.* [1993a] (**antibody interactions**)

- F105: Study of synergy between F105 and sera from vaccinated volunteers with V3-loop specific neutralization activity – 2/3 sera demonstrated neutralization synergy, and 3/3 binding/fusion-inhibition synergy. Montefiori *et al.* [1993] (**antibody interactions**)
- F105: Called F-105 – neutralizes IIIB – strong inhibition of HIV+ human sera binding to IIIB gp120. Moore & Ho [1993]
- F105: Ab response in IIIB lab workers was compared to gp160 LAI vaccine recipients – F105 was used as a control – infected lab workers and some of the gp160 vaccinees had a MAb response that could inhibit gp120-CD4 binding, at lower titers than the infected lab workers. Pincus *et al.* [1993] (**vaccine-specific epitope characteristics**)
- F105: F105 binds to and neutralizes selected lab strains and 3/9 HIV-1 primary isolates – synergistic enhancement of neutralization by seropositive sera. Posner *et al.* [1993] (**antibody interactions, variant cross-recognition or cross-neutralization**)
- F105: Study of synergy of neutralization and binding comparing F105 and sCD4 with the V3 MAbs: 50.1, 59.1, 83.1, and 58.2 – synergy was observed, and the data suggest that binding of one ligand (F105) can increase the binding of the second (e.g. V3 loop MAbs) due to conformational changes. Potts *et al.* [1993] (**antibody interactions**)
- F105: A neutralization escape mutant (HXB2 A281V) was selected by growth of HXB2 in the presence of broadly neutralizing sera – F105 neutralization was not affected by this mutation. Watkins *et al.* [1993] (**escape**)
- F105: Binding to Delta V1/2 and Delta V1/2/3 mutant glycoproteins is 2.4- and 13-fold greater, respectively, than binding to wildtype gp120. Wyatt *et al.* [1993] (**antibody binding site definition and exposure**)
- F105: MAB cDNA sequence – V H4 V71-4 rearranged with a D H D-D fusion product of dlr4 and da4, and with J H5 – V kappa is from the Humvk325 germline gene joined with Jkappa 2. Marasco *et al.* [1992] (**antibody sequence, variable domain**)
- F105: F105 mediates ADCC against SF2 through the CD16+ population of PBMC – does not mediate complement-dependent cytotoxicity. Posner *et al.* [1992b] (**ADCC, complement**)
- F105: Significant enhancement of F105 binding to RF infected cells preincubated with V3-specific MAbs V3-2 and V3-1. Posner *et al.* [1992a] (**antibody interactions**)
- F105: Amino acid substitutions that impair F105 neutralization inhibit gp120-CD4 interaction. Thali *et al.* [1992a] (**antibody binding site definition and exposure**)
- F105: Precipitation of Delta 297-329 env glycoprotein, which has a deleted V3 loop, is much more efficient than precipitation of wild type. Wyatt *et al.* [1992] (**antibody binding site definition and exposure**)
- F105: First description of F105, binds topographically near the CD4-binding site – inhibits binding of free, infectious virions to uninfected HT-H9 cells, but does not react with virus adsorbed to uninfected HT-H9 cells – soluble rCD4 pre-bound to infected cells inhibits F105 binding – F105 inhibits infection of HT-H9 cells in standard neutralization assays with HIV-1 and MN strains. Posner *et al.* [1991] (**antibody binding site definition and exposure, antibody generation**)
- F105: F105 neutralization escape mutants result from changes in amino acids in discontinuous regions: C2, 256-262 and C3, 386-370. Thali *et al.* [1991] (**antibody binding site definition and exposure**)

No. 1072

Mab ID F91 (F-91)

HXB2 Location Env

Author Location gp120

Epitope

Neutralizing no

Immunogen

Species (Isotype)

Ab Type gp120 CD4BS

Research Contact James Robinson, University of Connecticut, Storrs

References Pantophlet *et al.* 2004; Gorny & Zolla-Pazner 2004; Pantophlet *et al.* 2003b; Zwick *et al.* 2003; Raja *et al.* 2003; Pantophlet *et al.* 2003a; Kwong *et al.* 2002; Xiang *et al.* 2002b; Yang *et al.* 2002; Yang *et al.* 2000; Fouts *et al.* 1998; Binley *et al.* 1998; Parren *et al.* 1998a; Mondor *et al.* 1998; Fouts *et al.* 1997; Moore & Sodroski 1996; Moore *et al.* 1994b; Moore & Ho 1993

Keywords antibody binding site definition and exposure, antibody interactions, co-receptor, review, subtype comparisons, vaccine antigen design, variant cross-recognition or cross-neutralization

- F91: This review summarizes MAbs directed to HIV-1 Env. There are 51 CD4BS MAbs and Fabs in the database; most, like this MAB, neutralize TCLA strains only. Gorny & Zolla-Pazner [2004] (**review**)
- F91: By adding N-linked glycosylation sites to gp120, epitope masking of non-neutralizing epitopes can be achieved leaving the IgG1b12 binding site intact. This concept was originally tested with the addition of four glycosylation sites, but binding to b12 was reduced. It was modified here to exclude the C1 N-terminal region, and to include only three additional glycosylation sites. This modified protein retains full b12 binding affinity and it masks other potentially competing epitopes, and does not bind to 21 other MAbs to 7 epitopes on gp120, including F91. Pantophlet *et al.* [2004] (**vaccine antigen design**)
- F91: Alanine scanning mutagenesis was used to compare substitutions that affected anti-CD4BS NAb b12 – rec gp120s were engineered to contain combinations of Alanine substitutions that enhanced b12 binding, and while binding of b12 to these gp120 monomers was generally maintained or increased, binding by five non-neutralizing anti-CD4bs MAbs (b3, b6, F105, 15e, and F91) was reduced or completely abolished. Pantophlet *et al.* [2003a] (**antibody binding site definition and exposure**)
- F91: A gp120 molecule was designed to focus the immune response onto the IgG1b12 epitope. Ala substitutions that enhance the binding of IgG1b12 and reduce the binding of non-neutralizing MAbs were combined with additional N-linked glycosylation site sequons inhibiting binding of non-neutralizing MAbs; b12 bound to the mutated gp120. C1 and

- C5 were also removed, but this compromised b12 binding. Pantophlet *et al.* [2003b] (**vaccine antigen design**)
- F91: This paper shows that binding of CD4BS MAbs to Env blocks the conformational shift that allows co-receptor CCR5 binding and CD4-independent mediated cell fusion. CD4BS MAbs F105, 15e, and IgG1b12 as well as their Fab fragments inhibited CD4-independent binding of the V1/V2 loop-deleted gp120 glycoproteins of R5 HIV-1 isolates ADA, YU2 and JR-FL and to CCR5 in a concentration dependent manner. CD4BS MAbs IgG1b12, F91 and F105 and their Fab counterparts (except for C11, used as a negative control) inhibited CD4-independent JR-FL and YU-2 gp120-CCR5 binding to CCR5-expressing Cf2Th cells and syncytium formation. Raja *et al.* [2003] (**co-receptor**)
 - F91: scFv 4KG5 reacts with a conformational epitope that is formed by the V1V2 and V3 loops and the bridging sheet (C4) region of gp120 and is influenced by carbohydrates. Of a panel of MAbs tested, only NAb b12 enhanced 4KG5 binding to gp120 JRFL. MAbs to the following regions diminished 4KG5 binding: V2 loop, V3 loop, V3-C4 region, CD4BS. MAbs directed against C1, CD4i, C5 regions didn't impact 4KG5 binding. These results suggest that the orientation or dynamics of the V1/V2 and V3 loops restricts CD4BS access on the envelope spike, and IgG1b12 can uniquely remain unaffected by these loops. This was one of the CD4BS MAbs used. Zwick *et al.* [2003] (**antibody interactions**)
 - F91: Thermodynamics of binding to gp120 was measured using isothermal titration calorimetry for sCD4, 17b, b12, 48d, F105, 2G12 and C11 to intact YU2 and the HXBc2 core. The free energy of binding was similar. Enthalpy and entropy changes were divergent, but compensated. Not only CD4 but MAb ligands induced thermodynamic changes in gp120 that were independent of whether the core or the full gp120 protein was used. Non-neutralizing CD4BS and CD4i MAbs (17b, 48d, 1.5e, b6, F105 and F91) had large entropy contributions to free energy (mean: 26.1 kcal/mol) of binding to the gp120 monomer, but the potent CD4BS neutralizing MAb b6 had a much smaller value of 5.7 kcal/mol. The high values suggest surface burial or protein folding an ordering of amino acids. These results suggest that while the trimeric Env complex has four surfaces, a non-neutralizing face (occluded on the oligomer), a variable face, a neutralizing face and a silent face (protected by carbohydrate masking), gp120 monomers further protect receptor binding sites by conformational or entropic masking, requiring a large energy handicap for Ab binding not faced by other anti-gp120 Abs. Kwong *et al.* [2002] (**antibody binding site definition and exposure**)
 - F91: A series of mutational changes were introduced into the YU2 gp120 that favored different conformations – 375 S/W seems to favor a conformation of gp120 closer to the CD4-bound state, and is readily bound by sCD4 and CD4i MAbs (17b, 48d, 49e, 21c and 23e) but binding of anti-CD4BS MAbs (F105, 15e, IgG1b12, 21h and F91) was markedly reduced – IgG1b12 failed to neutralize this mutant, while neutralization by 2G12 was enhanced – 2F5 did not neutralize either WT or mutant, probably due to polymorphism in the YU2 epitope – another mutant, 423 I/P, disrupted the gp120 bridging sheet, favored a different conformation and did not bind CD4, CCR5, or CD4i antibodies, but did bind to CD4BS MAbs. Xiang *et al.* [2002b] (**antibody binding site definition and exposure**)
 - F91: Uncleaved soluble gp140 (YU2 strain, R5 primary isolate) can be stabilized in an oligomer by fusion with a C-term trimeric GCN4 motif or using a T4 trimeric motif derived from T4 bacteriophage fibrin – stabilized oligomer gp140 delta683(-FT) showed strong preferential recognition by NAb IgG1b12 and 2G12 relative to the gp120 monomer, in contrast to poorly neutralizing MAbs F105, F91, 17b, 48d, and 39F which showed reduced levels of binding, and C11, A32, and 30D which did not bind the stabilized oligomer. Yang *et al.* [2002] (**antibody binding site definition and exposure**)
 - F91: A combination of gp41 fusion with the GNC4 trimeric sequences and disruption of the YU2 gp120-gp41 cleavage site resulted in stable gp140 trimers (gp140-GNC4) that preserve and expose some neutralizing epitopes while occluding some non-neutralizing epitopes – CD4BS MAbs (F105 and F91) and CD4i (17b and 48d) recognized gp140-GNC4 as well as gp120 or gp140 – non-neutralizing MAbs C11, A32, 522-149, M90, and #45 bound to the gp140-GNC4 glycoprotein at reduced levels compared to gp120 – MAbs directed at the extreme termini of gp120 C1 (135/9 and 133/290) and C5 (CRA-1 and M91) bound efficiently to gp140-GNC4. Yang *et al.* [2000] (**antibody binding site definition and exposure**)
 - F91: A panel of MAbs were shown to bind with similar or greater affinity and similar competition profiles to a deglycosylated or variable loop deleted core gp120 protein (Delta V1, V2, and V3), thus such a core protein produces a structure closely approximating full length folded monomer – CD4BS MAbs 15e, F91 and IgG1b12 bound better to the deleted protein than to wild type. Binley *et al.* [1998] (**antibody binding site definition and exposure**)
 - F91: CD4BS MAbs 15e, 21h, and F91 bind with even lower affinity than 205-43-1 and 205-42-15 to JRFL oligomer – conclusions of this paper contrast with Parren *et al.* [1998a] Fouts *et al.* [1998]. Fouts *et al.* [1998]; Parren *et al.* [1998a] (**antibody binding site definition and exposure**)
 - F91: Weak inhibition of binding of Hx10 to CD4 positive or negative cells, weakly neutralizing. Mondor *et al.* [1998]
 - F91: The MAb and Fab binding to the oligomeric form of gp120 and neutralization were highly correlated – authors suggest that neutralization is determined by the fraction of Ab sites occupied on a virion irrespective of the epitope. Parren *et al.* [1998a] (**antibody binding site definition and exposure**)
 - F91: Study shows neutralization is not predicted by MAb binding to JRFL monomeric gp120, but is associated with oligomeric Env binding – F91 bound monomer, did not bind oligomer or neutralize JRFL. Fouts *et al.* [1997] (**antibody binding site definition and exposure**)
 - F91: Unusual pattern of reciprocal enhancement with several anti-V2 and V3 directed MAbs – reciprocal inhibition of other CD4BS MAbs. Moore & Sodroski [1996] (**antibody binding site definition and exposure, antibody interactions**)
 - F91: Has strong cross-reactivity with gp120 monomers from most subtypes, A-F. Moore *et al.* [1994b] (**subtype comparisons**)
 - F91: Called F-91 – neutralizes IIIB – reactive with SF-2 gp120 – strong inhibition of HIV+ human sera binding to IIIB gp120. Moore & Ho [1993] (**variant cross-recognition or cross-neutralization**)

No. 1073
MAb ID FG39
HXB2 Location Env
Author Location gp120
Epitope
Neutralizing
Immunogen HIV-1 infection
Species (Isotype) human
Ab Type gp120 CD4BS
References Zwick *et al.* 2003
Keywords antibody interactions

- FG39: scFv 4KG5 reacts with a conformational epitope that is formed by the V1V2 and V3 loops and the bridging sheet (C4) region of gp120 and is influenced by carbohydrates. Of a panel of MAbs tested, only NAb b12 enhanced 4KG5 binding to gp120 JRFL. MAbs to the following regions diminished 4KG5 binding: V2 loop, V3 loop, V3-C4 region, CD4BS. MAbs directed against C1, CD4i, C5 regions didn't impact 4KG5 binding. These results suggest that the orientation or dynamics of the V1/V2 and V3 loops restricts CD4BS access on the envelope spike, and IgG1b12 can uniquely remain unaffected by these loops. This is a novel CD4BS Fab first used in this study. Zwick *et al.* [2003] (**antibody interactions**)

No. 1074
MAb ID Fbb14
HXB2 Location Env
Author Location gp120
Epitope
Neutralizing
Immunogen HIV-1 infection
Species (Isotype) human
Ab Type gp120 CD4BS
References Zwick *et al.* 2003
Keywords antibody interactions

- Fbb14: scFv 4KG5 reacts with a conformational epitope that is formed by the V1V2 and V3 loops and the bridging sheet (C4) region of gp120 and is influenced by carbohydrates. Of a panel of MAbs tested, only NAb b12 enhanced 4KG5 binding to gp120 JRFL. MAbs to the following regions diminished 4KG5 binding: V2 loop, V3 loop, V3-C4 region, CD4BS. MAbs directed against C1, CD4i, C5 regions didn't impact 4KG5 binding. These results suggest that the orientation or dynamics of the V1/V2 and V3 loops restricts CD4BS access on the envelope spike, and IgG1b12 can uniquely remain unaffected by these loops. This is a novel CD4BS Fab first used in this study. Fbb14 was unusual among CD4BS Abs in that it didn't enhance 4KG5's binding, like b12, but it did not inhibit it either as the other 13 CD4BS Abs did, it remained neutral. Zwick *et al.* [2003] (**antibody interactions**)

No. 1075
MAb ID GP13 (ARP3054)
HXB2 Location Env
Author Location gp120
Epitope
Neutralizing L
Immunogen HIV-1 infection
Species (Isotype) human (IgG1)
Ab Type gp120 CD4BS

References Gorny & Zolla-Pazner 2004; Vella *et al.* 2002; Schutten *et al.* 1997; Schutten *et al.* 1996; Wisniewski *et al.* 1996; Bolmstedt *et al.* 1996; Schutten *et al.* 1995b; Schutten *et al.* 1995a; Bagley *et al.* 1994; Back *et al.* 1993; Schutten *et al.* 1993

- Keywords** antibody binding site definition and exposure, antibody interactions, antibody sequence, variable domain, assay development, binding affinity, enhancing activity, escape, review, subtype comparisons, variant cross-recognition or cross-neutralization
- GP13: UK Medical Research council AIDS reagent: ARP3054.
 - GP13: This review summarizes MAbs directed to HIV-1 Env. There are 51 CD4BS MAbs and Fabs in the database; most, like this MAb, neutralize TCLA strains only. Gorny & Zolla-Pazner [2004] (**review**)
 - GP13: Called ARP3054: Herpesvirus saimiri-immortalized CD4+ T lymphocytes (HVS T cells) were used to isolate virus and perform HIV-1 neutralization assays, and compared with a standard PBMC protocol – neutralization sensitivities to a panel of MAbs and to homologous or heterologous plasma/sera were similar for HVS T cells (CN-2 cells) and PBMCs. Vella *et al.* [2002] (**assay development**)
 - GP13: Neutralized (50%) an SI-env chimeric virus and enhanced (>5 fold) an NSI-env chimeric virus. Schutten *et al.* [1997] (**enhancing activity, variant cross-recognition or cross-neutralization**)
 - GP13: Sera were obtained from guinea pigs vaccinated either with gp160, or with gp160 lacking N-linked glycans at N406, N448, and N463 – these sera could block equally well both the CD4 BS MAb GP13 and the V3 MAb F58/H3. Bolmstedt *et al.* [1996] (**antibody interactions**)
 - GP13: IIIB neutralizing MAbs *in vitro* fail to neutralize in a mouse model *in vivo*. Schutten *et al.* [1996]
 - GP13: GP13 is V H5 – V-region heavy chain usage was examined and a bias of enhanced V H1 and V H4, and reduced V H3, was noted among HIV infected individuals. Wisniewski *et al.* [1996] (**antibody sequence, variable domain**)
 - GP13: Neutralizes IIIB – only slight inhibition of SI phenotype, and strong enhancement of NSI phenotype chimeric viruses, that incorporated different envs from the same donor. Schutten *et al.* [1995a] (**enhancing activity, variant cross-recognition or cross-neutralization**)
 - GP13: Neutralizes T-cell adapted viruses but not the SI strain 16.2, despite high binding affinity. Schutten *et al.* [1995b] (**variant cross-recognition or cross-neutralization, binding affinity**)
 - GP13: Mutations in a neutralization resistant isolate obtained by passage of the IIIB isolate in chimpanzees reduced neutralization, but the escape was not as clear as seen with anti-V3 MAbs. Back *et al.* [1993] (**escape**)
 - GP13: Neutralized a broad range of HIV-1 strains from phylogenetically different subfamilies – the following gp120 amino acid substitutions strongly inhibit binding: 256(S/Y), 257(T/G), 262(N/T), 368(D/R or K), 370(E/R or Q or D), 384(Y/E). Schutten *et al.* [1993] (**antibody binding site definition and exposure, subtype comparisons**)

No. 1076

MAb ID GP44
HXB2 Location Env
Author Location gp120
Epitope
Neutralizing L
Immunogen HIV-1 infection
Species (Isotype) human (IgG1)
Ab Type gp120 CD4BS
References Gorny & Zolla-Pazner 2004; Wisniewski *et al.* 1996; Bagley *et al.* 1994; Schutten *et al.* 1993
Keywords antibody binding site definition and exposure, antibody sequence, variable domain, review, variant cross-recognition or cross-neutralization

- GP44: This review summarizes MAbs directed to HIV-1 Env. There are 51 CD4BS MAbs and Fabs in the database; most, like this MAb, neutralize TCLA strains only. Gorny & Zolla-Pazner [2004] (**review**)
- GP44: GP44 is V H1 – V-region heavy chain usage was examined and a bias of enhanced V H1 and V H4, and reduced V H3, was noted among HIV infected individuals. Wisniewski *et al.* [1996] (**antibody sequence, variable domain**)
- GP44: Exhibited a more restricted pattern of neutralizing activity than GP13 and GP68 – the following gp120 amino acid substitutions strongly inhibit binding: 256(S/Y), 257(T/G), 262(N/T), 368(D/R or K), 370(E/R or Q or D) Schutten *et al.* [1993] (**antibody binding site definition and exposure, variant cross-recognition or cross-neutralization**)

No. 1077
MAb ID GP68
HXB2 Location Env
Author Location gp120
Epitope
Neutralizing L
Immunogen HIV-1 infection
Species (Isotype) human (IgG1)
Ab Type gp120 CD4BS
References Gorny & Zolla-Pazner 2004; Guillon *et al.* 2002b; Wisniewski *et al.* 1996; Schutten *et al.* 1995a; Bagley *et al.* 1994; Klasse *et al.* 1993a; Schutten *et al.* 1993
Keywords antibody binding site definition and exposure, antibody sequence, variable domain, enhancing activity, review, variant cross-recognition or cross-neutralization

- GP68: UK Medical Research Council AIDS reagent: ARP3055.
- GP68: This review summarizes MAbs directed to HIV-1 Env. There are 51 CD4BS MAbs and Fabs in the database; most, like this MAb, neutralize TCLA strains only. Gorny & Zolla-Pazner [2004] (**review**)
- GP68: The affect of Ab binding on infectivity was studied by pseudotyping three related envs with different phenotypes – R5 viruses were preferentially enhanced, not X4 – the V3 region was the main determinant of Ab-mediated enhancement and modulation of the interaction between CCR5 and gp120 is critical – tests with MAbs anti-V3 391/95-D and CD4BS-specific GP68 indicate that Ab specificity did not determine whether

or not infectivity was enhanced or neutralized, rather the phenotype was determined by Envelope conformation. Guillon *et al.* [2002b] (**enhancing activity, variant cross-recognition or cross-neutralization**)

- GP68: GP68 is V H1 – V-region heavy chain usage was examined and a bias of enhanced V H1 and V H4, and reduced V H3, was noted among HIV infected individuals. Wisniewski *et al.* [1996] (**antibody sequence, variable domain**)
- GP68: Neutralizes IIIB – only slight inhibition of SI phenotype, and strong enhancement of NSI phenotype chimeric viruses, that incorporated different envs from the same donor. Schutten *et al.* [1995a] (**variant cross-recognition or cross-neutralization**)
- GP68: The gp41 mutation 582(Ala to Thr) results in conformational changes in gp120 that confer neutralization resistance to a class of conformation sensitive neutralizing MAbs – GP68 required markedly higher concentrations to neutralize the mutant than wild type. Klasse *et al.* [1993a] (**antibody binding site definition and exposure**)
- GP68: Neutralized a broad range of HIV-1 lab strains from phylogenetically different subfamilies – the following gp120 amino acid substitutions strongly inhibit binding: 117(K/W), 256(S/Y), 257(T/G), 262(N/T), 368(D/R or K), 370(E/R or Q), 384(Y/E), 435(Y/H) Schutten *et al.* [1993] (**antibody binding site definition and exposure, variant cross-recognition or cross-neutralization**)

No. 1078
MAb ID HF1.7
HXB2 Location Env
Author Location gp120
Epitope
Neutralizing L
Immunogen anti-idiotypic
Species (Isotype) mouse (IgM)
Ab Type gp120 CD4BS
References Chanh *et al.* 1987

- HF1.7: An anti-Id antibody stimulated by anti-CD4 MAb Leu-3a binds to recombinant gp160, suggesting HF1.7 mimics CD4. Chanh *et al.* [1987]

No. 1079
MAb ID HT5 (205-43-1)
HXB2 Location Env
Author Location gp120
Epitope
Subtype B
Neutralizing L (weak)
Immunogen HIV-1 infection
Species (Isotype) human
Ab Type gp120 CD4BS
Research Contact Ciba-Geigy AG (Basel, Switzerland), and Tanox Biosystems, Houston, Texas
References Pugach *et al.* 2004; Gorny & Zolla-Pazner 2004; Herrera *et al.* 2003; Grovit-Ferbas *et al.* 2000; Parren *et al.* 1998a; Fouts *et al.* 1998; Fouts *et al.* 1997; Moore *et al.* 1995a; Moore *et al.* 1994b
Keywords reversion, viral fitness, variant cross-recognition or cross-neutralization

- HT5: Also called 205-43-1. This review summarizes MAbs directed to HIV-1 Env. There are 51 CD4BS MAbs and Fabs in the database; most, like this MAb, neutralize TCLA strains only. Gorny & Zolla-Pazner [2004]
- HT5: Called 205-43-1: A primary isolate, CC1/85, was passaged 19 times in PBMC and gradually acquired increased sensitivity to FAb b12 and sCD4 that was attributed to changes in the the V1V2 loop region, in particular the loss of a potential glycosylation site. The affinity for sCD4 was unchanged in the monomer, suggesting that the structural impact of the change was manifested at the level of the trimer. The passaged virus, CCcon19, retained an R5 phenotype and its neutralization susceptibility to other Abs was essentially the same as CC1/85. Three CD4BS MAbs, 205-46-9, 205-42-15, and 205-43-1, did not neutralize either the primary or passaged variant. Pugach *et al.* [2004] (**reversion, viral fitness, variant cross-recognition or cross-neutralization**)
- HT5: Called 205-43-1 – CD4BS MAbs b12 (neutralizing) and 205-42-15, 204-43-1, 205-46-9 (nonneutralizing) all cross-competed for binding to monomeric gp120, indicating the topological proximity of their epitopes, however, the nonneutralizing CD4BS MAbs did not interfere with the neutralization activity of MAb b12 – the nonneutralizing MAbs partially competed with b12 for Env binding of the surface of Env-transfected cells – this suggests Env has two categories of binding site for CD4BS MAbs, one recognized by both b12 and nonneutralizing CD4BS MAbs, the other is recognized by only b12 – Ab-gp120 interactions based on the use of monomeric gp120 or Env-transfected cells do not predict the outcome of HIV-1 neutralization assays, and they should be interpreted with caution. Herrera *et al.* [2003]
- HT5: Called 205-43-1: To determine the antigenicity of virus killed by thermal and chemical inactivation, retention of conformation-dependent neutralization epitopes was examined, and exposure of CD4BS epitopes was found to be enhanced (MAbs IgG1b12, 205-46-9, and 205-43-1) – binding to 2G12 and 447-52D epitopes was essentially unaltered – the 17b CD4i epitope was also exposed. Grovit-Ferbas *et al.* [2000]
- HT5: HT5, HT6, and HT7 are also known as 205-43-1, 205-42-15, and 205-46-9, respectively. Rank order of CD4BS antibodies oligomer binding is IgG1b12 = 2G6 = 205-46-9 > 205-43-1 = 205-42-15 > 15e = 21h = F91, and the only thing notably distinguishing about neutralizing IgG1b12 is that it depends on residues in V2. Fouts *et al.* [1998]
- HT5: HT5 and HT6 bind JRSF oligomer but with low affinity, and are not neutralizing – conclusions of this paper contrast with Parren *et al.* [1998a] Fouts *et al.* [1998]. Fouts *et al.* [1998]; Parren *et al.* [1998a]
- HT5: MAbs IgG1b12, HT5, HT6, and HT7 cross-compete for binding to monomeric gp120, bind equally well, inhibit gp120-sCD4 interactions, but only IgG1b12 neutralizes JRFL. Fouts *et al.* [1997]
- HT5: Despite highly cross-reactive binding to many primary and T-cell adapted viral strains, only weakly neutralizes IIIB and MN. Moore *et al.* [1995a]
- HT5: 205-46-9 was cross-reactive across clades A-F, 205-43-1 very cross-reactive but not quite as extensive 205-46-9. Moore *et al.* [1994b]

No. 1080

MAb ID HT6 (205-42-15)**HXB2 Location** Env**Author Location** gp120**Epitope****Neutralizing** L (weak)**Immunogen** HIV-1 infection**Species (Isotype)** human**Ab Type** gp120 CD4BS**Research Contact** Ciba-Geigy AG Basel, Switzerland, and Tanox Biosystems, Houston, Texas**References** Pugach *et al.* 2004; Gorny & Zolla-Pazner 2004; Herrera *et al.* 2003; Parren *et al.* 1998a; Fouts *et al.* 1998; Fouts *et al.* 1997; Moore *et al.* 1995a; Moore *et al.* 1994b**Keywords** antibody binding site definition and exposure, antibody interactions, reversion, viral fitness, review, subtype comparisons, variant cross-recognition or cross-neutralization

- HT6: Called 205-42-15: This review summarizes MAbs directed to HIV-1 Env. There are 51 CD4BS MAbs and Fabs in the database; most, like this MAb, neutralize TCLA strains only. Gorny & Zolla-Pazner [2004] (**review**)
- HT6: Called 205-42-15: A primary isolate, CC1/85, was passaged 19 times in PBMC and gradually acquired increased sensitivity to FAb b12 and sCD4 that was attributed to changes in the the V1V2 loop region, in particular the loss of a potential glycosylation site. The affinity for sCD4 was unchanged in the monomer, suggesting that the structural impact of the change was manifested at the level of the trimer. The passaged virus, CCcon19, retained an R5 phenotype and its neutralization susceptibility to other Abs was essentially the same as CC1/85. Three CD4BS MAbs, 205-46-9, 205-42-15, and 205-43-1, did not neutralize either the primary or passaged variant. Pugach *et al.* [2004] (**reversion, viral fitness, variant cross-recognition or cross-neutralization**)
- HT6: Called 205-42-15: CD4BS MAbs b12 (neutralizing) and 205-42-15, 204-43-1, 205-46-9 (nonneutralizing) all cross-competed for binding to monomeric gp120, indicating the topological proximity of their epitopes, however, the nonneutralizing CD4BS MAbs did not interfere with the neutralization activity of MAb b12 – the nonneutralizing MAbs partially competed with b12 for Env binding of the surface of Env-transfected cells – this suggests Env has two categories of binding site for CD4BS MAbs, one recognized by both b12 and nonneutralizing CD4BS MAbs, the other is recognized by only b12 – Ab-gp120 interactions based on the use of monomeric gp120 or Env-transfected cells do not predict the outcome of HIV-1 neutralization assays, and they should be interpreted with caution. Herrera *et al.* [2003] (**antibody binding site definition and exposure, antibody interactions**)
- HT6: HT5, HT6, and HT7 are also known as 205-43-1, 205-42-15, and 205-46-9, respectively. Fouts *et al.* [1998]
- HT6: HT5 and HT6 bind JRSF oligomer but with low affinity, and are not neutralizing – conclusions of this paper contrast with Parren *et al.* [1998a] Fouts *et al.* [1998]. Fouts *et al.* [1998]; Parren *et al.* [1998a] (**antibody binding site definition and exposure**)

- HT6: MAbs IgG1b12, HT5, HT6, and HT7 cross-compete for binding to monomeric gp120, bind equally well, inhibit gp120-sCD4 interactions, but only IgG1b12 neutralizes JRFL. Fouts *et al.* [1997] (**antibody binding site definition and exposure, antibody interactions**)
- HT6: Despite highly cross-reactive binding to many primary and T-cell adapted viral strains, only weakly neutralizes IIIB and MN. Moore *et al.* [1995a] (**variant cross-recognition or cross-neutralization**)
- HT6: 205-46-9 was cross-reactive across clades A-F, 205-43-1 was not quite as extensively cross-reactive. Moore *et al.* [1994b] (**subtype comparisons**)

No. 1081

MAb ID HT7 (205-46-9)

HXB2 Location Env

Author Location gp120

Epitope

Neutralizing L (IIIB)

Immunogen HIV-1 infection

Species (Isotype) human

Ab Type gp120 CD4BS

Research Contact Ciba-Geigy AG (Basel, Switzerland), and Tanox Biosystems, Houston, Texas

References Pugach *et al.* 2004; Gorny & Zolla-Pazner 2004; Herrera *et al.* 2003; Grovit-Ferbas *et al.* 2000; Parren *et al.* 1998a; Fouts *et al.* 1998; Fouts *et al.* 1997; Moore *et al.* 1995a; Moore *et al.* 1994b

Keywords antibody binding site definition and exposure, assay standardization/improvement, reversion, viral fitness, review, subtype comparisons, variant cross-recognition or cross-neutralization

- HT7: Also called 205-46-9. This review summarizes MAbs directed to HIV-1 Env. There are 51 CD4BS MAbs and Fabs in the database; most, like this MAb, neutralize TCLA strains only. Gorny & Zolla-Pazner [2004] (**review**)
- HT7: Called 205-46-9: A primary isolate, CC1/85, was passaged 19 times in PBMC and gradually acquired increased sensitivity to FAb b12 and sCD4 that was attributed to changes in the V1V2 loop region, in particular the loss of a potential glycosylation site. The affinity for sCD4 was unchanged in the monomer, suggesting that the structural impact of the change was manifested at the level of the trimer. The passaged virus, CCcon19, retained an R5 phenotype and its neutralization susceptibility to other Abs was essentially the same as CC1/85. Three CD4BS MAbs, 205-46-9, 205-42-15, and 205-43-1, did not neutralize either the primary or passaged variant. Pugach *et al.* [2004] (**reversion, viral fitness, variant cross-recognition or cross-neutralization**)
- HT7: Called 205-46-9 – CD4BS MAbs b12 (neutralizing) and 205-42-15, 204-43-1, 205-46-9 (nonneutralizing) all cross-competed for binding to monomeric gp120, indicating the topological proximity of their epitopes, however, the nonneutralizing CD4BS MAbs did not interfere with the neutralization activity of MAb b12 – the nonneutralizing MAbs partially competed with b12 for Env binding of the surface of Env-transfected cells – this suggests Env has two categories of binding site for CD4BS MAbs, one recognized by both b12 and

nonneutralizing CD4BS MAbs, the other is recognized by only b12 – Ab-gp120 interactions based on the use of monomeric gp120 or Env-transfected cells do not predict the outcome of HIV-1 neutralization assays, and they should be interpreted with caution. Herrera *et al.* [2003] (**antibody binding site definition and exposure**)

- HT7: Called 205-46-9. To determine the antigenicity of virus killed by thermal and chemical inactivation, retention of conformation-dependent neutralization epitopes was examined, and exposure of CD4BS epitopes was found to be enhanced (MAbs IgG1b12, 205-46-9, and 205-43-1) – binding to 2G12 and 447-52D epitopes was essentially unaltered – the 17b CD4i epitope was also exposed. Grovit-Ferbas *et al.* [2000] (**antibody binding site definition and exposure**)
- HT7: Called 205-46-9. HT5, HT6, and HT7 are also known as 205-43-1, 205-42-15, and 205-46-9, respectively. Binds JRSF oligomer with high affinity as does IgG1b12, but IgG1b12 is neutralizing, 205-46-9 is not – conclusions of this paper contrast with Parren98 – authors propose a model where 205-46-9 and 2G6 may inhibit CD4 binding, but cause a conformational shift which enhances CCR5 binding and thus counteracts the neutralizing effect – rank order of CD4BS antibodies oligomer binding is IgG1b12 = 2G6 = 205-46-9 > 205-43-1 = 205-42-15 > 15e = 21h = F91, and the only thing notably distinguishing about neutralizing IgG1b12 is that it depends on residues in V2. Fouts *et al.* [1998] (**assay standardization/improvement**)
- HT7: Binds JRSF oligomer with high affinity, at least as high as IgG1b12, but IgG1b12 is neutralizing, H7 is not – conclusions of this paper contrast with Parren *et al.* [1998a] – authors propose a model where H7 may inhibit CD4 binding, but cause a conformational shift which enhances CCR5 binding and thus counteracts the neutralizing effect Fouts *et al.* [1998]. Fouts *et al.* [1998]; Parren *et al.* [1998a] (**antibody binding site definition and exposure**)
- HT7: MAbs IgG1b12, HT5, HT6, and HT7 cross-compete for binding to monomeric gp120, bind equally well, inhibit gp120-sCD4 interactions, but only IgG1b12 neutralizes JRFL. Fouts *et al.* [1997] (**antibody binding site definition and exposure**)
- HT7: Despite highly cross-reactive binding to many primary and T-cell adapted viral strains, only neutralizes IIIB well, with sporadic weak neutralization of other isolates. Moore *et al.* [1995a] (**variant cross-recognition or cross-neutralization**)
- HT7: 205-46-9 was cross-reactive across clades A-F, 205-43-1 was cross-reactive, but not quite as extensive. Moore *et al.* [1994b] (**subtype comparisons**)

No. 1082

MAb ID ICR 39.13g (ICR39.13g, 39.13g)

HXB2 Location Env

Author Location gp120

Epitope

Neutralizing L

Immunogen vaccine

Vector/Type: protein *Strain:* B clade BH10
HIV component: gp120

Species (Isotype) rat (IgG2b)

Ab Type gp120 CD4BS

Research Contact Jackie Cordell and C. Dean

References Vella *et al.* 2002; Peet *et al.* 1998; Klasse & Sattentau 1996; Armstrong & Dimmock 1996; McKeating *et al.* 1996; Beretta & Dalgleish 1994; McLain & Dimmock 1994; Klasse *et al.* 1993a; Thali *et al.* 1993; Moore & Ho 1993; McKeating *et al.* 1993b; McKeating *et al.* 1992c; McKeating *et al.* 1992a; Cordell *et al.* 1991

- ICR 39.13g: UK Medical Research Council AIDS reagent: ARP390.
- ICR 39.13g: Called ARP390/391, but no such entry was found at the UK Medical Research Council AIDS reagent web site: Herpesvirus saimiri-immortalized CD4+ T lymphocytes (HVS T cells) were used to isolate virus and perform HIV-1 neutralization assays, and compared with a standard PBMC protocol – neutralization sensitivities to a panel of MAbs and to homologous or heterologous plasma/sera were similar for HVS T cells (CN-2 cells) and PBMCs. Vella *et al.* [2002]
- ICR 39.13g: The most variable amino acids in the V3 loop were replaced with serines to make the immunodominant V3 loop less immunogenic – these changes did not affect the ability of sCD4 or MAbs to V1/V2, C1 and C4 to bind – ICR 39.13g was not affected by V3 serine substitutions – mice injected with serine substituted gp120 had a reduced response relative to wildtype, and no enhanced immunogenicity of conserved regions. Peet *et al.* [1998]
- ICR 39.13g: Post-attachment neutralization mechanism, in contrast to MAb 39.3b. Armstrong & Dimmock [1996]
- ICR 39.13g: Variants of LAI have differing neutralization susceptibility to 39.13g. Klasse & Sattentau [1996]
- ICR 39.13g: Called 39.13g Neutralizes HXB2, but fails to neutralize chimeric virus with gp120 from primary isolates in an HXB2 background. McKeating *et al.* [1996]
- ICR 39.13g: Kinetics of neutralization studied – no lag for 39.3b, while ICR 39.13g and ICR 41.1i have lags of 5 and 15 min respectively – mediates neutralization with 2.3 molecules of IgG. McLain & Dimmock [1994]
- ICR 39.13g: The gp41 mutation 582(Ala to Thr) results in conformational changes in gp120 that confer neutralization resistance to a class of conformation sensitive neutralizing MAbs – ICR 39.13g required moderately higher concentrations to neutralize the mutant than wild type. Klasse *et al.* [1993a]
- ICR 39.13g: Neutralization activity against HXB10, RF, SF-2 and MN strains of HIV-1. McKeating *et al.* [1993b]
- ICR 39.13g: Conformational, does not bind denatured gp120 – weak neutralization of IIIB – strong inhibition of HIV+ human sera binding to IIIB gp120. Moore & Ho [1993]
- ICR 39.13g: Strongly inhibits CD4 inducible MAb 48d. Thali *et al.* [1993]
- ICR 39.13g: Binds to a conformational epitope involved in CD4 binding – exerts a synergistic effect in combination with V3 directed MAbs. McKeating *et al.* [1992a]
- ICR 39.13g: Cross-competes with MAbs ICR 39.3b and 15e. Cordell *et al.* [1991]

No. 1083

MAb ID ICR 39.3b (39.3, 39.3b, ICR39.3b)

HXB2 Location Env

Author Location gp120

Epitope

Neutralizing L

Immunogen vaccine

Vector/Type: protein *Strain:* B clade BH10

HIV component: gp120

Species (Isotype) rat (IgG2b)

Ab Type gp120 CD4BS

Research Contact J. Cordell and C. Dean

References Wyatt *et al.* 1998; Jeffs *et al.* 1996; Armstrong & Dimmock 1996; McLain & Dimmock 1994; Moore *et al.* 1993b; Moore & Ho 1993; McKeating *et al.* 1992c; Cordell *et al.* 1991

- ICR 39.3b: also known as 39.3, 39.3b and ICR39.3b.
- ICR 39.3b: UK Medical Research Council AIDS reagent: ARP391.
- ICR 39.3b: Called 39.3 – summary of the implications of the crystal structure of the core of gp120 bound to CD4 and 17b with what is known about mutations that reduce NAb binding – probable mechanism of neutralization by CD4BS Ab is direct interference with CD4 binding. Wyatt *et al.* [1998]
- ICR 39.3b: Neutralizes only if the antibody is added prior to the attachment of the virus to the cell, in contrast to 39.13g. Armstrong & Dimmock [1996]
- ICR 39.3b: Called 39.3b – increased binding when V1/V2 or V1/V2 and V3 were deleted from gp120. Jeffs *et al.* [1996]
- ICR 39.3b: Kinetics of neutralization studied – no lag for 39.3b, while ICR 39.13g and ICR 41.1i have lags of 5 and 15 min respectively. McLain & Dimmock [1994]
- ICR 39.3b: Conformational, does not bind to denatured IIIB. Moore & Ho [1993]
- ICR 39.3b: Cross-competes with MAbs ICR 39.13g and 15e. Cordell *et al.* [1991]

No. 1084

MAb ID Ia3

HXB2 Location Env

Author Location gp120

Epitope

Neutralizing

Immunogen HIV-1 infection

Species (Isotype) human

Ab Type gp120 CD4BS

References Zwick *et al.* 2003

Keywords antibody interactions

- Ia3: scFv 4KG5 reacts with a conformational epitope that is formed by the V1V2 and V3 loops and the bridging sheet (C4) region of gp120 and is influenced by carbohydrates. Of a panel of MAbs tested, only NAb b12 enhanced 4KG5 binding to gp120 JRFL. MAbs to the following regions diminished 4KG5 binding: V2 loop, V3 loop, V3-C4 region, CD4BS. MAbs directed against C1, CD4i, C5 regions didn't impact 4KG5 binding. These results suggest that the orientation or dynamics of the V1/V2 and V3 loops restricts CD4BS access on the envelope spike, and IgG1b12 can uniquely remain unaffected by these loops. This is a novel CD4BS Fab first used in this study. Zwick *et al.* [2003] (**antibody interactions**)

No. 1085

MAb ID Ia7

HXB2 Location Env

Author Location gp120**Epitope****Neutralizing****Immunogen** HIV-1 infection**Species (Isotype)** human**Ab Type** gp120 CD4BS**References** Zwick *et al.* 2003**Keywords** antibody interactions

- Ia7: scFv 4KG5 reacts with a conformational epitope that is formed by the V1V2 and V3 loops and the bridging sheet (C4) region of gp120 and is influenced by carbohydrates. Of a panel of MAbs tested, only NAb b12 enhanced 4KG5 binding to gp120 JRFL. MAbs to the following regions diminished 4KG5 binding: V2 loop, V3 loop, V3-C4 region, CD4BS. MAbs directed against C1, CD4i, C5 regions didn't impact 4KG5 binding. These results suggest that the orientation or dynamics of the V1/V2 and V3 loops restricts CD4BS access on the envelope spike, and IgG1b12 can uniquely remain unaffected by these loops. This is a novel CD4BS Fab first used in this study. Zwick *et al.* [2003] (**antibody interactions**)

No. 1086**MAb ID** IgG1b12 (Fab b12, Fab 3B3, MAb IgG1b12, IgG1-b12, IgG1 b12, IgGB12, b4/12)**HXB2 Location** Env**Author Location** gp120**Epitope****Subtype** B**Neutralizing** L P**Immunogen** HIV-1 infection**Species (Isotype)** human (IgG1 κ)**Ab Type** gp120 CD4BS**Research Contact** D. Burton, Scripps Research Institute, La Jolla, CA, also J. Geltowsky and J. Pyati, R. W. Johnson Pharmaceutical Resear

References Zipeto *et al.* 2005; Wilkinson *et al.* 2005; Selvarajah *et al.* 2005; Ren *et al.* 2005; Raviv *et al.* 2005; Pinter *et al.* 2005; Martín-García *et al.* 2005; Lusso *et al.* 2005; Luo *et al.* 2006; Krachmarov *et al.* 2005; Heap *et al.* 2005a; Haynes *et al.* 2005; Gorny *et al.* 2005; Chen *et al.* 2005; Safrit *et al.* 2004; Pugach *et al.* 2004; Pinter *et al.* 2004; Pantophlet *et al.* 2004; Nabatov *et al.* 2004; McCaffrey *et al.* 2004; Jeffs *et al.* 2004; Ferrantelli *et al.* 2004a; Dacheux *et al.* 2004; Biorn *et al.* 2004; Binley *et al.* 2004; Zwick *et al.* 2004; Zwick *et al.* 2003; Pantophlet *et al.* 2003b; Zhu *et al.* 2003; Veazey *et al.* 2003; Montefiori *et al.* 2003; Kitabwalla *et al.* 2003; Zhang *et al.* 2003; Wang 2003; Mascola 2003; Raja *et al.* 2003; Hart *et al.* 2003; Ferrantelli *et al.* 2003; Dey *et al.* 2003; Cavacini *et al.* 2003; Binley *et al.* 2003; Herrera *et al.* 2003; Pantophlet *et al.* 2003a; Poignard *et al.* 2003; Ling *et al.* 2002; Lewis *et al.* 2002; Kwong *et al.* 2002; Gorry *et al.* 2002; Cavacini *et al.* 2002; Bures *et al.* 2002; Liu *et al.* 2002; Ferrantelli & Ruprecht 2002; Klasse & Sattentau 2002;

Zhang *et al.* 2002; Grundner *et al.* 2002; Edwards *et al.* 2002; Xiang *et al.* 2002b; Vella *et al.* 2002; Chakrabarti *et al.* 2002; Xu *et al.* 2002; Scanlan *et al.* 2002; Saphire *et al.* 2002; Yang *et al.* 2002; Schulke *et al.* 2002; Sanders *et al.* 2002; Golding *et al.* 2002b; Srivastava *et al.* 2002; Hezareh *et al.* 2001; Xu *et al.* 2001; Hofmann-Lehmann *et al.* 2001; Verrier *et al.* 2001; Spenlehauer *et al.* 2001; Zeder-Lutz *et al.* 2001; Poignard *et al.* 2001; Parren *et al.* 2001; Zwick *et al.* 2001c; Zwick *et al.* 2001b; Zwick *et al.* 2001a; York *et al.* 2001; Yang *et al.* 2001; Saphire *et al.* 2001b; Saphire *et al.* 2001a; Kolchinsky *et al.* 2001; Si *et al.* 2001; Park *et al.* 2000; Nyambi *et al.* 2000; Ly & Stamatatos 2000; Grovit-Ferbas *et al.* 2000; Binley *et al.* 1999; Beddows *et al.* 1999; Giraud *et al.* 1999; Montefiori & Evans 1999; Hioe *et al.* 1999; Jackson *et al.* 1999; Crawford *et al.* 1999; Poignard *et al.* 1999; Stamatatos & Cheng-Mayer 1998; Kropelin *et al.* 1998; Frankel *et al.* 1998; Sullivan *et al.* 1998a; Schonning *et al.* 1998; Brand *et al.* 1998; Parren *et al.* 1998b; Takefman *et al.* 1998; Fouts *et al.* 1998; Binley *et al.* 1998; Connor *et al.* 1998; Parren *et al.* 1998a; Mondor *et al.* 1998; Wyatt *et al.* 1998; Valenzuela *et al.* 1998; Parren & Burton 1997; Parren *et al.* 1997a; Parren *et al.* 1997b; Boots *et al.* 1997; Burton & Montefiori 1997; Wyatt *et al.* 1997; Ugolini *et al.* 1997; Ditzel *et al.* 1997; Stamatatos *et al.* 1997; Moore & Trkola 1997; Kessler II *et al.* 1997; Li *et al.* 1997; Fouts *et al.* 1997; Mo *et al.* 1997; Schutten *et al.* 1997; D'Souza *et al.* 1997; McKeating 1996; Sattentau 1996; Trkola *et al.* 1996a; Poignard *et al.* 1996a; Poignard *et al.* 1996b; Gauduin *et al.* 1996; Moore & Sodroski 1996; Yang *et al.* 1997c; Sullivan *et al.* 1995; Ditzel *et al.* 1995; Trkola *et al.* 1995; Parren *et al.* 1995; Moore & Ho 1995; Moore *et al.* 1995a; Sattentau 1995; Sattentau *et al.* 1995; Kessler *et al.* 1995; Moore *et al.* 1994b; Burton *et al.* 1994; Roben *et al.* 1994; Barbas III *et al.* 1992; Burton *et al.* 1991

Keywords antibody binding site definition and exposure, antibody generation, antibody interactions, antibody sequence, variable domain, co-receptor, immunoprophylaxis, neutralization potency, review, structure, subtype comparisons, vaccine antigen design, vaccine-specific epitope characteristics, variant cross-recognition or cross-neutralization

- IgG1b12: Fab b12 was derived from IgG1b12, Fab 3B3 was derived from Fab b12 by random mutagenesis and selected for increased affinity to sgp120 – database note. (**antibody generation**)
- IgG1b12: UK Medical Research Council AIDS reagent: ARP3065.

- IgG1b12: NIH AIDS Research and Reference Reagent Program: 2640.
- IgG1b12: gp41 and p15E of the porcine endogenous retrovirus (PERV) share structural and functional similarities, and epitopes in the membrane proximal region of p15E are able to elicit NAb upon immunization with soluble p15E. Rabbits immunized with a VSV recombinant expressing an HIV-1 membrane-proximal external region (MPER) fused to PERV p15E, with a fusion p15E-HIV MPER protein boost, elicited HIV specific NAb. The IgG1b12 MAb was used as a positive control for neutralization in this study. Luo *et al.* [2006] (**vaccine antigen design**)
- IgG1b12: The lack of glycosylation sites at residues Asn 295 and Thy 394 within C-clade gp120s generally causes the loss of 2G12 recognition. Introduction of glycans in the subtype C strain HIV-1CN54 at these positions restored 2G12 binding, and addition of just a single glycan partially restored binding (V295N + A394T » V295N > A395T). 2G12 epitope recovery decreased b12 binding. Chen *et al.* [2005]
- IgG1b12: 2909 is a human anti-Env NAb that was selected by neutralization assay and binds to the quaternary structure on the intact virion. ELISA-based competition assays and subsequent mutational analysis determined that the CD4BS and V2 and V3 loops contribute to the 2909 epitope: 2909 binding was inhibited by MAbs 447-52d (anti-V3), 830A (anti-V2), and IgG1b12 (anti-CD4BS) and sCD4. 2909 was not inhibited by MAbs 670, 1418, nor 2G12. Gorny *et al.* [2005]
- IgG1b12: IgG1b12, like the other anti-Env broadly neutralizing MAbs 2F5 and 4E10, binds to auto-antigens and has characteristics of polyspecific autoreactive antibodies. Of 35 Env-specific MAbs tested, only 2F5, 4E10, IgG1b12, and two CD4BS adjacent MAbs (A32 and 1.4G) and gp41 MAbs (2.2B and KU32) had binding patterns suggesting polyspecific autoreactivity, and similar reactivities may be difficult to induce with vaccines because of elimination of such autoreactivity. IgG1B12 reacted with ribonucleoprotein, dsDNA, centromere B, and histones, as well as nucleolar and cytoplasmic reactivity in HEP-2 cells. Haynes *et al.* [2005]
- IgG1b12: b12 and the gp41 C-terminal binding MAb SAR1 inhibit HIV-1 infected cell fusion with target cells at comparable levels. Heap *et al.* [2005a]
- IgG1b12: Sera from subtype A infected individuals from Cameroon have antibodies that react strongly with subtype A and subtype B V3 loops in fusion proteins, and neutralize SF162 pseudotypes, while sera from 47 subtype B infected individuals reacted only with subtype B V3s. Sera from Cameroon did not neutralize primary A or B isolates, due to indirect masking by the V1/V2 domain rather than due to loss of the target epitope. Neutralization by Cameroonian sera MAbs was blocked by Clade A and B V3 loop fusion proteins, while NAb to non-V3 epitopes, 2F5, 2G12, and b12, were not blocked. Krachmarov *et al.* [2005]
- IgG1b12: Called IgG1 b12. The HIV-1 Bori-15 variant was adapted from the Bori isolate for replication microglial cells. Bori-15 had increased replication in microglial cells and a robust syncytium-forming phenotype, ability to use low levels of CD4 for infection, and increased sensitivity to neutralization by sCD4 and 17b. Four amino acid changes in gp120 V1-V2 were responsible for this change. Protein functionality and integrity of soluble, monomeric gp120-molecules derived from parental HIV-1 Bori and microglia-adapted HIV-1 Bori-15 was assessed in ELISA binding assays using CD4BS MAbs F105 and IgG1b12, glycan-specific 2G12, and V3-specific 447-52D, and were unchanged. Association rates of sCD4 and 17b were not changed, but dissociation rates were 3-fold slower for sCD4 and 14-fold slower for 17b. Martín-García *et al.* [2005]
- IgG1b12: This study is about the V2 MAb C108g, that is type-specific and neutralizes BaL and HXB2. JR-FL is a neutralization resistant strain; modification of JRFL at V2 positions 167 and 168 (GK->DE) created a C108g epitope, and C108g could potentially neutralize the modified JR-FL. The modification in V2 also increased neutralization sensitivity to V3 MAbs 4117c, 2219, 2191, and 447-52D, but only had minor effects on neutralization by CD4BS MAb 5145A, and broadly neutralizing MAbs IgG1b12, 2G12, and 2F5. gp120 binding to CD4 was inhibited by b12, but not by C108g. Pinter *et al.* [2005]
- IgG1b12: Retrovirus inactivation for vaccine antigen delivery was explored through lipid modification by hydrophobic photoinduced alkylating probe 1.5 iodonaphthylazide (INA). The viral proteins were shown to be structurally intact in the treated non-infectious virus, through the preservation of antibody binding sites for polyclonal anti-gp120 serum, and for broadly neutralizing MAbs 2G12, b12 and 4E10, although the modifications of the lipid disabled viral infection. Raviv *et al.* [2005] (**vaccine antigen design**)
- IgG1b12: The antibody M2 is specific for a peptide flag inserted into the V4 loop of YU-2, a neutralization resistant variant with a short V4 loop. IgG1b12 and 2F5 could neutralize both the WT YU-2 and the modified variant. The high diversity of V4 suggests it does not play a direct role in receptor binding or viral entry, yet M2, specific for the peptide insert tag, can neutralize the modified virus, demonstrating that neutralizing activity doesn't have to block functionality of the virus. Ren *et al.* [2005] (**neutralization potency**)
- IgG1b12: Antigens were designed to attempt to target immune responses toward the IgG1b12 epitope, while minimizing antibody responses to less desirable epitopes. One construct had a series of substitutions near the CD4 binding site (GDMR), the other had 7 additional glycans (mCHO). The 2 constructs did not elicit b12-like neutralizing antibodies in vaccinated rabbits, but GDMR elicited anti-V3 NAb. Both antigens successfully dampened other responses that were intended to be dampened while not obscuring b12 binding. CD4BS MAbs except Fab b12 (b6, b3, F105) did not bind to either GDMR or mCHO. CD4i MAbs (48d, 17b) did not bind even with sCD4. 2G12 had diminished binding to both. V3 MAbs (447-52D, 19b, F245-B4e8 and 39F) bound to the GDMR antigen, but either did not bind or had diminished binding to mCHO. V2 MAb 697-D did not bind to mCHO and had diminished binding to GDMR, while V2 MAb 8.22.2 bound to GDMR but not mCHO. V1/V2/V3 MAb 4KG2, C1-C4 MAb A32, C1-C5 MAb C11, and HIVIG all either did not bind or had significantly diminished binding to both antigen constructs. Selvarajah *et al.* [2005] (**vaccine antigen design, vaccine-specific epitope characteristics**)
- IgG1b12: The crystal structure of the Fab fragment from F105 was solved. It has an extended CDR H3 loop, with a Phe at the apex that may recognize the binding pocket of gp120

used by the Phe-42 residue of CD4. The potent NAB IgG1b12 recognizes an overlapping binding site, the main difference is that F105 extends across the interface of the inner and outer domains of gp120 while b12 does not. IgG1b12 also has undergone extensive affinity maturation (45 mutations) while F105 has not (13 mutations) – an average for gp120 MAbs is 22 mutations. Wilkinson *et al.* [2005] (**antibody sequence, variable domain, structure**)

- IgG1b12: HIV-1 fusion complexes were prepared from cell lines expressing R5 HIV-1 gp120/gp41 and CD4-CCR5. Neutralizing Abs were raised against both R5 (strain BaL) and X4 (strain 213) viruses. IgG1b12 was used to detect gp120/gp41. Zipeto *et al.* [2005] (**vaccine antigen design**)
- IgG1b12: 93 viruses from different clades were tested for their neutralization cross-reactivity using a panel of HIV antibodies. IgG1b12 neutralized a fraction of viruses from almost every clade, and was more potent than 2F5 and 4E10, particularly against a subset of B clade viruses. Binley *et al.* [2004] (**variant cross-recognition or cross-neutralization, subtype comparisons**)
- IgG1b12: Called b12. The peptide 12p1 (RINNIPWSEAMM) inhibits direct binding of YU2 gp120 or Env trimer to CD4, CCR5 and MAb 17b in a concentration-dependent allosteric manner. 12p1 is thought to bind to unbound gp120 near the CD4 binding site, with a 1:1 stoichiometry. 12p1 also inhibited MAb F105 binding, presumably because F105 favors an unactivated conformation, but not 2G12 or b12. The 1:1 stoichiometry, the fact that the peptide binding site is accessible on the trimer, the non-CD4 like aspect of the binding, and an ability to inhibit viral infection in cell cultures make it a promising lead for therapeutic design. Biorn *et al.* [2004] (**antibody binding site definition and exposure**)
- IgG1b12: Env sequences were derived from 4 men at primary infection and 4 years later; the antigenicity in terms of the ability to bind to 2G12, 2F5 and IgG1b12 was determined. 2G12 bound primarily to late clones in 3 of the 4 patients, and to both early and late in the other patient. Neither 2F5 nor IgG1b12 showed a difference in binding affinity to early or late envelopes. Dacheux *et al.* [2004]
- IgG1b12: Nabs against HIV-1 M group isolates were tested for their ability to neutralize 6 randomly selected HIV-1 O group strains. IgG1b12 could neutralize some O group strains when used on its own, and quadruple combination of b12, 2F5, 2G12, and 4E10, could neutralize the six Group O viruses tested between 62-97%. Ferrantelli *et al.* [2004a]
- IgG1b12: Called b12. A set of oligomeric envelope proteins were made from six primary isolates for potential use as vaccine antigens: 92/UG/037 (clade A), HAN2/2 (clade B), 92/BR25/025 (clade C), 92/UG/021 (clade D), 93/BR/029 (clade F) and MVP5180 (clade O). This was one of a panel of MAbs used to explore folding and exposure of well characterized epitopes. The clade C isolate BR25 is apparently misfolded, as conformation-dependent antibodies did not bind to it. b12 bound to clade A, B, D and F HIV-1 primary isolates. Polyclonal sera raised in rabbits against these antigens cross-bound the other antigens, but none of the sera had neutralizing activity. Jeffs *et al.* [2004] (**variant cross-recognition or cross-neutralization**)
- IgG1b12: Sera from two HIV+ people and a panel of MAbs were used to explore susceptibility to neutralization in the presence or absence of glycans within or adjacent to the V3 loop and within the C2, C4 and V5 regions of HIV-1 SF162 env gp120. The loss of any of the five glycans, within the V3 loop (GM299 V3), C2 (GM292 C2), C3 (GM329 C3), C4 (GM438 C4), or V5 (GM454 V5) made SF162 become more sensitive to IgG1b12 neutralization. V3 glycans tended to shield V3 loop, CD4 and co-receptor MAb binding sites, while C4 and V5 glycans shielded V3 loop, CD4, gp41 but not co-receptor MAb binding sites. Selective removal of glycans from a vaccine candidate may enable greater access to neutralization susceptible epitopes. McCaffrey *et al.* [2004] (**antibody binding site definition and exposure**)
- IgG1b12: Fab b12. A set of HIV-1 chimeras that altered V3 net charge and glycosylation patterns in V1V2 and V3, involving inserting V1V2 loops from a late stage primary isolate taken after the R5 to X4 switch, were studied with regard to phenotype, co-receptor usage, and MAb neutralization. The loops were cloned into a HXB2 envelope with a LAI viral backbone. It was observed that the addition of the late-stage isolate V1V2 region and the loss of V3-linked glycosylation site in the context of high positive charge gave an X4 phenotype. R5X4 viruses were more sCD4 and 2G12 neutralization resistant than either R5 or X4, but the opposite pattern was observed for b12. Addition of the late stage V1V2 altered neutralization for both MAbs, but this alteration was reversed with the loss of the V3 glycan. Nabatov *et al.* [2004] (**co-receptor**)
- IgG1b12: By adding N-linked glycosylation sites to gp120, epitope masking of non-neutralizing epitopes can be achieved leaving the IgG1b12 binding site intact. This concept was originally tested with the addition of four glycosylation sites, but binding to b12 was reduced. It was modified here to exclude the C1 N-terminal region, and to include only three additional glycosylation sites. This modified protein retains full b12 binding affinity and it binds to the neutralizing MAb 2G12. It masks other potentially competing epitopes, and does not bind to 21 other MAbs to 7 epitopes on gp120. Pantophlet *et al.* [2004]
- IgG1b12: Called IgG-b12. V1V2 was determined to be the region that conferred the neutralization phenotype differences between two R5-tropic primary HIV-1 isolates, JRFL and SF162. JRFL is resistant to neutralization by many sera and MAbs, while SF162 is sensitive. All MAbs tested, anti-V3, -V2, -CD4BS, and -CD4i, (except the broadly neutralizing MAbs IgG1b12, 2F5, and 2G12 which neutralized both strains), neutralized the SF162 pseudotype but not JRFL, and chimeras that exchanged the V1V2 loops transferred the neutralization phenotype. Three anti-CD4BS MAbs were tested, including IgG1b12 which neutralizes both JRFL and SF162. The affinities for IgG1b12 and 5145A were similar for both JRFL and SF162, but 1125A bound with 2.5 fold higher affinity to SF162. 5145A and 1125H both preferentially neutralize SF162, but not JRFL, and the CD4BS is more sensitive to neutralization in the context of the SF162 V1V2 loop. This was also true for neutralization by sCD4. Pinter *et al.* [2004] (**variant cross-recognition or cross-neutralization**)
- IgG1b12: Called b12. A primary isolate, CC1/85, was passaged 19 times in PBMC and gradually acquired increased

- sensitivity to Fab b12 and sCD4 that was attributed to changes in the V1V2 loop region, in particular the loss of a potential glycosylation site. The affinity for sCD4 was unchanged in the monomer, suggesting that the structural impact of the change was manifested at the level of the trimer. The passaged virus, CCcon19, retained an R5 phenotype and its neutralization susceptibility to other Abs was essentially the same as CC1/85. CCcon19 (IC50 0.3) was significantly more sensitive to neutralization by b12 than was CC1/85 (IC50 6.0). Pugach *et al.* [2004]
- IgG1b12: This review discusses research presented at the Ghent Workshop of prevention of breast milk transmission and immunoprophylaxis for HIV-1 in pediatrics (Seattle, Oct. 2002), and makes the case for developing passive or active immunoprophylaxis in neonates to prevent mother-to-infant transmission. Macaque studies have shown that passive transfer of NAb combinations (for example, IgG1b12, 2G12, 2F5, and 4E10) can confer partial or complete protection to infant macaques from subsequent oral SHIV challenge. Safrit *et al.* [2004]
 - IgG1b12: Called IgG1 b12. This paper is a study of the 2F5 NAb complexed to peptide ELDKWAS; the peptide was found to interact with amino acids near the base of the very long (22 residue) CDR 3H region of the Ab, although a Phe at the apex of the loop was also important. The authors suggest that particularly long CDR H3 regions may be a common feature of HIV-1 neutralizing antibodies – there are 22 residues in 2F5's H3, 18 in IgG1b12's H3, and 22 residues in X5's H3. They express concern that because small animals like mice are unable to elicit Ab responses with such long H3s, they may be poor model systems for HIV vaccine studies. Zwick *et al.* [2004] (**antibody sequence, variable domain**)
 - IgG1b12: The SOS mutant envelope protein introduces a covalent disulfide bond between gp120 surface and gp41 transmembrane proteins into the R5 isolate JR-FL by adding cysteines at residues 501 and 605. Pseudovirions bearing this protein bind to CD4 and co-receptor bearing cells, but do not fuse until treatment with a reducing agent, and are arrested prior to fusion after CD4 and co-receptor engagement. IgG1b12 neutralized SOS and WT proteins comparably, and neither IgG1b12 nor the Fab b12 could neutralize well post-attachment, consistent with the notion that the b12 binding site would be blocked upon cellular binding. Binley *et al.* [2003]
 - IgG1b12: Called 1b12. The MAb B4e8 binds to the base of the V3 loop, neutralizes multiple primary isolates and was studied for interaction with other MAbs. CD4BS MAb IgG1b12 had no effect on B4e8 binding. Cavacini *et al.* [2003]
 - IgG1b12: A sCD4-17b single chain chimera was made that can bind to the CD4 binding site, then bind and block co-receptor interaction. This chimeric protein is a very potent neutralizing agent, more potent than IgG1b12, 2G12 or 2F5 against Ba-L infection of CCR5-MAGI cells. It has potential for prophylaxis or therapy. Dey *et al.* [2003]
 - IgG1b12: Four newborn macaques were challenged with pathogenic SHIV 89.6 and given post exposure prophylaxis using a combination of NAb 2F5, 2G12, 4E10 and IgG1b12. 2/4 treated animals did not show signs of infection, and 2/4 macaques maintained normal CD4+ T cell counts and had a lower delayed peak viremia compared to the controls. Ferrantelli *et al.* [2003] (**immunoprophylaxis**)
 - IgG1b12: Called b12 – CD4BS MAbs b12 (neutralizing) and 205-42-15, 204-43-1, 205-46-9 (nonneutralizing) all cross-competed for binding to monomeric gp120, indicating the topological proximity of their epitopes, however, the nonneutralizing CD4BS MAbs did not interfere with the neutralization activity of MAb b12 – the nonneutralizing MAbs partially competed with b12 for Env binding of the surface of Env-transfected cells – this suggests Env has two categories of binding site for CD4BS MAbs, one recognized by both b12 and nonneutralizing CD4BS MAbs, the other is recognized by only b12 – Ab-gp120 interactions based on the use of monomeric gp120 or Env-transfected cells do not predict the outcome of HIV-1 neutralization assays, and they should be interpreted with caution. Herrera *et al.* [2003] (**antibody binding site definition and exposure**)
 - IgG1b12: MAbs IgG1b12, 2G12, 2F5 and 4E10 were tested for their ability to neutralize two primary HIV-1 clade A isolates (UG/92/031 and UG/92/037) and two primary HIV-1 clade D isolates (UG/92/001 and UG/92/005). 4E10 demonstrated the most potent cross-neutralization activity. Quadruple administration of MAbs IgG1b12, 2G12, 2F5, and 4E10 induced strong synergistic neutralization of 4 clade A isolates (UG/92/031, UG/92/037, RW/92/020 and RW/92/025) as well as 5 clade D isolates (UG/92/001, UG/9/005, /93/086/RUG/94/108, UG/94/114). The authors note this combination of 4 MAbs neutralizes primary HIV A, B, C, and D isolates. Kitabwalla *et al.* [2003] (**variant cross-recognition or cross-neutralization, subtype comparisons**)
 - IgG1b12: This review discusses the importance and function of protective antibody responses in animal model studies in the context of effective vaccine development. SHIV models have shown protection using high levels of MAbs can prevent infection, and partial protection that can influence disease course can be obtained from modest levels of NAb. SHIV challenges studies conducted with infusions of combinations of MAbs b12, 2G12, and 2F5 are reviewed. Mascola [2003] (**review**)
 - IgG1b12: AC10 is a subject who was given treatment early after infection, and had a viral rebound after cessation of therapy, which then declined to a low level. The polyclonal sera from AC10 could potentially neutralize the rebound virus, and NAb escape followed with a neutralizing response against the escape variant and subsequent escape from that response. Viral loads remained low in this subject despite escape. The rebound isolate that was potentially neutralized by autologous sera was not particularly neutralization sensitive, as it resisted neutralization by sCD4 and MAbs IgG1b12, 2G12 and 2F5, and was only moderately sensitive to sera from other HIV+ individuals that had high titers of NAb to TCLA strains. Montefiori *et al.* [2003]
 - IgG1b12: Called b12 – Alanine scanning mutagenesis was used to compare substitutions that affected anti-CD4BS NAb b12 binding to those that affect binding of sCD4 and two non-neutralizing anti-CD4BS Abs b3 and b6 – while the epitope maps overlapped, there were some differences observed – binding of CD4 was never enhanced, indicating it had evolved to be optimal – rec gp120s were engineered to contain combinations of Alanine substitutions that enhanced b12 binding, and while binding of b12 to these gp120 monomers was generally maintained or increased, binding by five non-neutralizing

- anti-CD4bs MAbs (b3, b6, F105, 15e, and F91) was reduced or completely abolished – 2G12 binding was largely unper-
turbed, indicating these proteins were not grossly misfolded – for twelve mutants, b12 neutralization sensitivity and affinity correlated, but for five mutants neutralization efficiency was maintained or increased despite a decrease in affinity suggesting that the substitutions that influence b12 binding to the monomer are different than those that impact neutralization sensitivity to the trimer. Pantophlet *et al.* [2003a] (**antibody binding site definition and exposure**)
- IgG1b12: This paper describes an attempt to engineer a gp120 molecule that would focus the immune response onto the IgG1b12 epitope. Four Ala substitutions that enhance the binding of IgG1b12 and reduce the binding of non-neutralizing MAbs were combined with seven N-linked glycosylation site sequons and this combination minimized the binding of non-neutralizing MAbs. b12 affinity was lowered, and binding of non-neutralizing MAbs was knocked out. C1 and C5 regions were then removed to eliminate the epitopes for MAbs against these regions, but these also diminished IgG1b12 binding. Pantophlet *et al.* [2003b] (**vaccine antigen design**)
 - IgG1b12: Virion capture assays are not a good predictor of neutralization, and the presentation of epitopes using this assay seems to be different from that of functional Envelope spikes on primary isolates – F105 and b6 could efficiently block the b12-mediated capture of infectious virions in a virus capture, but did not inhibit b12 neutralization – b12 was potent at neutralizing the three primary virions JR-CSF, ADA, and 89.6, but anti-V3 Abs 447-52D and 19b, which did not neutralize JR-CSF and ADA captured amounts of p24 equal to or higher than the amounts captured by the neutralizing Ab b12. Poignard *et al.* [2003] (**neutralization potency**)
 - IgG1b12: This paper shows that binding of CD4BS MAbs to Env blocks the conformational shift that allows co-receptor CCR5 binding and CD4-independent mediated cell fusion. CD4BS MAbs F105, 15e, and IgG1b12 as well as their Fab fragments inhibited CD4-independent binding of the V1/V2 loop-deleted gp120 glycoproteins of R5 HIV-1 isolates ADA, YU2 and JR-FL and to CCR5 in a concentration dependent manner. CD4BS MAbs IgG1b12, F91 and F105 and their Fab counterparts (except for C11, used as a negative control) inhibited CD4-independent JR-FL and YU-2 gp120-CCR5 binding to CCR5-expressing Cf2Th cells and syncytium formation. Raja *et al.* [2003] (**antibody binding site definition and exposure**)
 - IgG1b12: Called b12. The NAb b12 was administered locally to the vagina in macaques and could protect against subsequent vaginal infection with SHIV-162P4. This NAb model of a topical microbicide was dose dependence, and was effective for up to 2 hours after administration. Veazey *et al.* [2003] (**immunoprophylaxis**)
 - IgG1b12: Called b12. Review of current neutralizing antibody-based HIV vaccine candidates and strategies of vaccine design. Strategies for targeting of the epitopes for NAb 2F5, 2G12, 4E10, b12, and Z13 are described. Wang [2003] (**review**)
 - IgG1b12: Called b12. The Fab m18 was selected from a human phage display library by a new method called sequential antigen panning (SAP), using a series of antigens to screen the library to pick broadly cross-reactive isolates. The ability to block cell mediated fusion by m17 was compared to Fabs X5 and b12 for a clade A, CRF01 EA, G, and 6 clade B isolates, and the inhibitory activity of m18 was slightly lower but comparable to neutralizing Fabs b12 and X5. Zhang *et al.* [2003]
 - IgG1b12: The HIV-1 primary isolate DH012 has preserved the epitopes for the MAbs IgG1b12, 2G12, 17b, however natural DH012 infection in chimpanzees and DH012 gp120 vaccination in guinea pigs does not give rise to Abs against these epitopes. Zhu *et al.* [2003] (**vaccine antigen design**)
 - IgG1b12: 4KG5, a single-chain Fv (scFv), reacts with a conformational epitope that is formed by the V1, V2 and V3 loops and the bridging sheet (C4) region of gp120 and is influenced by carbohydrates. Denaturation of gp120 abolished binding of 4KG5 and Fab b12. Additionally, binding of 4KG5 was abrogated when any of the V1, V2 or V3 loops were deleted. Of a panel of Abs tested, only NAb b12 enhanced 4KG5 binding to gp120 JR-FL. MAbs to the following regions diminished or abrogated binding: V2 loop MAbs (G3-4, G3-136), V3 loop MAbs (19b, 447-52D, hNM01, AH48, loop2, F425 B4e8, 694-88D), V3-C4 (G3-299, G3-42, G3-519, G3-537), CD4BS (b6, b3, F91, F105, 15e, L33, 1008-D, 654-30D, 559-64D, 1027-30D, Ia3, Ia7, FG39, Fbb14). MAbs directed against C1, CD4i, C5 regions didn't impact 4KG5 binding. These results suggest that the orientation or dynamics of the V1, V2 and V3 loops restricts CD4BS access on the envelope spike, and IgG1b12 can uniquely remain unaffected by these loops. 4KG5 did not enhance IgG1b12 neutralization. Zwick *et al.* [2003] (**antibody interactions**)
 - IgG1b12: IgG1b12 neutralized many South African (5/8) and Malawian (4/8) clade C primary HIV-1 isolates, being more effective than 2F5 which neutralized only two Malawian and no South African isolates. 2G12 did not neutralize any of the 16 isolates. Bures *et al.* [2002] (**variant cross-recognition or cross-neutralization, subtype comparisons**)
 - IgG1b12: This study examined Ab interactions, binding and neutralization with a B clade R5 isolate (92US660) and R5X4 isolate (92HT593). Abs generally bound and neutralized the R5X4 isolate better than the R5 isolate. Anti-gp41 MAb F240 enhanced the binding of CD4BS MAbs IgG1b12 and F105 to both R5X4 and R5 isolates, but had no effect on neutralization. Anti-V3 MAb B4a1 increased CD4BS MAbs IgG1b12 and F105 to R5X4 virions, but only IgG1b12 binding was increased by B4a1 to the R5 isolate, and neutralization was not impacted. Cavacini *et al.* [2002] (**antibody interactions**)
 - IgG1b12: A modified gp140 (gp140ΔCFI), with C-term mutations intended to mimic a fusion intermediate and stabilize trimer formation, retained antigenic conformational determinants as defined by binding to CD4 and to MAbs 2F5, 2G12, F105, and b12, and enhanced humoral immunity without diminishing the CTL response in mice injected with a DNA vaccine. Chakrabarti *et al.* [2002]
 - IgG1b12: Truncation of the gp41 cytoplasmic domain of X4, R5, and X4R5 viruses forces a conformation that more closely resembles the CD4 bound state of the external Envelope, enhancing binding of CD4i MAbs 17b and 48d and of CD4BS MAbs F105, b12, and in most cases of glycosylation site dependent MAb 2G12 and the anti-gp41 MAb 246D – in contrast, binding of the anti-V2 MAb 697D and the anti-V3 MAb 694/98D were not affected – viruses bearing the truncation

- were more sensitive to neutralization by MAbs 48d, b12, and 2G12 – the anti-C5 MAb 1331A was used to track levels of cell surface expression of the mutated proteins. Edwards *et al.* [2002] (**antibody binding site definition and exposure**)
- IgG1b12: Review of NABs that notes IgG1b12 is a recombinant IgG1 from a phage displayed Fab generated against gp120 from a B clade infected individual, that it binds the CD4BS, that alone or in combination with other MAbs it can protect some macaques against SHIV infection, and that it has strong ADCC activity. Ferrantelli & Ruprecht [2002] (**review**)
 - IgG1b12: The fusion process was slowed by using a suboptimal temperature (31.5 C) to re-evaluate the potential of Abs targeting fusion intermediates to block HIV entry – preincubation of E/T cells at 31.5 C enabled polyclonal anti-N-HR Ab and anti-six-helix bundle Abs to inhibit fusion, indicating six-helix bundles form prior to fusion – the preincubation 31.5 C step did not alter the inhibitory activity of neutralizing Abs anti-gp41 2F5, or anti-gp120 2G12, IG1b12, 48d, and 17b. Golding *et al.* [2002b]
 - IgG1b12: HIV-1 gp160ΔCT (cytoplasmic tail-deleted) proteoliposomes (PLs) containing native, trimeric envelope glycoproteins from R5 strains YU2 and JRFL, and X4 strain HXBc2, were made in a physiologic membrane setting as candidate immunogens for HIV vaccines—2F5 bound to gp160ΔCT with a reconstituted membrane ten-fold better than the same protein on beads—anti-CD4BS MAbs IgG1b12 and F105, A32 (C1-C4), C11 (C1-C5), and 39F (V3) MAbs bound gp160ΔCT PLs indistinguishably from gp160ΔCT expressed on the cell surface—non-neutralizing MAbs C11 and A32 bound with lower affinity than NAb IgG1b12—the MAb 17b was sCD4 inducible on gp160ΔCT PL. Grundner *et al.* [2002]
 - IgG1b12: A broad review of NABs that mentions IgG1b12 as an example of a NAb that does not alter the conformation of gp120, but interferes with CD4 binding. Klasse & Sattentau [2002] (**review**)
 - IgG1b12: Called b12. Thermodynamics of binding to gp120 was measured using isothermal titration calorimetry for sCD4, 17b, b12, 48d, F105, 2G12 and C11 to intact YU2 and the HXBc2 core. Enthalpy and entropy changes were divergent, but compensated. CD4 and MAb ligands induced thermodynamic changes in gp120 that were independent of whether the core or the full gp120 protein was used. Non-neutralizing CD4BS and CD4i MAbs (17b, 48d, 1.5e, b6, F105 and F91) had large entropy contributions to free energy of binding to the gp120 monomer (mean: 26.1 kcal/mol, range 18.6-31.5), but the potent CD4BS neutralizing MAb b6 had a much smaller value of 5.7 kcal/mol. The high values suggest surface burial or protein folding and ordering of amino acids upon binding. NAb 2G12 had an entropy value of -1.6. These results suggest that while the trimeric Env complex has four surfaces, a non-neutralizing face (occluded on the oligomer), a variable face, a neutralizing face and a silent face (protected by carbohydrate masking), gp120 monomers further protect receptor binding sites by conformational or entropic masking, requiring a large energy handicap for Ab binding that is not faced by other anti-gp120 antibodies. Kwong *et al.* [2002] (**structure**)
 - IgG1b12: Recombinant adeno-associated virus was used to deliver the IgG1b12 gene into mice by injection. IgG1b12 was expressed in these mice for over 6 months after the primary injection. This strategy allows for predetermined Ab specificity, and could ultimately be used with synergistic Ab combinations. Lewis *et al.* [2002]
 - IgG1b12: A pseudotyping assay showed that an X4 V3 loop peptide could enhance infectivity of X4 virus, R5 and R5X4 V3 loops peptides could enhance infectivity of an R5 virus, and R5X4 peptides could enhance infectivity of an R5X4 virus. Neither R5 nor R5X4 peptides influenced binding of CD4BS MAbs F105 and Ig1Gb12, but did increase binding of CD4i MAb 17b. Ling *et al.* [2002]
 - IgG1b12: Review of NABs that discusses mechanisms of neutralization, passive transfer of NABs and protection in animal studies, and vaccine strategies. Liu *et al.* [2002] (**review**)
 - IgG1b12: Deglycosylation of gp120 does not significantly affect IG1b12 binding, in contrast to MAB 2G12. Sanders *et al.* [2002]
 - IgG1b12: The crystal structure of IgG1b12 is resolved and is the first structure of an intact human Ab with an ordered, full length hinge – the structure is extremely asymmetric and flexible with an antigen-binding site that has an unusually long CDR H3 region with a ten residue insertion that projects above the rest of the antigen-binding site – this loop may be required for recognition of the recessed CD4 binding site of gp120. Saphire *et al.* [2002] (**antibody binding site definition and exposure, antibody sequence, variable domain, structure**)
 - IgG1b12: Alanine scanning mutagenesis used in conjunction with competition and replacement studies of N-linked carbohydrates and sugars suggest that the 2G12 epitope is formed from mannose residues contributed by the glycans attached to N295 and N332, with the other N-linked carbohydrates in positions N339, N386, and N392 playing a role in maintaining conformation relevant to 2G12 binding – N295A and N332A mutants showed essentially unchanged anti-CD4BS NAb b12 binding affinities, while N339A, N386A and N392A mutants displayed significantly lowered b12 affinity, presumably due to conformational changes. Scanlan *et al.* [2002] (**antibody binding site definition and exposure**)
 - IgG1b12: Ab binding characteristics of SOS gp140 were tested using SPR and RIPA – SOS gp140 is gp120-gp41 bound by a disulfide bond – NABs 2G12, 2F5, IgG1b12, CD4 inducible 17b, and 19b bound to SOS gp140 better than uncleaved gp140 (gp140unc) and gp120 – non-neutralizing MAbs 2.2B (binds to gp41 in gp140unc) and 23A (binds gp120) did not bind SOS gp140 – SOS gp140-2F5-IgG1b12 formed multiple ring structures composed of two SOS gp140 proteins bridged by two Ab molecules, while 2F5 and 2G12 formed extended chains rather than closed rings. Schulke *et al.* [2002]
 - IgG1b12: Oligomeric gp140 (o-gp140) derived from R5 primary isolate US4 was characterized for use as a vaccine reagent – antigen capture ELISA was used to compare the antigenicity of gp120 and o-gp140 using a panel of well characterized MAbs – Abs directed against the CD4 binding site (IgGCD4 and IgG1b12) reacted slightly more strongly with the gp120 monomer than with the oligomer, as did sCD4. Srivastava *et al.* [2002]
 - IgG1b12: Called ARP3065: Herpesvirus saimiri-immortalized CD4+ T lymphocytes (HVS T cells) were used to isolate virus and perform HIV-1 neutralization assays, and compared with a standard PBMC protocol – neutralization sensitivities to a

panel of MAbs and to homologous or heterologous plasma/sera were similar for HVS T cells (CN-2 cells) and PBMCs. Vella *et al.* [2002] (**neutralization potency**)

- IgG1b12: A series of mutational changes were introduced into the YU2 gp120 that favored different conformations – 375 S/W seems to favor a conformation of gp120 closer to the CD4-bound state, and is readily bound by sCD4 and CD4i MAbs (17b, 48d, 49e, 21c and 23e) but binding of anti-CD4BS MAbs (F105, 15e, IgG1b12, 21h and F91) was markedly reduced – IgG1b12 failed to neutralize this mutant, while neutralization by 2G12 was enhanced – 2F5 did not neutralize either WT or mutant, probably due to polymorphism in the YU2 epitope – another mutant, 423 I/P, disrupted the gp120 bridging sheet, favored a different conformation and did not bind CD4, CCR5, or CD4i antibodies, but did bind to CD4BS MAbs. Xiang *et al.* [2002b] (**antibody binding site definition and exposure, neutralization potency**)
- IgG1b12: Passive immunization of neonate macaques with a combination of F105+2G12+2F5 conferred complete protection against oral challenge with SHIV-vpu+ or – the combination b12+2G12+2F5 conferred partial protection against SHIV89.6 – such combinations may be useful for prophylaxis at birth and against milk born transmission – the synergistic combination of IgG1b12, 2G12, 2F5, and 4E10 neutralized a collection of HIV clade C primary isolates. Xu *et al.* [2002]
- IgG1b12: Uncleaved soluble gp140 (YU2 strain, R5 primary isolate) can be stabilized in an oligomer by fusion with a C-term trimeric GCN4 motif or using a T4 trimeric motif derived from T4 bacteriophage fibrin—stabilized oligomer gp140Δ683(-FT) showed strong preferential recognition by NAbs IgG1b12 and 2G12 relative to the gp120 monomer, in contrast to poorly neutralizing MAbs F105, F91, 17b, 48d, and 39F which showed reduced levels of binding, and C11, A32, and 30D which did not bind the stabilized oligomer. Yang *et al.* [2002]
- IgG1b12: A rare mutation in the neutralization sensitive R2-strain in the proximal limb of the V3 region caused Env to become sensitive to neutralization by MAbs directed against the CD4 binding site (CD4BS), CD4-induced (CD4i) epitopes, soluble CD4 (sCD4), and HNS2, a broadly neutralizing sera – 2/12 anti-V3 MAbs tested (19b and 694/98-D) neutralized R2, as did 2/3 anti-CD4BS MAbs (15e and IgG1b12), 2/2 CD4i MAbs (17b and 4.8D), and 2G12 and 2F5 – thus multiple epitopes on R2 are functional targets for neutralization and the neutralization sensitivity profile of R2 is intermediate between the highly sensitive MN-TCLA strain and the typically resistant MN-primary strain. Zhang *et al.* [2002] (**antibody binding site definition and exposure**)
- IgG1b12: Called IgG1 b12. IgG1b12 induces strong ADCC and CDC cytotoxicity of HIV-1 infected cells. A panel of mutants in the Fc region of IgG1b12 was generated. K322A reduced ADCC binding of FcγR and abolished complement-dependent cytotoxicity (CDC) and C1q binding. L234A plus L235 in the lower hinge region of the IgG1 heavy chain abolished both FcγR and C1q binding and ADCC and CDC. These mutants did not impact IgG1b12's ability to neutralize virus. Hezareh *et al.* [2001]
- IgG1b12: A combination of MAbs IgG1b12, 2F5, and 2G12 was given postnatally to four neonates macaques that were then challenged with highly pathogenic SHIV89.6P – one of the four infants remained uninfected after oral challenge, two infants had no or a delayed CD4(+) T-cell decline – the most potent combination included IgG1b12, which alone does not alone neutralize SHIV89.6P. Hofmann-Lehmann *et al.* [2001]
- IgG1b12: Mutations in two glycosylation sites in the V2 region of HIV-1 ADA at positions 190 and 197 (187 DNTSYRLINC-NTS) cause the virus to become CD4-independent and able to enter cells through CCR5 alone – these same mutations tended to increase the neutralization sensitivity of the virus, except the mutation 197 S/R which resulted in a carbohydrate addition to 195 N that disrupts the IgG1b12 binding site. Kolchinsky *et al.* [2001]
- IgG1b12: Intravenous passive transfer of MAb b12 provides dose-dependent protection from infection to macaques vaginally challenged with the R5 virus SHIV(162P4) – the primary isolate HIV-1SF162 is neutralized 90% (IC90) by b12 at 2 μg/ml, and SHIV162P4, derived from HIV-1SF162, was neutralized by 90% at 2 μg/ml in PHA-activated PBMC from rhesus macaques – the 90% neutralization titers achieved in three groups of animals that were given 25-, 5-, and 1-mg/kg doses were approximately 1:400, 1:80, and 1:16, respectively – the half-life of IgG1 b12 in plasma was about 1 week, but while the peak b12 plasma concentration was immediately after the infusion, the peak vaginal fluid concentration was 7-14 days later. Parren *et al.* [2001]
- IgG1b12: Structural aspects of the interaction of neutralizing Abs with HIV-1 Env are reviewed – Env essentially has three faces, one is largely inaccessible on the native trimer, and two that exposed but have low immunogenicity on primary viruses – neutralization is suggested to occur by inhibition of the interaction between gp120 and the target cell membrane receptors as a result of steric hindrance and it is noted that the attachment of approximately 70 IgG molecules per virion is required for neutralization, which is equivalent to about one IgG molecule per spike – the 2G12, 17b and b12 epitopes are discussed in detail – the structure of CD4-bound gp120 reveals features that HIV has evolved to escape anti-CD4BS Abs like IgG1b12 despite profound functional constraints – CD4BS Abs must first access the CD4 binding site, deeply recessed within the gp120 core, and the Fab of an Ab molecule is "wider" than CD4, and in addition the binding site is flanked by variable and glycosylated regions. Pognard *et al.* [2001]
- IgG1b12: This paper describes the technical aspects of the crystallization of b12 at a resolution of 2.7 angstroms with all 12 Ig domains resolved. Sapphire *et al.* [2001a]
- IgG1b12: This paper describes the biological implications of the crystal structure of b12 – a remarkable feature of this antibody is a long protruding finger-like CDR H3 that can dock in the recessed CD4-binding site – a contact residues in gp120 are modeled, with numbering based on the variable loop-deleted crystal structure of gp120. Sapphire *et al.* [2001b]
- IgG1b12: SHIV-HXBc2 is a neutralization sensitive non-pathogenic virus, and several *in vivo* passages through monkey's yielded highly pathogenic SHIV KU-1 – HXBc2 and the KU-1 clone HXBc2P3.2 differ in 12 amino acids in gp160 – substitutions in both gp120 and gp41 reduced the ability of sCD4, IgG1b12, F105 and AG1121 to Env achieve saturation and full occupancy, and neutralize KU-1 – 17b and 2F5 also

- bound less efficiently to HXBc2P3.2, although 2G12 was able to bind both comparably. Si *et al.* [2001]
- IgG1b12: A luciferase-reporter gene-expressing T-cell line was developed to facilitate neutralization and drug-sensitivity assays – luciferase and p24 antigen neutralization titer end points were found comparable using NAb from sera from HIV+ donors, and MAbs 2F5, 2G12 and IgG1b12. Spenlehauer *et al.* [2001]
 - IgG1b12: A panel of 12 MAbs was used to identify those that could neutralize the dual-tropic primary isolate HIV-1 89.6 – six gave significant neutralization at 2 to 10 ug/ml: 2F5, 50-69, IgG1b12, 447-52D, 2G12, and 670-D six did not have neutralizing activity: 654-D, 4.8D, 450-D, 246-D, 98-6, and 1281 – no synergy, only additive effects were seen for pairwise combinations of MAbs, and antagonism was noted between gp41 M Abs 50-69 and 98-6, as well as 98-6 and 2F5. Verrier *et al.* [2001]
 - IgG1b12: Twenty HIV clade C isolates from five different countries were susceptible to neutralization by anti-clade B MAbs in a synergistic quadruple combination of mAbs IgG1b12, 2G12, 2F5, and 4E10. Xu *et al.* [2001]
 - IgG1b12: Primary isolates YU2 and ADA are more resistant to IgG1b12 neutralization than HXBc2: 90% Neutralization of HXBc2 is observed with 1.25 ug of IgG1b12, while ADA and YU2 require 2.5 and 5 ug respectively to achieve 50% neutralization, and 90% neutralization could not be achieved with 10 or 20 ug of IgG1b12, respectively. Yang *et al.* [2001]
 - IgG1b12: Abs against the V3 loop (50.1, 58.2, 59.1, 257-D, 268-D, 447-52D), CD4BS (IgG1b12, 559-64D, F105), CD4i (17b), and to gp41 (2F5, F240) each showed similar binding efficiency to Env derived from related pairs of primary and TCLA lines (primary: 168P and 320SI, and TCLA: 168C and 320SI-C3.3), but the TCLA lines were much more susceptible to neutralization suggesting that the change in TCLA lines that make them more susceptible to NAbs alters some step after binding. York *et al.* [2001]
 - IgG1b12: Neutralizing synergy between MAbs 1b12, 2G12 and 2F5 was studied using surface plasmon resonance to determine the binding kinetics for these three MAbs with respect to monomeric and oligomeric env protein gp160 IIIB – the 2G12 epitope is highly accessible on both monomeric and oligomeric Envs, 1b12 is highly accessible on monomers but not oligomers, and 2F5 on neither form – binding of 2G12 exposes the 2F5 epitope on gp160 oligomers. Zeder-Lutz *et al.* [2001]
 - IgG1b12: b12 recognizes a conformational epitope that overlaps with the CD4 binding site – a phage displayed peptide library was used to identify a peptide which bound b12, called B2.1, which competes with b12 in competition assays – B2.1 has significant homology to the D loop of gp120: upper case letters indicate residues B2.1 shares with gp120, heRsymFS-DlenrCl – one of the goals of defining peptide mimics to the b12 epitope is to develop an immunogen that can stimulate b12-like antibodies, but B2.1 cross-linked to phage and ovalbumin bound IgG1b12 did not elicit cross-reactive gp120 Abs in mice or rabbits. Zwick *et al.* [2001a]
 - IgG1b12: This paper primarily concerns 4E10 and Z13, MAbs that both bind proximally to the 2F5 binding site to a conserved epitope, and that neutralize some primary isolates from clades B, C, and E – broadly neutralizing MAbs 2F5, IgG1b12, and 4E10 and Z13 fail to neutralize different subsets of viruses. Zwick *et al.* [2001b]
 - IgG1b12: Neutralization synergy between anti-HIV NABs b12, 2G12, 2F5, and 4E10 was studied – a classic fixed-ratio method was used, as well as a method where one Ab was fixed at a low neutralization titer and the other was varied – using primary isolates, a two-four fold enhancement of neutralization was observed with MAB pairs, and a ten-fold enhancement with a quadruple Ab combination – no synergy was observed with any MAB pair in the neutralization of TCLA strain HXB2 – whole IgG1b12 and b12 Fab fragments behaved similarly in the neutralization assays – there was no evidence for cooperativity of binding between b12 and 2G12 to envelope spikes expressed on the cell surface of TCLA or primary isolates. Zwick *et al.* [2001c]
 - IgG1b12: To determine the antigenicity of virus killed by thermal and chemical inactivation, retention of conformation-dependent neutralization epitopes was examined, and exposure of CD4BS epitopes was found to be enhanced (MAbs IgG1b12, 205-46-9, and 205-43-1) – binding to 2G12 and 447-52D epitopes was essentially unaltered – the 17b CD4i epitope was also exposed. Grovit-Ferbas *et al.* [2000]
 - IgG1b12: SF162 is a neutralization-resistant HIV-1 isolate – N-linked glycosylation modifications in the V2 loop of the SF162 gp120 revealed that these sites prevent neutralization by CD4BS MAbs (IgG1b12 and IgGCD4), and protect against neutralization by V3 MAbs (447-D and 391-95D) – V2-region glycosylation site mutations did not enhance neutralization resistance to V2 MAbs (G3.4 and G3.136) or CD4i MAbs (17b and 48d) – V2 glycosylation site modification allows increased infection of macrophages, probably due to glycosylated forms requiring fewer CCR5 molecules for viral entry. Ly & Stamatatos [2000]
 - IgG1b12: 26 HIV-1 group M isolates (clades A to H) were tested for binding to 47 MAbs, including 6 CD4BS MAbs – CD4BS MAbs bound consistently to most isolates of clade D, but poorly to isolates of other clades with the exception of broadly reactive MAb IgG1b12, binding to 22 of 26 isolates tested – 8 MAbs were tested for neutralization and MAb IgG1b12 was most potent, with 90% neutralization of 3/5 isolates tested. Nyambi *et al.* [2000]
 - IgG1b12: Fab b12 was used – six mutations in MN change the virus from a high-infectivity neutralization resistant phenotype to low-infectivity neutralization sensitive – V3, CD4BS, and CD4i MAbs are 20-100 fold more efficient at neutralizing the sensitive form – the mutation L544P reduced binding of all MAbs against gp120 by causing conformational changes. Park *et al.* [2000]
 - IgG1b12: rgp120 derived from a R5X4 subtype B virus was used to vaccinate healthy volunteers and the resulting sera were compared with sera from HIV-1 positive subjects and neutralizing MAbs – TCLA strains showed enhanced IgG1b12 neutralization sensitivity relative to PBMC-adapted lines – IgG1b12 was able to bind, with low affinity, to the rgp120 monomer HIV-1 W61D. Beddows *et al.* [1999]
 - IgG1b12: The MAbs with the broadest neutralizing activity, IgG1b12, 2G12 and 2F5, all have high affinity for the native trimer, indicating that they were raised in an immune response to the oligomer on the virion surface rather than dissociated

- subunits – a disulfide linked gp120-gp41 (SOS gp140) was created to mimic the native conformation of Env and explore its potential as an immunogen – SOS gp140 is recognized by NAbS IgG1b12, 2G12, and CD4-IgG2, and also by anti-V3 MAbs 19b and 83.1 – SOSgp140 is not recognized by C4 region MAbs that neutralize only TCLA strains, G3-42 and G3-519 – nor did it bind C11, 23A, and M90, MAbs that bind to gp120 C1 and C5, where it interacts with gp41 – MAbs that bind CD4 inducible epitopes, 17b and A32 were very strongly induced by CD4 in SOS gp140 – anti-gp41 MAbs that bind in the region that interacts with gp120, 7B2, 2.2B, T4, T15G1 and 4D4, did not bind to SOSgp140, in contrast to 2F5, which binds to the only gp41 epitope that is well exposed in native gp120-gp41 complexes. Binley *et al.* [1999]
- IgG1b12: Neutralization assays with rsCD4, MAbs, and serum samples from SHIV-infected macaques and HIV-1 infected individuals were used to characterize the antigenic properties of the env glycoprotein of six primary isolate-like or TCLA SHIV variants. IgG1b12 neutralized SHIV strains HXBc2, KU2, 89.6, but not 89.6P and KB9. 89.6 is a dual tropic primary isolate that is not pathogenic in macaques, 89.6P is a highly pathogenic form of 89.6 obtained after passage in macaques, and KB9 is a molecular clone of 89.6P. Neutralization resistance was cell line independent. Crawford *et al.* [1999] (**variant cross-recognition or cross-neutralization**)
 - IgG1b12: The presence of leukocyte function-associated molecule 1 (LFA-1) promotes virus infectivity and hinders neutralization, and anti-LFA-1 MAbs can enhance the neutralizing effect of anti-HIV V3 MAb 447-52D and anti-HIV CD4BS MAb IgG1b12 – non-neutralizing anti-HIV CD4BS MAb 654-D did not become neutralizing in the presence of anti-LFA-1 MAbs. Hioe *et al.* [1999]
 - IgG1b12: does not inhibit attachment of virus to cells and was used as a control of a study of neutralization by a MAb F58 based micro antibody. Jackson *et al.* [1999]
 - IgG1b12: A meeting summary presented results regarding neutralization – D. Burton and J. Mascola presented results concerning passive immunization and protection of hu-PBL-SCID mice and macaques, respectively, and both found combinations of MAbs that were able to achieve 99% neutralization *in vitro* corresponded to efficacy *in vivo*. Montefiori & Evans [1999]
 - IgG1b12: Hu-PBL-SCID mice were infected with HIV-1s JRCSF and SF162 to study the effect of NAbS on an established infection – at day 6 post infection, mice were given 50 mg/kg of b12, an amount that would have been protective if given up to 8 hours post-infection, and 100-fold higher than the amount required for 90% neutralization *in vitro* – no significant differences in the initial rate of decrease in viral load or the plateau levels of viral RNA between the b12 treated and control mice were seen – in most of the Ab treated mice escape mutants were observed with varying patterns of mutations – a combination of b12, 2G12 and 2F5 protected 1/3 mice, and an isolate from one of the other two was resistant to neutralization by all three MAbs. Poignard *et al.* [1999]
 - IgG1b12: A panel of MAbs were shown to bind with similar or greater affinity and similar competition profiles to a deglycosylated or variable loop deleted core gp120 protein (Delta V1, V2, and V3), thus such a core protein produces a structure closely approximating full length folded monomer – CD4BS MAbs 15e, F91 and IgG1b12 bound better to the deleted protein than to wild type. Binley *et al.* [1998]
 - IgG1b12: Immunoprecipitation of gp120 and gp160 expressed from a rec Semliki Forest virus by F105 and IgG1b12 indicated that the SFV expressed HIV-1 Env was folded appropriately – and SVF-HIV-1 Env vaccine gave the strongest anti-HIV-1 Env response in mice, when compared to an HIV-1 Env DNA vaccine and a rgp160 protein. Brand *et al.* [1998]
 - IgG1b12: Ab from gp120 vaccinated individuals prior to infection, who subsequently became HIV infected, could not achieve 90% neutralization of the primary virus by which the individuals were ultimately infected – these viruses were not particularly refractive to neutralization, as determined by their susceptibility to neutralization by MAbs 2G12, IgG1b12, 2F5 and 447-52D. Connor *et al.* [1998]
 - IgG1b12: Binds JRSF oligomer with high affinity, as do 205-46-9 and 2G6, but IgG1b12 is neutralizing, the other two are not – conclusions of this paper contrast with Parren98 – authors propose a model where 205-46-9 and 2G6 may inhibit CD4 binding, but cause a conformational shift which enhances CCR5 binding and thus counteracts the neutralizing effect – rank order of CD4BS antibodies oligomer binding is IgG1b12 = 2G6 = 205-46-9 > 205-43-1 = 205-42-15 > 15e = 21h = F91, and the only thing notably distinguishing about neutralizing IgG1b12 is that it depends on residues in V2. Fouts *et al.* [1998]
 - IgG1b12: Infection of dendritic cells cultured from CD14+ blood cells or from cadaveric human skin was blocked by neutralizing MAbs IgG1b12, or 2F5 and 2G12 delivered together, but not by control non-neutralizing anti-gp120 MAb 4.8D, indicating that NAbS could interrupt early mucosal transmission events. Frankel *et al.* [1998]
 - IgG1b12: anti-C1 region MAb 87-135/9 blocks gp120 interaction with CD4+ cells – blocking activity is additive when combined with antibodies which bind in the C4 region of gp120 (F105, 388/389, and b12). Kropelin *et al.* [1998]
 - IgG1b12: Enhances binding of Hx10 to CD4 positive or negative HeLa cells, inhibits binding to CD4+ T-cell line A3.01 – neutralizes HeLa and A3.01 cell Hx10 infection. Mondor *et al.* [1998]
 - IgG1b12: IgG1b12, Fab b12 and 3B3 derived from b12 were all included in this study – the rank order of Fab binding affinity to monomeric gp120 (Loop 2 > 3B3 > b12 = DO8i > b11 > b3 > b14 > b13 > DO142-10 > DA48 > L17) was markedly different than Fab binding affinity to the mature oligomeric form (3B3 > b12 > DO142-10 > Loop 2 > b11 > L17 > b6 > DO8i > b14 > DA48 > b3 > b13) and binding to oligomeric form and neutralization were correlated for both Fabs and MAbs – authors suggest that neutralization is determined by the fraction of Ab sites occupied on a virion irrespective of the epitope – binding affinity of divalent IgG1b12 is 17-fold greater than monovalent Fab b12. Parren *et al.* [1998a]
 - IgG1b12: MAbs 2G12, 2F5 and b12 are broadly neutralizing, as are some human polyconal sera, but this paper describes a set of primary isolates that are resistant to all three MAbs and 2 broadly neutralizing sera – results indicate that resistance levels of pediatric isolates might be higher than adult isolates – resistance in general did not seem to be conferred by a loss

- of binding affinity for gp120 or gp41, rather by a more global perturbation of oligomeric Envelope. Parren *et al.* [1998b]
- IgG1b12: MAbs 654-D100 and IgG1b12 neutralized viruses HIV-BRU and a mutated virus that lacks the V3 loop glycan equally effectively – in contrast, sera from guinea pigs immunized with BRU gp120 neutralize viruses more effectively that lack the V3 glycan. Schonning *et al.* [1998]
 - IgG1b12: Deleting the V2 loop of neutralization-resistant HIV-1 isolate SF162 does not abrogate its replication in PBMC or macrophages, but it enhances its neutralization sensitivity to sera from patients with B clade infection up to 170-fold, and also enhances sensitivity to sera from clades A through F – deletion of V2, but not V1, diminished neutralization by CD4BS MAb IgG1b12, in contrast to 654.30D and IgGCD4. Stamatatos & Cheng-Mayer [1998]
 - IgG1b12: Fab b12 – the HIV-1 virus YU2 entry can be enhanced by MAbs binding to the CD4BS, V3 loop, and CD4i epitopes – the activation for this enhanced entry state could be conferred on HxB2 by introducing the YU2 V3 loop, or the YU2 V3 and V1/V2 loops – a similar effect is observed by sub-neutralizing concentrations of sCD4 and the effect is dependent of CCR5 – Fab fragment b12 also enhances YU2 entry, ruling out Fc interactions or Env cross-linking as a mechanism, while neutralizing HXBc2. Sullivan *et al.* [1998a]
 - IgG1b12: Induces Complement-mediated lysis in MN but not primary isolates – primary isolates are refractive to CML. Takefman *et al.* [1998]
 - IgG1b12: MAb was slightly more efficient at neutralization than Fab – inhibits viral binding to cells and viral entry – doesn't affect CD4-independent binding to T-cells. Valenzuela *et al.* [1998]
 - IgG1b12: Summary of the implications of the crystal structure of the core of gp120 bound to CD4 and 17b with what is known about mutations that reduce NAb binding – probable mechanism of neutralization by CD4BS Ab is direct interference with CD4 binding – IgG1b12 is an unusual CD4BS antibody because it is particularly potent as a neutralizing antibody and it is susceptible to changes in the V1-V2 stem loop structure, and so it may disrupt an interaction between CD4 and conserved amino acids on the V1-V2 stem. Wyatt *et al.* [1998]
 - IgG1b12: Abs that recognize discontinuous epitopes can identify mimotopes from a phage peptide display library – IgG1b12 blocks CD4 binding and is the most potent neutralizing Ab – many 15 and 21-mer phage inserts were recognized, but it was not possible to derive a consensus – common features were a W and at least one acidic residue, and one sequence was found multiple times: NWPRWWEFVDKHSS, and this peptide could compete with gp120 – two short stretches found in the phage peptides might mimic gp120 components of the epitope: positions 382-384, FFY(I), and 423-426 I(FV)I(V)NM. Boots *et al.* [1997]
 - IgG1b12: This is a review that includes a description of IgG1b12, noting approximately equivalent affinities for sgp120 and unprocessed gp160, and somewhat enhanced affinity for the native oligomer on TCLA viruses – primary viruses have reduced affinity, but still in the useful range for neutralization – there can be complete protection in hu-PBL-SCID mice with Ab even when administered several hours after viral challenge – competes with sCD4, but unlike other CD4BS antibodies, it is sensitive to mutations in V2. Burton & Montefiori [1997]
 - IgG1b12: In a multilab evaluation of monoclonal antibodies, only IgG1b12, 2G12, and 2F5 could neutralize at least half of the 9 primary test isolates at a concentration of < 25 µg per ml for 90% viral inhibition – IgG1b12 failed to neutralize only 1/9 primary isolates, although there was some variation between test sites. D'Souza *et al.* [1997]
 - IgG1b12: Study shows neutralization is not predicted by MAb binding to JRFL monomeric gp120, but is associated with oligomeric Env binding – IgG1b12 bound monomer, oligomer, and neutralized JRFL. Fouts *et al.* [1997]
 - IgG1b12: b12 was used in its IgG1 form – of 14 human MAbs, the most potent neutralizer of SHIV-vpu+, which expressed HIV-1 IIIIB env – all Ab combinations tested showed synergistic neutralization – b12 has a synergistic response with MAbs 694/98-D (anti-V3), 2F5, and 2G12. Li *et al.* [1997]
 - IgG1b12: JRCSF was cultured in the presence of IgG1b12 until a 100-fold resistance to neutralization was selected – resistance was due to three changes: V2 substitution D182N and C3 substitution P365L conferred resistance, and V2 D164N was also required for a viable virus – IgG1b12 resistant virus remained sensitive to MAbs 2G12 and 2F5. Mo *et al.* [1997]
 - IgG1b12: Review: MAbs 2F5, 2G12 and IgG1b12 have potential for use in combination with CD4-IgG2 as an immunotherapeutic or immunoprophylactic – homologous MAbs to these are rare in humans and vaccine strategies should consider including constructs that may enhance exposure of these MAbs' epitopes. Moore & Trkola [1997]
 - IgG1b12: Complete protection against HIV-1 infection was achieved in hu-PBL-SCID mice by passive immunization with physiologically relevant doses – pharmacokinetics showed serum half-life of 30.2 +/- 1.3 hours for Fab b12 and 7.4 +/- 0.7 days for IgG1 b12 in mice, but IgG1 half-lives in human are generally between 21-23 days. Parren *et al.* [1995]; Parren & Burton [1997] (**immunoprophylaxis**)
 - IgG1b12: In this review, the technique and potential application of Fab expression and selection in phage display libraries, and subsequent production of IgG molecules is discussed – b12 is exceptionally potent at neutralization and can successfully neutralize most B clade primary isolates, and many isolates from other subtypes as well – 3B3 was derived from b12 by selection for higher affinity using the CDR walking strategy – 3B3 has 8-fold enhancement of binding, a linear correlation was found between neutralization and affinity, and 3B3 can neutralize strains b12 cannot. Parren & Burton [1997]
 - IgG1b12: Fab b12 is unusual in that it binds to gp140 and monomeric gp120 with similar affinities, and with a higher affinity to the native oligomer—authors propose this antibody may be exceptional because it binds the virus rather than viral debris—IgG1b12 can protect against infection prior to or shortly after challenge of hu-PBL-SCID mice with TCLA strains and primary strains, but the serum concentrations required *in vivo* were higher than for *in vitro* neutralization. Parren *et al.* [1997b,a]
 - IgG1b12: Inhibited some SI- and NSI-env chimeric viruses but enhanced one NSI-env chimeric virus 3 fold. Schutten *et al.* [1997]

- IgG1b12: Viral binding inhibition by IgG1b12 strongly correlated with neutralization (all other neutralizing MAbs tested showed some correlation except 2F5). Ugolini *et al.* [1997]
- IgG1b12: Major deletions in C1 and C5 and deletions of the V1V2 and V3 loops do not diminish binding. Wyatt *et al.* [1997]
- IgG1b12: Saturation mutagenesis of the complementarity-determining region and optimization strategies were used to create very high affinity versions of this Fab – increased affinity was dominated by a slowing of the off rate. Yang *et al.* [1997c]
- IgG1b12: 35 primary isolates were tested and all were neutralized by IgG1b12 (including 4, UG270, RW92/026, ZB20, and 301727 which been had reported as not neutralized by IgG1b12 Trkola *et al.* [1995]) – IgG1b12 could neutralize even when added after the virus to the culture – selection for 400-fold increased affinity did not enhance neutralization by antibody – IgG1b12 was more potent with greater breadth than MAb 2F5 Kessler II *et al.* [1997]. Kessler II *et al.* [1997]; Trkola *et al.* [1995]
- IgG1b12: Potent neutralizing *ex vivo* of virus taken directly from plasma of HIV-1 infected individuals – little correlation between neutralization sensitivity of passaged virus and plasma derived virus – more effective than MAb 19b. Gauduin *et al.* [1996]
- IgG1b12: Review: Unique among anti-CD4BS MAbs in terms of being potent against both lab adapted virus and primary isolates – one of three MAbs (IgG1b12, 2G12, and 2F5) generally accepted as having significant potency against primary isolates. Pognard *et al.* [1996b]
- IgG1b12: Anti-CD4BS MAbs 15e, 21h, and IgG1b12 did not cause gp120 dissociation from virus, or exposure of the gp41 epitope of MAb 50-69, in contrast to CD4i MAb 48d and anti-V3 neutralizing MAbs. Pognard *et al.* [1996a]
- IgG1b12: Review: Only four epitopes have been described which can stimulate a useful neutralizing response to a broad spectrum of primary isolates, represented by the binding sites of MAbs: 447-52-D, 2G12, Fab b12, and 2F5. Sattentau [1996]
- IgG1b12: Neutralizes JR-FL – inhibits gp120 interaction with CCR-5 in a MIP-1beta-CCR-5 competition study. Trkola *et al.* [1996a]
- IgG1b12: Because Fab b12 shows reduction in binding when the V2 loop is deleted and when aa 183/184 PI/SG substitutions are made competition studies were done with Fab L78 and anti-V2 MAbs SC258 and 684-238 and they do not compete with IgG1b12. Ditzel *et al.* [1995]
- IgG1b12: Called BM12 – broad cross-clade neutralization of primary isolates – additive neutralization in combination with MAb 2F5. Kessler *et al.* [1995] (**antibody interactions**)
- IgG1b12: Anti-CD4 binding site MAb – very potent neutralization of a number of primary isolates. Moore *et al.* [1995a]
- IgG1b12: Review: unusual properties for anti-CD4 BS MAb: sensitive to V2 substitutions, preferential recognition of the oligomer on the cell surface. Moore & Ho [1995]
- IgG1b12: Formalin inactivation of virus at 0.1% formalin for 10 hours at 4 degrees was optimal for inactivation of virus while maintaining epitope integrity. Sattentau *et al.* [1995]
- IgG1b12: Fab b12 showed potent neutralization of T-cell-line-adapted strains, but much reduced neutralization of 3 primary isolates – 2 of the 3 primary isolates also had reduced binding affinity, but the third was as efficiently immunoprecipitated as HXBc2. Sullivan *et al.* [1995]
- IgG1b12: Could potentially neutralize primary isolates from within clade B, but showed a slight reduction in efficacy outside of clade B. Trkola *et al.* [1995]
- IgG1b12: Very potent neutralization, of primary and lab strains, at concentrations that could be achieved by passive immunization – reduced binding with A,C, and D clade viruses relative to B clade, poor reactivity with E clade – isolates that were refractive to neutralization by sera from HIV-1 + donors could be neutralized by IgG1 b12. Burton *et al.* [1994] (**variant cross-recognition or cross-neutralization**)
- IgG1b12: Cross-reactive with some gp120s, (but not all), from clades A-D – not reactive with gp120 from clades E or F. Moore *et al.* [1994b] (**variant cross-recognition or cross-neutralization**)
- IgG1b12: Anti-CD4 binding site Fab, potent neutralizing activity, greater affinity for a subpopulation of gp120 molecules suggested to be in a mature confirmation – mutations in gp120 that abrogate binding: 368 D/R or D/T, 370 E/R, and 477 D/V, of clone HXBc2 of LAI – sensitive to V1 and V2 substitutions. Roben *et al.* [1994] (**antibody binding site definition and exposure**)
- IgG1b12: The original Fab fragment was derived from a combinatorial phage library from bone marrow of an HIV-1 positive individual who had been asymptomatic for six years. Burton *et al.* [1991] (**antibody generation**)

No. 1087

Mab ID IgGCD4 (IgG-CD4)

HXB2 Location Env

Author Location gp120

Epitope

Neutralizing

Immunogen

Species (Isotype) human (IgG)

Ab Type gp120 CD4BS

References Srivastava *et al.* 2002; Ly & Stamatatos 2000; Stamatatos & Cheng-Mayer 1998; Capon *et al.* 1989

- IgGCD4: Oligomeric gp140 (o-gp140) derived from R5 primary isolate US4 was characterized for use as a vaccine reagent – antigen capture ELISA was used to compare the antigenicity of gp120 and o-gp140 using a panel of well characterized MAbs – Abs directed against the CD4 binding site (IgGCD4 and IgG1b12) reacted slightly more strongly with the gp120 monomer than with the oligomer, as did sCD4. Srivastava *et al.* [2002]
- IgGCD4: SF162 is a neutralization-resistant HIV-1 isolate – N-linked glycosylation modifications in the V2 loop of the SF162 gp120 revealed that these sites prevent neutralization by CD4BS MAbs (IgG1b12 and IgGCD4), and protect against neutralization by V3 MAbs (447-D and 391-95D) – V2-region glycosylation site mutations did not alter neutralization resistance to V2 MAbs (G3.4 and G3.136) or CD4i MAbs (17b and 48d) – V2 glycosylation site modification allows infection of macrophages, probably due to glycosylated forms requiring fewer CCR5 molecules for viral entry. Ly & Stamatatos [2000]

- IgGCD4: Deleting the V2 loop of neutralization-resistant HIV-1 isolate SF162 does not abrogate its replication in PBMC or macrophages, but it enhances its neutralization sensitivity to sera from patients with B clade infection up to 170-fold, and also enhances sensitivity to sera from clades A through F – deletion of V2 but not V1 slightly enhanced neutralization by CD4BS MAb IgGCD4. Stamatatos & Cheng-Mayer [1998]
- IgGCD4: An antibody-like immunoadhesins molecule was constructed incorporating the gp120-binding domain of CD4. Capon *et al.* [1989]

No. 1088
MAb ID L28
HXB2 Location Env
Author Location gp120
Epitope
Neutralizing L
Immunogen HIV-1 infection
Species (Isotype) human (IgG1κ)
Ab Type gp120 CD4BS
References Gorny & Zolla-Pazner 2004; Ditzel *et al.* 1995
Keywords antibody binding site definition and exposure, antibody sequence, variable domain, review

- L28: This review summarizes MAbs directed to HIV-1 Env. There are 51 CD4BS MAbs and Fabs in the database; most, like this Fab, neutralize TCLA strains only. Gorny & Zolla-Pazner [2004] (**review**)
- L28: Substitutions at 257 T/R, 368 D/R, 370 E/R and 370 E/Q, 475 M/S 102 E/L and 463 N/D reduce binding – binding was enhanced by removal of the V3 loop and by substitutions 45 W/S, 298 R/G, 381 E/P, 382 F/L, 420 I/R, 435 Y/H or Y/R – binding is sensitive to deglycosylation – heavy and light chain variable region sequence is available. Ditzel *et al.* [1995] (**antibody binding site definition and exposure, antibody sequence, variable domain**)

No. 1089
MAb ID L33
HXB2 Location Env
Author Location gp120
Epitope
Neutralizing L
Immunogen HIV-1 infection
Species (Isotype) human (IgG1κ)
Ab Type gp120 CD4BS
References Gorny & Zolla-Pazner 2004; Zwick *et al.* 2003; Ditzel *et al.* 1995
Keywords antibody binding site definition and exposure, antibody interactions, antibody sequence, variable domain, review

- L33: This review summarizes MAbs directed to HIV-1 Env. There are 51 CD4BS MAbs and Fabs in the database; most, like this Fab, neutralize TCLA strains only. Gorny & Zolla-Pazner [2004] (**review**)
- L33: scFv 4KG5 reacts with a conformational epitope that is formed by the V1V2 and V3 loops and the bridging sheet (C4) region of gp120 and is influenced by carbohydrates. Of a panel of MAbs tested, only NAb b12 enhanced 4KG5 binding to gp120 JRFL. MAbs to the following regions diminished 4KG5 binding: V2 loop, V3 loop, V3-C4 region, CD4BS. MAbs

- directed against C1, CD4i, C5 regions didn't impact 4KG5 binding. These results suggest that the orientation or dynamics of the V1/V2 and V3 loops restricts CD4BS access on the envelope spike, and IgG1b12 can uniquely remain unaffected by these loops. This was one of the CD4BS MAbs used. Zwick *et al.* [2003] (**antibody interactions**)
- L33: binding is sensitive to deglycosylation – heavy and light chain variable region sequence is available. Ditzel *et al.* [1995] (**antibody binding site definition and exposure, antibody sequence, variable domain**)

No. 1090
MAb ID L41
HXB2 Location Env
Author Location gp120
Epitope
Neutralizing L
Immunogen HIV-1 infection
Species (Isotype) human (IgG1κ)
Ab Type gp120 CD4BS
References Gorny & Zolla-Pazner 2004; Ditzel *et al.* 1995
Keywords antibody binding site definition and exposure, antibody sequence, variable domain, review

- L41: This review summarizes MAbs directed to HIV-1 Env. There are 51 CD4BS MAbs and Fabs in the database; most, like this Fab, neutralize TCLA strains only. Gorny & Zolla-Pazner [2004] (**review**)
- L41: Substitutions at 133 D/R, 256 S/Y, 257 T/R, 368 D/R or D/T, 370 E/Q or E/R, 384 Y/E, and 421 K/L reduce binding – paradoxically, this Fab was retrieved from the library after masking with known anti-CD4BS MAbs – binding is sensitive to deglycosylation – heavy and light chain variable region sequence is available. Ditzel *et al.* [1995] (**antibody binding site definition and exposure, antibody sequence, variable domain**)

No. 1091
MAb ID L42
HXB2 Location Env
Author Location gp120
Epitope
Neutralizing L
Immunogen HIV-1 infection
Species (Isotype) human (IgG1κ)
Ab Type gp120 CD4BS
References Gorny & Zolla-Pazner 2004; Ditzel *et al.* 1995
Keywords antibody binding site definition and exposure, review

- L42: This review summarizes MAbs directed to HIV-1 Env. There are 51 CD4BS MAbs and Fabs in the database; most, like this Fab, neutralize TCLA strains only. Gorny & Zolla-Pazner [2004] (**review**)
- L42: Substitutions at 257 T/R, 368 D/R, 370 E/R, 266 A/E and 477 D/V reduce binding – binding was significantly enhanced by 381 E/P and 382 F/L – binding is sensitive to deglycosylation – heavy and light chain variable region sequence is available. Ditzel *et al.* [1995] (**antibody binding site definition and exposure**)

No. 1092

MAb ID L52
HXB2 Location Env
Author Location gp120
Epitope
Neutralizing L
Immunogen HIV-1 infection
Species (Isotype) human (IgG1 κ)
Ab Type gp120 CD4BS
References Gorny & Zolla-Pazner 2004; Ditzel *et al.* 1995
Keywords antibody binding site definition and exposure, antibody sequence, variable domain, review

- L52: This review summarizes MAbs directed to HIV-1 Env. There are 51 CD4BS MAbs and Fabs in the database; most, like this Fab, neutralize TCLA strains only. Gorny & Zolla-Pazner [2004] (review)
- L52: Binding is sensitive to deglycosylation – heavy and light chain variable region sequence is available. Ditzel *et al.* [1995] (antibody binding site definition and exposure, antibody sequence, variable domain)

No. 1093
MAb ID L72
HXB2 Location Env
Author Location gp120
Epitope
Neutralizing
Immunogen
Species (Isotype) mouse
Ab Type gp120 CD4BS
Research Contact Dr. Hariharam, IDEC Pharmaceuticals Corp
 La Jolla, CA
References Ditzel *et al.* 1997

- L72: Used to bind gp120 to solid phase to select MAbs from a phage selection library. Ditzel *et al.* [1997]

No. 1094
MAb ID M12
HXB2 Location Env
Author Location gp120 (IIIB)
Epitope
Neutralizing L
Immunogen vaccine
Vector/Type: vaccinia *Strain:* B clade IIIB
HIV component: oligomeric gp140
Species (Isotype) mouse (IgG)
Ab Type gp120 CD4BS
Research Contact P. Earl, National Institute of Allergy and Infectious Diseases, NIH, Bethesda, MD
References Sugiura *et al.* 1999; Earl *et al.* 1994

- M12: There is a p15 gag specific MAb also named M12.
- M12: A comparison of 25 gp120 specific, conformation dependent MAbs was done – M12 is part of a group of MAbs labeled A1 – all A1 MAbs were broadly cross-reactive with gp160 from B-clade R5, X4, and R5X4 viruses, blocked CD4 binding, were sensitive to mutations in gp120 positions 368 and 370 that directly contact CD4 – 50% neutralization of NL4-3 was achieved with 21 ug/ml of M12. Sugiura *et al.* [1999]
- M12: Generated during a study of the influence of the oligomeric structure of Env in determining the repertoire of the Ab response. Earl *et al.* [1994]

No. 1095
MAb ID M13
HXB2 Location Env
Author Location gp120 (IIIB)
Epitope
Neutralizing L
Immunogen vaccine
Vector/Type: vaccinia *Strain:* B clade IIIB
HIV component: oligomeric gp140
Species (Isotype) mouse (IgG)
Ab Type gp120 CD4BS
Research Contact P. Earl, National Institute of Allergy and Infectious Diseases, NIH, Bethesda, MD
References Sugiura *et al.* 1999; Earl *et al.* 1994

- M13: A comparison of 25 gp120 specific, conformation dependent MAbs was done – M13 is part of a group of MAbs labeled A1 – all A1 MAbs were broadly cross-reactive with gp160 from B-clade R5, X4, and R5X4 viruses, blocked CD4 binding, were sensitive to mutations in gp120 positions 368 and 370 that directly contact CD4 – 50% neutralization of NL4-3 was achieved with 35 ug/ml of M13. Sugiura *et al.* [1999]
- M13: Generated during a study of the influence of the oligomeric structure of Env in determining the repertoire of the Ab response. Earl *et al.* [1994]

No. 1096
MAb ID M6
HXB2 Location Env
Author Location gp120 (IIIB)
Epitope
Neutralizing no
Immunogen vaccine
Vector/Type: vaccinia *Strain:* B clade IIIB
HIV component: oligomeric gp140
Species (Isotype) mouse (IgG)
Ab Type gp120 CD4BS
Research Contact P. Earl, National Institute of Allergy and Infectious Diseases, NIH, Bethesda, MD
References Sugiura *et al.* 1999; Earl *et al.* 1994

- M6: A comparison of 25 gp120 specific, conformation dependent MAbs was done – M6 is part of a group of MAbs labeled A1 – all A1 MAbs were broadly cross-reactive with gp160 from B-clade R5, X4, and R5X4 viruses, blocked CD4 binding, were sensitive to mutations in gp120 positions 368 and 370 that directly contact CD4. Sugiura *et al.* [1999]
- M6: Generated during a study of the influence of the oligomeric structure of Env in determining the repertoire of the Ab response. Earl *et al.* [1994]

No. 1097
MAb ID MAG 116
HXB2 Location Env
Author Location gp120
Epitope
Neutralizing L
Immunogen vaccine
Vector/Type: sCD4-gp120 complex *Strain:* B clade HXB2
HIV component: gp120
Species (Isotype) mouse
Ab Type gp120 CD4BS

Research Contact C. Y. Kang, IDEC Inc

References Kang *et al.* 1994

- MAG 116: Amino acid substitutions that reduce binding 10 fold: 256 S/Y, 257 T/R, 368 D/R or T, 370 E/R or Q, 384 Y/E, 421 K/L – neutralizes MN, IIIB and RF. Kang *et al.* [1994]

No. 1098

MAb ID MAG 12B

HXB2 Location Env

Author Location gp120

Epitope

Neutralizing L

Immunogen vaccine

Vector/Type: sCD4-gp120 complex *Strain:* B clade HXB2 *HIV component:* gp120

Species (Isotype) mouse

Ab Type gp120 CD4BS

Research Contact C. Y. Kang, IDEC Inc

References Kang *et al.* 1994

- MAG 12B: Amino acid substitutions that reduce binding 10 fold: 257 T/R, 368 D/R or T, 370 E/R or Q, 384 Y/E, 477 D/V – weak neutralization of IIIB. Kang *et al.* [1994]

No. 1099

MAb ID MAG 29B

HXB2 Location Env

Author Location gp120

Epitope

Neutralizing L

Immunogen vaccine

Vector/Type: sCD4-gp120 complex *Strain:* B clade HXB2 *HIV component:* gp120

Species (Isotype) mouse

Ab Type gp120 CD4BS

Research Contact C. Y. Kang, IDEC Inc

References Kang *et al.* 1994

- MAG 29B: Amino acid substitutions that reduce binding 10 fold: 257 T/R, 368 D/R or T, 370 E/R or Q, 384 Y/E, 386 N/Q, 421 K/L – weak neutralization of IIIB. Kang *et al.* [1994]

No. 1100

MAb ID MAG 3B

HXB2 Location Env

Author Location gp120

Epitope

Neutralizing no

Immunogen vaccine

Vector/Type: sCD4-gp120 complex *Strain:* B clade HXB2 *HIV component:* gp120

Species (Isotype) mouse

Ab Type gp120 CD4BS

Research Contact C. Y. Kang, IDEC Inc

References Kang *et al.* 1994

- MAG 3B: Amino acid substitutions that reduce binding 10 fold: 256 S/Y, 257 T/R or A or G, 262 N/T, 368 D/R or T, 370 E/R or Q, 381 E/P, 384 Y/E, 421 K/L, 475 M/S, 477 D/V. Kang *et al.* [1994]

No. 1101

MAb ID MAG 55 (#55)

HXB2 Location Env

Author Location gp120

Epitope

Neutralizing L

Immunogen vaccine

Vector/Type: sCD4-gp120 complex *Strain:* B clade HXB2 *HIV component:* gp120

Species (Isotype) mouse

Ab Type gp120 CD4BS

Research Contact C. Y. Kang, IDEC Inc

References Koefoed *et al.* 2005; Moore & Sodroski 1996; Kang *et al.* 1994

Keywords antibody binding site definition and exposure

- MAG 55: IgG antibody phage display libraries were created from HIV-1 + individuals after pre-selection of PBMC with gp120, as an alternative to using bone marrow for generating libraries. MAG 55 was among a set of Abs used for competition studies to define the binding sites of the newly isolated MAbs, representing a MAb with a CD4BS epitope. Koefoed *et al.* [2005] (**antibody binding site definition and exposure**)
- MAG 55: Called #55 – binding reciprocally inhibited by other anti-CD4 binding site MAbs, and by some C1-C5 MAbs – binding enhanced by anti-V3 MAb 110.5 and anti-V2 MAbs G3-136 and G3-4 – enhances binding of many anti-V3 and -V2 MAbs. Moore & Sodroski [1996]
- MAG 55: Amino acid substitutions that reduce binding 10 fold: 256 S/Y, 257 T/R, 368 D/R or T, 370 E/R or Q, 384 Y/E, 421 K/L, 470 P/L, 475 M/S, 477 D/V – neutralizes MN, IIIB and RF. Kang *et al.* [1994]

No. 1102

MAb ID MAG 72 (L72)

HXB2 Location Env

Author Location gp120

Epitope

Neutralizing L

Immunogen vaccine

Vector/Type: sCD4-gp120 complex *Strain:* B clade HXB2 *HIV component:* gp120

Species (Isotype) mouse

Ab Type gp120 CD4BS

Research Contact C. Y. Kang or Dr. Hariharam, IDEC Pharmaceuticals Corp, La Jolla, CA

References Ditzel *et al.* 1997; Kang *et al.* 1994

- MAG 72: Called L72 – used to bind gp120 to solid phase to select MAbs from a phage selection library. Ditzel *et al.* [1997]
- MAG 72: Amino acid substitutions that reduce binding 10 fold: 257 T/R or A or G, 262 N/T, 368 D/R or T, 370 E/R or Q, 384 Y/E, 421 K/L, 477 D/V – neutralizes MN, IIIB and RF. Kang *et al.* [1994]

No. 1103

MAb ID MAG 86

HXB2 Location Env

Author Location gp120

Epitope

Neutralizing L

Immunogen vaccine

Vector/Type: sCD4-gp120 complex *Strain:* B clade HXB2 *HIV component:* gp120

Species (Isotype) mouse

Ab Type gp120 CD4BS

Research Contact C. Y. Kang, IDEC Inc

References Kang *et al.* 1994

- MAG 86: Amino acid substitutions that reduce binding 10 fold: 256 S/Y, 257 T/R, 368 D/R or T, 370 E/R or Q, 384 Y/E, 421 K/L, 470 P/L, 477 D/V – neutralizes MN, IIIB and RF. Kang *et al.* [1994]

No. 1104

MAb ID MAG 96

HXB2 Location Env

Author Location gp120

Epitope

Neutralizing L

Immunogen vaccine

Vector/Type: sCD4-gp120 complex *Strain:*
B clade HXB2 *HIV component:* gp120

Species (Isotype) mouse

Ab Type gp120 CD4BS

Research Contact C. Y. Kang, IDEC Inc

References Koefoed *et al.* 2005; Kang *et al.* 1994

Keywords antibody binding site definition and exposure

- MAG 96: IgG antibody phage display libraries were created from HIV-1 + individuals after pre-selection of PBMC with gp120, as an alternative to using bone marrow for generating libraries. MAG 96 was among a set of Abs used for competition studies to define the binding sites of the newly isolated MAbs, representing a MAb with a CD4BS epitope. Koefoed *et al.* [2005] (**antibody binding site definition and exposure**)
- MAG 96: Amino acid substitutions that reduce binding 10 fold: 256 S/Y, 257 T/R, 368 D/R or T, 370 E/R – weak neutralization of IIIB. Kang *et al.* [1994]

No. 1105

MAb ID MTW61D

HXB2 Location Env

Author Location gp120 (W61D)

Epitope

Neutralizing L

Immunogen HIV-1 infection

Species (Isotype) human

Ab Type gp120 CD4BS

References Gorny & Zolla-Pazner 2004; Fouts *et al.* 1998; Sullivan *et al.* 1998a

Keywords enhancing activity, review

- MTW61D: This review summarizes MAbs directed to HIV-1 Env. There are 51 CD4BS MAbs and Fabs in the database; most, like this Fab, neutralize TCLA strains only. Gorny & Zolla-Pazner [2004] (**review**)
- MTW61D – the HIV-1 virus YU2 entry can be enhanced by MAbs binding to the CD4BS, V3 loop, and CD4i epitopes – the activation for this enhanced entry state could be conferred on HxB2 by introducing the YU2 V3 loop, or the YU2 V3 and V1/V2 loops – a similar effect is observed by sub-neutralizing concentrations of sCD4 and the effect is dependent of CCR5 – Fab fragment MTW61D also enhances YU2 entry, ruling out Fc interactions or Env cross-linking as a mechanism, while neutralizing HXBc2 – MTW61D was obtained by panning libraries derived from bone marrow from a long term asymptomatic

donor against gp120 from primary isolate W61D. Sullivan *et al.* [1998a] (**enhancing activity**)

No. 1106

MAb ID S1-1

HXB2 Location Env

Author Location gp120

Epitope

Neutralizing L

Immunogen HIV-1 infection

Species (Isotype) human (IgG1 λ)

Ab Type gp120 CD4BS

References Gorny & Zolla-Pazner 2004; Wisniewski *et al.* 1996; Moran *et al.* 1993; Lake *et al.* 1992

Keywords antibody binding site definition and exposure, antibody sequence, variable domain, complement, enhancing activity, review

- S1-1: This review summarizes MAbs directed to HIV-1 Env. There are 51 CD4BS MAbs and Fabs in the database; most, like this MAb, neutralize TCLA strains only. Gorny & Zolla-Pazner [2004] (**review**)
- S1-1: S1-1 is V H1 – V-region heavy chain usage was examined and a bias of enhanced V H1 and V H4, and reduced V H3, was noted among HIV infected individuals. Wisniewski *et al.* [1996] (**antibody sequence, variable domain**)
- S1-1: Heavy (V H1) and light (V lambdaIII) chain sequenced – no enhancing activity – similar germline sequence to MAb 86, but very different activity. Moran *et al.* [1993] (**enhancing activity, antibody sequence, variable domain**)
- S1-1: Neutralizes IIIB and MN without complement, and neutralizes RF and a clinical isolate with complement – binds to native but not denatured gp120 – inhibits sCD4-gp120 binding. Lake *et al.* [1992] (**antibody binding site definition and exposure, complement**)

No. 1107

MAb ID T13

HXB2 Location Env

Author Location gp120 (IIIB)

Epitope

Neutralizing no

Immunogen vaccine

Vector/Type: vaccinia *Strain:* B clade IIIB
HIV component: oligomeric gp140

Species (Isotype) mouse (IgG)

Ab Type gp120 CD4BS

Research Contact P. Earl, National Institute of Allergy and Infectious Diseases, NIH, Bethesda, MD

References Sugiura *et al.* 1999; Earl *et al.* 1994

- T13: A comparison of 25 gp120 specific, conformation dependent MAbs was done – T13 is one of three MAbs labeled group Cb, that was type-specific for BH8 – T13 fully blocked CD4 binding, and the deletion of the V3 loop enhanced binding 10-fold. Sugiura *et al.* [1999]
- T13: Generated during a study of the influence of the oligomeric structure of Env in determining the repertoire of the Ab response. Earl *et al.* [1994]

No. 1108

MAb ID T49

HXB2 Location Env
Author Location gp120 (IIIB)
Epitope
Neutralizing no
Immunogen vaccinia
Vector/Type: vaccinia Strain: B clade IIIB HIV component: oligomeric gp140
Species (Isotype) mouse (IgG)
Ab Type gp120 CD4BS

Research Contact P. Earl, National Institute of Allergy and Infectious Diseases, NIH, Bethesda, MD

References Sugiura *et al.* 1999; Earl *et al.* 1994

- T49: A comparison of 25 gp120 specific, conformation dependent MAbs was done – T49 is one of three MAbs labeled group Cb, that was type-specific for BH8 – T49 fully blocked CD4 binding, and the deletion of the V3 loop enhanced binding 10-fold. Sugiura *et al.* [1999]
- T49: Generated during a study of the influence of the oligomeric structure of Env in determining the repertoire of the Ab response. Earl *et al.* [1994]

No. 1109

MAb ID T56

HXB2 Location Env

Author Location gp120 (IIIB)

Epitope

Neutralizing no

Immunogen vaccinia

Vector/Type: vaccinia Strain: B clade IIIB HIV component: oligomeric gp140

Species (Isotype) mouse (IgG)

Ab Type gp120 CD4BS

Research Contact P. Earl, National Institute of Allergy and Infectious Diseases, NIH, Bethesda, MD

References Sugiura *et al.* 1999; Earl *et al.* 1994

- T56: A comparison of 25 gp120 specific, conformation dependent MAbs was done – T56 is one of three MAbs labeled group Cb, that was type-specific for BH8 – T56 fully blocked CD4 binding, and the deletion of the V3 loop enhanced binding 10-fold. Sugiura *et al.* [1999]
- T56: Generated during a study of the influence of the oligomeric structure of Env in determining the repertoire of the Ab response. Earl *et al.* [1994]

No. 1110

MAb ID TH9

HXB2 Location Env

Author Location gp120

Epitope

Neutralizing L

Immunogen

Species (Isotype) human (IgG1κ)

Ab Type gp120 CD4BS

Research Contact Michael Fung, Tanox Biosystem, USA

References Gorny & Zolla-Pazner 2004; Yang *et al.* 1998; D'Souza *et al.* 1995

Keywords assay development, review, subtype comparisons, variant cross-recognition or cross-neutralization

- TH9: This review summarizes MAbs directed to HIV-1 Env. There are 51 CD4BS MAbs and Fabs in the database; most, like this MAb, neutralize TCLA strains only. Gorny & Zolla-Pazner [2004] (**review**)
- TH9: A neutralization assay was developed based on hemi-nested PCR amplification of the LTR (HNPCR) – LTR-HNPCR consistently revealed HIV DNA and was shown to be a rapid, specific and reliable neutralization assay based on tests with 6 MAbs and 5 isolates. Yang *et al.* [1998] (**assay development**)
- TH9: Found to neutralize MN, but not JRCSF, two B subtype primary isolates, or a D subtype primary isolate, by most labs in a multi-laboratory study involving 11 labs. D'Souza *et al.* [1995] (**variant cross-recognition or cross-neutralization, subtype comparisons**)

No. 1111

MAb ID anti-CD4BS summary

HXB2 Location Env

Author Location gp120

Epitope

Neutralizing

Immunogen

Species (Isotype)

Ab Type gp120 CD4BS

References Moore & Sodroski 1996; Thali *et al.* 1993

- Anti-CD4 binding site antibodies (CD4BS) competitively inhibit CD4 binding to monomeric gp120, and they differ in precise dependence on gp120 residues, but generally require Asp-368 and Glu-370. Moore & Sodroski [1996]
- Shared components of MAb epitopes and the discontinuous CD4 binding regions included Thr 257, Asp 368, Glu 370, Lys 421 through Trp 427 and Asp 457. Thali *et al.* [1993]

No. 1112

MAb ID b11

HXB2 Location Env

Author Location gp120

Epitope

Neutralizing

Immunogen

Species (Isotype) human

Ab Type gp120 CD4BS

References Gorny & Zolla-Pazner 2004; Parren *et al.* 1998a

Keywords binding affinity, review

- b11: This review summarizes MAbs directed to HIV-1 Env. There are 51 CD4BS MAbs and Fabs in the database; most, like this Fab, neutralize TCLA strains only. Gorny & Zolla-Pazner [2004] (**review**)
- b11: The rank order of Fab binding affinity to monomeric gp120 (Loop 2 > 3B3 > b12 = DO8i > b11 > b3 > b14 > b13 > DO142-10 > DA48 > L17) was markedly different than Fab binding affinity to the mature oligomeric form (3B3 > b12 > DO142-10 > Loop 2 > b11 > L17 > b6 > DO8i > b14 > DA48 > b3 > b13) and binding to oligomeric form and neutralization were correlated for both Fabs and MAbs – authors suggest that neutralization is determined by the fraction of Ab sites occupied on a virion irrespective of the epitope. Parren *et al.* [1998a] (**binding affinity**)

No. 1113
MAb ID b13
HXB2 Location Env
Author Location gp120
Epitope
Neutralizing Immunogen
Species (Isotype) human
Ab Type gp120 CD4BS
References Gorny & Zolla-Pazner 2004; Parren & Burton 1997; Parren *et al.* 1998a; Parren *et al.* 1995
Keywords binding affinity, immunoprophylaxis, review

- b13: This review summarizes MAbs directed to HIV-1 Env. There are 51 CD4BS MAbs and Fabs in the database; most, like this Fab, neutralize TCLA strains only. Gorny & Zolla-Pazner [2004] (**review**)
- b13: The rank order of Fab binding affinity to monomeric gp120 (Loop 2 > 3B3 > b12 = DO8i > b11 > b3 > b14 > b13 > DO142-10 > DA48 > L17) was markedly different than Fab binding affinity to the mature oligomeric form (3B3 > b12 > DO142-10 > Loop 2 > b11 > L17 > b6 > DO8i > b14 > DA48 > b3 > b13) and binding to oligomeric form and neutralization were correlated for both Fabs and MAbs – authors suggest that neutralization is determined by the fraction of Ab sites occupied on a virion irrespective of the epitope. Parren *et al.* [1998a] (**binding affinity**)
- b13: Fab b13 was used as a control in a hu-PBL SCID mouse study – animals were protected from HIV-1 SF2 infection by IgG1b12, somewhat by Fab b12, but not by b13. Parren *et al.* [1995]; Parren & Burton [1997] (**immunoprophylaxis**)

No. 1114
MAb ID b14
HXB2 Location Env
Author Location gp120
Epitope
Neutralizing Immunogen
Species (Isotype) human
Ab Type gp120 CD4BS
References Gorny & Zolla-Pazner 2004; Parren *et al.* 1998a
Keywords binding affinity, review

- b14: This review summarizes MAbs directed to HIV-1 Env. There are 51 CD4BS MAbs and Fabs in the database; most, like this Fab, neutralize TCLA strains only. Gorny & Zolla-Pazner [2004] (**review**)
- b14: The rank order of Fab binding affinity to monomeric gp120 (Loop 2 > 3B3 > b12 = DO8i > b11 > b3 > b14 > b13 > DO142-10 > DA48 > L17) was markedly different than Fab binding affinity to the mature oligomeric form (3B3 > b12 > DO142-10 > Loop 2 > b11 > L17 > b6 > DO8i > b14 > DA48 > b3 > b13) and binding to oligomeric form and neutralization were correlated for both Fabs and MAbs – authors suggest that neutralization is determined by the fraction of Ab sites occupied on a virion irrespective of the epitope. Parren *et al.* [1998a] (**binding affinity**)

No. 1115
MAb ID b3

HXB2 Location Env
Author Location gp120
Epitope
Neutralizing Immunogen
Species (Isotype) human
Ab Type gp120 CD4BS
References Selvarajah *et al.* 2005; Pantophlet *et al.* 2004; Gorny & Zolla-Pazner 2004; Pantophlet *et al.* 2003b; Zwick *et al.* 2003; Pantophlet *et al.* 2003a; Parren *et al.* 1998a; Parren *et al.* 1997b
Keywords antibody binding site definition and exposure, antibody interactions, binding affinity, review, vaccine antigen design, vaccine-specific epitope characteristics, variant cross-recognition or cross-neutralization

- b3: Antigens were designed to attempt to target immune responses toward the IgG1b12 epitope, while minimizing antibody responses to less desirable epitopes. One construct had a series of substitutions near the CD4 binding site (GDMR), the other had 7 additional glycans (mCHO). The 2 constructs did not elicit b12-like neutralizing antibodies, but both antigens successfully dampened other responses that were intended to be dampened while not obscuring b12 binding. CD4BS MAbs except Fab b12 (b6, b3, F105) did not bind to either GDMR or mCHO. Selvarajah *et al.* [2005] (**vaccine antigen design, vaccine-specific epitope characteristics**)
- b3: This review summarizes MAbs directed to HIV-1 Env. There are 51 CD4BS MAbs and Fabs in the database; most, like this Fab, neutralize TCLA strains only. Gorny & Zolla-Pazner [2004] (**review**)
- b3: By adding N-linked glycosylation sites to gp120, epitope masking of non-neutralizing epitopes can be achieved leaving the IgG1b12 binding site intact. This concept was originally tested with the addition of four glycosylation sites, but binding to b12 was reduced. It was modified here to exclude the C1 N-terminal region, and to include only three additional glycosylation sites. This modified protein retains full b12 binding affinity and it masks other potentially competing epitopes, and does not bind to 21 other MAbs to 7 epitopes on gp120, including b3. Pantophlet *et al.* [2004] (**vaccine antigen design**)
- b3: Alanine scanning mutagenesis was used to compare substitutions that affected anti-CD4BS NAb b12 binding to those that affect binding of sCD4 and two non-neutralizing anti-CD4BS Abs b3 and b6 – while the epitope maps overlapped, there were some differences observed – binding of CD4 was never enhanced, indicating it had evolved to be optimal – rec gp120s were engineered to contain combinations of Alanine substitutions that enhanced b12 binding, and while binding of b12 to these gp120 monomers was generally maintained or increased, binding by five non-neutralizing anti-CD4bs MAbs (b3, b6, F105, 15e, and F91) was reduced or completely abolished – 2G12 binding was largely unperturbed, indicating these proteins were not grossly misfolded. Pantophlet *et al.* [2003a] (**antibody binding site definition and exposure**)
- b3: A gp120 molecule was design to focus the immune response onto the IgG1b12 epitope. Ala substitutions that enhance the binding of IgG1b12 and reduce the binding of

non-neutralizing MAbs were combined with additional N-linked glycosylation site sequons inhibiting binding of non-neutralizing MAbs; b12 bound to the mutated gp120. C1 and C5 were also removed, but this compromised b12 binding. Pantophlet *et al.* [2003b] (**vaccine antigen design**)

- b3: scFv 4KG5 reacts with a conformational epitope that is formed by the V1V2 and V3 loops and the bridging sheet (C4) region of gp120 and is influenced by carbohydrates. Of a panel of MAbs tested, only NAb b12 enhanced 4KG5 binding to gp120 JRFL. MAbs to the following regions diminished 4KG5 binding: V2 loop, V3 loop, V3-C4 region, CD4BS. MAbs directed against C1, CD4i, C5 regions didn't impact 4KG5 binding. These results suggest that the orientation or dynamics of the V1V2 and V3 loops restricts CD4BS access on the envelope spike, and IgG1b12 can uniquely remain unaffected by these loops. This was one of the CD4BS MAbs used. Zwick *et al.* [2003] (**antibody interactions**)
- b3: The rank order of Fab binding affinity to monomeric gp120 (Loop 2 > 3B3 > b12 = DO8i > b11 > b3 > b14 > b13 > DO142-10 > DA48 > L17) was markedly different than Fab binding affinity to the mature oligomeric form (3B3 > b12 > DO142-10 > Loop 2 > b11 > L17 > b6 > DO8i > b14 > DA48 > b3 > b13) and binding to oligomeric form and neutralization were correlated for both Fabs and MAbs – authors suggest that neutralization is determined by the fraction of Ab sites occupied on a virion irrespective of the epitope. Parren *et al.* [1998a] (**binding affinity**)
- b3: Neutralizes TCLA strains, but not primary isolates. Parren *et al.* [1997b] (**variant cross-recognition or cross-neutralization**)

No. 1116

MAb ID b6

HXB2 Location Env

Author Location gp120

Epitope

Neutralizing L

Immunogen

Species (Isotype) human

Ab Type gp120 CD4BS

Research Contact Dennis Burton, Scripps, San Diego, CA, USA

References Selvarajah *et al.* 2005; Pantophlet *et al.* 2004; Binley *et al.* 2004; Pantophlet *et al.* 2003b; Zwick *et al.* 2003; Pantophlet *et al.* 2003a; Poignard *et al.* 2003; Kwong *et al.* 2002; Parren *et al.* 1998a; Parren *et al.* 1997b

Keywords antibody binding site definition and exposure, antibody interactions, subtype comparisons, vaccine antigen design, vaccine-specific epitope characteristics, variant cross-recognition or cross-neutralization

- b6: Antigens were designed to attempt to target immune responses toward the IgG1b12 epitope, while minimizing antibody responses to less desirable epitopes. One construct had a series of substitutions near the CD4 binding site (GDMR), the other had 7 additional glycans (mCHO). The 2 constructs did not elicit b12-like neutralizing antibodies, but both antigens successfully dampened other responses that were intended to be dampened while not obscuring b12 binding. CD4BS MAbs except Fab b12 (b6, b3, F105) did not bind to either GDMR

or mCHO. Selvarajah *et al.* [2005] (**vaccine antigen design, vaccine-specific epitope characteristics**)

- b6: 93 viruses from different clades were tested for their neutralization cross-reactivity using a panel of HIV antibodies. b6 was included as an example of a CD4BS antibody that is not strongly neutralizing, and it only was able to neutralize a few highly sensitive primary viruses and T-cell adapted viral strains that were B clade. Steric restrictions probably block its binding site in most isolates. Binley *et al.* [2004] (**variant cross-recognition or cross-neutralization, subtype comparisons**)
- b6: By adding N-linked glycosylation sites to gp120, epitope masking of non-neutralizing epitopes can be achieved leaving the IgG1b12 binding site intact. This concept was originally tested with the addition of four glycosylation sites, but binding to b12 was reduced. It was modified here to exclude the C1 N-terminal region, and to include only three additional glycosylation sites. This modified protein retains full b12 binding affinity and it masks other potentially competing epitopes, and does not bind to 21 other MAbs to 7 epitopes on gp120, including b6. Pantophlet *et al.* [2004] (**vaccine antigen design**)
- b6: Alanine scanning mutagenesis was used to compare substitutions that affected anti-CD4BS NAb b12 binding to those that affect binding of sCD4 and two non-neutralizing anti-CD4BS Abs b3 and b6 – while the epitope maps overlapped, there were some differences observed – binding of CD4 was never enhanced, indicating it had evolved to be optimal – rec gp120s were engineered to contain combinations of Alanine substitutions that enhanced b12 binding, and while binding of b12 to these gp120 monomers was generally maintained or increased, binding by five non-neutralizing anti-CD4BS MAbs (b3, b6, F105, 15e, and F91) was reduced or completely abolished – 2G12 binding was largely unperturbed, indicating these proteins were not grossly misfolded. Pantophlet *et al.* [2003a]
- b6: A gp120 molecule was design to focus the immune response onto the IgG1b12 epitope. Ala substitutions that enhance the binding of IgG1b12 and reduce the binding of non-neutralizing MAbs were combined with additional N-linked glycosylation site sequons inhibiting binding of non-neutralizing MAbs; b12 bound to the mutated gp120. C1 and C5 were also removed, but this compromised b12 binding. Pantophlet *et al.* [2003b] (**vaccine antigen design**)
- b6: Virion capture assays are not a good predictor of neutralization, and the presentation of epitopes using this assay seems to be different from that of functional Envelope spikes on primary isolates – F105 and b6 could efficiently block the b12-mediated capture of infectious virions in a virus capture, but did not inhibit b12 neutralization – while b12 was potent at neutralizing the three primary virions JR-CSF, ADA, and 89.6, the Abs F105, 19b, and Fab b6 were overall very poor neutralizers. Poignard *et al.* [2003]
- b6: scFv 4KG5 reacts with a conformational epitope that is formed by the V1V2 and V3 loops and the bridging sheet (C4) region of gp120 and is influenced by carbohydrates. Of a panel of MAbs tested, only NAb b12 enhanced 4KG5 binding to gp120 JRFL. MAbs to the following regions diminished 4KG5 binding: V2 loop, V3 loop, V3-C4 region, CD4BS. MAbs directed against C1, CD4i, C5 regions didn't impact 4KG5 binding. These results suggest that the orientation or dynamics

of the V1/V2 and V3 loops restricts CD4BS access on the envelope spike, and IgG1b12 can uniquely remain unaffected by these loops. This was one of the CD4BS MAbs used. Zwick *et al.* [2003] (**antibody interactions**)

- b6: Thermodynamics of binding to gp120 was measured using isothermal titration calorimetry for sCD4, 17b, b12, 48d, F105, 2G12 and C11 to intact YU2 and the HXBc2 core. The free energy of binding was similar. Enthalpy and entropy changes were divergent, but compensated. Not only CD4 but MAb ligands induced thermodynamic changes in gp120 that were independent of whether the core or the full gp120 protein was used. Non-neutralizing CD4BS and CD4i MAbs (17b, 48d, 1.5e, b6, F105 and F91) had large entropy contributions to free energy (mean: 26.1 kcal/mol) of binding to the gp120 monomer, but the potent CD4BS neutralizing MAb b6 had a much smaller value of 5.7 kcal/mol. The high values suggest surface burial or protein folding an ordering of amino acids. These results suggest that while the trimeric Env complex has four surfaces, a non-neutralizing face (occluded on the oligomer), a variable face, a neutralizing face and a silent face (protected by carbohydrate masking), gp120 monomers further protect receptor binding sites by conformational or entropic masking, requiring a large energy handicap for Ab binding not faced by other anti-gp120 Abs. Kwong *et al.* [2002] (**antibody binding site definition and exposure**)
- b6: The rank order of Fab binding affinity to monomeric gp120 (Loop 2 > 3B3 > b12 = DO8i > b11 > b3 > b14 > b13 > DO142-10 > DA48 > L17) was markedly different than Fab binding affinity to the mature oligomeric form (3B3 > b12 > DO142-10 > Loop 2 > b11 > L17 > b6 > DO8i > b14 > DA48 > b3 > b13) and binding to oligomeric form and neutralization were correlated for both Fabs and MAbs – authors suggest that neutralization is determined by the fraction of Ab sites occupied on a virion irrespective of the epitope. Parren *et al.* [1998a]
- b6: Neutralizes TCLA strains, but not primary isolates. Parren *et al.* [1997b]

No. 1117

MAb ID polyclonal

HXB2 Location Env

Author Location gp120

Epitope

Neutralizing no

Immunogen vaccine

Vector/Type: protein, virus-like particle (VLP)

Strain: B clade LAI *HIV component:* CD4BS, Gag, V3

Species (Isotype) mouse

Ab Type gp120 CD4BS

References Truong *et al.* 1996

- Antibodies raised against recombinant anti-p55 virus-like particles with the p24 region 196-226 deleted, bearing inserts of either the V3 or the CD4BS regions of gp120 were studied – no neutralizing responses, weak Env and strong Gag responses were elicited – the major homology region (MHR) and proximal sequences was found to be required for capsid assembly. Truong *et al.* [1996]

No. 1118

MAb ID

HXB2 Location Env

Author Location gp120

Epitope

Neutralizing yes

Immunogen

Species (Isotype) human

Ab Type gp120 CD4BS, gp120 CD4i, gp120 V2, gp120 V3

References Moore *et al.* 2001

- Moore and colleagues review structural aspects of gp120 and how they relate to antigenic domains, and review the data concerning the lack of a clear relationship between genetic subtype and serotype – they suggest the primary goal in vaccine efforts should be to design an immunogen that can be shown to elicit neutralizing antibodies against a significant proportion of primary isolates – assay artifacts that can result in confused interpretations are also discussed, such as Ab binding to defective spikes, which does not affect HIV-1 infectivity, but can dominant an assay signal. Moore *et al.* [2001]

No. 1119

MAb ID 17b (1.7b, sCD4-17b)

HXB2 Location Env

Author Location gp120

Epitope

Neutralizing L P (weak)

Immunogen HIV-1 infection

Species (Isotype) human

Ab Type gp120 CD4i, gp120 CCR5BS

Research Contact James Robinson, Tulane University, New Orleans, LA, USA

References Selvarajah *et al.* 2005; Martín-García *et al.* 2005; Lusso *et al.* 2005; Koefoed *et al.* 2005; Haynes *et al.* 2005; Pinter *et al.* 2004; Pantophlet *et al.* 2004; Nabatov *et al.* 2004; McCaffrey *et al.* 2004; Ling *et al.* 2004; Liao *et al.* 2004; Biorn *et al.* 2004; Gorny & Zolla-Pazner 2004; Pantophlet *et al.* 2003b; Zwick *et al.* 2003; Zhu *et al.* 2003; Ohagen *et al.* 2003; Xiang *et al.* 2003; Labrijn *et al.* 2003; Enshell-Seijffers *et al.* 2003; Dey *et al.* 2003; Cavacini *et al.* 2003; Binley *et al.* 2003; He *et al.* 2003; Ling *et al.* 2002; Finnegan *et al.* 2002; Cavacini *et al.* 2002; Arthos *et al.* 2002; Zhang *et al.* 2002; Basmaciogullari *et al.* 2002; Grundner *et al.* 2002; Edwards *et al.* 2002; Xiang *et al.* 2002a; Xiang *et al.* 2002b; Dowd *et al.* 2002; Yang *et al.* 2002; Schulke *et al.* 2002; Golding *et al.* 2002b; Srivastava *et al.* 2002; Kwong *et al.* 2002; Finnegan *et al.* 2001; Poignard *et al.* 2001; Zhang *et al.* 2001a; York *et al.* 2001; Kolchinsky *et al.* 2001; Si *et al.* 2001; Rizzuto & Sodroski 2000; Yang *et al.* 2000; Stamatatos *et al.* 2000; Salzwedel *et al.* 2000; Park *et al.* 2000; Ly & Stamatatos 2000; Grovit-Ferbas *et al.* 2000; Binley *et al.* 1999; Hoffman *et al.* 1999; Oscherwitz *et al.* 1999a; Stamatatos &

Cheng-Mayer 1998; Binley *et al.* 1998; Sullivan *et al.* 1998a; Sullivan *et al.* 1998b; Rizzuto *et al.* 1998; Moore & Binley 1998; Wyatt *et al.* 1998; Kwong *et al.* 1998; Parren *et al.* 1997b; Wyatt *et al.* 1997; Cao *et al.* 1997b; Ditzel *et al.* 1997; Weinberg *et al.* 1997; Li *et al.* 1997; Fouts *et al.* 1997; Binley *et al.* 1997a; Trkola *et al.* 1996a; Wu *et al.* 1996; Poignard *et al.* 1996a; Moore & Sodroski 1996; Sattentau & Moore 1995; Wyatt *et al.* 1995; Beretta & Dalgleish 1994; Thali *et al.* 1994; Moore *et al.* 1993c; Thali *et al.* 1993

Keywords vaccine antigen design, vaccine-specific epitope characteristics

- 17b: 48d and 17b have similar epitopes, and the pair are unique among human and rodent MAbs.
- 17b: NIH AIDS Research and Reference Reagent Program: 4091.
- 17b: Called 1.7B. Of 35 Env-specific MAbs tested, only 2F5, 4E10, IgG1b12, and two CD4BS adjacent MAbs (A32 and 1.4G) and gp41 MAbs (2.2B and KU32) had binding patterns suggesting polyspecific autoreactivity, and similar reactivities may be difficult to induce with vaccines because of elimination of such autoreactivity. 1.7B has no indication of polyspecific autoreactivity. Haynes *et al.* [2005]
- 17b: IgG antibody phage display libraries were created from HIV-1 + individuals after pre-selection of PBMC with gp120, as an alternative to using bone marrow for generating libraries. 17b was among a set of Abs used for competition studies to define the binding sites of the newly isolated MAbs, representing a MAb with a CD4i epitope. Koefoed *et al.* [2005]
- 17b: The epitope for the MAb D19 is conserved and embedded in V3. D19 is unique in that for R5 viruses, it was cryptic and did not bind without exposure to sCD4, and for X4 and R5X4 isolates it was constitutively exposed. D19b is unique among CD4i antibodies in that it binds to the V3 loop. CD4i MAbs 17b and 48d were used as controls for CD4i characterization; in contrast to D19, other CD4i MAbs bind to the conserved bridging sheet and do not differentiate between R5 and X4 using strains. 17b, like D19, was able to neutralize the BaL isolate only in combination with sCD4. Lusso *et al.* [2005]
- 17b: The HIV-1 Bori-15 variant was adapted from the Bori isolate for replication microglial cells. Bori-15 had increased replication in microglial cells and a robust syncytium-forming phenotype, ability to use low levels of CD4 for infection, and increased sensitivity to neutralization by sCD4 and 17b. Four amino acid changes in gp120 V1-V2 were responsible for this change. Protein functionality and integrity of soluble, monomeric gp120-molecules derived from parental HIV-1 Bori and microglia-adapted HIV-1 Bori-15 was assessed in ELISA binding assays using F105, IgG1b12, 17b and 48d, 2G12 and 447-52D. Association rates of sCD4 and 17b were not changed, but dissociation rates were 3-fold slower for sCD4 and 14-fold slower for 17b. Martín-García *et al.* [2005]
- 17b: Antigens were designed to attempt to target immune responses toward the IgG1b12 epitope, while minimizing antibody responses to less desirable epitopes. One construct had a series of substitutions near the CD4 binding site (GDMR), the other had 7 additional glycans (mCHO). The 2 constructs did not elicit b12-like neutralizing antibodies, but both antigens successfully dampened other responses that were intended to be dampened while not obscuring b12 binding. CD4i MAbs (48d, 17b) did not bind to either GDMR or mCHO even with sCD4. Selvarajah *et al.* [2005] (**vaccine antigen design, vaccine-specific epitope characteristics**)
- 17b: The peptide 12p1 (RINNIPWSEAMM) inhibits direct binding of YU2 gp120 or Env trimer to CD4, CCR5 and MAb 17b in a concentration-dependent allosteric manner. 12p1 is thought to bind to unbound gp120 near the CD4 binding site, with a 1:1 stoichiometry. 12p1 also inhibited MAb F105 binding presumably because F105 favors an unactivated conformation, but not MAbs 2G12 or b12. The 1:1 stoichiometry, the fact that the peptide binding site is accessible on the trimer, the non-CD4 like aspect of the binding, and an ability to inhibit viral infection in cell cultures make it a promising lead for therapeutic design. Biorn *et al.* [2004]
- 17b: This review summarizes MAbs directed to HIV-1 Env. There are six CD4 inducible MAbs and Fabs in the database. The MAb forms neutralize TCLA strains only, but the smaller Fabs and scFv fragments can neutralize primary isolates. Gorny & Zolla-Pazner [2004]
- 17b: A32-rgp120 complexes opened up the CCR5 co-receptor binding site, but did not induce neutralizing antibodies with greater breadth among B subtype isolates than did uncomplexed rgp120 in vaccinated guinea pigs. 17b was used as a control to show A32-bound rgp120 had enhanced binding to this CD4-inducible MAb. Liao *et al.* [2004]
- 17b: The role of serine proteases on HIV infection was explored. Trypsin decreased the binding of most Env MAb tested and diminished cell fusion of H9 cells infected with HIV-1 LAI virus (H9/IIIB) to MAGI cells. In contrast, thrombin increased the binding of MAbs to gp120 epitopes near the CD4 and CCR5 binding sites, and increased cell fusion. Binding of 17b was decreased by trypsin, but increased by thrombin. Thrombin may increase HIV-induced cell fusion in blood by causing a conformational activating shift in gp120. Ling *et al.* [2004]
- 17b: Sera from two HIV+ people and a panel of MAbs were used to explore susceptibility to neutralization in the presence or absence of glycans within or adjacent to the V3 loop and within the C2, C4 and V5 regions of HIV-1 SF162 env gp120. The loss of the glycan within the V3 loop (GM299 V3) and two sites adjacent to V3, C2 (GM292 C2) and (GM329 C3), increased neutralization susceptibility to CD4i Fab X5, but each of the glycan mutants and SF162 were refractive to neutralization with 48d and 17b. The loss of sites in C4 (GM438 C4), or V5 (GM454 V5) did not increase neutralization susceptibility to Fab X5. V3 glycans tended to shield V3 loop, CD4 and co-receptor MAb binding sites, while C4 and V5 glycans shielded V3 loop, CD4, gp41 but not co-receptor MAb binding sites. Selective removal of glycans from a vaccine candidate may enable greater access to neutralization susceptible epitopes. McCaffrey *et al.* [2004]
- 17b: A set of HIV-1 chimeras that altered V3 net charge and glycosylation patterns in V1V2 and V3, involving inserting V1V2 loops from a late stage primary isolate taken after the R5 to X4 switch, were studied with regard to phenotype, co-receptor usage, and MAb neutralization. The loops were cloned

- into a HXB2 envelope with a LAI viral backbone. It was observed that the addition of the late-stage isolate V1V2 region and the loss of V3-linked glycosylation site in the context of high positive charge gave an X4 phenotype. R5X4, R5, and X4 viruses were generated, and sCD4, 2G12 and b12 neutralization resistance patterns were modified by addition of the late stage V1V2, glycosylation changes, and charge in concert, while neutralization by 2F5 was unaffected. 15e, 17b, and 48d could not neutralize any of the variants tested. Nabatov *et al.* [2004]
- 17b: By adding N-linked glycosylation sites to gp120, epitope masking of non-neutralizing epitopes can be achieved leaving the IgG1b12 binding site intact. This concept was originally tested with the addition of four glycosylation sites, but binding to b12 was reduced. It was modified here to exclude the C1 N-terminal region, and to include only three additional glycosylation sites. This modified protein retains full b12 binding affinity and it masks other potentially competing epitopes, and does not bind to 21 other MAbs to 7 epitopes on gp120, including 17b. Pantophlet *et al.* [2004]
 - 17b: V1V2 was determined to be the region that conferred the neutralization phenotype differences between two R5-tropic primary HIV-1 isolates, JRFL and SF162. JRFL is resistant to neutralization by many sera and MAbs, while SF162 is sensitive. All MAbs tested, anti-V3, -V2, -CD4BS, and -CD4i, (except the broadly neutralizing MAbs IgG1b12, 2F5, and 2G12 which neutralized both strains), neutralized the SF162 pseudotype but not JRFL, and chimeras that exchanged the V1V2 loops transferred the neutralization phenotype. Three CD4i MAbs were tested; all preferentially neutralized SF162, and JRFL became neutralization sensitive to CD4i Abs if the SF162 V1V2 loop was exchanged. Pinter *et al.* [2004]
 - 17b: The SOS mutant envelope protein introduces a covalent disulfide bond between gp120 surface and gp41 transmembrane proteins into the R5 isolate JR-FL by adding cysteines at residues 501 and 605. Pseudovirions bearing this protein bind to CD4 and co-receptor bearing cells, but do not fuse until treatment with a reducing agent, and are arrested prior to fusion after CD4 and co-receptor engagement. CD4i Abs 17b and X5 were weakly neutralizing in all formats, WT, SOS, and when added postbinding. Binley *et al.* [2003]
 - 17b: Called 1.7b. The MAb B4e8 binds to the base of the V3 loop, neutralizes multiple primary isolates and was studied for interaction with other MAbs. B4e8 enhanced binding of CD4i MAbs 4.8d, 1.7b, and A1g8 to R5X4 virus 92HT593, but only of 48d to the R5 virus 92US660, and there was only a modest impact of the combination of B4e8 and CD4i MAbs on neutralization. Cavacini *et al.* [2003]
 - 17b: A sCD4-17b single chain chimera was made that can bind to the CD4 binding site, then bind and block co-receptor interaction. This chimeric protein is a very potent neutralizing agent, more potent than IgG1b12, 2G12 or 2F5 against Ba-L infection of CCR5-MAGI cells. It has potential for prophylaxis or therapy. It neutralized 5/6 R5 and X4 strains from the B clade, but was only moderately protective against a D clade isolate, and did not neutralize clade A, C, E, and F isolates. Dey *et al.* [2003]
 - 17b: 17b is known to be comprised of elements from four discontinuous beta strands. Using 17b MAb to select peptides from a combinatorial library, and analyzing the peptides using a novel discontinuous epitope reconstruction program, enabled epitope prediction. Segments of gp120 were reconstructed as an antigenic protein mimetic recognized by 17b. Comparisons then were made with a similar prediction of contact residues for CG10, a CD4i MAb that competes with 17b, but has a distinct binding site. Enshell-Seijffers *et al.* [2003]
 - 17b: Vaccination of a gp120-CD4 fusion complex in six transgenic XMG2 Xenomouse mice that produce human IgG2 with K light chain did not produce any neutralizing antibodies. 36/39 MAbs derived from one of these mice were in one of two competition groups that were conformational and specific for the complex, suggesting this chimeric vaccine may be of little value, as immunodominant responses recognized epitopes not present in native Env. MAbs from the two CD4-gp120 complex-specific competition groups did not compete with MAbs with known targets on HIV-1 gp120, but their binding was enhanced by binding of 17b. He *et al.* [2003]
 - 17b: This study shows the fragments of CD4i MAbs are better able to neutralize virus than whole IgG. Neutralization of HIV-1 R5 isolates JRFL, JR-CSF and ADA by CD4i MAbs X5, 17b, and 48d decreased with increased molecule size, the neutralizing potency of single-chain Fv (scFv) > than Fab fragments > whole Ab molecules. (With the exception of IgG 48d neutralization of HIV-1 ADA.) HIV-1 X4 isolates 89.6 and HxB2 are both relatively sensitive even to the larger IgG version. R5X4 isolate neutralization was dependent on the isolate and co-receptor usage. The CD4i MAb fragments neutralize HIV-1 subsequent to CD4 binding. The CD4i MAbs bind near the co-receptor binding sites on gp120. Co-receptors bind to the conserved beta19 strand and part of the V3 loop, regions that are masked by the V1V2 loops in the CD4-unbound state. When CD4 is bound, the co-receptor site is exposed near the membrane surface where it would be optimally accessible to co-receptors, and the smaller versions of the molecules are better able to overcome the steric hindrance. Labrijn *et al.* [2003]
 - 17b: Env genes derived from uncultured brain biopsy samples from four HIV-1 infected patients with late-stage AIDS were compared to env genes from PBMC samples. Brain isolates did not differ in the total number or positions of N-glycosylation sites, patterns of coreceptor usage, or ability to be recognized by gp160 and gp41 MAbs. 17b recognized most variants, some from each of the four individuals, by gp120 immunoprecipitation. Ohagen *et al.* [2003]
 - 17b: A gp120 molecule was designed to focus the immune response onto the IgG1b12 epitope. Ala substitutions that enhance the binding of IgG1b12 and reduce the binding of non-neutralizing MAbs were combined with additional N-linked glycosylation site sequons inhibiting binding of non-neutralizing MAbs; b12 bound to the mutated gp120. C1 and C5 were also removed, but this compromised b12 binding. Pantophlet *et al.* [2003b]
 - 17b: This paper describes the generation of CD4i MAb E51, that like CD4i MAb 17b, blocks CCR5 binding to sCD4-bound gp120. E51 has more cross-neutralizing potency than other prototype CD4i MAbs (17b) for B and C clade isolates. E51 and 17b both neutralized HIV-1 clade B strains HXBc2 and ADA, while JR-FL and 89.6 were only neutralized by E51, not 17b. Clade C strains MCGP1.3 and SA32 were both inhibited

- by 17b and E51, but E51 was more potent against SA32. The substitutions E381R, F383S, R419D I420R, K421D, Q422L, I423S, and Y435S (HXB2 numbering) all severely reduce 17b and E51 binding. All but I423S also diminish CCR5 binding by more than 50%. The mutation F383S also inhibits sCD4 binding and F105 binding, and K421D inhibits F105 binding, but not sCD4. Xiang *et al.* [2003]
- 17b: The HIV-1 primary isolate DH012 has preserved the epitopes for the MAbs IgG1b12, 2G12, 17b, however natural DH012 infection in chimpanzees and DH012 gp120 vaccination in guinea pigs does not give rise to Abs against these epitopes. Zhu *et al.* [2003]
 - 17b: scFv 4KG5 reacts with a conformational epitope. Of a panel of MAbs tested, only NAb b12 enhanced 4KG5 binding to gp120. MAbs to the V2 loop, V3 loop, V3-C4 region, and CD4BS diminished binding, while MAbs directed against C1, CD4i, C5 regions didn't impact 4KG5 binding. These results suggest that the orientation or dynamics of the V1/V2 and V3 loops restricts CD4BS access on the envelope spike, and IgG1b12 can uniquely remain unaffected. This is a CD4i MAb that had no impact on 4KG5 binding. Zwick *et al.* [2003]
 - 17b: The two N-terminal domains of CD4, termed D1 and D2, when expressed in the absence of the remaining domains of CD4 retain the capacity to bind to gp120—coding sequences of D1D2 and Ig α tp were fused to create a large, multivalent rec protein D1D2Ig α tp, which, unlike CD4, does not enhance infection at sub-optimal concentrations—the MAb 17b can also enhance viral replication at sub-optimal concentrations, but D1D2-Ig α inhibited the 17b enhancement of two primary isolates. Arthos *et al.* [2002]
 - 17b: gp120 mutants were used to define the CXCR4 binding site using CXCR4 displayed on paramagnetic proteoliposomes (PMPLs) to reduce non-specific gp120 binding—basic residues in the V3 loop and the β 19 strand (RIKQ, positions 419-422) were involved, and deletion of the V1-V2 loops allowed CD4-independent CXCR4 binding—MAbs 17b (CD4i) and F105 (CD4BS) were used to study conformational changes in the mutants—the affinity of Δ V1 and Δ V1-V2 for 17b was dramatically increased and no longer inducible in the presence of sCD4—V3 mutants R298A and R327A were not recognized by 17b except in the presence of sCD4—mutations in the β 19 strand dramatically reduced 17b affinity in the presence or absence of sCD4, consistent with known 17b contact residues in this region. Basmaciogullari *et al.* [2002]
 - 17b: This study examined antibody interactions, binding and neutralization with a B clade R5 isolate (92US660) and R5X4 isolate (92HT593). Abs generally bound and neutralized the R5X4 isolate better than the R5 isolate. Anti-V3 MAb B4a1 increased binding of CD4i MAbs 48d, 17b and A1g8, but only A1g8 binding was increased by B4a1 to the R5 isolate. Additive effects on neutralization of the R5X4 isolate with B4a1 and CD4i MAbs was observed, presumably due to increased exposure of the CD4i binding site, but not for the R5 isolate. Anti-gp41 MAb F240 had a synergistic effect on neutralization with CD4i MAbs 48d and 17b, but not with A1g8 for the R5X4 virus. Cavacini *et al.* [2002]
 - 17b: CD4 residue Phe43 significantly contributes to the affinity of CD4-gp120 interactions – despite decreased affinities for gp120, CD4 proteins and CD4-mimetic peptides lacking a Phe side-chain enhance binding of gp120 to 17b in a manner similar to Phe-bearing ligands indicating the Phe42 interaction is not critical for CD4-induced conformational changes in gp120. Dowd *et al.* [2002]
 - 17b: Truncation of the gp41 cytoplasmic domain of X4, R5, and X4R5 viruses forces a conformation that more closely resembles the CD4 bound state of the external Envelope, enhancing binding of CD4i MAbs 17b and 48d and of CD4BS MAbs F105, b12, and in most cases of glycosylation site dependent MAb 2G12 and the anti-gp41 MAb 246D – in contrast, binding of the anti-V2 MAb 697D and the anti-V3 MAb 694/98D were not affected – viruses bearing the truncation were more sensitive to neutralization by MAbs 48d, b12, and 2G12 – the anti-C5 MAb 1331A was used to track levels of cell surface expression of the mutated proteins. Edwards *et al.* [2002]
 - 17b: Anti-gp41 MAbs were tested in a cell-cell fusion system to investigate the antigenic changes in gp41 during binding and fusion. Cluster I and Cluster II MAbs required CD4 expression on HIV HXB2 Env expressing HeLa target cells, but not the CXCR4 co-receptor, binding to a fusion intermediate. 17b was used to demonstrate that the Cluster I and II MAbs bound to gp120/gp41 complexes, not to gp41 after shedding of gp120. Finnegan *et al.* [2002]
 - 17b: The fusion process was slowed by using a suboptimal temperature (31.5 C) to re-evaluate the potential of Abs targeting fusion intermediates to block HIV entry – preincubation of E/T cells at 31.5 C enabled polyclonal anti-N-HR Ab and anti-six-helix bundle Abs to inhibit fusion, indicating six-helix bundles form prior to fusion – the preincubation 31.5 C step did not alter the inhibitory activity of neutralizing Abs anti-gp41 2F5, or anti-gp120 2G12, IG1b12, 48d, and 17b. Golding *et al.* [2002b]
 - 17b: HIV-1 gp160 Δ CT (cytoplasmic tail-deleted) proteoliposomes (PLs) containing native, trimeric envelope glycoproteins from R5 strains YU2 and JRFL, and X4 strain HXBc2, were made in a physiologic membrane setting as candidate immunogens for HIV vaccines—2F5 bound to gp160 Δ CT with a reconstituted membrane ten-fold better than the same protein on beads—anti-CD4BS MAbs IgG1b12 and F105, A32 (C1-C4), C11 (C1-C5), and 39F (V3) MAbs bound gp160 Δ CT PLs indistinguishably from gp160 Δ CT expressed on the cell surface—non-neutralizing MAbs C11 and A32 bound with lower affinity than NAb IgG1b12—the MAb 17b was sCD4 inducible on gp160 Δ CT PL. Grundner *et al.* [2002]
 - 17b: Thermodynamics of binding to gp120 was measured using isothermal titration calorimetry for sCD4, 17b, b12, 48d, F105, 2G12 and C11 to intact YU2 and the HXBc2 core. The free energy of binding was similar. Enthalpy and entropy changes were divergent, but compensated. Not only CD4 but MAb ligands induced thermodynamic changes in gp120 that were independent of whether the core or the full gp120 protein was used. Non-neutralizing CD4BS and CD4i MAbs (17b, 48d, 1.5e, b6, F105 and F91) had large entropy contributions to free energy (mean: 26.1 kcal/mol) of binding to the gp120 monomer, but the potent CD4BS neutralizing MAb b6 had a much smaller value of 5.7 kcal/mol. The high values suggest surface burial or protein folding an ordering of amino acids. These results suggest that while the trimeric Env complex has four surfaces, a non-neutralizing face (occluded on the oligomer),

- a variable face, a neutralizing face and a silent face (protected by carbohydrate masking), gp120 monomers further protect receptor binding sites by conformational or entropic masking, requiring a large energy handicap for Ab binding not faced by other anti-gp120 Abs. Kwong *et al.* [2002]
- 17b: A pseudotyping assay showed that an X4 V3 loop peptide could enhance infectivity of X4 virus, R5 and R5X4 V3 loops peptides could enhance infectivity of an R5 virus, and R5X4 peptides could enhance infectivity of an R5X4 virus. Neither R5 nor R5X4 peptides influenced binding of CD4BS MAbs F105 and IgG1b12, but did increase binding of CD4i MAb 17b. Ling *et al.* [2002]
 - 17b: Ab binding characteristics of SOS gp140 were tested using SPR and RIPA – SOS gp140 is gp120-gp41 bound by a disulfide bond – NAbs 2G12, 2F5, IgG1b12, CD4 inducible 17b, and 19b bound to SOS gp140 better than uncleaved gp140 (gp140unc) and gp120 – non-neutralizing MAbs 2.2B (binds to gp41 in gp140unc) and 23A (binds gp120) did not bind SOS gp140. Schulke *et al.* [2002]
 - 17b: Oligomeric gp140 (o-gp140) derived from R5 primary isolate US4 was characterized for use as a vaccine reagent – antigen capture ELISA was used to compare the antigenicity of gp120 and o-gp140 using a panel of well characterized MAbs – 17b recognized both gp120 monomer and o-gp140. Srivastava *et al.* [2002]
 - 17b: A series of mutational changes were introduced into the YU2 gp120 that favored different conformations – 375 S/W seems to favor a conformation of gp120 closer to the CD4-bound state, and is readily bound by sCD4 and CD4i MAbs (17b, 48d, 49e, 21c and 23e) but binding of anti-CD4BS MAbs (F105, 15e, IgG1b12, 21h and F91) was markedly reduced – IgG1b12 failed to neutralize this mutant, while neutralization by 2G12 was enhanced – 2F5 did not neutralize either WT or mutant, probably due to polymorphism in the YU2 epitope – another mutant, 423 I/P, disrupted the gp120 bridging sheet, favored a different conformation and did not bind CD4, CCR5, or CD4i antibodies, but did bind to CD4BS MAbs. Xiang *et al.* [2002b]
 - 17b: Five CD4i MAbs were studied, 17b, 48d and three new MAbs derived by Epstein-Barr virus transformation of PBMC from an HIV+ long term non-progressor – 23e and 21c were converted to hybridomas to increase Ab production – all compete with the well-characterized 17b CD4i MAb in an ELISA antigen capture assay – critical binding residues are mapped and the CD4i MAb epitopes were distinct but share a common element near isoleucine 420, also important for CCR5 binding, and all five can block CCR5 binding to a sCD4-gp120 complex – the MAb 48d has the epitope most similar to the CCR5 binding site. Xiang *et al.* [2002a]
 - 17b: Uncleaved soluble gp140 (YU2 strain, R5 primary isolate) can be stabilized in an oligomer by fusion with a C-term trimeric GCN4 motif or using a T4 trimeric motif derived from T4 bacteriophage fibritin—stabilized oligomer gp140Δ683(-FT) showed strong preferential recognition by NAbs IgG1b12 and 2G12 relative to the gp120 monomer, in contrast to poorly neutralizing MAbs F105, F91, 17b, 48d, and 39F which showed reduced levels of binding, and C11, A32, and 30D which did not bind the stabilized oligomer. Yang *et al.* [2002]
 - 17b: A rare mutation in the neutralization sensitive R2-strain in the proximal limb of the V3 region caused Env to become sensitive to neutralization by MAbs directed against the CD4 binding site (CD4BS), CD4-induced (CD4i) epitopes, soluble CD4 (sCD4), and HNS2, a broadly neutralizing sera – 2/12 anti-V3 MAbs tested (19b and 694/98-D) neutralized R2, as did 2/3 anti-CD4BS MAbs (15e and IgG1b12), 2/2 CD4i MAbs (17b and 4.8D), and 2G12 and 2F5 – thus multiple epitopes on R2 are functional targets for neutralization and the neutralization sensitivity profile of R2 is intermediate between the highly sensitive MN-TCLA strain and the typically resistant MN-primary strain. Zhang *et al.* [2002]
 - 17b: Using a cell-fusion system, it was found CD4i antibodies 17b, 48d, and CG10 reacted faintly with Env expressing HeLa cells even in the absence of sCD4 or CD4 expressing target cells. Reactivity increased after sCD4 addition, but not after CD4 expressing target cell addition, and binding was not increased at the cell-to-cell CD4-Env interface. This suggests the CD4i co-receptor binding domain is largely blocked at the cell-fusion interface, and so CD4i antibodies would not be able access this site and neutralize cell-mediated viral entry. Finnegan *et al.* [2001]
 - 17b: Mutations in two glycosylation sites in the V2 region of HIV-1 ADA at positions 190 and 197 (187 DNTSYRLINCNTS 199) cause the virus to become CD4-independent and able to enter cells through CCR5 alone—these same mutations tended to increase the neutralization sensitivity of the virus, including to 17b—only the CD4i antibodies 17b and 48d showed an increased affinity of the CD4 independent viruses relative to wild-type. Kolchinsky *et al.* [2001]
 - 17b: Structural aspects of the interaction of neutralizing Abs with HIV-1 Env are reviewed – Env essentially has three faces, one is largely inaccessible on the native trimer, and two that exposed but have low immunogenicity on primary viruses – neutralization is suggested to occur by inhibition of the interaction between gp120 and the target cell membrane receptors as a result of steric hindrance and it is noted that the attachment of approximately 70 IgG molecules per virion is required for neutralization, which is equivalent to about one IgG molecule per spike – the 2G12, 17b and b12 epitopes are discussed in detail – the 17b epitope is masked prior to CD4 binding by the V1-V2 loop and in contrast to sCD4, the binding of cell surface CD4 to virus does not appear to make the epitope accessible to binding by 17b to allow neutralization. Poignard *et al.* [2001]
 - SHIV-HXBc2 is a neutralization sensitive non-pathogenic virus, and several *in vivo* passages through monkey's yielded highly pathogenic SHIV KU-1 – HXBc2 and the KU-1 clone HXBc2P3.2 differ in 12 amino acids in gp160 – substitutions in both gp120 and gp41 reduced the ability of sCD4, IgG1b12, F105 and AG1121 to Env achieve saturation and full occupancy, and neutralize KU-1 – 17b and 2F5 also bound less efficiently to HXBc2P3.2, although 2G12 was able to bind both comparably. Si *et al.* [2001]
 - 17b: Abs against the V3 loop (50.1, 58.2, 59.1, 257-D, 268-D, 447-52D), CD4BS (IgG1b12, 559-64D, F105), CD4i (17b), and to gp41 (2F5, F240) each showed similar binding efficiency to Env derived from related pairs of primary and TCLA lines (primary: 168P and 320SI, and TCLA: 168C and 320SI-C3.3), but the TCLA lines were much more susceptible to neutraliza-

- tion suggesting that the change in TCLA lines that make them more susceptible to NAb alters some step after binding – 17b bound at somewhat greater levels to 168C than to 168P, but this is not a general feature of 17b binding to primary versus TCLA strains. York *et al.* [2001]
- 17b: 17b binds to a CD4 inducible epitope which partially overlaps the CCR5 binding site – JRFL, YU2, 89.6, and HXB2 and their C1-, V1/V2-, C5 -deletion mutants were used to study how 17b binding affects gp120-CD4 interactions – 17b reduced CD4-gp120 interactions by decreasing the on-rate and increasing the off-rate of sCD4, while enhanced binding of sCD4 binding was observed for the 17b-bound, V1/V2 deleted gp120s – 17b was considered to be a surrogate for CCR5, and the authors suggest that 17b binding may shift V1/V2 into a position that interferes with CD4 binding, forcing a release. Zhang *et al.* [2001a]
 - 17b: To determine the antigenicity of virus killed by thermal and chemical inactivation, retention of conformation-dependent neutralization epitopes was examined, and exposure of CD4BS epitopes was found to be enhanced (MAbs IgG1b12, 205-46-9, and 205-43-1) – binding to 2G12 and 447-52D epitopes was essentially unaltered – the 17b CD4i epitope was also exposed. Grovit-Ferbas *et al.* [2000]
 - 17b: SF162 is a neutralization-resistant HIV-1 isolate – N-linked glycosylation modifications in the V2 loop of the SF162 gp120 revealed that these sites prevent neutralization by CD4BS MAbs (IgG1b12 and IgGCD4), and protect against neutralization by V3 MAbs (447-D and 391-95D) – V2-region glycosylation site mutations did not alter neutralization resistance to V2 MAbs (G3.4 and G3.136) or CD4i MAbs (17b and 48d) – V2 glycosylation site modification allows infection of macrophages, probably due to glycosylated forms requiring fewer CCR5 molecules for viral entry. Ly & Stamatatos [2000]
 - 17b: Six mutations in MN change the virus from a high-infectivity neutralization resistant phenotype to low-infectivity neutralization sensitive – V3, CD4BS, and CD4i MAbs are 20-100 fold more efficient at neutralizing the sensitive form – the mutation L544P reduced binding of all MAbs against gp120 by causing conformational changes. Park *et al.* [2000]
 - 17b: Mutagenesis defines Ile-420, Lys-421, Gln-422, Pro-438, and Gly-441 to be important residues for CCR5 binding – these positions are located on two strands that connect the gp120 bridging sheet and outer domain, suggesting a mechanism for conformational shifts induced by CD4 binding to facilitate CCR5 binding. Rizzuto & Sodroski [2000]
 - 17b: sCD4 can activate fusion between effector cells expressing Env and target cells expressing coreceptor (CCR5 or CXCR4) alone without CD4 – CD4i MAbs 17b and 48d have little effect on a standard cell fusion assay but potently block sCD4 activated fusion – 17b was broadly cross-reactive inhibiting sCD4 activated fusion with Env from clades A, B, C, D, E, F, and F/B. Salzwedel *et al.* [2000]
 - 17b: Soluble gp140 derived from SF162, a neutralization-resistant primary isolate, and SF162AV2 a neutralization-susceptible isolate with 30 amino acids deleted from the V2 loop, were generated with or without the gp120-gp41 cleavage site intact – all forms are recognized by oligomer-specific MAb T4 and show enhanced binding of CD4i MAb 17b when sCD4 is bound – the fused forms are less efficiently recognized than the cleaved forms by polyclonal neutralizing sera from HIV-infected patients – the V3 loop is more exposed on the fused form. Stamatatos *et al.* [2000]
 - 17b: A combination of gp41 fusion with the GNC4 trimeric sequences and disruption of the YU2 gp120-gp41 cleavage site resulted in stable gp140 trimers (gp140-GNC4) that preserve and expose some neutralizing epitopes while occluding some non-neutralizing epitopes – CD4BS MAbs (F105 and F91) and CD4i (17b and 48d) recognized gp140-GNC4 as well as gp120 or gp140 – non-neutralizing MAbs C11, A32, 522-149, M90, and #45 bound to the gp140-GNC4 glycoprotein at reduced levels compared to gp120 – MAbs directed at the extreme termini of gp120 C1 (135/9 and 133/290) and C5 (CRA-1 and M91) bound efficiently to gp140-GNC4. Yang *et al.* [2000]
 - 17b: The MAbs with the broadest neutralizing activity, IgG1b12, 2G12 and 2F5, all have high affinity for the native trimer, indicating that they were raised in an immune response to the oligomer on the virion surface rather than dissociated subunits – a disulfide linked gp120-gp41 (SOS gp140) was created to mimic the native conformation of Env and explore its potential as an immunogen – SOS gp140 is recognized by NAb IgG1b12, 2G12, and CD4-IgG2, and also by anti-V3 MAbs 19b and 83.1 – SOSgp140 is not recognized by C4 region MAbs that neutralize only TCLA strains, G3-42 and G3-519 – nor did it bind C11, 23A, and M90, MAbs that bind to gp120 C1 and C5, where it interacts with gp41 – MAbs that bind CD4 inducible epitopes, 17b and A32 were very strongly induced by CD4 in SOS gp140 – anti-gp41 MAbs that bind in the region that interacts with gp120, 7B2, 2.2B, T4, T15G1 and 4D4, did not bind to SOSgp140, in contrast to 2F5, which binds to the only gp41 epitope that is well exposed in native gp120-gp41 complexes. Binley *et al.* [1999]
 - 17b: A CD4-independent viral variant of IIB, IIBx, was generated on CXCR4-expressing cells – IIBx exhibited greater exposure of the 17b and 48d epitopes and enhanced neutralization by CD4i MAbs and by polyclonal human sera – the 17b epitope has significant overlap with the CCR5 coreceptor binding site. Hoffman *et al.* [1999]
 - 17b: A panel of MAbs was shown to bind with similar or greater affinity and similar competition profiles to a deglycosylated or variable loop deleted core gp120 protein (Delta V1, V2, and V3), thus such a core protein produces a structure closely approximating full length folded monomer – CD4i MAbs 17b and 48d bound better to the deleted protein than to wild type. Binley *et al.* [1998]
 - 17b: 17b Fab was co-crystallized with a gp120 core and CD4, and its binding site can be directly visualized—17b binds to the “bridging sheet” of gp120, an antiparallel beta sheet region, contacting residues from the C4 region and the V1/V2 stem—the contact area is small for an Ab-antigen interactive surface, and dominated in the Ab by the heavy chain—the center of the binding region has hydrophobic interactions, and the periphery charge interactions, acidic on 17b and basic on gp120. Kwong *et al.* [1998]
 - 17b: Moore and Binley provide a commentary on the papers by Rizzuto *et al.* [1998], Wyatt *et al.* [1998] and Kwong *et al.* [1998] – they point out 17b shares binding elements in gp120 with chemokine receptor molecules, and that CD4 needs to bind to gp120 first to make the 17b epitope accessible and it

- may be sterically blocked in the CD4 bound virus, thus making it a poor NAb for primary isolates Moore & Binley [1998]. Kwong *et al.* [1998]; Moore & Binley [1998]; Rizzuto *et al.* [1998]; Wyatt *et al.* [1998]
- 17b: Site directed mutagenesis of a WU2 protein with the V1-V2 loops deleted revealed key residues for 17b-gp120 interaction and interaction of gp120 and CCR5 – mutations in residues that reduced 17b by 70% were R/D 419, I/R 420, Q/L 422, Y/S 435, I/S 423, K/D 121 and K/D 421– 17b can neutralize HIV-1 strains that use different chemokine receptors, supporting a common region in gp120 in chemokine-receptor interaction. Rizzuto *et al.* [1998]
 - 17b: Deleting the V2 loop of neutralization-resistant HIV-1 isolate SF162 does not abrogate its replication in PBMC or macrophages, but it enhances its neutralization sensitivity to sera from patients with B clade infection up to 170-fold, and also enhances sensitivity to sera from clades A through F – deletion of V2 but not V1 enabled neutralization by CD4i MAbs 17b and 48d. Stamatatos & Cheng-Mayer [1998]
 - 17b: sCD4 induces 17b binding in primary isolates and TCLA strains – amino acids that reduce the efficiency of binding were determined and found also to compromise syncytia formation and viral entry – V1V2 deletion or sCD4 binding can expose the 17b epitope for both HXBc2 and macrophage tropic YU2 – neutralizing potency of 17b is probably weak due to poor exposure of the epitope – 17b epitope exposure upon sCD4 binding can occur over a wide range of temperatures, consistent with the energy of CD4 binding being sufficient to drive the V1/V2 loop into a new conformation. Sullivan *et al.* [1998b]
 - 17b: The HIV-1 virus YU2 entry can be enhanced by MAbs binding to the CD4BS, V3 loop, and CD4i epitopes – the activation for this enhanced entry state could be conferred on HxB2 by introducing the YU2 V3 loop, or the YU2 V3 and V1/V2 loops, and the presence of V1/V2 increased the enhancement – a similar effect is observed by sub-neutralizing concentrations of sCD4 and the effect is dependent of CCR5 – 17b enhances YU2 enhanced viral entry 10-fold, whereas HXBc2 was neutralized. Sullivan *et al.* [1998a]
 - 17b: Summary of the implications of the crystal structure of a gp120 core bound to CD4 and 17b, combined with what is known about mutations that reduce NAb binding to gp120 – probable mechanism of neutralization is interference with chemokine receptor binding – mutations in 88N, 117K, 121K, 256S, 257T, N262, Delta V3, E370, E381, F 382, R 419, I 420, K 421, Q 422, I 423, W 427, Y 435, P 438, M 475 of HXBc2 (IIIB) reduce binding – the only variable residues in gp120 that contact 17b are 202T and 434M – the contact points for 17b with the crystallized incomplete gp120 are mostly in the heavy chain of the Ab, and there is a gap between 17b's light chain and the partial gp120 which may be occupied by the V3 loop in a complete gp120 molecule – the authors propose that the V2 and V3 loops may mask the CD4i Ab binding site, and that the V2 loop may be repositioned upon CD4 binding. Wyatt *et al.* [1998]
 - 17b: Virus with the V1-V2 loop deleted was viable and more susceptible to neutralization by CD4i MAb 17b, and anti-V3 MAbs 1121, 9284, and 110.4, but not to a CD4BS MAb, F105, or sCD4. Cao *et al.* [1997b]
 - 17b: Study shows neutralization is not predicted by MAb binding to JRFL monomeric gp120, but is associated with oligomeric Env binding – 17b bound monomer, oligomer, and neutralized JRFL in the presence of sCD4, but if sCD4 was not present, 17b only bound monomer. Fouts *et al.* [1997]
 - 17b: One of 14 human MAbs tested for ability to neutralize a chimeric SHIV-vpu+, which expressed HIV-1 IIIB env – 17b has synergistic response in combination with anti-V3 MAb 694/98-D. Li *et al.* [1997]
 - 17b: Neutralizes TCLA strains, but not primary isolates. Parren *et al.* [1997b]
 - 17b: 48d binds to the IIIB protein and not IIIB V3 peptide, while binding to the Can0A V3 peptide, suggesting Can0A V3 is a conformer that mimics the 48d – it does not bind to 17b, distinguishing the epitopes. Weinberg *et al.* [1997]
 - 17b: Binds to sgp120 efficiently, but not soluble gp120+gp41, suggesting its gp120 epitope is blocked by gp41 binding – partial re-exposure if sCD4 was bound – could not bind to HXBc2 gp120 if the 19 C-term amino acids were deleted in conjunction with amino acids 31-93 in C1, but binding was restored in the presence of sCD4. Wyatt *et al.* [1997]
 - 17b: Many MAbs inhibit binding (anti-C1, -C5, -C4, -CD4BS) – anti-V3 MAb 5G11 enhances binding, as do C1-C4 discontinuous epitopes A32 and 2/11c – enhances binding of some anti-V2 MAbs. Moore & Sodroski [1996]
 - 17b: Binding did not result in significant gp120 dissociation from virion, in contrast to 48d, although the gp41 epitope of MAb 50-69 was exposed. Poignard *et al.* [1996a]
 - 17b: Neutralizes JR-FL – inhibits gp120 interaction with CCR-5 in a MIP-1beta-CCR-5 competition study. Trkola *et al.* [1996a]
 - 17b: MIP-1 α binding to CCR-5 expressing cells can be inhibited by gp120-sCD4 – binding of 17b blocks this inhibition. Wu *et al.* [1996]
 - 17b: Binds with higher affinity to monomer and oligomer, slow association rate, poor neutralization of lab strain – this is in contrast to 48d, which has very different kinetics. Sattentau & Moore [1995]
 - 17b: Studies using a V1/V2 deletion mutant demonstrated that enhanced binding of 17b in the presence sCD4 involves the V1/V2 loops, with more significant involvement of V2 – similar effect observed for 48d and A32. Wyatt *et al.* [1995]
 - 17b: A mutation in gp41, 582 A/T, confers resistance to neutralization (also confers resistance to MAbs F105, 48d, 21h and 15e). Thali *et al.* [1994]
 - 17b: Binding of 48d is much more influenced by sequence variation among molecular clones of LAI than is binding of 17b. Moore *et al.* [1993c]
 - 17b: Epitope is better exposed upon CD4 binding to gp120 – competes with 15e and 21h, anti-CD4 binding site MAbs – 113 D/R, 252 R/W, 257 T/A or G, 370 E/D, 382 F/L, 420 I/R, 433A/L, 438 P/R and 475 M/S confer decreased sensitivity to neutralization. Thali *et al.* [1993]

No. 1120

MAb ID 21c (2.1C)

HXB2 Location Env

Author Location gp120 (IIIB, J62)

Epitope

Subtype B

Neutralizing L
Immunogen HIV-1 infection
Species (Isotype) human (IgG)
Ab Type gp120 CD4i, gp120 CCR5BS
Research Contact James Robinson, Tulane University, New Orleans, LA, USA
References Haynes *et al.* 2005; Gorny & Zolla-Pazner 2004; Xiang *et al.* 2002b; Xiang *et al.* 2002a
Keywords antibody binding site definition and exposure, antibody generation, review, vaccine antigen design

- 21c: Called 2.1C. Of 35 Env-specific MAbs tested, only 2F5, 4E10, IgG1b12, and two CD4BS adjacent MAbs (A32 and 1.4G) and gp41 MAbs (2.2B and KU32) had binding patterns suggesting polyspecific autoreactivity, and similar reactivities may be difficult to induce with vaccines because of elimination of such autoreactivity. 2.1C has no indication of polyspecific autoreactivity. Haynes *et al.* [2005] (**antibody binding site definition and exposure**)
- 21c: This review summarizes MAbs directed to HIV-1 Env. There are six CD4 inducible MAbs and Fabs in the database. The MAb forms neutralize TCLA strains only, but the smaller Fabs and scFv fragments can neutralize primary isolates. Gorny & Zolla-Pazner [2004] (**review**)
- 21c: Five CD4i MAbs were studied, 17b, 48d and three new MAbs derived by Epstein-Barr virus transformation of PBMC from an HIV+ long term non-progressor – 23e and 21c were converted to hybridomas to increase Ab production – all compete with the well-characterized 17b CD4i MAb in an ELISA antigen capture assay – critical binding residues are mapped and the CD4i MAb epitopes were distinct but share a common element near isoleucine 420, also important for CCR5 binding, and all five can block CCR5 binding to a sCD4-gp120 complex – the MAb 48d has the epitope most similar to the CCR5 binding site. Xiang *et al.* [2002a] (**antibody binding site definition and exposure, antibody generation**)
- 21c: A series of mutational changes were introduced into the YU2 gp120 that favored different conformations – 375 S/W seems to favor a conformation of gp120 closer to the CD4-bound state, and is readily bound by sCD4 and CD4i MAbs (17b, 48d, 49e, 21c and 23e) but binding of anti-CD4BS MAbs (F105, 15e, IgG1b12, 21h and F91 was markedly reduced – IgG1b12 failed to neutralize this mutant, while neutralization by 2G12 was enhanced – 2F5 did not neutralize either WT or mutant, probably due to polymorphism in the YU2 epitope – another mutant, 423 I/P, disrupted the gp120 bridging sheet, favored a different conformation and did not bind CD4, CCR5, or CD4i antibodies, but did bind to CD4BS MAbs. Xiang *et al.* [2002b] (**antibody binding site definition and exposure, vaccine antigen design**)

No. 1121
MAb ID 23e
HXB2 Location Env
Author Location gp120 (IIIB, J62)
Epitope
Subtype B
Neutralizing L
Immunogen HIV-1 infection
Species (Isotype) human (IgG)

Ab Type gp120 CD4i
Research Contact James Robinson, Tulane University, New Orleans, LA, USA
References Gorny & Zolla-Pazner 2004; Xiang *et al.* 2002b; Xiang *et al.* 2002a
Keywords antibody binding site definition and exposure, antibody generation, review, vaccine antigen design

- 23e: This review summarizes MAbs directed to HIV-1 Env. There are six CD4 inducible MAbs and Fabs in the database. The MAb forms neutralize TCLA strains only, but the smaller Fabs and scFv fragments can neutralize primary isolates. Gorny & Zolla-Pazner [2004] (**review**)
- 23e: Five CD4i MAbs were studied, 17b, 48d and three new MAbs derived by Epstein-Barr virus transformation of PBMC from an HIV+ long term non-progressor – 23e and 21c were converted to hybridomas to increase Ab production – all compete with the well-characterized 17b CD4i MAb in an ELISA antigen capture assay – critical binding residues are mapped and the CD4i MAb epitopes were distinct but share a common element near isoleucine 420, also important for CCR5 binding, and all five can block CCR5 binding to a sCD4-gp120 complex – the MAb 48d has the epitope most similar to the CCR5 binding site. Xiang *et al.* [2002a] (**antibody binding site definition and exposure, antibody generation**)
- 23e: A series of mutational changes were introduced into the YU2 gp120 that favored different conformations – 375 S/W seems to favor a conformation of gp120 closer to the CD4-bound state, and is readily bound by sCD4 and CD4i MAbs (17b, 48d, 49e, 21c and 23e) but binding of anti-CD4BS MAbs (F105, 15e, IgG1b12, 21h and F91 was markedly reduced – IgG1b12 failed to neutralize this mutant, while neutralization by 2G12 was enhanced – 2F5 did not neutralize either WT or mutant, probably due to polymorphism in the YU2 epitope – another mutant, 423 I/P, disrupted the gp120 bridging sheet, favored a different conformation and did not bind CD4, CCR5, or CD4i antibodies, but did bind to CD4BS MAbs. Xiang *et al.* [2002b] (**antibody binding site definition and exposure, vaccine antigen design**)

No. 1122
MAb ID 48d (4.8d, 4.8D)
HXB2 Location Env
Author Location gp120
Epitope
Neutralizing L P (weak)
Immunogen HIV-1 infection
Species (Isotype) human (IgG1κ)
Ab Type gp120 CD4i
Research Contact James Robinson, Tulane University, New Orleans, LA, USA
References Selvarajah *et al.* 2005; Martín-García *et al.* 2005; Lusso *et al.* 2005; Pinter *et al.* 2004; Pantophlet *et al.* 2004; Nabatov *et al.* 2004; McCaffrey *et al.* 2004; Gorny & Zolla-Pazner 2004; Pantophlet *et al.* 2003b; Zwick *et al.* 2003; Labrijn *et al.* 2003; Cavacini *et al.* 2003; Cavacini *et al.* 2002; Zhang *et al.* 2002; Edwards *et al.* 2002; Xiang *et al.* 2002a; Xiang *et al.* 2002b; Yang *et al.* 2002; Golding

et al. 2002b; Kwong *et al.* 2002; Finnegan *et al.* 2001; Verrier *et al.* 2001; Kolchinsky *et al.* 2001; Salzwedel *et al.* 2000; Yang *et al.* 2000; Park *et al.* 2000; Ly & Stamatatos 2000; Fortin *et al.* 2000; Hoffman *et al.* 1999; Oscherwitz *et al.* 1999a; Stamatatos & Cheng-Mayer 1998; Binley *et al.* 1998; Yang *et al.* 1998; Sullivan *et al.* 1998b; Parren *et al.* 1998a; Mondor *et al.* 1998; Wyatt *et al.* 1998; Frankel *et al.* 1998; Parren *et al.* 1997b; Wyatt *et al.* 1997; Ugolini *et al.* 1997; Lee *et al.* 1997; Weinberg *et al.* 1997; Li *et al.* 1997; Binley *et al.* 1997a; Trkola *et al.* 1996a; Poignard *et al.* 1996a; Moore & Sodroski 1996; Sattentau & Moore 1995; Sattentau *et al.* 1995; Wyatt *et al.* 1995; Sattentau 1995; D'Souza *et al.* 1995; Moore *et al.* 1994b; Thali *et al.* 1994; Moore *et al.* 1993c; Moore & Ho 1993; Thali *et al.* 1993

Keywords antibody binding site definition and exposure, antibody interactions, binding affinity, co-receptor, kinetics, review, structure, subtype comparisons, vaccine antigen design, vaccine-specific epitope characteristics, variant cross-recognition or cross-neutralization

- 48d: 48d and 17b have similar epitopes, and the pair are unique among human and rodent MAbs.
- 48d: NIH AIDS Research and Reference Reagent Program: 1756.
- 48d: The epitope for the MAb D19 is conserved and embedded in V3. D19 is unique in that for R5 viruses, it was cryptic and did not bind without exposure to sCD4, and for X4 and R5X4 isolates it was constitutively exposed. D19b is unique among CD4i antibodies in that it binds to the V3 loop. CD4i MAbs 17b and 48d were used as controls for CD4i characterization; in contrast to D19, other CD4i MAbs bind to the conserved bridging sheet and do not differentiate between R5 and X4 using strains. Lusso *et al.* [2005]
- 48d: The HIV-1 Bori-15 variant was adapted from the Bori isolate for replication microglial cells. Bori-15 had increased replication in microglial cells and a robust syncytium-forming phenotype, ability to use low levels of CD4 for infection, and increased sensitivity to neutralization by sCD4 and 17b. Four amino acid changes in gp120 V1-V2 were responsible for this change. Protein functionality and integrity of soluble, monomeric gp120-molecules derived from parental HIV-1 Bori and microglia-adapted HIV-1 Bori-15 was assessed in ELISA binding assays using F105, IgG1b12, 17b and 48d, 2G12 and 447-52D. Association rates of sCD4 and 17b were not changed, but dissociation rates were 3-fold slower for sCD4 and 14-fold slower for 17b. Equilibrium binding studies showed 48d bound better to Bori-15 than Bori in the absence of sCD4, while 17b bound identically. Martín-García *et al.* [2005] (**antibody binding site definition and exposure**)
- 48d: Antigens were designed to attempt to target immune responses toward the IgG1b12 epitope, while minimizing antibody responses to less desirable epitopes. One construct had a series of substitutions near the CD4 binding site (GDMR), the other had 7 additional glycans (mCHO). The 2 constructs did not elicit b12-like neutralizing antibodies, but both antigens successfully dampened other responses that were intended to be dampened while not obscuring b12 binding. CD4i MAbs (48d, 17b) did not bind to either GDMR or mCHO even with sCD4. Selvarajah *et al.* [2005] (**vaccine antigen design, vaccine-specific epitope characteristics**)
- 48d: This review summarizes MAbs directed to HIV-1 Env. There are six CD4 inducible MAbs and Fabs in the database. The MAb forms neutralize TCLA strains only, but the smaller Fabs and scFv fragments can neutralize primary isolates. Gorny & Zolla-Pazner [2004] (**review**)
- 48d: Sera from two HIV+ people and a panel of MAbs were used to explore susceptibility to neutralization in the presence or absence of glycans within or adjacent to the V3 loop and within the C2, C4 and V5 regions of HIV-1 SF162 env gp120. The loss of the glycan within the V3 loop (GM299 V3) and two sites adjacent to V3, C2 (GM292 C2) and (GM329 C3), increased neutralization susceptibility to CD4i Fab X5, but each of the glycan mutants and SF162 were refractive to neutralization with 48d and 17b. The loss of sites in C4 (GM438 C4), or V5 (GM454 V5) did not increase neutralization susceptibility to Fab X5. V3 glycans tended to shield V3 loop, CD4 and co-receptor MAb binding sites, while C4 and V5 glycans shielded V3 loop, CD4, gp41 but not co-receptor MAb binding sites. Selective removal of glycans from a vaccine candidate may enable greater access to neutralization susceptible epitopes. McCaffrey *et al.* [2004] (**antibody binding site definition and exposure, vaccine antigen design**)
- 48d: A set of HIV-1 chimeras that altered V3 net charge and glycosylation patterns in V1V2 and V3, involving inserting V1V2 loops from a late stage primary isolate taken after the R5 to X4 switch, were studied with regard to phenotype, co-receptor usage, and MAb neutralization. The loops were cloned into a HXB2 envelope with a LAI viral backbone. It was observed that the addition of the late-stage isolate V1V2 region and the loss of V3-linked glycosylation site in the context of high positive charge gave an X4 phenotype. R5X4, R5, and X4 viruses were generated, and sCD4, 2G12 and b12 neutralization resistance patterns were modified by addition of the late stage V1V2, glycosylation changes, and charge in concert, while neutralization by 2F5 was unaffected. 15e, 17b, and 48d could not neutralize any of the variants tested. Nabatov *et al.* [2004] (**antibody binding site definition and exposure, co-receptor**)
- 48d: By adding N-linked glycosylation sites to gp120, epitope masking of non-neutralizing epitopes can be achieved leaving the IgG1b12 binding site intact. This concept was originally tested with the addition of four glycosylation sites, but binding to b12 was reduced. It was modified here to exclude the C1 N-terminal region, and to include only three additional glycosylation sites. This modified protein retains full b12 binding affinity and it masks other potentially competing epitopes, and does not bind to 21 other MAbs to 7 epitopes on gp120, including 48d. Pantophlet *et al.* [2004] (**vaccine antigen design**)
- 48d: V1V2 was determined to be the region that conferred the neutralization phenotype differences between two R5-tropic primary HIV-1 isolates, JRFL and SF162. JRFL is resistant to neutralization by many sera and MAbs, while SF162 is sensitive. All MAbs tested, anti-V3, -V2, -CD4BS, and -CD4i,

- (except the broadly neutralizing MAbs IgG1b12, 2F5, and 2G12, which neutralized both strains), neutralized the SF162 pseudotype but not JRFL, and chimeras that exchanged the V1V2 loops transferred the neutralization phenotype. Three CD4i MAbs were tested; all preferentially neutralized SF162, and JRFL became neutralization sensitive to CD4i Abs if the SF162 V1V2 loop was exchanged. Pinter *et al.* [2004] (**variant cross-recognition or cross-neutralization**)
- 48d: Called 4.8d. The MAb B4e8 binds to the base of the V3 loop, neutralizes multiple primary isolates and was studied for interaction with other MAbs. B4e8 enhanced binding of CD4i MAbs 4.8d, 1.7b, and A1g8 to R5X4 virus 92HT593, but only of 48d to the R5 virus 92US660, and there was only a modest impact of the combination of B4e8 and CD4i MAbs on neutralization. Cavacini *et al.* [2003] (**antibody interactions, co-receptor**)
 - 48d: This study shows the fragments of CD4i MAbs are better able to neutralize virus than whole IgG. Neutralization of HIV-1 R5 isolates JRFL, JR-CSF and ADA by CD4i MAbs X5, 17b, and 48d decreased with increased molecule size, the neutralizing potency of single-chain Fv (scFv) > than Fab fragments > whole Ab molecules. (With the exception of IgG 48d neutralization of HIV-1 ADA being better than the Fab – for 48d, only the IgG and Fab forms were available, not the scFv.) HIV-1 X4 isolates 89.6 and HxB2 are both relatively sensitive even to the larger IgG version. R5X4 isolate neutralization was dependent on the isolate and co-receptor usage. The CD4i MAb fragments neutralize HIV-1 subsequent to CD4 binding. The CD4i MAbs bind near the co-receptor binding sites on gp120. Co-receptors bind to the conserved beta19 strand and part of the V3 loop, regions that are masked by the V1V2 loops in the CD4-unbound state. When CD4 is bound, the co-receptor site is exposed near the membrane surface where it would be optimally accessible to co-receptors, and the smaller versions of the molecules are better able to overcome the steric hindrance. Labrijn *et al.* [2003] (**antibody binding site definition and exposure, co-receptor, variant cross-recognition or cross-neutralization**)
 - 48d: A gp120 molecule was designed to focus the immune response onto the IgG1b12 epitope. Ala substitutions that enhance the binding of IgG1b12 and reduce the binding of non-neutralizing MAbs were combined with additional N-linked glycosylation site sequons inhibiting binding of non-neutralizing MAbs; b12 bound to the mutated gp120. C1 and C5 were also removed, but this compromised b12 binding. Pantophlet *et al.* [2003b] (**vaccine antigen design**)
 - 48d: scFv 4KG5 reacts with a conformational epitope. Of a panel of MAbs tested, only NAb b12 enhanced 4KG5 binding to gp120. MAbs to the V2 loop, V3 loop, V3-C4 region, and CD4BS diminished binding, while MAbs directed against C1, CD4i, C5 regions didn't impact 4KG5 binding. These results suggest that the orientation or dynamics of the V1/V2 and V3 loops restricts CD4BS access on the envelope spike, and IgG1b12 can uniquely remain unaffected. This is a CD4i MAb that had no impact on 4KG5 binding. Zwick *et al.* [2003] (**antibody interactions**)
 - 48d: This study examined antibody interactions, binding and neutralization with a B clade R5 isolate (92US660) and R5X4 isolate (92HT593). Abs generally bound and neutralized the R5X4 isolate better than the R5 isolate. Anti-V3 MAb B4a1 increased binding of CD4i MAbs 48d, 17b and A1g8, but only A1g8 binding was increased by B4a1 to the R5 isolate. Additive effects on neutralization of the R5X4 isolate with B4a1 and CD4i MAbs was observed, presumably due to increased exposure of the CD4i binding site, but not for the R5 isolate. Anti-gp41 MAb F240 had a synergistic effect on neutralization with CD4i MAbs 48d and 17b, but not with A1g8 for the R5X4 virus. Cavacini *et al.* [2002] (**variant cross-recognition or cross-neutralization**)
 - 48d: Truncation of the gp41 cytoplasmic domain of X4, R5, and X4R5 viruses forces a conformation that more closely resembles the CD4 bound state of the external Envelope, enhancing binding of CD4i MAbs 17b and 48d and of CD4BS MAbs F105, b12, and in most cases of glycosylation site dependent MAb 2G12 and the anti-gp41 MAb 246D – in contrast, binding of the anti-V2 MAb 697D and the anti-V3 MAb 694/98D were not affected – viruses bearing the truncation were more sensitive to neutralization by MAbs 48d, b12, and 2G12 – the anti-C5 MAb 1331A was used to track levels of cell surface expression of the mutated proteins. Edwards *et al.* [2002] (**co-receptor**)
 - 48d: The fusion process was slowed by using a suboptimal temperature (31.5 C) to re-evaluate the potential of Abs targeting fusion intermediates to block HIV entry – preincubation of E/T cells at 31.5 C enabled polyclonal anti-N-HR Ab and anti-six-helix bundle Abs to inhibit fusion, indicating six-helix bundles form prior to fusion – the preincubation 31.5 C step did not alter the inhibitory activity of neutralizing Abs anti-gp41 2F5, or anti-gp120 2G12, IG1b12, 48d, and 17b. Golding *et al.* [2002b]
 - 48d: Thermodynamics of binding to gp120 was measured using isothermal titration calorimetry for sCD4, 17b, b12, 48d, F105, 2G12 and C11 to intact YU2 and the HXBc2 core. The free energy of binding was similar. Enthalpy and entropy changes were divergent, but compensated. Not only CD4 but MAb ligands induced thermodynamic changes in gp120 that were independent of whether the core or the full gp120 protein was used. Non-neutralizing CD4BS and CD4i MAbs (17b, 48d, 1.5e, b6, F105 and F91) had large entropy contributions to free energy (mean: 26.1 kcal/mol) of binding to the gp120 monomer, but the potent CD4BS neutralizing MAb b6 had a much smaller value of 5.7 kcal/mol. The high values suggest surface burial or protein folding an ordering of amino acids. These results suggest that while the trimeric Env complex has four surfaces, a non-neutralizing face (occluded on the oligomer), a variable face, a neutralizing face and a silent face (protected by carbohydrate masking), gp120 monomers further protect receptor binding sites by conformational or entropic masking, requiring a large energy handicap for Ab binding not faced by other anti-gp120 Abs. Kwong *et al.* [2002] (**antibody binding site definition and exposure**)
 - 48d: A series of mutational changes were introduced into the YU2 gp120 that favored different conformations – 375 S/W seems to favor a conformation of gp120 closer to the CD4-bound state, and is readily bound by sCD4 and CD4i MAbs (17b, 48d, 49e, 21c and 23e) but binding of anti-CD4BS MAbs (F105, 15e, IgG1b12, 21h and F91 was markedly reduced – IgG1b12 failed to neutralize this mutant, while neutralization

- by 2G12 was enhanced – 2F5 did not neutralize either WT or mutant, probably due to polymorphism in the YU2 epitope – another mutant, 423 I/P, disrupted the gp120 bridging sheet, favored a different conformation and did not bind CD4, CCR5, or CD4i antibodies, but did bind to CD4BS MAbs. Xiang *et al.* [2002b]
- 48d: Five CD4i MAbs were studied, 17b, 48d and three new MAbs derived by Epstein-Barr virus transformation of PBMC from an HIV+ long term non-progressor – 23e and 21c were converted to hybridomas to increase Ab production – all compete with the well-characterized 17b CD4i MAb in an ELISA antigen capture assay – critical binding residues are mapped and the CD4i MAb epitopes were distinct but share a common element near isoleucine 420, also important for CCR5 binding, and all five can block CCR5 binding to a sCD4-gp120 complex – the MAb 48d has the epitope most similar to the CCR5 binding site. Xiang *et al.* [2002a] (**antibody binding site definition and exposure, co-receptor**)
 - 48d: Uncleaved soluble gp140 (YU2 strain, R5 primary isolate) can be stabilized in an oligomer by fusion with a C-term trimeric GCN4 motif or using a T4 trimeric motif derived from T4 bacteriophage fibrin – stabilized oligomer gp140 delta683(-FT) showed strong preferential recognition by NAbs IgG1b12 and 2G12 relative to the gp120 monomer, in contrast to poorly neutralizing MAbs F105, F91, 17b, 48d, and 39F which showed reduced levels of binding, and C11, A32, and 30D which did not bind the stabilized oligomer. Yang *et al.* [2002]
 - 48d: Called 4.8D – A rare mutation in the neutralization sensitive R2-strain in the proximal limb of the V3 region caused Env to become sensitive to neutralization by MAbs directed against the CD4 binding site (CD4BS), CD4-induced (CD4i) epitopes, soluble CD4 (sCD4), and HNS2, a broadly neutralizing sera – 2/12 anti-V3 MAbs tested (19b and 694/98-D) neutralized R2, as did 2/3 anti-CD4BS MAbs (15e and IgG1b12), 2/2 CD4i MAbs (17b and 4.8D), and 2G12 and 2F5 – thus multiple epitopes on R2 are functional targets for neutralization and the neutralization sensitivity profile of R2 is intermediate between the highly sensitive MN-TCLA strain and the typically resistant MN-primary strain. Zhang *et al.* [2002] (**variant cross-recognition or cross-neutralization**)
 - 48d: Using a cell-fusion system, it was found CD4i antibodies 17b, 48d, and CG10 reacted faintly with Env expressing HeLa cells even in the absence of sCD4 or CD4 expressing target cells. Reactivity increased after sCD4 addition, but not after CD4 expressing target cell addition, and binding was not increased at the cell-to-cell CD4-Env interface. This suggests the CD4i co-receptor binding domain is largely blocked at the cell-fusion interface, and so CD4i antibodies would not be able access this site and neutralize cell-mediated viral entry. Finnegan *et al.* [2001] (**antibody binding site definition and exposure**)
 - 48d: Mutations in two glycosylation sites in the V2 region of HIV-1 ADA at positions 190 and 197 (187 DNTSYRLINCNTS 199) cause the virus to become CD4-independent and able to enter cells through CCR5 alone – these same mutations tended to increase the neutralization sensitivity of the virus, including to 48d – only the CD4i antibodies 17b and 48d showed an increased affinity of the CD4 independent viruses relative to wild-type. Kolchinsky *et al.* [2001]
 - 48d: Called 4.8d – A panel of 12 MAbs was used to identify those that could neutralize the dual-tropic primary isolate HIV-1 89.6 – six gave significant neutralization at 2 to 10 ug/ml: 2F5, 50-69, IgG1b12, 447-52D, 2G12, and 670-D six did not have neutralizing activity: 654-D, 4.8D, 450-D, 246-D, 98-6, and 1281 – no synergy, only additive effects were seen for pairwise combinations of MAbs, and antagonism was noted between gp41 MAbs 50-69 and 98-6, as well as 98-6 and 2F5. Verrier *et al.* [2001]
 - 48d: Called 4.8D – host encoded intercellular adhesion molecule (ICAM-1) is incorporated by the HIV-1 virion and enhances viral infectivity – ICAM-1 does not modify virus sensitivity to antibodies 0.5beta or 4.8D or sCD4, but neutralizing ability of F105 was diminished in ICAM bearing virions in the presence of lymphocyte function-association antigen-1 (LFA-1) Ab. Fortin *et al.* [2000]
 - 48d: SF162 is a neutralization-resistant HIV-1 isolate – N-linked glycosylation modifications in the V2 loop of the SF162 gp120 revealed that these sites prevent neutralization by CD4BS MAbs (IgG1b12 and IgGCD4), and protect against neutralization by V3 MAbs (447-D and 391-95D) – V2-region glycosylation site mutations did not alter neutralization resistance to V2 MAbs (G3.4 and G3.136) or CD4i MAbs (17b and 48d) – V2 glycosylation site modification allows infection of macrophages, probably due to glycosylated forms requiring fewer CCR5 molecules for viral entry. Ly & Stamatos [2000]
 - 48d: Six mutations in MN change the virus from a high-infectivity neutralization resistant phenotype to low-infectivity neutralization sensitive – V3, CD4BS, and CD4i MAbs are 20-100 fold more efficient at neutralizing the sensitive form – the mutation L544P reduced binding of all MAbs against gp120 by causing conformational changes. Park *et al.* [2000]
 - 48d: sCD4 can activate fusion between effector cells expressing Env and target cells expressing coreceptor (CCR5 or CXCR4) alone without CD4 – CD4i MAbs 17b and 48d have little effect on a standard cell fusion assay but potently block sCD4 activated fusion. Salzwedel *et al.* [2000] (**co-receptor**)
 - 48d: A combination of gp41 fusion with the GNC4 trimeric sequences and disruption of the YU2 gp120-gp41 cleavage site resulted in stable gp140 trimers (gp140-GNC4) that preserve and expose some neutralizing epitopes while occluding some non-neutralizing epitopes – CD4BS MAbs (F105 and F91) and CD4i (17b and 48d) recognized gp140-GNC4 as well as gp120 or gp140 – non-neutralizing MAbs C11, A32, 522-149, M90, and #45 bound to the gp140-GNC4 glycoprotein at reduced levels compared to gp120 – MAbs directed at the extreme termini of gp120 C1 (135/9 and 133/290) and C5 (CRA-1 and M91) bound efficiently to gp140-GNC4. Yang *et al.* [2000]
 - 48d: A CD4-independent viral variant of IIB, IIBx, was generated on CXCR4-expressing cells – IIBx exhibited greater exposure of the 17b and 48d epitopes and enhanced neutralization by CD4i MAbs and by polyclonal human sera. Hoffman *et al.* [1999]
 - 48d: A panel of MAbs were shown to bind with similar or greater affinity and similar competition profiles to a deglycosylated or variable loop deleted core gp120 protein (Delta V1, V2, and V3), thus such a core protein produces a struc-

- ture closely approximating full length folded monomer – CD4i MAbs 17b and 48d bound better to the deleted protein than to wild type. Binley *et al.* [1998]
- 48d: Infection of dendritic cells cultured from CD14+ blood cells or from cadaveric human skin was blocked by neutralizing MAbs IgG1b12, or 2F5 and 2G12 delivered together, but not by control non-neutralizing anti-gp120 MAb 4.8D, indicating that NABs could interrupt early mucosal transmission events. Frankel *et al.* [1998]
 - 48d: Inhibits binding of Hx10 to both CD4 positive and CD4 negative HeLa cells. Mondor *et al.* [1998]
 - 48d: The MAb and Fab binding to the oligomeric form of gp120 and neutralization were highly correlated – authors suggest that neutralization is determined by the fraction of Ab sites occupied on a virion irrespective of the epitope. Parren *et al.* [1998a]
 - 48d: Deleting the V2 loop of neutralization-resistant HIV-1 isolate SF162 does not abrogate its replication in PBMC or macrophages, but it enhances its neutralization sensitivity to sera from patients with B clade infection up to 170-fold, and also enhances sensitivity to sera from clades A through F – deletion of V2 but not V1 enabled neutralization by CD4i MAbs 17b and 48d. Stamatatos & Cheng-Mayer [1998]
 - 48d: CD4i MAbs 17b and 48d compete with MAb CG10, and the binding sites may overlap – MAb A32 enhances binding of 17b, 48d and CG10. Sullivan *et al.* [1998b]
 - 48d: Summary of the implications of the crystal structure of the core of gp120 bound to CD4 and 17b with what is known about mutations that reduce NAb binding – probable mechanism of neutralization of 48d is interference with chemokine receptor binding – CD4 binding increases exposure of epitope due to V2 loop movement – 88N, 117K, 121K, 256S, 257T, N262, delta V3, E370, E381, F 382, R 419, I 420, K 421, Q 422, I 423, W 427, Y 435, P 438, M 475 mutations in HXBc2 (IIIB) decrease binding. Wyatt *et al.* [1998] (**structure**)
 - 48d: A neutralization assay was developed based on hemi-nested PCR amplification of the LTR (HNPCR) – LTR-HNPCR consistently revealed HIV DNA and was shown to be a rapid, specific and reliable neutralization assay based on tests with 6 MAbs and 5 isolates. Yang *et al.* [1998]
 - 48d: Prefers CD4-gp120 complex to gp120 alone, but does not enhance fusion, in contrast to MAb CG10, in fact it inhibits syncytium formation. Lee *et al.* [1997] (**antibody binding site definition and exposure**)
 - 48d: One of 14 human MAbs tested for ability to neutralize a chimeric SHIV-vpu+, which expressed HIV-1 IIIB env – all Ab combinations tested showed synergistic neutralization – 48d has synergistic response with MAbs 694/98-D (anti-V3) and F105. Li *et al.* [1997] (**antibody interactions**)
 - 48d: Neutralizes TCLA strains, but not primary isolates. Parren *et al.* [1997b] (**variant cross-recognition or cross-neutralization**)
 - 48d: Viral binding inhibition by 48d was strongly correlated with neutralization (all other neutralizing MAbs tested showed some correlation except 2F5). Ugolini *et al.* [1997]
 - 48d: 48d binds to the IIIB protein and not IIIB V3 peptide, while binding to the Can0A V3 peptide, suggesting Can0A V3 is a conformer that mimics the 48d, (but not 17b), epitope. Weinberg *et al.* [1997] (**antibody binding site definition and exposure**)
 - 48d: Binds efficiently to sgp120 but not soluble gp120+gp41, suggesting its gp120 epitope is blocked by gp41 binding. Wyatt *et al.* [1997] (**antibody binding site definition and exposure**)
 - 48d: Many MAbs inhibit binding (anti-C1, -C5, -C4, -CD4BS) – anti-C1-C4 discontinuous epitope MAbs A32 and 2/11c enhance binding – reciprocal enhanced binding with some anti-V2 MAbs. Moore & Sodroski [1996] (**antibody interactions**)
 - 48d: Binding resulted in gp120 dissociation from virion, mimicking sCD4, and exposure of the gp41 epitope of MAb 50-69, in contrast to CD4BS MAbs. Pognard *et al.* [1996a] (**antibody interactions**)
 - 48d: Neutralizes JR-FL – slightly inhibits gp120 interaction with CCR-5 in a MIP-1beta-CCR-5 competition study. Trkola *et al.* [1996a] (**antibody binding site definition and exposure, co-receptor**)
 - 48d: Called 4.8D – Found to neutralize MN, but not JRCSF, two B subtype primary isolates, or a D subtype primary isolate, by most labs in a multi-laboratory study involving 11 labs. D'Souza *et al.* [1995] (**variant cross-recognition or cross-neutralization, subtype comparisons**)
 - 48d: Formalin inactivation of virus at 0.1% formalin for 10 hours at 4 degrees was optimal for inactivation of virus while maintaining epitope integrity. Sattentau *et al.* [1995] (**vaccine antigen design**)
 - 48d: Binds with similar affinity to monomer and oligomer, moderate association rate, potent neutralization – this is in contrast to 17b, which has very different kinetics. Sattentau & Moore [1995] (**antibody binding site definition and exposure, kinetics, binding affinity**)
 - 48d: Studies using a V1/V2 deletion mutant demonstrated that enhanced binding of 48d in the presence of sCD4 involves the V1/V2 loops, with more significant involvement of V2 – similar effect observed for 17b and A32. Wyatt *et al.* [1995] (**vaccine antigen design**)
 - 48d: Poor cross-reactivity with gp120 from most clades. Moore *et al.* [1994b] (**subtype comparisons**)
 - 48d: A mutation in gp41, 582 A/T, confers resistance to neutralization (also confers resistance to MAbs F105, 21h, 15e and 17b). Thali *et al.* [1994] (**variant cross-recognition or cross-neutralization**)
 - 48d: Called 4.8d – Neutralizes IIIB – reactive with SF-2 gp120 – does not inhibit HIV-1 sera from binding to IIIB gp120. Moore & Ho [1993] (**variant cross-recognition or cross-neutralization**)
 - 48d: Binding of 48d is much more influenced by sequence variation among molecular clones of LAI than is binding of 17b. Moore *et al.* [1993c] (**variant cross-recognition or cross-neutralization**)
 - 48d: Epitope is better exposed upon CD4 binding to gp120 – competes with ICR 39.13, 15e and 21h, anti-CD4 binding site MAbs – inhibited by anti-CD4BS MAb ICR 39.13g and linear anti-C4 MAbs G3-42 and G3-508 – 113 D/R, 252 R/W, 257 T/A or G, 370 E/D, 382 F/L, 420 I/R, 421 K/L, 433A/L, 438 P/R and 475 M/S confer decreased sensitivity to neutralization. Thali *et al.* [1993] (**antibody binding site definition and exposure, antibody interactions**)

MAb ID 49e
HXB2 Location Env
Author Location gp120 (IIIB, J62)
Epitope
Subtype B
Neutralizing L
Immunogen HIV-1 infection
Species (Isotype) human (IgG)
Ab Type gp120 CD4i
Research Contact James Robinson, Tulane University, New Orleans, LA, USA
References Gorny & Zolla-Pazner 2004; Xiang *et al.* 2002b; Xiang *et al.* 2002a
Keywords antibody binding site definition and exposure, antibody generation, review, vaccine antigen design

- 49e: This review summarizes MAbs directed to HIV-1 Env. There are six CD4 inducible MAbs and Fabs in the database. The MAb forms neutralize TCLA strains only, but the smaller Fabs and scFv fragments can neutralize primary isolates. Gorny & Zolla-Pazner [2004] (**review**)
- 49e: Five CD4i MAbs were studied, 17b, 48d and three new MAbs derived by Epstein-Barr virus transformation of PBMC from an HIV+ long term non-progressor – 23e and 21c were converted to hybridomas to increase Ab production – all compete with the well-characterized 17b CD4i MAb in an ELISA antigen capture assay – critical binding residues are mapped and the CD4i MAb epitopes were distinct but share a common element near isoleucine 420, also important for CCR5 binding, and all five can block CCR5 binding to a sCD4-gp120 complex – the MAb 48d has the epitope most similar to the CCR5 binding site. Xiang *et al.* [2002a] (**antibody binding site definition and exposure, antibody generation**)
- 49e: A series of mutational changes were introduced into the YU2 gp120 that favored different conformations – 375 S/W seems to favor a conformation of gp120 closer to the CD4-bound state, and is readily bound by sCD4 and CD4i MAbs (17b, 48d, 49e, 21c and 23e) but binding of anti-CD4BS MAbs (F105, 15e, IgG1b12, 21h and F91) was markedly reduced – IgG1b12 failed to neutralize this mutant, while neutralization by 2G12 was enhanced – 2F5 did not neutralize either WT or mutant, probably due to polymorphism in the YU2 epitope – another mutant, 423 I/P, disrupted the gp120 bridging sheet, favored a different conformation and did not bind CD4, CCR5, or CD4i antibodies, but did bind to CD4BS MAbs. Xiang *et al.* [2002b] (**antibody binding site definition and exposure, vaccine antigen design**)

No. 1124
MAb ID Fbb21
HXB2 Location Env
Author Location gp120
Epitope
Neutralizing
Immunogen HIV-1 infection
Species (Isotype) human
Ab Type gp120 CD4i
References Zwick *et al.* 2003
Keywords antibody interactions

- Fbb21: scFv 4KG5 reacts with a conformational epitope that is formed by the V1V2 and V3 loops and the bridging sheet (C4) region of gp120 and is influenced by carbohydrates. Of a panel of MAbs tested, only NAb b12 enhanced 4KG5 binding to gp120 JRFL. MAbs to the following regions diminished 4KG5 binding: V2 loop, V3 loop, V3-C4 region, CD4BS. MAbs directed against C1, CD4i, C5 regions didn't impact 4KG5 binding. These results suggest that the orientation or dynamics of the V1/V2 and V3 loops restricts CD4BS access on the envelope spike, and IgG1b12 can uniquely remain unaffected by these loops. This is a novel CD4i Fab first used in this study. Fbb21, like other CD4i MAbs, did not inhibit or enhance 4KG5 binding. Zwick *et al.* [2003] (**antibody interactions**)

No. 1125
MAb ID Fbb21
HXB2 Location Env
Author Location gp120
Epitope
Neutralizing
Immunogen HIV-1 infection
Species (Isotype) human
Ab Type gp120 CD4i
References Zwick *et al.* 2003
Keywords antibody interactions

- Fbb21: scFv 4KG5 reacts with a conformational epitope that is formed by the V1V2 and V3 loops and the bridging sheet (C4) region of gp120 and is influenced by carbohydrates. Of a panel of MAbs tested, only NAb b12 enhanced 4KG5 binding to gp120 JRFL. MAbs to the following regions diminished 4KG5 binding: V2 loop, V3 loop, V3-C4 region, CD4BS. MAbs directed against C1, CD4i, C5 regions didn't impact 4KG5 binding. These results suggest that the orientation or dynamics of the V1/V2 and V3 loops restricts CD4BS access on the envelope spike, and IgG1b12 can uniquely remain unaffected by these loops. This is a novel CD4i Fab first used in this study. Fbb21, like other CD4i MAbs, did not inhibit or enhance 4KG5 binding. Zwick *et al.* [2003] (**antibody interactions**)

No. 1126
MAb ID X5 (Fab X5)
HXB2 Location Env
Author Location gp120 (JRFL)
Epitope
Subtype B
Neutralizing P
Immunogen HIV-1 infection
Species (Isotype) human
Ab Type gp120 CD4i
References Pinter *et al.* 2004; Pantophlet *et al.* 2004; McCaffrey *et al.* 2004; Darbha *et al.* 2004; Binley *et al.* 2004; Gorny & Zolla-Pazner 2004; Pantophlet *et al.* 2003b; Zwick *et al.* 2004; Zwick *et al.* 2003; Zhang *et al.* 2003; Labrijn *et al.* 2003; Binley *et al.* 2003; Moulard *et al.* 2002
Keywords antibody binding site definition and exposure, antibody generation, antibody interactions, co-receptor, review, structure, subtype comparisons, vaccine antigen design, variant cross-recognition or cross-neutralization

- X5: 93 viruses from different clades were tested for their neutralization cross-reactivity using a panel of HIV antibodies. X5 is a CD4i antibody and neutralized only the most sensitive B-clade envelopes in the pseudovirus assay, but was able to neutralize 2/25 non-B isolates in the PBMC assay, possibly due to differential coreceptor expression. Binley *et al.* [2004] (**variant cross-recognition or cross-neutralization, subtype comparisons**)
- X5: The structure of the Fab X5 was determined at 1.9 angstrom resolution. The binding site is a long, 22 amino acid CDR H3 with a hook shape. Long CDR H3s are also found in IgG1b12 (18 residues) and 17b (19 residues). Fab X5 has a W100, F100Y in the CDR H3 hook shown to be important for binding through site specific mutagenesis. Compared to JRC5F, Ala substitutions at eight residues reduced binding more than 3 fold: C119, K207, G367, M426, W427, V430, I423, and K432. Only I423A and K432A were thought to possibly directly interact with X5, the other mutations were thought likely to disrupt the overall structure or CD4 binding. Darbha *et al.* [2004] (**antibody binding site definition and exposure, structure**)
- X5: This review summarizes MAbs directed to HIV-1 Env. There are six CD4 inducible MAbs and Fabs in the database. The MAb forms neutralize TCLA strains only, but the smaller Fabs and scFv fragments can neutralize primary isolates. Gorny & Zolla-Pazner [2004] (**review**)
- X5: Sera from two HIV+ people and a panel of MAbs were used to explore susceptibility to neutralization in the presence or absence of glycans within or adjacent to the V3 loop and within the C2, C4 and V5 regions of HIV-1 SF162 env gp120. The loss of the glycan within the V3 loop (GM299 V3) and two sites adjacent to V3, C2 (GM292 C2) and (GM329 C3), increased neutralization susceptibility to CD4i Fab X5, but each of the glycan mutants and SF162 were refractive to neutralization with 48d and 17b. The loss of sites in C4 (GM438 C4), or V5 (GM454 V5) did not increase neutralization susceptibility to Fab X5. V3 glycans tended to shield V3 loop, CD4 and co-receptor MAb binding sites, while C4 and V5 glycans shielded V3 loop, CD4, gp41 but not co-receptor MAb binding sites. Selective removal of glycans from a vaccine candidate may enable greater access to neutralization susceptible epitopes. McCaffrey *et al.* [2004] (**antibody binding site definition and exposure, vaccine antigen design**)
- X5: By adding N-linked glycosylation sites to gp120, epitope masking of non-neutralizing epitopes can be achieved leaving the IgG1b12 binding site intact. This concept was originally tested with the addition of four glycosylation sites, but binding to b12 was reduced. It was modified here to exclude the C1 N-terminal region, and to include only three additional glycosylation sites. This modified protein retains full b12 binding affinity and it masks other potentially competing epitopes, and does not bind to 21 other MAbs to 7 epitopes on gp120, including X5. Pantophlet *et al.* [2004] (**vaccine antigen design**)
- X5: V1V2 was determined to be the region that conferred the neutralization phenotype differences between two R5-tropic primary HIV-1 isolates, JRFL and SF162. JRFL is resistant to neutralization by many sera and MAbs, while SF162 is sensitive. All MAbs tested, anti-V3, -V2, -CD4BS, and -CD4i, (except the broadly neutralizing MAbs IgG1b12, 2F5, and 2G12, which neutralized both strains), neutralized the SF162 pseudotype but not JRFL, and chimeras that exchanged the V1V2 loops transferred the neutralization phenotype. Three CD4i MAbs were tested; all preferentially neutralized SF162, and JRFL became neutralization sensitive to CD4i Abs if the SF162 V1V2 loop was exchanged. FAb X5 could neutralize both viruses, but had reduced potency against JRFL. Pinter *et al.* [2004] (**variant cross-recognition or cross-neutralization**)
- X5: Called Fab X5. This paper is a study of the 2F5 Nab complexed to peptide ELDKWAS; the peptide was found to interact with amino acids near the base of the very long (22 residue) CDR 3H region of the Ab, although a Phe at the apex of the loop was also important. The authors suggest that particularly long CDR H3 regions may be a common feature of HIV-1 neutralizing antibodies – there are 22 residues in 2F5's H3, 18 in b12's H3, and 22 residues in X5's H3. They express concern that because small animals like mice are unable to elicit Ab responses with such long H3s, they may be poor model systems for HIV vaccine studies. Zwick *et al.* [2004] (**antibody interactions**)
- X5: The SOS mutant envelope protein introduces a covalent disulfide bond between gp120 surface and gp41 transmembrane proteins into the R5 isolate JR-FL by adding cysteines at residues 501 and 605. Pseudovirions bearing this protein bind to CD4 and co-receptor bearing cells, but do not fuse until treatment with a reducing agent, and are arrested prior to fusion after CD4 and co-receptor engagement. CD4i Abs X5 and 17b were weakly neutralizing in all formats, WT, SOS, and when added postbinding. Binley *et al.* [2003] (**vaccine antigen design**)
- X5: This study shows the fragments of CD4i MAbs are better able to neutralize virus than whole IgG. Neutralization of HIV-1 R5 isolates JRFL, JR-CSF and ADA by CD4i MAbs X5, 17b, and 48d decreased with increased molecule size, the neutralizing potency of single-chain Fv (scFv) > than Fab fragments > whole Ab molecules. (With the exception of IgG 48d neutralization of HIV-1 ADA.) HIV-1 X4 isolates 89.6 and HxB2 are both relatively sensitive even to the larger IgG version. R5X4 isolate neutralization was dependent on the isolate and co-receptor usage. The CD4i MAb fragments neutralize HIV-1 subsequent to CD4 binding. The CD4i MAbs bind near the co-receptor binding sites on gp120. Co-receptors bind to the conserved beta19 strand and part of the V3 loop, regions that are masked by the V1V2 loops in the CD4-unbound state. When CD4 is bound, the co-receptor site is exposed near the membrane surface where it would be optimally accessible to co-receptors, and the smaller versions of the molecules are better able to overcome the steric hindrance. Labrijn *et al.* [2003] (**antibody binding site definition and exposure, co-receptor, variant cross-recognition or cross-neutralization**)
- X5: A gp120 molecule was designed to focus the immune response onto the IgG1b12 epitope. Ala substitutions that enhance the binding of IgG1b12 and reduce the binding of non-neutralizing MAbs were combined with additional N-linked glycosylation site sequons inhibiting binding of non-neutralizing MAbs; b12 bound to the mutated gp120. C1 and C5 were also removed, but this compromised b12 binding. Pantophlet *et al.* [2003b] (**vaccine antigen design**)
- X5: The Fab m18 was selected from a human phage display

library by a new method called sequential antigen panning (SAP), using a series of antigens to screen the library to pick broadly cross-reactive isolates. The ability to block cell mediated fusion by m18 was compared to Fabs X5 and b12 for a clade A, CRF01 EA, G, and 6 clade B isolates, and the inhibitory activity of m18 was slightly lower but comparable to neutralizing Fabs b12 and X5. It also showed broad cross-neutralization; 11/15 pseudotyped Envs from primary isolates from clades A-F were inhibited in an IC50 assay at concentration less than or equal to 100 ug/ml; X5 was also tested and somewhat more potent, generally requiring lower concentrations and inhibiting 13/15 primary isolates. Zhang *et al.* [2003] (**variant cross-recognition or cross-neutralization, subtype comparisons**)

- X5: scFv 4KG5 reacts with a conformational epitope. Of a panel of MAbs tested, only NAb b12 enhanced 4KG5 binding to gp120. MAbs to the V2 loop, V3 loop, V3-C4 region, and CD4BS diminished binding, while MAbs directed against C1, CD4i, C5 regions didn't impact 4KG5 binding. These results suggest that the orientation or dynamics of the V1/V2 and V3 loops restricts CD4BS access on the envelope spike, and IgG1b12 can uniquely remain unaffected. This is a CD4i MAb that had no impact on 4KG5 binding. Zwick *et al.* [2003] (**antibody interactions**)
- X5: The human Fab X5 was selected from a phage display library derived from an HIV-1 positive donor with a highly neutralizing serum – it was selected for binding to purified gp120-CD4-coreceptor complexes – the Fab neutralizes PBMC infection by a selection of HIV-1 primary isolates from clades A, B, C, D, E, F, and G, and neutralizes R5, X4, and R5X4 isolates – it binds to a conserved epitope on gp120 induced by CD4 binding, its binding is slightly enhanced by CCR5 binding – while CD4i MAb 17b binds the CCR5 binding site, X5 also competes with Fab b12 which overlaps with the CD4 binding site, suggesting the epitope for is near both the CD4 and CCR5 binding sites. Moulard *et al.* [2002] (**antibody binding site definition and exposure, antibody generation, variant cross-recognition or cross-neutralization, subtype comparisons**)

No. 1127

MAb ID 8F101

HXB2 Location Env

Author Location gp120

Epitope

Neutralizing

Immunogen vaccine

Vector/Type: sCD4-gp120 complex Strain: B clade HXB2 HIV component: gp120

Species (Isotype) mouse (IgG)

Ab Type gp120 CD4i, gp120-CD4 complex

Research Contact Ranajit Pal, Advanced BioScience Lab, Inc.

References Finnegan *et al.* 2002; Finnegan *et al.* 2001; DeVico *et al.* 1995

Keywords antibody binding site definition and exposure, antibody generation, kinetics

- 8F101: Anti-gp41 MAbs were tested in a cell-cell fusion system to investigate the antigenic changes in gp41 during binding and fusion. Cluster I and Cluster II MAbs required CD4 expression on HIV HXB2 Env expressing HeLa target cells, but

not the CXCR4 co-receptor, binding to a fusion intermediate. 8F101 selectively stains gp120-CD4 complexes after dissociation from gp41, and did not stain cells arrested earlier than 30 min of co-culture, but 8F101 and cluster I and II MAbs co-localized at fusing cell interfaces at 30 min coculture. After extended co-culture, only 8F101 bound. Finnegan *et al.* [2002] (**antibody binding site definition and exposure, kinetics**)

- 8F101: Using a cell-fusion system, it was found CD4i antibodies 17b, 48d, and CG10 reacted faintly with Env expressing HeLa cells even in the absence of sCD4 or CD4 expressing target cells. Reactivity increased after sCD4 addition, but not after CD4 expressing target cell addition, and binding was not increased at the cell-to-cell CD4-Env interface. This suggests the CD4i co-receptor binding domain is largely blocked at the cell-fusion interface, and so CD4i antibodies would not be able access this site and neutralize cell-mediated viral entry. However, CD4i MAbs 8F101 and A32, that bind outside the co-receptor domain, had a different pattern. They reacted after the formation of gp120-CD4-CXCR4 tri-complexes, so co-receptor interactions allowed exposure of their epitopes. Finnegan *et al.* [2001] (**antibody binding site definition and exposure**)
- 8F101: MAbs specifically reactive to crosslinked gp120 and CD4 were derived (8F101, 8F102) – conformation dependent – competition studies indicate the epitope is immunogenic in infected humans. DeVico *et al.* [1995] (**antibody generation**)

No. 1128

MAb ID T22

HXB2 Location Env

Author Location gp120 (IIIB)

Epitope

Neutralizing

Immunogen vaccine

Vector/Type: vaccinia Strain: B clade IIIB

HIV component: oligomeric gp140

Species (Isotype) mouse (IgG)

Ab Type Env oligomer

Research Contact P. Earl, National Institute of Allergy and Infectious Diseases, NIH, Bethesda, MD

References Sugiura *et al.* 1999; Otteken *et al.* 1996; Earl *et al.* 1994

- T22: A comparison of 25 gp120 specific, conformation dependent MAbs was done – T22 is part of a group of MAbs labeled AII – all AII MAbs were broadly cross-reactive with gp160 from B-clade R5, X4, and R5X4 viruses, and could only partially blocked CD4 binding. Sugiura *et al.* [1999]
- T22: Pulse label experiments of 4 MAbs (D20, D27, T20, and T22) binding to noncleavable gp140 revealed that these anti-CD4BS MAbs bound with a delay, and that the epitope formed with a t 1/2 of about 10 minutes. Otteken *et al.* [1996]
- T22: Generated during a study of the influence of the oligomeric structure of Env in determining the repertoire of the Ab response. Earl *et al.* [1994]

No. 1129

MAb ID 2A2

HXB2 Location Env

Author Location gp41

Epitope

Neutralizing no
Immunogen HIV-1 infection
Species (Isotype) human (IgG1 κ)
Ab Type N-term
References Weissenhorn *et al.* 1996

- Soluble gp41(21-166) forms a rod like structure that can be visualized with electron microscopy, and 2A2 binds to one end of the rod. Weissenhorn *et al.* [1996]

No. 1130
MAb ID AC4
HXB2 Location Env
Author Location gp120 (IIIB)
Epitope
Neutralizing yes
Immunogen vaccine
Vector/Type: protein *HIV component:* gp160
Species (Isotype) mouse
Ab Type N-term
References Dickey *et al.* 2000

- AC4: Three MABs, ID6, AC4, and AD3 that bind to a discontinuous N-term first 204 aa of gp120 and generate ADCC were elicited through vaccination of BALBc mice with rec gp160 – these MABs do not depend on glycosylation and are cross-reactive with viruses from clades B and CRF01(AE). Dickey *et al.* [2000]

No. 1131
MAb ID AD3
HXB2 Location Env
Author Location gp120 (IIIB)
Epitope
Neutralizing yes
Immunogen vaccine
Vector/Type: protein *HIV component:* gp160
Species (Isotype) mouse
Ab Type N-term
References Cook *et al.* 1994; Dickey *et al.* 2000

- AD3: There may be two Abs with this name that bind to the N-term region of gp120. Cook *et al.* [1994]; Dickey *et al.* [2000]
- AD3: Three MABs, ID6, AC4, and AD3 that bind to a discontinuous N-term first 204 aa of gp120 and generate ADCC were elicited through vaccination of BALBc mice with rec gp160 – these MABs do not depend on glycosylation and are cross-reactive with viruses from clades B and CRF01(AE). Dickey *et al.* [2000]

No. 1132
MAb ID AD3
HXB2 Location Env
Author Location gp120 (BH10)
Epitope
Neutralizing
Immunogen
Species (Isotype) mouse (IgG1)
Ab Type N-term

References Dickey *et al.* 2000; Cook *et al.* 1994; Ugen *et al.* 1993

- AD3: NIH AIDS Research and Reference Reagent Program: 2342.
- AD3: There may be two Abs with this name that bind to the N-term region of gp120. Cook *et al.* [1994]; Dickey *et al.* [2000]
- AD3: MABs against the glycosphingolipid GalCer block HIV infection of normally susceptible CD4 negative cells from the brain and colon – MABs against the N-terminal half of gp120 do not inhibit gp120 binding to GalCer – binding of GalCer to gp120 does not inhibit MAB binding. Cook *et al.* [1994]

No. 1133
MAb ID ID6
HXB2 Location Env
Author Location gp120 (1–193 BH10)
Epitope
Neutralizing
Immunogen
Species (Isotype) mouse (IgG1)
Ab Type N-term
References Dickey *et al.* 2000; Cook *et al.* 1994; Ugen *et al.* 1993

- ID6: NIH AIDS Research and Reference Reagent Program: 2343.
- ID6: There may be two Abs with this name that bind to the N-term region of gp120. Cook *et al.* [1994]; Dickey *et al.* [2000]
- ID6: MABs against the glycosphingolipid GalCer block HIV infection of normally susceptible CD4 negative cells from the brain and colon – MABs against the N-terminal half of gp120 do not inhibit gp120 binding to GalCer – binding of GalCer to gp120 does not inhibit MAB binding. Cook *et al.* [1994]

No. 1134
MAb ID ID6
HXB2 Location Env
Author Location gp120 (IIIB)
Epitope
Neutralizing yes
Immunogen vaccine
Vector/Type: protein *HIV component:* gp160
Species (Isotype) mouse (IgG2a)
Ab Type N-term
References Cook *et al.* 1994; Dickey *et al.* 2000

- ID6: There may be two Abs with this name that bind to the N-term region of gp120. Cook *et al.* [1994]; Dickey *et al.* [2000]
- ID6: Three MABs, ID6, AC4, and AD3 that bind to a discontinuous N-term first 204 aa of gp120 and generate ADCC were elicited through vaccination of BALBc mice with rec gp160 – these MABs do not depend on glycosylation and are cross-reactive with viruses from clades B and CRF01(AE). Dickey *et al.* [2000]

No. 1135
MAb ID 11/68b
HXB2 Location Env

Author Location gp120

Epitope

Neutralizing L (HXB2)

Immunogen vaccine

Vector/Type: protein *Strain:* B clade BH10

HIV component: gp120

Species (Isotype) rat (IgG1)

Ab Type gp120 V1-V2

Research Contact Shotton and Dean

References Peet *et al.* 1998; Shotton *et al.* 1995; McKeating *et al.* 1993b

- 11/68b: 435 (Y/H) in C4 does not abrogate binding (John Moore, per comm, 1996).
- 11/68b: UK Medical Research Council AIDS reagent: ARP3041.
- 11/68b: The most variable amino acids in the V3 loop were replaced with serines to make the immunodominant V3 loop less immunogenic – these changes did not affect the ability of sCD4 or MAbs to V1/V2, C1 and C4 to bind – 11/68b was not affected by V3 serine substitutions – mice injected with serine substituted gp120 had a reduced response relative to wildtype, and no enhanced immunogenicity of conserved regions. Peet *et al.* [1998]
- 11/68b: Cross-competes with MAbs 62c, 66c, 66a, and CRA-4 – similar to MAb 62c – HXB2 neutralization escape mutant had a D/N substitution at residue 185 – non-reciprocal inhibition of binding of CRA-3 and CRA-6. Shotton *et al.* [1995]
- 11/68b: Changes at residues 183/184 (PI/SG) within V2, 435 (Y/H) in C4, abrogate binding. McKeating *et al.* [1993b]

No. 1136

MAb ID 62c

HXB2 Location Env

Author Location gp120

Epitope

Neutralizing no

Immunogen vaccine

Vector/Type: protein *Strain:* B clade BH10

HIV component: gp120

Species (Isotype) rat (IgG1)

Ab Type gp120 V1-V2

References Shotton *et al.* 1995

- 62c: UK Medical Research Council AIDS reagent: ARP3075.
- 62c: Cross-competes with MAbs 11/68b, 66c, 66a, and CRA-4 – same cross-competition group as MAb 11/68b – non-reciprocal inhibition of binding of CRA-3 and CRA-6 – substitutions 176-177 FY/AT, 179-180 LD/DL, 183-184 PI/SG, and 191-193 YSL/GSS abrogate binding – binds but does not neutralize Hx10. Shotton *et al.* [1995]

No. 1137

MAb ID CRA-6 (CRA6)

HXB2 Location Env

Author Location gp120

Epitope

Neutralizing no

Immunogen

Species (Isotype) mouse

Ab Type gp120 V1-V2

References Shotton *et al.* 1995

- CRA-6: Called CRA6 – same competition group as CRA-3. Shotton *et al.* [1995]

No. 1138

MAb ID L15

HXB2 Location Env

Author Location gp120

Epitope

Neutralizing P (weak)

Immunogen HIV-1 infection

Species (Isotype) human (IgG1)

Ab Type gp120 V1-V2

References Gorny & Zolla-Pazner 2004; Parren *et al.* 1997b; Ditzel *et al.* 1997

Keywords review, variant cross-recognition or cross-neutralization

- L15: In a review of Envelope binding MAbs in this database, V2-specific MAbs are noted to have some ability to neutralize HIV-1, but generally weak with limited cross-reactivity. L15 and L17 are Fabs specific for V2. Gorny & Zolla-Pazner [2004] (**variant cross-recognition or cross-neutralization, review**)
- L15: gp120 immobilized on solid phase by capture with anti-CD4 BS MAb L72 was used for selection of Fabs – 2 anti-V2 Fabs were obtained with very similar epitopes, L15 and L17 – deletions in V1 and V2 abolished binding, and rodent anti-V2 MAbs SC258, CRA3, G3-G4, G3-136, BAT-085, and 52-684 all compete with L15. Ditzel *et al.* [1997]
- L15: Does not neutralize TCLA strains but neutralizes some primary isolates weakly. Parren *et al.* [1997b]

No. 1139

MAb ID T52

HXB2 Location Env

Author Location gp120 (IIIB)

Epitope

Neutralizing

Immunogen vaccine

Vector/Type: vaccinia *Strain:* B clade IIIB

HIV component: oligomeric gp140

Species (Isotype) mouse (IgG)

Ab Type gp120 V1-V2

Research Contact P. Earl, National Institute of Allergy and Infectious Diseases, NIH, Bethesda, MD

References Sugiura *et al.* 1999; Earl *et al.* 1994

- T52: A comparison of 25 gp120 specific, conformation dependent MAbs was done – T52 is one of two MAbs labeled B-II, that had limited cross-reactivity with seven clade B isolates and did not fully blocked CD4 binding – deletion of V1/V2 loops abrogated binding. Sugiura *et al.* [1999]
- T52: Generated during a study of the influence of the oligomeric structure of Env in determining the repertoire of the Ab response. Earl *et al.* [1994]

No. 1140

MAb ID T54

HXB2 Location Env

Author Location gp120 (IIIB)

Epitope

Neutralizing no

Immunogen vaccine

Vector/Type: vaccinia *Strain:* B clade IIIB
HIV component: oligomeric gp140

Species (Isotype) mouse (IgG)

Ab Type gp120 V1-V2

Research Contact P. Earl, National Institute of Allergy and Infectious Diseases, NIH, Bethesda, MD

References Sugiura *et al.* 1999; Earl *et al.* 1994

- T54: A comparison of 25 gp120 specific, conformation dependent MABs was done – T54 is one of two MABs labeled B-II, that had limited cross-reactivity with seven clade B isolates and did not fully blocked CD4 binding – deletion of V1/V2 loops abrogated binding. Sugiura *et al.* [1999]
- T54: Generated during a study of the influence of the oligomeric structure of Env in determining the repertoire of the Ab response. Earl *et al.* [1994]

No. 1141

MAB ID polyclonal

HXB2 Location Env

Author Location Env

Epitope

Neutralizing yes

Immunogen HIV-1 infection

Species (Isotype) human

Ab Type gp120 V1-V2 and V3-V5

References Gordon & Delwart 2000

- Primary isolates have great differences in susceptibility to neutralization – the variation in V1V2 and V3-V5 was measured by HTA in a set of viruses with a range of neutralization susceptibilities, and greater variability was uncorrelated with resistance to neutralization. Gordon & Delwart [2000]

No. 1142

MAB ID 1088

HXB2 Location Env

Author Location gp120

Epitope

Neutralizing

Immunogen

Species (Isotype)

Ab Type gp120 V2

References Berman *et al.* 1997

- 1088: Binds weakly to 2/7 isolates from breakthrough cases from a MN gp120 vaccine trial. Berman *et al.* [1997]

No. 1143

MAB ID 110-B

HXB2 Location Env

Author Location gp120

Epitope

Neutralizing no

Immunogen vaccine

Vector/Type: HIV infected-cell lysate
Strain: B clade BRU *HIV component:* HIV-1

Species (Isotype) mouse

Ab Type gp120 V2

Research Contact Hybridolabs, Institute Pasteur, Paris, France

References Moore *et al.* 1993a

- 110-B: specific for BH10, does not bind to MN, RF, or SF-2 gp120 – binding inhibited by deletion of the V2 loop, and the following amino acid substitutions: 168 K/L, 176/177 FY/AT, 179/180 LD/DL, 183/184 PI/SG, and 192-194 YSL/GSS. Moore *et al.* [1993a]

No. 1144

MAB ID 1357

HXB2 Location Env

Author Location gp120

Epitope

Neutralizing

Immunogen

Species (Isotype) human (IgG1κ)

Ab Type gp120 V2

Research Contact Susan Zolla-Pazner (Zollas01@mcr6.med.nyu) (NYU Med. Center)

References Gorny & Zolla-Pazner 2004; Ling *et al.* 2002; Nyambi *et al.* 2000; Gorny *et al.* 2000; Nyambi *et al.* 1998

Keywords antibody binding site definition and exposure, co-receptor, review

- 1357: This broad review of anti-Envelope MABs notes that V2 MABs are generally weakly neutralizing at best, and somewhat strain specific. Anti-V2 MABs 1357, 1361, 1393 are non-neutralizing. Gorny & Zolla-Pazner [2004] (**review**)
- 1357: A pseudotyping assay showed that an X4 V3 loop peptide could enhance infectivity of X4 virus, R5 and R5X4 V3 loops peptides could enhance infectivity of an R5 virus, and R5X4 peptides could enhance infectivity of an R5X4 virus. Neither R5 nor R5X4 peptides influenced binding of CD4BS MABs F105 and Ig1Gb12, but did increase binding of CD4i MAb 17b. Of three V2 MABs, only 830A, not 2158 or 1357 was enhanced by V3 peptide binding. Ling *et al.* [2002] (**antibody binding site definition and exposure, co-receptor**)
- 1357: Blocks binding of MAB 697-D to gp120, and doesn't react with a protein from which V1V2 has been deleted – binding of panel of 21 MABs to soluble oligomeric gp140 versus gp41 or gp120 monomers was compared – no MAB was oligomer specific, though anti-V3 and CD4BS MABs reacted better with the oligomer and V2 and C5 tended to favor the monomer – V2 MABs 697-D, 1357 and 1361 favored the monomer by approximately 2 fold. Gorny *et al.* [2000]
- 1357: 26 HIV-1 group M isolates (clades A to H) were tested for binding to 47 MABs, including 5 anti-V2 MABs, which showed weak and sporadic binding, with the most frequent binding to C and D clades. Nyambi *et al.* [2000]
- 1357: 26 HIV-1 group M isolates (clades A to H) were tested for binding to 47 MABs, including 5 anti-V2 MABs, which showed weak and sporadic binding, with the most frequent binding to C and D clades. Nyambi *et al.* [2000]
- 1357: Using a whole virion-ELISA method, 18 human MABs were tested for their ability to bind to a panel of 9 viruses from clades A, B, D, F, G, and H – V2 Abs 697-D, 1361, and 1357 tended to bind very weakly with a similar pattern of specificity to virions, but bound well to soluble gp120: weak binding only to subtype D MAL. Nyambi *et al.* [1998]

No. 1145

MAb ID 1361
HXB2 Location Env
Author Location gp120
Epitope
Neutralizing
Immunogen vaccine
Vector/Type: protein *HIV component:* gp120
Species (Isotype) human (IgG1κ)
Ab Type gp120 V2
Research Contact Susan Zolla-Pazner (Zollas01@mcrcr6.med.nyu) (NYU Med. Center)
References Nyambi *et al.* 2000; Gorny *et al.* 2000; Nyambi *et al.* 1998

- 1361: Blocks binding of MAb 697-D to rgp120, and doesn't react with a protein from which V1V2 has been deleted – binding of panel of 21 MAbs to soluble oligomeric gp140 versus gp41 or gp120 monomers was compared – no MAb was oligomer specific, though anti-V3 and CD4BS MAbs reacted better with the oligomer and V2 and C5 tended to favor the monomer – V2 MAbs 697-D, 1357 and 1361 favored the monomer by approximately 2 fold. Gorny *et al.* [2000]
- 1361: 26 HIV-1 group M isolates (clades A to H) were tested for binding to 47 MAbs, including 5 anti-V2 MAbs, which showed weak and sporadic binding, with the most frequent binding to C and D clades. Nyambi *et al.* [2000]
- 1361: Using a whole virion-ELISA method, 18 human MAbs were tested for their ability to bind to a panel of 9 viruses from clades A, B, D, F, G, and H – V2 Abs 697-D, 1361, and 1357 tended to bind weakly with a similar pattern of specificity to virions, but bound well to soluble gp120: weak binding to 1/4 B clade viruses (CA5), and also weak binding to a subtype D virus, MAL. Nyambi *et al.* [1998]

No. 1146
MAb ID 1393A
HXB2 Location Env
Author Location gp120
Epitope
Neutralizing
Immunogen HIV-1 infection
Species (Isotype)
Ab Type gp120 V2
References Gorny & Zolla-Pazner 2004; Nyambi *et al.* 2000

- Keywords** review, subtype comparisons
- 1393A: This broad review of anti-Envelope MAbs notes that V2 MAbs are generally weakly neutralizing at best, and somewhat strain specific. Anti-V2 MAbs 1357, 1361, 1393A are non-neutralizing. Gorny & Zolla-Pazner [2004] (**review**)
 - 1393A: 26 HIV-1 group M isolates (clades A to H) were tested for binding to 47 MAbs, including 5 anti-V2 MAbs, which showed weak and sporadic binding, with the most frequent binding to C and D clades. Nyambi *et al.* [2000] (**subtype comparisons**)

No. 1147
MAb ID 2158
HXB2 Location Env

Author Location gp120 (LAI)
Epitope
Subtype B
Neutralizing
Immunogen
Species (Isotype) human (IgG1κ)
Ab Type gp120 V2
Research Contact Susan Zolla-Pazner (Zollas01@mcrcr6.med.nyu) (NYU Med. Center)
References Pinter *et al.* 2004; Ling *et al.* 2004; Ling *et al.* 2002
Keywords antibody binding site definition and exposure, co-receptor, variant cross-recognition or cross-neutralization

- 2158: The role of serine proteases on HIV infection was explored. Trypsin decreased the binding of most Env MAb tested and diminished cell fusion of H9 cells infected with HIV-1 LAI virus (H9/IIIB) to MAGI cells. In contrast, thrombin increased the binding of MAbs to gp120 epitopes near the CD4 and CCR5 binding sites, and increased cell fusion. Binding of 17b and F105 was decreased by trypsin, but increased by thrombin. V2 MAbs 830A and 2158 were decreased by trypsin, unaffected by thrombin. Thrombin may increase HIV-induced cell fusion in blood by causing a conformational activating shift in gp120. Ling *et al.* [2004] (**antibody binding site definition and exposure**)
- 2158: V1V2 was determined to be the region that conferred the neutralization phenotype differences between two R5-tropic primary HIV-1 isolates, JRFL and SF162. JRFL is resistant to neutralization by many sera and MAbs, while SF162 is sensitive. All MAbs tested, anti-V3, -V2, -CD4BS, and -CD4i, (except the broadly neutralizing MAbs IgG1b12, 2F5, and 2G12, which neutralized both strains), neutralized the SF162 pseudotype but not JRFL, and chimeras that exchanged the V1V2 loops transferred the neutralization phenotype. Three anti-V2 MAb were tested – both 2158 and 830A bound more strongly to JRFL, but neutralized SF162, and not neutralize JRFL. Thus V2 domains are better neutralization targets in SF162. Pinter *et al.* [2004] (**variant cross-recognition or cross-neutralization**)
- 2158: A pseudotyping assay showed that an X4 V3 loop peptide could enhance infectivity of X4 virus, R5 and R5X4 V3 loops peptides could enhance infectivity of an R5 virus, and R5X4 peptides could enhance infectivity of an R5X4 virus. Neither R5 nor R5X4 peptides influenced binding of CD4BS MAbs F105 and Ig1Gb12, but did increase binding of CD4i MAb 17b. Of three V2 MAbs, only 830A, not 2158 or 1357 was enhanced by V3 peptide binding. Ling *et al.* [2002] (**antibody binding site definition and exposure, co-receptor**)

No. 1148
MAb ID 66a
HXB2 Location Env
Author Location gp120
Epitope
Neutralizing L (HXB2)
Immunogen vaccine
Vector/Type: protein *Strain:* B clade BH10
HIV component: gp120
Species (Isotype) mouse (IgG1)

Ab Type gp120 V2

References Shotton *et al.* 1995

- 66a: UK Medical Research Council AIDS reagent: ARP3074.
- 66a: Substitutions 176-177 FY/AT, 179-180 LD/DL, 183-184 PI/SG, and 191-193 YSL/GSS abrogate binding – same competition group as CRA4. Shotton *et al.* [1995]

No. 1149

MAb ID 66c

HXB2 Location Env

Author Location gp120

Epitope

Neutralizing L (HXB2)

Immunogen vaccine

Vector/Type: protein *Strain:* B clade BH10

HIV component: gp120

Species (Isotype) mouse (IgG1)

Ab Type gp120 V2

References Shotton *et al.* 1995

- 66c: Substitutions 176-177 FY/AT, 179-180 LD/DL, 183-184 PI/SG, and 191-193 YSL/GSS abrogate binding – same competition group as CRA4. Shotton *et al.* [1995]

No. 1150

MAb ID 684-238 (52-684-238, 52-684)

HXB2 Location Env

Author Location gp120

Epitope

Neutralizing L

Immunogen vaccine

Vector/Type: protein *Strain:* B clade IIIIB

HIV component: gp120

Species (Isotype) mouse

Ab Type gp120 V2

Research Contact Gerry Robey, Abbott Laboratories

References Ditzel *et al.* 1997; Moore & Sodroski 1996; Ditzel *et al.* 1995; Gorny *et al.* 1994; Thali *et al.* 1993; Moore *et al.* 1993a

- 684-238: Limited reciprocal enhancement of binding with anti-V3 and C4 region antibodies – reciprocal inhibition with V2 region antibodies. Moore & Sodroski [1996]
- 684-238: Does not compete with IgG1b12, reciprocal inhibition with MAbs L39, L40, and L78. Ditzel *et al.* [1995]
- 684-238: Weakly neutralizing, IC 50 = 84 mug/ml. Gorny *et al.* [1994]
- 684-238: Specific for BH10 or HXB2, does not bind to MN, RF, or SF-2 gp120 – neutralizes BH10 – binding inhibited by deletion of the V2 loop, and the following amino acid substitutions: 176/177FY/AT, 179/180LD/DL, 183/184PI/SG, and 192-194YSL/GSS. Moore *et al.* [1993a]

No. 1151

MAb ID 830A

HXB2 Location Env

Author Location gp120

Epitope

Neutralizing

Immunogen HIV-1 infection

Species (Isotype)

Ab Type gp120 V2

Research Contact Susan Zolla-Pazner

References Gorny *et al.* 2005; Pinter *et al.* 2004; Ling *et al.* 2004; Gorny & Zolla-Pazner 2004; Ling *et al.* 2002; Nyambi *et al.* 2000

Keywords antibody binding site definition and exposure, co-receptor, review, subtype comparisons, variant cross-recognition or cross-neutralization

- 830A: 2909 is a human anti-Env NAb that was selected by neutralization assay and binds to the quaternary structure on the intact virion. ELISA-based competition assays and subsequent mutational analysis determined that the CD4BS and V2 and V3 loops contribute to the 2909 epitope: 2909 binding was inhibited by MAbs 447-52d (anti-V3), 830A (anti-V2), and IgG1b12 (anti-CD4BS) and sCD4. 2909 was not inhibited by MAbs 670, 1418, nor 2G12. Gorny *et al.* [2005]
- 830A: This broad review of anti-Envelope MAbs notes that V2 MAbs are generally weakly neutralizing at best, and somewhat strain specific. 830A neutralizes SF162. Gorny & Zolla-Pazner [2004] (**variant cross-recognition or cross-neutralization, review**)
- 830A: The role of serine proteases on HIV infection was explored. Trypsin decreased the binding of most Env MAb tested and diminished cell fusion of H9 cells infected with HIV-1 LAI virus (H9/IIIB) to MAGI cells. In contrast, thrombin increased the binding of MAbs to gp120 epitopes near the CD4 and CCR5 binding sites, and increased cell fusion. Binding of 17b and F105 was decreased by trypsin, but increased by thrombin. V2 MAbs 830A and 2158 were decreased by trypsin, unaffected by thrombin. Thrombin may increase HIV-induced cell fusion in blood by causing a conformational activating shift in gp120. Ling *et al.* [2004] (**antibody binding site definition and exposure**)
- 830A: V1V2 was determined to be the region that conferred the neutralization phenotype differences between two R5-tropic primary HIV-1 isolates, JRFL and SF162. JRFL is resistant to neutralization by many sera and MAbs, while SF162 is sensitive. All MAbs tested, anti-V3, -V2, -CD4BS, and -CD4i, (except the broadly neutralizing MAbs IgG1b12, 2F5, and 2G12, which neutralized both strains), neutralized the SF162 pseudotype but not JRFL, and chimeras that exchanged the V1V2 loops transferred the neutralization phenotype. Three anti-V2 MAb were tested – both 2158 and 830A bound more strongly to JRFL, but neutralized SF162, and did not neutralize JRFL. Thus V2 domains are better neutralization targets in SF162. Pinter *et al.* [2004] (**variant cross-recognition or cross-neutralization**)
- 830A: A pseudotyping assay showed that an X4 V3 loop peptide could enhance infectivity of X4 virus, R5 and R5X4 V3 loops peptides could enhance infectivity of an R5 virus, and R5X4 peptides could enhance infectivity of an R5X4 virus. Neither R5 nor R5X4 peptides influenced binding of CD4BS MAbs F105 and Ig1Gb12, but did increase binding of CD4i MAb 17b. Of three V2 MAbs, only 830A, not 2158 or 1357 was enhanced by V3 peptide binding. Ling *et al.* [2002] (**antibody binding site definition and exposure, co-receptor**)
- 830A: 26 HIV-1 group M isolates (clades A to H) were tested for binding to 47 MAbs, including 5 anti-V2 MAbs, which showed weak and sporadic binding, with the most frequent

binding to C and D clades. Nyambi *et al.* [2000] (**variant cross-recognition or cross-neutralization, subtype comparisons**)

No. 1152
MAb ID CRA-3 (CRA3)
HXB2 Location Env
Author Location gp120
Epitope
Neutralizing no
Immunogen vaccine
Vector/Type: protein *Strain:* B clade BH10
HIV component: gp120
Species (Isotype) mouse (IgG2a)
Ab Type gp120 V2
Research Contact Mark Page, NIBSC AIDS reagent project, Potters Bar, Herts, UK
References Ditzel *et al.* 1997; Moore & Sodroski 1996; Shotton *et al.* 1995; Thali *et al.* 1993; Moore *et al.* 1993a; Moore & Ho 1993

- CRA-3: UK Medical Research Council AIDS reagent: ARP324.
- CRA-3: Many MAbs enhance binding, including some anti-C5, C1, V4, and C4 MAbs – enhances binding of only a small number of anti-V3 loop MAbs. Moore & Sodroski [1996]
- CRA-3: Called CRA3 – Same competition group as CRA6. Shotton *et al.* [1995]
- CRA-3: Conformational, does not bind well to denatured gp120. Moore & Ho [1993]
- CRA-3: specific for BH10 or HXB2, does not bind to MN, RF, or SF-2 gp120 – binding inhibited by deletion of the V2 loop, and the following amino acid substitutions: 176/177 FY/AT, 179/180 LD/DL, 183/184 PI/SG, and 192-194 YSL/GSS – epitope probably involves stem of V1/V2 loop structure. Moore *et al.* [1993a]

No. 1153
MAb ID CRA-4 (CRA4)
HXB2 Location Env
Author Location gp120
Epitope
Neutralizing L (HXB2)
Immunogen vaccine
Vector/Type: protein *Strain:* B clade BH10
HIV component: gp120
Species (Isotype) mouse (IgG1)
Ab Type gp120 V2
Research Contact Mark Page, NIBS, MRC AIDS reagent repository, ARP 325
References Moore & Sodroski 1996; Shotton *et al.* 1995; Thali *et al.* 1993; Moore *et al.* 1993a; Moore & Ho 1993; McKeating *et al.* 1993b

- CRA-4: UK Medical Research Council AIDS reagent: ARP325.
- CRA-4: The only MAbs that enhanced binding were anti-V3 MAb 5G11 and anti-C1 MAb 135/9 binding – reciprocal inhibition of anti-V2 MAbs. Moore & Sodroski [1996]
- CRA-4: Cross-competes with MAbs 11/68b, 62c, 66c, 66a – similar to 66c and 66a – non-reciprocal inhibition by MAbs 12b, 60b and CRA-6. Shotton *et al.* [1995]

- CRA-4: Changes at residues 191/192/193 (YSL/GSS) within V2, 435 (Y/H) in C4, abrogate binding – type-specific neutralization. McKeating *et al.* [1993b]
- CRA-4: Conformational, does not bind well to denatured gp120. Moore & Ho [1993]
- CRA-4: Specific for BH10 and HXB2, does not bind to MN, RF, or SF-2 gp120 – binding inhibited by deletion of the V2 loop, and the following amino acid substitutions: 176/177 FY/AT, 179/180 LD/DL, 183/184 PI/SG, and 192-194 YSL/GSS. Moore *et al.* [1993a]

No. 1154
MAb ID L17
HXB2 Location Env
Author Location gp120
Epitope
Neutralizing
Immunogen
Species (Isotype) human
Ab Type gp120 V2
References Gorny & Zolla-Pazner 2004; Kwong *et al.* 2002; Parren *et al.* 1998a; Ditzel *et al.* 1997
Keywords antibody binding site definition and exposure, binding affinity, review, variant cross-recognition or cross-neutralization

- L17: In a review of Envelope binding MAbs in this database, V2-specific MAbs are noted to have some ability to neutralize HIV-1, but generally weakly with limited cross-reactivity. L15 and L17 are Fabs specific for V2. Gorny & Zolla-Pazner [2004] (**antibody binding site definition and exposure, variant cross-recognition or cross-neutralization, review**)
- L17: Thermodynamics of binding to gp120 was measured using isothermal titration calorimetry for sCD4, 17b, b12, 48d, F105, 2G12 and C11 to intact YU2 and the HXBc2 core. The free energy of binding was similar, and not only CD4 but MAb ligands induced thermodynamic changes in gp120 that were independent of whether the core or the full gp120 protein was used. Non-neutralizing CD4BS and CD4i MAbs had large entropy contributions to free energy (mean: 26.1 kcal/mol) of binding to the gp120 monomer, except the potent CD4BS neutralizing MAb b6 had a much smaller value of 5.7 kcal/mol. High values suggest surface burial or protein folding and ordering of amino acids. Variable loop MAbs (L17, L78, 19b, 39F, Ag1211, D0142, and G3-2999) MAbs that bind to the N and C termini (211/c, A32, L100, P35, and C11) do not have dramatic entropy changes. These results suggest that while the trimeric Env complex has four surfaces, a non-neutralizing face (occluded on the oligomer), a variable face, a neutralizing face and a silent face (protected by carbohydrate masking), gp120 monomers further protect receptor binding sites by conformational or entropic masking, requiring a large energy handicap for Ab binding not faced by other anti-gp120 Abs. Kwong *et al.* [2002] (**antibody binding site definition and exposure**)
- L17: The rank order of Fab binding affinity to monomeric gp120 (Loop 2 > 3B3 > b12 = DO8i > b11 > b3 > b14 > b13 > DO142-10 > DA48 > L17) was markedly different than Fab binding affinity to the mature oligomeric form (3B3 > b12 > DO142-10 > Loop 2 > b11 > L17 > b6 > DO8i > b14 > DA48 > b3 > b13) and binding to oligomeric form and neutralization were correlated for both Fabs and MAbs – authors suggest

that neutralization is determined by the fraction of Ab sites occupied on a virion irrespective of the epitope. Parren *et al.* [1998a] (**binding affinity**)

No. 1155
MAb ID SC258 (52-581-SC258)
HXB2 Location Env
Author Location gp120
Epitope
Neutralizing L
Immunogen vaccine
Vector/Type: protein *Strain:* B clade IIIB
HIV component: gp120
Species (Isotype) mouse
Ab Type gp120 V2
Research Contact Gerry Robey, Abbott Laboratories
References He *et al.* 2002; Ditzel *et al.* 1997; Trkola *et al.* 1996a; Moore & Sodroski 1996; Ditzel *et al.* 1995; Moore *et al.* 1994b; Yoshiyama *et al.* 1994; Gorny & Zolla-Pazner 1994; Thali *et al.* 1993; Moore *et al.* 1993a

- SC258: Transgenic mice carrying human genes allowing production of fully human MAbs were used to rapidly create a panel of anti-HIV gp120 MAb producing hybridomas by immunization with HIV SF162 gp120 – the previously described human MAbs 5145A(CD4BS), 4117C (plus others, V3) and 697D (and SC258, V2) were used as controls. He *et al.* [2002]
- SC258: Several MAbs binding to various gp120 epitopes enhance binding, but the only MAb that SC258 enhanced binding of was anti-CD4 binding site MAb F91 – reciprocal inhibition with V2 region antibodies. Moore & Sodroski [1996]
- SC258: Does not inhibit gp120 interaction with CCR-5 in a MIP-1beta-CCR-5 competition study – listed as not neutralizing. Trkola *et al.* [1996a]
- SC258: Does not compete with IgG1b12 – reciprocal inhibition with MAbs L39, L40, and L78. Ditzel *et al.* [1995]
- SC258: Very poor reactivity with gp120 molecules outside of clade B. Moore *et al.* [1994b]
- SC258: HIV-1 RF V2 substitutions 177 Y/H and 179 L/P in the V2 loop of RF reduce affinity – 177 Y/H inhibits SC258 neutralization. Yoshiyama *et al.* [1994]
- SC258: Called 52-581-SC258 – binds to BH10, MN, and RF gp120 – neutralizes BH10 – binding inhibited by deletion of the V2 loop, and the following amino acid substitutions: 176/177 FY/AT, 179/180 LD/DL, 183/184 PI/SG, and 192-194 YSL/GSS. Moore *et al.* [1993a]

No. 1156
MAb ID L25
HXB2 Location Env
Author Location gp120
Epitope
Neutralizing L (weak)
Immunogen HIV-1 infection
Species (Isotype) human (IgG1)
Ab Type gp120 V2-CD4BS
References Gorny & Zolla-Pazner 2004; Parren *et al.* 1997b; Ditzel *et al.* 1997; Ditzel *et al.* 1995

Keywords antibody binding site definition and exposure, review, variant cross-recognition or cross-neutralization

- L25: In a review of Envelope binding MAbs in this database, V2-specific MAbs are noted to have some ability to neutralize HIV-1, but generally weakly with limited cross-reactivity. L25, L39, L40 and L78 are Fabs specific for a complex binding site involving V2 and elements of the sCD4 binding site regions; among these only L25 and L78 mediate weak neutralization of some TCLA strains. Gorny & Zolla-Pazner [2004] (**antibody binding site definition and exposure, variant cross-recognition or cross-neutralization, review**)
- L25: gp120 immobilized on solid phase by capture with anti-CD4 BS MAb L72 was used for selection of Fabs – a single anti-V2-CD4 BS Fab was obtained with with sensitivity to substitutions in the V2 and CD4 BS regions – rodent anti-V2 MAb SC258 competes with L25. Ditzel *et al.* [1997]
- L25: Neutralizes TCLA strains weakly, but not primary isolates. Parren *et al.* [1997b]

No. 1157
MAb ID L39
HXB2 Location Env
Author Location gp120
Epitope
Neutralizing no
Immunogen HIV-1 infection
Species (Isotype) human (IgG1κ)
Ab Type gp120 V2-CD4BS
References Gorny & Zolla-Pazner 2004; Ditzel *et al.* 1995
Keywords antibody binding site definition and exposure, review, variant cross-recognition or cross-neutralization

- L39: In a review of Envelope binding MAbs in this database, V2-specific MAbs in are noted have some ability to neutralize HIV-1, but generally weakly with limited cross-reactivity. L25, L39, L40 and L78 are Fabs specific for a complex binding site involving V2 and elements of the sCD4 binding site regions; among these only L25 and L78 mediate weak neutralization of some TCLA strains. Gorny & Zolla-Pazner [2004] (**antibody binding site definition and exposure, variant cross-recognition or cross-neutralization, review**)
- L39: This Fab does not inhibit sCD4 binding, but is inhibited by sCD4, probably due to conformational changes – it is competed by anti-V2 MAbs, and sensitive to amino acid substitutions in the V3 loop (similar patterns were observed for L39 and L78 gp120 amino acid substitutions enhancing or reducing binding) – does not compete with CD4BS MAbs, but is sensitive to amino acid changes at positions 368 and 370 – binding unaffected by deglycosylation – reciprocal inhibition with V2 MAbs SC258 and 684-238 – heavy and light chain variable region sequence is available. Ditzel *et al.* [1995]

No. 1158
MAb ID L40
HXB2 Location Env
Author Location gp120
Epitope
Neutralizing no
Immunogen HIV-1 infection

Species (Isotype) human (IgG1κ)

Ab Type gp120 V2-CD4BS

References Gorny & Zolla-Pazner 2004; Ditzel *et al.* 1995

Keywords antibody binding site definition and exposure, responses in children, variant cross-recognition or cross-neutralization

- L40: In a review of Envelope binding MAbs in this database, V2-specific MAbs are noted to have some ability to neutralize HIV-1, but generally weakly with limited cross-reactivity. L25, L39, L40 and L78 are Fabs specific for a complex binding site involving V2 and elements of the sCD4 binding site regions; among these only L25 and L78 mediate weak neutralization of some TCLA strains. Gorny & Zolla-Pazner [2004] (**antibody binding site definition and exposure, variant cross-recognition or cross-neutralization, responses in children**)
- L40: This Fab does not inhibit sCD4 binding, but is inhibited by sCD4, probably due to conformational changes – it is competed by anti-V2 MAbs, and sensitive to amino acid substitutions in the V3 loop (similar patterns were observed for L40 and L78 gp120 amino acid substitutions enhancing or reducing binding) – does not compete with CD4BS MAbs, but is sensitive to amino acid changes at positions 368 and 370 – binding only partially affected by deglycosylation – reciprocal inhibition with V2 MAbs SC258 and 684-238 – heavy and light chain variable region sequence is available. Ditzel *et al.* [1995]

No. 1159

Mab ID L78

HXB2 Location Env

Author Location gp120

Epitope

Neutralizing L

Immunogen HIV-1 infection

Species (Isotype) human (IgG1κ)

Ab Type gp120 V2-CD4BS

References Gorny & Zolla-Pazner 2004; Kwong *et al.* 2002; Ditzel *et al.* 1995

Keywords antibody binding site definition and exposure, antibody sequence, variable domain, review, variant cross-recognition or cross-neutralization

- L78: In a review of Envelope binding MAbs in this database, V2-specific MAbs are noted to have some ability to neutralize HIV-1, but generally weakly with limited cross-reactivity. L25, L39, L40 and L78 are Fabs specific for V2 that are also associated with sCD4 binding site regions; among these only L25 and L78 mediate weak neutralization of some TCLA strains. Gorny & Zolla-Pazner [2004] (**antibody binding site definition and exposure, variant cross-recognition or cross-neutralization, review**)
- L78: Thermodynamics of binding to gp120 was measured using isothermal titration calorimetry for sCD4, 17b, b12, 48d, F105, 2G12 and C11 to intact YU2 and the HXBc2 core. The free energy of binding was similar, and not only CD4 but MAb ligands induced thermodynamic changes in gp120 that were independent of whether the core or the full gp120 protein was used. Non-neutralizing CD4BS and CD4i MAbs had large entropy contributions to free energy (mean: 26.1 kcal/mol) of binding to the gp120 monomer, except the potent CD4BS

neutralizing MAb b6 had a much smaller value of 5.7 kcal/mol. High values suggest surface burial or protein folding and ordering of amino acids. Variable loop MAbs (L17, L78, 19b, 39F, Ag1211, D0142, and G3-2999) MAbs that bind to the N and C termini (211/c, A32, L100, P35, and C11) do not have dramatic entropy changes. These results suggest that while the trimeric Env complex has four surfaces, a non-neutralizing face (occluded on the oligomer), a variable face, a neutralizing face and a silent face (protected by carbohydrate masking), gp120 monomers further protect receptor binding sites by conformational or entropic masking, requiring a large energy handicap for Ab binding not faced by other anti-gp120 Abs. Kwong *et al.* [2002] (**antibody binding site definition and exposure**)

- L78: Substitutions at V2: (152/153 GE/SM, 183/184 PI/SG, 191/193 YL/GS), 262 N/T, V3 (314 G/W), CD4BS (257 T/R, 368 D/R, 370 E/R) inhibit binding, and some C4 and C5 substitutions enhance binding – this Fab does not inhibit sCD4 binding, but is inhibited by sCD4, probably due to conformational changes – it is competed by anti-V2 MAbs, and sensitive to amino acid substitutions in the V3 loop – does not compete with CD4BS MAbs, but is sensitive to amino acid changes at positions 368 and 370 – Fab neutralizes MN and LAI – binding unaffected by deglycosylation – reciprocal inhibition with V2 MAbs SC258 and 684-238 – heavy and light chain variable region sequence is available. Ditzel *et al.* [1995] (**antibody binding site definition and exposure, variant cross-recognition or cross-neutralization, antibody sequence, variable domain**)

No. 1160

Mab ID

HXB2 Location Env

Author Location gp120

Epitope

Subtype A, B, C

Neutralizing

Immunogen HIV-1 infection

Species (Isotype) human

Ab Type gp120 V3

References Gilljam *et al.* 1999

- Sera from individuals with infections of HIV-1 subtype A-E were tested against purified proteins from primary PBMC cultures. Sera reactivity tended not to be strongly related to subtype, rather probably reflected the sum of reactivities to conserved and variable regions in the proteins. V3 peptide comparisons showed some preference for within subtype binding. Gilljam *et al.* [1999]

No. 1161

Mab ID 10D8

HXB2 Location Env

Author Location gp160 (V3) (303–338)

Epitope

Subtype B

Neutralizing

Immunogen

Species (Isotype) human

Ab Type gp120 V3

References Callahan *et al.* 1991

- 10D8: Polyanionic polysaccharides were proposed to inhibit viral functions such as binding and syncytia formation through interactions mediated through the local high positive charge density in the V3 loop. The binding of this anti-V3 antibody is inhibited by dextran sulfate. Callahan *et al.* [1991]

No. 1162
MAb ID 10F6
HXB2 Location Env
Author Location gp160 (V3) (303–338)
Epitope
Subtype B
Neutralizing
Immunogen
Species (Isotype) human
Ab Type gp120 V3
References Callahan *et al.* 1991

- 10F6: Polyanionic polysaccharides were proposed to inhibit viral functions such as binding and syncytia formation through interactions mediated through the local high positive charge density in the V3 loop. The binding of this anti-V3 antibody is inhibited by dextran sulfate. Callahan *et al.* [1991]

No. 1163
MAb ID 110J
HXB2 Location Env
Author Location gp120
Epitope
Neutralizing
Immunogen
Species (Isotype)
Ab Type gp120 V3
Research Contact F. Traincard, Pasteur Institute, France
References Moore & Sodroski 1996; Thali *et al.* 1993

- 110J: Binds to carboxy-terminal side of the V3 loop – reciprocal binding inhibition with other anti-V3 and anti-C4 MAbs – and reciprocal enhanced binding of some anti-V2 MAbs and anti-CD4 binding site MAbs. Moore & Sodroski [1996]
- 110J: Inhibits sCD4-inducible anti-CD4 binding site MAb 48d. Thali *et al.* [1993]

No. 1164
MAb ID 11G5
HXB2 Location Env
Author Location gp160 (V3) (303–338)
Epitope
Subtype B
Neutralizing
Immunogen
Species (Isotype) human
Ab Type gp120 V3
References Callahan *et al.* 1991

- 11G5: Polyanionic polysaccharides were proposed to inhibit viral functions such as binding and syncytia formation through interactions mediated through the local high positive charge density in the V3 loop. The binding of this anti-V3 antibody is inhibited by dextran sulfate. Callahan *et al.* [1991]

No. 1165
MAb ID 2182

HXB2 Location Env
Author Location (JRCSF)
Epitope
Subtype B
Neutralizing P
Immunogen HIV-1 infection
Species (Isotype) human (IgG1 λ)
Ab Type gp120 V3
Research Contact Susan Zolla-Pazner (Zollas01@mcr6.med.nyu) (NYU Med. Center)
References Pinter *et al.* 2004; Gorny *et al.* 2004; Gorny & Zolla-Pazner 2004; Gorny *et al.* 2002
Keywords antibody binding site definition and exposure, antibody generation, review, subtype comparisons, variant cross-recognition or cross-neutralization

- 2182: This review provides summaries of Abs that bind to HIV-1 Env. There are many V3 MAbs, many neutralize some TCLA strains, and a subset can also neutralize some primary isolates. The set that can cross-neutralize primary isolates (2182, 2191, 2219, 2412, 2442, 2456) bind V3 but are conformationally sensitive, suggesting some structural conservation despite sequence variation. These MAbs have distinct epitopes relative to 447-52D, a MAb directed at the tip of the V3 loop that also can neutralize many primary isolates. Inter-clade cross-neutralization by these anti-V3 MAbs is reduced. Gorny & Zolla-Pazner [2004] (**review, subtype comparisons**)
- 2182: V3 MAb neutralization is influenced by retaining the epitope, exposure on the intact virion, mobility during CD4-induced conformational change, and affinity. Anti-V3 MAbs selected using V3 peptides neutralize less effectively than V3 MAbs selected using fusion proteins or gp120, suggesting antigenic conformation is important. This MAb was selected using a JR-CSF fusion protein, and could neutralize 6/13 B clade viruses. Gorny *et al.* [2004] (**antibody binding site definition and exposure**)
- 2182: V1V2 was determined to be the region that conferred the neutralization phenotype differences between two R5-tropic primary HIV-1 isolates, JRFL and SF162. JRFL is resistant to neutralization by many sera and MAbs, while SF162 is sensitive. All MAbs tested, anti-V3, -V2, -CD4BS, and -CD4i, (except the broadly neutralizing MAbs IgG1b12, 2F5, and 2G12, which neutralized both strains), neutralized the SF162 pseudotype but not JRFL, and chimeras that exchanged the V1V2 loops transferred the neutralization phenotype. 5/6 anti-V3 MAbs had similar binding affinity to soluble SF162 and JR-FL rgp120s, although the V3 loop differs at three positions (HigpgrafyTtgE for JR-FL and TigpgrafyAtgD for SF162). Only the V3 MAb that had a different affinity was 2182, which bound to JRFL with higher affinity. Even 2182 preferentially neutralized SF162, however, the JRFL gp120 backbone with the SF162 V1V2 region was the more neutralization sensitive than pure SF162. Pinter *et al.* [2004] (**variant cross-recognition or cross-neutralization**)
- 2182: Conformation-dependent anti-V3 loop Abs may be more cross-reactive, so six new V3 MAbs were generated from cells of asymptomatic HIV-1-infected individuals by selection of heterohybridomas using a V3-fusion protein (V3-fp), the HIV-1

JRCSF V3 loop inserted into a truncated murine leukemia virus gp70 – the six new MAbs all bind to the tip of the V3 loop and cross-compete with the MAb 447-52D and are conformationally sensitive – MAbs showed cross-clade binding to native, intact virions of clades A(N=2), B(N=4), and F(N=2), limited binding to C(N=3) and D(N=3), and did not bind to CRF01(subtype E, N=2) – the strength binding was highly correlated with percent neutralization using the ghost cell or PHA blast assay – five well-characterized MAbs were used as controls: anti-V3 447-52D (anti-V3 MAb for competition and neutralization studies), 654 (anti-CD4BS used as a conformation-sensitive MAb control), 1331A (anti-C5 used as a linear binding site MAb control), MAb 246 (anti-gp41 MAb that bound to primary isolates of all clades) – 5/6 MAbs were derived from individuals infected in the US, presumably with clade B, and one, 2182, was derived from an individual who was infected abroad with clade A who is presently living in New York city – 2412 and 2456 were produced from cells obtained from the same individual, while the other MAbs were each generated from different subjects – 2182 bound to 8/16 of the diverse isolates, not to any clade C or CRF01. Gorny *et al.* [2002] (**antibody binding site definition and exposure, antibody generation, variant cross-recognition or cross-neutralization, subtype comparisons**)

No. 1166
MAb ID 2191
HXB2 Location Env
Author Location (JRCSF)
Epitope
Subtype B
Neutralizing P
Immunogen HIV-1 infection
Species (Isotype) human (IgG1 λ)
Ab Type gp120 V3
Research Contact Susan Zolla-Pazner (Zollas01@mcr6.med.nyu) (NYU Med. Center)

References Pinter *et al.* 2004; Gorny *et al.* 2004; Gorny & Zolla-Pazner 2004; Gorny *et al.* 2002

Keywords antibody binding site definition and exposure, antibody generation, review, subtype comparisons, variant cross-recognition or cross-neutralization

- 2191: This review provides summaries of Abs that bind to HIV-1 Env. There are many V3 MAbs, many neutralize some TCLA strains, and a subset can also neutralize some primary isolates. The set that can cross-neutralize primary isolates (2182, 2191, 2219, 2412, 2442, 2456) bind V3 but are conformationally sensitive, suggesting some structural conservation despite sequence variation. These MAbs have distinct epitopes relative to 447-52D, a MAb directed at the tip of the V3 loop that also can neutralize many primary isolates. Inter-clade cross-neutralization by these anti-V3 MAbs is reduced. Gorny & Zolla-Pazner [2004] (**variant cross-recognition or cross-neutralization, review, subtype comparisons**)
- 2191: V3 MAb neutralization is influenced by retaining the epitope, exposure on the intact virion, mobility during CD4-induced conformational change, and affinity. Anti-V3 MAbs selected using V3 peptides neutralize less effectively than V3

MAbs selected using fusion proteins or gp120, suggesting antigenic conformation is important. This MAb was selected using a JR-CSF fusion protein, and could neutralize 8/13 B clade viruses. Gorny *et al.* [2004] (**antibody binding site definition and exposure**)

- 2191: V1V2 was determined to be the region that conferred the neutralization phenotype differences between two R5-tropic primary HIV-1 isolates, JRFL and SF162. JRFL is resistant to neutralization by many sera and MAbs, while SF162 is sensitive. All MAbs tested, anti-V3, -V2, -CD4BS, and -CD4i, (except the broadly neutralizing MAbs IgG1b12, 2F5, and 2G12, which neutralized both strains), neutralized the SF162 pseudotype but not JRFL, and chimeras that exchanged the V1V2 loops transferred the neutralization phenotype. 5/6 anti-V3 MAbs, including 2191, had similar binding affinity to soluble SF162 and JR-FL rgp120s, although the V3 loop differs at three positions (HigpgrafyTtgE for JR-FL and TigpgrafyAtgD for SF162). Pinter *et al.* [2004] (**variant cross-recognition or cross-neutralization**)
- 2191: Conformation-dependent anti-V3 loop Abs may be more cross-reactive, so six new V3 MAbs were generated from cells of asymptomatic HIV-1-infected individuals by selection of heterybridomas using a V3-fusion protein (V3-fp), the HIV-1 JRCSF V3 loop inserted into a truncated murine leukemia virus gp70 – the six new MAbs all bind to the tip of the V3 loop and cross-compete with the MAb 447-52D and are conformationally sensitive – MAbs showed cross-clade binding to native, intact virions of clades A(N=2), B(N=4), and F(N=2), limited binding to C(N=3) and D(N=3), and did not bind to CRF01(subtype E, N=2) – the strength binding was highly correlated with percent neutralization using the ghost cell or PHA blast assay – five well-characterized MAbs were used as controls: anti-V3 447-52D (anti-V3 MAb for competition and neutralization studies), 654 (anti-CD4BS used as a conformation-sensitive MAb control), 1331A (anti-C5 used as a linear binding site MAb control), MAb 246 (anti-gp41 MAb that bound to primary isolates of all clades) – 5/6 MAbs were derived from individuals infected in the US, presumably with clade B, and one, 2182, was derived from an individual who was infected abroad with clade A who is presently living in New York city – 2412 and 2456 were produced from cells obtained from the same individual, while the other MAbs were each generated from different subjects – 2191 bound to 10/16 of the diverse isolates, not to any clade D or CRF01. Gorny *et al.* [2002] (**antibody binding site definition and exposure, antibody generation, variant cross-recognition or cross-neutralization, subtype comparisons**)

No. 1167
MAb ID 2219
HXB2 Location Env
Author Location (JRCSF)
Epitope
Subtype B
Neutralizing P
Immunogen HIV-1 infection
Species (Isotype) human (IgG1 λ)
Ab Type gp120 V3

Research Contact Susan Zolla-Pazner (Zollas01@mrcrcr6.med.nyu) (NYU Med. Center)

References Pinter *et al.* 2005; Pinter *et al.* 2004; Gorny *et al.* 2004; Gorny & Zolla-Pazner 2004; Gorny *et al.* 2002

Keywords antibody binding site definition and exposure, antibody generation, review, subtype comparisons, variant cross-recognition or cross-neutralization

- 2219: This study is about the V2 MAb C108g, that is type-specific and neutralizes BaL and HXB2. JR-FL is a neutralization resistant strain; modification of JRFL at V2 positions 167 and 168 (GK->DE) created a C108g epitope, and C108g could potentially neutralize the modified JR-FL. The modification in V2 also increased neutralization sensitivity to V3 MAbs 4117c, 2219, 2191, and 447-52D, but only had minor effects on neutralization by CD4BS MAb 5145A, and broadly neutralizing MAbs IgG1b12, 2G12, and 2F5. Binding to CCR5 was completely inhibited by two V3 MAbs, 4117C and 2219, and was substantially inhibited by 2G12, but was not inhibited by C108g. Pinter *et al.* [2005] (**antibody binding site definition and exposure**)
- 2219: This review provides summaries of Abs that bind to HIV-1 Env. There are many V3 MAbs, many neutralize some TCLA strains, and a subset can also neutralize some primary isolates. The set that can cross-neutralize primary isolates (2182, 2191, 2219, 2412, 2442, 2456) bind V3 but are conformationally sensitive, suggesting some structural conservation despite sequence variation. These MAbs have distinct epitopes relative to 447-52D, a MAb directed at the tip of the V3 loop that also can neutralize many primary isolates. Inter-clade cross-neutralization by these anti-V3 MAbs is reduced. Gorny & Zolla-Pazner [2004] (**variant cross-recognition or cross-neutralization, review, subtype comparisons**)
- 2219: V3 MAb neutralization is influenced by retaining the epitope, exposure on the intact virion, mobility during CD4-induced conformational change, and affinity. Anti-V3 MAbs selected using V3 peptides neutralize less effectively than V3 MAbs selected using fusion proteins or gp120, suggesting antigenic conformation is important. This MAb was selected using a JR-CSF fusion protein, and could neutralize 6/13 B clade viruses. Gorny *et al.* [2004] (**antibody binding site definition and exposure**)
- 2219: V1V2 was determined to be the region that conferred the neutralization phenotype differences between two R5-tropic primary HIV-1 isolates, JRFL and SF162. JRFL is resistant to neutralization by many sera and MAbs, while SF162 is sensitive. All MAbs tested, anti-V3, -V2, -CD4BS, and -CD4i, (except the broadly neutralizing MAbs IgG1b12, 2F5, and 2G12, which neutralized both strains), neutralized the SF162 pseudotype but not JRFL, and chimeras that exchanged the V1V2 loops transferred the neutralization phenotype. 5/6 anti-V3 MAbs, including 2219, had similar binding affinity to soluble SF162 and JR-FL rgp120s, although the V3 loop differs at three positions (HigprafyTtgE for JR-FL and TigprafyAtgD for SF162). Pinter *et al.* [2004] (**variant cross-recognition or cross-neutralization**)

- 2219: Conformation-dependent anti-V3 loop Abs may be more cross-reactive, so six new V3 MAbs were generated from cells of asymptomatic HIV-1-infected individuals by selection of heterhybridomas using a V3-fusion protein (V3-fp), the HIV-1 JRCSF V3 loop inserted into a truncated murine leukemia virus gp70 – the six new MAbs all bind to the tip of the V3 loop and cross-compete with the MAb 447-52D and are conformationally sensitive – MAbs showed cross-clade binding to native, intact virions of clades A(N=2), B(N=4), and F(N=2), limited binding to C(N=3) and D(N=3), and did not bind to CRF01(subtype E, N=2) – the strength binding was highly correlated with percent neutralization using the ghost cell or PHA blast assay – five well-characterized MAbs were used as controls: anti-V3 447-52D (anti-V3 MAb for competition and neutralization studies), 654 (anti-CD4BS used as a conformation-sensitive MAb control), 1331A (anti-C5 used as a linear binding site MAb control), MAb 246 (anti-gp41 MAb that bound to primary isolates of all clades) – 5/6 MAbs were derived from individuals infected in the US, presumably with clade B, and one, 2182, was derived from an individual who was infected abroad with clade A who is presently living in New York city – 2412 and 2456 were produced from cells obtained from the same individual, while the other MAbs were each generated from different subjects – 2219 bound to 13/16 of the diverse isolates. Gorny *et al.* [2002] (**antibody binding site definition and exposure, antibody generation, variant cross-recognition or cross-neutralization, subtype comparisons**)

No. 1168

MAb ID 2412

HXB2 Location Env

Author Location gp120 (V3) (JRCSF)

Epitope

Subtype B

Neutralizing P

Immunogen HIV-1 infection

Species (Isotype) human (IgG1 λ)

Ab Type gp120 V3

Research Contact Susan Zolla-Pazner (Zollas01@mrcrcr6.med.nyu) (NYU Med. Center)

References Gorny *et al.* 2004; Gorny & Zolla-Pazner 2004; Gorny *et al.* 2002

Keywords antibody binding site definition and exposure, antibody generation, review, subtype comparisons, variant cross-recognition or cross-neutralization

- 2412: This review provides summaries of Abs that bind to HIV-1 Env. There are many V3 MAbs, many neutralize some TCLA strains, and a subset can also neutralize some primary isolates. The set that can cross-neutralize primary isolates (2182, 2191, 2219, 2412, 2442, 2456) bind V3 but are conformationally sensitive, suggesting some structural conservation despite sequence variation. These MAbs have distinct epitopes relative to 447-52D, a MAb directed at the tip of the V3 loop that also can neutralize many primary isolates. Inter-clade cross-neutralization by these anti-V3 MAbs is reduced. Gorny & Zolla-Pazner [2004] (**antibody binding site definition and exposure, review**)

- 2412: V3 MAb neutralization is influenced by retaining the epitope, exposure on the intact virion, mobility during CD4-induced conformational change, and affinity. Anti-V3 MAbs selected using V3 peptides neutralize less effectively than V3 MAbs selected using fusion proteins or gp120, suggesting antigenic conformation is important. This MAb was selected using a JR-CSF fusion protein, and could neutralize 4/13 B clade viruses. Gorny *et al.* [2004] (**antibody binding site definition and exposure**)
- 2412: Conformation-dependent anti-V3 loop Abs may be more cross-reactive, so six new V3 MAbs were generated from cells of asymptomatic HIV-1-infected individuals by selection of heterhybridomas using a V3-fusion protein (V3-fp), the HIV-1 JRCSF V3 loop inserted into a truncated murine leukemia virus gp70 – the six new MAbs all bind to the tip of the V3 loop and cross-compete with the MAb 447-52D and are conformationally sensitive – MAbs showed cross-clade binding to native, intact virions of clades A(N=2), B(N=4), and F(N=2), limited binding to C(N=3) and D(N=3), and did not bind to CRF01(subtype E, N=2) – the strength binding was highly correlated with percent neutralization using the ghost cell or PHA blast assay – five well-characterized MAbs were used as controls: anti-V3 447-52D (anti-V3 MAb for competition and neutralization studies), 654 (anti-CD4BS used as a conformation-sensitive MAb control), 1331A (anti-C5 used as a linear binding site MAb control), MAb 246 (anti-gp41 MAb that bound to primary isolates of all clades) – 5/6 MAbs were derived from individuals infected in the US, presumably with clade B, and one, 2182, was derived from an individual who was infected abroad with clade A who is presently living in New York city – 2412 and 2456 were produced from cells obtained from the same individual, while the other MAbs were each generated from different subjects – 2412 bound to 7/16 of the diverse isolates, and did not bind to any of the clade C, D or CRF01 viruses. Gorny *et al.* [2002] (**antibody binding site definition and exposure, antibody generation, variant cross-recognition or cross-neutralization, subtype comparisons**)

No. 1169

MAb ID 2442

HXB2 Location Env

Author Location (JRCSF)

Epitope

Subtype B

Neutralizing P

Immunogen HIV-1 infection

Species (Isotype) human (IgG1 λ)

Ab Type gp120 V3

Research Contact Susan Zolla-Pazner (Zollas01@mcr6.med.nyu) (NYU Med. Center)

References Gorny *et al.* 2004; Gorny & Zolla-Pazner 2004; Gorny *et al.* 2002

Keywords antibody binding site definition and exposure, antibody generation, review, variant cross-recognition or cross-neutralization

- 2442: This review provides summaries of Abs that bind to HIV-1 Env. There are many V3 MAbs, many neutralize some TCLA strains, and a subset can also neutralize some primary

isolates. The set that can cross-neutralize primary isolates (2182, 2191, 2219, 2412, 2442, 2456) bind V3 but are conformationally sensitive, suggesting some structural conservation despite sequence variation. These MAbs have distinct epitopes relative to 447-52D, a MAb directed at the tip of the V3 loop that also can neutralize many primary isolates. Inter-clade cross-neutralization by these anti-V3 MAbs is reduced. Gorny & Zolla-Pazner [2004] (**variant cross-recognition or cross-neutralization, review**)

- 2442: V3 MAb neutralization is influenced by retaining the epitope, exposure on the intact virion, mobility during CD4-induced conformational change, and affinity. Anti-V3 MAbs selected using V3 peptides neutralize less effectively than V3 MAbs selected using fusion proteins or gp120, suggesting antigenic conformation is important. This MAb was selected using a JR-CSF fusion protein, and could neutralize 9/13 B clade viruses. Gorny *et al.* [2004] (**antibody binding site definition and exposure**)
- 2442: Conformation-dependent anti-V3 loop Abs may be more cross-reactive, so six new V3 MAbs were generated from cells of asymptomatic HIV-1-infected individuals by selection of heterhybridomas using a V3-fusion protein (V3-fp), the HIV-1 JRCSF V3 loop inserted into a truncated murine leukemia virus gp70 – the six new MAbs all bind to the tip of the V3 loop and cross-compete with the MAb 447-52D and are conformationally sensitive – MAbs showed cross-clade binding to native, intact virions of clades A(N=2), B(N=4), and F(N=2), limited binding to C(N=3) and D(N=3), and did not bind to CRF01(subtype E, N=2) – the strength binding was highly correlated with percent neutralization using the ghost cell or PHA blast assay – five well-characterized MAbs were used as controls: anti-V3 447-52D (anti-V3 MAb for competition and neutralization studies), 654 (anti-CD4BS used as a conformation-sensitive MAb control), 1331A (anti-C5 used as a linear binding site MAb control), MAb 246 (anti-gp41 MAb that bound to primary isolates of all clades) – 5/6 MAbs were derived from individuals infected in the US, presumably with clade B, and one, 2182, was derived from an individual who was infected abroad with clade A who is presently living in New York city – 2412 and 2456 were produced from cells obtained from the same individual, while the other MAbs were each generated from different subjects – 2442 bound to 13/16 of the diverse isolates. Gorny *et al.* [2002] (**antibody binding site definition and exposure, antibody generation, variant cross-recognition or cross-neutralization, review**)

No. 1170

MAb ID 2456

HXB2 Location Env

Author Location (JRCSF)

Epitope

Subtype B

Neutralizing P

Immunogen HIV-1 infection

Species (Isotype) human (IgG1 λ)

Ab Type gp120 V3

Research Contact Susan Zolla-Pazner (Zollas01@mcr6.med.nyu) (NYU Med. Center)

References Gorny *et al.* 2004; Gorny & Zolla-Pazner 2004; Gorny *et al.* 2002

Keywords antibody binding site definition and exposure, review

- 2456: This review provides summaries of Abs that bind to HIV-1 Env. There are many V3 MAbs, many neutralize some TCLA strains, and a subset can also neutralize some primary isolates. The set that can cross-neutralize primary isolates (2182, 2191, 2219, 2412, 2442, 2456) bind V3 but are conformationally sensitive, suggesting some structural conservation despite sequence variation. These MAbs have distinct epitopes relative to 447-52D, a MAb directed at the tip of the V3 loop that also can neutralize many primary isolates. Inter-clade cross-neutralization by these anti-V3 MAbs is reduced. Gorny & Zolla-Pazner [2004] (**review**)
- 2456: V3 MAb neutralization is influenced by retaining the epitope, exposure on the intact virion, mobility during CD4-induced conformational change, and affinity. Anti-V3 MAbs selected using V3 peptides neutralize less effectively than V3 MAbs selected using fusion proteins or gp120, suggesting antigenic conformation is important. This MAb was selected using a JR-CSF fusion protein, and could neutralize 4/12 B clade viruses. Gorny *et al.* [2004] (**antibody binding site definition and exposure**)
- 2456: Conformation-dependent anti-V3 loop Abs may be more cross-reactive, so six new V3 MAbs were generated from cells of asymptomatic HIV-1-infected individuals by selection of heterhybridomas using a V3-fusion protein (V3-fp), the HIV-1 JRCSF V3 loop inserted into a truncated murine leukemia virus gp70 – the six new MAbs all bind to the tip of the V3 loop and cross-compete with the MAb 447-52D and are conformationally sensitive – MAbs showed cross-clade binding to native, intact virions of clades A(N=2), B(N=4), and F(N=2), limited binding to C(N=3) and D(N=3), and did not bind to CRF01(subtype E, N=2) – the strength binding was highly correlated with percent neutralization using the ghost cell or PHA blast assay – five well-characterized MAbs were used as controls: anti-V3 447-52D (anti-V3 MAb for competition and neutralization studies), 654 (anti-CD4BS used as a conformation-sensitive MAb control), 1331A (anti-C5 used as a linear binding site MAb control), MAb 246 (anti-gp41 MAb that bound to primary isolates of all clades) – 5/6 MAbs were derived from individuals infected in the US, presumably with clade B, and one, 2182, was derived from an individual who was infected abroad with clade A who is presently living in New York city – 2412 and 2456 were produced from cells obtained from the same individual, while the other MAbs were each generated from different subjects – 2456 bound to 12/16 of the diverse isolates. Gorny *et al.* [2002]

No. 1171

MAb ID 2483

HXB2 Location Env

Author Location Env (JR-CSF)

Epitope

Subtype B

Neutralizing P

Immunogen

Species (Isotype) human

Ab Type gp120 V3

Research Contact Dr. Zolla-Pazner, Veterans Affairs Center, NY, NY. zollas01@endeavor.med.nyu.edu

References Gorny *et al.* 2004

Keywords antibody binding site definition and exposure

- 2483: V3 MAb neutralization is influenced by retaining the epitope, exposure on the intact virion, mobility during CD4-induced conformational change, and affinity. Anti-V3 MAbs selected using V3 peptides neutralize less effectively than V3 MAbs selected using fusion proteins or gp120, suggesting antigenic conformation is important. This antibody was selected using a JRCSF fusion protein. Gorny *et al.* [2004] (**antibody binding site definition and exposure**)

No. 1172

MAb ID 2497

HXB2 Location Env

Author Location Env (JR-CSF)

Epitope

Subtype B

Neutralizing P

Immunogen

Species (Isotype) human

Ab Type gp120 V3

Research Contact Dr. Zolla-Pazner, Veterans Affairs Center, NY, NY. zollas01@endeavor.med.nyu.edu

References Gorny *et al.* 2004

Keywords antibody binding site definition and exposure

- 2497: V3 MAb neutralization is influenced by retaining the epitope, exposure on the intact virion, mobility during CD4-induced conformational change, and affinity. Anti-V3 MAbs selected using V3 peptides neutralize less effectively than V3 MAbs selected using fusion proteins or gp120, suggesting antigenic conformation is important. This antibody was selected using a JRCSF fusion protein. Gorny *et al.* [2004] (**antibody binding site definition and exposure**)

No. 1173

MAb ID 2557

HXB2 Location Env

Author Location Env (JR-CSF)

Epitope

Subtype A, CRF02_AG

Neutralizing P

Immunogen HIV-1 infection

Species (Isotype) human

Ab Type gp120 V3

Research Contact Dr. Zolla-Pazner, Veterans Affairs Center, NY, NY. zollas01@endeavor.med.nyu.edu

References Krachmarov *et al.* 2005; Gorny *et al.* 2004

Keywords antibody binding site definition and exposure, subtype comparisons, variant cross-recognition or cross-neutralization

- 2557: Sera from subtype A infected individuals from Cameroon have antibodies that react strongly with subtype A and subtype B V3 loops in fusion proteins, and neutralize SF162 pseudotypes, while sera from 47 subtype B infected individuals reacted only with subtype B V3s. Sera from Cameroon did not neutralize primary A or B isolates, due to indirect masking by the V1/V2 domain rather than due to loss of the target epitope. 2557 was derived from a person infected with a clade

A or CRF02 virus, and binds to A and B V3 loops. Neutralization of JR-FL and SF162(UG V3) by anti-V3 MAbs 2557, 2558, 2601, but not subtype A primary isolates despite binding to the subtype A V3 loops, suggested masking by V1V2 blocking of neutralization by these antibodies. Krachmarov *et al.* [2005] (**antibody binding site definition and exposure, variant cross-recognition or cross-neutralization, subtype comparisons**)

- 2557: V3 MAb neutralization is influenced by retaining the epitope, exposure on the intact virion, mobility during CD4-induced conformational change, and affinity. Anti-V3 MAbs selected using V3 peptides neutralize less effectively than V3 MAbs selected using fusion proteins or gp120, suggesting antigenic conformation is important. This antibody was selected using a JRCSF fusion protein. Gorny *et al.* [2004]

No. 1174

MAb ID 2558

HXB2 Location Env

Author Location Env (92UG037)

Epitope

Subtype A, CRF02_AG

Neutralizing P

Immunogen

Species (Isotype) human

Ab Type gp120 V3

Research Contact Dr. Zolla-Pazner, Veterans Affairs Center, NY, NY. zollas01@endeavor.med.nyu.edu

References Krachmarov *et al.* 2005; Gorny *et al.* 2004

Country Uganda

Keywords antibody binding site definition and exposure, subtype comparisons, variant cross-recognition or cross-neutralization

- 2558: Sera from subtype A infected individuals from Cameroon have antibodies that react strongly with subtype A and subtype B V3 loops in fusion proteins, and neutralize SF162 pseudotypes, while sera from 47 subtype B infected individuals reacted only with subtype B V3s. Sera from Cameroon did not neutralize primary A or B isolates, due to indirect masking by the V1/V2 domain rather than due to loss of the target epitope. 2557 was derived from a person infected with a clade A or CRF02 virus, and binds to A and B V3 loops. Neutralization of JR-FL and SF162(UG V3) by anti-V3 MAbs 2557, 2558, 2601, but not subtype A primary isolates despite binding to the subtype A V3 loops, suggested masking by V1V2 blocking of neutralization by these antibodies. Krachmarov *et al.* [2005] (**antibody binding site definition and exposure, variant cross-recognition or cross-neutralization, subtype comparisons**)

- 2558: V3 MAb neutralization is influenced by retaining the epitope, exposure on the intact virion, mobility during CD4-induced conformational change, and affinity. Anti-V3 MAbs selected using V3 peptides neutralize less effectively than V3 MAbs selected using fusion proteins or gp120, suggesting antigenic conformation is important. This antibody was selected using an A clade fusion protein, 92UG037. It is unusual in that it is a V3 antibody selected for conformational aspects using an A clade virus, with a V3 GPGQ tip – clade B viruses are usually used and have GPGR tips. It cross-neutralizes and binds B

clade HIV SF162. Gorny *et al.* [2004] (**antibody binding site definition and exposure**)

No. 1175

MAb ID 2580

HXB2 Location Env

Author Location Env (JR-CSF)

Epitope

Subtype B

Neutralizing P

Immunogen

Species (Isotype) human

Ab Type gp120 V3

Research Contact Dr. Zolla-Pazner, Veterans Affairs Center, NY, NY. zollas01@endeavor.med.nyu.edu

References Gorny *et al.* 2004

Keywords antibody binding site definition and exposure

- 2580: V3 MAb neutralization is influenced by retaining the epitope, exposure on the intact virion, mobility during CD4-induced conformational change, and affinity. Anti-V3 MAbs selected using V3 peptides neutralize less effectively than V3 MAbs selected using fusion proteins or gp120, suggesting antigenic conformation is important. This antibody was selected using a JRCSF fusion protein. Gorny *et al.* [2004] (**antibody binding site definition and exposure**)

No. 1176

MAb ID 391/95-D

HXB2 Location Env

Author Location Env

Epitope

Subtype B

Neutralizing

Immunogen HIV-1 infection

Species (Isotype) human

Ab Type gp120 V3

Research Contact S. Zolla-Pasner

References Guillon *et al.* 2002a

Keywords co-receptor, enhancing activity

- 391/95-D: This antibody was used to explore the sensitivity of chimeric envelope viruses to Ab-mediated enhancement or neutralization. V3 mediated enhancement and envelopes susceptible to enhancement used CCR5. Enhancement was CD4 dependent. Guillon *et al.* [2002a] (**co-receptor, enhancing activity**)

No. 1177

MAb ID 39F

HXB2 Location Env

Author Location gp120

Epitope

Subtype B

Neutralizing no

Immunogen

Species (Isotype)

Ab Type gp120 V3

Research Contact James Robinson, Tulane University, New Orleans, LA, USA

References Selvarajah *et al.* 2005; Pantophlet *et al.* 2004; Kwong *et al.* 2002; Grundner *et al.* 2002; Yang *et al.* 2002

Keywords antibody binding site definition and exposure, vaccine antigen design, vaccine-specific epitope characteristics

- 39F: Antigens were designed to attempt to target immune responses toward the IgG1b12 epitope, while minimizing antibody responses to less desirable epitopes. One construct had a series of substitutions near the CD4 binding site (GDMR), the other had 7 additional glycans (mCHO). The 2 constructs did not elicit b12-like neutralizing antibodies, but both antigens successfully dampened other responses that were intended to be dampened, while not obscuring b12 binding. V3 MAbs (447-52D, 19b, F245-B4e8 and 39F) bound to the GDMR antigen, but either did not bind or had diminished binding to mCHO. Selvarajah *et al.* [2005] (**vaccine antigen design, vaccine-specific epitope characteristics**)
- 39F: By adding N-linked glycosylation sites to gp120, epitope masking of non-neutralizing epitopes can be achieved leaving the IgG1b12 binding site intact. This concept was originally tested with the addition of four glycosylation sites, but binding to b12 was reduced. It was modified here to exclude the C1 N-terminal region, and to include only three additional glycosylation sites. This modified protein retains full b12 binding affinity and it masks other potentially competing epitopes, and does not bind to 21 other MAbs to 7 epitopes on gp120, including 39F. To inhibit 39F binding, Arg 304 and Lys 305 had to be changed to Ala. Pantophlet *et al.* [2004] (**vaccine antigen design**)
- 39F: HIV-1 gp160deltaCT (cytoplasmic tail-deleted) proteoliposomes (PLs) containing native, trimeric envelope glycoproteins from R5 strains YU2 and JRFL, and X4 strain HXBc2, were made in a physiologic membrane setting as candidate immunogens for HIV vaccines – 2F5 bound to gp160deltaCT with a reconstituted membrane ten-fold better than the same protein on beads – anti-CD4BS MAbs IgG1b12 and F105, A32 (C1-C4), C11 (C1-C5), and 39F (V3) MAbs bound gp160deltaCT PLs indistinguishably from gp160deltaCT expressed on the cell surface. Grundner *et al.* [2002]
- 39F: Thermodynamics of binding to gp120 was measured using isothermal titration calorimetry for sCD4, 17b, b12, 48d, F105, 2G12 and C11 to intact YU2 and the HXBc2 core. The free energy of binding was similar, and not only CD4 but MAb ligands induced thermodynamic changes in gp120 that were independent of whether the core or the full gp120 protein was used. Non-neutralizing CD4BS and CD4i MAbs had large entropy contributions to free energy (mean: 26.1 kcal/mol) of binding to the gp120 monomer, except the potent CD4BS neutralizing MAb b6 had a much smaller value of 5.7 kcal/mol. High values suggest surface burial or protein folding and ordering of amino acids. Variable loop MAbs (L17, L78, 19b, 39F, Ag1211, D0142, and G3-2999) MAbs that bind to the N and C termini (211/c, A32, L100, P35, and C11) do not have dramatic entropy changes. These results suggest that while the trimeric Env complex has four surfaces, a non-neutralizing face (occluded on the oligomer), a variable face, a neutralizing face and a silent face (protected by carbohydrate masking), gp120 monomers further protect receptor binding sites by conforma-

tional or entropic masking, requiring a large energy handicap for Ab binding not faced by other anti-gp120 Abs. Kwong *et al.* [2002] (**antibody binding site definition and exposure**)

- 39F: Uncleaved soluble gp140 (YU2 strain, R5 primary isolate) can be stabilized in an oligomer by fusion with a C-term trimeric GCN4 motif or using a T4 trimeric motif derived from T4 bacteriophage fibrin – stabilized oligomer gp140 delta683(-FT) showed strong preferential recognition by NABs IgG1b12 and 2G12 relative to the gp120 monomer, in contrast to poorly neutralizing MAbs F105, F91, 17b, 48d, and 39F which showed reduced levels of binding, and C11, A32, and 30D which did not bind the stabilized oligomer. Yang *et al.* [2002]

No. 1178

MAb ID 4148d

HXB2 Location Env

Author Location Env

Epitope

Subtype B

Neutralizing Immunogen

Species (Isotype)

Ab Type gp120 V3

Research Contact Abraham Pinter, Public Health Research Institute, Newark, NJ, 07103. pinter@phri.org

References Pinter *et al.* 2004; Pinter *et al.* 1993b

Keywords antibody generation, variant cross-recognition or cross-neutralization

- 4148D: V1V2 was determined to be the region that conferred the neutralization phenotype differences between two R5-tropic primary HIV-1 isolates, JRFL and SF162. JRFL is resistant to neutralization by many sera and MAbs, while SF162 is sensitive. All MAbs tested, anti-V3, -V2, -CD4BS, and -CD4i, (except the broadly neutralizing MAbs IgG1b12, 2F5, and 2G12, which neutralized both strains), neutralized the SF162 pseudotype but not JRFL, and chimeras that exchanged the V1V2 loops transferred the neutralization phenotype. 5/6 anti-V3 MAbs, including 4148D, had similar binding affinity to soluble SF162 and JR-FL rgp120s, although the V3 loop differs at three positions (HigpgrafyTtGE for JR-FL and TigpgrafyAtGD for SF162). Pinter *et al.* [2004] (**variant cross-recognition or cross-neutralization**)
- 4148D: Pinter1993a first describes this MAb. Pinter *et al.* [1993b] (**antibody generation**)

No. 1179

MAb ID 55/68b

HXB2 Location Env

Author Location gp120 (300–315)

Epitope

Neutralizing Immunogen

Species (Isotype)

Ab Type gp120 V3

References Peet *et al.* 1998

- 55/68b: The most variable amino acids in the V3 loop were replaced with serines to make the immunodominant V3 loop less immunogenic – these changes did not affect the ability of sCD4 or MAbs to V1/V2, C1 and C4 to bind, and anti-V3

MAb 55/68b binding was abrogated by V3 serine substitutions in the V3 loop – mice injected with serine substituted gp120 had a reduced response relative to wildtype, and no enhanced immunogenicity of conserved regions. Peet *et al.* [1998]

No. 1180
MAb ID 5G11
HXB2 Location Env
Author Location gp120
Epitope
Neutralizing
Immunogen
Species (Isotype)
Ab Type gp120 V3
Research Contact S. Nigida and L. Arthur, NCI, Frederick, MD USA
References Moore & Sodroski 1996

- 5G11: Binds to conformation sensitive epitope in the V3 loop – reciprocal inhibition of other V3 loop MAbs – reciprocal enhancement of some C1-C5 MAbs (unusual for an anti-V3 MAb) and CD4 binding site MAbs – and enhances binding of V2 MAbs. Moore & Sodroski [1996]

No. 1181
MAb ID 6.1
HXB2 Location Env
Author Location gp120 (SF162)
Epitope
Subtype B
Neutralizing no
Immunogen vaccine
Vector/Type: protein *Strain:* B clade SF162
HIV component: gp120 *Adjuvant:* Ribi adjuvant (MPL+TDM) (RIBI)
Species (Isotype) transgenic mouse (IgG2κ)
Ab Type gp120 V3
Research Contact Dr. Abraham Pinter, Public Health Research Institute, Newark, NJ, pinter@phri.org
References Gorny & Zolla-Pazner 2004; He *et al.* 2002
Keywords review

- 6.1: This review provides summaries of Abs that bind to HIV-1 Env. There are many V3 MAbs, many neutralize some TCLA strains, and a subset can also neutralize some primary isolates. 6.1 was non-neutralizing. Gorny & Zolla-Pazner [2004] (**review**)
- 6.1: Transgenic mice (strain XenoMouse G2) carrying human genes allowing production of fully human IgG2kappa MAbs were used to rapidly create a panel of anti-HIV gp120 MAb-producing hybridomas by immunization with HIV SF162 gp120 – 3/4 V3 MAbs bound a similar linear epitope between positions 11-30 of the MN V3 loop (8E11/A8, 6.1, and 6.7), but only 8E11/A8 could weakly neutralize autologous strain SF162. He *et al.* [2002]

No. 1182
MAb ID 6.7
HXB2 Location Env
Author Location gp120 (SF162)
Epitope
Subtype B

Neutralizing no
Immunogen vaccine
Vector/Type: protein *Strain:* B clade SF162
HIV component: gp120 *Adjuvant:* Ribi adjuvant (MPL+TDM) (RIBI)

Species (Isotype) transgenic mouse (IgG2κ)
Ab Type gp120 V3
Research Contact Dr. Abraham Pinter, Public Health Research Institute, Newark, NJ, pinter@phri.org

References Gorny & Zolla-Pazner 2004; He *et al.* 2002
Keywords antibody binding site definition and exposure, antibody generation, review

- 6.7: This review provides summaries of Abs that bind to HIV-1 Env. There are many V3 MAbs, many neutralize some TCLA strains, and a subset can also neutralize some primary isolates. 6.7 was non-neutralizing. Gorny & Zolla-Pazner [2004] (**review**)
- 6.7: Transgenic mice (strain XenoMouse G2) carrying human genes allowing production of fully human IgG2kappa MAbs were used to rapidly create a panel of anti-HIV gp120 MAb-producing hybridomas by immunization with HIV SF162 gp120 – 3/4 V3 MAbs bound a similar linear epitope between positions 11-30 of the MN V3 loop (8E11/A8, 6.1, and 6.7), but only 8E11/A8 could weakly neutralize autologous strain SF162. He *et al.* [2002] (**antibody binding site definition and exposure, antibody generation**)

No. 1183
MAb ID 8.27.3
HXB2 Location Env
Author Location gp120 (SF162)

Epitope
Subtype B
Neutralizing L
Immunogen vaccine

Vector/Type: protein *Strain:* B clade SF162
HIV component: gp120 *Adjuvant:* Ribi adjuvant (MPL+TDM) (RIBI)

Species (Isotype) transgenic mouse (IgG2κ)
Ab Type gp120 V3
Research Contact Dr. Abraham Pinter, Public Health Research Institute, Newark, NJ, pinter@phri.org

References Gorny & Zolla-Pazner 2004; He *et al.* 2002
Keywords review, variant cross-recognition or cross-neutralization

- 8.27.3: This review provides summaries of Abs that bind to HIV-1 Env. There are many V3 MAbs, many neutralize some TCLA strains, like 8.27.3; a subset can also neutralize some primary isolates. Gorny & Zolla-Pazner [2004] (**variant cross-recognition or cross-neutralization, review**)
- 8.27.3: Transgenic mice (strain XenoMouse G2) carrying human genes allowing production of fully human IgG2kappa MAbs were used to rapidly create a panel of anti-HIV gp120 MAb-producing hybridomas by immunization with HIV SF162 gp120 – 1/4 V3 MAbs, 8.27.3, bound a discontinuous epitope that was broadly cross-reactive with B clade R5 and X4 strains (not E clade) and could neutralize autologous strain SF162. He *et al.* [2002]

No. 1184

MAb ID 8E11/A8
HXB2 Location Env
Author Location gp120 (SF162)
Epitope
Subtype B
Neutralizing L
Immunogen vaccine
Vector/Type: protein *Strain:* B clade SF162
HIV component: gp120 *Adjuvant:* Ribi adjuvant (MPL+TDM) (RIBI)

Species (Isotype) transgenic mouse (IgG2κ)
Ab Type gp120 V3
Research Contact Dr. Abraham Pinter, Public Health Research Institute, Newark, NJ, pinter@phri.org

References Gorny & Zolla-Pazner 2004; He *et al.* 2002
Keywords antibody binding site definition and exposure, antibody generation, autologous responses, review

- 8E11/A8: This review provides summaries of Abs that bind to HIV-1 Env. There are many V3 MAbs, many neutralize some TCLA strains, and a subset can also neutralize some primary isolates. Gorny & Zolla-Pazner [2004] (**review**)
- 8E11/A8: Transgenic mice (strain XenoMouse G2) carrying human genes allowing production of fully human IgG2kappa MAbs were used to rapidly create a panel of anti-HIV gp120 MAb-producing hybridomas by immunization with HIV SF162 gp120 – 3/4 V3 MAbs bound a similar linear epitope between positions 11-30 of the MN V3 loop (8E11/A8, 6.1, and 6.7), but only 8E11/A8 could weakly neutralize autologous strain SF162. He *et al.* [2002] (**antibody binding site definition and exposure, antibody generation, autologous responses**)

No. 1185
MAb ID 9305
HXB2 Location Env
Author Location gp120
Epitope
Neutralizing L
Immunogen
Species (Isotype) mouse
Ab Type gp120 V3
Research Contact Du Pont, Wilmington DE
References McDougal *et al.* 1996

No. 1186
MAb ID A1g8
HXB2 Location Env
Author Location gp120
Epitope
Subtype B
Neutralizing
Immunogen HIV-1 infection
Species (Isotype) human (IgG1λ)
Ab Type gp120 V3
Research Contact James Robinson, Tulane University Med School, New Orleans, LA, USA
References Cavacini *et al.* 2003; Cavacini *et al.* 2002
Keywords antibody interactions, co-receptor, variant cross-recognition or cross-neutralization

- A1g8: The MAb B4e8 binds to the base of the V3 loop, neutralizes multiple primary isolates and was studied for interaction with other MAbs. B4e8 enhanced binding of CD4i MAbs 4.8d, 1.7b, and A1g8 to R5X4 virus 92HT593, but only of 48d to the R5 virus 92US660, and there was only a modest impact of the combination of B4e8 and CD4i MAbs on neutralization. Cavacini *et al.* [2003] (**antibody interactions, co-receptor**)
- A1g8: This study examined antibody interactions, binding and neutralization with a B clade R5 isolate (92US660) and R5X4 isolate (92HT593). Abs generally bound and neutralized the R5X4 isolate better than the R5 isolate. Anti-V3 MAb B4a1 increased binding of CD4i MAbs 48d, 17b and A1g8, but only A1g8 binding was increased by B4a1 to the R5 isolate. Additive effects on neutralization of the R5X4 isolate with B4a1 and CD4i MAbs was observed, presumably due to increased exposure of the CD4i binding site, but not for the R5 isolate. Anti-gp41 MAb F240 had a synergistic effect on neutralization with CD4i MAbs 48d and 17b, but not with A1g8 for the R5X4 virus. Cavacini *et al.* [2002] (**antibody interactions, co-receptor, variant cross-recognition or cross-neutralization**)

No. 1187
MAb ID AG1121 (1121)
HXB2 Location Env
Author Location gp120
Epitope
Neutralizing L
Immunogen
Species (Isotype)
Ab Type gp120 V3
Research Contact AGMED, Inc, Bedford, MA, USA or Immunodiagnosics, Inc, Woburn, MA, USA
References Si *et al.* 2001; Cao *et al.* 1997b; Sullivan *et al.* 1995

- AG1121: SHIV-HXBc2 is a neutralization sensitive non-pathogenic virus, and several *in vivo* passages through monkey's yielded highly pathogenic SHIV KU-1 – HXBc2 and the KU-1 clone HXBc2P3.2 differ in 12 amino acids in gp160 – substitutions in both gp120 and gp41 reduced the ability of sCD4, IgG1b12, F105 and AG1121 to Env achieve saturation and full occupancy, and neutralize KU-1 – 17b and 2F5 also bound less efficiently to HXBc2P3.2, although 2G12 was able to bind both comparably. Si *et al.* [2001]
- AG1121: Called 1121 – Virus with the V1-V2 loop deleted was viable and more susceptible to neutralization by CD4i MAb 17b, and anti-V3 MAbs 1121, 9284, and 110.4, but not to and CD4BS MAb F105 or sCD4. Cao *et al.* [1997b]
- AG1121: Recognizes monomeric gp120 from T-cell adapted line HXBc2 and primary isolate 89.6 equally well, but 89.6 was three-fold less sensitive to neutralization by AG1121 than HXBc2. Sullivan *et al.* [1995]

No. 1188
MAb ID Ag1211
HXB2 Location Env
Author Location gp120 (V3) (JRFL)
Epitope
Neutralizing
Immunogen
Species (Isotype)

Ab Type gp120 V3

References Kwong *et al.* 2002

Keywords antibody binding site definition and exposure

- Ag1211: Thermodynamics of binding to gp120 was measured using isothermal titration calorimetry for sCD4, 17b, b12, 48d, F105, 2G12 and C11 to intact YU2 and the HXBc2 core. The free energy of binding was similar, and not only CD4 but MAb ligands induced thermodynamic changes in gp120 that were independent of whether the core or the full gp120 protein was used. Non-neutralizing CD4BS and CD4i MAbs had large entropy contributions to free energy (mean: 26.1 kcal/mol) of binding to the gp120 monomer, except the potent CD4BS neutralizing MAb b6 had a much smaller value of 5.7 kcal/mol. High values suggest surface burial or protein folding and ordering of amino acids. Variable loop MAbs (L17, L78, 19b, 39F, Ag1211, D0142, and G3-2999) MAbs that bind to the N and C termini (211/c, A32, L100, P35, and C11) do not have dramatic entropy changes. These results suggest that while the trimeric Env complex has four surfaces, a non-neutralizing face (occluded on the oligomer), a variable face, a neutralizing face and a silent face (protected by carbohydrate masking), gp120 monomers further protect receptor binding sites by conformational or entropic masking, requiring a large energy handicap for Ab binding not faced by other anti-gp120 Abs. Kwong *et al.* [2002] (**antibody binding site definition and exposure**)

No. 1189

MAb ID B4a1

HXB2 Location Env

Author Location gp120 (V3)

Epitope

Subtype B

Neutralizing

Immunogen HIV-1 infection

Species (Isotype) human

Ab Type gp120 V3

Research Contact James Robinson, Tulane University Med School, New Orleans, LA, USA

References Cavacini *et al.* 2003; Cavacini *et al.* 2002

Keywords antibody interactions, co-receptor, variant cross-recognition or cross-neutralization

- B4a1: The MAb B4e8 binds to the base of the V3 loop, neutralizes multiple primary isolates and was studied for interaction with other MAbs. The anti-V3 MAb B4a1 cross-competes with B4e8. Cavacini *et al.* [2003] (**antibody interactions**)
- B4a1: This study examined antibody interactions, binding and neutralization with a B clade R5 isolate (92US660) and R5X4 isolate (92HT593). Abs generally bound and neutralized the R5X4 isolate better than the R5 isolate. Anti-gp41 MAb F240 binding was not affected by the binding of the V3 loop MAb B4a1, but preincubation with F240 could enhance B4a1 binding of the R5 isolate. B4a1 reacts with many B clade isolates, and preincubation with sCD4 enhances binding to both the R5 and R5X4 isolates. B4a1 increased binding of CD4i MAbs 48d, 17b and A1g8, as well as CD4BS MAbs IgG1b12 and F105 to R5X4 virions, but only A1g8 and IgG1b12 binding was increased by B4a1 to the R5 isolate. Additive effects on neutralization of the R5X4 isolate with B4a1 and CD4i MAbs was observed, presumably due to increased exposure of the CD4i binding site, but not for the R5 isolate. B4a1 had an

additive effect on neutralization with 2G12 with the R5X4 virus but not the R5 virus, and did not impact 2F5 neutralization. Cavacini *et al.* [2002] (**antibody interactions, co-receptor, variant cross-recognition or cross-neutralization**)

No. 1190

MAb ID B4e8 (F425 B4e8)

HXB2 Location Env

Author Location gp120 (V3)

Epitope

Subtype B

Neutralizing P

Immunogen HIV-1 infection

Species (Isotype) human (IgG2κ)

Ab Type gp120 V3

Research Contact Lisa Cavacini, Beth Israel Deconess Medical Center, Boston MA, USA

References Lusso *et al.* 2005; Zwick *et al.* 2003; Liu *et al.* 2003; Cavacini *et al.* 2003

Keywords antibody binding site definition and exposure, antibody generation, antibody interactions, antibody sequence, variable domain, co-receptor, variant cross-recognition or cross-neutralization

- B4e8: The epitope for the MAb D19 is conserved and embedded in V3. D19 is unique in that for R5 viruses, it was cryptic and did not bind without exposure to sCD4, and for X4 and R5X4 isolates it was constitutively exposed. It had an overlapping binding region with MAbs 447-52D, B4e8, and 268-D, but different reactivity patterns and fine specificity. While B4e8 and 447-52D could bind to the R5 virus BaL in the absence of sCD4, treatment with sCD4 did increase the binding of both B4e8 and 447-52D, but did not impact their ability to neutralize BaL. Lusso *et al.* [2005] (**antibody binding site definition and exposure**)
- B4e8: This MAb binds to the base of the V3 loop, and binds and neutralizes multiple primary isolates. The anti-V3 MAb B4a1 cross-competes with B4e8. B4e8 and 2G12 enhanced each others binding, and gave synergistic neutralization. B4e8 could neutralize R5X4 virus 92HT593 better than 2G12, while 2G12 was better at neutralizing R5 virus 92US660. B4e8 enhanced binding of CD4i MAbs 4.8d, 1.7b, and A1g8 to 92HT593, but only of 48d to the 92US660, and there was only a modest impact of the combination of B4e8 and CD4i MAbs on neutralization. CD4BS MAb IgG1b12 had no effect on B4e8 binding. Anti-gp41 MAb F240 inhibited B4e8 neutralization. Cavacini *et al.* [2003] (**antibody binding site definition and exposure, antibody generation, antibody interactions, co-receptor, variant cross-recognition or cross-neutralization**)
- B4e8: The effect of isotype (IgG1 and IgG3) and subtype (IgA) switching of parental F425B4e8 (IgG2) on HIV-1 binding and neutralization was investigated. IgG1- and IgA-F425B4e8 mutants showed virus-specific binding levels and TCLA SF2 isolate compared to the parental IgG2. Comparable levels of neutralization of primary isolates 92HT593 (R5X4) and 92US660 (R5) was achieved by all isotypes and subtypes of F425B4e8. Liu *et al.* [2003] (**variant cross-recognition or cross-neutralization, antibody sequence, variable domain**)

- B4e8: Called F425 B4e8. scFv 4KG5 reacts with a conformational epitope that is formed by the V1V2 and V3 loops and the bridging sheet (C4) region of gp120 and is influenced by carbohydrates. Of a panel of MAbs tested, only NAb b12 enhanced 4KG5 binding to gp120 JRFL. MAbs to the following regions diminished 4KG5 binding: V2 loop, V3 loop, V3-C4 region, CD4BS. MAbs directed against C1, CD4i, C5 regions didn't impact 4KG5 binding. These results suggest that the orientation or dynamics of the V1/V2 and V3 loops restricts CD4BS access on the envelope spike, and IgG1b12 can uniquely remain unaffected by these loops. This was one of the V3 MAbs used. Zwick *et al.* [2003] (**antibody interactions**)

No. 1191

MAb ID D27

HXB2 Location Env

Author Location gp120 (IIIB)

Epitope

Neutralizing

Immunogen vaccine

Vector/Type: vaccinia *Strain:* B clade IIIB
HIV component: oligomeric gp140

Species (Isotype) mouse (IgG)

Ab Type gp120 V3

Research Contact P. Earl, National Institute of Allergy and Infectious Diseases, NIH, Bethesda, MD

References Sugiura *et al.* 1999; Otteken *et al.* 1996; Earl *et al.* 1994

- D27: A comparison of 25 gp120 specific, conformation dependent MAbs was done – D27 is one of two MAbs labeled group Ca, that was type-specific for BH8 – D27 fully blocked CD4 binding, and the deletion of the V3 loop abrogated binding. Sugiura *et al.* [1999]
- D27: Pulse label experiments of 4 MAbs (D20, D27, T20, and T22) binding to noncleavable gp160 revealed that these anti-CD4 MAbs bound with a delay, and that the epitope formed with a t 1/2 of about 10 minutes. Otteken *et al.* [1996]
- D27: Generated during a study of the influence of the oligomeric structure of Env in determining the repertoire of the Ab response. Earl *et al.* [1994]

No. 1192

MAb ID D47

HXB2 Location Env

Author Location gp120 (IIIB)

Epitope

Neutralizing

Immunogen vaccine

Vector/Type: vaccinia *Strain:* B clade IIIB
HIV component: Env

Species (Isotype) mouse

Ab Type gp120 V3

Research Contact Patricia Earl, NIAID, NIH

References Salzwedel *et al.* 2000; Earl *et al.* 1997; Wyatt *et al.* 1997; Otteken *et al.* 1996; Richardson *et al.* 1996; Earl *et al.* 1994

Keywords antibody binding site definition and exposure, antibody generation, variant cross-recognition or cross-neutralization

- D47: sCD4 can activate fusion between effector cells expressing Env and target cells expressing coreceptor (CCR5 or CXCR4) alone without CD4 – V3 MAb D47 is strain specific and can inhibit sCD4 mediated infection, but only of the closely related LAV Env, while anti-CD4i MAbs were broadly cross-neutralizing. Salzwedel *et al.* [2000] (**variant cross-recognition or cross-neutralization**)
- D47: Used for comparison in a study of gp41 antibodies – D47 binds to a greater extent to cell surface expressed Env than any of 38 conformation dependent anti-gp41 MAbs. Earl *et al.* [1997]
- D47: Binds both gp120 and soluble gp120+gp41 complex efficiently, suggesting its gp120 epitope is not blocked by gp41 binding. Wyatt *et al.* [1997] (**antibody binding site definition and exposure**)
- D47: Pulse label experiments of MAb binding to noncleavable gp160 revealed that this anti-V3 MAb bound immediately and binding stayed constant through chase period. Otteken *et al.* [1996]
- D47: Used for capture of oligomeric Env for antigen capture ELISA – binding of this antibody to oligomeric Env IIIB was not blocked by human sera from the US, consistent with a low prevalence of IIIB-like V3 strains. Richardson *et al.* [1996] (**antibody binding site definition and exposure**)
- D47: Generated during a study of the influence of the oligomeric structure of Env in determining the repertoire of the Ab response. Earl *et al.* [1994] (**antibody generation**)

No. 1193

MAb ID D56

HXB2 Location Env

Author Location gp120 (IIIB)

Epitope

Neutralizing L

Immunogen vaccine

Vector/Type: vaccinia *Strain:* B clade IIIB
HIV component: oligomeric gp140

Species (Isotype) mouse (IgG)

Ab Type gp120 V3

Research Contact P. Earl, National Institute of Allergy and Infectious Diseases, NIH, Bethesda, MD

References Sugiura *et al.* 1999; Earl *et al.* 1994

- D56: A comparison of 25 gp120 specific, conformation dependent MAbs was done – D56 is one of two MAbs labeled group Ca, that was type-specific for BH8 – D56 fully blocked CD4 binding, and the deletion of the V3 loop abrogated binding – 12.5 ug/ml of D56 was required to achieve 50% neutralization of HIV-1 NL4-3. Sugiura *et al.* [1999]
- D56: Generated during a study of the influence of the oligomeric structure of Env in determining the repertoire of the Ab response. Earl *et al.* [1994]

No. 1194

MAb ID F5.5

HXB2 Location Env

Author Location gp120 (IIIB)

Epitope

Neutralizing

Immunogen

Species (Isotype) mouse

Ab Type gp120 V3
Research Contact Hybridolabs, Institute Pasteur
References Altmeyer *et al.* 1999

- F5.5: A Semliki Forest virus (SFV) expression system carrying BX08 env was used to study the conformation of gp120 Env – intracytoplasmic gp120 was recognized by the anti-V3 MAbs K24 and F5.5, while gp120 at the plasma membrane was detected only by conformation dependent MAbs 2G12, 670-D and 694/98D and not V3 MAbs – expression in rat brain also showed that surface-expressed Env was recognized only by the conformation-dependent antibodies and not by anti-V3 antibodies. Altmeyer *et al.* [1999]

No. 1195
MAb ID G3-1472
HXB2 Location Env
Author Location gp120
Epitope
Neutralizing
Immunogen
Species (Isotype)
Ab Type gp120 V3
Research Contact M. Fung
References Moore & Sodroski 1996

- G3-1472: Binds to carboxy-terminal side of the V3 loop – reciprocal binding inhibition with other anti-V3 and anti-C4 MAbs – reciprocal enhanced binding of some anti-V2 MAbs and anti-CD4 binding site MAbs – binding inhibited by anti-C4 MAbs. Moore & Sodroski [1996]

No. 1196
MAb ID K24
HXB2 Location Env
Author Location gp120 (IIIB)
Epitope
Neutralizing
Immunogen
Species (Isotype) mouse
Ab Type gp120 V3
Research Contact Hybridolabs, Institute Pasteur
References Altmeyer *et al.* 1999

- K24: A Semliki Forest virus (SFV) expression system carrying BX08 env was used to study the conformation of gp120 env – intracytoplasmic gp120 was recognized by the anti-V3 MAbs K24 and F5.5, while gp120 at the plasma membrane was detected only by conformation dependent MAbs 2G12, 670-D and 694/98D and not V3 MAbs – expression in rat brain also showed that surface-expressed Env was recognized only by the conformation-dependent antibodies and not by anti-V3 antibodies. Altmeyer *et al.* [1999]

No. 1197
MAb ID TH1
HXB2 Location Env
Author Location gp120
Epitope
Neutralizing L (MN, J)
Immunogen
Species (Isotype) human (IgG1 λ)
Ab Type gp120 V3

Research Contact Michael Fung, Tanox Biosystem, USA
References Gorny & Zolla-Pazner 2004; Yang *et al.* 1998; D'Souza *et al.* 1995
Keywords assay development, review, variant cross-recognition or cross-neutralization

- TH1: This review provides summaries of Abs that bind to HIV-1 Env. There are many V3 MAbs, many neutralize some TCLA strains, and a subset can also neutralize some primary isolates. TH1 neutralizes some TCLA strains. Gorny & Zolla-Pazner [2004] (**review**)
- TH1: A neutralization assay was developed based on hemi-nested PCR amplification of the LTR (HNPCR) – LTR-HNPCR consistently revealed HIV DNA and was shown to be a rapid, specific and reliable neutralization assay based on tests with 6 MAbs and 5 isolates. Yang *et al.* [1998] (**assay development**)
- TH1: Found to neutralize MN and JRCSE, but not two B subtype primary isolates, nor a D subtype primary isolate, by most labs in a multi-laboratory study involving 11 labs. D'Souza *et al.* [1995] (**variant cross-recognition or cross-neutralization**)

No. 1198
MAb ID anti-gp120/V3
HXB2 Location Env
Author Location gp120
Epitope
Neutralizing
Immunogen vaccine
Vector/Type: protein, virus-like particle (VLP)
Strain: A clade 94UG018 *HIV component:* Gag, gp120, Nef, Pol
Species (Isotype) mouse (IgG)
Ab Type gp120 V3
Research Contact Intracel Co
References Buonaguro *et al.* 2001

- Anti-V3: HIV-1 pr55 gag-based virus-like particles (VLP) carrying Nef and Pol open reading frames as well as gp120 of the clade A isolate 94UG018 were created using a Baculovirus expression system to package additional ORFS into the VLP – anti-V3 and anti-p24 antibodies were used to assess the expression levels and Gag and gp120-TM were found to be expressed at comparable levels on the VLP. Buonaguro *et al.* [2001]

No. 1199
MAb ID polyclonal
HXB2 Location Env
Author Location gp120
Epitope
Neutralizing no
Immunogen vaccine
Vector/Type: protein, virus-like particle (VLP)
Strain: B clade LAI *HIV component:* CD4BS, Gag, V3
Species (Isotype) mouse
Ab Type gp120 V3
References Truong *et al.* 1996

- Antibodies raised against recombinant anti-p55 virus-like particles with the p24 region 196-226 deleted, bearing inserts of either the V3 or the CD4BS regions of gp120 were studied – no neutralizing responses, weak Env, and strong Gag responses were elicited – the major homology region (MHR) and proximal sequences was found to be required for capsid assembly. Truong *et al.* [1996]

No. 1200
MAb ID polyclonal
HXB2 Location Env
Author Location gp120
Epitope
Neutralizing yes
Immunogen vaccine
Vector/Type: canarypox prime with recombinant protein boost *Strain:* B clade LAI, B clade MN, B clade SF2 *HIV component:* Gag, gp120, gp41, Pol *Adjuvant:* MF59

Species (Isotype) human

Ab Type gp120 V3

References Verrier *et al.* 2000

- Serum Abs elicited by this vaccine reacted with V3 peptides from clades B, C, and F, reacted weakly with V3 peptides from clades A, D, G, and H, and did not react with V3 peptides from clades E and O – neutralizing activity against 5 of 14 primary isolates tested was observed, including one B clade X4 virus, two dualtropic B clade viruses (from clade B) and one clade B and one clade C R5 virus. Verrier *et al.* [2000]

No. 1201
MAb ID polyclonal
HXB2 Location Env
Author Location gp120 (303–325)
Epitope
Neutralizing no
Immunogen in vitro stimulation or selection
Species (Isotype) human (IgM)
Ab Type gp120 V3
References Sidorova 1999

- Polyspecific anti-MN-24 antibodies were raised through V3 peptide, MN-24 stimulation of human cells, followed by EBV transformation: they react with homologous and heterologous peptides and may be autoantibodies. Sidorova [1999]

No. 1202
MAb ID polyclonal
HXB2 Location Env
Author Location
Epitope
Neutralizing
Immunogen
Species (Isotype) human
Ab Type gp120 V3
References Guevara *et al.* 2002

- Viral RNA in serum and high titers of subtype C consensus V3 peptide binding Abs were the best independent predictors of mother to infant transmission of HIV-1 subtype C – NAb to subtype B HIV-1 (MN) was also correlated. Guevara *et al.* [2002]

No. 1203
MAb ID polyclonal
HXB2 Location Env
Author Location
Epitope
Subtype B
Neutralizing L
Immunogen vaccine
Vector/Type: HIV-1 captured on concavalin A-immobilized polystyrene nanospheres, Con A-NS *Strain:* B clade IIIB *HIV component:* gp120, heat-inactivated virus *Adjuvant:* concavalin A-immobilized polystyrene nanospheres

Species (Isotype) mouse (IgA)

Ab Type gp120 V3

References Kawamura *et al.* 2002

- Vaginal fluids were collected after intravaginal immunization of BALB/c mice and analyzed for their anti-HIV-1 antibody levels using a IIIB-V3 ELISA and IIIB neutralization assay – HIV-1 specific IgG was undetectable but anti-HIV IgA antibody response was identified in the vaginal fluids of immunized mice with HIV concavalin A-immobilized polystyrene nanospheres. Kawamura *et al.* [2002]

No. 1204
MAb ID polyclonal
HXB2 Location Env
Author Location
Epitope
Subtype B
Neutralizing L
Immunogen vaccine
Vector/Type: peptide *Strain:* B clade 89.6P, B clade MN *HIV component:* Env *Adjuvant:* aluminum hydroxide, Cholera toxin (CT), GM-CSF, IL-12, IL-18, IL-1 α

Species (Isotype) human (IgA, IgG1, IgG2a)

Ab Type gp120 V3

References Bradney *et al.* 2002

- The cytokine-adjuvant combination IL-1 α , IL-12 and IL-18 were found to stimulate potent mucosal antibody responses upon intranasal immunization of mice – cholera toxin is the most widely used adjuvant, but is not safe for use in humans. Bradney *et al.* [2002]

No. 1205
MAb ID polyclonal
HXB2 Location Env
Author Location
Epitope
Subtype C
Neutralizing
Immunogen vaccine
Vector/Type: peptide *Strain:* multiple epitope immunogen *HIV component:* V3 *Adjuvant:* Complete Freund's Adjuvant (CFA)

Species (Isotype) mouse

Ab Type gp120 V3

References Hewer & Meyer 2002

- A synthetic peptide immunogen designated a multiple epitope immunogen (MEI) was generated by synthesizing peptides with mixtures of frequently found amino acids (>10%) from the C subtypes allowed in the synthetic peptide – when injected into mice, the C subtype MEI induced antibodies that recognized the immunogen and whole virus as an antigen in ELIZAs – sera from eight HIV positive South Africans recognized the MEI peptide in ELISA tests. Hewer & Meyer [2002]

No. 1206
MAb ID polyclonal
HXB2 Location Env
Author Location gp120 (V3)
Epitope
Subtype B, C, F
Neutralizing
Immunogen HIV-1 infection
Species (Isotype) human
Ab Type gp120 V3
References Bongertz *et al.* 2003
Country Brazil

- Keywords** rate of progression, subtype comparisons
- Ab responses at dilutions above 1:1000 against the consensus V3 loops of subtypes A, B, C, D, F, and Brazilian B and F, were detected in only 6/60 individuals infected with HIV by sexual exposure, while a significantly higher (38/46) reactivity and frequency of peptide recognition was observed in the plasma of IDUs. High Ab titers (> 1:10,000) were directed against V3B, V3Bbr and V3F peptides. The IDU group also displayed broader NAb responses, in comparison to the sexually transmitted group. This may contribute to a slower disease progression in IDUs. Bongertz *et al.* [2003] (**subtype comparisons, rate of progression**)

No. 1207
MAb ID polyclonal
HXB2 Location Env
Author Location Env
Epitope
Subtype B
Neutralizing
Immunogen vaccine
Vector/Type: adenovirus *Strain:* B clade HXB2/Bal *HIV component:* gp140ΔCFI, gp140ΔV1V2ΔCFImodifiedV3
Species (Isotype) guinea pig (IgG)
Ab Type gp120 V3
References Yang *et al.* 2004

- Keywords** co-receptor
- Neutralizing antibodies against V3 with greater breadth among B clade viruses were created in vaccinated guinea pigs using a combination gp140ΔV1V2 and shortened V3 loop envelope than using intact Envelope. The interior V3 glycosylation site was removed in the modification of V3. This change also caused the virus to become CXCR4 tropic. Yang *et al.* [2004] (**co-receptor**)

No. 1208
MAb ID 11/75a/21/41
HXB2 Location Env

Author Location gp120

Epitope
Neutralizing
Immunogen
Species (Isotype)

- Ab Type** gp120 V3 discontinuous
References Peet *et al.* 1998; McKeating *et al.* 1992a
- 11/75a/21/41: The most variable amino acids in the V3 loop were replaced with serines to make the immunodominant V3 loop less immunogenic – these changes did not affect the ability of sCD4 or MAbs to V1/V2, C1 and C4 to bind, but anti-V3 MAb 11/75a/21/41 binding was dramatically diminished by V3 serine substitutions – mice injected with serine substituted gp120 had a reduced response relative to wildtype, and no enhanced immunogenicity of conserved regions. Peet *et al.* [1998]

No. 1209
MAb ID 41.1 (ICR41.1i, ICR41. ICR 41.1i)
HXB2 Location Env
Author Location gp120 (HXB10)
Epitope
Neutralizing L (HXB2)
Immunogen vaccine

Vector/Type: protein *Strain:* B clade BH10
HIV component: gp120

- Species (Isotype)** rat (IgG2a)
Ab Type gp120 CD4i, gp120 V3 discontinuous
Research Contact J. Cordell, Institute for Cancer Research, Sutton, Surrey, UK

- References** Heap *et al.* 2005a; Ugolini *et al.* 1997; Jeffs *et al.* 1996; Armstrong *et al.* 1996; Armstrong & Dimmock 1996; McLain & Dimmock 1994; Klasse *et al.* 1993a; McKeating *et al.* 1993b; McKeating *et al.* 1992a; Reitz *et al.* 1988

- 41.1: Called ICR 41.1i. Used as a positive control for enhanced MAb binding after sCD4 exposure – 41.1 binding to virions is increased 2-fold by sCD4. Heap *et al.* [2005a]
- 41.1: Viral binding inhibition by 41.1 was weakly correlated with neutralization (all other neutralizing MAbs tested showed some correlation except 2F5) Ugolini *et al.* [1997]
- 41.1: Called ICR41.1i – IgG2c? – Neutralization was affected if the Ab was added after the virus bound to the host cells at 24 degrees C or below. Armstrong & Dimmock [1996]
- 41.1: Called ICR41.1i – Neutralization occurs by blocking a post-fusion internalization event, in contrast to MAb F58. Armstrong *et al.* [1996]
- 41.1: Deletion of the V1V2 regions did not affect anti-V3 Abs ability to bind when compared to intact rec gp120. Jeffs *et al.* [1996]
- 41.1: Called ICR41.1i – Kinetics of neutralization studied – no lag for 39.3b, while ICR 39.13g and ICR 41.1i have lags of 5 and 15 min respectively – neutralization mediated by 3 molecules of IgG per virion – most efficient at neutralization of the three MAbs studied – acts with multi-hit kinetics. McLain & Dimmock [1994]

- 41.1: The gp41 mutation 582(Ala to Thr) results in conformational changes in gp120 that confer neutralization resistance to conformationally sensitive neutralizing MAbs – neutralization efficiency of 41.1 is not affected. Klasse *et al.* [1993a]; Reitz *et al.* [1988]

No. 1210
MAb ID 55/45a/11
HXB2 Location Env
Author Location gp120
Epitope
Neutralizing
Immunogen
Species (Isotype)
Ab Type gp120 V3 discontinuous
References Peet *et al.* 1998

- 55/45a/11: The most variable amino acids in the V3 loop were replaced with serines to make the immunodominant V3 loop less immunogenic – these changes did not affect the ability of sCD4 or MAbs to V1/V2, C1 and C4 to bind, and anti-V3 MAb 55/45a/11 binding was only marginally diminished by V3 serine substitutions – mice injected with serine substituted gp120 had a reduced response relative to wildtype, and no enhanced immunogenicity of conserved regions. Peet *et al.* [1998]

No. 1211
MAb ID 1108
HXB2 Location Env
Author Location Env (987)
Epitope
Subtype B
Neutralizing P
Immunogen HIV-1 infection
Species (Isotype) human (IgG1 λ)
Ab Type gp120 V3 mimotope
References Gorny *et al.* 2004; Gorny & Zolla-Pazner 2004; Zolla-Pazner *et al.* 1999b; Zolla-Pazner *et al.* 1999a

- Keywords** antibody binding site definition and exposure, antibody generation, mimotopes, review
- 1108: This review provides summaries of Abs that bind to HIV-1 Env. There are many V3 MAbs, many neutralize some TCLA strains, and a subset can also neutralize some primary isolates. Gorny & Zolla-Pazner [2004] (**review**)
 - 1108: V3 MAb neutralization is influenced by retaining the epitope, exposure on the intact virion, mobility during CD4-induced conformational change, and affinity. Anti-V3 MAbs selected using V3 peptides neutralize less effectively than V3 MAbs selected using fusion proteins or gp120, suggesting antigenic conformation is important. This MAb was selected using V3 peptides. Gorny *et al.* [2004] (**antibody binding site definition and exposure**)
 - 1108: Selected with peptide 987, a mimotope of anti-V3 MAb 447-D – MAb peptide reactivity pattern clustered with immunological related MAbs: 1108, 386, 268, 311, 257, 694.8 – the amino acids HI tended to be critical for reactivity in this group. Zolla-Pazner *et al.* [1999b] (**antibody binding site definition and exposure, antibody generation, mimotopes**)

- 1108: The sequence of peptide 987, used to select MAb 1108, is ADGAWRSVHLGPGRGSGSGMGK. Zolla-Pazner *et al.* [1999a] (**antibody binding site definition and exposure, antibody generation**)

No. 1212
MAb ID polyclonal
HXB2 Location Env
Author Location gp120 (IIIB)
Epitope
Neutralizing
Immunogen vaccine
Vector/Type: peptide **Strain:** B clade MN
HIV component: gp120 **Adjuvant:** Cholera toxin (CT)
Species (Isotype) rabbit

- Ab Type** gp120 V3-C4
References Zinckgraf *et al.* 1999
- Nasal mucosal immunization and boosting of HIV peptide and was superior for inducing serum IgG and vaginal secretory IgA compared to nasal immunization and vaginal boosting – vaginal immunization and boosting resulted low serum IgG and vaginal IgA and a high vaginal IgG response. Zinckgraf *et al.* [1999]

No. 1213
MAb ID polyclonal
HXB2 Location Env
Author Location
Epitope
Neutralizing
Immunogen HIV-1 infection
Species (Isotype) human (IgA, IgG)
Ab Type gp120 V3, gp120 V4
References Skott *et al.* 1999

- IgA and IgG from 45 HIV+ individuals was studied – people with low CD4+ cell counts had decreased levels IgA in saliva – sera and saliva IgA was primarily directed toward Env – peptide ELISA studies indicated that the dominant IgA epitopes were the V4 region (aa 385-409) and the C-term part of the V3 loop (aa 325-344), while the IgG response was directed towards the tip of the loop (aa 308-325). Skott *et al.* [1999]

No. 1214
MAb ID polyclonal
HXB2 Location Env
Author Location gp41
Epitope
Subtype B
Neutralizing
Immunogen vaccine
Vector/Type: peptide **HIV component:** gp41
Species (Isotype) rabbit (IgG)
Ab Type gp41 alpha-helical hairpin intermediate
References Louis *et al.* 2003
Keywords vaccine antigen design

- Polyclonal Abs raised against soluble trivalently linked N35CCG-N13 and N34CCG, the internal trimeric core of the coiled-coil ectodomain, inhibit HIV-1 Env-mediated cell fusion at levels comparable to 2G12. Louis *et al.* [2003] (**vaccine antigen design**)

No. 1215
MAb ID 2G12 (c2G12)
HXB2 Location Env
Author Location gp120
Epitope
Neutralizing L P
Immunogen
Species (Isotype)
Research Contact Herman Katinger, Inst. Appl. Microbiol. or Polymun Scientific Inc., Vienna, Austria,
References

No. 1216
MAb ID 1367
HXB2 Location Env
Author Location gp41
Epitope
Neutralizing
Immunogen HIV-1 infection
Species (Isotype) human (IgG1 λ)
Ab Type gp41 cluster I
Research Contact Susan Zolla-Pazner (Zollas01@mccr6.med.nyu) (NYU Med. Center)

References Gorny & Zolla-Pazner 2004; Nyambi *et al.* 2000; Gorny *et al.* 2000; Gorny & Zolla-Pazner 2000; Nyambi *et al.* 1998

Keywords antibody binding site definition and exposure, review, subtype comparisons

- 1367: One of 24 MAbs and Fabs in this database that bind to the highly immunogenic gp41 cluster I region (aa 579 - 604). Only one of these has any neutralizing potential, clone 3. Gorny & Zolla-Pazner [2004] (**review**)
- 1367: A cluster I epitope that binds to rgp41 567-647, recognizes a peptide N51-C43 complex trimer of heterodimers that approximates the core of the fusogenic form of gp41 – this MAb doesn't react with either of the peptides N51 or C43 individually – MAbs 50-69 and 1367 had similar properties. Gorny & Zolla-Pazner [2000] (**antibody binding site definition and exposure**)
- 1367: Binding of panel of 21 MAbs to soluble oligomeric gp140 versus gp41 or gp120 monomers was compared – no MAb was oligomer specific, but gp41 MAb 50-69 bound with a 5 fold preference for the oligomer, while other gp41 MAbs (1367, 98-6, 167-D, 1281, 1342, and 1379) did not show a preference. Gorny *et al.* [2000] (**antibody binding site definition and exposure**)
- 1367: 26 HIV-1 group M isolates (clades A to H) were tested for binding to 47 MAbs, including 5 cluster I anti-gp41 MAbs which showed good cross clade reactivity – 1367 weakly bound to the majority of isolates – no neutralizing activity was observed when tested with 5 isolates, but 1367 did not bind well to these isolates. Nyambi *et al.* [2000] (**subtype comparisons**)

- 1367: Using a whole virion-ELISA method, 18 human MAbs were tested for their ability to bind to a panel of 9 viruses from clades A, B, D, F, G, and H – anti-gp41 Abs 98-6, 1367 and 1342 were not able to bind detectably with any of the viruses from any clade. Nyambi *et al.* [1998] (**subtype comparisons**)

No. 1217
MAb ID 7B2
HXB2 Location Env
Author Location gp41
Epitope
Neutralizing no
Immunogen
Species (Isotype)
Ab Type gp41 cluster I
References Haynes *et al.* 2005; Binley *et al.* 2003; Binley *et al.* 1999

Keywords antibody binding site definition and exposure, vaccine antigen design

- 7B2: Of 35 Env-specific MAbs tested, only 2F5, 4E10, IgG1b12, and two CD4BS adjacent MAbs (A32 and 1.4G) and gp41 MAbs (2.2B and KU32) had binding patterns suggesting polyspecific autoreactivity, and similar reactivities may be difficult to induce with vaccines because of elimination of such autoreactivity. 7B2 has no indication of polyspecific autoreactivity. Haynes *et al.* [2005] (**antibody binding site definition and exposure**)
- 7B2: The SOS mutant envelope protein introduces a covalent disulfide bond between gp120 surface and gp41 transmembrane proteins into the R5 isolate JR-FL by adding cysteines at residues 501 and 605. Pseudovirions bearing this protein bind to CD4 and co-receptor bearing cells, but do not fuse until treatment with a reducing agent, and are arrested prior to fusion after CD4 and co-receptor engagement. gp41 Abs 7B2 and 2.2B did not neutralize in any format, WT, SOS, nor when added postbinding. Binley *et al.* [2003] (**vaccine antigen design**)
- 7B2: The MAbs with the broadest neutralizing activity, IgG1b12, 2G12 and 2F5, all have high affinity for the native trimer, indicating that they were raised in an immune response to the oligomer on the virion surface rather than dissociated subunits – a disulfide linked gp120-gp41 (SOS gp140) was created to mimic the native conformation of Env and explore its potential as an immunogen – SOS gp140 is recognized by NAbs IgG1b12, 2G12, and CD4-IgG2, and also by anti-V3 MAbs 19b and 83.1 – SOSgp140 is not recognized by C4 region MAbs that neutralize only TCLA strains, G3-42 and G3-519 – nor did it bind C11, 23A, and M90, MAbs that bind to gp120 C1 and C5, where it interacts with gp41 – MAbs that bind CD4 inducible epitopes, 17b and A32 were very strongly induced by CD4 in SOS gp140 – anti-gp41 MAbs that bind in the region that interacts with gp120, 7B2, 2.2B, T4, T15G1 and 4D4, did not bind to SOSgp140, in contrast to 2F5, which binds to the only gp41 epitope that is well exposed in native gp120-gp41 complexes. Binley *et al.* [1999] (**antibody binding site definition and exposure**)

No. 1218
MAb ID 126-6 (SZ-126.6)
HXB2 Location Env

Author Location gp41 (HXB2)

Epitope

Subtype B

Neutralizing no

Immunogen HIV-1 infection

Species (Isotype) human (IgG2 κ)

Ab Type gp41 cluster II

Research Contact Susan Zolla-Pazner (Zollas01@mcr6.med.nyu), NYU Med Center, NY, NY

References Gorny & Zolla-Pazner 2004; Finnegan *et al.* 2002; Nyambi *et al.* 2000; Gorny & Zolla-Pazner 2000; Hioe *et al.* 1997b; Earl *et al.* 1997; Binley *et al.* 1996; Chen *et al.* 1995; Eddleston *et al.* 1993; Xu *et al.* 1991; Robinson *et al.* 1991; Robinson *et al.* 1990b

Keywords antibody binding site definition and exposure, enhancing activity, kinetics, review, subtype comparisons, variant cross-recognition or cross-neutralization

- 126-6: NIH AIDS Research and Reference Reagent Program: 1243.
- 126-6: One of 19 MAbs and Fabs in this database that bind to the highly immunogenic gp41 cluster II region (aa 644-663); none have neutralizing activity. Gorny & Zolla-Pazner [2004] (**review**)
- 126-6: Anti-gp41 MAbs were tested in a cell-cell fusion system to investigate the antigenic changes in gp41 during binding and fusion. Cluster I MAbs 50-69, F240, 240-D, 3D6, and 246-D recognize a nonhelical hydrophobic region, positions 598-604, that forms a disulfide loop in the six-helix bundle. Cluster II MAbs 98-6 and 126-6 recognized residues 644-663 of gp41, a portion of the second heptad repeat. These MAbs were found to behave similarly, so 50-69 and 98-6 were used as representatives. Exposure of cluster I and cluster II epitopes required CD4 expression on HIV HXB2 Env expressing HeLa target cells, but not the CXCR4 co-receptor. Binding to CD4 exposed hidden cluster I and II epitopes. The MAbs were found to bind to gp120/gp41 complexes, not to gp41 after shedding of gp120, and were localized to at fusing-cell interfaces. Kinetic and binding results indicate that these MAbs are exposed in transitional structures during the fusion process, possibly the prehairpin intermediate prior to co-receptor binding, although other intermediate structures may be involved. They do not bind once syncytia begin to show extensive cytoplasmic mixing. These MAbs failed to inhibit fusion. The NAb 2F5 has a very different behavior in this study. Finnegan *et al.* [2002] (**antibody binding site definition and exposure, kinetics**)
- 126-6: This cluster II MAb binds to a conformational epitope in the region 644-663 – like most cluster II MAbs (126-6, 167-D, 1281, 1342, and 1379 all reacted similarly) it binds to a peptide N51-C43 complex trimer of heterodimers that approximates the core of the fusogenic form of gp41, but not to C43 nor to N51 alone – MAb 126-6 was biotinylated and used as a probe to determine that anti-gp41 MAb 50-69 bound the fusogenic form of the protein in liquid phase. Gorny & Zolla-Pazner [2000] (**antibody binding site definition and exposure**)
- 126-6: 26 HIV-1 group M isolates (clades A to H) were tested for binding to 47 MAbs, including 6 cluster II anti-gp41 MAbs

– of these 2F5, 167-D, 126-6, and 1281 bound across clades, but usually weakly, while 98-6 and 1342 had poor cross reactivity – Clade D isolates bound most consistently to cluster II MAbs. Nyambi *et al.* [2000] (**variant cross-recognition or cross-neutralization, subtype comparisons**)

- 126-6: Discontinuous epitope recognizing residues between 649-668 – designated cluster II – Fabs D5, D11, G1, T3, M12, M15, S6, S8, S9, S10 block binding. Binley *et al.* [1996] (**antibody binding site definition and exposure**)
- 126-6: One of several anti-gp41 MAbs that bind to a gp41-maltose binding fusion protein designed to study the leucine zipper domain of gp41, showing that the construct has retained aspects of normal gp41 conformation. Chen *et al.* [1995] (**antibody binding site definition and exposure**)
- 126-6: Called SZ-126.6. Eddleston *et al.* [1993]
- 126-6: No enhancing or neutralizing activity. Robinson *et al.* [1991] (**enhancing activity**)
- 126-6: Specific for a conformational epitope. Xu *et al.* [1991] (**antibody binding site definition and exposure**)
- 126-6: No enhancing activity for HIV-1 IIIB. Robinson *et al.* [1990b] (**enhancing activity**)

No. 1219

MAb ID 1342

HXB2 Location Env

Author Location gp41

Epitope

Neutralizing no

Immunogen HIV-1 infection

Species (Isotype) human (IgG1 λ)

Ab Type gp41 cluster II

Research Contact Susan Zolla-Pazner (Zollas01@mcr6.med.nyu) (NYU Med. Center)

References Gorny & Zolla-Pazner 2004; Nyambi *et al.* 2000; Gorny *et al.* 2000; Gorny & Zolla-Pazner 2000; Nyambi *et al.* 1998

Keywords antibody binding site definition and exposure, review, subtype comparisons

- 1342: One of 19 MAbs and Fabs in this database that bind to the highly immunogenic gp41 cluster II region (aa 644-663); none have neutralizing activity. Gorny & Zolla-Pazner [2004] (**review**)
- 1342: This cluster II MAb is a conformational epitope that binds in the region 644-663 – like most cluster II MAbs (126-6, 167-D, 1281, 1342, and 1379 all reacted similarly) it binds to a peptide N51-C43 complex trimer of heterodimers that approximates the core of the fusogenic form of gp41, but not to C43 nor to N51 alone. Gorny & Zolla-Pazner [2000] (**antibody binding site definition and exposure**)
- 1342: Binds within the region gp41 647-682 – binding of panel of 21 MAbs to soluble oligomeric gp140 versus gp41 or gp120 monomers was compared – no MAb was oligomer specific, but gp41 MAb 50-69 bound with a 5 fold preference for the oligomer, while other gp41 MAbs (1367, 98-6, 167-D, 1281, 1342, and 1379) did not show a preference. Gorny *et al.* [2000] (**antibody binding site definition and exposure**)

- 1342: 26 HIV-1 group M isolates (clades A to H) were tested for binding to 47 MAbs, including 6 cluster II anti-gp41 MAbs – of these 2F5, 167-D, 126-6, and 1281 bound across clades, but usually weakly, while 98-6 and 1342 had poor cross reactivity – Clade D isolates bound most consistently to cluster II MAbs – no neutralizing activity was observed when tested with 5 isolates, but 1342 did not bind to these isolates. Nyambi *et al.* [2000] (**subtype comparisons**)
- 1342: Using a whole virion-ELISA method, 18 human MAbs were tested for their ability to bind to a panel of 9 viruses from clades A, B, D, F, G, and H – anti-gp41 Abs 98-6, 1367 and 1342 were not able to bind detectably with any of the viruses from any clade. Nyambi *et al.* [1998] (**subtype comparisons**)

No. 1220
MAb ID 1379
HXB2 Location Env
Author Location gp41
Epitope
Neutralizing
Immunogen HIV-1 infection
Species (Isotype) human (IgG1 λ)
Ab Type gp41 cluster II
Research Contact Susan Zolla-Pazner (Zollas01@mcr6.med.nyu) (NYU Med. Center)

References Gorny & Zolla-Pazner 2004; Gorny *et al.* 2000; Gorny & Zolla-Pazner 2000

Keywords antibody binding site definition and exposure, review

- 1379: One of 19 MAbs and Fabs in this database that bind to the highly immunogenic gp41 cluster II region (aa 644-663); none have neutralizing activity. Gorny & Zolla-Pazner [2004] (**review**)
- 1379: This cluster II MAb binds to a conformational epitope in the region 644-663 – like most cluster II MAbs (126-6, 167-D, 1281, 1342, and 1379 all reacted similarly) it binds to a peptide N51-C43 complex trimer of heterodimers that approximates the core of the fusogenic form of gp41, but not to C43 nor to N51 alone. Gorny & Zolla-Pazner [2000] (**antibody binding site definition and exposure**)
- 1379: Binds within the region gp41 647-682 – binding of panel of 21 MAbs to soluble oligomeric gp140 versus gp41 or gp120 monomers was compared – no MAb was oligomer specific, but gp41 MAb 50-69 bound with a 5 fold preference for the oligomer, while other gp41 MAbs (1367, 98-6, 167-D, 1281, 1342, and 1379) did not show a preference. Gorny *et al.* [2000] (**antibody binding site definition and exposure**)

No. 1221
MAb ID 2.2B
HXB2 Location Env
Author Location gp41
Epitope
Neutralizing no
Immunogen
Species (Isotype)
Ab Type gp41 cluster II
Research Contact James Robinson, Tulane University, Tulane, LA

References Haynes *et al.* 2005; Binley *et al.* 2003; Schulke *et al.* 2002; Binley *et al.* 1999

Keywords antibody binding site definition and exposure, vaccine antigen design

- 2.2B: Of 35 Env-specific MAbs tested, only 2F5, 4E10, IgG1b12, and two CD4BS adjacent MAbs (A32 and 1.4G) and gp41 MAbs (2.2B and KU32) had binding patterns suggesting polyspecific autoreactivity, and similar reactivities may be difficult to induce with vaccines because of elimination of such autoreactivity. Haynes *et al.* [2005] (**antibody binding site definition and exposure**)
- 2.2B: The SOS mutant envelope protein introduces a covalent disulfide bond between gp120 surface and gp41 transmembrane proteins into the R5 isolate JR-FL by adding cysteines at residues 501 and 605. Pseudovirions bearing this protein bind to CD4 and co-receptor bearing cells, but do not fuse until treatment with a reducing agent, and are arrested prior to fusion after CD4 and co-receptor engagement. gp41 Abs 7B2 and 2.2B did not neutralize in any format, WT, SOS, nor when added postbinding. Binley *et al.* [2003] (**vaccine antigen design**)
- 2.2B: Ab binding characteristics of SOS gp140 were tested using SPR and RIPA – SOS gp140 is gp120-gp41 bound by a disulfide bond – NAbs 2G12, 2F5, IgG1b12, CD4 inducible 17b, and 19b bound to SOS gp140 better than uncleaved gp140 (gp140unc) and gp120 – non-neutralizing MAbs 2.2B (binds to gp41 in gp140unc) and 23A (binds gp120) did not bind SOS gp140. Schulke *et al.* [2002] (**vaccine antigen design**)
- 2.2B: The MAbs with the broadest neutralizing activity, IgG1b12, 2G12 and 2F5, all have high affinity for the native trimer, indicating that they were raised in an immune response to the oligomer on the virion surface rather than dissociated subunits – a disulfide linked gp120-gp41 (SOS gp140) was created to mimic the native conformation of Env and explore its potential as an immunogen – SOS gp140 is recognized by NAbs IgG1b12, 2G12, and CD4-IgG2, and also by anti-V3 MAbs 19b and 83.1 – SOSgp140 is not recognized by C4 region MAbs that neutralize only TCLA strains, G3-42 and G3-519 – nor did it bind C11, 23A, and M90, MAbs that bind to gp120 C1 and C5, where it interacts with gp41 – MAbs that bind CD4 inducible epitopes, 17b and A32 were very strongly induced by CD4 in SOS gp140 – anti-gp41 MAbs that bind in the region that interacts with gp120, 7B2, 2.2B, T4, T15G1 and 4D4, did not bind to SOSgp140, in contrast to 2F5, which binds to the only gp41 epitope that is well exposed in native gp120-gp41 complexes. Binley *et al.* [1999] (**vaccine antigen design**)

No. 1222
MAb ID Fab D11 (D11)
HXB2 Location Env
Author Location gp41 (LAI)
Epitope
Subtype B
Neutralizing no
Immunogen HIV-1 infection
Species (Isotype) human (IgG1 κ)
Ab Type gp41 cluster II
References Gorny & Zolla-Pazner 2004; Binley *et al.* 1996

Keywords antibody binding site definition and exposure, antibody sequence, variable domain, review

- Fab D11: Called D11. One of 19 MAbs and Fabs in this database that bind to the highly immunogenic gp41 cluster II region (aa 644-663); none have neutralizing activity. Gorny & Zolla-Pazner [2004] (**review**)
- Fab D11: Binds to cluster II region – competes with MAbs 126-6, Md-1 and D50 – conformation sensitive – variable regions sequenced. Binley *et al.* [1996] (**antibody binding site definition and exposure, antibody sequence, variable domain**)

No. 1223

MAB ID Fab D5 (D5)

HXB2 Location Env

Author Location gp41 (LAI)

Epitope

Subtype B

Neutralizing no

Immunogen HIV-1 infection

Species (Isotype) human (IgG1κ)

Ab Type gp41 cluster II

References Gorny & Zolla-Pazner 2004; Binley *et al.* 1996

Keywords antibody binding site definition and exposure, antibody sequence, variable domain, review

- Fab D5: Called D5. One of 19 MAbs and Fabs in this database that bind to the highly immunogenic gp41 cluster II region (aa 644-663); none have neutralizing activity. Gorny & Zolla-Pazner [2004] (**review**)
- Fab D5: Binds to cluster II region – competes with MAbs 126-6, Md-1 and D50 – conformation sensitive – variable regions sequenced. Binley *et al.* [1996] (**antibody binding site definition and exposure, antibody sequence, variable domain**)

No. 1224

MAB ID Fab G1

HXB2 Location Env

Author Location gp41 (LAI)

Epitope

Subtype B

Neutralizing no

Immunogen HIV-1 infection

Species (Isotype) human (IgG1κ)

Ab Type gp41 cluster II

References Gorny & Zolla-Pazner 2004; Binley *et al.* 1996

Keywords antibody binding site definition and exposure, antibody sequence, variable domain, review

- Fab G1: Called G1. One of 19 MAbs and Fabs in this database that bind to the highly immunogenic gp41 cluster II region (aa 644-663); none have neutralizing activity. Gorny & Zolla-Pazner [2004] (**review**)
- Fab G1: Binds to cluster II region – competes with MAbs 126-6, Md-1 and D50 – conformation sensitive – variable regions sequenced. Binley *et al.* [1996] (**antibody binding site definition and exposure, antibody sequence, variable domain**)

No. 1225

MAB ID Fab M10

HXB2 Location Env

Author Location gp41 (LAI)

Epitope

Subtype B

Neutralizing no

Immunogen HIV-1 infection

Species (Isotype) human (IgG1κ)

Ab Type gp41 cluster II

References Parren *et al.* 1997b; Binley *et al.* 1996

- Fab M10: Does not bind to MN native oligomer, but does bind to both LAI and MN rgp120 and rgp140. Parren *et al.* [1997b]
- Fab M10: Binds to cluster II region – competes with MAbs 126-6, Md-1 and D50 – conformation sensitive – variable regions sequenced. Binley *et al.* [1996]

No. 1226

MAB ID Fab M12 (M12)

HXB2 Location Env

Author Location gp41 (LAI)

Epitope

Subtype B

Neutralizing no

Immunogen HIV-1 infection

Species (Isotype) human (IgG1κ)

Ab Type gp41 cluster II

References Gorny & Zolla-Pazner 2004; Binley *et al.* 1996

Keywords antibody binding site definition and exposure, antibody sequence, variable domain, review

- Fab M12: Called M12. One of 19 MAbs and Fabs in this database that bind to the highly immunogenic gp41 cluster II region (aa 644-663); none have neutralizing activity. Gorny & Zolla-Pazner [2004] (**review**)
- Fab M12: Binds to cluster II region – competes with MAbs 126-6, Md-1 and D50 – conformation sensitive – variable regions sequenced. Binley *et al.* [1996] (**antibody binding site definition and exposure, antibody sequence, variable domain**)

No. 1227

MAB ID Fab M15

HXB2 Location Env

Author Location gp41 (LAI)

Epitope

Subtype B

Neutralizing no

Immunogen HIV-1 infection

Species (Isotype) human (IgG1κ)

Ab Type gp41 cluster II

References Gorny & Zolla-Pazner 2004; Binley *et al.* 1996

Keywords review

- Fab M15: Called M15. One of 19 MAbs and Fabs in this database that bind to the highly immunogenic gp41 cluster II region (aa 644-663); none have neutralizing activity. Gorny & Zolla-Pazner [2004] (**review**)
- Fab M15: Binds to cluster II region – competes with MAbs 126-6, Md-1 and D50 – conformation sensitive – variable regions sequenced. Binley *et al.* [1996]

No. 1228

MAB ID Fab S10 (S10)

HXB2 Location Env
Author Location gp41 (LAI)
Epitope
Subtype B
Neutralizing no
Immunogen HIV-1 infection
Species (Isotype) human (IgG1 κ)
Ab Type gp41 cluster II
References Gorny & Zolla-Pazner 2004; Binley *et al.* 1996
Keywords antibody binding site definition and exposure, antibody generation, antibody sequence, variable domain, review

- Fab S10: Called S10. One of 19 MAbs and Fabs in this database that bind to the highly immunogenic gp41 cluster II region (aa 644-663); none have neutralizing activity. Gorny & Zolla-Pazner [2004] (**review**)
- Fab S10: Binds to cluster II region – competes with MAbs 126-6, Md-1 and D50 – conformation sensitive – variable regions sequenced. Binley *et al.* [1996] (**antibody binding site definition and exposure, antibody generation, antibody sequence, variable domain**)

No. 1229

MAb ID Fab S6 (S6)

HXB2 Location Env
Author Location gp41 (LAI)
Epitope
Subtype B
Neutralizing no
Immunogen HIV-1 infection
Species (Isotype) human (IgG1 κ)
Ab Type gp41 cluster II
References Gorny & Zolla-Pazner 2004; Binley *et al.* 1996
Keywords antibody binding site definition and exposure, antibody interactions, antibody sequence, variable domain, review

- Fab S6: Called S6. One of 19 MAbs and Fabs in this database that bind to the highly immunogenic gp41 cluster II region (aa 644-663); none have neutralizing activity. Gorny & Zolla-Pazner [2004] (**review**)
- Fab S6: Binds to cluster II region – competes with MAbs 126-6, Md-1 and D50 – conformation sensitive – variable regions sequenced. Binley *et al.* [1996] (**antibody binding site definition and exposure, antibody interactions, antibody sequence, variable domain**)

No. 1230

MAb ID Fab S8 (S8)

HXB2 Location Env
Author Location gp41 (LAI)
Epitope
Subtype B
Neutralizing no
Immunogen HIV-1 infection
Species (Isotype) human (IgG1 κ)
Ab Type gp41 cluster II
References Gorny & Zolla-Pazner 2004; Binley *et al.* 1996

Keywords antibody binding site definition and exposure, antibody generation, antibody interactions, antibody sequence, variable domain, review

- Fab S8: Called S8. One of 19 MAbs and Fabs in this database that bind to the highly immunogenic gp41 cluster II region (aa 644-663); none have neutralizing activity. Gorny & Zolla-Pazner [2004] (**review**)
- Fab S8: Binds to cluster II region – competes with MAbs 126-6, Md-1 and D50 – conformation sensitive – variable regions sequenced. Binley *et al.* [1996] (**antibody binding site definition and exposure, antibody generation, antibody interactions, antibody sequence, variable domain**)

No. 1231

MAb ID Fab S9 (S9)

HXB2 Location Env
Author Location gp41 (LAI)
Epitope
Subtype B
Neutralizing no
Immunogen HIV-1 infection
Species (Isotype) human (IgG1 κ)
Ab Type gp41 cluster II
References Gorny & Zolla-Pazner 2004; Binley *et al.* 1996
Keywords antibody binding site definition and exposure, antibody generation, antibody interactions, antibody sequence, variable domain, review

- Fab S9: Called S9. One of 19 MAbs and Fabs in this database that bind to the highly immunogenic gp41 cluster II region (aa 644-663); none have neutralizing activity. Gorny & Zolla-Pazner [2004] (**review**)
- Fab S9: Binds to cluster II region – competes with MAbs 126-6, Md-1 and D50 – conformation sensitive – variable regions sequenced. Binley *et al.* [1996] (**antibody binding site definition and exposure, antibody generation, antibody interactions, antibody sequence, variable domain**)

No. 1232

MAb ID Fab T3 (T3)

HXB2 Location Env
Author Location gp41 (LAI)
Epitope
Subtype B
Neutralizing no
Immunogen HIV-1 infection
Species (Isotype) human (IgG1 κ)
Ab Type gp41 cluster II
References Gorny & Zolla-Pazner 2004; Binley *et al.* 1996
Keywords antibody binding site definition and exposure, antibody generation, antibody sequence, variable domain, review

- Fab T3: Called T3. One of 19 MAbs and Fabs in this database that bind to the highly immunogenic gp41 cluster II region (aa 644-663); none have neutralizing activity. Gorny & Zolla-Pazner [2004] (**review**)

- Fab T3: Binds to cluster II region – competes with MAbs 126-6, Md-1 and D50 – conformation sensitive – variable regions sequenced. Binley *et al.* [1996] (**antibody binding site definition and exposure, antibody generation, antibody sequence, variable domain**)

No. 1233

MAb ID Md-1 (MD-1)

HXB2 Location Env

Author Location gp41

Epitope

Neutralizing no

Immunogen

Species (Isotype) human (IgG1 λ)

Ab Type gp41 cluster II

Research Contact R. A. Myers State of Maryland Dept. of Health

References Gorny & Zolla-Pazner 2004; Binley *et al.* 1996; Chen *et al.* 1995; Myers *et al.* 1993

Keywords antibody binding site definition and exposure, review

- Md-1: NIH AIDS Research and Reference Reagent Program: 1223.
- Md-1: One of 19 MAbs and Fabs in this database that bind to the highly immunogenic gp41 cluster II region (aa 644-663); none have neutralizing activity. Gorny & Zolla-Pazner [2004] (**review**)
- Md-1: Discontinuous epitope recognizing residues between 563-672, does not recognize cluster I disulfide bridge region – reacts almost exclusively with trimers and tetramers on WB – designated cluster II – Fabs D5, D11, G1, T3, M12, M15, S6, S8, S9, S10 block binding. Binley *et al.* [1996] (**antibody binding site definition and exposure**)
- Md-1: Called MD-1 – one of several anti-gp41 MAbs that bind to a gp41-maltose binding fusion protein designed to study the leucine zipper domain of gp41, showing that the construct has retained aspects of normal gp41 conformation. Chen *et al.* [1995] (**antibody binding site definition and exposure**)
- Md-1: Called MD-1 – discontinuous epitope that binds in the N-terminal region – reacts exclusively with oligomer. Myers *et al.* [1993] (**antibody binding site definition and exposure**)

No. 1234

MAb ID Fab A9 (A9)

HXB2 Location Env

Author Location gp41 (LAI)

Epitope

Subtype B

Neutralizing no

Immunogen HIV-1 infection

Species (Isotype) human (IgG1 κ)

Ab Type gp41 cluster III

References Gorny & Zolla-Pazner 2004; Binley *et al.* 1996

Keywords antibody binding site definition and exposure, antibody generation, antibody sequence, variable domain, review

- Fab A9: Called A9. One of six Fabs in this database that bind to the gp41 cluster III region (a conformational epitope involving aa 619-648); none have neutralizing activity. Gorny & Zolla-Pazner [2004] (**review**)

- Fab A9: Binds to cluster III region – competes with MAb Md-1, but not MAbs 126-6 and D50 – conformation sensitive – variable regions sequenced. Binley *et al.* [1996] (**antibody binding site definition and exposure, antibody generation, antibody sequence, variable domain**)

No. 1235

MAb ID Fab G15 (G15)

HXB2 Location Env

Author Location gp41 (LAI)

Epitope

Subtype B

Neutralizing no

Immunogen HIV-1 infection

Species (Isotype) human (IgG1 κ)

Ab Type gp41 cluster III

References Gorny & Zolla-Pazner 2004; Binley *et al.* 1996

Keywords antibody binding site definition and exposure, antibody generation, antibody sequence, variable domain, review

- Fab G15: Called G15. One of six Fabs in this database that bind to the gp41 cluster III region (a conformational epitope involving aa 619-648); none have neutralizing activity. Gorny & Zolla-Pazner [2004] (**review**)

- Fab G15: Binds to cluster III region – competes with MAb Md-1, but not MAbs 126-6 and D50 – conformation sensitive – variable regions sequenced. Binley *et al.* [1996] (**antibody binding site definition and exposure, antibody generation, antibody sequence, variable domain**)

No. 1236

MAb ID Fab G5

HXB2 Location Env

Author Location gp41 (LAI)

Epitope

Subtype B

Neutralizing no

Immunogen HIV-1 infection

Species (Isotype) human (IgG1 κ)

Ab Type gp41 cluster III

References Gorny & Zolla-Pazner 2004; Binley *et al.* 1996

Keywords antibody binding site definition and exposure, antibody generation, antibody sequence, variable domain, review

- Fab G5: Called G5. One of six Fabs in this database that bind to the gp41 cluster III region (a conformational epitope involving aa 619-648); none have neutralizing activity. Gorny & Zolla-Pazner [2004] (**review**)

- Fab G5: Binds to cluster III region – competes with MAb Md-1, but not MAbs 126-6 and D50 – conformation sensitive – variable regions sequenced. Binley *et al.* [1996] (**antibody binding site definition and exposure, antibody generation, antibody sequence, variable domain**)

No. 1237
MAb ID Fab L1 (L1)
HXB2 Location Env
Author Location gp41 (LAI)
Epitope
Subtype B
Neutralizing no
Immunogen HIV-1 infection
Species (Isotype) human (IgG1 κ)
Ab Type gp41 cluster III
References Gorny & Zolla-Pazner 2004; Binley *et al.* 1996
Keywords antibody binding site definition and exposure, antibody generation, antibody sequence, variable domain, review

- Fab L1: Called L1. One of six Fabs in this database that bind to the gp41 cluster III region (a conformational epitope involving aa 619-648); none have neutralizing activity. Gorny & Zolla-Pazner [2004] (**review**)
- Fab L1: Binds to cluster III region – competes with MAb Md-1, but not MAbs 126-6 and D50 – conformation sensitive – variable regions sequenced. Binley *et al.* [1996] (**antibody binding site definition and exposure, antibody generation, antibody sequence, variable domain**)

No. 1238
MAb ID Fab L11 (L11)
HXB2 Location Env
Author Location gp41 (LAI)
Epitope
Subtype B
Neutralizing no
Immunogen HIV-1 infection
Species (Isotype) human (IgG1 κ)
Ab Type gp41 cluster III
References Gorny & Zolla-Pazner 2004; Binley *et al.* 1996
Keywords antibody binding site definition and exposure, antibody generation, antibody sequence, variable domain, review

- Fab L11: Called L11. One of six Fabs in this database that bind to the gp41 cluster III region (a conformational epitope involving aa 619-648); none have neutralizing activity. Gorny & Zolla-Pazner [2004] (**review**)
- Fab L11: Binds to cluster III region – competes with MAb Md-1, but not MAbs 126-6 and D50 – conformation sensitive – variable regions sequenced. Binley *et al.* [1996] (**antibody binding site definition and exposure, antibody generation, antibody sequence, variable domain**)

No. 1239
MAb ID Fab L2 (L2)
HXB2 Location Env
Author Location gp41 (LAI)
Epitope
Subtype B
Neutralizing no
Immunogen HIV-1 infection
Species (Isotype) human (IgG1 κ)
Ab Type gp41 cluster III

Research Contact P. Perrin and D. Burton (Scripps Research Institute, La Jolla, California)

References Gorny & Zolla-Pazner 2004; Earl *et al.* 1997; Binley *et al.* 1996

Keywords antibody binding site definition and exposure, antibody generation, antibody sequence, variable domain, review

- Fab L2: Called L2. One of six Fabs in this database that bind to the gp41 cluster III region (a conformational epitope involving aa 619-648); none have neutralizing activity. Gorny & Zolla-Pazner [2004] (**review**)
- Fab L2: Binds to cluster III region – competes with MAb Md-1, but not MAbs 126-6 and D50 – conformation sensitive – variable regions sequenced. Binley *et al.* [1996] (**antibody binding site definition and exposure, antibody generation, antibody sequence, variable domain**)

No. 1240
MAb ID 1281 (1281-D)
HXB2 Location Env
Author Location gp41
Epitope
Neutralizing
Immunogen HIV-1 infection
Species (Isotype) human (IgG1 λ)
Ab Type gp41 cluster II, gp41 six-helix bundle
Research Contact Susan Zolla-Pazner (Zollas01@mcr6.med.nyu) (NYU Med. Center)

References Gorny & Zolla-Pazner 2004; Follis *et al.* 2002; Golding *et al.* 2002b; Verrier *et al.* 2001; Gorny *et al.* 2000; Gorny & Zolla-Pazner 2000; Hioe *et al.* 1997b

Keywords antibody binding site definition and exposure, antibody interactions, review, variant cross-recognition or cross-neutralization

- 1281: One of 19 MAbs and Fabs in this database that bind to the highly immunogenic gp41 cluster II region (aa 644-663); none have neutralizing activity. Gorny & Zolla-Pazner [2004] (**review**)
- 1281: Alanine mutations were introduced into the N- and C-terminal α -helices of gp41 to destabilize interhelical packing interactions in order to study their inhibitory effect on viral infectivity. These mutations were shown to inhibit viral replication though affecting the conformational transition to the fusion-active form of gp41, and allow increased inhibition by gp41 peptides. 2F5 sensitivity is increased in the mutated viruses, presumably because 2F5s neutralization activity is focused on the transition to the fusion active state. No other gp41 MAb against tested, including NC-1, 50-69D, 1281, 98-6D, 246-D and F240, neutralized the parental or the fusion-deficient mutated viruses. Follis *et al.* [2002] (**antibody binding site definition and exposure**)
- 1281: The fusion process was slowed by using a suboptimal temperature (31.5 C) to re-evaluate the potential of Abs targeting fusion intermediates to block HIV entry – preincubation of E/T cells at 31.5 C enabled polyclonal anti-N-HR Ab and anti-six-helix bundle Abs to inhibit fusion, indicating six-helix bundles form prior to fusion – 98-6 binds to a C-HR hairpin

epitope and blocks fusion when added to a 2 hour E/T preincubation at 31.5 C, but if added after 1 hour, doesn't inhibit – this is in contrast to six-helix bundle Abs 167-D and 1281 that inhibit more efficiently when added after one hour of incubation. Golding *et al.* [2002b] (**antibody binding site definition and exposure**)

- 1281: A panel of 12 MAbs was used to identify those that could neutralize the dual-tropic primary isolate HIV-1 89.6 – six gave significant neutralization at 2 to 10 ug/ml: 2F5, 50-69, IgG1b12, 447-52D, 2G12, and 670-D six did not have neutralizing activity: 654-D, 4.8D, 450-D, 246-D, 98-6, and 1281 – no synergy, only additive effects were seen for pairwise combinations of MAbs, and antagonism was noted between gp41 MAbs 50-69 and 98-6, as well as 98-6 and 2F5. Verrier *et al.* [2001] (**antibody interactions**)
- 1281: This cluster II MAb binds to a conformational epitope in the region 644-663 – like most cluster II MAbs (126-6, 167-D, 1281, 1342, and 1379 all reacted similarly) it binds to a peptide N51-C43 complex trimer of heterodimers that approximates the core of the fusogenic form of gp41, but not to C43 nor to N51 alone. Gorny & Zolla-Pazner [2000] (**antibody binding site definition and exposure**)
- 1281: Binds within the region gp41 647-682 – binding of panel of 21 MAbs to soluble oligomeric gp140 versus gp41 or gp120 monomers was compared – no MAb was oligomer specific, but gp41 MAb 50-69 bound with a 5 fold preference for the oligomer, while other gp41 MAbs (1367, 98-6, 167-D, 1281, 1342, and 1379) did not show a preference. Gorny *et al.* [2000] (**antibody binding site definition and exposure, variant cross-recognition or cross-neutralization**)
- 1281: Called 1281-D: Four primary isolates showed distinct patterns of sensitivity to neutralization by polyclonal sera or plasma and MAbs – BZ167 was the only isolate inhibited by all polyclonal sera and plasma tested, and was also neutralized by 8/17 MAbs, in particular anti-V3 loop (419-D, 447-52D, 782-D, and 838-D), anti-CD4bd (559/64-D, 654-D and 830-D and a cluster II of gp41 directed MAb (98-6) – isolates 92HT593 and 91US056 were neutralized by V3 loop (419-D, and 447-52D) and cluster II gp41 (98-6) MAbs at higher concentrations – US4 was neutralized by some of the polyclonal sera/plasma tested and not at all by MAbs individually or by a cocktail of ten MAbs consisting of 419-D, 447-52D, 782-D, 838-D, 559/64-D, 654-D, 450-D, 670-D, 1281-D and 98-6. Hioe *et al.* [1997b] (**variant cross-recognition or cross-neutralization**)

No. 1241

MAb ID Chessie 8

HXB2 Location Env

Author Location gp41

Epitope

Neutralizing

Immunogen

Species (Isotype) mouse (IgG)

Ab Type gp41 cytoplasmic domain

Research Contact G. Lewis

References Smith-Franklin *et al.* 2002; Rovinski *et al.* 1995; Pombourios *et al.* 1995; Lewis *et al.* 1991

- Chessie 8: This Ab was used in an *in vitro* study demonstrating that HIV-1 antibody and Fcγ receptors can trap virus on the surface of follicular dendritic cells (FDC)'s and extend the period of infectivity – blocking the FDC-Fcγ receptor killing the FDC cell reduced their ability to maintain infectivity, and FDC cells seemed to stabilize viral particles and decrease gp120 shedding. Smith-Franklin *et al.* [2002]
- Chessie 8: Used to precipitate gp160 in immunoblots in a study examining the feasibility of using unprocessed gp160 glycoprotein as an immunogen. Rovinski *et al.* [1995]

No. 1242

MAb ID 8F102

HXB2 Location Env

Author Location gp120

Epitope

Neutralizing

Immunogen vaccine

Vector/Type: sCD4-gp120 complex Strain: B clade HXB2 HIV component: gp120

Species (Isotype) mouse (IgG)

Ab Type gp120-CD4 complex

References DeVico *et al.* 1995

- 8F102: MAbs specifically reactive to crosslinked gp120 and CD4 were derived (8F101, 8F102) – conformation dependent – competition studies indicate the epitope is immunogenic in infected humans. DeVico *et al.* [1995]

No. 1243

MAb ID CG-10 (CG10)

HXB2 Location Env

Author Location gp120 (IIIB)

Epitope

Subtype B

Neutralizing L

Immunogen vaccine

Vector/Type: sCD4-gp120 complex Strain: B clade IIIB HIV component: gp120

Species (Isotype) mouse (IgG1)

Ab Type gp120-CD4 complex

Research Contact Jonathan Gershoni, Tel Aviv University, Isreal

References Enshell-Seijffers *et al.* 2003; Finnegan *et al.* 2001; Oscherwitz *et al.* 1999a; Sullivan *et al.* 1998b; Rizzuto *et al.* 1998; Lee *et al.* 1997; Wu *et al.* 1996; Gershoni *et al.* 1993

Keywords antibody binding site definition and exposure, computational epitope prediction, structure

- CG10: Using 17b MAb to select peptides from a combinatorial library, and analyzing the peptides using a novel discontinuous epitope reconstruction program, enabled epitope prediction. Segments of gp120 were reconstructed as an antigenic protein mimetic recognized by 17b. Comparisons then were made with a similar prediction of contact residues for CG10, a CD4i MAb that competes with 17b, but has a distinct binding site. Enshell-Seijffers *et al.* [2003] (**antibody binding site definition and exposure, computational epitope prediction, structure**)

- CG-10: Called CG10. Using a cell-fusion system, it was found CD4i antibodies 17b, 48d, and CG10 reacted faintly with Env expressing HeLa cells even in the absence of sCD4 or CD4 expressing target cells. Reactivity increased after sCD4 addition, but not after CD4 expressing target cell addition, and binding was not increased at the cell-to-cell CD4-Env interface. This suggests the CD4i co-receptor binding domain is largely blocked at the cell-fusion interface, and so CD4i antibodies would not be able access this site and neutralize cell-mediated viral entry. Finnegan *et al.* [2001] (**antibody binding site definition and exposure**)
- CG-10: Called CG10 – disrupts gp120-CCR5 interaction and competes with MAb 17b – binds near the conserved bridging sheet of gp120 – mutations in positions K/D 121, T/D 123, K/D 207, K/D 421, Q/L 422, Y/S 435, M/A 434, K/A 432 and I/S 423 result in a 70% reduction in CG10 binding. Rizzuto *et al.* [1998]
- CG-10: Called CG10 – CD4BS MAb 15e competes with CG-10 binding, probably due to the disruption of CD4-gp120 by 15e – CD4i MAbs 17b and 48d compete and the binding sites may overlap – MAb A32 enhances binding of 17b, 48d and CG10 – MAbs C11, 2G12 and 212A do not affect CG10 binding – CG-10 can bind gp120 with V1/V2 and V3 deleted – HXBc2 mutations Delta 119-205, 314 G/W, 432 K/A, 183,184 PI/SG decrease CG-10 recognition, HXBc2 mutations Delta 298-327 (V3), 384 Y/E, 298 R/G, 435 Y/S enhance recognition – the CD4 contribution to the CG10 epitope maps to the CD4 CDR2-like loop – CG10 can neutralize HIV-1 in the presence of sCD4 even though it does not do so in the context of cell surface CD4 binding to gp120. Sullivan *et al.* [1998b]
- CG-10: Called CG10 – Promotes envelope mediated cell fusion between CD4+ cells and cells infected with either T-cell and macrophage tropic viruses – infection of HeLa CD4+ (MAGI) cells by HIV-1 LAI, ELI1, and ELI2 strains was increased two-to four-fold in the presence of CG10. Lee *et al.* [1997]
- CG-10: Called CG10 – MIP-1alpha binding to CCR-5 expressing cells can be inhibited by gp120-sCD4, and MAb CG10 does not block this inhibition. Wu *et al.* [1996]
- CG-10: Reacts exclusively with sCD4-gp120 complex, not with sCD4 or gp120 alone. Gershoni *et al.* [1993]

No. 1244

MAb ID CG-25

HXB2 Location Env

Author Location gp120

Epitope

Neutralizing L

Immunogen vaccine

Vector/Type: sCD4-gp120 complex *HIV component:* gp120

Species (Isotype) mouse (IgG1)

Ab Type gp120-CD4 complex

References Gershoni *et al.* 1993

- CG-25: Reacts preferentially with sCD4-gp120, also with sCD4, not with gp120. Gershoni *et al.* [1993]

No. 1245

MAb ID CG-4 (CG4)

HXB2 Location Env

Author Location gp120

Epitope

Neutralizing no

Immunogen vaccine

Vector/Type: sCD4-gp120 complex *HIV component:* gp120

Species (Isotype) mouse (IgG1)

Ab Type gp120-CD4 complex

Research Contact Jonathan Gershoni, Tel Aviv University, Isreal

References Gershoni *et al.* 1993

- CG-4: Reacts with gp120 and sCD4-gp120 complex, not with sCD4. Gershoni *et al.* [1993]

No. 1246

MAb ID CG-76

HXB2 Location Env

Author Location gp120

Epitope

Neutralizing L

Immunogen vaccine

Vector/Type: sCD4-gp120 complex *HIV component:* gp120

Species (Isotype) mouse (IgG1)

Ab Type gp120-CD4 complex

References Gershoni *et al.* 1993

- CG-76: Reacts equally well with sCD4-gp120 and sCD4, but not with purified gp120. Gershoni *et al.* [1993]

No. 1247

MAb ID CG-9

HXB2 Location Env

Author Location gp120

Epitope

Neutralizing L

Immunogen vaccine

Vector/Type: sCD4-gp120 complex *HIV component:* gp120

Species (Isotype) mouse (IgG1)

Ab Type gp120-CD4 complex

References Gershoni *et al.* 1993

- CG-9: Reacts preferentially with sCD4-gp120, also with sCD4, not with gp120. Gershoni *et al.* [1993]

No. 1248

MAb ID 105-518

HXB2 Location Env

Author Location gp41 (608–637 HAM112, O group)

Epitope

Neutralizing

Immunogen vaccine

Vector/Type: protein *Strain:* O group HAM112 *HIV component:* gp160

Species (Isotype) mouse (IgG1κ)

Ab Type immunodominant region

References Scheffel *et al.* 1999

- 101-518: Overlapping peptides based on group O HAM112 Env were tested for MAb reactivity. Scheffel *et al.* [1999]

No. 1249

MAb ID 31A1

HXB2 Location Env

Author Location gp41
Epitope
Neutralizing no
Immunogen in vitro stimulation or selection
Species (Isotype) human (IgM κ / λ)
Ab Type p24+gp41
References Pollock *et al.* 1989

- 31A1: Denatured virus was used for *in vitro* stimulation to generate Abs – Reacts with both p24 and gp41. Pollock *et al.* [1989]

No. 1250

MAb ID 39A64

HXB2 Location Env

Author Location gp41

Epitope

Neutralizing no

Immunogen in vitro stimulation or selection

Species (Isotype) human (IgM κ / λ)

Ab Type p24+gp41

References Pollock *et al.* 1989

- 39A64: Denatured virus was used for *in vitro* stimulation to generate Abs – Reacts with both p24 and gp41. Pollock *et al.* [1989]

No. 1251

MAb ID 39B86

HXB2 Location Env

Author Location gp41

Epitope

Neutralizing no

Immunogen in vitro stimulation or selection

Species (Isotype) human (IgM κ / λ)

Ab Type p24+gp41

References Pollock *et al.* 1989

- 39B86: Denatured virus was used for *in vitro* stimulation to generate Abs – Reacts with both p24 and gp41. Pollock *et al.* [1989]

No. 1252

MAb ID 9303

HXB2 Location Env

Author Location gp41

Epitope

Neutralizing no

Immunogen

Species (Isotype) mouse

Ab Type p24+gp41

Research Contact Du Pont

References McDougal *et al.* 1996

No. 1253

MAb ID NC-1

HXB2 Location Env

Author Location gp41 (IIIB)

Epitope

Neutralizing

Immunogen vaccine

Vector/Type: peptide *Strain:* B clade IIIB
HIV component: gp41

Species (Isotype) mouse (IgG2a)

Ab Type gp41six-helix bundle

Research Contact S. Jiang, New York Blood Center, NY, NY

References de Rosny *et al.* 2004a; de Rosny *et al.* 2004b; Follis *et al.* 2002; Yang *et al.* 2002; Yang *et al.* 2000; Jiang *et al.* 1998

Keywords antibody binding site definition and exposure, antibody generation, antibody interactions, subtype comparisons, variant cross-recognition or cross-neutralization

- NC-1: The MAb 2F5 binds to the C-heptad and is neutralizing, but the MAb D50 binds to the C-heptad and is not neutralizing. 2F5 binds preferentially to native gp41 prior to receptor activation. Trapped fusion-intermediates suggest 2F5 remains present shortly after gp120 triggering by CD4, but may be lost by the time the six-helix bundle is formed. 2F5 neutralization seems to block a later step of the fusion process, but it does not inhibit binding of NC-1, a MAb specific for the six-helix bundle, so it does not prevent formation of the six-helix bundle. The results are most consistent with 2F5 inhibiting a post-fusion-intermediate step. de Rosny *et al.* [2004b] (**antibody binding site definition and exposure, antibody interactions**)
- NC-1: The mechanism of 2F5 neutralization was explored, and experiments suggest it is due to interference with a late step in viral entry. 2F5 does not block six-helix bundle formation, as 2F5 prebinding does not inhibit NC-1 binding, a MAb that binds specifically to the six-helix bundle. de Rosny *et al.* [2004a] (**antibody binding site definition and exposure**)
- NC-1: Alanine mutations were introduced into the N- and C-terminal alpha-helices of gp41 to destabilize interhelical packing interactions in order to study their inhibitory effect on viral infectivity. These mutations were shown to inhibit viral replication though affecting the conformational transition to the fusion-active form of gp41, and allow increased inhibition by gp41 peptides. 2F5 sensitivity is increased in the mutated viruses, presumably because 2F5s neutralization activity is focused on the transition to the fusion active state. No other gp41 MAb against tested, including NC-1, 50-69D, 1281, 98-6D, 246-D and F240, neutralized the parental or the fusion-deficient mutated viruses. Follis *et al.* [2002] (**antibody binding site definition and exposure**)
- NC-1: Uncleaved soluble gp140 can be stabilized in an oligomer by fusion with a C-term trimeric GCN4 motif (gp140delta683(-)/GCN4)) or using a T4 trimeric motif derived from T4 bacteriophage fibrin (gp140delta683(-)/FT)) – NC-1 binds to 15% of the GCN4 motif trimers, but this was significantly reduced for the T4 fibrin stabilized structures, indicating little is in the six-helix bundle, fusogenic conformation. Yang *et al.* [2002] (**antibody binding site definition and exposure**)
- NC-1: A combination of gp41 fusion with the GNC4 trimeric sequences and disruption of the YU2 gp120-gp41 cleavage site resulted in stable gp140 trimers (gp140-GNC4) – approximately 16% of the gp140(-GNC4) stabilized trimer recognized by pooled sera was precipitated by NC-1, indicating that at a fraction assumes a fusogenic gp41 six-helix bundle conformation – gp140(-) monomers were not able to bind to the NC-1, nor was gp130(-)/GCN4) glycoprotein, consistent with the expectation that the absence of C34 helices would preclude

formation of the six-helix bundle. Yang *et al.* [2000] (**antibody binding site definition and exposure**)

- NC-1: Ab elicited in response to immunization with N36(L6)C34, a peptide that folds into a six helix bundle like gp41 – NC-1 binds to the surface of HIV-1 infected cells only in the presence of sCD4, recognizing the fusogenic core structure – binding affinity was decreased by point mutations that disrupt core formation and abolish membrane fusion activity, (I573P and I573A) – NC-1 can recognize discontinuous epitopes from B clade isolate SC, but not E clade strain N243, O group strain GAB, or HIV-2 ROD. Jiang *et al.* [1998] (**antibody binding site definition and exposure, antibody generation, variant cross-recognition or cross-neutralization, subtype comparisons**)

IV-C-18 Nef Antibodies

No. 1254

MAb ID 4H4

HXB2 Location Nef (1–33)

Author Location Nef (1–33 IIIB)

Epitope MGGKWSKSSVVGWPTVRERMRRAPTVRERMRR-AEPAADGVGAA

Neutralizing

Immunogen vaccine

Vector/Type: protein *Strain:* B clade IIIIB
HIV component: Nef

Species (Isotype) human (IgG1)

References Otake *et al.* 1994

- 4H4: This MAb, elicited by vaccination with a Nef fusion protein, could not detect Nef protein on the cell surface – C-term anti-Nef Abs could. Otake *et al.* [1994]

No. 1255

MAb ID polyclonal

HXB2 Location Nef (9–24)

Author Location Nef (9–24)

Epitope SVIGWLTVRERMRRAE

Neutralizing no

Immunogen vaccine

Vector/Type: DNA *Strain:* B clade BRU
HIV component: Nef

Species (Isotype) mouse (IgG)

References Tahtinen *et al.* 2001

- BALB/c mice were immunized with a pBN-vector expressing HIV-1 nef, rev, or tat genes – DNA loaded onto gold microparticles was delivered using a gene gun, and DNA dissolved in saline was given intradermally or intramuscularly – Nef gene gun immunized mice showed the strongest and most long-lasting (6 months) Ab, CTL and proliferative responses – the highest IgG1/IgG2a ratio was observed in the gene gun immunized mice – three Ab binding sites were found in Nef using peptide mapping, although some sera reacted only to complete Nef – Rev- or-Tat immunized mice did not generate an Ab response. Tahtinen *et al.* [2001]

No. 1256

MAb ID 13/042

HXB2 Location Nef (11–20)

Author Location Nef (11–24 BH10)

Epitope VGWPTVRERM

Neutralizing

Immunogen vaccine

Vector/Type: protein *HIV component:* Nef

Species (Isotype) mouse

References Schneider *et al.* 1991

- 13/042: Epitope mapped by overlapping decapeptides – core: TVRERM. Schneider *et al.* [1991]

No. 1257

MAb ID 13/035

HXB2 Location Nef (15–24)

Author Location Nef (11–24 BH10)

Epitope TVRERMRRAE

Neutralizing

Immunogen vaccine

Vector/Type: protein *HIV component:* Nef

Species (Isotype) mouse

References Schneider *et al.* 1991

- 13/035: Epitope mapped by overlapping decapeptides – core: TVRERM. Schneider *et al.* [1991]

No. 1258

MAb ID A6

HXB2 Location Nef (18–26)

Author Location Nef (18–26 NL-432)

Epitope ERMRRAEPA?

Neutralizing

Immunogen vaccine

Vector/Type: protein *Strain:* B clade NL43
HIV component: Nef *Adjuvant:* Complete Freund's Adjuvant (CFA)

Species (Isotype) mouse (IgM)

References Otake *et al.* 1997

Keywords antibody binding site definition and exposure, antibody generation

- A6: BALB/c mice were immunized with Nef protein to create a series of anti-Nef antibodies. A6 bound to the peptide spanning amino acids 18–26; we inferred the amino acids from the positions in the NL-43 strain. A6 also bound to the complete Nef protein. Otake *et al.* [1997] (**antibody binding site definition and exposure, antibody generation**)

No. 1259

MAb ID AM5C6

HXB2 Location Nef (28–43)

Author Location Nef (28–43 BH10)

Epitope DGVGAASRDLEKHGAI+KAAVDLSHFLK

Neutralizing

Immunogen vaccine

Vector/Type: protein *HIV component:* Nef

Species (Isotype) mouse

References Maksutov *et al.* 2002; Schneider *et al.* 1991

- AM5C6: This epitope is similar to a fragment of the human protein vascular endothelial growth factor C, AEPDAGEATAYASKDLE. Maksutov *et al.* [2002]
- AM5C6: Epitope mapped by overlapping decapeptides – core: SRDL – also reacts with Nef(78–92). Schneider *et al.* [1991]

No. 1260
MAb ID AM5C6
HXB2 Location Nef (28–43)
Author Location Nef (28–43 BH10)
Epitope DGVGAASRDLEKHGAI+KAAVDLSHFLK
Neutralizing
Immunogen vaccine
Vector/Type: protein *HIV component:* Nef
Species (Isotype) mouse
References Maksiutov *et al.* 2002; Schneider *et al.* 1991
 • AM5C6: This epitope is similar to a fragment of the human protein vascular endothelial growth factor C, AEPDAGEATAYASKDLE. Maksiutov *et al.* [2002]
 • AM5C6: Epitope mapped by overlapping decapeptides – core: KAAVDL – also reacts with Nef(28-43). Schneider *et al.* [1991]

No. 1261
MAb ID A7
HXB2 Location Nef (28–45)
Author Location Nef (28–45 NL-432)
Epitope DGVGAVSRDLEKHGAITS?
Subtype B
Neutralizing
Immunogen vaccine
Vector/Type: protein *Strain:* B clade NL43
HIV component: Nef *Adjuvant:* Complete Freund's Adjuvant (CFA)
Species (Isotype) mouse (IgG1)
References Otake *et al.* 1997
Keywords antibody binding site definition and exposure, antibody generation
 • A7: BALB/c mice were immunized with Nef protein to create a series of anti-Nef antibodies. A7 bound to the peptide spanning amino acids 28-45; we inferred the amino acids from the positions in the NL-43 strain. A7 did not bind to the complete Nef protein. Otake *et al.* [1997] (**antibody binding site definition and exposure, antibody generation**)

No. 1262
MAb ID 25/03
HXB2 Location Nef (30–43)
Author Location Nef (30–43 BH10)
Epitope VGAASRDLEKHGAI
Neutralizing
Immunogen vaccine
Vector/Type: protein *HIV component:* Nef
Species (Isotype) mouse
References Maksiutov *et al.* 2002; Schneider *et al.* 1991
 • 25/03: This epitope is similar to a fragment of the human protein vascular endothelial growth factor C, AEPDAGEATAYASKDLE. Maksiutov *et al.* [2002]
 • 25/03: Epitope mapped by overlapping decapeptides – core: ASRDLEK. Schneider *et al.* [1991]

No. 1263
MAb ID 26/76
HXB2 Location Nef (30–43)
Author Location Nef (30–43 BH10)
Epitope VGAASRDLEKHGAI

Neutralizing
Immunogen vaccine
Vector/Type: protein *HIV component:* Nef
Species (Isotype) mouse
References Maksiutov *et al.* 2002; Schneider *et al.* 1991
 • 26/76: This epitope is similar to a fragment of the human protein vascular endothelial growth factor C, AEPDAGEATAYASKDLE. Maksiutov *et al.* [2002]
 • 26/76: Epitope mapped by overlapping decapeptides – core: SRDLEK. Schneider *et al.* [1991]

No. 1264
MAb ID 3F2
HXB2 Location Nef (31–40)
Author Location Nef (31–40 BRU)
Epitope GAASRDLEKH
Neutralizing
Immunogen vaccine
Vector/Type: protein *Strain:* B clade BRU
HIV component: Nef
Species (Isotype) mouse (IgG1)
References Maksiutov *et al.* 2002; Ranki *et al.* 1995; Saito *et al.* 1994; Ovod *et al.* 1992
 • 3F2: UK Medical Research Council AIDS reagent: EVA3067.1.
 • 3F2: This epitope is similar to a fragment of the human protein vascular endothelial growth factor C, AEPDAGEATAYASKDLE. Maksiutov *et al.* [2002]
 • 3F2: Faintly cross-reactive with astrocytes of uninfected control samples. Ranki *et al.* [1995]
 • 3F2: Reacted with Nef from different HIV-1 strains (BRU, IIIB, RF, MN). Ovod *et al.* [1992]

No. 1265
MAb ID 3D12
HXB2 Location Nef (31–50)
Author Location Nef (31–50 BRU)
Epitope GAASRDLEKHGAITSSNTAA
Neutralizing
Immunogen vaccine
Vector/Type: protein *Strain:* B clade BRU
HIV component: Nef
Species (Isotype) mouse (IgG1)
References Maksiutov *et al.* 2002; Ranki *et al.* 1995; Saito *et al.* 1994; Ovod *et al.* 1992
 • 3D12: There is an anti-RT MAb that also has this name (see.
 • 3D12: UK Medical Research Council AIDS reagent: EVA3067.2.
 • 3D12: This epitope is similar to a fragment of the human protein vascular endothelial growth factor C, AEPDAGEATAYASKDLE. Maksiutov *et al.* [2002]
 • 3D12: One of four antibodies used in combination to show HIV Nef protein expressed in astrocytes from 7/14 brain samples from HIV+ individuals – Nef expression associated with dementia. Ranki *et al.* [1995]
 • 3D12: Over-expression of Nef in astrocytes from postmortem pediatric CNS tissues. Saito *et al.* [1994]
 • 3D12: Reacted with Nef from different HIV-1 strains (BRU, IIIB, RF, MN). Ovod *et al.* [1992]

No. 1266
MAb ID polyclonal
HXB2 Location Nef (33–65)
Author Location Nef (32–64 LAI, BRU)
Epitope ASRDLEKHGAITSSNTAATNAACAWLEAQEEEE
Subtype B
Neutralizing
Immunogen HIV-1 infection, vaccine
Vector/Type: protein, PLG microparticle
Strain: B clade BRU, B clade LAI *HIV component:* Nef *Adjuvant:* Complete Freund's Adjuvant (CFA), PLG

Species (Isotype) mouse (IgG1)

References Maksutov *et al.* 2002; Moureau *et al.* 2002

- This epitope is similar to a fragment of the human protein vascular endothelial growth factor C, AEPDAGEATAYASKDLE. Maksutov *et al.* [2002]
- Nef encapsulated in poly(DL-lactide-co-glycolide) (PLG) had a more prolonged Ab response than Nef in PBS or in Freund's adjuvant (CFA), still strong after 7 months – the response was predominantly IgG1, a Th2 immune response – three linear epitopes, Nef 32-64, 118-167, and 185-205, were frequently recognized by the sera of mice immunized with NefPLG or Nef-CFA, but not after immunization with Nef in PBS, which seemed to preferentially stimulate an Ab response to conformational epitopes. Moureau *et al.* [2002]

No. 1267
MAb ID polyclonal
HXB2 Location Nef (49–64)
Author Location Nef (49–64)
Epitope AATNAACAWLEAQEEEE
Neutralizing no
Immunogen vaccine
Vector/Type: DNA *Strain:* B clade BRU
HIV component: Nef

Species (Isotype) mouse (IgG)

References Tahtinen *et al.* 2001

- BALB/c mice were immunized with a pBN-vector expressing HIV-1 nef, rev, or tat genes – DNA loaded onto gold microparticles was delivered using a gene gun, and DNA dissolved in saline was given intradermally or intramuscularly – Nef gene gun immunized mice showed the strongest and most long-lasting (6 months) Ab, CTL and proliferative responses – the highest IgG1/IgG2a ratio was observed in the gene gun immunized mice – three Ab binding sites were found in Nef using peptide mapping, although some sera reacted only to complete Nef – Rev- or-Tat immunized mice did not generate an Ab response. Tahtinen *et al.* [2001]

No. 1268
MAb ID 3G12
HXB2 Location Nef (51–71)
Author Location Nef (51–71 BRU)
Epitope TNAACAWLEAQEEEEVGFVPT
Neutralizing
Immunogen vaccine
Vector/Type: protein *Strain:* B clade BRU
HIV component: Nef

Species (Isotype) mouse (IgG2a)

- References** Ovod *et al.* 1992
- 3G12: Reacted with Nef from different HIV-1 strains (BRU, IIIIB, RF, MN). Ovod *et al.* [1992]

No. 1269
MAb ID 13/058
HXB2 Location Nef (60–73)
Author Location Nef (60–73 BH10)
Epitope AQEEEEVGFVPTQ
Neutralizing
Immunogen vaccine
Vector/Type: protein *HIV component:* Nef

Species (Isotype) mouse

References Schneider *et al.* 1991

- 13/058: Epitope mapped by overlapping decapeptides – core: EEVGFP. Schneider *et al.* [1991]

No. 1270
MAb ID 26/028
HXB2 Location Nef (60–73)
Author Location Nef (60–73 BH10)
Epitope AQEEEEVGFVPTQ
Neutralizing
Immunogen vaccine
Vector/Type: protein *HIV component:* Nef

Species (Isotype) mouse

References Schneider *et al.* 1991

- 26/028: Epitope mapped by overlapping decapeptides – core: EEVGFPV. Schneider *et al.* [1991]

No. 1271
MAb ID polyclonal
HXB2 Location Nef (61–71)
Author Location Nef
Epitope QEEEEVGFVPT
Neutralizing
Immunogen vaccine
Vector/Type: peptide *HIV component:* Env, Gag, Nef, Pol

Species (Isotype) rabbit

References Li *et al.* 2005

Keywords mimics

- In early HIV-1 infection, patients develop autoimmune thrombocytopenia, with Ab directed against beta3 integrin, GPIIIa49-66. Panning with a 7-mer phage display library using rabbit anti-GPIIIa49-66 (CAPESIEFPVSEARVLED), the immunodominant epitope of the identified potential molecular mimicry epitopes with HIV-1 Env (sklFDeGLFn, elfnkTIIFP), Pol (geAPEFPskq), Gag (gktHyMINPI) and Nef (qeeeeVgFPVt, qeeeeVgFPVt, edeGigFPVr, fkLVPVSEae, ssnTPTTNaa) proteins. Pools of these peptides elicited Ab in rabbits that induce platelet oxidation in vitro and thrombocytopenia in vivo upon passive transfer. Nef (qeeeeVgFPVt), Gag (gktHyMINPI), and Nef (fkLVPVSEae) all overlap with known HIV-1 epitopes. Li *et al.* [2005] (**mimics**)

No. 1272
MAb ID 2E3
HXB2 Location Nef (61–80)
Author Location Nef (61–80 BRU)

Epitope QEEEEVGFPVTPQVPLRPMT
Neutralizing
Immunogen vaccine
Vector/Type: protein *Strain:* B clade BRU
HIV component: Nef
Species (Isotype) mouse (IgG1)
References Nilsen *et al.* 1996; Ovod *et al.* 1992
 • 2E3: There are two MABs with the name 2E3 – the other one binds to integrase. Nilsen *et al.* [1996]
 • 2E3: Two isomorphous forms of Nef were identified, 2E3 reacted with the p24 but not p27 form, and was strain specific (MN and BRU reactive, not IIIIB or RF). Ovod *et al.* [1992]

No. 1273
MAB ID polyclonal
HXB2 Location Nef (66–97)
Author Location Nef (66–97 LAI)
Epitope VGFPVTPQVPLRPMTYKAAVDLSHFLKEKGG
Subtype B
Neutralizing no
Immunogen vaccine
Vector/Type: lipopeptide *Strain:* B clade LAI *HIV component:* Nef *Adjuvant:* QS21
Species (Isotype) human (IgG)
References Pialoux *et al.* 2001
 • 28 subjects were vaccinated with six HIV-1 peptides that were selected to be particularly rich in CTL epitopes, presented in lipopeptides with or without adjuvant QS21 – HIV-specific Ab responses were detected in 10/28, proliferative in 11/14, and CTL in 13/24 (54%) of testable volunteers – 10/28 had Ab responses to this peptide (N1), 11/24 had proliferative responses, and CTL responses were detected. Pialoux *et al.* [2001]

No. 1274
MAB ID F14.11
HXB2 Location Nef (83–88)
Author Location Nef (83–88)
Epitope AAVDLS
Neutralizing
Immunogen vaccine
Vector/Type: peptide *HIV component:* Nef
Species (Isotype) mouse (IgG2a κ)
References Chang *et al.* 1998; De Santis *et al.* 1991
 • F14.11: Used as a control in a study of Nef-specific single chain Abs constructed from AG11 and EH1. Chang *et al.* [1998]
 • F14.11: The MAB was made to a six aa region of Nef that is similar to a region found in thymosin alpha 1 protein – the MAB binds to the natural Nef protein. De Santis *et al.* [1991]

No. 1275
MAB ID 31/03
HXB2 Location Nef (83–103)
Author Location Nef (82–103 BH10)
Epitope AAVDLSHFLKEKGGLEGLIHS
Neutralizing
Immunogen vaccine
Vector/Type: protein *HIV component:* Nef
Species (Isotype) mouse
References Schneider *et al.* 1991

• 31/03: Epitope mapped by overlapping decapeptides – mapping suggests complex epitope in this region. Schneider *et al.* [1991]

No. 1276
MAB ID polyclonal
HXB2 Location Nef (90–98)
Author Location Nef (NL43)
Epitope FLKEKGGLE
Neutralizing
Immunogen HIV-1 infection, vaccine
Species (Isotype) human, rabbit
References Yamada & Iwamoto 1999
Country Japan
Keywords ADCC, antibody binding site definition and exposure, antibody generation, complement, rate of progression

• Antibody responses to overlapping 9-mers from the Nef protein were mapped in a set of HIV+ Japanese hemophiliacs. Long term non-progressors among the group were significantly more likely to react to Nef peptide 31 (FLKEKGGLE) ($p=0.008$). Rabbit polyclonal Abs were raised against this peptide. These Abs bound Nef, could kill infected cells in a complement dependent manner, and the domain near peptide 31 was exposed on the surface of infected T-cells. Yamada & Iwamoto [1999] (**ADCC, antibody binding site definition and exposure, antibody generation, complement, rate of progression**)

No. 1277
MAB ID polyclonal
HXB2 Location Nef (90–98)
Author Location Nef
Epitope FLKEKGGLE
Neutralizing
Immunogen HIV-1 infection
Species (Isotype) human
References Yamada *et al.* 2004
Country Japan
Keywords ADCC, rate of progression

• Plasma and PBMC from long term non-progressors can mediate ADCC against Nef infected target cells. Addition of the peptide FLKEKGGLE reduces this activity by half. Patients who were LTNPs were found to make antibodies against this peptide in an earlier study. Anti-Gag antibodies do not elicit ADCC, and Pol proteins are not expressed on the cell surface, in contrast to this Nef epitope. Yamada *et al.* [2004] (**ADCC, rate of progression**)

No. 1278
MAB ID F4
HXB2 Location Nef (115–126)
Author Location Nef (115–126 NL-432)
Epitope YHTQGYFPDQWN?
Neutralizing
Immunogen vaccine
Vector/Type: protein *Strain:* B clade NL43
HIV component: Nef
Species (Isotype) mouse (IgG1)
References Otake *et al.* 1997
Keywords antibody binding site definition and exposure, antibody generation

- F4: BALB/c mice were immunized with Nef protein to create a series of anti-Nef antibodies. F4 bound to the peptide spanning amino acids 115-126; we inferred the amino acids from the positions in the NL-43 strain. A6 also bound to the complete Nef protein. Otake *et al.* [1997] (**antibody binding site definition and exposure, antibody generation**)

No. 1279

MAb ID F2

HXB2 Location Nef (115–136)

Author Location Nef (115–137 NL-432)

Epitope YHTQGYFPDWQNYTPGPGVRYYP?

Subtype B

Neutralizing

Immunogen vaccine

Vector/Type: protein *Strain:* B clade NL43

HIV component: Nef *Adjuvant:* Complete

Freund's Adjuvant (CFA)

Species (Isotype) mouse (IgG1)

References Otake *et al.* 1997

Keywords antibody binding site definition and exposure, antibody generation

- F2: BALB/c mice were immunized with Nef protein to create a series of anti-Nef antibodies. F2 bound to the peptide spanning amino acids 115-137; we inferred the amino acids from the positions in the NL-43 strain. F2 also bound to the complete Nef protein. Otake *et al.* [1997] (**antibody binding site definition and exposure, antibody generation**)

No. 1280

MAb ID polyclonal

HXB2 Location Nef (117–147)

Author Location Nef (117–147 LAI)

Epitope TQGYFPDWQNYTPGPGVRYPLTFGWICYKLVP

Subtype B

Neutralizing no

Immunogen vaccine

Vector/Type: lipopeptide *Strain:* B clade

LAI *HIV component:* Nef *Adjuvant:*

QS21

Species (Isotype) human (IgG)

References Pialoux *et al.* 2001

- 28 subjects were vaccinated with six HIV-1 peptides that were selected to be particularly rich in CTL epitopes, presented in lipopeptides with or without adjuvant QS21 – HIV-specific Ab responses were detected in 25/28, proliferative in 3/24, and CTL in 13/24 (54%) of testable volunteers – 20/28 had antibody responses to this particular peptide (N2), 3/24 had proliferative responses, and CTL responses were detected. Pialoux *et al.* [2001]

No. 1281

MAb ID polyclonal

HXB2 Location Nef (118–133)

Author Location Nef (118–133)

Epitope QGYFPDWQNYTPGPGV

Neutralizing no

Immunogen vaccine

Vector/Type: DNA *Strain:* B clade BRU

HIV component: Nef

Species (Isotype) mouse (IgG)

References Tahtinen *et al.* 2001

- BALB/c mice were immunized with a pBN-vector expressing HIV-1 nef, rev, or tat genes—DNA loaded onto gold microparticles was delivered using a gene gun, and DNA dissolved in saline was given intradermally or intramuscularly—Nef gene gun immunized mice showed the strongest and most long-lasting (6 months) Ab, CTL and proliferative responses—the highest IgG1/IgG2a ratio was observed in the gene gun immunized mice—three Ab binding sites were found in Nef using peptide mapping, although some sera reacted only to complete Nef—Rev- or Tat-immunized mice did not generate an Ab response. Tahtinen *et al.* [2001]

No. 1282

MAb ID polyclonal

HXB2 Location Nef (119–168)

Author Location Nef (118–167 LAI, BRU)

Epitope GYFPDWQNYTPGPGVRYPLTFGWICYKLVPVEP-DKVEEANKGENTSLLHPV

Subtype B

Neutralizing

Immunogen HIV-1 infection, vaccine

Vector/Type: protein, PLG microparticle

Strain: B clade BRU, B clade LAI *HIV component:* Nef

Adjuvant: Complete Freund's

Adjuvant (CFA), PLG

Species (Isotype) mouse (IgG1)

References Maksiutov *et al.* 2002; Moureau *et al.* 2002

- This epitope is similar to a fragment of the human protein Bone-derived growth factor, PLEPAKLEE, and to Hematopoietic progenitor cell antigen CD34, TSLHPVSQHG. Maksiutov *et al.* [2002]
- Nef encapsulated in poly(DL-lactide-co-glycolide) (PLG) had a more prolonged Ab response than Nef in PBS or in Freund's adjuvant (CFA), still strong after 7 months – the response was predominantly IgG1, a Th2 immune response – three linear epitopes, Nef 32-64, 118-167, and 185-205, were frequently recognized by the sera of mice immunized with Nef/PLG or Nef-CFA, but not after immunization with Nef in PBS, which seemed to preferentially stimulate an Ab response to conformational epitopes. Moureau *et al.* [2002]

No. 1283

MAb ID F3

HXB2 Location Nef (128–137)

Author Location Nef (128–137 NL-432)

Epitope TPGPGVRYPL?

Neutralizing

Immunogen vaccine

Vector/Type: protein *Strain:* B clade NL43

HIV component: Nef *Adjuvant:* Complete

Freund's Adjuvant (CFA)

Species (Isotype) mouse (IgG1)

References Kawai *et al.* 2003; Otake *et al.* 1997

Keywords antibody binding site definition and exposure, antibody generation, complement

- F3: Used as a control for Nef binding in a study designed to elicit anti-Nef IgM human Abs in trans-chromosome mice that carry human chromosomes responsible for Ig production. These mice were immunized with recombinant Nef protein. Human heavy chain, mouse light chain anti-Nef IgM were obtained. The hope was that these human IgM anti-Nef chimeric Abs would activate complement mediated cytolysis; C3 deposition was induced but not at high enough levels to induce lysis. Kawai *et al.* [2003] (**complement**)

- F3: BALB/c mice were immunized with Nef protein to create a series of anti-Nef antibodies. F3 bound to the peptide spanning amino acids 128-137; we inferred the amino acids from the positions in the NL-43 strain. F3 also bound to the complete Nef protein. Otake *et al.* [1997] (**antibody binding site definition and exposure, antibody generation**)

No. 1284

MAb ID F8

HXB2 Location Nef (128–137)

Author Location Nef (128–137 NL-432)

Epitope TPGPGVRYPL?

Subtype B

Neutralizing

Immunogen vaccine

Vector/Type: protein *Strain:* B clade NL43
HIV component: Nef *Adjuvant:* Complete Freund's Adjuvant (CFA)

Species (Isotype) mouse (IgM)

References Otake *et al.* 1997

Keywords antibody binding site definition and exposure, antibody generation

- F8: BALB/c mice were immunized with Nef protein to create a series of anti-Nef antibodies. F8 bound to the peptide spanning amino acids 128-137; we inferred the amino acids from the positions in the NL-43 strain. F8 also bound to the complete Nef protein. Otake *et al.* [1997] (**antibody binding site definition and exposure, antibody generation**)

No. 1285

MAb ID polyclonal

HXB2 Location Nef (143–151)

Author Location Nef

Epitope FKLVPVSEAE

Neutralizing

Immunogen vaccine

Vector/Type: peptide *HIV component:* Env, Gag, Nef, Pol

Species (Isotype) rabbit

References Li *et al.* 2005

Keywords mimics

- In early HIV-1 infection, patients develop autoimmune thrombocytopenia, with Ab directed against beta3 integrin, GPIIIa49-66. Panning with a 7-mer phage display library using rabbit anti-GPIIIa49-66 (CAPESIEFPVSEARVLED), the immunodominant epitope of the identified potential molecular mimicry epitopes with HIV-1 Env (sklFDeGLFn, elfnkTIIFP), Pol (geAPEFPskq), Gag (gktHyMINPI) and Nef (qeeeeVgFPVt, qeeeeVgFPVt, edeGigFPVr, fklVPVSEae, ssnTPPTNaa) proteins. Pools of these peptides elicited Ab in rabbits that induce platelet oxidation in vitro and thrombocytopenia in vivo upon

passive transfer. Nef (qeeeeVgFPVt), Gag (gktHyMINPI), and Nef (fklVPVSEae) all overlap with known HIV-1 epitopes. Li *et al.* [2005] (**mimics**)

No. 1286

MAb ID F1

HXB2 Location Nef (148–157)

Author Location Nef (148–157 IIIB)

Epitope VEPDKVEEAN

Neutralizing

Immunogen

Species (Isotype) mouse (IgM)

References Haynes *et al.* 2005; Fujii *et al.* 1996b; Fujii *et al.* 1996c; Otake *et al.* 1994; Fujii *et al.* 1993

- F1: There is a Nef (Fujii1993) and a CD4BS (Haynes2005) MAb that are called F1. Fujii *et al.* [1993]; Haynes *et al.* [2005]
- F1: Insect cells expressing myristylated Nef proteins on their cell surface can induce cytolysis of unstimulated CD4+ cells – this response is not due to MHC restricted CTL activity – the cell surface of Nef expressing insect cells carry Nef that can be recognized by MAbs E7 and E9 but not F1. Fujii *et al.* [1996c]
- F1: A carboxy-terminal domain of Nef on the cell surface induces cytolysis of CD4+ T cells. Fujii *et al.* [1996b]
- F1: The C-term end of Nef is accessible to Abs at the cell surface – stained IIIB/M10, but not MN/M10, cells. Fujii *et al.* [1993]; Otake *et al.* [1994]

No. 1287

MAb ID 2F2

HXB2 Location Nef (151–170)

Author Location Nef (151–170 BRU)

Epitope DKVEEANKGENTSLLHPVSL

Neutralizing

Immunogen vaccine

Vector/Type: protein *HIV component:* Nef

Species (Isotype) mouse (IgG1)

References Maksiutov *et al.* 2002; Ranki *et al.* 1995; Saito *et al.* 1994; Ovod *et al.* 1992

- 2F2: UK Medical Research Council AIDS reagent: EVA3067.3.
- 2F2: This epitope is similar to a fragment of the human protein Hematopoietic progenitor cell antigen CD34, TSLHPVSQHG. Maksiutov *et al.* [2002]
- 2F2: One of four antibodies used in combination to show HIV Nef protein expressed in astrocytes from 7/14 brain samples from HIV+ individuals – Nef expression associated with dementia. Ranki *et al.* [1995]
- 2F2: Over-expression of Nef in astrocytes from postmortem pediatric CNS tissue. Saito *et al.* [1994]
- 2F2: Strain specific (MN and BRU reactive, not IIIB or RF). Ovod *et al.* [1992]

No. 1288

MAb ID E9

HXB2 Location Nef (158–181)

Author Location Nef (158–206 IIIB)

Epitope KGENTSLLHPVSLHGMDDPEREVL

Neutralizing

Immunogen

Species (Isotype) mouse (IgM)

References Maksutov *et al.* 2002; Fujii *et al.* 1996b; Fujii *et al.* 1996c; Otake *et al.* 1994; Fujii *et al.* 1993

- E9: This epitope is similar to a fragment of the human protein Hematopoietic progenitor cell antigen CD34, TSLHPVSQHG. Maksutov *et al.* [2002]
- E9: A carboxy-terminal domain of Nef on the cell surface induces cytolysis of CD4+ T cells. Fujii *et al.* [1996b]
- E9: Insect cells expressing myristylated Nef proteins on their cell surface can induce cytolysis of unstimulated CD4+ cells – this response is not due to MHC restricted CTL activity – the cell surface of Nef expressing insect cells carry Nef that can be recognized by MAbs E7 and E9 but not F1. Fujii *et al.* [1996c]
- E9: The C-term end of Nef is accessible to Abs at the cell surface – stained IIIB/M10, but not MN/M10, cells. Fujii *et al.* [1993]; Otake *et al.* [1994]

No. 1289

MAb ID 3E6

HXB2 Location Nef (161–180)

Author Location Nef (161–180 BRU)

Epitope NTSLLHPVSLHGMDPEREV

Neutralizing

Immunogen vaccine

Vector/Type: protein *Strain:* B clade BRU
HIV component: Nef

Species (Isotype) mouse (IgG1)

References Maksutov *et al.* 2002; Ranki *et al.* 1995; Saito *et al.* 1994; Ovod *et al.* 1992

- 3E6: UK Medical Research Council AIDS reagent: EVA3067.4.
- 3E6: This epitope is similar to a fragment of the human protein Hematopoietic progenitor cell antigen CD34, TSLHPVSQHG. Maksutov *et al.* [2002]
- 3E6: Faintly cross-reactive with astrocytes of uninfected control samples. Ranki *et al.* [1995]
- 3E6: Reacted with Nef from different HIV-1 strains (BRU, IIIB, RF, MN). Ovod *et al.* [1992]

No. 1290

MAb ID E5

HXB2 Location Nef (170–181)

Author Location Nef (170–181)

Epitope LHGMDDPEREV?

Neutralizing

Immunogen vaccine

Vector/Type: protein *Strain:* B clade NL43
HIV component: Nef *Adjuvant:* Complete Freund's Adjuvant (CFA)

Species (Isotype) mouse (IgM)

References Otake *et al.* 1997

Keywords antibody binding site definition and exposure, antibody generation

- E5: BALB/c mice were immunized with Nef protein to create a series of anti-Nef antibodies. E5 bound to the peptide spanning amino acids 170-181; we inferred the amino acids from the positions in the NL-43 strain. E5 also bound to the complete Nef protein. Otake *et al.* [1997] (**antibody binding site definition and exposure, antibody generation**)

No. 1291

MAb ID 2A3

HXB2 Location Nef (171–190)

Author Location Nef (171–190 BRU)

Epitope HGMDDPEREVLEWRFSRLA

Neutralizing

Immunogen vaccine

Vector/Type: protein *Strain:* B clade BRU
HIV component: Nef

Species (Isotype) mouse (IgG1)

References Ovod *et al.* 1992

- 2A3: Reacted with Nef from different HIV-1 strains (BRU, IIIB, MN, but not RF). Ovod *et al.* [1992]

No. 1292

MAb ID 2E4

HXB2 Location Nef (171–190)

Author Location Nef (171–190 BRU)

Epitope HGMDDPEREVLEWRFSRLA

Neutralizing

Immunogen vaccine

Vector/Type: protein *Strain:* B clade BRU
HIV component: Nef

Species (Isotype) mouse (IgG1)

References Ovod *et al.* 1992

- 2E4: Reacted with Nef from different HIV-1 strains (BRU, IIIB, MN but not RF). Ovod *et al.* [1992]

No. 1293

MAb ID 2H12

HXB2 Location Nef (171–190)

Author Location Nef (171–190 BRU)

Epitope HGMDDPEREVLEWRFSRLA

Neutralizing

Immunogen vaccine

Vector/Type: protein *Strain:* B clade BRU
HIV component: Nef

Species (Isotype) mouse (IgG1)

References Ranki *et al.* 1995; Saito *et al.* 1994; Ovod *et al.* 1992

- 2H12: One of four antibodies used in combination to show HIV Nef protein expressed in astrocytes from 7/14 brain samples from HIV+ individuals – Nef expression associated with dementia. Ranki *et al.* [1995]
- 2H12: Over-expression of Nef in astrocytes from postmortem pediatric CNS tissue. Saito *et al.* [1994]
- 2H12: Reacted with Nef from different HIV-1 strains (BRU, IIIB, RF, MN). Ovod *et al.* [1992]

No. 1294

MAb ID 3A2

HXB2 Location Nef (171–190)

Author Location Nef (171–190 BRU)

Epitope HGMDDPEREVLEWRFSRLA

Neutralizing

Immunogen vaccine

Vector/Type: protein *Strain:* B clade BRU
HIV component: Nef

Species (Isotype) mouse (IgG1)

References Ranki *et al.* 1995; Saito *et al.* 1994; Ovod *et al.* 1992

- 3A2: UK Medical Research Council AIDS reagent: EVA3067.5.
- 3A2: One of four antibodies used in combination to show HIV Nef protein expressed in astrocytes from 7/14 brain samples from HIV+ individuals – Nef expression associated with dementia. Ranki *et al.* [1995]
- 3A2: Over-expression of Nef in astrocytes from postmortem pediatric CNS tissue. Saito *et al.* [1994]
- 3A2: Reacted with Nef from different HIV-1 strains (BRU, IIIB, RF, MN). Ovod *et al.* [1992]

No. 1295

MAb ID NF1A1

HXB2 Location Nef (173–206)

Author Location Nef (173–206)

Epitope MDDPEREVLEWRFDLSRLAFHHVARELHPEYFK-NC

Neutralizing

Immunogen

Species (Isotype) mouse

References Kaminchik *et al.* 1990

- NF1A1: Recognizes the Nef protein of the two isolates BH10 and LAV1 – low affinity. Kaminchik *et al.* [1990]

No. 1296

MAb ID polyclonal

HXB2 Location Nef (186–206)

Author Location Nef (185–205 LAI, BRU)

Epitope DSRLAFHHVARELHPEYFKNC

Subtype B

Neutralizing

Immunogen HIV-1 infection, vaccine

Vector/Type: protein, PLG microparticle
Strain: B clade BRU, B clade LAI *HIV component:* Nef *Adjuvant:* Complete Freund's Adjuvant (CFA), PLG

Species (Isotype) mouse (IgG1)

References Moureau *et al.* 2002

- Nef encapsulated in poly(DL-lactide-co-glycolide) (PLG) had a more prolonged Ab response than Nef in PBS or in Freund's adjuvant (CFA), still strong after 7 months – the response was predominantly IgG1, a Th2 immune response – three linear epitopes, Nef 32-64, 118-167, and 185-205, were frequently recognized by the sera of mice immunized with NefPLG or Nef-CFA, but not after immunization with Nef in PBS, which seemed to preferentially stimulate an Ab response to conformational epitopes. Moureau *et al.* [2002]

No. 1297

MAb ID E7

HXB2 Location Nef (192–206)

Author Location Nef (192–206 IIIB)

Epitope HHVARELHPEYFKNC

Neutralizing

Immunogen

Species (Isotype) mouse (IgM)

References Fujii *et al.* 1996d; Fujii *et al.* 1996b; Fujii *et al.* 1996a; Fujii *et al.* 1996c; Otake *et al.* 1994; Fujii *et al.* 1993

- E7: Insect cells expressing myristylated Nef proteins on their cell surface can induce cytolysis of unstimulated CD4+ cells – this response is not due to MHC restricted CTL activity – the cell surface of Nef expressing insect cells carry Nef that can be recognized by MAbs E7 and E9 but not F1. Fujii *et al.* [1996c]
- E7: Nef forms a homomeric oligomerizing structure, and using E7 and membrane immunofluorescence or immunoelectron microscopy, was shown to clusters on the surface of HIV-1 infected CD4+ cells. Fujii *et al.* [1996a]
- E7: A carboxy-terminal domain of Nef on the cell surface induces cytolysis of CD4+ T cells. Fujii *et al.* [1996b]
- E7: Soluble Nef inhibits proliferation of CD4+ cells, and Nef cross-linking by MAbs may induce anti-CD4 cytotoxic activity – sera from HIV+ individuals contain soluble Nef, thus this may be important for immune dysfunction and disease progression. Fujii *et al.* [1996d]
- E7: The C-term end of Nef is accessible to Abs at the cell surface – stained IIIB/M10, but not MN/M10, cells. Fujii *et al.* [1993]; Otake *et al.* [1994]

No. 1298

MAb ID AE6

HXB2 Location Nef (194–206)

Author Location Nef (LAI)

Epitope VARELHPEYFKNC

Subtype B

Neutralizing

Immunogen vaccine

Vector/Type: protein *HIV component:* Nef

Species (Isotype) mouse (IgG1κ)

Ab Type C-term

Research Contact Frank Jirik, Centre for Molecular Med and Therapeutics, U. B. C., Vancouver, B. C. Canada

References Chang *et al.* 1998

- AE6: The light and heavy chains of three MAbs (AG11, AE6, EH1) specific to C-terminus of NEF were cloned and variable regions sequenced – the complementarity determining regions (CDR) of AG11 and AE6 were highly related (95.1% at the DNA level) and bound LAI Nef, but not SF2 Nef – EH1 bound to SF2 and LAI and cross-competed AG11 and AE6 but had a distinctive CDR (57.9% similar to AG11) – single chain Abs were constructed from AG11 and EH1. Chang *et al.* [1998]

No. 1299

MAb ID AG11

HXB2 Location Nef (194–206)

Author Location Nef (LAI)

Epitope VARELHPEYFKNC

Subtype B

Neutralizing

Immunogen vaccine

Vector/Type: protein *HIV component:* Nef

Species (Isotype) mouse (IgG1κ)

Ab Type C-term

Research Contact Frank Jirik, Centre for Molecular Med and Therapeutics, U. B. C., Vancouver, B. C. Canada

References Chang *et al.* 1998

- AG11: The light and heavy chains of three MAbs (AG11, AE6, EH1) specific to C-terminus of NEF were cloned and variable regions sequenced – the complementarity determining regions (CDR) of AG11 and AE6 were highly related (95.1% at the DNA level) and bound LAI Nef, but not SF2 Nef – EH1 bound to SF2 and LAI and cross-competed AG11 and AE6 but had a distinctive CDR (57.9% similar to AG11) – single chain Abs were constructed from AG11 and EH1 and subcloned into a eukaryotic expression vector with a green fluorescent protein marker to allow intracellular expression – the single chain Abs bind Nef intracellularly and may be useful to better understand the role of Nef and as a gene therapy model. Chang *et al.* [1998]

No. 1300

MAb ID EH1

HXB2 Location Nef (194–206)

Author Location Nef (SF2)

Epitope MARELHPEYYKDC

Neutralizing

Immunogen vaccine

Vector/Type: protein *HIV component:* Nef

Species (Isotype) mouse (IgG1 κ)

Ab Type C-term

Research Contact Frank Jirik, Centre for Molecular Med and Therapeutics, U. B. C., Vancouver, B. C. Canada

References Chang *et al.* 1998

- EH1: The light and heavy chains of three MAbs (AG11, AE6, EH1) specific to C-terminus of NEF were cloned and variable regions sequenced – the complementarity determining regions (CDR) of AG11 and AE6 were highly related (95.1% at the DNA level) and bound LAI Nef, but not SF2 Nef – EH1 bound to SF2 and LAI and cross-competed AG11 and AE6 but had a distinctive CDR (57.9% similar to AG11) – single chain Abs were constructed from AG11 and EH1 and subcloned into a eukaryotic expression vector with a green fluorescent protein marker to allow intracellular expression – the single chain Abs bind Nef intracellularly and may be useful to better understand the role of Nef and as a gene therapy model. Chang *et al.* [1998]

No. 1301

MAb ID 3B4B

HXB2 Location Nef

Author Location Nef

Epitope

Neutralizing

Immunogen vaccine

Vector/Type: protein *HIV component:* Nef

Adjuvant: Incomplete Freund's Adjuvant (IFA)

Species (Isotype) transgenic mouse (IgM)

References Kawai *et al.* 2003

Keywords antibody generation, complement

- 3B4B: The goal of this study was to elicit anti-Nef IgM human Abs in trans-chromosome mice that carry human chromosomes responsible for Ig production. These mice were immunized with recombinant Nef protein. Two human heavy chain, mouse light chain anti-Nef IgM were obtained, 3B4B and 3H3E; 3B4B was able to stain MOLT4/IIIB cells with greater intensity. The hope was that these human IgM anti-Nef chimeric Abs would activate complement mediated cytolysis; C3 deposition was induced but not at high enough levels to induce lysis. Kawai *et al.* [2003] (**antibody generation, complement**)

No. 1302

MAb ID 3H3E

HXB2 Location Nef

Author Location Nef

Epitope

Neutralizing

Immunogen vaccine

Vector/Type: protein *HIV component:* Nef

Adjuvant: Complete Freund's Adjuvant (CFA)

Species (Isotype) transgenic mouse (IgM)

References Kawai *et al.* 2003

Keywords antibody generation, complement

- 3H3E: The goal of this study was to elicit anti-Nef IgM human Abs in trans-chromosome mice that carry human chromosomes responsible for Ig production. These mice were immunized with recombinant Nef protein. Two human heavy chain, mouse light chain anti-Nef IgM were obtained, 3B4B and 3H3E; 3B4B was able to stain MOLT4/IIIB cells with greater intensity. The hope was that these human IgM anti-Nef chimeric Abs would activate complement mediated cytolysis; C3 deposition was induced but not at high enough levels to induce lysis. Kawai *et al.* [2003] (**antibody generation, complement**)

No. 1303

MAb ID 6.1

HXB2 Location Nef

Author Location Nef (JRCSF)

Epitope

Subtype B

Neutralizing

Immunogen

Species (Isotype) mouse

References Ranki *et al.* 1995

- 6.1: Raised against CNS primary isolates, stains astrocytes more densely than other Nef MAbs – Nef expression associated with dementia. Ranki *et al.* [1995]
- 6.1: NIAID Repository number 1123. Ranki *et al.* [1995]

No. 1304

MAb ID NF2B2

HXB2 Location Nef

Author Location Nef (20–78 BH10)

Epitope

Neutralizing

Immunogen vaccine

Vector/Type: protein *Strain:* B clade BH10

HIV component: Nef

Species (Isotype) mouse

References Kaminchik *et al.* 1990

- NF2B2: NIH AIDS Research and Reference Reagent Program: 456.
- NF2B2: Recognizes the Nef protein of the two isolates BH10 and LAV1. Kaminchik *et al.* [1990]

No. 1305

MAb ID NF3A3**HXB2 Location** Nef**Author Location** Nef (20–78 BH10)**Epitope****Neutralizing****Immunogen** vaccine*Vector/Type:* protein *Strain:* B clade BH10*HIV component:* Nef**Species (Isotype)** mouse**References** Kaminchik *et al.* 1990

- NF3A3: Recognizes the Nef protein of the two isolates BH10 and LAV1 – low affinity. Kaminchik *et al.* [1990]

No. 1306

MAb ID NF8B4**HXB2 Location** Nef**Author Location** Nef (BH10)**Epitope****Neutralizing****Immunogen** vaccine*Vector/Type:* protein *Strain:* B clade BH10*HIV component:* Nef**Species (Isotype)** mouse**References** Kaminchik *et al.* 1990

- NF8B4: Does not recognize Nef CNBr cleavage products – recognizes intact BH10 Nef but not LAV1 Nef. Kaminchik *et al.* [1990]

No. 1307

MAb ID polyclonal**HXB2 Location** Nef**Author Location** Nef**Epitope****Subtype** B**Neutralizing****Immunogen** vaccine*Vector/Type:* protein *Strain:* B clade LAI,SIV *HIV component:* gp120, Nef, Tat*Adjuvant:* AS02A (oil-in-water emulsion, 3D-monophosphoryl lipid A, QS21), AS06 (CpG, aluminum hydroxide)**Species (Isotype)** macaque (IgG)**References** Voss *et al.* 2003**Keywords** adjuvant comparison, variant cross-recognition or cross-neutralization

- Monkeys were immunized with different combinations of gp120/NefTat/SIV-Tat three times over a three-month time period and intravenously challenged with SHIV 89.6P four weeks after the last immunization. Vaccination induced anti-Tat, -Nef and -gp120 Ab responses that decreased until challenge. Neutralizing Ab responses against HIV-1 MN and HIV-1 W61D were observed. Vaccination with the combination of all three proteins reduced viral load and kept animals from a CD4+ T

cell decline, preventing AIDS for more than 2.5 years. The adjuvant AS02A elicited NAb and protected from disease, while AS06 did not. gp120 alone or TatNef/SIV-Tat without gp120 could not protect from disease. Voss *et al.* [2003] (**adjuvant comparison, variant cross-recognition or cross-neutralization**)

No. 1308

MAb ID AE6**HXB2 Location** Nef**Author Location** Nef**Epitope****Neutralizing****Immunogen****Species (Isotype)** mouse**Ab Type** C-term**Research Contact** James Hoxie, Div of AIDS, NIAID, NIH**References** Tornatore *et al.* 1994; Greenway *et al.* 1994

- AE6: NIH AIDS Research and Reference Reagent Program: 709.

IV-C-19 HIV-1 Antibodies

No. 1309

MAb ID**HXB2 Location** HIV-1**Author Location****Epitope****Neutralizing****Immunogen** HIV-1 infection**Species (Isotype)****References** Goepfert 2003**Keywords** review

- A general review of anti-HIV human immune responses and the implications of these responses for vaccines, summarizing neutralizing antibodies, CD4+ and CD8+ T cell responses. A general overview of methods used to study these responses is presented. Goepfert [2003] (**review**)

No. 1310

MAb ID**HXB2 Location** HIV-1**Author Location****Epitope****Neutralizing****Immunogen** vaccine*Adjuvant:* CD40, CD80, CD86, CompleteFreund's Adjuvant (CFA), GM-CSF, IFN γ ,IL-12, IL-15, IL-18, IL-1 α , IL-2, IL-2/Ig, IL-

4, IL-7, CpG immunostimulatory sequence

(ISS), Tumor Necrosis Factor α (TNF α), Tu-mor Necrosis Factor β (TNF β), M-CSF, IL-8,

RANTES

Species (Isotype)**References** Mitchison & Sattentau 2005**Keywords** adjuvant comparison, review, Th1, Th2

- Review summarizes mechanisms of immunoregulation relevant for new vaccine development, with a brief summary of adjuvant triggering innate immunity through Toll-like receptors (TLRs), Nod molecules, and other activators. DNA encoded adjuvants that have been tested in DNA vaccines are summarized. The balance between Th1 (CTL activating) and Th2 (B cell activating) responses is discussed, and it is noted that BALB/c mice are predominately Th2 responders, C57BL Th1. Mitchison & Sattentau [2005] (**adjuvant comparison, Th1, Th2, review**)

No. 1311

MAb ID

HXB2 Location HIV-1

Author Location

Epitope

Neutralizing

Immunogen

Species (Isotype) human

References Piontkivska & Hughes 2006

Keywords escape

- The greatest amino acid diversity is found in sites in the HIV genome that are spanned by antibody epitopes. Sites spanned by CTL epitopes, not but not by antibody epitopes, showed reduced amino acid diversity even in comparison to non-epitope sites. However, mutations within CTL epitopes were more likely to be convergent than mutations within antibody epitopes. These patterns were consistent both in Gag and Env. Piontkivska & Hughes [2006] (**escape**)

No. 1312

MAb ID 1.4C

HXB2 Location HIV-1

Author Location

Epitope

Neutralizing

Immunogen

Species (Isotype) human

Ab Type gp120 adjacent to CD4BS

References Haynes *et al.* 2005

Keywords antibody binding site definition and exposure

- 1.4C: Of 35 Env-specific MAbs tested, only 2F5, 4E10, IgG1b12, and two CD4BS adjacent MAbs (A32 and 1.4G) and gp41 MAbs (2.2B and KU32) had binding patterns suggesting polyspecific autoreactivity, and similar reactivities may be difficult to induce with vaccines because of elimination of such autoreactivity. 1.4C has no indication of polyspecific autoreactivity. Haynes *et al.* [2005] (**antibody binding site definition and exposure**)

No. 1313

MAb ID 1.4G

HXB2 Location HIV-1

Author Location

Epitope

Neutralizing

Immunogen

Species (Isotype) human

Ab Type gp120 adjacent to CD4BS

References Haynes *et al.* 2005

Keywords antibody binding site definition and exposure

- 1.4G: Of 35 Env-specific MAbs tested, only 2F5, 4E10, IgG1b12, and two CD4BS adjacent MAbs (A32 and 1.4G) and gp41 MAbs (2.2B and KU32) had binding patterns suggesting polyspecific autoreactivity, and similar reactivities may be difficult to induce with vaccines because of elimination of such autoreactivity. Haynes *et al.* [2005] (**antibody binding site definition and exposure**)

No. 1314

MAb ID 1.9E

HXB2 Location HIV-1

Author Location

Epitope

Neutralizing

Immunogen

Species (Isotype) human

Ab Type gp120 CCR5BS

References Haynes *et al.* 2005

Keywords antibody binding site definition and exposure

- 1.9E: Of 35 Env-specific MAbs tested, only 2F5, 4E10, IgG1b12, and two CD4BS adjacent MAbs (A32 and 1.4G) and gp41 MAbs (2.2B and KU32) had binding patterns suggesting polyspecific autoreactivity, and similar reactivities may be difficult to induce with vaccines because of elimination of such autoreactivity. 1.9E has no indication of polyspecific autoreactivity. Haynes *et al.* [2005] (**antibody binding site definition and exposure**)

No. 1315

MAb ID 1.9F

HXB2 Location HIV-1

Author Location

Epitope

Neutralizing

Immunogen

Species (Isotype) human

Ab Type gp120 CCR5BS

References Haynes *et al.* 2005

Keywords antibody binding site definition and exposure

- 1.9F: Of 35 Env-specific MAbs tested, only 2F5, 4E10, IgG1b12, and two CD4BS adjacent MAbs (A32 and 1.4G) and gp41 MAbs (2.2B and KU32) had binding patterns suggesting polyspecific autoreactivity, and similar reactivities may be difficult to induce with vaccines because of elimination of such autoreactivity. 1.9F has no indication of polyspecific autoreactivity. Haynes *et al.* [2005] (**antibody binding site definition and exposure**)

No. 1316

MAb ID 12.19

HXB2 Location HIV-1

Author Location

Epitope

Subtype B

Neutralizing

Immunogen HIV-1 infection

Species (Isotype) (IgG)

Ab Type gp120 V3

References Koefoed *et al.* 2005

Keywords antibody binding site definition and exposure, antibody generation, antibody sequence, variable domain, kinetics

- 12.19: IgG antibody phage display libraries were created from HIV-1 + individuals using unselected PBMC or after pre-selection of PBMC with gp120 using affinity columns. This was one of 2 gp120 Abs from the unselected library; 9 Abs were obtained from a 10-fold smaller pre-selected library. This approach offers an alternative to generating libraries from bone marrow, which is often difficult to obtain. This antibody bound to a V3-fusion protein. Koefoed *et al.* [2005] (**antibody binding site definition and exposure, antibody generation, kinetics, antibody sequence, variable domain**)

No. 1317

MAb ID 12.9

HXB2 Location HIV-1

Author Location

Epitope

Subtype B

Neutralizing no

Immunogen HIV-1 infection

Species (Isotype) (IgG)

Ab Type gp120 V3

References Koefoed *et al.* 2005

Keywords antibody binding site definition and exposure, antibody generation, antibody sequence, variable domain, kinetics

- 12.9: IgG antibody phage display libraries were created from HIV-1 + individuals using unselected PBMC or after pre-selection of PBMC with gp120 using affinity columns. This was one of 2 gp120 Abs from the unselected library; 9 Abs were obtained from a 10-fold smaller pre-selected library. This approach offers an alternative to generating libraries from bone marrow, which is often difficult to obtain. This antibody bound to a V3-fusion protein. Koefoed *et al.* [2005] (**antibody binding site definition and exposure, antibody generation, kinetics, antibody sequence, variable domain**)

No. 1318

MAb ID 13a15

HXB2 Location HIV-1

Author Location (JRFL)

Epitope

Subtype B

Neutralizing no

Immunogen HIV-1 infection

Species (Isotype) human (IgG)

Ab Type gp120 CD4BS

References Koefoed *et al.* 2005

Keywords antibody binding site definition and exposure, antibody generation, antibody sequence, variable domain, kinetics

- 13a15: IgG antibody phage display libraries were created from HIV-1 + individuals using unselected PBMC or after pre-selection of PBMC with gp120 using affinity columns. This was one of 2 gp120 Abs from the unselected library; 9 Abs were obtained from a 10-fold smaller pre-selected library. This approach offers an alternative to generating libraries from bone marrow, which is often difficult to obtain. Most of the

Fabs bound to the CD4BS, including this one, as they could be blocked with sCD4 and murine anti-CD4BS Abs. Fab 13a15 was not neutralizing. Koefoed *et al.* [2005] (**antibody binding site definition and exposure, antibody generation, kinetics, antibody sequence, variable domain**)

No. 1319

MAb ID 13a23

HXB2 Location HIV-1

Author Location (JRFL)

Epitope

Subtype B

Neutralizing no

Immunogen HIV-1 infection

Species (Isotype) human (IgG)

Ab Type gp120 CD4BS

References Koefoed *et al.* 2005

Keywords antibody binding site definition and exposure, antibody generation, antibody sequence, variable domain, kinetics

- 13a23: IgG antibody phage display libraries were created from HIV-1 + individuals using unselected PBMC or after pre-selection of PBMC with gp120 using affinity columns. This was one of 2 gp120 Abs from the unselected library; 9 Abs were obtained from a 10-fold smaller pre-selected library. This approach offers an alternative to generating libraries from bone marrow, which is often difficult to obtain. Most of the Fabs bound to the CD4BS, including this one, as they could be blocked with sCD4 and murine anti-CD4BS Abs; 13a23 was somewhat different from the other CD4BS Fabs isolated in this study, in that its binding was enhanced by anti-C1 MAbs. Fab 13a23 was not neutralizing. Koefoed *et al.* [2005] (**antibody binding site definition and exposure, antibody generation, kinetics, antibody sequence, variable domain**)

No. 1320

MAb ID 13a3

HXB2 Location HIV-1

Author Location

Epitope

Subtype B

Neutralizing no

Immunogen HIV-1 infection

Species (Isotype) human (IgG)

Ab Type gp120 CD4BS

References Koefoed *et al.* 2005

Keywords antibody binding site definition and exposure, antibody generation, antibody sequence, variable domain, kinetics

- 13a3: IgG antibody phage display libraries were created from HIV-1 + individuals using unselected PBMC or after pre-selection of PBMC with gp120 using affinity columns. This was one of 2 gp120 Abs from the unselected library; 9 Abs were obtained from a 10-fold smaller pre-selected library. This approach offers an alternative to generating libraries from bone marrow, which is often difficult to obtain. Most of the Fabs bound to the CD4BS, including this one, as they could be blocked with sCD4 and murine anti-CD4BS Abs. Fab 13a3 weakly neutralized MN, but not HXB2 Ba-L or JRFL. Koefoed *et al.* [2005] (**antibody binding site definition and exposure,**

antibody generation, kinetics, antibody sequence, variable domain)

- No. 1321
MAb ID 13a6
HXB2 Location HIV-1
Author Location
Epitope
Subtype B
Neutralizing no
Immunogen HIV-1 infection
Species (Isotype) human (IgG)
Ab Type gp120 CD4BS
References Koefoed *et al.* 2005
Keywords antibody binding site definition and exposure, antibody generation, antibody sequence, variable domain, kinetics
- 13a6: IgG antibody phage display libraries were created from HIV-1 + individuals using unselected PBMC or after pre-selection of PBMC with gp120 using affinity columns. This was one of 2 gp120 Abs from the unselected library; 9 Abs were obtained from a 10-fold smaller pre-selected library. This approach offers an alternative to using bone marrow for generating libraries, which is often difficult to obtain. Most of the Fabs bound to the CD4BS, including this one, as they could be blocked with sCD4 and murine anti-CD4BS Abs. Fab 13a6 was not neutralizing. Koefoed *et al.* [2005] (**antibody binding site definition and exposure, antibody generation, kinetics, antibody sequence, variable domain**)

- No. 1322
MAb ID 13a7
HXB2 Location HIV-1
Author Location
Epitope
Subtype B
Neutralizing no
Immunogen HIV-1 infection
Species (Isotype) human (IgG)
Ab Type gp120 CD4BS
References Koefoed *et al.* 2005
Keywords antibody binding site definition and exposure, antibody generation, antibody sequence, variable domain, kinetics
- 13a7: IgG antibody phage display libraries were created from HIV-1 + individuals using unselected PBMC or after pre-selection of PBMC with gp120 using affinity columns. This was one of 2 gp120 Abs from the unselected library; 9 Abs were obtained from a 10-fold smaller pre-selected library. This approach offers an alternative to generating libraries from bone marrow, which is often difficult to obtain. Most of the Fabs bound to the CD4BS, including this one, as they could be blocked with sCD4 and murine anti-CD4BS Abs. Fab 13a7 was not neutralizing. Koefoed *et al.* [2005] (**antibody binding site definition and exposure, antibody generation, kinetics, antibody sequence, variable domain**)

No. 1323
MAb ID 13b18
HXB2 Location HIV-1

- Author Location** (LAI)
Epitope
Subtype B
Neutralizing no
Immunogen HIV-1 infection
Species (Isotype) human (IgG)
Ab Type gp120 CD4BS
References Koefoed *et al.* 2005
Keywords antibody binding site definition and exposure, antibody generation, antibody sequence, variable domain, kinetics
- 13b18: IgG antibody phage display libraries were created from HIV-1 + individuals using unselected PBMC or after pre-selection of PBMC with gp120 using affinity columns. This was one of 2 gp120 Abs from the unselected library; 9 Abs were obtained from a 10-fold smaller pre-selected library. This approach offers an alternative to generating libraries from bone marrow, which is often difficult to obtain. Most of the Fabs bound to the CD4BS, including this one, as they could be blocked with sCD4 and murine anti-CD4BS Abs. Fab 13b18 was not neutralizing. Koefoed *et al.* [2005] (**antibody binding site definition and exposure, antibody generation, kinetics, antibody sequence, variable domain**)

- No. 1324
MAb ID 13b23
HXB2 Location HIV-1
Author Location (LAI)
Epitope
Subtype B
Neutralizing no
Immunogen HIV-1 infection
Species (Isotype) human (IgG)
Ab Type gp120 C1
References Koefoed *et al.* 2005
Keywords antibody binding site definition and exposure, antibody generation, antibody sequence, variable domain, kinetics
- 13b120: IgG antibody phage display libraries were created from HIV-1 + individuals using unselected PBMC or after pre-selection of PBMC with gp120 using affinity columns. This was one of 2 gp120 Abs from the unselected library; 9 Abs were obtained from a 10-fold smaller pre-selected library. This approach offers an alternative to generating libraries from bone marrow, which is often difficult to obtain. Most of the Fabs bound to the CD4BS, but not 13b120; this Fab was partially inhibited by anti-C1 mAb MAG45, and enhanced by CD4i MAb b17 and anti-C1 MAb 1331290. Koefoed *et al.* [2005] (**antibody binding site definition and exposure, antibody generation, kinetics, antibody sequence, variable domain**)

No. 1325
MAb ID 13b53
HXB2 Location HIV-1
Author Location (LAI)
Epitope
Subtype B
Neutralizing no
Immunogen HIV-1 infection
Species (Isotype) human (IgG)

- Ab Type** gp120 CD4BS
References Koefoed *et al.* 2005
Keywords antibody binding site definition and exposure, antibody generation, antibody sequence, variable domain, kinetics
- 13b53: IgG antibody phage display libraries were created from HIV-1 + individuals using unselected PBMC or after pre-selection of PBMC with gp120 using affinity columns. This was one of 2 gp120 Abs from the unselected library; 9 Abs were obtained from a 10-fold smaller pre-selected library. This approach offers an alternative to generating libraries from bone marrow, which is often difficult to obtain. Most of the Fabs bound to the CD4BS, including this one, as they could be blocked with sCD4 and murine anti-CD4BS Abs. Fab 13b53 was not neutralizing. Koefoed *et al.* [2005] (**antibody binding site definition and exposure, antibody generation, kinetics, antibody sequence, variable domain**)

No. 1326
MAb ID 13b61
HXB2 Location HIV-1
Author Location (LAI)
Epitope
Subtype B
Neutralizing L
Immunogen HIV-1 infection
Species (Isotype) human (IgG)

- Ab Type** gp120 CD4BS
References Koefoed *et al.* 2005
Keywords antibody binding site definition and exposure, antibody generation, antibody sequence, variable domain, kinetics
- 13b61: IgG antibody phage display libraries were created from HIV-1 + individuals using unselected PBMC or after pre-selection of PBMC with gp120 using affinity columns. This was one of 2 gp120 Abs from the unselected library; 9 Abs were obtained from a 10-fold smaller pre-selected library. This approach offers an alternative to generating libraries from bone marrow, which is often difficult to obtain. Most of the Fabs bound to the CD4BS, including this one, as they could be blocked with sCD4 and murine anti-CD4BS Abs. Fab 13b61 could neutralize HXB2 at 25 ug/ml, but not MN, Ba-L or JRFL. Koefoed *et al.* [2005] (**antibody binding site definition and exposure, antibody generation, kinetics, antibody sequence, variable domain**)

No. 1327
MAb ID 2.5E
HXB2 Location HIV-1
Author Location
Epitope
Neutralizing
Immunogen
Species (Isotype) human
Ab Type gp120 CCR5BS
References Haynes *et al.* 2005
Keywords antibody binding site definition and exposure

- 2.5E: Of 35 Env-specific MAbs tested, only 2F5, 4E10, IgG1b12, and two CD4BS adjacent MAbs (A32 and 1.4G) and gp41 MAbs (2.2B and KU32) had binding patterns suggesting polyspecific autoreactivity, and similar reactivities may be difficult to induce with vaccines because of elimination of such autoreactivity. 2.5E has no indication of polyspecific autoreactivity. Haynes *et al.* [2005] (**antibody binding site definition and exposure**)

No. 1328
MAb ID 2191
HXB2 Location HIV-1
Author Location
Epitope
Neutralizing
Immunogen
Species (Isotype)
Ab Type gp120 V3

Research Contact Abraham Pinter, Public Health Research Institute, Newark, NJ. pinter@phri.org

- References** Pinter *et al.* 2005
Keywords antibody binding site definition and exposure
- 2191: This study is about the V2 MAb C108g, that is type-specific and neutralizes BaL and HXB2. JR-FL is a neutralization resistant strain; modification of JRFL at V2 positions 167 and 168 (GK->DE) created a C108g epitope, and C108g could potentially neutralize the modified JR-FL. The modification in V2 also increased neutralization sensitivity to V3 MAbs 4117c, 2219, 2191, and 447-52D, but only had minor effects on neutralization by CD4BS MAb 5145A, and broadly neutralizing MAbs IgG1b12, 2G12, and 2F5. Pinter *et al.* [2005] (**antibody binding site definition and exposure**)

No. 1329
MAb ID 25G
HXB2 Location HIV-1
Author Location
Epitope
Neutralizing
Immunogen
Species (Isotype) human

- Ab Type** gp120 CD4BS
References Haynes *et al.* 2005
Keywords antibody binding site definition and exposure
- 25G: Of 35 Env-specific MAbs tested, only 2F5, 4E10, IgG1b12, and two CD4BS adjacent MAbs (A32 and 1.4G) and gp41 MAbs (2.2B and KU32) had binding patterns suggesting polyspecific autoreactivity, and similar reactivities may be difficult to induce with vaccines because of elimination of such autoreactivity. 25G has no indication of polyspecific autoreactivity. Haynes *et al.* [2005] (**antibody binding site definition and exposure**)

No. 1330
MAb ID 2601
HXB2 Location HIV-1
Author Location
Epitope
Subtype A, CRF02_AG
Neutralizing

Immunogen HIV-1 infection

Species (Isotype) human

Ab Type gp120 V3

References Krachmarov *et al.* 2005

Keywords antibody binding site definition and exposure, subtype comparisons, variant cross-recognition or cross-neutralization

- 2601: Sera from subtype A infected individuals from Cameroon have antibodies that react strongly with subtype A and subtype B V3 loops in fusion proteins, and neutralize SF162 pseudotypes, while sera from 47 subtype B infected individuals reacted only with subtype B V3s. Sera from Cameroon did not neutralize primary A or B isolates, due to indirect masking by the V1/V2 domain rather than due to loss of the target epitope. 2601 was derived from a person infected with a clade A or CRF02 virus, and binds to A but not to B V3 loops. Neutralization of JR-FL and SF162(UG V3) by anti-V3 MAbs 2557, 2558, 2601, but not subtype A primary isolates despite binding to the subtype A V3 loops, suggested masking by V1V2 blocking of neutralization by these antibodies. Krachmarov *et al.* [2005] (**antibody binding site definition and exposure, variant cross-recognition or cross-neutralization, subtype comparisons**)

No. 1331

MAb ID 2909

HXB2 Location HIV-1

Author Location

Epitope

Subtype B

Neutralizing

Immunogen HIV-1 infection

Species (Isotype) human (IgG1 λ)

Ab Type quaternary structure

Research Contact Susan Zolla-Pazner (Zollas01@mcr6.med.nyu), NYU, NY

References Gorny *et al.* 2005

Keywords antibody generation, antibody sequence, variable domain, subtype comparisons, variant cross-recognition or cross-neutralization

- 2909: 2909 is a NAb that was produced by fusion of heteromyeloma SHM-D33 with Epstein-Barr virus transformed PBMC and selection by a neutralization assay. The PBMC were derived from an HIV-1 infected individual who maintained a low viral load after 15 years of infection with no therapy. The MAb very potently neutralizes SF162, but has a narrow range of activity, and did not neutralize autologous virus, nor primary isolates from clade A (VI191, CA1, and 92RW021), clades B (BX08, CA5, and BaL), clade C (95ZW2036) and clade F (CA20 and 93BR029). Sequence analysis of the variable domain of the heavy chain of 2909 shows that it is comprised of IgHV3-43, IgHJ6, and IgHD5-12. 2909 recognizes a quaternary structure present on intact SF162 virions and does not bind to soluble or recombinant Envelope proteins. ELISA-based competition assays and subsequent mutational analysis determined that the CD4BS and V2 and V3 loops contribute to the 2909 epitope: 2909 binding was inhibited by MAbs 447-52d (anti-V3), 830A (anti-V2), and IgG1b12 (anti-CD4BS) and sCD4. 2909 was not inhibited by MAbs 670 (anti-C5), 1418 (irrelevant control MAb), nor 2G12 (anti-carbohydrate);

in fact, 2G12 enhanced 2909 binding. Gorny *et al.* [2005] (**antibody generation, variant cross-recognition or cross-neutralization, subtype comparisons, antibody sequence, variable domain**)

No. 1332

MAb ID 4.11C

HXB2 Location HIV-1

Author Location

Epitope

Neutralizing

Immunogen

Species (Isotype) human

Ab Type gp120 adjacent to CD4BS

References Haynes *et al.* 2005

Keywords antibody binding site definition and exposure

- 4.11C: Of 35 Env-specific MAbs tested, only 2F5, 4E10, IgG1b12, and two CD4BS adjacent MAbs (A32 and 1.4G) and gp41 MAbs (2.2B and KU32) had binding patterns suggesting polyspecific autoreactivity, and similar reactivities may be difficult to induce with vaccines because of elimination of such autoreactivity. 4.11C has no indication of polyspecific autoreactivity. Haynes *et al.* [2005] (**antibody binding site definition and exposure**)

No. 1333

MAb ID 4.6H

HXB2 Location HIV-1

Author Location

Epitope

Neutralizing

Immunogen

Species (Isotype) human

Ab Type gp120 adjacent to CD4BS

References Haynes *et al.* 2005

Keywords antibody binding site definition and exposure

- 4.6H: Of 35 Env-specific MAbs tested, only 2F5, 4E10, IgG1b12, and two CD4BS adjacent MAbs (A32 and 1.4G) and gp41 MAbs (2.2B and KU32) had binding patterns suggesting polyspecific autoreactivity, and similar reactivities may be difficult to induce with vaccines because of elimination of such autoreactivity. 4.6H has no indication of polyspecific autoreactivity. Haynes *et al.* [2005] (**antibody binding site definition and exposure**)

No. 1334

MAb ID 4.8E

HXB2 Location HIV-1

Author Location

Epitope

Neutralizing

Immunogen

Species (Isotype) human

Ab Type gp120 CCR5BS

References Haynes *et al.* 2005

Keywords antibody binding site definition and exposure

- 4.8E: Of 35 Env-specific MAbs tested, only 2F5, 4E10, IgG1b12, and two CD4BS adjacent MAbs (A32 and 1.4G) and gp41 MAbs (2.2B and KU32) had binding patterns suggesting polyspecific autoreactivity, and similar reactivities may be difficult to induce with vaccines because of elimination of such autoreactivity. 4.8E has no indication of polyspecific autoreactivity. Haynes *et al.* [2005] (**antibody binding site definition and exposure**)

No. 1335

MAb ID 5145A

HXB2 Location HIV-1

Author Location

Epitope

Neutralizing

Immunogen

Species (Isotype)

Ab Type gp120 CD4BS

Research Contact Abraham Pinter, Public Health Research Institute, Newark, NJ. pinter@phri.org

References Pinter *et al.* 2005

Keywords anti-idiotypic

- 5145A: This study is about the V2 MAb C108g, that is type-specific and neutralizes BaL and HXB2. JR-FL is a neutralization resistant strain; modification of JRFL at V2 positions 167 and 168 (GK->DE) created a C108g epitope, and C108g could potentially neutralize the modified JR-FL. The modification in V2 also increased neutralization sensitivity to V3 MAbs 4117c, 2219, 2191, and 447-52D, but only had minor effects on neutralization by CD4BS MAb 5145A, and broadly neutralizing MAbs IgG1b12, 2G12, and 2F5. A modification in the NAb sensitive isolate SF162 to introduce the C108g epitope, including the introduction of a glycosylation site (160-161 KV -> NI) and 167-169 NKM -> GKV, decreased neutralization sensitivity to 5145A more than 50-fold. Pinter *et al.* [2005] (**anti-idiotypic**)

No. 1336

MAb ID 5E

HXB2 Location HIV-1

Author Location

Epitope

Neutralizing

Immunogen

Species (Isotype) human

Ab Type gp120 CD4BS

References Haynes *et al.* 2005

Keywords antibody binding site definition and exposure

- 5E: Of 35 Env-specific MAbs tested, only 2F5, 4E10, IgG1b12, and two CD4BS adjacent MAbs (A32 and 1.4G) and gp41 MAbs (2.2B and KU32) had binding patterns suggesting polyspecific autoreactivity, and similar reactivities may be difficult to induce with vaccines because of elimination of such autoreactivity. 5E has no indication of polyspecific autoreactivity. Haynes *et al.* [2005] (**antibody binding site definition and exposure**)

No. 1337

MAb ID 8.2A

HXB2 Location HIV-1

Author Location

Epitope

Neutralizing

Immunogen

Species (Isotype) human

Ab Type gp120 C1-C4

References Haynes *et al.* 2005

Keywords antibody binding site definition and exposure

- 8.2A: Of 35 Env-specific MAbs tested, only 2F5, 4E10, IgG1b12, and two CD4BS adjacent MAbs (A32 and 1.4G) and gp41 MAbs (2.2B and KU32) had binding patterns suggesting polyspecific autoreactivity, and similar reactivities may be difficult to induce with vaccines because of elimination of such autoreactivity. 8.2A has no indication of polyspecific autoreactivity. Haynes *et al.* [2005] (**antibody binding site definition and exposure**)

No. 1338

MAb ID E047

HXB2 Location HIV-1

Author Location

Epitope

Neutralizing

Immunogen

Species (Isotype) human

Ab Type gp120 CCR5BS

References Haynes *et al.* 2005

Keywords antibody binding site definition and exposure

- E047: Of 35 Env-specific MAbs tested, only 2F5, 4E10, IgG1b12, and two CD4BS adjacent MAbs (A32 and 1.4G) and gp41 MAbs (2.2B and KU32) had binding patterns suggesting polyspecific autoreactivity, and similar reactivities may be difficult to induce with vaccines because of elimination of such autoreactivity. E047 has no indication of polyspecific autoreactivity. Haynes *et al.* [2005] (**antibody binding site definition and exposure**)

No. 1339

MAb ID ED10

HXB2 Location HIV-1

Author Location

Epitope

Neutralizing

Immunogen

Species (Isotype) human

Ab Type gp120 CCR5BS

References Haynes *et al.* 2005

Keywords antibody binding site definition and exposure

- ED10: Of 35 Env-specific MAbs tested, only 2F5, 4E10, IgG1b12, and two CD4BS adjacent MAbs (A32 and 1.4G) and gp41 MAbs (2.2B and KU32) had binding patterns suggesting polyspecific autoreactivity, and similar reactivities may be difficult to induce with vaccines because of elimination of such autoreactivity. ED10 has no indication of polyspecific autoreactivity. Haynes *et al.* [2005] (**antibody binding site definition and exposure**)

No. 1340

MAb ID EH21

HXB2 Location HIV-1

Author Location**Epitope****Neutralizing****Immunogen****Species (Isotype)** human**Ab Type** gp120 C1-C4**References** Haynes *et al.* 2005**Keywords** antibody binding site definition and exposure

- EH21: Of 35 Env-specific MAbs tested, only 2F5, 4E10, IgG1b12, and two CD4BS adjacent MAbs (A32 and 1.4G) and gp41 MAbs (2.2B and KU32) had binding patterns suggesting polyspecific autoreactivity, and similar reactivities may be difficult to induce with vaccines because of elimination of such autoreactivity. EH21 has no indication of polyspecific autoreactivity. Haynes *et al.* [2005] (**antibody binding site definition and exposure**)

No. 1341

Mab ID F1**HXB2 Location** HIV-1**Author Location****Epitope****Neutralizing****Immunogen****Species (Isotype)** human**Ab Type** gp120 CD4BS**References** Haynes *et al.* 2005; Fujii *et al.* 1993

- F1: Of 35 Env-specific MAbs tested, only 2F5, 4E10, IgG1b12, and two CD4BS adjacent MAbs (A32 and 1.4G) and gp41 MAbs (2.2B and KU32) had binding patterns suggesting polyspecific autoreactivity, and similar reactivities may be difficult to induce with vaccines because of elimination of such autoreactivity. F1 has no indication of polyspecific autoreactivity. Haynes *et al.* [2005]
- F1: There is a Nef (Fujii1993) and a CD4BS (Haynes2005) MAb that are called F1. Fujii *et al.* [1993]; Haynes *et al.* [2005]

No. 1342

Mab ID F2A3**HXB2 Location** HIV-1**Author Location****Epitope****Neutralizing****Immunogen****Species (Isotype)** human**Ab Type** gp120 V3**References** Haynes *et al.* 2005**Keywords** antibody binding site definition and exposure

- F2A3: Of 35 Env-specific MAbs tested, only 2F5, 4E10, IgG1b12, and two CD4BS adjacent MAbs (A32 and 1.4G) and gp41 MAbs (2.2B and KU32) binding patterns suggesting polyspecific autoreactivity, and similar reactivities may be difficult to induce with vaccines because of elimination of such autoreactivity. F2A3 has no indication of polyspecific autoreactivity. Haynes *et al.* [2005] (**antibody binding site definition and exposure**)

No. 1343

Mab ID F3.9F**HXB2 Location** HIV-1**Author Location****Epitope****Neutralizing****Immunogen****Species (Isotype)** human**Ab Type** gp120 V3**References** Haynes *et al.* 2005**Keywords** antibody binding site definition and exposure

- F3.9F: Of 35 Env-specific MAbs tested, only 2F5, 4E10, IgG1b12, and two CD4BS adjacent MAbs (A32 and 1.4G) and gp41 MAbs (2.2B and KU32) had binding patterns suggesting polyspecific autoreactivity, and similar reactivities may be difficult to induce with vaccines because of elimination of such autoreactivity. F3.9F has no indication of polyspecific autoreactivity. Haynes *et al.* [2005] (**antibody binding site definition and exposure**)

No. 1344

Mab ID LA15**HXB2 Location** HIV-1**Author Location****Epitope****Neutralizing****Immunogen****Species (Isotype)** human**Ab Type** gp120 CCR5BS**References** Haynes *et al.* 2005**Keywords** antibody binding site definition and exposure

- LA15: Of 35 Env-specific MAbs tested, only 2F5, 4E10, IgG1b12, and two CD4BS adjacent MAbs (A32 and 1.4G) and gp41 MAbs (2.2B and KU32) had binding patterns suggesting polyspecific autoreactivity, and similar reactivities may be difficult to induce with vaccines because of elimination of such autoreactivity. LA15 has no indication of polyspecific autoreactivity. Haynes *et al.* [2005] (**antibody binding site definition and exposure**)

No. 1345

Mab ID LA21**HXB2 Location** HIV-1**Author Location****Epitope****Neutralizing****Immunogen****Species (Isotype)** human**Ab Type** gp120 V3**References** Haynes *et al.* 2005**Keywords** antibody binding site definition and exposure

- LA21: Of 35 Env-specific MAbs tested, only 2F5, 4E10, IgG1b12, and two CD4BS adjacent MAbs (A32 and 1.4G) and gp41 MAbs (2.2B and KU32) binding patterns suggesting polyspecific autoreactivity, and similar reactivities may be difficult to induce with vaccines because of elimination of such autoreactivity. LA21 has no indication of polyspecific autoreactivity. Haynes *et al.* [2005] (**antibody binding site definition and exposure**)

No. 1346

Mab ID LA28**HXB2 Location** HIV-1

Author Location**Epitope****Neutralizing****Immunogen****Species (Isotype)** human**Ab Type** gp120 CCR5BS**References** Haynes *et al.* 2005**Keywords** antibody binding site definition and exposure

- LA28: Of 35 Env-specific MAbs tested, only 2F5, 4E10, IgG1b12, and two CD4BS adjacent MAbs (A32 and 1.4G) and gp41 MAbs (2.2B and KU32) had binding patterns suggesting polyspecific autoreactivity, and similar reactivities may be difficult to induce with vaccines because of elimination of such autoreactivity. LA28 has no indication of polyspecific autoreactivity. Haynes *et al.* [2005] (**antibody binding site definition and exposure**)

No. 1347

MAb ID LF17**HXB2 Location** HIV-1**Author Location****Epitope****Neutralizing****Immunogen****Species (Isotype)** human**Ab Type** gp120 CCR5BS**References** Haynes *et al.* 2005**Keywords** antibody binding site definition and exposure

- LF17: Of 35 Env-specific MAbs tested, only 2F5, 4E10, IgG1b12, and two CD4BS adjacent MAbs (A32 and 1.4G) and gp41 MAbs (2.2B and KU32) had binding patterns suggesting polyspecific autoreactivity, and similar reactivities may be difficult to induce with vaccines because of elimination of such autoreactivity. LF17 has no indication of polyspecific autoreactivity. Haynes *et al.* [2005] (**antibody binding site definition and exposure**)

No. 1348

MAb ID M2**HXB2 Location** HIV-1**Author Location****Epitope**

Subtype B

Neutralizing**Immunogen** vaccine**Species (Isotype)****Ab Type** gp120 V4**References** Ren *et al.* 2005**Keywords** antibody binding site definition and exposure, neutralization potency

- M2: This antibody is specific for a peptide flag inserted into the V4 loop of YU-2, a neutralization resistant variant with a short V4 loop. IgG1b12 and 2F5 could neutralize both the WT YU-2 and the modified variant. The high diversity of V4 suggests it does not play a direct role in receptor binding or viral entry, yet M2, specific for the peptide insert tag, can neutralize the modified virus, demonstrating that neutralizing activity doesn't have to block functionality of the virus. Ren *et al.* [2005] (**antibody binding site definition and exposure, neutralization potency**)

No. 1349

MAb ID polyclonal**HXB2 Location** HIV-1**Author Location****Epitope****Neutralizing****Immunogen** HIV-1 infection**Species (Isotype)** human**References** Fournier *et al.* 2002b

- Purified B lymphocytes secrete only a fraction of Ig and anti-HIV-1 Ab compared with unfractionated cells because monocytes and natural killer cells enhance both secretions by cell-to-cell contacts, involving adhesion and CD27, CD80 costimulatory molecules and IL-6 – cell-to-cell contacts and soluble factors induce maturation of activated B cells *in vitro* to allow prolonged survival and terminal differentiation. Fournier *et al.* [2002b]

No. 1350

MAb ID polyclonal**HXB2 Location** HIV-1**Author Location****Epitope****Neutralizing****Immunogen** HIV-1 infection**Species (Isotype)** human**References** Fournier *et al.* 2002a

- An early and sustained fall in plasma viral load to below detection was observed in 17 HAART responders while HIV-1 RNA remained detectable in 13 incomplete responders – HIV-1 specific Ab secretion decreased in parallel with plasma viral load – HIV-1 specific Abs became negative in only six responders, and was correlated with greater increases of CD4 T-cell counts and higher levels of HIV-specific IgA secretion at baseline – persistent immune activation may be due to residual HIV antigen. Fournier *et al.* [2002a]

No. 1351

MAb ID polyclonal**HXB2 Location** HIV-1**Author Location****Epitope****Neutralizing****Immunogen** HIV-1 infection**Species (Isotype)** human**References** Subbramanian *et al.* 2002

- Sera from 39 patients were used to study the relative prevalence of neutralizing Abs (NAbs), ADCC-Abs and enhancing Abs – 69% of the sera were positive for NAbs but only 39% could neutralize in the presence of complement – 60% had ADCC Abs – 72% mediated the enhancement of infection in the presence of complement. Subbramanian *et al.* [2002]

No. 1352

MAb ID polyclonal**HXB2 Location** HIV-1**Author Location****Epitope****Neutralizing****Immunogen** HIV-1 infection

Species (Isotype) human (IgA, IgG1)

References Battle-Miller *et al.* 2002

- In a study of HIV-1 infected women, ADCC Abs were detected in 16% (12/51) of cervicovaginal fluids, and 56% (25/45) of serum samples – 3 women had ADCC in cervical lavage fluids, but not sera, suggesting local production. Battle-Miller *et al.* [2002]

No. 1353

MAb ID polyclonal

HXB2 Location HIV-1

Author Location

Epitope

Neutralizing

Immunogen HIV-1 infection

Species (Isotype) human (IgA1, IgA2, IgM)

References Wu & Jackson 2002

- IgA1 accounted for the majority of anti-HIV-1 IgA in the saliva in HIV-1 infected individuals – there was no anti-gp41 IgA in saliva, in contrast to plasma – lower levels of IgA and IgM were found in saliva than in plasma. Wu & Jackson [2002]

No. 1354

MAb ID polyclonal

HXB2 Location HIV-1

Author Location

Epitope

Subtype B

Neutralizing P

Immunogen HIV-1 infection

Species (Isotype) human

References Hioe *et al.* 1997a

- Four primary isolates showed distinct patterns of sensitivity to neutralization by polyclonal sera or plasma and MAbs – BZ167 was the only isolate inhibited by all polyclonal sera and plasma tested, and was also neutralized by 8/17 MAbs, in particular anti-V3 loop (419-D, 447-52D, 782-D, and 838-D), anti-CD4bd (559/64-D, 654-D and 830-D and a cluster II of gp41 directed MAb (98-6) – isolates 92HT593 and 91US056 were neutralized by V3 loop (419-D, and 447-52D) and cluster II gp41 (98-6) MAbs at higher concentrations – US4 was neutralized by some of the polyclonal sera/plasma tested and not at all by MAbs individually or by a cocktail of ten MAbs consisting of 419-D, 447-52D, 782-D, 838-D, 559/64-D, 654-D, 450-D, 670-D, 1281-D and 98-6. Hioe *et al.* [1997a]

No. 1355

MAb ID polyclonal

HXB2 Location HIV-1

Author Location

Epitope

Neutralizing no

Immunogen HIV-1 infection

Species (Isotype) human (IgA, IgG)

References Oelemann *et al.* 2002

- A urine based commercial EIA kit from Calypte Biomedical Corporation, Berkeley, CA was found to work well as a primary screening for HIV in Brazilian samples – 76 HIV+ samples were correctly identified (100% sensitivity), and 278/284 negative samples 97.9% specificity. Oelemann *et al.* [2002]

No. 1356

MAb ID polyclonal

HXB2 Location HIV-1

Author Location HIV-1

Epitope

Neutralizing no

Immunogen HIV-1 infection

Species (Isotype) human (IgE)

References Pellegrino *et al.* 2002; Secord *et al.* 1996

- Pediatric long term survivors (LTS) have been found to carry HIV-1 specific IgE – serum from these children inhibit HIV-1 production in culture, but this inhibition did not seem to be due to neutralization, rather due to a cytotoxic event – serum lost the HIV-1 inhibitory effect when depleted of IgE. Pellegrino *et al.* [2002]
- HIV-specific IgE found in clinically healthy HIV-1 infected children. Secord *et al.* [1996]

No. 1357

MAb ID polyclonal

HXB2 Location HIV-1

Author Location gp120 and p55

Epitope

Neutralizing no

Immunogen vaccine

Vector/Type: vaccinia *Strain:* B clade 89.6

HIV component: Env, Gag-Pol *Adjuvant:* E. coli mutant heat labile enterotoxin (LT-R72)

Species (Isotype) macaque

References Ambrose *et al.* 2003

Keywords genital and mucosal immunity

- Systemic priming with rVVs expressing HIV-1 Env and SHIV Gag-Pol followed by intragastric and intranasal mucosal boosting of LT(R192G) and aldrithiol-2 (AT-2)-inactivated SHIV induced SHIV-specific IgA and IgG plasma and mucosal Abs. Viral loads in vaccinated animals were reduced after vaginal challenge with SHIV 89.6. Ambrose *et al.* [2003] (**genital and mucosal immunity**)

No. 1358

MAb ID polyclonal

HXB2 Location HIV-1

Author Location

Epitope

Subtype B

Neutralizing P

Immunogen HIV-1 infection

Species (Isotype) human

References Binley *et al.* 2004

Keywords subtype comparisons, variant cross-recognition or cross-neutralization

- 93 viruses from different clades were tested for their neutralization cross-reactivity using a panel of HIV monoclonal antibodies, and a plasma from an HIV-1 + donor infected with a B clade virus. The plasma antibodies broadly neutralized viruses from many clades, with a slight preference for B clade. Binley *et al.* [2004] (**variant cross-recognition or cross-neutralization, subtype comparisons**)

No. 1359

MAb ID polyclonal
HXB2 Location HIV-1
Author Location
Epitope
Subtype multiple
Neutralizing
Immunogen vaccine
Vector/Type: peptide *Strain:* natural variants *HIV component:* gp140

Species (Isotype) rabbit
Ab Type RT thumb domain
References Dong *et al.* 2005
Keywords vaccine antigen design, variant cross-recognition or cross-neutralization

- 2F5 recognizes the epitope ELDKWA, but does not neutralize viruses carrying the commonly found mutated epitope variants: ELDEWA, ELDSWA, ELDNWA, ELDQWA, ELDTWA, or ELNKWA. Peptide cocktails containing ELDKWA, ELNKWA, ELDEWA, and ELEKWA elicit polyclonal antibodies in rabbits that can bind to all of the natural variants that are escape variants for 2F5 expressed in gp41 via WB, as well as ELDERWA. Dong *et al.* [2005] (**vaccine antigen design, variant cross-recognition or cross-neutralization**)

No. 1360
MAb ID polyclonal
HXB2 Location HIV-1
Author Location
Epitope
Subtype multiple
Neutralizing
Immunogen vaccine
Vector/Type: peptide *HIV component:* gp41
Adjuvant: Complete Freund's Adjuvant (CFA), Incomplete Freund's Adjuvant (IFA)

Species (Isotype) rabbit
References Dong *et al.* 2005
Keywords escape, vaccine antigen design, variant cross-recognition or cross-neutralization

- 2F5 recognizes the epitope ELDKWA, but does not neutralize viruses carrying the commonly found mutated epitope, ELDEWA, ELDSWA, ELDNWA, ELDQWA, ELDTWA, or ELNKWA. Peptide cocktails containing ELDKWA, ELNKWA, ELDEWA, and ELEKWA, elicit polyclonal antibodies in rabbits that can bind to all of the natural variants that are escape variants for 2F5 expressed in gp41 via WB, as well as ELDERWA. Dong *et al.* [2005] (**vaccine antigen design, variant cross-recognition or cross-neutralization, escape**)

No. 1361
MAb ID polyclonal
HXB2 Location HIV-1
Author Location
Epitope
Subtype A, B
Neutralizing L
Immunogen HIV-1 infection
Species (Isotype) human
Ab Type gp120 V3
References Krachmarov *et al.* 2005

Country Cameroon
Keywords antibody binding site definition and exposure, subtype comparisons, variant cross-recognition or cross-neutralization

- Sera from 23 subtype A infected individuals from Cameroon have antibodies that react strongly with subtype A and subtype B V3 loops in fusion proteins, and neutralize SF162 pseudotypes, while sera from 47 subtype B infected individuals reacted only with subtype B. The sera from Cameroon do not neutralize primary A or B isolates, due to indirect masking by the V1/V2 domain rather than due to loss of the target epitope. Krachmarov *et al.* [2005] (**antibody binding site definition and exposure, variant cross-recognition or cross-neutralization, subtype comparisons**)

No. 1362
MAb ID polyclonal
HXB2 Location HIV-1
Author Location (HXB2)
Epitope
Subtype B
Neutralizing yes
Immunogen vaccine
Vector/Type: vesicular stomatitis virus (VSV) with protein boost *Strain:* B clade HXB2
HIV component: gp41 MPER *Adjuvant:* Complete Freund's Adjuvant (CFA), Incomplete Freund's Adjuvant (IFA)

Species (Isotype) rabbit
References Luo *et al.* 2006
Keywords vaccine antigen design

- gp41 and p15E of the porcine endogenous retrovirus (PERV) share structural and functional similarities, and epitopes in the membrane proximal region of p15E are able to elicit NABs upon immunization with soluble p15E. Rabbits immunized with a VSV recombinant expressing an HIV-1 membrane-proximal external region (MPER) fused to PERV p15E, with a fusion p15E-HIV MPER protein boost, elicited HIV specific NABs in 3/9 rabbits each for two different constructs, with and without the E2 region of p15E. Luo *et al.* [2006] (**vaccine antigen design**)

No. 1363
MAb ID polyclonal
HXB2 Location HIV-1
Author Location
Epitope
Subtype multiple
Neutralizing
Immunogen HIV-1 infection
Species (Isotype) human (IgG)
References Parekh & McDougal 2005
Keywords acute/early infection, assay development, assay standardization/improvement

- This paper describes IgG-Capture BED-EIA, which detects the increasing proportion of HIV-1-IgG relative to total IgG and can be used to detect early infection and incidence data in cross-sectional and sentinel surveillance studies, and is robust for use with multiple HIV-1 subtypes. Parekh & McDougal [2005]

(assay development, acute/early infection, assay standardization/improvement)

No. 1364
MAb ID polyclonal
HXB2 Location HIV-1
Author Location
Epitope
Subtype B
Neutralizing
Immunogen vaccine
Vector/Type: fixed fusion-intermediate
Strain: B clade US005.11, FASH isolate
HIV component: Env
Species (Isotype) mouse
References Zipeto *et al.* 2005
Keywords co-receptor, vaccine antigen design

- HIV-1 fusion complexes were prepared from cell lines expressing R5 HIV-1 gp120/gp41 and CD4-CCR5. Fusion complexes were prepared at different temperatures (21, 30 or 37 degrees C) with different fixative combinations, and used to immunize mice. Complexes prepared at 37 degrees were the most immunogenic, suggesting that fixation of multiple conformation intermediates may be helpful. Neutralizing Abs were raised against both R5 (strain BaL) and X4 (strain 213) viruses. Zipeto *et al.* [2005] (**co-receptor, vaccine antigen design**)

No. 1365
MAb ID polyclonal
HXB2 Location HIV-1
Author Location
Epitope
Subtype B
Neutralizing no
Immunogen vaccine
Vector/Type: protein *Strain:* B clade ADA *HIV component:* Env fragments in a pre-fusion state trimer *Adjuvant:* Complete Freund's Adjuvant (CFA), Incomplete Freund's Adjuvant (IFA)
Species (Isotype) rabbit
References Qiao *et al.* 2005
Keywords antibody binding site definition and exposure, vaccine antigen design, vaccine-specific epitope characteristics

- A gp140 prefusion state trimer composed of gp41 truncated at Lys665, and gp120 C1 and C5 (topless gp140), was engineered and used to immune rabbits. No NAbs were raised, although the polyclonal sera recognized many regions of the truncated Env. Qiao *et al.* [2005] (**antibody binding site definition and exposure, vaccine antigen design, vaccine-specific epitope characteristics**)

No. 1366
MAb ID polyclonal
HXB2 Location HIV-1
Author Location
Epitope
Subtype B
Neutralizing

Immunogen vaccine
Vector/Type: DNA prime with modified vaccinia Ankara (MVA) boost *HIV component:* Env, Gag-Pol

Species (Isotype) macaque

References Sadagopal *et al.* 2005

Keywords vaccine-induced epitopes

- 22/23 macaques vaccinated with a DNA Gag-Pol_Env prime and vaccinia virus Ankara boost controlled SHIV viremia until euthanasia at 200 weeks post-challenge. All animals had low or undetectable viral loads, normal CD4 counts, and high titers of neutralizing antibodies. Most animals recognized 2 CD8 epitopes and 1 CD4 epitope, with up to 3 CD8 and 5 CD4 epitopes. Most T-cell epitopes were in Gag, though some were in Env. Sadagopal *et al.* [2005] (**vaccine-induced epitopes**)

IV-D

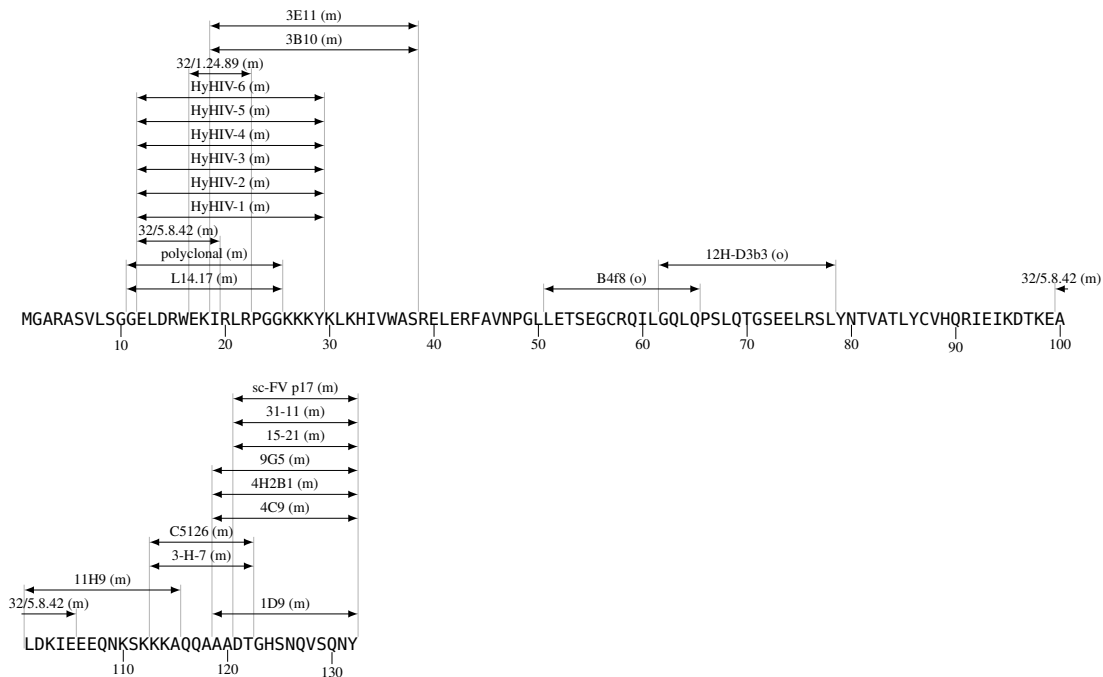
Maps of MAb Locations Plotted by Protein

Linear epitopes less than of 21 amino acids or less are shown with their antibody ID and the experimental species.

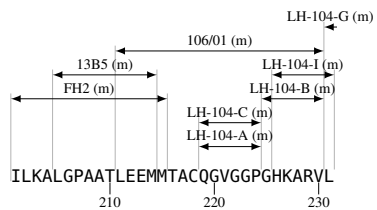
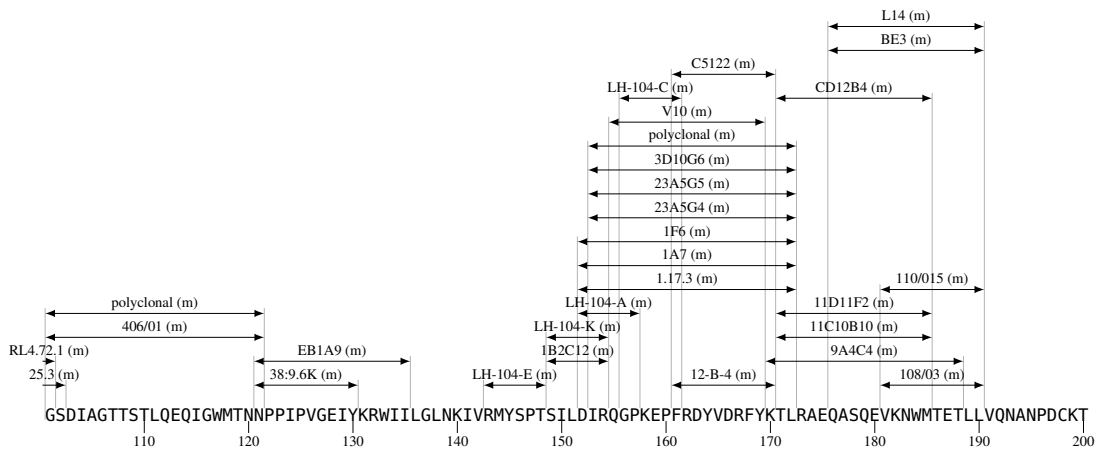
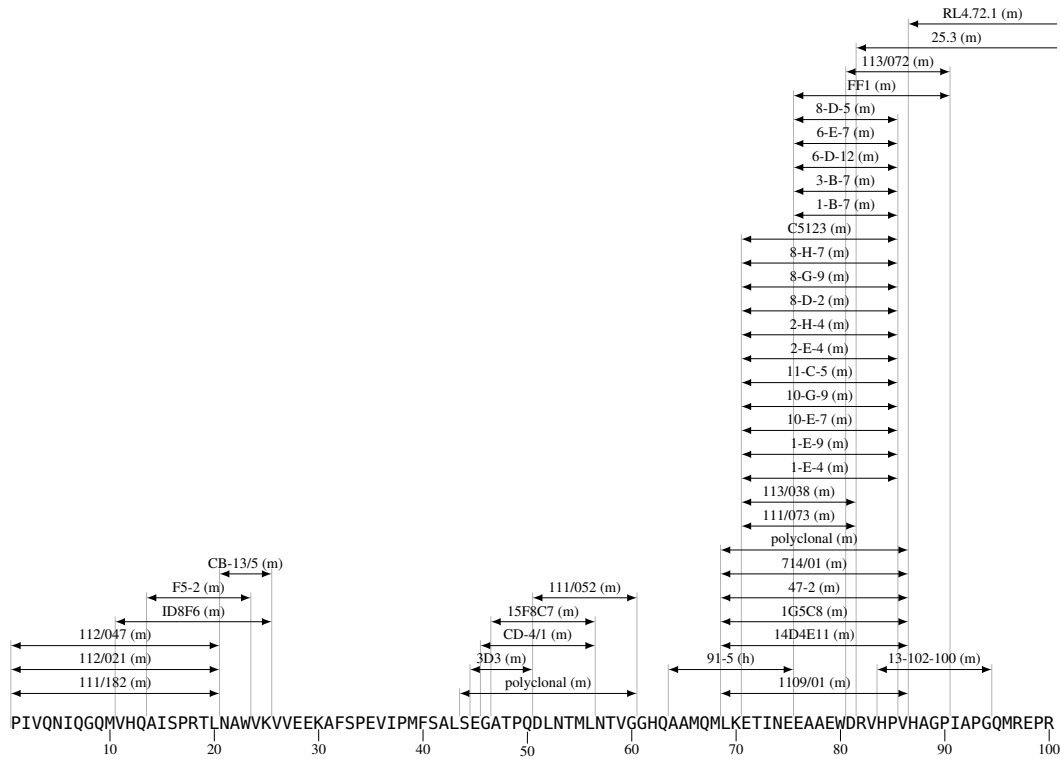
Key	Species
h	human
p	non-human primate
m	murine
o	other

Table IV-D.1: The species that the epitope was generated in and derived from.

IV-D-1 p17 Ab Epitope Map

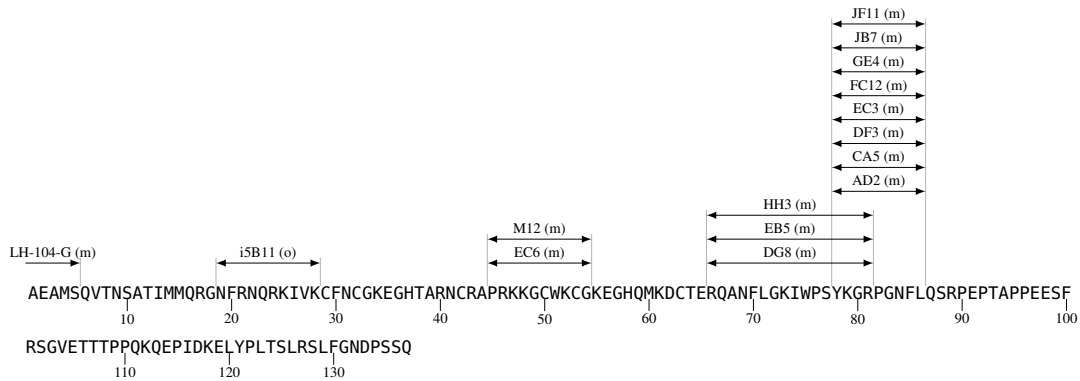


IV-D-2 p24 Ab Epitope Map



B Cell

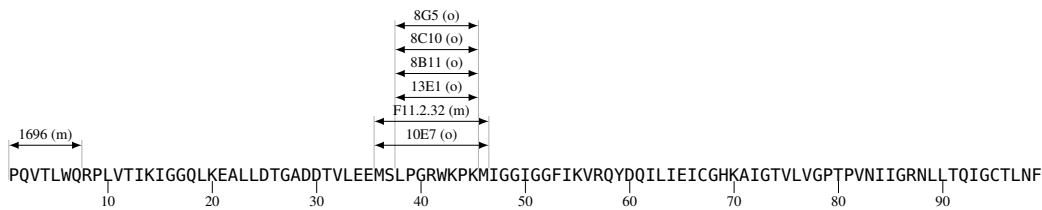
IV-D-3 p2p7p1p6 Ab Epitope Map



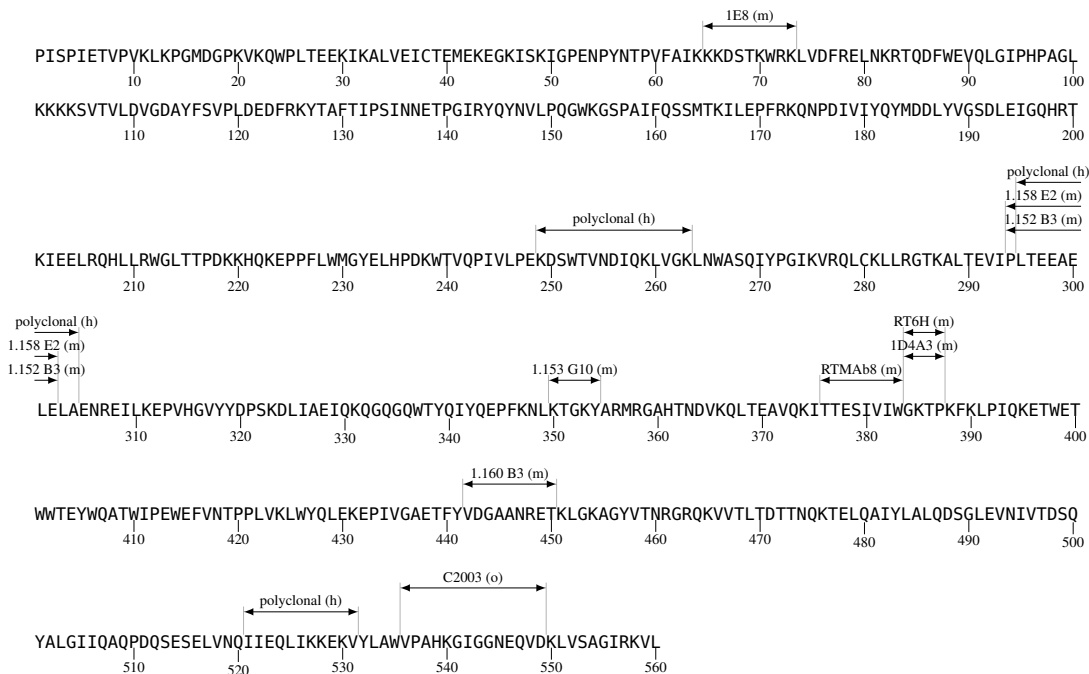
IV-D-4 Gag/Pol TF Ab Epitope Map



IV-D-5 Protease Ab Epitope Map

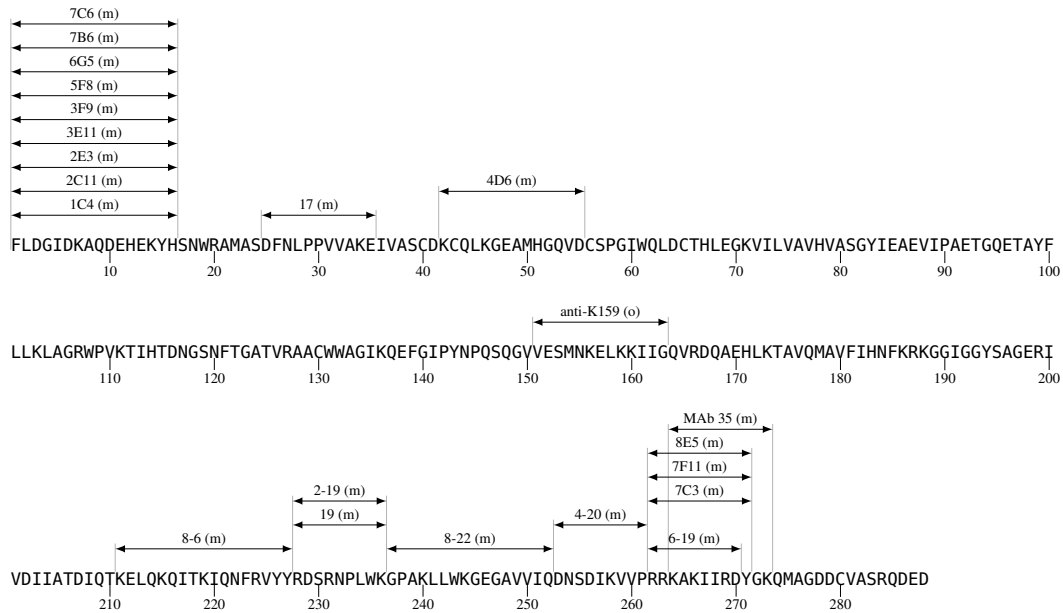


IV-D-6 RT Ab Epitope Map

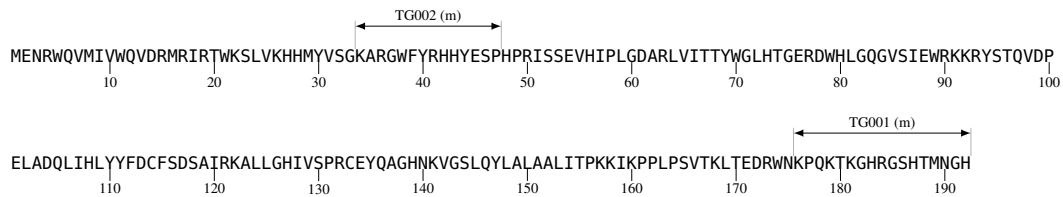


B Cell

IV-D-7 Integrase Ab Epitope Map



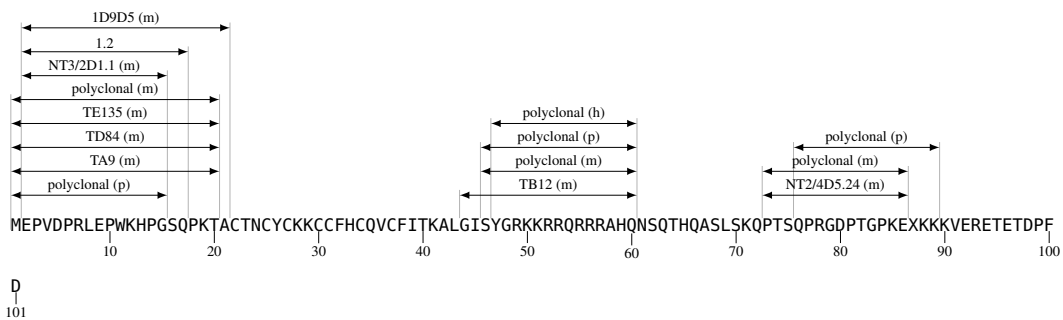
IV-D-8 Vif Ab Epitope Map



IV-D-9 Vpr Ab Epitope Map

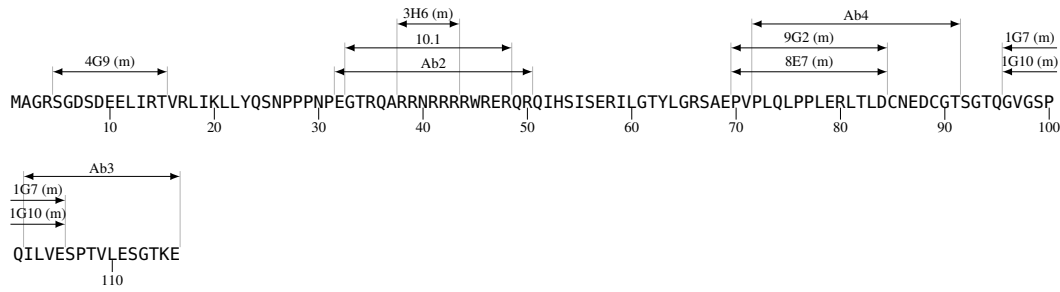


IV-D-10 Tat Ab Epitope Map



B Cell

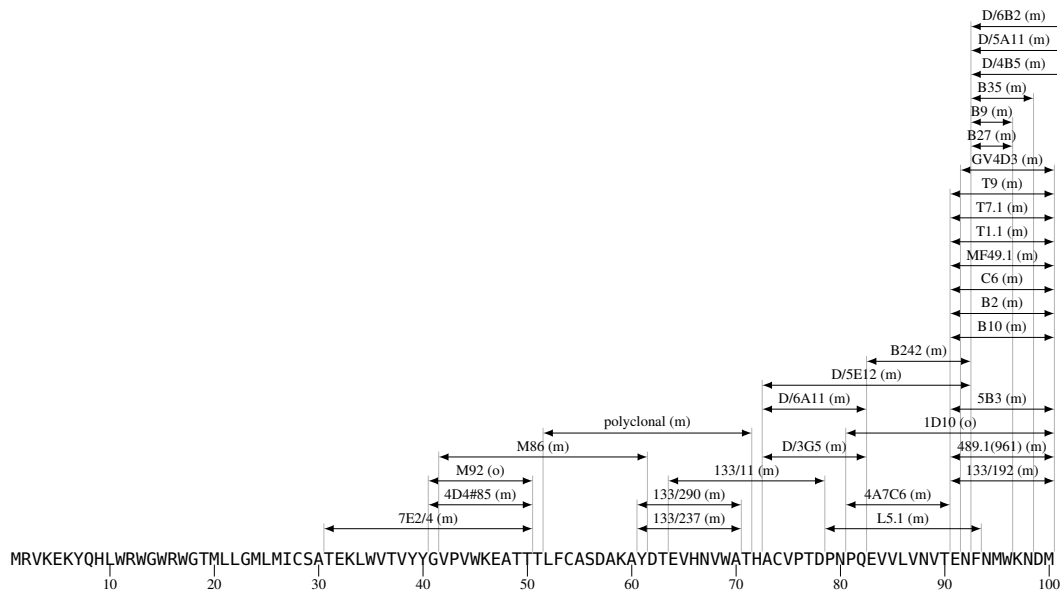
IV-D-11 Rev Ab Epitope Map



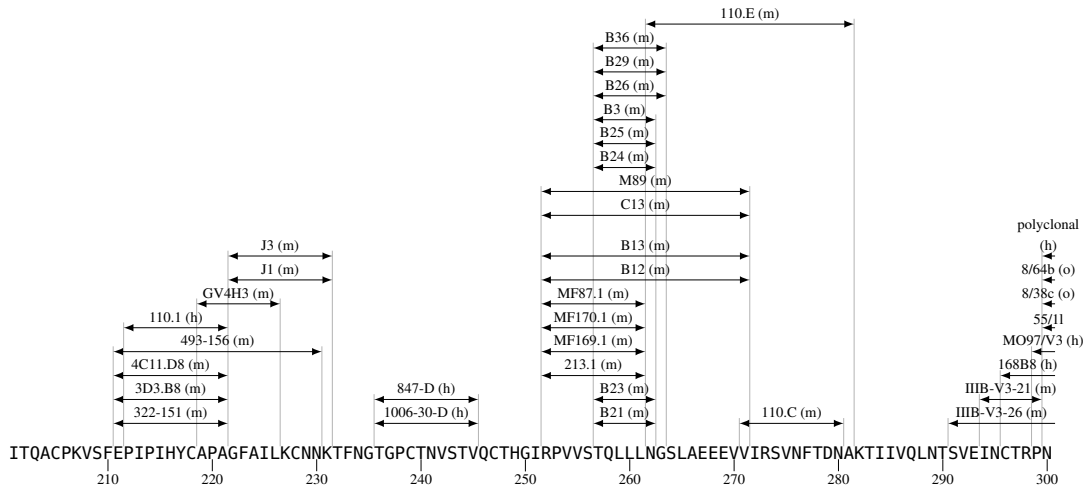
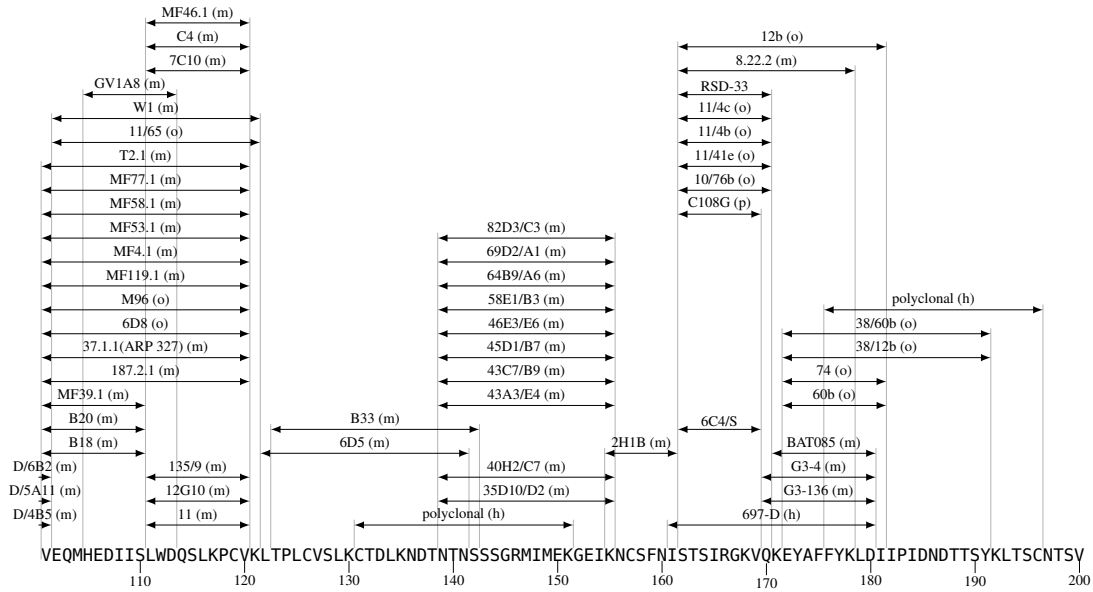
IV-D-12 Vpu Ab Epitope Map



IV-D-13 gp160 Ab Epitope Map



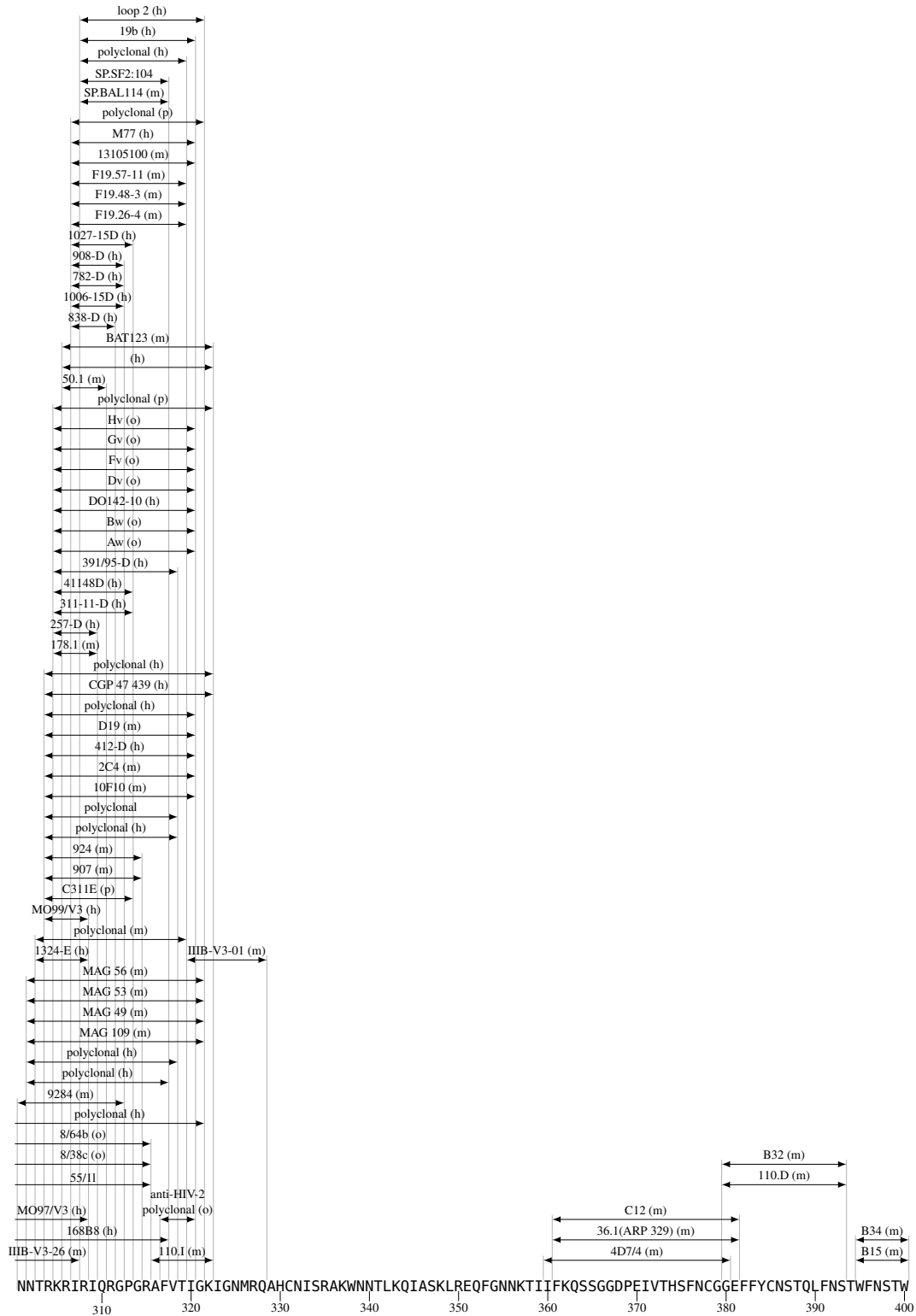
B Cell



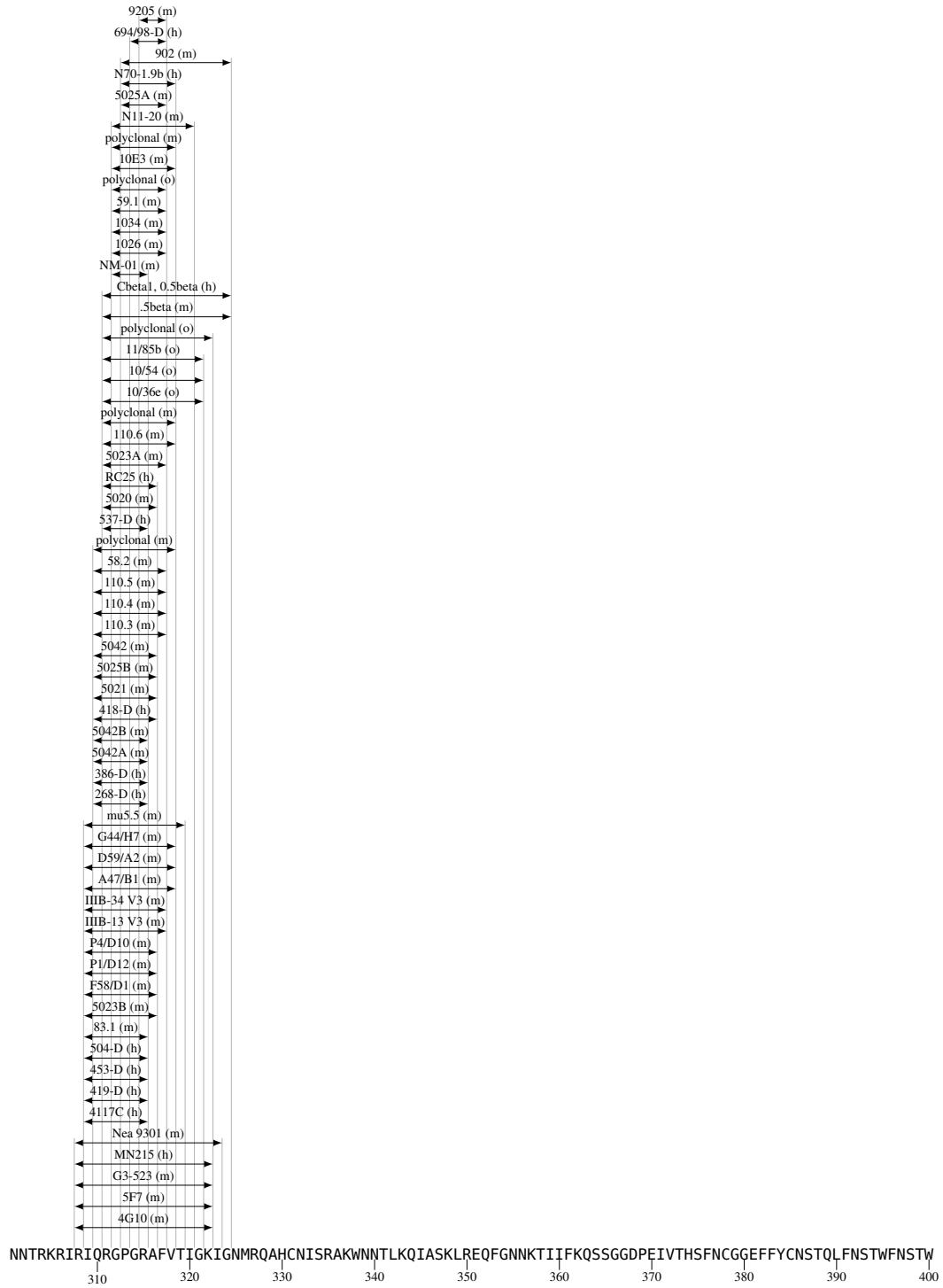
B Cell

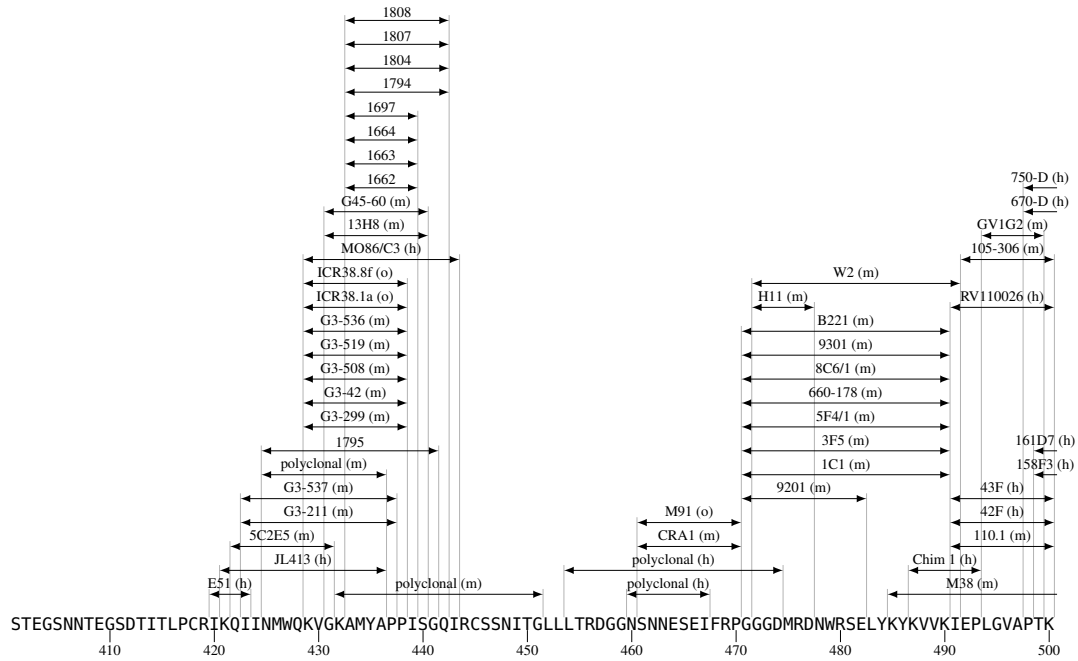
gp160 Ab Epitope Map

Maps of MAb Locations Plotted by Protein



B Cell

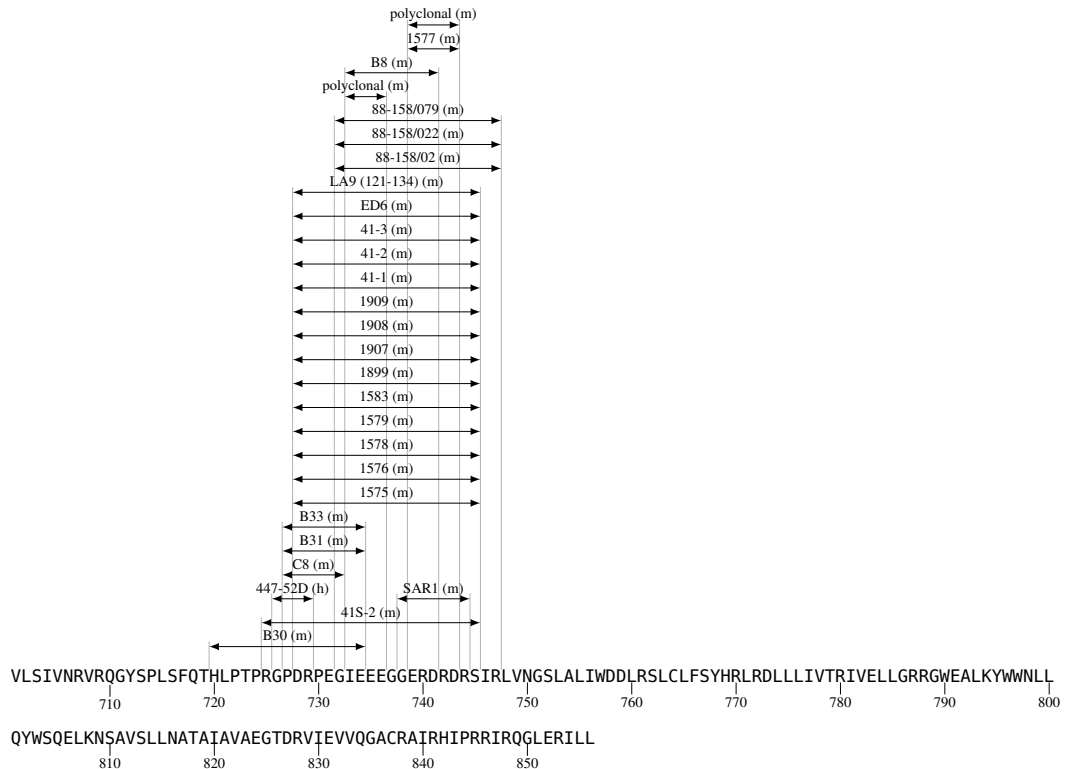
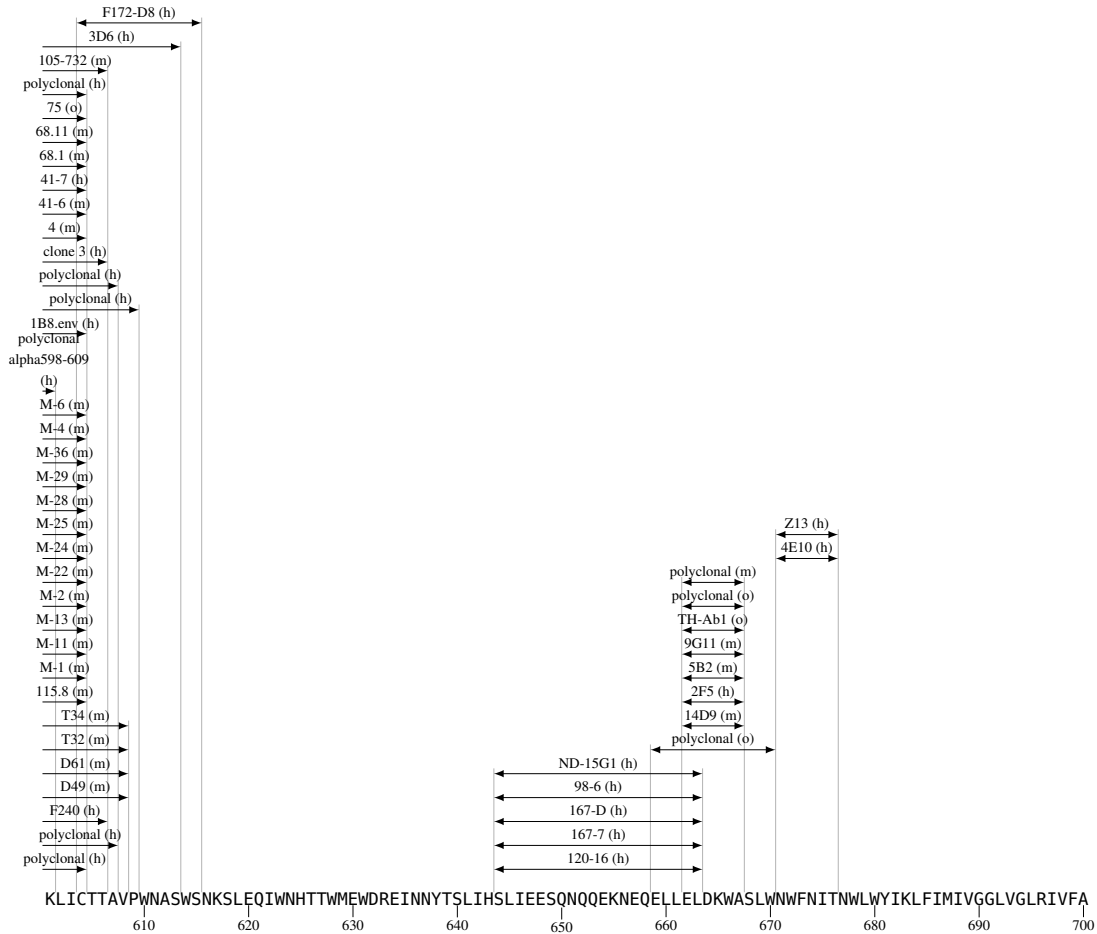




B Cell

gp160 Ab Epitope Map

Maps of MAb Locations Plotted by Protein



B Cell

Part V

HIV Immunology References

- [Aasa-Chapman *et al.*, 2004] M. M. I. Aasa-Chapman, A. Hayman, P. Newton, D. Cornforth, I. Williams, P. Borrow, P. Balfe, & Á. McKnight, 2004. Development of the antibody response in acute HIV-1 infection. *AIDS* **18**(3):371–381. On p. 1090.
- [Abacioglu *et al.*, 1994] Y. H. Abacioglu, T. R. Fouts, J. D. Laman, E. Claassen, S. H. Pincus, J. P. Moore, C. A. Roby, R. Kamin-Lewis, & G. K. Lewis, 1994. Epitope mapping and topology of baculovirus-expressed hiv-1 gp160 determined with a panel of murine monoclonal antibodies. *AIDS Res Hum Retroviruses* **10**:371–381. On pp. 915, 916, 917, 918, 921, 922, 935, 936, 981, 982, 1035, 1036, 1041, 1042 & 1045.
- [Abrahamyan *et al.*, 2003] L. G. Abrahamyan, R. M. Markosyan, J. P. Moore, F. S. Cohen, & G. B. Melikyan, 2003. Human immunodeficiency virus type 1 Env with an intersubunit disulfide bond engages coreceptors but requires bond reduction after engagement to induce fusion. *J Virol* **77**(10):5829–5836. On pp. 1051 & 1054.
- [Acel *et al.*, 1998] A. Acel, B. E. Udashkin, M. A. Wainberg, & E. A. Faust, 1998. Efficient gap repair catalyzed in vitro by an intrinsic dna polymerase activity of human immunodeficiency virus type 1 integrase. *J Virol* **72**:2062–71. On p. 895.
- [Achour *et al.*, 1996] A. Achour, F. Bex, P. Hermans, A. Burny, & D. Zagury, 1996. Induction of anti-gp160 cytotoxic t cells cross-reacting with various v3 loop p18 peptides in human immunodeficiency virus type 1 envelope-immunized individuals. *J Virol* **70**:6741–6750. On p. 485.
- [Achour *et al.*, 1994] A. Achour, S. Lemhammedi, O. Picard, J. P. M'Bika, J. F. Zagury, Z. Moukrim, A. Willer, F. Beix, A. Burny, & D. Zagury, 1994. Cytotoxic t lymphocytes specific for hiv-1 gp160 antigen and synthetic p18iib peptide in an hla-a11-immunized individual. *AIDS Res Hum Retroviruses* **10**:19–25. On p. 478.
- [Achour *et al.*, 1993] A. Achour, O. Picard, J. P. M'Bika, A. Willer, R. Snart, B. Bizini, C. Carell, A. Burny, & D. Zagury, 1993. Envelope protein and p18 iib peptide recognized by cytotoxic t lymphocytes from humans immunized with aids virus envelope. *Vaccine* **11**:699–701. On p. 478.
- [Achour *et al.*, 1990] A. Achour, O. Picard, D. Zagury, P. Sarin, R. Gallo, P. Naylor, & A. Goldstein, 1990. Hgp-30, a synthetic analogue of human immunodeficiency virus p17, is a target for cytotoxic lymphocytes in hiv-infected individuals. *Proc Natl Acad Sci USA* **87**:7045–7049. On p. 119.
- [Adams *et al.*, 1997] S. L. Adams, R. A. Biti, & G. J. Stewart, 1997. T-cell response to hiv in natural infection: optimized culture conditions for detecting responses to gag peptides. *J Acquir Immune Defic Syndr Hum Retrovirol* **15**:257–263. On pp. 702, 703, 711, 714 & 773.
- [Addo *et al.*, 2002a] M. M. Addo, M. Altfeld, A. Rathod, M. Yu, X. G. Yu, P. J. R. Goulder, E. S. Rosenberg, & B. D. Walker, 2002a. HIV-1 Vpu represents a minor target for cytotoxic T lymphocytes in HIV-1-infection. *AIDS* **16**(7):1071–1073. On p. 442.
- [Addo *et al.*, 2001] M. M. Addo, M. Altfeld, E. S. Rosenberg, R. L. Eldridge, M. N. Philips, K. Habeeb, A. Khatri, C. Brander, G. K. Robbins, G. P. Mazzara, P. J. R. Goulder, & B. D. Walker, 2001. The HIV-1 regulatory proteins Tat and Rev are frequently targeted by cytotoxic T lymphocytes (CTL) derived from HIV infected individuals. *Proc Natl Acad Sci USA* **98**(4):1781–1786. On pp. 421, 432, 437 & 438.
- [Addo *et al.*, 2003] M. M. Addo, X. G. Yu, A. Rathod, D. Cohen, R. L. Eldridge, D. Strick, M. N. Johnston, C. Corcoran, A. G. Wurcel, C. A. Fitzpatrick, M. E. Feeney, W. R. Rodriguez, N. Basgoz, R. Draenert, D. R. Stone, C. Brander, P. J. R. Goulder, E. S. Rosenberg, M. Altfeld, & B. D. Walker, 2003. Comprehensive epitope analysis of human immunodeficiency virus type 1 (HIV-1)-specific T-cell responses directed against the entire expressed HIV-1 genome demonstrate broadly directed responses, but no correlation to viral load. *J Virol* **77**(3):2081–2092. On pp. 58, 86, 127, 149, 151, 166, 186, 192, 207, 210, 218, 222, 228, 253, 302, 329, 362, 387, 410, 565, 586, 605, 611, 614 & 628.
- [Addo *et al.*, 2002b] M. M. Addo, X. G. Yu, E. S. Rosenberg, B. D. Walker, & M. Altfeld, 2002b. Cytotoxic T-lymphocyte (CTL) responses directed against regulatory and accessory proteins in HIV-1 infection. *DNA Cell Biol* **21**(9):671–678. On pp. 396, 398, 399, 400, 405, 407, 410, 411, 413, 414, 417, 418, 420, 421, 423, 427, 428, 431, 435, 436, 437, 438 & 442.
- [Ahlers *et al.*, 2001] J. D. Ahlers, I. M. Belyakov, E. K. Thomas, & J. A. Berzofsky, 2001. High-affinity T helper epitope induces complementary helper and APC polarization, increased CTL, and protection against viral infection. *J Clin Invest* **108**(11):1677–1685. On pp. 477 & 788.
- [Ahlers *et al.*, 1997a] J. D. Ahlers, N. Dunlop, D. W. Alling, P. L. Nara, & J. A. Berzofsky, 1997a. Cytokine-in-adjuvant steering of the immune response phenotype to hiv-1 vaccine constructs: granulocyte-macrophage colony-stimulating factor and tnf-alpha synergize with il-12 to enhance induction of cytotoxic t lymphocytes. *J Immunol* **158**:3947–58. On p. 479.
- [Ahlers *et al.*, 1996] J. D. Ahlers, N. Dunlop, C. D. Pendleton, M. Neuman, P. L. Nara, & J. A. Berzofsky, 1996. Candidate hiv type 1 multide-terminant cluster peptide-p18mn vaccine constructs elicit type 1 helper t cells, cytotoxic t cells and neutralizing antibody, all using the same adjuvant immunization. *AIDS Res Hum Retroviruses* **12**:259–272. On p. 479.
- [Ahlers *et al.*, 1997b] J. D. Ahlers, T. Takeshita, C. D. Pendleton, & J. A. Berzofsky, 1997b. Enhanced immunogenicity of HIV-1 vaccine construct by modification of the native peptide sequence. *Proc Natl Acad Sci USA* **94**:10856–61. On pp. 479 & 788.
- [Ahluwalia *et al.*, 1997] A. Ahluwalia, K. Gokulan, I. Nath, & D. N. Rao, 1997. Modification of delivery system enhances MHC nonrestricted immunogenicity of V3 loop region of HIV-1 gp120. *Microbiol Immunol* **41**:779–84. On pp. 773 & 942.
- [Ahmad *et al.*, 2001] R. Ahmad, S. T. Sindhu, E. Toma, R. Morisset, J. Vincelette, J. Menezes, & A. Ahmad, 2001. Evidence for a correlation between antibody-dependent cellular cytotoxicity-mediating anti-HIV-1 antibodies and prognostic predictors of HIV infection. *J Clin Immunol* **21**(3):227–33. On p. 1077.
- [Akahata *et al.*, 2003] W. Akahata, E. Ido, H. Akiyama, H. Uesaka, Y. Enose, R. Horiuchi, T. Kuwata, T. Goto, H. Takahashi, & M. Hayami, 2003. DNA vaccination of macaques by a full-genome simian/human immunodeficiency virus type 1 plasmid chimera that produces non-infectious virus particles. *J Gen Virol* **84**(Pt 8):2237–2244. On p. 554.
- [Akahata *et al.*, 2000] W. Akahata, E. Ido, T. Shimada, K. Katsuyama, H. Yamamoto, H. Uesaka, M. Ui, T. Kuwata, H. Takahashi, & M. Hayami, 2000. DNA vaccination of macaques by a full genome HIV-1 plasmid which produces noninfectious virus particles. *Virology* **275**(1):116–24. On pp. 263, 550 & 810.
- [Akerblom *et al.*, 1990] L. Akerblom, J. Hinkula, P.-A. Broliden, B. Makitalo, T. Fridberger, J. Rosen, M. Villacres-Eriksson, B. Morien, & B. Wahren, 1990. Neutralizing cross-reactive and non-neutralizing monoclonal antibodies to hiv-1 gp120. *AIDS* **4**:953–960. On pp. 914, 916, 919, 964, 965 & 966.
- [Akridge *et al.*, 1999] R. Akridge, F. Hladik, J. Markee, C. Alef, H. Kelley, A. Collier, & M. J. McElrath, 1999. Cellular immunity and target cell susceptibility in persons with repeated hiv-1 exposure. *Immunol Lett* **66**:15–9. On p. 550.
- [Aladdin *et al.*, 2000] H. Aladdin, C. S. Larsen, B. K. Moller, H. Ullum, M. R. Buhl, J. Gerstoft, P. Skinhoj, & B. K. Pedersen, 2000. Effects of subcutaneous interleukin-2 therapy on phenotype and function of peripheral blood mononuclear cells in human immunodeficiency virus infected patients. *Scand J Immunol* **51**:168–75. On p. 550.

- [Aladdin *et al.*, 1999] H. Aladdin, H. Ullum, A. C. Lepri, H. Leffers, T. Katzenstein, J. Gerstoft, S. B. Gjedde, A. N. Phillips, P. Skinhoj, & B. K. Pedersen, 1999. Bulk culture levels of specific cytotoxic t cell activity against hiv-1 proteins are not associated with risk of death. *Scand J Immunol* **50**:223–7. On pp. 263, 392, 550 & 656.
- [Alatrakchi *et al.*, 2002] N. Alatrakchi, V. Di Martino, V. Thibault, B. Autran, & the ALT and IMMUNE-VIRC ANRS study groups, 2002. Strong CD4 Th1 responses to HIV and hepatitis C virus in HIV-infected long-term non-progressors co-infected with hepatitis C virus. *AIDS* **16**(5):713–717. On p. 728.
- [Alatrakchi *et al.*, 2004] N. Alatrakchi, V. Di Martino, V. Thibault, Y. Benhamou, C. Katlama, T. Poynard, & B. Autran, 2004. Decreased frequencies of virus-specific T helper type 1 cells during interferon alpha plus ribavirin treatment in HIV-hepatitis C virus co-infection. *AIDS* **18**(1):121–123. On p. 731.
- [Albu *et al.*, 2003] D. I. Albu, A. Jones-Trower, A. M. Woron, K. Stellrecht, C. C. Broder, & D. W. Metzger, 2003. Intranasal vaccination using interleukin-12 and cholera toxin subunit B as adjuvants to enhance mucosal and systemic immunity to human immunodeficiency virus type 1 glycoproteins. *J Virol* **77**(10):5589–5597. On pp. 1051, 1054 & 1086.
- [Aldhous *et al.*, 1994] M. C. Aldhous, K. C. Watret, J. Y. Mok, A. G. Bird, & K. S. Froebel, 1994. Cytotoxic T lymphocyte activity and CD8 subpopulations in children at risk of HIV infection. *Clin Exp Immunol* **97**(1):61–67. On pp. 265, 395, 430 & 552.
- [Alexander-Miller *et al.*, 1996] M. A. Alexander-Miller, K. C. Parker, T. Tsukui, C. D. Pendleton, J. E. Coligan, & J. A. Berzofsky, 1996. Molecular analysis of presentation by hla-a2.1 of a promiscuously binding v3 loop peptide from the hiv-1 envelope protein to human cytotoxic t lymphocytes. *Int Immunol* **8**:641–649. On p. 485.
- [Ali *et al.*, 2004] A. Ali, R. Lubong, H. Ng, D. G. Brooks, J. A. Zack, & O. O. Yang, 2004. Impacts of epitope expression kinetics and class I downregulation on the antiviral activity of human immunodeficiency virus type 1-specific cytotoxic T lymphocytes. *J Virol* **78**(2):561–567. On p. 110.
- [Ali *et al.*, 2003] A. Ali, S. Pillai, H. Ng, R. Lubong, D. D. Richman, B. D. Jamieson, Y. Ding, M. J. McElrath, J. C. Guatelli, & O. O. Yang, 2003. Broadly increased sensitivity to cytotoxic T lymphocytes resulting from Nef epitope escape mutations. *J Immunol* **171**(8):3999–4005. On pp. 108, 352, 606 & 616.
- [Allaway *et al.*, 1993] G. P. Allaway, A. M. Ryder, G. A. Beaudry, & P. J. Madden, 1993. Synergistic inhibition of hiv-1 envelope-mediated cell fusion by cd4-based molecules in combination with antibodies to gp120 or gp41. *AIDS Res Hum Retroviruses* **9**:581–587. On pp. 939, 980, 1022 & 1032.
- [Allen *et al.*, 2005a] T. M. Allen, M. Altfeld, S. C. Geer, E. T. Kalife, C. Moore, K. M. O'Sullivan, I. DeSouza, M. E. Feeney, R. L. Eldridge, E. L. Maier, D. E. Kaufmann, M. P. Lahaie, L. Reyor, G. Tanzi, M. N. Johnston, C. Brander, R. Draenert, J. K. Rockstroh, H. Jessen, E. S. Rosenberg, S. A. Mallal, & B. D. Walker, 2005a. Selective escape from CD8+ T-cell responses represents a major driving force of human immunodeficiency virus type 1 (HIV-1) sequence diversity and reveals constraints on HIV-1 evolution. *J Virol* **79**(21):13239–13249. On pp. 63, 71, 86, 112, 123, 129, 132, 134, 136, 147, 176, 181, 184, 206, 227, 232, 235, 245, 248, 250, 251, 255, 257, 270, 271, 274, 300, 305, 309, 311, 330, 334, 335, 355, 360, 361, 374, 376, 381, 383, 398, 399, 401, 405, 406, 408, 409, 410, 412, 415, 419, 425, 432, 434, 436, 438, 440, 443, 557, 567, 574, 584, 588, 595, 604, 607, 612, 616, 619, 635, 642, 648, 649 & 653.
- [Allen *et al.*, 2004] T. M. Allen, M. Altfeld, X. G. Yu, K. M. O'Sullivan, M. Lichterfeld, S. Le Gall, M. John, B. R. Mothe, P. K. Lee, E. T. Kalife, D. E. Cohen, K. A. Freedberg, D. A. Strick, M. N. Johnston, A. Sette, E. S. Rosenberg, S. A. Mallal, P. J. R. Goulder, C. Brander, & B. D. Walker, 2004. Selection, transmission, and reversion of an antigen-processing cytotoxic T-lymphocyte escape mutation in human immunodeficiency virus type 1 infection. *J Virol* **78**(13):7069–7078. On pp. 62, 70, 85, 132, 146 & 181.
- [Allen *et al.*, 2005b] T. M. Allen, X. G. Yu, E. T. Kalife, L. L. Reyor, M. Lichterfeld, M. John, M. Cheng, R. L. Allgaier, S. Mui, N. Frahm, G. Alter, N. V. Brown, M. N. Johnston, E. S. Rosenberg, S. A. Mallal, C. Brander, B. D. Walker, & M. Altfeld, 2005b. De novo generation of escape variant-specific CD8+ T-cell responses following cytotoxic T-lymphocyte escape in chronic human immunodeficiency virus type 1 infection. *J Virol* **79**(20):12952–12960. On pp. 232, 245, 309, 334, 360, 374, 405, 418, 424, 438, 573, 595, 635 & 642.
- [Alsmadi *et al.*, 1997] O. Alsmadi, R. Herz, E. Murphy, A. Pinter, & S. A. Tilley, 1997. A novel antibody-dependent cellular cytotoxicity epitope in gp120 is identified by two monoclonal antibodies isolated from a long-term survivor of human immunodeficiency virus type 1 infection. *J Virol* **71**:925–33. On pp. 993 & 994.
- [Alsmadi & Tilley, 1998] O. Alsmadi & S. A. Tilley, 1998. Antibody-dependent cellular cytotoxicity directed against cells expressing human immunodeficiency virus type 1 envelope of primary or laboratory-adapted strains by human and chimpanzee monoclonal antibodies of different epitope specificities. *J Virol* **72**:286–93. On pp. 926, 927, 942, 948, 961, 962, 993, 994, 1061, 1110, 1111, 1119 & 1120.
- [Alter *et al.*, 2003] G. Alter, G. Hatzakis, C. M. Tsoukas, K. Pelley, D. Rouleau, R. LeBlanc, J. G. Baril, H. Dion, E. Lefebvre, R. Thomas, P. Cote, N. Lapointe, J. P. Routy, R. P. Sekaly, B. Conway, & N. F. Bernard, 2003. Longitudinal assessment of changes in HIV-specific effector activity in HIV-infected patients starting highly active antiretroviral therapy in primary infection. *J Immunol* **171**(1):477–488. On p. 660.
- [Altes *et al.*, 2001] H. K. Altes, D. A. Price, & V. A. A. Jansen, 2001. Effector cytotoxic T lymphocyte numbers induced by vaccination should exceed levels in chronic infection for protection from HIV. *Vaccine* **20**(1–2):3–6. On p. 663.
- [Altes *et al.*, 2002] H. K. Altes, D. Wodarz, & V. A. A. Jansen, 2002. The dual role of CD4 T helper cells in the infection dynamics of HIV and their importance for vaccination. *J Theor Biol* **214**(4):633–646. On pp. 661 & 825.
- [Altfeld, 2000] M. Altfeld, 2000. Personal communication. On pp. 289, 333, 396 & 469.
- [Altfeld *et al.*, 2001a] M. Altfeld, M. M. Addo, R. L. Eldridge, X. G. Yu, S. Thomas, A. Khatri, D. Strick, M. N. Phillips, G. B. Cohen, S. A. Islam, S. A. Kalams, C. Brander, P. J. Goulder, E. S. Rosenberg, B. D. Walker, & The HIV Study Collaboration., 2001a. Vpr is preferentially targeted by CTL during HIV-1 infection. *J Immunol* **167**(5):2743–52. On pp. 59, 66, 105, 245, 302, 333, 396, 399, 400, 405, 409, 411, 413, 414, 417, 538, 560, 570 & 589.
- [Altfeld *et al.*, 2003] M. Altfeld, M. M. Addo, R. Shankarappa, P. K. Lee, T. M. Allen, X. G. Yu, A. Rathod, J. Harlow, K. O'Sullivan, M. N. Johnston, P. J. R. Goulder, J. I. Mullins, E. S. Rosenberg, C. Brander, B. Korber, & B. D. Walker, 2003. Enhanced detection of human immunodeficiency virus type 1-specific T-cell responses to highly variable regions by using peptides based on autologous virus sequences. *J Virol* **77**(13):7330–7340. On p. 664.
- [Altfeld *et al.*, 2005] M. Altfeld, T. M. Allen, E. T. Kalife, N. Frahm, M. M. Addo, B. R. Mothe, A. Rathod, L. L. Reyor, J. Harlow, X. G. Yu, B. Perkins, L. K. Robinson, J. Sidney, G. Alter, M. Lichterfeld, A. Sette, E. S. Rosenberg, P. J. R. Goulder, C. Brander, & B. D. Walker, 2005. The majority of currently circulating human immunodeficiency virus type 1 clade B viruses fail to prime cytotoxic T-lymphocyte responses against an otherwise immunodominant HLA-A2-restricted epitope: Implications

- for vaccine design. *J Virol* **79**(8):5000–5005. On pp. 113, 249, 254, 278, 285, 297, 323, 355, 419, 420, 464, 486, 534, 640, 642 & 646.
- [Altfeld *et al.*, 2002a] M. Altfeld, T. M. Allen, X. G. Yu, M. N. Johnston, D. Agrawal, B. T. Korber, D. C. Montefiori, D. H. O'Connor, B. T. Davis, P. K. Lee, E. L. Maier, J. Harlow, P. J. R. Goulder, C. Brander, E. S. Rosenberg, & B. D. Walker, 2002a. HIV-1 superinfection despite broad CD8+ T-cell responses containing replication of the primary virus. *Nature* **420**(6914):434–439. On pp. 63, 69, 135, 160, 176, 247, 258, 289, 290, 304, 311, 334, 361, 385, 397, 401, 407, 415 & 475.
- [Altfeld *et al.*, 2001b] M. Altfeld, E. S. Rosenberg, R. Shankarappa, J. S. Mukherjee, F. M. Hecht, R. L. Eldridge, M. M. Addo, S. H. Poon, M. N. Phillips, G. K. Robbins, P. E. Sax, S. Boswell, J. O. Kahn, C. Brander, P. J. Goulder, J. A. Levy, J. I. Mullins, & B. D. Walker, 2001b. Cellular immune responses and viral diversity in individuals treated during acute and early HIV-1 infection. *J Exp Med* **193**(2):169–80. On pp. 61, 68, 76, 80, 83, 89, 106, 119, 120, 124, 128, 131, 144, 171, 184, 189, 193, 204, 211, 224, 236, 244, 247, 282, 292, 296, 304, 310, 317, 325, 350, 359, 363, 364, 418, 437, 445, 457, 469, 475, 497, 514, 533, 536, 540, 558, 564, 566, 575, 582, 588, 594, 601, 605, 609, 618, 624, 629, 634, 643, 651 & 727.
- [Altfeld *et al.*, 2002b] M. Altfeld, J. van Lunzen, N. Frahm, X. G. Yu, C. Schneider, R. L. Eldridge, M. E. Feeney, D. Meyer-Olson, H.-J. Stellbrink, & B. D. Walker, 2002b. Expansion of pre-existing, lymph node-localized CD8+ T cells during supervised treatment interruptions in chronic HIV-1 infection. *J Clin Invest* **109**(6):837–843. On pp. 89, 160, 205, 231, 332, 364, 502, 515, 518, 541, 567, 629 & 634.
- [Altfeld *et al.*, 2001c] M. A. Altfeld, B. Livingston, N. Reshamwala, P. T. Nguyen, M. M. Addo, A. Shea, M. Newman, J. Fikes, J. Sidney, P. Wentworth, R. Chesnut, R. L. Eldridge, E. S. Rosenberg, G. K. Robbins, C. Brander, P. E. Sax, S. Boswell, T. Flynn, S. Buchbinder, P. J. Goulder, B. D. Walker, A. Sette, & S. A. Kalam, 2001c. Identification of novel HLA-A2-restricted human immunodeficiency virus type 1-specific cytotoxic T-lymphocyte epitopes predicted by the HLA-A2 supertype peptide-binding motif. *J Virol* **75**(3):1301–11. On pp. 95, 249, 277, 297, 319, 349, 417, 419, 462, 534, 642 & 650.
- [Altfeld *et al.*, 2000] M. A. Altfeld, A. Trocha, R. L. Eldridge, E. S. Rosenberg, M. N. Phillips, M. M. Addo, R. P. Sekaly, S. A. Kalam, S. A. Burchett, K. McIntosh, B. D. Walker, & P. J. Goulder, 2000. Identification of dominant optimal hla-b60- and hla-b61-restricted cytotoxic t-lymphocyte (ctl) epitopes: rapid characterization of ctl responses by enzyme-linked immunospot assay. *J Virol* **74**:8541. On pp. 107, 119, 120, 149, 153, 154, 225, 325, 514, 531, 540, 575, 588, 605 & 607.
- [Altman *et al.*, 1996] J. D. Altman, P. A. H. Moss, P. J. R. Goulder, D. H. Barouch, M. G. McHeyzer-Williams, J. I. Bell, A. J. McMichael, & M. M. Davis, 1996. Phenotypic analysis of antigen-specific T lymphocytes. *Science* **274**:94–6. Comments in *Science* 1998 Jun 19;280(5371):1821. On pp. 92 & 341.
- [Altmeyer *et al.*, 1999] R. Altmeyer, E. Mordelet, M. Girard, & C. Vidal, 1999. Expression and detection of macrophage tropic hiv-1 gp120 in the brain using conformation-dependent antibodies. *Virology* **259**:314–21. On pp. 978, 979, 995, 1051, 1059 & 1192.
- [Amara *et al.*, 2005] R. R. Amara, S. Sharma, M. Patel, J. M. Smith, L. Chennareddi, J. G. Herndon, & H. L. Robinson, 2005. Studies on the cross-clade and cross-species conservation of HIV-1 Gag-specific CD8 and CD4 T cell responses elicited by a clade B DNA/MVA vaccine in macaques. *Virology* **334**(1):124–133. On pp. 57, 125, 138, 141, 174, 691, 692, 695, 703, 710, 717, 719 & 721.
- [Ambrose *et al.*, 2003] Z. Ambrose, J. Thompson, K. Larsen, L. Kuller, D. L. Panicali, J. D. Clements, M. Agy, D. C. Montefiori, S. L. Hu, & M. L. Bosch, 2003. Evidence for immune-mediated reduction of viral replication in *Macaca nemestrina* mucosally immunized with inactivated SHIV89.6. *Virology* **308**(1):178–190. On p. 1224.
- [Amicosante *et al.*, 2002] M. Amicosante, C. Gioia, C. Montesano, R. Casetti, S. Topino, G. D'Offizi, G. Cappelli, G. Ippolito, V. Colizzi, F. Poccia, & L. P. Pucillo, 2002. Computer-based design of an HLA-haplotype and HIV-clade independent cytotoxic T-lymphocyte assay for monitoring HIV-specific immunity. *Mol Med* **8**(12):798–807. On p. 268.
- [Ammaranond *et al.*, 2005] P. Ammaranond, J. Zaunders, C. Satchell, D. van Bockel, D. A. Cooper, & A. D. Kelleher, 2005. A new variant cytotoxic T lymphocyte escape mutation in HLA-B27-positive individuals infected with HIV type 1. *AIDS Res Hum Retroviruses* **21**(5):395–397. On p. 206.
- [Anderson *et al.*, 2001] D. E. Anderson, M. P. Carlos, L. Nguyen, & J. V. Torres, 2001. Overcoming original (antigenic) sin. *Clin Immunol* **101**(2):152–157. On p. 773.
- [Andrieu *et al.*, 2003] M. Andrieu, J.-F. Desoutter, E. Loing, J. Gaston, D. Hanau, J.-G. Guillet, & A. Hosmalin, 2003. Two human immunodeficiency virus vaccinal lipopeptides follow different cross-presentation pathways in human dendritic cells. *J Virol* **77**(2):1564–1570. On pp. 344 & 571.
- [Andris *et al.*, 1992] J. S. Andris, S. Johnson, S. Zolla-Pazner, & J. D. Capra, 1992. Molecular characterization of five anti-human immunodeficiency virus type 1 antibody heavy chains reveals extensive somatic mutation typical of an antigen-driven immune response. *Proc Natl Acad Sci USA* **88**:7783–7788. On p. 1017.
- [Andrus *et al.*, 1998] L. Andrus, A. M. Prince, I. Bernal, P. McCormack, D. H. Lee, M. K. Gorny, & S. Zolla-Pazner, 1998. Passive immunization with a human immunodeficiency virus type 1- neutralizing monoclonal antibody in hu-pbl-scid mice: isolation of a neutralization escape variant. *J Infect Dis* **177**:889–97. On pp. 952, 978, 979, 1022, 1031, 1051 & 1059.
- [Angel *et al.*, 2001] J. B. Angel, K. G. Parato, A. Kumar, S. Kravcik, A. D. Badley, C. Fex, D. Ashby, E. Sun, & D. W. Cameron, 2001. Progressive human immunodeficiency virus-specific immune recovery with prolonged viral suppression. *J Infect Dis* **183**(4):546–54. On p. 726.
- [Appay *et al.*, 2002] V. Appay, P. Hansasuta, J. Sutton, R. D. Schrier, J. K. Wong, M. Furtado, D. V. Havlir, S. M. Wolinsky, A. J. McMichael, D. D. Richman, S. L. Rowland-Jones, & C. A. Spina, 2002. Persistent HIV-1-specific cellular responses despite prolonged therapeutic viral suppression. *AIDS* **16**(2):161–170. On pp. 108, 196, 309, 475, 573, 575, 601, 602 & 625.
- [Appay *et al.*, 2000] V. Appay, D. F. Nixon, S. M. Donahoe, G. M. Gillespie, T. Dong, A. King, G. S. Ogg, H. M. Spiegel, C. Conlon, C. A. Spina, D. V. Havlir, D. D. Richman, A. Waters, P. Easterbrook, A. J. McMichael, & S. L. Rowland-Jones, 2000. HIV-specific CD8(+) T cells produce antiviral cytokines but are impaired in cytolytic function. *J Exp Med* **192**(1):63–75. On pp. 81, 96, 144, 196, 201, 330, 342, 380, 572, 601 & 624.
- [Arai *et al.*, 2000] H. Arai, K. Q. Xin, K. Hamajima, Y. Lu, S. Watabe, T. Takahashi, S. Toda, K. Okuda, I. Kudoh, M. Suzuki, & K. Okuda, 2000. 8 Br-cAMP enhances both humoral and cell-mediated immune responses induced by an HIV-1 DNA vaccine. *Gene Ther* **7**(8):694–702. On pp. 487 & 807.
- [Arendrup *et al.*, 1995] M. Arendrup, L. Akerblom, P. M. Heegaard, J. O. Nielsen, & J. E. Hansen, 1995. The hiv-1 v3 domain on field isolates: participation in generation of escape virus in vivo and accessibility to neutralizing antibodies. *Arch Virol* **140**:655–670. On pp. 957 & 958.
- [Arendrup *et al.*, 1993] M. Arendrup, A. Sonnerborg, B. Svennerholm, L. Akerblom, C. Nielsen, H. Clausen, S. Olofsson, J. O. Nielsen, & J. E. S. Hansen, 1993. Neutralizing antibody response during human immunodeficiency virus type 1 infection: type and group specificity and viral escape. *J Gen Virol* **74**:855–863. On pp. 958, 965 & 970.

- [Ariyoshi *et al.*, 2002] K. Ariyoshi, N. Promadej, K. Ruxrungtham, & R. Suthent, 2002. Toward improved evaluation of cytotoxic T-lymphocyte (CTL)-inducing HIV vaccines in Thailand. *AIDS Res Hum Retroviruses* **18**(10):737–739. On p. 660.
- [Armbruster *et al.*, 2002] C. Armbruster, G. M. Stiegler, B. A. Vcelar, W. Jager, N. L. Michael, N. Vetter, & H. W. D. Katinger, 2002. A phase I trial with two human monoclonal antibodies (hMAb 2F5, 2G12) against HIV-1. *AIDS* **16**(2):227–233. On pp. 1022, 1027, 1051 & 1056.
- [Armstrong & Dimmock, 1996] S. J. Armstrong & N. J. Dimmock, 1996. Varying temperature-dependence of post-attachment neutralization of human immunodeficiency virus type 1 by monoclonal antibodies to gp120: identification of a very early fusion-independent event as a neutralization target. *J Gen Virol* **77**:1397–1402. On pp. 1139 & 1194.
- [Armstrong *et al.*, 1996] S. J. Armstrong, T. L. McInerney, L. McLain, B. Wahren, J. Hinkula, M. Levi, & N. J. Dimmock, 1996. Two neutralization anti-v3 monoclonal antibodies act by affecting different functions of human immunodeficiency virus type 1. *J Gen Virol* **77**:2931–2941. On p. 1194.
- [Arnedo-Valero *et al.*, 2004] M. Arnedo-Valero, M. Plana, A. Mas, M. Guilà, C. Gil, P. Castro, F. Garcia, E. Domingo, J. M. Gatell, & T. Pumarola, 2004. Similar HIV-1 evolution and immunological responses at 10 years despite several therapeutic strategies and host HLA types. *J Med Virol* **73**(4):495–501. On pp. 239, 326, 327 & 718.
- [Arora & Seth, 2001] A. Arora & P. Seth, 2001. Immunization with HIV-1 subtype B gp160-DNA induces specific as well as cross reactive immune responses in mice. *Indian J Med Res* **114**:1–9. On p. 493.
- [Arp *et al.*, 1999] J. Arp, B. Rovinski, S. Sambhara, J. Tartaglia, & G. Dekaban, 1999. Human immunodeficiency virus type 1 envelope-specific cytotoxic T lymphocytes response dynamics after prime-boost vaccine regimens with human immunodeficiency virus type 1 canarypox and pseudovirions. *Viral Immunol* **12**:281–96. On p. 484.
- [Arthos *et al.*, 2002] J. Arthos, C. Cicala, T. D. Steenbeke, T.-W. Chun, C. Dela Cruz, D. B. Hanback, P. Khazanie, D. Nam, P. Schuck, S. M. Selig, D. Van Ryk, M. A. Chaikin, & A. S. Fauci, 2002. Biochemical and biological characterization of a dodecameric CD4-Ig fusion protein: Implications for therapeutic and vaccine strategies. *J Biol Chem* **277**(13):11456–11464. On pp. 1158 & 1161.
- [AVEG022PT, 2001] AVEG022PT, 2001. Cellular and humoral immune responses to a canarypox vaccine containing human immunodeficiency virus type 1 Env, Gag, and Pro in combination with rgp120. *J Infect Dis* **183**(4):563–70. On p. 551.
- [Ayash-Rashkovsky *et al.*, 2002] M. Ayash-Rashkovsky, Z. Weisman, J. Diveley, R. B. Moss, Z. Bentwich, & G. Borkow, 2002. Generation of Th1 immune responses to inactivated, gp120-depleted HIV-1 in mice with a dominant Th2 biased immune profile via immunostimulatory oligonucleotides—relevance to AIDS vaccines in developing countries. *Vaccine* **20**(21-22):2684–2692. On p. 826.
- [Ayyavoo *et al.*, 2000] V. Ayyavoo, S. Kudchodkar, M. P. Ramanathan, P. Le, K. Muthumani, N. M. Megalai, T. Dentchev, L. Santiago-Barrios, C. Mrinalini, & D. B. Weiner, 2000. Immunogenicity of a novel DNA vaccine cassette expressing multiple human immunodeficiency virus (HIV-1) accessory genes. *AIDS* **14**:1–9. On pp. 408, 409, 443, 742, 748 & 822.
- [Baba *et al.*, 2000] T. W. Baba, V. Liska, R. Hofmann-Lehmann, J. Vlasak, W. Xu, S. Ayehunie, L. A. Cavacini, M. R. Posner, H. Katinger, G. Stiegler, B. J. Bernacky, T. A. Rizvi, R. Schmidt, L. R. Hill, M. E. Keeling, Y. Lu, J. E. Wright, T. C. Chou, & R. M. Ruprecht, 2000. Human neutralizing monoclonal antibodies of the igg1 subtype protect. *Nat Med* **6**:200–6. On pp. 1022, 1030, 1051, 1059, 1128 & 1131.
- [Back *et al.*, 1993] N. K. T. Back, L. Smit, M. Schutten, P. L. Nara, M. Tersmette, & J. Goudsmit, 1993. Mutations in human immunodeficiency virus type 1 gp41 affect sensitivity to neutralization by gp120 antibodies. *J Virol* **67**:6897–6902. On pp. 945, 972 & 1135.
- [Bagley *et al.*, 1994] J. Bagley, P. J. Dillon, C. Rosen, J. Robinson, J. Sordoski, & W. A. Marasco, 1994. Structural characterization of broadly neutralizing human monoclonal antibodies against the cd4 binding site of hiv-1 gp120. *Mol Immunol* **31**(15):1149–1160. On pp. 1113, 1115, 1116, 1117, 1128, 1132, 1135 & 1136.
- [Bagley *et al.*, 2003] K. C. Bagley, M. T. Shata, D. Y. Onyabe, A. L. DeVico, T. R. Fouts, G. K. Lewis, & D. M. Hone, 2003. Immunogenicity of DNA vaccines that direct the coincident expression of the 120 kDa glycoprotein of human immunodeficiency virus and the catalytic domain of cholera toxin. *Vaccine* **21**(23):3335–3341. On p. 546.
- [Bahraoui *et al.*, 1990] E. Bahraoui, M. Yagello, J. N. Billaud, J. M. Sabatier, B. Guy, E. Muchmore, M. Girard, & J. C. Gluckman, 1990. Immunogenicity of the human immunodeficiency virus (HIV) recombinant nef gene product. mapping of T-cell and B-cell epitopes in immunized chimpanzees. *AIDS Res Hum Retroviruses* **6**(9):1087–1098. On p. 821.
- [Bai *et al.*, 2000] Y. Bai, Y. Zhao, T. Yu, M. P. Dierich, & Y. H. Chen, 2000. Antibodies to hiv-1 gp41 recognize synthetic peptides of human ifn-alpha and ifn-beta. *Int Arch Allergy Immunol* **121**:170–2. On p. 1082.
- [Baier *et al.*, 1995] G. Baier, G. Baier-Bitterlich, D. J. Looney, & A. Altman, 1995. Immunogenic targeting of recombinant peptide vaccines to human antigen-presenting cells by chimeric anti-hla-dr and anti-surface immunoglobulin d antibody fab fragments in vitro. *J Virol* **69**:2357–2365. On pp. 773 & 787.
- [Bajaria *et al.*, 2002] S. H. Bajaria, G. Webb, M. Cloyd, & D. Kirschner, 2002. Dynamics of naive and memory CD4+ T lymphocytes in HIV-1 disease progression. *J Acquir Immune Defic Syndr* **30**(1):41–58. On p. 825.
- [Balla-Jhagjhoorsingh *et al.*, 1999a] S. Balla-Jhagjhoorsingh, P. Mooij, G. Koopman, T. Haaksma, V. Teeuwsen, J. Heeney, & R. Bontrop, 1999a. Differential cytotoxic T-lymphocyte (CTL) responses in HIV-1 immunised sibling chimpanzees with shared MHC haplotypes. *Immunol Lett* **66**(1-3):61–7. On p. 496.
- [Balla-Jhagjhoorsingh *et al.*, 1999b] S. S. Balla-Jhagjhoorsingh, G. Koopman, P. Mooij, T. G. Haaksma, V. J. Teeuwsen, R. E. Bontrop, & J. L. Heeney, 1999b. Conserved ctl epitopes shared between hiv-infected human long-term survivors and chimpanzees. *J Immunol* **162**:2308–14. On pp. 128 & 200.
- [Balla-Jhagjhoorsingh *et al.*, 2003] S. S. Balla-Jhagjhoorsingh, E. J. Verschoor, N. de Groot, V. J. P. Teeuwsen, R. E. Bontrop, & J. L. Heeney, 2003. Specific nature of cellular immune responses elicited by chimpanzees against HIV-1. *Hum Immunol* **64**(7):681–688. On p. 664.
- [Balzarini, 2005] J. Balzarini, 2005. Targeting the glycans of gp120: A novel approach aimed at the Achilles heel of HIV. *Lancet Infect Dis* **5**(11):726–731. On p. 1096.
- [Banapour *et al.*, 1987] B. Banapour, K. Rosenthal, L. Rabin, V. Sharma, L. Young, J. Fernandez, E. Engleman, M. McGrath, G. Reyes, & J. Lifson, 1987. Characterization and epitope mapping of a human monoclonal antibody reactive with the envelope glycoprotein of human immunodeficiency virus. *J Immunol* **139**:4027–4033. On p. 1013.
- [Bandres *et al.*, 1998] J. C. Bandres, Q. F. W. QF, J.O'Leary, F. Baleaux, A. Amara, J. A. Hoxie, & S.-P. M. K. Gorny, 1998. Human immunodeficiency virus (HIV) envelope binds to CXCR4 independently of CD4, and binding can be enhanced by interaction with soluble CD4 or by HIV envelope deglycosylation. *J Virol* **72**:2500–2504. On pp. 880 & 997.

- [Bansal *et al.*, 2005] A. Bansal, E. Gough, S. Sabbaj, D. Ritter, K. Yusim, G. Sfakianos, G. Aldrovandi, R. A. Kaslow, C. M. Wilson, M. J. Mulligan, J. M. Kilby, & P. A. Goepfert, 2005. CD8 T-cell responses in early HIV-1 infection are skewed towards high entropy peptides. *AIDS* **19**(3):241–250. On pp. 67, 100, 291, 296, 298, 315, 346, 375, 402, 579, 622 & 636.
- [Barbas III *et al.*, 1992] C. F. Barbas III, E. Bjorling, F. Chiodi, N. Dunlop, D. Cababa, T. M. Jones, S. L. Zebedee, M. A. Persson, P. A. Nara, E. Norrby, *et al.*, 1992. Recombinant human Fab fragments neutralize human type 1 immunodeficiency virus in vitro. *Proc Natl Acad Sci USA* **89**:9339–9343. On p. 1140.
- [Barbas III *et al.*, 1993] C. F. Barbas III, T. A. Collet, P. Roben, J. Binley, W. Amberg, D. Hoekstra, D. Cabana, T. M. Jones, R. A. Williamson, G. R. Pilkington, N. L. Haigwood, A. C. Satterthwait, I. Sanz, & D. R. Burton, 1993. Molecular profile of an antibody response to HIV-1 as probed by combinatorial libraries. *J Mol Biol* **230**:812–823. On p. 960.
- [Barin *et al.*, 2005] F. Barin, L. Meyer, R. Lancar, C. Deveau, M. Gharib, A. Laporte, J.-C. Desenclos, & D. Costagliola, 2005. Development and validation of an immunoassay for identification of recent human immunodeficiency virus type 1 infections and its use on dried serum spots. *J Clin Microbiol* **43**(9):4441–4447. On pp. 885, 886, 895, 1005 & 1048.
- [Barnett *et al.*, 2001] S. W. Barnett, S. Lu, I. Srivastava, S. Cherpelis, A. Gettie, J. Blanchard, S. Wang, I. Mboudjeka, L. Leung, Y. Lian, A. Fong, C. Buckner, A. Ly, S. Hilt, J. Ulmer, C. T. Wild, J. R. Mascola, & L. Stamatatos, 2001. The ability of an oligomeric human immunodeficiency virus type 1 (HIV-1) envelope antigen to elicit neutralizing antibodies against primary HIV-1 isolates is improved following partial deletion of the second hypervariable region. *J Virol* **75**(12):5526–40. On pp. 951, 1022, 1051, 1058 & 1080.
- [Barnett *et al.*, 1997] S. W. Barnett, S. Rajasekar, H. Legg, B. Doe, D. H. Fuller, J. R. Haynes, C. M. Walker, & K. S. Steimer, 1997. Vaccination with hiv-1 gp120 dna induces immune responses that are boosted by a recombinant gp120 protein subunit. *Vaccine* **15**:869–873. On p. 485.
- [Barouch *et al.*, 2001a] D. H. Barouch, A. Craiu, S. Santra, M. A. Egan, J. E. Schmitz, M. J. Kuroda, T. M. Fu, J. H. Nam, L. S. Wyatt, M. A. Lifton, G. R. Krivulka, C. E. Nickerson, C. I. Lord, B. Moss, M. G. Lewis, V. M. Hirsch, J. W. Shiver, & N. L. Letvin, 2001a. Elicitation of high-frequency cytotoxic T-lymphocyte responses against both dominant and subdominant simian-human immunodeficiency virus epitopes by DNA vaccination of rhesus monkeys. *J Virol* **75**(5):2462–7. On p. 504.
- [Barouch *et al.*, 2001b] D. H. Barouch, S. Santra, M. J. Kuroda, J. E. Schmitz, R. Plishka, A. Buckler-White, A. E. Gaitan, R. Zin, J. H. Nam, L. S. Wyatt, M. A. Lifton, C. E. Nickerson, B. Moss, D. C. Montefiori, V. M. Hirsch, & N. L. Letvin, 2001b. Reduction of simian-human immunodeficiency virus 89.6P viremia in rhesus monkeys by recombinant modified vaccinia virus Ankara vaccination. *J Virol* **75**(11):5151–8. On pp. 504 & 1077.
- [Barouch *et al.*, 2000] D. H. Barouch, S. Santra, J. E. Schmitz, M. J. Kuroda, T. M. Fu, W. Wagner, M. Biliska, A. Craiu, X. X. Zheng, G. R. Krivulka, K. Beaudry, M. A. Lifton, C. E. Nickerson, W. L. Trigona, K. Punt, D. C. Freed, L. Guan, S. Dubey, D. Casimiro, A. Simon, M. E. Davies, M. Chastain, T. B. Strom, R. S. Gelman, D. C. Montefiori, M. G. Lewis, E. A. Emini, J. W. Shiver, & N. L. Letvin, 2000. Control of viremia and prevention of clinical AIDS in rhesus monkeys by cytokine-augmented DNA vaccination. *Science* **290**(5491):486–92. On p. 504.
- [Barouch *et al.*, 1998] D. H. Barouch, S. Santra, T. D. Steenbeke, X. X. Zheng, H. C. Perry, M. E. Davies, D. C. Freed, A. Craiu, T. B. Strom, J. W. Shiver, & N. L. Letvin, 1998. Augmentation and suppression of immune responses to an hiv-1 dna vaccine by plasmid cytokine/ig administration. *J Immunol* **161**:1875–82. On p. 480.
- [Barouch *et al.*, 2002] D. H. Barouch, S. Santra, K. Tenner-Racz, P. Racz, M. J. Kuroda, J. E. Schmitz, S. S. Jackson, M. A. Lifton, D. C. Freed, H. C. Perry, M.-E. Davies, J. W. Shiver, & N. L. Letvin, 2002. Potent CD4+ T cell responses elicited by a bicistronic HIV-1 DNA vaccine expressing gp120 and GM-CSF. *J Immunol* **168**(2):562–568. On pp. 493 & 778.
- [Barsov *et al.*, 1996] E. V. Barsov, W. E. Huber, J. Marcotrigiano, P. K. Clark, A. D. Clark, E. Arnold, & S. H. Hughes, 1996. Inhibition of human immunodeficiency virus type 1 Integrase by the Fab fragment of a specific monoclonal antibody suggests that different multimerization states are required for different enzymatic functions. *J Virol* **70**:4484–4494. On p. 895.
- [Bartlett *et al.*, 1998] J. A. Bartlett, S. S. Wasserman, C. B. Hicks, R. T. Dodge, K. J. Weinhold, C. O. Tacket, N. Ketter, A. E. Wittek, T. J. Palker, & B. F. Haynes, 1998. Safety and immunogenicity of an HLA-based HIV envelope polyvalent synthetic peptide immunogen. *AIDS* **12**:1291–300. On pp. 790 & 939.
- [Barugahare *et al.*, 2005] B. Barugahare, C. Baker, O. K'Aluoch, R. Donovan, M. Elrefaei, M. Eggena, N. Jones, S. Mutalya, C. Kityo, P. Mugenyi, & H. Cao, 2005. Human immunodeficiency virus-specific responses in adult Ugandans: Patterns of cross-clade recognition. *J Virol* **79**(7):4132–4139. On pp. 74, 115, 126, 162, 218, 565, 586 & 608.
- [Basmaciogullari *et al.*, 2002] S. Basmaciogullari, G. J. Babcock, D. Van Ryk, W. Wojtowicz, & J. Sodroski, 2002. Identification of conserved and variable structures in the human immunodeficiency virus gp120 glycoprotein of importance for CXCR4 binding. *J Virol* **76**(21):10791–800. On pp. 1106, 1107, 1109, 1128, 1130, 1158 & 1161.
- [Battle-Miller *et al.*, 2002] K. Battle-Miller, C. A. Eby, A. L. Landay, M. H. Cohen, B. E. Sha, & L. L. Baum, 2002. Antibody-dependent cell-mediated cytotoxicity in cervical lavage fluids of human immunodeficiency virus type 1-infected women. *J Infect Dis* **185**(4):439–47. On p. 1224.
- [Bauer *et al.*, 1997] M. Bauer, M. Lucchiari-Hartz, R. Maier, G. Haas, B. Autran, K. Eichmann, R. Frank, B. Maier, & A. Meyerhans, 1997. Structural constraints of HIV-1 Nef may curtail escape from HLA-B7-restricted CTL recognition. *Immunol Lett* **55**:119–22. On p. 582.
- [Bazhan *et al.*, 2004] S. I. Bazhan, P. A. Belavin, S. V. Seregin, N. K. Danilyuk, I. N. Babkina, L. I. Karpenko, N. A. Nekrasova, L. R. Lebedev, G. M. Ignatyev, A. P. Agafonov, V. A. Poryvaeva, I. V. Aborneva, & A. A. Ilyichev, 2004. Designing and engineering of DNA-vaccine construction encoding multiple CTL-epitopes of major HIV-1 antigens. *Vaccine* **22**(13-14):1672–1682. On p. 666.
- [Beattie *et al.*, 2004] T. Beattie, R. Kaul, T. Rostron, T. Dong, P. Easterbrook, W. Jaoko, J. Kimani, F. Plummer, A. McMichael, & S. Rowland-Jones, 2004. Screening for HIV-specific T-cell responses using overlapping 15-mer peptide pools or optimized epitopes. *AIDS* **18**(11):1595–1598. On pp. 161 & 236.
- [Becker, 2004a] Y. Becker, 2004a. The changes in the T helper 1 (Th1) and T helper 2 (Th2) cytokine balance during HIV-1 infection are indicative of an allergic response to viral proteins that may be reversed by Th2 cytokine inhibitors and immune response modifiers — a review and hypothesis. *Virus Genes* **28**(1):5–18. On p. 814.
- [Becker, 2004b] Y. Becker, 2004b. HIV-1 gp120 binding to dendritic cell receptors mobilize the virus to the lymph nodes, but the induced IL-4 synthesis by Fc epsilon RI+ hematopoietic cells damages the adaptive immunity — a review, hypothesis, and implications. *Virus Genes* **29**(1):147–165. On p. 813.
- [Beddows *et al.*, 1999] S. Beddows, S. Lister, R. Cheingsong, C. Bruck, & J. Weber, 1999. Comparison of the antibody repertoire generated in

- healthy volunteers following immunization with a monomeric recombinant gp120 construct derived from a ccr5/excr4-using human immunodeficiency virus type 1 isolate with sera from naturally infected individuals. *J Virol* **73**:1740–5. On pp. 946, 966, 967, 1022, 1030, 1036, 1040, 1051, 1059, 1080, 1140 & 1147.
- [Bedford *et al.*, 1997] P. Bedford, L. B. Clarke, G. Z. Hastings, & S. C. Knight, 1997. Primary proliferative responses to peptides of hiv gag p24. *J Acquir Immune Defic Syndr Hum Retrovirol* **14**:301–306. On pp. 698, 700, 702, 706, 707, 712, 713 & 718.
- [Beirnaert *et al.*, 2001] E. Beirnaert, S. De Zutter, W. Janssens, & G. van der Groen, 2001. Potent broad cross-neutralizing sera inhibit attachment of primary HIV-1 isolates (groups M and O) to peripheral blood mononuclear cells. *Virology* **281**(2):305–14. On p. 1077.
- [Beirnaert *et al.*, 2000] E. Beirnaert, P. Nyambi, B. Willems, L. Heyndrickx, R. Colebunders, W. Janssens, & G. van der Groen, 2000. Identification and characterization of sera from HIV-infected individuals with broad cross-neutralizing activity against group M (env clade A-H) and group O primary HIV-1 isolates. *J Med Virol* **62**(1):14–24. On p. 1077.
- [Bell *et al.*, 1992] S. J. D. Bell, D. A. Cooper, B. E. Kemp, R. R. Doherty, & R. Penny, 1992. Definition of an immunodominant t-cell epitope contained in the envelope gp41 sequence of hiv-1. *Clin Exp Immunol* **87**:37–45. On p. 799.
- [Belliard *et al.*, 2003] G. Belliard, A. Romieu, J. F. Zagury, H. Dali, O. Chaloin, R. Le Grand, E. Loret, J. P. Briand, B. Roques, C. Desgranges, & S. Muller, 2003. Specificity and effect on apoptosis of Tat antibodies from vaccinated and SHIV-infected rhesus macaques and HIV-infected individuals. *Vaccine* **21**(23):3186–3199. On pp. 900, 901, 902, 904, 905, 908 & 1013.
- [Belshe *et al.*, 1998] R. B. Belshe, G. J. Gorse, M. Mulligan, T. Evans, M. Keefer, J. Excler, A. Duliege, J. Tartaglia, W. Cox, J. McNamara, K. Hwang, A. Bradney, D. Montifiori, K. Weinhold, & NIAID AIDS Vaccine Evaluation Group, 1998. Induction of immune responses to HIV-1 canarypox virus (ALVAC) HIV-1 and gp120 SF-2 recombinant vaccines in uninfected volunteers. *AIDS* **12**:2407–15. On pp. 262, 546 & 1081.
- [Belshe *et al.*, 2001] R. B. Belshe, C. Stevens, G. J. Gorse, S. Buchbinder, K. Weinhold, H. Sheppard, D. Stablein, S. Self, J. McNamara, S. Frey, J. Flores, J. L. Excler, M. Klein, R. E. Habib, A. M. Duliege, C. Harro, L. Corey, M. Keefer, M. Mulligan, P. Wright, C. Celum, F. Judson, K. Mayer, D. McKirnan, M. Marmor, G. Woody, & and, 2001. Safety and immunogenicity of a canarypox-vectored human immunodeficiency virus Type 1 vaccine with or without gp120: a phase 2 study in higher- and lower-risk volunteers. *J Infect Dis* **183**(9):1343–52. On p. 1081.
- [Belyakov *et al.*, 1998a] I. M. Belyakov, J. D. Ahlers, B. Y. Brandwein, P. Earl, B. L. Kelsall, B. Moss, W. Strober, & J. A. Berzofsky, 1998a. The importance of local mucosal hiv-specific cd8(+) cytotoxic t lymphocytes for resistance to mucosal viral transmission in mice and enhancement of resistance by local administration of il-12. *J Clin Invest* **102**:2072–81. On p. 488.
- [Belyakov *et al.*, 2004] I. M. Belyakov, S. A. Hammond, J. D. Ahlers, G. M. Glenn, & J. A. Berzofsky, 2004. Transcutaneous immunization induces mucosal CTLs and protective immunity by migration of primed skin dendritic cells. *J Clin Invest* **113**(7):998–1007. On p. 492.
- [Belyakov *et al.*, 2001] I. M. Belyakov, Z. Hel, B. Kelsall, V. A. Kuznetsov, J. D. Ahlers, J. Nacs, D. I. Watkins, T. M. Allen, A. Sette, J. Altman, R. Woodward, P. D. Markham, J. D. Clements, G. Franchini, W. Strober, & J. A. Berzofsky, 2001. Mucosal AIDS vaccine reduces disease and viral load in gut reservoir and blood after mucosal infection of macaques. *Nat Med* **7**(12):1320–1326. On pp. 792 & 805.
- [Belyakov *et al.*, 1998b] I. M. Belyakov, L. S. Wyatt, J. D. Ahlers, P. Earl, C. D. Pendleton, B. L. Kelsall, W. Strober, B. Moss, & J. A. Berzofsky, 1998b. Induction of a mucosal cytotoxic t-lymphocyte response by intrarectal immunization with a replication-deficient recombinant vaccinia virus expressing human immunodeficiency virus 89.6 envelope protein. *J Virol* **72**:8264–72. On p. 488.
- [Benjouad *et al.*, 1993] A. Benjouad, J.-C. Gluckman, L. Montagnier, & E. Bahraoui, 1993. Specificity of antibodies produced against native or desialylated human immunodeficiency virus type 1 recombinant gp160. *J Virol* **67**:1693–1697. On p. 1001.
- [Beretta & Dalgleish, 1994] A. Beretta & A. Dalgleish, 1994. B-cell epitopes. *AIDS* **8**(suppl 1):S133–S145. On pp. 915, 993, 1008, 1022, 1139 & 1159.
- [Beretta *et al.*, 1987] A. Beretta, F. Grassi, M. Pelagi, A. Clivio, C. Paravicini, G. Giovinazzo, F. Andronico, L. Lopalco, P. Verani, S. Butto, F. Titti, G. B. Rossi, G. Viale, E. Ginelli, & A. G. Siccardi, 1987. Hiv env glycoprotein shares a cross-reacting epitope with a surface protein present on activated human monocytes and involved in antigen presentation. *Eur J Immunol* **17**:1793–1798. On p. 993.
- [Berger, 2002] G. Berger, 2002. Proposition of treatment to improve the immune response: Possible application to AIDS. *Med Hypotheses* **58**(5):416–421. On p. 1049.
- [Berman *et al.*, 1994] P. W. Berman, D. J. Eastman, D. M. Wilkes, G. R. Nakamura, T. J. Gregory, D. Schwartz, G. Gorse, R. Belshe, M. L. Clements, & R. A. Byrn, 1994. Comparison of the immune response to recombinant gp120 in humans and chimpanzees. *AIDS* **8**(5):591–601. On p. 1094.
- [Berman *et al.*, 1997] P. W. Berman, A. M. Gray, T. Wrin, J. C. Veninari, D. J. Eastman, G. R. Nakamura, D. P. Francis, G. Gorse, & D. H. Schwartz, 1997. Genetic and immunologic characterization of viruses infecting mn-rgp120-vaccinated volunteers. *J Infect Dis* **176**:384–397. On pp. 951, 952, 976, 1050, 1108, 1113, 1115 & 1175.
- [Berman *et al.*, 1992] P. W. Berman, T. J. Matthews, L. Riddle, M. Champe, M. R. Hobbs, G. R. Nakamura, J. Mercer, D. J. Eastman, C. Lucas, A. J. Langlois, F. M. Wurm, & T. J. Gregory, 1992. Neutralization of multiple laboratory and clinical isolates of human immunodeficiency virus type 1 (HIV-1) by antisera raised against gp120 from the MN isolate of HIV-1. *J Virol* **66**(7):4464–4469. On p. 1090.
- [Berman *et al.*, 1991] P. W. Berman, K. Rosenthal, G. Nakamura, L. Riddle, J. P. Porter, D. Dowbenko, M. Hobbes, R. Byrn, J. Groopman, T. Gregory, & B. Fendly, 1991. Monoclonal antibodies to gp160 of hiv-1 that neutralize hiv-1 infectivity, block the binding of gp120 to cd4, and react with diverse isolates. *J Acquir Immune Defic Syndr* **4**:306. On pp. 914, 915 & 1065.
- [Bernard *et al.*, 1998] N. F. Bernard, K. Pederson, F. Chung, L. Ouellet, M. A. Wainberg, & C. M. Tsoukas, 1998. Hiv-specific cytotoxic t-lymphocyte activity in immunologically normal hiv-infected persons. *AIDS* **12**:2125–39. On pp. 179, 203, 240, 291 & 293.
- [Bernardin *et al.*, 2005] F. Bernardin, D. Kong, L. Peddada, L. A. Baxter-Lowe, & E. Delwart, 2005. Human immunodeficiency virus mutations during the first month of infection are preferentially found in known cytotoxic T-lymphocyte epitopes. *J Virol* **79**(17):11523–11528. On pp. 258, 413, 468, 497, 500, 505, 517, 644 & 648.
- [Bernaschi & Castiglione, 2002] M. Bernaschi & F. Castiglione, 2002. Selection of escape mutants from immune recognition during HIV infection. *Immunol Cell Biol* **80**(3):307–313. On p. 825.
- [Berry *et al.*, 2003] J. D. Berry, J. Rutherford, G. J. Silverman, R. Kaul, M. Elia, S. Gobuty, R. Fuller, F. A. Plummer, & C. F. Barbas, III, 2003. Development of functional human monoclonal single-chain variable fragment antibody against HIV-1 from human cervical B cells. *Hybrid Hybridomics* **22**(2):97–108. On pp. 1071 & 1072.

- [Berthet-Colominas *et al.*, 1999] C. Berthet-Colominas, S. Monaco, A. Novelli, G. Sibai, F. Mallet, & S. Cusack, 1999. Head-to-tail dimers and interdomain flexibility revealed by the crystal structure of HIV-1 capsid protein p24 complexed with a monoclonal Fab. *EMBO J* **18**:1124–36. On p. 877.
- [Bertoletti, 1998] A. Bertoletti, 1998. Personal communication. On pp. 155 & 183.
- [Bertoletti *et al.*, 1998] A. Bertoletti, F. Cham, S. McAdam, T. Rostron, S. Rowland-Jones, S. Sabally, T. Corrah, K. Ariyoshi, & H. Whittle, 1998. Cytotoxic T cells from human immunodeficiency virus type 2-infected patients frequently cross-react with different human immunodeficiency virus type 1 clades. *J Virol* **72**:2439–2448. On p. 184.
- [Berzofsky, 2001] J. A. Berzofsky, 2001. Design of engineered vaccines for systemic and mucosal immunity to HIV. *Pathol Biol (Paris)* **49**(6):466–467. On p. 826.
- [Berzofsky *et al.*, 1988] J. A. Berzofsky, A. Bensussan, K. B. Cease, J. F. Bourge, R. Cheynier, Z. Lurhama, J.-J. Salaun, R. C. Gallo, G. M. Shearer, & D. Zagury, 1988. Antigenic peptides recognized by T lymphocytes from AIDS viral envelope-immune humans. *Nature* **334**:706–708. On pp. 753 & 789.
- [Berzofsky *et al.*, 1991a] J. A. Berzofsky, C. D. Pendleton, M. Clerici, J. Ahlers, D. R. Lucey, S. D. Putney, & G. M. Shearer, 1991a. Construction of peptides encompassing multideterminant clusters of human immunodeficiency virus envelope to induce in vitro T cell responses in mice and humans of multiple MHC types. *J Clin Invest* **88**(3):876–84. On pp. 752, 779, 783, 788, 792, 793, 795, 797, 801, 802, 803, 805 & 806.
- [Berzofsky *et al.*, 1991b] J. A. Berzofsky, C. D. Pendleton, M. Clerici, J. Ahlers, D. R. Lucey, S. D. Putney, & G. M. Shearer, 1991b. Peptides containing multideterminant clusters of human immunodeficiency virus envelope induce murine and human T-cell responses in diverse histocompatibility types. *Trans Assoc Am Physicians* **104**:69–77. On pp. 752, 779, 783, 788, 792, 793, 795, 797, 801, 802, 803, 805 & 806.
- [Bettaieb *et al.*, 1992] A. Bettaieb, P. Fromont, F. Louache, E. Oksenhendler, W. Vainchenker, N. Duédari, & P. Bierling, 1992. Presence of cross-reactive antibody between human immunodeficiency virus (HIV) and platelet glycoproteins in HIV-related immune thrombocytopenic purpura. *Blood* **80**(1):162–169. On p. 1048.
- [Betts *et al.*, 2000] M. R. Betts, J. P. Casazza, B. A. Patterson, S. Waldrop, W. Trigona, T.-M. Fu, F. Kern, L. J. Picker, & R. A. Koup, 2000. Putative immunodominant human immunodeficiency virus-specific cd8+ t cell responses cannot be predicted by major histocompatibility complex class i haplotype. *J Virol* **74**:9144–9151. On pp. 71, 72, 91, 126, 129, 130, 143, 151, 152, 192, 199, 238, 299, 307, 340, 502, 509, 529, 533, 558, 570, 592, 593, 604, 615, 617 & 620.
- [Betts *et al.*, 2005] M. R. Betts, B. Exley, D. A. Price, A. Bansal, Z. T. Camacho, V. Teaberry, S. M. West, D. R. Ambrozak, G. Tomaras, M. Roederer, J. M. Kilby, J. Tartaglia, R. Belshe, F. Gao, D. C. Douek, K. J. Weinhold, R. A. Koup, P. Goepfert, & G. Ferrari, 2005. Characterization of functional and phenotypic changes in anti-Gag vaccine-induced T cell responses and their role in protection after HIV-1 infection. *Proc Natl Acad Sci USA* **102**(12):4512–4517. On p. 201.
- [Betts *et al.*, 1997] M. R. Betts, J. Krowka, C. Santamaria, K. Balsamo, F. Gao, G. Mulundu, C. Luo, N. N'Gandu, H. Sheppard, B. H. Hahn, S. Allen, & J. A. Frelinger, 1997. Cross-clade human immunodeficiency virus (hiv)-specific cytotoxic t-lymphocyte responses in hiv-infected zambians. *J Virol* **71**:8908–11. On pp. 262, 393 & 549.
- [Betts *et al.*, 1999] M. R. Betts, J. F. Krowka, T. B. Kepler, M. Davidian, C. Christopherson, S. Kwok, L. Louie, J. Eron, H. Sheppard, & J. A. Frelinger, 1999. Human immunodeficiency virus type 1-specific cytotoxic t lymphocyte activity is inversely correlated with hiv type 1 viral load in hiv type 1-infected long-term survivors. *AIDS Res Hum Retroviruses* **15**:1219–28. On pp. 262, 392 & 549.
- [Betts *et al.*, 2004] M. R. Betts, D. A. Price, J. M. Brenchley, K. Loré, F. J. Guenaga, A. Smed-Sorensen, D. R. Ambrozak, S. A. Migueles, M. Connors, M. Roederer, D. C. Douek, & R. A. Koup, 2004. The functional profile of primary human antiviral CD8+ T cell effector activity is dictated by cognate peptide concentration. *J Immunol* **172**(10):6407–6417. On p. 145.
- [Beyrer *et al.*, 1999] C. Beyrer, A. W. Artenstein, S. Ruggao, H. Stephens, T. C. VanCott, M. L. Robb, M. Rinkaew, D. L. Bix, C. Khamboonruang, P. A. Zimmerman, K. E. Nelson, & C. Natpratan, 1999. Epidemiologic and biologic characterization of a cohort of human immunodeficiency virus type 1 highly exposed, persistently seronegative female sex workers in northern Thailand. *J Infect Dis* **179**(1):59–67. On p. 1085.
- [Bihl *et al.*, 2005] F. K. Bihl, E. Loggi, J. V. Chisholm, III, H. S. Hewitt, L. M. Henry, C. Linde, T. J. Suscovich, J. T. Wong, N. Frahm, P. Andreone, & C. Brander, 2005. Simultaneous assessment of cytotoxic T lymphocyte responses against multiple viral infections by combined usage of optimal epitope matrices, anti-CD3 mAb T-cell expansion and “recyclespot”. *J Transl Med* **3**(20):20. On p. 671.
- [Billaut-Mulot *et al.*, 2001] O. Billaut-Mulot, T. Idziorek, M. Loyens, A. Capron, & G. M. Bahr, 2001. Modulation of cellular and humoral immune responses to a multiepitopic HIV-1 DNA vaccine by interleukin-18 DNA immunization/viral protein boost. *Vaccine* **19**(20-22):2803–11. On pp. 215, 429, 628, 723, 745 & 883.
- [Binley *et al.*, 1999] J. Binley, R. Sanders, B. Clas, N. Schuelke, A. Master, Y. Guo, F. Kajumo, D. Anselma, P. Maddon, W. Olson, & J. Moore, 1999. A recombinant human immunodeficiency virus type 1 envelope glycoprotein complex stabilized by an intramolecular disulfide bond between the gp120 and gp41 subunits is an antigenic mimic of the trimeric virion associated structure. *J Virol* **74**:627–43. On pp. 958, 959, 964, 985, 986, 987, 1000, 1051, 1059, 1073, 1074, 1075, 1100, 1101, 1104, 1105, 1106, 1107, 1108, 1109, 1140, 1148, 1158, 1163, 1196 & 1198.
- [Binley *et al.*, 1997a] J. M. Binley, H. Arshad, T. R. Fouts, & J. P. Moore, 1997a. An investigation of the high avidity antibody response to gp120 of human immunodeficiency virus type 1. *AIDS Res Hum Retroviruses* **13**:1007–1015. On pp. 913, 914, 915, 916, 920, 925, 929, 930, 931, 940, 958, 970, 985, 986, 993, 1036, 1052, 1099, 1103, 1104, 1106, 1113, 1116, 1159 & 1166.
- [Binley *et al.*, 2003] J. M. Binley, C. S. Cayanan, C. Wiley, N. Schülke, W. C. Olson, & D. R. Burton, 2003. Redox-triggered infection by disulfide-shackled human immunodeficiency virus type 1 pseudovirions. *J Virol* **77**(10):5678–5684. On pp. 1022, 1026, 1033, 1034, 1036, 1038, 1051, 1054, 1140, 1143, 1158, 1160, 1170, 1171, 1196 & 1198.
- [Binley *et al.*, 1996] J. M. Binley, H. J. Ditzel, C. F. Barbas III, N. Sulivan, J. Sodroski, P. W. H. I. Parren, & D. R. Burton, 1996. Human antibody responses to hiv type 1 glycoprotein 41 cloned in phage display libraries suggest three major epitopes are recognized and give evidence for conserved antibody motifs in antigen binding. *AIDS Res Hum Retroviruses* **12**:911–924. On pp. 1002, 1003, 1004, 1005, 1009, 1016, 1070, 1197, 1198, 1199, 1200, 1201 & 1202.
- [Binley *et al.*, 1997b] J. M. Binley, P. J. Klasse, Y. Cao, I. Jones, M. Markowitz, D. D. Ho, & J. P. Moore, 1997b. Differential regulation of the antibody responses to gag and env proteins of human immunodeficiency virus type 1. *J Virol* **71**:2799–809. On pp. 883 & 1080.
- [Binley *et al.*, 2000] J. M. Binley, A. Trkola, T. Ketas, D. Schiller, B. Clas, S. Little, D. Richman, A. Hurley, M. Markowitz, & J. P. Moore, 2000. The effect of highly active antiretroviral therapy on binding and neutralizing antibody responses to human immunodeficiency virus type 1 infection. *J Infect Dis* **182**(3):945–9. On p. 1079.

HIV Immunology References

- [Binley *et al.*, 2004] J. M. Binley, T. Wrinn, B. Korber, M. B. Zwick, M. Wang, C. Chappey, G. Stiegler, R. Kunert, S. Zolla-Pazner, H. Katinger, C. J. Petropoulos, & D. R. Burton, 2004. Comprehensive cross-clade neutralization analysis of a panel of anti-human immunodeficiency virus type 1 monoclonal antibodies. *J Virol* **78**(23):13232–13252. On pp. 971, 1022, 1024, 1033, 1036, 1037, 1051, 1053, 1140, 1142, 1157, 1170, 1171 & 1224.
- [Binley *et al.*, 1998] J. M. Binley, R. Wyatt, E. Desjardins, P. D. Kwong, W. Hendrickson, J. P. Moore, & J. Sodroski, 1998. Analysis of the interaction of antibodies with a conserved enzymatically deglycosylated core of the hiv type 1 envelope glycoprotein 120. *AIDS Res Hum Retroviruses* **14**:191–8. On pp. 911, 912, 913, 914, 915, 920, 921, 986, 990, 1051, 1060, 1099, 1100, 1101, 1103, 1104, 1105, 1109, 1113, 1114, 1133, 1134, 1140, 1148, 1159, 1163, 1166 & 1169.
- [Biorn *et al.*, 2004] A. C. Biorn, S. Cocklin, N. Madani, Z. Si, T. Ivanovic, J. Samanen, D. I. Van Ryk, R. Pantophlet, D. R. Burton, E. Freire, J. Sodroski, & I. M. Chaiken, 2004. Mode of action for linear peptide inhibitors of HIV-1 gp120 interactions. *Biochemistry* **43**(7):1928–1938. On pp. 1051, 1053, 1128, 1129, 1140, 1142, 1158 & 1159.
- [Bird *et al.*, 2002] T. G. Bird, R. Kaul, T. Rostron, J. Kimani, J. Embree, P. P. Dunn, J. J. Bwayo, F. A. Plummer, S. L. Rowland-Jones, T. Dong, & The Oxford-Nairobi HLA Collaborative Group, 2002. HLA typing in a Kenyan cohort identifies novel class I alleles that restrict cytotoxic T-cell responses to local HIV-1 clades. *AIDS* **16**(14):1899–1904. On pp. 140 & 498.
- [Birk *et al.*, 1998a] M. Birk, J. I. Flock, A. Sonnerborg, & M. Sallberg, 1998a. Coexisting members of hiv-1 p17 gene quasispecies represent proteins with distinct antigenicity and immunogenicity. *AIDS* **12**:1973–81. On p. 725.
- [Birk *et al.*, 1998b] M. Birk, A. Vahlne, A. Sonnerborg, & M. Sallberg, 1998b. Nonsynonymous mutations within the human immunodeficiency virus type 1 p17 gene are clustered to sequences binding to the host human leukocyte antigen class I molecules. *AIDS Res Hum Retroviruses* **14**:241–8. On pp. 64, 79, 83, 85, 87, 102, 118, 122 & 123.
- [Biron *et al.*, 2005] Z. Biron, S. Khare, S. R. Quadt, Y. Hayek, F. Naider, & J. Anglister, 2005. The 2F5 epitope is helical in the HIV-1 entry inhibitor T-20. *Biochemistry* **44**(41):13602–13611. On pp. 1022 & 1023.
- [Bizub-Bender *et al.*, 1994] D. Bizub-Bender, J. Kulkosky, & A. M. Skalka, 1994. Monoclonal antibodies against hiv type 1 integrase: clues to molecular structure. *AIDS Res Hum Retroviruses* **10**:1105–1115. On pp. 892, 893, 894, 896, 897, 898, 899 & 1014.
- [Bjorling *et al.*, 1992] E. Bjorling, L. Goobar-Larson, G. Utter, E. Norby, & F. Chiodi, 1992. Four distinct antigenic regions are present in the primary structure of hiv-1 and hiv-2 proteinases. *AIDS* **6**:157–163. On p. 886.
- [Blankson *et al.*, 2001] J. N. Blankson, J. E. Gallant, & R. F. Siliciano, 2001. Proliferative responses to human immunodeficiency virus type 1 (HIV-1) antigens in HIV-1-infected patients with immune reconstitution. *J Infect Dis* **183**(4):657–61. On pp. 726 & 742.
- [Blankson & Siliciano, 2001] J. N. Blankson & R. F. Siliciano, 2001. MHC class II genotype and the control of viremia in HIV-1-infected individuals on highly active antiretroviral therapy. *J Clin Invest* **107**(5):549–51. On pp. 707, 709 & 715.
- [Blazevic *et al.*, 1995] V. Blazevic, A. Ranki, & K. J. E. Krohn, 1995. Helper and cytotoxic T cell responses of HIV type 1-infected individuals to synthetic peptides of HIV type 1 Rev. *AIDS Res Hum Retroviruses* **11**:1335–1342. On pp. 431, 433, 434, 746 & 747.
- [Blazevic *et al.*, 1993] V. Blazevic, A. Ranki, S. Mattinen, S. L. Valle, S. Koskimies, G. Jung, & K. J. Krohn, 1993. Helper T-cell recognition of HIV-1 Tat synthetic peptides. *J Acquir Immune Defic Syndr* **6**(8):881–890. On pp. 743 & 745.
- [Blazevic *et al.*, 2000] V. Blazevic, N. Sahgal, H. A. Kessler, A. L. Landay, & G. M. Shearer, 2000. T cell responses to recall antigens, alloantigen, and mitogen of HIV-infected patients receiving long-term combined antiretroviral therapy. *AIDS Res Hum Retroviruses* **16**(17):1887–93. On pp. 726 & 810.
- [Boaz *et al.*, 2003] M. J. Boaz, A. Waters, S. Murad, P. J. Easterbrook, E. D'Sousa, C. van Wheelley, & A. Vyakarnam, 2003. CD4 responses to conserved HIV-1 T helper epitopes show both negative and positive associations with virus load in chronically infected subjects. *Clin Exp Immunol* **134**(3):454–463. On pp. 697, 708, 709, 732, 733, 737, 738, 739 & 740.
- [Bobbitt *et al.*, 2003] K. R. Bobbitt, M. M. Addo, M. Altfield, T. Filzen, A. A. Onafuwa, B. D. Walker, & K. L. Collins, 2003. Rev activity determines sensitivity of HIV-1-infected primary T cells to CTL killing. *Immunity* **18**(2):289–299. On pp. 108, 421 & 541.
- [Boe *et al.*, 1998] S. O. Boe, B. Bjorndal, B. Rosok, A. M. Szilvay, & K. H. Kalland, 1998. Subcellular localization of human immunodeficiency virus type 1 rnas, rev, and the splicing factor sc-35. *Virology* **244**:473–82. On p. 909.
- [Boehncke *et al.*, 1993] W. H. Boehncke, T. Takeshita, C. D. Pendleton, R. A. Houghten, S. Sadegh-Nasseri, L. Racioppi, J. A. Berzofsky, & R. N. Germain, 1993. The importance of dominant negative effects of amino acid side chain substitution in peptide-mhc molecule interactions and t cell recognition. *J Immunol* **150**:331–41. On p. 788.
- [Bogers *et al.*, 2004] W. M. J. M. Bogers, L. A. Bergmeier, J. Ma, H. Oostermeijer, Y. Wang, C. G. Kelly, P. ten Haaf, M. Singh, J. L. Heeney, & T. Lehner, 2004. A novel HIV-CCR5 receptor vaccine strategy in the control of mucosal SIV/HIV infection. *AIDS* **18**(1):25–36. On p. 814.
- [Boggiano *et al.*, 2005] C. Boggiano, R. Moya, C. Pinilla, F. Bihl, C. Brander, J. Sidney, A. Sette, & S. E. Blondelle, 2005. Discovery and characterization of highly immunogenic and broadly recognized mimics of the HIV-1 CTL epitope Gag 77-85. *Eur J Immunol* **35**(5):1428–1437. On p. 101.
- [Boissonnas *et al.*, 2002] A. Boissonnas, O. Bonduelle, A. Antzack, Y.-C. Lone, C. Gache, P. Debre, B. Autran, & B. Combadiere, 2002. In vivo priming of HIV-specific CTLs determines selective cross-reactive immune responses against poorly immunogenic HIV-natural variants. *J Immunol* **169**(7):3694–3699. On pp. 344 & 644.
- [Bojak *et al.*, 2002a] A. Bojak, D. Hammer, H. Wolf, & R. Wagner, 2002a. Muscle specific versus ubiquitous expression of Gag based HIV-1 DNA vaccines: A comparative analysis. *Vaccine* **20**(15):1975–1979. On pp. 729, 880, 884 & 885.
- [Bojak *et al.*, 2002b] A. Bojak, J. Wild, L. Deml, & R. Wagner, 2002b. Impact of codon usage modification on T cell immunogenicity and longevity of HIV-1 gag-specific DNA vaccines. *Intervirology* **45**(4-6):275–86. On pp. 166, 215 & 885.
- [Bolesta *et al.*, 2005] E. Bolesta, J. Gzyl, A. Wierzbicki, D. Kmiecik, A. Kowalczyk, Y. Kaneko, A. Srinivasan, & D. Kozbor, 2005. Clustered epitopes within the Gag-Pol fusion protein DNA vaccine enhance immune responses and protection against challenge with recombinant vaccinia viruses expressing HIV-1 Gag and Pol antigens. *Virology* **332**(2):467–479. On pp. 113, 138, 324, 371 & 464.

- [Bolmstedt *et al.*, 1990] A. Bolmstedt, S. Olofsson, E. Sjogren-Jansson, I. Sjoblom, L. Akerblom, J.-E. S. Hansen, & S.-L. Hu, 1990. Carbohydrate determinant neuc-gal β (1-4) of n-linked glycans modulates the antigenic activity of human immunodeficiency virus type 1 glycoprotein gp120. *J Gen Virol* **73**:3009–3105. On pp. 916, 919 & 933.
- [Bolmstedt *et al.*, 1996] A. Bolmstedt, S. Sjolander, J. E. Hansen, L. Akerblom, A. Hemming, S. L. Hu, B. Morein, & S. Olofsson, 1996. Influence of n-linked glycans in v4-v5 region of human immunodeficiency virus type 1 glycoprotein gp160 on induction of a virus-neutralizing humoral response. *J Acquir Immune Defic Syndr Hum Retroviro* **12**:213–220. On p. 1135.
- [Bond *et al.*, 2001] K. B. Bond, B. Sriwanthana, T. W. Hodge, A. S. De Groot, T. D. Mastro, N. L. Young, N. Promadej, J. D. Altman, K. Limpakarnjanarat, & J. M. McNicholl, 2001. An HLA-directed molecular and bioinformatics approach identifies new HLA-A11 HIV-1 subtype E cytotoxic T lymphocyte epitopes in HIV-1-infected Thais. *AIDS Res Hum Retroviruses* **17**(8):703–17. On pp. 80, 107, 117, 290, 295, 308, 322, 351, 358, 366, 385, 444, 448, 460, 465, 483, 495, 519, 526, 534, 537, 573, 591, 639 & 645.
- [Bongertz *et al.*, 2001] V. Bongertz, C. I. Costa, V. G. Veloso, B. Grinsztejn, E. C. Joao Filho, G. Calvet, J. H. Pilotto, M. L. Guimaraes, & M. G. Morgado, 2001. Vertical HIV-1 transmission: importance of neutralizing antibody titer and specificity. *Scand J Immunol* **53**(3):302–9. On p. 941.
- [Bongertz *et al.*, 2003] V. Bongertz, E. P. Ouverney, S. L. M. Teixeira, C. Silva-de Jesus, M. A. Hacker, M. G. Morgado, & F. I. Bastos, 2003. Anti-human immunodeficiency virus-1 antibody titers in injection drug users compared to sexually infected individuals. *Mem Inst Oswaldo Cruz* **98**(2):209–212. On p. 1194.
- [Bonomi *et al.*, 2000] G. Bonomi, F. Moschella, M. N. Ombra, G. Del Pozzo, C. Granier, P. De Berardinis, & J. Guardiola, 2000. Modulation of TCR recognition of MHC class II/peptide by processed remote N- and C-terminal epitope extensions. *Hum Immunol* **61**(8):753–763. On p. 735.
- [Boots *et al.*, 1997] L. J. Boots, P. M. McKenna, B. A. Arnold, P. M. Keller, M. K. Gorny, S. Zolla-Pazner, J. E. Robinson, & A. J. Conley, 1997. Anti-human immunodeficiency virus type 1 human monoclonal antibodies that bind discontinuous epitopes in the viral glycoproteins can identify mimotopes from recombinant phage peptide display libraries. *AIDS Res Hum Retroviruses* **13**:1549–59. On pp. 958, 959, 1002, 1003, 1036, 1040, 1104, 1105, 1140 & 1149.
- [Boritz *et al.*, 2003] E. Boritz, B. E. Palmer, B. Livingston, A. Sette, & C. C. Wilson, 2003. Diverse repertoire of HIV-1 p24-specific, IFN-gamma-producing CD4+ T cell clones following immune reconstitution on highly active antiretroviral therapy. *J Immunol* **170**(2):1106–1016. On pp. 697, 699, 701, 703, 704, 712, 714 & 719.
- [Borrow *et al.*, 1994] P. Borrow, H. Lewicki, B. H. Hahn, G. M. Shaw, & M. B. Oldstone, 1994. Virus-specific cd8+ cytotoxic t-lymphocyte activity associated with control of viremia in primary human immunodeficiency virus type 1 infection. *J Virol* **68**:6103–6110. On p. 516.
- [Borrow *et al.*, 1997] P. Borrow, H. Lewicki, X. Wei, M. S. Horwitz, N. Peffer, H. Meyers, J. A. Nelson, J. E. Gairin, B. H. Hahn, M. B. Oldstone, & G. M. Shaw, 1997. Anti-viral pressure exerted by hiv-1-specific cytotoxic t lymphocytes (ctls) during primary infection demonstrated by rapid selection of ctl escape virus. *Nat Med* **3**:205–11. On p. 446.
- [Borrow & Shaw, 1998] P. Borrow & G. M. Shaw, 1998. Cytotoxic t-lymphocyte escape viral variants: how important are they in viral evasion of immune clearance in vivo? *Immunol Rev* **164**:37–51. On p. 446.
- [Borsutzky *et al.*, 2003] S. Borsutzky, V. Fiorelli, T. Ebensen, A. Tripiciano, F. Rharbaoui, A. Scoglio, C. Link, F. Nappi, M. Morr, S. Buttó, A. Cafaro, P. F. Mühlradt, B. Ensoli, & C. A. Guzmán, 2003. Efficient mucosal delivery of the HIV-1 Tat protein using the synthetic lipopeptide MALP-2 as adjuvant. *Eur J Immunol* **33**(6):1548–1556. On pp. 429, 744, 900, 902 & 904.
- [Boström *et al.*, 2004] A.-C. Boström, B. Hejdeman, R. Matsuda, M. Fredriksson, E.-L. Fredriksson, G. Bratt, E. Sandström, & B. Wahren, 2004. Long-term persistence of vaccination and HAART to human immunodeficiency virus (HIV). *Vaccine* **22**(13-14):1683–1691. On p. 814.
- [Botarelli *et al.*, 1991] P. Botarelli, B. A. Houlden, N. L. Haigwood, C. Servis, D. Montagna, & S. Abrignani, 1991. N-glycosylation of hiv-gp120 may constrain recognition by t lymphocytes. *J Immunol* **147**:3128–3132. On p. 770.
- [Bou-Habib *et al.*, 1994] D. C. Bou-Habib, G. Roderiquez, T. Oravec, P. W. Berman, P. Lusso, & M. A. Norcross, 1994. Cryptic nature of envelope v3 region epitopes protects primary monocytotropic human immunodeficiency virus type 1 from antibody neutralization. *J Virol* **68**:6006–6013. On pp. 951, 952 & 976.
- [Boudet *et al.*, 1995] F. Boudet, H. Keller, M. P. Kieny, & J. Theze, 1995. Single peptide and anti-idiotypic based immunizations can broaden the antibody response against the variable v3 domain of hiv-1 in mice. *Mol Immunol* **32**:449–457. On p. 956.
- [Boudet *et al.*, 1991] F. Boudet, J. Theze, & M. Zouali, 1991. Uv-treated polystyrene microtitre plates for use in an elisa to measure antibodies against synthetic peptides. *J Immunol Methods* **142**:73–82. On p. 956.
- [Boudet *et al.*, 1994] F. Boudet, J. Theze, & M. Zouali, 1994. Anti-idiotypic antibodies to the third variable domain of gp120 induce an anti-hiv-1 antibody response in mice. *Virology* **200**:176–188. On pp. 956, 970 & 974.
- [Bouhdoud *et al.*, 2000] L. Bouhdoud, P. Villain, A. Merzouki, M. Arella, & C. Couture, 2000. T-cell receptor-mediated anergy of a human immunodeficiency virus (HIV) gp120-specific CD4(+) cytotoxic T-cell clone, induced by a natural HIV type 1 variant peptide. *J Virol* **74**(5):2121–30. On p. 501.
- [Bouillot *et al.*, 1989] M. Bouillot, J. Choppin, F. Cornille, F. Martinon, T. Papo, E. Gomard, M. C. Fournie-Zaluski, & J.-P. Levy, 1989. Physical association between mhc class i molecules and immunogenic peptides. *Nature* **339**:473–475. On p. 208.
- [Boutwell & Essex, 2007] C. L. Boutwell & M. Essex, 2007. Identification of HLA class I-associated amino acid polymorphisms in the HIV-1C proteome. *AIDS Res Hum Retroviruses* **23**(1):165–174. On pp. 79, 116, 156, 178, 222, 246, 275, 302, 333, 335, 382, 383, 386, 389, 404, 416, 561 & 629.
- [Bower *et al.*, 2004] J. F. Bower, X. Yang, J. Sodroski, & T. M. Ross, 2004. Elicitation of neutralizing antibodies with DNA vaccines expressing soluble stabilized human immunodeficiency virus type 1 envelope glycoprotein trimers conjugated to C3d. *J Virol* **78**(9):4710–4719. On p. 1090.
- [Boyer *et al.*, 2002] J. D. Boyer, M. Chattergoon, K. Muthumani, S. Kudchodkar, J. Kim, M. Bagarazzi, G. Pavlakis, R. Sekaly, & D. B. Weiner, 2002. Next generation DNA vaccines for HIV-1. *J Liposome Res* **12**(1-2):137–142. On p. 826.
- [Boyer *et al.*, 1999] J. D. Boyer, M. A. Chattergoon, K. E. Ugen, A. Shah, M. Bennett, A. Cohen, S. Nyl, K. E. Lacy, M. L. Bagarazzi, T. J. Higgins, Y. Baine, R. B. Ciccarelli, R. S. Ginsberg, R. R. MacGregor, & D. B. Weiner, 1999. Enhancement of cellular immune response in hiv-1 seropositive individuals: A dna-based trial. *Clin Immunol* **90**:100–7. On p. 809.

- [Boyer *et al.*, 1991] V. Boyer, H. Broly, S. Souche, P. Madaule, J. Rossier, D. Zagury, & C. Desgranges, 1991. Characterization and large production of human monoclonal antibodies against the hiv-1 envelope. *Clin Exp Immunol* **83**:452–459. On pp. 1046 & 1067.
- [Bradney *et al.*, 1999] A. P. Bradney, S. Scheer, J. M. Crawford, S. P. Buchbinder, & D. C. Montefiori, 1999. Neutralization escape in human immunodeficiency virus type 1-infected long-term nonprogressors. *J Infect Dis* **179**(5):1264–7. On p. 1081.
- [Bradney *et al.*, 2002] C. P. Bradney, G. D. Sempowski, H.-X. Liao, B. F. Haynes, & H. F. Staats, 2002. Cytokines as adjuvants for the induction of anti-human immunodeficiency virus peptide immunoglobulin G (igg) and IgA antibodies in serum and mucosal secretions after nasal immunization. *J Virol* **76**(2):517–524. On p. 1193.
- [Brainard *et al.*, 2004] D. M. Brainard, W. G. Tharp, E. Granado, N. Miller, A. K. Trocha, X.-H. Ren, B. Conrad, E. F. Terwilliger, R. Wyatt, B. D. Walker, & M. C. Poznansky, 2004. Migration of antigen-specific T cells away from CXCR4-binding human immunodeficiency virus type 1 gp120. *J Virol* **78**(10):5184–5193. On pp. 121 & 602.
- [Brand *et al.*, 1998] D. Brand, F. Lemiale, I. Turbica, L. Buzelay, S. Brunet, & F. Barin, 1998. Comparative analysis of humoral immune responses to hiv type 1 envelope glycoproteins in mice immunized with a dna vaccine, recombinant semliki forest virus rna, or recombinant semliki forest virus particles. *AIDS Res Hum Retroviruses* **14**:1369–77. On pp. 1128, 1131, 1140 & 1148.
- [Brander *et al.*, 1996] C. Brander, G. Corradin, T. Hasler, & W. J. Pichler, 1996. Peptide immunization in humans: A combined CD8+/CD4+ T cell-targeted vaccine restimulates the memory CD4 T cell response but fails to induce cytotoxic T lymphocytes (CTL). *Clin Exp Immunol* **105**:18–25. On pp. 371 & 466.
- [Brander *et al.*, 1998a] C. Brander, K. E. Hartman, A. K. Trocha, N. G. Jones, R. P. Johnson, B. Korber, P. Wentworth, S. P. Buchbinder, S. Wolinsky, B. D. Walker, & S. A. Kalams, 1998a. Lack of strong immune selection pressure by the immunodominant, HLA-A*0201-restricted cytotoxic T lymphocyte response in chronic human immunodeficiency virus-1 infection. *J Clin Invest* **101**(11):2559–2566. On pp. 93, 319, 341 & 651.
- [Brander *et al.*, 1995] C. Brander, W. J. Pichler, & G. Corradin, 1995. Identification of hiv-protein derived ctl epitopes for their potential use as synthetic vaccine. *Clin Exp Immunol* **101**:107–113. On pp. 371, 389 & 466.
- [Brander & Walker, 1995] C. Brander & B. Walker, 1995. The HLA-class I restricted CTL response in HIV-1 infection: Identification of optimal epitopes. In *HIV Molecular Immunology Database 1995*, pp. IV-1 to IV-9. Los Alamos National Laboratory, Theoretical Biology and Biophysics, Los Alamos, New Mexico. On pp. 72, 118, 302, 306, 371, 452 & 538.
- [Brander & Walker, 1996] C. Brander & B. Walker, 1996. The HLA-class I restricted CTL response in HIV-1 infection: Systematic identification of optimal epitopes. In *HIV Molecular Immunology Database 1996*, pp. IV-50 to IV-60. Los Alamos National Laboratory, Theoretical Biology and Biophysics, Los Alamos, New Mexico. On pp. 64, 65, 80, 84, 166, 202, 237, 331, 369, 373 & 628.
- [Brander & Walker, 1997] C. Brander & B. Walker, 1997. Systematic identification of optimal HIV-1 CTL epitopes. In *HIV Molecular Immunology Database 1997*, pp. IV-1 to IV-11. Los Alamos National Laboratory, Theoretical Biology and Biophysics, Los Alamos, New Mexico. On pp. 122, 134, 230 & 305.
- [Brander *et al.*, 1998b] C. Brander, B. D. Walker, & B. Korber, 1998b. Questionable hla-a2 restriction of two hiv-1 nef-derived ctl epitopes listed in the hiv molecular immunology database. *AIDS Res Hum Retroviruses* **14**(11):923–4. On p. 651.
- [Brander *et al.*, 1999] C. Brander, O. O. Yang, N. G. Jones, Y. Lee, P. Goulder, R. P. Johnson, A. Trocha, D. Colbert, C. Hay, S. Buchbinder, C. C. Bergmann, H. J. Zweerink, S. Wolinsky, W. A. Blattner, S. A. Kalams, & B. D. Walker, 1999. Efficient processing of the immunodominant, hla-a*0201-restricted human immunodeficiency virus type 1 cytotoxic t-lymphocyte epitope despite multiple variations in the epitope flanking sequences. *J Virol* **73**:10191–8. On pp. 91 & 213.
- [Breen, 2002] E. C. Breen, 2002. Pro- and anti-inflammatory cytokines in human immunodeficiency virus infection and acquired immunodeficiency syndrome. *Pharmacol Ther* **95**(3):295–304. On p. 826.
- [Bristow *et al.*, 1994] R. G. W. Bristow, A. R. Douglas, J. J. Skehel, & R. S. Daniels, 1994. Analysis of murine antibody responses to baculovirus-expressed human immunodeficiency virus type 1 envelope glycoproteins. *J Gen Virol* **75**:2089–2095. On pp. 913, 914, 917, 921, 922, 981, 992 & 1042.
- [Broder *et al.*, 1994] C. Broder, P. Earl, D. Long, S. Abedon, B. Moss, & R. Doms, 1994. Antigenic implications of human immunodeficiency virus type 1 envelope quaternary structure: Oligomer-specific and -sensitive monoclonal antibodies. *Proc Natl Acad Sci USA* **91**:11699–11703. On pp. 974, 975, 978, 1068, 1075, 1102, 1103 & 1125.
- [Brodie *et al.*, 1999] S. J. Brodie, D. A. Lewinsohn, B. K. Patterson, D. Jiyamapa, J. Krieger, L. Corey, P. D. Greenberg, & S. R. Riddell, 1999. In vivo migration and function of transferred hiv-1-specific cytotoxic t cells [see comments]. *Nat Med* **5**:34–41. On pp. 60, 138 & 230.
- [Brodie *et al.*, 2000] S. J. Brodie, B. K. Patterson, D. A. Lewinsohn, K. Diem, D. Spach, P. D. Greenberg, S. R. Riddell, & L. Corey, 2000. Hiv-specific cytotoxic t lymphocytes traffic to lymph nodes and localize at sites of hiv replication and cell death. *J Clin Invest* **105**:1407–17. On pp. 60, 73, 134, 139 & 230.
- [Broliden *et al.*, 2001] K. Broliden, J. Hinkula, C. Devito, P. Kiama, J. Kimani, D. Trabattani, J. J. Bwayo, M. Clerici, F. Plummer, & R. Kaul, 2001. Functional HIV-1 specific IgA antibodies in HIV-1 exposed, persistently IgG seronegative female sex workers. *Immunol Lett* **79**(1-2):29–36. On p. 1085.
- [Broliden *et al.*, 1990] P. A. Broliden, K. Ljunggren, J. Hinkula, E. Norrby, L. Akerblom, & B. Wahren, 1990. A monoclonal antibody to human immunodeficiency virus type 1 which mediates cellular cytotoxicity and neutralization. *J Virol* **64**:936–940. On pp. 916 & 965.
- [Broliden *et al.*, 1991] P. A. Broliden, B. Makitalo, L. Akerblom, J. Rosen, K. Broliden, G. Utter, M. Jondal, E. Norrby, & B. Wahren, 1991. Identification of amino acids in the v3 region of gp120 critical for virus neutralization by human hiv-1 specific antibodies. *Immunology* **73**:371–376. On pp. 964 & 965.
- [Broliden *et al.*, 1989] P. A. Broliden, V. Moschese, K. Ljunggren, J. Rosen, C. Fundaro, A. Plebani, M. Jondal, & P. Rossi, 1989. Diagnostic implication of specific immunoglobulin g patterns of children born to hiv-1 infected mothers. *AIDS* **3**:577. On p. 1014.
- [Brown *et al.*, 1995] L. E. Brown, D. O. White, C. Agius, B. E. Kemp, N. Yatzakis, P. Pombourios, D. A. McPhee, & D. C. Jackson, 1995. Synthetic peptides representing sequences within gp41 of hiv as immunogens for murine t- and b-cell responses. *Arch Virol* **140**:635–54. On pp. 798 & 799.
- [Bruce *et al.*, 1999] C. B. Bruce, A. Akrigg, S. A. Sharpe, T. Hanke, G. W. Wilkinson, & M. P. Cranage, 1999. Replication-deficient recombinant adenoviruses expressing the human immunodeficiency virus env antigen can induce both humoral and ctl immune responses in mice. *J Gen Virol* **80**(Pt 10):2621–8. On p. 488.

- [Buchacher *et al.*, 1994] A. Buchacher, R. Predl, K. Strutzenberger, W. Steinfellner, A. Trkola, M. Purtscher, G. Gruber, C. Tauer, F. Steindl, A. Jungbauer, & H. Katinger, 1994. Generation of human monoclonal antibodies against hiv-1 proteins; electrofusion and epstein-barr virus transformation for peripheral blood lymphocyte immortalization. *AIDS Res Hum Retroviruses* **10**:359–369. On pp. 866, 998, 999, 1000, 1001, 1022, 1032, 1033, 1035, 1050, 1051, 1052, 1061 & 1062.
- [Buchacher *et al.*, 1992] A. Buchacher, R. Predl, C. Tauer, M. Purtscher, G. Gruber, R. Heider, F. Steindl, A. Trkola, A. Jungbauer, & H. Katinger, 1992. Human monoclonal antibodies against gp41 and gp120 as potential agents for passive immunization. *Vaccines* **92**:191–195. On pp. 866, 998, 999, 1000, 1001, 1022 & 1033.
- [Buchbinder *et al.*, 1992] A. Buchbinder, S. Karwowska, M. K. Gorny, S. T. Burda, & S. Zolla-Pazner, 1992. Synergy between human monoclonal antibodies to hiv extends their effective biologic activity against homologous and divergent strains. *AIDS Res Hum Retroviruses* **8**:425–427. On pp. 1036, 1041, 1121 & 1122.
- [Bugge *et al.*, 1990] T. H. Bugge, B. O. Lindhardt, L. L. Hansen, P. Kusk, E. Hulgaard, K. Holmback, P. J. Klasse, J. Zeuthen, & K. Ulrich, 1990. Analysis of a highly immunodominant epitope in the human immunodeficiency virus type 1 transmembrane glycoprotein, gp41, defined by a human monoclonal antibody. *J Virol* **64**:4123–4129. On p. 1014.
- [Bukawa *et al.*, 1995] H. Bukawa, K.-I. Sekigawa, K. Hamajima, J. Fukushima, Y. Yamada, H. Kiyono, & K. Okuda, 1995. Neutralization of hiv-1 by secretory iga induced by oral immunization with a new macromolecular multicomponent peptide vaccine candidate. *Nat Med* **1**:681–685. On pp. 864, 940 & 984.
- [Buonaguro *et al.*, 2001] L. Buonaguro, F. M. Buonaguro, M. L. Tornesello, D. Mantas, E. Beth-Giraldo, R. Wagner, S. Michelson, M. C. Prevost, H. Wolf, & G. Giraldo, 2001. High efficient production of Pr55(gag) virus-like particles expressing multiple HIV-1 epitopes, including a gp120 protein derived from an Ugandan HIV-1 isolate of subtype A. *Antiviral Res* **49**(1):35–47. On pp. 882 & 1192.
- [Buonaguro *et al.*, 2002] L. Buonaguro, L. Racioppi, M. L. Tornesello, C. Arra, M. L. Visciano, B. Biryahwaho, S. D. K. Sempala, G. Giraldo, & F. M. Buonaguro, 2002. Induction of neutralizing antibodies and cytotoxic T lymphocytes in Balb/c mice immunized with virus-like particles presenting a gp120 molecule from a HIV-1 isolate of clade A. *Antiviral Res* **54**(3):189–201. On pp. 661, 723, 806, 885, 1086 & 1087.
- [Buonaguro *et al.*, 2005] L. Buonaguro, M. L. Visciano, M. L. Tornesello, M. Tagliamonte, B. Biryahwaho, & F. M. Buonaguro, 2005. Induction of systemic and mucosal cross-clade neutralizing antibodies in BALB/c mice immunized with human immunodeficiency virus type 1 clade A virus-like particles administered by different routes of inoculation. *J Virol* **79**(11):7059–7067. On p. 1096.
- [Buratti *et al.*, 1997] E. Buratti, S. G. Tisminetzky, P. D'Agaro, & F. E. Baralle, 1997. A neutralizing monoclonal antibody previously mapped exclusively on human immunodeficiency virus type 1 gp41 recognizes an epitope in p17 sharing the core sequence. *J Virol* **71**:2457–62. On p. 1044.
- [Bures *et al.*, 2002] R. Bures, L. Morris, C. Williamson, G. Ramjee, M. Deers, S. A. Fiscus, S. Abdool-Karim, & D. C. Montefiori, 2002. Regional clustering of shared neutralization determinants on primary isolates of clade C human immunodeficiency virus type 1 from South Africa. *J Virol* **76**(5):2233–2244. On pp. 1022, 1027, 1051, 1056, 1140 & 1144.
- [Burnett *et al.*, 2000] M. S. Burnett, N. Wang, M. Hofmann, & G. Barrie Kitto, 2000. Potential live vaccines for HIV. *Vaccine* **19**(7-8):735–42. On pp. 286, 741 & 898.
- [Burton *et al.*, 1991] D. R. Burton, C. F. Barbas III, M. A. Persson, S. Koenig, R. M. Chanock, & R. A. Lerner, 1991. A large array of human monoclonal antibodies to type 1 human immunodeficiency virus from combinatorial libraries of asymptomatic seropositive individuals. *Proc Natl Acad Sci USA* **88**:10134–10137. On pp. 1076, 1140 & 1150.
- [Burton & Montefiori, 1997] D. R. Burton & D. C. Montefiori, 1997. The antibody response in hiv-1 infection. *AIDS* **11 Suppl A**:S87–S98. On pp. 1022, 1031, 1051, 1060, 1104, 1105, 1140 & 1149.
- [Burton & Parren, 2000] D. R. Burton & P. W. H. I. Parren, 2000. Vaccines and the induction of functional antibodies: Time to look beyond the molecules of natural infection? *Nat Med* **6**:123–125. On p. 1049.
- [Burton *et al.*, 1994] D. R. Burton, J. Pyati, R. Koduri, S. J. Sharp, G. B. Thornton, P. W. Parren, L. S. Sawyer, R. M. Hendry, N. Dunlop, & P. L. Nara, 1994. Efficient neutralization of primary isolates of hiv-1 by a recombinant human monoclonal antibody. *Science* **266**:1024–1027. On pp. 1140 & 1150.
- [Buseyne, 1999] F. Buseyne, 1999. Personal communication. On pp. 236 & 571.
- [Buseyne *et al.*, 1993a] F. Buseyne, S. Blanche, D. Schmitt, C. Griscelli, & Y. Riviere, 1993a. Detection of hiv-specific cell-mediated cytotoxicity in the peripheral blood from infected children. *J Immunol* **150**:3569–3581. On pp. 123, 152, 170, 176, 191, 207, 248, 578, 597 & 650.
- [Buseyne *et al.*, 1998a] F. Buseyne, M. Burgard, J. P. Teglas, E. Bui, C. Rouzioux, M. J. Mayaux, S. Blanche, & Y. Riviere, 1998a. Early hiv-specific cytotoxic t lymphocytes and disease progression in children born to hiv-infected mothers. *AIDS Res Hum Retroviruses* **14**:1435–44. On pp. 262, 391, 549 & 655.
- [Buseyne *et al.*, 1998b] F. Buseyne, M. L. Chaix, B. Fleury, O. Manigard, M. Burgard, S. Blanche, C. Rouzioux, & Y. Riviere, 1998b. Cross-clade-specific cytotoxic t lymphocytes in hiv-1-infected children. *Virology* **250**:316–24. On pp. 262, 392, 547 & 655.
- [Buseyne *et al.*, 2001] F. Buseyne, S. Le Gall, C. Boccaccio, J. P. Abastado, J. D. Lifson, L. O. Arthur, Y. Riviere, J. M. Heard, & O. Schwartz, 2001. MHC-I-restricted presentation of HIV-1 virion antigens without viral replication. *Nat Med* **7**(3):344–9. On pp. 105 & 234.
- [Buseyne *et al.*, 1993b] F. Buseyne, M. McChesney, F. Porrot, S. Kovarik, B. Guy, & Y. Riviere, 1993b. Gag-specific cytotoxic t lymphocytes from human immunodeficiency virus type 1-infected individuals: Gag epitopes are clustered in three regions of the p24 gag protein. *J Virol* **67**:694–702. On pp. 122, 152, 191, 202, 207 & 597.
- [Buseyne *et al.*, 1997] F. Buseyne, S. Stevanovic, H. Rammensee, & Y. Riviere, 1997. Characterization of an hiv-1 p24 gag epitope recognized by a cd8+ cytotoxic t cell clone. *Immunol Lett* **55**(3):145–149. On p. 234.
- [Cafaro *et al.*, 2001] A. Cafaro, F. Titti, C. Fracasso, M. T. Maggiorella, S. Baroncelli, A. Caputo, D. Goletti, A. Borsetti, M. Pace, E. Fanales-Belasio, B. Ridolfi, D. R. Negri, L. Sernicola, R. Belli, F. Corrias, I. Macchia, P. Leone, Z. Michelini, P. ten Haaf, S. Butto, P. Verani, & B. Ensoli, 2001. Vaccination with DNA containing tat coding sequences and unmethylated CpG motifs protects cynomolgus monkeys upon infection with simian/human immunodeficiency virus (SHIV89.6P). *Vaccine* **19**(20-22):2862–77. On p. 430.
- [Calarese *et al.*, 2005] D. A. Calarese, H.-K. Lee, C.-Y. Huang, M. D. Best, R. D. Astronomo, R. L. Stanfield, H. Katinger, D. R. Burton, C.-H. Wong, & I. A. Wilson, 2005. Dissection of the carbohydrate specificity of the broadly neutralizing anti-HIV-1 antibody 2G12. *Proc Natl Acad Sci USA* **102**(38):13372–13377. On pp. 1051 & 1052.

- [Calarese *et al.*, 2003] D. A. Calarese, C. N. Scanlan, M. B. Zwick, S. Deechongkit, Y. Mimura, R. Kunert, P. Zhu, M. R. Wormald, R. L. Stanfield, K. H. Roux, J. W. Kelly, P. M. Rudd, R. A. Dwek, H. Katinger, D. R. Burton, & I. A. Wilson, 2003. Antibody domain exchange is an immunological solution to carbohydrate cluster recognition. *Science* **300**(5628):2065–2071. On pp. 1051 & 1054.
- [Calarota *et al.*, 1996] S. Calarota, M. Jansson, M. Levi, K. Broliden, O. Libonatti, H. Wigzell, & B. Wahren, 1996. Immunodominant glycoprotein 41 epitope identified by seroreactivity in hiv type 1-infected individuals. *AIDS Res Hum Retroviruses* **12**:705–713. On pp. 1022 & 1032.
- [Calarota *et al.*, 1999] S. A. Calarota, A. C. Leandersson, G. Bratt, J. Hinkula, D. M. Klinman, K. J. Weinhold, E. Sandstrom, & B. Wahren, 1999. Immune responses in asymptomatic HIV-1-infected patients after HIV-DNA immunization followed by highly active antiretroviral treatment. *J Immunol* **163**:2330–8. On pp. 430, 441, 655, 745, 747 & 822.
- [Calarota *et al.*, 2003] S. A. Calarota, M. Otero, K. Hermanstayne, M. Lewis, M. Rosati, B. K. Felber, G. N. Pavlakis, J. D. Boyer, & D. B. Weiner, 2003. Use of interleukin 15 to enhance interferon-gamma production by antigen-specific stimulated lymphocytes from rhesus macaques. *J Immunol Methods* **279**(1-2):55–67. On p. 555.
- [Calarota & Wahren, 2001] S. A. Calarota & B. Wahren, 2001. Cellular HIV-1 immune responses in natural infection and after genetic immunization. *Scand J Infect Dis* **33**(2):83–96. On pp. 430, 441, 657, 745, 748 & 823.
- [Calarota & Weiner, 2004] S. A. Calarota & D. B. Weiner, 2004. Enhancement of human immunodeficiency virus type 1-DNA vaccine potency through incorporation of T-helper 1 molecular adjuvants. *Immunol Rev* **199**:84–99. On p. 828.
- [Callahan *et al.*, 1990] K. M. Callahan, M. M. Fort, E. A. Obah, E. L. Reinherz, & R. F. Siliciano, 1990. Genetic variability in hiv-1 gp120 affects interactions with hla molecules and t-cell receptor. *J Immunol* **144**:3341–3346. On p. 787.
- [Callahan *et al.*, 1991] L. N. Callahan, M. Phelan, M. Mallinson, & M. A. Norcross, 1991. Dextran sulfate blocks antibody binding to the principal neutralizing domain of human immunodeficiency virus type 1 without interfering with gp120-CD4 interactions. *J Virol* **65**(3):1543–1550. On pp. 970, 993, 1051, 1065, 1180 & 1181.
- [Callan *et al.*, 1998] M. F. C. Callan, L. Tan, N. Annels, G. S. Ogg, J. D. K. Wilson, C. A. O'Callaghan, N. Steven, A. J. McMichael, & A. B. Rickinson, 1998. Direct visualization of antigen-specific cd8+ t cells during the primary immune response to epstein-barr virus in vivo. *J Exp Med* **187**:1395–1402. On p. 102.
- [Cao *et al.*, 2002] H. Cao, D. Agrawal, N. Kushner, N. Touzjian, M. Essex, & Y. Lu, 2002. Delivery of exogenous protein antigens to major histocompatibility complex class I pathway in cytosol. *J Infect Dis* **185**(2):244–251. On pp. 225, 445, 468 & 606.
- [Cao *et al.*, 1997a] H. Cao, P. Kanki, J. L. Sankale, A. Dieng-Sarr, G. P. Mazzara, S. Kalams, B. Korber, S. M'Boup, & B. D. Walker, 1997a. Ctl cross-reactivity among different hiv-1 clades: Implications for vaccine development. *J Virol* **71**:8615–8623. On pp. 68, 104, 223, 310, 348, 453, 512, 528 & 539.
- [Cao *et al.*, 2000] H. Cao, I. Mani, R. Vincent, R. Mugerwa, P. Mugenyi, P. Kanki, J. Ellner, & B. D. Walker, 2000. Cellular immunity to human immunodeficiency virus type 1 (HIV-1) clades: relevance to HIV-1 vaccine trials in uganda. *J Infect Dis* **182**(5):1350–6. On pp. 153, 264, 393, 467, 539, 551 & 657.
- [Cao *et al.*, 2003] J. Cao, J. McNeven, S. Holte, L. Fink, L. Corey, & M. J. McElrath, 2003. Comprehensive analysis of human immunodeficiency virus type 1 (HIV-1)-specific gamma interferon-secreting CD8+ T cells in primary HIV-1 infection. *J Virol* **77**(12):6867–6878. On pp. 69, 98, 145, 183, 212, 226, 252, 295, 300, 314, 389, 406, 411, 417, 418, 425, 437, 457, 459, 469, 517, 522, 527, 529, 530, 541, 544, 559, 575, 581, 585, 591, 592, 602, 612, 630, 647 & 1087.
- [Cao *et al.*, 1997b] J. Cao, N. Sullivan, E. Desjardin, C. Parolin, J. Robinson, R. Wyatt, & J. Sodroski, 1997b. Replication and neutralization of human immunodeficiency virus type 1 lacking the v1 and v2 variable loops of the gp120 envelope glycoprotein. *J Virol* pp. 9808–12. On pp. 940, 970, 1128, 1131, 1159, 1164 & 1189.
- [Capon *et al.*, 1989] D. J. Capon, S. M. Chamow, J. Mordenti, S. A. Marsters, T. Gregory, H. Mitsuya, R. A. Byrn, C. Lucas, F. M. Wurm, J. E. Groopman, & et al, 1989. Designing cd4 immunoadhesins for aids therapy. *Nature* **337**:525–31. On pp. 1150 & 1151.
- [Caputo *et al.*, 2003] A. Caputo, R. Gavioli, G. Altavilla, E. Brocca-Cofano, C. Boarini, M. Betti, A. Castaldello, F. Lorenzini, F. Micheletti, A. Cafaro, K. Sparnacci, M. Laus, L. Tondelli, & B. Ensoli, 2003. Immunization with low doses of HIV-1 tat DNA delivered by novel cationic block copolymers induces CTL responses against Tat. *Vaccine* **21**(11-12):1103–1111. On p. 431.
- [Carcelain *et al.*, 2001] G. Carcelain, R. Tubiana, A. Samri, V. Calvez, C. Delaugerre, H. Agut, C. Katlama, & B. Autran, 2001. Transient mobilization of human immunodeficiency virus (HIV)-specific cd4 T-helper cells fails to control virus rebounds during intermittent antiretroviral therapy in chronic HIV type 1 infection. *J Virol* **75**(1):234–41. On p. 726.
- [Cardoso *et al.*, 2005] R. M. F. Cardoso, M. B. Zwick, R. L. Stanfield, R. Kunert, J. M. Binley, H. Katinger, D. R. Burton, & I. A. Wilson, 2005. Broadly neutralizing anti-HIV antibody 4E10 recognizes a helical conformation of a highly conserved fusion-associated motif in gp41. *Immunity* **22**(2):163–173. On p. 1033.
- [Carlos *et al.*, 1999] M. P. Carlos, Y. Yamamura, F. Diaz-Mitoma, & J. V. Torres, 1999. Antibodies from hiv-positive and aids patients bind to an hiv envelope multivalent vaccine. *J Acquir Immune Defic Syndr* **22**:317–24. On pp. 922, 932, 939, 940, 982 & 989.
- [Carmichael *et al.*, 1996] A. Carmichael, X. Jin, & P. Sissons, 1996. Analysis of the human env-specific cytotoxic T-lymphocyte (CTL) response in natural human immunodeficiency virus type 1 infection: Low prevalence of broadly cross-reactive env-specific CTL. *J Virol* **70**(12):8468–8476. On pp. 521 & 527.
- [Carreno *et al.*, 1992] B. M. Carreno, S. Koenig, J. E. Coligan, & W. E. Biddison, 1992. The peptide binding specificity of hla class i molecules is largely allele-specific and non-overlapping. *Mol Immunol* **29**:1131–1140. On pp. 202 & 578.
- [Carruth *et al.*, 1999] L. M. Carruth, T. F. Greten, C. E. Murray, M. G. Castro, S. N. Crone, W. Pavlat, J. P. Schneck, & R. F. Siliciano, 1999. An algorithm for evaluating human cytotoxic t lymphocyte responses to candidate aids vaccines. *AIDS Res Hum Retroviruses* **15**:1021–34. On pp. 102 & 450.
- [Caruso *et al.*, 1997] A. Caruso, S. Licenziati, A. D. Canaris, M. Corulli, M. A. D. Francesco, A. Cantalamessa, F. Fallacara, S. Fiorentini, A. Balsari, & A. Turano, 1997. T cells from individuals in advanced stages of hiv-1 infection do not proliferate but express activation antigens in response to hiv-1-specific antigens. *J Acquir Immune Defic Syndr Hum Retrovirol* **15**:61–69. On pp. 755, 777, 792 & 803.
- [Casazza *et al.*, 2005] J. P. Casazza, M. R. Betts, B. J. Hill, J. M. Brenchley, D. A. Price, D. C. Douek, & R. A. Koup, 2005. Immunologic pressure within class I-restricted cognate human immunodeficiency virus epitopes during highly active antiretroviral therapy. *J Virol* **79**(6):3653–3663. On pp. 66, 71, 72, 113, 197, 300, 577 & 637.

- [Casement *et al.*, 1995] K. S. Casement, P. N. Nehete, R. B. Arlinghaus, & K. J. Sastry, 1995. Cross-reactive cytotoxic t lymphocytes induced by v3 loop synthetic peptides from different strains of human immunodeficiency virus type 1. *Virology* **211**:261–267. On p. 481.
- [Caulfield *et al.*, 2002] M. J. Caulfield, S. Wang, J. G. Smith, T. W. Tobery, X. Liu, M.-E. Davies, D. R. Casimiro, T.-M. Fu, A. Simon, R. K. Evans, E. A. Emini, & J. Shiver, 2002. Sustained peptide-specific gamma interferon T-cell response in rhesus macaques immunized with human immunodeficiency virus gag DNA vaccines. *J Virol* **76**(19):10038–10043. On p. 268.
- [Cavacini *et al.*, 2003] L. Cavacini, M. Duval, L. Song, R. Sangster, S.-h. Xiang, J. Sodroski, & M. Posner, 2003. Conformational changes in env oligomer induced by an antibody dependent on the V3 loop base. *AIDS* **17**(5):685–689. On pp. 1010, 1051, 1054, 1069, 1140, 1143, 1158, 1160, 1165, 1167, 1189 & 1190.
- [Cavacini *et al.*, 2002] L. A. Cavacini, M. Duval, J. Robinson, & M. R. Posner, 2002. Interactions of human antibodies, epitope exposure, antibody binding and neutralization of primary isolate HIV-1 virions. *AIDS* **16**(18):2409–2417. Erratum in *AIDS*. 2003 Aug 15;17(12):1863. On pp. 1010, 1022, 1027, 1051, 1056, 1128, 1130, 1140, 1144, 1158, 1161, 1165, 1167, 1189 & 1190.
- [Cavacini *et al.*, 1993a] L. A. Cavacini, C. L. Emes, J. Power, A. Buchbinder, S. Zolla-Pazner, & M. R. Posner, 1993a. Human monoclonal antibodies to the v3 loop of hiv-1 gp120 mediate variable and distinct effects on binding and viral neutralization by a human monoclonal antibody to the cd4 binding site. *J Acquir Immune Defic Syndr* **6**:353–358. On pp. 946, 947, 978, 1036, 1041, 1128 & 1132.
- [Cavacini *et al.*, 1995] L. A. Cavacini, C. L. Emes, J. Power, F. D. DeSharnais, M. Duval, D. Montefiori, & M. R. Posner, 1995. Influence of heavy chain constant regions on antigen binding and hiv-1 neutralization by a human monoclonal antibody. *J Immunol* **155**:3638–3644. On pp. 1128 & 1132.
- [Cavacini *et al.*, 1994a] L. A. Cavacini, C. L. Emes, J. Power, M. Duval, & M. R. Posner, 1994a. Effect of antibody valency on interaction with cell-surface expressed hiv-1 and viral neutralization. *J Immunol* **152**:2538–2545. On pp. 1128 & 1132.
- [Cavacini *et al.*, 1993b] L. A. Cavacini, C. L. Emes, J. Power, J. Underdahl, R. Goldstein, K. Mayer, & M. R. Posner, 1993b. Loss of serum antibodies to a conformational epitope of hiv-1/gp120 identified by a human monoclonal antibody is associated with disease progression. *J Acquir Immune Defic Syndr* **6**:1093–1102. On pp. 1128 & 1132.
- [Cavacini *et al.*, 1998a] L. A. Cavacini, C. L. Emes, A. V. Wisniewski, J. Power, G. Lewis, D. Montefiori, & M. R. Posner, 1998a. Functional and molecular characterization of human monoclonal antibody. *AIDS Res Hum Retroviruses* **14**:1271–80. On pp. 1010, 1015, 1128 & 1131.
- [Cavacini *et al.*, 1994b] L. A. Cavacini, J. Power, C. L. Emes, K. Mace, G. Treacy, & M. R. Posner, 1994b. Plasma pharmacokinetics and biological activity of a human immunodeficiency virus type 1 neutralizing human monoclonal antibody, f105, in cynomolgus monkeys. *Tumor Immunol* **15**:251–256. On pp. 1128 & 1132.
- [Cavacini *et al.*, 1998b] L. A. Cavacini, M. H. Samore, J. Gambertoglio, B. Jackson, M. Duval, A. Wisniewski, S. Hammer, C. Koziel, C. Trapnell, & M. R. Posner, 1998b. Phase i study of a human monoclonal antibody directed against the cd4-. *AIDS Res Hum Retroviruses* **14**:545–50. On pp. 1015, 1128 & 1131.
- [Cavacini *et al.*, 1999] L. A. Cavacini, A. Wisniewski, J. E. Peterson, D. Montefiori, C. Emes, M. Duval, G. Kingsbury, A. Wang, D. Scadden, & M. R. Posner, 1999. A human anti-hiv autoantibody enhances ebv transformation and hiv. *Clin Immunol* **93**:263–73. On pp. 1015, 1069 & 1128.
- [Cease *et al.*, 1987] K. B. Cease, H. Margalit, J. L. Cornette, S. D. Putney, W. G. Robey, C. Ouyang, H. Z. Streicher, P. J. Fischinger, R. C. Gallo, C. DeLisi, *et al.*, 1987. Helper T-cell antigenic site identification in the acquired immunodeficiency syndrome virus gp120 envelope protein and induction of immunity in mice to the native protein using a 16-residue synthetic peptide. *Proc Natl Acad Sci USA* **84**(12):4249–53. On pp. 503, 753 & 788.
- [Chakrabarti *et al.*, 2002] B. K. Chakrabarti, W.-p. Kong, B.-y. Wu, Z.-Y. Yang, J. Friberg, X. Ling, S. R. King, D. C. Montefiori, & G. J. Nabel, 2002. Modifications of the human immunodeficiency virus envelope glycoprotein enhance immunogenicity for genetic immunization. *J Virol* **76**(11):5357–5368. On pp. 663, 965, 1022, 1027, 1051, 1056, 1085, 1128, 1130, 1140 & 1144.
- [Chakrabarti *et al.*, 2005] B. K. Chakrabarti, X. Ling, Z.-Y. Yang, D. C. Montefiori, A. Panet, W.-P. Kong, B. Welcher, M. K. Louder, J. R. Mascola, & G. J. Nabel, 2005. Expanded breadth of virus neutralization after immunization with a multiclade envelope HIV vaccine candidate. *Vaccine* **23**(26):3434–3445. On pp. 1022, 1023 & 1096.
- [Chan *et al.*, 1998] S. Y. Chan, M. C. Louie, J. R. Piccotti, G. Iyer, X. Ling, Z. Y. Yang, G. J. Nabel, & D. K. Bishop, 1998. Genetic vaccination-induced immune responses to the human immunodeficiency virus protein rev: emergence of the interleukin 2-producing helper t lymphocyte. *Hum Gene Ther* **9**:2187–96. On p. 747.
- [Chandwani *et al.*, 2004] R. Chandwani, K. A. Jordan, B. L. Shacklett, E. Pappasavvas, L. J. Montaner, M. G. Rosenberg, D. F. Nixon, & J. K. Sandberg, 2004. Limited magnitude and breadth in the HLA-A2-restricted CD8 T-cell response to Nef in children with vertically acquired HIV-1 infection. *Scand J Immunol* **59**(1):109–114. On pp. 560, 585, 590, 641 & 646.
- [Chang *et al.*, 1998] A. H. Chang, J. A. Hoxie, S. Cassol, M. O'Shaughnessy, & F. Jirik, 1998. Construction of single-chain antibodies that bind an overlapping epitope of hiv-1 nef. *FEBS Lett* **441**:307–12. On pp. 1209, 1213 & 1214.
- [Chang *et al.*, 1999] J. S. Chang, M. J. Choi, T. Y. Kim, S. Y. Cho, & H. S. Cheong, 1999. Immunogenicity of synthetic hiv-1 v3 loop peptides by mpl adjuvanted ph- sensitive liposomes. *Vaccine* **17**:1540–8. On p. 473.
- [Chanh *et al.*, 1987] T. C. Chanh, G. R. Dreesman, & R. C. Kennedy, 1987. Monoclonal anti-idiotypic antibody mimics the cd4 receptor and binds human immunodeficiency virus. *Proc Natl Acad Sci USA* **84**:3891–3895. On p. 1136.
- [Chanh *et al.*, 1986] T. C. Chanh, R. C. Kennedy, B. E. Alderete, P. Kanda, J. W. Eichberg, & G. R. Dreesman, 1986. Human immunodeficiency virus gp120 glycoprotein detected by a monoclonal antibody to a synthetic peptide. *Eur J Immunol* **16**:1465–1468. On p. 1098.
- [Chassin *et al.*, 1999] D. Chassin, M. Andrieu, W. Cohen, B. Culmann-Penciolelli, M. Ostankovitch, D. Hanau, & J. G. Guillet, 1999. Dendritic cells transfected with the nef genes of hiv-1 primary isolates specifically activate cytotoxic t lymphocytes from seropositive subjects. *Eur J Immunol* **29**:196–202. On p. 574.
- [Chattergoon *et al.*, 2002] M. A. Chattergoon, H. H. Maguire, Jr., T. M. Robinson, E. Serrano, J. D. Boyer, & D. B. Weiner, 2002. Plasmid immunization primes unique DTH responses to HIV-1MN envelope epitopes as compared to recombinant protein vaccination. *Hybrid Hybridomics* **21**(2):117–122. On pp. 756, 762, 779, 783 & 796.
- [Chattergoon *et al.*, 2004] M. A. Chattergoon, V. Saulino, J. P. Shames, J. Stein, L. J. Montaner, & D. B. Weiner, 2004. Co-immunization with plasmid IL-12 generates a strong T-cell memory response in mice. *Vaccine* **22**(13-14):1744–1750. On p. 555.

- [Cheingsong-Popov *et al.*, 1992] R. Cheingsong-Popov, D. Callow, S. Beddows, S. Shaunak, C. Wasi, P. Kaleebu, C. Gilks, I. V. Petruscu, M. M. Garaev, & D. M. Watts, 1992. Geographic diversity of human immunodeficiency virus type 1: Serologic reactivity to env epitopes and relationship to neutralization. *J Infect Dis* **165**(2):256–261. On p. 945.
- [Chen *et al.*, 1995] C. H. Chen, T. J. Matthews, C. B. McDanal, D. P. Bolognesi, & M. L. Greenberg, 1995. A molecular clasp in the human immunodeficiency virus (hiv) type 1 tm protein determines the anti-hiv activity of gp41 derivatives: implication for viral fusion. *J Virol* **69**:3771–3777. On pp. 1002, 1003, 1017, 1018, 1197 & 1201.
- [Chen *et al.*, 2005] H. Chen, X. Xu, A. Bishop, & I. M. Jones, 2005. Reintroduction of the 2G12 epitope in an HIV-1 clade C gp120. *AIDS* **19**(8):833–835. On pp. 1051, 1052, 1140 & 1141.
- [Chen *et al.*, 1996] J. D. Chen, Q. Yang, W. A. Marasco, & S. Y. Chen, 1996. Intra- and extra-cellular immunization against hiv-1 infection with lymphocytes transduced with an aav vector expressing a human anti-gp120 antibody. *Hum Gene Ther* **7**:1515–1525. On pp. 1128 & 1132.
- [Chen *et al.*, 1994a] S. Y. Chen, Y. Khouri, J. Bagley, & W. A. Marasco, 1994a. Combined intra- and extracellular immunization against human immunodeficiency virus type 1 infection with a human anti-gp120 antibody. *Proc Natl Acad Sci USA* **91**:5932–5936. On pp. 1128 & 1132.
- [Chen *et al.*, 1994b] Y.-H. Chen, A. Susanna, G. Bock, F. Steindl, H. Katinger, & M. P. Dierich, 1994b. Hiv-1 gp41 shares a common immunologic determinant with human t, b and monocyte cell lines. *Immunol Lett* **39**:219–222. On pp. 1000, 1015, 1016 & 1022.
- [Cherpelis *et al.*, 2001a] S. Cherpelis, X. Jin, A. Gettie, D. D. Ho, S. W. Barnett, I. Shrivastava, & L. Stamatatos, 2001a. DNA-immunization with a v2 deleted HIV-1 envelope elicits protective antibodies in macaques. *Immunol Lett* **79**(1-2):47–55. On p. 1082.
- [Cherpelis *et al.*, 2001b] S. Cherpelis, I. Shrivastava, A. Gettie, X. Jin, D. D. Ho, S. W. Barnett, & L. Stamatatos, 2001b. DNA vaccination with the human immunodeficiency virus type 1 SF162DeltaV2 envelope elicits immune responses that offer partial protection from simian/human immunodeficiency virus infection to CD8(+) T-cell-depleted rhesus macaques. *J Virol* **75**(3):1547–50. On p. 1082.
- [Chesebro & Wehrly, 1988] B. Chesebro & K. Wehrly, 1988. Development of a sensitive quantitative focal assay for human immunodeficiency virus infectivity. *J Virol* **62**:3779–3788. On pp. 943 & 978.
- [Chesebro *et al.*, 1992] B. Chesebro, K. Wehrly, J. Nishio, & S. Perryman, 1992. Macrophage-tropic human immunodeficiency virus isolates from different patients exhibit unusual v3 envelope sequence homogeneity in comparison with t-cell-tropic isolates: definition of critical amino acids involved in cell tropism. *J Virol* **66**:6547–54. On p. 880.
- [Cheynier *et al.*, 1992] R. Cheynier, P. Langlade-Demoyen, M. R. Marescot, S. B. S., G. Blondin, S. Wain-Hobson, C. Griscelli, E. Vilmer, & F. Plata, 1992. Cytotoxic t lymphocyte responses in the peripheral blood of children born to human immunodeficiency virus-1-infected mothers. *Eur J Immunol* **22**:2211–2217. On p. 647.
- [Chiba *et al.*, 1997] J. Chiba, M. Nakano, Y. Suzuki, K. Aoyama, H. Ohba, T. Kobayashi, A. Yasuda, A. Kojima, & T. Kurata, 1997. Generation of neutralizing antibody to the reverse transcriptase of human immunodeficiency virus type 1 by immunizing of mice with an infectious vaccinia virus recombinant. *J Immunol Methods* **207**:53–60. On pp. 890 & 897.
- [Chiba *et al.*, 1996] J. Chiba, A. Yamaguchi, Y. Suzuki, M. Nakano, W. Zhu, H. Ohba, A. Saito, H. Shinagawa, Y. Yamakawa, T. Kobayashi, & T. Kurata, 1996. A novel neutralization epitope on the 'thumb' subdomain of human immunodeficiency virus type 1 reverse transcriptase revealed by a monoclonal antibody. *J Gen Virol* **77**(12):2921–9. On p. 890.
- [Chiba *et al.*, 1999] M. Chiba, H. Takahashi, K. Kato, Y. Nakagawa, T. Fukushima, H. Inuma, & K. Nerome, 1999. Recombinant vaccinia viruses expressing an immunodominant epitope of hiv-1 envelope protein within an influenza hemagglutinin cassette predominantly prime epitope-specific cd8(+) ctl. *Arch Virol* **144**:1469–85. On p. 480.
- [Chin *et al.*, 1995] L.-T. Chin, A.-C. Malmberg, K. Kristensson, J. Hinkula, B. Wahren, & C. A. K. Borrebaeck, 1995. Mimicking the humoral immune response in vitro results in antigen-specific isotype switching supported by specific autologous t helper cells: generation of human hiv-1-neutralizing igg monoclonal antibodies from naive donors. *Eur J Immunol* **25**:657–663. On p. 943.
- [Chitnis *et al.*, 2003] V. Chitnis, R. Pahwa, & S. Pahwa, 2003. Determinants of HIV-specific CD8 T-cell responses in HIV-infected pediatric patients and enhancement of HIV-gag-specific responses with exogenous IL-15. *Clin Immunol* **107**(1):36–45. On pp. 86, 461, 477 & 535.
- [Choppin *et al.*, 2001] J. Choppin, W. Cohen, A. Bianco, J.-P. Briand, F. Connan, M. Dalod, & J.-G. Guillet, 2001. Characteristics of HIV-1 Nef regions containing multiple CD8+ T cell epitopes: Wealth of HLA-binding motifs and sensitivity to proteasome degradation. *J Immunol* **166**(10):6164–6169. On pp. 562, 563, 566, 567, 568, 569, 578, 581, 583, 589, 595, 601, 604, 621, 623, 625, 627, 631, 635, 637 & 639.
- [Chugh & Seth, 2004] P. Chugh & P. Seth, 2004. Induction of broad-based immune response against HIV-1 subtype C gag DNA vaccine in mice. *Viral Immunol* **17**(3):423–435. Erratum in *Viral Immunol* 2004;17(4):620. On p. 167.
- [Chun *et al.*, 2001] T. W. Chun, J. S. Justement, S. Moir, C. W. Hallahan, L. A. Ehler, S. Liu, M. McLaughlin, M. Dybul, J. M. Mican, & A. S. Fauci, 2001. Suppression of HIV replication in the resting CD4+ T cell reservoir by autologous CD8+ T cells: implications for the development of therapeutic strategies. *Proc Natl Acad Sci USA* **98**(1):253–8. On p. 264.
- [Claverie *et al.*, 1988] J.-M. Claverie, P. Kourilsky, P. Langlade-Demoyen, A. Chalufour-Prochnicka, G. Dadaglio, F. Tekaia, F. Plata, & K. Bougueleret, 1988. T-immunogenic peptides are constituted of rare sequence patterns. use in the identification of t epitopes in the human immunodeficiency virus gag protein. *Eur J Immunol* **18**:1547–1553. On pp. 165, 176, 251 & 254.
- [Clerici *et al.*, 2002a] M. Clerici, C. Barassi, C. Devito, C. Pastori, S. Piconi, D. Trabattoni, R. Longhi, J. Hinkula, K. Brolden, & L. Lopalco, 2002a. Serum IgA of HIV-exposed uninfected individuals inhibit HIV through recognition of a region within the alpha-helix of gp41. *AIDS* **16**(13):1731–1741. On pp. 999, 1022 & 1027.
- [Clerici *et al.*, 1992] M. Clerici, J. V. Giorgi, C.-C. Chou, V. K. Gude-man, J. A. Zack, P. Gupta, H.-N. Ho, P. G. Nishanian, J. A. Berzofsky, & G. M. Shearer, 1992. Cell-mediated immune response to human immunodeficiency virus type 1 in seronegative homosexual men with recent sexual exposure to hiv-1. *J Infect Dis* **165**:1012–9. On pp. 753, 774, 775, 790 & 804.
- [Clerici *et al.*, 1994a] M. Clerici, J. M. Levin, H. A. Kessler, A. Harris, J. A. Berzofsky, A. L. Landay, & G. M. Shearer, 1994a. HIV-specific T-helper activity in seronegative health care workers exposed to contaminated blood. *JAMA* **271**(1):42–46. On pp. 754, 776, 791 & 804.
- [Clerici *et al.*, 1991a] M. Clerici, D. R. Lucey, R. A. Zajac, R. N. Boswell, H. M. Gebel, H. Takahashi, J. A. Berzofsky, & G. M. Shearer, 1991a. Detection of cytotoxic t lymphocytes specific for synthetic peptides of gp160 in hiv-seropositive individuals. *J Immunol* **146**:2214–2219. On pp. 460, 478, 503, 536, 753, 774, 789 & 804.
- [Clerici *et al.*, 1997] M. Clerici, S. Piconi, C. Balotta, D. Trabattoni, A. Capetti, M. L. Fusi, S. Ruzzante, R. Longhi, M. C. Colombo, M. Moroni, & F. Milazzo, 1997. Pentoxifylline improves cell-mediated immunity and reduces human immunodeficiency virus (hiv) plasma viremia

- in asymptomatic hiv- seropositive persons. *J Infect Dis* **175**:1210–5. On pp. 753, 774, 790 & 803.
- [Clerici *et al.*, 2002b] M. Clerici, E. Seminari, F. Maggiolo, A. Pan, M. Migliorino, D. Trabattoni, F. Castelli, F. Suter, M. L. Fusi, L. Minoli, G. Carosi, R. Maserati, & the Master Group, 2002b. Early and late effects of highly active antiretroviral therapy: A 2 year follow-up of antiviral-treated and antiviral-naive chronically HIV-infected patients. *AIDS* **16**(13):1767–1773. On p. 811.
- [Clerici *et al.*, 1993a] M. Clerici, A. V. Sison, J. A. Berzofsky, T. A. Rakusan, C. D. Brandt, M. Ellaurie, M. Villa, C. Colie, D. J. Venzon, & J. L. Sever, 1993a. Cellular immune factors associated with mother-to-infant transmission of HIV. *AIDS* **7**(11):1427–1433. On pp. 754, 775, 776, 791 & 804.
- [Clerici *et al.*, 1989] M. Clerici, N. I. Stocks, R. A. Zajac, R. N. Boswell, D. C. Bernstein, D. L. Mann, G. M. Shearer, & J. A. Berzofsky, 1989. Interleukin-2 production used to detect antigenic peptide recognition by t-helper lymphocytes from asymptomatic hiv-seropositive individuals. *Nature* **339**:383–385. On pp. 753, 774, 775, 789, 790 & 804.
- [Clerici *et al.*, 1991b] M. Clerici, C. O. Tacket, C. S. Via, D. R. Lucey, S. C. Muluk, R. A. Zajac, R. N. Boswell, J. A. Berzofsky, & G. M. Shearer, 1991b. Immunization with subunit human immunodeficiency virus vaccine generates stronger t helper cell immunity than natural infection. *Eur J Immunol* **21**:1345–1349. On pp. 753, 774, 789 & 804.
- [Clerici *et al.*, 1994b] M. Clerici, T. A. Wynn, J. A. Berzofsky, S. P. Blatt, C. W. Hendrix, A. Sher, R. L. Coffman, & G. M. Shearer, 1994b. Role of interleukin-10 in T helper cell dysfunction in asymptomatic individuals infected with the human immunodeficiency virus. *J Clin Invest* **93**(2):768–775. On pp. 754, 776, 791 & 805.
- [Clerici *et al.*, 1993b] M. Clerici, R. Yarchoan, S. Blatt, C. W. Hendrix, A. J. Ammann, S. Broder, & G. M. Shearer, 1993b. Effect of a recombinant CD4-IgG on in vitro T helper cell function: Data from a phase III study of patients with AIDS. *J Infect Dis* **168**(4):1012–1016. On p. 826.
- [Cleveland *et al.*, 2000a] S. M. Cleveland, E. Buratti, T. D. Jones, P. North, F. Baralle, L. McLain, T. McInerney, Z. Durrani, & N. J. Dimmock, 2000a. Immunogenic and antigenic dominance of a non-neutralizing epitope over a highly conserved neutralizing epitope in the gp41 envelope glycoprotein of human immunodeficiency virus type 1: its deletion leads to a strong neutralizing response. *Virology* **266**:66–78. On pp. 1044 & 1045.
- [Cleveland *et al.*, 2000b] S. M. Cleveland, T. D. Jones, & N. J. Dimmock, 2000b. Properties of a neutralizing antibody that recognizes a conformational form of epitope erdrd in the gp41 c-terminal tail of human immunodeficiency virus type 1. *J Gen Virol* **81 Pt 5**:1251–60. On pp. 1044, 1045 & 1046.
- [Coeffier *et al.*, 2000] E. Coeffier, J. M. Clement, V. Cussac, N. Khodaei-Boorane, M. Jehanno, M. Rojas, A. Dridi, M. Latour, R. El Habib, F. Barre-Sinoussi, M. Hofnung, & C. Leclerc, 2000. Antigenicity and immunogenicity of the HIV-1 gp41 epitope ELDKWA inserted into permissive sites of the male protein. *Vaccine* **19**(7-8):684–93. On p. 1022.
- [Cohen *et al.*, 2002] W. M. Cohen, A. Bianco, F. Connan, L. Camoin, M. Dalod, G. Lauvau, E. Ferrière, B. Culmann-Penciolelli, P. M. van Endert, J. P. Briand, J. Choppin, & J. G. Guillet, 2002. Study of antigen-processing steps reveals preferences explaining differential biological outcomes of two HLA-A2-restricted immunodominant epitopes from human immunodeficiency virus type 1. *J Virol* **76**(20):10219–10225. On pp. 108 & 351.
- [Collado *et al.*, 2000] M. Collado, D. Rodriguez, J. R. Rodriguez, I. Vazquez, R. M. Gonzalo, & M. Esteban, 2000. Chimeras between the human immunodeficiency virus (hiv-1) env and vaccinia virus immunogenic proteins p14 and p39 generate in mice broadly reactive antibodies and specific activation of cd8+ t cell responses to env. *Vaccine* **18**:3123–33. On pp. 912 & 988.
- [Collings *et al.*, 1999] A. Collings, J. Pitkanen, M. Strengell, M. Tahtinen, A. Lagerstedt, K. Hakkarainen, V. Ovod, G. Sutter, M. Ustav, E. Ustav, A. Mannik, A. Ranki, P. Peterson, & K. Krohn, 1999. Humoral and cellular immune responses to hiv-1 nef in mice dna- immunised with non-replicating or self-replicating expression vectors. *Vaccine* **18**:460–7. On p. 654.
- [Collins, 2004] K. L. Collins, 2004. Resistance of HIV-infected cells to cytotoxic T lymphocytes. *Microbes Infect* **6**(5):494–500. On p. 666.
- [Collins *et al.*, 1998] K. L. Collins, B. K. Chen, S. A. Kalams, B. D. Walker, & D. Baltimore, 1998. Hiv-1 nef protein protects infected primary cells against killing by cytotoxic t lymphocytes. *Nature* **391**:397–401. On pp. 103 & 347.
- [Conley *et al.*, 1994a] A. J. Conley, M. K. Gorny, J. A. Kessler II, L. J. Boots, M. Ossorio-Castro, S. Koenig, D. W. Lineberger, E. A. Emini, C. Williams, & S. Zolla-Pazner, 1994a. Neutralization of primary human immunodeficiency virus type 1 isolates by the broadly reactive anti-v3 monoclonal antibody 447-52d. *J Virol* **68**:6994–7000. On pp. 1036 & 1041.
- [Conley *et al.*, 1996] A. J. Conley, J. A. Kessler II, L. J. Boots, P. M. McKenna, W. A. Schleif, E. A. Emini, G. E. Mark III, H. Katinger, E. K. Cobb, S. M. Lunceford, S. R. Rouse, & K. K. Murthy, 1996. The consequence of passive administration of an anti-human immunodeficiency virus type 1 neutralizing monoclonal antibody before challenge of chimpanzees with a primary virus isolate. *J Virol* **70**:6751–6758. On pp. 1022 & 1032.
- [Conley *et al.*, 1994b] A. J. Conley, J. A. Kessler II, L. J. Boots, J.-S. Tung, B. A. Arnold, P. M. Keller, A. R. Shaw, & E. A. Emini, 1994b. Neutralization of divergent human immunodeficiency virus type 1 variants and primary isolates by iam-41-2f5, and anti-gp41 human monoclonal antibody. *Proc Natl Acad Sci USA* **91**:3348–3352. On pp. 1022 & 1032.
- [Connan *et al.*, 1994] F. Connan, F. Hlavac, J. Hoebeke, J. G. Guillet, & J. Choppin, 1994. A simple assay for detection of peptides promoting the assembly of hla class i molecules. *Eur J Immunol* **24**:777–780. On pp. 348, 649 & 651.
- [Connelly *et al.*, 1994] R. J. Connelly, M. Kahn, J. Blake, O. K. Haffar, & E. K. Thomas, 1994. Dual specificity of a monoclonal anti-idiotypic antibody for hiv-1 neutralizing monoclonals 110.3 and 110.4 as well as the v3 loop of gp120. *Virology* **205**:554–557. On p. 970.
- [Connor *et al.*, 1998] R. I. Connor, B. T. Korber, B. S. Graham, B. H. Hahn, D. D. Ho, B. D. Walker, A. U. Neumann, S. H. Vermund, J. Mestecky, S. Jackson, E. Fenamore, Y. Cao, F. Gao, S. Kalams, K. J. Kunstman, D. McDonald, N. McWilliams, A. Trkola, J. P. Moore, & S. M. Wolinsky, 1998. Immunological and virological analyses of persons infected by human immunodeficiency virus type 1 while participating in trials of recombinant gp120 subunit vaccines. *J Virol* **72**:1552–76. On pp. 935, 1022, 1031, 1036, 1040, 1051, 1060, 1140 & 1148.
- [Cook *et al.*, 1994] D. G. Cook, J. Fantini, S. L. Spitalnik, & F. Gonzalez-Scarano, 1994. Binding of human immunodeficiency virus type 1 hiv-1 gp120 to galactosylceramide (galcer): relationship to the v3 loop. *Virol* **201**:206–214. On pp. 918, 933, 934, 940, 943, 945, 957, 974, 975, 978, 979, 993, 995, 1113, 1115, 1128, 1132 & 1173.
- [Copeland, 2002] K. F. T. Copeland, 2002. The role of CD8+ T cell soluble factors in human immunodeficiency virus infection. *Curr Med Chem* **9**(20):1781–1790. On p. 663.
- [Corbet *et al.*, 2003] S. Corbet, H. V. Nielsen, L. Vinner, S. Lauemoller, D. Therrien, S. Tang, G. Kronborg, L. Mathiesen, P. Chaplin, S. Brunak, S. Buus, & A. Fomsgaard, 2003. Optimization and immune recognition

of multiple novel conserved HLA-A2, human immunodeficiency virus type 1-specific CTL epitopes. *J Gen Virol* **84**(Pt 9):2409–2421. On pp. 109, 117, 136, 185, 242, 249, 253, 271, 322, 352, 365, 370, 375, 398, 404, 406, 407, 413, 416, 436, 439, 440, 442, 448, 456, 464, 506, 509, 524, 534, 560, 640, 643 & 651.

[Cordell *et al.*, 1991] J. Cordell, J. P. Moore, C. J. Dean, P. J. Klasse, R. A. Weiss, & J. A. McKeating, 1991. Rat monoclonal antibodies to nonoverlapping epitopes of human immunodeficiency virus type 1 gp120 block cd4 binding in vitro. *Virology* **185**:72–79. On pp. 970, 971, 983, 984, 987, 988, 1110, 1113, 1116 & 1139.

[Corey *et al.*, 1998] L. Corey, M. J. McElrath, K. Weinhold, T. Matthews, D. Stablein, B. Graham, M. Keefer, D. Schwartz, G. Gorse, & the AIDS Vaccine Evaluation Group, 1998. Cytotoxic t cell and neutralizing antibody responses to human immunodeficiency virus type 1 envelope with a combination vaccine regimen. *J Infect Dis* **177**:301–9. On p. 549.

[Corinti *et al.*, 2002] S. Corinti, L. Chiarantini, S. Dominici, M. E. LaGuardia, M. Magnani, & G. Girolomoni, 2002. Erythrocytes deliver Tat to interferon-gamma-treated human dendritic cells for efficient initiation of specific type 1 immune responses in vitro. *J Leukoc Biol* **71**(4):652–658. On p. 745.

[Cotropia *et al.*, 1996] J. Cotropia, K. E. Ugen, S. Kliks, K. Broliden, P.-A. Broliden, J. A. Hoxie, V. Srikantan, W. V. Williams, & D. B. Weiner, 1996. A human monoclonal antibody to hiv-1 gp41 with neutralizing activity against diverse laboratory isolates. *J Acquir Immune Defic Syndr* **12**:221–232. On p. 1014.

[Cotropia *et al.*, 1992] J. Cotropia, K. E. Ugen, D. Lambert, K. Ljunggren-Broliden, S. Kliks, J. Hoxie, & D. B. Weiner, 1992. Characterization of human monoclonal antibodies to the hiv-1 transmembrane gp41 protein. *Vaccines* **92** pp. 157–163. On p. 1014.

[Couillin *et al.*, 1995] I. Couillin, F. Connan, B. Culmann-Penciolelli, E. Gomard, J.-G. Guillet, & J. Choppin, 1995. Hla-dependent variations in human immunodeficiency virus nef protein alter peptide/hla binding. *Eur J Immunol* **25**:728–732. On pp. 572 & 593.

[Couillin *et al.*, 1994] I. Couillin, B. Culmann-Penciolelli, E. Gomard, J. Choppin, J. P. Levy, J. G. Guillet, & S. Sarasgosti, 1994. Impaired cytotoxic t lymphocyte recognition due to genetic variations in the main immunogenic region of the human immunodeficiency virus 1 nef protein. *J Exp Med* **180**:1129–34. On pp. 572, 593 & 632.

[Cox *et al.*, 1999] J. H. Cox, R. P. Garner, R. R. Redfield, N. E. Aronson, C. Davis, N. Ruiz, & D. L. Birx, 1999. Antibody-dependent cellular cytotoxicity in HIV type 1-infected patients receiving VaxSyn, a recombinant gp160 envelope vaccine. *AIDS Res Hum Retroviruses* **15**(9):847–54. On p. 1077.

[Crawford *et al.*, 1999] J. M. Crawford, P. L. Earl, B. Moss, K. A. Reimann, M. S. Wyand, K. H. Manson, M. Bilska, J. T. Zhou, C. D. Pauza, P. W. H. I. Parren, D. R. Burton, J. G. Sodroski, N. L. Letvin, & D. C. Montefiori, 1999. Characterization of primary isolate-like variants of simian-human immunodeficiency virus. *J Virol* **73**(12):10199–10207. On pp. 1051, 1059, 1087, 1140 & 1148.

[Croix *et al.*, 1993] D. A. Croix, H. Y. Yeh, J. Sedlacek, R. B. Luftig, & P. D. Gottlieb, 1993. A dominant epitope of hiv-1 protease recognized by hamster monoclonal antibodies. *J Acquir Immune Defic Syndr* **6**:558–566. On pp. 886 & 887.

[Cruikshank *et al.*, 1997] W. W. Cruikshank, S. R. Doctrow, M. S. Falvo, K. Huffman, J. Maciaszek, G. Viglianti, J. Raina, H. Kornfeld, & B. Malfoy, 1997. A lipidated anti-tat antibody enters living cells and blocks hiv-1 viral replication. *J Acquir Immune Defic Syndr Hum Retrovirol* **14**:193–203. On p. 904.

[Cruz *et al.*, 2004] L. J. Cruz, E. Iglesias, J. C. Aguilar, L. J. González, O. Reyes, F. Albericio, & D. Andreu, 2004. A comparative study of different presentation strategies for an HIV peptide immunogen. *Bioconjug Chem* **15**(1):112–120. On p. 1094.

[Cui *et al.*, 2004] Z. Cui, J. Patel, M. Tuzova, P. Ray, R. Phillips, J. G. Woodward, A. Nath, & R. J. Mumper, 2004. Strong T cell type-1 immune responses to HIV-1 Tat (1–72) protein-coated nanoparticles. *Vaccine* **22**(20):2631–2640. On p. 746.

[Culmann, 1998] B. Culmann, 1998. Personal communication. On pp. 359, 578, 617, 619 & 630.

[Culmann *et al.*, 1991] B. Culmann, E. Gomard, M.-P. Kieny, B. Guy, F. Dreyfus, A.-D. Saimot, D. Sereni, D. Sicard, & J.-P. Levy, 1991. Six epitopes with human cytotoxic cd8+ cells in the central region of the hiv-1 nef protein. *J Immunol* **146**:1560–1565. On pp. 577, 579, 592, 614, 615, 617, 621, 628 & 634.

[Culmann *et al.*, 1989] B. Culmann, E. Gomard, M. P. Kieny, B. Guy, F. Dreyfus, & A. G. Saimot, 1989. An antigenic peptide of the hiv-1 nef protein recognized by cytotoxic t lymphocytes of seropositive individuals in association with different hla-b molecules. *Eur J Immunol* **19**:2383–2386. On p. 613.

[Culmann-Penciolelli *et al.*, 1994] B. Culmann-Penciolelli, S. Lamhamedi-Cherradi, I. Couillin, N. Guegan, J. P. Levy, J. G. Guillet, & E. Gomard, 1994. Identification of multirestricted immunodominant regions recognized by cytolytic T lymphocytes in the human immunodeficiency virus type 1 Nef protein. *J Virol* **68**:7336–43. See comments in *J Virol* 1995 Jan;69(1):618. On pp. 592 & 634.

[Cunto-Amesty *et al.*, 2001] G. Cunto-Amesty, T. K. Dam, P. Luo, B. Monzavi-Karbassi, C. F. Brewer, T. C. Van Cott, & T. Kieber-Emmons, 2001. Directing the immune response to carbohydrate antigens. *J Biol Chem* **276**(32):30490–30498. On p. 1089.

[Currier *et al.*, 2002a] J. R. Currier, M. deSouza, P. Chanbancherd, W. Bernstein, D. L. Birx, & J. H. Cox, 2002a. Comprehensive screening for human immunodeficiency virus type 1 subtype-specific CD8 cytotoxic T lymphocytes and definition of degenerate epitopes restricted by HLA-A0207 and -Cw0304 alleles. *J Virol* **76**(10):4971–4986. On pp. 205, 220 & 508.

[Currier *et al.*, 2003] J. R. Currier, W. E. Dowling, K. M. Wasunna, U. Alam, C. J. Mason, M. L. Robb, J. K. Carr, F. E. McCutchan, D. L. Birx, & J. H. Cox, 2003. Detection of high frequencies of HIV-1 cross-subtype reactive CD8 T lymphocytes in the peripheral blood of hiv-1-infected Kenyans. *AIDS* **17**(15):2149–2157. On pp. 268, 555 & 658.

[Currier *et al.*, 2005] J. R. Currier, M. E. Harris, J. H. Cox, F. E. McCutchan, D. L. Birx, S. Maayan, & G. Ferrari, 2005. Immunodominance and cross-reactivity of B5703-restricted CD8 T lymphocytes from HIV type 1 subtype C-infected Ethiopians. *AIDS Res Hum Retroviruses* **21**(3):239–245. On pp. 132, 143, 181 & 235.

[Currier *et al.*, 2002b] J. R. Currier, E. G. Kuta, E. Turk, L. B. Earhart, L. Loomis-Price, S. Janetzki, G. Ferrari, D. L. Birx, & J. H. Cox, 2002b. A panel of MHC class I restricted viral peptides for use as a quality control for vaccine trial ELISPOT assays. *J Immunol Methods* **260**(1–2):157–172. On p. 661.

[da Silva, 2003] J. da Silva, 2003. The evolutionary adaptation of HIV-1 to specific immunity. *Curr HIV Res* **1**(3):363–371. On p. 603.

[da Silva & Hughes, 1998] J. da Silva & A. L. Hughes, 1998. Conservation of cytotoxic T lymphocyte (CTL) epitopes as a host strategy to constrain parasite adaptation: evidence from the nef gene of human immunodeficiency virus 1 (HIV-1). *Mol Biol Evol* **15**(10):1259–68. On pp. 656 & 822.

- [Dacheux *et al.*, 2004] L. Dacheux, A. Moreau, Y. Ataman-Önal, F. Biron, B. Verrier, & F. Barin, 2004. Evolutionary dynamics of the glycan shield of the human immunodeficiency virus envelope during natural infection and implications for exposure of the 2G12 epitope. *J Virol* **78**(22):12625–12637. On pp. 1022, 1024, 1051, 1053, 1140 & 1142.
- [Dadaglio *et al.*, 1991] G. Dadaglio, A. Leroux, P. Langlade-Demoyen, E. M. Bahraoui, F. Traincard, R. Fisher, & F. Plata, 1991. Epitope recognition of conserved hiv envelope sequences by human cytotoxic t lymphocytes. *J Immunol* **147**:2302–2309. On pp. 200, 448, 465, 473, 478, 496, 500, 501, 503 & 505.
- [Daftarian *et al.*, 2003] P. Daftarian, S. Ali, R. Sharan, S. F. Lacey, C. La Rosa, J. Longmate, C. Buck, R. F. Siliciano, & D. J. Diamond, 2003. Immunization with Th-CTL fusion peptide and cytosine-phosphate-guanine DNA in transgenic HLA-A2 mice induces recognition of HIV-infected T cells and clears vaccinia virus challenge. *J Immunol* **171**(8):4028–4039. On p. 345.
- [Dagarag *et al.*, 2003] M. Dagarag, H. Ng, R. Lubong, R. B. Effros, & O. O. Yang, 2003. Differential impairment of lytic and cytokine functions in senescent human immunodeficiency virus type 1-specific cytotoxic T lymphocytes. *J Virol* **77**(5):3077–3083. On pp. 98, 345 & 448.
- [Dai *et al.*, 2001] G. Dai, N. K. Steede, & S. J. Landry, 2001. Allocation of helper T-cell epitope immunodominance according to three-dimensional structure in the human immunodeficiency virus type I envelope glycoprotein gp120. *J Biol Chem* **276**(45):41913–20. On pp. 749, 750, 751, 756, 758, 760, 764, 768, 770, 772, 777, 780, 784, 786, 796 & 797.
- [Dai *et al.*, 1992] L. C. Dai, K. West, R. Littau, K. Takahashi, & F. A. Ennis, 1992. Mutation of human immunodeficiency virus type 1 at amino acid 585 on gp41 results in loss of killing by cd8+ a24-restricted cytotoxic t lymphocytes. *J Virol* **66**:3151–3154. On p. 519.
- [Dairou *et al.*, 2004] J. Dairou, C. Vever-Bizet, & D. Brault, 2004. Interaction of sulfonated anionic porphyrins with HIV glycoprotein gp120: Photodamages revealed by inhibition of antibody binding to V3 and C5 domains. *Antiviral Res* **61**(1):37–47. On pp. 956, 957 & 991.
- [Dale *et al.*, 2004] C. J. Dale, R. De Rose, I. Stratov, S. Chea, D. C. Montefiori, S. Thomson, I. A. Ramshaw, B. E. H. Coupar, D. B. Boyle, M. Law, & S. J. Kent, 2004. Efficacy of DNA and fowlpox virus priming/boosting vaccines for simian/human immunodeficiency virus. *J Virol* **78**(24):13819–13828. On p. 668.
- [Dagleish *et al.*, 1988] A. G. Dagleish, T. C. Chanh, R. C. Kennedy, P. Kanda, P. R. Clapham, & R. A. Weiss, 1988. Neutralization of diverse hiv-1 strains by monoclonal antibodies raised against a gp41 synthetic peptide. *Virology* **165**:209–215. On pp. 1004, 1043 & 1098.
- [Daniel *et al.*, 2004] N. Daniel, B. Charmeteau, S. Grabar, G. Pialoux, D. Salmon, N. Bonilla, M. Dupuis, C. Troadec, W. Rozenbaum, H. Gahéry-Ségard, J.-G. Guillet, & M. Andrieu, 2004. Use of well-defined HIV-derived epitopes to evaluate CD4+ and CD8+ T cell responses in patients with chronic HIV-1 infection treated with HAART. *AIDS Res Hum Retroviruses* **20**(8):827–835. On pp. 70, 111 & 603.
- [Darbha *et al.*, 2004] R. Darbha, S. Phogat, A. F. Labrijn, Y. Shu, Y. Gu, M. Andrykovitch, M.-Y. Zhang, R. Pantophlet, L. Martin, C. Vita, D. R. Burton, D. S. Dimitrov, & X. Ji, 2004. Crystal structure of the broadly cross-reactive HIV-1-neutralizing Fab X5 and fine mapping of its epitope. *Biochemistry* **43**(6):1410–1417. On pp. 1170 & 1171.
- [Davenport *et al.*, 2004] M. P. Davenport, R. M. Ribeiro, & A. S. Perelson, 2004. Kinetics of virus-specific CD8+ T cells and the control of human immunodeficiency virus infection. *J Virol* **78**(18):10096–10103. On p. 504.
- [Day *et al.*, 2001] C. L. Day, A. K. Shea, M. A. Altfeld, D. P. Olson, S. P. Buchbinder, F. M. Hecht, E. S. Rosenberg, B. D. Walker, & S. A. Kalam, 2001. Relative dominance of epitope-specific cytotoxic T-lymphocyte responses in human immunodeficiency virus type 1-infected persons with shared HLA alleles. *J Virol* **75**(14):6279–91. On pp. 61, 65, 68, 76, 87, 107, 121, 135, 154, 159, 196, 204, 212, 219, 231, 241, 247, 283, 285, 286, 310, 322, 326, 331, 334, 351, 357, 444, 445, 451, 475, 486, 521, 528, 530, 532, 534, 540, 558, 563, 564, 566, 583, 601, 607, 609, 617, 625, 639 & 645.
- [De Berardinis *et al.*, 1999] P. De Berardinis, L. D'Apice, A. Prisco, M. N. Ombrà, P. Barba, G. D. Pozzo, S. Petukhov, P. Malik, R. N. Perham, & J. Guardiola, 1999. Recognition of hiv-derived b and t cell epitopes displayed on filamentous phages. *Vaccine* **17**:1434–41. On p. 735.
- [De Berardinis *et al.*, 1997] P. De Berardinis, J. Guardiola, & F. Manca, 1997. Epitope context and reshaping of activated t helper cell repertoire. *Hum Immunol* **54**:189–93. On p. 807.
- [De Berardinis *et al.*, 2003] P. De Berardinis, R. Sartorius, A. Caivano, D. Mascolo, G. J. Domingo, G. Del Pozzo, M. Gaubin, R. N. Perham, D. Piatier-Tonneau, & J. Guardiola, 2003. Use of fusion proteins and procaryotic display systems for delivery of HIV-1 antigens: Development of novel vaccines for HIV-1 infection. *Curr HIV Res* **1**(4):441–446. On pp. 355 & 735.
- [De Berardinis *et al.*, 2000] P. De Berardinis, R. Sartorius, C. Fanutti, R. N. Perham, G. Del Pozzo, & J. Guardiola, 2000. Phage display of peptide epitopes from HIV-1 elicits strong cytolytic responses. *Nat Biotechnol* **18**(8):873–6. On pp. 356 & 734.
- [De Groot *et al.*, 2004] A. S. De Groot, E. A. Bishop, B. Khan, M. Lally, L. Marcon, J. Franco, K. H. Mayer, C. C. J. Carpenter, & W. Martin, 2004. Engineering immunogenic consensus T helper epitopes for a cross-clade HIV vaccine. *Methods* **34**(4):476–487. On pp. 759, 760, 768, 769, 770, 771 & 794.
- [De Groot *et al.*, 2001] A. S. De Groot, A. Bosma, N. Chinai, J. Frost, B. M. Jesdale, M. A. Gonzalez, W. Martin, & C. Saint-Aubin, 2001. From genome to vaccine: in silico predictions, ex vivo verification. *Vaccine* **19**(31):4385–95. On pp. 161, 248, 280, 283, 306, 325, 373, 379, 408, 429, 442, 471, 472 & 504.
- [De Groot *et al.*, 1991] A. S. De Groot, M. Clerici, A. Hosmalin, S. H. Hughes, D. Barnd, C. W. Hendrix, R. Houghten, G. M. Shearer, & J. A. Berzofsky, 1991. Human immunodeficiency virus reverse transcriptase t-helper epitopes identified in mice and humans: correlation with a cytotoxic t cell epitope. *J Infect Dis* **164**:1058–1065. On pp. 286, 731, 732 & 733.
- [De Groot *et al.*, 2003] A. S. De Groot, B. Jesdale, W. Martin, C. Saint Aubin, H. Sbai, A. Bosma, J. Lieberman, G. Skowron, F. Mansourati, & K. H. Mayer, 2003. Mapping cross-clade HIV-1 vaccine epitopes using a bioinformatics approach. *Vaccine* **21**(27-30):4486–4504. On pp. 64, 66, 71, 88, 115, 161, 162, 164, 248, 251, 281, 284, 288, 289, 290, 306, 312, 328, 357, 373, 374, 378, 379, 383, 385, 386, 405, 408, 423, 433, 440, 442, 447, 450, 459, 460, 461, 468, 472, 473, 496 & 503.
- [de Lorimier *et al.*, 1994] R. de Lorimier, M. A. Moody, B. F. Haynes, & L. D. Spicer, 1994. NMR-derived solution conformations of a hybrid synthetic peptide containing multiple epitopes of envelope protein gp120 from the RF strain of human immunodeficiency virus. *Biochemistry* **33**(8):2055–2062. On pp. 771 & 791.
- [De Lucca *et al.*, 2002] F. L. De Lucca, V. S. F. Sales, L. R. Souza, & M. A. E. Watanabe, 2002. Evidence for the involvement of the RNA-dependent protein kinase (PKR) in the induction of human cytotoxic T lymphocytes against a synthetic peptide of HIV-1 by regulatory RNA. *Mol Cell Biochem* **238**(1-2):19–26. On p. 352.

- [De Maria *et al.*, 1994] A. De Maria, C. Cirillo, & L. Moretta, 1994. Occurrence of human immunodeficiency virus type 1 (HIV-1)-specific cytolytic T cell activity in apparently uninfected children born to HIV-1-infected mothers. *J Infect Dis* **170**(5):1296–1299. On pp. 265, 394, 552 & 657.
- [De Maria *et al.*, 1997] A. De Maria, A. Ferraris, M. Guastella, S. Pilia, C. Cantoni, L. Polero, M. C. Mingari, D. Bassetti, A. S. Fauci, & L. Moretta, 1997. Expression of hla class i-specific inhibitory natural killer cell. *Proc Natl Acad Sci USA* **94**:10285–8. On pp. 262, 393, 549 & 655.
- [de Quiros *et al.*, 2000] J. C. de Quiros, W. L. Shupert, A. C. McNeil, J. C. Gea-Banacloche, M. Flanigan, A. Savage, L. Martino, E. E. Weiskopf, H. Imamichi, Y. M. Zhang, J. Adelsburger, R. Stevens, P. M. Murphy, P. A. Zimmerman, C. W. Hallahan, R. T. Davey, Jr., & M. Connors, 2000. Resistance to replication of human immunodeficiency virus challenge in SCID-Hu mice engrafted with peripheral blood mononuclear cells of nonprogressors is mediated by CD8(+) T cells and associated with a proliferative response to p24 antigen. *J Virol* **74**(4):2023–8. On p. 264.
- [de Rosny *et al.*, 2004a] E. de Rosny, R. Vassell, S. Jiang, R. Kunert, & C. D. Weiss, 2004a. Binding of the 2F5 monoclonal antibody to native and fusion-intermediate forms of human immunodeficiency virus type 1 gp41: Implications for fusion-inducing conformational changes. *J Virol* **78**(5):2627–2631. On pp. 1016, 1022, 1025 & 1205.
- [de Rosny *et al.*, 2004b] E. de Rosny, R. Vassell, S. Jiang, R. Kunert, & C. D. Weiss, 2004b. Binding of the 2F5 monoclonal antibody to native and fusion-intermediate forms of human immunodeficiency virus type 1 gp41: Implications for fusion-inducing conformational changes. *J Virol* **78**(5):2627–2631. On pp. 1016, 1022, 1025 & 1205.
- [de Rosny *et al.*, 2001] E. de Rosny, R. Vassell, P. T. Wingfield, C. T. Wild, & C. D. Weiss, 2001. Peptides corresponding to the heptad repeat motifs in the transmembrane protein (gp41) of human immunodeficiency virus type 1 elicit antibodies to receptor-activated conformations of the envelope glycoprotein. *J Virol* **75**(18):8859–8863. On p. 1097.
- [De Santis *et al.*, 1991] R. De Santis, A. Anastasi, S. Marcolini, G. Valesini, M. Pezzella, N. Vonesch, E. Sturchio, & A. Mele, 1991. Production of a nef-specific monoclonal antibody by the use of a synthetic peptide. *AIDS Res Hum Retroviruses* **7**(3):315–21. On p. 1209.
- [del Real *et al.*, 1999] G. del Real, M. Llorente, P. Lucas, L. Kremer, J. L. Toran, & M.-A. C, 1999. Antibody repertoire against hiv-1 gp120 triggered in nude and normal mice by gm-csf/gp120 immunization. *Mol Immunol* **36**:721–31. On pp. 1066, 1067, 1068, 1069, 1070 & 1071.
- [Dela Cruz *et al.*, 2000] C. S. Dela Cruz, R. Tan, S. L. Rowland-Jones, & B. H. Barber, 2000. Creating HIV-1 reverse transcriptase cytotoxic T lymphocyte target structures by HLA-A2 heavy chain modifications. *Int Immunol* **12**(9):1293–302. On pp. 319 & 342.
- [Deml *et al.*, 2001] L. Deml, A. Bojak, S. Steck, M. Graf, J. Wild, R. Schirmbeck, H. Wolf, & R. Wagner, 2001. Multiple effects of codon usage optimization on expression and immunogenicity of DNA candidate vaccines encoding the human immunodeficiency virus type 1 Gag protein. *J Virol* **75**(22):10991–11001. On p. 884.
- [Deml *et al.*, 1997] L. Deml, R. Schirmbeck, J. Reimann, H. Wolf, & R. Wagner, 1997. Recombinant human immunodeficiency pr55gag virus-like particles presenting chimeric envelope glycoproteins induce cytotoxic t cells and neutralizing antibodies. *Virology* **235**:26–39. On p. 479.
- [Deml *et al.*, 1999] L. Deml, R. Schirmbeck, J. Reimann, H. Wolf, & R. Wagner, 1999. Immunostimulatory cpg motifs trigger a t helper-1 immune response to human immunodeficiency virus type-1 (hiv-1) gp160 envelope proteins. *Clin Chem Lab Med* **37**:199–204. On p. 477.
- [Denisova *et al.*, 1996] G. Denisova, B. Stern, D. Raviv, J. Zwickel, N. I. Smorodinsky, & J. M. Gershoni, 1996. Humoral immune response to immunocomplexed hiv envelope glycoprotein 120. *AIDS Res Hum Retroviruses* **12**:901–909. On pp. 916, 920, 933, 957, 994 & 1076.
- [Denisova *et al.*, 1995] G. Denisova, J. Zwickel, & J. M. Gershoni, 1995. Binding of hiv-1 gp120 to an anti-v3 loop antibody reveals novel antigen-induced epitopes. *FASEB J* **9**:127–132. On p. 957.
- [Denisova *et al.*, 2000] G. F. Denisova, M. Zerwanitzer, D. A. Denisov, E. Spectorman, I. Mondor, Q. Sattentau, & J. M. Gershoni, 2000. Expansion of epitope cross-reactivity by anti-idiotypic modulation of the primary humoral response. *Mol Immunol* **37**:53–8. On p. 957.
- [DeSantis *et al.*, 1994] C. DeSantis, L. Lopalco, P. Robbioni, R. Longhi, G. Rappocciolo, A. G. Siccardi, & A. Beretta, 1994. Human antibodies to immunodominant c5 region of hiv-1 gp120 cross-react with hla class i on activated cells. *AIDS Res Hum Retroviruses* **10**:157–162. On p. 993.
- [DeVico *et al.*, 1991] A. L. DeVico, T. D. Copeland, S. Oroszlan, R. C. Gallo, & M. G. Sarngadharan, 1991. Interaction of c-terminal sequences of human immunodeficiency virus reverse transcriptase with template primer. *J Biol Chem* **266**:6774–6779. On p. 889.
- [DeVico *et al.*, 1995] A. L. DeVico, R. Rahman, J. Welch, R. Crowley, P. Lusso, M. G. Sarngadharan, & R. Pal, 1995. Monoclonal antibodies raised against covalently crosslinked complexes of human immunodeficiency virus type 1 gp120 and cd4 receptor identify a novel complex-dependent epitope on gp120. *Virology* **211**:583–588. On pp. 957, 1100, 1101, 1172 & 1203.
- [Devito *et al.*, 2000a] C. Devito, K. Broliden, R. Kaul, L. Svensson, K. Johansen, P. Kiama, J. Kimani, L. Lopalco, S. Piconi, J. J. Bwayo, F. Plummer, M. Clerici, & J. Hinkula, 2000a. Mucosal and plasma IgA from HIV-1-exposed uninfected individuals inhibit HIV-1 transcytosis across human epithelial cells. *J Immunol* **165**(9):5170–5176. On p. 1085.
- [Devito *et al.*, 2002] C. Devito, J. Hinkula, R. Kaul, J. Kimani, P. Kiama, L. Lopalco, C. Barass, S. Piconi, D. Trabattoni, J. J. Bwayo, F. Plummer, M. Clerici, & K. Broliden, 2002. Cross-clade HIV-1-specific neutralizing IgA in mucosal and systemic compartments of HIV-1-exposed, persistently seronegative subjects. *J Acquir Immune Defic Syndr* **30**(4):413–420. On p. 1085.
- [Devito *et al.*, 2000b] C. Devito, J. Hinkula, R. Kaul, L. Lopalco, J. J. Bwayo, F. Plummer, M. Clerici, & K. Broliden, 2000b. Mucosal and plasma IgA from HIV-exposed seronegative individuals neutralize a primary HIV-1 isolate. *AIDS* **14**(13):1917–1920. On p. 1084.
- [Devito *et al.*, 2000c] C. Devito, M. Levi, K. Broliden, & J. Hinkula, 2000c. Mapping of B-cell epitopes in rabbits immunised with various gag antigens for the production of HIV-1 gag capture ELISA reagents. *J Immunol Methods* **238**(1-2):69–80. On p. 884.
- [Dey *et al.*, 2003] B. Dey, C. S. Del Castillo, & E. A. Berger, 2003. Neutralization of human immunodeficiency virus type 1 by sCD4-17b, a single-chain chimeric protein, based on sequential interaction of gp120 with CD4 and coreceptor. *J Virol* **77**(5):2859–2865. On pp. 1022, 1026, 1051, 1055, 1140, 1143, 1158 & 1160.
- [di Marzo Veronese *et al.*, 1986] F. di Marzo Veronese, T. D. Copeland, A. L. DeVico, R. Rahman, S. Oroszlan, R. C. Gallo, & M. G. Sarngadharan, 1986. Characterization of highly immunogenic p66/p51 as the reverse transcriptase of htlv-iii/lav. *Science* **231**:1289–1291. On p. 898.
- [di Marzo Veronese *et al.*, 1992] F. di Marzo Veronese, R. Rahman, R. Pal, C. Boyer, J. Romano, V. S. Kalyanaraman, B. C. Nair, R. C. Gallo, & M. G. Sarngadharan, 1992. Delineation of immunoreactive, conserved regions in the external envelope glycoprotein of the human immunodeficiency virus type 1. *AIDS Res Hum Retroviruses* **8**:1125–1132. On pp. 911, 912, 918, 919, 935, 957, 990, 991, 1073, 1100 & 1101.

- [di Marzo Veronese *et al.*, 1993] F. di Marzo Veronese, M. S. Reitz, Jr., G. Gupta, M. Robert-Guroff, C. Boyer-Thompson, A. Louie, R. C. Gallo, & P. Lusso, 1993. Loss of a neutralizing epitope by a spontaneous point mutation in the v3 loop of hiv-1 isolated from an infected laboratory worker. *J Biol Chem* **268**:25894–25901. On pp. 957, 961, 974 & 975.
- [di Marzo Veronese *et al.*, 1985] F. di Marzo Veronese, M. G. Sarngadharan, R. Rahman, P. D. Markham, M. Popovic, A. J. Bodner, & R. C. Gallo, 1985. Monoclonal antibodies specific for p24, the major core protein of human t-cell leukemia virus type iii. *Proc Natl Acad Sci USA* **82**:5199–5202. On p. 1072.
- [di Marzo Veronese *et al.*, 1994] F. di Marzo Veronese, A. E. Willis, C. Boyer-Thompson, E. Appella, & R. N. Perham, 1994. Structural mimicry and enhanced immunogenicity of peptide epitopes displayed on filamentous bacteriophage. *J Mol Biol* **243**:167–172. On p. 790.
- [Dianzani *et al.*, 2002] F. Dianzani, G. Antonelli, E. Riva, O. Turriziani, L. Antonelli, S. Tyring, D. A. Carrasco, H. Lee, D. Nguyen, J. Pan, J. Poast, M. Cloyd, & S. Baron, 2002. Is human immunodeficiency virus RNA load composed of neutralized immune complexes? *J Infect Dis* **185**(8):1051–1054. On p. 1084.
- [DiBrino *et al.*, 1994a] M. DiBrino, K. C. Parker, D. H. Margulies, J. Shiloach, R. V. Turner, M. Garfield, W. E. B. WE, & J. E. Coligan, 1994a. The hla-b14 peptide binding site can accommodate peptides with different combinations of anchor residues. *J Biol Chem* **269**. On p. 513.
- [DiBrino *et al.*, 1994b] M. DiBrino, K. C. Parker, J. Shiloach, R. V. Turner, T. Tsuchida, M. Garfield, W. E. Biddison, & J. E. Coligan, 1994b. Endogenous peptides with distinct amino acid anchor residue motifs bind to hla-a1 and hla-b8. *J Immunol* **152**:620–31. On p. 122.
- [Dickey *et al.*, 2000] C. Dickey, U. Ziegner, M. G. Agadjanyan, V. Srikantan, Y. Refaeli, A. Prabhu, A. Sato, W. V. Williams, D. B. Weiner, & K. E. Ugen, 2000. Murine monoclonal antibodies biologically active against the amino region of hiv-1 gp120: isolation and characterization. *DNA Cell Biol* **19**:243–52. On p. 1173.
- [Dimmock, 2005] N. J. Dimmock, 2005. The complex antigenicity of a small external region of the C-terminal tail of the HIV-1 gp41 envelope protein: A lesson in epitope analysis. *Rev Med Virol* **15**(6):365–381. On pp. 1041, 1042, 1044 & 1045.
- [Dingwall *et al.*, 1989] C. Dingwall, I. Ernberg, M. J. Gait, S. M. Green, S. Heaphy, J. Karn, A. D. Lowe, M. Singh, M. A. Skinner, & R. Valerio, 1989. Human immunodeficiency virus 1 tat protein binds trans-activation-responsive region (tar) rna in vitro. *Proc Natl Acad Sci USA* **86**:6925–6929. On pp. 901 & 904.
- [Ditzel *et al.*, 1995] H. J. Ditzel, J. M. Binley, J. P. Moore, J. Sodroski, N. Sullivan, L. S. W. Sawyer, R. M. Hendry, W.-P. Yang, C. F. Barbas III, & D. R. Burton, 1995. Neutralizing recombinant human antibodies to a conformational v2- and cd4-binding site-sensitive epitope of hiv-1 gp120 isolated by using an epitope-masking procedure. *J Immunol* **154**:893–906. On pp. 1140, 1150, 1151, 1152, 1177, 1179 & 1180.
- [Ditzel *et al.*, 1997] H. J. Ditzel, P. W. Parren, J. M. Binley, J. Sodroski, J. P. Moore, C. F. Barbas III, & D. R. Burton, 1997. Mapping the protein surface of human immunodeficiency virus type 1 gp120 using human monoclonal antibodies from phage display libraries. *J Mol Biol* **267**:684–95. On pp. 911, 929, 930, 931, 950, 960, 985, 990, 1099, 1100, 1103, 1107, 1109, 1140, 1152, 1153, 1159, 1174, 1177, 1178 & 1179.
- [Doe *et al.*, 1996] B. Doe, M. Selby, S. Barnett, J. Baenziger, & C. M. Walker, 1996. Induction of cytotoxic T lymphocytes by intramuscular immunization with plasmid DNA is facilitated by bone marrow-derived cells. *Proc Natl Acad Sci USA* **93**(16):8578–8583. On pp. 167 & 485.
- [Doe & Walker, 1996] B. Doe & C. M. Walker, 1996. HIV-1 p24 Gag-specific cytotoxic T-lymphocyte responses in mice. *AIDS* **10**(7):793–4. On p. 167.
- [Domingo *et al.*, 2003] G. J. Domingo, A. Caivano, R. Sartorius, P. Barba, M. Bäckström, D. Piatier-Tonneau, J. Guardiola, P. De Bernardinis, & R. N. Perham, 2003. Induction of specific T-helper and cytolytic responses to epitopes displayed on a virus-like protein scaffold derived from the pyruvate dehydrogenase multienzyme complex. *Vaccine* **21**(13-14):1502–1509. On pp. 353, 734 & 887.
- [Dominici *et al.*, 2003] S. Dominici, M. E. Laguardia, G. Serafini, L. Chiarantini, C. Fortini, A. Tripiciano, E. Brocca-Cofano, A. Scoglio, A. Caputo, V. Fiorelli, R. Gavioli, A. Cafaro, B. Ensoli, & M. Magnani, 2003. Red blood cell-mediated delivery of recombinant HIV-1 Tat protein in mice induces anti-Tat neutralizing antibodies and CTL. *Vaccine* **21**(17-18):2073–2081. On pp. 429 & 905.
- [Dong *et al.*, 2003] M. Dong, P. F. Zhang, F. Grieder, J. Lee, G. Krishnamurthy, T. VanCott, C. Broder, V. R. Polonis, X.-F. Yu, Y. Shao, D. Faix, P. Valente, & G. V. Quinnan, Jr., 2003. Induction of primary virus-cross-reactive human immunodeficiency virus type 1-neutralizing antibodies in small animals by using an alphavirus-derived in vivo expression system. *J Virol* **77**(5):3119–3130. On pp. 1087 & 1088.
- [Dong, 1998] T. Dong, 1998. Personal Communication. On pp. 125, 271 & 361.
- [Dong & Rowland-Jones, 1998] T. Dong & S. Rowland-Jones, 1998. Personal communication. On p. 380.
- [Dong *et al.*, 2004] T. Dong, G. Stewart-Jones, N. Chen, P. Easterbrook, X. Xu, L. Papagno, V. Appay, M. Weekes, C. Conlon, C. Spina, S. Little, G. Screaton, A. van der Merwe, D. D. Richman, A. J. McMichael, E. Y. Jones, & S. L. Rowland-Jones, 2004. HIV-specific cytotoxic T cells from long-term survivors select a unique T cell receptor. *J Exp Med* **200**(12):1547–1557. On p. 598.
- [Dong *et al.*, 2005] X.-N. Dong, Y. Wu, & Y.-H. Chen, 2005. The neutralizing epitope ELDKWA on HIV-1 gp41: Genetic variability and antigenicity. *Immunol Lett* **101**(1):81–86. On pp. 1022, 1023 & 1225.
- [Dong *et al.*, 2001] X. N. Dong, Y. Xiao, & Y. H. Chen, 2001. ELNKWA-epitope specific antibodies induced by epitope-vaccine recognize ELDKWA- and other two neutralizing-resistant mutated epitopes on HIV-1 gp41. *Immunol Lett* **75**(2):149–52. On pp. 1021, 1022 & 1029.
- [Donners *et al.*, 2003] H. Donners, D. Davis, B. Willems, & G. van der Groen, 2003. Inter-subtype cross-neutralizing antibodies recognize epitopes on cell-associated HIV-1 virions. *J Med Virol* **69**(2):173–181. On p. 1088.
- [Donners *et al.*, 2002] H. Donners, B. Willems, E. Beirmaert, R. Colebunders, D. Davis, & G. van der Groen, 2002. Cross-neutralizing antibodies against primary isolates in African women infected with HIV-1. *AIDS* **16**(3):501–503. On p. 1084.
- [Dorrell *et al.*, 1999] L. Dorrell, T. Dong, G. S. Ogg, S. Lister, S. McAdam, T. Rostron, C. Conlon, A. J. McMichael, & S. L. Rowland-Jones, 1999. Distinct recognition of non-clade b human immunodeficiency virus type 1 epitopes by cytotoxic t lymphocytes generated from donors infected in africa. *J Virol* **73**:1708–14. On pp. 74, 93, 152, 218, 221 & 361.
- [Dorrell *et al.*, 2001] L. Dorrell, B. E. Willcox, E. Y. Jones, G. Gillespie, H. Njai, S. Sabally, A. Jaye, K. DeGleria, T. Rostron, E. Lepin, A. McMichael, H. Whittle, & S. Rowland-Jones, 2001. Cytotoxic T lymphocytes recognize structurally diverse, clade-specific and cross-reactive peptides in human immunodeficiency virus type-1 gag through HLA-b53. *Eur J Immunol* **31**(6):1747–56. On pp. 123, 158, 172, 221 & 235.
- [Douek *et al.*, 2002] D. C. Douek, M. R. Betts, J. M. Brenchley, B. J. Hill, D. R. Ambrozak, K.-L. Ngai, N. J. Karandikar, J. P. Casazza, & R. A. Koup, 2002. A novel approach to the analysis of specificity, clonality, and frequency of HIV-specific T cell responses reveals a potential mechanism for control of viral escape. *J Immunol* **168**(6):3099–3104. On p. 115.

- [Dowbenko *et al.*, 1988] D. Dowbenko, G. Nakamura, C. Fennie, C. Shimasaki, L. Riddle, R. Harris, T. Gregory, & L. Lasky, 1988. Epitope mapping of the immunodeficiency virus type 1 gp120 with monoclonal antibodies. *J Virol* **62**:4703–4711. On pp. 914 & 918.
- [Dowd *et al.*, 2002] C. S. Dowd, S. Leavitt, G. Babcock, A. P. Godillot, D. Van Ryk, G. A. Canziani, J. Sodroski, E. Freire, & I. M. Chaiken, 2002. Beta-turn Phe in HIV-1 Env binding site of CD4 and CD4 mimetic miniprotein enhances Env binding affinity but is not required for activation of co-receptor/17b site. *Biochemistry* **41**(22):7038–7046. On pp. 1158 & 1161.
- [Draenert *et al.*, 2003] R. Draenert, M. Altfeld, C. Brander, N. Basgoz, C. Corcoran, A. G. Wurcel, D. R. Stone, S. A. Kalams, A. Trocha, M. M. Addo, P. J. R. Goulder, & B. D. Walker, 2003. Comparison of overlapping peptide sets for detection of antiviral CD8 and CD4 T cell responses. *J Immunol Methods* **275**(1-2):19–29. On pp. 659 & 827.
- [Draenert *et al.*, 2004a] R. Draenert, C. Brander, X. G. Yu, M. Altfeld, C. L. Verrill, M. E. Feeney, B. D. Walker, & P. J. R. Goulder, 2004a. Impact of intrapeptide epitope location on CD8 T cell recognition: Implications for design of overlapping peptide panels. *AIDS* **18**(6):871–876. On pp. 304, 614 & 618.
- [Draenert *et al.*, 2004b] R. Draenert, S. Le Gall, K. J. Pfafferott, A. J. Leslie, P. Chetty, C. Brander, E. C. Holmes, S.-C. Chang, M. E. Feeney, M. M. Addo, L. Ruiz, D. Ramduth, P. Jeena, M. Altfeld, S. Thomas, Y. Tang, C. L. Verrill, C. Dixon, J. G. Prado, P. Kiepiela, J. Martinez-Picado, B. D. Walker, & P. J. R. Goulder, 2004b. Immune selection for altered antigen processing leads to cytotoxic T lymphocyte escape in chronic HIV-1 infection. *J Exp Med* **199**(7):905–915. On pp. 131, 145, 180 & 529.
- [Draenert *et al.*, 2004c] R. Draenert, C. L. Verrill, Y. Tang, T. M. Allen, A. G. Wurcel, M. Boczanowski, A. Lechner, A. Y. Kim, T. Suscovich, N. V. Brown, M. M. Addo, & B. D. Walker, 2004c. Persistent recognition of autologous virus by high-avidity CD8 T cells in chronic, progressive human immunodeficiency virus type 1 infection. *J Virol* **78**(2):630–641. On pp. 110, 145, 196, 211, 220, 231 & 235.
- [D'Souza *et al.*, 1991] M. P. D'Souza, P. Durda, C. V. Hanson, G. Milman, & C. Investigators, 1991. Evaluation of monoclonal antibodies to hiv-1 by neutralization and serological assays: an international collaboration. *AIDS* **5**:1061–1070. On pp. 946, 947, 951, 952, 966, 968, 972, 974, 975, 976, 977 & 1045.
- [D'Souza *et al.*, 1994] M. P. D'Souza, S. J. Geyer, C. V. Hanson, R. M. Hendry, G. Milman, & C. Investigators, 1994. Evaluation of monoclonal antibodies to hiv-1 envelope by neutralization and binding assays: an international collaboration. *AIDS* **8**:169–181. On pp. 931, 932, 946, 947, 965, 976, 986, 987, 1022, 1032, 1033 & 1035.
- [D'Souza *et al.*, 1997] M. P. D'Souza, D. Livnat, J. A. Bradac, S. H. Bridges, the AIDS Clinical Trials Group Antibody Selection Working Group, & C. Investigators, 1997. Evaluation of monoclonal antibodies to human immunodeficiency virus type 1 primary isolates by neutralization assays: performance criteria for selecting candidate antibodies for clinical trials. *J Infect Dis* **175**:1056–1062. On pp. 958, 959, 1022, 1031, 1036, 1040, 1052, 1060, 1124, 1128, 1131, 1140 & 1149.
- [D'Souza *et al.*, 1995] M. P. D'Souza, G. Milman, J. A. Bradac, D. McPhee, C. V. Hanson, & R. M. Hendry, 1995. Neutralization of primary hiv-1 isolates by anti-envelope monoclonal antibodies. *AIDS* **9**:867–874. On pp. 946, 947, 1022, 1032, 1110, 1111, 1155, 1166, 1169 & 1192.
- [Duarte *et al.*, 1994] C. A. Duarte, M. Montero, A. Seralena, R. Valdes, V. Jimenez, J. Benitez, E. Narcicandi, J. Madrazo, G. Padron, G. Sanchez, G. Gilljam, K. Persson, S. Ojeda, A. Caballero, A. Miranda, M. C. Dominguez, B. Wahren, & A. Menendez, 1994. Multi-epitope polypeptide of the hiv-1 envelope induces neutralizing monoclonal antibodies against v3 loop. *AIDS Res Hum Retroviruses* **10**:235–243. On p. 944.
- [Duarte *et al.*, 1996] E. A. Duarte, G. Eberl, & G. Corradin, 1996. Specific tolerization of active cytotoxic t lymphocyte responses in vivo with soluble peptides. *Cell Immunol* **169**:16–23. On p. 503.
- [Dupuis *et al.*, 1995] M. Dupuis, S. K. Kundu, & T. C. Merigan, 1995. Characterization of hla-a*0201-restricted cytotoxic t cell epitopes in conserved regions of the hiv type 1 gp160 protein. *J Immunol* **155**:2232–2239. On pp. 447, 463, 532, 535 & 537.
- [Durali *et al.*, 1998] D. Durali, J. Morvan, F. Letourneur, D. Schmitt, N. Guegan, M. Dalod, S. Saragosti, D. Sicard, J. P. Levy, & E. Gomard, 1998. Cross-reactions between the cytotoxic t-lymphocyte responses of human immunodeficiency virus-infected african and european patients. *J Virol* **72**:3547–53. On pp. 103, 203, 574 & 638.
- [Durda *et al.*, 1990] P. J. Durda, L. Bachelier, P. Clapham, A. M. Jenoski, B. Leece, T. J. Matthews, A. McKnight, R. Pomerantz, M. Rayner, & K. J. Weinhold, 1990. Hiv-1 neutralizing monoclonal antibodies induced by a synthetic peptide. *AIDS Res Hum Retroviruses* **6**:1115. On pp. 969 & 980.
- [Durda *et al.*, 1988] P. J. Durda, B. Leece, A. M. Jenoski, H. Rabin, A. Fisher, R. Gallo, & F. Wong-Staal, 1988. Characterization of murine monoclonal antibodies to hiv-1 induced by synthetic peptides. *AIDS Res Hum Retroviruses* **4**:331–342. On pp. 969 & 995.
- [Durrani *et al.*, 1998] Z. Durrani, T. L. McInerney, L. McLain, T. Jones, T. Bellaby, F. R. Brennan, & N. J. Dimmock, 1998. Intranasal immunization with a plant virus expressing a peptide from hiv-1 gp41 stimulates better mucosal and systemic hiv-1-specific iga and igg than oral immunization. *J Immunol Methods* **220**:93–103. On p. 1036.
- [Dyer *et al.*, 1999] W. B. Dyer, G. S. Ogg, M. A. Demoitie, X. Jin, A. F. Geczy, S. L. Rowland-Jones, A. J. McMichael, D. F. Nixon, & J. S. Sullivan, 1999. Strong human immunodeficiency virus (hiv)-specific cytotoxic t-lymphocyte activity in sydney blood bank cohort patients infected with nef-defective hiv type 1. *J Virol* **73**:436–43. On pp. 78, 105, 348, 367, 456 & 599.
- [Dzuris *et al.*, 2000] J. L. Dzuris, J. Sidney, E. Appella, R. W. Chesnut, D. I. Watkins, & A. Sette, 2000. Conserved mhc class i peptide binding motif between humans and rhesus macaques. *J Immunol* **164**:283–91. On pp. 546 & 654.
- [Earl *et al.*, 1997] P. L. Earl, C. C. Broder, R. W. Doms, & B. Moss, 1997. Epitope map of human immunodeficiency virus type 1 gp41 derived from 47 monoclonal antibodies produced by immunization with oligomeric envelope protein. *J Virol* **71**:2674–84. On pp. 1007, 1008, 1011, 1016, 1022, 1068, 1069, 1074, 1075, 1098, 1102, 1103, 1125, 1191, 1197 & 1202.
- [Earl *et al.*, 1994] P. L. Earl, C. C. Broder, D. Long, S. A. Lee, J. Peterson, S. Chakrabarti, R. W. Doms, & B. Moss, 1994. Native oligomeric human immunodeficiency virus type 1 envelope glycoprotein elicits diverse monoclonal antibody reactivities. *J Virol* **68**:3015–3026. On pp. 920, 978, 1011, 1016, 1068, 1069, 1074, 1075, 1098, 1125, 1126, 1127, 1128, 1132, 1152, 1154, 1155, 1172, 1174, 1175 & 1191.
- [Earl *et al.*, 2001] P. L. Earl, W. Sugiura, D. C. Montefiori, C. C. Broder, S. A. Lee, C. Wild, J. Lifson, & B. Moss, 2001. Immunogenicity and protective efficacy of oligomeric human immunodeficiency virus type 1 gp140. *J Virol* **75**(2):645–53. On pp. 1076 & 1077.
- [Eaton *et al.*, 1994] A. M. Eaton, K. E. Ugen, D. B. Weiner, T. Wildes, & J. A. Levy, 1994. An anti-gp41 human monoclonal antibody that enhances hiv-1 infection in the absence of complement. *AIDS Res Hum Retroviruses* **10**:13–18. On p. 1007.
- [Eddleston *et al.*, 1993] M. Eddleston, J. C. de la Torre, J.-Y. Xu, N. Dorfman, A. Notkins, S. Zolla-Pazner, & M. B. A. Oldstone, 1993. Molecular mimicry accompanying hiv-1 infection: Human monoclonal

- antibodies that bind to gp41 and to astrocytes. *AIDS Res Hum Retroviruses* **10**:939–944. On pp. 1002, 1003, 1007, 1008, 1009, 1017, 1019 & 1197.
- [Edgeworth *et al.*, 2002] R. L. Edgeworth, J. H. San, J. A. Rosenzweig, N. L. Nguyen, J. D. Boyer, & K. E. Ugen, 2002. Vaccine development against HIV-1: Current perspectives and future directions. *Immunol Res* **25**(1):53–74. On p. 663.
- [Edwards *et al.*, 2002] B. H. Edwards, A. Bansal, S. Sabbaj, J. Bakari, M. J. Mulligan, & P. A. Goepfert, 2002. Magnitude of functional CD8+ T-cell responses to the gag protein of human immunodeficiency virus type 1 correlates inversely with viral load in plasma. *J Virol* **76**(5):2298–2305. On pp. 266, 395, 553, 657, 925, 978, 997, 1007, 1051, 1056, 1128, 1140, 1145, 1158, 1161, 1165 & 1167.
- [Egan *et al.*, 1999] M. A. Egan, M. J. Kuroda, G. Voss, J. E. Schmitz, W. A. Charini, C. I. Lord, M. A. Forman, & N. L. Letvin, 1999. Use of major histocompatibility complex class I/peptide/beta2m tetramers to quantitate CD8(+) cytotoxic T lymphocytes specific for dominant and nondominant viral epitopes in simian-human immunodeficiency virus-infected rhesus monkeys. *J Virol* **73**:5466–72. On p. 503.
- [Ehrhard *et al.*, 1996] B. Ehrhard, R. Misselwitz, K. Welfe, G. Hausdorf, R. W. Glaser, J. Schneider-Mergener, & H. Welfe, 1996. Chemical modification of recombinant hiv-1 capsid protein p24 leads to the release of a hidden epitope prior to changes of the overall folding of the protein. *Biochemistry* **35**:9097–9105. On p. 867.
- [Ellenberger *et al.*, 2005] D. Ellenberger, L. Wyatt, B. Li, S. Buge, N. Lanier, I. V. Rodriguez, C. A. Sariol, M. Martinez, M. Monsour, J. Vogt, J. Smith, R. Otten, D. Montefiori, E. Kraiselburd, B. Moss, H. Robinson, J. McNicholl, & S. Butera, 2005. Comparative immunogenicity in rhesus monkeys of multi-protein HIV-1 (CRF02_AG) DNA/MVA vaccines expressing mature and immature VLPs. *Virology* **340**(1):21–32. On pp. 269, 556 & 1096.
- [Emini *et al.*, 1992] E. A. Emini, W. A. Schleif, J. H. Nunberg, A. J. Conley, Y. Eda, S. Tokiyoshi, S. D. Putney, S. Matsushita, K. E. Cobb, C. M. Jett, J. W. Eichberg, & K. K. Murthy, 1992. Prevention of hiv-1 infection in chimpanzees by gp120 v3 domain-specific monoclonal antibody. *Nature* **355**:728–730. On pp. 974 & 975.
- [Engelmayer *et al.*, 2001] J. Engelmayer, M. Larsson, A. Lee, M. Lee, W. I. Cox, R. M. Steinman, & N. Bhardwaj, 2001. Mature dendritic cells infected with canarypox virus elicit strong anti-human immunodeficiency virus CD8+ and CD4+ T-cell responses from chronically infected individuals. *J Virol* **75**(5):2142–53. On pp. 95, 342 & 722.
- [Enshell-Seijffers *et al.*, 2003] D. Enshell-Seijffers, D. Denisov, B. Grosman, L. Smelyanski, R. Meyuhas, G. Gross, G. Denisova, & J. M. Gershoni, 2003. The mapping and reconstitution of a conformational discontinuous B-cell epitope of HIV-1. *J Mol Biol* **334**(1):87–101. On pp. 1158, 1160 & 1203.
- [Enshell-Seijffers *et al.*, 2001] D. Enshell-Seijffers, L. Smelyanski, N. Vardinon, I. Yust, & J. M. Gershoni, 2001. Dissection of the humoral immune response toward an immunodominant epitope of HIV: A model for the analysis of antibody diversity in HIV+ individuals. *FASEB J* **15**(12):2112–2220. On pp. 1007, 1013, 1014 & 1015.
- [Ernst *et al.*, 1998] W. Ernst, R. Grabherr, D. Wegner, N. Borth, A. Grassauer, & H. Kattinger, 1998. Baculovirus surface display: construction and screening of a eukaryotic epitope library. *Nucl Acids Res* **26**:1718–23. On pp. 1022 & 1031.
- [Estaquier *et al.*, 1992] J. Estaquier, C. Boutillon, J.-C. Ameisen, H. Gras-Masse, J.-P. Lecocq, B. Barbier, A. Dixon, A. Tartar, A. Capron, & C. Auriault, 1992. T helper cell epitopes of the human immunodeficiency virus nef protein in rats and chimpanzees. *Mol Immunol* **29**:489–499. On pp. 816 & 818.
- [Evans *et al.*, 1989] D. J. Evans, J. McKeating, J. M. Meredith, K. L. Burke, K. Katrak, A. John, M. Ferguson, P. D. Minor, R. A. Weiss, & J. W. Almond, 1989. An engineered poliovirus chimera elicits broadly reactive hiv-1 neutralizing antibodies. *Nature* **339**:385–388. On pp. 970, 1042, 1043, 1044 & 1045.
- [Evans *et al.*, 1999] T. Evans, M. Keefer, K. Weinhold, M. Wolff, D. Montefiori, G. Gorse, B. Graham, M. J. McElrath, M. Clements-Mann, M. Mulligan, P. Fast, M. Walker, J. Excler, A. Duliege, J. Taraglia, & the NIAID AIDS Vaccine Evaluation Group, 1999. A canarypox vaccine expressing multiple human immunodeficiency virus type 1 genes given alone or with Rgp120 elicits broad and durable CD8+ cytotoxic T lymphocyte responses in seronegative volunteers. *J Infect Dis* **180**:290–8. On pp. 263, 393, 549 & 656.
- [Evans *et al.*, 2001] T. G. Evans, M. J. McElrath, T. Matthews, D. Montefiori, K. Weinhold, M. Wolff, M. C. Keefer, E. G. Kallas, L. Corey, G. J. Gorse, R. Belshe, B. S. Graham, P. W. Spearman, D. Schwartz, M. J. Mulligan, P. Goepfert, P. Fast, P. Berman, M. Powell, D. Francis, & {NIAID AIDS Vaccine Evaluation Group.}, 2001. QS-21 promotes an adjuvant effect allowing for reduced antigen dose during HIV-1 envelope subunit immunization in humans. *Vaccine* **19**(15–16):2080–91. On p. 1079.
- [Fagard *et al.*, 2003] C. Fagard, A. Oxenius, H. Günthard, F. Garcia, M. Le Braz, G. Mestre, M. Battagay, H. Furrer, P. Vernazza, E. Bernasconi, A. Telenti, R. Weber, D. Leduc, S. Yerly, D. Price, S. J. Dawson, T. Klimkait, T. V. Perneger, A. McLean, B. Clotet, J. M. Gatell, L. Perrin, M. Plana, R. Phillips, B. Hirschel, & Swiss HIV Cohort Study, 2003. A prospective trial of structured treatment interruptions in human immunodeficiency virus infection. *Arch Intern Med* **163**(10):1220–1226. On p. 664.
- [Faiman & Horovitz, 1997] G. A. Faiman & A. Horovitz, 1997. Thermodynamic analysis of the interaction between the 0.5beta fv fragment and the rp135 peptide antigen derived from the v3 loop of hiv-1 gp120. *J Biol Chem* **272**:31407–11. On p. 974.
- [Faiman *et al.*, 1996] G. A. Faiman, R. Levy, J. Anglister, & A. Horovitz, 1996. Contribution of arginine residues in the RP135 peptide derived from the V3 loop of gp120 to its interaction with the Fv fragment of the 0.5beta HIV-1 neutralizing antibody. *J Biol Chem* **271**(23):13829–13833. On p. 974.
- [Fan *et al.*, 1997] Z. Fan, X. L. Huang, L. Zheng, C. Wilson, L. Borowski, J. Liebmann, P. Gupta, J. Margolick, & C. Rinaldo, 1997. Cultured blood dendritic cells retain hiv-1 antigen-presenting capacity for memory CTL during progressive hiv-1 infection. *J Immunol* **159**:4973–82. On pp. 202, 207 & 347.
- [Fanales-Belasio *et al.*, 2002a] E. Fanales-Belasio, A. Cafaro, A. Cara, D. R. M. Negri, V. Fiorelli, S. Butto, S. Moretti, M. T. Maggiorella, S. Baroncelli, Z. Michelini, A. Tripiciano, L. Sernicola, A. Scoglio, A. Borsetti, B. Ridolfi, R. Bona, P. Ten Haaf, I. Macchia, P. Leone, M. R. Pavone-Cossut, F. Nappi, E. Vardas, M. Magnani, E. Laguardia, A. Caputo, F. Titti, & B. Ensoli, 2002a. HIV-1 Tat-based vaccines: From basic science to clinical trials. *DNA Cell Biol* **21**(9):599–610. On pp. 431 & 746.
- [Fanales-Belasio *et al.*, 2002b] E. Fanales-Belasio, S. Moretti, F. Nappi, G. Barillari, F. Micheletti, A. Cafaro, & B. Ensoli, 2002b. Native HIV-1 Tat protein targets monocyte-derived dendritic cells and enhances their maturation, function, and antigen-specific T cell responses. *J Immunol* **168**(1):197–206. On p. 746.
- [Feeney *et al.*, 2003] M. E. Feeney, K. A. Roosevelt, Y. Tang, K. J. Pfafferott, K. McIntosh, S. K. Burchett, C. Mao, B. D. Walker, & P. J. R. Goulder, 2003. Comprehensive screening reveals strong and broadly directed human immunodeficiency virus type 1-specific CD8 responses in perinatally infected children. *J Virol* **77**(13):7492–7501. On p. 664.

- [Feeney *et al.*, 2005] M. E. Feeney, Y. Tang, K. Pfafferoth, K. A. Roosevelt, R. Draenert, A. Trocha, X. G. Yu, C. Verrill, T. Allen, C. Moore, S. Mallal, S. Burchett, K. McIntosh, S. I. Pelton, M. A. St. John, R. Hazra, P. Klenerman, M. Altfeld, B. D. Walker, & P. J. R. Goulder, 2005. HIV-1 viral escape in infancy followed by emergence of a variant-specific CTL response. *J Immunol* **174**(12):7524–7530. On pp. 133, 147, 182, 236, 330, 381, 384, 399, 412, 432, 615 & 618.
- [Feeney *et al.*, 2004] M. E. Feeney, Y. Tang, K. A. Roosevelt, A. J. Leslie, K. McIntosh, N. Karthas, B. D. Walker, & P. J. R. Goulder, 2004. Immune escape precedes breakthrough human immunodeficiency virus type 1 viremia and broadening of the cytotoxic T-lymphocyte response in an HLA-B27-positive long-term-nonprogressing child. *J Virol* **78**(16):8927–8930. On pp. 65, 151 & 205.
- [Felgenhauer *et al.*, 1990] M. Felgenhauer, J. Kohl, & F. Ruker, 1990. Nucleotide sequence of the cDNA encoding the v-regions of the h- and l-chains of a human monoclonal antibody specific to hiv-1 gp41. *Nucl Acids Res* **18**:4927. On pp. 1015 & 1016.
- [Fenoglio *et al.*, 2000] D. Fenoglio, G. Li Pira, L. Lozzi, L. Bracci, D. Saverino, P. Terranova, L. Bottone, S. Lantero, A. Megiovanni, A. Merlo, & F. Manca, 2000. Natural analogue peptides of an HIV-1 GP120 T-helper epitope antagonize response of GP120-specific human CD4 T cell clones. *J Acquir Immune Defic Syndr* **23**:1–7. On p. 767.
- [Fenoglio *et al.*, 1999] D. Fenoglio, G. L. Pira, P. D. Berardinis, D. Saverino, M. P. Terranova, M. N. Ombra, L. Bracci, L. Lozzi, C. Viotti, J. Guardiola, & F. Manca, 1999. Antagonistic activity of hiv-1 t helper peptides flanked by an unrelated carrier protein [in process citation]. *Eur J Immunol* **29**:1448–55. On pp. 735 & 766.
- [Ferns *et al.*, 1989] R. B. Ferns, J. C. Partridge, R. P. Spence, N. Hunt, & R. S. Tedder, 1989. Epitope location of 13 anti-gag hiv-1 monoclonal antibodies using oligopeptides and their cross-reactivity with hiv-2. *AIDS* **3**:829–834. On pp. 865, 867, 872, 876, 881 & 882.
- [Ferns *et al.*, 1991] R. B. Ferns, J. C. Partridge, M. Tisdale, N. Hunt, & R. S. Tedder, 1991. Monoclonal antibodies define linear and conformational epitopes of hiv-1 pol gene products. *AIDS Res Hum Retroviruses* **7**:307–313. On pp. 888, 889, 896, 897 & 898.
- [Ferns *et al.*, 1987] R. B. Ferns, R. S. Tedder, & R. A. Weiss, 1987. Characterization of monoclonal antibodies against the human immunodeficiency virus gag products and their use in monitoring hiv isolate variation. *J Gen Virol* **68**:1543–1551. On pp. 865, 867, 872, 876, 881 & 882.
- [Ferrantelli *et al.*, 2003] F. Ferrantelli, R. Hofmann-Lehmann, R. A. Rasmussen, T. Wang, W. Xu, P.-L. Li, D. C. Montefiori, L. A. Cavacini, H. Katinger, G. Stiegler, D. C. Anderson, H. M. McClure, & R. M. Ruprecht, 2003. Post-exposure prophylaxis with human monoclonal antibodies prevented SHIV89.6P infection or disease in neonatal macaques. *AIDS* **17**(3):301–309. On pp. 1022, 1026, 1033, 1034, 1051, 1055, 1140 & 1143.
- [Ferrantelli *et al.*, 2004a] F. Ferrantelli, M. Kitabwalla, R. A. Rasmussen, C. Cao, T.-C. Chou, H. Katinger, G. Stiegler, L. A. Cavacini, Y. Bai, J. Cotropia, K. E. Ugen, & R. M. Ruprecht, 2004a. Potent cross-group neutralization of primary human immunodeficiency virus isolates with monoclonal antibodies—implications for acquired immunodeficiency syndrome vaccine. *J Infect Dis* **189**(1):71–74. On pp. 1014, 1022, 1024, 1033, 1034, 1051, 1053, 1069, 1128, 1129, 1140 & 1142.
- [Ferrantelli *et al.*, 2004b] F. Ferrantelli, R. A. Rasmussen, K. A. Buckley, P.-L. Li, T. Wang, D. C. Montefiori, H. Katinger, G. Stiegler, D. C. Anderson, H. M. McClure, & R. M. Ruprecht, 2004b. Complete protection of neonatal rhesus macaques against oral exposure to pathogenic simian-human immunodeficiency virus by human anti-HIV monoclonal antibodies. *J Infect Dis* **189**(12):2167–2173. On pp. 1022, 1024, 1033, 1034, 1051 & 1053.
- [Ferrantelli & Ruprecht, 2002] F. Ferrantelli & R. M. Ruprecht, 2002. Neutralizing antibodies against HIV — back in the major leagues? *Curr Opin Immunol* **14**(4):495–502. On pp. 975, 1022, 1027, 1033, 1034, 1035, 1036, 1038, 1051, 1056, 1128, 1130, 1140 & 1145.
- [Ferrari *et al.*, 2000] G. Ferrari, D. D. Kostyu, J. Cox, D. V. Dawson, J. Flores, K. J. Weinhold, & S. Osmanov, 2000. Identification of highly conserved and broadly cross-reactive HIV type 1 cytotoxic T lymphocyte epitopes as candidate immunogens for inclusion in Mycobacterium bovis BCG-vectored HIV vaccines. *AIDS Res Hum Retroviruses* **16**(14):1433–43. On pp. 63, 73, 83, 87, 105, 118, 131, 137, 148, 152, 155, 180, 186, 189, 207, 210, 213, 217, 219, 220, 221, 224, 237, 239, 241, 244, 271, 292, 293, 302, 303, 312, 356, 359, 367, 369, 389, 451, 452, 453, 463, 507, 544, 561, 562, 564, 568, 574, 594, 600 & 627.
- [Ferrari *et al.*, 2001] G. Ferrari, W. Neal, A. Jones, N. Olander, J. Ottinger, R. Ha, M. J. McElrath, P. Goepfert, & K. J. Weinhold, 2001. CD8 CTL responses in vaccines: Emerging patterns of HLA restriction and epitope recognition. *Immunol Lett* **79**(1-2):37–45. On pp. 96, 259 & 544.
- [Ferrari *et al.*, 2004] G. Ferrari, W. Neal, J. Ottinger, A. M. Jones, B. H. Edwards, P. Goepfert, M. R. Betts, R. A. Koup, S. Buchbinder, M. J. McElrath, J. Tartaglia, & K. J. Weinhold, 2004. Absence of immunodominant anti-Gag p17 (SL9) responses among Gag CTL-positive, HIV-uninfected vaccine recipients expressing the HLA-A*0201 allele. *J Immunol* **173**(3):2126–2133. On p. 100.
- [Ferraz *et al.*, 2004] R. M. Ferraz, A. Arís, & A. Villaverde, 2004. Profiling the allosteric response of an engineered beta-galactosidase to its effector, anti-HIV antibody. *Biochem Biophys Res Commun* **314**(3):854–860. On p. 1006.
- [Ferris *et al.*, 1996] R. L. Ferris, C. Buck, S. A. Hammond, A. S. Woods, R. J. Cotter, M. Takiguchi, Y. Igarashi, Y. Ichikawa, & R. F. Siliciano, 1996. Class i-restricted presentation of an hiv-1 gp41 epitope containing an n-linked glycosylation site. *J Immunol* **156**:834–840. On p. 522.
- [Ferris *et al.*, 1999] R. L. Ferris, C. Hall, N. V. Sipsas, J. T. Safritz, A. Trocha, R. A. Koup, R. P. Johnson, & R. F. Siliciano, 1999. Processing of hiv-1 envelope glycoprotein for class i-restricted recognition: dependence on tap1/2 and mechanisms for cytosolic localization. *J Immunol* **162**:1324–32. On pp. 446, 449, 465, 474, 502, 507, 513, 522, 524 & 529.
- [Fevrier *et al.*, 1995] M. Fevrier, F. Boudet, A. Deslandres, & J. Theze, 1995. Two new human monoclonal antibodies against hiv type 1 glycoprotein 120: characterization and neutralizing activities against hiv type 1 strains. *AIDS Res Hum Retroviruses* **11**:491–500. On p. 1119.
- [Fidler *et al.*, 2002] S. Fidler, A. Oxenius, M. Brady, J. Clarke, I. Cropely, A. Babiker, H.-T. Zhang, D. Price, R. Phillips, & J. Weber, 2002. Virological and immunological effects of short-course antiretroviral therapy in primary HIV infection. *AIDS* **16**(15):2049–2054. On p. 728.
- [Fiebig *et al.*, 2003] U. Fiebig, O. Stephan, R. Kurth, & J. Denver, 2003. Neutralizing antibodies against conserved domains of p15E of porcine endogenous retroviruses: Basis for a vaccine for xenotransplantation? *Virology* **307**(2):406–413. On pp. 1033 & 1034.
- [Finnegan *et al.*, 2001] C. M. Finnegan, W. Berg, G. K. Lewis, & A. L. DeVico, 2001. Antigenic properties of the human immunodeficiency virus envelope during cell-cell fusion. *J Virol* **75**(22):11096–11105. On pp. 1104, 1105, 1158, 1162, 1166, 1168, 1172, 1203 & 1204.
- [Finnegan *et al.*, 2002] C. M. Finnegan, W. Berg, G. K. Lewis, & A. L. DeVico, 2002. Antigenic properties of the human immunodeficiency virus transmembrane glycoprotein during cell-cell fusion. *J Virol* **76**(23):12123–12134. On pp. 957, 1002, 1007, 1009, 1010, 1015, 1017, 1018, 1022, 1027, 1158, 1161, 1172 & 1197.

- [FitzGerald *et al.*, 1998] D. J. FitzGerald, C. M. Fryling, M. L. McKee, J. C. Vennari, T. Wrin, M. E. Cromwell, A. L. Daugherty, & R. J. Mersy, 1998. Characterization of v3 loop-pseudomonas exotoxin chimeras. candidate vaccines for human immunodeficiency virus-1. *J Biol Chem* **273**:9951–8. On p. 938.
- [Follis *et al.*, 2002] K. E. Follis, S. J. Larson, M. Lu, & J. H. Nunberg, 2002. Genetic evidence that interhelical packing interactions in the gp41 core are critical for transition of the human immunodeficiency virus type 1 envelope glycoprotein to the fusion-active state. *J Virol* **76**(14):7356–7362. On pp. 1002, 1007, 1008, 1010, 1017, 1018, 1022, 1027, 1202 & 1205.
- [Fomsgaard *et al.*, 1998a] A. Fomsgaard, H. V. Nielsen, K. Bryder, C. Nielsen, R. Machuca, L. Bruun, J. Hansen, & S. Buus, 1998a. Improved humoral and cellular immune responses against the gp120 V3 loop of HIV-1 following genetic immunization with a chimeric DNA vaccine encoding the V3 inserted into the hepatitis B surface antigen. *Scand J Immunol* **47**:289–95. On p. 479.
- [Fomsgaard *et al.*, 1998b] A. Fomsgaard, H. V. Nielsen, C. Nielsen, K. Johansson, R. Machuca, L. Bruun, J. Hansen, & S. Buus, 1998b. Comparisons of dna-mediated immunization procedures directed against surface glycoproteins of human immunodeficiency virus type-1 and hepatitis b virus. *APMIS* **106**:636–46. On p. 480.
- [Fontenot *et al.*, 1995] J. D. Fontenot, T. C. VanCott, B. S. Parekh, C. P. Pau, J. R. George, D. L. Bix, S. Zolla-Pazner, M. K. Gorny, & J. M. Gatewood, 1995. Presentation of hiv v3 loop epitopes for enhanced antigenicity, immunogenicity and diagnostic potential. *AIDS* **9**:1121–1129. On pp. 940, 944, 946, 948, 951, 962, 963, 966, 968, 971, 980, 1009, 1036 & 1041.
- [Forthal *et al.*, 1995] D. N. Forthal, G. Landucci, M. K. Gorny, S. Zolla-Pazner, & W. E. Robinson, Jr., 1995. Functional activities of 20 human immunodeficiency virus type 1 (hiv-1)-specific human monoclonal antibodies. *AIDS Res Hum Retroviruses* **11**:1095–1099. On pp. 925, 926, 978, 979, 994, 995, 996, 998, 1007, 1008, 1009, 1017, 1018, 1019, 1020, 1036, 1041, 1118, 1120 & 1121.
- [Fortin *et al.*, 2000] J. F. Fortin, R. Cantin, M. G. Bergeron, & M. J. Tremblay, 2000. Interaction between virion-bound host intercellular adhesion molecule-1 and the high-affinity state of lymphocyte function-associated antigen-1 on target cells renders r5 and x4 isolates of human immunodeficiency virus type 1 more refractory to neutralization. *Virology* **268**:493–503. On pp. 974, 1128, 1131, 1166 & 1168.
- [Fournier *et al.*, 2002a] A.-M. Fournier, V. Baillat, C. Alix-Panabieres, J.-M. Fondere, C. Merle, M. Segondy, M.-F. Hugué, J. Reynes, & J.-P. Vendrell, 2002a. Dynamics of spontaneous HIV-1 specific and non-specific B-cell responses in patients receiving antiretroviral therapy. *AIDS* **16**(13):1755–1760. On p. 1223.
- [Fournier *et al.*, 2002b] A. M. Fournier, J.-M. Fondere, C. Alix-Panabieres, C. Merle, V. Baillat, M.-F. Hugué, J. Taïb, V. Ohayon, M. Zembala, J. Reynes, & J. P. Vendrell, 2002b. Spontaneous secretion of immunoglobulins and anti-HIV-1 antibodies by in vivo activated B lymphocytes from HIV-1-infected subjects: Monocyte and natural killer cell requirement for in vitro terminal differentiation into plasma cells. *Clin Immunol* **103**(1):98–109. On p. 1223.
- [Fouts *et al.*, 2002] T. Fouts, K. Godfrey, K. Bobb, D. Montefiori, C. V. Hanson, V. S. Kalyanaraman, A. DeVico, & R. Pal, 2002. Crosslinked HIV-1 envelope-CD4 receptor complexes elicit broadly cross-reactive neutralizing antibodies in rhesus macaques. *Proc Natl Acad Sci USA* **99**(18):11842–11847. On p. 1086.
- [Fouts *et al.*, 1997] T. R. Fouts, J. M. Binley, A. Trkola, J. E. Robinson, & J. P. Moore, 1997. Neutralization of the human immunodeficiency virus type 1 primary isolate jr-fl by human monoclonal antibodies correlates with antibody binding to the oligomeric form of the envelope glycoprotein complex. *J Virol* **71**:2779–2785. On pp. 925, 926, 958, 959, 1036, 1040, 1052, 1060, 1099, 1103, 1104, 1106, 1107, 1108, 1109, 1113, 1115, 1116, 1133, 1134, 1136, 1137, 1138, 1140, 1149, 1159 & 1164.
- [Fouts *et al.*, 1998] T. R. Fouts, A. Trkola, M. S. Fung, & J. P. Moore, 1998. Interactions of polyclonal and monoclonal anti-glycoprotein 120 antibodies with oligomeric glycoprotein 120-glycoprotein 41 complexes of a primary hiv type 1 isolate: relationship to neutralization. *AIDS Res Hum Retroviruses* **14**:591–7. On pp. 1022, 1031, 1051, 1060, 1113, 1114, 1116, 1117, 1133, 1134, 1136, 1137, 1138, 1140, 1148 & 1154.
- [Fowke *et al.*, 2000] K. R. Fowke, R. Kaul, K. L. Rosenthal, J. Oyugi, J. Kimani, W. J. Rutherford, N. J. D. Nagelkerke, T. B. Ball, J. J. Bwayo, J. N. Simonsen, G. M. Shearer, & F. A. Plummer, 2000. HIV-1-specific cellular immune responses among HIV-1-resistant sex workers. *Immunol Cell Biol* **78**(6):586–95. On pp. 555 & 812.
- [Frahm *et al.*, 2005] N. Frahm, S. Adams, P. Kiepiela, C. H. Linde, H. S. Hewitt, M. Lichterfeld, K. Sango, N. V. Brown, E. Pae, A. G. Wurcel, M. Altfeld, M. E. Feeney, T. M. Allen, T. Roach, M. A. St. John, E. S. Daar, E. Rosenberg, B. Korber, F. Marincola, B. D. Walker, P. J. R. Goulder, & C. Brander, 2005. HLA-B*57/B*58-restricted cytotoxic T-lymphocyte epitopes and is associated with low human immunodeficiency virus load. *J Virol* **79**(16):10218–10225. On pp. 58, 84, 90, 129, 148, 149, 183, 276, 279, 412, 432, 497, 508, 586, 616, 619, 621 & 641.
- [Frahm *et al.*, 2007] N. Frahm, C. Linde, & C. Brander, 2007. Identification of HIV-derived, HLA class I restricted CTL epitopes: Insights into TCR repertoire, CTL escape and viral fitness. In B. Korber, C. Brander, B. F. Haynes, R. Koup, J. P. Moore, B. D. Walker, & D. I. Watkins, eds., *HIV Molecular Immunology 2006*, p. 3 ff. Los Alamos National Laboratory, Theoretical Biology and Biophysics, Los Alamos, New Mexico. On pp. 58, 65, 66, 72, 77, 79, 82, 83, 87, 88, 90, 94, 101, 102, 116, 117, 118, 120, 123, 125, 128, 129, 134, 139, 140, 141, 142, 143, 148, 149, 150, 151, 153, 155, 156, 157, 161, 165, 170, 171, 174, 175, 177, 179, 185, 188, 195, 200, 210, 213, 216, 217, 219, 221, 222, 230, 232, 233, 240, 243, 245, 250, 251, 252, 253, 256, 270, 271, 273, 275, 276, 278, 279, 281, 284, 286, 287, 288, 289, 291, 295, 297, 298, 301, 305, 306, 307, 313, 314, 315, 319, 325, 329, 331, 332, 333, 335, 342, 357, 358, 359, 360, 361, 363, 368, 369, 370, 372, 374, 376, 378, 379, 381, 382, 383, 384, 386, 387, 389, 396, 399, 400, 402, 403, 404, 405, 407, 411, 412, 413, 414, 416, 417, 421, 422, 424, 427, 428, 432, 435, 436, 437, 443, 445, 446, 449, 452, 454, 455, 456, 459, 467, 469, 474, 484, 485, 497, 498, 501, 502, 506, 508, 511, 518, 520, 522, 524, 525, 527, 528, 530, 531, 532, 537, 538, 543, 544, 557, 558, 559, 561, 563, 566, 571, 578, 582, 588, 589, 591, 593, 598, 605, 609, 610, 611, 614, 615, 616, 618, 619, 620, 621, 622, 628, 629, 632, 633, 637, 638, 641, 644 & 647.
- [François-Bongarcon *et al.*, 2004] V. François-Bongarcon, Y. Feng, S.-K. Lee, G. Chen, P. Shankar, Y. Liu, X. Tao, Y. Shao, & J. Lieberman, 2004. Cross-clade CD8 T-cell responses to HIV-III B and Chinese B' and C/B' viruses in North American and Chinese HIV-seropositive donors. *J Acquir Immune Defi* **37**(4):1435–1444. On p. 668.
- [Franke *et al.*, 1992] L. Franke, R. Grunow, R. Meissner, T. Portsman, & R. von Baehr, 1992. Inhibition of hiv-1 infection in vitro by murine monoclonal anti-p24 antibodies. *J Med Virol* **37**:137–142. On p. 867.
- [Frankel *et al.*, 1998] S. S. Frankel, R. M. Steinman, N. L. Michael, S. R. Kim, N. Bhardwaj, M. Pope, M. K. Louder, P. K. Ehrenberg, P. W. Parren, D. R. Burton, H. Katinger, T. C. VanCott, M. L. Robb, D. L. Bix, & J. R. Mascola, 1998. Neutralizing monoclonal antibodies block human immunodeficiency virus type 1 infection of dendritic cells and transmission to t cells. *J Virol* **72**:9788–94. On pp. 1022, 1031, 1051, 1060, 1140, 1148, 1166 & 1169.
- [Friedrich *et al.*, 2004] T. C. Friedrich, E. J. Dodds, L. J. Yant, L. Vojnov, R. Rudersdorf, C. Cullen, D. T. Evans, R. C. Desrosiers, B. R. Mothé, J. Sidney, A. Sette, K. Kunstman, S. Wolinsky, M. Piatak, J. Lifson, A. L.

- Hughes, N. Wilson, D. H. O'Connor, & D. I. Watkins, 2004. Reversion of CTL escape-variant immunodeficiency viruses in vivo. *Nat Med* **10**(3):275–281. On p. 666.
- [Froebel *et al.*, 1997] K. S. Froebel, J. Y. Mok, M. C. Aldhous, M. P. Armitage, M. Arnott, L. M. Reynolds, J. F. Peutherer, & S. M. Burns, 1997. In vitro measurement of cytotoxic t cell activity does not predict clinical progression in pediatric hiv disease – two case studies. *Clin Exp Immunol* **110**:15–21. On pp. 392 & 430.
- [Fujii *et al.*, 1993] Y. Fujii, Y. Nishino, T. Nakaya, K. Tokunaga, & K. Ikuta, 1993. Expression of human immunodeficiency virus type 1 nef antigen on the surface of acutely and persistently infected human t-cells. *Vaccine* **11**:1240. On pp. 1211, 1212, 1213 & 1222.
- [Fujii *et al.*, 1996a] Y. Fujii, K. Otake, Y. Fujita, N. Yamamoto, Y. Nagai, M. Tashiro, & A. Adachi, 1996a. Clustered localization of oligomeric nef protein of human immunodeficiency virus type 1 on the cell surface. *FEBS Lett* **395**:257–261. On p. 1213.
- [Fujii *et al.*, 1996b] Y. Fujii, K. Otake, M. Tashiro, & A. Adachi, 1996b. Human immunodeficiency type 1 nef protein on the cell surface is cytosolic for human cd4+ t cells. *FEBS Lett* **393**:105–108. On pp. 1211, 1212 & 1213.
- [Fujii *et al.*, 1996c] Y. Fujii, K. Otake, M. Tashiro, & A. Adachi, 1996c. In vitro cytotoxic effects of human immunodeficiency virus type 1 nef on unprimed human cd4+ t cells without mhc restriction. *J Gen Virol* **77**:2943–2951. On pp. 1211, 1212 & 1213.
- [Fujii *et al.*, 1996d] Y. Fujii, K. Otake, M. Tashiro, & A. Adachi, 1996d. Soluble nef antigen of hiv-1 is cytotoxic for human cd4+ t cells. *FEBS Lett* **393**:93–96. On p. 1213.
- [Fujimoto *et al.*, 2004] C. Fujimoto, Y. Nakagawa, K. Ohara, & H. Takahashi, 2004. Polyribonoinosinic polyribocytidylic acid [poly(I:C)]/TLR3 signaling allows class I processing of exogenous protein and induction of HIV-specific CD8+ cytotoxic T lymphocytes. *Int Immunol* **16**(1):55–63. On p. 482.
- [Fukada *et al.*, 1999] K. Fukada, Y. Chujoh, H. Tomiyama, K. Miwa, Y. Kaneko, S. Oka, & M. Takiguchi, 1999. Hla-a*1101-restricted cytotoxic t lymphocyte recognition of hiv-1 pol protein [letter]. *AIDS* **13**:1413–4. On pp. 374 & 384.
- [Fukada *et al.*, 2002] K. Fukada, H. Tomiyama, C. Wasi, T. Matsuda, S. Kusagawa, H. Sato, S. Oka, Y. Takebe, & M. Takiguchi, 2002. Cytotoxic T-cell recognition of HIV-1 cross-clade and clade-specific epitopes in HIV-1-infected Thai and Japanese patients. *AIDS* **16**(5):701–711. On pp. 117, 243, 307, 333, 374, 385, 466 & 593.
- [Fukasawa *et al.*, 1998] M. Fukasawa, Y. Shimizu, K. Shikata, M. Nakata, R. Sakakibara, N. Yamamoto, M. Hatanaka, & T. Mizuochi, 1998. Liposome oligomannose-coated with neoglycolipid, a new candidate for a safe adjuvant for induction of cd8+ cytotoxic t lymphocytes. *FEBS Lett* **441**:353–6. On p. 481.
- [Fung *et al.*, 1992] M. S. C. Fung, C. R. Y. Sun, W. L. Gordon, R.-S. Liou, T. W. Chang, W. N. C. Sun, E. S. Daar, & D. D. Ho, 1992. Identification and characterization of a neutralization site within the second variable region of human immunodeficiency virus type 1 gp120. *J Virol* **66**:848–856. On pp. 929, 930, 931 & 932.
- [Fung *et al.*, 1990] M. S. C. Fung, C. R. Y. Sun, R. S. Liou, W. Gordon, N. T. Chang, T.-W. Chang, & N.-C. Sun, 1990. Monoclonal anti-idiotypic antibody mimicking the principal neutralization site in hiv-1 gp120 induces hiv-1 neutralizing antibodies in rabbits. *J Immunol* **145**:2199–2206. On pp. 952 & 953.
- [Fung *et al.*, 1987] M. S. C. Fung, C. R. Y. Sun, N.-C. Sun, N. T. Chang, & T.-W. Chang, 1987. Monoclonal antibodies that neutralize hiv-1 virions and inhibit syncytium formation by infected cells. *Biotechnology* **5**:940–947. On pp. 931, 952 & 1067.
- [Furci *et al.*, 1997] L. Furci, G. Scarlatti, S. Burastero, G. Tambussi, C. Colognesi, C. Quillent, R. Longhi, P. Loverro, B. Borgonovo, D. Gaffi, E. Carrow, M. Malnati, P. Lusso, A. G. Siccardi, A. Lazzarin, & A. Beretta, 1997. Antigen-driven c-c chemokine-mediated hiv-1 suppression by cd4(+) t cells from exposed uninfected individuals expressing the wild-type ccr- 5 allele. *J Exp Med* **186**:455–60. On pp. 755, 773 & 789.
- [Furutsuki *et al.*, 2004] T. Furutsuki, N. Hosoya, A. Kawana-Tachikawa, M. Tomizawa, T. Odawara, M. Goto, Y. Kitamura, T. Nakamura, A. D. Kelleher, D. A. Cooper, & A. Iwamoto, 2004. Frequent transmission of cytotoxic-T-lymphocyte escape mutants of human immunodeficiency virus type 1 in the highly HLA-A24-positive Japanese population. *J Virol* **78**(16):8437–8445. On p. 631.
- [Gahery-Segard *et al.*, 2000] H. Gahery-Segard, G. Pialoux, B. Charmeteau, S. Sermet, H. Poncelet, M. Raux, A. Tartar, J. P. Levy, H. Gras-Masse, & J. G. Guillet, 2000. Multiepitopic b- and t cell responses induced in humans by a human immunodeficiency virus type 1 lipopeptide vaccine. *J Virol* **74**:1694–703. On pp. 164, 187, 474, 561, 617, 647, 702, 708, 771, 817, 819 & 821.
- [Gahéry-Ségard *et al.*, 2003] H. Gahéry-Ségard, G. Pialoux, S. Figueiredo, C. Igéa, M. Surenaud, J. Gaston, H. Gras-Masse, J.-P. Lévy, & J.-G. Guillet, 2003. Long-term specific immune responses induced in humans by a human immunodeficiency virus type 1 lipopeptide vaccine: Characterization of CD8+-T-cell epitopes recognized. *J Virol* **77**(20):11220–11231. On pp. 191, 194, 198, 199, 208, 209, 210, 214, 563, 568, 569, 586, 587, 590, 592, 596, 620, 622, 627, 631, 637, 639, 640, 646, 652 & 653.
- [Galli *et al.*, 2003] M. Galli, C. Gervasoni, A. L. Ridolfo, D. Trabattoni, S. Santambrogio, M. Vaccarezza, L. Meroni, G. Trifirò, M. Moroni, G. Norbiato, & M. Clerici, 2003. Cytokine production in women with antiretroviral treatment-associated breast fat accumulation and limb wasting. *AIDS* **17** Suppl 1:S155–161. On p. 827.
- [Gamberg *et al.*, 2004a] J. Gamberg, L. Barrett, I. Bowmer, C. Howley, & M. Grant, 2004a. Immune reconstitution and viral stimulation are required to restore HIV-specific CD8 T cell responses following advanced infection. *J Clin Immunol* **24**(2):115–124. On pp. 241, 323 & 602.
- [Gamberg *et al.*, 2004b] J. Gamberg, I. Pardoe, M. I. Bowmer, C. Howley, & M. Grant, 2004b. Lack of CD28 expression on HIV-specific cytotoxic T lymphocytes is associated with disease progression. *Immunol Cell Biol* **82**(1):38–46. On p. 669.
- [Gamberg *et al.*, 1999] J. C. Gamberg, M. I. Bowmer, J. C. Trahey, C. M. Campbell, I. Pardoe, & M. D. Grant, 1999. Functional and genetic integrity of the cd8 t cell repertoire in advanced hiv infection. *AIDS* **13**:2043–53. On pp. 270, 547 & 655.
- [Ganusov, 2003] V. V. Ganusov, 2003. The role of the cytotoxic T-lymphocyte response and virus cytopathogenicity in the virus decline during antiviral therapy. *Proc R Soc Lond B Biol Sci* **270**(1523):1513–1518. On p. 667.
- [Gao *et al.*, 2003] F. Gao, T. Bhattacharya, B. Gaschen, J. Taylor, J. P. Moore, V. Novitsky, K. Yusim, D. Lang, B. Foley, S. Beddows, M. Alam, B. Haynes, B. H. Hahn, & B. Korber, 2003. Reply: Consensus and ancestral state HIV vaccines. *Science* **299**(5612):1515–1518. On p. 662.
- [Gao *et al.*, 2005] X. Gao, A. Bashirova, A. K. N. Iversen, J. Phair, J. J. Goedert, S. Buchbinder, K. Hoots, D. Vlahov, M. Altfeld, S. J. O'Brien, & M. Carrington, 2005. AIDS restriction HLA allotypes target distinct intervals of HIV-1 pathogenesis. *Nat Med* **11**(12):1290–1292. On pp. 64 & 181.

- [Garba *et al.*, 2002] M. L. Garba, C. D. Pilcher, A. L. Bingham, J. Eron, & J. A. Frelinger, 2002. HIV antigens can induce TGF-beta(1)-producing immunoregulatory CD8+ T cells. *J Immunol* **168**(5):2247–2254. On pp. 663 & 664.
- [Garboczi *et al.*, 1992] D. N. Garboczi, D. T. Hung, & D. C. Wiley, 1992. Hla-a2-peptide complexes: refolding and crystallization of molecules expressed in *Escherichia coli* and complexed with single antigenic peptides. *Proc Natl Acad Sci USA* **89**:3429–3433. On p. 466.
- [Garcia *et al.*, 1997] S. Garcia, M. Fevrier, G. Dadaglio, H. Lecoeur, Y. Riviere, & M.-L. Gougeon, 1997. Potential deleterious effect of anti-viral cytotoxic lymphocyte through the cd95 (fas/apo-1)-mediated pathway during chronic hiv infection. *Immunol Lett* **57**:53–58. On p. 578.
- [Garulli *et al.*, 2004] B. Garulli, Y. Kawaoka, & M. R. Castrucci, 2004. Mucosal and systemic immune responses to a human immunodeficiency virus type 1 epitope induced upon vaginal infection with a recombinant influenza A virus. *J Virol* **78**(2):1020–1025. On pp. 488 & 952.
- [Gaschen *et al.*, 2002] B. Gaschen, J. Taylor, K. Yusim, B. Foley, F. Gao, D. Lang, V. Novitsky, B. Haynes, B. H. Hahn, T. Bhattacharya, & B. Korber, 2002. Diversity considerations in HIV-1 vaccine selection. *Science* **296**(5577):2354–2360. On p. 662.
- [Gaudebout *et al.*, 1997] P. Gaudebout, D. Zeliszewski, J. J. Golvano, C. Pignal, S. L. Gac, F. Borrás-Cuesta, & G. Sterkers, 1997. Binding analysis of 95 hiv gp120 peptides to hla-dr1101 and -dr0401 evidenced many hla-class ii binding regions on gp120 and suggested several promiscuous regions. *J Acquir Immune Defic Syndr Hum Retrovirol* **14**(2):91–101. On pp. 755, 758 & 761.
- [Gauduin *et al.*, 1996] M.-C. Gauduin, G. P. Allaway, P. J. Maddon, C. F. Barbas III, D. R. Burton, & R. A. Koup, 1996. Effective *ex vivo* neutralization of human immunodeficiency virus type 1 in plasma by recombinant immunoglobulin molecules. *J Virol* **70**:2586–2592. On pp. 958, 959, 1140 & 1150.
- [Gauduin *et al.*, 1995] M. C. Gauduin, J. T. Safrin, R. Weir, M. S. Fung, & R. A. Koup, 1995. Pre- and post-exposure protection against human immunodeficiency virus type 1 infection mediated by a monoclonal antibody. *J Infect Dis* **171**:1203–1209. On pp. 952 & 953.
- [Gauduin *et al.*, 1998] M. C. Gauduin, R. Weir, M. S. Fung, & R. A. Koup, 1998. Involvement of the complement system in antibody-mediated post-exposure protection against human immunodeficiency virus type 1. *AIDS Res Hum Retroviruses* **14**:205–11. On pp. 945 & 952.
- [Gavioli *et al.*, 2004] R. Gavioli, E. Gallerani, C. Fortini, M. Fabris, A. Bottoni, A. Canella, A. Bonaccorsi, M. Marastoni, F. Micheletti, A. Cafaro, P. Rimessi, A. Caputo, & B. Ensoli, 2004. HIV-1 tat protein modulates the generation of cytotoxic T cell epitopes by modifying proteasome composition and enzymatic activity. *J Immunol* **173**(6):3838–3843. On p. 431.
- [Gea-Banacloche *et al.*, 2000] J. C. Gea-Banacloche, S. A. Migueles, L. Martino, W. L. Shupert, A. C. McNeil, M. S. Sabbaghian, L. Ehler, C. Prussin, R. Stevens, L. Lambert, J. Altman, C. W. Hallahan, J. C. de Quiros, & M. Connors, 2000. Maintenance of large numbers of virus-specific CD8+ T cells in HIV-infected progressors and long-term nonprogressors. *J Immunol* **165**(2):1082–92. On pp. 95 & 342.
- [Geels *et al.*, 2003] M. J. Geels, M. Cornelissen, H. Schuitemaker, K. Anderson, D. Kwa, J. Maas, J. T. Dekker, E. Baan, F. Zorgdrager, R. van den Burg, M. van Beelen, V. V. Lukashov, T.-M. Fu, W. A. Paxton, L. van der Hoek, S. A. Dubey, J. W. Shiver, & J. Goudsmit, 2003. Identification of sequential viral escape mutants associated with altered T-cell responses in a human immunodeficiency virus type 1-infected individual. *J Virol* **77**(23):12430–12440. On pp. 62, 70, 126, 239, 287, 294, 300, 311, 324, 331, 335, 337, 357, 367, 378, 397, 451, 458, 478, 497, 501, 507, 524, 529, 538, 576, 619, 649 & 653.
- [Geels *et al.*, 2005] M. J. Geels, S. A. Dubey, K. Anderson, E. Baan, M. Bakker, G. Pollakis, W. A. Paxton, J. W. Shiver, & J. Goudsmit, 2005. Broad cross-clade T-cell responses to Gag in individuals infected with human immunodeficiency virus type 1 non-B clades (A to G): Importance of HLA anchor residue conservation. *J Virol* **79**(17):11247–11258. On pp. 75, 77, 86, 87, 116, 119, 134, 148, 155, 162, 172, 175, 177, 185, 191, 194, 198, 199, 232, 236, 246, 252, 254, 255, 256, 257 & 258.
- [Geels *et al.*, 2006] M. J. Geels, C. A. Jansen, E. Baan, I. M. De Cuyper, G. J. M. van Schijndel, H. Schuitemaker, J. Goudsmit, G. Pollakis, F. Miedema, W. A. Paxton, & D. van Baarle, 2006. CTL escape and increased viremia irrespective of HIV-specific CD4+ T-helper responses in two HIV-infected individuals. *Virology* **345**(1):209–219. On pp. 692, 696, 699, 700, 704, 707, 713, 715, 741, 819 & 821.
- [Geffin *et al.*, 2003] R. Geffin, C. Hutto, C. Andrew, & G. B. Scott, 2003. A longitudinal assessment of autologous neutralizing antibodies in children perinatally infected with human immunodeficiency virus type 1. *Virology* **310**(2):207–215. On p. 1088.
- [Geffin *et al.*, 1998] R. B. Geffin, G. B. Scott, M. Melenwick, C. Hutto, S. Lai, L. J. Boots, P. M. McKenna, J. 2nd. Kessler, & A. J. Conley, 1998. Association of antibody reactivity to eldka, a glycoprotein 41 neutralization epitope, with disease progression in children perinatally infected with hiv type 1. *AIDS Res Hum Retroviruses* **14**:579–90. On pp. 1022 & 1031.
- [Geretti *et al.*, 1994] A. M. Geretti, C. A. Van Baalen, J. C. Borleffs, C. A. Van Els, & A. D. Osterhaus, 1994. Kinetics and specificities of the T helper-cell response to gp120 in the asymptomatic stage of HIV-1 infection. *Scand J Immunol* **39**(4):355–362. On pp. 748, 749, 750, 751, 752, 755, 756, 757, 758, 759, 760, 764, 766, 767, 768, 769, 771, 772, 781, 783, 784, 785, 787, 793, 795, 796, 797, 811 & 812.
- [Gershoni *et al.*, 1993] J. M. Gershoni, G. Denisova, D. Raviv, N. I. Smorodinsky, & D. Buyaner, 1993. Hiv binding to its receptor creates specific epitopes for the cd4/gp120 complex. *FASEB J* **7**:1185–1187. On pp. 1203 & 1204.
- [Ghanekar *et al.*, 2001] S. A. Ghanekar, S. A. Stranford, J. C. Ong, J. M. Walker, V. C. Maino, & J. A. Levy, 2001. Decreased HIV-specific CD4 T cell proliferation in long-term HIV-infected individuals on antiretroviral therapy. *AIDS* **15**(14):1885–1887. On p. 826.
- [Gharbi-Benarous *et al.*, 2004] J. Gharbi-Benarous, G. Bertho, N. Evrard-Todeschi, G. Coadou, S. Megy, T. Delaunay, R. Benarous, & J.-P. Girault, 2004. Epitope mapping of the phosphorylation motif of the HIV-1 protein Vpu bound to the selective monoclonal antibody using TRNOESY and STD NMR spectroscopy. *Biochemistry* **43**(46):14555–14565. On p. 911.
- [Gherardi *et al.*, 2003] M. M. Gherardi, J. L. Nájera, E. Pérez-Jiménez, S. Guerra, A. García-Sastre, & M. Esteban, 2003. Prime-boost immunization schedules based on influenza virus and vaccinia virus vectors potentiate cellular immune responses against human immunodeficiency virus Env protein systemically and in the genitoretroanal draining lymph nodes. *J Virol* **77**(12):7048–7057. On p. 494.
- [Gherardi *et al.*, 2004] M. M. Gherardi, E. Pérez-Jiménez, J. L. Nájera, & M. Esteban, 2004. Induction of HIV immunity in the genital tract after intranasal delivery of a MVA vector: Enhanced immunogenicity after DNA prime-modified vaccinia virus Ankara boost immunization schedule. *J Immunol* **172**(10):6209–6220. On pp. 1094 & 1095.
- [Gherardi *et al.*, 2000] M. M. Gherardi, J. C. Ramirez, & M. Esteban, 2000. Interleukin-12 (il-12) enhancement of the cellular immune response against human immunodeficiency virus type 1 env antigen in a dna prime/vaccinia virus boost vaccine regimen is time and dose dependent: suppressive effects of il-12 boost are mediated by nitric oxide. *J Virol* **74**:6278–86. On p. 486.

- [Ghiara *et al.*, 1997] J. B. Ghiara, D. C. Ferguson, A. C. Satterthwait, H. J. Dyson, & I. A. Wilson, 1997. Structure-based design of a constrained peptide mimic of the hiv-1 v3 loop neutralization site. *J Mol Biol* **266**:31–9. On p. 976.
- [Ghiara *et al.*, 1993] J. B. Ghiara, E. A. Stura, R. L. Stanfield, A. T. Profy, & I. A. Wilson, 1993. Crystal structure of the principal neutralization site of hiv-1. *Science* **264**:82–85. On pp. 951, 952 & 976.
- [Gillespie *et al.*, 2002] G. M. A. Gillespie, R. Kaul, T. Dong, H.-B. Yang, T. Rostron, J. J. Bwayo, P. Kiama, T. Peto, F. A. Plummer, A. J. McMichael, & S. L. Rowland-Jones, 2002. Cross-reactive cytotoxic T lymphocytes against a HIV-1 p24 epitope in slow progressors with B*57. *AIDS* **16**(7):961–972. On p. 142.
- [Gillespie *et al.*, 2005] G. M. A. Gillespie, S. Pinheiro, M. Sayeid-Al-Jamee, A. Alabi, S. Kaye, S. Sabally, R. Sarge-Njie, H. Njai, K. Joof, A. Jaye, H. Whittle, S. Rowland-Jones, & L. Dorrell, 2005. CD8+ T cell responses to human immunodeficiency viruses type 2 (HIV-2) and type 1 (HIV-1) gag proteins are distinguishable by magnitude and breadth but not cellular phenotype. *Eur J Immunol* **35**(5):1445–1453. On pp. 159, 179 & 234.
- [Gilljam *et al.*, 1999] G. Gilljam, A. Svensson, A. Ekstrom, & B. Wahren, 1999. Immunological responses to envelope glycoprotein 120 from subtypes of human immunodeficiency virus type 1. *AIDS Res Hum Retroviruses* **15**(10):899–907. On p. 1180.
- [Giraud *et al.*, 1999] A. Giraud, Y. Ataman-Onal, N. Battail, N. Piga, D. Brand, B. Mandrand, & B. Verrier, 1999. Generation of monoclonal antibodies to native human immunodeficiency virus type 1 envelope glycoprotein by immunization of mice with naked rna [in process citation]. *J Virol Methods* **79**:75–84. On pp. 1050, 1128 & 1140.
- [Glaser & Hausdorf, 1996] R. W. Glaser & G. Hausdorf, 1996. Binding kinetics of an antibody against hiv p24 core protein measured with real-time biomolecular interaction analysis suggest a slow conformational change in antigen p24. *J Immunological Methods* **189**:1–14. On p. 867.
- [Goepfert, 2003] P. A. Goepfert, 2003. Making sense of the HIV immune response. *Top HIV Med* **11**(1):4–8. On p. 1215.
- [Goepfert *et al.*, 2000] P. A. Goepfert, A. Bansal, B. H. Edwards, G. D. Ritter, Jr., I. Tellez, S. A. McPherson, S. Sabbaj, & M. J. Mulligan, 2000. A significant number of human immunodeficiency virus epitope-specific cytotoxic T lymphocytes detected by tetramer binding do not produce gamma interferon. *J Virol* **74**(21):10249–55. On p. 95.
- [Goh *et al.*, 1999] W. C. Goh, J. Markee, R. E. Akridge, M. Meldorf, L. Musey, T. Karchmer, M. Krone, A. Collier, L. Corey, M. Emerman, & M. J. McElrath, 1999. Protection against human immunodeficiency virus type 1 infection in persons with repeated exposure: evidence for t cell immunity in the absence of inherited ccr5 coreceptor defects. *J Infect Dis* **179**:548–57. On pp. 262, 393 & 549.
- [Golding *et al.*, 2002a] B. Golding, N. Eller, L. Levy, P. Beining, J. Inman, N. Matthews, D. E. Scott, & H. Golding, 2002a. Mucosal immunity in mice immunized with HIV-1 peptide conjugated to *Brucella abortus*. *Vaccine* **20**(9-10):1445–1450. On pp. 484 & 971.
- [Golding *et al.*, 1995] B. Golding, J. Inman, P. Highet, R. Blackburn, J. Manischewitz, N. Blyveis, R. D. Angus, & H. Golding, 1995. *Brucella abortus* conjugated with a gp120 or V3 loop peptide derived from human immunodeficiency virus type 1 induces neutralizing anti-HIV antibodies, and the V3-b. *abortus* conjugate is effective even after CD4+ T-cell depletion. *J Virol* **69**:3299–3307. On p. 973.
- [Golding *et al.*, 2002b] H. Golding, M. Zaitseva, E. de Rosny, L. R. King, J. Manischewitz, I. Sidorov, M. K. Gorny, S. Zolla-Pazner, D. S. Dimitrov, & C. D. Weiss, 2002b. Dissection of human immunodeficiency virus type 1 entry with neutralizing antibodies to gp41 fusion intermediates. *J Virol* **76**(13):6780–6790. On pp. 1011, 1017, 1018, 1019, 1022, 1027, 1051, 1056, 1097, 1102, 1103, 1140, 1145, 1158, 1161, 1165, 1167, 1202 & 1203.
- [Goletz *et al.*, 1997] T. J. Goletz, K. R. Klimpel, N. Arora, S. H. Leppla, J. M. Keith, & J. A. Berzofsky, 1997. Targeting hiv proteins to the major histocompatibility complex class i processing pathway with a novel gp120-anthrax toxin fusion protein. *Proc Natl Acad Sci USA* **94**:12059–12064. On p. 487.
- [Gómez *et al.*, 2004] C. E. Gómez, F. Abaitua, D. Rodríguez, & M. Esteban, 2004. Efficient CD8+ T cell response to the HIV-env V3 loop epitope from multiple virus isolates by a DNA prime/vaccinia virus boost (rWR and rMVA strains) immunization regime and enhancement by the cytokine IFN-gamma. *Virus Res* **105**(1):11–22. On p. 494.
- [Goncalves *et al.*, 2002] J. Goncalves, F. Silva, A. Freitas-Vieira, M. Santa-Marta, R. Malhó, X. Yang, D. Gabuzda, & C. I. Barbas, 2002. Functional neutralization of HIV-1 Vif protein by intracellular immunization inhibits reverse transcription and viral replication. *J Biol Chem* **277**(35):32036–45. On p. 899.
- [Gonzalo *et al.*, 1999] R. M. Gonzalo, D. Rodríguez, A. Garcia-Sastre, J. R. Rodriguez, P. Palese, & M. Esteban, 1999. Enhanced CD8+ T cell response to HIV-1 env by combined immunization with influenza and vaccinia virus recombinants. *Vaccine* **17**(7-8):887–92. On p. 546.
- [Goodman-Snitkoff *et al.*, 1990] G. Goodman-Snitkoff, L. E. Eisele, E. P. Heimer, A. M. Felix, T. T. Andersen, T. R. Fuerst, & R. J. Mannino, 1990. Defining minimal requirements for antibody production to peptide antigens. *Vaccine* **8**:257–262. On pp. 772, 797 & 799.
- [Gordon & Delwart, 2000] C. J. Gordon & E. L. Delwart, 2000. Genetic diversity of primary hiv-1 isolates and their sensitivity to antibody-mediated neutralization. *Virology* **272**:326–30. On p. 1175.
- [Gorny *et al.*, 1992] M. K. Gorny, A. J. Conley, S. Karwowska, A. Buchbinder, J.-Y. Xu, E. A. Emini, S. Koenig, & S. Zolla-Pazner, 1992. Neutralization of diverse human immunodeficiency virus type 1 variants by an anti-v3 human monoclonal antibody. *J Virol* **66**:7538–7542. On pp. 971, 972, 978, 979, 1036 & 1041.
- [Gorny *et al.*, 1989] M. K. Gorny, V. Gianakakos, S. Sharpe, & S. Zolla-Pazner, 1989. Generation of human monoclonal antibodies to human immunodeficiency virus. *Proc Natl Acad Sci USA* **86**:1624–1628. On pp. 868, 880, 881, 1002, 1003, 1017 & 1019.
- [Gorny *et al.*, 1998] M. K. Gorny, J. R. Mascola, Z. R. Israel, T. C. VanCott, C. Williams, P. Balfe, C. Hioe, S. Brodine, S. Burda, & S. Zolla-Pazner, 1998. A human monoclonal antibody specific for the v3 loop of hiv type 1 clade e cross-reacts with other hiv type 1 clades. *AIDS Res Hum Retroviruses* **14**:213–21. On pp. 868, 880, 942, 944, 946, 947, 995, 1036, 1040 & 1122.
- [Gorny *et al.*, 1994] M. K. Gorny, J. P. Moore, A. J. Conley, S. Karwowska, J. Sodroski, C. Williams, S. Burda, L. J. Boots, & S. Zolla-Pazner, 1994. Human anti-v2 monoclonal antibody that neutralizes primary but not laboratory isolates of human immunodeficiency virus type 1. *J Virol* **68**:8312–8320. On pp. 925, 926, 930, 931, 932, 978, 979, 987, 988, 995, 1036, 1041, 1122, 1123, 1177 & 1179.
- [Gorny *et al.*, 2004] M. K. Gorny, K. Revesz, C. Williams, B. Volsky, M. K. Louder, C. A. Anyangwe, C. Krachmarov, S. C. Kayman, A. Pinter, A. Nadas, P. N. Nyambi, J. R. Mascola, & S. Zolla-Pazner, 2004. The V3 loop is accessible on the surface of most human immunodeficiency virus type 1 primary isolates and serves as a neutralization epitope. *J Virol* **78**(5):2394–2404. On pp. 944, 946, 947, 948, 953, 954, 955, 962, 963, 966, 967, 968, 969, 971, 972, 978, 1036, 1037, 1048, 1181, 1182, 1183, 1184, 1185, 1186 & 1195.

- [Gorny *et al.*, 2005] M. K. Gorny, L. Stamatatos, B. Volsky, K. Revesz, C. Williams, X.-H. Wang, S. Cohen, R. Staudinger, & S. Zolla-Pazner, 2005. Identification of a new quaternary neutralizing epitope on human immunodeficiency virus type 1 virus particles. *J Virol* **79**(8):5232–5237. On pp. 930, 995, 1036, 1037, 1051, 1052, 1140, 1141, 1177 & 1220.
- [Gorny *et al.*, 1997] M. K. Gorny, T. C. VanCott, C. Hioe, Z. R. Israel, N. L. Michael, A. J. Conley, C. Williams, J. A. Kessler II, P. Chigurupati, S. Burda, & S. Zolla-Pazner, 1997. Human monoclonal antibodies to the V3 loop of HIV-1 with intra- and interclade cross-reactivity. *J Immunol* **159**:5114–5122. On pp. 880, 953, 954, 955, 956, 995, 1022, 1036, 1040 & 1122.
- [Gorny *et al.*, 2000] M. K. Gorny, T. C. VanCott, C. Williams, K. Revesz, & S. Zolla-Pazner, 2000. Effects of oligomerization on the epitopes of the human immunodeficiency virus type 1 envelope glycoproteins. *Virology* **267**:220–8. On pp. 925, 926, 953, 997, 998, 1002, 1017, 1018, 1019, 1036, 1039, 1048, 1049, 1112, 1120, 1121, 1122, 1124, 1125, 1175, 1176, 1196, 1197, 1198, 1202 & 1203.
- [Gorny *et al.*, 2002] M. K. Gorny, C. Williams, B. Volsky, K. Revesz, S. Cohen, V. R. Polonis, W. J. Honnen, S. C. Kayman, C. Krachmarov, A. Pinter, & S. Zolla-Pazner, 2002. Human monoclonal antibodies specific for conformation-sensitive epitopes of V3 neutralize human immunodeficiency virus type 1 primary isolates from various clades. *J Virol* **76**(18):9035–9045. On pp. 997, 1007, 1008, 1036, 1039, 1122, 1181, 1182, 1183, 1184 & 1185.
- [Gorny *et al.*, 1991] M. K. Gorny, J.-Y. Xu, V. Gianakakos, S. Karwowska, C. Williams, H. W. Sheppard, C. V. Hanson, & S. Zolla-Pazner, 1991. Production of site-selected neutralizing human monoclonal antibodies against the third variable domain of the human immunodeficiency virus type 1 envelope glycoprotein. *Proc Natl Acad Sci USA* **88**:3238–3242. On pp. 946, 947, 948, 963, 966, 968 & 978.
- [Gorny *et al.*, 1993] M. K. Gorny, J.-Y. Xu, S. Karwowska, A. Buchbinder, & S. Zolla-Pazner, 1993. Repertoire of neutralizing human monoclonal antibodies specific for the v3 domain of hiv-1 gp120. *J Immunol* **150**:635–643. On pp. 944, 945, 946, 947, 948, 949, 962, 963, 966, 968, 969, 971, 972, 978, 979, 1036 & 1041.
- [Gorny & Zolla-Pazner, 2000] M. K. Gorny & S. Zolla-Pazner, 2000. Recognition by human monoclonal antibodies of free and complexed peptides representing the prefusogenic and fusogenic forms of human immunodeficiency virus type 1 gp41 [in process citation]. *J Virol* **74**:6186–92. On pp. 995, 1002, 1007, 1008, 1009, 1017, 1018, 1019, 1022, 1030, 1196, 1197, 1198, 1202 & 1203.
- [Gorny & Zolla-Pazner, 2004] M. K. Gorny & S. Zolla-Pazner, 2004. Human monoclonal antibodies that neutralize HIV-1. In B. T. M. Korber *et al.*, eds., *HIV Immunology and HIV/SIV Vaccine Databases 2003*, pp. 37–51. Los Alamos National Laboratory, Theoretical Biology & Biophysics, Los Alamos, N.M. LA-UR 04-8162. On pp. 922, 923, 924, 925, 926, 927, 928, 938, 942, 944, 946, 947, 948, 950, 953, 954, 955, 957, 958, 960, 961, 962, 963, 966, 967, 968, 969, 977, 978, 999, 1000, 1001, 1002, 1004, 1005, 1006, 1007, 1009, 1010, 1013, 1014, 1015, 1017, 1019, 1022, 1024, 1033, 1034, 1035, 1036, 1037, 1048, 1051, 1053, 1110, 1111, 1112, 1113, 1116, 1117, 1118, 1119, 1120, 1121, 1122, 1123, 1124, 1127, 1128, 1129, 1133, 1135, 1136, 1137, 1138, 1151, 1152, 1154, 1155, 1156, 1158, 1159, 1165, 1166, 1170, 1171, 1174, 1175, 1176, 1177, 1178, 1179, 1180, 1181, 1182, 1183, 1184, 1185, 1188, 1189, 1192, 1195, 1196, 1197, 1198, 1199, 1200, 1201 & 1202.
- [Gorry *et al.*, 2002] P. R. Gorry, J. Taylor, G. H. Holm, A. Mehle, T. Morgan, M. Cayabyab, M. Farzan, H. Wang, J. E. Bell, K. Kunstman, J. P. Moore, S. M. Wolinsky, & D. Gabuzda, 2002. Increased CCR5 affinity and reduced CCR5/CD4 dependence of a neurovirulent primary human immunodeficiency virus type 1 isolate. *J Virol* **76**(12):6277–6292. On pp. 1022, 1028, 1051, 1056 & 1140.
- [Gorse *et al.*, 1999a] G. J. Gorse, L. Corey, G. B. Patel, M. Mandava, R. H. Hsieh, T. J. Matthews, M. C. Walker, M. J. McElrath, P. W. Berman, M. M. Eibl, & R. B. Belshe, 1999a. Hiv-1mn recombinant glycoprotein 160 vaccine-induced cellular and humoral immunity boosted by hiv-1mn recombinant glycoprotein 120 vaccine. national institute of allergy and infectious diseases aids vaccine evaluation group. *AIDS Res Hum Retroviruses* **15**:115–32. On p. 808.
- [Gorse *et al.*, 1999b] G. J. Gorse, G. B. Patel, M. D. Mandava, & R. B. Belshe, 1999b. Vaccine-induced cytotoxic t lymphocytes against human immunodeficiency virus type 1 using two complementary in vitro stimulation strategies. *Vaccine* **18**:835–49. On pp. 392, 547 & 655.
- [Gosting *et al.*, 1987] L. H. Gosting, J. McClure, E. S. Dickinson, S. M. Watanabe, K. Shriver, & L. C. Goldstein, 1987. Monoclonal antibodies to gp110 and gp41 of human immunodeficiency virus. *J Clin Microbiol* **25**:845–848. On pp. 993 & 1004.
- [Gotch *et al.*, 1993] F. Gotch, S. N. McAdam, & C. E. A. *et al.*, 1993. Cytotoxic t cells in hiv-2 seropositive gambians. identification of a virus-specific mhc-restricted peptide epitope. *J Immunol* **151**:3361–3369. On p. 158.
- [Gotch *et al.*, 1990] F. Gotch, D. Nixon, N. Alp, A. McMichael, & L. Borysiewicz, 1990. High frequency of memory and effector gag specific cytotoxic t lymphocytes in hiv seropositive individuals. *Int Immunol* **2**:707. On p. 186.
- [Goudsmit *et al.*, 1988] J. Goudsmit, C. Debouck, R. H. Meloen, L. Smit, M. Bakker, D. M. Asher, A. V. Wolff, C. J. Gibbs, Jr., & D. C. Gajdusek, 1988. Human immunodeficiency virus type 1 neutralization epitope with conserved architecture elicits early type-specific antibodies in experimentally infected chimpanzees. *Proc Natl Acad Sci USA* **85**(12):4478–4482. On p. 957.
- [Goulder *et al.*, 1996a] P. Goulder, C. Conlon, K. McIntyre, & A. McMichael, 1996a. Identification of a novel human leukogen antigen a26-restricted epitope in a conserved region of gag. *AIDS* **10**(12):1441–1443. On p. 150.
- [Goulder *et al.*, 1997a] P. Goulder, D. Price, M. Nowak, S. Rowland-Jones, R. Phillips, & A. McMichael, 1997a. Co-evolution of human immunodeficiency virus and cytotoxic t-lymphocyte responses. *Immunol Rev* **159**:17–29. On pp. 60, 66, 78, 79, 93, 186, 201, 203, 211, 237, 246, 341, 446, 450, 451, 572, 574, 593, 599, 608 & 632.
- [Goulder, 1999] P. J. Goulder, 1999. personal communication. *unpublished*. On pp. 245 & 611.
- [Goulder *et al.*, 2001a] P. J. Goulder, M. M. Addo, M. A. Altfeld, E. S. Rosenberg, Y. Tang, U. Govender, N. Mngqudaniso, K. Annamalai, T. U. Vogel, M. Hammond, M. Bunce, H. M. Coovadia, & B. D. Walker, 2001a. Rapid definition of five novel HLA-A*3002-restricted human immunodeficiency virus-specific cytotoxic T-lymphocyte epitopes by elispot and intracellular cytokine staining assays. *J Virol* **75**(3):1339–47. On pp. 88, 94, 130, 144, 159, 180, 195, 224, 235, 313, 332, 418, 437, 513, 525, 531, 533 & 599.
- [Goulder *et al.*, 2000a] P. J. Goulder, C. Brander, K. Annamalai, N. Mngqudaniso, U. Govender, Y. Tang, S. He, K. E. Hartman, C. A. O'Callaghan, G. S. Ogg, M. A. Altfeld, E. S. Rosenberg, H. Cao, S. A. Kalams, M. Hammond, M. Bunce, S. I. Pelton, S. A. Burchett, K. McIntosh, H. M. Coovadia, & B. D. Walker, 2000a. Differential narrow focusing of immunodominant human immunodeficiency virus gag-specific cytotoxic T-lymphocyte responses in infected African and caucasoid adults and children. *J Virol* **74**:5679–90. On pp. 60, 65, 68, 73, 84, 88, 94, 101, 120, 122, 127, 143, 155, 157, 195, 207, 211, 213, 224, 243, 246, 247 & 263.

- [Goulder *et al.*, 2001b] P. J. Goulder, C. Brander, Y. Tang, C. Tremblay, R. A. Colbert, M. M. Addo, E. S. Rosenberg, T. Nguyen, R. Allen, A. Trocha, M. Altfeld, S. He, M. Bunce, R. Funkhouser, S. I. Pelton, S. K. Burchett, K. McIntosh, B. T. Korber, & B. D. Walker, 2001b. Evolution and transmission of stable CTL escape mutations in HIV infection. *Nature* **412**(6844):334–8. On pp. 65, 68 & 204.
- [Goulder *et al.*, 1997b] P. J. Goulder, M. Bunce, G. Luzzi, R. E. Phillips, & A. J. McMichael, 1997b. Potential underestimation of hla-c-restricted cytotoxic t-lymphocyte responses. *AIDS* **11**(15):1884–1886. On pp. 83 & 152.
- [Goulder *et al.*, 1997c] P. J. Goulder, A. Edwards, R. E. Phillips, & A. J. McMichael, 1997c. Identification of a novel hla-b*2705-restricted cytotoxic t lymphocyte epitope within a conserved region of hiv-1 nef. *AIDS* **11**:536–538. On pp. 201 & 609.
- [Goulder *et al.*, 1997d] P. J. Goulder, A. Edwards, R. E. Phillips, & A. J. McMichael, 1997d. Identification of a novel hla-b*3501-restricted cytotoxic t lymphocyte epitope using overlapping peptides. *AIDS* **11**(7):930–932. On p. 83.
- [Goulder *et al.*, 2001c] P. J. Goulder, C. Pasquier, E. C. Holmes, B. Liang, Y. Tang, J. Izopet, K. Saune, E. S. Rosenberg, S. K. Burchett, K. McIntosh, M. Barnardo, M. Bunce, B. D. Walker, C. Brander, & R. E. Phillips, 2001c. Mother-to-child transmission of HIV infection and CTL escape through HLA-A2-SLYNTVATL epitope sequence variation. *Immunol Lett* **79**(1-2):109–116. On pp. 107 & 184.
- [Goulder *et al.*, 1997e] P. J. Goulder, A. K. Sewell, D. G. Lalloo, D. A. Price, J. A. Whelan, J. Evans, G. P. Taylor, G. Luzzi, P. Giangrande, R. E. Phillips, & A. J. McMichael, 1997e. Patterns of immunodominance in hiv-1-specific cytotoxic t lymphocyte responses in two human histocompatibility leukocyte antigens (hla)-identical siblings with hla-a*0201 are influenced by epitope mutation. *J Exp Med* **8**:1423–33. On pp. 60, 66, 93, 246, 341, 450, 574 & 608.
- [Goulder *et al.*, 2000b] P. J. Goulder, Y. Tang, C. Brander, M. R. Betts, M. Altfeld, K. Annamalai, A. Trocha, S. He, E. S. Rosenberg, G. Ogg, C. A. O'Callaghan, S. A. Kalams, R. E. McKinney, Jr., K. Mayer, R. A. Koup, S. I. Pelton, S. K. Burchett, K. McIntosh, & B. D. Walker, 2000b. Functionally inert HIV-specific cytotoxic T lymphocytes do not play a major role in chronically infected adults and children. *J Exp Med* **192**(12):1819–32. On pp. 96, 158, 196 & 601.
- [Goulder *et al.*, 2000c] P. J. Goulder, Y. Tang, S. I. Pelton, & B. D. Walker, 2000c. Hla-b57-restricted cytotoxic t-lymphocyte activity in a single infected subject toward two optimal epitopes, one of which is entirely contained within the other. *J Virol* **74**:5291–9. On pp. 67, 72, 141 & 143.
- [Goulder & Walker, 1999] P. J. Goulder & B. D. Walker, 1999. The great escape - aids viruses and immune control [news]. *Nat Med* **5**:1233–5. On p. 80.
- [Goulder *et al.*, 1996b] P. J. R. Goulder, M. Bunce, P. Krausa, K. McIntyre, S. Crowley, B. Morgan, A. Edwards, P. Giangrande, R. E. Phillips, & A. J. McMichael, 1996b. Novel, cross-restricted, conserved and immunodominant cytotoxic t lymphocyte epitopes in slow hiv type 1 infection. *AIDS Res Hum Retroviruses* **12**:1691–1698. On pp. 133, 142, 184, 185, 233 & 627.
- [Goulder *et al.*, 1997f] P. J. R. Goulder, R. E. Phillips, R. A. Colbert, S. McAdam, G. Ogg, M. A. Nowak, P. Giangrande, G. Luzzi, B. Morgan, A. Edwards, A. McMichael, & S. Rowland-Jones, 1997f. Late escape from an immunodominant cytotoxic t-lymphocyte response associated with progression to aids. *Nat Med* **3**:212–216. On pp. 67 & 203.
- [Goulder *et al.*, 1997g] P. J. R. Goulder, S. W. Reid, D. A. Price, C. A. O'Callaghan, A. J. McMichael, R. E. Phillips, & E. Y. Jones, 1997g. Combined structural and immunological refinement of hiv-1 hla-b8 restricted cytotoxic t lymphocyte epitopes. *Eur J Immunol* **27**:1515–1521. On pp. 75, 87, 195, 240, 281, 520, 557, 558 & 599.
- [Goulder & Watkins, 2004] P. J. R. Goulder & D. I. Watkins, 2004. HIV and SIV CTL escape: Implications for vaccine design. *Nat Rev Immunol* **4**(8):630–640. On pp. 62, 100, 132, 182, 205 & 669.
- [Graham, 2002] B. S. Graham, 2002. Clinical trials of HIV vaccines. *Annu Rev Med* **53**:207–21. On p. 663.
- [Gram *et al.*, 2002] G. J. Gram, A. Bolmstedt, K. Schonning, M. Biller, J.-E. S. Hansen, & S. Olofsson, 2002. Detection of orientation-specific anti-gp120 antibodies by a new N-glycanase protection assay. *APMIS* **110**(2):123–131. On pp. 980 & 1109.
- [Grant *et al.*, 2000] M. Grant, F. Smaill, S. Muller, H. Kohler, & K. Rosenthal, 2000. The anti-idiotypic antibody 1F7 selectively inhibits cytotoxic T cells activated in HIV-1 infection. *Immunol Cell Biol* **78**:20–7. On p. 1051.
- [Grassi *et al.*, 1991] F. Grassi, R. Meneveri, M. Gullberg, L. Lopalco, G. B. Rossi, P. Lanza, C. DeSantis, G. Brattsand, S. Butto, E. Ginelli, A. Berretta, & A. G. Siccardi, 1991. Human immunodeficiency virus type 1 gp120 mimics a hidden monomorphic epitope borne by class i major histocompatibility complex heavy chains. *J Exp Med* **174**:53–62. On p. 993.
- [Gray *et al.*, 1999] C. M. Gray, J. Lawrence, J. M. Schapiro, J. D. Altman, M. A. Winters, M. Crompton, M. Loi, S. K. Kundu, M. M. Davis, & T. C. Merigan, 1999. Frequency of class i hla-restricted anti-hiv cd8+ t cells in. *J Immunol* **162**:1780–8. On pp. 92, 93, 340 & 341.
- [Greenough *et al.*, 1999] T. C. Greenough, D. B. Brettler, F. Kirchhoff, L. Alexander, R. C. Desrosiers, S. J. O'Brien, M. Somasundaran, K. Luzuriaga, & J. L. Sullivan, 1999. Long-term nonprogressive infection with human immunodeficiency virus type 1 in a hemophilia cohort. *J Infect Dis* **180**:1790–802. On p. 261.
- [Greenway *et al.*, 1994] A. L. Greenway, D. A. McPhee, E. Grgacic, D. Hewish, A. Lucantoni, I. Macreadie, & A. Azad, 1994. Nef 27, but not the nef 25 isoform of human immunodeficiency virus-type 1 pml4.3 down-regulates surface cd4 and il-2r expression in peripheral blood mononuclear cells and transformed t cells. *Virology* **198**:245–256. On p. 1215.
- [Griffiths *et al.*, 1993] J. Griffiths, S. J. Harris, G. T. Layton, E. L. Berrie, T. J. French, N. R. Burns, S. E. Adams, & A. J. Kingsman, 1993. Hybrid human immunodeficiency virus gag particles as an antigen carrier system: induction of cytotoxic t cell and humoral responses by a gag:v3 fusion. *J Virol* **67**:3191–3198. On p. 479.
- [Grimison & Laurence, 1995] B. Grimison & J. Laurence, 1995. Immunodominant epitope regions of hiv-1 reverse transcriptase: correlations with hiv-1+ serum igg inhibitory to polymerase activity and with disease progression. *J Acquir Immune Defic Syndr* **9**:58–68. On pp. 888 & 889.
- [Gringeri *et al.*, 1998] A. Gringeri, E. Santagostino, M. Muca-Perja, P. M. Mannucci, J. F. Zagury, B. Bizzini, A. Lachgar, M. Carcagno, J. Rappaport, M. Criscuolo, W. Blattner, A. Burny, R. C. Gallo, & D. Zagury, 1998. Safety and immunogenicity of HIV-1 Tat toxoid in immunocompromised HIV-1-infected patients. *J Hum Virol* **1**(4):293–298. Comment in *J Hum Virol*. 1998 May-Jun;1(4):249-50. On p. 904.
- [Grovit-Ferbas *et al.*, 2000] K. Grovit-Ferbas, J. F. Hsu, J. Ferbas, V. Gudeman, & I. S. Chen, 2000. Enhanced binding of antibodies to neutralization epitopes following thermal and chemical inactivation of human immunodeficiency virus type 1. *J Virol* **74**(13):5802–9. On pp. 1036, 1039, 1051, 1059, 1136, 1137, 1138, 1140, 1147, 1158 & 1163.

- [Grundner *et al.*, 2002] C. Grundner, T. Mirzabekov, J. Sodroski, & R. Wyatt, 2002. Solid-phase proteoliposomes containing human immunodeficiency virus envelope glycoproteins. *J Virol* **76**(7):3511–3521. On pp. 1022, 1028, 1051, 1057, 1067, 1104, 1105, 1106, 1107, 1128, 1130, 1140, 1145, 1158, 1161 & 1187.
- [Grunow *et al.*, 1990] R. Grunow, R. Giess, T. Portsman, H. Dopel, K. Hansel, & R. von Baehr, 1990. Development and biological testing of human and murine antibodies against hiv antigens. *Z Klin Med* **45**:367–369. On p. 867.
- [Gruters *et al.*, 2002] R. A. Gruters, C. A. van Baalen, & A. D. M. E. Osterhaus, 2002. The advantage of early recognition of HIV-infected cells by cytotoxic T-lymphocytes. *Vaccine* **20**(15):2011–2015. On pp. 430 & 441.
- [Gu *et al.*, 1996] Z. Gu, Z. Li, Y. Quan, M. A. Parniak, & M. A. Wainberg, 1996. Studies of a neutralizing monoclonal antibody to human immunodeficiency virus type 1 reverse transcriptase: Antagonistic and synergistic effects in reactions performed in the presence of nucleoside and nonnucleoside inhibitors, respectively. *J Virol* **70**:2620–2626. On pp. 887 & 897.
- [Guardiola *et al.*, 2001] J. Guardiola, P. De Berardinis, R. Sartorius, C. Fanutti, R. N. Perham, & G. Del Pozzo, 2001. Phage display of epitopes from HIV-1 elicits strong cytolytic responses *in vitro* and *in vivo*. *Adv Exp Med Biol* **495**:291–298. On p. 343.
- [Guevara *et al.*, 2002] H. Guevara, J. Casseb, L. S. Zijenah, M. Mbizvo, L. F. Ocegüera III, C. V. Hanson, D. A. Katzenstein, & R. M. Hendry, 2002. Maternal HIV-1 antibody and vertical transmission in subtype C virus infection. *J Acquir Immune Defic Syndr* **29**(5):435–440. On p. 1193.
- [Guillerm *et al.*, 1998] C. Guillerm, V. Robert-Hebmann, U. Hübner, M. Hirn, & C. Devaux, 1998. An anti-cd4 (cdr3-loop) monoclonal antibody inhibits human immunodeficiency virus type 1 envelope glycoprotein-induced apoptosis. *Virology* **248**:254–63. On p. 970.
- [Guillon *et al.*, 2002a] C. Guillon, M. Schutten, P. H. M. Boers, R. A. Gruters, & A. D. M. E. Osterhaus, 2002a. Antibody-mediated enhancement of human immunodeficiency virus type 1 infectivity is determined by the structure of gp120 and depends on modulation of the gp120-CCR5 interaction. *J Virol* **76**(6):2827–2834. On p. 1186.
- [Guillon *et al.*, 2002b] C. Guillon, C. A. van Baalen, P. H. M. Boers, E. J. Verschuren, R. A. Gruters, & A. D. M. E. Osterhaus, 2002b. Construction and characterisation of infectious recombinant HIV-1 clones containing CTL epitopes from structural proteins in Nef. *J Virol Methods* **99**(1-2):115–121. On pp. 330, 514, 948, 949 & 1136.
- [Guimarães *et al.*, 2002] M. L. Guimarães, A. S. Moreira, & M. G. Morgado, 2002. Polymorphism of the human immunodeficiency virus type 1 in Brazil: Genetic characterization of the nef gene and implications for vaccine design. *Mem Inst Oswaldo Cruz* **97**(4):523–326. On pp. 565, 597 & 614.
- [Gulzar & Copeland, 2004] N. Gulzar & K. F. T. Copeland, 2004. CD8+ T-cells: Function and response to HIV infection. *Curr HIV Res* **2**(1):23–37. On p. 667.
- [Gunthard *et al.*, 1994] H. F. Gunthard, P. L. Gowland, J. Schupbach, M. S. C. Fung, J. Boni, R.-S. Liou, N. T. Chang, P. Grob, P. Graepel, D. G. Braun, & R. Luthy, 1994. A phase i/ii clinical study with a chimeric mouse-human monoclonal antibody to the v3 loop of human immunodeficiency virus type 1 gp120. *J Infect Dis* **170**:1384–1393. On p. 945.
- [Gupta *et al.*, 2002] K. Gupta, M. Hudgens, L. Corey, M. J. McElrath, K. Weinhold, D. C. Montefiori, G. J. Gorse, S. E. Frey, M. C. Keefer, T. G. Evans, R. Dolin, D. H. Schwartz, C. Harro, B. Graham, P. W. Spearman, M. Mulligan, P. Goepfert, & AIDS Vaccine Evaluation Group, 2002. Safety and immunogenicity of a high-titered canarypox vaccine in combination with rgp120 in a diverse population of HIV-1-uninfected adults: AIDS Vaccine Evaluation Group Protocol 022A. *J Acquir Immune Defic Syndr* **29**(3):254–261. On pp. 267, 554 & 1086.
- [Gupta *et al.*, 2001] S. Gupta, K. Arora, A. Sampath, S. S. Singh, A. Gupta, & V. K. Chaudhary, 2001. Mapping of HIV-1 Gag epitopes recognized by polyclonal antibodies using gene-fragment phage display system. *Prep Biochem Biotechnol* **31**(2):185–200. On p. 883.
- [Guzman *et al.*, 1998] C. A. Guzman, D. Saverino, E. Medina, D. Fenoglio, B. Gerstel, A. Merlo, G. L. Pira, F. Buffa, T. Chakraborty, & F. Manca, 1998. Attenuated listeria monocytogenes carrier strains can deliver an hiv-1 gp120 t helper epitope to mhc class ii-restricted human cd4+ t cells. *Eur J Immunol* **28**:1807–14. On p. 766.
- [Haaheim *et al.*, 1991] L. R. Haaheim, J. P. Maskell, P. Mascagni, & A. R. M. Coates, 1991. Fine molecular specificity of linear and assembled antibody binding sites in hiv-1 p24. *Scand J Immunol* **34**:341–350. On pp. 873, 875 & 877.
- [Haas *et al.*, 1991] G. Haas, R. David, R. Frank, H. Gausepohl, C. Devaux, J.-M. Claverie, & M. Pierres, 1991. Identification of a major human immunodeficiency virus-1 reverse transcriptase epitope recognized by mouse cd4+ t lymphocytes. *Eur J Immunol* **21**:1371–1377. On pp. 729, 737, 738, 742, 812 & 823.
- [Haas *et al.*, 1997] G. Haas, A. Hosmalin, F. Hadida, J. Duntze, P. Debre, & B. Autran, 1997. Dynamics of hiv variants and specific cytotoxic t cell recognition in nonprogressors and progressors. *Immunol Lett* **57**:63–8. On pp. 325, 623, 624 & 644.
- [Haas *et al.*, 1996] G. Haas, U. Plikat, P. Debre, M. Lucchiari, C. Katlama, Y. Dudoit, O. Bonduelle, M. Bauer, H. Ihlenfeldt, G. Jung, B. Maier, A. Meyerhans, & B. Autran, 1996. Dynamics of viral variants in hiv-1 nef and specific cytotoxic t lymphocytes *in vivo*. *J Immunol* **157**:4212–4221. On pp. 563, 623, 624 & 644.
- [Haas *et al.*, 1998] G. Haas, A. Samri, E. Gomard, A. Hosmalin, J. Duntze, J. M. Bouley, H. G. Ihlenfeldt, C. Katlama, & B. Autran, 1998. Cytotoxic t cell responses to hiv-1 reverse transcriptase, integrase and protease. *AIDS* **12**(12):1427–36. On pp. 285, 286, 287, 322, 324, 325, 328, 366, 373 & 376.
- [Hadida *et al.*, 1995] F. Hadida, G. Haas, G. Zimmermann, A. Hosmalin, R. Spohn, A. Samri, G. Jung, P. Debre, & B. Autran, 1995. Ctl's from lymphoid organs recognize an optimal hla-a2 restricted and hla-b52 restricted nonapeptide and several epitopes in the c-terminal region of hiv-1 nef. *J Immunol* **154**:4174–4186. On pp. 646, 647, 648, 650, 651 & 652.
- [Hadida *et al.*, 1992] F. Hadida, A. Parrot, M. P. Kieny, B. Sadat-Sowti, C. Mayaud, & P. Debre, 1992. Carboxyl-terminal and central regions of human immunodeficiency virus-1 nef recognized by cytotoxic t lymphocytes from lymphoid organs. an *in vitro* limiting dilution analysis. *J Clin Invest* **89**:53–60. On pp. 561, 607, 614, 628, 646 & 653.
- [Haglund *et al.*, 2002a] K. Haglund, I. Leiner, K. Kerksiek, L. Buonocore, E. Pamer, & J. K. Rose, 2002a. High-level primary CD8(+) T-cell response to human immunodeficiency virus type 1 Gag and Env generated by vaccination with recombinant vesicular stomatitis viruses. *J Virol* **76**(6):2730–2738. On pp. 168 & 489.
- [Haglund *et al.*, 2002b] K. Haglund, I. Leiner, K. Kerksiek, L. Buonocore, E. Pamer, & J. K. Rose, 2002b. Robust recall and long-term memory T-cell responses induced by prime-boost regimens with heterologous live viral vectors expressing human immunodeficiency virus type 1 Gag and Env proteins. *J Virol* **76**(15):7506–7517. On pp. 168 & 489.

- [Haigwood *et al.*, 1992] N. L. Haigwood, P. L. Nara, E. Brooks, G. A. Van Nest, G. Ott, K. W. Higgins, N. Dunlop, C. J. Scandella, J. W. Eichberg, & K. S. Steimer, 1992. Native but not denatured recombinant human immunodeficiency virus type 1 gp120 generates broad-spectrum neutralizing antibodies in baboons. *J Virol* **66**(1):172–182. On pp. 1091 & 1092.
- [Hale *et al.*, 1989] P. M. Hale, K. B. Cease, R. A. Houghten, C. Ouyang, S. Putney, K. Javaherian, H. Margalit, J. L. Cornette, J. L. Spouge, C. DeLisi, *et al.*, 1989. T cell multideterminant regions in the human immunodeficiency virus envelope: toward overcoming the problem of major histocompatibility complex restriction. *Int Immunol* **1**(4):409–15. On pp. 752, 779, 783, 788, 792, 793, 795, 796, 801, 802, 803, 805 & 806.
- [Halim *et al.*, 2000] S. S. Halim, D. N. Collins, & A. I. Ramsingh, 2000. A therapeutic HIV vaccine using coxsackie-HIV recombinants: a possible new strategy. *AIDS Res Hum Retroviruses* **16**(15):1551–8. On pp. 260 & 723.
- [Hamajima *et al.*, 1997] K. Hamajima, J. Fukushima, H. Bukawa, T. Kaneko, T. Tsuji, Y. Asakura, S. Sasaki, K. Q. Xin, & K. Okuda, 1997. Strong augment effect of il-12 expression plasmid on the induction of hiv-specific cytotoxic t lymphocyte activity by a peptide vaccine candidate. *Clin Immunol Immunopathol* **83**:179–84. On pp. 119 & 487.
- [Hammond *et al.*, 1995] S. A. Hammond, R. P. Johnson, S. A. Kalams, B. D. Walker, M. Takiguchi, J. T. Safrit, R. A. Koup, & R. F. Siliciano, 1995. An epitope-selective transporter associated with antigen presentation tap-1/2-independent pathway and a more general tap-1/2-dependent antigen-processing pathway allow recognition of the hiv-1 envelope glycoprotein by cd8+ ctl. *J Immunol* **154**:6140–6156. On pp. 446, 449, 474, 513, 522, 527 & 529.
- [Hammond *et al.*, 1991] S. A. Hammond, E. Obah, P. Stanhope, C. R. Monell, M. Str, F. M. Robbins, W. B. Bias, R. W. Karr, S. Koenig, & R. F. Siliciano, 1991. Characterization of a conserved t cell epitope in hiv-1 gp41 recognized by vaccine-induced human cytolytic t cells. *J Immunol* **146**:1470–1477. On p. 510.
- [Hammonds *et al.*, 2005] J. Hammonds, X. Chen, T. Fouts, A. DeVico, D. Montefiori, & P. Spearman, 2005. Induction of neutralizing antibodies against human immunodeficiency virus type 1 primary isolates by Gag-Env pseudovirion immunization. *J Virol* **79**(23):14804–14814. On p. 1097.
- [Hanke, 2003] T. Hanke, 2003. Development of prophylactic AIDS vaccines: The current state of affairs. *Curr Opin Mol Ther* **5**(1):25–32. On p. 665.
- [Hanke *et al.*, 1998a] T. Hanke, T. J. Blanchard, J. Schneider, G. S. Ogg, R. Tan, M. Becker, S. C. Gilbert, A. V. Hill, G. L. Smith, & A. McMichael, 1998a. Immunogenicities of intravenous and intramuscular administrations of modified vaccinia virus ankara-based multi-ctl epitope vaccine for human immunodeficiency virus type 1 in mice. *J Gen Virol* **79**:83–90. On pp. 318, 340, 486, 487 & 599.
- [Hanke & McMichael, 1999] T. Hanke & A. McMichael, 1999. Pre-clinical development of a multi-ctl epitope-based dna prime mva boost vaccine for aids. *Immunol Lett* **66**:177–81. On p. 489.
- [Hanke & McMichael, 2000] T. Hanke & A. J. McMichael, 2000. Design and construction of an experimental HIV-1 vaccine for a year-2000 clinical trial in Kenya. *Nat Med* **6**(9):951–955. On pp. 190, 193, 201, 217, 219, 225, 226, 271, 307, 317, 318, 320, 344, 357, 358, 450, 515, 520, 569, 571, 581, 594, 596, 602, 625, 626 & 650.
- [Hanke *et al.*, 1999] T. Hanke, V. C. Neumann, T. J. Blanchard, P. Sweeney, A. V. Hill, G. L. Smith, & A. McMichael, 1999. Effective induction of hiv-specific ctl by multi-epitope using gene gun in a combined vaccination regime. *Vaccine* **17**:589–96. On p. 489.
- [Hanke *et al.*, 1998b] T. Hanke, J. Schneider, S. G. Gilbert, A. V. S. Hill, & A. McMichael, 1998b. Dna multi-ctl epitope vaccines for hiv and plasmodium falciparum: Immunogenicity in mice. *Vaccine* **16**:426–435. On pp. 318, 340, 487 & 599.
- [Harada *et al.*, 2004] S. Harada, K. Yusa, & Y. Maeda, 2004. Heterogeneity of envelope molecules shown by different sensitivities to anti-V3 neutralizing antibody and CXCR4 antagonist regulates the formation of multiple-site binding of HIV-1. *Microbiol Immunol* **48**(4):357–365. On p. 974.
- [Harcourt *et al.*, 1998] G. C. Harcourt, S. Garrard, M. P. Davenport, A. Edwards, & R. E. Phillips, 1998. Hiv-1 variation diminishes cd4 t lymphocyte recognition. *J Exp Med* **188**:1785–93. On pp. 693 & 697.
- [Hardy *et al.*, 2003] G. A. D. Hardy, N. Imami, A. K. Sullivan, A. Pires, C. T. Burton, M. R. Nelson, B. G. Gazzard, & F. M. Gotch, 2003. Reconstitution of CD4+ T cell responses in HIV-1 infected individuals initiating highly active antiretroviral therapy (HAART) is associated with renewed interleukin-2 production and responsiveness. *Clin Exp Immunol* **134**(1):98–106. On pp. 731, 813 & 824.
- [Harrer *et al.*, 1996a] E. Harrer, T. Harrer, P. Barbosa, M. Feinberg, R. P. Johnson, S. Buchbinder, & B. D. Walker, 1996a. Recognition of the highly conserved ymdd region in the human immunodeficiency virus type 1 reverse transcriptase by hla-a2-restricted cytotoxic t lymphocytes from an asymptomatic long-term nonprogressor. *J Infect Dis* **173**:476–479. On pp. 227 & 319.
- [Harrer *et al.*, 2005] E. G. Harrer, S. Bergmann, K. Eismann, M. Rittmaier, A. Goldwisch, S. M. Müller, B. M. Spriewald, & T. Harrer, 2005. A conserved HLA B13-restricted cytotoxic T lymphocyte epitope in Nef is a dominant epitope in HLA B13-positive HIV-1-infected patients. *AIDS* **19**(7):734–735. On pp. 113, 355 & 611.
- [Harrer *et al.*, 1998] T. Harrer, E. Harrer, P. Barbosa, F. Kaufmann, R. Wagner, S. Bruggemann, J. R. Kalden, M. Feinberg, R. P. Johnson, S. Buchbinder, & B. D. Walker, 1998. Recognition of two overlapping ctl epitopes in hiv-1 p17 by ctl from a long-term nonprogressing hiv-1-infected individual. *J Immunol* **161**:4875–81. On pp. 105 & 118.
- [Harrer *et al.*, 1996b] T. Harrer, E. Harrer, S. A. Kalams, P. Barbosa, A. Trocha, R. P. Johnson, T. Elbeik, M. B. Feinberg, S. P. Buchbinder, & B. D. Walker, 1996b. Cytotoxic t lymphocytes in asymptomatic long-term nonprogressing hiv-1 infection. breadth and specificity of the response and relation to in vivo viral quasispecies in a person with prolonged infection and low viral load. *J Immunol* **156**:2616–2623. On pp. 223, 363 & 502.
- [Harrer *et al.*, 1993] T. Harrer, C. Jassoy, E. Harrer, R. P. Johnson, & B. D. Walker, 1993. Induction of HIV-1 replication in a chronically infected T-cell line by cytotoxic T lymphocytes. *J Acquir Immune Defic Syndr* **6**(8):865–71. On p. 224.
- [Hart *et al.*, 2003] M. L. Hart, M. Saifuddin, & G. T. Spear, 2003. Glycosylation inhibitors and neuraminidase enhance human immunodeficiency virus type 1 binding and neutralization by mannose-binding lectin. *J Gen Virol* **84**(Pt 2):353–360. On pp. 1022, 1026, 1051, 1055 & 1140.
- [Haslett *et al.*, 2000] P. A. Haslett, D. F. Nixon, Z. Shen, M. Larsson, W. I. Cox, R. Manandhar, S. M. Donahoe, & G. Kaplan, 2000. Strong human immunodeficiency virus (hiv)-specific cd4+ t cell responses in a cohort of chronically infected patients are associated with interruptions in anti-hiv chemotherapy. *J Infect Dis* **181**:1264–72. On p. 724.
- [Haugan *et al.*, 1995] I. R. Haugan, B. M. Nilsen, S. Worland, L. Olsen, & D. E. Helland, 1995. Characterization of the dna-binding activity of hiv-1 integrase using a filter binding assay. *Biochem Biophys Res Commun* **217**:802–810. On pp. 891, 892, 893 & 895.
- [Hay, 1999] C. Hay, 1999. Personal communication. On p. 383.

- [Hay *et al.*, 1999] C. Hay, D. Ruhl, N. Basgoz, C. Wilson, J. Billingsley, M. DePasquale, R. D'Aquila, S. M. Wolinsky, J. M. Crawford, D. Montefiori, & B. D. Walker, 1999. Lack of viral escape and defective *in vivo* activation of human immunodeficiency virus type 1-specific cytotoxic t lymphocytes in rapidly progressive infection. *J Virol* **73**:5509–5519. On pp. 94, 303 & 539.
- [Hayball *et al.*, 1997] J. D. Hayball, S. J. Fidler, D. Palliser, A. D. Rees, J. R. Lamb, & R. A. Lake, 1997. Tandem peptide epitopes facilitate cd4-dependent activation of t cell clones. *Immunol Cell Biol* **75**:148–153. On p. 777.
- [Haynes *et al.*, 1993] B. F. Haynes, L. O. Arthur, P. Frost, T. J. Matthews, A. J. Langlois, T. J. Palker, M. K. Hart, R. M. Scearce, D. M. Jones, C. McDanal, J. Ottinger, D. P. Bolognesi, & K. J. Weinhold, 1993. Conversion of an immunogenic human immunodeficiency virus envelope synthetic peptide to a tolerogen in chimpanzees by the fusogenic domain of hiv gp41 envelope protein. *J Exp Med* **177**:717–727. On p. 790.
- [Haynes *et al.*, 2005] B. F. Haynes, J. Fleming, E. W. St. Clair, H. Katinger, G. Stiegler, R. Kunert, J. Robinson, R. M. Scearce, K. Plonk, H. F. Staats, T. L. Ortel, H.-X. Liao, & S. M. Alam, 2005. Cardioliipin polyspecific autoreactivity in two broadly neutralizing HIV-1 antibodies. *Science* **308**(5730):1906–1908. Comment in *Science* 2005 Jun 24;308(5730):1878–9. On pp. 982, 1022, 1023, 1033, 1036, 1037, 1051, 1052, 1067, 1068, 1072, 1104, 1106, 1140, 1141, 1158, 1159, 1165, 1196, 1198, 1211, 1216, 1219, 1220, 1221, 1222 & 1223.
- [He *et al.*, 1992] X. M. He, F. Ruker, E. Casale, & D. C. Carter, 1992. Structure of a human monoclonal antibody fab fragment against gp41 of human immunodeficiency virus type 1. *Proc Natl Acad Sci USA* **89**:7154–7158. On pp. 1015 & 1016.
- [He *et al.*, 2003] Y. He, P. D'Agostino, & A. Pinter, 2003. Analysis of the immunogenic properties of a single-chain polypeptide analogue of the HIV-1 gp120-CD4 complex in transgenic mice that produce human immunoglobulins. *Vaccine* **21**(27-30):4421–4429. On pp. 938, 996, 1158 & 1160.
- [He *et al.*, 2002] Y. He, W. J. Honnen, C. P. Krachmarov, M. Burkhart, S. C. Kayman, J. Corvalan, & A. Pinter, 2002. Efficient isolation of novel human monoclonal antibodies with neutralizing activity against HIV-1 from transgenic mice expressing human Ig loci. *J Immunol* **169**(1):595–605. On pp. 922, 923, 924, 925, 928, 929, 953, 954, 961, 962, 978, 1036, 1039, 1061, 1062, 1063, 1064, 1065, 1066, 1117, 1118, 1119, 1120, 1121, 1123, 1179, 1188 & 1189.
- [Heap *et al.*, 2005a] C. J. Heap, S. A. Reading, & N. J. Dimmock, 2005a. An antibody specific for the C-terminal tail of the gp41 transmembrane protein of human immunodeficiency virus type 1 mediates post-attachment neutralization, probably through inhibition of virus-cell fusion. *J Gen Virol* **86**(5):1499–1507. On pp. 1041, 1042, 1044, 1045, 1140, 1141 & 1194.
- [Heap *et al.*, 2005b] C. J. Heap, Y. Wang, T. J. T. Pinheiro, S. A. Reading, K. R. Jennings, & N. J. Dimmock, 2005b. Analysis of a 17-amino acid residue, virus-neutralizing microantibody. *J Gen Virol* **86**(6):1791–1800. On p. 964.
- [Heeney *et al.*, 1999] J. Heeney, L. Akerblom, S. Barnett, W. Bogers, D. Davis, D. Fuller, G. Koopman, T. Lehner, P. Mooij, B. Morein, C. de Giulio Morghen, B. Rosenwirth, E. Verschoor, R. Wagner, & H. Wolf, 1999. HIV-1 vaccine-induced immune responses which correlate with protection from SHIV infection: compiled preclinical efficacy data from trials with ten different HIV-1 vaccine candidates. *Immunol Lett* **66**(1-3):189–95. On pp. 725 & 809.
- [Heeney, 2002] J. L. Heeney, 2002. The critical role of CD4+ T-cell help in immunity to HIV. *Vaccine* **20**(15):1961–1963. On p. 825.
- [Heeney, 2004] J. L. Heeney, 2004. Requirement of diverse T-helper responses elicited by HIV vaccines: Induction of highly targeted humoral and CTL responses. *Expert Rev Vaccines* **3**(4s1):S53–S64. On p. 829.
- [Heeney *et al.*, 1998a] J. L. Heeney, V. J. Teeuwssen, M. van Gils, W. M. Bogers, C. De Giulio Morghen, A. Radaelli, S. Barnett, B. Morein, L. Akerblom, Y. Wang, T. Lehner, & D. Davis, 1998a. Beta-chemokines and neutralizing antibody titers correlate with sterilizing immunity generated in HIV-1 vaccinated macaques. *Proc Natl Acad Sci USA* **95**(18):10803–8. On p. 1079.
- [Heeney *et al.*, 1998b] J. L. Heeney, M. E. van Gils, P. van der Meide, C. de Giulio Morghen, C. Ghioni, M. Gimelli, A. Raddelli, D. Davis, L. Akerblom, & B. Morein, 1998b. The role of type-1 and type-2 t-helper immune responses in hiv-1 vaccine protection. *J Med Primatol* **27**:50–8. On p. 808.
- [Hejdeman *et al.*, 2003] B. Hejdeman, A.-C. Leandersson, E.-L. Fredriksson, E. Sandstrom, B. Wahren, & G. Bratt, 2003. Better preserved immune responses after immunization with rgp 160 in HIV-1 infected patients treated with highly active antiretroviral therapy than in untreated patients with similar CD4 levels during at 2 years' follow-up. *HIV Med* **4**(2):101–110. On p. 812.
- [Henderson & Percipalle, 1997] B. R. Henderson & P. Percipalle, 1997. Interactions between hiv rev and nuclear import and export factors: the rev nuclear localisation signal mediates specific binding to human importin-beta. *J Mol Biol* **274**:693–707. On pp. 909 & 910.
- [Hernandez *et al.*, 2000] M. Hernandez, L. Pozo, I. Gomez, & A. Melchor, 2000. Chimeric synthetic peptide as antigen for immunodiagnosis of hiv-1 infection [in process citation]. *Biochem Biophys Res Commun* **272**:259–62. On pp. 993 & 1007.
- [Herrera *et al.*, 2003] C. Herrera, C. Spenlehauer, M. S. Fung, D. R. Burton, S. Beddows, & J. P. Moore, 2003. Nonneutralizing antibodies to the CD4-binding site on the gp120 subunit of human immunodeficiency virus type 1 do not interfere with the activity of a neutralizing antibody against the same site. *J Virol* **77**(2):1084–1091. On pp. 1051, 1055, 1109, 1136, 1137, 1138, 1140 & 1143.
- [Herschhorn *et al.*, 2003] A. Herschhorn, A. Admon, & A. Hizi, 2003. Recombinant human antibodies against the reverse transcriptase of human immunodeficiency virus type-1. *Biochim Biophys Acta* **1648**(1-2):154–163. On pp. 889, 890 & 899.
- [Hewer & Meyer, 2002] R. Hewer & D. Meyer, 2002. Producing a highly immunogenic synthetic vaccine construct active against HIV-1 subtype C. *Vaccine* **20**(21-22):2680–2683. On pp. 1193 & 1194.
- [Hezareh *et al.*, 2001] M. Hezareh, A. J. Hessel, R. C. Jensen, J. G. J. van de Winkel, & P. W. H. I. Parren, 2001. Effector function activities of a panel of mutants of a broadly neutralizing antibody against human immunodeficiency virus type 1. *J Virol* **75**(24):12161–12168. On pp. 1140 & 1146.
- [Hickling *et al.*, 1990] J. K. Hickling, C. M. Fenton, K. Howl, S. G. Marsh, & J. B. Rothbard, 1990. Peptides recognized by class i restricted t cells also bind to mhc class ii molecules. *Internatl Immunol* **2**:435–441. On p. 500.
- [Hifumi *et al.*, 2003] E. Hifumi, H. Kondo, Y. Mitsuda, & T. Uda, 2003. Catalytic features of monoclonal antibody i41SL1-2 subunits. *Biotechnol Bioeng* **84**(4):485–493. On p. 1036.
- [Hifumi *et al.*, 2002] E. Hifumi, Y. Mitsuda, K. Ohara, & T. Uda, 2002. Targeted destruction of the HIV-1 coat protein gp41 by a catalytic antibody light chain. *J Immunol Methods* **269**(1-2):283–298. On p. 1036.

- [Hifumi *et al.*, 2000a] E. Hifumi, Y. Okamoto, & T. Uda, 2000a. How and why 41S-2 antibody subunits acquire the ability to catalyze decomposition of the conserved sequence of gp41 of HIV-1. *Appl Biochem Biotechnol* **83**:209–220. On p. 1036.
- [Hifumi *et al.*, 2000b] E. Hifumi, H. Sakata, M. Nango, & U. T., 2000b. Design of artificial molecular catalyst showing peptidase activity to the conserved sequence of HIV-1 envelope gp41. *J Mol Catal A Chem* **155**:209–218. On p. 1036.
- [Hill *et al.*, 1997] C. M. Hill, H. Deng, D. Unutmaz, V. N. Kewalramani, L. Bastiani, M. K. Gorny, S. Zolla-Pazner, & D. R. Littman, 1997. Envelope glycoproteins from human immunodeficiency virus types 1 and 2 and simian immunodeficiency virus can use human ccr5 as a coreceptor for viral entry and make direct cd4-dependent interactions with this chemokine receptor. *J Virol* **71**:6296–6304. On pp. 946, 947, 995, 996, 1036 & 1040.
- [Hinkula *et al.*, 1994] J. Hinkula, G. Bratt, G. Gilljam, S. Nordlund, P. Broliden, V. Holmberg, E. Olausson-Hansson, J. Albert, E. Sandstrom, & B. Wahren, 1994. Immunological and virological interaction in patients receiving passive immunotherapy with hiv-1 neutralizing monoclonal antibodies. *J Acquir Immune Defic Syndr* **7**:940–951. On p. 965.
- [Hinkula *et al.*, 1990] J. Hinkula, J. Rosen, V.-A. Sundqvist, T. Stigbrand, & B. Wahren, 1990. Epitope mapping of the hiv-1 gag region with monoclonal antibodies. *Mol Immunol* **27**:395–403. On pp. 865, 870, 871, 872, 873, 875, 876, 877 & 878.
- [Hinkula *et al.*, 1997] J. Hinkula, C. Svanholm, S. Schwartz, P. Lundholm, M. Brytting, G. Engstrom, R. Benthin, H. Glaser, G. Sutter, B. Kohleisen, V. Erfle, K. Okuda, H. Wigzell, & B. Wahren, 1997. Recognition of prominent viral epitopes induced by immunization with human immunodeficiency virus type 1 regulatory genes. *J Virol* **71**(7):5528–5539. On pp. 743, 744, 745, 747, 814, 815, 816, 817, 818, 819, 820 & 821.
- [Hioe *et al.*, 1997a] C. Hioe, S. Burda, P. Chigurupati, S. Xu, & S. Zolla-Pazner, 1997a. Resting cell neutralization assay for hiv-1 primary isolates. *Methods: A companion to Methods in Enzymology* **12**:300–5. On pp. 1036, 1040, 1120, 1121 & 1224.
- [Hioe *et al.*, 1999] C. E. Hioe, J. E. Hildreth, & S. Zolla-Pazner, 1999. Enhanced hiv type 1 neutralization by human anti-glycoprotein 120 monoclonal antibodies in the presence of monoclonal antibodies to lymphocyte function-associated molecule 1. *AIDS Res Hum Retroviruses* **15**:523–31. On pp. 1036, 1040, 1122, 1123, 1140 & 1148.
- [Hioe *et al.*, 2000] C. E. Hioe, G. J. Jones, A. D. Rees, S. Ratto-Kim, D. Bix, C. Munz, M. K. Gorny, M. Tuen, & S. Zolla-Pazner, 2000. Anti-cd4-binding domain antibodies complexed with hiv type 1 glycoprotein 120 inhibit cd4+ t cell-proliferative responses to glycoprotein 120 [in process citation]. *AIDS Res Hum Retroviruses* **16**:893–905. On pp. 925, 926, 934, 966, 967, 994, 995, 1036, 1039, 1110, 1112, 1120, 1121, 1122, 1123 & 1124.
- [Hioe *et al.*, 2001] C. E. Hioe, M. Tuen, P. C. Chien, Jr., G. Jones, S. Ratto-Kim, P. J. Norris, W. J. Moretto, D. F. Nixon, M. K. Gorny, & S. Zolla-Pazner, 2001. Inhibition of human immunodeficiency virus type 1 gp120 presentation to CD4 T cells by antibodies specific for the CD4 binding domain of gp120. *J Virol* **75**(22):10950–7. On pp. 995, 1120 & 1122.
- [Hioe *et al.*, 1997b] C. E. Hioe, S. Xu, P. Chigurupati, S. Burda, C. Williams, M. K. Gorny, & S. Zolla-Pazner, 1997b. Neutralization of HIV-1 primary isolates by polyclonal and monoclonal human antibodies. *Int Immunol* **9**(9):1281–1290. On pp. 946, 953, 954, 955, 962, 963, 966, 995, 996, 1002, 1007, 1008, 1017, 1018, 1036, 1040, 1120, 1121, 1122, 1123, 1124, 1197, 1202 & 1203.
- [Hladik *et al.*, 2001] F. Hladik, S. Bender, R. E. Akridge, Y. Hu, C. Gallo, D. Francis, & M. J. McElrath, 2001. Recombinant HIV-1 glycoprotein 120 induces distinct types of delayed hypersensitivity in persons with or without pre-existing immunologic memory. *J Immunol* **166**(5):3580–3588. On p. 810.
- [Hladik *et al.*, 2003] F. Hladik, A. Desbien, J. Lang, L. Wang, Y. Ding, S. Holte, A. Wilson, Y. Xu, M. Moerbe, S. Schmechel, & M. J. McElrath, 2003. Most highly exposed seronegative men lack HIV-1-specific, IFN-gamma-secreting T cells. *J Immunol* **171**(5):2671–2683. On p. 665.
- [Ho *et al.*, 1991a] D. D. Ho, M. S. C. Fung, Y. Cao, X. L. Li, C. Sun, T. W. Chang, & N.-C. Sun, 1991a. Another discontinuous epitope on glycoprotein gp120 that is important in human immunodeficiency virus type 1 neutralization is identified by a monoclonal antibody. *Proc Natl Acad Sci USA* **88**:8949–8952. On pp. 930 & 931.
- [Ho *et al.*, 1992] D. D. Ho, M. S. C. Fung, H. Yoshiyama, Y. Cao, & J. E. Robinson, 1992. Discontinuous epitopes on gp120 important in hiv-1 neutralization. *AIDS Res Hum Retroviruses* **8**:1337–1339. On pp. 930, 931, 1113, 1115 & 1116.
- [Ho *et al.*, 1991b] D. D. Ho, J. A. McKeating, X. L. Li, T. Moudgil, E. S. Daar, N.-C. Sun, & J. E. Robinson, 1991b. Conformational epitope of gp120 important in cd4 binding and human immunodeficiency virus type 1 neutralization identified by a human monoclonal antibody. *J Virol* **65**:489–493. On pp. 983, 987, 1113 & 1116.
- [Ho *et al.*, 2002] J. Ho, K. S. MacDonald, & B. H. Barber, 2002. Construction of recombinant targeting immunogens incorporating an HIV-1 neutralizing epitope into sites of differing conformational constraint. *Vaccine* **20**(7-8):1169–1180. On pp. 1022 & 1028.
- [Ho *et al.*, 2005] J. Ho, R. A. Uger, M. B. Zwick, M. A. Luscher, B. H. Barber, & K. S. MacDonald, 2005. Conformational constraints imposed on a pan-neutralizing HIV-1 antibody epitope result in increased antigenicity but not neutralizing response. *Vaccine* **23**(13):1559–1573. On pp. 1022 & 1023.
- [Hochleitner *et al.*, 2000a] E. O. Hochleitner, C. Borchers, C. Parker, R. J. Bienstock, & K. B. Tomer, 2000a. Characterization of a discontinuous epitope of the human immunodeficiency virus (hiv) core protein p24 by epitope excision and differential chemical modification followed by mass spectrometric peptide mapping analysis. *Protein Sci* **9**:487–96. On p. 880.
- [Hochleitner *et al.*, 2000b] E. O. Hochleitner, M. K. Gorny, S. Zolla-Pazner, & K. B. Tomer, 2000b. Mass spectrometric characterization of a discontinuous epitope of the hiv envelope protein hiv-gp120 recognized by the human monoclonal antibody 1331a. *J Immunol* **164**:4156–61. On p. 997.
- [Hocknell *et al.*, 2002] P. K. Hocknell, R. D. Wiley, X. Wang, T. G. Evans, W. J. Bowers, T. Hanke, H. J. Federoff, & S. Dewhurst, 2002. Expression of human immunodeficiency virus type 1 gp120 from herpes simplex virus type 1-derived amplicons results in potent, specific, and durable cellular and humoral immune responses. *J Virol* **76**(11):5565–5580. On p. 492.
- [Hoffman *et al.*, 1999] T. L. Hoffman, C. C. LaBranche, W. Zhang, G. Canziani, J. Robinson, I. Chaiken, J. A. Hoxie, & R. W. Doms, 1999. Stable exposure of the coreceptor-binding site in a CD4-independent HIV-1 envelope protein. *Proc Natl Acad Sci USA* **96**(11):6359–64. On pp. 951, 1158, 1163, 1166 & 1168.
- [Hofmann-Lehmann *et al.*, 2001] R. Hofmann-Lehmann, J. Vlasak, R. A. Rasmussen, B. A. Smith, T. W. Baba, V. Liska, F. Ferrantelli, D. C. Montefiori, H. M. McClure, D. C. Anderson, B. J. Bernacky, T. A. Rizvi, R. Schmidt, L. R. Hill, M. E. Keeling, H. Katinger, G. Stiegler, L. A. Cavacini, M. R. Posner, T. C. Chou, J. Andersen, & R. M. Ruprecht, 2001. Postnatal passive immunization of neonatal macaques with a triple

- combination of human monoclonal antibodies against oral simian-human immunodeficiency virus challenge. *J Virol* **75**(16):7470–80. On pp. 1022, 1029, 1051, 1058, 1140 & 1146.
- [Höhn *et al.*, 2003] H. Höhn, C. Kortsik, G. Tully, K. Nilges, A. Necker, K. Freitag, C. Neukirch, P. Galle, H. Löhr, & M. J. Maeurer, 2003. Longitudinal analysis of Mycobacterium tuberculosis 19-kDa antigen-specific T cells in patients with pulmonary tuberculosis: Association with disease activity and cross-reactivity to a peptide from HIV env gp120. *Eur J Immunol* **33**(6):1613–1623. On p. 456.
- [Hohne *et al.*, 1993] W. E. Hohne, G. Kuttner, S. Kiessig, G. Housdorf, R. Grunow, K. Winkler, H. Wessner, E. Giessmann, R. Stieger, J. Schneider-Mergener, R. von Baehr, & D. Schomburg, 1993. Structural base of the interaction of a monoclonal antibody against p24 of hiv-1 with its peptide epitope. *Mol Immunol* **30**:1213–1221. On p. 867.
- [Horner *et al.*, 2001] A. A. Horner, G. F. Widhopf, J. A. Burger, K. Takabayashi, N. Cinman, A. Ronaghy, H. L. Spiegelberg, & E. Raz, 2001. Immunostimulatory DNA inhibits IL-4-dependent IgE synthesis by human B cells. *J Allergy Clin Immunol* **108**(3):417–423. On p. 490.
- [Hosmalin *et al.*, 1990] A. Hosmalin, M. Clerici, R. Houghten, C. D. Pendleton, C. Flexner, D. R. Lucey, B. Moss, R. N. Germain, G. M. Shearer, & J. A. Berzofsky, 1990. An epitope in human immunodeficiency virus 1 reverse transcriptase recognized by both mouse and human cytotoxic t lymphocytes. *Proc Natl Acad Sci USA* **87**:2344–2348. On p. 286.
- [Hosmalin *et al.*, 1991] A. Hosmalin, P. L. Nara, M. Zweig, M. W. Lerche, K. B. Cease, E. A. Gard, P. D. Markham, S. D. Putney, M. D. Daniel, R. C. Desrosiers, & J. A. Berzofsky, 1991. Priming with t-helper cell epitope peptides enhances the antibody response to the envelope glycoprotein of hiv-1 in primates. *J Immunol* **146**:1667–1673. On pp. 753 & 803.
- [Hossain *et al.*, 2003] M. S. Hossain, H. Tomiyama, T. Inagawa, S. Ida, S. Oka, & M. Takiguchi, 2003. Identification and characterization of HLA-A*3303-restricted, HIV type 1 Pol- and Gag-derived cytotoxic T cell epitopes. *AIDS Res Hum Retroviruses* **19**(6):503–510. On pp. 126, 220, 272, 370, 388 & 649.
- [Hossain *et al.*, 2001] M. S. Hossain, H. Tomiyama, T. Inagawa, B. Sriwanthana, S. Oka, & M. Takiguchi, 2001. HLA-A*3303-restricted cytotoxic T lymphocyte recognition for novel epitopes derived from the highly variable region of the HIV-1 Env protein. *AIDS* **15**(16):2199–2201. On pp. 524 & 537.
- [Huang *et al.*, 2002] J. Huang, X. Dong, Z. Liu, L. Qin, & Y.-H. Chen, 2002. A predefined epitope-specific monoclonal antibody recognizes ELDEWA-epitope just presenting on gp41 of HIV-1 O clade. *Immunol Lett* **84**(3):205–209. On pp. 1021, 1022 & 1028.
- [Huang *et al.*, 1997] X. Huang, J. J. Barchi, Jr., F. D. Lung, P. P. Roller, P. L. Nara, J. Muschik, & R. R. Garrity, 1997. Glycosylation affects both the three-dimensional structure and antibody binding properties of the hiv-1iibp gp120 peptide. *Biochemistry* **36**:10846–56. On p. 974.
- [Huang *et al.*, 2000] X. L. Huang, Z. Fan, C. Kalinyak, J. W. Mellors, & C. R. Rinaldo, 2000. Cd8(+) t cell gamma interferon production specific for human immunodeficiency virus type 1 (hiv-1) in hiv-1-infected subjects. *Clin Diagn Lab Immunol* **7**:279–87. On pp. 90, 137, 200, 338 & 466.
- [Huang *et al.*, 2001] Y. Huang, W. P. Kong, & G. J. Nabel, 2001. Human immunodeficiency virus type 1-specific immunity after genetic immunization is enhanced by modification of gag and pol expression. *J Virol* **75**(10):4947–51. On pp. 260 & 391.
- [Hunt *et al.*, 1990] J. C. Hunt, S. M. Desai, J. M. Casey, T. J. Bolling, T. K. Leung, R. H. Decker, S. G. Devare, & V. Sarin, 1990. Mouse monoclonal antibody 5-21-3 recognizes a contiguous, conformation-dependent epitope and maps to a hydrophilic region in hiv-1 gp41. *AIDS Res Hum Retroviruses* **6**:587–98. On p. 1017.
- [Hunziker *et al.*, 1998] I. P. Hunziker, A. Cerny, & W. J. Pichler, 1998. Who is right? or, how to judge the disagreement about hla restriction of nef peptides. *AIDS Res Hum Retroviruses* **14**:921–4. On pp. 572 & 651.
- [Ibarrondo *et al.*, 2005] F. J. Ibarrondo, P. A. Anton, M. Fuerst, H. L. Ng, J. T. Wong, J. Matud, J. Elliott, R. Shih, M. A. Hausner, C. Price, L. E. Hultin, P. M. Hultin, B. D. Jamieson, & O. O. Yang, 2005. Parallel human immunodeficiency virus type 1-specific CD8+ T-lymphocyte responses in blood and mucosa during chronic infection. *J Virol* **79**(7):4289–4297. On p. 671.
- [Igarashi *et al.*, 1999] T. Igarashi, C. Brown, A. Azadegan, N. Haigwood, D. Dimitrov, M. A. Martin, & R. Shibata, 1999. Human immunodeficiency virus type 1 neutralizing antibodies accelerate clearance of cell-free virions from blood plasma. *Nat Med* **5**(2):211–216. On p. 1086.
- [Ihata *et al.*, 1999] A. Ihata, S. Watabe, S. Sasaki, A. Shirai, J. Fukushima, K. Hamajima, J. Inoue, & K. Okuda, 1999. Immunomodulatory effect of a plasmid expressing CD40 ligand on DNA vaccination against human immunodeficiency virus type-1. *Immunology* **98**:436–42. On pp. 441 & 778.
- [Ikeda-Moore *et al.*, 1998] Y. Ikeda-Moore, H. Tomiyama, M. Ibe, S. Oka, K. Miwa, Y. Kaneko, & M. Takiguchi, 1998. Identification of a novel hla-a24-restricted cytotoxic t-lymphocyte epitope derived from hiv-1 gag protein. *AIDS* **12**:2073–4. On p. 79.
- [Ikeda-Moore *et al.*, 1997] Y. Ikeda-Moore, H. Tomiyama, K. Miwa, S. Oka, A. Iwamoto, Y. Kaneko, & M. Takiguchi, 1997. Identification and characterization of multiple hla-a24-restricted hiv-1 ctl epitopes: strong epitopes are derived from v regions of hiv-1. *J Immunology* **159**:6242–6252. On pp. 125, 199, 379, 483, 500, 517, 518, 523, 527 & 630.
- [Imami *et al.*, 2002a] N. Imami, G. Hardy, A. Pires, C. Burton, J. Pido-Lopez, C. Mela, & F. Gotch, 2002a. Immune reconstitution in HIV-1-infected patients. *Curr Opin Investig Drugs* **3**(8):1138–1145. On p. 825.
- [Imami *et al.*, 2002b] N. Imami, A. Pires, G. Hardy, J. Wilson, B. Gazzard, & F. Gotch, 2002b. A balanced type 1/type 2 response is associated with long-term nonprogressive human immunodeficiency virus type 1 infection. *J Virol* **76**(18):9011–9023. On pp. 98, 729, 812 & 823.
- [Inouye *et al.*, 1998] P. Inouye, E. Cherry, M. Hsu, S. Zolla-Pazner, & M. A. Wainberg, 1998. Neutralizing antibodies directed against the v3 loop select for different escape variants in a virus with mutated reverse transcriptase (m184v) than in wild-type human immunodeficiency virus type 1. *AIDS Res Hum Retroviruses* **14**:735–40. On pp. 1036 & 1040.
- [Inwoley *et al.*, 2005] A. Inwoley, P. Recordon-Pinson, M. Dupuis, J. Gaston, M. Genête, A. Minga, F. Letourneur, F. Rouet, J. Choppin, H. Fleury, J.-G. Guillet, M. Andrieu, & ANRS 1220 PRIMO-CI Study Group, 2005. Cross-clade conservation of HIV type 1 Nef immunodominant regions recognized by CD8+ T cells of HIV type 1 CRF02_AG-infected Ivorian (West Africa). *AIDS Res Hum Retroviruses* **21**(7):620–628. On pp. 71, 77, 113, 147, 153, 166, 194, 206, 214, 355, 358, 502, 577, 584, 586, 590, 592, 596, 597, 615, 617, 632, 637 & 654.
- [Iroegbu *et al.*, 2000] J. Iroegbu, M. Birk, U. Lazdina, A. Sonnerborg, & M. Sallberg, 2000. Variability and immunogenicity of human immunodeficiency virus type 1 p24 gene quasispecies. *Clin Diagn Lab Immunol* **7**(3):377–83. On p. 259.

- [Isagulians *et al.*, 2004] M. G. Isagulians, B. Zuber, A. Boberg, D. Sjöstrand, S. V. Belikov, E. Rollman, A. K. Zuber, V. O. Rechinsky, A.-S. Rytting, C. F. R. Källander, J. Hinkula, S. N. Kochetkov, M. Liu, & B. Wahren, 2004. Reverse transcriptase-based DNA vaccines against drug-resistant HIV-1 tested in a mouse model. *Vaccine* **22**(13-14):1810–1819. On pp. 277, 284, 321, 327, 345 & 492.
- [Ishii *et al.*, 1997] N. Ishii, J. Fukushima, T. Kaneko, E. Okada, K. Tani, S. I. Tanaka, K. Hamajima, K. Q. Xin, S. Kawamoto, W. Koff, K. Nishioka, T. Yasuda, & K. Okuda, 1997. Cationic liposomes are a strong adjuvant for a dna vaccine of human immunodeficiency virus type 1. *AIDS Res Hum Retroviruses* **13**:1421–8. On pp. 441 & 545.
- [Ishii *et al.*, 2001] N. Ishii, Y. Sugita, L. J. Liu, S. Watabe, S. Toda, K. Q. Xin, & K. Okuda, 2001. Immunologic characterization of HIV-specific DNA vaccine. *J Invest Dermatol Symp Proc* **6**(1):76–80. On p. 553.
- [Ishikawa *et al.*, 1999] T. Ishikawa, N. Okui, N. Kobayashi, R. Sakuma, T. Kitamura, & Y. Kitamura, 1999. Monoclonal antibodies against the minimal dna-binding domain in the carboxy-terminal region of human immunodeficiency virus type 1 integrase. *J Virol* **73**:4475–80. On pp. 893 & 894.
- [Ishioka *et al.*, 1999] G. Y. Ishioka, J. Fikes, G. Hermanson, B. Livingston, C. Crimi, M. Qin, M. F. del Guercio, C. Oseroff, C. Dahlberg, J. Alexander, R. W. Chesnut, & A. Sette, 1999. Utilization of mhc class i transgenic mice for development of minigene. *J Immunol* **162**:3915–25. On pp. 341, 450 & 461.
- [Islam *et al.*, 2001] S. A. Islam, C. M. Hay, K. E. Hartman, S. He, A. K. Shea, A. K. Trocha, M. J. Dynan, N. Reshamwala, S. P. Buchbinder, N. O. Basgoz, & S. A. Kalams, 2001. Persistence of human immunodeficiency virus type 1-specific cytotoxic T-lymphocyte clones in a subject with rapid disease progression. *J Virol* **75**(10):4907–11. On pp. 106, 304, 514 & 539.
- [Iyasere *et al.*, 2003] C. Iyasere, J. C. Tilton, A. J. Johnson, S. Younes, B. Yassine-Diab, R.-P. Sekaly, W. W. Kwok, S. A. Migueles, A. C. Laborico, W. L. Shupert, C. W. Hallahan, R. T. Davey, Jr., M. Dybul, S. Vogel, J. Metcalf, & M. Connors, 2003. Diminished proliferation of human immunodeficiency virus-specific CD4+ T cells is associated with diminished interleukin-2 (IL-2) production and is recovered by exogenous IL-2. *J Virol* **77**(20):10900–10909. On pp. 714 & 733.
- [Jackson *et al.*, 1999] N. A. Jackson, M. Levi, B. Wahren, & N. J. Dimmock, 1999. Properties and mechanism of action of a 17 amino acid, v3 loop-specific microantibody that binds to and neutralizes human immunodeficiency virus type 1 virions. *J Gen Virol* **80**(Pt 1):225–36. On pp. 964, 1140 & 1148.
- [Jacobson, 1998] J. M. Jacobson, 1998. Passive immunization for the treatment of hiv infection. *Mt Sinai J Med* **65**:22–6. On pp. 945 & 965.
- [Jagodzinski & Trzeciak, 2000] P. P. Jagodzinski & W. H. Trzeciak, 2000. Application of monoclonal antibodies to monitor the synthesis of a glycoprotein core of envelope glycoproteins of human immunodeficiency virus (hiv-1). *Biomed Pharmacother* **54**:50–3. On pp. 974, 985 & 986.
- [Jagodzinski *et al.*, 1996] P. P. Jagodzinski, J. Wustner, D. Kmiecik, T. J. Wasik, A. Fertala, A. L. Sieron, M. Takahashi, T. Tsuji, T. Mimura, M. S. Fung, M. K. Gorny, M. Kloczewiak, Y. Kaneko, & D. Kozbor, 1996. Role of the v2, v3, and cd4-binding domains of gp120 in curdlan sulfate neutralization sensitivity of hiv-1 during infection of t lymphocytes. *Virology* **226**:217–227. On pp. 920, 930, 931, 961, 974, 985, 986, 988, 1036, 1040, 1128 & 1132.
- [Jamieson *et al.*, 2003] B. D. Jamieson, O. O. Yang, L. Hultin, M. A. Hausner, P. Hultin, J. Matud, K. Kunstman, S. Killian, J. Altman, K. Kommander, B. Korber, J. Giorgi, & S. Wolinsky, 2003. Epitope escape mutation and decay of human immunodeficiency virus type 1-specific CTL responses. *J Immunol* **171**(10):5372–5379. On pp. 99 & 345.
- [Jansen *et al.*, 2005] C. A. Jansen, S. Kostense, K. Vandenberghe, N. M. Nanlohy, I. M. De Cuyper, E. Piriou, E. H. Manting, F. Miedema, & D. van Baarle, 2005. High responsiveness of HLA-B57-restricted Gag-specific CD8+ T cells in vitro may contribute to the protective effect of HLA-B57 in HIV-infection. *Eur J Immunol* **35**(1):150–158. On pp. 114, 147 & 197.
- [Janvier *et al.*, 1990] B. Janvier, P. Archinard, B. Mandrand, A. Goudeau, & F. Barin, 1990. Linear b-cell epitopes of the major core protein of human immunodeficiency virus types 1 and 2. *J Virol* **64**:4258–4263. On pp. 868, 873, 874, 875 & 876.
- [Janvier *et al.*, 1992] B. Janvier, P. Archinard, B. Mandrand, A. Goudeau, & F. Barin, 1992. Linear b-cell epitopes of the major core protein of human immunodeficiency virus types 1 and 2 (author's correction). *J Virol* **66**:613. On pp. 868, 873, 874, 875 & 876.
- [Janvier *et al.*, 1996] B. Janvier, J. J. Lasarte, P. Sarobe, J. Hoebeke, A. B.-B. F. Borrás-Cuesta, & F. Barin, 1996. B-cell epitopes of hiv type 1 p24 capsid protein: a reassessment. *AIDS Res Hum Retroviruses* **12**:519–525. On p. 874.
- [Jardetzky *et al.*, 1991] T. S. Jardetzky, W. S. Lane, R. A. Robinson, D. R. Madden, & D. C. Wiley, 1991. Identification of self peptides bound to purified hla-b27. *Nature* **353**:326–9. On pp. 207 & 495.
- [Jasoy *et al.*, 1993] C. Jasoy, T. Harrer, T. Rosenthal, B. A. Navia, J. Worth, R. P. Johnson, & B. D. Walker, 1993. Human immunodeficiency virus type 1-specific cytotoxic t lymphocytes release gamma interferon, tumor necrosis factor alpha (tnf-alpha), and tnf-beta when they encounter their target antigens. *J Virol* **67**:2844–2852. On pp. 65, 312, 510, 513 & 608.
- [Jasoy *et al.*, 1992] C. Jasoy, R. P. Johnson, B. A. Navia, J. Worth, & B. D. Walker, 1992. Detection of a vigorous hiv-1 specific cytotoxic t lymphocyte response in cerebrospinal fluid from infected persons with aids dementia complex. *J Immunol* **149**:3113–3119. On pp. 65, 510 & 620.
- [Jaye *et al.*, 2004] A. Jaye, R. Sarge-Njie, M. Schim van der Loeff, J. Todd, A. Alabi, S. Sabally, T. Corrah, & H. Whittle, 2004. No differences in cellular immune responses between asymptomatic HIV type 1- and type 2-infected Gambian patients. *J Infect Dis* **189**(3):498–505. On pp. 670 & 828.
- [Jeffs *et al.*, 2004] S. A. Jeffs, S. Goriup, B. Keble, D. Crane, B. Bolgiano, Q. Sattentau, S. Jones, & H. Holmes, 2004. Expression and characterisation of recombinant oligomeric envelope glycoproteins derived from primary isolates of HIV-1. *Vaccine* **22**(8):1032–1046. On pp. 1022, 1024, 1051, 1053, 1066, 1091, 1100, 1109, 1140 & 1142.
- [Jeffs *et al.*, 2001] S. A. Jeffs, M. K. Gorny, C. Williams, K. Revesz, B. Volsky, S. Burda, X. H. Wang, J. Bandres, S. Zolla-Pazner, & H. Holmes, 2001. Characterization of human monoclonal antibodies selected with a hypervariable loop-deleted recombinant HIV-1(IIIB) gp120. *Immunol Lett* **79**(3):209–13. On pp. 1112 & 1113.
- [Jeffs *et al.*, 1996] S. A. Jeffs, J. McKeating, S. Lewis, H. Craft, D. Biram, P. E. Stephens, & R. L. Brady, 1996. Antigenicity of truncated forms of the human immunodeficiency virus type 1 envelope glycoprotein. *J Gen Virol* **77**:1403–1410. On pp. 939, 970, 974, 984, 988, 1110, 1118, 1120, 1121, 1122, 1139 & 1194.
- [Jelonek *et al.*, 1999] M. Jelonek, J. Maskrey, K. Steimer, B. Potts, K. Higgins, & M. Kellor, 1999. Maternal monoclonal antibody to the v3 loop alters specificity of the response to a human immunodeficiency virus vaccine. *J Infect Dis* **174**:866–9. On p. 964.
- [Jennes *et al.*, 2004] W. Jennes, B. Vuylsteke, M.-Y. Borget, V. Traore-Ettiégne, C. Maurice, M. Nolan, J. N. Nkengasong, & L. Kestens, 2004. HIV-specific T helper responses and frequency of exposure among HIV-exposed seronegative female sex workers in Abidjan, Côte d'Ivoire. *J Infect Dis* **189**(4):602–610. On p. 731.

- [Jensen *et al.*, 1997] T. H. Jensen, A. Jensen, A. M. Szilvay, & J. Kjems, 1997. Probing the structure of hiv-1 rev by protein footprinting of multiple monoclonal antibody-binding sites. *FEBS Lett* **414**:50–4. On pp. 903, 909 & 910.
- [Jeyarajah *et al.*, 1998] S. Jeyarajah, C. E. Parker, M. T. Summer, & K. B. Tomer, 1998. Matrix-assisted laser desorption ionization/mass spectrometry mapping of human immunodeficiency virus-gp120 epitopes recognized by a limited polyclonal antibody. *J Am Soc Mass Spectrom* **9**:157–65. On p. 996.
- [Jiang *et al.*, 2005] J. Q. Jiang, A. Patrick, R. B. Moss, & K. L. Rosenthal, 2005. CD8+ T-cell-mediated cross-clade protection in the genital tract following intranasal immunization with inactivated human immunodeficiency virus antigen plus CpG oligodeoxynucleotides. *J Virol* **79**(1):393–400. On p. 671.
- [Jiang *et al.*, 1998] S. Jiang, K. Lin, & M. Lu, 1998. A conformation-specific monoclonal antibody reacting with fusion-active gp41 from the human immunodeficiency virus type 1 envelope glycoprotein. *J Virol* **72**:10213–7. On pp. 1022, 1031, 1205 & 1206.
- [Jin *et al.*, 2002] X. Jin, X. Gao, M. Ramanathan, Jr., G. R. Deschenes, G. W. Nelson, S. J. O'Brien, J. J. Goedert, D. D. Ho, T. R. O'Brien, & M. Carrington, 2002. Human immunodeficiency virus type 1 (HIV-1)-specific CD8+ T-cell responses for groups of HIV-1-infected individuals with different HLA-B*35 genotypes. *J Virol* **76**(24):12603–12610. On pp. 259, 391, 545 & 654.
- [Jin *et al.*, 2000a] X. Jin, G. Ogg, S. Bonhoeffer, J. Safrit, M. Vesanen, D. Bauer, D. Chen, Y. Cao, M. A. Demoitie, L. Zhang, M. Markowitz, D. Nixon, A. McMichael, & D. D. Ho, 2000a. An antigenic threshold for maintaining human immunodeficiency virus type 1-specific cytotoxic T lymphocytes. *Mol Med* **6**(9):803–9. On pp. 96, 264, 342, 394 & 551.
- [Jin *et al.*, 1998a] X. Jin, C. G. Roberts, D. F. Nixon, Y. Cao, D. D. Ho, B. D. Walker, M. Muldoon, B. T. Korber, & R. A. Koup, 1998a. Longitudinal and cross-sectional analysis of cytotoxic t lymphocyte responses and their relationship to vertical human immunodeficiency virus transmission. ariel project investigators. *J Infect Dis* **178**:1317–26. On pp. 393, 550 & 656.
- [Jin *et al.*, 2000b] X. Jin, C. G. Roberts, D. F. Nixon, J. T. Safrit, L. Q. Zhang, Y. X. Huang, N. Bhardwaj, B. Jesdale, A. S. DeGroot, & R. A. Koup, 2000b. Identification of subdominant cytotoxic t lymphocyte epitopes encoded by autologous hiv type 1 sequences, using dendritic cell stimulation and computer-driven algorithm. *AIDS Res Hum Retroviruses* **16**:67–76. On pp. 75, 159, 258, 461 & 644.
- [Jin *et al.*, 1998b] X. Jin, M. Wills, J. G. Sissons, & A. Carmichael, 1998b. Progressive loss of il-2-expandable hiv-1-specific cytotoxic t lymphocytes during asymptomatic hiv infection. *Eur J Immunol* **28**:3564–76. On pp. 470, 521 & 526.
- [Johnson *et al.*, 1994a] R. P. Johnson, S. A. Hammond, A. Trocha, R. F. Siliciano, & B. D. Walker, 1994a. Epitope specificity of mhc restricted cytotoxic t lymphocytes induced by candidate hiv-1 vaccine. *AIDS Res Hum Retroviruses* **10**, Supp 2:S73–S75. On pp. 446, 449, 467, 495 & 522.
- [Johnson *et al.*, 1994b] R. P. Johnson, S. A. Hammond, A. Trocha, R. F. Siliciano, & B. D. Walker, 1994b. Induction of a major histocompatibility complex class i-restricted cytotoxic t-lymphocyte response to a highly conserved region of human immunodeficiency virus type 1 (hiv-1) gp120 in seronegative humans immunized with a candidate hiv-1 vaccine. *J Virol* **68**:3145–3153. On pp. 449, 467, 495 & 522.
- [Johnson *et al.*, 1992] R. P. Johnson, A. Trocha, T. M. Buchanan, & B. D. Walker, 1992. Identification of overlapping hla class i-restricted cytotoxic t cell epitopes in a conserved region of the human immunodeficiency virus type 1 envelope glycoprotein: definition of minimum epitopes and analysis of the effects of sequence variation. *J Exp Med* **175**:961–971. On pp. 163, 513 & 520.
- [Johnson *et al.*, 1993] R. P. Johnson, A. Trocha, T. M. Buchanan, & B. D. Walker, 1993. Recognition of a highly conserved region of human immunodeficiency virus type 1 gp120 by an hla-cw4-restricted cytotoxic t-lymphocyte clone. *J Virol* **67**:438–445. On pp. 498 & 499.
- [Johnson *et al.*, 1991] R. P. Johnson, A. Trocha, L. Yang, G. P. Mazzara, D. L. Panicali, T. M. Buchanan, & B. D. Walker, 1991. Hiv-1 gag-specific cytotoxic t lymphocytes recognize multiple highly conserved epitopes. fine specificity of the gag-specific response defined by using unstimulated peripheral blood mononuclear cells and cloned effector cells. *J Immunol* **147**:1512–1521. On pp. 65, 84, 128, 139, 153, 166, 187, 208 & 229.
- [Johnson & Walker, 1994] R. P. Johnson & B. D. Walker, 1994. Ctl in hiv-1 infection: Responses to structural proteins. *Curr Topics Microbiol Immunol* **189**:35–63. On p. 359.
- [Johnson & Desrosiers, 2002] W. E. Johnson & R. C. Desrosiers, 2002. Viral persistence: HIV's strategies of immune system evasion. *Annu Rev Med* **53**:499–518. On p. 662.
- [Johnston & Flores, 2001] M. I. Johnston & J. Flores, 2001. Progress in HIV vaccine development. *Curr Opin Pharmacol* **1**(5):504–510. On p. 662.
- [Jones *et al.*, 1999] G. J. Jones, P. von Hoegen, J. Weber, & A. D. Rees, 1999. Immunization with human immunodeficiency virus type 1 rgp120w61d in qs21/mpl adjuvant primes t cell proliferation and c-c chemokine production to multiple epitopes within variable and conserved domains of gp120w61d. *J Infect Dis* **179**:558–66. On pp. 751, 756, 758, 764 & 794.
- [Jones *et al.*, 2004] N. A. Jones, X. Wei, D. R. Flower, M. Wong, F. Michor, M. S. Saag, B. H. Hahn, M. A. Nowak, G. M. Shaw, & P. Borrow, 2004. Determinants of human immunodeficiency virus type 1 escape from the primary CD8+ cytotoxic T lymphocyte response. *J Exp Med* **200**(10):1243–1256. On pp. 57, 118, 121, 122, 125, 138, 153, 198, 211, 220, 228, 229, 242, 243, 422, 423, 424, 426, 428, 445, 447, 469, 471, 484, 496, 500, 505, 511, 536 & 537.
- [Joyce *et al.*, 2002] J. G. Joyce, W. M. Humi, M. J. Bogusky, V. M. Garsky, X. Liang, M. P. Citron, R. C. Danzeisen, M. D. Miller, J. W. Shiver, & P. M. Keller, 2002. Enhancement of alpha-helicity in the HIV-1 inhibitory peptide DP178 leads to an increased affinity for human monoclonal antibody 2F5 but does not elicit neutralizing responses in vitro: Implications for vaccine design. *J Biol Chem* **277**(48):45811–45820. On pp. 1020, 1022 & 1028.
- [Jubier-Maurin *et al.*, 1999] V. Jubier-Maurin, S. Saragosti, J. L. Perret, E. Mpoudi, E. Esu-Williams, C. Mulanga, F. Liegeois, M. Ekwalanga, E. Delaporte, & M. Peeters, 1999. Genetic characterization of the nef gene from human immunodeficiency virus type 1 group m strains representing genetic subtypes a, b, c, e, f, g, and h. *AIDS Res Hum Retroviruses* **15**:23–32. On pp. 565, 597, 614 & 628.
- [Kahn *et al.*, 2000] J. O. Kahn, D. W. Cherng, K. Mayer, H. Murray, & S. Lagakos, 2000. Evaluation of HIV-1 immunogen, an immunologic modifier, administered to patients infected with HIV having 300 to 549 x 10e6/L CD4 cell counts: A randomized controlled trial. *JAMA* **284**(17):2193–2202. On p. 824.
- [Kaizu *et al.*, 2003] M. Kaizu, H. Sato, Y. Ami, Y. Izumi, T. Nakasone, Y. Tomita, K. Someya, Y. Takebe, K. Kitamura, O. Tochikubo, & M. Honda, 2003. Infection of macaques with an R5-tropic SHIV bearing a chimeric envelope carrying subtype E V3 loop among subtype B framework. *Arch Virol* **148**(5):973–988. On p. 972.

- [Kalams *et al.*, 1994] S. Kalams, R. P. Johnson, A. K. Trocha, M. J. Dynan, H. S. Ngo, R. T. D'Aquila, J. T. Kurnick, & B. D. Walker, 1994. Longitudinal analysis of t cell receptor (tcr) gene usage by hiv-1 envelope-specific cytotoxic t-lymphocyte clones reveals a limited tcr repertoire. *J Exp Med* **179**:1261–1271. On pp. 371 & 513.
- [Kalams *et al.*, 1999a] S. A. Kalams, S. P. Buchbinder, E. S. Rosenberg, J. M. Billingsley, D. S. Colbert, N. G. Jones, A. K. Shea, A. K. Trocha, & B. D. Walker, 1999a. Association between virus-specific cytotoxic t-lymphocyte and helper responses in human immunodeficiency virus type 1 infection. *J Virol* **73**:6715–20. On pp. 261, 727 & 811.
- [Kalams *et al.*, 1999b] S. A. Kalams, P. J. Goulder, A. K. Shea, N. G. Jones, A. K. Trocha, G. S. Ogg, & B. D. Walker, 1999b. Levels of human immunodeficiency virus type 1-specific cytotoxic t-lymphocyte effector and memory responses decline after suppression of viremia with highly active antiretroviral therapy. *J Virol* **73**:6721–8. On pp. 94 & 512.
- [Kalams *et al.*, 1996] S. A. Kalams, R. P. Johnson, M. J. Dynan, K. E. Hartman, T. Harrer, E. Harrer, A. K. Trocha, W. A. Blattner, S. P. Buchbinder, & B. D. Walker, 1996. T cell receptor usage and fine specificity of human immunodeficiency virus type 1 specific cytotoxic t lymphocyte clones: analysis of quasispecies recognition reveals a dominant response directed against a minor in vivo variant. *J Exp Med* **183**:1699–1679. On p. 513.
- [Kalams & Walker, 1998] S. A. Kalams & B. D. Walker, 1998. The critical need for CD4 help in maintaining effective cytotoxic T lymphocyte responses. *J Exp Med* **188**(12):2199–2204. On p. 727.
- [Kalland *et al.*, 1994a] K. H. Kalland, A. M. Szilvay, K. A. Brokstad, W. Saetrevik, & G. Haukenes, 1994a. The human immunodeficiency virus type 1 rev protein shuttles between the cytoplasm and nuclear compartments. *Mol Cell Biol* **14**:7436–7444. On pp. 909 & 910.
- [Kalland *et al.*, 1994b] K. H. Kalland, A. M. Szilvay, E. Langhoff, & G. Haukenes, 1994b. Subcellular distribution of human immunodeficiency virus type 1 rev and colocalization of rev with rna splicing factors in a speckled pattern in the nucleoplasm. *J Virol* **68**:1475–1485. On pp. 909 & 910.
- [Kaminchik *et al.*, 1990] J. Kaminchik, N. Bashan, D. Pinchasi, B. Amit, N. Sarver, M. I. Johnston, M. Fischer, Z. Yavin, M. Gorecki, & A. Panet, 1990. Expression and biochemical characterization of human immunodeficiency virus type 1 nef gene product. *J Virol* **64**:3447–3454. On pp. 1213 & 1215.
- [Kan-Mitchell *et al.*, 2004] J. Kan-Mitchell, B. Bisikirska, F. Wong-Staal, K. L. Schaubert, M. Bajcz, & M. Bereta, 2004. The HIV-1 HLA-A2-SLYNTVATL is a help-independent CTL epitope. *J Immunol* **172**(9):5249–5261. On pp. 99 & 346.
- [Kaneko *et al.*, 2000] H. Kaneko, I. Bednarek, A. Wierzbicki, I. Kiszka, M. Dmochowski, T. J. Wasik, Y. Kaneko, & D. Kozbor, 2000. Oral dna vaccination promotes mucosal and systemic immune responses to hiv envelope glycoprotein. *Virology* **267**:8–16. On p. 545.
- [Kang *et al.*, 1994] C.-Y. Kang, K. Hariharan, P. L. Nara, J. Sodroski, & J. P. Moore, 1994. Immunization with a soluble cd4-gp120 complex preferentially induces neutralizing anti-human immunodeficiency virus type 1 antibodies directed to conformation-dependent epitopes of gp120. *J Virol* **68**:5854–5862. On pp. 941, 1072, 1101, 1102, 1153 & 1154.
- [Kang *et al.*, 1999] C. Y. Kang, L. Luo, M. A. Wainberg, & Y. Li, 1999. Development of HIV/AIDS vaccine using chimeric gag-env virus-like particles. *Biol Chem* **380**:353–64. On p. 476.
- [Kang *et al.*, 1992] C.-Y. Kang, P. Nara, S. Chamat, V. Caralli, A. Chen, M.-L. Nguyen, H. Yoshiyama, W. J. W. Morrow, D. D. Ho, & H. Köhler, 1992. Anti-idiotype monoclonal antibody elicits broadly neutralizing anti-gp120 antibodies in monkeys. *Proc Natl Acad Sci USA* **89**(7):2546–2550. On p. 1062.
- [Karle *et al.*, 2004] S. Karle, S. Planque, Y. Nishiyama, H. Taguchi, Y.-X. Zhou, M. Salas, D. Lake, P. Thiagarajan, F. Arnett, C. V. Hanson, & S. Paul, 2004. Cross-clade HIV-1 neutralization by an antibody fragment from a lupus phage display library. *AIDS* **18**(2):329–331. On p. 983.
- [Karlsson *et al.*, 2003] A. C. Karlsson, S. G. Deeks, J. D. Barbour, B. D. Heiken, S. R. Younger, R. Hoh, M. Lane, M. Sällberg, G. M. Ortiz, J. F. Demarest, T. Liegler, R. M. Grant, J. N. Martin, & D. F. Nixon, 2003. Dual pressure from antiretroviral therapy and cell-mediated immune response on the human immunodeficiency virus type 1 protease gene. *J Virol* **77**(12):6743–6752. On p. 278.
- [Karwowska *et al.*, 1992a] S. Karwowska, M. K. Gorny, A. Buchbinder, V. Gianakakos, C. Williams, T. Fuerst, & S. Zolla-Pazner, 1992a. Production of human monoclonal antibodies specific for conformational and linear non-V3 epitopes of gp120. *AIDS Res Hum Retroviruses* **8**:1099–1106. On pp. 995, 1118, 1120, 1121 & 1122.
- [Karwowska *et al.*, 1992b] S. Karwowska, M. K. Gorny, A. Buchbinder, & S. Zolla-Pazner, 1992b. Type-specific human monoclonal antibodies cross-react with the V3-loop of various HIV-1 isolates. *Vaccines* **92** pp. 171–174. On pp. 946, 947, 962, 963, 966, 968, 969, 971, 972, 995, 1036 & 1041.
- [Karwowska *et al.*, 1993] S. Karwowska, M. K. Gorny, S. Culpepper, S. Burda, S. Laal, K. Samanich, & S. Zolla-Pazner, 1993. The similarities and diversity among human monoclonal antibodies to the cd4-binding domain of hiv-1. *Vaccines* **93** pp. 229–232. On p. 1122.
- [Kato *et al.*, 2000] H. Kato, H. Bukawa, E. Hagiwara, K. Q. Xin, K. Hamajima, S. Kawamoto, M. Sugiyama, M. Sugiyama, E. Noda, M. Nishizaki, & K. Okuda, 2000. Rectal and vaginal immunization with a macromolecular multicomponent peptide vaccine candidate for hiv-1 infection induces hiv-specific protective immune responses. *Vaccine* **18**:1151–60. On p. 545.
- [Kaufmann *et al.*, 2004] G. R. Kaufmann, N. Khanna, R. Weber, L. Perrin, H. Furrer, M. Cavassini, B. Ledergerber, P. Vernazza, E. Bernasconi, M. Rickenbach, B. Hirschel, & M. Battegay, 2004. Long-term virological response to multiple sequential regimens of highly active antiretroviral therapy for HIV infection. *Antivir Ther* **9**(2):263–274. On pp. 691, 692, 693, 694, 695, 696, 698, 700, 710, 711, 712, 714, 715, 716, 718, 720, 721, 722, 740, 746, 817, 818, 819, 820, 821 & 822.
- [Kaul *et al.*, 2001a] R. Kaul, T. Dong, F. A. Plummer, J. Kimani, T. Rostron, P. Kiama, E. Njagi, E. Irungu, B. Farah, J. Oyugi, R. Chakraborty, K. S. MacDonald, J. J. Bwayo, A. McMichael, & S. L. Rowland-Jones, 2001a. CD8(+) lymphocytes respond to different HIV epitopes in seronegative and infected subjects. *J Clin Invest* **107**(10):1303–10. On pp. 61, 76, 81, 85, 106, 119, 128, 133, 135, 137, 147, 163, 172, 183, 189, 204, 217, 219, 225, 229, 234, 236, 237, 272, 274, 283, 312, 317, 337, 350, 360, 380, 434, 454, 458, 468, 498, 501, 514, 519, 521, 522, 528, 540, 564, 572, 580, 594, 597, 624, 635, 648 & 651.
- [Kaul *et al.*, 2001b] R. Kaul, F. Plummer, M. Clerici, M. Bomsel, L. Lopalco, & K. Broliden, 2001b. Mucosal IgA in exposed, uninfected subjects: evidence for a role in protection against HIV infection. *AIDS* **15**(3):431–2. On p. 1079.
- [Kaul *et al.*, 2000] R. Kaul, F. A. Plummer, J. Kimani, T. Dong, P. Kiama, T. Rostron, E. Njagi, K. S. MacDonald, J. J. Bwayo, A. J. McMichael, & S. L. Rowland-Jones, 2000. Hiv-1-specific mucosal cd8+ lymphocyte responses in the cervix of hiv-1-resistant prostitutes in Nairobi. *J Immunol* **164**:1602–11. On pp. 60, 102, 133, 136, 155, 162, 273, 380, 468, 579, 627 & 634.
- [Kaul *et al.*, 2002] R. Kaul, S. L. Rowland-Jones, G. Gillespie, J. Kimani, T. Dong, P. Kiama, J. N. Simonsen, J. J. Bwayo, A. J. McMichael, & F. A. Plummer, 2002. Gonococcal cervicitis is associated with reduced systemic CD8+ T cell responses in human immunodeficiency virus type 1-infected and exposed, uninfected sex workers. *J Infect Dis*

- 185(10):1525–1529. On pp. 107, 129, 148, 163, 180, 225, 274, 351, 511 & 634.
- [Kaul *et al.*, 2001c] R. Kaul, S. L. Rowland-Jones, J. Kimani, T. Dong, H. B. Yang, P. Kiama, T. Rostron, E. Njagi, J. J. Bwayo, K. S. MacDonald, A. J. McMichael, & F. A. Plummer, 2001c. Late seroconversion in HIV-resistant Nairobi prostitutes despite pre-existing HIV-specific CD8+ responses. *J Clin Invest* 107(3):341–9. On pp. 81, 134, 148, 163, 184, 191, 218, 230, 273, 312, 316, 349, 380, 521, 564, 627, 636 & 653.
- [Kaul *et al.*, 2004] R. Kaul, J. Rutherford, S. L. Rowland-Jones, J. Kimani, J. I. Onyango, K. Fowke, K. MacDonald, J. J. Bwayo, A. J. McMichael, & F. A. Plummer, 2004. HIV-1 Env-specific cytotoxic T-lymphocyte responses in exposed, uninfected Kenyan sex workers: A prospective analysis. *AIDS* 18(15):2087–2089. On p. 669.
- [Kaul *et al.*, 2003] R. Kaul, P. Thottungal, J. Kimani, P. Kiama, C. W. Waigwa, J. J. Bwayo, F. A. Plummer, & S. L. Rowland-Jones, 2003. Quantitative ex vivo analysis of functional virus-specific CD8 T lymphocytes in the blood and genital tract of HIV-infected women. *AIDS* 17(8):1139–1144. On pp. 109, 145, 158, 468, 499 & 632.
- [Kaul *et al.*, 1999] R. Kaul, D. Trabattoni, J. J. Bwayo, D. Arienti, A. Zagliani, F. M. Mwangi, C. Kariuki, E. N. Ngugi, K. S. MacDonald, T. B. Ball, M. Clerici, & F. A. Plummer, 1999. HIV-1-specific mucosal IgA in a cohort of HIV-1-resistant Kenyan sex workers. *AIDS* 13(1):23–9. On pp. 753, 775, 790, 804 & 939.
- [Kawai *et al.*, 2003] M. Kawai, L. He, T. Kawamura, S. Omoto, Y. R. Fujii, & N. Okada, 2003. Chimeric human/murine monoclonal IgM antibodies to HIV-1 Nef antigen expressed on chronically infected cells. *Microbiol Immunol* 47(3):247–253. On pp. 974, 1210, 1211 & 1214.
- [Kawamura *et al.*, 2002] M. Kawamura, T. Naito, M. Ueno, T. Akagi, K. Hiraishi, I. Takai, M. Makino, T. Serizawa, K. Sugimura, M. Akashi, & M. Baba, 2002. Induction of mucosal IgA following intravaginal administration of inactivated HIV-1-capturing nanospheres in mice. *J Med Virol* 66(3):291–298. On p. 1193.
- [Kawana *et al.*, 1999] A. Kawana, H. Tomiyama, M. Takiguchi, T. Shioda, T. Nakamura, & A. Iwamoto, 1999. Accumulation of specific amino acid substitutions in hla-b35-restricted human immunodeficiency virus type 1 cytotoxic t lymphocyte epitopes. *AIDS Res Hum Retroviruses* 15:1099–107. On pp. 296, 315, 337, 368, 457, 472, 562 & 568.
- [Kawana-Tachikawa *et al.*, 2002] A. Kawana-Tachikawa, M. Tomizawa, J.-i. Nunoya, T. Shioda, A. Kato, E. E. Nakayama, T. Nakamura, Y. Nagai, & A. Iwamoto, 2002. An efficient and versatile mammalian viral vector system for major histocompatibility complex class I/peptide complexes. *J Virol* 76(23):11982–11988. On pp. 519 & 630.
- [Kawashima *et al.*, 2005] Y. Kawashima, M. Satoh, S. Oka, & M. Takiguchi, 2005. Identification and characterization of HIV-1 epitopes presented by HLA-A*2603: Comparison between HIV-1 epitopes presented by A*2601 and A*2603. *Hum Immunol* 66(11):1155–1166. On pp. 151 & 455.
- [Kelleher *et al.*, 2001a] A. D. Kelleher, B. L. Booth, Jr., A. K. Sewell, A. Oxenius, V. Cerundolo, A. J. McMichael, R. E. Phillips, & D. A. Price, 2001a. Effects of retroviral protease inhibitors on proteasome function and processing of HIV-derived MHC class I-restricted cytotoxic T lymphocyte epitopes. *AIDS Res Hum Retroviruses* 17(11):1063–1066. On pp. 107, 205, 322 & 351.
- [Kelleher *et al.*, 2001b] A. D. Kelleher, C. Long, E. C. Holmes, R. L. Allen, J. Wilson, C. Conlon, C. Workman, S. Shaunak, K. Olson, P. Goulder, C. Brander, G. Ogg, J. S. Sullivan, W. Dyer, I. Jones, A. J. McMichael, S. Rowland-Jones, & R. E. Phillips, 2001b. Clustered mutations in HIV-1 gag are consistently required for escape from HLA-B27-restricted cytotoxic T lymphocyte responses. *J Exp Med* 193(3):375–86. On p. 200.
- [Kelleher *et al.*, 1998a] A. D. Kelleher, M. Roggensack, S. Emery, A. Carr, M. A. French, & D. A. Cooper, 1998a. Effects of il-2 therapy in asymptomatic hiv-infected individuals on proliferative responses to mitogens, recall antigens and hiv-related antigens. *Clin Exp Immunol* 113:85–91. On pp. 725 & 808.
- [Kelleher *et al.*, 1998b] A. D. Kelleher, M. Roggensack, A. B. Jaramillo, D. E. Smith, A. Walker, I. Gow, M. McMurchie, J. Harris, G. Patou, & D. A. Cooper, 1998b. Safety and immunogenicity of a candidate therapeutic vaccine, p24 virus-like particle, combined with zidovudine, in asymptomatic subjects. community hiv research network investigators. *AIDS* 12:175–82. On pp. 723 & 799.
- [Keller & Arora, 1999] M. Keller & Y. Arora, 1999. Inhibition of anti-v3 loop response to a recombinant gp120 sf2 vaccine by preexisting monoclonal ab. *AIDS Res Hum Retroviruses* 15:855–60. On p. 964.
- [Keller *et al.*, 1993] P. M. Keller, B. A. Arnold, A. R. Shaw, R. L. Tolman, F. V. Middlesworth, S. Bondy, V. K. Rusiecki, S. Koenig, S. Zolla-Pazner, P. Conard, E. A. Emini, & A. J. Conley, 1993. Identification of hiv vaccine candidate peptides by screening random phage epitope libraries. *Virology* 193:709–716. On pp. 1036, 1040 & 1041.
- [Kennedy *et al.*, 1986] R. C. Kennedy, R. D. Henkel, D. Pauletti, J. S. Allan, T. H. Lee, M. Essex, & G. R. Dreesman, 1986. Antiserum to a synthetic peptide recognizes the HTLV-III envelope glycoprotein. *Science* 231(4745):1556–1559. On p. 1094.
- [Kent *et al.*, 1997a] S. J. Kent, P. D. Greenberg, M. C. Hoffman, R. E. Akridge, & M. J. McElrath, 1997a. Antagonism of vaccine-induced hiv-1-specific cd4+ t cells by primary hiv-1 infection: potential mechanism of vaccine failure. *J Immunol* 158:807–15. On p. 510.
- [Kent *et al.*, 1997b] S. J. Kent, A. Woodward, & A. Zhao, 1997b. Human immunodeficiency virus type 1 (HIV-1)-specific T cell responses correlate with control of acute HIV-1 infection in macaques. *J Infect Dis* 176:1188–97. On pp. 548 & 807.
- [Kent *et al.*, 1998] S. J. Kent, A. Zhao, S. J. Best, J. D. Chandler, D. B. Boyle, & I. A. Ramshaw, 1998. Enhanced T cell immunogenicity and protective efficacy of a human immunodeficiency virus type 1 vaccine regimen consisting of consecutive priming with DNA and boosting with recombinant fowlpox virus. *J Virol* 72:10180–8. On pp. 263, 549, 725 & 809.
- [Kent *et al.*, 2000] S. J. Kent, A. Zhao, C. J. Dale, S. Land, D. B. Boyle, & I. A. Ramshaw, 2000. A recombinant avipoxvirus hiv-1 vaccine expressing interferon-gamma is safe and immunogenic in macaques. *Vaccine* 18:2250–6. On p. 269.
- [Kessler *et al.*, 1995] J. A. Kessler, II, P. M. McKenna, E. A. Emini, & A. J. Conley, 1995. In vitro assessment of the therapeutic potential of anti-HIV-1 monoclonal neutralizing antibodies. *Gen Meet Am Soc Microbiol* 95:586, T-25. On pp. 1022, 1032, 1125, 1140 & 1150.
- [Kessler *et al.*, 2003] N. Kessler, A. Zvi, M. Ji, M. Sharon, O. Rosen, R. Levy, M. Gorny, S. Zolla-Pazner, & J. Anglister, 2003. Expression, purification, and isotope labeling of the Fv of the human HIV-1 neutralizing antibody 447-52D for NMR studies. *Protein Expr Purif* 29(2):291–303. On pp. 1036 & 1038.
- [Kessler II *et al.*, 1997] J. A. Kessler II, P. M. McKenna, E. A. Emini, C. P. Chan, M. D. Patel, S. K. Gupta, G. E. Mark III, C. F. Barbas III, D. R. Burton, & A. J. Conley, 1997. Recombinant human monoclonal antibody IgG1b12 neutralizes diverse human immunodeficiency virus type 1 primary isolates. *AIDS Res Hum Retroviruses* 13:575–82. On pp. 1022, 1032, 1140 & 1150.
- [Khouri *et al.*, 1995] Y. F. Khouri, K. McIntosh, L. Cavacini, M. Posner, M. Pagano, R. Tuomala, & W. A. Marasco, 1995. Vertical transmission of hiv-1. correlation with maternal viral load and plasma levels of cd4 binding site anti-gp120 antibodies. *J Clin Invest* 95:732–737. On pp. 1128 & 1132.

- [Kiepiela *et al.*, 2004] P. Kiepiela, A. J. Leslie, I. Honeyborne, D. Ramduth, C. Thobakgale, S. Chetty, P. Rathnavalu, C. Moore, K. J. Pfafferott, L. Hilton, P. Zimbwa, S. Moore, T. Allen, C. Brander, M. M. Addo, M. Altfeld, I. James, S. Mallal, M. Bunce, L. D. Barber, J. Szinger, C. Day, P. Klennerman, J. Mullins, B. Korber, H. M. Coovadia, B. D. Walker, & P. J. R. Goulder, 2004. Dominant influence of HLA-B in mediating the potential co-evolution of HIV and HLA. *Nature* **432**(7018):769–775. LA-UR 04-5920. On pp. 64, 79, 82, 89, 100, 117, 127, 139, 140, 146, 157, 165, 175, 179, 191, 195, 216, 222, 226, 234, 245, 253, 295, 303, 313, 332, 335, 359, 363, 365, 377, 386, 387, 390, 400, 403, 404, 414, 421, 427, 452, 458, 470, 474, 508, 511, 518, 535, 557, 561, 568, 581, 587, 598, 610, 618, 623, 629 & 635.
- [Kiepiela *et al.*, 2007] P. Kiepiela, K. Ngumbela, C. Thobakgale, D. Ramduth, I. Honeyborne, E. Moodley, S. Reddy, C. de Pierres, Z. Mncube, N. Mkhwanazi, K. Bishop, M. van der Stok, K. Nair, N. Khan, H. Crawford, R. Payne, A. Leslie, J. Prado, A. Prendergast, J. Frater, N. McCarthy, C. Brander, G. H. Learn, D. Nickle, C. Rousseau, H. Coovadia, J. I. Mullins, D. Heckerman, B. D. Walker, & P. Goulder, 2007. CD8+ T-cell responses to different HIV proteins have discordant associations with viral load. *Nat Med* **13**(1):46–53. On pp. 72, 79, 82, 89, 101, 116, 125, 127, 139, 140, 143, 150, 156, 157, 161, 165, 170, 175, 177, 178, 179, 187, 188, 195, 213, 216, 222, 233, 237, 239, 240, 245, 246, 253, 254, 256, 270, 276, 279, 280, 281, 287, 289, 291, 294, 297, 301, 302, 303, 313, 314, 321, 328, 331, 332, 335, 336, 338, 359, 360, 363, 365, 368, 369, 370, 372, 373, 375, 376, 377, 378, 379, 380, 381, 382, 383, 386, 387, 390, 400, 402, 403, 404, 406, 409, 413, 414, 416, 421, 427, 433, 434, 435, 439, 443, 452, 453, 455, 468, 469, 473, 477, 496, 498, 506, 510, 511, 523, 526, 531, 535, 558, 566, 589, 599, 610, 612, 617, 622, 623, 629, 632 & 633.
- [Kilgore *et al.*, 2003] N. R. Kilgore, K. Salzwedel, M. Reddick, G. P. Allaway, & C. T. Wild, 2003. Direct evidence that C-peptide inhibitors of human immunodeficiency virus type 1 entry bind to the gp41 N-helical domain in receptor-activated viral envelope. *J Virol* **77**(13):7669–7672. On p. 1098.
- [Killian *et al.*, 2005] M. S. Killian, R. L. Sabado, S. Kilpatrick, M. A. Hausner, B. D. Jamieson, & O. O. Yang, 2005. Clonal breadth of the HIV-1-specific T-cell receptor repertoire in vivo as determined by subtractive analysis. *AIDS* **19**(9):887–896. On p. 101.
- [Kim *et al.*, 1997a] D. T. Kim, D. J. Mitchell, D. G. Brockstedt, L. Fong, G. P. Nolan, C. G. Fathman, E. G. Engleman, & J. B. Rothbard, 1997a. Introduction of soluble proteins into the mhc class i pathway by conjugation to an hiv tat peptide. *J Immunol* **159**(4):1666–1668. On p. 429.
- [Kim *et al.*, 2001] J. H. Kim, J. R. Mascola, S. Ratto-Kim, T. C. VanCott, L. Loomis-Price, J. H. Cox, N. L. Michael, L. Jagodzinski, C. Hawkes, D. Mayers, B. L. Gilliam, D. C. Bix, & M. L. Robb, 2001. Selective increases in HIV-specific neutralizing antibody and partial reconstitution of cellular immune responses during prolonged, successful drug therapy of HIV infection. *AIDS Res Hum Retroviruses* **17**(11):1021–34. On p. 1079.
- [Kim *et al.*, 1997b] J. J. Kim, V. Ayyavoo, M. L. Bagarazzi, M. Chattergoon, J. D. Boyer, B. Wang, & D. B. Weiner, 1997b. Development of a multicomponent candidate vaccine for HIV-1. *Vaccine* **15**:879–83. On pp. 741, 898, 899 & 1081.
- [Kim *et al.*, 1997c] J. J. Kim, V. Ayyavoo, M. L. Bagarazzi, M. A. Chattergoon, K. Dang, B. Wang, J. D. Boyer, & D. B. Weiner, 1997c. In vivo engineering of a cellular immune response by coadministration of il-12 expression vector with a dna immunogen. *J Immunol* **158**:816–26. On pp. 392, 409 & 548.
- [Kim *et al.*, 1997d] J. J. Kim, M. L. Bagarazzi, N. Trivedi, Y. Hu, K. Kazahaya, D. M. Wilson, R. Ciccarelli, M. A. Chattergoon, K. Dang, S. Mahalingam, A. A. Chalian, M. G. Agadjanyan, J. D. Boyer, B. Wang, & D. B. Weiner, 1997d. Engineering of in vivo immune responses to DNA immunization via codelivery of costimulatory molecule genes. *Nat Biotechnol* **15**:641–6. On pp. 270, 548, 741 & 807.
- [Kim *et al.*, 1998] J. J. Kim, L. K. Nottingham, D. M. Wilson, M. L. Bagarazzi, A. Tsai, L. D. Morrison, A. Javadian, A. A. Chalian, M. G. Agadjanyan, & D. B. Weiner, 1998. Engineering DNA vaccines via co-delivery of co-stimulatory molecule genes. *Vaccine* **16**:1828–35. On pp. 263, 393, 550, 726, 741 & 809.
- [Kim *et al.*, 2000] J. J. Kim, J. S. Yang, L. Montaner, D. J. Lee, A. A. Chalian, & D. B. Weiner, 2000. Coimmunization with ifn-gamma or il-2, but not il-13 or il-4 cDNA can enhance th1-type dna vaccine-induced immune responses in vivo. *J Interferon Cytokine Res* **20**(3):311–9. On pp. 741 & 806.
- [Kimura *et al.*, 2002] T. Kimura, K. Yoshimura, K. Nishihara, Y. Maeda, S. Matsumi, A. Koito, & S. Matsushita, 2002. Reconstitution of spontaneous neutralizing antibody response against autologous human immunodeficiency virus during highly active antiretroviral therapy. *J Infect Dis* **185**(1):53–60. On pp. 972, 975 & 1084.
- [Kiszka *et al.*, 2002] I. Kiszka, D. Kmiecik, J. Gzyl, T. Naito, E. Bolesta, A. Sieron, S. P. Singh, A. Srinivasan, G. Trinchieri, Y. Kaneko, & D. Kozbor, 2002. Effect of the V3 loop deletion of envelope glycoprotein on cellular responses and protection against challenge with recombinant vaccinia virus expressing gp160 of primary human immunodeficiency virus type 1 isolates. *J Virol* **76**(9):4222–4232. On pp. 463, 473, 478, 484 & 534.
- [Kitabwalla *et al.*, 2003] M. Kitabwalla, F. Ferrantelli, T. Wang, A. Chalmers, H. Katinger, G. Stiegler, L. A. Cavacini, T.-C. Chou, & R. M. Ruprecht, 2003. Primary African HIV clade A and D isolates: Effective cross-clade neutralization with a quadruple combination of human monoclonal antibodies raised against clade B. *AIDS Res Hum Retroviruses* **19**(2):125–131. On pp. 1022, 1026, 1033, 1034, 1051, 1055, 1140 & 1143.
- [Kitamura *et al.*, 1999] Y. Kitamura, T. Ishikawa, N. Okui, N. Kobayashi, T. Kanda, T. Shimada, K. Miyake, & K. Yoshiike, 1999. Inhibition of replication of hiv-1 at both early and late stages of the viral life cycle by single-chain antibody against viral integrase. *J Acquir Immune Defic Syndr Hum Retrovirol* **20**:105–14. On p. 894.
- [Kitchen *et al.*, 2004] S. G. Kitchen, N. R. Jones, S. LaForge, J. K. Whitmire, B.-A. Vu, Z. Galic, D. G. Brooks, S. J. Brown, C. M. R. Kitchen, & J. A. Zack, 2004. CD4 on CD8(+) T cells directly enhances effector function and is a target for HIV infection. *Proc Natl Acad Sci USA* **101**(23):8727–8732. On p. 667.
- [Klasse *et al.*, 1993a] P. Klasse, J. A. McKeating, M. Schutten, M. S. Reitz, Jr., & M. Robert-Guroff, 1993a. An immune-selected point mutation in the transmembrane protein of human immunodeficiency virus type 1 (hxb2-env:ala 582(→ thr)) decreases viral neutralization by monoclonal antibodies to the cd4-binding site. *Virology* **196**:332–337. On pp. 970, 971, 974, 975, 1022, 1033, 1128, 1132, 1136, 1139, 1194 & 1195.
- [Klasse *et al.*, 1991] P. J. Klasse, R. Pipkorn, & J. Blomberg, 1991. A cluster of continuous antigenic structures in the transmembrane protein of hiv-1: Individual patterns of reactivity in human sera. *Mol Immunol* **28**:613–622. On p. 1006.
- [Klasse *et al.*, 1993b] P. J. Klasse, R. Pipkorn, J. Blomberg, K.-Y. Han, B. Hilton, & J. A. Ferretti, 1993b. Three-dimensional structure and antigenicity of transmembrane-protein peptides of the human immunodeficiency virus type 1. *FEBS Lett* **323**:68–72. On p. 999.
- [Klasse & Sattentau, 1996] P. J. Klasse & Q. J. Sattentau, 1996. Altered cd4 interactions of hiv type 1 lai variants selected for the capacity to induce membrane fusion in the presence of a monoclonal antibody to domain 2 of cd4. *AIDS Res Hum Retroviruses* **12**:1015–1021. On pp. 1002, 1003 & 1139.

- [Klasse & Sattentau, 2002] P. J. Klasse & Q. J. Sattentau, 2002. Occupancy and mechanism in antibody-mediated neutralization of animal viruses. *J Gen Virol* **83**(9):2091–2108. On pp. 1140 & 1145.
- [Kleen *et al.*, 2004] T. O. Kleen, R. Asaad, S. J. Landry, B. O. Boehm, & M. Tary-Lehmann, 2004. Tc1 effector diversity shows dissociated expression of granzyme B and interferon-gamma in HIV infection. *AIDS* **18**(3):383–392. On pp. 59, 135, 171, 190, 194, 283, 309, 318, 321, 368, 454, 495, 519, 530, 569, 574, 596, 638, 645, 648 & 652.
- [Klein *et al.*, 1998] M. R. Klein, S. H. van der Burg, E. Hovenkamp, A. M. Holwerda, J. W. Drijfhout, C. J. Melief, & F. Miedema, 1998. Characterization of hla-b57-restricted human immunodeficiency virus type 1 gag- and rt-specific cytotoxic t lymphocyte responses. *J Gen Virol* **79**(Pt 9):2191–201. On pp. 130, 185, 330 & 362.
- [Klein *et al.*, 1997] M. R. Klein, J. Veenstra, A. M. Holwerda, M. T. Roos, I. Gow, G. Patou, R. A. Coutinho, F. De Wolf, & F. Miedema, 1997. Gag-specific immune responses after immunization with p17/p24:Ty virus-like particles in HIV type 1-seropositive individuals. *AIDS Res Hum Retroviruses* **13**(5):393–9. On pp. 261, 724 & 728.
- [Klenerman *et al.*, 1996] P. Klenerman, G. Luzzi, K. McIntyre, R. Phillips, & A. McMichael, 1996. Identification of a novel hla-a25 restricted epitope in a conserved region of p24 gag (positions 71–80). *AIDS* **10**:348–350. On p. 170.
- [Klenerman *et al.*, 1995] P. Klenerman, U.-C. Meier, R. E. Phillips, & A. J. McMichael, 1995. The effects of natural altered peptide ligands on the whole blood cytotoxic t lymphocyte response to human immunodeficiency virus. *Eur J Immunol* **25**:1927–1931. On pp. 78, 202 & 282.
- [Klenerman *et al.*, 1994] P. Klenerman, S. Rowland-Jones, S. McAdam, J. Edwards, S. Daenke, D. Laloo, B. Koppe, W. Rosenberg, D. Boyd, A. Edwards, P. Giangrande, R. E. Phillips, & A. J. McMichael, 1994. Cytotoxic t cell activity antagonized by naturally occurring hiv-1 gag variants. *Nature* **369**:403–407. On pp. 78, 192 & 202.
- [Klenerman *et al.*, 2002] P. Klenerman, Y. Wu, & R. Phillips, 2002. HIV: Current opinion in escapology. *Curr Opin Microbiol* **5**(4):408–413. On p. 662.
- [Klinman *et al.*, 1995] D. M. Klinman, B. F. Haynes, & J. Conover, 1995. Activation of interleukin 4- and interleukin 6-secreting cells by hiv-specific synthetic peptides. *AIDS Res Hum Retroviruses* **11**:97–105. On pp. 773 & 788.
- [Kmieciak *et al.*, 1998a] D. Kmieciak, I. Bednarek, M. Takiguchi, T. J. Wasik, J. Bratosiewicz, A. Wierzbicki, H. Teppler, J. Pientka, S. H. Hsu, Y. Kaneko, & D. Kozbor, 1998a. The effect of epitope variation on the profile of cytotoxic t lymphocyte responses to the hiv envelope glycoprotein. *Int Immunol* **10**:1789–99. On pp. 459, 461, 527 & 535.
- [Kmieciak *et al.*, 2001] D. Kmieciak, E. Bolesta, T. Naito, J. Gzyl, Y. Kaneko, & D. Kozbor, 2001. Enhancement of cellular and humoral immune responses to human immunodeficiency virus type 1 Gag and Pol by a G/P-92 fusion protein expressing highly immunogenic Gag p17/p24 and Pol p51 antigens. *J Hum Virol* **4**(6):306–316. On pp. 108 & 352.
- [Kmieciak *et al.*, 1998b] D. Kmieciak, T. J. Wasik, H. Teppler, J. Pientka, S. H. Hsu, H. Takahashi, K. Okumura, Y. Kaneko, & D. Kozbor, 1998b. The effect of deletion of the v3 loop of gp120 on cytotoxic t cell responses and hiv gp120-mediated pathogenesis. *J Immunol* **160**:5676–83. On pp. 463, 493 & 535.
- [Koch *et al.*, 2005] M. Koch, J. Frazier, J. Sodroski, & R. Wyatt, 2005. Characterization of antibody responses to purified HIV-1 gp120 glycoproteins fused with the molecular adjuvant C3d. *Virology* **340**(2):277–284. On p. 1097.
- [Koefoed *et al.*, 2005] K. Koefoed, L. Farnaes, M. Wang, A. Svejgaard, D. R. Burton, & H. J. Ditzel, 2005. Molecular characterization of the circulating anti-HIV-1 gp120-specific B cell repertoire using antibody phage display libraries generated from pre-selected HIV-1 gp120 binding PBLs. *J Immunol Methods* **297**(1-2):187–201. On pp. 911, 985, 990, 1100, 1101, 1109, 1153, 1154, 1158, 1159, 1216, 1217, 1218 & 1219.
- [Koenig *et al.*, 1995] S. Koenig, A. J. Conley, Y. A. Brewah, G. M. Jones, S. Leath, L. J. Boots, V. D. V. G. Pantaleo, J. F. Demarest, & C. Carter, 1995. Transfer of hiv-1-specific cytotoxic t lymphocytes to an aids patient leads to selection for mutant hiv variants and subsequent disease progression. *Nat Med* **1**(4):330–6. On p. 570.
- [Koenig *et al.*, 1990] S. Koenig, T. R. Fuerst, L. V. Wood, R. M. Woods, J. A. Suzich, G. M. Jones, V. F. de la Cruz, R. T. Davey, Jr., S. Venkatesan, B. Moss, W. E. Biddison, & A. S. Fauci, 1990. Mapping the fine specificity of a cytotoxic t cell response to hiv-1 nef protein. *J Immunol* **145**:127–135. On p. 570.
- [Koeppel *et al.*, 2006] J. R. Koeppel, T. B. Campbell, E. L. Rapaport, & C. C. Wilson, 2006. HIV-1-specific CD4+ T-cell responses are not associated with significant viral epitope variation in persons with persistent plasma viremia. *J Acquir Immune Defic Syndr* **41**(2):140–148. On pp. 692, 693, 695, 696, 706, 708, 709, 710, 711, 716, 717 & 718.
- [Koibuchi *et al.*, 2005] T. Koibuchi, T. M. Allen, M. Lichterfeld, S. K. Mui, K. M. O'Sullivan, A. Trocha, S. A. Kalams, R. P. Johnson, & B. D. Walker, 2005. Limited sequence evolution within persistently targeted CD8 epitopes in chronic human immunodeficiency virus type 1 infection. *J Virol* **79**(13):8171–8181. On pp. 73, 114, 161, 198, 212, 213, 227, 230, 283, 309, 332, 372, 516 & 521.
- [Kolchinsky *et al.*, 2001] P. Kolchinsky, E. Kiprilov, P. Bartley, R. Rubinstein, & J. Sodroski, 2001. Loss of a single N-linked glycan allows CD4-independent human immunodeficiency virus type 1 infection by altering the position of the gp120 V1/V2 variable loops. *J Virol* **75**(7):3435–43. On pp. 958, 959, 1022, 1029, 1113, 1114, 1128, 1131, 1140, 1146, 1158, 1162, 1166 & 1168.
- [Kolowos *et al.*, 1999] W. Kolowos, M. Schmitt, M. Herrman, E. Harrer, P. Low, J. R. Kalden, & T. Harrer, 1999. Biased tcr repertoire in hiv-1-infected patients due to clonal expansion of hiv-1-reverse transcriptase-specific ctl clones. *J Immunol* **162**:7525–33. On p. 347.
- [Koning *et al.*, 2004] F. A. Koning, C. A. Jansen, J. Dekker, R. A. Kaslow, N. Dukers, D. van Baarle, M. Prins, & H. Schuitemaker, 2004. Correlates of resistance to HIV-1 infection in homosexual men with high-risk sexual behaviour. *AIDS* **18**(8):1117–1126. On pp. 70, 83, 110, 146, 190, 197, 353, 367, 476, 541, 576 & 626.
- [Konya *et al.*, 1997] J. Konya, G. Stuber, A. Bjorndal, E. M. Fenyo, & J. Dillner, 1997. Primary induction of human cytotoxic lymphocytes against a synthetic peptide of the human immunodeficiency virus type 1 protease. *J Gen Virol* **78**:2217–2224. On pp. 277 & 340.
- [Korthals Altes *et al.*, 2003] H. Korthals Altes, R. M. Ribeiro, & R. J. de Boer, 2003. The race between initial T-helper expansion and virus growth upon HIV infection influences polyclonality of the response and viral set-point. *Proc R Soc Lond B Biol Sci* **270**(1522):1349–1358. On p. 828.
- [Kostense *et al.*, 2001] S. Kostense, G. S. Ogg, E. H. Manting, G. Gillespie, J. Joling, K. Vandenberghe, E. Z. Veenhof, D. van Baarle, S. Jurri-aans, M. R. Klein, & F. Miedema, 2001. High viral burden in the presence of major HIV-specific CD8(+) T cell expansions: evidence for impaired CTL effector function. *Eur J Immunol* **31**(3):677–86. On pp. 105, 144, 196, 331, 349 & 600.
- [Koup *et al.*, 1991] R. A. Koup, J. E. Robinson, Q. V. Nguyen, C. A. Pikora, B. Blais, A. Roskey, D. Panicali, & J. L. Sullivan, 1991. Antibody-dependent cell-mediated cytotoxicity directed by a human monoclonal

HIV Immunology References

- antibody reactive with gp120 of hiv-1. *AIDS* **5**:1309–1314. On pp. 1113 & 1116.
- [Kousignian *et al.*, 2003] I. Kousignian, B. Autran, C. Chouquet, V. Calvez, E. Gomard, C. Katlama, Y. Rivière, & D. Costagliola, 2003. Markov modelling of changes in HIV-specific cytotoxic T-lymphocyte responses with time in untreated HIV-1 infected patients. *Stat Med* **22**(10):1675–1690. On p. 665.
- [Krachmarov *et al.*, 2005] C. Krachmarov, A. Pinter, W. J. Honnen, M. K. Gorny, P. N. Nyambi, S. Zolla-Pazner, & S. C. Kayman, 2005. Antibodies that are cross-reactive for human immunodeficiency virus type 1 clade A and clade B V3 domains are common in patient sera from Cameroon, but their neutralization activity is usually restricted by epitope masking. *J Virol* **79**(2):780–790. On pp. 961, 1022, 1023, 1036, 1037, 1051, 1052, 1140, 1141, 1185, 1186, 1220 & 1225.
- [Kropelin *et al.*, 1998] M. Kropelin, C. Susal, V. Daniel, & G. Opelz, 1998. Inhibition of hiv-1 rgp120 binding to cd4+ t cells by monoclonal antibodies directed against the gp120 c1 or c4 region. *Immunol Lett* **63**:19–25. On pp. 920, 921, 984, 1128, 1131, 1140 & 1148.
- [Krowka *et al.*, 1990] J. Krowka, D. Stites, R. Debs, C. Larsen, J. Fedor, E. Brunette, & N. Duzgues, 1990. Lymphocyte proliferative responses to soluble and liposome-conjugated envelope peptides of hiv-1. *J Immunol* **144**:2535–2540. On pp. 784 & 795.
- [Kryworuchko *et al.*, 2004] M. Kryworuchko, V. Pasquier, H. Keller, D. David, C. Goujard, J. Gilquin, J.-P. Viard, M. Joussemet, J.-F. Del-fraissy, & J. Thèze, 2004. Defective interleukin-2-dependent STAT5 signalling in CD8 T lymphocytes from HIV-positive patients: Restoration by antiretroviral therapy. *AIDS* **18**(3):421–426. On p. 669.
- [Kuhn *et al.*, 2001a] L. Kuhn, A. Coutoudis, D. Moodley, D. Trabattoni, N. Mngqundaniso, G. M. Shearer, M. Clerici, H. M. Coovadia, & Z. Stein, 2001a. T-helper cell responses to HIV envelope peptides in cord blood: protection against intrapartum and breast-feeding transmission. *AIDS* **15**(1):1–9. On pp. 754, 775, 790 & 804.
- [Kuhn *et al.*, 2002] L. Kuhn, S. Meddows-Taylor, G. Gray, & C. Tiemessen, 2002. Human immunodeficiency virus (HIV)-specific cellular immune responses in newborns exposed to HIV *in utero*. *Clin Infect Dis* **34**(2):267–276. On pp. 265, 266, 394, 395, 430, 552, 553, 657, 662, 663 & 824.
- [Kuhn *et al.*, 2001b] L. Kuhn, S. Meddows-Taylor, G. Gray, D. Trabattoni, M. Clerici, G. M. Shearer, & C. Tiemessen, 2001b. Reduced HIV-stimulated T-helper cell reactivity in cord blood with short-course antiretroviral treatment for prevention of maternal-infant transmission. *Clin Exp Immunol* **123**(3):443–450. On pp. 754, 776, 777, 791 & 805.
- [Kuiken *et al.*, 1999] C. L. Kuiken, B. T. Foley, E. Guzman, & B. T. M. Korber, 1999. Determinants of HIV-1 protein evolution. In K. A. Crandall, ed., *The Evolution of HIV*, chapter 13, pp. 432–68. The John Hopkins University Press, Baltimore. On pp. 263 & 656.
- [Kundu *et al.*, 1998a] S. K. Kundu, M. Dupuis, A. Sette, E. Celis, F. Dorner, M. Eibl, & T. C. Merigan, 1998a. Role of preimmunization virus sequences in cellular immunity in HIV- infected patients during HIV type 1 MN recombinant gp160 immunization. *AIDS Res Hum Retroviruses* **14**:1669–78. On pp. 447, 460, 461, 523, 524, 531, 532, 536 & 809.
- [Kundu *et al.*, 1998b] S. K. Kundu, E. Engleman, C. Benike, M. H. Shaper, M. Dupuis, W. C. van Schooten, M. Eibl, & T. C. Merigan, 1998b. A pilot clinical trial of hiv antigen-pulsed allogeneic and autologous dendritic cell therapy in hiv-infected patients. *AIDS Res Hum Retroviruses* **14**:551–60. On pp. 103, 293, 347, 389, 463 & 533.
- [Kunert *et al.*, 1998] R. Kunert, F. Ruker, & H. Katinger, 1998. Molecular characterization of five neutralizing anti-hiv type 1 antibodies: identification of nonconventional d segments in the human monoclonal antibodies 2g12 and 2f5. *AIDS Res Hum Retroviruses* **14**:1115–28. On pp. 1015, 1016, 1022, 1031, 1050, 1051, 1060 & 1062.
- [Kunert *et al.*, 2000] R. Kunert, W. Steinfeldner, M. Purtscher, A. Assadian, & H. Katinger, 2000. Stable recombinant expression of the anti HIV-1 monoclonal antibody 2F5 after IgG3/IgG1 subclass switch in CHO cells. *Biotechnol Bioeng* **67**:97–103. On pp. 1022 & 1030.
- [Kunert *et al.*, 2002] R. E. Kunert, R. Weik, B. Ferko, G. Stiegler, & H. Katinger, 2002. Anti-idiotypic antibody Ab2/3H6 mimics the epitope of the neutralizing anti-HIV-1 monoclonal antibody 2F5. *AIDS* **16**(4):667–668. On pp. 1022 & 1028.
- [Kurane & West, 1998] I. Kurane & K. West, 1998. Personal communication. On pp. 128 & 165.
- [Kurane *et al.*, 2003] I. Kurane, K. West, C. U. Tuazon, W. Zeng, & F. A. Ennis, 2003. Definition of two new epitopes on human immunodeficiency virus type 1 gag protein recognized by human CD8+ cytotoxic T lymphocyte clones. *J Clin Virol* **27**(1):38–43. On pp. 129, 165 & 196.
- [Kuribayashi *et al.*, 2004] H. Kuribayashi, A. Wakabayashi, M. Shimizu, H. Kaneko, Y. Norose, Y. Nakagawa, J. Wang, Y. Kumagai, D. H. Margulies, & H. Takahashi, 2004. Resistance to viral infection by intraepithelial lymphocytes in HIV-1 P18-I10-specific T-cell receptor transgenic mice. *Biochem Biophys Res Commun* **316**(2):356–363. On p. 494.
- [Kusakabe *et al.*, 2000] K. Kusakabe, K. Xin, H. Katoh, K. Sumino, E. Hagiwara, S. Kawamoto, K. Okuda, K. Miyagi, I. Aoki, K. Nishioka, D. Klinman, & K. Okuda, 2000. The timing of gm-csf expression plasmid administration influences the th1/th2 response induced by an hiv-1-specific dna vaccine. *J Immunol* **164**(6):3102–11. On p. 778.
- [Kusk *et al.*, 1992] P. Kusk, T. H. Bugge, B. O. Lindhardt, E. F. Hultgaard, & K. Holmback, 1992. Mapping of linear b-cell epitopes on the major core protein p24 of human immunodeficiency virus type 1. *AIDS Res Hum Retroviruses* **8**:1789–1794. On pp. 867 & 874.
- [Kusk *et al.*, 1988] P. Kusk, K. Ulrich, J. Zeuthen, & G. Pallesen, 1988. Immunological characterization and detection of the major core protein p24 of the human immunodeficiency virus (hiv) using monoclonal antibodies. *J Acquir Immune Defic Syndr* **1**:326–332. On pp. 867 & 874.
- [Kuttner *et al.*, 1992] G. Kuttner, E. Giessmann, B. Niemann, K. Winkler, R. Grunow, J. Hinkula, J. Rosen, B. Wahren, & R. von Baehr, 1992. Immunoglobulin v regions and epitope mapping of a murine monoclonal antibody against p24 core protein of hiv-1. *Mol Immunol* **29**:561–564. On p. 867.
- [Kwak *et al.*, 2004] H. Kwak, W. Mustafa, K. Speirs, A. J. Abdool, Y. Paterson, & S. N. Isaacs, 2004. Improved protection conferred by vaccination with a recombinant vaccinia virus that incorporates a foreign antigen into the extracellular enveloped virion. *Virology* **322**(2):337–348. On pp. 169 & 708.
- [Kwong *et al.*, 2002] P. D. Kwong, M. L. Doyle, D. J. Casper, C. Ciccala, S. A. Leavitt, S. Majeed, T. D. Steenbeke, M. Venturi, I. Chaiken, M. Fung, H. Katinger, P. W. I. H. Parren, J. Robinson, D. Van Ryk, L. Wang, D. R. Burton, E. Freire, R. Wyatt, J. Sodroski, W. A. Hendrickson, & J. Arthos, 2002. HIV-1 evades antibody-mediated neutralization through conformational masking of receptor-binding sites. *Nature* **420**(6916):678–682. Comment in *Nature*. 2002 Dec 12;420(6916):623–4. On pp. 950, 958, 959, 985, 1051, 1057, 1102, 1103, 1104, 1105, 1106, 1107, 1113, 1114, 1128, 1130, 1133, 1134, 1140, 1145, 1157, 1158, 1162, 1166, 1167, 1178, 1180, 1187 & 1190.

- [Kwong *et al.*, 1998] P. D. Kwong, R. Wyatt, J. Robinson, R. W. Sweet, J. Sodroski, & W. A. Hendrickson, 1998. Structure of an hiv gp120 envelope glycoprotein in complex with the cd4 receptor and a neutralizing human antibody. *Nature* **393**:648–659. Comment in *Nature* 1998 Jun 18;393(6686):630-1. On pp. 1159, 1163 & 1164.
- [Laal *et al.*, 1994] S. Laal, S. Burda, M. K. Gorny, S. Karwowska, A. Buchbinder, & S. Zolla-Pazner, 1994. Synergistic neutralization of human immunodeficiency virus type 1 by combinations of human monoclonal antibodies. *J Virol* **68**:4001–4008. On pp. 978, 979, 995, 996, 1002, 1003, 1017, 1018, 1022, 1032, 1036, 1041, 1118, 1122, 1123 & 1124.
- [LaBranche *et al.*, 1999] C. C. LaBranche, T. L. Hoffman, J. Romano, B. S. Haggarty, T. G. Edwards, T. J. Matthews, R. W. Doms, & J. A. Hoxie, 1999. Determinants of CD4 independence for a human immunodeficiency virus type 1 variant map outside regions required for coreceptor specificity. *J Virol* **73**(12):10310–9. On p. 1068.
- [Labrijn *et al.*, 2003] A. F. Labrijn, P. Poignard, A. Raja, M. B. Zwick, K. Delgado, M. Franti, J. Binley, V. Vivona, C. Grundner, C.-C. Huang, M. Venturi, C. J. Petropoulos, T. Wrin, D. S. Dimitrov, J. Robinson, P. D. Kwong, R. T. Wyatt, J. Sodroski, & D. R. Burton, 2003. Access of antibody molecules to the conserved coreceptor binding site on glycoprotein gp120 is sterically restricted on primary human immunodeficiency virus type 1. *J Virol* **77**(19):10557–10565. On pp. 1158, 1160, 1165, 1167, 1170 & 1171.
- [LaCasse *et al.*, 1998] R. A. LaCasse, K. E. Follis, T. Moudgil, M. Trahey, J. M. Binley, V. Planelles, S. Zolla-Pazner, & J. H. Nunberg, 1998. Coreceptor utilization by human immunodeficiency virus type 1 is not a primary determinant of neutralization sensitivity. *J Virol* **72**:2491–5. On pp. 946, 947, 951, 952, 966 & 967.
- [LaCasse *et al.*, 1999] R. A. LaCasse, K. E. Follis, M. Trahey, J. D. Scarborough, D. R. Littman, & J. H. Nunberg, 1999. Fusion-competent vaccines: broad neutralization of primary isolates of HIV. *Science* **283**(5400):357–62. On pp. 1083 & 1294.
- [Laisney & Strosberg, 1999] I. L. Laisney & A. D. Strosberg, 1999. Dual specificity of a human neutralizing monoclonal antibody, specific for the v3 loop of gp120 (hiv-1). *Immunol Lett* **67**:185–92. On pp. 966 & 967.
- [Lake *et al.*, 1989] D. Lake, T. Sugano, Y. Matsumoto, Y. Masuho, E. A. Petersen, P. Feorino, & E. M. Hersh, 1989. A hybridoma producing human monoclonal antibody specific for glycoprotein 120kda of human immunodeficiency virus (hiv-1). *Life Sciences* **45**:iii–x. On p. 1050.
- [Lake *et al.*, 1992] D. F. Lake, T. Kawamura, T. Tomiyama, W. E. Robinson, Jr., Y. Matsumoto, Y. Masuho, & E. M. Hersh, 1992. Generation and characterization of a human monoclonal antibody that neutralizes diverse hiv-1 isolates in vitro. *AIDS* **6**:17–24. On p. 1154.
- [Lalvani *et al.*, 1997] A. Lalvani, T. Dong, G. Ogg, A. A. Patham, H. Newell, A. V. Hill, A. J. McMichael, & S. Rowland-Jones, 1997. Optimization of a peptide-based protocol employing il-7 for in vitro restimulation of human cytotoxic t lymphocyte precursors. *J Immunol Methods* **210**:65–77. On pp. 92, 124, 188, 315 & 580.
- [Laman *et al.*, 1992] J. D. Laman, M. M. Schellekens, Y. H. Abacioglu, G. K. Lewis, M. Tersmette, R. A. M. Fouchier, J. P. M. Langeduk, E. Claassen, & W. J. A. Boersma, 1992. Variant-specific monoclonal and group-specific polyclonal human immunodeficiency virus type 1 neutralizing antibodies raised with synthetic peptides from the gp120 third variable domain. *J Virol* **66**:1823–1831. On pp. 937, 965 & 966.
- [Laman *et al.*, 1993] J. D. Laman, M. M. Schellekens, G. K. Lewis, J. P. Moore, T. J. Matthews, J. P. M. Langedijk, R. H. Melen, W. J. A. Boersma, & E. Claassen, 1993. A hidden region in the third variable domain of hiv-1 iib gp120 identified by a monoclonal antibody. *AIDS Res Hum Retroviruses* **9**:605–612. On pp. 937, 965, 966, 978 & 981.
- [Lange *et al.*, 2002] C. G. Lange, M. M. Lederman, J. S. Madero, K. Medvik, R. Asaad, C. Pacheko, C. Carranza, & H. Valdez, 2002. Impact of suppression of viral replication by highly active antiretroviral therapy on immune function and phenotype in chronic HIV-1 infection. *J Acquir Immune Defic Syndr* **30**(1):33–40. On p. 728.
- [Lange *et al.*, 2004] C. G. Lange, Z. Xu, B. K. Patterson, K. Medvik, B. Harnisch, R. Asaad, H. Valdez, S. J. Lee, A. Landay, J. Lieberman, & M. M. Lederman, 2004. Proliferation responses to HIVp24 during antiretroviral therapy do not reflect improved immune phenotype or function. *AIDS* **18**(4):605–613. On p. 719.
- [Langedijk *et al.*, 1991] J. P. M. Langedijk, N. K. T. Back, P. J. Durda, J. Goudsmit, & R. H. Melen, 1991. Neutralizing activity of anti-peptide antibodies against the principal neutralization domain of human immunodeficiency virus type 1. *J Gen Virol* **72**:2519–2526. On pp. 964, 968, 969, 972 & 977.
- [Langedijk *et al.*, 1992] J. P. M. Langedijk, N. K. T. Back, E. Kinney-Thomas, C. Bruck, M. Francotte, J. Goudsmit, & R. H. Melen, 1992. Comparison and fine mapping of both high and low neutralizing monoclonal antibodies against the principal neutralization domain of hiv-1. *Arch Virol* **126**:129–146. On pp. 970 & 972.
- [Langedijk *et al.*, 1995] J. P. M. Langedijk, G. Zwart, J. Goudsmit, & R. H. Melen, 1995. Fine specificity of antibody recognition may predict amino acid substitution in the third variable region of gp120 during hiv type 1 infection. *AIDS Res Hum Retroviruses* **11**:1153–62. On p. 958.
- [Lapham *et al.*, 1996] C. Lapham, B. Golding, J. Inman, R. Blackburn, J. Manischewitz, P. Highet, & H. Golding, 1996. Brucella abortus conjugated with a peptide derived from the v3 loop of human immunodeficiency virus (hiv) type 1 induces hiv-specific cytotoxic t cell responses in normal and in cd4+ cell-depleted balb/c mice. *J Virol* **70**:3084–3092. On pp. 488 & 489.
- [Larsen *et al.*, 2005] M. V. Larsen, C. Lundegaard, K. Lamberth, S. Buus, S. Brunak, O. Lund, & M. Nielsen, 2005. An integrative approach to CTL epitope prediction: A combined algorithm integrating MHC class I binding, TAP transport efficiency, and proteasomal cleavage predictions. *Eur J Immunol* **35**(8):2295–2303. On p. 672.
- [Larsson *et al.*, 2002a] M. Larsson, J.-F. Fonteneau, M. Lirvall, P. Haslett, J. D. Lifson, & N. Bhardwaj, 2002a. Activation of HIV-1 specific CD4 and CD8 T cells by human dendritic cells: Roles for cross-presentation and non-infectious HIV-1 virus. *AIDS* **16**(10):1319–1329. On pp. 267 & 396.
- [Larsson *et al.*, 1999] M. Larsson, X. Jin, B. Ramratnam, G. S. Ogg, J. Engelmayr, M. A. Demoitie, A. J. McMichael, W. I. Cox, R. M. Steinman, D. Nixon, & N. Bhardwaj, 1999. A recombinant vaccinia virus based elispot assay detects high frequencies of pol-specific cd8 t cells in hiv-1-positive individuals. *AIDS* **13**:767–77. On pp. 94 & 340.
- [Larsson *et al.*, 2002b] M. Larsson, D. T. Wilkens, J.-F. Fonteneau, T. J. Beadle, M. J. Merritt, R. G. Kost, P. A. J. Haslett, S. Cu-Uvin, N. Bhardwaj, D. F. Nixon, & B. L. Shacklett, 2002b. Amplification of low-frequency antiviral CD8 T cell responses using autologous dendritic cells. *AIDS* **16**(2):171–180. On pp. 266, 395, 553 & 658.
- [Lasky *et al.*, 1987] L. A. Lasky, G. Nakamura, D. H. Smith, C. Fennie, C. Shimasaki, E. Patzer, P. Berman, T. Gregory, & D. J. Capon, 1987. Delineation of a region of the human immunodeficiency virus type 1 gp120 glycoprotein critical for interaction with the cd4 receptor. *Cell* **50**:975–985. On pp. 895, 982 & 983.
- [Lauer *et al.*, 2002] G. M. Lauer, T. N. Nguyen, C. L. Day, G. K. Robbins, T. Flynn, K. McGowan, E. S. Rosenberg, M. Lucas, P. Klenerman, R. T. Chung, & B. D. Walker, 2002. Human immunodeficiency virus type 1-hepatitis C virus coinfection: Intraindividual comparison of cellular immune responses against two persistent viruses. *J Virol* **76**(6):2817–2826. On pp. 266, 395, 554 & 658.

- [Lawson *et al.*, 2002] V. A. Lawson, R. Oelrichs, C. Guillon, A. A. Imrie, D. A. Cooper, N. J. Deacon, & D. A. McPhee, 2002. Adaptive changes after human immunodeficiency virus type 1 transmission. *AIDS Res Hum Retroviruses* **18**(8):545–556. On pp. 948 & 949.
- [Layton *et al.*, 1993] G. T. Layton, S. J. Harris, A. J. Gearing, M. Hill-Perkins, J. S. Cole, J. C. Griffiths, N. R. Burns, A. J. Kingsman, & S. E. Adams, 1993. Induction of hiv-specific cytotoxic t lymphocytes in vivo with hybrid hiv-1 v3:ty-virus-like particles. *J Immunol* **151**:1097–1107. On p. 479.
- [Lazaro *et al.*, 2005] E. Lazaro, I. Theodorou, E. Legrand, P. Recordon-Pinson, S. Boucher, C. Capoulade, T. H. Lan, P. V. Hung, P. Debre, & H. Fleury, 2005. Sequences of clustered epitopes in Gag and Nef potentially presented by predominant class I human leukocyte antigen (HLA) alleles A and B expressed by human immunodeficiency virus type 1 (HIV-1)-infected patients in Vietnam. *AIDS Res Hum Retroviruses* **21**(6):586–591. On pp. 209, 212, 214, 589, 590, 597, 620, 631, 640, 646, 648 & 652.
- [Le Borgne *et al.*, 2000] S. Le Borgne, M. Fevrier, C. Callebaut, S. P. Lee, & Y. Riviere, 2000. CD8(+)-cell antiviral factor activity is not restricted to human immunodeficiency virus (HIV)-specific T cells and can block HIV replication after initiation of reverse transcription. *J Virol* **74**:4456–64. On p. 572.
- [Le Buanec *et al.*, 2001] H. Le Buanec, C. Vetu, A. Lachgar, M. A. Benoit, J. Gillard, S. Paturance, J. Aucouturier, V. Gane, D. Zagury, & B. Bizzini, 2001. Induction in mice of anti-Tat mucosal immunity by the intranasal and oral routes. *Biomed Pharmacother* **55**(6):316–320. On p. 905.
- [Leandersson *et al.*, 2000] A. C. Leandersson, G. Gilljam, M. Fredriksson, J. Hinkula, A. Alaeus, K. Lidman, J. Albert, G. Bratt, E. Sandstrom, & B. Wahren, 2000. Cross-reactive t-helper responses in patients infected with different subtypes of human immunodeficiency virus type 1. *J Virol* **74**:4888–90. On p. 808.
- [Lebedev *et al.*, 2000] L. R. Lebedev, L. I. Karpenko, V. A. Poryvaeva, M. S. Azaev, E. I. Riabchikova, I. P. Gileva, & A. A. Il'ichev, 2000. [Design of virus-like particles, exposing HIV-1 epitopes]. *Mol Biol (Mosk)* **34**(3):480–485. On pp. 884 & 1084.
- [Lederman & Douek, 2003] M. M. Lederman & D. C. Douek, 2003. Sometimes help may not be enough. *AIDS* **17**(8):1249–1251. Comment on Robbins *et al.* [2003]. On p. 665.
- [Lee *et al.*, 1995] C.-N. Lee, J. Robinson, G. Mazzara, Y.-L. Cheng, M. Essex, & T.-H. Lee, 1995. Contribution of hypervariable domains to the conformation of a broadly neutralizing glycoprotein 120 epitope. *AIDS Res Hum Retroviruses* **11**:777–781. On pp. 1113 & 1115.
- [Lee *et al.*, 1997] S. Lee, K. Peden, D. S. Dimitrov, C. C. Broder, J. Manischewitz, G. Denisova, J. M. Gershoni, & H. Golding, 1997. Enhancement of human immunodeficiency virus type 1 envelope-mediated fusion by a cd4-gp120 complex-specific monoclonal antibody. *J Virol* **71**:6037–43. On pp. 1166, 1169, 1203 & 1204.
- [Lee *et al.*, 2001] S. A. Lee, R. Orque, P. A. Escarpe, M. L. Peterson, J. W. Good, E. M. Zaharias, P. W. Berman, H. W. Sheppard, & R. Shibata, 2001. Vaccine-induced antibodies to the native, oligomeric envelope glycoproteins of primary HIV-1 isolates. *Vaccine* **20**(3-4):563–576. On p. 1091.
- [Legastelois & Desgranges, 2000] I. Legastelois & C. Desgranges, 2000. Design and intracellular activity of a human single-chain antibody to human immunodeficiency virus type 1 conserved gp41 epitope. *J Virol* **74**:5712–5. On p. 1016.
- [Leggatt *et al.*, 1997] G. R. Leggatt, M. A. Alexander-Miller, A. Kumar, S. L. Hoffman, & J. A. Berzofsky, 1997. Cytotoxic t lymphocyte (ctl) adherence assay (caa): a non-radioactive assay for murine ctl recognition of peptide-mhc class i complexes. *J Immunol Methods* **201**:1–10. On p. 287.
- [Leggatt *et al.*, 1998] G. R. Leggatt, A. Hosmalin, C. D. Pendleton, A. Kumar, S. Hoffman, & J. A. Berzofsky, 1998. The importance of pairwise interactions between peptide residues in the delineation of tcr specificity. *J Immunol* **161**:4728–35. On p. 287.
- [Legrand *et al.*, 1997] E. Legrand, I. Pellegrin, D. Neau, J. L. Pellegrin, J. M. Ragnaud, M. Dupon, B. Guillemain, & H. J. Fleury, 1997. Course of specific t lymphocyte cytotoxicity, plasma and cellular viral loads, and neutralizing antibody titers in 17 recently seroconverted hiv type 1-infected patients. *AIDS Res Hum Retroviruses* **13**:1383–94. On pp. 262, 548 & 656.
- [Lehner, 2003] T. Lehner, 2003. Innate and adaptive mucosal immunity in protection against HIV infection. *Vaccine* **21**(Suppl 2):S68–76. On p. 665.
- [Lekutis & Letvin, 1997] C. Lekutis & N. L. Letvin, 1997. HIV-1 envelope-specific cd4+ t helper cells from simian/human immunodeficiency virus-infected rhesus monkeys recognize epitopes restricted by mhc class ii drb1*0406 and drb*w201 molecules. *J Immunol* **159**(4):2049–2057. On pp. 768, 785 & 797.
- [Lekutis & Letvin, 1998] C. Lekutis & N. L. Letvin, 1998. Substitutions in a major histocompatibility complex class ii-restricted human immunodeficiency virus type 1 gp120 epitope can affect cd4+ t-helper-cell function. *J Virol* **72**:5840–4. On p. 796.
- [Lekutis *et al.*, 1997] C. Lekutis, J. W. Shiver, M. A. Liu, & N. L. Letvin, 1997. HIV-1 Env DNA vaccine administered to rhesus monkeys elicits MHC class II-restricted CD4+ T helper cells that secrete IFN-gamma and TNF-alpha. *J Immunol* **158**:4471–7. On pp. 758, 759 & 796.
- [Lescar *et al.*, 2003] J. Lescar, J. Brynda, M. Fabry, M. Horejsi, P. Rezacova, J. Sedlacek, & G. A. Bentley, 2003. Structure of a single-chain Fv fragment of an antibody that inhibits the HIV-1 and HIV-2 proteases. *Acta Crystallogr D Biol Crystallogr* **59**:955–957. On p. 886.
- [Lescar *et al.*, 1999] J. Lescar, J. Brynda, P. Rezacova, R. Stouracova, M. M. Riottot, V. Chitarra, M. Fabry, M. Horejsi, J. Sedlacek, & G. A. Bentley, 1999. Inhibition of the hiv-1 and hiv-2 proteases by a monoclonal antibody. *Protein Sci* **8**:2686–96. On p. 886.
- [Lescar *et al.*, 1996] J. Lescar, R. Stouracova, M. M. Riottot, V. Chitarra, J. Brynda, M. Fabry, M. Horejsi, J. Sedlacek, & G. A. Bentley, 1996. Preliminary crystallographic studies of an anti-hiv-1 protease antibody which inhibits enzyme activity. *Protein Sci* **5**:966–968. On p. 886.
- [Lescar *et al.*, 1997] J. Lescar, R. Stouracova, M. M. Riottot, V. Chitarra, J. Brynda, M. Fabry, M. Horejsi, J. Sedlacek, & G. A. Bentley, 1997. Three-dimensional structure of an fab-peptide complex: structural basis of hiv-1 protease inhibition by a monoclonal antibody. *J Mol Biol* **267**:1207–22. On p. 886.
- [Leslie *et al.*, 2005] A. Leslie, D. Kavanagh, I. Honeyborne, K. Pfafferott, C. Edwards, T. Pillay, L. Hilton, C. Thobakgale, D. Ramduth, R. Draenert, S. Le Gall, G. Luzzi, A. Edwards, C. Brander, A. K. Sewell, S. Moore, J. Mullins, C. Moore, S. Mallal, N. Bhardwaj, K. Yusim, R. Phillips, P. Klenerman, B. Korber, P. Kiepiela, B. Walker, & P. Goulder, 2005. Transmission and accumulation of CTL escape variants drive negative associations between HIV polymorphisms and HLA. *J Exp Med* **201**(6):891–902. On pp. 141, 378 & 587.
- [Leslie *et al.*, 2004] A. J. Leslie, K. J. Pfafferott, P. Chetty, R. Draenert, M. M. Addo, M. Feeney, Y. Tang, E. C. Holmes, T. Allen, J. G. Prado, M. Altfeld, C. Brander, C. Dixon, D. Ramduth, P. Jeena, S. A. Thomas,

- A. St. John, T. A. Roach, B. Kupfer, G. Luzzi, A. Edwards, G. Taylor, H. Lyall, G. Tudor-Williams, V. Novelli, J. Martinez-Picado, P. Kiepiela, B. D. Walker, & P. J. R. Goulder, 2004. HIV evolution: CTL escape mutation and reversion after transmission. *Nat Med* **10**(3):282–289. On p. 181.
- [Letvin *et al.*, 2004] N. L. Letvin, Y. Huang, B. K. Chakrabarti, L. Xu, M. S. Seaman, K. Beaudry, B. Koriath-Schmitz, F. Yu, D. Rohne, K. L. Martin, A. Miura, W.-P. Kong, Z.-Y. Yang, R. S. Gelman, O. G. Golubeva, D. C. Montefiori, J. R. Mascola, & G. J. Nabel, 2004. Heterologous envelope immunogens contribute to AIDS vaccine protection in rhesus monkeys. *J Virol* **78**(14):7490–7497. On p. 814.
- [Letvin *et al.*, 1997] N. L. Letvin, D. C. Montefiori, Y. Yasutomi, H. C. Perry, M. E. Davies, C. Lekutis, M. Alroy, D. C. Freed, C. I. Lord, L. K. Handt, M. A. Liu, & J. W. Shiver, 1997. Potent, protective anti-HIV immune responses generated by bimodal hiv envelope dna plus protein vaccination. *Proc Natl Acad Sci USA* **94**:9378–83. On pp. 548 & 807.
- [Levi *et al.*, 1993] M. Levi, M. Sallberg, U. Ruden, D. Herlyn, H. Maruyama, H. Wigzell, J. Marks, & B. Wahren, 1993. A complementarity-determining region synthetic peptide acts as a mini-antibody and neutralizes human immunodeficiency virus type 1 in vitro. *Proc Natl Acad Sci USA* **90**:4374–4378. On p. 964.
- [Levin *et al.*, 1997] R. Levin, A. M. Mhashilkar, T. Dorfman, A. Bukovsky, C. Zani, J. Bagley, J. Hinkula, M. Niedrig, J. Albert, B. Wahren, H. G. Gottlinger, & W. A. Marasco, 1997. Inhibition of early and late events of the hiv-1 replication cycle by cytoplasmic fab intrabodies against the matrix protein, p17. *Mol Med* **3**:96–110. On p. 865.
- [Levine *et al.*, 1996] A. M. Levine, S. Groshen, J. Allen, K. M. Munson, D. J. Carlo, A. E. Daigle, F. Ferre, F. C. Jensen, S. P. Richieri, R. J. Trauger, J. W. Parker, P. L. Salk, & J. Salk, 1996. Initial studies on active immunization of HIV-infected subjects using a gp120-depleted HIV-1 immunogen: Long-term follow-up. *J Acquir Immune Defic Syndr Hum Retrovirol* **11**(4):351–364. On p. 825.
- [Levy *et al.*, 1998] J. A. Levy, F. Hsueh, D. J. Blackburn, D. Wara, & P. S. Weintrub, 1998. CD8 cell noncytotoxic antiviral activity in human immunodeficiency virus-infected and -uninfected children. *J Infect Dis* **177**(2):470–472. On p. 663.
- [Levy-Mintz *et al.*, 1996] P. Levy-Mintz, L. Duan, H. Zhang, B. Hu, G. Dornadula, M. Zhu, J. Kulkosky, D. Bizub-Bender, A. M. Skalka, & R. J. Pomerantz, 1996. Intracellular expression of single-chain variable fragments to inhibit early stages of the viral life cycle by targeting human immunodeficiency virus type 1 integrase. *J Virol* **70**:8821–8832. Comments in *J Virol* 1998 Apr;72(4):3505-6. On pp. 892, 893, 894, 896, 897, 898 & 899.
- [Lewinsohn *et al.*, 2002] D. A. Lewinsohn, R. Lines, D. M. Lewinsohn, S. R. Riddell, P. D. Greenberg, M. Emerman, & S. R. Bartz, 2002. HIV-1 Vpr does not inhibit CTL-mediated apoptosis of HIV-1 infected cells. *Virology* **294**(1):13–21. On p. 69.
- [Lewis *et al.*, 2002] A. D. Lewis, R. Chen, D. C. Montefiori, P. R. Johnson, & K. R. Clark, 2002. Generation of neutralizing activity against human immunodeficiency virus type 1 in serum by antibody gene transfer. *J Virol* **76**(17):8769–8775. On pp. 1140 & 1145.
- [Lewis *et al.*, 1991] G. Lewis, Y. Abacioglu, T. Fouts, J. Samson, M. Mooreman, G. B. r, R. Tuskan, G. Cole, & R. Kamin-Lewis, 1991. Epitope dominance in the antibody response to recombinant gp160 of hiv-1iib. *Vaccines* **9** pp. 157–163. On p. 1203.
- [Li *et al.*, 1997] A. Li, T. W. Baba, J. Sodroski, S. Zolla-Pazner, M. K. Gorny, J. Robinson, M. R. Posner, H. Katinger, C. F. Barbas III, D. R. Burton, T.-C. Chou, & R. M. Ruprecht, 1997. Synergistic neutralization of a chimeric siv/hiv type 1 virus with combinations of human anti-hiv type 1 envelope monoclonal antibodies or hyperimmune globulins. *AIDS Res Hum Retroviruses* **13**:647–656. On pp. 978, 979, 995, 1022, 1031, 1052, 1060, 1103, 1104, 1113, 1115, 1116, 1118, 1122, 1123, 1124, 1128, 1132, 1140, 1149, 1159, 1164, 1166 & 1169.
- [Li *et al.*, 1998] A. Li, H. Katinger, M. R. Posner, L. Cavacini, S. Zolla-Pazner, M. K. Gorny, J. Sodroski, T. C. Chou, T. W. Baba, & R. M. Ruprecht, 1998. Synergistic neutralization of simian-human immunodeficiency virus shiv- vpu+ by triple and quadruple combinations of human monoclonal antibodies and high-titer anti-human immunodeficiency virus type 1 immunoglobulins. *J Virol* **72**:3235–40. On pp. 978, 979, 1022, 1031, 1051, 1060, 1128 & 1131.
- [Li *et al.*, 2002] H. Li, Z.-Q. Liu, J. Ding, & Y.-H. Chen, 2002. Recombinant multi-epitope vaccine induce predefined epitope-specific antibodies against HIV-1. *Immunol Lett* **84**(2):153–157. On pp. 977, 1022, 1028 & 1089.
- [Li & Bouvier, 2004] L. Li & M. Bouvier, 2004. Structures of HLA-A*1101 complexed with immunodominant nonamer and decamer HIV-1 epitopes clearly reveal the presence of a middle, secondary anchor residue. *J Immunol* **172**(10):6175–6184. On pp. 307 & 571.
- [Li *et al.*, 1993] X. Li, E. Amandoron, M. A. Wainberg, & M. A. Parniak, 1993. Generation and characterization of murine monoclonal antibodies reactive against n-terminal and other regions of hiv-1 reverse transcriptase. *J Med Virol* **39**:251–259. On p. 897.
- [Li *et al.*, 2005] Z. Li, M. A. Nardi, & S. Karpatkin, 2005. Role of molecular mimicry to HIV-1 peptides in HIV-1-related immunologic thrombocytopenia. *Blood* **106**(2):572–576. On pp. 879, 1208 & 1211.
- [Li Pira *et al.*, 1998] G. Li Pira, L. Oppezzi, M. Seri, M. Westby, F. Caroli, D. Fenoglio, F. Lancia, A. Ferraris, L. Bottone, M. T. Valle, A. Kunkl, G. Romeo, A. G. Dalgleish, & F. Manca, 1998. Repertoire breadth of human CD4+ T cells specific for HIV gp120 and p66 (primary antigens) or for PPD and tetanus toxoid (secondary antigens). *Hum Immunol* **59**:137–48. On pp. 751 & 767.
- [Liang *et al.*, 2005] X. Liang, D. R. Casimiro, W. A. Schleif, F. Wang, M.-E. Davies, Z.-Q. Zhang, T.-M. Fu, A. C. Finnefrock, L. Handt, M. P. Citron, G. Heidecker, A. Tang, M. Chen, K. A. Wilson, L. Gabryelski, M. McElhaugh, A. Carella, C. Moyer, L. Huang, S. Vitelli, D. Patel, J. Lin, E. A. Emini, & J. W. Shiver, 2005. Vectored Gag and Env but not Tat show efficacy against simian-human immunodeficiency virus 89.6P challenge in Mamu-A*01-negative rhesus monkeys. *J Virol* **79**(19):12321–12331. On p. 1097.
- [Liang *et al.*, 2002] X. Liang, T.-M. Fu, H. Xie, E. A. Emini, & J. W. Shiver, 2002. Development of HIV-1 Nef vaccine components: Immunogenicity study of Nef mutants lacking myristoylation and dileucine motif in mice. *Vaccine* **20**(27-28):3413–3421. On p. 560.
- [Liao *et al.*, 2004] H.-X. Liao, S. M. Alam, J. R. Mascola, J. Robinson, B. Ma, D. C. Montefiori, M. Rhein, L. L. Sutherland, R. Scarce, & B. F. Haynes, 2004. Immunogenicity of constrained monoclonal antibody A32-human immunodeficiency virus (HIV) Env gp120 complexes compared to that of recombinant HIV type 1 gp120 envelope glycoproteins. *J Virol* **78**(10):5270–5278. On pp. 1022, 1024, 1051, 1053, 1091, 1104, 1158 & 1159.
- [Liao *et al.*, 2002] H.-X. Liao, G. J. Cianciolo, H. F. Staats, R. M. Scarce, D. M. Lapple, S. H. Stauffer, J. R. Thomasch, S. V. Pizzo, D. C. Montefiori, M. Hagen, J. Eldridge, & B. F. Haynes, 2002. Increased immunogenicity of HIV envelope subunit complexed with alpha2-macroglobulin when combined with monophosphoryl lipid A and GM-CSF. *Vaccine* **20**(17-18):2396–2403. On pp. 1085 & 1086.
- [Liao *et al.*, 2000] M. Liao, Y. Lu, Y. Xiao, M. P. Dierich, & Y. Chen, 2000. Induction of high level of specific antibody response to the neutralizing epitope eldkwa on hiv-1 gp41 by peptide-vaccine* [in process citation]. *Peptides* **21**:463–8. On pp. 1021, 1022 & 1030.

- [Lichterfeld *et al.*, 2004a] M. Lichterfeld, D. E. Kaufmann, X. G. Yu, S. K. Mui, M. M. Addo, M. N. Johnston, D. Cohen, G. K. Robbins, E. Pae, G. Alter, A. Würcel, D. Stone, E. S. Rosenberg, B. D. Walker, & M. Altfeld, 2004a. Loss of HIV-1-specific CD8+ T cell proliferation after acute HIV-1 infection and restoration by vaccine-induced HIV-1-specific CD4+ T cells. *J Exp Med* **200**(6):701–12. On pp. 111, 578 & 603.
- [Lichterfeld *et al.*, 2004b] M. Lichterfeld, X. G. Yu, D. Cohen, M. M. Addo, J. Malenfant, B. Perkins, E. Pae, M. N. Johnston, D. Strick, T. M. Allen, E. S. Rosenberg, B. Korber, B. D. Walker, & M. Altfeld, 2004b. HIV-1 Nef is preferentially recognized by CD8 T cells in primary HIV-1 infection despite a relatively high degree of genetic diversity. *AIDS* **18**(10):1383–1392. On p. 660.
- [Lichterfeld *et al.*, 2005] M. Lichterfeld, X. G. Yu, S. Le Gall, & M. Altfeld, 2005. Immunodominance of HIV-1-specific CD8+ T-cell responses in acute HIV-1 infection: At the crossroads of viral and host genetics. *Trends Immunol* **26**(3):166–171. On pp. 63, 71, 182, 206, 227, 411, 425, 516, 542, 574, 604 & 605.
- [Lichterfeld *et al.*, 2004c] M. Lichterfeld, X. G. Yu, M. T. Waring, S. K. Mui, M. N. Johnston, D. Cohen, M. M. Addo, J. Zaunders, G. Alter, E. Pae, D. Strick, T. M. Allen, E. S. Rosenberg, B. D. Walker, & M. Altfeld, 2004c. HIV-1-specific cytotoxicity is preferentially mediated by a subset of CD8+ T cells producing both interferon-gamma and tumor necrosis factor-alpha. *Blood* **104**(2):487–394. On pp. 62, 70, 76, 87, 160, 176, 197, 226, 231, 241, 244, 248, 251, 274, 283, 289, 290, 305, 310, 334, 354, 361, 397, 401, 407, 446, 470, 498, 515, 542, 576, 588, 595, 603, 607 & 626.
- [Lieberman, 1998] J. Lieberman, 1998. Personal communication. On p. 530.
- [Lieberman, 2002] J. Lieberman, 2002. Defying death—HIV mutation to evade cytotoxic T lymphocytes. *N Engl J Med* **347**(15):1203–1204. On p. 660.
- [Lieberman *et al.*, 1997a] J. Lieberman, J. A. Fabry, D. M. Fong, & G. R. P. 3rd, 1997a. Recognition of a small number of diverse epitopes dominates the cytotoxic t lymphocytes response to hiv type 1 in an infected individual. *AIDS Res Hum Retroviruses* **13**:383–92. On pp. 73, 74, 86, 120, 139, 149, 152, 164, 165, 173, 177, 187, 208, 218, 238, 242, 431, 453, 455, 461, 466, 467, 471, 512, 523, 538, 560, 570, 589, 608, 613, 620, 643 & 647.
- [Lieberman *et al.*, 1992] J. Lieberman, J. A. Fabry, M.-C. Kuo, P. Earl, B. Moss, & P. R. Skolnik, 1992. Cytotoxic t lymphocytes from hiv-1 seropositive individuals recognize immunodominant epitopes in gp160 and reverse transcriptase. *J Immunol* **148**:2738–2747. On pp. 454, 470, 530, 531, 538 & 543.
- [Lieberman *et al.*, 1995] J. Lieberman, J. A. Fabry, P. Shankar, L. Beckett, & P. R. Skolnik, 1995. Ex vivo expansion of hiv type 1-specific cytolytic t cells from hiv type 1-seropositive subjects. *AIDS Res Hum Retroviruses* **11**:257–271. On pp. 149, 187, 453, 455, 467, 471, 530, 538, 560, 613 & 643.
- [Lieberman *et al.*, 1997b] J. Lieberman, P. R. Skolnik, G. R. P. 3rd, J. A. Fabry, B. Landry, J. Bethel, & J. Kagan, 1997b. Safety of autologous, ex vivo-expanded human immunodeficiency virus (hiv)-specific cytotoxic t-lymphocyte infusion in hiv-infected patients. *Blood* **90**:2196–206. On pp. 119, 149, 153, 187, 218, 238, 453, 467, 472, 560, 570, 613 & 643.
- [Lindenburg *et al.*, 2002] C. E. A. Lindenburg, I. Stolte, M. W. Langendam, F. Miedema, I. G. Williams, R. Colebunders, J. N. Weber, M. Fisher, & R. A. Coutinho, 2002. Long-term follow-up: No effect of therapeutic vaccination with HIV-1 p17/p24:Ty virus-like particles on HIV-1 disease progression. *Vaccine* **20**(17-18):2343–2347. On p. 728.
- [Ling *et al.*, 2004] H. Ling, P. Xiao, O. Usami, & T. Hattori, 2004. Thrombin activates envelope glycoproteins of HIV type 1 and enhances fusion. *Microbes Infect* **6**(5):414–420. On pp. 937, 978, 1002, 1007, 1017, 1022, 1024, 1036, 1038, 1064, 1128, 1129, 1158, 1159, 1176 & 1177.
- [Ling *et al.*, 2002] H. Ling, X.-Y. Zhang, O. Usami, & T. Hattori, 2002. Activation of gp120 of human immunodeficiency virus by their V3 loop-derived peptides. *Biochem Biophys Res Commun* **297**(3):625–631. On pp. 1128, 1130, 1140, 1145, 1158, 1162, 1175, 1176 & 1177.
- [Linsley *et al.*, 1988] P. S. Linsley, J. A. Ledbetter, E. Kinney-Thomas, & S.-L. Hu, 1988. Effects of anti-gp120 monoclonal antibodies on cd4 receptor binding by the env protein of human immunodeficiency virus type 1. *J Virol* **62**:3695–3702. On p. 993.
- [Liou *et al.*, 1989] R. S. Liou, E. M. Rosen, M. S. C. Fung, W. N. C. Sun, C. Sun, W. Gordon, N. T. Chang, & T. W. Chang, 1989. A chimeric mouse-human antibody that retains specificity for hiv-1 gp120 and mediates the lysis of the hiv-1-infected cells. *J Immunol* **143**:3967–3975. On pp. 945 & 952.
- [Littau *et al.*, 1991] R. A. Littau, M. B. A. Oldstone, A. Takeda, C. Debouck, J. T. Wong, C. U. Tuazon, B. Moss, F. Kievits, & F. A. Ennis, 1991. An hla-c-restricted cd8+ cytotoxic t-lymphocyte clone recognizes a highly conserved epitope on human immunodeficiency virus type 1 gag. *J Virol* **65**:4051–4056. On p. 126.
- [Litwin *et al.*, 1996] V. Litwin, K. A. Nagashima, A. M. Ryder, C. H. Chang, J. M. Carver, W. C. Olson, M. Alizon, K. W. Hasel, P. J. Madson, & G. P. Allaway, 1996. Human immunodeficiency virus type 1 membrane fusion mediated by a laboratory-adapted strain and a primary isolate analyzed by resonance energy transfer. *J Virol* **70**:6437–6441. On pp. 1128 & 1132.
- [Liu *et al.*, 2003] F. Liu, P. L. Bergami, M. Duval, D. Kuhrt, M. Posner, & L. Cavacini, 2003. Expression and functional activity of isotype and subclass switched human monoclonal antibody reactive with the base of the V3 loop of HIV-1 gp120. *AIDS Res Hum Retroviruses* **19**(7):597–607. On p. 1190.
- [Liu *et al.*, 2005a] F. Liu, M. Kumar, Q. Ma, M. Duval, D. Kuhrt, R. Junghans, M. Posner, & L. Cavacini, 2005a. Human single-chain antibodies inhibit replication of human immunodeficiency virus type 1 (HIV-1). *AIDS Res Hum Retroviruses* **21**(10):876–881. On p. 1010.
- [Liu *et al.*, 2004] F. Liu, I. Mboudjeka, S. Shen, T.-H. W. Chou, S. Wang, T. M. Ross, & S. Lu, 2004. Independent but not synergistic enhancement to the immunogenicity of DNA vaccine expressing HIV-1 gp120 glycoprotein by codon optimization and C3d fusion in a mouse model. *Vaccine* **22**(13-14):1764–1772. On p. 1091.
- [Liu *et al.*, 1995] X. Liu, A. Ota, M. Watanabe, S. Ueda, A. Saitoh, H. Shinagawa, A. Nakata, T. Kurimura, X. Wang, Y. Zhao, & et al, 1995. Three antigenic regions in p17 of human immunodeficiency virus type 1 (hiv-1) revealed by mouse monoclonal antibodies and human antibodies in hiv-1 carrier sera. *Microbiol Immunol* **39**:775–85. On pp. 861, 862, 863, 864 & 882.
- [Liu *et al.*, 2002] X. S. Liu, W. J. Liu, K. N. Zhao, Y. H. Liu, G. Leggatt, & I. H. Frazer, 2002. Route of administration of chimeric BPV1 VLP determines the character of the induced immune responses. *Immunol Cell Biol* **80**(1):21–9. On pp. 1022, 1028, 1051, 1057, 1128, 1130, 1140 & 1145.
- [Liu *et al.*, 2006] Y. Liu, J. McNeven, J. Cao, H. Zhao, I. Genowati, K. Wong, S. McLaughlin, M. D. McSweyn, K. Diem, C. E. Stevens, J. Maenza, H. He, D. C. Nickle, D. Shriner, S. E. Holte, A. C. Collier, L. Corey, M. J. McElrath, & J. I. Mullins, 2006. Selection on the human immunodeficiency virus type 1 proteome following primary infection. *J Virol* **80**(19):9519–9529. On pp. 77, 128, 152, 171, 217, 250, 287, 299,

- 301, 327, 378, 411, 416, 422, 425, 443, 445, 455, 458, 471, 495, 496, 507, 525, 557, 604 & 633.
- [Liu *et al.*, 2005b] Z. Liu, Z. Wang, & Y.-H. Chen, 2005b. Predefined spacers between epitopes on a recombinant epitope-peptide impacted epitope-specific antibody response. *Immunol Lett* **97**(1):41–45. On pp. 1020, 1022 & 1023.
- [Livingston *et al.*, 2002] B. Livingston, C. Crimi, M. Newman, Y. Higashimoto, E. Appella, J. Sidney, & A. Sette, 2002. A rational strategy to design multiepitope immunogens based on multiple Th lymphocyte epitopes. *J Immunol* **168**(11):5499–5506. On pp. 697, 732, 733 & 738.
- [Llorente *et al.*, 1999] M. Llorente, S. Sanchez-Palomino, S. Manes, P. Lucas, L. Kremer, I. M. D. Alboran, J. L. Toran, J. Alcamí, G. D. Real, & M.-A. C., 1999. Natural human antibodies retrieved by phage display libraries from healthy donors: polyreactivity and recognition of human immunodeficiency virus type 1gp120 epitopes. *Scand J Immunol* **50**:270–9. On p. 1082.
- [Locher *et al.*, 1999] C. P. Locher, R. M. Grant, E. A. Collisson, G. Reyes-Teran, T. Elbeik, J. O. Kahn, & J. A. Levy, 1999. Antibody and cellular immune responses in breakthrough infection subjects after hiv type 1 glycoprotein 120 vaccination. *AIDS Res Hum Retroviruses* **15**:1685–9. On pp. 1082 & 1083.
- [Loemba *et al.*, 2002] H. Loemba, B. Brenner, M. A. Parniak, S. Ma'ayan, B. Spira, D. Moisi, M. Oliveira, M. Detorio, M. Essex, M. A. Wainberg, *et al.*, 2002. Polymorphisms of cytotoxic T-lymphocyte (CTL) and T-helper epitopes within reverse transcriptase (RT) of HIV-1 subtype C from Ethiopia and Botswana following selection of antiretroviral drug resistance. *Antiviral Res* **56**(2):129–142. On p. 395.
- [Loing *et al.*, 2000] E. Loing, M. Andrieu, K. Thiam, D. Schorner, K. H. Wiesmuller, A. Hosmalin, G. Jung, & H. Gras-Masse, 2000. Extension of hla-a*0201-restricted minimal epitope by n epsilon-palmitoyl-lysine increases the life span of functional presentation to cytotoxic t cells. *J Immunol* **164**:900–7. On p. 339.
- [Loleit *et al.*, 1996] M. Loleit, H. G. Ihlenfeldt, J. Brunjes, G. Jung, B. Muller, P. Hoffmann, W. G. Bessler, M. Pierres, & G. Haas, 1996. Synthetic peptides coupled to the lipotriptide P3CSS induce in vivo B and helper cell responses to HIV-1 reverse transcriptase. *Immunobiology* **195**(1):61–76. On p. 737.
- [Loomis-Price *et al.*, 1997] L. D. Loomis-Price, M. Levi, P. R. Burnett, J. E. van Hamont, R. A. Shafer, B. Wahren, & D. L. Birx, 1997. Linear epitope mapping of humoral responses induced by vaccination with recombinant hiv-1 envelope protein gp160. *J Ind Microbiol Biotechnol* **19**:58–65. On pp. 990 & 997.
- [Lopalco *et al.*, 1993] L. Lopalco, R. Longhi, F. Ciccomascolo, A. D. Rossi, M. Pelagi, F. Andronico, J. P. Moore, B. T. Schulz, A. Beretta, & A. G. Siccardi, 1993. Identification of human immunodeficiency virus type 1 glycoprotein gp120/gp41 interacting sites by the idiotypic mimicry of two monoclonal antibodies. *AIDS Res Hum Retroviruses* **9**:33–39. On pp. 993 & 1008.
- [Lopes *et al.*, 2003] A. R. Lopes, A. Jaye, L. Dorrell, S. Sabally, A. Alabi, N. A. Jones, D. R. Flower, A. De Groot, P. Newton, R. M. Lascar, I. Williams, H. Whittle, A. Bertoletti, P. Borrow, & M. K. Maini, 2003. Greater cd8+ TCR heterogeneity and functional flexibility in HIV-2 compared to HIV-1 infection. *J Immunol* **171**(1):307–316. On pp. 111 & 183.
- [Lopez *et al.*, 2000] D. Lopez, B. C. Gil-Torregrosa, C. Bergmann, & M. D. Val, 2000. Sequential cleavage by metallopeptidases and proteasomes is involved in processing hiv-1 env epitope for endogenous mhc class i antigen presentation. *J Immunol* **164**:5070–7. On p. 487.
- [López *et al.*, 2004] M. López, J. M. Benito, S. Lozano, P. Barreiro, P. Martínez, J. González-Lahoz, & V. Soriano, 2004. Enhanced HIV-specific immune responses in chronically HIV-infected patients receiving didanosine plus hydroxyurea. *AIDS* **18**(9):1251–1261. On pp. 670 & 828.
- [Lori *et al.*, 1999] F. Lori, H. Jessen, J. Lieberman, D. Finzi, E. Rosenberg, C. Tinelli, B. Walker, R. F. Siliciano, & J. Lisziewicz, 1999. Treatment of human immunodeficiency virus infection with hydroxyurea, didanosine, and a protease inhibitor before seroconversion is associated with normalized immune parameters and limited viral reservoir. *J Infect Dis* **180**:1827–32. On p. 724.
- [Lorin *et al.*, 2005] C. Lorin, F. Delebecque, V. Labrousse, L. Da Silva, F. Lemonnier, M. Brahic, & F. Tangy, 2005. A recombinant live attenuated measles vaccine vector primes effective HLA-A0201-restricted cytotoxic T lymphocytes and broadly neutralizing antibodies against HIV-1 conserved epitopes. *Vaccine* **23**(36):4463–4472. On pp. 101, 137, 242, 273, 285, 293, 346, 366, 389, 462 & 638.
- [Lorin *et al.*, 2004] C. Lorin, L. Mollet, F. Delebecque, C. Combredet, B. Hurtrel, P. Charneau, M. Brahic, & F. Tangy, 2004. A single injection of recombinant measles virus vaccines expressing human immunodeficiency virus (HIV) type 1 clade B envelope glycoproteins induces neutralizing antibodies and cellular immune responses to HIV. *J Virol* **78**(1):146–157. On pp. 1022, 1024, 1051, 1053 & 1092.
- [Lottersberger *et al.*, 2004] J. Lottersberger, J. L. Salvetti, L. M. Beltramini, & G. Tonarelli, 2004. Antibody recognition of synthetic peptides mimicking immunodominant regions of HIV-1 p24 and p17 proteins. *Rev Argent Microbiol* **36**(4):151–157. On p. 866.
- [Lotti *et al.*, 2002] B. Lotti, T. Wendland, H. Furrer, N. Yawalkar, S. von Greyerz, K. Schnyder, M. Brandes, P. Vernazza, R. Wagner, T. Nguyen, E. Rosenberg, W. J. Pichler, & C. Brander, 2002. Cytotoxic HIV-1 p55gag-specific CD4+ T cells produce HIV-inhibitory cytokines and chemokines. *J Clin Immunol* **22**(5):253–262. On pp. 692, 694, 703, 717 & 722.
- [Louis *et al.*, 2005] J. M. Louis, C. A. Bewley, E. Gustchina, A. Aniana, & G. M. Clore, 2005. Characterization and HIV-1 fusion inhibitory properties of monoclonal Fabs obtained from a human non-immune phage library selected against diverse epitopes of the ectodomain of HIV-1 gp41. *J Mol Biol* **353**(5):945–951. On pp. 1022, 1023, 1046, 1047, 1048, 1051 & 1052.
- [Louis *et al.*, 2003] J. M. Louis, I. Nesheiwat, L. Chang, G. M. Clore, & C. A. Bewley, 2003. Covalent trimers of the internal N-terminal trimeric coiled-coil of gp41 and antibodies directed against them are potent inhibitors of HIV envelope-mediated cell fusion. *J Biol Chem* **278**(22):20278–20285. On pp. 1051, 1055, 1195 & 1196.
- [Lu *et al.*, 2000a] Y. Lu, R. Friedman, N. Kushner, A. Doling, L. Thomas, N. Touzjian, M. Starnbach, & J. Lieberman, 2000a. Genetically modified anthrax lethal toxin safely delivers whole HIV protein antigens into the cytosol to induce T cell immunity. *Proc Natl Acad Sci USA* **97**(14):8027–32. On pp. 266, 481 & 657.
- [Lu *et al.*, 2000b] Y. Lu, Y. Xiao, J. Ding, M. Dierich, & Y. H. Chen, 2000b. Immunogenicity of neutralizing epitopes on multiple-epitope vaccines against hiv-1. *Int Arch Allergy Immunol* **121**:80–4. On pp. 977, 1001, 1021, 1022 & 1030.
- [Lu *et al.*, 2000c] Y. Lu, Y. Xiao, J. Ding, M. P. Dierich, & Y. H. Chen, 2000c. Multiepitope vaccines intensively increased levels of antibodies recognizing three neutralizing epitopes on human immunodeficiency virus-1 envelope protein. *Scand J Immunol* **51**:497–501. On pp. 977, 1001, 1021, 1022 & 1030.
- [Lu *et al.*, 1999] Y. Lu, K. Q. Xin, K. Hamajima, T. Tsuji, I. Aoki, J. Yang, S. Sasaki, J. Fukushima, T. Yoshimura, S. Toda, E. Okada, & K. Okuda, 1999. Macrophage inflammatory protein-1alpha (MIP-1alpha)

HIV Immunology References

- expression plasmid enhances DNA vaccine-induced immune response against HIV-1. *Clin Exp Immunol* **115**(2):335–41. On pp. 493 & 773.
- [Lubaki *et al.*, 1997] N. M. Lubaki, S. C. Ray, B. Dhruva, T. C. Quinn, R. F. Siliciano, & R. C. Bollinger, 1997. Characterization of a polyclonal cytolytic t lymphocyte response to human immunodeficiency virus in persons without clinical progression. *J Infect Dis* **6**:1360–7. On pp. 64, 162, 210, 229 & 574.
- [Lubaki *et al.*, 1999] N. M. Lubaki, M. E. Shepherd, R. S. Brookmeyer, H. Hon, T. C. Quinn, M. Kashamuka, M. Johnson, R. Gottle, J. Devers, H. M. Lederman, & R. C. Bollinger, 1999. Hiv-1-specific cytolytic t lymphocyte activity correlates with lower viral load, higher cd4 count, and cd8+cd38-dr- phenotype: comparison of statistical methods for measurement. *J Acquir Immune Defic Syndr* **22**:19–30. On pp. 261 & 655.
- [Lubeck *et al.*, 1997] M. D. Lubeck, R. Natuk, M. Myagkikh, N. Kalyan, K. Aldrich, F. Sinangil, S. Alipanah, S. C. S. Murthy, P. K. Chanda, S. M. Nigida, Jr., P. D. Markham, S. Zolla-Pazner, K. Steimer, M. Wade, M. S. Reitz, Jr., L. O. Arthur, S. Mizutani, A. Davis, P. P. Hung, R. C. Gallo, J. Eichberg, & M. Robert-Guroff, 1997. Long-term protection of chimpanzees against high-dose hiv-1 challenge induced by immunization. *Nat Med* **3** No **6**:651–658. On pp. 460, 482 & 503.
- [Lubong *et al.*, 2004] R. Lubong, H. L. Ng, C. H. Uittenbogaart, & O. O. Yang, 2004. Culturing of HIV-1-specific cytotoxic T lymphocytes with interleukin-7 and interleukin-15. *Virology* **325**(2):175–180. On pp. 112, 301 & 354.
- [Lucchiari-Hartz *et al.*, 2000] M. Lucchiari-Hartz, P. M. van Endert, G. Lauvau, R. Maier, A. Meyerhans, D. Mann, K. Eichmann, & G. Niedermann, 2000. Cytotoxic T lymphocyte epitopes of HIV-1 Nef: Generation of multiple definitive major histocompatibility complex class I ligands by proteasomes. *J Exp Med* **191**(2):239–52. On pp. 621, 622, 632, 638 & 640.
- [Lundin *et al.*, 1996] K. Lundin, A. Samuelsson, M. Jansson, J. H. J. B. Wahren, H. Wigzell, & M. A. Persson, 1996. Peptides isolated from random peptide libraries on phage elicit a neutralizing anti-hiv-1 response: analysis of immunological mimicry. *Immunology* **89**:579–586. On p. 873.
- [Luo *et al.*, 1998] L. Luo, Y. Li, J.-S. Chang, S. Y. Cho, T. Y. Kim, M. J. Choi, H. S. Cheong, H. J. Kim, H. J. Ahn, M. K. Min, B. H. Chun, S. M. Jung, S. G. Woo, S. Y. Park, & C. Y. Kang, 1998. Induction of v3-specific cytotoxic t lymphocyte responses by hiv gag particles carrying multiple immunodominant v3 epitopes of gp120. *Virology* **240**:316–25. On p. 476.
- [Luo *et al.*, 2006] M. Luo, F. Yuan, Y. Liu, S. Jiang, X. Song, P. Jiang, X. Yin, M. Ding, & H. Deng, 2006. Induction of neutralizing antibody against human immunodeficiency virus type 1 (HIV-1) by immunization with gp41 membrane-proximal external region (MPER) fused with porcine endogenous retrovirus (PERV) p15E fragment. *Vaccine* **24**(4):4354–4342. On pp. 1022, 1023, 1033, 1035, 1140, 1141 & 1225.
- [Lusso *et al.*, 2005] P. Lusso, P. L. Earl, F. Sironi, F. Santoro, C. Ripamonti, G. Scarlatti, R. Longhi, E. A. Berger, & S. E. Burastero, 2005. Cryptic nature of a conserved, CD4-inducible V3 loop neutralization epitope in the native envelope glycoprotein oligomer of CCR5-restricted, but not CXCR4-using, primary human immunodeficiency virus type 1 strains. *J Virol* **79**(11):6957–6968. On pp. 943, 944, 966, 967, 1022, 1036, 1037, 1051, 1140, 1158, 1159, 1165, 1166 & 1190.
- [Luzuriaga *et al.*, 1995] K. Luzuriaga, D. Holmes, A. Hereema, J. Wong, D. L. Panicali, & J. L. Sullivan, 1995. HIV-1-specific cytotoxic T lymphocyte responses in the first year of life. *J Immunol* **154**(1):433–443. On pp. 267 & 554.
- [Luzuriaga *et al.*, 2000] K. Luzuriaga, M. McManus, M. Catalina, S. Mayack, M. Sharkey, M. Stevenson, & J. L. Sullivan, 2000. Early therapy of vertical human immunodeficiency virus type 1 (HIV-1) infection: Control of viral replication and absence of persistent HIV-1-specific immune responses. *J Virol* **74**(15):6984–6991. On pp. 115 & 357.
- [Ly & Stamatatos, 2000] A. Ly & L. Stamatatos, 2000. V2 loop glycosylation of the human immunodeficiency virus type 1 sf162 envelope facilitates interaction of this protein with cd4 and ccr5 receptors and protects the virus from neutralization by anti-v3 loop and anti-cd4 binding site antibodies [in process citation]. *J Virol* **74**:6769–76. On pp. 929, 930, 931, 948, 949, 1036, 1039, 1140, 1147, 1150, 1158, 1163, 1166 & 1168.
- [Macatonia *et al.*, 1991] S. E. Macatonia, S. Patterson, & S. C. Knight, 1991. Primary proliferative and cytotoxic t cell responses to hiv induced in vitro by human dendritic cells. *Immunology* **74**(3):399–406. On p. 460.
- [MacGregor *et al.*, 1998] R. R. MacGregor, J. D. Boyer, K. E. Ugen, K. E. Lacy, S. J. Gluckman, M. L. Bagarazzi, M. A. Chattergoon, Y. Baine, T. J. Higgins, R. B. Ciccarelli, L. R. Coney, R. S. Ginsberg, & D. B. Weiner, 1998. First human trial of a DNA-based vaccine for treatment of human immunodeficiency virus type 1 infection: safety and host response. *J Infect Dis* **178**:92–100. On pp. 548 & 808.
- [MacGregor *et al.*, 2002] R. R. MacGregor, R. Ginsberg, K. E. Ugen, Y. Baine, C. U. Kang, X. M. Tu, T. Higgins, D. B. Weiner, & J. D. Boyer, 2002. T-cell responses induced in normal volunteers immunized with a DNA-based vaccine containing HIV-1 env and rev. *AIDS* **16**(16):2137–2143. On pp. 748 & 811.
- [Maciejewski *et al.*, 1995] J. P. Maciejewski, F. F. Weichold, N. S. Young, A. Cara, D. Zella, M. S. Reitz, Jr., & R. C. Gallo, 1995. Intracellular expression of antibody fragments directed against hiv reverse transcriptase prevents hiv infection in vitro. *Nat Med* **1**:667–673. On p. 898.
- [Mackewicz *et al.*, 2000] C. E. Mackewicz, S. Ridha, & J. A. Levy, 2000. Fas and fas ligand are not involved in the suppression of hiv replication by cd8 cells [letter]. *AIDS* **14**:204–5. On p. 661.
- [Maeda *et al.*, 1992] Y. Maeda, S. Matsushita, T. Hattori, T. Murakami, & K. Takatsuki, 1992. Changes in the reactivity and neutralizing activity of a type-specific neutralizing monoclonal antibody induced by interaction of soluble cd4 with gp120. *AIDS Res Hum Retroviruses* **8**:2049–2054. On pp. 966, 974 & 975.
- [Maino *et al.*, 2000] V. C. Maino, M. A. Suni, S. B. Wormsley, D. J. Carlo, M. R. Wallace, & R. B. Moss, 2000. Enhancement of hiv type 1 antigen-specific cd4+ t cell memory in subjects with chronic hiv type 1 infection receiving an hiv type 1 immunogen [in process citation]. *AIDS Res Hum Retroviruses* **16**:539–47. On p. 724.
- [Majumder *et al.*, 2003] B. Majumder, B. Gray, S. McBurney, T. M. Schaefer, T. Dentchev, S. Mahalingam, T. A. Reinhart, & V. Ayyavoo, 2003. Attenuated nef DNA vaccine construct induces cellular immune response: Role in HIV-1 multiprotein vaccine. *Immunol Lett* **89**(2-3):207–214. On p. 654.
- [Makedonas *et al.*, 2005] G. Makedonas, J. Bruneau, M. Alary, C. M. Tsoukas, C. M. Lowndes, F. Lamothe, & N. F. Bernard, 2005. Comparison of HIV-specific CD8 T-cell responses among uninfected individuals exposed to HIV parenterally and mucosally. *AIDS* **19**(3):251–259. On pp. 114 & 356.
- [Maksiutov *et al.*, 2002] A. Z. Maksiutov, A. G. Bachinskii, & S. I. Bazhan, 2002. [searching for local similarities between HIV-1 and human proteins. application to vaccines]. *Mol Biol (Mosk)* **36**(3):447–459. On pp. 237, 254, 291, 371, 375, 379, 439, 453, 465, 473, 505, 509, 524, 532, 863, 864, 865, 893, 909, 910, 911, 912, 925, 926, 928, 929, 935, 937, 993, 994, 998, 999, 1206, 1207, 1208, 1210, 1211 & 1212.
- [Maksyutov *et al.*, 2004] A. Z. Maksyutov, A. G. Bachinskii, S. I. Bazhan, E. A. Ryzhikov, & Z. A. Maksyutov, 2004. Exclusion of HIV epitopes shared with human proteins is prerequisite for designing safer AIDS vaccines. *J Clin Virol* **31** Suppl **1**:S26–38. On p. 669.

- [Malhotra *et al.*, 2001] U. Malhotra, S. Holte, S. Dutta, M. M. Berrey, E. Delpit, D. M. Koelle, A. Sette, L. Corey, & M. J. McElrath, 2001. Role for HLA class II molecules in HIV-1 suppression and cellular immunity following antiretroviral treatment. *J Clin Invest* **107**(4):505–17. On pp. 707, 709 & 715.
- [Malhotra *et al.*, 2003] U. Malhotra, S. Holte, T. Zhu, E. Delpit, C. Huntsberry, A. Sette, R. Shankarappa, J. Maenza, L. Corey, & M. J. McElrath, 2003. Early induction and maintenance of Env-specific T-helper cells following human immunodeficiency virus type 1 infection. *J Virol* **77**(4):2663–2674. On pp. 729, 750, 758, 764, 770, 797 & 798.
- [Manca *et al.*, 1995a] F. Manca, D. Fenoglio, M. T. Valle, G. L. Pira, A. Kunkl, R. S. Balderas, R. G. Baccala, D. H. Kono, A. Ferraris, D. Saverino, F. Lancia, L. Lozzi, & A. N. Theofilopoulos, 1995a. Human T helper cells specific for HIV reverse transcriptase: possible role in intrastructural help for HIV envelope-specific antibodies. *Eur J Immunol* **25**:1217–1223. On pp. 732, 734, 735, 995, 1002, 1003, 1007, 1008, 1017, 1018, 1019, 1020 & 1118.
- [Manca *et al.*, 1995b] F. Manca, D. Fenoglio, M. T. Valle, G. L. Pira, A. Kunkl, A. Ferraris, D. Saverino, F. Lancia, L. Mortara, L. Lozzi, M. Pierres, A. G. Dalgleish, & G. Lewis, 1995b. Human cd4+ t cells can discriminate the molecular and structural context of t epitopes of hiv gp120 and hiv p66. *J Acquir Immune Defic Syndr* **9**:227–237. On pp. 734, 735, 736, 737, 741, 766, 767, 768, 769, 770, 780, 783, 784, 785, 787, 793, 794, 795, 797, 801 & 802.
- [Manca *et al.*, 1996] F. Manca, P. D. B. P., D. Fenoglio, M. N. Ombra, G. L. Pira, D. Saverino, M. Autiero, L. Lozzi, L. Bracci, & J. Guardiola, 1996. Antigenicity of hiv-derived t helper determinants in the context of carrier recombinant proteins: effect on t helper cell repertoire selection. *Eur J Immunol* **26**:2461–9. On pp. 736 & 767.
- [Manca *et al.*, 1993] F. Manca, E. Seravalli, M. T. Valle, D. Fenoglio, A. Kunkl, G. L. Pira, S. Zolla-Pazner, & F. Celada, 1993. Non-covalent complexes of hiv gp120 with cd4 and/or mabs enhance activation of gp120-specific t clones and provide intermolecular help for anti-cd4 antibody production. *Internat Immunol* **5**:1109–1117. On p. 766.
- [Mani *et al.*, 1994] J.-C. Mani, V. Marchi, & C. Cucurou, 1994. Effect of hiv-1 peptide presentation on the affinity constants of two monoclonal antibodies determined by biacore technology. *Mol Immunol* **31**:439–444. On pp. 1003, 1004 & 1043.
- [Marasco *et al.*, 1992] W. A. Marasco, J. Bagley, C. Zani, M. Posner, L. Cavacini, W. A. Haseltine, & J. Sodroski, 1992. Characterization of the cdna of a broadly reactive neutralizing human anti-gp120 monoclonal antibody. *J Clin Invest* **90**:1467–1478. On pp. 1128 & 1133.
- [Marasco *et al.*, 1993] W. A. Marasco, W. A. Haseltine, & S. Y. C. SY, 1993. Design, intracellular expression, and activity of a human anti-human immunodeficiency virus type 1 gp120 single-chain antibody. *Proc Natl Acad Sci USA* **90**:7889–7893. Comment in *Proc Natl Acad Sci USA* 1993 90:7427-8. On pp. 1128 & 1132.
- [Marinero *et al.*, 2003] M. Marinero, A. Riccomi, R. Rappuoli, M. Pizza, V. Fiorelli, A. Tripiciano, A. Cafaro, B. Ensoli, & M. T. De Magistris, 2003. Mucosal delivery of the human immunodeficiency virus-1 Tat protein in mice elicits systemic neutralizing antibodies, cytotoxic T lymphocytes and mucosal IgA. *Vaccine* **21**(25-26):3972–3981. On p. 905.
- [Marks *et al.*, 1992] J. D. Marks, B. Wahren, G. Gilljam, J. Hinkula, & G. Winter, 1992. Cloning of an hiv-1 neutralizing v3 specific monoclonal antibody and expression as a mouse-human chimaeric antigen binding fragment and antibody. *J Acquir Immune Defic Syndr* **1991**:1162. On p. 965.
- [Maroun *et al.*, 1999] R. G. Maroun, D. Krebs, M. Roshani, H. Porumb, C. Auclair, F. Troalen, & S. Femandjian, 1999. Conformational aspects of hiv-1 integrase inhibition by a peptide derived from the enzyme central domain and by antibodies raised against this peptide. *Eur J Biochem* **260**:145–55. On p. 893.
- [Marsac *et al.*, 2002] D. Marsac, D. Loirat, C. Petit, O. Schwartz, & M.-L. Michel, 2002. Enhanced presentation of major histocompatibility complex class I-restricted human immunodeficiency virus type 1 (HIV-1) Gag-specific epitopes after DNA immunization with vectors coding for vesicular stomatitis virus glycoprotein-pseudotyped HIV-1 Gag particles. *J Virol* **76**(15):7544–53. On p. 167.
- [Martín-García *et al.*, 2005] J. Martín-García, S. Cocklin, I. M. Chaiken, & F. González-Scarano, 2005. Interaction with CD4 and antibodies to CD4-induced epitopes of the envelope gp120 from a microglial cell-adapted human immunodeficiency virus type 1 isolate. *J Virol* **79**(11):6703–6713. On pp. 1036, 1037, 1051, 1052, 1109, 1128, 1140, 1141, 1158, 1159, 1165 & 1166.
- [Mascola, 2002] J. R. Mascola, 2002. Passive transfer studies to elucidate the role of antibody-mediated protection against HIV-1. *Vaccine* **20**(15):1922–1925. On pp. 1022, 1028, 1051 & 1057.
- [Mascola, 2003] J. R. Mascola, 2003. Defining the protective antibody response for HIV-1. *Curr Mol Med* **3**(3):209–216. On pp. 1022, 1026, 1051, 1055, 1088, 1140 & 1143.
- [Mascola *et al.*, 1999] J. R. Mascola, M. G. Lewis, G. Stiegler, D. Harris, T. C. VanCott, D. Hayes, M. K. Louder, C. R. Brown, C. V. Sapan, S. S. Frankel, Y. Lu, M. L. Robb, H. Katinger, & D. L. Birx, 1999. Protection of Macaques against pathogenic simian/human immunodeficiency virus 89.6PD by passive transfer of neutralizing antibodies. *J Virol* **73**(5):4009–18. On pp. 1022, 1030, 1051 & 1059.
- [Mascola *et al.*, 2003] J. R. Mascola, M. G. Lewis, T. C. VanCott, G. Stiegler, H. Katinger, M. Seaman, K. Beaudry, D. H. Barouch, B. Korioth-Schmitz, G. Krivulka, A. Sambor, B. Welcher, D. C. Douek, D. C. Montefiori, J. W. Shiver, P. Poignard, D. R. Burton, & N. L. Letvin, 2003. Cellular immunity elicited by human immunodeficiency virus type 1/simian immunodeficiency virus DNA vaccination does not augment the sterile protection afforded by passive infusion of neutralizing antibodies. *J Virol* **77**(19):10348–10356. On pp. 1022, 1026, 1051 & 1055.
- [Mascola *et al.*, 1997] J. R. Mascola, M. K. Louder, T. C. VanCott, C. V. Sapan, J. S. Lambert, L. R. Muenz, B. Bunow, D. L. Birx, & M. L. Robb, 1997. Potent and synergistic neutralization of human immunodeficiency virus (hiv) type 1 primary isolates by hyperimmune anti-hiv immunoglobulin combined with monoclonal antibodies 2f5 and 2g12. *J Virol* **71**:7198–206. On pp. 1022, 1032, 1051 & 1061.
- [Mascola & Montefiori, 2003] J. R. Mascola & D. C. Montefiori, 2003. HIV-1: Nature's master of disguise. *Nat Med* **9**(4):393–394. On p. 1088.
- [Mascola & Nabel, 2001] J. R. Mascola & G. J. Nabel, 2001. Vaccines for the prevention of HIV-1 disease. *Curr Opin Immunol* **13**(4):489–95. On pp. 1022, 1029, 1051 & 1058.
- [Mascola *et al.*, 2000] J. R. Mascola, G. Stiegler, T. C. VanCott, H. Katinger, C. B. Carpenter, C. E. Hanson, H. Beary, D. Hayes, S. S. Frankel, D. L. Birx, & M. G. Lewis, 2000. Protection of macaques against vaginal transmission of a pathogenic HIV-1/SIV chimeric virus by passive infusion of neutralizing antibodies. *Nat Med* **6**(2):207–10. On pp. 1022, 1030, 1051 & 1059.
- [Masemola *et al.*, 2004a] A. Masemola, T. Mashishi, G. Khoury, P. Mhube, P. Mokgotho, E. Vardas, M. Colvin, L. Zijenah, D. Katzenstein, R. Musonda, S. Allen, N. Kumwenda, T. Taha, G. Gray, J. McIntyre, S. A. Karim, H. W. Sheppard, & C. M. Gray, 2004a. Hierarchical targeting of subtype C human immunodeficiency virus type 1 proteins by CD8+ T cells: Correlation with viral load. *J Virol* **78**(7):3233–3243. On pp. 268 & 659.

- [Masemola *et al.*, 2004b] A. M. Masemola, T. N. Mashishi, G. Khoury, H. Bredell, M. Paximadis, T. Mathebula, D. Barkhan, A. Puren, E. Vardas, M. Colvin, L. Zijenah, D. Katzenstein, R. Musonda, S. Allen, N. Kumwenda, T. Taha, G. Gray, J. McIntyre, S. A. Karim, H. W. Shepard, & C. M. Gray, 2004b. Novel and promiscuous CTL epitopes in conserved regions of Gag targeted by individuals with early subtype C HIV type 1 infection from southern Africa. *J Immunol* **173**(7):4607–4617. On pp. 82, 89, 116, 156, 216, 221, 223 & 228.
- [Mason *et al.*, 2004] R. D. Mason, M. I. Bowmer, C. M. Howley, M. Gallant, J. C. E. Myers, & M. D. Grant, 2004. Antiretroviral drug resistance mutations sustain or enhance CTL recognition of common HIV-1 Pol epitopes. *J Immunol* **172**(11):7212–7219. On pp. 278, 286, 292, 323 & 326.
- [Mason *et al.*, 2005] R. D. Mason, M. I. Bowmer, C. M. Howley, & M. D. Grant, 2005. Cross-reactive cytotoxic T lymphocytes against human immunodeficiency virus type 1 protease and gamma interferon-inducible protein 30. *J Virol* **79**(9):5529–5536. On pp. 132, 278, 285 & 327.
- [Mason & Grant, 2005] R. D. Mason & M. D. Grant, 2005. A therapy-related point mutation changes the HLA restriction of an HIV-1 Pol epitope from A2 to B57 and enhances its recognition. *AIDS* **19**(9):981–984. On p. 328.
- [Mata & Paterson, 1999] M. Mata & Y. Paterson, 1999. Th1 T cell responses to HIV-1 Gag protein delivered by a *Listeria monocytogenes* vaccine are similar to those induced by endogenous listerial antigens. *J Immunol* **163**(3):1449–56. On pp. 698, 707 & 714.
- [Mata & Paterson, 2000] M. Mata & Y. Paterson, 2000. *Listeria monocytogenes* as an alternative vaccine vector for HIV. *Arch Immunol Ther Exp (Warsz)* **48**(3):151–62. On pp. 260 & 723.
- [Mata *et al.*, 1998] M. Mata, P. J. Travers, Q. Liu, F. R. Frankel, & Y. Paterson, 1998. The mhc class i-restricted immune response to hiv-gag in balb/c mice selects a single epitope that does not have a predictable mhc-binding motif and binds to kd through interactions between a glutamine at p3 and pocket d. *J Immunol* **161**:2985–93. On pp. 168 & 178.
- [Mata *et al.*, 2001] M. Mata, Z. J. Yao, A. Zubair, K. Syres, & Y. Paterson, 2001. Evaluation of a recombinant *Listeria monocytogenes* expressing an HIV protein that protects mice against viral challenge. *Vaccine* **19**(11-12):1435–45. On pp. 260 & 723.
- [Matsuo *et al.*, 1992] K. Matsuo, Y. Nishino, T. Kimura, R. Yamaguchi, A. Yamazaki, T. Mikami, & K. Ikuta, 1992. Highly conserved epitope domain in major core protein p24 is structurally similar among human, simian and feline immunodeficiency viruses. *J Gen Virol* **73**:2445–2450. On p. 875.
- [Matsushita *et al.*, 1992] S. Matsushita, H. Maeda, K. Kimachi, Y. Eda, Y. Maeda, T. Murakami, S. Tokiyoshi, & K. Takatsuki, 1992. Characterization of a mouse/human chimeric monoclonal antibody (cβ1) to a principal neutralizing domain of the human immunodeficiency virus type 1 envelope protein. *AIDS Res Hum Retroviruses* **8**:1107–1115. On pp. 974 & 975.
- [Matsushita *et al.*, 1995] S. Matsushita, S. Matsumi, K. Yoshimura, T. Morikita, T. Murakami, & K. Takatsuki, 1995. Neutralizing monoclonal antibodies against human immunodeficiency virus type 2 gp120. *J Virol* **69**:3333–3340. On pp. 925, 1048, 1107 & 1108.
- [Matsushita *et al.*, 1988] S. Matsushita, M. Rober-Guroff, J. Rusche, A. Koito, T. Hattori, H. Hoshino, K. Javaherian, K. Takatsuki, & S. Putney, 1988. Characterization of a human immunodeficiency virus neutralizing monoclonal antibody and mapping the neutralizing epitope. *J Virol* **62**:2107–2114. On pp. 961, 974 & 975.
- [Mazzoli *et al.*, 1999] S. Mazzoli, L. Lopalco, A. Salvi, D. Trabattoni, S. Lo Caputo, F. Semplici, M. Biasin, C. Blé, A. Cosma, C. Pastori, F. Meacci, F. Mazzotta, M. L. Villa, A. G. Siccardi, & M. Clerici, 1999. Human immunodeficiency virus (HIV)-specific IgA and HIV neutralizing activity in the serum of exposed seronegative partners of HIV-seropositive persons. *J Infect Dis* **180**(3):871–875. On p. 1085.
- [Mazzoli *et al.*, 1997] S. Mazzoli, D. Trabattoni, S. L. Caputo, S. Piconi, C. Ble, F. Meacci, S. Ruzzante, A. Salvi, F. Semplici, R. Longhi, M. L. Fusi, N. Tofani, M. Biasin, M. L. Villa, F. Mazzotta, & M. Clerici, 1997. Hiv-specific mucosal and cellular immunity in hiv-seronegative partners of hiv-seropositive individuals [see comments]. *Nat Med* **3**:1250–7. On p. 808.
- [McAdam *et al.*, 1998] S. McAdam, P. Kaleebu, P. Krausa, P. Goulder, N. French, B. Collin, T. Blanchard, J. Whitworth, A. McMichael, & F. Gotch, 1998. Cross-clade recognition of p55 by cytotoxic t lymphocytes in hiv-1 infection. *AIDS* **12**:571–9. On pp. 75, 92, 192, 200, 215, 218 & 242.
- [McAdam *et al.*, 1995] S. McAdam, P. Klenerman, L. Tussey, S. Rowland-Jones, D. Laloo, R. Phillips, A. Edwards, P. Giangrande, A. L. Brown, & F. Gotch, 1995. Immunogenic hiv variant peptides that bind to hla-b8 can fail to stimulate cytotoxic t lymphocyte responses. *J Immunol* **155**:2729–36. On pp. 192 & 240.
- [McCaffrey *et al.*, 2004] R. A. McCaffrey, C. Saunders, M. Hensel, & L. Stamatos, 2004. N-linked glycosylation of the V3 loop and the immunologically silent face of gp120 protects human immunodeficiency virus type 1 SF162 from neutralization by anti-gp120 and anti-gp41 antibodies. *J Virol* **78**(7):3279–3295. On pp. 930, 948, 1002, 1022, 1025, 1036, 1038, 1075, 1092, 1140, 1142, 1158, 1159, 1165, 1166, 1170 & 1171.
- [McDougal *et al.*, 1996] J. S. McDougal, M. S. Kennedy, S. L. Orloff, J. K. A. Nicholson, & T. J. Spira, 1996. Mechanisms of human immunodeficiency virus type 1 (hiv-1) neutralization: Irreversible inactivation of infectivity by anti-hiv-1 antibody. *J Virol* **70**:5236–5245. On pp. 970, 974, 991, 993, 1002, 1003, 1113, 1115, 1128, 1132, 1189 & 1205.
- [McElrath *et al.*, 2000] M. J. McElrath, L. Corey, D. Montefiori, M. Wolff, D. Schwartz, M. Keefer, R. Belshe, B. S. Graham, T. Matthews, P. Wright, G. Gorse, R. Dolin, P. Berman, D. Francis, A. M. Duliege, D. Bolognesi, D. Stablein, N. Ketter, & P. Fast, 2000. A phase ii study of two hiv type 1 envelope vaccines, comparing their immunogenicity in populations at risk for acquiring hiv type 1 infection. aids vaccine evaluation group [in process citation]. *AIDS Res Hum Retroviruses* **16**:907–19. On p. 1078.
- [McFarland *et al.*, 1994] E. J. McFarland, P. A. Harding, D. Luckey, B. Conway, R. K. Young, & D. R. Kuritzkes, 1994. High frequency of Gag- and envelope-specific cytotoxic T lymphocyte precursors in children with vertically acquired human immunodeficiency virus type 1 infection. *J Infect Dis* **170**(4):766–774. On pp. 266 & 552.
- [McGaughey *et al.*, 2004] G. B. McGaughey, G. Barbato, E. Bianchi, R. M. Freidinger, V. M. Garsky, W. M. Hurni, J. G. Joyce, X. Liang, M. D. Miller, A. Pessi, J. W. Shiver, & M. J. Bogusky, 2004. Progress towards the development of a HIV-1 gp41-directed vaccine. *Curr HIV Res* **2**(2):193–204. On pp. 1022 & 1025.
- [McGaughey *et al.*, 2003] G. B. McGaughey, M. Citron, R. C. Danzeisen, R. M. Freidinger, V. M. Garsky, W. M. Hurni, J. G. Joyce, X. Liang, M. Miller, J. Shiver, & M. J. Bogusky, 2003. HIV-1 vaccine development: Constrained peptide immunogens show improved binding to the anti-HIV-1 gp41 MAbs. *Biochemistry* **42**(11):3214–3223. On pp. 1020, 1022 & 1026.
- [McGettigan *et al.*, 2001] J. P. McGettigan, H. D. Foley, I. M. Belyakov, J. A. Berzofsky, R. J. Pomerantz, & M. J. Schnell, 2001. Rabies virus-based vectors expressing human immunodeficiency virus type 1 (HIV-1)

- envelope protein induce a strong, cross-reactive cytotoxic T-lymphocyte response against envelope proteins from different HIV-1 isolates. *J Virol* **75**(9):4430–4. On p. 546.
- [McInerney *et al.*, 1999] T. L. McInerney, F. R. Brennan, T. D. Jones, & N. J. Dimmock, 1999. Analysis of the ability of five adjuvants to enhance immune responses to a chimeric plant virus displaying an hiv-1 peptide. *Vaccine* **17**:1359–68. On p. 801.
- [McKeating, 1996] J. A. McKeating, 1996. Biological consequences of human immunodeficiency virus type 1 envelope polymorphism: does variation matter? 1995 fleming lecture. *J Gen Virol* **77**:2905–2919. On pp. 1022, 1052 & 1140.
- [McKeating *et al.*, 1993a] J. A. McKeating, J. Bennett, S. Zolla-Pazner, M. Schutten, S. Ashelford, A. Leigh-Brown, & P. Balfe, 1993a. Resistance of a human serum-selected human immunodeficiency virus type 1 escape mutant to neutralization by cd4 binding site monoclonal antibodies is conferred by a single amino acid change in gp120. *J Virol* **67**:5216–5225. On pp. 927, 973 & 984.
- [McKeating *et al.*, 1992a] J. A. McKeating, J. Cordell, C. J. Dean, & P. Balfe, 1992a. Synergistic interaction between ligands binding to the cd4 binding site and v3 domain of human immunodeficiency virus type 1 gp120. *Virology* **191**:732–742. On pp. 919, 920, 930, 939, 940, 970, 973, 974, 984, 1139 & 1194.
- [McKeating *et al.*, 1992b] J. A. McKeating, J. P. Moore, M. Ferguson, H. S. Marsden, S. Graham, J. W. Almond, D. J. Evans, & R. A. Weiss, 1992b. Monoclonal antibodies to the c4 region of human immunodeficiency virus type 1 gp120: use in topological analysis of a cd4 binding site. *AIDS Res Hum Retroviruses* **8**:451–459. On pp. 983, 984, 987, 988 & 989.
- [McKeating *et al.*, 1993b] J. A. McKeating, C. Shotton, J. Cordell, S. Graham, P. Balfe, N. Sullivan, M. Charles, M. Page, A. Bolmstedt, S. Olofsson, S. C. Kayman, Z. Wu, A. Pinter, C. Dean, J. Sodroski, & R. A. Weiss, 1993b. Characterization of neutralizing monoclonal antibodies to linear and conformation-dependent epitopes within the first and second variable domains of human immunodeficiency virus type 1 gp120. *J Virol* **67**:4932–4944. On pp. 919, 927, 928, 973, 984, 1139, 1174, 1178 & 1194.
- [McKeating *et al.*, 1992c] J. A. McKeating, M. Thali, C. Furman, S. Karwowska, M. K. Gorny, J. Cordell, S. Zolla-Pazner, J. Sodroski, & R. A. Weiss, 1992c. Amino acid residues of the human immunodeficiency virus type 1 gp120 critical for the binding of rat and human neutralizing antibodies that block the gp120-scd4 interaction. *Virology* **190**:134–142. On pp. 984, 1118, 1120 & 1139.
- [McKeating *et al.*, 1996] J. A. McKeating, Y. J. Zhang, C. Arnold, R. Frederiksson, E. M. Fenyo, & P. Balfe, 1996. Chimeric viruses expressing primary envelope glycoproteins of human immunodeficiency virus type 1 show increased sensitivity to neutralization by human sera. *Virology* **220**:450–460. On pp. 927, 929, 966, 967, 1022, 1032, 1052, 1061, 1113, 1115, 1116 & 1139.
- [McKinney *et al.*, 1999] D. McKinney, D. Lewinson, S. Riddell, P. Greenberg, & D. Mosier, 1999. The antiviral activity of hiv-specific cd8+ ctl clones is limited by elimination due to encounter with hiv-infected targets. *J Immunol* **163**:861–7. On p. 65.
- [McKinney *et al.*, 2004] D. M. McKinney, R. Skvoretz, B. D. Livingston, C. C. Wilson, M. Anders, R. W. Chesnut, A. Sette, M. Essex, V. Novitsky, & M. J. Newman, 2004. Recognition of variant HIV-1 epitopes from diverse viral subtypes by vaccine-induced CTL. *J Immunol* **173**(3):1941–1950. On pp. 186, 249, 272, 420, 448 & 462.
- [McKinnon *et al.*, 2005] L. R. McKinnon, T. B. Ball, J. Kimani, C. Wachihhi, L. Matu, M. Luo, J. Embree, K. R. Fowke, & F. A. Plummer, 2005. Cross-clade CD8+ T-cell responses with a preference for the predominant circulating clade. *J Acquir Immune Defic Syndr* **40**(3):245–249. On pp. 449, 459, 464, 509, 516, 526 & 543.
- [McKnight *et al.*, 1995] A. McKnight, R. A. Weiss, C. Shotton, Y. Takeuchi, H. Hoshino, & P. R. Clapham, 1995. Change in tropism upon immune escape by human immunodeficiency virus. *J Virol* **69**:3167–3170. On pp. 949, 950 & 951.
- [McLain *et al.*, 2001] L. McLain, J. L. Brown, L. Cheung, S. A. Reading, C. Parry, T. D. Jones, S. M. Cleveland, & N. J. Dimmock, 2001. Different effects of a single amino acid substitution on three adjacent epitopes in the gp41 C-terminal tail of a neutralizing antibody escape mutant of human immunodeficiency virus type 1. *Arch Virol* **146**(1):157–66. On pp. 1041, 1044, 1045 & 1046.
- [McLain & Dimmock, 1994] L. McLain & N. J. Dimmock, 1994. Single- and multi-hit kinetics of immunoglobulin g neutralization of human immunodeficiency virus type 1 by monoclonal antibodies. *J Gen Virol* **75**:1457–1460. On pp. 1139 & 1194.
- [McMichael & Hanke, 2002] A. McMichael & T. Hanke, 2002. The quest for an AIDS vaccine: Is the CD8+ T-cell approach feasible? *Nat Rev Immunol* **2**(4):283–291. On pp. 76 & 660.
- [McMichael & Walker, 1994] A. J. McMichael & B. D. Walker, 1994. Cytotoxic t lymphocytes epitopes: implications for hiv vaccine. *AIDS* **8S**:S155–S173. On pp. 73, 104, 123, 164, 188, 202, 210, 308, 315, 357, 530, 579, 582, 593, 596 & 617.
- [Meddows-Taylor *et al.*, 2004] S. Meddows-Taylor, M. A. Papatana-sopoulos, L. Kuhn, T. M. Meyers, & C. T. Tiemessen, 2004. Detection of human immunodeficiency virus type 1 envelope peptide-stimulated T-helper cell responses and variations in the corresponding regions of viral isolates among vertically infected children. *Virus Genes* **28**(3):311–318. On pp. 755, 777, 792 & 805.
- [Meier *et al.*, 1995] U.-C. Meier, P. Klenerman, P. Griffin, W. James, B. Koppe, B. Larder, R. E. Phillips, A. J. McMichael, & R. E. Phillips, 1995. Cytotoxic t lymphocyte lysis inhibited by viable hiv mutants. *Science* **270**:1360–1362. On p. 281.
- [Meles *et al.*, 2002] H. Meles, D. Wolday, A. Fontanet, A. Tsegaye, T. Tilahun, M. Aklilu, E. Sanders, & T. F. Rinke De Wit, 2002. Indeterminate human immunodeficiency virus Western blot profiles in Ethiopians with discordant screening-assay results. *Clin Diagn Lab Immunol* **9**(1):160–163. On p. 885.
- [Menendez *et al.*, 2004] A. Menendez, K. C. Chow, O. C. C. Pan, & J. K. Scott, 2004. Human immunodeficiency virus type 1-neutralizing monoclonal antibody 2F5 is multispecific for sequences flanking the DKW core epitope. *J Mol Biol* **338**(2):311–327. On pp. 1022 & 1025.
- [Menendez-Arias *et al.*, 1998] L. Menendez-Arias, A. Mas, & E. Domingo, 1998. Cytotoxic t-lymphocyte responses to hiv-1 reverse transcriptase (review). *Viral Immunol* **11**:167–81. On pp. 281, 282, 286, 291, 295, 299, 303, 305, 307, 308, 315, 316, 318, 319, 324, 325, 326, 329, 331, 336, 337, 338, 340, 341, 347, 348, 357, 358, 359, 361, 362, 363, 364, 366, 367, 368, 369 & 371.
- [Metlas *et al.*, 1999a] R. Metlas, D. Trajkovic, T. Srdic, V. Veljkovic, & A. Colombatti, 1999a. Anti-v3 and anti-igg antibodies of healthy individuals share complementarity structures. *J Acquir Immune Defic Syndr* **21**:266–70. On p. 943.
- [Metlas *et al.*, 1999b] R. Metlas, D. Trajkovic, T. Srdic, V. Veljkovic, & A. Colombatti, 1999b. Human immunodeficiency virus v3 peptide-reactive antibodies are present in normal hiv-negative sera. *AIDS Res Hum Retroviruses* **15**:671–7. On p. 943.

- [Meyerhans *et al.*, 1991] A. Meyerhans, G. Dadaglio, J. P. Vartanian, P. Langlade-Demoyen, R. Frank, B. Asjo, F. Plata, & S. Wain-Hobson, 1991. In vivo persistence of an hiv-1-encoded hla-b27-restricted cytotoxic t lymphocyte epitope despite specific in vitro reactivity. *Eur J Immunol* **21**:2637–2640. On p. 207.
- [Mhashilkar *et al.*, 1995] A. M. Mhashilkar, J. Bagley, S. Y. Chen, A. M. Szilvay, D. G. Helland, & W. A. Marasco, 1995. Inhibition of hiv-1 tat-mediated Itr transactivation and hiv-1 infection by anti-tat single chain intrabodies. *EMBO J* **14**:1542–1551. On pp. 901, 902 & 906.
- [Michel *et al.*, 1993] M. L. Michel, M. Mancini, K. Schlienger, & P. Tiollais, 1993. Recombinant hepatitis B surface antigen as a carrier of human immunodeficiency virus epitopes. *Res Virol* **144**(4):263–7. On pp. 663 & 1049.
- [Migueles & Connors, 2001] S. A. Migueles & M. Connors, 2001. Frequency and function of HIV-specific CD8(+) T cells. *Immunol Lett* **79**(1-2):141–150. On pp. 97, 129, 142, 178 & 233.
- [Migueles *et al.*, 2003] S. A. Migueles, A. C. Laborico, H. Imamichi, W. L. Shupert, C. Royce, M. McLaughlin, L. Ehler, J. Metcalf, S. Liu, C. W. Hallahan, & M. Connors, 2003. The differential ability of HLA B*5701+ long-term nonprogressors and progressors to restrict human immunodeficiency virus replication is not caused by loss of recognition of autologous viral gag sequences. *J Virol* **77**(12):6889–6898. On pp. 130, 142, 178 & 233.
- [Milicic *et al.*, 2005] A. Milicic, C. T. T. Edwards, S. Hué, J. Fox, H. Brown, T. Pillay, J. W. Drijfhout, J. N. Weber, E. C. Holmes, S. J. Fidler, H.-T. Zhang, & R. E. Phillips, 2005. Sexual transmission of single human immunodeficiency virus type 1 virions encoding highly polymorphic multisite cytotoxic T-lymphocyte escape variants. *J Virol* **79**(22):13953–13962. On pp. 59, 67, 75, 84, 121, 434, 520, 557, 571 & 599.
- [Millar *et al.*, 1998] A. L. Millar, N. A. Jackson, H. Dalton, K. R. Jennings, M. Levi, B. Wahren, & N. J. Dimmock, 1998. Rapid analysis of epitope-paratope interactions between hiv-1 and a 17- amino-acid neutralizing microantibody by electrospray ionization mass spectrometry. *Eur J Biochem* **258**:164–9. On p. 964.
- [Mills *et al.*, 1990] K. H. G. Mills, A. L. Barnard, B. P. Mahon, P. A. Kitchin, S. E. Adams, S. M. Kingsman, & A. J. Kingsman, 1990. Induction of hiv-specific immune responses in primates: fine specificity of antibody and helper t-cell recognition of the hiv p24 protein. *Vaccines* **90**:213–218. On pp. 704, 706 & 710.
- [Missale *et al.*, 2004] G. Missale, L. Papagno, A. Penna, M. Pilli, A. Zerbin, P. Vitali, G. Pieroni, S. Urbani, J. Uggeri, S. Pinheiro, S. Rowland-Jones, & C. Ferrari, 2004. Parenteral exposure to high HIV viremia leads to virus-specific T cell priming without evidence of infection. *Eur J Immunol* **34**(11):3208–3215. On pp. 62, 90, 112, 137, 323, 326, 354 & 451.
- [Mitchell *et al.*, 1998] W. M. Mitchell, L. Ding, & J. Gabriel, 1998. Inactivation of a common epitope responsible for the induction of antibody-dependent enhancement of hiv. *AIDS* **12**:147–56. On pp. 1002, 1003, 1005, 1006, 1007, 1008 & 1009.
- [Mitchison & Sattentau, 2005] N. A. Mitchison & Q. Sattentau, 2005. Fundamental immunology and what it can teach us about HIV vaccine development. *Curr Drug Targets Infect Disord* **5**(2):87–93. On pp. 671, 829, 1215 & 1216.
- [Miyake *et al.*, 2004] A. Miyake, T. Akagi, Y. Enose, M. Ueno, M. Kawamura, R. Horiuchi, K. Hiraishi, M. Adachi, T. Serizawa, O. Narayan, M. Akashi, M. Baba, & M. Hayami, 2004. Induction of HIV-specific antibody response and protection against vaginal SHIV transmission by intranasal immunization with inactivated SHIV-capturing nanospheres in macaques. *J Med Virol* **73**(3):368–377. On p. 1092.
- [Mo *et al.*, 1997] H. Mo, L. Stamatatos, J. E. Ip, C. F. Barbas, P. W. H. I. Parren, D. R. Burton, J. P. Moore, & D. D. Ho, 1997. Human immunodeficiency virus type 1 mutants that escape neutralization by human monoclonal antibody igg1b12. *J Virol* **71**:6869–6874. On pp. 1022, 1032, 1052, 1061, 1140 & 1149.
- [Moja *et al.*, 2000] P. Moja, C. Tranchat, I. Tchou, B. Pozzetto, F. Lucht, C. Desgranges, & C. Genin, 2000. Neutralization of human immunodeficiency virus type 1 (hiv-1) mediated by parotid iga of hiv-1-infected patients [in process citation]. *J Infect Dis* **181**:1607–13. On p. 1078.
- [Mollet *et al.*, 2000] L. Mollet, T. S. Li, A. Samri, C. Tournay, R. Tubiana, V. Calvez, P. Debre, C. Katlama, & B. Autran, 2000. Dynamics of HIV-specific CD8+ T lymphocytes with changes in viral load. *J Immunol* **165**(3):1692–704. On pp. 95, 163, 230, 245, 271, 299, 305, 311, 346, 499, 507, 510, 519, 577, 614 & 645.
- [Momany *et al.*, 1996] C. Momany, L. C. Kovari, A. J. Prongay, W. Keller, R. K. Gitti, B. M. Lee, A. E. Gorbalenya, L. Tong, J. McClure, L. S. Ehrlich, M. F. Summers, C. Carter, & M. G. Rossman, 1996. Crystal structure of dimeric hiv-1 capsid protein. *Nat Struct Biol* **3**:763–770. On p. 871.
- [Mondor *et al.*, 1998] I. Mondor, S. Ugolini, & Q. J. Sattentau, 1998. Human immunodeficiency virus type 1 attachment to hela cd4 cells is cd4 independent and gp120 dependent and requires cell surface heparans. *J Virol* **72**:3623–34. On pp. 926, 927, 958, 959, 960, 1022, 1036, 1040, 1051, 1060, 1109, 1133, 1134, 1140, 1148, 1166 & 1169.
- [Montefiori & Evans, 1999] D. Montefiori & T. Evans, 1999. Toward an hiv type 1 vaccine that generates potent broadly cross-reactive neutralizing antibodies. *AIDS Res Hum Retroviruses* **15**:689–98. On pp. 1022, 1030, 1051, 1059, 1140 & 1148.
- [Montefiori *et al.*, 2003] D. C. Montefiori, M. Altfield, P. K. Lee, M. Bilska, J. Zhou, M. N. Johnston, F. Gao, B. D. Walker, & E. S. Rosenberg, 2003. Viremia control despite escape from a rapid and potent autologous neutralizing antibody response after therapy cessation in an HIV-1-infected individual. *J Immunol* **170**(7):3906–3914. On pp. 80, 109, 154, 326, 518, 606, 1022, 1026, 1051, 1055, 1089, 1090, 1140 & 1143.
- [Montefiori *et al.*, 1993] D. C. Montefiori, B. S. Graham, J. Zhou, J. Zhou, R. A. Bucco, D. H. Schwartz, L. A. Cavacini, M. R. Posner, & the NIH-NIAID AIDS Vaccine Clinical Trials Network, 1993. V3-specific neutralizing antibodies in sera from hiv-1 gp160-immunized volunteers block virus fusion and act synergistically with human monoclonal antibody to the conformation-dependent cd4 binding site of gp120. *J Clin Invest* **92**:840–847. On pp. 1128 & 1133.
- [Montefiori *et al.*, 2001] D. C. Montefiori, T. S. Hill, H. T. T. Vo, B. D. Walker, & E. S. Rosenberg, 2001. Neutralizing antibodies associated with viremia control in a subset of individuals after treatment of acute human immunodeficiency virus type 1 infection. *J Virol* **75**(21):10200–10207. On pp. 884 & 1083.
- [Montefiori *et al.*, 1998] D. C. Montefiori, K. A. Reimann, M. S. Wyand, K. Manson, M. G. Lewis, R. G. Collman, J. G. Sodroski, D. P. Bolognesi, & N. L. Letvin, 1998. Neutralizing antibodies in sera from macaques infected with chimeric simian-human immunodeficiency virus containing the envelope glycoproteins of either a laboratory-adapted variant or a primary isolate of human immunodeficiency virus type 1. *J Virol* **72**(4):3427–3431. On p. 1095.
- [Montefiori *et al.*, 1991] D. C. Montefiori, I. Y. Zhou, B. Barnes, D. Lake, E. M. Hersh, Y. Masuho, & L. B. Lefkowitz, Jr., 1991. Homotypic antibody responses to fresh clinical isolates of human immunodeficiency virus. *Virology* **182**:635–643. On p. 882.
- [Moog *et al.*, 1997] C. Moog, H. J. A. Fleury, I. Pellegrin, A. Kirn, & A. M. Aubertin, 1997. Autologous and heterologous neutralizing antibody responses following initial seroconversion in human immunodeficiency virus type 1-infected individuals. *J Virol* **71**(5):3734–41. On p. 1083.

- [Mooij *et al.*, 2004] P. Mooij, I. G. Nieuwenhuis, C. J. Knoop, R. W. Doms, W. M. J. M. Bogers, P. J. F. ten Haaf, H. Niphuis, W. Koornstra, K. Bieler, J. Köstler, B. Morein, A. Cafaro, B. Ensolli, R. Wagner, & J. L. Heeney, 2004. Qualitative T-helper responses to multiple viral antigens correlate with vaccine-induced immunity to simian/human immunodeficiency virus infection. *J Virol* **78**(7):3333–3342. On p. 828.
- [Moore *et al.*, 2002a] A. C. Moore, W.-p. Kong, B. K. Chakrabarti, & G. J. Nabel, 2002a. Effects of antigen and genetic adjuvants on immune responses to human immunodeficiency virus DNA vaccines in mice. *J Virol* **76**(1):243–250. On p. 482.
- [Moore *et al.*, 2002b] C. B. Moore, M. John, I. R. James, F. T. Christiansen, C. S. Witt, & S. A. Mallal, 2002b. Evidence of HIV-1 adaptation to HLA-restricted immune responses at a population level. *Science* **296**(5572):1439–1443. On pp. 298, 306, 308, 314 & 391.
- [Moore & Trkola, 1997] J. Moore & A. Trkola, 1997. HIV type 1 coreceptors, neutralization serotypes and vaccine development. *AIDS Res Hum Retroviruses* **13**:733–736. On pp. 1022, 1032, 1052, 1061, 1140 & 1149.
- [Moore, 1990] J. P. Moore, 1990. Simple methods for monitoring hiv-1 and hiv-2 gp120 binding to soluble cd4 by enzyme-linked immunosorbent assay: Hiv-2 has a 25-fold lower affinity and hiv-1 for soluble cd4. *AIDS NY* **4**:297. On p. 1109.
- [Moore & Binley, 1998] J. P. Moore & J. Binley, 1998. HIV envelope's letters boxed into shape. *Nature* **393**:630–631. Comment on Nature 1998 Jun 18;393(6686):648–59 and Nature 1998 Jun 18;393(6686):705–11. On pp. 1159 & 1164.
- [Moore & Burton, 1999] J. P. Moore & D. R. Burton, 1999. HIV-1 neutralizing antibodies: How full is the bottle? *Nat Med* **5**(2):142–144. On pp. 1078 & 1086.
- [Moore *et al.*, 1994a] J. P. Moore, Y. Cao, D. D. Ho, & R. A. Koup, 1994a. Development of the anti-gp120 antibody response during seroconversion to human immunodeficiency virus type 1. *J Virol* **68**:5142–5155. On pp. 958, 959, 1036, 1041, 1113, 1116 & 1117.
- [Moore *et al.*, 1995a] J. P. Moore, Y. Cao, L. Qing, Q. J. Sattentau, J. Pyati, R. Koduri, J. Robinson, C. F. Barbas III, D. R. Burton, & D. D. Ho, 1995a. Primary isolates of human immunodeficiency virus type 1 are relatively resistant to neutralization by monoclonal antibodies to gp120, and their neutralization is not predicted by studies with monomeric gp120. *J Virol* **69**:101–109. On pp. 958, 959, 1036, 1041, 1136, 1137, 1138, 1140 & 1150.
- [Moore & Ho, 1993] J. P. Moore & D. D. Ho, 1993. Antibodies to discontinuous or conformationally sensitive epitopes on the gp120 glycoprotein of human immunodeficiency virus type 1 are highly prevalent in sera of infected humans. *J Virol* **67**:863–875. On pp. 914, 918, 921, 929, 930, 931, 932, 934, 935, 945, 952, 953, 981, 982, 986, 987, 990, 992, 1113, 1115, 1116, 1117, 1121, 1122, 1128, 1133, 1134, 1139, 1166, 1169 & 1178.
- [Moore & Ho, 1995] J. P. Moore & D. D. Ho, 1995. HIV-1 neutralization: the consequences of adaptation to growth on transformed t-cells. *AIDS* **9 suppl A**:S117–S136. On pp. 925, 926, 958, 959, 1022, 1032, 1036, 1041, 1052, 1061, 1104, 1106, 1140 & 1150.
- [Moore *et al.*, 1994b] J. P. Moore, F. E. McCutchan, S.-W. Poon, J. Mascola, J. Liu, Y. Cao, & D. D. Ho, 1994b. Exploration of antigenic variation in gp120 from clades a through f of human immunodeficiency virus type 1 by using monoclonal antibodies. *J Virol* **68**:8350–8364. On pp. 930, 931, 951, 952, 958, 959, 960, 971, 1104, 1106, 1113, 1115, 1116, 1117, 1133, 1134, 1136, 1137, 1138, 1140, 1150, 1166, 1169 & 1179.
- [Moore *et al.*, 1990] J. P. Moore, J. A. McKeating, R. A. Weiss, & Q. J. Sattentau, 1990. Dissociation of gp120 from hiv-1 virions induced by soluble cd4. *Science* **250**:1139–1142. On p. 970.
- [Moore *et al.*, 2001] J. P. Moore, P. W. Parren, & D. R. Burton, 2001. Genetic subtypes, humoral immunity, and human immunodeficiency virus type 1 vaccine development. *J Virol* **75**(13):5721–9. On pp. 1022, 1029, 1051, 1058 & 1158.
- [Moore *et al.*, 1994c] J. P. Moore, Q. J. Sattentau, R. Wyatt, & J. Sodroski, 1994c. Probing the structure of the human immunodeficiency virus surface glycoprotein gp120 with a panel of monoclonal antibodies. *J Virol* **68**:469–484. On pp. 911, 912, 913, 914, 915, 916, 917, 918, 919, 920, 921, 933, 934, 935, 937, 980, 981, 982, 990, 991, 992, 993 & 994.
- [Moore *et al.*, 1993a] J. P. Moore, Q. J. Sattentau, H. Yoshiyama, M. Thali, M. Charles, N. Sullivan, S.-W. Poon, M. S. Fung, F. Traincard, M. Pinkus, G. Robey, J. E. Robinson, D. D. Ho, & J. Sodroski, 1993a. Probing the structure of the v2 domain of human immunodeficiency virus type 1 surface glycoprotein gp120 with a panel of eight monoclonal antibodies: human immune response to the v1 and v2 domains. *J Virol* **67**:6136–6151. On pp. 926, 928, 929, 930, 931, 932, 1109, 1175, 1177, 1178 & 1179.
- [Moore & Sodroski, 1996] J. P. Moore & J. Sodroski, 1996. Antibody cross-competition analysis of the human immunodeficiency virus type 1 gp120 exterior envelope glycoprotein. *J Virol* **70**:1863–1872. On pp. 911, 912, 913, 914, 915, 920, 921, 928, 929, 930, 931, 932, 940, 941, 970, 980, 985, 986, 987, 988, 990, 991, 1052, 1061, 1099, 1100, 1101, 1102, 1103, 1104, 1106, 1107, 1113, 1115, 1116, 1133, 1134, 1140, 1153, 1155, 1159, 1164, 1166, 1169, 1177, 1178, 1179, 1181, 1188 & 1192.
- [Moore *et al.*, 1993b] J. P. Moore, M. Thali, B. A. Jameson, F. Vignaux, G. K. Lewis, S.-W. Poon, M. S. Fung, P. J. Durda, L. Akerblom, B. Wahren, D. D. Ho, Q. J. Sattentau, & J. Sodroski, 1993b. Immunochemical analysis of the gp120 surface glycoprotein of human immunodeficiency virus type 1: Probing the structure of the c4 and v4 domains and the interaction of the c4 domain with the v3 loop. *J Virol* **73**:4785–4796. On pp. 914, 940, 964, 965, 969, 970, 971, 974, 975, 980, 982, 984, 985, 986, 987, 988, 1109 & 1139.
- [Moore *et al.*, 1995b] J. P. Moore, A. Trkola, B. Korber, L. J. Boots, J. A. Kessler II, F. E. McCutchan, J. Mascola, D. D. Ho, J. Robinson, & A. J. Conley, 1995b. A human monoclonal antibody to a complex epitope in the v3 region of gp120 of human immunodeficiency virus type 1 has broad reactivity within and outside clade b. *J Virol* **69**:122–130. On pp. 958 & 959.
- [Moore *et al.*, 1994d] J. P. Moore, R. L. Willey, G. K. Lewis, J. Robinson, & J. Sodroski, 1994d. Immunological evidence for interactions between the first, second and fifth conserved domains of the gp120 surface glycoprotein of human immunodeficiency virus type 1. *J Virol* **68**:6836–6847. On pp. 911, 912, 913, 914, 915, 916, 918, 919, 920, 921, 931, 933, 934, 935, 937, 981, 990, 991, 992, 994, 1099, 1106 & 1107.
- [Moore *et al.*, 1993c] J. P. Moore, H. Yoshiyama, D. D. Ho, J. E. Robinson, & J. Sodroski, 1993c. Antigenic variation in gp120s from molecular clones of hiv-1 la1. *AIDS Res Hum Retroviruses* **9**:1185–1193. On pp. 1159, 1164, 1166 & 1169.
- [Moran *et al.*, 1993] M. J. Moran, J. S. Andris, Y.-I. Matsumoto, J. D. Capra, & E. M. Hersh, 1993. Variable region genes of anti-hiv human monoclonal antibodies: Non-restricted use of the v gene repertoire and extensive somatic mutation. *Mol Immunol* **30**:1543–1551. On pp. 1005, 1006, 1050, 1071 & 1154.
- [Moreau *et al.*, 2004] E. Moreau, J. Hoebeke, D. Zagury, S. Muller, & C. Desgranges, 2004. Generation and characterization of neutralizing human monoclonal antibodies against human immunodeficiency virus type 1 Tat antigen. *J Virol* **78**(7):3792–3796. On pp. 907, 908 & 909.
- [Morner *et al.*, 1999] A. Morner, A. Achour, M. Norin, R. Thorstensson, & E. Björling, 1999. Fine characterization of a v3-region neutralizing epitope in human immunodeficiency virus type 2 [in process citation]. *Virus Res* **59**:49–60. On p. 981.

- [Morris *et al.*, 2000] C. B. Morris, E. Cheng, A. Thanawastien, L. Cardenas-Freytag, & J. D. Clements, 2000. Effectiveness of intranasal immunization with HIV-gp160 and an HIV-1 env CTL epitope peptide (E7) in combination with the mucosal adjuvant LT(R192G). *Vaccine* **18**:1944–51. On pp. 480 & 807.
- [Morris *et al.*, 2001] M. K. Morris, D. A. Katzenstein, D. Israelski, A. Zolopa, R. M. Hendry, & C. V. Hanson, 2001. Characterization of the HIV-1 specific humoral immune response during highly active antiretroviral therapy (HAART). *J Acquir Immune Defic Syndr* **28**(5):405–415. On pp. 941 & 1083.
- [Moschella *et al.*, 2003] F. Moschella, M. N. Ombra, G. Del Pozzo, & J. Guardiola, 2003. Administration of different antigenic forms of altered peptide ligands derived from HIV-1 RTase influences their effects on T helper cell activation. *Hum Immunol* **64**(1):1–8. On p. 735.
- [Moss *et al.*, 1995] P. A. H. Moss, S. L. Rowland-Jones, P. M. Frodsham, S. McAdam, P. Giangrande, A. McMichael, & J. I. Bell, 1995. Persistent high frequency of human immunodeficiency virus-specific cytotoxic t cells in peripheral blood of infected donors. *Proc Natl Acad Sci USA* **92**:5773–5777. On pp. 202 & 348.
- [Moss *et al.*, 2003] R. B. Moss, C. Brandt, W. K. Giermakowska, J. R. Savary, G. Theofan, M. Zanetti, D. J. Carlo, & M. R. Wallace, 2003. HIV-specific immunity during structured antiviral drug treatment interruption. *Vaccine* **21**(11-12):1066–1071. On p. 730.
- [Moss *et al.*, 2001] R. B. Moss, J. Diveley, F. C. Jensen, E. Gouveia, & D. J. Carlo, 2001. Human immunodeficiency virus (HIV)-specific immune responses are generated with the simultaneous vaccination of a gp120-depleted, whole-killed HIV-1 immunogen with cytosine-phosphorothioate-guanine dinucleotide immunostimulatory sequences of DNA. *J Hum Virol* **4**(1):39–43. On p. 727.
- [Moss *et al.*, 2000] R. B. Moss, J. Diveley, F. C. Jensen, E. Gouveia, J. Savary, & D. J. Carlo, 2000. HIV-specific cd4(+) and cd8(+) immune responses are generated with a gp120-depleted, whole-killed HIV-1 immunogen with cpg immunostimulatory sequences of DNA. *J Interferon Cytokine Res* **20**(12):1131–7. On pp. 727 & 883.
- [Moss *et al.*, 1997] R. B. Moss, R. J. Trauger, W. K. Giermakowska, J. L. Turner, M. R. Wallace, F. C. Jensen, S. P. Richieri, F. Ferre, A. E. Daigle, C. Duffy, G. Theofan, & D. J. Carlo, 1997. Effect of immunization with an inactivated gp120-depleted HIV-1 immunogen on beta-chemokine and cytokine production in subjects with HIV-1 infection. *J Acquir Immune Defic Syndr Hum Retrovirol* **14**(4):343–350. On p. 824.
- [Moss *et al.*, 1999] R. B. Moss, M. R. Wallace, W. K. Giermakowska, E. Webb, J. Savary, C. Chamberlin-Brandt, G. Theofan, R. Musil, S. P. Richieri, F. C. Jensen, & D. J. Carlo, 1999. Phenotypic analysis of human immunodeficiency virus (HIV) type 1 cell-mediated immune responses after treatment with an HIV-1 immunogen. *J Infect Dis* **180**(3):641–648. On p. 824.
- [Moss *et al.*, 1998] R. B. Moss, M. R. Wallace, P. Lanza, W. Giermakowska, F. C. Jensen, G. Theofan, C. Chamberlin, S. P. Richieri, & D. J. Carlo, 1998. In vitro p24 antigen-stimulated lymphocyte proliferation and beta-chemokine production in human immunodeficiency virus type 1 (hiv-1)-seropositive subjects after immunization with an inactivated gp120-depleted hiv-1 immunogen (remune). *Clin Diagn Lab Immunol* **5**:308–12. On p. 724.
- [Moulard *et al.*, 2002] M. Moulard, S. K. Phogat, Y. Shu, A. F. Labrijn, X. Xiao, J. M. Binley, M.-Y. Zhang, I. A. Sidorov, C. C. Broder, J. Robinson, P. W. H. I. Parren, D. R. Burton, & D. S. Dimitrov, 2002. Broadly cross-reactive HIV-1-neutralizing human monoclonal Fab selected for binding to gp120-CD4-CCR5 complexes. *Proc Natl Acad Sci USA* **99**(10):6913–6918. On pp. 1170 & 1172.
- [Moureau *et al.*, 2002] C. Moureau, P.-L. Vidal, Y. Bennasser, M. Moynier, Y. Nicaise, M. Aussillous, S. Barthelemy, L. Montagnier, & E. Bahraoui, 2002. Characterization of humoral and cellular immune responses in mice induced by immunization with HIV-1 Nef regulatory protein encapsulated in poly(DL-lactide-co-glycolide) microparticles. *Mol Immunol* **38**(8):607–618. On pp. 823, 1208, 1210 & 1213.
- [Muhlbacher *et al.*, 1999] M. Muhlbacher, M. Spruth, F. Siegel, R. Zangerle, & M. P. Dierich, 1999. Longitudinal study of antibody reactivity against hiv-1 envelope and a peptide representing a conserved site on gp41 in hiv-1-infected patients. *Immunobiology* **200**:295–305. On pp. 1022 & 1030.
- [Muller *et al.*, 1991] S. Muller, H.-T. Wang, S.-V. Kaveri, S. Chattopadhyay, & H. Kohler, 1991. Generation and specificity of monoclonal anti-idiotypic antibodies against human hiv-specific antibodies. *J Immunol* **147**:933–941. On p. 1071.
- [Musey *et al.*, 2003] L. Musey, Y. Ding, J. Cao, J. Lee, C. Galloway, A. Yuen, K. R. Jerome, & M. J. McElrath, 2003. Ontogeny and specificities of mucosal and blood human immunodeficiency virus type 1-specific CD8+ cytotoxic T lymphocytes. *J Virol* **77**(1):291–300. On pp. 58, 131, 149, 199, 208, 212, 227 & 228.
- [Musey *et al.*, 1997] L. Musey, Y. Hu, L. Eckert, M. Christensen, T. Karchmer, & M. J. McElrath, 1997. HIV-1 induces cytotoxic T lymphocytes in the cervix of infected women. *J Exp Med* **185**:293–303. On pp. 126, 140, 215 & 348.
- [Muster *et al.*, 1995] T. Muster, B. Ferko, A. Klima, M. Purtscher, A. Trkola, P. Schulz, A. Grassauer, O. G. Englehard, A. Garcia-Sastre, P. Palese, & H. Katinger, 1995. Mucosal model of immunization against human immunodeficiency virus type 1 with a chimeric influenza virus. *J Virol* **69**:6678–6686. On p. 1021.
- [Muster *et al.*, 1994] T. Muster, R. Guinea, A. Trkola, M. Purtscher, A. Klima, F. Steindl, P. Palese, & H. Katinger, 1994. Cross-neutralization activity against divergent human immunodeficiency virus type 1 isolates induced by the gp41 sequence eldkwas. *J Virol* **68**:4031–4034. On pp. 1021, 1022 & 1032.
- [Muster *et al.*, 1993] T. Muster, F. Steindl, M. Purtscher, A. Trkola, A. Klima, G. Himmler, F. Ruker, & H. Katinger, 1993. A conserved neutralizing epitope on gp41 of human immunodeficiency virus type 1. *J Virol* **67**:6642–6647. On pp. 1022 & 1033.
- [Mutch *et al.*, 1994] D. Mutch, J. Underwood, M. Geysen, & S. Rodda, 1994. Comprehensive T-cell epitope mapping of HIV-1 env antigens reveals many areas recognized by HIV-1-seropositive and by low-risk HIV-1-seronegative individuals. *J Acquir Immune Defic Syndr* **7**(9):879–90. On pp. 799 & 800.
- [Muthumani *et al.*, 2002] K. Muthumani, D. S. Hwang, N. S. Dayes, J. J. Kim, & D. B. Weiner, 2002. The HIV-1 accessory gene *vpr* can inhibit antigen-specific immune function. *DNA Cell Biol* **21**(9):689–695. On pp. 270, 420 & 658.
- [Mwau *et al.*, 2004] M. Mwau, I. Cebere, J. Sutton, P. Chikoti, N. Winstone, E. G.-T. Wee, T. Beattie, Y.-H. Chen, L. Dorrell, H. McShane, C. Schmidt, M. Brooks, S. Patel, J. Roberts, C. Conlon, S. L. Rowland-Jones, J. J. Bwayo, A. J. McMichael, & T. Hanke, 2004. A human immunodeficiency virus 1 (HIV-1) clade A vaccine in clinical trials: Stimulation of HIV-specific T-cell responses by DNA and recombinant modified vaccinia virus Ankara (MVA) vaccines in humans. *J Gen Virol* **85**(Pt 4):911–919. On p. 269.
- [Myers *et al.*, 1993] R. Myers, T. Meiller, W. Falkler, Jr., J. Patel, & J. Joseph, 1993. A human monoclonal antibody to a cryptic gp41 epitope on hiv-1 infected cells. *Abstr Gen Meet Am Soc Microbiol* **93**:444. On p. 1201.

- [Nabatov *et al.*, 2004] A. A. Nabatov, G. Pollakis, T. Linnemann, A. Kliphuis, M. I. M. Chalaby, & W. A. Paxton, 2004. Intrapatient alterations in the human immunodeficiency virus type 1 gp120 V1V2 and V3 regions differentially modulate coreceptor usage, virus inhibition by CC/CXC chemokines, soluble CD4, and the b12 and 2G12 monoclonal antibodies. *J Virol* **78**(1):524–530. On pp. 1022, 1025, 1051, 1054, 1113, 1140, 1142, 1158, 1160, 1165 & 1166.
- [Nabel, 2002] G. J. Nabel, 2002. HIV vaccine strategies. *Vaccine* **20**(15):1945–1947. On pp. 265 & 552.
- [Nakagawa *et al.*, 2000] Y. Nakagawa, T. Takeshita, J. A. Berzofsky, & H. Takahashi, 2000. Analysis of the mechanism for extracellular processing in the presentation of human immunodeficiency virus-1 envelope protein-derived peptide to epitope-specific cytotoxic T lymphocytes. *Immunology* **101**(1):76–82. On p. 489.
- [Nakamura *et al.*, 1992] G. R. Nakamura, R. Byrn, K. Rosenthal, J. P. Porter, M. R. Hobbs, L. Riddle, D. J. Eastman, D. Dowbenko, T. Gregory, B. M. Fendly, & P. W. Berman, 1992. Monoclonal antibodies to the extracellular domain of hiv-1 iib gp160 that neutralize infectivity, block binding to cd4, and react with diverse isolates. *AIDS Res Hum Retroviruses* **8**:1875–1885. On pp. 914, 915, 918 & 988.
- [Nakamura *et al.*, 1993] G. R. Nakamura, R. Byrn, D. M. Wilkes, J. A. Fox, M. R. Hobbs, R. Hastings, H. C. Wessling, M. A. Norcross, B. M. Fendly, & P. W. Berman, 1993. Strain specificity and binding affinity requirements of neutralizing monoclonal antibodies to the c4 domain of gp120 from human immunodeficiency virus type 1. *J Virol* **67**:6179–6191. On pp. 976 & 988.
- [Nakamura *et al.*, 2000] M. Nakamura, M. Terada, H. Sasaki, M. Kamada, & T. Ohno, 2000. Virolysis and in vitro neutralization of HIV-1 by humanized monoclonal antibody hNM-01. *Hybridoma* **19**(6):427–434. On p. 975.
- [Nakamura *et al.*, 1997] Y. Nakamura, M. Kameoka, M. Tobiume, M. Kaya, K. Ohki, T. Yamada, & K. Ikuta, 1997. A chain section containing epitopes for cytotoxic T, B and helper T cells within a highly conserved region found in the human immunodeficiency virus type 1 Gag protein. *Vaccine* **5**:489–96. On pp. 215 & 713.
- [Nakowitsch *et al.*, 2005] S. Nakowitsch, H. Quendler, H. Fekete, R. Kunert, H. Katinger, & G. Stiegler, 2005. HIV-1 mutants escaping neutralization by the human antibodies 2F5, 2G12, and 4E10: In vitro experiments versus clinical studies. *AIDS* **19**(17):1957–1966. On pp. 1022, 1023, 1033, 1051 & 1052.
- [Nara *et al.*, 1990] P. L. Nara, L. Smit, N. Dunlop, W. Hatch, M. Merges, D. Waters, J. Kelliher, R. C. Gallo, P. J. Fischinger, & J. Goudsmit, 1990. Emergence of viruses resistant to neutralization by V3-specific antibodies in experimental human immunodeficiency virus type 1 IIIB infection of chimpanzees. *J Virol* **64**:3779–3791. On pp. 974 & 975.
- [Nehete *et al.*, 1995] P. N. Nehete, K. S. Casement, R. B. Arlinghaus, & K. J. Sastry, 1995. Studies on in vivo induction of hiv-1 envelope-specific cytotoxic t lymphocytes by synthetic peptides from the v3 loop region of hiv-1 iib gp120. *Cell Immunol* **160**:217–223. On p. 486.
- [Nehete *et al.*, 1998a] P. N. Nehete, D. E. Lewis, D. N. Tang, M. S. Pollack, & K. J. Sastry, 1998a. Presence of hla-c-restricted cytotoxic t-lymphocyte responses in long-term nonprogressors infected with human immunodeficiency virus. *Viral Immunol* **11**:119–29. On pp. 452, 506 & 521.
- [Nehete *et al.*, 1993] P. N. Nehete, W. C. Satterfield, C. M. Matherne, R. B. Arlinghaus, & K. J. Sastry, 1993. Induction of human immunodeficiency virus-specific t cell responses in rhesus monkeys by synthetic peptides from gp160. *AIDS Res Hum Retroviruses* **9**:235–40. On pp. 749, 755, 761, 767, 774, 798 & 799.
- [Nehete *et al.*, 1998b] P. N. Nehete, S. J. Schapiro, P. C. Johnson, K. K. Murthy, W. C. Satterfield, & K. J. Sastry, 1998b. A synthetic peptide from the first conserved region in the envelope protein gp160 is a strong t-cell epitope in hiv-infected chimpanzees and humans. *Viral Immunol* **11**:147–58. On pp. 749, 761, 787, 798 & 799.
- [Neidleman *et al.*, 2000] J. A. Neidleman, M. Vajdy, M. Ugozzoli, G. Ott, & D. O'Hagan, 2000. Genetically detoxified mutants of heat-labile enterotoxin from *Escherichia coli* are effective adjuvants for induction of cytotoxic T-cell responses against HIV-1 gag-p55. *Immunology* **101**(1):154–60. On p. 166.
- [Neshat *et al.*, 2000] M. N. Neshat, L. Goodglick, K. Lim, & J. Braun, 2000. Mapping the b cell superantigen binding site for hiv-1 gp120 on a v(h)3 ig. *Int Immunol* **12**:305–12. On p. 1081.
- [Neurath & Strick, 1990] A. R. Neurath & N. Strick, 1990. Confronting the hypervariability of an immunodominant epitope eliciting virus neutralizing antibodies from the envelope glycoprotein of the human immunodeficiency virus type 1. *Mol Immunol* **27**:539–549. On p. 938.
- [Neurath *et al.*, 1995] A. R. Neurath, N. Strick, K. Lin, & S. Jiang, 1995. Multifaceted consequences of anti-gp41 monoclonal antibody 2f5 binding to hiv type 1 virions. *AIDS Res Hum Retroviruses* **11**:687–96. On pp. 1022 & 1032.
- [Newman *et al.*, 2002] M. J. Newman, B. Livingston, D. M. McKinney, R. W. Chesnut, & A. Sette, 2002. T-lymphocyte epitope identification and their use in vaccine development for HIV-1. *Front Biosci* **7**:d1503–1515. On p. 662.
- [Newman *et al.*, 1997] M. J. Newman, J.-Y. Wu, B. H. Gardner, C. A. Anderson, C. R. Kensil, J. Recchia, R. T. Coughlin, & M. F. Powell, 1997. Induction of cross-reactive cytotoxic t-lymphocyte responses specific for hiv-1 gp120 using saponin adjuvant (qs-21) supplemented subunit vaccine formulations. *Vaccine* **15**:1001–1007. On p. 481.
- [Nichols *et al.*, 2002] C. N. Nichols, I. Bernal, A. M. Prince, & L. Andrus, 2002. Comparison of two different preparations of HIV immune globulin for efficiency of neutralization of HIV type 1 primary isolates. *AIDS Res Hum Retroviruses* **18**(1):49–56. On pp. 886 & 1071.
- [Nickle *et al.*, 2003] D. C. Nickle, M. A. Jensen, G. S. Gottlieb, D. Shriner, G. H. Learn, A. G. Rodrigo, & J. I. Mullins, 2003. Consensus and ancestral state HIV vaccines. *Science* **299**(5612):1515–1518. On p. 662.
- [Niedrig *et al.*, 1992a] M. Niedrig, M. Broker, G. Walter, W. Stuber, H.-P. Harthus, S. Mehdi, H. R. Gelderblom, & G. Pauli, 1992a. Murine monoclonal antibodies directed against the transmembrane protein gp41 of human immunodeficiency virus type 1 enhance its infectivity. *J Gen Virol* **73**:951–954. On p. 1044.
- [Niedrig *et al.*, 1992b] M. Niedrig, H.-P. Harthus, M. Broker, H. Bickhard, G. Pauli, H. R. Gelderblom, & B. Wahren, 1992b. Inhibition of viral replication by monoclonal antibodies directed against human immunodeficiency virus gp120. *J Gen Virol* **73**:2451–2455. On pp. 912, 913, 914, 915, 920 & 921.
- [Niedrig *et al.*, 1991] M. Niedrig, J. Hinkula, H.-P. Harthus, M. Broker, L. Hopp, G. Pauli, & B. Wahren, 1991. Characterization of murine monoclonal antibodies directed against the core proteins of human immunodeficiency virus types 1 and 2. *J Virol* **65**:4529–4533. On pp. 866, 868, 869, 871, 876 & 877.
- [Niedrig *et al.*, 1989] M. Niedrig, J. Hinkula, W. Weigelt, J. L'Age-Stehr, G. Pauli, J. Rosen, & B. Wahren, 1989. Epitope mapping of monoclonal antibodies against human immunodeficiency virus type 1 structural proteins by using peptides. *J Virol* **63**:3525–3528. On pp. 865, 869, 870, 871 & 875.

- [Niedrig *et al.*, 1988] M. Niedrig, J.-P. Rabanus, J. L. Stehr, H. R. Gelderblom, & G. Pauli, 1988. Monoclonal antibodies directed against human immunodeficiency virus gag proteins with specificity for conserved epitopes in hiv-1, hiv-2 and simian immunodeficiency virus. *J Gen Virol* **69**:2109–2114. On pp. 869, 870, 871 & 875.
- [Nietfeld *et al.*, 1995] W. Nietfeld, M. Bauer, M. Fevrier, R. Maier, B. Holzwarth, R. Frank, B. Maier, Y. Riviere, & A. Meyerhans, 1995. Sequence constraints and recognition by ctl of an hla-b27-restricted hiv-1 gag epitope. *J Immunol* **154**:2188–2197. On p. 203.
- [Nilsen *et al.*, 1996] B. M. Nilsen, I. R. Haugan, K. Berg, L. Olsen, P. O. Brown, & D. E. Helland, 1996. Monoclonal antibodies against human immunodeficiency virus type 1 integrase: epitope mapping and differential effects of integrase activities in vitro. *J Virol* **70**:1580–1587. On pp. 863, 891, 892, 893, 895, 982 & 1209.
- [Nitayaphan *et al.*, 2000] S. Nitayaphan, C. Khamboonruang, N. Sirisophonana, P. Morgan, J. Chiu, A. M. Duliege, C. Chuenchitra, T. Supapongse, K. Rungruengthanakit, M. de Souza, J. R. Mascola, K. Boggio, S. Ratto-Kim, L. E. Markowitz, D. Bix, V. Suriyanon, J. G. McNeil, A. E. Brown, R. A. Michael, & AFRIMS-RIHES Vaccine Evaluation Group, 2000. A phase I/II trial of HIV SF2 gp120/MF59 vaccine in seronegative Thais. *Vaccine* **18**(15):1448–55. On p. 1079.
- [Nixon *et al.*, 1988] D. Nixon, A. Townsend, J. Elvin, C. Rizza, J. Gallway, & A. McMichael, 1988. Hiv-1 gag-specific cytotoxic t lymphocytes defined with recombinant vaccinia virus and synthetic peptides. *Nature* **336**:484–487. On pp. 163 & 207.
- [Nixon *et al.*, 1999] D. F. Nixon, D. Douek, P. J. Kuebler, X. Jin, M. Vesanen, S. Bonhoeffer, Y. Cao, R. A. Koup, D. D. Ho, & M. Markowitz, 1999. Molecular tracking of an human immunodeficiency virus nef specific cytotoxic t cell clone shows persistence of clone-specific t cell receptor dna but not mrna following early combination antiretroviral therapy. *Immunol Lett* **66**:219–28. On p. 588.
- [Nixon *et al.*, 1990] D. F. Nixon, S. Huet, J. Rothbard, M.-P. Kiemy, M. Delchambre, C. Thiriart, C. R. Rizza, F. M. Gotch, & A. J. McMichael, 1990. An hiv-1 and hiv-2 cross-reactive cytotoxic t cell epitope. *AIDS* **4**:841–845. On p. 207.
- [Nixon & McMichael, 1991] D. F. Nixon & A. J. McMichael, 1991. Cytotoxic t cell recognition of hiv proteins and peptides. *AIDS* **5**:1049. On pp. 74 & 237.
- [Noonan *et al.*, 2003] D. M. Noonan, A. Gringeri, R. Meazza, O. Rosso, S. Mazza, M. Muca-Perja, H. Le Buanec, R. S. Accolla, A. Albin, & S. Ferrini, 2003. Identification of immunodominant epitopes in inactivated tat-vaccinated healthy and HIV-1-infected volunteers. *J Acquir Immune Defic Syndr* **33**(1):47–55. On pp. 901 & 903.
- [Norris *et al.*, 2004] P. J. Norris, H. F. Moffett, C. Brander, T. M. Allen, K. M. O'Sullivan, L. A. Cosimi, D. E. Kaufmann, B. D. Walker, & E. S. Rosenberg, 2004. Fine specificity and cross-clade reactivity of HIV type 1 Gag-specific CD4+ T cells. *AIDS Res Hum Retroviruses* **20**(3):315–325. On pp. 699, 701 & 705.
- [Norris & Rosenberg, 2001] P. J. Norris & E. S. Rosenberg, 2001. Cellular immune response to human immunodeficiency virus. *AIDS* **15** Suppl 2:S16–21. On p. 827.
- [Norris & Rosenberg, 2002] P. J. Norris & E. S. Rosenberg, 2002. CD4(+) T helper cells and the role they play in viral control. *J Mol Med* **80**(7):397–405. On p. 827.
- [Norris *et al.*, 2006] P. J. Norris, J. D. Stone, N. Anikeeva, J. W. Heitman, I. C. Wilson, D. F. Hirschhorn, M. J. Clark, H. F. Moffett, T. O. Cameron, Y. Sykulev, L. J. Stern, & B. D. Walker, 2006. Antagonism of HIV-specific CD4+ T cells by C-terminal truncation of a minimum epitope. *Mol Immunol* **43**(9):1349–1357. On p. 701.
- [Norris *et al.*, 2001] P. J. Norris, M. Sumaroka, C. Brander, H. F. Moffett, S. L. Boswell, T. Nguyen, Y. Sykulev, B. D. Walker, & E. S. Rosenberg, 2001. Multiple effector functions mediated by human immunodeficiency virus-specific CD4+ T-cell clones. *J Virol* **75**(20):9771–9779. On pp. 704 & 728.
- [Notka *et al.*, 1999] F. Notka, C. Stahl-Hennig, U. Dittmer, H. Wolf, & R. Wagner, 1999. Construction and characterization of recombinant VLPs and Semliki-Forest virus live vectors for comparative evaluation in the SHIV monkey model. *Biol Chem* **380**:341–52. On p. 550.
- [Novitsky *et al.*, 2002] V. Novitsky, H. Cao, N. Rybak, P. Gilbert, M. F. McLane, S. Gaolekwe, T. Peter, I. Thior, T. Ndung'u, R. Marlink, T. H. Lee, & M. Essex, 2002. Magnitude and frequency of cytotoxic T-lymphocyte responses: Identification of immunodominant regions of human immunodeficiency virus type 1 subtype C. *J Virol* **76**(20):10155–10168. On pp. 141, 152, 216, 228, 241, 294, 333, 362, 386, 403, 413, 422, 427, 476, 506, 525, 556, 561, 570, 585, 588, 608, 613, 620 & 621.
- [Novitsky *et al.*, 2003] V. Novitsky, P. Gilbert, T. Peter, M. F. McLane, S. Gaolekwe, N. Rybak, I. Thior, T. Ndung'u, R. Marlink, T. H. Lee, & M. Essex, 2003. Association between virus-specific T-cell responses and plasma viral load in human immunodeficiency virus type 1 subtype C infection. *J Virol* **77**(2):882–890. On p. 659.
- [Novitsky *et al.*, 2001] V. Novitsky, N. Rybak, M. F. McLane, P. Gilbert, P. Chigwedere, I. Klein, S. Gaolekwe, S. Y. Chang, T. Peter, I. Thior, T. Ndung'u, F. Vannberg, B. T. Foley, R. Marlink, T. H. Lee, & M. Essex, 2001. Identification of human immunodeficiency virus type 1 subtype C Gag-, Tat-, Rev-, and Nef-specific elispot-based cytotoxic T-lymphocyte responses for AIDS vaccine design. *J Virol* **75**(19):9210–28. On pp. 88, 156, 216, 221, 250, 426, 427, 441 & 656.
- [Nowak *et al.*, 1995] M. A. Nowak, R. M. May, R. E. Phillips, S. Rowland-Jones, D. G. Laloo, S. McAdam, P. Klenerman, B. Koppe, K. Sigmund, C. R. M. Bangham, & A. J. McMichael, 1995. Antigenic oscillations and shifting immunodominance in hiv-1 infections. *Nature* **375**:606–611. On pp. 78, 192, 203 & 240.
- [Nunberg, 2002] J. H. Nunberg, 2002. Retraction. *Science* **296**(5570):1025. Retraction of LaCasse *et al.* [1999]. On p. 1083.
- [Nunnari *et al.*, 2003] G. Nunnari, L. Nigro, F. Palermo, M. Attanasio, A. Berger, H. W. Doerr, R. J. Pomerantz, & B. Cacopardo, 2003. Slower progression of HIV-1 infection in persons with GB virus C co-infection correlates with an intact T-helper 1 cytokine profile. *Ann Intern Med* **139**(1):26–30. On p. 827.
- [Nyambi *et al.*, 1998] P. N. Nyambi, M. K. Gorny, L. Bastiani, G. van der Groen, C. Williams, & S. Zolla-Pazner, 1998. Mapping of epitopes exposed on intact human immunodeficiency virus type 1 (hiv-1) virions: a new strategy for studying the immunologic relatedness of hiv-1. *J Virol* **72**:9384–91. On pp. 925, 926, 944, 953, 962, 978, 979, 995, 996, 997, 1017, 1018, 1036, 1040, 1112, 1120, 1121, 1122, 1123, 1175, 1176, 1196, 1197 & 1198.
- [Nyambi *et al.*, 2000] P. N. Nyambi, H. A. Mbah, S. Burda, C. Williams, M. K. Gorny, A. Nadas, & S. Zolla-Pazner, 2000. Conserved and exposed epitopes on intact, native, primary human immunodeficiency virus type 1 virions of group m. *J Virol* **74**:7096–107. On pp. 925, 926, 934, 942, 944, 946, 947, 948, 953, 954, 955, 956, 962, 963, 966, 967, 968, 969, 971, 972, 978, 979, 995, 997, 998, 1002, 1003, 1007, 1008, 1009, 1017, 1018, 1019, 1020, 1022, 1030, 1036, 1039, 1048, 1049, 1112, 1118, 1120, 1121, 1122, 1123, 1140, 1147, 1175, 1176, 1177, 1178, 1196, 1197 & 1198.
- [Oelemann *et al.*, 2002] W. M. R. Oelemann, C. M. Lowndes, G. C. Verissimo da Costa, M. G. Morgado, L. R. R. Castello-Branco, B. Grinsztajn, M. Alary, & F. I. Bastos, 2002. Diagnostic detection of human immunodeficiency virus type 1 antibodies in urine: A brazilian study. *J Clin Microbiol* **40**(3):881–885. On p. 1224.

- [Ogg *et al.*, 1998a] G. S. Ogg, T. Dong, P. Hansasuta, L. Dorrell, J. Clarke, R. Coker, G. Luzzi, C. Conlon, A. P. McMichael, & S. Rowland-Jones, 1998a. Four novel cytotoxic t-lymphocyte epitopes in the highly conserved major homology region of hiv-1 gag, restricted through b*4402, b*1801, a*2601, b*70. *AIDS* **12**:1561–3. On pp. 216 & 220.
- [Ogg *et al.*, 1998b] G. S. Ogg, X. Jin, S. Bonhoeffer, P. R. Dunbar, M. A. Nowak, S. Monard, J. P. Segal, Y. Cao, S. L. Rowland-Jones, V. Cerundolo, A. Hurley, M. Markowitz, D. D. Ho, D. F. Nixon, & A. J. McMichael, 1998b. Quantitation of hiv-1-specific cytotoxic t lymphocytes and plasma load of viral rna. *Science* **279**:2103–6. On pp. 92, 340 & 456.
- [Ogg *et al.*, 1999] G. S. Ogg, X. Jin, S. Bonhoeffer, P. Moss, M. A. Nowak, S. Monard, J. P. Segal, Y. Cao, S. L. Rowland-Jones, A. Hurley, M. Markowitz, D. D. Ho, A. J. McMichael, & D. F. Nixon, 1999. Decay kinetics of human immunodeficiency virus-specific effector cytotoxic t lymphocytes after combination antiretroviral therapy. *J Virol* **73**:797–800. On pp. 92, 342 & 456.
- [Oggioni *et al.*, 1999] M. R. Oggioni, D. Medaglini, L. Romano, F. Pezzetti, T. Maggi, L. Lozzi, L. Bracci, M. Zazzi, F. Manca, P. E. Valensin, & G. Pozzi, 1999. Antigenicity and immunogenicity of the v3 domain of hiv type 1 glycoprotein 120 expressed on the surface of streptococcus gordonii. *AIDS Res Hum Retroviruses* **15**:451–9. On pp. 946, 966 & 967.
- [Oh *et al.*, 2003a] S. Oh, J. A. Berzofsky, D. S. Burke, T. A. Waldmann, & L. P. Perera, 2003a. Coadministration of HIV vaccine vectors with vaccinia viruses expressing IL-15 but not IL-2 induces long-lasting cellular immunity. *Proc Natl Acad Sci USA* **100**(6):3392–3397. On p. 491.
- [Oh *et al.*, 2003b] S. Oh, J. W. Hodge, J. D. Ahlers, D. S. Burke, J. Schlom, & J. A. Berzofsky, 2003b. Selective induction of high avidity CTL by altering the balance of signals from APC. *J Immunol* **170**(5):2523–2530. On p. 491.
- [O'Hagan *et al.*, 2001] D. O'Hagan, M. Singh, M. Ugozzoli, C. Wild, S. Barnett, M. Chen, M. Schaefer, B. Doe, G. R. Otten, & J. B. Ulmer, 2001. Induction of potent immune responses by cationic microparticles with adsorbed human immunodeficiency virus DNA vaccines. *J Virol* **75**(19):9037–43. On pp. 883 & 1078.
- [O'Hagan *et al.*, 2002] D. T. O'Hagan, M. Singh, J. Kazzaz, M. Ugozzoli, M. Briones, J. Donnelly, & G. Ott, 2002. Synergistic adjuvant activity of immunostimulatory DNA and oil/water emulsions for immunization with HIV p55 gag antigen. *Vaccine* **20**(27-28):3389–3398. On p. 167.
- [O'Hagan *et al.*, 2000] D. T. O'Hagan, M. Ugozzoli, J. Barackman, M. Singh, J. Kazzaz, K. Higgins, T. C. Vancott, & G. Ott, 2000. Microparticles in MF59, a potent adjuvant combination for a recombinant protein vaccine against HIV-1. *Vaccine* **18**:1793–801. On pp. 261, 883, 1077 & 1078.
- [Ohagen *et al.*, 2003] A. Ohagen, A. Devitt, K. J. Kunstman, P. R. Gorry, P. P. Rose, B. Korber, J. Taylor, R. Levy, R. L. Murphy, S. M. Wolinsky, & D. Gabuzda, 2003. Genetic and functional analysis of full-length human immunodeficiency virus type 1 env genes derived from brain and blood of patients with AIDS. *J Virol* **77**(22):12336–12345. On pp. 1022, 1027, 1051, 1055, 1066, 1074, 1106, 1128, 1129, 1158 & 1160.
- [Ohba *et al.*, 2001] H. Ohba, T. Soga, T. Tomozawa, Y. Nishikawa, A. Yasuda, A. Kojima, T. Kurata, & J. Chiba, 2001. An immunodominant neutralization epitope on the 'thumb' subdomain of human immunodeficiency virus type 1 reverse transcriptase revealed by phage display antibodies. *J Gen Virol* **82**(Pt 4):813–20. On p. 890.
- [Ohlin *et al.*, 1989] M. Ohlin, P.-A. Broliden, L. Danielsson, B. Wahren, J. Rosen, M. Jondal, & C. A. K. Borrebaeck, 1989. Human monoclonal antibodies against a recombinant hiv envelope antigen produced by primary in vitro immunization. characterization and epitope mapping. *Immunology* **68**:325–331. On p. 1073.
- [Ohlin *et al.*, 1992] M. Ohlin, J. Hinkula, P.-A. Broliden, R. Grunow, C. A. K. Borrebaeck, & B. Wahren, 1992. Human moabs produced from normal, hiv-1-negative donors and specific for glycoprotein gp120 of the hiv-1 envelope. *Clin Exp Immunol* **89**:290–295. On pp. 938, 942, 966, 979, 980 & 988.
- [Ohno *et al.*, 1991] T. Ohno, M. Terada, Y. Yoneda, K. W. Shea, R. F. Chambers, D. M. Stroka, M. Nakamura, & D. W. Kufe, 1991. A broadly neutralizing monoclonal antibody that recognizes the v3 region of human immunodeficiency virus type 1 glycoprotein gp120. *Proc Natl Acad Sci USA* **88**:10726–10729. On p. 975.
- [Okada *et al.*, 1994] T. Okada, B. K. Patterson, P. A. Otto, & M. E. Gurney, 1994. Hiv type 1 infection of cd4+ t-cells depends critically on basic amino acid residues in the v3 domain of envelope glycoprotein 120. *AIDS Res Hum Retroviruses* **10**:803–811. On pp. 940, 974 & 975.
- [Okamoto *et al.*, 1998] Y. Okamoto, Y. Eda, A. Ogura, S. Shibata, T. Amagai, Y. Katsura, T. Asano, K. Kimachi, K. Makizumi, & M. Honda, 1998. In scid-hu mice, passive transfer of a humanized antibody prevents infection and atrophic change of medulla in human thymic implant due to intravenous inoculation of primary hiv-1 isolate. *J Immunol* **160**:69–76. On p. 966.
- [Okazaki *et al.*, 2003] T. Okazaki, C. D. Pendleton, F. Lemonnier, & J. A. Berzofsky, 2003. Epitope-enhanced conserved HIV-1 peptide protects HLA-A2-transgenic mice against virus expressing HIV-1 antigen. *J Immunol* **171**(5):2548–2555. On pp. 99 & 320.
- [Okazaki *et al.*, 2006] T. Okazaki, C. D. Pendleton, P. Sarobe, E. K. Thomas, S. Iyengar, C. Harro, D. Schwartz, & J. A. Berzofsky, 2006. Epitope enhancement of a CD4 HIV epitope toward the development of the next generation HIV vaccine. *J Immunol* **176**(6):3753–3759. On p. 787.
- [Okuda *et al.*, 1997] K. Okuda, K. O. Xin, T. Tsuji, H. Bukawa, S. Tanaka, W. C. Koff, K. Tani, K. Okuda, K. Honma, S. Kawamoto, K. Hamajima, & J. Fukushima, 1997. DNA vaccination followed by macromolecular multicomponent peptide vaccination against HIV-1 induces strong antigen-specific immunity. *Vaccine* **15**:1049–56. On p. 493.
- [Oldstone *et al.*, 1991] M. B. A. Oldstone, A. Tishon, H. Lewicki, H. J. Dyson, V. A. Feher, N. Assa-Munt, & P. E. Wright, 1991. Mapping the anatomy of the immunodominant domain of the human immunodeficiency virus gp41 transmembrane protein: peptide conformation analysis using monoclonal antibodies and proton nuclear magnetic resonance spectroscopy. *J Virol* **65**:1727–1734. On pp. 1012, 1014 & 1015.
- [Onyemelukwe & Musa, 2002] G. C. Onyemelukwe & B. O. P. Musa, 2002. CD4+ and CD8+ lymphocytes and clinical features of HIV seropositive Nigerians on presentation. *Afr J Med Med Sci* **31**(3):229–233. On pp. 665 & 666.
- [Opalka *et al.*, 2004] D. Opalka, A. Pessi, E. Bianchi, G. Ciliberto, W. Schleif, M. McElhaugh, R. Danzeisen, R. Gelezianus, M. Miller, D. M. Eckert, D. Bramhill, J. Joyce, J. Cook, W. Magilton, J. Shiver, E. Emini, & M. T. Esser, 2004. Analysis of the HIV-1 gp41 specific immune response using a multiplexed antibody detection assay. *J Immunol Methods* **287**(1-2):49–65. On pp. 1022, 1025, 1033, 1034, 1051, 1054 & 1092.
- [Orsini *et al.*, 1995] M. J. Orsini, A. N. Thakur, W. W. Andrews, M.-L. Hammarskjold, & D. Rekosh, 1995. Expression and purification of the hiv type 1 rev protein produced in escherichia coli and its use in the generation of monoclonal antibodies. *AIDS Res Hum Retroviruses* **11**:945–953. On pp. 909, 910 & 911.
- [Ortiz *et al.*, 2002] G. M. Ortiz, J. Hu, J. A. Goldwiz, R. Chandwani, M. Larsson, N. Bhardwaj, S. Bonhoeffer, B. Ramratnam, L. Zhang, M. M. Markowitz, & D. F. Nixon, 2002. Residual viral replication during antiretroviral therapy boosts human immunodeficiency virus type

- 1-specific CD8+ T-cell responses in subjects treated early after infection. *J Virol* **76**(1):411–415. On p. 395.
- [Ortiz *et al.*, 2001] G. M. Ortiz, M. Wellons, J. Brancato, H. T. T. Vo, R. L. Zinn, D. E. Clarkson, K. Van Loon, S. Bonhoeffer, G. D. Miralles, D. Montefiori, J. A. Bartlett, & D. F. Nixon, 2001. Structured antiretroviral treatment interruptions in chronically HIV-1-infected subjects. *Proc Natl Acad Sci USA* **98**(23):13288–13293. On pp. 267, 396, 554 & 658.
- [Orvell *et al.*, 1991] C. Orvell, T. Unge, R. Bhikhabhai, K. Backbro, U. Ruden, B. Strandberg, B. Wahren, & E. M. Fenyo, 1991. Immunological characterization of the human immunodeficiency virus type 1 reverse transcriptase protein by the use of monoclonal antibodies. *J Gen Virol* **72**:1913–1918. On pp. 887, 888 & 889.
- [Oscherwitz *et al.*, 1999a] J. Oscherwitz, F. M. Gotch, K. B. Cease, & J. A. Berzofsky, 1999a. New insights and approaches regarding b- and t-cell epitopes in hiv vaccine design [in process citation]. *AIDS* **13 Suppl A**:S163–74. On pp. 1128, 1158, 1166 & 1203.
- [Oscherwitz *et al.*, 1999b] J. Oscherwitz, M. E. Zeigler, T. E. Gribbin, & K. B. Cease, 1999b. A v3 loop haptenic peptide sequence, when tandemly repeated, enhances immunogenicity by facilitating helper t-cell responses to a covalently linked carrier protein [in process citation]. *Vaccine* **17**:2392–9. On p. 771.
- [Ostrowski *et al.*, 2000] M. A. Ostrowski, S. J. Justement, L. Ehler, S. B. Mizell, S. Lui, J. Mican, B. D. Walker, E. K. Thomas, R. Seder, & A. S. Fauci, 2000. The role of CD4+ T cell help and CD40 ligand in the in vitro expansion of HIV-1-specific memory cytotoxic CD8+ T cell responses. *J Immunol* **165**(11):6133–41. On pp. 61, 96, 343, 578 & 598.
- [Ota *et al.*, 1999] A. Ota, A. N. Bautista, M. L. Yadav, & S. Ueda, 1999. Anti-p30-52 monoclonal antibody cross-reacted to env v3 and inhibited the viral multiplication of hiv-1-infected mt-4 cells. *Hybridoma* **18**:139–47. On p. 863.
- [Ota *et al.*, 1998] A. Ota, X. Liu, H. Fujio, N. Sakato, & S. Ueda, 1998. Random expression of human immunodeficiency virus-1 (hiv-1) p17 (epitopes) on the surface of the hiv-1-infected cell. *Hybridoma* **17**:73–5. On pp. 862, 863, 864 & 882.
- [Ota & Ueda, 1998] A. Ota & S. Ueda, 1998. Evaluation of the affinity measurement of anti-hiv-1 p17 monoclonal antibody by biacore. *Hybridoma* **17**:471–7. On pp. 861 & 862.
- [Ota & Ueda, 1999] A. Ota & S. Ueda, 1999. Inhibitory mechanism of anti-p30-52 monoclonal antibody against human immunodeficiency virus type 1 (hiv-1) multiplication in infected mt-4 cells. *Hybridoma* **18**:235–41. On p. 863.
- [Otake *et al.*, 1994] K. Otake, Y. Fujii, Y. Nishino, Q. Zhong, K. Fujinaga, M. Kameoka, K. Ohki, & K. Ikuta, 1994. The carboxyl-terminal region of hiv-1 nef protein is a cell surface domain that can interact with cd4+ t cells. *J Immunol* **153**:5826–5837. On pp. 878, 1206, 1211, 1212 & 1213.
- [Otake *et al.*, 1997] K. Otake, Y. Fujii, M. Tashiro, A. Adachi, & J. Kitoh, 1997. Epitope mapping of murine monoclonal antibodies against human immunodeficiency virus type 1 Nef. *Exp Anim* **46**(1):53–58. On pp. 1206, 1207, 1209, 1210, 1211 & 1212.
- [Otteken *et al.*, 1996] A. Otteken, P. L. Earl, & B. Moss, 1996. Folding, assembly, and intracellular trafficking of the human immunodeficiency virus type 1 envelope glycoprotein analyzed with monoclonal antibodies recognizing maturational intermediates. *J Virol* **70**:3407–15. On pp. 1068, 1074, 1075, 1125, 1172 & 1191.
- [Otteken *et al.*, 1992] A. Otteken, S. Nick, W. Bergter, G. Voss, A. Faisst, C. Stahl-Hennig, & G. Hunsmann, 1992. Identification of a gag protein epitope conserved among all four groups of primate immunodeficiency viruses by using monoclonal antibodies. *J Gen Virol* **73**:2721–2724. On pp. 862, 863, 873, 874 & 891.
- [Otten *et al.*, 2003] G. Otten, M. Schaefer, C. Greer, M. Calderon-Cacia, D. Coit, J. Kazzaz, A. Medina-Selby, M. Selby, M. Singh, M. Ugozzoli, J. zur Megele, S. W. Barnett, D. O'Hagan, J. Donnelly, & J. Ulmer, 2003. Induction of broad and potent anti-human immunodeficiency virus immune responses in rhesus macaques by priming with a DNA vaccine and boosting with protein-adsorbed polylactide coglycolide microparticles. *J Virol* **77**(10):6087–6092. On pp. 268 & 885.
- [Otten *et al.*, 2000] G. R. Otten, B. Doe, M. Schaefer, M. Chen, M. J. Selby, C. Goldbeck, M. Hong, F. Xu, & J. B. Ulmer, 2000. Relative potency of cellular and humoral immune responses induced by DNA vaccination. *Intervirology* **43**(4-6):227–32. On p. 259.
- [Ovod *et al.*, 1992] V. Ovod, A. Lagerstedt, A. Ranki, F. O. Gombert, R. Spohn, M. Tahtinen, G. Jung, & K. J. Krohn, 1992. Immunological variation and immunohistochemical localization of hiv-1 nef demonstrated with monoclonal antibodies. *AIDS* **6**:25–34. On pp. 891, 901, 909, 1207, 1208, 1209, 1211, 1212 & 1213.
- [Oxenius *et al.*, 2001a] A. Oxenius, H. F. Günthard, B. Hirschel, S. Fidler, J. N. Weber, P. J. Easterbrook, J. I. Bell, R. E. Phillips, & D. A. Price, 2001a. Direct ex vivo analysis reveals distinct phenotypic patterns of HIV-specific CD8(+) T lymphocyte activation in response to therapeutic manipulation of virus load. *Eur J Immunol* **31**(4):1115–21. On pp. 78, 85, 131, 145, 180, 193, 241, 244, 283, 329, 352, 500, 573, 594, 600 & 601.
- [Oxenius *et al.*, 2002a] A. Oxenius, B. K. Jakobsen, P. J. Easterbrook, J. M. Boulter, T. Tun, A. Waters, J. Agudelo, M. Barnardo, R. E. Phillips, & D. A. Price, 2002a. Complete mapping of a novel HLA A*6801-restricted HIV-1 Tat epitope directly with a rapid modified enzyme-linked immunospot assay. *AIDS* **16**(9):1285–1287. On p. 428.
- [Oxenius *et al.*, 2002b] A. Oxenius, A. R. McLean, M. Fischer, D. A. Price, S. J. Dawson, R. Hafner, C. Schneider, H. Joller, B. Hirschel, R. E. Phillips, R. Weber, H. F. Günthard, & Swiss HIV Cohort Study Group, 2002b. Human immunodeficiency virus-specific CD8(+) T-cell responses do not predict viral growth and clearance rates during structured intermittent antiretroviral therapy. *J Virol* **76**(20):10169–10176. On pp. 78, 85, 131, 144, 180, 193, 241, 244, 283, 329, 352, 500, 573, 594 & 601.
- [Oxenius *et al.*, 2001b] A. Oxenius, D. A. Price, S. J. Dawson, T. Tun, P. J. Easterbrook, R. E. Phillips, & A. K. Sewell, 2001b. Cross-staining of cytotoxic T lymphocyte populations with peptide-MHC class I multimers of natural HIV-1 variant antigens. *AIDS* **15**(1):121–2. On p. 582.
- [Oxenius *et al.*, 2000] A. Oxenius, D. A. Price, P. J. Easterbrook, C. A. O'Callaghan, A. D. Kelleher, J. A. Whelan, G. Sontag, A. K. Sewell, & R. E. Phillips, 2000. Early highly active antiretroviral therapy for acute HIV-1 infection preserves immune function of CD8+ and CD4+ T lymphocytes. *Proc Natl Acad Sci USA* **97**(7):3382–7. On pp. 78, 85, 130, 131, 144, 145, 180, 189, 193, 238, 240, 241, 244, 282, 283, 299, 329, 349, 352, 499, 500, 507, 572, 573, 580, 593, 594, 600, 601, 609, 616, 632, 727, 742, 810 & 823.
- [Oxenius *et al.*, 2004a] A. Oxenius, D. A. Price, M. Hersberger, E. Schlaepfer, R. Weber, M. Weber, T. M. Kundig, J. Böni, H. Joller, R. E. Phillips, M. Flepp, M. Opravil, R. F. Speck, & Swiss HIV Cohort Study., 2004a. HIV-specific cellular immune response is inversely correlated with disease progression as defined by decline of CD4+ T cells in relation to HIV RNA load. *J Infect Dis* **189**(7):1199–1208. On p. 670.
- [Oxenius *et al.*, 2004b] A. Oxenius, D. A. Price, A. Trkola, C. Edwards, E. Gostick, H.-T. Zhang, P. J. Easterbrook, T. Tun, A. Johnson, A. Waters, E. C. Holmes, & R. E. Phillips, 2004b. Loss of viral control in early HIV-1 infection is temporally associated with sequential escape from CD8+ T cell responses and decrease in HIV-1-specific CD4+ and CD8+ T cell frequencies. *J Infect Dis* **190**(4):713–721. On pp. 112, 173, 174, 239, 338, 428, 444, 454, 458, 466, 542, 582 & 584.

- [Pai *et al.*, 2002] E. F. Pai, M. H. Klein, P. Chong, & A. Pedyczak, 2002. Fab'-epitope complex from the HIV-1 cross-neutralizing monoclonal antibody 2F5. U.S. Patent 6,482,928, WIPO Patent WO 00/61618. Filed USPTO Apr. 13, 1999. On pp. 1022 & 1028.
- [Pal *et al.*, 1992] R. Pal, F. di Marzo Veronese, B. C. Nair, R. Rahman, G. Hoke, S. W. Mumbauer, & M. G. Sarngadharan, 1992. Characterization of a neutralizing monoclonal antibody to the external glycoprotein of hiv-1. *Intervirology* **86**:86–93. On p. 957.
- [Paliard *et al.*, 1998] X. Paliard, B. Doe, & C. M. Walker, 1998. The t cell repertoire primed by antiviral vaccination is influenced by self-tolerance. *Cell Immunol* **188**:73–9. On p. 250.
- [Paliard *et al.*, 2000] X. Paliard, Y. Liu, R. Wagner, H. Wolf, J. Baenziger, & C. M. Walker, 2000. Priming of strong, broad, and long-lived hiv type 1 p55gag-specific cd8+ cytotoxic t cells after administration of a virus-like particle vaccine in rhesus macaques. *AIDS Res Hum Retroviruses* **16**:273–82. On p. 261.
- [Palker *et al.*, 1987] T. J. Palker, T. J. Matthews, M. E. Clark, G. J. Ciancolo, R. R. Randall, A. J. Langlois, G. C. White, B. Safei, R. Snyderman, D. P. Bolognesi, & B. F. Haynes, 1987. A conserved epitope at the cooh terminus of human immunodeficiency virus gp120 envelope protein contains an immunodominant epitope. *Proc Natl Acad Sci USA* **84**:2479–2483. On p. 997.
- [Palker *et al.*, 1989] T. J. Palker, T. J. Matthews, A. Langlois, M. E. Tanner, M. E. Martin, R. M. Searce, J. E. Kim, J. A. Berzofsky, D. P. Bolognesi, & B. F. Haynes, 1989. Polyvalent human immunodeficiency virus synthetic immunogen comprised of envelope gp120 t helper cell sites and b-cell neutralization epitopes. *J Immunol* **142**:3612–3619. On pp. 771 & 789.
- [Palmer *et al.*, 2002] B. E. Palmer, E. Boritz, N. Blyveis, & C. C. Wilson, 2002. Discordance between frequency of human immunodeficiency virus type 1 (HIV-1)-specific gamma interferon-producing CD4+ T cells and HIV-1-specific lymphoproliferation in HIV-1-infected subjects with active viral replication. *J Virol* **76**(12):5925–5936. On pp. 729, 742 & 811.
- [Palmer *et al.*, 2004] B. E. Palmer, E. Boritz, & C. C. Wilson, 2004. Effects of sustained HIV-1 plasma viremia on HIV-1 Gag-specific CD4+ T cell maturation and function. *J Immunol* **172**(5):3337–3347. On p. 719.
- [Pancre *et al.*, 2002] V. Pancre, B. Georges, G. Angyalosi, F. Castelli, A. Delanoye, M. Delacre, E. Hachulla, B. Maillere, A. Bouzidi, & C. Auriault, 2002. Novel promiscuous HLA-DQ HIV Nef peptide that induces IFN-gamma-producing memory CD4+ T cells. *Clin Exp Immunol* **129**(3):429–437. On p. 816.
- [Pantaleo *et al.*, 1997] G. Pantaleo, H. Soudeyns, J. F. Demarest, M. Vaccarezza, C. Graziosi, S. Paolucci, M. B. Daucher, O. J. Cohen, F. Denis, W. E. Biddison, R. P. Sekaly, & A. S. Fauci, 1997. Accumulation of human immunodeficiency virus-specific cytotoxic t lymphocytes away from the predominant site of virus replication during primary infection. *Eur J Immunol* **27**:3166–73. On p. 545.
- [Pantophlet *et al.*, 2003a] R. Pantophlet, E. O. Saphire, P. Poignard, P. W. H. I. Parren, I. A. Wilson, & D. R. Burton, 2003a. Fine mapping of the interaction of neutralizing and nonneutralizing monoclonal antibodies with the CD4 binding site of human immunodeficiency virus type 1 gp120. *J Virol* **77**(1):642–658. On pp. 1051, 1055, 1113, 1114, 1128, 1129, 1133, 1140, 1144, 1156 & 1157.
- [Pantophlet *et al.*, 2003b] R. Pantophlet, I. A. Wilson, & D. R. Burton, 2003b. Hyperglycosylated mutants of human immunodeficiency virus (HIV) type 1 monomeric gp120 as novel antigens for HIV vaccine design. *J Virol* **77**(10):5889–8901. On pp. 913, 914, 915, 929, 930, 958, 960, 1036, 1038, 1051, 1055, 1099, 1100, 1101, 1104, 1106, 1113, 1114, 1128, 1129, 1133, 1134, 1140, 1144, 1156, 1157, 1158, 1160, 1165, 1167, 1170 & 1171.
- [Pantophlet *et al.*, 2004] R. Pantophlet, I. A. Wilson, & D. R. Burton, 2004. Improved design of an antigen with enhanced specificity for the broadly HIV-neutralizing antibody b12. *Protein Eng Des Sel* **17**(10):749–758. On pp. 912, 914, 915, 928, 930, 983, 1036, 1038, 1051, 1054, 1067, 1068, 1069, 1070, 1099, 1104, 1106, 1113, 1114, 1128, 1129, 1133, 1140, 1142, 1156, 1157, 1158, 1160, 1165, 1166, 1170, 1171 & 1187.
- [Papagno *et al.*, 2004] L. Papagno, C. A. Spina, A. Marchant, M. Salio, N. Rufer, S. Little, T. Dong, G. Chesney, A. Waters, P. Easterbrook, P. R. Dunbar, D. Shepherd, V. Cerundolo, V. Emery, P. Griffiths, C. Conlon, A. J. McMichael, D. D. Richman, S. L. Rowland-Jones, & V. Appay, 2004. Immune activation and CD8+ T-cell differentiation towards senescence in HIV-1 infection. *PLoS Biol* **2**(2):E20. On pp. 112, 146, 197, 355, 542, 604 & 626.
- [Papasavvas *et al.*, 2003] E. Papasavvas, J. K. Sandberg, R. Rutstein, E. C. Moore, A. Mackiewicz, B. Thiel, M. Pistilli, R. R. June, K. A. Jordan, R. Gross, V. C. Maino, D. F. Nixon, & L. J. Montaner, 2003. Presence of human immunodeficiency virus-1-specific CD4 and CD8 cellular immune responses in children with full or partial virus suppression. *J Infect Dis* **188**(6):873–682. On p. 730.
- [Papsidero *et al.*, 1988] L. D. Papsidero, B. J. Poiesz, & R. A. Montagna, 1988. Monoclonal antibody identifies a highly conserved and immunodominant epitope of the human immunodeficiency virus transmembrane protein. *Hybridoma* **7**:117–128. On p. 1050.
- [Papsidero *et al.*, 1989] L. D. Papsidero, M. Sheu, & F. W. Ruscetti, 1989. Human immunodeficiency virus type 1-neutralizing monoclonal antibodies which react with p17 core protein: characterization and epitope mapping. *J Virol* **63**:267–272. On pp. 861 & 862.
- [Parekh *et al.*, 2002] B. S. Parekh, M. S. Kennedy, T. Dobbs, C.-P. Pau, R. Byers, T. Green, D. J. Hu, S. Vanichseni, N. L. Young, K. Choopanya, T. D. Mastro, & J. S. McDougal, 2002. Quantitative detection of increasing HIV type 1 antibodies after seroconversion: A simple assay for detecting recent HIV infection and estimating incidence. *AIDS Res Hum Retroviruses* **18**(4):295–307. On p. 1008.
- [Parekh & McDougal, 2005] B. S. Parekh & J. S. McDougal, 2005. Application of laboratory methods for estimation of HIV-1 incidence. *Indian J Med Res* **121**(4):510–8. On p. 1225.
- [Paris *et al.*, 2004] R. Paris, S. Bejrachandra, C. Karnasuta, D. Chandanyingyong, W. Kunachiwa, N. Leetrakool, S. Prakalapakorn, P. Thongcharoen, S. Nittayaphan, P. Pitisuttithum, V. Suriyanon, S. Gurnathan, J. G. McNeil, A. E. Brown, D. L. Bix, & M. de Souza, 2004. HLA class I serotypes and cytotoxic T-lymphocyte responses among human immunodeficiency virus-1-uninfected Thai volunteers immunized with ALVAC-HIV in combination with monomeric gp120 or oligomeric gp160 protein boosting. *Tissue Antigens* **64**(3):251–256. On p. 446.
- [Park *et al.*, 2000] E. J. Park, M. K. Gorny, S. Zolla-Pazner, & G. V. Quinnan, 2000. A global neutralization resistance phenotype of human immunodeficiency virus type 1 is determined by distinct mechanisms mediating enhanced infectivity and conformational change of the envelope complex. *J Virol* **74**:4183–91. On pp. 946, 948, 949, 951, 952, 958, 959, 966, 967, 978, 979, 1022, 1036, 1039, 1051, 1059, 1113, 1114, 1128, 1131, 1140, 1147, 1158, 1163, 1166 & 1168.
- [Parker *et al.*, 2001] C. E. Parker, L. J. Deterding, C. Hager-Braun, J. M. Binley, N. Schulke, H. Katinger, J. P. Moore, & K. B. Tomer, 2001. Fine definition of the epitope on the gp41 glycoprotein of human immunodeficiency virus type 1 for the neutralizing monoclonal antibody 2F5. *J Virol* **75**(22):10906–11. On pp. 1022 & 1029.
- [Parker *et al.*, 1996] C. E. Parker, D. I. Papac, S. K. Trojak, & K. B. Tomer, 1996. Epitope mapping by mass spectrometry: determination of an epitope on hiv-1 iib p26 recognized by a monoclonal antibody. *J Immunol* **157**:198–206. On pp. 871 & 872.

- [Parker *et al.*, 1994] K. C. Parker, M. A. Bednarek, & J. E. Coligan, 1994. Scheme for ranking potential hla-a2 binding peptides based on independent binding of individual peptide side-chains. *J Immunol* **152**. On pp. 104, 137 & 389.
- [Parker *et al.*, 1992] K. C. Parker, M. A. Bednarek, L. K. Hull, U. Utz, B. C. H. J. Zweerink, W. E. Biddison, & J. E. Coligan, 1992. Sequence motifs important for peptide binding to the human mhc class i molecule, hla-a2. *J Immunol* **149**. On pp. 104, 137, 348, 389 & 526.
- [Parren & Burton, 1997] P. W. Parren & D. Burton, 1997. Antibodies against hiv-1 from phage display library: Mapping of an immune response and progress toward antiviral immunotherapy. *Chem Immunol* **65**:18–56. On pp. 950, 960, 1103, 1140, 1149 & 1156.
- [Parren *et al.*, 1995] P. W. Parren, H. J. Ditzel, R. J. Gulizia, J. M. Binley, C. F. B. 3rd, D. R. Burton, & D. E. Mosier, 1995. Protection against hiv-1 infection in hu-pbl-scid mice by passive immunization with a neutralizing human monoclonal antibody against the gp120 cd4-binding site. *AIDS* **9**:F1–F6. On pp. 1140, 1149 & 1156.
- [Parren *et al.*, 1997a] P. W. Parren, M. C. Gauduin, R. A. Koup, P. Poignard, P. Fiscaro, D. R. Burton, & Q. J. Sattentau, 1997a. Relevance of the antibody response against human immunodeficiency virus type 1 envelope to vaccine design [corrected and republished in immunol lett 1997 jul;58(2):125-32]. *Immunol Lett* **57**:105–12. On pp. 1140 & 1149.
- [Parren *et al.*, 1997b] P. W. Parren, M. C. Gauduin, R. A. Koup, P. Poignard, Q. J. Sattentau, P. Fiscaro, & D. R. Burton, 1997b. Erratum to relevance of the antibody response against human immunodeficiency virus type 1 envelope to vaccine design [corrected and republished article originally printed in immunol lett 1997 jun 1;57(1-3):105-12]. *Immunol Lett* **58**:125–32. On pp. 925, 926, 950, 958, 959, 960, 1036, 1040, 1051, 1061, 1099, 1103, 1104, 1106, 1107, 1113, 1115, 1116, 1124, 1128, 1132, 1140, 1149, 1156, 1157, 1158, 1159, 1164, 1166, 1169, 1174, 1179 & 1199.
- [Parren *et al.*, 2001] P. W. Parren, P. A. Marx, A. J. Hessel, A. Luckay, J. Harouse, C. Cheng-Mayer, J. P. Moore, & D. R. Burton, 2001. Antibody protects macaques against vaginal challenge with a pathogenic R5 simian/human immunodeficiency virus at serum levels giving complete neutralization in vitro. *J Virol* **75**(17):8340–7. On pp. 1140 & 1146.
- [Parren *et al.*, 1998a] P. W. Parren, I. Mondor, D. Nanche, H. J. Ditzel, P. J. Klasse, D. R. Burton, & Q. J. Sattentau, 1998a. Neutralization of human immunodeficiency virus type 1 by antibody to gp120 is determined primarily by occupancy of sites on the virion irrespective of epitope specificity. *J Virol* **72**:3512–9. On pp. 929, 930, 931, 939, 940, 950, 952, 958, 959, 960, 970, 980, 985, 986, 987, 1022, 1031, 1036, 1040, 1051, 1060, 1113, 1114, 1116, 1117, 1127, 1128, 1133, 1134, 1136, 1137, 1138, 1140, 1148, 1155, 1156, 1157, 1158, 1166, 1169, 1178 & 1179.
- [Parren *et al.*, 1999] P. W. Parren, J. P. Moore, D. R. Burton, & Q. J. Sattentau, 1999. The neutralizing antibody response to hiv-1: viral evasion and escape from humoral immunity [in process citation]. *AIDS* **13 Suppl A**:S137–62. On pp. 1022, 1031, 1051 & 1059.
- [Parren *et al.*, 1998b] P. W. Parren, M. Wang, A. Trkola, J. M. Binley, M. Purtscher, H. Katinger, J. P. Moore, & D. R. Burton, 1998b. Antibody neutralization-resistant primary isolates of human immunodeficiency virus type 1. *J Virol* **72**:10270–4. On pp. 1022, 1031, 1051, 1060, 1140 & 1149.
- [Pashov *et al.*, 2005] A. Pashov, S. MacLeod, R. Saha, M. Perry, T. C. VanCott, & T. Kieber-Emmons, 2005. Concanavalin A binding to HIV envelope protein is less sensitive to mutations in glycosylation sites than monoclonal antibody 2G12. *Glycobiology* **15**(10):994–1001. On pp. 1051 & 1053.
- [Pastori *et al.*, 2002] C. Pastori, C. Barassi, F. Lillo, R. Longhi, B. Capiluppi, S. Nozza, A. Galli, C. Uberti-Foppa, A. Lazzarin, G. Tambussi, & L. Lopalco, 2002. The effect of HAART on humoral immune response in primary HIV-1 infected patients. *J Biol Regul Homeost Agents* **16**(1):9–17. On p. 1086.
- [Pauza *et al.*, 2000] C. D. Pauza, P. Trivedi, M. Wallace, T. J. Ruckwardt, H. Le Buanec, W. Lu, B. Bizzini, A. Burny, D. Zagury, & R. C. Gallo, 2000. Vaccination with Tat toxoid attenuates disease in simian/HIV-challenged macaques. *Proc Natl Acad Sci USA* **97**(7):3515–3519. On p. 905.
- [Peet *et al.*, 1998] N. M. Peet, J. A. McKeating, J. B. de Souza, I. M. Roitt, P. J. Delves, & T. Lund, 1998. The effect of low-profile serine substitutions in the v3 loop of hiv-1. *Virology* **251**:59–70. On pp. 919, 920, 928, 938, 939, 973, 984, 1110, 1139, 1174, 1187, 1188, 1194 & 1195.
- [Pellegrin *et al.*, 1996] I. Pellegrin, E. Legrand, D. Neau, P. Bonot, B. Masquelier, J. L. Pellegrin, J. M. Ragnaud, N. Bernard, & H. J. Fleury, 1996. Kinetics of appearance of neutralizing antibodies in 12 patients with primary or recent HIV-1 infection and relationship with plasma and cellular viral loads. *J Acquir Immune Defic Syndr Hum Retrovirol* **11**(5):438–447. On p. 1049.
- [Pellegrino *et al.*, 2002] M. G. Pellegrino, M. H. Bluth, T. Smith-Norowitz, S. Fikrig, D. J. Volsky, H. Moallem, D. L. Auci, M. Nowakowski, & H. G. Durkin, 2002. HIV type 1-specific IgE in serum of long-term surviving children inhibits HIV type 1 production in vitro. *AIDS Res Hum Retroviruses* **18**(5):363–372. On p. 1224.
- [Peng & Robert-Guroff, 2001] B. Peng & M. Robert-Guroff, 2001. Deletion of N-terminal myristoylation site of HIV Nef abrogates both MHC-1 and CD4 down-regulation. *Immunol Lett* **78**(3):195–200. On pp. 557 & 815.
- [Peter *et al.*, 2002] K. Peter, M. J. Brunda, & G. Corradin, 2002. IL-12 administration leads to a transient depletion of T cells, B cells, and APCs and concomitant abrogation of the HLA-A2.1-restricted CTL response in transgenic mice. *J Immunol* **169**(1):63–67. On pp. 97, 320, 343, 388 & 533.
- [Peter *et al.*, 2001] K. Peter, Y. Men, G. Pantaleo, B. Gander, & G. Corradin, 2001. Induction of a cytotoxic T-cell response to HIV-1 proteins with short synthetic peptides and human compatible adjuvants. *Vaccine* **19**(30):4121–4129. On pp. 97, 320, 343, 344, 388, 485, 532 & 533.
- [Peters *et al.*, 2003] C. Peters, X. Peng, D. Douven, Z.-K. Pan, & Y. Paterson, 2003. The induction of HIV Gag-specific CD8+ T cells in the spleen and gut-associated lymphoid tissue by parenteral or mucosal immunization with recombinant *Listeria monocytogenes* HIV Gag. *J Immunol* **170**(10):5176–5187. On p. 169.
- [Petrov *et al.*, 1990] R. V. Petrov, R. M. Khaitov, I. G. Sidorovich, S. P. Pavlikov, I. A. Nikolaeva, M. E. Ivachenko, S. M. Andreev, & L. Y. U. Sklyarov, 1990. The use of synthetic peptides in the diagnosis of hiv infections. *Biomed Sci* **1**:239–244. On pp. 1006 & 1013.
- [Petrovas *et al.*, 2004] C. Petrovas, Y. M. Mueller, & P. D. Katsikis, 2004. HIV-specific CD8+ T cells: Serial killers condemned to die? *Curr HIV Res* **2**(2):153–162. On p. 667.
- [Phillips *et al.*, 1991] R. E. Phillips, S. Rowland-Jones, D. F. Nixon, F. M. Gotch, J. P. Edwards, A. O. Ogunlesi, J. G. Elvin, J. A. Rothbard, C. R. Bangham, C. R. Rizza, & A. J. McMichael, 1991. Human immunodeficiency virus genetic variation that can escape cytotoxic t cell recognition. *Nature* **354**:453–459. On pp. 78, 186, 203 & 237.
- [Pialoux *et al.*, 2001] G. Pialoux, H. Gahery-Segard, S. Sermet, H. Poncelet, S. Fournier, L. Gerard, A. Tartar, H. Gras-Masse, J. P. Levy, J. G. Guillet, & {ANRS VAC 04 Study Team.}, 2001. Lipopeptides induce cell-mediated anti-HIV immune responses in seronegative volunteers. *AIDS* **15**(10):1239–49. On pp. 868, 872, 938, 1209 & 1210.

- [Pido-Lopez *et al.*, 2002] J. Pido-Lopez, A. Pires, M. Nelson, E. O'Moore, M. Fisher, B. Gazzard, R. Aspinall, F. Gotch, & N. Imami, 2002. Thymic activity in late-stage HIV-1 infected individuals receiving highly active antiretroviral therapy: Potential effect of steroid therapy. *HIV Med* **3**(1):56–61. On p. 826.
- [Pilgrim *et al.*, 1997] A. K. Pilgrim, G. Pantaleo, O. J. Cohen, L. M. Fink, J. Y. Zhou, J. T. Zhou, D. P. Bolognesi, A. S. Fauci, & D. C. Montefiori, 1997. Neutralizing antibody responses to human immunodeficiency virus type 1 in primary infection and long-term-nonprogressive infection. *J Infect Dis* **176**(4):924–932. On p. 1083.
- [Pillay *et al.*, 2005] T. Pillay, H.-T. Zhang, J. W. Drijfhout, N. Robinson, H. Brown, M. Khan, J. Moodley, M. Adhikari, K. Pfafferoth, M. E. Feeney, A. St. John, E. C. Holmes, H. M. Coovadia, P. Klenerman, P. J. R. Goulder, & R. E. Phillips, 2005. Unique acquisition of cytotoxic T-lymphocyte escape mutants in infant human immunodeficiency virus type 1 infection. *J Virol* **79**(18):12100–12105. On pp. 133, 182, 206, 577, 587, 615 & 623.
- [Pincus *et al.*, 1991] S. H. Pincus, R. L. Cole, E. M. Hersh, D. Lake, Y. Masuho, P. J. Durda, & J. McClure, 1991. In vitro efficacy of anti-hiv immunotoxins targeted by various antibodies to the envelope protein. *J Immunol* **146**:4315–4324. On pp. 943, 993, 1004, 1005, 1006 & 1073.
- [Pincus *et al.*, 1998] S. H. Pincus, R. L. Cole, R. Watson-McKown, A. Pinter, W. Honnen, B. Cole, & K. S. Wise, 1998. Immunologic cross-reaction between hiv type 1 p17 and mycoplasma hyorhinis variable lipoprotein. *AIDS Res Hum Retroviruses* **14**:419–25. On pp. 880, 882, 943 & 1004.
- [Pincus & McClure, 1993] S. H. Pincus & J. McClure, 1993. Soluble cd4 enhances the efficacy of immunotoxins directed against gp41 of the human immunodeficiency virus. *Proc Natl Acad Sci USA* **90**:332–6. On pp. 916, 933, 935, 943, 992, 993, 1004, 1041 & 1042.
- [Pincus *et al.*, 1993] S. H. Pincus, K. G. Messer, D. H. Schwartz, G. K. Lewis, B. S. Graham, W. A. Blattner, & G. Fisher, 1993. Differences in the antibody response to human immunodeficiency virus-1 envelope glycoprotein (gp160) in infected laboratory workers and vaccinees. *J Clin Invest* **91**:1987–96. On pp. 943, 1041, 1042, 1045, 1128 & 1133.
- [Pincus *et al.*, 1989] S. H. Pincus, K. Wehrly, & B. Chesebro, 1989. Treatment of hiv tissue culture infection with monoclonal antibody-ricin a chain conjugates. *J Immunol* **142**:3070–3075. On p. 943.
- [Pincus *et al.*, 1996] S. H. Pincus, K. Wehrly, R. Cole, H. Fang, G. K. Lewis, J. McClure, A. J. Conley, B. Wahren, M. R. Posner, A. L. Notkins, S. A. Tilley, A. Pinter, L. Eiden, M. Teintze, D. Dorward, & V. V. Tolstikov, 1996. In vitro effects of anti-hiv immunotoxins directed against multiple epitopes on hiv type 1 envelope glycoprotein 160. *AIDS Res Hum Retroviruses* **12**:1041–1051. On pp. 882, 916, 933, 935, 943, 992, 993, 1004, 1022, 1032, 1110, 1111, 1119, 1120, 1128 & 1132.
- [Pinter *et al.*, 2005] A. Pinter, W. J. Honnen, P. D'Agostino, M. K. Gorny, S. Zolla-Pazner, & S. C. Kayman, 2005. The C108g epitope in the V2 domain of gp120 functions as a potent neutralization target when introduced into envelope proteins derived from human immunodeficiency virus type 1 primary isolates. *J Virol* **79**(11):6909–6917. On pp. 926, 927, 961, 1022, 1023, 1036, 1037, 1051, 1053, 1119, 1140, 1141, 1183, 1219 & 1221.
- [Pinter *et al.*, 2004] A. Pinter, W. J. Honnen, Y. He, M. K. Gorny, S. Zolla-Pazner, & S. C. Kayman, 2004. The V1/V2 domain of gp120 is a global regulator of the sensitivity of primary human immunodeficiency virus type 1 isolates to neutralization by antibodies commonly induced upon infection. *J Virol* **78**(10):5205–5215. On pp. 928, 929, 961, 962, 1022, 1025, 1036, 1038, 1051, 1054, 1093, 1111, 1119, 1140, 1142, 1158, 1160, 1165, 1167, 1170, 1171, 1176, 1177, 1181, 1182, 1183 & 1187.
- [Pinter *et al.*, 1993a] A. Pinter, W. J. Honnen, M. E. Racho, & S. A. Tilley, 1993a. A potent, neutralizing human monoclonal antibody against a unique epitope overlapping the cd4-binding site of hiv-1 gp120 that is broadly conserved across north american and african viral isolates. *AIDS Res Hum Retroviruses* **9**:985–996. On pp. 961, 962, 1119 & 1120.
- [Pinter *et al.*, 1993b] A. Pinter, W. J. Honnen, & S. A. Tilley, 1993b. Conformational changes affecting the v3 and cd4-binding domains of human immunodeficiency virus type 1 gp120 associated with env processing and with binding of ligands to these sites. *J Virol* **67**:5692–5697. On pp. 948, 961, 962, 1110, 1111 & 1187.
- [Pinter *et al.*, 1989] A. Pinter, W. J. Honnen, S. A. Tilley, C. Bona, H. Zaghouni, M. K. Gorny, & S. Zolla-Pazner, 1989. Oligomeric structure of gp41, the transmembrane protein of human immunodeficiency virus type 1. *J Virol* **63**:2674–2679. On pp. 1002, 1003, 1017 & 1019.
- [Pinter *et al.*, 1995] C. Pinter, A. G. Siccardi, & A. Clivio, 1995. Production of human immunodeficiency virus by chronically infected cells grown in protein-free medium. *Cell Biol Int* **19**:507–515. On p. 1062.
- [Pinto *et al.*, 2003] A. R. Pinto, J. C. Fitzgerald, W. Giles-Davis, G. P. Gao, J. M. Wilson, & H. C. J. Ertl, 2003. Induction of CD8+ T cells to an HIV-1 antigen through a prime boost regimen with heterologous E1-deleted adenoviral vaccine carriers. *J Immunol* **171**(12):6774–6779. On p. 269.
- [Pinto *et al.*, 1999] L. A. Pinto, J. A. Berzofsky, K. R. Fowke, R. F. Little, F. Merced-Galindez, R. Humphrey, J. Ahlers, N. Dunlop, R. B. Cohen, S. M. Steinberg, P. Nara, G. M. Shearer, & R. Yarchoan, 1999. HIV-specific immunity following immunization with HIV synthetic. *AIDS* **13**:2003–12. On p. 482.
- [Pinto *et al.*, 1995] L. A. Pinto, J. Sullivan, J. A. Berzofsky, M. Clerici, H. A. Kessler, A. L. Landay, & G. M. Shearer, 1995. Env-specific cytotoxic T lymphocyte responses in HIV seronegative health care workers occupationally exposed to HIV-contaminated body fluids. *J Clin Invest* **96**:867–876. On pp. 460, 482, 503, 536, 753, 774, 790 & 803.
- [Piontkivska & Hughes, 2006] H. Piontkivska & A. L. Hughes, 2006. Patterns of sequence evolution at epitopes for host antibodies and cytotoxic T-lymphocytes in human immunodeficiency virus type 1. *Virus Res* **116**(1-2):98–105. On pp. 671 & 1216.
- [Pires *et al.*, 2004] A. Pires, J. Pido-Lopez, G. Moyle, B. Gazzard, F. Gotch, & N. Imami, 2004. Enhanced T-cell maturation, differentiation and function in HIV-1-infected individuals after growth hormone and highly active antiretroviral therapy. *Antivir Ther* **9**(1):67–75. On p. 667.
- [Pirofski *et al.*, 1993] L.-A. Pirofski, E. K. Thomas, & M. D. Scharff, 1993. Variable region gene utilization and mutation in a group of neutralizing murine anti-human immunodeficiency virus type 1 principal neutralizing determinant antibodies. *AIDS Res Hum Retroviruses* **9**:41–49. On pp. 929, 931, 952, 953, 970, 971 & 972.
- [Pitcher *et al.*, 1999] C. J. Pitcher, C. Quittner, D. M. Peterson, M. Connors, R. A. Koup, V. C. Maino, & L. J. Picker, 1999. HIV-1-specific CD4+ T cells are detectable in most individuals with active HIV-1 infection, but decline with prolonged viral suppression [see comments]. *Nat Med* **5**:518–25. On p. 725.
- [Plana *et al.*, 1998] M. Plana, F. Garcia, T. Gallart, J. M. Miro, & J. M. Gatell, 1998. Lack of t-cell proliferative response to hiv-1 antigens after 1 year of highly active antiretroviral treatment in early hiv-1 disease. immunology study group of spanish earth-1 study [letter]. *Lancet* **352**:1194–5. On pp. 725 & 808.
- [Plana *et al.*, 2004] M. Plana, F. Garcia, A. Oxenius, G. M. Ortiz, A. Lopez, A. Cruceta, G. Mestre, E. Fumero, C. Fagard, M. A. Sambat, F. Segura, J. M. Miró, M. Arnedo, L. Lopalcos, T. Pumarola, B. Hirschel,

- R. E. Phillips, D. F. Nixon, T. Gallart, & J. M. Gatell, 2004. Relevance of HIV-1-specific CD4+ helper T-cell responses during structured treatment interruptions in patients with CD4+ T-cell nadir above 400/mm³. *J Acquir Immune Defic Syndr* **36**(3):791–799. On pp. 64, 85, 111, 124, 131, 136, 146, 155, 165, 176, 181, 190, 235, 248, 252, 254, 286, 292, 293, 297, 303, 306, 311, 318, 323, 326, 329, 354, 362, 364, 376, 434, 444, 453, 476, 523, 529, 542, 565, 576, 581, 584, 608, 613, 616, 626, 627, 646, 652 & 731.
- [Pogue *et al.*, 1995] R. R. Pogue, J. Eron, J. A. Frelinger, & M. Matsui, 1995. Amino-terminal alteration of the hla-a*0201-restricted human immunodeficiency virus pol peptide increases complex stability and in vitro immunogenicity. *Proc Natl Acad Sci USA* **92**:8166–8170. On p. 341.
- [Poignard *et al.*, 1996a] P. Poignard, T. Fouts, D. Nanche, J. P. Moore, & Q. J. Sattentau, 1996a. Neutralizing antibodies to human immunodeficiency virus type-1 gp120 induce envelope glycoprotein subunit dissociation. *J Exp Med* **183**:473–484. On pp. 929, 930, 931, 932, 940, 952, 970, 980, 985, 986, 987, 1002, 1003, 1113, 1115, 1116, 1140, 1150, 1159, 1164, 1166 & 1169.
- [Poignard *et al.*, 1996b] P. Poignard, P. J. Klasse, & Q. J. Sattentau, 1996b. Antibody neutralization of hiv-1. *Immunol Today* **17**:239–246. On pp. 1022, 1032, 1052, 1061, 1140 & 1150.
- [Poignard *et al.*, 2003] P. Poignard, M. Moulard, E. Golez, V. Vivona, M. Franti, S. Venturini, M. Wang, P. W. H. I. Parren, & D. R. Burton, 2003. Heterogeneity of envelope molecules expressed on primary human immunodeficiency virus type 1 particles as probed by the binding of neutralizing and nonneutralizing antibodies. *J Virol* **77**(1):353–365. On pp. 958, 1036, 1038, 1109, 1128, 1129, 1140, 1144 & 1157.
- [Poignard *et al.*, 1999] P. Poignard, R. Sabbe, G. R. Picchio, M. Wang, R. J. Gulizia, H. Katinger, P. W. Parren, D. E. Mosier, & D. R. Burton, 1999. Neutralizing antibodies have limited effects on the control of established hiv-1 infection in vivo. *Immunity* **10**:431–8. On pp. 1022, 1031, 1051, 1059, 1140 & 1148.
- [Poignard *et al.*, 2001] P. Poignard, E. O. Saphire, P. W. Parren, & D. R. Burton, 2001. gp120: Biologic aspects of structural features. *Annu Rev Immunol* **19**:253–74. On pp. 1051, 1058, 1140, 1146, 1158 & 1162.
- [Pollock *et al.*, 1989] B. J. Pollock, A. S. McKenzie, B. E. Kemp, D. A. McPhee, & A. J. F. D'Apice, 1989. Human monoclonal antibodies to hiv-1: cross-reactions with gag and env proteins. *Clin Exp Immunol* **78**:323–328. On p. 1205.
- [Polonis *et al.*, 2003] V. R. Polonis, M. S. de Souza, J. M. Darden, S. Chantakulkij, T. Chuenchitra, S. Nitayaphan, A. E. Brown, M. L. Robb, & D. L. Birx, 2003. Human immunodeficiency virus type 1 primary isolate neutralization resistance is associated with the syncytium-inducing phenotype and lower CD4 cell counts in subtype CRF01_AE-infected patients. *J Virol* **77**(15):8570–8576. On p. 1089.
- [Poluektova *et al.*, 2002] L. Y. Poluektova, D. H. Munn, Y. Persidsky, & H. E. Gendelman, 2002. Generation of cytotoxic T cells against virus-infected human brain macrophages in a murine model of HIV-1 encephalitis. *J Immunol* **168**(8):3941–3949. On pp. 97 & 343.
- [Polydefkis *et al.*, 1990] M. Polydefkis, S. Koenig, C. Flexner, E. Obah, K. Gebo, S. Chakrabarti, P. L. Earl, B. Moss, & R. F. Siliciano, 1990. Anchor sequence-dependent endogenous processing of human immunodeficiency virus 1 envelope glycoprotein gp160 for cd4+ t-cell recognition. *J Exp Med* **171**:875–887. On p. 787.
- [Porgador *et al.*, 1997] A. Porgador, H. F. Staats, B. Faiola, E. Gilboa, & T. J. Palker, 1997. Intranasal immunization with ctt epitope peptides from hiv-1 or ovalbumin and the mucosal adjuvant cholera toxin induces peptide-specific ctls and protection against tumor development in vivo. *J Immunol* **158**:834–41. On p. 480.
- [Posner *et al.*, 1992a] M. Posner, L. Cavacini, C. Emes, J. Power, M. Gorny, & S. Zolla-Pazner, 1992a. Human monoclonal antibodies to the v3 loop of gp120 mediate variable and distinct effects on binding and viral neutralization by a human monoclonal antibody to the cd4 binding site. *J Cell Biochem Suppl* **0**(16 part E):69. On pp. 1128 & 1133.
- [Posner *et al.*, 1993] M. R. Posner, L. A. Cavacini, C. L. Emes, J. Power, & R. Byrn, 1993. Neutralization of hiv-1 by f105, a human monoclonal antibody to the cd4 binding site of gp120. *J Acquir Immune Defic Syndr* **6**:7–14. On pp. 1128 & 1133.
- [Posner *et al.*, 1995] M. R. Posner, L. A. Cavacini, J. Gambertoglio, C. Spino, E. Wolfe, C. Trapnell, N. Ketter, S. Hammer, & M. Samore, 1995. An actg phase ia safety and pharmacokinetic trial of immunotherapy with the anti-cd4 binding site human monoclonal antibody f105. *Natl Conf Hum Retroviruses Relat Infect (2nd)* **1995**:150. On pp. 1128 & 1132.
- [Posner *et al.*, 1992b] M. R. Posner, H. S. Elboim, T. Cannon, L. Cavacini, & T. Hideshima, 1992b. Functional activity of an hiv-1 neutralizing igg human monoclonal antibody: Adcc and complement-mediated lysis. *AIDS Res Hum Retroviruses* **8**:553–558. On pp. 1128 & 1133.
- [Posner *et al.*, 1991] M. R. Posner, T. Hideshima, T. Cannon, M. Mukherjee, K. H. Mayer, & R. A. Byrn, 1991. An igg human monoclonal antibody that reacts with hiv-1/gp120, inhibits virus binding to cells, and neutralizes infection. *J Immunol* **146**:4325–4332. On pp. 1128 & 1133.
- [Potts *et al.*, 1993] B. J. Potts, K. G. Field, Y. Wu, M. Posner, L. Cavacini, & M. White-Scharf, 1993. Synergistic inhibition of hiv-1 by cd4 binding domain reagents and v3-directed monoclonal antibodies. *Virology* **197**:415–419. On pp. 951, 952, 964, 971, 976, 1128 & 1133.
- [Poumbourios *et al.*, 1995] P. Poumbourios, W. E. Ahmar, D. A. McPhee, & B. E. Kemp, 1995. Determinants of human immunodeficiency virus type 1 envelope glycoprotein oligomeric structure. *J Virol* **69**:1209–1218. On pp. 1001 & 1203.
- [Poumbourios *et al.*, 1992] P. Poumbourios, D. A. McPhee, & B. E. Kemp, 1992. Antibody epitopes sensitive to the state of human immunodeficiency virus type 1 gp41 oligomerization map to a putative alpha-helical region. *AIDS Res Hum Retroviruses* **8**:2055–2062. On pp. 999, 1001 & 1013.
- [Pozzi *et al.*, 1994] G. Pozzi, M. R. Oggioni, R. Manganelli, D. Medaglini, V. A. Fischetti, D. Fenoglio, M. T. Valle, A. Kunkl, & F. Manca, 1994. Human T-helper cell recognition of an immunodominant epitope of HIV-1 gp120 expressed on the surface of *Streptococcus gordonii*. *Vaccine* **12**(12):1071–1077. On p. 766.
- [Price *et al.*, 1997] D. A. Price, P. J. Goulder, P. Klenerman, A. K. Sewell, P. J. Easterbrook, M. Troop, C. R. Bangham, & R. E. Phillips, 1997. Positive selection of hiv-1 cytotoxic t lymphocyte escape variants during primary infection. *Proc Natl Acad Sci USA* **94**:1890–5. On pp. 76 & 599.
- [Price *et al.*, 2003] D. A. Price, G. Scullard, A. Oxenius, R. Braganza, S. A. Beddows, S. Kazmi, J. R. Clarke, G. E. Johnson, J. N. Weber, & R. E. Phillips, 2003. Discordant outcomes following failure of antiretroviral therapy are associated with substantial differences in human immunodeficiency virus-specific cellular immunity. *J Virol* **77**(10):6041–6049. On p. 666.
- [Price *et al.*, 1995] P. Price, R. P. Johnson, D. T. Scadden, C. Jassoy, T. Rosenthal, S. Kalams, & B. D. Walker, 1995. Cytotoxic cd8+ t lymphocytes reactive with human immunodeficiency virus-1 produce granulocyte/macrophage colony-stimulating factor and variable amounts of interleukins 2, 3, and 4 following stimulation with the cognate epitope. *Clin Immunol Immunopathol* **74**:100–106. On pp. 229, 313, 358, 371, 516 & 537.

- [Propato *et al.*, 2001] A. Propato, E. Schiaffella, E. Vicenzi, V. Francavilla, L. Baloni, M. Paroli, L. Finocchi, N. Tanigaki, S. Ghezzi, R. Ferrara, R. Chesnut, B. Livingston, A. Sette, R. Paganelli, F. Aiuti, G. Poli, & V. Barnaba, 2001. Spreading of HIV-specific CD8+ T-cell repertoire in long-term nonprogressors and its role in the control of viral load and disease activity. *Hum Immunol* **62**(6):561–76. On pp. 96, 126, 127, 186, 250, 272, 273, 275, 279, 280, 288, 297, 312, 313, 331, 356, 375, 377, 382, 384, 388, 419, 420, 451, 454, 464, 510, 577, 641 & 642.
- [Pugach *et al.*, 2004] P. Pugach, S. E. Kuhmann, J. Taylor, A. J. Marozsan, A. Snyder, T. Ketas, S. M. Wolinsky, B. T. Korber, & J. P. Moore, 2004. The prolonged culture of human immunodeficiency virus type 1 in primary lymphocytes increases its sensitivity to neutralization by soluble CD4. *Virology* **321**(1):8–22. On pp. 1022, 1025, 1033, 1034, 1036, 1038, 1051, 1054, 1136, 1137, 1138, 1140 & 1143.
- [Puro *et al.*, 2000] V. Puro, G. Calcagno, M. Anselmo, G. Benvenuto, D. Trabattoni, M. Clerici, & G. Ippolito, 2000. Transient detection of plasma HIV-1 RNA during postexposure prophylaxis. *Infect Control Hosp Epidemiol* **21**(8):529–531. On p. 813.
- [Purtscher *et al.*, 1996] M. Purtscher, A. Trkola, A. Grassauer, P. M. Schulz, A. Klima, S. Dopfer, G. Gruber, A. Buchacher, T. Muster, & H. Katinger, 1996. Restricted antigenic variability of the epitope recognized by the neutralizing gp41 antibody 2f5. *AIDS* **10**:587–593. On pp. 1022 & 1032.
- [Purtscher *et al.*, 1994] M. Purtscher, A. Trkola, G. Gruber, A. Buchacher, R. Predl, F. Steindl, C. Tauer, R. Berger, N. Barrett, A. Jungbauer, & H. Katinger, 1994. A broadly neutralizing human monoclonal antibody against gp41 of human immunodeficiency virus type 1. *AIDS Res Hum Retroviruses* **10**:1651–1658. On pp. 1022, 1032, 1050, 1051 & 1062.
- [Qian & Tomer, 1998] X. H. Qian & K. B. Tomer, 1998. Affinity capillary electrophoresis investigation of an epitope on human immunodeficiency virus recognized by a monoclonal antibody. *Electrophoresis* **19**:415–9. On p. 871.
- [Qiao *et al.*, 2005] Z.-S. Qiao, M. Kim, B. Reinhold, D. Montefiori, J.-h. Wang, & E. L. Reinherz, 2005. Design, expression, and immunogenicity of a soluble HIV trimeric envelope fragment adopting a prefusion gp41 configuration. *J Biol Chem* **280**(24):23138–23146. On p. 1226.
- [Qiu *et al.*, 2000] J. T. Qiu, B. Liu, C. Tian, & G. N. P. X. F. Yu, 2000. Enhancement of primary and secondary cellular immune responses against human immunodeficiency virus type 1 gag by using DNA expression vectors that target Gag antigen to the secretory pathway. *J Virol* **74**:5977–6005. On pp. 259 & 722.
- [Qiu *et al.*, 1999] J. T. Qiu, R. Song, M. Dettenhofer, C. Tian, T. August, B. K. Felber, G. N. Pavlakis, & X. F. Yu, 1999. Evaluation of novel human immunodeficiency virus type 1 gag dna vaccines for protein expression in mammalian cells and induction of immune responses. *J Virol* **73**:9145–52. On p. 166.
- [Quaranta *et al.*, 2004] M. G. Quaranta, B. Mattioli, L. Giordani, & M. Viora, 2004. HIV-1 Nef equips dendritic cells to reduce survival and function of CD8+ T cells: A mechanism of immune evasion. *FASEB J* **18**(12):1459–1461. On p. 669.
- [Quayle *et al.*, 1998] A. J. Quayle, W. M. Coston, A. K. Trocha, S. A. Kalams, K. H. Mayer, & D. J. Anderson, 1998. Detection of hiv-1-specific ctls in the semen of hiv-infected individuals. *J Immunol* **161**:4406–10. On p. 232.
- [Radaelli *et al.*, 2003] A. Radaelli, C. Zanotto, G. Perletti, V. Elli, E. Vicenzi, G. Poli, & C. De Giulio Morghen, 2003. Comparative analysis of immune responses and cytokine profiles elicited in rabbits by the combined use of recombinant fowlpox viruses, plasmids and virus-like particles in prime-boost vaccination protocols against SHIV. *Vaccine* **21**(17-18):2052–2064. On pp. 813, 1088 & 1089.
- [Raja *et al.*, 2003] A. Raja, M. Venturi, P. Kwong, & J. Sodroski, 2003. CD4 binding site antibodies inhibit human immunodeficiency virus gp120 envelope glycoprotein interaction with CCR5. *J Virol* **77**(1):713–718. On pp. 1051, 1055, 1106, 1113, 1114, 1128, 1129, 1133, 1134, 1140 & 1144.
- [Ramakrishna *et al.*, 2004] L. Ramakrishna, K. K. Anand, M. Mahalingam, K. M. Mohankumar, S. Ramani, N. B. Siddappa, & U. Ranga, 2004. Codon optimization and ubiquitin conjugation of human immunodeficiency virus-1 Tat lead to enhanced cell-mediated immune responses. *Vaccine* **22**(20):2586–2598. On p. 744.
- [Ramduth *et al.*, 2005] D. Ramduth, P. Chetty, N. C. Mngquandaniso, N. Nene, J. D. Harlow, I. Honeyborne, N. Ntumba, S. Gappoo, C. Henry, P. Jeena, M. M. Addo, M. Altfeld, C. Brander, C. Day, H. Coovadia, P. Kiepiela, P. Goulder, & B. Walker, 2005. Differential immunogenicity of HIV-1 clade C proteins in eliciting CD8+ and CD4+ cell responses. *J Infect Dis* **192**(9):1588–1596. On pp. 269 & 829.
- [Ranki *et al.*, 1994] A. Ranki, A. Lagerstedt, V. Ovod, E. Aavik, & K. Krohn, 1994. Expression kinetics and subcellular localization of hiv-1 regulatory proteins nef and tat in established lymphoid cell lines. *Arch Virol* **139**:365–378. On p. 909.
- [Ranki *et al.*, 1995] A. Ranki, M. Nyberg, V. Ovod, M. Haltia, I. Elovaara, R. Raininko, H. Haapasalo, & K. Krohn, 1995. Abundant expression of hiv nef and rev proteins in brain astrocytes in vivo is associated with dementia. *AIDS* **9**:1001–1008. On pp. 901, 909, 1207, 1211, 1212, 1213 & 1214.
- [Ranki *et al.*, 1997] A. Ranki, J. Suni, V. Blazevic, P. Holmstrom, S. Mattinen, K. Krohn, & S. L. Valle, 1997. T-cell recognition of hiv antigens in hiv-seroreverted persons. *AIDS* **11**(1):132–133. On pp. 742, 743, 744, 748 & 821.
- [Rao *et al.*, 2004] M. Rao, G. R. Matyas, T. C. Vancott, D. L. Birx, & C. R. Alving, 2004. Immunostimulatory CpG motifs induce CTL responses to HIV type I oligomeric gp140 envelope protein. *Immunol Cell Biol* **82**(5):523–530. On p. 556.
- [Rasmussen *et al.*, 2002] R. A. Rasmussen, R. Hofmann-Lehman, D. C. Montefiori, P. L. Li, V. Liska, J. Vlasak, T. W. Baba, J. E. Schmitz, M. J. Kuroda, H. L. Robinson, H. M. McClure, S. Lu, S.-L. Hu, T. A. Rizvi, & R. M. Ruprecht, 2002. DNA prime/protein boost vaccine strategy in neonatal macaques against simian human immunodeficiency virus. *J Med Primatol* **31**(1):40–60. On p. 1095.
- [Ratto-Kim *et al.*, 2003] S. Ratto-Kim, L. D. Loomis-Price, N. Aronson, J. Grimes, C. Hill, C. Williams, R. El Habib, D. L. Birx, & J. H. Kim, 2003. Comparison between env-specific T-cell epitopic responses in HIV-1-uninfected adults immunized with combination of ALVAC-HIV(vCP205) plus or minus rgp160MN/LAI-2 and HIV-1-infected adults. *J Acquir Immune Defic Syndr* **32**(1):9–17. On p. 813.
- [Ratto-Kim *et al.*, 1999] S. Ratto-Kim, K. V. Sitz, R. P. Garner, J. H. Kim, C. Davis, N. Aronson, N. Ruiz, K. Tencer, R. R. Redfield, & D. L. Birx, 1999. Repeated immunization with recombinant gp160 human immunodeficiency virus (hiv) envelope protein in early hiv-1 infection: evaluation of the t cell proliferative response. *J Infect Dis* **179**:337–44. On p. 808.
- [Raviv *et al.*, 2005] Y. Raviv, M. Viard, J. W. Bess, Jr., E. Chertova, & R. Blumenthal, 2005. Inactivation of retroviruses with preservation of structural integrity by targeting the hydrophobic domain of the viral envelope. *J Virol* **79**(19):12394–12400. On pp. 1033, 1051, 1053, 1097, 1140 & 1141.
- [Ray *et al.*, 1998] S. C. Ray, N. Lubaki, B. R. Dhruva, R. F. Siliciano, & R. C. Bollinger, 1998. Autologous strain-specific cytolytic t lymphocyte responses directed against human immunodeficiency virus type 1 env. *AIDS Res Hum Retroviruses* **14**:3–13. On p. 502.

HIV Immunology References

- [Rayevskaya *et al.*, 2003] M. Rayevskaya, N. Kushnir, & F. R. Frankel, 2003. Anti-human immunodeficiency virus-gag CD8+ memory T cells generated in vitro from Listeria-immunized mice. *Immunology* **109**(3):450–460. On p. 169.
- [Rayevskaya & Frankel, 2001] M. V. Rayevskaya & F. R. Frankel, 2001. Systemic immunity and mucosal immunity are induced against human immunodeficiency virus Gag protein in mice by a new hyperattenuated strain of Listeria monocytogenes. *J Virol* **75**(6):2786–91. On p. 167.
- [Reid *et al.*, 1996] S. Reid, S. McAdam, K. Smith, P. Klenerman, C. O'Callaghan, K. Harlos, B. Jakobsen, A. McMichael, J. Bell, D. Stuart, & E. Jones, 1996. Antagonist hiv-1 gag peptides induce structural changes in hla b8. *J Exp Med* **184**:2279–2286. On pp. 75 & 76.
- [Reitter *et al.*, 1998] J. N. Reitter, R. E. Means, & R. C. Desrosiers, 1998. A role for carbohydrates in immune evasion in AIDS. *Nat Med* **4**(6):679–84. On p. 1079.
- [Reitz *et al.*, 1988] M. S. Reitz, Jr., C. Wilson, C. Naugle, & M. Robert-Guroff, 1988. Generation of a neutralization-resistant variant of hiv-1 is due to selection for a point mutation in the envelope gene. *Cell* **54**:57–63. On pp. 970, 971, 974, 975, 1194 & 1195.
- [Ren *et al.*, 2005] X. Ren, J. Sodroski, & X. Yang, 2005. An unrelated monoclonal antibody neutralizes human immunodeficiency virus type 1 by binding to an artificial epitope engineered in a functionally neutral region of the viral envelope glycoproteins. *J Virol* **79**(9):5616–5624. On pp. 1022, 1024, 1140, 1141 & 1223.
- [Rezacova *et al.*, 2002] P. Rezacova, J. Brynda, M. Fabry, M. Horejsi, R. Stouracova, J. Lescar, V. Chitarrá, M. M. Riottot, J. Sedlacek, & G. A. Bentley, 2002. Inhibition of HIV protease by monoclonal antibodies. *J Mol Recognit* **15**(5):272–276. On p. 886.
- [Rezacova *et al.*, 2001] P. Rezacova, J. Lescar, J. Brynda, M. Fabry, M. Horejsi, J. Sedlacek, & G. A. Bentley, 2001. Structural basis of HIV-1 and HIV-2 protease inhibition by a monoclonal antibody. *Structure* **9**(10):887–895. On p. 886.
- [Richards *et al.*, 2004] R. L. Richards, M. Rao, T. C. Vancott, G. R. Matyas, D. L. Bix, & C. R. Alving, 2004. Liposome-stabilized oil-in-water emulsions as adjuvants: Increased emulsion stability promotes induction of cytotoxic T lymphocytes against an HIV envelope antigen. *Immunol Cell Biol* **82**(5):531–8. On p. 483.
- [Richardson *et al.*, 2003] M. W. Richardson, J. Mirchandani, J. Duong, S. Grimaldo, V. Kocieda, H. Hendel, K. Khalili, J.-F. Zagury, & J. Rappaport, 2003. Antibodies to Tat and Vpr in the GRIV cohort: Differential association with maintenance of long-term non-progression status in HIV-1 infection. *Biomed Pharmacother* **57**(1):4–14. On pp. 900, 906 & 907.
- [Richardson *et al.*, 2002] M. W. Richardson, J. Mirchandani, P. Silvera, E. G. Régulier, C. Capini, P. M. Bojczuk, J. Hu, E. J. Gracely, J. D. Boyer, K. Khalili, J.-F. Zagury, M. G. Lewis, & J. Rappaport, 2002. Immunogenicity of HIV-1 IIIB and SHIV 89.6P Tat and Tat toxoids in rhesus macaques: Induction of humoral and cellular immune responses. *DNA Cell Biol* **21**(9):637–651. On pp. 906 & 907.
- [Richardson *et al.*, 1996] T. M. Richardson, Jr., B. L. Stryjewski, C. C. Broder, J. A. Hoxie, J. R. Mascola, P. L. Earl, & R. W. Doms, 1996. Humoral response to oligomeric human immunodeficiency virus type 1 envelope protein. *J Virol* **70**:753–62. On pp. 1011, 1016, 1068, 1069, 1075, 1125, 1127 & 1191.
- [Richman *et al.*, 2003] D. D. Richman, T. Wrin, S. J. Little, & C. J. Petropoulos, 2003. Rapid evolution of the neutralizing antibody response to HIV type 1 infection. *Proc Natl Acad Sci USA* **100**(7):4144–4149. On pp. 1022, 1027, 1051 & 1056.
- [Rinaldo *et al.*, 2000] C. R. Rinaldo, Jr., X. L. Huang, Z. Fan, J. B. Margolick, L. Borowski, A. Hoji, C. Kalinyak, D. K. McMahon, S. A. Riddler, W. H. Hildebrand, R. B. Day, & J. W. Mellors, 2000. Anti-human immunodeficiency virus type 1 (HIV-1) CD8(+) T-lymphocyte reactivity during combination antiretroviral therapy in HIV-1-infected patients with advanced immunodeficiency. *J Virol* **74**(9):4127–38. On pp. 90, 137, 338 & 466.
- [Rini *et al.*, 1993] J. M. Rini, E. A. Stura, P. A. Salinas, A. T. Profy, & I. A. Wilson, 1993. Crystal structure of a human immunodeficiency virus type 1 neutralizing antibody, 50.1, in complex with its v3 loop peptide antigen. *Proc Natl Acad Sci USA* **90**:6325–6329. On pp. 951 & 952.
- [Rizzuto & Sodroski, 2000] C. Rizzuto & J. Sodroski, 2000. Fine definition of a conserved CCR5-binding region on the human immunodeficiency virus type 1 glycoprotein 120. *AIDS Res Hum Retroviruses* **16**(8):741–749. On pp. 1158 & 1163.
- [Rizzuto *et al.*, 1998] C. D. Rizzuto, R. Wyatt, N. Hernandez-Ramos, Y. Sun, P. D. Kwong, W. A. Hendrickson, & J. Sodroski, 1998. A conserved hiv gp120 glycoprotein structure involved in chemokine receptor binding. *Science* **280**:1949–53. On pp. 1159, 1163, 1164, 1203 & 1204.
- [Robbins *et al.*, 2003] G. K. Robbins, M. M. Addo, H. Truong, A. Rathod, K. Habeeb, B. Davis, H. Heller, N. Basgoz, B. D. Walker, & E. S. Rosenberg, 2003. Augmentation of HIV-1-specific T helper cell responses in chronic HIV-1 infection by therapeutic immunization. *AIDS* **17**(8):1121–1126. Comment in AIDS. 2003 May 23;17(8):1249–51, PMID 12819528. On pp. 665, 730 & 1282.
- [Roben *et al.*, 1994] P. Roben, J. P. Moore, M. Thali, J. Sodroski, C. F. Barbas III, & D. R. Burton, 1994. Recognition properties of a panel of human recombinant fab fragments to the cd4 binding site of gp120 that show differing abilities to neutralize human immunodeficiency virus type 1. *J Virol* **68**:4821–4828. On pp. 1140 & 1150.
- [Robert-Guroff, 2000] M. Robert-Guroff, 2000. IgG surfaces as an important component in mucosal protection. *Nat Med* **6**(2):129–130. On pp. 1022, 1030, 1051, 1059, 1128 & 1131.
- [Robert-Guroff *et al.*, 1994] M. Robert-Guroff, A. Louie, M. Myagkikh, F. Michaels, M. P. Kieny, M. E. White-Scharf, B. Potts, D. Grogg, & M. S. Reitz, Jr., 1994. Alteration of v3 loop context within the envelope of human immunodeficiency virus type 1 enhances neutralization. *J Virol* **68**:3459–3466. On pp. 951 & 952.
- [Robert-Hebmann *et al.*, 1992a] V. Robert-Hebmann, S. Emiliani, F. Jean, M. Resnicoff, & C. Devaux, 1992a. Clonal analysis of murine b-cell response to the human immunodeficiency virus type 1 (hiv-1)-gag p17 and p25 antigens. *Mol Immunol* **29**:729–738. On pp. 861, 865, 866, 868, 869, 870, 872, 874 & 875.
- [Robert-Hebmann *et al.*, 1992b] V. Robert-Hebmann, S. Emiliani, M. Resnicoff, F. Jean, & C. Devaux, 1992b. Subtyping of human immunodeficiency virus isolates with a panel of monoclonal antibodies: identification of conserved and divergent epitopes on p17 and p25 core proteins. *Mol Immunol* **29**:1175–1183. On pp. 861, 865, 866, 868, 869, 870, 872, 874 & 875.
- [Robertson *et al.*, 1993] M. N. Robertson, F. Buseyne, O. Schwartz, & Y. Riviere, 1993. Efficient antigen presentation to cytotoxic t lymphocytes by cells transduced with a retroviral vector expressing the hiv-1 nef protein. *AIDS Res Hum Retroviruses* **9**:1217–1223. On pp. 572 & 597.
- [Robinson, 2003] H. L. Robinson, 2003. T cells versus HIV-1: Fighting exhaustion as well as escape. *Nat Immunol* **4**(1):12–13. On p. 667.
- [Robinson *et al.*, 1992] J. Robinson, H. Yoshizama, D. Holton, S. Elliot, & D. D. Ho, 1992. Distinct antigenic sites on hiv gp120 identified by a panel of human monoclonal antibodies. *J Cell Biochem Suppl* **16E**:71. On pp. 1099 & 1106.

- [Robinson *et al.*, 1990a] J. E. Robinson, D. Holton, S. Pacheco-Morell, J. Liu, & H. McMurdo, 1990a. Identification of conserved and variable epitopes of human immunodeficiency virus type-1 (hiv-1) gp120 by human monoclonal antibodies produced by ebv transformed cell lines. *AIDS Res Hum Retroviruses* **6**:567–579. On pp. 977, 1073 & 1113.
- [Robinson *et al.*, 1991] W. E. Robinson, M. K. Gorny, J.-Y. Xu, W. M. Mitchell, & S. Zolla-Pazner, 1991. Two immunodominant domains of gp41 bind antibodies which enhance human immunodeficiency virus type 1 infection in vitro. *J Virol* **65**:4169–4176. On pp. 880, 881, 1002, 1003, 1007, 1008, 1009, 1010, 1017, 1019, 1050 & 1197.
- [Robinson *et al.*, 1990b] W. E. Robinson, Jr., T. Kawamura, M. K. Gorny, D. Lake, J.-Y. Xu, Y. Matsumoto, T. Sugano, Y. Masuho, W. M. Mitchell, E. Hersh, & S. Zolla-Pazner, 1990b. Human monoclonal antibodies to the human immunodeficiency virus type 1 (hiv-1) transmembrane glycoprotein gp41 enhance hiv-1 infection in vitro. *Proc Natl Acad Sci USA* **87**:3185–3189. On pp. 868, 880, 881, 882, 1005, 1006, 1017, 1019, 1050, 1073 & 1197.
- [Robinson *et al.*, 1990c] W. E. Robinson, Jr., T. Kawamura, D. Lake, Y. Masuho, W. M. Mitchell, & E. M. Hersh, 1990c. Antibodies to the primary immunodominant domain of human immunodeficiency virus type 1 (hiv-1) glycoprotein gp41 enhance hiv-1 infection in vitro. *J Virol* **64**:5301–5305. On pp. 1005 & 1006.
- [Rodés *et al.*, 2004] B. Rodés, C. Toro, E. Paxinos, E. Poveda, M. Martínez-Padial, J. M. Benito, V. Jimenez, T. Wrin, S. Bassani, & V. Soriano, 2004. Differences in disease progression in a cohort of long-term non-progressors after more than 16 years of HIV-1 infection. *AIDS* **18**(8):1109–1116. On p. 667.
- [Rodríguez *et al.*, 1999] D. Rodríguez, J. R. Rodríguez, M. Llorente, I. Vázquez, P. Lucas, M. Esteban, C. Martínez-A., & G. del Real, 1999. A human immunodeficiency virus type 1 Env-granulocyte-macrophage colony-stimulating factor fusion protein enhances the cellular immune response to Env in a vaccinia virus-based vaccine. *J Gen Virol* **80**(1):217–23. On pp. 809, 1049 & 1078.
- [Rodríguez *et al.*, 2004] W. R. Rodríguez, M. M. Addo, A. Rathod, C. A. Fitzpatrick, X. G. Yu, B. Perkins, E. S. Rosenberg, M. Altfeld, & B. D. Walker, 2004. CD8+ T lymphocyte responses target functionally important regions of Protease and Integrase in HIV-1 infected subjects. *J Transl Med* **2**(1):15. On pp. 275, 381 & 387.
- [Rollman *et al.*, 2004] E. Rollman, J. Hinkula, J. Arteaga, B. Zuber, A. Kjerrström, M. Liu, B. Wahren, & K. Ljungberg, 2004. Multi-subtype gp160 DNA immunization induces broadly neutralizing anti-HIV antibodies. *Gene Ther* **11**(14):1146–1154. On p. 1093.
- [Root *et al.*, 2001] M. J. Root, M. S. Kay, & P. S. Kim, 2001. Protein design of an HIV-1 entry inhibitor. *Science* **291**(5505):884–8. On pp. 1022 & 1029.
- [Rosenberg *et al.*, 1997] E. S. Rosenberg, J. M. Billingsley, A. M. Caliendo, S. L. Boswell, P. E. Sax, S. A. Kalams, & B. D. Walker, 1997. Vigorous hiv-1-specific cd4+ t cell responses associated with control of viremia. *Science* **278**:1447–50. See M. Balter, *Science* **278**:1399–1400 for comments. On pp. 697, 700, 704, 707, 710 & 807.
- [Rosenberg *et al.*, 1999] E. S. Rosenberg, L. LaRosa, T. Flynn, G. Robbins, & B. D. Walker, 1999. Characterization of hiv-1-specific t-helper cells in acute and chronic infection. *Immunol Lett* **66**:89–93. On p. 724.
- [Rosenberg & Walker, 1998] E. S. Rosenberg & B. D. Walker, 1998. Hiv type 1-specific helper t cells: a critical host defense. *AIDS Res Hum Retroviruses* **14 Suppl 2**:S143–7. On p. 725.
- [Ross *et al.*, 2001] T. M. Ross, Y. Xu, T. D. Green, D. C. Montefiori, & H. L. Robinson, 2001. Enhanced avidity maturation of antibody to human immunodeficiency virus envelope: DNA vaccination with gp120-C3d fusion proteins. *AIDS Res Hum Retroviruses* **17**(9):829–35. On p. 1082.
- [Rossi *et al.*, 1989] P. Rossi, V. Moschese, P. A. Broliden, C. Fundaró, I. Quinti, A. Plebani, C. Giaquinto, P. A. Tovo, K. Ljunggren, J. Rosen, J. Wigzell, J. Jondal, & W. B., 1989. Presence of maternal antibodies to human immunodeficiency virus 1 envelope glycoprotein gp120 epitopes correlates with the uninfected status of children born to seropositive mothers. *Proc Natl Acad Sci USA* **86**(20):8055–8058. On p. 1097.
- [Rouaix *et al.*, 1994] F. Rouaix, H. Gras-Masse, C. Mazingue, P. R. Ridel, E. Diesis, M. Marguerite, J. Estaquier, A. Capron, A. Tartar, & C. Auriault, 1994. Improvement of the T-cell response to a non immunogenic peptide by its tandem association with a highly efficient T-helper peptide. *Immunopharmacology* **28**(3):215–222. On p. 816.
- [Rovinski *et al.*, 1995] B. Rovinski, L. Rodrigues, S. X. Cao, F. L. Yao, U. McGuinness, C. Sia, G. Cates, S. Zolla-Pazner, S. Karwowska, T. J. Matthews, C. B. McDanal, J. Mascola, & M. H. Klein, 1995. Induction of hiv type 1 neutralizing and env-cd4 blocking antibodies by immunization with genetically engineered hiv type 1-like particles containing unprocessed gp160 glycoproteins. *AIDS Res Hum Retroviruses* **11**:1187–1195. On pp. 972 & 1203.
- [Rowland-Jones, 1995] S. Rowland-Jones, 1995. Personal communication. On p. 312.
- [Rowland-Jones *et al.*, 1998a] S. Rowland-Jones, T. Dong, P. Krausa, J. Sutton, H. Newell, K. Ariyoshi, F. Gotch, S. Sabally, T. Corrah, J. Kimani, K. MacDonald, F. Plummer, J. Ndinya-Achola, H. Whittle, & A. McMichael, 1998a. The role of cytotoxic t cells in hiv infection. *Dev Biol Stand* **92**:209–14. On pp. 103, 163, 223, 229, 316, 321, 347, 373, 512, 579, 624, 636 & 650.
- [Rowland-Jones *et al.*, 1997] S. Rowland-Jones, R. Tan, & A. McMichael, 1997. Role of cellular immunity in protection against hiv infection. *Adv Immunol* **65**:277–346. On p. 202.
- [Rowland-Jones *et al.*, 1999] S. L. Rowland-Jones, T. Dong, L. Dorrell, G. Ogg, P. Hansasuta, P. Krausa, J. Kimani, S. Sabally, K. Ariyoshi, J. Oyugi, K. S. MacDonald, J. Bwayo, H. Whittle, F. A. Plummer, & A. J. McMichael, 1999. Broadly cross-reactive hiv-specific cytotoxic t lymphocytes in highly- exposed persistently seronegative donors. *Immunol Lett* **66**:9–14. On pp. 78, 124, 158, 171, 183, 189, 203, 207, 224, 316, 499, 513, 520 & 580.
- [Rowland-Jones *et al.*, 1998b] S. L. Rowland-Jones, T. Dong, K. R. Fowke, J. Kimani, P. Krausa, H. Newell, T. Blanchard, K. Ariyoshi, J. Oyugi, E. Ngugi, J. Bwayo, K. S. MacDonald, A. J. McMichael, & F. A. Plummer, 1998b. Cytotoxic T cell responses to multiple conserved HIV epitopes in HIV-resistant prostitutes in nairobi. *J Clin Invest* **102**(9):1758–65. On pp. 114, 136, 138, 164, 188, 209, 227, 273, 316, 324, 356, 372, 516, 522, 580, 624, 627, 636 & 652.
- [Rowland-Jones *et al.*, 2001] S. L. Rowland-Jones, S. Pinheiro, R. Kaul, P. Hansasuta, G. Gillespie, T. Dong, F. A. Plummer, J. B. Bwayo, S. Fidler, J. Weber, A. McMichael, & V. Appay, 2001. How important is the 'quality' of the cytotoxic T lymphocyte (CTL) response in protection against HIV infection? *Immunol Lett* **79**(1-2):15–20. On pp. 265, 394 & 551.
- [Rowland-Jones *et al.*, 1993] S. L. Rowland-Jones, S. H. Powis, J. Sutton, I. Mockridge, F. M. Gotch, N. Murray, A. B. Hill, W. M. Rosenberg, J. Trowsdale, & A. J. McMichael, 1993. An antigen processing polymorphism revealed by hla-b8-restricted cytotoxic t lymphocytes which does not correlate with tap gene polymorphism. *Eur J Immunol* **23**:1999–2004. On p. 78.
- [Rowland-Jones *et al.*, 1995] S. L. Rowland-Jones, J. Sutton, K. Ariyoshi, T. Dong, F. Gotch, S. McAdam, D. Whitby, S. Sabally, A. Gallimore, T. Corrah, M. Takiguchi, T. Schultz, A. McMichael, & H. Whittle, 1995. Hiv-specific cytotoxic t cells in hiv-exposed but uninfected gambian women. *Nat Med* **1**:59–64. On pp. 124, 188, 189, 315, 316, 579 & 580.

- [Ruiz *et al.*, 2000] L. Ruiz, J. Martinez-Picado, J. Romeu, R. Paredes, M. K. Zayat, S. Marfil, E. Negrodo, G. Sirera, C. Tural, & B. Clotet, 2000. Structured treatment interruption in chronically hiv-1 infected patients after long-term viral suppression [in process citation]. *AIDS* **14**:397–403. On p. 724.
- [Russell *et al.*, 2003] N. D. Russell, M. G. Hudgens, R. Ha, C. Havenar-Daughton, & M. J. McElrath, 2003. Moving to human immunodeficiency virus type 1 vaccine efficacy trials: Defining T cell responses as potential correlates of immunity. *J Infect Dis* **187**(2):226–242. On p. 668.
- [Saarloos *et al.*, 1995] M. N. Saarloos, T. F. Lint, & G. T. Spear, 1995. Efficacy of hiv-specific and 'antibody-independent' mechanisms for complement activation by hiv-infected cells. *Clin Exp Immunol* **99**:189–195. On pp. 1007, 1008, 1036 & 1041.
- [Sabado *et al.*, 2005] R. L. Sabado, S. Kilpatrick, A. Ali, M. Dagarag, H. L. Ng, H. Cao, & O. O. Yang, 2005. Detection of HIV-1-specific CTL responses in clade B infection with clade C peptides and not Clade B consensus peptides. *J Immunol Methods* **296**(1-2):1–10. On p. 269.
- [Sabbaj *et al.*, 2003] S. Sabbaj, A. Bansal, G. D. Ritter, C. Perkins, B. H. Edwards, E. Gough, J. Tang, J. J. Szinger, B. Korber, C. M. Wilson, R. A. Kaslow, M. J. Mulligan, & P. A. Goepfert, 2003. Cross-reactive CD8+ T cell epitopes identified in US adolescent minorities. *J Acquir Immune Defic Syndr* **33**(4):426–438. On pp. 57, 68, 83, 88, 107, 124, 131, 135, 141, 143, 144, 157, 170, 171, 172, 173, 185, 190, 194, 204, 233, 240, 249, 252, 292, 297, 298, 317, 351, 360, 364, 369, 370, 372, 375, 387, 397, 412, 418, 421, 451, 457, 483, 484, 543, 575, 580, 598, 605, 609, 612, 616, 619, 622, 633, 639 & 647.
- [Sabbaj *et al.*, 2002] S. Sabbaj, B. H. Edwards, M. K. Ghosh, K. Semrau, S. Cheelo, D. M. Thea, L. Kuhn, G. D. Ritter, M. J. Mulligan, P. A. Goepfert, & G. M. Aldrovandi, 2002. Human immunodeficiency virus-specific CD8(+) T cells in human breast milk. *J Virol* **76**(15):7365–7373. On pp. 67, 69, 292, 300, 317 & 636.
- [Sabbaj *et al.*, 2000] S. Sabbaj, M. J. Mulligan, R. H. Hsieh, R. B. Belshe, & J. R. McGhee, 2000. Cytokine profiles in seronegative volunteers immunized with a recombinant canarypox and gp120 prime-boost HIV-1 vaccine. NIAID aids vaccine evaluation group. *AIDS* **14**(10):1365–74. On p. 810.
- [Sadagopal *et al.*, 2005] S. Sadagopal, R. R. Amara, D. C. Montefiori, L. S. Wyatt, S. I. Staprans, N. L. Kozyr, H. M. McClure, B. Moss, & H. L. Robinson, 2005. Signature for long-term vaccine-mediated control of a Simian and human immunodeficiency virus 89.6P challenge: Stable low-breadth and low-frequency T-cell response capable of coproducing gamma interferon and interleukin-2. *J Virol* **79**(6):3243–3253. On pp. 556 & 1226.
- [Safrit *et al.*, 1994a] J. T. Safrit, C. A. Andrews, T. Zhu, D. D. Ho, & R. A. Koup, 1994a. Characterization of human immunodeficiency virus type 1-specific cytotoxic t lymphocyte clones isolated during acute seroconversion: recognition of autologous virus sequences within a conserved immunodominant epitope. *J Exp Med* **179**:463–472. On pp. 525, 527 & 528.
- [Safrit *et al.*, 1993] J. T. Safrit, M. S. C. Fung, C. A. Andrews, D. G. Braun, W. N. C. Sun, T. W. Chang, & R. A. Koup, 1993. hu-pbl-scld mice can be protected from hiv-1 infection by passive transfer of monoclonal antibody to the principal neutralizing determinant of envelope gp120. *AIDS* **7**:15–21. On pp. 945, 952 & 953.
- [Safrit *et al.*, 1994b] J. T. Safrit, A. Y. Lee, C. A. Andrews, & R. A. Koup, 1994b. A region of the third variable loop of hiv-1 gp120 is recognized by hla-b7-restricted ctls from two acute seroconversion patients. *J Immunol* **153**:3822–3830. On pp. 474 & 528.
- [Safrit *et al.*, 2004] J. T. Safrit, R. Ruprecht, F. Ferrantelli, W. Xu, M. Kitabwalla, K. Van Rompay, M. Marthas, N. Haigwood, J. R. Mascola, K. Luzuriaga, S. A. Jones, B. J. Mathieson, M.-L. Newell, & Ghent IAS Working Group on HIV in Women Children, 2004. Immunoprophylaxis to prevent mother-to-child transmission of HIV-1. *J Acquir Immune Defic Syndr* **35**(2):169–177. On pp. 1022, 1026, 1033, 1034, 1051, 1054, 1140 & 1143.
- [Sailaja *et al.*, 2003] G. Sailaja, S. Husain, B. P. Nayak, & A. M. Jabbar, 2003. Long-term maintenance of gp120-specific immune responses by genetic vaccination with the HIV-1 envelope genes linked to the gene encoding Flt-3 ligand. *J Immunol* **170**(5):2496–507. On p. 491.
- [Saito *et al.*, 1994] Y. Saito, L. Sharer, L. Epstein, *et al.*, 1994. Overexpression of nef as a marker for restricted hiv-1 infection of astrocytes in postmortem pediatric central nervous tissues. *Neurology* **44**:474–481. On pp. 1207, 1211, 1212 & 1213.
- [Sakaida *et al.*, 1997] H. Sakaida, T. Murakami, S. Kawamata, T. Hattori, & T. Uchiyama, 1997. V3 loop of human immunodeficiency virus type 1 suppresses interleukin 2-induced t cell growth. *AIDS Res Hum Retroviruses* **13**:151–9. See comments in *AIDS Res Hum Retroviruses* **13**:633 (1997). On p. 978.
- [Sakaue *et al.*, 2003] G. Sakaue, T. Hiroi, Y. Nakagawa, K. Someya, K. Iwatani, Y. Sawa, H. Takahashi, M. Honda, J. Kunisawa, & H. Kiyono, 2003. HIV mucosal vaccine: Nasal immunization with gp160-encapsulated hemagglutinating virus of Japan-liposome induces antigen-specific CTLs and neutralizing antibody responses. *J Immunol* **170**(1):495–502. On p. 477.
- [Salerno-Goncalves *et al.*, 2000] R. Salerno-Goncalves, W. Lu, & J. M. Andrieu, 2000. Quantitative analysis of the antiviral activity of CD8(+) T cells from human immunodeficiency virus-positive asymptomatic patients with different rates of CD4(+) T-cell decrease. *J Virol* **74**(14):6648–51. On p. 264.
- [Salmon-Ceron *et al.*, 1999] D. Salmon-Ceron, J. L. Excler, L. Finkiel-sztejn, B. Autran, J. C. Gluckman, D. Sicard, T. J. Matthews, B. Meignier, C. Valentin, R. El Habib, C. Blondeau, M. Raux, C. Moog, J. Tartaglia, P. Chong, M. Klein, B. Milcamps, F. Heshmati, S. Plotkin, The AGIS Group, & L'Agence Nationale de Recherches sur Le Sida., 1999. Safety and immunogenicity of a live recombinant canarypox virus expressing HIV type 1 gp120 MN tm/gag/protease LAI (ALVAC-HIV, vCP205) followed by a p24E-V3 MN synthetic peptide (CLTB-36) administered in healthy volunteers at low risk for HIV infection. *AIDS Res Hum Retroviruses* **15**(7):633–45. On pp. 261, 263, 392, 547, 550, 726 & 810.
- [Salzwedel *et al.*, 2000] K. Salzwedel, E. D. Smith, B. Dey, & E. A. Berger, 2000. Sequential cd4-coreceptor interactions in human immunodeficiency virus type 1 env function: soluble cd4 activates env for coreceptor-dependent fusion and reveals blocking activities of antibodies against cryptic conserved epitopes on gp120. *J Virol* **74**:326–33. On pp. 1158, 1163, 1166, 1168 & 1191.
- [Samino *et al.*, 2004] Y. Samino, D. López, S. Guil, P. de León, & M. Del Val, 2004. An endogenous HIV envelope-derived peptide without the terminal NH3+ group anchor is physiologically presented by major histocompatibility complex class I molecules. *J Biol Chem* **279**(2):1151–1160. On p. 492.
- [Samri *et al.*, 2000] A. Samri, G. Haas, J. Duntze, J. M. Bouley, V. Calvez, C. Katlama, & B. Autran, 2000. Immunogenicity of mutations induced by nucleoside reverse transcriptase inhibitors for human immunodeficiency virus type 1-specific cytotoxic T cells. *J Virol* **74**(19):9306–12. On pp. 284, 288, 298, 305, 318, 324, 342, 507 & 575.
- [Sanchez-Merino *et al.*, 2005] V. Sanchez-Merino, S. Nie, & K. Luzuriaga, 2005. HIV-1-specific CD8+ T cell responses and viral evolution in women and infants. *J Immunol* **175**(10):6976–6986. On pp. 58, 63, 72, 77, 81, 186, 250, 256, 558, 585, 590, 596, 631, 649 & 653.

- [Sandberg *et al.*, 2003] J. K. Sandberg, N. M. Fast, K. A. Jordan, S. N. Furlan, J. D. Barbour, G. Fennelly, J. Dobroszycki, H. M. L. Spiegel, A. Wiznia, M. G. Rosenberg, & D. F. Nixon, 2003. HIV-specific CD8+ T cell function in children with vertically acquired HIV-1 infection is critically influenced by age and the state of the CD4+ T cell compartment. *J Immunol* **170**(8):4403–4410. On pp. 109 & 353.
- [Sandberg *et al.*, 2000] J. K. Sandberg, A. C. Leandersson, C. Devito, B. Kohleisen, V. Erfle, A. Achour, M. Levi, S. Schwartz, K. Karre, B. Wahren, & J. Hinkula, 2000. Human immunodeficiency virus type 1 Nef epitopes recognized in HLA-A2 transgenic mice in response to DNA and peptide immunization. *Virology* **273**(1):112–9. On pp. 95, 559, 585, 589, 640, 818 & 820.
- [Sanders *et al.*, 2002] R. W. Sanders, M. Venturi, L. Schiffner, R. Kalyanaraman, H. Katinger, K. O. Lloyd, P. D. Kwong, & J. P. Moore, 2002. The mannose-dependent epitope for neutralizing antibody 2G12 on human immunodeficiency virus type 1 glycoprotein gp120. *J Virol* **76**(14):7293–7305. On pp. 1051, 1057, 1109, 1140 & 1145.
- [Sanhadji *et al.*, 2000] K. Sanhadji, L. Grave, J. L. Touraine, P. Leissner, C. Rouzioux, R. Firouzi, L. Kehrl, J. C. Tardy, & M. Mehtali, 2000. Gene transfer of anti-gp41 antibody and CD4 immunoadhesin strongly reduces the HIV-1 load in humanized severe combined immunodeficient mice. *AIDS* **14**(18):2813–22. On pp. 1022 & 1030.
- [Santra *et al.*, 1999] S. Santra, P. N. Fultz, & N. L. Letvin, 1999. Virus-specific cytotoxic t lymphocytes in human immunodeficiency virus type 1-infected chimpanzees. *J Virol* **73**:7065–9. On pp. 136 & 164.
- [Saphire *et al.*, 2001a] E. O. Saphire, P. W. Parren, C. F. Barbas III, D. R. Burton, & I. A. Wilson, 2001a. Crystallization and preliminary structure determination of an intact human immunoglobulin, b12: an antibody that broadly neutralizes primary isolates of HIV-1. *Acta Crystallogr D Biol Crystallogr* **57**(Pt 1):168–71. On pp. 1140 & 1146.
- [Saphire *et al.*, 2001b] E. O. Saphire, P. W. Parren, R. Pantophlet, M. B. Zwick, G. M. Morris, P. M. Rudd, R. A. Dwek, R. L. Stanfield, D. R. Burton, & I. A. Wilson, 2001b. Crystal structure of a neutralizing human IGG against HIV-1: a template for vaccine design. *Science* **293**(5532):1155–9. On pp. 1140 & 1146.
- [Saphire *et al.*, 2002] E. O. Saphire, R. L. Stanfield, M. D. M. Crispin, P. W. H. I. Parren, P. M. Rudd, R. A. Dwek, D. R. Burton, & I. A. Wilson, 2002. Contrasting IgG structures reveal extreme asymmetry and flexibility. *J Mol Biol* **319**(1):9–18. On pp. 1140 & 1145.
- [Sarmati *et al.*, 2001] L. Sarmati, G. d'Ettore, E. Nicastrì, L. Ercoli, I. Uccella, P. Massetti, S. G. Parisi, V. Vullo, & M. Andreoni, 2001. Neutralizing antibodies against autologous human immunodeficiency virus type 1 isolates in patients with increasing CD4 cell counts despite incomplete virus suppression during antiretroviral treatment. *Clin Diagn Lab Immunol* **8**(4):822–4. On p. 1082.
- [Sarobe *et al.*, 1994] P. Sarobe, J.-J. Lasarte, I. Prieto, A. Gullon, M.-J. Soto, P. Labarga, J. Prieto, & F. Borrás-Cuesta, 1994. Induction of neutralizing antibodies against human immunodeficiency virus type 1 using synthetic peptide constructs containing an immunodominant t-helper cell determinant from vpr. *J Acquir Immune Defic Syndr* **7**:635–640. On p. 743.
- [Sasaki *et al.*, 1998] S. Sasaki, K. Sumino, K. Hamajima, J. Fukushima, N. Ishii, S. Kawamoto, H. Mohri, C. R. Kensil, & K. Okuda, 1998. Induction of systemic and mucosal immune responses to human immunodeficiency virus type 1 by a dna vaccine formulated with qs-21 saponin adjuvant via intramuscular and intranasal routes. *J Virol* **72**:4931–9. On pp. 772, 940 & 941.
- [Sastry & Arlinghaus, 1991] K. J. Sastry & R. B. Arlinghaus, 1991. Identification of t-cell epitopes without b-cell activity in the first and second conserved regions of the hiv env protein. *AIDS* **5**:699–707. On pp. 748, 749, 750, 751, 752, 761, 764 & 798.
- [Sastry *et al.*, 1992] K. J. Sastry, P. N. Nehete, S. Venkatnarayanan, J. Morkowski, C. D. Platsoucas, & R. B. Arlinghaus, 1992. Rapid in vivo induction of hiv-specific cd8+ cytotoxic t lymphocytes by a 15-amino acid unmodified free peptide from the immunodominant v3-loop of gp120. *Virology* **188**:502–509. On p. 478.
- [Satoh *et al.*, 2005] M. Satoh, Y. Takamiya, S. Oka, K. Tokunaga, & M. Takiguchi, 2005. Identification and characterization of HIV-1-specific CD8+ T cell epitopes presented by HLA-A*2601. *Vaccine* **23**(29):3783–3790. On pp. 150, 370, 371 & 505.
- [Sattentau, 1995] Q. J. Sattentau, 1995. Conservation of hiv-1 gp120 neutralizing epitopes after formalin inactivation. *AIDS* **9**:1383–1385. On pp. 958, 1036, 1140 & 1166.
- [Sattentau, 1996] Q. J. Sattentau, 1996. Neutralization of hiv-1 by antibody. *Curr Opin Immunol* **8**:540–545. On pp. 1022, 1032, 1036, 1041, 1052, 1061, 1140 & 1150.
- [Sattentau & Moore, 1991] Q. J. Sattentau & J. P. Moore, 1991. Conformational changes induced in the human immunodeficiency virus envelope glycoprotein by soluble cd4 binding. *J Exp Med* **174**:407–415. On pp. 940, 970, 971, 1002, 1003, 1017, 1019 & 1109.
- [Sattentau & Moore, 1995] Q. J. Sattentau & J. P. Moore, 1995. Human immunodeficiency virus type 1 neutralization is determined by epitope exposure on the gp120 oligomer. *J Exp Med* **182**:185–196. On pp. 929, 930, 931, 932, 939, 940, 952, 953, 970, 971, 980, 985, 986, 987, 1113, 1115, 1116, 1159, 1164, 1166 & 1169.
- [Sattentau *et al.*, 1993] Q. J. Sattentau, J. P. Moore, F. Vignaux, F. Traincard, & P. Poignard, 1993. Conformational changes induced in the envelope glycoproteins of the human and simian immunodeficiency viruses by soluble receptor binding. *J Virol* **67**:7383–7393. On pp. 930, 931 & 940.
- [Sattentau *et al.*, 1995] Q. J. Sattentau, S. Zolla-Pazner, & P. Poignard, 1995. Epitope exposure on functional, oligomeric hiv-1 gp41 molecules. *Virology* **206**:713–717. On pp. 958, 959, 970, 998, 1000, 1002, 1003, 1015, 1016, 1017, 1018, 1022, 1032, 1036, 1041, 1042, 1043, 1140, 1150, 1166 & 1169.
- [Savarino *et al.*, 2001] A. Savarino, L. Gennero, H. C. Chen, D. Serrano, F. Malavasi, J. R. Boelaert, & K. Sperber, 2001. Anti-HIV effects of chloroquine: mechanisms of inhibition and spectrum of activity. *AIDS* **15**(17):2221–9. On pp. 1051 & 1058.
- [Scala *et al.*, 1999] G. Scala, X. Chen, W. Liu, J. N. Telles, O. J. Cohen, M. Vaccarezza, T. Igarashi, & A. S. Fauci, 1999. Selection of HIV-specific immunogenic epitopes by screening random peptide libraries with HIV-1-positive sera. *J Immunol* **162**(10):6155–6161. On p. 1084.
- [Scanlan *et al.*, 2002] C. N. Scanlan, R. Pantophlet, M. R. Wormald, E. Ollmann Saphire, R. Stanfield, I. A. Wilson, H. Katinger, R. A. Dwek, P. M. Rudd, & D. R. Burton, 2002. The broadly neutralizing anti-human immunodeficiency virus type 1 antibody 2G12 recognizes a cluster of alpha1→2 mannose residues on the outer face of gp120. *J Virol* **76**(14):7306–7321. On pp. 1051, 1057, 1140 & 1145.
- [Schafer *et al.*, 1998] J. R. Schafer, B. M. Jesdale, J. A. George, N. M. Kouttab, & A. S. D. Groot, 1998. Prediction of well-conserved hiv-1 ligands using a matrix-based algorithm, epimatrix. *Vaccine* **16**:1880–4. On pp. 203 & 349.
- [Scharf *et al.*, 2001] O. Scharf, H. Golding, L. R. King, N. Eller, D. Frazier, B. Golding, & D. E. Scott, 2001. Immunoglobulin G3 from polyclonal human immunodeficiency virus (HIV) immune globulin is more potent than other subclasses in neutralizing HIV type 1. *J Virol* **75**(14):6558–65. On p. 1076.

- [Scheffel *et al.*, 1999] J. W. Scheffel, R. Ziemann, D. Hawksworth, J. Tyner, R. K. Hickman, & J. Hackett, 1999. Monoclonal antibodies to an hiv-1 group o envelope recombinant. *J Acquir Immune Defic Syndr* **22**:221–7. On pp. 994, 1015, 1017, 1049, 1050, 1065, 1098 & 1204.
- [Schiller *et al.*, 2000] D. S. Schiller, J. M. Binley, K. H. Roux, C. S. Adamson, I. M. Jones, H. G. Krausslich, A. Hurley, M. Markowitz, & J. P. Moore, 2000. Parameters influencing measurement of the gag antigen-specific t-proliferative response to hiv type 1 infection. *AIDS Res Hum Retroviruses* **16**:259–71. On p. 725.
- [Schito *et al.*, 2001] A. M. Schito, E. Vittinghoff, F. M. Hecht, M. K. Elkins, J. O. Kahn, J. A. Levy, & J. R. Oksenberg, 2001. Longitudinal analysis of T-cell receptor gene use by CD8(+) T cells in early human immunodeficiency virus infection in patients receiving highly active antiretroviral therapy. *Blood* **97**(1):214–20. On p. 661.
- [Schmitt *et al.*, 2000] M. Schmitt, E. Harrer, A. Goldwisch, M. Bauerle, I. Graedner, J. R. Kalden, & T. Harrer, 2000. Specific recognition of lamivudine-resistant hiv-1 by cytotoxic t lymphocytes. *AIDS* **14**:653–8. On p. 322.
- [Schmitt-Haendle *et al.*, 2005] M. Schmitt-Haendle, O. Bachmann, E. Harrer, B. Schmidt, M. Bäuerle, & T. Harrer, 2005. Recognition patterns of HLA-A2-restricted human immunodeficiency virus-1-specific cytotoxic T-lymphocytes in a cohort of HIV-1-infected individuals. *Viral Immunol* **18**(4):627–636. On pp. 114, 324 & 356.
- [Schneider *et al.*, 1991] T. Schneider, H.-P. Harthus, P. Heldebrandt, M. Niedrig, M. Broker, W. Weigelt, A. Beck, & G. Pauli, 1991. Epitopes of the hiv-1-negative factor reactive with murine monoclonal antibodies and human hiv-1-positive sera. *AIDS Res Hum Retroviruses* **7**:37–43. On pp. 1206, 1207, 1208 & 1209.
- [Schönbach *et al.*, 2002] C. Schönbach, Y. Kun, & V. Brusic, 2002. Large-scale computational identification of HIV T-cell epitopes. *Immunol Cell Biol* **80**(3):300–306. On pp. 98, 258, 390 & 544.
- [Schonning *et al.*, 1998] K. Schonning, A. Bolmstedt, J. Novotny, O. S. Lund, S. Olofsson, & J. E. Hansen, 1998. Induction of antibodies against epitopes inaccessible on the hiv type 1 envelope oligomer by immunization with recombinant monomeric glycoprotein 120. *AIDS Res Hum Retroviruses* **14**:1451–6. On pp. 940, 965, 972, 978, 979, 980, 1051, 1060, 1122, 1123, 1140 & 1149.
- [Schonning *et al.*, 1999] K. Schonning, O. Lund, O. S. Lund, & J. E. Hansen, 1999. Stoichiometry of monoclonal antibody neutralization of t-cell line-adapted human immunodeficiency virus type 1. *J Virol* **73**:8364–70. On pp. 881, 965 & 980.
- [Schreiber *et al.*, 2005] A. Schreiber, M. Humbert, A. Benz, & U. Dietrich, 2005. 3D-Epitope-Explorer (3DEX): Localization of conformational epitopes within three-dimensional structures of proteins. *J Comput Chem* **26**(9):879–887. On p. 898.
- [Schrier *et al.*, 1989] R. D. Schrier, J. W. Gnann, R. Landes, C. Lockshin, D. Richman, A. McCutchan, C. Kennedy, M. B. A. Oldstone, & J. A. Nelson, 1989. T-cell recognition of hiv synthetic peptides in a natural infection. *J Immunol* **142**:1166–1176. On pp. 693, 705, 713, 720, 721, 739, 740, 751, 755, 770, 785, 799 & 801.
- [Schrier *et al.*, 1988] R. D. Schrier, J. W. Gnann, A. J. Langlois, K. Shriver, J. A. Nelson, & M. B. A. Oldstone, 1988. B- and t-lymphocyte responses to an immunodominant epitope of human immunodeficiency virus. *J Virol* **62**:2531–2536. On p. 799.
- [Schulke *et al.*, 2002] N. Schulke, M. S. Vesanen, R. W. Sanders, P. Zhu, M. Lu, D. J. Anselma, A. R. Villa, P. W. H. I. Parren, J. M. Binley, K. H. Roux, P. J. Maddon, J. P. Moore, & W. C. Olson, 2002. Oligomeric and conformational properties of a proteolytically mature, disulfide-stabilized human immunodeficiency virus type 1 gp140 envelope glycoprotein. *J Virol* **76**(15):7760–76. On pp. 958, 959, 1022, 1028, 1051, 1057, 1108, 1140, 1145, 1158, 1162 & 1198.
- [Schutten *et al.*, 1995a] M. Schutten, A. C. Andeweg, M. L. Bosch, & A. D. Osterhaus, 1995a. Enhancement of infectivity of a non-syncytium inducing hiv-1 by scd4 and by human antibodies that neutralize syncytium inducing hiv-1. *Scand J Immunol* **41**:18–22. On pp. 946, 947, 1072, 1135 & 1136.
- [Schutten *et al.*, 1997] M. Schutten, A. C. Andeweg, G. F. Rimmelzwaan, & A. D. Osterhaus, 1997. Modulation of primary human immunodeficiency virus type 1 envelope glycoprotein-mediated entry by human antibodies. *J Gen Virol* **78**:999–1006. On pp. 946, 947, 1022, 1032, 1072, 1135, 1140 & 1149.
- [Schutten *et al.*, 1995b] M. Schutten, J. P. Langedijk, A. C. Andeweg, R. C. Huisman, R. H. Melen, & A. D. Osterhaus, 1995b. Characterization of a v3 domain-specific neutralizing human monoclonal antibody that preferentially recognizes non-syncytium-inducing human immunodeficiency virus type 1 strains. *J Gen Virol* **76**:1665–1673. On pp. 946, 947, 961, 1072 & 1135.
- [Schutten *et al.*, 1993] M. Schutten, A. McKnight, R. C. Huisman, M. Thali, J. A. McKeating, J. Sodroski, J. Goudsmit, & A. D. Osterhaus, 1993. Further characterization of an antigenic site of hiv-1 gp120 recognized by virus neutralizing human monoclonal antibodies. *AIDS* **7**:919–923. On pp. 1135 & 1136.
- [Schutten *et al.*, 1996] M. Schutten, K. Tenner-Racz, P. Racz, D. W. van Bakkum, & A. D. Osterhaus, 1996. Human antibodies that neutralize primary human immunodeficiency virus type 1 in vitro do not provide protection in an in vivo model. *J Gen Virol* **77**:1667–75. On pp. 946, 947, 1072 & 1135.
- [Schutten *et al.*, 2001] M. Schutten, C. A. van Baalen, C. Guillon, R. C. Huisman, P. H. Boers, K. Sintnicolaas, R. A. Gruters, & A. D. Osterhaus, 2001. Macrophage tropism of human immunodeficiency virus type 1 facilitates in vivo escape from cytotoxic T-lymphocyte pressure. *J Virol* **75**(6):2706–9. On p. 436.
- [Scott *et al.*, 1990] C. F. Scott, Jr., S. Silver, A. T. Profy, S. D. Putney, A. Langlois, K. Weinhold, & J. E. Robinson, 1990. Human monoclonal antibody that recognizes the v3 region of human immunodeficiency virus gp120 and neutralizes the human t-lymphotropic virus type iiim strain. *Proc Natl Acad Sci USA* **87**:8597–8601. On pp. 958 & 977.
- [Scott *et al.*, 2001] Z. A. Scott, E. G. Chadwick, L. L. Gibson, M. D. Catalina, M. M. McManus, R. Yogev, P. Palumbo, J. L. Sullivan, P. Britto, H. Gay, K. Luzuriaga, & PACTG (Pediatric AIDS Clinical Trial Group) 345 Investigators, 2001. Infrequent detection of HIV-1-specific, but not cytomegalovirus-specific, CD8(+) T cell responses in young HIV-1-infected infants. *J Immunol* **167**(12):7134–7140. On pp. 267, 396, 554 & 658.
- [Scott-Algara *et al.*, 2001] D. Scott-Algara, F. Buseyne, S. Blanche, C. Rouzioux, C. Jouanne, F. Romagne, & Y. Riviere, 2001. Frequency and phenotyping of human immunodeficiency virus (HIV)-specific CD8+ T cells in HIV-infected children, using major histocompatibility complex class I peptide tetramers. *J Infect Dis* **183**(11):1565–73. On pp. 91 & 339.
- [Scott-Algara *et al.*, 2005] D. Scott-Algara, F. Buseyne, F. Porrot, B. Corre, N. Bellal, C. Rouzioux, S. Blanche, & Y. Riviere, 2005. Not all tetramer binding CD8+ T cells can produce cytokines and chemokines involved in the effector functions of virus-specific CD8+ T lymphocytes in HIV-1 infected children. *J Clin Immunol* **25**(1):57–67. On pp. 91 & 339.
- [Seaman *et al.*, 2004] M. S. Seaman, F. W. Peyerl, S. S. Jackson, M. A. Lifton, D. A. Gorgone, J. E. Schmitz, & N. L. Letvin, 2004. Subsets of memory cytotoxic T lymphocytes elicited by vaccination influence the efficiency of secondary expansion in vivo. *J Virol* **78**(1):206–15. On p. 493.

- [Secord *et al.*, 1996] E. A. Secord, G. I. Kleiner, D. L. Auci, T. Smith-Norowitz, S. Chice, A. Finkelstein, M. Nowakowski, S. Fikrig, & H. G. Durkin, 1996. IgE against HIV proteins in clinically healthy children with HIV disease. *J Allergy Clin Immunol* **98**(5 Pt 1):979–984. On p. 1224.
- [Selby *et al.*, 1997] M. J. Selby, B. Doe, & C. M. Walker, 1997. Virus-specific cytotoxic t-lymphocyte activity elicited by coimmunization with human immunodeficiency virus type 1 genes regulated by the bacteriophage t7 promoter and t7 rna polymerase protein. *J Virol* **71**:7827–7831. On p. 484.
- [Seligman *et al.*, 1996] S. J. Seligman, J. M. Binley, M. K. Gorny, D. R. Burton, S. Zolla-Pazner, & K. A. Sokolowski, 1996. Characterization by serial deletion competition elisas of hiv-1 v3 loop epitopes recognized by monoclonal antibodies. *Mol Immunol* **33**:737–745. On pp. 948, 949, 950, 951, 952, 971 & 976.
- [Selvarajah *et al.*, 2005] S. Selvarajah, B. Puffer, R. Pantophlet, M. Law, R. W. Doms, & D. R. Burton, 2005. Comparing antigenicity and immunogenicity of engineered gp120. *J Virol* **79**(19):12148–12163. On pp. 925, 928, 958, 1036, 1037, 1051, 1053, 1069, 1104, 1106, 1108, 1128, 1140, 1141, 1156, 1157, 1158, 1159, 1165, 1166 & 1187.
- [SenGupta *et al.*, 2004] D. SenGupta, P. J. Norris, T. J. Suscovich, M. Hassan-Zahrae, H. F. Moffett, A. Trocha, R. Draenert, P. J. R. Goulder, R. J. Binder, D. L. Levey, B. D. Walker, P. K. Srivastava, & C. Brander, 2004. Heat shock protein-mediated cross-presentation of exogenous HIV antigen on HLA class I and class II. *J Immunol* **173**(3):1987–1993. On pp. 154, 160, 699, 700 & 701.
- [Seth *et al.*, 2001] A. Seth, J. Markee, A. Hoering, A. Sevin, D. E. Sabath, J. E. Schmitz, M. J. Kuroda, M. A. Lifton, M. S. Hirsch, A. C. Collier, N. L. Letvin, & M. J. McElrath, 2001. Alterations in T cell phenotype and human immunodeficiency virus type 1-specific cytotoxicity after potent antiretroviral therapy. *J Infect Dis* **183**(5):722–9. On pp. 61, 76, 105, 124, 282 & 350.
- [Seth *et al.*, 2000] A. Seth, Y. Yasutomi, H. Jacoby, J. C. Callery, S. M. Kaminsky, W. C. Koff, D. F. Nixon, & N. L. Letvin, 2000. Evaluation of a lipopeptide immunogen as a therapeutic in hiv type 1- seropositive individuals. *AIDS Res Hum Retroviruses* **16**:337–43. On p. 187.
- [Severino *et al.*, 2000] M. E. Severino, N. V. Sipsas, P. T. Nguyen, S. A. Kalams, B. D. Walker, R. P. Johnson, & O. O. Yang, 2000. Inhibition of human immunodeficiency virus type 1 replication in primary CD4(+) T lymphocytes, monocytes, and dendritic cells by cytotoxic T lymphocytes. *J Virol* **74**(14):6695–9. On pp. 61 & 514.
- [Sewell *et al.*, 2002] A. K. Sewell, B. L. Booth, Jr., V. Cerundolo, R. E. Phillips, & D. A. Price, 2002. Differential processing of HLA A2-restricted HIV type 1 cytotoxic T lymphocyte epitopes. *Viral Immunol* **15**(1):193–196. On pp. 97, 319 & 343.
- [Sewell *et al.*, 1997] A. K. Sewell, G. C. Harcourt, P. J. Goulder, D. A. Price, & R. E. Phillips, 1997. Antagonism of cytotoxic t lymphocyte-mediated lysis by natural hiv-1 altered peptide ligands requires simultaneous presentation of agonist and antagonist peptides. *Eur J Immunol* **27**:2323–9. On pp. 98 & 103.
- [Sewell *et al.*, 2000] A. K. Sewell, D. A. Price, A. Oxenius, A. D. Kellerher, & R. E. Phillips, 2000. Cytotoxic T lymphocyte responses to human immunodeficiency virus: control and escape. *Stem Cells* **18**(4):230–44. On p. 115.
- [Sewell *et al.*, 1999] A. K. Sewell, D. A. Price, H. Teisserenc, B. L. Booth, U. Gileadi, F. M. Flavin, J. Trowsdale, R. E. Phillips, & V. Cerundolo, 1999. Ifn-gamma exposes a cryptic cytotoxic t lymphocyte epitope in hiv-1 reverse transcriptase. *J Immunol* **162**:7075–9. On pp. 319 & 339.
- [Shacklett *et al.*, 2000] B. L. Shacklett, T. J. Beadle, P. A. Pacheco, J. H. Grendell, P. A. Haslett, A. S. King, G. S. Ogg, P. M. Basuk, & D. F. Nixon, 2000. Characterization of hiv-1-specific cytotoxic t lymphocytes expressing the mucosal lymphocyte integrin cd103 in rectal and duodenal lymphoid tissue of hiv-1-infected subjects. *Virology* **270**:317–27. On pp. 259, 390 & 654.
- [Shacklett *et al.*, 2003] B. L. Shacklett, C. A. Cox, J. K. Sandberg, N. H. Stollman, M. A. Jacobson, & D. F. Nixon, 2003. Trafficking of human immunodeficiency virus type 1-specific CD8+ T cells to gut-associated lymphoid tissue during chronic infection. *J Virol* **77**(10):5621–5631. On pp. 99 & 345.
- [Shafferman *et al.*, 1989] A. Shafferman, J. Lennox, H. Grosfeld, J. Sadoff, R. R. Redfield, & D. S. Burke, 1989. Patterns of antibody recognition of selected conserved amino acid sequences from the hiv envelope in sera from different stages of hiv infection. *AIDS Res Hum Retroviruses* **5**:33–39. On p. 1006.
- [Shang *et al.*, 1991] F. Shang, H. Huang, K. Revesz, H.-C. Chen, R. Herz, & A. Pinter, 1991. Characterization of monoclonal antibodies against the human immunodeficiency virus matrix protein, p17gag: identification of epitopes exposed at the surfaces of infected cells. *J Virol* **65**:4798–4804. On pp. 863, 864 & 882.
- [Shankar *et al.*, 1996] P. Shankar, J. A. Fabry, D. M. Fong, & J. Lieberman, 1996. Three regions of hiv-1 gp160 contain clusters of immunodominant ctl epitopes. *Immunol Lett* **52**:23–30. On pp. 455, 472, 517, 538 & 543.
- [Shankar *et al.*, 1998] P. Shankar, H. Sprang, & J. Lieberman, 1998. Effective lysis of hiv-1-infected primary cd4+ t cells by a cytotoxic t-lymphocyte clone directed against a novel a2-restricted reverse-transcriptase epitope. *J Acquir Immune Defic Syndr Hum Retrovirol* **19**:111–20. On p. 297.
- [Sharon *et al.*, 2002] M. Sharon, M. Görlach, R. Levy, Y. Hayek, & J. Anglister, 2002. Expression, purification, and isotope labeling of a gp120 V3 peptide and production of a Fab from a HIV-1 neutralizing antibody for NMR studies. *Protein Expr Purif* **24**(3):374–383. On pp. 1036 & 1039.
- [Sharpe *et al.*, 2004] S. Sharpe, N. Kessler, J. A. Anglister, W.-M. Yau, & R. Tycko, 2004. Solid-state NMR yields structural constraints on the V3 loop from HIV-1 gp120 bound to the 447-52D antibody Fv fragment. *J Am Chem Soc* **126**(15):4979–4990. On pp. 1036 & 1038.
- [Shen & Siliciano, 2000] X. Shen & R. F. Siliciano, 2000. Preventing AIDS but not HIV-1 infection with a DNA vaccine. *Science* **290**(5491):463–5. On p. 504.
- [Sheth *et al.*, 2004] P. M. Sheth, K. Shahabi, A. Rebbapragada, C. Kovacs, R. Dimayuga, S. Chackalakkal, K. MacDonald, T. Mazzulli, & R. Kaul, 2004. HIV viral shedding in semen: Lack of correlation with systemic virus-specific CD8 responses. *AIDS* **18**(16):2202–2205. On p. 670.
- [Shibata *et al.*, 1999] R. Shibata, T. Igarashi, N. Haigwood, A. Buckler-White, R. Ogert, W. Ross, R. Willey, M. Cho, & M. Martin, 1999. Neutralizing antibody directed against the hiv-1 envelope glycoprotein can completely block hiv-1/siv chimeric infections of macaques monkeys. *Nat Med* **5**:204–210. On p. 1078.
- [Shiga *et al.*, 1996] H. Shiga, T. Shioda, H. Tomiyama, Y. Takamiya, S. Oka, S. Kimura, Y. Yamaguchi, T. Gojoubori, H. G. Rammensee, K. Miwa, & M. Takiguchi, 1996. Identification of multiple hiv-1 cytotoxic t cell epitopes presented by human leukocyte antigen b35 molecule. *AIDS* **10**:1075–1083. On pp. 296, 303, 315, 337, 367, 458, 472, 562, 568 & 635.

- [Shinoda *et al.*, 2004] K. Shinoda, K.-Q. Xin, N. Jounai, Y. Kojima, Y. Tamura, E. Okada, S. Kawamoto, K. Okuda, D. Klinman, & K. Okuda, 2004. Polygene DNA vaccine induces a high level of protective effect against HIV-vaccinia virus challenge in mice. *Vaccine* **22**(27-28):3676–3690. On p. 661.
- [Shirai *et al.*, 1996a] M. Shirai, M. Chen, T. Arichi, T. Masaki, M. Nishioka, M. Newman, T. Nakazawa, S. M. Feinstone, & J. A. Berzofsky, 1996a. Use of intrinsic and extrinsic helper epitopes for in vivo induction of anti-hepatitis c virus cytotoxic t lymphocytes (ctl) with ctl epitope peptide vaccines. *J Infect Dis* **173**:24–31. On p. 792.
- [Shirai *et al.*, 2001] M. Shirai, R. Fujinaga, T. Masaki, & J. A. Berzofsky, 2001. Impaired development of HIV-1 gp160-specific CD8(+) cytotoxic T cells by a delayed switch from Th1 to Th2 cytokine phenotype in mice with *Helicobacter pylori* infection. *Eur J Immunol* **31**(2):516–26. On pp. 488 & 806.
- [Shirai *et al.*, 1997] M. Shirai, S. Kozlowski, D. H. Margulies, & J. A. Berzofsky, 1997. Degenerate mhc restriction reveals the contribution of class i mhc molecules in determining the fine specificity of ctl recognition of an immunodominant determinant of hiv-1 gp160 v3 loop. *J Immunol* **158**:3181–8. On p. 488.
- [Shirai *et al.*, 1996b] M. Shirai, K. Kurokohchi, C. D. Pendleton, T. Arichi, L. F. Boyd, H. Takahashi, D. H. Margulies, & J. A. Berzofsky, 1996b. Reciprocal cytotoxic t lymphocytes cross-reactivity interactions between two major epitopes within hiv-1 gp160. *J Immunol* **157**:4399–4411. On pp. 482 & 536.
- [Shirai *et al.*, 1992] M. Shirai, C. D. Pendleton, & J. A. Berzofsky, 1992. Broad recognition of cytotoxic t cell epitopes from the hiv-1 envelope protein with multiple class i histocompatibility molecules. *J Immunol* **148**:1657–1667. On pp. 480, 503 & 536.
- [Shirai *et al.*, 1993] M. Shirai, M. S. Vacchio, R. J. Hodes, & J. A. Berzofsky, 1993. Preferential $\nu\beta$ usage by cytotoxic t cells cross-reactive between two epitopes of hiv-1 gp160 and degenerate in class i mhc restriction. *J Immunol* **151**:2283–2295. On p. 480.
- [Shiver *et al.*, 1997] J. W. Shiver, M. E. Davies, Y. Yasutomi, H. C. Perry, D. C. Freed, N. L. Letvin, & M. A. Liu, 1997. Anti-HIV env immunities elicited by nucleic acid vaccines. *Vaccine* **15**:884–7. On pp. 548, 807 & 1081.
- [Shotton *et al.*, 1995] C. Shotton, C. Arnold, Q. Sattentau, J. Sodroski, & J. A. McKeating, 1995. Identification and characterization of monoclonal antibodies specific for polymorphic antigenic determinants within the V2 region of the human immunodeficiency virus type 1 envelope glycoprotein. *J Virol* **69**:222–230. On pp. 927, 928, 929, 932, 1174, 1177 & 1178.
- [Si *et al.*, 2001] Z. Si, M. Cayabyab, & J. Sodroski, 2001. Envelope glycoprotein determinants of neutralization resistance in a simian-human immunodeficiency virus (SHIV-HXBc2P 3.2) derived by passage in monkeys. *J Virol* **75**(9):4208–4218. On pp. 1022, 1029, 1051, 1058, 1128, 1131, 1140, 1147, 1158, 1162 & 1189.
- [Sidorova, 1999] E. Sidorova, 1999. Human monoclonal antibodies to mn-24 peptide of gp 120 hiv-1. *Hum Antibodies* **9**:107–10. On p. 1193.
- [Siliciano *et al.*, 1988] R. Siliciano, T. Lawton, C. Knall, R. Karr, P. Berman, T. Gregory, & E. Reinherz, 1988. Analysis of host-virus interactions in aids with anti-gp120 t cell clones: effect of hiv sequence variation and a mechanism for cd4+ cell depletion. *Cell* **54**:561–575. On p. 501.
- [Silvera *et al.*, 2002] P. Silvera, M. W. Richardson, J. Greenhouse, J. Yalley-Ogunro, N. Shaw, J. Mirchandani, K. Khalili, J.-F. Zagury, M. G. Lewis, & J. Rappaport, 2002. Outcome of simian-human immunodeficiency virus strain 89.6p challenge following vaccination of rhesus macaques with human immunodeficiency virus Tat protein. *J Virol* **76**(8):3800–3809. On pp. 900, 902, 903 & 904.
- [Silvera *et al.*, 2004] P. Silvera, J. R. Savary, V. Livingston, J. White, K. H. Manson, M. H. Wyand, P. L. Salk, R. B. Moss, & M. G. Lewis, 2004. Vaccination with gp120-depleted HIV-1 plus immunostimulatory CpG oligodeoxynucleotides in incomplete Freund's adjuvant stimulates cellular and humoral immunity in rhesus macaques. *Vaccine* **23**(6):827–839. On pp. 712 & 717.
- [Sindhu *et al.*, 2003a] S. T. A. K. Sindhu, R. Ahmad, M. Blagdon, A. Ahmad, E. Toma, R. Morisset, & J. Menezes, 2003a. Virus load correlates inversely with the expression of cytotoxic T lymphocyte activation markers in HIV-1-infected/AIDS patients showing MHC-unrestricted CTL-mediated lysis. *Clin Exp Immunol* **132**(1):120–127. On p. 666.
- [Sindhu *et al.*, 2003b] S. T. A. K. Sindhu, R. Ahmad, R. Morisset, A. Ahmad, & J. Menezes, 2003b. Peripheral blood cytotoxic gamma-delta T lymphocytes from patients with human immunodeficiency virus type 1 infection and AIDS lyse uninfected CD4+ T cells, and their cytotoxic potential correlates with viral load. *J Virol* **77**(3):1848–5518. On p. 666.
- [Singh & Barry, 2004] R. A. K. Singh & M. A. Barry, 2004. Repertoire and immunofocusing of CD8 T cell responses generated by HIV-1 gag-pol and expression library immunization vaccines. *J Immunol* **173**(7):4387–4393. On pp. 275, 277, 284 & 346.
- [Singh *et al.*, 2002] R. A. K. Singh, L. Wu, & M. A. Barry, 2002. Generation of genome-wide CD8 T cell responses in HLA-A*0201 transgenic mice by an HIV-1 ubiquitin expression library immunization vaccine. *J Immunol* **168**(1):379–391. On pp. 98, 344, 477 & 644.
- [Singh *et al.*, 2003] S. Singh, J. Ni, & L.-X. Wang, 2003. Chemoenzymatic synthesis of high-mannose type HIV-1 gp120 glycopeptides. *Bioorg Med Chem Lett* **13**(3):327–330. On pp. 1051 & 1056.
- [Sipsas *et al.*, 1997] N. V. Sipsas, S. A. Kalams, A. Trocha, S. He, W. A. Blattner, B. D. Walker, & R. P. Johnson, 1997. Identification of type-specific cytotoxic t lymphocyte responses to homologous viral proteins in laboratory workers accidentally infected with hiv-1. *J Clin Invest* **99**:752–62. On pp. 103, 174, 243, 296, 299, 315, 443, 465, 471, 507 & 512.
- [Sitz *et al.*, 1999] K. V. Sitz, S. Ratto-Kim, A. S. Hodgkins, M. L. Robb, & D. L. Birx, 1999. Proliferative responses to human immunodeficiency virus type 1 (hiv-1) gp120 peptides in hiv-1-infected individuals immunized with hiv-1 rgp120 or rgp160 compared with nonimmunized and uninfected controls. *J Infect Dis* **179**:817–24. On pp. 755, 757, 759, 769, 778, 783 & 794.
- [Sjolander *et al.*, 1996] S. Sjolander, A. Bolmstedt, L. Akerblom, P. Horal, S. Olofsson, B. Morein, & A. Sjolander, 1996. N-linked glycans in the cd4-binding domain of human immunodeficiency virus type 1 envelope glycoprotein gp160 are essential for the in vivo priming of t cells recognizing an epitope located in their vicinity. *Virology* **215**:124–33. On pp. 752, 760, 763 & 793.
- [Skinner *et al.*, 1988a] M. A. Skinner, A. J. Langlois, C. B. McDanal, J. S. McDougal, D. P. Bolognesi, & T. J. Matthews, 1988a. Neutralizing antibodies to an immunodominant envelope sequence do not prevent gp120 binding to cd4. *J Virol* **62**:4195–4200. On pp. 940 & 974.
- [Skinner *et al.*, 1988b] M. A. Skinner, R. Ting, A. J. Langlois, K. J. Weinhold, H. K. Lyerly, K. Javaherian, & T. J. Matthews, 1988b. Characteristics of a neutralizing monoclonal antibody to the hiv envelope glycoprotein. *AIDS Res Hum Retroviruses* **4**:187–197. On pp. 940, 974, 975, 978, 979 & 992.
- [Skott *et al.*, 1999] P. Skott, E. Lucht, I. Julander, J. Dillner, & E. Björling, 1999. Salivary sIgA response in HIV-1 infection. *J Acquir Immune Defic Syndr* **21**(2):73–80. On p. 1195.

- [Smith *et al.*, 1998] A. D. Smith, S. C. Geisler, A. A. Chen, D. A. Resnick, B. M. Roy, P. J. Lewi, E. Arnold, & G. F. Arnold, 1998. Human rhinovirus type 14:human immunodeficiency virus type 1 (hiv-1) v3 loop chimeras from a combinatorial library induce potent neutralizing antibody responses against hiv-1. *J Virol* **72**:651–9. On pp. 973, 975, 976, 978, 979, 1036 & 1040.
- [Smith *et al.*, 2004] J. M. Smith, R. R. Amara, D. Campbell, Y. Xu, M. Patel, S. Sharma, S. T. Butera, D. L. Ellenberger, H. Yi, L. Chennareddi, J. G. Herndon, L. S. Wyatt, D. Montefiori, B. Moss, H. M. McClure, & H. L. Robinson, 2004. DNA/MVA vaccine for HIV type 1: Effects of codon-optimization and the expression of aggregates or virus-like particles on the immunogenicity of the DNA prime. *AIDS Res Hum Retroviruses* **20**(12):1335–1347. On p. 670.
- [Smith *et al.*, 1996] K. J. Smith, S. W. Reid, D. I. Stuart, A. J. McMichael, E. Y. Jones, & J. I. Bell, 1996. An altered position of the alpha 2 helix of mhc class i is revealed by the crystal structure of hla-b*3501. *Immunity* **4**:203–213. On p. 578.
- [Smith, 2004] S. M. Smith, 2004. HIV CTL escape: At what cost? *Retrovirology* **1**(1):8. On p. 668.
- [Smith-Franklin *et al.*, 2002] B. A. Smith-Franklin, B. F. Keele, J. G. Tew, S. Gartner, A. K. Szakal, J. D. Estes, T. C. Thacker, & G. F. Burton, 2002. Follicular dendritic cells and the persistence of HIV infectivity: The role of antibodies and Fc-gamma receptors. *J Immunol* **168**(5):2408–2414. On p. 1203.
- [Sorensen *et al.*, 1994] A. M. M. Sorensen, C. Nielsen, M. Arendrup, H. Clausen, J. O. Nielsen, E. Osinaga, A. Roseto, & J.-E. S. Hansen, 1994. Neutralization epitopes on HIV pseudotyped with HTLV-I: Conservation of carbohydrate epitopes. *J Acquir Immune Defic Syndr* **7**:116–123. On p. 940.
- [Soudeyns *et al.*, 2000] H. Soudeyns, G. Campi, G. P. Rizzardi, C. Lenge, J. F. Demarest, G. Tambussi, A. Lazzarin, D. Kaufmann, G. Casorati, L. Corey, & G. Pantaleo, 2000. Initiation of antiretroviral therapy during primary hiv-1 infection induces rapid stabilization of the t cell receptor beta chain repertoire and reduces the level of t cell oligoclonality. *Blood* **95**:1743–51. On p. 547.
- [Soudeyns & Pantaleo, 1997] H. Soudeyns & G. Pantaleo, 1997. New mechanisms of viral persistence in primary human immunodeficiency virus (HIV) infection. *J Biol Regul Homeost Agents* **11**:37–9. On p. 545.
- [Soudeyns *et al.*, 1999] H. Soudeyns, S. Paolucci, C. Chappey, M. B. Daucher, C. Graziosi, M. Vaccarezza, O. J. Cohen, A. S. Fauci, & G. Pantaleo, 1999. Selective pressure exerted by immunodominant hiv-1-specific cytotoxic t lymphocyte responses during primary infection drives genetic variation restricted to the cognate epitope. *Eur J Immunol* **29**:3629–35. On p. 538.
- [Spear *et al.*, 1994] G. T. Spear, D. M. Takefman, S. Sharpe, M. Ghassemi, & S. Zolla-Pazner, 1994. Antibodies to the hiv-1 v3 loop in serum from infected persons contribute a major proportion of immune effector functions including complement activation, antibody binding, and neutralization. *Virology* **204**:609–15. On p. 945.
- [Spear *et al.*, 1993] G. T. Spear, D. M. Takefman, B. L. Sullivan, A. L. Landay, & S. Zolla-Pazner, 1993. Complement activation by human monoclonal antibodies to human immunodeficiency virus. *J Virol* **67**:53–59. On pp. 880, 944, 945, 946, 947, 948, 962, 963, 966, 968, 978, 979, 995, 1002, 1003, 1007, 1008, 1009, 1010, 1017, 1019, 1020, 1036, 1041, 1118, 1120 & 1121.
- [Spentlehauer *et al.*, 2001] C. Spentlehauer, C. A. Gordon, A. Trkola, & J. P. Moore, 2001. A luciferase-reporter gene-expressing T-cell line facilitates neutralization and drug-sensitivity assays that use either R5 or X4 strains of human immunodeficiency virus type 1. *Virology* **280**(2):292–300. On pp. 1022, 1029, 1051, 1058, 1140 & 1147.
- [Sperlagh *et al.*, 1993] M. Sperlagh, K. Stefano, F. Gonzalez-Scarano, S. Liang, J. Hoxie, H. Maruyama, M. Prewett, S. Matsushito, & D. Herlyn, 1993. Monoclonal anti-idiotypic antibodies that mimic the epitope on gp120 defined by the anti-hiv-1 monoclonal antibody 0.5 β . *AIDS* **7**:1553–1559. On pp. 974 & 975.
- [Spiegel *et al.*, 1999] H. M. Spiegel, E. DeFalcon, G. S. Ogg, M. Larson, T. J. Beadle, P. Tao, A. J. McMichael, N. Bhardwaj, C. O'Callaghan, W. I. Cox, K. Krasinski, H. Pollack, W. Borkowsky, & D. F. Nixon, 1999. Changes in frequency of hiv-1-specific cytotoxic t cell precursors and circulating effectors after combination antiretroviral therapy in children. *J Infect Dis* **180**:359–68. On pp. 141 & 599.
- [Spiegel *et al.*, 2000] H. M. Spiegel, G. S. Ogg, E. DeFalcon, M. E. Sheehy, S. Monard, P. A. Haslett, G. Gillespie, S. M. Donahoe, H. Pollack, W. Borkowsky, A. J. McMichael, & D. F. Nixon, 2000. Human immunodeficiency virus type 1- and cytomegalovirus-specific cytotoxic t lymphocytes can persist at high frequency for prolonged periods in the absence of circulating peripheral cd4(+) t cells. *J Virol* **74**:1018–22. On pp. 94 & 339.
- [Srisurapanon *et al.*, 2005] S. Srisurapanon, S. Louisirootchankul, K. Sumransurp, M. Ratanasrithong, T. Chuenchitra, S. Jintakatkorn, & C. Wasi, 2005. Binding antibody to neutralizing epitope gp41 in HIV-1 subtype CRF 01_AE infection related to stage of disease. *Southeast Asian J Trop Med Public Health* **36**(1):221–227. On pp. 1022 & 1024.
- [Srivastava *et al.*, 2002] I. K. Srivastava, L. Stamatatos, H. Legg, E. Kan, A. Fong, S. R. Coates, L. Leung, M. Winger, J. J. Donnelly, J. B. Ulmer, & S. W. Barnett, 2002. Purification and characterization of oligomeric envelope glycoprotein from a primary R5 subtype B human immunodeficiency virus. *J Virol* **76**(6):2835–2847. On pp. 930, 931, 1016, 1022, 1028, 1036, 1039, 1075, 1140, 1145, 1150, 1158 & 1162.
- [Srivastava *et al.*, 2003] I. K. Srivastava, K. VanDorsten, L. Vojtech, S. W. Barnett, & L. Stamatatos, 2003. Changes in the immunogenic properties of soluble gp140 human immunodeficiency virus envelope constructs upon partial deletion of the second hypervariable region. *J Virol* **77**(4):231023–20. On p. 1095.
- [Sriwanthana *et al.*, 2001] B. Sriwanthana, T. Hodge, T. D. Mastro, C. S. Dezzutti, K. Bond, H. A. Stephens, L. G. Kostrikis, K. Limpakarnjanarat, N. L. Young, S. H. Qari, R. B. Lal, D. Chandanayingyong, & J. M. McNicholl, 2001. HIV-specific cytotoxic T lymphocytes, HLA-A11, and chemokine-related factors may act synergistically to determine HIV resistance in CCR5 delta32-negative female sex workers in Chiang Rai, northern Thailand. *AIDS Res Hum Retroviruses* **17**(8):719–34. On pp. 106, 117, 290, 294, 308, 322, 350, 358, 365, 444, 448, 465, 483, 495, 526, 533, 573 & 591.
- [Staats *et al.*, 2001] H. F. Staats, C. P. Bradney, W. M. Gwinn, S. S. Jackson, G. D. Sempowski, H.-X. Liao, N. L. Letvin, & B. F. Haynes, 2001. Cytokine requirements for induction of systemic and mucosal CTL after nasal immunization. *J Immunol* **167**(9):5386–5394. On pp. 481 & 490.
- [Stamatatos & Cheng-Mayer, 1995] L. Stamatatos & C. Cheng-Mayer, 1995. Structural modulations of the envelope gp120 glycoprotein of human immunodeficiency virus type 1 upon oligomerization and the differential v3 loop epitope exposure of isolates displaying distinct tropism upon viral-soluble receptor binding. *J Virol* **69**:6191–6198. On pp. 929, 930, 931, 946, 947, 948, 949, 966, 968, 1120, 1121, 1122 & 1123.
- [Stamatatos & Cheng-Mayer, 1998] L. Stamatatos & C. Cheng-Mayer, 1998. An envelope modification that renders a primary, neutralization-resistant clade b human immunodeficiency virus type 1 isolate highly susceptible to neutralization by sera from other clades. *J Virol* **72**:7840–5. On pp. 925, 926, 929, 930, 931, 946, 947, 948, 949, 1122, 1123, 1140, 1149, 1150, 1151, 1158, 1164, 1166 & 1169.

- [Stamatatos *et al.*, 2000] L. Stamatatos, M. Lim, & C. Cheng-Mayer, 2000. Generation and structural analysis of soluble oligomeric gp140 envelope proteins derived from neutralization-resistant and neutralization-susceptible primary HIV type 1 isolates. *AIDS Res Hum Retroviruses* **16**(10):981–94. On pp. 1075, 1158 & 1163.
- [Stamatatos *et al.*, 1997] L. Stamatatos, S. Zolla-Pazner, M. K. Gorny, & C. Cheng-Mayer, 1997. Binding of antibodies to virion-associated gp120 molecules of primary-like human immunodeficiency virus type 1 (hiv-1) isolates: effect on hiv-1 infection of macrophages and peripheral blood mononuclear cells. *Virology* **229**:360–9. On pp. 929, 930, 931, 946, 947, 948, 949, 966, 967, 1002, 1003, 1022, 1032, 1122, 1123 & 1140.
- [Stanfield *et al.*, 1999] R. Stanfield, E. Cabezas, A. Satterthwait, E. Stura, A. Profy, & I. Wilson, 1999. Dual conformations for the hiv-1 gp120 v3 loop in complexes with different neutralizing fabs. *Structure* **7**:131–42. On pp. 951, 952, 971 & 976.
- [Steimer & Haigwood, 1991] K. S. Steimer & N. L. Haigwood, 1991. Importance of conformation on the neutralizing antibody response to HIV-1 gp120. *Biotechnol Ther* **2**(1-2):63–89. On p. 1095.
- [Stiegler *et al.*, 2002] G. Stiegler, C. Armbruster, B. Vcelar, H. Stoiber, R. Kunert, N. L. Michael, L. L. Jagodzinski, C. Ammann, W. Jäger, J. Jacobson, N. Vetter, & H. Katinger, 2002. Antiviral activity of the neutralizing antibodies 2F5 and 2G12 in asymptomatic HIV-1-infected humans: A phase I evaluation. *AIDS* **16**(15):2019–2025. On pp. 1022, 1028, 1051 & 1057.
- [Stiegler *et al.*, 2001] G. Stiegler, R. Kunert, M. Purtscher, S. Wolbank, R. Voglauer, F. Steindl, & H. Katinger, 2001. A potent cross-clade neutralizing human monoclonal antibody against a novel epitope on gp41 of human immunodeficiency virus type 1. *AIDS Res Hum Retroviruses* **17**(18):1757–65. On pp. 1022, 1029, 1033, 1035 & 1051.
- [Stigler *et al.*, 1995] R. D. Stigler, F. Ruker, D. Katinger, G. Elliott, W. Hohne, P. Henklein, J. X. Ho, K. Keeling, D. C. Carter, E. Nugel, & et al, 1995. Interaction between a fab fragment against gp41 of human immunodeficiency virus 1 and its peptide epitope: characterization using a peptide epitope library and molecular modeling. *Protein Eng* **8**:471–9. On pp. 1015 & 1016.
- [Stoiber *et al.*, 1996] H. Stoiber, C. Pinter, A. G. Siccardi, A. Clivio, & M. P. Dierich, 1996. Efficient destruction of human immunodeficiency virus in human serum by inhibiting the protective action of complement factor h and decay accelerating factor (daf, cd55). *J Exp Med* **183**:307–310. On pp. 1022 & 1032.
- [Stone *et al.*, 2005] J. D. Stone, W. E. Demkowicz, Jr., & L. J. Stern, 2005. HLA-restricted epitope identification and detection of functional T cell responses by using MHC-peptide and costimulatory microarrays. *Proc Natl Acad Sci USA* **102**(10):3744–3749. On p. 150.
- [Stratov *et al.*, 2005] I. Stratov, C. J. Dale, S. Chea, J. McCluskey, & S. J. Kent, 2005. Induction of T-cell immunity to antiretroviral drug-resistant human immunodeficiency virus type 1. *J Virol* **79**(12):7728–7737. On pp. 272, 276, 278, 280 & 288.
- [Stuhler & Schlossman, 1997] G. Stuhler & S. F. Schlossman, 1997. Antigen organization regulates cluster formation and induction of cytotoxic T lymphocytes by helper T cell subsets. *Proc Natl Acad Sci USA* **94**:622–627. On p. 104.
- [Subbramanian *et al.*, 2002] R. A. Subbramanian, J. Xu, E. Toma, R. Morisset, E. A. Cohen, J. Menezes, & A. Ahmad, 2002. Comparison of human immunodeficiency virus (HIV)-specific infection-enhancing and -inhibiting antibodies in AIDS patients. *J Clin Microbiol* **40**(6):2141–2146. On p. 1223.
- [Sugano *et al.*, 1988] T. Sugano, Y. Masuho, Y.-I. Matsumoto, D. Lake, C. Gschwind, E. A. Petersen, & E. M. Hersh, 1988. Human monoclonal antibody against glycoproteins of human immunodeficiency virus. *Biochem Biophys Res Commun* **155**:1105–1112. On pp. 1005 & 1006.
- [Sugiura *et al.*, 1999] W. Sugiura, C. C. Broder, B. Moss, & P. L. Earl, 1999. Characterization of conformation-dependent anti-gp120 murine monoclonal antibodies produced by immunization with monomeric and oligomeric human immunodeficiency virus type 1 envelope proteins. *Virology* **254**:257–67. On pp. 1074, 1098, 1125, 1126, 1127, 1128, 1131, 1152, 1154, 1155, 1172, 1174, 1175 & 1191.
- [Sullivan *et al.*, 2003] A. K. Sullivan, C. T. Burton, M. R. Nelson, G. Moyle, S. Mandalia, F. M. Gotch, B. G. Gazzard, & N. Imami, 2003. Restoration of human immunodeficiency virus-1-specific responses in patients changing from protease to non-nucleoside reverse transcriptase inhibitor-based antiretroviral therapy. *Scand J Immunol* **57**(6):600–607. On pp. 730, 813 & 824.
- [Sullivan *et al.*, 1998a] N. Sullivan, Y. Sun, J. Binley, J. Lee, C. F. Barbas III, P. W. H. I. Parren, D. R. Burton, & J. Sodroski, 1998a. Determinants of human immunodeficiency virus type 1 envelope glycoprotein activation by soluble CD4 and monoclonal antibodies. *J Virol* **72**:6332–8. On pp. 950, 960, 1113, 1115, 1127, 1128, 1131, 1140, 1149, 1154, 1159 & 1164.
- [Sullivan *et al.*, 1995] N. Sullivan, Y. Sun, J. Li, W. Hofmann, & J. Sodroski, 1995. Replicative function and neutralization sensitivity of envelope glycoproteins from primary and t-cell line-passaged human immunodeficiency virus type 1 isolates. *J Virol* **69**:4413–4422. On pp. 1128, 1132, 1140, 1150 & 1189.
- [Sullivan *et al.*, 1998b] N. Sullivan, Y. Sun, Q. Sattentau, M. Thali, D. Wu, G. Denisova, J. Gershoni, J. Robinson, J. Moore, & J. Sodroski, 1998b. Cd4-induced conformational changes in the human immunodeficiency virus type 1 gp120 glycoprotein: consequences for virus entry and neutralization. *J Virol* **72**:4694–703. On pp. 1051, 1060, 1099, 1104, 1105, 1106, 1107, 1113, 1115, 1159, 1164, 1166, 1169, 1203 & 1204.
- [Sullivan *et al.*, 1993] N. Sullivan, M. Thali, C. Furman, D. Ho, & J. Sodroski, 1993. Effect of amino acid changes in the v2 region of the human immunodeficiency virus type 1 gp120 glycoprotein on subunit association, syncytium formation, and recognition by a neutralizing antibody. *J Virol* **67**:3674–3679. On pp. 930 & 931.
- [Sun *et al.*, 1989] N. C. Sun, D. D. Ho, C. R. Y. Sun, R.-S. Liou, W. Gordon, M. S. C. Fung, X. L. Li, R. C. Ting, T.-H. Lee, N. T. Chang, & T. W. Chang, 1989. Generation and characterization of monoclonal antibodies to the putative cd4-binding domain of human immunodeficiency virus type 1 gp120. *J Virol* **63**:3579–3585. On pp. 983, 984, 985, 986, 987 & 988.
- [Sun *et al.*, 2003] Y. Sun, E. Iglesias, A. Samri, G. Kamkamidze, T. Decoville, G. Carcelain, & B. Autran, 2003. A systematic comparison of methods to measure HIV-1 specific CD8 T cells. *J Immunol Methods* **272**(1-2):23–34. On pp. 110 & 353.
- [Surman *et al.*, 2001] S. Surman, T. D. Lockey, K. S. Slobod, B. Jones, J. M. Riberdy, S. W. White, P. C. Doherty, & J. L. Hurwitz, 2001. Localization of cd4+ T cell epitope hotspots to exposed strands of HIV envelope glycoprotein suggests structural influences on antigen processing. *Proc Natl Acad Sci USA* **98**(8):4587–92. On pp. 757, 759, 760, 761, 762, 763, 765, 772, 779, 780, 781, 782, 786, 793 & 800.
- [Sutton *et al.*, 1993] J. Sutton, S. Rowland-Jones, W. Rosenberg, D. Nixon, F. Gotch, X.-M. Gao, N. Murray, A. Spoonas, P. Driscoll, M. Smith, A. Willis, & A. McMichael, 1993. A sequence pattern for peptides presented to cytotoxic t lymphocytes by hla b8 revealed by analysis of epitopes and eluted peptides. *Eur J Immunol* **23**:447–453. On pp. 77, 192, 240, 282 & 520.

- [Sykes & Johnston, 1999] K. F. Sykes & S. A. Johnston, 1999. Genetic live vaccines mimic the antigenicity but not pathogenicity of live viruses. *DNA Cell Biol* **18**(7):521–531. On pp. 98, 344, 477 & 644.
- [Szilvay *et al.*, 1995] A. M. Szilvay, K. A. Brokstad, R. Kopperud, G. Haukenes, & K. H. Kalland, 1995. Nuclear export of the human immunodeficiency virus type 1 nucleocytoplasmic shuttle protein rev is mediated by its activation domain and is blocked by transdominant negative mutants. *J Virol* **69**:3315–3323. On pp. 909 & 910.
- [Szilvay *et al.*, 1992] A. M. Szilvay, S. Nornes, I. R. Haugan, L. Olsen, V. R. Prasad, C. Endresen, S. P. Goff, & D. E. Helland, 1992. Epitope mapping of hiv-1 reverse transcriptase with monoclonal antibodies that inhibit polymerase and rna h activities. *J Acquir Immune Defic Syndr* **5**:647–657. On pp. 888 & 1020.
- [Tahtinen *et al.*, 2001] M. Tahtinen, M. Strengell, A. Collings, J. Pitkanen, A. Kjerrstrom, K. Hakkarainen, P. Peterson, B. Kohleisen, B. Wahren, A. Ranki, M. Ustav, & K. Krohn, 2001. DNA vaccination in mice using HIV-1 nef, rev and tat genes in self-replicating pBN-vector. *Vaccine* **19**(15–16):2039–47. On pp. 1206, 1208 & 1210.
- [Takahashi *et al.*, 1988] H. Takahashi, J. Cohen, A. Hosmalin, K. B. Cease, R. Houghten, J. L. Cornette, C. DeLisi, B. Moss, R. N. Germain, & J. A. Berzofsky, 1988. An immunodominant epitope of the human immunodeficiency virus envelope glycoprotein gp160 recognized by class i major histocompatibility complex molecule-restricted murine cytotoxic t lymphocytes. *Proc Natl Acad Sci USA* **85**:3105–3109. On p. 481.
- [Takahashi *et al.*, 1990] H. Takahashi, R. N. Germain, B. Moss, & J. A. Berzofsky, 1990. An immunodominant class i-restricted cytotoxic t lymphocyte determinant of human immunodeficiency virus type 1 induces cd4 class ii-restricted help for itself. *J Exp Med* **171**:571–576. On p. 773.
- [Takahashi *et al.*, 1989a] H. Takahashi, R. Houghten, S. D. Putney, D. H. Margulies, B. Moss, R. N. Germain, & J. A. Berzofsky, 1989a. Structural requirements for class i mhc molecule-mediated antigen presentation and cytotoxic t cell recognition of an immunodominant determinant of the human immunodeficiency virus envelope protein. *J Exp Med* **170**:2023–2035. On p. 478.
- [Takahashi *et al.*, 1989b] H. Takahashi, S. Meril, S. D. Putney, R. Houghten, B. Moss, R. N. Germain, & J. A. Berzofsky, 1989b. A single amino acid interchange yields reciprocal ctl specificities for hiv-1 gp160. *Science* **246**:118–121. On p. 479.
- [Takahashi *et al.*, 1996] H. Takahashi, Y. Nakagawa, G. R. Leggatt, Y. Ishida, T. Saito, K. Yokomuro, & J. A. Berzofsky, 1996. Inactivation of human immunodeficiency virus (hiv-1) envelope-specific cd8+ cytotoxic t lymphocytes by free antigenic peptide: a self-veto mechanism? *J Exp Med* **183**:879–889. On p. 486.
- [Takahashi *et al.*, 1992] H. Takahashi, Y. Nakagawa, C. D. Pendleton, R. Houghten, K. Yokomuro, R. N. Germain, & J. A. Berzofsky, 1992. Induction of broadly cross-reactive cytotoxic t cells recognizing and hiv-1 envelope determinant. *Science* **255**:333–336. On p. 479.
- [Takahashi *et al.*, 1993] H. Takahashi, Y. Nakagawa, K. Yokomuro, & J. A. Berzofsky, 1993. Induction of cd8+ cytotoxic t lymphocytes by immunization with syngeneic irradiated hiv-1 envelope derived peptide-pulsed dendritic cells. *Internatl Immunol* **5**:849–857. On p. 486.
- [Takahashi *et al.*, 1991] K. Takahashi, L.-C. Dai, T. R. Fuerst, W. E. Biddison, P. L. Earl, B. Moss, & F. A. Ennis, 1991. Specific lysis of human immunodeficiency virus type 1-infected cells by a hla-a3.1-restricted cd8+ cytotoxic t-lymphocyte clone that recognizes a conserved peptide sequence within the gp41 subunit of the envelope protein. *Proc Natl Acad Sci USA* **88**:10277–10281. On p. 527.
- [Takahashi *et al.*, 2001] M. Takahashi, Y. Nakagawa, J. A. Berzofsky, & H. Takahashi, 2001. Counter-regulation of cytolytic activity and cytokine production in HIV-1-specific murine CD8+ cytotoxic T lymphocytes by free antigenic peptide. *Int Immunol* **13**(1):43–51. On p. 488.
- [Takahashi *et al.*, 2002] M. Takahashi, E. Osono, Y. Nakagawa, J. Wang, J. A. Berzofsky, D. H. Margulies, & H. Takahashi, 2002. Rapid induction of apoptosis in CD8+ HIV-1 envelope-specific murine CTLs by short exposure to antigenic peptide. *J Immunol* **169**(11):6588–6593. On pp. 490 & 491.
- [Takeda *et al.*, 1992] A. Takeda, J. E. Robinson, D. D. Ho, C. Debouck, N. L. Haigwood, & F. A. Ennis, 1992. Distinction of human immunodeficiency virus type 1 neutralization and infection enhancement by human monoclonal antibodies to glycoprotein 120. *J Clin Inv* **89**:1952–1957. On pp. 1073 & 1113.
- [Takefman *et al.*, 1998] D. M. Takefman, B. L. Sullivan, B. E. Sha, & G. T. Spear, 1998. Mechanisms of resistance of hiv-1 primary isolates to complement-mediated lysis. *Virology* **246**:370–8. On pp. 1022, 1031, 1051, 1060, 1140 & 1149.
- [Takeshita *et al.*, 1995] T. Takeshita, H. Takahashi, S. Kozlowski, J. D. Ahlers, C. D. Pendleton, R. L. Moore, Y. Nakagawa, K. Yokomuro, B. S. Fox, D. H. Margulies, & J. A. Berzofsky, 1995. Molecular analysis of the same hiv peptide functionally binding to both a class i and a class ii mhc molecule. *J Immunol* **154**:1973–1986. On pp. 489 & 773.
- [Takiguchi *et al.*, 2000] M. Takiguchi, T. Matsuda, H. Tomiyama, & K. Miwa, 2000. Analysis of three HLA-A*3303 binding peptide anchors using an HLA-A*3303 stabilization assay. *Tissue Antigens* **55**(4):296–302. On pp. 524 & 537.
- [Tan *et al.*, 1999] R. Tan, X. Xu, G. S. Ogg, P. Hansasuta, T. Dong, T. Rostron, G. Luzzi, C. P. Conlon, G. R. Screaton, A. J. McMichael, & S. Rowland-Jones, 1999. Rapid death of adoptively transferred t cells in acquired immunodeficiency syndrome. *Blood* **93**:1506–10. On pp. 91 & 318.
- [Tanchou *et al.*, 1995] V. Tanchou, T. Delaunay, M. Bodeus, B. Roques, J. L. Darlix, & R. Benarous, 1995. Conformational changes between human immunodeficiency virus type 1 nucleocapsid protein ncp7 and its precursor ncp15 as detected by anti-ncp7 monoclonal antibodies. *J Gen Virol* **76**:2457–2466. On pp. 878, 879, 881 & 882.
- [Tanchou *et al.*, 1994] V. Tanchou, T. Delaunay, H. de Rocquigny, M. Bodeus, J.-L. Darlix, B. Roques, & R. Benarous, 1994. Monoclonal antibody-mediated inhibition of rna binding and annealing activities of hiv type 1 nucleocapsid protein. *AIDS Res Hum Retroviruses* **10**:983–993. On pp. 878 & 879.
- [Tani *et al.*, 1994] Y. Tani, E. Donoghue, S. Sharpe, E. Boone, H. C. Lane, S. Zolla-Pazner, & D. I. Cohen, 1994. Enhanced in vitro human immunodeficiency virus type 1 replication in b cells expressing surface antibody to the tm env protein. *J Virol* **68**:1942–1950. On pp. 1017 & 1018.
- [Taniguchi *et al.*, 2000] Y. Taniguchi, S. Zolla-Pazner, Y. Xu, X. Zhang, S. Takeda, & T. Hattori, 2000. Human monoclonal antibody 98-6 reacts with the fusogenic form of gp41. *Virology* **273**(2):333–40. On pp. 1017 & 1018.
- [Tatsumi *et al.*, 1990] M. Tatsumi, C. Devaux, F. Kourilsky, & J. C. Chermann, 1990. Characterization of monoclonal antibodies directed against distinct conserved epitopes of human immunodeficiency virus type 1 core proteins. *Mol Cell Biochem* **96**:127–136. On pp. 861 & 872.
- [Teeuwse *et al.*, 1990] V. J. Teeuwse, K. H. Siebelink, S. Crush-Stanton, B. Swerdlow, J. J. Schalken, J. Goudsmit, R. van de Akker, M. J. Stukart, F. G. Uytendhaag, & A. D. Osterhaus, 1990. Production and characterization of a human monoclonal antibody, reactive with a conserved epitope on gp41 of human immunodeficiency virus type i. *AIDS Res Hum Retroviruses* **6**:381–392. On p. 1072.

- [Tewari *et al.*, 1998] D. Tewari, S. L. Goldstein, A. L. Notkins, & P. Zhou, 1998. cDNA encoding a single-chain antibody to HIV-1 p17 with cytoplasmic or nuclear retention signals inhibits HIV-1 replication. *J Immunol* **161**:2642–7. On p. 866.
- [Thakar *et al.*, 2005] M. R. Thakar, L. S. Bhonge, S. K. Lakhashe, U. Shankarkumar, S. S. Sane, S. S. Kulkarni, B. A. Mahajan, & R. S. Paranjape, 2005. Cytolytic T lymphocytes (CTLs) from HIV-1 subtype C-infected Indian patients recognize CTL epitopes from a conserved immunodominant region of HIV-1 Gag and Nef. *J Infect Dis* **192**(5):749–759. On pp. 74, 79, 81, 83, 87, 130, 140, 150, 172, 174, 176, 209, 214, 215, 509, 559, 608, 609, 611, 612, 613, 641 & 650.
- [Thali *et al.*, 1994] M. Thali, M. Charles, C. Furman, L. Cavacini, M. Posner, J. Robinson, & J. Sodroski, 1994. Resistance to neutralization by broadly reactive antibodies to the human immunodeficiency virus type 1 gp120 glycoprotein conferred by a gp41 amino acid change. *J Virol* **68**:674–680. On pp. 930, 931, 940, 970, 974, 975, 1022, 1032, 1113, 1115, 1116, 1117, 1128, 1132, 1159, 1164, 1166 & 1169.
- [Thali *et al.*, 1992a] M. Thali, C. Furman, D. D. Ho, J. Robinson, S. Tilley, A. Pinter, & J. Sodroski, 1992a. Discontinuous, conserved neutralization epitopes overlapping the CD4-binding region of human immunodeficiency virus type 1 gp120 envelope glycoprotein. *J Virol* **66**:5635–5641. On pp. 1108, 1110, 1111, 1113, 1115, 1116, 1117, 1128 & 1133.
- [Thali *et al.*, 1992b] M. Thali, C. Furman, B. Wahren, M. Posner, D. Ho, J. Robinson, & J. Sodroski, 1992b. Cooperativity of neutralizing antibodies directed against the v3 and CD4 binding regions of the HIV-1 gp120 envelope glycoprotein. *J Acquir Immune Defic Syndr* **5**:591–599. On p. 970.
- [Thali *et al.*, 1993] M. Thali, J. P. Moore, C. Furman, M. Charles, D. D. Ho, J. Robinson, & J. Sodroski, 1993. Characterization of conserved human immunodeficiency virus type 1 gp120 neutralization epitopes exposed upon gp120-CD4 binding. *J Virol* **67**:3978–3988. On pp. 913, 914, 915, 929, 930, 931, 940, 952, 970, 985, 986, 1108, 1113, 1139, 1155, 1159, 1164, 1166, 1169, 1177, 1178, 1179 & 1181.
- [Thali *et al.*, 1991] M. Thali, U. Olshevsky, C. Furman, D. Gabuzda, M. Posner, & J. Sodroski, 1991. Characterization of a discontinuous human immunodeficiency virus type 1 gp120 epitope recognized by a broadly reactive neutralizing human monoclonal antibody. *J Virol* **65**(11):6188–6193. On pp. 1113, 1128 & 1133.
- [Thiriart *et al.*, 1989] C. Thiriart, M. Francotte, J. Cohen, C. Collignon, A. Delers, S. Kummert, C. Molitor, D. Gilles, P. Roelants, F. V. Wijnendaele, M. D. Wilde, & C. Bruck, 1989. Several antigenic determinants exposed on the gp120 moiety of HIV-1 gp160 are hidden on the mature gp120. *J Immunol* **143**:1832–1836. On pp. 914, 916, 918, 919, 920, 921, 934, 945 & 981.
- [Thomas *et al.*, 1988] E. K. Thomas, J. N. Weber, J. McClure, P. R. Clapham, M. C. Singhal, M. K. Shriver, & R. A. Weiss, 1988. Neutralizing monoclonal antibodies to the AIDS virus. *AIDS* **2**:25–29. On pp. 970, 972 & 993.
- [Threlkeld *et al.*, 1997] S. C. Threlkeld, P. A. Wentworth, S. A. Kalams, B. M. Wilkes, D. J. Ruhl, E. Kepgh, J. Sidney, S. Southwood, B. D. Walker, & A. Sette, 1997. Degenerate and promiscuous recognition by CTL of peptides presented by the MHC class I A3-like superfamily. *J Immunol* **159**(4):1648–1657. On pp. 307 & 449.
- [Tian *et al.*, 2001] H. Tian, Y. Xiao, M. Zhu, M. P. Dierich, & Y. H. Chen, 2001. Induction of monoclonal antibodies with predefined epitope-specificity by epitope-vaccines. *Immunol Lett* **75**(2):161–2. On pp. 888, 977, 1020 & 1021.
- [Tian *et al.*, 2002] Y. Tian, C. V. Ramesh, X. Ma, S. Naqvi, T. Patel, T. Cenizal, M. Tiscione, K. Diaz, T. Crea, E. Arnold, G. F. Arnold, & J. W. Taylor, 2002. Structure-affinity relationships in the gp41 ELDKWA epitope for the HIV-1 neutralizing monoclonal antibody 2F5: Effects of side-chain and backbone modifications and conformational constraints. *J Pept Res* **59**(6):264–276. On pp. 1022 & 1028.
- [Till *et al.*, 1989] M. A. Till, S. Zolla-Pazner, M. K. Gorny, J. W. Uhr, & E. S. Vitetta, 1989. Human immunodeficiency virus-infected T cells and monocytes are killed by monoclonal human anti-gp41 antibodies coupled to ricin A chain. *Proc Natl Acad Sci USA* **86**:1987–1991. On pp. 1002, 1003, 1017 & 1019.
- [Tilley *et al.*, 1992] S. A. Tilley, W. J. Honnen, M. E. Racho, T.-C. Chou, & A. Pinter, 1992. Synergistic neutralization of HIV-1 by human monoclonal antibodies against the v3 loop and the CD4-binding site of gp120. *AIDS Res Hum Retroviruses* **8**:461–467. On pp. 961 & 962.
- [Tilley *et al.*, 1991a] S. A. Tilley, W. J. Honnen, M. E. Racho, M. Hiltgartner, & A. Pinter, 1991a. Human monoclonal antibodies against the putative CD4 binding site and the v3 loop of HIV-1 act in concert to neutralize virus. *VII International Conference on AIDS* **1991**:p. 39. On pp. 961, 962, 1110 & 1111.
- [Tilley *et al.*, 1991b] S. A. Tilley, W. J. Honnen, M. E. Racho, M. Hiltgartner, & A. Pinter, 1991b. A human monoclonal antibody against the CD4-binding site of HIV-1 gp120 exhibits potent, broadly neutralizing activity. *Res Virol* **142**:247–259. On pp. 1110 & 1111.
- [Tisdale *et al.*, 1988] M. Tisdale, P. Ertl, B. A. Larder, D. J. M. Purifoy, G. Darby, & K. L. Powell, 1988. Characterization of human immunodeficiency virus type 1 reverse transcriptase by using monoclonal antibodies: role of the C terminus in antibody reactivity and enzyme function. *J Virol* **62**:3662–3667. On p. 888.
- [Toapanta & Ross, 2004] F. R. Toapanta & T. M. Ross, 2004. Mouse strain-dependent differences in enhancement of immune responses by C3d. *Vaccine* **22**(13-14):1773–1781. On p. 1093.
- [Tobery & Siliciano, 1997] T. W. Tobery & R. F. Siliciano, 1997. Targeting of HIV-1 antigens for rapid intracellular degradation enhances cytotoxic T lymphocyte (CTL) recognition and the induction of de novo CTL responses in vivo after immunization. *J Exp Med* **185**:909–20. On p. 493.
- [Tomiya *et al.*, 2002] H. Tomiya, H. Akari, A. Adachi, & M. Takiguchi, 2002. Different effects of Nef-mediated HLA class I down-regulation on human immunodeficiency virus type 1-specific CD8(+) T-cell cytolytic activity and cytokine production. *J Virol* **76**(15):7535–7543. On p. 554.
- [Tomiya *et al.*, 1997] H. Tomiya, K. Miwa, H. Shiga, Y. I. Moore, S. Oka, A. Iwamoto, Y. Kaneko, & M. Takiguchi, 1997. Evidence of presentation of multiple HIV-1 cytotoxic T lymphocyte epitopes by HLA-B*3501 molecules that are associated with the accelerated progression of AIDS. *J Immunol* **158**:5026–34. On pp. 295, 303, 314, 336, 366, 456, 472, 562 & 568.
- [Tomiya *et al.*, 2000a] H. Tomiya, S. Oka, G. S. Ogg, S. Ida, A. J. McMichael, & M. Takiguchi, 2000a. Expansion of HIV-1-specific CD28-CD45RA-CD8+ T cells in chronically HIV-1-infected individuals. *AIDS* **14**(13):2049–51. On pp. 295, 314, 366, 367, 562 & 568.
- [Tomiya *et al.*, 1999] H. Tomiya, T. Sakaguchi, K. Miwa, S. Oka, A. Iwamoto, Y. Kaneko, & M. Takiguchi, 1999. Identification of multiple HIV-1 CTL epitopes presented by HLA-B*5101. *Hum Immunol* **60**:177–86. On pp. 238, 293, 298, 302, 377, 501 & 537.
- [Tomiya *et al.*, 2000b] H. Tomiya, N. Yamada, H. Komatsu, K. Hirayama, & M. Takiguchi, 2000b. A single CTL clone can recognize a naturally processed HIV-1 epitope presented by two different HLA class I molecules. *Eur J Immunol* **30**(9):2521–30. On pp. 295 & 337.

- [Toohey *et al.*, 1995] K. Toohey, K. Wehrly, J. Nishio, S. Perryman, & B. Chesebro, 1995. Human immunodeficiency virus envelope v1 and v2 regions influence replication efficiency in macrophages by affecting virus spread. *Virology* **213**:70–9. On p. 880.
- [Tornatore *et al.*, 1994] C. Tornatore, K. Meyers, W. Atwood, K. Conant, & E. Major, 1994. Temporal patterns of human immunodeficiency virus type 1 transcripts in human fetal astrocytes. *J Virol* **68**:93–102. On p. 1215.
- [Trabattoni *et al.*, 2002] D. Trabattoni, S. Lo Caputo, M. Biasin, E. Seminari, M. Di Pietro, G. Ravasi, F. Mazzotta, R. Maserati, & M. Clerici, 2002. Modulation of human immunodeficiency virus (HIV)-specific immune response by using efavirenz, nelfinavir, and stavudine in a rescue therapy regimen for HIV-infected, drug-experienced patients. *Clin Diagn Lab Immunol* **9**(5):1114–8. On p. 553.
- [Trabattoni *et al.*, 2004] D. Trabattoni, S. Piconi, M. Biasin, G. Rizzardini, M. Migliorino, E. Seminari, A. Boasso, L. Piacentini, M. L. Villa, R. Maserati, & M. Clerici, 2004. Granule-dependent mechanisms of lysis are defective in CD8 T cells of HIV-infected, antiretroviral therapy-treated individuals. *AIDS* **18**(6):859–869. On p. 555.
- [Trickett *et al.*, 1998] A. E. Trickett, M. Kelly, B. A. Cameron, A. Lloyd, R. A. Ffrench, & J. M. Dwyer, 1998. A preliminary study to determine the effect of an infusion of cryopreserved autologous lymphocytes on immunocompetence and viral load in hiv-infected patients. *J Acquir Immune Defic Syndr Hum Retrovirol* **17**:129–36. On pp. 261, 392 & 548.
- [Trickett *et al.*, 2002] A. E. Trickett, Y. L. Kwan, B. Cameron, & J. M. Dwyer, 2002. Ex vivo expansion of functional T lymphocytes from HIV-infected individuals. *J Immunol Methods* **262**(1-2):71–83. On pp. 266, 395 & 553.
- [Trkola *et al.*, 1996a] A. Trkola, T. Dragic, J. Arthos, J. M. Binley, W. C. Olson, G. P. Allaway, C. Cheng-Mayer, J. Robinson, P. J. Maddon, & J. P. Moore, 1996a. Cd4-dependent, antibody-sensitive interactions between hiv-1 and its co-receptor ccr-5. *Nature* **384**:184–187. On pp. 914, 915, 920, 921, 925, 926, 958, 959, 985, 986, 990, 1036, 1041, 1052, 1061, 1099, 1100, 1103, 1104, 1106, 1107, 1108, 1109, 1113, 1115, 1140, 1150, 1159, 1164, 1166, 1169 & 1179.
- [Trkola *et al.*, 1998] A. Trkola, T. Ketas, V. N. Kewalramani, F. Endorf, J. M. Binley, H. Katinger, J. Robinson, D. R. Littman, & J. P. Moore, 1998. Neutralization sensitivity of human immunodeficiency virus type 1 primary isolates to antibodies and cd4-based reagents is independent of coreceptor usage. *J Virol* **72**:1876–85. On pp. 958, 959, 1022, 1031, 1051, 1060, 1113 & 1115.
- [Trkola *et al.*, 1995] A. Trkola, A. B. Pomaes, H. Yuan, B. Korber, P. J. Maddon, G. P. Allaway, H. Katinger, C. F. Barbas III, D. R. Burton, D. D. Ho, & J. P. Moore, 1995. Cross-clade neutralization of primary isolates of human immunodeficiency virus type 1 by human monoclonal antibodies and tetrameric cd4-igg. *J Virol* **69**:6609–6617. On pp. 1022, 1032, 1052, 1061, 1140 & 1150.
- [Trkola *et al.*, 1996b] A. Trkola, M. Purtscher, T. Muster, C. Ballaun, A. Buchacher, N. Sullivan, K. Srinivasan, J. Sodroski, J. P. Moore, & H. Katinger, 1996b. Human monoclonal antibody 2g12 defines a distinctive neutralization epitope on the gp120 glycoprotein of human immunodeficiency virus type 1. *J Virol* **70**:1100–1108. On pp. 1052 & 1061.
- [Trujillo *et al.*, 1993] J. R. Trujillo, M. F. McLane, T.-H. Lee, & M. Essex, 1993. Molecular mimicry between the human immunodeficiency virus type 1 gp120 v3 loop and human brain proteins. *J Virol* **67**:7711–7715. On pp. 940 & 980.
- [Truong *et al.*, 1997] C. Truong, D. Brand, F. Mallet, P. Roingeard, & F. Barin, 1997. Comparison of antibody responses to different forms of HIV-1 core antigens by epitope mapping. *J Med Virol* **51**(3):145–51. On pp. 861, 867, 869, 872 & 874.
- [Truong *et al.*, 1996] C. Truong, D. Brand, F. Mallet, P. Roingeard, S. Brunet, & F. Barin, 1996. Assembly and immunogenicity of chimeric Gag-Env proteins derived from the human immunodeficiency virus type 1. *AIDS Res Hum Retroviruses* **12**(4):291–301. On pp. 884, 1158, 1192 & 1193.
- [Tsomides *et al.*, 1994] T. J. Tsomides, A. Aldovini, R. P. Johnson, B. D. Walker, R. A. Young, & H. N. Eisen, 1994. Naturally processed viral peptides recognized by cytotoxic t lymphocytes on cells chronically infected by human immunodeficiency virus type 1. *J Exp Med* **180**:1283–1293. On pp. 104 & 347.
- [Tsomides *et al.*, 1991] T. J. Tsomides, B. D. Walker, & H. N. Eisen, 1991. An optimal viral peptide recognized by cd8+ t cells binds very tightly to the restricting class i major histocompatibility complex protein on intact cells but not to the purified class i protein. *Proc Natl Acad Sci USA* **88**:11276–11280. On p. 348.
- [Tugarinov *et al.*, 1999] V. Tugarinov, A. Zvi, R. Levy, & J. Anglister, 1999. A cis proline turn linking two beta-hairpin strands in the solution structure of an antibody-bound HIV-1 IIIB V3 peptide. *Nat Struct Biol* **6**(4):331–335. On p. 974.
- [Tugarinov *et al.*, 2000] V. Tugarinov, A. Zvi, R. Levy, Y. Hayek, S. Matsushita, & J. Anglister, 2000. Nmr structure of an anti-gp120 antibody complex with a v3 peptide reveals a surface important for co-receptor binding [in process citation]. *Structure Fold Des* **8**:385–95. On p. 974.
- [Tumanova *et al.*, 2001] O. I. Tumanova, V. N. Kuvshinov, M. S. Azaev, A. E. Masharskii, N. A. Klimov, A. P. Kozlov, A. A. Il'ichev, & L. S. Sandakhchiev, 2001. [Construction of peptide mimetics of an epitope of the human immunodeficiency virus (HIV-1) gp41 protein, recognized by virus-neutralizing antibodies 2f5]. *Mol Biol (Mosk)* **35**(1):146–51. On pp. 1022 & 1029.
- [Turbica *et al.*, 1995] I. Turbica, M. Posner, C. Bruck, & F. Barin, 1995. Simple enzyme immunoassay for titration of antibodies to the cd4- binding site of human immunodeficiency virus type 1 gp120. *J Clin Microbiol* **33**:3319–3323. On pp. 1128 & 1132.
- [Turbica *et al.*, 1997] I. Turbica, F. Simon, J. M. Besnier, B. LeJeune, P. Choutet, A. Goudeau, & F. Barin, 1997. Temporal development and prognostic value of antibody response to the major neutralizing epitopes of gp120 during hiv-1 infection. *J Med Virol* **52**:309–315. On pp. 1022 & 1032.
- [Turner *et al.*, 1994] J. L. Turner, R. J. Trauger, A. E. Daigle, & D. J. Carlo, 1994. HIV-1 immunogen induction of HIV-1-specific delayed-type hypersensitivity: Results of a double-blind, adjuvant-controlled, dose-ranging trial. *AIDS* **8**(10):1429–1435. On p. 825.
- [Tyler *et al.*, 1990] D. S. Tyler, S. D. Stanley, S. Zolla-Pazner, M. K. Gorny, P. P. Shaddock, A. J. Langlois, T. J. Matthews, D. P. Bolognesi, T. J. Palker, & K. J. Weinhold, 1990. Identification of sites within gp41 that serve as targets for antibody-dependent cellular cytotoxicity by using human monoclonal antibodies. *J Immunol* **145**:3276–3282. On pp. 868, 880, 1003, 1017, 1019 & 1050.
- [Ueno *et al.*, 2004a] T. Ueno, M. Fujiwara, H. Tomiyama, M. Onodera, & M. Takiguchi, 2004a. Reconstitution of anti-HIV effector functions of primary human CD8 T lymphocytes by transfer of HIV-specific alpha-beta TCR genes. *Eur J Immunol* **34**(12):3379–3388. On p. 337.
- [Ueno *et al.*, 2004b] T. Ueno, H. Tomiyama, M. Fujiwara, S. Oka, & M. Takiguchi, 2004b. Functionally impaired HIV-specific CD8 T cells show high affinity TCR-ligand interactions. *J Immunol* **173**(9):5451–547. On p. 336.

- [Ueno *et al.*, 2002] T. Ueno, H. Tomiyama, & M. Takiguchi, 2002. Single T cell receptor-mediated recognition of an identical HIV-derived peptide presented by multiple HLA class I molecules. *J Immunol* **169**(9):4961–4969. On p. 337.
- [Ugen *et al.*, 1993] K. E. Ugen, Y. Refaleli, U. Ziegner, M. Agadjanyan, M. A. R. Satre, V. Srikantan, B. Wang, A. Sato, W. V. Williams, & D. B. Weiner, 1993. Generation of monoclonal antibodies against the amino terminus of gp120 that elicit antibody-dependent cellular cytotoxicity. *Vaccines* **93** pp. 215–221. On p. 1173.
- [Ugolini *et al.*, 1997] S. Ugolini, I. Mondor, P. W. H. I. Parren, D. R. Burton, S. A. Tilley, P. J. Klasse, & Q. J. Sattentau, 1997. Inhibition of virus attachment to cd4+ target cells is a major mechanism of t cell line-adapted hiv-1 neutralization. *J Exp Med* **186**:1287–1298. On pp. 926, 927, 958, 959, 960, 970, 1022, 1031, 1032, 1036, 1040, 1051, 1061, 1109, 1116, 1140, 1150, 1166, 1169 & 1194.
- [Uno-Furuta *et al.*, 2001] S. Uno-Furuta, S. Tamaki, Y. Takebe, S. Takamura, A. Kamei, G. Kim, I. Kuromatsu, M. Kaito, Y. Adachi, & Y. Yasutomi, 2001. Induction of virus-specific cytotoxic T lymphocytes by in vivo electric administration of peptides. *Vaccine* **19**(15-16):2190–6. On p. 480.
- [Vajdy *et al.*, 2001] M. Vajdy, J. Gardner, J. Neidleman, L. Cuadra, C. Greer, S. Perri, D. O'Hagan, & J. M. Polo, 2001. Human immunodeficiency virus type 1 Gag-specific vaginal immunity and protection after local immunizations with sindbis virus-based replicon particles. *J Infect Dis* **184**(12):1613–1616. On p. 169.
- [Valenzuela *et al.*, 1998] A. Valenzuela, J. Blanco, B. Krust, R. Franco, & A. G. Hovanessian, 1998. Neutralizing antibodies against the v3 loop of human immunodeficiency type 1 gp120 block the cd4-dependent and independent binding of the virus to cells. *J Virol* **71**:8289–8298. On pp. 933, 937, 970, 977, 982, 993, 1140 & 1149.
- [Valvatne *et al.*, 1996] H. Valvatne, A. M. Szilvay, & D. E. Helland, 1996. A monoclonal antibody defines a novel hiv type 1 tat domain involved in trans-cellular trans-activation. *AIDS Res Hum Retroviruses* **12**:611–619. On pp. 901, 902 & 903.
- [van Baalen & Gruters, 2000] C. van Baalen & R. Gruters, 2000. Personal communication. On p. 436.
- [van Baalen *et al.*, 2002] C. A. van Baalen, C. Guillon, M. van Baalen, E. J. Verschuren, P. H. M. Boers, A. D. M. E. Osterhaus, & R. A. Gruters, 2002. Impact of antigen expression kinetics on the effectiveness of HIV-specific cytotoxic T lymphocytes. *Eur J Immunol* **32**(9):2644–2652. On pp. 330 & 436.
- [van Baalen *et al.*, 1993] C. A. van Baalen, M. R. Klein, A. M. Geretti, R. I. P. M. Keet, F. Miedema, C. A. C. M. van Els, & A. D. M. E. Osterhaus, 1993. Selective in vitro expansion of hla class i-restricted hiv-1 gag-specific cd8+ t cells: cytotoxic t-lymphocyte epitopes and precursor frequencies. *AIDS* **7**:781–786. On pp. 187, 208 & 242.
- [van Baalen *et al.*, 1996] C. A. van Baalen, M. R. Klein, R. C. Huisman, M. E. Dings, S. R. K. Garde, A. M. Geretti, R. Gruters, C. A. van Els, F. Miedema, & A. D. Osterhaus, 1996. Fine-specificity of cytotoxic t lymphocytes which recognize conserved epitopes of the gag protein of human immunodeficiency virus type 1. *J Gen Virol* **77**:1659–1665. On pp. 74 & 171.
- [van Baalen *et al.*, 2005] C. A. van Baalen, D. Kwa, E. J. Verschuren, M. L. Reedijk, A. C. M. Boon, G. de Mutsert, G. F. Rimmelzwaan, A. D. M. E. Osterhaus, & R. A. Gruters, 2005. Fluorescent antigen-transfected target cell cytotoxic T lymphocyte assay for ex vivo detection of antigen-specific cell-mediated cytotoxicity. *J Infect Dis* **192**(7):1183–1190. On p. 439.
- [van Baalen *et al.*, 1997] C. A. van Baalen, O. Pontesilli, R. C. Huisman, A. M. Geretti, M. R. Klein, F. de Wolf, F. Miedema, R. A. Gruters, & A. D. M. E. Osterhaus, 1997. Human immunodeficiency virus type 1 rev- and tat-specific cytotoxic t lymphocyte frequencies inversely correlate with rapid progression to aids. *J Gen Virol* **78**:1913–1918. On p. 434.
- [van Baalen *et al.*, 1998] C. A. van Baalen, M. Schutten, R. C. Huisman, P. H. Boers, R. A. Gruters, & A. D. Osterhaus, 1998. Kinetics of antiviral activity by human immunodeficiency virus type 1-specific cytotoxic t lymphocytes (ctl) and rapid selection of ctl escape virus in vitro. *J Virol* **72**:6851–7. On p. 437.
- [van der Burg *et al.*, 1995] S. H. van der Burg, M. R. Klein, C. J. V. de Velde, W. M. Kast, F. Miedema, & C. J. Melief, 1995. Induction of a primary human cytotoxic t lymphocyte response against a novel conserved epitope in a functional sequence of hiv-1 reverse transcriptase. *AIDS* **9**:121–127. On pp. 293 & 341.
- [van der Burg *et al.*, 1997] S. H. van der Burg, M. R. Klein, O. Pontesilli, A. M. Holwerda, J. Drijfhout, W. M. Kast, F. Miedema, & C. J. M. Melief, 1997. Hiv-1 reverse transcriptase-specific ctl against conserved epitopes do not protect against progression to aids. *J Immunol* **159**:3648–3654. On pp. 280, 324, 326, 329, 330, 338, 362, 364, 368 & 370.
- [van der Burg *et al.*, 1999] S. H. van der Burg, K. M. Kwappenberg, A. Geluk, M. van der Kruk, O. Pontesilli, E. Hovenkamp, K. L. Franken, K. E. van Meijgaarden, J. W. Drijfhout, T. H. Ottenhoff, C. J. Melief, & R. Offringa, 1999. Identification of a conserved universal th epitope in hiv-1 reverse transcriptase that is processed and presented to hiv-specific cd4+ t. *J Immunol* **162**:152–60. On pp. 734, 736 & 737.
- [van der Burg *et al.*, 1996] S. H. van der Burg, M. J. W. Visseren, R. M. P. Brandt, W. M. Kast, & C. J. M. Melief, 1996. Immunogenicity of peptides bound to mhc class i molecules depends on the mhc-peptide complex stability. *J Immunol* **156**:3308–3314. On pp. 93, 293, 340 & 388.
- [Van der Ryst *et al.*, 1998] E. Van der Ryst, T. Nakasone, A. Habel, A. Venet, E. Gomard, R. Altmeyer, M. Girard, & A. M. Borman, 1998. Study of the immunogenicity of different recombinant Mengo viruses expressing HIV1 and SIV epitopes. *Res Virol* **149**:5–20. On p. 647.
- [van Harmelen *et al.*, 2003] J. H. van Harmelen, E. Shephard, R. Thomas, T. Hanke, A. L. Williamson, & C. Williamson, 2003. Construction and characterisation of a candidate HIV-1 subtype C DNA vaccine for South Africa. *Vaccine* **21**(27-28):4380–9. On p. 170.
- [VanCott *et al.*, 1995] T. C. VanCott, F. R. Bethke, D. S. Burke, R. R. Redfield, & D. L. Bix, 1995. Lack of induction of antibodies specific for conserved, discontinuous epitopes of hiv-1 envelope glycoprotein by candidate aids vaccines. *J Immunol* **155**:4100–4110. On pp. 940, 951, 952, 978, 979, 991 & 1073.
- [VanCott *et al.*, 1994] T. C. VanCott, F. R. Bethke, V. R. Polonis, M. K. Gorny, S. Zolla-Pazner, R. R. Redfield, & D. L. Bix, 1994. Dissociation rate of antibody-gp120 binding interactions is predictive of v3-mediated neutralization of hiv-1. *J Immunol* **153**:449–459. On pp. 940, 944, 946, 947, 951, 952, 963, 966, 968, 971, 972, 978, 979, 980, 1036 & 1041.
- [VanCott *et al.*, 1999] T. C. VanCott, J. R. Mascola, L. D. Loomis-Price, F. Sinangil, N. Zitomersky, J. McNeil, M. L. Robb, D. L. Bix, & S. Barnett, 1999. Cross-subtype neutralizing antibodies induced in baboons by a subtype E gp120 immunogen based on an R5 primary human immunodeficiency virus type 1 envelope. *J Virol* **73**(6):4640–50. On p. 1080.
- [Vaslin *et al.*, 1994] B. Vaslin, J.-M. Claverie, O. Benveniste, F. C. Barre-Sinoussi, & D. Dormont, 1994. Nef and gag synthetic peptide priming of antibody responses to hiv type 1 antigens in mice and primates. *AIDS Res Hum Retroviruses* **10**:1241–1250. On pp. 705 & 721.

- [Vatakis *et al.*, 2005] D. N. Vatakis, Y. T. Koh, & M. McMillan, 2005. CD4+ T cell epitope affinity to MHC II influences the magnitude of CTL responses elicited by DNA epitope vaccines. *Vaccine* **23**(20):2639–2646. On p. 545.
- [Vázquez Blomquist *et al.*, 2002] D. Vázquez Blomquist, P. Green, S. M. Laidlaw, M. A. Skinner, P. Borrow, & C. A. Duarte, 2002. Induction of a strong HIV-specific CD8+ T cell response in mice using a fowlpox virus vector expressing an HIV-1 multi-CTL-epitope polypeptide. *Viral Immunol* **15**(2):337–356. On p. 494.
- [Vázquez-Blomquist *et al.*, 2003] D. Vázquez-Blomquist, D. Quintana, & C. A. Duarte, 2003. Modified-vaccinia-virus-ankara (MVA) priming and fowlpox virus booster elicit stronger CD8+ T-cell response in mice against an HIV-1 epitope than does a DNA-poxvirus prime-booster approach. *Biotechnol Appl Biochem*. On p. 546.
- [Veazey *et al.*, 2003] R. S. Veazey, R. J. Shattock, M. Pope, J. C. Kirijan, J. Jones, Q. Hu, T. Ketas, P. A. Marx, P. J. Klasse, D. R. Burton, & J. P. Moore, 2003. Prevention of virus transmission to macaque monkeys by a vaginally applied monoclonal antibody to HIV-1 gp120. *Nat Med* **9**(3):343–346. On pp. 1140 & 1144.
- [Vella & Daniels, 2003] C. Vella & R. S. Daniels, 2003. CD8+ T-cell-mediated non-cytolytic suppression of human immunodeficiency viruses. *Curr Drug Targets Infect Disord* **3**(2):97–113. On p. 666.
- [Vella *et al.*, 1993] C. Vella, M. Ferguson, G. Dunn, R. Melen, H. Langedijk, D. Evans, & P. D. Minor, 1993. Characterization and primary structure of a human immunodeficiency virus type 1 (hiv-1) neutralization domain as presented by a poliovirus type 1/hiv-1 chimera. *J Gen Virol* **7**:15–21. On pp. 1042, 1043, 1044 & 1045.
- [Vella *et al.*, 2002] C. Vella, N. N. Zheng, P. Easterbrook, & R. S. Daniels, 2002. Herpesvirus saimiri-immortalized human lymphocytes: Novel hosts for analyzing HIV type 1 in vitro neutralization. *AIDS Res Hum Retroviruses* **18**(13):933–946. On pp. 946, 966, 967, 984, 1135, 1139, 1140 & 1146.
- [Venturini *et al.*, 2002] S. Venturini, D. E. Mosier, D. R. Burton, & P. Poignard, 2002. Characterization of human immunodeficiency virus type 1 (HIV-1) Gag- and Gag peptide-specific CD4+ T-cell clones from an HIV-1-seronegative donor following in vitro immunization. *J Virol* **76**(14):6987–6999. On pp. 702, 706, 709, 712, 713 & 722.
- [Verrier *et al.*, 2000] F. Verrier, S. Burda, R. Belshe, A. M. Duliege, J. L. Excler, M. Klein, & S. Zolla-Pazner, 2000. A human immunodeficiency virus prime-boost immunization regimen in humans induces antibodies that show interclade cross-reactivity and neutralize several X4-, R5-, and dualtropic clade B and C primary isolates. *J Virol* **74**(21):10025–33. On p. 1193.
- [Verrier *et al.*, 2001] F. Verrier, A. Nadas, M. K. Gorny, & S. Zolla-Pazner, 2001. Additive effects characterize the interaction of antibodies involved in neutralization of the primary dualtropic human immunodeficiency virus type 1 isolate 89.6. *J Virol* **75**(19):9177–86. On pp. 995, 1002, 1007, 1008, 1017, 1018, 1022, 1029, 1036, 1039, 1051, 1058, 1122, 1140, 1147, 1166, 1168, 1202 & 1203.
- [Verschoor *et al.*, 1999] E. J. Verschoor, P. Mooij, H. Oostermeijer, M. van der Kolk, P. ten Haaf, B. Verstrepen, Y. Sun, B. Morein, L. Akerblom, D. H. Fuller, S. W. Barnett, & J. L. Heeney, 1999. Comparison of immunity generated by nucleic acid-, mf59-, and iscom- formulated human immunodeficiency virus type 1 vaccines in rhesus macaques: evidence for viral clearance. *J Virol* **73**:3292–300. On pp. 809 & 1080.
- [Villacres & Bergmann, 1999] M. C. Villacres & C. C. Bergmann, 1999. Enhanced cytotoxic t cell activity in il-4-deficient mice. *J Immunol* **162**:2663–70. On p. 487.
- [Vincent *et al.*, 2004] N. Vincent, E. Malvoisin, B. Pozzetto, F. Lucht, & C. Genin, 2004. Detection of IgA inhibiting the interaction between gp120 and soluble CD4 receptor in serum and saliva of HIV-1-infected patients. *AIDS* **18**(1):37–43. On pp. 1098 & 1099.
- [Vinner *et al.*, 1999] L. Vinner, H. V. Nielsen, K. Bryder, S. Corbet, C. Nielsen, & A. Fomsgaard, 1999. Gene gun dna vaccination with rev-independent synthetic hiv-1 gp160 envelope gene using mammalian codons. *Vaccine* **17**:2166–75. On p. 545.
- [von Brunn *et al.*, 1993] A. von Brunn, M. Brand, C. Reichhuber, C. Morys-Wortmann, F. Deinhardt, & F. Schodel, 1993. Principal neutralizing domain of hiv-1 is highly immunogenic when expressed on the surface of hepatitis b core particles. *Vaccine* **11**:817–24. On pp. 960 & 961.
- [Voss *et al.*, 2003] G. Voss, K. Manson, D. Montefiori, D. I. Watkins, J. Heeney, M. Wyand, J. Cohen, & C. Bruck, 2003. Prevention of disease induced by a partially heterologous AIDS virus in rhesus monkeys by using an adjuvanted multicomponent protein vaccine. *J Virol* **77**(2):1049–1058. On pp. 906, 1089 & 1215.
- [Wagner *et al.*, 1998a] L. Wagner, O. O. Yang, E. A. Zepeda, Y. Ge, S. A. Kalam, B. D. Walker, M. S. Pasternack, & A. D. Luster, 1998a. Beta-chemokines are released from hiv-1-specific cytolytic t cell granules complexed to proteoglycans. *Nature* **391**:908–11. On pp. 103, 120, 308 & 512.
- [Wagner *et al.*, 1996] R. Wagner, L. Deml, R. Schirmbeck, M. Niedrig, J. Reimann, & H. Wolf, 1996. Construction, expression, and immunogenicity of chimeric hiv-1 virus-like particles. *Virology* **220**:128–140. On pp. 961 & 992.
- [Wagner *et al.*, 1999] R. Wagner, Y. Shao, & H. Wolf, 1999. Correlates of protection, antigen delivery and molecular epidemiology: basics for designing an hiv vaccine. *Vaccine* **17**:1706–10. On p. 227.
- [Wagner *et al.*, 1998b] R. Wagner, V. J. Teeuwesen, L. Deml, F. Notka, A. G. Haaksma, S. S. Jhaghoorsingh, H. Niphuis, H. Wolf, & J. L. Heeney, 1998b. Cytotoxic t cells and neutralizing antibodies induced in rhesus monkeys by virus-like particle hiv vaccines in the absence of protection from shiv infection. *Virology* **245**:65–74. On pp. 139, 503, 898 & 1081.
- [Wahren & Liu, 2004] B. Wahren & M. Liu, 2004. Therapeutic vaccination against HIV. *Expert Rev Vaccines* **3**(4s1):S179–S188. On p. 829.
- [Wahren *et al.*, 1989a] B. Wahren, T. Mathiesen, J. Rosen, & H. Wigzell, 1989a. Common and unique t-cell epitopes of hiv-1. *Vaccines* **89**:89–93. On pp. 693, 696, 697, 704, 705, 713, 719, 720, 721, 769, 770, 777, 778, 785, 786, 792, 795, 796, 798, 801 & 806.
- [Wahren *et al.*, 1989b] B. Wahren, J. Rosen, E. Sandstrom, T. Mathiesen, S. Modrow, & H. Wigzell, 1989b. Hiv-1 peptides induce a proliferative response in lymphocytes from infected persons. *J Acquir Immune Defic Syndr* **4**:448–456. On pp. 693, 696, 697, 704, 705, 713, 719, 720, 721, 769, 770, 777, 778, 785, 786, 792, 795, 796, 798, 801 & 806.
- [Wainberg & Gu, 1995] M. A. Wainberg & Z. Gu, 1995. Targeting hiv reverse transcriptase in novel ways. *Nat Med* **1**:628–629. On p. 898.
- [Walker *et al.*, 1989] B. D. Walker, C. Flexner, K. Birch-Limberger, L. Fisher, T. J. Paradis, A. Aldovini, R. Young, B. Moss, & R. T. Schooley, 1989. Long-term culture and fine specificity of human cytotoxic t-lymphocyte clones reactive with human immunodeficiency virus type 1. *Proc Natl Acad Sci USA* **86**:9514–9518. On pp. 281, 318, 325, 338 & 358.
- [Walter *et al.*, 1997] J. B. Walter, C. Brander, M. Mammen, D. N. Garboczi, S. A. Kalam, G. M. Whiteside, B. D. Walker, & H. N. Eisen, 1997. Stimulation of human cytotoxic t cells with hiv-1-derived peptides presented by recombinant hla-a2 peptide complexes. *Int Immunol* **9**:451–9. On pp. 92 & 341.

- [Wang *et al.*, 2002a] B. Wang, W. B. Dyer, J. J. Zaunders, M. Mikhail, J. S. Sullivan, L. Williams, D. N. Haddad, G. Harris, J. A. G. Holt, D. A. Cooper, M. Miranda-Saksena, R. Boadle, A. D. Kelleher, & N. K. Saksena, 2002a. Comprehensive analyses of a unique HIV-1-infected nonprogressor reveal a complex association of immunobiological mechanisms in the context of replication-incompetent infection. *Virology* **304**(2):246–264. On p. 730.
- [Wang *et al.*, 2002b] F.-X. Wang, T. Kimura, K. Nishihara, K. Yoshimura, A. Koito, & S. Matsushita, 2002b. Emergence of autologous neutralization-resistant variants from preexisting human immunodeficiency virus (HIV) quasi species during virus rebound in HIV type 1-infected patients undergoing highly active antiretroviral therapy. *J Infect Dis* **185**(5):608–617. On p. 1108.
- [Wang *et al.*, 1986] J. J. G. Wang, S. Steel, R. Wisniewolski, & C. Y. Wang, 1986. Detection of antibodies to human T-lymphotropic virus type III by using a synthetic peptide of 21 amino acid residues corresponding to a highly antigenic segment of gp41 envelope protein. *Proc Natl Acad Sci USA* **83**(16):6159–6163. On p. 1001.
- [Wang, 2003] L.-X. Wang, 2003. Bioorganic approaches towards HIV vaccine design. *Curr Pharm Des* **9**(22):1771–87. On pp. 491, 1022, 1027, 1033, 1034, 1035, 1051, 1056, 1140 & 1144.
- [Wang *et al.*, 2004] L.-X. Wang, J. Ni, S. Singh, & H. Li, 2004. Binding of high-mannose-type oligosaccharides and synthetic oligomannose clusters to human antibody 2G12: Implications for HIV-1 vaccine design. *Chem Biol* **11**(1):127–134. On pp. 1051 & 1054.
- [Wang *et al.*, 2002c] S. Wang, J. York, W. Shu, M. O. Stoller, J. H. Nunberg, & M. Lu, 2002c. Interhelical interactions in the gp41 core: Implications for activation of HIV-1 membrane fusion. *Biochemistry* **41**(23):7283–7292. On p. 935.
- [Wang *et al.*, 2003] X. Wang, D. M. Hone, A. Haddad, M. T. Shata, & D. W. Pascual, 2003. M cell DNA vaccination for CTL immunity to HIV. *J Immunol* **171**(9):4717–4725. On p. 668.
- [Wang *et al.*, 2005] Z. Wang, Z. Liu, X. Cheng, & Y.-H. Chen, 2005. The recombinant immunogen with high-density epitopes of ELDKWA and ELDEWA induced antibodies recognizing both epitopes on HIV-1 gp41. *Microbiol Immunol* **49**(8):703–709. On pp. 1022 & 1024.
- [Warren & Thomas, 1992] A. P. Warren & D. B. Thomas, 1992. Class II (II-A^d) restricted T-cell recognition of the V3 loop region of HIV-1 gp120. *AIDS Res Hum Retroviruses* **8**:559–564. On p. 782.
- [Warrier *et al.*, 1995] S. V. Warrier, E. Murphy, I. Yokoyama, & S. A. Tilley, 1995. Characterization of the variable regions of a chimpanzee monoclonal antibody with potent neutralizing activity against hiv-1. *Mol Immunol* **32**:1081–1092. On pp. 926 & 927.
- [Warrier *et al.*, 1994] S. V. Warrier, A. Pinter, W. J. Honnen, M. Girard, E. Muchmore, & S. A. Tilley, 1994. A novel, glycan-dependent epitope in the v2 domain of human immunodeficiency virus type 1 gp120 is recognized by a highly potent, neutralizing chimpanzee monoclonal antibody. *J Virol* **68**:4636–4642. On pp. 926 & 927.
- [Warrier *et al.*, 1996] S. V. Warrier, A. Pinter, W. J. Honnen, & S. A. Tilley, 1996. Synergistic neutralization of human immunodeficiency virus type 1 by a chimpanzee monoclonal antibody against the v2 domain of gp120 in combination with monoclonal antibodies against the v3 loop and the cd4-binding site. *J Virol* **70**:4466–4473. On pp. 926, 927, 942, 974, 1110, 1111, 1119 & 1120.
- [Wasik *et al.*, 1999] T. J. Wasik, J. Bratosiewicz, A. Wierzbicki, V. E. Whiteman, R. R. Rutstein, S. E. Starr, S. D. Douglas, D. Kaufman, A. V. Sison, M. Polansky, H. W. Lischner, & D. Kozbor, 1999. Protective role of beta-chemokines associated with hiv-specific th responses against perinatal hiv transmission. *J Immunol* **162**:4355–64. On pp. 265, 394, 552, 775 & 790.
- [Wasik *et al.*, 1997] T. J. Wasik, P. P. Jagodzinski, E. M. Hyjek, J. Wustner, G. Trinchieri, H. W. Lischner, & D. Kozbor, 1997. Diminished hiv-specific ctl activity is associated with lower type 1 and enhanced type 2 responses to hiv-specific peptides during perinatal hiv infection. *J Immunol* **158**:6029–36. On pp. 774 & 789.
- [Wasik *et al.*, 2000] T. J. Wasik, A. Wierzbicki, V. E. Whiteman, G. Trinchieri, H. W. Lischner, & D. Kozbor, 2000. Association between HIV-specific T helper responses and CTL activities in pediatric AIDS. *Eur J Immunol* **30**:117–27. On pp. 261, 391, 547, 655, 774 & 789.
- [Watkins *et al.*, 1996] B. A. Watkins, A. E. Davis, S. Fiorentini, F. di Marzo Veronese, & M. S. Reitz, Jr., 1996. Evidence for distinct contributions of heavy and light chains to restriction of antibody recognition of the hiv-1 principal neutralization determinant. *J Immunol* **156**:1676–1683. On pp. 957 & 1072.
- [Watkins *et al.*, 1993] B. A. Watkins, M. S. Reitz, Jr., C. A. Wilson, K. Aldrich, A. E. Davis, & M. Robert-Guroff, 1993. Immune escape by human immunodeficiency virus type 1 from neutralizing antibodies: evidence for multiple pathways. *J Virol* **67**:7493–7500. On pp. 957, 965, 974, 975, 1111, 1112, 1113, 1115, 1128 & 1133.
- [Wee *et al.*, 2002] E. G.-T. Wee, S. Patel, A. J. McMichael, & T. Hanke, 2002. A DNA/MVA-based candidate human immunodeficiency virus vaccine for Kenya induces multi-specific T cell responses in rhesus macaques. *J Gen Virol* **83**(Pt 1):75–80. On pp. 190, 193, 194, 201, 217, 219, 225, 226, 271, 307, 317, 318, 320, 344, 357, 358, 450, 515, 520, 569, 571, 581, 594, 596, 602, 625, 626 & 650.
- [Weekes *et al.*, 1999a] M. P. Weekes, A. J. Carmichael, M. R. Wills, K. Mynard, & J. G. Sissons, 1999a. Human cd28-cd8+ t cells contain greatly expanded functional virus-specific memory ctl clones. *J Immunol* **162**:7569–77. On pp. 74, 208, 467 & 470.
- [Weekes *et al.*, 1999b] M. P. Weekes, M. R. Wills, K. Mynard, R. Hicks, J. G. Sissons, & A. J. Carmichael, 1999b. Large clonal expansions of human virus-specific memory cytotoxic t lymphocytes within the cd57+ cd28- cd8+ t cell population. *Immunology* **98**:443–9. On pp. 74, 208, 444, 467 & 470.
- [Wehrly & Chesebro, 1997] K. Wehrly & B. Chesebro, 1997. p24 antigen capture assay for quantification of human immunodeficiency virus using readily available inexpensive reagents. *Methods: A companion to Methods in Enzymology* **12**:288–93. On p. 880.
- [Weinberg *et al.*, 1997] J. Weinberg, H. X. Liao, J. V. Torres, T. J. Matthews, J. Robinson, & B. F. Haynes, 1997. Identification of a synthetic peptide that mimics an HIV glycoprotein 120 envelope conformational determinant exposed following ligation of glycoprotein 120 by CD4. *AIDS Res Hum Retroviruses* **13**:657–64. On pp. 1159, 1164, 1166 & 1169.
- [Weissenhorn *et al.*, 1996] W. Weissenhorn, S. A. Wharton, L. J. Calder, P. L. Earl, B. Moss, E. Aliprandis, J. J. Skehel, & D. C. Wiley, 1996. The ectodomain of hiv-1 env subunit gp41 forms a soluble, alpha-helical, rod-like oligomer in the absence of gp120 and the n-terminal fusion peptide. *EMBO J* **15**:1507–14. On pp. 1011, 1068, 1075 & 1173.
- [Wentworth & Steimer, 1994] P. A. Wentworth & K. S. Steimer, 1994. Characterization of human CD4+, HIV-SF2 Nef-specific T-cell clones for antigen-processing and presentation requirements and for cytotoxic activity. *Vaccine* **12**(10):885–894. On pp. 815, 816, 817, 820 & 822.
- [White *et al.*, 2001] H. D. White, L. K. Musey, M. M. Andrews, G. R. Yeaman, L. R. DeMars, P. D. Manganiello, A. L. Howell, C. R. Wira, W. R. Green, & M. J. McElrath, 2001. Human immunodeficiency virus-specific and CD3-redirected cytotoxic T lymphocyte activity in the human female reproductive tract: lack of correlation between mucosa and peripheral blood. *J Infect Dis* **183**(6):977–83. On pp. 264, 394 & 551.

- [White-Scharf *et al.*, 1993] M. E. White-Scharf, B. J. Potts, L. M. Smith, K. A. Sokolowski, J. R. Rusche, & S. Silver, 1993. Broadly neutralizing monoclonal antibodies to the v3 region of hiv-1 can be elicited by peptide immunization. *Virology* **192**:197–206. On pp. 951, 952, 964, 971 & 976.
- [Wierzbicki *et al.*, 2002] A. Wierzbicki, I. Kiszka, H. Kaneko, D. Kmiecik, T. J. Wasik, J. Gzyl, Y. Kaneko, & D. Kozbor, 2002. Immunization strategies to augment oral vaccination with DNA and viral vectors expressing HIV envelope glycoprotein. *Vaccine* **20**(9-10):1295–1307. On p. 490.
- [Wild *et al.*, 2004] J. Wild, A. Bojak, L. Deml, & R. Wagner, 2004. Influence of polypeptide size and intracellular sorting on the induction of epitope-specific CTL responses by DNA vaccines in a mouse model. *Vaccine* **22**(13-14):1732–1743. On pp. 169, 215 & 492.
- [Wilkins & Ruhl, 1999] B. Wilkins & D. Ruhl, 1999. Personal communication. On p. 72.
- [Wilkinson *et al.*, 2005] R. A. Wilkinson, C. Piscitelli, M. Teintze, L. A. Cavacini, M. R. Posner, & C. M. Lawrence, 2005. Structure of the Fab fragment of F105, a broadly reactive anti-human immunodeficiency virus (HIV) antibody that recognizes the CD4 binding site of HIV type 1 gp120. *J Virol* **79**(20):13060–13069. On pp. 1128, 1129, 1140 & 1142.
- [Wilson *et al.*, 1996] C. Wilson, B. Wilkes, D. Ruhl, & B. Walker, 1996. Personal communication. On pp. 59, 73, 223, 291, 310, 336, 476, 508 & 620.
- [Wilson *et al.*, 1999a] C. C. Wilson, R. C. Brown, B. T. Korber, B. M. Wilkes, D. J. Ruhl, D. Sakamoto, K. Kunstman, K. Luzuriaga, I. C. Hanson, S. M. Widmayer, A. Wiznia, S. Clapp, A. J. Ammann, R. A. Koup, S. M. Wolinsky, & B. D. Walker, 1999a. Frequent detection of escape from cytotoxic t-lymphocyte recognition in perinatal human immunodeficiency virus (hiv) type 1 transmission: the ariel project for the prevention of transmission of hiv from mother to infant. *J Virol* **73**:3975–85. On pp. 60, 159, 213, 224, 238, 291, 310, 336, 368, 369, 497, 499, 509 & 619.
- [Wilson *et al.*, 1997a] C. C. Wilson, S. A. Kalams, B. M. Wilkes, D. J. Ruhl, F. Gao, B. H. Hahn, I. C. Hanson, K. Luzuriaga, S. Wolinsky, R. Koup, S. P. Buchbinder, R. P. Johnson, & B. D. Walker, 1997a. Overlapping epitopes in human immunodeficiency virus type 1 gp120 presented by hla a, b, and c molecules: effects of viral variation on cytotoxic t-lymphocyte recognition. *J Virol* **71**:1256–64. On pp. 497 & 499.
- [Wilson *et al.*, 1999b] C. C. Wilson, W. C. Olson, T. Tuting, C. R. Rinaldo, M. T. Lotze, & W. J. Storkus, 1999b. Hiv-1-specific ctl responses primed in vitro by blood-derived dendritic cells and th1-biasing cytokines. *J Immunol* **162**:3070–8. On pp. 562, 624, 638, 645 & 651.
- [Wilson *et al.*, 2001] C. C. Wilson, B. Palmer, S. Southwood, J. Sidney, Y. Higashimoto, E. Appella, R. Chesnut, A. Sette, & B. D. Livingston, 2001. Identification and antigenicity of broadly cross-reactive and conserved human immunodeficiency virus type 1-derived helper T-lymphocyte epitopes. *J Virol* **75**(9):4195–207. On pp. 697, 708, 709, 732, 733, 736, 738, 739 & 740.
- [Wilson *et al.*, 2000a] J. D. Wilson, G. S. Ogg, R. L. Allen, C. Davis, S. Shaunak, J. Downie, W. Dyer, C. Workman, S. Sullivan, A. J. McMichael, & S. L. Rowland-Jones, 2000a. Direct visualization of hiv-1-specific cytotoxic t lymphocytes during primary infection. *AIDS* **14**:225–33. On pp. 59, 66, 91, 123, 188, 200, 306, 316, 339, 366, 449, 457, 570, 579 & 623.
- [Wilson *et al.*, 1998a] J. D. Wilson, G. S. Ogg, R. L. Allen, P. J. Goulder, A. Kelleher, A. K. Sewell, C. A. O'Callaghan, S. L. Rowland-Jones, M. F. Callan, & A. J. McMichael, 1998a. Oligoclonal expansions of cd8(+) t cells in chronic hiv infection are antigen specific. *J Exp Med* **188**(4):785–90. On pp. 92, 202 & 340.
- [Wilson *et al.*, 2000b] J. D. K. Wilson, N. Imami, A. Watkins, J. Gill, P. Hay, B. Gazzard, M. Westby, & F. M. Gotch, 2000b. Loss of CD4+ T cell proliferative ability but not loss of human immunodeficiency virus type 1 specificity equates with progression to disease. *J Infect Dis* **182**(3):792–8. On pp. 727, 811 & 823.
- [Wilson *et al.*, 1997b] S. E. Wilson, J. A. Habeshaw, M. A. Addawe, E. F. Hounsell, & J. S. Oxford, 1997b. Hiv type 1 envelope glycoprotein 120 carboxy-terminal peptide-induced human t cell lines selectively suppress heterogeneous proliferative t cell responses to soluble antigens. *AIDS Res Hum Retroviruses* **13**(15):1313–1324. On p. 797.
- [Wilson *et al.*, 1998b] S. E. Wilson, S. L. Pedersen, J. C. Kunich, V. L. Wilkins, D. L. Mann, G. P. Mazzara, J. Tartaglia, C. L. Celum, & H. W. Sheppard, 1998b. Cross-clade envelope glycoprotein 160-specific cd8+ cytotoxic t lymphocyte responses in early hiv type 1 clade b infection. *AIDS Res Hum Retroviruses* **14**:925–37. On pp. 474 & 539.
- [Wisniewski *et al.*, 1995] A. Wisniewski, L. Cavacini, G. Kingsbury, D. Sadden, & M. Posner, 1995. Anti-hiv human monoclonal antibody variable region gene usage. *J Cell Biochem suppl* **21 B**:229. On pp. 1009, 1069 & 1071.
- [Wisniewski *et al.*, 1996] A. Wisniewski, L. Cavacini, & M. Posner, 1996. Human antibody variable region gene usage in hiv-1 infection. *J Acquir Immune Defic Syndr Hum Retrovirol* **11**:31–38. On pp. 946, 947, 966, 967, 1005, 1006, 1009, 1015, 1016, 1017, 1018, 1050, 1069, 1071, 1113, 1115, 1116, 1128, 1132, 1135, 1136 & 1154.
- [Wodarz, 2002] D. Wodarz, 2002. The persistence of CTL memory. *Neth J Med* **60**(7 Suppl):4–13; discussion 14–6. On pp. 661 & 825.
- [Wolbank *et al.*, 2003] S. Wolbank, R. Kunert, G. Stiegler, & H. Katinger, 2003. Characterization of human class-switched polymeric (immunoglobulin M [igm] and iga) anti-human immunodeficiency virus type 1 antibodies 2F5 and 2G12. *J Virol* **77**(7):4095–4103. On pp. 1022, 1027, 1051 & 1056.
- [Wolfe *et al.*, 1996] E. J. Wolfe, L. A. Cavacini, M. H. Samore, M. R. Posner, C. Kozial, C. Spino, C. B. Trapnell, N. Ketter, S. Hammer, & J. G. Gambertoglio, 1996. Pharmacokinetics of f105, a human monoclonal antibody, in persons infected with human immunodeficiency virus type 1. *Clin Pharmacol Ther* **59**:662–667. On pp. 1128 & 1132.
- [Wolinsky *et al.*, 1996] S. M. Wolinsky, B. T. M. Korber, A. U. Neumann, M. Daniels, K. J. Kuntsman, A. J. Whetsell, M. R. Furtado, Y. Chao, D. D. Ho, J. T. Safrin, & R. A. Koup, 1996. Adaptive evolution of human immunodeficiency virus-type 1 during the natural course of infection. *Science* **272**:537–542. On pp. 474 & 498.
- [Woodberry *et al.*, 1999] T. Woodberry, J. Gardner, L. Mateo, D. Eisen, J. Medveczky, I. A. Ramshaw, S. A. Thomson, R. A. Ffrench, S. L. Elliott, H. Firat, F. A. Lemonnier, & A. Suhrbier, 1999. Immunogenicity of a human immunodeficiency virus (hiv) polytope vaccine. *J Virol* **73**:5320–5. On pp. 102, 321, 347, 463, 639, 645 & 651.
- [Wright *et al.*, 2004] P. F. Wright, J. Mestecky, M. J. McElrath, M. C. Keefer, G. J. Gorse, P. A. Goepfert, Z. Moldoveanu, D. Schwartz, P. W. Spearman, R. El Habib, M. D. Spring, Y. Zhu, C. Smith, J. Flores, K. J. Weinhold, & National Institutes of Allergy and Infectious Diseases AIDS Vaccine, 2004. Comparison of systemic and mucosal delivery of 2 canarypox virus vaccines expressing either HIV-1 genes or the gene for rabies virus G protein. *J Infect Dis* **189**(7):1221–1231. On p. 1093.
- [Wu *et al.*, 1993] J. Wu, E. Amandoron, X. Li, M. A. Wainberg, & M. A. Parniak, 1993. Monoclonal antibody-mediated inhibition of hiv-1 reverse transcriptase polymerase activity. *J Biol Chem* **268**:9980–9985. On p. 887.

- [Wu *et al.*, 1996] L. Wu, N. P. Gerard, R. Wyatt, H. Choe, C. Parolin, N. Ruffing, A. Borsetti, A. A. Cardoso, E. Desjardin, W. Newman, C. Gerard, & J. Sodroski, 1996. Cd4-induced interaction of primary hiv-1 gp120 glycoproteins with the chemokine receptor ccr-5. *Nature* **384**:179–183. On pp. 958, 959, 960, 1104, 1106, 1107, 1108, 1109, 1159, 1164, 1203 & 1204.
- [Wu *et al.*, 2005] R. Wu, G. C. Owen, T. Liu, G.-Q. Shen, & R. I. Morris, 2005. Significance of the detection of HIV-1 gag- and/or pol-CD8/A2 T-lymphocytes in HIV-patients. *Immunol Lett* **98**(1):73–81. On pp. 259 & 391.
- [Wu & Jackson, 2002] X. Wu & S. Jackson, 2002. Plasma and salivary IgA subclasses and IgM in HIV-1-infected individuals. *J Clin Immunol* **22**(2):106–115. On p. 1224.
- [Wu *et al.*, 1995] Z. Wu, S. C. Kayman, W. Honnen, K. Revesz, H. Chen, S. V. Warrior, S. A. Tilley, J. McKeating, C. Shotton, & A. Pinter, 1995. Characterization of neutralization epitopes in the v2 region of human immunodeficiency virus type 1 gp120: role of glycosylation in the correct folding of the v1/v2 domain. *J Virol* **69**:2271–2278. On pp. 926, 927, 928, 930, 931 & 932.
- [Wyatt *et al.*, 1997] R. Wyatt, E. Desjardin, U. Olshevsky, C. Nixon, J. Binley, V. Olshevsky, & J. Sodroski, 1997. Analysis of the interaction of the human immunodeficiency virus type 1 gp120 envelope glycoprotein with the gp41 transmembrane glycoprotein. *J Virol* **71**:9722–31. On pp. 911, 912, 913, 929, 930, 931, 974, 980, 985, 986, 987, 1099, 1100, 1101, 1102, 1103, 1104, 1106, 1107, 1113, 1115, 1116, 1128, 1132, 1140, 1150, 1159, 1164, 1166, 1169 & 1191.
- [Wyatt *et al.*, 1998] R. Wyatt, P. D. Kwong, E. Desjardins, R. W. Sweet, J. Robinson, W. A. Hendrickson, & J. G. Sodroski, 1998. The antigenic structure of the hiv gp120 envelope glycoprotein. *Nature* **393**:705–711. Comment in Nature 1998 Jun 18;393(6686):630-1. On pp. 1051, 1060, 1110, 1111, 1113, 1115, 1116, 1118, 1124, 1128, 1131, 1139, 1140, 1149, 1159, 1163, 1164, 1166 & 1169.
- [Wyatt *et al.*, 1995] R. Wyatt, J. Moore, M. Accola, E. Desjardin, J. Robinson, & J. Sodroski, 1995. Involvement of the v1/v2 variable loop structure in the exposure of human immunodeficiency virus type 1 gp120 epitopes induced by receptor binding. *J Virol* **69**:5723–5733. On pp. 913, 1104, 1106, 1109, 1159, 1164, 1166 & 1169.
- [Wyatt & Sodroski, 1998] R. Wyatt & J. Sodroski, 1998. The hiv-1 envelope glycoproteins: fusogens, antigens, and immunogens. *Science* **280**:1884–1888. On pp. 1051 & 1060.
- [Wyatt *et al.*, 1993] R. Wyatt, N. Sullivan, M. Thali, H. Repke, D. Ho, J. Robinson, M. Posner, & J. Sodroski, 1993. Functional and immunologic characterization of human immunodeficiency virus type 1 envelope glycoproteins containing deletions of the major variable regions. *J Virol* **67**:4557–4565. On pp. 1113, 1115, 1116, 1117, 1128 & 1133.
- [Wyatt *et al.*, 1992] R. Wyatt, M. Thali, S. Tilley, A. Pinter, M. Posner, D. Ho, J. Robinson, & J. Sodroski, 1992. Relationship of the human immunodeficiency virus type 1 gp120 third variable loop to elements of the cd4 binding site. *J Virol* **66**:6997–7004. On pp. 940, 1110, 1111, 1113, 1115, 1128 & 1133.
- [Xiang *et al.*, 2002a] S.-H. Xiang, N. Doka, R. K. Choudhary, J. Sodroski, & J. E. Robinson, 2002a. Characterization of CD4-induced epitopes on the HIV type 1 gp120 envelope glycoprotein recognized by neutralizing human monoclonal antibodies. *AIDS Res Hum Retroviruses* **18**(16):1207–1217. On pp. 1103, 1104, 1109, 1158, 1162, 1165, 1168 & 1170.
- [Xiang *et al.*, 2002b] S.-H. Xiang, P. D. Kwong, R. Gupta, C. D. Rizuto, D. J. Casper, R. Wyatt, L. Wang, W. A. Hendrickson, M. L. Doyle, & J. Sodroski, 2002b. Mutagenic stabilization and/or disruption of a CD4-bound state reveals distinct conformations of the human immunodeficiency virus type 1 gp120 envelope glycoprotein. *J Virol* **76**(19):9888–9899. On pp. 1022, 1029, 1113, 1114, 1116, 1128, 1130, 1133, 1134, 1140, 1146, 1158, 1162, 1165, 1168 & 1170.
- [Xiang *et al.*, 2003] S.-H. Xiang, L. Wang, M. Abreu, C.-C. Huang, P. D. Kwong, E. Rosenberg, J. E. Robinson, & J. Sodroski, 2003. Epitope mapping and characterization of a novel CD4-induced human monoclonal antibody capable of neutralizing primary HIV-1 strains. *Virology* **315**(1):124–134. On pp. 982, 983, 1128, 1129, 1158 & 1161.
- [Xiao *et al.*, 2000a] Y. Xiao, X. N. Dong, & Y. H. Chen, 2000a. Induction of monoclonal antibody with predefined ELNKA epitope specificity by epitope vaccine. *Hybridoma* **19**(4):347–50. On p. 1021.
- [Xiao *et al.*, 2000b] Y. Xiao, M. Liao, Y. Lu, M. P. Dierich, & Y. H. Chen, 2000b. Epitope-vaccines: a new strategy to induce high levels of neutralizing antibodies against hiv-1. *Immunobiology* **201**:323–31. On pp. 1001 & 1021.
- [Xiao *et al.*, 2000c] Y. Xiao, Y. Zhao, Y. Lu, & Y. H. Chen, 2000c. Epitope-vaccine induces high levels of eldka-epitope-specific neutralizing antibody. *Immunol Invest* **29**:41–50. On p. 1022.
- [Xin *et al.*, 1998] K. Q. Xin, K. Hamajima, S. Sasaki, A. Honsho, T. Tsuji, N. Ishii, X. R. Cao, Y. Lu, J. Fukushima, P. Shapshak, S. Kawamoto, & K. Okuda, 1998. Intranasal administration of human immunodeficiency virus type-1 (hiv-1) dna vaccine with interleukin-2 expression plasmid enhances cell-mediated immunity against hiv-1. *Immunology* **94**:438–44. On p. 778.
- [Xin *et al.*, 1999] K. Q. Xin, K. Hamajima, S. Sasaki, T. Tsuji, S. Watabe, E. Okada, & K. Okuda, 1999. IL-15 expression plasmid enhances cell-mediated immunity induced by an HIV-1 DNA vaccine. *Vaccine* **17**:858–66. On pp. 487 & 778.
- [Xin *et al.*, 2001] K. Q. Xin, M. Urabe, J. Yang, K. Nomiyama, H. Mizukami, K. Hamajima, H. Nomiyama, T. Saito, M. Imai, J. Monahan, K. Okuda, K. Ozawa, & K. Okuda, 2001. A novel recombinant adeno-associated virus vaccine induces a long-term humoral immune response to human immunodeficiency virus. *Hum Gene Ther* **12**(9):1047–61. On pp. 429, 441 & 546.
- [Xu *et al.*, 1991] J.-Y. Xu, M. K. Gorny, T. Palker, S. Karwowska, & S. Zolla-Pazner, 1991. Epitope mapping of two immunodominant domains of gp41, the transmembrane protein of human immunodeficiency virus type 1, using ten human monoclonal antibodies. *J Virol* **65**:4832–4838. On pp. 1002, 1003, 1007, 1008, 1009, 1010, 1017, 1019, 1050 & 1197.
- [Xu *et al.*, 2002] W. Xu, R. Hofmann-Lehmann, H. M. McClure, & R. M. Ruprecht, 2002. Passive immunization with human neutralizing monoclonal antibodies: Correlates of protective immunity against HIV. *Vaccine* **20**(15):1956–1960. On pp. 1022, 1029, 1033, 1035, 1051, 1057, 1128, 1130, 1140 & 1146.
- [Xu *et al.*, 2001] W. Xu, B. A. Smith-Franklin, P. L. Li, C. Wood, J. He, Q. Du, G. J. Bhat, C. Kankasa, H. Katinger, L. A. Cavacini, M. R. Posner, D. R. Burton, T. C. Chou, & R. M. Ruprecht, 2001. Potent neutralization of primary human immunodeficiency virus clade C isolates with a synergistic combination of human monoclonal antibodies raised against clade B. *J Hum Virol* **4**(2):55–61. On pp. 1022, 1029, 1033, 1035, 1051, 1058, 1140 & 1147.
- [Yamada *et al.*, 1991] M. Yamada, A. Zurbriggen, M. B. A. Oldstone, & R. S. Fujinami, 1991. Common immunologic determinant between human immunodeficiency virus type 1 gp41 and astrocytes. *J Virol* **65**:1370–1376. On pp. 1012 & 1013.
- [Yamada & Iwamoto, 1999] T. Yamada & A. Iwamoto, 1999. Expression of a novel Nef epitope on the surface of HIV type 1-infected cells. *AIDS Res Hum Retroviruses* **15**(11):1001–1009. On p. 1209.

- [Yamada *et al.*, 2004] T. Yamada, N. Watanabe, T. Nakamura, & A. Iwamoto, 2004. Antibody-dependent cellular cytotoxicity via humoral immune epitope of Nef protein expressed on cell surface. *J Immunol* **172**(4):2401–2406. On p. 1209.
- [Yang *et al.*, 1998] G. Yang, M. P. D'Souza, & G. N. Vyas, 1998. Neutralizing antibodies against hiv determined by amplification of viral long terminal repeat sequences from cells infected in vitro by nonneutralized virions. *J Acquir Immune Defic Syndr Hum Retroviro* **17**:27–34. On pp. 946, 947, 1022, 1031, 1110, 1111, 1155, 1166, 1169 & 1192.
- [Yang, 2004] O. O. Yang, 2004. CTL ontogeny and viral escape: Implications for HIV-1 vaccine design. *Trends Immunol* **25**(3):138–142. On p. 670.
- [Yang *et al.*, 2005a] O. O. Yang, J. Church, C. M. R. Kitchen, R. Kilpatrick, A. Ali, Y. Geng, M. S. Killian, R. L. Sabado, H. Ng, J. Suen, Y. Bryson, B. D. Jamieson, & P. Krogstad, 2005a. Genetic and stochastic influences on the interaction of human immunodeficiency virus type 1 and cytotoxic T lymphocytes in identical twins. *J Virol* **79**(24):15368–15375. On p. 276.
- [Yang *et al.*, 2005b] O. O. Yang, E. S. Daar, B. D. Jamieson, A. Balamurugan, D. M. Smith, J. A. Pitt, C. J. Petropoulos, D. D. Richman, S. J. Little, & A. J. L. Brown, 2005b. Human immunodeficiency virus type 1 clade B superinfection: Evidence for differential immune containment of distinct clade B strains. *J Virol* **79**(2):860–868. On pp. 173, 177, 256, 403, 424, 433, 562, 630 & 633.
- [Yang *et al.*, 1996] O. O. Yang, S. A. Kalams, M. Rosenzweig, A. Trocha, N. Jones, M. Koziel, B. D. Walker, & R. P. Johnson, 1996. Efficient lysis of human immunodeficiency virus type 1-infected cells by cytotoxic t lymphocytes. *J Virol* **70**:5799–5806. On pp. 104, 223, 348 & 512.
- [Yang *et al.*, 1997a] O. O. Yang, S. A. Kalams, A. Trocha, H. Cao, A. Luster, R. P. Johnson, & B. D. Walker, 1997a. Suppression of human immunodeficiency virus type 1 replication by cd8+ cells: evidence for hla class i-restricted triggering of cytolytic and noncytolytic mechanisms. *J Virol* **71**:3120–8. On pp. 104, 224, 348 & 512.
- [Yang *et al.*, 2003a] O. O. Yang, P. T. N. Sarkis, A. Ali, J. D. Harlow, C. Brander, S. A. Kalams, & B. D. Walker, 2003a. Determinant of HIV-1 mutational escape from cytotoxic T lymphocytes. *J Exp Med* **197**(10):1365–1375. On pp. 110, 120, 154, 353 & 606.
- [Yang *et al.*, 2003b] O. O. Yang, P. T. N. Sarkis, A. Trocha, S. A. Kalams, R. P. Johnson, & B. D. Walker, 2003b. Impacts of avidity and specificity on the antiviral efficiency of HIV-1-specific CTL. *J Immunol* **171**(7):3718–3724. On pp. 111, 121, 154, 226, 354, 515 & 607.
- [Yang *et al.*, 1997b] O. O. Yang, A. C. Tran, S. A. Kalams, R. P. Johnson, M. R. Roberts, & B. D. Walker, 1997b. Lysis of hiv-1-infected cells and inhibition of viral replication by universal receptor t cells. *Proc Natl Acad Sci USA* **94**:11478–83. On pp. 104 & 223.
- [Yang *et al.*, 1997c] W.-P. Yang, K. Green, S. Pinz-Sweeney, A. T. Briones, D. R. Burton, & C. F. Barbas III, 1997c. Cdr walking mutagenesis for the affinity maturation of a potent human anti-hiv-1 antibody into the picomolar range. *J Mol Biol* **254**:392–403. On pp. 1140 & 1150.
- [Yang *et al.*, 2000] X. Yang, M. Farzan, R. Wyatt, & J. Sodroski, 2000. Characterization of stable, soluble trimers containing complete ectodomains of human immunodeficiency virus type 1 envelope glycoproteins. *J Virol* **74**(12):5716–5725. On pp. 913, 920, 921, 990, 1016, 1022, 1030, 1068, 1074, 1075, 1099, 1100, 1101, 1102, 1104, 1105, 1128, 1131, 1133, 1134, 1158, 1163, 1166, 1168, 1205 & 1206.
- [Yang *et al.*, 2002] X. Yang, J. Lee, E. M. Mahony, P. D. Kwong, R. Wyatt, & J. Sodroski, 2002. Highly stable trimers formed by human immunodeficiency virus type 1 envelope glycoproteins fused with the trimeric motif of T4 bacteriophage fibritin. *J Virol* **76**(9):4634–4642. On pp. 108, 120, 351, 514, 1051, 1057, 1061, 1104, 1105, 1106, 1107, 1128, 1130, 1133, 1134, 1140, 1146, 1158, 1162, 1165, 1168, 1187 & 1205.
- [Yang *et al.*, 2001] X. Yang, R. Wyatt, & J. Sodroski, 2001. Improved elicitation of neutralizing antibodies against primary human immunodeficiency viruses by soluble stabilized envelope glycoprotein trimers. *J Virol* **75**(3):1165–71. On pp. 1078, 1140 & 1147.
- [Yang *et al.*, 2004] Z.-y. Yang, B. K. Chakrabarti, L. Xu, B. Welcher, W.-p. Kong, K. Leung, A. Panet, J. R. Mascola, & G. J. Nabel, 2004. Selective modification of variable loops alters tropism and enhances immunogenicity of human immunodeficiency virus type 1 envelope. *J Virol* **78**(8):4029–4036. On p. 1194.
- [Yi *et al.*, 2002] J. Yi, H. Cheng, M. D. Andrade, R. L. Dunbrack, Jr., H. Roder, & A. M. Skalka, 2002. Mapping the epitope of an inhibitory monoclonal antibody to the C-terminal DNA-binding domain of HIV-1 integrase. *J Biol Chem* **277**(14):12164–12174. On pp. 896, 898 & 899.
- [Yi & Skalka, 2000] J. Yi & A. M. Skalka, 2000. Mapping epitopes of monoclonal antibodies against HIV-1 integrase with limited proteolysis and matrix-assisted laser desorption ionization time-of-flight mass spectrometry. *Biopolymers* **55**(4):308–318. On pp. 896, 898 & 899.
- [Yi *et al.*, 2000] J. i. Yi, J. W. Arthur, R. L. Dunbrack, Jr., & A. M. Skalka, 2000. An inhibitory monoclonal antibody binds at the turn of the helix-turn-helix motif in the N-terminal domain of HIV-1 integrase. *J Biol Chem* **275**(49):38739–38748. On p. 892.
- [Yin *et al.*, 2001] S. Yin, N. Okada, & H. Okada, 2001. Elimination of latently HIV-1-infected cells by lymphoblasts armed with bifunctional antibody. *Microbiol Immunol* **45**(1):101–8. On p. 1071.
- [Yokomaku *et al.*, 2004] Y. Yokomaku, H. Miura, H. Tomiyama, A. Kawana-Tachikawa, M. Takiguchi, A. Kojima, Y. Nagai, A. Iwamoto, Z. Matsuda, & K. Ariyoshi, 2004. Impaired processing and presentation of cytotoxic-T-lymphocyte (CTL) epitopes are major escape mechanisms from CTL immune pressure in human immunodeficiency virus type 1 infection. *J Virol* **78**(3):1324–1332. On pp. 80, 100 & 238.
- [Yokosuka *et al.*, 2002] T. Yokosuka, K. Takase, M. Suzuki, Y. Nakagawa, S. Taki, H. Takahashi, T. Fujisawa, H. Arase, & T. Saito, 2002. Predominant role of T cell receptor (TCR)-alpha chain in forming preimmune TCR repertoire revealed by clonal TCR reconstitution system. *J Exp Med* **195**(8):991–1001. On pp. 479 & 482.
- [York *et al.*, 2001] J. York, K. E. Follis, M. Trahey, P. N. Nyambi, S. Zolla-Pazner, & J. H. Nunberg, 2001. Antibody binding and neutralization of primary and T-cell line-adapted isolates of human immunodeficiency virus type 1. *J Virol* **75**(6):2741–52. On pp. 946, 951, 966, 967, 971, 976, 1010, 1022, 1029, 1036, 1039, 1120, 1128, 1131, 1140, 1147, 1158 & 1163.
- [Yoshida *et al.*, 1997] K. Yoshida, M. Nakamura, & T. Ohno, 1997. Mutations of the hiv type 1 v3 loop under selection pressure with neutralizing monoclonal antibody nm-01. *AIDS Res Hum Retroviruses* **13**:1283–1290. On pp. 975 & 976.
- [Yoshiyama *et al.*, 1994] H. Yoshiyama, H.-M. Mo, J. P. Moore, & D. D. Ho, 1994. Characterization of mutants of human immunodeficiency virus type 1 that have escaped neutralization by monoclonal antibody g3-4 to the gp120 v2 loop. *J Virol* **68**:974–978. On pp. 929, 930, 931, 932 & 1179.
- [Yoshizawa *et al.*, 2003] I. Yoshizawa, T. Mizuochi, A. Ogata, M. Murakami, H. Yagita, Y. Takahashi, T. Mizuochi, T. Takemori, Y. Tsunetsugu-Yokota, & H. Yagaita, 2003. Studies on the generation and maintenance of mucosal cytotoxic T lymphocytes against human immunodeficiency virus type 1 Gag in mice. *AIDS Res Hum Retroviruses* **19**(6):469–479. On p. 170.

- [Younes *et al.*, 2003] S.-A. Younes, B. Yassine-Diab, A. R. Dumont, M.-R. Boulassel, Z. Grossman, J.-P. Routy, & R.-P. Sékaly, 2003. HIV-1 viremia prevents the establishment of interleukin 2-producing HIV-specific memory CD4+ T cells endowed with proliferative capacity. *J Exp Med* **198**(12):1909–1922. On pp. 699, 704, 705, 706, 708, 711, 713, 717, 815, 816, 817 & 822.
- [Young *et al.*, 2001] J. M. Young, R. A. Ffrench, J. D. Clarkson, G. J. Stewart, T. Liang, R. L. Tideman, D. Packham, D. A. Fulcher, & E. M. Benson, 2001. In vitro HIV-specific CTL activity from HIV-seropositive individuals is augmented by interleukin-12 (IL-12). *AIDS Res Hum Retroviruses* **17**(3):233–42. On pp. 264, 393 & 551.
- [Yu *et al.*, 2000] T. Yu, Y. Bai, M. P. Dierich, & Y. H. Chen, 2000. Induction of high levels of epitope-specific antibodies by epitope/peptide candidate vaccines against human immunodeficiency virus type-1 (HIV-1). *Microbiol Immunol* **44**(2):105–10. On p. 977.
- [Yu *et al.*, 2002a] X. G. Yu, M. M. Addo, E. S. Rosenberg, W. R. Rodriguez, P. K. Lee, C. A. Fitzpatrick, M. N. Johnston, D. Strick, P. J. R. Goulder, B. D. Walker, & M. Altfeld, 2002a. Consistent patterns in the development and immunodominance of human immunodeficiency virus type 1 (HIV-1)-specific CD8+ T-cell responses following acute HIV-1 infection. *J Virol* **76**(17):8690–8701. On pp. 61, 68, 135, 160, 175, 247, 288, 289, 304, 310, 334, 361, 385, 397, 399, 401, 407, 415, 435, 475, 528, 540, 563, 564, 567, 575, 583, 595, 610 & 625.
- [Yu *et al.*, 2005] X. G. Yu, M. Lichterfeld, B. Perkins, E. Kalife, S. Mui, J. Chen, M. Cheng, W. Kang, G. Alter, C. Brander, B. D. Walker, & M. Altfeld, 2005. High degree of inter-clade cross-reactivity of HIV-1-specific T cell responses at the single peptide level. *AIDS* **19**(14):1449–1456. On p. 672.
- [Yu *et al.*, 2002b] X. G. Yu, H. Shang, M. M. Addo, R. L. Eldridge, M. N. Phillips, M. E. Feeney, D. Strick, C. Brander, P. J. R. Goulder, E. S. Rosenberg, B. D. Walker, M. Altfeld, & HIV Study Collaboration, 2002b. Important contribution of p15 Gag-specific responses to the total Gag-specific CTL responses. *AIDS* **16**(3):321–328. On pp. 251, 253 & 257.
- [Yusim *et al.*, 2002] K. Yusim, C. Kesmir, B. Gaschen, M. M. Addo, M. Altfeld, S. Brunak, A. Chigaev, V. Detours, & B. T. Korber, 2002. Clustering patterns of cytotoxic T-lymphocyte epitopes in human immunodeficiency virus type 1 (HIV-1) proteins reveal imprints of immune evasion on HIV-1 global variation. *J Virol* **76**(17):8757–8768. On pp. 266, 395, 398, 399, 402, 405, 410, 412, 415, 419, 422, 423, 428, 433, 435, 438, 439, 553 & 657.
- [Zafiroopoulos *et al.*, 1997] A. Zafiroopoulos, E. Andersson, E. Krambovitis, & C. A. Borrebaeck, 1997. Induction of antigen-specific isotype switching by in vitro immunization of human naive B lymphocytes. *J Immunol Methods* **200**(1-2):181–90. On p. 943.
- [Zagury *et al.*, 1998] J. F. Zagury, A. Sill, W. Blattner, A. Lachgar, H. L. Buane, M. Richardson, J. Rappaport, H. Hendel, B. Bizzini, A. Gringeri, M. Carcagno, M. Criscuolo, A. Burny, R. C. Gallo, & D. Zagury, 1998. Antibodies to the hiv-1 tat protein correlated with nonprogression to aids: a rationale for the use of tat toxoid as an hiv-1 vaccine [see comments]. *J Hum Virol* **1**:282–92. On p. 906.
- [Zarling *et al.*, 1999] A. L. Zarling, J. G. Johnson, R. W. Hoffman, & D. R. Lee, 1999. Induction of primary human cd8+ t lymphocyte responses in vitro using dendritic cells. *J Immunol* **162**:5197–204. On pp. 59, 192, 224, 282, 348 & 463.
- [Zavala *et al.*, 2001] F. Zavala, M. Rodrigues, D. Rodriguez, J. R. Rodriguez, R. S. Nussenzweig, & M. Esteban, 2001. A striking property of recombinant poxviruses: efficient inducers of in vivo expansion of primed CD8(+) T cells. *Virology* **280**(2):155–9. On p. 550.
- [Zeder-Lutz *et al.*, 2001] G. Zeder-Lutz, J. Hoebeke, & M. H. Van Regenmortel, 2001. Differential recognition of epitopes present on monomeric and oligomeric forms of gp160 glycoprotein of human immunodeficiency virus type 1 by human monoclonal antibodies. *Eur J Biochem* **268**(10):2856–66. On pp. 1022, 1030, 1051, 1058, 1140 & 1147.
- [Zerhouni *et al.*, 1997] B. Zerhouni, K. Sanhadji, & J. L. Touraine, 1997. Loss of t cell cytotoxic responses in the course of hiv-1 infection. *Thymus* **24**:203–19. On p. 656.
- [Zhan *et al.*, 2004] X. Zhan, K. S. Slobod, S. Surman, S. A. Brown, C. Coleclough, & J. L. Hurwitz, 2004. Minor components of a multi-envelope HIV vaccine are recognized by type-specific T-helper cells. *Vaccine* **22**(9-10):1206–1213. On pp. 762, 782, 786 & 794.
- [Zhan *et al.*, 2003] X. Zhan, K. S. Slobod, S. Surman, S. A. Brown, T. D. Lockey, C. Coleclough, P. C. Doherty, & J. L. Hurwitz, 2003. Limited breadth of a T-helper cell response to a human immunodeficiency virus envelope protein. *J Virol* **77**(7):4231–4236. On pp. 764 & 800.
- [Zhang *et al.*, 2003] M.-Y. Zhang, Y. Shu, S. Phogat, X. Xiao, F. Cham, P. Bouma, A. Choudhary, Y.-R. Feng, I. Sanz, S. Rybak, C. C. Broder, G. V. Quinnan, T. Evans, & D. S. Dimitrov, 2003. Broadly cross-reactive HIV neutralizing human monoclonal antibody Fab selected by sequential antigen panning of a phage display library. *J Immunol Methods* **283**(1-2):17–25. On pp. 1075, 1076, 1140, 1144, 1170 & 1172.
- [Zhang *et al.*, 2002] P. F. Zhang, P. Bouma, E. J. Park, J. B. Margolick, J. E. Robinson, S. Zolla-Pazner, M. N. Flora, & G. V. Quinnan, Jr., 2002. A variable region 3 (V3) mutation determines a global neutralization phenotype and CD4-independent infectivity of a human immunodeficiency virus type 1 envelope associated with a broadly cross-reactive, primary virus-neutralizing antibody response. *J Virol* **76**(2):644–655. On pp. 937, 946, 948, 949, 951, 953, 955, 956, 958, 959, 965, 966, 967, 969, 978, 1022, 1029, 1051, 1057, 1113, 1114, 1128, 1131, 1140, 1146, 1158, 1162, 1165 & 1168.
- [Zhang *et al.*, 1993] Q.-I. Zhang, R. Gavioli, G. Klein, & M. G. Masucci, 1993. An hla-all-specific motif in nonamer peptides derived from viral and cellular proteins. *Proc Natl Acad Sci USA* **90**:2217–2221. On pp. 308 & 582.
- [Zhang *et al.*, 2001a] W. Zhang, A. P. Godillot, R. Wyatt, J. Sodroski, & I. Chaiken, 2001a. Antibody 17b binding at the coreceptor site weakens the kinetics of the interaction of envelope glycoprotein gp120 with cd4. *Biochemistry* **40**(6):1662–70. On pp. 1158 & 1163.
- [Zhang *et al.*, 2001b] Y. Zhang, M. Huber, B. Weissbrich, G. Voss, P. Langmann, H. Klinker, & C. Jassoy, 2001b. Characterization of HIV-specific proliferative T cell responses in HIV-infected persons. *AIDS Res Hum Retroviruses* **17**(7):623–9. On pp. 726 & 810.
- [Zheng *et al.*, 1999] L. Zheng, X. L. Huang, Z. Fan, L. Borowski, C. C. Wilson, & C. R. Rinaldo, 1999. Delivery of liposome-encapsulated hiv type 1 proteins to human dendritic cells for stimulation of hiv type 1-specific memory cytotoxic t lymphocyte responses. *AIDS Res Hum Retroviruses* **15**:1011–20. On pp. 202, 391 & 547.
- [Zheng *et al.*, 2004] N. N. Zheng, N. B. Kiviat, P. S. Sow, S. E. Hawes, A. Wilson, H. Diallo-Agne, C. W. Critchlow, G. S. Gottlieb, L. Musey, & M. J. McElrath, 2004. Comparison of human immunodeficiency virus (HIV)-specific T-cell responses in HIV-1- and HIV-2-infected individuals in Senegal. *J Virol* **78**(24):13934–13942. On pp. 731 & 814.
- [Zhu *et al.*, 2003] C. Zhu, T. J. Matthews, & C. H. Chen, 2003. Neutralization epitopes of the HIV-1 primary isolate DH012. *Vaccine* **21**(23):3301–3306. On pp. 1090, 1140, 1144, 1158 & 1161.
- [Zinckgraf *et al.*, 1999] J. W. Zinckgraf, J. M. Winchell, & L. K. Silbart, 1999. Antibody responses to a mucosally delivered HIV-1 gp120-derived C4/V3 peptide. *J Reprod Immunol* **45**:99–112. On p. 1195.

- [Zinkernagel, 2002] R. M. Zinkernagel, 2002. Immunity, immunopathology and vaccines against HIV? *Vaccine* **20**(15):1913–1917. On p. 662.
- [Zipeto *et al.*, 2005] D. Zipeto, A. Maticci, C. Ripamonti, G. Scarlatti, P. Rossolillo, M. Turci, S. Sartoris, G. Tridente, & U. Bertazzoni, 2005. Induction of human immunodeficiency virus neutralizing antibodies using fusion complexes. *Microbes Infect* . On pp. 961, 1100, 1140, 1142 & 1226.
- [Zolla-Pazner, 2004] S. Zolla-Pazner, 2004. Identifying epitopes of HIV-1 that induce protective antibodies. *Nat Rev Immunol* **4**(3):199–210. On p. 1094.
- [Zolla-Pazner *et al.*, 1997] S. Zolla-Pazner, C. Alving, R. Belshe, P. Berman, S. Burda, P. Chigurupati, M. L. C. ML, A. M. Duliege, J. L. Excler, C. Hioe, J. Kahn, M. J. McElrath, S. Sharpe, F. Sinangil, K. Steimer, M. C. Walker, N. Wassef, & S. Xu, 1997. Neutralization of a clade b primary isolate by sera from human immunodeficiency virus-uninfected recipients of candidate aids vaccines. *J Infect Dis* **175**:764–774. Comment in *J Infect Dis* 1997 Nov;176(5):1410-2. On p. 978.
- [Zolla-Pazner *et al.*, 1999a] S. Zolla-Pazner, M. K. Gorny, & P. N. Nyambi, 1999a. The implications of antigenic diversity for vaccine development. *Immunol Lett* **66**:159–64. On pp. 942, 944, 946, 947, 948, 949, 953, 954, 955, 956, 962, 963, 966, 967, 968, 969, 971, 972, 978, 979, 1036, 1040, 1048, 1049 & 1195.
- [Zolla-Pazner *et al.*, 1999b] S. Zolla-Pazner, M. K. Gorny, P. N. Nyambi, T. C. VanCott, & A. Nadas, 1999b. Immunotyping of human immunodeficiency virus type 1 (hiv): an approach to immunologic classification of hiv. *J Virol* **73**:4042–51. On pp. 942, 944, 946, 947, 948, 949, 953, 954, 955, 956, 962, 963, 966, 967, 968, 969, 971, 972, 978, 979, 1036, 1040, 1048, 1049 & 1195.
- [Zolla-Pazner *et al.*, 1995] S. Zolla-Pazner, J. O'Leary, S. Burda, M. K. Gorny, M. Kim, J. Mascola, & F. McCutchan, 1995. Serotyping of primary human immunodeficiency virus type 1 isolates from diverse geographic locations by flow cytometry. *J Virol* **69**:3807–3815. On pp. 946, 947, 966, 968, 978, 979, 995, 996, 998, 1036, 1041 & 1110.
- [Zolla-Pazner & Sharpe, 1995] S. Zolla-Pazner & S. Sharpe, 1995. A resting cell assay for improved detection of antibody-mediated neutralization of hiv type 1 primary isolates. *AIDS Res Hum Retroviruses* **11**:1449–1458. On pp. 1036 & 1041.
- [zur Megede *et al.*, 2000] J. zur Megede, M. C. Chen, B. Doe, M. Schaefer, C. E. Greer, M. Selby, G. R. Otten, & S. W. Barnett, 2000. Increased expression and immunogenicity of sequence-modified human immunodeficiency virus type 1 gag gene. *J Virol* **74**:2628–35. On p. 260.
- [Zvi *et al.*, 1997] A. Zvi, D. J. Feigelson, Y. Hayek, & J. Anglister, 1997. Conformation of the principal neutralizing determinant of human immunodeficiency virus type 1 in complex with an anti-gp120 virus neutralizing antibody studied by two-dimensional nuclear magnetic resonance difference spectroscopy. *Biochemistry* **36**:8619–27. On p. 974.
- [Zvi *et al.*, 1995a] A. Zvi, I. Kustanovich, D. Feigelson, R. Levy, M. Eisenstein, S. Matsushita, P. Richalet-Secordel, M. H. Regenmortel, & J. Anglister, 1995a. Nmr mapping of the antigenic determinant recognized by an anti-gp120, human immunodeficiency virus neutralizing antibody. *Eur J Biochem* **229**:178–187. On p. 974.
- [Zvi *et al.*, 1995b] A. Zvi, I. Kustanovich, Y. Hayek, S. Matsushita, & J. Anglister, 1995b. The principal neutralizing determinant of hiv-1 located in v3 of gp120 forms a 12-residue loop by internal hydrophobic interactions. *FEBS Lett* **368**:267–270. On p. 974.
- [Zvi *et al.*, 2000] A. Zvi, V. Tugarinov, G. A. Faiman, A. Horovitz, & J. Anglister, 2000. A model of a gp120 v3 peptide in complex with an hiv-neutralizing antibody based on nmr and mutant cycle-derived constraints. *Eur J Biochem* **267**:767–79. On p. 974.
- [Zwick *et al.*, 2001a] M. B. Zwick, L. L. Bonnycastle, A. Menendez, M. B. Irving, C. F. Barbas III, P. W. Parren, D. R. Burton, & J. K. Scott, 2001a. Identification and characterization of a peptide that specifically binds the human, broadly neutralizing anti-human immunodeficiency virus type 1 antibody b12. *J Virol* **75**(14):6692–9. On pp. 1140 & 1147.
- [Zwick *et al.*, 2005] M. B. Zwick, R. Jensen, S. Church, M. Wang, G. Stiegler, R. Kunert, H. Katinger, & D. R. Burton, 2005. Anti-human immunodeficiency virus type 1 (HIV-1) antibodies 2F5 and 4E10 require surprisingly few crucial residues in the membrane-proximal external region of glycoprotein gp41 to neutralize HIV-1. *J Virol* **79**(2):1252–1261. On pp. 1022, 1024 & 1033.
- [Zwick *et al.*, 2004] M. B. Zwick, H. K. Komori, R. L. Stanfield, S. Church, M. Wang, P. W. H. I. Parren, R. Kunert, H. Katinger, I. A. Wilson, & D. R. Burton, 2004. The long third complementarity-determining region of the heavy chain is important in the activity of the broadly neutralizing anti-human immunodeficiency virus type 1 antibody 2F5. *J Virol* **78**(6):3155–3161. On pp. 1022, 1026, 1140, 1143, 1170 & 1171.
- [Zwick *et al.*, 2001b] M. B. Zwick, A. F. Labrijn, M. Wang, C. Spelshauer, E. O. Saphire, J. M. Binley, J. P. Moore, G. Stiegler, H. Katinger, D. R. Burton, & P. W. Parren, 2001b. Broadly neutralizing antibodies targeted to the membrane-proximal external region of human immunodeficiency virus type 1 glycoprotein gp41. *J Virol* **75**(22):10892–905. On pp. 1002, 1022, 1030, 1033, 1035, 1074, 1140 & 1147.
- [Zwick *et al.*, 2003] M. B. Zwick, P. W. H. I. Parren, E. O. Saphire, S. Church, M. Wang, J. K. Scott, P. E. Dawson, I. A. Wilson, & D. R. Burton, 2003. Molecular features of the broadly neutralizing immunoglobulin G1 b12 required for recognition of human immunodeficiency virus type 1 gp120. *J Virol* **77**(10):5863–5876. On pp. 929, 930, 958, 960, 975, 978, 983, 984, 985, 986, 987, 990, 991, 995, 997, 1036, 1038, 1051, 1056, 1066, 1099, 1102, 1104, 1105, 1108, 1109, 1110, 1113, 1114, 1120, 1122, 1128, 1129, 1133, 1134, 1135, 1139, 1140, 1144, 1151, 1156, 1157, 1158, 1161, 1165, 1167, 1170, 1172, 1190 & 1191.
- [Zwick *et al.*, 2001c] M. B. Zwick, M. Wang, P. Pognard, G. Stiegler, H. Katinger, D. R. Burton, & P. W. Parren, 2001c. Neutralization synergy of human immunodeficiency virus type 1 primary isolates by cocktails of broadly neutralizing antibodies. *J Virol* **75**(24):12198–208. On pp. 1022, 1030, 1033, 1035, 1051, 1058, 1140 & 1147.