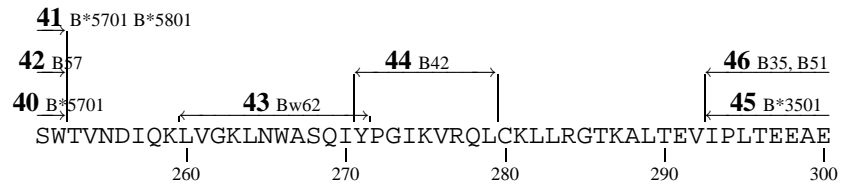
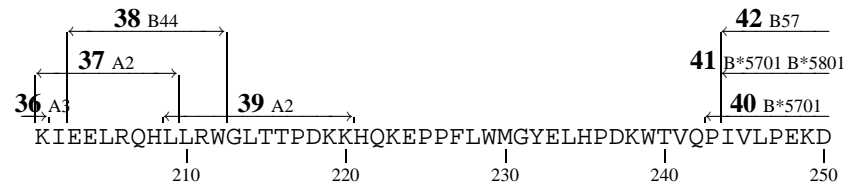
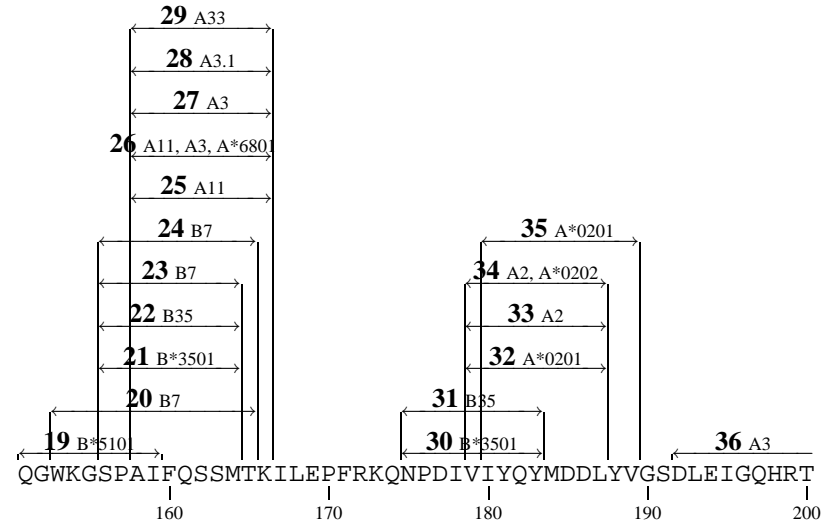
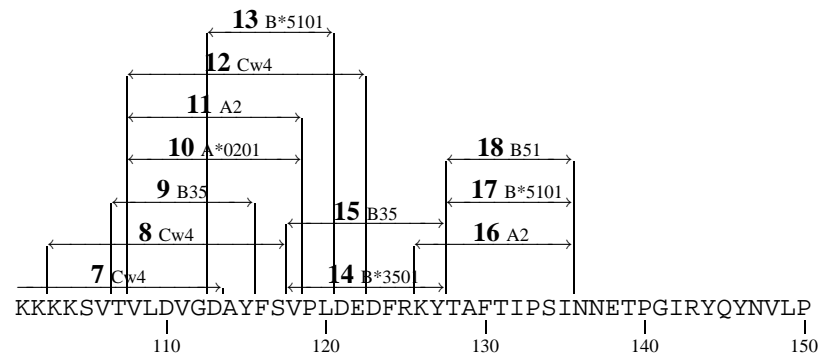
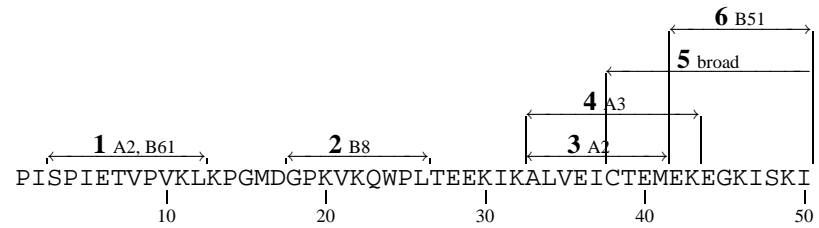


RT CTL Map



HIV CTL Protein Maps

CTL

