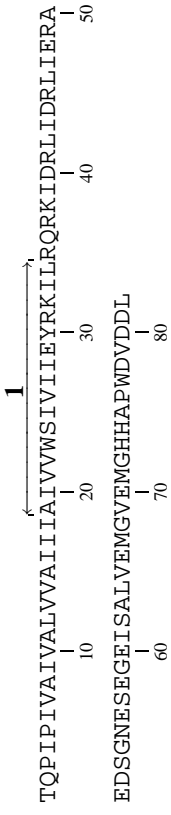
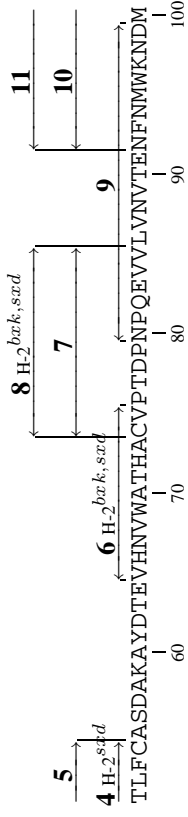
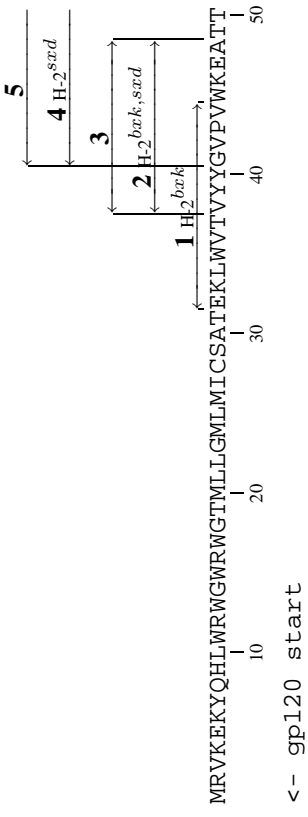


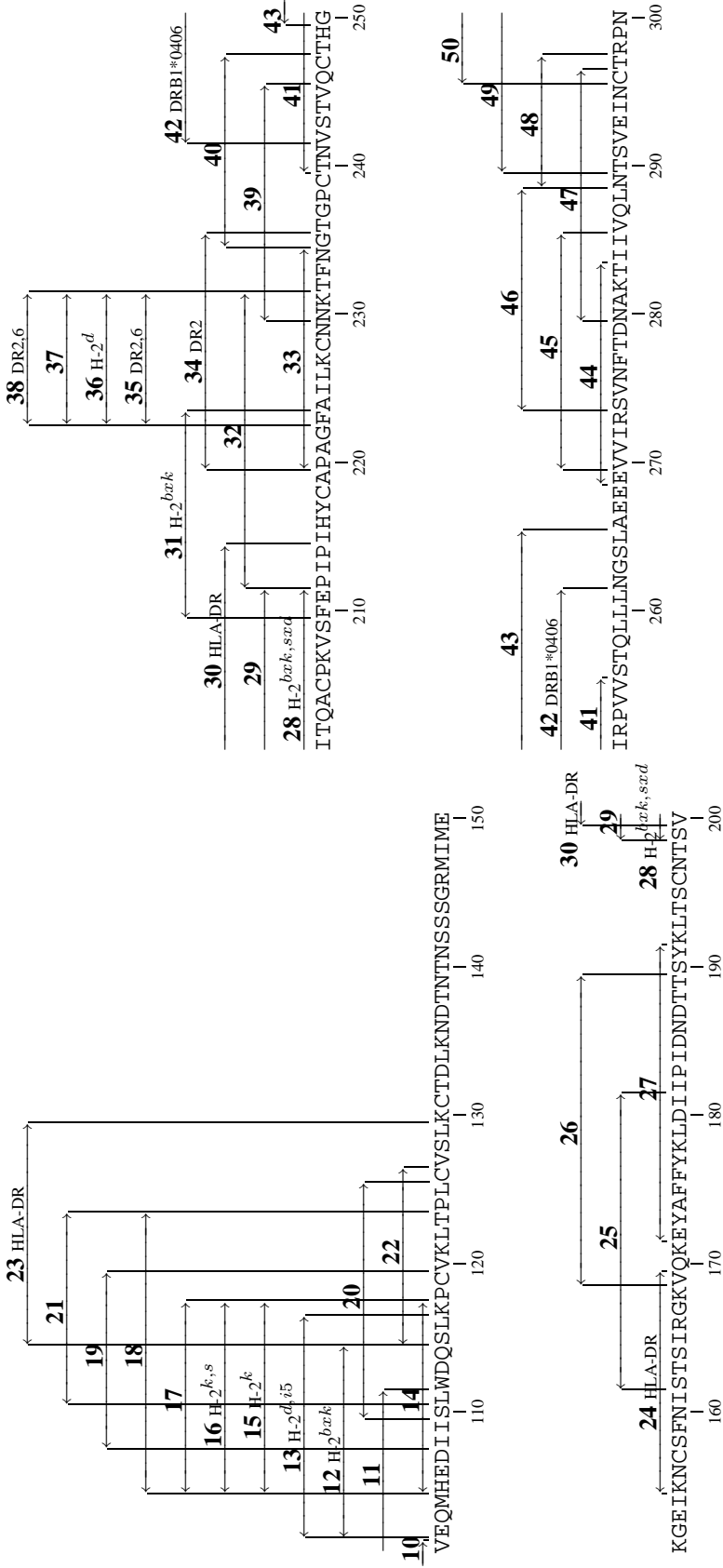
Vpu Helper Map



gp160 Helper Map

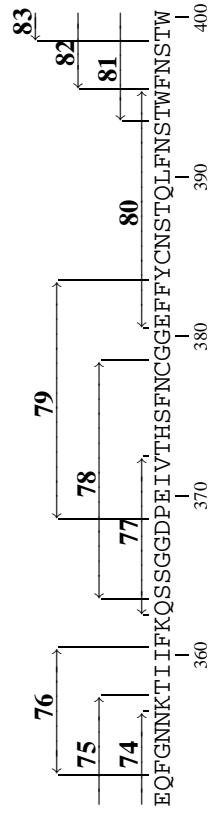
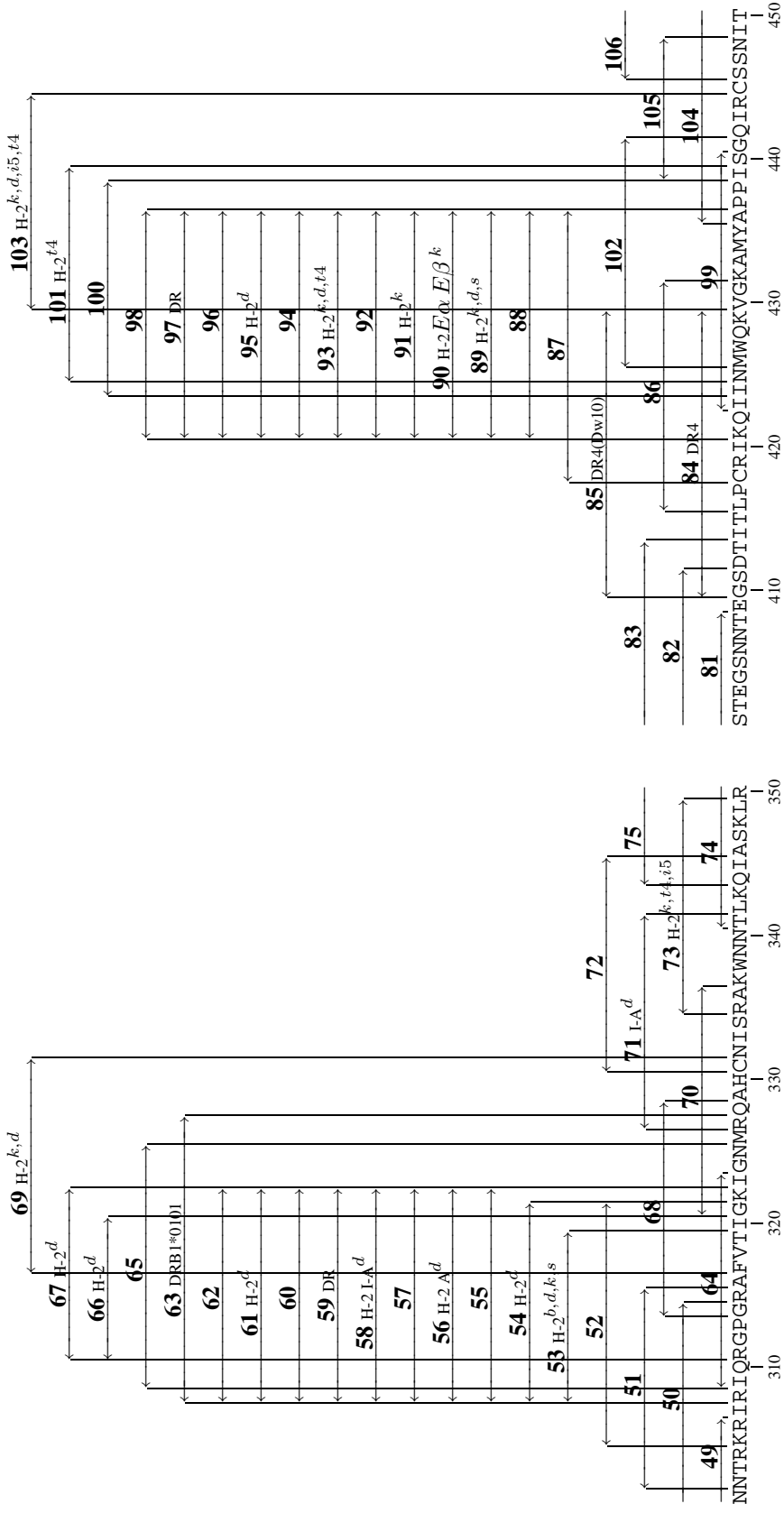


HIV Helper-T Cell Protein Maps



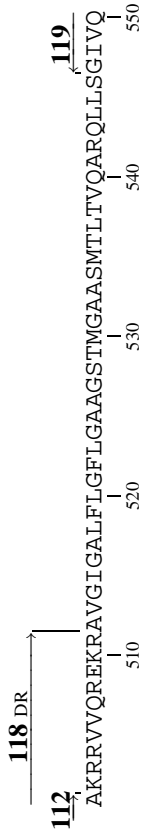
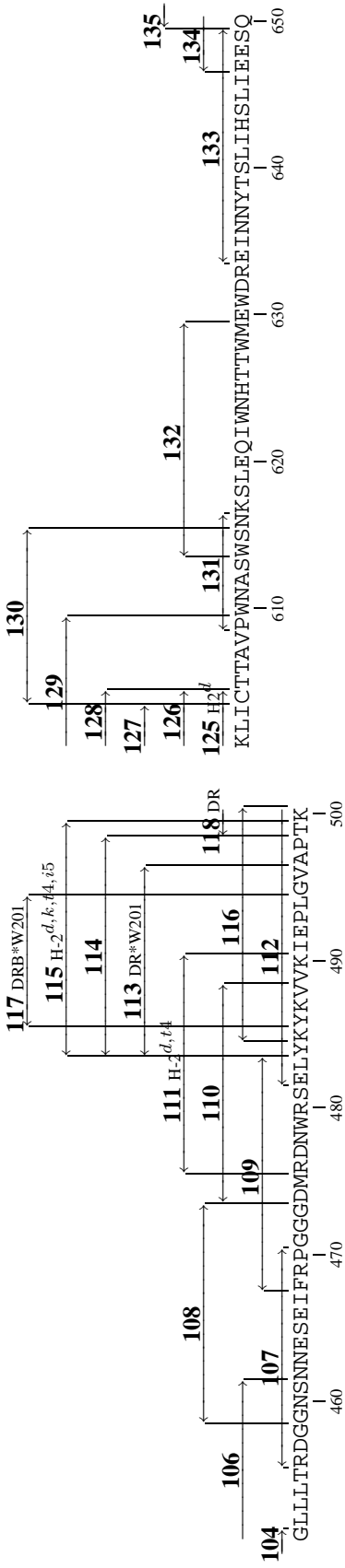
Helper T

HIV Helper-T Cell Protein Maps

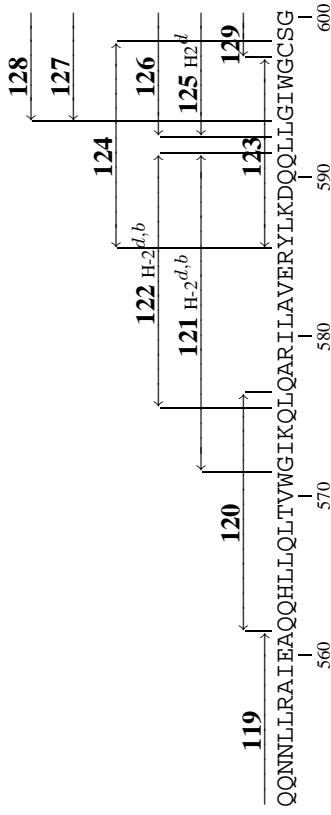
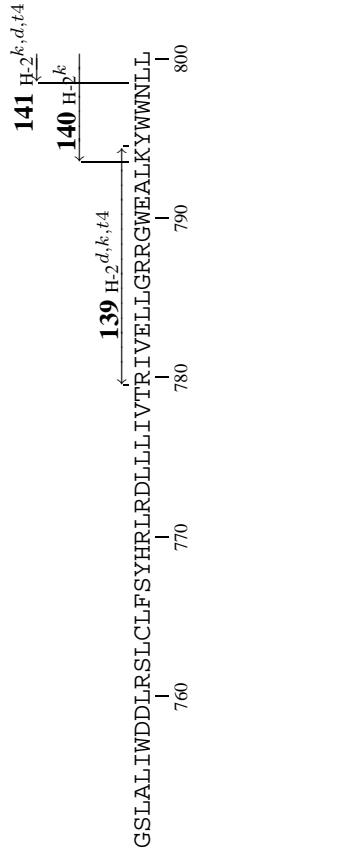
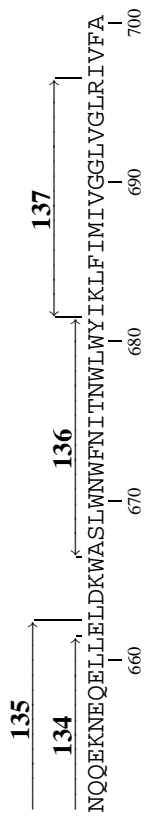


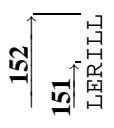
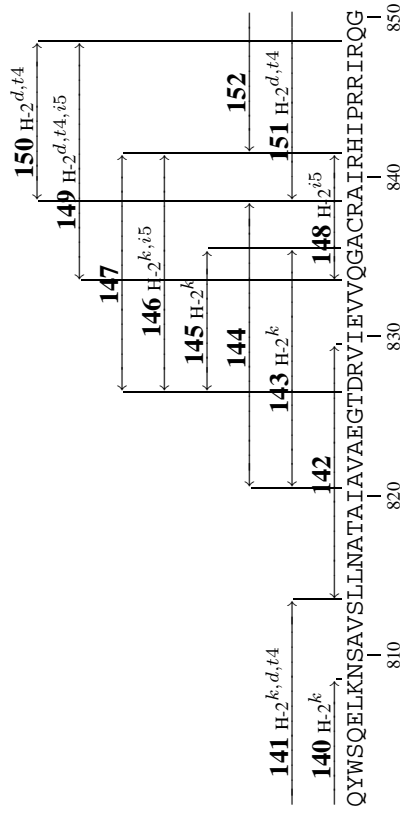
Helper T

HIV Helper-T Cell Protein Maps



gp120 end <> gp41 start





-> gp41 end

Nef Helper Map

