

The nShield and payShield modules security policy

nShield F3 SCSI, nShield F3 SCSI Ultrasign, nShield SCSI Ultrasign 32, payShield SCSI, and payShield Ultra



Date: 14 March 2006

Version: 1.3.23

© Copyright 2006 nCipher Corporation Limited, Cambridge, United Kingdom.

Reproduction is authorised provided the document is copied in its entirety without modification and including this copyright notice.

nCipher™, nForce™, nShield™, nCore™, KeySafe™, CipherTools™, CodeSafe™, SEE™ and the SEE logo are trademarks of nCipher Corporation Limited.

nFast® and the nCipher logo are registered trademarks of nCipher Corporation Limited.

All other trademarks are the property of the respective trademark holders.

nCipher Corporation Limited makes no warranty of any kind with regard to this information, including, but not limited to, the implied warranties of merchantability and fitness to a particular purpose. nCipher Corporation Limited shall not be liable for errors contained herein or for incidental or consequential damages concerned with the furnishing, performance or use of this material.

Patents

UK Patent GB9714757.3. Corresponding patents/applications in USA, Canada, South Africa, Japan and International Patent Application PCT/GB98/00142.

Contents

Chapter I: Purpose I

Roles 3

Services available to each role 4

Keys 16

Rules 21

Physical security 27

Strength of functions 28

Algorithms 29



Chapter I: Purpose

The nShield tamper resistant Hardware Security Modules and payShield Payments Modules are multi-tasking hardware modules that are optimized for performing modular arithmetic on very large integers. The nShield and payShield modules also offer a complete set of key management protocols.

Unit ID	Model Number	Format	NVRAM	RTC	SEE	Porting	EMC	DSPs
nShield F3 SCSI	nC4032W-400	stand-alone	Yes	Optional	Yes	B	3	
nShield F3 SCSI Ultresign 32	nC4132W-400	stand-alone	Yes	Optional	Yes	B	8	
nShield F3 SCSI Ultresign	nC4032W-400	stand-alone	Yes	Optional	Yes	B	8	
payShield	nC4232W-150	stand-alone	Yes	Yes	Yes	B	3	
payShield Ultra	nC4232W-400	stand-alone	Yes	Yes	Yes	B	8	

The units are identical in operation and only vary in the processing speed and the support software supplied.

The module runs firmware provided by nCipher. There is the facility for the user to upgrade this firmware. In order to determine that the module is running the correct version of firmware they should use the NewEnquiry service which reports the version of firmware currently loaded. The validated firmware versions are 2.12.9.

The module can be initialized to comply with the roles and services section at either level 2, role based authorization, or level 3, identity based authorization. See “To comply with FIPS 140-2 level 3 roles and services, module ports and interfaces, and key management” on page 23.

- When initialized in level 2 mode the firmware version 2.12.9-2 (level 2 mode) and the level 2 certificate applies.
- When initialized in level 3 mode the firmware version 2.12.9-3 (level 3 mode) and the level 3 certificate applies.

The initialization parameters are reported by the NewEnquiry and SignModuleState services. A user can determine which mode the module is operating in using the KeySafe GUI or the command line utilities supplied with the module, or their own code - these operate outside the security boundary.

The nShield and payShield modules connects to the host computer via a SCSI bus. The nShield and payShield modules must be accessed by a custom written application. Full documentation for the nCore API can be downloaded from the nCipher web site: <http://www.ncipher.com>.

nShield and payShield modules have on-board non-volatile memory. There are services that enable memory to be allocated as files. Files have Access Control Lists that determine what operations can be performed on their contents. nShield modules have on-board Real-time clock.

nShield and payShield modules include a technology called, the Secure Execution Environment (SEE). This enables users to load a SEE machine. A SEE machine is user written code that implements a specific Software Interrupt interface. This enables users to implement non-cryptographic code in a protected memory space on the module that is outside the logical security boundary.

SEE code is executed in a protected environment. Whenever the SEE machine is running the nCore kernel is locked. Whenever the nCore kernel is active the SEE machine is locked. The SEE machine is excluded from the requirements of FIPS PUB 140-2. While the SEE machine is active the module is running in a non-FIPS mode.

The SEE machine has no direct access to objects stored on the module. In order to use cryptographic functions it must submit a job to the nCore kernel using the nCore API. The validation shows that the interface between the nCore kernel and the SEE machine is secure and that a malicious SEE machine cannot gain access to objects protected by the nCore kernel.

Before a user can send commands to the SEE machine they must create an instance called a SEE World. A SEE World is treated as a separate user by the module and must present the correct authentication before they can submit commands to the nCore kernel.

nShield modules are supplied with the SEE functions disabled. In order to use these functions the customer must purchase a feature-enable certificate enabling the functions for a specific module. The SEE feature is export controlled and therefore is not available in some territories.

All payShield modules are supplied with a SEE licence that enables them to run the nCipher Secure payments Processing library which supports a number of payments specific algorithms and functions which provide support for 3-D Secure, EMV (Europay, MasterCard, Visa) and PIN processing.

The nShield and payShield modules can be connected to a computer running one of the following operating systems:

- Windows NT 4.0 for Intel
- Windows 2000
- Solaris
- HP-UX
- AIX
- Linux x86
- FreeBSD x86

Windows NT was used for the validation.

Roles

The nShield and payShield modules defines the following roles:

User

All users initially connect to the nShield and payShield modules in the User role. In this role the user can load previously created tokens and use these to load keys from key blobs. Once they have loaded a key they can then use it to perform cryptographic operations as defined by the Access Control List (ACL) stored with the key.

Each key blob contains an ACL that determines what services can be performed on that key. This ACL can require a certificate from a Security Officer authorizing the action. Some actions including writing tokens always require a certificate.

nCipher Security Officer

The nCipher Security Officer (NSO) is responsible for overall security of the module.

The nCipher Security Officer is identified by a key pair, referred to as K_{NSO} . The hash of the public half of this key is stored when the unit is initialized. Any operation involving a module key or writing a token requires a certificate signed by K_{NSO} .

The nCipher Security Officer is responsible for creating the authentication tokens (smart cards) for each user and ensuring that these tokens are physically handed to the correct person.

An operator assumes the role of NSO by loading the private half of K_{NSO} and presenting the KeyID for this key to authorize a command.

Junior Security Officer

Where the nCipher Security Officer want to delegate responsibility for authorizing an action they can create a key pair and give this to their delegate who becomes a Junior Security Officer (JSO). An ACL can then refer to this key, and the JSO is then empowered to sign the certificate authorizing the action. The JSO's keys should be stored on a key blob protected by a token that is not used for any other purpose.

In order to assume the role of JSO the user loads the JSO key and presents the KeyID of this key, and if required the certificate signed by K_{NSO} that delegates authority to the key, to authorize a command.

A JSO can delegate portions of their authority to a new user in the same way. The new user will be a JSO if they have authority they can delegate, otherwise they will be a user.

Services available to each role

For more information on each of these services refer to the nCipher Developer’s Guide and nCipher Developer’s Reference.

The following services provide user authentication or cryptographic functionality. The functions available depend on whether the user is in the unauthenticated role, an authorized user including junior security officer (JSO), or the nCipher Security Officer (NSO):

For each operation it lists the supported algorithms:

Key access	Description
Create	Creates a in-memory object., but does not reveal value.
Erase	Erases the object from memory, smart card or non-volatile memory without revealing value
Export	Discloses a value, but does not allow value to be changed.
Report	Returns statusinformation
Set	Changes a CSP to a given value
Use	Performs an operation with an existing CSP - without revealing or changing the CSP

Command/ Service	Role			Description <i>Key/CSP access</i> <i>Key types</i>
	Unuath	User / JSO	NSO	
Bignum Operation	yes	Yes	Yes	Performs simple mathematical operations. <i>No access to keys or CSPs</i>
Change Share PIN	-	pass phrase	pass phrase	Updates the pass phrase used to encrypt a token share. The pass phrase supplied by the user is not used directly, it is first hashed and then combined with the module key. To achieve this the command decrypts the existing share using the old share key derived from old pass phrase, module key and smart card identity. It then derives a new share key based on new pass phrase, module key and smart card identity, erases old share from smart card and writes a new share encrypted under the new share key. Sets the pass phrase for a share, uses module key, uses share key, uses module key, creates share key, uses new share key, exports encrypted share, erases old share
Channel Open	-	handle, ACL	handle, ACL	Opens a communication channel which can be used for bulk encryption or decryption. Uses a key object AES, DES, Triple DES, Arc Four, Blowfish, CAST 5, CAST 6, Serpent, SEED, Twofish

Command/ Service	Role			Description Key/CSP access Key types
	Unuath	User / JSO	NSO	
Channel Update	-	handle	handle	Performs encryption/decryption on a previously opened channel. The operation and key are specified in ChannelOpen Uses a key object AES, DES, Triple DES, Arc Four, Blowfish, CAST 5, CAST 6, Serpent, SEED, Twofish
CheckUserACL	-	handle	handle	Determines whether the ACL associated with a key object allows a specific user defined action. Uses a key object
Create Buffer	-	cert [handle]	cert [handle]	Allocates an area of memory to load data. If the data is encrypted, this service specifies the encryption key and IV used. This service is feature enabled. The decrypt operation is performed by LoadBuffer Uses a key object
Create SEE World	-	handle cert	handle cert	Creates a SEE World, passing in the initialization data stored in a buffer. This command checks the DSA signatures on the buffer using the public key provided. It also specifies whether debugging is allowed or not. Enabling debugging requires a certificate from the nCipher Security Officer. <i>No access to keys or CSPs</i>
Decrypt	-	handle, ACL	handle, ACL	Decrypts a cipher text with a stored key returning the plain text. Uses a key object AES, DES, Triple DES, Arc Four, Blowfish, CAST 5, CAST 6, Serpent, SEED, Twofish, Diffie-Helman, RSA, El Gamal, KCDSA
Derive Key	-	handle, ACL	handle, ACL	Creates a new key object from a variable number of other keys already stored on the module and returns a handle for the new key. This service can be used to split, or combine, encryption keys. Uses a key object, create a new key object AES, DES, Triple DES, PKCS #8, SSL key derivation, XOR CAST 5, CAST 6, Blowfish, Arc Four, Serpent, SEED, Twofish
Destroy	-	handle	handle	Removes an object, if an object has multiple handles as a result of RedeemTicket service, this removes the current handle. Erases a Impath, SEEWORLD, logical token, or any key object.

Command/ Service	Role			Description Key/CSP access Key types
	Unuath	User / JSO	NSO	
Duplicate	-	handle, ACL	handle, ACL	Creates a second instance of a key object with the same ACL and returns a handle to the new instance. Creates a new key object
Encrypt	-	handle, ACL	handle, ACL	Encrypts a plain text with a stored key returning the cipher text. Uses a key object AES, DES, Triple DES, Arc Four, Blowfish, CAST 5, CAST 6, Serpent, SEED, Twofish, RSA, El Gamal, KCDSA
EraseFile	level 2 only	cert	yes	Removes a file, but not a logical token, from a smart card or software token. <i>No access to keys or CSPs</i>
Erase Share	level 2 only	cert	yes	Removes a share from a smart card or software token. Erases a share
Existing Client	yes	yes	yes	Starts a new connection as an existing client. <i>No access to keys or CSPs</i>
Export	-	handle, ACL	handle, ACL	Exports a key in plain text. If the unit has been initialized to comply with FIPS 140-2 level 3 roles and services and key management, this service is only available for public keys. Exports a [public] key object. Level 2 mode -Any key type Level 3 mode - Random keys, RSA, DSA, Diffie-Helman, El-Gamal and KCDSA public keys
Feature Enable	-	cert	cert	Enables a service. This requires a certificate signed by the nCipher Master Feature Enable key. Uses the public half of the nCipher Master Feature Enable Key
Firmware Authenticate	yes	yes	yes	Reports firmware version. Performs a zero knowledge challenge response protocol based on HMAC that enables a user to ensure that the firmware in the module matches the firmware supplied by nCipher. The protocol generates a random value to use as the HMAC key. <i>No access to keys or CSPs</i>
Foreign Token Command	-	handle	handle	Sends an ISO-7816 command to a smart card over the channel opened by ForeignTokenOpen. <i>No access to keys or CSPs</i>

Command/ Service	Role			Description Key/CSP access Key types
	Unuath	User / JSO	NSO	
Foreign Token Open	-	FE, cert	FE	Opens a channel to foreign smart card that accepts ISO-7816 commands. This service cannot be used if the smart card has been formatted using FormatToken. The channel is closed when the card is removed from the reader, or if the handle is destroyed. This service is feature enabled. <i>No access to keys or CSPs</i>
FormatToken	level 2 only	cert	yes	Formats a smart card or software token ready for use. <i>May use a module key to create challenge response value</i>
Generate Key	level 2 only	cert	yes	Generates a symmetric key of a given type with a specified ACL and returns a handle. Optionally returns a certificate containing the ACL. Creates a new symmetric key object. Sets the ACL and Application data for that object. Optionally uses module signing key and exports the key generation certificate AES, DES, Triple DES, Arc Four, Blowfish, CAST 5, CAST 6, Serpent, SEED, Twofish
Generate Key Pair	level 2 only	cert	yes	Generates a key pair of a given type with specified ACLs for each half or the pair. Performs a pair wise consistency check on the key pair. Returns two key handles. Optionally returns certificates containing the ACL. Creates two new key objects Sets the ACL and Application data for those objects. Optionally uses module signing key and exports two key generation certificates. RSA, El Gamal, KCDSA, DSA
Generate KLF	-	FE	FE	Generates a new long term key. Erases the module long term key, creates new module long term key
Generate Logical Token	level 2 only	cert	yes	Creates a new logical token, which can then be written as shares to smart cards or software tokens Uses module key, Creates a logical token
Get ACL	-	handle, ACL	handle, ACL	Returns the ACL for a given handle. Exports the ACL for a key object
Get Application Data	-	handle, ACL	handle, ACL	Returns the application information stored with a key. Exports the application data of a key object
Get Challenge	yes	yes	yes	Returns a random nonce that can be used in certificates <i>No access to keys or CSPs</i>

Command/ Service	Role			Description Key/CSP access Key types
	Unuath	User / JSO	NSO	
Get Key Info	-	handle	handle	Superseded by GetKeyInfoEx retained for compatability. Exports the SHA-1 hash of a key object
Get Key Info Extended	-	handle	handle	Returns the hash of a key for use in ACLs Exports the SHA-1 hash of a key object
Get Logical Token Info	-	handle	handle	Superseded by GetLogicalTokenInfoEx retained for compatability. Exports the SHA-1 hash of a logical token
Get Logical Token Info Extended	-	handle	handle	Returns the token hash and number of shares for a logical token Exports the SHA-1 hash of a logical token
Get Module Signing Key	yes	yes	yes	Returns the public half of the module's signing key. This can be used to verify certificates signed with this key. Exports the public half of the module's signing key
Get Module Long Term Key	yes	yes	yes	Returns a handle to the public half of the module's signing key. this can be used to verify key generation certificates and to authenticate inter module paths. Exports the public half of the module's long term key
Get RTC	yes	yes	yes	Reports the time according to the on-board real-time clock No access to keys or CSPs
Get Share ACL	yes	yes	yes	Returns the access control list for a share Exports the ACL for a token share on a smart card
GetSlot Info	yes	yes	yes	Reports status of the physical token in a slot. Enables a user to determine if the correct token is present before issuing a ReadShare command. If the token is formatted with a challenge response key, performs the protocol. May use a module key
Get Slot List	yes	yes	yes	Reports the list of slots available from this module. No access to keys or CSPs
GetTicket	-	handle	handle	Gets a ticket - an invariant identifier - for a key. This can be passed to another client or to a SEE World which can redeem it using RedeemTicket to obtain a new handle to the object, Uses a key object, logical token, Impath, SEEWorld

Command/ Service	Role			Description Key/CSP access Key types
	Unuath	User / JSO	NSO	
Get World Signers	-	handle	handle	Returns a list of the keys used to sign a SEEWorld identified by the key hash and the signing mechanism used. This command can only be called from inside the SEE world. Uses a SEEWorld object
Hash	yes	yes	yes	Hashes a value, see “Strength of functions” on page 25 for a list of supported algorithms. <i>No access to keys or CSPs</i> HSA-160, MD2, MD5, RIPEMD 160, SHA-1, SHA-256, SHA-384, SHA-512
Impath Get Info	-	handle	handle	Reports status information about an impath Uses an Impath, exports status information
Impath Key Exchange Begin	yes	yes	yes	Creates a new inter-module path and returns the key exchange parameters to send to the peer module. This service is feature enabled. Creates a set of Impath keys
Impath Key Exchange Finish	-	handle	handle	Completes an impath key exchange. Require the key exchange parameters from the remote module. Creates a set of Impath keys
Impath Receive	-	handle	handle	Decrypts data with the Impath decryption key. Uses an Impath key
Impath Send	-	handle	handle	Encrypts data with the impath encryption key. Uses an Impath key
Import	level 2 only	cert	yes	Loads a key and ACL from the host and returns a handle. Imports a key in plain text. If the unit has been initialized to comply with FIPS 140-2 level 3 roles and services and key management, this service is only available for public keys. Creates a new key object, sets the key value, ACL and App data. Level 2 mode -Any key type Level 3 mode - Random keys, RSA, DSA, Diffie-Helman, El-Gamal and KCDSA public keys
Load Blob	-	handle	handle	Loads a key that has been stored in a key blob. The user must first have loaded the token or key used to encrypt the blob. Uses module key, logical token, or archiving key, creates a new key object

Command/ Service	Role			Description Key/CSP access Key types
	Unuath	User / JSO	NSO	
Load Buffer	-	handle	handle	Loads signed data into a buffer. Several load buffer commands may be required to load all the data, in which case it is the responsibility of the client program to ensure they are supplied in the correct order. Requires the handle of a buffer created by CreateBuffer <i>No access to keys or CSPs</i>
Load Logical Token	yes	yes	yes	Allocates space for a new logical token - the individual shares can then be assembled using ReadShare or ReceiveShare. Once assembled the token can be used in LoadBlob or MakeBlob commands Uses module key
Make Blob	-	handle, ACL	handle, ACL	Creates a key blob containing the key and returns it. The key object to be exported may be any algorithm. Uses module key, logical token or archiving key, exports encrypted key object
Mod Exp	yes	yes	yes	Performs a modular exponentiation on values supplied with the command. <i>No access to keys or CSPs</i>
Mod Exp CRT	yes	yes	yes	Performs a modular exponentiation on values, supplied with the command using Chinese Remainder Theorem. <i>No access to keys or CSPs</i>
Module Info	yes	yes	yes	Reports low level status information about the module. This service is designed for use in nCipher's test routines. <i>No access to keys or CSPs</i>
NewClient	yes	yes	yes	Returns a client id. <i>No access to keys or CSPs</i>
New Enquiry	yes	yes	yes	Reports status information. <i>No access to keys or CSPs</i>
No Operation	yes	yes	yes	Does nothing, can be used to determine that the module is responding to commands. <i>No access to keys or CSPs</i>
NVMem Allocate	-	cert	yes	Allocates an area of non-volatile memory as a file and sets the ACLs for this file. This command can now be used to write files protected by an ACL to a smart card <i>No access to keys or CSPs</i>

Command/ Service	Role			Description Key/CSP access Key types
	Unuath	User / JSO	NSO	
NVMem Free	-	cert	yes	Frees a file stored in non-volatile memory. This command can now be used to write files protected by an ACL to a smart card <i>No access to keys or CSPs</i>
NVMem List	yes	yes	yes	Reports a list of files stored in the non-volatile memory. This command can now be used to write files protected by an ACL to a smart card <i>No access to keys or CSPs</i>
NVMem Operation	-	cert	ACL	Performs an operation on a file stored in non-volatile memory. Operations include: read, write, increment, decrement, etc. This command can now be used to write files protected by an ACL to a smart card <i>No access to keys or CSPs</i>
Pause For Notifications	yes	yes	yes	This service enables the module to report status information to the nCipher server. The command is automatically submitted by the server. <i>No access to keys or CSPs</i>
Programming Begin Programming Begin Chunk Programming Load Block Programming End Chunk Programming End	monitor	monitor	monitor	These commands are used in the firmware upgrade process. The user uses the LoadROM utility which issues the correct command sequence to load the new firmware. The module will only be operating in a FIPS approved mode if you install firmware that has been validated by NIST/CSE. Users who require FIPS validation should only upgrade firmware after NIST/CSE issue a new certificate. The monitor also checks that the Version Sequence Number (VSN) of the firmware is as high or higher than the VSN of the firmware currently installed. Uses Firmware Integrity Key and Firmware Confidentiality Keys. Sets Firmware Integrity Key and Firmware Confidentiality Keys.
Random Number	yes	yes	yes	Generates a random number for use in a application using the on-board random number generator. <i>Note There are separate services for generating keys.</i> The Random Number services are designed to enable an application to access the random number source for its own purposes - for example an on-line casino may use GenerateRandom to drive its applications. <i>No access to keys or CSPs</i>

Command/ Service	Role			Description Key/CSP access Key types
	Unuath	User / JSO	NSO	
Random Prime	yes	yes	yes	Generates a random prime. This uses the same mechanism as is used for DSA, RSA and Diffie-Helman key generation. <i>No access to keys or CSPs</i>
Read File	-	cert	yes	Reads a file, but not a logical token, from a smart card or software token. This command can only read files without ACLs. <i>No access to keys or CSPs</i>
Read Share	yes	yes	yes	Reads a share from a physical token. Once sufficient shares have been loaded recreates token- may require several ReadShare or ReceiveShare commands. Uses pass phrase, module key, creates share key, uses share key, creates a logical token
Receive Share	-	handle, encrypted share	handle, encrypted share	Takes a share encrypted with SendShare and a pass phrase and uses them to recreate the logical token. - may require several ReadShare or ReceiveShare commands Uses an Impath key, uses pass phrase, module key, creates share key, uses share key, creates a logical token
Redeem Ticket	ticket	ticket	ticket	Gets a handle in the current name space for the object referred to by a ticket created by GetTicket. Uses a key object, logical token, Impath, or SEEWorld
Remove KM	-	cert	yes	Removes a loaded module key. Erases a module key
SEE Job	-	cert	yes	Sends a command to a SEE World. <i>No access to keys or CSPs</i>
Set ACL	-	handle, ACL	handle, ACL	Sets the ACL for an existing key. The existing ACL for the key must allow the operation. Sets the Access Control List for a key object
Set Application Data	-	handle, ACL	handle, ACL	Stores information with a key. Sets the application data stored with a key object
Set KM	-	cert	yes	Loads a Triple DES key object as a module key. Uses a key object, sets a module key
Set KNSO	init	init	-	Superseded by SetNSOPerm. Although this command can still be used it cannot authorize recently added services added. Sets the nCipher Security officer's key hash

Command/ Service	Role			Description Key/CSP access Key types
	Unuath	User / JSO	NSO	
Set NSO Perm	init	init	-	Loads a key hash as the nCipher Security Officer's Key and sets the security policy to be followed by the module. This can only be performed while the unit is in the initialisation state. Sets the nCipher Security officer's key hash
Set RTC	-	cert	yes	Sets the real-time clock. <i>No access to keys or CSPs</i>
Set SEE Machine	-	cert handle	handle	Loads the contents of a buffer (created by CreateBuffer / LoadBuffer) as the SEE machine for this module. This command checks the signatures on the buffer. Uses a public key provided in buffer DSA, DES MAC, Triple DES MAC, HMAC
Sign	-	handle, ACL	handle, ACL	Returns the digital signature or MAC of plain text using a stored key. See "Strength of functions" on page 28 for a list of supported algorithms. Uses a key object RSA, DSA, DES MAC, Triple DES MAC, HMAC
Sign Module State	-	handle, ACL	handle, ACL	Signs a certificate describing the modules security policy, as set by SetNSOPerm Uses the module signing key
Send Share	-	handle, ACL	handle, ACL	Reads a logical token share and encrypts it under an impath key for transfer to another module where it can be loaded using ReceiveShare Uses an Impath key, exports encrypted share.
Statistics Enumerate Tree	yes	yes	yes	Reports the statistics available. <i>No access to keys or CSPs</i>
Statistic Get Value	yes	yes	yes	Reports a particular statistic. <i>No access to keys or CSPs</i>
Trace SEE World	-	cert	yes	Reports debugging output from a SEE World. <i>No access to keys or CSPs</i>
Verify	-	handle, ACL	handle, ACL	Verifies a digital signature using a stored key. See "Strength of functions" on page 28 for a list of supported algorithms. Uses a key object RSA, DSA, DES MAC, Triple DES MAC, HMAC

Command/ Service	Role			Description Key/CSP access Key types
	Unuath	User / JSO	NSO	
Write File	-	cert	yes	Writes a file, but not a logical token, to a smart card or software token. Note these files do not have an ACL, use the NVMEM commands to create files with an ACL. <i>No access to keys or CSPs</i>
Write Share	-	cert handle	handle	Writes a new share to a smart card or software token. The number of shares that can be created is specified when the token is created. All shares must be written before the token is destroyed. Sets pass phrase, uses module key, creates share, uses pass phrase and module key, creates share key, uses module key, uses share key, exports encrypted share

Code	Description
-	The user can not perform this service in this role.
yes	The user can perform this service in this role without further authorization.
handle	The user can perform this service if they possess a valid handle for the resource: key, channel, impath, token, buffers, SEEWorld. The handle is an arbitrary number generated when the object is created. The handle for an object is specific to the user that created the object. The ticket services enable a user to pass an ID for an object they have created to another user or SEEWorld.
ACL	The user can only perform this service with a key if the ACL for the key permits this service. The ACL may require that the user present a certificate signed by a Security Officer or another key. <i>The ACL may specify that a certificate is required, in which case the module verifies the signature on the certificate before permitting the operation.</i>
pass phrase	A user can only load a share, or change the share PIN, if they possess the pass phrase used to encrypt the share. The module key with which the Pass Phrase was combined must also be present.
cert	A user can only perform this service if they are in possession of a certificate from the nCipher Security Officer. This certificate will reference a key. <i>The module verifies the signature on the certificate before permitting the operation.</i>
FE	This service is not available on all modules. It must be enabled using the FeatureEnable service before it can be used.

Code	Description
level 2 only	<p>These services are available to the unauthenticated user only when the module is initialized in it FIPS 140-2 level 2 mode.</p> <p>The module can be initialized to comply with FIPS 140-2 level 3 roles and services and key management by setting the flPS_level3_compliance flag.</p> <p>If this flag is set:</p> <ul style="list-style-type: none"> the Generate Key, Generate Key Pair and Import commands require authorization with a certificate signed by the nCipher Security Officer. the Import command fails if you attempt to import a key of a type that can be used to Sign or Decrypt messages. the Generate Key, Generate Key Pair, Import and Derive Key operations will not allow you to create an ACL for a secret key that allows the key to be exported in plain text.
encrypted share	The ReceiveShare command requires a logical token share encrypted using an Impath key. created by the SendShare command.
ticket	The RedeemTicket command requires the ticket generated by GetTicket
init	These services are used to initialise the module. They are only available when the module is in the initialisation mode. To put the module into initialisation mode you must have physical access to the module and fit a link to a jumper. In order to restore the module to operational mode you must remove this link.
monitor	These services are used to reprogram the module. They are only available when the module is in the monitor mode. To put the module into monitor mode you must have physical access to the module and fit a link to a jumper. In order to restore the module to operational mode you reinitialize the module and then return it to operational state.

Keys

For each type of key used by the nShield and payShield modules, the following section describes the access that a user has to the keys.

The nShield and payShield modules refers to keys by their handle, an arbitrary number, or by its SHA-1 hash.

Security Officer's key

The nCipher Security officer's key must be set as part of the initialisation process. This is a public/private key pair that the nCipher Security Officer uses to sign certificates to authorize key management and other secure operations.

The SHA-1 hash of the public half of this key pair is stored in the module EEPROM.

The public half of this key is included as plain text in certificates.

The module treats anyone in possession of the private half of this key as the Security Officer.

If you use the standard tools supplied by nCipher to initialise the module, then this key is a DSA key stored as a key blob protected by a logical token on the Administrator Card Set. If a customer writes their own tools to initialise the module, they can choose between RSA, DSA or KDSA, and are responsible for ensuring the private half of this key is stored securely.

Junior Security Officer's key

Because the nCipher Security Officer's key has several properties, it is good practice to delegate authority to one or more Junior Security Officers, each with authority for defined operations.

To create a Junior Security Officer (JSO) the NSO creates a certificate signing key for use as their JSO key. This key must be protected by a logical token in the same manner as any other application key.

Then to delegate authority to the JSO the nCipher Security Officer creates a certificate containing an Access Control List specifying the authority to be delegated and the hash of the JSO key to which the powers are to be delegated.

The JSO can then authorize the actions listed in the ACL - as if they were the NSO - by presenting the JSO key and the certificate.

If the JSO key is created with the Sign permission in its ACL the JSO may delegate parts of their authority to another key, the holder of the delegate key will need to present the certificate signed by the NSO and the certificate signed by the JSO. If the JSO key only has UseAsCertificate permissions, then they cannot delegate authority.

If you use the standard tools supplied by nCipher to initialise the module, then this key is a DSA key stored as a key blob protected by a logical token on the Administrator Card Set. If a customer writes their own tools to initialise the module, they can choose between RSA, DSA or KDSA, and are responsible for ensuring the private half of this key is stored securely.

Long term signing key

The nShield and payShield modules stores a 160 bit random number in the EEPROM provided by the Dallas 4320. This data is combined with a discrete log group stored in the module firmware to produce a DSA key.

This key can be reset to a new random value by the **GenerateKLF** service. It can be used to sign a module state certificate using the **SignModuleState** service and the public value retrieved by the non-cryptographic service **Get Long Term Key**.

This key is not used to encrypt any other data. It only serves to provide a cryptographic identity for a module that can be included in a PKI certificate chain. nCipher may issue such certificates to indicate that a module is a genuine nCipher module.

Module signing key

When the nShield and payShield modules is initialized it automatically generate a DSA key pair that it uses to sign certificates. The private half of this pair is stored internally in EEPROM and never released. The public half is revealed in plaintext, or encrypted as a key blob under some other key. This key is only ever used to verify that a certificate was generated by a specified module.

Module keys

Module keys are triple DES used to protect tokens. The nShield and payShield modules generates the first module key K_{M0} when it is initialized. This module key is guaranteed never to have been known outside this module.

The Security Officer can load further module keys. These can be generated by the module or may be loaded from an external source. Setting a key as a module key stores the key in EEPROM.

Module keys can not be exported once they have been assigned as module keys. They may only be exported on a key blob when they are initially generated.

Logical tokens

A logical token is a Triple DES key used to protect key blobs.

When you create a logical token, you must specify parameters, including the total number of shares, and the number or shares required to recreate the token, the quorum. The total number can be any integer between 1 and 64 inclusive. The quorum can be any integer from 1 to the total number.

A logical token is always generated randomly, using the on-board random number generator.

While loaded in the module logical tokens are stored in the object store.

Tokens keys are never exported from the module, except on physical tokens or software tokens. When a module key is exported the logical token - the Triple DES key plus the token parameters - is first encrypted with a module key. Then the encrypted token is split into shares using the Shamir Secret Sharing algorithm, even if the total number of shares is one. Each share is then encrypted using a share key and written to a physical token - a smart card - or a software token. Logical tokens can be shared

between one or more physical token. The properties for a token define how many shares are required to recreate the logical token. Shares can only be generated when a token is created. The firmware prevents a specific share from being written more than once.

Share Key

A share key is used to protect a logical token share when they are written to a smart card or software token. A share may be protected using a pass phrase. The pass phrase is combined with a module key, the share number and the smart card id to form a unique Triple DES key used to encrypt the share. This Triple DES key is not stored on the module. It is recalculated every time share is loaded. The share data includes a MAC, if the pass phrase is incorrect the MAC will not verify correctly and the share is rejected.

Impath keys

An impath is a secure channel between two modules.

To set up an impath two modules perform a validated key-exchange, currently using Diffie Helman.

The key exchange parameters are signed by the modules signing key. Once the modules have validated the signatures the module derives four symmetric keys using a protocol based on SHA-1. Currently symmetric keys are Triple DES.

The four keys are used for encryption, decryption, MAC creation, MAC validation. The protocol ensures that the key Module 1 uses for encryption is used for decryption by module 2.

All impath keys are stored as objects in the object store in DRAM.

Key objects

Keys used for encryption, decryption, signature verification and digital signatures are stored in the module as objects in the object store in DRAM. All key objects are identified by a random identifier that is specific to the user and session.

All key objects are stored with an Access control List or ACL. The ACL specifies what operations can be performed with this key.

Whenever a user generates a key or imports a key in plain text they must specify a valid ACL for that key type. The ACL can be changed using the SetACL service. The ACL can only be made more permissive if the original ACL includes the ExpandACL permission.

Key objects may be exported as key blobs if their ACL permits this service. Each blob stores a single key and an ACL. The ACL specifies what operations can be performed with this copy of the key. The ACL stored with the blob must be at least as restrictive as the ACL associated with the key object from which the blob was created. When you load a key blob, the new key object takes its ACL from the key blob.

Working key blobs are encrypted under a logical token. Key objects may also be exported as key blobs under an archiving key. The key blob can be stored on the host disk or in the module NVRAM.

Key objects can only be exported in plain text if their ACL permits this operation. If the module has been initialized to comply with FIPS 140-2 level 3 roles and services and key management the ACL for a private or secret key cannot include the export as plain service.

A user may pass a key to another user - or to a SEE World - using the ticketing mechanism. The GetTicket mechanism takes a key identifier and returns a ticket. This ticket refers to the key identifier - it does not include any key data. A ticket can be passed as a byte block to the other user who can then use the RedeemTicket service to obtain a key identifier for the same object that is valid for their session. As the new identifier refers to the same object the second user is still bound by the original ACL.

Session keys

Keys used for a single session are generated as required by the module. They are stored along with their ACL as objects in the object store. These may be of any supported algorithm.

Archiving keys

It is sometimes necessary to create an archive copy of a key, protected by another key. Keys may be archived using:

- Triple DES keys
- A combination of Triple DES and RSA keys.
In this case a random Triple DES key is created which is used to encrypt working key and then this key is wrapped by the RSA key.

When a key is archived in this way it is stored with its ACL

When you generate or import the archiving, you must specify the UseAsBlobKey option in the ACL. The archiving key is treated as any other key object.

When you generate or import the key that you want to archive you must specify the Archival options in the ACL. This options can specify the hash(es) of the allowed archiving key(s). If you specify a list of hashes, no other key may be used.

Certificate signing keys

The ACL associated with a key object can call for a certificate to be presented to authorize the action. The required key can either be the nCipher Security Officer's key or any other key. Keys are specified in the ACL by an identifying key SHA-1 hash. The key type is also specified in the ACL although DSA is standard, any signing algorithm may be used, all nCipher tools use DSA.

Certain services can require certificates signed by the nCipher Security Officer.

Firmware Integrity Key

All firmware is signed using a DSA key pair. A module only loads new firmware if the signature decrypts and verifies correctly.

The private half of this key is stored at nCipher.

The public half is included in all firmware. The firmware is stored in flash memory when the module is switched off, this is copied to DRAM as part of the start up procedure.

Firmware Confidentiality Key

All firmware is encrypted using triple DES to prevent casual decompilation.

The encryption key is stored at nCipher's offices and is in the firmware.

The firmware is stored in flash memory when the module is switched off, this is copied to DRAM as part of the start up procedure.

nCipher Master Feature Enable Key

For commercial reasons not all nCipher modules offer all services. Certain services must be enabled separately. In order to enable a service the user presents a certificate signed by the nCipher Master Feature Enable Key. This causes the module to set the appropriate bit in the Dallas EEPROM.

The nCipher Master Feature Enable Key is a DSA key pair, The private half of this key pair is stored at nCipher's offices.

The public half of the key pair is included in the firmware. The firmware is stored in flash memory when the module is switched off, this is copied to DRAM as part of the start up procedure.

Rules

Identification and authentication

All communication with the nShield and payShield modules is performed via a server program running on the host machine, using standard inter process communication, using sockets in UNIX operating system, named pipes under Windows NT.

In order to use the module the user must first log on to the host computer and start an nCipher enabled application. The application connects to the nCipher server, this connection is given a client ID, a 120-bit arbitrary number.

Before performing any service the user must present the correct authorization, listed in the table of services. Where several stages are required to assemble the authorization, all the steps must be performed on the same connection.

The nShield and payShield modules performs identity based authentication. Each individual user is given a smart card that holds their authentication data - the logical token share - in an encrypted form. All operations require the user to first load the logical token from their smart card.

Access Control

Keys are stored on the host computer's hard disk in an encrypted format, known as a key blob. In order to load a key the user must first load the token used to encrypt this blob.

Tokens can be divided into shares. Each share can be stored on a smart card or software token on the computer's hard disk. These shares are further protected by encryption with a pass phrase and a module key. Therefore a user can only load a key if they possess the physical smart cards containing sufficient shares in the token, the required pass phrases and the module key are loaded in the module.

Module keys are stored in EEPROM in the module. They can only be loaded or removed by the nCipher Security Officer, who is identified by a public key pair created when the module is initialized. It is not possible to change the Security Officer's key without re initializing the module, which clears all the module keys, thus preventing access to all other keys.

The key blob also contains an Access Control List that specifies which services can be performed with this key, and the number of times these services can be performed. These can be hard limits or per authorization limits. If a hard limit is reached that service can no longer be performed on that key. If a per-authorization limit is reached the user must reauthorize the key by reloading the token.

All objects are referred to by handle. Handles are cross-referenced to client IDs. If a command refers to a handle that was issued to a different client, the command is refused. Services exist to pass a handle between clientIDs.

Access Control List

All key objects have an Access Control List (ACL). The user must specify the ACL when they generate or import the key. The ACL lists every operation that can be performed with the key - if the operation is not in the ACL the module will not permit that operation. In particular the ACL can only be altered if the ACL includes the SetACL service. The ACL is stored with the key when it is stored as a blob and applies to the new key object created when you reload the blob.

The ACL can specify limits on operations - or groups of operations - these may be global limits or per authorization limits. If a global limit is exceeded then the key cannot be used for that operation again. If a per authorization limit is exceeded then the logical token protecting the key must be reloaded before the key can be reused.

An ACL can also specify a certifier for an operation. In this case the user must present a certificate signed by the key whose hash is in the ACL with the command in order to use the service.

An ACL can also list User Defined actions. These actions do not permit any operations within the module, but can be tested with the CheckUserAction service. This enables SEE programs to make use of the ACL system for their own purposes. For example payShield uses this feature to determine the role of a 3DES key within EMV.

An ACL can also specify a host service identifier. In which case the ACL is only met if the nCipher server appends the matching Service name. This feature is designed to provide a limited level of assurance and relies on the integrity of the host, it offers no security if the server is compromised or not used.

ACL design is complex - users will not normally need to write ACLs themselves. nCipher provide tools to generate keys with strong ACLs.

Object re-use

All objects stored in the module are referred to by a handle. The module's memory management functions ensure that a specific memory location can only be allocated to a single handle. The handle also identifies the object type, and all of the modules enforce strict type checking. When a handle is released the memory allocated to it is actively zeroed.

Error conditions

If the nShield and payShield modules cannot complete a command due to a temporary condition, the module returns a command block with no data and with the status word set to the appropriate value. The user can resubmit the command at a later time. The server program can record a log of all such failures.

If the nShield and payShield modules encounters an unrecoverable error it enters the error state. This is indicated by the status LED flashing in the Morse pattern SOS. As soon as the unit enters the error state all processors stop processing commands and no further replies are returned. In the error state the unit does not respond to commands. The unit must be reset.

Security Boundary

The physical security boundary is the steel case.

All cryptographic components are covered by potting.

There is also a logical security boundary between the nCore kernel and the SEE.

The following items are excluded from FIPS 140-2 validation as they are not security relevant.

- SEE machine
- status LED
- heatsinks
- serial connector
- SCSI termination fuse
- power connector
- smart card interface board
- anti-spark capacitors
- jumper block

Status information

The module has an LED that indicates the overall state of the module.

The module also returns a status message in the reply to every command. This indicates the status of that command.

There are a number of services that report status information.

To comply with FIPS 140-2 level 3 roles and services, module ports and interfaces, and key management

The nCipher enabled application must perform the following services, for more information refer to the nCipher Security Officer's Guide and Technical Reference Manual.

To initialise a module

- 1 Fit the initialisation link and restart the module
- 2 Use the Initialise command to enter the Initialisation state.
- 3 Generate a key pair to use a Security Officer's key.
- 4 Generate a logical token to use to protect the Security Officer's key.
- 5 Write one or more shares of this token onto software tokens.
- 6 Export the private half of the Security Officer's key as a key blob under this token.
- 7 Export the public half of the Security Officer's key as plain text.

- 8 Use the Set Security Officer service to set the Security Officer's key and the operational policy of the module. In order to comply with FIPS 140-2 level 3 roles and services and key management you must set at least the following flags:
 - NSOPerms_ops_ReadFile
 - NSOPerms_ops_WriteFile
 - NSOPerms_ops_EraseShare
 - NSOPerms_ops_EraseFile
 - NSOPerms_ops_FormatToken
 - NSOPerms_ops_GenerateLogToken
 - NSOPerms_ops_SetKM
 - NSOPerms_ops_RemoveKM
 - NSOPerms_ops_StrictFIPS140
- 9 Keep the tokens and key blobs safe.
- 10 You can create extra module keys in order to distinguish groups of users.
- 11 You may want to create working keys and user authorization at this stage.
- 12 Remove the initialisation link and restart the module.

Note nCipher supply a graphical user interface KeySafe and a command line tool new-world that automate these steps.

- If you use KeySafe, you must set the **StrictFIPS 140** flag.
- If you use new-world, you must select the **-F** flag.

To return a module to factory state

This clears the Security Officer's key, the module signing key and any loaded module keys.

- 1 Fit the initialisation link and restart the module
- 2 Use the Initialise command to enter the Initialisation state.
- 3 Load a random value to use as the hash of the security officer's key.
- 4 Set Security Officer service to set the Security Officer's key and the operational policy of the module.
- 5 Remove the initialisation link and restart the module.

After this operation the module must be initialized correctly before it can be used in a FIPS approved mode.

Note nCipher supply a graphical user interface KeySafe and a command line tool new-world that automate these steps.

To create a new user

- 1 Create a logical token.
- 2 Write one or more shares of this token onto software tokens.
- 3 For each key the user will require, export the key as a key blob under this token.

- 4 Give the user any pass phrases used and the key blob.

Note nCipher supply a graphical user interface *KeySafe* and a command line tool *new-world* that automate these steps.

To authorize the user to create keys

- 1 Create a new key, with an ACL that only permits *UseAsSigningKey*. This action may need to be authenticated.
- 2 Export this key as a key blob under the users token.
- 3 Create a certificate signed by the nCipher Security Officer's key that:
 - includes the hash of this key as the certifier
 - authorizes the action *GenerateKey* or *GenerateKeyPair* depending on the type of key required.
 - if the user needs to store the keys, enables the action *MakeBlob*, limited to their token.
- 4 Give the user the key blob and certificate.

Note nCipher supply a graphical user interface *KeySafe* and a command line tool *new-world* that automate these steps.

To authorize a user to act as a Junior Security Officer

- 1 Generate a logical token to use to protect the Junior Security Officer's key.
- 2 Write one or more shares of this token onto software tokens
- 3 Create a new key pair,
 - Give the private half an ACL that permits *Sign* and *UseAsSigningKey*.
 - Give the public half an ACL that permits *ExportAsPlainText*
- 4 Export the private half of the Junior Security Officer's key as a key blob under this token.
- 5 Export the public half of the Junior Security Officer's key as plain text.
 - Create a certificate signed by the nCipher Security officer's key includes the hash of this key as the certifier
 - authorizes the actions *GenerateKey*, *GenerateKeyPair*
 - authorizes the actions *GenerateLogicalToken*, *WriteShare* and *MakeBlob*, these may be limited to a particular module key.
- 6 Give the Junior Security Officer the software token, any pass phrases used, the key blob and certificate.

Note nCipher supply a graphical user interface *KeySafe* and a command line tool *new-world* that automate these steps.

To authenticate a user to use a stored key

- 1 Use the *LoadLogicalToken* service to create the space for a logical token.
- 2 Use the *ReadShare* service to read each share from the software token.
- 3 Use the *LoadBlob* service to load the key from the key blob.

- 4** The user can now perform the services specified in the ACL for this key.

Note To assume Security Officer role load the Security Officer's key using this procedure. The Security Officer's key can then be used in certificates authorising further operations.

Note nCipher supply a graphical user interface KeySafe and a command line tool new-world that automate these steps.

To authenticate a user to create a new key

- 1** If you have not already loaded your user token, load it as above.
- 2** Use the LoadBlob service to load the authorization key from the key blob.
- 3** Use the KeyId returned to build a signing key certificate.
- 4** Present this certificate with the certificate supplied by the security officer with the GenerateKey, GenerateKeyPair or MakeBlob command.

Note nCipher supply a graphical user interface KeySafe and a command line tool new-world that automate these steps.

Physical security

The nShield and payShield modules are enclosed in a steel case made of three pieces of 1 mm steel.

The unit is sealed with tamper evident seals from Advantage technology.

In order to prevent access to the unit via the ventilation slots, the slots in the base and lid are offset so that there is no straight line path through the two sets of slots.

All security critical components of the nShield and payShield modules are covered by epoxy resin.

The module has a clear button. Pressing this button puts the module into the self-test state, clearing all stored key objects, logical tokens and impath keys and running all self-tests. The long term security critical parameters, module keys, module signing key and Security Officer's key can be cleared by returning the module to the factory state, as described above.

Checking the module

To ensure physical security, make the following checks regularly:

- That the 4 security seals on the underside of the nCipher SCSI module are still in place and undamaged.
- That the seals change color as the viewing angle alters, and the nCipher logo is clearly visible.
- To ensure that the seal has not been cut, inspect each seal at the point where the lid overlaps the base.

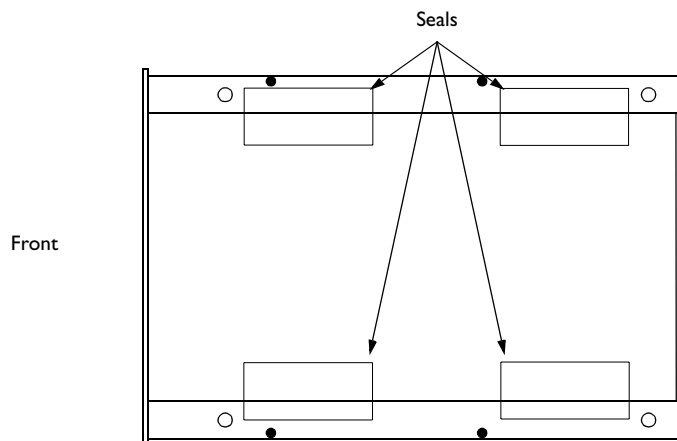


Figure 1 Bottom view of a module

Strength of functions

Attacking Object IDs

Connections are identified by a ClientID, a random 32 bit number.

Objects are identified by an KeyID - this should be renamed ObjectID as it can now be used for more than just keys but retains its old name for code compatibility reasons. Again this is a random 32 bit number.

In order to randomly gain access to a key loaded by another user you would need to guess two random 32 bit numbers. The module can process about 2^{16} commands per minute - therefore the chance of succeeding within a minute is $2^{16} / 2^{64} = 2^{-48}$.

Attacking Tokens

If a user chooses to use a logical token with only one share, no pass phrase and leaves the smart card containing the share in the slot than another user could load the logical token. The module does not have any idea as to which user inserted the smart card. This can be prevented by:

- not leaving the smart card in the reader
if the smart card is not in the reader, they can only access the logical token by correctly guessing the ClientID and ObjectID for the token.
- requiring a pass phrase
when loading a share requiring a pass phrase the user must supply the SHA-1 hash of the pass phrase. The hash is combined with a module key, share number and smart card id to recreate the key used to encrypt the share. If the attacker has no knowledge of the pass phrase they would need to make 2^{80} attempts to load the share. The module enforces a five seconds delay between failed attempts to load a share.
- requiring more than one share
if a logical token requires shares from more than one smart card the attacker would have to repeat the attack for each share required.

Logical tokens are 168 bit Triple DES keys. Shares are encrypted under a combination of a module key, share number and card ID. If you could construct a logical token share of the correct form without knowledge of the module key and the exact mechanism used to derive the share key the chance that it would randomly decrypt into a valid token are 2^{-168} .

Algorithms

FIPS approved algorithms:

AES	Certificate #15
DES	Certificate #24
DES MAC	Certificate #24 vendor affirmed. Verified implementation functions: genblk_signbegin,genblk_verifybegin, genblk_macdata, genblk_signend,genblk_verifyend.
Triple DES	Certificate #34 Double and triple length keys Approved for Federal Government Use - Modes are CBC and ECB
Triple DES MAC	Certificate #34 vendor affirmed Verified implementation functions: genblk_signbegin,genblk_verifybegin, genblk_macdata, genblk_signend,genblk_verifyend
DSA/SHA-1	Certificate #11
RSA	Vendor Affirmed to PKCS #1
HMAC SHA-1	HMAC implementation vendor affirmed, SHA-1 covered by DSA certificate #11

Non-FIPS approved algorithms

Symmetric

- Arc Four (compatible with RC4)
- Blowfish
- CAST 5 (RFC2144)
- CAST 6 (RFC2612)
- Serpent
- SEED (Korean Data Encryption Standard) - requires Feature Enable activation
- Twofish

Asymmetric

- Diffie-Helman
- El Gamal
- KCDSA - requires Feature Enable activation

Hash

- HSA-160 - requires Feature Enable activation
- MD2
- MD5
- RIPEMD 160
- SHA-256
- SHA-384
- SHA-512

MAC

- HMAC (MD2, MD5, SHA-256, SHA-384, SHA-512, RIPEMD160)

Other

- SSL master key derivation
- PKCS #8 key wrapping.