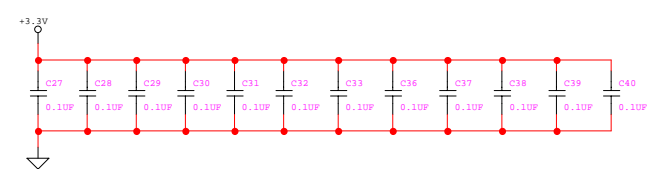
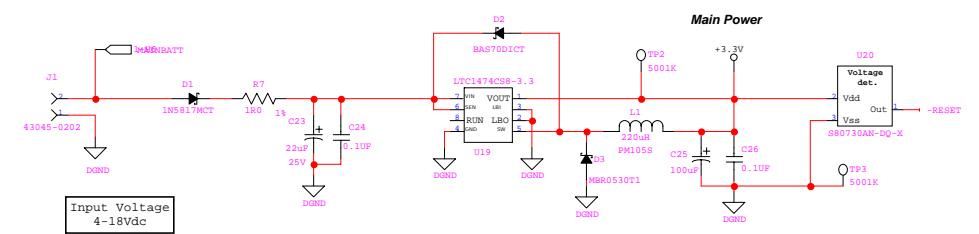
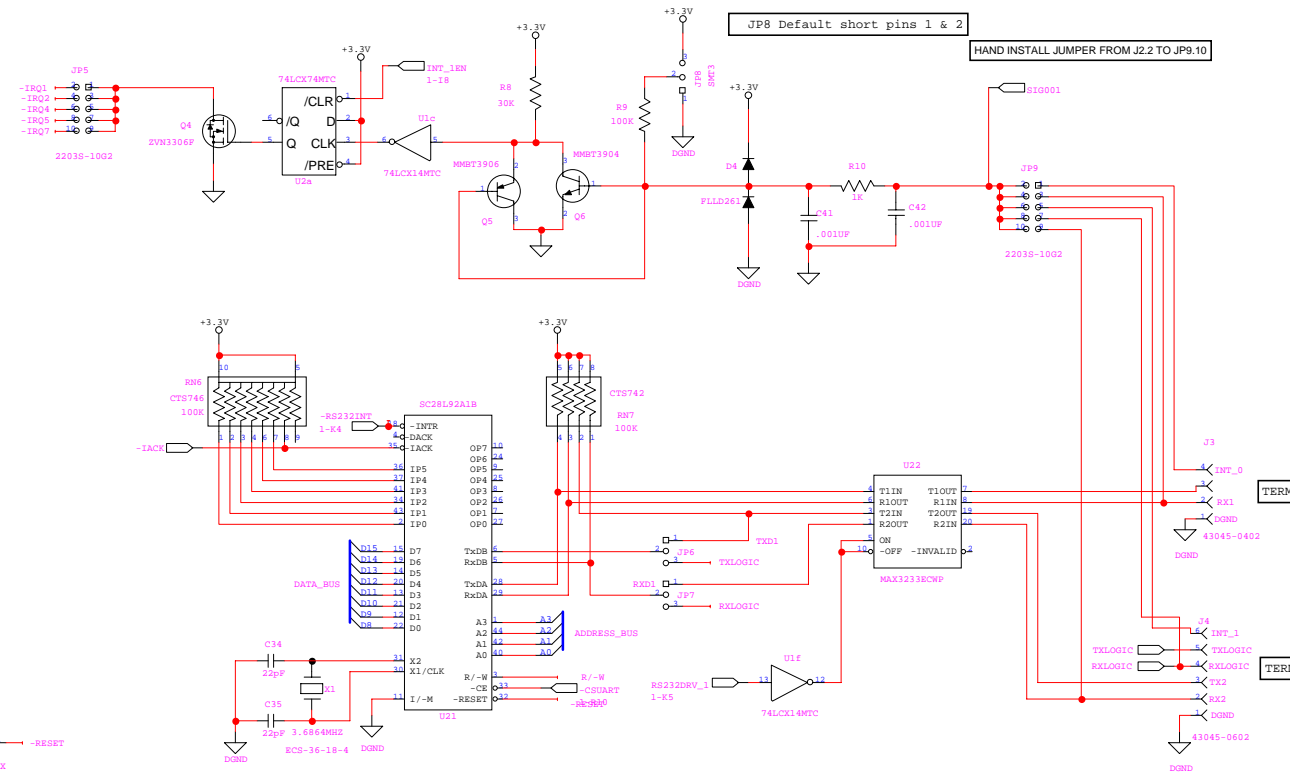
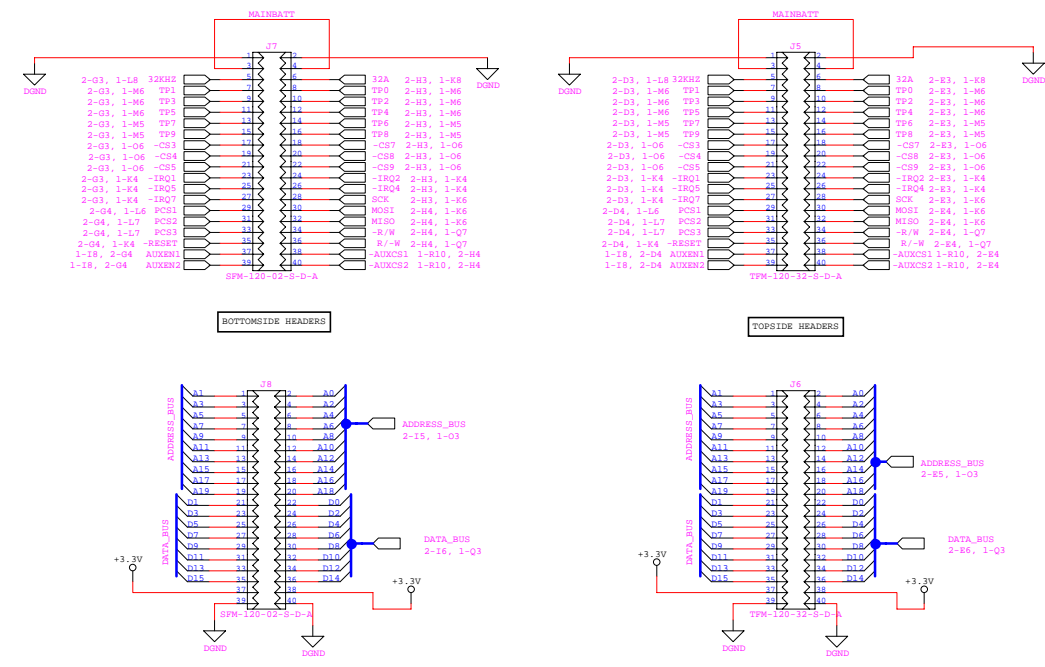


TIMING JPS5			
2 & 4	1 & 3	100	mSEC
2 & 4	3 & 5	1	SEC
4 & 6	1 & 3	10	SEC
4 & 6	3 & 5	60	SEC

68332-3.3 MINIMIZED VER 1.0
SCHEMATIC PAGE 1



NOAA-PMEL-EDD 7600 Sand Point Way NE Seattle, WA 98115 205.526.6726		
PROJECT:	68332 3.3 MINIMIZED VER 1.0	
COMPONENT:	SCHEMATIC PAGE 2/2	
FILE:		
DATE:	DESIGNED BY:	DRAWN BY:
02/10/2005	PDM	PDM