

INFORMATION: Buried-in-backslope Guardrail  
Anchor

July 10, 1998

Chief, Federal-Aid and Design Division

HNG-14

Regional Administrators  
Federal Lands Highway Program Administrator

The attached sketches (Attachment 1) show the design and layout concepts for three variations of the subject end anchor which were successfully tested at test level 3 (TL-3) with the 2000-kg pickup truck under a Federal Highway Administration contract. The first two tests were run on installations with a 1:10 foreslope (with and without a flat-bottomed ditch), the third on an installation with a 1:6 foreslope forming a V-ditch with a 1:4 backslope. The 1:6 variation allows the use of the buried-in-backslope system at many existing locations without requiring significant site modifications. Each test met the appropriate evaluation criteria for NCHRP Report 350 test 3-35 and is summarized in Attachment 2. The tests are described in detail in the Texas Transportation Institute reports titled "Testing and Evaluation of W-Beam Guardrails Buried-in-Backslope," dated November 1996, and "Crash Test of the G-4 W-Beam Guardrail with Terminal Buried-in-Backslope," dated March 1998.

At present, this type of end anchor is the only non-proprietary terminal design that will be acceptable for use with w-beam guardrail on the National Highway System after October 1 of this year. It should be the terminal of choice at locations where a natural backslope is reasonably close to the point where the barrier is introduced and its use at such locations should be encouraged. When properly designed and located, this type of anchor provides full shielding for the identified hazard, eliminates the possibility of an end-on impact with the barrier terminal, and minimizes the likelihood of access behind the rail.

Key design considerations include keeping the height of the w-beam rail constant relative to the roadway grade until the barrier crosses the ditch flow line, using a flare rate that is appropriate for the design speed until the flow line is reached (Note: a 22 m minimum distance upstream from the area of concern is recommended if the backslope is flat enough to allow an impacting vehicle to climb over the anchor), adding a rubrail, and using an anchor (concrete block or steel post) that is capable of developing the full tensile strength of the w-beam rail.

Detailed drawings of the above designs are available from the Office of Highway Safety and are expected to be distributed shortly.

(original signed by Dwight A. Horne)

Dwight A. Horne

2 Attachments

Acceptance Letter CC-53

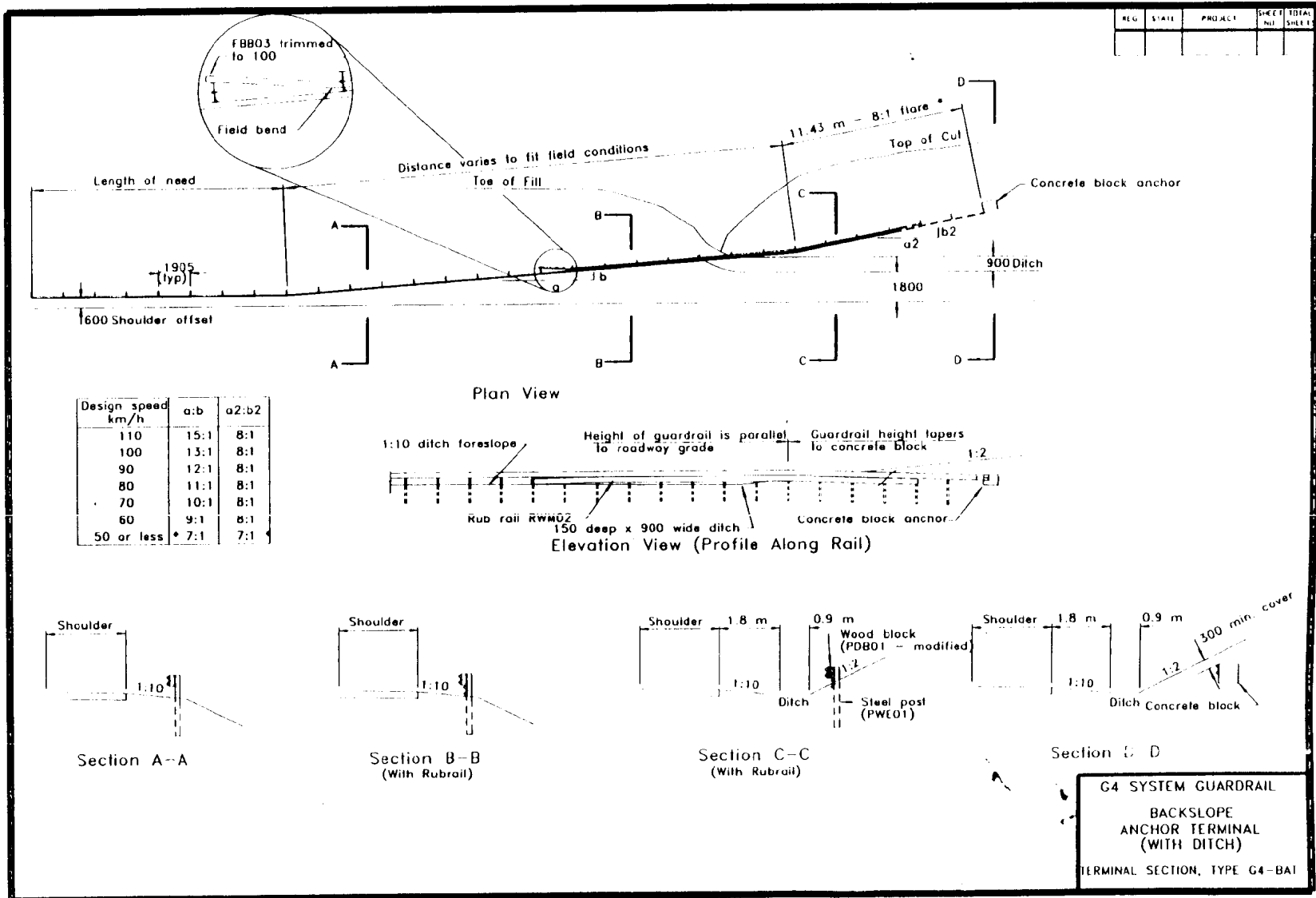


Figure 1. Details of the W-beam guardrail buried-in-backslope (with ditch) installation.

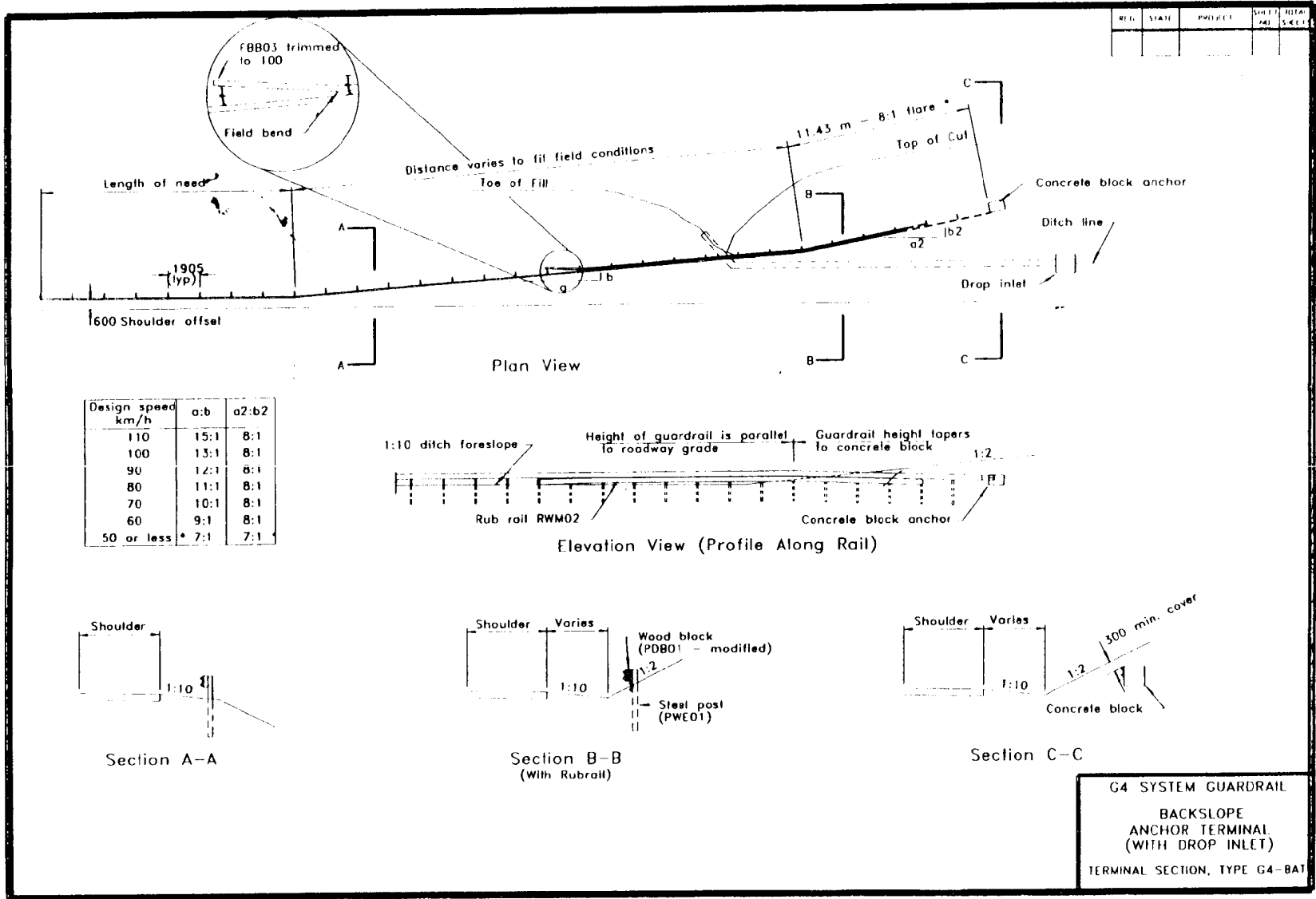


Figure 2. Details of the W-beam guardrail buried-in-backslope (with drop inlet) installation.

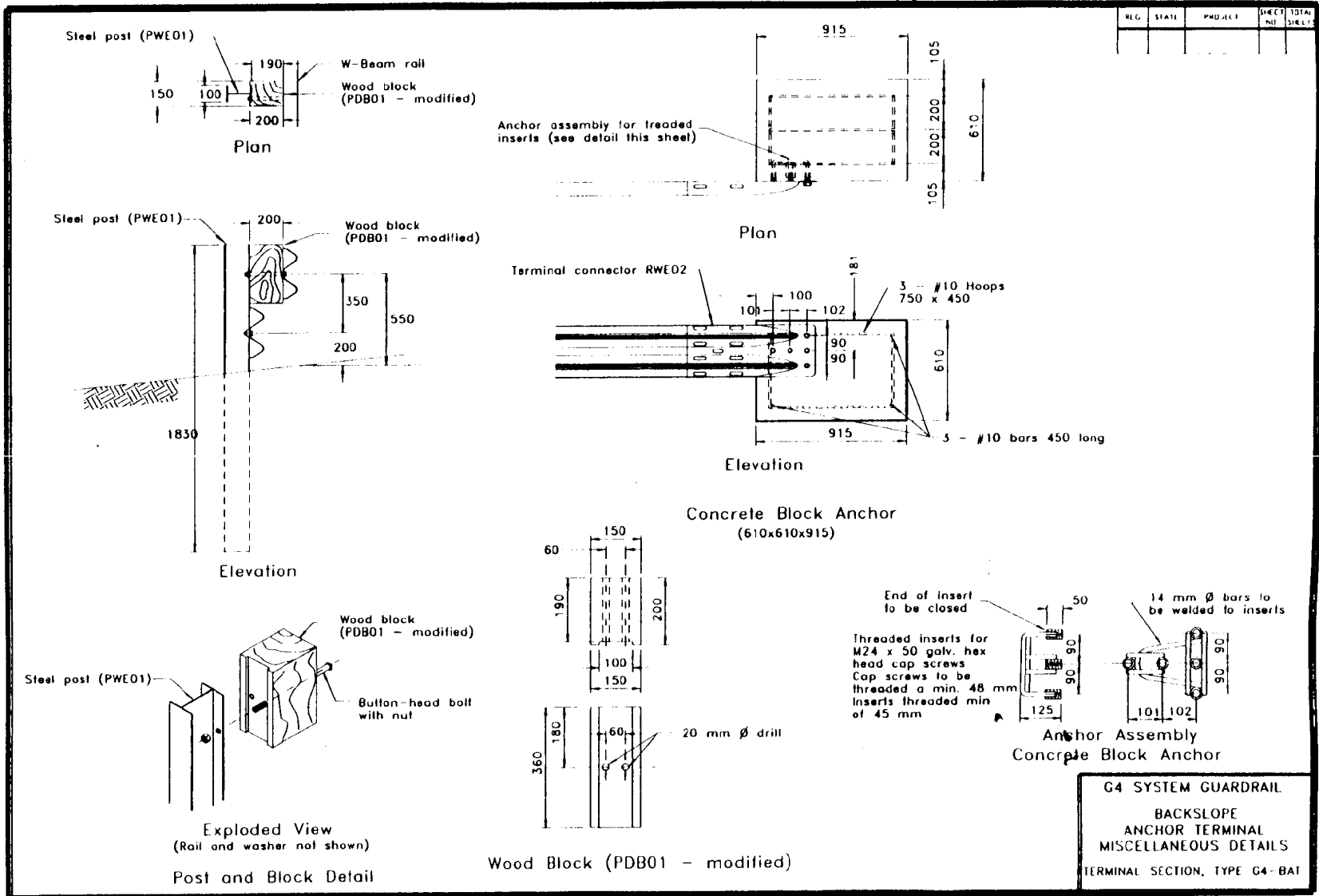


Figure 3. Miscellaneous backslope anchor terminal details.

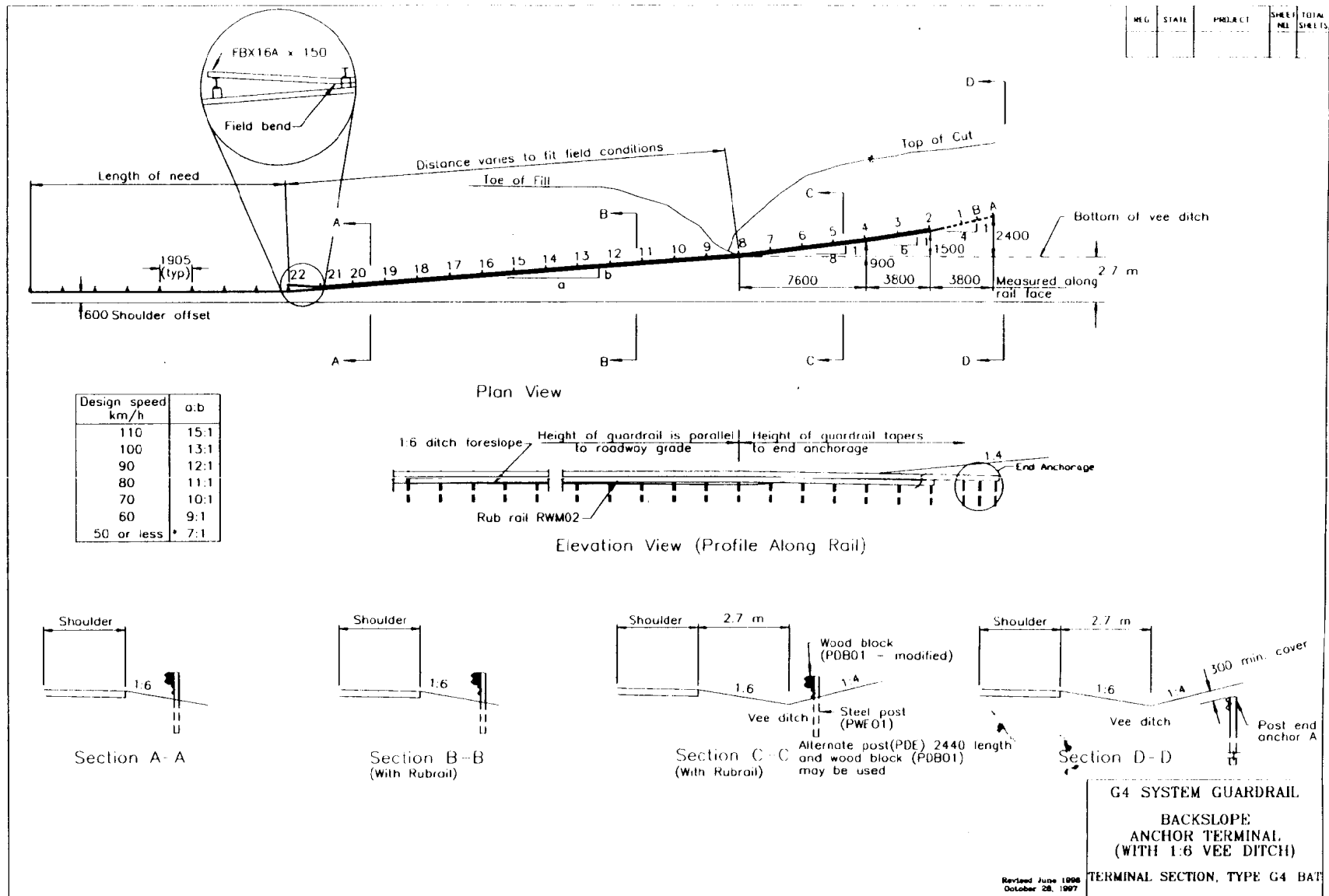


Figure 1. Details of the G4 W-beam guardrail buried-in-backslope anchor terminal installation.

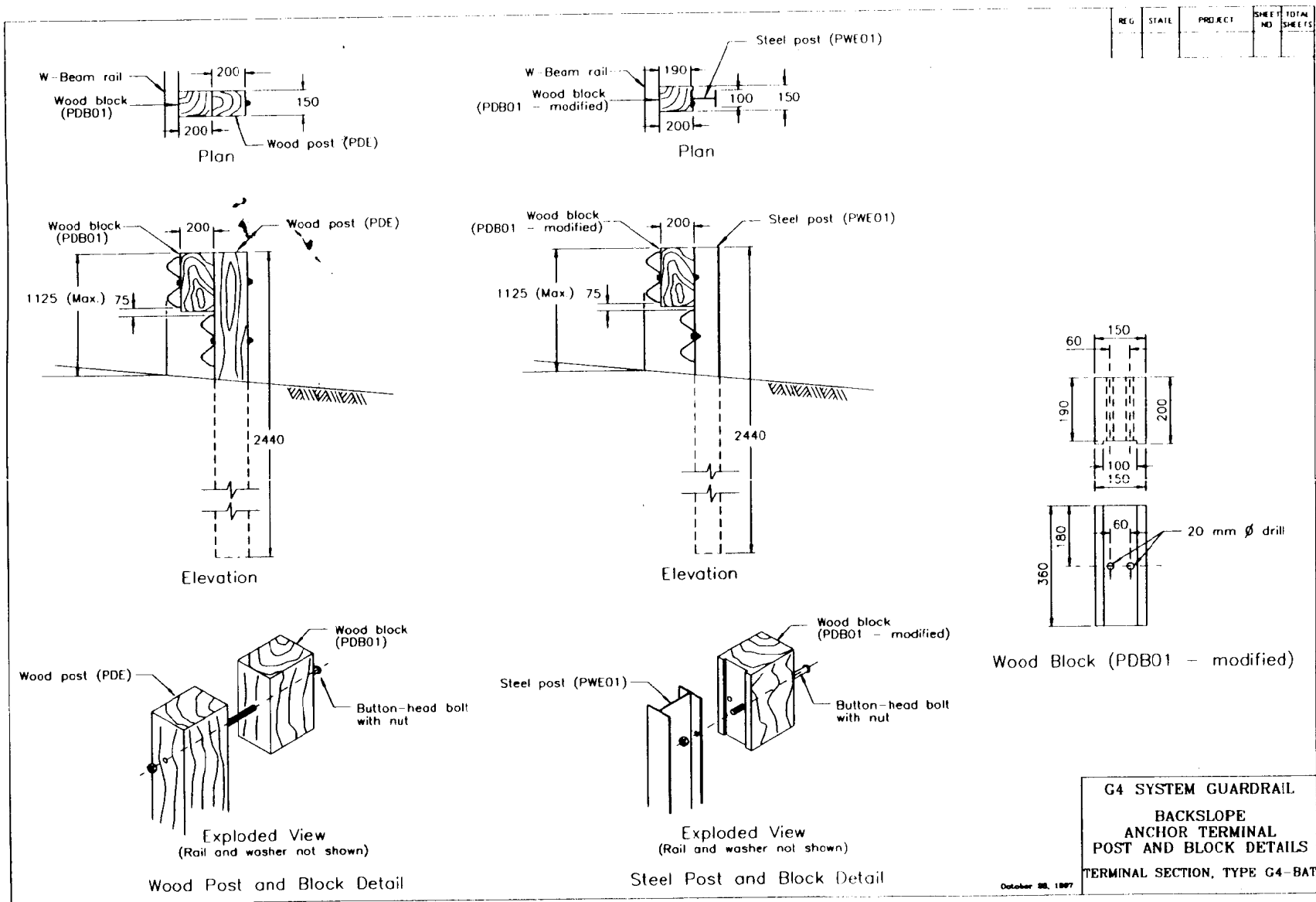
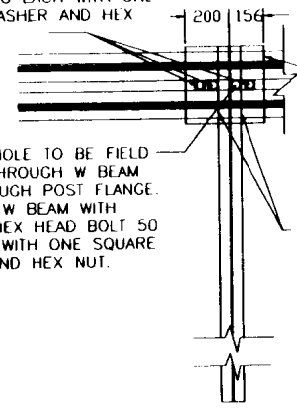


Figure 2. Post and block details for the G4 W-beam guardrail buried-in-backslope anchor terminal.

REG.	STATE	PROJECT	SHEET NO.	TOTAL SHEETS

3 - 25MM Ø HOLES TO BE FIELD DRILLED IN W BEAM ELEMENT AND ATTACHED WITH 22MM Ø HEX HEAD BOLTS 36MM LONG EACH WITH ONE SQUARE WASHER AND HEX NUT



13MM X 356MM X 356MM STEEL PLATE

Steel post (PWE01)

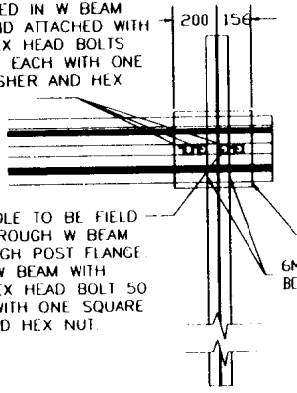
25MM Ø HOLE TO BE FIELD DRILLED THROUGH W BEAM AND THROUGH POST FLANGE. ATTACHED W BEAM WITH 22MM Ø HEX HEAD BOLT 50 MM LONG WITH ONE SQUARE WASHER AND HEX NUT.

6MM FILLET WELD PLATE TO POST, BOTH SIDES OF POST

2440

SPECIAL RAIL TO POST CONNECTION AT POSTS A, B, AND 1

3 - 25MM Ø HOLES TO BE FIELD DRILLED IN W BEAM ELEMENT AND ATTACHED WITH 22MM Ø HEX HEAD BOLTS 36MM LONG EACH WITH ONE SQUARE WASHER AND HEX NUT



Wood block (PDB01 - modified)

Steel post (PWE01)

25MM Ø HOLE TO BE FIELD DRILLED THROUGH W BEAM AND THROUGH POST FLANGE. ATTACHED W BEAM WITH 22MM Ø HEX HEAD BOLT 50 MM LONG WITH ONE SQUARE WASHER AND HEX NUT.

13MM X 356MM X 356MM STEEL PLATE  
6MM FILLET WELD PLATE TO POST, BOTH SIDES OF POST

2440

SPECIAL RUBRAIL TO POST CONNECTION AT POST 2

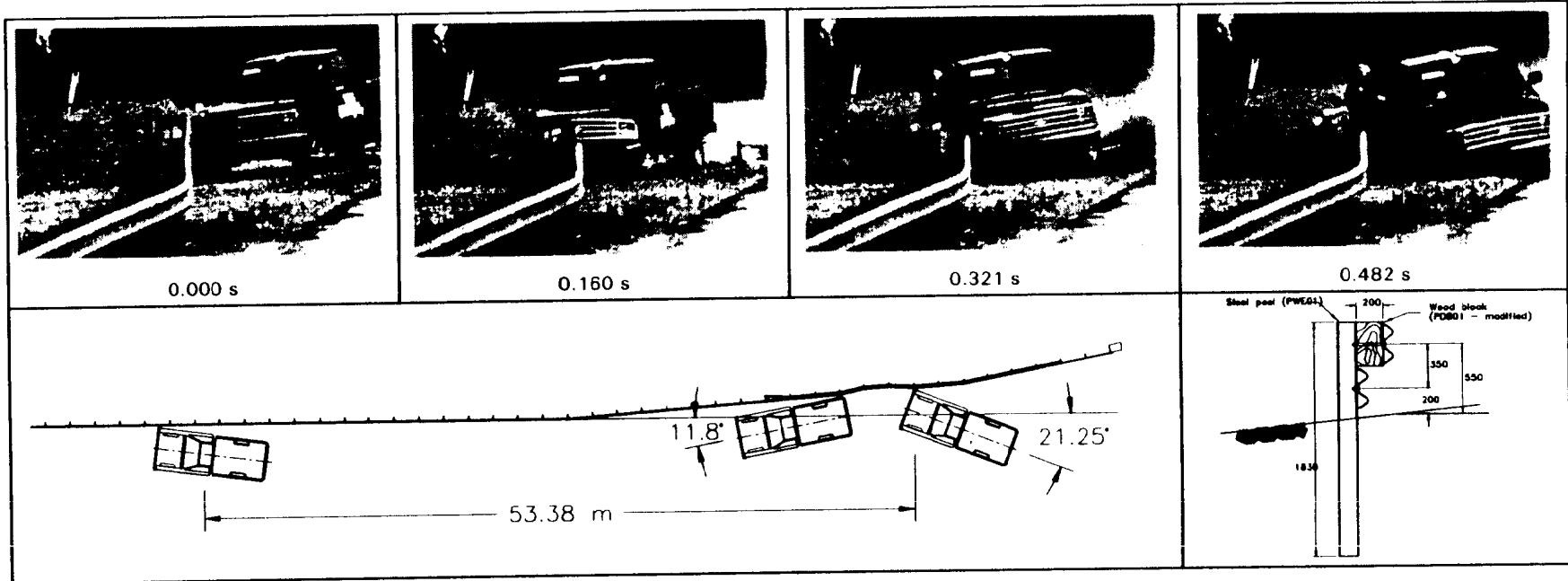
G4 SYSTEM GUARDRAIL.  
BACKSLOPE  
ANCHOR TERMINAL.  
END ANCHORAGE DETAILS

REVISED JUNE 1990  
October 28, 1987

TERMINAL SECTION, TYPE G4 BAT

Figure 3. End anchorage details for the G4 W-beam guardrail backslope anchor terminal.

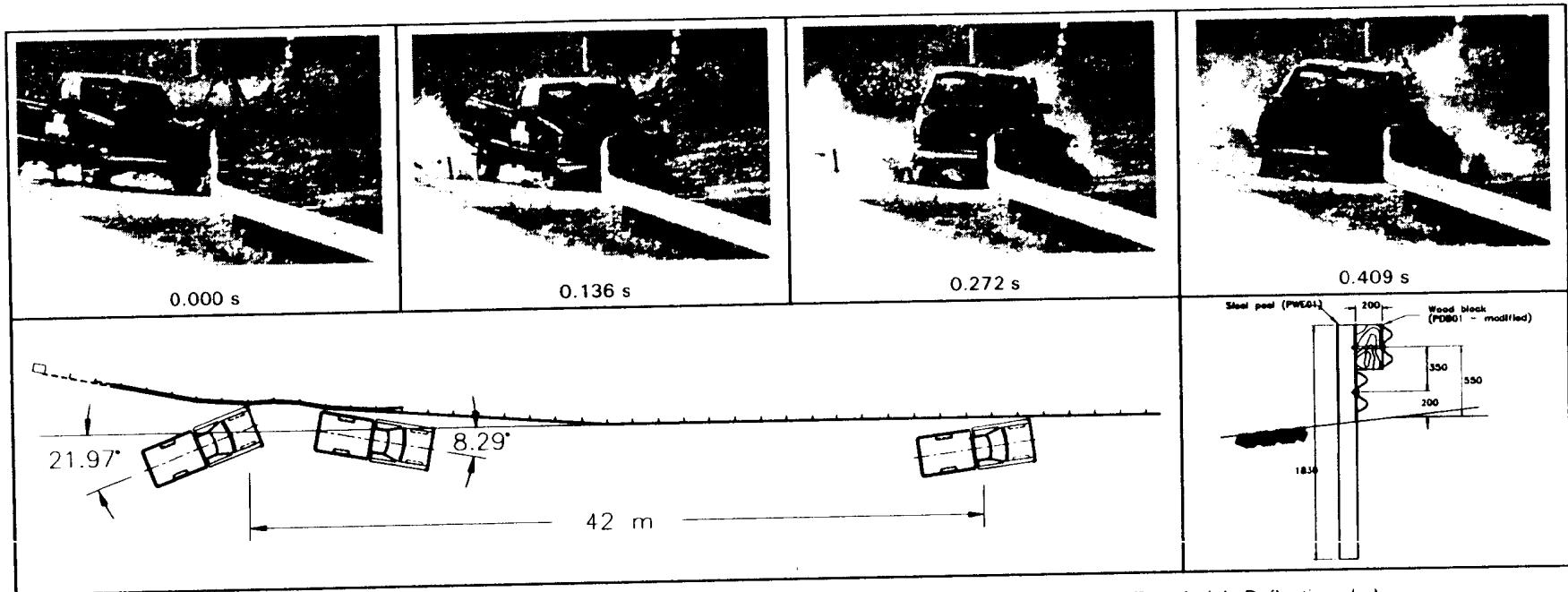




24

<b>General Information</b>		<b>Impact Conditions</b>		<b>Test Article Deflections (m)</b>	
Test Agency	Texas Transportation Institute	Speed (km/h)	98.12	Dynamic	0.75
Test No.	405521-1	Angle (deg)	21.25	Permanent	0.24
Date	10/03/96	<b>Exit Conditions</b>		<b>Vehicle Damage</b>	
<b>Test Article</b>		Speed (km/h)	72.31	<b>Exterior</b>	
Type	Terminal	Angle (deg)	11.80	VDS	01RFQ5
Name	W-beam Buried-in-backslope	<b>Occupant Risk Values</b>		CDC	01FREW3
Installation Length (m)	114.3	Impact Velocity (m/s)		<b>Maximum Exterior</b>	
Size and/or dimension and material of key elements	W-beam guardrail on steel posts w/wood blockouts, rubrail, ditch	x-direction	7.41	Vehicle Crush (mm)	500
Soil Type and Condition	Standard soil, dry	y-direction	5.85	<b>Interior</b>	
<b>Test Vehicle</b>		Ridedown Accelerations (g's)		OCD	RF0103000
Type	Production	x-direction	-5.59	<b>Max. Occ. Compartment</b>	
Designation	2000P	y-direction	-8.92	Deformation (mm)	66
Model	1991 Chevrolet 2500 pickup	<b>Max. 0.050-s Average (g's)</b>		<b>Post-Impact Behavior</b>	
Mass (kg) Curb	1947	x-direction	-6.08	(during 1.0 s after impact)	
Test Inertial	2000	y-direction	-7.54	Max. Roll Angle (deg)	-29.44
Dummy	76	z-direction	-3.12	Max. Pitch Angle (deg)	-5.94
Gross Static	2076			Max. Yaw Angle (deg)	-35.11

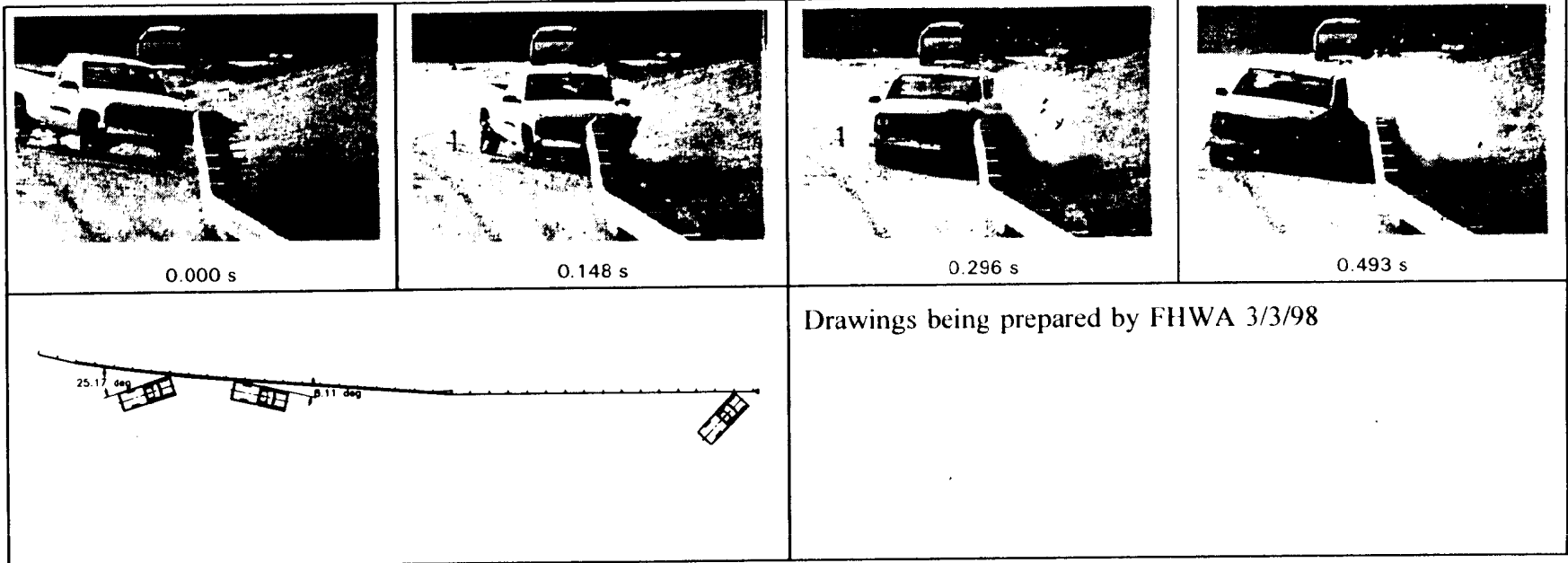
Figure 14. Summary of results for test 405521-1.



32

<b>General Information</b>		<b>Impact Conditions</b>		<b>Test Article Deflections (m)</b>	
Test Agency	Texas Transportation Institute	Speed (km/h)	97.00	Dynamic	0.80
Test No.	405521-2	Angle (deg)	21.97	Permanent	0.50
Date	10/03/96	<b>Exit Conditions</b>		<b>Vehicle Damage</b>	
<b>Test Article</b>		Speed (km/h)	61.71	<b>Exterior</b>	
Type	Terminal	Angle (deg)	8.29	VDS	01LFQ5
Name	W-beam Buried in backslope	<b>Occupant Risk Values</b>		CDC	01FLEW3
Installation Length (m)	114.3	Impact Velocity (m/s)		<b>Maximum Exterior</b>	
Size and/or dimension and material of key elements	W-beam guardrail on steel posts w/wood blockouts, rubrail, drop inlet	x-direction	7.73	Vehicle Crush (mm)	600
Soil Type and Condition	Standard soil, dry	y-direction	5.53	<b>Interior</b>	
<b>Test Vehicle</b>		Ridedown Accelerations (g's)		OCDI	LF0100000
Type	Production	x-direction	7.56	Max. Occ. Comp. Deformation (mm)	33
Designation	2000P	y-direction	7.27	<b>Post-Impact Behavior</b>	
Model	1990 Chevrolet 2500 pickup	Max. 0.050-s Average (g's)		(during 1.0 s after impact)	
Mass (kg) Curb	1955	x-direction	5.97	Max. Roll Angle (deg)	41.30
Test Inertial Dummy	2000 76	y-direction	6.17	Max. Pitch Angle (deg)	4.68
Gross Static	2076	z-direction	5.21	Max. Yaw Angle (deg)	36.74

Figure 20. Summary of results for test 405521-2.



Drawings being prepared by FHWA 3/3/98

27

<b>General Information</b>		<b>Impact Conditions</b>		<b>Test Article Deflections (m)</b>	
Test Agency	Texas Transportation Institute	Speed (km/h)	97.23	Dynamic	0.67
Test No.	404211-1	Angle (deg)	25.17	Permanent	0.41
Date	01/29/98	<b>Exit Conditions</b>		<b>Vehicle Damage</b>	
<b>Test Article</b>		Speed (km/h)	70.58	Exterior	
Type	Terminal	Angle (deg)	8.11	VDS	11LFO4
Name	W-beam Buried in Backslope	<b>Occupant Risk Values</b>		CDC	11FLEK2 & 11LYEW3
Installation Length (m)	76.2	Impact Velocity (m/s)		Maximum Exterior	
Material or Key Elements	W-beam Guardrail on Steel Posts w/WoodBlockouts, Rubrail, 1:6 Ditch	x-direction	7.20	Vehicle Crush (mm)	520
Soil Type and Condition	Standard Soil, Damp	y-direction	7.23	Interior	
<b>Test Vehicle</b>		Ridedown Accelerations (g's)		OCDI	FS0100002
Type	Production	x-direction	-9.42	Max. Occ. Compart.	
Designation	2000P	y-direction	8.65	Deformation (mm)	205
Model	1995 GMC 2500 pickup truck	Max. 0.050-s Average (g's)		<b>Post-Impact Behavior</b>	
Mass (kg) Curb	1933	x-direction	-6.00	(during 1.0 s after impact)	
Test Inertial	2000	y-direction	8.78	Max. Yaw Angle (deg)	32.5
Dummy	76	z-direction	-9.34	Max. Pitch Angle (deg)	11.0
Gross Static	2076			Max. Roll Angle (deg)	38.5

Figure 14. Summary of results for test 404211-1, NCHRP Report 350 test 3-35.