

June 22, 1998

Refer to: HNG-14

Mr. Billy Atwood
Central Fabricators, Inc.
P.O. Box 930
Kosciusko, Mississippi 39090

Dear Mr. Atwood:

Mr. Richard Powers of my staff received Mr. Dean Alberson's June 3 letter requesting the Federal Highway Administration's acceptance of four different shaped plastic blockouts manufactured with variable proportions of High Density Poly Ethylene (HDPE) and Polypropylene (PP). This request was based on pendulum tests that were conducted using blocks of each shape manufactured with 100% HDPE and with 100% PP. My May 7 acceptance letter to you was limited to the originally-tested blocks made with 50% HDPE and 45% Low Density Poly Ethylene (LDPE), with a plus or minus 5% tolerance for each material.

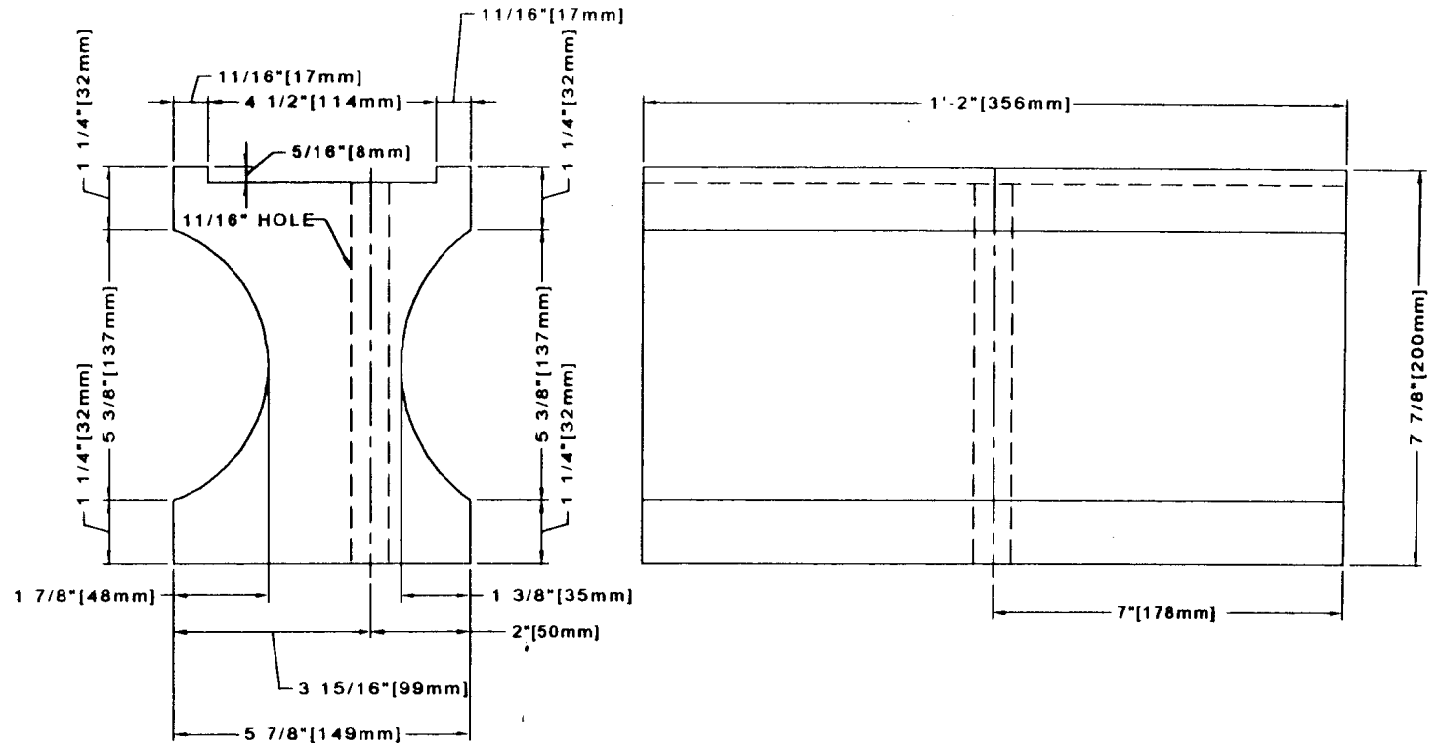
Based on the additional testing, we will now accept blocks made to any of the dimensions shown in Enclosure 1 and proportioned as follows: 0-100% HPDE, 0-100% PP, 0-50% LDPE, and 0-5% PVC and Polycarbonates. As with my initial acceptance, this acceptance is for the impact resistance characteristics of your products and does not address the long-term effects of temperature or weathering. We continue to assume that you will address these issues and provide user agencies a certification that the material composition conforms to the above specifications.

Sincerely yours,

(original signed by Dwight A. Horne)

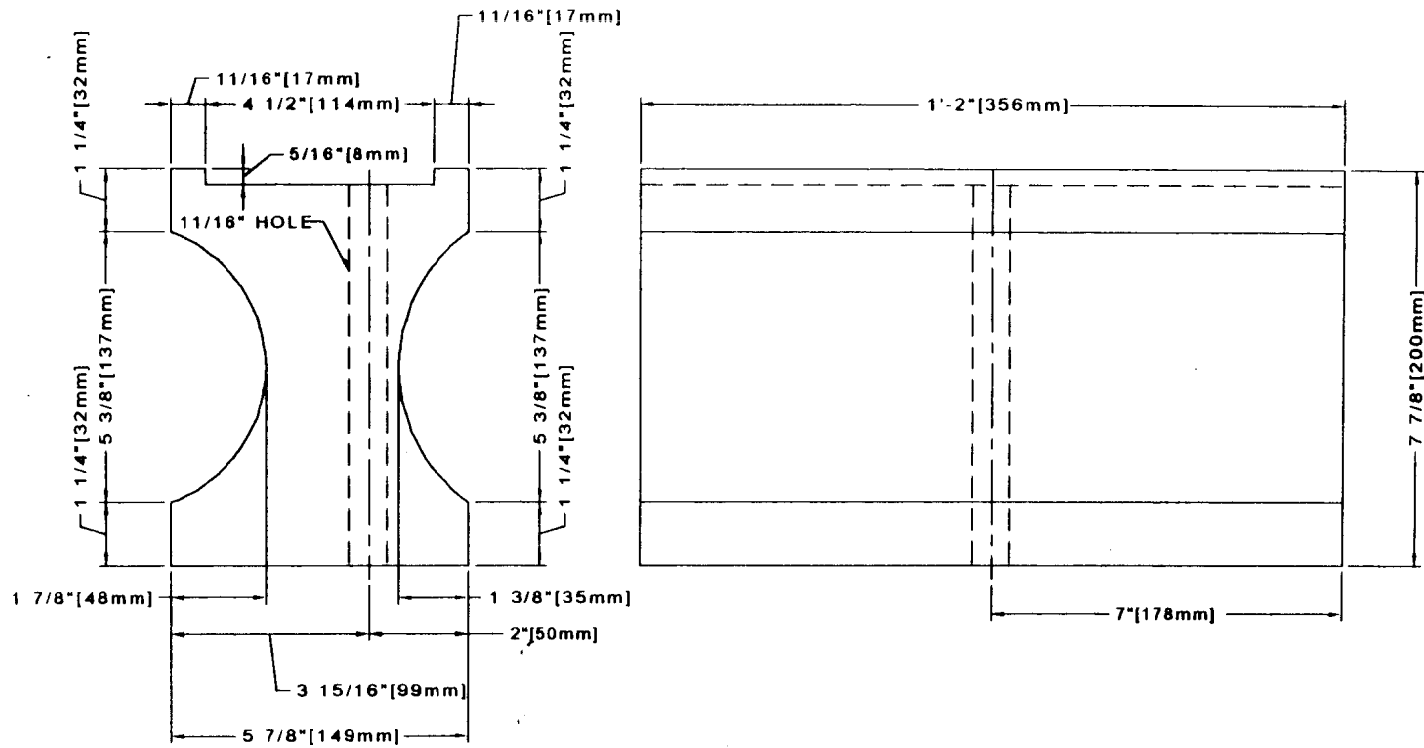
Dwight A. Horne
Chief, Federal-Aid and Design Division

Enclosure
Acceptance letter B-49A



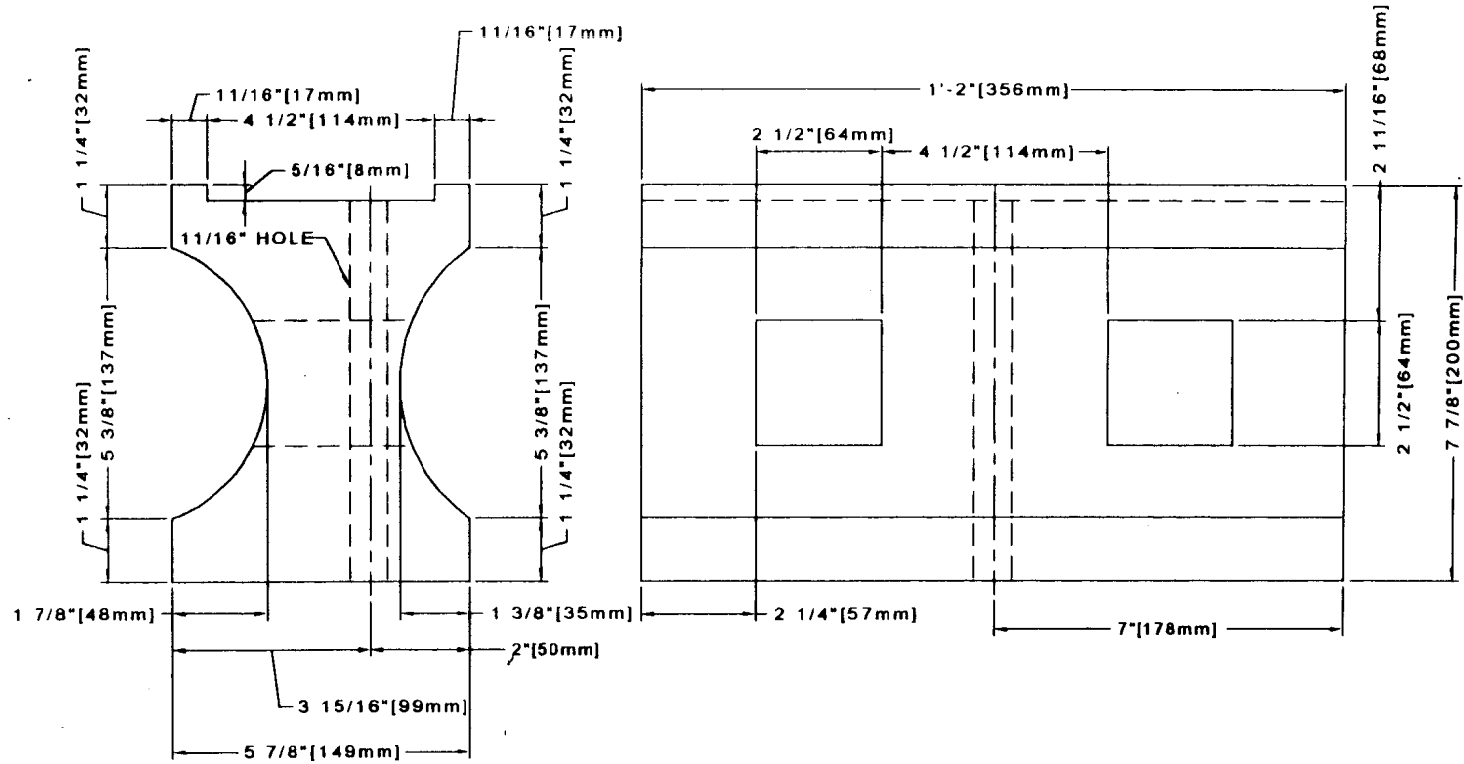
Modified 6"x8"x14" PLastic Blockout 100% H.D.P.E

CONTRACT NO.		DATE	CENTRAL FABRICATORS, INC. P.O. BOX 930 KOSCIUSKO, MS 39090	
PREPARED	C. KARPATNY	6/3/98	PRODUCED	SAFETY QUEST, INC. <small>808 UNIVERSITY DRIVE EAST SUITE 701 COLLEGE STATION TX 77840</small>
ENGINEER	L. BULLARD D. ALBERSON		TITLE	
REVISED			RECYCLED PLASTIC BLOCKOUT	
SCALE	SHEET	SIZE	DRAWING NO.	REV.
1 : 4	1 OF 8	B		



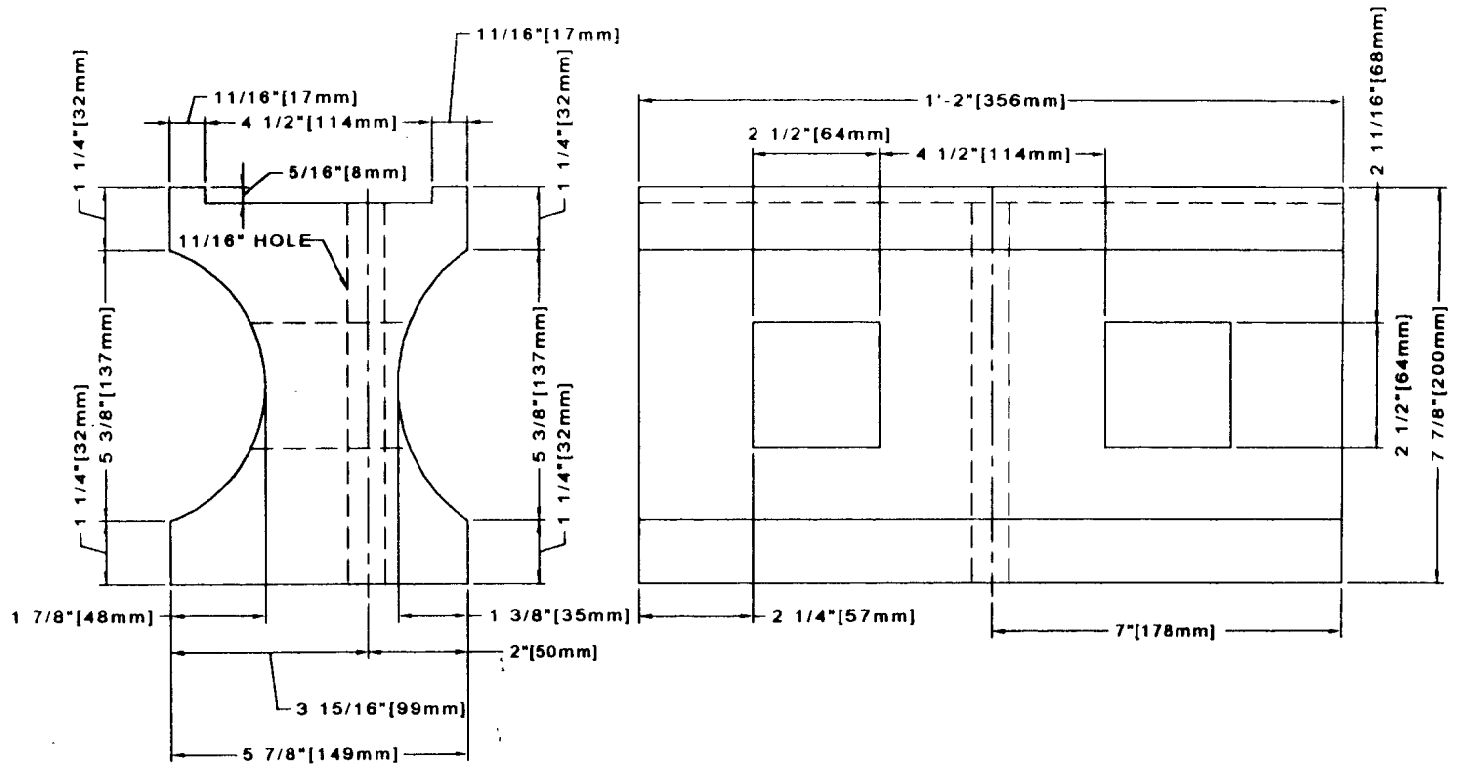
Modified 6"x8"x14" PLastic Blockout 100% P.P.

CONTRACT NO.		DATE	CENTRAL FABRICATORS, INC. P.O. BOX 930 KOSCIUSKO, MS 39090	
PREPARED	C. KARPATHY	6/3/08	PRODUCED	SAFETY QUEST, INC. <small>800 UNIVERSITY DRIVE EAST SUITE 701 COLLEGE STATION, TX 77840</small>
ENGINEER	L. BULLARD D. ALBERSON		TITLE	
REVISED			RECYCLED PLASTIC BLOCKOUT	
SCALE		SHEET	SIZE	DRAWING NO.
1 : 4		2 OF 8	B	
				REL.



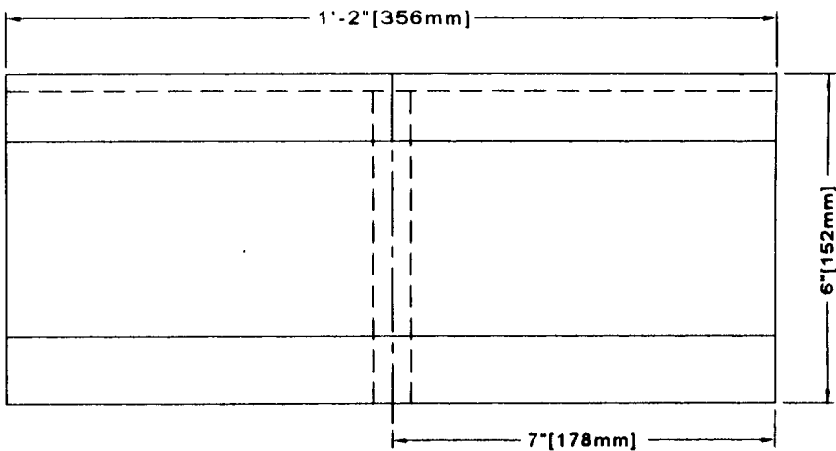
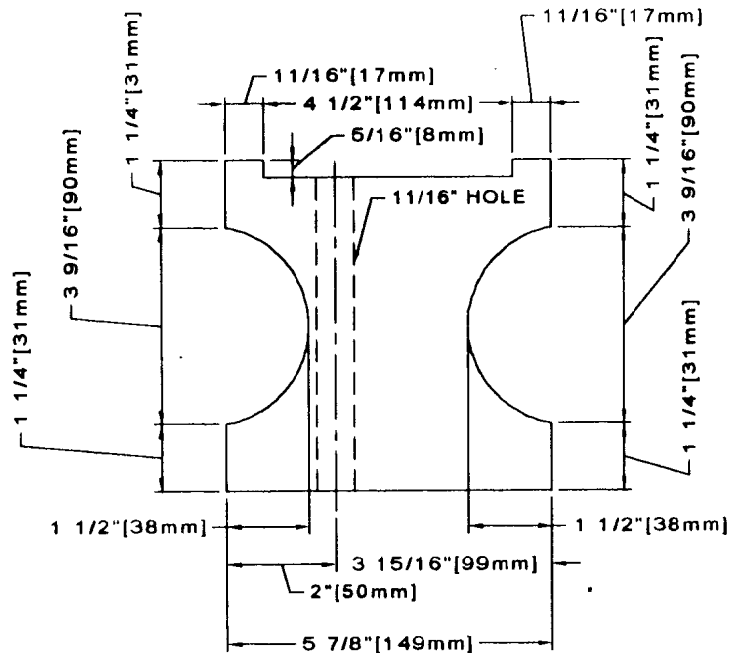
Modified 6"x8"x14" PLastic Blockout 100% P.P.

CONTRACT NO.		DATE	CENTRAL FABRICATORS, INC. P.O. BOX 930 KOSCIUSKO, MS 39090	
PREPARED	C. KARPATY	8/3/88	PRODUCED	SAFETY QUEST, INC. <small>800 UNIVERSITY DRIVE EAST SUITE 101 COLLEGE STATION, TX 77840</small>
ENGINEER	L. BULLARD D. ALBERSON		TITLE	RECYCLED PLASTIC BLOCKOUT
REVISED				
SCALE	SHEET	SIZE	DRAWING NO.	REV.
1 : 4	3 OF 8	B		



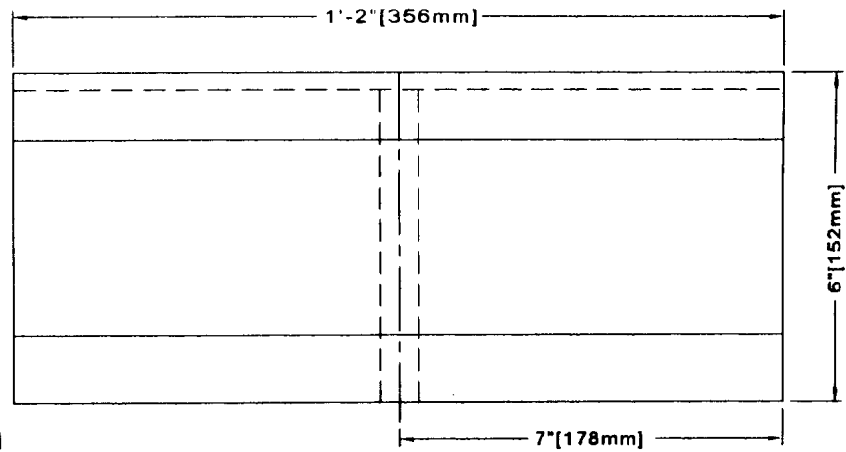
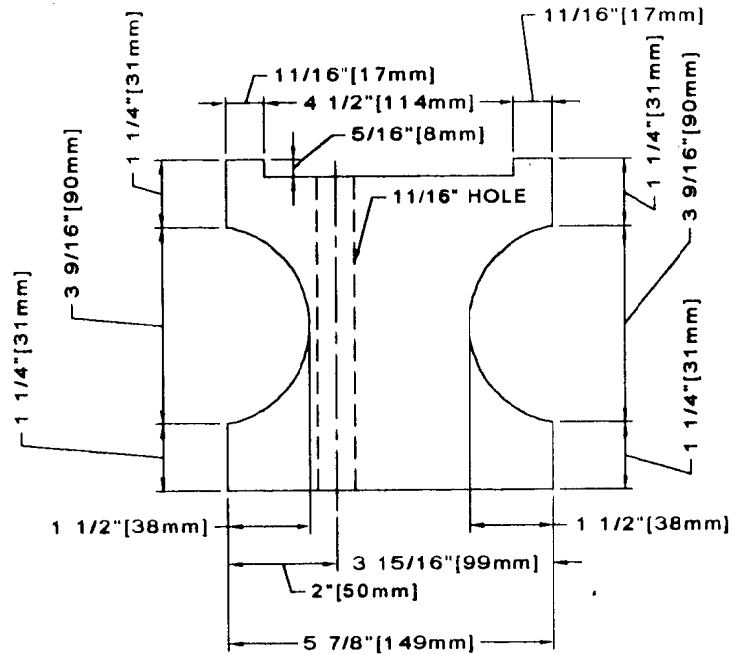
Modified 6"x8"x14" P_Lastic Blockout 100% H.D.P.E

CONTRACT NO.		DATE	CENTRAL FABRICATORS, INC. P.O. BOX 930 KOSCIUSKO, MS 39090	
PREPARED	C. KARPATY	6/3/98	PRODUCED	SAFETY QUEST, INC. <small>800 UNIVERSITY DRIVE EAST SUITE 101 COLLEGE STATION TX 77840</small>
ENGINEER	L. BULLARD D. ALBERSON		TITLE	
REVISED			RECYCLED PLASTIC BLOCKOUT	
SCALE	SHEET	SIZE	DRAWING NO.	REV.
1 : 4	4 OF 8	B		



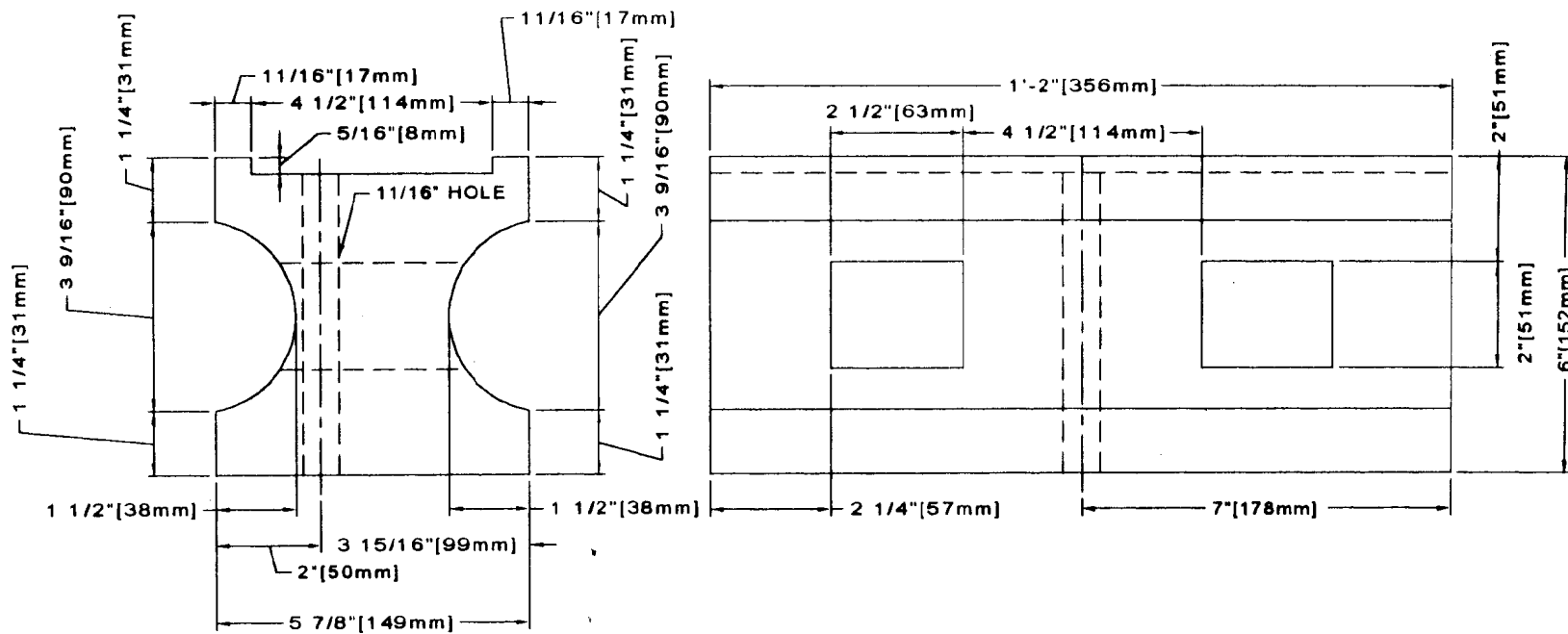
Modified 6"x6"x14" PLastic Blockout 100% H.D.P.E

CONTRACT NO.		DATE	CENTRAL FABRICATORS, INC. P.O. BOX 930 KOSCIUSKO, MS 39090	
PREPARED	C. KARPATY	6/3/98	PRODUCED BY SAFETY QUEST, INC. <small>608 UNIVERSITY DRIVE EAST SUITE 101 COLLEGE STATION, TX 77840</small>	
ENGINEER	L. BULLARD D. ALBERSON		TITLE RECYCLED PLASTIC BLOCKOUT	
REVISED			SIZE	DRAWING NO.
SCALE		SHEET		REV.
1 : 4		5 OF 8	B	



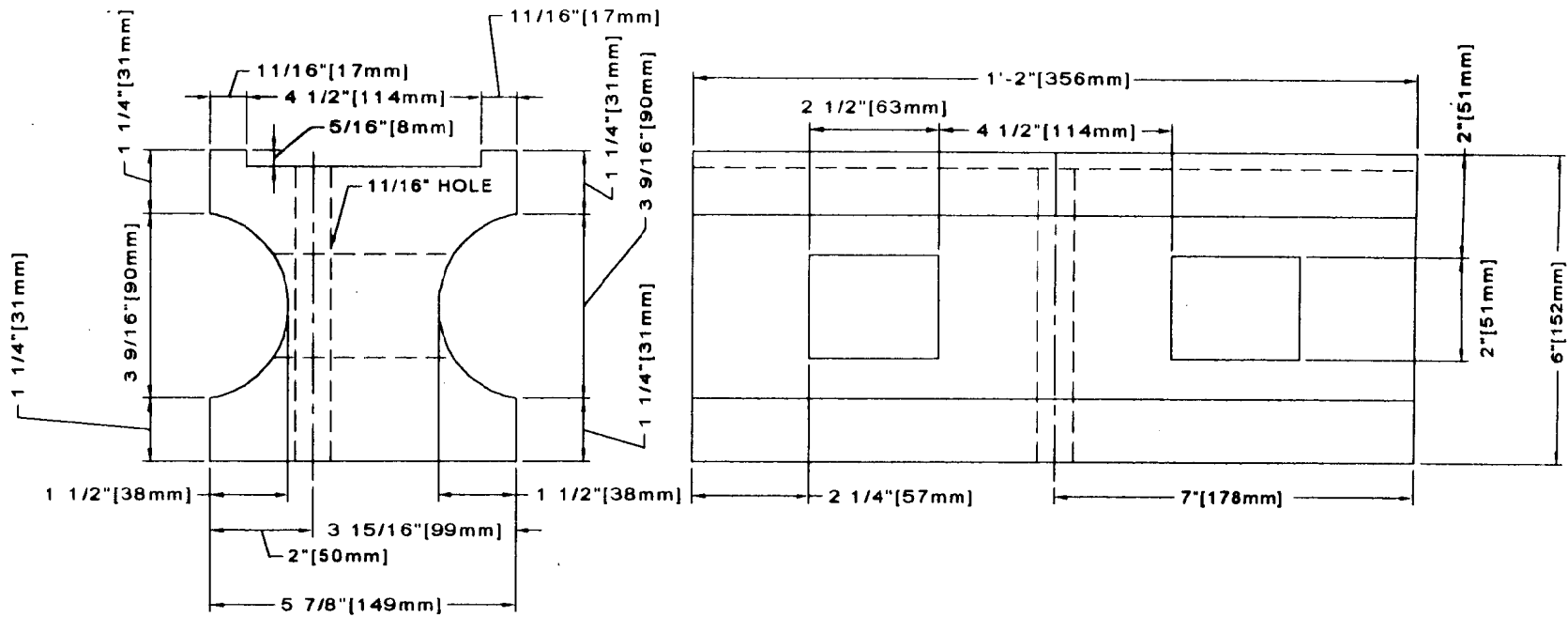
Modified 6"x6"x14" PLastic Blockout 100% P.P.

CONTRACT NO.		DATE	CENTRAL FABRICATORS, INC. P.O. BOX 930 KOSCIUSKO, MS 39090	
PREPARED	C. KARPATY	8/3/88	PRODUCED	SAFETY QUEST, INC. <small>808 UNIVERSITY DRIVE EAST SUITE 701 COLLEGE STATION, TX 77840</small>
ENGINEER	L. BULLARD D. ALBERSON		TITLE	
REVISED			RECYCLED PLASTIC BLOCKOUT	
SCALE	1/4	SHEET	SIZE	DRAWING NO.
		6 OF 8	B	



Modified 6"x6"x14" PLastic Blockout 100% H.D.P.E

CONTRACT NO.		DATE		CENTRAL FABRICATORS, INC. P.O. BOX 930 KOSCIUSKO, MS 39090	
PREPARED	C. KARPATY	6/3/98	PRODUCED	SAFETY QUEST, INC. <small>808 UNIVERSITY DRIVE EAST SUITE 101 COLLEGE STATION TX 77840</small>	
ENGINEER	L. BULLARD		TITLE		
	D. ALBERSON		RECYCLED PLASTIC BLOCKOUT		
REVISED					
SCALE	1 : 4	SHEET	7 OF 8	SIZE	B
		DRAWING NO.	REV.		



Modified 6"x6"x14" PLastic Blockout 100% P.P.

CONTRACT NO.		DATE	CENTRAL FABRICATORS, INC. P.O. BOX 930 KOSCIUSKO, MS 39090	
PREPARED	C. KARPATY	8/3/98	PRODUCED BY SAFETY QUEST, INC. <small>800 UNIVERSITY DRIVE SUITE 201 COLLEGE STATION, TX 77840</small>	
ENGINEER	L. BULLARD D. ALBERSON		TITLE RECYCLED PLASTIC BLOCKOUT	
REVISED			SCALE	REV.
1	4	SHEET 8 OF 8	SIZE B	DRAWING NO.