

Equipment Fact Sheet

Closed Cycle Refrigerator

Bottom Loading

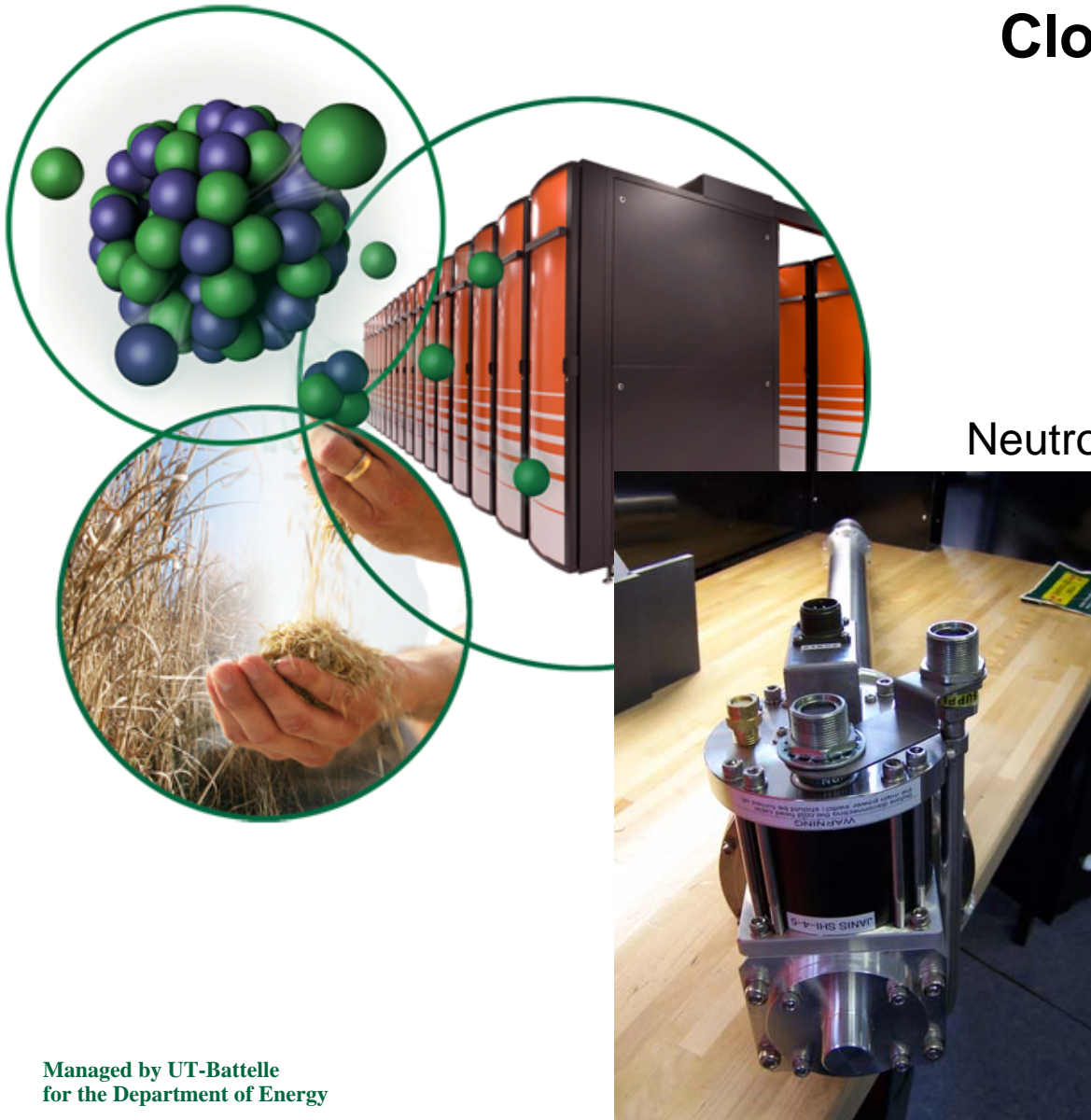
CCR-04

Neutron Scattering Science Division

Sample Environment Group

January 2008

8ls@ornl.gov



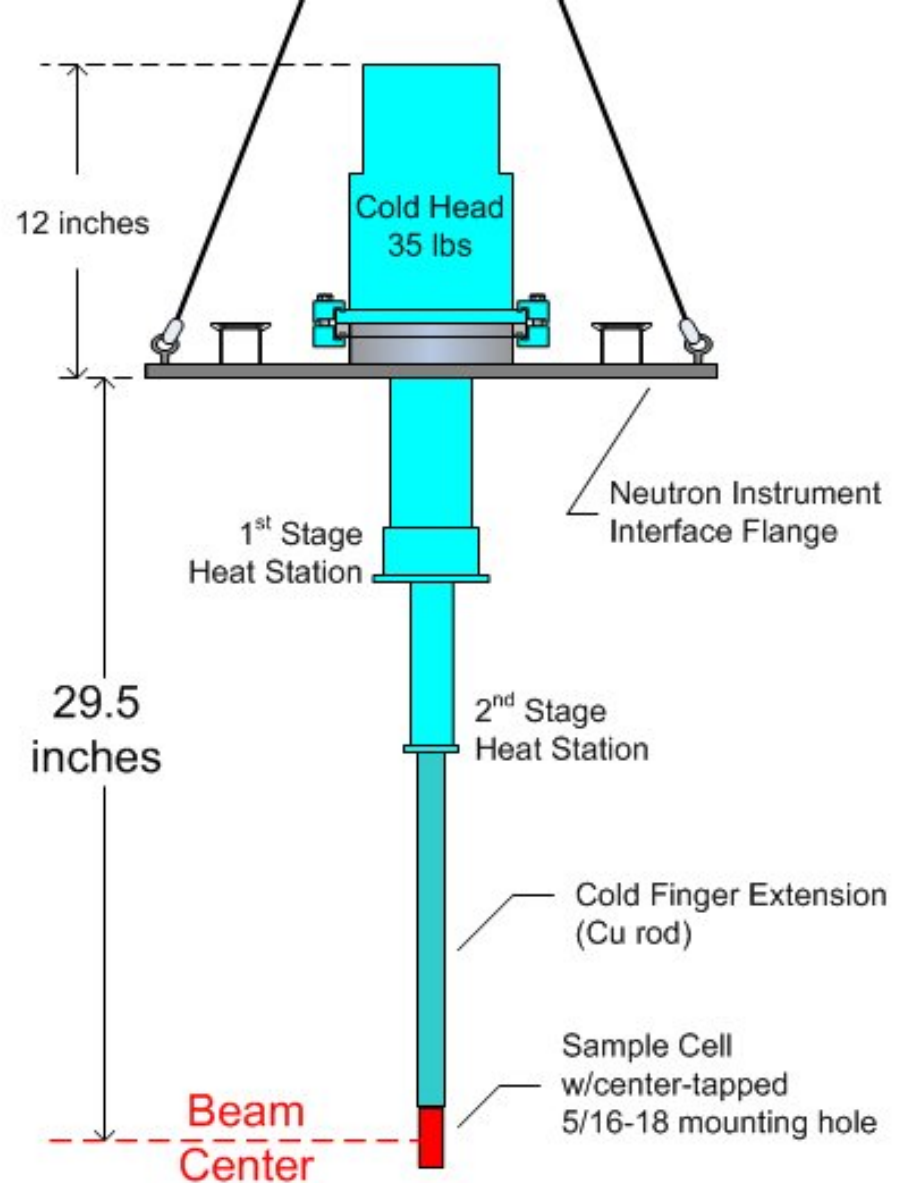
Basic Description

- **Off-the-shelf cooling engine**
 - Sumitomo RDK-205D (0.5 W @ 4.2 K)
- **Cold finger extension for SNS beam environment**
- **Sample temperature range 8 K to 500 K**



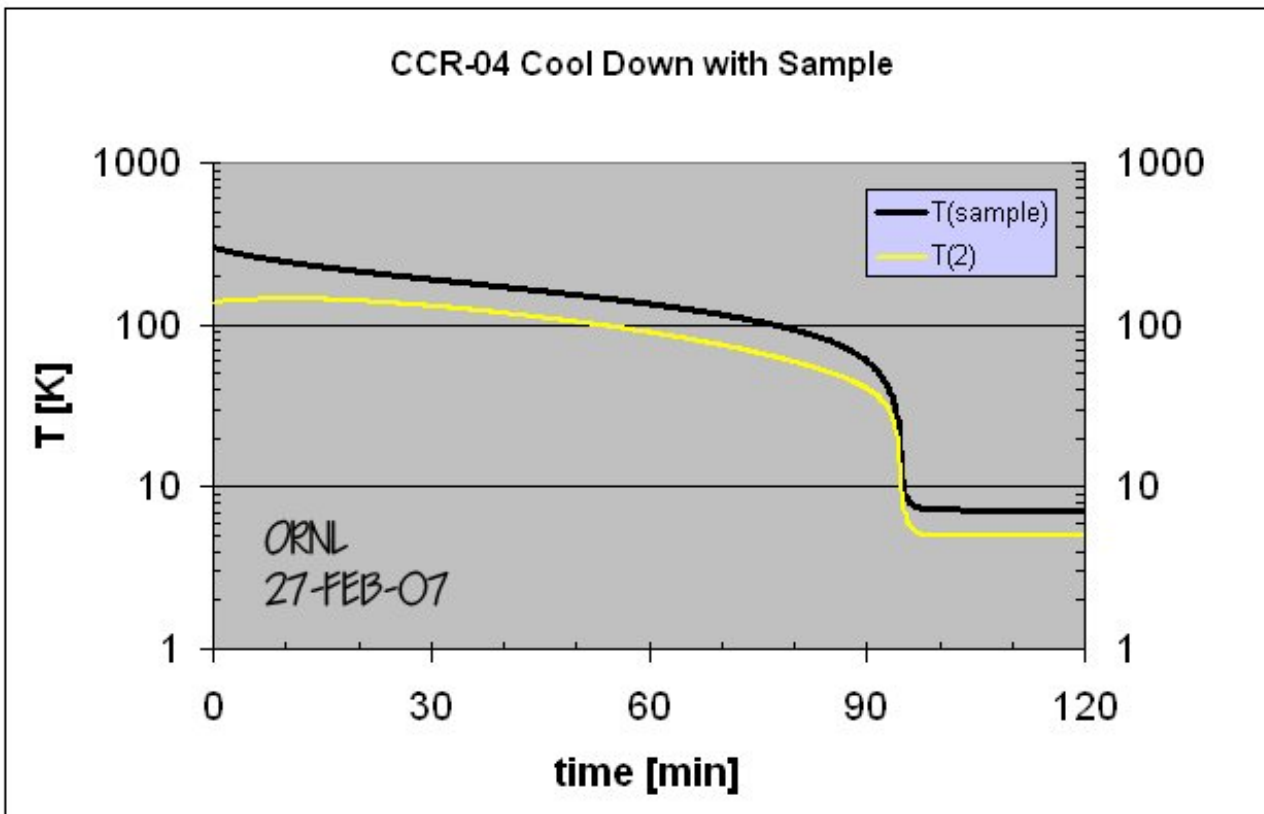
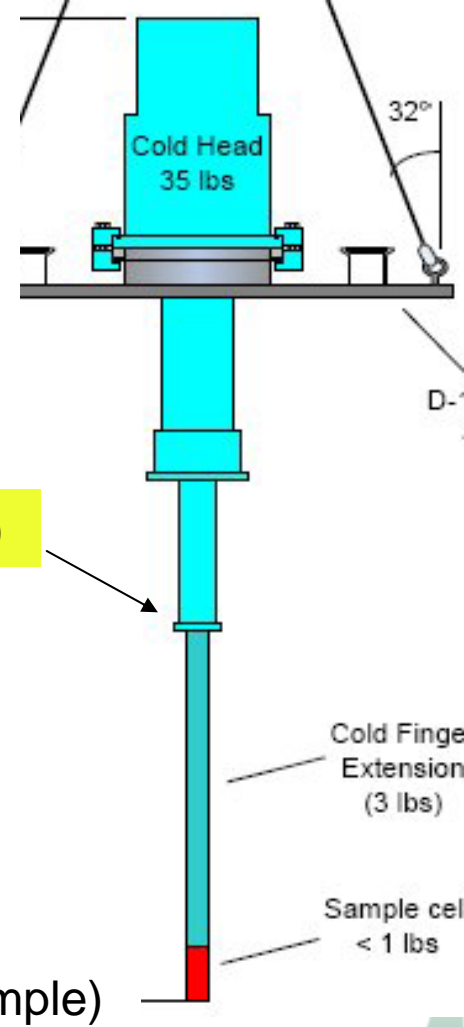
Layout Sketch

- Heat shield and vacuum jacket not shown
- Sample mounts to a 5/16-18 stud on end of cold finger
- Sample space within heat shield
 - 2.6 inch diameter
 - 5.0 inch height

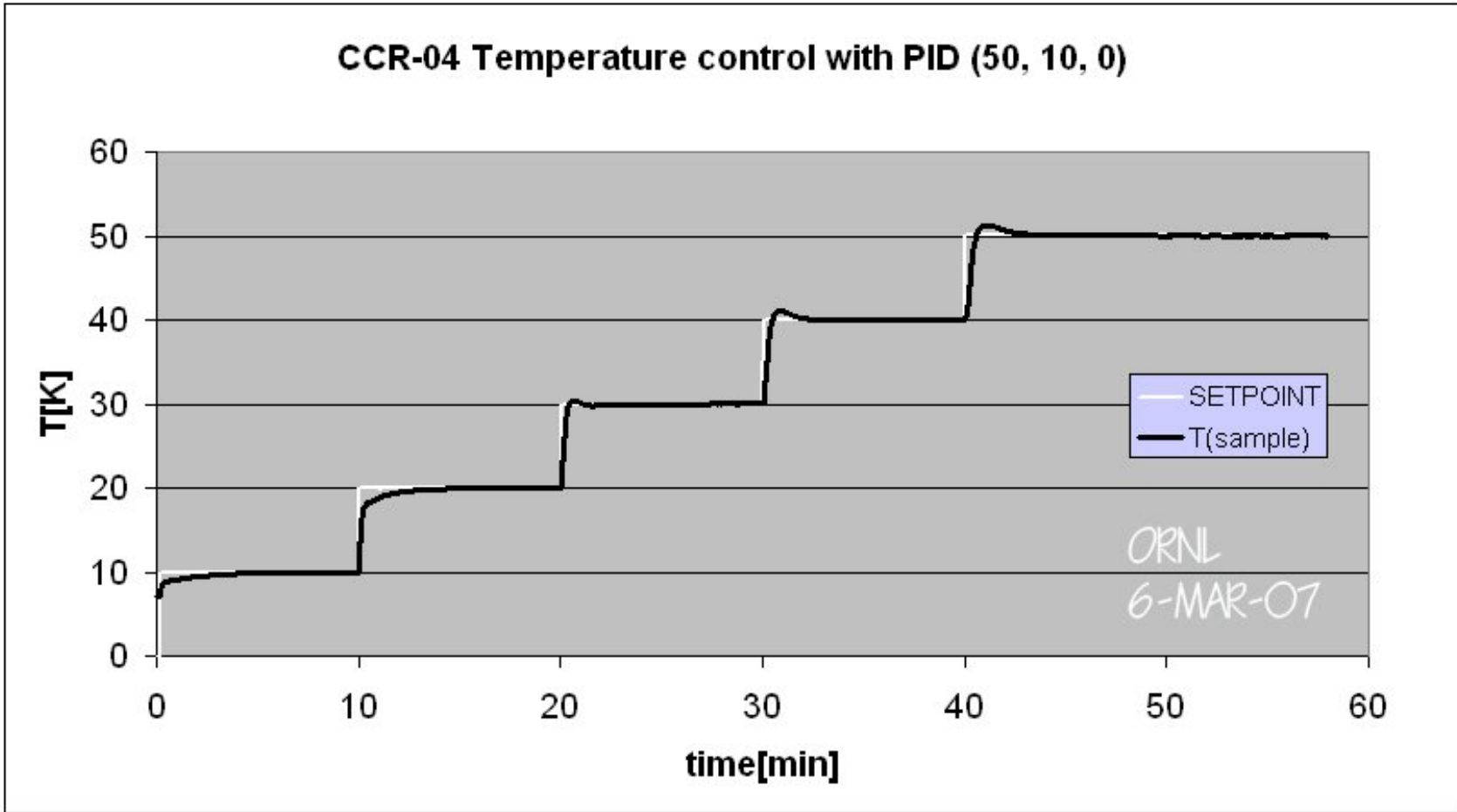


Performance Data

- 2nd stage temperature T(2) is recorded for diagnostics
- Sample cools below 8 K within 100 minutes



Performance Data



Performance Data

