



Arsenic and Landfills: Translating the science



What are we doing here?

knowledge translation

knowledge exchange

knowledge utilization

technology transfer

diffusion of innovation

research translation

Science translation, 1944



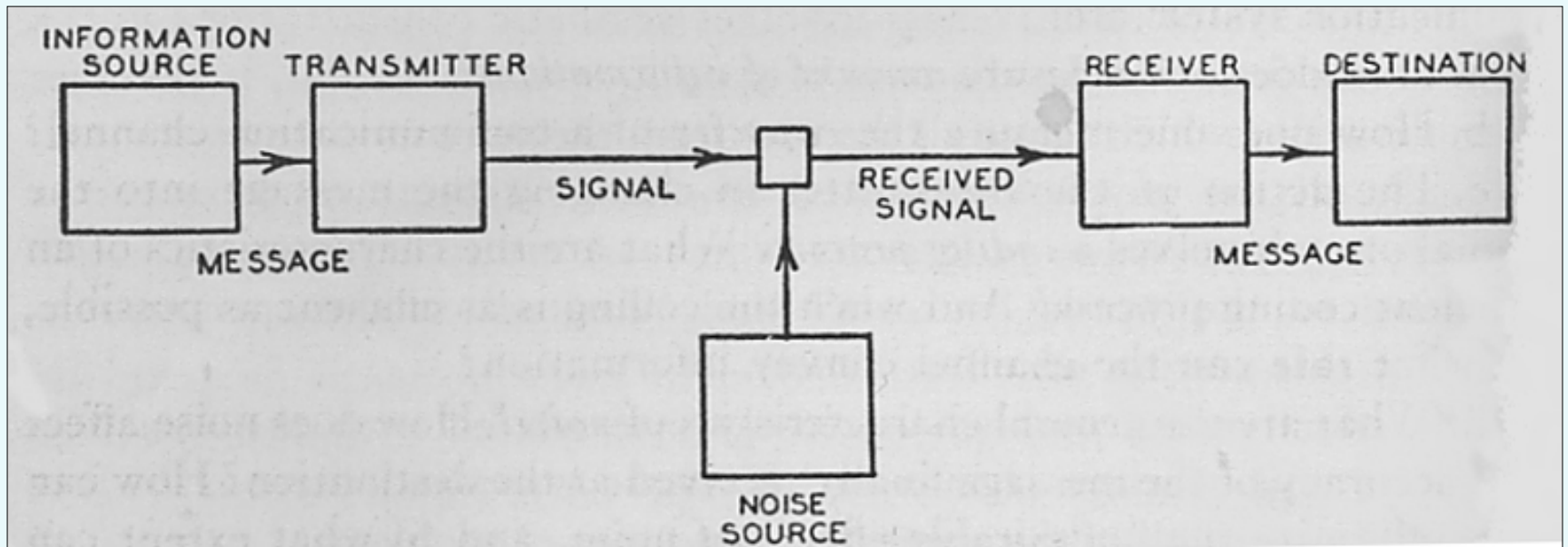
Vannevar Bush , July 1945

from *Time*, 1944/04/03

Translation as “extension”

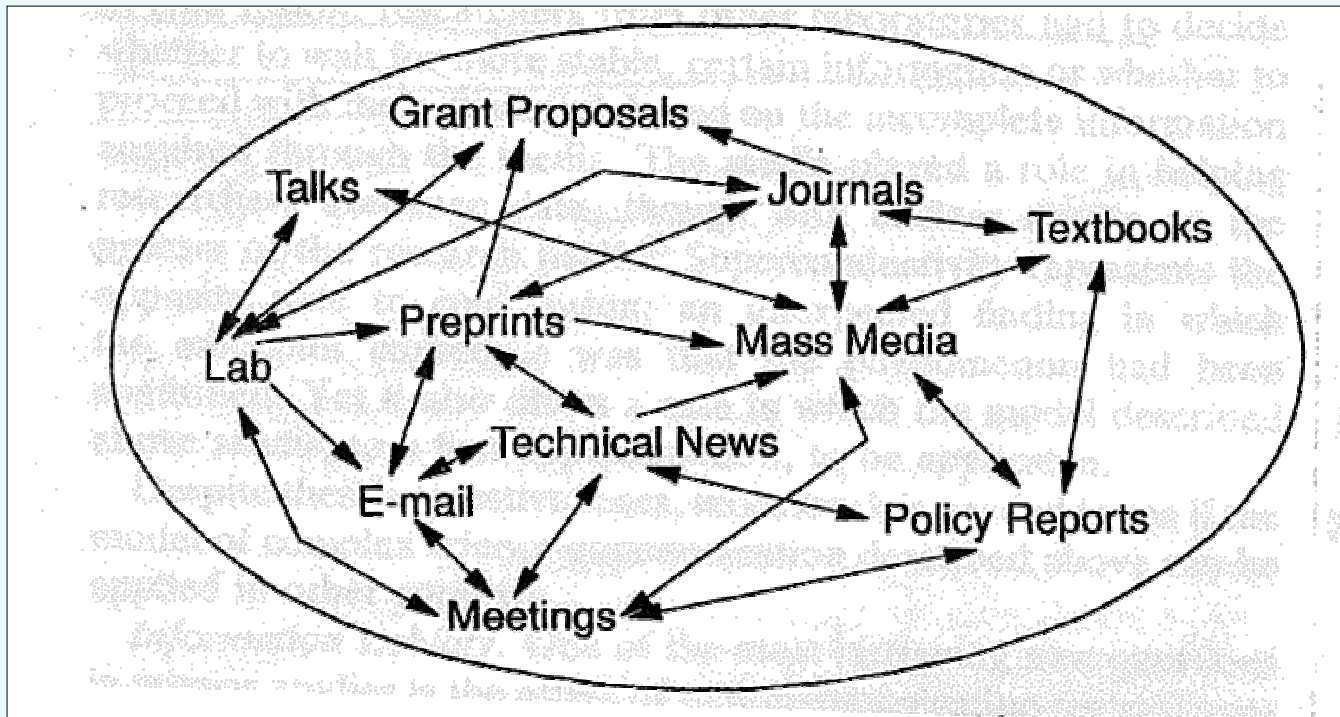


Straight as an Arrow



Shannon and Weaver, 1949

The Information Age: From Arrow to Web



Lewenstein 1995, p. 426