



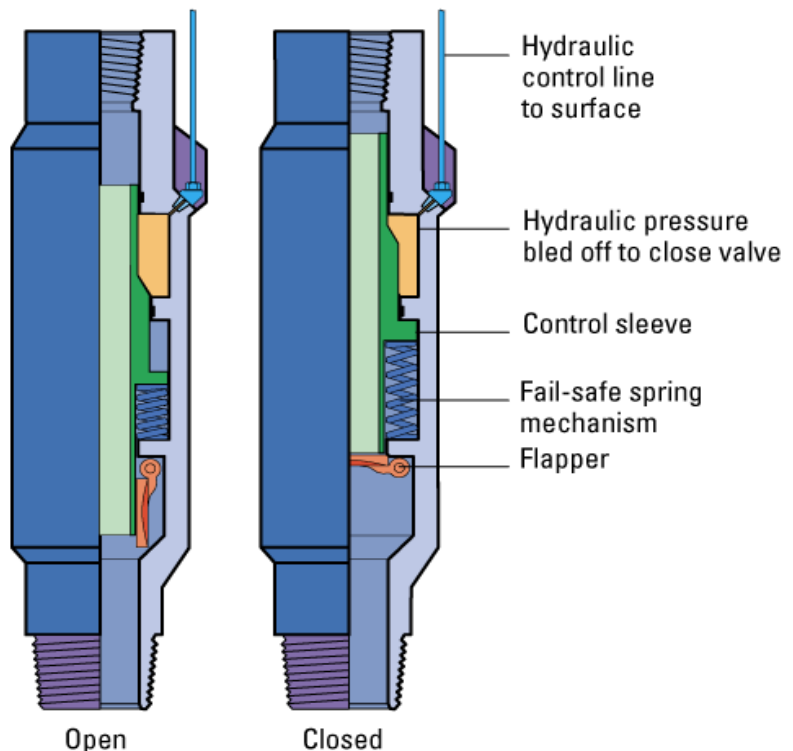
Safety Devices

The Minerals Management Service (MMS) actively works with the offshore energy industry to monitor the safe evacuation of all offshore employees, ensure protection of offshore facilities, and inspect safety devices on production equipment and pipelines. Through current regulations, annual above-water structural inspections, and new design standards, MMS has worked with the energy industry to enhance the safety of Outer Continental Shelf (OCS) operations.

MMS also requires all wells in the Gulf of Mexico to include installation of a downhole safety valve (DSV). A DSV isolates well pressure and fluids in the event of an emergency or failure of surface equipment. If a hurricane were to sever an offshore wellhead, the DSV would prevent the escape of any oil, gas, or well fluid into the Gulf.

Even though MMS performs rigorous inspections and enforces strict regulations, the possibility of an oil spill during a hurricane or tropical storm still exists. For this reason, MMS requires all companies operating in the Gulf of Mexico to demonstrate that they have the resources available to respond and successfully contain a worst-case discharge. This ability is demonstrated by operator-led drills and tested by MMS unannounced drills. MMS annually inspects the spill response equipment to ensure that it is readily available, well maintained, and appropriate for the area of operations.

MMS manages offshore oil and gas exploration as well as renewable energy sources including wind, wave, solar, and underwater current on 1.76 billion acres of the Outer Continental Shelf while protecting the human, marine, and coastal environments. MMS



Downhole safety valves are standard safety equipment required by MMS in all offshore wells. Pictured is a surface controlled down-hole safety valve.

also collects, accounts for, and disburses mineral revenues from Federal and American Indian lands.

For more information on MMS and offshore safety devices, contact the MMS Office of Public Affairs at (202) 208-3985 or visit www.mms.gov.

Ocean Energy and Value for America